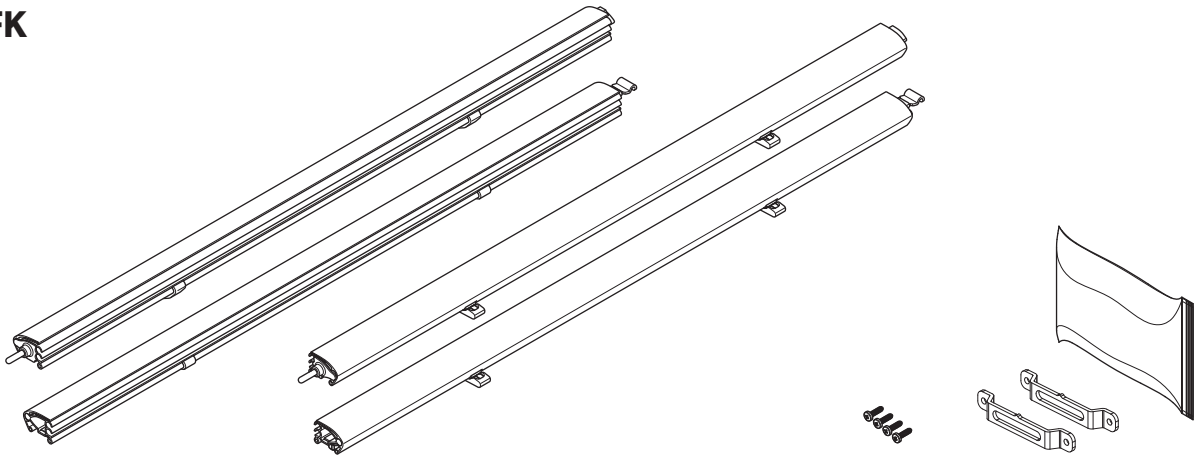
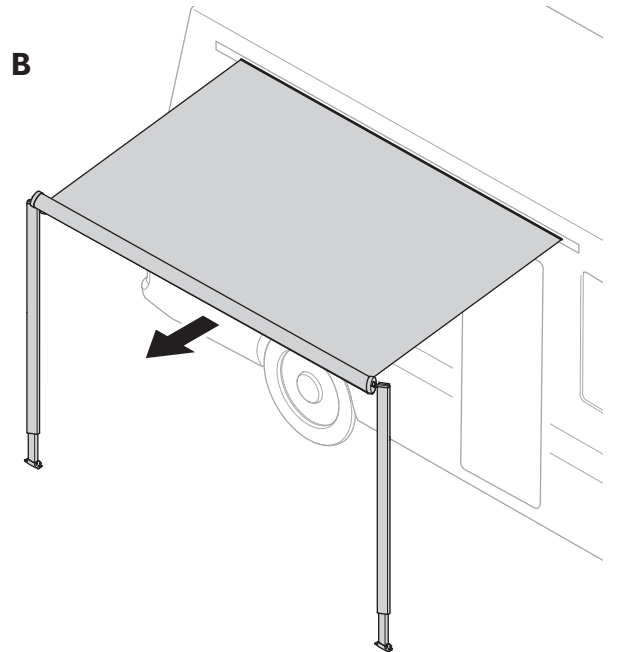
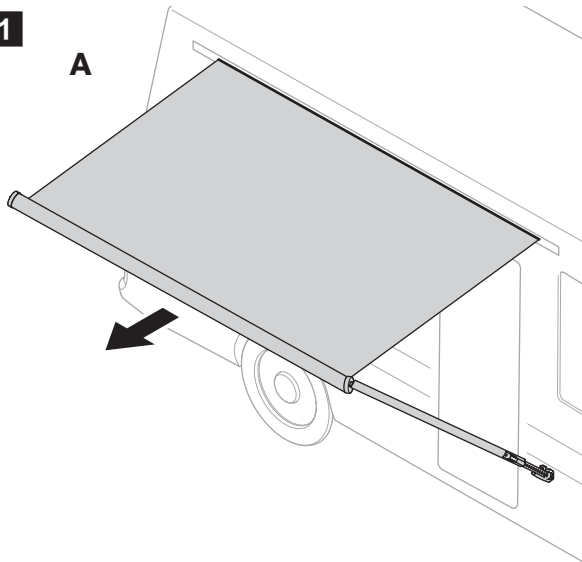




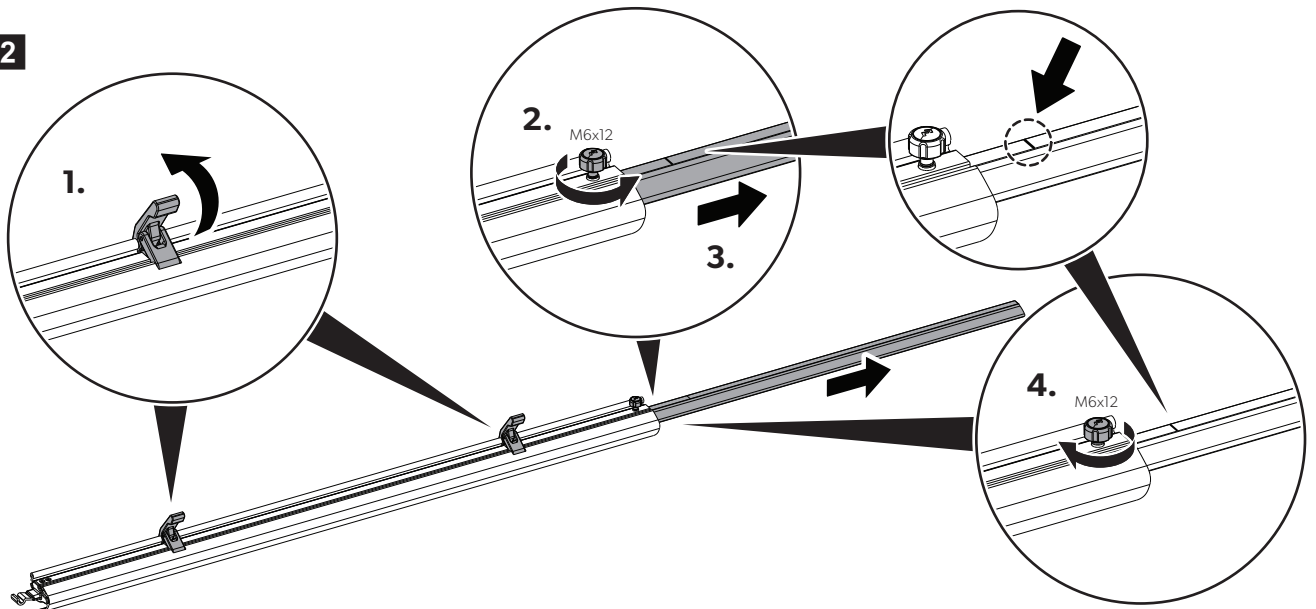
AFK



1

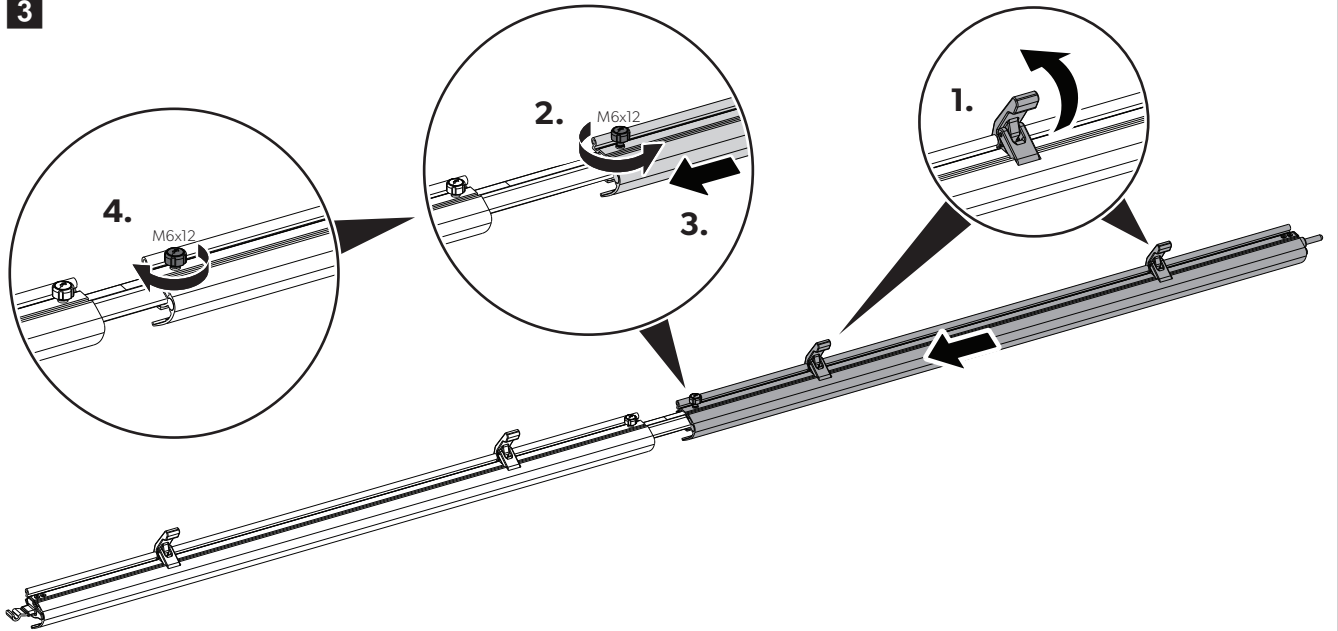


2

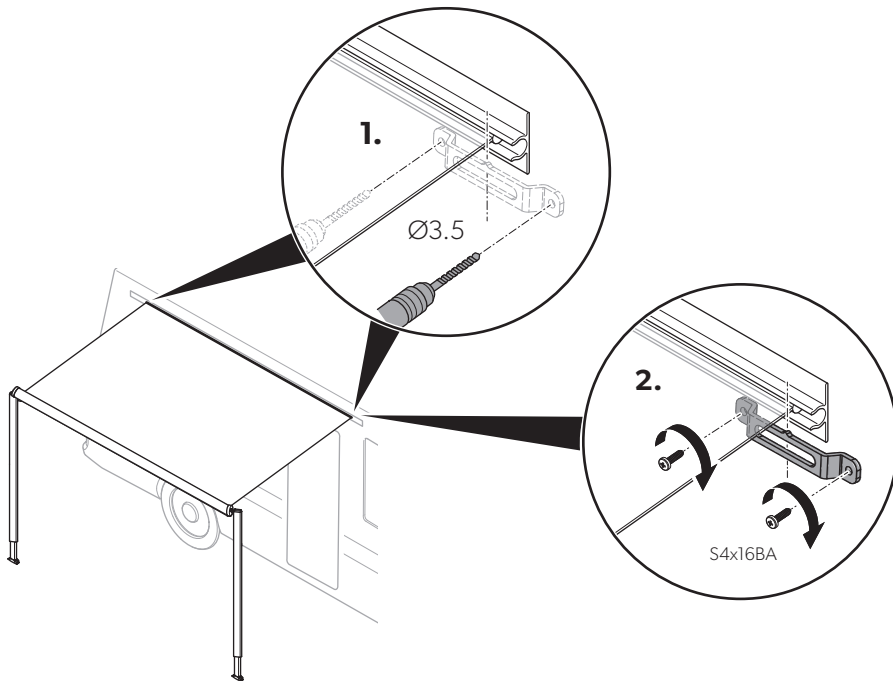




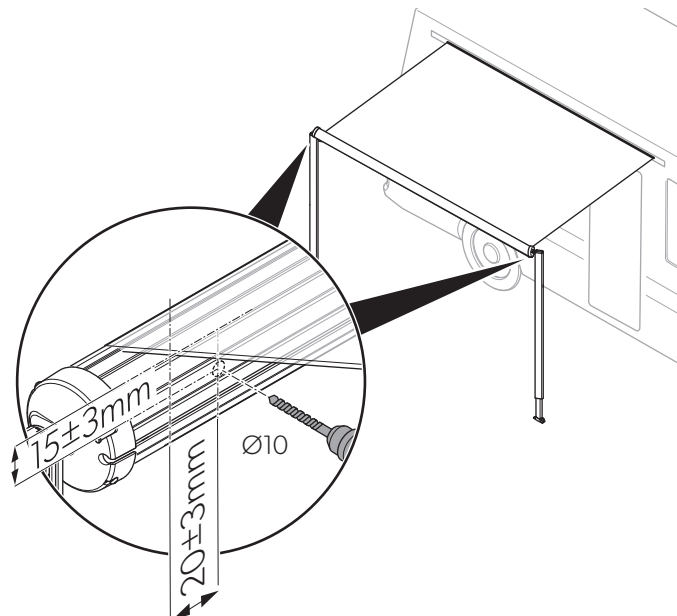
3



4

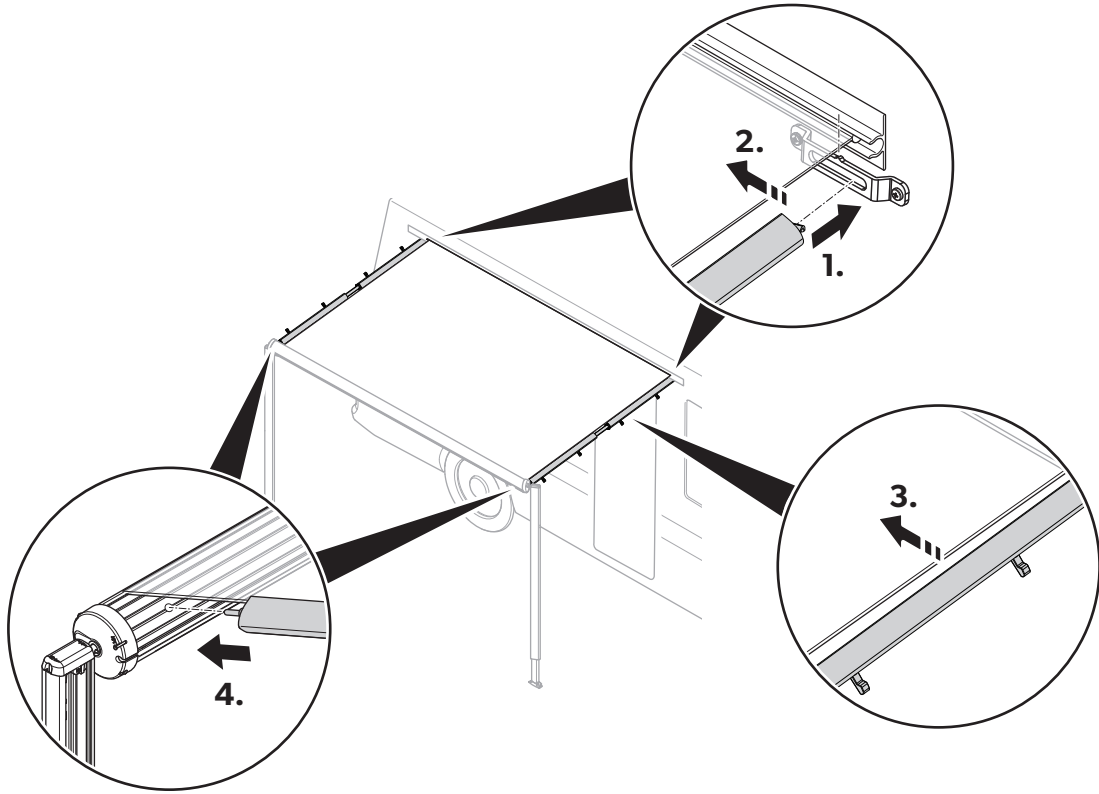


5

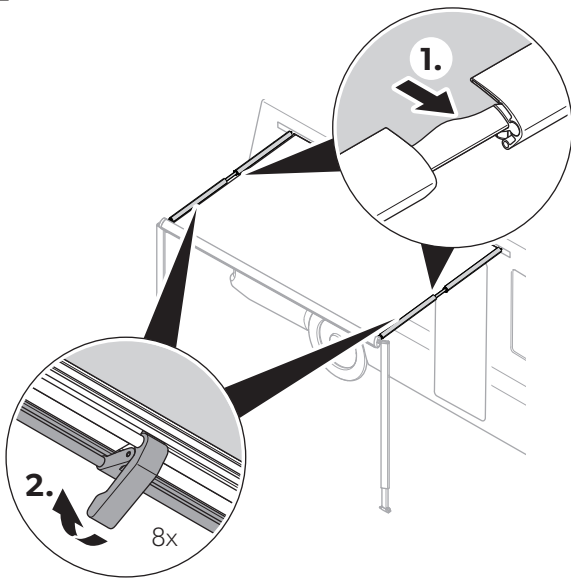




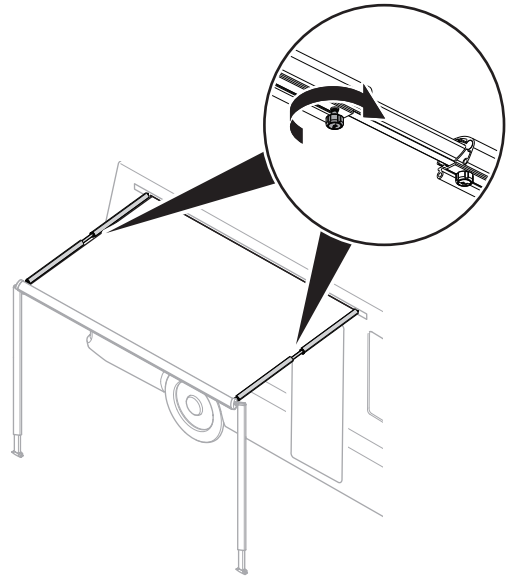
6



7

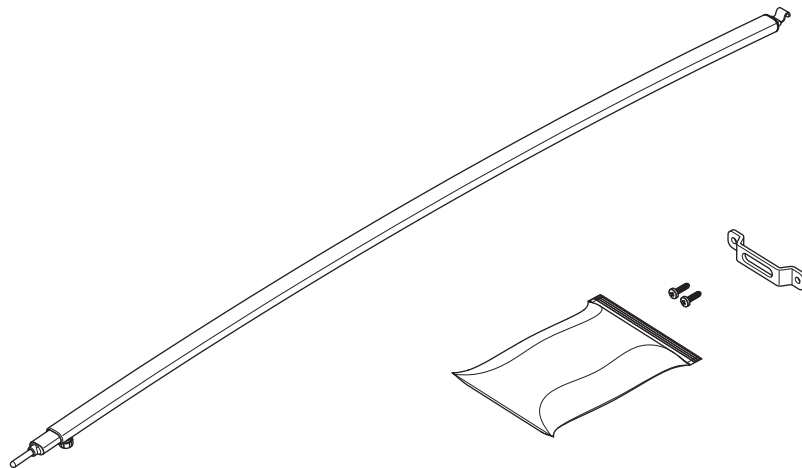


8



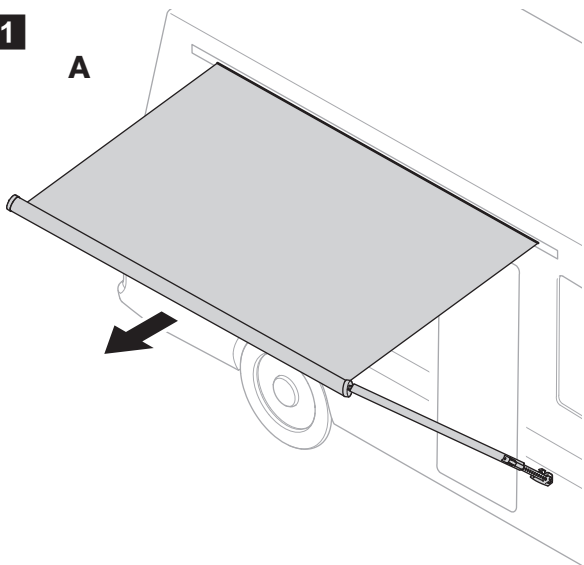


CRR

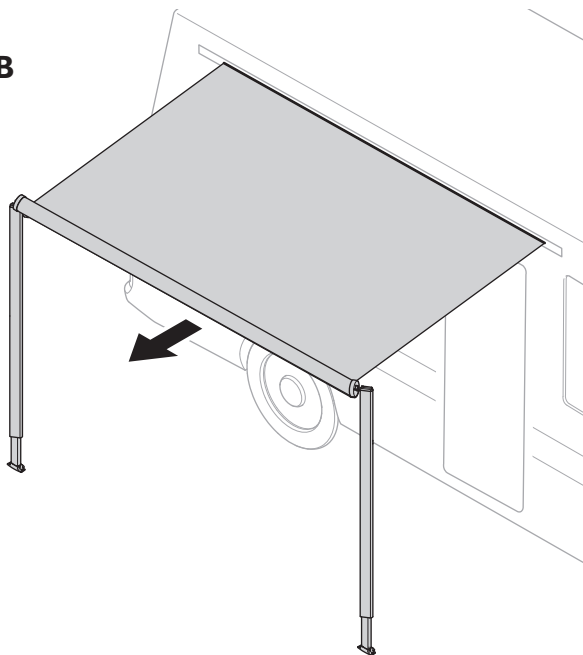


1

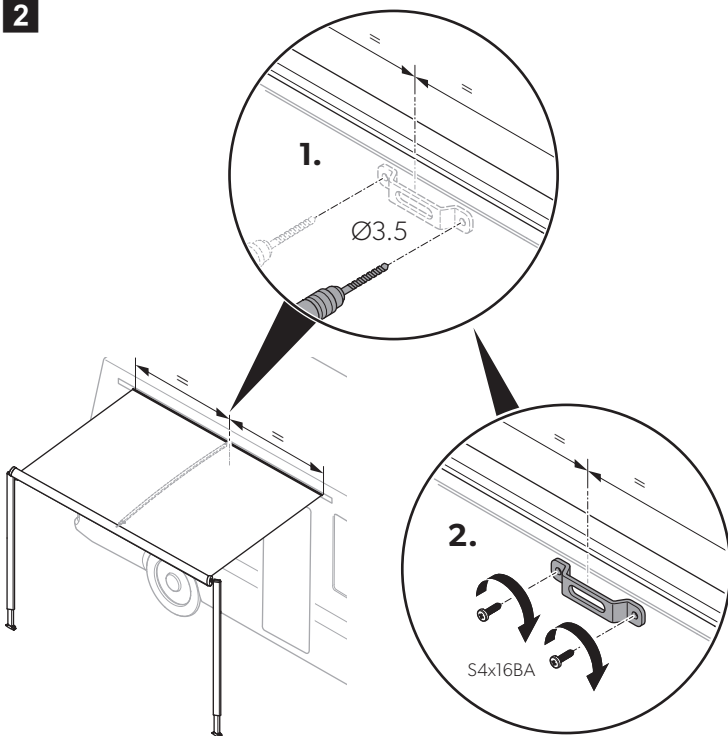
A



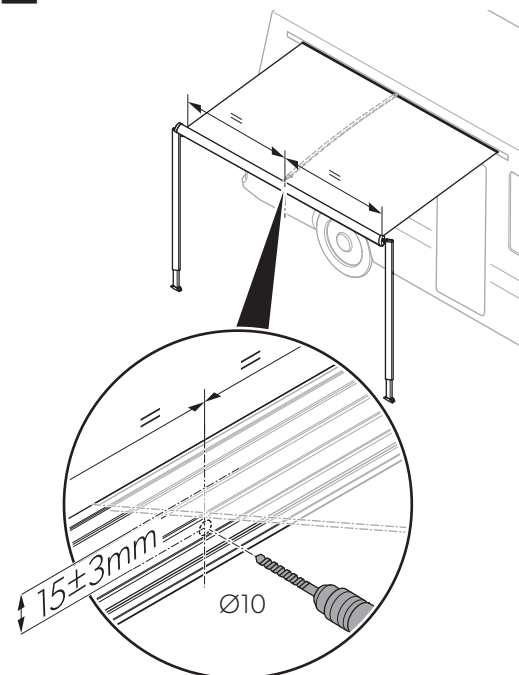
B



2

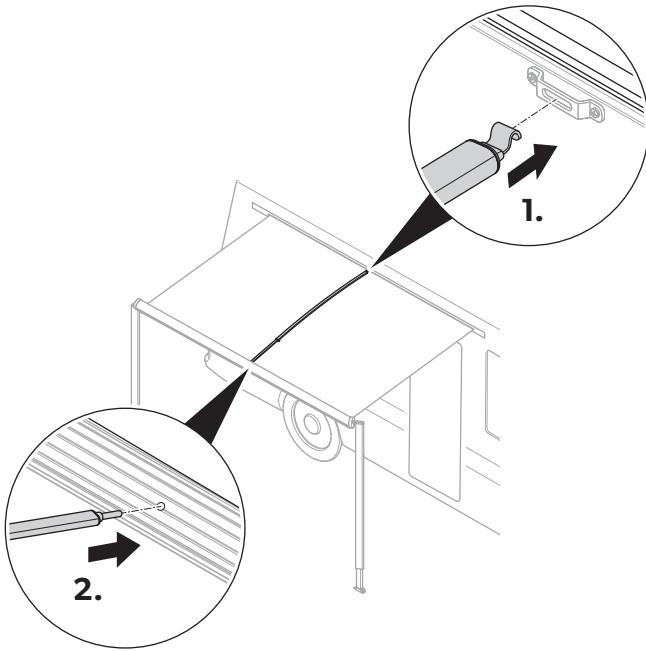


3

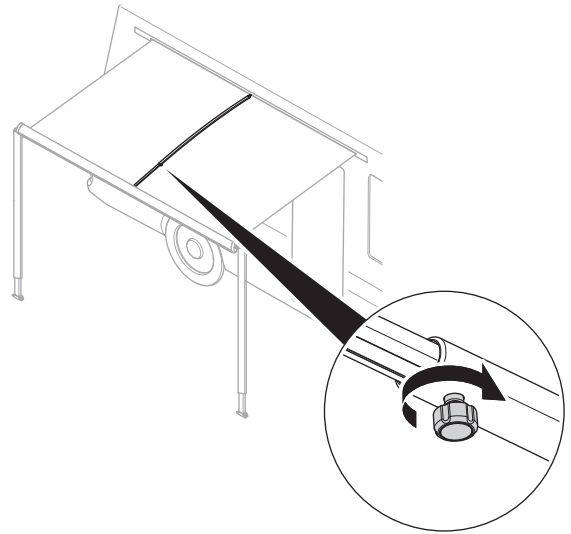




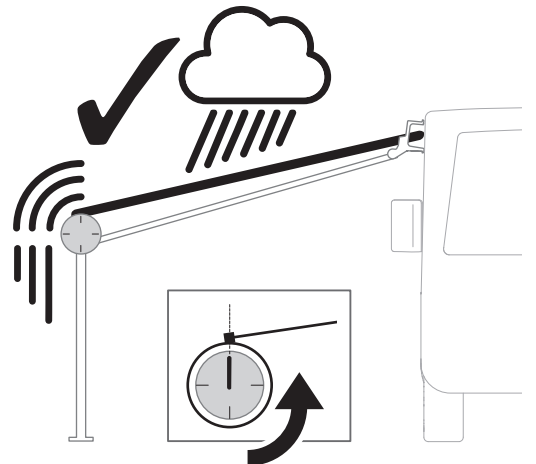
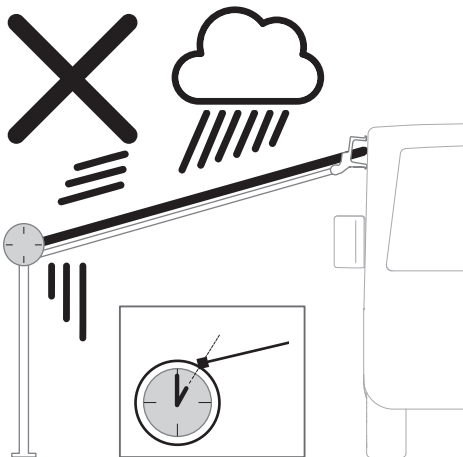
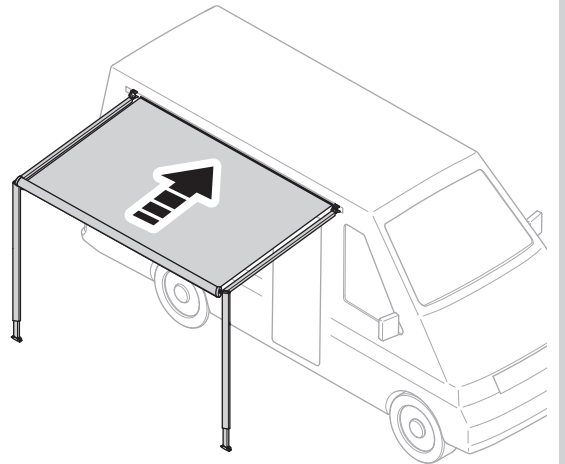
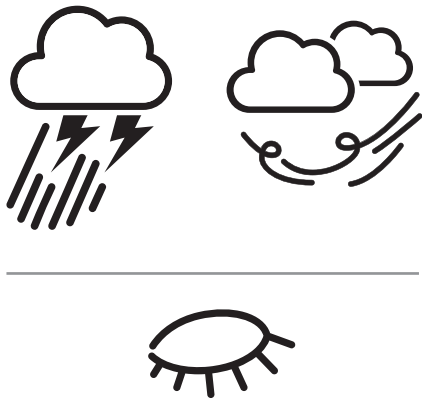
4



5



NOTICE !



Cleaning and Maintenance



NOTICE! Damage Hazard

Do not use harsh chemicals to clean the AFK or CRR as it may damage the product.

Warranty

If the product does not work as it should, please contact your retailer or the manufacturer's branch in your country (see dometic.com/dealer). The warranty applicable to your product is 1 year.

For repair and warranty processing, please include the following documents when you send in the device:

- A copy of the receipt with purchasing date
- A reason for the claim or description of the fault

Note that self-repair or nonprofessional repair can have safety consequences and might void the warranty.

Australia only

Our goods come with guarantees that cannot be excluded under the Australian Consumer Law. You are entitled to a replacement or refund for a major failure and for compensation for any other reasonably foreseeable loss or damage. You are also entitled to have the goods repaired or replaced if the goods fail to be of acceptable quality and the failure does not amount to a major failure.

New Zealand only

This warranty policy is subject to the conditions and guarantees which are mandatory as implied by the Consumer Guarantees Act 1993(NZ).

Local support

Please find local support at the following link address: dometic.com/dealer.



YOUR LOCAL DEALER
dometic.com/dealer

YOUR LOCAL SUPPORT
dometic.com/contact

YOUR LOCAL SALES OFFICE
dometic.com/sales-offices

A complete list of Dometic companies, which comprise the Dometic Group, can be found in the public filings of:

DOMETIC GROUP AB Hemvärnsgatan 15 SE-17154 Solna Sweden