

↗ DOMETIC

CLIMATE CONTROL

ROOF TOP VENTILATION SYSTEM



ACC3100D

EN	Ventilation system	
	Installation Manual.....	3
FR	Système de ventilation	
	Instructions de montage.....	23
ES	Sistema de ventilación	
	Instrucciones de montaje.....	43

⚠ WARNING
Cancer and Reproductive Harm www.P65Warnings.ca.gov

Copyright

© 2024 Dometic Group. The visual appearance of the contents of this manual is protected by copyright and design law. The underlying technical design and the products contained herein may be protected by design, patent or pending patent. The trademarks mentioned in this manual belong to Dometic Sweden AB. All rights are reserved.

English

1	Important notes.....	3
2	Explanation of symbols.....	3
3	Safety instructions.....	3
4	Scope of delivery.....	5
5	Accessories.....	5
6	Target group.....	6
7	Intended use.....	6
8	Installation.....	6
9	Disposal.....	20
10	Warranty.....	20
11	Technical data.....	20
12	Legal.....	21

1 Important notes

Please read these instructions carefully and follow all instructions, guidelines, and warnings included in this product manual in order to ensure that you install, use, and maintain the product properly at all times. These instructions **MUST** stay with this product.

By using the product, you hereby confirm that you have read all instructions, guidelines, and warnings carefully and that you understand and agree to abide by the terms and conditions as set forth herein. You agree to use this product only for the intended purpose and application and in accordance with the instructions, guidelines, and warnings as set forth in this product manual as well as in accordance with all applicable laws and regulations. A failure to read and follow the instructions and warnings set forth herein may result in an injury to yourself and others, damage to your product or damage to other property in the vicinity. This product manual, including the instructions, guidelines, and warnings, and related documentation, may be subject to changes and updates. For up-to-date product information, please visit documents.dometic.com.

2 Explanation of symbols

A signal word will identify safety messages and property damage messages, and also will indicate the degree or level of hazard seriousness.



WARNING!

Indicates a hazardous situation that, if not avoided, could result in death or serious injury.



CAUTION!

Indicates a hazardous situation that, if not avoided, could result in minor or moderate injury.



NOTICE!

Indicates a situation that, if not avoided, can result in property damage.



NOTE Supplementary information for operating the product.

3 Safety instructions



WARNING! Failure to obey these warnings could result in death or serious injury.

- > Repair of the appliance may only be carried out by qualified personnel who are familiar with the risks involved and the relevant regulations. Inadequate repairs may cause serious hazards. For repair service, contact the service center in your country (see dometic.com/dealer).
- > The appliance shall be installed in accordance with national electrical and mechanical installation regulations.
- > **Electrical appliances are not toys.** Keep electrical appliances out of reach of children or infirm persons. Do not allow them to use electrical appliances without supervision.
- > Persons whose physical, sensory or mental capabilities or whose lack of experience and knowledge prevent them from using the appliance safely should not use it without supervision or instruction by a responsible person.
- > Do **not** undo the upper cover of the appliance in the event of a fire. Use approved extinguishing agents instead. Do not use water to extinguish fires.
- > The appliance shall be stored in a room without continuously operating open flames (for example an operating gas appliance) and ignition sources (for example an operating electric heater).
- > The appliance shall be stored horizontally at a dry, ventilated and covered location.
- > Do not pierce or burn the appliance.



CAUTION! Failure to obey these cautions could result in minor or moderate injury.

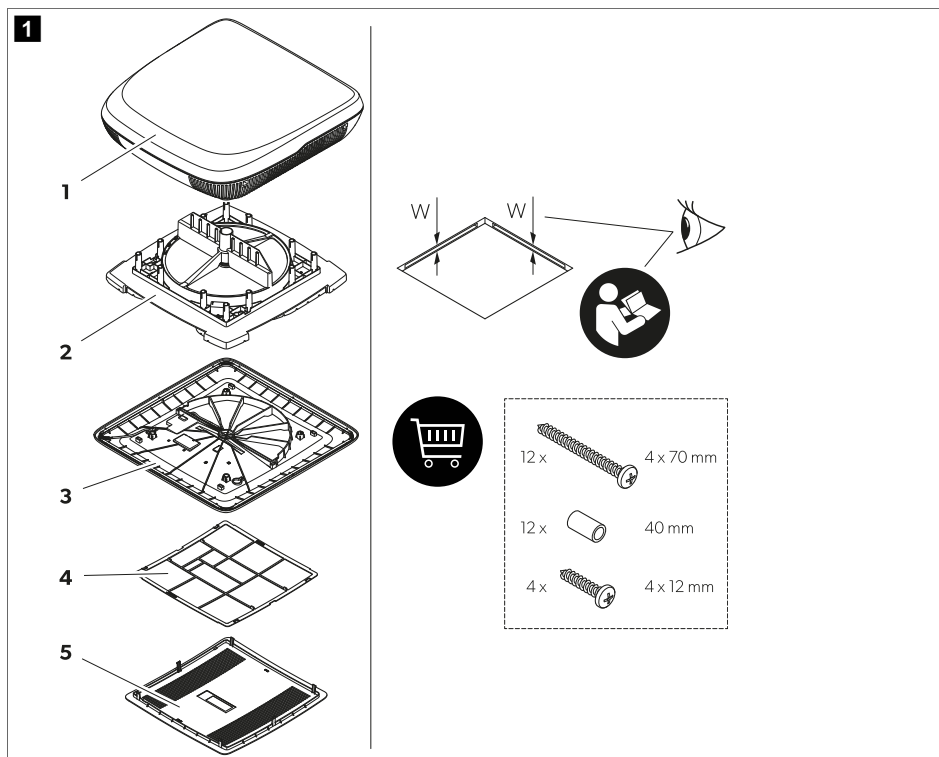
- > Only start up the appliance if you are certain that the housing and the cables are not damaged.
- > Do not use the appliance near flammable fluids or in closed rooms.
- > Ensure that no combustible objects are stored or installed near the air outlet. A distance of at least 10 cm must be kept.
- > Do not reach into air outlets or insert any foreign objects in the appliance.
- > Always wear protective goggles and gloves.



NOTICE! Damage hazard

- > The appliance shall be stored so as to prevent mechanical damage from occurring.
- > Before installation, check whether any vehicle components could be damaged by the installation of the appliance (such as lamps, cupboards, doors). The vehicle manufacturer may have already provided points where the opening for the installation of the appliance can be made without any risk of weakening the construction or cutting power cables.
- > Before installation, consult the vehicle manufacturer whether the construction is designed for the static weight and the loads of the ventilation system when the vehicle is in motion.
- > Seal all openings made when installing the ventilation system.
- > Select a flat and sufficiently level area at the center of the vehicle roof between two longitudinal sections for installation.
- > Ensure that there are no objects within the vehicle which could obstruct the attachment of the air distribution box (ADB) or the fresh air from flowing through the air outlets.
- > Do not make any alterations or conversions to the appliance.
- > Never drive through automatic car washes when the appliance is mounted.

4 Scope of delivery



Item	Quantity	Description
1	1	Roof top unit with center ring (only for roof openings 400 × 400 mm)
2	1	Heat exchanger unit
3	1	Interior cover
4	1	Air filter
5	1	Center cover
-	1	Installation kit (to be ordered separately for ACC3100DWH)
-	1	Short operating manual
-	-	Depending on the model: Installation manuals for accessories

5 Accessories

Product	Ref. no.
Air purifier	9620005077
LED light	9620005081

Product	Ref. no.
Performance booster	9600050054
Solar kit	9620005074
Inside air filter	9620015799
Outside air filter	9620015800

6 Target group



The mechanical and electrical installation and setup of the device must be performed by a qualified technician who has demonstrated skill and knowledge related to the construction and operation of automotive and household equipment and installations, and who is familiar with the applicable regulations of the country in which the equipment is to be installed and/or used, and has received safety training to identify and avoid the hazards involved.

7 Intended use

The ventilation system is intended to be installed in motor homes, caravans and leisure boats.

The ventilation system is **not** suitable for:

- Houses
- Apartments
- Cruiseline
- Construction machines
- Agricultural machines
- Trucks

This product is only suitable for the intended purpose and application in accordance with these instructions.

This manual provides information that is necessary for proper installation and/or operation of the product. Poor installation and/or improper operation or maintenance will result in unsatisfactory performance and a possible failure.

The manufacturer accepts no liability for any injury or damage to the product resulting from:

- Incorrect installation, assembly or connection, including excess voltage
- Incorrect maintenance or use of spare parts other than original spare parts provided by the manufacturer
- Alterations to the product without express permission from the manufacturer
- Use for purposes other than those described in this manual

Dometic reserves the right to change product appearance and product specifications.

8 Installation



WARNING! Electrocuttion hazard

- > The electrical power supply must be connected by a qualified electrician who has demonstrated skill and knowledge related to the construction and operation of electrical equipment and installations and has received safety training to identify and avoid the hazards involved.
- > Disconnect all power supplies when working on the ventilation system.
- > Ensure that the appliance cannot be reconnected.



WARNING! Electrocutation hazard

- > The appliance shall be installed in accordance with national wiring regulations.
- > If the appliance replaces a window or hatch with a safety relevant forced venting function, an additional safety venting device (e.g. a mushroom fan or similar) needs to be added. In doubt consult the vehicle manufacturer.



CAUTION! Risk of injury

- > Improper installation of the ventilation system can result in irreparable damage to the appliance and put the safety of the user at risk.
- > Always have someone to help you carrying or lifting the ventilation system.
- > Before installation, check the location of existing wiring harnesses, wires and other components within the installation area, in particular those which are not visible, when installing the appliance (when drilling or screwing etc.).
- > Attach and lay the cables so that they cannot be tripped over or damaged.
- > Always wear the protective goggles and gloves.



NOTICE! Damage hazard

- > Use cable ducts to lay cables through walls with sharp edges.
- > Do not lay loose or bent cables next to electrically conductive materials (metal).
- > Do not pull on the cables.
- > Observe the structural strength of the roof of the vehicle. The roof of the vehicle must be able to bear the weight of the ventilation system without being indented or deformed. In doubt consult the vehicle manufacturer.

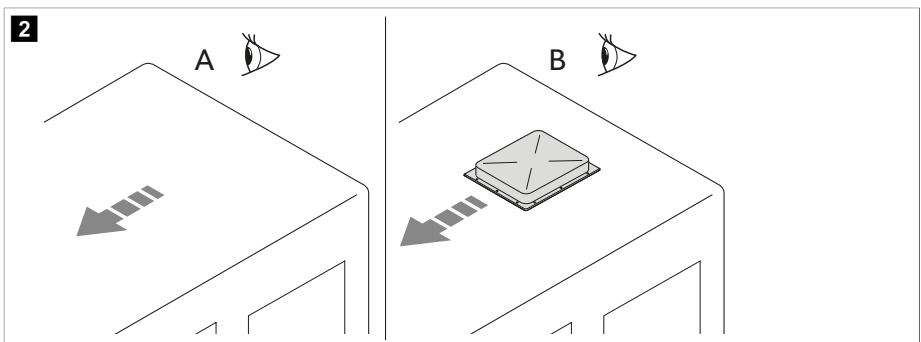
Choosing the way of installing the ventilation system



NOTE

- Choose a flat and sufficiently level area at the center of the vehicle.
- The roof inclination of the installation surface may not exceed 5°. A downwards inclination in the driving direction of up to 15° is possible.

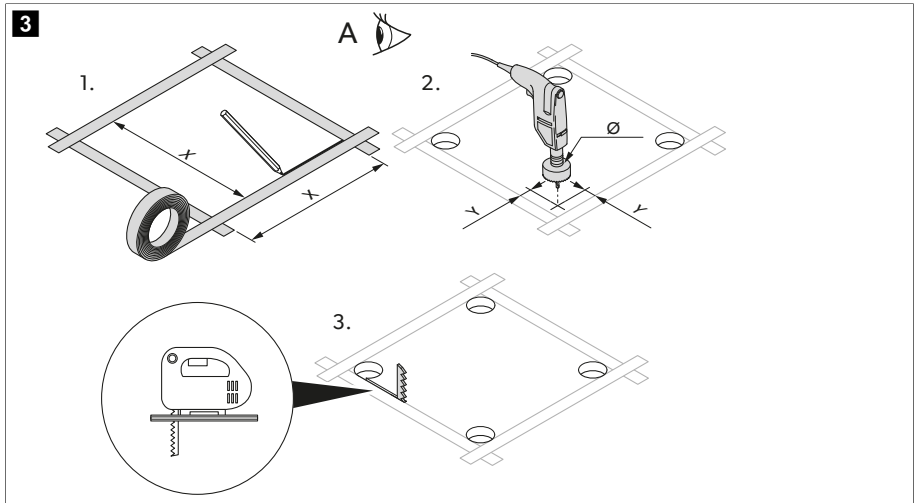
- > Choose your way of installing the ventilation system:



- Make a new opening (A). In this case the opening must be reinforced by an appropriate frame.
- Use an existing opening in the vehicle (B) such as a roof hatch or replacing an old device.

Making a new opening

1. Select an area at the center on the roof between two longitudinal supports.
2. Mark the position and size of the opening.



	Version 1	Version 2
X	355 mm	400 mm
Y	5 mm	12 mm
Ø	10 mm	24 mm

3. Drill out the corners.



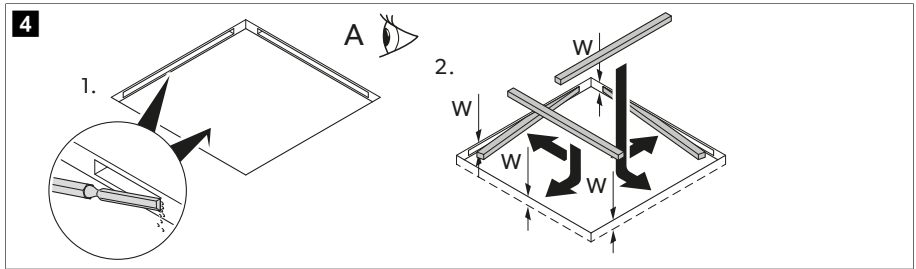
NOTICE! Damage hazard

Ensure that no electrical power cables are damaged. Check where the electrical cables are located.

4. Carefully cut out the opening on the roof using a keyhole saw or a similar tool.
5. Check whether the roof hole needs reinforcing.



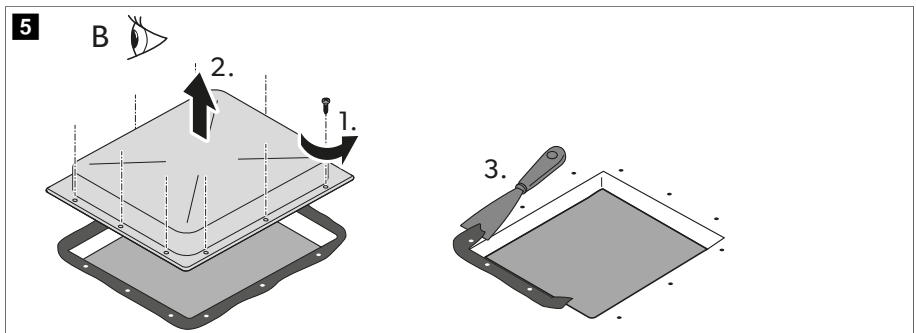
NOTE The edges must be parallel to each other.



6. If needed, remove the foam according to the width of your reinforcing rails (not in scope of delivery).
7. Fit the reinforcing rails.

Installing in an existing opening

1. Remove all screws and fixtures of the existing roof hatch or device.



2. Take out the roof hatch or device.
3. Remove the sealant around the opening using a scraper or similar tool.

Installing optional accessories (depending on the model)



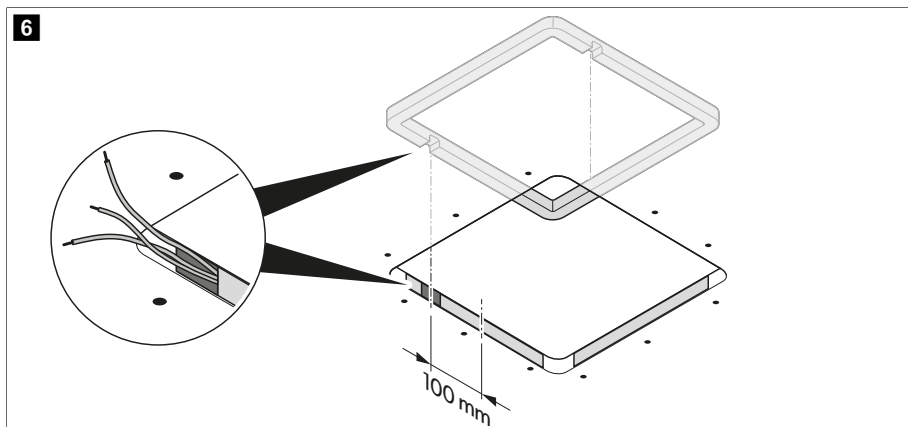
NOTICE! Damage hazard

- > Observe the correct installation sequence before making the electrical connections.
- > Observe the installation manuals of the accessories (optional).

1. Roof top unit
2. Solar panel (optional)
3. LED light strip (optional)
4. Air purification module (optional)
5. Heat exchanger unit
6. Performance booster (optional)
7. Interior cover

Laying the connecting cables

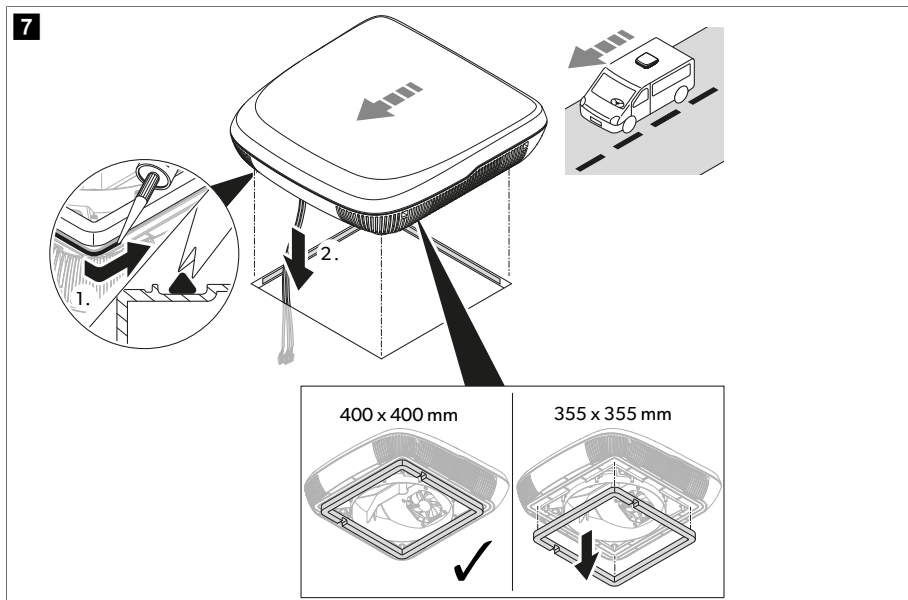
1. Check that the voltage specification on the data plate of the ventilation system is the same as that of the power supply. The ventilation system must be connected to an electric circuit which is able to supply the required current .
2. Install an all-pole switch with a contact opening width of at least 3 mm on the installation side.
3. Select the cross-section of the power supply cable corresponding to the length:
 - Length < 7.5 m: 1.5 mm²
 - Length > 7.5 m: 2.5 mm²
4. Make an opening on one side in order to feed through the power supply cable.



5. Feed the power supply cable through the opening into the vehicle interior.

Installing the roof top unit

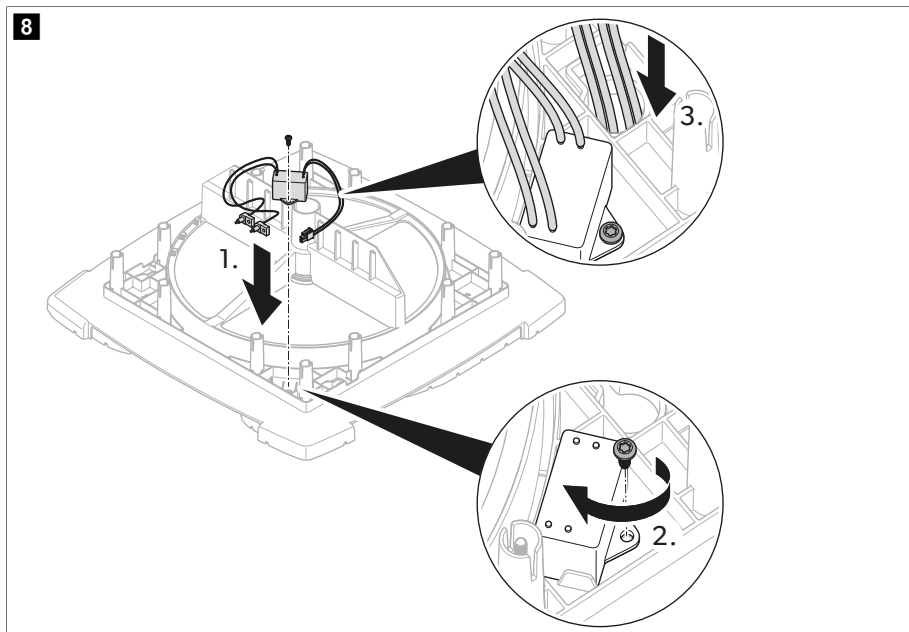
1. Only for version 1: Remove the center ring on the roof top unit.



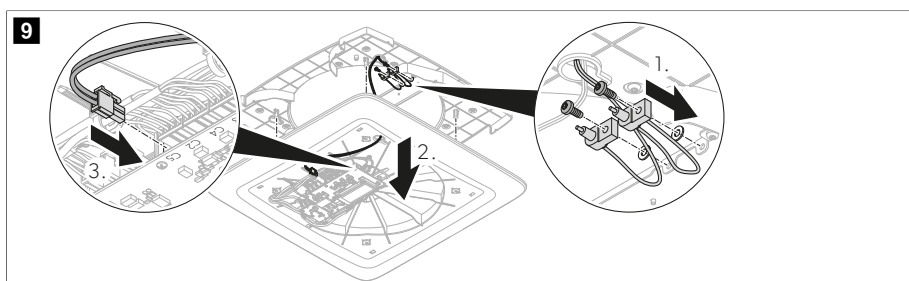
2. Seal around the roof frame with flexible non-hardening butyl sealing compound (e.g. SikaLastomer-710, Selleys Butyl Mastic, Bostik ezycaulk butyl sealant, or similar products). Observe the sealant manufacturer's instructions.
3. Lift the roof top unit onto the roof of the vehicle. Observe the direction of travel.
4. Position the roof top unit centrally on the roof of the vehicle.
5. Remove the cable tie on the rooftop unit and lead the cables through the corresponding opening into interior of the vehicle.

Installing the air purification module (optional)

1. Fix the air purification module to the heat exchanger unit.

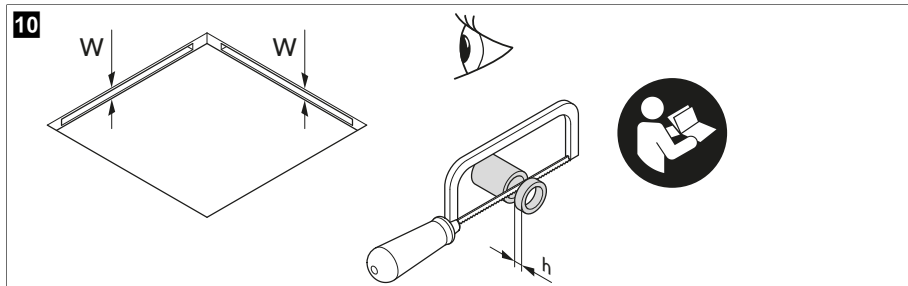


2. Lead the cable through the key hole bushing to the underside of the heat exchanger unit.
3. Mount the ionization needle.



Installing the heat exchanger unit

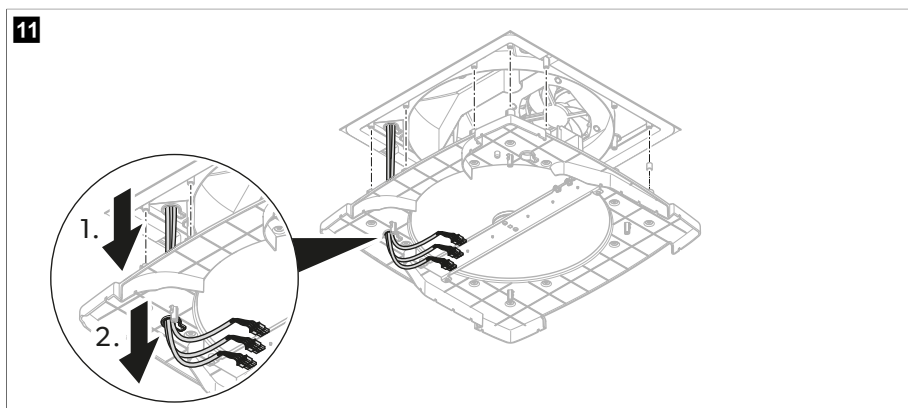
1. Depending on the roof thickness, cut the spacers supplied with the fixing kit to the required length.



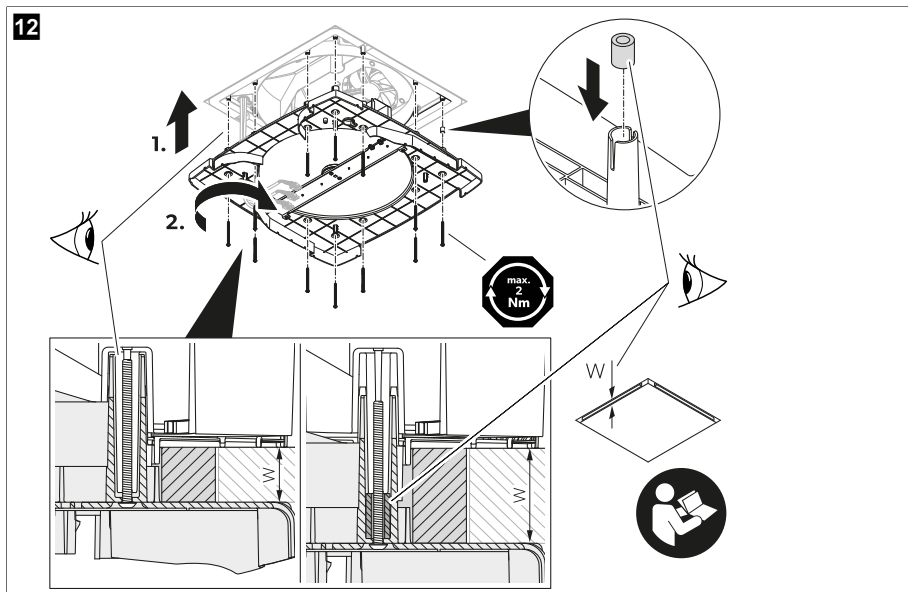
Roof thickness (W)	Spacer length required (h)
23 mm	-
24 mm	2 mm
25 mm	
26 mm	4 mm
27 mm	
28 mm	6 mm
29 mm	
30 mm	8 mm
31 mm	
32 mm	10 mm
33 mm	
34 mm	12 mm
35 mm	
36 mm	14 mm
37 mm	
38 mm	16 mm
39 mm	
40 mm	18 mm
41 mm	
42 mm	20 mm
43 mm	
44 mm	22 mm
45 mm	
46 mm	24 mm
47 mm	
48 mm	26 mm

Roof thickness (W)	Spacer length required (h)
49 mm	
50 mm	28 mm
51 mm	
52 mm	30 mm
53 mm	
54 mm	32 mm
55 mm	
56 mm	34 mm
57 mm	
58 mm	36 mm
59 mm	
60 mm	38 mm

2. Feed the cables through the key hole bushing of the heat exchanger unit.



3. Insert the spacers into the screw holes from the upper side of the heat exchanger unit.



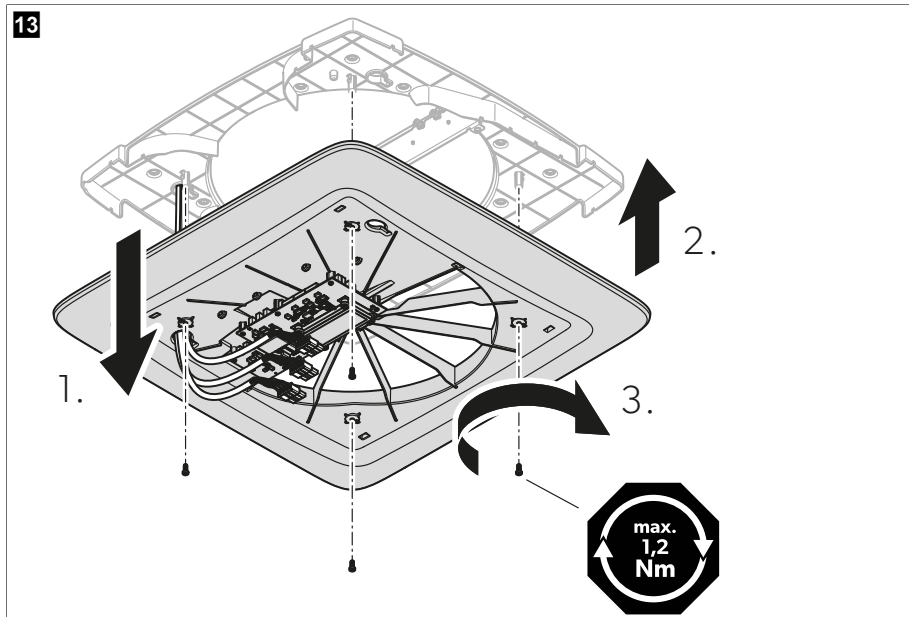
4.  **NOTICE! Damage hazard**
Ensure that no cable is pressed in or pinched.

Align the heat exchanger unit to the roof top unit.

5. Fasten the heat exchanger unit through the ceiling to the roof top unit with the 12 bolts supplied with the fixing kit. Tighten the bolts using a torque spanner and a fastening torque of max. 1.2 Nm.

Installing the interior cover

1. Feed the cables through the key hole bushing of the interior cover.



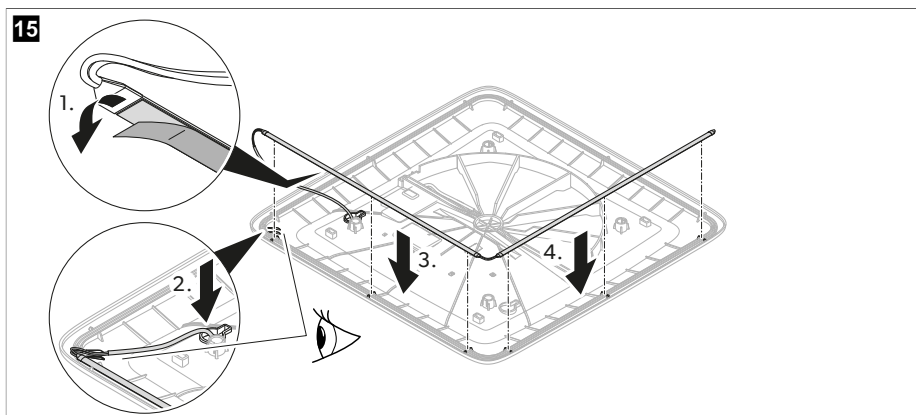
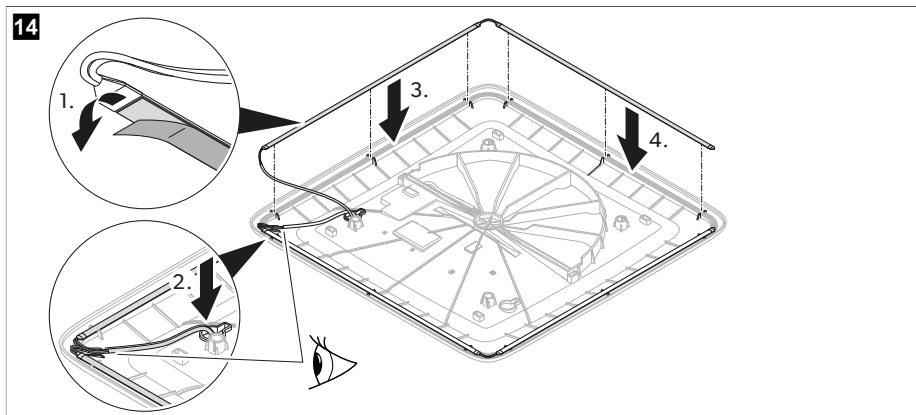
2.  **NOTICE! Damage hazard**
Ensure that no cable is pressed in or pinched.

Attach the interior cover to the heat exchanger unit.

3. Fasten the interior cover to the heat exchanger unit with the 4 bolts supplied with the fixing kit. Tighten the bolts using a torque spanner and a fastening torque of max. 1.2 Nm.

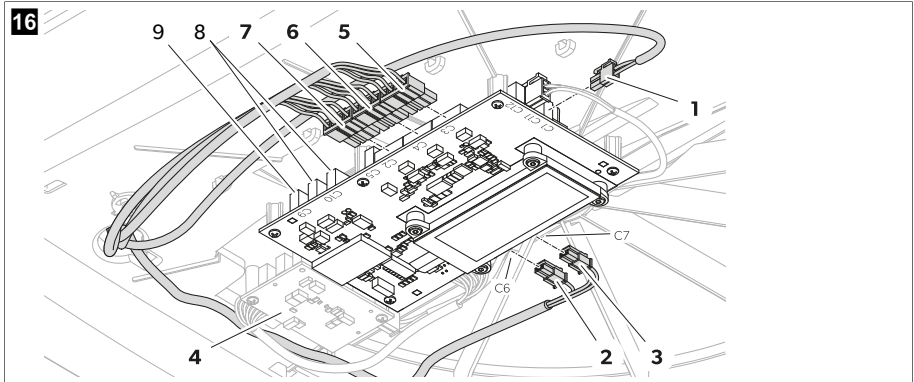
Installing the LED light strip (optional)

- > Fix the LED light strips to the interior cover.



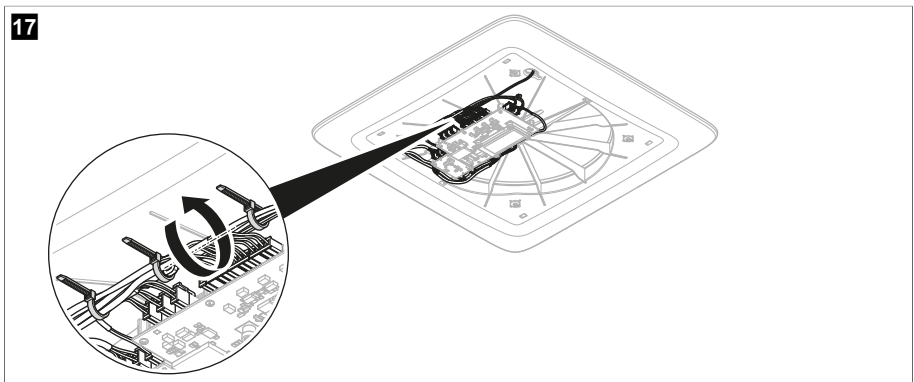
Electrical connection

1. Connect the plugs to the sockets.



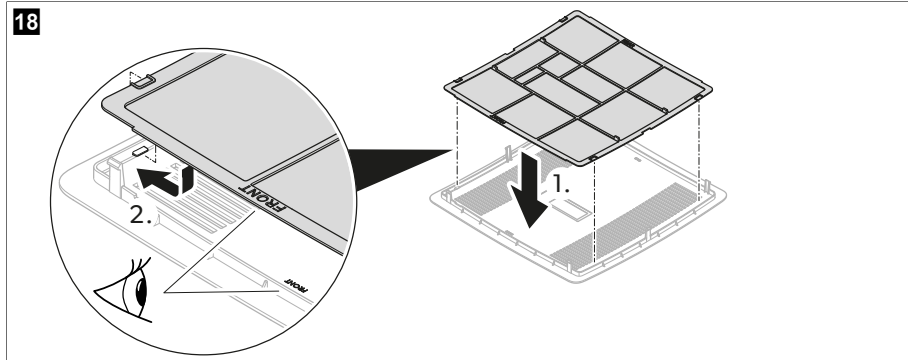
Item	Socket	Description
1	C1	Input power supply from vehicle battery
2	C6	Output LED light strip (optional)
3	C7	Output LED light strip (optional)
4	-	Secondary PCB (optional)
5	C3	Output fan 1
6	C4	Output fan 2
7	C2	Output motor
-	C5	Output air purification module (optional)
8	C10	Communication CAN (optional)
9	C9	Communication LIN (optional)

2. Secure the cables with cable ties.

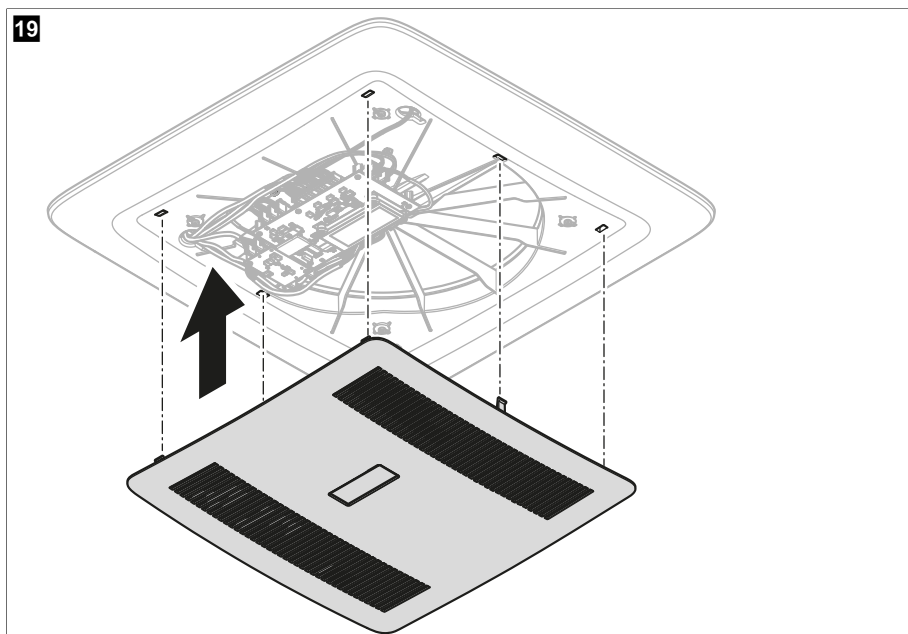


Installing the ADB center cover

1. Check that the filters are fully in.



2. Clip the ADB center cover to the interior cover.



3. Ask the vehicle manufacturer if a technical inspection is required after fitting a ventilation system and whether the height entered in the vehicle documents needs to be altered.
 - ✓ The installation is now completed.
4. Connect to the power supply and test if the ventilation system works.

9 Disposal



Recycling products with batteries, rechargeable batteries, and light sources: Remove any batteries, rechargeable batteries, and light sources before recycling the product. Return defective or used batteries to your retailer or dispose of them at collection points. Do not dispose of any batteries, rechargeable batteries, and light sources with general household waste. If you wish to finally dispose of the product, ask your local recycling center or specialist dealer for details about how to do this in accordance with the applicable disposal regulations. The product can be disposed free of charge.



Recycling packaging material: Place the packaging material in the appropriate recycling waste bins wherever possible.

10 Warranty

Refer to the sections below for information about warranty and warranty support in the US, Canada, and all other regions.

United States and Canada

LIMITED WARRANTY AVAILABLE AT DOMETIC.COM/WARRANTY.

IF YOU HAVE QUESTIONS OR TO OBTAIN A COPY OF THE LIMITED WARRANTY FREE OF CHARGE, CONTACT:

DOMETIC CORPORATION
CUSTOMER SUPPORT CENTER
5155 VERDANT DRIVE
ELKHART, INDIANA 46516
1-800-544-4881

All other regions


For repair and warranty processing, please include the following documents when you send in the device:

- A copy of the receipt with purchasing date
- A reason for the claim or description of the fault

Note that self-repair or nonprofessional repair can have safety consequences and might void the warranty.

11 Technical data

	ACC3100DWH	ACC3100DWHWLD
Input voltage	12 V ⁼⁼⁼	
Maximum power input	7.6 W	16.5 W
Maximum power consumption	0.18 kWh/24h 15.2 Ah/24 h	0.40 kWh/24h 33 Ah/24 h
Minimum power consumption	0.06 kWh/24h 4.9 Ah/24 h	
Operating temperature range	-20°C (-4°F) ... 70°C (158°F)	
Protection class	IPX4	

	ACC3100DWH	ACC3100DWHWLD
External fuse	3 A	
Ceiling vent opening	150 cm ²	
Dimension roof top unit (W x L x H)	542.6 × 553 × 127 mm	
Dimension air distribution unit (W x L x H)	517.6 × 517.6 × 46 mm	
Roof thickness	23 ... 60 mm	
Outside noise level	43 dB(A)	
Inside noise level	52 dB(A)	
Inside noise level (sleep mode)	35 dB(A)	
Ventilation	30 ... 50 m ³ /h	
Heat recovery efficiency	72 ... 87%	
Weight	7 kg	7.14 kg
Features	Upgradable with: <ul style="list-style-type: none"> • LED Light Strip • Air Purification Module • Performance Booster • Solar Panel 	Provided with: <ul style="list-style-type: none"> • LED Light Strip • Air Purification Module • Installation kit Upgradable with: <ul style="list-style-type: none"> • Performance Booster • Solar Panel
Certifications		

12 Legal

This device complies with Part 15 of the FCC Rules. Operation is subject to the following two conditions:

- This device may not cause harmful interference.
- This device must accept any interference received, including interference that may cause undesired operation.

Changes or modifications not expressly approved by the party responsible for compliance could void the user's authority to operate the equipment. This equipment has been tested and found to comply with the limits for a Class B digital device, pursuant to part 15 of the FCC Rules. These limits are designed to provide reasonable protection against harmful interference in a residential installation. This equipment generates, uses and can radiate radio frequency energy and, if not installed and used in accordance with the instructions, may cause harmful interference to radio communications. However, there is no guarantee that interference will not occur in a particular installation. If this equipment does cause harmful interference to radio or television reception, which can be determined by turning the equipment off and on, the user is encouraged to try to correct the interference by one or more of the following measures:

- Reorient or relocate the receiving antenna.
- Increase the separation between the equipment and receiver.
- Connect the equipment into an outlet on a circuit different from that to which the receiver is connected.
- Consult the dealer or an experienced radio/TV technician for help.

This device complies with Industry Canada license-exempt RSS standard(s). Operation is subject to the following two conditions:

- This device may not cause interference.

- This device must accept any interference, including interference that may cause undesired operation of the device. This Class B digital apparatus complied with Canadian ICES-3(B)/NBM-3(B).

Français

1	Remarques importantes.....	23
2	Signification des symboles.....	23
3	Consignes de sécurité.....	24
4	Contenu de la livraison.....	25
5	Accessoires.....	26
6	Groupe cible.....	26
7	Usage conforme.....	26
8	Installation.....	27
9	Mise au rebut.....	40
10	Garantie.....	40
11	Caractéristiques techniques.....	40
12	Mentions légales.....	41

1 Remarques importantes

Veillez lire et suivre attentivement l'ensemble des instructions, directives et avertissements figurant dans ce manuel afin d'installer, d'utiliser et d'entretenir le produit correctement à tout moment. Ces instructions DOIVENT rester avec le produit.

En utilisant ce produit, vous confirmez expressément avoir lu attentivement l'ensemble des instructions, directives et avertissements et que vous comprenez et acceptez de respecter les modalités et conditions énoncées dans le présent document. Vous acceptez d'utiliser ce produit uniquement pour l'usage et l'application prévus et conformément aux instructions, directives et avertissements figurant dans le présent manuel, ainsi qu'à toutes les lois et réglementations applicables. En cas de non-respect des instructions et avertissements figurant dans ce manuel, vous risquez de vous blesser ou de blesser d'autres personnes, d'endommager votre produit ou d'endommager d'autres biens à proximité. Le présent manuel produit, y compris les instructions, directives et avertissements, ainsi que la documentation associée peuvent faire l'objet de modifications et de mises à jour. Pour obtenir des informations actualisées sur le produit, consulter le site documents.domestic.com.

2 Signification des symboles

Un mot de signalement identifie les messages relatifs à la sécurité et aux dégâts matériels en indiquant le degré ou le niveau de gravité du danger.



AVERTISSEMENT !

Indique une situation dangereuse qui, si elle n'est pas évitée, est susceptible d'entraîner des blessures graves, voire mortelles.



ATTENTION !

Indique une situation dangereuse qui, si elle n'est pas évitée, est susceptible d'entraîner des blessures légères ou de gravité modérée.



AVIS !

Indique une situation dangereuse qui, si elle n'est pas évitée, peut entraîner des dommages matériels.



REMARQUE Informations complémentaires sur l'utilisation de ce produit.

3 Consignes de sécurité



AVERTISSEMENT ! Le non-respect de ces mises en garde peut entraîner des blessures graves, voire mortelles.

- > Seul un personnel qualifié et parfaitement informé des dangers et règlements spécifiques à ces manipulations est habilité à effectuer des réparations sur cet appareil. Une réparation incorrecte peut entraîner de graves dangers. Pour tout service de réparation, contactez le centre d'entretien de votre pays (voir dometic.com/dealer).
- > L'appareil doit être installé conformément aux réglementations nationales en matière d'installation électrique et mécanique.
- > **Les appareils électriques ne sont pas des jouets pour enfants.** Les enfants ne peuvent estimer les dangers éventuels des appareils électriques. Ne laissez pas les enfants utiliser des appareils électriques sans surveillance.
- > Les personnes qui ne sont pas en mesure d'utiliser l'appareil en toute sécurité, que ce soit en raison de déficiences physiques, sensorielles ou mentales ou encore par manque d'expérience ou de connaissances, ne sont pas autorisées à le faire, sauf si une personne garante de leur sécurité les surveille ou leur fournit des explications sur son utilisation.
- > En cas, d'incendie, ne retirez **pas** le cache supérieur de l'appareil. Utilisez plutôt des agents d'extinction agréés. N'essayez pas d'éteindre l'incendie avec de l'eau.
- > L'appareil doit être stocké dans une pièce sans flamme nue en fonctionnement continu (par exemple, un appareil à gaz en fonctionnement) ni source d'ignition (par exemple, un chauffage électrique en fonctionnement).
- > L'appareil doit être stocké horizontalement dans un endroit sec, ventilé et couvert.
- > Ne percez ou ne brûlez pas l'appareil.



ATTENTION ! Le non-respect de ces mises en garde peut entraîner des blessures légères ou de gravité modérée.

- > Mettez uniquement l'appareil sous tension après avoir vérifié que le boîtier et les câbles sont intacts.
- > N'utilisez pas l'appareil à proximité de liquides inflammables ou dans des pièces fermées.
- > Assurez-vous qu'aucun objet inflammable n'est entreposé ni installé à proximité de l'échappement. Une distance d'au moins 10 cm doit être observée.
- > Ne glissez pas vos doigts dans les échappements et n'introduisez aucun objet à l'intérieur de l'appareil.
- > Portez toujours des lunettes et des gants de protection.

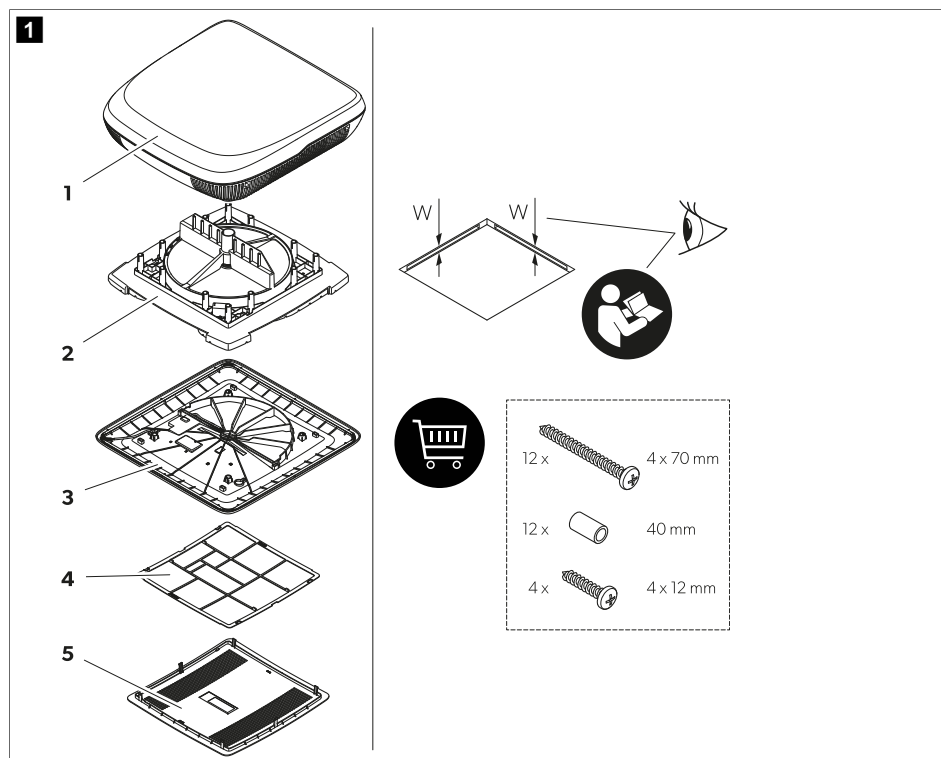


AVIS ! Risque d'endommagement

- > L'appareil doit être stocké de manière à éviter tout dommage mécanique.
- > Avant toute opération, vérifiez qu'aucun élément du véhicule (p. ex. éclairages, armoires, portes, etc.) ne risque d'être endommagé lors du montage de l'appareil. Le constructeur du véhicule peut avoir déjà prévu des points où l'ouverture pour le montage de l'appareil peut être réalisée sans risquer d'affaiblir la structure ou de sectionner des câbles d'alimentation.
- > Avant l'installation, consultez le constructeur du véhicule pour savoir si sa structure est conçue pour supporter le poids statique et les charges du système de ventilation lorsque le véhicule est en mouvement.
- > Scellez toutes les ouvertures réalisées lors de l'installation du système de ventilation.
- > Choisissez comme emplacement de montage une zone plane et suffisamment lisse située au milieu du toit, entre deux profils longitudinaux.
- > Assurez-vous qu'aucun obstacle à l'intérieur du véhicule ne puisse gêner la fixation du caisson de distribution d'air, ni la sortie d'air via les ouvertures d'aération.
- > Ne procédez à aucune modification ni transformation de l'appareil !

> Si l'appareil est installé sur votre véhicule, ne le lavez jamais dans une station de lavage automatique.

4 Contenu de la livraison



Élément	Quantité	Description
1	1	Unité de toit avec cadre de centrage (uniquement pour les ouvertures de toit de 400 × 400 mm)
2	1	Échangeur thermique
3	1	Capot intérieur
4	1	Filtre à air
5	1	Capot central
-	1	Kit d'installation (à commander séparément pour ACC3100DWH)
-	1	Mode d'emploi abrégé
-	-	Selon le modèle : Manuels d'installation des accessoires

5 Accessoires

Produit	N° d'article
Purificateur d'air	9620005077
Lampe à LED	9620005081
Module d'optimisation des performances	9600050054
Kit solaire	9620005074
Filtre à air intérieur	9620015799
Filtre à air extérieur	9620015800

6 Groupe cible



L'installation mécanique et électrique et la configuration de l'appareil doivent être réalisées par un technicien agréé disposant des compétences et connaissances structurelles et fonctionnelles requises en matière d'équipements et d'installations automobiles et domestiques, au fait des réglementations en vigueur dans le pays dans lequel l'équipement doit être installé et/ou utilisé, et ayant suivi une formation de sécurité pour identifier et éviter les dangers impliqués.

7 Usage conforme

Le système de ventilation est conçu pour être installé dans des caravanes, des camping-cars et des bateaux de plaisance.

Le système de ventilation n'est **pas** adapté à ce qui suit :

- Maisons
- Appartements
- Bateaux de croisière
- Machines de construction
- Machines agricoles
- Camions

Ce produit convient uniquement à l'usage et à l'application prévus, conformément au présent manuel d'instructions.

Ce manuel fournit les informations nécessaires à l'installation et/ou à l'utilisation correcte du produit. Une installation, une utilisation ou un entretien inappropriés entraînera des performances insatisfaisantes et une éventuelle défaillance.

Le fabricant décline toute responsabilité en cas de blessure ou de dommage résultant :

- d'une installation, d'un montage ou d'un raccordement incorrect, y compris d'une surtension
- d'un entretien inadapté ou de l'utilisation de pièces de rechange autres que les pièces de rechange d'origine fournies par le fabricant
- de modifications apportées au produit sans autorisation explicite du fabricant
- d'usages différents de ceux décrits dans ce manuel

Dometic se réserve le droit de modifier l'apparence et les spécifications produit.

8 Installation



AVERTISSEMENT ! Risque d'électrocution

- > L'alimentation électrique doit être raccordée par un électricien qualifié disposant des compétences et des connaissances requises en matière de structure et de fonctionnement d'équipements et d'installations électriques et ayant suivi une formation de sécurité afin d'identifier et d'éviter les risques associés.
- > Débranchez toute alimentation électrique lors des travaux sur le système de ventilation.
- > Assurez-vous que l'appareil ne peut pas être reconnecté.



AVERTISSEMENT ! Risque d'électrocution

- > L'appareil doit être installé conformément aux réglementations nationales en matière de câblage.
- > Si l'appareil remplace une fenêtre ou une trappe dotée d'une fonction de ventilation forcée à des fins de sécurité, un dispositif de ventilation de sécurité supplémentaire (par exemple, un ventilateur de toit ou similaire) doit être ajouté. En cas de doute, consultez le fabricant du véhicule.



ATTENTION ! Risque de blessure

- > Un montage non conforme du système de ventilation peut endommager l'appareil de manière irréversible et compromettre la sécurité de l'utilisateur.
- > Portez ou soulevez toujours le système de ventilation avec l'aide d'une autre personne.
- > Avant l'installation, vérifiez la position des faisceaux de câbles, conduites et autres éléments existants, en particulier ceux qui ne sont pas visibles dans la zone de montage de l'appareil (opérations de perçage, de vissage, etc.).
- > Fixez et posez les câbles de manière à exclure tout risque de trébuchement ou d'endommagement du câble.
- > Portez toujours des lunettes et des gants de protection.



AVIS ! Risque d'endommagement

- > Si des câbles doivent traverser des murs à arêtes vives, utilisez des conduits pour câbles.
- > Ne faites passer aucun câble non fixé ou fortement coudé sur des matériaux conducteurs (métal).
- > Ne tirez pas sur les câbles.
- > Tenez compte des contraintes statiques exercées sur le toit du véhicule. Le toit du véhicule doit pouvoir supporter le poids du système de ventilation sans dégâts ni déformations. En cas de doute, consultez le fabricant du véhicule.

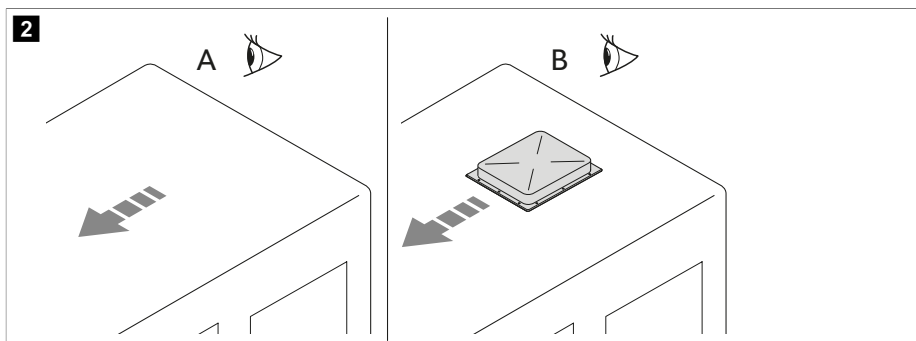
Choix du mode d'installation du système de ventilation



REMARQUE

- Choisissez une surface plane et suffisamment à niveau au centre du véhicule.
- L'inclinaison du toit de la surface de montage ne doit pas dépasser 5°. Une inclinaison vers le bas dans le sens de la marche jusqu'à 15° est possible.

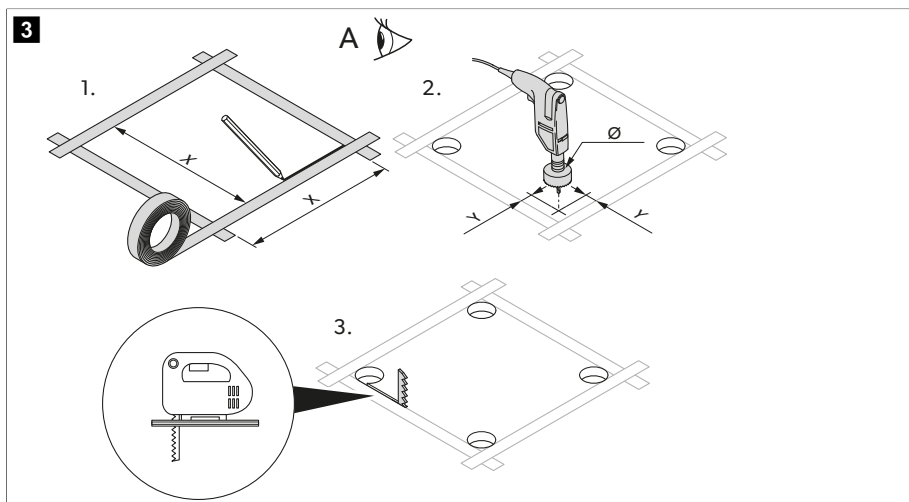
> Choisissez le mode d'installation du système de ventilation :



- Effectuez une nouvelle ouverture **(A)**. Dans ce cas, l'ouverture doit être renforcée par un cadre approprié.
- Utilisez une ouverture existante dans le véhicule **(B)**, en réemployant une trappe de toit ou en retirant un ancien appareil.

Percement d'une nouvelle ouverture

1. Choisissez une zone du toit située au centre, entre deux profils longitudinaux.
2. Marquez la position et la taille de l'ouverture.



	Version 1	Version 2
X	355 mm	400 mm
Y	5 mm	12 mm
Ø	10 mm	24 mm

3. Percez les angles.



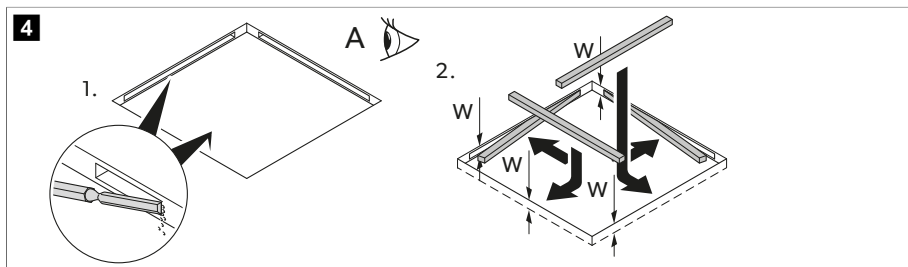
AVIS ! Risque d'endommagement

Assurez-vous qu'aucun câble d'alimentation électrique n'est endommagé. Vérifiez l'emplacement des câbles électriques.

4. Découpez soigneusement l'ouverture dans la paroi du toit avec une scie à guichet ou un outil similaire.
5. Vérifiez si l'ouverture du toit doit être renforcée.



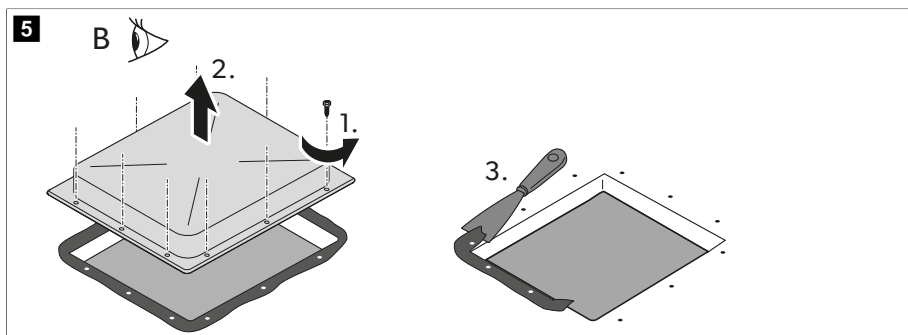
REMARQUE Les arêtes doivent être parallèles les unes aux autres.



6. Si nécessaire, retirez la mousse en fonction de la largeur de vos rails de renfort (non compris dans la livraison).
7. Insérez les rails de renfort.

Installation dans une ouverture existante

1. Retirez toutes les vis et fixations de la trappe de toit ou de l'appareil existant.



2. Retirez la trappe de toit ou l'appareil.
3. Éliminez les restes de mastic tout autour de l'ouverture avec un racloir ou un outil similaire.

Installation d'accessoires en option (selon le modèle)



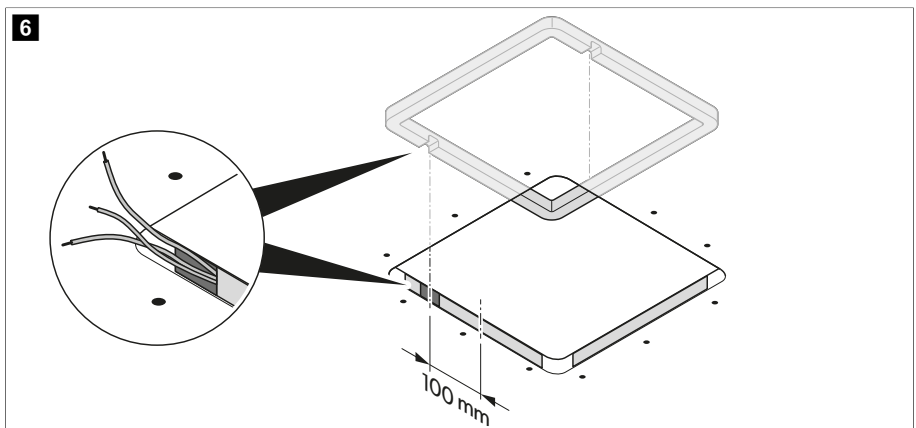
AVIS ! Risque d'endommagement

- > Respectez la séquence d'installation correcte avant d'effectuer les connexions électriques.
- > Respectez les consignes fournies dans le manuel d'installation des accessoires (en option).

1. Unité de toit
2. Panneau solaire (en option)
3. Rampe d'éclairage LED (en option)
4. Module de purification de l'air (en option)
5. Échangeur thermique
6. Module d'optimisation des performances (en option)
7. Capot intérieur

Pose des câbles de raccordement

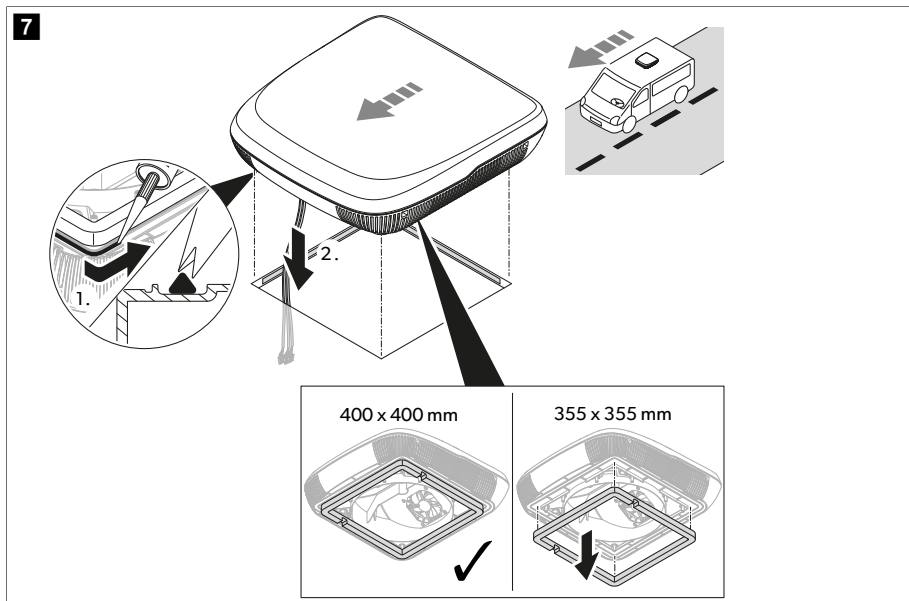
1. Vérifiez que la tension indiquée sur la plaque signalétique du système de ventilation correspond à l'alimentation électrique dont vous disposez. Le système de ventilation doit être relié à un circuit électrique capable de fournir le courant nécessaire.
2. Installez un interrupteur omnipolaire d'une largeur d'ouverture de contact d'au moins 3 mm du côté du montage.
3. Choisissez la section du câble d'alimentation électrique en fonction de sa longueur :
 - Longueur < 7,5 m : 1,5 mm²
 - Longueur > 7,5 m : 2,5 mm²
4. Faites une ouverture d'un côté afin de faire passer le câble d'alimentation.



5. Faites passer le câble d'alimentation électrique par l'ouverture dans l'habitacle du véhicule.

Installation de l'unité de toit

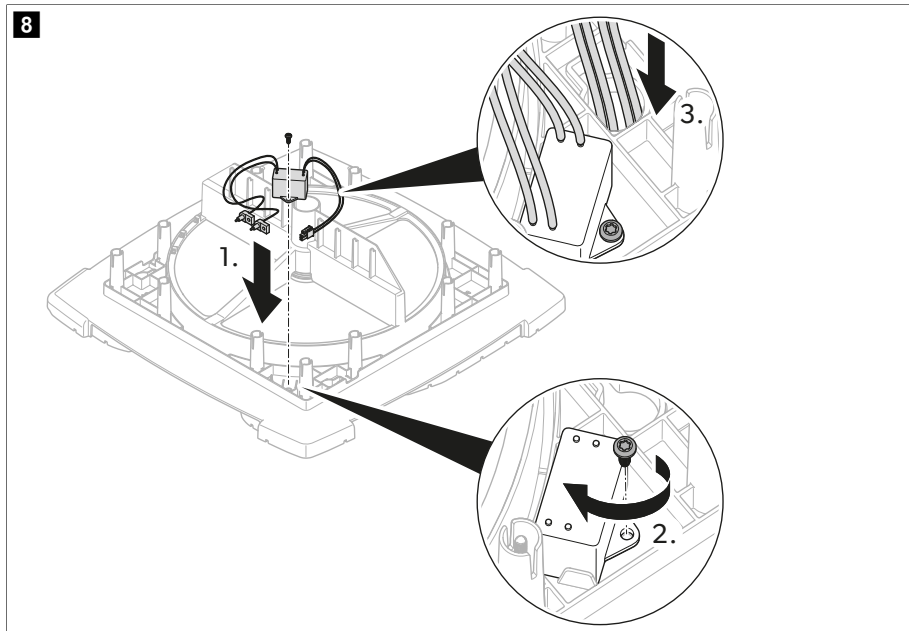
1. Uniquement pour la version 1 : Retirez le cadre de centrage de l'unité de toit.



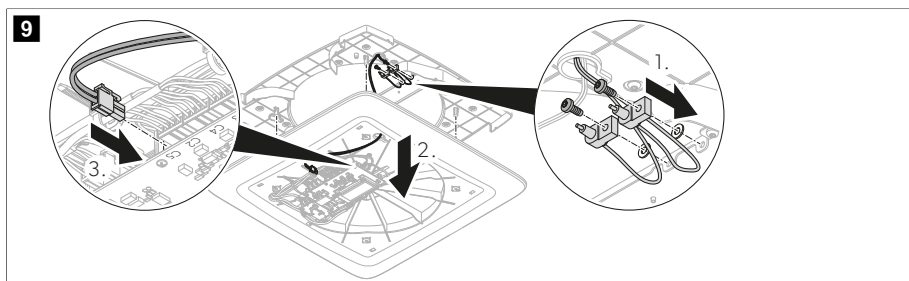
2. Fermez le tour du cadre de toit avec un mastic butyle souple (p. ex. SikaLastomer-710, Selleys Butyl Mastic, mastic butyle Bostik Ezycaulk, ou produits similaires). Veuillez tenir compte des recommandations du fabricant du produit d'étanchéité.
3. Soulevez l'unité de toit au-dessus du toit du véhicule. Tenez compte du sens de la marche.
4. Placez l'unité de toit au centre du toit du véhicule.
5. Retirez le serre-câbles de l'unité de toit et faites passer les câbles à travers l'ouverture correspondante vers l'intérieur du véhicule.

Installation du module de purification de l'air (en option)

1. Fixez le module de purification de l'air à l'échangeur thermique.

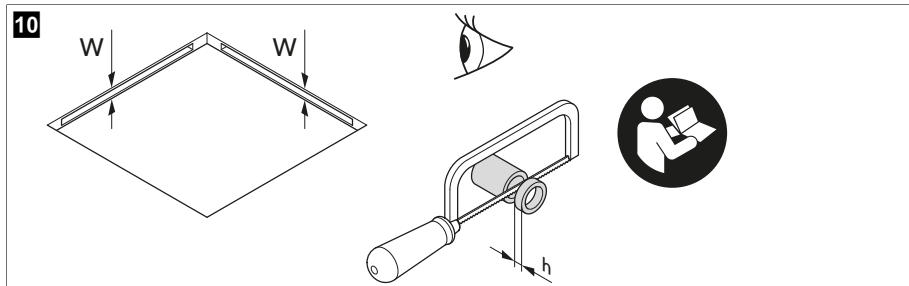


2. Faites passer le câble à travers l'orifice en forme de serrure vers le dessous de l'échangeur thermique.
3. Installez l'aiguille d'ionisation.



Installation de l'échangeur thermique

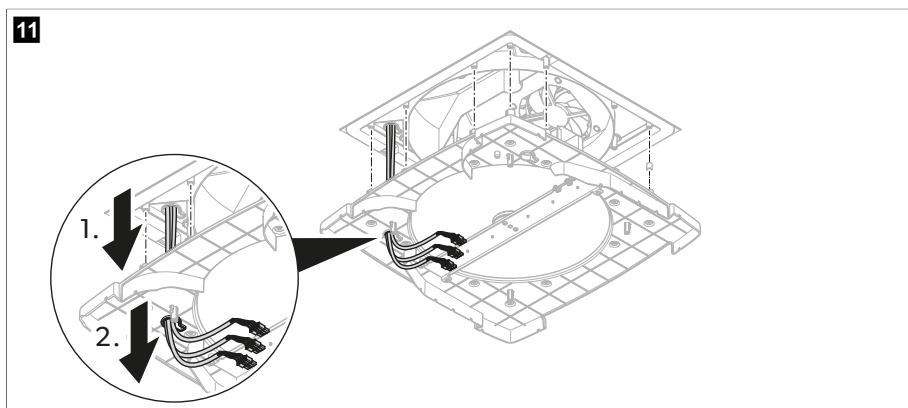
1. En fonction de l'épaisseur du toit, coupez les entretoises fournies avec le kit de fixation à la longueur requise.



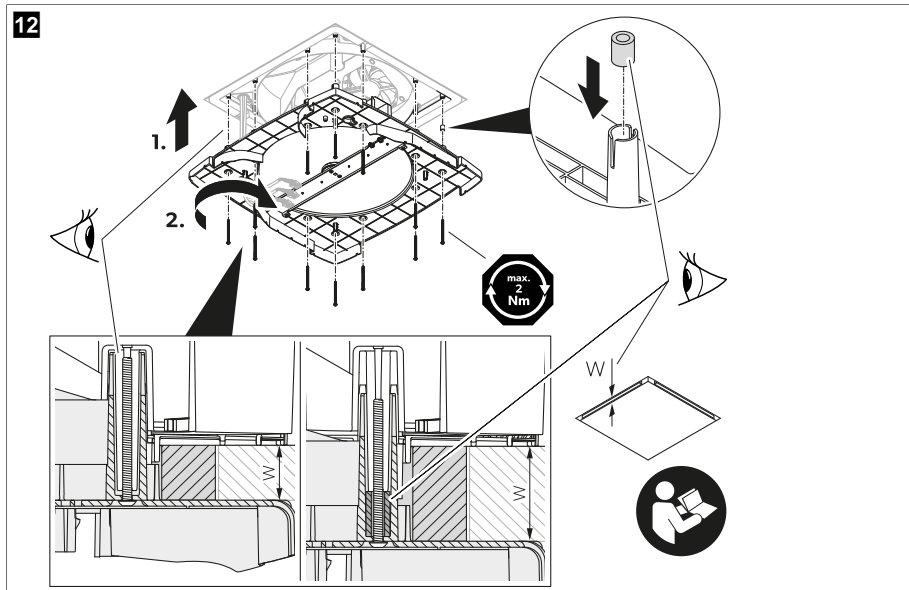
Épaisseur du toit (l)	Longueur d'entretoise requise (h)
23 mm	-
24 mm	2 mm
25 mm	
26 mm	4 mm
27 mm	
28 mm	6 mm
29 mm	
30 mm	8 mm
31 mm	
32 mm	10 mm
33 mm	
34 mm	12 mm
35 mm	
36 mm	14 mm
37 mm	
38 mm	16 mm
39 mm	
40 mm	18 mm
41 mm	
42 mm	20 mm
43 mm	
44 mm	22 mm
45 mm	
46 mm	24 mm
47 mm	
48 mm	26 mm

Épaisseur du toit (l)	Longueur d'entretoise requise (h)
49 mm	
50 mm	28 mm
51 mm	
52 mm	30 mm
53 mm	
54 mm	32 mm
55 mm	
56 mm	34 mm
57 mm	
58 mm	36 mm
59 mm	
60 mm	38 mm

2. Faites passer les câbles à travers l'orifice en forme de serrure de l'échangeur thermique.



3. Insérez les entretoises dans les trous de vis de la partie supérieure de l'échangeur thermique.



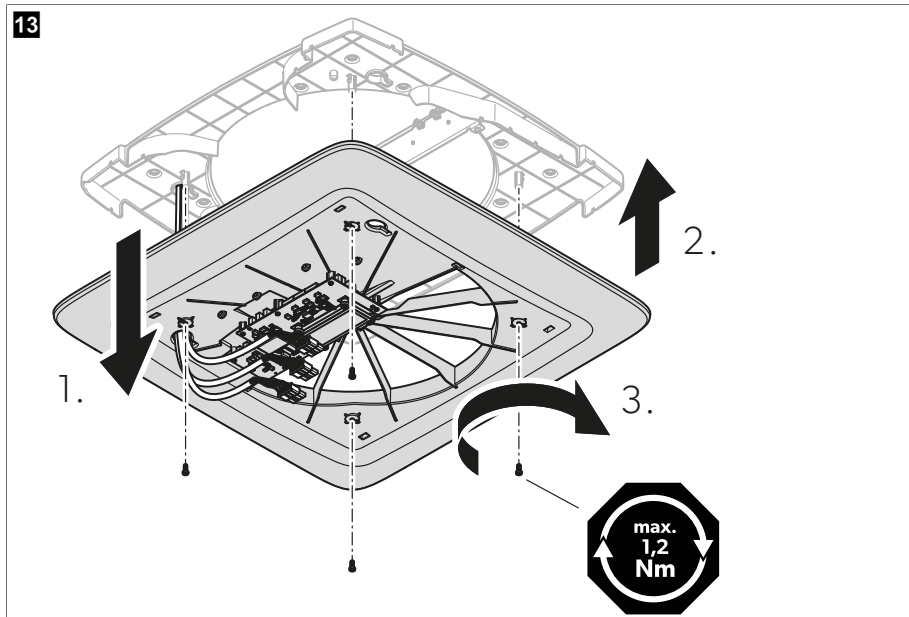
4.  **AVIS ! Risque d'endommagement**
Assurez-vous qu'aucun câble n'est écrasé ou pincé.

Alignez l'échangeur thermique sur l'unité de toit.

5. Fixez l'échangeur thermique à l'unité de toit à travers le plafond à l'aide des 12 boulons fournis avec le kit de fixation. Serrez les boulons à l'aide d'une clé dynamométrique avec un couple de serrage maximal de 1,2 Nm.

Installation du capot intérieur

1. Faites passer les câbles à travers l'orifice en forme de serrure du capot intérieur.



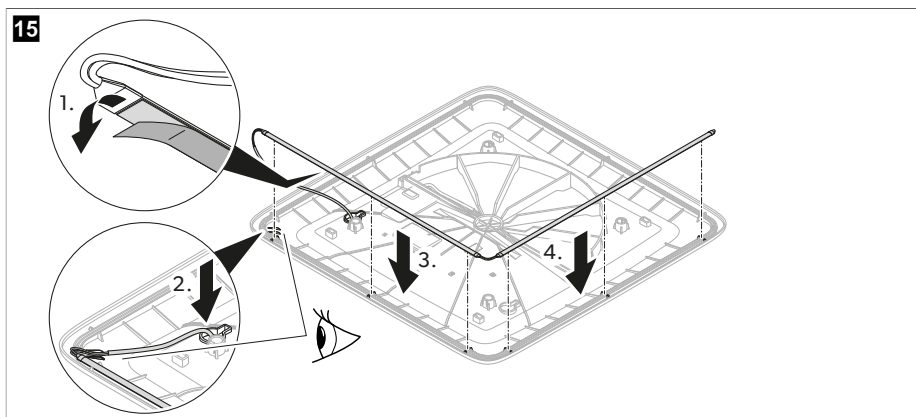
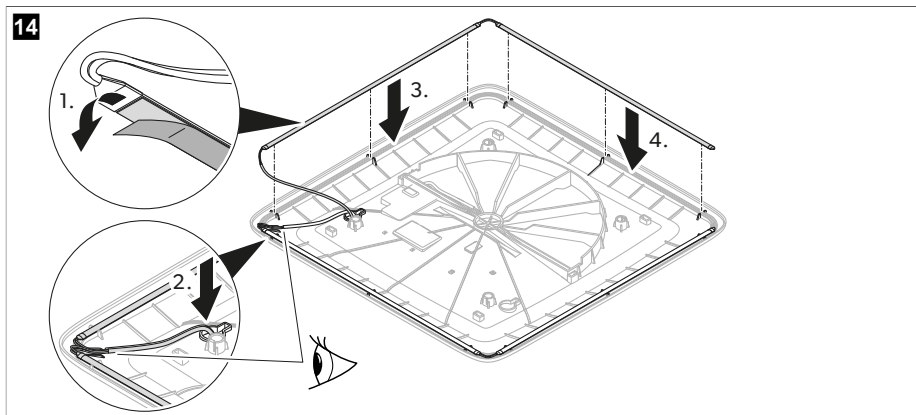
2.  **AVIS ! Risque d'endommagement**
Assurez-vous qu'aucun câble n'est écrasé ou pincé.

Fixez le capot intérieur à l'échangeur thermique.

3. Fixez le capot intérieur à l'échangeur thermique à l'aide des 4 boulons fournis avec le kit de fixation. Serrez les boulons à l'aide d'une clé dynamométrique avec un couple de serrage maximal de 1,2 Nm.

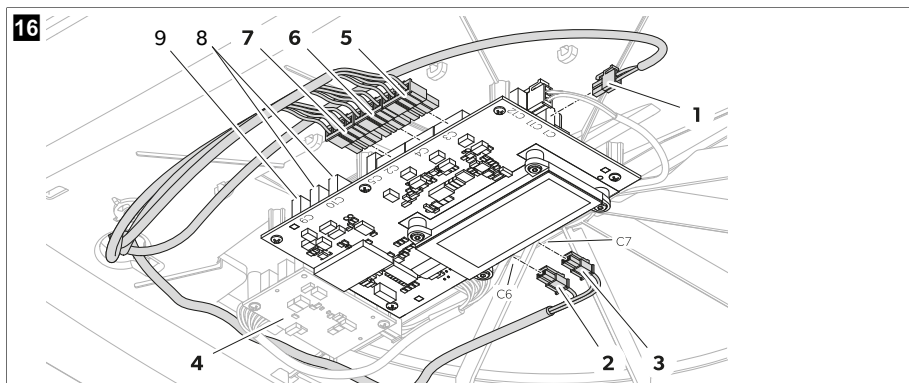
Installation de la rampe d'éclairage LED (en option)

> Fixez les rampes d'éclairage LED sur le capot intérieur.



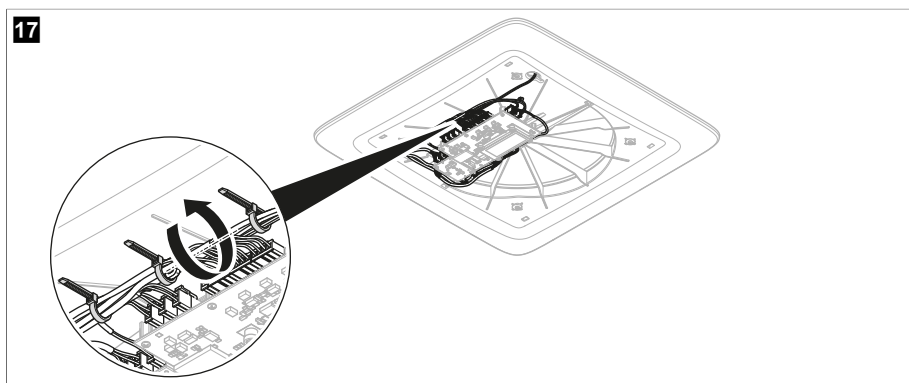
Raccordement électrique

1. Connectez les fiches aux prises.



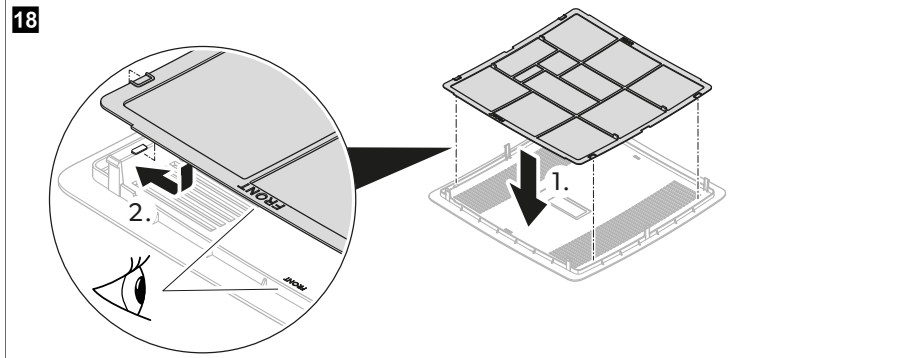
Élément	Douille	Description
1	C1	Alimentation d'entrée de la batterie du véhicule
2	C6	Sortie de la rampe d'éclairage LED (en option)
3	C7	Sortie de la rampe d'éclairage LED (en option)
4	-	Circuit imprimé secondaire (en option)
5	C3	Sortie du ventilateur 1
6	C4	Sortie du ventilateur 2
7	C2	Sortie du moteur
-	C5	Sortie du module de purification de l'air (en option)
8	C10	Connecteur de communication CAN (en option)
9	C9	Connecteur de communication LIN (en option)

2. Fixez les câbles à l'aide de serre-câbles.

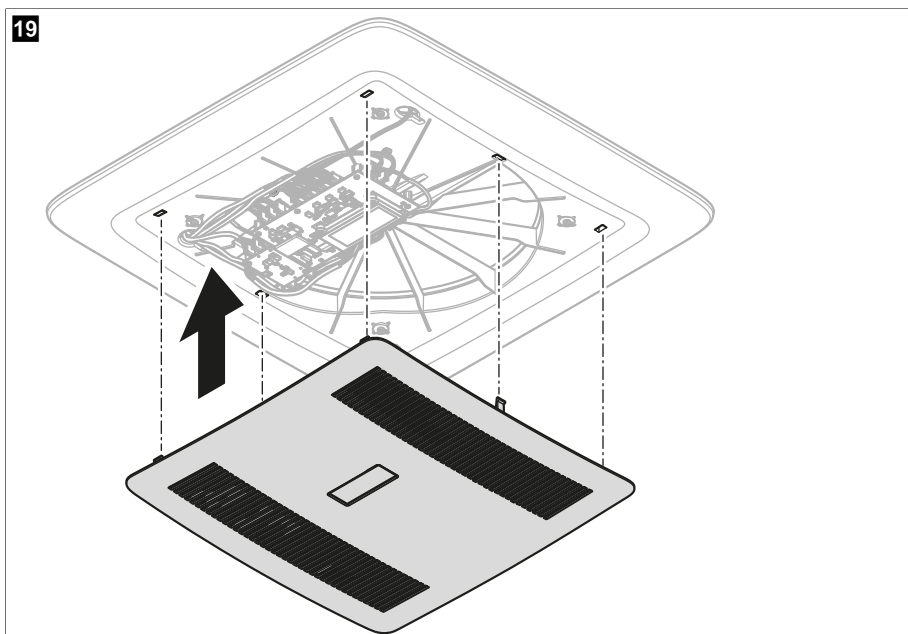


Installation du capot central du caisson de distribution d'air

1. Vérifiez que les filtres sont complètement insérés.



2. Fixez le capot central du caisson de distribution d'air au capot intérieur.



3. Contactez le fabricant du véhicule pour savoir si le changement de hauteur du véhicule dû à l'installation du système de ventilation doit être agréé et consigné dans les documents du véhicule.
- ✓ Le montage est maintenant terminé.
4. Connectez le système de ventilation à l'alimentation et vérifiez s'il fonctionne.

9 Mise au rebut



Recyclage des produits contenant des piles, des batteries et des sources lumineuses rechargeables : Retirez toutes les piles, batteries et sources lumineuses rechargeables avant de recycler le produit. Rapportez les piles défectueuses ou les batteries usagées à votre revendeur ou à un centre de collecte. Les piles, les batteries et les sources lumineuses rechargeables usagées ne sont pas des déchets ménagers. Si vous souhaitez mettre le produit au rebut, contactez le centre de recyclage le plus proche ou votre revendeur spécialisé afin d'être informé des réglementations liées au traitement des déchets. Le produit peut être mis au rebut gratuitement.



Recyclage des emballages : Dans la mesure du possible, veuillez éliminer les emballages dans les conteneurs de déchets recyclables prévus à cet effet.

10 Garantie

Consultez les sections ci-dessous pour de plus amples informations relatives à la garantie et l'assistance dans le cadre de la garantie aux États-Unis, au Canada et dans toutes les autres régions.

États-Unis et Canada

GARANTIE LIMITÉE DISPONIBLE À L'ADRESSE DOMETIC.COM/WARRANTY.

POUR TOUTE QUESTION OU POUR OBTENIR UNE COPIE GRATUITE DE LA GARANTIE LIMITÉE, CONTACTEZ :

DOMETIC CORPORATION
CUSTOMER SUPPORT CENTER
5155 VERDANT DRIVE
ELKHART, INDIANA 46516
1-800-544-4881

Tous les autres pays


Pour toutes réparations ou autres prestations de garantie, veuillez joindre à l'appareil les documents suivants :

- une copie de la facture avec la date d'achat
- un motif de réclamation ou une description du dysfonctionnement

Notez que toute réparation effectuée par une personne non agréée peut présenter un risque de sécurité et annuler la garantie.

11 Caractéristiques techniques

	ACC3100DWH	ACC3100DWHWLD
Tension d'entrée	12 V ⁻⁻⁻	
Puissance d'entrée maximale	7,6 W	16,5 W
Consommation électrique maximale	0,18 kWh/24h	0,40 kWh/24h
	15,2 Ah/24 h	33 Ah/24 h
Consommation électrique minimale	0,06 kWh/24h	
	4,9 Ah/24 h	

	ACC3100DWH	ACC3100DWHWLD
Plage de température de fonctionnement	-20 °C (-4 °F) ... 70 °C (158 °F)	
Classe de protection	IPX4	
Fusible externe	3 A	
Ouverture d'aération au plafond	150 cm ²	
Dimensions de l'unité de toit (l x L x H)	542,6 x 553 x 127 mm	
Dimensions du caisson de distribution d'air (l x L x H)	517,6 x 517,6 x 46 mm	
Épaisseur du toit	23 ... 60 mm	
Niveau de bruit extérieur	43 dB(A)	
Niveau de bruit intérieur	52 dB(A)	
Niveau de bruit intérieur (mode Sleep (Sommeil))	35 dB(A)	
Ventilation	30 ... 50 m ³ /h	
Efficacité de la récupération de chaleur	72 ... 87 %	
Poids	7 kg	7,14 kg
Caractéristiques	Mise à niveau possible avec : <ul style="list-style-type: none"> • Rampe d'éclairage LED • Module de purification de l'air • Module d'optimisation des performances • Panneau solaire 	Fourni avec : <ul style="list-style-type: none"> • Rampe d'éclairage LED • Module de purification de l'air • Kit d'installation Mise à niveau possible avec : <ul style="list-style-type: none"> • Module d'optimisation des performances • Panneau solaire
Certifications		

12 Mentions légales

Cet appareil est conforme à la partie 15 des règles de la FCC. Le fonctionnement est soumis aux deux conditions suivantes :

- Cet appareil ne doit pas causer d'interférences nuisibles.
- Cet appareil doit accepter toutes les interférences, y compris celles susceptibles de causer un fonctionnement indésirable.

Les changements ou modifications qui ne sont pas expressément approuvés par la partie responsable de la conformité peuvent annuler le droit de l'utilisateur à utiliser l'équipement. Cet équipement a été testé et déclaré conforme aux limites d'un appareil numérique de classe B, conformément à la partie 15 des règles de la FCC. Ces limites sont destinées à fournir une protection raisonnable contre les interférences nuisibles dans une installation résidentielle. Cet équipement génère, utilise et peut émettre une énergie de radiofréquence et, s'il n'est pas installé et utilisé conformément aux instructions, causer des interférences nuisibles aux communications radio. Cependant, il n'y a aucune garantie que des interférences ne se produiront pas dans une installation particulière. Si cet équipement provoque des interférences nuisibles à la réception des signaux radio ou de télévision, ce qui peut être déterminé en éteignant et en allumant l'équipement, l'utilisateur est encouragé à essayer de corriger ces interférences via une ou plusieurs des mesures suivantes :

- Réorienter ou déplacer l'antenne de réception.
- Augmenter la distance entre l'équipement et le récepteur.

- Connecter l'équipement à une prise sur un circuit différent de celui auquel le récepteur est connecté.
- Consulter le revendeur ou un technicien radio/TV expérimenté pour obtenir de l'aide.

Cet appareil est conforme aux normes RSS non soumises à licence d'Industrie Canada. Le fonctionnement est soumis aux deux conditions suivantes :

- Cet appareil ne doit pas causer d'interférences.
- Cet appareil doit supporter toutes les interférences, y compris celles susceptibles de causer un fonctionnement indésirable de l'appareil. Cet appareil numérique de classe B est conforme à la norme canadienne ICES-3(B)/NBM-3(B).

Español

1	Notas importantes.....	43
2	Explicación de los símbolos.....	43
3	Indicaciones de seguridad.....	43
4	Volumen de entrega.....	45
5	Accesorios.....	45
6	Personal al que va dirigido el manual.....	46
7	Uso previsto.....	46
8	Instalación.....	46
9	Eliminación.....	60
10	Garantía.....	60
11	Datos técnicos.....	60
12	Información legal.....	61

1 Notas importantes

Lea atentamente estas instrucciones y siga las indicaciones, directrices y advertencias incluidas en este manual para asegurarse de que instala, utiliza y mantiene correctamente el producto en todo momento. Estas instrucciones DEBEN conservarse junto con este producto.

Al utilizar el producto, usted confirma que ha leído cuidadosamente todas las instrucciones, directrices y advertencias, y que entiende y acepta cumplir los términos y condiciones aquí establecidos. Usted se compromete a utilizar este producto solo para el propósito y la aplicación previstos y de acuerdo con las instrucciones, directrices y advertencias establecidas en este manual del producto, así como de acuerdo con todas las leyes y reglamentos aplicables. La no lectura y observación de las instrucciones y advertencias aquí expuestas puede causarle lesiones a usted o a terceros, daños en el producto o daños en otras propiedades cercanas. Este manual del producto, incluyendo las instrucciones, directrices y advertencias, y la documentación relacionada, pueden estar sujetos a cambios y actualizaciones. Para obtener información actualizada sobre el producto, visite documents.dometic.com.

2 Explicación de los símbolos

Una palabra de advertencia señalará los mensajes de seguridad y de daño material, y también indicará el grado o nivel de gravedad del riesgo.



¡ADVERTENCIA!

Indica una situación peligrosa que, de no evitarse, puede ocasionar la muerte o lesiones graves.



¡ATENCIÓN!

Indica una situación peligrosa que, de no evitarse, puede ocasionar lesiones moderadas o leves.



¡AVISO!

Indica una situación peligrosa que, de no evitarse, puede provocar daños materiales.



NOTA Información complementaria para el manejo del producto.

3 Indicaciones de seguridad



¡ADVERTENCIA! El incumplimiento de estas advertencias podría acarrear la muerte o lesiones graves.

- > La reparación del aparato solo podrá ser llevada a cabo por personal especializado y familiarizado con los riesgos y normas pertinentes. Las reparaciones realizadas incorrectamente pueden generar situaciones de considerable peligro. En caso de necesitar una reparación, póngase en contacto con el centro de atención al cliente. de su país (véase dometic.com/dealer).
- > El aparato debe instalarse de acuerdo con las normativas nacionales de instalaciones eléctricas y mecánicas.
- > **Los aparatos eléctricos no son juguetes.** Los niños y las personas incapacitadas no tienen capacidad de percibir los peligros que representan los aparatos eléctricos. No deje que los niños usen aparatos eléctricos sin estar bajo su vigilancia.
- > Las personas que, debido a discapacidades físicas, sensoriales o mentales, o que por falta de experiencia y conocimientos no estén en condiciones de manejar el equipo de forma segura, no deben utilizarlo sin la vigilancia o las indicaciones de una persona responsable.
- > En caso de incendio, **no** abra la tapa superior del aparato. Utilice agentes autorizados para la extinción del fuego. No utilice agua para extinguir el fuego.
- > El aparato debe almacenarse en un espacio donde no haya llamas abiertas (como un aparato de gas en funcionamiento, por ejemplo) ni fuentes de ignición (como un calentador eléctrico en funcionamiento).
- > El aparato debe almacenarse horizontalmente en un lugar seco, ventilado y cubierto.
- > No perfore ni queme el aparato.



¡ATENCIÓN! El incumplimiento de estas precauciones podría acarrear lesiones moderadas o leves.

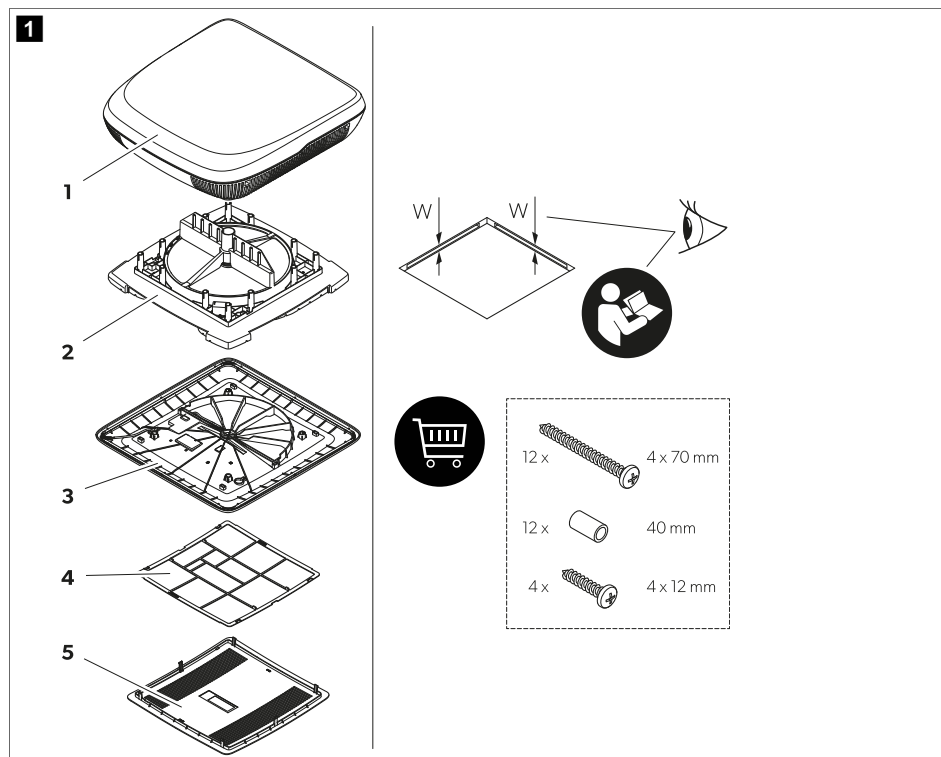
- > Ponga en marcha el aparato solamente si tiene la seguridad de que la carcasa y los cables no están dañados.
- > No utilice el aparato cerca de fluidos inflamables ni en recintos cerrados.
- > Asegúrese que no haya objetos inflamables situados o instalados cerca de la salida de aire. Debe mantenerse una distancia mínima de 10 cm.
- > No acceda a las salidas de aire ni introduzca objetos extraños en el equipo.
- > Utilice siempre gafas de seguridad y guantes de protección.



¡AVISO! Peligro de daños

- > El aparato debe situarse de tal manera que se eviten posibles daños mecánicos.
- > Antes de la instalación, compruebe si el montaje podría provocar daños en componentes del vehículo (como lámparas, armarios o puertas). Es posible que el fabricante del vehículo ya haya previsto puntos en los que se pueda practicar la abertura para montar el aparato sin riesgo de debilitar la estructura ni de cortar ningún cable de alimentación.
- > Antes de la instalación, consulte al fabricante del vehículo si la estructura del mismo está diseñada para soportar el peso estático y las cargas del sistema de ventilación cuando el vehículo está en movimiento.
- > Selle todas las aberturas realizadas para instalar el sistema de ventilación.
- > Elija como lugar de montaje una zona llana y suficientemente nivelada en el centro del techo del vehículo entre dos perfiles longitudinales.
- > Asegúrese de que en el vehículo no haya ningún objeto que pudiera obstaculizar la fijación de la caja de distribución de aire (ADB) ni la afluencia de aire fresco a través de las salidas de ventilación.
- > No realice modificaciones en el aparato.
- > No introduzca su vehículo en túneles de lavado automático si el equipo está instalado.

4 Volumen de entrega



Elemento	Cantidad	Descripción
1	1	Unidad superior de techo con anillo central (solo para aberturas de techo de 400 × 400 mm)
2	1	Intercambiador de calor
3	1	Tapa interior
4	1	Filtro de aire
5	1	Tapa central
-	1	Kit de instalación (debe solicitarse por separado para ACC3100DWH)
-	1	Guía rápida
-	-	Según el modelo: Manuales de instalación de accesorios

5 Accesorios

Producto	N.º de art.
Purificador de aire	9620005077

Producto	N.º de art.
Luz LED	9620005081
Booster	9600050054
Kit solar	9620005074
Filtro de aire interior	9620015799
Filtro de aire exterior	9620015800

6 Personal al que va dirigido el manual



Solo un técnico cualificado que haya demostrado sus habilidades y conocimientos relacionados con la construcción y el funcionamiento de equipos e instalaciones de automoción y domésticos, y que esté familiarizado con las normativas aplicables del país en el que se va a instalar y/o utilizar el equipo, y que haya recibido formación de seguridad para identificar y evitar los peligros implicados puede ocuparse de la instalación mecánica y eléctrica y configuración del aparato.

7 Uso previsto

El sistema de ventilación está diseñado para instalarse en caravanas, autocaravanas y embarcaciones de recreo.

El sistema de ventilación **no** es adecuado para:

- Casas
- Apartamentos
- Cruceros
- Máquinas de construcción
- Máquinas agrícolas
- Camiones

Este producto solo es apto para el uso previsto y la aplicación de acuerdo con estas instrucciones.

Este manual proporciona la información necesaria para la correcta instalación y/o funcionamiento del producto. Una instalación deficiente o un uso y mantenimiento inadecuados conllevan un rendimiento insatisfactorio y posibles fallos.

El fabricante no se hace responsable de ninguna lesión o daño en el producto ocasionados por:

- Una instalación, un montaje o una conexión incorrectos, incluido un exceso de tensión
- Un mantenimiento incorrecto o el uso de piezas de repuesto distintas de las originales proporcionadas por el fabricante
- Modificaciones realizadas en el producto sin el expreso consentimiento del fabricante
- Uso con una finalidad distinta de la descrita en las instrucciones

Dometic se reserva el derecho de cambiar la apariencia y las especificaciones del producto.

8 Instalación



¡ADVERTENCIA! Riesgo de electrocución

- > El suministro de energía eléctrica debe ser conectado por un electricista cualificado que tenga capacidad demostrada y conocimientos relacionados con la construcción y el funcionamiento de equipos e instalaciones eléctricas, y que haya recibido formación en materia de seguridad para identificar y evitar los peligros asociados.

- > Desconecte todas las fuentes de alimentación cuando manipule el sistema de ventilación.
- > Asegúrese de que el aparato no se pueda volver a conectar.

**¡ADVERTENCIA! Riesgo de electrocución**

- > El aparato debe instalarse cumpliendo las normativas nacionales sobre cableado.
- > Si el aparato sustituye una ventanilla o trampilla con una función de ventilación forzada de seguridad, es necesario añadir un dispositivo de ventilación de seguridad adicional (por ejemplo, un ventilador de tipo seta o similar). En caso de duda, consulte al fabricante del vehículo.

**¡ATENCIÓN! Peligro de lesiones**

- > Un montaje incorrecto del sistema de ventilación puede provocar daños irreparables en el aparato y poner en peligro la seguridad del usuario.
- > Si necesita arrastrar o levantar el sistema de ventilación, hágalo siempre con la ayuda de otra persona.
- > Antes de instalar el aparato (al realizar perforaciones, al atornillar, etc.) compruebe la ubicación del cableado existente en la zona de montaje, tanto los propios cables como otros componentes, sobre todo los que no están a la vista.
- > Conecte y tienda los cables de tal forma que no se pueda tropezar con ellos ni puedan resultar dañados.
- > Utilice siempre gafas de seguridad y guantes de protección.

**¡AVISO! Peligro de daños**

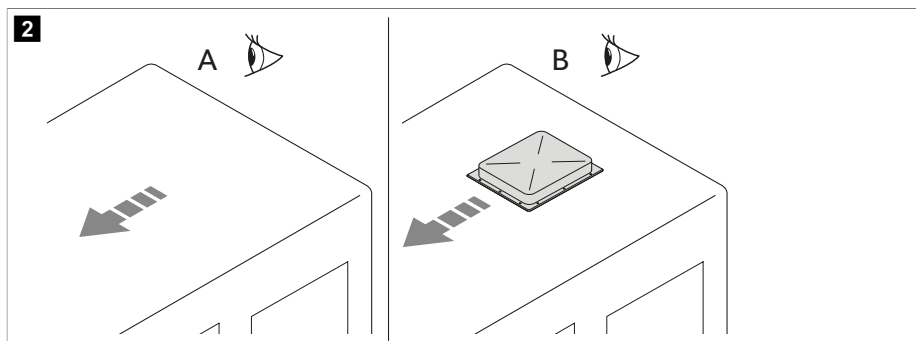
- > Utilice conductos para cables si va a tender cables por paredes con bordes afilados.
- > No coloque cables sueltos ni muy doblados sobre materiales conductores de electricidad (metales).
- > No someta los cables a tracción.
- > Preste atención a las relaciones estáticas del techo del vehículo. El techo del vehículo debe poder soportar el peso del sistema de ventilación sin hundirse ni deformarse. En caso de duda, consulte al fabricante del vehículo.

Elección de la forma de instalar el sistema de ventilación

**NOTA**

- Elija una zona llana y suficientemente nivelada en el centro del vehículo.
- La inclinación del techo en la superficie de montaje no debe superar los 5°. La inclinación puede ser de hasta 15° hacia abajo en el sentido de avance.

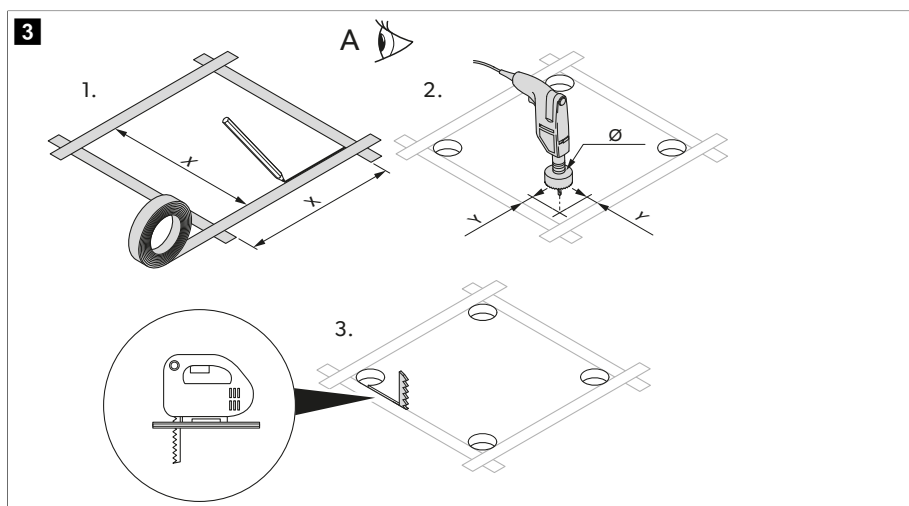
> Elija cómo desea instalar el sistema de ventilación:



- Practicando una abertura nueva (A). En este caso la abertura se debe reforzar con un marco apropiado.
- Utilizando una abertura existente en el vehículo (B), como un techo solar, o sustituyendo un aparato antiguo.

Practicar una nueva abertura

1. Elija una zona en el centro del techo situada entre dos perfiles longitudinales.
2. Marque la ubicación y el tamaño de la abertura.



	Versión 1	Versión 2
X	355 mm	400 mm
Y	5 mm	12 mm
∅	10 mm	24 mm

3. Perfore las esquinas.



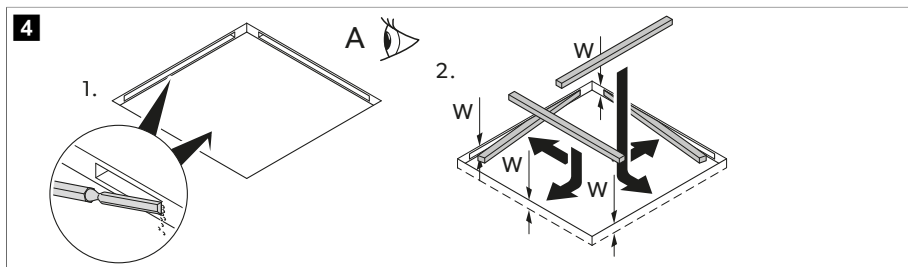
¡AVISO! Peligro de daños

Asegúrese de que no haya ningún cable eléctrico dañado. Compruebe la ubicación de los cables eléctricos.

4. Corte cuidadosamente la abertura en el techo con una sierra de calar o una herramienta similar.
5. Compruebe si es necesario reforzar la abertura practicada en el techo.



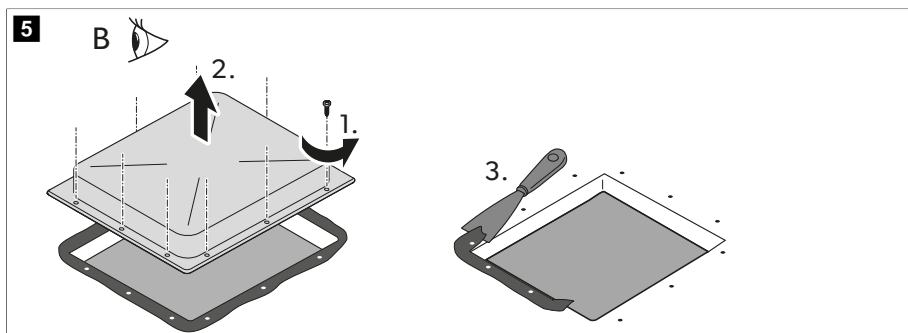
NOTA Los bordes deben estar paralelos entre sí.



6. En caso necesario, retire el aislamiento de espuma en función de la anchura de sus guías de refuerzo (no incluidas en el volumen de entrega).
7. Encaje las guías de refuerzo.

Instalación en una abertura existente

1. Retire todos los tornillos y fijaciones del aparato o techo solar existentes.



2. Extraiga el techo solar o el dispositivo.
3. Retire el material de sellado alrededor de la abertura utilizando un rascador o una herramienta similar.

Instalación de accesorios opcionales (según el modelo)



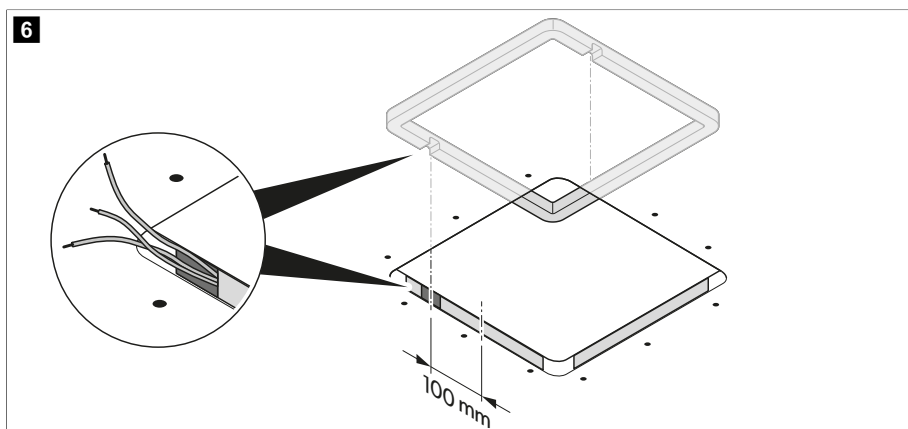
¡AVISO! Peligro de daños

- > Siga la secuencia de instalación correcta antes de realizar las conexiones eléctricas.
- > Tenga en cuenta los manuales de instalación de los accesorios (opcional).

1. Unidad superior del techo
2. Panel solar (opcional)
3. Tira de luces LED (opcional)
4. Módulo de purificación del aire (opcional)
5. Intercambiador de calor
6. Booster (opcional)
7. Tapa interior

Tendido de cables de conexión

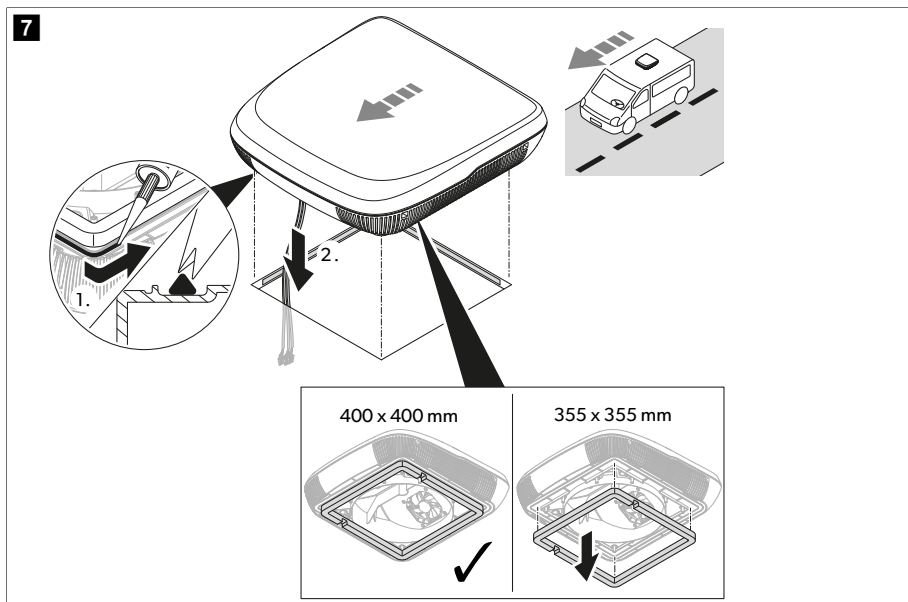
1. Compruebe que la tensión indicada en la placa de características sea la misma que la de la fuente de alimentación. El sistema de ventilación debe estar conectado a un circuito eléctrico capaz de suministrar la corriente necesaria.
2. Instale un interruptor omnipolar con una distancia de apertura de los contactos de al menos 3 mm en el lado de la instalación.
3. Seleccione la sección del cable de alimentación correspondiente a la longitud:
 - Longitud < 7,5 m: 1,5 mm²
 - Longitud > 7,5 m: 2,5 mm²
4. Practique una abertura en un lado para pasar el cable de alimentación.



5. Introduzca el cable de alimentación en el interior del vehículo a través de la abertura.

Instalación de la unidad superior del techo

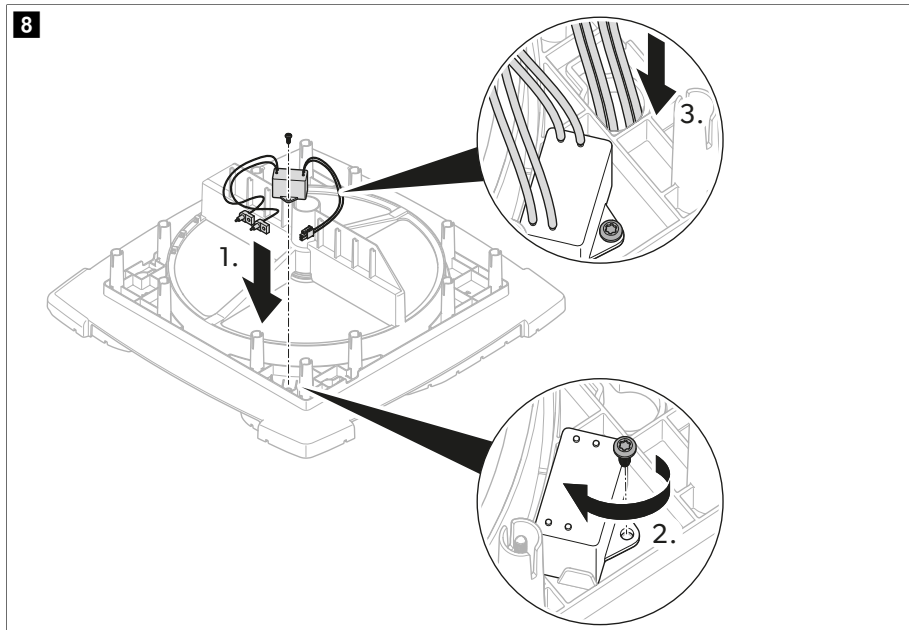
1. Solo para la versión 1: Retire el anillo central de la unidad superior del techo.



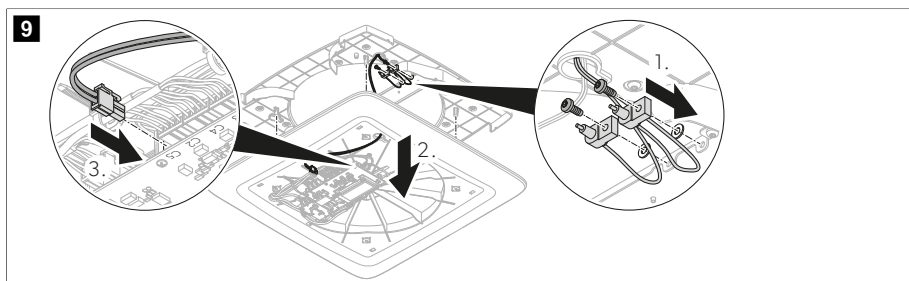
2. Selle en derredor del marco del techo con un compuesto sellador de butilo flexible que no se endurezca (por ejemplo, SikaLastomer-710, Selleys Butyl Mastic, masilla selladora de butilo Bostik o productos similares). Siga también las indicaciones del fabricante del sellador.
3. Suba la unidad superior al techo del vehículo. Tenga en cuenta el sentido de la marcha.
4. Coloque la unidad superior en el centro del techo del vehículo.
5. Retire la brida para cables de la unidad del techo y pase los cables a través de la abertura correspondiente hacia el interior del vehículo.

Instalación del módulo de purificación del aire (opcional)

1. Fije el módulo de purificación del aire al intercambiador de calor.

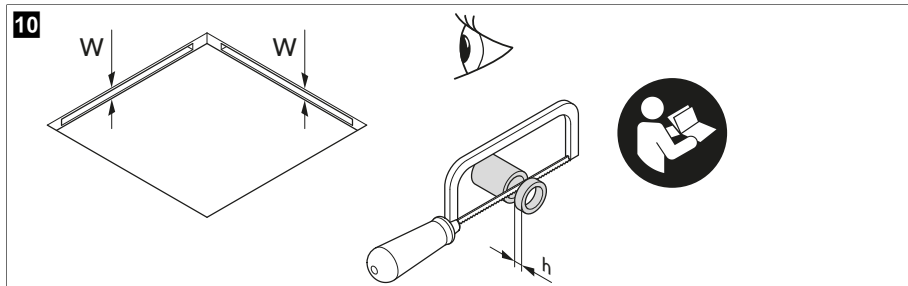


2. Pase el cable por el pasante del orificio hasta la parte inferior del intercambiador de calor.
3. Monte la aguja de ionización.



Instalación del intercambiador de calor

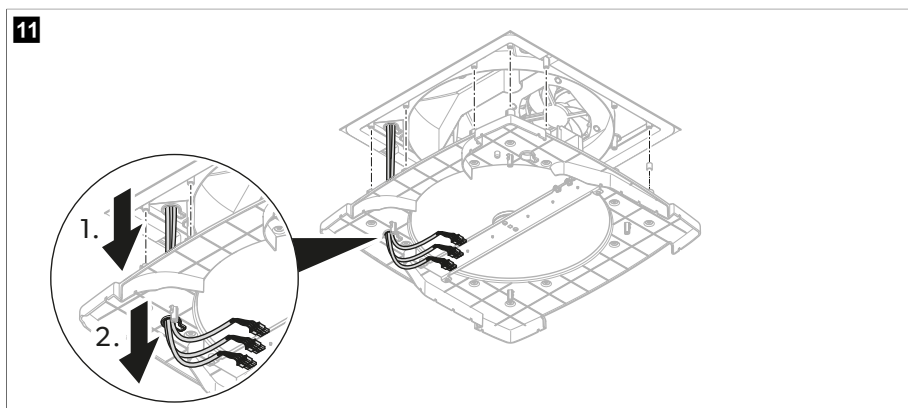
1. Dependiendo del grosor del techo, corte a la longitud necesaria los separadores suministrados con el kit de fijación.



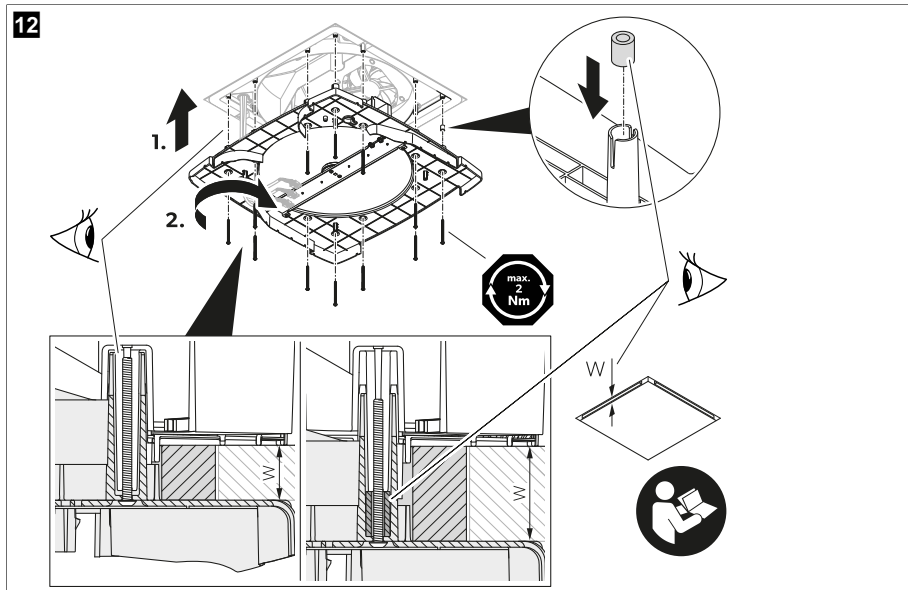
Grosor del techo (W)	Longitud requerida para los separadores (h)
23 mm	-
24 mm	2 mm
25 mm	
26 mm	4 mm
27 mm	
28 mm	6 mm
29 mm	
30 mm	8 mm
31 mm	
32 mm	10 mm
33 mm	
34 mm	12 mm
35 mm	
36 mm	14 mm
37 mm	
38 mm	16 mm
39 mm	
40 mm	18 mm
41 mm	
42 mm	20 mm
43 mm	
44 mm	22 mm
45 mm	
46 mm	24 mm
47 mm	
48 mm	26 mm


Grosor del techo (W)	Longitud requerida para los separadores (h)
49 mm	28 mm
50 mm	
51 mm	
52 mm	30 mm
53 mm	
54 mm	32 mm
55 mm	
56 mm	34 mm
57 mm	
58 mm	36 mm
59 mm	
60 mm	38 mm

2. Pase los cables por el pasante del orificio del intercambiador de calor.



3. Introduzca los separadores en los orificios de los tornillos desde la parte superior del intercambiador de calor.



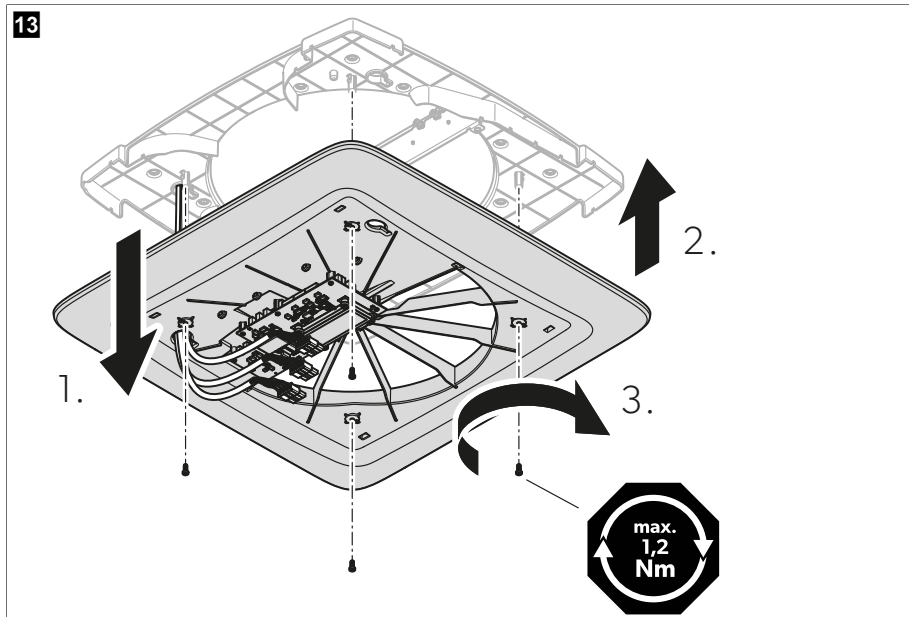
4.  **¡AVISO! Peligro de daños**
Asegúrese de que no haya ningún cable presionado ni pellizcado.


Alinee el intercambiador de calor con la unidad de la parte superior del techo.

5. Fije el intercambiador de calor a la unidad superior a través del techo con los 12 pernos suministrados con el kit de fijación. Apriete los pernos con una llave dinamométrica y con un par de apriete máximo de 1,2 Nm.

Instalación de la tapa interior

1. Pase los cables por el pasante del orificio de la tapa interior.



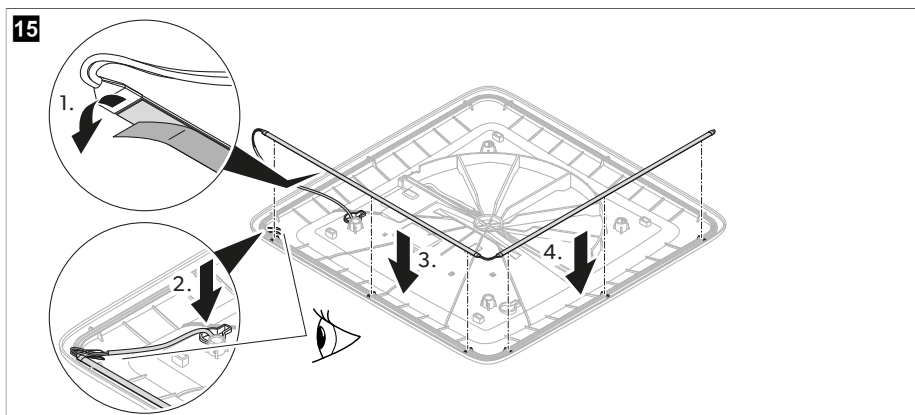
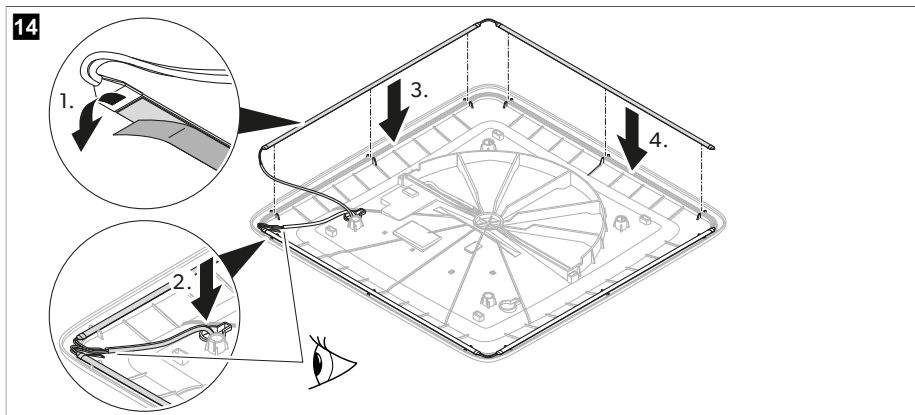
2.  **¡AVISO! Peligro de daños**
Asegúrese de que no haya ningún cable presionado ni pellizcado.

Una la tapa interior al intercambiador de calor.

3. Fije la tapa interior al intercambiador de calor con los 4 pernos suministrados con el kit de fijación. Apriete los pernos con una llave dinamométrica y con un par de apriete máximo de 1,2 Nm.

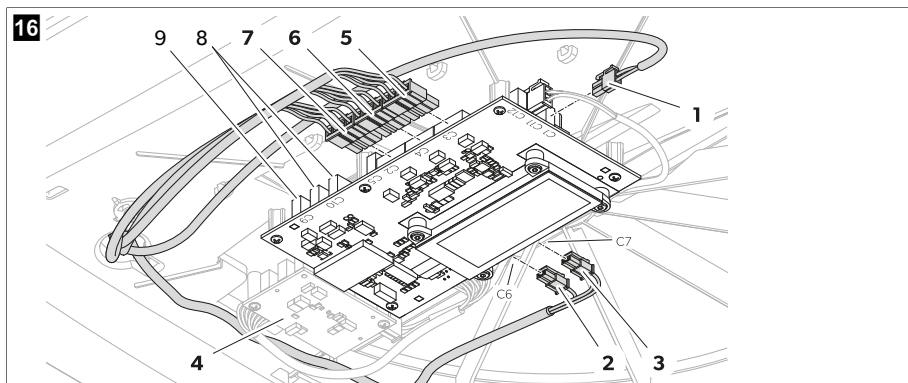
Instalación de la tira de luces LED (opcional)

> Fije las tiras de luces LED a la tapa interior.



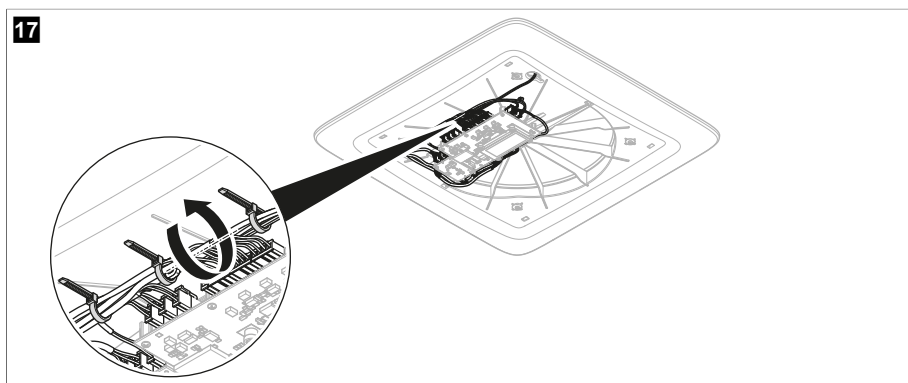
Conexión eléctrica

1. Conecte las clavijas a las tomas.



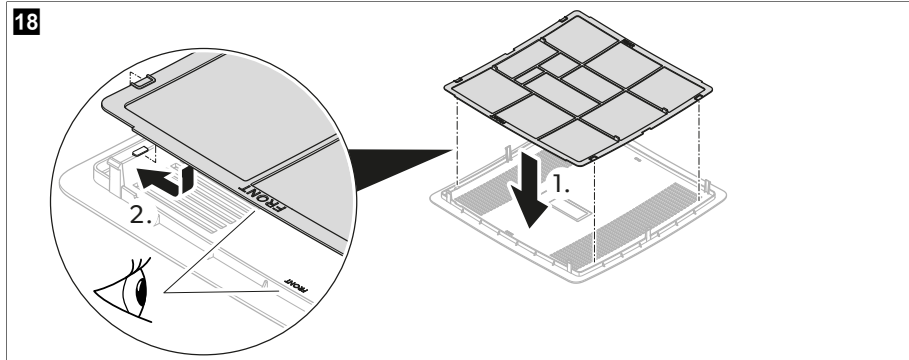
Elemento	Clavija	Descripción
1	C1	Alimentación de entrada de la batería del vehículo
2	C6	Salida tira de luces LED (opcional)
3	C7	Salida tira de luces LED (opcional)
4	-	Placa de circuito impreso secundario (opcional)
5	C3	Salida ventilador 1
6	C4	Salida ventilador 2
7	C2	Salida motor
-	C5	Salida módulo de purificación del aire (opcional)
8	C10	Comunicación CAN (opcional)
9	C9	Comunicación LIN (opcional)

2. Asegure los cables con bridas.

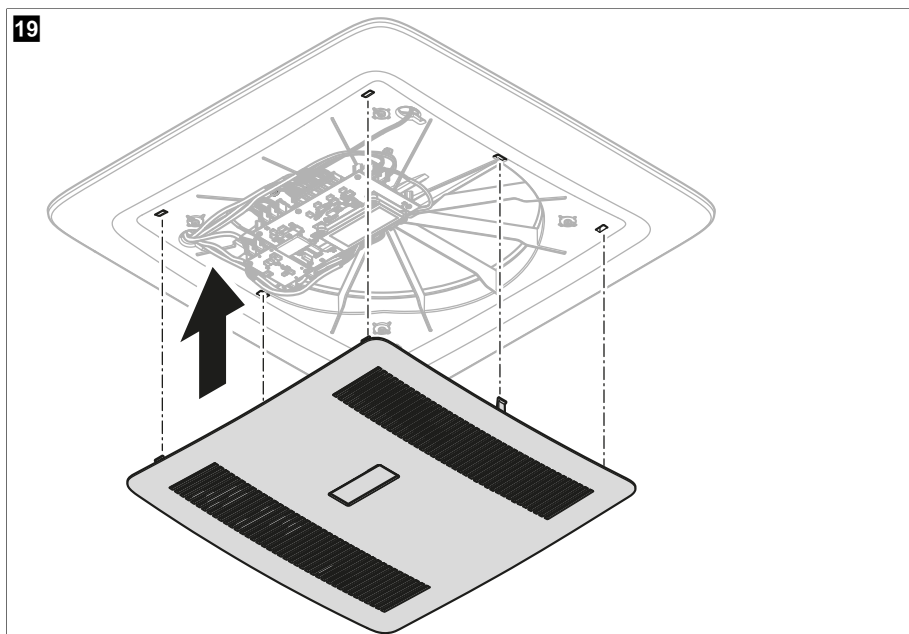


Instalación de la tapa central de la ADB

1. Compruebe que los filtros estén completamente introducidos.



2. Enganche la tapa central de la ADB a la tapa interior.



3. Pregunte al fabricante del vehículo si es necesario realizar una inspección técnica tras instalar un sistema de ventilación y si hay que cambiar los datos de altura registrados en la documentación del vehículo.
 ✓ El montaje está finalizado.
 4. Conecte la fuente de alimentación y compruebe si el sistema de ventilación funciona.

9 Eliminación



Reciclaje de productos con baterías normales, baterías recargables y fuentes de luz: Quite todas las pilas, baterías recargables y fuentes de luz antes de reciclar el producto. Entregue las baterías defectuosas o usadas en un establecimiento especializado o délas en un punto de recogida de residuos. No deseche ninguna pila, batería recargable ni fuente de luz con la basura doméstica. Cuando vaya a desechar definitivamente el producto, infórmese en el centro de reciclaje más cercano o en un comercio especializado sobre las normas pertinentes de gestión de residuos. El producto podrá desecharse gratuitamente.



Reciclaje del material de embalaje: Si es posible, deseche el material de embalaje en el contenedor de reciclaje adecuado.

10 Garantía

Consulte las siguientes secciones para obtener información sobre garantía y asistencia para garantía en EE.UU., Canadá y el resto de regiones.

Estados Unidos y Canadá

GARANTÍA LIMITADA DISPONIBLE EN DOMETIC.COM/WARRANTY.

SI TIENE ALGUNA PREGUNTA O DESEA OBTENER UNA COPIA GRATUITA DE LA GARANTÍA LIMITADA, PÓNGASE EN CONTACTO CON:

DOMETIC CORPORATION
CUSTOMER SUPPORT CENTER
5155 VERDANT DRIVE
ELKHART, INDIANA 46516
1-800-544-4881

Todas las demás regiones


Para tramitar la reparación y la garantía, incluya los siguientes documentos cuando envíe el aparato:

- Una copia de la factura con fecha de compra
- El motivo de la reclamación o una descripción de la avería

Tenga en cuenta que una reparación por medios propios o no profesionales puede tener consecuencias de seguridad y suponer la anulación de la garantía.

11 Datos técnicos

	ACC3100DWH	ACC3100DWHWLD
Tensión de entrada	12 V ⁻⁻⁻	
Potencia de entrada máxima	7,6 W	16,5 W
Consumo de potencia máximo	0,18 kWh/24h	0,40 kWh/24h
	15,2 Ah/24 h	33 Ah/24 h

	ACC3100DWH	ACC3100DWHWLD
Consumo de potencia mínimo	0,06 kWh/24h 4,9 Ah/24 h	
Rango de temperatura de funcionamiento	- 20 °C (-4 °F) ... 70 °C (158 °F)	
Clase de protección	IPX4	
Fusible externo	3 A	
Abertura de ventilación del techo	150 cm ²	
Dimensiones de la unidad superior de techo (An x L x Al)	542,6 × 553 × 127 mm	
Dimensiones de la unidad de distribución de aire (An x L x Al)	517,6 × 517,6 × 46 mm	
Grosor de techo	23 ... 60 mm	
Nivel de ruido exterior	43 dB(A)	
Nivel de ruido interior	52 dB(A)	
Nivel de ruido interior (modo de espera)	35 dB(A)	
Ventilación	30 ... 50 m ³ /h	
Eficiencia de recuperación de calor	72 ... 87 %	
Peso	7 kg	7,14 kg
Características	Ampliable con: <ul style="list-style-type: none"> • Tira de luces LED • Módulo de purificación del aire • Booster • Panel solar 	Se suministra con: <ul style="list-style-type: none"> • Tira de luces LED • Módulo de purificación del aire • Kit de instalación Ampliable con: <ul style="list-style-type: none"> • Booster • Panel solar
Homologaciones		

12 Información legal

Este dispositivo cumple con la Parte 15 de las normas de la FCC. Su uso está sujeto a las siguientes dos condiciones:

- Este dispositivo no puede causar interferencias perjudiciales.
- Este dispositivo debe aceptar cualquier interferencia recibida, incluyendo interferencias que puedan causar un funcionamiento no deseado.

Los cambios o modificaciones no aprobados expresamente por la parte responsable del cumplimiento podrían anular la autoridad del usuario para operar el equipo. Después de poner a prueba este equipo, se ha determinado que cumple los límites exigidos para un dispositivo digital de clase B, de acuerdo con el apartado 15 de las normas de la Comisión Federal de Comunicaciones (FCC). Estos límites se han diseñado para proporcionar protección razonable contra interferencias perjudiciales en una instalación residencial. Este equipo genera, usa y puede irradiar energía de radiofrecuencia, y si no se instala y usa de acuerdo con lo estipulado en las instrucciones, podría causar interferencias perjudiciales en las comunicaciones de radio. Sin embargo, no existe garantía de que no se produzcan interferencias en una instalación concreta. Si este equipo genera interferencias perjudiciales para la recepción de

radio o televisión, que pueden percibirse al encender y apagar el equipo, se recomienda al usuario que trate de corregir la interferencia siguiendo una o varias de las siguientes instrucciones:

- Reorientar o recolocar la antena receptora.
- Aumentar la separación entre el equipo y el receptor.
- Conectar el equipo a una toma de salida con un circuito diferente de al que está conectado el receptor.
- Consultar al distribuidor o a un técnico especialista en radio o televisión.

Este aparato cumple la(s) norma(s) de exención de licencia de la industria de Canadá. Su uso está sujeto a las siguientes dos condiciones:

- Este dispositivo no puede causar interferencias.
- Este dispositivo debe aceptar cualquier interferencia recibida que pueda causar un funcionamiento no deseado. Este aparato digital de clase B cumple con la norma ICES-3(B)/NBM-3(B) de Canadá.

dometic.com

**YOUR LOCAL
DEALER**

dometic.com/dealer

**YOUR LOCAL
SUPPORT**

dometic.com/contact

**YOUR LOCAL
SALES OFFICE**

dometic.com/sales-offices
