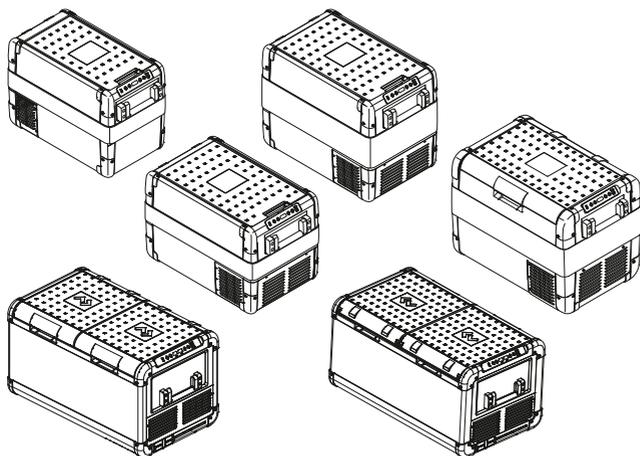


↗ DOMETIC

MOBILE COOLING

CFX2



Dometic CFX2 28, CFX2 37, CFX2 45, CFX2 57, CFX2 75DZ, CFX2 95DZ

EN

Portable compressor fridge

Short Operating Manual..... 3

Copyright

© 2024 Dometic Group. The visual appearance of the contents of this manual is protected by copyright and design law. The underlying technical design and the products contained herein may be protected by design, patent or pending patent. The trademarks mentioned in this manual belong to Dometic Sweden AB. All rights are reserved.

English

1 Important notes

Please read these instructions carefully and follow all instructions, guidelines, and warnings included in this product manual in order to ensure that you install, use, and maintain the product properly at all times. These instructions **MUST** stay with this product.

By using the product, you hereby confirm that you have read all instructions, guidelines, and warnings carefully and that you understand and agree to abide by the terms and conditions as set forth herein. You agree to use this product only for the intended purpose and application and in accordance with the instructions, guidelines, and warnings as set forth in this product manual as well as in accordance with all applicable laws and regulations. A failure to read and follow the instructions and warnings set forth herein may result in an injury to yourself and others, damage to your product or damage to other property in the vicinity. This product manual, including the instructions, guidelines, and warnings, and related documentation, may be subject to changes and updates. For up-to-date product information, please visit documents.dometic.com.

2 Explanation of symbols on the device



Warning! Risk of fire. Flammable materials.

3 Related documents



Find the detailed operating manual online at qr.dometic.com/bfaMQX.

4 Safety instructions



DANGER! Electrocuting hazard

- > On boats: If the device is powered by the mains, ensure that the power supply has a residual current circuit breaker (RCCB) or a ground fault circuit interrupter (GFCI). Installation, especially in potentially damp areas, must be in accordance with all applicable installation regulations.
- > Do not touch exposed cables with your bare hands. This applies especially when operating the device from the AC mains.



WARNING! Electrocuting hazard

- > Do not operate the cooling device if it is visibly damaged.
- > If this cooling device's power cable is damaged, it must be replaced to prevent safety hazards.
- > This cooling device may only be repaired by qualified personnel. Improper repairs can lead to considerable hazards.
- > Plug the device to sockets that ensure proper connection especially when the device needs to be earthed.



WARNING! Fire hazard

- > When positioning the device, ensure the supply cord is not trapped or damaged.
- > Do not locate multiple portable socket-outlets or portable power supplies at the rear of the device.
- > The refrigerant in the refrigerant circuit is highly flammable and in the event of a leakage combustible gases could build up if the appliance is in a small room. In the event of any damage to the refrigerant circuit:
 - Keep naked flames and potential ignition sources away from the refrigerator.
 - Ventilate the room well.
 - Switch off the refrigerator.
- > For cooling devices with R600a refrigerant:
 - The refrigeration circuit contains a small quantity of an environmentally friendly but flammable refrigerant. It does not damage the ozone layer and does not increase the greenhouse effect. Any leaking refrigerant may ignite.
 - Do not use or store the cooling device in confined spaces with none or minimal air flow.
- > Keep the ventilation openings on the device housing or in installations free of obstructions.
- > Do not use any mechanical objects or other media to speed up the defrosting process, unless they have been recommended by the manufacturer for this purpose.
- > Do not open or damage the refrigerant circuit.
- > Do not use electrical devices inside the cooling device unless they are recommended by the manufacturer for that purpose.



WARNING! Health hazard

- > This device is not intended for use by persons (including children) with reduced physical, sensory or mental capabilities, or lack of experience and knowledge, unless they have been given supervision or instruction concerning use of the device by a person responsible for their safety.
- > Children must be supervised to ensure that they do not play with the device.
- > Cleaning and user maintenance shall not be made by children without supervision.



WARNING! Explosion hazard

Do not store any explosive substances such as spray cans with a flammable propellant in the cooling device.



CAUTION! Electrocutation hazard

- > Before starting the cooling device, ensure that the power supply cable and the plug are dry.
- > Disconnect the cooling device from the power supply before each cleaning and maintenance and after every use.



CAUTION! Health hazard

- > To avoid contamination of food, respect the following instructions:
 - Check if the cooling capacity of the device is suitable for storing the food you wish to cool.
 - Food may only be stored in its original packaging or in suitable containers.
 - Opening the cooling device for long periods can cause significant increase of the temperature in the compartments of the device.
 - Clean regularly surfaces that can come in contact with food and accessible drainage systems.
- > If the device is left empty for long periods:
 - Switch off the device.
 - Defrost the device.
 - Clean and dry the device.
 - Leave the lid open to prevent mould developing within the device.



NOTICE! Damage hazard

- > Check that the voltage specification on the type plate corresponds to that of the energy supply.
- > Only connect the cooling device as follows:
 - With the DC connection cable to a DC power supply in the vehicle
 - Or with the AC connection cable to an AC power supply
- > Never pull the plug out of the socket by the cable.
- > If the cooling device is connected to a DC outlet: Disconnect the cooling device and other power consuming devices from the battery before connecting a quick charging device.
- > If the cooling device is connected to a DC outlet: Disconnect the cooling device or switch it off when you turn off the engine. Otherwise you may discharge the battery.
- > The cooling device is not suitable for transporting caustic materials or materials containing solvents.
- > The insulation of the cooling device contains flammable cyclopentane and requires special disposal procedures. Deliver the cooling device at the end of its life-cycle to an appropriate recycling center.
- > Do not place the cooling device near naked flames or other heat sources (campfires, heaters, direct sunlight, gas ovens etc.).
- > Do not fill the inner container with ice or fluids.
- > Never immerse the cooling device in water.
- > Protect the cooling device and cables against heat and moisture.
- > The cooling device shall not be exposed to rain.
- > To enable the refrigerant to circulate properly, the cooling device may not be tilted by more than 30 °. Use a spirit level to ensure the cooling device is level.
- > **Risk of overheating!** Ensure at all times that there is sufficient ventilation on all four sides of the cooling device. Keep the ventilation area free of any objects that could restrict the air flow to the cooling components. Do not place the cooling device in closed compartments or areas with none or minimal air flow.

5 Intended use

The portable fridge is suitable for cooling and freezing food. The portable fridge is also suitable for use in vehicles. The portable fridge is designed to be operated from a DC power supply socket of a vehicle or from an AC power supply.

The portable fridge is also suitable for camping use.

The portable fridge is **not** suitable for:

- Quick freezing food
- Storage of corrosive, caustic, or solvent-containing substances
- Use as a built-in appliance

This portable fridge is only suitable for the intended purpose and application in accordance with these instructions.

This product is only suitable for the intended purpose and application in accordance with these instructions.

This manual provides information that is necessary for proper installation and/or operation of the product. Poor installation and/or improper operation or maintenance will result in unsatisfactory performance and a possible failure.

The manufacturer accepts no liability for any injury or damage to the product resulting from:

- Incorrect installation, assembly or connection, including excess voltage
- Incorrect maintenance or use of spare parts other than original spare parts provided by the manufacturer
- Alterations to the product without express permission from the manufacturer
- Use for purposes other than those described in this manual

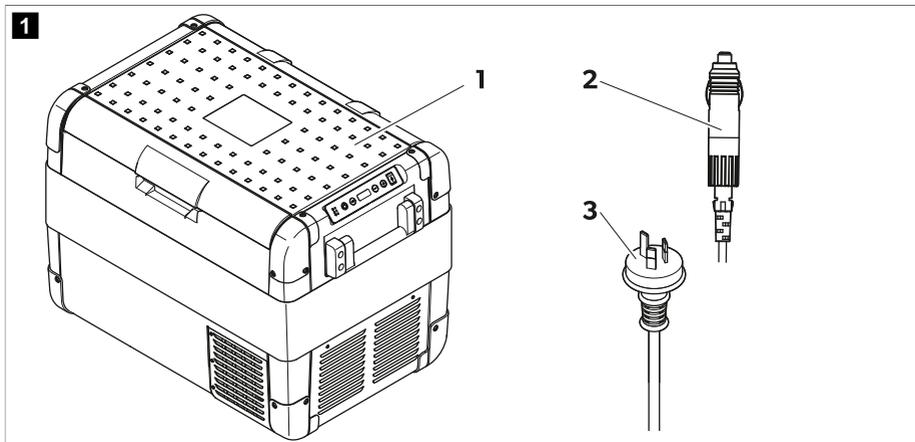
Dometic reserves the right to change product appearance and product specifications.

6 Saving energy

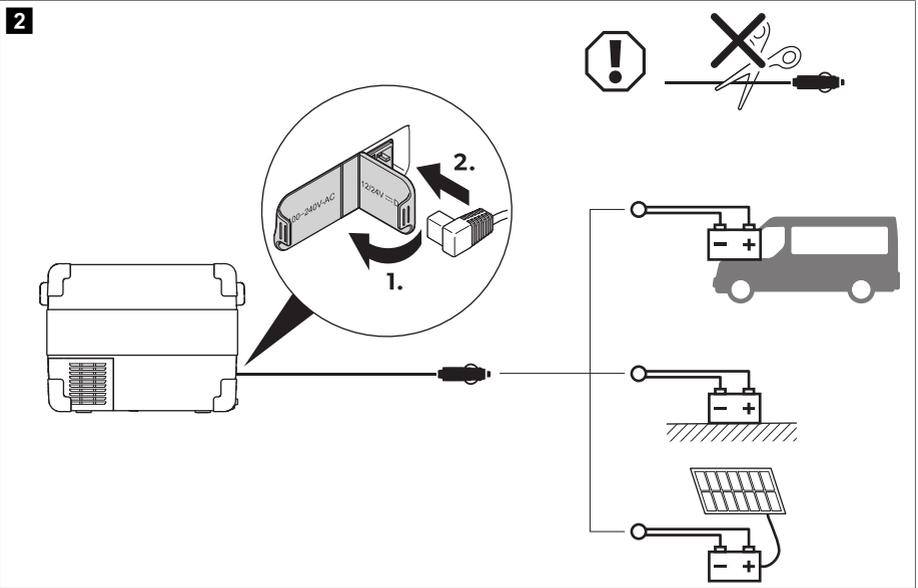
- > Choose a well ventilated location which is protected from direct sunlight.
- > Allow warm food to cool down first before placing it in the cooling device to keep cool.
- > Do not open the cooling device more often than necessary.
- > Do not leave the cooling device open for longer than necessary.
- > If the cooling device has a basket: For optimal energy consumption, position the basket according to its position on delivery.
- > On a regular basis, ensure that the lid seal still fits properly.

7 Operation

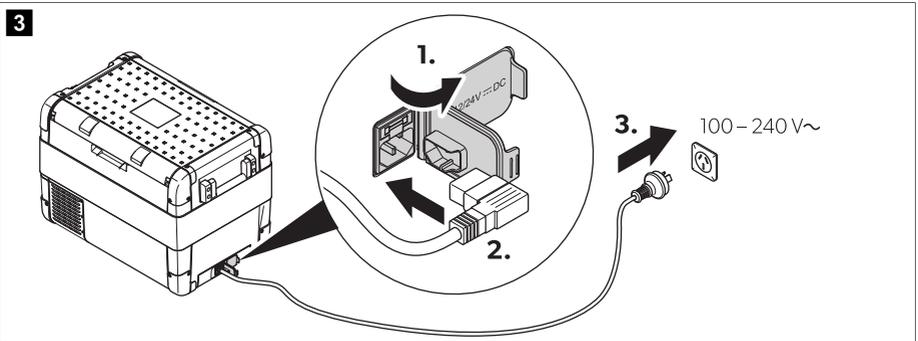
- > Scope of delivery:



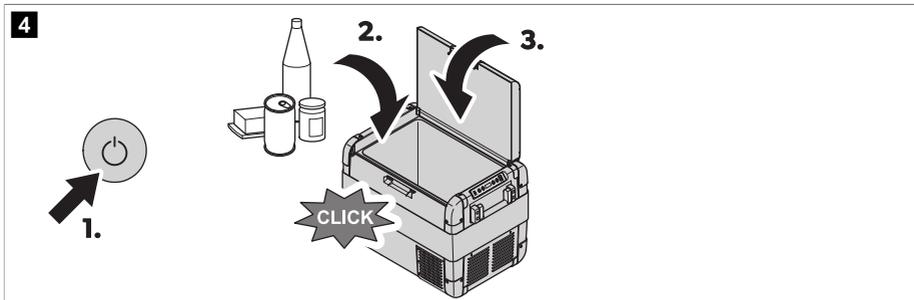
- > Connect the portable fridge to a battery:



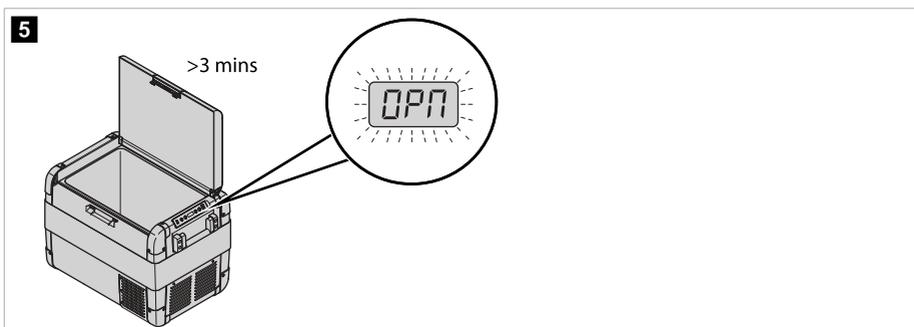
- > Connect the portable fridge to an AC power supply:



> Switch the portable fridge on:

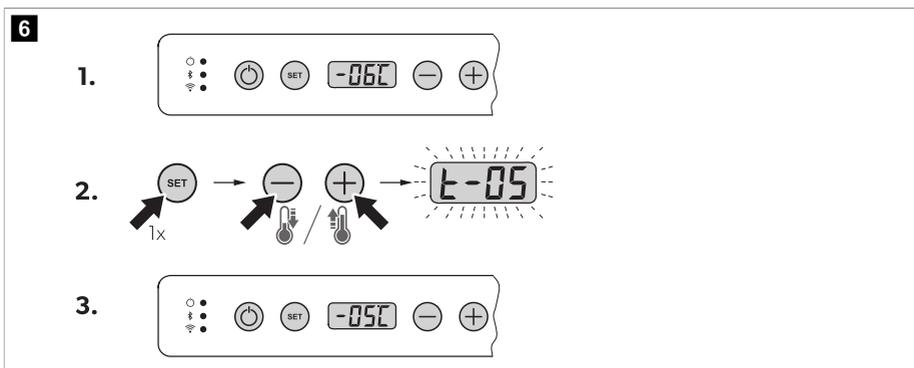


> Lids open reminder



Setting for CFX2 28, CFX2 37, CFX2 45, CFX2 57

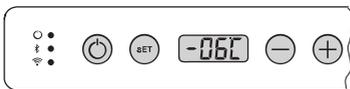
> Set the temperature (CFX2 28, CFX2 37, CFX2 45, CFX2 57):



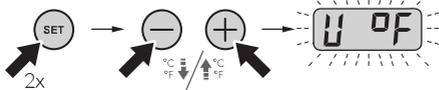
> Set the temperature units (CFX2 28, CFX2 37, CFX2 45, CFX2 57):

7

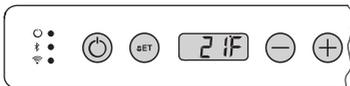
1.



2.



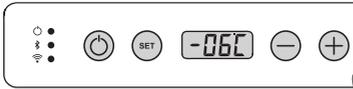
3.



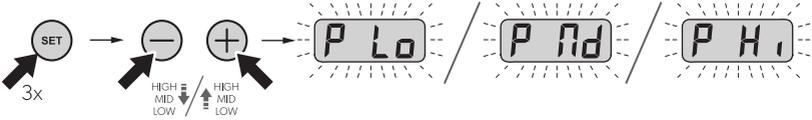
> Select the battery monitor mode (CFX2 28, CFX2 37, CFX2 45, CFX2 57):

8

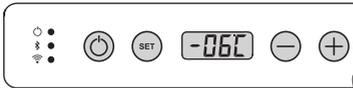
1.



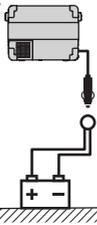
2.



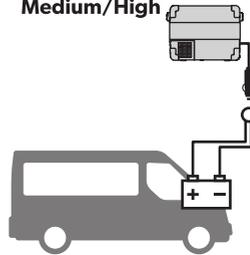
3.



Low

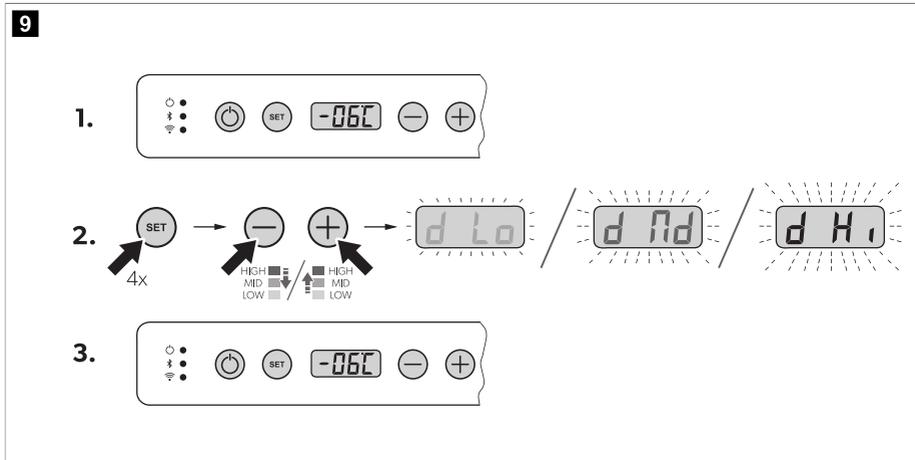


Medium/High

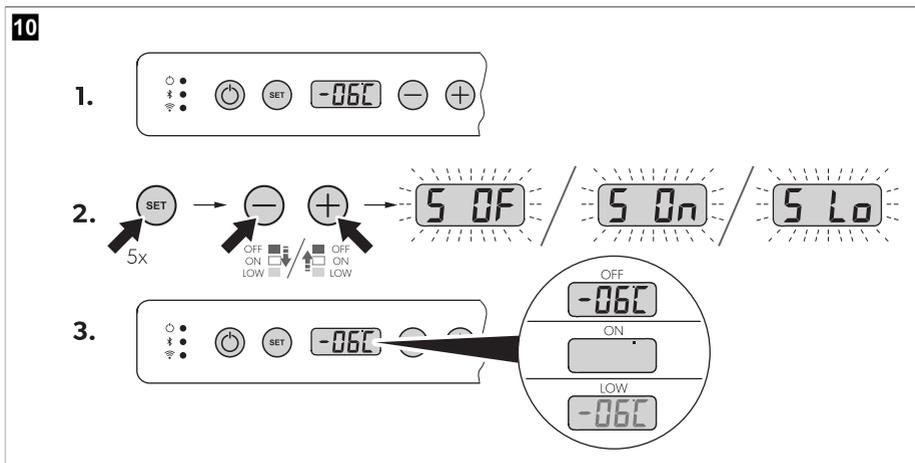


		Low	Medium	High
	ON	11.4V	12.2V	12.6V
	OFF	10.1V	11.2V	11.8V
	ON	23V	25.3V	26.2V
	OFF	21.5V	24.1V	24.6V

- > Set the display brightness (CFX2 28, CFX2 37, CFX2 45, CFX2 57):



- > Set the sleep mode (CFX2 28, CFX2 37, CFX2 45, CFX2 57):



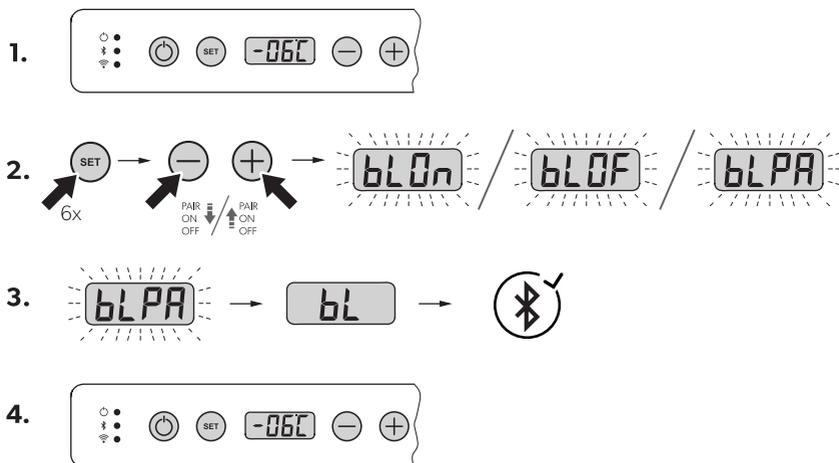
- > Install the mobile cooling app:



Get the app from qr.dometic.com/beiv4R.

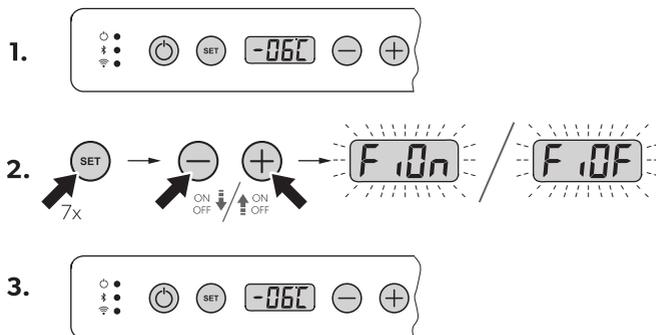
> Set the Bluetooth (CFX2 28, CFX2 37, CFX2 45, CFX2 57):

11



> Set the WLAN (CFX2 28, CFX2 37, CFX2 45, CFX2 57):

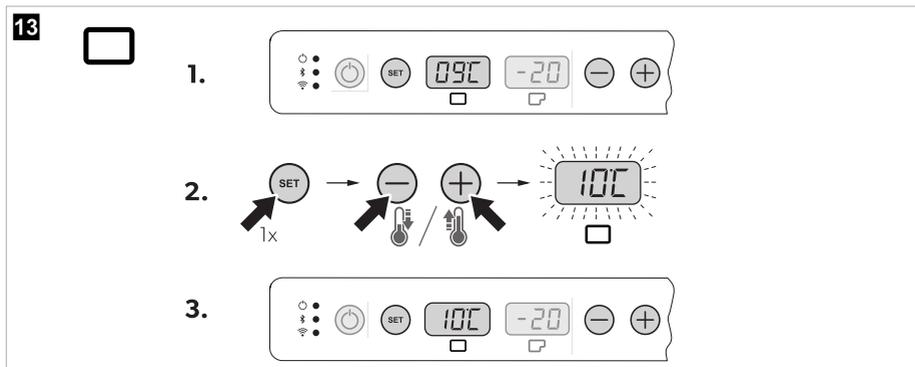
12



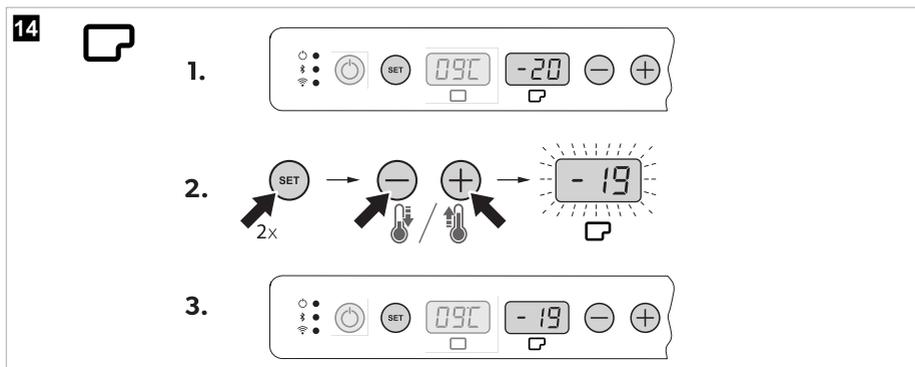
Setting for CFX2 75DZ, CFX2 95DZ

> Set the temperature (CFX2 75DZ, CFX2 95DZ):

For the large zone



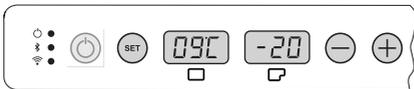
For the small zone



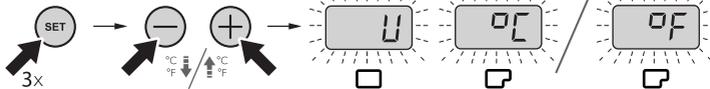
> Set the temperature units (CFX2 75DZ, CFX2 95DZ):

15

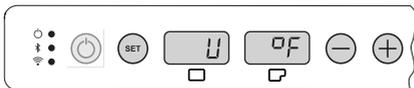
1.



2.



3.



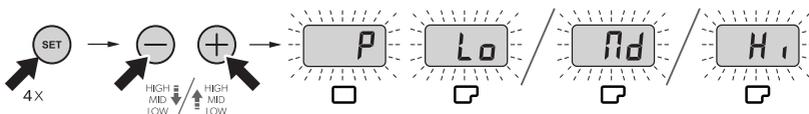
> Select the battery monitor mode (CFX2 75DZ, CFX2 95DZ):

16

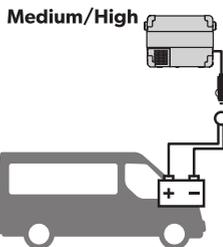
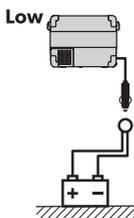
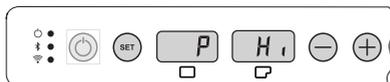
1.



2.

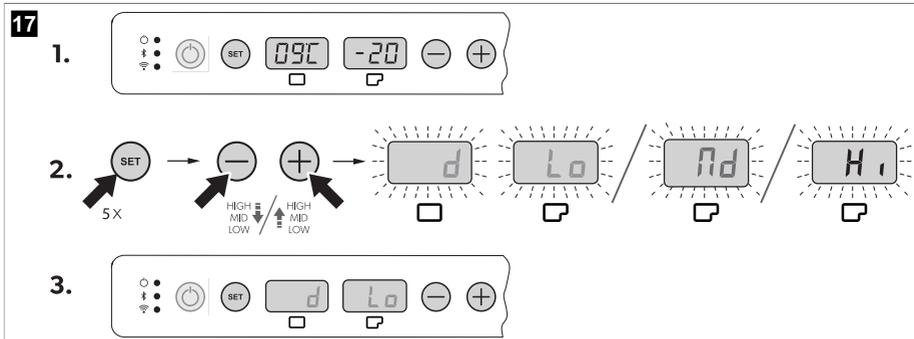


3.

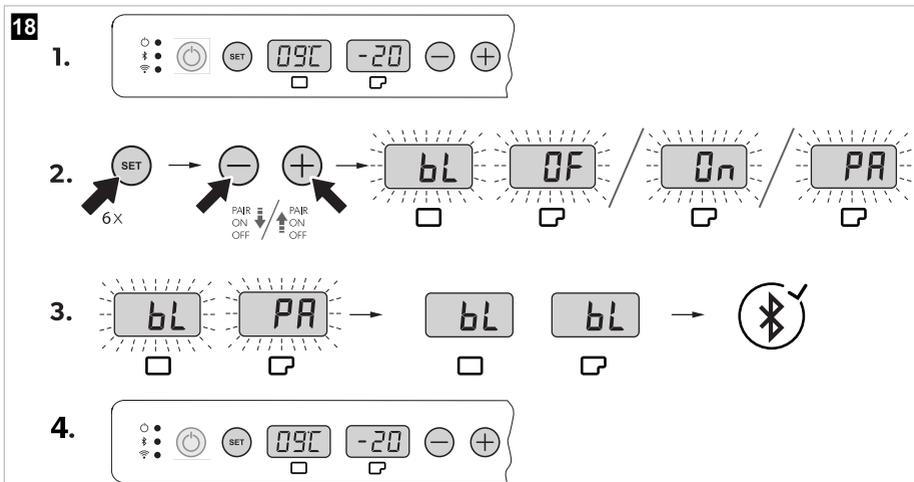


		Low	Medium	High
12V 	ON	11.4 V	12.2 V	12.6 V
	OFF	10.1 V	11.2 V	11.8 V
24V 	ON	23 V	25.3 V	26.2 V
	OFF	21.5 V	24.1 V	24.6 V

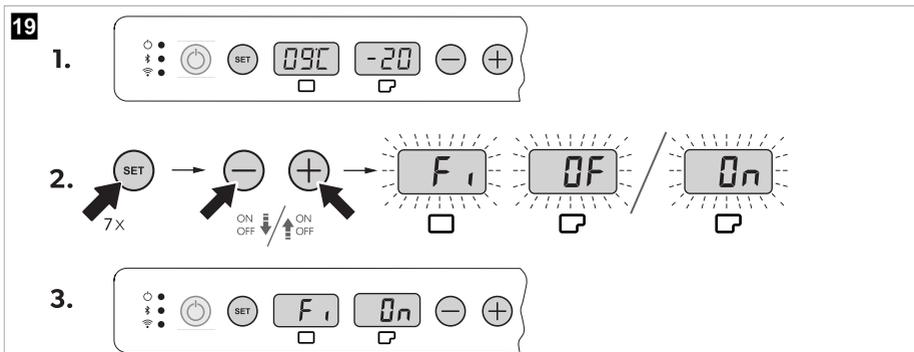
> Set the display brightness (CFX2 75DZ, CFX2 95DZ):



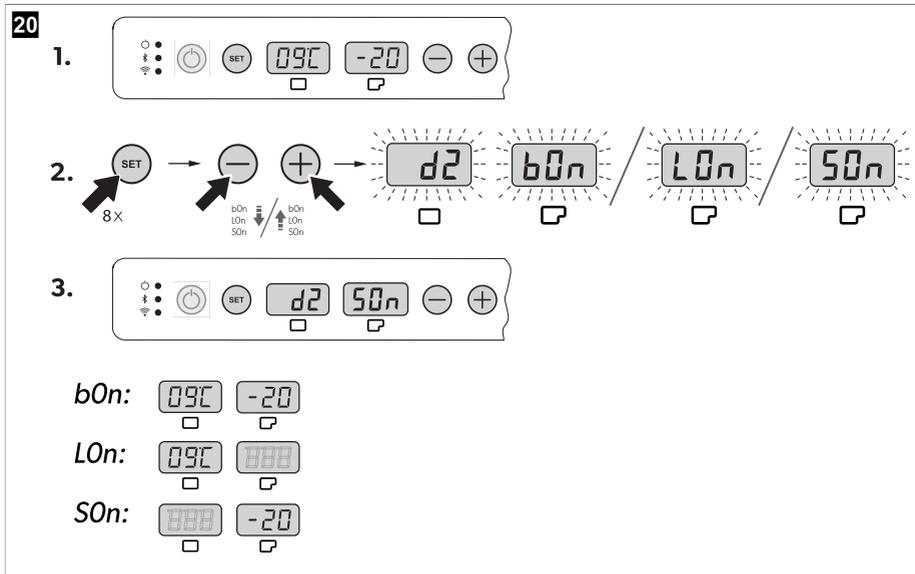
> Set the Bluetooth (CFX2 75DZ, CFX2 95DZ):



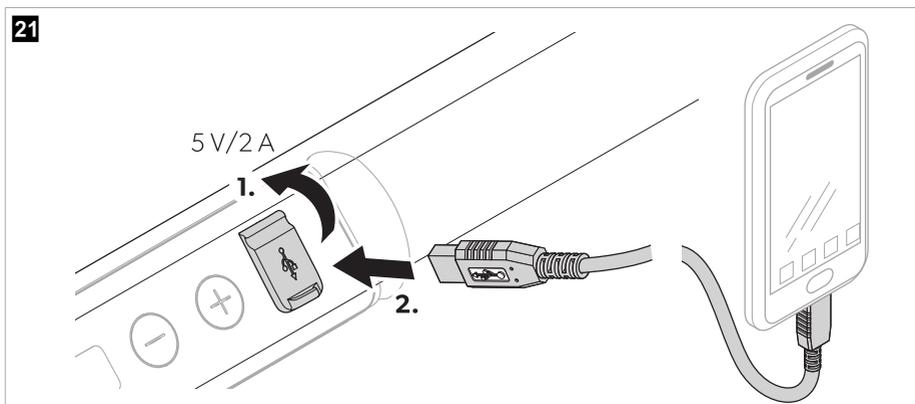
> Set the WLAN (CFX2 75DZ, CFX2 95DZ):



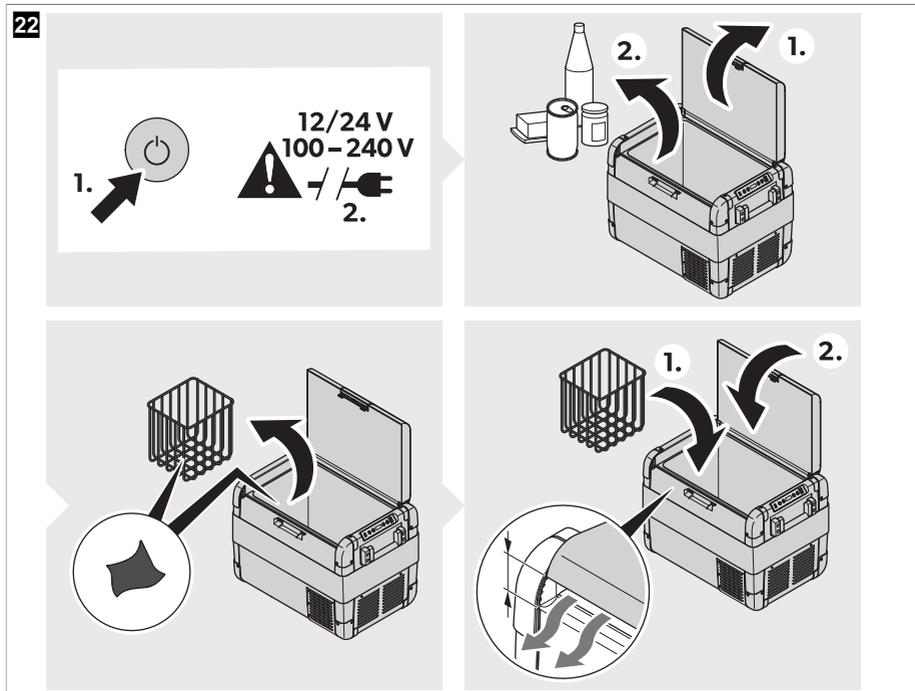
> Zone control (CFX2 75DZ, CFX2 95DZ):



> Use the USB port:



> Switch the portable fridge off:



8 Disposal



WARNING! Risk of child entrapment

Before disposing of your old cooling device, dismantle the lid. Leave the baskets in place so that children may not easily climb inside.



Place the packaging material in the appropriate recycling waste bins, wherever possible. Consult a local recycling center or specialist dealer for details about how to dispose of the product in accordance with the applicable disposal regulations.



Recycling products with batteries, rechargeable batteries, and light sources: Remove any batteries, rechargeable batteries, and light sources before recycling the product. Return defective or used batteries to your retailer or dispose of them at collection points. Do not dispose of any batteries, rechargeable batteries, and light sources with general household waste. If you wish to finally dispose of the product, ask your local recycling center or specialist dealer for details about how to do this in accordance with the applicable disposal regulations. The product can be disposed free of charge.

dometic.com

**YOUR LOCAL
DEALER**

dometic.com/dealer

**YOUR LOCAL
SUPPORT**

dometic.com/contact

**YOUR LOCAL
SALES OFFICE**

dometic.com/sales-offices
