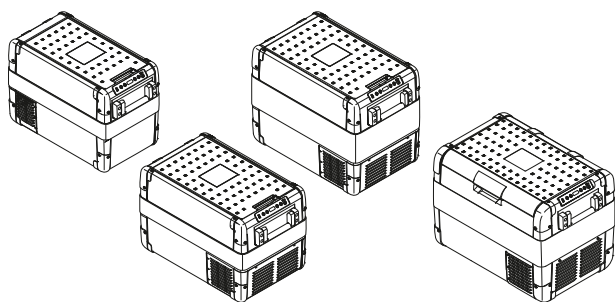


# ↔ DOMETIC

# MOBILE COOLING

# CFX2



## Dometic CFX2 28, CFX2 37, CFX2 45, CFX2 57

|           |   |     |           |   |     |
|-----------|---|-----|-----------|---|-----|
| <b>EN</b> | <b>Compressor cooler</b><br>Operating Manual.....                         | 3   | <b>CS</b> | <b>Kompresorový chladicí box</b><br>Návod k obsluze.....              | 240 |
| <b>DE</b> | <b>Kompresor-Kühlbox</b><br>Bedienungsanleitung.....                      | 21  | <b>HU</b> | <b>Kompresszoros hűtőláda</b><br>Használati utasítás.....             | 258 |
| <b>FR</b> | <b>Glacière à compression</b><br>Manuel d'utilisation.....                | 40  | <b>HR</b> | <b>Kompresorski hladnjak</b><br>Upute za rukovanje.....               | 276 |
| <b>ES</b> | <b>Nevera de compresor</b><br>Instrucciones de uso.....                   | 59  | <b>TR</b> | <b>Kompresör soğutucu</b><br>Kullanma Kılavuzu.....                   | 294 |
| <b>PT</b> | <b>Geleira com compressor</b><br>Manual de instruções.....                | 78  | <b>SL</b> | <b>Kompresorska hladilna torba</b><br>Navodilo za uporabo.....        | 312 |
| <b>IT</b> | <b>Frigorifero portatile con compressore</b><br>Istruzioni per l'uso..... | 96  | <b>RO</b> | <b>Aparat de răcire cu compresor</b><br>Instrucțiuni de operare.....  | 330 |
| <b>NL</b> | <b>Compressorcoelbox</b><br>Gebruiksaanwijzing.....                       | 114 | <b>BG</b> | <b>Компресорна хладилна чанта</b><br>Инструкция за експлоатация.....  | 348 |
| <b>DA</b> | <b>Kompresor-kølebox</b><br>Betjeningsvejledning.....                     | 132 | <b>ET</b> | <b>Kompessoriga jahutusseade</b><br>Kasutusjuhend.....                | 366 |
| <b>SV</b> | <b>Kylbox med kompressor</b><br>Bruksanvisning.....                       | 150 | <b>EL</b> | <b>Ψυγείο με συμπιεστή</b><br>Οδηγίες χειρισμού.....                  | 384 |
| <b>NO</b> | <b>Kompresorkjøleboks</b><br>Bruksanvisning.....                          | 168 | <b>LT</b> | <b>Kompresorinis šaldytuvas</b><br>Naudojimo vadovas.....             | 403 |
| <b>FI</b> | <b>Kompresorikylmälaatikko</b><br>Käyttöohje.....                         | 186 | <b>LV</b> | <b>Dzesēšanas kaste ar kompresoru</b><br>Lietošanas rokasgrāmata..... | 421 |
| <b>PL</b> | <b>Lodówka sprężarkowa</b><br>Instrukcja obsługi.....                     | 203 | <b>AR</b> | <b>صندوق التبريد المكثف</b><br>دليل التشغيل.....                      | 439 |
| <b>SK</b> | <b>Chladiaci box s kompresorom</b><br>Návod na obsluhu.....               | 222 |           |   |     |

## Copyright

© 2025 Dometic Group. The visual appearance of the contents of this manual is protected by copyright and design law. The underlying technical design and the products contained herein may be protected by design, patent or pending patent. The trademarks mentioned in this manual belong to Dometic Sweden AB. All rights are reserved.



# English

|    |   |    |
|----|---|----|
| 1  | Important notes.....                      | 3  |
| 2  | Explanation of symbols.....               | 3  |
| 3  | Explanation of symbols on the device..... | 4  |
| 4  | Safety instructions.....                  | 4  |
| 5  | Scope of delivery.....                    | 6  |
| 6  | Accessories.....                          | 6  |
| 7  | Intended use.....                         | 6  |
| 8  | Technical description.....                | 7  |
| 9  | Operation.....                            | 9  |
| 10 | Cleaning and maintenance.....             | 16 |
| 11 | Troubleshooting.....                      | 17 |
| 12 | Warranty.....                             | 18 |
| 13 | Disposal.....                             | 18 |
| 14 | Technical data.....                       | 18 |

## 1 Important notes

Please read these instructions carefully and follow all instructions, guidelines, and warnings included in this product manual in order to ensure that you install, use, and maintain the product properly at all times. These instructions **MUST** stay with this product.

By using the product, you hereby confirm that you have read all instructions, guidelines, and warnings carefully and that you understand and agree to abide by the terms and conditions as set forth herein. You agree to use this product only for the intended purpose and application and in accordance with the instructions, guidelines, and warnings as set forth in this product manual as well as in accordance with all applicable laws and regulations. A failure to read and follow the instructions and warnings set forth herein may result in an injury to yourself and others, damage to your product or damage to other property in the vicinity. This product manual, including the instructions, guidelines, and warnings, and related documentation, may be subject to changes and updates. For up-to-date product information, please visit [documents.dometic.com](http://documents.dometic.com).

## 2 Explanation of symbols

A signal word will identify safety messages and property damage messages, and also will indicate the degree or level of hazard seriousness.



### **DANGER!**

Indicates a hazardous situation that, if not avoided, will result in death or serious injury.



### **WARNING!**

Indicates a hazardous situation that, if not avoided, could result in death or serious injury.



### **CAUTION!**

Indicates a hazardous situation that, if not avoided, could result in minor or moderate injury.



### **NOTICE!**

Indicates a situation that, if not avoided, can result in property damage.



**NOTE** Supplementary information for operating the product.

### 3 Explanation of symbols on the device



Warning! Risk of fire. Flammable materials.

### 4 Safety instructions



#### **DANGER! Electrocutation hazard**

- > On boats: If the device is powered by the mains, ensure that the power supply has a residual current circuit breaker (RCCB) or a ground fault circuit interrupter (GFCI). Installation, especially in potentially damp areas, must be in accordance with all applicable installation regulations.
- > Do not touch exposed cables with your bare hands. This applies especially when operating the device from the AC mains.



#### **WARNING! Electrocutation hazard**

- > Do not operate the cooling device if it is visibly damaged.
- > If this cooling device's power cable is damaged, it must be replaced to prevent safety hazards.
- > This cooling device may only be repaired by qualified personnel. Improper repairs can lead to considerable hazards.
- > Plug the device to sockets that ensure proper connection especially when the device needs to be earthed.



#### **WARNING! Fire hazard**

- > When positioning the device, ensure the supply cord is not trapped or damaged.
- > Do not locate multiple portable socket-outlets or portable power supplies at the rear of the device.
- > The refrigerant in the refrigerant circuit is highly flammable and in the event of a leakage combustible gases could build up if the appliance is in a small room. In the event of any damage to the refrigerant circuit:
  - Keep naked flames and potential ignition sources away from the refrigerator.
  - Ventilate the room well.
  - Switch off the refrigerator.
- > For cooling devices with R600a refrigerant:
  - The refrigeration circuit contains a small quantity of an environmentally friendly but flammable refrigerant. It does not damage the ozone layer and does not increase the greenhouse effect. Any leaking refrigerant may ignite.
  - Do not use or store the cooling device in confined spaces with none or minimal air flow.
- > Keep the ventilation openings on the device housing or in installations free of obstructions.
- > Do not use any mechanical objects or other media to speed up the defrosting process, unless they have been recommended by the manufacturer for this purpose.
- > Do not open or damage the refrigerant circuit.
- > Do not use electrical devices inside the cooling device unless they are recommended by the manufacturer for that purpose.



#### **WARNING! Health hazard**

- > This device can be used by children aged from 8 years and above and persons with reduced physical, sensory or mental capabilities or lack of experience and knowledge if they have been given supervision or instruction concerning use of the device in a safe way and understand the hazards involved.

- > Children aged from 3 to 8 years are allowed to load and unload refrigerating devices.
- > Children must be supervised to ensure that they do not play with the device.
- > Cleaning and user maintenance shall not be made by children without supervision.



### **WARNING! Explosion hazard**

Do not store any explosive substances such as spray cans with a flammable propellant in the cooling device.



### **CAUTION! Electrocutation hazard**

- > Before starting the cooling device, ensure that the power supply cable and the plug are dry.
- > Disconnect the cooling device from the power supply before each cleaning and maintenance and after every use.



### **CAUTION! Health hazard**

- > To avoid contamination of food, respect the following instructions:
  - Check if the cooling capacity of the device is suitable for storing the food you wish to cool.
  - Food may only be stored in its original packaging or in suitable containers.
  - Opening the cooling device for long periods can cause significant increase of the temperature in the compartments of the device.
  - Clean regularly surfaces that can come in contact with food and accessible drainage systems.
- > If the device is left empty for long periods:
  - Switch off the device.
  - Defrost the device.
  - Clean and dry the device.
  - Leave the lid open to prevent mould developing within the device.

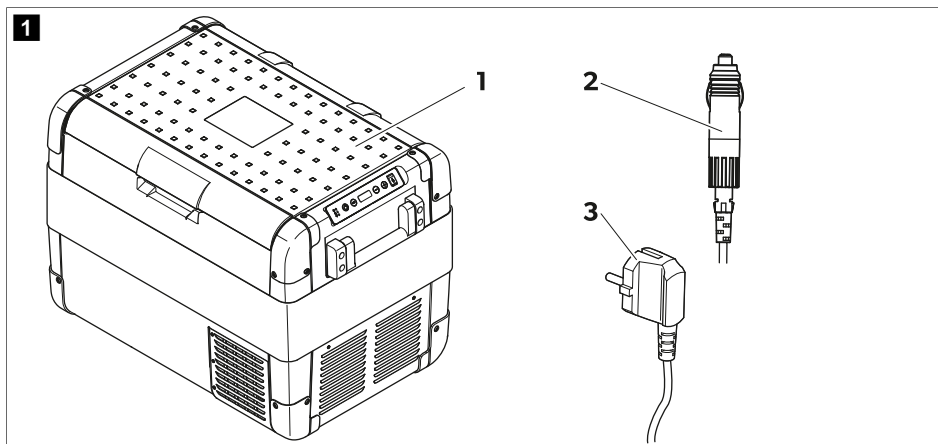


### **NOTICE! Damage hazard**

- > Check that the voltage specification on the type plate corresponds to that of the energy supply.
- > Only connect the cooling device as follows:
  - With the DC connection cable to a DC power supply in the vehicle
  - Or with the AC connection cable to an AC power supply
- > Never pull the plug out of the socket by the cable.
- > If the cooling device is connected to a DC outlet: Disconnect the cooling device and other power consuming devices from the battery before connecting a quick charging device.
- > If the cooling device is connected to a DC outlet: Disconnect the cooling device or switch it off when you turn off the engine. Otherwise you may discharge the battery.
- > The cooling device is not suitable for transporting caustic materials or materials containing solvents.
- > The insulation of the cooling device contains flammable cyclopentane and requires special disposal procedures. Deliver the cooling device at the end of its life-cycle to an appropriate recycling center.
- > Do not place the cooling device near naked flames or other heat sources (heaters, direct sunlight, gas ovens etc.).
- > Do not fill the inner container with ice or fluids.
- > Never immerse the cooling device in water.
- > Protect the cooling device and cables against heat and moisture.
- > The cooling device shall not be exposed to rain.
- > To enable the refrigerant to circulate properly, the cooler may not tilted by more than 30°. Use a spirit level to ensure the cooler is level.
- > **Risk of overheating!** Ensure at all times that there is sufficient ventilation on all four sides of the cooling device. Keep the ventilation area free of any objects that could restrict the air flow to the

cooling components. Do not place the cooling device in closed compartments or areas with none or minimal air flow.

## 5 Scope of delivery



| Item | Quantity | Description                        |
|------|----------|------------------------------------|
| 1    | 1        | Cooler                             |
| 2    | 1        | Connection cable for DC connection |
| 3    | 1        | Connection cable for AC connection |
| -    | 1        | Short operating manual             |

## 6 Accessories

Available as accessory (not included in scope of delivery):

| Designation                          | Ref. no.   | Model                    |
|--------------------------------------|------------|--------------------------|
| Quick release fixing kit CFX-QFK     | 9600000166 | CFX2 28 only             |
| Quick release fixing kit CFX-QFK3545 | 9600029599 | CFX2 37 and CFX2 45 only |
| Mobile cooling app                   | -          | suits all models         |

## 7 Intended use

The cooler is suitable for cooling food. The cooler is also suitable for use in vehicles. The cooler is designed to be operated from a DC power supply socket of a vehicle or from an AC power supply.

The cooler is also suitable for camping use.

The cooler is intended to be used in household and similar applications such as

- Staff kitchen areas in shops, offices and other working environments
- Farm houses

- Clients in hotels, motels and other residential type environments
- Bed and breakfast type environments
- Catering and similar non-retail applications

The cooler is **not** suitable for:

- Quick freezing food
- Storage of corrosive, caustic, or solvent-containing substances
- Use as a built-in appliance

This cooler is only suitable for the intended purpose and application in accordance with these instructions.

This product is only suitable for the intended purpose and application in accordance with these instructions.

This manual provides information that is necessary for proper installation and/or operation of the product. Poor installation and/or improper operation or maintenance will result in unsatisfactory performance and a possible failure.

The manufacturer accepts no liability for any injury or damage to the product resulting from:

- Incorrect installation, assembly or connection, including excess voltage
- Incorrect maintenance or use of spare parts other than original spare parts provided by the manufacturer
- Alterations to the product without express permission from the manufacturer
- Use for purposes other than those described in this manual

Dometic reserves the right to change product appearance and product specifications.

## 8 Technical description

The cooler can cool products. A low maintenance refrigerant circuit with compressor provides the cooling. The generous insulation and powerful compressor ensure efficient and fast cooling.

The cooler is portable.

The cooler can withstand a short-term inclination of 30°, for example on boats.

### Scope of functions

- Power supply with priority circuit for connecting to the AC power supply
- 3-level battery monitor to protect the vehicle battery
- Display with temperature gauge in °C and °F
- Temperature setting with 2 buttons in steps of 1 °C / 1 °F
- Integrated Bluetooth and WLAN function for control the cooler via the mobile cooling app
- Foldable carrying handles
- USB port for a power supply
- Removable wire basket

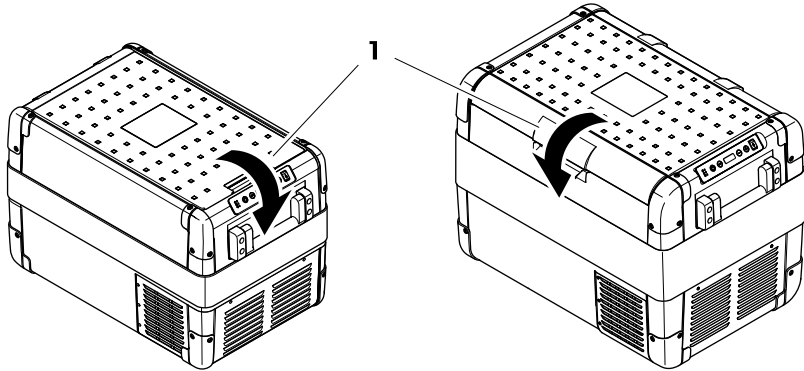
### Operating and display elements

Latch (  Fig. 2 on page 8, 1) for lid:

2

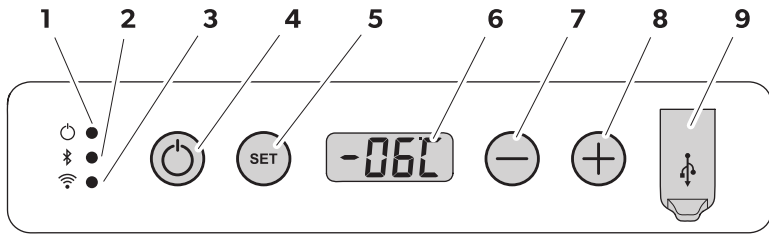
CFX2 28, 37, 45

CFX2 57



**Control panel**

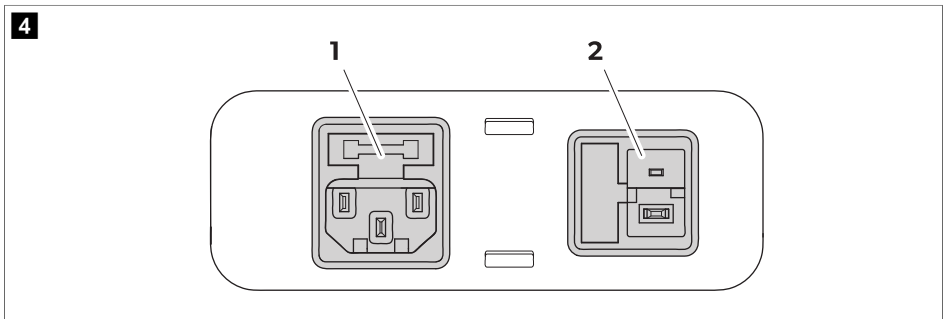
3



| Item | Description | Explanation  |
|------|-------------|--|
| 1    | Power       | Status indication  |
|      |             | The LED lights up white: The compressor starts running.<br>The LED lights up orange: The compressor stops running. |
| 2    | Bluetooth   | The LED is switched off: The Bluetooth of the cooler is switched off.  |
|      |             | The LED flashes slow white: The Bluetooth of the cooler is switched on. The cooler is not paired with a device.    |
|      |             | The LED flashes fast white: The cooler pairs with a device via Bluetooth.  |
|      |             | The LED lights up white: The cooler is paired with a device via Bluetooth.   |
| 3    | WLAN        | The LED is switched off: The WLAN of the cooler is switched off.   |
|      |             | The LED flashes white: The WLAN of the cooler is switched on. The cooler is not connected to a device.             |
|      |             | The LED lights up white: The cooler is paired with a device via WLAN.  |
| 4    | ON/OFF      | Switches the cooler on or off.   |

| Item | Description | Explanation   |
|------|-------------|---|
| 5    | SET         | Selects the input mode: <ul style="list-style-type: none"> <li>• Temperature setting</li> <li>• Celsius or Fahrenheit display</li> <li>• Set battery monitor</li> <li>• Set brightness of display</li> <li>• Set the display mode</li> <li>• Set Bluetooth</li> <li>• Set WLAN</li> </ul> |
| 6    |             | Display   |
| 7    | -           | Sets the temperature, the temperature unit, the battery monitor, the brightness of the display, the mode, the Bluetooth, and the WLAN.  |
| 8    | +           |   |
| 9    |             | USB port  |

### Connection sockets



| Item | Description                         |
|------|-------------------------------------|
| 1    | Connection socket AC voltage supply |
| 2    | Connection socket DC voltage supply |

## 9 Operation


### Before initial use

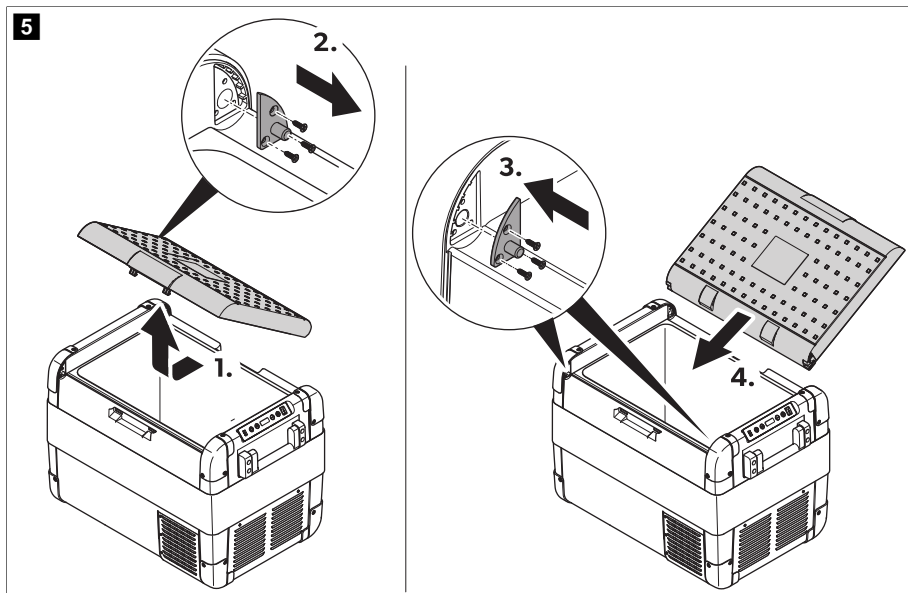


**NOTE** Before starting the cooler for the first time, clean the inside and outside of the cooler with a damp cloth for hygienic reasons (see [Cleaning and maintenance](#) on page 16).

### Reversing the lid opening direction (CFX2 57 only)

The lid hinges can be moved to the opposite side.

1. Open and remove the lid (  Fig. 5 on page 10).



2. Remove the 3 screws for each hinge (  Fig. 5 on page 10) and take them off.
3. Re-fit the hinges in the new positions.
4. Insert the lid into the new hinge positions (  Fig. 5 on page 10).

### Saving energy

- > Choose a well ventilated location which is protected from direct sunlight.
- > Allow warm food to cool down first before placing it in the cooling device to keep cool.
- > Do not open the cooling device more often than necessary.
- > Do not leave the cooling device open for longer than necessary.
- > If the cooling device has a basket: For optimal energy consumption, position the basket according to its position on delivery.
- > On a regularly basis, ensure the lid seal still fits properly.
- > Avoid unnecessarily low temperatures.

### Connecting the cooler

#### Connecting to a battery



#### NOTICE! Damage hazard

- > For protection of the device the DC cable supplied includes a fuse inside the plug. Do **not** remove the fused DC plug. Only use the DC cable supplied.
- > Disconnect the cooler and other consumer units from the battery before connecting the battery to a quick charging device. Overvoltage can damage the electronics of devices connected to the battery.





**NOTE** The cooler is equipped with an electronic system to prevent polarity reversal. The electronic system protects the cooler against short-circuiting when connected to a battery.

The cooler can be operated with 12 V  $\overline{\text{---}}$  or 24 V  $\overline{\text{---}}$ .

- > Connect the cooler to a battery using the DC connection cable as shown.

### Connecting to an AC power supply



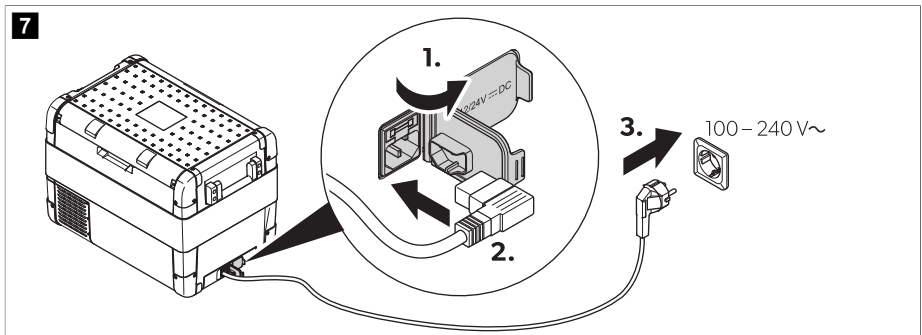
#### **DANGER! Electrocutation hazard**

- > Never handle plugs and switches with wet hands or if you are standing on a wet surface.
- > If the cooler is operated on board a boat from an AC power supply, a residual current circuit breaker must be installed between the AC power supply and the cooler. Seek advice from a trained technician.



**NOTE** The cooler is equipped with an integrated multi-voltage power supply with priority circuit for connecting to an AC voltage source. The priority circuit automatically switches the cooler to AC operation, if the cooler is connected to an AC power supply, even if the DC connection cable is still attached.

- > Connect the cooler to a AC power supply using the AC connection cable as shown.



### Using the cooler



#### **NOTICE! Damage hazard**

Place the cooler with the base facing downwards.

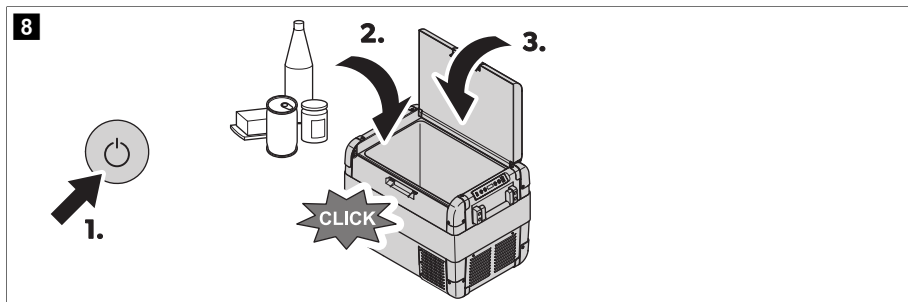
1. Place the cooler on a firm foundation.
2. Connect the cooler (see chapter Connecting the cooler on page 10).



#### **WARNING! Health hazard**

Ensure that only the items that are to be cooled at the selected temperature are placed in the cooler.


3. Press the "ON/OFF" button for 1 ... 2 s.



- ✓ The power LED lights up. The display switches on and displays the current temperature.



#### **NOTE Displayed temperature**

CFX2 57: The temperature displayed is the temperature of the large interior compartment (  Fig. 9 on page 12 1).

The cooler starts cooling the interior.

#### **Latching the cooler lid**

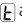
1. Close the lid.
2. Press the latch down until it audibly clicks into place.

#### **Avoiding food waste**

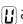
To avoid food waste, note the following

- > Keep temperature fluctuation as low as possible. Only open the cooling device as often and for as long as necessary. Store the foodstuff in such a way that the air can still circulate well.
- > Adjust the temperature to the quantity and type of the foodstuff.
- > Foodstuff can easily absorb or release odor or taste. Always store foodstuff covered or in closed containers/bottles.

#### **Setting the temperature**

1. Press the **SET** button 1 time.
  2. Use the **+** and **-** buttons to select the cooling temperature.
- ✓ The selected temperature and  appears in the display for a few seconds. The display flashes several times. Afterward the current temperature is displayed again.

#### **Selecting the temperature unit**

1. Press the **SET** button 2 times.
  2. Press the **+** or **-** button to select the temperature unit.
- ✓ The selected temperature unit and  are displayed on the display for a few seconds. The display flashes several times before displaying the current temperature.

## Using the battery monitor



### NOTICE! Damage hazard

When the battery monitor switches off, the battery is no longer fully charged. Avoid repeated starting or the operation of power consumers without longer charging phases. Ensure that the battery is recharged.

The cooler is equipped with a multi-level battery monitor that protects the vehicle battery against excessive discharging when the cooler is connected to the on-board DC supply.

If the cooler is operated with the vehicle ignition switched off, the cooler switches off automatically as soon as the supply voltage falls below a certain value. The cooler switches on again as soon as the battery is recharged to the restart voltage.

In the "HIGH" mode, the battery monitor responds faster than at the "LOW" and "MED" modes.

| Battery monitor mode       | LOW    | MED    | HIGH   |
|----------------------------|--------|--------|--------|
| Restart voltage at 12 V    | 11.4 V | 12.2 V | 12.6 V |
| Switch-off voltage at 12 V | 10.1 V | 11.2 V | 11.8 V |
| Restart voltage at 24 V    | 23 V   | 25.3 V | 26.4 V |
| Switch-off voltage at 24 V | 21.5 V | 24.1 V | 24.6 V |

Select the battery monitor mode as follows:

1. Switch on the cooler.
2. Press the **SET** button 3 times.
3. Use the **+** or **-** buttons to select the battery monitor mode.
  - ✓ The display changes as follows: **P L o** (LOW), **P M d** (MED), **P H i** (HIGH)

The selected mode appears in the display for a few seconds. The display flashes several times before returning to the current temperature.



**NOTE** When the cooler is supplied by the starting battery, select the battery monitor mode "HIGH". If the cooler is connected to a house battery, select the battery monitor mode "LOW".

## Setting the display brightness

The display brightness can be dimmed for low ambient light conditions.

1. Switch on the cooler.
2. Press the **SET** button 4 times.
3. Use the **+** or **-** buttons to set the brightness of the display.
  - ✓ The display changes as follows: **d L o** (low), **d M d** (medium), **d H i** (high)

The display displays the set mode for a few seconds. The display flashes a few times before returning to the current brightness.



**NOTE** If a fault occurs, the brightness automatically switches to **d H i** (default). Once the fault has been rectified, the set brightness is reactivated.

## Using the USB port

The USB port allows small devices such as cell phones and mp3 players to be charged.

- > Connect the device to be charged to the USB port of the cooler using a USB cable (not included).



**NOTE** Ensure that the connected device is compatible with the operation of 5 V / 2 A.

### Setting the display mode

1. Press the **SET** button 5 times.
  2. Use the **+** or **-** buttons to set the sleep mode.
- ✓ The display changes as follows: **[5 0F]** (OFF), **[5 0n]** (ON), **[5 Lo]** (Low)

**S 0F** (OFF): The sleep mode is deactivated. The display is constantly switched on.

**S 0n** (ON): The sleep mode is activated. If the cooler is not used for several minutes, the display only displays a dot.

**S Lo** (Low): The sleep sub-mode is activated. If the cooler is not used for several minutes, the display switches to the lowest display brightness.



**NOTE** If the display is in the sleep mode or sleep-sub mode, press a button on the cooler to briefly exit the corresponding mode.

### Using the mobile cooling app

The cooler can be monitored and controlled via Bluetooth or WLAN using an app that can be installed on a compatible device.

1. Download and install the mobile cooling app.



Get the app from [qr.dometic.com/beiv4R](http://qr.dometic.com/beiv4R).

2. Press the **SET** button as follows:
  - 6 times to open the Bluetooth settings.
  - 7 times to open the WLAN settings.
3. Use the **+** or **-** buttons to set the Bluetooth or WLAN.



**NOTE** If the cooler is paired with a compatible device via Bluetooth, the pairing mode must be set.

- ✓ The display changes as follows when setting the Bluetooth: **[bL 0F]** (OFF), **[bL 0n]** (ON), **[bL PR]** (Pairing)



**NOTE** If **[bL 0F]** is displayed, the display does not change when the **-** button is pressed. If **[bL PR]** is displayed, the display does not change when the **+** button is pressed.

The Bluetooth LED flashes white and the display displays **[bL ]** while the pairing to Bluetooth is being established.

The display changes as follows when setting the WLAN: (F,OFF) (OFF), (F,ON) (ON)

4. Follow the instructions in the mobile cooling app.
- ✓ The Bluetooth or WLAN LED lights up when the cooler is connected.

### Switching the cooler off

1. Empty the cooler.
- 
2. Press the "ON/OFF" button.
  3. Pull out the connection cable.
  4. If the cooler is not used for a longer period of time, leave the lid open so that no odors can build up.

### Defrosting the cooling device

Humidity can form frost in the interior of the cooling device or on the evaporator. This reduces the cooling capacity.



#### **NOTICE! Damage hazard**

Never use hard or pointed tools to remove ice or to loosen objects which have frozen in place.

To defrost the cooling device proceed as follows:


1. Remove the contents of the cooling device.
2. If necessary, place the contents in another cooling device to keep them cold.
3. Switch off the cooling device.
4. Leave the lid open.
5. Wipe off defrosted water.

### Replacing the AC fuse



#### **DANGER! Electrocutation hazard**



Disconnect the power supply and the connection cable before replacing the AC fuse.

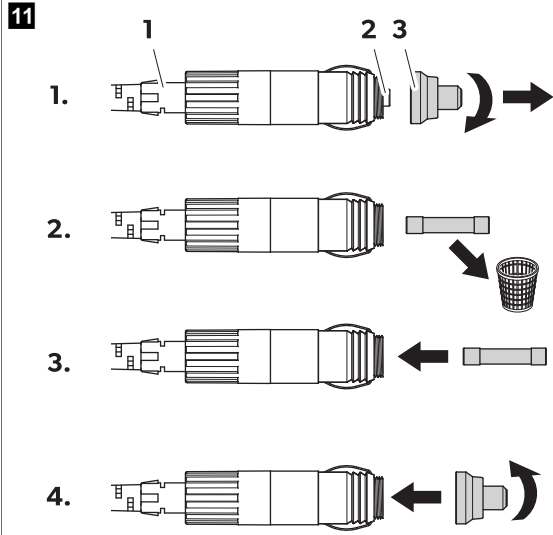
1. Disconnect the power supply to the cooler.
2. Pull off the connection cable.
3. Pry out the fuse insert (  Fig. 4 on page 9 2) with a screwdriver.
4. Replace the defective glass fuse with a new one that has the same type and rating ( 4 A , 250 V ).
5. Press the fuse insert back into the housing.
6. Reconnect the power supply to the device.

### Replacing the DC plug fuse



**NOTE** There is an additional DC fuse inside the device (Automotive standard blade fuse, 10 A). This fuse can only be replaced by an authorized repair center.

1. Unscrew the contact pin housing (  Fig. 11 on page 16 3) from the plug (  Fig. 11 on page 16 1).



2. Replace the defective fuse ( Fig. 11 on page 16 2) with a new fuse of the same type and rating (3AG, Fast Acting, 10 A).
3. Re-assemble the plug in reverse order.

### Replacing the light PCB



**NOTICE! Damage hazard**

The light PCB may only be replaced by the manufacturer, a service agent service or a similarly qualified person in order to avoid hazard.

## 10 Cleaning and maintenance



**CAUTION! Electrocutation hazard**

Ensure that the cooling device is disconnected from the power supply before any cleaning or maintenance work.



**NOTICE! Damage hazard**

- > Never clean the cooling device under running water or in dish water.
  - > Do not use abrasive cleaning agents or hard objects during cleaning.
- > Occasionally clean the device interior and exterior with a damp cloth.
- > Ensure that the air inlet and outlet vents on the cooling device are free of any dust and dirt, so that heat can be released and the cooling device is not damaged.

## 11 Troubleshooting

| Problem  | Possible cause   | Suggested remedy   |
|--|--|--|
| The cooler does not operate. The power LED does not light up.  | No voltage is detected at the DC socket.                       | > Activate the ignition of the vehicle.  |
|  | No voltage is detected at the AC socket.                       | > Use another plug socket.   |
|  | The AC fuse is defective.                                      | > Replace the AC fuse, see <i>Replacing the AC fuse</i> on page 15.  |
|  | The integrated mains adapter is defective.                     | > Contact an authorized service agent.   |
| The power LED lights up orange, the error code <b>E 01</b> is displayed, and the cooler is not cooling even though the plug is plugged in. | The battery monitor is set too high.                           | <ol style="list-style-type: none"> <li>1. Set the battery monitor to a lower mode (see <i>Using the battery monitor</i> on page 13).</li> <li>2. Test the starting battery.</li> <li>3. If necessary, charge the starting battery.<br/>Follow the manufacturer's instructions.</li> </ol>  |
|  | The battery monitor is set too low.                            | <ol style="list-style-type: none"> <li>1. Set the battery monitor to a higher mode (see <i>Using the battery monitor</i> on page 13).</li> <li>2. Test the starting battery.</li> <li>3. If necessary, charge the starting battery.<br/>Follow the manufacturer's instructions.</li> </ol> |
| When operating the cooler from the DC outlet: The ignition is on and the cooler does not operate. The power LED does not light up.         | The DC plug is not connected correctly.                        | > Reconnect the DC plug.   |
|  | The DC socket is dirty. This leads to poor electrical contact. | > Clean the DC outlet.<br>Follow the manufacturer's instructions.  |
|  | The DC plug fuse has blown.                                    | > Replace the DC plug fuse, see chapter <i>Replacing the DC plug fuse</i> on page 15.  |
|  | The DC fuse inside the cooler has blown.                       | > Contact an authorized service agent.   |
|  | The vehicle DC outlet fuse has blown.                          | > Replace the vehicle DC outlet fuse.<br>Follow the manufacturer's instructions.   |
| The display displays an error code and the cooler does not cool (see <i>Error codes</i> on page 17).                                       | The cooler has switched off due to an internal fault.          | > Contact an authorized service agent.   |

### Error codes



**NOTE** If one of the error codes **E 02** to **E 07** occurs, contact an authorized service agent.

| Error code | Description             |
|------------|-------------------------|
| E 01       | Low voltage/overvoltage |
| E 02       | Fan overcurrent         |
| E 03       | Compressor start failed |
| E 04       | Compressor speed low    |
| E 05       | Controller overheated   |
| E 06       | NTC open circuit        |
| E 07       | NTC short circuit       |

## 12 Warranty

The statutory warranty period applies. If the product is defective, please contact the manufacturer's branch in your country (see [dometic.com/dealer](http://dometic.com/dealer)) or your retailer.

For repair and warranty processing, please include the following documents when you send in the device:

- A copy of the receipt with purchasing date
- A reason for the claim or description of the fault

Note that self-repair or nonprofessional repair can have safety consequences and might void the warranty.

## 13 Disposal



### **WARNING! Risk of child entrapment**

Before disposing of your old cooling device, dismantle the lid. Leave the baskets in place so that children may not easily climb inside.



Place the packaging material in the appropriate recycling waste bins, wherever possible. Consult a local recycling center or specialist dealer for details about how to dispose of the product in accordance with the applicable disposal regulations.



Recycling products with batteries, rechargeable batteries, and light sources: Remove any batteries, rechargeable batteries, and light sources before recycling the product. Return defective or used batteries to your retailer or dispose of them at collection points. Do not dispose of any batteries, rechargeable batteries, and light sources with general household waste. If you wish to finally dispose of the product, ask your local recycling center or specialist dealer for details about how to do this in accordance with the applicable disposal regulations. The product can be disposed free of charge.

## 14 Technical data



**NOTE** If the ambient temperature is above 32 °C, the minimum temperature cannot be attained.

This product contains fluorinated greenhouse gases.

The cooling unit is hermetically sealed.

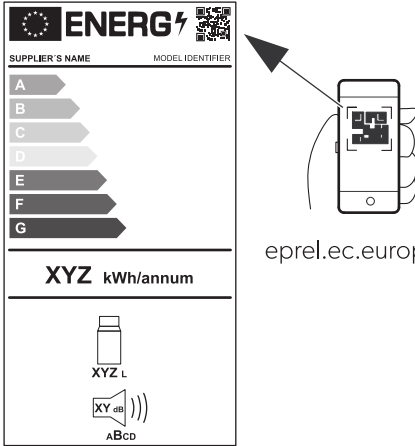


|   | <b>CFX2 28</b>  | <b>CFX2 37</b>  | <b>CFX2 45</b>   | <b>CFX2 57</b>   |
|---|---|---|--|--|
| Rated input                               | 50 ... 60 Hz<br>100 ... 240 V~                              |   |  |  |
| Rated current                             | 12 V: 8.6 A<br>24 V: 3.8 A<br>100 V: 1.6 A<br>240 V: 0.77 A | 12 V: 8.7 A<br>24 V: 3.85 A<br>100 V: 1.63 A<br>240 V: 0.78 A | 12 V: 8.8 A<br>24 V: 3.9 A<br>100 V: 1.65 A<br>240 V: 0.79 A | 12 V: 9 A<br>24 V: 4 A<br>100 V: 1.7 A<br>240 V: 0.8 A |
| Cooling capacity                          | -22 °C ... 20 °C  |   |  |  |
| Ambient temperature                       | 16 °C ... 43 °C   |   |  |  |
| Climate class                             | N or T  |   |  |  |
| USB                                       | 5 V 2 A   |   |  |  |
| Refrigerant                               | R600a   |   |  |  |
| Refrigerant quantity                      | 13 g  | 13 g  | 14 g   | 17 g   |
| Dimensions (W × H × D, including handles) | 600 mm × 427 mm × 345 mm                                    | 678 mm × 428 mm × 401 mm                                      | 678 mm × 493 mm × 401 mm                                     | 709 mm × 503 mm × 458 mm                               |
| Volume                                    | 28 L  | 37 L  | 45 L   | 57 L   |
| Weight                                    | 13.5 kg   | 15.8 kg   | 16.8 kg  | 18.5 kg  |
| Frequency band (WLAN)                     | 2.4 GHz   |   |  |  |
| Max. output power                         |   |   |  |  |
| WLAN                                      | 19.22 dBm   |   |  |  |
| Bluetooth                                 | 7.93 dBm  |   |  |  |

Hereby, Dometic (Zhuhai) Technology Co., Ltd declares that the radio equipment type CFX2 28, CFX2 37, CFX2 45, CFX2 57 is in compliance with Directive 2014/53/EU. The full text of the EU declaration of conformity is available at the following internet address: [documents.dometic.com](http://documents.dometic.com)

Further product information can be accessed via QR code on the energy label or via [eprel.ec.europa.eu](http://eprel.ec.europa.eu).

**12**



The image shows a standard EU Energy Label on the left and a smartphone on the right. An arrow points from the smartphone's camera to the QR code on the Energy Label. The Energy Label includes a scale from A to G, a kWh/annum value, and a sound power level icon.

**ENERGY**

SUPPLIER'S NAME MODEL IDENTIFIER

A  
B  
C  
D  
E  
F  
G

**XYZ kWh/annum**

XYZ L  
XY dB  
ABCD

[eprel.ec.europa.eu](http://eprel.ec.europa.eu)

## Deutsch

|    |                                     |    |
|----|-------------------------------------|----|
| 1  | Wichtige Hinweise.....              | 21 |
| 2  | Erklärung der Symbole.....          | 21 |
| 3  | Erklärung der Symbole am Gerät..... | 22 |
| 4  | Sicherheitshinweise.....            | 22 |
| 5  | Lieferumfang.....                   | 24 |
| 6  | Zubehör.....                        | 24 |
| 7  | Bestimmungsgemäßer Gebrauch.....    | 25 |
| 8  | Technische Beschreibung.....        | 25 |
| 9  | Betrieb.....                        | 28 |
| 10 | Reinigung und Pflege.....           | 35 |
| 11 | Fehlersuche und Fehlerbehebung..... | 36 |
| 12 | Garantie.....                       | 37 |
| 13 | Entsorgung.....                     | 37 |
| 14 | Technische Daten.....               | 38 |

## 1 Wichtige Hinweise

Lesen und befolgen Sie bitte alle Anweisungen, Richtlinien und Warnhinweise in diesem Produkthandbuch sorgfältig, um sicherzustellen, dass Sie das Produkt ordnungsgemäß installieren und stets ordnungsgemäß betreiben und warten. Diese Anleitung MUSS bei dem Produkt verbleiben.

Durch die Verwendung des Produktes bestätigen Sie hiermit, dass Sie alle Anweisungen, Richtlinien und Warnhinweise sorgfältig gelesen haben und dass Sie die hierin dargelegten Bestimmungen verstanden haben und ihnen zustimmen. Sie erklären sich damit einverstanden, dieses Produkt nur für den angegebenen Verwendungszweck und gemäß den Anweisungen, Richtlinien und Warnhinweisen dieses Produkthandbuchs sowie gemäß allen geltenden Gesetzen und Vorschriften zu verwenden. Eine Nichtbeachtung der hierin enthaltenen Anweisungen und Warnhinweise kann zu einer Verletzung Ihrer selbst und anderer Personen, zu Schäden an Ihrem Produkt oder zu Schäden an anderem Eigentum in der Umgebung führen. Dieses Produkthandbuch, einschließlich der Anweisungen, Richtlinien und Warnhinweise, sowie die zugehörige Dokumentation können Änderungen und Aktualisierungen unterliegen. Aktuelle Produktinformationen finden Sie unter [documents.dometic.com](http://documents.dometic.com).

## 2 Erklärung der Symbole

Ein Signalwort kennzeichnet Sicherheits- und Sachschadensmeldungen und gibt zudem den Grad oder das Ausmaß der Gefährdung an.



### **GEFAHR!**

Kennzeichnet eine Gefahrensituation, die zum Tod oder schwerer Verletzung führt, wenn die jeweiligen Anweisungen nicht befolgt werden.



### **WARNUNG!**

Kennzeichnet eine Gefahrensituation, die zum Tod oder schwerer Verletzung führen könnte, wenn die jeweiligen Anweisungen nicht befolgt werden.



### **VORSICHT!**

Kennzeichnet eine Gefahrensituation, die zu geringer oder mittelschwerer Verletzung führen könnte, wenn die jeweiligen Anweisungen nicht befolgt werden.



### **ACHTUNG!**

Kennzeichnet eine Situation, die zu Sachschäden führen kann, wenn die jeweiligen Anweisungen nicht befolgt werden.



**HINWEIS** Zusätzliche Informationen zur Bedienung des Produktes.

### 3 Erklärung der Symbole am Gerät



Warnung! Brandgefahr. Brennbare Materialien.

### 4 Sicherheitshinweise



#### **GEFAHR! Gefahr durch Stromschlag**

- > Bei Booten: Sorgen Sie bei Netzbetrieb unbedingt dafür, dass Ihre Stromversorgung über einen FI-Schutzschalter oder einen Fehlerstrom-Schutzschalter abgesichert ist. Die Installation muss, insbesondere in potentiell feuchten Bereichen, allen geltenden Installationsvorschriften entsprechen.
- > Fassen Sie nie mit bloßen Händen an blanke Kabel. Dies gilt vor allem beim Betrieb am Wechselstromnetz.



#### **WARNUNG! Gefahr durch Stromschlag**

- > Wenn das Kühlgerät sichtbare Beschädigungen aufweist, dürfen Sie es nicht in Betrieb nehmen.
- > Wenn das Netzkabel dieses Kühlgeräts beschädigt ist, muss es zur Vermeidung von Sicherheitsrisiken ausgetauscht werden.
- > Reparaturen an diesem Kühlgerät dürfen nur von Fachkräften durchgeführt werden. Durch unsachgemäße Reparaturen können erhebliche Gefahren entstehen.
- > Schließen Sie das Gerät an eine Steckdose an, die einen geeigneten Anschluss sicherstellt, insbesondere wenn das Gerät geerdet werden muss.



#### **WARNUNG! Brandgefahr**

- > Achten Sie beim Aufstellen des Geräts darauf, dass das Netzkabel nicht eingeklemmt oder beschädigt wird.
- > Platzieren Sie keine Steckdosenleisten oder tragbare Stromversorgungen hinter dem Gerät.
- > Das Kältemittel im Kühlkreislauf ist leicht entflammbar. Wenn sich das Gerät in einem kleinen Raum befindet, können sich im Fall eines Lecks brennbare Gase ansammeln. Bei einer Beschädigung des Kühlkreislaufs:
  - Halten Sie offene Flammen und potentielle Zündquellen vom Kühlschrank fern.
  - Lüften Sie den Raum gut.
  - Schalten Sie den Kühlschrank aus.
- > Bei Kühlgeräten mit dem Kältemittel R600a:
  - Der Kühlkreislauf enthält eine kleine Menge an umweltfreundlichem, aber brennbarem Kältemittel. Das Kühlmittel schädigt nicht die Ozonschicht und trägt auch nicht zum Treibhauseffekt bei. Austretendes Kältemittel kann sich entzünden.
  - Verwenden oder lagern Sie das Kühlgerät nicht in geschlossenen Räumen ohne oder mit nur geringer Belüftung.
- > Halten Sie die Lüftungsöffnungen am Gerätegehäuse oder in Einbaukonstruktionen frei von Hindernissen.
- > Benutzen Sie keine mechanischen Gegenstände oder andere Mittel, um den Abtauprozess zu beschleunigen, außer wenn sie vom Hersteller dafür empfohlen werden.
- > Öffnen oder beschädigen Sie nicht den Kühlkreislauf.

- > Benutzen Sie keine elektrischen Geräte innerhalb des Kühlgerätes, außer wenn diese Geräte vom Hersteller dafür empfohlen werden.



#### **WARNUNG! Gesundheitsgefahr**

- > Dieses Gerät kann von Kindern ab 8 Jahren und von Personen mit verringerten physischen, sensorischen oder mentalen Fähigkeiten oder Mangel an Erfahrung und/oder Wissen verwendet werden, wenn diese Personen beaufsichtigt werden oder im sicheren Gebrauch des Geräts unterwiesen wurden und die daraus resultierenden Gefahren verstanden haben.
- > Kinder von 3 bis 8 Jahren dürfen Kühlgeräte be- und entladen.
- > Kinder sollten beaufsichtigt werden, um sicherzustellen, dass sie nicht mit dem Gerät spielen.
- > Reinigung und Benutzerwartung dürfen nicht durch unbeaufsichtigte Kinder durchgeführt werden.



#### **WARNUNG! Explosionsgefahr**

Lagern Sie keine explosionsfähigen Stoffe, wie z. B. Sprühdosen mit brennbarem Treibgas, im Kühlgerät.



#### **VORSICHT! Gefahr durch Stromschlag**

- > Achten Sie vor der Inbetriebnahme des Kühlgeräts darauf, dass das Netzkabel und der Stecker trocken sind.
- > Trennen Sie vor jeder Reinigung und Wartung und nach jedem Gebrauch das Kühlgerät von der Stromversorgung.



#### **VORSICHT! Gesundheitsgefahr**

- > Beachten Sie folgende Hinweise, um eine Verunreinigung von Lebensmitteln zu vermeiden:
  - Prüfen Sie, ob die Kühlleistung des Geräts den Anforderungen der Lebensmittel entspricht, die Sie kühlen möchten.
  - Lebensmittel dürfen nur in Originalverpackungen oder geeigneten Behältern gelagert werden.
  - Ein längeres Öffnen des Kühlgeräts kann zu einem erheblichen Anstieg der Temperatur in den Fächern des Geräts führen.
  - Reinigen Sie regelmäßig Oberflächen, die mit Lebensmitteln in Kontakt kommen können, sowie zugängliche Ablaufsysteme.
- > Wenn das Gerät über längere Zeiträume leer bleibt:
  - Schalten Sie das Gerät aus.
  - Tauen Sie das Gerät ab.
  - Reinigen und trocknen Sie das Gerät.
  - Lassen Sie den Deckel offenstehen, um Schimmelbildung im Gerät zu verhindern.

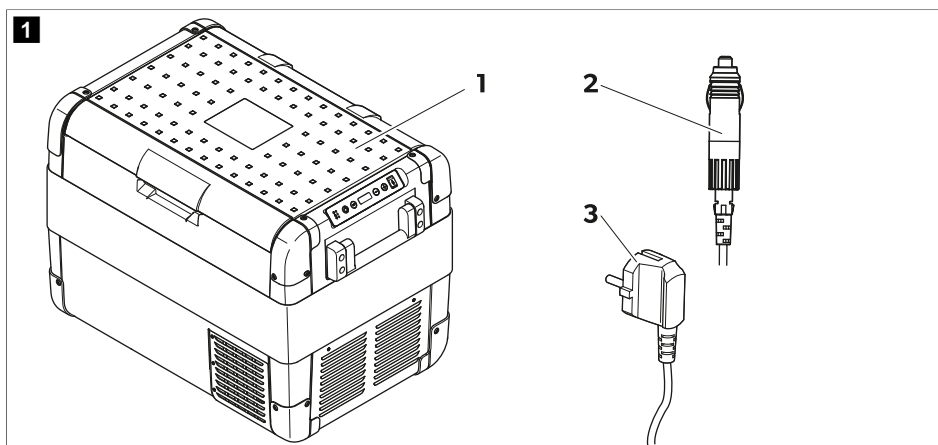


#### **ACHTUNG! Beschädigungsgefahr**

- > Prüfen Sie, ob die Spannungsangabe auf dem Typenschild mit der vorhandenen Energieversorgung übereinstimmt.
- > Schließen Sie das Kühlgerät nur wie folgt an:
  - mit dem Gleichstromkabel an die Gleichstromversorgung im Fahrzeug
  - oder mit dem Wechselstromkabel an das Wechselstromnetz
- > Ziehen Sie den Stecker nie am Anschlusskabel aus der Steckdose.
- > Wenn das Kühlgerät an eine Gleichstromsteckdose angeschlossen ist: Klemmen Sie das Kühlgerät und andere Verbraucher von der Fahrzeugbatterie ab, bevor Sie ein Schnellladegerät anschließen.
- > Wenn das Kühlgerät an eine Gleichstromsteckdose angeschlossen ist: Trennen Sie die Verbindung oder schalten Sie das Kühlgerät aus, wenn Sie den Motor ausschalten. Anderenfalls kann die Fahrzeugbatterie entladen werden.
- > Das Kühlgerät ist für den Transport ätzender oder lösungsmittelhaltiger Stoffe nicht geeignet.

- > Die Isolierung des Kühlgeräts enthält brennbares Cyclopentan und erfordert ein besonderes Entsorgungsverfahren. Entsorgen Sie das Kühlgerät am Ende seiner Nutzungsdauer in einem entsprechenden Recyclingcenter.
- > Stellen Sie das Kühlgerät nicht in der Nähe von offenen Flammen oder anderen Wärmequellen (Heizung, direkte Sonneneinstrahlung, Gasöfen usw.) auf.
- > Füllen Sie keine Flüssigkeiten oder Eis in den Innenbehälter.
- > Tauchen Sie das Kühlgerät nie in Wasser.
- > Schützen Sie das Kühlgerät und die Kabel vor Hitze und Nässe.
- > Das Kühlgerät darf keinem Regen ausgesetzt werden.
- > Damit das Kältemittel ordnungsgemäß zirkulieren kann, darf die Kühlbox einen Neigungswinkel von 30 ° nicht überschreiten. Stellen Sie die Kühlbox mit Hilfe einer Wasserwaage waagrecht ab.
- > **Überhitzungsgefahr!** Stellen Sie sicher, dass an allen vier Seiten des Geräts ein ausreichender Belüftungsabstand eingehalten wird. Halten Sie den Belüftungsbereich frei von jeglichen Gegenständen, die den Luftstrom zum Kühlaggregat behindern könnten. Stellen Sie das Kühlgerät nicht in geschlossene Fächer oder in Bereiche ohne oder mit nur geringer Belüftung.

## 5 Lieferumfang



| Position | Anzahl | Beschreibung                              |
|----------|--------|---|
| 1        | 1      | Kühlbox                                   |
| 2        | 1      | Anschlusskabel für Gleichstrom-Anschluss  |
| 3        | 1      | Anschlusskabel für Wechselstrom-Anschluss |
| -        | 1      | Kurzbedienungsanleitung                   |

## 6 Zubehör

Als Zubehör erhältlich (nicht im Lieferumfang enthalten):

| Bezeichnung                               | Art.-Nr.   | Modell      |
|---|------------|-------------|
| Schnellverschluss-Befestigungskit CFX-QFK | 9600000166 | Nur CFX2 28 |

| Bezeichnung                                   | Art.-Nr.   | Modell                   |
|---|------------|--------------------------|
| Schnellverschluss-Befestigungskit CFX-QFK3545 | 9600029599 | Nur CFX2 37 und CFX2 45  |
| Mobile Cooling App                            | -          | passend für alle Modelle |

## 7 Bestimmungsgemäßer Gebrauch

Die Kühlbox eignet sich zum Kühlen von Lebensmitteln. Die Kühlbox ist auch für den Einsatz in Fahrzeugen geeignet. Die Kühlbox kann über den Gleichstromanschluss eines Fahrzeugs oder am Wechselstromnetz betrieben werden.

Die Kühlbox ist auch für den Einsatz beim Camping geeignet.

Die Kühlbox ist für den Einsatz im Haushalt und ähnliche Anwendungen vorgesehen, wie

- Personalküchen in Geschäften, Büros und anderen Arbeitsumgebungen
- Landwirtschaftliche Gebäude
- Hotels, Motels und andere wohnungsähnliche Einrichtungen
- „Bed and Breakfast“ u. ä.
- Catering und ähnliche Anwendungen außerhalb des Einzelhandels

Die Kühlbox ist **nicht** geeignet für:

- Einfrieren von Lebensmitteln
- Lagerung von korrosiven, ätzenden oder lösungsmittelhaltigen Stoffen
- Verwendung als Einbaugerät

Diese Kühlbox ist nur für den angegebenen Verwendungszweck und die Anwendung gemäß dieser Anleitung geeignet.

Dieses Produkt ist nur für den angegebenen Verwendungszweck und die Anwendung gemäß dieser Anleitung geeignet.

Dieses Handbuch enthält Informationen, die für die ordnungsgemäße Installation und/oder den ordnungsgemäßen Betrieb des Produkts erforderlich sind. Installationsfehler und/oder ein nicht ordnungsgemäßer Betrieb oder eine nicht ordnungsgemäße Wartung haben eine unzureichende Leistung und u. U. einen Ausfall des Geräts zur Folge.

Der Hersteller übernimmt keine Haftung für Verletzungen oder Schäden am Produkt, die durch Folgendes entstehen:

- Unsachgemäße Installation oder falscher Anschluss, einschließlich Überspannung
- Unsachgemäße Wartung oder Verwendung von anderen als den vom Hersteller gelieferten Original-Ersatzteilen
- Veränderungen am Produkt ohne ausdrückliche Genehmigung des Herstellers
- Verwendung für andere als die in der Anleitung beschriebenen Zwecke

Dometic behält sich das Recht vor, das Erscheinungsbild des Produkts und dessen technische Daten zu ändern.

## 8 Technische Beschreibung

Die Kühlbox kann Waren abkühlen. Die Kühlung erfolgt durch einen wartungsarmen Kühlkreislauf mit Kompressor. Die umfassende Isolierung und der leistungsstarke Kompressor gewährleisten eine effiziente und schnelle Kühlung.

Die Kühlbox ist für den mobilen Einsatz geeignet.

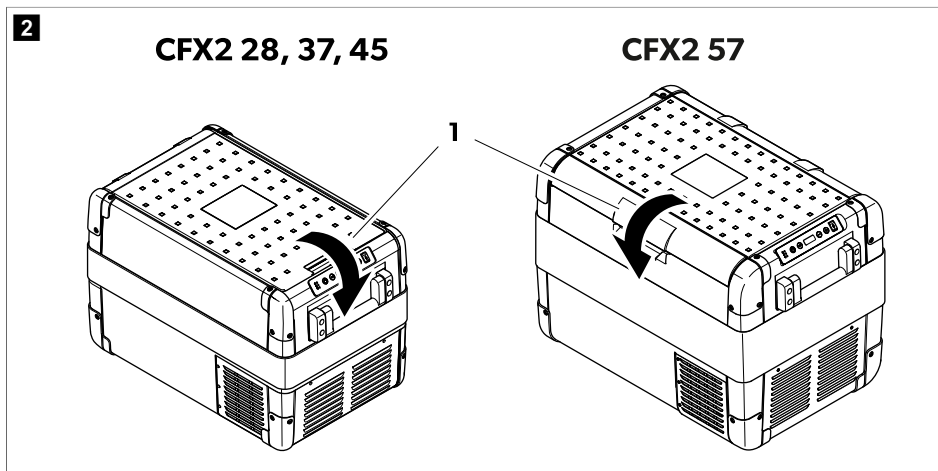
Die Kühlbox kann einer kurzzeitigen Neigung von 30 ° ausgesetzt werden, z. B. beim Einsatz auf Booten.

## Funktionsumfang

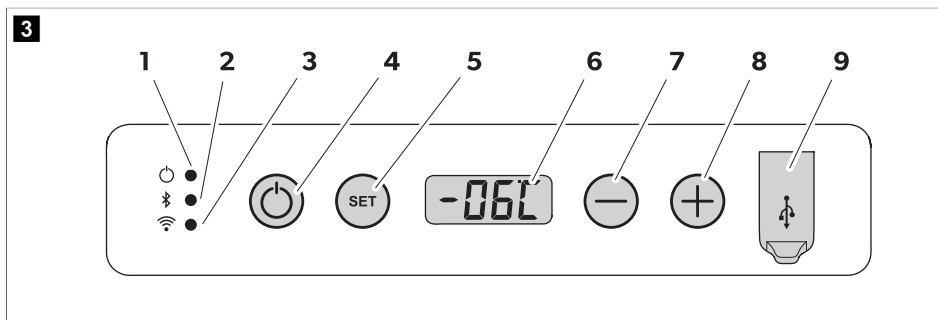
- Netzteil mit Vorrangschaltung zum Anschluss an ein Wechselstromnetz
- Dreistufiger Batteriewächter zum Schutz der Fahrzeugbatterie
- Display mit Temperaturanzeige in °C und °F
- Temperatureinstellung (mit zwei Tasten in 1 °C / 1 °F -Schritten)
- Integrierte Bluetooth- und WLAN-Funktion zur Steuerung der Kühlbox über die Mobile Cooling App
- Klappbare Tragegriffe
- USB-Anschluss für Spannungsversorgung
- Herausnehmbarer Korbeinsatz

## Bedien- und Anzeigeelemente

Verriegelung (  Abb. **2** auf Seite 26, **1**) für den Deckel:



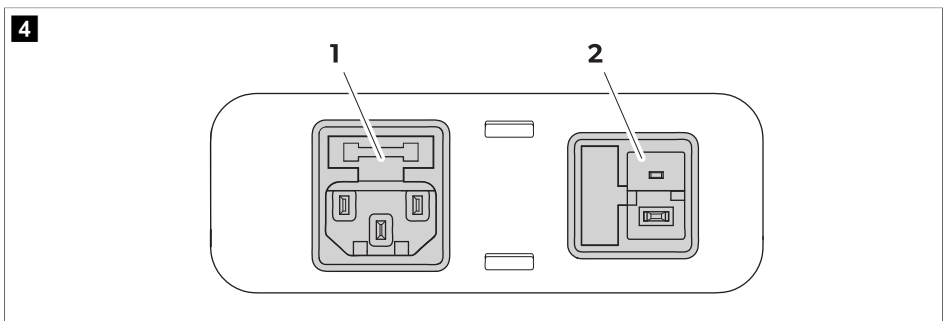
## Bedienfeld





| Position | Beschreibung | Erläuterung   |  |
|----------|--------------|---|--|
| 1        | EIN          | Betriebsanzeige   |  |
|          |              | Die LED leuchtet weiß:  | Der Kompressor läuft.  |
|          |              | Die LED leuchtet orange:  | Der Kompressor stoppt.   |
| 2        | Bluetooth    | Die LED ist ausgeschaltet:  | Die Bluetooth-Funktion der Kühlbox ist ausgeschaltet.  |
|          |              | Die LED blinkt langsam weiß:  | Die Bluetooth-Funktion der Kühlbox ist eingeschaltet. Die Kühlbox ist nicht mit einem Gerät gekoppelt. |
|          |              | Die LED blinkt schnell weiß:  | Die Kühlbox wird über Bluetooth mit einem Gerät gekoppelt.   |
|          |              | Die LED leuchtet weiß:  | Die Kühlbox ist über Bluetooth mit einem Gerät gekoppelt.  |
| 3        | WLAN         | Die LED ist ausgeschaltet:  | Das WLAN der Kühlbox ist ausgeschaltet.  |
|          |              | Die LED blinkt weiß:  | Das WLAN der Kühlbox ist eingeschaltet. Die Kühlbox ist nicht an ein Gerät angeschlossen.              |
|          |              | Die LED leuchtet weiß:  | Die Kühlbox wird über WLAN mit einem Gerät verbunden.  |
| 4        | ON/OFF       | Schaltet die Kühlbox ein oder aus.  |  |
| 5        | SET          | Wählt den Eingabemodus: <ul style="list-style-type: none"> <li>• Temperatureinstellung</li> <li>• Anzeige Celsius oder Fahrenheit</li> <li>• Einstellung Batterie-Computer</li> <li>• Einstellung Displayhelligkeit</li> <li>• Einstellung Anzeigemodus</li> <li>• Einstellung Bluetooth</li> <li>• Einstellung WLAN</li> </ul> |  |
| 6        |              | Display   |  |
| 7        | -            | Stellt die Temperatur, die Temperatureinheit, den Batteriewächter, die Helligkeit des Displays, den Modus, Bluetooth und das WLAN ein.  |  |
| 8        | +            |   |  |
| 9        |              | USB-Anschluss   |  |

## Anschlussbuchsen



| Position | Beschreibung                               |
|----------|--|
| 1        | Anschlussbuchse Wechselspannungsversorgung |

| Position | Beschreibung                             |
|----------|--|
| 2        | Anschlussbuchse Gleichspannungversorgung |

## 9 Betrieb

### Vor dem ersten Gebrauch

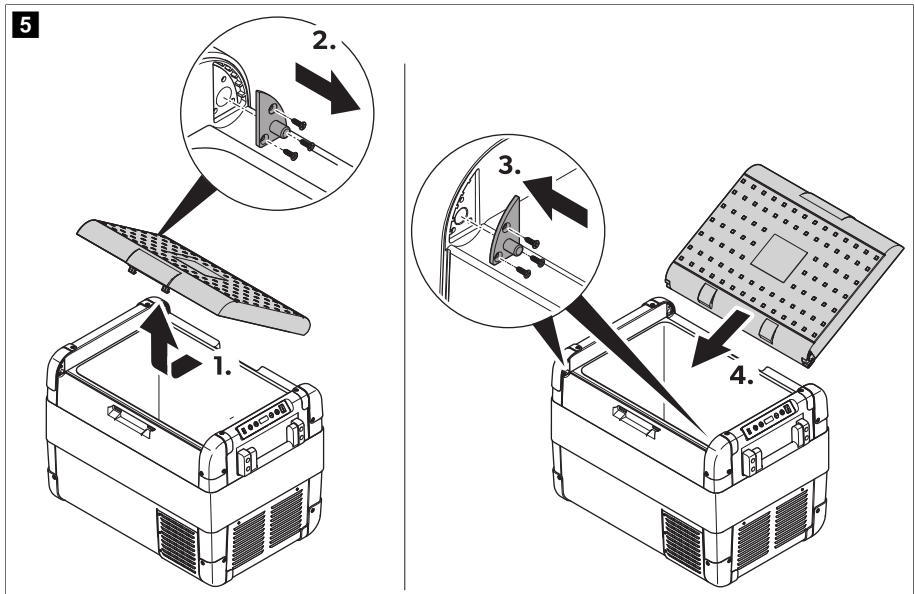



**HINWEIS** Bevor Sie die Kühlbox in Betrieb nehmen, reinigen Sie die Innen- und Außenseite der Kühlbox aus hygienischen Gründen mit einem feuchten Tuch (siehe Reinigung und Pflege auf Seite 35).

### Deckelöffnungsrichtung umkehren (nur CFX2 57)

Die Deckelscharniere können auf der gegenüberliegenden Seite angebracht werden.

1. Öffnen und entfernen Sie den Deckel (  Abb. **5** auf Seite 28).



2. Entfernen Sie jeweils die 3 Schrauben der Scharniere (  Abb. **5** auf Seite 28) und nehmen Sie diese ab.
3. Bringen Sie die Scharniere an den neuen Positionen an.
4. Bringen Sie den Deckel an den neuen Scharnierpositionen (  Abb. **5** auf Seite 28) wieder an.

### Energie sparen

- > Wählen Sie einen gut belüfteten und vor Sonneneinstrahlung geschützten Stellplatz.
- > Lassen Sie warme Speisen erst abkühlen, bevor Sie sie im Gerät kühl halten.
- > Öffnen Sie das Kühlgerät nicht häufiger als nötig.
- > Lassen Sie das Kühlgerät nicht länger offen stehen als nötig.

- > Wenn das Kühlgerät über einen Korb verfügt: Um einen optimalen Energieverbrauch zu erreichen, positionieren Sie den Korb auf die gleiche Weise wie bei der Auslieferung.
- > Prüfen Sie in regelmäßigen Abständen, ob die Dichtung des Deckels noch richtig sitzt.
- > Vermeiden Sie eine unnötig tiefe Innentemperatur.

## Kühlbox anschließen

### An eine Batterie anschließen



#### **ACHTUNG! Beschädigungsgefahr**

- > Zum Schutz des Geräts verfügt das im Lieferumfang enthaltene Gleichstromkabel über eine Sicherung im Stecker. Entfernen Sie **nicht** den Gleichstromstecker mit der Sicherung. Verwenden Sie nur das im Lieferumfang enthaltene Gleichstromkabel.
- > Klemmen Sie die Kühlbox und andere Verbraucher von der Batterie ab, bevor Sie die Batterie mit einem Schnellladegerät aufladen. Die Elektronik der an die Batterie angeschlossenen Geräte kann durch Überspannung beschädigt werden.



**HINWEIS** Die Kühlbox ist mit einem elektronischen Verpolungsschutz ausgestattet. Dieser schützt die Kühlbox vor Kurzschluss beim Batterieanschluss.

Die Kühlbox kann betrieben werden mit 12 V  $\approx$  oder 24 V  $\approx$ .

- > Schließen Sie die Kühlbox wie dargestellt mit dem Gleichstromanschlusskabel an eine Batterie an.

### Anschluss an eine Wechselstromversorgung



#### **GEFAHR! Gefahr durch Stromschlag**

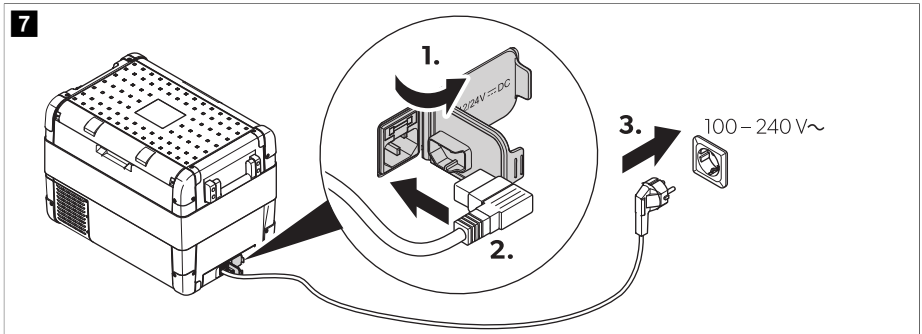
- > Hantieren Sie nie mit Steckern und Schaltern, wenn Sie nasse Hände haben oder mit den Füßen in der Nässe stehen.
- > Wenn Sie die Kühlbox an Bord eines Bootes am Wechselstromnetz betreiben, muss ein FI-Schutzschalter zwischen Wechselstromnetz und Kühlbox installiert werden. Lassen Sie sich von einem Fachmann beraten.



#### **HINWEIS**

Die Kühlbox ist mit einem integrierten Multispannungsnetzteil mit Vorrangschaltung zum Anschluss an eine Wechselspannung ausgestattet. Durch die Vorrangschaltung wird automatisch auf Wechselstrombetrieb umgeschaltet, wenn die Kühlbox an ein Wechselstromnetz angeschlossen ist, auch wenn das Gleichstrom-Anschlusskabel noch angeschlossen ist.

- > Schließen Sie die Kühlbox wie abgebildet mit dem Wechselstrom-Anschlusskabel an eine Wechselstromquelle an.



## Kühlbox verwenden



### ACHTUNG! Beschädigungsgefahr

Stellen Sie die Kühlbox mit dem Baden nach unten auf.

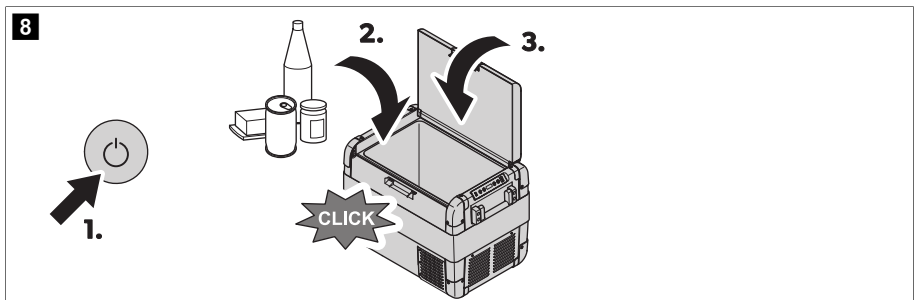
1. Stellen Sie die Kühlbox auf eine feste Unterlage.
2. Schließen Sie die Kühlbox an (siehe Kapitel Kühlbox anschließen auf Seite 29).



### WARNUNG! Gesundheitsgefahr

Stellen Sie sicher, dass nur Gegenstände in die Kühlbox gelegt werden, die bei der gewählten Temperatur gekühlt werden sollen.


3. Drücken Sie die Taste „EIN/AUS“ 1 ... 2 s lang.



- ✓ Die LED „Power“ leuchtet. Das Display schaltet sich ein und zeigt die aktuelle Temperatur an.



### HINWEIS Angezeigte Temperatur

CFX2 57: Die angezeigte Temperatur bezieht sich auf die Temperatur des großen Gefrierfachs (  Abb. 9 auf Seite 30 ).

Die Kühlbox startet mit dem Kühlen des Innenraums.

### Kühlboxdeckel verriegeln

1. Schließen Sie den Deckel.
2. Drücken Sie die Verriegelung nach unten, bis sie hörbar einrastet.

### Vermeidung von Lebensmittelverschwendung

Um Lebensmittelverschwendung zu vermeiden, beachten Sie bitte Folgendes

- > Halten Sie Temperaturschwankungen so gering wie möglich. Öffnen Sie das Kühlgerät nur so oft und so lange wie nötig. Lagern Sie Lebensmittel so, dass die Luft immer noch gut zirkulieren kann.
- > Passen Sie die Temperatur der Menge und Art der Lebensmittel an.
- > Lebensmittel nehmen leicht Gerüche auf und geben Gerüche oder Aromen ab. Lagern Sie Lebensmittel daher stets abgedeckt oder in geschlossenen Behältern bzw. Flaschen.

### Temperatur einstellen

1. Drücken Sie die Taste **SET** 1 Mal.
2. Stellen Sie mit den Tasten **+** und **-** die Kühltemperatur ein.
  - ✓ Das Display zeigt für einige Sekunden die eingestellte Temperatur und **°C** an. Das Display blinkt einige Male. Danach wird die aktuelle Temperatur erneut angezeigt.

### Temperatureinheit wählen

1. Drücken Sie die Taste **SET** 2 Mal.
2. Wählen Sie mit der Taste **+** oder **-** die Temperatureinheit aus.
  - ✓ Das Display zeigt für einige Sekunden die ausgewählte Temperatureinheit und **°F** an. Das Display blinkt einige Male, bevor es die aktuelle Temperatur erneut anzeigt.

### Batterie-Computer verwenden



#### **ACHTUNG! Beschädigungsgefahr**

Wenn der Batteriewächter ausgeschaltet ist, wird die Batterie nicht mehr vollständig geladen. Vermeiden Sie daher mehrmaliges Starten oder den Betrieb von Stromverbrauchern ohne längere Aufladephasen. Sorgen Sie dafür, dass die Batterie wieder aufgeladen wird.

Die Kühlbox ist mit einem mehrstufigen Batteriewächter ausgestattet, der die Fahrzeugbatterie beim Anschluss an das Bordnetz vor zu tiefer Entladung schützt.

Wird die Kühlbox bei ausgeschalteter Zündung im Fahrzeug betrieben, schaltet sich die Kühlbox selbstständig ab, sobald die Versorgungsspannung unter einen bestimmten Wert fällt. Die Kühlbox schaltet sich wieder ein, sobald die Batterie auf die Wiedereinschaltspannung aufgeladen ist.

Im Modus „HIGH“ spricht der Batteriewächter schneller an als in den Modi „LOW“ und „MED“.

| Batterie-Computer-Modus          | LOW    | MED    | HIGH   |
|----------------------------------|--------|--------|--------|
| Wiedereinschaltspannung bei 12 V | 11,4 V | 12,2 V | 12,6 V |
| Ausschaltspannung bei 12 V       | 10,1 V | 11,2 V | 11,8 V |
| Wiedereinschaltspannung bei 24 V | 23 V   | 25,3 V | 26,4 V |
| Ausschaltspannung bei 24 V       | 21,5 V | 24,1 V | 24,6 V |

Stellen Sie den Batteriewächter-Modus wie folgt ein:

1. Schalten Sie die Kühlbox ein.

2. Drücken Sie die Taste **SET** 3 Mal.
  3. Stellen Sie mit den Tasten **+** oder **-** den Batteriewächter-Modus ein.
- ✓ Das Display ändert sich wie folgt: **[P L0]** (LOW), **[P n0]** (MED), **[P H1]** (HIGH)

Das Display zeigt für einige Sekunden den eingestellten Modus an. Das Display blinkt einige Male, bevor es zur Darstellung der aktuellen Temperatur zurückkehrt.



**HINWEIS** Wenn die Kühlbox von der Starterbatterie versorgt wird, wählen Sie den Batteriewächter-Modus „HIGH“. Wenn die Kühlbox an eine Versorgungsbatterie angeschlossen ist, wählen Sie den Batteriewächter-Modus „LOW“.

### Displayhelligkeit einstellen

Die Displayhelligkeit kann an dunkle Umgebungen angepasst werden.

1. Schalten Sie die Kühlbox ein.
  2. Drücken Sie die Taste **SET** 4 Mal.
  3. Stellen Sie mithilfe der Tasten **+** oder **-** die Helligkeit des Displays ein.
- ✓ Das Display ändert sich wie folgt: **[d L0]** (niedrig), **[d n0]** (mittel), **[d H1]** (hoch)

Auf dem Display wird der eingestellte Modus für einige Sekunden angezeigt. Das Display blinkt einige Male, bevor es zur aktuellen Helligkeitseinstellung zurückkehrt.



**HINWEIS** Bei Auftreten einer Störung wird die Helligkeit automatisch auf den Wert **[d H1]** (Standard) eingestellt. Nach der Störungsbeseitigung wird die eingestellte Helligkeit wieder aktiviert.

### Den USB-Anschluss verwenden

Sie können den USB-Anschluss zum Laden von Kleingeräten wie Mobiltelefone und MP3-Player nutzen.

- > Schließen Sie das aufzuladende Gerät über ein USB-Kabel (nicht im Lieferumfang enthalten) an den USB-Anschluss der Kühlbox an.



**HINWEIS** Stellen Sie sicher, dass das angeschlossene Gerät für den Betrieb bei 5 V / 2 A geeignet ist.

### Anzeigemodus einstellen

1. Drücken Sie die Taste **SET** 5 Mal.
  2. Stellen Sie mit den Tasten **+** oder **-** den Schlafmodus ein.
- ✓ Das Display ändert sich wie folgt: **[5 0F]** (Aus), **[5 0n]** (Ein), **[5 L0]** (Niedrig)

**S 0F** (Aus): Der Schlafmodus ist deaktiviert. Das Display ist durchgehend eingeschaltet.

**S 0n** (Ein): Der Schlafmodus ist aktiviert. Wenn die Kühlbox mehrere Minuten lang nicht verwendet wird, zeigt das Display nur einen Punkt an.

**S L0** (Niedrig): Der Schlaf-Untermodus wird aktiviert. Wenn die Kühlbox mehrere Minuten lang nicht benutzt wird, schaltet das Display auf die niedrigste Helligkeit um.



**HINWEIS** Wenn sich das Display im Schlafmodus oder Schlaf-Untermodus befindet, drücken Sie eine Taste an der Kühlbox, um den entsprechenden Modus zu beenden.

## Verwendung der Mobile Cooling App:

Die Kühlbox kann über Bluetooth oder WLAN mithilfe einer App überwacht und gesteuert werden, die Sie auf einem kompatiblen Gerät installieren können.

1. Laden Sie die Mobile Cooling App herunter und installieren Sie sie.



Holen Sie sich die App unter [qr.dometic.com/beiv4R](http://qr.dometic.com/beiv4R).

2. Drücken Sie die Taste **SET** wie folgt:
  - 6 Mal, um die Bluetooth-Einstellungen zu öffnen.
  - 7 Mal, um die WLAN-Einstellungen zu öffnen.
3. Nutzen Sie die Tasten **+** oder **-** für die Bluetooth- oder WLAN-Einstellung.



**HINWEIS** Wenn die Kühlbox über Bluetooth mit einem kompatiblen Gerät gekoppelt ist, muss der Kopplungsmodus eingestellt werden.

- ✓ Bei der Bluetooth-Einstellung ändert sich das Display wie folgt: **[BL0F]** (Aus), **[BL0n]** (Ein), **[BLPA]** (Kopplung)



**HINWEIS** Wenn **[BL0F]** angezeigt wird, ändert sich das Display nicht, wenn Sie die Taste **-** drücken. Wenn **[BLPA]** angezeigt wird, ändert sich das Display nicht, wenn Sie die Taste **+** drücken.

Die Bluetooth-LED blinkt weiß und das Display zeigt **[BL]** an, während das Gerät gekoppelt wird.

Bei der WLAN-Einstellung ändert sich das Display wie folgt: **[F0FF]** (Aus), **[F0n]** (Ein)

4. Befolgen Sie die Anweisungen in der Mobile Cooling App.
  - ✓ Die Bluetooth- oder WLAN-LED leuchtet, wenn die Kühlbox verbunden ist.

## Die Kühlbox ausschalten

1. Entleeren Sie die Kühlbox.
- 
2. Drücken Sie die EIN-/AUS-Taste.
  3. Ziehen Sie das Anschlusskabel ab.
  4. Wenn die Kühlbox längere Zeit nicht benutzt wird, lassen Sie den Deckel offen, damit sich keine Gerüche bilden können.

## Kühlbox abtauen

Luftfeuchtigkeit kann sich im Innenraum der Kühlbox oder am Verdampfer als Reif niederschlagen, der die Kühlleistung verringert.



### **ACHTUNG! Beschädigungsgefahr**

Verwenden Sie nie harte oder spitze Werkzeuge zum Entfernen von Eisschichten oder zum Lösen festgefrorener Gegenstände.

Gehen Sie wie folgt vor, um die Kühlbox abzutauen:


1. Entfernen Sie alle Gegenstände aus der Kühlbox.
2. Legen Sie die Gegenstände in eine andere Kühlbox, um sie kühl zu halten.
3. Schalten Sie die Kühlbox aus.
4. Lassen Sie den Deckel geöffnet.
5. Wischen Sie das Tauwasser auf.

## Wechselstromsicherung austauschen



### **GEFAHR! Gefahr durch Stromschlag**

Trennen Sie das Gerät vor dem Austauschen der Wechselstromsicherung von der Spannungsversorgung und ziehen Sie das Anschlusskabel ab.

1. Trennen Sie die Kühlbox von der Spannungsversorgung.
2. Ziehen Sie die Anschlusskabel ab.
3. Hebeln Sie den Sicherungseinsatz (  Abb. **4** auf Seite 27 2) mit einem Schraubendreher heraus.
4. Tauschen Sie die defekte Glassicherung gegen eine neue Sicherung desselben Typs mit demselben Wert ( 4 A , 250 V ) aus.
5. Drücken Sie den Sicherungseinsatz wieder in das Gehäuse.
6. Verbinden Sie das Gerät wieder mit der Spannungsversorgung.

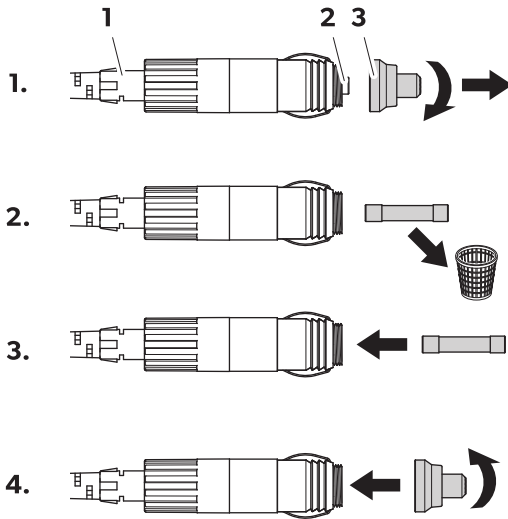
## Sicherung im Gleichstromstecker ersetzen




**HINWEIS** Im Gerät ist eine zusätzliche Gleichstromsicherung vorhanden (Flachstecksicherung, 10 A , gemäß Automobilstandard). Diese Sicherung darf nur durch einen zugelassenen Kundendienstbetrieb ausgetauscht werden.

1. Schrauben Sie das Kontaktstiftgehäuse (  Abb. **11** auf Seite 35 **3**) vom Stecker ab (  Abb. **11** auf Seite 35 **1**).



**11**

2. Ersetzen Sie die defekte Sicherung (  Abb. **11** auf Seite 35 **2**) durch eine neue Sicherung desselben Typs mit demselben Wert (3AG, flink, 10 A).
3. Setzen Sie den Stecker in umgekehrter Reihenfolge wieder zusammen.

### Lichtleiterplatte wechseln



#### **ACHTUNG! Beschädigungsgefahr**

Die Lichtleiterplatte darf nur durch den Hersteller, einen Kundendienst oder eine entsprechend qualifizierte Person ersetzt werden, um Gefährdungen zu vermeiden.

## 10 Reinigung und Pflege



#### **VORSICHT! Gefahr durch Stromschlag**

Stellen Sie vor der Durchführung von Reinigungs- oder Wartungsarbeiten sicher, dass das Kühlgerät von der Stromversorgung getrennt ist.



#### **ACHTUNG! Beschädigungsgefahr**

- > Reinigen Sie das Kühlgerät niemals unter fließendem Wasser oder in Spülwasser.
  - > Verwenden Sie keine scheuernden Reinigungsmittel oder harten Gegenstände zur Reinigung.
- > Reinigen Sie das Gerät innen und außen gelegentlich mit einem feuchten Tuch.
- > Stellen Sie sicher, dass die Be- und Entlüftungsöffnungen des Kühlgeräts frei von Staub und Verunreinigungen sind, damit die beim Betrieb entstehende Wärme abgeführt werden kann und das Kühlgerät keinen Schaden nimmt.

## 11 Fehlersuche und Fehlerbehebung

| Problem  | Mögliche Ursache   | Lösungsvorschlag   |
|--|--|--|
| Die Kühlbox funktioniert nicht. Die LED „Power“ leuchtet nicht.  | An der Gleichstromsteckdose wird keine Spannung erkannt.   | > Die Zündung des Fahrzeugs einschalten.   |
|  | An der Wechselstromsteckdose wird keine Spannung erkannt.  | > Versuchen Sie es an einer anderen Steckdose.   |
|  | Die Wechselstromsicherung ist defekt.  | > Tauschen Sie die Wechselstromsicherung aus, siehe Wechselstromsicherung austauschen auf Seite 34.  |
|  | Das integrierte Netzteil ist defekt.   | > Wenden Sie sich an einen autorisierten Kundendienstmitarbeiter.  |
| Die LED „Power“ leuchtet orange, der Fehlercode <b>E 01</b> wird angezeigt und die Kühlbox kühlt nicht, obwohl sie eingesteckt ist.                      | Der Batteriewächter ist zu hoch eingestellt.   | <ol style="list-style-type: none"> <li>1. Stellen Sie den Batteriewächter auf einen niedrigeren Modus ein (siehe Batterie-Computer verwenden auf Seite 31).</li> <li>2. Prüfen Sie die Starterbatterie.</li> <li>3. Laden Sie die Starterbatterie gegebenenfalls auf.<br/>Befolgen Sie die Anweisungen des Herstellers.</li> </ol> |
|  | Der Batteriewächter ist zu niedrig eingestellt.  | <ol style="list-style-type: none"> <li>1. Stellen Sie den Batteriewächter auf einen höheren Modus ein (siehe Batterie-Computer verwenden auf Seite 31).</li> <li>2. Prüfen Sie die Starterbatterie.</li> <li>3. Laden Sie die Starterbatterie gegebenenfalls auf.<br/>Befolgen Sie die Anweisungen des Herstellers.</li> </ol>     |
| Bei Betrieb der Kühlbox über die Gleichstromsteckdose: Die Zündung ist eingeschaltet und die Kühlbox funktioniert nicht. Die LED „Power“ leuchtet nicht. | Der Gleichstromstecker ist nicht richtig angeschlossen.  | > Schließen Sie den Gleichstromstecker neu an.   |
|  | Die Fassung der Gleichstromsteckdose ist verschmutzt. Das hat einen schlechten elektrischen Kontakt zur Folge. | > Reinigen Sie die Gleichstromsteckdose.<br>Befolgen Sie die Anweisungen des Herstellers.  |
|  | Die Sicherung im Gleichstromstecker ist durchgebrannt.   | > Ersetzen Sie die Sicherung im Gleichstromstecker, siehe Kapitel Sicherung im Gleichstromstecker ersetzen auf Seite 34.   |
|  | Die Gleichstromsicherung in der Kühlbox ist durchgebrannt.   | > Wenden Sie sich an einen autorisierten Kundendienstmitarbeiter.  |
|  | Die Sicherung der Gleichstromsteckdose des Fahrzeugs ist durchgebrannt.  | > Tauschen Sie die Sicherung der Gleichstromsteckdose des Fahrzeugs aus.<br>Befolgen Sie die Anweisungen des Herstellers.  |

| Problem   | Mögliche Ursache  | Lösungsvorschlag  |
|---|---|---|
| Das Display zeigt einen Fehlercode an und die Kühlbox kühlt nicht (siehe Fehlercodes auf Seite 37). | Die Kühlbox wurde wegen einer internen Störung ausgeschaltet. | > Wenden Sie sich an einen autorisierten Kundendienstmitarbeiter. |

## Fehlercodes



**HINWEIS** Wenn einer der Fehlercodes **E 02** bis **E 07** auftritt, wenden Sie sich an einen autorisierten Kundendienst.

| Fehlercode  | Beschreibung                   |
|-------------|--------------------------------|
| <b>E 01</b> | Unterspannung/Überspannung     |
| <b>E 02</b> | Lüfter-Überstrom               |
| <b>E 03</b> | Kompressorstart fehlgeschlagen |
| <b>E 04</b> | Kompressordrehzahl niedrig     |
| <b>E 05</b> | Steuergerät überhitzt          |
| <b>E 06</b> | Offener NTC-Stromkreis         |
| <b>E 07</b> | NTC-Kurzschluss                |

## 12 Garantie

Es gilt die gesetzliche Gewährleistungsfrist. Sollte das Produkt defekt sein, wenden Sie sich bitte an die Niederlassung des Herstellers in Ihrem Land (siehe [dometic.com/dealer](http://dometic.com/dealer)) oder an Ihren Fachhändler.

Bitte senden Sie bei einem Reparatur- bzw. Gewährleistungsantrag folgende Unterlagen mit dem Gerät ein:

- eine Kopie der Rechnung mit Kaufdatum
- einen Reklamationsgrund oder eine Fehlerbeschreibung

Bitte beachten Sie, dass eigenständig oder nicht fachgerecht durchgeführte Reparaturen die Sicherheit gefährden und zum Erlöschen der Gewährleistung führen können.

## 13 Entsorgung



### **WARNUNG! Gefahr des Einschließens von Kindern**

Entfernen Sie vor der Entsorgung Ihres alten Kühlgeräts den Deckel. Die Körbe im Kühlgerät belassen, damit Kinder nicht einfach hineinsteigen können.



Geben Sie das Verpackungsmaterial möglichst in den entsprechenden Recycling-Müll. Wenden Sie sich an ein örtliches Recyclingzentrum oder einen Fachhändler, um zu erfahren, wie Sie das Produkt gemäß den geltenden Entsorgungsvorschriften entsorgen können.



Recycling von Produkten mit Batterien, wiederaufladbaren Batterien und Leuchtmitteln: Entfernen Sie Batterien, wiederaufladbare Batterien und Leuchtmittel, bevor Sie das Produkt recyceln. Geben Sie bitte Ihre defekten Akkus oder verbrauchten Batterien beim Händler oder bei einer Sammelstelle ab. Batterien, wiederaufladbare Batterien und Leuchtmittel gehören nicht in den Hausmüll. Wenn Sie das Gerät endgültig entsorgen möchten, informieren Sie sich bitte bei Ihrem Wertstoffhof vor Ort oder bei Ihrem Fachhändler, wie dies gemäß den geltenden Entsorgungsvorschriften zu tun ist. Das Produkt kann kostenlos entsorgt werden.

## 14 Technische Daten



**HINWEIS** Ab Umgebungstemperaturen von über 32 °C kann die Mindesttemperatur nicht erreicht werden.

Dieses Produkt enthält fluoridierte Treibhausgase.

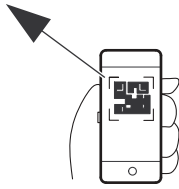
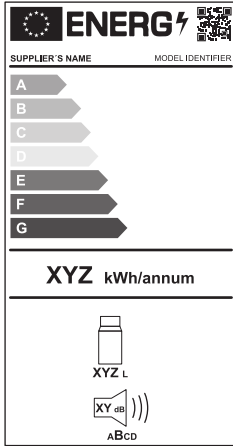
Das Kühlaggregat ist hermetisch verschlossen.

|                                       | CFX2 28   | CFX2 37   | CFX2 45  | CFX2 57  |
|---------------------------------------|---|---|--|--|
| Nenningangsleistung                   | 50 ... 60 Hz<br>100 ... 240 V~                                  |   |  |  |
| Nennstrom                             | 12 V : 8,6 A<br>24 V : 3,8 A<br>100 V : 1,6 A<br>240 V : 0,77 A | 12 V : 8,7 A<br>24 V : 3,85 A<br>100 V : 1,63 A<br>240 V : 0,78 A | 12 V : 8,8 A<br>24 V : 3,9 A<br>100 V : 1,65 A<br>240 V : 0,79 A | 12 V : 9 A<br>24 V : 4 A<br>100 V : 1,7 A<br>240 V : 0,8 A |
| Kühlleistung                          | -22 °C ... 20 °C  |   |  |  |
| Umgebungstemperatur                   | 16 °C ... 43 °C   |   |  |  |
| Klimaklasse                           | N oder T  |   |  |  |
| USB                                   | 5 V 2 A   |   |  |  |
| Kältemittel                           | R600a   |   |  |  |
| Bestandsmenge Kältemittel             | 13 g  | 13 g  | 14 g   | 17 g   |
| Abmessungen (B × H × T, inkl. Griffe) | 600 mm × 427 mm × 345 mm  | 678 mm × 428 mm × 401 mm  | 678 mm × 493 mm × 401 mm   | 709 mm × 503 mm × 458 mm                                   |
| Lautstärke                            | 28 L  | 37 L  | 45 L   | 57 L   |
| Gewicht                               | 13,5 kg   | 15,8 kg   | 16,8 kg  | 18,5 kg  |
| Frequenzbereich (WLAN)                | 2,4 GHz   |   |  |  |
| Max. Ausgangsleistung                 |   |   |  |  |
| WLAN                                  | 19,22 dBm   |   |  |  |
| Bluetooth                             | 7,93 dBm  |   |  |  |

Hiermit erklärt Dometic (Zhuhai) Technology Co., Ltd, dass der Funkgerätetyp CFX2 28, CFX2 37, CFX2 45, CFX2 57 der Richtlinie 2014/53/EU entspricht. Der vollständige Text der EU-Konformitätserklärung ist unter der folgenden Internetadresse verfügbar: [documents.dometic.com](http://documents.dometic.com)

Weitere Produktdaten sind über den QR-Code auf dem Energielabel oder unter [eprel.ec.europa.eu](http://eprel.ec.europa.eu) abrufbar.

12



[eprel.ec.europa.eu](http://eprel.ec.europa.eu)

## Français

|    |   |    |
|----|---|----|
| 1  | Remarques importantes.....                  | 40 |
| 2  | Signification des symboles.....             | 40 |
| 3  | Description des symboles de l'appareil..... | 41 |
| 4  | Consignes de sécurité.....                  | 41 |
| 5  | Contenu de la livraison.....                | 43 |
| 6  | Accessoires.....                            | 43 |
| 7  | Usage conforme.....                         | 44 |
| 8  | Description technique.....                  | 44 |
| 9  | Utilisation.....                            | 47 |
| 10 | Nettoyage et entretien.....                 | 54 |
| 11 | Dépannage.....                              | 55 |
| 12 | Garantie.....                               | 56 |
| 13 | Mise au rebut.....                          | 56 |
| 14 | Caractéristiques techniques.....            | 57 |

## 1 Remarques importantes

Veuillez lire et suivre attentivement l'ensemble des instructions, directives et avertissements figurant dans ce manuel afin d'installer, d'utiliser et d'entretenir le produit correctement à tout moment. Ces instructions DOIVENT rester avec le produit.

En utilisant ce produit, vous confirmez expressément avoir lu attentivement l'ensemble des instructions, directives et avertissements et que vous comprenez et acceptez de respecter les modalités et conditions énoncées dans le présent document. Vous acceptez d'utiliser ce produit uniquement pour l'usage et l'application prévus et conformément aux instructions, directives et avertissements figurant dans le présent manuel, ainsi qu'à toutes les lois et réglementations applicables. En cas de non-respect des instructions et avertissements figurant dans ce manuel, vous risquez de vous blesser ou de blesser d'autres personnes, d'endommager votre produit ou d'endommager d'autres biens à proximité. Le présent manuel produit, y compris les instructions, directives et avertissements, ainsi que la documentation associée peuvent faire l'objet de modifications et de mises à jour. Pour obtenir des informations actualisées sur le produit, consulter le site [documents.dometic.com](http://documents.dometic.com).

## 2 Signification des symboles

Un mot de signalement identifie les messages relatifs à la sécurité et aux dégâts matériels en indiquant le degré ou le niveau de gravité du danger.



### **DANGER !**

Indique une situation dangereuse qui, si elle n'est pas évitée, entraînera des blessures graves, voire mortelles.



### **AVERTISSEMENT !**

Indique une situation dangereuse qui, si elle n'est pas évitée, est susceptible d'entraîner des blessures graves, voire mortelles.



### **ATTENTION !**

Indique une situation dangereuse qui, si elle n'est pas évitée, est susceptible d'entraîner des blessures légères ou de gravité modérée.



### **AVIS !**

Indique une situation dangereuse qui, si elle n'est pas évitée, peut entraîner des dommages matériels.



**REMARQUE** Informations supplémentaires sur l'utilisation de ce produit.

### 3 Description des symboles de l'appareil



Attention ! Risque d'incendie. Matériaux inflammables.

### 4 Consignes de sécurité



#### **DANGER ! Risque d'électrocution**

- > Sur les bateaux : Si l'appareil est alimenté sur secteur, assurez-vous que l'alimentation dispose d'un disjoncteur différentiel ou d'un disjoncteur de fuite à la terre. L'installation, en particulier dans les zones potentiellement humides, doit être conforme à toutes les réglementations applicables.
- > Ne touchez pas les câbles dénudés à mains nues. Cela est surtout valable en cas de fonctionnement sur secteur.



#### **AVERTISSEMENT ! Risque d'électrocution**

- > Si le dispositif de réfrigération présente des dégâts visibles, ne le mettez pas en service.
- > Si le câble d'alimentation de ce dispositif de réfrigération est endommagé, il doit être remplacé pour éviter tout danger.
- > Seul un personnel qualifié est habilité à effectuer des réparations sur le dispositif de réfrigération. Des réparations inadéquates peuvent engendrer des risques considérables.
- > Branchez l'appareil sur des prises permettant un raccordement approprié, en particulier lorsque l'appareil doit être relié à la terre.



#### **AVERTISSEMENT ! Risque d'incendie**

- > Veillez à ne pas coincer ni endommager le cordon d'alimentation lors de la mise en place de l'appareil.
- > Ne placez pas de multiprises portables ou de blocs d'alimentation portables à l'arrière de l'appareil.
- > Le fluide frigorigène du circuit frigorifique s'enflamme facilement. En cas de fuite, des gaz combustibles peuvent s'accumuler si l'appareil se trouve dans une petite pièce. En cas d'endommagement du circuit frigorifique :
  - Veillez à tenir le réfrigérateur à l'écart des flammes nues et des sources d'ignition potentielles.
  - Aérez bien la pièce.
  - Éteignez le réfrigérateur.
- > Pour les dispositifs de réfrigération utilisant du fluide frigorigène R600a :
  - Le circuit frigorifique contient une faible quantité de liquide de réfrigérant écologique, mais inflammable. Il n'affecte pas la couche d'ozone et ne contribue pas à l'effet de serre. Une fuite de liquide réfrigérant peut prendre feu.
  - N'utilisez pas le dispositif de réfrigération et ne le stockez pas dans des espaces confinés avec une aération faible ou inexistante.
- > Dégagez les ouvertures d'aération sur le bâti de l'appareil ou dans les éléments encastrés.
- > N'exploitez aucun objet mécanique ou tout autre moyen pour accélérer le processus de dégivrage, sauf si le fabricant le recommande.
- > N'ouvrez ou n'endommagez en aucun cas le circuit frigorifique.
- > N'exploitez pas d'appareils électriques dans le dispositif de réfrigération, sauf s'ils sont recommandés par le fabricant pour cet usage.



**AVERTISSEMENT ! Risque pour la santé**

- > Cet appareil peut être utilisé par des enfants âgés de 8 ans et plus et des personnes ayant des capacités physiques, sensorielles ou mentales réduites ou un manque d'expérience et de connaissances, s'ils sont sous surveillance ou ont reçu des instructions sur l'utilisation de l'appareil en toute sécurité et comprennent les risques impliqués.
- > Les enfants âgés de 3 à 8 ans peuvent charger et décharger les appareils de réfrigération.
- > Les enfants doivent être surveillés pour s'assurer qu'ils ne jouent pas avec l'appareil.
- > Le nettoyage et l'entretien ne doivent pas être effectués par des enfants sans surveillance.



**AVERTISSEMENT ! Risque d'explosion**

Ne stockez aucune substance explosive comme p. ex. des aérosols contenant un agent propulseur inflammable dans le dispositif de réfrigération.



**ATTENTION ! Risque d'électrocution**

- > Avant de mettre le dispositif de réfrigération en service, assurez-vous que le câble d'alimentation électrique et le connecteur sont secs.
- > Débranchez le dispositif de réfrigération de l'alimentation électrique avant chaque nettoyage, entretien et après chaque utilisation.



**ATTENTION ! Risque pour la santé**

- > Pour éviter la contamination des aliments, respectez les instructions suivantes :
  - Vérifiez si la puissance frigorifique de l'appareil est adaptée au stockage des aliments que vous souhaitez conserver au frais.
  - Les aliments doivent être conservés dans leur emballage d'origine ou dans des récipients appropriés.
  - Une ouverture prolongée du dispositif de réfrigération peut entraîner une augmentation significative de la température dans les compartiments de l'appareil.
  - Nettoyez régulièrement les surfaces qui entrent en contact avec les aliments, ainsi que les systèmes de drainage accessibles.
- > Si l'appareil est laissé vide pendant une longue période :
  - Éteignez l'appareil.
  - Dégivrez l'appareil.
  - Nettoyez et séchez l'appareil.
  - Laissez le couvercle ouvert pour éviter que des moisissures ne se développent dans l'appareil.



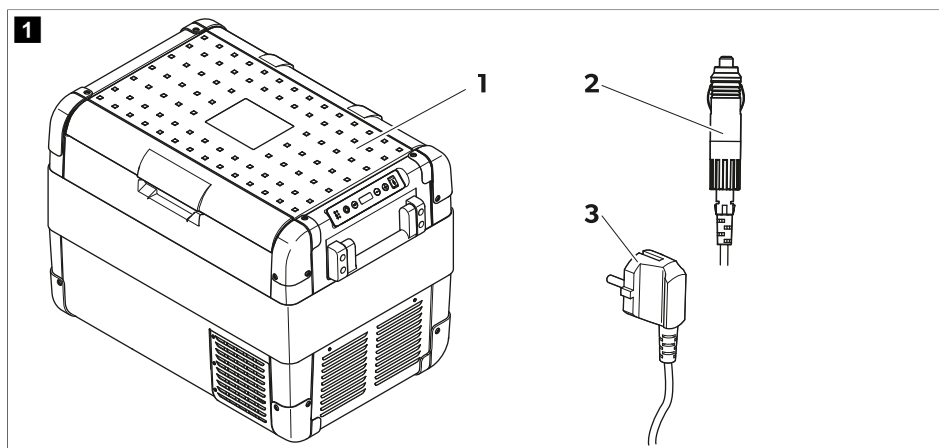
**AVIS ! Risque d'endommagement**

- > Vérifiez que la tension indiquée sur la plaque signalétique correspond à l'alimentation électrique dont vous disposez.
- > Raccordez le dispositif de réfrigération uniquement comme indiqué ci-dessous :
  - Raccordez le câble de raccordement au courant continu à l'alimentation en courant continu du véhicule
  - ou avec le câble de raccordement CA à une alimentation CA
- > Ne tirez jamais sur le câble de raccordement pour sortir la fiche de la prise.
- > Si le dispositif de réfrigération est raccordé à une prise de courant continu : débranchez de la batterie du véhicule le dispositif de réfrigération et les autres consommateurs d'énergie avant de raccorder un chargeur rapide.
- > Si le dispositif de réfrigération est raccordé à une prise de courant continu : débranchez ou éteignez le dispositif de réfrigération lorsque vous éteignez le moteur. Dans le cas contraire, il se pourrait que la batterie se décharge.



- > Le dispositif de réfrigération n'est pas adapté pour le transport des matières caustiques ou contenant des solvants.
- > L'isolation du dispositif de réfrigération contient des gaz inflammables et nécessite des procédures d'élimination spéciales. À la fin de son cycle de vie, remettez le dispositif de réfrigération à un centre de recyclage approprié.
- > Ne montez pas le dispositif de réfrigération près de flammes nues ou d'autres sources de chaleur (chauffage, fours à gaz, etc.).
- > Ne remplissez pas le bac intérieur de substances liquides ou de glace.
- > Ne plongez jamais le dispositif de réfrigération dans l'eau.
- > Tenez le dispositif de réfrigération et les câbles à l'abri de la chaleur et de l'humidité.
- > Le dispositif de réfrigération ne doit pas être exposé à la pluie.
- > Pour que le fluide frigorigène puisse circuler correctement, la glacière ne doit pas dépasser un angle d'inclinaison de 30°. Pour ce faire, placez la glacière à l'horizontale à l'aide d'un niveau à bulle.
- > **Risque de surchauffe !** En toutes circonstances, maintenez une zone de ventilation suffisante des quatre côtés du dispositif de réfrigération. Cette zone de ventilation doit rester libre de tout objet susceptible de réduire le flux d'air acheminé vers les composants réfrigérants. Ne placez pas le dispositif de réfrigération dans des zones ou à l'intérieur de boîtiers clos dans lesquels l'air ne peut circuler pas ou trop peu.

## 5 Contenu de la livraison



| Élément | Quantité | Description                                 |
|---------|----------|---|
| 1       | 1        | Glacière                                    |
| 2       | 1        | Câble de raccordement au courant continu    |
| 3       | 1        | Câble de raccordement au courant alternatif |
| -       | 1        | Mode d'emploi abrégé                        |

## 6 Accessoires

Disponibles en accessoire (non compris dans les pièces fournies) :

| Désignation                        | N° d'article | Modèle                        |
|------------------------------------|--------------|-------------------------------|
| Kit de fixation rapide CFX-QFK     | 9600000166   | CFX2 28 uniquement            |
| Kit de fixation rapide CFX-QFK3545 | 9600029599   | CFX2 37 et CFX2 45 uniquement |
| Application Mobile Cooling         | -            | convient à tous les modèles   |

## 7 Usage conforme

La glacière est conçue pour la réfrigération d'aliments. La glacière peut également être utilisée dans des véhicules. La glacière est conçue pour être raccordée à la prise d'alimentation CC d'un véhicule ou à une alimentation CA.

La glacière est également conçue pour une utilisation en camping.

La glacière est destinée à être utilisée dans des applications domestiques et similaires, telles que

- les réfectoires destinés au personnel des magasins, des bureaux et autres environnements de travail
- les maisons d'hôtes
- les hôtels, motels et autres environnements de type résidentiel
- les gîtes et environnements similaires
- la restauration et les applications similaires non liées à la vente au détail

La glacière n'est **pas** adaptée à ce qui suit :

- La surgélation d'aliments
- Le stockage de substances corrosives, caustiques ou contenant des solvants
- Utilisation comme appareil encastré

Cette glacière convient uniquement à l'usage et à l'application prévus, conformément au présent manuel d'instructions.

Ce produit convient uniquement à l'usage et à l'application prévus, conformément au présent manuel d'instructions.

Ce manuel fournit les informations nécessaires à l'installation et/ou à l'utilisation correcte du produit. Une installation, une utilisation ou un entretien inappropriés entraînera des performances insatisfaisantes et une éventuelle défaillance.

Le fabricant décline toute responsabilité en cas de blessure ou de dommage résultant :

- d'une installation, d'un montage ou d'un raccordement incorrect, y compris d'une surtension
- d'un entretien inadapté ou de l'utilisation de pièces de rechange autres que les pièces de rechange d'origine fournies par le fabricant
- de modifications apportées au produit sans autorisation explicite du fabricant
- d'usages différents de ceux décrits dans ce manuel

Dometic se réserve le droit de modifier l'apparence et les spécifications produit.

## 8 Description technique

La glacière peut refroidir les produits. La réfrigération est assurée par un circuit de refroidissement à compresseur qui nécessite peu d'entretien. L'isolation forte et le puissant compresseur assurent un refroidissement particulièrement rapide.

La glacière convient pour une utilisation mobile.

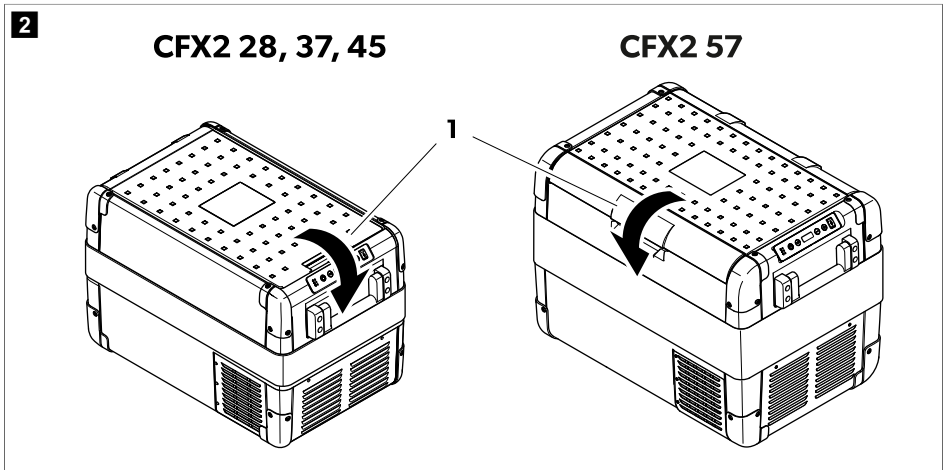
La glacière supporte pendant une courte durée d'être inclinée à 30 °, par exemple sur les bateaux.

### Étendue des fonctions

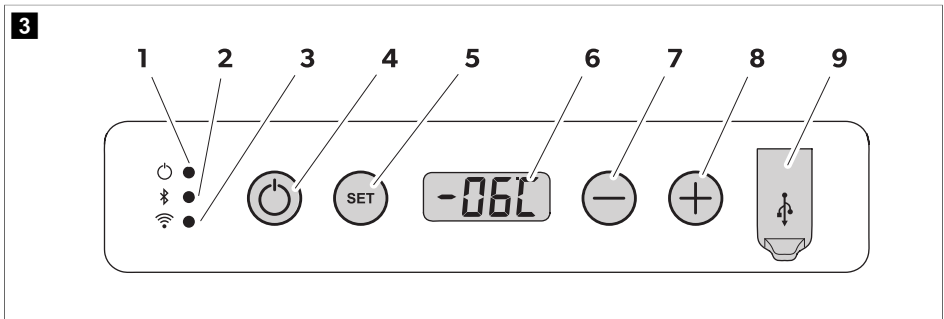
- Bloc d'alimentation avec raccordement prioritaire pour raccordement sur une alimentation électrique CA
- Protecteur de batterie à trois niveaux pour protéger la batterie du véhicule
- Écran avec affichage de la température en °C et °F
- Réglage de la température à deux boutons par incréments de 1 °C / 1 °F
- Fonctions Bluetooth et WLAN intégrées pour contrôler la glacière via l'application Mobile Cooling
- Poignées rabattables
- Port USB pour l'alimentation électrique
- Élément panier amovible

### Éléments de commande et d'affichage

Loquet (  fig. 2 à la page 45, 1) pour couvercle :

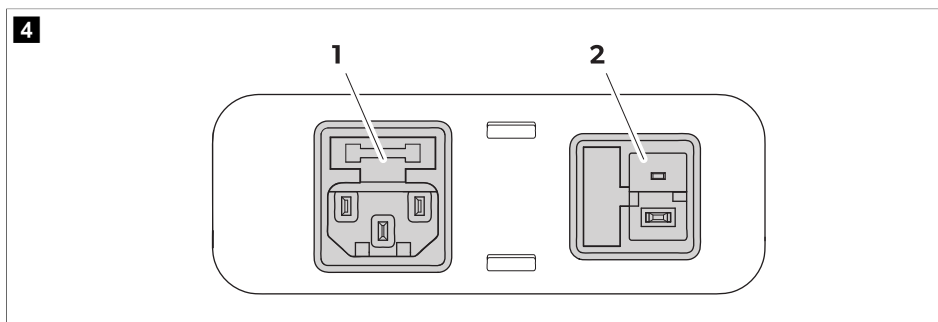


### Panneau de commande



| Élé-ment | Description | Explication  |
|----------|-------------|--|
| 1        | Puissance   | Indication d'état  |
|          |             | La LED s'allume en blanc : Le compresseur se met en route.<br>La LED s'allume en orange : Le compresseur s'arrête.   |
| 2        | Bluetooth   | La LED s'éteint : Le Bluetooth de la glacière est éteint.  |
|          |             | La LED clignote lentement en blanc : Le Bluetooth de la glacière est allumé. La glacière n'est pas couplée à un appareil.  |
|          |             | La LED clignote rapidement en blanc : La glacière se connecte à un appareil via Bluetooth.   |
|          |             | La LED s'allume en blanc : La glacière est couplée à un appareil via Bluetooth.  |
| 3        | WLAN        | La LED s'éteint : Le WLAN de la glacière est éteint.   |
|          |             | La LED clignote en blanc : Le WLAN de la glacière est allumé. La glacière n'est pas connectée à un appareil.   |
|          |             | La LED s'allume en blanc : La glacière est couplée à un appareil via WLAN.   |
| 4        | ON/OFF      | Allume ou éteint la glacière.  |
| 5        | SET         | Sélectionne le mode de saisie : <ul style="list-style-type: none"> <li>• Réglage de la température</li> <li>• Affichage en degrés Celsius ou Fahrenheit</li> <li>• Réglage du protecteur de batterie</li> <li>• Réglage de la luminosité de l'écran</li> <li>• Réglage du mode d'affichage</li> <li>• Réglage du Bluetooth</li> <li>• Réglage du WLAN</li> </ul> |
| 6        |             | Écran  |
| 7        | -           | Définit la température, l'unité de température, le protecteur de batterie, la luminosité de l'écran, le mode, le Bluetooth et le WLAN.   |
| 8        | +           |  |
| 9        |             | Port USB   |

## Douilles de raccordement



| Élé-ment | Description  |
|----------|--|
| 1        | Prise de raccordement de l'alimentation en tension alternative |

| Élément | Description   |
|---------|---|
| 2       | Prise de raccordement de l'alimentation en tension continue |

## 9 Utilisation


### Avant la première utilisation

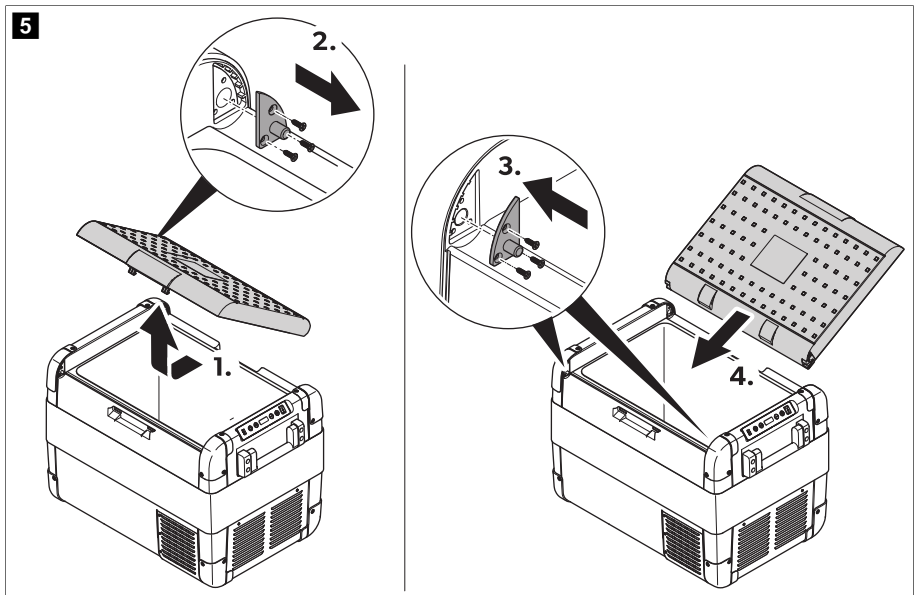



**REMARQUE** Pour des raisons d'hygiène, nettoyez l'intérieur et l'extérieur de la glacière à l'aide d'un chiffon humide avant de l'allumer pour la première fois (voir Nettoyage et entretien à la page 54).

### Inversion du sens d'ouverture du couvercle (CFX2 57 uniquement)

Les charnières du couvercle peuvent être déplacées du côté opposé.

1. Ouvrez et retirez le couvercle (  fig. 5 à la page 47).



2. Retirez les 3 vis de chaque charnière (  fig. 5 à la page 47) et retirez les charnières.
3. Placez les charnières sur les nouvelles positions.
4. Insérez le couvercle dans les nouveaux emplacements des charnières (  fig. 5 à la page 47).

### Économie d'énergie

- > Choisissez un emplacement bien aéré et à l'abri du soleil.
- > Laissez refroidir les aliments chauds avant de les placer dans le dispositif de réfrigération.
- > N'ouvrez pas le dispositif de réfrigération plus souvent que nécessaire.
- > Ne laissez pas le dispositif de réfrigération ouvert plus longtemps que nécessaire.

- > Si le dispositif de réfrigération est équipé d'un bac : Pour une consommation d'énergie optimale, positionnez le bac conformément à sa position à la livraison.
- > Vérifiez régulièrement que le joint de la porte est correctement positionné.
- > Évitez les basses températures inutiles.

## Raccordement de la glacière

### Raccordement à une batterie



#### AVIS ! Risque d'endommagement

- > Pour la protection de l'appareil, le câble CC fourni comprend un fusible à l'intérieur de la fiche. Ne retirez **pas** la fiche CC protégée par fusible. Utilisez uniquement le câble de raccordement fourni à la livraison.
- > Débranchez la glacière et les autres consommateurs d'énergie de la batterie avant de recharger la batterie avec un chargeur rapide. Une surtension peut endommager les composants électroniques des appareils connectés à la batterie.



**REMARQUE** La glacière est équipée d'un système électronique pour empêcher l'inversion de polarité. Le système électronique protège la glacière contre un court-circuit lors du raccordement à une batterie.

La glacière peut être utilisée sur une alimentation 12 V  $\overline{\text{---}}$  ou 24 V  $\overline{\text{---}}$ .

- > Raccordez la glacière à une batterie à l'aide du câble de raccordement au courant continu, comme illustré.

---

### Raccordement à un réseau alternatif



#### DANGER ! Risque d'électrocution

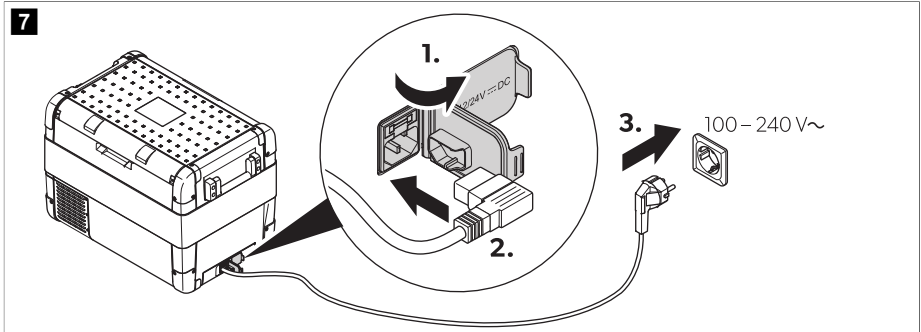
- > Ne vous approchez pas de fiches ou de commutateurs lorsque vous avez les mains mouillées ou les pieds dans l'eau.
- > Si la glacière est utilisée sur un réseau alternatif à bord d'un bateau, un disjoncteur différentiel doit être installé entre le réseau alternatif et la glacière. Veuillez vous renseigner auprès d'un spécialiste.



#### REMARQUE

La glacière est équipée d'un bloc d'alimentation intégré à tensions multiples avec raccordement prioritaire pour le branchement sur une tension alternative. Le raccordement prioritaire permet de passer directement en fonctionnement sur courant alternatif quand la glacière est raccordée à un réseau de courant alternatif, même si le câble de raccordement au courant continu est encore branché.

- > Raccordez la glacière à un réseau de courant alternatif à l'aide du câble de raccordement au courant alternatif, comme illustré.



## Utilisation de la glacière



### AVIS ! Risque d'endommagement

Placez la glacière avec la base orientée vers le bas.

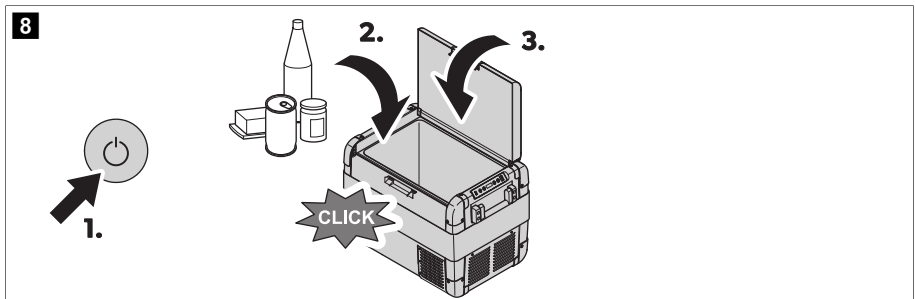
1. Placez la glacière sur une surface stable.
2. Raccordez la glacière (voir le chapitre Raccordement de la glacière à la page 48).



### AVERTISSEMENT ! Risque pour la santé

Assurez-vous que seuls les articles à refroidir à la température sélectionnée sont placés dans la glacière.

3. Appuyez sur la touche ON/OFF pendant 1 ... 2 s .



- ✓ La LED d'alimentation s'allume. L'écran s'allume et affiche la température actuelle.



### REMARQUE Température affichée

CFX2 57 : la température affichée est la température du grand compartiment intérieur ( voir fig. 9 à la page 49 1).

La glacière commence par la réfrigération du compartiment intérieur.

### Verrouillage du couvercle de la glacière


1. Fermez le couvercle.
2. Appuyez sur le loquet jusqu'à ce qu'il s'enclenche.

### Éviter le gaspillage d'aliments


Pour éviter de gaspiller des aliments, notez les éléments suivants

- > Évitez autant que possible les variations de température. Ouvrez le dispositif de réfrigération uniquement lorsque c'est nécessaire et le moins longtemps possible. Entrez les aliments de sorte que l'air puisse circuler librement entre eux.
- > Ajustez la température en fonction de la quantité et de la nature des aliments.
- > Les denrées alimentaires peuvent facilement absorber ou dégager des odeurs. Entrez toujours les denrées alimentaires dans des conteneurs/bouteilles couverts ou fermés.

### Réglage de la température

1. Appuyez 1 fois sur la touche **SET**.
2. Sélectionnez la température de refroidissement à l'aide des touches **+** et **-**.
  - ✓ L'écran affiche la température sélectionnée et  pendant quelques secondes. L'écran clignote plusieurs fois. Ensuite, la température actuelle s'affiche à nouveau.

### sélectionner l'unité de température

1. Appuyez 2 fois sur la touche **SET**.
2. Sélectionnez l'unité de température à l'aide de la touche **+** ou **-**.
  - ✓ L'écran affiche l'unité de température sélectionnée et  pendant quelques secondes. L'écran clignote plusieurs fois avant d'afficher la température actuelle.

### Utilisation du protecteur de batterie



#### AVIS ! Risque d'endommagement

Lorsque le protecteur de batterie s'éteint, la batterie n'est plus complètement chargée. Évitez les démarrages répétés ou l'utilisation de consommateurs d'énergie sans phases de charge plus longues. Veillez à recharger la batterie.

La glacière est équipée d'un protecteur de batterie à plusieurs niveaux qui protège la batterie de votre véhicule, afin d'éviter une décharge profonde lorsqu'elle est raccordée au réseau en courant continu.

Si la glacière est mise en marche alors que l'allumage du véhicule est éteint, elle s'arrête automatiquement dès que la tension d'alimentation descend en dessous d'une valeur prédéfinie. La glacière se rallume dès que la batterie est rechargée à la tension de redémarrage.

En mode HIGH (élevé), le protecteur de batterie répond plus rapidement qu'aux niveaux LOW (faible) et MED (moyen).

| Mode protecteur de batterie   | LOW    | MED    | HIGH   |
|-------------------------------|--------|--------|--------|
| Tension de redémarrage à 12 V | 11,4 V | 12,2 V | 12,6 V |
| Tension d'arrêt à 12 V        | 10,1 V | 11,2 V | 11,8 V |
| Tension de redémarrage à 24 V | 23 V   | 25,3 V | 26,4 V |
| Tension d'arrêt à 24 V        | 21,5 V | 24,1 V | 24,6 V |



Sélectionnez le mode du protecteur de batterie comme indiqué ci-dessous :

1. Mettez la glacière en marche.
  2. Appuyez 3 fois sur la touche **SET**.
  3. Sélectionnez le mode du protecteur de batterie à l'aide des touches **+** ou **-**.
- ✓ L'écran change comme suit : **[P L o]** (LOW), **[P M d]** (MED), **[P H i]** (HIGH)

Le mode sélectionné apparaît à l'écran pendant quelques secondes. L'écran clignote plusieurs fois avant de revenir à l'affichage de la température actuelle.



**REMARQUE** Lorsque la glacière est alimentée par la batterie de démarrage, réglez le protecteur de batterie sur le mode HIGH. Lorsque la glacière est raccordée à une batterie à domicile, réglez le protecteur de batterie sur le mode LOW.

### Réglage de la luminosité de l'écran

La luminosité de l'écran peut s'adapter à une luminosité ambiante faible.

1. Mettez la glacière en marche.
  2. Appuyez 4 fois sur la touche **SET**.
  3. Sélectionnez la luminosité de l'écran à l'aide des touches **+** ou **-**.
- ✓ L'écran change comme suit : **[d L o]** (faible), **[d M d]** (moyen), **[d H i]** (élevé)

L'écran affiche le mode défini pendant quelques secondes. L'écran clignote plusieurs fois avant de revenir à l'affichage de la luminosité actuelle.



**REMARQUE** En cas de dysfonctionnement, la luminosité bascule automatiquement sur **[d H i]** (par défaut). Une fois le dysfonctionnement corrigé, la luminosité définie est réactivée.

### Utilisation du port USB

Le port USB permet de charger de petits appareils tels que des téléphones portables et des lecteurs mp3.

- > Branchez l'appareil à charger au port USB de la glacière à l'aide d'un câble USB (non fourni).



**REMARQUE** Assurez-vous que l'appareil branché est compatible avec les tensions 5 V / 2 A.

### Réglage du mode d'affichage

1. Appuyez 5 fois sur la touche **SET**.
  2. Utilisez les touches **+** ou **-** pour régler le mode de veille.
- ✓ L'écran change comme suit : **[S O F]** (désactivé), **[S O n]** (activé), **[S L o]** (faible)

**S O F** (désactivé) : le mode de veille est désactivé. L'écran n'est pas constamment allumé.

**S O n** (activé) : Le mode de veille est activé. Si la glacière n'est pas utilisée pendant plusieurs minutes, l'écran affiche uniquement un point.

**S L o** (faible) : Le sous-mode de veille est activé. Si la glacière n'est pas utilisée pendant plusieurs minutes, l'écran passe à la luminosité la plus faible.



**REMARQUE** Si l'écran est en mode veille/sous-veille, appuyez sur une touche de la glacière pour quitter directement le mode correspondant.

## Utilisation de l'application Mobile Cooling

La glacière peut être surveillée et pilotée via Bluetooth ou WLAN à l'aide d'une application que vous pouvez installer sur un appareil compatible.

1. Téléchargez et installez l'application Mobile Cooling.



Téléchargez l'application sur [qr.domestic.com/beiv4R](http://qr.domestic.com/beiv4R).

2. Appuyez sur la touche **SET** comme suit :
  - 6 fois pour ouvrir les paramètres Bluetooth.
  - 7 fois pour ouvrir les paramètres WLAN.
3. Utilisez les touches **+** ou **-** pour paramétrer le Bluetooth ou le WLAN.



**REMARQUE** Si la glacière est couplée à un appareil compatible via Bluetooth, le mode de couplage doit être sélectionné.

- ✓ L'écran change comme suit lors du réglage du Bluetooth : **[BL OFF]** (désactivé), **[BL On]** (activé), **[BL PA]** (couplage)



**REMARQUE** Si **[BL OFF]** s'affiche, l'écran ne change pas lorsque la touche **-** est enfoncée. Si **[BL PA]** s'affiche, l'écran ne change pas lorsque la touche **+** est enfoncée.

La LED Bluetooth clignote en blanc et l'écran affiche **[BL]** pendant le couplage Bluetooth.

L'écran change comme suit lors du réglage du WLAN : **[F OFF]** (désactivé), **[F On]** (activé)

4. Suivez les instructions de l'application Mobile Cooling.
- ✓ La LED Bluetooth ou WLAN s'allume lorsque la glacière est connectée.

## Mise hors tension de la glacière

1. Videz l'appareil de réfrigération.
- 
2. Appuyez sur le bouton ON/OFF.
  3. Débranchez le câble de raccordement.
  4. Si la glacière n'est pas utilisée pendant une période prolongée, laissez le couvercle ouvert afin d'éviter toute accumulation d'odeurs.

## Dégivrer la glacière

L'humidité peut former du givre à l'intérieur de la glacière ou sur l'évaporateur. Cela diminue la puissance frigorifique.



### AVIS ! Risque d'endommagement

N'utilisez jamais d'outils durs ou pointus pour enlever la glace ou pour décoinçer les objets pris dans la glace.

Procédez de la manière suivante pour dégivrer le dispositif de réfrigération :


1. Retirez le contenu de la glacière.
2. Au besoin, rangez le contenu dans une autre glacière pour le garder au frais.
3. Éteignez la glacière.
4. Laissez le couvercle ouvert.
5. Essuyez l'eau de dégivrage.

## Remplacement du fusible CA



### **DANGER ! Risque d'électrocution**

Débranchez l'alimentation électrique et le câble de raccordement avant de remplacer le fusible CA.

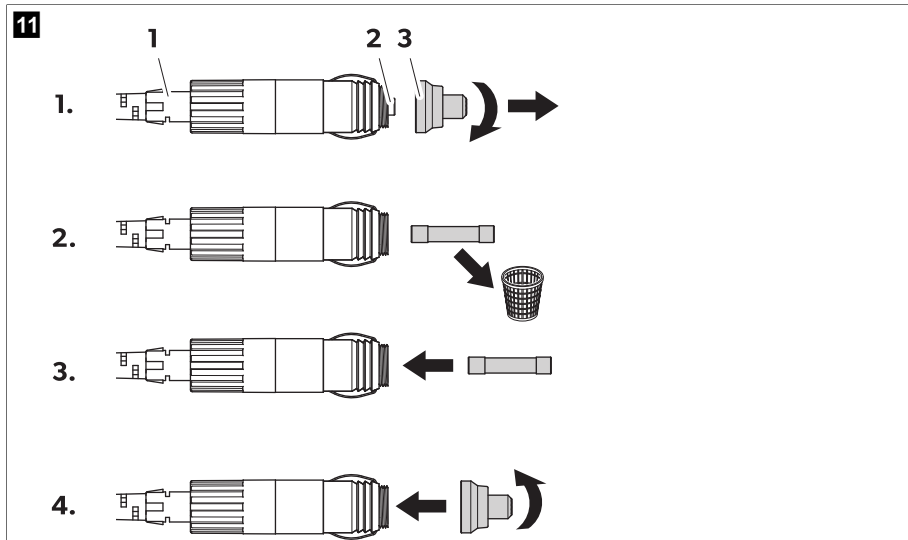
1. Débranchez l'alimentation électrique de la glacière.
2. Débranchez les câbles de raccordement.
3. Retirez le porte-fusible (  fig. **4** à la page 46 2) en faisant par ex. levier avec un tournevis.
4. Remplacez le fusible en verre défectueux par un nouveau fusible de même valeur ( 4 A , 250 V).
5. Replacez le porte-fusible dans le boîtier, en appuyant dessus.
6. Raccordez de nouveau l'alimentation électrique de l'appareil.

## Remplacement du fusible de la fiche CC



**REMARQUE** Il y a un fusible CC supplémentaire à l'intérieur de l'appareil (fusible lame standard automobile, 10 A). Ce fusible doit être remplacé uniquement par un service après-vente agréé.

1. Dévissez le boîtier de la fiche de contact (  fig. **11** à la page 54 **3**) du connecteur (  fig. **11** à la page 54 **1**).



2. Remplacez le fusible défectueux ( voir fig. 11 à la page 54 2) par un fusible neuf de même type et doté des mêmes caractéristiques (3AG, rapide, 10 A).
3. Remontez le connecteur en effectuant les opérations dans l'ordre inverse.

### Remplacement de la platine de commande lumineuse



#### AVIS ! Risque d'endommagement

La platine de commande lumineuse doit uniquement être remplacée par le fabricant, un agent de service ou toute autre personne de qualification similaire afin d'éviter tout danger.

## 10 Nettoyage et entretien



#### ATTENTION ! Risque d'électrocution

Assurez-vous que le dispositif de réfrigération est débranché de l'alimentation électrique avant toute tâche de nettoyage ou de maintenance.



#### AVIS ! Risque d'endommagement

- > Ne nettoyez jamais le dispositif de réfrigération à l'eau courante et ne le plongez pas non plus dans l'eau.
- > N'utilisez pas de produits abrasifs ou d'objets durs pendant le nettoyage.

- > Nettoyez l'appareil à l'intérieur et à l'extérieur de temps en temps avec un chiffon humide.
- > Assurez-vous que les ouvertures d'aération et de ventilation du dispositif de réfrigération ne sont pas obstruées par de la saleté ou de la poussière pour que la chaleur générée par le fonctionnement puisse s'évacuer et éviter d'endommager le dispositif de réfrigération.

## 11 Dépannage

| Panne  | Cause possible   | Solution proposée   |
|--|--|---|
| La glacière ne fonctionne pas. La LED d'alimentation ne s'allume pas.  | La prise de courant continu n'est pas sous tension.                                | > Mettez le contact du véhicule.  |
|  | La prise de courant alternatif n'est pas sous tension.                             | > Utilisez une autre prise.   |
|  | Le fusible CA est défectueux.  | > Remplacez le fusible CA, voir Remplacement du fusible CA à la page 53.  |
|  | Le bloc d'alimentation intégré est défectueux.                                     | > Contacter un agent de service agréé.  |
| La LED d'alimentation s'allume en orange, le code d'erreur <b>E 01</b> s'affiche et la glacière ne refroidit pas, même si la fiche est branchée.                     | Le réglage du protecteur de batterie est trop élevé.                               | <ol style="list-style-type: none"> <li>Réglez le protecteur de batterie sur un mode inférieur (voir Utilisation du protecteur de batterie à la page 50).</li> <li>Testez la batterie de démarrage.</li> <li>Si nécessaire, chargez la batterie de démarrage.</li> </ol> Suivre les instructions du fabricant. |
|  | Le réglage du protecteur de batterie est trop faible.                              | <ol style="list-style-type: none"> <li>Réglez le protecteur de batterie sur un mode supérieur (voir Utilisation du protecteur de batterie à la page 50).</li> <li>Testez la batterie de démarrage.</li> <li>Si nécessaire, chargez la batterie de démarrage.</li> </ol> Suivre les instructions du fabricant. |
| En cas d'utilisation de la glacière sur la prise de courant continu : Le contact est mis, mais la glacière ne fonctionne pas. La LED d'alimentation ne s'allume pas. | La fiche CC n'est pas connectée correctement.                                      | > Reconnectez la fiche CC.  |
|  | La prise de courant continu est sale. Cela entraîne un mauvais contact électrique. | > Nettoyez la prise CC.<br>Suivre les instructions du fabricant.  |
|  | Le fusible de la fiche CC a sauté.   | > Remplacez le fusible de la fiche CC, voir le chapitre Remplacement du fusible de la fiche CC à la page 53.  |
|  | Le fusible CC à l'intérieur de la glacière a sauté.                                | > Contacter un agent de service agréé.  |
|  | Le fusible de la prise CC du véhicule a sauté.                                     | > Remplacez le fusible de la prise CC du véhicule.<br>Suivre les instructions du fabricant.   |
| L'écran affiche un code d'erreur et la glacière ne refroidit pas (voir Codes d'erreur à la page 56).   | La glacière s'est éteinte en raison d'un défaut interne.                           | > Contacter un agent de service agréé.  |

## Codes d'erreur



**REMARQUE** Si l'un des codes d'erreur **E 02** à **E 07** s'affiche, contactez un agent de service agréé.

| Code d'erreur | Description                       |
|---------------|-----------------------------------|
| <b>E 01</b>   | Basse tension/surtension          |
| <b>E 02</b>   | Surintensité du ventilateur       |
| <b>E 03</b>   | Échec du démarrage du compresseur |
| <b>E 04</b>   | Vitesse du compresseur basse      |
| <b>E 05</b>   | Surchauffe du contrôleur          |
| <b>E 06</b>   | NTC en circuit ouvert             |
| <b>E 07</b>   | NTC en court-circuit              |

## 12 Garantie

La période de garantie légale s'applique. Si le produit s'avérait défectueux, contactez la succursale du fabricant située dans votre pays (voir [dometic.com/dealer](http://dometic.com/dealer)) ou votre revendeur.

Pour toutes réparations ou autres prestations de garantie, veuillez joindre à l'appareil les documents suivants :

- une copie de la facture avec la date d'achat
- un motif de réclamation ou une description du dysfonctionnement

Notez que toute réparation effectuée par une personne non agréée peut présenter un risque de sécurité et annuler la garantie.

## 13 Mise au rebut



### AVERTISSEMENT ! Risque d'enfermement d'enfant

Avant de mettre au rebut votre dispositif de réfrigération usagé, démontez le couvercle. Laissez les paniers en place afin que les enfants ne puissent pas entrer facilement dans l'appareil.



Dans la mesure du possible, veuillez éliminer les emballages dans les conteneurs de déchets recyclables prévus à cet effet. Pour éliminer définitivement le produit, contacter le centre de recyclage le plus proche ou votre revendeur spécialisé afin de vous informer sur les dispositions relatives au retraitement des déchets.



Recyclage des produits contenant des piles, des batteries et des sources lumineuses rechargeables : Retirez toutes les piles, batteries et sources lumineuses rechargeables avant de recycler le produit. Rapportez les piles défectueuses ou les batteries usagées à votre revendeur ou à un centre de collecte. Les piles, les batteries et les sources lumineuses rechargeables usagées ne sont pas des déchets ménagers. Si vous souhaitez mettre le produit au rebut, contactez le centre de recyclage le plus proche ou votre revendeur spécialisé afin d'être informé des réglementations liées au traitement des déchets. Le produit peut être mis au rebut gratuitement.

## 14 Caractéristiques techniques



**REMARQUE** Si la température ambiante est supérieure à 32 °C, la température minimale ne peut être atteinte.

Ce produit contient des gaz à effet de serre fluorés.

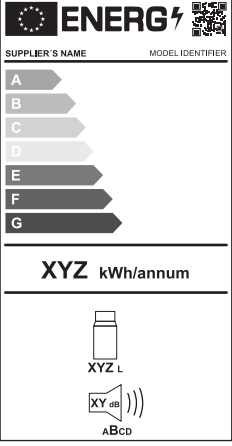
L'unité de réfrigération est hermétiquement fermée.

|  | CFX2 28   | CFX2 37   | CFX2 45  | CFX2 57  |
|--|---|---|--|--|
| Entrée nominale                                | 50 ... 60 Hz<br>100 ... 240 V~                                  |   |  |  |
| Courant nominal                                | 12 V : 8,6 A<br>24 V : 3,8 A<br>100 V : 1,6 A<br>240 V : 0,77 A | 12 V : 8,7 A<br>24 V : 3,85 A<br>100 V : 1,63 A<br>240 V : 0,78 A | 12 V : 8,8 A<br>24 V : 3,9 A<br>100 V : 1,65 A<br>240 V : 0,79 A | 12 V : 9 A<br>24 V : 4 A<br>100 V : 1,7 A<br>240 V : 0,8 A |
| Puissance de refroidissement                   | -22 °C ... 20 °C  |   |  |  |
| Température ambiante                           | 16 °C ... 43 °C   |   |  |  |
| Classe climatique                              | N ou T  |   |  |  |
| USB  | 5 V 2 A   |   |  |  |
| Réfrigérant                                    | R600a   |   |  |  |
| Quantité de réfrigérant                        | 13 g  | 13 g  | 14 g   | 17 g   |
| Dimensions (L x h x p)<br>(poignées comprises) | 600 mm ×<br>427 mm × 345 mm                                     | 678 mm ×<br>428 mm × 401 mm                                       | 678 mm ×<br>493 mm × 401 mm                                      | 709 mm ×<br>503 mm × 458 mm                                |
| Volume (« Volume »)                            | 28 L  | 37 L  | 45 L   | 57 L   |
| Poids  | 13,5 kg   | 15,8 kg   | 16,8 kg  | 18,5 kg  |
| Bande de fréquences<br>(WLAN)                  | 2,4 GHz   |   |  |  |
| Puissance de sortie max.                       |   |   |  |  |
| WLAN   | 19,22 dBm   |   |  |  |
| Bluetooth                                      | 7,93 dBm  |   |  |  |

Par la présente, Dometic (Zhuhai) Technology Co., Ltd déclare que l'équipement radio de type CFX2 28, CFX2 37, CFX2 45, CFX2 57 est conforme à la directive 2014/53/UE. Le texte intégral de la déclaration de conformité de l'UE est disponible à l'adresse internet suivante : [documents.dometic.com](http://documents.dometic.com)

Pour plus d'informations sur le produit, scannez le code QR figurant sur l'étiquette énergétique ou rendez-vous sur [eprel.ec.europa.eu](http://eprel.ec.europa.eu).

**12**



**ENERGY**

SUPPLIER'S NAME MODEL IDENTIFIER

A  
B  
C  
D  
E  
F  
G

**XYZ kWh/annum**

XYZ L

XY dB  
ABCD

[eprel.ec.europa.eu](http://eprel.ec.europa.eu)



# Español

|    |  |    |
|----|--|----|
| 1  | Notas importantes.....                       | 59 |
| 2  | Explicación de los símbolos.....             | 59 |
| 3  | Explicación de los símbolos del aparato..... | 60 |
| 4  | Indicaciones de seguridad.....               | 60 |
| 5  | Volumen de entrega.....                      | 62 |
| 6  | Accesorios.....                              | 62 |
| 7  | Uso previsto.....                            | 63 |
| 8  | Descripción técnica.....                     | 63 |
| 9  | Funcionamiento.....                          | 66 |
| 10 | Limpieza y mantenimiento.....                | 73 |
| 11 | Solución de problemas.....                   | 74 |
| 12 | Garantía.....                                | 75 |
| 13 | Eliminación.....                             | 75 |
| 14 | Datos técnicos.....                          | 76 |

## 1 Notas importantes

Lea atentamente estas instrucciones y siga las indicaciones, directrices y advertencias incluidas en este manual para asegurarse de que instala, utiliza y mantiene correctamente el producto en todo momento. Estas instrucciones DEBEN conservarse junto con este producto.

Al utilizar el producto, usted confirma que ha leído cuidadosamente todas las instrucciones, directrices y advertencias, y que entiende y acepta cumplir los términos y condiciones aquí establecidos. Usted se compromete a utilizar este producto solo para el propósito y la aplicación previstos y de acuerdo con las instrucciones, directrices y advertencias establecidas en este manual del producto, así como de acuerdo con todas las leyes y reglamentos aplicables. La no lectura y observación de las instrucciones y advertencias aquí expuestas puede causarle lesiones a usted o a terceros, daños en el producto o daños en otras propiedades cercanas. Este manual del producto, incluyendo las instrucciones, directrices y advertencias, y la documentación relacionada, pueden estar sujetos a cambios y actualizaciones. Para obtener información actualizada sobre el producto, visite [documents.dometic.com](http://documents.dometic.com).

## 2 Explicación de los símbolos

Una palabra de advertencia señalará los mensajes de seguridad y de daño material, y también indicará el grado o nivel de gravedad del riesgo.



### ¡PELIGRO!

Indica una situación peligrosa que, de no evitarse, ocasionará la muerte o lesiones graves.



### ¡ADVERTENCIA!

Indica una situación peligrosa que, de no evitarse, puede ocasionar la muerte o lesiones graves.



### ¡ATENCIÓN!

Indica una situación peligrosa que, de no evitarse, puede ocasionar lesiones moderadas o leves.



### ¡AVISO!

Indica una situación peligrosa que, de no evitarse, puede provocar daños materiales.



**NOTA** Información adicional para el manejo del producto.

### 3 Explicación de los símbolos del aparato



¡Advertencia! Riesgo de incendio. Materiales inflamables.

### 4 Indicaciones de seguridad



#### ¡PELIGRO! Riesgo de electrocución

- > En embarcaciones: en caso de funcionamiento conectado a la red eléctrica, asegúrese de que el suministro de energía eléctrica esté protegido con un interruptor diferencial (RCCB) o con un interruptor de falla a tierra (GFCI). La instalación, especialmente en áreas potencialmente húmedas, debe efectuarse en conformidad con todas las normas de instalación aplicables.
- > No toque los cables sin aislamiento directamente con las manos. Esto rige especialmente en caso de funcionamiento con la red de corriente alterna.



#### ¡ADVERTENCIA! Riesgo de electrocución

- > No ponga el aparato de refrigeración en funcionamiento si presenta desperfectos visibles.
- > Si el cable de alimentación de este aparato de refrigeración está dañado, se deberá sustituir para evitar riesgos de seguridad.
- > Este aparato de refrigeración solo debe ser reparado por personal cualificado. Las reparaciones inadecuadas pueden conllevar peligros considerables.
- > Enchufe el aparato en tomas que garanticen una conexión correcta, sobre todo cuando sea necesario poner a tierra el aparato.



#### ¡ADVERTENCIA! Peligro de incendio

- > Al colocar el aparato, asegúrese de que el cable de suministro eléctrico no se haya quedado atrapado o esté dañado.
- > No coloque varias tomas o suministros de corriente portátiles detrás del aparato.
- > El refrigerante del circuito de refrigeración es altamente inflamable y en caso de que se produjera una fuga, se podrían formar gases combustibles si el aparato se encuentra en un recinto pequeño. En caso de daños en el circuito de refrigeración:
  - Mantenga alejadas de la nevera llamas vivas y posibles fuentes de ignición.
  - Ventile bien el recinto.
  - Apague la nevera.
- > Para neveras con refrigerante R600a:
  - El circuito de refrigeración contiene una pequeña cantidad de refrigerante compatible con el medio ambiente, pero inflamable. No daña la capa de ozono ni aumenta el efecto invernadero. Toda fuga de refrigerante puede incendiarse.
  - No utilice ni guarde el aparato de refrigeración en espacios cerrados con poca o nula ventilación.
- > Mantenga libres de obstáculos las aberturas de ventilación de la carcasa del aparato o de construcciones empotradas.
- > No emplee objetos mecánicos u otros medios para acelerar el proceso de descongelación, a no ser que el fabricante lo recomiende.
- > No abra o dañe el circuito de refrigerante.
- > No utilice ningún aparato eléctrico dentro del enfriador, a no ser que el aparato en cuestión haya sido recomendado para ello por el fabricante.

**¡ADVERTENCIA! Riesgo para la salud**

- > Este aparato puede ser utilizado por menores a partir de 8 años y personas con capacidad física, sensorial o mental reducida, o con falta de experiencia y conocimientos, siempre que lo hagan bajo supervisión o hayan recibido instrucciones relativas al uso del mismo de manera segura y entendiendo los riesgos asociados.
- > Los menores de 3 a 8 años pueden meter y sacar artículos de la nevera.
- > Controle a los niños para asegurarse de que no jueguen con el aparato.
- > Los menores no deberán limpiar ni realizar el mantenimiento de usuario sin la debida supervisión.

**¡ADVERTENCIA! Peligro de explosión**

No guarde en el aparato de refrigeración sustancias con peligro de explosión, tales como aerosoles con agente espumante inflamable.

**¡ATENCIÓN! Riesgo de electrocución**

- > Antes de poner en funcionamiento el aparato de refrigeración, asegúrese de que el cable de alimentación y la clavija del enchufe estén secos.
- > Desconecte el aparato de refrigeración de la fuente de alimentación antes de limpiarlo, someterlo a mantenimiento y después de cada uso.

**¡ATENCIÓN! Riesgo para la salud**

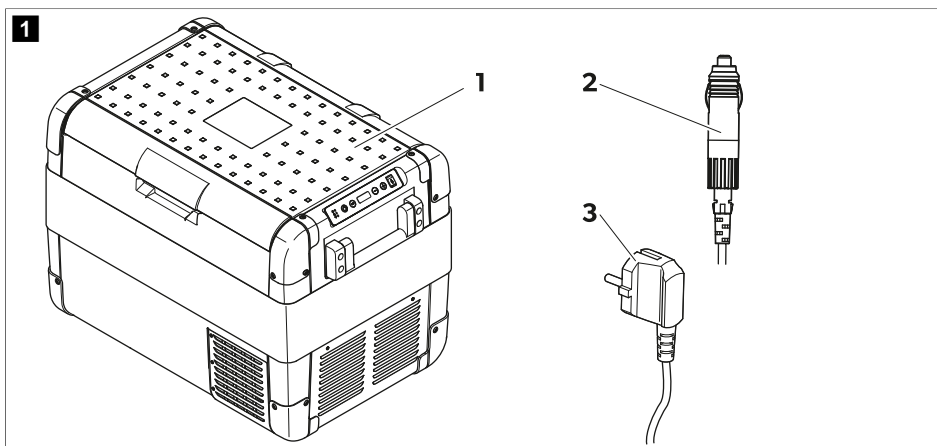
- > Siga las siguientes instrucciones para evitar que los alimentos se contaminen:
  - Compruebe si la potencia de refrigeración del aparato cumple los requisitos de los alimentos que desea enfriar.
  - Los alimentos solo se pueden almacenar con su envase original o en recipientes adecuados.
  - Mantener la nevera abierta durante largos períodos de tiempo puede producir un incremento considerable de la temperatura en los compartimentos del aparato.
  - Limpie periódicamente las superficies que puedan estar en contacto con alimentos y los sistemas de desagüe accesibles.
- > Si el aparato se deja vacío durante un tiempo prolongado:
  - Desconecte el aparato.
  - Descongele el aparato.
  - Limpie y seque el aparato.
  - Deje la tapa abierta para evitar la generación de moho dentro del aparato.

**¡AVISO! Peligro de daños**

- > Compruebe que el valor de tensión indicado en la placa de características se corresponde con el del suministro de energía.
- > Conecte el aparato de refrigeración solo del siguiente modo:
  - Con el cable de conexión de corriente continua a la red de corriente continua
  - O bien con el cable de conexión de corriente alterna a una red de corriente alterna
- > No desenchufe nunca la clavija de la caja de enchufe tirando del cable.
- > Si el aparato de refrigeración está conectado a una toma de corriente continua: Desconecte de la batería el aparato de refrigeración u otros aparatos conectados antes de conectar un cargador rápido.
- > Si el aparato de refrigeración está conectado a una toma de corriente continua: Desenchufe el aparato de refrigeración o apáguelo cuando apague el motor. De lo contrario, podría descargarse la batería del vehículo.
- > El aparato de refrigeración no es adecuado para transportar materiales cáusticos o materiales que contengan disolventes.

- > El aislamiento de la nevera contiene ciclopentano y requiere una gestión de residuos especial. Deposite el aparato de refrigeración en un centro de reciclaje adecuado al finalizar su vida útil.
- > No coloque el aparato de refrigeración cerca de fuego abierto ni de otras fuentes de calor (calefacción, radiación solar directa, estufas de gas, etc.).
- > No introduzca líquidos ni hielo en el recipiente interior.
- > No sumerja nunca el aparato de refrigeración bajo el agua.
- > Proteja el aparato de refrigeración y los cables contra el calor y la humedad.
- > El aparato de refrigeración no debe quedar expuesto a la lluvia.
- > Para que el refrigerante pueda circular correctamente, el ángulo de inclinación del aparato no debe ser superior a 30°. Utilice un nivel para asegurarse de que la nevera esté nivelada.
- > **¡Riesgo de sobrecalentamiento!** Asegúrese de que siempre haya suficiente ventilación en los cuatro lados del aparato de refrigeración. Mantenga la zona de ventilación libre de objetos que puedan impedir el paso de aire a los componentes refrigerantes. No coloque el aparato de refrigeración en compartimentos cerrados o en áreas donde no haya un flujo mínimo de aire.

## 5 Volumen de entrega



| Elemento | Cantidad | Descripción  |
|----------|----------|--|
| 1        | 1        | Nevera   |
| 2        | 1        | Cable de conexión para la conexión de corriente continua |
| 3        | 1        | Cable de conexión para la conexión de corriente alterna  |
| -        | 1        | Guía rápida  |

## 6 Accesorios

Disponible como accesorio (no incluido en el volumen de entrega):

| Denominación                                  | N.º de art. | Modelo       |
|---|-------------|--------------|
| Kit de fijación de desenganche rápido CFX-QFK | 960000166   | Solo CFX2 28 |

| Denominación                                      | N.º de art. | Modelo                      |
|---|-------------|-----------------------------|
| Kit de fijación de desenganche rápido CFX-QFK3545 | 9600029599  | Solo CFX2 37 y CFX2 45      |
| Aplicación de refrigeración móvil                 | -           | Apto para todos los modelos |

## 7 Uso previsto

La nevera es apta para enfriar alimentos. La nevera también es apta para el uso en vehículos. La nevera está diseñada para funcionar conectada a un enchufe de corriente continua de un vehículo o a una red de corriente alterna.

La nevera es adecuada para utilizar en campings.

La nevera está diseñada para el uso doméstico y aplicaciones similares, como por ejemplo:

- Áreas de cocina para el personal en tiendas, oficinas y otros entornos de trabajo
- Casas rurales
- Clientes de hoteles, moteles y otros entornos de tipo residencial
- Ambientes de tipo "bed and breakfast"
- Catering y aplicaciones similares no comerciales

La nevera **no** es apta para:

- Congelar alimentos rápidamente
- Guardar sustancias corrosivas, cáusticas o que contengan disolventes
- Uso como aparato encastrable

Esta nevera solo es apta para el uso previsto y la aplicación de acuerdo con estas instrucciones.

Este producto solo es apto para el uso previsto y la aplicación de acuerdo con estas instrucciones.

Este manual proporciona la información necesaria para la correcta instalación y/o funcionamiento del producto. Una instalación deficiente o un uso y mantenimiento inadecuados conllevan un rendimiento insatisfactorio y posibles fallos.

El fabricante no se hace responsable de ninguna lesión o daño en el producto ocasionados por:

- Una instalación, un montaje o una conexión incorrectos, incluido un exceso de tensión
- Un mantenimiento incorrecto o el uso de piezas de recambio distintas de las originales proporcionadas por el fabricante
- Modificaciones realizadas en el producto sin el expreso consentimiento del fabricante
- Uso con una finalidad distinta de la descrita en las instrucciones

Dometic se reserva el derecho de cambiar la apariencia y las especificaciones del producto.

## 8 Descripción técnica

La nevera puede enfriar productos. La refrigeración se realiza a través de un circuito de refrigeración de bajo mantenimiento con compresor. El amplio aislamiento y el potente compresor aseguran una refrigeración eficiente y rápida.


La nevera está prevista para un uso portátil.

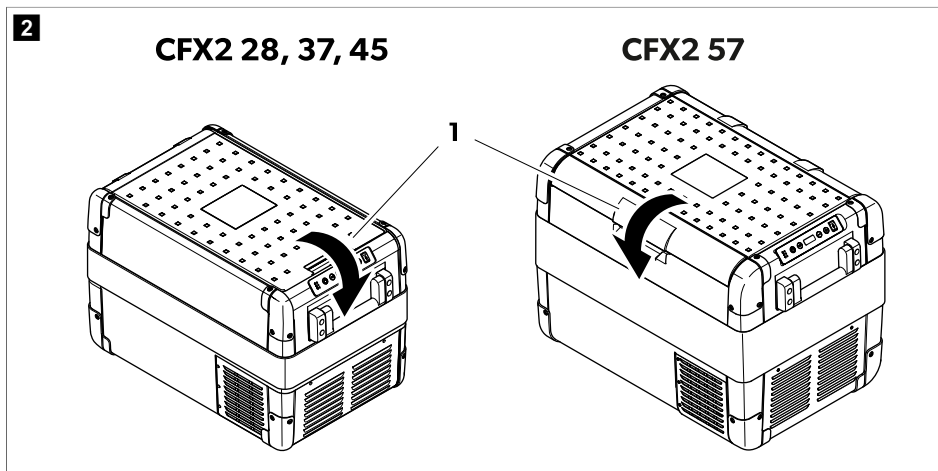
La nevera puede estar inclinada a 30° durante periodos cortos (por ejemplo, en embarcaciones).

## Descripción de funciones

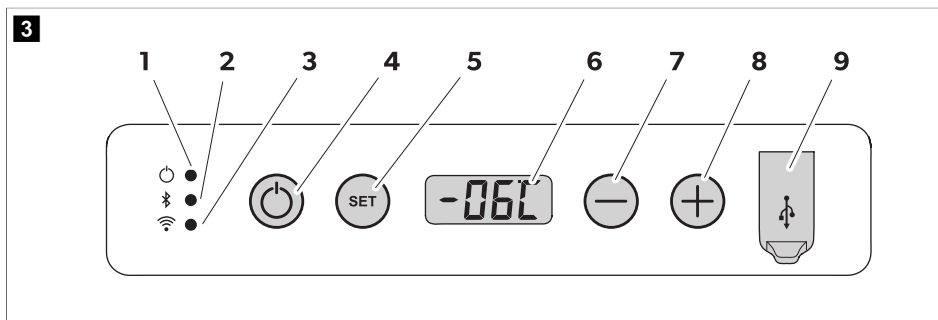
- Fuente de alimentación con conexión de prioridad al suministro de corriente alterna
- Controlador de la batería de 3 etapas para proteger la batería del vehículo
- Pantalla con sensor de temperatura en °C y °F
- Regulación de temperatura con 2 botones en intervalos de 1 °C / 1 °F
- Funciones Bluetooth y WLAN integradas para controlar la nevera a través de la aplicación de refrigeración móvil
- Asas de transporte abatibles
- Conexión USB para alimentación
- Cesta interior extraíble

## Elementos de mando y de indicación

Cierre (  fig. 2 en la página 64, 1) de la tapa:

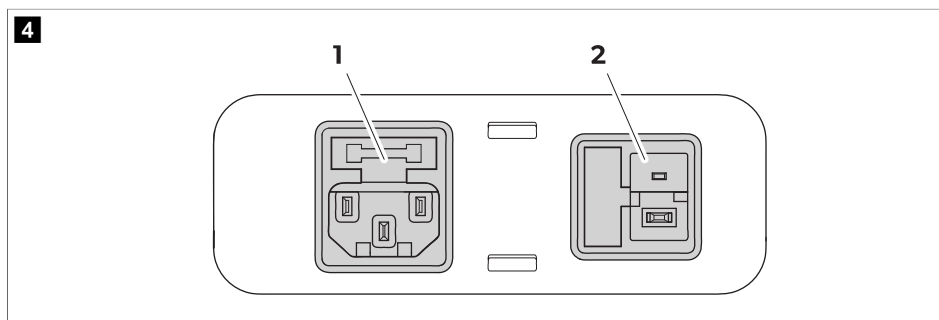


## Panel de control



| Elemento | Descripción | Explicación   |
|----------|-------------|---|
| 1        | Encendido   | Indicación de funcionamiento  |
|          |             | El LED se ilumina en blanco: El compresor se pone en marcha.  |
|          |             | El LED se ilumina en naranja: El compresor deja de funcionar.   |
| 2        | Bluetooth   | El LED se apaga: El Bluetooth de la nevera está desactivado.  |
|          |             | El LED parpadea en blanco lentamente: El Bluetooth de la nevera está activado. La nevera no está emparejada con un dispositivo.   |
|          |             | El LED parpadea rápidamente en blanco: La nevera se empareja con un dispositivo a través de Bluetooth.  |
|          |             | El LED se ilumina en blanco: La nevera está emparejada con un dispositivo a través de Bluetooth.  |
| 3        | WLAN        | El LED se apaga: La función WLAN de la nevera está desactivada.   |
|          |             | El LED parpadea en blanco: La función WLAN de la nevera está activada. La nevera no está conectada a un dispositivo.  |
|          |             | El LED se ilumina en blanco: La nevera está emparejada con un dispositivo a través de la función WLAN.  |
| 4        | ON/OFF      | Enciende o apaga la nevera.   |
| 5        | SET         | <p>Selecciona el modo de entrada</p> <ul style="list-style-type: none"> <li>• Regulación de temperatura</li> <li>• Indicación en Celsius o Fahrenheit</li> <li>• Ajuste del controlador de la batería</li> <li>• Ajuste del brillo de la pantalla</li> <li>• Ajuste del modo de visualización</li> <li>• Ajuste del Bluetooth</li> <li>• Ajuste de la función WLAN</li> </ul> |
| 6        |             | Pantalla  |
| 7        | -           | Permite ajustar la temperatura, la unidad de temperatura, el controlador de la batería, el brillo de la pantalla, el modo, el Bluetooth y la función WLAN.  |
| 8        | +           |   |
| 9        |             | Conexión USB  |

## Hembrillas de conexión



| Elemento | Descripción  |
|----------|--|
| 1        | Conexión de enchufe para la alimentación de tensión alterna  |
| 2        | Conexión de enchufe para la alimentación de tensión continua |

## 9 Funcionamiento

### Antes del primer uso

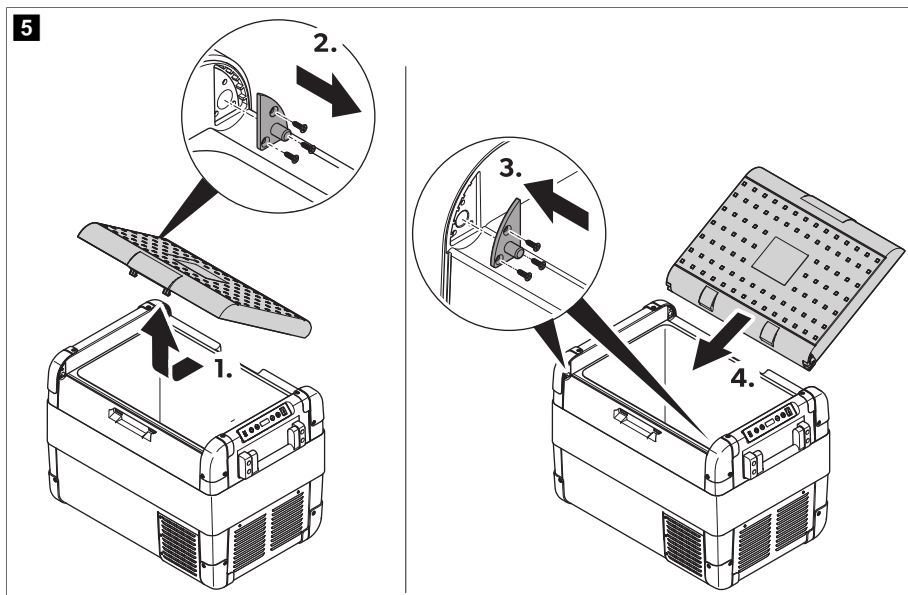




**NOTA** Por razones de higiene, limpie la nevera por dentro y por fuera con un paño húmedo antes de ponerla en funcionamiento por primera vez (consulte Limpieza y mantenimiento en la página 73).

### Inversión del sentido de apertura de la tapa (solo CFX2 57)

Las bisagras de la tapa se pueden colocar en el lado opuesto.

1. Abra y retire la tapa (  fig. 5 en la página 66).



2. Quite los 3 tornillos de cada bisagra (  fig. 5 en la página 66) y retírelas.
3. Vuelva a montar los topes de la tapa en las nuevas posiciones.
4. Inserte la tapa en las nuevas posiciones de las bisagras (  fig. 5 en la página 66).

### Ahorro de energía

- > Elija un lugar de emplazamiento bien ventilado y protegido de la radiación solar.
- > Antes de introducir alimentos calientes en el aparato para refrigerarlos, deje que se enfrien un poco.
- > No abra la nevera con mayor frecuencia de la necesaria.
- > No deje la nevera abierta más tiempo del necesario.



- > Si la nevera dispone de una cesta: para un consumo de energía óptimo, coloque la cesta en la misma posición que ocupa en el momento de la entrega.
- > Compruebe periódicamente que la junta de la tapa sigue encajando correctamente.
- > Evite temperaturas innecesariamente bajas.

## Conexión de la nevera

### Conexión a una batería



#### ¡AVISO! Peligro de daños

- > Para proteger el aparato, el cable de corriente continua suministrado incluye un fusible dentro de la clavija. **No** retire el enchufe de CC con fusible. Utilice únicamente el cable de corriente continua suministrado.
- > Antes de conectar la batería a un cargador rápido, desenchufe la nevera y otros consumidores. La sobretensión puede dañar los componentes electrónicos de los dispositivos conectados a la batería.



**NOTA** La nevera está equipada con un sistema electrónico para prevenir la inversión de polaridad. El sistema electrónico protege la nevera contra posibles cortocircuitos al conectarla a la batería.

La nevera puede funcionar con 12 V  $\equiv$  o 24 V  $\equiv$ .

- > Conecte la nevera a una batería mediante el cable de conexión de CC como se muestra.

### Conexión a una red de corriente alterna



#### ¡PELIGRO! Riesgo de electrocución

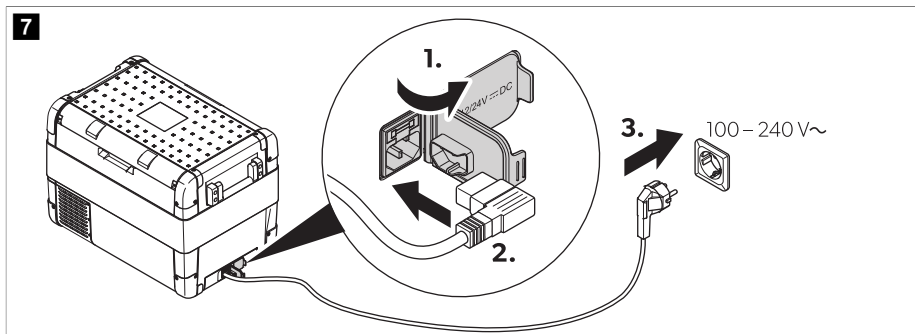
- > No manipule los enchufes ni interruptores con las manos mojadas ni con los pies sobre una superficie mojada.
- > Si la nevera funciona con una fuente de alimentación de CA a bordo de una embarcación, deberá instalar un disyuntor de corriente residual entre la fuente de alimentación de CA y la nevera. Consulte con un especialista.



#### NOTA

La nevera cuenta con una fuente de alimentación multivoltaje con una conexión de prioridad para su conexión a una fuente de tensión de CA. La conexión de prioridad conmuta automáticamente la nevera para que funcione con CA si se conecta a una fuente de alimentación de CA, aunque siga conectado un cable de conexión de CC.

- > Conecte la nevera a una fuente de alimentación de CA mediante el cable de conexión de CA, tal como se muestra.



## Uso de la nevera



### ¡AVISO! Peligro de daños

Coloque la nevera con la base orientada hacia abajo.

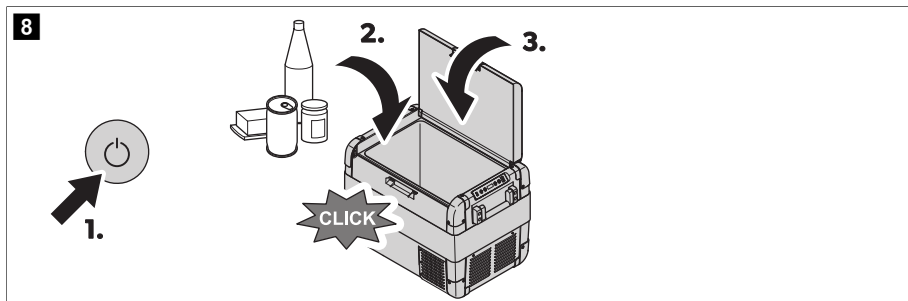
1. Coloque la nevera sobre una base firme.
2. Conecte la nevera (consulte el capítulo Conexión de la nevera en la página 67).



### ¡ADVERTENCIA! Riesgo para la salud

Asegúrese de que en la nevera solo hay artículos que se puedan enfriar a la temperatura seleccionada.


3. Pulse el botón ON/OFF durante 1 ... 2 s.



- ✓ El LED de encendido se ilumina. La pantalla se enciende e indica la temperatura actual.



### NOTA Temperatura indicada

CFX2 57: La temperatura mostrada es la temperatura del compartimento interior grande (  fig. **9** en la página 68 **1**).

La nevera empieza a refrigerar el espacio interior.

### Bloqueo de la tapa de nevera

1. Cierre la tapa.
2. Presione el cierre hacia abajo hasta que oiga un clic.

### Evitar el desperdicio de alimentos

Tenga en cuenta lo siguiente para no desperdiciar alimentos:

- > Procure que las oscilaciones de temperatura sean mínimas. Abra la nevera solamente el tiempo y las veces que sea necesario. Almacene los alimentos de manera que no impidan una buena circulación del aire.
- > Ajuste la temperatura a la cantidad y el tipo de alimentos.
- > Los alimentos pueden absorber o desprender sabores y olores con facilidad. Almacene siempre los alimentos envueltos o cerrados en recipientes o botellas.

### Ajuste de la temperatura

1. Pulse el botón **SET** 1 vez.
2. Seleccione la temperatura de refrigeración con los botones **+** y **-**.
  - ✓ En la pantalla aparecerán durante unos segundos la temperatura seleccionada y **°C**. La pantalla parpadea varias veces. A continuación, se vuelve a mostrar la temperatura actual.

### seleccionar la unidad de temperatura

1. Pulse **SET** el botón 2 veces.
2. Utilice los botones **+** o **-** para seleccionar la unidad de temperatura.
  - ✓ La pantalla indica durante unos segundos la unidad de temperatura seleccionada y **°F**. La pantalla parpadea varias veces antes de mostrar la temperatura actual.

### Utilización del controlador de la batería



#### ¡AVISO! Peligro de daños

Cuando el controlador de la batería se apaga, la batería ya no está completamente cargada. Evite accionar repetidamente el contacto del vehículo o utilizar aparatos conectados a la corriente sin fases de recarga más largas. Asegúrese de que la batería está recargada.

La nevera está equipada con un controlador de batería de varias etapas que evita que la batería del vehículo se descargue excesivamente cuando la nevera está conectada a una toma de CC del vehículo.

En caso de poner la nevera en funcionamiento en el vehículo con el contacto apagado, esta se desconectará automáticamente en cuanto la tensión de alimentación descienda por debajo de un valor concreto. La nevera se encenderá de nuevo en cuanto la batería se recargue y alcance la tensión de reconexión.

En el modo "HIGH", el controlador de la batería responde más rápido que en los modos "LOW" y "MED".

| Modo del controlador de batería | LOW    | MED    | HIGH   |
|---------------------------------|--------|--------|--------|
| Tensión de reconexión a 12 V    | 11,4 V | 12,2 V | 12,6 V |
| Tensión de desconexión a 12 V   | 10,1 V | 11,2 V | 11,8 V |
| Tensión de reconexión a 24 V    | 23 V   | 25,3 V | 26,4 V |
| Tensión de desconexión a 24 V   | 21,5 V | 24,1 V | 24,6 V |

Seleccione el modo del controlador de la batería como se muestra a continuación:

1. Encienda la nevera.

2. Pulse **SET** el botón 3 veces.
  3. Utilice los botones **+** o **-** para seleccionar el modo del controlador de la batería.
- ✓ La pantalla cambia de la siguiente manera: **[P L0]** (LOW), **[P Md]** (MED), **[P Hi]** (HIGH)

El modo seleccionado aparece en la pantalla durante unos segundos. La pantalla parpadea varias veces antes de volver a mostrar la temperatura actual.



**NOTA** Cuando la nevera se alimente con la batería de arranque, seleccione el modo del controlador de la batería "HIGH". Cuando la nevera se alimente con una batería doméstica, seleccione el modo del controlador de la batería "LOW".

### Ajuste del brillo de la pantalla

El brillo de la pantalla puede atenuarse para condiciones lumínicas poco intensas.

1. Encienda la nevera.
  2. Pulse **SET** el botón 4 veces.
  3. Utilice los botones **+** o **-** para ajustar el brillo de la pantalla.
- ✓ La pantalla cambia de la siguiente manera: **[d L0]** (bajo), **[d Md]** (medio), **[d Hi]** (alto)

La pantalla muestra el modo ajustado durante varios segundos. La pantalla parpadea varias veces antes de volver al brillo actual.



**NOTA** Si se produce un fallo, el brillo cambia automáticamente a **[d Hi]**, se vuelve a activar.

### Utilización del puerto USB

El puerto USB permite cargar dispositivos pequeños como teléfonos móviles y reproductores MP3.

- > Conecte el dispositivo que desee cargar al puerto USB de la nevera mediante un cable USB (no incluido).



**NOTA** Asegúrese de que el dispositivo conectado admite una corriente de 5 V / 2 A.

### Ajustar el modo de visualización

1. Pulse **SET** el botón 5 veces.
  2. Utilice los botones **+** o **-** para establecer el modo de sueño.
- ✓ La pantalla cambia de la siguiente manera: **[S Of]** (desactivado), **[S On]** (activado), **[S L0]** (bajo)

**S Of** (desactivado): El modo de sueño está desactivado. La pantalla está encendida de forma permanente.

**S On** (activado): El modo de sueño está activado. Si la nevera no se utiliza durante varios minutos, la pantalla solo muestra un punto.

**S L0** (bajo): Se activa el submodo de sueño. Si la nevera no se utiliza durante varios minutos, la pantalla cambia al nivel de brillo más bajo.



**NOTA** Si la pantalla está en el modo de sueño o en el submodo de sueño, pulse un botón de la nevera para salir brevemente del modo en cuestión.

## Uso de la aplicación de refrigeración móvil

La nevera se puede monitorizar y controlar por Bluetooth o a través de la función WLAN con una aplicación que se puede instalar en un dispositivo compatible.

1. Descargue e instale la aplicación de refrigeración móvil.



Obtenga la aplicación en [qr.dometic.com/beiv4R](http://qr.dometic.com/beiv4R).

2. Pulse el botón **SET** como se indica a continuación:
  - 6 veces para abrir los ajustes del Bluetooth.
  - 7 veces para abrir los ajustes de la función WLAN.
3. Utilice los botones **+** o **-** para configurar el Bluetooth o la función WLAN.



**NOTA** Si la nevera está emparejada con un dispositivo compatible a través de Bluetooth, debe configurarse el modo de emparejamiento.

- ✓ La pantalla cambia de la siguiente manera al configurar el Bluetooth: **[BL OFF]** (desactivado), **[BL ON]** (activado), **[BL PA]** (emparejamiento)



**NOTA** Si se muestra **[BL OFF]**, la pantalla no cambia cuando se pulsa el botón **-**. Si se muestra **[BL PA]**, la pantalla no cambia cuando se pulsa el botón **+**.

El LED de Bluetooth parpadea en blanco y la pantalla muestra **[BL]** mientras se efectúa el emparejamiento mediante el Bluetooth.

La pantalla cambia de la siguiente manera al configurar la función WLAN: **[F OFF]** (desactivado), **[F ON]** (activado)

4. Siga las instrucciones de la aplicación de refrigeración móvil.
- ✓ El LED de Bluetooth o WLAN se ilumina cuando la nevera está conectada.

## Apagado de la nevera

1. Vacíe la nevera.
- 
2. Pulse el botón "ON/OFF".
  3. Desenchufe el cable de conexión.
  4. Si la nevera no se utiliza durante un periodo de tiempo prolongado, deje la tapa abierta para que no se acumulen olores.

## Descongelación de la nevera

La humedad puede formar escarcha en el interior de la nevera o en el evaporador. Esto reduce la potencia de refrigeración.



### ¡AVISO! Peligro de daños

No utilice nunca herramientas de material duro o afiladas para quitar el hielo o soltar objetos que se hayan congelado en su ubicación.

Para descongelar el aparato de refrigeración, proceda como se indica a continuación:


1. Retire el contenido de la nevera.
2. De ser necesario, colóquelo en otra nevera para mantenerlo frío.
3. Desconecte la nevera.
4. Deje la tapa abierta.
5. Elimine con un paño el agua descongelada.

### Cambio del fusible de corriente alterna



#### **¡PELIGRO! Riesgo de electrocución**

Desconecte el suministro eléctrico y el cable de conexión antes de sustituir el fusible de CA.

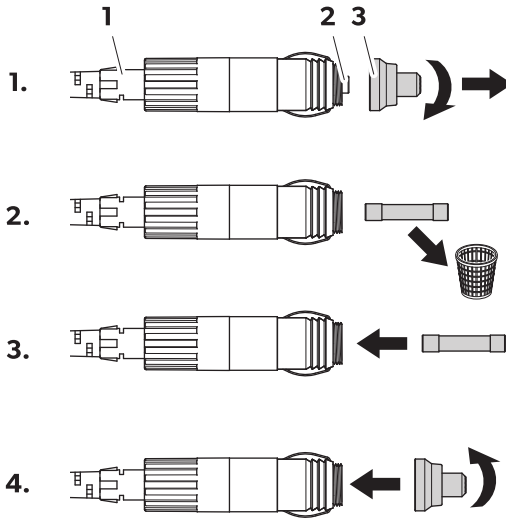
1. Desconecte la fuente de alimentación de la nevera.
2. Desenchufe el cable de conexión.
3. Quite el juego de fusibles (  fig. 4 en la página 65 2) con un destornillador.
4. Cambie el fusible de vidrio averiado por otro nuevo del mismo tipo y valor ( 4 A , 250 V ).
5. Vuelva a presionar el juego de fusibles en la carcasa.
6. Vuelva a conectar la alimentación de corriente del aparato.


### Sustitución del fusible de la clavija de corriente continua



**NOTA** Dentro del aparato hay un fusible de CC adicional (fusible estándar de automoción, 10 A). Este fusible solo puede ser sustituido por un centro de reparación autorizado.

1. Desatornille la carcasa de las clavijas de contacto (  fig. 11 en la página 73 3) del enchufe (  fig. 11 en la página 73 1).

**11**

2. Sustituya el fusible defectuoso (  fig. **11** en la página 73 **2**) por otro nuevo del mismo tipo y valor (3AG, Fast Acting, 10 A).
3. Vuelva a montar la clavija procediendo en el orden inverso.

### Sustitución del circuito impreso de luces



#### ¡AVISO! Peligro de daños

Únicamente el fabricante, un técnico de mantenimiento autorizado o una persona con cualificación similar pueden cambiar el circuito impreso de luces con el fin de evitar peligros.

## 10 Limpieza y mantenimiento



#### ¡ATENCIÓN! Riesgo de electrocución

Asegúrese de que el aparato de refrigeración está desconectado de la fuente de alimentación antes de realizar cualquier trabajo de limpieza o mantenimiento.



#### ¡AVISO! Peligro de daños

- > Nunca limpie el aparato bajo un chorro de agua corriente ni inmerso en agua jabonosa.
- > No utilice limpiadores abrasivos ni objetos duros para limpiar el aparato.

- > Limpie de vez en cuando el interior y el exterior del aparato con un paño húmedo.
- > Asegúrese de que las ranuras de entrada y salida de aire de la nevera no contengan polvo y estén limpias para que el calor pueda salir y el aparato no se estropee.

## 11 Solución de problemas

| Fallo   | Posible causa  | Propuesta de solución  |
|---|--|--|
| La nevera no funciona. El LED de encendido no se enciende.  | No hay tensión en la toma de CC.   | > Encienda el contacto del vehículo.   |
|   | No hay tensión en la toma de CA.   | > Utilice otro enchufe.  |
|   | El fusible de CA está averiado.  | > Sustituya el fusible de CA; consulte Cambio del fusible de corriente alterna en la página 72.  |
|   | La fuente de alimentación integrada está averiada.   | > Póngase en contacto con un técnico de mantenimiento autorizado.  |
| El LED de encendido se ilumina en naranja, se muestra el código de error <b>E 01</b> y la nevera no enfría a pesar de estar enchufada.            | El controlador de la batería está ajustado demasiado alto.                                   | <ol style="list-style-type: none"> <li>1. Ajuste el controlador de la batería a un modo más bajo (consulte Utilización del controlador de la batería en la página 69).</li> <li>2. Compruebe la batería de arranque.</li> <li>3. Si es necesario, cargue la batería de arranque.</li> </ol> <p>Siga las indicaciones del fabricante.</p> |
|   | El controlador de la batería está ajustado demasiado bajo.                                   | <ol style="list-style-type: none"> <li>1. Ajuste el controlador de la batería a un modo más alto (consulte Utilización del controlador de la batería en la página 69).</li> <li>2. Compruebe la batería de arranque.</li> <li>3. Si es necesario, cargue la batería de arranque.</li> </ol> <p>Siga las indicaciones del fabricante.</p> |
| Cuando la nevera se utiliza conectada a una toma de CC: El contacto está activado pero la nevera no funciona. El LED de encendido no se enciende. | El enchufe de CC no está conectado correctamente.  | > Vuelva a conectar el enchufe de CC.  |
|   | La caja de enchufe de corriente continua está sucia. Esto provoca un mal contacto eléctrico. | > Limpie la toma de CC.<br>Siga las indicaciones del fabricante.   |
|   | El fusible del enchufe de CC se ha fundido.  | > Cambie el fusible del enchufe de CC; consulte el capítulo Sustitución del fusible de la clavija de corriente continua en la página 72.   |
|   | El fusible de CC de la nevera se ha fundido.   | > Póngase en contacto con un técnico de mantenimiento autorizado.  |
|   | El fusible de la toma de CC del vehículo se ha fundido.                                      | > Sustituya el fusible de la toma de CC del vehículo.<br>Siga las indicaciones del fabricante.   |
| La pantalla muestra un código de error y la nevera no enfría (consulte Códigos de error en la página 75).   | La nevera se ha apagado debido a un fallo interno.   | > Póngase en contacto con un técnico de mantenimiento autorizado.  |



## Códigos de error



**NOTA** Si se muestran los códigos de error del **E 02** al **E 07**, póngase en contacto con un técnico de mantenimiento autorizado.

| Código de error | Descripción                     |
|-----------------|---------------------------------|
| <b>E 01</b>     | Baja tensión/sobretensión       |
| <b>E 02</b>     | Sobrecarga del ventilador       |
| <b>E 03</b>     | Fallo de arranque del compresor |
| <b>E 04</b>     | Velocidad del compresor baja    |
| <b>E 05</b>     | Controlador sobrecalentado      |
| <b>E 06</b>     | Circuito abierto NTC            |
| <b>E 07</b>     | Cortocircuito NTC               |

## 12 Garantía

Se aplica el período de garantía estipulado por la ley. Si el producto es defectuoso, póngase en contacto con la sucursal del fabricante de su país (consulte [dometic.com/dealer](http://dometic.com/dealer)) o con su punto de venta.

Para tramitar la reparación y la garantía, incluya los siguientes documentos cuando envíe el aparato:

- Una copia de la factura con fecha de compra
- El motivo de la reclamación o una descripción de la avería

Tenga en cuenta que una reparación por medios propios o no profesionales puede tener consecuencias de seguridad y suponer la anulación de la garantía.

## 13 Eliminación



### ¡ADVERTENCIA! Riesgo de atrapamiento infantil

Antes de deshacerse de su aparato de refrigeración viejo, desmonte la tapa. Deje las cestas colocadas en su sitio para impedir que los niños puedan introducirse en el aparato.



Si es posible, deseche el material de embalaje en los contenedores de reciclaje adecuados. Consulte con un punto limpio o con un distribuidor especializado para obtener más información sobre cómo eliminar el producto de acuerdo con las normativas aplicables de eliminación.



Reciclaje de productos con baterías normales, baterías recargables y fuentes de luz: Quite todas las baterías, baterías recargables y fuentes de luz antes de reciclar el producto. Entregue las baterías defectuosas o usadas en un establecimiento especializado o depositelas en un punto de recogida de residuos. No deseche ninguna batería, batería recargable ni fuente de luz con la basura doméstica. Cuando vaya a desechar definitivamente el producto, infórmese en el centro de reciclaje más cercano o en un distribuidor especializado sobre las normas pertinentes de gestión de residuos. El producto podrá desecharse gratuitamente.

## 14 Datos técnicos



**NOTA** Si la temperatura ambiente es superior a 32 °C, no es posible alcanzar la temperatura mínima.

Este producto contiene gases fluorados de efecto invernadero.

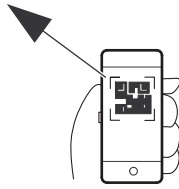
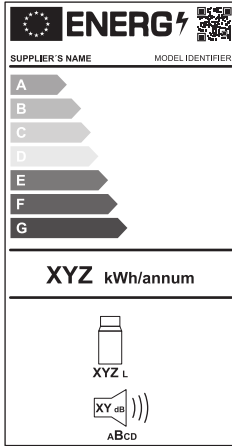
La unidad de refrigeración está sellada herméticamente.

|   | CFX2 28   | CFX2 37   | CFX2 45  | CFX2 57  |
|---|---|---|--|--|
| Entrada nominal                         | 50 ... 60 Hz<br>100 ... 240 V~                                  |   |  |  |
| Corriente nominal                       | 12 V : 8,6 A<br>24 V : 3,8 A<br>100 V : 1,6 A<br>240 V : 0,77 A | 12 V : 8,7 A<br>24 V : 3,85 A<br>100 V : 1,63 A<br>240 V : 0,78 A | 12 V : 8,8 A<br>24 V : 3,9 A<br>100 V : 1,65 A<br>240 V : 0,79 A | 12 V : 9 A<br>24 V : 4 A<br>100 V : 1,7 A<br>240 V : 0,8 A |
| Potencia de refrigeración               | -22 °C ... 20 °C  |   |  |  |
| Temperatura ambiente                    | 16 °C ... 43 °C   |   |  |  |
| Clase climática                         | N o T   |   |  |  |
| USB                                     | 5 V 2 A   |   |  |  |
| Refrigerante                            | R600a   |   |  |  |
| cantidad existente de refrigerante      | 13 g  | 13 g  | 14 g   | 17 g   |
| Dimensiones (A x H x P; asas incluidas) | 600 mm x 427 mm x 345 mm  | 678 mm x 428 mm x 401 mm  | 678 mm x 493 mm x 401 mm   | 709 mm x 503 mm x 458 mm                                   |
| Volumen ("Volume")                      | 28 L  | 37 L  | 45 L   | 57 L   |
| Peso                                    | 13,5 kg   | 15,8 kg   | 16,8 kg  | 18,5 kg  |
| Banda de frecuencia (WLAN)              | 2,4 GHz   |   |  |  |
| Potencia máx. de salida                 |   |   |  |  |
| WLAN                                    | 19,22 dBm   |   |  |  |
| Bluetooth                               | 7,93 dBm  |   |  |  |

Por el presente documento, Dometic (Zhuhai) Technology Co., Ltd declara que el tipo de equipo radioeléctrico CFX2 28, CFX2 37, CFX2 45, CFX2 57 cumple la directiva 2014/53/UE. El texto completo de la declaración de conformidad de la UE está disponible en la siguiente dirección de Internet: [documents.dometic.com](http://documents.dometic.com)

Encontrará más información sobre el producto a través del código QR de la etiqueta energética o en el sitio [eprel.ec.europa.eu](http://eprel.ec.europa.eu).

12



[eprel.ec.europa.eu](http://eprel.ec.europa.eu)

## Português

|    |  |    |
|----|--|----|
| 1  | Notas importantes.....                   | 78 |
| 2  | Explicação dos símbolos.....             | 78 |
| 3  | Explicação dos símbolos no aparelho..... | 79 |
| 4  | Indicações de segurança.....             | 79 |
| 5  | Material fornecido.....                  | 81 |
| 6  | Acessórios.....                          | 81 |
| 7  | Utilização adequada.....                 | 82 |
| 8  | Descrição técnica.....                   | 82 |
| 9  | Operação.....                            | 85 |
| 10 | Limpeza e manutenção.....                | 92 |
| 11 | Resolução de falhas.....                 | 92 |
| 12 | Garantia.....                            | 93 |
| 13 | Eliminação.....                          | 93 |
| 14 | Dados técnicos.....                      | 94 |

## 1 Notas importantes

Leia atentamente as presentes instruções e siga todas as instruções, orientações e avisos incluídos neste manual, de modo a garantir a correta instalação, utilização e manutenção do produto. É OBRIGATÓRIO manter estas instruções junto com o produto.

Ao utilizar o produto, está a confirmar que leu atentamente todas as instruções, orientações e avisos, e que compreende e aceita cumprir os termos e condições estabelecidos no presente manual. Aceita utilizar este produto exclusivamente para o fim e a aplicação a que se destina e de acordo com as instruções, orientações e avisos estabelecidos neste manual, assim como de acordo com todas as leis e regulamentos aplicáveis. Caso não leia nem siga as instruções e os avisos aqui estabelecidos, poderá sofrer ferimentos pessoais ou causar ferimentos a terceiros e o produto ou outros materiais nas proximidades poderão ficar danificados. Este manual do produto, incluindo as instruções, orientações e avisos, bem como a documentação relacionada, podem estar sujeitos a alterações e atualizações. Para consultar as informações atualizadas do produto, visite [documents.dometic.com](http://documents.dometic.com).

## 2 Explicação dos símbolos

As palavras de advertência identificam mensagens de segurança e mensagens de danos à propriedade, assim como o grau ou nível de seriedade do perigo.



### PERIGO!

Indica uma situação perigosa que, se não for evitada, resultará em morte ou ferimentos graves.



### AVISO!

Indica uma situação perigosa que, se não for evitada, pode causar a morte ou ferimentos graves.



### PRECAUÇÃO!

Indica uma situação perigosa que, se não for evitada, pode causar ferimentos ligeiros ou moderados.



### NOTA!

Indica uma situação que, se não for evitada, pode causar danos materiais.



**OBSERVAÇÃO** Informações suplementares para a utilização do produto.

### 3 Explicação dos símbolos no aparelho



Atenção! Risco de incêndio. Materiais inflamáveis.

### 4 Indicações de segurança



#### **PERIGO! Risco de eletrocussão**

- > Em barcos: em caso de funcionamento com rede elétrica, certifique-se de que a fonte de alimentação está protegida por um disjuntor de corrente residual (RCCB) ou por um interruptor de circuito de falha de terra (GFCI). A instalação, especialmente em áreas potencialmente húmidas, deve estar em conformidade com todas as normas de instalação aplicáveis.
- > Nunca toque em cabos não blindados com as mãos desprotegidas. Isto aplica-se, em especial, durante o funcionamento do aparelho com rede de corrente alternada.



#### **AVISO! Risco de eletrocussão**

- > Não coloque o aparelho de refrigeração em funcionamento se este apresentar danos visíveis.
- > Se o cabo de alimentação deste aparelho de refrigeração estiver danificado, ele terá de ser substituído para evitar perigos.
- > As reparações neste aparelho de refrigeração apenas podem ser realizadas por técnicos qualificados. Reparções inadequadas podem dar origem a perigos consideráveis.
- > Ligue o aparelho a tomadas que garantam uma ligação adequada, sobretudo se for necessário ligar o aparelho à terra.



#### **AVISO! Perigo de incêndio**

- > Ao colocar o aparelho, certifique-se de que o cabo de alimentação não fica preso nem é danificado.
- > Não coloque tomadas múltiplas ou fontes de alimentação portáteis na parte de trás do aparelho.
- > O refrigerante no circuito de refrigeração é altamente inflamável e, em caso de fuga, os gases de combustão podem acumular-se se o aparelho estiver numa divisão pequena. Em caso de danos no circuito de refrigeração:
  - Mantenha chamas sem proteção e potenciais fontes de ignição afastadas do frigorífico.
  - Ventile bem a divisão.
  - Desligue o frigorífico.
- > Para aparelhos de refrigeração com refrigerante R600a:
  - O circuito de refrigeração contém uma pequena quantidade de um refrigerante ecológico mas inflamável. Este produto não é prejudicial para a camada de ozono e não aumenta o efeito de estufa. Qualquer refrigerante vazado pode incendiar-se.
  - Não utilize nem armazene o aparelho de refrigeração em espaços confinados com pouco ou nenhum fluxo de ar.
- > Mantenha desimpedidas as aberturas de ventilação na carcaça do dispositivo ou nos acessórios montados.
- > Não utilize objetos mecânicos ou outros meios para acelerar o processo de descongelamento a não ser os recomendados pelo fabricante.
- > Não abra nem danifique o circuito de refrigeração.
- > Não utilize aparelhos elétricos dentro do aparelho de refrigeração, exceto se esses aparelhos forem recomendados pelo fabricante para o efeito.

**AVISO! Risco para a saúde**

- > Este aparelho pode ser utilizado por crianças a partir dos 8 anos e pessoas com capacidades físicas, sensoriais ou mentais reduzidas ou sem experiência e conhecimento se forem supervisionadas ou receberem instruções sobre a utilização do aparelho de forma segura e compreenderem os perigos implicados.
- > Crianças com idades entre os 3 e os 8 anos podem colocar e tirar itens de aparelhos frigoríficos.
- > As crianças têm de ser supervisionadas, por forma a garantir que não brincam com o aparelho.
- > A limpeza e a manutenção não podem ser efetuadas por crianças sem supervisão.

**AVISO! Perigo de explosão**

Não guarde quaisquer substâncias potencialmente explosivas, tais como latas de spray com um carburante inflamável, no aparelho de refrigeração.

**PRECAUÇÃO! Risco de eletrocussão**

- > Antes de colocar o aparelho de refrigeração em funcionamento, certifique-se de que o cabo da fonte de alimentação e a ficha estão secas.
- > Desligue o aparelho de refrigeração da fonte de alimentação antes de cada trabalho de limpeza e manutenção e após cada utilização.

**PRECAUÇÃO! Risco para a saúde**

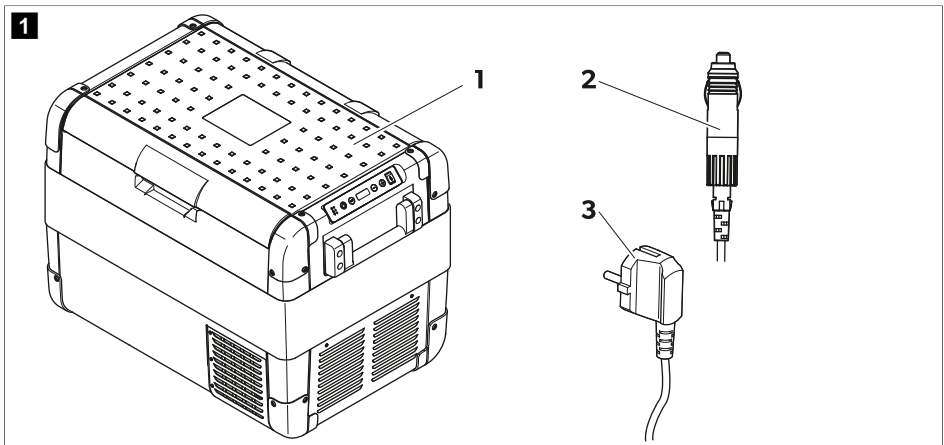
- > Para evitar a contaminação de alimentos, cumpra as seguintes instruções:
  - Verifique se a potência de refrigeração do aparelho cumpre os requisitos dos alimentos que pretende refrigerar.
  - Os alimentos apenas podem ser guardados nas embalagens originais ou em recipientes adequados.
  - Abrir o aparelho de refrigeração durante longos períodos pode provocar um aumento significativo da temperatura nos compartimentos do aparelho.
  - Limpe regularmente as superfícies que entram em contacto com alimentos e os sistemas de drenagem acessíveis.
- > Se o aparelho ficar vazio durante longos períodos:
  - Desligue o aparelho.
  - Descongele o aparelho.
  - Limpe e seque o aparelho.
  - Deixe a tampa aberta para impedir o crescimento de bolor no interior do aparelho.

**NOTA! Risco de danos**

- > Verifique se a indicação de tensão na chapa de características corresponde à da alimentação de energia.
- > Ligue o aparelho de refrigeração apenas do seguinte modo:
  - Com o cabo de ligação de corrente contínua a uma fonte de alimentação de corrente contínua no veículo
  - Ou com o cabo de ligação de corrente alternada a uma fonte de alimentação de corrente alternada
- > Nunca retire a ficha da tomada puxando pelo cabo.
- > Se o aparelho de refrigeração estiver ligado a uma saída de corrente contínua: Desligue o aparelho de refrigeração e outros consumidores da bateria antes de ligar um carregador rápido.
- > Se o aparelho de refrigeração estiver ligado a uma saída de corrente contínua: Desligue da tomada ou desligue o aparelho de refrigeração se desligar o motor. Caso contrário, a bateria do veículo pode descarregar.
- > O aparelho de refrigeração não é adequado para o transporte de materiais cáusticos ou materiais que contenham solventes.

- > O isolamento do aparelho de refrigeração contém ciclopentano inflamável e requer medidas de eliminação especiais. No fim da respetiva vida útil, encaminhe o aparelho de refrigeração para um centro de reciclagem adequado.
- > Não coloque o aparelho de refrigeração na proximidade de chamas abertas ou de outras fontes de calor (aquecedores, radiação solar direta, fornos a gás, etc.).
- > Não verta líquidos nem gelo para dentro do recipiente interior.
- > Nunca mergulhe o aparelho de refrigeração em água.
- > Proteja o aparelho de refrigeração e os cabos do calor e da humidade.
- > O aparelho de refrigeração não pode ser exposto à chuva.
- > Para que o refrigerante possa circular corretamente, a geleira não pode ser inclinada num ângulo de inclinação superior a 30°. Coloque a geleira em posição plana com o auxílio de um nível de bolha de ar.
- > **Risco de sobreaquecimento!** Certifique-se sempre de que existe ventilação suficiente nos quatro lados do aparelho de refrigeração. Mantenha a área de ventilação livre de quaisquer objetos que possam obstruir o fluxo de ar para os componentes de refrigeração. Não coloque o aparelho de refrigeração em compartimentos fechados ou em áreas sem circulação de ar ou com uma circulação de ar muito reduzida.

## 5 Material fornecido



| Item | Quantidade | Descrição                             |
|------|------------|---------------------------------------|
| 1    | 1          | Geleira                               |
| 2    | 1          | Cabo de ligação de corrente contínua  |
| 3    | 1          | Cabo de ligação de corrente alternada |
| -    | 1          | Manual de instruções resumido         |

## 6 Acessórios

Disponível como acessório (não incluído no material fornecido):

| Designação                                     | N.º art.   | Modelo                   |
|--|------------|--------------------------|
| Kit de fixação com abertura rápida CFX-QFK     | 9600000166 | Apenas CFX2 28           |
| Kit de fixação com abertura rápida CFX-QFK3545 | 9600029599 | Apenas CFX2 37 e CFX2 45 |
| Aplicação de refrigeração móvel                | –          | todos os modelos         |

## 7 Utilização adequada

A geleira é adequada para refrigerar alimentos. A geleira também é adequada para a utilização em veículos. A geleira foi concebida para ser ligada a uma tomada de alimentação de corrente contínua de um veículo ou a uma fonte de alimentação de corrente alternada.

A geleira também é adequada para utilização em campismo.

A geleira foi concebida para ser utilizada em aplicações domésticas e semelhantes, tais como

- Áreas de cozinha do pessoal em estabelecimentos comerciais, escritórios e outros ambientes de trabalho
- Explorações agrícolas
- Por clientes em hotéis, motéis e outros ambientes de tipo residencial
- Ambientes do tipo “bed and breakfast”
- Aplicações do ramo de catering e em aplicações semelhantes do comércio grossista

A geleira **não** é adequada para:

- Congelar rapidamente alimentos
- Armazenar substâncias corrosivas, cáusticas ou que contenham solventes
- Utilizar como aparelho de encastrar

Esta geleira destina-se exclusivamente à aplicação e aos fins pretendidos com base nestas instruções.

Este produto destina-se exclusivamente à aplicação e aos fins pretendidos com base nestas instruções.

Este manual fornece informações necessárias para proceder a uma instalação e/ou a uma operação adequadas do produto. Uma instalação e/ou uma operação ou manutenção incorretas causarão um desempenho insatisfatório e uma possível avaria.

O fabricante não aceita qualquer responsabilidade por danos ou prejuízos no produto resultantes de:

- Instalação, montagem ou ligação incorretas, incluindo sobretensões
- Manutenção incorreta ou utilização de peças sobressalentes não originais fornecidas pelo fabricante
- Alterações ao produto sem autorização expressa do fabricante
- Utilização para outras finalidades que não as descritas no presente manual

A Dometic reserva-se o direito de alterar o design e as especificações do produto.

## 8 Descrição técnica

A geleira consegue refrigerar produtos. A refrigeração é efetuada através de um circuito de refrigeração com compressor que requer pouca manutenção. O elevado isolamento e o compressor potente asseguram uma refrigeração eficiente e rápida.

A geleira é adequada para a utilização móvel.

A geleira resiste a uma inclinação de 30°, por exemplo, em barcos, durante períodos curtos.

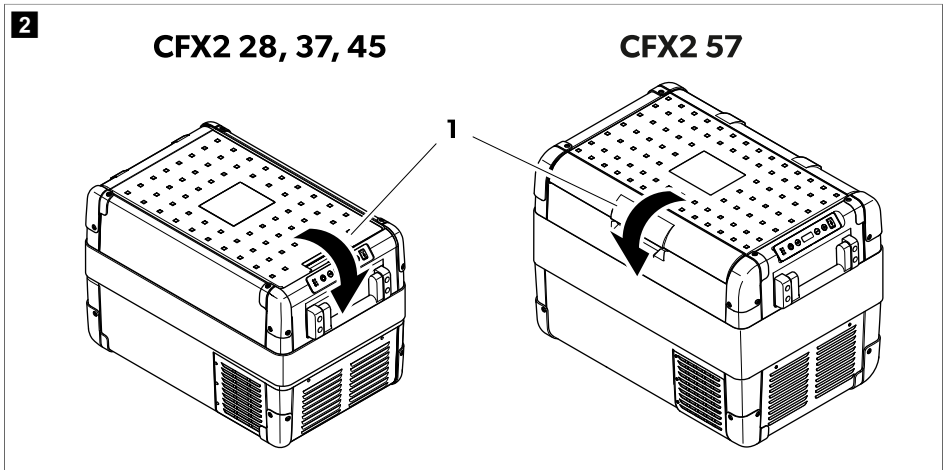


## Âmbito de funções

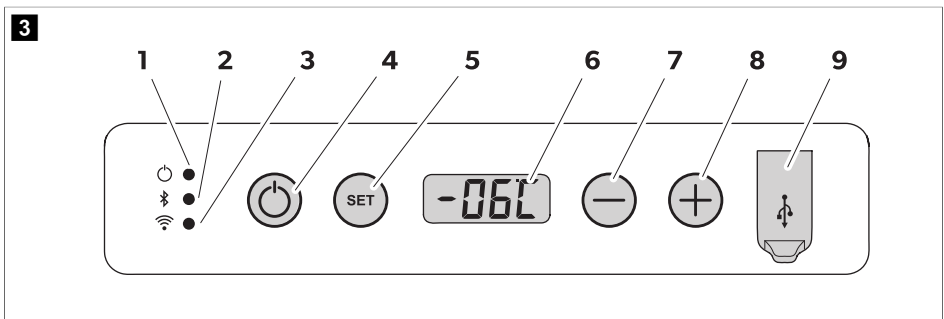
- Fonte de alimentação com ligação prioritária à fonte de alimentação de corrente alternada
- Monitorizador da bateria com três níveis para proteção da bateria do veículo
- Monitor com indicador da temperatura em °C e °F
- Regulação da temperatura com dois botões em incrementos de 1 °C / 1 °F
- Função Bluetooth e WLAN integrada para controlar a geleira através da aplicação de refrigeração móvel
- Pegas articuladas
- Porta USB para a fonte de alimentação
- Cesto amovível

## Elementos de comando e de indicação

Lingueta (  fig. 2 na página 83, 1) para a tampa:



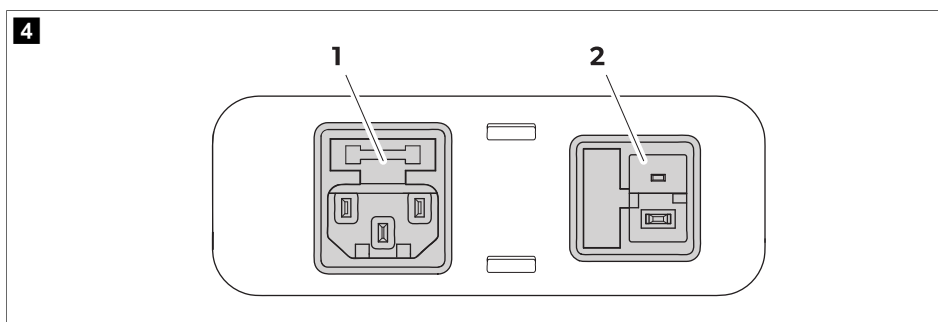
## Painel de comando



| Item | Descrição | Explicação          |
|------|-----------|---------------------|
| 1    | Potência  | Indicação de estado |

| Item | Descrição | Explicação   |
|------|-----------|--|
|      |           | O LED acende-se a branco: o compressor começa a funcionar.<br>O LED acende-se a laranja: o compressor para de funcionar.   |
| 2    | Bluetooth | O LED está desligado: o Bluetooth da geleira está desligado.<br>O LED pisca lentamente a branco: o Bluetooth da geleira está ligado. A geleira não está emparelhada com um aparelho.<br>O LED pisca rapidamente a branco: a geleira emparelha-se com um aparelho através de Bluetooth.<br>O LED acende-se a branco: a geleira está emparelhada com um aparelho através de Bluetooth. |
| 3    | WLAN      | O LED está desligado: a WLAN da geleira está desligada.<br>O LED pisca a branco: a WLAN da geleira está ligada. A geleira não está ligada a um aparelho.<br>O LED acende-se a branco: a geleira está emparelhada com um aparelho através de WLAN.  |
| 4    | ON/OFF    | Liga ou desliga a geleira.   |
| 5    | SET       | Seleciona o modo de introdução: <ul style="list-style-type: none"> <li>• Regulação da temperatura</li> <li>• Representação em Celsius ou Fahrenheit</li> <li>• Regulação do monitorizador da bateria</li> <li>• Regulação da luminosidade do monitor</li> <li>• Regulação do modo de visualização</li> <li>• Regulação do Bluetooth</li> <li>• Regulação da WLAN</li> </ul>          |
| 6    |           | Monitor  |
| 7    | -         | Define a temperatura, a unidade de temperatura, o monitorizador da bateria, o brilho do monitor, o modo, o Bluetooth e a WLAN.   |
| 8    | +         |  |
| 9    |           | Ligação USB  |

### Tomadas de ligação



| Item | Descrição   |
|------|---|
| 1    | Ligação de encaixe da alimentação de tensão em corrente alternada |
| 2    | Ligação de encaixe da alimentação de tensão em corrente contínua  |

## 9 Operação


### Antes da primeira utilização

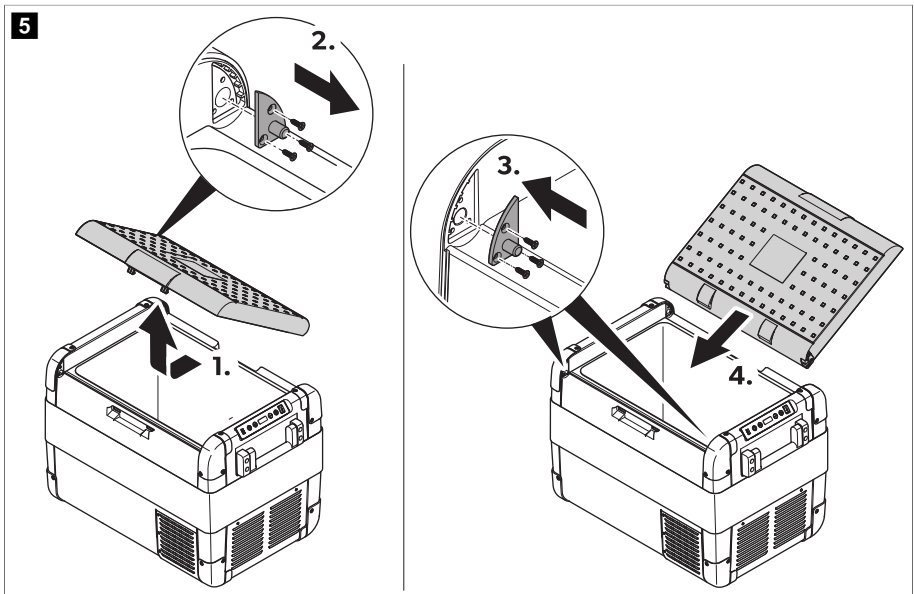




**OBSERVAÇÃO** Por motivos de higiene, antes de ligar a geleira pela primeira vez, limpe o seu interior e exterior com um pano húmido (consulte Limpeza e manutenção na página 92).

### Inverter a direção de abertura da tampa (apenas CFX2 57)

As dobradiças da tampa podem ser movidas para o lado oposto.

1. Abra e remova a tampa (  fig. 5 na página 85).



2. Remova os 3 parafusos de cada dobradiça (  fig. 5 na página 85) e retire-os.
3. Coloque as dobradiças nas novas posições.
4. Encaixe a tampa nas novas posições das dobradiças (  fig. 5 na página 85).

### Poupar energia

- > Escolha um local bem ventilado e protegido da luz solar direta.
- > Primeiro, deixe os alimentos quentes arrefecerem antes de os refrigerar no aparelho de refrigeração.
- > Não abra o aparelho de refrigeração mais vezes do que as necessárias.
- > Não deixe o aparelho de refrigeração aberto durante mais tempo do que o necessário.
- > Se o aparelho refrigerador estiver equipado com um cesto: Para um consumo de energia otimizado, posicione o cesto na sua posição original de entrega.
- > Verifique regularmente se a vedação da tampa ainda está corretamente encaixada.
- > Evite temperaturas desnecessariamente baixas.

## Ligar a geleira

### Ligar a uma bateria



#### NOTA! Risco de danos

- > Para proteção do aparelho, o cabo de corrente contínua fornecido inclui um fusível no interior da ficha. **Não** remova a ficha de corrente contínua com fusível. Utilize apenas o cabo de corrente contínua fornecido.
- > Desligue a geleira e outros consumidores da bateria antes de ligar a bateria a um carregador rápido. A sobretensão pode danificar o sistema eletrônico dos aparelhos ligados à bateria.



**OBSERVAÇÃO** A geleira está equipada com um sistema eletrônico para evitar a inversão da polaridade. O sistema eletrônico protege a geleira de um curto-circuito quando está ligada a uma bateria.

A geleira pode ser utilizada com 12 V  $\overline{=}$  ou 24 V  $\overline{=}$ .

- > Ligue a geleira a uma bateria utilizando o cabo de ligação de corrente contínua, conforme ilustrado.

### Ligação a uma rede de corrente alternada



#### PERIGO! Risco de eletrocussão

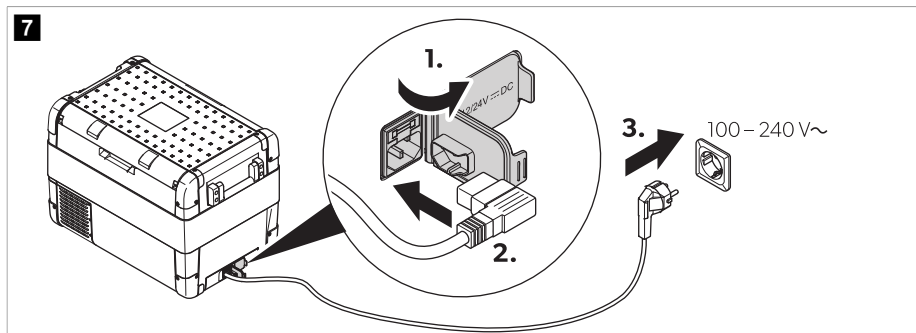
- > Nunca manuseie as fichas e os interruptores quando tiver as mãos molhadas ou quando tiver os pés em pavimento molhado.
- > Se a geleira for utilizada a bordo de um barco com ligação a uma fonte de alimentação de corrente alternada, deve ser sempre instalado um disjuntor de tensão residual entre a fonte de alimentação de corrente alternada e a geleira. Solicite o parecer de um técnico especializado.



#### OBSERVAÇÃO

A geleira está equipada com uma fonte de alimentação integrada para múltiplas tensões com sistema de ligação prioritária a uma fonte de tensão em corrente alternada. A ligação prioritária comuta automaticamente o funcionamento da geleira para corrente alternada se esta for ligada a uma fonte de alimentação de corrente alternada mesmo que o cabo de ligação de corrente contínua permaneça ligado.

- > Ligue a geleira a uma fonte de alimentação de corrente alternada utilizando o cabo de ligação de corrente alternada, conforme ilustrado.



## Utilizar a geleira



### NOTA! Risco de danos

Coloque a geleira com a base virada para baixo.

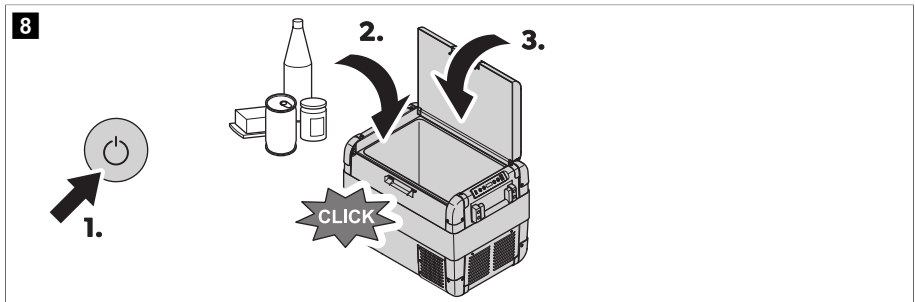
1. Coloque a geleira sobre uma base estável.
2. Ligue a geleira (consulte o capítulo Ligar a geleira na página 86).



### AVISO! Risco para a saúde

Certifique-se de que coloca na geleira apenas os itens que vão ser refrigerados à temperatura selecionada.


3. Prima o botão de ligar/desligar durante 1 ... 2 s .



- ✓ O LED de potência acende-se. O monitor liga-se e apresenta a temperatura atual.



### OBSERVAÇÃO Temperatura apresentada

CFX2 57: a temperatura apresentada é a temperatura do compartimento interior grande (  fig. 9 na página 87 ).

A geleira começa a refrigerar o interior.

## Trancar a tampa da geleira

1. Feche a tampa.
2. Pressione a lingueta para baixo até encaixar de forma audível.

## Evitar desperdício alimentar

Para evitar desperdício alimentar, observe o seguinte

- > Mantenha as oscilações de temperatura o mais reduzidas possível. Abra o aparelho de refrigeração apenas as vezes que forem necessárias e apenas durante o tempo necessário. Armazene os alimentos de modo a que o ar continue a circular bem.
- > Ajuste a temperatura à quantidade e ao tipo de alimentos.
- > Os alimentos podem absorver ou libertar facilmente cheiro ou sabor. Armazene os alimentos sempre bem cobertos ou em recipientes/garrafas fechadas.

### Definir a temperatura

1. Prima o botão **SET** 1 vez.
2. Selecione a temperatura de refrigeração com os botões **+** e **-**.
  - ✓ A temperatura selecionada e **F** são apresentados no monitor durante alguns segundos. O monitor pisca várias vezes. Em seguida, a temperatura atual é novamente apresentada.

### Selecionar a unidade de temperatura

1. Prima o botão **SET** 2 vezes.
2. Prima o botão **+** ou **-** para selecionar a unidade de temperatura.
  - ✓ A unidade de temperatura selecionada e **U** são apresentados no monitor durante alguns segundos. O monitor pisca algumas vezes antes de apresentar a temperatura atual.

### Utilizar o monitorizador da bateria



#### NOTA! Risco de danos

Quando o monitorizador da bateria se desliga, a bateria deixa de estar totalmente carregada. Evite ligar repetidamente ou utilizar consumidores de energia sem fases de carregamento longas. Certifique-se de que a bateria está carregada.

A geleira está equipada com um monitorizador de bateria multinível que protege a bateria do veículo contra uma descarga profunda ao ser ligada à rede de bordo de corrente contínua.

Se a geleira for utilizada com a ignição do veículo desligada, desliga-se automaticamente assim que a tensão de alimentação descer abaixo de um determinado valor. A geleira liga-se novamente assim que a bateria é recarregada para a tensão de novo arranque.

No modo "HIGH", o monitorizador da bateria responde mais rapidamente do que nos modos "LOW" e "MED".

| Modo do monitorizador da bateria | LOW    | MED    | HIGH   |
|----------------------------------|--------|--------|--------|
| Tensão de novo arranque a 12 V   | 11,4 V | 12,2 V | 12,6 V |
| Tensão de desligamento a 12 V    | 10,1 V | 11,2 V | 11,8 V |
| Tensão de novo arranque a 24 V   | 23 V   | 25,3 V | 26,4 V |
| Tensão de desligamento a 24 V    | 21,5 V | 24,1 V | 24,6 V |

Selecione o modo do monitorizador da bateria da seguinte forma:

1. Ligue a geleira.
2. Prima o botão **SET** 3 vezes.
3. Utilize os botões **+** ou **-** para selecionar o modo do monitorizador da bateria.
  - ✓ O monitor muda da seguinte forma: **P L** (LOW), **P M** (MED), **P H** (HIGH)

O monitor apresenta, durante alguns segundos, o modo selecionado. O monitor pisca algumas vezes antes de voltar a apresentar a temperatura atual.



**OBSERVAÇÃO** Se a geleira for alimentada pela bateria de arranque, selecione o modo do monitorizador da bateria "HIGH". Se a geleira estiver ligada a uma bateria de bordo, selecione o modo do monitorizador da bateria "LOW".

### Definir a luminosidade do monitor

A luminosidade do monitor pode ser regulada para condições de pouca iluminação ambiente.

1. Ligue a geleira.
  2. Prima o botão **SET** 4 vezes.
  3. Utilize os botões **+** ou **-** para definir a luminosidade do monitor.
- ✓ O monitor muda da seguinte forma: **[d Lo]** (baixo), **[d Hd]** (médio), **[d Hi]** (elevado)

O monitor apresenta, durante alguns segundos, o modo definido. O monitor pisca algumas vezes antes de voltar a apresentar a luminosidade atual.



**OBSERVAÇÃO** Em caso de falha, a luminosidade muda automaticamente para **[d Hi]** (predefinição). Assim que a falha for corrigida, a luminosidade definida é reativada.

### Utilizar a porta USB

A porta USB permite carregar pequenos aparelhos, como telemóveis e leitores de mp3.

- > Ligue o aparelho a carregar à porta USB da geleira utilizando um cabo USB (não incluído).



**OBSERVAÇÃO** Certifique-se de que o dispositivo ligado é compatível com o funcionamento de 5 V / 2 A.

### Configurar modo de visualização

1. Prima o botão **SET** 5 vezes.
  2. Utilize os botões **+** ou **-** para definir o modo de hibernação.
- ✓ O monitor muda da seguinte forma: **[5 Of]** (desligado), **[5 On]** (ligado), **[5 Lo]** (baixo)

**S Of** (desligado): o modo de hibernação está desativado. O monitor está constantemente ligado.

**S On** (ligado): o modo de hibernação está ativado. Se a geleira não for utilizada durante vários minutos, o monitor apresenta apenas um ponto.

**S Lo** (baixo): o submodo de hibernação está ativado. Se a geleira não for utilizada durante vários minutos, o monitor muda para luminosidade mais baixa.



**OBSERVAÇÃO** Se o monitor estiver no modo de hibernação ou no submodo de hibernação, prima um botão na geleira para sair brevemente do modo correspondente.

### Utilizar a aplicação de refrigeração móvel

A geleira pode ser monitorizada e controlada por Bluetooth ou WLAN utilizando uma aplicação que pode ser instalada num aparelho compatível.

1. Transfira e instale a aplicação de refrigeração móvel.



Obtenha a aplicação em [qr.dometic.com/beiv4R](http://qr.dometic.com/beiv4R).

2. Prima o botão **SET** da seguinte forma:
  - 6 vezes para abrir as definições de Bluetooth.
  - 7 vezes para abrir as definições de WLAN.

3. Utilize os botões **+** ou **-** para definir o Bluetooth ou WLAN.



**OBSERVAÇÃO** Se a geleira estiver emparelhada com um aparelho compatível através de Bluetooth, o modo de emparelhamento tem de ser definido.

- ✓ O monitor muda da seguinte forma ao definir o Bluetooth: **[BLDF]** (desligado), **[BLDN]** (ligado), **[BLPR]** (a emparelhar)



**OBSERVAÇÃO** Se for apresentado **[BLDF]**, o monitor não muda quando o **-** botão é premido. Se for apresentado **[BLPR]**, o monitor não muda quando o **+** botão é premido.

O LED do Bluetooth pisca a branco e o monitor apresenta **[BL]** enquanto o emparelhamento com Bluetooth está a ser estabelecido.

O monitor muda da seguinte forma ao definir a WLAN: **[FDF]** (desligado), **[FDN]** (ligado)

4. Siga as instruções na aplicação de refrigeração móvel.
- ✓ O LED de Bluetooth ou WLAN acende-se quando a geleira está ligada.

### Desligar a geleira

1. Esvazie a geleira.
- 
2. Prima o botão de ligar/desligar.
  3. Desligue o cabo de ligação.
  4. Se a geleira não for utilizada durante um longo período de tempo, deixe a tampa aberta para que não se acumulem odores.

### Descongela a geleira

A humidade do ar pode formar gelo no interior da geleira ou no evaporador. Tal reduz a potência de refrigeração.



#### **NOTA! Risco de danos**

Nunca utilize ferramentas duras ou pontiagudas para retirar as camadas de gelo ou soltar objetos congelados.

Proceda do seguinte modo para descongela a geleira:

1. Retire os produtos que se encontram na geleira.
2. Se necessário, coloque o conteúdo noutra geleira para manter fresco.
3. Desligue a geleira.
4. Deixe a tampa aberta.
5. Limpe a água de descongelação.

### Substituir o fusível de corrente alternada




#### **PERIGO! Risco de eletrocussão**

Antes da substituição do fusível de corrente alternada, desligue a fonte de alimentação e retire o cabo de ligação.

1. Desligue a fonte de alimentação da geleira.





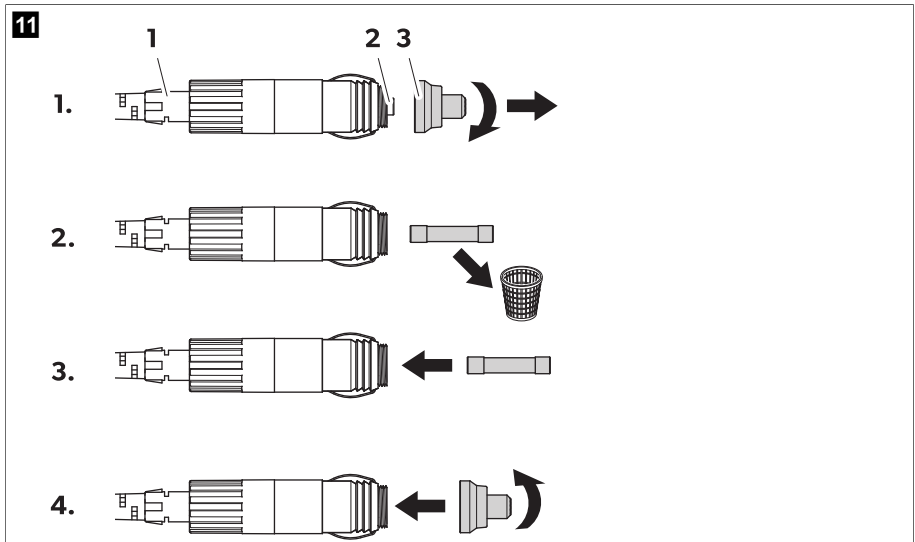
2. Retire os cabos de ligação das tomadas.
3. Retire o encaixe do fusível (  fig. 4 na página 84 2) com uma chave de parafusos.
4. Substitua o fusível de vidro danificado por um fusível novo com o mesmo tipo e a mesma especificação ( 4 A , 250 V).
5. Volte a pressionar o encaixe do fusível para dentro da caixa.
6. Volte a ligar a fonte de alimentação ao aparelho.


### Substituir o fusível da ficha de corrente contínua



**OBSERVAÇÃO** Existe um fusível de corrente contínua adicional dentro do aparelho (fusível de encaixe plano padrão para automóveis, 10 A). Este fusível apenas pode ser substituído por um centro de reparação autorizado.

1. Desaparafuse a caixa do pino de contacto (  fig. 11 na página 91 3) da ficha (  fig. 11 na página 91 1).



2. Substitua o fusível defeituoso (  fig. 11 na página 91 2) por um novo do mesmo tipo e com a mesma especificação (3AG, ação rápida, 10 A).
3. Volte a montar a ficha pela ordem inversa.

### Substituir a placa de circuito impresso de luz



**NOTA! Risco de danos**

Para evitar quaisquer perigos, a placa de circuito impresso de luz apenas pode ser substituída pelo fabricante, por um agente de assistência técnica ou por uma pessoa com qualificação semelhante.

## 10 Limpeza e manutenção



### PRECAUÇÃO! Risco de eletrocussão

Certifique-se de que o aparelho de refrigeração está desligado da fonte de alimentação antes de qualquer trabalho de limpeza ou manutenção.



### NOTA! Risco de danos

- > Nunca limpe o aparelho de refrigeração sob água corrente ou em água de lavar a loiça.
  - > Não utilize utensílios de limpeza abrasivos nem objetos duros ao limpar.
- > De vez em quando, limpe o interior e o exterior do aparelho com um pano húmido.
- > Certifique-se que as aberturas de entrada e saída de ar do aparelho de refrigeração estão livres de pó e sujidade para que, durante o funcionamento, o calor possa ser libertado e o aparelho de refrigeração não seja danificado.

## 11 Resolução de falhas

| Falha  | Possível causa  | Sugestão de solução  |
|--|---|--|
| A geleira não funciona. O LED de potência não acende.  | Não é detetada tensão na tomada de corrente contínua.                           | > Ligue a ignição do veículo.  |
|  | Não é detetada tensão na tomada de corrente alternada.                          | > Utilize outra tomada.  |
|  | O fusível de corrente alternada está queimado.                                  | > Substitua o fusível de corrente alternada, consulte Substituir o fusível de corrente alternada na página 90.   |
|  | O adaptador de rede integrado está avariado.                                    | > Contacte um agente de assistência técnica autorizado.  |
| O LED de potência acende-se a laranja, é apresentado o código de erro <b>E 01</b> e a geleira não está a arrefecer, mesmo que a ficha esteja ligada. | O monitorizador da bateria está definido para um nível demasiado elevado.       | <ol style="list-style-type: none"> <li>1. Defina o monitorizador da bateria para um modo mais baixo (consulte Utilizar o monitorizador da bateria na página 88).</li> <li>2. Teste a bateria de arranque.</li> <li>3. Se necessário, carregue a bateria de arranque.</li> </ol> <p>Siga as indicações do fabricante.</p>   |
|  | O monitorizador da bateria está definido para um nível demasiado baixo.         | <ol style="list-style-type: none"> <li>1. Defina o monitorizador da bateria para um modo mais elevado (consulte Utilizar o monitorizador da bateria na página 88).</li> <li>2. Teste a bateria de arranque.</li> <li>3. Se necessário, carregue a bateria de arranque.</li> </ol> <p>Siga as indicações do fabricante.</p> |
| Durante o funcionamento da geleira na saída de corrente contínua: a ignição está ligada e a geleira não funciona. O LED de potência não acende.      | A ficha de corrente contínua não está ligada corretamente.                      | > Ligue novamente a ficha de corrente contínua.  |
|  | A tomada de corrente contínua está suja. Isto provoca um mau contacto elétrico. | > Limpe a saída de corrente contínua. Siga as indicações do fabricante.  |

| Falha   | Possível causa  | Sugestão de solução   |
|---|---|---|
|   | A ficha de corrente contínua está queimada.                       | > Substitua o fusível da ficha de corrente contínua, consulte o capítulo Substituir o fusível da ficha de corrente contínua na página 91. |
|   | O fusível de corrente contínua dentro da geleira está queimado.   | > Contacte um agente de assistência técnica autorizado.   |
|   | O fusível da saída de corrente contínua do veículo está queimado. | > Substitua o fusível da saída de corrente contínua do veículo. Siga as indicações do fabricante.   |
| O monitor apresenta um código de erro e a geleira não arrefece (consulte Códigos de erro na página 93). | A geleira desligou-se devido a uma falha interna.                 | > Contacte um agente de assistência técnica autorizado.   |

## Códigos de erro



**OBSERVAÇÃO** Se ocorrer um dos códigos de erro **E 02** a **E 07**, contacte um agente de assistência técnica autorizado.

| Código de erro | Descrição                       |
|----------------|---------------------------------|
| <b>E 01</b>    | Tensão baixa/sobretensão        |
| <b>E 02</b>    | Sobrecarga do ventilador        |
| <b>E 03</b>    | Falha no arranque do compressor |
| <b>E 04</b>    | Velocidade do compressor baixa  |
| <b>E 05</b>    | Sobreaquecimento do controlador |
| <b>E 06</b>    | Circuito aberto NTC             |
| <b>E 07</b>    | Curto-circuito NTC              |

## 12 Garantia

Aplica-se o prazo de garantia legal. Se o produto apresentar defeitos, contacte a filial do fabricante no seu país (consulte [dometic.com/dealer](http://dometic.com/dealer)) ou o seu revendedor.

Para fins de reparação ou de garantia, terá de enviar também os seguintes documentos:

- Uma cópia da fatura com a data de aquisição
- Um motivo de reclamação ou uma descrição da falha

Tenha em atenção que as reparações feitas por si ou por não profissionais podem ter consequências sobre a segurança e anular a garantia.

## 13 Eliminação



### **AVISO! Risco de as crianças ficarem presas**

Desmonte a tampa antes de eliminar o seu aparelho de refrigeração usado. Deixe os cestos no devido lugar para que as crianças não possam subir facilmente para o seu interior.



Sempre que possível, coloque o material de embalagem no respetivo contentor de reciclagem. Informe-se junto do centro de reciclagem ou distribuidor mais próximo sobre como eliminar este produto de acordo com as disposições de eliminação aplicáveis.



Reciclagem de produtos com baterias, baterias recarregáveis ou fontes de luz: remova todas as pilhas, baterias recarregáveis e fontes de luz antes de reciclar o produto. Entregue os seus acumuladores danificados ou pilhas gastas numa loja ou centro de recolha. As pilhas, baterias recarregáveis e fontes de luz não devem ser eliminadas juntamente com o lixo doméstico. Para eliminar definitivamente o produto, informe-se junto do centro de reciclagem ou distribuidor mais próximo sobre as disposições de eliminação aplicáveis. O produto pode ser eliminado gratuitamente.

## 14 Dados técnicos



**OBSERVAÇÃO** Se a temperatura ambiente for superior a 32 °C, não é possível atingir a temperatura mínima.

Este produto contém gases fluorados com efeito de estufa.

A unidade de refrigeração está hermeticamente fechada.

|  | CFX2 28   | CFX2 37   | CFX2 45  | CFX2 57  |
|--|---|---|--|--|
| Entrada nominal                              | 50 ... 60 Hz<br>100 ... 240 V~                                  |   |  |  |
| Corrente nominal                             | 12 V : 8,6 A<br>24 V : 3,8 A<br>100 V : 1,6 A<br>240 V : 0,77 A | 12 V : 8,7 A<br>24 V : 3,85 A<br>100 V : 1,63 A<br>240 V : 0,78 A | 12 V : 8,8 A<br>24 V : 3,9 A<br>100 V : 1,65 A<br>240 V : 0,79 A | 12 V : 9 A<br>24 V : 4 A<br>100 V : 1,7 A<br>240 V : 0,8 A |
| Potência de refrigeração                     | -22 °C ... 20 °C  |   |  |  |
| Temperatura ambiente                         | 16 °C ... 43 °C   |   |  |  |
| Classe climática                             | N ou T  |   |  |  |
| USB  | 5 V 2 A   |   |  |  |
| Refrigerante                                 | R600a   |   |  |  |
| Quantidade de líquido refrigerante existente | 13 g  | 13 g  | 14 g   | 17 g   |
| Dimensões (L x A x P, incluindo pegas)       | 600 mm × 427 mm × 345 mm  | 678 mm × 428 mm × 401 mm  | 678 mm × 493 mm × 401 mm   | 709 mm × 503 mm × 458 mm                                   |
| Volume ("Volume")                            | 28 L  | 37 L  | 45 L   | 57 L   |
| Peso   | 13,5 kg   | 15,8 kg   | 16,8 kg  | 18,5 kg  |
| Banda de frequência (WLAN)                   | 2,4 GHz   |   |  |  |
| Potência de saída máx.                       |   |   |  |  |
| WLAN   | 19,22 dBm   |   |  |  |
| Bluetooth                                    | 7,93 dBm  |   |  |  |

Com a presente, a Dometic (Zhuhai) Technology Co., Ltd declara que o tipo de equipamento de rádio CFX2 28, CFX2 37, CFX2 45, CFX2 57 cumpre a Diretiva 2014/53/UE. O texto integral da declaração de conformidade UE está disponível no seguinte endereço de Internet: [documents.dometic.com](http://documents.dometic.com)

Consulte mais informações sobre o produto através do código QR existente na etiqueta de energia ou em [eprel.ec.europa.eu](http://eprel.ec.europa.eu).

**12**

**ENERGY**

SUPPLIER'S NAME MODEL IDENTIFIER

A  
B  
C  
D  
E  
F  
G

**XYZ kWh/annum**

XYZ L

XY dB  
ABCD

[eprel.ec.europa.eu](http://eprel.ec.europa.eu)

## Italiano

|    |   |     |
|----|---|-----|
| 1  | Note importanti.....                            | 96  |
| 2  | Spiegazione dei simboli.....                    | 96  |
| 3  | Spiegazione dei simboli sull'apparecchio.....   | 97  |
| 4  | Istruzioni per la sicurezza.....                | 97  |
| 5  | Dotazione.....                                  | 99  |
| 6  | Accessori.....                                  | 99  |
| 7  | Destinazione d'uso.....                         | 100 |
| 8  | Descrizione delle caratteristiche tecniche..... | 100 |
| 9  | Funzionamento.....                              | 103 |
| 10 | Pulizia e manutenzione.....                     | 110 |
| 11 | Risoluzione dei problemi.....                   | 110 |
| 12 | Garanzia.....                                   | 111 |
| 13 | Smaltimento.....                                | 112 |
| 14 | Specifiche tecniche.....                        | 112 |

## 1 Note importanti

Si prega di leggere attentamente e di seguire tutte le istruzioni, le linee guida e le avvertenze incluse in questo manuale del prodotto, al fine di garantire che il prodotto venga sempre installato, utilizzato e mantenuto nel modo corretto. Queste istruzioni DEVONO essere conservate insieme al prodotto.

Utilizzando il prodotto, l'utente conferma di aver letto attentamente tutte le istruzioni, le linee guida e le avvertenze e di aver compreso e accettato di rispettare i termini e le condizioni qui espressamente indicati. L'utente accetta di utilizzare questo prodotto solo per lo scopo e l'applicazione previsti e in conformità alle istruzioni, le linee guida e le avvertenze indicate nel presente manuale del prodotto, nonché in conformità alle leggi e ai regolamenti applicabili. La mancata lettura e osservanza delle istruzioni e delle avvertenze qui espressamente indicate può causare lesioni personali e a terzi, danni al prodotto o ad altre proprietà nelle vicinanze. Il presente manuale del prodotto, comprese le istruzioni, le linee guida e le avvertenze e la relativa documentazione possono essere soggetti a modifiche e aggiornamenti. Per informazioni aggiornate sul prodotto, visitare [documents.dometic.com](http://documents.dometic.com).

## 2 Spiegazione dei simboli

Il termine presente nella segnalazione identifica i messaggi di sicurezza e quelli relativi al danneggiamento della proprietà, oltre a indicare il grado o livello di gravità del rischio.



### PERICOLO!

Indica una situazione di pericolo che, se non evitata, provoca lesioni gravi o mortali.



### AVVERTENZA!

Indica una situazione di pericolo che, se non evitata, potrebbe provocare lesioni gravi o mortali.



### ATTENZIONE!

Indica una situazione di pericolo che, se non evitata, potrebbe provocare lesioni di entità lieve o moderata.



### AVVISO!

Indica una situazione di pericolo che, se non evitata, può provocare danni alle cose.



**NOTA** Informazioni supplementari relative al funzionamento del prodotto.

### 3 Spiegazione dei simboli sull'apparecchio



Avviso! Rischio di incendio, materiali infiammabili.

### 4 Istruzioni per la sicurezza



#### **PERICOLO! Pericolo di scosse elettriche**

- > Per le imbarcazioni: se l'apparecchio è alimentato dalla rete elettrica, assicurarsi che l'alimentazione abbia un interruttore differenziale: un interruttore di corrente residua (RCCB) o un interruttore di circuito di guasto a terra (GFCI). L'installazione, soprattutto nelle aree potenzialmente umide, deve essere eseguita conformemente a tutte le norme di installazione applicabili.
- > Non toccare mai i cavi esposti a mani nude. Questo vale soprattutto per il funzionamento con rete di alimentazione CA.



#### **AVVERTENZA! Pericolo di scosse elettriche**

- > Non mettere in funzione il frigorifero se presenta danni visibili.
- > Se il cavo di alimentazione di questo frigorifero è danneggiato, deve essere sostituito per evitare pericoli per la sicurezza.
- > Questo frigorifero può essere riparato solo da personale qualificato. Riparazioni eseguite non correttamente possono creare considerevoli rischi.
- > Collegare l'apparecchio a prese che garantiscano una connessione adeguata, soprattutto quando l'apparecchio deve essere collegato alla massa.



#### **AVVERTENZA! Pericolo di incendio**

- > Durante il posizionamento dell'apparecchio, assicurarsi che il cavo di alimentazione non venga bloccato o danneggiato.
- > Non collocare prese multiple portatili o alimentatori portatili sul retro dell'apparecchio.
- > Il refrigerante nel circuito di raffreddamento è altamente infiammabile e in caso di perdita, i gas combustibili potrebbero accumularsi se l'apparecchio si trova in un ambiente di piccole dimensioni. In caso di danneggiamento del circuito di raffreddamento:
  - Tenere le fiamme libere e potenziali fonti di accensione lontane dal frigorifero.
  - Aerare bene l'ambiente.
  - Disattivare il frigorifero.
- > Per i frigoriferi con refrigerante R600a:
  - Il circuito di raffreddamento contiene una piccola quantità di un refrigerante ecologico ma infiammabile. Non danneggia lo strato di ozono e non aumenta l'effetto serra. Qualsiasi perdita di refrigerante può incendiarsi.
  - Non usare o conservare il frigorifero portatile in spazi ristretti con un flusso d'aria assente o minimo.
- > Assicurare che le aperture di ventilazione nell'alloggiamento dell'apparecchio o nelle strutture da incasso non siano ostruite.
- > Non utilizzare oggetti metallici o altri attrezzi per cercare di accelerare il processo di sbrinamento, a meno che non siano consigliati dal produttore a tale scopo.
- > Non aprire o danneggiare il circuito di raffreddamento.
- > Non utilizzare apparecchi elettrici all'interno del frigorifero, a eccezione di quelli consigliati dallo stesso produttore.

**AVVERTENZA! Pericolo per la salute**

- > Questo apparecchio può essere utilizzato da bambini di età superiore a 8 anni, da persone con ridotte capacità fisiche, sensoriali o mentali o da persone inesperte o prive di conoscenze specifiche solo se sorvegliate o preventivamente istruite sull'impiego dell'apparecchio in sicurezza e se informate dei pericoli legati al prodotto stesso.
- > I bambini dai 3 agli 8 anni possono riempire e svuotare gli apparecchi di refrigerazione.
- > Controllare che i bambini non giochino con questo apparecchio.
- > La pulizia e la manutenzione non devono essere eseguite da bambini senza la presenza di un adulto.

**AVVERTENZA! Pericolo di esplosione**

Non conservare nel frigorifero sostanze esplosive come ad es. bombolette spray con gas propellente infiammabile.

**ATTENZIONE! Pericolo di scosse elettriche**

- > Prima della messa in funzione del frigorifero portatile, assicurarsi che il cavo di alimentazione e la spina siano asciutte.
- > Scollegare il frigorifero dall'alimentazione prima di eseguire operazioni di pulizia e manutenzione e dopo ciascun uso.

**ATTENZIONE! Pericolo per la salute**

- > Per evitare la contaminazione degli alimenti, rispettare le seguenti istruzioni:
  - Accertarsi che la capacità di raffreddamento dell'apparecchio sia adatta agli alimenti da refrigerare.
  - I generi alimentari possono essere conservati solo nelle confezioni originali o in contenitori adatti.
  - L'apertura prolungata del frigorifero può causare un significativo aumento della temperatura nei vani dell'apparecchio.
  - Pulire regolarmente le superfici che vengono a contatto con gli alimenti e i sistemi di scarico accessibili.
- > Se l'apparecchio viene lasciato vuoto per lunghi periodi:
  - Spegnerne l'apparecchio.
  - Sbrinare l'apparecchio.
  - Pulire e asciugare l'apparecchio.
  - Lasciare il coperchio aperto per evitare lo sviluppo di muffe all'interno dell'apparecchio.

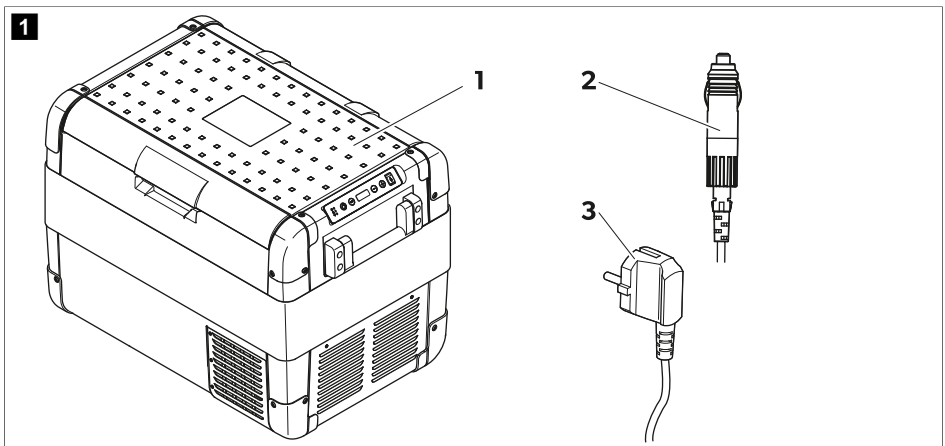
**AVVISO! Rischio di danni**

- > Confrontare i dati della tensione riportati sulla targhetta con quelli delle prese e degli attacchi disponibili.
- > Collegare il frigorifero solo nel modo seguente:
  - con il cavo di collegamento della corrente continua a una rete di corrente continua nel veicolo.
  - oppure collegando il cavo di collegamento CA alla rete di alimentazione in corrente alternata.
- > Non estrarre mai la spina dalla presa tirando il cavo.
- > Se il frigorifero portatile è collegato a una presa di corrente continua: staccare il frigorifero e le altre utenze elettriche dalla batteria prima di collegare il caricabatterie rapido.
- > Se il frigorifero portatile è collegato a una presa di corrente continua: staccare il frigorifero o spegnerlo quando il motore viene spento. Altrimenti la batteria si può scaricare.
- > Il frigorifero non è adatto per il trasporto di materiale caustico o materiali contenenti solventi.
- > L'isolamento del frigorifero contiene ciclopentano infiammabile e necessita di procedure speciali per lo smaltimento. Al termine del suo ciclo di vita consegnare il frigorifero portatile presso un centro di riciclaggio adatto.



- > Non posizionare il frigorifero in prossimità di fiamme libere o di altre fonti di calore (radiatori, diretta esposizione ai raggi solari, forni a gas ecc.).
- > Non versare nessun tipo di liquido o ghiaccio nel contenitore interno.
- > Non immergere mai il frigorifero in acqua.
- > Proteggere il frigorifero portatile e il cavo dal caldo e dall'umidità.
- > Non esporre il frigorifero portatile alla pioggia.
- > Affinché il refrigerante possa circolare correttamente, il frigorifero portatile non deve superare un angolo di inclinazione di 30°. Posizionare il frigorifero portatile in orizzontale servendosi di una livella ad acqua.
- > **Rischio di surriscaldamento!** Assicurarsi che sia sempre garantita una ventilazione sufficiente su tutti e quattro i lati del frigorifero. Mantenere l'area di ventilazione priva di oggetti che potrebbero limitare il flusso d'aria verso i componenti di raffreddamento. Non collocare il frigorifero in scomparti chiusi o aree con flusso d'aria assente o minimo.

## 5 Dotazione



| Articolo | Quantità | Descrizione                                 |
|----------|----------|---|
| 1        | 1        | Frigorifero portatile                       |
| 2        | 1        | Cavo di collegamento per corrente continua  |
| 3        | 1        | Cavo di collegamento per corrente alternata |
| -        | 1        | Guida rapida d'uso                          |

## 6 Accessori

Disponibili come accessorio (non in dotazione):

| Denominazione                                  | N. art.    | Modello                |
|--|------------|------------------------|
| Kit di fissaggio a chiusura rapida CFX-QFK     | 9600000166 | Solo CFX2 28           |
| Kit di fissaggio a chiusura rapida CFX-QFK3545 | 9600029599 | Solo CFX2 37 e CFX2 45 |

| Denominazione                           | N. art. | Modello             |
|---|---------|---------------------|
| App mobile per il frigorifero portatile | -       | Per tutti i modelli |

## 7 Destinazione d'uso

Il frigorifero portatile è adatto per raffreddare gli alimenti. È anche adatto per l'uso su veicoli, poiché è stato ideato per il funzionamento con la presa di corrente continua di un veicolo o con una rete di alimentazione alternata.

Il frigorifero portatile è adatto per l'uso in campeggio.

Il frigorifero portatile è destinato ad essere utilizzato in applicazioni domestiche e simili, quali:

- aree cucina del personale in negozi, uffici e altri ambienti di lavoro
- agriturismi
- clienti in hotel, motel e altri ambienti di tipo residenziale
- ambienti di tipo bed and breakfast
- catering e applicazioni simili non al dettaglio.

Il frigorifero portatile **non** è adatto per:

- il congelamento rapido degli alimenti
- la conservazione di sostanze corrosive, caustiche o contenenti solventi
- l'utilizzo come apparecchio da incasso

Questo frigorifero portatile è adatto solo per l'uso e l'applicazione previsti in conformità alle presenti istruzioni.

Questo prodotto è adatto solo per l'uso e l'applicazione previsti in conformità alle presenti istruzioni.

Il presente manuale fornisce le informazioni necessarie per la corretta installazione e/o il funzionamento del prodotto. Un'installazione errata e/o un utilizzo o una manutenzione impropri comporteranno prestazioni insoddisfacenti e un possibile guasto.

Il fabbricante non si assume alcuna responsabilità per eventuali lesioni o danni al prodotto che derivino da:

- Installazione, montaggio o collegamento errati, compresa la sovrattensione
- Manutenzione non corretta o uso di parti di ricambio diverse da quelle originali fornite dal fabbricante
- Modifiche al prodotto senza esplicita autorizzazione del fabbricante
- Impiego per scopi diversi da quelli descritti nel presente manuale

Dometic si riserva il diritto di modificare l'aspetto e le specifiche del prodotto.

## 8 Descrizione delle caratteristiche tecniche

Il frigorifero portatile può raffreddare i prodotti. Il raffreddamento avviene mediante un circuito di raffreddamento a bassa manutenzione e con compressore. Il generoso isolamento e il potente compressore assicurano un raffreddamento efficiente e rapido.

Il frigorifero è adatto per l'uso mobile.


Il frigorifero portatile può sopportare per brevi periodi un'inclinazione di 30°, ad esempio sulle barche.

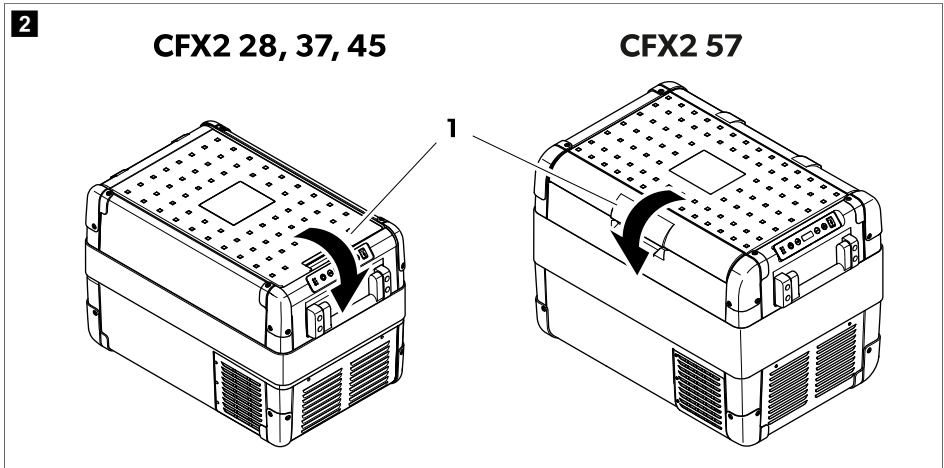
### Funzioni

- Alimentazione con circuito di priorità per il collegamento alla rete di alimentazione a corrente alternata
- Dispositivo di controllo automatico a 3 livelli per proteggere la batteria del veicolo
- Display con indicazione della temperatura in °C e °F
- Impostazione della temperatura con 2 tasti in incrementi di 1°C / 1°F

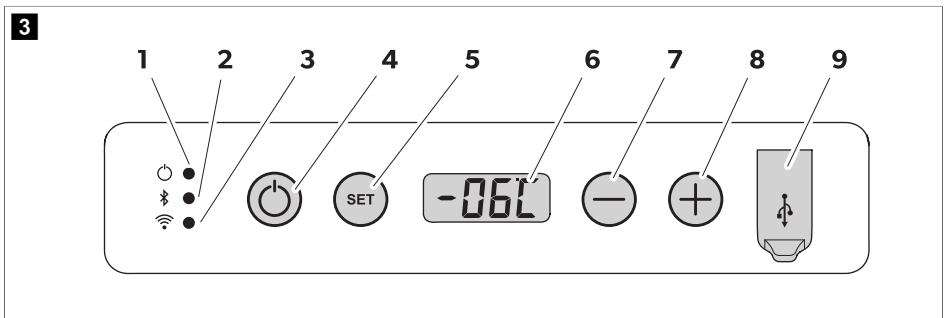
- Funzione Bluetooth e WLAN integrata per controllare il frigorifero tramite l'app mobile
- Maniglie richiudibili
- Porta USB per l'alimentazione
- Cestino estraibile

## Elementi di comando e indicazione

Fermo (  fig. **2** alla pagina 101, **1**) per il coperchio:



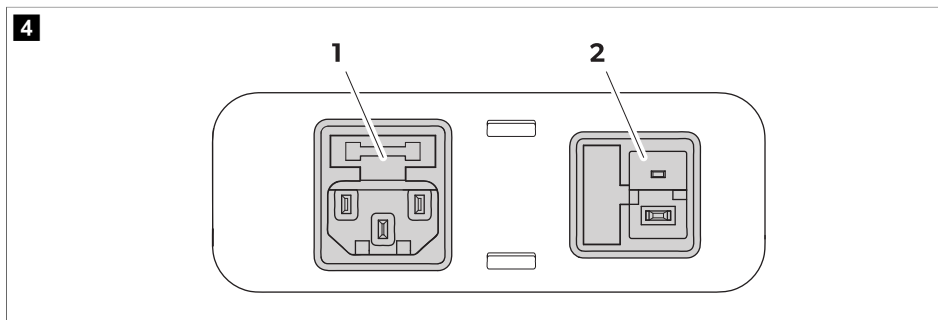
## Pannello di controllo



| Articolo | Descrizione | Spiegazione  |
|----------|-------------|--|
| 1        | Potenza     | Indicazione di stato<br>Il LED si accende con luce bianca: Il compressore inizia a funzionare. |
|          |             | Il LED si accende con luce arancione: Il compressore arresta il funzionamento.                 |
| 2        | Bluetooth   | Il LED è spento: La funzione Bluetooth del frigorifero portatile è spenta.                     |

| Articolo | Descrizione | Spiegazione   |  |
|----------|-------------|---|--|
|          |             | Il LED lampeggia lentamente con luce bianca   | La funzione Bluetooth del frigorifero portatile è accesa. Il frigorifero portatile non è associato a un dispositivo. |
|          |             | Il LED lampeggia rapidamente con luce bianca:   | Il frigorifero portatile sta effettuando l'associazione a un dispositivo tramite Bluetooth.                          |
|          |             | Il LED si accende con luce bianca:  | Il frigorifero portatile ha effettuato l'associazione a un dispositivo tramite Bluetooth.                            |
| 3        | WLAN        | Il LED è spento:  | La funzione WLAN del frigorifero portatile è spenta.   |
|          |             | Il LED lampeggia con luce bianca:   | La funzione WLAN del frigorifero portatile è accesa. Il frigorifero portatile non è connesso ad alcun dispositivo.   |
|          |             | Il LED si accende con luce bianca:  | Il frigorifero portatile ha effettuato l'associazione a un dispositivo tramite WLAN.                                 |
| 4        | ON/OFF      | Accende o spegne il frigorifero.  |  |
| 5        | SET         | Seleziona la modalità di impostazione: <ul style="list-style-type: none"> <li>• Impostazione della temperatura</li> <li>• Indicazione in gradi Celsius o Fahrenheit</li> <li>• Impostazione del dispositivo di controllo automatico della batteria</li> <li>• Impostazione della luminosità del display</li> <li>• Impostazione della modalità di visualizzazione</li> <li>• Impostazione del Bluetooth</li> <li>• Impostazione della WLAN</li> </ul> |  |
| 6        |             | Display   |  |
| 7        | -           | Consente di impostare la temperatura, l'unità di misura della temperatura, il controllo automatico della batteria, la luminosità del display, la modalità, il Bluetooth e la WLAN.  |  |
| 8        | +           |   |  |
| 9        |             | Porta USB   |  |

### Prese di collegamento



| Articolo | Descrizione   |
|----------|---|
| 1        | Presa di collegamento per l'alimentazione di tensione alternata |
| 2        | Presa di collegamento per l'alimentazione di tensione continua  |

## 9 Funzionamento

### Prima della messa in funzione iniziale

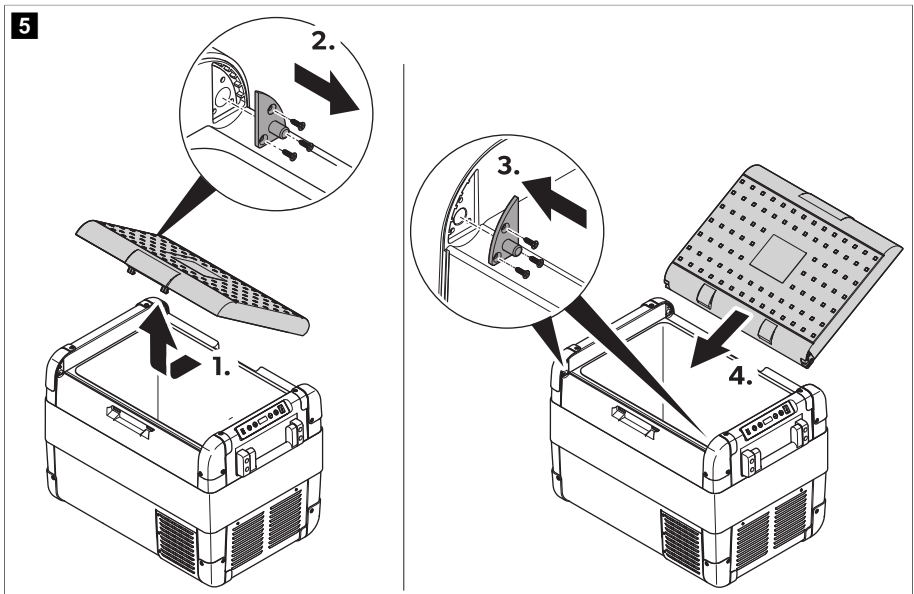




**NOTA** Per motivi igienici, prima della messa in funzione iniziale del frigorifero portatile, è opportuno pulirne l'interno e l'esterno con un panno umido (vedere Pulizia e manutenzione alla pagina 110).

### Inversione della direzione di apertura del coperchio (solo CFX2 57)

Le cerniere del coperchio possono essere spostate sul lato opposto.

1. Aprire o rimuovere il coperchio (  fig. 5 alla pagina 103)



2. Svitare le 3 viti di ciascuna cerniera (  fig. 5 alla pagina 103) ed estrarle.
3. Applicare le cerniere nelle nuove posizioni.
4. Inserire il coperchio nelle nuove posizioni delle cerniere (  fig. 5 alla pagina 103).

### Risparmio energetico

- > Scegliere un luogo di sosta ben aerato e riparato dai raggi solari.
- > Lasciare raffreddare i cibi caldi prima di metterli nel frigorifero portatile per congelarli.
- > Non aprire il frigorifero più spesso del necessario.
- > Non lasciare il frigorifero portatile aperto più a lungo del necessario.
- > Se il frigorifero portatile ha un cestino: per un consumo energetico ottimale, posizionare il cestino in base alla sua posizione al momento della consegna.
- > Controllare regolarmente che la guarnizione del coperchio aderisca bene.
- > Evitare temperature inutilmente basse.

## Collegamento del frigorifero portatile

### Collegamento a una batteria



#### AVVISO! Rischio di danni

- > Per proteggere l'apparecchio, il cavo di corrente continua fornito comprende un fusibile all'interno della spina. **Non** rimuovere la spina a corrente continua con fusibile. Utilizzare solo il cavo di corrente continua fornito in dotazione.
- > Scollegare il frigorifero portatile e le altre utenze dalla batteria prima di collegare quest'ultima a un caricabatterie rapido. Le sovratensioni possono danneggiare il sistema elettronico degli apparecchi collegati alla batteria.



**NOTA** Il frigorifero portatile è dotato di un sistema elettronico che lo protegge contro l'inversione di polarità. In questo modo è al sicuro dai cortocircuiti durante il collegamento a una batteria.

Il frigorifero portatile può essere utilizzato ovunque sia possibile il funzionamento a 12 V  $\overline{\text{---}}$  o 24 V  $\overline{\text{---}}$ .

- > Collegare il frigorifero portatile a una batteria tramite il cavo di corrente continua come illustrato in figura.

### Collegamento a una rete di alimentazione a corrente alternata



#### PERICOLO! Pericolo di scosse elettriche

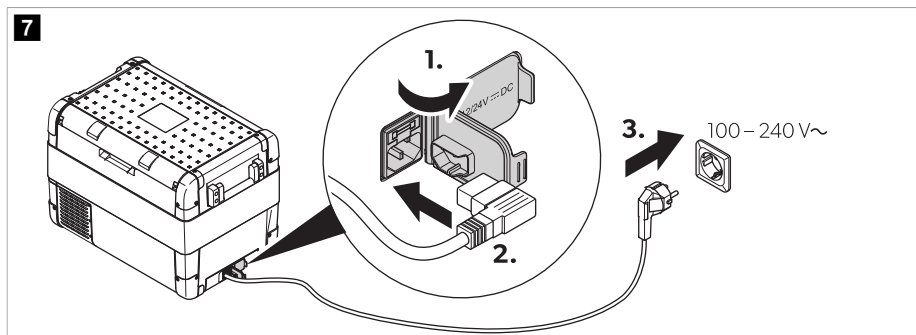
- > Non toccare mai spine e interruttori con le mani bagnate o se si sta con i piedi su una superficie bagnata.
- > Se il frigorifero portatile si trova a bordo di un'imbarcazione ed è alimentato da una rete a corrente alternata, occorre inserire un interruttore differenziale di protezione fra la rete di alimentazione e il frigorifero portatile. Farsi consigliare da un esperto.



#### NOTA

Il frigorifero portatile prevede un'alimentazione multitensione con circuito di priorità per il collegamento a una fonte di tensione a corrente continua. Se l'apparecchio è collegato a un'alimentazione a corrente alternata, il circuito di priorità fa passare automaticamente il frigorifero portatile al funzionamento a corrente alternata, anche se il cavo di corrente continua è ancora collegato.

- > Collegare il frigorifero a un'alimentazione a corrente alternata tramite l'apposito cavo come illustrato in figura.



## Utilizzo del frigorifero portatile



### AVVISO! Rischio di danni

Posizionare il frigorifero portatile con la base rivolta verso il basso.

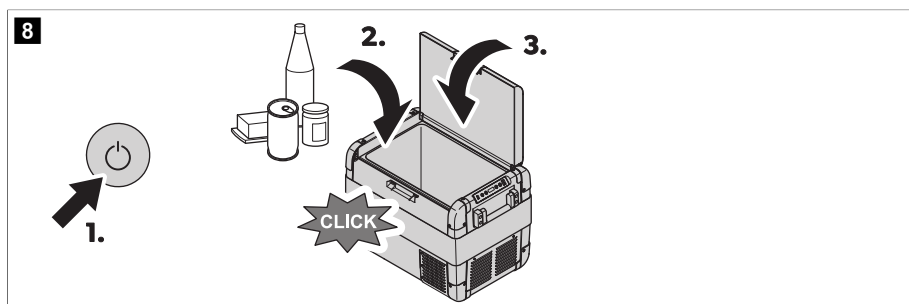
1. Collocare il frigorifero portatile su una base stabile.
2. Collegare il frigorifero portatile (vedere il capitolo Collegamento del frigorifero portatile alla pagina 104).



### AVVERTENZA! Pericolo per la salute

Assicurarsi di inserire nel frigorifero solo gli alimenti che devono essere conservati alla temperatura selezionata.

3. Premere il tasto "ON/OFF" per 1 ... 2 s .



- ✓ Il LED di alimentazione si accende. Il display si accende e mostra la temperatura corrente.



### NOTA Temperatura indicata

CFX2 57: la temperatura visualizzata è quella del vano interno grande (  fig. 9 alla pagina 105 1).

Il frigorifero portatile inizia a raffreddare l'interno.

### Arresto del coperchio del frigorifero portatile

1. Chiudere il coperchio.
2. Premere il fermo verso il basso finché non scatta in posizione.


### Come evitare sprechi di cibo

Per evitare sprechi di cibo, considerare quanto segue


- > Ridurre al minimo le variazioni di temperatura. Aprire il frigorifero solo se necessario e per il tempo necessario. Conservare gli alimenti in modo che l'aria possa continuare a circolare bene.
- > Regolare la temperatura in base alla quantità e al tipo di alimenti.
- > Gli alimenti possono facilmente assorbire o rilasciare odori o sapori. Conservare sempre gli alimenti coperti o chiusi in contenitori/bottiglie.

### Regolazione della temperatura

1. Premere 1 volta il tasto **SET**.

2. Selezionare la temperatura di raffreddamento con i tasti **+** e **-**.
- ✓ Il display visualizza per alcuni secondi la temperatura impostata e . Il display lampeggia alcune volte e, successivamente, viene nuovamente visualizzata la temperatura corrente.

### Selezione dell'unità di misura della temperatura

1. Premere il tasto **SET** 2 volte.
2. Selezionare l'unità di misura della temperatura con i tasti **+** o **-**.
- ✓ Il display visualizza per alcuni secondi l'unità di temperatura impostata e . Il display lampeggia alcune volte prima di visualizzare la temperatura corrente.

### Utilizzo del dispositivo di controllo automatico della batteria



#### AVVISO! Rischio di danni

Se il dispositivo di controllo automatico della batteria si spegne, significa che la batteria non è più completamente carica. Evitare riavvii ripetuti o l'utilizzo di utenze senza lunghe fasi di carica. Assicurare che la batteria venga ricaricata.

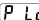
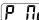
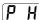
Il frigorifero portatile dispone di un dispositivo di controllo automatico della batteria a più livelli che impedisce alla batteria del veicolo di scaricarsi eccessivamente durante il collegamento alla rete di bordo a corrente continua.

Se viene azionato con l'accensione del veicolo disinserita, il frigorifero portatile si spegne automaticamente non appena la tensione di alimentazione scende al di sotto di un determinato valore. Il frigorifero si riaccende non appena viene raggiunta la tensione di ripristino ottenuta caricando la batteria.

Nella modalità "HIGH", il dispositivo di controllo automatico della batteria si attiva più velocemente rispetto alle modalità "LOW" e "MED".

| Modalità del dispositivo di controllo automatico della batteria | LOW    | MED    | HIGH   |
|---|--------|--------|--------|
| Tensione di ripristino a 12 V                                   | 11,4 V | 12,2 V | 12,6 V |
| Tensione di spegnimento a 12 V                                  | 10,1 V | 11,2 V | 11,8 V |
| Tensione di ripristino a 24 V                                   | 23 V   | 25,3 V | 26,4 V |
| Tensione di spegnimento a 24 V                                  | 21,5 V | 24,1 V | 24,6 V |

Per selezionare la modalità del dispositivo di controllo automatico della batteria procedere come segue:

1. Accendere il frigorifero portatile.
2. Premere il tasto **SET** 3 volte.
3. Selezionare la modalità del dispositivo di controllo automatico della batteria con i tasti **+** o **-**.
- ✓ Il display cambia come segue:  (LOW),  (MED),  (HIGH)

visualizza per alcuni secondi la modalità impostata e lampeggia alcune volte prima di tornare alla visualizzazione della temperatura corrente.



**NOTA** Se il frigorifero portatile è alimentato dalla batteria di avviamento del veicolo, selezionare la modalità "HIGH" del dispositivo di controllo automatico della batteria. Se il frigorifero è collegato a una batteria di alimentazione, è sufficiente selezionare la modalità "LOW" del dispositivo di controllo automatico della batteria.

### Impostazione della luminosità del display

La luminosità del display può essere regolata per adeguarsi a una luce ambiente bassa.



1. Accendere il frigorifero portatile.
  2. Premere il tasto **SET** 4 volte.
  3. Impostare la luminosità del display con i tasti **+** o **-**.
- ✓ Il display cambia come segue: **[L]** (Bassa), **[M]** (Media), **[H]** (Alta)

Visualizza per alcuni secondi la modalità impostata e lampeggia alcune volte prima di tornare alla luminosità corrente.



**NOTA** Se si verifica un guasto, la luminosità si imposta automaticamente al livello **[H]**, viene riattivata.

### Utilizzo della porta USB

La porta USB consente di caricare dispositivi di piccole dimensioni come smartphone e lettori MP3.

- > Collegare il dispositivo da caricare alla porta USB del frigorifero portatile utilizzando un cavo USB (non incluso).



**NOTA** Assicurarsi che il dispositivo collegato sia idoneo per il funzionamento a 5 V / 2 A.

### Impostazione della modalità di visualizzazione

1. Premere il tasto **SET** 5 volte.
  2. Impostare la modalità Sleep con i tasti **+** o **-**.
- ✓ Il display cambia come segue: **[OFF]** (OFF), **[ON]** (ON), **[Lo]** (Bassa)

**S OFF** (OFF): la modalità Sleep è disattivata e il display è costantemente acceso.

**S On** (ON): la modalità Sleep è attivata e, se il frigorifero portatile non viene utilizzato per diversi minuti, sul display viene visualizzato solo un punto.

**S Lo** (Bassa): la modalità secondaria Sleep è attivata e, se il frigorifero portatile non viene utilizzato per diversi minuti, il display imposta la luminosità più bassa.



**NOTA** Se il display è in modalità principale o secondaria Sleep, per uscire è sufficiente premere brevemente un tasto del frigorifero.

### Utilizzo dell'app mobile per il frigorifero portatile

Il frigorifero portatile può essere monitorato e controllato via Bluetooth o WLAN utilizzando un'app da installare su un dispositivo compatibile.

1. Scaricare e installare l'app mobile.



Scaricare l'app da [gr.dometic.com/beiv4R](http://gr.dometic.com/beiv4R).

2. Premere il tasto **SET** come segue:
  - 6 volte per aprire le impostazioni Bluetooth.
  - 7 volte per aprire le impostazioni WLAN.

3. Impostare la funzionalità Bluetooth o WLAN con i tasti **+** o **-**.



**NOTA** Se il frigorifero portatile è associato a un dispositivo compatibile tramite Bluetooth, è necessario impostare la modalità di associazione.

- ✓ Quando si imposta il Bluetooth, il display cambia come segue: **[BLUOFF]** (OFF), **[BLUON]** (ON), **[BLPAIR]** (Associazione)



**NOTA** Se compare **[BLUOFF]**, il display non cambia quando si preme il tasto **-**. Se compare **[BLPAIR]**, il display non cambia quando si preme il tasto **+**.

Il LED Bluetooth lampeggia con luce bianca e sul display viene visualizzato **[BL]** durante l'associazione al Bluetooth.

Quando si imposta la WLAN, il display cambia come segue: **[F.OFF]** (OFF), **[F.ON]** (ON)

4. Seguire le istruzioni visualizzate sull'app mobile per il frigorifero portatile.  
 ✓ Quando il frigorifero è collegato, si accende il LED Bluetooth o WLAN.

### Spegnimento del frigorifero portatile

1. Svuotare il frigorifero portatile.
2. Premere il tasto "ON/OFF".
3. Estrarre il cavo di collegamento.
4. Se il frigorifero portatile non viene utilizzato per un periodo di tempo prolungato, lasciare il coperchio aperto in modo da evitare la formazione di odori.

### Sbrinamento del frigorifero portatile

L'umidità dell'aria può formare brina all'interno del frigorifero o sul vaporizzatore, riducendo così la capacità di raffreddamento.



#### AVVISO! Rischio di danni

Non utilizzare mai attrezzi duri o appuntiti per rimuovere il ghiaccio o per staccare oggetti che sono rimasti congelati.

Per sbrinare il frigorifero, procedere come segue.

1. Rimuovere il contenuto dal frigorifero portatile.
2. Metterlo eventualmente in un altro frigorifero affinché si mantenga freddo.
3. Spegnerne il frigorifero portatile.
4. Lasciare il coperchio aperto.
5. Rimuovere l'acqua scongelata.


### Sostituzione del fusibile CA



#### PERICOLO! Pericolo di scosse elettriche

Scollegare l'alimentazione e il cavo di collegamento prima di sostituire il fusibile a corrente alternata.



1. Scollegare il frigorifero portatile dall'alimentazione.

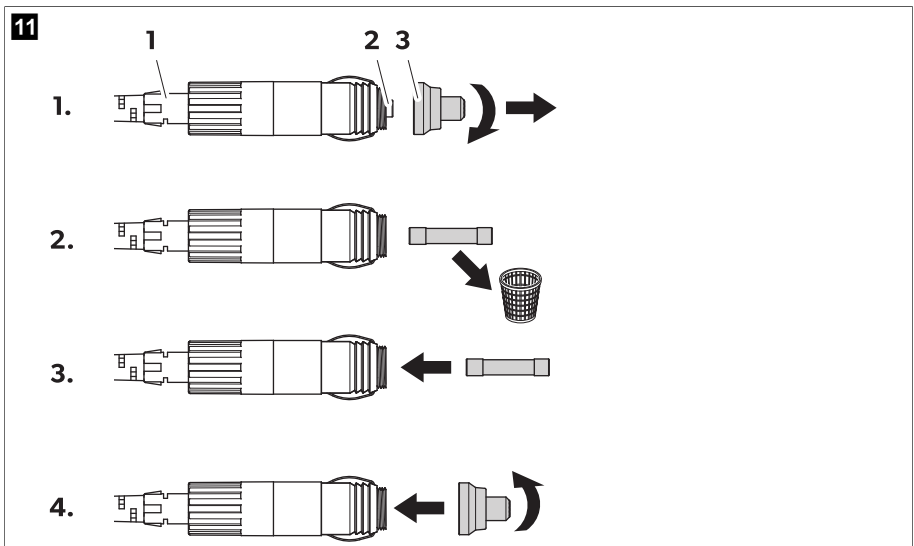
2. Estrarre i cavi di collegamento.
3. Facendo leva con un cacciavite, estrarre il portafusibili (  fig. **4** alla pagina 1022).
4. Sostituire il fusibile guasto con uno nuovo dello stesso tipo e amperaggio ( 4 A , 250 V ).
5. Premere di nuovo in sede il portafusibili.
6. Ricollegare l'alimentazione all'apparecchio.


### Sostituzione del fusibile della spina a corrente continua



**NOTA** All'interno dell'apparecchio è presente un fusibile aggiuntivo a corrente continua (fusibile a innesto piatto conforme allo standard automobilistico, 10 A). Questo fusibile può essere sostituito solo da un centro autorizzato per le riparazioni.

1. Svitare il corpo del piedino di contatto (  fig. **11** alla pagina 109 **3** ) dalla spina (  fig. **11** alla pagina 109 **1** ).



2. Sostituire il fusibile guasto (  fig. **11** alla pagina 109 **2** ) con uno nuovo dello stesso tipo e amperaggio (3AG, azione rapida, 10 A).
3. Rimontare la spina nell'ordine inverso.

### Sostituzione del circuito stampato delle luci



#### **AVVISO! Rischio di danni**

Per prevenire rischi, il circuito stampato delle luci può essere sostituito soltanto dal produttore, da un addetto dell'assistenza o da personale con qualifica analoga.

## 10 Pulizia e manutenzione



### ATTENZIONE! Pericolo di scosse elettriche

Assicurarsi che il frigorifero sia scollegato dall'alimentazione prima di eseguire qualsiasi intervento di pulizia e manutenzione.



### AVVISO! Rischio di danni

- > Non lavare mai il frigorifero sotto acqua corrente e non immergerlo in acqua.
  - > Per la pulizia non utilizzare detergenti aggressivi o oggetti duri.
- > Pulire l'interno e l'esterno dell'apparecchio di tanto in tanto con un panno umido.
- > Assicurarsi che le aperture di aerazione e disaerazione del frigorifero siano prive di polvere e sporcizia, in modo da permettere al calore generato durante il funzionamento di fuoriuscire e non danneggiare l'apparecchio.

## 11 Risoluzione dei problemi

| Guasto  | Possibile causa   | Rimedio   |
|---|---|---|
| Il frigorifero non funziona. Il LED di alimentazione non si accende.  | Nella presa a corrente continua non c'è tensione.                                     | > Accendere il veicolo.   |
|   | Nella presa a corrente alternata non c'è tensione.                                    | > Collegare il dispositivo a un'altra presa.  |
|   | Il fusibile a corrente alternata è difettoso.   | > Sostituire il fusibile a corrente alternata, vedere Sostituzione del fusibile CA alla pagina 108.   |
|   | L'alimentatore integrato è difettoso.   | > Contattare il servizio di assistenza autorizzato.   |
| Il LED di alimentazione si accende con luce arancione, viene visualizzato il codice di errore <b>E 01</b> e il frigorifero portatile non raffredda anche se la spina è collegata. | L'impostazione del dispositivo di controllo automatico della batteria è troppo alta.  | <ol style="list-style-type: none"> <li>1. Regolare il controllo automatico della batteria su una modalità più bassa (vedere Utilizzo del dispositivo di controllo automatico della batteria alla pagina 106).</li> <li>2. Testare la batteria di avviamento.</li> <li>3. Se necessario, caricare la batteria di avviamento.</li> </ol> Seguire le istruzioni del fabbricante. |
|   | L'impostazione del dispositivo di controllo automatico della batteria è troppo bassa. | <ol style="list-style-type: none"> <li>1. Regolare il controllo automatico della batteria su una modalità più alta (vedere Utilizzo del dispositivo di controllo automatico della batteria alla pagina 106).</li> <li>2. Testare la batteria di avviamento.</li> <li>3. Se necessario, caricare la batteria di avviamento.</li> </ol> Seguire le istruzioni del fabbricante.  |

| Guasto   | Possibile causa  | Rimedio  |
|--|--|--|
| Quando si utilizza una presa a corrente continua, il frigorifero portatile è acceso ma non funziona. Il LED di alimentazione non si accende. | La spina a corrente continua non è collegata correttamente.                                | > Ricollegare la spina.  |
|  | La presa a corrente continua è sporca. Questo provoca un contatto elettrico insufficiente. | > Pulire la presa a corrente continua. Seguire le istruzioni del fabbricante.  |
|  | Il fusibile della spina a corrente continua si è bruciato.                                 | > Sostituire il fusibile come illustrato nel capitolo Sostituzione del fusibile della spina a corrente continua alla pagina 109. |
|  | Il fusibile a corrente continua all'interno del frigorifero portatile si è bruciato.       | > Contattare il servizio di assistenza autorizzato.  |
|  | Il fusibile della presa a corrente continua del veicolo si è bruciato.                     | > Sostituire il fusibile. Seguire le istruzioni del fabbricante.   |
| Sul display viene visualizzato un codice di errore e il frigorifero portatile non si raffredda (vedere Codici di errore alla pagina 111).    | Il frigorifero portatile si è spento a causa di un guasto interno.                         | > Contattare il servizio di assistenza autorizzato.  |

## Codici di errore



**NOTA** Se viene visualizzato uno dei codici di errore da **E 02** a **E 07**, contattare il servizio di assistenza autorizzato.

| Codice di errore | Descrizione                          |
|------------------|--------------------------------------|
| <b>E 01</b>      | Bassa tensione/sovratensione         |
| <b>E 02</b>      | Sovracorrente ventola                |
| <b>E 03</b>      | Errore di avviamento del compressore |
| <b>E 04</b>      | Velocità del compressore bassa       |
| <b>E 05</b>      | Termoregolatore surriscaldato        |
| <b>E 06</b>      | Circuito interrotto NTC              |
| <b>E 07</b>      | Cortocircuito NTC                    |

## 12 Garanzia

Si applica il periodo di garanzia previsto dalla legge. Se il prodotto è difettoso, contattare la filiale del fabbricante nel proprio Paese (vedere [dometic.com/dealer](http://dometic.com/dealer)) o il rivenditore di riferimento.

Per attivare la garanzia e predisporre eventuali interventi di riparazione, è necessario inviare la seguente documentazione insieme al prodotto:

- una copia della ricevuta con la data di acquisto,
- il motivo della richiesta o la descrizione del guasto.

Tenere presente che le riparazioni eseguite in autonomia o da personale non professionista possono avere conseguenze sulla sicurezza e invalidare la garanzia.

## 13 Smaltimento



### AVVERTENZA! Rischio di intrappolamento per i bambini

Prima di smaltire il vecchio frigorifero, smontare il coperchio. Lasciare i cestini montati in modo che i bambini non riescano a salire all'interno.



Raccogliere il materiale di imballaggio possibilmente negli appositi contenitori di riciclaggio. Consultare il centro locale di riciclaggio o il distributore specializzato per informazioni su come smaltire il prodotto secondo le norme sullo smaltimento applicabili.



Riciclaggio di prodotti con batterie, batterie ricaricabili e fonti di luce: Rimuovere tutte le batterie, le batterie ricaricabili e le fonti di luce prima di riciclare il prodotto. Consegnare gli accumulatori difettosi o le batterie usate al rivenditore o presso un centro di raccolta. Non smaltire le batterie, le batterie ricaricabili e le fonti di luce insieme ai rifiuti domestici generici. Per smaltire definitivamente il prodotto, informarsi presso il centro di riciclaggio più vicino o presso il proprio distributore specializzato sulle norme relative allo smaltimento. È possibile smaltire il prodotto gratuitamente.

## 14 Specifiche tecniche



**NOTA** Se la temperatura ambiente è superiore a 32 °C, non è possibile raggiungere la temperatura minima.

Questo prodotto contiene gas fluorurati ad effetto serra.

Il gruppo refrigerante è sigillato ermeticamente.


|   | CFX2 28   | CFX2 37   | CFX2 45  | CFX2 57  |
|---|---|---|--|--|
| Portata nominale                          | 50 ... 60 Hz<br>100 ... 240 V~                                  |   |  |  |
| Corrente nominale                         | 12 V : 8,6 A<br>24 V : 3,8 A<br>100 V : 1,6 A<br>240 V : 0,77 A | 12 V : 8,7 A<br>24 V : 3,85 A<br>100 V : 1,63 A<br>240 V : 0,78 A | 12 V : 8,8 A<br>24 V : 3,9 A<br>100 V : 1,65 A<br>240 V : 0,79 A | 12 V : 9 A<br>24 V : 4 A<br>100 V : 1,7 A<br>240 V : 0,8 A |
| Capacità di raffreddamento                | -22 °C ... 20 °C  |   |  |  |
| Temperatura ambiente                      | 16 °C ... 43 °C   |   |  |  |
| Classe climatica                          | N o T   |   |  |  |
| USB                                       | 5 V 2 A   |   |  |  |
| Refrigerante                              | R600a   |   |  |  |
| Quantità di refrigerante                  | 13 g  | 13 g  | 14 g   | 17 g   |
| Dimensioni (L × A × P, maniglie comprese) | 600 mm ×<br>427 mm × 345 mm                                     | 678 mm ×<br>428 mm × 401 mm                                       | 678 mm ×<br>493 mm × 401 mm                                      | 709 mm ×<br>503 mm × 458 mm                                |
| Volume ("Volume")                         | 28 L  | 37 L  | 45 L   | 57 L   |
| Peso                                      | 13,5 kg   | 15,8 kg   | 16,8 kg  | 18,5 kg  |


|                           | CFX2 28   | CFX2 37 | CFX2 45 | CFX2 57 |
|---------------------------|-----------|---------|---------|---------|
| Banda di frequenza (WLAN) | 2,4 GHz   |         |         |         |
| Potenza max. in uscita    |           |         |         |         |
| WLAN                      | 19,22 dBm |         |         |         |
| Bluetooth                 | 7,93 dBm  |         |         |         |

Con la presente, Dometic (Zhuhai) Technology Co., Ltd dichiara che l'apparecchiatura radio tipo CFX2 28, CFX2 37, CFX2 45, CFX2 57 è conforme alla Direttiva 2014/53/EU. Il testo completo della dichiarazione di conformità UE è disponibile al seguente indirizzo internet: [documents.dometic.com](http://documents.dometic.com)

Ulteriori informazioni sul prodotto sono accessibili tramite il codice QR sull'etichetta energetica o al sito [eprel.ec.europa.eu](http://eprel.ec.europa.eu).

**12**







SUPPLIER'S NAME
MODEL IDENTIFIER

|   |  |
|---|--|
| A |  |
| B |  |
| C |  |
| D |  |
| E |  |
| F |  |
| G |  |

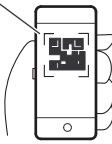
**XYZ kWh/annum**



XYZ L



XY dB  
ABCD



[eprel.ec.europa.eu](http://eprel.ec.europa.eu)

## Nederlands

|    |  |     |
|----|--|-----|
| 1  | Belangrijke opmerkingen.....                   | 114 |
| 2  | Verklaring van de symbolen.....                | 114 |
| 3  | Verklaring van de symbolen op het toestel..... | 115 |
| 4  | Veiligheidsaanwijzingen.....                   | 115 |
| 5  | Omvang van de levering.....                    | 117 |
| 6  | Accessoires.....                               | 117 |
| 7  | Beoogd gebruik.....                            | 118 |
| 8  | Technische beschrijving.....                   | 118 |
| 9  | Gebruik.....                                   | 120 |
| 10 | Reiniging en onderhoud.....                    | 127 |
| 11 | Problemen oplossen.....                        | 128 |
| 12 | Garantie.....                                  | 129 |
| 13 | Verwijdering.....                              | 129 |
| 14 | Technische gegevens.....                       | 130 |

## 1 Belangrijke opmerkingen

Lees deze gebruiksaanwijzing zorgvuldig door en volg alle instructies, richtlijnen en waarschuwingen in deze handleiding op om ervoor te zorgen dat u het product te allen tijde op de juiste manier installeert, gebruikt en onderhoudt. Deze gebruiksaanwijzing MOET bij dit product worden bewaard.

Door het product te gebruiken, bevestigt u hierbij dat u alle instructies, richtlijnen en waarschuwingen zorgvuldig hebt gelezen en dat u de voorwaarden zoals hierin beschreven begrijpt en accepteert. U gaat ermee akkoord dit product alleen te gebruiken voor het beoogde doel en de beoogde toepassing en in overeenstemming met de instructies, richtlijnen en waarschuwingen zoals beschreven in deze gebruiksaanwijzing en in overeenstemming met de geldende wet- en regelgeving. Het niet lezen en opvolgen van de hierin beschreven instructies en waarschuwingen kan leiden tot letsel voor uzelf en anderen, schade aan uw product of schade aan andere eigendommen in de omgeving. Deze gebruiksaanwijzing, met inbegrip van de instructies, richtlijnen en waarschuwingen, en de bijbehorende documentatie kan onderhevig zijn aan wijzigingen en updates. Voor de recentste productinformatie, bezoek [documents.dometic.com](http://documents.dometic.com).

## 2 Verklaring van de symbolen

Een signaalwoord geeft informatie over veiligheid en eigendomsschade en geeft de mate of ernst van het gevaar aan.



### GEVAAR!

Duidt op een gevaarlijke situatie die, indien deze niet wordt voorkomen, ernstig letsel of de dood tot gevolg heeft.



### WAARSCHUWING!

Duidt op een gevaarlijke situatie die, indien deze niet wordt voorkomen, ernstig letsel of de dood tot gevolg kan hebben.



### VOORZICHTIG!

Duidt op een gevaarlijke situatie die, indien deze niet wordt voorkomen, licht of matig letsel tot gevolg kan hebben.



### LET OP!

Duidt op een situatie die, indien deze niet wordt voorkomen, kan leiden tot materiële schade.





**INSTRUCTIE** Aanvullende informatie voor het gebruik van het product.

### 3 Verklaring van de symbolen op het toestel



Let op! Brandgevaar. Ontvlambaar materiaal.

### 4 Veiligheidsaanwijzingen



#### **GEVAAR! Gevaar voor elektrische schokken**

- > Op boten: Als het toestel wordt gevoed door netspanning, zorg er dan voor dat de stroomvoorziening een aardlekschakelaar of een differentieelschakelaar heeft. De installatie, met name in vochtige omgevingen, moet voldoen aan alle van toepassing zijnde installatievoorschriften.
- > Raak blanke leidingen nooit met blote handen aan. Dit geldt vooral bij gebruik op het wisselstroomnet.



#### **WAARSCHUWING! Gevaar voor elektrische schokken**

- > Gebruik het koeltoestel niet, als het zichtbaar beschadigd is.
- > Als de stroomkabel van deze koelbox beschadigd is, moet deze worden vervangen om gevaren te voorkomen.
- > Dit koeltoestel mag uitsluitend worden gerepareerd door bevoegd personeel. Ondeskundige reparaties kunnen leiden tot aanzienlijke gevaren.
- > Sluit het toestel aan op contactdozen die een goede verbinding garanderen, met name wanneer het toestel moet worden geaard.



#### **WAARSCHUWING! Brandgevaar**

- > Zorg er bij het positioneren van het toestel voor dat de voedingskabel niet verstrikt of beschadigd raakt.
- > Plaats geen meervoudige stekkerdozen of draagbare voedingen achter het toestel.
- > Het koelmiddel in de koelkring is licht ontvlambaar en in geval van een lekkage kunnen zich brandbare gassen verzamelen als het toestel is opgesteld in een kleine ruimte. In geval van beschadiging van de koelkring:
  - Houd open vuur en mogelijke ontstekingsbronnen uit te buurt van de koelkast.
  - Ventileer de ruimte goed.
  - Schakel de koelkast uit.
- > Voor koeltoestellen met koelmiddel R600a:
  - De koelkring bevat een kleine hoeveelheid milieuvriendelijk, maar ontvlambaar koelmiddel. Het schaadt de ozonlaag niet en versterkt het broeikaseffect niet. Lekkend koelmiddel kan vlam vatten.
  - Gebruik of bewaar het koeltoestel niet in kleine ruimtes zonder of met minimale luchtstroom.
- > Houd de ventilatieopeningen van apparaatbehuizingen of inbouwconstructies vrij van hindernissen.
- > Gebruik geen mechanische voorwerpen of andere middelen om het ontdooiingsproces te versnellen, tenzij de fabrikant dit aanbeveelt.
- > Open of beschadig de koelkring niet.
- > Gebruik geen elektrische toestellen in de koelkast, tenzij deze toestellen daarvoor door de fabrikant worden aanbevolen.



### **WAARSCHUWING! Gevaar voor de gezondheid**

- > Dit toestel mag worden gebruikt door kinderen vanaf 8 jaar en ouder evenals door personen met verminderd fysiek, zintuiglijk of mentaal vermogen of gebrek aan kennis en ervaring, mits zij onder toezicht staan of zijn geïnstrueerd in het veilig gebruik van het toestel en zij inzicht hebben in de gevaren die het gebruik ervan met zich meebrengt.
- > Kinderen van 3 tot 8 jaar mogen koeltoestellen in- en uitruimen.
- > Kinderen moeten onder toezicht staan om te garanderen dat ze niet met het toestel spelen.
- > Reiniging en gebruikersonderhoud mogen niet door kinderen zonder toezicht worden uitgevoerd.



### **WAARSCHUWING! Explosiegevaar**

Bewaar geen explosiegevaarlijke stoffen zoals spuitbussen met een ontvlambaar drijfgas in het koeltoestel.



### **VOORZICHTIG! Gevaar voor elektrische schokken**

- > Let er voor de ingebruikname van het koeltoestel op dat de voedingskabel en de stekker droog zijn.
- > Trek de stekker van het koeltoestel voor elke reiniging en elk onderhoud uit het stopcontact.



### **VOORZICHTIG! Gevaar voor de gezondheid**

- > Volg de volgende instructies op om verontreiniging van levensmiddelen te voorkomen:
  - Controleer of het koelvermogen van het apparaat voldoet aan de eisen van de levensmiddelen die u wilt koelen.
  - Levensmiddelen mogen alleen in de originele verpakking of in geschikte bakken worden bewaard.
  - Langdurig openen van het koeltoestel kan leiden tot een aanzienlijke temperatuurstijging in de compartimenten van het toestel.
  - Reinig oppervlakken die in contact komen met voedsel en aftapsystemen regelmatig.
- > Als het toestel voor een langere periode leeg wordt gehouden:
  - Schakel het toestel uit.
  - Ontdooi het toestel.
  - Reinig en droog het toestel.
  - Laat het deksel open om schimmelvorming in het toestel te voorkomen.

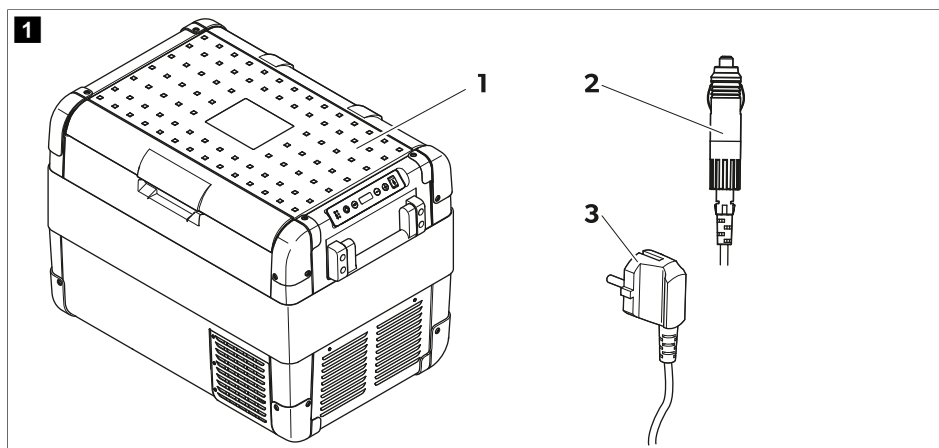


### **LET OP! Gevaar voor schade**

- > Vergelijk de spanningsgegevens op het typeplaatje met de beschikbare energietoevoer.
- > Sluit het koeltoestel alleen als volgt aan:
  - Sluit de gelijkstroomaansluitkabel aan op een gelijkstroomvoeding in het voertuig
  - Of sluit de wisselstroomaansluitkabel aan op een wisselstroomnet
- > Trek de stekker nooit aan de kabel uit het stopcontact.
- > Als het koeltoestel op een gelijkstroomcontactdoos is aangesloten: Ontkoppel het koeltoestel en andere verbruikers van de accu voordat u een snellader aansluit.
- > Als het koeltoestel op een gelijkstroomcontactdoos is aangesloten: Ontkoppel de verbinding of schakel het koeltoestel uit, als u de motor uitschakelt. Anders kan de voertuigaccu leeg raken.
- > Het koeltoestel is niet geschikt voor het transporteren van bijtende materialen of materialen die oplosmiddelen bevatten.
- > De isolatie van het koeltoestel bevat ontvlambaar cyclopentaan en vereist speciale verwerkingsprocedures. Breng het koeltoestel aan einde van zijn levensduur naar een erkend afvalverwerkingsbedrijf.
- > Plaats het koeltoestel niet in de buurt van open vuur of andere warmtebronnen (verwarming, sterke zonnestraling, gasovens enz.).
- > Vul het binnenreservoir niet met vloeistoffen of ijs.

- > Dompel het koeltoestel nooit onder in water.
- > Bescherm het koeltoestel en de kabels tegen hitte en vocht.
- > Het koeltoestel mag niet aan regen worden blootgesteld.
- > Voor een optimale circulatie van het koudemiddel mag de koelbox een hellingshoek van hooguit 30° hebben. Gebruik een waterpas om ervoor te zorgen dat het koeltoestel waterpas staat.
- > **Gevaar voor oververhitting!** Zorg er altijd voor dat er aan alle vier zijden van het koeltoestel voldoende ventilatie is. Houd het ventilatiebereik vrij van objecten die de luchtstroom rond de koelcomponenten kunnen hinderen. Plaats het koeltoestel niet in gesloten ruimtes of bereiken met minimale luchtstroming.

## 5 Omvang van de levering



| Nr. | Aantal | Beschrijving                               |
|-----|--------|--|
| 1   | 1      | Koelbox                                    |
| 2   | 1      | Aansluitkabel voor gelijkstroomaansluiting |
| 3   | 1      | Aansluitkabel voor wisselstroomaansluiting |
| -   | 1      | Korte handleiding                          |

## 6 Accessoires

Verkrijgbaar als accessoire (niet bij de levering inbegrepen):

| Aanduiding                                | Artikelnr. | Model                       |
|---|------------|-----------------------------|
| Quick release bevestigingsset CFX-QFK     | 960000166  | Alleen CFX2 28              |
| Quick release bevestigingsset CFX-QFK3545 | 9600029599 | Alleen CFX2 37 en CFX2 45   |
| Mobiele koelingsapp                       | -          | geschikt voor alle modellen |

## 7 Beoogd gebruik

Het koeltoestel is geschikt voor het koelen van levensmiddelen. Het koeltoestel is ook geschikt voor gebruik in voertuigen. Het koeltoestel is ontworpen voor gebruik op een stopcontact met gelijkstroomvoeding in een voertuig of voor gebruik op wisselstroomvoeding.

Het koeltoestel is ook geschikt voor kampeergebruik.

Het koeltoestel is bedoeld voor gebruik in huishoudelijke en soortgelijke toepassingen zoals

- personeelskeukens in winkels, kantoren en andere werkomgevingen
- boerderijen
- klanten in hotels, motels en andere woonomgevingen
- bed and breakfast-accommodaties
- catering en soortgelijke toepassingen anders dan in de detailhandel

Het koeltoestel is **niet** geschikt voor:

- Snel invriezen van levensmiddelen
- Opslag van corrosieve, bijtende of oplosmiddelhoudende stoffen
- Gebruik als inbouwapparaat

Dit koeltoestel is alleen geschikt voor het beoogde gebruik en de toepassing in overeenstemming met deze gebruiksaanwijzing.

Dit product is alleen geschikt voor het beoogde gebruik en de toepassing in overeenstemming met deze gebruiksaanwijzing.

Deze handleiding geeft informatie die nodig is voor een correcte installatie en/of correct gebruik van het product. Een slechte installatie en/of onjuist gebruik of onderhoud leidt tot onvoldoende prestaties en mogelijke storingen.

De fabrikant aanvaardt geen aansprakelijkheid voor letsel of schade aan het product die het gevolg is van:

- Onjuiste installatie, montage of aansluiting, inclusief te hoge spanning
- Onjuist onderhoud of gebruik van andere dan door de fabrikant geleverde originele reserveonderdelen
- Wijzigingen aan het product zonder uitdrukkelijke toestemming van de fabrikant
- Gebruik voor andere doeleinden dan beschreven in deze handleiding

Dometic behoudt zich het recht voor om het uiterlijk en de specificaties van het product te wijzigen.

## 8 Technische beschrijving

Het koeltoestel kan producten koelen. De koeling gebeurt door een onderhoudsarme koelkring met compressor. De goede isolatie en krachtige compressor garanderen efficiënte en snelle koeling.

De koelbox is draagbaar.

Het koeltoestel is bestand tegen een kortstondige kanteling van 30°, bijvoorbeeld in boten.

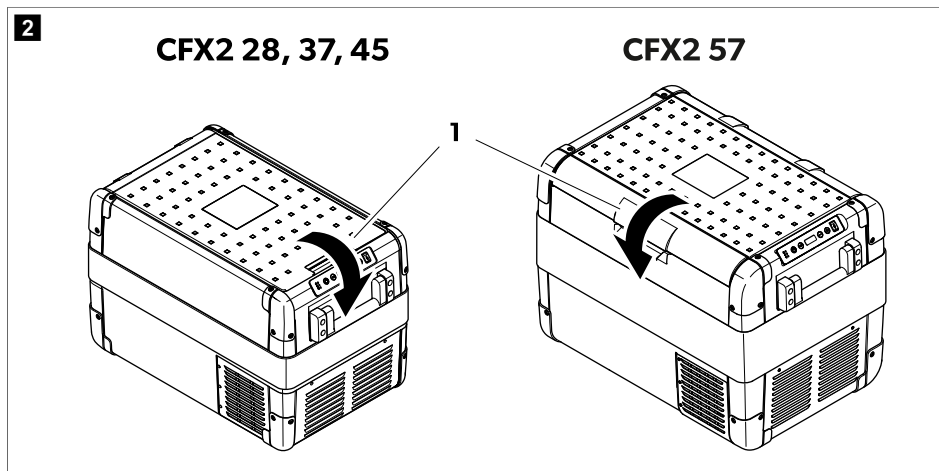
### Functies

- Voeding met prioriteitsschakeling voor de aansluiting op wisselstroomvoeding
- Accumonitor met drie standen ter bescherming van de voertuigaccu
- Display met temperatuurweergave in °C en °F
- Temperatuurinstelling met 2 knoppen in stappen van 1 °C / 1 °F
- Geïntegreerde Bluetooth- en WLAN-functie voor het regelen van het koeltoestel via de mobiele koelingsapp
- Opklapbare draaggrepen
- USB-poort voor stroomvoorziening

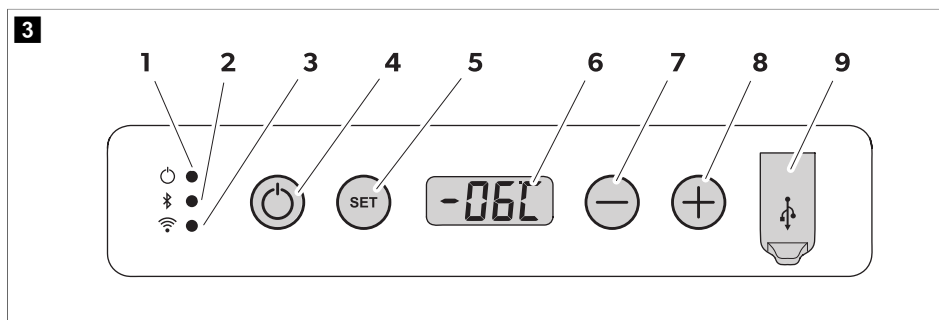
- Uitneembare mand

## Bedienings- en indicatie-elementen

Dekselvergrendeling (  afb. **2** op pagina 119, **1**):



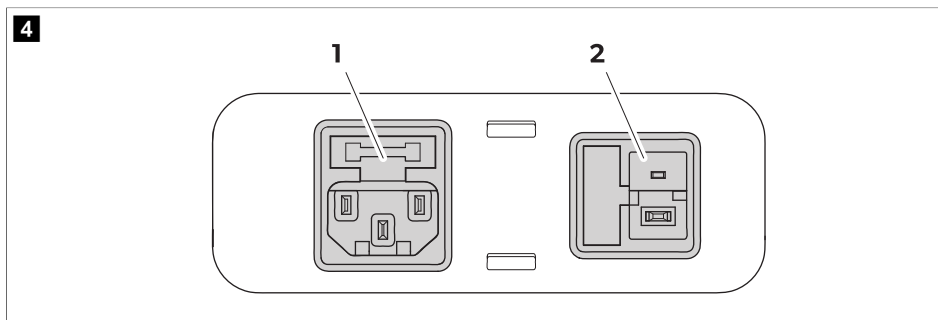
## Bedieningspaneel



| Nr. | Beschrijving | Toelichting  |
|-----|--------------|--|
| 1   | Vermogen     | Statusindicatie  |
|     |              | De LED licht wit op: De compressor begint te draaien.<br>De LED licht oranje op: De compressor stopt met draaien.                |
| 2   | Bluetooth    | De LED is uitgeschakeld: Bluetooth van het koeltoestel is uitgeschakeld.   |
|     |              | De LED knippert langzaam wit: Bluetooth van het koeltoestel is ingeschakeld. Het koeltoestel is niet gekoppeld aan een apparaat. |
|     |              | De LED knippert snel wit: Het koeltoestel wordt via Bluetooth gekoppeld aan een apparaat.  |
|     |              | De LED licht wit op: Het koeltoestel is via Bluetooth gekoppeld aan een apparaat.  |

| Nr. | Beschrijving | Toelichting  |
|-----|--------------|--|
| 3   | WLAN         | De LED is uitgeschakeld: WLAN van het koeltoestel is uitgeschakeld.  |
|     |              | De LED knippert wit: WLAN van het koeltoestel is ingeschakeld. Het koeltoestel is niet aangesloten op een apparaat.  |
|     |              | De LED licht wit op: Het koeltoestel is via WLAN gekoppeld aan een apparaat.   |
| 4   | ON/OFF       | Schakelt de koelbox in of uit.   |
| 5   | SET          | Selecteert de invoermodus: <ul style="list-style-type: none"> <li>• Temperatuurinstelling</li> <li>• Weergave van Celsius of Fahrenheit</li> <li>• Accumonitor instellen</li> <li>• Displayhelderheid instellen</li> <li>• Weergavemodus instellen</li> <li>• Bluetooth instellen</li> <li>• WLAN instellen</li> </ul> |
| 6   |              | Weergave   |
| 7   | -            | Hiermee stelt u de temperatuur, de temperatuureenheid, de accumonitor, de helderheid van het display, de modus, Bluetooth en WLAN in.  |
| 8   | +            |  |
| 9   |              | USB-aansluiting  |

## Aansluitbussen



| Nr. | Beschrijving                                  |
|-----|---|
| 1   | Stekkeraansluiting wisselspanningsvoorziening |
| 2   | Stekkeraansluiting gelijkspanningsvoorziening |

## 9 Gebruik

### Voor het eerste gebruik

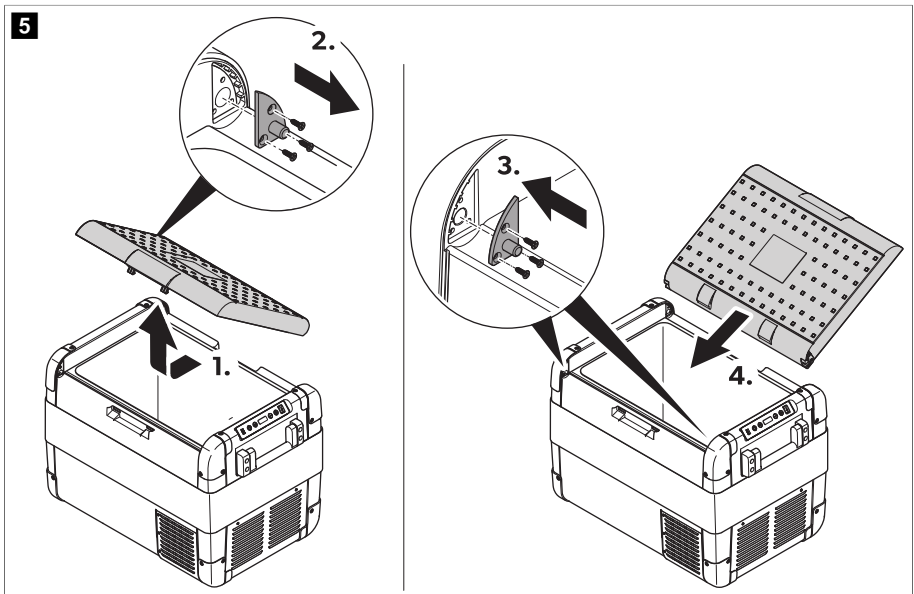




**INSTRUCTIE** Alvorens het nieuwe toestel in gebruik te nemen, moet het koeltoestel om hygiënische redenen van binnen en van buiten met een vochtige doek worden gereinigd (zie Reiniging en onderhoud op pagina 127).

## De openingsrichting van het deksel omkeren (alleen CFX2 57)

De scharnieren van het deksel kunnen naar de andere kant worden verplaatst.

1. Het deksel openen en verwijderen (  afb. **5** op pagina 121).



2. Verwijder de 3 schroeven voor elk scharnier (  afb. **5** op pagina 121) en verwijder deze.
3. Bevestig de scharnieren op de nieuwe posities.
4. Plaats het deksel in de nieuwe scharnierposities (  afb. **5** op pagina 121).

## Energie besparen

- > Kies een goed geventileerde en tegen zonnestralen beschermde opstellingsplaats.
- > Laat warme levensmiddelen eerst afkoelen alvorens ze in het koeltoestel koel te houden.
- > Open het koeltoestel niet vaker dan nodig.
- > Laat het koeltoestel niet langer openstaan dan nodig.
- > Als het koeltoestel een mand heeft: Voor een optimaal energieverbruik plaatst u de mand in de positie bij levering.
- > Controleer regelmatig of de dekselafdichting nog goed zit.
- > Voorkom onnodig lage temperaturen.

## Koelbox aansluiten

### Aansluiten op een accu



#### LET OP! Gevaar voor schade

- > Ter bescherming van het toestel heeft de bijgeleverde gelijkstroomkabel een zekering in de stekker. Verwijder de met zekering beveiligde gelijkstroomstekker **niet**. Gebruik alleen de bijgeleverde gelijkstroomkabel.

- > Ontkoppel het koeltoestel en andere verbruikerseenheden van de accu alvorens de accu op een snellader aan te sluiten. Overspanning kan de elektronica van apparaten die zijn aangesloten op de accu beschadigen.



**INSTRUCTIE** Om veiligheidsredenen is het koeltoestel uitgerust met een elektronisch systeem dat beschermt tegen polariteitsomkering. Het elektronisch systeem beschermt het koeltoestel tegen kortsluiting wanneer die is aangesloten op een accu.

Het koeltoestel kan overal worden gebruikt met 12 V  $\equiv$  of 24 V  $\equiv$ .

- > Sluit het koeltoestel aan op een accu door de gelijkstroomaansluitkabel aan te sluiten zoals afgebeeld.

### Aansluiten op een wisselstroomvoeding



#### **GEVAAR! Gevaar voor elektrische schokken**

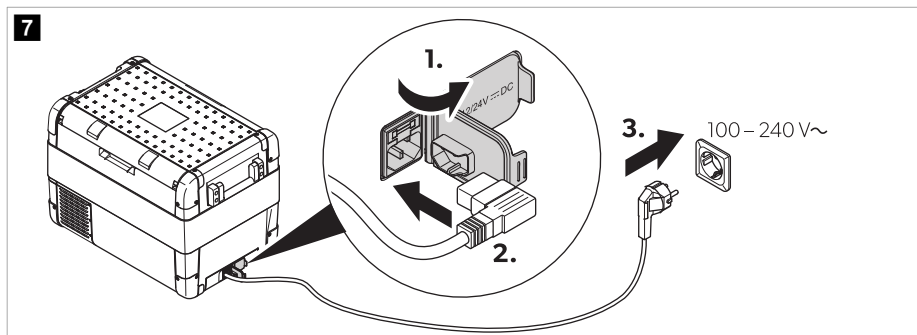
- > Raak stekkers en schakelaars nooit aan als u natte handen heeft of met uw voeten op een natte ondergrond staat.
- > Als het koeltoestel aan boord van een boot wordt gebruikt via netvoeding, moet er een aardlekschakelaar worden geïnstalleerd tussen de netvoeding en het koeltoestel. Laat u adviseren door een opgeleid technicus.



#### **INSTRUCTIE**

Het koeltoestel heeft een geïntegreerde voeding voor meerdere spanningen met prioriteitsschakeling voor de aansluiting op een wisselstroombron. De prioriteitsschakeling schakelt het koeltoestel naar wisselstroomvoeding als het apparaat wordt aangesloten op een wisselstroomvoeding, ook als de gelijkstroomkabel nog is aangesloten.

- > Sluit het koeltoestel aan op de netvoeding met behulp van de wisselstroomaansluitkabel zoals afgebeeld.



### De koeler gebruiken



#### **LET OP! Gevaar voor schade**

Plaats het koeltoestel met de onderkant naar beneden.

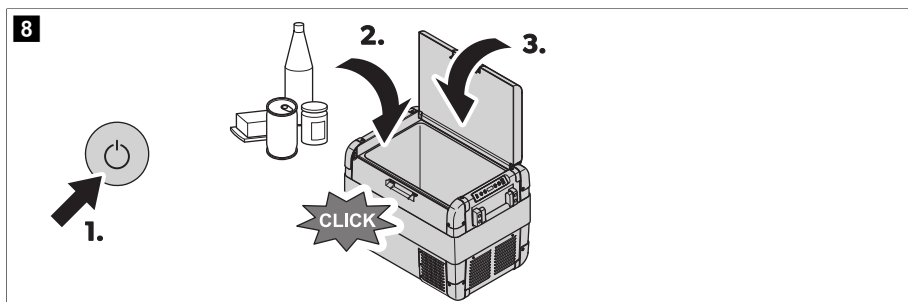
1. Plaats de koelbox op een stevige ondergrond.
2. Sluit het koeltoestel aan (zie hoofdstuk Koelbox aansluiten op pagina 121).



**WAARSCHUWING! Gevaar voor de gezondheid**


Zorg ervoor dat er alleen artikelen in het toestel worden geplaatst die bij de geselecteerde temperatuur in het koeltoestel kunnen worden opgeslagen.

3. Druk de aan/uit-knop gedurende 1 ... 2 s in.



- ✓ De voedings-LED brandt. Het display wordt ingeschakeld en toont de actuele temperatuur.

**INSTRUCTIE Weergegeven temperatuur**

CFX2 57: De weergegeven temperatuur is de temperatuur van het grote binnencompartment (  afb. **9** op pagina 123 **1** ).

De koelbox begint met het koelen van de binnenruimte.

**Het koelboxdeksel vergrendelen**

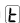
1. Sluit het deksel.
2. Druk de vergrendeling omlaag totdat deze hoorbaar vastklikt.

**Voedselverspilling voorkomen**

Let op het volgende om voedselverspilling te voorkomen


- > Houd temperatuurschommelingen zo laag mogelijk. Open het koeltoestel uitsluitend indien nodig en slechts zo lang als noodzakelijk. Berg levensmiddelen zodanig op dat de lucht nog steeds goed kan circuleren.
- > Pas de temperatuur aan aan de hoeveelheid en het type levensmiddelen.
- > Levensmiddelen kunnen snel geuren en smaken opnemen of afgeven. Berg levensmiddelen daarom altijd afgedekt of in afgesloten bakken/flessen op.

**Temperatuur instellen**

1. Druk 1 keer op de knop **SET**.
  2. Selecteer met de toetsen **+** en **-** de koeltemperatuur.
- ✓ De geselecteerde temperatuur en  verschijnen enkele seconden op het display. Het display knippert meerdere keren. Daarna wordt de huidige temperatuur weer weergegeven.

**Temperatuureenheid selecteren**

1. Druk 2 keer op de knop **SET**.
2. Druk op de knop **+** of **-** om de gewenste temperatuureenheid te selecteren.

- ✓ De geselecteerde temperatuureenheid en  worden enkele seconden op het display weergegeven. Het display knippert meerdere keren alvorens de actuele temperatuur weer te geven.

## Accubewaker gebruiken



### LET OP! Gevaar voor schade

Wanneer de accumonitor wordt uitgeschakeld, is de accu niet meer volledig opgeladen. Voorkom herhaaldelijk starten of inschakelen van stroomverbruikers zonder langere laadfasen. Zorg ervoor dat de accu weer wordt opgeladen.

Het koeltoestel is uitgerust met een accumonitor met meerdere niveaus die de voertuigaccu bij aansluiting op de gelijkstroom aan boord beschermt tegen overmatig ontlading.

Als het koeltoestel bij uitgeschakeld contact in het voertuig wordt gebruikt, wordt het koeltoestel automatisch uitgeschakeld zodra de voedingsspanning daalt tot onder een ingestelde waarde. Het koeltoestel wordt weer ingeschakeld zodra de accu is opgeladen tot de startspanning.

In de modus "HOOG" reageert de accumonitor sneller dan in de modi "LAAG" en "MED".

| Accumonitormodus              | LOW    | MED    | HIGH   |
|-------------------------------|--------|--------|--------|
| Herstart de spanning bij 12 V | 11,4 V | 12,2 V | 12,6 V |
| Uitschakelspanning bij 12 V   | 10,1 V | 11,2 V | 11,8 V |
| Herstart de spanning bij 24 V | 23 V   | 25,3 V | 26,4 V |
| Uitschakelspanning bij 24 V   | 21,5 V | 24,1 V | 24,6 V |

De accumonitormodus kan als volgt worden geselecteerd:

1. Schakel de koelbox in.
  2. Druk 3 keer op de knop **SET**.
  3. Selecteer met de toetsen **+** of **-** de modus voor de accumonitor.
- ✓ Het display verandert als volgt: **[P L o]** (LOW), **[P M d]** (MED), **[P H i]** (HIGH)

Het display geeft gedurende enkele seconden de geselecteerde modus weer. Het display knippert meerdere keren alvorens terug te keren naar de actuele temperatuur.



**INSTRUCTIE** Als het koeltoestel wordt gevoed door de startaccu, kies dan de accumonitormodus HIGH". Als het koeltoestel is aangesloten op een huisaccu, selecteer dan de accumonitormodus "LOW".

## Displayhelderheid instellen

De displayhelderheid kan worden gedimd als de omgeving donkerder is.

1. Schakel de koelbox in.
  2. Druk 4 keer op de knop **SET**.
  3. Gebruik de knoppen **+** of **-** om de displayhelderheid in te stellen.
- ✓ Het display verandert als volgt: **[d L o]** (laag), **[d M d]** (medium), **[d H i]** (hoog)

Het display toont gedurende enkele seconden de ingestelde modus. Het display knippert meerdere keren alvorens terug te keren naar de actuele helderheid.



**INSTRUCTIE** Als er een storing optreedt, wordt de helderheid automatisch ingesteld op **d H i** helderheid opnieuw geactiveerd.

### USB-poort gebruiken

Via de USB-poort kunnen kleine apparaten zoals mobiele telefoons en mp3-spelers worden opgeladen.

- > Sluit het apparaat dat u wilt opladen aan op de USB-poort van het koeltoestel met een USB-kabel (niet meegeleverd).



**INSTRUCTIE** Controleer of het aangesloten apparaat compatibel is met de werking van 5 V / 2 A.

### Weergavemodus instellen

1. Druk 5 keer op de knop **SET**.
2. Stel met de knop **+** of **-** de slaapstand in.
- ✓ Het display verandert als volgt: **(5 0F)** (UIT), **(5 0n)** (AAN), **(5 Lo)** (Laag)

**s 0F** (UIT): De slaapstand is uitgeschakeld. Het display is voortdurend ingeschakeld.

**s 0n** (AAN): De slaapstand is ingeschakeld. Als het koeltoestel enkele minuten niet wordt gebruikt, wordt op het display alleen een stip weergegeven.

**s Lo** (Laag): De slaapstand-submodus is ingeschakeld. Als het koeltoestel enkele minuten niet wordt gebruikt, schakelt het display over naar de laagste helderheid van het display.



**INSTRUCTIE** Als het display in de slaapstand of slaapstand-submodus staat, drukt u op een knop op het koeltoestel om de betreffende modus kort af te sluiten.

### De mobiele koelingsapp gebruiken

Het koeltoestel kan worden bewaakt en bediend via Bluetooth of WLAN vanaf een app die u kunt installeren op een compatibel toestel.

1. Download en installeer de mobiele koelingsapp.



Download de app op [qr.dometic.com/beiv4R](http://qr.dometic.com/beiv4R).

2. Druk als volgt op de knop **SET**:
  - 6 keer om de Bluetooth-instellingen te openen.
  - 7 keer om de WLAN-instellingen te openen.
3. Stel met de knop **+** of **-** Bluetooth of WLAN in.



**INSTRUCTIE** Als het koeltoestel via Bluetooth is gekoppeld met een compatibel apparaat, moet de koppelmodus worden ingesteld.

- ✓ Het display verandert als volgt wanneer u Bluetooth instelt: **[bL OFF]** (UIT), **[bL ON]** (AAN), **[bL PR]** (koppelen)



**INSTRUCTIE** Als **[bL OFF]** wordt weergegeven, verandert het display niet wanneer de knop **−** wordt ingedrukt. Als **[bL PR]** wordt weergegeven, verandert het display niet wanneer de knop **+** wordt ingedrukt.

De Bluetooth-LED knippert wit en het display geeft **[bL ]** weer terwijl de koppeling via Bluetooth tot stand wordt gebracht.

Het display verandert als volgt bij het instellen van WLAN: **[F. OFF]** (UIT), **[F. ON]** (AAN)

4. Volg de instructies in de mobiele koelingsapp.
- ✓ De LED voor Bluetooth of WLAN gaat branden wanneer het koeltoestel is aangesloten.

### Koeltoestel uitschakelen

1. Maak de koelbox leeg.

---

2. Druk op de aan/uit-knop.
3. Trek de aansluitkabel eruit.
4. Als het koeltoestel langere tijd niet wordt gebruikt, laat u het deksel open zodat er geen geuren kunnen ontstaan.

### Koelbox ontdooien

Vocht kan vorst in de binnenruimte van het koeltoestel of op de verdampers vormen. Daardoor wordt het koelvermogen verminderd.



#### **LET OP! Gevaar voor schade**

Gebruik nooit harde of scherpe voorwerpen om ijs te verwijderen of om vastgevroren objecten los te maken.

Ga als volgt te werk om het koeltoestel te ontdooien:


1. Verwijder de inhoud uit het koeltoestel.
2. Plaats de inhoud indien nodig in een ander koeltoestel om alles koel te houden.
3. Het koeltoestel uitschakelen.
4. Laat het deksel geopend.
5. Wis het dooiwater weg.

### Wisselstroom-zekering vervangen



#### **GEVAAR! Gevaar voor elektrische schokken**

Ontkoppel de voeding en de aansluitkabel alvorens de wisselstroomzekering te vervangen.

1. Ontkoppel de voeding naar het koeltoestel.
2. Trek de aansluitkabel los.
3. Wrik de zekering (  afb. 4 op pagina 1202) los met een schroevendraaier.
4. Vervang de defecte glaszekering door een nieuwe zekering van hetzelfde type ( 4 A , 250 V).

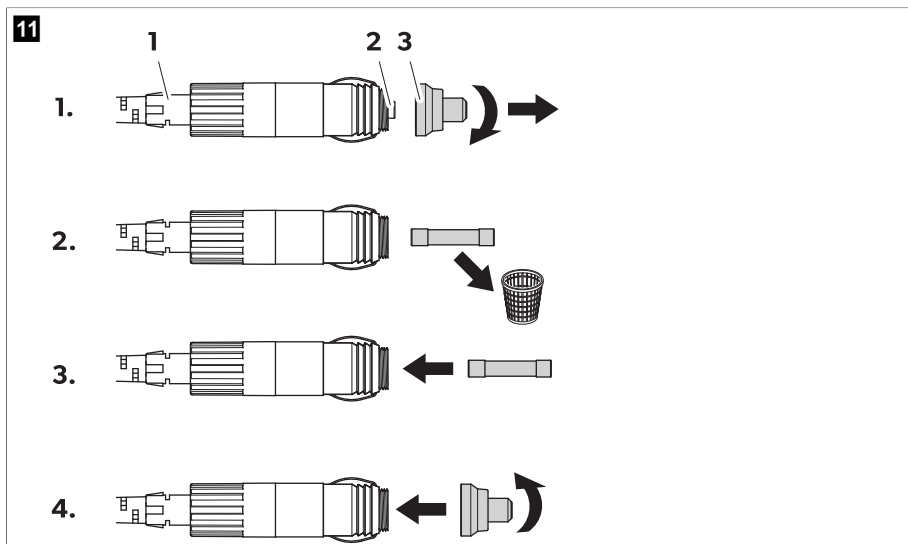
5. Druk de zekeringhouder weer in de behuizing.
6. Sluit de stroomvoorziening naar het toestel weer aan.


## Zekering van gelijkstroomstekker vervangen



**INSTRUCTIE** Er bevindt zich een extra gelijkstroomzekering in het toestel (standaard zekering voor auto's, 10 A). Deze zekering mag alleen worden vervangen door een geautoriseerde reparatiewerkplaats.

1. Schroef de contactpenbehuizing (  afb. **11** op pagina 127 **3**) van de stekker (  afb. **11** op pagina 127 **1**) los.



2. Vervang de defecte zekering (  afb. **11** op pagina 127 **2**) door een nieuwe zekering van hetzelfde type (3AG, snelwerkend, 10 A).
3. Monteer de stekker in omgekeerde volgorde.

## Lichtprintplaat vervangen



### LET OP! Gevaar voor schade

Om gevaren te voorkomen mag de lichtprintplaat uitsluitend worden vervangen door de fabrikant, diens klantenservice of een gelijkwaardig gekwalificeerd persoon.

## 10 Reiniging en onderhoud



### VOORZICHTIG! Gevaar voor elektrische schokken

Zorg ervoor dat het koeltoestel is losgekoppeld van de voeding voordat u reinigings- of onderhoudswerkzaamheden uitvoert.



**LET OP! Gevaar voor schade**

- > Reinig het koeltoestel nooit onder stromend water of in afwaswater.
  - > Gebruik geen schurende schoonmaakmiddelen of harde voorwerpen voor de reiniging.
- > Reinig het toestel regelmatig vanbinnen en vanbuiten met een vochtige doek.
- > Zorg ervoor dat de ventilatieopeningen van het koeltoestel vrij zijn van stof en vuil, zodat de warmte kan worden afgevoerd en het toestel niet beschadigd raakt.

## 11 Problemen oplossen

| Fout  | Mogelijke oorzaak   | Voorstel tot oplossing   |
|---|---|--|
| Het koeltoestel werkt niet. De voedings-LED gaat niet branden.  | Er wordt geen spanning gedetecteerd bij de gelijkstroomaansluiting.                             | > Schakel het contact van het voertuig in.   |
|   | Op de wisselstroomcontactdoos staat geen spanning.  | > Probeer een ander stopcontact.   |
|   | Wisselstroomzekering is defect.   | > Vervang de wisselstroomzekering, zie Wisselstroom-zekering vervangen op pagina 126.  |
|   | De geïntegreerde netadapter is defect.  | > Neem contact op met een geautoriseerde klantenservice.   |
| De voedings-LED licht oranje op, de foutcode <b>E 01</b> wordt weergegeven en het koeltoestel koelt niet, ook al is de stekker aangesloten.               | Accumonitor is te hoog ingesteld.   | <ol style="list-style-type: none"> <li>1. Stel de accumulomonitor in op een lagere modus (zie Accubewaker gebruiken op pagina 124).</li> <li>2. Test de startaccu.</li> <li>3. Laad indien nodig de startaccu op.</li> </ol> Volg de aanwijzingen van de voertuigfabrikant op. |
|   | De accumulomonitor is te hoog ingesteld.  | <ol style="list-style-type: none"> <li>1. Stel de accumulomonitor in op een hogere modus (zie Accubewaker gebruiken op pagina 124).</li> <li>2. Test de startaccu.</li> <li>3. Laad indien nodig de startaccu op.</li> </ol> Volg de aanwijzingen van de voertuigfabrikant op. |
| Bij gebruik van het koeltoestel met de gelijkstroomuitgang: Het contact is ingeschakeld en het koeltoestel werkt niet. De voedings-LED gaat niet branden. | De gelijkstroomstekker is niet goed aangesloten.  | > Sluit de gelijkstroomstekker opnieuw aan.  |
|   | De fitting van de gelijkstroomcontactdoos is vervuild. Dit leidt tot slecht elektrisch contact. | > Reinig de gelijkstroomuitgang. Volg de aanwijzingen van de voertuigfabrikant op.   |
|   | De zekering van de gelijkstroomstekker is doorgebrand.  | > Vervang de zekering van de gelijkstroomstekker, zie hoofdstuk Zekering van gelijkstroomstekker vervangen op pagina 127.  |
|   | De gelijkstroomzekering in het koeltoestel is doorgebrand.                                      | > Neem contact op met een geautoriseerde klantenservice.   |

| Fout  | Mogelijke oorzaak  | Voorstel tot oplossing  |
|---|--|---|
|   | De gelijkstroomzekering van het voertuig is doorgebrand. | > Vervang de zekering van de gelijkstroomuitgang van het voertuig.<br>Volg de aanwijzingen van de voertuigfabrikant op. |
| Het display geeft een foutcode weer en het koeltoestel koelt niet af (zie Foutcodes op pagina 129). | Een interne storing heeft het koeltoestel uitgeschakeld. | > Neem contact op met een geautoriseerde klantenservice.  |

## Foutcodes



**INSTRUCTIE** Neem contact op met een erkende servicemedewerker als een van de foutcodes **E 02** tot **E 07** zich voordoet.

| Foutcode    | Beschrijving                |
|-------------|-----------------------------|
| <b>E 01</b> | Laagspanning/overspanning   |
| <b>E 02</b> | Ventilator overstroom       |
| <b>E 03</b> | Compressor start niet       |
| <b>E 04</b> | Toerental compressor laag   |
| <b>E 05</b> | Bedieningspaneel oververhit |
| <b>E 06</b> | NTC open circuit            |
| <b>E 07</b> | NTC kortsluiting            |

## 12 Garantie

De wettelijke garantieperiode is van toepassing. Als het product defect is, neem dan contact op met de vestiging van de fabrikant in uw land (zie [dometic.com/dealer](http://dometic.com/dealer)) of uw verkoper.

Stuur voor de afhandeling van reparaties of garantie de volgende documenten mee:

- Een kopie van de factuur met datum van aankoop
- De reden voor de claim of een beschrijving van de fout

Houd er rekening mee dat eigenmachtige of niet-professionele reparatie gevolgen voor de veiligheid kan hebben en dat de garantie hierdoor kan komen te vervallen.

## 13 Verwijdering



### **WAARSCHUWING! Gevaar voor insluiting van kinderen**

Demonteer het deksel vooraleer u het oude koeltoestel verwijderd. Laat de manden op hun plek zodat kinderen er niet kunnen in klimmen.



Gooi het verpakkingsmateriaal indien mogelijk altijd in recyclingafvalbakken. Vraag het dichtstbijzijnde recyclingcentrum of uw dealer naar informatie over hoe het product kan worden weggegooid in overeenstemming met alle van toepassing zijnde nationale en lokale regelgeving.



Producten met batterijen, oplaadbare batterijen en lichtbronnen recycleren: Verwijder alle batterijen, oplaadbare batterijen en lichtbronnen voordat u het product laat recycleren. Geef uw defecte accu's of verbruikte batterijen af bij de leverancier of bij een verzamelpunt. Geef accu's en batterijen, oplaadbare batterijen en lichtbronnen niet mee met het huishoudelijke afval. Als u het product definitief weg wilt doen, vraag dan bij het dichtstbijzijnde afvalverwerkingsbedrijf of uw dealer naar de betreffende afvoerschriften. Het product kan gratis worden afgevoerd.

## 14 Technische gegevens



**INSTRUCTIE** Als de omgevingstemperatuur boven de 32 °C stijgt, kan de minimumtemperatuur niet worden bereikt.

Dit product bevat gefluoreerde broeikasgassen.

Het koelaggregaat is hermetisch afgesloten.

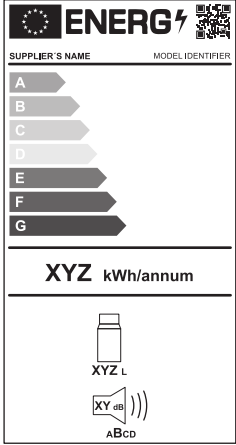
|  | CFX2 28   | CFX2 37   | CFX2 45  | CFX2 57  |
|--|---|---|--|--|
| Nominaal ingangsvermogen                     | 50 ... 60 Hz<br>100 ... 240 V~                                  |   |  |  |
| Nominale stroom                              | 12 V : 8,6 A<br>24 V : 3,8 A<br>100 V : 1,6 A<br>240 V : 0,77 A | 12 V : 8,7 A<br>24 V : 3,85 A<br>100 V : 1,63 A<br>240 V : 0,78 A | 12 V : 8,8 A<br>24 V : 3,9 A<br>100 V : 1,65 A<br>240 V : 0,79 A | 12 V : 9 A<br>24 V : 4 A<br>100 V : 1,7 A<br>240 V : 0,8 A |
| Koelvermogen                                 | -22 °C ... 20 °C  |   |  |  |
| Omgevingstemperatuur                         | 16 °C ... 43 °C   |   |  |  |
| Klimaatklasse                                | N of T  |   |  |  |
| USB  | 5 V 2 A   |   |  |  |
| Koelmiddel                                   | R600a   |   |  |  |
| Hoeveelheid koelmiddel                       | 13 g  | 13 g  | 14 g   | 17 g   |
| Afmetingen(b x h x d, inclusief draaggrepen) | 600 mm × 427 mm × 345 mm  | 678 mm × 428 mm × 401 mm  | 678 mm × 493 mm × 401 mm   | 709 mm × 503 mm × 458 mm                                   |
| Volume                                       | 28 L  | 37 L  | 45 L   | 57 L   |
| Gewicht                                      | 13,5 kg   | 15,8 kg   | 16,8 kg  | 18,5 kg  |
| Frequentieband (WLAN)                        | 2,4 GHz   |   |  |  |
| Max. uitgangsvermogen                        |   |   |  |  |
| WLAN   | 19,22 dBm   |   |  |  |
| Bluetooth                                    | 7,93 dBm  |   |  |  |

Hierbij verklaart Dometic (Zhuhai) Technology Co., Ltd dat de radioapparatuur van het type CFX2 28, CFX2 37, CFX2 45, CFX2 57 voldoet aan de richtlijn 2014/53/EU. De volledige tekst van de EU-conformiteitsverklaring kan worden geraadpleegd op het volgende internetadres: [documents.dometic.com](http://documents.dometic.com)



Meer informatie over het product is beschikbaar via de QR-code op het energielabel of op [eprel.ec.europa.eu](http://eprel.ec.europa.eu).

**12**



**ENERGY**

SUPPLIER'S NAME MODEL IDENTIFIER

A  
B  
C  
D  
E  
F  
G

**XYZ kWh/annum**

XYZ L

XY dB  
ABCD

[eprel.ec.europa.eu](http://eprel.ec.europa.eu)

## Dansk

|    |  |     |
|----|--|-----|
| 1  | Vigtige henvisninger.....                  | 132 |
| 2  | Forklaring af symboler.....                | 132 |
| 3  | Forklaring af symbolerne på apparatet..... | 133 |
| 4  | Sikkerhedshenvisninger.....                | 133 |
| 5  | Leveringsomfang.....                       | 135 |
| 6  | Tilbehør.....                              | 135 |
| 7  | Korrekt brug.....                          | 135 |
| 8  | Teknisk beskrivelse.....                   | 136 |
| 9  | Betjening.....                             | 138 |
| 10 | Rengøring og vedligeholdelse.....          | 145 |
| 11 | Udbedring af fejl.....                     | 146 |
| 12 | Garanti.....                               | 147 |
| 13 | Bortskaffelse.....                         | 147 |
| 14 | Tekniske data.....                         | 147 |

## 1 Vigtige henvisninger

Læs og følg alle disse anvisninger, retningslinjer og advarsler i denne produktvejledning grundigt for at sikre, at du altid installerer, bruger og vedligeholder produktet korrekt. Disse anvisninger SKAL opbevares sammen med dette produkt.

Ved at benytte produktet bekræfter du hermed, at du har læst alle anvisninger, retningslinjer og advarsler grundigt, og at du forstår og er indforstået med de vilkår og betingelser, der er fastlagt heri. Du er indforstået med kun at bruge dette produkt til det beregnede formål og anvendelse i overensstemmelse med anvisningerne, retningslinjerne og advarslerne i denne produktvejledning samt i overensstemmelse med alle de gældende love og forskrifter. Manglende læsning og ignorering af disse anvisninger og advarsler kan medføre kvæstelser på dig selv og andre, skade på dit produkt eller skade på anden ejendom i nærheden. Der tages forbehold for eventuelle ændringer og opdateringer af denne produktvejledning samt anvisningerne, retningslinjerne og advarslerne samt den tilhørende dokumentation. Se [documents.dometic.com](http://documents.dometic.com) for de nyeste produktinformationer.

## 2 Forklaring af symboler

Et signalord vil identificere sikkerhedsmeddelelser og meddelelser om skade på ejendom og vil også angive graden eller niveauet af farens alvor.



### FARE!

Angiver en farlig situation, som medfører dødsfald eller alvorlig kvæstelse, såfremt den ikke undgås.



### ADVARSEL!

Angiver en farlig situation, som kan medføre dødsfald eller alvorlig kvæstelse, såfremt den ikke undgås.



### FORSIGTIG!

Angiver en farlig situation, som kan medføre mindre eller lette kvæstelser, såfremt den ikke undgås.



### VIGTIGT!

Angiver en situation, som kan medføre materielle skader, såfremt den ikke undgås.



**BEMÆRK** Supplerende oplysninger om betjening af produktet.

### 3 Forklaring af symbolerne på apparatet



Advarsel! Risiko for brand. Brændbare materialer.

### 4 Sikkerhedshenvisninger



#### **FARE! Fare for elektrisk stød**

- > Ved både: Hvis apparatet forsynes via elnettet, skal du sikre, at strømforsyningen har en FI-afbryder eller et fejlstrømsrelæ. Installation, især i potentielt fugtige områder, skal udføres i overensstemmelse med alle gældende installationsforskrifter.
- > Tag aldrig fat i uisolerede ledninger med bare hænder. Dette gælder frem for alt ved tilslutning til vekselstrømnettet.



#### **ADVARSEL! Fare for elektrisk stød**

- > Hvis køleapparatet har synlige beskadigelser, må det ikke tages i brug.
- > Hvis dette køleapparats strømkabel er beskadiget, skal det udskiftes for at forhindre sikkerhedsfarer.
- > Reparationer på dette køleapparat må kun foretages af kvalificeret personale. Ukorrekte reparationer kan medføre betydelige farer.
- > Sæt apparatet i stikdåser, der sikrer en korrekt forbindelse, især når apparatet skal forbindes med jord.



#### **ADVARSEL! Brandfare**

- > Når apparatet positioneres, skal det sikres, at strømledningen ikke sidder i klemme eller beskadiges.
- > Placér ikke flere bærbare stikdåser eller bærbare strømforsyninger i bagved apparatet.
- > Kølemidlet i kølekredsløbet er letantændeligt, og i tilfælde af en lækage kan der ophobes brændbare gasser, hvis apparatet befinder sig i et lille rum. Ved en beskadigelse af kølemiddelkredsløbet:
  - Hold åbne flammer og eventuelle antændingskilder væk fra køleskabet.
  - Sørg for at udlufte rummet godt.
  - Sluk for køleskabet.
- > For køleapparater med kølemidlet R600a:
  - Kølemiddelkredsløbet indeholder en lille mængde miljøvenligt men brændbart kølemiddel. Det skader ikke ozonlaget og det bidrager ikke til at øge drivhuseffekten. Alle lækkede kølemidler kan antændes.
  - Køleapparatet må ikke anvendes eller opbevares ved trange pladsforhold eller ved en minimal luftstrøm.
- > Hold ventilationsåbningerne på apparathuset eller i indbygningskonstruktionerne fri for forhindringer.
- > Anvend ikke mekaniske genstande eller andre midler til at accelerere afrimningen, medmindre producenten anbefaler dem hertil.
- > Kølekredsløbet må ikke åbnes eller beskadiges.
- > Anvend ikke elektriske apparater i køleskabet, undtagen hvis producenten anbefaler disse apparater hertil.



#### **ADVARSEL! Sundhedsfare**

- > Dette apparat kan anvendes af børn over 8 år og personer med reducerede fysiske, sans- eller mentale evner eller uden erfaring eller viden, hvis de er under opsyn eller blev instrueret i sikker brug af apparatet og forstår de involverede farer.
- > Børn i alderen fra 3 til 8 år må fylde og tømme køleapparater.

- > Børn skal overvåges for at sikre, at de ikke leger med apparatet.
- > Rengøring og vedligeholdelse må ikke udføres af børn uden opsyn.



#### **ADVARSEL! Eksplosionsfare**

Opbevar ikke eksplosive stoffer som f.eks. spraydåser med en brændbar drivgas i køleapparatet.



#### **FORSIGTIG! Fare for elektrisk stød**

- > Kontrollér, at ledningen og stikket er tørre, før køleapparatet startes.
- > Afbryd køleapparatet fra strømforsyningen før hver rengøring og vedligeholdelse og efter hver brug.



#### **FORSIGTIG! Sundhedsfare**

- > Overhold disse anvisninger for at undgå, at maden bliver fordærvet:
  - Kontrollér, om apparatets kølekapacitet svarer til kravene for fødevarerne, som du vil køle.
  - Madvarer må kun opbevares i original emballage eller egnede beholdere.
  - Hvis køleapparatet er åbnet i længere tid, kan temperaturen stige betydeligt i apparatets rum.
  - Rengør regelmæssigt overflader, som kan komme i kontakt med levnedsmidler og adgang til kloaksystemer.
- > Hvis apparatet er tomt i længere tid:
  - Sluk apparatet.
  - Sluk for apparatet.
  - Rengør og tør apparatet.
  - Lad låget være åbent for at forhindre, at der dannes mug inden i apparatet.

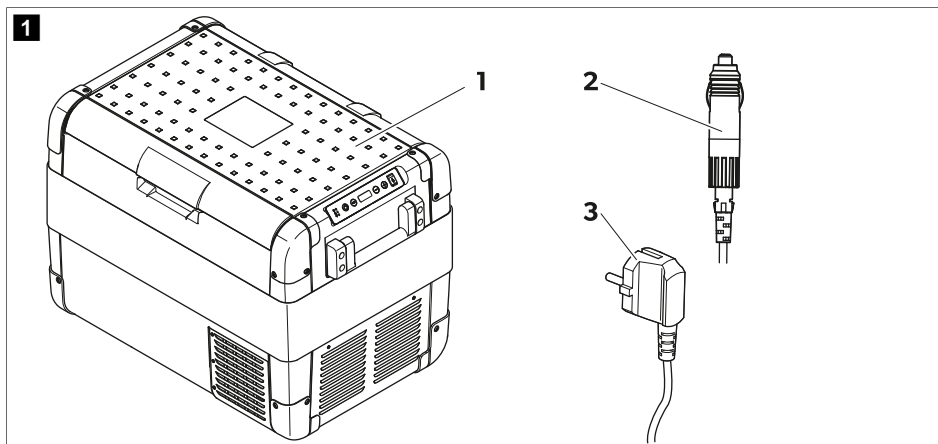


#### **VIGTIGT! Fare for beskadigelse**

- > Kontrollér, at spændingsangivelsen på typeskiltet svarer til den fra energiforsyningen.
- > Tilslut kun køleapparatet på følgende måde:
  - Med jævnstrømstilslutningskablet til en jævnstrømsforsyning i køretøjet
  - Eller tilslut tilslutningskablet til en vekselstrømsforsyning.
- > Træk aldrig stikket ud af stikdåsen med kablet.
- > Hvis køleapparatet er tilsluttet til et jævnstrømsstik: Afbryd køleapparatet og andre forbrugere fra køretøjsbatteriet, før du tilslutter en hurtigoplader.
- > Hvis køleapparatet er tilsluttet til et jævnstrømsstik: Afbryd køleapparatet, eller sluk det, når motoren standses. I modsat fald kan køretøjsbatteriet blive afladet.
- > Køleapparatet er ikke egnet til transport af ætsende materialer eller materialer, der indeholder opløsningsmidler.
- > Køleapparatets isolering indeholder brændbar cyklopentan og kræver specielle bortskaffelsesprocedurer. Aflever køleapparatet på genbrugsstationen ved afslutningen af dets levetid.
- > Stil ikke køleapparatet i nærheden af åben ild eller andre varmekilder (varmeapparater, stærk sol, gasovne osv.).
- > Fyld ikke is eller væsker i den indvendige beholder.
- > Dyp aldrig køleapparatet i vand.
- > Beskyt køleapparatet og kablerne mod varme og fugtighed.
- > Køleapparatet må ikke udsættes for regn.
- > For at kølemidlet kan cirkulere korrekt, må køleapparatet ikke overskride en hældningsvinkel på 30 ° . Placér køleapparatet vandret ved hjælp af et vaterpas.
- > **Risiko for overophedning!** Sørg for, at der altid er tilstrækkelig ventilation på alle fire sider af køleapparatet. Hold ventilationsområdet frit for genstande, som kan begrænse luftstrømmen til

kølekomponenterne. Placér ikke køleapparatet i lukkede rum eller områder uden eller med minimal luftstrøm.

## 5 Leveringsomfang



| Artikel | Antal | Beskrivelse                                   |
|---------|-------|---|
| 1       | 1     | Køleboks                                      |
| 2       | 1     | Tilslutningskabel til jævnstrømsforbindelse   |
| 3       | 1     | Tilslutningskabel til vekselstrømsforbindelse |
| -       | 1     | Kort betjeningsvejledning                     |

## 6 Tilbehør

Kan fås som tilbehør (ikke indeholdt i leveringsomfanget):

| Betegnelse                                      | Art.nr.    | Model                    |
|---|------------|--------------------------|
| Fastgørelsessæt med hurtigudløsning CFX-QFK     | 9600000166 | Kun CFX2 28              |
| Fastgørelsessæt med hurtigudløsning CFX-QFK3545 | 9600029599 | Kun CFX2 37 og CFX2 45   |
| Mobil-app til køling                            | -          | Passer til alle modeller |

## 7 Korrekt brug

Køleboksen er egnet til at køle levnedsmidler. Køleboksen er også egnet til anvendelse i køretøjer. Køleboksen er beregnet til at blive tilsluttet til et jævnstrømsforsyningsstik i et køretøj eller til en vekselstrømsforsyning.

Køleboksen er også egnet til campingbrug.

Køleboksen er beregnet til at blive anvendt i husholdningen og lignende anvendelser såsom

- Personalekøkkener i butikker, kontorer og andre arbejdsomgivelser

- Bondegårde
- Kunder på hoteller, moteller og andre typer boligomgivelser
- Bed-and-breakfast-pensioner
- Catering og lignende anvendelse inden for non-retail

Køleboksen er **ikke** egnet til:

- Lynnedfrysning af levnedsmidler
- Opbevaring af korrosive, ætsende eller opløsningsmiddelholdige stoffer
- Brug som apparat til indbygning

Denne køleboks er kun egnet til dens beregnede formål og anvendelse i overensstemmelse med disse anvisninger.

Dette produkt er kun egnet til dets beregnede formål og anvendelse i overensstemmelse med disse anvisninger.

Denne vejledning giver dig oplysninger om, hvad der er nødvendigt med henblik på en korrekt montering og/eller drift af produktet. Dårlig montering og/eller ukorrekt drift eller vedligeholdelse medfører utilstrækkelig ydeevne og mulige fejl.

Producenten påtager sig intet ansvar for kvæstelser eller skader i forbindelse med produktet, der skyldes:

- ukorrekt montering eller forbindelse inklusive for høj spænding
- ukorrekt vedligeholdelse eller brug af uoriginale reservedele, der ikke stammer fra producenten
- ændringer på produktet uden udtrykkelig tilladelse fra producenten
- brug til andre formål end dem, der er beskrevet i vejledningen

Dometic forbeholder sig ret til at ændre produktets udseende og produktspecifikationer.

## 8 Teknisk beskrivelse

Køleboksen kan afkøle produkter. Kølingen sker med et kølekredsløb og en kompressor med lav vedligeholdelse. Den kraftige isolering og kompressor sørger for en effektiv og hurtig køling.


Køleapparatet er egnet til mobil anvendelse.

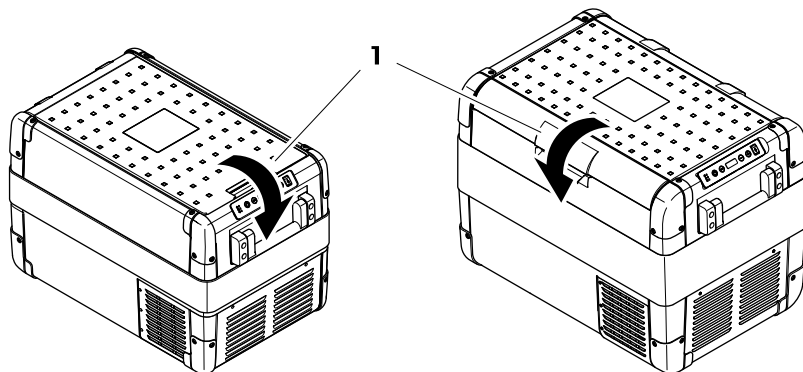
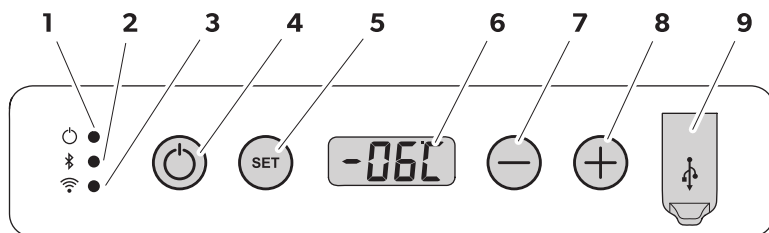
Køleboksen kan modstå en kortvarig hældning på 30°, for eksempel på både.

### Funktionernes omfang

- Netdel med prioritetskobling til tilslutning til vekselspændingsforsyning
- 3-trins batteriovervågning til at beskytte køretøjets batteri
- Display med temperaturvisning i °C og °F
- Temperaturindstilling med 2 knapper i trin på 1 °C / 1 °F
- Integreret Bluetooth- og WLAN-funktion til styring af køleboksen via mobil-app til køling
- Bæregreb, der kan klappes op
- USB-port til strømforsyning
- Kurveindsats til at tage ud

### Betjenings- og visningselementer

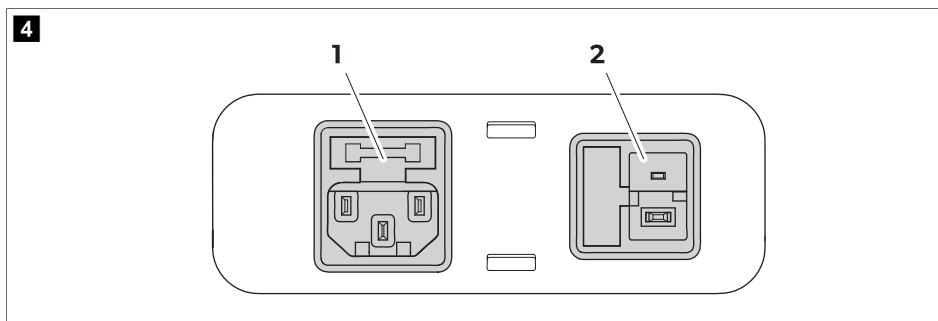
Lås (  fig. 2 på side 137, 1) til låg:

**2****CFX2 28, 37, 45****CFX2 57****Kontrolpanel****3**

| Artikel | Beskrivelse | Forklaring   |
|---------|-------------|--|
| 1       | Effekt      | Driftsvisning  |
|         |             | LED'en lyser hvidt: Kompressoren begynder at køre.<br>LED'en lyser orange: Kompressoren holder op med at køre. |
| 2       | Bluetooth   | LED'en er slukket. Bluetooth på køleboksen er slukket.   |
|         |             | LED'en blinker langsomt hvidt: Bluetooth på køleboksen er tændt. Køleboksen er ikke parret med en enhed.       |
|         |             | LED'en blinker hurtigt hvidt: Køleboksen parres med en enhed via Bluetooth.                                    |
|         |             | LED'en lyser hvidt: Køleboksen er parret med en enhed via Bluetooth.   |
| 3       | WLAN        | LED'en er slukket. WLAN på køleboksen er slukket.  |
|         |             | LED'en blinker hvidt: WLAN på køleboksen er tændt. Køleboksen er ikke tilsluttet en enhed.                     |
|         |             | LED'en lyser hvidt: Køleboksen er parret med en enhed via WLAN.  |

| Artikel | Beskrivelse | Forklaring   |
|---------|-------------|--|
| 4       | ON/OFF      | Tænder eller slukker for køleboksen.   |
| 5       | SET         | Vælger indtastningsmodusen: <ul style="list-style-type: none"> <li>• Temperaturindstilling</li> <li>• Celsius- eller fahrenheit-visning</li> <li>• Indstilling af batteriovervågning</li> <li>• Indstilling af lysstyrke for displayet</li> <li>• Indstilling af displaytilstand</li> <li>• Indstil Bluetooth</li> <li>• Indstil WLAN</li> </ul> |
| 6       |             | Display  |
| 7       | -           | Indstiller temperaturen, temperaturenheden, batteriovervågningen, displayets lysstyrke, tilstanden, Bluetooth og WLAN.   |
| 8       | +           |  |
| 9       |             | USB-tilslutning  |

### Tilslutningsbøsninger



| Artikel | Beskrivelse                                  |
|---------|--|
| 1       | Tilslutningsbøsning vekselspændingsforsyning |
| 2       | Tilslutningsbøsning jævnspændingsforsyning   |

## 9 Betjening

### Før første brug



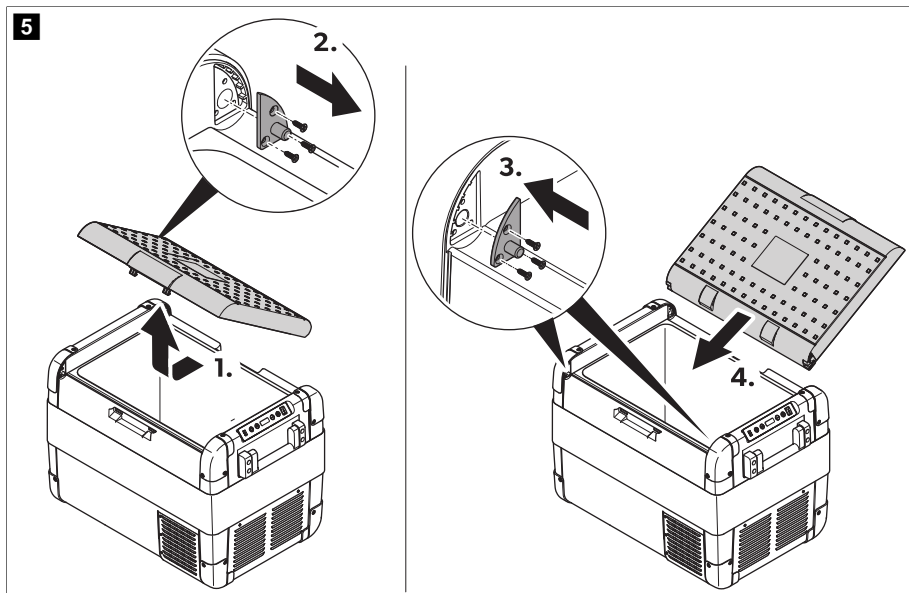
**BEMÆRK** Før du tager apparatet i brug første gang, bør du af hensyn til hygiejnen rengøre det indvendigt og udvendigt med en fugtig klud (se Rengøring og vedligeholdelse på side 145).

### Skift af lågets åbningsretning (kun CFX2 57)

Låghængslerne kan flyttes til den modsatte side.

1. Åbn og fjern låget ( fig. 5 på side 139)





2. Afmonter de 3 skruer til hvert hængsel (  fig. 5 på side 139), og tag dem af.
3. Anbring hængselene på de nye positioner.
4. Sæt låget i de nye hængselpositioner (  fig. 5 på side 139).

## Energisparelse

- > Vælg et opstillingssted, der er godt ventileret og beskyttet mod sol.
- > Lad først varm mad afkøle, før du anbringer den i køleapparatet for at køle det ned.
- > Åbn ikke køleapparatet hyppigere end nødvendigt.
- > Lad ikke køleapparatet være åbent i længere tid end nødvendigt.
- > Hvis køleapparatet har en kurv: Placér kurven i overensstemmelse med dens position ved leveringen for at opnå optimalt energiforbrug.
- > Kontrollér regelmæssigt, at lågets tætning stadig passer rigtigt.
- > Undgå unødigt lave temperaturer.

## Tilslutning af køleboksen

### Tilslutning til et batteri



#### VIGTIGT! Fare for beskadigelse

- > For at beskytte apparatet sidder der en sikring i stikket på det medfølgende jævnstrømskabel. Fjern **ikke** jævnstrømsstikket med sikring. Anvend kun det medfølgende jævnstrømskabel.
- > Afbryd køleboksen og andre forbrugsenheder fra batteriet, før du tilslutter batteriet til en hurtigoplader. Overspænding kan beskadige elektronikken i enheder, der er tilsluttet batteriet.



**BEMÆRK** Af sikkerhedsmæssige årsager er køleboksen udstyret med et elektronisk system til at undgå polaritetsomskiftning. Det elektroniske system beskytter køleboksen mod kortslutning, når den tilsluttes til et batteri.

Køleboksen kan anvendes med 12 V  $\approx$  eller 24 V  $\approx$ .

- > Tilslut køleboksen til et batteri vha. jævnstrømsstilslutningskablet som vist.

### Tilslutning til et vekselstrømnet



**FARE! Fare for elektrisk stød**

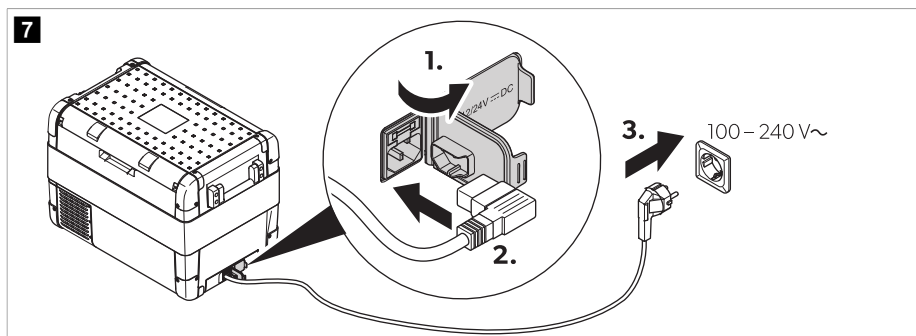
- > Berør aldrig stik og kontakter, når du har våde hænder eller står med fødderne i vand.
- > Hvis køleboksen betjenes om bord på en båd fra en vekselstrømsforsyning, skal der installeres en fejlstrømsafbryder mellem vekselstrømforsyningen og køleboksen. Få råd hos en fagmand.



**BEMÆRK**

Køleboksen har en integreret strømforsyning med flere spændinger med prioritetskobling til tilslutning til en vekselspændingskilde. Prioritetskoblingen skifter automatisk køleboksen til vekselstrømsdrift, hvis apparatet er tilsluttet til en vekselstrømsforsyning, selv om jævnstrømsstilslutningskablet stadig er tilsluttet.

- > Tilslut køleboksen til en vekselstrømforsyning ved hjælp af vekselstrømskablet som vist.



### Anvendelse af køleboksen



**VIGTIGT! Fare for beskadigelse**

Placér køleboksen med bunden nedad.

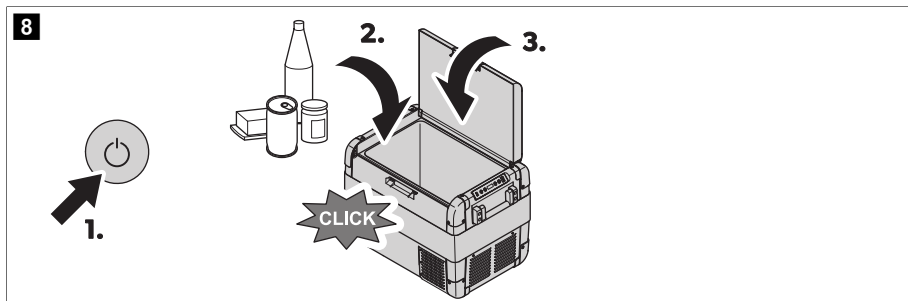
1. Stil køleskabet på et fast underlag.
2. Tilslut køleboksen (se kapitel Tilslutning af køleboksen på side 139).



**ADVARSEL! Sundhedsfare**

Sørg for, at kun genstande, der skal afkøles ved den valgte temperatur, placeres i køleboksen.


3. Tryk på knappen "ON/OFF" for 1 ... 2 s.



- ✓ "Power"-LED'en lyser. Displayet tændes og viser den aktuelle temperatur.



### BEMÆRK Vist temperatur

CFX2 57: Den viste temperatur er temperaturen i det store indre rum (  fig. 9 på side 141 1).

Køleboksen starter med at køle det indvendige rum.

### Låsning af køleboksens låg

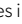
1. Luk låget.
2. Tryk låsen ned, indtil den hørbart klikker på plads.

### Undgå madspild


Vær opmærksom på følgende for at undgå madspild

- > Hold temperaturudsving så lave som muligt. Åbn kun køleapparatet, så tit og så længe det er nødvendigt. Opbevar fødevarer, så luften stadig kan cirkulere godt.
- > Justér temperaturen til fødevarernes mængde og type.
- > Fødevarer kan nemt absorbere eller afgive lugt eller smag. Opbevar altid fødevarer tildækket eller i lukkede beholdere/flasker.

### Indstilling af temperaturen

1. Tryk på knappen **SET** 1 gang.
  2. Brug knapperne **+** og **-** til at vælge køletemperaturen.
- ✓ Den valgte temperatur og  vises i displayet et par sekunder. Displayet blinker flere gange. Derefter vises den aktuelle temperatur igen.

### Valg af temperaturenheden

1. Tryk 2 gange på knappen **SET**.
  2. Tryk på knappen **+** eller **-** for at vælge temperaturenheden.
- ✓ Den valgte temperaturenhed og  vises på displayet i nogle få sekunder. Displayet blinker flere gange, før det viser den aktuelle temperatur.

## Anvendelse af batteriovervågningen



### VIGTIGT! Fare for beskadigelse

Når batteriovervågningen slukkes, er batteriet ikke længere fuldt opladet. Undgå at starte flere gange eller at anvende strømforbrugere uden længere opladningsfaser. Sørg for, at batteriet oplades igen.

Køleboksen er udstyret med en flertrins batteriovervågning, der beskytter køretøjets batteri mod for kraftig afladning når køleboksen tilsluttes til køretøjets jævnstrømsforsyning.

Hvis køleboksen anvendes, når køretøjets tænding er slået fra, frakobles køleboksen automatisk, så snart forsyningsspændingen falder under et specifikt niveau. Køleboksen tænder igen, så snart batteriet er blevet genopladet til genstartsspændingen.

I tilstanden "HIGH" reagerer batteriovervågningen hurtigere end ved tilstanden "LOW" og "MED".

| Batteriovervågningsmodus     | LOW    | MED    | HIGH   |
|------------------------------|--------|--------|--------|
| Genstartsspænding ved 12 V   | 11,4 V | 12,2 V | 12,6 V |
| Frakoblingsspænding ved 12 V | 10,1 V | 11,2 V | 11,8 V |
| Genstartsspænding ved 24 V   | 23 V   | 25,3 V | 26,4 V |
| Frakoblingsspænding ved 24 V | 21,5 V | 24,1 V | 24,6 V |

Vælg batteriovervågningstilstand som følger:

1. Tænd køleboksen.
  2. Tryk 3 gange på knappen **SET**.
  3. Brug knapperne **+** eller **-** til at vælge batteriovervågningstilstand.
- ✓ Displayet skifter som følger: **[P L0]** (LOW), **[P M0]** (MED), **[P H1]** (HIGH)

Den valgte tilstand vises i displayet nogle få sekunder. Displayet blinker flere gange, før det skifter tilbage til den aktuelle temperatur.



**BEMÆRK** Når køleboksen forsynes af startbatteriet, skal du vælge batteriovervågningstilstand "HIGH". Hvis køleboksen er tilsluttet til et husstands batteri, skal du vælge batteriovervågningstilstand "LOW".

## Indstilling af displayets lysstyrke

Displayets lysstyrke kan dæmpes ved lave lysforhold i omgivelserne.

1. Tænd køleboksen.
  2. Tryk 4 gange på knappen **SET**.
  3. Benyt knapperne **+** eller **-** til at indstille displayets lysstyrke.
- ✓ Displayet skifter som følger: **[d L0]** (low), **[d M0]** (medium), **[d H1]** (high)

Displayet viser den indstillede tilstand i nogle sekunder. Displayet blinker nogle gange, før det skifter tilbage til den aktuelle lysstyrke.



**BEMÆRK** Hvis der opstår en fejl, skifter lysstyrken automatisk til **[d H1]** lysstyrke.

## Brug af USB-porten

USB-porten gør det muligt at oplade små enheder som f.eks. mobiltelefoner og mp3-afspillere.

- > Tilslut den enhed, der skal oplades, til køleboksens USB-port vha. et USB-kabel (medfølger ikke).



**BEMÆRK** Sørg for, at den tilsluttede enhed er kompatibel med betjeningen af 5 V / 2 A .

### Indstilling af visningsmodus

1. Tryk 5 gange på knappen **SET** .
2. Brug knapperne **+** eller **-** til at indstille dvaletilstanden.
- ✓ Displayet skifter som følger: **[5 OFF]** (OFF), **[5 On]** (ON), **[5 Lo]** (Low)

**S 0F** (OFF): Dvaletilstanden er deaktiveret. Displayet er konstant tændt.

**S On** (ON): Dvaletilstanden er aktiveret. Hvis køleboksen ikke bruges i flere minutter, viser displayet kun en prik.

**S Lo** (Low): Dvaleundertilstanden er aktiveret. Hvis køleboksen ikke bruges i flere minutter, skifter displayet til den laveste displaylysstyrke.



**BEMÆRK** Hvis displayet er i dvaletilstand eller dvalendertilstand, skal du trykke på en knap på køleboksen for kortvarigt at afslutte den tilsvarende tilstand.

### Sådan bruges mobilappen til køleboksen

Køleboksen kan overvåges og styres via Bluetooth eller WLAN ved hjælp af en app, som kan installeres på en kompatibel enhed.

1. Download og installer mobilappen til køleboksen.



Hent appen på [qr.dometic.com/beiv4R](http://qr.dometic.com/beiv4R).

2. Tryk på knappen **SET** som følger:
  - 6 gange for at åbne Bluetooth-indstillingerne.
  - 7 gange for at åbne WLAN-indstillingerne.
3. Brug knapperne **+** eller **-** til at indstille Bluetooth eller WLAN.



**BEMÆRK** Hvis køleboksen parres med en kompatibel enhed via Bluetooth, skal parringstilstand indstilles.

- ✓ Displayet ændres som følger, når Bluetooth indstilles: **[bL OFF]** (OFF), **[bL On]** (ON), **[bL PA]** (Parring)



**BEMÆRK** Hvis **[bL OFF]** vises, ændres displayet ikke, når du trykker på knappen **-**. Hvis **[bL PA]** vises, ændres displayet ikke, når du trykker på knappen **+** .

Bluetooth-LED'en blinker hvidt, og displayet viser, **[bL]** mens parringen med Bluetooth etableres.

Displayet skifter som følger, når du indstiller WLAN: **[F OFF]** (OFF), **[F On]** (ON)

4. Følg anvisningerne i mobilappen til køleboksen.
- ✓ Bluetooth- eller WLAN-LED'en lyser, når køleboksen er tilsluttet.

### Slukke for køleboksen

1. Tøm køleboksen.
- 
2. Tryk på knappen "ON/OFF".
  3. Træk tilslutningskablet ud.
  4. Hvis køleboksen ikke bruges i længere tid, skal du lade låget stå åbent, så der ikke kan dannes lugte.

### Afrimning af køleboksen

Fugt kan danne rim inde i køleboksen eller på fordampere. Derved reduceres kølekapaciteten.



#### **VIGTIGT! Fare for beskadigelse**

Anvend aldrig hårdt eller spidst værktøj til at fjerne is eller til at løsne genstande, som er frosset fast.

Sådan afrimer du køleboksen:


1. Tag indholdet ud af køleboksen.
2. Placer om nødvendigt indholdet i en anden køleboks for at holde det afkølet.
3. Sluk køleboksen.
4. Lad låget stå åbent.
5. Tør der afrimede vand af.

### Udskiftning af vekselstrømsikringen



#### **FARE! Fare for elektrisk stød**

Afbyd strømforsyningen og tilslutningskablet, før du udskifter vekselstrømsikringen.

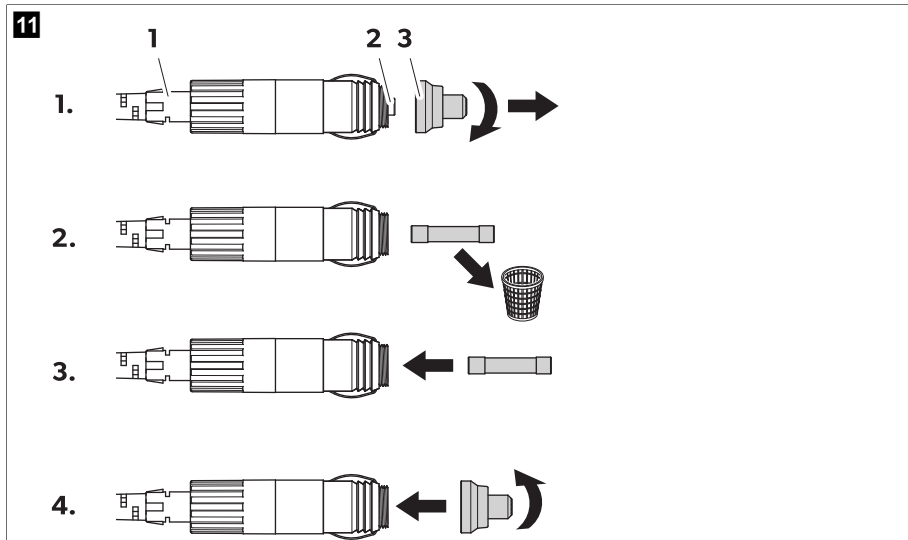
1. Frakobl strømforsyningen til køleboksen.
2. Træk tilslutningskablerne ud.
3. Vip sikringsindsatsen (  fig. 4 på side 138 2) ud med en skruetrækker.
4. Udskift den defekte glassikring med en ny af samme type og med samme værdi ( 4 A , 250 V ).
5. Tryk sikringsindsatsen ind i kabinettet igen.
6. Tilslut strømforsyningen til apparatet igen.


### Udskiftning af jævnstrømsstiksikringen



**BEMÆRK** Der er en ekstra jævnstrømsikring i apparatet (standardfladstiksikring til biler, 10 A). Sikringen kan kun udskiftes af et tilladt reparationscenter.

1. Skru kontaktstifhuset (  fig. 11 på side 145 3) af stikket (  fig. 11 på side 145 1).



2. Udskift den defekte sikring (  fig. 11 på side 145 2) med en ny sikring af samme type og værdi (3AG, hurtig, 10 A).
3. Sæt stikket sammen igen i omvendt rækkefølge.

### Udskiftning af printpladen



#### **VIGTIGT! Fare for beskadigelse**

Printpladen kan kun udskiftes af producenten, en servicerepræsentant eller en tilsvarende kvalificeret person for at undgå farer.

## 10 Rengøring og vedligeholdelse



#### **FORSIGTIG! Fare for elektrisk stød**

Sørg for, at køleenheden er koblet fra strømforsyningen, før der udføres rengørings- eller vedligeholdelsesarbejde.



#### **VIGTIGT! Fare for beskadigelse**

- > Rengør aldrig køleapparatet under rindende vand eller i opvaskevand.
  - > Brug ikke slibende rengøringsmidler eller hårde genstande under rengøringen.
- > Rengør af og til apparatet indvendigt og udvendigt med en fugtig klud.
- > Kontrollér, at køleapparatets ventilations- og udluftningsåbninger er fri for støv og urenheder, så varmen, der opstår under driften, kan ledes bort, og køleapparatet ikke tager skade.

## 11 Udbedring af fejl

| Fejl   | Mulig årsag  | Løsningsforslag  |
|--|--|--|
| Køleapparatet er ikke i drift. "Power"-LED'en lyser ikke.  | Der registreres ikke spænding ved jævnstrømsstikdåsen.                             | > Aktiver køretøjets tænding.  |
|  | Der registreres ikke spænding ved vekselstrømsstikdåsen.                           | > Forsøg med en anden stikdåse.  |
|  | Vekselstrømskredsløbet er defekt.  | > Udskift vekselstrømskredsløbet, se Udskiftning af vekselstrømskredsløbet på side 144.  |
|  | Den integrerede netdel er defekt.  | > Kontakt en autoriseret servicerepræsentant.  |
| "Power"-LED'en lyser orange, fejlkoden <b>E 01</b> vises, og køleboksen køler ikke, selvom stikket er sat i.                                   | Batteriovervågningen er indstillet for højt.                                       | <ol style="list-style-type: none"> <li>1. Indstil batteriovervågningen til en lavere tilstand (se Anvendelse af batteriovervågningen på side 142).</li> <li>2. Afprøv startbatteriet.</li> <li>3. Udskift startbatteriet, hvis nødvendigt.<br/>Læs producentens henvisninger.</li> </ol> |
|  | Batteriovervågningen er indstillet for lavt.                                       | <ol style="list-style-type: none"> <li>1. Indstil batteriovervågningen til en højere tilstand (se Anvendelse af batteriovervågningen på side 142).</li> <li>2. Afprøv startbatteriet.</li> <li>3. Udskift startbatteriet, hvis nødvendigt.<br/>Læs producentens henvisninger.</li> </ol> |
| Ved drift af køleboksen via tilslutning til jævnstrømsstikket: Tændingen er slået til, og køleboksen fungerer ikke. "Power"-LED'en lyser ikke. | Jævnstrømsstikket er ikke tilsluttet korrekt.                                      | > Gæntilslut jævnstrømsstikket.  |
|  | Jævnstrømsstikdåsens fatning er snavset. Dette fører til dårlig elektrisk kontakt. | > Rengør jævnstrømsudgangen.<br>Læs producentens henvisninger.   |
|  | Jævnstrømsudgangens sikring er sprængt.  | > Udskift jævnstrømsstiksikringen, se kapitel Udskiftning af jævnstrømsstiksikringen på side 144.  |
|  | Jævnstrømskredsløbet i køleboksen er sprængt.                                      | > Kontakt en autoriseret servicerepræsentant.  |
|  | Køretøjets jævnstrømsudgangssikring er sprængt.                                    | > Udskift køretøjets jævnstrømsudgangssikring.<br>Læs producentens henvisninger.   |
| Displayet viser en fejlkode, og køleboksen køler ikke (se Fejlkoder på side 147).  | Køleboksen er slået fra på grund af en intern fejl.                                | > Kontakt en autoriseret servicerepræsentant.  |



## Fejlkode



**BEMÆRK** Hvis en af fejlkodeerne **E 02** til **E 07** vises, skal du kontakte et autoriseret serviceværksted.

| Fejlkode    | Beskrivelse               |
|-------------|---------------------------|
| <b>E 01</b> | Lav spænding/overspænding |
| <b>E 02</b> | Ventilator overstrøm      |
| <b>E 03</b> | Fejl ved kompressorstart  |
| <b>E 04</b> | Kompressorhastighed lav   |
| <b>E 05</b> | Styreenhed overophedet    |
| <b>E 06</b> | NTC åbent kredsløb        |
| <b>E 07</b> | NTC-kortslutning          |

## 12 Garanti

Den lovbestemte garantiperiode gælder. Hvis produktet er defekt, skal du kontakte producentens afdeling i dit land (se [dometic.com/dealer](http://dometic.com/dealer)) eller din forhandler.

Ved reparation eller krav om garanti skal du medsende følgende bilag:

- en kopi af regningen med købsdato
- en reklameringsgrund eller en fejlbeskrivelse

Vær opmærksom på, at egne eller uprofessionelle reparationer kan få sikkerhedsmæssige konsekvenser og kan gøre garantien ugyldig.

## 13 Bortskaffelse



### **ADVARSEL! Risiko for, at børn kan blive lukket inde**

Før du bortskaffer dit gamle køleapparat, skal du afmontere låget. Lad kurvene blive siddende, så børn ikke nemt kan kravle ind i det.



Bortskaf så vidt muligt emballagen i affaldscontainerne til den pågældende type genbrugsaffald.

Kontakt en lokal genbrugsstation eller din forhandler for at få de pågældende forskrifter om, hvordan du bortskaffer produktet i overensstemmelse med disse gældende forskrifter for bortskaffelse.



Genbrug af produkter med batterier, genopladelige batterier og lyskilder: Fjern alle batterier, genopladelige batterier og lyskilder, før produktet genbruges. Aflever defekte genopladelige batterier og brugte batterier hos forhandleren eller på et indsamlingssted. Genopladelige og ikke-genopladelige batterier samt lyskilder må ikke bortskaffes sammen med husholdningsaffaldet. Hvis du vil bortskaffe produktet endegyldigt, skal du kontakte den nærmeste genbrugsstation eller din forhandler for at få de pågældende forskrifter om bortskaffelse. Produktet kan bortskaffes uden gebyr.

## 14 Tekniske data



**BEMÆRK** Hvis omgivelsestemperaturen er over 32 °C, kan minimumtemperaturen ikke nås.

**DA CFX2 28, CFX2 37, CFX2 45, CFX2 57**

Dette produkt indeholder fluorerede drivhusgasser.

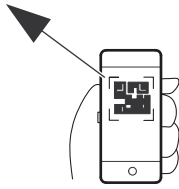
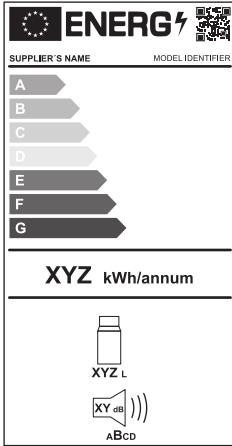
Køleenheden er lukket hermetisk.

|  | <b>CFX2 28</b>  | <b>CFX2 37</b>  | <b>CFX2 45</b>   | <b>CFX2 57</b>   |
|--|---|---|--|--|
| Nominelt forbrug                         | 50 ... 60 Hz<br>100 ... 240 V~                                  |   |  |  |
| Mærkestrøm                               | 12 V : 8,6 A<br>24 V : 3,8 A<br>100 V : 1,6 A<br>240 V : 0,77 A | 12 V : 8,7 A<br>24 V : 3,85 A<br>100 V : 1,63 A<br>240 V : 0,78 A | 12 V : 8,8 A<br>24 V : 3,9 A<br>100 V : 1,65 A<br>240 V : 0,79 A | 12 V : 9 A<br>24 V : 4 A<br>100 V : 1,7 A<br>240 V : 0,8 A |
| Kølekapacitet                            | - 22 °C ... 20 °C   |   |  |  |
| Omgivelsestemperatur                     | 16 °C ... 43 °C   |   |  |  |
| Klimaklasse                              | N eller T   |   |  |  |
| USB                                      | 5 V 2 A   |   |  |  |
| Kølemiddel                               | R600a   |   |  |  |
| Kølemiddelmængde                         | 13 g  | 13 g  | 14 g   | 17 g   |
| Dimensioner (B x H x D)<br>(inkl. greb): | 600 mm ×<br>427 mm × 345 mm                                     | 678 mm ×<br>428 mm × 401 mm                                       | 678 mm ×<br>493 mm × 401 mm                                      | 709 mm ×<br>503 mm × 458 mm                                |
| Lydstyrke („Volume“)                     | 28 L  | 37 L  | 45 L   | 57 L   |
| Vægt                                     | 13,5 kg   | 15,8 kg   | 16,8 kg  | 18,5 kg  |
| Frekvensbånd (WLAN)                      | 2,4 GHz   |   |  |  |
| Maks. udgangseffekt                      |   |   |  |  |
| WLAN                                     | 19,22 dBm   |   |  |  |
| Bluetooth                                | 7,93 dBm  |   |  |  |

Hermed erklærer Dometic (Zhuhai) Technology Co., Ltd, at radioudstyret af typen CFX2 28, CFX2 37, CFX2 45, CFX2 57 er i overensstemmelse med direktiv 2014/53/EU. EU-overensstemmelseserklæringens fulde tekst kan findes på internetadressen: [documents.dometic.com](http://documents.dometic.com)

Du kan finde yderligere produktinformationer via QR-koden på energimærket eller via [eprel.ec.europa.eu](http://eprel.ec.europa.eu).

12



[eprel.ec.europa.eu](http://eprel.ec.europa.eu)

## Svenska

|    |  |     |
|----|--|-----|
| 1  | Observera.....                           | 150 |
| 2  | Förklaring av symboler.....              | 150 |
| 3  | Förklaring av symboler på apparaten..... | 151 |
| 4  | Säkerhetsanvisningar.....                | 151 |
| 5  | Leveransomfattning.....                  | 153 |
| 6  | Tillbehör.....                           | 153 |
| 7  | Avsedd användning.....                   | 153 |
| 8  | Teknisk beskrivning.....                 | 154 |
| 9  | Användning.....                          | 156 |
| 10 | Rengöring och skötsel.....               | 163 |
| 11 | Felsökning.....                          | 164 |
| 12 | Garanti.....                             | 165 |
| 13 | Avfallshandtering.....                   | 165 |
| 14 | Tekniska data.....                       | 165 |

## 1 Observera

Läs och följ noggrant alla instruktioner, direktiv och varningar i den här produkthandboken för att säkerställa att du alltid installerar, använder och underhåller produkten på rätt sätt. Dessa instruktioner **MÅSTE** förvaras tillsammans med produkten.

Genom att använda produkten bekräftar du härmed att du noggrant har läst alla instruktioner, direktiv och varningar och att du förstår och är införstådd med att följa de villkor som anges här. Du är införstådd med att endast använda denna produkt i avsett syfte och i enlighet med instruktionerna, direktiven och varningarna som anges i denna produkthandbok samt i enlighet med alla gällande lagar och bestämmelser. Om du inte läser och följer instruktionerna och varningarna som anges här kan det leda till personskador på dig eller andra, på produkten eller annan egendom i närheten. Denna produkthandbok, inklusive instruktionerna, direktiven och varningarna samt relaterad information, kan ändras och uppdateras. Aktuell produktinformation finns på [documents.dometic.com](http://documents.dometic.com).

## 2 Förklaring av symboler

Ett signalord identifierar säkerhetsmeddelanden och meddelanden om egendomsskada och indikerar även farans allvarlighetsgrad.



### FARA!

Anger en farlig situation som, om den inte kan undvikas, leder till döden eller allvarlig personskada.



### WARNING!

Anger en farlig situation som, om den inte kan undvikas, kan leda till döden eller allvarlig personskada.



### AKTA!

Anger en farlig situation som, om den inte kan undvikas, leder till lindrig eller måttlig personskada.



### OBSERVERA!

Anger en situation som, om den inte kan undvikas, kan leda till materiell skada.



**ANVISNING** Kompletterande information om användning av produkten.

### 3 Förklaring av symboler på apparaten



Varning! Brandrisk. Brandfarliga material.

### 4 Säkerhetsanvisningar



#### **FARA! Risk för dödsfall på grund av elektricitet**

- > För båtar: Om apparaten drivs med nätspänning, se till att strömförsörjningen är säkrad med en automatsäkring för restström (RCCB) eller en jordfelsbrytare (GFCI). Installationen måste ske enligt gällande regler, särskilt i fuktiga utrymmen.
- > Ta inte tag i avskalade ledningar med händerna. Detta gäller framför allt vid drift med växelström.



#### **VARNING! Risk för dödsfall på grund av elektricitet**

- > Använd inte kylapparaten om den uppvisar synliga skador.
- > Om kylapparatens elkabel skadas måste den bytas ut för att förhindra säkerhetsrisker.
- > Denna kylapparat får endast repareras av härför utbildad personal. Om man utför reparationer på fel sätt kan man utsättas för avsevärda risker.
- > Koppla in enheten i uttag med garanterat korrekt anslutning när enheten behöver jordas.



#### **VARNING! Brandrisk**

- > Kontrollera att elsladderna inte har fastnat eller skadats i samband med placering av apparaten.
- > Placera inte ut flera bärbara uttag eller bärbara nätaggregat bakom apparaten.
- > Kylskåpet i kylkretsloppet är mycket lättantändligt och vid en läcka kan brännbara gaser ansamlas om apparaten är i ett litet utrymme. Vid skador på kylkretsen:
  - Håll öppna lågor och potentiella antändningskällor borta från kylskåpet.
  - Ventilera utrymmet väl.
  - Stäng av kylskåpet.
- > För kylapparater med R600a köldmedium:
  - I kylkretsen finns en liten mängd miljövänligt, men antändningsbart köldmedium. Det skadar inte ozonlagret och ökar inte växthuseffekten. Köldmedium som läcker kan antändas.
  - Du får inte använda eller förvara kylapparaten i små utrymmen utan eller med dåligt luftflöde.
- > Se till att ventilationsöppningarna på höljet eller i installationskonstruktionerna är fria från hinder.
- > Använd inga mekaniska föremål eller andra medel för att snabba på avfrostningen, förutom om tillverkaren rekommenderar sådana föremål eller medel.
- > Öppna eller skada inte kylkretsen.
- > Använd inga elektriska produkter för arbeten inne i kylapparaten. Undantag: produkterna rekommenderas för sådan användning av tillverkaren.



#### **VARNING! Hälsorisk**

- > Barn från åtta års ålder, personer med nedsatt fysisk, sensorisk eller mental förmåga, eller personer med bristande erfarenhet och kunskaper får använda den här apparaten förutsatt att de hålls under uppsikt eller om de har fått anvisningar om hur man använder den här apparaten på ett säkert sätt och känner till vilka risker som är förknippade med användningen.
- > Barn i åldrarna tre till åtta år får lasta in eller ut varor i eller ur kylapparater.
- > Barn måste hållas under uppsikt så att de inte leker med apparaten.
- > Utan uppsikt får barn inte utföra rengörings- eller underhållsarbeten.

**VARNING! Explosionsrisk**

Lagra inga ämnen som kan explodera i kylapparaten, som t.ex. sprayburkar med lättantändlig drivgas.

**AKTA! Risk för dödsfall på grund av elektricitet**

- > Innan du startar kylapparaten kontrollerar du att strömförsörjningskabeln och -kontakten är torra.
- > Koppla alltid bort kylapparaten från strömförsörjningen före rengöring eller underhåll och efter att den använts.

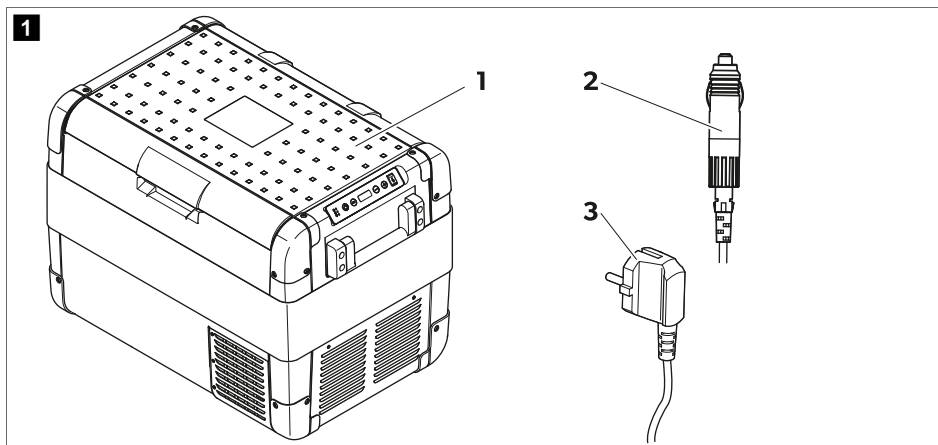
**AKTA! Hälsorisk**

- > Observera följande anvisningar för att undvika att livsmedel kontamineras:
  - Kontrollera om apparatens kyleffekt uppfyller kraven för de livsmedel du vill hålla kalla.
  - Livsmedel får endast förvaras i originalförpackningarna eller i andra lämpliga behållare.
  - Om kylapparaten hålls öppen under lång tid finns det risk att man får en betydande ökning av temperaturen i apparatens fack.
  - Rengör med jämna mellanrum ytor som kan komma i kontakt med livsmedel och åtkomliga avloppssystem.
- > Om apparaten står tom under lång tid:
  - Stäng av apparaten.
  - Avfrost apparaten.
  - Rengör och torka apparaten.
  - Lämna locket öppet för att förhindra att det bildas mögel i apparaten.

**OBSERVERA! Risk för skada**

- > Jämför spänningsuppgifterna på typskylten med elförsörjningen på plats.
- > Anslut endast kylapparaten på följande sätt:
  - Med likströmskabeln till fordonets likströmsnät
  - Eller med växelströmsanslutningskabeln till växelströmsförsörjning
- > Dra aldrig ur stickkontakten ur uttaget genom att dra i kabeln.
- > När kylapparaten är ansluten till ett likströmsuttag: Koppla bort kylapparaten och andra förbrukare från fordonsbatteriet innan en snabbbladdare ansluts.
- > När kylapparaten är ansluten till ett likströmsuttag: Bryt strömmen till kylapparaten eller stäng av den när motorn stängs av. Annars kan fordonsbatteriet laddas ur.
- > Kylapparaten är inte avsedd för transport av frätande material eller material med lösningsmedel.
- > Kylapparaten isolering innehåller brännbart cyklopentan och det krävs särskilda rutiner för avfallshanteringen. När kylapparaten har uppnått slutet av livscykeln ska den lämnas till lämplig återvinningscentral.
- > Ställ inte upp kylapparaten i närheten av öppen eld eller andra värmekällor (värmeelement, starkt solljus, gasspisar osv.).
- > Fyll inte innerfacket med vätskor eller is.
- > Doppa aldrig ner kylapparaten i vatten.
- > Skydda kylapparaten och kablarna mot värme och fukt.
- > Kylapparaten får inte utsättas för regn.
- > För att köldmediet ska kunna cirkulera riktigt får kylboxen inte lutas mer än 30°. Använd ett vattenpass till att kontrollera att kylboxen är i våg.
- > **Risk för överhettning!** Kontrollera att det alltid finns tillräckligt mycket ventilation på kylapparaten samtliga fyra sidor. Kontrollera att det inte finns några föremål i ventilationsutrymmet som skulle kunna hindra luftflödet till kylkomponenterna. Placera inte kylapparaten i stängda fack eller utrymmen utan luftflöde eller med bara minimalt luftflöde.

## 5 Leveransomfattning



| Del | Mängd | Beskrivning                                |
|-----|-------|--|
| 1   | 1     | Kylbox                                     |
| 2   | 1     | Anslutningskabel för likströmsanslutning   |
| 3   | 1     | Anslutningskabel för växelströmsanslutning |
| -   | 1     | Snabbguide                                 |

## 6 Tillbehör

Finns som tillbehör (ingår inte i leveransen):

| Beteckning               | Art.nr     | Modell                     |
|--------------------------|------------|----------------------------|
| Snabbfästkit CFX-QFK     | 9600000166 | Endast CFX2 28             |
| Snabbfästkit CFX-QFK3545 | 9600029599 | Endast CFX2 37 och CFX2 45 |
| Mobilapp för kylning     | -          | passar alla modeller       |

## 7 Avsedd användning

Kylboxen är lämplig för kylning av livsmedel. Kylboxen är även lämplig för användning i fordon. Kylboxen är avsedd att strömförsörjas från likströmsuttaget i fordon eller via växelströmsuttag.

Kylboxen är även lämplig för camping.

Kylbox är avsedd för användning i hushåll och för liknande användningsområden, som:

- Personalkök i affärer, kontor eller andra arbetsmiljöer
- Bondgårdar
- För gäster på hotell, motell eller andra typer av boenden
- miljöer liknande bed and breakfast

- catering och liknande utan försäljning.

Kylboxen är **inte** lämplig för:

- Snabbfrysning av livsmedel
- förvaring av frätande, brännande eller lösningsbaserade ämnen
- Användning som en inbyggd apparat

Kylboxen är endast lämplig för det avsedda användningsområdet och enligt de här instruktionerna.

Den här produkten lämpar sig endast för avsedd användning i enlighet med denna bruksanvisning.

Den här manualen informerar om vad som krävs för att installera och/eller använda produkten på rätt sätt. Felaktig installation eller användning eller felaktigt underhåll kommer leda till att produkten inte fungerar optimalt och riskerar gå sönder.

Tillverkaren åtar sig inget ansvar för personskador eller materiella skador på produkten som uppstår till följd av:

- Felaktig installation, montering eller anslutning, inklusive för hög spänning
- Felaktigt underhåll eller användning av reservdelar som inte är originaldelar från tillverkaren
- Ändringar som utförts utan uttryckligt medgivande från tillverkaren
- Användning för andra ändamål än de som beskrivs i denna bruksanvisning

Dometic förbehåller sig rätten att ändra produktens utseende och specifikationer.

## 8 Teknisk beskrivning

Kylboxen kan kyla produkter. Kylningsprocessen sker med hjälp av en kylkrets med kompressor som kräver mycket lite underhåll. Tack vare den generösa isoleringen och den kraftfulla kompressorn får man effektiv och snabb kylning.

Kylboxen är lämpad för mobil användning.

Kylboxen klarar en kort tids lutning på 30°, t.ex. ombord på båtar.

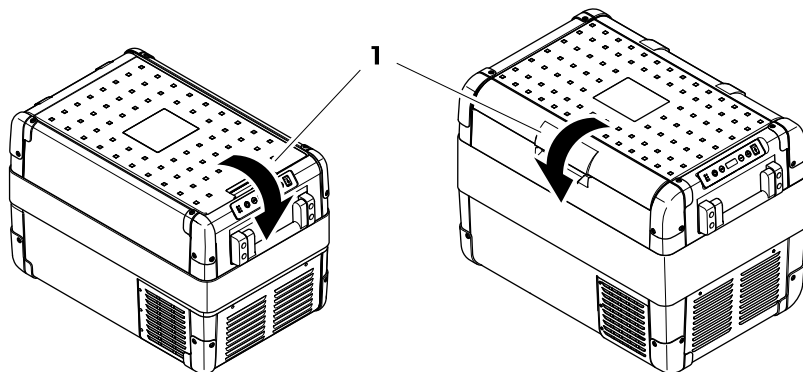
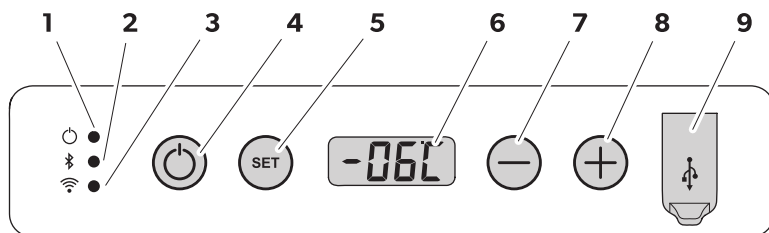
### Funktioner

- Nätdel med prioritetsskoppling för anslutning till växelspanningsuttag
- Trestegs-batterivakt som skyddar fordonets batteri
- Display med temperaturvisning i °C och °F
- Temperaturinställning med två knappar i steg om 1 °C / 1 °F
- Inbyggd Bluetooth- och WLAN-funktion för styrning av kylboxen via mobilappen för kylning
- Hopfällbara bärhandtag
- USB-port för strömförsörjning
- Uttagbar korg

### Reglage och indikeringskomponenter

Lås (  bild. **2** sida 155, **1**) för locket:

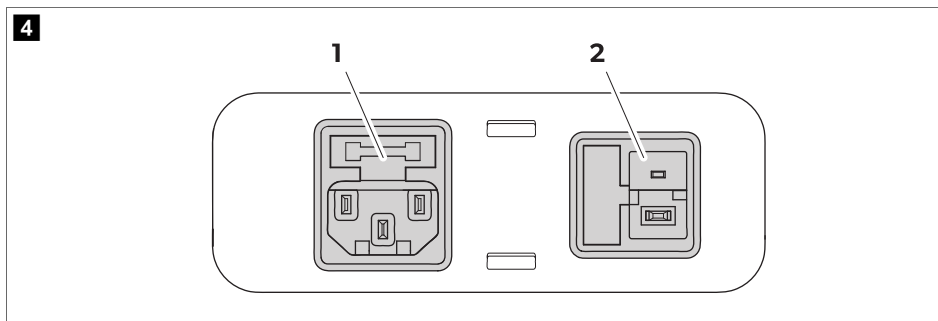


**2****CFX2 28, 37, 45****CFX2 57****Kontrollpanel****3**

| Del | Beskrivning | Förklaring   |
|-----|-------------|--|
| 1   | Effekt      | Statusindikering<br>LED-lampan tänds med vitt sken: Kompressorn startar.   |
|     |             | LED-lampan tänds med orange sken: Kompressorn stoppar.   |
| 2   | Bluetooth   | LED-lampan är släckt: Kylboxens Bluetooth-anlutning är avstängd.   |
|     |             | LED-lampan blinkar långsamt vitt: Kylboxens Bluetooth-anlutning är påslagen. Kylboxen är inte parkopplad med en enhet. |
|     |             | LED-lampan blinkar snabbt vitt: Kylboxen parkopplas med en enhet via Bluetooth.  |
|     |             | LED-lampan tänds med vitt sken: Kylboxen är parkopplad med en enhet via Bluetooth.                                     |
| 3   | WLAN        | LED-lampan är släckt: Kylboxens WLAN-anlutning är avstängd.  |
|     |             | LED-lampan blinkar vitt: Kylboxens WLAN-anlutning är påslagen. Kylboxen är inte ansluten till en enhet.                |

| Del | Beskrivning | Förklaring  |
|-----|-------------|---|
|     |             | LED-lampan tänds med vitt sken: Kylboxen är parkopplad med en enhet via WLAN.   |
| 4   | ON/OFF      | Slår på och av kylboxen.  |
| 5   | SET         | Väljer inmatningsläget: <ul style="list-style-type: none"> <li>• Temperaturinställning</li> <li>• Visning av Celsius eller Fahrenheit</li> <li>• Inställning av batterivakt</li> <li>• Inställning av displayens ljusstyrka</li> <li>• Ställ in visningsläget</li> <li>• Ställ in Bluetooth</li> <li>• Ställ in WLAN</li> </ul> |
| 6   |             | Display   |
| 7   | -           | Ställer in temperaturen, temperaturenheten, batterivakten, displayens ljusstyrka, läget, Bluetooth och WLAN.  |
| 8   | +           |   |
| 9   |             | USB-anslutning  |

## Uttag



| Del | Beskrivning                     |
|-----|---------------------------------|
| 1   | Anslutningsuttag för växelström |
| 2   | Anslutningsuttag för likström   |

## 9 Användning

### Före den första användningen

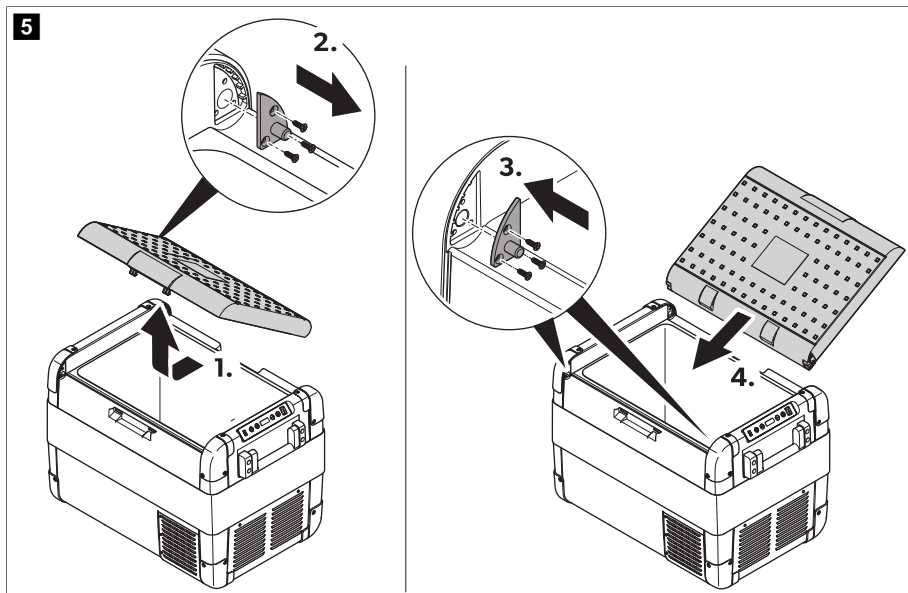




**ANVISNING** Innan kylboxen startas första gången ska den av hygieniska skäl torkas av in- och utvändigt med en fuktig trasa (se Rengöring och skötsel sida 163).

### Vända lockets öppningsriktning (endast CFX2 57)

Lockets gångjärn kan flyttas till den motsatta sidan.

1. Öppna och ta av locket (  bild. **5** sida 157).



2. Skruva ut de tre skruvarna för varje gångjärn (  bild. **5** sida 157) och ta av dem.
3. Montera gångjärnen på de nya platserna.
4. Sätt i locket på de nya gångjärnsplatserna (  bild. **5** sida 157).

## Spara energi

- > Välj en uppställningsplats med god ventilation som är skyddad mot direkt solljus.
- > Låt varm mat svalna innan den läggs in i kylan.
- > Öppna inte kylapparaten oftare än nödvändigt.
- > Låt inte kylapparaten vara öppen längre än nödvändigt.
- > Om kylapparaten har en korg: För optimal energiförbrukning ska du placera korgen som den var placerad vid leveransen.
- > Kontrollera med jämna mellanrum att locktätningen sitter ordentligt.
- > Undvik onödigt låga temperaturer.

## Ansluta kylboxen

### Ansluta till ett batteri



#### **OBSERVERA! Risk för skada**

- > För att skydda apparaten har likströmskabeln utrustats med en säkring inuti kontakten. Ta **inte** ut den säkringsförsedda likströmskontakten. Använd endast den medföljande likströmskabeln.
- > Koppla bort kylboxen och andra förbrukare från batteriet innan en batteriet ansluts till en snabbaddare. Överspänning kan skada elektroniken i enheter som är anslutna till batteriet.



**ANVISNING** Kylboxen är utrustad med ett elektroniskt system som förhindrar omvändning av polerna. Det elektroniska systemet skyddar kylboxen mot kortslutning när den ansluts till ett batteri.

Kylboxen kan användas med 12 V  $\text{---}$  eller 24 V  $\text{---}$ .

- > Anslut kylboxen till ett batteri med likströmskabeln enligt bilden.

### Ansluta till växelström



**FARA! Risk för dödsfall på grund av elektricitet**

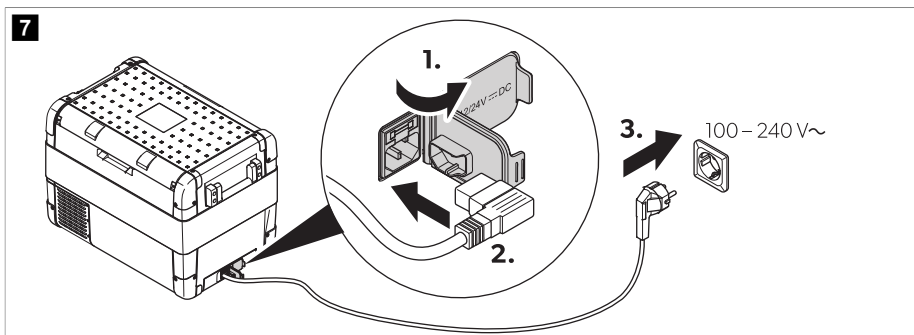
- > Ta inte i brytare eller kontakter med våta händer eller om du står på ett fuktigt underlag.
- > Om kylboxen används ombord på en båt från en växelströmsförsörjning måste en jordfelsbrytare installeras mellan växelströmsförsörjningen och kylboxen. Kontakta en behörig elektriker.



**ANVISNING**

Kylboxen är utrustad med en inbyggd multispänningskälla med prioritetskrets för anslutning till en växelströmskälla. Prioritetskretsen växlar kylboxen automatiskt till växelströmsdrift om kylboxen är ansluten till en växelströmsförsörjning, även om likströmskabeln fortfarande är inkopplad.

- > Anslut kylboxen till en växelströmsförsörjning med hjälp av växelströmskabeln enligt bilden.



### Använda kylboxen



**OBSERVERA! Risk för skada**

Placera kylboxen med basdelen vänd nedåt.

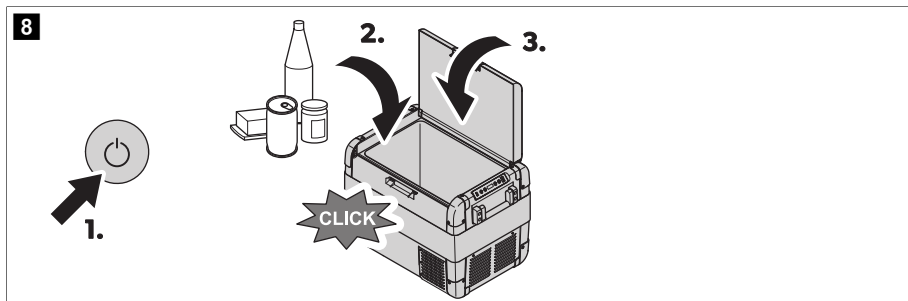
1. Ställ kylboxen mot ett fast underlag.
2. Anslut kylboxen (se kapitel Ansluta kylboxen sida 157).



**VARNING! Hälsorisk**

Se till att endast de saker som ska kylas vid den valda temperaturen placeras i kylboxen.


3. Tryck på "ON/OFF"-knappen för 1 ... 2 s.



- ✓ LED-lampan för ström tänds. Displayen slås på och visar den aktuella temperaturen.



#### ANVISNING Visad temperatur

CFX2 57: Den temperatur som visas är temperaturen i det stora invändiga facket (  bild. **9** sida 159 **1**).

Kylboxen startar och kyler kylfacket.

#### Låsa fast kylboxens lock

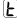
1. Stäng locket.
2. Tryck ned spärren tills den klickar fast på plats.

#### Undvika matavfall


Undvik matavfall genom att tänka på följande

- > Temperaturen ska vara så jämn som möjligt. Öppna bara kylapparaten så ofta och så länge som är nödvändigt. Förvara livsmedlen på så sätt att luften kan cirkulera.
- > Justera temperaturen efter mängden och typen av livsmedel.
- > Livsmedel tar lätt upp eller utsöndrar lukter eller smaker. Livsmedel ska alltid förvaras övertäckta eller i förslutna behållare/flaskor.

#### Ställa in temperaturen

1. Tryck en gång på knappen **SET**.
  2. Använd knappen **+** och **-** för att välja kyltemperaturen.
- ✓ Den valda temperaturen och  visas på displayen under några sekunder. Displayen blinkar flera gånger. Därefter visas den aktuella temperaturen igen.

#### Välja temperaturenhet

1. Tryck två gånger på knappen **SET**.
  2. Tryck på knappen **+** eller **-** för att välja temperaturenheten.
- ✓ Den valda temperaturenheten och  visas på displayen under några sekunder. Displayen blinkar flera gånger innan den aktuella temperaturen visas.

## Använda batterivakten



### OBSERVERA! Risk för skada

När batterivakten stängs av är batteriet inte längre fulladdat. Undvik upprepad start eller användning av strömförbrukare utan längre laddningsfaser. Kontrollera att batteriet laddas igen.

Kylboxen är utrustad med en flerstegs batterivakt som skyddar fordonsbatteriet mot för hög urladdning när kylboxen är ansluten till fordonets likströmsförsörjning.

Om kylboxen används med fordonets tändning frånslagen stängs den av automatiskt så snart försörjningsspänningen sjunker under ett visst värde. Kylboxen slås på igen så snart batteriet har laddats till omstartsspänningen.

I läget "HIGH" reagerar batterivakten snabbare än i läget "LOW" och "MED".

| Batterivaktens läge           | LOW    | MED    | HIGH   |
|-------------------------------|--------|--------|--------|
| Omstartsspänningen vid 12 V   | 11,4 V | 12,2 V | 12,6 V |
| Avstängningsspänning vid 12 V | 10,1 V | 11,2 V | 11,8 V |
| Omstartsspänningen vid 24 V   | 23 V   | 25,3 V | 26,4 V |
| Avstängningsspänning vid 24 V | 21,5 V | 24,1 V | 24,6 V |

Välj batterivaktens läge enligt följande:

- Slå på kylboxen.
  - Tryck tre gånger på knappen **SET**.
  - Använd knappen **+** eller **-** för att ställa in batterivaktens läge.
- ✓ Displayen ändras enligt följande: (P L o) (LOW), (P H d) (MED), (P H i) (HIGH)

Det inställda läget visas på displayen under några sekunder. Displayen blinkar flera gånger innan den återgår till den aktuella temperaturen.



**ANVISNING** Välj batterivaktläget "HIGH" när kylboxen försörjs med hjälp av startbatteriet. Välj batterivaktläget "LOW" om kylboxen är ansluten till ett fritidsbatteri.

## Ställa in displayens ljusstyrka

Det är möjligt att dimma displayens ljusstyrka för lägre omgivningsljus.

- Slå på kylboxen.
  - Tryck fyra gånger på knappen **SET**.
  - Använd knappen **+** eller **-** för att ställa in displayens ljusstyrka.
- ✓ Displayen ändras enligt följande: (d L o) (låg), (d H d) (medel), (d H i) (hög)

Displayen visar inställningsläget under några sekunder. Displayen blinkar några gånger innan den återgår till den aktuella ljusstyrkan.



**ANVISNING** Om ett fel inträffar växlas ljusstyrkan automatiskt till (d H i) (standard). När felet har åtgärdats aktiveras den inställda ljusstyrkan igen.

## Använda USB-porten

USB-porten möjliggör laddning av små enheter som mobiltelefoner och mp3-spelare.

- > Anslut den enhet som ska laddas till kylboxens USB-port med en USB-kabel (ingår inte).



**ANVISNING** Säkerställ att den anslutna enheten är kompatibel med användningen av 5 V / 2 A.

### Ställa in visningsläget

1. Tryck fem gånger på knappen **SET**.
  2. Använd knappen **+** eller **-** för att ställa in viloläget.
- ✓ Displayen ändras enligt följande: **5 0F** (AV), **5 0n** (PÅ), **5 L0** (lågt)

**S 0F** (AV): Viloläget är avaktiverat. Displayen är ständigt påslagen.

**S 0n** (PÅ): Viloläget är aktiverat. Om kylboxen inte används under flera minuter visas endast en punkt på displayen.

**S L0** (lågt): Det underordnade viloläget är aktiverat. Om kylboxen inte används under flera minuter växlas displayen till den lägsta ljusstyrkan.



**ANVISNING** Om displayen är i viloläget eller det underordnade viloläget kan du trycka på en knapp på kylboxen för att lämna det motsvarande läget en kort stund.

### Använda mobilappen för kylning

Kylboxen kan övervakas och styras via Bluetooth eller WLAN med en app som kan installeras i en kompatibel enhet.

1. Hämta och installera mobilappen för kylning.



Hämta appen från [qr.dometic.com/beiv4R](http://qr.dometic.com/beiv4R).

2. Tryck på knappen **SET** enligt följande:
  - Sex gånger för att öppna Bluetooth-inställningarna.
  - Sju gånger för att öppna WLAN-inställningarna.
3. Använd knappen **+** eller **-** för att ställa in Bluetooth eller WLAN.



**ANVISNING** Om kylaren är parkopplad med en kompatibel enhet via Bluetooth måste parkopplingsläget ställas in.

- ✓ Displayen ändras enligt följande när du ställer in Bluetooth: **bL0F** (AV), **bL0n** (PÅ), **bLPA** (parkoppling)



**ANVISNING** Om **bL0F** visas ändras displayen inte när knappen **-** trycks in. Om **bLPA** visas ändras displayen inte när knappen **+** trycks in.

LED-lampan för Bluetooth blinkar vitt och **bL** visas på displayen medan parkopplingen med Bluetooth upprättas.

Displayen ändras enligt följande när du ställer in WLAN: **F,0F** (AV), **F,0n** (PÅ)

4. Följ anvisningarna i mobilappen för kylning.
- ✓ LED-lampan för Bluetooth eller WLAN tänds när kylboxen är ansluten.

### **Stänga av kylboxen**

1. Töm kylboxen.
- 
2. Tryck på "ON/OFF"-knappen.
  3. Dra ut anslutningskabeln.
  4. Om kylboxen inte används under längre tid ska locket lämnas öppet så att ingen dålig lukt kan bildas.

### **Avfropa kylboxen**

Fukt kan göra att det bildas frost i kylboxen eller på förångaren. Detta gör att kyleffekten minskar.



#### **OBSERVERA! Risk för skada**

Använd inte hårda eller spetsiga verktyg för att ta bort is eller lossa på fastfrosna föremål.

Så här avfropar du kylboxen:


1. Ta ur innehållet ur kylboxen.
2. Om det behövs placerar du innehållet i en annan kylbox så att det förblir kallt.
3. Stäng av kylboxen.
4. Låt locket vara öppet.
5. Torka bort avfrostningsvattnet.

### **Byta säkringen för växelström**



#### **FARA! Risk för dödsfall på grund av elektricitet**

Koppla bort strömförsörjningen och anslutningskabeln innan växelströmssäkringen byts ut.

1. Koppla bort strömförsörjningen till kylboxen.
2. Dra ut anslutningskablarna.
3. Bänd ut säkringshållaren (  bild. **4** sida 156 **2**) med en skruvmejsel.
4. Byt ut den trasiga glassäkringen mot en ny säkring av samma typ med samma värde ( 4 A , 250 V ).
5. Tryck in säkringshållaren i höljet igen.
6. Anslut strömtillförseln till apparaten igen.

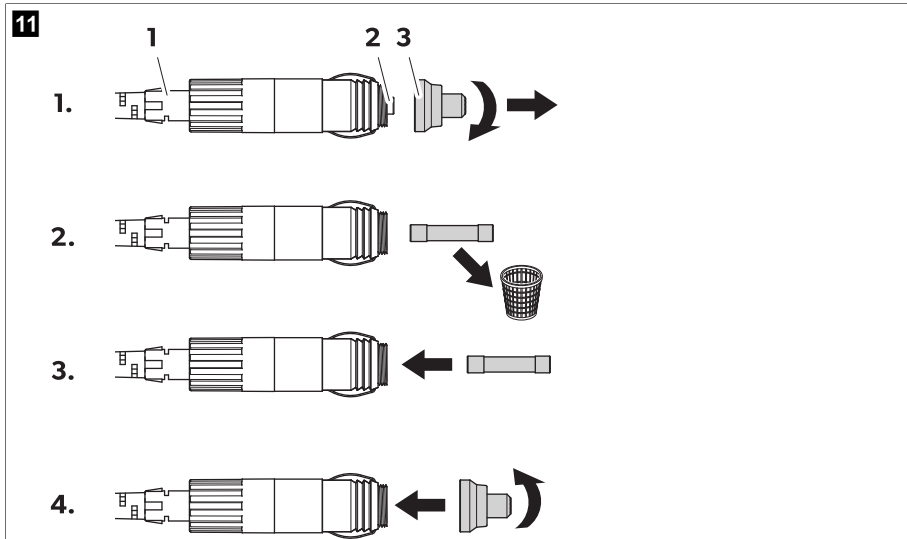
### **Byta likströmskontaktens säkring**




**ANVISNING** Det finns en extra likströmssäkring inuti apparaten (standard bladsäkring för bilar, 10 A). Säkringen får endast bytas på en auktoriserad reparationscentral.

1. Skruva av kontaktstiftshylsan (  bild. **11** sida 163 **3**) ur stickkontakten (  bild. **11** sida 163 **1**).





2. Byt ut den trasiga säkringen (  bild. **11** sida 163 **2**) mot en ny säkring av samma typ med samma värde (3AG, snabb, 10 A).
3. Montera tillbaka kontakten i omvänd ordning.

### Byta ljuskrets kort



#### **OBSERVERA! Risk för skada**

Ljuskrets kortet får endast bytas ut av tillverkaren, en servicerepresentant eller en person med liknande kvalifikationer för att undvika risker.

## 10 Rengöring och skötsel



#### **AKTA! Risk för dödsfall på grund av elektricitet**

Se till att kylapparaten är bortkopplad från strömförsörjningen före rengörings- eller underhållsarbete.



#### **OBSERVERA! Risk för skada**

- > Rengör aldrig kylapparaten under rinnande vatten eller i diskvatten.
  - > Använd inte aggressiva rengöringsmedel eller hårda föremål under rengöringen.
- > Rengör kylboxen emellanåt in- och utvändigt med en fuktig trasa.
- > Se till att luftnings-/ventilationsöppningarna på kylapparaten är rena från damm och smuts. På så vis avleds värmen vid användning och produkten skadas inte.

## 11 Felsökning

| Fel  | Möjlig orsak   | Lösning  |
|--|--|--|
| Kylboxen fungerar inte. LED-lampan för ström tänds inte.   | Ingen spänning detekterad i likströmsuttaget.  | > Aktivera fordonets tändning.   |
|  | Ingen spänning detekterad i växelströmsuttaget.  | > Använd ett annat uttag.  |
|  | Växelströmssäkringens är defekt.   | > Byt ut växelströmssäkring, se Byta säkring för växelström sida 162.  |
|  | Den integrerade nätdelen är defekt.  | > Kontakta en auktoriserad servicerepresentant.  |
| LED-lampan för ström tänds med orange sken, felkoden <b>E 01</b> visas och kylboxen kylar inte trots att kontakten är inkopplad.     | Batterivakten är inställd för högt.  | <ol style="list-style-type: none"> <li>1. Ställ in batterivakten på ett lägre läge (se Använda batterivakten sida 160).</li> <li>2. Testa startbatteriet.</li> <li>3. Ladda startbatteriet om det behövs.<br/>Följ tillverkarens anvisningar.</li> </ol> |
|  | Batterivakten är inställd för lågt.  | <ol style="list-style-type: none"> <li>1. Ställ in batterivakten på ett högre läge (se Använda batterivakten sida 160).</li> <li>2. Testa startbatteriet.</li> <li>3. Ladda startbatteriet om det behövs.<br/>Följ tillverkarens anvisningar.</li> </ol> |
| Under drift med kylboxen inkopplad i likströmsuttaget: Tändningen är på och kylboxen fungerar inte. LED-lampan för ström tänds inte. | Likströmskontakten är inte inkopplad korrekt.  | > Koppa in likströmskontakten igen.  |
|  | Hållaren på uttaget för likström är smutsig. Detta leder till dålig elektrisk kontakt. | > Rengör likströmsuttaget.<br>Följ tillverkarens anvisningar.  |
|  | Likströmssäkringens har gått.  | > Byt ut likströmskontaktens säkring, se kapitel Byta likströmskontaktens säkring sida 162.  |
|  | Likströmssäkringens i kylboxen har gått.   | > Kontakta en auktoriserad servicerepresentant.  |
| Displayen visar en felkod och kylboxen kylar inte (se Felkoder sida 164).  | Säkringens till fordonets likströmsuttag har gått.                                     | > Byt ut säkringens till fordonets likströmsuttag.<br>Följ tillverkarens anvisningar.  |
|  | Kylboxen har stängts av på grund av ett internt fel.                                   | > Kontakta en auktoriserad servicerepresentant.  |

### Felkoder



**ANVISNING** Kontakta en auktoriserad servicerepresentant om en av felkod **E 02** till **E 07** uppstår.

| Felkod | Beskrivning                  |
|--------|------------------------------|
| E 01   | Låg spänning/överspänning    |
| E 02   | Överström för fläkten        |
| E 03   | Kompressorstart misslyckades |
| E 04   | Låg hastighet kompressor     |
| E 05   | Styrenhet överhettad         |
| E 06   | NTC bruten krets             |
| E 07   | NTC kortslutning             |

## 12 Garanti

Den lagstadgade garantitiden gäller. Kontakta tillverkarens filial i ditt land (se [dometic.com/dealer](http://dometic.com/dealer)) eller din återförsäljare om produkten är defekt.

För reparations- och garantibehandling skickar du med följande dokument när du returnerar produkten:

- En kopia på fakturan med inköpsdatum
- En reklameringsbeskrivning eller felbeskrivning

Observera att självständiga eller icke professionella reparationer kan påverka säkerheten och leda till att garantin blir ogiltig.

## 13 Avfallshantering



### **WARNING! Risk för att barn fastnar**

Ta bort locket innan du kasserar den gamla kylapparaten. Låt korgarna vara kvar så att barn inte utan vidare kan klättra in i skåpet.



Placera förpackningsmaterialet i motsvarande återvinningsbehållare om möjligt. Kontakta ett lokalt återvinningscenter eller specialiserad återförsäljare för information om hur man kasserar produkten i enlighet med gällande bestämmelser.



Återvinning av produkter med batterier, laddningsbara batterier och ljuskällor: Avlägsna alla batterier, laddningsbara batterier och ljuskällor innan produkten lämnas till återvinning. Lämna dina förbrukade eller defekta (laddningsbara) batterier till återförsäljaren eller till ett insamlingsställe. Batterier, laddningsbara batterier och ljuskällor får inte kasseras med vanligt hushållsavfall. När produkten slutgiltigt tas ur bruk: Informera dig om gällande bestämmelser hos närmaste återvinningscentral eller hos återförsäljaren. Produkten kan kasseras utan avgift.

## 14 Tekniska data



**ANVISNING** Om omgivningstemperaturen överstiger 32 °C är det inte möjligt att uppnå minimitemperaturen.

Den här produkten innehåller fluorerade växthusgaser.

Kylenheten är hermetiskt tillsluten.

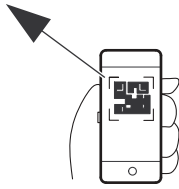
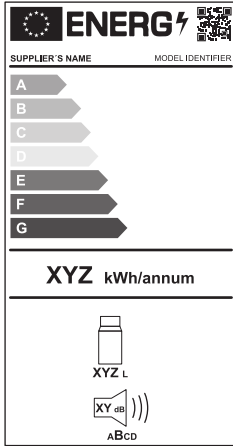
**SV CFX2 28, CFX2 37, CFX2 45, CFX2 57**

|                                     | <b>CFX2 28</b>  | <b>CFX2 37</b>  | <b>CFX2 45</b>   | <b>CFX2 57</b>   |
|-------------------------------------|---|---|--|--|
| Nominell ineffekt                   | 50 ... 60 Hz<br>100 ... 240 V~                                  |   |  |  |
| Märkström                           | 12 V : 8,6 A<br>24 V : 3,8 A<br>100 V : 1,6 A<br>240 V : 0,77 A | 12 V : 8,7 A<br>24 V : 3,85 A<br>100 V : 1,63 A<br>240 V : 0,78 A | 12 V : 8,8 A<br>24 V : 3,9 A<br>100 V : 1,65 A<br>240 V : 0,79 A | 12 V : 9 A<br>24 V : 4 A<br>100 V : 1,7 A<br>240 V : 0,8 A |
| Kyleffekt                           | - 22 °C ... 20 °C   |   |  |  |
| Omgivningstemperatur                | 16 °C ... 43 °C   |   |  |  |
| Klimatklass                         | N eller T   |   |  |  |
| USB                                 | 5 V 2 A   |   |  |  |
| Köldmedium                          | R600a   |   |  |  |
| mängden köldmedium                  | 13 g  | 13 g  | 14 g   | 17 g   |
| Mått (B × H × D, inklusive handtag) | 600 mm ×<br>427 mm × 345 mm                                     | 678 mm ×<br>428 mm × 401 mm                                       | 678 mm ×<br>493 mm × 401 mm                                      | 709 mm ×<br>503 mm × 458 mm                                |
| Volym ("Volume")                    | 28 L  | 37 L  | 45 L   | 57 L   |
| Vikt                                | 13,5 kg   | 15,8 kg   | 16,8 kg  | 18,5 kg  |
| Frekvensband (WLAN)                 | 2,4 GHz   |   |  |  |
| Maximal uteffekt:                   |   |   |  |  |
| WLAN                                | 19,22 dBm   |   |  |  |
| Bluetooth                           | 7,93 dBm  |   |  |  |

Dometic (Zhuhai) Technology Co., Ltd försäkrar härmed att radioutrustningen av typ CFX2 28, CFX2 37, CFX2 45, CFX2 57 överensstämmer med direktivet 2014/53/EU. Hela texten till EU-försäkran om överensstämmelse finns på internetadressen: [documents.dometic.com](http://documents.dometic.com)

Läs in QR-koden på energimärkningen för mer information om produkten eller besök [eprel.ec.europa.eu](http://eprel.ec.europa.eu).

12



[eprel.ec.europa.eu](http://eprel.ec.europa.eu)

## Norsk

|    |  |     |
|----|--|-----|
| 1  | Viktige merknader.....                   | 168 |
| 2  | Symbolforklaring.....                    | 168 |
| 3  | Forklaring av symboler på apparatet..... | 169 |
| 4  | Sikkerhetsinstruksjoner.....             | 169 |
| 5  | Leveringsomfang.....                     | 171 |
| 6  | Tilbehør.....                            | 171 |
| 7  | Forskriftsmessig bruk.....               | 171 |
| 8  | Teknisk beskrivelse.....                 | 172 |
| 9  | Betjening.....                           | 174 |
| 10 | Rengjøring og vedlikehold.....           | 181 |
| 11 | Feilretting.....                         | 182 |
| 12 | Garanti.....                             | 183 |
| 13 | Avfallshåndtering.....                   | 183 |
| 14 | Tekniske spesifikasjoner.....            | 183 |

## 1 Viktige merknader

Venligst les disse instruksjonene nøye og følg alle anvisninger, retningslinjer og advarsler i denne produktveiledningen for å sikre at du installerer, bruker og vedlikeholder produktet ordentlig til enhver tid. Disse instruksjonene MÅ alltid følge med produktet.

Ved å bruke dette produktet bekrefter du at du har lest alle anvisninger, retningslinjer og advarsler grundig, og at du forstår og samtykker i å overholde vilkårene slik de er presentert her. Du godtar å bruke dette produktet kun til tiltenkt formål og bruksområder, og i samsvar med anvisningene, retningslinjene og advarslene slik de er presentert i denne produktveiledningen, så vel som i samsvar med alle gjeldende lovbestemmelser og forskrifter. Hvis anvisningene og advarslene som er presentert her, ikke blir lest og fulgt, kan det føre til personskader hos deg selv eller andre, skader på produktet eller skader på annen eiendom i nærheten. Denne produktveiledningen med sine anvisninger, retningslinjer og advarsler, samt relatert dokumentasjon, kan være underlagt endringer og oppdateringer. For oppdatert produktinformasjon, se [documents.dometic.com](https://documents.dometic.com).

## 2 Symbolforklaring

Et signalord identifiserer sikkerhetsmeldinger og meldinger om mulige skader på eiendom, og indikerer også alvorlighetsgraden av faren.



### FARE!

Kjennetegner en farlig situasjon som, dersom den ikke unngås, vil føre til alvorlige personskader, eventuelt med døden til følge.



### ADVARSEL!

Kjennetegner en farlig situasjon som - dersom den ikke unngås - kan resultere i alvorlige personskader, eventuelt med døden til følge.



### FORSIKTIG!

Kjennetegner en farlig situasjon som - dersom den ikke unngås - kan resultere i mindre til moderate personskader.



### PASS PÅ!

Kjennetegner en situasjon som - dersom den ikke unngås - kan resultere i materielle skader.



**MERK** Ytterligere informasjon om betjening av produktet.

### 3 Forklaring av symboler på apparatet



Advarsel! Fare for brann. Antennelige materialer.

### 4 Sikkerhetsinstruksjoner



#### **FARE! Fare for elektrisk støt**

- > For båter: Ved nettdrift må apparatet være sikret via en jordfeilbryter (RCCB) eller en jordfeilkrets-bryter (GFCI). Montering, spesielt i potensielt fuktige områder, må være i samsvar med alle gjeldende monteringsforskrifter.
- > Ikke berør blanke ledninger med bare hender. Dette gjelder spesielt ved drift fra vekselstrømmettet.



#### **ADVARSEL! Fare for elektrisk støt**

- > Kjøleapparatet må ikke tas i bruk hvis det har synlige skader.
- > Hvis denne kjøleenhetens strømkabel er skadd må den erstattes for å forhindre sikkerhetsrisikoer.
- > Reparasjoner på dette kjøleapparatet må kun utføres av kvalifiserte fagfolk. Utilstrekkelige reparasjoner kan medføre betydelige farer.
- > Plugg apparatet til kontakter som sikrer en ordentlig forbindelse, spesielt når apparatet trenger å jordes.



#### **ADVARSEL! Brannfare**

- > Ved posisjonering av apparatet må det sørges for at tilførselsledningen ikke sitter fast eller skades.
- > Ikke plasser flere mobile strømkontakter eller mobile strømforsyninger bak på apparatet.
- > Kjølemiddelet i kjølekretsløpet er lett antennelig og ved en eventuell lekkasje kan forbrenningsgasser dannes dersom apparatet står i et lite rom. Ved skader på kjølemiddelkretsløpet:
  - Hold åpne flammer og potensielle tennkilder unna kjøleskapet.
  - Sørg for god ventilasjon i rommet.
  - Slå av kjøleskapet.
- > For kjøleenheter med R600a-kjølemiddel:
  - Kjølemiddelkretsen inneholder en liten mengde miljøvennlig, men antennelig kjølemiddel. Det skader ikke ozonlaget, og øker ikke drivhuseffekten. Kjølemiddel som lekker ut, kan ta fyr.
  - Ikke benytt eller oppbevar kjøleapparatet i lukkede rom med null eller minimal luftgjennomstrømning.
- > Hold lufteåpningene på apparatet eller i innbyggingskonstruksjonen fri for hindringer.
- > Bruk ikke noen mekaniske gjenstander eller andre midler for å framskynde tineprosessen, unntatt når de er anbefalt for dette av produsenten.
- > Unngå å åpne eller skade kjølekretsløpet.
- > Ikke bruk elektriske apparater inne i kjøleapparatet dersom disse apparatene ikke er anbefalt for dette av produsenten.



#### **ADVARSEL! Helsefare**

- > Dette apparatet kan brukes av barn fra 8 år og oppover og personer med reduserte fysiske, sensoriske eller mentale evner eller som mangler erfaring og kunnskap, hvis de er under oppsyn eller har fått veiledning i hvordan apparatet brukes på en forsvarlig måte og forstår hvilke farer det innebærer.
- > Barn i alderen 3–8 år får lov til å laste og losse kjøleapparater.
- > Barn skal være under tilsyn for å sikre at de ikke leker med apparatet.
- > Rengjøring og vedlikehold skal ikke utføres av barn uten at de er under oppsyn.



### **ADVARSEL! Eksplosjonsfare**

Ikke lagre eksplosjonsfarlige stoffer som f.eks. spraybokser med antennelig drivgass i kjøleapparatet.



### **FORSIKTIG! Fare for elektrisk støt**

- > Før du starter kjøleapparatet, må du se til at strømforsyningskabelen og pluggen er tørre.
- > Koble alltid kjøleapparatet fra strømforsyningen før rengjøring, vedlikehold og etter bruk.



### **FORSIKTIG! Helsefare**

- > Vær oppmerksom på følgende instruksjoner for å unngå at matvarene blir fordervet:
  - Kontroller at kjøleeffekten i apparatet er egnet for oppbevaring av matvarene du ønsker å kjøle ned.
  - Næringsmidler må oppbevares i originalforpakning eller i egnede beholdere.
  - Det å åpne kjøleapparater for en lengre periode kan føre til en vesentlig økning av temperaturen i enhetens rom.
  - Overflater som kan komme i kontakt med matvarer og tilgjengelige deler av dreneringssystemet må rengjøres regelmessig.
- > Hvis enheten blir værende tom over lengre tid:
  - Slå av apparatet.
  - Avrim apparatet.
  - Rengjør og tørk apparatet.
  - La lokket være åpent for å unngå muggdannelse inne i apparatet.

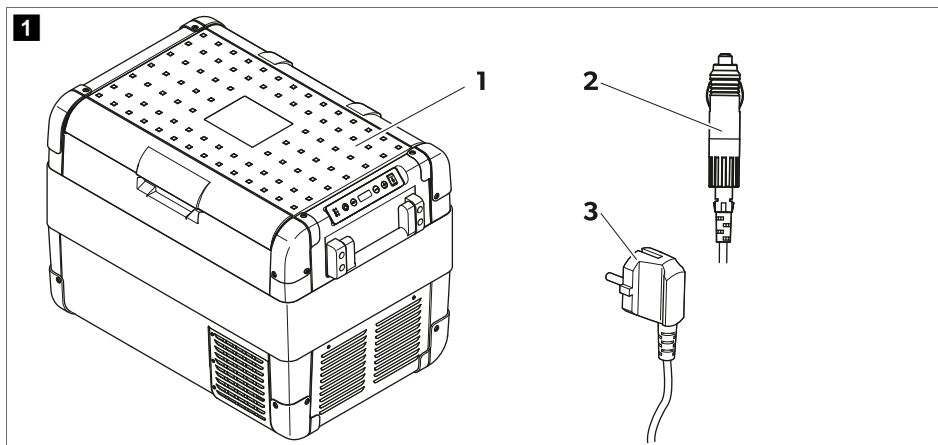


### **PASS PÅ! Fare for skader**

- > Kontroller at spenningsspesifikasjonene på merkeskiltet tilsvarer de for den tilgjengelige strømtilførselen.
- > Koble kun til kjøleapparatet på følgende måte:
  - Med likestrømsstilkoblingskabelen til et likestrømsstrømuttak i kjøretøyet
  - Eller med vekselstrømtilkoblingskabelen til et vekselstrømuttak
- > Trekk aldri ut støpselet fra stikkkontakten etter kabelen.
- > Hvis kjøleapparatet er koblet til en likestrømskontakt: Koble kjøleapparatet og andre forbrukere fra kjøretøybatteriet før du kobler til hurtigladeren.
- > Hvis kjøleapparatet er koblet til en likestrømskontakt: Koble fra forbindelsen eller slå av kjøleapparatet når du slår av motoren. Ellers kan kjøretøybatteriet lades ut.
- > Kjøleapparatet er ikke egnet for transport av etsende eller løsemiddelholdige stoffer.
- > Isolasjonen av kjøleapparatet inneholder antennelig syklopentan og krever en spesiell bortskaffingsprosess. Lever kjøleenheten på slutten av sin levetid til egnet resirkuleringsstasjon.
- > Ikke plasser kjøleapparatet i nærheten av åpen ild eller andre varmekilder (radiatorer, direkte sollys, gassovner osv.).
- > Ikke fyll den indre beholderen med is eller væsker.
- > Ikke dykk kjøleapparatet ned i vann.
- > Beskytt kjøleapparatet og kablene mot varme og fuktighet.
- > Kjøleapparatet må ikke utsettes for regn.
- > For at kjølemiddelet skal kunne sirkulere korrekt skal kjøleapparatet ikke helle mer enn 30°. Plasser kjøleapparatet vannrett ved hjelp av et vater.
- > **Fare for overopphetning!** Se til at det finnes tilstrekkelig ventilasjon på alle fire sider av kjøleapparatet. Hold ventilasjonsområdet fritt for eventuelle objekter som kunne begrense luftstrømmen til kjølekomponentene. Ikke plasser kjøleapparatet i lukkede rom eller områder med ingen eller minimal luftstrøm.



## 5 Leveringsomfang



| Element | Antall | Beskrivelse                              |
|---------|--------|--|
| 1       | 1      | Kjøleboks                                |
| 2       | 1      | Tilkoblingskabel for likestrøm-kontakt   |
| 3       | 1      | Tilkoblingskabel for vekselstrøm-kontakt |
| -       | 1      | Kort bruksanvisning                      |

## 6 Tilbehør

Tilgjengelig som tilbehør (ikke inkludert i leveransen):

| Betegnelsen                          | Art.nr.    | Modell                   |
|--------------------------------------|------------|--------------------------|
| Hurtigløsnings-festesett CFX-QFK     | 9600000166 | Kun CFX2 28              |
| Hurtigløsnings-festesett CFX-QFK3545 | 9600029599 | Kun CFX2 37 og CFX2 45   |
| App for mobil kjøling                | -          | passer for alle modeller |

## 7 Forskriftsmessig bruk

Kjøleapparatet er beregnet på nedkjøling av næringsmidler. Kjøleapparatet er også egnet til bruk i kjøretøy. Kjøleapparatet er beregnet for drift med en likestrømsstikkontakt i et kjøretøy eller fra en vekselstrømforsyning.

Kjøleapparatet er også egnet for campingbruk.

Kjøleapparatet er ment for bruk i hjem og på lignende steder som

- personalkjøkken i butikker, kontorer og andre arbeidsgivelses
- herregårder
- hoteller, moteller og andre bomiljøer
- Bed & Breakfast-steder

- catering og lignende virksomheter

Kjøleapparatet er **ikke** egnet for

- Hurtigfrysing av matvarer
- oppbevaring av etsende stoffer, kaustiske stoffer eller stoffer som inneholder løsemidler
- bruk som innebygd enhet

Dette kjøleapparatet er kun egnet for det tiltenkte formålet og bruk i samsvar med disse anvisningene.

Dette produktet er kun egnet for det tiltenkte formålet og bruksområdet i samsvar med disse instruksjonene.

Denne veiledningen gir informasjon som er nødvendig for korrekt montering og/eller bruk av produktet. Feilaktig montering og/eller ukorrekt bruk eller vedlikehold fører til utilfredsstillende ytelse og mulig svikt.

Produsenten fraskriver seg ethvert ansvar for personskader eller materielle skader på produktet som følge av:

- feilaktig installasjon, montering eller tilkobling, inkludert for høy spenning
- Ukorrekt vedlikehold eller bruk av andre reservedeler enn originale reservedeler levert av produsenten
- Modifisering av produktet uten at det er gitt uttrykkelig godkjenning av produsenten
- Bruk til andre formål enn beskrevet i denne veiledningen

Dometic forbeholder seg rettigheten til å endre produktet ytre og produktspesifikasjoner.

## 8 Teknisk beskrivelse

Kjøleren kan kjøle ned produkter. Kjølingen skjer ved hjelp av et kjølekretsløp med kompressor med minimalt vedlikeholdsbehov. Den generøse isoleringen og kraftige kompressoren sørger for en effektiv og rask kjøling.

Kjøleboksen er egnet for mobil bruk.

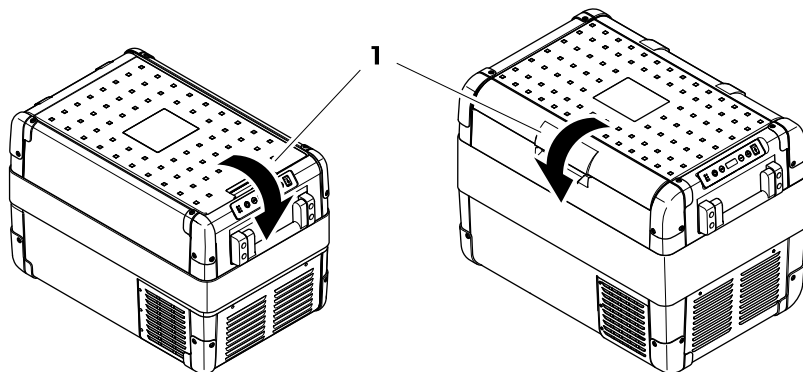
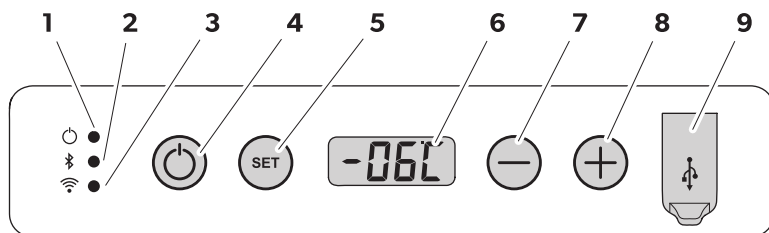
Kjøleboksen kan tåle en kortsiktig stigning på 30 °, for eksempel på båter.

### Funksjonsomfang

- Strømforsyning med prioritetskobling for tilkobling til vekselsstrømforsyning
- 3-trinns batterivakt for å beskytte kjøretøybatteriet
- Display med temperaturindikering i °C og °F
- Temperaturinnstilling med 2 knapper i trinn på 1 °C / 1 °F
- Integreert Bluetooth- og WLAN-funksjon for styring av kjøleboksen via den mobile kjøleappen.
- Sammenleggbare bærehåndtak
- USB-port for strømforsyning
- Uttakbar kurvinnsats

### Betjenings- og visningselementer

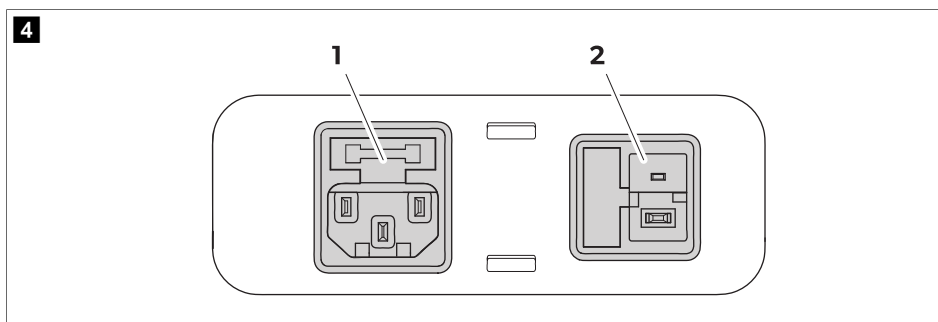
Sperre (  fig. 2 på side 173, 1) for lokk:

**2****CFX2 28, 37, 45****CFX2 57****Betjeningspanel****3**

| Element | Beskrivelse | Forklaring  |
|---------|-------------|---|
| 1       | Strøm       | Statusindikasjon  |
|         |             | LED-lyset lyser hvitt: Kompressoren begynner å gå.<br>LED-lyset lyser oransje: Kompressoren slutter å gå.           |
| 2       | Bluetooth   | LED-lyset er slått av: Bluetooth på kjøleren er slått av.   |
|         |             | LED-lyset blinker langsomt hvitt: Bluetooth på kjøleren er slått på. Kjøleboksen er ikke sammenkoblet med en enhet. |
|         |             | LED-lyset blinker raskt hvitt: Kjøleboksen kobles sammen med en enhet via Bluetooth.                                |
|         |             | LED-lyset lyser hvitt: Kjøleboksen er koblet sammen med en enhet via Bluetooth.                                     |
| 3       | WLAN        | LED-lyset er slått av: Kjøleboksens WLAN er slått av.   |
|         |             | LED-lyset blinker hvitt: Kjøleboksens WLAN er slått på. Kjøleboksen er ikke koblet til en enhet.                    |
|         |             | LED-lyset lyser hvitt: Kjøleboksen er koblet sammen med en enhet via WLAN   |

| Element | Beskrivelse | Forklaring  |
|---------|-------------|---|
| 4       | ON/OFF      | Slår kjøleboksen av eller på.   |
| 5       | SET         | Velger inndatamodus: <ul style="list-style-type: none"> <li>• Temperaturinnstilling</li> <li>• Visning i Celsius eller Fahrenheit</li> <li>• Innstilling av batterivakt</li> <li>• Innstilling av lysstyrken på displayet</li> <li>• Angi visningsmodus</li> <li>• Angi Bluetooth</li> <li>• Angi WLAN</li> </ul> |
| 6       |             | Display   |
| 7       | -           | Angir temperatur, temperaturenhet, batterimonitor, lysstyrke på displayet, modus, Bluetooth og WLAN.  |
| 8       | +           |   |
| 9       |             | USB-tilkobling  |

### Tilkoblingskontakter



| Element | Beskrivelse                                 |
|---------|---|
| 1       | Tilkoblingskontakt vekselspenningsforsyning |
| 2       | Tilkoblingskontakt likespenningsforsyning   |

## 9 Betjening


### Før første gangs bruk

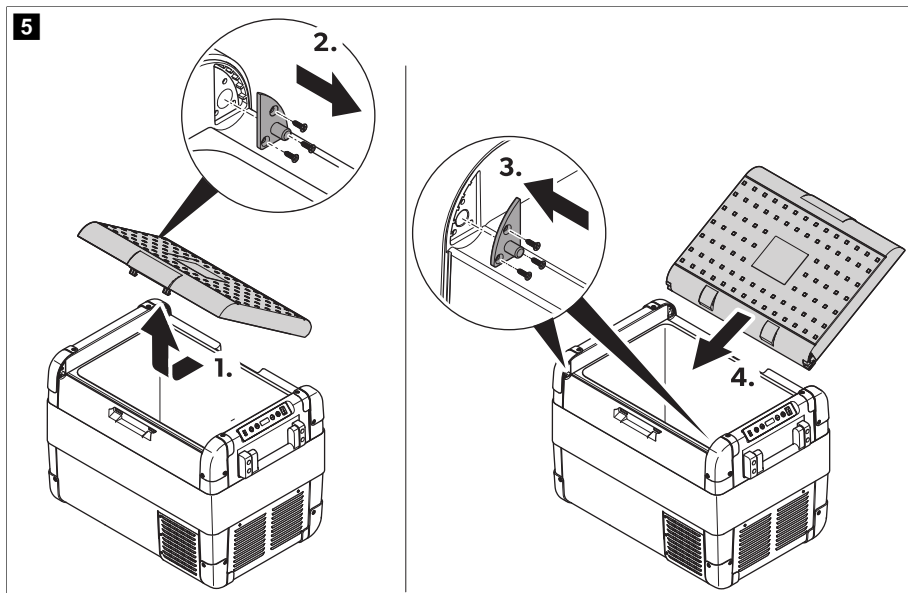


**MERK** Før du starter kjøleboksen for første gang, må du av hygieniske årsaker rengjøre innsiden og utsiden av kjøleboksen med en fuktig klut (se Rengjøring og vedlikehold på side 181).

### Reversering av lokkets åpningsretning (kun CFX2 57)

Lokkhengslene kan flyttes til motsatt side.

1. Åpne og fjern lokket (  fig. 5 på side 175)



2. Fjern de 3 skruene for hvert hengsel (  fig. 5 på side 175) og ta dem av.
3. Monter hengslene i de nye posisjonene.
4. Sett lokket inn i de nye hengselposisjonene (  fig. 5 på side 175).

### Spare strøm

- > Velg et sted som har god ventilasjon, og som er beskyttet mot direkte solstråler.
- > Kjøl ned varme matvarer før du setter dem inn i kjøleboksen for å holde dem kjølige.
- > Ikke åpne kjøleboksen oftere enn nødvendig.
- > Ikke la kjøleboksen stå åpent lenger enn nødvendig.
- > Hvis kjøleapparatet har en kurv: For et optimalt strømforbruk plasserer du kurven i henhold til dens posisjon ved levering.
- > Kontroller regelmessig at tetningen på lokket fortsatt sitter godt.
- > Unngå unødvendig lave temperaturer.

### Koble til kjøleboksen

#### Tilkobling til et batteri



#### PASS PÅ! Fare for skader

- > For beskyttelse av enheten har den medfølgende likestrømkabelen en sikring på inne i pluggen. **Ikke** fjern den sikrede likestrømpluggen. Bruk kun den medfølgende likestrømkabelen.
- > Koble fra kjøleboksen og andre forbrukerenheter fra batteriet før du lader opp batteriet med hurtiglader. Overspenning kan skade elektronikken i enheter som er koblet til batteriet.



**MERK** Kjøleboksen utstyrt med et elektronisk system som forhindrer feil polaritet. Det elektroniske systemet beskytter kjøleboksen mot kortslutninger ved tilkobling til et batteri.

Kjøleboksen kan benyttes med 12 V  $\overline{\text{---}}$  or 24 V  $\overline{\text{---}}$ .

- > Koble kjøleboksen til et batteri ved hjelp av likestrømtilkoblingskabelen som vist.

### Tilkobling til et vekselstrømmnett



#### **FARE! Fare for elektrisk støt**

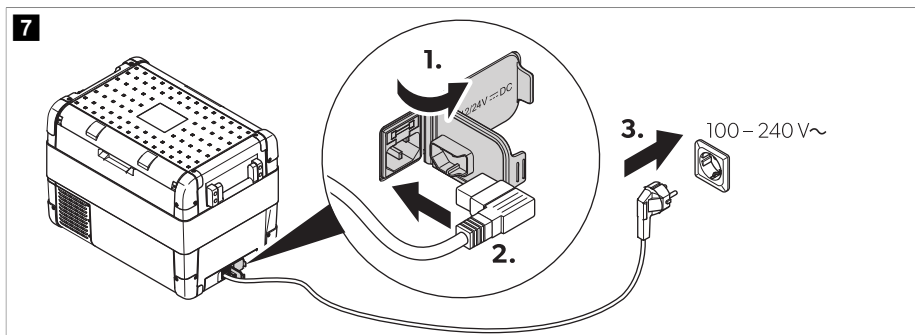
- > Ta aldri i støpsler og brytere med våte hender eller hvis det er vått der du står.
- > Hvis kjøleboksen brukes om bord på en båt med vekselstrømforsyning, må det installeres en jordfeilbryter mellom vekselstrømforsyningen og kjøleboksen. Be om råd fra fagfolk.



#### **MERK**

Kjøleboksen er utstyrt med en integrert multispenningsforsyning med prioritetskobling for tilkobling til en vekselstrømkilde. Prioritetskoblingen sørger for at kjøleboksen automatisk kobler om til vekselstrømdrift når apparatet kobles til vekselstrømmettet, selv om likestrømkabelen fortsatt er tilkoblet.

- > Koble kjøleboksen til en vekselstrømkilde ved hjelp av vekselstrømtilkoblingskabelen som vist.



### Bruke kjøleboksen



#### **PASS PÅ! Fare for skader**

Plasser kjøleboksen med bunnen vendt nedover.

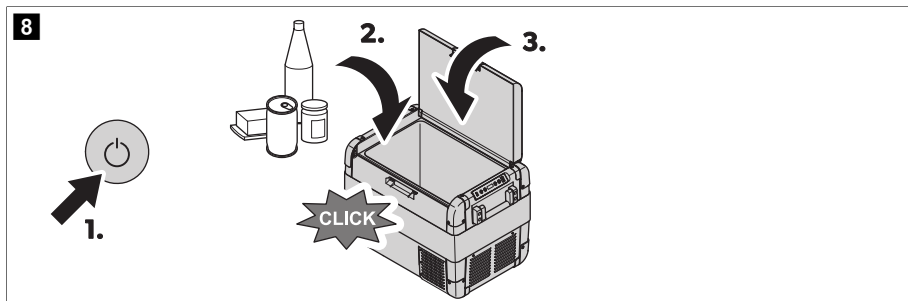
1. Plasser kjøleboksen på et fast underlag.
2. Koble til kjøleboksen (se kapittel Koble til kjøleboksen på side 175).



#### **ADVARSEL! Helsefare**

Sørg for at bare de varene som skal kjøles ned ved den valgte temperaturen, legges i kjøleboksen.


3. Trykk 1 gang på «AV/PÅ»-knappen. 1 ... 2 s.



- ✓ «Power»-LED-en tennes. Displayet slår seg på og indikerer den aktuelle temperaturen.



### MERK Vist temperatur

CFX2 57: Temperaturen som vises på displayet, er temperaturen i det store innvendige rommet (  fig. 9 på side 177 1).

Kjøleren begynner å kjøle ned det innvendige rommet.

### Feste lokket på kjøleboksen


1. Lukk lokket.
2. Trykk ned låsen til den klikker hørbart på plass.

### Unngå matsvinn


Gjør følgende for å unngå matsvinn:

- > Hold temperatursvingningen så lav som mulig. Åpne kjøleapparatet bare så ofte og så lenge som nødvendig. Lagre matvarene slik at luften kan sirkulere godt.
- > Juster temperaturen etter mengde og type matvarer.
- > Matvarer kan enkelt absorbere eller frigi lukt eller smak. Oppbevar alltid matvarene tildekket eller i lukkede beholdere/flasker.

### Innstilling av temperaturen

1. Trykk en gang på **SET**.
2. Velg kjøletemperatur med knappene **+** og **-**
  - ✓ Den valgte temperaturen og  vises på displayet i noen sekunder. Displayet blinker flere ganger. Deretter vises den aktuelle temperaturen igjen.

### Velge temperaturenhet

1. Trykk to ganger på **SET**.
2. Trykk på **+** eller **-** for å velge temperaturenhet.
  - ✓ Den valgte temperaturenheten og  vises på displayet i noen sekunder. Displayet blinker flere ganger før det viser den aktuelle temperaturen.

**Bruk av batterivakten****PASS PÅ! Fare for skader**

Når batterivakten slås av, er batteriet ikke lenger fulladet. Unngå gjentatte starter eller drift av strømforbrukere uten lengre ladefaser. Sørg for å lade opp batteriet igjen.

Apparatet er utstyrt med en flertrinns batterivakt som beskytter kjøretøybatteriet mot for dyp utlading ved tilkobling til likestrømforsyning om bord.

Hvis kjøleboksen brukes i kjøretøyet når tenningen er avslått, kobler kjøleboksen seg ut automatisk når tilførselsspenningen faller under en innstillbar verdi. Kjøleboksen slås på igjen så snart batteriet er ladet opp til omstartspenningen.

I modusen «HIGH» reagerer batterimonitoren raskere enn i modusene «LOW» og «MED».

| Batterivakt-modus           | LOW (LAV) | MED    | HIGH (HØY) |
|-----------------------------|-----------|--------|------------|
| Omstartspenning ved 12 V    | 11,4 V    | 12,2 V | 12,6 V     |
| Utkoblingsspenning ved 12 V | 10,1 V    | 11,2 V | 11,8 V     |
| Omstartspenning ved 24 V    | 23 V      | 25,3 V | 26,4 V     |
| Utkoblingsspenning ved 24 V | 21,5 V    | 24,1 V | 24,6 V     |

Velg batterivaktmodus på følgende måte:

1. Slå på kjøleboksen.
  2. Trykk tre ganger på **SET**.
  3. Bruk knappene **+** eller **-** for å velge batterivaktmodus.
- ✓ Displayet endres på følgende måte: **[P L 0]** (LOW), **[P M 0]** (MED), **[P H 1]** (HIGH)

Den valgte modusen vises på displayet i noen sekunder. Displayet blinker noen ganger, før det går tilbake til visning av gjeldende temperatur.



**MERK** Når kjøleboksen forsynes fra starterbatteriet, velger du batterivaktmodus «HIGH». Hvis kjøleboksen er koblet til et husbatteri, velger du batterimonitormodus «LOW».

**Stille inn displayets lysstyrke**

Displayets lysstyrke kan dimmes for svake lysomgivelser.

1. Slå på kjøleboksen.
  2. Trykk fire ganger på **SET**.
  3. Bruk knappene **+** eller **-** for å stille inn lysstyrken på displayet.
- ✓ Displayet endres på følgende måte: **[d L 0]** (lav), **[d M 0]** (medium), **[d H 1]** (høy)

Displayet viser den innstilte modusen i noen sekunder. Displayet blinker noen ganger før det går tilbake til gjeldende lysstyrke.



**MERK** Hvis det oppstår en feil, skifter lysstyrken automatisk til **[d H 1]** på nytt.

**Bruke USB-porten**

USB-porten gjør det mulig å lade små enheter som mobiltelefoner og mp3-spillere.



- > Koble enheten som skal lades, til USB-porten på kjøleboksen ved hjelp av en USB-kabel (ikke inkludert).



**MERK** Kontroller at den tilkoblede enheten er kompatibel med driften av 5 V / 2 A .

### Stille inn visningsmodus

1. Trykk fem ganger på **SET** .
2. Bruk knappene **+** eller **-** for å stille inn hvilemodus.
- ✓ Displayet endres på følgende måte: **5 0F** (AV), **5 0n** (PÅ), **5 L0** (Lav)

**5 0F** (AV): Hvilemodus er deaktivert. Displayet er konstant slått på.

**5 0n** (PÅ): Hvilemodus er aktivert. Hvis kjøleboksen ikke brukes på flere minutter, viser displayet bare en prikk.

**5 L0** (Lav): Undermodusen for hvilemodus er aktivert. Hvis kjøleboksen ikke brukes på flere minutter, skifter displayet til laveste lysstyrke.



**MERK** Hvis displayet er i hvilemodus eller undermodus for hvilemodus, trykker du på en knapp på kjøleboksen for å gå ut av den aktuelle modusen.

### Bruke mobilappen for kjøling:

Kjøleboksen kan overvåkes og styres via Bluetooth eller WLAN ved hjelp av en app som du kan installere på en kompatibel enhet.

1. Last ned og installer den mobile kjøleappen.



Hent appen fra [gr.dometic.com/beiv4R](http://gr.dometic.com/beiv4R).

2. Trykk på knappen **SET** på følgende måte:
  - 6 ganger for å åpne Bluetooth-innstillingene.
  - 7 ganger for å åpne WLAN-innstillingene.
3. Bruk knappene **+** eller **-** for å stille inn Bluetooth eller WLAN.



**MERK** Hvis kjøleboksen er sammenkoblet med en kompatibel enhet via Bluetooth, må sammenkoblingsmodusen stilles inn.

- ✓ Displayet endres på følgende måte når du stiller inn Bluetooth: **bL0F** (AV), **bL0n** (PÅ), **bLPA** (Sammenkobler)



**MERK** Hvis **bL0F** vises, endres ikke displayet når du trykker på knappen **-**. Hvis **bLPA** vises, endres ikke displayet når du trykker på knappen **+**.

Bluetooth-LED-lampen blinker hvitt og displayet viser **bL** mens sammenkoblingen til Bluetooth opprettes.

Displayet endrer seg på følgende måte når du stiller inn WLAN: **F 0F** (AV), **F 0n** (PÅ)

4. Følg instruksjonene i den mobile kjøleappen.
- ✓ LED-lampen for Bluetooth eller WLAN lyser når kjøleboksen er tilkoblet.

### Slå av kjøleboksen

1. Tøm kjøleboksen.
- 
2. Trykk på «AV/PÅ»-knappen.
  3. Trekk ut tilkoblingskabelen.
  4. Hvis kjøleboksen ikke brukes over lengre tid, bør du la lokket stå åpent slik at det ikke dannes lukt.

### Tine av kjøleboksen

Luftfuktighet kan fryse til rim inne i kjøleboksen eller på fordamperen. Dette reduserer kjøleeffekten.



#### **PASS PÅ! Fare for skader**

Bruk aldri harde eller spisse redskaper for å fjerne is eller for å løsne fastfrosne gjenstander.

Gå frem på følgende måte for å avrime kjøleapparatet:


1. Ta ut innholdet fra kjøleapparatet.
2. Om nødvendig legger du innholdet over i et annet kjøleapparat for å holde det avkjølt.
3. Slå av kjøleren.
4. La lokket stå åpent.
5. Tørk av det opptinte vannet.

### Skifte vekselstrømsikring



#### **FARE! Fare for elektrisk støt**

Koble fra strømforsyningen og tilkoblingskabelen før du bytter ut vekselstrømsikringen.

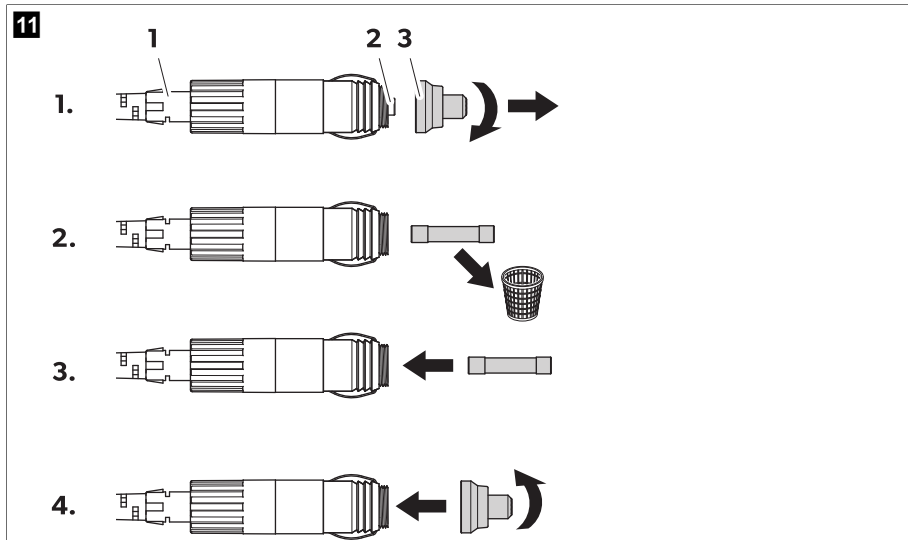
1. Koble fra strømforsyningen til kjøleboksen.
2. Trekk ut tilkoblingskabelen.
3. Vipp ut sikringsinnsatsen (  fig. 4 på side 174-2) med en skrutrekker.
4. Skift ut den defekte glassikringen med en ny sikring av samme type og med samme verdi (4 A, 250 V).
5. Trykk sikringsinnsatsen inn i kapslingen igjen.
6. Koble strømforsyningen til apparatet igjen.


### Skifte av likestrømpluggsikring



**MERK** Det er en ekstra likestrømsikring inne i apparatet (standard bladsikring for bil, 10 A). Denne sikringen kan bare skiftes ut av et autorisert verksted.

1. Skru kontaktstifhuset (  fig. 11 på side 181-3) av støpslet (  fig. 11 på side 181-1).



2. Skift ut den defekte sikringen (  fig. 11 på side 181 2) med en ny sikring av samme type og samme verdi (3AG, hurtig, 10 A).
3. Sett inn pluggen igjen i motsatt rekkefølge.

### Skifte lyskortet



#### **PASS PÅ! Fare for skader**

Lysets kretskort må kun skiftes ut av produsenten, en serviceagent eller en tilsvarende kvalifisert person for å unngå fare.

## 10 Rengjøring og vedlikehold



#### **FORSIKTIG! Fare for elektrisk støt**

Sørg for at kjøleapparatet er koblet fra strømforsyningen før rengjøring eller vedlikeholdsarbeid.



#### **PASS PÅ! Fare for skader**

- > Apparatet må aldri rengjøres under rennende vann eller i oppvaskvann.
  - > Ikke bruk skurende rengjøringsmidler eller harde gjenstander under rengjøring.
- > Rengjør apparatet innvendig og utvendig fra tid til annen med en fuktig klut.
  - > Sørg for at luftinntaks- og utløpsventilene på kjøleapparatet er fri for støv og smuss, slik at varmen kan slippes ut og kjøleapparatet ikke skades.

## 11 Feilretting

| Problem   | Mulig årsak  | Løsningsforslag   |
|---|--|---|
| Kjøleboksen fungerer ikke. LED-lyset for strøm lyser ikke.  | Det registreres ingen spenning i likestrømkontakten.   | > Slå på tenningen på kjøretøyet.   |
|   | Det registreres ingen spenning i vekselstrømkontakten.   | > Bruk en annen stikkontakt.  |
|   | Vekselstrømsikringen er defekt.  | > Skift ut vekselstrømsikringen, se Skifte vekselstrømsikring på side 180.  |
|   | Den integrerte nettdelen er defekt.  | > Kontakt et autorisert serviceverksted.  |
| LED-lyset for strøm lyser oransje, feilkoden <b>E 01</b> vises, og kjøleboksen kjøler ikke selv om støpselet er koblet til.   | Batterivakten er stilt inn for høyt.   | <ol style="list-style-type: none"> <li>1. Still batterivakten til en lavere modus (se Bruk av batterivakten på side 178).</li> <li>2. Test startbatteriet.</li> <li>3. Lad startbatteriet om nødvendig. Følg anvisningene fra kjøretøyproduzenten.</li> </ol> |
|   | Batterivakten er stilt inn for lavt.   | <ol style="list-style-type: none"> <li>1. Still batterivakten til en høyere modus (se Bruk av batterivakten på side 178).</li> <li>2. Test startbatteriet.</li> <li>3. Lad startbatteriet om nødvendig. Følg anvisningene fra kjøretøyproduzenten.</li> </ol> |
| Når du bruker kjøleboksen fra likestrømsuttaket: Teningen er på og kjøleboksen fungerer ikke. LED-lyset for strøm lyser ikke. | Likestrømpluggen er ikke riktig tilkoblet.   | > Koble til likestrømpluggen på nytt.   |
|   | Kontakten til likestrømsstikkontakten er tilsmusset. Dette fører til dårlig elektrisk kontakt. | > Rengjør likestrømsuttaket. Følg anvisningene fra kjøretøyproduzenten.   |
|   | Likestrømsikringen har gått.   | > Skift ut likestrømsikringen, se kapittel Skifte av likestrømspluggsikring på side 180.  |
|   | Likestrømsikringen inne i kjøleboksen har gått.  | > Kontakt et autorisert serviceverksted.  |
|   | Kjøretøyets likestrømsikring har gått.   | > Skift ut sikringen for likestrømsuttaket i kjøretøyet. Følg anvisningene fra kjøretøyproduzenten.   |
| Displayet viser en feilkode, og kjøleboksen avkjøles ikke (se Feilkoder på side 182).   | Kjøleboksen har slått seg av pga. en intern feil.  | > Kontakt et autorisert serviceverksted.  |

### Feilkoder



**MERK** Hvis en av feilkodene **E 02** to **E 07** oppstår, må du kontakte et autorisert serviceverksted.

| Feilkode | Beskrivelse                  |
|----------|------------------------------|
| E 01     | Lav spenning/overspenning    |
| E 02     | Overstrøm på vifte           |
| E 03     | Kompressorstart sviktet      |
| E 04     | Kompressorhastighet lav      |
| E 05     | Kontrolleren er overopphetet |
| E 06     | NTC åpen krets               |
| E 07     | NTC-kortslutning             |

## 12 Garanti

Lovmessig garantitid gjelder. Hvis produktet er defekt: Ta kontakt med produsentens filial (se [dometic.com/dealer](http://dometic.com/dealer)) eller forhandler i ditt land.

Ved henvendelser vedrørende reparasjon eller garanti, må du sende med følgende dokumentasjon:

- Kopi av kvitteringen med kjøpsdato
- Årsak til reklamasjonen eller beskrivelse av feilen

Vær oppmerksom på at reparasjoner som utføres selv, eller som ikke utføres på en profesjonell måte, kan gå ut over sikkerheten og føre til at garantien blir ugyldig.

## 13 Avfallshåndtering



### ADVARSEL! Fare for at barn blir innestengt

Før du kaster det gamle kjøleapparatet ditt, må du ta lokket fra hverandre. La kurvene bli værende på plass, slik at det ikke er enkelt for barn å krype inn.



Lever emballasje til resirkulering så langt det er mulig. For å kaste produktet endelig ta kontakt med det lokale resirkuleringssenteret eller faghandler om hvordan du kan gjøre dette i overensstemmelse med gjeldende avfallshåndteringsforskrifter.



Resirkulering av produkter med batterier, oppladbare batterier og lyskilder: Fjern alle batterier, oppladbare batterier og lyskilder før resirkulering av produktet. Lever defekte eller brukte batterier enten til forhandleren eller på en oppsamlingsstasjon. Avhend ikke batterier, oppladbare batterier og lyskilder i husholdningsavfallet. Hvis du ønsker å avfallsbehandle produktet, må du rådføre deg med nærmeste gjenvinningsstasjon eller din faghandler om hvordan du kan gjøre dette i overensstemmelse med gjeldende deponeringsforskrifter. Produktet kan avhendes gratis.

## 14 Tekniske spesifikasjoner



**MERK** Hvis omgivelsestemperaturen er over 32 °C, kan ikke minimumstemperaturen oppnås.

Dette produktet inneholder fluoriserte drivhusgasser.

Kjøleenheten er hermetisk lukket.


**NB CFX2 28, CFX2 37, CFX2 45, CFX2 57**

|                                     | <b>CFX2 28</b>  | <b>CFX2 37</b>  | <b>CFX2 45</b>   | <b>CFX2 57</b>   |
|-------------------------------------|---|---|--|--|
| Nominell inngangseffekt             | 50 ... 60 Hz<br>100 ... 240 V~                                  |   |  |  |
| Merkestrøm                          | 12 V : 8,6 A<br>24 V : 3,8 A<br>100 V : 1,6 A<br>240 V : 0,77 A | 12 V : 8,7 A<br>24 V : 3,85 A<br>100 V : 1,63 A<br>240 V : 0,78 A | 12 V : 8,8 A<br>24 V : 3,9 A<br>100 V : 1,65 A<br>240 V : 0,79 A | 12 V : 9 A<br>24 V : 4 A<br>100 V : 1,7 A<br>240 V : 0,8 A |
| Kjøleeffekt                         | - 22 °C ... 20 °C   |   |  |  |
| Omgivelsestemperatur                | 16 °C ... 43 °C   |   |  |  |
| Klimaklasse                         | N eller T   |   |  |  |
| USB                                 | 5 V 2 A   |   |  |  |
| Kjølemiddel                         | R600a   |   |  |  |
| Kjølemiddelmengde                   | 13 g  | 13 g  | 14 g   | 17 g   |
| Mål (B x H x D) (inkludert håndtak) | 600 mm x<br>427 mm x 345 mm                                     | 678 mm x<br>428 mm x 401 mm                                       | 678 mm x<br>493 mm x 401 mm                                      | 709 mm x<br>503 mm x 458 mm                                |
| Lydstyrke („Volume“)                | 28 L  | 37 L  | 45 L   | 57 L   |
| Vekt                                | 13,5 kg   | 15,8 kg   | 16,8 kg  | 18,5 kg  |
| Frekvensbånd (WLAN)                 | 2,4 GHz   |   |  |  |
| Maks. utgangseffekt                 |   |   |  |  |
| WLAN                                | 19,22 dBm   |   |  |  |
| Bluetooth                           | 7,93 dBm  |   |  |  |

Med dette erklærer Dometic (Zhuhai) Technology Co., Ltd at radioutstyret av typen CFX2 28, CFX2 37, CFX2 45, CFX2 57 er i samsvar med direktivet 2014/53/EU. Den komplette teksten for EU-samsvarserklæringen er tilgjengelig på følgende internettsadresse: [documents.dometic.com](http://documents.dometic.com)

Ytterligere produktinformasjon kan nås via QR-koden på energietiketten eller via [eprel.ec.europa.eu](http://eprel.ec.europa.eu).

12



**ENERGY**

SUPPLIER'S NAME MODEL IDENTIFIER

A

B

C

D

E

F

G

---

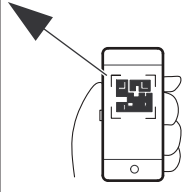
**XYZ kWh/annum**

---

XYZ L

XY dB

ABCD



[eprel.ec.europa.eu](http://eprel.ec.europa.eu)

## Suomi

|    |                                    |     |
|----|------------------------------------|-----|
| 1  | Tärkeitä huomautuksia.....         | 186 |
| 2  | Symbolien selitykset.....          | 186 |
| 3  | Laitteen symbolien selitykset..... | 187 |
| 4  | Turvallisuusohjeet.....            | 187 |
| 5  | Toimituskokonaisuus.....           | 189 |
| 6  | Lisävarusteet.....                 | 189 |
| 7  | Käyttötarkoitus.....               | 189 |
| 8  | Tekninen kuvaus.....               | 190 |
| 9  | Käyttö.....                        | 192 |
| 10 | Puhdistus ja hoito.....            | 199 |
| 11 | Vianetsintä.....                   | 199 |
| 12 | Takuu.....                         | 201 |
| 13 | Hävittäminen.....                  | 201 |
| 14 | Tekniset tiedot.....               | 201 |

## 1 Tärkeitä huomautuksia

Lue nämä ohjeet huolellisesti ja noudata kaikkia tämän tuotteen käyttöohjeissa annettuja ohjeita, määräyksiä ja varoituksia. Näin varmistat, että tuotteen asennus, käyttö ja huolto sujuu aina oikein. Näiden ohjeiden TÄYTYÄ jäädä tuotteen yhteyteen.

Käyttämällä tuotetta vahvistat lukeneesi kaikki ohjeet, määräykset ja varoitukset huolellisesti ja että ymmärrät ja hyväksyt tässä annetut ehdot. Sitoudut käyttämään tuotetta ainoastaan sen käyttötarkoituksen ja ilmoitetuissa käyttökohteissa ja noudattaen tässä tuotteen käyttöohjeessa annettuja ohjeita, määräyksiä ja varoituksia sekä voimassa olevia lakeja ja määräyksiä. Tässä annettujen ohjeiden ja varoitusten lukematta ja noudattamatta jättäminen voi johtaa omaan tai muiden loukkaantumiseen, tuotteen vaurioitumiseen tai muun ympärillä olevan omaisuuden vaurioitumiseen. Tähän tuotteen käyttöohjeeseen, ohjeisiin, määräyksiin ja varoituksiin sekä oheisdokumentteihin voidaan tehdä muutoksia ja niitä voidaan päivittää. Katso ajantasaiset tuotetiedot osoitteesta [documents.domestic.com](http://documents.domestic.com).

## 2 Symbolien selitykset

Merkkisana tunnistaa turvallisuusviestejä ja omaisuusvahinkoihin liittyviä viestejä ja osoittaa lisäksi vaaratekijän vakavuusasteen.



### VAARA!

Viittaa vaaralliseen tilanteeseen, joka johtaa kuolemaan tai vakavaan loukkaantumiseen, jos sitä ei vältetä.



### VAROITUS!

viittaavat vaaralliseen tilanteeseen, joka voi johtaa kuolemaan tai vakavaan loukkaantumiseen, jos ohjeita ei noudateta.



### HUOMIO!

viittaavat vaaralliseen tilanteeseen, joka voi johtaa lievään tai kohtalaiseen loukkaantumiseen, jos ohjeita ei noudateta.



### HUOMAUTUS!

viittaavat tilanteeseen, joka voi johtaa esinevahinkoon, jos ohjeita ei noudateta.



**OHJE** Tuotteen käyttöä koskevia lisätietoja.



### 3 Laitteen symbolien selitykset



Varoitus! Tulipalovaara. Syttyvät materiaalit.

### 4 Turvallisuusohjeet



#### VAARA! Sähköiskun vaara

- > Veneissä: Jos laitetta käytetään verkkosähköllä, varmista, että virransyötössä on vikavirtasuojakytin (RCCB) tai maasulkukytkin (GFCI). Asennus on tehtävä voimassa olevien asennusmääräysten mukaisesti, etenkin, jos asennuspaikassa saattaa esiintyä kosteutta.
- > Älä kosketa avojohtimia koskaan paljain käsin. Tämä koskee ennen kaikkea laitteen käyttöä vaihtovirtaverkkoon yhdistettynä.



#### VAROITUS! Sähköiskun vaara

- > Kylmälaitetta ei saa ottaa käyttöön, jos siinä on näkyviä vaurioita.
- > Jos tämän jäähdytyslaitteen virtajohto on vioittunut, se täytyy vaihtaa vaarojen välttämiseksi.
- > Ainoastaan pätevät ammattilaiset saavat korjata tätä kylmälaitetta. Väärin tehdystä korjauksesta voi aiheutua vakavia vaaroja.
- > Liitä laite pistorasiaan, jolla liitäntä on varmasti tukeva, etenkin jos laite täytyy maadoittaa.



#### VAROITUS! Palovaara

- > Varmista, että virtajohto ei juutu kiinni eikä vaurioidu sijoittaessasi laitetta paikalleen.
- > Älä sijoita siirrettäviä pistorasialistoja tai siirrettäviä virtalähteitä laitteen taakse.
- > Jäähdytyskierron sisältämä kylmäaine on helposti syttyvää, ja jos sitä vuotaa, on olemassa vaara, että tilaan kertyy palavia kaasuja, jos laite on pienessä tilassa. Jos jäähdytyskierrossa on mikä tahansa vaurio:
  - Pidä avoliekit ja mahdolliset sytytyslähteet loitolla jääkaapista.
  - Tuuleta tila huolellisesti.
  - Kytke jääkaappi pois päältä.
- > Jos kylmälaitteen kylmäaine on R600a:
  - Jäähdytyskierto sisältää pienen määrän ympäristöystävällistä mutta syttyvää kylmäainetta. Se ei vahingoita otsonikerrosta eikä edistä kasvihuoneilmiötä. Vuotava kylmäaine voi syttyä.
  - Älä käytä tai säilytä kylmälaitetta suljetussa tilassa, jossa ilma ei liiku lainkaan tai liikkuu vain hyvin vähän.
- > Pidä laitekotelon tai asennusrakenteiden ilmanvaihtoaukot vapaina esteistä.
- > Älä käytä mitään mekaanisia esineitä tai muita välineitä sulatusprosessin nopeuttamiseen paitsi, jos valmistaja suosittelee niiden käyttämistä.
- > Älä avaa äläkä vahingoita jäähdytyskiertoa.
- > Älä käytä kylmälaitteen sisällä sähkölaitteita, ellei valmistaja suosittele näitä laitteita tähän tarkoitukseen.



#### VAROITUS! Terveysvaara

- > Tätä laitetta voivat käyttää valvonnan alaisuudessa myös vähintään 8-vuotiaat lapset samoin kuin henkilöt, joiden fyysiset, aistinvaraiset tai henkiset kyvyt ovat rajoittuneet tai joilta puuttuu laitteen käytön vaatima kokemus tai tietämys, mikäli edellä mainittuja henkilöitä on opastettu käyttämään laitetta turvallisesti ja mikäli henkilöt ymmärtävät laitteen käyttöön liittyvät riskit.
- > 3 – 8-vuotiaat lapset saavat sekä sijoittaa tuotteita kylmälaitteisiin että noutaa tuotteita niistä.
- > Lapsia tulee valvoa sen varmistamiseksi, etteivät he leiki laitteella.

- > Lapset eivät saa ilman valvontaa puhdistaa laitetta eivätkä ryhtyä käyttäjälle sallittuihin kunnossapitotoihin.



### **VAROITUS! Räjähdyksivaara**

Älä säilytä kylmälaitteessa mitään räjähdysalttiita aineita kuten suihkepurkkeja, joissa on syttyvää punneainetta.



### **HUOMIO! Sähköisun vaara**

- > Varmista ennen kylmälaitteen käyttöönottoa, että virtajohto ja pistoke ovat kuivia.
- > Irrota kylmälaite virransyötöstä aina ennen puhdistus- ja huoltotoimia sekä aina käytön jälkeen.



### **HUOMIO! Terveysvaara**

- > Vältä elintarvikkeiden pilaantuminen noudattamalla seuraavia ohjeita:
  - Tarkista, onko laitteen jäähdytysteho riittävä elintarvikkeille, joita aiot kylmäsäilyttää.
  - Elintarvikkeita saa säilyttää vain alkuperäispakkauksissa tai tarkoitukseen sopivissa astioissa.
  - Kylmälaitteen avaaminen pitkiksi ajoiksi voi merkittävästi nostaa lämpötilaa laitteen lokeroissa.
  - Puhdista säännöllisesti pinnat, jotka voivat joutua kosketuksiin elintarvikkeiden ja suojaamattomien viemärijärjestelmän osien kanssa.
- > Jos laite jätetään tyhjäksi pitkäksi ajaksi:
  - Kytke laite pois päältä.
  - Sulata laite.
  - Puhdista ja kuivaa laite.
  - Jätä kansi auki, jotta laitteen sisälle ei pääse muodostumaan hometta.

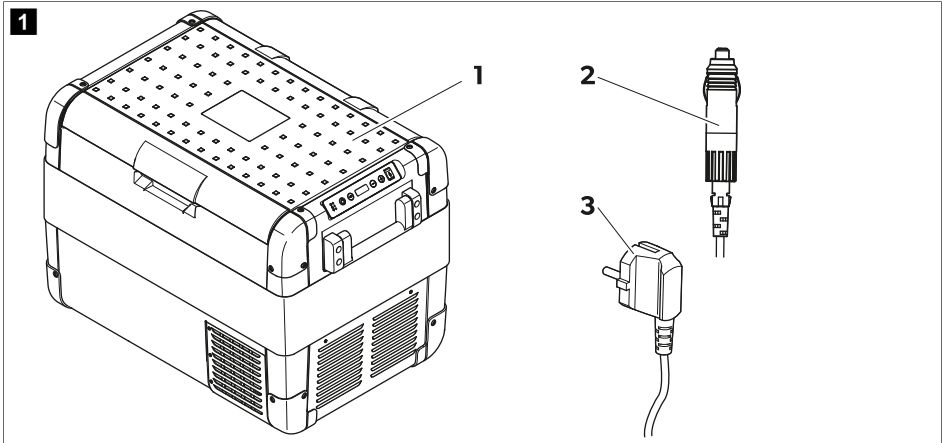


### **HUOMAUTUS! Vahingonvaara**

- > Varmista, että tyyppikilven jännitetiedot vastaavat käytettävissä olevaa energiansyöttöä.
- > Liitä kylmälaite vain seuraavalla tavalla:
  - Tasavirtaliitäntäjohdolla ajoneuvon tasavirtaverkkoon
  - Tai vaihtovirtaliitäntäjohdolla vaihtovirtaverkkoon
- > Älä koskaan irrota pistoketta pistorasiasta johdosta vetämällä.
- > Jos kylmälaite on liitetty tasavirtapistorasiaan: Irrota kylmälaite ja muut sähköä käyttävät laitteet ajoneuvon akusta ennen pikalaturin liittämistä.
- > Jos kylmälaite on liitetty tasavirtapistorasiaan: Irrota kylmälaitteen liitäntä tai kytke kylmälaite pois päältä, kun sammutat moottorin. Muuten ajoneuvon akku voi purkautua.
- > Kylmälaite ei sovellu syövyttävien aineiden tai liuottimia sisältävien aineiden kuljettamiseen.
- > Kylmälaitteen eristeet sisältävät syttyvää syklopentaania, joten ne vaativat erityisen hävittämismenetelmän. Kun kylmälaite on tullut käyttöikänsä päähän, toimita se asianmukaisesti kierrätyspisteeseen.
- > Älä altista kylmälaitetta avotullelle tai muille lämpölähteille (lämmitys, suora auringonpaiste, kaasuuunit jne.).
- > Älä laita sisäastiaan jäätä tai nesteitä.
- > Älä koskaan upota kylmälaitetta veteen.
- > Suojaa kylmälaite ja johdot kuumuudelta ja kosteudelta.
- > Kylmälaitetta ei saa altistaa sateelle.
- > Jotta kylmäaine voi kiertää asianmukaisesti, kylmälaitteen kallistuskulma ei saa olla suurempi kuin 30 °. Aseta kylmälaatikko vatupassin avulla vaakasuoraan.
- > **Ylikuumenemisvaara!** Varmista aina, että kylmälaitteen kaikilla neljällä sivulla on riittävästi tilaa tuuletukselle. Pidä tuuletustila vapaana kaikista esineistä, jotka voisivat haitata ilman virtausta

jäähdytysosiin. Älä sijoita kylmälaitetta suljettuihin tiloihin tai alueille, joissa ilma ei virtaa tai virtaa vain hyvin vähän.

## 5 Toimituskokonaisuus



| Kohta | Määrä | Kuvaus                             |
|-------|-------|------------------------------------|
| 1     | 1     | Kylmälaatikko                      |
| 2     | 1     | Tasavirtaliitännän liitäntäjohto   |
| 3     | 1     | Vaihtovirtaliitännän liitäntäjohto |
| -     | 1     | Pikakäyttöohje                     |

## 6 Lisävarusteet

Saatavissa lisävarusteena (ei sisälly toimituskokonaisuuteen):

| Kuvaus                                     | Tuotenumero | Malli                    |
|--|-------------|--------------------------|
| Pikavapautettava kiinnitysarra CFX-QFK     | 9600000166  | Vain CFX2 28             |
| Pikavapautettava kiinnitysarra CFX-QFK3545 | 9600029599  | Vain CFX2 37 ja CFX2 45  |
| Mobile Cooling -sovellus                   | -           | sopii kaikkiin malleihin |

## 7 Käyttötarkoitus

Kylmälaatikko sopii elintarvikkeiden jäähdyttämiseen. Kylmälaatikko sopii myös ajoneuvokäyttöön. Kylmälaatikko on suunniteltu käytettäväksi ajoneuvon tasavirtapistorasialla tai vaihtovirralla.

Kylmälaatikko soveltuu myös retkeilykäyttöön.

Kylmälaatikko on tarkoitettu kotitalouskäyttöön ja sen kaltaisiin käyttökohteisiin kuten

- käyttöön henkilökunnan keittiötiloissa kaupoissa, toimistoissa ja muissa työympäristöissä

- käyttöön maataloilla
- asiakaskäyttöön hotelleissa, motelleissa ja muissa majoitusympäristöissä
- Aamiaismajoitustyyppiset ympäristöt
- Pitopalvelu- ja muut ei-jakelukohteet

Kylmälaatikko **ei** sovellu:

- elintarvikkeiden nopeaan pakastamiseen
- syövyttävien tai liuottimia sisältävien aineiden säilyttämiseen
- sisäänrakennetuksi laitteeksi

Tämä kylmälaatikko sopii ainoastaan näissä ohjeissa ilmoitettuun käyttötarkoitukseen ja käyttökohteeseen.

Tämä tuote soveltuu ainoastaan näissä ohjeissa ilmoitettuun käyttötarkoitukseen ja käyttökohteeseen.

Näistä ohjeista saat tuotteen asianmukaiseen asennukseen ja/tai käyttöön tarvittavat tiedot. Väärin tehdyn asennuksen ja/tai väärän käyttötavan tai vääränlaisen huollon seurauksena laite ei toimi tyydyttävästi, ja se saattaa mennä epäkuntoon.

Valmistaja ei ota vastuuta tapaturmista tai tuotevaurioista, jotka johtuvat seuraavista:

- Väärin tehty asennus tai liitäntä, ylijännite mukaan lukien
- Väärin tehty huolto tai muiden kuin valmistajalta saatavien alkuperäisten varaosien käyttö
- Tuotteeseen ilman valmistajan nimenomaista lupaa tehdyt muutokset
- Käyttö muuhun kuin tässä ohjeessa ilmoitettuun tarkoitukseen

Dometic pidättää itsellään oikeuden muutoksiin tuotteen ulkonäössä ja spesifikaatioissa.

## 8 Tekninen kuvaus

Kylmälaatikko pystyy jäähdyttämään tuotteet. Jäähdyttämiseen käytetään jäähdytyskiertoa ja kompressoria, joita ei juurikaan tarvitse huoltaa. Runsas eristys ja tehokas kompressori takaavat tehokkaan ja nopean jäähdytyksen.

Kylmälaite sopii liikkuvaan käyttöön.

Kylmälaatikko kestää väliaikaiset, enintään 30 ° :n kallistumat esimerkiksi veneessä.

### Toiminnot

- Verkkoalaite, jossa on ensijaiskytkentä laitteen liittämiseksi vaihtovirtalähteeseen
- Kolmiportainen akkuvahhti ajoneuvon akun suojaamiseen
- Lämpötilanäyttö °C ja °F
- Lämpötilan säätö kahdella painikkeella 1 °C / 1 °F askelin
- Integroitu Bluetooth- ja WLAN-toiminto kylmälaatikon ohjaamiseen Mobile Cooling -sovelluksella
- Taitettavat kantokahvat
- USB-liitäntä jännitteensyöttöä varten
- Irrotettava lankakori

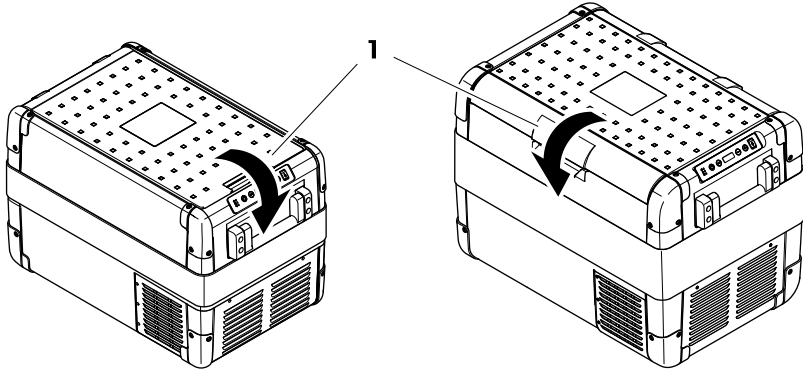
### Käyttö- ja näyttölaitteet

Kannen salpa (  kuva, **2** sivulla 191, **1**):

2

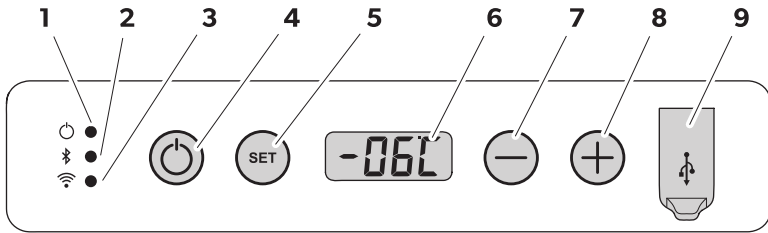
CFX2 28, 37, 45

CFX2 57



## Ohjauspaneeli

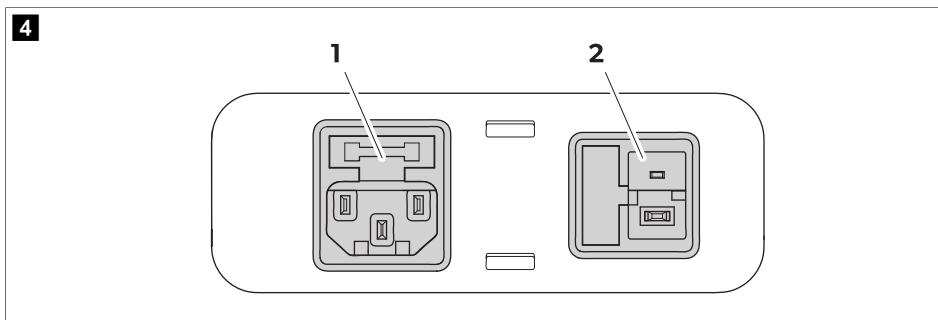
3



| Koh-ta | Kuvaus    | Selitys   |
|--------|-----------|---|
| 1      | Teho      | Tilan ilmaisin<br>LED-merkkivalo syttyy valkoise-na.<br>Kompressori käynnistyy.   |
|        |           | LED-merkkivalo syttyy oranssi-na:<br>Kompressori pysähtyy.  |
| 2      | Bluetooth | LED-merkkivalo on kytketty pois päältä.<br>Kylmälaatikon Bluetooth-yhteys on katkaistu.   |
|        |           | LED-merkkivalo vilkkuu hitaasti valkoisena:<br>Kylmälaatikon Bluetooth-yhteys on kytketty päälle. Kylmälaatikkoa ei ole pariliitetty laitteeseen. |
|        |           | LED-merkkivalo vilkkuu nopeasti valkoisena:<br>Kylmälaatikko muodostaa pariliitoksen laitteen kanssa Bluetooth-yhteydellä.                        |
|        |           | LED-merkkivalo syttyy valkoise-na.<br>Kylmälaatikko on pariliitetty laitteeseen Bluetooth-yhteydellä.   |

| Koh-ta | Kuvaus      | Selitys   |
|--------|-------------|---|
| 3      | WLAN        | LED-merkkivalo on kytketty pois päältä. Kylmälaatikon WLAN-yhteys on katkaistu.   |
|        |             | LED-merkkivalo vilkkuu valkoisena: Kylmälaatikon WLAN-yhteys on kytketty päälle. Kylmälaatikkoa ei ole yhdistetty laitteeseen.  |
|        |             | LED-merkkivalo syttyy valkoisena. Kylmälaatikko on pariliitetty laitteeseen WLAN-yhteydellä.  |
| 4      | PÄÄLLE/POIS | Kytkee kylmälaitteen päälle ja pois.  |
| 5      | SET         | Valitsee syöttötilan: <ul style="list-style-type: none"> <li>• Lämpötilasäätö</li> <li>• Celsius- tai Fahrenheit-näyttö</li> <li>• Akkuvahdin asetus</li> <li>• Näytön kirkkauden säätö</li> <li>• Aseta näyttötila</li> <li>• Määritä Bluetooth</li> <li>• Määritä WLAN</li> </ul> |
| 6      |             | Näyttö  |
| 7      | -           | Määrittää lämpötilan, lämpötilayksikön, akkuvahdin, näytön kirkkauden, tilan, Bluetooth-yhteyden ja WLAN-yhteyden.  |
| 8      | +           |   |
| 9      |             | USB-portti  |

#### Liitäntäpistorasiat



| Kohta | Kuvaus                     |
|-------|----------------------------|
| 1     | Vaihtojännitesyötön liitin |
| 2     | Tasajännitesyötön liitin   |

## 9 Käyttö

### Ennen ensikäyttöä

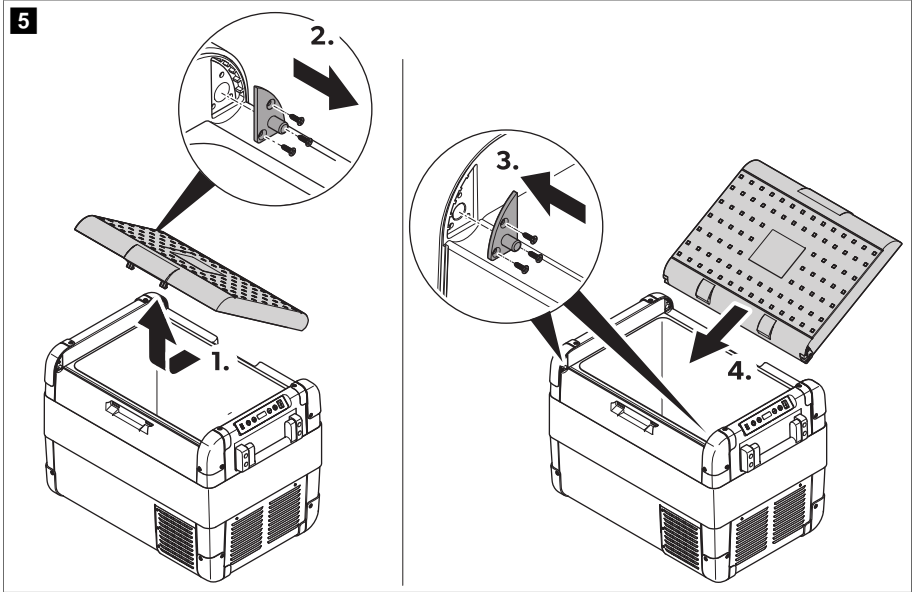


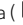

**OHJE** Hygieniasyistä puhdista kylmälaatikko sisältä ja ulkoa kostealla liinalla ennen ensimmäistä käyttöönottoa (katso Puhdistus ja hoito sivulla 199).

## Kannen avaussuunnan vaihtaminen (vain CFX2 57)

Kannen saranat voidaan siirtää vastakkaiselle puolelle.

1. Avaa ja irrota kansi (  kuva: 5 sivulla 193).



2. Irrota kolme ruuvia jokaisesta saranasta (  kuva: 5 sivulla 193) ja irrota ne.
3. Kiinnitä saranat uusiin paikkoihin.
4. Aseta kansi uusiin kiinnityspaikkoihin (  kuva: 5 sivulla 193).

## Energian säästäminen

- > Valitse paikka, joka on hyvin tuuletettu ja suojassa auringonpaisteelta.
- > Anna lämpimien elintarvikkeiden jäähtyä, ennen kuin panet niitä kylmälaitteeseen kylmäsäilytettäviksi.
- > Älä avaa kylmälaitetta tarpeettoman usein.
- > Älä pidä kylmälaitetta auki tarpeettoman kauan.
- > Jos kylmälaitteessa on kori: sijoita kori energiankulutuksen optimoimiseksi niin, kuin se oli toimituksen yhteydessä.
- > Varmista säännöllisesti, että kannen tiiviste istuu kunnolla.
- > Vältä turhan alhaisia lämpötiloja.

## Kylmälaukun liittäminen

### Liittäminen akkuun



#### HUOMAUTUS! Vahingonvaara

- > Mukana toimitetun tasavirtajohdon pistokkeessa on sulake laitteen suojaamiseksi. **Älä** poista sulakkeellista tasavirtapistoketta. Käytä ainoastaan mukana toimitettua tasavirtajohtoa.
- > Irrota kylmälaitteesta ja muut sähkölaitteet akusta ennen kuin lataat akkua pikalaturilla. Ylijännite voi vahingoittaa akkuun liitettyjen laitteiden elektroniikkaa.



**OHJE** Kylmälaatikossa on elektroninen järjestelmä, joka estää vääranapaisuuden. Elektroninen järjestelmä suojaa kylmälaatikkoa oikosuluilta akkuu liitettäessä.

Kylmälaitetta voidaan käyttää 12 V  $\overline{\text{---}}$  tai 24 V  $\overline{\text{---}}$ .

- > Liitä kylmälaatikko akkuun tasavirtaliitäntäjohdolla kuvan osoittamalla tavalla.

### Liittäminen vaihtovirtaverkkoon



#### VAARA! Sähköiskun vaara

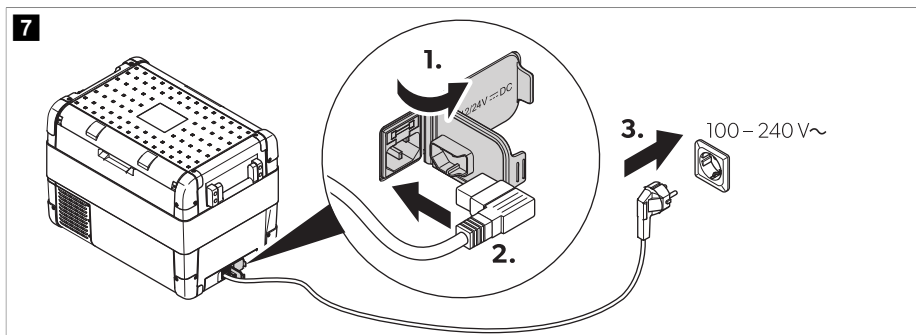
- > Älä käsittele pistokkeita ja kytkimiä märin käsin tai kun seisot märässä paikassa.
- > Jos kylmälaatikkoa käytetään vaihtovirralla veneessä, vaihtovirtalähteen ja kylmälaatikon väliin on asennettava vikavirtasuojakytkin. Lisätietoja saat alan ammattilaisilta.



#### OHJE

Kylmälaatikoissa on integroitu monijännitesyöttö ja ensisijaiskytkentä laitteen liittämiseksi vaihtovirtaverkkoon. Ensisijaiskytkentä kytkee kylmälaatikon automaattisesti vaihtovirtakäytölle kun kylmälaatikko liitetään vaihtovirtaan, vaikka tasavirtaliitäntäjohto olisi yhä liitettyinä.

- > Liitä kylmälaatikko vaihtovirtaan vaihtovirtaliitäntäjohdolla kuvan mukaisesti.



### Kylmälaatikon käyttö



#### HUOMAUTUS! Vahingonvaara

Aseta kylmälaatikko siten, että pohja osoittaa alaspäin.

1. Sijoita kylmälaatikko tukevalle alustalle.
2. Liitä kylmälaatikko (katso luku Kylmälaukun liittäminen sivulla 193).

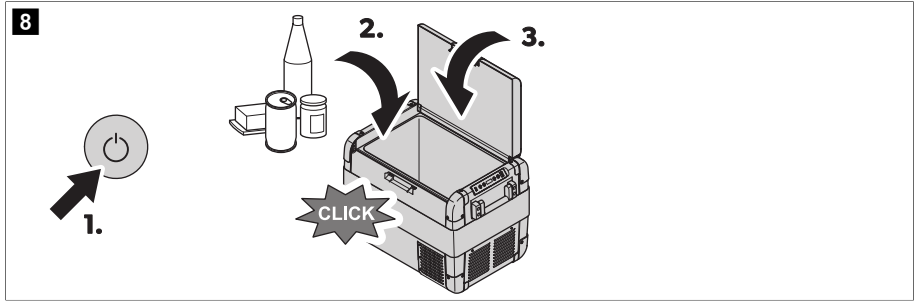


#### VAROITUS! Terveysvaara

Varmista, että kylmälaatikkoon laitetaan vain tuotteita, jotka jäädytetään valitussa lämpötilassa.

3. Paina ON/OFF-painiketta 1 ... 2 s .





- ✓ Virran LED-merkkivalo syttyy. Näyttö kytkeytyy päälle ja näyttää nykyisen lämpötilan.



### OHJE Näytetty lämpötila

CFX2 57: Näytössä näkyvä lämpötila on ison sisälokeron lämpötila ( kuva: **9** sivulla 195 **1**).

Kylmälaatikko alkaa jäähdyttää sisätilaansa.

### Kylmälaatikon kannen salpaaminen

1. Sulje kansi.
2. Paina salpaa alaspäin, kunnes se napsahtaa paikalleen.

### Ruokahävikin välttäminen

Huomaa seuraava ruokahävikin välttämiseksi

- > Pidä lämpötilan heilahtelu mahdollisimman pienenä. Avaa kylmälaite vain silloin ja vain niin pitkäksi aikaa kuin on tarpeen. Säilytä elintarvikkeet niin, että ilma pääsee kiertämään hyvin.
- > Säädä lämpötila elintarvikkeiden määrää ja tyyppiä vastaavaksi.
- > Elintarvikkeeseen voi helposti tarttua hajua tai makua tai siitä voi irrota näitä. Säilytä elintarvikkeet aina peitettyinä tai suljetuissa astioissa/pulloissa.

### Lämpötilan säätö

1. Paina painiketta **SET** kerran.
  2. Valitse jäähdytyslämpötila painikkeilla **+** ja **-**.
- ✓ Valittu lämpötila ja **°C** näkyvät näytössä muutaman sekunnin ajan. Näyttö vilkkuu useita kertoja. Tämän jälkeen nykyinen lämpötila tulee uudelleen näkyviin.

### Lämpötilayksikön valinta

1. Paina painiketta **SET** kaksi kertaa.
  2. Valitse lämpötilayksikkö painikkeella **+** tai **-**.
- ✓ Asetettu lämpötilayksikkö ja **°C** näkyvät näytössä muutaman sekunnin ajan. Näyttö vilkkuu useita kertoja ennen nykyisen lämpötilan näyttämistä.

## Akkuvahdin käyttäminen



### HUOMAUTUS! Vahingonvaara

Kun akkuvahdi kytkeytyy pois päältä, akku ei ole enää täyteen ladattu. ältä useita käynnistyksiä ja sähköä kuluttavien laitteiden käyttämistä ilman pidempiä latausvaiheita. Varmista, että akku ladataan uudelleen.

Kylmälaatikossa on moniportainen akkuvahdi, joka suojaaj ajoneuvon akkua syväpurkautumiselta silloin, kun kylmälaatikko on liitetty ajoneuvon tasavirtaverkkoon.

Jos kylmälaatikkoa käytetään ajoneuvon sytytyksen ollessa pois päältä, kylmälaatikko kytkeytyy itsestään pois päältä heti, kun syöttöjännite laskee tietyn arvon alle. Kylmälaatikko käynnistyy uudelleen heti, kun akun lataustila on saavuttanut uudelleenkytkentäjännitteen.

Tilassa "HIGH" akkuvahdi reagoi nopeammin kuin tiloissa "LOW" ja "MED".

| Akkuvahdin tila                                   | LOW    | MED    | HIGH   |
|---|--------|--------|--------|
| Uudelleenkäynnistysjännite 12 V :n järjestelmässä | 11,4 V | 12,2 V | 12,6 V |
| Poiskytkentäjännite 12 V :n järjestelmässä        | 10,1 V | 11,2 V | 11,8 V |
| Uudelleenkäynnistysjännite 24 V :n järjestelmässä | 23 V   | 25,3 V | 26,4 V |
| Poiskytkentäjännite 24 V :n järjestelmässä        | 21,5 V | 24,1 V | 24,6 V |

Valitse akkuvahdin käyttötila seuraavasti:

1. Kytke kylmälaatikko päälle.
  2. Paina painiketta **SET** kolme kertaa.
  3. Aseta akkuvahdin tila painikkeilla **+** tai **-**.
- ✓ Näyttö muuttuu seuraavasti: **[P L0]** (LOW), **[P M0]** (MED), **[P H1]** (HIGH)

Näyttö näyttää asetetun tilan muutaman sekunnin ajan. Näyttö vilkkuu monta kertaa, ennen kuin se palaa tämänhetkisen lämpötilan näyttöön.



**OHJE** Kun kylmälaatikko saa virtansa käynnistysakusta, valitse akkuvahdin tilaksi "HIGH". Jos kylmälaatikko on liitetty erilliseen syöttöakkuun, akkuvahdin tilaksi riittää "LOW".

## Näytön kirkkauden säätäminen

Näytön kirkkautta voidaan himmentää, jos ympäristön valo niin vaatii.

1. Kytke kylmälaatikko päälle.
  2. Paina painiketta **SET** neljä kertaa.
  3. Säädä näytön kirkkaus painikkeilla **+** tai **-**.
- ✓ Näyttö muuttuu seuraavasti: **[d L0]** (matala), **[d M0]** (keskitaso), **[d H1]** (korkea)

Säädetty tila näkyy näytössä muutaman sekunnin ajan. Näyttö vilkkuu muutaman kerran, ennen kuin tämänhetkinen kirkkaus palautuu.



**OHJE** Häiriön ilmetessä kirkkaudeksi vaihtuu automaattisesti **[d H1]** käyttöön.

## USB-portin käyttäminen

USB-portin kautta voi ladata pieniä laitteita, kuten matkapuhelimia ja mp3-soittimia.

- > Liitä ladattava laite kylmälaatikon USB-porttiin USB-kaapelilla (ei sisälly toimitukseen).



**OHJE** Varmista, että liitetty laite on yhteensopiva 5 V / 2 A :n toiminnan kanssa.

### Näyttötilan säätäminen

1. Paina painiketta **SET** viisi kertaa.
2. Aseta sleep-tila painikkeilla **+** ja **-**.
- ✓ Näyttö muuttuu seuraavasti: **5 0F** (POIS), **5 0n** (PÄÄLLÄ), **5 Lo** (matala)

**s 0F** (POIS): Sleep-tila on deaktivoitu. Näyttö on jatkuvasti päällä.

**s 0n** (PÄÄLLÄ): Sleep-tila on aktivoitu. Jos kylmälaatikkoa ei käytetä moneen minuuttiin, näytössä näkyy vain piste.

**s Lo** (matala): Sleep-alitila on aktivoitu. Jos kylmälaatikkoa ei käytetä moneen minuuttiin, näyttö kytkeytyy pienimpään näytön kirkkauteen.



**OHJE** Jos näyttö on sleep-tilassa tai sleep-alitilassa, voit poistua tästä tilasta painamalla jotakin kylmälaatikon painiketta.

### Mobile Cooling -sovelluksen käyttö

Kylmälaatikkoa voidaan tarkkailla ja ohjata Bluetooth- tai WLAN-yhteyden kautta sovelluksella, joka voidaan asentaa yhteensopivaan laitteeseen.

1. Lataa ja asenna Mobile Cooling -sovellus.



Hanki sovellus: [qr.dometic.com/beiv4R](http://qr.dometic.com/beiv4R).

2. Paina **SET** painiketta seuraavasti:
  - 6 kertaa ja avaa Bluetooth-asetukset.
  - 7 kertaa ja avaa WLAN-asetukset.
3. Määritä Bluetooth tai WLAN painikkeilla **+** ja **-**.



**OHJE** Jos kylmälaatikko on pariliitetty yhteensopivaan laitteeseen Bluetooth-yhteydellä, pariliitostila on määritettävä.

- ✓ Näyttö muuttuu seuraavasti, kun määrität Bluetooth-yhteyden: **bL0F** (POIS), **bL0n** (PÄÄLLÄ), **bLPR** (pariliitos)



**OHJE** Jos **bL0F** näkyy, näyttö ei muutu, kun painiketta **-** painetaan. Jos **bLPR** näkyy, näyttö ei muutu, kun painiketta **+** painetaan.

Bluetooth-LED-merkkivalo vilkkuu valkoisena ja näytössä näkyy **bL**, kun Bluetooth-pariliitosta muodostetaan.

Näyttö muuttuu seuraavasti, kun määrität WLAN-yhteyden: **F 0F** (POIS), **F 0n** (PÄÄLLÄ)

4. Noudata Mobile Cooling -sovelluksen ohjeita.
- ✓ Bluetooth- tai WLAN-LED-merkkivalo syttyy, kun kylmälaatikko on liitetty.

### Kylmälaatikon kytkeminen pois päältä

1. Tyhjennä kylmälaatikko.
2. Paina ON/OFF-painiketta.
3. Vedä liitäntäjohto irti.
4. Jos kylmälaatikkoa ei käytetä pitkään aikaan, jätä kansi auki, jotta hajuja ei pääse muodostumaan.

### Kylmälaatikon sulattaminen

Kosteus voi muodostaa kylmälaulun sisälle tai haihduttimeen huurretta. Tämä pienentää jäähdytystehoja.



#### **HUOMAUTUS! Vahingonvaara**

Älä koskaan poista jäätä tai irrota kiinni jäätyneitä esineitä tai tuotteita kovilla tai terävillä työkaluilla.

Sulata kylmälaite seuraavalla tavalla:


1. Tyhjennä kylmälaatikko.
2. Laita sisältö tarvittaessa toiseen kylmälaatikkoon, jotta se pysyy viileänä.
3. Kytke kylmälaatikko pois päältä.
4. Jätä kansi auki.
5. Pyyhi sulamisvesi pois.

### Vaihtovirtasulakkeen vaihtaminen



#### **VAARA! Sähköiskun vaara**



Irrota liitäntäjohto virtalähteestä ennen vaihtovirtasulakkeen vaihtamista.

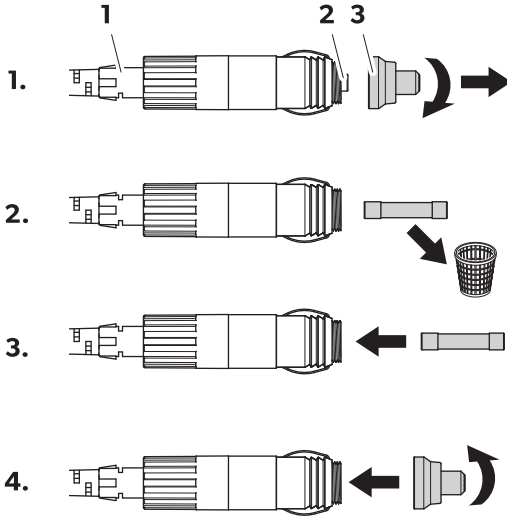
1. Katkaise kylmälaatikon virransaanti.
2. Vedä liitäntäjohtot irti.
3. Työnnä sulakepesä (  kuva. **4** sivulla 192 2) ruuvimeisselillä ulos.
4. Vaihda viallisen sulakkeen tilalle uusi lasiputkisolake, jonka arvo on sama ( 4 A , 250 V ).
5. Paina sulakepesä takaisin runkoon.
6. Kytke laitteen virransaanti takaisin.


### Tasavirtapistokkeen sulakkeen vaihtaminen



**OHJE** Laitteen sisällä on erillinen DC-sulake (ajoneuvokäyttöön tarkoitettu vakiosulake, 10 A). Tämän sulakkeen voi vaihtaa vain valtuutettu korjausliike.

1. Kierrä kosketintappi (  kuva. **11** sivulla 199 3) irti pistokkeesta (  kuva. **11** sivulla 199 1).

**11**

2. Vaihda viallinen sulake (  kuva. **11** sivulla 199 **2**) uuteen samantyyppiseen ja -arvoiseen (3AG, nopea, 10 A).
3. Kokoa pistoke päinvastaisessa järjestyksessä.

### Piirilevyn vaihtaminen



#### **HUOMAUTUS! Vahingonvaara**

Vaaran välttämiseksi piirilevyn voi vaihtaa vain valmistaja, asiakaspalvelu tai henkilö, jolla on vastaava pätevyys.

## 10 Puhdistus ja hoito



#### **HUOMIO! Sähköiskun vaara**

Varmista, että kylmälaite on irrotettu virtalähteestä ennen puhdistusta tai huoltotöitä.



#### **HUOMAUTUS! Vahingonvaara**

- > Älä puhdisti jäähdytyslaitetta koskaan juoksevan veden alla tai tiskivedessä.
- > Älä puhdisti syövyttävillä puhdistusaineilla äläkä kovilla esineillä.

- > Puhdisti laite toisinaan sisältä ja ulkoa kostealla liinalla.
- > Varmista, että kylmälaitteen ilmanotto- ja poistoaukot ovat puhtaita pölystä ja liasta, jotta toiminnasta syntyvä lämpö saadaan johdettua pois eikä kylmälaite pääse vaurioitumaan.

## 11 Vianetsintä

| Häiriö   | Mahdollinen syy                     | Ratkaisuehdotus                 |
|--|-------------------------------------|---------------------------------|
| Kylmälaatikko ei toimi. Virran LED-merkkivalo ei syty. | DC-pistorasiassa ei ole jännitettä. | > Kytke ajoneuvon sytytysvirta. |

| Häiriö   | Mahdollinen syy   | Ratkaisuehdotus  |
|--|---|--|
|  | AC-pistorasiassa ei ole jännitettä.   | > Käytä toista pistorasiaa.  |
|  | Vaihtovirtasulake on palanut.   | > Vaihda vaihtovirtasulake, ks. Vaihtovirtasulakkeen vaihtaminen sivulla 198.  |
|  | Sisäänrakennettu verkkolaite on rikki.  | > Ota yhteyttä valutettuun huoltopalveluun.  |
| Virran LED-merkkivalo palaa oranssina, virhekoodi <b>E 01</b> näkyy näytössä ja kylmälaatikko ei jäähdytä, vaikka pistoke on kytketty. | Akkuvahdin tila on säädetty liian korkeaksi.                                  | <ol style="list-style-type: none"> <li>1. Aseta akkuvahdi matalampaan tilaan (katso Akkuvahdin käyttäminen sivulla 196).</li> <li>2. Testaa käynnistysakku.</li> <li>3. Lataa tarvittaessa käynnistysakku. Noudata valmistajan ohjeita.</li> </ol> |
|  | Akkuvahdin tila on säädetty liian matalaksi.                                  | <ol style="list-style-type: none"> <li>1. Aseta akkuvahdikorkeampaan tilaan (katso Akkuvahdin käyttäminen sivulla 196).</li> <li>2. Testaa käynnistysakku.</li> <li>3. Lataa tarvittaessa käynnistysakku. Noudata valmistajan ohjeita.</li> </ol>  |
| Käytettäessä kylmälaatikkoa tasavirtapistorasiassa: Sytytysvirta on päällä, ja kylmälaatikko ei toimi. Virran LED-merkkivalo ei syty.  | Tasavirtapistoke ei ole kytketty oikein.                                      | > Liitä tasavirtapistoke uudelleen.  |
|  | Tasavirtapistorasian kehys on likainen. Tämän vuoksi sähkökontakti on heikko. | > Puhdista tasavirtapistorasia. Noudata valmistajan ohjeita.   |
|  | Tasavirtapistokkeen sulake on palanut.  | > Vaihda tasavirtapistokkeen sulake, ks. Tasavirtapistokkeen sulakkeen vaihtaminen sivulla 198.  |
|  | Tasavirtasulake kylmälaatikon sisällä on palanut.                             | > Ota yhteyttä valutettuun huoltopalveluun.  |
|  | Ajoneuvon tasavirtapistorasian sulake on palanut.                             | > Vaihda ajoneuvon tasavirtapistorasian sulake. Noudata valmistajan ohjeita.   |
| Näytössä näkyy vikakoodi, eikä kylmälaatikko jäähdytä (katso Virhekoodit sivulla 200).   | Sisäinen käyttöhäiriö on sammuttanut kylmälaatikon.                           | > Ota yhteyttä valutettuun huoltopalveluun.  |

## Virhekoodit



**OHJE** Jos jokin virhekoodista **E 02 – E 07** tulee näkyviin, ota yhteys valtuutettuun huoltopalveluun.

| Virhekoodi  | Kuvaus                              |
|-------------|-------------------------------------|
| <b>E 01</b> | Matala jännite/ylijännite           |
| <b>E 02</b> | Tuulettimen ylivirta                |
| <b>E 03</b> | Kompressorin käynnistys epäonnistui |
| <b>E 04</b> | Kompressorin nopeus liian pieni     |

| Virhekoodi | Kuvaus                     |
|------------|----------------------------|
| E 05       | Ohjainlaite ylikuumentunut |
| E 06       | NTC-piirikatkos            |
| E 07       | NTC-oikosulku              |

## 12 Takuu

Tuotetta koskee lakisääteinen tuotevastuu-aika. Jos tuote on viallinen, ota yhteyttä valmistajan toimipisteeseen omassa maassasi (ks. [dometic.com/dealer](http://dometic.com/dealer)) tai jälleenmyyjään.

Jos lähetät tuotteen korjattavaksi, liitä korjaus- ja takuukäsittelyä varten mukaan seuraavat asiakirjat:

- Kopio kuitista, jossa näkyy ostopäivä
- Valitusperuste tai vikakuvaus

Huomaa, että itse tai väärin tehty korjaus voi vaarantaa turvallisuuden ja johtaa takuun raukeamiseen.

## 13 Hävittäminen



### **VAROITUS! Lasten loukkuun jäämisen vaara**

Irrota kansi ennen vanhan kylmälaitteen hävittämistä. Jätä korit paikalleen, jotta lapset eivät voi kiivetä helposti laitteen sisälle.



Vie pakkausmateriaali mahdollisuuksien mukaan niille tarkoitettuihin kierrätysjäteastioihin. Tiedustele lähimmästä kierrätyskeskuksesta tai jälleenmyyjältä tuotetta koskevia yksityiskohtaisia hävittämistä koskevia ohjeita.



Paristoja, ladattavia akkuparistoja ja valonlähteitä sisältävien tuotteiden kierrätys: Poista paristot, ladattavat akkuparistot ja valonlähteet ennen tuotteen kierrätystä. Toimita vialliset akut tai käytetyt paristot kauppiaille tai keräyspisteeseen. Paristot, ladattavat akkuparistot ja valonlähteet eivät kuulu kotitalousjätteeseen. Jos haluat poistaa tuotteen lopullisesti käytöstä, tiedustele yksityiskohtaisia hävittämistä koskevia ohjeita ja määräyksiä lähimmästä kierrätyskeskuksesta tai jälleenmyyjältä. Tuotteen voi hävittää veloitusetta.

## 14 Tekniset tiedot



**OHJE** Jos ympäristön lämpötila on yli 32 °C, minimilämpötilaa ei saavuteta.

Sisältää fluorattuja kasvihuonekaasuja.

Kylmälaitteisto on hermeettisesti suljettu.

|              | CFX2 28 | CFX2 37        | CFX2 45 | CFX2 57 |
|--------------|---------|----------------|---------|---------|
| Nimellisteho |         | 50 ... 60 Hz   |         |         |
|              |         | 100 ... 240 V~ |         |         |


**FI CFX2 28, CFX2 37, CFX2 45, CFX2 57**


|   | <b>CFX2 28</b>           | <b>CFX2 37</b>           | <b>CFX2 45</b>           | <b>CFX2 57</b>           |
|---|--------------------------|--------------------------|--------------------------|--------------------------|
| Nimellisvirta                           | 12 V : 8,6 A             | 12 V : 8,7 A             | 12 V : 8,8 A             | 12 V : 9 A               |
|   | 24 V : 3,8 A             | 24 V : 3,85 A            | 24 V : 3,9 A             | 24 V : 4 A               |
|   | 100 V : 1,6 A            | 100 V : 1,63 A           | 100 V : 1,65 A           | 100 V : 1,7 A            |
|   | 240 V : 0,77 A           | 240 V : 0,78 A           | 240 V : 0,79 A           | 240 V : 0,8 A            |
| Jäähdytysteho                           | - 22 °C ... 20 °C        |                          |                          |                          |
| Ympäristön lämpötila                    | 16 °C ... 43 °C          |                          |                          |                          |
| Ilmastoluokka                           | N tai T                  |                          |                          |                          |
| USB                                     | 5 V 2 A                  |                          |                          |                          |
| Kylmäaine                               | R600a                    |                          |                          |                          |
| Kylmäaineen määrä                       | 13 g                     | 13 g                     | 14 g                     | 17 g                     |
| Mitat (L x K x S, kahvat mukaan lukien) | 600 mm × 427 mm × 345 mm | 678 mm × 428 mm × 401 mm | 678 mm × 493 mm × 401 mm | 709 mm × 503 mm × 458 mm |
| Äänenvoimakkuus ("Volume")              | 28 L                     | 37 L                     | 45 L                     | 57 L                     |
| Paino                                   | 13,5 kg                  | 15,8 kg                  | 16,8 kg                  | 18,5 kg                  |
| Taajuuskaista (WLAN)                    | 2,4 GHz                  |                          |                          |                          |
| Maks. lähtöteho                         |                          |                          |                          |                          |
| WLAN                                    | 19,22 dBm                |                          |                          |                          |
| Bluetooth                               | 7,93 dBm                 |                          |                          |                          |

Dometic (Zhuhai) Technology Co., Ltd vakuuttaa täten, että radiolaitte tyyppi CFX2 28, CFX2 37, CFX2 45, CFX2 57 on direktiivin 2014/53/EU mukainen. EU-vaatimustenmukaisuusvakuutuksen teksti on luettavissa kokonaisuudessaan seuraavassa Internet-osoitteessa: [documents.dometic.com](http://documents.dometic.com)

Lisää tuotetietoja saat energiamerkin QR-koodin kautta tai osoitteesta [eprel.ec.europa.eu](http://eprel.ec.europa.eu).

**12**





SUPPLIER'S NAME      MODEL IDENTIFIER

A

B

C

D

E


F

G

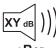
---

**XYZ kWh/annum**

---

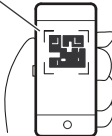


XYZ L



XY dB

ABCd



[eprel.ec.europa.eu](http://eprel.ec.europa.eu)



## Polski

|    |  |     |
|----|--|-----|
| 1  | Ważne wskazówki.....                     | 203 |
| 2  | Objaśnienie symboli.....                 | 203 |
| 3  | Objaśnienie symboli na urządzeniu.....   | 204 |
| 4  | Wskazówki bezpieczeństwa.....            | 204 |
| 5  | W zestawie.....                          | 206 |
| 6  | Akcesoria.....                           | 206 |
| 7  | Użytkowanie zgodne z przeznaczeniem..... | 207 |
| 8  | Opis techniczny.....                     | 208 |
| 9  | Eksploatacja.....                        | 210 |
| 10 | Czyszczenie i konserwacja.....           | 217 |
| 11 | Usuwanie usterek.....                    | 218 |
| 12 | Gwarancja.....                           | 219 |
| 13 | Utylizacja.....                          | 219 |
| 14 | Dane techniczne.....                     | 220 |

## 1 Ważne wskazówki

Prosimy o uważne przeczytanie niniejszej instrukcji obsługi produktu i przestrzeganie wszystkich zaleceń, wskazówek oraz ostrzeżeń w niej zawartych w celu zapewnienia prawidłowego montażu, użytkowania oraz konserwacji produktu w każdej sytuacji. Niniejsza instrukcja MUSI przez cały czas pozostawać przy produkcie.

Korzystając z produktu, użytkownik potwierdza uważne przeczytanie wszelkich instrukcji, wskazówek i ostrzeżeń, ich zrozumienie oraz zobowiązuje się przestrzegać zawartych w nich warunków. Użytkownik zobowiązuje się wykorzystywać niniejszy produkt wyłącznie zgodnie z jego przeznaczeniem i zamierzonym zastosowaniem oraz z instrukcjami, wskazówkami i ostrzeżeniami wyszczególnionymi w niniejszej instrukcji produktu, jak również ze wszystkimi mającymi zastosowanie przepisami i regulacjami prawnymi. Nieprzestrzeganie zawartych tu instrukcji i ostrzeżeń może skutkować obrażeniami u użytkownika oraz osób trzecich, uszkodzeniem produktu lub też uszkodzeniem mienia w sąsiedztwie produktu. Zastrzega się możliwość wprowadzania zmian i aktualizacji niniejszej instrukcji produktu, wraz z instrukcjami, wskazówkami i ostrzeżeniami oraz powiązaną dokumentacją. Aktualne informacje dotyczące produktu można zawsze znaleźć na stronie [documents.domestic.com](http://documents.domestic.com).

## 2 Objasnienie symboli

Słowo sygnałowe pozwala rozpoznać komunikaty dotyczące bezpieczeństwa i komunikaty dotyczące uszkodzeń mienia, a także wskazuje stopień lub poziom zagrożenia.



### NIEBEZPIECZEŃSTWO!

Wskazuje niebezpieczną sytuację, która – jeśli się jej nie uniknie – prowadzi do śmierci lub poważnych obrażeń.



### OSTRZEŻENIE!

Wskazuje niebezpieczną sytuację, która – jeśli się jej nie uniknie – może prowadzić do śmierci lub poważnych obrażeń.



### OSTROŻNIE!

Wskazuje niebezpieczną sytuację, która – jeśli się jej nie uniknie – może prowadzić do lekkich lub umiarkowanych obrażeń.



### UWAGA!

Wskazuje sytuację, która – jeśli się jej nie uniknie – może prowadzić do powstania szkód materialnych.



**WSKAZÓWKA** Dodatkowe informacje dotyczące obsługi produktu.

### 3 Objąsnienie symboli na urządzeniu



Ostrzeżenie! Ryzyko pożaru. Materiały łatwopalne.

### 4 Wskazówki bezpieczeństwa



#### **NIEBEZPIECZEŃSTWO! Ryzyko porażenia prądem**

- > Na łodziach: W przypadku zasilania z sieci elektrycznej należy zapewnić zabezpieczenie zasilania za pomocą wyłącznika różnicowoprądowego (RDC, RCCB lub GFCI). Instalacji, zwłaszcza w obszarach, w których może występować wilgoć, należy dokonywać zgodnie ze wszystkimi obowiązującymi przepisami w tym zakresie.
- > Nigdy nie chwytaj gołymi rękami nieosłoniętych przewodów. Dotyczy to przede wszystkim zasilania z sieci prądu przemiennego (AC).



#### **OSTRZEŻENIE! Ryzyko porażenia prądem**

- > Nie używać urządzenia chłodniczego, jeśli ma ono widoczne uszkodzenia.
- > Jeśli przewód zasilający tego urządzenia chłodniczego jest uszkodzony, należy go ze względów bezpieczeństwa wymienić.
- > Napraw urządzenia chłodniczego mogą dokonywać tylko odpowiednio wykwalifikowane osoby. Nieodpowiednio wykonane naprawy mogą być przyczyną znacznych zagrożeń.
- > Urządzenie podłączać do gniazdek zapewniających odpowiednie przyłącze, zwłaszcza jeżeli wymaga ono uziemienia.



#### **OSTRZEŻENIE! Ryzyko pożaru**

- > Podczas ustawiania urządzenia należy uważać, aby nie przygnieść ani nie uszkodzić przewodu zasilającego.
- > Nie umieszczać z tyłu urządzenia rozgałęziaczy ani zasilaczy.
- > Czynnik chłodniczy w obiegu chłodzenia jest wysoce łatwopalny. W wypadku jego wycieku może dojść do gromadzenia się palnych gazów, jeżeli urządzenie jest ustawione w małym pomieszczeniu. W razie uszkodzenia obiegu chłodzenia:
  - Nie zbliżać do lodówki nieosłoniętych płomieni ani potencjalnych źródeł zapłonu.
  - Dobrze przewietrzyć pomieszczenie.
  - Wyłączyć lodówkę.
- > Dotyczy urządzeń chłodniczych z czynnikiem chłodniczym R600a:
  - Obieg chłodniczy zawiera niewielką ilość przyjaznego dla środowiska, ale palnego czynnika chłodniczego. Nie uszkadza on warstwy ozonowej i nie przyczynia się do powstawania efektu cieplarnianego. Wyciekły czynnik chłodniczy może się zapalić.
  - Nie użytkować ani nie przechowywać urządzenia chłodniczego w zamkniętych pomieszczeniach bez przepływu powietrza lub o minimalnym przepływie powietrza.
- > Otwory wentylacyjne w obudowie urządzenia lub w konstrukcji montażowej nie mogą być zastonięte.
- > Do przyspieszania procesu odszraniania nie używać żadnych innych mechanicznych przedmiotów oprócz tych, które zaleca producent.
- > Nie otwierać ani nie uszkadzać obiegu chłodniczego.

- > Wewnątrz urządzenia chłodniczego nie można używać żadnych urządzeń elektrycznych za wyjątkiem urządzeń zalecanych przez producenta.



#### **OSTRZEŻENIE! Zagrożenie zdrowia**

- > Dzieci od 8 lat i osoby o ograniczonych możliwościach fizycznych, sensorycznych lub intelektualnych oraz osoby niedysponujące stosowną wiedzą i doświadczeniem mogą używać tego urządzenia jedynie pod nadzorem innej osoby bądź pod warunkiem uzyskania informacji dotyczących bezpiecznego użytkowania urządzenia i zrozumienia wynikających z tego zagrożeń.
- > Dzieci od 3 do 8 lat mogą umieszczać produkty w urządzeniach chłodniczych i wyjmować je z nich.
- > Należy dopilnować, aby dzieci nie bawiły się urządzeniem.
- > Dzieci nie mogą czyścić i konserwować urządzenia bez nadzoru.



#### **OSTRZEŻENIE! Ryzyko wybuchu**

W urządzeniu chłodniczym nie wolno przechowywać substancji wybuchowych, np. sprayów z palnym gazem wytłaczającym.



#### **OSTROŻNIE! Ryzyko porażenia prądem**

- > Przed uruchomieniem urządzenia chłodniczego należy sprawdzić, czy przewód zasilający i wtyczka są suche.
- > Za każdym razem przed czyszczeniem i konserwacją, a także po każdym użyciu odłączyć urządzenie chłodnicze od zasilania.



#### **OSTROŻNIE! Zagrożenie zdrowia**

- > Aby zapobiec skażeniu żywności, należy przestrzegać poniższych instrukcji:
  - Sprawdzić, czy wydajność chłodzenia urządzenia jest odpowiednia do przechowywania produktów spożywczych, które mają być w nim chłodzone.
  - Artykuły spożywcze mogą być przechowywane tylko w oryginalnych opakowaniach lub w odpowiednich pojemnikach.
  - Pozostawianie drzwi urządzenia chłodniczego otwartych przez dłuższy czas może spowodować znaczny wzrost temperatury w jego komorach.
  - Regularnie czyścić powierzchnie, które mogą mieć kontakt z żywnością i dostępnymi układami odprowadzania wody.
- > Jeśli urządzenie pozostaje puste przez długi czas:
  - Wyłączyć urządzenie.
  - Odmrozić urządzenie.
  - Oczyszczyć i osuszyć urządzenie.
  - Pozostawić wieko otwarte, aby w urządzeniu nie tworzyły się pleśń.

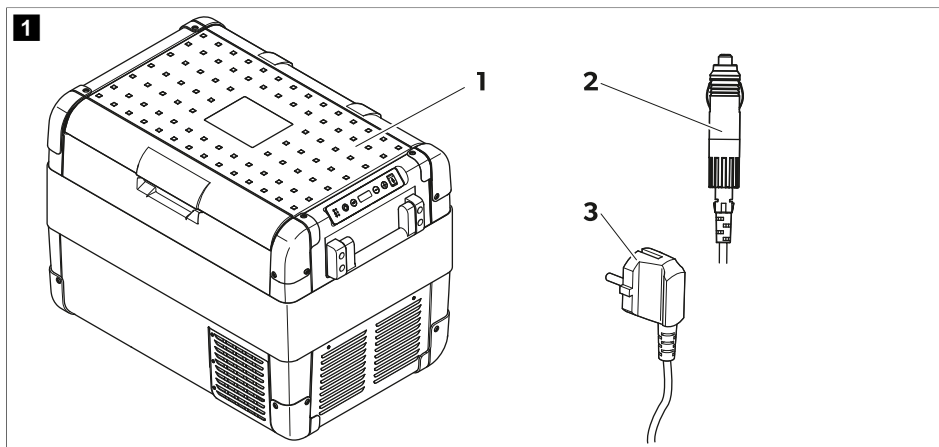


#### **UWAGA! Ryzyko uszkodzenia**

- > Należy porównać dane dotyczące napięcia na tabliczce znamionowej z dostępnym źródłem zasilania.
- > Urządzenie chłodnicze można podłączać tylko:
  - przewodem przyłączeniowym prądu stałego do zasilania prądem stałym pojazdu,
  - lub przewodem przyłączeniowym prądu przemiennego do gniazda prądu przemiennego.
- > Wtyczki nie wolno nigdy wyciągać z gniazda, ciągnąc za przewód.
- > Jeśli urządzenie chłodnicze jest podłączone do gniazda prądu stałego: Przed podłączeniem do szybkiej ładowarki od akumulatora pojazdu należy odłączyć urządzenie chłodnicze oraz inne odbiorniki energii elektrycznej.
- > Jeśli urządzenie chłodnicze jest podłączone do gniazda prądu stałego: Wyłączając silnik, odłączyć urządzenie chłodnicze lub je wyłączyć. W przeciwnym razie akumulator pojazdu może się rozładować.

- > Urządzenie chłodnicze nie nadaje się do transportu substancji żrących lub zawierających rozpuszczalniki.
- > Izolacja tego urządzenia chłodniczego zawiera palny cyklopentan, przez co wymaga ono specjalnej procedury utylizacyjnej. Po zaprzestaniu jego dalszej eksploatacji urządzenie chłodnicze należy dostarczyć do specjalistycznego zakładu utylizacyjnego.
- > Nie ustawiać urządzenia chłodniczego w pobliżu otwartego ognia ani innych źródeł ciepła (ogrzewanie, bezpośrednie promieniowanie słoneczne, piece gazowe itp.).
- > Nie wypełniać wewnętrznego pojemnika cieczami lub lodem.
- > Nigdy nie zanurzać urządzenia chłodniczego w wodzie.
- > Chronić urządzenie chłodnicze i jego przewody przed wysokimi temperaturami i wilgocią.
- > Urządzenia chłodniczego nie wolno narażać na działanie deszczu.
- > Aby czynnik chłodniczy mógł prawidłowo krążyć w układzie, kąt nachylenia lodówki nie może przekraczać 30°. W tym celu ustawić lodówkę poziomo przy użyciu poziomicy.
- > **Ryzyko przegrzania!** Należy zawsze zapewniać wystarczającą przestrzeń do wentylacji ze wszystkich czterech stron urządzenia chłodniczego. W przestrzeni tej nie mogą znajdować się żadne przedmioty ograniczające dopływ powietrza do chłodzonych elementów. Nie umieszczać urządzenia chłodniczego w zamkniętych przestrzeniach ani w miejscach całkowicie lub prawie całkowicie pozbawionych dopływu powietrza.

## 5 W zestawie



| Pozycja | Ilość | Opis   |
|---------|-------|--|
| 1       | 1     | Lodówka przenośna                                  |
| 2       | 1     | Przewód przyłączeniowy do gniazda prądu stałego    |
| 3       | 1     | Kabel przyłączeniowy do gniazda prądu przemiennego |
| -       | 1     | Krótka instrukcja obsługi                          |

## 6 Akcesoria

Dostępne jako osprzęt (niedostarczane w zestawie):

| Oznaczenie   | Nr katalogowy | Model                       |
|--|---------------|-----------------------------|
| Zestaw mocujący do szybkiego rozłączania CFX-QFK     | 9600000166    | Wyłącznie CFX2 28           |
| Zestaw mocujący do szybkiego rozłączania CFX-QFK3545 | 9600029599    | Wyłącznie CFX2 37 i CFX2 45 |
| Aplikacja do chłodzenia mobilnego                    | -             | do wszystkich modeli        |

## 7 Użytkowanie zgodne z przeznaczeniem

Lodówka nadaje się do chłodzenia środków spożywczych. Lodówka nadaje się również do zastosowania w pojazdach. Lodówka jest przeznaczona do zasilania z gniazda prądu stałego pojazdu bądź też z sieci prądu przemiennego.

Lodówka jest również przystosowana do zastosowania na campingach.

Lodówka jest przeznaczona do użytku domowego i podobnych zastosowań, w obszarach takich jak:

- W kuchniach dla personelu w sklepach, biurach i innych miejscach pracy
- W gospodarstwach rolnych
- Do użytku przez gości w hotelach, motelach i innych rodzajach zakwaterowania
- W pensjonatach i na kwaterach prywatnych
- W cateringu i podobnych zastosowaniach niedetalicznych

Lodówka **nie** nadaje się do:

- produktów spożywczych szybko mrożonych
- przechowywania substancji o właściwościach korozyjnych, żrących oraz substancji zawierających rozpuszczalniki
- zastosowania jako urządzenie do zabudowy

Lodówka jest przystosowana wyłącznie do wykorzystywania zgodnie z jej przeznaczeniem oraz zamierzonym zastosowaniem według niniejszej instrukcji.

Niniejszy produkt jest przystosowany wyłącznie do wykorzystywania zgodnie z jego przeznaczeniem oraz zamierzonym zastosowaniem według niniejszej instrukcji.

Niniejsza instrukcja zawiera informacje, które są niezbędne do prawidłowego montażu i/lub obsługi produktu. Nieprawidłowy montaż i/lub niewłaściwa obsługa lub konserwacja powodują niezadawalające działanie i mogą prowadzić do uszkodzeń.

Producent nie ponosi żadnej odpowiedzialności za ewentualne obrażenia lub uszkodzenia produktu wynikłe z następujących przyczyn:

- Nieprawidłowy montaż, złożenie lub podłączenie, w tym zbyt wysokie napięcie
- Niewłaściwa konserwacja lub użycie innych części zamiennych niż oryginalne części zamienne dostarczone przez producenta
- Wprowadzanie zmian w produkcie bez wyraźnej zgody producenta
- Użytkowanie w celach innych niż opisane w niniejszej instrukcji obsługi

Firma Dometic zastrzega sobie prawo do zmiany wyglądu i specyfikacji produktu.

## 8 Opis techniczny

Lodówka może chłodzić produkty. Chłodzenie odbywa się za pomocą kompresorowego obiegu chłodniczego o niskich wymaganiach w zakresie konserwacji. Skuteczna izolacja i wydajny kompresor zapewniają efektywne i szybkie chłodzenie.


Jest to lodówka przenośna.

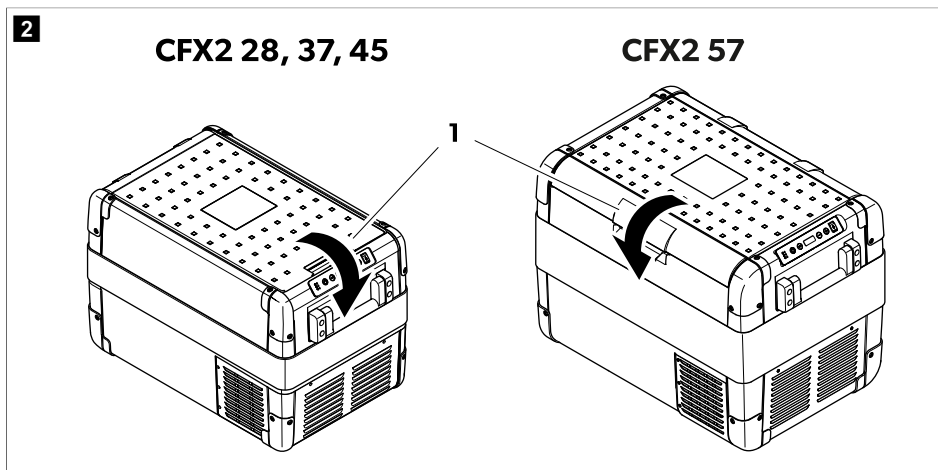
Lodówka jest przystosowana do pracy przy krótkotrwałych nachyleniach do 30°, np. na łodziach.

### Zakres funkcji

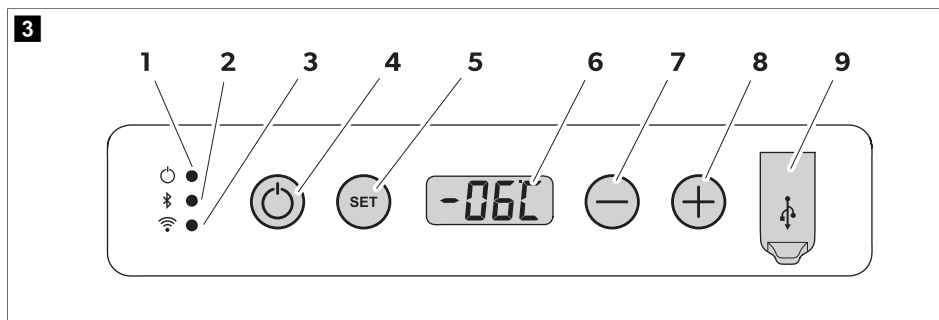
- Zasilacz z układem wyboru priorytetu zasilania sieciowego do podłączania do zasilania prądem przemiennym
- 3-poziomowy układ monitorowania stanu akumulatora chroniący akumulator pojazdu
- Ekran wyświetlający temperaturę w °C oraz °F
- Regulacja temperatury za pomocą 2 przycisków zmieniających ustawienie o 1°C / 1°F.
- Zintegrowana obsługa Bluetooth i WLAN umożliwiająca sterowania chłodzeniem za pomocą aplikacji do chłodzenia mobilnego
- Rozkładane uchwyty do przenoszenia
- Gniazdo USB zapewniające zasilanie elektryczne
- Wyjmowany kosz

### Elementy obsługowe i wskaźniki

Zatrząsk (  rys. **2** na stronie 208, **1**) pokrywy:

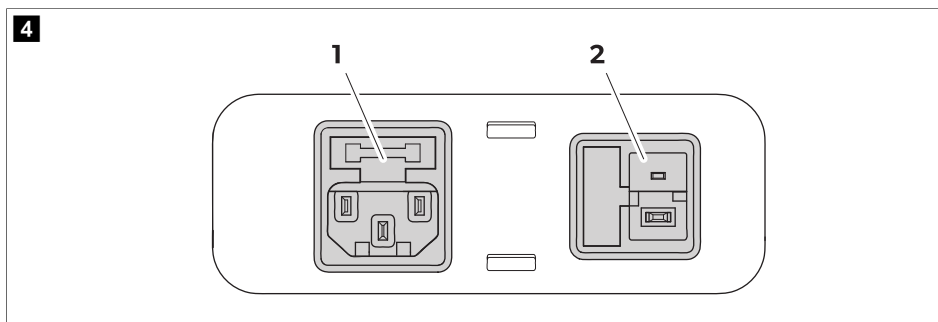


## Panel sterowania



| Po-zy-cja | Opis                   | Objaśnienie   |
|-----------|------------------------|---|
| 1         | Moc                    | Wskazanie stanu   |
|           |                        | Dioda LED świeci się na biało: uruchomienie działania sprężarki.<br>Dioda LED świeci się na pomarańczowo: zaprzestanie działania sprężarki.   |
| 2         | Bluetooth              | Dioda LED jest wyłączona. Obsługa Bluetooth w lodówce jest wyłączona.   |
|           |                        | Dioda LED miga wolno na biało: Obsługa Bluetooth w lodówce jest włączona. Lodówka nie jest sparowana z urządzeniem.   |
|           |                        | Dioda LED miga szybko na biało: Trwa parowanie lodówki z urządzeniem przez Bluetooth.   |
|           |                        | Dioda LED świeci się na biało: Lodówka jest sparowana z urządzeniem przez Bluetooth.  |
| 3         | WLAN                   | Dioda LED jest wyłączona. Obsługa WLAN w lodówce jest wyłączona.  |
|           |                        | Dioda LED miga na biało: Obsługa WLAN w lodówce jest włączona. Lodówka nie jest połączona z urządzeniem.  |
|           |                        | Dioda LED świeci się na biało: Lodówka jest sparowana z urządzeniem przez WLAN.   |
| 4         | ON (zał.) / OFF (wył.) | Umożliwia włączenie lub wyłączenie lodówki przenośnej.  |
| 5         | SET                    | Przycisk wyboru ustawień: <ul style="list-style-type: none"> <li>Regulacja temperatury</li> <li>Przełączanie wyświetlania w stopniach Celsjusza i Fahrenheita</li> <li>Regulacja układu monitorowania stanu akumulatora</li> <li>Regulacja jasności wyświetlacza</li> <li>Ustawianie trybu wyświetlania</li> <li>Włączanie/wyłączanie Bluetooth</li> <li>Włączanie/wyłączanie WLAN</li> </ul> |
| 6         |                        | Wyświetlacz   |
| 7         | -                      | Umożliwia regulowanie temperatury, jednostek temperatury, układu monitorowania stanu akumulatora, jasności wyświetlacza, trybu działania, Bluetooth i WLAN.   |
| 8         | +                      |   |
| 9         |                        | Wtyk USB  |

## Gniazda przyłączeniowe



| Pozycja | Opis   |
|---------|--|
| 1       | Gniazdo przyłączeniowe zasilania napięciem przemiennym |
| 2       | Gniazdo przyłączeniowe zasilania napięciem stałym      |

## 9 Eksploatacja

### Przed pierwszym użyciem



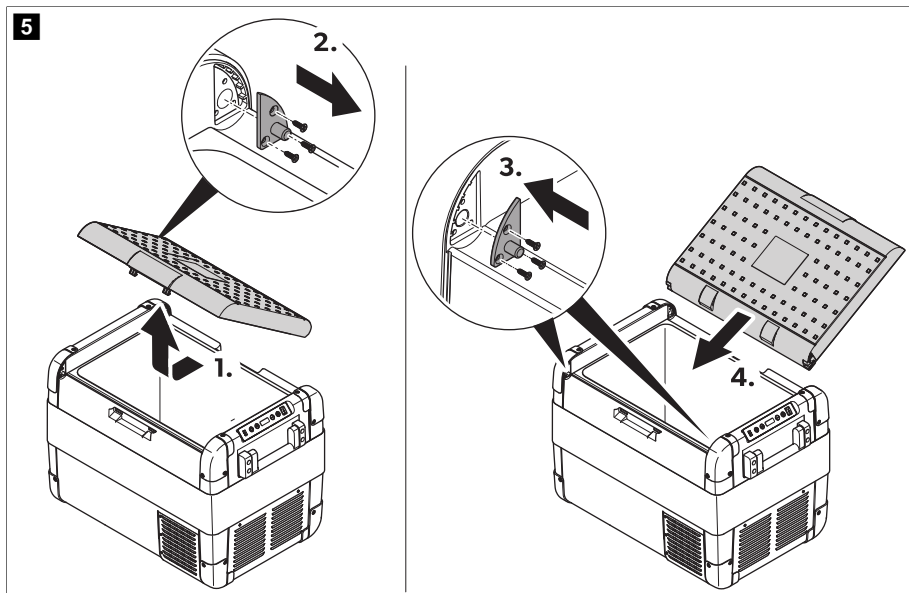
**WSKAZÓWKA** Przed pierwszym użyciem lodówki ze względów higienicznych należy ją wyczyścić wilgotną ściereczką wewnątrz i z zewnątrz (patrz Czyszczenie i konserwacja na stronie 217).

### Zmiana kierunku otwierania pokrywy (wyłącznie CFX2 57)

Zawiasy pokrywy można przenieść na przeciwną stronę.

- Otworzyć i wymontować pokrywę (  rys. **5** na stronie 211)





2. Wykręcić 3 śruby z każdego zawiasu (rys. 5 na stronie 211) i wyciągnąć je.
3. Zamontować zawiasy w nowych miejscach.
4. Włożyć pokrywę w przemieszczone zawiasy (rys. 5 na stronie 211).

## Oszczędzanie energii

- > Wybrać miejsce z dobrą wentylacją, chronione przed promieniami słonecznymi.
- > Ciepłe potrawy pozostawić do przestygnięcia przed włożeniem ich do urządzenia chłodniczego w celu utrzymania ich w niskiej temperaturze.
- > Nie otwierać urządzenia chłodniczego częściej, niż jest to konieczne.
- > Nie pozostawiać otwartych drzwi na dłużej, niż jest to konieczne.
- > Jeśli urządzenie chłodnicze jest wyposażone w koszyk: W celu zapewnienia optymalnego zużycia energii koszyk ustawiać w położeniu, w którym został on dostarczony.
- > Regularnie sprawdzać osadzenie uszczelnienia pokrywy.
- > Unikać niepotrzebnie niskich temperatur.

## Podłączenie lodówki

### Podłączenie do akumulatora



#### UWAGA! Ryzyko uszkodzenia

- > W celu ochrony urządzenia dostarczony wraz z nim kabel do zasilania prądem stałym wyposażony jest we wtyk z bezpiecznikiem. **Nie należy** usuwać wtyku zasilania prądem stałym z bezpiecznikiem. Należy używać wyłącznie dostarczonego kabla zasilania prądem stałym.
- > Przed ładowaniem akumulatora za pomocą szybkiej ładowarki należy odłączyć od niego lodówkę oraz inne odbiorniki energii elektrycznej. Przepięcie może spowodować uszkodzenie układów elektronicznych urządzeń podłączonych do akumulatora.



**WSKAZÓWKA** Lodówka została wyposażona w układ elektroniczny chroniący przed nieprawidłowym podłączeniem biegunów. System elektroniczny zabezpiecza lodówkę przed zwarciem po podłączeniu do akumulatora.

Lodówkę można zasilać napięciem 12 V  $\equiv$  lub 24 V  $\equiv$ .

- > Lodówkę do akumulatora podłącza się przy pomocy kabla przyłączeniowego prądu stałego, jak pokazano na rysunku.

### Podłączanie do zasilania prądem przemiennym



#### **NIEBEZPIECZEŃSTWO! Ryzyko porażenia prądem**

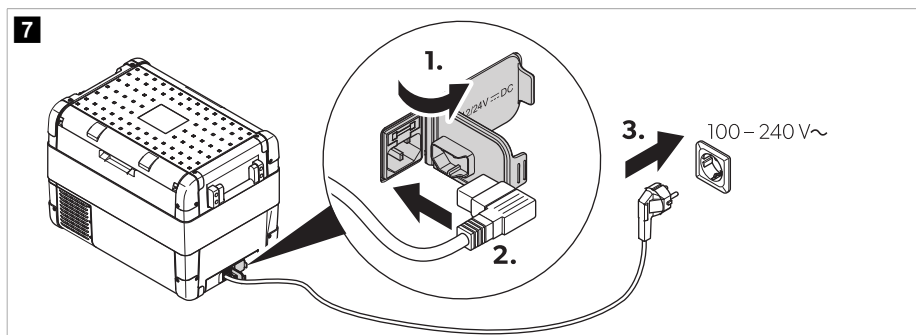
- > Nie dotykać wtyczek ani wyłączników wilgotnymi rękami lub stojąc na mokrej powierzchni.
- > Jeśli lodówka jest zasilana z zasilacza prądu przemiennego na łodzi, w obwodzie pomiędzy zasilaczem prądu zmiennego a lodówką musi znajdować się wyłącznik różnicowoprądowy. Należy zasięgnąć porady odpowiednio przeszkolonego technika.



#### **WSKAZÓWKA**

Lodówka jest wyposażona we wbudowany układ zasilania różnymi wartościami napięcia z układem wyboru priorytetu zasilania sieciowego, aktywowanym po przyłączeniu lodówki do sieci prądu przemiennego. Po podłączeniu lodówki do sieci prądu przemiennego układ wyboru priorytetu zasilania sieciowego automatycznie przełącza ją na zasilanie prądem przemiennym, nawet jeśli wciąż podłączony jest kabel przyłączeniowy prądu stałego.

- > Lodówkę do zasilania prądem przemiennym podłącza się przy pomocy kabla przyłączeniowego prądu przemiennego, jak pokazano na rysunku.



### Korzystanie z lodówki



#### **UWAGA! Ryzyko uszkodzenia**

Lodówkę można stawiać wyłącznie podstawą skierowaną w dół.

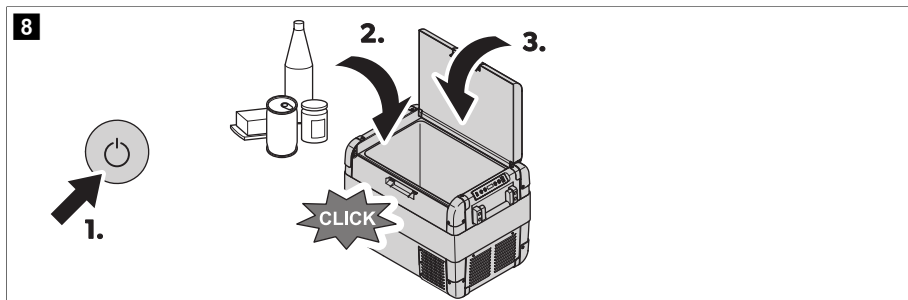
1. Ustawić lodówkę na stabilnym podłożu.
2. Podłączyć lodówkę (patrz rozdział Podłączanie lodówki na stronie 211).



#### **OSTRZEŻENIE! Zagrożenie zdrowia**

Upewnić się, że w urządzeniu znajdują się wyłącznie produkty, które można schłodzić do ustawionej temperatury.


- Nacisnąć i przytrzymać przycisk „ON (zat.) / OFF (wył.)” przez 1 ... 2 s.



- ✓ Zaświeci się dioda LED zasilania. Wyświetlacz włączy się i wyświetli aktualną temperaturę.



#### WSKAZÓWKA Wyświetlana temperatura

CFX2 57: wyświetlacz pokazuje temperaturę panującą w dużej komorze wewnętrznej (  rys. 9 na stronie 213 1).

Lodówka zacznie chłodzić komorę.

#### Blokowanie pokrywy lodówki


- Zamknąć pokrywę.
- Nacisnąć zatrzask, aż rozlegnie się wyraźne kliknięcie.

#### Zapobieganie psuciu się żywności


Aby zapobiec psuciu się żywności, należy

- > Zapewnić jak najbardziej stabilną temperaturę. Urządzenie chłodnicze otwierać tylko tak często i na tak długo, jak jest to konieczne. Żywność przechowywać w sposób nieutrudniający obiegu powietrza.
- > Dostosować temperaturę do ilości i typu żywności.
- > Żywność może przenikać zapachami i smakami innych artykułów. Żywność zawsze przechowywać pod przykryciem lub w zamkniętych pojemnikach/butelkach.

#### Ustawianie temperatury

- 1-krotnie nacisnąć przycisk **SET**.
  - Za pomocą przycisków „+” i „-” ustawić temperaturę chłodzenia.
- ✓ Na wyświetlaczu przez kilka sekund widoczne będą ustawiona temperatura i symbol . Wyświetlacz kilkakrotnie zamiga. Następnie ponownie na wyświetlaczu pojawi się bieżąca temperatura.

#### Wybieranie jednostki temperatury

- 2-krotnie nacisnąć przycisk **SET**.
  - Za pomocą przycisków + lub - wybrać jednostkę temperatury.
- ✓ Na wyświetlaczu przez kilka sekund widoczne będą wybrana jednostka temperatury i symbol . Następnie wyświetlacz kilkakrotnie zamiga i powróci do wyświetlania aktualnej temperatury.

**Korzystanie z układu monitorowania stanu akumulatora****UWAGA! Ryzyko uszkodzenia**

Gdy monitor akumulatora wyłączy się, akumulator nie jest już w pełni naładowany. Należy wówczas unikać wielokrotnego uruchamiania rozrusznika i używania odbiorników energii elektrycznej bez dłuższych faz ładowania. Należy pamiętać o ponownym naładowaniu akumulatora.

Lodówka jest wyposażona w wielopoziomowy układ monitorowania stanu akumulatora, który po podłączeniu urządzenia do gniazda prądu stałego pojazdu chroni akumulator przed nadmiernym rozładowaniem.

Jeżeli lodówka jest używana przy wyłączonym zapłonie w pojeździe, automatycznie wyłączy się ona, gdy napięcie spadnie poniżej określonej wartości. Lodówka uruchomi się po naładowaniu akumulatora do napięcia umożliwiającego ponowne włączenie.

W trybie „HIGH” monitor akumulatora reaguje szybciej niż w trybie „LOW” lub „MED”.

| Tryb układu monitorowania stanu akumulatora | LOW    | MED    | HIGH   |
|---|--------|--------|--------|
| Napięcie ponownego włączenia: 12 V          | 11,4 V | 12,2 V | 12,6 V |
| Napięcie wyłączenia: 12 V                   | 10,1 V | 11,2 V | 11,8 V |
| Napięcie ponownego włączenia: 24 V          | 23 V   | 25,3 V | 26,4 V |
| Napięcie wyłączenia: 24 V                   | 21,5 V | 24,1 V | 24,6 V |

Tryb układu monitorowania stanu akumulatora można wybrać w następujący sposób:

1. Włączyć lodówkę.
  2. 3-krotnie nacisnąć przycisk **SET**.
  3. Za pomocą przycisków **+** lub **-** wybrać odpowiedni tryb układu monitorowania stanu akumulatora.
- ✓ Ekran wyświetli po kolei: **[P L 0]** (LOW), **[P M 0]** (MED), **[P H 0]** (HIGH)

Na wyświetlaczu przez kilka sekund widoczny jest ustawiony tryb. Następnie wyświetlacz kilkakrotnie zamiga i powróci do wyświetlania aktualnej temperatury.



**WSKAZÓWKA** Jeżeli lodówka jest zasilana z akumulatora rozruchowego, należy wybrać tryb układu monitorowania stanu akumulatora „HIGH”. Jeżeli lodówka jest podłączona do akumulatora pokładowego, należy wybrać tryb układu monitorowania stanu akumulatora „LOW”.

**Ustawianie jasności wyświetlacza**

Jasność wyświetlacza można przyciemniać w warunkach słabego oświetlenia w otoczeniu.

1. Włączyć lodówkę.
  2. 4-krotnie nacisnąć przycisk **SET**.
  3. Za pomocą przycisków „+” lub „-” ustawić jasność wyświetlacza.
- ✓ Ekran wyświetli po kolei: **[d L 0]** (niska), **[d M 0]** (średnia), **[d H 0]** (wysoka)

Na wyświetlaczu na kilka sekund pojawi się ustawiony tryb. Następnie wyświetlacz kilkakrotnie zamiga i powróci do wyświetlania bieżącego poziomu jasności.



**WSKAZÓWKA** W przypadku wystąpienia błędu jasność jest automatycznie z powrotem przełączana na ustawienie **[d H 0]** usterki.

## Korzystanie z portu USB

Port USB umożliwia ładowanie małych urządzeń, takich jak telefony komórkowe i odtwarzacze mp3.

- > Urządzenie do ładowania należy podłączyć do portu USB łodówki za pomocą kabla USB (do kupienia osobno).



**WSKAZÓWKA** Upewnij się, że podłączone urządzenie można ładować prądem 5 V / 2 A.

## Ustawianie trybu wyświetlania

- 5-krotnie nacisnąć przycisk **SET**.
- Za pomocą przycisków **+** lub **-** ustawić tryb uśpienia.
- ✓ Ekran wyświetli po kolei: **5 0F** (wył.), **5 0n** (wł.), **5 L0** (niski)

**5 0F** (wył.): tryb uśpienia jest wyłączony. Wyświetlacz jest stale włączony.

**5 0n** (wł.): tryb uśpienia jest włączony. Jeśli łodówka nie będzie używana przez kilka minut, na wyświetlaczu widoczna będzie tylko kropka.

**5 L0** (niski): włączony jest podrzędny tryb uśpienia. Jeśli łodówka nie będzie używana przez kilka minut, wyświetlacz przełączy się na najniższą jasność.



**WSKAZÓWKA** Jeśli wyświetlacz działa w trybie uśpienia lub podrzędnym trybie uśpienia, naciśnięcie przycisku na łodówce pozwala na krótko opuścić używany tryb.

## Użytkowanie aplikacji do chłodzenia mobilnego:

Łodówkę można monitorować i sterować nią przez Bluetooth lub WLAN, używając aplikacji, którą można zainstalować na zgodnym urządzeniu.

- Pobrać i zainstalować aplikację do chłodzenia mobilnego.



Pobierz aplikację na stronie [qr.dometic.com/beiv4R](http://qr.dometic.com/beiv4R).

- Nacisnąć przycisk **SET**:
  - 6 razy, aby otworzyć ustawienia funkcji Bluetooth.
  - 7 razy, aby otworzyć ustawienia funkcji WLAN.
- Za pomocą przycisków **+** lub **-** uruchomić funkcję Bluetooth lub WLAN.

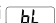


**WSKAZÓWKA** Jeśli łodówka jest sparowana ze zgodnym urządzeniem przez Bluetooth, należy uruchomić tryb parowania.

- ✓ Po uruchomieniu funkcji Bluetooth ekran będzie zmieniać się w następujący sposób: **bL0F** (wył.), **bL0n** (wł.), **bLPA** (parowanie)



**WSKAZÓWKA** Jeśli wyświetlacz pokazuje **bL0F**, jego treść nie zmieni się po naciśnięciu przycisku **-**. Jeśli wyświetlacz pokazuje **bLPA**, jego treść nie zmieni się po naciśnięciu przycisku **+**.

Podczas nawiązywania połączenia Bluetooth dioda LED funkcji Bluetooth miga na biało, a na wyświetlaczu widoczne są znaki .

Po uruchomieniu funkcji WLAN ekran będzie zmieniać się w następujący sposób:  (wył.),  (wł.)

4. Postępować zgodnie z instrukcjami wyświetlanymi w aplikacji do chłodzenia mobilnego.
- ✓ Diody LED funkcji Bluetooth lub WLAN świecą po podłączeniu lodówki.

### Wyłączanie lodówki

1. Opróżnić lodówkę.
2. Nacisnąć przycisk „ON (zał.) /OFF (wył.)”.
3. Odłączyć przewód przyłączeniowy.
4. Jeśli lodówka nie będzie używana przez dłuższy czas, należy pozostawić pokrywę otwartą, aby nie dopuścić do gromadzenia się zapachów.

### Rozmrażanie lodówki

Wilgoć może się osadzać na parowniku lub wewnątrz lodówki w postaci szronu. Powoduje to zmniejszenie wydajności chłodzenia.



#### **UWAGA! Ryzyko uszkodzenia**

Do usuwania warstw lodu lub oddzielania przymarzniętej żywności nigdy nie używać twardych lub ostro zakończonych narzędzi.

Aby rozmrozić lodówkę, należy postępować w następujący sposób:


1. Opróżnić lodówkę.
2. W razie potrzeby umieścić zawartość lodówki w innej lodówce w celu utrzymania jej w niskiej temperaturze.
3. Wyłączyć lodówkę.
4. Pozostawić otwartą pokrywę.
5. Zetrzeć wodę z roztopionego lodu.

### Wymiana bezpiecznika prądu przemiennego



#### **NIEBEZPIECZEŃSTWO! Ryzyko porażenia prądem**

Przed wymianą bezpiecznika prądu przemiennego należy odłączyć zasilanie i kabel przyłączeniowy.

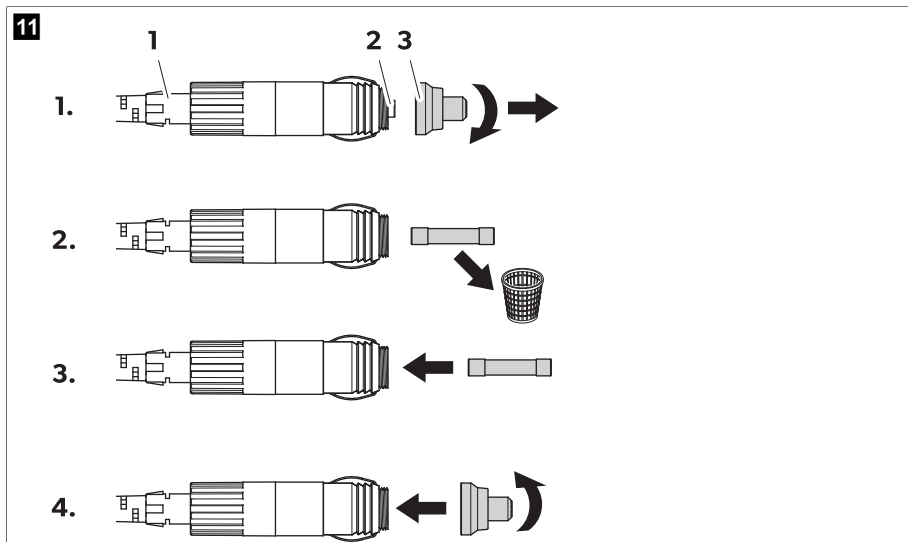
1. Odłączyć zasilanie lodówki.
2. Wyciągnąć przewód przyłączeniowy.
3. Podważyć wkładkę bezpiecznikową (  rys. 4 na stronie 210 2) wkrętakiem.
4. Wymienić uszkodzony szklany bezpiecznik na nowy takiego samego typu i o takich samych parametrach ( 4 A , 250 V ).
5. Z powrotem włożyć wkładkę bezpiecznikową do obudowy.
6. Ponownie podłączyć urządzenie do zasilania.

## Wymiana bezpiecznika we wtyku prądu stałego (DC)



**WSKAZÓWKA** W urządzeniu znajduje się dodatkowy bezpiecznik prądu stałego (DC) (standardowy samochodowy bezpiecznik płaski, 10 A). Bezpiecznik ten może zostać wymieniony tylko w autoryzowanym zakładzie serwisowym.

1. Odkręcić obudowę kołka wtykowego ( rys. 11 na stronie 217 3) od wtyczki ( rys. 11 na stronie 217 1).



2. Wymienić uszkodzony bezpiecznik ( rys. 11 na stronie 217 2) na nowy tego samego typu (3AG, szybki, 10 A).
3. Złożyć wtyk w odwrotnej kolejności.

## Wymiana płytki drukowanej oświetlenia



### UWAGA! Ryzyko uszkodzenia

Aby uniknąć zagrożenia, wymianę płytki drukowanej PCB należy zlecać wyłącznie producentowi, centrum serwisowemu lub odpowiednio wykwalifikowanej osobie.

## 10 Czyszczenie i konserwacja



### OSTROŻNIE! Ryzyko porażenia prądem

Przed przystąpieniem do czyszczenia lub konserwacji należy upewnić się, że urządzenie chłodnicze jest odłączone od zasilania.



### UWAGA! Ryzyko uszkodzenia

- > Urządzenia nie wolno nigdy czyścić pod bieżącą wodą ani umieszczać w wodzie.
- > Podczas czyszczenia nie używać środków czyszczących o właściwościach ściernych ani twardych przedmiotów.

- > Urządzenie należy od czasu do czasu czyścić od wewnątrz i z zewnątrz wilgotną ściereczką.
- > Upewnić się, że otwory wlotowe i wylotowe powietrza urządzenia chłodniczego nie są zabrudzone ani zakurzone, aby umożliwić odprowadzanie ciepła i uniknąć uszkodzenia urządzenia.

## 11 Usuwanie usterek

| Usterka  | Możliwa przyczyna  | Proponowane rozwiązanie  |
|--|--|--|
| Lodówka nie działa. Dioda LED nie świeci.  | W gnieździe prądu stałego nie wykryto napięcia.                              | > Włączyć zapłon pojazdu.  |
|  | W gnieździe prądu przemiennego nie wykryto napięcia.                         | > Podłączyć urządzenie do innego gniazda.  |
|  | Bezpiecznik prądu przemiennego jest uszkodzony.                              | > Wymienić bezpiecznik prądu przemiennego, patrz Wymiana bezpiecznika prądu przemiennego na stronie 216.   |
|  | Zintegrowany zasilacz jest uszkodzony.                                       | > Skontaktować się z autoryzowanym centrum serwisowym.   |
| Dioda LED świeci się na pomarańczowo, na wyświetlaczu widoczny jest kod <b>E 01</b> , a lodówka nie chłodzi, nawet gdy wtyk jest podłączony. | Wybrano zbyt wysokie ustawienie układu monitorowania stanu akumulatora.      | <ol style="list-style-type: none"> <li>1. Przeszawić układ monitorowania stanu akumulatora na niższy tryb (patrz Korzystanie z układu monitorowania stanu akumulatora na stronie 214).</li> <li>2. Przetestować akumulator rozruchowy.</li> <li>3. W razie potrzeby naładować akumulator rozruchowy.</li> </ol> <p>Stosować się do wskazówek producenta pojazdu.</p> |
|  | Wybrano zbyt niskie ustawienie układu monitorowania stanu akumulatora.       | <ol style="list-style-type: none"> <li>1. Przeszawić układ monitorowania stanu akumulatora na wyższy tryb (patrz Korzystanie z układu monitorowania stanu akumulatora na stronie 214).</li> <li>2. Przetestować akumulator rozruchowy.</li> <li>3. W razie potrzeby naładować akumulator rozruchowy.</li> </ol> <p>Stosować się do wskazówek producenta pojazdu.</p> |
| Podczas zasilania lodówki z gniazda prądu stałego: Zapłon jest włączony, ale lodówka nie działa. Dioda LED nie świeci.                       | Wtyk prądu stałego nie jest prawidłowo podłączony.                           | > Ponownie podłączyć wtyk prądu stałego.   |
|  | Gniazdo prądu stałego jest zabrudzone. Powoduje to słabe przewodzenie prądu. | > Oczyszczyć gniazdo zasilania prądem stałym.  |
|  | Przepalili się bezpiecznik we wtyku prądu stałego.                           | > Wymienić bezpiecznik we wtyku prądu stałego, patrz Wymiana bezpiecznika we wtyku prądu stałego (DC) na stronie 217.  |



| Usterka  | Możliwa przyczyna  | Proponowane rozwiązanie  |
|--|--|--|
|  | Bezpiecznik prądu stałego w lodówce jest przepalony.         | > Skontaktować się z autoryzowanym centrum serwisowym.   |
|  | Bezpiecznik w gnieździe prądu stałego pojazdu się przepalił. | > Wymienić bezpiecznik w gnieździe prądu stałego pojazdu.<br>Stosować się do wskazówek producenta pojazdu. |
| Na wyświetlaczu widoczny jest kod błędu, a lodówka nie chłodzi (patrz Kody błędów na stronie 219). | Lodówka wyłączyła się z powodu wewnętrznego błędu.           | > Skontaktować się z autoryzowanym centrum serwisowym.   |

## Kody błędów



**WSKAZÓWKA** Jeśli wystąpi jeden z kodów błędów od **E 02** do **E 07**, należy skontaktować się z autoryzowanym centrum serwisowym.

| Kod błędu   | Opis                                   |
|-------------|--|
| <b>E 01</b> | Niskie napięcie/przebieżenie           |
| <b>E 02</b> | Przetężenie wentylatora                |
| <b>E 03</b> | Nieprowadzenie uruchomienia kompresora |
| <b>E 04</b> | Niska prędkość kompresora              |
| <b>E 05</b> | Przegrzanie sterownika                 |
| <b>E 06</b> | Otwarty obwód termistora NTC           |
| <b>E 07</b> | Zwarcie termistora NTC                 |

## 12 Gwarancja

Obowiązuje ustawowy okres gwarancji. W przypadku stwierdzenia uszkodzenia produktu należy zwrócić się do oddziału producenta w danym kraju (patrz [dometic.com/dealer](http://dometic.com/dealer)) lub do sprzedawcy produktu.

W celu naprawy lub rozpatrzenia gwarancji konieczne jest przesłanie następujących dokumentów:

- Kopii rachunku z datą zakupu
- Informacji o przyczynie reklamacji lub opisu wady

Uwaga: samodzielne lub nieprofesjonalne wykonywanie napraw może negatywnie wpływać na bezpieczeństwo i prowadzić do utraty gwarancji.

## 13 Utylizacja



### **OSTRZEŻENIE! Ryzyko zamknięcia się dziecka w urządzeniu**

Przed utylizacją starego urządzenia chłodniczego należy zdjąć pokrywę. Pozostawić kosze w lodówce, aby dzieci nie mogły w łatwy sposób wejść do środka.



Opakowanie należy w miarę możliwości wrzucić do odpowiedniego pojemnika na odpady do recyklingu. Szczegółowe informacje na temat utylizacji produktu zgodnie z obowiązującymi przepisami można uzyskać w lokalnym zakładzie recyklingu lub u wyspecjalizowanego sprzedawcy.



Recykling produktów zawierających baterie, akumulatory i źródła światła: Przed poddaniem produktu recyklingowi należy usunąć z niego wszelkie baterie, akumulatory i źródła światła. Uszkodzone akumulatory lub zużyte baterie należy przekazać do punktu sprzedaży lub odpowiedniego punktu zbiórki. Baterii, akumulatorów i źródeł światła nie należy wrzucać do pojemników na odpady komunalne. Jeśli produkt nie będzie już dalej wykorzystywany, należy dowiedzieć się w najbliższym zakładzie recyklingu lub od wyspecjalizowanego sprzedawcy, w jaki sposób można zutylizować produkt zgodnie z obowiązującymi przepisami. Produkt można zutylizować nieodpłatnie.

## 14 Dane techniczne



**WSKAZÓWKA** Przy temperaturze otoczenia wynoszącej powyżej 32 °C nie można osiągnąć minimalnej temperatury.

Produkt zawiera fluorowane gazy cieplarniane.

Agregat chłodniczy jest hermetycznie zamknięty.

|   | CFX2 28   | CFX2 37   | CFX2 45  | CFX2 57  |
|---|---|---|--|--|
| Napięcie znamionowe                               | 50 ... 60 Hz<br>100 ... 240 V~                                  |   |  |  |
| Prąd znamionowy                                   | 12 V : 8,6 A<br>24 V : 3,8 A<br>100 V : 1,6 A<br>240 V : 0,77 A | 12 V : 8,7 A<br>24 V : 3,85 A<br>100 V : 1,63 A<br>240 V : 0,78 A | 12 V : 8,8 A<br>24 V : 3,9 A<br>100 V : 1,65 A<br>240 V : 0,79 A | 12 V : 9 A<br>24 V : 4 A<br>100 V : 1,7 A<br>240 V : 0,8 A |
| Zakres temperatur chłodzenia                      | -22 °C ... 20 °C  |   |  |  |
| Temperatura otoczenia                             | 16 °C ... 43 °C   |   |  |  |
| Klasa klimatyczna                                 | N lub T   |   |  |  |
| USB   | 5 V 2 A   |   |  |  |
| Czynnik chłodniczy                                | R600a   |   |  |  |
| Ilość czynnika chłodniczego                       | 13 g  | 13 g  | 14 g   | 17 g   |
| Wymiary (szer. x wys. x gł., łącznie z uchwytami) | 600 mm × 427 mm × 345 mm  | 678 mm × 428 mm × 401 mm  | 678 mm × 493 mm × 401 mm   | 709 mm × 503 mm × 458 mm                                   |
| Głośność  | 28 L  | 37 L  | 45 L   | 57 L   |
| Masa  | 13,5 kg   | 15,8 kg   | 16,8 kg  | 18,5 kg  |
| Pasma częstotliwości (WLAN)                       | 2,4 GHz   |   |  |  |
| Maks. moc wyjściowa                               |   |   |  |  |
| WLAN  | 19,22 dBm   |   |  |  |
| Bluetooth   | 7,93 dBm  |   |  |  |

Firma Dometic (Zhuhai) Technology Co., Ltd niniejszym oświadcza, że urządzenie radiowe typu CFX2 28, CFX2 37, CFX2 45, CFX2 57 jest zgodne z dyrektywą 2014/53/UE. Pełny tekst deklaracji zgodności UE dostępny jest w internecie pod adresem: [documents.dometic.com](http://documents.dometic.com)

Dalsze informacje na temat produktu można uzyskać za pośrednictwem umieszczonego na etykiecie energetycznej kodu QR lub na stronie [eprel.ec.europa.eu](http://eprel.ec.europa.eu).

**12**

**ENERGY**

SUPPLIER'S NAME MODEL IDENTIFIER

A  
B  
C  
D  
E  
F  
G

**XYZ kWh/annum**

XYZ L

XY dB

ABCD

[eprel.ec.europa.eu](http://eprel.ec.europa.eu)

## Slovensky

|    |  |     |
|----|--|-----|
| 1  | Dôležité oznámenia.....                | 222 |
| 2  | Vysvetlenie symbolov.....              | 222 |
| 3  | Vysvetlenie symbolov na zariadení..... | 223 |
| 4  | Bezpečnostné pokyny.....               | 223 |
| 5  | Rozsah dodávky.....                    | 225 |
| 6  | Príslušenstvo.....                     | 225 |
| 7  | Používanie v súlade s určením.....     | 226 |
| 8  | Technický opis.....                    | 226 |
| 9  | Obsluha.....                           | 229 |
| 10 | Čistenie a údržba.....                 | 235 |
| 11 | Odstraňovanie porúch.....              | 236 |
| 12 | Záruka.....                            | 237 |
| 13 | Likvidácia.....                        | 237 |
| 14 | Technické údaje.....                   | 238 |

## 1 Dôležité oznámenia

Dôkladne si prečítajte tento návod a dodržiavajte všetky pokyny, usmernenia a varovania uvedené v tomto návode k výrobku, aby bolo zaručené, že výrobok bude vždy správne nainštalovaný, používaný a udržiavaný. Tento návod **MUSÍ** zostať priložený k výrobku.

Použitím tohto výrobku týmto potvrdzujete, že ste si dôkladne prečítali všetky pokyny, usmernenia a varovania a že rozumiete a súhlasíte s dodržiavaním všetkých uvedených podmienok. Súhlasíte, že tento výrobok budete používať iba v súlade so zamýšľaným použitím a v súlade s pokynmi, usmerneniami a varovaniami uvedenými v tomto návode k výrobku, ako aj v súlade so všetkými platnými zákonmi a nariadeniami. V prípade, že si neprečítate a nebudete sa riadiť pokynmi a varovaniami uvedenými v tomto návode, môže mať za následok vaše poranenie alebo poranenie iných osôb, poškodenie vášho výrobku alebo poškodenie majetku v jeho blízkosti. Tento návod na obsluhu výrobku vrátane pokynov, usmernení a varovaní, a súvisiaca dokumentácia môže podliehať zmenám a aktualizáciám. Najaktuálnejšie informácie o výrobku nájdete na adrese [documents.dometic.com](http://documents.dometic.com).

## 2 Vysvetlenie symbolov

Signálne slovo identifikuje bezpečnostné správy a správy o škodách na majetku a tiež označuje stupeň alebo úroveň závažnosti nebezpečenstva.



### NEBZPEČENSTVO!

Označuje nebezpečnú situáciu, ktorej následkom je smrť alebo vážne zranenie, ak sa jej nezabráni.



### VÝSTRAHA!

Označuje nebezpečnú situáciu, ktorej následkom môže byť smrť alebo vážne zranenie, ak sa jej nezabráni.



### UPOZORNENIE!

Označuje nebezpečnú situáciu, ktorej následkom môže byť malé alebo stredne ťažké zranenie, ak sa jej nezabráni.



### POZOR!

Označuje situáciu, ktorej následkom môže byť poškodenie majetku, ak sa jej nezabráni.



**POZNÁMKA** Doplňujúce informácie týkajúce sa obsluhy produktu.

### 3 Vysvetlenie symbolov na zariadení



Pozor! Nebezpečenstvo vzniku požiaru. Horľavé materiály.

### 4 Bezpečnostné pokyny



#### **NEBEZPEČENSTVO! Nebezpečenstvo úrazu elektrickým prúdom**

- > U lodí: Ak je zariadenie napájané z elektrickej siete, ubezpečte sa, že zdroj napájania je vybavený prúdovým chráničom s ističom (RCCB) alebo prerušovačom obvodu (GFCI). Montáž, najmä v potenciálne vlhkých priestoroch, musí byť v súlade so všetkými platnými montážnymi predpismi.
- > Nikdy sa nedotýkajte holými rukami obnažených vodičov. To platí predovšetkým pri prevádzke prostredníctvom siete striedavého prúdu.



#### **VÝSTRAHA! Nebezpečenstvo úrazu elektrickým prúdom**

- > Nepoužívajte chladiace zariadenie, ak je viditeľné poškodené.
- > Ak je napájací kábel tohto chladiaceho zariadenia poškodený, musí sa vymeniť, aby sa zabránilo bezpečnostným rizikám.
- > Opravy tohto chladiaceho zariadenia smie vykonávať len kvalifikovaný personál. Nesprávne opravy môžu zapríčiniť vážne riziká.
- > Zariadenie pripájajte do zásuviek, ktoré zaručia správne pripojenie, najmä vtedy, keď je zariadenie potrebné uzemniť.



#### **VÝSTRAHA! Nebezpečenstvo požiaru**

- > Pri umiestňovaní zariadenia sa ubezpečte, že napájací kábel nie je zachytený alebo poškodený.
- > Neumiestňujte žiadne viacnásobné prenosné zásuvky alebo prenosné napájacie adaptéry na zadnú stranu zariadenia.
- > Chladiaci prostriedok v chladiacom okruhu chladničky je vysoko horľavý a v prípade úniku sa môžu nahromadiť horľavé plyny, ak je spotrebič umiestnený v malej miestnosti. V prípade poškodenia chladiaceho okruhu:
  - Otvorený plameň a potenciálne zdroje zapálenia držte mimo chladničky.
  - Miestnosť dobre vetrajte.
  - Vypnite chladničku.
- > Pre chladiace zariadenia s chladivom R600a:
  - Chladiaci okruh obsahuje malé množstvo ekologického, ale horľavého chladiaceho média. Nenaruša ozónovú vrstvu a neprispieva k zvyšovaniu skleníkového efektu. Uniknuté chladiace médium sa môže vznietiť.
  - Chladiace zariadenie nepoužívajte ani neskladujte v stiesnených priestoroch so žiadnym alebo minimálnym prúdením vzduchu.
- > Udržujte vetracie otvory na telese zariadenia alebo v zabudovaných konštrukciách nezablockované.
- > Nepoužívajte žiadne mechanické predmety alebo iné prostriedky na urýchlenie procesu rozmrazovania, okrem prípadu, keď ich výrobca odporúča na tento proces.
- > Neotvárajte ani nepoškodte chladiaci okruh.
- > Nepoužívajte žiadne elektrické zariadenia v chladiacom zariadení, okrem prípadu, keď výrobca odporúča používanie týchto zariadení takýmto spôsobom.

**VÝSTRAHA! Nebezpečenstvo ohrozenia zdravia**

- > Toto zariadenie smú používať deti od 8 rokov a osoby so zníženými psychickými, zmyslovými alebo mentálnymi schopnosťami a vedomosťami, keď sú pod dozorom alebo keď boli poučené o bezpečnom používaní zariadenia a chápu, aké riziká z toho vyplývajú.
- > Deti vo veku od 3 do 8 rokov smú vkladať potraviny do chladiacich zariadení a tiež ich z nich vyberať.
- > Dohliadnite na to, aby sa deti nehrali so zariadením.
- > Čistenie a bežnú údržbu nesmú vykonávať deti bez dozoru.

**VÝSTRAHA! Nebezpečenstvo výbuchu**

V chladiacom zariadení neskladujte látky, u ktorých hrozí nebezpečenstvo výbuchu napr. sprejové nádoby s horľavým hnacím plynom.

**UPOZORNENIE! Nebezpečenstvo úrazu elektrickým prúdom**

- > Pred uvedením chladiaceho zariadenia do prevádzky musia byť napájací kábel a zástrčka suché.
- > Pred každým čistením a údržbou a po každom použití odpojte chladiace zariadenie od zdroja napájania.

**UPOZORNENIE! Nebezpečenstvo ohrozenia zdravia**

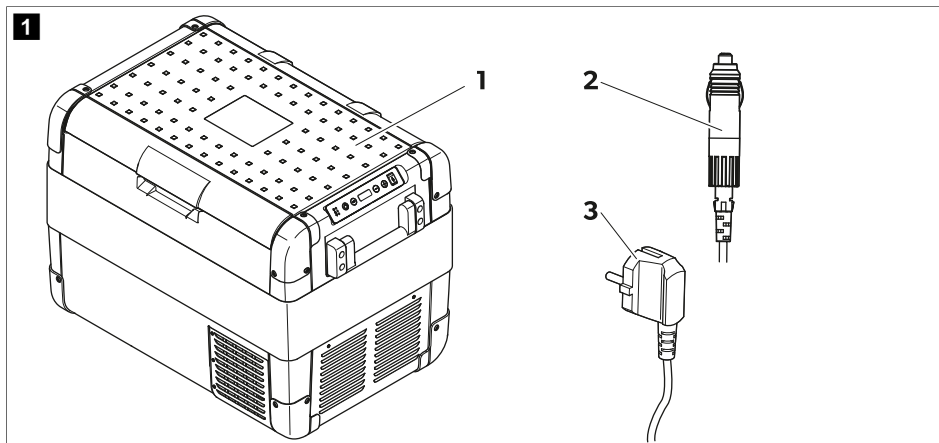
- > Pre zabránenie kontaminácii potravín dodržte nasledujúce pokyny:
  - Skontrolujte, či chladiaci výkon zariadenia zodpovedá požiadavkám potravín určených na chladenie.
  - Potraviny sa smú skladovať len v originálnych baleniach alebo vhodných nádobách.
  - Otvorenie chladiaceho zariadenia na dlhšiu dobu môže spôsobiť výrazné zvýšenie teploty v priehradkách zariadenia.
  - Pravidelne čistite povrchy, ktoré môžu prísť do kontaktu s potravinami a prístupnými systémami na odvádzanie kondenzátu.
- > Ak zariadenie ponecháte prázdne na dlhý čas:
  - Vypnite zariadenie.
  - Odmrazte zariadenie.
  - Zariadenie vyčistite a usušte.
  - Nechajte otvorené veko, aby ste zabránili tvorbe plesní vnútri zariadenia.

**POZOR! Nebezpečenstvo poškodenia**

- > Skontrolujte, či údaje o napätí na typovom štítku súhlasia s existujúcim zdrojom napätia.
- > Chladiace zariadenie pripájajte iba nasledovne:
  - Pripojte pripájací kábel na jednosmerný prúd k zdroju jednosmerného prúdu vo vozidle
  - alebo pripojte pripájací kábel na striedavý prúd do zásuvky so striedavým prúdom.
- > Konektor nikdy nevyťahujte zo zásuvky za kábel.
- > Keď je chladiace zariadenie pripojené k zásuvke s jednosmerným prúdom: Odpojte chladiace zariadenie a iné spotrebiče od batérie vozidla skôr, než pripojíte rýchlonabíjačku.
- > Keď je chladiace zariadenie pripojené k zásuvke s jednosmerným prúdom: Pri vypínaní motora odpojte chladiace zariadenie alebo ho vypnite. Inak sa môže vybiť batéria vozidla.
- > Chladiace zariadenie nie je vhodné na prepravu žieravých látok alebo látok s obsahom rozpúšťadiel.
- > Izolácia chladiaceho zariadenia obsahuje horľavý cyklopentán a vyžaduje si špeciálne postupy pri likvidácii. Po uplynutí jeho životnosti odovzdanie chladiaceho zariadenia na vhodnú recykláciu.
- > Neumiestňujte chladiace zariadenie do blízkosti otvoreného plameňa alebo iných zdrojov tepla (ohrievače, priame slnečné žiarenie, plynové rúry atď.).
- > Do vnútorného zásobníka neplňte ľad ani žiadne kvapaliny.
- > Chladiace zariadenie nikdy neponárajte do vody.
- > Chráňte chladiace zariadenie a káble pred vysokými teplotami a vlhkosťou.

- > Chladiace zariadenie nevystavujte dažďu.
- > Pre riadnu cirkuláciu chladiwa nesmie byť prekročený uhol naklonenia chladiaceho zariadenia 30 °. Pomocou vodováhy preto skontrolujte, či je chladiaci box vo vodorovnej polohe.
- > **Riziko prehriatia!** Ubezpečte sa, že chladiace zariadenie má neustále dostatočné vetranie na všetkých štyroch stranách. Neblokujte vetrací priestor žiadnymi predmetmi, ktoré by mohli prekážať prúdeniu vzduchu k chladiacim súčiastkam. Neumiestňujte chladiace zariadenie do uzavretých priehradiek alebo priestorov bez prúdenia alebo s minimálnym prúdením vzduchu.

## 5 Rozsah dodávky



| Položka | Počet | Opis   |
|---------|-------|--|
| 1       | 1     | Chladiaci box                                      |
| 2       | 1     | Pripájací kábel pre prípojku s jednosmerným prúdom |
| 3       | 1     | Pripájací kábel pre prípojku so striedavým prúdom  |
| -       | 1     | Krátky návod na obsluhu                            |

## 6 Príslušenstvo

K dispozícii ako príslušenstvo (nie je súčasťou dodávky):

| Označenie  | Č. výr.    | Model                    |
|--|------------|--------------------------|
| Rýchlo odpojiteľná upevňovacia súprava CFX-QFK     | 9600000166 | Len CFX2 28              |
| Rýchlo odpojiteľná upevňovacia súprava CFX-QFK3545 | 9600029599 | Len CFX2 37 a CFX2 45    |
| Chladiaca aplikácia do mobilu                      | -          | vhodná pre všetky modely |

## 7 Používanie v súlade s určením

Chladiaci box je vhodný na chladenie potravín. Chladiaci box je vhodný aj na použitie vo vozidlách. Chladiaci box sa môže napájať zo zásuvky jednosmerného prúdu vozidla alebo zo siete so striedavým prúdom.

Chladiaci box je vhodný aj na kempovanie.

Chladiaci box je určený na použitie v domácnosti a na podobné použitie, napríklad

- v kuchynkách pre zamestnancov v obchodoch, kanceláriách a iných pracovných prostrediach,
- na chalupách,
- zákazníkmi v hoteloch, motelloch a v iných typoch ubytovacích zariadení,
- v zariadeniach typu Bed and Breakfast,
- v kateringovej alebo podobných veľkoobchodných zariadeniach.

Chladiaci box **nie je** vhodný na:

- Rýchle zmrazovanie potravín
- skladovanie korozívnych, žieravých látok alebo látok obsahujúcich rozpúšťadlá,
- použitie ako vstavaný spotrebič.

Tento chladiaci box je vhodný iba na určené použitie a použitie v súlade s týmto návodom.

Tento výrobok je vhodný iba na určené použitie a použitie v súlade s týmto návodom.

Tento návod obsahuje informácie, ktoré sú nevyhnutné pre správnu inštaláciu a/alebo obsluhu výrobku. Chybná inštalácia a/alebo nesprávna obsluha či údržba bude mať za následok neuspokojivý výkon a možnú poruchu.

Výrobca nenesie žiadnu zodpovednosť za akékoľvek poranenia či škody na výrobku spôsobené:

- nesprávnou inštaláciou alebo pripojením vrátane nadmerného napätia
- nesprávnou údržbou alebo použitím iných ako originálnych náhradných dielov poskytnutých výrobcom
- Zmeny produktu bez výslovného povolenia výrobcu
- Použitie na iné účely než na účely opísané v návode

Firma Dometic si vyhradzuje právo na zmenu vzhľadu a technických parametrov výrobku.

## 8 Technický opis

Chladiaci box môže chladíť produkty. Chladenie sa uskutočňuje prostredníctvom takmer bezúdržbového chladiaceho okruhu s kompresorom. Dostatočná izolácia a výkonný kompresor zaručujú účinné a rýchle chladenie.

Chladiaci box je určený na mobilné použitie.

Chladiaci box vydrží krátkodobý náklon o 30°, napríklad na člnoch.

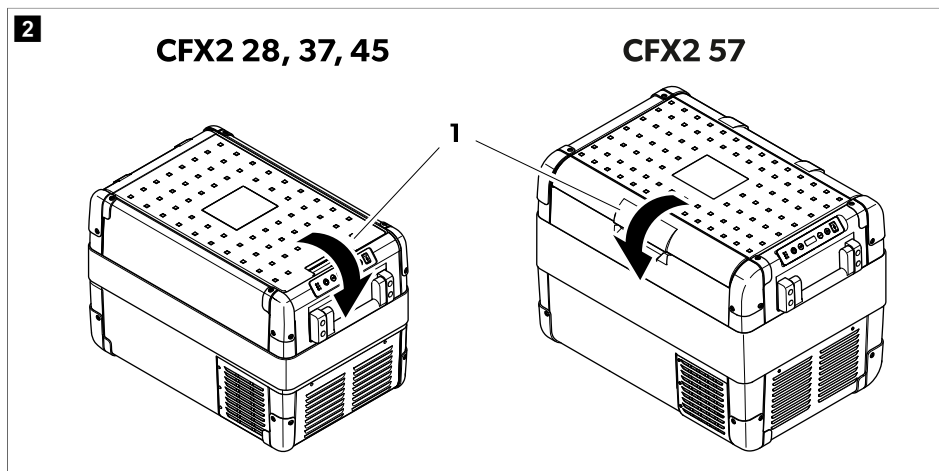
### Rozsah funkcií

- Zdroj napájania s prioritným obvodom na pripojenie k zdroju so striedavým napätím
- Trojstupňový kontrolný snímač stavu batérie na ochranu batérie vozidla
- Displej so zobrazením teploty v °C a °F
- Nastavenie teploty sa vykonáva 2 tlačidlami v krokoch po 1°C / 1°F
- Integrované funkcie Bluetooth a WLAN a ovládanie chladiaceho boxu pomocou chladiacej aplikácie do mobilu
- Sklopné prenosné rukoväte
- USB pripojenie na napájanie
- Vyberateľný vkladací kôš

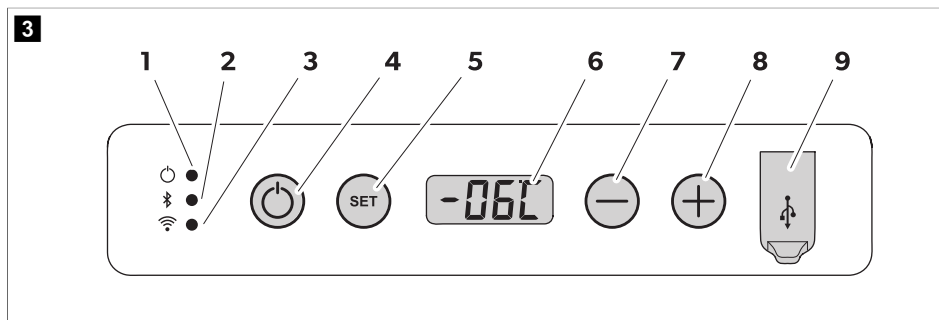


## Ovládacie a indikačné prvky

Západka (  obr. 2 na strane 227, 1) veka:



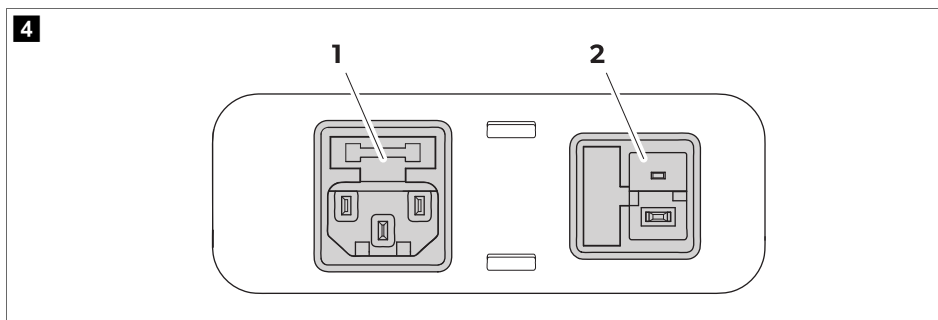
## Ovládací panel



| Po-<br>lož-<br>ka | Opis      | Vysvetlenie   |
|-------------------|-----------|---|
| 1                 | Výkon     | Indikácia stavu   |
|                   |           | LED indikátor sa rozsvieti na bielo: Kompresor sa spustí.<br>LED indikátor sa rozsvieti na oranžovo: Kompresor sa zastaví.  |
| 2                 | Bluetooth | LED indikátor je vypnutý: Funkcia Bluetooth chladiaceho boxu je vypnutá.<br>LED indikátor pomaly bliká na bielo: Funkcia Bluetooth chladiaceho boxu je zapnutá. Chladiaci box nie je spárovaný so zariadením. |

| Po-<br>lož-<br>ka | Opis   | Vysvetlenie  |
|-------------------|--------|--|
|                   |        | LED indikátor rýchlo bliká na bielo: Chladiaci box sa spáruje so zariadením pomocou funkcie Bluetooth.<br>LED indikátor sa rozsvieti na bielo: Chladiaci box je spárovaný so zariadením pomocou funkcie Bluetooth.   |
| 3                 | WLAN   | LED indikátor je vypnutý: Funkcia WLAN chladiaceho boxu je vypnutá.<br>LED indikátor bliká na bielo: Funkcia WLAN chladiaceho boxu je zapnutá. Chladiaci box nie je pripojený k zariadeniu.<br>LED indikátor sa rozsvieti na bielo: Chladiaci box je spárovaný so zariadením pomocou funkcie WLAN.   |
| 4                 | ON/OFF | Zapína alebo vypína chladiaci box.   |
| 5                 | SET    | Zvolí režim zadávania: <ul style="list-style-type: none"> <li>• Nastavenie teploty</li> <li>• Zobrazenie stupňov Celzia alebo Fahrenheita</li> <li>• Nastavenie indikátora batérie</li> <li>• Nastavenie jasú displeja</li> <li>• Nastavenie režimu zobrazenia</li> <li>• Nastavenie funkcie Bluetooth</li> <li>• Nastavenie funkcie WLAN</li> </ul> |
| 6                 |        | Displej  |
| 7                 | -      | Slúži na nastavenie teploty, nastavenie jednotky teploty, monitor stavu batérie, nastavenie jasú displeja, nastavenie režimu, funkcie Bluetooth a WLAN.  |
| 8                 | +      |  |
| 9                 |        | USB prípojka   |

#### Pripájacie zásuvky



| Položka | Opis  |
|---------|---|
| 1       | Prípojná zásuvka napájania striedavým napätím   |
| 2       | Prípojná zásuvka napájania jednosmerným napätím |

## 9 Obsluha

### Pred prvým použitím

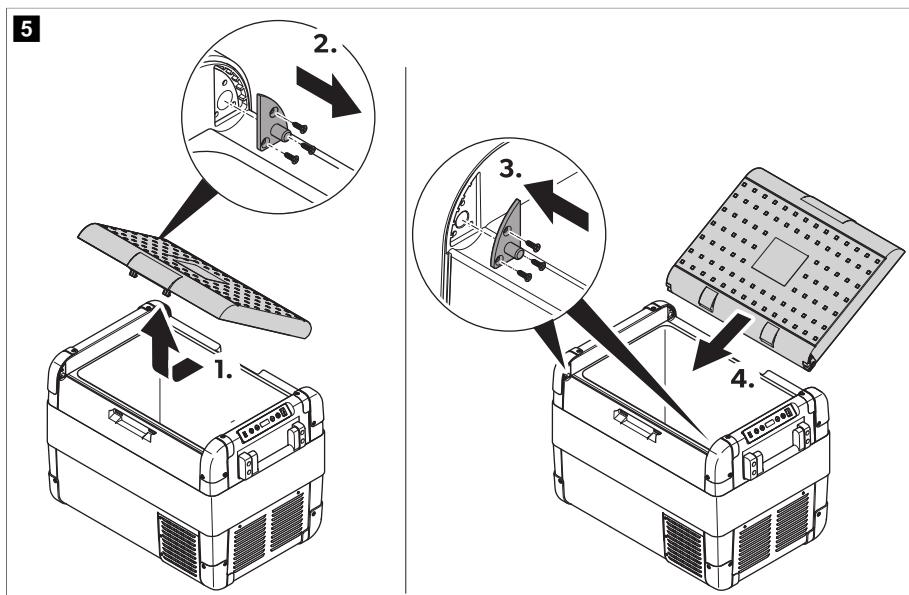




**POZNÁMKA** Skôr než chladiac box prvý raz uvediete do prevádzky, z hygienických dôvodov chladiaci box zvnútra a zvonku poutierajte vlhku handričkou (pozrite si časť Čistenie a údržba na strane 235).

### Zmena smeru otvárania veka (len model CFX2 57)

Závesy veka možno presunúť na opačnú stranu.

1. Otvorte alebo demontujte veko (  obr. 5 na strane 229).



2. Uvoľnite 3 skrutky na každom zo závesov (  obr. 5 na strane 229) a vyberte ich.
3. Závesy znova nasadíte späť na nové pozície.
4. Vložte veko do závesov v nových polohách (  obr. 5 na strane 229).

### Úspora energie

- > Vyberte si dobre odvetrané miesto, ktoré je chránené pred priamym slnečným svetlom.
- > Teplé jedlá nechajte pred vložením do chladiaceho zariadenia najprv vychladnúť.
- > Chladiace zariadenie neotvárajte častejšie, ako je to potrebné.
- > Chladiace zariadenie nenechávajte otvorené dlhšie, ako je nevyhnutné.
- > Ak je chladiace zariadenie vybavené košom: Pre optimálnu spotrebu energie umiestnite koš podľa jeho umiestnenia pri dodaní.
- > Pravidelne kontrolujte, či tesnenie veka stále správne prilieha.
- > Zabráňte zbytočne nízkej teplote vnútri zariadenia.

## Pripojenie chladiaceho boxu

### Pripojenie k batérii



#### POZOR! Nebezpečenstvo poškodenia

- > Na ochranu zariadenia sa kábel na jednosmerný prúd dodáva s poistkou vo vnútri zástrčky. **Neodstraňujte** zástrčku na jednosmerný prúd s poistkou. Používajte len dodaný kábel na jednosmerný prúd.
- > Pred pripojením akumulátora k rýchlonabíjačke odpojte chladiaci box a iné spotrebiče od akumulátora. Prepätie môže poškodiť elektroniku zariadení pripojených k akumulátoru.



**POZNÁMKA** Chladiaci box vybavený s elektronickým systémom na zabránenie prepólovaniu. Elektronický systém chráni chladiaci box pred zoskratovaním pri pripojení k akumulátoru.

Chladiaci box možno prevádzkovať s 12 V  $\equiv$  alebo 24 V  $\equiv$ .

- > Na pripojenie chladiaceho boxu k akumulátoru použite pripájací kábel na jednosmerný prúd podľa zobrazenia.

### Pripojenie k sieti striedavého napätia



#### NEBZPEČENSTVO! Nebezpečenstvo úrazu elektrickým prúdom

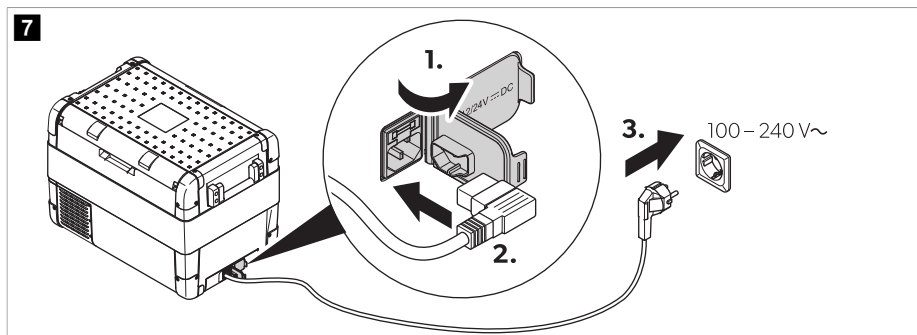
- > Nikdy nemanipulujte s konektormi a spínačmi, keď máte mokré ruky alebo stojíte vo vode.
- > Ak sa chladiaci box používa na palube člna s napájaním striedavým prúdom, medzi zdroj striedavého prúdu a chladiaci box a musí nainštalovať prúdový chránič. Poradte sa s kvalifikovaným odborníkom.



#### POZNÁMKA

Chladiaci box je vybavený integrovaným multinapäťovým zdrojom napájania s prioritným obvodom na pripojenie k zdroju striedavého prúdu. Prioritný obvod automaticky prepne chladiaci box na striedavú prevádzku, ak je pripojený k sieti striedavého napätia, dokonca aj v prípade, že je stále pripojený pripájací kábel jednosmerného prúdu.

- > Na pripojenie chladiaceho boxu k zdroju striedavého prúdu použite pripájací kábel na striedavý prúd podľa zobrazenia.



## Použitie chladiaceho boxu



### POZOR! Nebezpečenstvo poškodenia

Chladiaci box umiestnite tak, aby jeho spodná časť smerovala nadol.

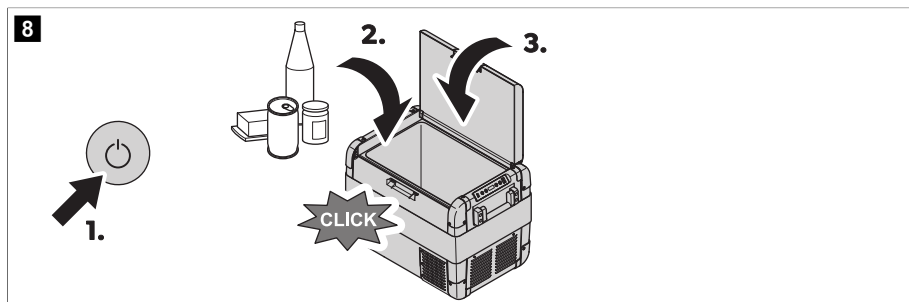
1. Postavte chladiaci box na pevný podklad.
2. Pripojte chladiaci box (pozrite si kapitolu Pripojenie chladiaceho boxu na strane 230).



### VÝSTRAHA! Nebezpečenstvo ohrozenia zdravia

Postarajte sa o to, aby boli v chladiacom boxe uložené iba veci, ktoré sa smú chladiť pri zvolenej teplote.

3. Stlačte tlačidlo „ON/OFF“ na 1 ... 2 s .



- ✓ LED indikátor napájania sa rozsvieti. Displej sa zapne a zobrazí aktuálnu teplotu.



### POZNÁMKA Zobrazená teplota

CFX2 57: Zobrazená teplota je teplota veľkého vnútorného priestoru (  obr. 9 na strane 231 ).

Chladiaci box sa spustí s chladením vnútorného priestoru.

### Zaistenie veka chladiaceho boxu západkou

1. Zatvorte veko.
2. Zatláčajte západku nadol, aby s cvaknutím zapadla na miesto.

### Predchádzajte plytvaniu potravinami

Dodržiujte nasledujúce body, aby sa predišlo plytvaniu potravinami

- > Zabráňte kolísaniu teploty v čo najväčšej možnej miere. Chladiace zariadenie otvárajte iba tak často a na takú dobu, ako je nevyhnutné. Skladujte potraviny tak, aby vzduch stále mohol dobre cirkulovať.
- > Prispôbte teplotu množstvu a druhu potravín.
- > Potraviny dokážu ľahko absorbovať alebo uvoľňovať pachy či chute. Potraviny vždy skladujte zakryté alebo v uzavretých nádobách/fľašiach.

### Nastavenie teploty

1. Raz stlačte tlačidlo **SET**.
2. Tlačidlami **+** a **-** nastavte teplotu chladenia.

- ✓ Na displeji sa na niekoľko sekúnd zobrazí zvolená teplota a . Displej niekoľkokrát zablíkajú. Potom sa znova zobrazí aktuálna teplota.

### Výber jednotky teploty

1. Dvakrát stlačte tlačidlo **SET**.
  2. Pomocou tlačidla **+** alebo **-** vyberte jednotku teploty.
- ✓ Na displeji sa na niekoľko sekúnd zobrazí nastavená jednotka teploty a . Displej niekoľkokrát zablíkajú, a potom sa vráti na zobrazenie aktuálnej teploty.

### Použitie indikátora batérie



#### **POZOR! Nebezpečenstvo poškodenia**

Keď sa monitor akumulátora vypne, akumulátor už nie je úplne nabitý. Vyvarujte sa opakovaného spúšťania alebo prevádzkovania spotrebičov bez dlhších nabíjajúcich fáz. Postarajte sa, aby sa batéria opäť nabila.

Chladiaci box je vybavený viacúrovňovým indikátorom akumulátora, ktorý chráni akumulátor vozidla pred hlbokým vybitím pri pripojení chladiaceho boxu k jednosmernej palubnej sieti.

Ak sa chladiaci box používa pri vypnutom zapalovaní vozidla, samočinne sa vypne hneď, ako napájacie napätie klesne pod určitú hodnotu. Chladič sa opäť zapne, len čo sa akumulátor dobije na napätie reštartovania.

V režime HIGH monitor akumulátora reaguje rýchlejšie než v režimoch LOW a MED.

| Režim s indikátorom batérie           | LOW    | MED    | HIGH   |
|---------------------------------------|--------|--------|--------|
| Napätie reštartovania na hodnote 12 V | 11,4 V | 12,2 V | 12,6 V |
| Napätie vypnutia na hodnote 12 V      | 10,1 V | 11,2 V | 11,8 V |
| Napätie reštartovania na hodnote 24 V | 23 V   | 25,3 V | 26,4 V |
| Napätie vypnutia na hodnote 24 V      | 21,5 V | 24,1 V | 24,6 V |

Režim indikátora akumulátora možno vybrať takto:

1. Zapnite chladiaci box.
  2. Trikrát stlačte tlačidlo **SET**.
  3. Pomocou tlačidla **+** alebo **-** nastavte režim monitora stavu akumulátora.
- ✓ Displej sa zmení takto: (LOW), (MED), (HIGH)

Na displeji sa na niekoľko sekúnd zobrazí nastavený režim. Displej niekoľkokrát zablíkajú a potom sa vráti na zobrazenie aktuálnej teploty.



**POZNÁMKA** Keď sa chladiaci box napája štartovacím akumulátorom, zvolte režim indikátora akumulátora HIGH. Keď je chladiaci box pripojený k domovému akumulátoru, stačí režim monitora akumulátora LOW.

### Nastavenie jas displeja

Jas displeja je možné stlmiť v prípade slabého okolitého osvetlenia.

1. Zapnite chladiaci box.
  2. Štyrikrát stlačte tlačidlo **SET**.
  3. Použite tlačidlo **+** alebo **-** na nastavenie jas displeja.
- ✓ Displej sa zmení takto: (nízky), (stredný), (vysoký)

Na displeji sa na niekoľko sekúnd objaví nastavený režim. Displej niekoľkokrát zabliká, kým sa prepne späť na aktuálnu úroveň jas.



**POZNÁMKA** Ak sa vyskytne chyba, jas sa automaticky prepne na hodnotu **[d Hi]** (základná hodnota). Po odstránení chyby sa opäť aktivuje nastavený jas.

### Používanie portu USB

USB prípojka umožňuje nabíjanie malých zariadení, ako sú mobilné telefóny a mp3 prehrávače.

- > Pripojte zariadenie, ktoré chcete nabíjať, k USB prípojke chladiaceho boxu pomocou USB kábla (nie je súčasťou balenia).



**POZNÁMKA** Uistite sa, že pripojené zariadenie je kompatibilné s funkciou 5 V / 2 A .

### Nastavenie režimu zobrazenia

1. Päťkrát stlačte tlačidlo **SET** .
2. Tlačidlom **+** alebo **-** nastavte režimu spánku.
- ✓ Displej sa zmení takto: **[5 0F]** (VYP.), **[5 0n]** (ZAP.), **[5 L0]** (Stlmený)

**s 0F** (VYP.): Režim spánku je deaktivovaný. Displej je nepretržite zapnutý.

**s 0n** (ZAP.): Režim spánku je aktivovaný. Ak sa chladiaci box niekoľko minút nepoužíva, na displeji sa zobrazí bodka.

**s L0** (Stlmený): Režim spánku je aktivovaný. Ak sa chladiaci box niekoľko minút nepoužíva, jas displeja sa prepne na najnižšiu úroveň.



**POZNÁMKA** Ak je displej v režime spánku alebo v podrežime spánku, krátkym stlačením tlačidla na chladiacom boxe opustíte príslušný režim.

### Používanie chladiacej aplikácie do mobilu

Chladiaci box je možné monitorovať a ovládať prostredníctvom Bluetooth alebo WLAN s pomocou aplikácie, ktorú možno nainštalovať na kompatibilné zariadenie.

1. Stiahnite a nainštalujte si chladiacu aplikáciu do mobilu.



Aplikáciu získate na adrese [gr.dometic.com/beiv4R](http://gr.dometic.com/beiv4R).

2. Stláčate tlačidlo **SET** takto:
  - 6 stlačeniami otvoríte nastavenia funkcie Bluetooth.
  - 7 stlačeniami otvoríte nastavenia funkcie WLAN.
3. Tlačidlom **+** alebo **-** nastavíte funkciu Bluetooth alebo WLAN.



**POZNÁMKA** Ak je chladiaci box spárovaný s kompatibilným zariadením cez Bluetooth, je potrebné nastaviť režim párovania.

- ✓ Pri nastavovaní funkcie Bluetooth sa displej zmení takto: **[BLDF]** (VYP.), **[BLON]** (ZAP.), **[BLPR]** (Stlmený)



**POZNÁMKA** Ak sa zobrazí **[BLDF]**, displej sa pri stlačení tlačidla **-** nezmení. Ak sa zobrazí **[BLPR]**, displej sa pri stlačení tlačidla **+** nezmení.

LED indikátor funkcie Bluetooth bliká na bielo a na displeji sa zobrazuje **[BL]**, kým prebieha párovanie a nadväzuje sa spojenie cez Bluetooth.

Pri nastavovaní funkcie WLAN sa displej zmení takto: **[F.DF]** (VYP.), **[F.ON]** (ZAP.)

4. Postupujte podľa pokynov v chladiacej aplikácii do mobilu.
- ✓ Po pripojení chladiaceho boxu sa rozsvieti LED indikátor Bluetooth alebo WLAN.

### Vypnutie chladiaceho boxu

1. Vyprázdňte chladiaci box.
- 
2. Stlačte tlačidlo „ON/OFF“.
  3. Vytiahnite pripájací kábel.
  4. Ak sa chladiaci box dlhší čas nepoužíva, veko nechajte otvorené, aby sa v ňom nehromadil zápach.

### Odmrazenie chladiaceho boxu

Vlhkosť vzduchu môžu vo vnútri chladiaceho boxu alebo na výparníku vytvárať námrazu. Tým sa znižuje chladiaci výkon.



#### **POZOR! Nebezpečenstvo poškodenia**

Na odstránenie vrstvy námrazy alebo uvoľnenie primrznutých predmetov nepoužívajte tvrdé alebo špicaté nástroje.

Pri odmravovaní chladiaceho boxu postupujte nasledovne:


1. Vyberte obsah chladiaceho boxu.
2. V prípade potreby preneste obsah do iného chladiaceho zariadenia, aby zostal chladný.
3. Vypnite chladiaci box.
4. Veko nechajte otvorené.
5. Utrite rozmrazenú vodu.

### Výmena poistky striedavého prúdu



#### **NEBZPEČENSTVO! Nebezpečenstvo úrazu elektrickým prúdom**

Pred výmenou poistky striedavého prúdu odpojte zdroj napájania a pripájacie káble.

1. Odpojte prívod elektrickej energie od chladiča.
2. Vytiahnite pripájacie káble.
3. Vypáňte vložku poistky (  obr. 4 na strane 228 2) s pomocou skrutkovača.





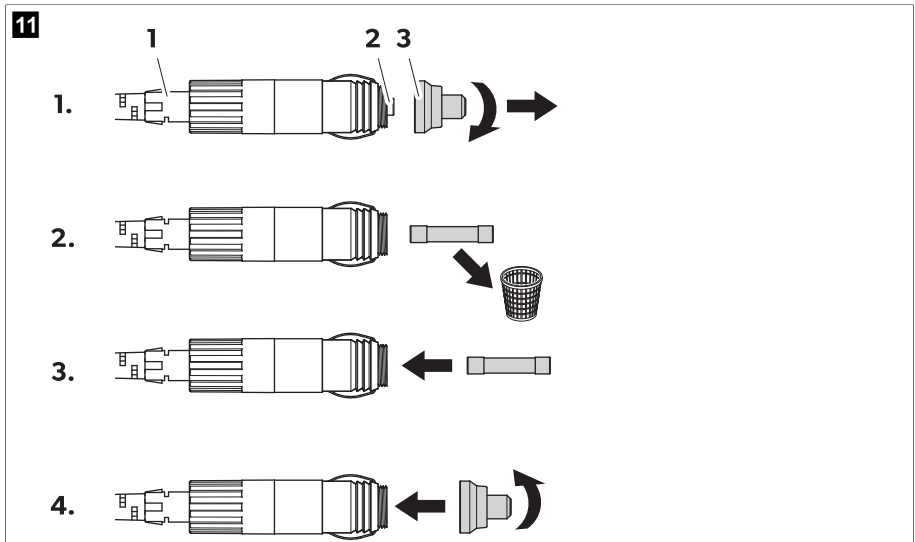
4. Vymeňte chybnú sklenenú poistku za novú poistku rovnakého typu a s rovnakou hodnotou (4 A, 250 V).
5. Zatlačte poistkovú vložku znova naspäť do krytu.
6. Znovu pripojte prívod elektrickej energie do zariadenia.

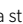
### Výmena poistky zástrčky na jednosmerný prúd



**POZNÁMKA** Vo vnútri zariadenia sa nachádza prídavná poistka jednosmerného prúdu (štandardná automobilová nožová poistka, 10 A). Túto poistku smie vymieňať len autorizované servisné stredisko.

1. Odskrutkujte teleso dotykového kolíka (  obr. 11 na strane 235 3) z konektora (  obr. 11 na strane 235 1).



2. Vymeňte chybnú poistku (  obr. 11 na strane 235 2) za novú poistku rovnakého typu a s rovnakou hodnotou (3AG, rýchlo reagujúca, 10 A).
3. Zástrčku zmontujte v obrátenom poradí.

### Výmena dosky svetelných vodičov



#### **POZOR! Nebezpečenstvo poškodenia**

Dosku svetelných vodičov smie vymeniť len výrobca, servisný technik, servis alebo osoba s podobnou kvalifikáciou s cieľom zabrániť nebezpečenstvu.

## 10 Čistenie a údržba



#### **UPOZORNENIE! Nebezpečenstvo úrazu elektrickým prúdom**

Presvedčte sa, či je chladiace zariadenie odpojené od napájania zdroja pred každým čistením a údržbou.



### POZOR! Nebezpečenstvo poškodenia

- > Chladiace zariadenie nikdy nečistite pod tečúcou vodou alebo dokonca vo vode.
  - > Na čistenie nepoužívajte abrazívne čistiace prostriedky alebo tvrdé predmety.
- > Vyčistite zariadenie zvnútra a zvonku príležitostne vlhkou handrou.
- > Zabezpečte, aby vetracie a odvzdušňovacie otvory chladiaceho zariadenia boli bez prachu a nečistôt, aby sa teplo vznikajúce pri prevádzke mohlo odvádzať a aby sa chladiace zariadenie nepoškodilo.

## 11 Odstraňovanie porúch

| Porucha  | Možná príčina  | Návrh riešenia  |
|--|--|---|
| Chladiaci box nefunguje. LED indikátor napájania sa nerozsvieti.   | V zásuvke s jednosmerným prúdom nie je detekované žiadne napätie.  | > Zapnite zapáľovanie vozidla.  |
|  | V zásuvke so striedavým prúdom nie je detekované žiadne napätie.   | > Použite inú zásuvku.  |
|  | Poistka striedavého prúdu je chybná.   | > Vymeňte poistku striedavého prúdu, pozrite si časť <i>Výmena poistky striedavého prúdu na strane 234.</i>   |
|  | Integrovaný sieťový adaptér je chybný.   | > Kontaktujte autorizovaného servisného technika.   |
| Napäťový LED indikátor sa rozsvieti na oranžovo, zobrazí sa kód chyby <b>E 01</b> a chladiaci box nechladí aj napriek tomu, že je zástrčka pripojená do zásuvky. | Monitor batérie je nastavený na príliš vysokú hodnotu.   | <ol style="list-style-type: none"> <li>1. Nastavte monitor batérie do nižšieho režimu (pozrite si časť <i>Použitie indikátora batérie na strane 232.</i>)</li> <li>2. Nabite štartovací akumulátor.</li> <li>3. V prípade potreby nabite štartovací akumulátor.</li> </ol> Dodržiavajte pokyny výrobcu.     |
|  | Indikátor akumulátora je nastavený na príliš nízku hodnotu.  | <ol style="list-style-type: none"> <li>1. Nastavte monitor akumulátora do vyššieho režimu (pozrite si časť <i>Použitie indikátora batérie na strane 232.</i>)</li> <li>2. Nabite štartovací akumulátor.</li> <li>3. V prípade potreby nabite štartovací akumulátor.</li> </ol> Dodržiavajte pokyny výrobcu. |
| Pri prevádzke chladiaceho boxu z výstupu s jednosmerným prúdom: Zapáľovanie je zapnuté a chladiaci box nefunguje. LED indikátor napájania sa nerozsvieti.        | Zástrčka kábla na jednosmerný prúd je nesprávne pripojená.   | > Znova pripojte zástrčku kábla na jednosmerný prúd.  |
|  | Objímka konektora s jednosmerným prúdom je znečistená. Dôsledkom je slabá kvalita elektrického kontaktu. | > Vyčistite objímku konektora s jednosmerným prúdom.<br>Dodržiavajte pokyny výrobcu.  |
|  | Poistka jednosmerného prúdu prehora.   | > Vymeňte poistku zástrčky na jednosmerný prúd, pozrite si kapitolu <i>Výmena poistky zástrčky na jednosmerný prúd na strane 235.</i>   |
|  | Poistka jednosmerného prúdu vo vnútri chladiaceho boxu je prehorená.                                     | > Kontaktujte autorizovaného servisného technika.   |

| Porucha  | Možná príčina  | Návrh riešenia   |
|--|--|--|
|  | Poistka konektora s jednosmerným prúdom vozidla prehorela.       | > Vymeňte poistku výstupu s jednosmerným prúdom vozidla.<br>Dodržiavajte pokyny výrobcu. |
| Na displeji sa zobrazuje kód chyby a chladiaci box nechladí (pozrite si časť Kódy chýb na strane 237). | Chladiaci box sa vypol v dôsledku internej prevádzkovej poruchy. | > Kontaktujte autorizovaného servisného technika.  |

## Kódy chýb



**POZNÁMKA** Ak sa vyskytne niektorý s kódov chyby **E 02** alebo **E 07**, kontaktujte autorizovaného servisného technika.

| Kód chyby   | Opis                      |
|-------------|---------------------------|
| <b>E 01</b> | Nízke napätie/prepätie    |
| <b>E 02</b> | Nadmerný prúd ventilátora |
| <b>E 03</b> | Štart kompresora zlyhal   |
| <b>E 04</b> | Nízke otáčky kompresora   |
| <b>E 05</b> | Prehriaty ovládač         |
| <b>E 06</b> | NTC rozpojený obvod       |
| <b>E 07</b> | NTC skrat                 |

## 12 Záruka

Platí zákonom stanovená záručná doba. Ak je výrobok poškodený, obráťte sa na pobočku výrobcu vo vašej krajine (pozrite si stránku [dometic.com/dealer](http://dometic.com/dealer)) alebo na predajcu.

Ak žiadate o vybavenie opravy alebo nárokov vyplývajúcich zo záruky, musíte priložiť nasledovné podklady:

- kópiu faktúry s dátumom kúpy,
- dôvod reklamácie alebo opis chyby.

Upozorňujeme vás, že samooprava alebo neodborná oprava môže mať za následok ohrozenie bezpečnosti a zánik záruky.

## 13 Likvidácia



### VÝSTRAHA! Riziko uväznenia dieťaťa

Pred likvidáciou starého chladiaceho zariadenia demontujte veko. Nechajte košíky na svojom mieste, aby deti nemohli ľahko vliezť dnu.



Obalový materiál dávajte podľa možnosti do príslušného recyklovateľného odpadu. Informujte sa v najbližšom recyklačnom stredisku alebo u vášho špecializovaného predajcu o likvidácii výrobku v súlade s príslušnými predpismi týkajúcimi sa likvidácie.



Recyklácia výrobkov s batériami, nabíjateľnými batériami a svetelnými zdrojmi: Pred recykláciou výrobku vyberte všetky batérie, nabíjateľné batérie a svetelné zdroje. Vaše poškodené akumulátory alebo prázdne batérie odovzdajte u predajcu alebo v zbernom mieste. Batérie, nabíjateľné batérie ani svetelné zdroje nevyhadzujte do domového odpadu. Keď výrobok chcete definitívne vyradiť z prevádzky, informujte sa v najbližšom recyklačnom stredisku alebo u svojho špecializovaného predajcu o príslušných predpisoch týkajúcich sa likvidácie. Výrobok je možné bezplatne zlikvidovať.

## 14 Technické údaje



**POZNÁMKA** Ak je teplota okolia vyššia ako 32 °C, minimálnu teplotu nie je možné dosiahnuť.

Tento výrobok obsahuje fluórované skleníkové plyny.

Chladiaci agregát je hermeticky uzavretý.

|   | CFX2 28   | CFX2 37   | CFX2 45  | CFX2 57  |
|---|---|---|--|--|
| Menovitý vstup                            | 50 ... 60 Hz<br>100 ... 240 V~                                  |   |  |  |
| Menovitý prúd                             | 12 V : 8,6 A<br>24 V : 3,8 A<br>100 V : 1,6 A<br>240 V : 0,77 A | 12 V : 8,7 A<br>24 V : 3,85 A<br>100 V : 1,63 A<br>240 V : 0,78 A | 12 V : 8,8 A<br>24 V : 3,9 A<br>100 V : 1,65 A<br>240 V : 0,79 A | 12 V : 9 A<br>24 V : 4 A<br>100 V : 1,7 A<br>240 V : 0,8 A |
| Chladiaci výkon                           | -22 °C ... 20 °C  |   |  |  |
| Teplota okolia                            | 16 °C ... 43 °C   |   |  |  |
| Klimatická trieda                         | N alebo T   |   |  |  |
| USB                                       | 5 V 2 A   |   |  |  |
| Chladivo                                  | R600a   |   |  |  |
| Stav zásob chladiaceho prostriedku        | 13 g  | 13 g  | 14 g   | 17 g   |
| Rozmery (Š × V × H)<br>(vrátane rúkovaťí) | 600 mm ×<br>427 mm × 345 mm                                     | 678 mm ×<br>428 mm × 401 mm                                       | 678 mm ×<br>493 mm × 401 mm                                      | 709 mm ×<br>503 mm × 458 mm                                |
| Objem                                     | 28 L  | 37 L  | 45 L   | 57 L   |
| Hmotnosť                                  | 13,5 kg   | 15,8 kg   | 16,8 kg  | 18,5 kg  |
| Frekvenčné pásmo<br>(WLAN)                | 2,4 GHz   |   |  |  |
| Max. výstupný výkon                       |   |   |  |  |
| WLAN                                      | 19,22 dBm   |   |  |  |
| Bluetooth                                 | 7,93 dBm  |   |  |  |

Firma Dometic (Zhuhai) Technology Co., Ltd týmto vyhlasuje, že rádiové zariadenie typu CFX2 28, CFX2 37, CFX2 45, CFX2 57 vyhovuje smernici 2014/53/EÚ. Úplné znenie EÚ vyhlásenia o zhode je dostupné na nasledujúcej internetovej adrese: [documents.dometic.com](http://documents.dometic.com)

Ďalšie informácie o výrobku získate prostredníctvom QR kódu na energetickom štítku alebo na stránke [eprel.ec.europa.eu](http://eprel.ec.europa.eu).

**12**

The diagram illustrates the process of scanning a QR code on an energy label. A smartphone is shown scanning the QR code, with an arrow pointing from the phone to the QR code on the label. The energy label is divided into several sections:

- Supplier's Name:** A field for the manufacturer's name.
- Model Identifier:** A field for the specific model of the product.
- Energy Efficiency Classes:** A vertical bar with seven levels labeled A, B, C, D, E, F, and G, where A is the most efficient and G is the least.
- Energy Consumption:** A field labeled "XYZ kWh/annum" representing the annual energy consumption.
- Sound Power Level:** A field labeled "XYZ dB" with a speaker icon and sound waves, representing the sound power level.

[eprel.ec.europa.eu](http://eprel.ec.europa.eu)

## Čeština

|    |                                     |     |
|----|-------------------------------------|-----|
| 1  | Důležité poznámky.....              | 240 |
| 2  | Vysvětlení symbolů.....             | 240 |
| 3  | Vysvětlení symbolů na zařízení..... | 241 |
| 4  | Bezpečnostní pokyny.....            | 241 |
| 5  | Obsah dodávky.....                  | 243 |
| 6  | Příslušenství.....                  | 243 |
| 7  | Určené použití.....                 | 243 |
| 8  | Technický popis.....                | 244 |
| 9  | Použití.....                        | 246 |
| 10 | Čištění a péče.....                 | 253 |
| 11 | Řešení problémů.....                | 254 |
| 12 | Záruka.....                         | 255 |
| 13 | Likvidace.....                      | 255 |
| 14 | Technické údaje.....                | 255 |

## 1 Důležité poznámky

Pečlivě si prosím přečtěte a dodržujte všechny pokyny, směrnice a varování obsažené v tomto návodu k výrobku, abyste měli jistotu, že výrobek budete vždy správně instalovat, používat a udržovat. Tyto pokyny MUSÍ být uschovány v blízkosti výrobku.

Používáním výrobku tímto potvrzujete, že jste si pečlivě přečetli všechny pokyny, směrnice a varování a že rozumíte podmínkám uvedeným v tomto dokumentu a souhlasíte s nimi. Souhlasíte s používáním tohoto výrobku pouze k určenému účelu a použití a v souladu s pokyny, směrnici a varováními uvedenými v tomto návodu k výrobku a v souladu se všemi příslušnými zákony a předpisy. Pokud si nepřečtete a nebudete dodržovat zde uvedené pokyny a varování, může to vést ke zranění vás i ostatních, poškození vašeho výrobku nebo poškození jiného majetku v okolí. Tento návod k výrobku, včetně pokynů, směrnic a varování a související dokumentace může být předmětem změn a aktualizací. Aktuální informace o výrobku naleznete na adrese [documents.domestic.com](http://documents.domestic.com).

## 2 Vysvětlení symbolů

Signální slovo označuje bezpečnostní zprávy a zprávy o škodách na majetku a také označuje stupeň nebo úroveň závažnosti nebezpečí.



### NEBEZPEČÍ!

Označuje nebezpečnou situaci, která, pokud se jí nezabrání, bude mít za následek smrt nebo vážné zranění.



### VÝSTRAHA!

Označuje nebezpečnou situaci, která, pokud se jí nezabrání, může mít za následek smrt nebo vážné zranění.



### UPOZORNĚNÍ!

Označuje nebezpečnou situaci, která, pokud se jí nezabrání, může mít za následek lehké nebo středně těžké zranění.



### POZOR!

Označuje nebezpečnou situaci, která, pokud se jí nezabrání, může mít za následek majetkové škody.



**POZNÁMKA** Doplnující informace týkající se obsluhy výrobku.

### 3 Vysvětlení symbolů na zařízení



Výstraha! Riziko požáru. Hořlavé materiály.

### 4 Bezpečnostní pokyny



#### **NEBEZPEČÍ! Nebezpečí usmrcení elektrickým proudem**

- > Na člunech a lodích: Pokud se zařízení napájí z elektrické sítě, ujistěte se, že je napájecí zdroj vybaven jističem zbytkového proudu (RCCB) nebo přerušovačem zemního spojení (GFCI). Instalace, zejména ty v potenciálně vlhkých prostorách, musí být provedeny v souladu se všemi platnými instalačními předpisy.
- > Nikdy se nedotýkejte odizolovaných vodičů. To platí především pro provoz přístroje v síti na střídavý proud.



#### **VÝSTRAHA! Nebezpečí usmrcení elektrickým proudem**

- > V případě, že je chladicí přístroj viditelně poškozen, nesmíte ho používat.
- > Pokud je přívodní kabel tohoto chladicího přístroje poškozen, musí být vyměněn, aby nevzniklo nebezpečí.
- > Opravy tohoto chladicího přístroje směřují provádět pouze kvalifikovaní pracovníci. Nesprávné opravy mohou způsobit značné nebezpečí.
- > Přístroj zapojte do zásuvek, které zajišťují správné připojení, zejména pokud je třeba přístroj uzemnit.



#### **VÝSTRAHA! Nebezpečí požáru**

- > Při umístění přístroje se ujistěte, že není zachycen nebo poškozen přívodní kabel.
- > Přenosné vícenásobné zásuvky nebo přenosné napájecí zdroje neumísťujte v zadní části přístroje.
- > Chladivo v chladicím okruhu je vysoce hořlavé a v případě úniku by mohlo dojít k nahromadění hořlavých plynů, pokud se přístroj nachází v malé místnosti. Při poškození chladicího okruhu:
  - Udržujte otevřený oheň a potenciální zdroje vznícení mimo chladničku.
  - Místnost dobře větrejte.
  - Vypněte chladničku.
- > Pro chladicí zařízení s chladivem R600a:
  - Chladicí okruh obsahuje malé množství ekologického, ale hořlavého chladiva. Tím není poškozována ozonová vrstva a nezvyšuje se skleníkový efekt. Unikající chladivo se může vznítit.
  - Chladicí zařízení nepoužívejte ani neskladujte v uzavřených prostorách s nulovým nebo minimálním prouděním vzduchu.
- > Ventilační otvory na krytu přístroje nebo v montážních konstrukcích udržujte bez překážek.
- > K urychlení procesu rozmrazování nepoužívejte žádné mechanické předměty ani jiné prostředky s výjimkou těch, které k tomu byly doporučeny výrobcem.
- > Za žádných okolností neotevírejte ani nepoškodte chladicí okruh.
- > Nepoužívejte uvnitř chladničky žádné elektrické přístroje, pouze pokud jsou k tomu takové přístroje doporučeny výrobcem.



#### **VÝSTRAHA! Nebezpečí ohrožení zdraví**

- > Tento přístroj mohou používat děti od 8 let a osoby se sníženými fyzickými, smyslovými nebo duševními schopnostmi nebo s nedostatečnými zkušenostmi a znalostmi, pokud jsou pod dohledem nebo obdržely pokyny týkající se používání přístroje bezpečným způsobem a porozuměly souvisejícím nebezpečím.

- > Děti ve věku 3 až 8 let smí chladicí přístroj nakládat a vykládat.
- > Děti musejí být pod dohledem tak, aby si se zařízením nehrály.
- > Čištění a běžnou údržbu nesmějí provádět děti bez dozoru.

**VÝSTRAHA! Nebezpečí výbuchu**

Neskladujte v chladicím přístroji výbušné látky, jako např. spreje s hořlavým hnacím plynem.

**UPOZORNĚNÍ! Nebezpečí usmrcení elektrickým proudem**

- > Před uvedením chladicího přístroje do provozu zkontrolujte, zda jsou přívodní kabel a zástrčka suché.
- > Před každým čištěním, prováděním údržby a po každém použití odpojte chladicí přístroj od elektrického napájení.

**UPOZORNĚNÍ! Nebezpečí ohrožení zdraví**

- > Aby se předešlo kontaminaci potravin, dodržujte prosím následující pokyny:
  - Zkontrolujte, zda je chladicí kapacita přístroje vhodná pro uchovávání potravin, které chcete chladit.
  - Skladujte potraviny pouze v originálním balení nebo ve vhodných nádobách.
  - Otevření chladicího přístroje na delší dobu může způsobit značné zvýšení teploty v přihrádkách přístroje.
  - Pravidelně čistěte povrchy, které se mohou dostat do kontaktu s potravinami a přístupnými odtokovými systémy.
- > Je-li přístroj ponechán prázdný po dlouhou dobu:
  - Vypněte přístroj.
  - Odmrazte přístroj.
  - Vyčistěte a vysušte přístroj.
  - Nechejte víko otevřené, aby se zabránilo tvorbě plísně uvnitř přístroje.

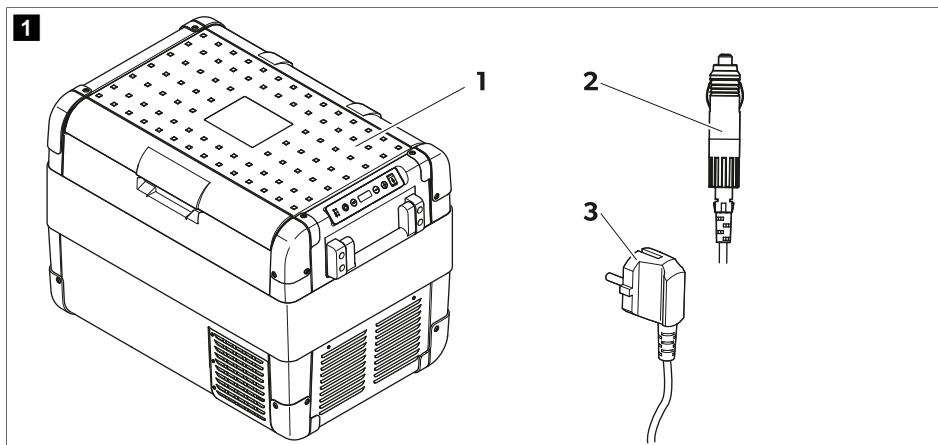
**POZOR! Nebezpečí poškození**

- > Zkontrolujte, zda údaj o napětí na typovém štítku odpovídá údají pro zdroje napájení.
- > Připojte chladicí přístroj pouze následujícím způsobem:
  - Připojte přívodní kabel na stejnosměrný proud k síti stejnosměrného proudu ve vozidle
  - Nebo přívodní kabel pro střídavý proud k síti střídavého proudu
- > Nikdy nevytahujte zástrčku ze zásuvky tahem za kabel.
- > Pokud je chladicí přístroj připojen k zásuvce stejnosměrného proudu: Odpojte chladicí přístroj a jiné spotřebiče od baterie vozidla ještě před připojením rychlonabíjecího zařízení.
- > Pokud je chladicí přístroj připojen k zásuvce stejnosměrného proudu: Po vypnutí motoru přerušete spojení nebo vypněte chladicí přístroj. V opačném případě může dojít k vybití baterie vozidla.
- > Chladicí přístroj není vhodný k přepravě leptavých látek nebo látek s obsahem rozpouštědel.
- > Izolace chladicího přístroje obsahuje hořlavý cyklopentan a vyžaduje speciální postupy likvidace. Chladicí přístroj odevzdejte na konci jeho životního cyklu do vhodného střediska pro recyklaci.
- > Chladicí přístroj neinstalujte v blízkosti otevřeného ohně nebo jiných tepelných zdrojů (topení, přímé sluneční záření, plynová kamna apod.).
- > Do vnitřní nádoby nelijte žádné kapaliny ani do ní nedávejte led.
- > Nikdy neponořujte chladicí přístroj do vody.
- > Chladicí přístroj a kabely chraňte před horkem a vlhkem.
- > Chladicí přístroj nesmí být vystaven dešti.
- > Pro zajištění řádné cirkulace chladiva nesmí být chladicí box nakloněn pod úhlem větším než 30 °. K tomu účelu nastavte chladicí box vodorovně pomocí vodováhy.



- > **Riziko přehřátí!** Zajistěte, aby bylo vždy kolem chladicího zařízení ze všech čtyř stran dostatek volného místa k větrání. Větrací prostor udržujte volný bez jakýchkoli předmětů, které by mohly překážet proudu vzduchu a zabránit tak chlazení součástí zařízení. Chladicí zařízení neumísťujte do uzavřených schránek nebo prostor, kde nemůže proudit vzduch.

## 5 Obsah dodávky



| Položka | Množství | Popis   |
|---------|----------|---|
| 1       | 1        | Chladicí box                                      |
| 2       | 1        | Přívodní kabel pro přípojku stejnosměrného proudu |
| 3       | 1        | Přívodní kabel pro přípojku střídavého proudu     |
| -       | 1        | Stručný návod k obsluze                           |

## 6 Příslušenství

Dostupné jako příslušenství (není součástí dodávky):

| Označení                              | Č. výr.    | Model                          |
|---------------------------------------|------------|--------------------------------|
| Rychloupevňovací souprava CFX-QFK     | 960000166  | Pouze model CFX2 28            |
| Rychloupevňovací souprava CFX-QFK3545 | 9600029599 | Pouze modely CFX2 37 a CFX2 45 |
| Mobilní aplikace chladicího zařízení  | -          | vyhovuje všem modelům          |

## 7 Určené použití

Chladicí box je určen k chlazení potravin. Chladicí box lze používat i ve vozidlech. Chladicí box je navržen tak, aby mohl být provozován ze zásuvky stejnosměrného proudu vozidla nebo napájen ze zdroje střídavého proudu.

Chladicí box je vhodný také k použití pro kempování.

Chladicí box je určen k použití v domácnosti a v podobných provozních podmínkách, jako jsou

- Kuchyňky pro personál v obchodech, kancelářích a jiných pracovních prostorách,
- Farmy,
- Klienti v hotelech, motelech a jiných prostředích rezidenčního typu,
- Ubytovací zařízení typu bed and breakfast,
- Stravovací a podobná zařízení neobchodního typu.

Chladicí box **není** vhodný k:

- Rychlé mražení potravin
- skladování žíravých, leptavých nebo rozpouštědla obsahujících látek,
- k používání ve funkci vestavného spotřebiče,

Tento chladicí box je vhodný pouze k určenému účelu a použití v souladu s těmito pokyny.

Tento výrobek je vhodný pouze k určenému účelu a použití v souladu s těmito pokyny.

Tento návod obsahuje informace, které jsou nezbytné k řádné instalaci a/nebo použití výrobku. Nesprávná instalace a/nebo nevhodné použití či údržba povedou k neuspokojivému výkonu a možné závadě.

Výrobce nepřijímá žádnou odpovědnost za jakékoli zranění nebo poškození výrobku vyplývající z následujících:

- Nesprávné instalace, sestavení nebo připojení včetně nadměrného napětí
- Nesprávná údržba nebo použití jiných náhradních dílů než originálních dílů dodaných výrobcem
- Úpravy výrobku bez výslovného souhlasu výrobce
- Použití k jiným účelům, než jsou popsány v tomto návodu

Společnost Dometic si vyhrazuje právo změnit vzhled a specifikace výrobku.

## 8 Technický popis

Chladicí box je vhodný pro chlazení produktů. Chlazení je provedeno pomocí chladicího okruhu s kompresorem s nízkými nároky na údržbu. Velkokorysá izolace a výkonný kompresor zajišťují účinné a rychlé chlazení.


Chladicí box je vhodný k mobilnímu využití.

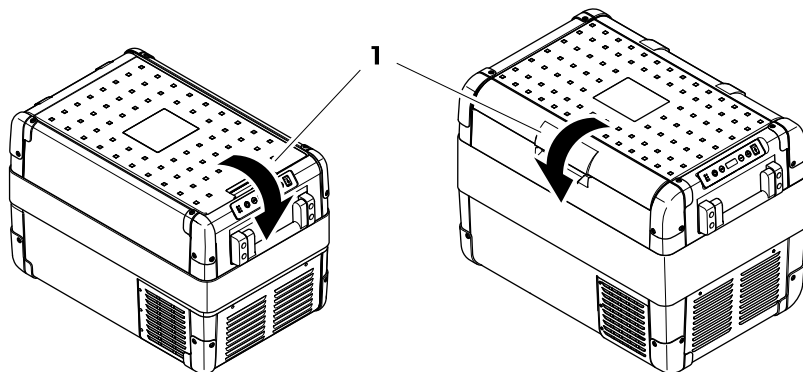
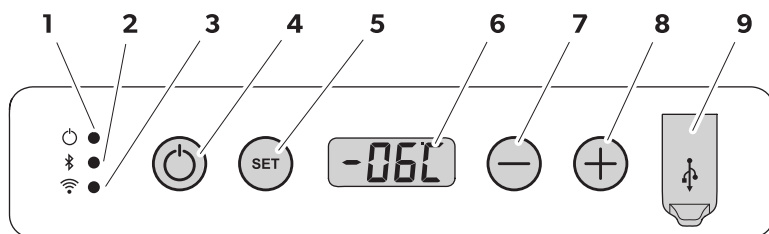
Chladicí box dokáže odolat krátkodobému sklonu 30 °, například na lodích.

### Funkční rozsah

- Síťový zdroj k prioritnímu spínání k připojení ke střídavému napětí
- Třístupňový snímač baterie k ochraně baterie vozidla
- Displej se zobrazováním teploty ve °C a °F
- Nastavení teploty pomocí dvou tlačítek v krocích po 1 °C / 1 °F
- Vestavěné funkce Bluetooth a WLAN pro ovládání chladicího boxu pomocí mobilní aplikace
- Sklopné rukojeti
- Přípojka USB k zajištění napájení
- Odnímatelný vnitřní koš

### Ovládací a indikační prvky

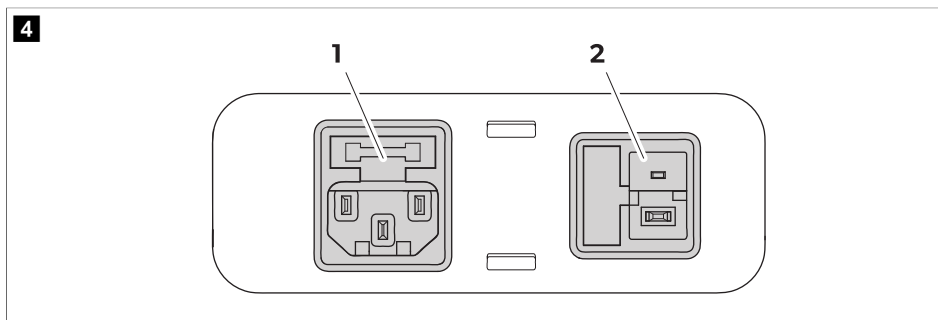
Západka (  obr. 2 na stránce 245, 1) pro víko:

**2****CFX2 28, 37, 45****CFX2 57****Ovládací panel****3**

| Položka | Popis     | Vysvětlení  |
|---------|-----------|---|
| 1       | Výkon     | Indikace stavu<br>Kontrolka LED svítí bíle: Kompresor se zapne.<br>Kontrolka LED svítí oranžově: Kompresor se vypne.  |
| 2       | Bluetooth | Kontrolka LED je vypnutá: Funkce Bluetooth chladicího boxu je vypnutá.<br>Kontrolka LED bliká pomalu bíle: Funkce Bluetooth chladicího boxu je zapnutá. Chladicí box není spárován s žádným zařízením.<br>Kontrolka LED bliká rychle bíle: Chladicí box se páruje se zařízením přes Bluetooth.<br>Kontrolka LED svítí bíle: Chladicí box je spárován se zařízením přes Bluetooth. |
| 3       | WLAN      | Kontrolka LED je vypnutá: Funkce WLAN chladicího boxu je vypnutá.<br>Kontrolka LED bliká bíle: Funkce WLAN chladicího boxu je vypnutá. Chladicí box není spárován s žádným zařízením.   |

| Po-<br>lož-<br>ka | Popis   | Vysvětlení  |
|-------------------|---------|---|
|                   |         | Kontrolka LED svítí bíle: Chladicí box je spárován se zařízením přes WLAN.  |
| 4                 | ZAP/VYP | Zapnutí nebo vypnutí chladicího boxu.   |
| 5                 | SET     | Výběr režimu zadávání: <ul style="list-style-type: none"> <li>• Nastavení teploty</li> <li>• Zobrazení stupňů Celsia nebo Fahrenheita</li> <li>• Nastavení snímače baterie</li> <li>• Nastavení jasu displeje</li> <li>• Nastavení režimu zobrazení</li> <li>• Nastavení funkce Bluetooth</li> <li>• Nastavení funkce WLAN</li> </ul> |
| 6                 |         | Displej   |
| 7                 | -       | Nastavení teploty, jednotky teploty, snímače baterie, jasu displeje, režimu a funkce Bluetooth a WLAN.  |
| 8                 | +       |   |
| 9                 |         | Přípojka USB  |

#### Přívodní zdířky



| Položka | Popis  |
|---------|--|
| 1       | Přívodní zdířka napájení střídavým napětím     |
| 2       | Přívodní zdířka napájení stejnosměrným napětím |

## 9 Použití

### Před prvním použitím

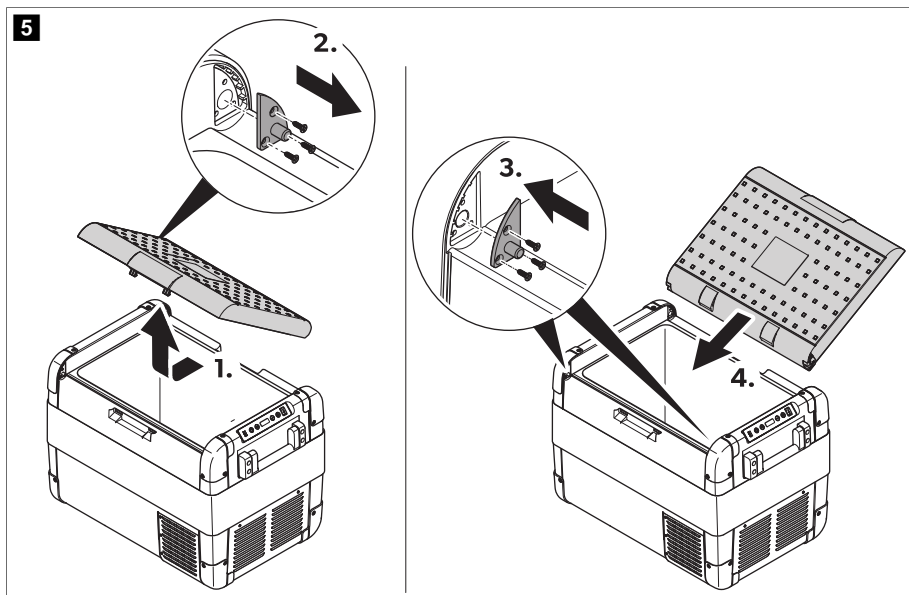




**POZNÁMKA** Před uvedením chladicího boxu do provozu ho z hygienických důvodů zevnitř i zvenčí očistěte vlhkou utěrkou (viz Čištění a péče na stránce 253).

### Změna směru otevírání víka (pouze u modelu CFX2 57)

Závěsy víka lze přesunout na druhou stranu.

1. Otevřete a sejměte víko (  obr. 5 na stránce 247).



2. Odšroubujte 3 šrouby u každého závěsu (  obr. 5 na stránce 247) a sundejte je.  
 3. Instalujte závěsy do nového umístění.  
 4. Nasadte víko do nové pozice závěsů (  obr. 5 na stránce 247).

## Úspora energie

- > Zvolte dobře větrané místo, které je chráněno před přímým slunečním zářením.
- > Teplé pokrmy nechejte před uložením do chladicího přístroje vychladnout.
- > Neotevírejte chladicí přístroj častěji, než je nezbytně nutné.
- > Nenechávejte chladicí přístroj otevřený déle, než je nutné.
- > Pokud je chladicí zařízení vybaveno košem: Pro optimální spotřebu elektrické energie umístěte zásobník podle polohy při dodání.
- > Pravidelně ověřujte, že těsnění víka stále řádně sedí.
- > Zabraňte vzniku zbytečně nízkých vnitřních teplot.

## Připojení chladicího boxu

### Připojení k baterii



#### **POZOR! Nebezpečí poškození**

- > K ochraně zařízení obsahuje dodaný kabel stejnosměrného proudu pojistku uvnitř zástrčky. **Neodstraňujte** zástrčku stejnosměrného proudu s pojistkou. Používejte pouze dodaný kabel stejnosměrného proudu.
- > Odpojte chladicí box a jiné spotřebiče od baterie dříve, než připojíte baterii k rychlonabíječce. Přepětí může poškodit elektroniku zařízení připojených k baterii.



**POZNÁMKA** Chladicí box je vybaven elektronickým systémem, který zabraňuje obrácení polarity. Tím je chladicí box při připojení k baterii chráněn před zkratováním.

Chladicí box lze provozovat na 12 V  $\equiv$  nebo 24 V  $\equiv$ .

- > Připojte chladicí box k baterii pomocí kabelu stejnosměrného napájení podle obrázku.

### Připojení k napájecí síti střídavého proudu



#### **NEBEZPEČÍ! Nebezpečí usmrcení elektrickým proudem**

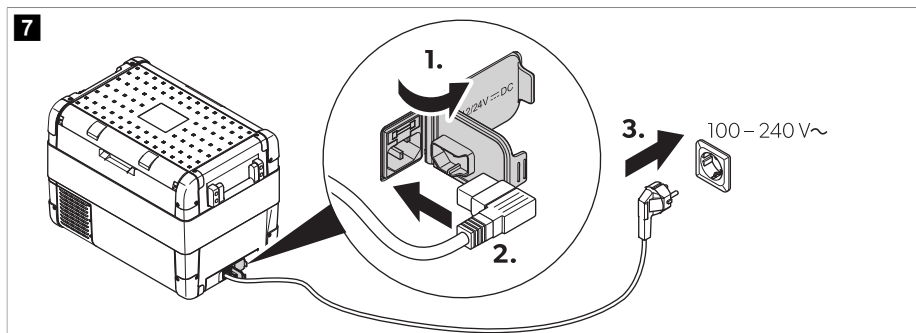
- > Nikdy nemanipulujte se zástrčkami a spínači s mokřými rukama nebo pokud stojíte v moku.
- > Pokud je chladicí provozován na palubě lodi ze zdroje střídavého proudu, musí být mezi zdrojem střídavého proudu a chladičem instalován jistič. Poradte se s odborníkem.



#### **POZNÁMKA**

Chladicí box je vybaven integrovaným vícenapěťovým napájecím adaptérem s prioritním obvodem pro připojení k napájecímu zdroji střídavého proudu. Prioritní obvod automaticky přepíná na provoz na střídavý proud, je-li chladicí box připojen k napájecí síti na střídavý proud, i když je přívodní kabel na stejnosměrný proud stále připojen.

- > Připojte chladicí box ke zdroji střídavého proudu pomocí kabelu střídavého napájení podle obrázku.



### Použití chladicího boxu



#### **POZOR! Nebezpečí poškození**

Postavte chladicí box dnem dolů.

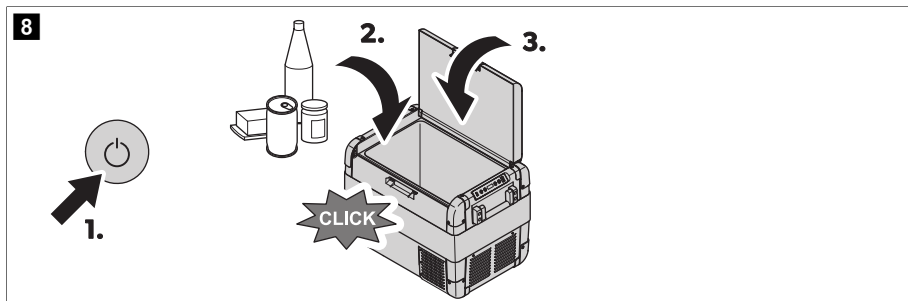
1. Postavte chladicí box na pevný základ.
2. Připojte chladicí box (viz kapitola Připojení chladicího boxu na stránce 247).



#### **VÝSTRAHA! Nebezpečí ohrožení zdraví**

Do chladicího boxu se smí vkládat pouze položky, které lze skladovat při zvolené teplotě.

3. Stiskněte tlačítko ZAP/VYP na 1 ... 2 s.



- ✓ Rozsvítí se kontrolka LED napájení. Zapne se displej a zobrazí aktuální teplotu.



### **POZNÁMKA Zobrazená teplota**

Model CFX2 57: Uvedená teplota je teplota velké vnitřní přihrádky (  obr. 9 na stránce 249 1).

Chladicí box zahájí chlazení vnitřního prostoru.

### **Zajištění víka chladicího boxu**

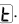
1. Zavřete víko.
2. Tlačte západku dolů, dokud neuslyšíte cvaknutí.

### **Předcházení plýtvání potravinami**


Abyste zabránili plýtvání potravinami, dodržujte následující pokyny

- > Udržujte výkyvy teploty co nejnižší. Chladicí přístroj otevírejte pouze na nezbytně nutnou dobu. Potraviny skladujte takovým způsobem, aby vzduch mohl stále dobře cirkulovat.
- > Teplotu nastavte podle množství a typu potravin.
- > Potraviny mohou snadno pohlcovat nebo uvolňovat zápach nebo vůni. Potraviny vždy uchovávejte zakryté nebo v uzavřených nádobách/lahvích.

### **Nastavení teploty**

1. Jednou stiskněte tlačítko **SET**.
  2. Pomocí tlačítek **+** a **-** nastavte teplotu chlazení.
- ✓ Displej zobrazí na několik sekund vybranou teplotu a . Displej několikrát zabliká. Poté se zobrazí aktuální teplota.

### **Výběr jednotek pro zobrazení teploty**

1. Stiskněte dvakrát tlačítko **SET**.
  2. Pomocí tlačítka **+** nebo **-** vyberte požadovanou jednotku teploty.
- ✓ Displej zobrazí na několik sekund vybranou jednotku teploty a . Displej několikrát zabliká před tím, než se vrátí k aktuální teplotě.

## Použití snímače stavu baterie



### POZOR! Nebezpečí poškození

Když se snímač baterie vypne, baterie již není plně nabita. Zamezte opakovanému spouštění nebo provozu elektrických spotřebičů bez delších fází nabíjení. Zajistěte dobítí baterie.

Chladicí box je vybaven víceúrovňovým snímačem baterie, který chrání baterii vozidla před hlubokým vybitím, když je chladicí box připojen k palubní síti.

Pokud chladicí box používáte ve vozidle s vypnutým zapalováním, dojde k samočinnému vypnutí chladicího boxu, jakmile napájecí napětí poklesne pod předem definovanou hodnotu. Chladicí box se opět zapne, jakmile se baterie dobije na restartovací napětí.

V režimu HIGH reaguje snímač baterie rychleji, než v režimech LOW a MED.

| Režim snímače stavu baterie  | LOW    | MED    | HIGH   |
|------------------------------|--------|--------|--------|
| Restartovací napětí při 12 V | 11,4 V | 12,2 V | 12,6 V |
| Vypínací napětí při 12 V     | 10,1 V | 11,2 V | 11,8 V |
| Restartovací napětí při 24 V | 23 V   | 25,3 V | 26,4 V |
| Vypínací napětí při 24 V     | 21,5 V | 24,1 V | 24,6 V |

Vyberte režim snímače stavu baterie podle následujícího postupu:

1. Zapněte chladicí box.
2. Stiskněte třikrát tlačítko **SET**.
3. Pomocí tlačítka **+** nebo **-** vyberte režim snímače baterie.
  - ✓ Displej se změní takto: **[P L0]** (LOW), **[P H0]** (MED), **[P H1]** (HIGH)

Displej zobrazí na několik sekund nastavený režim. Displej několikrát zabliká dříve, než se vrátí k aktuální teplotě.



**POZNÁMKA** Pokud je chladicí box napájen ze startovací baterie, vyberte režim snímače baterie HIGH. Pokud je chladicí box připojen k domovní baterii, vyberte režim snímače LOW.

## Nastavení jasu displeje

Jas displeje lze ztlumit při slabém okolním osvětlení.

1. Zapněte chladicí box.
2. Stiskněte čtyřikrát tlačítko **SET**.
3. Tlačítkem **+** nebo **-** nastavte jas displeje.
  - ✓ Displej se změní takto: **[d L0]** (nízký), **[d H0]** (střední), **[d H1]** (vysoký)

Na displeji se na několik sekund zobrazí nastavený režim. Displej několikrát zabliká dříve, než se vrátí k aktuálnímu nastavení jasu.



**POZNÁMKA** Pokud dojde k poruše, jas je automaticky přepne na **[d H1]** jas.

## Použití portu USB

Port USB umožňuje nabíjení malých zařízení, jako jsou mobilní telefony a přehrávače MP3.



- > Zapojte zařízení do portu USB na chladicím boxu pomocí kabelu USB.



**POZNÁMKA** Zkontrolujte, zda je připojené zařízení kompatibilní s provozem při napětí 5 V / 2 A .

### Nastavení režimu zobrazení

1. Stiskněte pětkrát tlačítko **SET** .
2. Tlačítkem **+** nebo **-** nastavte režim spánku.
- ✓ Displej se změní takto: **[5 OFF]** (VYPNUTO), **[5 On]** (ZAPNUTO), **[5 Lo]** (Nízký)

**s OFF** (VYPNUTO): Režim spánku je deaktivována. Displej zůstane zapnutý.

**s On** (ZAPNUTO): Režim spánku je aktivován. Pokud chladicí box není několik minut používán, displej zobrazí pouze tečku.

**s Lo** (Nízký): Je aktivován podřadný režim spánku. Pokud chladicí box není několik minut používán, displej se přepne na nejnižší jas.



**POZNÁMKA** Pokud je displej v režimu spánku nebo podřadném režimu spánku, stisknutím tlačítka na chladicím boxu dočasně ukončíte příslušný režim.

### Používání mobilní aplikace chladicího boxu

Chladicí box lze sledovat a ovládat pomocí funkce Bluetooth nebo WLAN prostřednictvím aplikace, kterou můžete nainstalovat na kompatibilní zařízení.

1. Stáhněte si a nainstalujte mobilní aplikaci chladicího boxu.



Aplikaci stáhněte z obchodu [qr.dometic.com/beiv4R](http://qr.dometic.com/beiv4R).

2. Stiskněte tlačítko **SET** podle následujícího postupu:
  - 6krát k otevření nastavení Bluetooth.
  - 7krát k otevření nastavení WLAN.
3. Tlačítkem **+** nebo **-** nastavte funkci Bluetooth nebo WLAN.



**POZNÁMKA** Pokud je chladicí box spárován s kompatibilním zařízením přes Bluetooth, musí být nastaven režim párování.

- ✓ Při nastavování funkce Bluetooth se displej změní takto: **[bL OFF]** (VYPNUTO), **[bL On]** (ZAPNUTO), **[bL PA]** (Párování)



**POZNÁMKA** Pokud je zobrazeno **[bL OFF]**, displej se při stisknutí tlačítka **-** nezmění. Pokud je zobrazeno **[bL PA]**, displej se při stisknutí tlačítka **+** nezmění.

Kontrolka LED funkce Bluetooth zabliká bíle a displej zobrazí **[bL]**, zatímco probíhá párování přes Bluetooth.

Při nastavování funkce WLAN se displej změní takto: **[F OFF]** (VYPNUTO), **[F On]** (ZAPNUTO)

4. Postupujte podle pokynů v mobilní aplikaci chladicího boxu.
- ✓ Když je chladicí box připojen, rozsvítí se kontrolka LED funkce Bluetooth či WLAN.

### Vypnutí chladicího boxu

1. Vyprázdněte chladicí box.
2. Stiskněte tlačítko napájení.
3. Vytáhněte přívodní kabel.
4. Pokud nebudete chladicí box po delší dobu používat, nechte víko otevřené, aby nedošlo ke vzniku zápachu.

### Odmrazování chladicího boxu

Uvnitř chladicího boxu nebo na výparníku se může srážet vzdušná vlhkost. Tím se snižuje chladicí výkon.



#### **POZOR! Nebezpečí poškození**

Nepoužívejte k odstraňování ledu nebo k uvolňování přimrzlých předmětů špičaté nástroje.

Při rozmrazování chladicího boxu postupujte takto:


1. Vyměňte obsah z chladicího boxu.
2. V případě potřeby dejte obsah do jiného chladicího zařízení, aby nezteplal.
3. Vypněte chladicí box.
4. Nechejte víko otevřené.
5. Otřete odmraženou vodu.

### Výměna pojistky střídavého proudu



#### **NEBEZPEČÍ! Nebezpečí usmrcení elektrickým proudem**



Před výměnou pojistek střídavého proudu odpojte napájení a přívodní kabel.

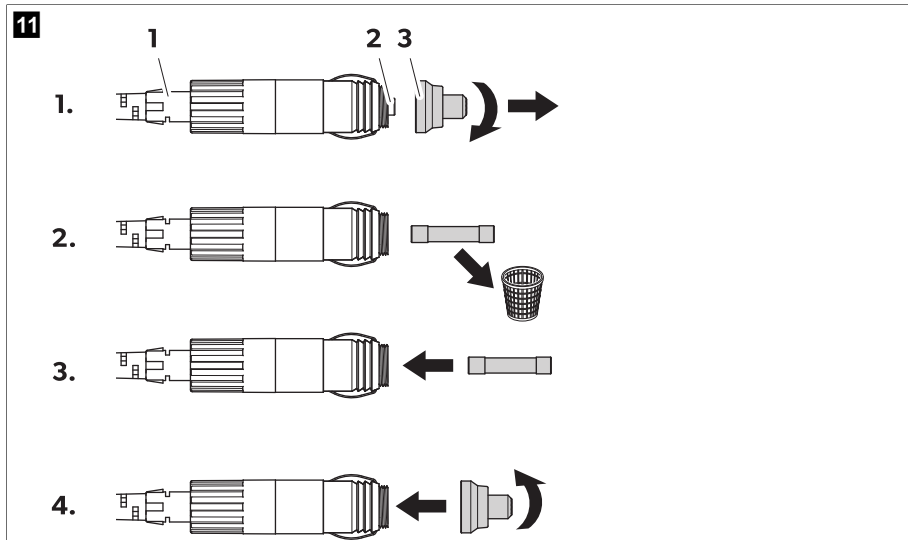
1. Odpojte chladicí box od zdroje napájení.
2. Odpojte přívodní kabel.
3. Uvolněte držák pojistek (  obr. **4** na stránce 2462, ) šroubovákem.
4. Vyměňte vadnou skleněnou pojistku za novou stejného typu a se stejnou hodnotou ( 4 A , 250 V ).
5. Zatlačte držák pojistek opět do krytu.
6. Opět připojte napájení k přístroji.

### Výměna pojistky stejnosměrné zástrčky



**POZNÁMKA** Uvnitř přístroje je přidavná stejnosměrná pojistka (nožová pojistka podle automobilové normy, 10 A). Tuto pojistku může vyměnit pouze autorizované středisko oprav.

1. Odšroubujte kryt kontaktních kolíků (  obr. **11** na stránce 253 **3** ) od zástrčky (  obr. **11** na stránce 253 **1** ).



2. Vyměňte vadnou pojistku ( viz obr. 11 na stránce 253 2) za novou stejného typu a o stejné hodnotě (3AG, rychločinná, 10 A).
3. Smontujte zástrčku v opačném pořadí.

## Výměna desky plošných spojů světla



### POZOR! Nebezpečí poškození

Desku plošných spojů světla může vyměnit pouze výrobce, zástupce servisu nebo podobně kvalifikovaná osoba, aby se zamezilo nebezpečí.

## 10 Čištění a péče



### UPOZORNĚNÍ! Nebezpečí usmrcení elektrickým proudem

Ujistěte se, že před každým čištěním nebo údržbou odpojíte chladicí box od zdroje napájení.



### POZOR! Nebezpečí poškození

- > Nikdy nečistěte chladicí přístroj pod tekoucí vodou nebo ve vodní lázni.
  - > Při čištění nepoužívejte brusné čisticí prostředky ani tvrdé předměty.
- > Pokud je to nutné, očistěte přístroj zevnitř a zvenčí vlhkým hadrem.
- > Zajistěte, aby vstupní ani výstupní ventilační otvory chladicího přístroje nebyly zaprášené a znečištěné. Zajistěte tak odvod tepla a předejdete poškození přístroje.

## 11 Řešení problémů

| Porucha   | Možná příčina   | Návrh řešení   |
|---|---|--|
| Chladicí box nefunguje. Kontrolka LED napájení nesvítí.   | V zásuvce se stejnosměrným proudem není napětí.   | > Zapněte zapalování vozidla.  |
|   | V zásuvce se střídavým proudem není napětí.   | > Použijte jinou zásuvku.  |
|   | Pojistka střídavého proudu je vadná.  | > Vyměňte pojistku střídavého proudu, viz Výměna pojistky střídavého proudu na stránce 252.  |
|   | Integrovaný síťový zdroj je vadný.  | > Kontaktujte autorizovaného zástupce servisu.   |
| Kontrolka LED napájení svítí oranžově, zobrazí se chybová zpráva <b>E 01</b> a chladicí box nechladí, i když je zapojen do zásuvky. | Snímač baterie je nastaven příliš vysoko.   | <ol style="list-style-type: none"> <li>1. Nastavte snímač baterie na nižší režim (viz Použití snímače stavu baterie na stránce 250).</li> <li>2. Otestujte startovací baterii.</li> <li>3. V případě potřeby startovací baterii nabijte.<br/>Řiďte se pokyny výrobce.</li> </ol> |
|   | Snímač baterie je nastaven příliš nízko.  | <ol style="list-style-type: none"> <li>1. Nastavte snímač baterie na vyšší režim (viz Použití snímače stavu baterie na stránce 250).</li> <li>2. Otestujte startovací baterii.</li> <li>3. V případě potřeby startovací baterii nabijte.<br/>Řiďte se pokyny výrobce.</li> </ol> |
| Provoz chladicího boxu ze stejnosměrné zásuvky: Zapalování je zapnuté a box nefunguje. Kontrolka LED napájení nesvítí.              | Zástrčka stejnosměrného proudu není správně připojena.  | > Zapojte zástrčku znovu.  |
|   | Objímka zásuvky stejnosměrného napětí je znečištěná. To vede ke špatnému elektrickému kontaktu. | > Vyčistěte zásuvku stejnosměrného proudu.<br>Řiďte se pokyny výrobce.   |
|   | Pojistka zástrčky stejnosměrného proudu je spálená.   | > Vyměňte pojistku stejnosměrné zástrčky, viz kapitola Výměna pojistky stejnosměrné zástrčky na stránce 252.   |
|   | Stejnoseměrná pojistka uvnitř boxu je spálená.  | > Kontaktujte autorizovaného zástupce servisu.   |
| Displej zobrazuje chybový kód a chladicí box nechladí (viz Chybové kódy na stránce 254).  | Pojistka zásuvky stejnosměrného proudu vozidla se přepálila.                                    | > Vyměňte pojistku zásuvky stejnosměrného proudu vozidla.<br>Řiďte se pokyny výrobce.  |
|   | Chladicí box se vypnul z důvodu interní provozní poruchy.                                       | > Kontaktujte autorizovaného zástupce servisu.   |

### Chybové kódy



**POZNÁMKA** Pokud se zobrazí jeden z chybových kódů od **E 02** do **E 07**, kontaktujte autorizovaného zástupce servisu.

| Chybový kód | Popis                   |
|-------------|-------------------------|
| E 01        | Nízké napětí/přepětí    |
| E 02        | Nadproud ventilátoru    |
| E 03        | Chyba startu kompresoru |
| E 04        | Nízké otáčky kompresoru |
| E 05        | Přehřátí ovladače       |
| E 06        | Rozpojený obvod NTC     |
| E 07        | Krátké spojení NTC      |

## 12 Záruka

Na výrobek je poskytována záruka v souladu s platnými zákony. Pokud je výrobek vadný, kontaktujte pobočku výrobce ve vaší zemi nebo svého prodejce (viz [dometic.com/dealer](http://dometic.com/dealer)).

K vyřízení opravy nebo záruky nezapomeňte odeslat následující dokumenty:

- kopii účtenky s datem zakoupení,
- uvedení důvodu reklamace nebo popisu vady.

Upozorňujeme, že oprava svépomocí nebo neodborná oprava může ohrozit bezpečnost a vést ke ztrátě záruky.

## 13 Likvidace



### VÝSTRAHA! Nebezpečí uvíznutí dětí

Před zlikvidováním starého chladicího zařízení demontujte víko. Nechejte na místě košíčky, aby se dovnitř nemohly snadno dostat děti.



Obalový materiál pokud možno zlikvidujte do vhodných recyklačních odpadních nádob. Informace o likvidaci výrobku v souladu s platnými předpisy pro likvidaci vám sdělí místní recyklační středisko nebo specializovaný obchodník.



Recyklace výrobků s bateriemi, dobíjecími bateriemi a světelnými zdroji: Před recyklací výrobku vyjměte všechny baterie, dobíjecí baterie a světelné zdroje. Vadné nebo použité baterie vraťte svému prodejci nebo je zlikvidujte ve sběrném dvoře. Nevyhazujte baterie, dobíjecí baterie a světelné zdroje do běžného domovního odpadu. Pokud budete chtít výrobek definitivně zlikvidovat, informace o příslušném postupu v souladu s platnými předpisy pro likvidaci vám sdělí místní recyklační středisko nebo specializovaný obchodník. Výrobek lze zlikvidovat bezplatně.

## 14 Technické údaje



**POZNÁMKA** Pokud je okolní teplota vyšší než 32 °C, nelze dosáhnout minimální teploty.

Tento výrobek obsahuje fluorované skleníkové plyny.

Chladicí jednotka je hermeticky utěsněná.

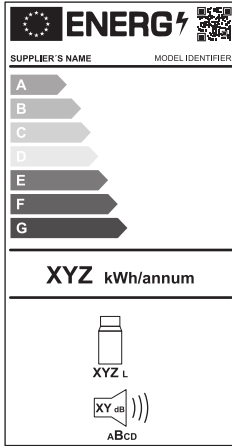
**CS CFX2 28, CFX2 37, CFX2 45, CFX2 57**

|                                      | <b>CFX2 28</b>  | <b>CFX2 37</b>  | <b>CFX2 45</b>   | <b>CFX2 57</b>   |
|--------------------------------------|---|---|--|--|
| Jmenovitý příkon                     | 50 ... 60 Hz<br>100 ... 240 V~                                  |   |  |  |
| Jmenovitý proud                      | 12 V : 8,6 A<br>24 V : 3,8 A<br>100 V : 1,6 A<br>240 V : 0,77 A | 12 V : 8,7 A<br>24 V : 3,85 A<br>100 V : 1,63 A<br>240 V : 0,78 A | 12 V : 8,8 A<br>24 V : 3,9 A<br>100 V : 1,65 A<br>240 V : 0,79 A | 12 V : 9 A<br>24 V : 4 A<br>100 V : 1,7 A<br>240 V : 0,8 A |
| Chladicí výkon                       | - 22 °C ... 20 °C   |   |  |  |
| Okolní teplota                       | 16 °C ... 43 °C   |   |  |  |
| Klimatická třída                     | N nebo T  |   |  |  |
| USB                                  | 5 V 2 A   |   |  |  |
| Chladivo                             | R600a   |   |  |  |
| Množství chladiva                    | 13 g  | 13 g  | 14 g   | 17 g   |
| Rozměry (Š x V x H, včetně rukojeti) | 600 mm x<br>427 mm x 345 mm                                     | 678 mm x<br>428 mm x 401 mm                                       | 678 mm x<br>493 mm x 401 mm                                      | 709 mm x<br>503 mm x 458 mm                                |
| Hlasitost („Volume“)                 | 28 L  | 37 L  | 45 L   | 57 L   |
| Hmotnost                             | 13,5 kg   | 15,8 kg   | 16,8 kg  | 18,5 kg  |
| Frekvenční pásmo (WLAN)              | 2,4 GHz   |   |  |  |
| Max. výstupní výkon                  |   |   |  |  |
| WLAN                                 | 19,22 dBm   |   |  |  |
| Bluetooth                            | 7,93 dBm  |   |  |  |

Společnost Dometic (Zhuhai) Technology Co., Ltd tímto prohlašuje, že rádiové zařízení typu CFX2 28, CFX2 37, CFX2 45, CFX2 57 odpovídá požadavkům směrnice 2014/53/EU. Plné znění prohlášení o shodě EU je k dispozici na následující internetové adrese: [documents.dometic.com](http://documents.dometic.com)

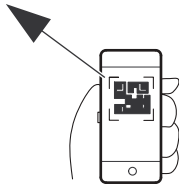
Další informace o výrobku jsou dostupné prostřednictvím QR kódu na energetickém štítku nebo na adrese [eprel.ec.europa.eu](http://eprel.ec.europa.eu).

12



The diagram shows an ENERGY label with the following components:

- Top left: European Union flag and the word "ENERGY" with a lightning bolt symbol.
- Top right: QR code.
- Below the flag: "SUPPLIER'S NAME" and "MODEL IDENTIFIER".
- Energy efficiency scale: A vertical bar with seven horizontal arrows pointing right, labeled A, B, C, D, E, F, and G from top to bottom. The G arrow is the longest and darkest.
- Energy consumption: "XYZ kWh/annum".
- Product icon: A small icon of a device labeled "XYZ L".
- Sound power level: A speaker icon labeled "XY dB" with sound waves, and a classification "ABCD" below it.



[eprel.ec.europa.eu](http://eprel.ec.europa.eu)

## Magyar

|    |   |     |
|----|---|-----|
| 1  | Fontos információk.....                           | 258 |
| 2  | Szimbólumok magyarázata.....                      | 258 |
| 3  | A készüléken látható szimbólumok magyarázata..... | 259 |
| 4  | Biztonsági útmutatások.....                       | 259 |
| 5  | A csomag tartalma.....                            | 261 |
| 6  | Tartozékok.....                                   | 261 |
| 7  | Rendeltetésszerű használat.....                   | 261 |
| 8  | Műszaki leírás.....                               | 262 |
| 9  | Üzemeltetés.....                                  | 264 |
| 10 | Tisztítás és karbantartás.....                    | 271 |
| 11 | Hibakeresés.....                                  | 272 |
| 12 | Szavatosság.....                                  | 273 |
| 13 | Ártalmatlanítás.....                              | 273 |
| 14 | Műszaki adatok.....                               | 274 |

## 1 Fontos információk

A termék mindenkori szakszerű telepítése, használata és karbantartása érdekében kérjük figyelmesen olvassa el az ebben a termék kézikönyvben található utasításokat, irányelveket és figyelmeztetéseket, valamint mindig tartsa be ezeket. Ezt az útmutatót a termék közelében KELL tartani.

A termék használatba vételével Ön kijelenti hogy figyelmesen elolvasta az összes utasítást, irányelvet és figyelmeztetést, valamint megértette és elfogadja az itt leírt szerződési feltételeket. Ön elfogadja, hogy kizárólag a rendeltetésének megfelelő célra és a jelen termék kézikönyvben leírt útmutatásoknak, irányelveknek és figyelmeztetéseknek, valamint a hatályos törvényeknek és szabályozásoknak megfelelően használja ezt a terméket. Az itt leírt utasítások és figyelmeztetések elolvasásának és betartásának elmulasztása saját és mások sérüléséhez, a termék vagy a közelben található más anyagi javak károsodásához vezethet. Ez a termék kézikönyv és a benne található utasítások, irányelvek és figyelmeztetések, valamint a kapcsolódó dokumentációk módosulhatnak és frissülhetnek. Naprakész termékinformációkért látogasson el a következő honlapra: [documents.dometic.com](http://documents.dometic.com).

## 2 Szimbólumok magyarázata

A figyelmeztető szavak a biztonsági utasítások, valamint a vagyoni károk elkerülésére szolgáló utasítások jelzésére szolgálnak, továbbá a veszély súlyosságát is jelzik.



### VESZÉLY!

Veszélyes helyzetet jelöl, amely súlyos sérülést vagy halált okoz, ha nem kerülik el.



### FIGYELMEZTETÉS!

Veszélyes helyzetet jelöl, amely súlyos sérülést vagy halált okozhat, ha nem kerülik el.



### VIGYÁZAT!

Veszélyes helyzetet jelöl, amely könnyű vagy mérsékelt sérülést okozhat, ha nem kerülik el.



### FIGYELEM!

Olyan helyzetet jelöl, amely vagyoni kárt okozhat, ha nem kerülik el.



**MEGJEGYZÉS** A termék kezelésére vonatkozó kiegészítő információk.



### 3 A készüléken látható szimbólumok magyarázata



Figyelmeztetés! Tűzveszély. Gyúlékony anyagok.

### 4 Biztonsági útmutatások



#### **VESZÉLY! Áramütés miatti veszély**

- > Hajóknál: Ha a készüléket a elektromos hálózatról táplálja, akkor biztosítsa, hogy a hálózat rendelkezzen maradékáram megszakítóval (RCCB) vagy földelési hiba áramkör-megszakítóval (GFCI). A telepítésnek, különösen a potenciálisan nedves területeken, meg kell felelnie az összes vonatkozó telepítési előírásnak.
- > Soha ne fogjon meg pusztá kézzel csupaszc vezetékkeket. Ez mindenekeelőtt a váltakozó áramú hálózatról történő üzemeltetés során érvényes.



#### **FIGYELMEZTETÉS! Áramütés miatti veszély**

- > Ne használja a hűtőkészüléket, ha az láthatóan megsérült.
- > Ha a hűtőkészülék tápkábele megsérült, akkor a biztonsági kockázatok elkerülése érdekében ki kell cserélni ezt.
- > Ezen a hűtőkészüléken csak szakember végezhet javításokat. A helytelen javítások jelentős veszélyeket okozhatnak.
- > A készüléket olyan aljzatba illessze be, amely biztosítja a megfelelő csatlakozást, különösen akkor, ha a készüléket földelni kell.



#### **FIGYELMEZTETÉS! Tűzveszély**

- > A készülék elhelyezésekor ügyeljen arra, hogy ne csipje be és ne károsítsa a tápkábelt.
- > Ne helyezzen el több hordozható aljzatot, vagy hordozható tápegységet a készülék hátsó részénél.
- > A hűtőközeg körben lévő hűtőközeg erősen gyúlékony, és ha a készülék kis méretű helyiségben van, szivárgás esetén gyúlékony gázok képződhetnek. A hűtőkör sérülése esetén:
  - Tartsa távol a hűtőszekrénytől a nyílt lángokat és a lehetséges szikraforrásokat.
  - Alaposan szellőztesse a helyiséget.
  - Kapcsolja ki a hűtőszekrényt.
- > R600a hűtőközeggel üzemelő hűtőkészülékeknel:
  - A hűtőkör kis mennyiségű környezetbarát, de gyúlékony hűtőközeget tartalmaz. Nem károsítja az ózonréteget és nem növeli az üvegházhatást. A kiszivárgó hűtőközeg meggyulladhat.
  - Ne használja vagy tárolja a hűtőkészüléket olyan zárt helyiségekben, ahol minimális a levegőáramlás, vagy nincs is ilyen.
- > A készülékházban, vagy a beépítési szerkezetben lévő szellőzőnyílásokat tilos eltörölni.
- > A leolvasztási művelet felgyorsítására ne használjon mechanikus eszközöket, vagy más anyagokat, kivéve, ha a gyártó ezt javasolja.
- > Ne nyissa fel, vagy ne károsítsa a hűtőkört.
- > Ne használjon elektromos készülékeket a hűtőkészülék belsejében, kivéve, ha ezeket a készülékeket a gyártó erre a célra javasolja.



#### **FIGYELMEZTETÉS! Egészségkárosodás veszélye**

- > A készüléket 8 év feletti gyermekek, valamint korlátozott fizikai, érzékszervi és mentális képességű, illetve megfelelő tapasztalattal és tudással nem rendelkező személyek csak felügyelet mellett, illetve a készülék biztonságos használatát és az abból eredő veszélyeket megértve használhatják.

- > A 3 és 8 év közötti gyermekek már kivehetnek és berakhatnak élelmiszereket a hűtőkészülékekbe.
- > A gyermekeket felügyelni kell annak érdekében, hogy ne játsszanak a készülékkel.
- > A tisztítást és a felhasználói karbantartást felügyelet nélküli gyermekek nem végezhetik.

**FIGYELMEZTETÉS! Robbanásveszély**

Tilos a hűtőkészülékben robbanékony anyagokat, például gyúlékony hajtógázt tartalmazó permetpalackokat tárolni.

**VIGYÁZAT! Áramütés miatti veszély**

- > A hűtőkészülék üzembe helyezése előtt ügyeljen arra, hogy a kábel és a dugasz száraz legyen.
- > Minden tisztítás és karbantartás előtt és minden használat után válassza le a hűtőkészüléket az áramellátásról.

**VIGYÁZAT! Egészségkárosodás veszélye**

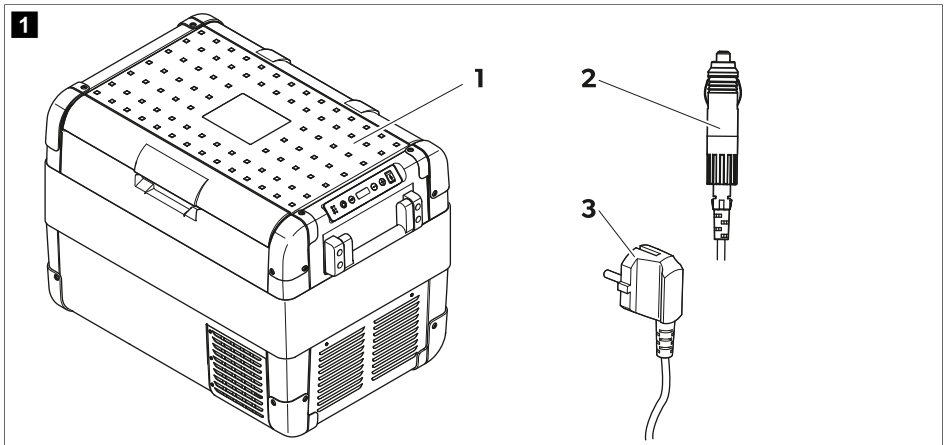
- > Az élelmiszer szennyeződésének elkerülése érdekében tartsa be a következő útmutatásokat:
  - Ellenőrizze, hogy a készülék hűtési teljesítménye megfelel-e a hűteni kívánt élelmiszerek követelményeinek.
  - Élelmiszert csak eredeti csomagolásban vagy megfelelő tárolókban szabad tárolni.
  - Ha hosszabb időszakokra kinyitja a hűtőkészüléket, azzal jelentősen megnövekedhet a hőmérséklet a készülék rekeszeiben.
  - Tisztítsa meg rendszeresen az élelmiszerral érintkező felületeket és a hozzáférhető lefolyórendszereket.
- > Ha hosszú időre üresen hagyja a készüléket:
  - Kapcsolja ki a készüléket.
  - Olvassa le a készüléket.
  - Tisztítsa meg és szárítsa meg a készüléket.
  - A készülék belsejében történő penészképződés érdekében hagyja nyitva a fedelet.

**FIGYELEM! Károsodás veszélye**

- > Ellenőrizze, hogy a típusablán feltüntetett feszültségadatok egyeznek-e a rendelkezésre álló energiaellátással.
- > A hűtőkészüléket kizárólag a következő módon csatlakoztassa:
  - Az egyenáramú csatlakozókábellel a jármű egyenáramú hálózatához
  - Vagy egy váltakozó áramú hálózati aljzathoz csatlakoztassa a váltakozó áramú csatlakozókábelt
- > Soha ne húzza ki a csatlakozódugót a kábelnél fogva az aljzathoz.
- > Ha a hűtőkészülék egy egyenáramú aljzathoz van csatlakoztatva: Mielőtt a gyorsító készüléket csatlakoztatja, válassza le a hűtőkészüléket és más fogyasztókat a jármű-akkumulátorról.
- > Ha a hűtőkészülék egy egyenáramú aljzathoz van csatlakoztatva: Válassza le a hűtőkészüléket a hálózatról vagy húzza ki, ha a jármű motorját kikapcsolja. Ellenkező esetben az akkumulátor lemerülhet.
- > A hűtőkészülék nem alkalmas maró hatású vagy oldószert tartalmazó anyagok szállítására.
- > A hűtőkészülék szigetelése gyúlékony ciklopentánt tartalmaz, amely speciális ártalmatlanítási eljárásokat igényel. Elemtartama végén megfelelő hulladékkezelő központban adja le a hűtőkészüléket.
- > Ne helyezze a hűtőkészüléket nyílt láng vagy más hőforrás (fűtés, erős napsugárzás, gáztűzhely stb.) közelébe.
- > Ne töltsön folyadékokat vagy jeget a belső tartályba.
- > Soha ne merítse vízbe a hűtőkészüléket.
- > Védje a hűtőkészüléket és a kábeleket a hőtől és a nedvességtől.
- > A hűtőkészüléket ne tegye ki az eső hatásának.

- > A hűtőközeg megfelelő keringetése érdekében a hűtőkészülék dőlésszöge nem lépheti túl a 30 °-ot. Ehhez egy vízszintmérő segítségével állítsa vízszintes helyzetbe a hűtőkészüléket.
- > **Túlmelegedés kockázata!** Mindig gondoskodjon arról, hogy a hűtőkészülék mind a négy oldalánál legyen elegendő hely a szellőzéshez. Minden olyan tárgyat tartson távol a szellőzőterülettől, amely korlátozná a hűtő szerkezeti elemekhez menő légáramlatot. Ne helyezze a hűtőkészüléket zárt rekeszekbe vagy olyan területekre, ahol nincs vagy minimális a légáramlás.

## 5 A csomag tartalma



| Tétel | Mennyiség | Leírás   |
|-------|-----------|--|
| 1     | 1         | Hűtőláda                                       |
| 2     | 1         | Csatlakozókábel egyenáramú csatlakozáshoz      |
| 3     | 1         | Csatlakozókábel váltakozó áramú csatlakozáshoz |
| -     | 1         | Rövid üzemeltetési útmutató                    |

## 6 Tartozékok

Tartozékként kapható (nincs mellékelve):

| Megnevezés                             | Cikksz.    | Modell                       |
|--|------------|------------------------------|
| CFX-QFK gyorskioldó rögzítőkészlet     | 9600000166 | Csak CFX2 28                 |
| CFX-QFK3545 gyorskioldó rögzítőkészlet | 9600029599 | Csak CFX2 37 és CFX2 45      |
| Hűtőládához való alkalmazás            | -          | Az összes modellhez alkalmas |

## 7 Rendeltetésszerű használat

A hűtőláda élelmiszerek hűtésére alkalmas. A hűtőláda járművekben való üzemeltetésre is alkalmas. A hűtőláda járművek egyenáramú tápellátás aljzatáról vagy váltakozó áramú tápellátásról is üzemeltethető.

A hűtőláda kemping használatra is alkalmas.

Ez a hűtőláda háztartási és hasonló környezetekben, például:

- üzletek, irodák és egyéb munkahelyek személyzeti konyháiban
- vidéki vendégházakban
- hotelekben, motelekben és más lakóépület típusú környezetekben
- vendégfogadó létesítményekben
- catering és hasonló nem kiskereskedelmi felhasználási területeken alkalmazható

A hűtőláda a következő célokra **nem** alkalmas:

- Élelmiszer gyorsfagyasztása
- Korrozív, maró hatású vagy oldószert tartalmazó anyagok tárolására
- Használat beépített készülékként

Ez a hűtőláda az itt leírt utasításoknak megfelelő rendeltetésszerű használatra alkalmas.

Ez a termék az itt leírt utasításoknak megfelelő rendeltetésszerű használatra alkalmas.

Ez a kézikönyv olyan információkat nyújt, amelyek a termék szakszerű telepítéséhez és/vagy üzemeltetéséhez szükségesek. A hibás telepítés és/vagy a szakszerűtlen üzemeltetés vagy karbantartás elégtelen teljesítményhez és potenciálisan meghibásodáshoz vezethet.

A gyártó nem vállal felelősséget a termék olyan károsodásáért, vagy sérülésekért, amelyek a következőkre vezethetők vissza:

- Hibás beszerelés, összeszerelés vagy csatlakoztatás, ideértve a túlfeszültséget is
- Helytelen karbantartás, vagy a gyártó által szállított eredeti tartalék alkatrésztől eltérő tartalék alkatrészek használata
- A termék kifejezett gyártói engedély nélküli módosítása
- Az útmutatóban leírt céloktól eltérő felhasználás

A Dometic fenntartja a termék megjelenésének és specifikációjának módosítására vonatkozó jogát.

## 8 Műszaki leírás

A hűtőláda képes hűteni a termékeket. A hűtést alacsony karbantartási igényű, kompresszorral ellátott hűtőkör teszi lehetővé. A megbízható szigetelés és az erős kompresszor hatékony és gyors hűtésről gondoskodik.

A hűtőláda hordozható.

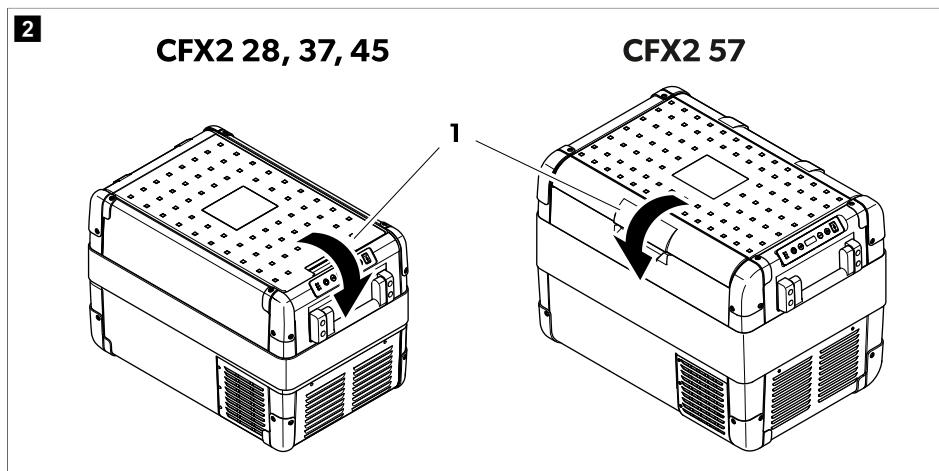
A hűtőláda rövid ideig 30 °-os dőlésszöget is elvisel, például hajókon.

### Rendelkezésre álló funkciók

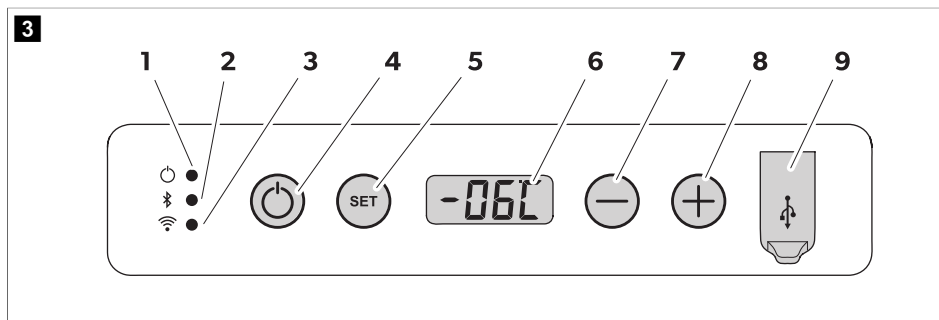
- Elsőbbségi kapcsolást biztosító hálózati tápegység váltakozó áramú tápellátáshoz való csatlakozáshoz
- Háromfokozatú akkumulátorfelügyelő a jármű akkumulátorának védelmére
- Kijelző °C vagy °F egységű hőmérséklet-megjelenítéssel
- Hőmérséklet beállítása 2 gombbal 1 °C / 1 °F lépésben
- Beépített Bluetooth és WLAN funkció a hűtőládának a hűtőládához való alkalmazáson keresztül történő vezérléséhez
- Billenthető hordozófogantyú
- USB csatlakozó a feszültségellátáshoz
- Kivehető kosárbetét

## Kezelő- és kijelzőelemek

Fedélzár (  . ábra **2** 263. oldal , **1**):



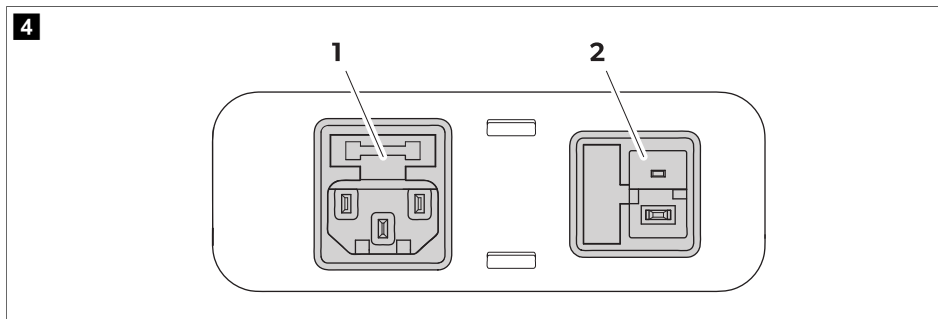
## Kezelőpanel



| Tétel | Leírás       | Magyarázat   |
|-------|--------------|--|
| 1     | Teljesítmény | Állapotjelző<br>A LED fehéren világít: A kompresszor elindul.<br>A LED narancssárgán világít: A kompresszor leáll.   |
| 2     | Bluetooth    | A LED ki van kapcsolva: A hűtőláda Bluetooth funkciója ki van kapcsolva.<br>A LED lassan fehéren villog: A hűtőláda Bluetooth funkciója be van kapcsolva. A hűtőláda egy készülékkel sincs párosítva.<br>A LED gyorsan fehéren villog: A hűtőláda Bluetooth-kapcsolaton keresztül kapcsolódik egy eszközhöz.<br>A LED fehéren világít: A hűtőláda Bluetooth-kapcsolaton keresztül párosítva van egy eszközzel. |

| Tétel | Leírás | Magyarázat   |
|-------|--------|--|
| 3     | WLAN   | A LED ki van kapcsolva: A hűtőláda WLAN funkciója ki van kapcsolva.  |
|       |        | A LED fehéren villog: A hűtőláda WLAN funkciója be van kapcsolva. A hűtőláda egy készülékhez sincs csatlakoztatva.   |
|       |        | A LED fehéren világít: A hűtőláda WLAN-kapcsolaton keresztül párosítva van egy eszközzel.  |
| 4     | BE/KI  | Be- vagy kikapcsolja a hűtőládát.  |
| 5     | SET    | Kiválasztja a beviteli módot: <ul style="list-style-type: none"> <li>• Hőmérséklet-beállítás</li> <li>• Celsius- vagy Fahrenheit-fokos kijelzés</li> <li>• Akkumulátorfelügyelő beállítás</li> <li>• Kijelző fényerejének beállítása</li> <li>• Kijelzőmód beállítása</li> <li>• Bluetooth beállítás</li> <li>• WLAN beállítása</li> </ul> |
| 6     |        | Kijelző  |
| 7     | -      | A hőmérséklet, a hőmérsékleti egység, az akkumulátorfelügyelő, a kijelző fényerejének, az üzemmód, a Bluetooth és a WLAN funkció beállítására szolgál.   |
| 8     | +      |  |
| 9     |        | USB-csatlakozó   |

## Csatlakozójzatok



| Tétel | Leírás                                       |
|-------|--|
| 1     | Csatlakozójzat váltakozó áramú tápellátáshoz |
| 2     | Csatlakozójzat egyenáramú tápellátáshoz      |

## 9 Üzemeltetés

### Az első használat előtt

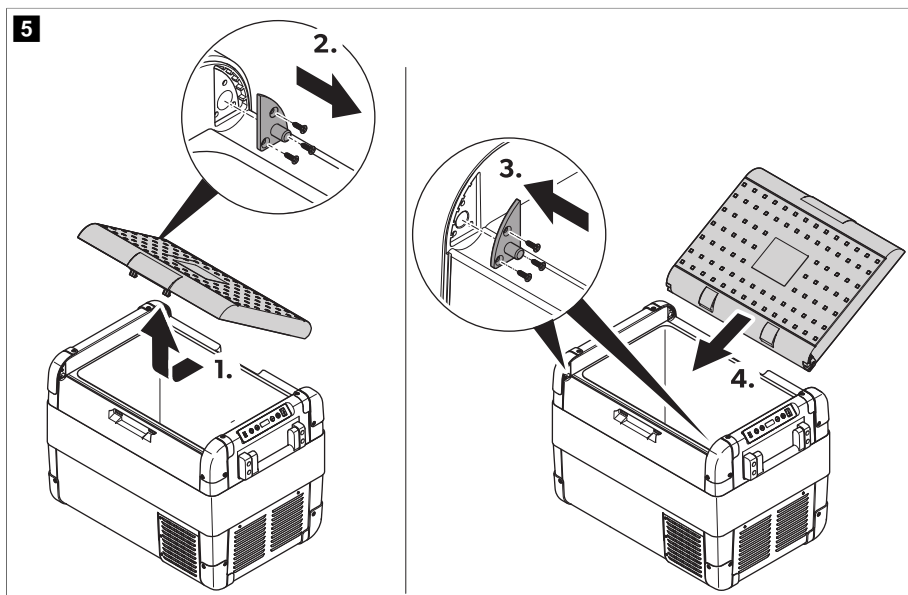




**MEGJEGYZÉS** A hűtőláda üzembe helyezése előtt higiéniai okokból tisztítsa meg nedves kendővel a hűtőláda belső és külső részét (lásd: Tisztítás és karbantartás 271. oldal).

## A fedél nyitási irányának megfordítása (csak CFX2 57 esetén)

A fedél csuklópántjait át lehet helyezni a másik oldalra.

1. Nyissa ki és távolítsa el a fedelet (  . ábra **5** 265. oldal ).



2. Távolítsa el az egyes csuklópántok 3 csavarját (  . ábra **5** 265. oldal ), majd vegye le őket.
3. Szerelje fel az új helyükön a csuklópántokat.
4. Helyezze be a fedelet az új csuklópánt-pozíciókba (  . ábra **5** 265. oldal ).

## Energiatakarékosság

- > Olyan jól szellőző helyet válasszon ki, amely védve van a közvetlen napsugárzástól.
- > Hagyja lehűlni a meleg ételeket, mielőtt azokat hűtés céljára a hűtőkészülékbe helyezné.
- > Ne nyissa ki a szükségesnél gyakrabban a hűtőkészüléket.
- > Ne hagyja nyitva a szükségesnél hosszabb ideig a hűtőkészüléket.
- > Ha a hűtőkészülék rendelkezik kosárral: Az optimális energiafogyasztás érdekében a kosarat a kiszállítási helyzetbe pozicionálja.
- > Rendszeresen ellenőrizze, hogy a fedél megfelelően illeszkedik-e.
- > Kerülje a szükségtelenül alacsony hőmérsékletet.

## A hűtőláda csatlakoztatása

### Csatlakoztatás az akkumulátorra



#### FIGYELEM! Károsodás veszélye

- > A készülék védelme érdekében a csomagban található egyenáramú kábel dugaszának belsejében egy biztosíték található. **Ne** távolítsa el a biztosítékkal rendelkező egyenáramú dugaszt. Csak a mellékelt egyenáramú csatlakozókábelt használja.

- > Válassza le a hűtőládát és más fogyasztókat az akkumulátorról, mielőtt az akkumulátort gyorstöltő készülékre csatlakoztatná. A túlfeszültség károsíthatja az akkumulátorhoz csatlakoztatott eszközök elektronikáját.



**MEGJEGYZÉS** A hűtőláda egy olyan elektronikus rendszerrel rendelkezik, amely megakadályozza a polaritás felcserélését. Az elektronikus rendszer védi a hűtőládát a rövidre zárástól akkumulátorra csatlakoztatás során.

A hűtőláda 12 V  $\Rightarrow$  és 24 V  $\Rightarrow$  feszültséggel egyaránt használható.

- > Csatlakoztassa a hűtőládát egy akkumulátorhoz az egyenáramú csatlakozókábel segítségével a képen látható módon.

### Csatlakoztatás váltakozó áramú hálózathoz



#### VESZÉLY! Áramütés miatti veszély

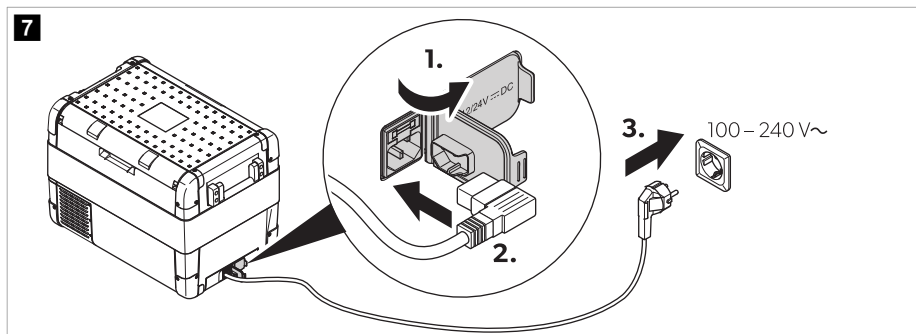
- > Soha ne dolgozzon dugócsatlakozókkal és kapcsolókkal, ha nedves a keze vagy nedves helyen áll.
- > Ha a hűtőládát a hajó fedélzetén váltakozó áramú tápegységről működtetik, a váltakozó áramú tápegység és a hűtő közé egy hibaáram-megszakítót kell beszerezni. Ilyen esetben kérje szakember tanácsát.



#### MEGJEGYZÉS

A hűtőláda váltakozó áramra való csatlakozáshoz elsőbbségi kapcsolást biztosító, többféle feszültséggel kompatibilis integrált tápegységgel rendelkezik. Ha a készülék váltakozó áramú hálózathoz van csatlakoztatva, az elsőbbségi kapcsolat automatikusan váltakozó áramú üzembe kapcsolja a hűtőládát akkor is, ha az egyenáramú csatlakozókábel csatlakoztatva van.

- > Csatlakoztassa a hűtőládát egy váltakozó áramú áramforráshoz a váltakozó áramú csatlakozókábel segítségével a képen látható módon.



### A hűtőláda használata



#### FIGYELEM! Károsodás veszélye

Helyezze a hűtőládát talppal lefelé.

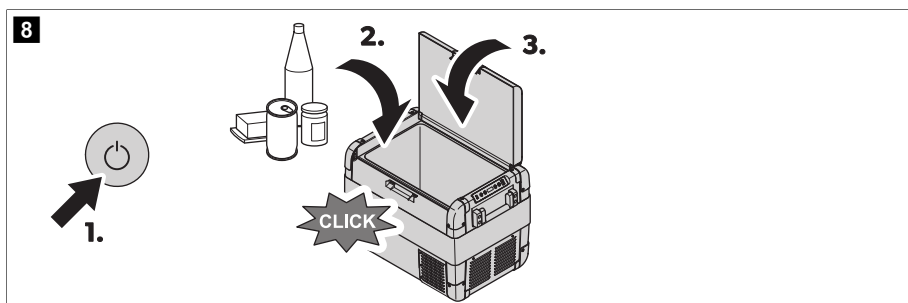
1. A hűtőládát szilárd aljzatra állítsa.
2. Csatlakoztassa a hűtőládát (lásd: A hűtőláda csatlakoztatása 265. oldal fejezet).



**FIGYELMEZTETÉS! Egészségkárosodás veszélye**

Ügyeljen rá, hogy csak a beállított hőmérsékletre hűteni kívánt termékeket tárolja a hűtőládában.

3. 1 ... 2 s másodpercig tartsa lenyomva a BE/KI-gombot.



- ✓ Felgyullad az üzemfeszültség LED-je. A kijelző bekapcsol és az aktuális hőmérsékletet mutatja.

**MEGJEGYZÉS Kijelzett hőmérséklet**

CFX2 57: A megjelenített hőmérséklet a nagy belső rekesz hőmérséklete (  . ábra 9 267. oldal 1).

A hűtőláda megkezdí a belső tér hűtését.

**A hűtőláda fedelének lezárása**

1. Zárja le a fedelet.
2. Nyomja le a reteszt, amíg az hallhatóan a helyére nem kattán.

**Élelmiszer-pazarlás elkerülése**

Az élelmiszer-pazarlás elkerülése érdekében vegye figyelembe a következőket:


- > Tartsa a lehető legalacsonyabb szinten a hőmérséklet ingadozását. A hűtőkészülék ajtaját csak addig tartsa nyitva ameddig ez feltétlenül szükséges. Úgy rendezze el az élelmiszert, hogy a levegő jól tudjon áramolni.
- > A hőmérsékletet az élelmiszer mennyiségéhez és típusához állítsa be.
- > Az élelmiszerek könnyen felvesznek vagy kibocsátanak szagokat vagy ízeket. Az élelmiszereket mindig lefedve vagy zárt edényekben/palackokban tárolja.

**A hőmérséklet beállítása**

1. Nyomja meg egyszer a **SET** gombot.
  2. Válassza ki a hűtési hőmérsékletet a **+** és **-** gomb segítségével.
- ✓ A kijelző néhány másodpercig mutatja a beállított hőmérsékletet és a **°C** mértékegységet. A kijelző többször villog. Ezután ismét megjelenik az aktuális hőmérséklet.

**A hőmérséklet mértékegységeinek kiválasztása**

1. Nyomja meg 2-ször a **SET** gombot.
2. A kívánt hőmérséklet mértékegység kiválasztásához nyomja meg a **+** vagy **-** gombot.

- ✓ A kijelző néhány másodpercig mutatja a beállított hőmérséklet mértékegységet és a következőt: . A kijelző néhányszor villog, mielőtt visszatér az aktuális hőmérséklet kijelzéséhez.

### Az akkumulátorfelügyelő használata



#### **FIGYELEM! Károsodás veszélye**

Amikor az akkumulátorfelügyelő kikapcsol, az akkumulátor már nincs teljesen feltöltve. Kerülje az ismételt indításokat vagy az áramfogyasztók hosszabb feltöltési fázisok nélküli üzemeltetését. Gondoskodjon az akkumulátor újratöltéséről.

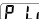
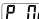

A hűtőláda olyan többszintes akkumulátorfelügyelővel van ellátva, amely a fedélzeti egyenáramú hálózatra történő csatlakozás esetén védi a járműakkumulátort a túlzott lemerüléstől.

Ha a hűtőládát olyankor üzemelteti, amikor a jármű gyújtása ki van kapcsolva, akkor a hűtőláda automatikusan kikapcsol, amint a tápfeszültség egy bizonyos szint alá csökken. A hűtőláda újra bekapcsol, amint az akkumulátor feltöltődik az újraindítási feszültségre.

A „HIGH” üzemmódban az akkumulátorfelügyelő gyorsabban reagál, mint a „LOW” és „MED” üzemmódokban.

| <b>Akkumulátorfelügyelő üzemmód</b> | <b>LOW</b> | <b>MED</b> | <b>HIGH</b> |
|-------------------------------------|------------|------------|-------------|
| Újraindítási feszültség: 12 V       | 11,4 V     | 12,2 V     | 12,6 V      |
| Kikapcsolási feszültség: 12 V       | 10,1 V     | 11,2 V     | 11,8 V      |
| Újraindítási feszültség: 24 V       | 23 V       | 25,3 V     | 26,4 V      |
| Kikapcsolási feszültség: 24 V       | 21,5 V     | 24,1 V     | 24,6 V      |

Az akkumulátorfelügyelő üzemmód az alábbi módon választható ki:

1. Kapcsolja be a hűtőládát.
  2. Nyomja meg 3-szor a **SET** gombot.
  3. Az akkumulátorfelügyelő üzemmód kiválasztásához használja a **+** és **-** gombokat.
- ✓ A kijelző a következőképpen változik:  (LOW),  (MED),  (HIGH)

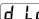
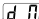
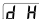
A kijelző néhány másodpercig a kiválasztott üzemmódot mutatja. A kijelző néhányszor villog, mielőtt visszatér az aktuális hőmérséklet kijelzéséhez.



**MEGJEGYZÉS** Ha a hűtőládát indítóakkumulátorról használja, akkor válassza a „HIGH” akkumulátorfelügyelő üzemmódot. Ha a hűtőládát ház akkumulátorról használja, akkor elegendő a „LOW” akkumulátorfelügyelő üzemmód.

### A kijelző fényerejének beállítása

A kijelző fényereje sötétebb fényviszonyok esetére beállítható.

1. Kapcsolja be a hűtőládát.
  2. Nyomja meg 4-szor a **SET** gombot.
  3. A **+** és **-** gombok segítségével állítsa be a kijelző fényerejét.
- ✓ A kijelző a következőképpen változik:  (alacsony),  (közepes),  (magas)

A kijelző néhány másodpercig mutatja a beállított módot. A kijelző néhányszor villog, mielőtt visszatér az aktuális fényerő kijelzéséhez.



**MEGJEGYZÉS** Hiba esetén a fényerő automatikusan visszaáll **[d Hi]** újra aktiválódik.

### Az USB-port használata

Az USB-csatlakozó lehetővé teszi a kis eszközök, például mobiltelefonok vagy mp3-lejátszók töltését.

- > Csatlakoztassa a töltendő eszközt a hűtőláda USB-portjához egy USB-kábel segítségével (nem tartozék).



**MEGJEGYZÉS** Győződjön meg arról, hogy a csatlakoztatott eszköz kompatibilis a következőkkel: 5 V / 2 A.

### Kijelzőmód beállítása

1. Nyomja meg 5-ször a **SET** gombot.
2. A **+** vagy **-** gombbal állítsa be az alvás üzemmódot.
- ✓ A kijelző a következőképpen változik: **[5 0F]** (KI), **[5 0n]** (BE), **[5 Lo]** (Alacsony)

**s 0F** (KI): Az alvás funkció ki van kapcsolva. A kijelző folyamatosan be van kapcsolva.

**s 0n** (BE): Az alvás funkció be van kapcsolva. Ha a hűtőládát több percig nem használják, a kijelzőn csak egy pont jelenik meg.

**s Lo** (Alacsony): Az alvás alüzemmod be van kapcsolva. Ha a hűtőládát több percig nem használják, a kijelző a legalacsonyabb beállítású fényerőre vált.



**MEGJEGYZÉS** Ha a kijelző alvó üzemmódban vagy alvó alüzemmodban van, a megfelelő üzemmódból való rövid kilépéshez nyomja meg a hűtőláda egyik gombját.

### A hűtőládához való mobilalkalmazás használata

Egy app segítségével, amelyet egy kompatibilis készülékre telepíthet fel, a hűtőláda Bluetooth, vagy WLAN kapcsolaton keresztül figyelhető és vezérelhető.

1. Töltse le és telepítse a hűtőládához való mobilalkalmazást.



Szerezze be az alkalmazást innen: [qr.dometic.com/beiv4R](http://qr.dometic.com/beiv4R).

2. Nyomja meg a **SET** gombot az alábbiak szerint:
  - a Bluetooth-beállítások megnyitásához 6-szor.
  - a WLAN-beállítások megnyitásához 7-szer.
3. A Bluetooth vagy a WLAN funkció beállításához használja a **+** vagy **-** gombokat.



**MEGJEGYZÉS** Ha a hűtőládát Bluetooth-on keresztül párosítja egy kompatibilis készülékkel, akkor a párosítási módot be kell állítani.

- ✓ A kijelző a következőképpen változik a Bluetooth beállításakor: **[bLOF]** (KI), **[bLn]** (BE), **[bLPA]** (Párosítás)



**MEGJEGYZÉS** Ha a kijelzőn a **[bLbF]** látható, a **-** gomb megnyomásakor a kijelző nem változik. Ha a kijelzőn a **[bLpR]** látható, a **+** gomb megnyomásakor a kijelző nem változik.

Amíg a Bluetooth párosítás létrejön, a Bluetooth LED fehéren villog, és a kijelzőn a **[bL]** látható.

A kijelző a következőképpen változik a WLAN beállításakor: **[F.bF]** (KI), **[F.bn]** (BE)

4. Kövesse az útmutatásokat a hűtőládához való mobilalkalmazásban.
- ✓ A Bluetooth vagy WLAN LED világít, ha a hűtőláda csatlakoztatva van.

### A hűtőláda kikapcsolása

1. Ürítse ki a hűtőládát.
- 
2. Nyomja meg a BE/KI gombot.
  3. Húzza ki a csatlakozókábelt.
  4. Ha a hűtőládát hosszabb ideig nem használja, hagyja nyitva a fedelet, hogy ne alakulhasson ki kellemetlen szag a hűtőládában.

### A hűtőláda leolvasztása

A levegő nedvességtartalma jeget képezhet a hűtőláda belső terében vagy az elpárologtatón. Emiatt csökken a hűtési teljesítmény.



#### **FIGYELEM! Károsodás veszélye**

Soha ne használjon kemény vagy hegyes végű eszközöket a jég eltávolításához vagy a fagyott tárgyak lazításához.

A hűtő leolvasztásához a következő módon járjon el:


1. Vegyen ki mindent a hűtőládából.
2. Ha szükséges, tegyen át mindent egy másik hűtőládába azok hidegen tartása érdekében.
3. Kapcsolja ki a hűtőládát.
4. Hagyja nyitva a fedelet.
5. Törölje le a leolvadt vizet.

### A váltakozó áramú biztosíték cseréje



#### **VESZÉLY! Áramütés miatti veszély**

A váltakozó áramú biztosíték cseréje előtt szüntesse meg az áramellátást és húzza ki a csatlakozókábelt.

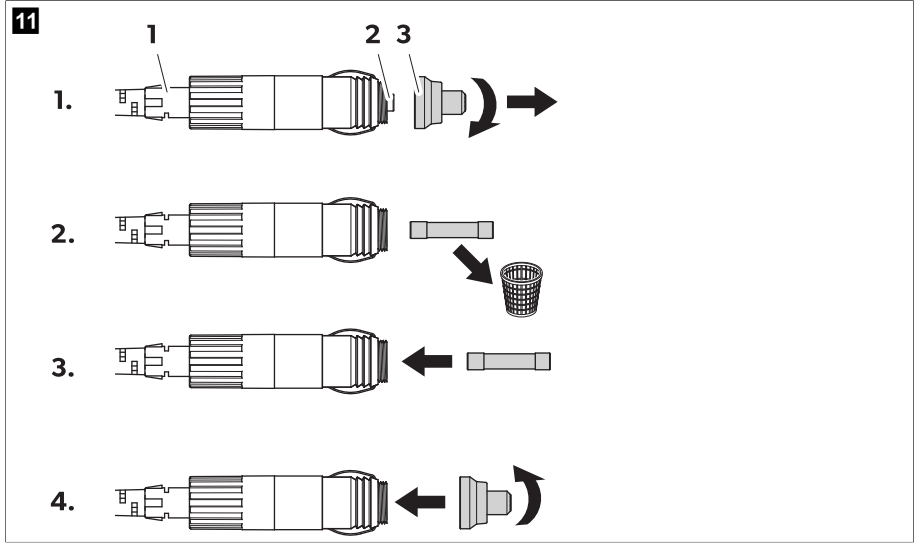
1. Szüntesse meg a hűtőláda áramellátását.
2. Húzza ki a csatlakozókábeleket.
3. Pattintsa ki a biztosítékbetétet (  . ábra 4 264. oldal 2) csavarhúzó segítségével.
4. Cserélje ki a meghibásodott üvegbiztosítékot egy ugyanolyan típusú és paraméterű új biztosítékra ( 4 A , 250 V ).
5. Pattintsa vissza a biztosítékbetétet a tokozásba.
6. Állítsa helyre a készülék áramellátását.

## Az egyenáramú dugasz biztosítékának cseréje



**MEGJEGYZÉS** A készüléken belül kiegészítő DC biztosíték található (szabványos autóiipari késes biztosíték, 10 A). A biztosítékot csak engedéllyel rendelkező vevőszolgálat cserélheti ki.

1. Csavarozza le az érintkezőstift házát ( . ábra **11** 271. oldal **3**) a dugaszról ( . ábra **11** 271. oldal **1**).



2. Cserélje ki a meghibásodott biztosítékot ( . ábra **11** 271. oldal **2**) egy azonos típusú és paraméterű új biztosítékra (3AG, gyors kioldású, 10 A).
3. Fordított sorrendben szerelje össze a dugaszt.

## A világítás nyomtatott áramkörének cseréje



### **FIGYELEM! Károsodás veszélye**

A veszélyek elkerülése érdekében csak a gyártó, a szerviz vagy hasonló képesítéssel rendelkező szolgáltató cserélheti ki a világítás nyomtatott áramkört.

## 10 Tisztítás és karbantartás



### **VIGYÁZAT! Áramütés miatti veszély**

A tisztítási vagy karbantartási munkák előtt győződjön meg arról, hogy a hűtőberendezés le van választva a tápellátásról.



### **FIGYELEM! Károsodás veszélye**

- > Soha ne tisztítsa a hűtőkészüléket csapvíz alatt vagy mosogatóvízben.
- > A tisztításhoz ne használjon dörzsölő hatású tisztítószeret vagy kemény tárgyakat.

- > Alkalmanként tisztítsa meg a készülék belsejét és külsejét nedves kendővel.

- > Biztosítsa, hogy a hűtőkészülék szellőzőnyílásai por- és szennyeződésmentesek legyenek, így az üzem közben keletkező hó távozhat és a hűtőláda nem károsodik.

## 11 Hibakeresés

| Hiba  | Lehetséges ok  | Megoldási javaslat  |
|---|--|---|
| A hűtőláda nem működik. Az üzemfeszültség LED-je nem világít.   | Az egyenáramú aljzatban nem észlelhető feszültség.   | > Kapcsolja be a jármű gyújtását.   |
|   | A váltakozó áramú aljzatban nem észlelhető feszültség.   | > Használjon másik aljzatot.  |
|   | A váltakozó áramú biztosíték meghibásodott.  | > Cserélje ki a váltakozó áramú biztosítékot, lásd: A váltakozó áramú biztosíték cseréje 270. oldal .   |
|   | A beépített hálózati tápegység hibás.  | > Vegye fel a kapcsolatot a hivatalos szervizzel.   |
| Az üzemfeszültség LED-je narancssárgán világít, az <b>E 01</b> hibakód látható a kijelzőn, és a hűtőláda nem hűt, bár a csatlakozó be van dugva.      | Az akkumulátorfelügyelő túl magas üzemmódba van állítva.   | <ol style="list-style-type: none"> <li>1. Állítsa az akkumulátorfelügyelőt alacsonyabb üzemmódba (lásd: Az akkumulátorfelügyelő használata 268. oldal ).</li> <li>2. Ellenőrizze az indítóakkumulátort.</li> <li>3. Szükség esetén töltsse fel az indítóakkumulátort.<br/>Kövesse a gyártó útmutatásait.</li> </ol> |
|   | Az akkumulátorfelügyelő túl alacsony üzemmódra van beállítva.                                    | <ol style="list-style-type: none"> <li>1. Állítsa az akkumulátorfelügyelőt magasabb üzemmódba (lásd: Az akkumulátorfelügyelő használata 268. oldal ).</li> <li>2. Ellenőrizze az indítóakkumulátort.</li> <li>3. Szükség esetén töltsse fel az indítóakkumulátort.<br/>Kövesse a gyártó útmutatásait.</li> </ol>    |
| A hűtőláda egyenáramú kimenetről történő üzemeltetésekor: A gyújtás be van kapcsolva és a hűtőláda nem működik. Az üzemfeszültség LED-je nem világít. | Az egyenáramú dugasz nincs megfelelően csatlakoztatva.   | > Csatlakoztassa újra a dugaszt.  |
|   | Elszennyeződött az egyenáramú csatlakozójelző foglalat. Ez rossz elektromos érintkezéshez vezet. | > Tisztítsa meg az egyenáramú csatlakozót.<br>Kövesse a gyártó útmutatásait.  |
|   | Kiégett az egyenáramú dugasz biztosítéka.  | > Cserélje ki az egyenáramú dugasz biztosítékát, lásd: Az egyenáramú dugasz biztosítékának cseréje 271. oldal .   |
|   | Kiégett a hűtőládán belüli DC biztosíték.  | > Vegye fel a kapcsolatot a hivatalos szervizzel.   |
|   | A jármű egyenáramú kimenetének biztosítéka kiégett.  | > Cserélje ki a jármű egyenáramú kimenetének biztosítékát.<br>Kövesse a gyártó útmutatásait.  |

| Hiba  | Lehetséges ok                           | Megoldási javaslat                                |
|---|---|---|
| A kijelzőn hibakód jelenik meg, és a hűtőláda nem hűt (lásd: Hibakódok 273. oldal). | Belső hiba miatt a hűtőláda kikapcsolt. | > Vegye fel a kapcsolatot a hivatalos szervizzel. |

## Hibakódok



**MEGJEGYZÉS** Ha a **E 02** és **E 07** közötti hibakódot egyike megjelenik, forduljon egy hivatalos szervizhez.

| Hibakód     | Leírás                            |
|-------------|-----------------------------------|
| <b>E 01</b> | Alacsony feszültség/túlfeszültség |
| <b>E 02</b> | Ventilátor-túláram                |
| <b>E 03</b> | A kompresszor nem indul el        |
| <b>E 04</b> | A kompresszor sebessége alacsony  |
| <b>E 05</b> | A vezérlő túlmelegedett           |
| <b>E 06</b> | NTC áramkör nyitva                |
| <b>E 07</b> | NTC rövidzárlat                   |

## 12 Szavatosság

A termékre a törvény szerinti garancia-időszak érvényes. Amennyiben a termék meghibásodott, lépjen kapcsolatba a gyártó helyi képviselővel (lásd: [dometic.com/dealer](http://dometic.com/dealer)) vagy a kereskedővel.

A javításhoz, illetve a garancia-adminisztrációhoz a következő dokumentumokat kell mellékelnie a termék beküldésekor:

- A számla vásárlási dátummal rendelkező másolatát
- A reklamáció okát vagy a hibát tartalmazó leírást

Vegye figyelembe, hogy az önkezü javítás vagy a nem szakszerű javítás biztonsági következményekkel járhat, és érvénytelenítheti a garanciát.

## 13 Ártalmatlanítás



### FIGYELMEZTETÉS! Gyermek beszorulásának kockázata

A régi hűtőkészülék leselejtezése előtt szerelje le a fedelét. Hagyja a kosarakat a készülékben, így a gyermekek nem tudnak egyszerűen belemászni.



A csomagolóanyagot lehetőség szerint a megfelelő szelektív hulladékgyűjtő tartályokba kell helyezni. A termékre vonatkozó ártalmatlanítási előírásokról tájékozódjon a legközelebbi újrahasznosító központban, vagy szakkereskedőjénél.



Az elemeket, akkumulátorokat és fényforrásokat tartalmazó termékek újrahasznosítása: A termék újrahasznosítása előtt távolítsa el az elemeket, akkumulátorokat és a fényforrásokat. Adja le a meghibásodott akkumulátorokat vagy elhasznált elemeket a kereskedőnél vagy egy gyűjtőhelyen. Ne dobja az elemeket, akkumulátorokat és fényforrásokat az általános háztartási hulladékba. A termék végleges üzemén kívül helyezése esetén tájékozódjon a legközelebbi újrahasznosító központban vagy szakkereskedőjénél a vonatkozó ártalmatlanítási előírásokról. A termék ingyenesen ártalmatlanítható.

## 14 Műszaki adatok



**MEGJEGYZÉS** Ha a környezeti hőmérséklet 32 °C felett van, a minimum hőmérséklet nem érhető el.

Ez a termék fluortartalmú üvegházhatású gázokat tartalmaz.

A hűtőegység hermetikusan le van zárva.

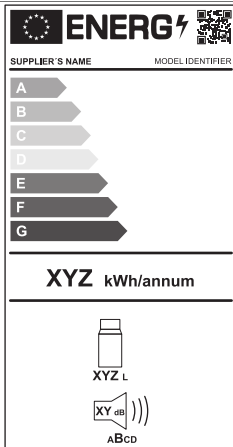
|   | CFX2 28   | CFX2 37   | CFX2 45  | CFX2 57  |
|---|---|---|--|--|
| Névleges bemenet                                | 50 ... 60 Hz<br>100 ... 240 V~                                  |   |  |  |
| Névleges áram                                   | 12 V : 8,6 A<br>24 V : 3,8 A<br>100 V : 1,6 A<br>240 V : 0,77 A | 12 V : 8,7 A<br>24 V : 3,85 A<br>100 V : 1,63 A<br>240 V : 0,78 A | 12 V : 8,8 A<br>24 V : 3,9 A<br>100 V : 1,65 A<br>240 V : 0,79 A | 12 V : 9 A<br>24 V : 4 A<br>100 V : 1,7 A<br>240 V : 0,8 A |
| Hűtési teljesítmény                             | -22 °C ... 20 °C  |   |  |  |
| Környezeti hőmérséklet                          | 16 °C ... 43 °C   |   |  |  |
| Klímaosztály                                    | N vagy T  |   |  |  |
| USB   | 5 V 2 A   |   |  |  |
| Hűtőközeg                                       | R600a   |   |  |  |
| Hűtőközeg készletmennyisége                     | 13 g  | 13 g  | 14 g   | 17 g   |
| Méreték (Sz x Ma x Mé)<br>(fogantyúkkal együtt) | 600 mm ×<br>427 mm × 345 mm                                     | 678 mm ×<br>428 mm × 401 mm                                       | 678 mm ×<br>493 mm × 401 mm                                      | 709 mm ×<br>503 mm × 458 mm                                |
| Mennyiség                                       | 28 L  | 37 L  | 45 L   | 57 L   |
| Súly  | 13,5 kg   | 15,8 kg   | 16,8 kg  | 18,5 kg  |
| Frekvenciasáv (WLAN)                            | 2,4 GHz   |   |  |  |
| Max. kimeneti teljesítmény                      |   |   |  |  |
| WLAN  | 19,22 dBm   |   |  |  |
| Bluetooth                                       | 7,93 dBm  |   |  |  |

A Dometic (Zhuhai) Technology Co., Ltd ezúton kijelenti, hogy a CFX2 28, CFX2 37, CFX2 45, CFX2 57 típusú rádióberendezés megfelel a 2014/53/EU irányelvnek. Az EU megfeleléségi nyilatkozat teljes szövege a következő honlapon érhető el: [documents.dometic.com](http://documents.dometic.com)

További termékinformációkat az energiacímkén található QR kód beolvasásával, vagy az [eprel.ec.europa.eu](http://eprel.ec.europa.eu) honlapon kaphat.



12



**ENERGY**

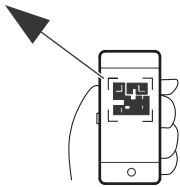
SUPPLIER'S NAME MODEL IDENTIFIER

A  
B  
C  
D  
E  
F  
G

**XYZ kWh/annum**

XYZ L

XY dB  
ABCD



[eprel.ec.europa.eu](http://eprel.ec.europa.eu)

## Hrvatski

|    |                                     |     |
|----|-------------------------------------|-----|
| 1  | Važne napomene.....                 | 276 |
| 2  | Objašnjenje simbola.....            | 276 |
| 3  | Objašnjenje simbola na uređaju..... | 277 |
| 4  | Sigurnosne upute.....               | 277 |
| 5  | Opseg isporuke.....                 | 279 |
| 6  | Pribor.....                         | 279 |
| 7  | Namjena.....                        | 279 |
| 8  | Tehnički opis.....                  | 280 |
| 9  | Rad.....                            | 282 |
| 10 | Čišćenje i održavanje.....          | 289 |
| 11 | Uklanjanje smetnji.....             | 290 |
| 12 | Jamstvo.....                        | 291 |
| 13 | Odlaganje u otpad.....              | 291 |
| 14 | Tehnički podaci.....                | 291 |

## 1 Važne napomene

Pažljivo pročitajte ove upute i poštujte sve upute, smjernice i upozorenja sadržane u ovim uputama kako biste u svakom trenutku osigurali pravilnu instalaciju, uporabu i održavanje proizvoda. Ove upute MORAJU ostati u blizini ovog proizvoda.

Uporabom proizvoda potvrđujete da ste pažljivo pročitali sve upute, smjernice i upozorenja te da razumijete i pristajete poštovati ovdje navedene uvjete i odredbe. Pristajete koristiti se ovim proizvodom samo za predviđenu svrhu i namjenu te u skladu s uputama, smjernicama i upozorenjima navedenima u ovom priručniku za proizvod, kao i u skladu sa svim važećim zakonima i propisima. Ako ne pročitate i ne poštujete ovdje navedene upute i upozorenja, tada to može dovesti do ozljeđivanja vas i drugih osoba, do oštećenja proizvoda ili druge imovine u blizini. Ovaj priručnik za proizvod, uključujući i upute, smjernice i upozorenja, te povezanu dokumentaciju može biti podložan promjenama i ažuriranjima. Za najnovije podatke o proizvodu posjetite [documents.dometic.com](http://documents.dometic.com).

## 2 Objasnjenje simbola

Signalna riječ opisuje poruke o sigurnosti i oštećenju imovine, kao i stupanj ili razinu težine potencijalne opasnosti.



### OPASNOST!

Naznačuje opasnu situaciju, koja će, ako se ne izbjegne, rezultirati smrću ili teškim ozljedama.



### UPOZORENJE!

Naznačuje opasnu situaciju, koja bi, ako se ne izbjegne, mogla rezultirati smrću ili teškim ozljedama.



### OPREZ!

Naznačuje opasnu situaciju, koja bi, ako se ne izbjegne, mogla rezultirati lakšim ili umjerenim ozljedama.



### POZOR!

Naznačuje situaciju, koja, ako se ne izbjegne, može rezultirati materijalnom štetom.



**UPUTA** Dodatne informacije za rukovanje proizvodom.

### 3 Objašnjenje simbola na uređaju



Pažnja! Opasnost od požara. Zapaljivi materijali.

### 4 Sigurnosne upute



#### **OPASNOST! Opasnost od strujnog udara**

- > Na plovilima: Ako se uređaj napaja preko električne mreže, pobrinite se za to da napajanje ima automatsku zaštitnu sklopku (RCCB) ili FI-sklopku (GFCI). Montaža, naročito u potencijalno vlažnim prostorima, mora biti provedena u skladu sa svim važećim propisima o montaži.
- > Golim rukama ne dodirujte izložene kabele. To posebno vrijedi ako se napajanje uređaja odvija preko mreže izmjenične struje.



#### **UPOZORENJE! Opasnost od strujnog udara**

- > Nemojte koristiti hladnjak ako na njemu ima vidljivih oštećenja.
- > Ako je kabel napajanja ovog rashladnog uređaja oštećen, mora se zamijeniti kako bi se spriječilo ugrožavanje sigurnosti.
- > Ovaj hladnjak smije popravljati samo kvalificirano osoblje. Nepropisno izvedeni popravci mogu značajno povećati opasnosti.
- > Utikačem spojite uređaj u utičnice koje osiguravaju pravilan priključak posebice ako uređaj treba biti uzemljen.



#### **UPOZORENJE! Opasnost od požara**

- > Kada postavljate uređaj, pobrinite se da kabel napajanja nije zaglavljnjen ili oštećen.
- > Ne postavljajte višestruke utičnice ili prijenosna napajanja na stražnjoj strani uređaja.
- > Rashladno sredstvo u krugu rashladnog sredstva iznimno je zapaljivo i u slučaju curenja može doći do nastanka zapaljivih plinova ako je uređaj u maloj prostoriji. U slučaju bilo kakva oštećenja kruga rashladnog sredstva:
  - Otvoreni plamen i moguće izvore zapaljenja držite podalje od hladnjaka.
  - Dobro prozračite prostoriju.
  - Isključite hladnjak.
- > Ako je riječ o rashladnim uređajima s rashladnim sredstvom R600a:
  - Rashladni krug sadrži malu količinu ekološkog, ali zapaljivog rashladnog sredstva. Ono ne oštećuje ozonski sloj i ne povećava efekt staklenika. Svako rashladno sredstvo, koje curi, može se zapaliti.
  - Nemojte upotrebljavati niti skladištiti rashladni uređaj u skućenim prostorima bez protoka zraka ili s minimalnim protokom zraka.
- > Pazite da ventilacijski otvori na kućištu uređaja ili u ugradbenim konstrukcijama nisu pokriveni.
- > Ne koristite mehaničke predmete ili druga sredstva kako biste ubrzali postupak otapanja, jedino ako tako nije preporučeno od strane proizvođača.
- > Nemojte otvarati ili oštetiti kružni tok rashladnog sredstva.
- > Ne upotrebljavajte električne uređaje unutar rashladnog uređaja, osim ako ih proizvođač preporučuje u tu svrhu.



#### **UPOZORENJE! Opasnost za zdravlje**

- > Ovaj uređaj smiju koristiti djeca od 8 godina i starija te osobe sa smanjenim fizičkim, senzornim ili mentalnim sposobnostima ili osobe s nedovoljnim iskustvom i znanjem ako su pod nadzorom ili ako su dobili upute o sigurnoj uporabi uređaja te razumiju opasnosti koje se pri tome javljaju.

- > Djeci od 3 do 8 godina dopušteno je puniti i prazniti hladnjake.
- > Djeca moraju biti pod nadzorom kako bi se osiguralo da se neće igrati s uređajem.
- > Djeca ne smiju provoditi čišćenje i korisničko održavanje bez nadzora.



#### **UPOZORENJE! Opasnost od eksplozije**

U hladnjak nemojte odlagati eksplozivne tvari kao što su sprejevi u limenci sa zapaljivim propelantom.



#### **OPREZI! Opasnost od strujnog udara**

- > Prije uključjenja hladnjaka osigurajte da su kabel napajanja i utikač suhi.
- > Prije svakog čišćenja i održavanja te nakon svake upotrebe rashladni uređaj iskopčajte iz izvora napajanja.



#### **OPREZI! Opasnost za zdravlje**

- > Kako biste izbjegli kontaminaciju hrane, pridržavajte se sljedećih uputa:
  - Provjerite je li učinak hlađenja odgovarajući za čuvanje hrane koju želite hladiti.
  - Hrana se smije čuvati samo u izvornom pakiranju ili u prikladnim posudama.
  - Otvaranje vrata hladnjaka duže vrijeme može uzrokovati znatno povećanje temperature u odjeljcima uređaja.
  - Redovito čistite površine koje dolaze u dodir s hranom i sustavima odvodnje kojima se može pristupiti.
- > Ako je uređaj dugo prazan:
  - Isključite ga.
  - Odledite uređaj.
  - Očistite i osušite uređaj.
  - Poklopac ostavite otvoren kako biste spriječili nastanak plijesni unutar uređaja.

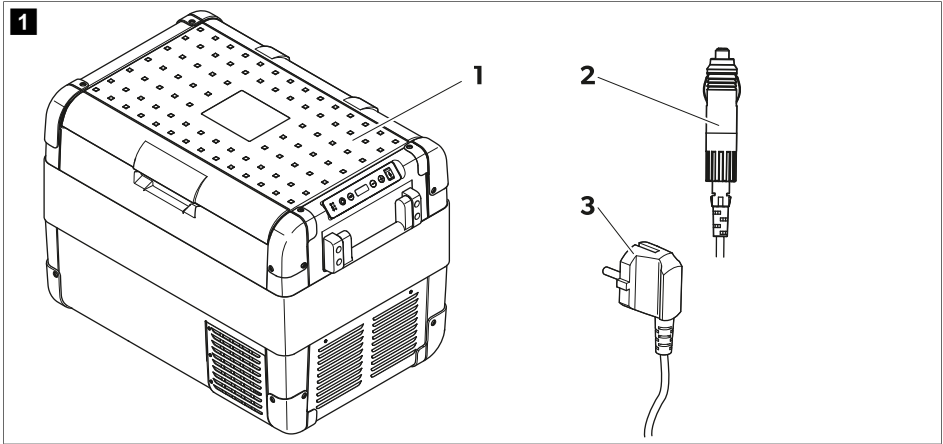


#### **POZOR! Opasnost od oštećenja**

- > Provjerite odgovara li specifikacija napona na tipskoj pločici specifikaciji mrežnog napona.
- > Rashladni uređaj priključite samo na sljedeći način:
  - S istosmjernim kabelom za napajanje istosmjernom strujom u vozilu
  - Ili s izmjeničnim kabelom za napajanje izmjeničnom strujom u vozilu
- > Nikada ne izvlačite utikač iz utičnice povlačenjem kabela.
- > Ako je rashladni uređaj spojen na istosmjernu utičnicu: Odspojite rashladni uređaj i ostale uređaje koji troše energiju s akumulatora prije spajanja uređaja za brzo punjenje.
- > Ako je rashladni uređaj spojen na istosmjernu utičnicu: Odspojite rashladni uređaj ili ga isključite kada isključite motor. U suprotnom možete isprazniti akumulator.
- > Rashladni uređaj nije prikladan za transport lužnatih materijala ili materijala koji sadrže otapala.
- > Izolacija rashladnog uređaja sadrži zapaljivi ciklopentan i zahtijeva posebne postupke zbrinjavanja. Na kraju njegovog životnog ciklusa dostavite rashladni uređaj u odgovarajući centar za recikliranje.
- > Ne stavljajte rashladni uređaj u blizinu otvorenog plamena ili drugih izvora topline (grijači, izravna sunčeva svjetlost, plinske peći itd.).
- > Ne punitite unutarnju posudu ledom ili tekućinom.
- > Nikada ne uranjajte rashladni uređaj u vodu.
- > Zaštitite rashladni uređaj i kabele od vrućine i vlage.
- > Rashladni uređaj ne smije biti izložen kiši.
- > Kako bi rashladno sredstvo moglo pravilno cirkulirati, nagib rashladnog uređaja ne smije biti veći od 30°. Libelom provjerite je li rashladni uređaj postavljen ravno.

- > **Opasnost od pregrijavanja!** U svakom trenutku rashladni uređaj mora biti dobro prozračen sa sve četiri strane. Uklonite sve predmete iz ventilacijskog područja koji bi mogli ograničiti protok zraka do rashladnih komponenti. Nemojte stavljati rashladni uređaj u zatvorene pretince ili područja gdje protok zraka ne postoji ili je minimalan.

## 5 Opseg isporuke



| Pozicija | Količina | Opis  |
|----------|----------|---|
| 1        | 1        | Hladnjak  |
| 2        | 1        | Priključni kabel za priključak istosmjerne struje |
| 3        | 1        | Priključni kabel za priključak izmjenične struje  |
| -        | 1        | Kratke upute za rukovanje                         |

## 6 Pribor

Dostupno kao pribor (nije sadržan u opsegu isporuke):

| Naziv   | Br. art.   | Model                  |
|---|------------|------------------------|
| Komplet za postavljanje s brzim otpuštanjem CFX-QFK     | 9600000166 | Samo CFX2 28           |
| Komplet za postavljanje s brzim otpuštanjem CFX-QFK3545 | 9600029599 | Samo CFX2 37 i CFX2 45 |
| Mobilna aplikacija za rashlađivanje                     | -          | odgovara svim modelima |

## 7 Namjena

Ovaj hladnjak prikladan je za hlađenje namirnica. Hladnjak je prikladan i za uporabu u vozilima. Hladnjak je predviđen za napajanje iz utičnice istosmjerne struje u vozilu ili iz mreže izmjenične struje.

Ovaj je hladnjak prikladan i za kampiranje.

Ovaj hladnjak namijenjen je za uporabu u kućanstvu i sličnim primjenama, kao što su

- Čajne kuhinje za osoblje u prodavaonicama, uredima i na drugim radnim mjestima
- Poljoprivredna gospodarstva
- Klijenti u hotelima, motelima i drugim tipovima smještajnih objekata
- objekti koji nude noćenje s doručkom
- priprema i dostava hrane te slične nemaloprodajne primjene

Hladnjak **nije** prikladan za:

- brzo zamrzavanje hrane
- čuvanje korozivnih, nagrizajućih tvari ili tvari koje sadržavaju otapala
- upotrebu kao ugradbeni uređaj

Ovaj hladnjak prikladan je samo za predviđenu namjenu i primjenu u skladu s ovim uputama.

Ovaj je proizvod prikladan samo za predviđenu namjenu i primjenu u skladu s ovim uputama.

Ove upute donose informacije neophodne za pravilnu instalaciju i/ili rad proizvoda. Loša instalacija i/ili nepravilan rad ili održavanje rezultirat će nezadovoljavajućom uspješnošću i mogućim kvarom.

Proizvođač ne preuzima nikakvu odgovornost za bilo kakve ozljede ili oštećenja proizvoda koje nastanu kao rezultat:

- nepravilnog sklapanja, montaže ili priključivanja, uključujući i previsok napon
- nepravilnog održavanja ili uporabe nekih drugih rezervnih dijelova osim originalnih rezervnih dijelova koje isporučuje proizvođač
- izmjena na proizvodu bez izričitog dopuštenja proizvođača
- uporabe u svrhe koje nisu opisane u ovim uputama

Dometic pridržava pravo na izmjene izgleda i specifikacija proizvoda.

## 8 Tehnički opis

Hladnjak može hladiti proizvode. Rashladni krug s vrlo niskim potrebama za održavanjem i kompresorom osigurava hlađenje. Vrlo dobra izolacija i snažni kompresor jamče učinkovito i brzo hlađenje.

Ovo je prijenosni hladnjak.

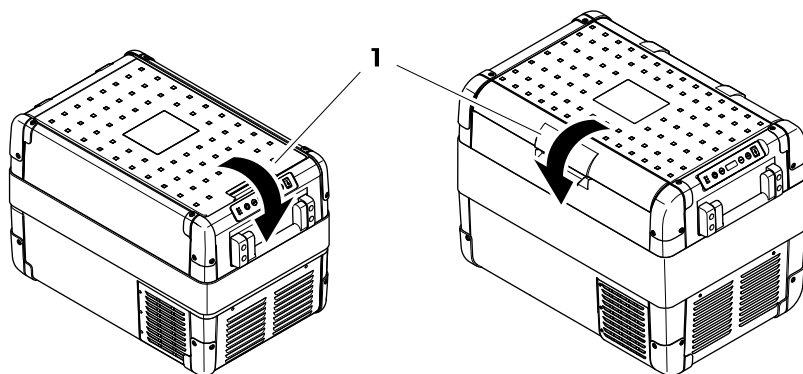
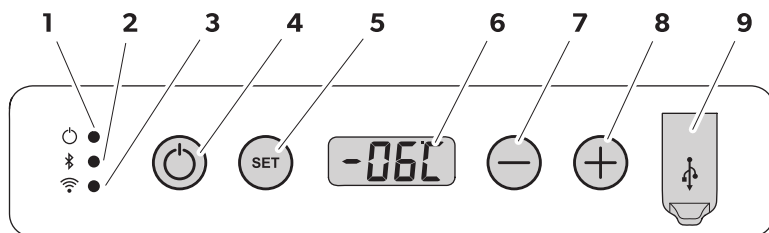
Hladnjak može podnijeti kratkotrajni nagib od 30 °, primjerice na brodovima.

### Opseg funkcija

- Napajanje s prioritarnim strujnim krugom za priključivanje na mrežu izmjenične struje
- 3-razinski kontrolni uređaj za zaštitu akumulatora vozila
- Zaslon s pokazivačem temperature u °C i °F
- Postavljanje temperature pomoću 2 tipke u koracima od 1 °C / 1 °F
- Integrirana Bluetooth i WLAN funkcija za upravljanje hladnjakom putem mobilne aplikacije za rashlađivanje
- Sklopive ručke za prenošenje
- USB priključak za napajanje
- Uklonjiva žičana košara

### Upravljački i prikazni elementi

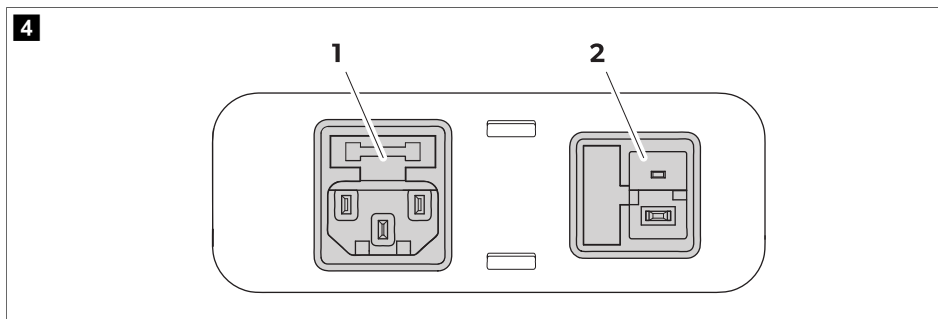
Zasun (  sl. 2 na stranici 281, 1) za poklopac:

**2****CFX2 28, 37, 45****CFX2 57****Upravljačka ploča****3**

| Po-<br>zici-<br>ja | Opis      | Objašnjenje   |
|--------------------|-----------|---|
| 1                  | Snaga     | Indikacija statusa  |
|                    |           | LED svijetli bijelo: Kompresor počinje s radom.<br>LED svijetli narančasto: Kompresor prestaje s radom. |
| 2                  | Bluetooth | LED je isključen: Bluetooth hladnjak isključen je.  |
|                    |           | LED sporo bljeska bijelo: Bluetooth hladnjak uključen je. Hladnjak nije uparen s uređajem.              |
|                    |           | LED brzo bljeska bijelo: Hladnjak se putem Bluetootha uparuje s uređajem.                               |
|                    |           | LED svijetli bijelo: Hladnjak je putem Bluetootha uparen s uređajem.                                    |
| 3                  | WLAN      | LED je isključen: WLAN hladnjak isključen je.   |
|                    |           | LED bljeska bijelo: WLAN hladnjak uključen je. Hladnjak nije povezan s uređajem.                        |
|                    |           | LED svijetli bijelo: Hladnjak je putem WLAN-a uparen s uređajem.  |

| Pozicija | Opis                       | Objašnjenje  |
|----------|----------------------------|--|
| 4        | UKLJUČIVANJE/ISKLJUČIVANJE | Uključuje ili isključuje hladnjak.   |
| 5        | SET                        | Služi za odabir načina unosa: <ul style="list-style-type: none"> <li>• postavljanje temperature</li> <li>• prikaz Celzijusa ili Fahrenheita</li> <li>• postavljanje kontrolnog uređaja za akumulator</li> <li>• postavljanje svjetline zaslona</li> <li>• postavljanje načina prikaza</li> <li>• postavljanje Bluetootha</li> <li>• postavljanje WLAN-a</li> </ul> |
| 6        |                            | Zaslon   |
| 7        | -                          | Postavljanje temperature, jedinice temperature, kontrolnog uređaja za akumulator, svjetline zaslona, načina prikaza, Bluetootha i WLAN-a.  |
| 8        | +                          |  |
| 9        |                            | USB priključak   |

### Priključne utičnice



| Pozicija | Opis   |
|----------|--|
| 1        | Priključna utičnica za izmjenično napajanje  |
| 2        | Priključna utičnica za istosmjerno napajanje |

## 9 Rad

### Prije prve upotrebe




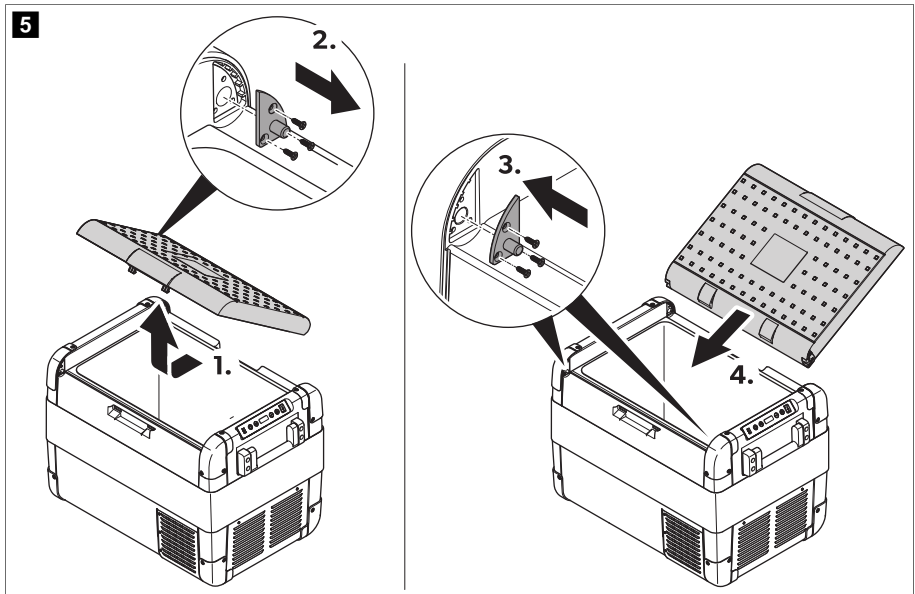
**UPUTA** Prije prve upotrebe hladnjak iz higijenskih razloga očistite vlažnom krpom izvana i iznutra (pogledajte odjeljak Čišćenje i održavanje na stranici 289).



### Promjena smjera otvaranja poklopca (samo CFX2 57)

Šarke poklopca može premjestiti na suprotnu stranu.



1. Otvorite i skinite poklopac (  sl. 5 na stranici 283).



2. Odvrtite po 3 vijka svake šarke (  sl. 5 na stranici 283) pa ih uklonite.  
 3. Šarke ponovno postavite na nove položaje.  
 4. Umetnite poklopac u nove položaje šarki (  sl. 5 na stranici 283).

## Ušteda energije

- > Odaberite lokaciju s dobrom ventilacijom koja je zaštićena od izravne sunčeve svjetlosti.
- > Pustite da se topla hrana najprije ohladi prije nego što je stavite u rashladni uređaj na hlađenje.
- > Ne otvarajte rashladni uređaj češće nego što je to neophodno.
- > Ne ostavljajte rashladni uređaj otvorenim dulje nego što je to neophodno.
- > Ako rashladni uređaj ima košaru: Radi optimalne potrošnje energije odmah po isporuci stavite košaru na mjesto.
- > Redovito provjeravajte pranja li brtva poklopca još uvijek dobro.
- > Izbjegavajte nepotrebno niske temperature.

## Priključivanje hladnjaka

### Priključivanje na akumulator



#### **POZOR! Opasnost od oštećenja**

- > U svrhu zaštite uređaja priloženi kabel za istosmjernu struju ima osigurač u utikaču. **Nemojte** uklanjati utikač za istosmjernu struju s osiguračem. Koristite samo priloženi kabel za istosmjernu struju.
- > Odspojite hladnjak i druga trošila od akumulatora prije priključivanja akumulatora na brzi punjač. Prenapon može oštetiti elektroniku uređaja povezanih s akumulatorom.



**UPUTA** Hladnjak je opremljen elektroničkim sustavom za sprječavanje obrata polova. Dok je hladnjak priključen na akumulator, elektronički sustav štiti ga od kratkog spoja.

Hladnjak može raditi pri 12 V  $\Rightarrow$  ili 24 V  $\Rightarrow$ .

- > Hladnjak priključite na akumulator kabelom za istosmjernu struju kao što je prikazano.

### Priključivanje na izmjenično napajanje



#### **OPASNOST! Opasnost od strujnog udara**

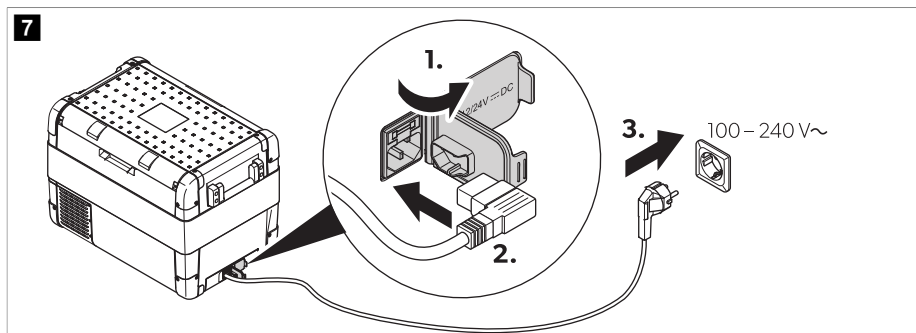
- > Nikada nemojte dirati utikače i sklopke mokrim rukama ili ako stojite na mokroj površini.
- > Ako se hladnjak napaja iz mreže izmjenične struje, između mreže izmjenične struje i hladnjaka morate instalirati automatsku zaštitnu sklopku. Posavjetujte se sa školovanim serviserom.



#### **UPUTA**

U hladnjak je integriran višenaponski izvor napajanja s prioriternim strujnim krugom za priključivanje na izvor napajanja izmjeničnom strujom. Prioritetni strujni krug automatski prebacuje hladnjak na rad uz izmjeničnu struju ako je hladnjak povezan s izvorom napajanja izmjeničnom strujom, čak i ako je priključni kabel za istosmjernu struju i dalje priključen.

- > Hladnjak odgovarajućim kabelom priključite na izvor napajanja izmjeničnom strujom kao što je prikazano.



### Uporaba hladnjaka



#### **POZOR! Opasnost od oštećenja**

Hladnjak postavite tako da mu dno bude s donje strane.

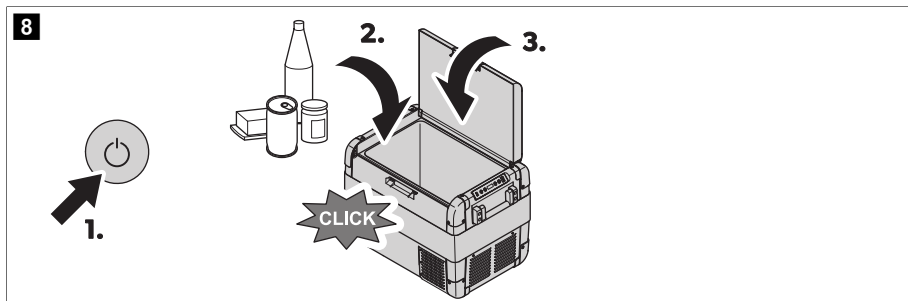
1. Hladnjak postavite na čvrstu podlogu.
2. Priključite hladnjak (pogledajte odjeljak Priključivanje hladnjaka na stranici 283).



#### **UPOZORENJE! Opasnost za zdravlje**

U hladnjak se smiju stavljati samo proizvodi koji su predviđeni za hlađenje na odabranoj temperaturi.

3. Pritisnite tipku za uključivanje i isključivanje na 1 ... 2 s.



- ✓ Uključuje se LED napajanja. Uključit će se zaslon i prikazati trenutna temperaturu.



#### UPUTA Prikazana temperatura

CFX2 57: prikazuje se temperatura velikog unutarnjeg pretinca (  sl. **9** na stranici 285 **1**).

Hladnjak će početi hladiti unutrašnjost.

#### Zaključavanje poklopca hladnjaka zasunom

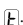
1. Zatvorite poklopac.
2. Pritisnite zasun tako da sjedne na mjesto uz glasan škljocaj.

#### Izbjegavanje bacanja hrane


Da biste izbjegli bacanje hrane, zapamtite sljedeće

- > Držite fluktuacije temperature na najmanjoj mogućoj mjeri. Otvarajte rashladni uređaj samo onoliko često i onoliko dugo koliko je to neophodno. Namirnice spremajte na takav način da zrak još uvijek može dobro cirkulirati.
- > Prilagodite temperaturu količini i vrsti namirnica.
- > Namirnice mogu lako apsorbirati ili ispuštati miris i okus. Uvijek spremajte namirnice poklopljene ili u zatvorenim posudama / bocama.

#### Namještanje temperature

1. Jedanput pritisnite tipku **SET**.
  2. Temperaturu hlađenja odaberite tipkama **+** i **-**.
- ✓ Na zaslonu će nekoliko sekundi biti prikazana odabrana temperatura i . Zaslon će bljesnuti nekoliko puta. Potom se ponovno prikazuje trenutna temperatura.

#### Odabir jedinice temperature

1. Pritisnite tipku **SET** 2 puta.
  2. Tipkom **+** ili **-** odaberite jedinicu temperature.
- ✓ Na zaslonu će nekoliko sekundi biti prikazana odabrana jedinica temperature i . Zaslon će nekoliko puta bljesnuti prije no što prikaže trenutna temperaturu.

## Uporaba kontrolnog uređaja za baterije



### POZOR! Opasnost od oštećenja

Ako se kontrolni uređaj za akumulator isključi, akumulator više nije potpuno napunjen. Izbjegavajte ponovno pokretanje i upotrebu trošila energije bez duljih razdoblja punjenja. Uvjerite se da je akumulator napunjen.

Hladnjak je opremljen višerazinskim kontrolnim uređajem za akumulator koji akumulator vozila štiti od pretjeranog pražnjenja dok je hladnjak priključen na napajanje istosmjernom strujom u vozilu.

Ako hladnjak radi dok je paljenje vozila isključeno, hladnjak se automatski isključuje čim napon napajanja padne ispod određene vrijednosti. Hladnjak se ponovno uključuje čim se akumulator napuni do napona za ponovno pokretanje.

U načinu rada „HIGH“ (Visoko) kontrolni uređaj za akumulator reagira brže nego u načinima rada „LOW“ (Nisko) i „MED“ (Srednje).

| Način rada kontrolnog uređaja za akumulator | LOW/NISKO | MED/SREDNJE | HIGH/VISOKO |
|---|-----------|-------------|-------------|
| Napon ponovnog pokretanja pri 12 V          | 11,4 V    | 12,2 V      | 12,6 V      |
| Napon isključenja pri 12 V                  | 10,1 V    | 11,2 V      | 11,8 V      |
| Napon ponovnog pokretanja pri 24 V          | 23 V      | 25,3 V      | 26,4 V      |
| Napon isključenja pri 24 V                  | 21,5 V    | 24,1 V      | 24,6 V      |

Način rada kontrolnog uređaja za akumulator odaberite na sljedeći način:

1. Uključite hladnjak.
  2. Pritisnite tipku **SET** 3 puta.
  3. Tipkama **+** i **-** odaberite način rada kontrolnog uređaja za akumulator.
- ✓ Prikaz na zaslonu mijenja se na sljedeći način: **[P L o]** (LOW), **[P M d]** (MED), **[P H i]** (HIGH)

Odabrani će način rada biti prikazan na zaslonu nekoliko sekundi. Zaslom će nekoliko puta bljesnuti prije nego što se vrati na trenutnu temperaturu.



**UPUTA** Ako se hladnjak napaja iz pokretačkog akumulatora, za način rada kontrolnog uređaja za akumulator odaberite „HIGH“ (Visoko). Ako je hladnjak priključen na servisni akumulator, za način rada kontrolnog uređaja za akumulator odaberite „LOW“ (Nisko).

## Namještanje svjetline zaslona

Svjetlinu zaslona moguće je prigušiti za uvjete slabog osvjetljenja.

1. Uključite hladnjak.
  2. Pritisnite tipku **SET** 4 puta.
  3. Tipkama **+** i **-** postavite svjetlinu zaslona.
- ✓ Prikaz na zaslonu mijenja se na sljedeći način: **[d L o]** (nisko), **[d M d]** (srednje), **[d H i]** (visoko)

Na zaslonu se na nekoliko sekundi prikazuje postavljeni način rada. Zaslom će nekoliko puta bljesnuti prije nego što se vrati na trenutnu svjetlinu.



**UPUTA** Ako dođe do pogreške, svjetlina se automatski vraća na **[d H i]** svjetlina.

## Upotreba USB priključka

USB priključak omogućuje punjenje malih uređaja kao što su mobilni telefoni i MP3 reproduktori.

- Uređaj koji želite puniti ukopčajte u USB priključak hladnjaka pomoću USB kabela (nije isporučen).



**UPUTA** Priključeni uređaj mora biti kompatibilan za upotrebu pri 5 V / 2 A.

## Postavljanje načina prikaza

- Pritisnite gumb **SET** pet puta.
- Tipkama **+** i **-** podesite tihi način rada.
- ✓ Prikaz na zaslonu mijenja se na sljedeći način: (**5 OFF**) (Isključeno), (**5 On**) (Uključeno), (**5 Lo**) (Nisko)

**S OFF** (Isključeno): funkcija tihog načina rada sada je deaktivirana. Zaslone je neprestano uključen.

**S On** (Uključeno): funkcija tihog načina rada sada je aktivirana. Ako se hladnjak ne upotrebljava nekoliko minuta, na zaslonu se prikazuje samo točka.

**S Lo** (Nisko): aktivirana je funkcija ispod tihog načina rada. Ako se hladnjak ne upotrebljava nekoliko minuta, zaslon se prebacuje na najmanju svjetlinu.



**UPUTA** Ako je zaslon u tihom načinu rada ili u nižoj razini, pritisnite tipku na hladnjaku kako biste nakratko izašli iz tog načina rada.

## Upotreba mobilne aplikacije za rashlađivanje

Hladnjakom možete upravljati i nadzirati ga putem Bluetooth ili WLAN veze aplikacijom koju možete instalirati na kompatibilan uređaj.

- Preuzmite i instalirajte mobilnu aplikaciju za rashlađivanje.



Aplikaciju preuzmite na web-mjestu [gr.dometic.com/beiv4R](http://gr.dometic.com/beiv4R).

- Pritisnite tipku **SET** na sljedeći način:
  - 6 puta za otvaranje postavki Bluetootha.
  - 7 puta za otvaranje postavki WLAN-a.
- Tipkama **+** ili **-** podesite Bluetooth ili WLAN.



**UPUTA** Ako je s kompatibilnim uređajem hladnjak uparen putem Bluetootha, morate postaviti način uparivanja.

- ✓ Prilikom postavljanja Bluetootha prikaz na zaslonu mijenja se na sljedeći način: (**bL OFF**) (Isključeno), (**bL On**) (Uključeno), (**bL PA**) (Uparivanje)



**UPUTA** Ako se prikazuje (**bL OFF**), prilikom pritiska na tipku **-** prikaz se ne mijenja. Ako se prikazuje (**bL PA**), prilikom pritiska na tipku **+** prikaz se ne mijenja.

LED za Bluetooth bljeska bijelo i na zaslonu se prikazuje  dok se uspostavlja uparivanje s Bluetoothom.

Prilikom postavljanja WLAN-a prikaz na zaslonu mijenja se na sljedeći način: **[F,OFF]** (Isključeno), **[F,ON]** (Uključeno)

4. Sljedite upute u mobilnoj aplikaciji za rashlađivanje.
- ✓ Kada se hladnjak poveže, zasvijetli LED Bluetootha ili WLAN-a.

### Isključivanje hladnjaka

1. Ispraznite hladnjak.
2. Pritisnite tipku za uključivanje/isključivanje.
3. Izvucite priključni kabel.
4. Ako hladnjak ne upotrebljavate dulje vrijeme, ostavite poklopac otvoren kako se ne bi stvarali mirisi.

### Odleđivanje hladnjaka

U unutrašnjosti hladnjaka ili na isparivaču može se nataložiti mraz kao posljedica vlažnosti zraka. To smanjuje učinak hlađenja.



#### **POZOR! Opasnost od oštećenja**

Nikad ne upotrebljavajte tvrde ili šiljaste alate za uklanjanje leda ili oslobađanje zaleđenih predmeta.

Za odleđivanje hladnjaka postupite na sljedeći način:


1. Uklonite sadržaj iz hladnjaka.
2. Sadržaj po potrebi spremite u drugi hladnjak radi održavanja temperature.
3. Isključite hladnjak.
4. Ostavite poklopac otvoren.
5. Obrišite odmrznutu vodu.

### Zamjena osigurača izmjenične struje



#### **OPASNOST! Opasnost od strujnog udara**

Prije zamjene osigurača izmjenične struje iskopčajte napajanje i priključni kabel.

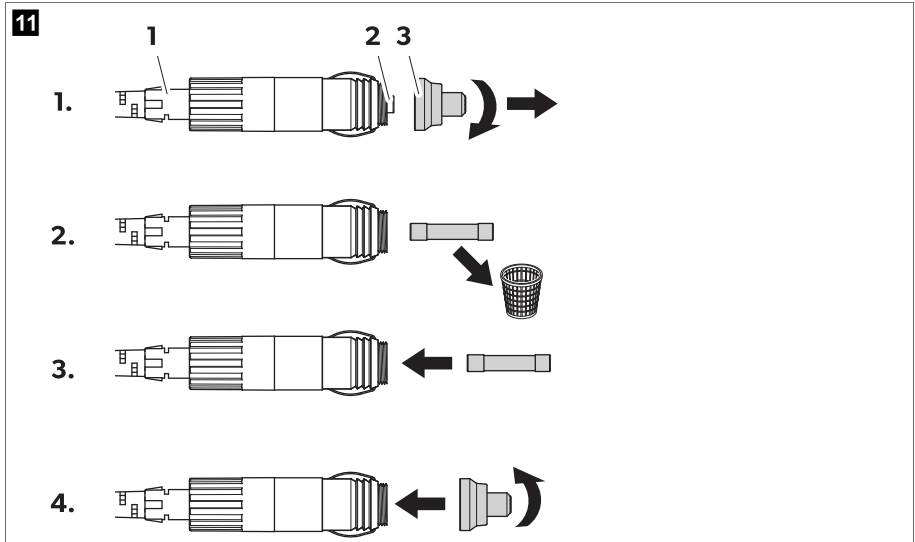
1. Iskopčajte hladnjak iz napajanja.
2. Izvucite priključni kabel.
3. Odvijačem izvadite umetak osigurača (  sl. 4 na stranici 282 2).
4. Neispravni stakleni osigurač zamijenite novim osiguračem istog tipa i jakosti ( 4 A , 250 V ).
5. Ponovno utisnite umetak osigurača u kućište.
6. Ponovno priključite uređaj na napajanje.


### Zamjena osigurača u utikaču istosmjerne struje



**UPUTA** U uređaju je dodatni osigurač izmjenične struje (standardni automobilski pločasti osigurač, 10 A ). Osigurač smije zamijeniti samo ovlašteni servis.

1. Kućište kontaktnog klina (  sl. 11 na stranici 289 3) odvrnite iz utikača (  sl. 11 na stranici 289 1).



2. Neispravni osigurač (  sl. 11 na stranici 289 2) zamijenite novim osiguračem istog tipa i jakosti (3AG, brzi osigurač, 10 A).
3. Utikače ponovno sastavite obrnutim redoslijedom.

### Zamjena tiskane pločice za rasvjetu



#### **POZOR! Opasnost od oštećenja**

Kako bi se izbjegle opasnosti, tiskanu pločicu za rasvjetu smije zamijeniti samo proizvođač, ovlaštenu servis ili osoba sa sličnim kvalifikacijama.

## 10 Čišćenje i održavanje



#### **OPREZ! Opasnost od strujnog udara**

Prije bilo kakvog čišćenja ili održavanja provjerite je li rashladni uređaj iskopčan iz izvora napajanja.



#### **POZOR! Opasnost od oštećenja**

- > Nikad ne perite rashladni uređaj pod mlazom tekuće vode ni u vodi pripremljenoj za pranje posuđa.
- > Nemojte koristiti abrazivna sredstva za čišćenje ili tvrde predmete tijekom čišćenja.

- > Povremeno očistite unutrašnjost i vanjštinu uređaja vlažnom krpom.
- > Provjerite nema li na otvorima za dovod i odvod zraka na rashladnom uređaju prašine i prljavštine kako bi se toplina koja nastaje tijekom rada mogla bez zapreka odvoditi te kako ne bi došlo do oštećenja rashladnog uređaja.

## 11 Uklanjanje smetnji

| Smetnja  | Mogući uzrok   | Rješenje  |
|--|--|---|
| Hladnjak ne radi. LED napajanja ne svijetli.   | U utičnici istosmjerne struje nema napona.   | > Aktivirajte paljenje vozila.  |
|  | U utičnici izmjenične struje nema napona.  | > Upotrijebite neku drugu utičnicu.   |
|  | Osigurač izmjenične struje nije ispravan.  | > Zamijenite osigurač izmjenične struje, pogledajte Zamjena osigurača izmjenične struje na stranici 288.  |
|  | Integrirani mrežni adapter nije ispravan.  | > Obratite se ovlaštenom servisu.   |
| LED napajanja svijetli narančasto, prikazuje se šifra pogreške <b>E 01</b> , a hladnjak ne hladi premda je utikač priključen u utičnicu. | Kontrolni uređaj za akumulator postavljen je na previsoku postavku.                    | <ol style="list-style-type: none"> <li>1. Kontrolni uređaj za akumulator postavite na nižu postavku (pogledajte Uporaba kontrolnog uređaja za baterije na stranici 286).</li> <li>2. Isprobajte pokretački akumulator.</li> <li>3. Ako je potrebno, napunite pokretački akumulator.<br/>Slijedite upute proizvođača.</li> </ol> |
|  | Kontrolni uređaj za akumulator postavljen je na prenisku postavku.                     | <ol style="list-style-type: none"> <li>1. Kontrolni uređaj za akumulator postavite na višu postavku (pogledajte Uporaba kontrolnog uređaja za baterije na stranici 286).</li> <li>2. Isprobajte pokretački akumulator.</li> <li>3. Ako je potrebno, napunite pokretački akumulator.<br/>Slijedite upute proizvođača.</li> </ol> |
| Kada se hladnjak napaja iz utičnice istosmjerne struje: paljenje je uključeno, ali hladnjak ne radi. LED napajanja ne svijetli.          | Utikač istosmjerne struje nije pravilno priključen.                                    | > Ponovno priključite utikač za istosmjernu struju.   |
|  | Utičnica istosmjerne struje prljava je. Do dovodi do nedostatnog električnog kontakta. | > Očistite utičnicu istosmjerne struje.<br>Slijedite upute proizvođača.   |
|  | Pregorio je osigurač utičnice istosmjerne struje.                                      | > Zamijenite osigurač utičnice istosmjerne struje. Pogledajte odjeljak Zamjena osigurača u utikaču istosmjerne struje na stranici 288.  |
|  | Pregorio je osigurač istosmjerne struje u hladnjaku.                                   | > Obratite se ovlaštenom servisu.   |
| Na zaslonu se prikazuje šifra pogreške i hladnjak ne hladi (pogledajte Šifre pogrešaka na stranici 291).                                 | Pregorio je osigurač utičnice istosmjerne struje u vozilu.                             | > Zamijenite osigurač utičnice istosmjerne struje u vozilu.<br>Slijedite upute proizvođača.   |
|  | Hladnjak se isključio zbog interne pogreške.   | > Obratite se ovlaštenom servisu.   |



## Šifre pogrešaka



**UPUTA** Ako se pojavi neka od šifri pogrešaka od **E 02** do **E 07**, obratite se ovlaštenom servisu.

| Kod greške  | Opis                               |
|-------------|------------------------------------|
| <b>E 01</b> | Nizak napon / prenapon             |
| <b>E 02</b> | Nadstruja ventilatora              |
| <b>E 03</b> | Pokretanje kompresora nije uspjelo |
| <b>E 04</b> | Niska brzina kompresora            |
| <b>E 05</b> | Kompresor se pregrijao             |
| <b>E 06</b> | Otvoreni strujni krug NTC          |
| <b>E 07</b> | Kratki spoj NTC-a                  |

## 12 Jamstvo

Primjenjuje se zakonom propisano jamstveno razdoblje. Ako je proizvod neispravan, obratite se podružnici proizvođača u svojoj državi (pogledajte [dometic.com/dealer](http://dometic.com/dealer)) ili svojem trgovcu na malo.

Za potrebe popravaka i obrade jamstva pri slanju uređaja priložite sljedeće dokumente:

- presliku računa s datumom kupnje
- razlog reklamacije ili opis kvara

Obratite pozornost da samostalni ili nestručni popravak može imati negativne posljedice na sigurnost i uzrokovati gubitak jamstva.

## 13 Odlaganje u otpad



### **UPOZORENJE! Opasnost da će djeca ostati zarobljena u uređaju**

Skinite poklopac prije odlaganja starog rashladnog uređaja u otpad. Ostavite košare u hladnjaku tako da se djeca ne mogu lako popeti u njega.



Materijal za pakiranje odložite u odgovarajuće kante za reciklažu otpada kad god je to moguće. Za detalje o odlaganju proizvoda u otpad, zatražite od svog lokalnog centra za recikliranje ili specijaliziranog trgovca pojednosti o tomu kako to učiniti u skladu s važećim propisima o odlaganju u otpada.



Recikliranje proizvoda s baterijama, punjivim baterijama i izvorima svjetla: Uklonite baterije, punjive baterije i izvore svjetla prije recikliranja proizvoda. Vratite neispravne ili potrošene baterije trgovcu na malo od kojeg ste kupili proizvod ili ih odložite u otpad na mjestima za prikupljanje. Nemojte bacati baterije, punjive baterije ili izvore svjetla u miješani kućni otpad. Ako proizvod želite konačno odložiti u otpad, zatražite od svog lokalnog reciklažnog centra ili specijaliziranog trgovca pojednosti o tomu kako to učiniti u skladu s primjenjivim propisima o odlaganju u otpad. Proizvod se može besplatno odložiti u otpad.

## 14 Tehnički podaci



**UPUTA** Ako je okolna temperatura veća od 32 °C, minimalnu temperaturu nije moguće postići.

**HR CFX2 28, CFX2 37, CFX2 45, CFX2 57**

Ovaj proizvod sadrži fluorirane stakleničke plinove.

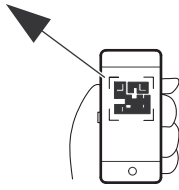
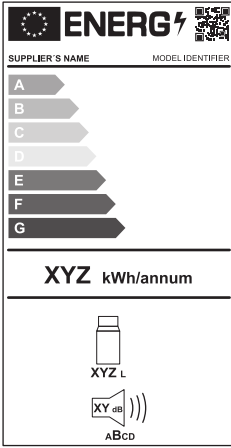
Rashladna jedinica je hermetički zatvorena.

|                                  | <b>CFX2 28</b>  | <b>CFX2 37</b>  | <b>CFX2 45</b>   | <b>CFX2 57</b>   |
|----------------------------------|---|---|--|--|
| Nazivni ulaz                     | 50 ... 60 Hz<br>100 ... 240 V~                                  |   |  |  |
| Dimenzionirana struja            | 12 V : 8,6 A<br>24 V : 3,8 A<br>100 V : 1,6 A<br>240 V : 0,77 A | 12 V : 8,7 A<br>24 V : 3,85 A<br>100 V : 1,63 A<br>240 V : 0,78 A | 12 V : 8,8 A<br>24 V : 3,9 A<br>100 V : 1,65 A<br>240 V : 0,79 A | 12 V : 9 A<br>24 V : 4 A<br>100 V : 1,7 A<br>240 V : 0,8 A |
| Učink hladjenja                  | - 22 °C ... 20 °C   |   |  |  |
| Okolna temperatura               | 16 °C ... 43 °C   |   |  |  |
| Klimatski razred                 | N ili T   |   |  |  |
| USB                              | 5 V 2 A   |   |  |  |
| Rashladno sredstvo               | R600a   |   |  |  |
| Količina rashladnog sredstva     | 13 g  | 13 g  | 14 g   | 17 g   |
| Dimenzije (Š × V × D, s ručkama) | 600 mm × 427 mm × 345 mm  | 678 mm × 428 mm × 401 mm  | 678 mm × 493 mm × 401 mm   | 709 mm × 503 mm × 458 mm                                   |
| Volumen                          | 28 L  | 37 L  | 45 L   | 57 L   |
| Težina                           | 13,5 kg   | 15,8 kg   | 16,8 kg  | 18,5 kg  |
| Frekvencijski pojas (WLAN)       | 2,4 GHz   |   |  |  |
| Maksimalna izlazna snaga         |   |   |  |  |
| WLAN                             | 19,22 dBm   |   |  |  |
| Bluetooth                        | 7,93 dBm  |   |  |  |

Ovime poduzeće Dometic (Zhuhai) Technology Co., Ltd izjavljuje da je radijska oprema tipa CFX2 28, CFX2 37, CFX2 45, CFX2 57 sukladna s Direktivom 2014/53/EU. Cjeloviti tekst EU izjave sukladnosti dostupan je na sljedećoj internetskoj adresi: [documents.dometic.com](http://documents.dometic.com)

Daljnjim informacijama o proizvodu možete pristupiti putem QR koda na energetske naljepnici ili putem web-mjesta [eprel.ec.europa.eu](http://eprel.ec.europa.eu).

12



[eprel.ec.europa.eu](http://eprel.ec.europa.eu)

## Türkçe

|    |  |     |
|----|--|-----|
| 1  | Önemli notlar.....                             | 294 |
| 2  | Sembollerin açıklanması.....                   | 294 |
| 3  | Cihaz üzerindeki sembollerin açıklamaları..... | 295 |
| 4  | Güvenlik uyarıları.....                        | 295 |
| 5  | Teslimat kapsamı.....                          | 297 |
| 6  | Aksesuar.....                                  | 297 |
| 7  | Amacına Uygun Kullanım.....                    | 297 |
| 8  | Teknik açıklama.....                           | 298 |
| 9  | Kullanım.....                                  | 300 |
| 10 | Temizlik ve bakım.....                         | 307 |
| 11 | Arızaların Giderilmesi.....                    | 308 |
| 12 | Garanti.....                                   | 309 |
| 13 | Atık İmhası.....                               | 309 |
| 14 | Teknik Bilgiler.....                           | 309 |

## 1 Önemli notlar

Bu ürünün doğru monte ettiğinizden ve ürünün daima kullanıma hazır olduğundan emin olmak için lütfen tüm talimatları ve bu ürün kılavuzunda verilen kılavuzları ve uyarıları dikkatlice okuyunuz. Bu talimatlar bu ürün ile birlikte SAKLANMALIDIR.

Bu ürünü kullandığınızda tüm talimatları, kılavuzları ve uyarıları dikkatlice okuduğunuzu ve anladığınızı ve hükümlere ve koşullara bu sözleşmede yer almıyormuş gibi uyacağınızın onay verirsiniz. Bu ürünü sadece amacına ve uygulamaya uygun ve talimatlara, kılavuzlara ve uyarılara uygun bu ürün kılavuzu ile geçerli yasalara ve yönetmeliklere uygun olarak kullanacağınızı kabul ediyorsunuz. Talimatların ve uyarıların burada verildiği gibi okunmaması veya bunlara uyulmaması sonucu kendiniz ve diğer insanlar yaralanabilir veya ürününüz veya yakınında bulunan diğer mallar hasar görebilir. Talimatlar, kılavuzlar ve uyarılar da dahil, bu ürün kılavuzu ve buna ait olan dokümanlarda değişiklikler ve güncellemeler yapılabilir. Güncel ürün bilgileri için lütfen [documents.dometic.com](http://documents.dometic.com) adresini ziyaret edin.

## 2 Sembollerin açıklanması

Bir sinyal sözcüğü, güvenlik ve maddi hasar mesajlarını tanımlar ve ayrıca tehlikenin ciddiyet derecesini veya seviyesini gösterir.



### TEHLİKE!

Önlenmediğinde, can kaybı veya ağır bir yaralanmaya neden olan tehlikeli bir durumu gösterir.



### UYARI!

Önlenmediğinde, can kaybı veya ağır bir yaralanmaya neden olabilecek tehlikeli bir durumu gösterir.



### DİKKAT!

Önlenmediğinde, hafif veya orta derecede bir yaralanmaya neden olabilecek tehlikeli bir durumu gösterir.



### İKAZ!

Önlenmediğinde, maddi hasara neden olabilecek bir durumu gösterir.



**NOT** Ürünün kullanılması ile ilgili ek bilgiler.

### 3 Cihaz üzerindeki sembollerin açıklamaları



Dikkat! Yangın riski. Yanıcı maddeler.

### 4 Güvenlik uyarıları



#### TEHLİKE! Elektrik çarpması tehlikesi

- > Teknelerde: Cihaz ana şebekeden güç alıyorsa, güç kaynağında, kaçak akım devre kesici (RCCB) veya bir toprak arıza devre kesici (GFCI) bulunduğundan emin olun. Montaj, özellikle potansiyel olarak nemli alanlarda, geçerli tüm kurulum yönetmeliklerine uygun olmalıdır.
- > Açıktaki kablolara çıplak elle dokunmayın. Bu durum özellikle cihazın alternatif akım şebekesinde çalıştırılması halinde geçerlidir.



#### UYARI! Elektrik çarpması tehlikesi

- > Soğutma cihazında gözle görülebilir hasarlar varsa, cihaz çalıştırılmamalıdır.
- > Soğutma cihazının güç kablosu hasarlı ise, güvenlik tehlikelerinin önlenmesi için derhal değiştirilmelidir.
- > Soğutma cihazı sadece nitelikli personel tarafından onarılmalıdır. Doğru yapılmayan onarımlar mühim tehlikelere sebep olabilir.
- > Cihazı, özellikle cihazın topraklanması gerektiğinde düzgün bağlantı sağlayan prizlere takın.



#### UYARI! Yangın tehlikesi

- > Cihazı yerleştirilirken besleme kablosunun sıkışmamasına veya hasar görmemesine dikkat edilmelidir.
- > Çoklu taşınabilen soket çıkışları veya taşınabilen güç kaynaklarını cihazın arkasına takmayın.
- > Soğutucu devresindeki soğutucu akışkan yüksek derecede yanıcıdır ve cihaz küçük bir odadaysa, bir sızıntı durumunda yanıcı gazlar oluşabilir. Soğutucu akışkan devresinde bir hasar olması durumunda:
  - Açık ateş ve potansiyel ateşleme kaynaklarını buzdolabından uzak tutun.
  - Odayı iyi havalandırın.
  - Buzdolabını kapatın.
- > R600a soğutucu akışkanlı soğutma cihazları için:
  - Soğutucu akışkan devresi az miktarda, çevre dostu ancak yanıcı bir soğutucu akışkan içerir. Ozon tabakasına zarar vermez ve sera etkisini artırmaz. Herhangi bir soğutucu akışkan sızıntısı tutuşabilir.
  - Soğutma cihazını hava akışının olmadığı veya çok az olduğu kapalı alanlarda kullanmayın veya saklamayın.
- > Cihaz gövdesi veya montaj yapılarındaki havalandırma deliklerinin önlerinde engel bulunmamalıdır.
- > Üretici tarafından önerilmemiş ise, erime sürecini hızlandırmak için mekanik nesnelere veya başka maddeler kullanmayın.
- > Soğutucu devresini açmayın veya zarar vermeyin.
- > Üretici tarafından önerilmedikçe buzdolabının içinde bu amaç için elektrikli cihazlar kullanmayın.



#### UYARI! Sağlık için tehlike

- > Bu cihaz, gözetim altında olmaları veya cihazın güvenli bir şekilde kullanımıyla ilgili talimatların verilmesi ve tehlikeleri anlamaları halinde, 8 yaş ve üzeri çocuklar ve fiziksel, duyuşsal veya zihinsel yetenekleri kısıtlı veya deneyim ve bilgi eksikliği olan kişiler tarafından kullanılabilir.
- > 3 ile 8 yaşları arasındaki çocukların soğutma cihazlarını doldurmalarına ve boşaltmalarına izin verilir.
- > Bu cihazla oynamadıklarından emin olmak için, çocuklar daima gözetlenmelidir.
- > Temizlik ve kullanıcı bakımı gözetimsiz olarak çocuklar tarafından yapılmamalıdır.



### UYARI! Patlama tehlikesi

Soğutma cihazında içinde tutuşabilen itici gaz sprey kutuları gibi patlayıcı maddeler bırakmayın.



### DİKKAT! Elektrik çarpması tehlikesi

- > Soğutma cihazını çalıştırmadan önce güç kaynağı kablusunun ve fişinin kuru olduğundan emin olun.
- > Her temizlik ve bakımdan önce ve her kullanımdan sonra soğutma cihazının elektrik bağlantısını güç kaynağından ayırın.



### DİKKAT! Sağlık için tehlike

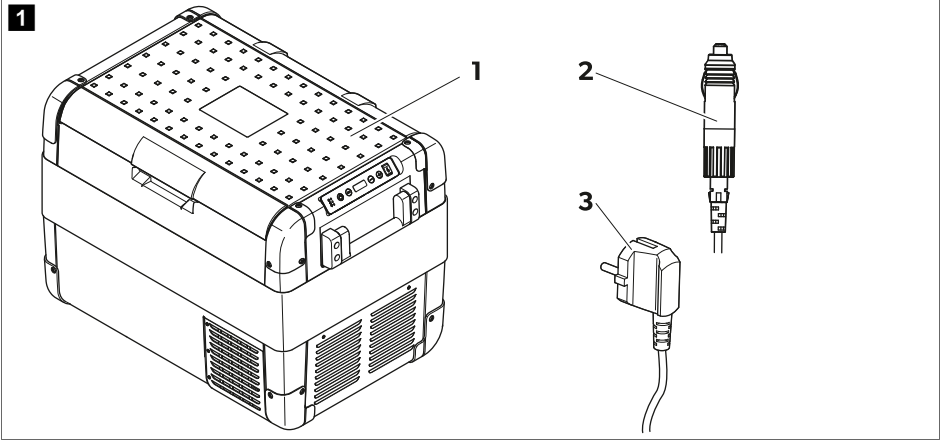
- > Yiyeceklerin kirlenmesini önlemek için aşağıdaki talimatlara uyun:
  - Cihazın soğutma kapasitesinin soğutmak istediğiniz yiyeceğe uygun olup olmadığını kontrol edin.
  - Yiyecekler sadece orijinal ambalajları veya uygun kaplar içinde saklanmalıdır.
  - Soğutma cihazının uzun bir süre açık kalması cihazın bölümlerindeki sıcaklığın belirli bir şekilde yükselmesine neden olabilir.
  - Yiyecek maddeleri ve erişilebilen drenaj sistemlerine temas edebilecek yüzeyleri düzenli olarak temizleyin.
- > Cihaz uzun bir süre boş kalacaksa:
  - Cihazı kapatın.
  - Cihazın buzlarını çözün.
  - Cihazı temizleyin ve kurutun.
  - Cihazın içinde küf oluşmaması için kapağı açık bırakın.



### İKAZ! Hasar tehlikesi

- > Tıp plakası üzerinde verilen gerilim değerinin enerji kaynağının değeri ile aynı olmasına dikkat edin.
- > Soğutma cihazını sadece aşağıda belirtildiği gibi bağlayın:
  - DC bağlantı kablosu ile araçtaki bir DC güç kaynağına
  - Veya AC bağlantı kablosu ile araçtaki bir AC güç kaynağına
- > Fişi prizden çıkartmak için asla kabloyu kullanmayın.
- > Soğutma cihazı bir DC çıkışına bağlı: Bir hızlı şarj cihazı bağlamadan önce, soğutma cihazını ve diğer güç tüketen cihazları aküden ayırın.
- > Soğutma cihazı bir DC çıkışına bağlı: Motoru kapattığınızda, soğutma cihazını ayırın veya kapatın. Aksi takdirde akü boşalabilir.
- > Soğutma cihazı yakıcı veya solvent içeren maddeleri taşımak için uygun değildir.
- > Soğutma cihazının yalıtımı tutuşabilen siklopentan içerir ve özel atık bertaraf prosedürleri gerektirir. Kullanım ömrünü tamamlayan soğutma cihazı uygun bir geri dönüşüm merkezine verilmelidir.
- > Soğutma cihazını açık ateş veya diğer ısı kaynaklarının (ısıtıcılar, doğrudan güneş ışını, gaz fırını vb.) yakınında çalıştırmayın.
- > İç kaba buz veya sıvı doldurmayın.
- > Soğutma cihazını asla suya batırmayın.
- > Soğutma cihazı ile kabloları ısıya ve neme karşı koruyunuz.
- > Soğutma cihazı yağmur altında bırakılmamalıdır.
- > Soğutucu akışkanın düzgün bir şekilde dolaşmasını sağlamak için soğutucu 30 ° 'den fazla eğilmemelidir. Soğutucunun düz durduğundan emin olmak için su terazisi kullanın.
- > **Aşırı ısınma tehlikesi!** Soğutma cihazının dört tarafında her zaman yeterli havalandırma gerçekleştiğinden emin olun. Havalandırma alanında soğutma bileşenlerine hava akışını kısıtlayabilecek nesnelere bulunmadığından emin olun. Soğutma cihazını hiç hava akışı olmayan veya minimum olan kapalı bölmelerde veya alanlarda bırakmayın.

## 5 Teslimat kapsamı



| Parça | Miktar | Adı                                 |
|-------|--------|-------------------------------------|
| 1     | 1      | Soğutucu                            |
| 2     | 1      | DC bağlantısı için bağlantı kablosu |
| 3     | 1      | AC bağlantısı için bağlantı kablosu |
| -     | 1      | Kısa kullanım kılavuzu              |

## 6 Aksesuar

Aksesuar olarak temin edilebilir (teslimat kapsamına dahil değildir):

| Gösterim   | Parça no.  | Model                       |
|--|------------|-----------------------------|
| Hızlı serbest bırakma özellikli sabitleme kiti CFX-QFK     | 9600000166 | Yalnızca CFX2 28            |
| Hızlı serbest bırakma özellikli sabitleme kiti CFX-QFK3545 | 9600029599 | Yalnızca CFX2 37 ve CFX2 45 |
| Mobil soğutma uygulaması                                   | -          | tüm modellere uygundur      |

## 7 Amacına Uygun Kullanım

Soğutucu, yiyecekleri soğutmak için uygundur. Soğutucu araçlarda kullanıma da uygundur. Soğutucu, aracın DC güç kaynağı soketinden veya AC güç kaynağından çalıştırılmak üzere tasarlanmıştır.

Soğutucu kamp kullanımına da uygundur.

Soğutucu, evde ve aşağıdaki benzer uygulamalarda kullanılmak üzere tasarlanmıştır

- Mağaza, ofis ve diğer çalışma ortamlarındaki personel mutfak alanları
- Çiftlik evleri
- Oteller, moteller ve diğer konut tipi ortamlarda
- Oda kahvaltı tipi konaklama birimleri

- Catering ve benzeri perakende dışı uygulamalar

Soğutucu şunlar için uygun **değildir**:

- Gıdaları hızlı dondurma
- Aşındırıcı, kostik veya solvent içeren maddelerin saklanması
- Ankastre cihaz olarak kullanım

Soğutucu, sadece amacına uygun ve bu talimatlara göre kullanılmalıdır.

Bu ürün sadece amacına uygun ve bu talimata göre kullanılmalıdır.

Bu kılavuzda ürünün doğru olarak monte edilmesi ve/veya kullanılması için gerekli bilgiler verilmektedir. Doğru yapılmayan montaj ve/veya yanlış işletim ya da bakım, performansın yetersiz olmasına ve olası bir arızaya neden olabilir.

Üretici, aşağıdaki durumların neden olduğu yaralanmalardan veya ürün hasarlarından sorumlu değildir:

- Aşırı voltaj da dahil olmak üzere hatalı kurulum, montaj veya bağlantı
- Yanlış bakım veya üretici tarafından sağlanan orijinal yedek parçalardan başka yedek parçalar kullanılması
- Üreticisinden açıkça izin almadan cihazda değişiklikler yapılması
- Bu kılavuzda tanımlananların dışında bir amaçlar için kullanıldığında

Dometic ürünün görünümünde ve ürün özelliklerinde değişiklik yapma hakkını saklı tutar.

## 8 Teknik açıklama

Soğutucu, ürünleri soğutabilir. Soğutma, az bakım gerektiren kompresörlü soğutucu akışkan devresi üzerinden gerçekleşir. Yüksek performanslı yalıtım ve güçlü kompresör, verimli ve hızlı soğutma sağlar.

Soğutucu taşınabilir.

Soğutucu kısa süreli olarak 30 ° 'ye varan eğimlere dayanabilir, örneğin teknelerde.

### İşlevlerin kapsamı

- AC şebekeye bağlamak için öncelik devresine sahip güç kaynağı
- Araç aküsünü korumak için 3 seviyeli akü izleme
- °C ve °F cinsinden sıcaklık göstergeli ekran
- 2 düğme ile 1 °C / 1 °F 'lik sıcaklık ayarı
- Soğutucuyu mobil soğutma uygulaması üzerinden kontrol etmek için entegre edilmiş Bluetooth ve WLAN işlevi
- Katlanabilir taşıma kolları
- Güç kaynağı için USB bağlantı noktası
- Çıkarılabilir tel sepet

### Çalıştırma ve gösterge elemanları

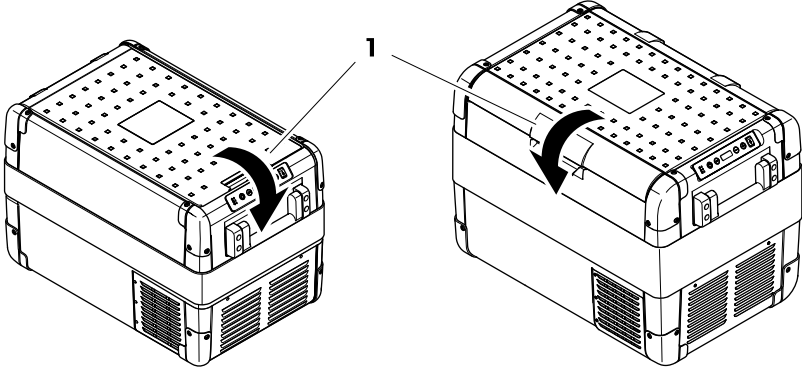
Kapak mandalı (  şekil **2** sayfa 299, **1**):



2

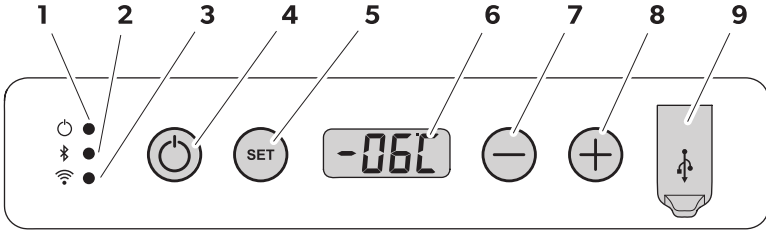
CFX2 28, 37, 45

CFX2 57



## Kontrol paneli

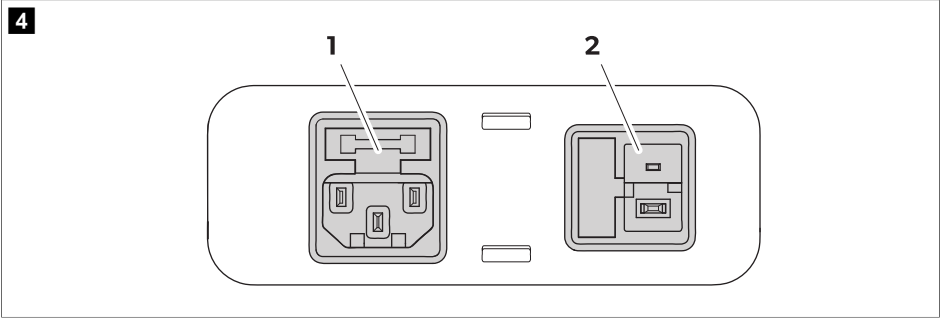
3



| Par-<br>ça | Adı       | Açıklama   |
|------------|-----------|--|
| 1          | Güç       | Durum göstergesi   |
|            |           | LED beyaz renkte yanıyor: Kompresör çalışmaya başlar.<br>LED turuncu renkte yanıyor: Kompresör çalışmayı durdurur. |
| 2          | Bluetooth | LED sönük: Soğutucunun Bluetooth' u kapalı.  |
|            |           | LED yavaş bir şekilde beyaz yanıp sönüyor: Soğutucunun Bluetooth' u açık. Soğutucu bir cihazla eşleştirilmemiş.    |
|            |           | LED hızlı bir şekilde beyaz yanıp sönüyor: Soğutucu, Bluetooth aracılığıyla bir cihazla eşleştiriliyor.            |
|            |           | LED beyaz renkte yanıyor: Soğutucu, Bluetooth aracılığıyla bir cihazla eşleştirilmiş.                              |
| 3          | WLAN      | LED sönük: Soğutucunun WLAN' ı kapalı.   |
|            |           | LED beyaz renkte yanıp sönüyor: Soğutucunun WLAN' ı açık. Soğutucu bir cihaza bağlı değil.                         |

| Parça | Adı           | Açıklama  |
|-------|---------------|---|
|       |               | LED beyaz renkte yanıyor: Soğutucu, WLAN aracılığıyla bir cihazla eşleştirilmiş.  |
| 4     | AÇMA/KA-PATMA | Soğutucuyu açar veya kapatır.   |
| 5     | SET           | Giriş modunu seçer: <ul style="list-style-type: none"><li>• Sıcaklık ayarı</li><li>• Santigrat veya Fahrenheit görüntülenir</li><li>• Akü izleme ayarı</li><li>• Ekran parlaklığı ayarı</li><li>• Ekran modu ayarı</li><li>• Bluetooth ayarı</li><li>• WLAN ayarı</li></ul> |
| 6     |               | Ekran   |
| 7     | -             | Sıcaklığı, sıcaklık birimini, akü izlemeyi, ekran parlaklığını, modu, Bluetooth'u ve WLAN'i ayarlar.  |
| 8     | +             |   |
| 9     |               | USB bağlantısı  |

### Bağlantı soketleri



| Parça | Adı                                  |
|-------|--------------------------------------|
| 1     | AC gerilim beslemesi bağlantı soketi |
| 2     | DC gerilim beslemesi bağlantı soketi |

## 9 Kullanım


### İlk kullanımdan önce

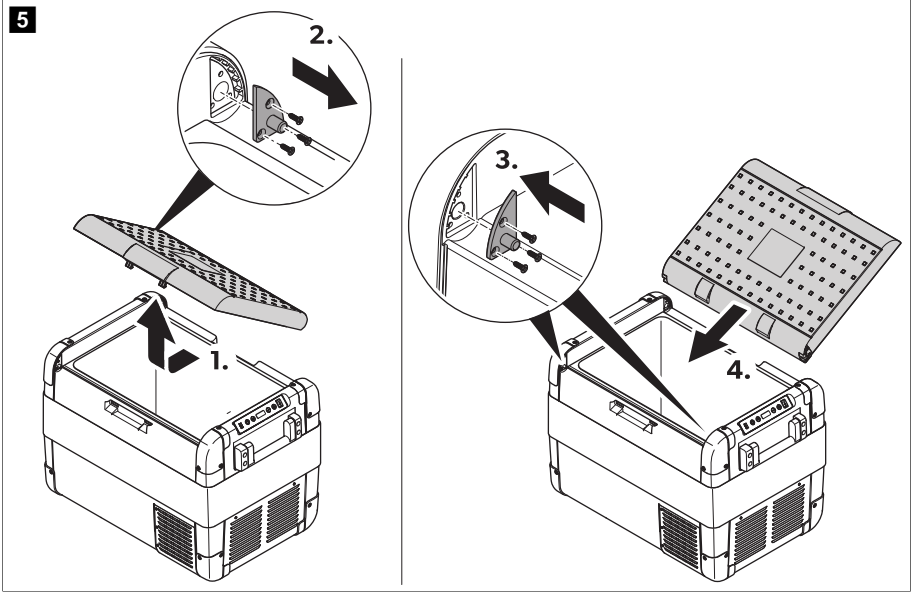




**NOT** Soğutucuyu ilk kez çalıştırmadan önce hijyenik nedenlerden dolayı soğutucunun içini ve dışını nemli bir bezle temizleyin (bkz. Temizlik ve bakım sayfa 307).

### Kapak açılma yönünün tersine çevrilmesi (yalnızca CFX2 57)

Kapak menteşeleri karşı tarafa alınabilir.

1. Kapağı açın ve çıkartın (  şekil 5 sayfa 301).



2. Her bir menteşeye ait 3 vidayı sökün ve çıkartın (  şekil 5 sayfa 301).  
 3. Menteşeleri yeni konumlarına yeniden takın.  
 4. Kapağı yeni menteşe konumlarına yerleştirin (  şekil 5 sayfa 301).

### Enerji tasarrufu

- > Doğrudan güneş ışığına maruz kalmayacağı, iyi havalandırılan bir yer seçin.
- > Sıcak yiyecekleri soğutmak için cihaza koymadan önce, soğumalarını bekleyin.
- > Soğutma cihazını gereğinden fazla açmayın.
- > Soğutma cihazının kapağını gerekenden daha uzun süre açık bırakmayın.
- > Soğutma cihazının bir sepeti varsa: Optimum enerji tüketimi için, sepeti teslimat konumuna uygun olarak yerleştirin.
- > Kapak contasının yerine tam olarak oturduğunu düzenli olarak kontrol edin.
- > Gereksiz düşük sıcaklıklardan kaçının.

### Soğutucunun bağlanması

#### Aküye bağlama



#### İKAZ! Hasar tehlikesi

- > Cihazın korunması için teslim edilen DC kablosunun fişinde bir sigorta bulunur. Sigortalı DC fişi **çıkartmayın**. Sadece teslim edilen DC kablosunu kullanın.
- > Aküyü, hızlı şarj cihazına bağlamadan önce, soğutucu ile diğer güç tüketici ünitelerin akü ile olan bağlantısını ayırın. Aşırı voltaj, aküye bağlı cihazların elektronik bileşenlerine zarar verebilir.



**NOT** Soğutucu, kutupların ters bağlanmasını önleyen bir elektronik sistemle donatılmıştır. Elektronik sistem, soğutucu bir aküye bağlandığında soğutucuyu kısa devreye karşı korur.

Soğutucu 12 V  $\approx$  veya 24 V  $\approx$  ile çalıştırılabilir.

> DC bağlantı kablosunu kullanarak soğutucuyu gösterildiği gibi bir aküye bağlayın.

### AC güç kaynağına bağlama



#### **TEHLİKE! Elektrik çarpması tehlikesi**

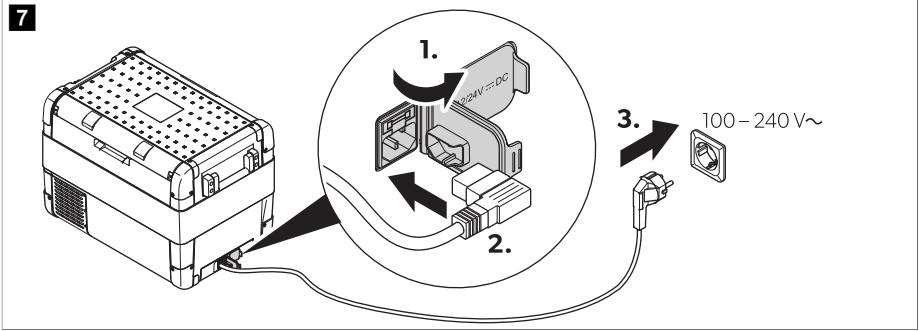
- > Islak ellerle veya ıslak bir yüzeyde duruyorsanız asla fişlere ve anahtarlara dokunmayın.
- > Soğutucu teknede yerleşik bir AC güç kaynağından çalıştırılıyorsa AC güç kaynağı ile soğutucu arasında bir kaçak akım rölesi takılmalıdır. Bu konuda eğitilmiş bir teknisyene danışın.



#### **NOT**

Soğutucu, bir AC voltaj kaynağına bağlanmak için öncelik devresine sahip entegre edilmiş çok voltajlı güç kaynağı ile donatılmıştır. Soğutucu, bir AC güç kaynağına bağlandığında, DC bağlantı kablosu hala takılı olsa bile, öncelik devresi soğutucuyu otomatik olarak AC çalışma moduna geçirir.

> AC bağlantı kablosunu kullanarak soğutucuyu gösterildiği gibi bir AC güç kaynağına bağlayın.



### Soğutucunun kullanılması



#### **İKAZ! Hasar tehlikesi**

Soğutucuyu tabanı aşağı bakacak şekilde yerleştirin.

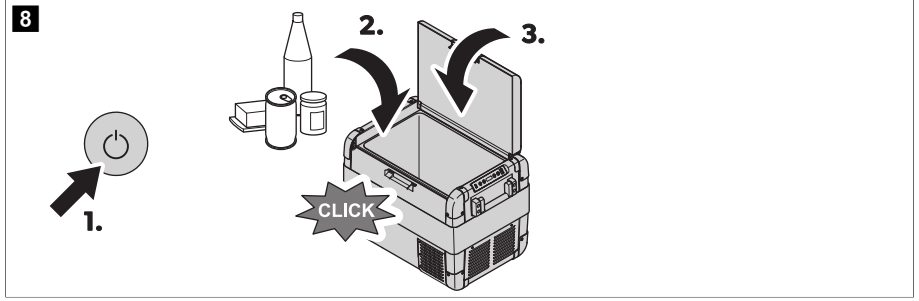
1. Soğutucuyu sağlam bir kaide üzerine bırakın.
2. Soğutucuyu bağlayın (bkz. Soğutucunun bağlanması sayfa 301 bölümü).



#### **UYARI! Sağlık için tehlike**

Sadece seçilen sıcaklıkta soğutulacak ürünlerin soğutucuya yerleştirildiğinden emin olun.

3. "ON/OFF" düğmesine 1 ... 2 s basın.



- ✓ Güç LED'i yanar. Ekran açılır ve güncel sıcaklığı gösterir.



### NOT Görüntülenen sıcaklık

CFX2 57: Görüntülenen sıcaklık büyük iç bölmenin sıcaklığıdır (  şekil 9 sayfa 303 1).

Soğutucu içindekileri soğutmaya başlar.

### Soğutucu kapağının kilitlenmesi

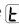
1. Kapağı kapatın.
2. Mandal sesli bir şekilde yerine oturana kadar aşağı bastırın.

### Gıda israfının önlenmesi


Gıda israfını önlemek için aşağıdakilere dikkat edin

- > Sıcaklık dalgalanmasını mümkün olduğu kadar düşük tutun. Soğutma cihazının kapağını sadece gerektiği kadar açın. Yiyecekleri havanın halen iyi dolaşabileceği bir şekilde depolayın.
- > Sıcaklığı yiyeceklerin miktarına ve tipine göre ayarlayın.
- > Gıda maddeleri, koku ve tadı kolayca emebilir ve salabilir. Gıda maddelerini her zaman üstü kapalı veya kapalı kaplarda/şişelerde saklayın.

### Sıcaklığın ayarlanması

1. **SET** düğmesine 1 kez basın.
  2. Soğutma sıcaklığını seçmek için **+** veya **-** düğmesini kullanın.
- ✓ Seçilen sıcaklık ve  birkaç saniye boyunca ekranda görüntülenir. Ekran birkaç kez yanıp söner. Daha sonra güncel sıcaklık tekrar görüntülenir.

### Sıcaklık biriminin seçilmesi

1. **SET** düğmesine 2 kez basın.
  2. Sıcaklık birimini seçmek için **+** veya **-** düğmesine basın.
- ✓ Seçilen sıcaklık birimi ve  birkaç saniye boyunca ekranda görüntülenir. Ekran güncel sıcaklığı göstermeden önce birkaç kez yanıp söner.

## Akü izleme kullanımı



### İKAZ! Hasar tehlikesi

Akü izlemesi kapandığında, akü şarjı tam dolu değildir. Tekrar tekrar başlatmayın veya güç tüketicileri uzun bir süre şarj etmeden çalıştırmayın. Akünün yeniden şarj edildiğinden emin olun.

Soğutucu, yerleşik DC beslemesine bağlıyken aracınızın aküsünü aşırı boşalmaya karşı koruyan çok seviyeli bir akü izleme ile donatılmıştır.

Soğutucu araç kontağı kapalıyken çalıştırılırsa besleme gerilimi belirli bir değerin altına düştüğünde soğutucu otomatik olarak kapanır. Akü yeniden başlatma voltajına şarj edilir edilmez soğutucu tekrar devreye girer.

“YÜKSEK” modunda akü izleme “DÜŞÜK” ve “ORTA” modlara göre daha hızlı tepki verir.

| Akü izleme modu                    | LOW    | MED    | HIGH   |
|------------------------------------|--------|--------|--------|
| 12 V için yeniden başlatma voltajı | 11,4 V | 12,2 V | 12,6 V |
| 12 V için kapatma voltajı          | 10,1 V | 11,2 V | 11,8 V |
| 24 V için yeniden başlatma voltajı | 23 V   | 25,3 V | 26,4 V |
| 24 V için kapatma voltajı          | 21,5 V | 24,1 V | 24,6 V |

Akü izleme modunu aşağıdaki gibi seçin:

1. Soğutucuyu çalıştırın.
  2. **SET** düğmesine 3 kez basın.
  3. Akü izleme modunu seçmek için **+** veya **-** düğmesini kullanın.
- ✓ Ekran şu şekilde değişir: **[P L 0]** (LOW), **[P H 0]** (MED), **[P H 1]** (HIGH)

Seçilen mod birkaç saniye boyunca ekranda görüntülenir. Güncel sıcaklığa dönmeye önce ekran birkaç kez yanıp söner.



**NOT** Soğutucu marş aküsü tarafından beslendiğinde, akü izleme modunu “HIGH” olarak seçin. Soğutucu bir araç içi aküye bağlı ise LOW akü izleme modunu seçin.

## Ekran parlaklığının ayarlanması

Düşük ortam ışığı koşulları için ekran parlaklığı kısıllanabilir.

1. Soğutucuyu çalıştırın.
  2. **SET** düğmesine 4 kez basın.
  3. Ekran parlaklığını ayarlamak için **+** veya **-** düğmesini kullanın.
- ✓ Ekran şu şekilde değişir: **[d L 0]** (düşük), **[d H 0]** (orta), **[d H 1]** (yüksek)

Ekran birkaç saniye boyunca ayarlanan mod görüntülenir. Ekran güncel parlaklığa dönmeye önce birkaç kez yanıp söner.



**NOT** Bir arıza meydana gelirse parlaklık otomatik olarak **[d H 1]** (varsayılan) parlaklığına döner. Arıza giderildikten sonra, ayarlanan parlaklık yeniden etkinleştirilir.

## USB bağlantı noktasının kullanımı

USB bağlantı noktası üzerinden cep telefonu ve mp3 çalar gibi küçük cihazlar şarj edilebilir.

- > Şarj edilecek cihazı bir USB kablosu (teslimat kapsamına dahil değildir) kullanarak soğutucunun USB bağlantı noktasına bağlayın.



**NOT** Bağlanan cihazın 5 V / 2 A çalışmaya uyumlu olduğundan emin olun.

### Ekran modunun ayarlanması

1. **SET** düğmesine 5 kez basın.
2. Uyku modunu ayarlamak için **+** veya **-** düğmesini kullanın.
- ✓ Ekran şu şekilde değişir: **5 0F** (KAPALI), **5 0n** (AÇIK), **5 Lo** (Düşük)

**5 0F** (KAPALI): Uyku modu devre dışı bırakılır. Ekran sürekli olarak açıktır.

**5 0n** (AÇIK): Uyku modu etkinleştirilir. Soğutucu birkaç dakika boyunca kullanılmazsa ekranda yalnızca bir nokta görüntülenir.

**5 Lo** (Düşük): Uyku alt modu etkinleştirilir. Soğutucu birkaç dakika boyunca kullanılmazsa ekran en düşük ekran parlaklığına geçer.



**NOT** Ekran uyku modunda veya uyku alt modundaysa ilgili moddan çıkmak için soğutucu üzerindeki bir düğmeye kısa süreliğine basın.

### Mobil soğutma uygulamasının kullanımı

Soğutucu, uyumlu bir cihaza yükleyebileceğiniz bir uygulama kullanılarak Bluetooth veya WLAN üzerinden izlenebilir ve kontrol edilebilir.

1. Mobil soğutma uygulamasını indirin ve yükleyin.



Uygulamayı [qr.dometic.com/beiv4R](http://qr.dometic.com/beiv4R) adresinden indirin.

2. **SET** düğmesine aşağıda belirtildiği gibi basın:
  - Bluetooth ayarlarını açmak için 6 kez.
  - WLAN ayarlarını açmak için 7 kez.
3. Bluetooth veya WLAN'ı ayarlamak için **+** veya **-** düğmesini kullanın.



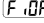
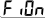
**NOT** Soğutucu Bluetooth aracılığıyla uyumlu bir cihazla eşleştirilecekse eşleştirme modu ayarlanmalıdır.

- ✓ Bluetooth'u ayarlarken ekran şu şekilde değişir: **bL 0F** (KAPALI), **bL 0n** (AÇIK), **bL PR** (Eşleştirme)



**NOT** **bL 0F** görüntüleniyorsa **-** düğmesine basıldığında ekran değişmez. **bL PR** görüntüleniyorsa **+** düğmesine basıldığında ekran değişmez.

Bluetooth ile eşleştirme yapılırken Bluetooth LED'i beyaz renkte yanıp söner ve ekranda **bL** görüntülenir.

WLAN'ı ayarlarken ekran şu şekilde değişir:  (KAPALI),  (AÇIK)

4. Mobil soğutma uygulamasındaki talimatları izleyin.
- ✓ Soğutucu bağlandığında Bluetooth veya WLAN LED'i yanar.

### Soğutucunun kapatılması

1. Soğutucuyu boşaltın.
2. "ON/OFF" düğmesine basın.
3. Bağlantı kablosunu çekin.
4. Soğutucu uzun süre kullanılmayacaksa koku oluşmaması için kapağı açık bırakın.

### Soğutucunun buzlarının çözülmesi

Nem, soğutucunun iç kısmında veya evaporatörde buz oluşumuna neden olabilir. Bu soğutma kapasitesini düşürür.



#### **İKAZ! Hasar tehlikesi**

Oldukları yerde donan nesnelere çözmek veya buzlu almak için asla sert veya ucu sivri aletler kullanılmamalıdır.

Soğutucunun buzlarını çözdürmek için aşağıdaki işlemleri gerçekleştirin:


1. Soğutucunun içindekileri çıkarın.
2. Bunları soğuk tutmak gerekiyorsa başka bir soğutucuya yerleştirin.
3. Soğutucuyu kapatın.
4. Kapağı açık bırakın.
5. Oluşan buzlanma suyunu silin.

### AC sigortanın değiştirilmesi



#### **TEHLİKE! Elektrik çarpması tehlikesi**

AC sigortasını değiştirmeden önce güç kaynağı ve bağlantı kablosunun bağlantısını ayırın.

1. Soğutucuya giden güç kaynağının bağlantısını kesin.
2. Bağlantı kablosunu çekin.
3. Sigorta yuvasını (  şekil 4 sayfa 300 2) bir tornavida kullanarak çıkartın.
4. Arızalı cam sigortayı, aynı tip ve değerdeki yeni bir cam sigorta ile değiştirin ( 4 A , 250 V ).
5. Sigorta yuvasını, muhafazanın içine bastırarak takın.
6. Cihazı güç kaynağına yeniden bağlayın.

### DC fiş sigortasının değiştirilmesi

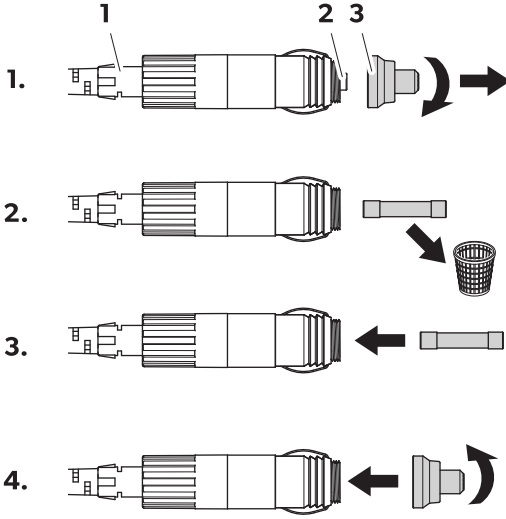


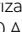
**NOT** Cihazın içinde ek bir DC sigorta bulunur (otomobiller için standart bıçak sigorta, 10 A). Bu sigorta sadece yetkili bir onarım merkezi tarafından değiştirilmelidir.

1. Kontak pin muhafazasını (  şekil 11 sayfa 307 3) fişten (  şekil 11 sayfa 307 1) sökün.



11



2. Arızalı sigortayı (  şekil 11 sayfa 307 2) aynı tip ve değerdeki yeni bir sigortayla değiştirin (3AG, Hızlı atan, 10 A).
3. Fişi ters sırayla yeniden monte edin.

### İşık PCB'sinin değiştirilmesi



#### İKAZ! Hasar tehlikesi

İşık PCB'si, tehlikeyi önlemek için yalnızca üretici, servis elemanı veya benzer kalifiye bir kişi tarafından değiştirilmelidir.

## 10 Temizlik ve bakım



#### DİKKAT! Elektrik çarpması tehlikesi

Herhangi bir temizlik veya bakım çalışmasından önce soğutma cihazının güç kaynağıyla bağlantısının kesildiğinden emin olun.



#### İKAZ! Hasar tehlikesi

- > Soğutma cihazını asla akar su altında veya bulaşık suyu ile temizlemeyin.
- > Temizlik sırasında aşındırıcı temizlik maddeleri veya sert nesnelere kullanmayın.

- > Cihazın içini ve dışını ara sıra nemli bir bezle temizleyin.
- > Soğutma cihazı çalışırken oluşan ısının dağılabilmesi ve soğutma cihazına zarar vermemesi için soğutma cihazının üzerindeki havalandırma deliklerinin toz ve pisliklerle tıkanmadığından emin olun.

## 11 Arızaların Giderilmesi

| Sorun   | Neden  | Çare  |
|---|--|---|
| Soğutucu çalışmıyor. Güç LED'i yanmıyor.  | DC soketinde voltaj algılanmıyor.                          | > Aracın kontağını etkinleştirin.   |
|   | AC soketinde voltaj algılanmıyor.                          | > Başka bir priz kullanın.  |
|   | AC sigorta arızalı.  | > AC sigortayı değiştirin, bkz. AC sigortanın değiştirilmesi sayfa 306.   |
|   | Entegre edilmiş şebeke adaptörü arızalı.                   | > Yetkili servis personeliyle iletişime geçin.  |
| Güç LED'i turuncu yanıyor, ekranda <b>E 01</b> hata kodu görüntüleniyor ve soğutucu fiş takılı olduğu halde soğutmüyor. | Akü izleme çok yüksek ayarlanmış.                          | <ol style="list-style-type: none"> <li>1. Akü izlemeyi daha düşük bir moda ayarlayın (bkz. Akü izleme kullanımı sayfa 304).</li> <li>2. Marş aküsünü test edin.</li> <li>3. Gerekirse marş aküsünü şarj edin.<br/>Üreticinin talimatlarını uygulayın.</li> </ol>  |
|   | Akü izleme çok düşük ayarlanmış.                           | <ol style="list-style-type: none"> <li>1. Akü izlemeyi daha yüksek bir moda ayarlayın (bkz. Akü izleme kullanımı sayfa 304).</li> <li>2. Marş aküsünü test edin.</li> <li>3. Gerekirse marş aküsünü şarj edin.<br/>Üreticinin talimatlarını uygulayın.</li> </ol> |
| Soğutucu DC prizden çalıştırıldığında: Kontak açık ve soğutucu çalışmıyor. Güç LED'i yanmıyor.                          | DC fiş doğru bağlanmamış.                                  | > DC fişi yeniden bağlayın.   |
|   | DC soket kirlidir. Bu da zayıf elektrik temasına yol açar. | > DC prizini temizleyin.<br>Üreticinin talimatlarını uygulayın.   |
|   | DC fiş sigortası atmış.                                    | > DC fiş sigortasını değiştirin, bkz. bölüm DC fiş sigortasının değiştirilmesi sayfa 306.   |
|   | Soğutucunun içindeki DC sigorta atmış.                     | > Yetkili servis personeliyle iletişime geçin.  |
|   | Aracın DC priz sigortası atmış.                            | > Aracın DC priz sigortasını değiştirin.<br>Üreticinin talimatlarını uygulayın.   |
| Ekranda bir hata kodu görüntüleniyor ve soğutucu soğutmüyor (bkz. Hata kodları sayfa 308).                              | Soğutucu dahili bir hata nedeniyle kapandı.                | > Yetkili servis personeliyle iletişime geçin.  |

### Hata kodları



**NOT E 02 - E 07** aralığındaki hata kodlarından biri oluşursa yetkili servis personeliyle iletişime geçin.

| Hata kodu   | Adı                       |
|-------------|---------------------------|
| <b>E 01</b> | Düşük voltaj/aşırı voltaj |
| <b>E 02</b> | Fan aşırı akımı           |

| Hata kodu | Adı                               |
|-----------|-----------------------------------|
| E 03      | Kompresör başlatma başarısız oldu |
| E 04      | Kompresör hızı düşük              |
| E 05      | Kontrolör aşırı ısınmış           |
| E 06      | NTC açık devre                    |
| E 07      | NTC kısa devre                    |

## 12 Garanti

Yasal garanti süresi geçerlidir. Üründe hasar varsa üreticinin ülkenizdeki şubesi (bkz. [dometic.com/dealer](http://dometic.com/dealer)) veya satıcınızla iletişime geçin.

Onarım ve garanti işlemleri için cihazı aşağıdaki dokümanlarla birlikte gönderin:

- Satın alma tarihini içeren faturanın bir kopyası
- Talebinizin nedeni veya hatanın açıklanması

Kendi kendine onarımın veya profesyonel olmayan onarımın güvenlikle ilgili sonuçları olabileceğini ve garantiyi geçersiz kılabileceğini unutmayın.

## 13 Atık İmhası



### UYARI! Çocuklar için sıkışma tehlikesi

Eski soğutma cihazınızı imha etmeden önce, kapağını sökün. Sepetleri, çocukların kolayca içine girmemesi için yerinde bırakın.



Ambalaj malzemesini mümkün olduğu durumlarda uygun geri dönüşüm atık kutularına koyun. Ürünün yürürlükteki imha yönetmeliklerine göre nasıl imha edileceğine ilişkin ayrıntılar için yerel bir geri dönüşüm merkezine veya uzman satıcıya danışın.



Piller, şarj edilebilir piller ve ışık kaynakları içeren ürünlerin geri dönüşümü: Ürünü geri dönüşüme vermeden önce pilleri, bataryaları ve ışık kaynaklarını çıkarın. Bozuk akülerinizi veya bitmiş pilleri satın aldığınız yere veya bir toplama yerine veriniz. Pilleri, bataryaları ve ışık kaynaklarını genel evsel çöpe atmayın. Bu ürünü nihai olarak imha etmek istiyorsanız, bu işlemin geçerli imha yönetmeliklerine göre nasıl yapılacağı hakkında ayrıntılı bilgi için yerel geri dönüşüm merkezine veya uzman satıcınıza danışın. Ürün ücretsiz olarak imha edilebilir.

## 14 Teknik Bilgiler



**NOT** Ortam sıcaklığı 32 °C 'nin üzerindeyse minimum sıcaklığa erişilemez.

Bu ürün florlu sera gazları içerir.

Soğutma ünitesi otomatik olarak yalıtılır.

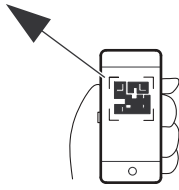
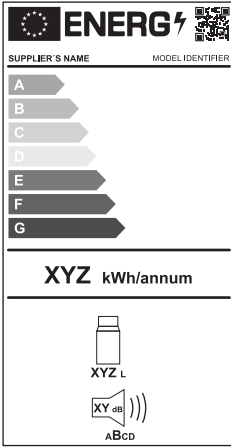
**TR CFX2 28, CFX2 37, CFX2 45, CFX2 57**

|  | <b>CFX2 28</b>  | <b>CFX2 37</b>  | <b>CFX2 45</b>   | <b>CFX2 57</b>   |
|--|---|---|--|--|
| Nominal giriş                              | 50 ... 60 Hz<br>100 ... 240 V~                                  |   |  |  |
| Anma akımı                                 | 12 V : 8,6 A<br>24 V : 3,8 A<br>100 V : 1,6 A<br>240 V : 0,77 A | 12 V : 8,7 A<br>24 V : 3,85 A<br>100 V : 1,63 A<br>240 V : 0,78 A | 12 V : 8,8 A<br>24 V : 3,9 A<br>100 V : 1,65 A<br>240 V : 0,79 A | 12 V : 9 A<br>24 V : 4 A<br>100 V : 1,7 A<br>240 V : 0,8 A |
| Soğutma kapasitesi                         | - 22 °C ... 20 °C   |   |  |  |
| Ortam sıcaklığı                            | 16 °C ... 43 °C   |   |  |  |
| İklim sınıfı                               | N veya T  |   |  |  |
| USB  | 5 V 2 A   |   |  |  |
| Soğutucu madde                             | R600a   |   |  |  |
| Soğutucu akışkan miktarı                   | 13 g  | 13 g  | 14 g   | 17 g   |
| Boyutlar (G x Y x D, taşıma kolları dahil) | 600 mm x 427 mm x 345 mm  | 678 mm x 428 mm x 401 mm  | 678 mm x 493 mm x 401 mm   | 709 mm x 503 mm x 458 mm                                   |
| Hacim                                      | 28 L  | 37 L  | 45 L   | 57 L   |
| Ağırlık                                    | 13,5 kg   | 15,8 kg   | 16,8 kg  | 18,5 kg  |
| Frekans bandı (WLAN)                       | 2,4 GHz   |   |  |  |
| Maks. çıkış gücü                           |   |   |  |  |
| WLAN                                       | 19,22 dBm   |   |  |  |
| Bluetooth                                  | 7,93 dBm  |   |  |  |

Dometic (Zhuhai) Technology Co., Ltd işbu belge ile CFX2 28, CFX2 37, CFX2 45, CFX2 57 tipi telsiz ekipmanının 2014/53/EU direktifine uygun olduğunu beyan eder. EU Uygunluk Beyanı'nın tam metninin bulunduğu internet adresi: [documents.dometic.com](http://documents.dometic.com)

Daha fazla ürün bilgisine, cihaz üzerinde bulunan enerji etiketindeki QR kodu taratarak veya [eprel.ec.europa.eu](http://eprel.ec.europa.eu) adresinden erişilebilir.

12



[eprel.ec.europa.eu](http://eprel.ec.europa.eu)

## Slovenščina

|    |                                  |     |
|----|----------------------------------|-----|
| 1  | Pomembna obvestila.....          | 312 |
| 2  | Razlaga simbolov.....            | 312 |
| 3  | Razlaga simbolov na napravi..... | 313 |
| 4  | Varnostni napotki.....           | 313 |
| 5  | Obseg dobave.....                | 315 |
| 6  | Dodatna oprema.....              | 315 |
| 7  | Predvidena uporaba.....          | 315 |
| 8  | Tehnični opis.....               | 316 |
| 9  | Uporaba.....                     | 318 |
| 10 | Čiščenje in vzdrževanje.....     | 325 |
| 11 | Odpravljanje težav.....          | 326 |
| 12 | Garancija.....                   | 327 |
| 13 | Odstranjevanje.....              | 327 |
| 14 | Tehnični podatki.....            | 327 |

## 1 Pomembna obvestila

Pozorno preberite in upoštevajte vsa navodila, smernice in opozorila iz tega navodila, da zagotovite pravilno vgradnjo, uporabo in vzdrževanje izdelka. Ta navodila **MORATE** hraniti skupaj z izdelkom.

Z uporabo izdelka potrjujete, da ste pozorno prebrali vsa navodila, smernice in opozorila ter razumete in upoštevate vsa določila ter pogoje v tem dokumentu. Strinjate se, da boste izdelek uporabljali samo za predvideni namen uporabe in v skladu z navodili, smernicami in opozorili v tem navodilu ter v skladu z vsemi veljavnimi zakoni in predpisi. Če navodil in opozoril v nadaljevanju ne preberete in ne upoštevate, boste morda poškodovali izdelek ali povzročili materialno škodo v bližini. Pridržujemo si pravico do sprememb in posodobitev navodila, vključno z navodili, smernicami in opozorili ter povezano dokumentacijo. Za najnovejšo informacijo o izdelku obiščite [documents.domestic.com](http://documents.domestic.com).

## 2 Razlaga simbolov

Signalna beseda označuje varnostna sporočila in sporočila o materialni škodi ter stopnjo ali raven nevarnosti.



### NEVARNOST!

Označuje nevarno situacijo, ki povzroči smrt ali hude poškodbe, če ni preprečena.



### OPOZORILO!

Označuje nevarno situacijo, ki lahko povzroči smrt ali hude poškodbe, če ni preprečena.



### POZOR!

Označuje nevarno situacijo, ki lahko povzroči lažje ali zmerne poškodbe, če ni preprečena.



### OBVESTILO!

Označuje nevarno situacijo, ki lahko povzroči materialno škodo, če ni preprečena.



**NASVET** Dodatne informacije za upravljanje izdelka.

### 3 Razlaga simbolov na napravi



Opozorilo! Nevarnost požara. Vnetljivi materiali.

### 4 Varnostni napotki



#### **NEVARNOST! Nevarnost električnega udara**

- > Pri čolnih: Pri omrežnem napajanju naprave morate zagotoviti, da je napajanje zavarovano z zaščitnim stikalom na diferenčni tok (RCCB) ali FI-stikalom (GFCI). Namestitev mora biti v skladu z vsemi veljavnimi predpisi za namestitev, predvsem v potencialno vlažnih območjih.
- > Nezaščitene električne vodnike se ne dotikajte z golimi rokami. Predvsem pri delovanju na omrežju na izmenični tok.



#### **OPOZORILO! Nevarnost električnega udara**

- > Če na hladilni napravi opazite vidne znake poškodb, je ne uporabljajte.
- > Če je napajalni kabel hladilne naprave poškodovan, ga je treba zamenjati, da preprečite varnostna tveganja.
- > Hladilno napravo sme popravljati samo usposobljeno osebje. Nepravilna popravila lahko povzročijo velika tveganja.
- > Napravo priključite v vtičnice, ki zagotavljajo ustrezno zaščito, predvsem ko mora biti naprava ozemljena.



#### **OPOZORILO! Nevarnost požara**

- > Pri nameščanju naprave bodite pozorni, da napajalnega kabla ne boste zagostili ali poškodovali.
- > Za napravo ne sme biti več prenosnih vtičnic ali prenosnih virov napajanja.
- > Hladilno sredstvo v hladilnem krogotoku je lahko vnetljivo, v primeru puščanja pa lahko pride do nakopičenja gorljivih plinov, če je naprava v majhnem prostoru. Če se hladilni krogotok poškoduje:
  - Hladilniku ne približujte odprtih plamenov ali drugih potencialnih virov vžiga.
  - Prostor dobro prezračite.
  - Izklopite hladilnik.
- > Za hladilne naprave s hladilnim sredstvom R600a:
  - Hladilni krogotok vsebuje majhno količino okolju prijaznega, vendar vnetljivega hladilnega sredstva. Ne škodi ozonski plasti in ne povečuje toplogrednega učinka. Iztečeno hladilno sredstvo se lahko vname.
  - Hladilne torbe ne uporabljajte in ne hranite v zaprtih prostorih brez pretoka zraka ali s slabim pretokom zraka.
- > Prezračevalnih odprtih na ohišju naprave ali v vgradnih konstrukcijah ne smejo zakrivati ovire.
- > Ne uporabljajte mehanskih predmetov ali drugih sredstev za pospeševanje odtajanja, razen če jih priporoča proizvajalec.
- > Krogotoka hladilnega sredstva ne smete odpirati ali poškodovati.
- > Znotraj hladilne naprave ne uporabljajte električnih naprav, razen če te električne naprave priporoča proizvajalec.



#### **OPOZORILO! Nevarnost za zdravje**

- > To napravo smejo uporabljati otroci, ki so starejši od 8 let, in osebe z zmanjšanimi fizičnimi, zaznavnimi ali duševnimi sposobnostmi ali s pomanjkljivimi izkušnjami in znanjem, če so nadzorovani ali so prejeli navodila glede varne uporabe naprave in razumejo s tem povezana tveganja.

- > Otroci, ki so stari od 3 do 8 let, smejo hladilne naprave polniti in prazniti.
- > Otroke je treba nadzorovati in tako zagotoviti, da se z napravo ne bodo igrali.
- > Otroci ne smejo brez nadzora izvajati čiščenja in vzdrževalnih del.

**OPOZORILO! Nevarnost eksplozije**

V hladilni napravi ne hranite eksplozivnih snovi, kot so razpršilniki z vnetljivim potisnim plinom.

**POZOR! Nevarnost električnega udara**

- > Pred vklopom hladilne naprave se prepričajte, da sta vtič in priključni kabel suha.
- > Pred čiščenjem, vzdrževanjem in po vsaki uporabi odklopite hladilno napravo iz napajanja.

**POZOR! Nevarnost za zdravje**

- > Da bi preprečili kontaminacijo živil, upoštevajte naslednje napotke:
  - Preverite, ali hladilna moč naprave zadostuje zahtevam glede shranjevanja posameznih živil, ki jih želite hraniti na hladnem.
  - Živila je dovoljeno shranjevati samo v originalni embalaži oziroma v ustreznih posodah.
  - Če so vrata dlje časa odprta, lahko zaradi tega temperatura v notranjosti hladilne naprave zelo naraste.
  - Redno čistite površine, ki lahko pridejo v stik z živili, in dostopne odtočne sisteme.
- > Če bo naprava dlje časa prazna:
  - Izklopite napravo.
  - Odtalite napravo.
  - Očistite in posušite napravo.
  - Pustite vrata odprta in tako preprečite, da v hladilni napravi ne bi nastajala plesen.

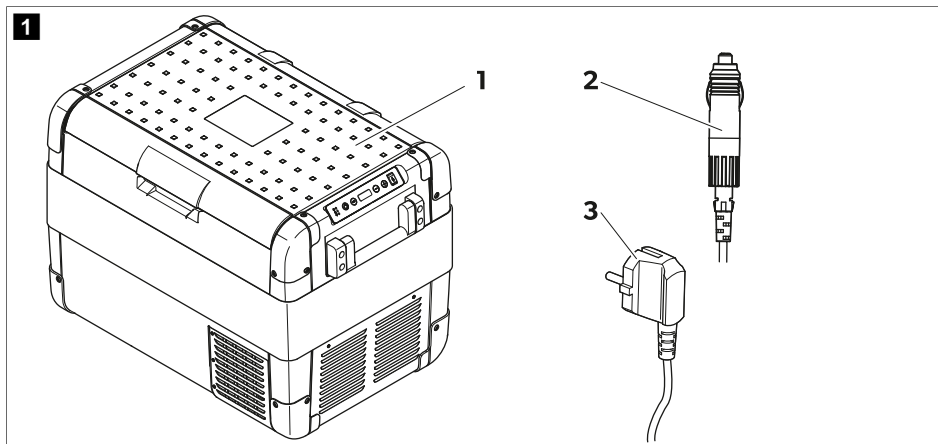
**OBVESTILO! Nevarnost poškodb**

- > Preverite, ali se podatki o napetosti na tipski ploščici ujemajo z vrednostmi, ki veljajo za dovajanje energije v aparat.
- > Hladilno napravo priključite samo na naslednji način:
  - S priključnim kablom na enosmerni tok na napajanje na enosmerni tok v vozilu
  - S priključnim kablom na izmenični tok na napajanje na izmenični tok v vozilu
- > Vtiča iz vtičnice nikoli ne vlecite tako, da držite za kabel.
- > Če hladilna naprava ni priključena na vtičnico na enosmerni tok: odklopite hladilno napravo in druge porabnike električne energije z baterije, preden priključite napravo za hitro polnjenje.
- > Če hladilna naprava ni priključena na vtičnico na enosmerni tok: odklopite hladilno napravo ali jo izklopite, ko izklopite motor. V nasprotnem primeru se lahko izprazni akumulator vozila.
- > Hladilna naprava ni primerna za transport jedkih snovi ali snovi, ki vsebujejo topila.
- > Izolacija hladilne naprave vsebuje vnetljiv ciklopentan, zato je za odstranjevanje treba upoštevati posebne postopke. Hladilno napravo po koncu življenjske dobe predajte ustreznemu zbirnemu centru.
- > Hladilne naprave ne odlagajte v bližino odprtega ognja ali drugih toplotnih virov (grelci, plinske peči itd.).
- > V notranjo posodo ne nalivajte tekočin in v njej ne shranjujte ledu.
- > Hladilne naprave ne namakajte v vodo.
- > Hladilno napravo in kable zaščitite pred vročino in vlago.
- > Hladilna naprava ne sme biti izpostavljena dežju.
- > Da bi zagotovili pravilno kroženje hladilnega sredstva, hladilne naprave ne smete nagniti za več kot 30°. Z libelo poskrbite za izravnost hladilne naprave.



- > **Nevarnost pregrevanja!** Vedno zagotovite, da je na vseh štirih straneh hladilne naprave na voljo dovolj prostora za prezračevanje. V prezračevalnem območju ne smejo biti predmeti, ki bi lahko ovirali zračni tok do hladilnih sestavnih delov. Hladilne naprave ne nameščajte v zaprta območja brez zračnega toka ali z minimalnim zračnim tokom.

## 5 Obseg dobave



| Poz. | Količina | Opis                              |
|------|----------|-----------------------------------|
| 1    | 1        | Hladilna torba                    |
| 2    | 1        | Priključni kabel na enosmerni tok |
| 3    | 1        | Priključni kabel na izmenični tok |
| -    | 1        | Kratka navodila za uporabo        |

## 6 Dodatna oprema

Na voljo kot dodatna oprema (ni del obsega dobave):

| Oznaka   | Št. izdelka | Model                   |
|--|-------------|-------------------------|
| Komplet za pritrjevanje z mehanizmom za hitro odstranjevanje CFX-QFK     | 9600000166  | Samo za CFX2 28         |
| Komplet za pritrjevanje z mehanizmom za hitro odstranjevanje CFX-QFK3545 | 9600029599  | Samo CFX2 37 in CFX2 45 |
| Aplikacija za mobilno hlajenje   | -           | Primerna za vse modele  |

## 7 Predvidena uporaba

Hladilna torba je primerna za hlajenje živil. Hladilna torba je primerna tudi za uporabo v vozilih. Hladilna torba je predvidena za priključitev v vtičnico z enosmernim tokom v vozilu ali za napajanje z izmeničnim tokom.

Hladilna torba je primerna tudi za kampiranje.

Hladilna torba je predvidena za uporabo v gospodinjstvu in za podobne namene, kot na primer:

- v kuhinjah za zaposlene v prodajalnah, pisarnah in drugih poslovnih okoljih,
- na kmetijah,
- za goste v hotelih, motelih in drugih oblikah nastanitvev,
- penzione,
- gostinske storitve in druge podobne netržne uporabe.

Hladilna torba **ni** primerna za:

- hitro zamrzovanje živil,
- shranjevanje korozivnih snovi, jedkih snovi ali snovi, ki vsebujejo topila,
- uporabo kot vgradni aparat.

Hladilna torba je primeren samo za predvideni namen in uporabo v skladu s temi navodili.

Ta izdelek je primeren samo za predvideni namen in uporabo v skladu s temi navodili.

V tem navodilu so navedene informacije, ki jih je treba upoštevati za pravilno vgradnjo in/ali delovanje izdelka. Aparat zaradi slabe vgradnje in/ali nepravilne uporabe oziroma vzdrževanja ne bo dobro deloval in se lahko pokvari.

Proizvajalec ne sprejema nobene odgovornosti za telesne poškodbe ali poškodbe izdelka, do katerih pride zaradi:

- napačne namestitve, sestave ali priklopa, vključno s previsoko napetostjo;
- neustreznih vzdrževalnih del ali uporabe neoriginalnih nadomestnih delov, ki jih ni dobavil proizvajalec;
- sprememb izdelka brez izrecnega dovoljenja proizvajalca;
- uporabe za namene, ki niso opisani v navodilu.

Družba Dometic si pridržuje pravico do spremembe videza in specifikacij izdelka.

## 8 Tehnični opis

Hladilna torba je primerna za hlajenje. Hlajenje zagotavlja hladilni tokokrog s kompresorjem, ki zahteva malo vzdrževanja. Dobra izolacija in močan kompresor zagotavljata učinkovito in hitro hlajenje.

Hladilna torba je namenjena mobilni uporabi.

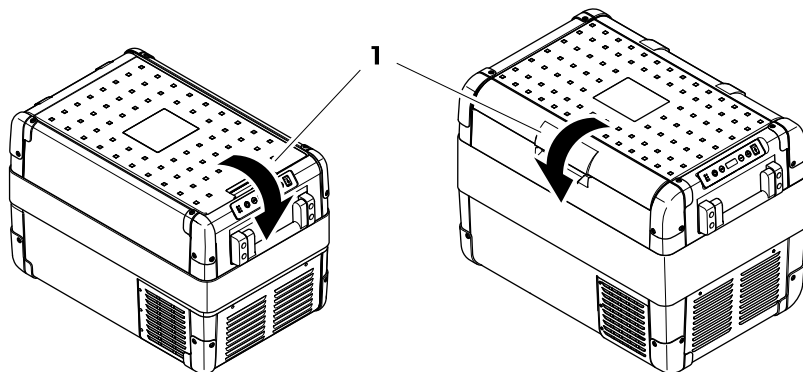
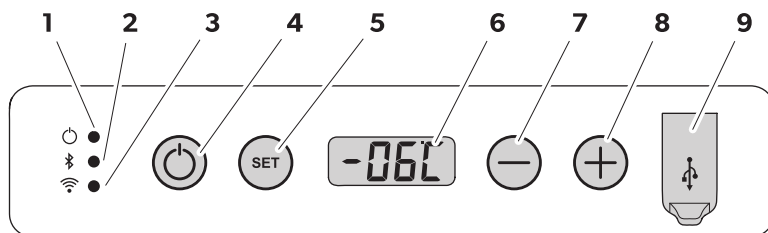
Hladilna torba prenese kratkotrajni naklon 30 °, na primer na plovilih.

### Obseg funkcij

- Napajanje s prednostnim krogom za priklon na izmenični tok
- Tristopenjski nadzornik baterije za zaščito baterije vozila
- Zaslon z vgrajenim merilnikom temperature v °C in °F
- Nastavitev temperature z 2 gumboma v korakih po 1 °C / 1 °F
- Vgrajeni funkciji Bluetooth in WLAN za upravljanje hladilne torbe z aplikacijo za mobilno hlajenje
- Zložljiva nosilna ročaja
- Vtičnica USB za napajanje
- Snemljiva žičnata košara

### Upravljalni in prikazni elementi

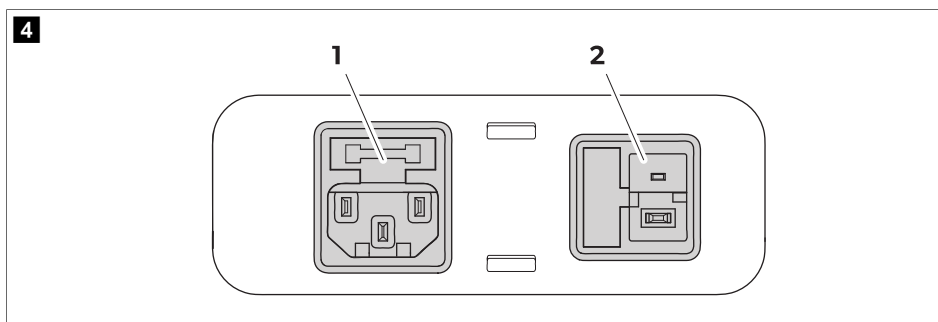
Zapiralo (  sl. 2 na strani 317, 1) pokrova:

**2****CFX2 28, 37, 45****CFX2 57****Kontrolna plošča****3**

| Poz. | Opis      | Razlaga  |
|------|-----------|--|
| 1    | Moč       | Prikaz statusa   |
|      |           | LED sveti belo: Kompressor se zažene.<br>LED sveti oranžno: Kompressor se zaustavi.                    |
| 2    | Bluetooth | LED je izklopljen: Bluetooth hladilne torbe je izklopljen.   |
|      |           | LED počasi utripa belo: Bluetooth hladilne torbe je vklopljen. Hladilna torba ni seznanjena z napravo. |
|      |           | LED hitro utripa belo: Hladilna torba vzpostavlja povezavo z napravo prek povezave Bluetooth.          |
|      |           | LED sveti belo: Hladilna torba je seznanjena z napravo prek povezave Bluetooth.                        |
| 3    | WLAN      | LED je izklopljen: WLAN hladilne torbe je izklopljen.  |
|      |           | LED utripa belo: WLAN hladilne torbe je vklopljen. Hladilna torba ni povezana z napravo.               |
|      |           | LED sveti belo: Hladilna torba je seznanjena z napravo prek povezave WLAN.                             |

| Poz. | Opis         | Razlaga  |
|------|--------------|--|
| 4    | VKLOP/IZKLOP | Vklopi ali izklopi hladilno torbo.   |
| 5    | SET          | Izbere način vnosa: <ul style="list-style-type: none"> <li>• Nastavitev temperature</li> <li>• Prikaz v stopinjah Celzija ali Fahrenheita</li> <li>• Nastavitev nadzornika baterije</li> <li>• Nastavitev svetlosti zaslona</li> <li>• Nastavitev načina prikaza</li> <li>• Nastavitev povezave Bluetooth</li> <li>• Nastavitev povezave WLAN</li> </ul> |
| 6    |              | Zaslon   |
| 7    | -            | Nastavi temperaturo, temperaturno enoto, nadzornik baterije, svetlost zaslona, način, Bluetooth in WLAN.   |
| 8    | +            |  |
| 9    |              | Vtičnica USB   |

### Priključne vtičnice



| Poz. | Opis                                 |
|------|--------------------------------------|
| 1    | Priključna vtičnica na izmenični tok |
| 2    | Priključna vtičnica na enosmerni tok |

## 9 Uporaba

### Pred prvo uporabo

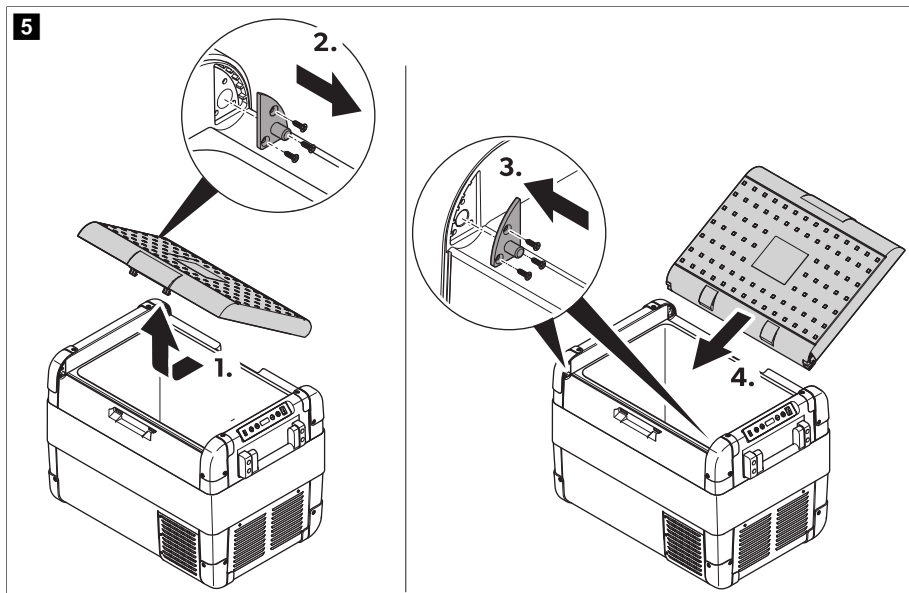


**NASVET** Pred prvo uporabo hladilne torbe iz higienskih razlogov očistite notranjost in zunanost hladilne torbe z vlažno krpo (glejte Čiščenje in vzdrževanje na strani 325).

### Spreminjanje smeri odpiranja pokrova (samo CFX2 57)

Tečaje pokrova lahko prestavite na nasprotno stran.

1. Odprite in odstranite pokrov (glejte sl. 5 na strani 319).



2. Odvijte tri vijake na vsakem tečaju (  sl. 5 na strani 319) in snemite tečaja.
3. Tečaja namestite na nova položaja.
4. Pokrov vstavite v nova tečaja (  sl. 5 na strani 319).

## Varčevanje z energijo

- > Izberite dobro prezračevano lokacijo, ki je zaščiten pred neposredno sončno svetlobo.
- > Tople jedi naj se najprej ohladijo, preden jih daste v aparat in začnete hladiti.
- > Hladilne naprave ne odpirajte pogosteje, kot je treba.
- > Vrata naj ne bodo odprta dlje časa, kot je treba.
- > Če ima hladilna naprava košarico: Da bo poraba energije optimalna, namestite košarico v položaj ob dobavi.
- > Redno preverjajte, ali se tesnilo pokrova dobro prilega.
- > Ne nastavlajte nizkih temperatur, če to ni potrebno.

## Priključitev hladilne torbe

### Priključitev na akumulator



#### **OBVESTILO! Nevarnost poškodb**

- > Za zaščito naprave ima priložen kabel za enosmerni tok v vtiču varovalko. Vtiča za enosmerni tok z varovalko **ne** smete odstraniti. Uporabite samo priložen kabel za enosmerni tok.
- > Odklopite hladilno torbo in druge porabnike električne energije z baterije, preden na baterijo priključite napravo za hitro polnjenje. Previsoka napetost lahko poškoduje elektroniko naprav, ki so priključene na baterijo.



**NASVET** Hladilna torba ima elektronski sistem za preprečevanje zamenjave polaritete. Elektronski sistem varuje hladilno torbo pred kratkim stikom, ko je priključena na baterijo.

Hladilna torba lahko deluje na 12 V  $\equiv$  ali 24 V  $\equiv$  napajanje.

- > Hladilno torbo priključite na baterijo s priključnim kablom na enosmerni tok, kot je prikazano.

### Priključitev na izmenični tok



#### NEVARNOST! Nevarnost električnega udara

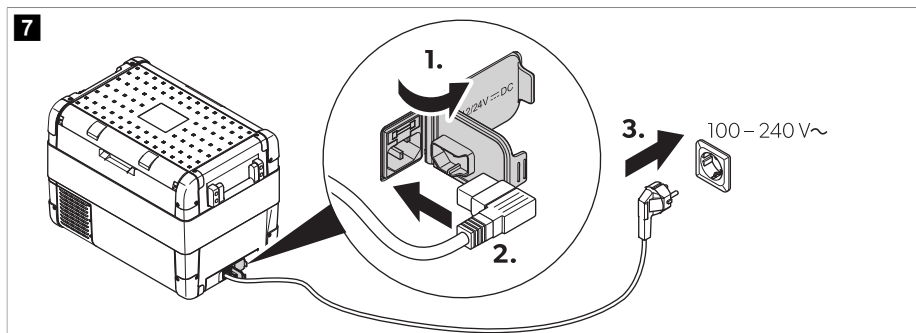
- > Vtičev in stikal se ne dotikajte z vlažnimi rokami ali ko stojite na vlažni površini.
- > Če hladilno torbo uporabljate na plovilu z napajanjem na izmenični tok, je treba med napajanje na izmenični tok in hladilno torbo namestiti odklopnik na diferenčni tok. Posvetujte se z izkušenim električarjem.



#### NASVET

Hladilna torba ima vgrajen večnapetostni napajalnik s prednostnim vezjem za priključitev na vir izmenične napetosti. Prednostno vezje samodejno preklopi hladilno torbo na izmenični tok, ko je hladilna torba priključena na vir izmenične napetosti, čeprav je priključni kabel za enosmerni tok še priključen.

- > Hladilno torbo priključite na napajanje na izmenični tok s priključnim kablom na enosmerni tok, kot je prikazano.



### Uporaba hladilne torbe



#### OBVESTILO! Nevarnost poškodb

Hladilno torbo namestite tako, da bo dno obrnjeno navzdol.

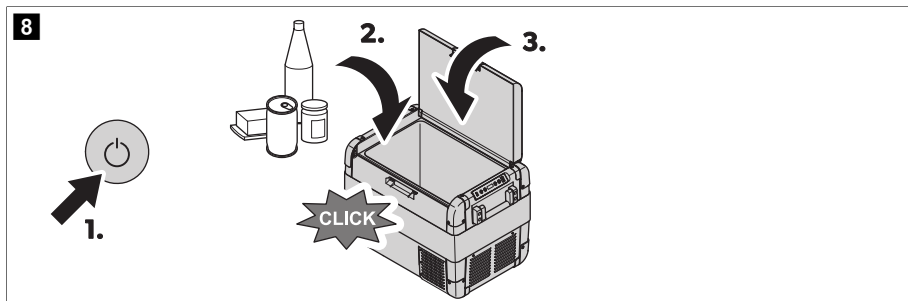
1. Hladilno torbo namestite na trdno podlago.
2. Priključite hladilno torbo (glejte poglavje Priključitev hladilne torbe na strani 319).



#### OPOZORILO! Nevarnost za zdravje

V hladilno torbo vstavite samo predmete, ki so primerni za hlajenje na izbrano temperaturo.


3. Gumb za »VKLOP/IZKLOP« držite pritisnjen 1 ... 2 s.



- ✓ LED napajanja zasveti. Zaslon se vklopi in prikazuje trenutno temperaturo.



#### **NASVET Prikazana temperatura**

CFX2 57: Prikazana temperatura je temperatura v velikem notranjem predalu (  sl. **9** na strani 321 **1**).

Hladilna torba začne ohlajati notranjost.

#### **Zapahnitev pokrova hladilne torbe**


1. Zaprite pokrov.
2. Zapiralo potisnite navzdol, da slišno zaskoči.

#### **Zmanjševanje živalskih odpadkov**


Da hrane ne bo treba zavreči, upoštevajte naslednje

- > Temperatura naj čim manj niha. Hladilne torbe ne odpirajte po nepotrebnem in okrov naj ne bo dolgo odprt. Živila hranite na način, ki omogoča učinkovito kroženje zraka.
- > Temperaturo nastavite glede na količino in vrsto živil.
- > Živila se lahko hitro navlečejo ali oddajo vonj oz. okus. Živila vedno shranite pokrita ali v zaprtih posodah/steklenicah.

#### **Nastavljanje temperature**

1. Enkrat pritisnite gumb **SET**.
  2. Z gumboma **+** in **-** izberite zeleno temperaturo za hlajenje.
- ✓ Za nekaj sekund se na zaslonu prikažeta izbrana temperatura in . Prikaz večkrat utripne. Nato je znova prikazana trenutna temperatura.

#### **Izbiranje temperaturne enote**

1. Dvakrat pritisnite gumb **SET**.
  2. Z gumboma **+** ali **-** izberite zeleno temperaturno enoto.
- ✓ Izbrana temperaturna enota in  se nato za nekaj sekund prikažeta na zaslonu. Prikaz nekajkrat utripne, preden se znova prikaže trenutna temperatura.

## Uporaba nadzornika baterije



### OBVESTILO! Nevarnost poškodb

Ko se nadzornik baterije izklopi, baterija ni več popolnoma napolnjena. Izogibajte se večkratnemu zagonu ali delovanju porabnikov električne energije brez daljših faz polnjenja. Zagotovite, da se baterija ponovno napolni.

Hladilna torba ima večstopenjski nadzornik baterije, ki baterijo vozila štiti pred prekomernim izpraznjenjem, ko je hladilna torba priključena na enosmerno napajanje v vozilu.

Če hladilna torba deluje, ko je vžig vozila izklopljen, se hladilna torba samodejno izklopi, ko napajalna napetost pade pod nastavljeno vrednost. Hladilna torba se znova vklopi, ko se baterija napolni na napetost za ponovni zagon.

V načinu »HIGH« se zaslon baterije odziva hitreje kot v načinih »LOW« in »MED«.

| Način nadzornika baterije          | LOW    | MED    | HIGH   |
|------------------------------------|--------|--------|--------|
| Napetost za ponovni zagon pri 12 V | 11,4 V | 12,2 V | 12,6 V |
| Napetost za izklop pri 12 V        | 10,1 V | 11,2 V | 11,8 V |
| Napetost za ponovni zagon pri 24 V | 23 V   | 25,3 V | 26,4 V |
| Napetost za izklop pri 24 V        | 21,5 V | 24,1 V | 24,6 V |

Način nadzornika baterije izberite na naslednji način:

1. Vključite hladilno torbo.
2. Trikrat pritisnite gumb **SET**.
3. Z gumboma **+** ali **-** izberite način nadzornika baterije.
  - ✓ Zaslon se spremeni na naslednji način: **[P L 0]** (LOW), **[P M d]** (MED), **[P H i]** (HIGH)

Izbran način se za nekaj sekund prikaže na zaslonu. Zaslon nekajkrat utripne, preden se znova prikaže trenutna temperatura.



**NASVET** Če se hladilna torba napaja z zagnosko baterijo, izberite način nadzornika baterije »HIGH«. Če je hladilna torba priključena na bivalno baterijo, izberite način nadzornika baterije »LOW«.

## Nastavljanje svetlosti zaslona

Svetlost zaslona lahko v slabo osvetljenem okolju zatemnite.

1. Vključite hladilno torbo.
2. Štirikrat pritisnite gumb **SET**.
3. Z gumboma **+** ali **-** nastavite svetlost zaslona.
  - ✓ Zaslon se spremeni na naslednji način: **[d L 0]** (nizka), **[d M d]** (srednja), **[d H i]** (visoka)

Zaslon nekaj sekund prikazuje nastavljen način. Zaslon nekajkrat utripne, preden se znova prikaže trenutna svetlost.



**NASVET** V primeru okvare se samodejno znova nastavi svetlost **[d H i]** (privzeto). Ko okvaro odpravite, se znova vklopi nastavljena svetlost.

## Uporaba vrat USB

Vtičnica USB se uporablja za polnjenje majhnih naprav, kot so pametni telefoni in mp3-predvajalniki.



- › Napravo, ki jo želite polniti, s kablom USB (ni priložen) priključite na vtičnico USB na hladilni torbi.



**NASVET** Priključena naprava mora biti združljiva z napetostjo 5 V / 2 A .

### Nastavitev načina prikaza

1. Petkrat pritisnite gumb **SET** .
2. Z gumboma **+** ali **-** nastavite način mirovanja.
- ✓ Zaslon se spremeni na naslednji način: **[5 0F]** (IZKLOP), **[5 0n]** (VKLOP), **[5 Lo]** (nizko)

**s 0F** (IZKLOP): Način mirovanja je izklopljen. Zaslon je vedno vklopljen.

**s 0n** (VKLOP): Način mirovanja je vklopljen. Če hladilna torba več minut ni v uporabi, je na zaslonu prikazana samo pika.

**s Lo** (nizko): Podnačin mirovanja je vklopljen. Če hladilna torba več minut ni v uporabi, se vklopi najnižja svetlost zaslona.



**NASVET** Če je zaslon v načinu mirovanja ali podnačinu mirovanja, kratko pritisnite gumb na hladilni torbi, da zapustite trenutni način.

### Uporaba aplikacije za mobilno hlajenje

Hladilno torbo je mogoče nadzorovati in upravljati prek povezave Bluetooth ali WLAN in aplikacije, ki jo lahko namestite v združljivo napravo.

1. Prenesite in namestite aplikacijo za mobilno hlajenje.



Prenesite aplikacijo s [qr.dometic.com/beiv4R](http://qr.dometic.com/beiv4R).

2. Pritisnite gumb **SET** na naslednji način:
  - 6-krat, da odprete nastavitve povezave Bluetooth.
  - 7-krat, da odprete nastavitve povezave WLAN.
3. Z gumboma **+** ali **-** nastavite Bluetooth ali WLAN.



**NASVET** Če je hladilna torba z združljivo napravo povezana prek povezave Bluetooth, mora biti nastavljen način seznanjanja.

- ✓ Pri nastavljanju povezave Bluetooth se zaslon spremeni na naslednji način: **[bL 0F]** (IZKLOP), **[bL 0n]** (VKLOP), **[bL PR]** (seznanjanje)



**NASVET** Če je prikazano **[bL 0F]**, se zaslon ne spremeni, ko pritisnete gumb **-**. Če je prikazano **[bL PR]**, se zaslon ne spremeni, ko pritisnete gumb **+**.

LED povezave Bluetooth utripa belo in na zaslonu je prikazano **[bL ]**, ko poteka seznanjanje z napravo Bluetooth.

Pri nastavljanju povezave WLAN se zaslon spremeni na naslednji način: (F, 0F) (IZKLOP), (F, 0n) (VKLOP)

4. Sledite navodilom v aplikaciji za mobilno hlajenje.
- ✓ LED povezave Bluetooth ali WLAN sveti, ko je hladilna torba priključena.

### **Izklop hladilne torbe**

1. Izpraznite hladilno torbo.
2. Pritisnite gumb za "VKLOP/IZKLOP".
3. Izvlecite priključni kabel.
4. Če hladilne torbe dlje časa ne uporabljate, pustite pokrov odprt, da preprečite nastajanje neprijetnih vonjav.

### **Odtajanje hladilne torbe**

Zaradi vlage lahko v notranjosti hladilne torbe ali na uparjalniku nastane slana. Hladilna sposobnost se zaradi tega zmanjša.



#### **OBVESTILO! Nevarnost poškodb**

Ne uporabljate trdih ali ostrih pripomočkov za odstranjevanje ledu ali predmetov, primrzjenih na površino.

Za odtajanje hladilne storite naslednje:


1. Izpraznite vsebino hladilne torbe.
2. Po potrebi vsebino preložite v drugo hladilno napravo, da ostane ohlajena.
3. Hladilno torbo izklopite.
4. Pokrov pustite odprt.
5. Obrišite odtaljeno vodo.

### **Zamenjava varovalke za izmenični tok**



#### **NEVARNOST! Nevarnost električnega udara**

Odklopite napajanje in priključni kabel, preden zamenjate varovalko za izmenični tok.

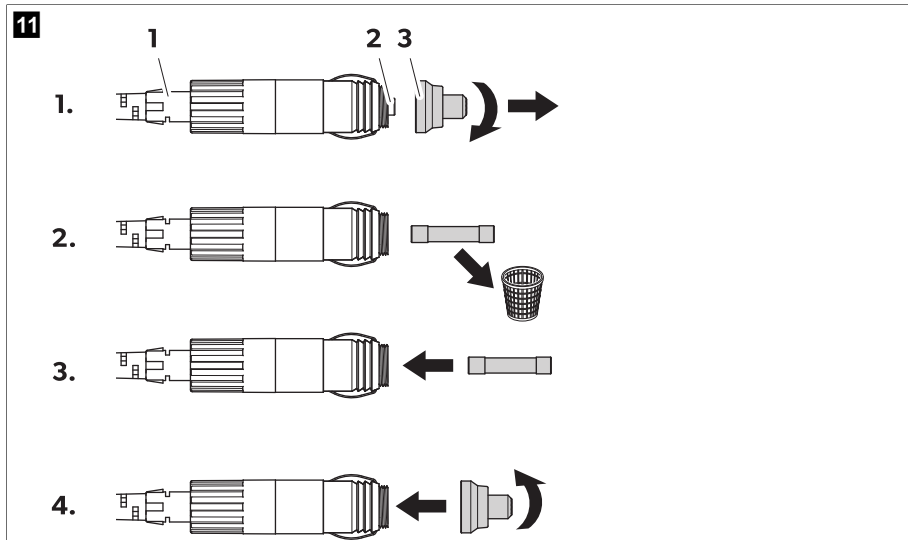
1. Odklopi napajanje hladilne torbe.
2. Odklopite priključni kabel.
3. Z izvijačem odstranite vložek varovalke (  sl. 4 na strani 3182.).
4. Okvarjeno stekleno varovalko zamenjajte z novo varovalko istega tipa in z istimi specifikacijami ( 4 A , 250 V ).
5. Vložek varovalke potisnite nazaj v ohišje.
6. Znova priklopite napajanje naprave.

### **Zamenjava varovalke v vtiču za enosmerni tok**



**NASVET** V napravi je dodatna varovalka za enosmerni tok (standardna avtomobilska varovalka, 10 A). Varovalko sme zamenjati samo pooblaščen servisni center.

1. Odvijte ohišje kontaktnega zatiča (  sl. 11 na strani 325 3) z vtiča (  sl. 11 na strani 325 1).



- Okvarjeno varovalko (glej sl. 11 na strani 325 2) zamenjajte z novo varovalko istega tipa in z istimi specifikacijami (3AG, hitro delujoča, 10 A).
- Vtič sestavite v obratnem vrstnem redu.

### Zamenjava plošče tiskanega vezja za osvetljavo



#### **OBVESTILO! Nevarnost poškodb**

Ploščo tiskanega vezja lahko zamenja samo proizvajalec, serviser ali podobno usposobljena oseba, da preprečite morebitne nevarnosti.

## 10 Čiščenje in vzdrževanje



#### **POZOR! Nevarnost električnega udara**

Pred čiščenjem ali vzdrževanjem odklopite hladilno napravo iz napajanja.



#### **OBVESTILO! Nevarnost poškodb**

- > Hladilne naprav ne čistite pod tekočo vodo ali v vodi za pomivanje posode.
  - > Za čiščenje ne uporabljajte abrazivnih čistilnih sredstev ali trdih predmetov.
- > Notranjost in zunanost hladilne naprave občasno obrišite z vlažno krpo.
- > Prepričajte se, da odprtini za prezračevanje in odzračevanje hladilne naprave ne prekrivata prah ali umazanija. Le tako se lahko toplota odvajata in naprava se ne poškoduje.

## 11 Odpravljanje težav

| Motnja  | Možni vzrok   | Rešitev   |
|---|---|---|
| Hladilna torba ne deluje. LED napajanja ne zasveti.   | V vtičnici za enosmerni tok ni napetosti.                             | > Vključite vžig vozila.  |
|   | V vtičnici za izmenični tok ni napetosti.                             | > Uporabite drugo vtičnico.   |
|   | Varovalka izmeničnega toka je okvarjena.                              | > Zamenjajte varovalko izmeničnega toka, glejte Zamenjava varovalke za izmenični tok na strani 324.   |
|   | Vgrajen omrežni adapter je poškodovan.                                | > Obrnite se na pooblaščenega serviserja.   |
| LED napajanja zasveti oranžno, prikaže se koda napake <b>E 01</b> in hladilna torba ne hladi, čeprav je vtič priključen.          | Nadzornik baterije je nastavljen na previsoko vrednost.               | <ol style="list-style-type: none"> <li>Nadzornik baterije nastavite na nižjo vrednost (glejte Uporaba nadzornika baterije na strani 322).</li> <li>Preverite zagonsko baterijo.</li> <li>Če je potrebno, napolnite zagonsko baterijo.</li> </ol> Upoštevajte navodila proizvajalca. |
|   | Nadzornik baterije je nastavljen na prenizko vrednost.                | <ol style="list-style-type: none"> <li>Nadzornik baterije nastavite na višjo vrednost (glejte Uporaba nadzornika baterije na strani 322).</li> <li>Preverite zagonsko baterijo.</li> <li>Če je potrebno, napolnite zagonsko baterijo.</li> </ol> Upoštevajte navodila proizvajalca. |
| Pri uporabi hladilne torbe na vtičnici za enosmerni tok: Vžig je vklopljen in hladilna torba ne deluje. LED napajanja ne zasveti. | Vtič za enosmerni tok ni pravilno vstavljen.                          | > Znova priključite vtič za enosmerni tok.  |
|   | Vtičnica za enosmerni tok je umazana. Zato je električni stik slab.   | > Očistite vtičnico za enosmerni tok. Upoštevajte navodila proizvajalca.  |
|   | Varovalka za enosmerni tok je pregorela.                              | > Zamenjajte varovalko za enosmerni tok, glejte poglavje Zamenjava varovalke v vtiču za enosmerni tok na strani 324.  |
|   | Varovalka za enosmerni tok v notranjosti hladilne torbe je pregorela. | > Obrnite se na pooblaščenega serviserja.   |
|   | Varovalka za enosmerni tok v vozilu je pregorela.                     | > Zamenjajte varovalko za enosmerni tok v vozilu. Upoštevajte navodila proizvajalca.  |
| Na zaslonu je prikazana koda napake in hladilna torba ne hladi (glejte Kode napak na strani 326).                                 | Hladilna torba se je izklopila zaradi interne okvare.                 | > Obrnite se na pooblaščenega serviserja.   |

### Kode napak



**NASVET** Če se pojavi katera izmed kod od **E 02** do **E 07**, se obrnite na pooblaščenega serviserja.

| Koda napake | Opis                              |
|-------------|-----------------------------------|
| E 01        | Nizka napetost/previsoka napetost |
| E 02        | Previsoka napetost ventilatorja   |
| E 03        | Neuspeli zagon kompresorja        |
| E 04        | Nizka hitrost kompresorja         |
| E 05        | Upravljalnik je pregret           |
| E 06        | Odprt krogotok termistorja NTC    |
| E 07        | Kratek stik termistorja NTC       |

## 12 Garancija

Velja zakonsko določen garancijski rok. Če je izdelek pokvarjen, se obrnite na podružnico proizvajalca v svoji državi (glejte [dometic.com/dealer](http://dometic.com/dealer)) ali na trgovca.

Za obravnavanje zahtevkov popravil oz. garancijskih zahtevkov morate skupaj z aparatom poslati naslednjo dokumentacijo:

- kopijo računa z datumom nakupa,
- razlog za reklamacijo ali opis napake.

Upoštevajte, da lahko imajo lastnoročna ali neprofesionalna popravila varnostne posledice in lahko razveljavijo garancijo.

## 13 Odstranjevanje



### OPOZORILO! Nevarnost ujetja otroka

Preden zavržete staro hladilno napravo, odstranite pokrov. Košare pustite v napravi, da otroci ne bodo morali zlahka splezati v napravo.



Embaložni material odstranite v primerne zabojnike za recikliranje odpadkov, če je to mogoče. Pri lokalnem centru za zbiranje odpadkov ali specializiranem trgovcu se pozanimajte glede odstranjevanja izdelka v skladu z veljavnimi predpisi.



Recikliranje izdelkov z baterijami, baterijami za ponovno polnjenje in svetlobnimi viri: Pred recikliranjem izdelka odstranite morebitne baterije, baterije za ponovno polnjenje in svetlobne vire. Poškodovane ali rabljene baterije vrnite prodajalcu oz. jih odnesite v zbirni center. Baterij, baterij za ponovno polnjenje in svetlobnih virov ne odlagajte med gospodinjске odpadke. Ko boste želeli izdelek dokončno odstraniti, se o odstranjevanju v skladu z veljavnimi predpisi pozanimajte pri lokalnem centru za zbiranje odpadkov ali specializiranem trgovcu. Izdelek je mogoče brezplačno odstraniti.

## 14 Tehnični podatki



**NASVET** Če temperatura okolice presega 32 °C, minimalne temperature ni mogoče zagotoviti.

Ta izdelek vsebuje fluorirane toplogredne pline.

Hladilna enota je hermetično zaprta.

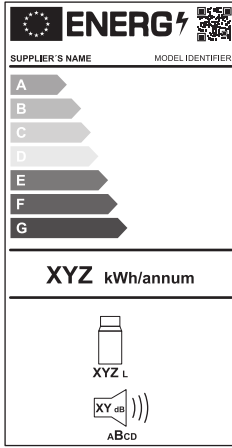
**SL CFX2 28, CFX2 37, CFX2 45, CFX2 57**

|                                      | <b>CFX2 28</b>  | <b>CFX2 37</b>  | <b>CFX2 45</b>   | <b>CFX2 57</b>   |
|--------------------------------------|---|---|--|--|
| Nazivna vhodna moč                   | 50 ... 60 Hz<br>100 ... 240 V~                                  |   |  |  |
| Naznačen tok                         | 12 V : 8,6 A<br>24 V : 3,8 A<br>100 V : 1,6 A<br>240 V : 0,77 A | 12 V : 8,7 A<br>24 V : 3,85 A<br>100 V : 1,63 A<br>240 V : 0,78 A | 12 V : 8,8 A<br>24 V : 3,9 A<br>100 V : 1,65 A<br>240 V : 0,79 A | 12 V : 9 A<br>24 V : 4 A<br>100 V : 1,7 A<br>240 V : 0,8 A |
| Zmogljivost hlajenja                 | - 22 °C ... 20 °C   |   |  |  |
| Temperatura okolice                  | 16 °C ... 43 °C   |   |  |  |
| Klimatski razred                     | N ali T   |   |  |  |
| USB                                  | 5 V 2 A   |   |  |  |
| Hladilno sredstvo                    | R600a   |   |  |  |
| Količina hladilnega sredstva         | 13 g  | 13 g  | 14 g   | 17 g   |
| Mere (Š x V x G, vključno z ročajji) | 600 mm x 427 mm x 345 mm  | 678 mm x 428 mm x 401 mm  | 678 mm x 493 mm x 401 mm   | 709 mm x 503 mm x 458 mm                                   |
| Prostornina                          | 28 L  | 37 L  | 45 L   | 57 L   |
| Masa                                 | 13,5 kg   | 15,8 kg   | 16,8 kg  | 18,5 kg  |
| Frekvenčni pas (WLAN)                | 2,4 GHz   |   |  |  |
| Največja izhodna moč                 |   |   |  |  |
| WLAN                                 | 19,22 dBm   |   |  |  |
| Bluetooth                            | 7,93 dBm  |   |  |  |

S tem podjetje Dometic (Zhuohai) Technology Co., Ltd potrjuje, da je radijska oprema tipa CFX2 28, CFX2 37, CFX2 45, CFX2 57 v skladu z Direktivo 2014/53/EU. Celotno besedilo izjave EU o skladnosti je na voljo na naslednjem internetnem naslovu: [documents.dometic.com](http://documents.dometic.com)

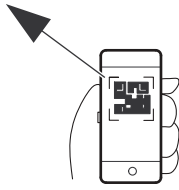
Dostop do dodatnih informacij je mogoč s kodo QR na energijski nalepki ali na spletnem mestu [eprel.ec.europa.eu](http://eprel.ec.europa.eu).

12



The diagram shows an ENERGY label with the following components:

- Top left: European Union flag and the word "ENERGY" with a lightning bolt symbol.
- Top right: A QR code.
- Below the QR code: "SUPPLIER'S NAME" and "MODEL IDENTIFIER".
- Energy efficiency scale: A vertical bar with seven horizontal arrows pointing right, labeled A, B, C, D, E, F, and G from top to bottom. The G arrow is the longest and darkest, indicating the highest efficiency.
- Consumption: "XYZ kWh/annum".
- Product icon: A small icon of a device labeled "XYZ L".
- Sound power level: A speaker icon with sound waves, labeled "XY dB" and "ABCD".



[eprel.ec.europa.eu](http://eprel.ec.europa.eu)

## Română

|    |   |     |
|----|---|-----|
| 1  | Observații importante.....                    | 330 |
| 2  | Explicația simbolurilor.....                  | 330 |
| 3  | Explicația simbolurilor de pe dispozitiv..... | 331 |
| 4  | Instrucțiuni de siguranță.....                | 331 |
| 5  | Domeniul de livrare.....                      | 333 |
| 6  | Accesorii.....                                | 333 |
| 7  | Domeniul de utilizare.....                    | 334 |
| 8  | Descriere tehnică.....                        | 334 |
| 9  | Utilizarea.....                               | 337 |
| 10 | Curățarea și întreținerea.....                | 343 |
| 11 | Remediarea defecțiunilor.....                 | 344 |
| 12 | Garanție.....                                 | 345 |
| 13 | Eliminarea.....                               | 345 |
| 14 | Date tehnice.....                             | 346 |

## 1 Observații importante

Cititi cu atenție și respectați toate instrucțiunile, indicațiile și avertismentele incluse în acest manual de produs pentru a vă asigura că instalați, utilizați și întrețineți produsul în permanență. Aceste instrucțiuni TREBUIE păstrate cu acest produs.

Prin utilizarea produsului, confirmați că ați citit cu atenție toate instrucțiunile, indicațiile și avertismentele și că înțelegeți și sunteți de acord să respectați termenii și condițiile stabilite. Sunteți de acord să utilizați acest produs numai pentru scopul și aplicația prevăzute și în conformitate cu instrucțiunile, indicațiile și avertismentele prezentate în acest manual de produs, precum și în conformitate cu toate legile și reglementările aplicabile. Nerespectarea instrucțiunilor și avertismentelor prezentate aici poate duce la vătămarea personală a utilizatorului sau a altora, la deteriorarea produsului sau a altor bunuri din apropiere. Acest manual al produsului, inclusiv instrucțiunile, indicațiile și avertismentele și documentația aferentă pot fi supuse modificărilor și actualizărilor. Pentru informații actualizate despre produs, vă rugăm să vizitați [documents.dometic.com](https://documents.dometic.com).

## 2 Explicația simbolurilor

Un cuvânt de semnalizare identifică mesajele de siguranță și mesajele privind daunele materiale și, de asemenea, indică gradul sau nivelul de gravitate a pericolului.



### PERICOL!

Indică o situație periculoasă care, dacă nu este evitată, va provoca moartea sau răni grave.



### AVERTIZARE!

Indică o situație periculoasă care, dacă nu este evitată, poate provoca moartea sau răni grave.



### PRECAUȚIE!

Indică o situație periculoasă care, dacă nu este evitată, poate provoca răni minore sau medii.



### ATENȚIE!

Indică o situație care, dacă nu este evitată, poate duce la pagube materiale.



**INDICAȚIE** Informații complementare privind operarea produsului.



### 3 Explicația simbolurilor de pe dispozitiv



Atenție! Risc de incendiu. Materiale inflamabile.

### 4 Instrucțiuni de siguranță



#### **PERICOL! Pericol de electrocutare**

- > Pe bărci: În cazul în care aparatul este alimentat de la rețeaua de alimentare, asigurați-vă că alimentarea cu curent are un întrerupător de curent rezidual (RCCB) sau un întrerupător pentru lipsa circuitului de împământare (GFCI). Instalarea, în special în zonele potențial umede, trebuie să fie în conformitate cu toate reglementările de instalare aplicabile.
- > Nu atingeți cablurile expuse cu mâinile goale. Acest lucru se aplică în special atunci când dispozitivul este utilizat de la rețeaua de curent alternativ.



#### **AVERTIZARE! Pericol de electrocutare**

- > Nu folosiți aparatul de răcire dacă este deteriorat în mod vizibil.
- > În cazul în care cablul de alimentare al acestui dispozitiv de răcire este deteriorat, acesta trebuie înlocuit pentru a preveni problemele de siguranță.
- > Acest aparat de răcire poate fi reparat numai de personal calificat. Reparațiile necorespunzătoare pot duce la riscuri considerabile.
- > Conectați dispozitivul la prize pentru a asigura o conexiune adecvată, în special atunci când dispozitivul trebuie să fie legat la pământ.



#### **AVERTIZARE! Pericol de incendiu**

- > Când poziționați dispozitivul, asigurați-vă că cablul de alimentare nu este prins sau deteriorat.
- > Nu dispuneți mai multe prize portabile sau surse de alimentare portabile în partea din spate a dispozitivului.
- > Agentul frigorific din circuitul frigorific este foarte inflamabil și, în cazul unei scurgeri, se pot acumula gaze combustibile dacă aparatul se află într-o încăpere mică. În caz de defectare a circuitului frigorific:
  - Țineți flăcările deschise și sursele potențiale de aprindere departe de frigider.
  - Aerisiți bine încăperea.
  - Opriți frigiderul.
- > Pentru dispozitive de răcire cu agent frigorigen R600a:
  - Circuitul de refrigerare conține o cantitate mică de un agent frigorific ecologic, dar inflamabil. Nu afectează stratul de ozon și nu crește efectul de seră. Orice scurgere de agent frigorific se poate aprinde.
  - Nu utilizați și nu depozitați dispozitivul de răcire în spații închise, fără flux de aer sau cu un flux minim de aer.
- > Nu blocați cu obstacole deschiderile de aerisire de la carcasa aparatului sau de la construcțiile încorporate.
- > Nu folosiți obiecte mecanice sau alte mijloace pentru a accelera procesul de dezghețare, decât dacă au fost recomandate în acest scop de producător.
- > Nu deschideți și nu deteriorați circuitul de agent frigorific.
- > Nu utilizați dispozitive electrice în interiorul dispozitivului de răcire decât dacă sunt recomandate de producător în acest scop.

**AVERTIZARE! Pericol pentru sănătate**

- > Acest aparat poate fi utilizat de copiii cu vârsta de peste 8 ani și de către persoane cu capacități fizice, senzoriale sau mentale reduse sau de către persoane lipsite de experiență și cunoștințe dacă acestea au fost supravegheate și instruite cu privire la utilizarea aparatului în condiții de siguranță și înțeleg riscurile pe care le implică.
- > Copiilor cu vârste cuprinse între 3 și 8 ani li se permite să încarce și să descarce dispozitive frigorifice.
- > Copiii trebuie supravegheați pentru a nu se juca cu aparatul.
- > Curățarea și operațiunile de întreținere nu trebuie efectuate de copii fără supraveghere.

**AVERTIZARE! Pericol de explozie**

Nu depozitați substanțe explozive, cum ar fi tuburile de vopsea cu un propulsor inflamabil în dispozitivul de răcire.

**PRECAUȚIE! Pericol de electrocutare**

- > Înainte de a porni dispozitivul de răcire, asigurați-vă că sunt uscate cablul de alimentare și ștecărul.
- > Deconectați dispozitivul de răcire de la sursa de alimentare înainte de fiecare curățare și întreținere și după fiecare utilizare.

**PRECAUȚIE! Pericol pentru sănătate**

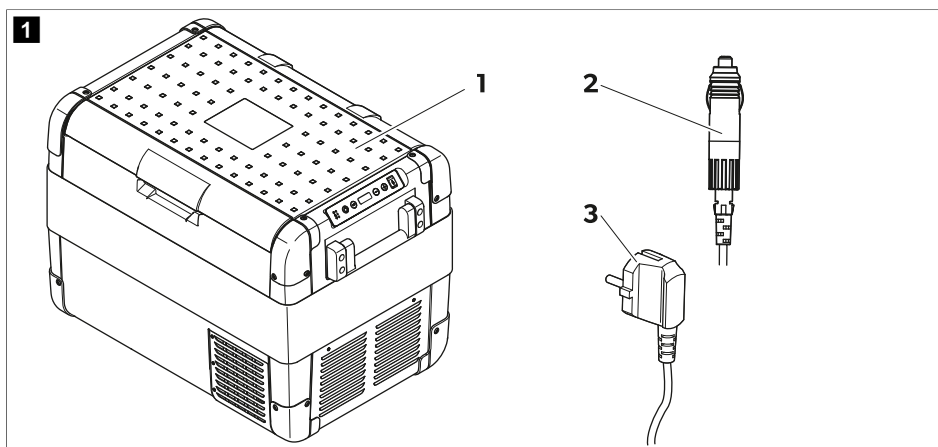
- > Pentru a evita contaminarea alimentelor, respectați următoarele instrucțiuni:
  - Verificați dacă puterea de răcire a aparatului corespunde cerințelor alimentelor pe care doriți să le răciți.
  - Depozitarea alimentelor este permisă numai în ambalaje originale sau în recipiente adecvate.
  - Deschiderea dispozitivului de răcire pentru perioade lungi de timp poate duce la o creștere semnificativă a temperaturii în compartimentele aparatului.
  - Curățați periodic suprafețele care pot intra în contact cu produsele alimentare și sistemele de drenaj accesibile.
- > Dacă aparatul este lăsat gol pentru perioade lungi:
  - Opriți aparatul.
  - Dezghețați aparatul.
  - Curățați și uscați aparatul.
  - Lăsați capacul deschis pentru a preveni formarea mușei în aparat.

**ATENȚIE! Pericol de defectare**

- > Verificați dacă specificația de tensiune de pe placa de identificare corespunde cu cea a sursei de alimentare.
- > Conectați dispozitivul de răcire numai după cum urmează:
  - Cu cablul de conexiune c.c. la o sursă de alimentare c.c. din vehicul
  - Sau cu cablul de conexiune c.a. la o sursă de alimentare c.a.
- > Nu scoateți niciodată ștecherul din priză ținând de cablu.
- > Dacă dispozitivul de răcire este conectat la o priză c.c.: Deconectați dispozitivul de răcire și alte dispozitive consumatoare de energie de la baterie înainte de a conecta un dispozitiv de încărcare rapidă.
- > Dacă dispozitivul de răcire este conectat la o priză c.c.: Deconectați dispozitivul de răcire sau opriți-l când opriți motorul. În caz contrar, puteți descărca bateria.
- > Dispozitivul de răcire nu este potrivit pentru utilizarea cu materiale caustice sau a materialelor care conțin solvenți.
- > Izolarea dispozitivului de răcire conține ciclopentan inflamabil și necesită proceduri speciale de eliminare. Duceți dispozitivul de răcire la sfârșitul ciclului său de viață la un centru de reciclare adecvat.

- > Nu poziționați dispozitivul de răcire lângă flăcări libere sau alte surse de căldură (încălzitoare, lumina directă a soarelui, cuptoare cu gaz etc.).
- > Nu umpleți recipientul interior cu gheață sau lichide.
- > Nu scufundați niciodată dispozitivul de răcire în apă.
- > Protejați dispozitivul de răcire și cablurile împotriva căldurii și umezelii.
- > Dispozitivul de răcire nu trebuie expus la ploaie.
- > Pentru a permite circulația corectă a agentului frigorific, aparatul de răcire nu trebuie să depășească o înclinare de 30°. Folosiți o nivelă cu bulă pentru a vă asigura că aparatul de răcire este plan.
- > **Pericol de supraîncălzire!** Asigurați-vă că există suficientă aerisire pe toate cele patru laturi ale dispozitivului de răcire. Zona de ventilație nu trebuie să fie obstrucționată de obiecte care pot împiedica fluxul de aer către componentele de răcire. Nu amplasați dispozitivul de răcire în compartimente închise sau în zone fără sau cu un flux de aer minim.

## 5 Domeniul de livrare



| Poz. | Numărul | Denumire                                  |
|------|---------|---|
| 1    | 1       | Aparat de răcire                          |
| 2    | 1       | Cablu de conectare pentru conexiunea c.c. |
| 3    | 1       | Cablu de conectare pentru conexiunea c.a. |
| -    | 1       | Manual scurt de utilizare                 |

## 6 Accesorii

Disponibile ca și accesorii (nu sunt conținute în setul de livrare):

| Denumire  | Nr. art.   | Model                    |
|---|------------|--------------------------|
| Kit de fixare pentru eliberare rapidă CFX-QFK     | 960000166  | Numai CFX2 28            |
| Kit de fixare pentru eliberare rapidă CFX-QFK3545 | 9600029599 | Numai CFX2 37 și CFX2 45 |

| Denumire                     | Nr. art. | Model                           |
|------------------------------|----------|---------------------------------|
| Aplicație de răcire de mobil | -        | se potrivește tuturor modelelor |

## 7 Domeniul de utilizare

Aparatul de răcire este adecvat pentru răcirea alimentelor. Aparatul de răcire este adecvat și pentru utilizarea în vehicule. Aparatul de răcire este proiectat pentru a fi alimentat de la o priză de alimentare c.c. a unui vehicul sau de la o sursă de alimentare c.a.

Aparatul de răcire este adecvat și pentru utilizarea în camping.

Aparatul de răcire este destinat utilizării în aplicații casnice și similare, cum ar fi

- Spații de bucătărie pentru personal în magazine, birouri și alte medii de lucru
- Case de la fermă
- Clienții din hoteluri, moteluri și alte medii de tip rezidențial
- Spații de cazare economice
- Catering și domenii similare fără vânzare cu amănuntul

Aparatul de răcire **nu** este adecvat pentru:

- Congelarea rapidă a alimentelor
- Depozitarea substanțelor corozive, caustice sau care conțin solvenți
- Folosirea ca aparat încorporabil

Acest aparat de răcire este adecvat numai pentru scopul și utilizarea prevăzute în conformitate cu aceste instrucțiuni.

Acest produs este potrivit numai pentru scopul și utilizarea prevăzute în conformitate cu aceste instrucțiuni.

Acest manual oferă informații necesare pentru instalarea și/sau utilizarea corectă a produsului. Instalarea defectuoasă și/sau utilizarea sau întreținerea necorespunzătoare vor avea ca rezultat performanțe nesatisfăcătoare și o posibilă defectare.

Producătorul nu își asumă nicio răspundere pentru orice vătămare sau deteriorare a produsului - rezultate din:

- Instalarea, asamblarea sau conectarea incorectă, inclusiv supratensiunea
- Întreținerea sau utilizarea incorectă a pieselor de schimb, altele decât piesele de schimb originale furnizate de producător
- Modificări aduse produsului fără aprobarea explicită din partea producătorului
- Utilizarea în alte scopuri decât cele descrise în manual

Dometic își rezervă dreptul de a modifica aspectul și specificațiile produsului.

## 8 Descriere tehnică

Aparatul de răcire poate răci produse. Un circuit frigorific cu întreținere redusă cu compresor asigură răcirea. Izolația generoasă și compresorul puternic asigură o răcire eficientă și rapidă.

Aparatul de răcire este portabil.

Aparatul de răcire poate rezista la o înclinare pe termen scurt de 30 °, de exemplu în ambarcațiuni.

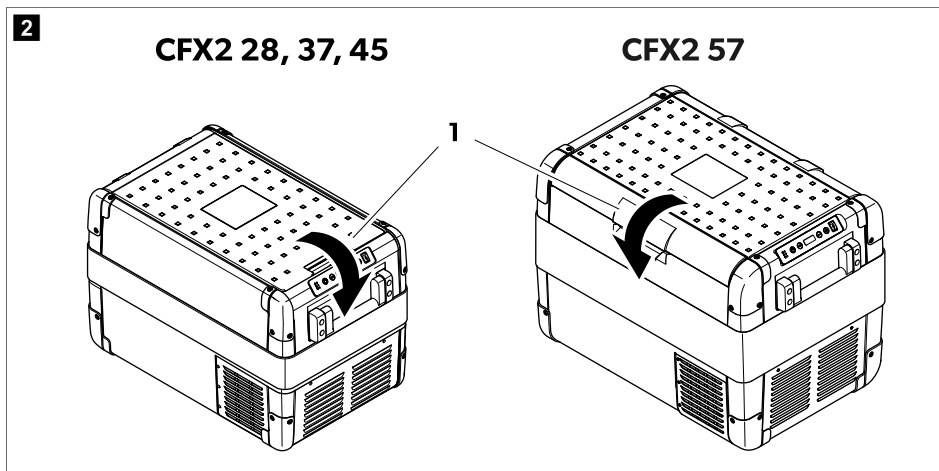
### Domeniul de aplicare a funcțiilor

- Alimentare cu circuit prioritar pentru conectarea la sursa de curent alternativ
- Monitor de baterie cu 3 niveluri pentru a proteja bateria vehiculului

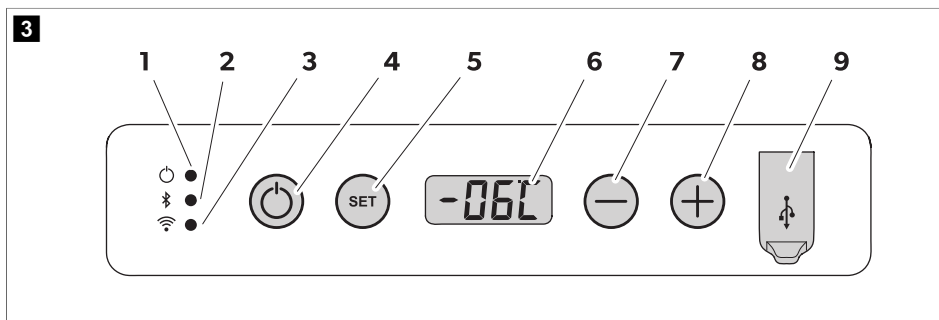
- Afișaj cu indicator de temperatură în °C și °F
- Setare a temperaturii cu 2 butoane în trepte de 1°C / 1°F
- Funcții Bluetooth și WLAN integrate pentru controlarea aparatului de răcire prin aplicația de răcire de mobil
- Mânere de transport pliabile
- Port USB pentru o sursă de alimentare
- Coș de sârmă detașabil

## Elemente de operare și afișare

Încuietoare pentru capac (  fig. 2 pagină 335, 1):



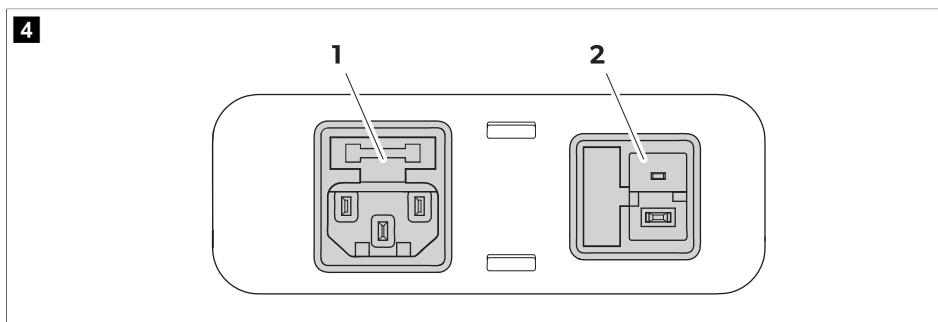
## Panou de control



| Poz. | Denumire  | Explicare  |
|------|-----------|--|
| 1    | Putere    | Indicarea stării   |
|      |           | LED-ul luminează alb: Compresorul începe să funcționeze.<br>LED-ul luminează portocaliu: Compresorul încetează să funcționeze. |
| 2    | Bluetooth | LED-ul este stins: Funcția Bluetooth a aparatului de răcire este dezactivată.  |

| Poz. | Denumire      | Explicare  |
|------|---------------|--|
|      |               | LED-ul luminează alb intermitent lent: Funcția Bluetooth a aparatului de răcire este activată. Aparatul de răcire nu este asociat cu un dispozitiv.  |
|      |               | LED-ul luminează alb intermitent rapid: Aparatul de răcire se asociază cu un dispozitiv prin Bluetooth.  |
|      |               | LED-ul luminează alb: Aparatul de răcire este asociat cu un dispozitiv prin Bluetooth.   |
| 3    | WLAN          | LED-ul este stins: Funcția WLAN a aparatului de răcire este dezactivată.   |
|      |               | LED-ul clipește alb: Funcția WLAN a aparatului de răcire este activată. Aparatul de răcire nu este conectat la un dispozitiv.  |
|      |               | LED-ul luminează alb: Aparatul de răcire este asociat cu un dispozitiv prin WLAN.  |
| 4    | POR-NIT/OPRIT | Pornește sau oprește aparatul de răcire.   |
| 5    | SET           | Selectează modul de introducere: <ul style="list-style-type: none"> <li>• Setarea temperaturii</li> <li>• Afișare Celsius sau Fahrenheit</li> <li>• Setarea monitorului de baterie</li> <li>• Setarea luminozității afișajului</li> <li>• Setarea modului de afișare</li> <li>• Setarea funcției Bluetooth</li> <li>• Setarea funcției WLAN</li> </ul> |
| 6    |               | Display  |
| 7    | -             | Setează temperatura, unitatea de temperatură, monitorul de baterie, luminozitatea afișajului, modul, funcția Bluetooth și funcția WLAN.  |
| 8    | +             |  |
| 9    |               | Port USB   |

#### Prize de conectare



| Poz. | Denumire                                       |
|------|--|
| 1    | Priză de conectare alimentare cu tensiune c.a. |
| 2    | Priză de conectare alimentare cu tensiune c.c. |

## 9 Utilizarea

### Înainte de prima utilizare

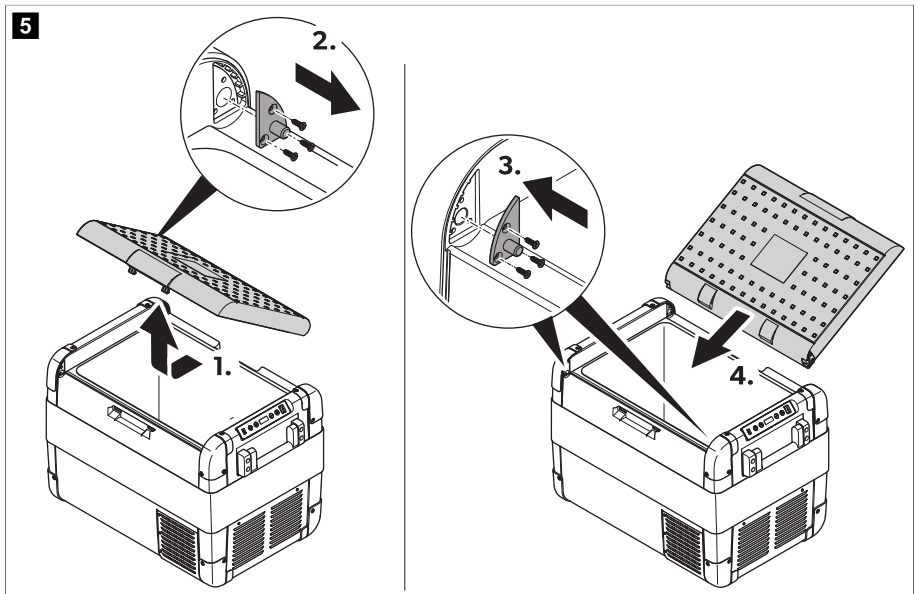




**INDICAȚIE** Înainte de a porni dispozitivul pentru prima dată, curățați interiorul și în exteriorul aparatului de răcit cu o cârpă umedă din motive de igienă (consultați Curățarea și întreținerea pagină 343).

### Inversarea sensului de deschidere a capacului (numai CFX2 57)

Balamalele capacului pot fi mutate pe partea opusă.

1. Deschideți și scoateți capacul (  fig. 5 pagină 337).



2. Scoateți cele 3 șuruburi de la fiecare balamă (  fig. 5 pagină 337) și scoateți balamalele.
3. Remontați balamalele în noile poziții.
4. Introduceți capacul în noile poziții ale balamalelor (  fig. 5 pagină 337).

### Economisirea energiei

- > Alegeți un loc bine ventilat care este protejat de lumina directă a soarelui.
- > Lăsați alimentele calde să se răcească, înainte de a le pune în dispozitiv pentru a le păstra la rece.
- > Nu deschideți dispozitivul de răcire mai des decât este necesar.
- > Nu lăsați dispozitivul de răcire deschis mai mult decât este necesar.
- > Dacă dispozitivul de răcire dispune de coș: Pentru un consum optim de energie, poziționați coșul în funcție de poziția la livrare.
- > Asigurați-vă regulat că garnitura capacului se potrivește corect.
- > Evitați temperaturile inutile de mici.

## Conectarea aparatului de răcire

### Conectarea la o baterie



#### ATENȚIE! Pericol de defectare

- > Pentru protecția dispozitivului, cablul c.c. furnizat include o siguranță în interiorul mufei. **Nu** scoateți fișa c.c. cu siguranță. Utilizați numai cablul c.c. furnizat.
- > Deconectați aparatul de răcire și alți consumatori de la baterie înainte de a conecta bateria la un dispozitiv de încărcare rapidă. Supratensiunea poate deteriora componentele electronice ale dispozitivelor conectate la baterie.



**INDICAȚIE** Aparatul de răcire este echipat cu un sistem electronic pentru a preveni inversarea polarității. Sistemul electronic protejează aparatul de răcire împotriva scurtcircuitului atunci când este conectat la o baterie.

Aparatul de răcire poate funcționa cu 12 V  $\equiv$  sau 24 V  $\equiv$ .

- > Conectați aparatul de răcire la o baterie folosind cablul de conexiune c.c. după cum este indicat.

### Conectarea la o sursă de alimentare c.a.



#### PERICOL! Pericol de electrocutare

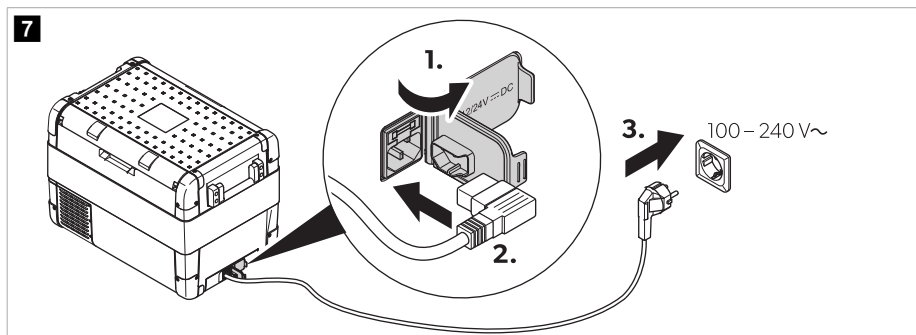
- > Nu manipulați niciodată fișele și comutatoarele cu mâinile ude sau dacă stați pe o suprafață umedă.
- > Dacă aparatul de răcire este exploatat la bordul unei ambarcațiuni și printr-o sursă de alimentare c.a., trebuie instalat un disjunctor de curent rezidual între sursa de alimentare c.a. și aparatul de răcire. Cereți sfatul unui tehnician calificat.



#### INDICAȚIE

Aparatul de răcire este echipat cu o sursă de alimentare multi-tensiune integrată, cu circuit prioritar pentru conectarea la o sursă de tensiune c.a. Circuitul prioritar comută automat aparatul de răcire la funcționare c.a. dacă aparatul de răcire este conectat la o sursă de alimentare c.a., chiar dacă cablul de conectare c.c. este încă atașat.

- > Conectați aparatul de răcire la o sursă de alimentare c.a. folosind cablul de conexiune c.a. după cum este indicat.





## Utilizarea dispozitivului de răcire



### ATENȚIE! Pericol de defectare

Așezați aparatul de răcire cu baza orientată în jos.

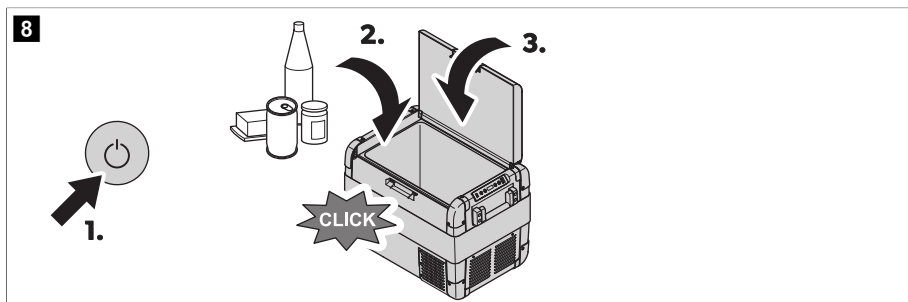
1. Așezați aparatul de răcire pe o bază fermă.
2. Conectați aparatul de răcire (consultați capitolul Conectarea aparatului de răcire pagină 338).



### AVERTIZARE! Pericol pentru sănătate

Asigurați-vă că în aparatul de răcire sunt plasate numai articolele care vor fi răcite la temperatura selectată.


3. Apăsăți butonul PORNIT/OPRIT timp de 1 ... 2 s.



- ✓ LED-ul de alimentare se aprinde. Afișajul se activează și afișează temperatura curentă.



### INDICAȚIE Temperatura afișată

CFX2 57: Temperatura afișată este temperatura compartimentului interior mare (  fig. 9 pagină 339 1).

Aparatul de răcire începe răcirea compartimentului interior.

### Fixarea capacului aparatului de răcire

1. Închideți capacul.
2. Apăsăți încuietoare în jos până când se cuplează cu un clic.

### Evitarea risipei de alimente

Pentru a evita risipa de alimente, rețineți următoarele

- > Mențineți fluctuația temperaturii cât mai scăzută posibil. Deschideți aparatul frigorific doar atunci când trebuie și pentru cât timp este necesar. Păstrați produsele alimentare în așa fel încât aerul să poată circula bine.
- > Reglați temperatura în conformitate cu cantitatea și tipul produselor alimentare.
- > Alimentele pot absorbi sau elibera cu ușurință mirosul sau gustul. Depozitați întotdeauna alimentele acoperite sau în recipiente/caserole închise.

### Setarea temperaturii

1. Apăsăți butonul **SET** o dată.

- Folosiiți butonul **+** sau **-** pentru a selecta temperatura de răcire.
- Unitatea de temperatură selectată și **[L]** apar apoi pe afișaj pentru câteva secunde. Afișajul clipește de mai multe ori. Apoi este afișată din nou temperatura curentă.

### Selectarea unității de temperatură

- Apăsati butonul **SET** de 2 ori.
- Folosiiți butonul **+** sau **-** pentru a selecta unitatea de temperatură dorită.
- Unitatea de temperatură selectată și **[U]** apar apoi pe afișaj pentru câteva secunde. Afișajul clipește de mai multe ori înainte de a afișa temperatura curentă.

### Folosirea monitorului de baterii



#### ATENȚIE! Pericol de defectare

Când monitorul de baterie se oprește, bateria nu mai este încărcată complet. Evitați pornirea repetată sau exploatarea consumatorilor de curent fără faze mai lungi de încărcare. Asigurați-vă că acumulatorul este încărcat.

Aparatul de răcire este echipat cu un monitor de baterii cu mai multe niveluri, care protejează bateria vehiculului împotriva descărcării excesive atunci când aparatul de răcire este conectat la sursa de c.c. de la bord.

Dacă aparatul de răcire este exploatat cu contactul vehiculului decuplat, acesta se oprește automat de îndată ce tensiunea de alimentare scade sub o anumită valoare. Aparatul de răcit repornește imediat ce bateria este reîncărcată până la tensiunea de pornire.

În modul „HIGH” (RIDICAT), monitorul de baterie reacționează mai repede decât la nivelurile „LOW” (REDUS) și „MED” (MEDIU).

| Modul monitor baterie         | LOW (REDUS) | MED (MEDIU) | HIGH (RIDICAT) |
|-------------------------------|-------------|-------------|----------------|
| Tensiune de repornire la 12 V | 11,4 V      | 12,2 V      | 12,6 V         |
| Tensiune de oprire la 12 V    | 10,1 V      | 11,2 V      | 11,8 V         |
| Tensiune de repornire la 24 V | 23 V        | 25,3 V      | 26,4 V         |
| Tensiune de oprire la 24 V    | 21,5 V      | 24,1 V      | 24,6 V         |

Selectați modul monitor de baterie după cum urmează:

- Porniți aparatul de răcire.
- Apăsati butonul **SET** de 3 ori.
- Folosiiți butoanele **+** sau **-** pentru a selecta modul monitor de baterie.
- Afișajul se schimbă după cum urmează: **[P L0]** (LOW), **[P M1]** (MED), **[P H1]** (HIGH)

Modul selectat apare pe afișaj pentru câteva secunde. Afișajul clipește de mai multe ori înainte de a reveni la temperatura curentă.



**INDICAȚIE** Când aparatul de răcire este alimentat de bateria de pornire, selectați modul de monitorizare a bateriei „HIGH” (RIDICAT). Dacă aparatul de răcire este conectat la o baterie staționară, selectați modul de monitorizare a bateriei „LOW” (REDUS).

### Setarea luminozității afișajului

Luminozitatea afișajului poate fi estompată pentru condiții de lumină ambientă scăzută.

- Porniți aparatul de răcire.

2. Apăsați butonul **SET** de 4 ori.
  3. Folosiți butoanele **+** sau **-** pentru a seta luminozitatea afișajului.
- ✓ Afișajul se schimbă după cum urmează: **[d Lo]** (reduc), **[d Md]** (mediu), **[d Hi]** (ridicată)

Afișajul indică modul setat timp de câteva secunde. Afișajul clipește de mai multe ori înainte de a reveni la luminozitatea curentă.



**INDICAȚIE** Dacă apare o eroare, luminozitatea revine automat la **[d Hi]** (implicit). După ce defecțiunea a fost remediată, luminozitatea setată este reactivată.

### Folosirea portului USB

Portul USB permite încărcarea dispozitivelor mici, precum telefoane mobile și playere mp3.

- > Conectați dispozitivul care trebuie încărcat la portul USB al aparatului de răcire folosind un cablu USB (nu este inclus).



**INDICAȚIE** Asigurați-vă că dispozitivul conectat este compatibil cu funcționarea la 5 V / 2 A .

### Setarea modului de afișare

1. Apăsați butonul **SET** de cinci ori.
  2. Folosiți butonul **+** sau **-** pentru a seta modul de somn.
- ✓ Afișajul se schimbă după cum urmează: **[5 Off]** (OPRIT), **[5 On]** (PORNIT), **[5 Lo]** (reduc)

**S Off** (OPRIT): Funcția de somn este dezactivată. Afișajul este pornit constant.

**S On** (PORNIT): Funcția de somn este activată. Dacă aparatul de răcire nu este folosit câteva minute, afișajul afișează doar un punct.

**S Lo** (reduc): Sub-modul de somn este activat. Dacă aparatul de răcire nu este folosit câteva minute, afișajul comută la cea mai scăzută luminozitate de afișare.



**INDICAȚIE** Dacă afișajul este în modul de somn sau sub-modul de somn, apăsați un buton de pe aparatul de răcire pentru a părăsi pentru scurt timp modul corespunzător.

### Utilizarea aplicației de răcire de mobil

Aparatul de răcire poate fi monitorizat și controlat prin Bluetooth sau WLAN folosind o aplicație care poate fi instalată pe un dispozitiv compatibil.

1. Descărcați și instalați aplicația de răcire de mobil.



Descărcați aplicația de pe [qr.dometic.com/beiv4R](http://qr.dometic.com/beiv4R).

2. Apăsați butonul **SET** după cum urmează:
  - De 6 ori pentru a deschide setările Bluetooth.
  - De 7 ori pentru a deschide setările WLAN.

3. Folosiți butonul **+** sau **-** pentru a seta Bluetooth sau WLAN.



**INDICAȚIE** Dacă aparatul de răcire este asociat cu un dispozitiv compatibil prin Bluetooth, trebuie setat modul de asociere.

- ✓ Afișajul se schimbă după cum urmează atunci când setați Bluetooth: **[bl OFF]** (DEZACTIVAT), **[bl On]** (ACTIVAT), **[bl PA]** (asociere)



**INDICAȚIE** Dacă se afișează **[bl OFF]**, afișajul nu se schimbă când este apăsat butonul **-**. Dacă se afișează **[bl PA]**, afișajul nu se schimbă când este apăsat butonul **+**.

LED-ul Bluetooth luminează intermitent alb și afișajul indică **[bl ]** în timp ce se efectuează asocierea Bluetooth.

Afișajul se schimbă după cum urmează atunci când setați WLAN: **[F OFF]** (DEZACTIVAT), **[F On]** (ACTIVAT)

4. Urmați instrucțiunile din aplicația de răcire de mobil.
- ✓ LED-ul Bluetooth sau WLAN luminează când aparatul de răcire este conectat.

### Oprirea aparatului de răcire

1. Goliți aparatul de răcire.
- 
2. Apăsați butonul PORNIT/OPRIT.
  3. Trageți cablul de conectare.
  4. Dacă aparatul de răcire nu este folosit pentru o perioadă mai lungă, lăsați capacul deschis pentru a nu se forma mirosuri.

### Decongelarea casei de răcire

Umiditatea poate forma gheață în interiorul aparatului de răcire sau pe vaporizator. Aceasta reduce capacitatea de răcire.



#### ATENȚIE! Pericol de defectare

Nu folosiți niciodată obiecte dure sau ascuțite pentru a îndepărta gheața sau pentru a slăbi obiectele care au înghețat pe loc.

Pentru a dezgheța aparatul de răcire, procedați după cum urmează:

1. Scoateți conținutul aparatului de răcire.
2. Dacă este necesar, puneți conținutul într-un alt aparat de răcire pentru a-l menține la rece.
3. Opriți aparatul de răcire.
4. Lăsați capacul deschis.
5. Ștergeți apa dezghețată.


### Înlocuirea siguranței c.a.



#### PERICOL! Pericol de electrocutare

Deconectați sursa de alimentare și cablul de conexiune înainte de a înlocui siguranța c.a.

1. Deconectați alimentarea electrică a aparatului de răcire.

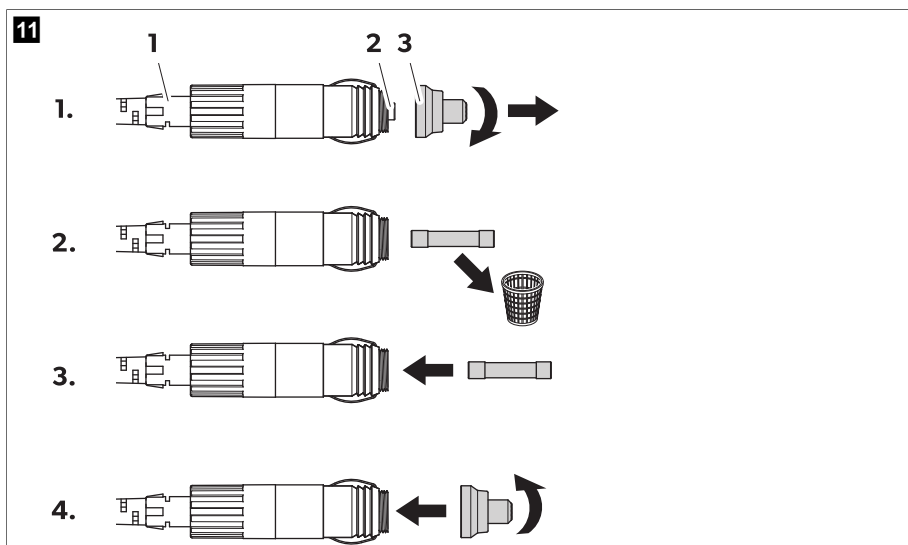
2. Detașați cablul de conexiune.
3. Scoateți inserția siguranței (  fig. 4 pagină 336 2) cu o șurubelniță.
4. Înlocuiți siguranța de sticlă defectă cu una nouă de același tip și de aceeași valoare nominală ( 4 A , 250 V).
5. Apăsați inserția siguranței înapoi în carcasă.
6. Reconectați sursa de alimentare la aparat.


### Înlocuirea siguranței ștecherului c.c.



**INDICAȚIE** Există o siguranță c.c. suplimentară în interiorul dispozitivului (siguranță lamelară standard auto, 10 A). Această siguranță poate fi înlocuită numai de un centru de reparații autorizat.

1. Deșurubați carcasa pinilor de contact (  fig. 11 pagină 343 3) de pe fișă (  fig. 11 pagină 343 1).



2. Înlocuiți siguranța defectă (  fig. 11 pagină 343 2) cu una nouă de același tip și valoare nominală (3AG, Fast Acting, 10 A).
3. Reasamblați fișa în ordine inversă.

### Înlocuirea PCB-ului de lumină



**ATENȚIE! Pericol de defectare**

PCB-ul de lumină poate fi înlocuit doar de producător, de un agent de service sau de o persoană calificată, pentru a evita pericolele.

## 10 Curățarea și întreținerea



**PRECAUȚIE! Pericol de electrocutare**

Asigurați-vă că aparatul de răcire este deconectat de la sursa de alimentare înaintea oricăror lucrări de curățare sau întreținere.

**ATENȚIE! Pericol de defectare**

- > Nu curățați niciodată aparatul de răcire sub apă de la robinet sau în mașina de spălat vase.
- > Nu folosiți agenți de curățare abrazivi sau obiecte dure în timpul curățării.

- > Curățați periodic interiorul și exteriorul dispozitivului cu o cârpă umedă.
- > Asigurați-vă că orificiile de ventilare și aerisire ale aparatului de răcire nu prezintă praf și murdărie, astfel încât căldura să poată fi disipată și aparatul de răcire să nu sufere deteriorări.

## 11 Remedierea defecțiunilor

| Avarie   | Cauză posibilă   | Soluție   |
|--|--|---|
| Aparatul de răcire nu funcționează. LED-ul de alimentare nu se aprinde.  | Nu este detectată tensiune la priza c.c.                               | > Puneți contactul vehiculului.   |
|  | Nu este detectată tensiune la priza c.a.                               | > Folosiți o altă priză.  |
|  | Siguranța c.a. este defectă.   | > Înlocuiți siguranța c.a., consultați Înlocuirea siguranței c.a. pagină 342.   |
|  | Adaptorul de rețea integrat este defect.                               | > Contactați un agent de service autorizat.   |
| LED-ul de alimentare luminează portocaliu, este afișat codul de eroare <b>E 01</b> și aparatul de răcire nu răcește, deși fișa este conectată.         | Monitorul de baterie este setată prea ridicat.                         | <ol style="list-style-type: none"> <li>1. Setati monitorul de baterie la un mod mai redus (consultați Folosirea monitorului de baterii pagină 340).</li> <li>2. Testați bateria de pornire.</li> <li>3. Dacă este necesar, încărcați bateria de pornire.<br/>Urmați instrucțiunile producătorului.</li> </ol>   |
|  | Monitorul de baterie este setată prea redus.                           | <ol style="list-style-type: none"> <li>1. Setati monitorul de baterie la un mod mai ridicat (consultați Folosirea monitorului de baterii pagină 340).</li> <li>2. Testați bateria de pornire.</li> <li>3. Dacă este necesar, încărcați bateria de pornire.<br/>Urmați instrucțiunile producătorului.</li> </ol> |
| Când aparatul de răcire este alimentat de la priza c.c.: Contactul este pus și aparatul de răcire nu funcționează. LED-ul de alimentare nu se aprinde. | Fișa c.c. nu este conectată corect.                                    | > Reconectați fișa c.c.   |
|  | Priza c.c. este murdară. Acest lucru duce la un contact electric slab. | > Curățați priza c.c.<br>Urmați instrucțiunile producătorului.  |
|  | Siguranța c.c. s-a ars.  | > Înlocuiți siguranța fișei c.c., consultați capitolul Înlocuirea siguranței ștecherului c.c. pagină 343.   |
|  | Siguranța c.c. din interiorul aparatului de răcire s-a ars.            | > Contactați un agent de service autorizat.   |

| Avarie  | Cauză posibilă  | Soluție   |
|---|---|---|
|   | Siguranța prizei c.c. a vehiculului s-a ars.                    | > Înlocuiți siguranța prizei c.c. a vehiculului.<br>Urmați instrucțiunile producătorului. |
| Afișajul indică un cod de eroare și aparatul de răcire nu răcește (consultați Coduri de eroare pagină 345). | Aparatul de răcire s-a oprit din cauza unei defecțiuni interne. | > Contactați un agent de service autorizat.   |

## Coduri de eroare



**INDICAȚIE** Dacă apare unul dintre codurile de eroare **E 02** până la **E 07**, contactați un agent de service autorizat.

| Cod de eroare | Denumire                          |
|---------------|-----------------------------------|
| <b>E 01</b>   | Tensiune joasă/supratensiune      |
| <b>E 02</b>   | Supracurent la ventilator         |
| <b>E 03</b>   | Pornirea compresorului a eșuat    |
| <b>E 04</b>   | Viteza compresorului este scăzută |
| <b>E 05</b>   | Controlerul s-a supraîncălzit     |
| <b>E 06</b>   | Circuit deschis NTC               |
| <b>E 07</b>   | Scurtcircuit NTC                  |

## 12 Garanție

Se aplică termenul de garanție legal. În cazul în care produsul este defect, contactați reprezentanța producătorului din țara dvs. (consultați [dometic.com/dealer](http://dometic.com/dealer)) sau comerciantul.

Pentru operații de reparație și în baza garanției, trebuie să trimiteți și următoarele documente:

- O copie a facturii cu data cumpărării
- Un motiv de reclamație sau o descriere a defecțiunii.

Rețineți că repararea prin mijloace proprii sau reparațiile neprofesionale pot avea consecințe asupra securității și pot anula garanția.

## 13 Eliminarea



### AVERTIZARE! Risc de blocare a copilului

Înainte de a arunca vechiul aparat de răcire, demontați capacul. Lăsați coșurile la locul lor, astfel încât copiii să nu pătrundă cu ușurință înăuntru.



Depuneți materialul de ambalare pe cât posibil în containere corespunzătoare pentru reciclare. Consultați un centru local de reciclare sau un reprezentant specializat pentru detalii despre detalii cu privire la eliminarea produsului în conformitate cu reglementările aplicabile privind eliminarea.



Reciclarea produselor cu baterii, acumulatori și surse de lumină: Scoateți toate bateriile, acumulatorii și sursele de lumină înainte de a recicla produsul. Vă rugăm să predați acumulatorii defecti sau bateriile consumate la reprezentantul comercial sau la un centru de colectare. Nu aruncați bateriile, acumulatorii și sursele de lumină la un loc cu gunoierul menajer. Dacă doriți să eliminați în final produsul, adresați-vă centrului local de reciclare sau distribuitorului pentru detalii despre cum să faceți acest lucru în conformitate cu regulamentele privind eliminarea aplicabile. Produsul poate fi eliminat gratuit.

## 14 Date tehnice



**INDICAȚIE** Dacă temperatura ambiantă este mai mare de 32 °C, nu poate fi atinsă temperatura minimă.

Acest produs conține gaze fluorurate cu efect de seră.

Unitatea de răcire este închisă ermetic.

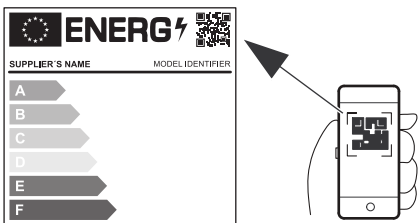
|  | <b>CFX2 28</b>  | <b>CFX2 37</b>  | <b>CFX2 45</b>   | <b>CFX2 57</b>   |
|--|---|---|--|--|
| Intrare nominală                         | 50 ... 60 Hz<br>100 ... 240 V~                                  |   |  |  |
| Intensitate nominală a curentului        | 12 V : 8,6 A<br>24 V : 3,8 A<br>100 V : 1,6 A<br>240 V : 0,77 A | 12 V : 8,7 A<br>24 V : 3,85 A<br>100 V : 1,63 A<br>240 V : 0,78 A | 12 V : 8,8 A<br>24 V : 3,9 A<br>100 V : 1,65 A<br>240 V : 0,79 A | 12 V : 9 A<br>24 V : 4 A<br>100 V : 1,7 A<br>240 V : 0,8 A |
| Puterea de răcire                        | -22 °C ... 20 °C  |   |  |  |
| Temperatura ambiantă                     | 16 °C ... 43 °C   |   |  |  |
| Clasă climatică                          | N sau T   |   |  |  |
| USB                                      | 5 V 2 A   |   |  |  |
| Agent frigorigen                         | R600a   |   |  |  |
| Cantitatea de agent frigorigen existentă | 13 g  | 13 g  | 14 g   | 17 g   |
| Dimensiuni (l x H x A, inclusiv mănere)  | 600 mm × 427 mm × 345 mm  | 678 mm × 428 mm × 401 mm  | 678 mm × 493 mm × 401 mm   | 709 mm × 503 mm × 458 mm                                   |
| Volum                                    | 28 L  | 37 L  | 45 L   | 57 L   |
| Greutate                                 | 13,5 kg   | 15,8 kg   | 16,8 kg  | 18,5 kg  |
| Bandă de frecvență (WLAN)                | 2,4 GHz   |   |  |  |
| Putere de ieșire max.                    |   |   |  |  |
| WLAN                                     | 19,22 dBm   |   |  |  |
| Bluetooth                                | 7,93 dBm  |   |  |  |

Prin prezenta, Dometic (Zhuhai) Technology Co., Ltd declară că echipamentul radio de tip CFX2 28, CFX2 37, CFX2 45, CFX2 57 este în conformitate cu Directiva 2014/53/UE. Textul integral al declarației UE de conformitate este disponibil la următoarea adresă de internet: [documents.dometic.com](http://documents.dometic.com)



Informații suplimentare despre produs pot fi accesate prin cod de răspuns rapid pe eticheta energetică sau prin [eprel.ec.europa.eu](http://eprel.ec.europa.eu).

**12**



The diagram shows a smartphone on the right with a camera icon and a QR code on its screen. An arrow points from the smartphone to the QR code on the energy label on the left. The energy label is a rectangular box with a black border. At the top left is the number '12' in a black square. To its right is the 'ENERGY' logo with a lightning bolt. Further right is a QR code. Below the logo and QR code are two fields: 'SUPPLIER'S NAME' and 'MODEL IDENTIFIER'. The main part of the label is a scale from A to G, represented by horizontal bars of increasing length from top to bottom. Below the scale is a box containing 'XYZ kWh/annum'. At the bottom of the label are two icons: a small rectangular object labeled 'XYZ L' and a speaker icon labeled 'XY dB' with sound waves, and below that, the letters 'ABCD'.

**ENERGY**

SUPPLIER'S NAME MODEL IDENTIFIER

A  
B  
C  
D  
E  
F  
G

**XYZ kWh/annum**

XYZ L

XY dB

ABCD

[eprel.ec.europa.eu](http://eprel.ec.europa.eu)

## Български език

|    |   |     |
|----|---|-----|
| 1  | Важни бележки.....                      | 348 |
| 2  | Обяснение на символите.....             | 348 |
| 3  | Обяснение на символите върху уреда..... | 349 |
| 4  | Инструкции за безопасност.....          | 349 |
| 5  | Обхват на доставката.....               | 351 |
| 6  | Принадлежности.....                     | 351 |
| 7  | Използване по предназначение.....       | 352 |
| 8  | Техническо описание.....                | 352 |
| 9  | Работа.....                             | 355 |
| 10 | Почистване и поддръжка.....             | 362 |
| 11 | Отстраняване на неизправности.....      | 362 |
| 12 | Гаранция.....                           | 363 |
| 13 | Изхвърляне.....                         | 364 |
| 14 | Технически данни.....                   | 364 |

## 1 Важни бележки

Моля, прочетете внимателно тези инструкции и спазвайте всички указания, напътствия и предупреждения, включени в настоящото ръководство, за да сте сигурни, че монитрите, използвате и поддръжте правилно този продукт. Тези инструкции ТРЯБВА да се съхраняват с продукта.

Като използвате продукта, Вие потвърждавате, че сте прочели внимателно всички указания, напътствия и предупреждения и че разбирате и приемате да спазвате сроковете и условията, съдържащи се в тях. Вие се съгласявате да използвате този продукт само по предназначение и в съответствие с указанията, инструкциите и предупрежденията, описани в ръководството на продукта, както и в съответствие с всички приложими закони и разпоредби. Ако не прочетете и не спазвате инструкциите и предупрежденията, това може да доведе до наранявания за вас или за други хора, щети по продукта или щети по други предмети в близост до него. Това ръководство на продукта, включително указанията, инструкциите и предупрежденията и другата документация, подлежи на промяна и обновяване. За актуална информация за продукта, моля, посетете [documents.domestic.com](http://documents.domestic.com).

## 2 Обяснение на символите

Сигналната дума идентифицира съобщенията за безопасност и за материални щети, както и степента или нивото на сериозност на опасността.



### ОПАСНОСТ!

Показва опасна ситуация която, ако не бъде избегната, ще доведе до смърт или тежко нараняване.



### ПРЕДУПРЕЖДЕНИЕ!

Показва опасна ситуация която, ако не бъде избегната, може да доведе до смърт или тежко нараняване.



### ВНИМАНИЕ!

Показва опасна ситуация която, ако не бъде избегната, може да доведе до леко или средно нараняване.



### ВНИМАНИЕ!

Показва ситуация която, ако не бъде избегната, ще доведе до щети по имуществото.



**УКАЗАНИЕ** Допълнителна информация за боравенето с продукта.

### 3 Обяснение на символите върху уреда



Предупреждение! Опасност от пожар. Запалими материали.

### 4 Инструкции за безопасност



#### **ОПАСНОСТ! Опасност от електрически удар**

- > На лодки: Ако устройството се захранва от електрическата мрежа, уверете се, че захранването има прекъсвач с остатъчен ток (RCCB) или прекъсвач на веригата за заземяване (GFCI). Монтажът, особено в потенциално влажни зони, трябва да бъде в съответствие с всички приложими разпоредби за инсталиране.
- > Не пипайте открити кабели с голи ръце. Това се отнася особено при захранване от електрическата мрежа.



#### **ПРЕДУПРЕЖДЕНИЕ! Опасност от електрически удар**

- > Не пускайте уреда, ако показва видими повреди.
- > Ако захранващият кабел е увреден, той трябва да бъде сменен, за да се предотврати евентуална опасност.
- > Този хладилен уред може да бъде ремонтиран само от квалифициран персонал. Неправилни ремонти могат да доведат до значителни опасности.
- > Свързвайте уреда към електрически контакти, които осигуряват правилно свързване, особено когато уредът трябва да бъде заземен.



#### **ПРЕДУПРЕЖДЕНИЕ! Опасност от пожар**

- > Когато разполагате уреда, внимавайте захранващия кабел да не бъде пречупен или повреден.
- > Не поставяйте разклонители или подвижни захранвания към задната част на уреда.
- > Хладилният агент във веригата на хладилния агент е силно запалим и в случай на изтичане горими газове могат да се натрупат, ако уредът е в малко помещение. В случай на увреждане на охладителната система:
  - Дръжте открит огън и потенциални източници на запалване далеч от хладилника.
  - Проветрете добре стаята.
  - Изключете хладилника.
- > За охладителни устройства с R600a хладилен агент:
  - Охлаждащата система съдържа малко количество екологичен, но запалим охлаждащ агент. Той не уврежда озоновия слой и не увеличава парниковия ефект. Но изтичащ охлаждащ агент може да се запали.
  - Не използвайте и не съхранявайте хладилния уред в затворени пространства с минимален или никакъв въздушен поток.
- > Пазете вентилационните отвори на корпуса на устройството и други компоненти свободни от препятствия.
- > Не използвайте механични предмети или други средства за ускоряване на размразяването, освен ако не са препоръчани от производителя.
- > Не отваряйте или увреждайте охладителната система.
- > Не използвайте електрически устройства вътре в охлаждащото устройство, освен ако не са препоръчани от производителя за тази цел.



**ПРЕДУПРЕЖДЕНИЕ! Опасност за здравето**

- > Този уред може да се използва от деца над 8 годишна възраст и от лица с ограничени физически, сензорни или умствени способности или лица без опит и познания, ако те са били предварително инструктирани за безопасното използване на уреда и разбират потенциалните опасности.
- > Деца от 3 до 8 години могат да поставят и изваждат предмети в уреда за охлаждане.
- > Деца трябва да са под наблюдение, за да е сигурно, че не си играят с уреда.
- > Почистване и поддръжка не трябва да се извършва от деца без наблюдение.



**ПРЕДУПРЕЖДЕНИЕ! Опасност от експлозия**

Не съхранявайте в хладилния уред експлозивни субстанции като спрейове със запалим впръскващ газ.



**ВНИМАНИЕ! Опасност от електрически удар**

- > Преди да пуснете хладилния уред се уверете, че захранващият кабел и контактът са сухи.
- > Разкачете охлаждащия уред от електрозахранването преди всяко почистване и поддръжка и след всяка употреба.



**ВНИМАНИЕ! Опасност за здравето**

- > За да избегнете замърсяване на хранителните продукти, спазвайте следните инструкции:
  - Проверете дали капацитетът на охлаждане на уреда е подходящ за съхранение на храната, която искате да охладите.
  - Хранителните продукти трябва да се съхраняват в оригиналните опаковки или в подходящи кутии.
  - Държането на хладилния уред отворен за дълго време може да повиши значително температурата в отделенията на уреда.
  - Редовно почиствайте повърхностите, които могат да влязат в контакт с хранителни продукти и достъпните части от системата за източване.
- > Ако продуктът се оставя празен за продължителен период:
  - Изключете продукта.
  - Размразете продукта.
  - Почистете и подсушете продукта.
  - Оставете капака отворен, за да не се образува мухъл.

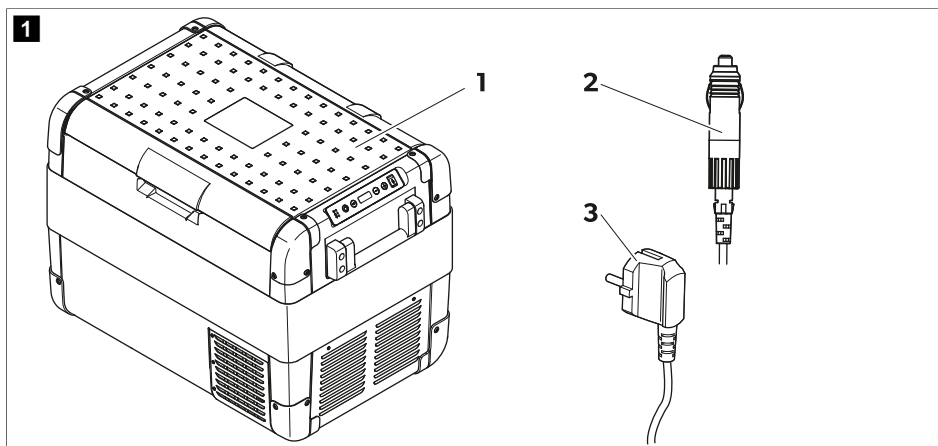


**ВНИМАНИЕ! Опасност от повреда**

- > Проверете дали данните за напрежението на типовата табелка отговарят на напрежението на мрежата.
- > Съвръзването става по следния начин:
  - С постояннотоковия кабел към постояннотоковото захранване на автомобил
  - С променливотоковия кабел към електрическата мрежа
- > Никога не откачайте контакта, като дърпате кабела.
- > Ако охлаждащият уред е свързан към постояннотоково захранване: Откачете охлаждащия уред и другите консуматори, преди да включите устройството за бързо зареждане.
- > Ако охлаждащият уред е свързан към постояннотоково захранване: Откачете охлаждащия уред или го изключете, преди да палите двигателя. Иначе може да разредите акумулатора.
- > Охлаждащият уред не е подходящ за пренасяне на разяждащи материали, или на материали съдържащи разтворители.
- > Изолацията на охлаждащия уред съдържа запалим циклопентан и трябва да се извървя по специална процедура. След края на живота на охлаждащия уред го предайте на подходящо предприятие за рециклиране.
- > Не поставяйте охлаждащия уред в близост до открит огън или други източници на топлина (нагреватели, газови печки, директно огряване от слънцето и др.)

- > Не пълнете вътрешния съд с лед или течности.
- > Никога не потапяйте охлаждащия уред във вода.
- > Пазете охлаждащия уред и кабелите от нагряване и влага.
- > Охлаждащият уред не трябва да се излага на дъжд.
- > За да може хладилният агент да циркулира правилно, хладилната чанта не трябва да се накланя с повече от 30°. Използвайте нивелир, за да се уверите, че хладилната чанта е хоризонтална.
- > **Риск от прегряване!** Уверете се, че по всяко време има достатъчна вентилация от четирите страни на охлаждащия уред. Пазете площта за вентилация чиста от всякакви обекти, които могат да ограничат потока на въздух към охлаждащите компоненти. Не разполагайте охлаждащото съоръжение в затворени помещения или на места с липсващ или минимален въздушен поток.

## 5 Обхват на доставката



| Детайл | Количество | Описание                             |
|--------|------------|--------------------------------------|
| 1      | 1          | Компресорна хладилна чанта           |
| 2      | 1          | Кабел за свързване към постоянен ток |
| 3      | 1          | Кабел за свързване към променлив ток |
| -      | 1          | Кратко ръководство за работа         |

## 6 Принадлежности

Налични като принадлежности (не са включени в обхвата на доставката):

| Обозначение  | Инв. №     | Модел                     |
|--|------------|---------------------------|
| Комплект за закрепване с бързо освобождаване CFX-QFK     | 9600000166 | Само за CFX2 28           |
| Комплект за закрепване с бързо освобождаване CFX-QFK3545 | 9600029599 | Само за CFX2 37 и CFX2 45 |
| Мобилно приложение за охлаждане                          | -          | пасва на всички модели    |

## 7 Използване по предназначение

Хладилната чанта е подходяща за охлаждане на хранителни продукти. Хладилната чанта може да се използва и в превозни средства. Хладилната чанта може да се запазва от гнездото за постоянен ток на превозното средство или от променливотоковото захранване.

Хладилната чанта е подходяща за използване на къмпинг.

Хладилната чанта е предназначена за използване в домакинството и в подобни приложения, като например

- Кухни за персонала в магазини, офиси и други работни помещения
- Селскостопански постройки
- За клиенти на хотели, мотели и други жилищни зони
- Пансиони тип "легло и закуска"
- Кетъринг и подобни нетърговски приложения

Хладилната чанта **не** е подходящ за:

- Бързо замразяване на храна
- Съхранение на корозионни, разяждащи или съдържащи разтворители вещества
- Използване като уред за вграждане

Тази хладилна чанта е подходяща само за предвидената цел и приложение съгласно настоящите инструкции.

Този продукт е подходящ само за предвидената цел и приложение съгласно настоящите инструкции.

Това ръководство предоставя информация, необходима за правилната инсталация и/или експлоатация на продукта. Лошо инсталиране и/или неправилна употреба и поддръжка ще доведат до незадоволителна работа и евентуално до повреди.

Производителят не носи отговорност за наранявания и повреди по продукта, причинени от:

- Неправилен монтаж, спобяване или свързване, включително твърде високо напрежение
- Неправилна поддръжка или използване на резервни части, различни от оригиналните, предоставяни от производителя
- Изменения на продукта без изрично разрешение от производителя
- Използване за цели, различни от описаните в това ръководство

Domestic си запазва правото да променя външния вид и спецификациите на продукта.

## 8 Техническо описание

Хладилната чанта може да охлажда продукти. Охлаждането се осъществява от компресорна охладителна система с малка нужда от поддръжка. Отличната изолация и мощният компресор осигуряват бързо и ефективно охлаждане.

Хладилната чанта е преносима.


Хладилната чанта може да издържи на краткосрочен наклон от 30°, например на лодки.

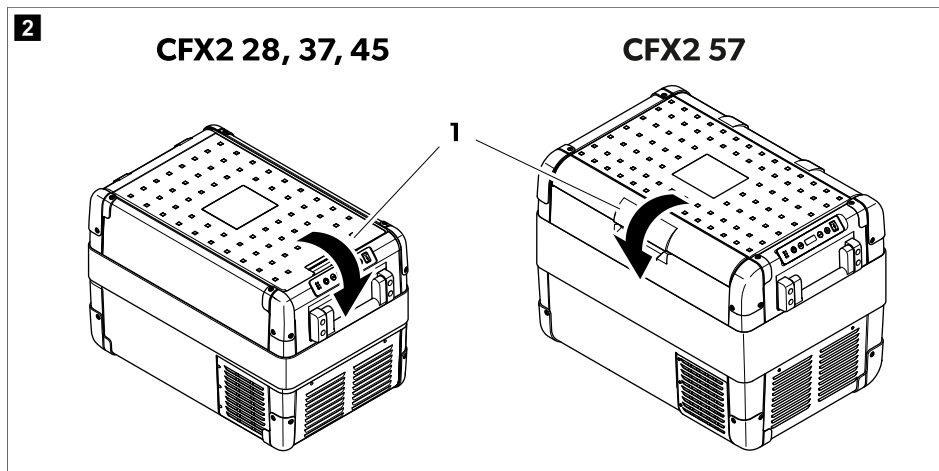
### Обхват на функциите

- Захранване с приоритетна верига за свързване към променливотокова мрежа
- 3 нива на защита на акумулатора, предпазващи акумулатора на превозното средство
- Дисплей с показание за температурата в °C и °F
- Настройване на температурата с 2 бутона на стъпки от 1°C / 1°F
- Интегрирана функция Bluetooth и WLAN за управление на хладилната чанта чрез мобилно приложение за охлаждане

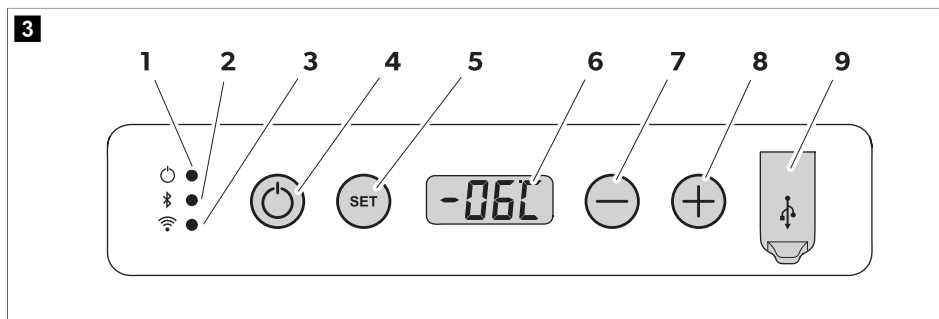
- Сгъваеми дръжки за носене
- USB порт за захранване
- Подвижна телена кошница

## Работни и индикаторни елементи

Закопчалка (  фиг. 2 на страница 353, 1) за капача:

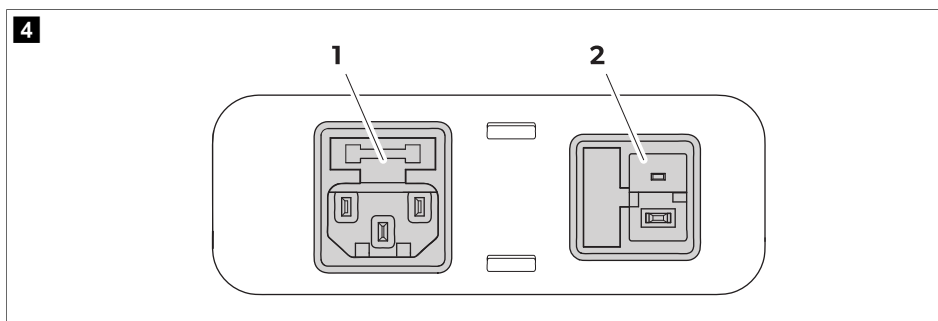


## Табло за управление



| Детайл | Описание  | Обяснение  |
|--------|-----------|--|
| 1      | Мошност   | Индикация за състоянието   |
|        |           | Светодиодът свети в бяло: Компресорът започва да работи.<br>Светодиодът светва в оранжево: Компресорът спира да работи.  |
| 2      | Bluetooth | Светодиодът е изключен: Bluetooth функцията на хладилната чанта е изключена.<br>Светодиодът мига бавно в бяло: Bluetooth функцията на хладилната чанта не е свързана с устройство. |

| Детайл | Описание   | Обяснение   |
|--------|------------|---|
|        |            | Светодиодът мига бързо в бяло: Хладилната чанта се свързва с устройство чрез Bluetooth.<br>Светодиодът свети в бяло: Хладилната чанта е свързана с устройство чрез Bluetooth.   |
| 3      | WLAN       | Светодиодът е изключен: WLAN на хладилната чанта е изключена.<br>Светодиодът мига в бяло: WLAN на хладилната чанта е включена. Хладилната чанта не е свързана с устройство.<br>Светодиодът свети в бяло: Хладилната чанта е свързана с устройство чрез WLAN.  |
| 4      | ВКЛ./ИЗКЛ. | Включва или изключва хладилната чанта.  |
| 5      | SET        | Избира режима на въвеждане: <ul style="list-style-type: none"> <li>• Настройка на температурата</li> <li>• Показване на Целзий или Фаренхайт</li> <li>• Задаване на защитата на акумулатора</li> <li>• Задаване на яркостта на дисплея</li> <li>• Задаване на режима на дисплея</li> <li>• Задаване на Bluetooth</li> <li>• Задаване на WLAN</li> </ul> |
| 6      |            | Дисплей   |
| 7      | -          | Настройва температурата, единицата за температура, защитата на акумулатора, яркостта на дисплея, режима, Bluetooth и WLAN.  |
| 8      | +          |   |
| 9      |            | USB порт  |

**Контактни гнезда**


| Детайл | Описание  |
|--------|---|
| 1      | Контактно гнездо за променливотоково захранване |
| 2      | Контактно гнездо за постояннотоково захранване  |



## 9 Работа

### Преди първата употреба

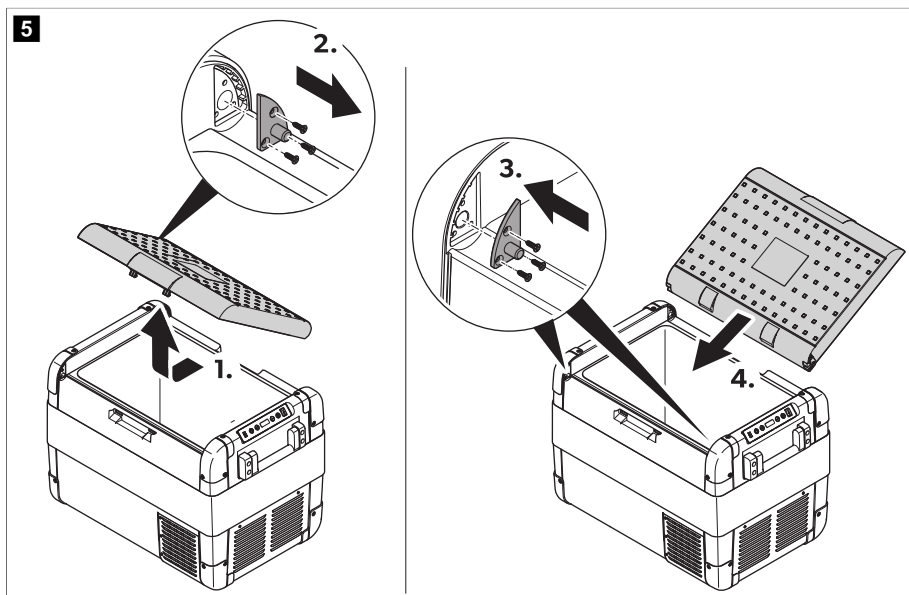




**УКАЗАНИЕ** Преди да стартирате уреда за първи път, го почистете отвътре и отвън хладилната чанта с влажна кърпа от хигиенни съображения (вижте Почистване и поддръжка на страница 362).

### Обръщане на посоката на отваряне на капака (само за CFX2 57)

Пантите на капака могат да се преместят на противоположната страна.

1. Отваряне или отстраняване на капака (  фиг. 5 на страница 355).



2. Отстранете 3-те винта за всяка панта (  фиг. 5 на страница 355) и ги сваляте.
3. Поставете обратно пантите в новите позиции.
4. Поставете капака в новите позиции на пантите (  фиг. 5 на страница 355).

### Икономия на енергия

- > Изберете добре проветрено място, защитено от директна слънчева светлина.
- > Оставете топла храна да изстине преди да я оставите в охлаждащия уред.
- > Не отваряйте охлаждащия уред когато не е необходимо.
- > Не оставяйте охлаждащия уред отворен по-дълго, отколкото е необходимо.
- > Ако хладилният уред има кошница: За оптимална консумация на енергия поставете кошницата както е била при доставката.
- > Редовно проверявайте дали уплътнението на вратата функционира правилно.
- > Избягвайте ненужно ниски температури.

## Свързване на хладилната чанта

### Свързване към акумулатора



#### **ВНИМАНИЕ! Опасност от повреда**

- > За защита на уреда, доставеният постояннотоков кабел включва предпазител в шекара.  
**Не** премахвайте постояннотоковия шепсел с предпазителя. Използвайте само доставения постояннотоков кабел.
- > Откачете хладилната чанта и други консуматори от акумулатора, преди да свържете акумулатора към устройство за бързо зареждане. Свърхнапрежението може да повреди електрониката на уреда, свързани към акумулатора.



**УКАЗАНИЕ** Хладилната чанта е оборудвана с електронна система за предотвратяване на обрната полярност. Електронната система предпазва хладилната чанта от късо съединение, когато е свързана към акумулатор.

Хладилната чанта може да работи с 12 V  $\equiv$  или 24 V  $\equiv$ .

- > Свържете хладилната чанта към акумулатор с помощта свързващия кабел за постоянен ток, както е показано.

### Свързване към променливотоково захранване



#### **ОПАСНОСТ! Опасност от електрически удар**

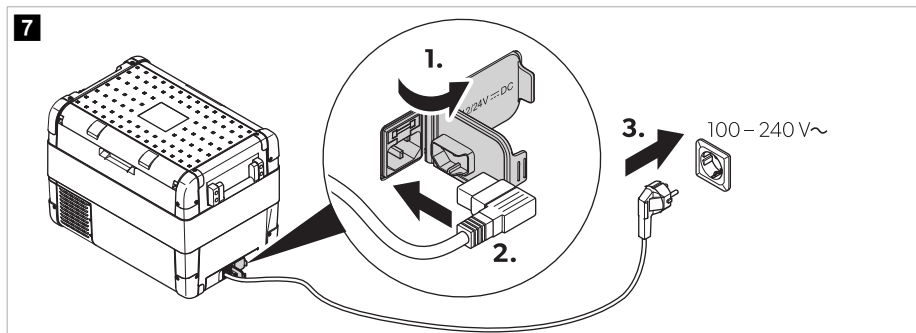
- > Никога не боравете с контактите и ключовете с мокри ръце или като стоите върху мокра повърхност.
- > Ако хладилната чанта работи с променливотоково захранване на борда на лодка, между променливотоковото захранване и хладилната чанта трябва да се монтира прекъсвач за остатъчен ток. Потърсете помощ от професионален техник.



#### **УКАЗАНИЕ**

Хладилната чанта е оборудвана с интегрирано захранване с няколко напрежения с приоритетна верига за свързване към източник на променливотоково напрежение. Приоритетната верига автоматично превключва хладилната чанта на работа с променливотоково захранване, ако уредът е свързан към променливотоково захранване дори ако свързващият кабел за постоянен ток все още е прикрепен.

- > Свържете хладилната чанта към захранване с променлив ток с помощта на свързващия кабел за променлив ток, както е показано.



## Употреба на хладилителя



### ВНИМАНИЕ! Опасност от повреда

Поставете хладилната чанта с основата надолу.

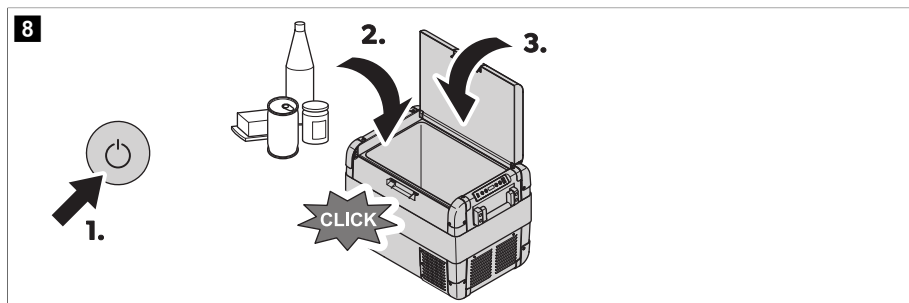
1. Поставете хладилната чанта върху стабилна основа.
2. Свържете хладилната чанта (вижте главата Свързване на хладилната чанта на страница 356).



### ПРЕДУПРЕЖДЕНИЕ! Опасност за здравето

Уверете се, че в хладилната чанта са поставени само артикулите, които трябва да бъдат охладени при избраната температура.

3. Натиснете бутона „ON/OFF“ (ВКЛ./ИЗКЛ.) 1 ... 2 s .



- ✓ Светодиодът за мощност светва. Дисплеят се включва и показва текущата температура.



### УКАЗАНИЕ Показана температура

CFX2 57: Показаната температура е температурата в голямото вътрешно отделение (  фиг. 9 на страница 357 1).

Хладилната чанта започва да охлажда вътрешното отделение.

### Заклучване на капака на хладилната чанта

1. Затворете капака.
2. Натиснете ключалката надолу, докато не щракне на място със звук.

### Избягване на развалянето на хранителни продукти

За да избегнете развалянето на хранителни продукти, имайте предвид следното

- > Избягвайте колкото е възможно колебания в температурата. Отваряйте охлаждащия уред само когато е необходимо. Подреждайте хранителните продукти така, че въздухът да циркулира свободно.
- > Настройте температурата спрямо вида и количеството на хранителните продукти.
- > Хранителните продукти могат да поемат или да изпускат миризма или вкус. Винаги съхранявайте хранителните продукти покрити или в затворени съдове/бутилки.

### Настройка на температурата

1. Натиснете бутона **SET** 1 път.

2. Използвайте бутоните **+** или **-**, за да изберете температурата на охлаждане.
- ✓ След това избраната температура и **[E]** се появяват на дисплея за няколко секунди. Дисплеят премигва няколко пъти. След това отново се показва текущата температура.

### Избор на единицата за температура

1. Натиснете бутона **SET** 2 пъти.
2. Натиснете бутона **+** или **-**, за да изберете единицата за температура.
- ✓ След това избраната единица за температура и **[U]** се появяват на дисплея за няколко секунди. Дисплеят премигва няколко пъти, преди да покаже текущата температура.

### Използване на защитата за акумулатора



#### **ВНИМАНИЕ! Опасност от повреда**

Когато защитата на акумулатора се изключи, акумулаторът вече не е напълно зареден. Избягвайте многократното стартиране или работата на консуматори на електроенергия без по-дълги фази на зареждане. Осигурете зареждане на акумулатора.

Хладилната чанта е оборудвана с многостепенна защита за акумулатора, която предпазва акумулатора на превозното средство от прекомерно разреждане, когато е свързан към бордовото захранване с постоянен ток.

Ако хладилната чанта работи при изключено запалване на превозното средство, тя се изключва автоматично когато захранващото напрежение спадне под определена стойност. Хладилната чанта се включва отново, щом акумулаторът се зареди до напрежението за ново включване.

В режим „HIGH“ (ВИСОКО) защитата за акумулатора реагира по-бързо, отколкото при нива „LOW“ (НИСКО) и „MED“ (СРЕДНО).

| Режим на защитата за акумулатора      | LOW    | MED (СРЕДНО НИВО) | HIGH   |
|---------------------------------------|--------|-------------------|--------|
| Напрежение на ново включване при 12 V | 11,4 V | 12,2 V            | 12,6 V |
| Напрежение на изключване при 12 V     | 10,1 V | 11,2 V            | 11,8 V |
| Напрежение на ново включване при 24 V | 23 V   | 25,3 V            | 26,4 V |
| Напрежение на изключване при 24 V     | 21,5 V | 24,1 V            | 24,6 V |

Изберете защитата за акумулатора по следния начин:

1. Включете хладилната чанта.
2. Натиснете бутона **SET** 3 пъти.
3. Използвайте бутона **+** или **-**, за да изберете желанния режим на защитата за акумулатора.
- ✓ Дисплеят се променя по следния начин: **[P L0]** (LOW), **[P M0]** (MED), **[P H1]** (HIGH)

Избраният режим се появява на дисплея за няколко секунди. Дисплеят премигва няколко пъти, преди да се върне към текущата температура.



**УКАЗАНИЕ** Когато хладилната чанта е захранвана от стартерния акумулатор, изберете режим на защита за акумулатора „HIGH“ (ВИСОКО). Ако хладилната чанта е свързана към домашен акумулатор, изберете режима на защита за акумулатора „LOW“ (НИСКО).

### Настройка на яркостта на дисплея

Яркостта на дисплея може да бъде намалена за условия на ниска околна светлина.

1. Включете хладилната чанта.

- Натиснете бутона **SET** 4 пъти.
- Използвайте бутона **+** или **-**, за да зададете яркостта на дисплея.
- ✓ Дисплеят се променя по следния начин: **[d Lo]** (ниско), **[d Пd]** (средно), **[d H H]** (високо)

На дисплея се показва зададеният режим за няколко секунди. Дисплеят премигва няколко пъти, преди да се върне към текущата яркост.



**УКАЗАНИЕ** Ако възникне неизправност, яркостта автоматично се връща до **[d H H]** активира отново.

### Използване на USB порта

USB портът позволява зареждане на малки устройства, като мобилни телефони и mp3 плейъри.

- > Свържете устройството за зареждане към USB порта на хладилната чанта с помощта на USB кабел (не е включен в комплекта).



**УКАЗАНИЕ** Уверете се, че свързаното устройство е съвместимо с работата на 5V / 2A.

### Настройка на режим на дисплея

- Натиснете бутона **SET** 5 пъти.
- Използвайте бутона **+** или **-**, за да зададете режима на сън.
- ✓ Дисплеят се променя по следния начин: **[5 0F]** (ИЗКП.), **[5 0n]** (ВКП.), **[5 Lo]** (Ниско)

**S 0F** (ИЗКП.): Режимът на сън се деактивира. Дисплеят е постоянно включен.

**S 0n** (ВКП.): Режимът на сън се активира. Ако охладителят не се използва в продължение на няколко минути, на дисплея се показва само точка.

**S Lo** (Ниско): Подрежимът на сън се активира. Ако хладилната чанта не се използва в продължение на няколко минути, дисплея преминава към най-ниска яркост.



**УКАЗАНИЕ** Ако дисплеят е в режим на сън или в режим на сън или подрежим на сън, натиснете бутон някой бутон на хладилната чанта, за да излезете за кратко от съответния режим.

### Използване на мобилното приложение за охлаждане

Хладилната чанта може да се наблюдава и управлява чрез Bluetooth или WLAN с помощта на приложение, което може да се инсталира на съвместимо устройство.

- Изтегляне и инсталиране на мобилното приложение за охлаждане.



Вземете приложението от [qr.dometic.com/beiv4R](http://qr.dometic.com/beiv4R).

- Натиснете бутона **SET** по следния начин:
  - 6 пъти, за да отворите настройките на Bluetooth.
  - 7 пъти, за да отворите настройките на WLAN.

3. Използвайте бутона **+** или **-**, за да зададете Bluetooth или WLAN.



**УКАЗАНИЕ** Ако хладилната чанта е двоевна със съвместимо устройство чрез Bluetooth, трябва да се зададе режим на двояване.

- ✓ При задаване на Bluetooth дисплеят се променя по следния начин: **[BLDF]** (ИЗКЛ.), **[BLDN]** (ВКЛ.), **[BLPA]** (Двояване)



**УКАЗАНИЕ** Ако се покаже **[BLDF]**, дисплеят няма да се промени, когато се натисне бутонът **-**. Ако се покаже **[BLPA]**, дисплеят няма да се промени, когато се натисне бутонът **+**.

Светодиодът за Bluetooth премигва в бяло и на дисплея се показва **[BL]**, докато се осъществява двояването с Bluetooth.

При задаване на WLAN дисплеят се променя по следния начин: **[F,DF]** (ИЗКЛ.), **[F,DN]** (ВКЛ.)

4. Следвайте инструкциите в мобилното приложение за охлаждане.
- ✓ Светодиодът за Bluetooth или WLAN светва, когато хладилната чанта е свързана.

### Изключване на хладилната чанта

1. Изпразнете хладилната чанта.
- 
2. Натиснете бутона „ON/OFF“ (ВКЛ./ИЗКЛ.).
  3. Изтегнете свързващия кабел.
  4. Ако охладителят не се използва за по-дълъг период от време, оставете капака отворен, за да не се натрупват миризми.

### Обезскрежаване на хладилна чанта

Вследствие на влажността във вътрешното отделение на хладилната чанта или по изпарителя може да се образува скреж. Това намалява капацитета за охлаждане.



#### **ВНИМАНИЕ! Опасност от повреда**

Никога не използвайте твърди или остри инструменти, за да премахнете леда или да освободите замръзнали продукти.

За да обезскрежите хладилната чанта, процедирайте по следния начин:

1. Извадете съдържанието на хладилната чанта.
2. Ако е необходимо, поставете съдържанието в друга хладилна чанта, за да го държите охладено.
3. Изключете хладилната чанта.
4. Оставете капака отворен.
5. Избършете размразената вода.


### Смяна на променливотоковия бушон



#### **ОПАСНОСТ! Опасност от електрически удар**

Преди да смените променливотоковия бушон, откачете захранването и свързващия кабел.

1. Откачете захранването на хладилната чанта.

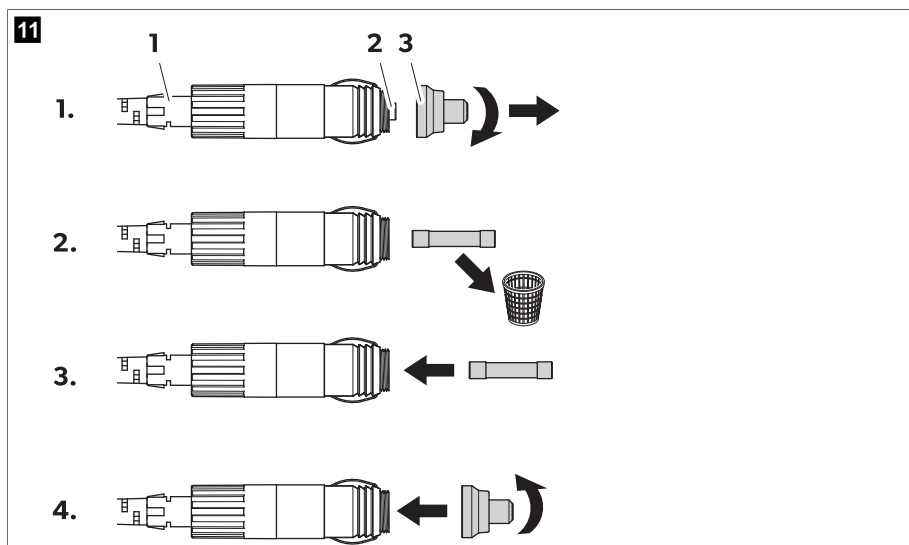
2. Издърпайте свързващия кабел.
3. Отворете отделението за бушоните (  фиг. 4 на страница 354 2) с отвертка.
4. Сменете дефектния стъклен бушон с нов от същия тип и ампераж ( 4 А , 250 V).
5. Вкарайте отделението за бушоните обратно в корпуса.
6. Закачете захранването на уреда.


### Смяна на постояннотоковия бушон в щекера



**УКАЗАНИЕ** В устройството има допълнителен променливотоков бушон (стандартен автомобилен предпазител, 10 А). Този бушон може да се сменя само от оторизиран сервиз.

1. Развийте корпуса на контактния шифт (  фиг. 11 на страница 361 3) от щепсела (  фиг. 11 на страница 361 1).



2. Сменете дефектния бушон (  фиг. 11 на страница 361 2) с нов от същия тип и ампераж (3АG, бързодействащ, 10 А).
3. Монтирайте отново щепсела в обратен ред.

### Смяна на печатната платка за осветлението



#### **ВНИМАНИЕ! Опасност от повреда**

Печатната платка за осветлението може да се сменя само от производителя, сервизен техник или лице с подобна квалификация, за да се избегнат опасности.

## 10 Почистване и поддръжка



### ВНИМАНИЕ! Опасност от електрически удар

Уверете се, че охлаждащият уред е изключен от електрозахранването преди всяка работа по почистване или поддръжка.



### ВНИМАНИЕ! Опасност от повреда

- > Никога не почиствайте охлаждащия уред под течаща вода.
- > Не използвайте абразивни почистващи препарати или твърди предмети по време на почистване.

- > Периодично почиствайте уреда отвътре и отвън с влажна кърпа.
- > Убедете се, че по входните и изходните вентилационни отвори на охлаждащия уред няма прах и мръсотия, за да може топлината да се отвежда и уредът да не се поврежда.

## 11 Отстраняване на неизправности

| проблем   | причина   | Решение  |
|---|---|--|
| Хладилната чанта не работи. Светодиодът за мощност не светва.   | В гнездото за постоянен ток не се отчита напрежение.            | > Активирайте запалването на превозното средство.  |
|   | В гнездото за променлив ток не се отчита напрежение.            | > Използвайте друго гнездо.  |
|   | Променливотоковият бушон е дефектен.                            | > Сменете променливотоковия бушон на уреда, вижте Смяна на променливотоковия бушон на страница 360.  |
|   | Интегрираният мрежов адаптер е дефектен.                        | > Свържете се с упълномощен сервиз.  |
| Светодиодът за захранване свети в оранжево, показва се кодът на грешка <b>В 01</b> и хладилната чанта не се охлажда, въпреки че щепселът е включен. | Защитата на акумулатора е зададена за твърде високо напрежение. | <ol style="list-style-type: none"> <li>1. Задайте защитата на акумулатора на по-нисък режим (вижте Използване на защитата за акумулатора на страница 358).</li> <li>2. Тествайте стартовия акумулатор.</li> <li>3. Ако е необходимо, заредете стартовия акумулатор.</li> </ol> <p>Спазвайте инструкциите на производителя.</p> |
|   | Защитата на акумулатора е зададена за твърде ниско напрежение.  | <ol style="list-style-type: none"> <li>1. Задайте защитата на акумулатора на по-висок режим (вижте Използване на защитата за акумулатора на страница 358).</li> <li>2. Тествайте стартовия акумулатор.</li> <li>3. Ако е необходимо, заредете стартовия акумулатор.</li> </ol> <p>Спазвайте инструкциите на производителя.</p> |



| проблем  | причина   | Решение   |
|--|---|---|
| Когато хладилната чанта работи от постоянноково гнездо: Запалването е включено и хладилната чанта не работи. Светодиодът за мощност не светва. | Постоянноковият щепсел не е свързан правилно.                                 | > Свържете отново постоянноковия щепсел.  |
|  | Постоянноковото гнездо е замърсено. Това води до влошен електрически контакт. | > Почистете контакта за постоянен ток.<br>Спазвайте инструкциите на производителя.                                |
|  | Постоянноковият бушон на гнездото е изгорял.                                  | > Сменете постоянноковия бушон на гнездото, вижте главата Смяна на постоянноковия бушон в щекера на страница 361. |
|  | Постоянноковият бушон в хладилната чанта е изгорял.                           | > Свържете се с упълномощен сервиз.   |
|  | Постоянноковият бушон на превозното средство е изгорял.                       | > Сменете постоянноковия бушон на гнездото на превозното средство.<br>Спазвайте инструкциите на производителя.    |
| На дисплея се изписва код на грешка и хладилната чанта не се охлажда (вижте Кодове за грешки на страница 363).                                 | Хладилната чанта се е изключила поради вътрешна неизправност.                 | > Свържете се с упълномощен сервиз.   |

## Кодове за грешки



**УКАЗАНИЕ** Ако се появи един от кодовете на грешка **E 02** до **E 07**, свържете се с оторизиран сервизен техник.

| Код за грешка | Описание                                 |
|---------------|--|
| <b>E 01</b>   | Ниско напрежение/пrenaпpежение           |
| <b>E 02</b>   | Пrenaпpежение на вентилатора             |
| <b>E 03</b>   | Heуспешно стартиране на компресора       |
| <b>E 04</b>   | Скоростта на компресора е ниска          |
| <b>E 05</b>   | Пpегpяване на контролера                 |
| <b>E 06</b>   | Грешка при отворена верига на термистора |
| <b>E 07</b>   | Късо съединение на NTC-термистора        |

## 12 Гаранция

Важи гаранционният срок, определен от закона. Ако продуктът е дефектен, моля, свържете се с клона на производителя във вашата страна (вижте [dometic.com/dealer](http://dometic.com/dealer)) или с вашия търговец на дребно.

За обработка на гаранцията и ремонта, моля приложете следните документи при изпращането на уреда:

- Копие от фактурата с дата на покупката
- Причина за претенцията или описание на дефекта

Отбележете, че саморъчен или непрофесионален ремонт може има последствия за безопасността и да анулира гаранцията.

## 13 Изхвърляне



### **ПРЕДУПРЕЖДЕНИЕ! Риск от заклещване на дете**

Преди да изхвърлите стария си хладилен уред, демонтирайте капака. Оставете кошниците вътре, така че децата да не могат да се напъкват вътре.



Когато е възможно, изхвърляйте опаковъчните материали в съответни съдове за рециклиране. Консултирайте се с местен център за рециклиране или със специализиран търговец за правилното изхвърляне на продукта в съответствие с действащите предписания.



Рециклиране на продукти с батерии, презареждаеми батерии и източници на светлина: Отстранете всички батерии, презареждаеми батерии и източници на светлина, преди да рециклирате продукта. Предавайте дефектни или изхабени батерии в търговската система или в сборен пункт. Не изхвърляйте батерии, презареждаеми батерии и източници на светлина в общия отпадък. Ако искате окончателно да изхвърлите продукта, попитайте местния център за рециклиране или специализиран търговец за подробности как това да се извърши в съответствие с валидните предписания. Продуктът може да бъде изхвърлен безплатно.

## 14 Технически данни



**УКАЗАНИЕ** Ако температурата на околната среда е над 32 °C, минималната температура не може да бъде достигната.

Този продукт съдържа флуорирани парникови газове.

Охлаждащият модул е затворен херметически.

|   | <b>CFX2 28</b>  | <b>CFX2 37</b>  | <b>CFX2 45</b>   | <b>CFX2 57</b>   |
|---|---|---|--|--|
| Номинална входна мощност                  | 50 ... 60 Hz<br>100 ... 240 V~                                  |   |  |  |
| Номинален ток                             | 12 V : 8,6 A<br>24 V : 3,8 A<br>100 V : 1,6 A<br>240 V : 0,77 A | 12 V : 8,7 A<br>24 V : 3,85 A<br>100 V : 1,63 A<br>240 V : 0,78 A | 12 V : 8,8 A<br>24 V : 3,9 A<br>100 V : 1,65 A<br>240 V : 0,79 A | 12 V : 9 A<br>24 V : 4 A<br>100 V : 1,7 A<br>240 V : 0,8 A |
| Охладителна мощност                       | -22 °C ... 20 °C  |   |  |  |
| Окопна температура                        | 16 °C ... 43 °C   |   |  |  |
| Климатичен клас                           | N или T   |   |  |  |
| USB                                       | 5 V 2 A   |   |  |  |
| Хладилен агент                            | R600a   |   |  |  |
| Количество на хладилния агент             | 13 g  | 13 g  | 14 g   | 17 g   |
| Размери (Ш × В × Д, включително дръжките) | 600 mm × 427 mm × 345 mm  | 678 mm × 428 mm × 401 mm  | 678 mm × 493 mm × 401 mm   | 709 mm × 503 mm × 458 mm                                   |
| Обем                                      | 28 L  | 37 L  | 45 L   | 57 L   |

|                       | CFX2 28 | CFX2 37 | CFX2 45   | CFX2 57 |
|-----------------------|---------|---------|-----------|---------|
| Тегло                 | 13,5 kg | 15,8 kg | 16,8 kg   | 18,5 kg |
| Честотна лента (WLAN) | 2,4 GHz |         |           |         |
| Макс. изходна мощност |         |         |           |         |
| WLAN                  |         |         | 19,22 dBm |         |
| Bluetooth             |         |         | 7,93 dBm  |         |

С настоящото Dometic (Zhuhai) Technology Co., Ltd декларира, че радио оборудването от тип CFX2 28, CFX2 37, CFX2 45, CFX2 57 е в съответствие с Директива 2014/53/ЕС. Пълният текст на ЕС декларацията за съответствие е напечатан на следния Интернет адрес: [documents.dometic.com](http://documents.dometic.com)

Допълнителна информация за продукта може да се получи чрез сканиране на кода за бърз отговор на енергийния етикет или на [eprel.ec.europa.eu](http://eprel.ec.europa.eu).

**12**

**ENERGY**

SUPPLIER'S NAME MODEL IDENTIFIER

A  
B  
C  
D  
E  
F  
G

**XYZ kWh/annum**

XYZ L  
XY dB  
ABCD

[eprel.ec.europa.eu](http://eprel.ec.europa.eu)

## Eesti keel

|    |   |     |
|----|---|-----|
| 1  | Olulised märkused.....                  | 366 |
| 2  | Sümbolite selgitus.....                 | 366 |
| 3  | Seadmel olevate sümbolite selgitus..... | 367 |
| 4  | Ohutusjuhised.....                      | 367 |
| 5  | Tarnepakk.....                          | 369 |
| 6  | Lisatarvikud.....                       | 369 |
| 7  | Kasutusotstarve.....                    | 369 |
| 8  | Tehniline kirjeldus.....                | 370 |
| 9  | Kasutamine.....                         | 372 |
| 10 | Puhastamine ja hooldamine.....          | 379 |
| 11 | Tõrkeotsing.....                        | 380 |
| 12 | Garantii.....                           | 381 |
| 13 | Kõrvaldamine.....                       | 381 |
| 14 | Tehnilised andmed.....                  | 381 |

## 1 Olulised märkused

Lugege see juhend tähelepanelikult läbi ja järgige kõiki selles esitatud juhiseid, suuniseid ja hoiatusi, et tagada alati toote õigesti paigaldamine, kasutamine ning hooldamine. See juhend PEAB jääma selle toote juurde.

Toote kasutamise kinnitate, et olete kõik juhised, suunised ja hoiatused tähelepanelikult läbi lugenud ning mõistate ja nõustute järgima nendes sätestatud tingimusi. Nõustute kasutama seda toodet üksnes ettenähtud eesmärgil ja otstarbel ning kooskõlas kasutusjuhendis sätestatud juhiste, suuniste ja hoiatustega, samuti kooskõlas kõigi kohaldatavate õigusaktide ja eeskirjadega. Siin sätestatud juhiste ja hoiatuste lugemise ja järgimise eiramine võib põhjustada vigastusi teile ja kolmandatele isikutele, kahjustada teie toodet või läheduses asuvat muud vara. Toote kasutusjuhendit, sh juhiseid, suuniseid ja hoiatusi, ning seotud dokumente võidakse muuta ja uuendada. Värskemate tootekirjelduste leiate veebisaidilt [documents.domestic.com](https://documents.domestic.com).

## 2 Sümbolite selgitus

Signaalsõna tähistab ohutusteateid ja varalise kahju teateid ning näitab ka ohu raskusastet või taset.



### OHT!

viitab ohtlikule olukorrale, mis eiramise korral lõpeb surma või raske vigastusega.



### HOIATUS!

viitab ohtlikule olukorrale, mis eiramise korral võib lõppeda surma või raske vigastusega.



### ETTEVAATUST!

viitab ohtlikule olukorrale, mis eiramise korral võib lõppeda kerge või keskmise vigastusega.



### TÄHELEPANU!

Viitab ohtlikule olukorrale, mis eiramise korral võib lõppeda varalise kahjuga.



**MÄRKUS** Lisateave toote käitamiseks.

### 3 Seadmel olevate sümbolite selgitus



Tähelepanu! Tuleoht. Tuleohtlikud materjalid.

### 4 Ohutusjuhised



#### OHT! Elektrilöögi oht

- > Veesõidukites: Kui kasutate seadet avaliku võrgu toitel, tagage, et toiteühendusel oleks jääkvoolu kaitselüliti (RCCB) või maandusrikke kaitselüliti (GFCI). Eelkõige potentsiaalselt niisketes kohtades peab paigaldamisel järgima kehtivaid paigalduseeskirju.
- > Ärge puudutage katmata kaableid paljaste kätega. See kehtib eelkõige juhul, kui seadet kasutatakse avalikus vahelduvvooluvõrgus.



#### HOIATUS! Elektrilöögi oht

- > Ärge kasutage jahutusseadet, kui see on nähtavalt kahjustada saanud.
- > Kui jahutusseadme toitekaabel on katki, tuleb see õnnetuste ennetamiseks välja vahetada.
- > Seda jahutusseadet tohivad parandada ainult kvalifitseeritud isikud. Valesti tehtud parandused võivad seadme kasutamise ohtlikuks muuta.
- > Ühendage seade pessa, mis tagavad nõuetekohase ühenduse eelkõige juhul, kui seade vajab maandust.



#### HOIATUS! Tuleoht

- > Valige seadme asukoht nii, et toitejuhe ei jääks esemete vahele kinni ja ei saaks kahjustada.
- > Ärge jätke seadme taha mitut teisaldatavat toitepesa või teisaldatavat toiteallikat.
- > Külmaainekontuuris olev külmaaine on äärmiselt tuleohtlik ja lekke korral võivad tuleohtlikud gaasid koguneda, kui seade asub väikeses ruumis. Külmaainekontuuri mis tahes kahjustuse korral toimige järgmiselt.
  - Hoidke lahtine leek ja potentsiaalsed süüteallikad külmikust eemal.
  - Ventileerige ruumi põhjalikult.
  - Lülitage külmik välja.
- > Külmaainega R600a jahutusseadmed.
  - Külmaainekontuur sisaldab väikest kogust keskkonnahoidlikku, kuid tuleohtlikku külmaainet. See ei kahjusta osoonikihti ega võimenda kasvuhooneefekti. Lekkiv külmaaine võib süttida.
  - Ärge kasutage ega hoidke jahutusseadet kinnises ruumis, kus õhuvool puudub või on väga väike.
- > Ärge asetage takistusi seadme korpuse või paigaldise õhuavade ette.
- > Ärge kasutage sulatuse kiirendamiseks mehaanilisi objekte ega muid sarnaseid vahendeid, v.a juhul, kui tootja on neid selleks otstarbeks soovitanud.
- > Ärge avage ega kahjustage külmaaine torusid.
- > Ärge kasutage jahutusseadme sees elektriseadmeid, v.a need, mida tootja on selleks otstarbeks soovitanud.



#### HOIATUS! Terviseoht

- > Seda seadet võivad kasutada alates 8-aastased lapsed ning piiratud füüsiliste, sensoorsete või vaimsete võimete või vajalike kogemuste ja teadmisteta isikud järelevalve all või pärast seda, kui neid on õpetatud seadet ohutult kasutama ja nad mõistavad seadme kasutamisega kaasnevaid ohte.
- > Lapsed vanuses 3 kuni 8 aastat võivad jahutusseadmesse asju sisestada ja sealt välja võtta.

- > Lapsi tuleb valvata, et oleks kindel, et nad seadmega ei mängi.
- > Lapsed ei tohi seadet ilma järelevalveta puhastada ega hooldada.



### **HOIATUS! Plahvatusoht**

Ärge hoiustage jahutusseadmes plahvatusohtlikke esemeid, nagu süttivat kütust sisaldavad aerosoolpihustid.



### **ETTEVAATUST! Elektrilöögi oht**

- > Enne jahutusseadme käivitamist veenduge, et toitekaabel ja -pistik oleksid kuivad.
- > Iga kord enne puhastamist ja hooldamist ning iga kord pärast kasutamist lahutage jahutusseade toiteallikast.



### **ETTEVAATUST! Terviseoht**

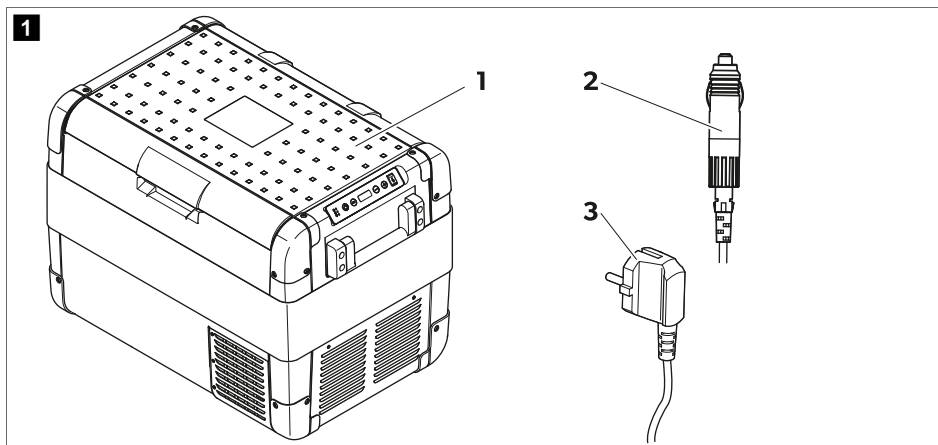
- > Toidu saastamise vältimiseks järgige alljärgnevaid juhiseid.
  - Kontrollige, kas seadme jahutusvõimsus sobib soovitud toidu jahutamiseks.
  - Toitu võib hoida ainult originaalpakendis või sobivates anumates.
  - Kui jahutusseade jäetakse pikemaks ajaks lahti, võib temperatuur seadme sektsioonides oluliselt tõusta.
  - Toiduga kokku puutuvaid pindu ja ligipäasevaid äravoolusüsteeme tuleb regulaarselt puhastada.
- > Kui jätate seadme pikemaks ajaks tühjt seisma:
  - lülitage seade välja;
  - sulatage seade;
  - puhastage ja kuivatage;
  - jätke kaas lahti, et vältida seadme sees hallituse teket.



### **TÄHELEPANU! Kahjustuste oht**

- > Kontrollige, kas andmeplaadile märgitud pingenäitajad kattuvad toiteallika näitajatega.
- > Järgige jahutusseadme ühendamisel järgmisi reegleid:
  - alalisvoolukaabel sõiduki alalisvoolutoite jaoks;
  - vahelduvvoolukaabel vahelduvvoolutoite jaoks.
- > Ärge tõmmake pistikut välja seda kaablist sikutades.
- > Kui jahutusseade on ühendatud alalisvoolu pistikupesaga: enne kiirlaadimiseadme ühendamist ühendage jahutusseade ja muud energiatarbijad aku tagant lahti.
- > Kui jahutusseade on ühendatud alalisvoolu pistikupesaga: mootori väljalülitamisel ühendage jahutusseade lahti või lülitage see välja. Vastasel korral võib aku tühjeneda.
- > Jahutusseade ei sobi sõõvitavate ega lahustit sisaldavate ainete transportimiseks.
- > Jahutusseadme isolatsioon sisaldab tuleohtlikku tsüklopentaani ja selle kõrvaldamisel tuleb järgida erinõudeid. Viige jahutusseade pärast selle kasutusea lõppemist sobivasse kogumispunkti.
- > Ärge asetage jahutusseadet lahtise leegi või muu soojusallika (radiaator, otsene päikesekiirgus, gaasiahj) lähedusse.
- > Ärge täitke seadme sisemust jää või vedelikega.
- > Ärge kastke jahutusseadet vee alla.
- > Kaitske jahutusseadet ja kaableid kuumuse ja niiskuse eest.
- > Jahutusseadet ei tohi jätta vihma kätte.
- > Külmaaine nõuetekohase ringlemise võimaldamiseks ei tohi jahutusseadet kallutada rohkem kui 30 °. Kontrollige vesiloodiga veendumaks, et jahutusseade on loodis.
- > **Ülekuumenemise oht!** Jälgige, et jahutusseadme kõigil neljal küljel oleks alati piisav õhuvähe. Ärge asetage õhuvahesse esemeid, mis võivad takistada õhu ligipääsu jahutuselementidele. Ärge paigutage jahutusseadet kinnisesse ümbrisesse või kohta, kus õhuvool puudub või on väga väike.

## 5 Tarnepakk



| Pos. | Kogus | Tähistus                                  |
|------|-------|---|
| 1    | 1     | Jahutusseade                              |
| 2    | 1     | Ühenduskaabel alalisvooluühenduse jaoks   |
| 3    | 1     | Ühenduskaabel vahelduvvooluühenduse jaoks |
| -    | 1     | Lühike kasutusjuhend                      |

## 6 Lisatarvikud

Lisatarvikutena on olemas (ei sisaldu tarnepakis):

| Nimetus                                    | Tootenr    | Mudel                     |
|--|------------|---------------------------|
| Kiirvabastuse paranduskomplekt CFX-QFK     | 9600000166 | Ainult CFX2 28            |
| Kiirvabastuse paranduskomplekt CFX-QFK3545 | 9600029599 | Ainult CFX2 37 ja CFX2 45 |
| Jahutuse mobiilirakendus                   | -          | sobib kõigile mudelitele  |

## 7 Kasutusotstarve

Jahutusseade sobib toidu jahutamiseks. Jahutusseadet võib kasutada ka sõidukites. Jahutusseadet saab kasutada nii sõiduki alalisvoolu toitepesa kui ka vahelduvvoolu toiteallikaga.

Jahutusseade sobib kasutamiseks ka telkimisel.

Jahutusseade on ette nähtud kasutamiseks kodumajapidamises ja sarnastes kasutuskohades, näiteks

- kaupluste, kontorite ja muude asutuste personaliköögid;
- maakodud;
- hotellide, motellide ja muude majutusasutuste kliendiruumid;
- kodumajutusruumid;

- toitolustus ja muu sarnane kasutus, mis ei ole jaemüük.

Jahutusseade **ei** sobi:

- toidu kiirkülmutamiseks;
- korrodeerivate, söövitavate või lahustit sisaldavate ainete hoidmiseks;
- sisseehitatud seadmena kasutamiseks.

See jahutusseade sobib kasutamiseks üksnes ettenähtud otstarbel ja vastavalt käesolevas kasutusjuhendis toodule.

See toode sobib kasutamiseks üksnes ettenähtud otstarbel ja käesolevas kasutusjuhendis toodud valdkonnas.

Käesolev juhend sisaldab teavet, mis on vajalik toote korrektseks paigaldamiseks ja/või kasutamiseks. Halva paigalduse ja/või valesti kasutamise või hooldamise korral halvenevad töomadused ja võib tekkida rike.

Tootja ei võta vastutust mis tahes kahju või tootekahjustuse eest, mis on tingitud mõnest järgmisest asjaolust:

- valesti paigaldamine, kokkupanek või ühendamine, sh liigpinge;
- valesti hooldamine või tootja poolt ette nähtud originaalvaruosadest erinevate varuosade kasutamine;
- tootel ilma tootja selge loata tehtud muudatused;
- kasutamine otstarbel, mida ei ole kasutusjuhendis kirjeldatud.

Dometic jätab endale õiguse muuta toote välimust ja tehnilisi näitajaid.

## 8 Tehniline kirjeldus

Jahutusseade saab tooteid jahutada. Vähest hooldust vajav külmaainekontuur ja kompressor tagavad jahutamise. Korralik isolatsioon ja võimas kompressor tagavad tõhusa ning kiire jahutamise.

Jahutusseade on teisaldatav.

Jahutusseade talub lühiajalist 30 ° kaldasendit, näiteks paatides.

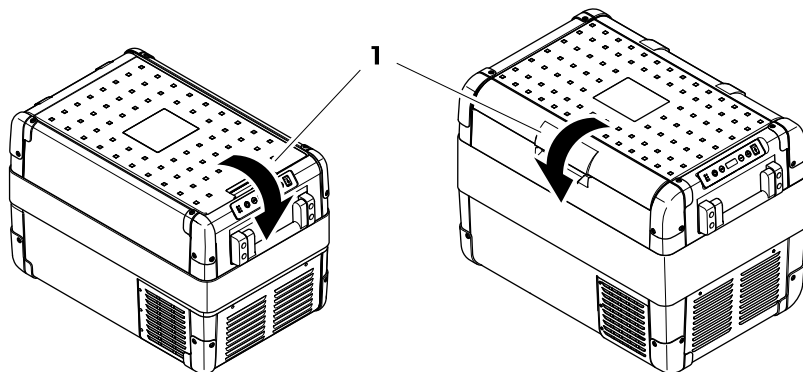
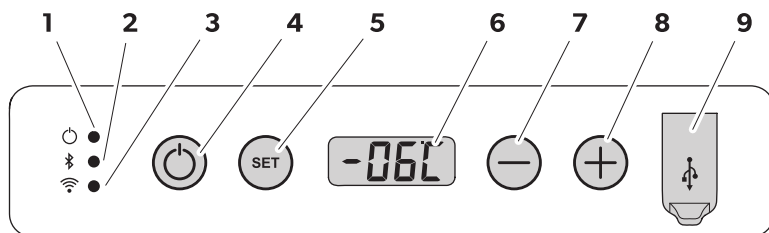
### Funktsioonid

- Vahelduvvoolutoitega ühendamise prioriteetahelaga toide
- Kolmeastmeline aku jälgimisseade sõiduki aku kaitsmiseks
- Temperatuurinäidikuga ekraan ühikutega °C ja °F
- Temperatuuri seadistamine kahe nupuga, sammuga 1 °C / 1 °F
- Integreeritud Bluetoothi ja WLAN-i funktsioon jahutusseadme juhtimiseks jahutuse mobiilirakenduse kaudu
- Kokkupandavad kandesangad
- USB-pesa toite jaoks
- Eemaldatav traatkorv

### Juht- ja näiduelemendid

Kaane kinnitus (  joon. **2** leheküljel 371, **1**):

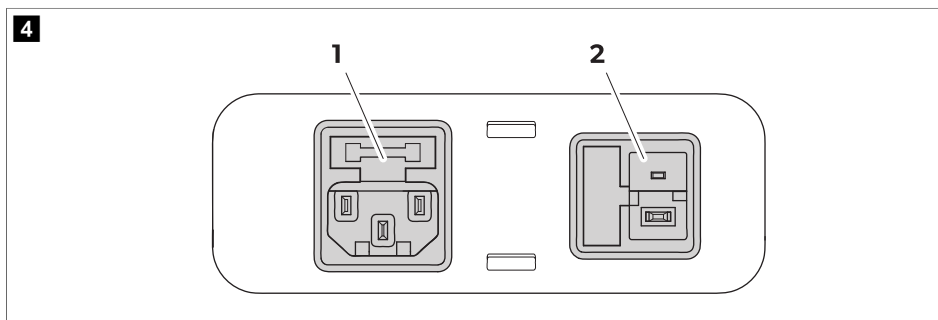


**2****CFX2 28, 37, 45****CFX2 57****Juhtpaneel****3**

| Pos. | Tähistus    | Selgitus                               |  |
|------|-------------|--|--|
| 1    | Võimsus     | Olekunäit                              |  |
|      |             | LED-tuli süttib valgelt.               | Kompressor hakkab tööle.   |
|      |             | LED-tuli süttib oranžilt.              | Kompressor peatab töö.   |
| 2    | Bluetooth   | LED-tuli on välja lülitatud.           | Jahutusseadme Bluetooth on välja lülitatud.                                    |
|      |             | LED-tuli vilgub aeglaselt valgelt.     | Jahutusseadme Bluetooth on sisse lülitatud. Jahutusseade pole seadmega seotud. |
|      |             | LED-tuli vilgub kiiresti valgelt.      | Jahutusseade loob Bluetoothi kaudu seadmega ühenduse.                          |
|      |             | LED-tuli süttib valgelt.               | Jahutusseade on Bluetoothi kaudu seadmega seotud.                              |
| 3    | WLAN        | LED-tuli on välja lülitatud.           | Jahutusseadme WLAN on välja lülitatud.   |
|      |             | LED-tuli vilgub valgelt.               | Jahutusseadme WLAN on sisse lülitatud. Jahutusseade pole seadmega ühendatud.   |
|      |             | LED-tuli süttib valgelt.               | Jahutusseade on WLAN-i kaudu seadmega seotud.                                  |
| 4    | SEES/VÄLJAS | Lülitab jahutusseadme sisse või välja. |  |

| Pos. | Tähistus | Selgitus   |
|------|----------|--|
| 5    | SET      | Valib sisendrežiimi. <ul style="list-style-type: none"> <li>• Temperatuuriseadistus</li> <li>• Celsiuse või Fahrenheiti kraadides kuvamine</li> <li>• Aku jälgimiseadme seadistamine</li> <li>• Ekraani heleduse seadistamine</li> <li>• Ekraani režiimi seadistamine</li> <li>• Bluetoothi seadistamine</li> <li>• WLAN-i seadistamine</li> </ul> |
| 6    |          | Ekraan   |
| 7    | -        | Seadistab temperatuuri, temperatuurühiku, aku jälgimiseadme, ekraani heleduse, režiimi, Bluetoothi ja WLAN-i.  |
| 8    | +        |  |
| 9    |          | USB-ühendus  |

## Ühenduspesad



| Pos. | Tähistus                       |
|------|--------------------------------|
| 1    | Vahelduvvoolutoite ühenduspesa |
| 2    | Alalisvoolutoite ühenduspesa   |

## 9 Kasutamine


### Enne esmakordset kasutamist

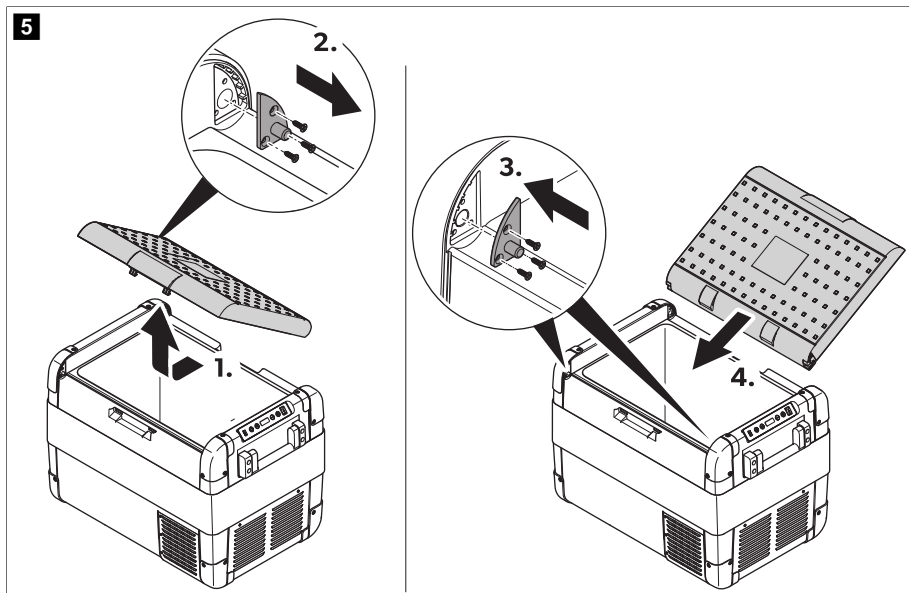




**MÄRKUS** Enne jahutusseadme esmakordset käivitamist puhastage see hügieeni tagamiseks seest ja väljast niiske lapiga (vt Puhastamine ja hooldamine leheküljel 379).

### Kaane avamissuuna ümberpööramine (ainult CFX2 57)

Kaane hinged saab liigutada vastasküljele.

1. Avage ja eemaldage kaas (  joon. 5 leheküljel 373).



2. Eemaldage iga hinge 3 kruvi (  joon. 5 leheküljel 373) ja võtke need välja.
3. Paigaldage hinged uutesse asukohtadesse.
4. Sisestage kaas uutesse hinge asukohtadesse (  joon. 5 leheküljel 373).

## Energiasääst

- > Valige hästi õhutatud koht, kuhu ei paista otsest päikesevalgust.
- > Laske soojal toidul enne jahutusseadmesse asetamist jahtuda.
- > Ärge avage jahutusseadet sagedamini kui vaja.
- > Ärge jätke jahutusseadet avatuks kauemaks kui vaja.
- > Kui jahutusseadmel on korv: energiakulu optimeerimiseks hoidke korvi samas asendis, nagu see oli tarnimisel.
- > Kontrollige regulaarselt, et tagada, et kaane tihend asetuks õigesti oma kohale.
- > Vältige tarbetult madalat temperatuuri.

## Jahutusseadme ühendamine

### Akuga ühendamine



#### TÄHELEPANU! Kahjustuste oht

- > Seadme kaitsmiseks on kaasasoleval alalisvoolukaablil pistiku sees kaitse. **Ärge** eemaldage kaitsmega alalisvoolupistikut. Kasutage ainult kaasasolevat alalisvoolukaablit.
- > Enne aku ühendamist kiirlaadimiseseadmega lahutage jahutusseade ja muud tarbijad aku küljest. Ülepinge võib kahjustada akuga ühendatud seadmete elektroonikat.



**MÄRKUS** Jahutusseadmel on elektrooniline süsteem, mis aitab vältida pooluste vahetamist. Elektrooniline süsteem kaitses jahutusseadet lühise tekke eest, kui see on akuga ühendatud.

Jahutusseadet saab kasutada 12 V ~ või 24 V ~ pingega.

- > Ühendage jahutusseade akuga, kasutades alalisvoolu ühenduskaablit, nagu on näidatud.

### Vahelduvvoolutoitega ühendamine



#### OHT! Elektrilöögi oht

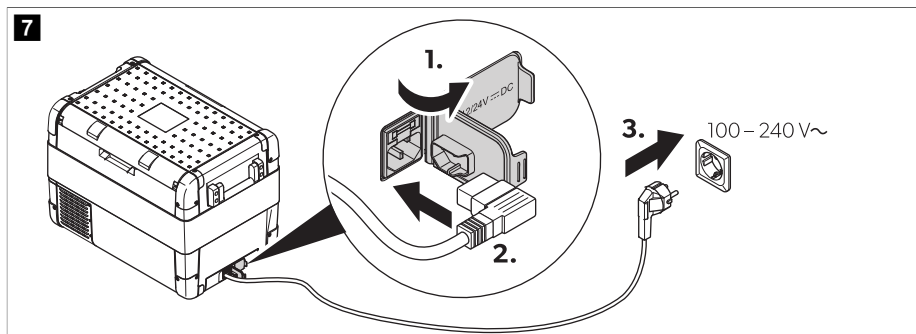
- > Kunagi ärge katsuge pistikuid ja lüliteid märgade kätega või kui seisate märjal pinnal.
- > Kui jahutit käitatakse paadi pardal vahelduvvooluallikast, tuleb vahelduvvoolu toiteallika ja jahuti vahele paigaldada rikkevoolu kaitselüliti. Küsige nõu vastava väljaõppega tehnikult.



#### MÄRKUS

Jahutusseade on varustatud integreeritud mitme pingega toiteallikaga, millel on prioriteetse vooluring vahelduvvoolu pingeaallikaga ühendamiseks. Kui jahutusseade on ühendatud vahelduvvoolutoitega, lülitab prioriteetahel jahutusseadme automaatselt vahelduvvoolutoitele ka juhul, kui alalisvoolukaabel on ühendatud.

- > Ühendage jahutusseade vahelduvvoolu toiteallikaga, kasutades vahelduvvoolu ühenduskaablit, nagu on näidatud.



### Jahutusseadme kasutamine



#### TÄHELEPANU! Kahjustuste oht

Asetage jahuti nii, et allosa oleks suunatud allapoole.

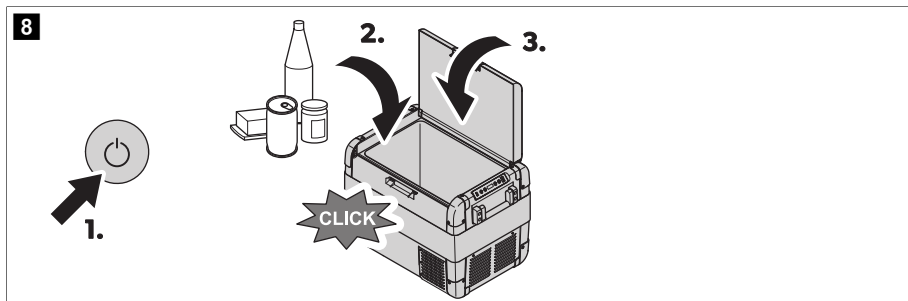
1. Asetage jahutusseade tugevale alusele.
2. Ühendage jahutusseade (vt peatükki Jahutusseadme ühendamine leheküljel 373).



#### HOIATUS! Terviseoht

Veenduge, et juhutusseadmesse pannakse ainult neid esemeid, mida soovite valitud temperatuuril jahutada.

3. Vajutage nuppu SEES/VÄLJAS 1 ... 2 s.



- ✓ Toite LED-tuli süttib. Ekraan lülitub sisse ja kuvab hetketemperatuuri.



### MÄRKUS Kuvatav temperatuur

CFX2 57: kuvatav temperatuur on suure siseseksiooni temperatuur (  joon. 9 leheküljel 375 1).

Jahutusseade hakkab sisemust jahutama.

### Jahutusseadme kaane kinnitamine


1. Sulgege kaas.
2. Vajutage kinnitust alla, kuni on kuulda, et see kohale klõpsatab.

### Toidu raiskamise vältimine


Toidu raiskamise vältimiseks pöörake tähelepanu järgnevale

- > Hoidke temperatuuri võimalikult ühtlasena. Avage jahutuskesti nii sageli ja nii kaua, kui vaja. Paigutage toiduained nii, et õhk saaks nende ümber liikuda.
- > Reguleerige temperatuuri vastavalt toiduainete hulgale ja liigile.
- > Toiduained võivad kergesti lõhnu või maitseid külge võtta või eraldada. Hoidke toiduaineid alati kaetuna või kinnistes anumates/pudelites.

### Temperatuuri seadmine

1. Vajutage üks kord nuppu **SET**.
  2. Kasutage soovitud temperatuuri valimiseks nuppe **+** ja **-**.
- ✓ Seejärel kuvatakse ekraanil mõneks sekundiks valitud temperatuur ja . Ekraan vilgub mitu korda. Seejärel kuvatakse hetketemperatuur uuesti.

### Temperatuuriühiku valimine

1. Vajutage kaks korda nuppu **SET**.
  2. Vajutage temperatuuriühiku valimiseks nuppu **+** või **-**.
- ✓ Seejärel kuvatakse ekraanil mõneks sekundiks valitud temperatuuriühik ja . Ekraan vilgub enne hetketemperatuuri kuvamist mitu korda.

## Akude jälgimisseadme kasutamine



### TÄHELEPANU! Kahjustuste oht

Kui aku jälgimisseade lülitub välja, ei ole aku enam täielikult laetud. Vältige korduvat käivitamist või elektrit kasutavate seadmete käitamist ilma pikemate laadimisetappideta. Veenduge, et aku oleks uuesti laetud.

Jahutusseadmel on mitmeastmeline aku jälgimine, mis kaitseb sõiduki akut liigse tühjenemise eest, kui jahutusseade on sõiduki alalisvoolutoitega ühendatud.

Kui jahutusseadet kasutatakse väljalülitatud sõiduki süüte korral, lülitub jahutusseade automaatselt välja niipea, kui toitepinge langeb alla teatud väärtuse. Jahutusseade lülitub uuesti sisse niipea, kui aku taaskäivituspingele laetakse.

Režiimis „HIGH“ aku jälgimisrežiimis vastab kiiremini kui režiimides „LOW“ ja „MED“.

| Aku jälgimise režiim         | LOW    | MED    | HIGH   |
|------------------------------|--------|--------|--------|
| Taaskäivituspinge 12 V puhul | 11,4 V | 12,2 V | 12,6 V |
| Väljalülituspinge 12 V puhul | 10,1 V | 11,2 V | 11,8 V |
| Taaskäivituspinge 24 V puhul | 23 V   | 25,3 V | 26,4 V |
| Väljalülituspinge 24 V puhul | 21,5 V | 24,1 V | 24,6 V |

Valige aku jälgimisrežiim järgmisel viisil.

1. Lülitage jahutusseade sisse.
  2. Vajutage kolm korda nuppu **SET**.
  3. Kasutage aku jälgimisrežiimi valimiseks **+** või **-**.
- ✓ Ekraan muutub järgmiselt: **P L** (LOW), **P M** (MED), **P H** (HIGH)

Valitud režiim kuvatakse mõni sekund ekraanil. Ekraan vilgub enne hetketemperatuuri kuvale naasmist mitu korda.



**MÄRKUS** Kui jahutusseade töötab käivitusaku toitel, valige aku jälgimise režiim „HIGH“. Kui jahutusseade on maja akuga ühendatud, piisab aku jälgimise režiimist „LOW“.

## Ekraani heleduse reguleerimine

Ekraani heledust saab hāmara ümbruse korral hāmardada.

1. Lülitage jahutusseade sisse.
  2. Vajutage neli korda nuppu **SET**.
  3. Kasutage ekraani heleduse seadistamiseks nuppe **+** või **-**.
- ✓ Ekraan muutub järgmiselt: **L** (madal), **M** (keskmine), **H** (kõrge)

Ekraanil kuvatakse mõne sekundi vältel seadistatud režiim. Ekraan vilgub enne kehtiva heleduse kuvale naasmist mõned korrad.



**MÄRKUS** Vea korral lülitub heledus automaatselt väärtusele **H** (vaikevalik). Kui viga on kõrvaldatud, aktiveeritakse seadistatud heledus uuesti.

## USB-pordi kasutamine

USB-port võimaldab laadida väikeseid seadmeid, nagu mobiiltelefonid ja MP3-mängijad.

- > Ühendage laaditav seade USB-kaabli abil (ei kuulu komplekti) jahutusseadme USB-porti.



**MÄRKUS** Veenduge, et ühendatud seade ühtiks 5 V / 2 A kasutusega.

### Ekraani režiimi seadistamine

1. Vajutage viis korda nuppu **SET**.
2. Kasutage unerežiimi seadistamiseks nuppe **+** või **-**.
- ✓ Ekraan muutub järgmiselt: **(5 0F)** (VÄLJAS), **(5 0n)** (SEES), **(5 L0)** (Madal)

**S 0F** (VÄLJAS): unerežiim on välja lülitatud. Ekraan on püsivalt sisse lülitatud.

**S 0n** (SEES): unerežiim on aktiveeritud. Kui jahutusseadet ei kasutata mitu minutit, kuvatakse ekraanil ainult punkt.

**S L0** (madal): une alamrežiim on aktiveeritud. Kui jahutusseadet ei kasutata mitu minutit, lülitub ekraan selle madalaimale heledusele.



**MÄRKUS** Kui ekraan on unerežiimis või une alamrežiimis, vajutage vastavast režiimist korraks väljumiseks jahutusseadme nuppu.

### Jahutuse mobiilirakenduse kasutamine

Jahutusseadet saab jälgida ja juhtida Bluetoothi või WLAN-i kaudu ühilduvasse seadmesse installitava rakenduse abil.

1. Laadige alla ja installige jahutuse mobiilirakendus.



hankige jahutusseadme rakendus aadressilt [qr.dometic.com/beiv4R](http://qr.dometic.com/beiv4R).

2. Vajutage nuppu **SET** järgmiselt:
  - 6 korda Bluetoothi seadistuste avamiseks;
  - 7 korda WLAN-i seadistuste avamiseks.
3. Kasutage Bluetoothi või WLAN-i seadistamiseks nuppe **+** või **-**.



**MÄRKUS** Kui jahutusseade on seotud Bluetoothi kaudu ühilduva seadmega, tuleb seadistada sidumisrežiim.

- ✓ Ekraan muutub Bluetoothi seadistamisel järgmiselt: **(bL0F)** (VÄLJAS), **(bL0n)** (SEES), **(bLPR)** (Seob)



**MÄRKUS** Kui kuvatud on **(bL0F)**, siis ekraan nupu **-** vajutamisel ei muutu. Kui kuvatud on **(bLPR)**, siis ekraan nupu **+** vajutamisel ei muutu.

Bluetoothiga sidumise ajal vilgub Bluetoothi LED-tuli valgelt ja kuvatakse **(bL)**.

Ekraan muutub WLAN-i seadistamisel järgmiselt: **(F 0F)** (VÄLJAS), **(F 0n)** (SEES)

4. Järgige jahutuse mobiilirakenduses kuvatavaid juhiseid.
- ✓ Kui jahutusseade on ühendatud, siis Bluetoothi või WLAN-i LED-tuli süttib.

### Jahutusseadme väljalülitamine

1. Tühjendage jahutusseade.
2. Vajutage nuppu „SEES/VÄLJAS“.
3. Tõmmake ühenduskaabel välja.
4. Kui jahutusseadet pikemat aega ei kasutata, jätke kaas lahti, et ei tekiks lõhna.

### Jahutusseadme sulatamine

Niiskuse võib jahutusseadme sisemusse või aurustile härmatist tekitada. See vähendab jahutusvõimsust.



#### **TÄHELEPANU! Kahjustuste oht**

Kunagi ärge kõvu või teravaid tööriistu jää või kinnikülmunud toidu eemaldamiseks.

Jahutusseadme sulatamiseks toimige järgmiselt.


1. Eemaldage jahutusseadme sisu.
2. Vajaduse korral pange sisu teise jahutusseadmesse, et hoida neid jahedas.
3. Lülitage jahutusseade välja.
4. Jätke kaas lahti.
5. Pühkige sulamisvesi ära.

### Vahelduvvoolukaitsme vahetamine



#### **OHT! Elektrilöögi oht**

Enne seadme vahelduvvoolukaitsme asendamist tuleb toide ja ühenduskaabel lahutada.

1. Lahutage jahutusseadme toide.
2. Tõmmake ühenduskaabel ära.
3. Kangutage kaitse (  joon. 4 leheküljel 3722, ) kruvikeeraja abil välja.
4. Asendage defektne klaaskaitse uuega, mis on sama tüüpi ja sama suurusega ( 4 A , 250 V ).
5. Vajutage kaitse tagasi korpusesse.
6. Ühendage seadme toide uuesti.

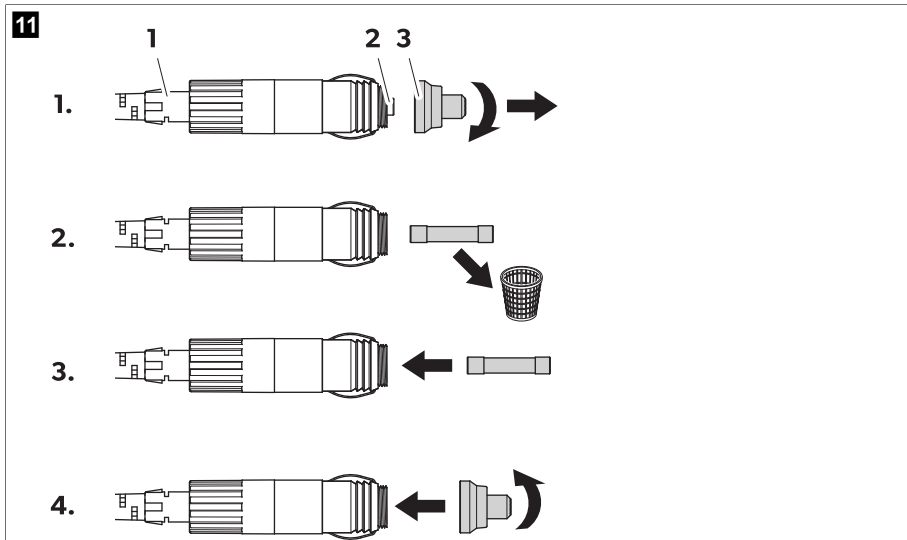
### Alalisvoolu-pistikukaitsme vahetamine



**MÄRKUS** Seadme sees on täiendav alalisvoolukaits (autotööstuse standardne lamekaitse, 10 A). Selle kaitsme saab asendada ainult volitatud töökoda.

1. Keerake kontaktklemmide korpus (  joon. 11 leheküljel 379 3) pistiku (  joon. 11 leheküljel 379 1) küljest lahti.





2. Asendage defektne kaitse (joon. 11 leheküljel 379 2) uuega, mis on sama tüüpi ja sama suurusega (3AG, kiiresti reageeriv, 10 A).
3. Pange pistik vastupidises järjekorras uuesti kokku.

### Valgustuse trükkplaadi vahetamine



#### TÄHELEPANU! Kahjustuste oht

Ohtlike olukordade vältimiseks võib trükkplaadi asendada ainult tootja, teenindusesindaja või sarnase kvalifikatsiooniga isik.

## 10 Puhastamine ja hooldamine



#### ETTEVAATUST! Elektrilöögi oht

Enne mis tahes puhastus- või hooldustöid veenduge, et jahutusseade oleks vooluvõrgust lahti ühendatud.



#### TÄHELEPANU! Kahjustuste oht

- > Ärge kunagi puhastage jahutusseadet voolava vee all või seebivees.
  - > Ärge kasutage puhastamiseks abrasiivseid puhastusvahendeid ega kõvu esemeid.
- > Puhastage seadet aeg-ajalt seest ja väljast niiske lapiga.
- > Veenduge, et jahutusseadme õhu sisend- ja väljundavadel ei oleks tolmu ega mustust; see võimaldab jahutusseadmel soojust ära juhtida ning aitab ennetada kahjustusi.

## 11 Tõrkeotsing

| Probleem   | Põhjus   | Abinõu  |
|--|--|---|
| Jahutusseade ei tööta. Toite LED-tuli ei sütti.  | Alalisvoolupesas puudub pinge.                                       | > Lülitage sõiduki süüde sisse.   |
|  | Vahelduvvoolupesas puudub pinge.                                     | > Kasutage teist pistikupesas.  |
|  | Vahelduvvoolukaitse on defektne.                                     | > Asendage vahelduvvoolukaitse, vt Vahelduvvoolukaitsme vahetamine leheküljel 378.  |
|  | Sisseehitatud avaliku võrgu adapter on rikkis.                       | > Võtke ühendust volitatud hooldustehnikuga.  |
| Toite LED-tuli süttib oranžilt, kuvatakse veakood <b>E 01</b> ja jahutusseade ei jahuta piisavalt, isegi kui pistik on ühendatud.        | Aku jälgimisseade on seatud liiga kõrgele režiimile.                 | <ol style="list-style-type: none"> <li>1. Seadistage aku jälgimisseade madalamale režiimile (vt Akude jälgimisseadme kasutamine leheküljel 376).</li> <li>2. Testige käivitusakut.</li> <li>3. Vajaduse korral laadige käivitusakut.</li> </ol> <p>Järgige tootja juhiseid.</p> |
|  | Aku jälgimisseade on seatud liiga madalale režiimile.                | <ol style="list-style-type: none"> <li>1. Seadistage aku jälgimisseade kõrgemale režiimile (vt Akude jälgimisseadme kasutamine leheküljel 376).</li> <li>2. Testige käivitusakut.</li> <li>3. Vajaduse korral laadige käivitusakut.</li> </ol> <p>Järgige tootja juhiseid.</p>  |
| Jahutusseadme kasutamine alalisvoolu pistikupesas kasutades. Süüde on sisse lülitatud ja jahutusseade ei tööta. Toite LED-tuli ei sütti. | Alalisvoolupistik pole õigesti ühendatud.                            | > Ühendage alalisvoolupistikud uuesti.  |
|  | Alalisvoolupesas on määratud. See põhjustab kehvast elektriühendust. | > Puhastage alalisvoolu pistikupesas. Järgige tootja juhiseid.  |
|  | Alalisvoolu-pistikukaitse on läbi põlenud.                           | > Asendage alalisvoolu-pistikukaitse, vt peatükki Alalisvoolu-pistikukaitsme vahetamine leheküljel 378.   |
|  | Jahutusseade sees olev alalisvoolukaitse on läbi põlenud.            | > Võtke ühendust volitatud hooldustehnikuga.  |
|  | Seadme alalisvoolu pistikupesas kaitse on läbi põlenud.              | > Asendage sõiduki alalisvoolu pistikupesas kaitse. Järgige tootja juhiseid.  |
| Ekraanil kuvatakse veakood ja jahutusseade ei jahuta (vt Veakoodid leheküljel 380).  | Jahutusseade on sisemise tõrke tõttu välja lülitunud.                | > Võtke ühendust volitatud hooldustehnikuga.  |

### Veakoodid



**MÄRKUS** Kui kuvatakse üks veakoodidest **E 02** kuni **E 07**, võtke ühendust volitatud hooldustehnikuga.

| Veakood | Tähistus                       |
|---------|--------------------------------|
| E 01    | Madalpinge/ülepinge            |
| E 02    | Ventilaatori ülepinge          |
| E 03    | Kompressori käivitumine nurjus |
| E 04    | Kompressori kiirus on väike    |
| E 05    | Juhtseadis on üle kuumenenud   |
| E 06    | NTC avatud ahel                |
| E 07    | NTC lühis                      |

## 12 Garantii

Kehtib seadusega ettenähtud garantii. Kui toode on defektnne, võtke ühendust tootja kohaliku filiaaliga (vt [dometic.com/dealer](http://dometic.com/dealer)) või edasimüüjaga.

Remondi- ja garantiitööde töötlemiseks lisage palun alljärgnevad dokumendid, kui seadme meile saadate:

- ostukuupäevaga arve koopia;
- kaebuse põhjus või vea kirjeldus.

Pange tähele, et kui parandate ise või lasete mittekuutselisel parandajal seda teha, võib see ohutust mõjutada ja garantii kehtetuks muuta.

## 13 Kõrvaldamine



### HOIATUS! Laste kinnijäämise oht

Enne vana jahutusseadme kasutuselt kõrvaldamist võtke kaas seadme küljest ära. Jätke korvid seadmesse, nii et lapsed ei saaks sisse pugeda.



Kui võimalik, pange pakkematerjal vastavasse ringlussevõetava prügi kasti. Küsige nõu kohalikest ringlussevõtukeskusest või edasimüüjalt, kuidas anda toode kehtivate jäätmekäitlusnõuetega kooskõlas jäätmekäitlusele.



Patareide, akude ja valgusallikatega toodete ringlussevõtt. Enne toote ringlusse andmist eemaldage kõik patareid, akud ja valgusallikad. Andke defektsed või kasutatud akud edasimüüjale tagasi või viige need kogumispunkti. Ärge visake patareid, akusid ega valgusallikaid olmeprügi hulka. Kui soovite toote utiliseerida, küsige oma kohalikest jäätmekäitlusettevõttest või -spetsialistist edasimüüjalt üksikasjaliku, kuidas seda kehtivate jäätmekäitluseeskirjade järgi teha. Toote saab jäätmekäitlusele anda tasuta.

## 14 Tehnilised andmed



**MÄRKUS** Kui ümbritsev temperatuur on kõrgem kui 32 °C, ei ole võimalik miinumtemperatuuri saavutada.

See toode sisaldab fluoritud kasvuhoonegaase.

Jahutusmoodul on hermeetiliselt tihendatud.

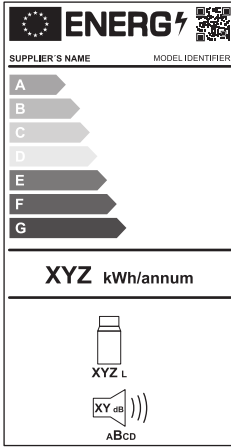
**ET CFX2 28, CFX2 37, CFX2 45, CFX2 57**

|                                       | <b>CFX2 28</b>  | <b>CFX2 37</b>  | <b>CFX2 45</b>   | <b>CFX2 57</b>   |
|---------------------------------------|---|---|--|--|
| Nimisisendvõimsus                     | 50 ... 60 Hz<br>100 ... 240 V~                                  |   |  |  |
| Nimivool                              | 12 V : 8,6 A<br>24 V : 3,8 A<br>100 V : 1,6 A<br>240 V : 0,77 A | 12 V : 8,7 A<br>24 V : 3,85 A<br>100 V : 1,63 A<br>240 V : 0,78 A | 12 V : 8,8 A<br>24 V : 3,9 A<br>100 V : 1,65 A<br>240 V : 0,79 A | 12 V : 9 A<br>24 V : 4 A<br>100 V : 1,7 A<br>240 V : 0,8 A |
| Jahutusvõimsus                        | - 22 °C ... 20 °C   |   |  |  |
| Ümbrisev temperatuur                  | 16 °C ... 43 °C   |   |  |  |
| Kliimaklass                           | N või T   |   |  |  |
| USB                                   | 5 V 2 A   |   |  |  |
| Külmaaine                             | R600a   |   |  |  |
| Külmutusagensi kogus                  | 13 g  | 13 g  | 14 g   | 17 g   |
| Mõõtmed (L × K × S, sh<br>käepidemed) | 600 mm ×<br>427 mm × 345 mm                                     | 678 mm ×<br>428 mm × 401 mm                                       | 678 mm ×<br>493 mm × 401 mm                                      | 709 mm ×<br>503 mm × 458 mm                                |
| Maht                                  | 28 L  | 37 L  | 45 L   | 57 L   |
| Kaal                                  | 13,5 kg   | 15,8 kg   | 16,8 kg  | 18,5 kg  |
| Sagedusriba (WLAN)                    | 2,4 GHz   |   |  |  |
| Max väljundvõimsus                    |   |   |  |  |
| WLAN                                  | 19,22 dBm   |   |  |  |
| Bluetooth                             | 7,93 dBm  |   |  |  |

Käesolevaga deklareerib Dometic (Zhuhai) Technology Co., Ltd, et käesolev raadioseadme tüüp CFX2 28, CFX2 37, CFX2 45, CFX2 57 vastab direktiivi 2014/53/EL nõuetele. Eli vastusdeklaratsiooni täielik tekst on kättesaadav järgmisel internetiaadressil: [documents.dometic.com](http://documents.dometic.com)

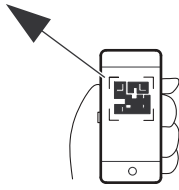
Toote kohta leiate lisateavet energiasildil asetseva QR-koodi kaudu või aadressilt [eprel.ec.europa.eu](http://eprel.ec.europa.eu).

12



The diagram shows an ENERGY label with the following components:

- Top left: European Union flag and the word "ENERGY" with a lightning bolt symbol.
- Top right: A QR code.
- Below the QR code: "SUPPLIER'S NAME" and "MODEL IDENTIFIER".
- Energy efficiency scale: A vertical bar with seven horizontal arrows pointing right, labeled A, B, C, D, E, F, and G from top to bottom. The G arrow is the longest and darkest.
- Consumption: "XYZ kWh/annum".
- Product icon: A small icon of a device labeled "XYZ L".
- Sound power level: A speaker icon labeled "XY dB" with sound waves, and "ABCD" below it.



[eprel.ec.europa.eu](http://eprel.ec.europa.eu)

## Ελληνικά

|    |   |     |
|----|---|-----|
| 1  | Σημαντικές σημειώσεις.....                                | 384 |
| 2  | Επεξήγηση των συμβόλων.....                               | 384 |
| 3  | Επεξήγηση των συμβόλων που υπάρχουν πάνω στη συσκευή..... | 385 |
| 4  | Υποδείξεις ασφαλείας.....                                 | 385 |
| 5  | Περιεχόμενα συσκευασίας.....                              | 387 |
| 6  | Πρόσθετος εξοπλισμός.....                                 | 388 |
| 7  | Προβλεπόμενη χρήση.....                                   | 388 |
| 8  | Τεχνική περιγραφή.....                                    | 389 |
| 9  | Λειτουργία.....   | 391 |
| 10 | Καθαρισμός και φροντίδα.....                              | 399 |
| 11 | Αντιμετώπιση βλαβών.....                                  | 399 |
| 12 | Εγγύηση.....  | 400 |
| 13 | Απόρριψη.....   | 401 |
| 14 | Τεχνικά χαρακτηριστικά.....                               | 401 |

## 1 Σημαντικές σημειώσεις

Παρακαλούμε να διαβάσετε προσεκτικά αυτές τις οδηγίες και να ακολουθήσετε όλες τις οδηγίες, τους κανονισμούς και τις προειδοποιήσεις που περιλαμβάνονται στο εγχειρίδιο αυτού του προϊόντος, έτσι ώστε να διασφαλίζεται πάντοτε η σωστή εγκατάσταση, χρήση και συντήρηση του προϊόντος. Αυτές οι οδηγίες ΠΡΕΠΕΙ πάντοτε να συνοδεύουν το προϊόν.

Με τη χρήση του προϊόντος επιβεβαιώνετε δια του παρόντος ότι έχετε διαβάσει προσεκτικά όλες τις οδηγίες, τους κανονισμούς και τις προειδοποιήσεις καθώς και ότι έχετε κατανοήσει και συμφωνείτε να τηρήσετε τους όρους και τις προϋποθέσεις που ορίζονται στο παρόν έγγραφο. Συμφωνείτε να χρησιμοποιείτε αυτό το προϊόν μόνο για τον προβλεπόμενο σκοπό και την προβλεπόμενη χρήση, πάντοτε σύμφωνα με τις οδηγίες, τους κανονισμούς και τις προειδοποιήσεις που ορίζονται στο παρόν εγχειρίδιο προϊόντος καθώς και σύμφωνα με όλους τους ισχύοντες νόμους και κανονισμούς. Σε περίπτωση μη ανάγκης και τήρησης των οδηγιών και των προειδοποιήσεων που ορίζονται στο παρόν έγγραφο, ενδέχεται να προκληθούν τραυματισμοί σε εσάς τον ίδιο και σε τρίτους, ζημιά στο προϊόν σας ή υλικές ζημιές σε άλλες ιδιοκτησίες στο άμεσο περιβάλλον. Αυτό το εγχειρίδιο προϊόντος, συμπεριλαμβανομένων των οδηγιών, των κανονισμών, των προειδοποιήσεων και των σχετικών εγγράφων, ενδέχεται να υποβληθεί σε τροποποιήσεις και ενημερώσεις. Για ενημερωμένες πληροφορίες για το προϊόν, επισκεφθείτε την ηλεκτρονική διεύθυνση [documents.dometic.com](http://documents.dometic.com).

## 2 Επεξήγηση των συμβόλων

Μια λέξη σήμανσης επιτρέπει την αναγνώριση μηνυμάτων για την ασφάλεια και μηνυμάτων για υλικές ζημιές και υποδεικνύει τον βαθμό ή το επίπεδο σοβαρότητας του κινδύνου.



### ΚΙΝΔΥΝΟΣ!

Καταδεικνύει μια επικίνδυνη κατάσταση, η οποία εάν δεν αποτραπεί, θα προκληθεί θανατηφόρο ατύχημα ή σοβαρός τραυματισμός.



### ΠΡΟΕΙΔΟΠΟΙΗΣΗ!

Καταδεικνύει μια επικίνδυνη κατάσταση, η οποία εάν δεν αποτραπεί, μπορεί να προκληθεί θανατηφόρο ατύχημα ή σοβαρός τραυματισμός.



### ΠΡΟΦΥΛΑΞΗ!

Καταδεικνύει μια επικίνδυνη κατάσταση, η οποία εάν δεν αποτραπεί, μπορεί να προκληθεί μικρή ή μέτρια σοβαρότητας τραυματισμός.



### ΠΡΟΣΟΧΗ!

Καταδεικνύει μια κατάσταση, η οποία εάν δεν αποτραπεί, μπορεί να προκληθούν υλικές ζημιές.



**ΥΠΟΔΕΙΞΗ** Συμπληρωματικές πληροφορίες για τον χειρισμό του προϊόντος.

### 3 Επεξήγηση των συμβόλων που υπάρχουν πάνω στη συσκευή



Προειδοποίηση! Κίνδυνος πυρκαγιάς. Εύφλεκτα υλικά.

### 4 Υποδείξεις ασφαλείας



#### **ΚΙΝΔΥΝΟΣ! Κίνδυνος ηλεκτροπληξιάς**

- > Κατά την εκκίνηση: Εάν η συσκευή τροφοδοτείται με ρεύμα από το ηλεκτρικό δίκτυο, βεβαιωθείτε οπωσδήποτε ότι η τροφοδοσία ηλεκτρικού ρεύματος προστατεύεται μέσω ασφαλειοδιακόπτη ρεύματος διαρροής (RCCB) ή διακόπτη κυκλώματος βλάβης γείωσης (GFCI). Η εγκατάσταση, ειδικά σε χώρους με πιθανώς αυξημένη υγρασία, πρέπει να πραγματοποιείται σύμφωνα με όλους τους σχετικούς κανονισμούς εγκατάστασης.
- > Μην πιάνετε τυχόν εκτεθειμένα καλώδια με γυμνά χέρια. Αυτό ισχύει ιδιαίτερα κατά τη λειτουργία της συσκευής με εναλλασσόμενο ρεύμα AC από το ηλεκτρικό δίκτυο.



#### **ΠΡΟΕΙΔΟΠΟΙΗΣΗ! Κίνδυνος ηλεκτροπληξιάς**

- > Μη θέσετε σε λειτουργία τη συσκευή ψύξης, εάν παρουσιάζει εμφανείς ζημιές.
- > Εάν προκληθεί ζημιά στο καλώδιο τροφοδοσίας αυτής της συσκευής, το καλώδιο πρέπει να αντικατασταθεί, για να αποφευχθούν τυχόν κίνδυνοι ασφαλείας.
- > Η επισκευή αυτής της συσκευής ψύξης επιτρέπεται να πραγματοποιείται μόνο από εξειδικευμένο τεχνικό προσωπικό. Σε περίπτωση μη ενδεδειγμένων επισκευών ενδέχεται να προκύψουν σοβαροί κίνδυνοι.
- > Συνδέστε τη συσκευή σε πρίζες που διασφαλίζουν τη σωστή σύνδεση, ειδικά εάν η συσκευή πρέπει να είναι γειωμένη.



#### **ΠΡΟΕΙΔΟΠΟΙΗΣΗ! Κίνδυνος πυρκαγιάς**

- > Κατά την τοποθέτηση της συσκευής, βεβαιωθείτε ότι το καλώδιο τροφοδοσίας δεν μαγκώνεται ή υφίσταται ζημιά.
- > Μην τοποθετείτε φορητά πολύπριζα ή φορητές μονάδες τροφοδοσίας στην πίσω πλευρά της συσκευής.
- > Το ψυκτικό μέσο στο κύκλωμα ψυκτικού μέσου είναι ιδιαίτερα εύφλεκτο και σε περίπτωση διαρροής, ενδέχεται να συσσωρευτούν εύφλεκτα αέρια, εάν η συσκευή βρίσκεται σε μικρό χώρο. Σε περίπτωση ζημιάς στο κύκλωμα ψυκτικού μέσου:
  - Διατηρήστε τις γυμνές φλόγες και πιθανές πηγές ανάφλεξης μακριά από το ψυγείο.
  - Αερίστε καλά τον χώρο.
  - Απενεργοποιήστε το ψυγείο.
- > Για συσκευές ψύξης με ψυκτικό μέσο R600a:
  - Το κύκλωμα ψυκτικού μέσου περιέχει μια μικρή ποσότητα ενός φιλικού προς το περιβάλλον, αλλά εύφλεκτου ψυκτικού μέσου. Δεν προκαλεί ζημιά στο στρώμα του όζοντος και δεν αυξάνει το φαινόμενο του θερμοκηπίου. Σε περίπτωση διαρροής, το ψυκτικό μέσο ενδέχεται να αναφλεγεί.
  - Μη χρησιμοποιείτε και μην αποθηκεύετε τη συσκευή ψύξης μέσα σε περιορισμένους χώρους χωρίς καθόλου ή με ελάχιστη ροή αέρα.

- > Διατηρήστε τα ανοίγματα εξαερισμού στο περίβλημα της συσκευής ή στο σημείο εγκατάστασης ελεύθερα από τυχόν εμπόδια.
- > Μη χρησιμοποιείτε μηχανικά αντικείμενα ή άλλα μέσα, για να επιταχύνετε τη διαδικασία απόψυξης, εκτός εάν συνιστώνται από τον κατασκευαστή για αυτόν τον σκοπό.
- > Μην ανοίγετε ή προκαλείτε ζημιά στο κύκλωμα ψυκτικού μέσου.
- > Μη χρησιμοποιείτε ηλεκτρικές συσκευές στο εσωτερικό της συσκευής ψύξης, εκτός εάν συνιστώνται από τον κατασκευαστή για τον σκοπό αυτό.



#### **ΠΡΟΕΙΔΟΠΟΙΗΣΗ! Κίνδυνος για την υγεία**

- > Αυτή η συσκευή μπορεί να χρησιμοποιηθεί από παιδιά ηλικίας 8 ετών και επάνω καθώς και άτομα με μειωμένες φυσικές, αισθητηριακές ή πνευματικές ικανότητες ή με έλλειψη εμπειρίας και γνώσεων, εάν επιτηρούνται ή τους έχουν δοθεί οδηγίες σχετικά με τη χρήση της συσκευής με ασφαλή τρόπο και κατανοούν τους σχετικούς κινδύνους.
- > Τα παιδιά ηλικίας 3 έως 8 ετών επιτρέπεται να τοποθετούν τρόφιμα στις συσκευές ψύξης και να βγάζουν τρόφιμα από αυτές.
- > Τα παιδιά πρέπει να επιτηρούνται, για να διασφαλίζεται ότι δεν παίζουν με τη συσκευή.
- > Ο καθαρισμός και η συντήρηση χρήστη δεν επιτρέπεται να πραγματοποιούνται από παιδιά χωρίς επιτήρηση.



#### **ΠΡΟΕΙΔΟΠΟΙΗΣΗ! Κίνδυνος έκρηξης**

Μην αποθηκεύετε στη συσκευή ψύξης εκρηκτικές ουσίες, όπως π.χ. φιάλες σπρέι με εύφλεκτο προωθητικό αέριο.



#### **ΠΡΟΦΥΛΑΞΗ! Κίνδυνος ηλεκτροπληξίας**

- > Προτού θέσετε σε λειτουργία τη συσκευή ψύξης, βεβαιωθείτε ότι το καλώδιο παροχής ρεύματος και το φις είναι στεγνά.
- > Αποσυνδέστε τη συσκευή ψύξης από την τροφοδοσία ηλεκτρικού ρεύματος, πριν από κάθε εργασία καθαρισμού και συντήρησης καθώς και μετά από κάθε χρήση.



#### **ΠΡΟΦΥΛΑΞΗ! Κίνδυνος για την υγεία**

- > Για να αποφευχθεί τυχόν μόλυνση των τροφίμων, τηρήστε τις παρακάτω οδηγίες:
  - Ελέγξτε εάν η ψυκτική ισχύς της συσκευής είναι κατάλληλη για την αποθήκευση των τροφίμων που θέλετε να ψύξετε.
  - Τα τρόφιμα θα πρέπει να διατηρούνται μόνο στην αρχική συσκευασία τους ή σε κατάλληλα δοχεία.
  - Το παρατεταμένο άνοιγμα της συσκευής ψύξης μπορεί να προκαλέσει σημαντική αύξηση της θερμοκρασίας στους χώρους της συσκευής.
  - Καθαρίζετε τακτικά τις επιφάνειες που μπορεί να έρθουν σε επαφή με τρόφιμα καθώς και τα προσβάσιμα συστήματα αποχέτευσης.
- > Εάν η συσκευή παραμείνει άδεια για μεγάλα χρονικά διαστήματα:
  - Απενεργοποιήστε τη συσκευή.
  - Πραγματοποιήστε απόψυξη της συσκευής.
  - Καθαρίστε και στεγνώστε τη συσκευή.
  - Αφήστε το καπάκι ανοιχτό, για να αποτρέψετε τον σχηματισμό μούχλας μέσα στη συσκευή.



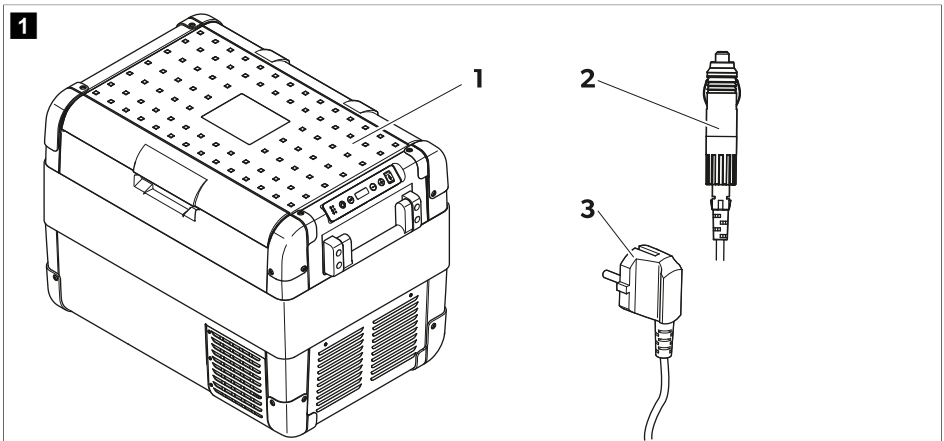
#### **ΠΡΟΣΟΧΗ! Κίνδυνος πρόκλησης ζημιάς**

- > Βεβαιωθείτε ότι η προδιαγραφή τάσης στην πινακίδα τύπου αντιστοιχεί στην υπάρχουσα τροφοδοσία ενέργειας.
- > Συνδέστε τη συσκευή ψύξης μόνο ως εξής:



- Με το καλώδιο σύνδεσης συνεχούς ρεύματος DC σε μια τροφοδοσία συνεχούς ρεύματος DC στο όχημα
  - Ή με το καλώδιο σύνδεσης εναλλασσόμενου ρεύματος AC σε μια τροφοδοσία εναλλασσόμενου ρεύματος AC
- > Μην τραβάτε το φιν από το καλώδιο σύνδεσης για να το αποσυνδέσετε από την πρίζα.
  - > Εάν η συσκευή ψύξης είναι συνδεδεμένη με έξοδο συνεχούς ρεύματος (DC): Αποσυνδέστε τη συσκευή ψύξης και τις λοιπές συσκευές κατανάλωσης ηλεκτρικού ρεύματος από την μπαταρία πριν από τη σύνδεση ενός ταχυφορτιστή.
  - > Εάν η συσκευή ψύξης είναι συνδεδεμένη με έξοδο συνεχούς ρεύματος (DC): Αποσυνδέστε τη συσκευή ψύξης ή απενεργοποιήστε την, όταν σβήνεται τον κινητήρα. Διαφορετικά μπορεί να αδειάσει η μπαταρία του οχήματος.
  - > Η συσκευή ψύξης δεν είναι κατάλληλη για τη μεταφορά καυστικών ουσιών ή ουσιών που περιέχουν διαλύτες.
  - > Η μόνωση της συσκευής ψύξης περιέχει εύφλεκτο κυκλοπεντάνιο και απαιτεί ειδικές διαδικασίες απόρριψης. Παραδώστε τη συσκευή ψύξης στο τέλος του κύκλου ζωής της σε ένα κατάλληλο κέντρο ανακύκλωσης.
  - > Μην τοποθετείτε τη συσκευή ψύξης κοντά σε γυμνές φλόγες ή σε άλλες πηγές θερμότητας (θερμάστρες, άμεση ηλιακή ακτινοβολία, φούρνους αερίου κ.λπ.).
  - > Μη γεμίζετε με υγρά ή πάγο το εσωτερικό δοχείο.
  - > Μη βυθίζετε ποτέ τη συσκευή ψύξης σε νερό.
  - > Προστατέψτε τη συσκευή ψύξης και τα καλώδια από τη θερμότητα και την υγρασία.
  - > Η συσκευή ψύξης απαγορεύεται να εκτίθεται σε βροχή.
  - > Για να επιτυγχάνεται η σωστή κυκλοφορία του ψυκτικού μέσου, η γωνία κλίσης του ψυγείου δεν επιτρέπεται να υπερβαίνει τις 30°. Χρησιμοποιήστε αλφάδι, για να βεβαιωθείτε ότι το ψυγείο είναι οριζοντιωμένο.
  - > **Κίνδυνος υπερθέρμανσης!** Πρέπει να βεβαιώνετε πάντοτε ότι υπάρχει επαρκής αερισμός και στις τέσσερις πλευρές της συσκευής ψύξης. Διατηρήστε την περιοχή αερισμού ελεύθερη από αντικείμενα που μπορεί να περιορίζουν τη ροή αέρα προς τα εξαρτήματα ψύξης. Μην τοποθετείτε τη συσκευή ψύξης σε κλειστούς επιμέρους χώρους ή σε περιοχές με καθόλου ή ελάχιστη ροή αέρα.

## 5 Περιεχόμενα συσκευασίας



| Στοιχείο | Ποσότητα | Περιγραφή                       |
|----------|----------|---------------------------------|
| 1        | 1        | Ψυγείο                          |
| 2        | 1        | Καλώδιο σύνδεσης για σύνδεση DC |
| 3        | 1        | Καλώδιο σύνδεσης για σύνδεση AC |
| -        | 1        | Συνοπτικό εγχειρίδιο χρήσης     |

## 6 Πρόσθετος εξοπλισμός

Διαθέσιμος πρόσθετος εξοπλισμός (δεν περιλαμβάνεται στη συσκευασία παράδοσης):

| Όνομασία                                       | Κωδικός    | Μοντέλο                         |
|--|------------|---------------------------------|
| Κιτ στερέωσης με ταχεία αποσύνδεση CFX-QFK     | 9600000166 | Μόνο για το CFX2 28             |
| Κιτ στερέωσης με ταχεία αποσύνδεση CFX-QFK3545 | 9600029599 | Μόνο για τα CFX2 37 και CFX2 45 |
| Εφαρμογή ψύξης για κινητά                      | -          | Κατάλληλο για όλα τα μοντέλα    |

## 7 Προβλεπόμενη χρήση

Το ψυγείο είναι κατάλληλο για την ψύξη τροφίμων. Το ψυγείο είναι επίσης κατάλληλο για χρήση σε οχήματα. Το ψυγείο έχει σχεδιαστεί για λειτουργία με συνεχές ρεύμα από μια πρίζα DC ενός οχήματος ή με εναλλασσόμενο ρεύμα από μια παροχή AC.

Το ψυγείο είναι επίσης κατάλληλο για χρήση σε κάμπινγκ.

Το ψυγείο προορίζεται για οικιακή χρήση και παρόμοιες εφαρμογές, όπως

- Χώροι κουζίνας προσωπικού σε καταστήματα, γραφεία και άλλα περιβάλλοντα εργασίας
- Αγροικίες
- Πελάτες σε ξενοδοχεία, μοτέλ και άλλα περιβάλλοντα οικιστικού τύπου
- Περιβάλλοντα τύπου πανσιόν
- Υπηρεσίες τροφοδοσίας για εκδηλώσεις και παρόμοιες χρήσεις μη λιανικής πώλησης

Το ψυγείο **δεν** είναι κατάλληλο για:

- Ταχεία κατάψυξη τροφίμων
- Αποθήκευση διαβρωτικών και καυστικών ουσιών ή ουσιών που περιέχουν διαλύτες
- Χρήση ως εντοιχιζόμενη συσκευή

Αυτό το ψυγείο είναι κατάλληλο μόνο για τον προβλεπόμενο σκοπό και την προβλεπόμενη εφαρμογή σύμφωνα με τις παρούσες οδηγίες.

Αυτό το προϊόν είναι κατάλληλο μόνο για τον προβλεπόμενο σκοπό και την προβλεπόμενη χρήση σύμφωνα με αυτές τις οδηγίες.

Αυτό το εγχειρίδιο παρέχει πληροφορίες που είναι απαραίτητες για τη σωστή εγκατάσταση και χρήση του προϊόντος. Σε περίπτωση λανθασμένης εγκατάστασης ή/και χρήσης ή συντήρησης, θα προκύψει μη ικανοποιητική απόδοση και, πιθανώς, βλάβη.

Ο κατασκευαστής δεν αποδέχεται καμία ευθύνη για τυχόν τραυματισμούς ή ζημιές στο προϊόν, που οφείλονται σε:

- Λανθασμένη τοποθέτηση, συναρμολόγηση ή σύνδεση, συμπεριλαμβανομένης της υπερβολικά υψηλής τάσης
- Λανθασμένη συντήρηση ή χρήση μη αυθεντικών ανταλλακτικών εξαρτημάτων, που δεν προέρχονται από τον κατασκευαστή
- Μετατροπές στο προϊόν χωρίς τη ρητή άδεια του κατασκευαστή
- Χρήση για σκοπούς διαφορετικούς από αυτούς που περιγράφονται σε αυτό το εγχειρίδιο

Η Dometic διατηρεί το δικαίωμα αλλαγής της εμφάνισης και των προδιαγραφών του προϊόντος.

## 8 Τεχνική περιγραφή

Το ψυγείο μπορεί να ψύχει προϊόντα. Η ψύξη παρέχεται από ένα κύκλωμα ψυκτικού μέσω χαμηλών απαιτήσεων συντήρησης με συμπιεστή. Η παχιά μόνωση και ο ισχυρός συμπιεστής διασφαλίζουν την αποδοτική και γρήγορη ψύξη.


Το ψυγείο είναι φορητό.

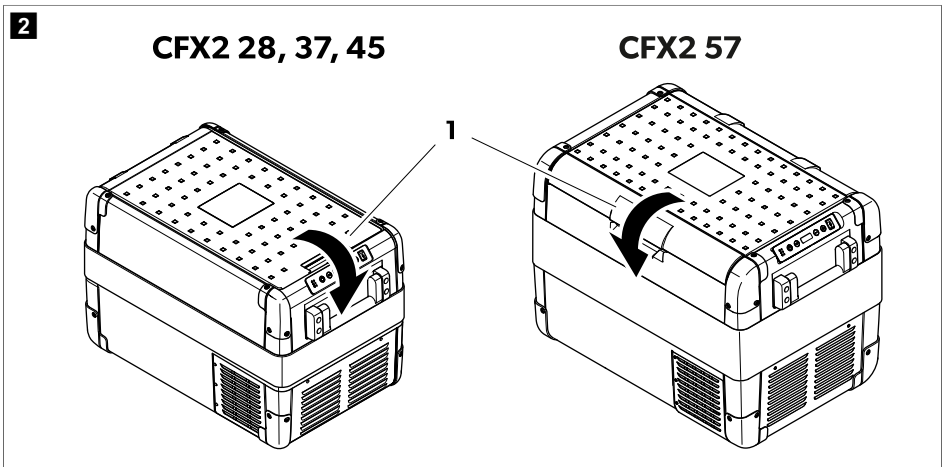
Το ψυγείο αντέχει σε βραχυπρόθεσμη κλίση 30°, για παράδειγμα πάνω σε σκάφη.

### Εύρος λειτουργιών

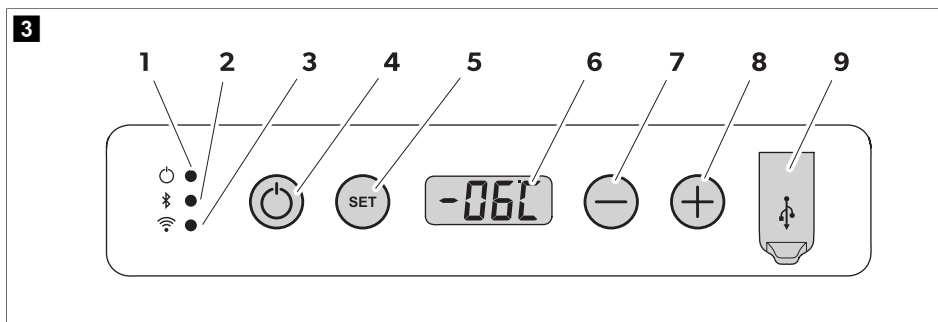
- Τροφοδοσία ηλεκτρικού ρεύματος με κύκλωμα προτεραιότητας για σύνδεση στην τροφοδοσία εναλλασσόμενου ρεύματος (AC)
- Σύστημα παρακολούθησης μπαταρίας 3 επιπέδων για προστασία της μπαταρίας του οχήματος
- Οθόνη με ένδειξη θερμοκρασίας σε °C και °F
- Ρύθμιση θερμοκρασίας με 2 κουμπιά σε βήματα 1 °C / 1 °F
- Ενσωματωμένη λειτουργία Bluetooth και WLAN για έλεγχο του ψυγείου μέσω της εφαρμογής ψύξης για κινητά
- Πτυσσόμενες λαβές μεταφοράς
- Θύρα USB για ηλεκτρική τροφοδοσία
- Αφαιρούμενο συρμάτινο καλάθι

### Στοιχεία χειρισμού και ενδείξεων

Ασφάλεια (  σχ. 2 στη σελίδα 389, 1) για το καπάκι:

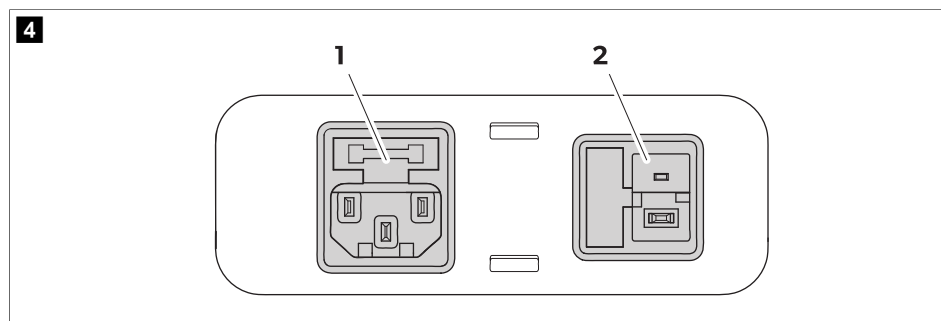


Πίνακας ελέγχου



| Στοιχείο | Περιγραφή | Επεξήγηση  |
|----------|-----------|--|
| 1        | Ισχύς     | Ένδειξη κατάστασης<br>Η λυχνία LED ανάβει με λευκό χρώμα: Ο συμπιεστής αρχίζει να λειτουργεί.  |
|          |           | Η λυχνία LED ανάβει με πορτοκαλί χρώμα: Η λειτουργία του συμπιεστή διακόπτεται.  |
| 2        | Bluetooth | Η λυχνία LED είναι σβηστή: Η λειτουργία Bluetooth του ψυγείου είναι απενεργοποιημένη.  |
|          |           | Η λυχνία LED αναβοσβήνει αργά με λευκό χρώμα: Η λειτουργία Bluetooth του ψυγείου είναι ενεργοποιημένη. Δεν έχει γίνει σύζευξη του ψυγείου με κάποια συσκευή.   |
|          |           | Η λυχνία LED αναβοσβήνει γρήγορα με λευκό χρώμα: Πραγματοποιείται σύζευξη του ψυγείου με μια συσκευή μέσω Bluetooth.   |
|          |           | Η λυχνία LED ανάβει με λευκό χρώμα: Έχει γίνει σύζευξη του ψυγείου με μια συσκευή μέσω Bluetooth.  |
| 3        | WLAN      | Η λυχνία LED είναι σβηστή: Η λειτουργία WLAN του ψυγείου είναι απενεργοποιημένη.   |
|          |           | Η λυχνία LED αναβοσβήνει με λευκό χρώμα: Η λειτουργία WLAN του ψυγείου είναι ενεργοποιημένη. Το ψυγείο δεν είναι συνδεδεμένο σε κάποια συσκευή.  |
|          |           | Η λυχνία LED ανάβει με λευκό χρώμα: Έχει γίνει σύζευξη του ψυγείου με μια συσκευή μέσω WLAN.   |
| 4        | ON/OFF    | Ενεργοποιεί ή απενεργοποιεί το ψυγείο.   |
| 5        | SET       | Επιλέγει τη λειτουργία εισόδου: <ul style="list-style-type: none"> <li>• Ρύθμιση θερμοκρασίας</li> <li>• Ένδειξη βαθμών Κελσίου ή Φαρενάιτ</li> <li>• Ρύθμιση συστήματος παρακολούθησης της μπαταρίας</li> <li>• Ρύθμιση φωτεινότητας της οθόνης</li> <li>• Ρύθμιση της λειτουργίας της οθόνης</li> <li>• Ρύθμιση Bluetooth</li> <li>• Ρύθμιση WLAN</li> </ul> |
| 6        |           | Οθόνη  |
| 7        | -         | Ρυθμίζει τη θερμοκρασία, τη μονάδα θερμοκρασίας, το μόνιτορ μπαταρίας, τη φωτεινότητα της οθόνης, τον τρόπο λειτουργίας, το Bluetooth και το WLAN.   |
| 8        | +         |  |
| 9        |           | Θύρα USB   |

## Υποδοχές σύνδεσης



| Στοιχείο | Περιγραφή                                    |
|----------|--|
| 1        | Υποδοχή σύνδεσης για την τροφοδοσία τάσης AC |
| 2        | Υποδοχή σύνδεσης για την τροφοδοσία τάσης DC |

## 9 Λειτουργία


### Πριν από την πρώτη χρήση

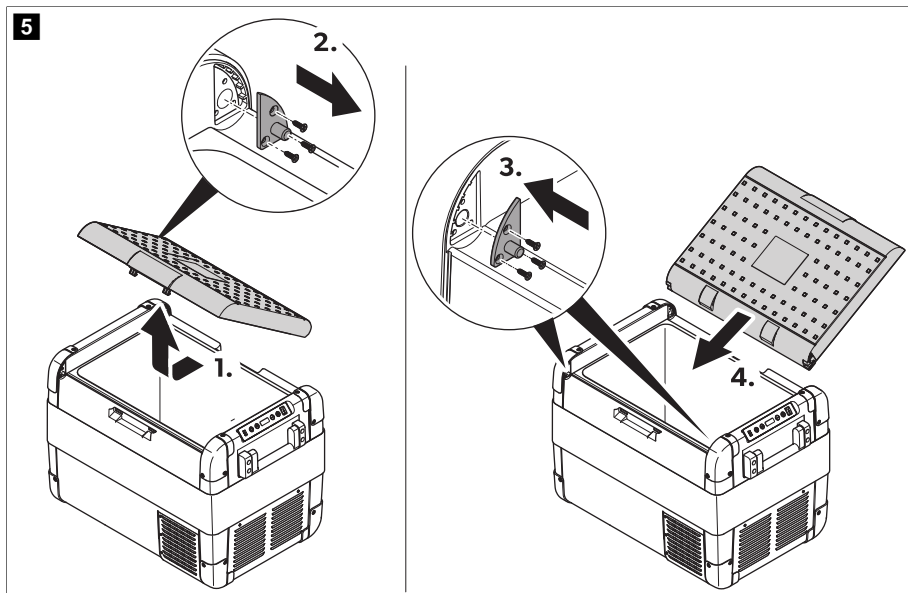




**ΥΠΟΔΕΙΞΗ** Προτού εκκινήσετε το ψυγείο για πρώτη φορά, καθαρίστε το εσωτερικά και εξωτερικά με ένα υγρό πανί για λόγους υγιεινής (βλ. Καθαρισμός και φροντίδα στη σελίδα 399).

### Αντιστροφή της κατεύθυνσης ανοίγματος του καπακιού (μόνο στο CFX2 57)

Οι μεντεσέδες του καπακιού μπορούν να μετακινηθούν στην απέναντι πλευρά.

1. Ανοίξτε και αφαιρέστε το καπάκι (  σχ. **5** στη σελίδα 392).



2. Αφαιρέστε τις 3 βίδες σε κάθε μεντεσέ (  σχ. 5 στη σελίδα 392) και βγάλτε τους μεντεσέδες.
3. Τοποθετήστε τους μεντεσέδες στις νέες θέσεις.
4. Τοποθετήστε το καπάκι στους μεντεσέδες στις νέες θέσεις (  σχ. 5 στη σελίδα 392).

## Εξοικονόμηση ενέργειας

- > Επιλέξτε μια καλά αεριζόμενη θέση, η οποία προστατεύεται από την άμεση ηλιακή ακτινοβολία.
- > Αφήστε τα ζεστά τρόφιμα να κρυώσουν, πριν τα τοποθετήσετε στη συσκευή ψύξης για να τα ψύξετε.
- > Μην ανοίγετε τη συσκευή ψύξης συχνότερα από ό,τι απαιτείται.
- > Μην αφήνετε τη συσκευή ψύξης ανοιχτή περισσότερο από όσο χρειάζεται.
- > Αν η συσκευή ψύξης διαθέτει καλάθι: Για τη βέλτιστη κατανάλωση ενέργειας, τοποθετήστε το καλάθι στη θέση που είχε κατά την παράδοση της συσκευής.
- > Πρέπει να βεβαιώνετε σε τακτική βάση ότι το λάστιχο του καπακιού εφαρμόζει σωστά.
- > Αποφύγετε τις ιδιαίτερα χαμηλές θερμοκρασίες.

## Σύνδεση του ψυγείου

### Σύνδεση σε μπαταρία



#### ΠΡΟΣΟΧΗ! Κίνδυνος πρόκλησης ζημιάς

- > Για την προστασία της συσκευής, το καλώδιο συνεχούς ρεύματος (DC) που παρέχεται περιλαμβάνει μια ασφάλεια στο εσωτερικό του φις. **Μην** αφαιρείτε το φις τροφοδοσίας DC που διαθέτει ασφάλεια. Χρησιμοποιήστε μόνο το καλώδιο DC που παρέχεται.
- > Προτού συνδέσετε την μπαταρία σε ταχυφορτιστή, αποσυνδέστε το ψυγείο και τους λοιπούς ηλεκτρικούς καταναλωτές από αυτήν. Η υπερβολικά υψηλή τάση μπορεί να προκαλέσει ζημιά στα ηλεκτρονικά κυκλώματα των συσκευών που είναι συνδεδεμένες στην μπαταρία.



**ΥΠΟΔΕΙΞΗ** Το ψυγείο διαθέτει ένα ηλεκτρονικό σύστημα που εμποδίζει την αντιστροφή της πολικότητας. Το ηλεκτρονικό σύστημα προστατεύει το ψυγείο από βραχυκυκλώματα κατά τη σύνδεση σε μπαταρία.

Το ψυγείο μπορεί να λειτουργήσει με τάση 12 V  $\equiv$  ή 24 V  $\equiv$ .

- > Συνδέστε το ψυγείο σε μια μπαταρία χρησιμοποιώντας το καλώδιο σύνδεσης DC, όπως φαίνεται στην εικόνα.

### Σύνδεση σε τροφοδοσία εναλλασσόμενου ρεύματος AC



#### **ΚΙΝΔΥΝΟΣ! Κίνδυνος ηλεκτροπληξίας**

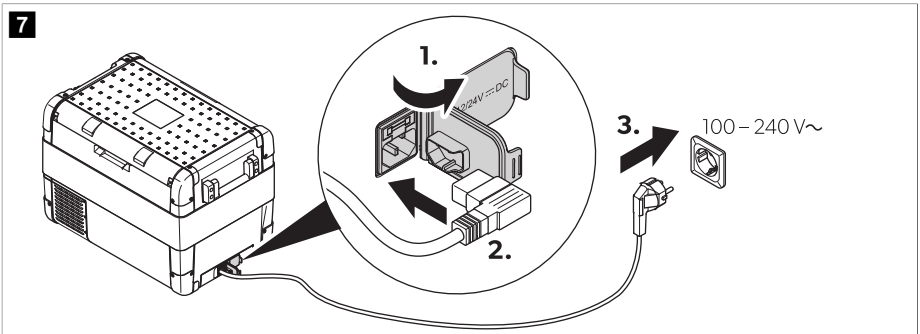
- > Μη χειρίζεστε ποτέ φις και διακόπτες με βρεγμένα χέρια ή ενώ στέκεστε επάνω σε βρεγμένη επιφάνεια.
- > Εάν το ψυγείο λειτουργεί πάνω σε σκάφος με τροφοδοσία από παροχή AC, πρέπει να τοποθετηθεί ένας ασφαλειοδιακόπτης με διάταξη προστασίας από ρεύματα διαρροής μεταξύ της παροχής AC και του ψυγείου. Συμβουλευθείτε έναν εξειδικευμένο τεχνικό.



#### **ΥΠΟΔΕΙΞΗ**

Το ψυγείο διαθέτει ενσωματωμένο τροφοδοτικό πολλαπλών τάσεων με κύκλωμα προτεραιότητας για σύνδεση σε πηγή τάσης AC. Εάν το ψυγείο συνδεθεί σε παροχή AC, το κύκλωμα προτεραιότητας μεταβαίνει αυτόματα στη λειτουργία AC, ακόμα κι αν το καλώδιο σύνδεσης DC παραμένει συνδεδεμένο.

- > Συνδέστε το ψυγείο στην παροχή AC χρησιμοποιώντας το καλώδιο σύνδεσης AC, όπως φαίνεται στην εικόνα.



### Χρησιμοποίηση του ψυγείου



#### **ΠΡΟΣΟΧΗ! Κίνδυνος πρόκλησης ζημιάς**

Τοποθετήστε το ψυγείο με τη βάση προς τα κάτω.

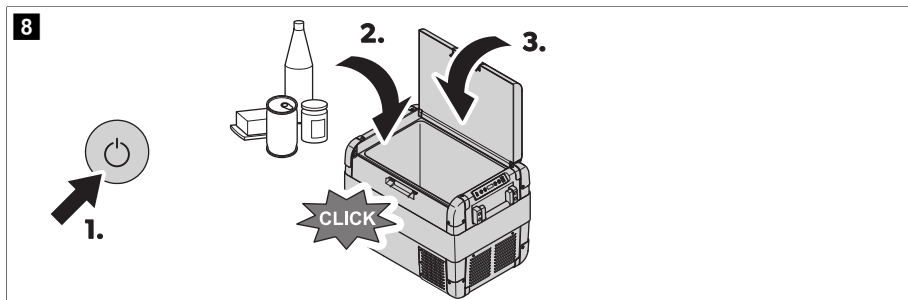
1. Τοποθετείτε το ψυγείο πάνω σε μια σταθερή βάση.
2. Συνδέστε το ψυγείο (βλ. κεφάλαιο Σύνδεση του ψυγείου στη σελίδα 392).



#### **ΠΡΟΕΙΔΟΠΟΙΗΣΗ! Κίνδυνος για την υγεία**

Φροντίστε να τοποθετείτε στο ψυγείο μόνο είδη που χρειάζονται ψύξη στην επιλεγμένη θερμοκρασία.


3. Πατήστε το κουμπί "ON/OFF" για 1 ... 2 s .



- ✓ Η λυχνία LED λειτουργίας ανάβει. Η οθόνη ενεργοποιείται και εμφανίζει την τρέχουσα θερμοκρασία.



#### ΥΠΟΔΕΙΞΗ Θερμοκρασία που εμφανίζεται

CFX2 57: Η θερμοκρασία που εμφανίζεται είναι η θερμοκρασία του μεγάλου εσωτερικού θαλάμου (  σχ. **9** στη σελίδα 394 **1**).

Το ψυγείο ξεκινά με την ψύξη του εσωτερικού χώρου.

#### Ασφάλιση του καπακιού του ψυγείου

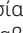
1. Κλείστε το καπάκι.
2. Πιέστε την ασφάλεια προς τα κάτω μέχρι να κλειδώσει στη θέση της με ένα χαρακτηριστικό ήχο.

#### Αποφυγή χαλάσματος των τροφίμων

Για αποτύχετε το χάλασμα των τροφίμων, λάβετε υπόψη τα εξής

- > Αποφύγετε κατά το δυνατόν τις διακυμάνσεις της θερμοκρασίας. Ανοίξτε τη συσκευή ψύξης μόνο όσο συχνά και για όση ώρα είναι πραγματικά απαραίτητο. Αποθηκεύστε τα τρόφιμα κατά τέτοιο τρόπο, ώστε να μην εμποδίζεται η καλή κυκλοφορία του αέρα.
- > Προσαρμόστε τη θερμοκρασία στην ποσότητα και στο είδος των τροφίμων.
- > Τα τρόφιμα μπορούν εύκολα να απορροφήσουν ή να απελευθερώσουν οσμή ή γεύση. Τα τρόφιμα πρέπει πάντοτε να αποθηκεύονται καλυμμένα ή μέσα σε κλειστά δοχεία / φιάλες.


#### Ρύθμιση της θερμοκρασίας

1. Πατήστε το κουμπί **SET** 1 φορά.
  2. Χρησιμοποιήστε τα κουμπιά **+** και **-** για να επιλέξετε τη θερμοκρασία ψύξης.
- ✓ Η επιλεγμένη θερμοκρασία και το σύμβολο  εμφανίζονται στην οθόνη για μερικά δευτερόλεπτα. Η ένδειξη στην οθόνη αναβοσβήνει μερικές φορές. Στη συνέχεια, εμφανίζεται ξανά η τρέχουσα θερμοκρασία.

#### Επιλογή της μονάδας θερμοκρασίας

1. Πιέστε 2 φορές το πλήκτρο **SET**.
2. Πατήστε το κουμπί **+** ή **-** για να επιλέξετε τη μονάδα θερμοκρασίας.



- ✓ Η επιλεγμένη μονάδα θερμοκρασίας και το σύμβολο  εμφανίζονται στην οθόνη για μερικά δευτερόλεπτα. Η ένδειξη στην οθόνη αναβοσβήνει μερικές φορές, προτού επανέλθει στην τρέχουσα θερμοκρασία.

## Χρήση του συστήματος προστασίας μπαταρίας



### ΠΡΟΣΟΧΗ! Κίνδυνος πρόκλησης ζημιάς

Όταν απενεργοποιείται το σύστημα παρακολούθησης της μπαταρίας, η μπαταρία δεν φορτίζεται πλέον πλήρως. Αποφύγετε τις επαναλαμβανόμενες εκκινήσεις ή τη χρήση ηλεκτρικών καταναλώσεων χωρίς μεγαλύτερες φάσεις φόρτισης. Βεβαιωθείτε ότι η μπαταρία έχει επαναφορτιστεί.

Το ψυγείο διαθέτει ένα σύστημα παρακολούθησης της μπαταρίας πολλαπλών επιπέδων, το οποίο προστατεύει την μπαταρία του οχήματος από υπερβολική αποφόρτιση, όταν το ψυγείο είναι συνδεδεμένο στην παροχή DC του οχήματος.

Εάν το ψυγείο χρησιμοποιείται, με τον διακόπτη ανάφλεξης του οχήματος στη θέση απενεργοποίησης, απενεργοποιείται αυτόματα, μόλις η τάση τροφοδοσίας μειωθεί κάτω από μια συγκεκριμένη τιμή. Το ψυγείο ενεργοποιείται ξανά μόλις επαναφορτιστεί η μπαταρία στην τάση επανεκκίνησης.

Στη λειτουργία "HIGH" (ΥΨΗΛΗ), το σύστημα παρακολούθησης της μπαταρίας ανταποκρίνεται γρηγορότερα απ' ό,τι στις λειτουργίες "LOW" (ΧΑΜΗΛΗ) και "MED" (ΜΕΣΑΙΑ).

| Λειτουργία προστασίας μπαταρίας | LOW    | MED    | HIGH   |
|---------------------------------|--------|--------|--------|
| Τάση επανεκκίνησης στα 12 V     | 11,4 V | 12,2 V | 12,6 V |
| Τάση απενεργοποίησης στα 12 V   | 10,1 V | 11,2 V | 11,8 V |
| Τάση επανεκκίνησης στα 24 V     | 23 V   | 25,3 V | 26,4 V |
| Τάση απενεργοποίησης στα 24 V   | 21,5 V | 24,1 V | 24,6 V |

Επιλέξτε τη λειτουργία παρακολούθησης της μπαταρίας ως εξής:

1. Ενεργοποιήστε το ψυγείο.
  2. Πιέστε 3 φορές το πλήκτρο **SET**.
  3. Χρησιμοποιήστε τα κουμπιά **+** ή **-** για να επιλέξετε τον τρόπο λειτουργίας του συστήματος παρακολούθησης της μπαταρίας.
- ✓ Η ένδειξη στην οθόνη αλλάζει ως εξής: **[P L]** (LOW), **[P M]** (MED), **[P H]** (HIGH)

Ο επιλεγμένος τρόπος λειτουργίας εμφανίζεται στην οθόνη για μερικά δευτερόλεπτα. Η ένδειξη στην οθόνη αναβοσβήνει μερικές φορές προτού επανέλθει στην τρέχουσα θερμοκρασία.



**ΥΠΟΔΕΙΞΗ** Όταν το ψυγείο τροφοδοτείται από την μπαταρία εκκίνησης, επιλέξτε τη λειτουργία παρακολούθησης μπαταρίας "HIGH". Όταν το ψυγείο είναι συνδεδεμένο σε οικιακή μπαταρία, επιλέξτε τη λειτουργία παρακολούθησης μπαταρίας "LOW".

## Ρύθμιση της φωτεινότητας οθόνης

Η φωτεινότητα της οθόνης μπορεί να μειωθεί για συνθήκες χαμηλού φωτισμού περιβάλλοντος.

1. Ενεργοποιήστε το ψυγείο.
  2. Πιέστε 4 φορές το πλήκτρο **SET**.
  3. Χρησιμοποιήστε τα κουμπιά **+** ή **-** για να ρυθμίσετε τη φωτεινότητα της οθόνης.
- ✓ Η ένδειξη στην οθόνη αλλάζει ως εξής: **[L L]** (χαμηλή), **[L M]** (μεσαία), **[L H]** (υψηλή)

Στην οθόνη εμφανίζεται για μερικά δευτερόλεπτα η ρυθμισμένη λειτουργία. Η ένδειξη στην οθόνη αναβοσβήνει μερικές φορές προτού επανέλθει στην τρέχουσα φωτεινότητα.



**ΥΠΟΔΕΙΞΗ** Εάν παρουσιαστεί βλάβη, η φωτεινότητα επανέρχεται αυτόματα στη ρύθμιση [H] (προεπιλογή). Μόλις επιδιορθωθεί η βλάβη, ενεργοποιείται ξανά η καθορισμένη φωτεινότητα.

### Χρήση της θύρας USB

Η θύρα USB επιτρέπει τη φόρτιση μικρών συσκευών, όπως κινητά τηλέφωνα και συσκευές αναπαραγωγής mp3.

- > Συνδέστε τη συσκευή που θέλετε να φορτίσετε στη θύρα USB του ψυγείου χρησιμοποιώντας ένα καλώδιο USB (δεν περιλαμβάνεται).



**ΥΠΟΔΕΙΞΗ** Βεβαιωθείτε ότι η συνδεδεμένη συσκευή είναι συμβατή με τη λειτουργία παροχής 5V / 2A.

### Ρύθμιση τρόπου λειτουργίας της οθόνης

1. Πιέστε 5 φορές το πλήκτρο **SET**.
2. Χρησιμοποιήστε τα κουμπιά **+** ή **-** για να ρυθμίσετε την κατάσταση αναστολής λειτουργίας.
  - ✓ Η ένδειξη στην οθόνη αλλάζει ως εξής: [OFF] (ΑΠΕΝΕΡΓΟΠΟΙΗΣΗ), [ON] (ΕΝΕΡΓΟΠΟΙΗΣΗ), [Lo] (Χαμηλή)

**s OFF** (ΑΠΕΝΕΡΓΟΠΟΙΗΣΗ): Η κατάσταση αναστολής λειτουργίας είναι απενεργοποιημένη. Η οθόνη παραμένει συνεχώς ενεργοποιημένη.

**s ON** (ΕΝΕΡΓΟΠΟΙΗΣΗ): Η κατάσταση αναστολής λειτουργίας είναι ενεργοποιημένη. Εάν το ψυγείο δεν χρησιμοποιηθεί για μερικά λεπτά, στην οθόνη εμφανίζεται μόνο μια κουκκίδα.

**s Lo** (Χαμηλή): Η χαμηλή κατάσταση αναστολής λειτουργίας είναι ενεργοποιημένη. Εάν το ψυγείο δεν χρησιμοποιηθεί για μερικά λεπτά, η οθόνη μεταβαίνει στη χαμηλότερη ρύθμιση φωτεινότητας.



**ΥΠΟΔΕΙΞΗ** Εάν η οθόνη βρίσκεται σε κατάσταση αναστολής λειτουργίας ή σε χαμηλή κατάσταση αναστολής λειτουργίας, πατήστε ένα κουμπί στο ψυγείο για έξοδο από την αντίστοιχη κατάσταση για λίγη ώρα.

### Χρήση της εφαρμογής ψύξης για κινητά

Μπορείτε να παρακολουθείτε και να ελέγχετε το ψυγείο μέσω Bluetooth ή WiFi χρησιμοποιώντας μια εφαρμογή που μπορείτε να εγκαταστήσετε σε μια συμβατή συσκευή.

1. Κάντε λήψη και εγκατάσταση της εφαρμογής ψύξης για κινητά.



Κάντε λήψη της εφαρμογής από το [qr.dometic.com/beiv4R](http://qr.dometic.com/beiv4R).

2. Πατήστε το κουμπί **SET** ως εξής:
  - 6 φορές για να ανοίξετε τις ρυθμίσεις Bluetooth.
  - 7 φορές για να ανοίξετε τις ρυθμίσεις WLAN.

3. Χρησιμοποιήστε τα κουμπιά **+** ή **-** για να ρυθμίσετε τη λειτουργία Bluetooth ή WLAN.



**ΥΠΟΔΕΙΞΗ** Εάν έχει γίνει σύζευξη του ψυγείου με μια συμβατή συσκευή μέσω Bluetooth, πρέπει να ρυθμιστεί η λειτουργία σύζευξης.

- ✓ Κατά τη ρύθμιση του Bluetooth, η ένδειξη στην οθόνη αλλάζει ως εξής: **[BL OFF]** (ΑΠΕΝΕΡΓΟΠΟΙΗΣΗ), **[BL ON]** (ΕΝΕΡΓΟΠΟΙΗΣΗ), **[BL PR]** (Σύζευξη)



**ΥΠΟΔΕΙΞΗ** Εάν εμφανίζεται η ένδειξη **[BL OFF]**, η οθόνη δεν αλλάζει όταν πατάτε το κουμπί **-**. Εάν εμφανίζεται η ένδειξη **[BL PR]**, η οθόνη δεν αλλάζει όταν πατάτε το κουμπί **+**.

Κατά την εκτέλεση της σύζευξης μέσω Bluetooth, η λυχνία LED για το Bluetooth αναβοσβήνει με λευκό χρώμα και στην οθόνη εμφανίζεται η ένδειξη **[BL]**.

Κατά τη ρύθμιση του WLAN, η ένδειξη στην οθόνη αλλάζει ως εξής: **[F OFF]** (ΑΠΕΝΕΡΓΟΠΟΙΗΣΗ), **[F ON]** (ΕΝΕΡΓΟΠΟΙΗΣΗ)

- 4. Ακολουθήστε τις οδηγίες στην εφαρμογή ψύξης για κινητά.
- ✓ Η λυχνία LED για το Bluetooth ή το WLAN ανάβει όταν συνδεθεί το ψυγείο.

### Απενεργοποίηση του ψυγείου

1. Αδειάστε το ψυγείο.
2. Πατήστε το κουμπί "ON/OFF".
3. Αφαιρέστε το καλώδιο σύνδεσης.
4. Εάν το ψυγείο δεν χρησιμοποιηθεί για μεγαλύτερο χρονικό διάστημα, αφήστε το καπάκι ανοικτό ώστε να μην συσσωρεύονται οσμές.

### Απόψυξη του ψυγείου

Λόγω της υγρασίας ενδέχεται να σχηματιστεί πάγος στο εσωτερικό του ψυγείου ή στον εξατμιστή. Αυτό μειώνει την ψυκτική ισχύ.



#### **ΠΡΟΣΟΧΗ! Κίνδυνος πρόκλησης ζημιάς**

Μη χρησιμοποιείτε ποτέ σκληρά ή αιχμηρά εργαλεία για την αφαίρεση του πάγου ή για το ξεκόλλημα αντικειμένων, που έχουν κολλήσει λόγω δημιουργίας πάγου.

Για την απόψυξη, ακολουθήστε τις παρακάτω οδηγίες:


1. Αφαιρέστε τα περιεχόμενα του ψυγείου.
2. Αν χρειάζεται, τοποθετήστε τα περιεχόμενα σε άλλο ψυγείο, για να τα διατηρήσετε κρύα.
3. Απενεργοποιήστε το ψυγείο.
4. Αφήστε το καπάκι ανοιχτό.
5. Σκουπίστε το νερό που προκαλείται κατά την απόψυξη.

### Αντικατάσταση της ασφάλειας AC




#### **ΚΙΝΔΥΝΟΣ! Κίνδυνος ηλεκτροπληξίας**

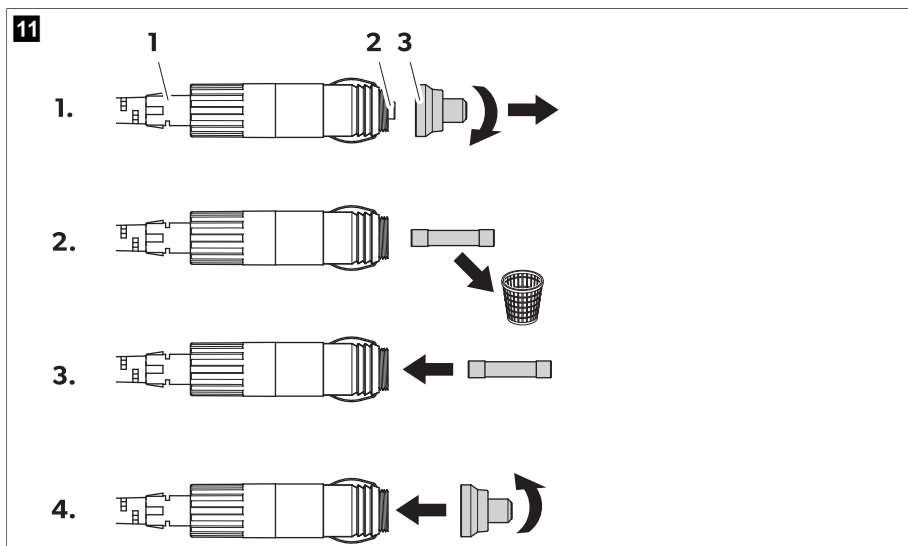
Προτού αντικαταστήσετε την ασφάλεια AC, αποσυνδέστε την παροχή ρεύματος και το καλώδιο σύνδεσης.


1. Αποσυνδέστε την παροχή ρεύματος προς το ψυγείο.
2. Αποσυνδέστε το καλώδιο σύνδεσης.
3. Αφαιρέστε την ένθετη βάση της ασφάλειας (  σχ. **4** στη σελίδα 391 2) με ένα κατασβίδι.
4. Αντικαστήστε την καμμένη γυάλινη ασφάλεια με μια καινούργια ασφάλεια ίδιου τύπου και ίδιων ονομαστικών χαρακτηριστικών ( 4 A , 250 V).
5. Πιέστε την ένθετη βάση της ασφάλειας μέσα στο περίβλημα.
6. Επανασυνδέστε την τροφοδοσία ηλεκτρικού ρεύματος στη συσκευή.

## Αντικατάσταση της ασφάλειας στο φιντ τροφοδοσίας DC

 **ΥΠΟΔΕΙΞΗ** Υπάρχει μια πρόσθετη ασφάλεια DC στο εσωτερικό της συσκευής (τυπική μαχαρωτή ασφάλεια αυτοκινήτου, 10 A). Η αντικατάσταση αυτής της ασφάλειας μπορεί να γίνει μόνο από ένα εξουσιοδοτημένο κέντρο επισκευής.

1. Ξεβιδώστε το περίβλημα των ακίδων επαφής (  σχ. **11** στη σελίδα 398 **3**) από το φιντ (  σχ. **11** στη σελίδα 398 **1**).



2. Αντικαστήστε την καμμένη ασφάλεια (  σχ. **11** στη σελίδα 398 **2**) με μια καινούργια ασφάλεια ίδιου τύπου και ίδιων ονομαστικών χαρακτηριστικών (3AG ταχείας τήξης, 10 A).
3. Συναρμολογήστε ξανά το φιντ με την αντίστροφη σειρά.

## Αντικατάσταση πλακέτας PCB φωτισμού



### ΠΡΟΣΟΧΗ! Κίνδυνος πρόκλησης ζημιάς

Η αντικατάσταση της πλακέτας PCB φωτισμού επιτρέπει να γίνει μόνο από τον κατασκευαστή, έναν αντιπρόσωπο σέρβις ή άλλον τεχνικό με παρόμοια εξειδίκευση, ώστε να αποφευχθεί κάθε κίνδυνος.

## 10 Καθαρισμός και φροντίδα



### ΠΡΟΦΥΛΑΞΗ! Κίνδυνος ηλεκτροπληξίας

Πριν από οποιαδήποτε εργασία καθαρισμού ή συντήρησης, πρέπει να βεβαιώνετε ότι η συσκευή ψύξης έχει αποσυνδεθεί από την παροχή ρεύματος.



### ΠΡΟΣΟΧΗ! Κίνδυνος πρόκλησης ζημιάς

- > Μην καθαρίζετε ποτέ τη συσκευή ψύξης κάτω από τρεχούμενο νερό ή μέσα σε σαπουνάδα.
- > Για τον καθαρισμό μη χρησιμοποιείτε τριβικά καθαριστικά μέσα ή σκληρά αντικείμενα.
- > Καθαρίζετε τη συσκευή εσωτερικά και εξωτερικά τακτικά με ένα υγρό πανί.
- > Βεβαιωθείτε ότι τα ανοίγματα εισαγωγής και εξαγωγής αέρα της συσκευής ψύξης είναι καθαρά χωρίς σκόνη και βρομιά, ώστε να μπορεί να απάγεται η θερμότητα για να μην προκληθεί ζημιά στη συσκευή ψύξης.

## 11 Αντιμετώπιση βλαβών

| πρόβλημα   | Αιτία   | Προτεινόμενη θεραπεία   |
|--|---|---|
| Το ψυγείο δεν λειτουργεί. Η λυχνία LED λειτουργίας δεν ανάβει.   | Δεν ανιχνεύεται τάση στην υποδοχή τροφοδοσίας DC.                     | > Ενεργοποιήστε το σύστημα ανάφλεξης του οχήματος.  |
|  | Δεν ανιχνεύεται τάση στην υποδοχή τροφοδοσίας AC.                     | > Χρησιμοποιήστε άλλη πρίζα.  |
|  | Η ασφάλεια AC είναι ελαττωματική.                                     | > Αντικαταστήστε την ασφάλεια AC, βλ. Αντικατάσταση της ασφάλειας AC στη σελίδα 397.  |
|  | Ο ενσωματωμένος προσαρμογέας ηλεκτρικού δικτύου είναι ελαττωματικός.  | > Επικοινωνήστε με έναν εξουσιοδοτημένο τεχνικό του τμήματος εξυπηρέτησης πελατών.  |
| Η λυχνία LED λειτουργίας ανάβει με πορτοκαλί χρώμα, εμφανίζεται ο κωδικός σφάλματος <b>E 01</b> και το ψυγείο δεν παρέχει ψύξη παρόλο που το φινιρίσμα είναι συνδεδεμένο σε παροχή ρεύματος. | Η ρύθμιση στο σύστημα παρακολούθησης της μπαταρίας είναι πολύ υψηλή.  | <ol style="list-style-type: none"> <li>1. Χρησιμοποιήστε χαμηλότερη ρύθμιση λειτουργίας στο σύστημα παρακολούθησης της μπαταρίας (βλ. Χρήση του συστήματος προστασίας μπαταρίας στη σελίδα 395).</li> <li>2. Ελέγξτε την μπαταρία εκκίνησης.</li> <li>3. Αν χρειάζεται, φορτίστε την μπαταρία εκκίνησης. Τηρήστε τις οδηγίες του κατασκευαστή.</li> </ol> |
|  | Η ρύθμιση στο σύστημα παρακολούθησης της μπαταρίας είναι πολύ χαμηλή. | <ol style="list-style-type: none"> <li>1. Χρησιμοποιήστε υψηλότερη ρύθμιση λειτουργίας στο σύστημα παρακολούθησης της μπαταρίας (βλ. Χρήση του συστήματος προστασίας μπαταρίας στη σελίδα 395).</li> <li>2. Ελέγξτε την μπαταρία εκκίνησης.</li> </ol>  |
|  |   |   |

| πρόβλημα  | Αιτία  | Προτεινόμενη θεραπεία   |
|---|--|---|
|   |  | 3. Αν χρειάζεται, φορτίστε την μπαταρία εκκίνησης.<br>Τηρήστε τις οδηγίες του κατασκευαστή.   |
| Όταν το ψυγείο λειτουργεί με τροφοδοσία από την πρίζα DC: Ο διακόπτης ανάφλεξης είναι στη θέση ενεργοποίησης και το ψυγείο δεν λειτουργεί. Η λυχνία LED λειτουργίας δεν ανάβει. | Το φις τροφοδοσίας DC δεν έχει συνδεθεί σωστά.   | > Συνδέστε ξανά το φις τροφοδοσίας DC.  |
|   | Η πρίζα DC είναι βρώμικη. Αυτό εμποδίζει τη σωστή ηλεκτρική επαφή.                                 | > Καθαρίστε την πρίζα DC.<br>Τηρήστε τις οδηγίες του κατασκευαστή.  |
|   | Η ασφάλεια στο φις τροφοδοσίας DC της συσκευής έχει καεί.  | > Αντικαταστήστε την ασφάλεια στο φις τροφοδοσίας DC, βλ. κεφάλαιο Αντικατάσταση της ασφάλειας στο φις τροφοδοσίας DC στη σελίδα 398. |
|   | Η ασφάλεια DC στο εσωτερικό του ψυγείου έχει καεί.   | > Επικοινωνήστε με έναν εξουσιοδοτημένο τεχνικό του τμήματος εξυπηρέτησης πελατών.  |
| Η ασφάλεια στην πρίζα DC του οχήματος έχει καεί.  | > Αντικαταστήστε την ασφάλεια στην πρίζα DC του οχήματος.<br>Τηρήστε τις οδηγίες του κατασκευαστή. |   |
| Στην οθόνη εμφανίζεται ένας κωδικός σφάλματος και το ψυγείο δεν παρέχει ψύξη (βλ. Κωδικοί σφάλματος στη σελίδα 400).  | Το ψυγείο έχει απενεργοποιηθεί λόγω εσωτερικής βλάβης.   | > Επικοινωνήστε με έναν εξουσιοδοτημένο τεχνικό του τμήματος εξυπηρέτησης πελατών.  |

## Κωδικοί σφάλματος



**ΥΠΟΔΕΙΞΗ** Εάν εμφανιστεί ένας κωδικός σφάλματος από **E 02** έως **E 07**, επικοινωνήστε με έναν εξουσιοδοτημένο αντιπρόσωπο σέρβις.

| Κωδικός σφάλματος | Περιγραφή                                   |
|-------------------|---|
| <b>E 01</b>       | Χαμηλή τάση/υπερβολικά υψηλή τάση           |
| <b>E 02</b>       | Υπερβολικά υψηλή ένταση ρεύματος ανεμιστήρα |
| <b>E 03</b>       | Αποτυχία εκκίνησης συμπιεστή                |
| <b>E 04</b>       | Χαμηλή ταχύτητα συμπιεστή                   |
| <b>E 05</b>       | Υπερθέρμανση ελεγκτή                        |
| <b>E 06</b>       | Ανοιχτό κύκλωμα NTC                         |
| <b>E 07</b>       | Βραχυκύκλωμα NTC                            |

## 12 Εγγύηση

Ισχύει η νόμιμη διάρκεια εγγύησης. Εάν το προϊόν είναι ελαττωματικό, επικοινωνήστε με τον αντιπρόσωπο του κατασκευαστή στη χώρα σας (βλ. [dometic.com/dealer](http://dometic.com/dealer)) ή στο κατάστημα αγοράς.

Για τυχόν επισκευή ή αξίωση κάλυψης από την εγγύηση, παρακαλούμε να αποστείλετε επίσης τα παρακάτω έγγραφα μαζί με τη συσκευή:

- Ένα αντίγραφο της απόδειξης αγοράς με την ημερομηνία αγοράς
- Τον λόγο για την αξίωση κάλυψης από την εγγύηση ή μια περιγραφή του σφάλματος

Λάβετε υπόψη ότι τυχόν επισκευή από εσάς τον ίδιο ή μη επαγγελματική επισκευή ενδέχεται να έχει συνέπειες ασφαλείας καθώς και να αποτελέσει αιτία ακύρωσης της εγγύησης.

## 13 Απόρριψη



### ΠΡΟΕΙΔΟΠΟΙΗΣΗ! Κίνδυνος παγίδευσης για παιδιά

Προτού απορρίψετε την παλιά συσκευή ψύξης σας, αποσυρμολογήστε το καπάκι. Αφήστε τα καλάθια στη θέση τους, έτσι ώστε να μην είναι δυνατόν να σκαρφαλώσει κάποιο παιδί στο εσωτερικό της συσκευής.



Εάν είναι εφικτό, απορρίψτε τα υλικά συσκευασίας στους αντίστοιχους κάδους ανακύκλωσης. Συμβουλευθείτε ένα τοπικό κέντρο ανακύκλωσης ή έναν εξειδικευμένο αντιπρόσωπο για λεπτομέρειες σχετικά με τον τρόπο απόρριψης του προϊόντος σύμφωνα με τους ισχύοντες κανονισμούς διάθεσης απορριμμάτων.



Ανακύκλωση προϊόντων με μπαταρίες, επαναφορτιζόμενες μπαταρίες και φωτεινές πηγές: Αφαιρέστε τυχόν μπαταρίες, επαναφορτιζόμενες μπαταρίες και φωτεινές πηγές πριν από την ανακύκλωση του προϊόντος. Οι ελαττωματικές ή χρησιμοποιημένες μπαταρίες πρέπει να επιστρέφονται στο κατάστημα αγοράς ή να παραδίδονται στα κατάλληλα σημεία συλλογής. Μην απορρίπτετε τυχόν μπαταρίες, επαναφορτιζόμενες μπαταρίες και φωτεινές πηγές με τα γενικά οικιακά απορρίμματα. Εάν επιθυμείτε την τελική απόρριψη του προϊόντος, ζητήστε από το τοπικό κέντρο ανακύκλωσης ή έναν εξειδικευμένο αντιπρόσωπο λεπτομερείς πληροφορίες για τη σχετική διαδικασία σύμφωνα με τους ισχύοντες κανονισμούς διάθεσης απορριμμάτων. Το προϊόν μπορεί να απορριφθεί δωρεάν.

## 14 Τεχνικά χαρακτηριστικά



**ΥΠΟΔΕΙΞΗ** Εάν η θερμοκρασία περιβάλλοντος είναι υψηλότερη από 32 °C, δεν μπορεί να επιτευχθεί η ελάχιστη θερμοκρασία.

Αυτό το προϊόν περιέχει φθοριωμένα αέρια του θερμοκηπίου.

Η ψυκτική μονάδα είναι σφραγισμένη ερμητικά.

|                            | CFX2 28                      | CFX2 37       | CFX2 45       | CFX2 57      |
|----------------------------|------------------------------|---------------|---------------|--------------|
| Ονομαστική τάση εισόδου    | 50 ... 60Hz<br>100 ... 240V~ |               |               |              |
| Ονομαστική ένταση ρεύματος | 12V : 8,6 A                  | 12V : 8,7 A   | 12V : 8,8 A   | 12V : 9 A    |
|                            | 24V : 3,8 A                  | 24V : 3,85 A  | 24V : 3,9 A   | 24V : 4 A    |
|                            | 100V : 1,6 A                 | 100V : 1,63 A | 100V : 1,65 A | 100V : 1,7 A |
|                            | 240V : 0,77 A                | 240V : 0,78 A | 240V : 0,79 A | 240V : 0,8 A |
| Ψυκτική ισχύς              | -22 °C ... 20 °C             |               |               |              |

## EL CFX2 28, CFX2 37, CFX2 45, CFX2 57

|   | CFX2 28                  | CFX2 37                  | CFX2 45                  | CFX2 57                  |
|---|--------------------------|--------------------------|--------------------------|--------------------------|
| Θερμοκρασία περιβάλλοντος                   | 16 °C ... 43 °C          |                          |                          |                          |
| Κλιματική κατηγορία                         | N ή T                    |                          |                          |                          |
| USB   | 5 V 2 A                  |                          |                          |                          |
| Ψυκτικό μέσο                                | R600a                    |                          |                          |                          |
| Διαθέσιμη ποσότητα ψυκτικού μέσου           | 13 g                     | 13 g                     | 14 g                     | 17 g                     |
| Διαστάσεις (Π x Υ x Β, συμπεριλ. των λαβών) | 600 mm × 427 mm × 345 mm | 678 mm × 428 mm × 401 mm | 678 mm × 493 mm × 401 mm | 709 mm × 503 mm × 458 mm |
| Όγκος                                       | 28 L                     | 37 L                     | 45 L                     | 57 L                     |
| Βάρος                                       | 13,5 kg                  | 15,8 kg                  | 16,8 kg                  | 18,5 kg                  |
| Ζώνη συχνοτήτων (WLAN)                      | 2,4 GHz                  |                          |                          |                          |
| Μέγ. ισχύς εξόδου                           |                          |                          |                          |                          |
| WLAN  | 19,22 dBm                |                          |                          |                          |
| Bluetooth                                   | 7,93 dBm                 |                          |                          |                          |

Δια του παρόντος, η Dometic (Zhuhai) Technology Co., Ltd δηλώνει ότι ο ραδιοεξοπλισμός τύπου CFX2 28, CFX2 37, CFX2 45, CFX2 57 συμμορφώνεται με την Οδηγία 2014/53/ΕΕ. Το πλήρες κείμενο της δήλωσης συμμόρφωσης ΕΕ είναι διαθέσιμο στην παρακάτω ηλεκτρονική διεύθυνση internet: [documents.dometic.com](http://documents.dometic.com)

Περαιτέρω πληροφορίες για το προϊόν μπορείτε να λάβετε μέσω του κωδικού QR στην ενεργειακή ετικέτα ή μέσω του [eprel.ec.europa.eu](http://eprel.ec.europa.eu).

**12**

[eprel.ec.europa.eu](http://eprel.ec.europa.eu)



## Lietuvių k.

|    |  |     |
|----|--|-----|
| 1  | Svarbios pastabos.....                           | 403 |
| 2  | Simbolių paaiškinimas.....                       | 403 |
| 3  | Ant prietaiso esančių simbolių paaiškinimas..... | 404 |
| 4  | Saugos instrukcijos.....                         | 404 |
| 5  | Pristatoma komplektacija.....                    | 406 |
| 6  | Priedai.....                                     | 406 |
| 7  | Paskirtis.....                                   | 406 |
| 8  | Techninis aprašymas.....                         | 407 |
| 9  | Naudojimas.....                                  | 410 |
| 10 | Valymas ir priežiūra.....                        | 416 |
| 11 | Gedimų nustatymas ir šalinimas.....              | 417 |
| 12 | Garantija.....                                   | 418 |
| 13 | Utilizavimas.....                                | 418 |
| 14 | Techniniai duomenys.....                         | 418 |

## 1 Svarbios pastabos

Atidžiai perskaitykite šią instrukciją ir sekite visas instrukcijas, nurodymus ir perspėjimus, pateiktus šiame gaminio vadove, ir griežtai jų laikykitės, kad užtikrintumėte, jog šis gaminy visada bus įrengtas, naudojamas ir prižiūrimas tinkamai. Ši instrukcija PRIVALO likti šalia šio gaminio.

Naudodamiesi šiuo gaminiu patvirtinate, kad atidžiai perskaitėte visas instrukcijas, nurodymus ir perspėjimus ir suprantate dokumente išdėstytas sąlygas bei sutinkate jų laikytis. Šį gaminį sutinkate naudoti tik pagal numatytąją paskirtį ir taip, kaip nurodo šioje gaminio instrukcijoje pateiktos instrukcijos, nurodymai ir perspėjimai, taip pat laikydamiesi taikomų teisinių aktų. Nesusipažinus su šioje instrukcijoje pateiktomis instrukcijomis ir perspėjimais ir jų nesilaikius galite susižaloti patys ir sužaloti kitus asmenis, pažeisti gaminį arba pridaryti žalos kitai netoliese esančiai nuosavybei. Ši gaminio instrukcija, taip pat ir instrukcijos, nurodymai, perspėjimai ir kiti susiję dokumentai, gali būti keičiami ir atnaujinami. Norėdami gauti naujausias informacijos apie gaminį, apsilankykite adresu [documents.dometic.com](http://documents.dometic.com).

## 2 Simbolių paaiškinimas

Signaliniu žodžiu pažymima informacija apie saugą ir turtinę žalą, taip pat nurodomas pavojaus rimtumo laipsnis ar lygis.



### PAVOJUS!

nurodo pavojingą situaciją, kurios neišvengus gresia mirtinas arba sunkus sužalojimas.



### ĮSPĖJIMAS!

nurodo pavojingą situaciją, kurios neišvengus gali grėsti mirtinas arba sunkus sužalojimas.



### PERSPĖJIMAS!

nurodo pavojingą situaciją, kurios neišvengus gali grėsti lengvas arba vidutinio sunkumo sužalojimas.



### PRANEŠIMAS!

Nurodo situaciją, kurios neišvengus, gresia materialinė žala.



**PASTABA** Papildoma informacija apie gaminio eksploatavimą.

### 3 Ant prietaiso esančių simbolių paaiškinimas



Įspėjimas! Gaisro pavojus. Degios medžiagos.

### 4 Saugos instrukcijos



#### **PAVOJUS! Elektros srovės pavojus**

- > Laivuose: jei prietaisas maitinamas iš elektros tinklo, pasirūpinkite, kad maitinimo šaltinis turėtų liekamosios srovės grandinės pertraukiklį (RCCB) arba apsauginę nuotėkio relę (GFCI). Montuoti, ypač potencialiai drėgnose vietose, būtina pagal visas taikomas montavimo taisykles.
- > Nelieskite laidų plikomis rankomis. Tai ypač taikoma tais atvejais, kai prietaisas naudojamas prijungus prie kintamosios srovės tinklo.



#### **ISPĖJIMAS! Elektros srovės pavojus**

- > Nenaudokite šio aušinimo prietaiso, jeigu jis yra akivaizdžiai pažeistas.
- > Jeigu šio aušinimo prietaiso laidas pažeistas, jį reikia pakeisti siekiant užkirsti kelią pavojui dėl saugos.
- > Šį aušinimo prietaisą gali remontuoti tik kvalifikuotas personalas. Netinkamai remontuojant gali kilti rimtas pavojus.
- > Prietaisą prijunkite prie tinkamos jungties lizdu, ypač tada, kai jį reikia įžeminti.



#### **ISPĖJIMAS! Gaisro pavojus**

- > Statydami prietaisą įsitikinkite, kad maitinimo laidas nėra įstrigęs ar pažeistas.
- > Atkreipkite dėmesį į kelis nešiojamuosius lizdus arba nešiojamuosius maitinimo šaltinius prietaiso gale.
- > Aušalo grandinėje esantis aušalas yra labai degus, todėl įvykus nuotėkiui gali susikaupti degių dujų (jei prietaisas naudojamas mažoje patalpoje). Jei buvo pažeista aušalo grandinė:
  - Atvirą liepsną ir potencialius degimo šaltinius laikykite atokiai nuo šaldytuvo.
  - Gerai išvėdinkite patalpą.
  - Išjunkite šaldytuvą.
- > Informacija dėl aušinimo prietaisų su aušalu R600a:
  - Aušalo grandinėje yra nedidelis kiekis aplinkai nekenksmingo, bet degaus aušalo. Jis nepažeidžia ozono sluoksnio ir nedidina šiltnamio efekto. Išsiliejęs aušalas gali užsidegti.
  - Nenaudokite ir nelaikykite aušinimo prietaiso uždaroje vietoje, kuriose nėra oro srauto arba jis labai mažas.
- > Pasirūpinkite, kad prietaiso korpuse arba įrenginiuose esančios ventilacijos angos nebūtų uždengtos.
- > Norėdami paspartinti atitirpinimo procesą, nenaudokite jokių mechaninių daiktų ar kitų būdų, nebent šiam tikslui juos yra rekomendavęs gamintojas.
- > Neatidarykite ir nepažeiskite šaltnešio kontūro.
- > Aušinimo prietaiso viduje nenaudokite kitų elektros prietaisų, nebent šiam tikslui juos yra rekomendavęs gamintojas.



#### **ISPĖJIMAS! Pavojus sveikatai**

- > Šį prietaisą gali naudoti vaikai nuo 8 metų amžiaus ir fizinių, sensorinių arba psichikos sutrikimų turintys arba stokojantys patirties ir žinių asmenys, jeigu jie yra prižiūrimi arba instrukuojami dėl šio prietaiso naudojimo saugiai ir suvokią jo keliamus pavojus.
- > Vaikai nuo 3 iki 8 metų gali įdėti ir išimti šaldančiuosius elementus.
- > Vaikus reikia prižiūrėti, kad jie nežaistų su prietaisu.

- > Vaikams draudžiama šį prietaisą valyti ir atlikti jo techninę priežiūrą be suaugusiųjų priežiūros.



### **ISPĖJIMAS! Sprogimo pavojus**

Nelaikykite sprogiųjų medžiagų, pavyzdžiui, purškiklių skardinių su degiais propelentais aušinimo prietaise.



### **PERSPĖJIMAS! Elektros srovės pavojus**

- > Prieš įjungdami aušinimo prietaisą įsitikinkite, kad maitinimo kabelis ir kištukas yra sausi.
- > Kiekvieną kartą prieš valydami bei atlikdami techninę priežiūrą ir po kiekvieno naudojimo, atjunkite aušinimo prietaisą nuo maitinimo tinklo.



### **PERSPĖJIMAS! Pavojus sveikatai**

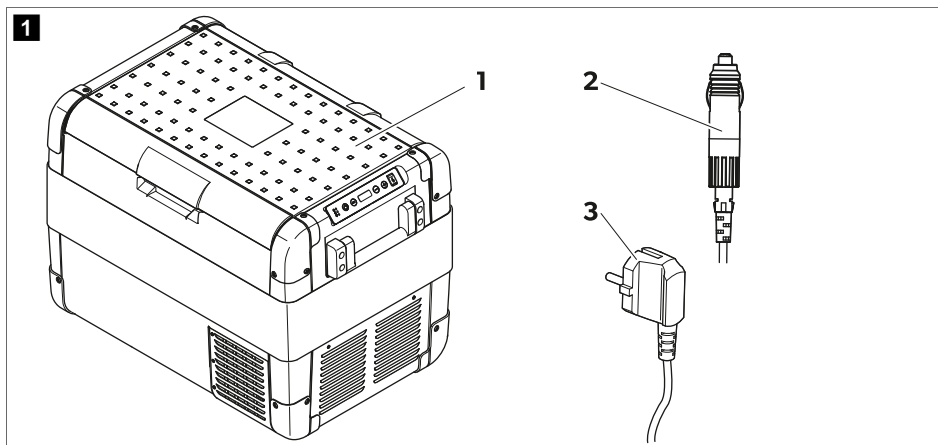
- > Kad neužterštumėte maisto, paisykite toliau pateiktų nurodymų.
  - Patikrinkite, ar prietaiso šaldymo pajėgumas yra tinkamas maistui, kurį norite atšaldyti, laikyti.
  - Maistą galima saugoti tik originalioje pakuotėje ar tinkamose talpyklose.
  - Atidarius aušinimo prietaisą ilgiam laikui prietaiso skyriuose gali žymiai pakilti temperatūra.
  - Reguliariai valykite paviršius, kurie gali turėti sąlytį su maistu ir pasiekiamomis drenažo sistemomis.
- > Jei prietaisas paliekamas tuščias ilgiam laikui:
  - Išjunkite prietaisą.
  - Atitirpinkite prietaisą.
  - Išvalykite ir nusausinkite prietaisą.
  - Palikite dangtį atidarytą, kad prietaise nesiformuotų pelėsis.



### **PRANEŠIMAS! Žalos pavojus**

- > Patikrinkite, ar tipo lentelėje nurodyta įtampa atitinka maitinimo šaltinio įtampą.
- > Aušinimo prietaisą prijunkite tik toliau nurodytu būdu:
  - Nuolatinės srovės prijungimo laidą prijunkite prie automobilio nuolatinės srovės maitinimo
  - Arba kintamosios srovės prijungimo laidą prijunkite prie kintamosios srovės maitinimo šaltinio
- > Atjungdami kištuką niekada netraukite už laido.
- > Jei aušinimo prietaisas prijungtas prie nuolatinės srovės lizdo: Prieš prijungdami greitojo įkrovimo įrenginį, atjunkite aušinimo prietaisą ir kitus energiją vartojančius prietaisus nuo akumuliatoriaus.
- > Jei aušinimo prietaisas prijungtas prie nuolatinės srovės lizdo: Atjunkite aušinimo prietaisą arba išjunkite jį užgesinę variklį. Priešingu atveju galite iškrauti akumuliatorių.
- > Aušinimo prietaisas nėra tinkamas gabenti kaustines medžiagas ar medžiagas, kuriose yra tirpiklių.
- > Aušinimo prietaiso izoliaciją sudaro degus ciklopentanas, todėl reikalinga speciali utilizavimo procedūra. Pasibaigus aušinimo prietaiso naudojimo laikui, perduokite jį atitinkamam perdirbimo centrui.
- > Nestatykite aušinimo prietaiso šalia atviros liepsnos ar kitų šilumos šaltinių (šalia šildytuvų, ant tiesioginių saulės spindulių, šalia dujinių krosnių ir pan.).
- > Vidinio indo nepildykite ledu ar skysčiais.
- > Niekada nemerkitė aušinimo prietaiso į vandenį.
- > Saugokite aušinimo prietaisą bei laidus nuo karščio ir drėgmės.
- > Aušinimo prietaisas turi būti apsaugotas nuo lietaus.
- > Tam, kad šaldymo medžiaga galėtų tinkamai cirkuluoti, šaldytuvo negalima pakreipti daugiau kaip 30° kampu. Gulsčiuo patikrinkite, ar šaldytuvus pastatytas lygiai.
- > **Perkaitimo pavojus!** Visada įsitikinkite, kad iš visų keturių aušinimo prietaiso pusių yra pakankama ventilacija. Ventilacijos srityje neturi būti jokių daiktų, galinčių riboti oro srautą į aušinimo komponentus. Nestatykite aušinimo prietaiso uždaruose skyriuose arba srityse, kuriuose nėra oro srauto arba jis labai mažas.

## 5 Pristatoma komplektacija



| Komponentas | Kiekis | Aprašymas                                       |
|-------------|--------|---|
| 1           | 1      | Šaldytuvas                                      |
| 2           | 1      | Nuolatinės srovės jungties jungiamasis kabelis  |
| 3           | 1      | Kintamosios srovės jungties jungiamasis kabelis |
| -           | 1      | Trumpas naudojimo vadovas                       |

## 6 Priedai

Tiekama kaip priedas (neįeina į pristatomą komplektaciją):

| Pavadinimas  | Nuor. nr.  | Modelis                 |
|--|------------|-------------------------|
| Greitojo atjungimo tvirtinimo rinkinys CFX-QFK     | 9600000166 | Tik CFX2 28             |
| Greitojo atjungimo tvirtinimo rinkinys CFX-QFK3545 | 9600029599 | Tik CFX2 37 ir CFX2 45  |
| Šaldymo programėlė mobiliams                       | -          | tinka visiems modeliams |

## 7 Paskirtis

Šaldytuvas tinka maistui vėsinti. Galite naudoti šaldytuvą ir transporto priemonėse. Šaldytuvas skirtas prijungti prie transporto priemonės nuolatinės srovės maitinimo lizdo arba prie kintamosios srovės maitinimo šaltinio.

Šį šaldytuvą galima naudoti ir išvykoms į gamtą.

Šaldytuvas skirtas naudoti buityje ir panašiais tikslais, pavyzdžiui:

- parduotuvių, biurų ir kitų darbuotojų virtuvėse;
- ūkiuose;
- viešbučių, motelių ir kitų gyvenamųjų patalpų klientams;

- viešbučiuose, teikiančiuose nakvynės ir pusryčių paslaugą;
- maitinimo ir panašios ne mažmeninės prekybos paskirties patalpose.

Šaldytuvas **netinka**:

- maistui greitai užšaldyti;
- saugoti išdinančias, kaustines ar tirpiklių turinčias medžiagas;
- naudoti kaip įmontuotas prietaisas.

Šį šaldytuvą leidžiama naudoti tik pagal paskirtį ir vadovaujantis šiomis instrukcijomis.

Šis gaminį galima naudoti tik pagal numatytą paskirtį ir vadovaujantis šiomis instrukcijomis.

Šiame vadove pateikiama informacija, reikalinga tinkamam gaminio įrengimui ir (arba) naudojimui. Dėl prasto įrengimo ir (arba) netinkamo naudojimo ar techninės priežiūros gaminys gali veikti netinkamai ir sugesti.

Gamintojas neprisiims atsakomybės už patirtus sužeidimus ar žalą gaminiui, atsiradusią dėl šių priežasčių:

- Netinkamas montavimas, surinkimas ar prijungimas, įskaitant per aukštą įtampą
- Netinkamos techninės priežiūros arba jeigu buvo naudotos neoriginalios, gamintojo nepateiktos atsarginės dalys
- Gaminio pakeitimai be aiškaus gamintojo leidimo
- Naudojimas kitais tikslais, nei nurodyta šiame vadove

„Dometic“ pasilieka teisę keisti gaminio išvaizdą ir specifikacijas.

## 8 Techninis aprašymas

Šaldytuve galima vėsinti produktus. Mažai techninės priežiūros reikalaujanti šaldytuvo grandinė su kompresoriumi tiekia aušinimą. Didelis izoliacinės medžiagos kiekis ir galingas kompresorius užtikrina efektyvų ir greitą aušinimą.

Šaldytuvas nešiojamas.

Šaldytuvas gali atlaikyti trumpalaikį pasvirimą 30° kampu, pavyzdžiui laivuose.

### Funkcijos

- Maitinimo šaltinis su prioritetine grandine, skirta prijungti prie kintamosios srovės maitinimo šaltinio
- 3 lygių akumuliatoriaus monitorius transporto priemonės akumuliatoriui apsaugoti
- Ekranas su temperatūros matuokliu °C ir °F
- Temperatūros nustatymas 2 mygtukais 1 °C / 1 °F padalomis
- Integruota „Bluetooth“ ir WLAN funkcija šaldytuvui valdyti naudojantis programėle mobiliems
- Sulankstomos rankenos neštis
- USB prievadas maitinimui tiekti
- Nuimamas vielinis krepšys

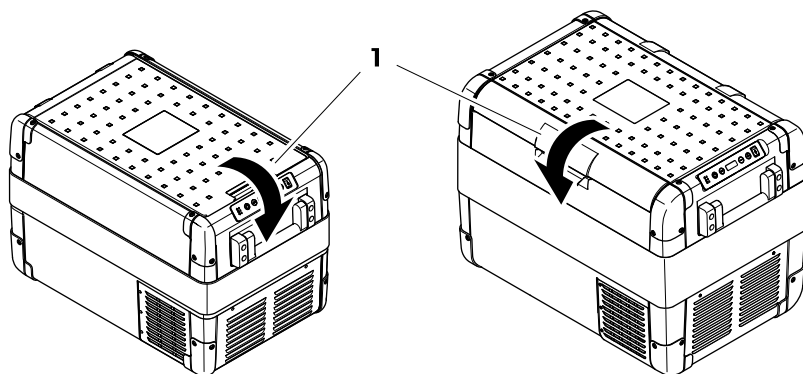
### Valdymo ir rodymo elementai

Dangtelio skląstis (  pav. 2 puslapyje 408, 1):

2

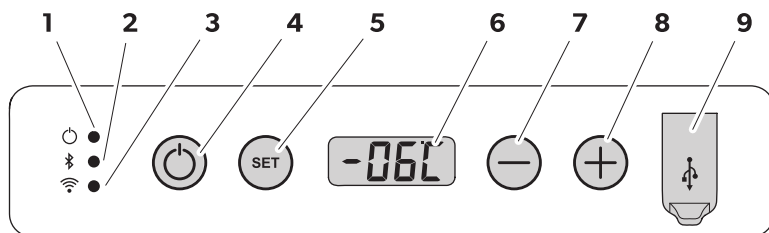
CFX2 28, 37, 45

CFX2 57



### Valdymo skydelis

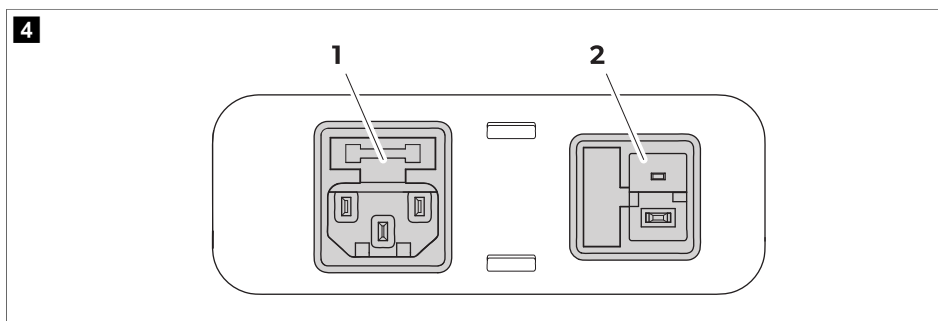
3



| Komponentas | Aprašymas   | Paaiškinimas  |   |
|-------------|-------------|---|---|
| 1           | Galia       | Būsenos indikatorius<br>Šviesos diodas švyti balta spalva:<br>Šviesos diodas švyti oranžine spalva:   | Kompresorius pradeda veikti.<br>Kompresorius nustoja veikti.  |
| 2           | „Bluetooth“ | Šviesos diodas nešvyti:<br>Šviesos diodas lėtai mirksi balta spalva:<br>Šviesos diodas greitai mirksi balta spalva:<br>Šviesos diodas švyti balta spalva: | Šaldytuvo „Bluetooth“ ryšys išjungtas.<br>Šaldytuvo „Bluetooth“ ryšys įjungtas. Šaldytuvas nesusietas su prietaisu.<br>Šaldytuvas yra susiejamas su prietaisu „Bluetooth“ ryšiu.<br>Šaldytuvas yra susietas su prietaisu „Bluetooth“ ryšiu. |

| Komponentas | Aprašymas | Paaiškinimas   |
|-------------|-----------|--|
| 3           | WLAN      | Šviesos diodas nešvyti: Šaldytuvo WLAN ryšys išjungtas.  |
|             |           | Šviesos diodas mirksi balta spalva: Šaldytuvo WLAN ryšys įjungtas. Šaldytuvas neprijungtas prie prietaiso.   |
|             |           | Šviesos diodas švyti balta spalva: Šaldytuvas yra susietas su prietaisu WLAN ryšiu.  |
| 4           | ON / OFF  | Šaldytuvas įjungiamas arba išjungiamas.  |
| 5           | SET       | Pasirenkamas įvesties režimas: <ul style="list-style-type: none"> <li>• Temperatūros nustatymas</li> <li>• Celsijaus arba Farenheito laipsnių rodinys</li> <li>• Nustatykite akumuliatoriaus monitorių</li> <li>• Nustatykite ekrano šviesumą</li> <li>• Nustatykite ekrano režimą</li> <li>• Nustatykite „Bluetooth“</li> <li>• Nustatykite WLAN</li> </ul> |
| 6           |           | Ekranas  |
| 7           | -         | Nustatoma temperatūra, temperatūros matavimo vienetas, akumuliatoriaus monitorius, ekrano šviesumas, režimas, „Bluetooth“ ir WLAN.   |
| 8           | +         |  |
| 9           |           |  |

#### Prijungimo lizdai



| Komponentas | Aprašymas   |
|-------------|---|
| 1           | Kintamosios srovės maitinimo šaltinio prijungimo lizdas |
| 2           | Nuolatinės srovės maitinimo šaltinio prijungimo lizdas  |

## 9 Naudojimas

### Prieš pirmą kartą įjungdami

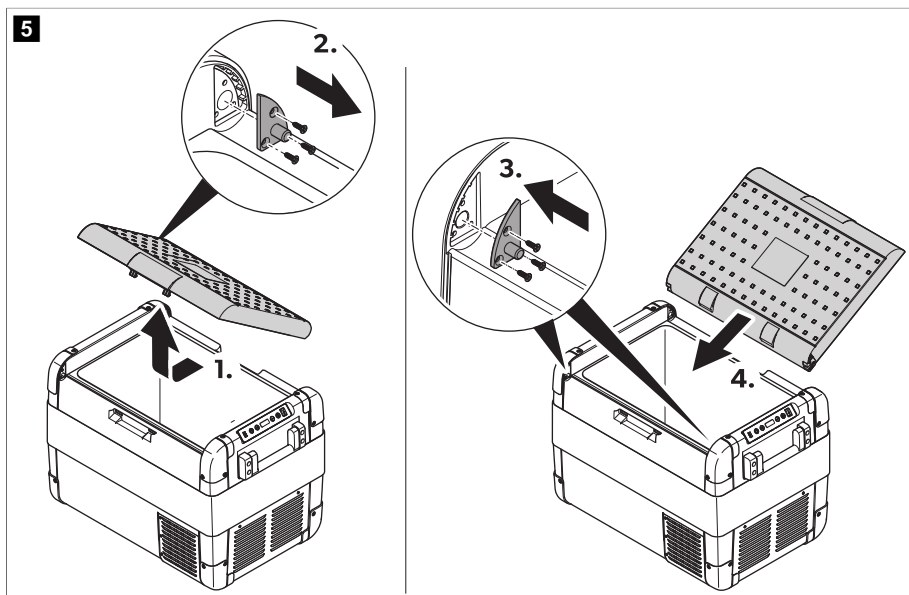




**PASTABA** Prieš įjungdami šaldytuvą pirmą kartą, higienos sumetimais valykite jo vidų ir išorę drėgna šluoste (žr. Valymas ir priežiūra puslapyje 416).

### Dangčio atidarymo krypties pakeitimas (tik CFX2 57)

Galima perkelti dangčio vyrius į priešingą pusę.

1. Atidarykite ir nuimkite dangtį (  pav. **5** puslapyje 410).



2. Išsukite ir išimkite 3 kiekvieno vyro varžtus (  pav. **5** puslapyje 410).
3. Tvirtinkite vyrius naujose vietose.
4. Įstatykite dangtį į vyrius naujose vietose (  pav. **5** puslapyje 410).

### Energijos taupymas

- > Pasirinkite gerai vėdinamą vietą, apsaugotą nuo tiesioginių saulės spindulių.
- > Pirmiausia, prieš įdėdami maistą į aušinimo prietaisą, leiskite šiltam maistui atvėsti.
- > Neatidarinkite aušinimo prietaiso dažniau, nei reikia.
- > Nepalikite aušinimo prietaiso atidaryto ilgiau, nei reikia.
- > Jei aušinimo prietaise yra krepšys: Siekiant užtikrinti optimalų energijos suvartojimą, krepšį reikėtų dėti ten, kur jis buvo pristatymo metu.
- > Reguliariai tikrinkite, ar dangčio sandariklis užtikrina sandarumą.
- > Be reikalo nemažinkite temperatūros.



## Šaldytuvo prijungimas

### Prijungimas prie akumuliatoriaus



#### PRANEŠIMAS! Žalos pavojus

- > Norint apsaugoti įrenginį, pateikiamame nuolatinės srovės kabelio kištuke yra saugiklis. **Neatjunkite** nuolatinės srovės kištuko su saugikliu. Naudokite tik pridėtą nuolatinės srovės kabelį.
- > Prieš prijungdami akumuliatorių prie greitojo įkrovimo prietaiso atjunkite šaldytuvą ir kitus energiją naudojančius prietaisus nuo akumuliatoriaus. Per aukštą įtampą gali sugadinti prie akumuliatoriaus prijungtų prietaisų elektroniką.



**PASTABA** Šaldytuve įrengta elektroninė sistema, sauganti nuo polių sukeitimo. Ši elektroninė sistema saugo šaldytuvą nuo trumpojo jungimo prijungiant prie akumuliatoriaus.

Šaldytuvą gali veikti naudodamas 12 V  $\overline{=}$  arba 24 V  $\overline{=}$ .

- > Prijunkite šaldytuvą prie akumuliatoriaus naudodami nuolatinės srovės jungiamąjį kabelį, kaip parodyta.

### Prijungimas prie kintamosios srovės maitinimo šaltinio



#### PAVOJUS! Elektros srovės pavojus

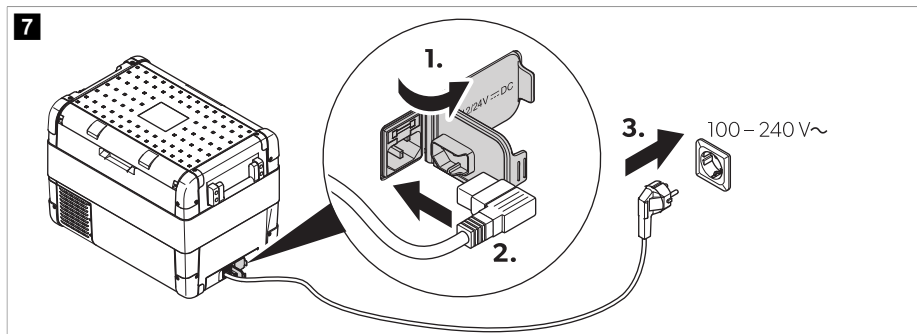
- > Kištukų ir jungiklių niekada nelieskite drėgnomis rankomis arba stovėdami ant drėgno paviršiaus.
- > Jei šaldytuvą naudojamas laive iš kintamosios srovės šaltinio, tarp kintamosios srovės šaltinio ir šaldytuvo reikia įrengti liekamosios srovės jungtuvą. Kreipkitės į apmokytą techniką.



#### PASTABA

Šaldytuve integruotas kelių įtampų maitinimo šaltinis su prioritetinio maitinimo grandine, skirta jungti prie kintamosios srovės įtampos šaltinio. Prioritetinio maitinimo grandinė automatiškai perjungia šaldytuvą į kintamosios srovės maitinimą, jei jis prijungtas prie kintamosios srovės maitinimo šaltinio, net jei nuolatinės srovės jungiamasis kabelis tebėra prijungtas.

- > Prijunkite šaldytuvą prie kintamosios srovės šaltinio naudodami nuolatinės srovės jungiamąjį kabelį, kaip parodyta.



## Šaldytuvo naudojimas



### PRANEŠIMAS! Žalos pavojus

Padėkite šaldytuvą atsukę jo pagrindą žemyn.

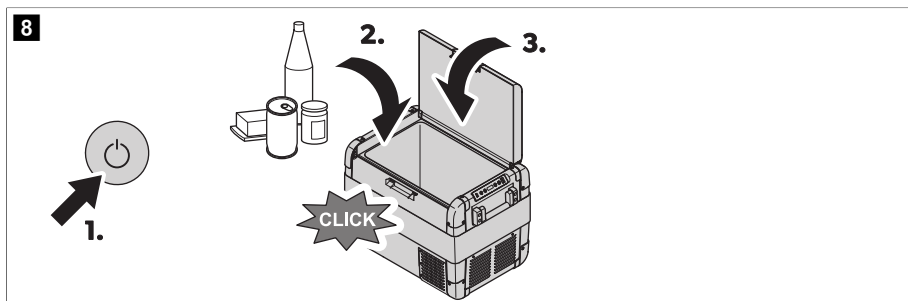
1. Padėkite šaldytuvą ant tvirto pagrindo.
2. Prijunkite šaldytuvą (žr. skyrių Šaldytuvo prijungimas puslapyje 411).



### ISPĖJIMAS! Pavojus sveikatai

Dėkite į šaldytuvą tik produktus, kuriuos reikia šaldyti pasirinktoje temperatūroje.


3. 1 ... 2 s spauskite mygtuką ON/OFF.



- ✓ Užsidega maitinimo šviesos diodas. Įsijungia ekranas, kuriame rodoma dabartinė temperatūra.



### PASTABA Rodoma temperatūra

CFX2 57: Rodoma temperatūra – tai temperatūra didelėje vidinėje kameroje (  pav. **9** puslapyje 412 **1**).

Šaldytuvus pradeda šaldyti vidų.

## Šaldytuvo dangčio užfiksavimas

1. Uždarykite dangtį.
2. Spauskite fiksatorių žemyn, kol jis spragtelėdamas užsifiksuos.

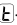
## Maisto atliekų kiekio mažinimas

Norėdami išvengti maisto švaistymo, atkreipkite dėmesį į toliau nurodytus dalykus.


- > Užtikrinkite kuo mažesnę temperatūros svyravimą. Aušinimo prietaisą atidarykite tik tada, kai reikia, ir tik tiek, kiek reikia. Maisto produktus saugokite taip, kad oras galėtų laisvai cirkuliuoti.
- > Temperatūrą reguliuokite atsižvelgdami į maisto produktų kiekį ir rūšį.
- > Maisto produktai gali lengvai sugerti arba skleisti kvapus ar skonį. Maisto produktus visada laikykite uždengtus arba uždarytuose induose / buteliuose.

## Temperatūros nustatymas

1. 1 kartą paspauskite mygtuką **SET**.
2. Mygtukais **+** ir **-** pasirinkite šaldymo temperatūrą.

- ✓ Ekране kelias sekundes rodoma pasirinkta temperatūra ir . Ekranas kelis kartus sumirksi. Tada vėl rodoma dabartinė temperatūra.

### Temperatūros matavimo vieneto pasirinkimas

- 2 kartus paspauskite mygtuką **SET**.
  - Paspausdami mygtuką **+** arba **-** pasirinkite temperatūros matavimo vienetą.
- ✓ Ekране kelias sekundes rodomas pasirinktas temperatūros matavimo vienetas ir . Ekranas kelis kartus sumirksi, tada vėl rodoma dabartinė temperatūra.

### Akumuliatoriaus monitoriaus naudojimas



#### PRANEŠIMAS! Žalos pavojus

Kai išsijungia akumuliacijos monitorius, akumuliatorius nebėra iki galo įkraunamas. Venkite pakartotinio paleidimo arba energiją einvojančių prietaisų naudojimo be ilgesnių įkrovimo etapų. Įsitikinkite, kad akumuliatorius pakrautas.

Šaldytuve įrengtas kelių lygių akumuliacijos monitorius, kuris saugo transporto priemonės akumuliatorių nuo pernelyg didelio iškrovimo, kai šaldytuvą prijungtas prie transporto priemonės nuolatinės srovės šaltinio.

Jei šaldytuvą naudojamas išjungus transporto priemonės degimą, jis automatiškai išsijungia, vos tik maitinimo įtampa nebesiekia tam tikros vertės. Kai tik akumuliatorius įkraunamas iki pakartotinio paleidimo įtampos, šaldytuvą vėl įsijungia.

Režimu HIGH akumuliacijos monitorius reaguoja greičiau nei režimais LOW ir MED.

| Akumuliatoriaus stebėjimo režimas  | LOW    | MED    | HIGH   |
|------------------------------------|--------|--------|--------|
| Pakartotinio paleidimo įtampa 12 V | 11,4 V | 12,2 V | 12,6 V |
| Išjungimo įtampa 12 V              | 10,1 V | 11,2 V | 11,8 V |
| Pakartotinio paleidimo įtampa 24 V | 23 V   | 25,3 V | 26,4 V |
| Išjungimo įtampa 24 V              | 21,5 V | 24,1 V | 24,6 V |

Pasirinkite akumuliacijos monitoriaus režimą, kaip aprašyta toliau:

- Įjunkite šaldytuvą.
  - 3 kartus paspauskite mygtuką **SET**.
  - Mygtukais **+** ir **-** pasirinkite norimą akumuliacijos monitoriaus režimą.
- ✓ Ekranas keičiasi, kaip aprašyta toliau: **[P L0]** (LOW), **[P M0]** (MED), **[P H1]** (HIGH)

Pasirinktas režimas kelias sekundes rodomas ekrane. Ekranas kelis kartus sumirksi, tada vėl rodoma dabartinė temperatūra.



**PASTABA** Jei šaldytuvą maitinamas iš užvedimo akumuliatoriaus, pasirinkite akumuliacijos monitoriaus režimą HIGH. Jei šaldytuvą prijungtas prie namų akumuliatoriaus, pasirinkite akumuliacijos monitoriaus režimą LOW.

### Ekranų ryškumo nustatymas

Esant silpno aplinkos apšvietimo sąlygoms, ekranų šviesumą galima pritemdyti.

- Įjunkite šaldytuvą.
- 4 kartus paspauskite mygtuką **SET**.
- Mygtukais **+** ir **-** nustatykite ekranų šviesumą.

- ✓ Ekranas keičiasi, kaip aprašyta toliau: **[L0]** (mažas), **[M]** (vidutinis), **[H]** (didelis)

Ekране kelias sekundes rodomas nustatytas režimas. Ekranas kelis kartus sumirksi, tada grįžtama prie dabartinio šviesumo.



**PASTABA** Įvykus trikdžiai, automatiškai atkuriami šviesumo nuostata **[H]** šviesumas.

### USB priedado naudojimas

Naudojantis USB priedadu galima įkrauti mažus prietaisus, pvz., mobiliuosius telefonus ir mp3 grotuvus.

- > Prijunkite norimą įkrauti prietaisą prie šaldytuvo USB priedado USB kabeliu (nepateikiamas).



**PASTABA** Įsitinkite, kad prijungtas prietaisas suderinamas su 5 V / 2 A.

### Ekranų režimo nustatymas

- 5 kartus paspauskite mygtuką **SET**.
  - Mygtukais **+** ir **-** nustatykite miego režimą.
- ✓ Ekranas keičiasi, kaip aprašyta toliau: **[OFF]** (išjungta), **[ON]** (įjungta), **[LO]** (silpnas)

**S OFF** (išjungta): Miego režimas išjungtas. Ekranas visada yra įjungtas.

**S ON** (įjungta): Miego režimas įjungtas. Jei šaldytuvus kelias minutes nenaudojamas, ekrane rodomas tik taškas.

**S LO** (silpnas): Suaktyvinamas papildomas miego režimas. Jei šaldytuvus kelias minutes nenaudojamas, perjungiamas mažiausias ekrano šviesumas.



**PASTABA** Kai ekranas veikia miego režimu arba papildomu miego režimu, paspauskite šaldytuvo mygtuką, jei norite trumpam išjungti atitinkamą režimą.

### Šaldymo programėlės mobiliesiems naudojimas

Galima stebėti ir valdyti šaldytuvą „Bluetooth“ arba WLAN ryšiu, naudojant suderinamame įrenginyje galimą įdiegti programėlę.

- Atsisiųskite ir įdiekite šaldymo programėlę mobiliesiems.



Gaukite programėlę iš [qr.dometic.com/beiv4R](http://qr.dometic.com/beiv4R).

- Spauskite mygtuką **SET**, kaip aprašyta toliau:
  - 6 kartus, jei norite atidaryti „Bluetooth“ nustatymus.
  - 7 kartus, jei norite atidaryti WLAN nustatymus.
- Mygtukais **+** ir **-** nustatykite „Bluetooth“ arba WLAN.



**PASTABA** Jei šaldytuvus susietas su suderinamu prietaisu „Bluetooth“ ryšiu, reikia nustatyti susiejimo režimą.

- ✓ Nustatant „Bluetooth“, ekranas keičiasi, kaip aprašyta toliau: **[BL OFF]** (išjungta), **[BL ON]** (įjungta), **[BL PR]** (susiejimas)



**PASTABA** Jei rodoma **[BL OFF]**, spaudžiant mygtuką **–** ekranas nesikeičia. Jei rodoma **[BL PR]**, spaudžiant mygtuką **+** ekranas nesikeičia.

Kol atliekamas susiejimas su „Bluetooth“ ryšiu, „Bluetooth“ LED mirksi balta spalva, o ekrane rodoma **[BL ]**.

Nustatant WLAN, ekranas keičiasi, kaip aprašyta toliau: **[F OFF]** (išjungta), **[F ON]** (įjungta)

4. Vadovaukitės instrukcijomis šaldymo programėleje mobiliesiems.
- ✓ Prijungus šaldytuvą, „Bluetooth“ arba WLAN lemputė užsidega.

### Šaldytuvo išjungimas

1. Ištuštinkite šaldytuvą.
- 
2. Paspauskite mygtuką ON/OFF.
  3. Atjunkite jungiamąjį kabelį.
  4. Jei ilgiau nenaudosite šaldytuvo, palikite dangtį atidarytą, kad viduje nesikaupytų kvapų.

### Šaldytuvo atitirpinimas

Dėl drėgmės šaldytuvo viduje arba ant garintuvo gali susidaryti šerkšno. Tai sumažina aušinimo pajėgumą.



#### **PRANEŠIMAS! Žalos pavojus**

Niekada nenaudokite kietų ar smalių įrankių ledui pašalinti arba užšaldytiems daiktams ištraukti.

Norėdami atitirpinti šaldytuvą, atlikite toliau nurodytus veiksmus.


1. Išimkite viską iš šaldytuvo.
2. Jei reikia, įdėkite turinį į kitą šaldytuvą, kad jis toliau būtų šaldomas.
3. Išjunkite šaldytuvą.
4. Dangtelį palikite atvirą.
5. Išvalykite atitirpusį vandenį.

### Kintamosios srovės saugiklio keitimas



#### **PAVOJUS! Elektros srovės pavojus**



Prieš keisdami kintamosios srovės saugiklį, atjunkite maitinimo šaltinį ir jungiamąjį kabelį.

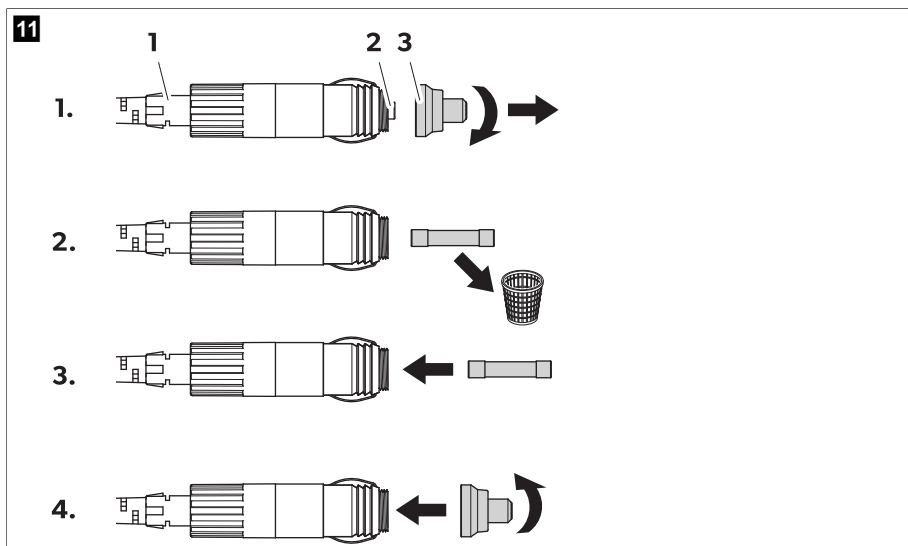
1. Atjunkite šaldytuvo maitinimą.
2. Ištraukite jungiamąjį kabelį.
3. Atsuktuvu atplėškite saugiklio įdėklą (  pav. 4 puslapyje 409 2).
4. Pakeiskite sugedusį stiklinį saugiklį nauju to paties tipo ir nominalo saugikliu ( 4 A , 250 V ).
5. Įdėkite saugiklio įdėklą atgal į korpusą.
6. Vėl prijunkite įrenginio maitinimo šaltinį.


## Nuolatinės srovės kištuko saugiklio keitimas



**PASTABA** Prietaiso viduje yra papildomas nuolatinės srovės saugiklis (automobilinis plokščiasis saugiklis, 10 A). Pakeisti šį saugiklį leidžiama tik įgaliotajame remonto centre.

1. Atsukite kontakto kaištelio korpusą (  pav. **11** puslapyje 416 **3**) nuo kištuko (  pav. **11** puslapyje 416 **1**).



2. Pakeiskite sugedusį saugiklį (  pav. **11** puslapyje 416 **2**) nauju to paties tipo ir nominalo saugikliu (3AG, spartusis, 10 A).
3. Surinkite kištuką atlikdami veiksmus priešinga tvarka.

## Šviesos PCB keitimas



### PRANEŠIMAS! Žalos pavojus

Siekiant išvengti pavojaus, apšvietimo spausdintinę plokštę leidžiama keisti tik gamintojui, techninės priežiūros atstovui arba panašios kvalifikacijos asmeniui.

## 10 Valymas ir priežiūra



### PERSPĖJIMAS! Elektros srovės pavojus

Prieš atlikdami bet kokius valymo ar techninės priežiūros darbus įsitinkite, kad aušinimo prietaisas atjungtas nuo maitinimo šaltinio.



### PRANEŠIMAS! Žalos pavojus

- > Niekada nevalykite aušinimo prietaiso po tekančiu arba nešvariu vandeniu.
  - > Valydami nenaudokite abrazyvinių valymo priemonių ar kietų daiktų.
- > Retkarčiais, prietaiso vidų ir išorę nuvalykite drėgna šluoste.

- > Įsitinkite, kad šaldymo prietaiso oro įleidimo ir išleidimo angose nėra dulkių ar nešvarumų, kad šiluma galėtų išeiti ir šaldymo prietaisas nepatirtų žalos.

## 11 Gedimų nustatymas ir šalinimas

| Problema   | Priežastis  | Priemonė   |
|--|---|--|
| Šaldytuvas neveikia. Maitinimo šviesos diodas neužsidega.  | Nuolatinės srovės lizde nėra įtampos.                                   | > Įjunkite transporto priemonės degimą.  |
|  | Kintamosios srovės lizde nėra įtampos.                                  | > Naudokite kitą kištukinį lizdą.  |
|  | Pažeistas kintamosios srovės saugiklis.                                 | > Pakeiskite kintamosios srovės saugiklį, žr. Kintamosios srovės saugiklio keitimas puslapyje 415.   |
|  | Sugedęs integruotas maitinimo adapteris.                                | > Kreipkitės į įgaliotąjį techninės priežiūros atstovą.  |
| Maitinimo šviesos diodas švyti oranžine spalva, rodomas klaidos kodas <b>E01</b> , o šaldytuvas nešaldo net jei kištukas prijungtas. | Nustatyta per didelė akumuliatoriaus monitoriaus nuostata.              | <ol style="list-style-type: none"> <li>1. Perjunkite akumuliatoriaus monitorių į žemesnį režimą (žr. Akumuliatoriaus monitoriaus naudojimas puslapyje 413).</li> <li>2. Patikrinkite užvedimo akumuliatorių.</li> <li>3. Jei reikia, įkraukite užvedimo akumuliatorių.<br/>Laikykitės gamintojo nurodymų.</li> </ol>   |
|  | Nustatyta per maža akumuliatoriaus monitoriaus nuostata.                | <ol style="list-style-type: none"> <li>1. Perjunkite akumuliatoriaus monitorių į aukštesnį režimą (žr. Akumuliatoriaus monitoriaus naudojimas puslapyje 413).</li> <li>2. Patikrinkite užvedimo akumuliatorių.</li> <li>3. Jei reikia, įkraukite užvedimo akumuliatorių.<br/>Laikykitės gamintojo nurodymų.</li> </ol> |
| Naudojant šaldytuvą iš nuolatinės srovės lizdo: Degimas įjungtas, bet šaldytuvas neveikia. Maitinimo šviesos diodas neužsidega.      | Netinkamai prijungtas nuolatinės srovės kištukas.                       | > Iš naujo prijunkite nuolatinės srovės kištuką.   |
|  | Nešvarus nuolatinės srovės lizdas. Dėl to pablogėja elektros kontaktas. | > Valykite nuolatinės srovės lizdą.<br>Laikykitės gamintojo nurodymų.  |
|  | Perdegę nuolatinės srovės kištuko saugiklis.                            | > Pakeiskite nuolatinės srovės kištuko saugiklį, žr. skyrių Nuolatinės srovės kištuko saugiklio keitimas puslapyje 416.  |
|  | Perdegę nuolatinės srovės saugiklis šaldytuve.                          | > Kreipkitės į įgaliotąjį techninės priežiūros atstovą.  |
| Perdegę transporto priemonės nuolatinės srovės lizdo saugiklis.  |   | > Pakeiskite transporto priemonės nuolatinės srovės lizdo saugiklį.<br>Laikykitės gamintojo nurodymų.  |
|  | Šaldytuvas išsijungė dėl vidinės trikties.                              | > Kreipkitės į įgaliotąjį techninės priežiūros atstovą.  |

## Klaidų kodai



**PASTABA** Jei rodomas vienas iš klaidos kodų nuo **E 02** iki **E 07**, kreipkitės į įgaliotąjį techninės priežiūros atstovą.

| Klaidos kodas | Aprašymas                       |
|---------------|---------------------------------|
| <b>E 01</b>   | Žema įtampa / per aukšta įtampa |
| <b>E 02</b>   | Per stipri ventilatoriaus srovė |
| <b>E 03</b>   | Neįsijungė kompresorius         |
| <b>E 04</b>   | Mažas kompresoriaus greitis     |
| <b>E 05</b>   | Perkaito valdiklis              |
| <b>E 06</b>   | NTC atvira grandinė             |
| <b>E 07</b>   | NTC trumpasis jungimas          |

## 12 Garantija

Taikomas įstatymų nustatytas garantinis laikotarpis. Jei gaminys pažeistas, susisiekite su jūsų šalyje veikiančiu gamintojo filialu (žr. [dometic.com/dealer](http://dometic.com/dealer)) arba prekyautoju.

Jei reikalingas remontas ir garantinis aptarnavimas, pristatydami prietaisą pateikite šiuos dokumentus:

- Kvito kopiją su nurodyta pirkimo data
- Pretenzijos priešąstį arba gedimo aprašymą

Atminkite, kad savarankiškas arba neprofesionalus remontas gali turėti pasekmių saugai ir anuliuoti garantiją.

## 13 Utilizavimas



### ĮSPĖJIMAS! Vaikų įstrigimo pavojus

Prieš išmesdami seną aušinimo prietaisą nuimkite dangtį. Palikite krepšius vietoje, kad į vidų lengvai nepatektų vaikai.



Jei įmanoma, pakavimo medžiagą sudėkite į atitinkamas perdirbimo šiukšliadėzes. Išsamios informacijos apie tai, kaip gaminį pašalinti pagal galiojančias atliekų šalinimo taisykles, teiraukitės vietiniame perdirbimo centre arba specializuoto prekybos atstovo.



Gaminių, kurių sudėtyje yra nekeičiami akumuliatoriai, įkraunami akumuliatoriai ir šviesos šaltiniai perdirbimas: Prieš perdirbant gaminį išimkite visus akumuliatoriai, įkraunamus akumuliatorius ir šviesos šaltinius. Sugedusius arba panaudotus akumuliatorius grąžinkite savo pardavėjui arba utilizuokite juos surinkimo vietose. Akumuliatorių, įkraunamų akumuliatorių ir šviesos šaltinių neutilizuokite kartu su buitinėmis atliekomis. Jei norite utilizuoti gaminį, kreipkitės į vietinį perdirbimo centrą arba specializuotą prekybos atstovą, kuris nurodys, kaip tai padaryti pagal galiojančias atliekų šalinimo taisykles. Produktą galima utilizuoti nemokamai.

## 14 Techniniai duomenys



**PASTABA** Jei aplinkos temperatūra aukštesnė nei 32 °C, pasiekti minimalios temperatūros nepavyks.



Šiame gaminyje yra fluorintų šiltnamio efektą sukeliančių dujų.

Aušinimo prietaisas hermetiškai užsandarintas.

|                                     | CFX2 28   | CFX2 37   | CFX2 45  | CFX2 57  |
|-------------------------------------|---|---|--|--|
| Vardinė įvestis                     | 50 ... 60 Hz<br>100 ... 240 V~                                  |   |  |  |
| Nurodytoji srovė                    | 12 V : 8,6 A<br>24 V : 3,8 A<br>100 V : 1,6 A<br>240 V : 0,77 A | 12 V : 8,7 A<br>24 V : 3,85 A<br>100 V : 1,63 A<br>240 V : 0,78 A | 12 V : 8,8 A<br>24 V : 3,9 A<br>100 V : 1,65 A<br>240 V : 0,79 A | 12 V : 9 A<br>24 V : 4 A<br>100 V : 1,7 A<br>240 V : 0,8 A |
| Aušinimo pajėgumas                  | - 22 °C ... 20 °C   |   |  |  |
| Aplinkos temperatūra                | 16 °C ... 43 °C   |   |  |  |
| Klimato klasė                       | N arba T  |   |  |  |
| USB                                 | 5 V 2 A   |   |  |  |
| Aušalas                             | R600a   |   |  |  |
| Aušalo kiekis                       | 13 g  | 13 g  | 14 g   | 17 g   |
| Matmenys (P × A × G, su rankenomis) | 600 mm × 427 mm × 345 mm  | 678 mm × 428 mm × 401 mm  | 678 mm × 493 mm × 401 mm   | 709 mm × 503 mm × 458 mm                                   |
| Tūris                               | 28 L  | 37 L  | 45 L   | 57 L   |
| Svoris                              | 13,5 kg   | 15,8 kg   | 16,8 kg  | 18,5 kg  |
| Dažnių juosta (WLAN)                | 2,4 GHz   |   |  |  |
| Maks. išėjimo galia                 |   |   |  |  |
| WLAN                                | 19,22 dBm   |   |  |  |
| „Bluetooth“                         | 7,93 dBm  |   |  |  |

Šiuo dokumentu Dometic (Zhuhai) Technology Co., Ltd pareiškia, kad CFX2 28, CFX2 37, CFX2 45, CFX2 57 tipo radijo ryšio įranga atitinka direktyvą 2014/53/ES. Visą ES atitikties deklaracijos tekstą galima rasti šiuo interneto adresu: [documents.dometic.com](http://documents.dometic.com)

Daugiau informacijos apie gaminį galite rasti nuskaitę greito atsako (QR) kodą energijos etiketėje arba [eprel.ec.europa.eu](http://eprel.ec.europa.eu).

12

**ENERGY**

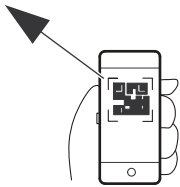
SUPPLIER'S NAME MODEL IDENTIFIER

A  
B  
C  
D  
E  
F  
G

**XYZ kWh/annum**

XYZ L

XY dB  
ABCD



[eprel.ec.europa.eu](http://eprel.ec.europa.eu)

## Latviešu

|    |                                      |     |
|----|--------------------------------------|-----|
| 1  | Svarīgas piezīmes.....               | 421 |
| 2  | Simbolu skaidrojums.....             | 421 |
| 3  | Ierīces simbolu skaidrojumi.....     | 422 |
| 4  | Drošības norādes.....                | 422 |
| 5  | Komplektācija.....                   | 424 |
| 6  | Papildu piederumi.....               | 424 |
| 7  | Paredzētais izmantošanas mērķis..... | 425 |
| 8  | Tehniskais apraksts.....             | 425 |
| 9  | Ekspluatācija.....                   | 427 |
| 10 | Tīrīšana un apkope.....              | 434 |
| 11 | Problēmu novēršana.....              | 435 |
| 12 | Garantija.....                       | 436 |
| 13 | Atkritumu pārstrāde.....             | 436 |
| 14 | Tehniskie dati.....                  | 436 |

## 1 Svarīgas piezīmes

Lūdzam rūpīgi izlasīt un ņemt vērā visus produkta rokasgrāmatā iekļautos norādījumus, vadlīnijas un brīdinājumus, lai nodrošinātu, ka jūs šo produktu vienmēr uzstādāt, lietojat un apkopjat atbilstoši. Šie norādījumi ir OBLIGĀTI jāsaģlabā kopā ar šo produktu.

Lietojot šo produktu, jūs apstiprināt, ka esat rūpīgi izlasījuši visus norādījumus, vadlīnijas un brīdinājumus, un jūs saprotat un piekrītat ievērot šeit izklāstītos noteikumus un nosacījumus. Jūs piekrītat lietot šo produktu tikai tā paredzētajam mērķim un lietojumam saskaņā ar norādījumiem, vadlīnijām un brīdinājumiem, kas izklāstīti šī produkta rokasgrāmatā, kā arī ievērojot visus piemērojamos normatīvos aktus. Šeit izklāstīto norādījumu un brīdinājumu neizlasīšana un neievērošana var izraisīt traumas sev un citiem, vai radīt bojājumus pašam produktam vai apkārt esošām īpašumam. Informācija šajā produkta rokasgrāmatā, tajā skaitā norādījumi, vadlīnijas, brīdinājumi un saistītā dokumentācija, var tikt mainīta un papildināta. Lai iegūtu jaunāko informāciju par produktu, apmeklējiet vietni [documents.dometic.com](http://documents.dometic.com).

## 2 Simbolu skaidrojums

Signālvārds identificē drošības ziņojumus un ziņojumus par īpašuma bojājumu, kā arī norāda bīstamības smaguma pakāpi vai līmeni.



### **BĪSTAMI!**

Apzīmē bīstamu situāciju, kas izraisīs nāvējošus vai nopietnus savainojumus, ja netiks novērsta.



### **BRĪDINĀJUMS!**

Apzīmē bīstamu situāciju, kas var izraisīt nāvējošus vai nopietnus savainojumus, ja netiks novērsta.



### **ESIET PIESARDZĪGI!**

Apzīmē bīstamu situāciju, kas var izraisīt vieglus vai vidēji smagus savainojumus, ja netiks novērsta.



### **ŅEMĪT VĒRĀ!**

Apzīmē bīstamu situāciju, kas var izraisīt materiālu kaitējumu, ja netiks novērsta.



**PIEZĪME** Papildu informācija produkta lietošanai.

### 3 Ierīces simbolu skaidrojumi



Brīdinājums! Ugunsgrēka risks. Uzliesmojoši materiāli.

### 4 Drošības norādes



#### **BĪSTAMI! Nāvējoša elektrošoka risks**

- > Uz laivām: Ja ierīces barošana tiek nodrošināta no elektrotīkla, pārliecinieties, ka barošanas avotam ir noplūdstrāvas aizsargslēdzis (RCCB) vai zemesslēguma ķēdes pārtraucējs (GFCI). Uzstādīšanu, it īpaši potenciāli mitrās vietās, jāveic saskaņā ar attiecīgajiem uzstādīšanas noteikumiem.
- > Nepieskarieties vaļējiem vadiem ar kailām rokām. Tas jo īpaši attiecas uz ierīces darbināšanu no mainstrāvas elektrotīkla.



#### **BRĪDINĀJUMS! Nāvējoša elektrošoka risks**

- > Nelietojiet dzesēšanas ierīci, ja tai ir redzami bojājumi.
- > Ja šīs dzesēšanas ierīces elektrības vads ir bojāts, tas ir jānomaina, lai izvairītos no drošības apdraudējuma.
- > Šīs dzesēšanas ierīces remontu drīkst veikt tikai kvalificēts speciālists. Nepareizs remonts var izraisīt nopietnu apdraudējumu.
- > Pievienojiet ierīci tikai tādām kontaktlīdzdām, kas nodrošina pareizu savienojumu - it īpaši, kad ierīcei nepieciešams zemējums.



#### **BRĪDINĀJUMS! Ugunsdrošības apdraudējums**

- > Novietojiet ierīci tā, lai elektrības vads netiktu saspiests vai bojāts.
- > Nenovietojiet aiz ierīces pagarinātājus ar vairākām kontaktlīdzdām vai pārnēsājamus barošanas avotus.
- > Aukstumaģenta sistēmā esošais aukstumaģents ir ļoti viegli uzliesmojošs, tāpēc noplūdes gadījumā iespējama uzliesmojošu gāzu uzkrāšanās, ja ierīce atrodas mazā telpā. Ja ir bojāta aukstumaģenta sistēma:
  - nodrošiniet, ka ledusskapja tuvumā nav atklātas liesmas vai potenciālu aizdegšanās avotu;
  - labi izvēdiniet telpu;
  - izslēdziet ledusskapi.
- > Dzesēšanas ierīcēm ar R600a aukstumaģentu.
  - Aukstumaģenta sistēma satur nelielu daudzumu videi draudzīga, bet uzliesmojoša aukstumaģenta. Tas nebojā ozona slāni un nepalielina siltumnīcas efektu. Noplūdes gadījumā aukstumaģents var aizdegties.
  - Neizmantojiet un neglabājiet dzesēšanas kastī slēgtās telpās ar minimālu gaisa plūsmu vai bez gaisa plūsmas.
- > Nodrošiniet, lai ventilācijas atveres ierīces korpusā vai uzstādīšanas vietā nebūtu aizklātas.
- > Atkausēšanas paātrināšanai neizmantojiet nekādus mehāniskus priekšmetus vai citus līdzekļus, izņemot tādus, kuru lietošanu šim nolūkam ir atļāvis ražotājs.
- > Neatveriet un nebojājiet aukstumaģenta cirkulācijas sistēmu.
- > Nelietojiet dzesēšanas ierīces iekšpusē elektroierīces, izņemot tādas, kuru lietošanu šādam nolūkam ir paredzējis ražotājs.



#### **BRĪDINĀJUMS! Apdraudējums veselībai**

- > Bērni, kas sasnieguši 8 gadu vecumu, un personas ar ierobežotām fiziskām, uztveres vai garīgām spējām vai bez pieredzes un zināšanām šo ierīci drīkst lietot tikai tad, ja šādas personas tiek uzraudzītas vai ir saņēmušas norādījumus par ierīces drošu lietošanu, un ir izpratušas iespējamus riskus.
- > Bērniem vecumā no 3 līdz 8 gadiem ir atļauts piekraut un izkraut dzesēšanas ierīces.
- > Bērni jāuzrauga, lai nepieļautu, ka tie spēlējas ar ierīci.
- > Bērni drīkst tīrīt ierīci un veikt tās apkopi tikai pieaugušo uzraudzībā.



### **BRĪDINĀJUMS! Sprādzienbīstamība**

Šajā dzesēšanas ierīcē neuzglabājiet sprādzienbīstamas vielas, piemēram, aerosolu baloniņus ar uzliesmojošām vielām.



### **ESIET PIESARDZĪGI! Nāvējoša elektrošoka risks**

- > Pirms dzesēšanas kastes ieslēgšanas pārliecinieties, ka elektrības vads un kontaktdakša ir sausi.
- > Pirms katras tīrīšanas un apkopes, kā arī pēc katras lietošanas reizes, atvienojiet dzesēšanas ierīci no barošanas avota.



### **ESIET PIESARDZĪGI! Apdraudējums veselībai**

- > Lai izvairītos no pārtikas piesārņojuma, ņemiet vērā tālākās norādes.
  - Pārliecinieties, vai ierīces dzesēšanas jauda ir atbilstoša, lai uzglabātu pārtikas produktus, ko vēlaties atdzesēt.
  - Pārtikas produktus drīkst uzglabāt tikai oriģinālajā iepakojumā vai piemērotos traukos.
  - Ilgstoša dzesēšanas ierīces atvēršana var izraisīt būtisku temperatūras paaugstināšanos ierīces nodalījumos.
  - Regulāri notīriet virsmas, kas var nonākt saskarē ar pārtiku, un izplūdes sistēmas, kurām var piekļūt.
- > Ja ierīce ilgstoši tiek atstāta tukša:
  - izslēdziet ierīci;
  - atkausējiet ierīci;
  - iztīriet un izžāvējiet ierīci;
  - atstājiet vāku atvērtu, lai ierīcē neveidotos pelējums.

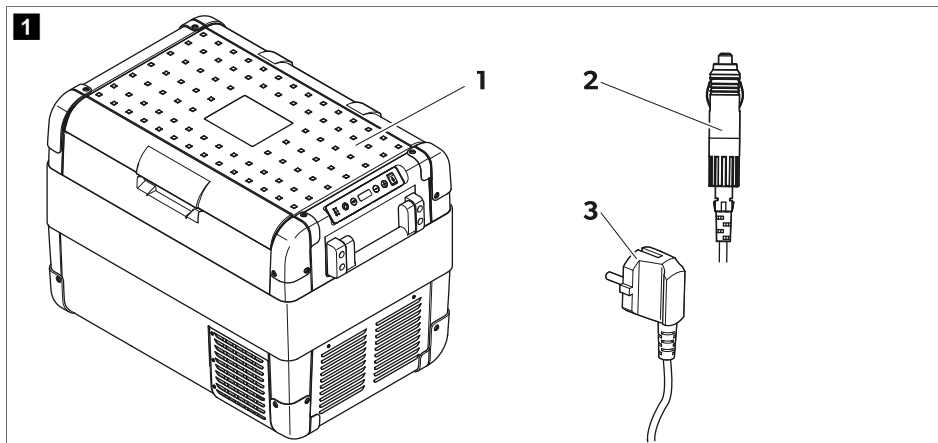


### **NEMIET VĒRĀ! Bojājumu risks**

- > Pārliecinieties, ka barošanas avota spriegums atbilst uz marķējuma plāksnītes norādītajam.
- > Pievienojiet dzesēšanas ierīci tikai šādi:
  - ar līdzstrāvas savienojuma vadu transportlīdzekļa līdzstrāvas barošanas avotam;
  - vai ar maiņstrāvas savienojuma vadu maiņstrāvas barošanas avotam.
- > Nekādā gadījumā neatvienojiet kontaktdakšu no kontaktlīdziņa, velkot aiz vada.
- > Ja dzesēšanas ierīce ir pievienota līdzstrāvas kontaktlīdziņai: Pirms ātrās uzlādes ierīces pievienošanas atvienojiet no akumulatora dzesēšanas ierīci un citus strāvas patērētājus.
- > Ja dzesēšanas ierīce ir pievienota līdzstrāvas kontaktlīdziņai: Atvienojiet vai izslēdziet dzesēšanas ierīci, izslēdzot dzinēju. Pretējā gadījumā var izlādēties akumulators.
- > Dzesēšanas ierīce nav piemērota kodīgu vai šķīdinātājus saturošu materiālu transportēšanai.
- > Dzesēšanas ierīces izolācijas sastāvā ir uzliesmojoša viela ciklopentāns, kam ir nepieciešami īpaši utilizēšanas pasākumi. Dzesēšanas ierīces kalpošanas laika beigās nododiet to atbilstošā atkritumu pārstrādes punktā.
- > Nenovietojiet dzesēšanas ierīci atklātas liesmas vai citu siltuma avotu (sildītāju, tiešu saules staru, gāzesplīšu u.c.) tuvumā.
- > Nepiepildiet iekšējo nodalījumu ar ledu vai šķidrumiem.
- > Nekādā gadījumā neiegremdējiet dzesēšanas ierīci ūdenī.
- > Sargājiet dzesēšanas ierīci un vadus no karstuma un mitruma.

- > Dzesēšanas ierīce ir jāsgargā no lietus.
- > Lai nodrošinātu pareizu aukstumaģenta cirkulāciju, nesasveriet dzesēšanas ierīci vairāk par 30° . Izmantojiet līmeņrādi, lai pārļiecinātos, ka dzesēšanas kaste ir novietota pilnīgi horizontāli.
- > **Pārkaršanas risks!** Vienmēr nodrošiniet, lai apkārt dzesēšanas ierīcei no visām pusēm būtu pietiekama ventilācija. Ventilācijas zonā nedrīkst atrasties nekādi priekšmeti, kas varētu ierobežot gaisa pieplūdi dzesēšanas komponentiem. Nenovietojiet dzesēšanas ierīci slēgtos nodalījumos vai vietās ar minimālu gaisa plūsmu vai vispār bez gaisa plūsmas.

## 5 Komplektācija



| Elements | Daudzums | Apraksts                                  |
|----------|----------|---|
| 1        | 1        | Dzesēšanas ierīce                         |
| 2        | 1        | Savienojuma vads līdzstrāvas savienojumam |
| 3        | 1        | Savienojuma vads maiņstrāvas savienojumam |
| -        | 1        | Īsā lietošanas rokasgrāmata               |

## 6 Papildu piederumi

Daļas, kas pieejamas kā papildu piederumi (nav iekļautas piegādes komplektācijā):

| Nosaukums  | Atsauces nr. | Modelis                  |
|--|--------------|--------------------------|
| Ātri atverams stiprinājumu komplekts CFX-QFK     | 9600000166   | Tikai CFX2 28            |
| Ātri atverams stiprinājumu komplekts CFX-QFK3545 | 9600029599   | Tikai CFX2 37 un CFX2 45 |
| Mobilās dzesēšanas lietotne                      | -            | sader ar visiem modeļiem |

## 7 Paredzētais izmantošanas mērķis

Dzesēšanas kaste ir piemērota ēdiena atdzesēšanai. Dzesēšanas kaste ir piemērota arī lietošanai transportlīdzekļos. Dzesēšanas kasti ir paredzēti izmantot, pievienojot līdzstrāvas barošanas avota kontaktligzdai transportlīdzeklī vai maiņstrāvas barošanas avotam.

Dzesēšanas kaste ir piemērota lietošanai arī kempingos un teltīs.

Dzesēšanas kaste ir paredzēta lietošanai sadzīvē un līdzīgām vajadzībām, piemēram,

- personāla virtuvēs veikalos, birojos un citās darba vietās;
- lauku mājās;
- viesnīcu, moteli un citu veidu uzturēšanās vietu klientiem;
- pansijas veida uzturēšanās vietās;
- pārtikas produktu piegādei un līdzīgām pielietojumam, kas nav saistīts ar mazumtirdzniecību.

Šī dzesēšanas kaste **nav** piemērota šādām vajadzībām:

- ātrai ēdiena sasaldēšanai;
- korozīvu, kodīgu vai šķīdinātājus saturošu vielu uzglabāšanai;
- lietošanai iebūvētā veidā;

Šī dzesēšanas kaste ir piemērota tikai paredzētajam mērķim un lietojumam saskaņā ar šīm instrukcijām.

Šis produkts ir piemērots tikai paredzētajam mērķim un lietojumam saskaņā ar šo instrukciju.

Šajā rokasgrāmatā ir sniegta informācija, kas nepieciešama pareizai produkta uzstādīšanai un/vai lietošanai. Nekvalitatīva uzstādīšana un/vai nepareiza lietošana vai apkope izraisīs neatbilstošu darbību un iespējamu atteici.

Ražotājs neuzņemas atbildību par savainojumiem vai produkta bojājumiem, kas radušies šādu iemeslu dēļ:

- nepareiza uzstādīšana, montāža vai pievienošana, tostarp pārmērīgs spriegums;
- nepareiza apkope vai tādu neoriģinālo rezerves daļu, kuras nav piegādājis ražotājs, lietošana;
- produkta modifikācijas, kuras ražotājs nav nepārprotami apstiprinājis;
- lietošana citiem mērķiem, kas nav aprakstīti šajā rokasgrāmatā.

Dometic patur tiesības mainīt produkta ārējo izskatu un specifikācijas.

## 8 Tehniskais apraksts

Dzesēšanas ierīce var atdzesēt produktus. Dzesēšanu nodrošina bezapkopes aukstumaģenta sistēma ar kompresoru. Pamatīga siltumizolācija un spēcīgs kompresors nodrošina efektīvu un ātru dzesēšanu.

Dzesēšanas ierīce ir pārnēsājama.

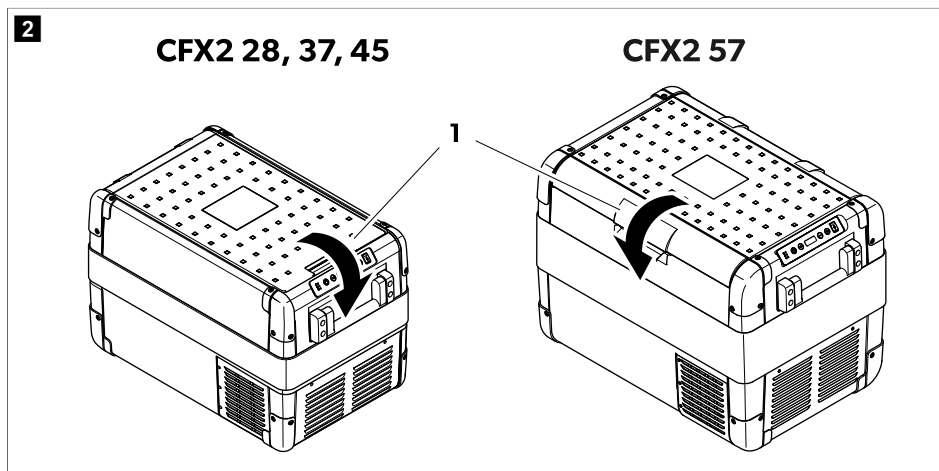
Dzesēšanas ierīce var īslaicīgi darboties 30 ° slīpumā, piemēram, laivās.

### Funkciju klāsts

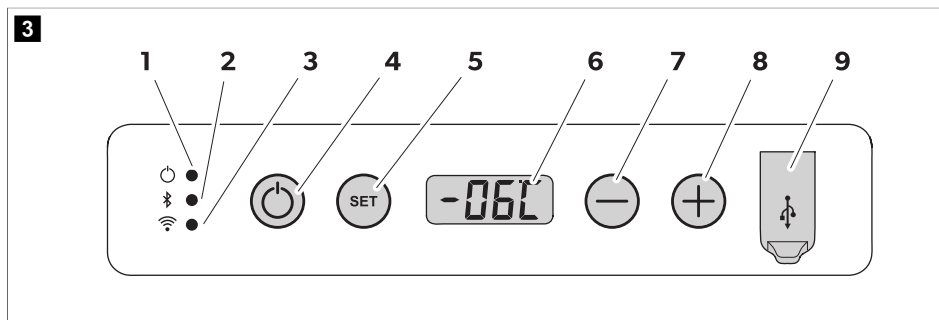
- Barošanas avots ar prioritāru ķēdi maiņstrāvas barošanas avota pievienošanai
- Trīsliemeņu akumulatora uzraudzības sistēma transportlīdzekļa akumulatora aizsardzībai
- Ekrāns ar °C un °F temperatūras rādītāju
- Temperatūras iestatīšana ar 2 pogām ar 1 °C / 1 °F soli
- Integrēta Bluetooth un WLAN funkcija dzesēšanas ierīces vadībai, izmantojot dzesēšanas lietotni mobilajā ierīcē
- Nolikāmi rokturi pārnēsāšanai
- USB uzlādes ports
- Izņemams stieple grozs

## Vadības un ekrāna elementi

Vāka fiksators ( att. 2 | pp. 426, 1):



## Vadības panelis

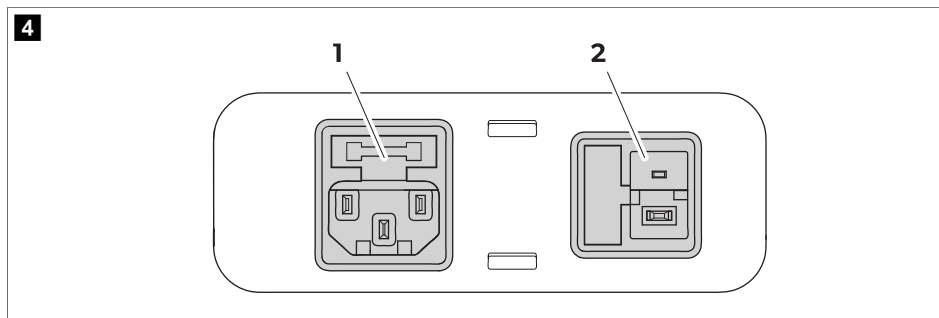


| Elementis | Apraksts  | Skaidrojums   |
|-----------|-----------|---|
| 1         | Jauda     | Statusa rādījumi  |
|           |           | ledegas balta LED lampiņa: Kompresors sāk darboties.<br>ledegas oranža LED lampiņa: Kompresors pārtrauc darboties.      |
| 2         | Bluetooth | LED lampiņa nedeg: Dzesēšanas ierīces Bluetooth ir izslēgts.  |
|           |           | Lēni mirgo balta LED lampiņa: Dzesēšanas ierīces Bluetooth ir ieslēgts. Dzesēšanas ierīce nav savienota pāri ar ierīci. |
|           |           | Ātri mirgo balta LED lampiņa: Dzesēšanas ierīce tiek savienota pāri ar ierīci, izmantojot Bluetooth.                    |
|           |           | ledegas balta LED lampiņa: Dzesēšanas ierīce ir savienota pāri ar ierīci, izmantojot Bluetooth.                         |
| 3         | WLAN      | LED lampiņa nedeg: Dzesēšanas ierīces WLAN ir izslēgts.   |



| Elementi | Apraksts              | Skaidrojums  |
|----------|-----------------------|--|
|          |                       | Mirgo balta LED lampiņa: Dzesēšanas ierīces WLAN ir ieslēgts. Dzesēšanas ierīce nav savienota ar ierīci.<br>Iedegas balta LED lampiņa: Dzesēšanas ierīce ir savienota pāri ar ierīci, izmantojot WLAN.   |
| 4        | Ieslēgšana/Izslēgšana | Ieslēdz vai izslēdz dzesēšanas ierīci.   |
| 5        | SET                   | Atlasa ievades režīmu: <ul style="list-style-type: none"> <li>• Temperatūras iestatīšana</li> <li>• Temperatūras parādīšana Celsija vai Fārenheita grādos</li> <li>• Akumulatora uzraudzības sistēmas iestatīšana</li> <li>• Ekrāna spilgtuma iestatīšana</li> <li>• Ekrāna režīma iestatīšana</li> <li>• Bluetooth iestatīšana</li> <li>• WLAN iestatīšana</li> </ul> |
| 6        |                       | Ekrāns   |
| 7        | -                     | Tiek iestatīta temperatūra, temperatūras mērvienība, akumulatora uzraudzības sistēma, ekrāna spilgtums, režīms, Bluetooth un WLAN.   |
| 8        | +                     |  |
| 9        |                       | USB pieslēgvietā   |

### Savienojuma kontaktligzdas



| Elements | Apraksts   |
|----------|--|
| 1        | Savienojuma kontaktligzda maiņstrāvas barošanas avotam |
| 2        | Savienojuma kontaktligzda līdzstrāvas barošanas avotam |

## 9 Ekspluatācija

### Pirms sākat lietot ierīci

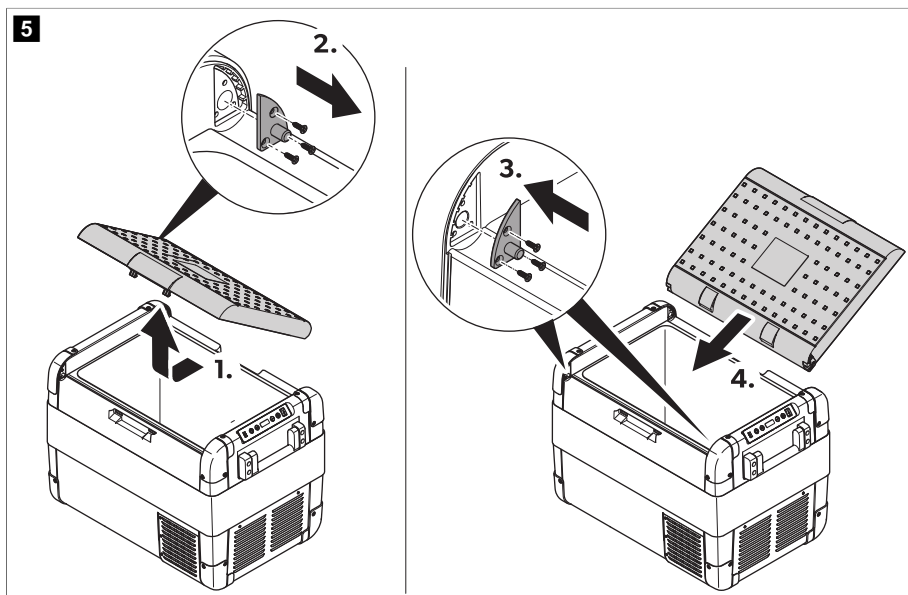


**PIEZĪME** Pirms dzesēšanas ierīces pirmās iedarbināšanas reizes higiēnas apsvērumu dēļ notīriet tās iekšpusi un ārpusi ar mitru drāniņu (skatiet Tīrīšana un apkope lpp. 434).

## Vāka atvēršanas virziena mainīšana (tikai modelim CFX2 57)

Vāka eņģes var pārvietot uz pretējo pusi.

1. Atveriet vai noņemiet vāku ( att. 5 lpp. 428).



2. Izņemiet 3 skrūves no katras eņģes ( att. 5 lpp. 428) un noņemiet tās.
3. Uzlieciet eņģes jaunajā vietā.
4. Ievietojiet vāku jaunajā vietā novietotajās eņģēs ( att. 5 lpp. 428).

## Enerģijas taupīšana

- > Izvēlieties labi vēdinātu vietu, kas ir pasargāta no tiešiem saules stariem.
- > Pirms dzesēšanas ierīcē atdzesēšanai ievietot siltu pārtiku, ļaujiet tai atdzist.
- > Neatveriet dzesēšanas ierīci bez vajadzības.
- > Neatstājiet dzesēšanas ierīci atvērtu bez vajadzības.
- > Ja dzesēšanas ierīcei ir grozs: Lai nodrošinātu optimālu enerģijas patēriņu, novietojiet grozu tādā stāvoklī, kādā tas atradās piegādes brīdī.
- > Regulāri pārbaudiet, vai vāka blīvējums vēl arvien pareizi pieguļ.
- > Nelietojiet pārmērīgi zemas temperatūras iestatījumus.

## Dzesēšanas ierīces pievienošana

### Pievienošana akumulatoram



#### ŅEMĪET VĒRĀ! Bojājumu risks

- > Ierīces aizsardzībai piegādātā līdzstrāvas vada spraudnis aprīkots ar drošinātāju. **Nenonemiet** ar drošinātāju aprīkoto līdzstrāvas spraudni. izmantojiet tikai ierīces komplektā esošo līdzstrāvas barošanas vadu.

- > Pirms ātrās uzlādes ierīces pievienošanas atvienojiet no akumulatora dzesēšanas ierīci un citas ierīces, kas patērē strāvu. Pārspriegums var sabojāt pie akumulatora pievienoto ierīču elektroniku.



**PIEZĪME** Dzesēšanas ierīcei ir elektroniska sistēma polaritātes maiņas novēršanai. Šī elektroniskā sistēma aizsargā dzesēšanas ierīci no išslēguma tad, kad tā ir pievienota akumulatoram.

Dzesēšanas ierīce darbojas ar 12 V  $\equiv$  vai 24 V  $\equiv$ .

- > Pievienojiet dzesēšanas ierīci akumulatoram, izmantojot līdzstrāvas savienojuma kabeli, kā parādīts.

### Pievienošana maiņstrāvas barošanas avotam



#### **BĪSTAMI! Nāvējoša elektrošoka risks**

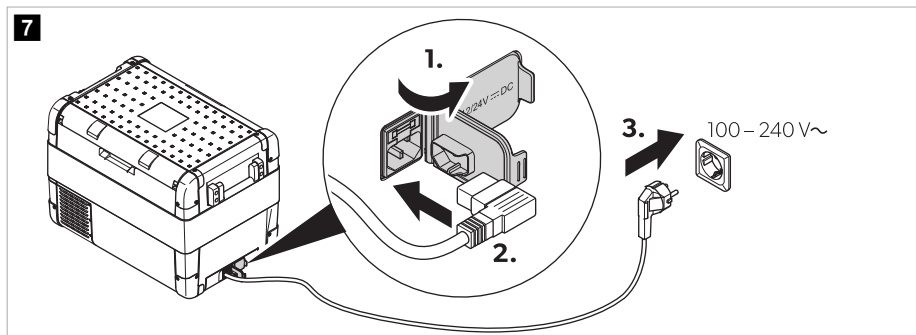
- > Nekad nerīkojieties ar spraudņiem un slēdžiem, ja jums ir slapjas rokas vai stāvat uz slapjas virsmas.
- > Ja dzesēšanas ierīce tiek lietota laivā, izmantojot maiņstrāvas barošanas avotu, jāuzstāda paliekošās strāvas noplūdes aizsargslēdzis starp maiņstrāvas barošanas avotu un dzesēšanas ierīci. Konsultējieties ar kvalificētu tehniķi.



#### **PIEZĪME**

Dzesēšanas ierīcei ir integrēts daudzspriegumu barošanas avots ar prioritāro ķēdi pieslēgumam pie maiņstrāvas sprieguma avota. Ja dzesēšanas ierīce ir pievienota maiņstrāvas barošanas avotam, prioritārā ķēde automātiski pārslēdz dzesēšanas ierīci maiņstrāvas izmantošanas režīmā pat tad, ja līdzstrāvas savienojuma kabelis vēl joprojām ir pievienots.

- > Pievienojiet dzesēšanas ierīci pie maiņstrāvas barošanas avota, izmantojot līdzstrāvas savienojuma kabeli, kā parādīts.



### Dzesētāja lietošana



#### **NEMIET VĒRĀ! Bojājumu risks**

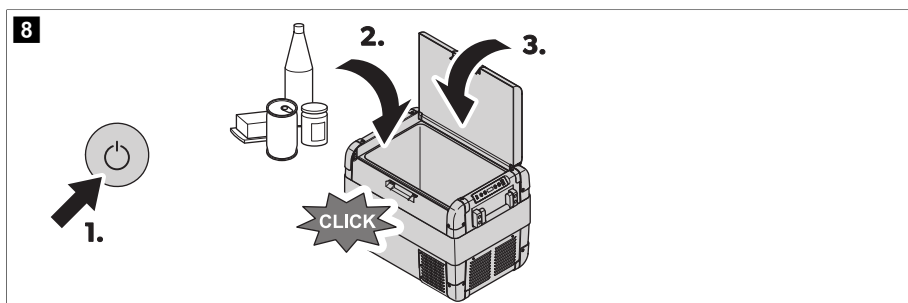
Novietojiet dzesēšanas ierīci ar pamatni uz augšu.

1. Novietojiet dzesēšanas ierīci uz stabilas pamatnes.
2. Pievienojiet dzesēšanas ierīci (skat. nodaļu Dzesēšanas ierīces pievienošana lpp. 428).

**BRĪDINĀJUMS! Apdraudējums veselībai**


Nodrošiniet, lai dzesēšanas ierīcē tiek ievietoti tikai tie produkti, kurus var uzglabāt izvēlētajā temperatūrā.

- Nospiediet "ON/OFF" ((Iesl./Izsl.) pogu 1 ... 2 s.



- ledegas elektroenerģijas indikatora. Ekrāns ieslēdzas un parāda pašreizējo temperatūru.

**PIEZĪME Parādītā temperatūra**

CFX2 57: Parādītā temperatūra ir lielā iekšējā nodalījuma temperatūra (  att. **9** lpp. 430 **1**).

Dzesēšanas ierīce sāk dzesēšanu.

**Dzesēšanas ierīces vāka nofiksēšana**


- Aizveriet vāku.
- Spiediet fiksatoru uz leju, līdz tas ar klikšķi aizveras.

**Izvairšanās no pārtikas sabojāšanās**

Lai novērstu pārtikas sabojāšanos, ievērojiet tālāk sniegtās norādes

- > Nodrošiniet pēc iespējas mazākas temperatūras svārstības. Atveriet dzesēšanas ierīci tikai tik bieži, cik nepieciešams. Uzglabājiet pārtiku tā, lai iekšpusē varētu brīvi cirkulēt gaiss.
- > pielāgojiet to atbilstoši uzglabātās pārtikas daudzumam un veidam.
- > Pārtikas produkti var viegli absorbēt vai izdalīt smaržu vai garšu. Vienmēr uzglabājiet pārtikas produktus apsegtā veidā vai slēgtos traukos/pudelēs.

**Temperatūras iestatīšana**

- Nospiediet **SET** pogu 1 reizi.
  - Izmantojiet **+** vai **-** pogu, lai iestatītu dzesēšanas temperatūru.
- > Pēc tam uz pāris sekundēm ekrānā parādās izvēlēta temperatūra un simbols . Ekrāns vairākas reizes nomirgo. Pēc tam atkal ir redzama pašreizējā temperatūra.

**Temperatūras mērvienības izvēle**

- Nospiediet **SET** pogu 2 reizes.
- Lai iestatītu vēlamo temperatūras mērvienību, spiediet **+** vai **-** pogu.

- ✓ Pēc tam uz pārīs sekundēm ekrānā parādās izvēlētā temperatūras mērvienība un simbols  $\mu$ . Ekrāns vairākas reizes nomirgo un pēc tam turpina rādīt pašreizējo temperatūru.

### Akumulatora uzraudzības sistēmas izmantošana



#### **NEMIET VĒRĀ! Bojājumu risks**

Kad akumulatora uzraudzības sistēma izslēdzas, akumulators vairs nav pilnīgi uzlādēts. Izvairieties atkārtoti ieslēgt vai izmantot ierīces, kas patērē jaudu, neveicot uzlādēšanu ilgākus laika periodus. Nodrošiniet, ka akumulators ir uzlādēts.

Dzesēšanas ierīcei ir vairākklimeņu akumulatora uzraudzības sistēma, kas aizsargā transportlīdzekļa akumulatoru no pārmērīgas izlādēšanās, kad dzesēšanas ierīce ir pievienota līdzstrāvas barošanas avotam transportlīdzeklī.

Ja dzesēšanas ierīce darbojas, kamēr transportlīdzekļa aizdedze ir izslēgta, tā automātiski izslēdzas, kolīdz barošanas spriegums kļūst zemāks par kādu noteiktu vērtību. Dzesēšanas ierīce atkal ieslēdzas, kolīdz akumulators ir uzlādēts līdz restartēšanas spriegumam.

Režīmā "HIGH" akumulatora uzraudzības sistēma reaģē ātrāk nekā režimos "LOW" un "MED".

| Akumulatora monitora režims  | LOW    | MED    | HIGH   |
|------------------------------|--------|--------|--------|
| Restartēšanas spriegums 12 V | 11,4 V | 12,2 V | 12,6 V |
| Izslēgšanas spriegums 12 V   | 10,1 V | 11,2 V | 11,8 V |
| Restartēšanas spriegums 24 V | 23 V   | 25,3 V | 26,4 V |
| Izslēgšanas spriegums 24 V   | 21,5 V | 24,1 V | 24,6 V |

Izvēlieties akumulatora uzraudzības sistēmas režīmu, kā norādīts tālāk.

1. Ieslēdziet dzesēšanas ierīci.
  2. Nospiediet **SET** pogu 3 reizes.
  3. Izmantojiet **+** vai **-** pogas, lai izvēlētos akumulatora uzraudzības sistēmas režīmu.
- ✓ Ekrāns mainās, kā norādīts tālāk. (**P L 0**) (LOW), (**P H 0**) (MED), (**P H 1**) (HIGH)

Pēc tam uz pārīs sekundēm ekrānā parādās izvēlētais režīms. Ekrāns vairākas reizes nomirgo un pēc tam atsāk rādīt pašreizējo temperatūru.



**PIEZĪME** Kad dzesēšanas ierīcei ir startera akumulators, izvēlieties akumulatora uzraudzības sistēmas režīmu "HIGH". Ja dzesēšanas ierīce ir pievienota dzīvojamās zonas akumulatoram, izvēlieties akumulatora monitora režīmu "LOW".

### Ekrāna spilgtuma iestatīšana

Zema apkārtējā apgaismojuma apstākļos ekrāna spilgtumu iespējams samazināt.

1. Ieslēdziet dzesēšanas ierīci.
  2. Nospiediet **SET** pogu 4 reizes.
  3. Izmantojiet **+** vai **-** pogu, lai iestatītu ekrāna spilgtumu.
- ✓ Ekrāns mainās, kā norādīts tālāk. (**d L 0**) (mazs), (**d H 0**) (vidējs), (**d H 1**) (liels)

Ekrānā vairākas sekundes tiek rādīts iestatītais režīms. Ekrāns vairākas reizes nomirgo un pēc tam atsāk rādīt pašreizējo spilgtumu.



**PIEZĪME** Kļūmes gadījumā spilgtums automātiski pārslēdzas uz **[d H r]** (noklusējums). Pēc kļūdas novēršanas tiek atkal aktivizēts iestatītais spilgtums.

### USB porta izmantošana

USB ports ļauj uzlādēt tādas mazas ierīces kā mobilie tālruņi un MP3 atskaņotāji.

- > Pievienojiet uzlādējamo ierīci pie dzesēšanas ierīces USB porta, izmantojot USB kabeli (neietilpst komplektācijā).



**PIEZĪME** Pārļiecinieties, ka pievienotā ierīce ir saderīga ar 5 V / 2 A izmantošanu.

### Ekrāna režīma iestatīšana

1. Nospiediet **SET** pogu 5 reizes.
2. Izmantojiet **+** vai **-** pogu, lai iestatītu miega režīmu.
- ✓ Ekrāns mainās, kā norādīts tālāk. **[5 0f]** (Izsl.), **[5 0n]** (Iesl.), **[5 L0]** (Mazs)

**s 0f** (Izsl.): Miega režīms ir deaktivizēts. Ekrāns ir visu laiku ieslēgts.

**s 0n** (Iesl.): Miega režīms ir aktivizēts. Ja dzesēšanas kaste netiek vairākas minūtes izmantota, ekrānā ir redzams tikai punkts.

**s L0** (Mazs): Miega apakšrežīms ir aktivizēts. Ja dzesēšanas kaste netiek vairākas minūtes izmantota, ekrāns pārslēdzas uz mazāko ekrāna spilgtumu.



**PIEZĪME** Ja ekrāns ir miega režīmā vai miega apakšrežīmā, īsi nospiediet pogu uz dzesēšanas kastes, lai izietu no attiecīgā režīma.

### Mobilās dzesēšanas lietotnes izmantošana

Dzesēšanas ierīci var uzraudzīt un vadīt ar Bluetooth vai WLAN palīdzību, izmantojot lietotni, ko var instalēt kādā saderīgā ierīcē.

1. Lejupielādējiet un instalējiet dzesēšanas lietotni mobilajā ierīcē.



legūstiet šo lietotni šeit: [qr.dometic.com/beiv4R](http://qr.dometic.com/beiv4R).

2. Nospiediet pogu **SET** šādi:
  - 6 reizes, lai atvērtu Bluetooth iestatījumus;
  - 7 reizes, lai atvērtu WLAN iestatījumus.
3. Izmantojiet **+** vai **-** pogu, lai iestatītu Bluetooth vai WLAN.



**PIEZĪME** Ja dzesēšanas ierīce ir savienota pāri ar kādu saderīgu ierīci, izmantojot Bluetooth, jāiestata savienošanas pāri režīms.

- ✓ Bluetooth iestatīšanas laikā ekrāns mainās šādi: **[bL0f]** (Iesl.), **[bL0n]** (Izsl.), **[bLPR]** (Savienošana pāri)



**PIEZĪME** Ja redzams simbols **[bL OFF]**, ekrāns nemainās, nospiežot **[-]** pogu. Ja redzams simbols **[bL ON]**, ekrāns nemainās, nospiežot **[+]** pogu.

Mirgo balta Bluetooth LED lampiņa un ekrānā ir redzams simbols **[bL]**, kamēr notiek sagatavošanās savienošanai ar Bluetooth.

WLAN iestatīšanas laikā ekrāns mainās šādi: **[F OFF]** (Izsl.), **[F ON]** (Iesl.)

4. Izpildiet norādījumus, kas redzami dzesēšanas lietotnē mobilajā ierīcē.
- ✓ Kad dzesēšanas ierīce ir pievienota, iedegas Bluetooth vai WLAN LED lampiņa.

### Dzesēšanas ierīces izslēgšana

1. Iztukšojiet dzesēšanas ierīci.
- 
2. Nospiediet "ON/OFF" (Iesl./Izsl.) pogu.
  3. Atvienojiet savienojuma vadu.
  4. Ja dzesēšanas ierīce netiks kādu ilgāku laiku izmantota, atstājiet vāku atvērtu, lai tajā nevarētu izveidoties smaka.

### Dzesēšanas kastes atkausēšana

Mitrums var radīt sasaluma kārtu dzesēšanas ierīces iekšpusē vai uz iztvaicētāja. Tādā veidā dzesēšanas jauda samazinās.



#### **ŅEMĪET VĒRĀ! Bojājumu risks**

Nekad nelietojiet cietus vai smailus instrumentus, lai noņemtu ledu vai atbrīvotu sasalušus priekšmetus.

Lai atkausētu dzesēšanas ierīci, rīkojieties šādi:


1. Izņemiet no dzesēšanas kastes visu saturu.
2. Ja nepieciešams, ievietojiet saturu citā dzesēšanas kastē, lai saglabātu to vēsu.
3. Izslēdziet dzesēšanas kasti.
4. atstājiet vāku atvērtu;
5. noslaukiet atkausēto ūdeni.

### Maiņstrāvas drošinātāja nomainīšana



#### **BĪSTAMI! Nāvējoša elektrošoka risks**

Pirms maiņstrāvas drošinātāja nomainīšanas atvienojiet barošanas avotu un savienojuma kabeli.

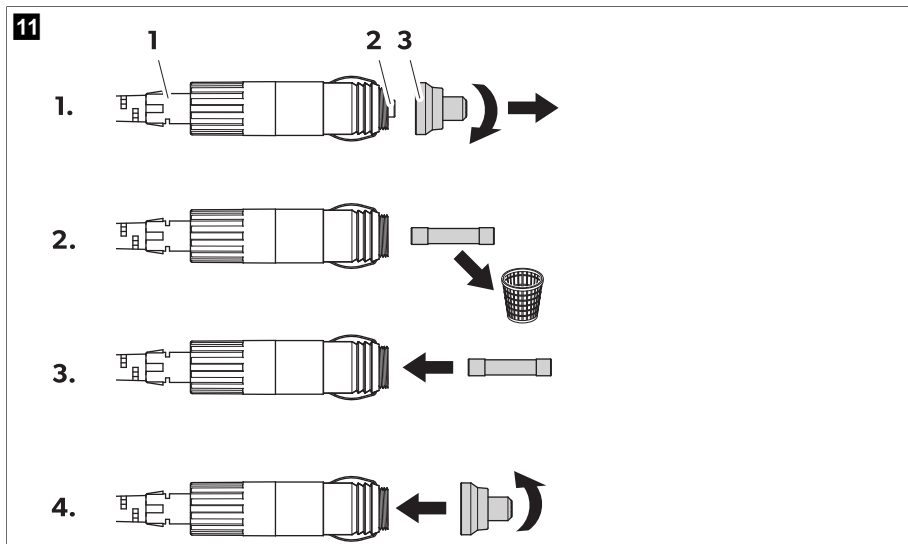
1. Atvienojiet dzesēšanas ierīces barošanas avotu.
2. Izvelciet savienojuma kabeli.
3. Ar skrūvgriežu palīdzību izņemiet drošinātāja ieliktni (  att. 4 lpp. 427 2).
4. Nomainiet bojāto stikla drošinātāju ar jaunu tāda paša tipa un nominālvērtības drošinātāju ( 4 A , 250 V ).
5. Iespiediet drošinātāja ietveri atpakaļ korpusā.
6. Pievienojiet ierīces barošanas avotu.

## Līdzstrāvas spraudņa drošinātāja nomainīšana



**PIEZĪME** Ierīces iekšpusē ir papildu līdzstrāvas drošinātājs (autotransportam paredzēts drošinātājs ar standarta nostrādes mehānismu) ( 10 A ). Drošinātāju drīkst nomainīt tikai pilnvarots remonta centrs.

1. Noskrūvējiet kontakttapas korpusu ( att. 11 lpp. 434 3) no spraudņa ( att. 11 lpp. 434 1).



2. Nomainiet bojāto drošinātāju ( att. 11 lpp. 434 2) ar jaunu tāda paša tipa un nominālvērtības drošinātāju (3AG, ātras darbības, skatiet 10 A).
3. Samontējiet spraudni, veicot šīs darbības apgriezta secībā.

## Apgaismojuma shēmas plates nomainīšana



### ŅEMĪET VĒRĀ! Bojājumu risks

Lai izvairītos no bīstamības, apgaismojuma shēmas plati nomainīt drīkst tikai ražotājs, servisa pārstāvis vai līdzīgi kvalificēta persona.

## 10 Tīrīšana un apkope



### ESĪET PIESARDZĪGI! Nāvējoša elektrošoka risks

Pirms jebkuras tīrīšanas vai apkopes veikšanas nodrošiniet, lai dzesēšanas ierīce ir atvienota no barošanas avota.



### ŅEMĪET VĒRĀ! Bojājumu risks

- > Dzesēšanas ierīci nedrīkst tīrīt ar tekošu ūdeni vai trauku mazgāšanas mašīnā.
- > Tīrīšanai neizmantojiet abrazīvus tīrīšanas līdzekļus vai cietus priekšmetus.

- > Periodiski notīriet ierīces iekšpusi un ārpusi ar mitru drānu.



- > Nodrošiniet, lai dzesēšanas ierīces gaisa ieplūdes un izplūdes atveres būtu bez putekļiem un tīras, lai siltums varētu brīvi izplūst un nerastos ierīces bojājumi.

## 11 Problēmu novēršana

| Problēma   | Cēlonis  | Līdzeklis  |
|--|--|--|
| Dzesēšanas ierīce nedarbojas. Elektroenerģijas indikators neiedegas.   | Līdzstrāvas kontaktligzdā nav sprieguma.                                     | > Ieslēdziet transportlīdzekļa aizdedzi.   |
|  | Mainstrāvas kontaktligzdā nav sprieguma.                                     | > Izmantojiet citu kontaktligzdu.  |
|  | Mainstrāvas drošinātājs ir bojāts.   | > Nomainiet mainstrāvas drošinātāju, skat. Mainstrāvas drošinātāja nomaiņšana lpp. 433.  |
|  | Integrētais elektrotīkla adapteris ir bojāts.                                | > Sazinieties ar pilnvarotu servisa pārstāvi.  |
| Elektroenerģijas indikatora LED lampiņa iedegas oranžā krāsā, redzams kļūdas kods <b>E 01</b> un dzesēšanas ierīce neveic atdzesēšanu kaut arī ir pievienota kontaktligzdai. | Iestatīts pārāk augsts akumulatora uzraudzības līmenis.                      | 1. Iestatiet mazākas akumulatora uzraudzības režīmu (skat. Akumulatora uzraudzības sistēmas izmantošana lpp. 431).<br>2. Pārbaudiet startera akumulatoru.<br>3. Ja nepieciešams, nomainiet startera akumulatoru.<br>Ievērojiet ražotāja instrukcijas.  |
|  | Iestatīts pārāk zems akumulatora uzraudzības līmenis.                        | 1. Iestatiet lielākas akumulatora uzraudzības režīmu (skat. Akumulatora uzraudzības sistēmas izmantošana lpp. 431).<br>2. Pārbaudiet startera akumulatoru.<br>3. Ja nepieciešams, nomainiet startera akumulatoru.<br>Ievērojiet ražotāja instrukcijas. |
| Darbinot dzesēšanas ierīci no līdzstrāvas kontaktligzdas: Aizdedze ir ieslēgta, bet dzesēšanas ierīce nedarbojas. Elektroenerģijas indikators neiedegas.                     | Līdzstrāvas spraudnis nav pareizi pievienots.                                | > No jauna pievienojiet līdzstrāvas spraudni.  |
|  | Līdzstrāvas kontaktligzda ir netīra. Tas izraisa sliktu elektrisko kontaktu. | > Notīriet līdzstrāvas kontaktligzdu.<br>Ievērojiet ražotāja instrukcijas.   |
|  | Nostrādājis līdzstrāvas spraudņa drošinātājs.                                | > Nomainiet līdzstrāvas spraudņa drošinātāju, skat. nodaļu Līdzstrāvas spraudņa drošinātāja nomaiņšana lpp. 434.   |
|  | Nostrādājis līdzstrāvas drošinātājs, kas atrodas dzesēšanas ierīcē.          | > Sazinieties ar pilnvarotu servisa pārstāvi.  |
|  | Nostrādājis transportlīdzekļa līdzstrāvas kontaktligzdas drošinātājs.        | > Nomainiet transportlīdzekļa līdzstrāvas kontaktligzdas drošinātāju.<br>Ievērojiet ražotāja instrukcijas.   |
| Ekrānā redzams kļūdas kods, un dzesēšanas ierīce neveic atdzesēšanu (skat. Kļūdu kodi lpp. 436).   | Ierīce ir izslēgusies iekšējās atteices dēļ.                                 | > Sazinieties ar pilnvarotu servisa pārstāvi.  |

## Kļūdu kodi



**PIEZĪME** Ja rodas kāds no kļūdas kodiem no **E 02** līdz **E 07**, sazinieties ar pilnvarotu servisa pārstāvi.

| Kļūdas kods | Apraksts                       |
|-------------|--------------------------------|
| <b>E 01</b> | Mazs spriegums / pārspriegums  |
| <b>E 02</b> | Ventilatora pārspriegums       |
| <b>E 03</b> | Kompresora palaišana neizdevās |
| <b>E 04</b> | Zems kompresora ātrums         |
| <b>E 05</b> | Regulators pārkarsis           |
| <b>E 06</b> | NTC pārtraukta ķēde            |
| <b>E 07</b> | NTC isslēgta ķēde              |

## 12 Garantija

Ir spēkā likumā noteiktais garantijas periods. Produkta bojājumu gadījumā sazinieties ar ražotāja filiāli savā valstī (skatiet [dometic.com/dealer](http://dometic.com/dealer)) vai tirgotāju.

Nosūtot ierīci remontam garantijas ietvaros, pievienojiet šādus dokumentus:

- čeka kopiju, kurā norādīts iegādes datums;
- pretenzijas iesniegšanas iemeslu vai bojājuma aprakstu.

Ņemiet vērā, ka pašrocīgi vai neprofesionāli veikts remonts var radīt drošības riskus, un garantija var tikt anulēta.

## 13 Atkritumu pārstrāde



### BRĪDINĀJUMS! Bērnu iesprostošanas risks

Pirms vecās dzesēšanas ierīces utilizācijas demontējiet vāku. Neizņemiet grozus, lai bērniem nebūtu iespējams viegli ierāpties ierīcē.



Ja iespējams, iepakojuma materiālus izmetiet atbilstošos atkritumu šķirošanas konteineros. Informāciju par produkta utilizāciju, ievērojot spēkā esošos atkritumu apsaimniekošanas noteikumus, konsultējieties ar vietējo atkritumu pārstrādes centru vai specializēto tirgotāju.



Tālāk paskaidrots, kā pārstrādāt produktus, kuri satur akumulatorus, atkārtoti uzlādējamus akumulatorus vai gaismas avotus. Pirms produkta pārstrādes izņemiet jebkādus akumulatorus, atkārtoti uzlādējamus akumulatorus un gaismas avotus. Atgrieziet bojātus vai lietotus akumulatorus tirgotājam, vai utilizējiet tos akumulatoru savākšanas punktos. Neizmetiet akumulatorus, atkārtoti uzlādējamus akumulatorus un gaismas avotus kopā ar sadzīves atkritumiem. Ja vēlaties utilizēt nolietoto produktu, sazinieties ar vietējo atkritumu šķirošanas centru vai specializēto tirgotāju, lai noskaidrotu, kā to pareizi izdarīt saskaņā ar spēkā esošajiem atkritumu apsaimniekošanas noteikumiem. Produktu iespējams utilizēt bez maksas.

## 14 Tehniskie dati



**PIEZĪME** Ja apkārtējā temperatūra ir augstāka par 32 °C, minimālo temperatūru nevar sasniegt.

Šis produkts satur fluorētas siltumnīcefekta gāzes.

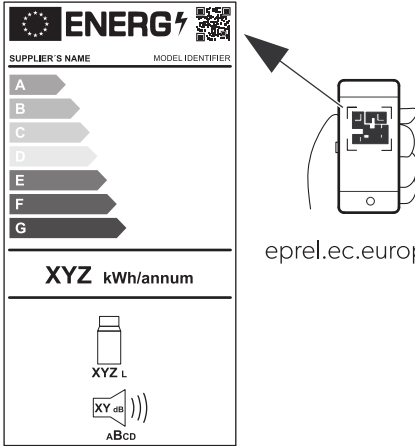
Dzesēšanas ierīce ir hermētiski noslēgta.

|   | <b>CFX2 28</b>  | <b>CFX2 37</b>  | <b>CFX2 45</b>   | <b>CFX2 57</b>   |
|---|---|---|--|--|
| Nominālā jauda                                | 50 ... 60 Hz<br>100 ... 240 V~                                  |   |  |  |
| Maksimālais strāvas stiprums                  | 12 V : 8,6 A<br>24 V : 3,8 A<br>100 V : 1,6 A<br>240 V : 0,77 A | 12 V : 8,7 A<br>24 V : 3,85 A<br>100 V : 1,63 A<br>240 V : 0,78 A | 12 V : 8,8 A<br>24 V : 3,9 A<br>100 V : 1,65 A<br>240 V : 0,79 A | 12 V : 9 A<br>24 V : 4 A<br>100 V : 1,7 A<br>240 V : 0,8 A |
| Dzesēšanas jauda                              | - 22 °C ... 20 °C   |   |  |  |
| Apkārtējā temperatūra                         | 16 °C ... 43 °C   |   |  |  |
| Klimata klase                                 | N vai T   |   |  |  |
| USB   | 5 V 2 A   |   |  |  |
| Aukstumaģents                                 | R600a   |   |  |  |
| Aukstumaģenta daudzums                        | 13 g  | 13 g  | 14 g   | 17 g   |
| Izmēri (plat. x augst. x dziļ., ar rokturiem) | 600 mm × 427 mm × 345 mm  | 678 mm × 428 mm × 401 mm  | 678 mm × 493 mm × 401 mm   | 709 mm × 503 mm × 458 mm                                   |
| Tilpums                                       | 28 L  | 37 L  | 45 L   | 57 L   |
| Svars   | 13,5 kg   | 15,8 kg   | 16,8 kg  | 18,5 kg  |
| Frekvenču josla (WLAN)                        | 2,4 GHz   |   |  |  |
| Maks. izejas jauda                            |   |   |  |  |
| WLAN  | 19,22 dBm   |   |  |  |
| Bluetooth                                     | 7,93 dBm  |   |  |  |

Ar šo Dometic (Zhuhai) Technology Co., Ltd apliecina, ka CFX2 28, CFX2 37, CFX2 45, CFX2 57 tipa radioiekārta atbilst direktīvas 2014/53/ES prasībām. Pilns ES atbilstības deklarācijas teksts ir pieejams šajā interneta adresē: [documents.dometic.com](http://documents.dometic.com)

Plašāku informāciju var iegūt, nolasot QR kodu uz enerģijas marķējuma (skatiet attēlus), vai vietnē [eprel.ec.europa.eu](http://eprel.ec.europa.eu).

**12**



The image shows a standard EU Energy Label on the left and a smartphone on the right. An arrow points from the smartphone screen to the QR code on the Energy Label. The Energy Label includes a scale from A to G, a consumption value of XYZ kWh/annum, and a sound power level of XY dB (A<sub>B</sub>C<sub>D</sub>).

**ENERGY**

SUPPLIER'S NAME MODEL IDENTIFIER

A  
B  
C  
D  
E  
F  
G

**XYZ kWh/annum**

XYZ L

XY dB  
A<sub>B</sub>C<sub>D</sub>

[eprel.ec.europa.eu](http://eprel.ec.europa.eu)

## عربي

|     |                                |    |
|-----|--------------------------------|----|
| 439 | ملاحظات هامة                   | 1  |
| 439 | شرح الرموز                     | 2  |
| 440 | شرح الرموز الموجودة على الجهاز | 3  |
| 440 | إرشادات السلامة                | 4  |
| 442 | محتويات التسليم                | 5  |
| 442 | الملحقات                       | 6  |
| 442 | الاستخدام المقصود              | 7  |
| 443 | الوصف الفني                    | 8  |
| 445 | الاستخدام                      | 9  |
| 452 | التنظيف والعناية               | 10 |
| 453 | استكشاف الأخطاء وإصلاحها       | 11 |
| 454 | الضمان                         | 12 |
| 454 | التخلص من الجهاز               | 13 |
| 454 | البيانات الفنية                | 14 |


## 1 ملاحظات هامة


يرجى قراءة هذه التعليمات، والإرشادات، والتحذيرات الواردة في دليل المنتج المشار إليه واتباعها بعناية للتأكد من تركيب المنتج، واستخدامه، وصيانته بشكل صحيح في كل الأوقات. يجب أن تظل هذه التعليمات مع هذا المنتج.


باستخدام هذا المنتج، فإنك تؤكد بمقتضى ذلك أنك قد قرأت إخلاء المسؤولية المشار إليها، وكافة التعليمات، والإرشادات، والتحذيرات بعناية وأنك تفهم الشروط والأحكام وتوافق على الالتزام بها على النحو المنصوص عليه هنا. كما توافق على استخدام هذا المنتج فقط للغرض والاستعمال المقصود وفقاً للتعليمات، والإرشادات، والتحذيرات على النحو المنصوص عليه في دليل المنتج المشار إليه وكذلك وفقاً لكل القوانين واللوائح المعمول بها. قد يؤدي عدم قراءة التعليمات والتحذيرات المنصوص عليها في هذه الوثيقة واتباعها إلى حدوث إصابة لك وللآخرين أو تلف منتجك أو تلف الممتلكات الأخرى الموجودة بالقرب منه. قد يخضع دليل المنتج المشار إليه، بما فيه من تعليمات وإرشادات وتحذيرات، والوثائق ذات الصلة للتغيير والتحديث. للحصول على أحدث معلومات عن المنتج، تُرجى زيارة [documents.dometic.com](http://documents.dometic.com).


## 2 شرح الرموز

ستحدد كلمة الإشارة رسائل السلامة ورسائل تلف الممتلكات، وستشير أيضاً إلى درجة أو مستوى شدة الخطر.

**خطر!**   
تشير إلى وجود وضع خطير إذا لم يتم تجنبه، سيؤدي إلى الوفاة أو حدوث إصابة خطيرة.

**تنبيه!**   
تشير إلى وجود وضع خطير إذا لم يتم تجنبه، يمكن أن يؤدي إلى الوفاة أو حدوث إصابة خطيرة.

**احتراس!**   
تشير إلى وجود وضع خطير إذا لم يتم تجنبه، يمكن أن يؤدي إلى حدوث إصابات بسيطة أو متوسطة.

**تحذير!**   
تشير إلى وجود وضع إذا لم يتم تجنبه، يمكن أن يؤدي إلى حدوث تلف الممتلكات.

**ملاحظة!** معلومات تكميلية لتشغيل المنتج.



### 3 شرح الرموز الموجودة على الجهاز

تحذيراً! خطر نشوب الحريق، مواد قابلة للاشتعال.



### 4 إرشادات السلامة

#### خطر! التعرض إلى الصعق الكهربائي

- < عند التشغيل: في حال تشغيل الجهاز بواسطة التيار الكهربائي الرئيسي، تأكد من أن مصدر الطاقة يحتوي على قاطع دائرة للتيار المتبقي (RCCB) أو على قاطع دائرة خطأ التيار الأرضي (GFCI). يجب أن يكون التركيب، خاصة في المناطق التي يحتمل أن تكون رطبة، وفقاً لجميع لوائح التركيب المعمول بها.
- < لا تلمس الكابلات المكشوفة ببدين عازيين. ينطبق ذلك خاصة عند تشغيل الجهاز من المصدر الرئيسي للتيار المتردد.



#### تنبيه! خطر التعرض إلى الصعق الكهربائي

- < تجنب تشغيل جهاز التبريد في حالة وجود عيوب واضحة به.
- < في حالة تعرض كابل الطاقة بالجهاز للتلف، يجب استبداله لتجنب مخاطر السلامة.
- < ينبغي تجنب إجراء إصلاحات بجهاز التبريد هذا إلا على يد أشخاص مؤهلين. يمكن أن تؤدي الإصلاحات غير السليمة إلى حدوث مخاطر بالغة.
- < قم بتوصيل الجهاز بالمقبس الذي يضمن اتصال مناسباً خاصة عندما يحتاج الجهاز إلى التأريض.



#### تنبيه! خطر نشوب الحريق

- < عند وضع الجهاز، احرص على أن يكون سلك التغذية الكهربائية غير عالق أو تالف.
- < لا تضع المقبس متعدد المنافذ المتنقل أو مغذيات القدرة الكهربائية المتنقلة في خلفية الجهاز.
- < يعتبر سائل التبريد الموجود في دائرة التبريد قابل للاشتعال بدرجة عالية وفي حالة حدوث تسرب يمكن أن تتراكم الغازات القابلة للاشتعال إذا كان الجهاز في غرفة صغيرة. في حالة حدوث أي تلف في دائرة التبريد:
  - ابعاد اللهب المكشوف ومصادر الاشتعال المحتملة عن الثلاجة.
  - قم بتهوية الغرفة جيداً.
  - إيقاف تشغيل الثلاجة.
- < لأجهزة التبريد المزودة بمادة تبريد R600a:
  - تحتوي دائرة جهاز التبريد على كمية صغيرة من مادة تبريد صديقة للبيئة ولكنها قابلة للاشتعال. لا تتلف طبقة الأوزون ولا يزيد من تأثير الاحتباس الحراري. قد تشتعل أي مادة تبريد متسربة.
  - لا تستخدم جهاز التبريد أو تخزّنه في أماكن مغلقة وضيقة من دون وجود تهوية أو الحد الأدنى منها.
- < احرص على عدم وجود أي عوائق أمام فتحات التهوية في غطاء الجهاز أو في التركيبات.
- < لا تستخدم أي قطع ميكانيكية أو وسائط أخرى للتسريع من عملية إزابة الثلج، ما لم يوصى بهذا من قبل الشركة المصنعة من أجل هذا الغرض.
- < لا تفتح أو تتلف دائرة المبرد.
- < لا تستخدم أي أجهزة كهربائية داخل جهاز التبريد، إلا إذا أشارت الشركة المصنعة باستخدامها لهذا الغرض.



#### تنبيه! المخاطر الصحية

- < إن الأطفال الذين تبدأ أعمارهم من سن 8 سنوات والأشخاص الذين يعانون من إعاقة جسدية أو حسية أو عقلية أو لديهم نقص بالخبرات، يمكنهم استخدام هذا الجهاز بشرط الإشراف عليهم وإعطائهم التعليمات المتعلقة باستخدام الجهاز بطريقة آمنة وإفهامهم المخاطر التي تتطوي عليها.
- < يُسمح للأطفال من عمر 3 وحتى 8 سنوات بتعبئة أجهزة التبريد وتفرغها.
- < يجب الإشراف على الأطفال للتأكد من عدم لعبهم بالجهاز.
- < لا يُسمح للأطفال القيام بأعمال التنظيف والصيانة من دون إشراف.



**تنبيه! خطر الانفجار**

تجنب التخزين داخل جهاز التبريد مواد قابلة للانفجار، مثل البخاخات التي تحتوي على وقود قابل للاشتعال.

**احتراس! خطر التعرض إلى الصعق الكهربائي**

- < تأكد قبل بدء تشغيل جهاز التبريد من جفاف كابل الإمداد بالطاقة والقابس.
- < افصل جهاز التبريد عن مصدر الإمداد بالطاقة قبل كل عملية تنظيف وصيانة وبعد كل استخدام.

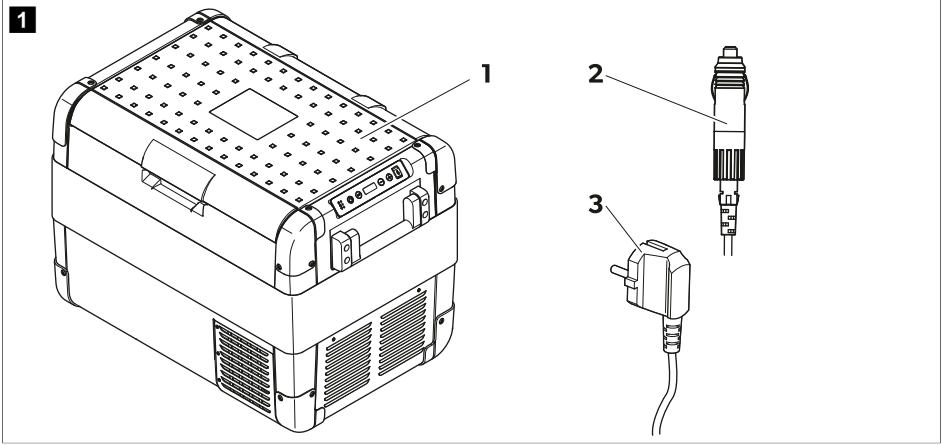
**احتراس! المخاطر الصحية**

- < لتجنب تلوث الطعام، قم بمراعاة التعليمات التالية:
- تحقق ما إذا كانت سعة تبريد الجهاز مناسبة لتخزين الطعام الذي ترغب في تبريده.
- لا يمكن حفظ الأطعمة إلا في عيوباتها الأصلية أو في حاويات مناسبة.
- يمكن أن يؤدي فتح جهاز التبريد لفترات طويلة إلى زيادة درجة حرارة أقسام الجهاز بصورة كبيرة.
- قم بانتظام بتنظيف الأسطح التي تلامس الأطعمة وأنظمة التصريف التي يمكن الوصول إليها.
- < إذا تُرك الجهاز فارغاً لفترات طويلة:
- أوقف تشغيل الجهاز.
- أذب الثلج المتكوّن في الجهاز.
- نظف الجهاز وجفّفه.
- دع الغطاء مفتوحاً لمنع تكون العفن داخل الجهاز.

**تحذير! خطر التلف**

- < تحقق من تطابق مواصفات الجهد الكهربائي الواردة بلوحة النوع مع نظيرتها الخاصة بمصدر الطاقة.
- < تجنب توصيل جهاز التبريد إلا على النحو التالي:
- باستخدام كابل توصيل تيار مستمر لمصدر طاقة تيار مستمر في السيارة
- أو باستخدام كابل توصيل تيار متردد لمصدر طاقة تيار متردد
- < تجنب مطلقاً فصل القابس من المقبس عن طريق شدة من كابل الطاقة.
- < عندما يكون جهاز التبريد متصلاً بمنفذ طاقة التيار المستمر: افصل جهاز التبريد والأجهزة الأخرى المستهلكة للطاقة من البطارية قبل توصيل جهاز شحن سريع.
- < عندما يكون جهاز التبريد متصلاً بمنفذ طاقة التيار المستمر: افصل الوصلة أو أغلق جهاز التبريد عند إيقاف تشغيل المحرك. وإلا قد يحدث تفريغ للبطارية.
- < يعتبر جهاز التبريد غير مناسب لنقل مواد كإيوية أو مواد تحتوي على مذيبات.
- < يحتوي عازل جهاز التبريد على مادة السيكلوبنتان القابلة للاشتعال وتتطلب إجراءات خاصة للتخلص منه. سلّم جهاز التبريد في نهاية دورة حياته إلى مركز إعادة تدوير مناسب.
- < لا تضع جهاز التبريد بالقرب من لهب مكشوف أو مصادر حرارة أخرى (مدفأة، ضوء الشمس المباشر، موقد غاز، وغيرها).
- < تجنب ملء الحاوية الداخلية بأي سوائل أو ثلج.
- < تجنب مطلقاً غمر جهاز التبريد في الماء.
- < احرص على حماية جهاز التبريد والكابلات من الحرارة والرطوبة.
- < ويجب ألا يُعرض جهاز التبريد للمطر.
- < لإتاحة دوران سائل التبريد بشكل صحيح، يجب عدم إمالة جهاز التبريد بما يزيد عن 30 درجة. استخدم ميزان التسوية للتأكد من استواء جهاز التبريد.
- < **خطر ارتفاع درجة الحرارة!** تأكد دائماً من وجود تهوية كافية من كل الجوانب الأربعة لجهاز التبريد. احرص على عدم وجود أي أجسام في هذه المنطقة قد تعوق من وصول الهواء إلى مكونات التبريد. لا تضع جهاز التبريد في أثاث أو مناطق ضيقة لا يوجد بها تيار هواء.





| العصر | الكمية | الوصف                              |
|-------|--------|------------------------------------|
| 1     | 1      | جهاز التبريد                       |
| 2     | 1      | كابل التوصيل لتوصيل التيار المستمر |
| 3     | 1      | كابل التوصيل لتوصيل التيار المتردد |
| -     | 1      | دليل التشغيل المختصر               |

## 6 الملحقات

متوفرة كملحقات (وليس من ضمن محتويات التسليم):

| الموديل               | الرقم المرجعي | المسمى                                  |
|-----------------------|---------------|---|
| CFX2 28 فقط           | 9600000166    | مجموعة التثبيت والفك السريع CFX-QFK     |
| CFX2 و CFX2 37 فقط 45 | 9600029599    | مجموعة التثبيت والفك السريع CFX-QFK3545 |
| تناسب كل الموديلات    | -             | تطبيق التبريد للأجهزة المحمولة          |

## 7 الاستخدام المقصود

يُعد جهاز التبريد مناسباً لتبريد الطعام. ويُعد جهاز التبريد مناسباً أيضاً للاستخدام على متن السيارات. تم تصميم جهاز التبريد لتشغيله من مقياس الإمداد بطاقة التيار المستمر في السيارة أو من مصدر إمداد بطاقة التيار المتردد.

يُعد جهاز التبريد مناسباً أيضاً للاستخدام في التخييم.

إن جهاز التبريد مُصمَّم للاستخدام في المنزل وفي استخدامات أخرى مماثلة مثل

- مطابخ داخل المتاجر والمكاتب وبيئات العمل الأخرى
- بيوت المزارع
- عملاء في الفنادق والنزل وغيرها من البيئات السكنية الأخرى
- في البيئات التي توفر سرير وإفطار
- في خدمات توريد الطعام وفي استخدامات مشابهة غير متعلقة بالبيع بالتجزئة



لا يناسب جهاز التبريد ما يلي:

- التجميد السريع للطعام
- تخزين المواد الكيميائية المسببة للتآكل أو الحارقة أو التي تحتوي على مذبذبات
- للاستخدام كجهاز مدمج

جهاز التبريد هذا مناسب للغرض المقصود منه والاستخدامات التي تتوافق مع هذه التعليمات فقط.

هذا المنتج مناسب للغرض المقصود منه والاستخدامات التي تتوافق مع هذه التعليمات فقط.

يوفر دليل التشغيل هذا المعلومات الضرورية للتركيب و/أو التشغيل الصحيح للمنتج. سيؤدي سوء التركيب و/أو التشغيل أو الصيانة غير الصحيحة إلى الحصول على أداء غير مرضٍ وعطل محتمل.

لا تتحمل الشركة المصنعة أي مسؤولية عن أي ضرر أو تلف بالمنتج ناتج من:

- عملية تركيب أو تجميع أو توصيل غير صحيحة بما في ذلك الجهد الزائد
- صيانة غير صحيحة أو استخدام قطع غيار غير أصلية وغير مقدمة من الشركة المصنعة
- إجراء تعديلات على المنتج من دون حصول على إذن صريح من الشركة المصنعة
- الاستخدام في أغراض أخرى خلاف الأغراض الموضحة في هذا الدليل

تحتفظ شركة Dometic بالحق في تغيير شكل المنتج ومواصفاته.

## 8 الوصف الفني

يمكن لجهاز التبريد تبريد المنتجات. إن الحفاظ على دائرة التبريد منخفضة مع المكثف يحقق عملية التبريد. يضمن العزل الجيد والمكثف القوي توفير تبريد كافي وسريع.

جهاز التبريد هو جهاز متنقل.

يمكن أن يتحمل جهاز التبريد ميلاً بمقدار 30 درجة لفترة قصيرة، في القوارب على سبيل المثال.

### مجموعة الوظائف

- مصدر طاقة مزود بدائرة الأولوية للتوصيل بمصدر تيار متردد
- مراقب بطارية ذو 3 مستويات لحماية بطارية السيارة
- شاشة مزودة بمقياس درجة الحرارة حيث تعرض بالدرجة المنوية وبالفهرنهايت
- إعداد درجة الحرارة باستخدام زرین على مراحل تبلغ 1 درجة منوية / 1 درجة فهرنهايت
- وظيفة Bluetooth والشبكة اللاسلكية (WLAN) المدمجة للتحكم في جهاز التبريد من خلال تطبيق التبريد للأجهزة المحمولة
- مقابض حمل قابلة للطي
- منفذ USB للإمداد بالطاقة
- سلة سلكية قابلة للإزالة

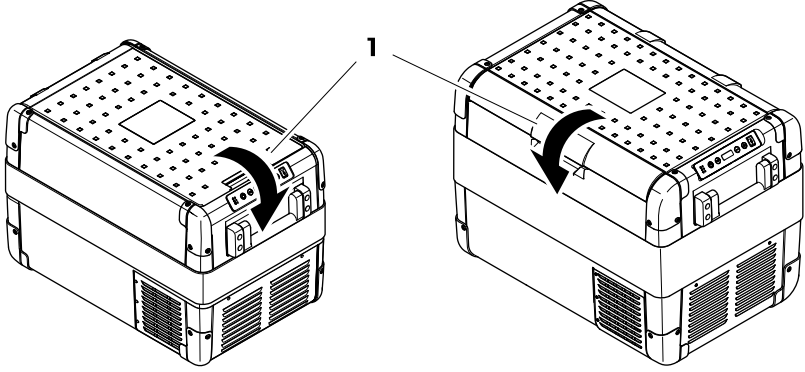
### عناصر التشغيل والعرض

سقاطة (5) شكل 2 بالصفاة 444, 1) للغطاء:

2

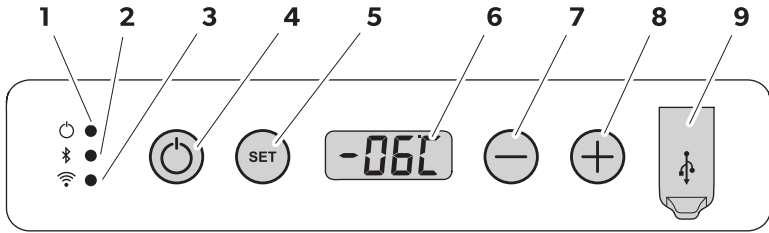
CFX2 28, 37, 45

CFX2 57



لوحة التحكم

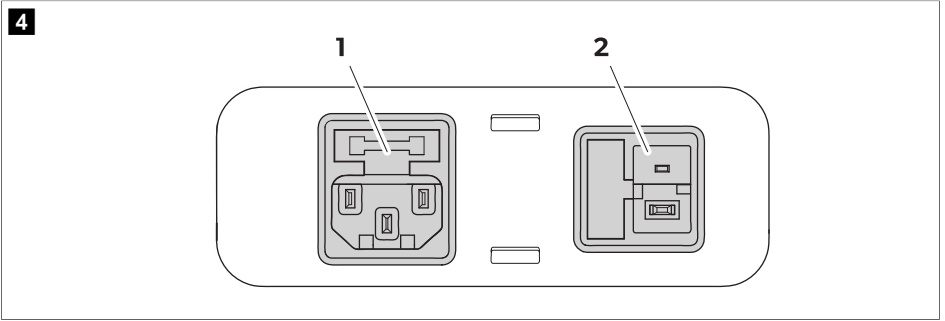
3



| الشرح  | الوصف                              | العنصر |
|--|------------------------------------|--------|
| مؤشر الحالة  |                                    |        |
| يبدأ تشغيل المكثف.   | إضاءة مؤشر LED باللون الأبيض:      | 1      |
| يتوقف تشغيل المكثف.  | إضاءة مؤشر LED باللون البرتقالي:   |        |
| تم إيقاف تشغيل Bluetooth في جهاز التبريد.                            | انطفاء مؤشر LED:                   | 2      |
| تم تشغيل Bluetooth في جهاز التبريد. لا يتم إقران جهاز التبريد بجهاز. | وميض مؤشر LED ببطء باللون الأبيض:  |        |
| يقترن جهاز التبريد بجهاز عبر Bluetooth.                              | وميض مؤشر LED بسرعة باللون الأبيض: |        |
| تم إقران جهاز التبريد بجهاز عبر Bluetooth.                           | إضاءة مؤشر LED باللون الأبيض:      |        |
| تم إيقاف تشغيل WLAN في جهاز التبريد.                                 | انطفاء مؤشر LED:                   | 3      |
| تم تشغيل WLAN في جهاز التبريد. جهاز التبريد غير متصل بجهاز.          | وميض مؤشر LED باللون الأبيض:       |        |
| يتم إقران جهاز التبريد بجهاز عبر WLAN.                               | إضاءة مؤشر LED باللون الأبيض:      |        |

| الشرح  | الوصف                                | العنصر |
|--|--------------------------------------|--------|
| لتشغيل جهاز التبريد أو إيقاف تشغيله.   | ON/OFF<br>(التشغيل/إيقاف<br>التشغيل) | 4      |
| يحدد وضع الإدخال:<br>إعداد درجة الحرارة<br>شاشة عرض تُظهر الدرجة المئوية أو الفهرنهايت<br>ضبط مراقب البطارية<br>ضبط درجة سطوع الشاشة<br>ضبط وضع شاشة العرض<br>ضبط Bluetooth<br>ضبط WLAN (الشبكة اللاسلكية) | •<br>•<br>• SET<br>•<br>•<br>•       | 5      |
| شاشة العرض   |                                      | 6      |
| اضبط درجة الحرارة ووحدة درجة الحرارة ومراقب البطارية وسطوع شاشة العرض وتقنية Bluetooth وWLAN (الشبكة اللاسلكية).   | -                                    | 7      |
|  | +                                    | 8      |
| وصلة USB   |                                      | 9      |

## مقاييس التوصيل



| الوصف                                 | العنصر |
|---------------------------------------|--------|
| مقيس التوصيل بمصدر جهد التيار المتردد | 1      |
| مقيس التوصيل بمصدر جهد التيار المستمر | 2      |

## 9 الاستخدام

## قبل الاستخدام لأول مرة

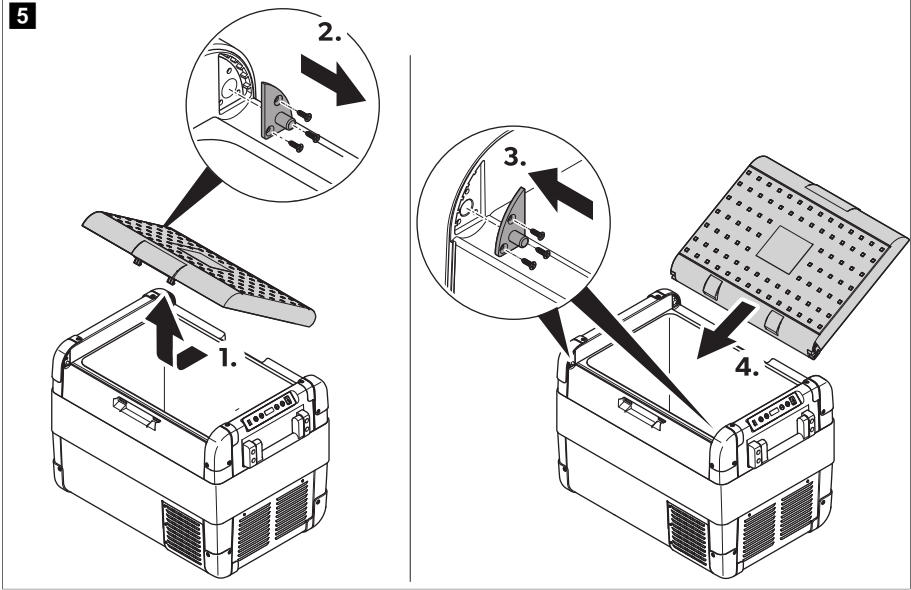
**ملاحظة!** قبل بدء تشغيل جهاز التبريد لأول مرة، قم بتنظيف الجزء الداخلي والخارجي لجهاز التبريد بقطعة قماش مبللة لأسباب صحية (see التنظيف والعناية بالصفحة 452).



## عكس اتجاه فتح الغطاء (CFX2 57 فقط)

يمكن تحريك مفصلات الغطاء إلى الجانب الآخر.

1. افتح الغطاء وقم بإزالته (شكل 5 بالصفحة 446).



2. أزل البراغي الثلاثة لكل مفصلة ( شكل 5 بالصفحة 446) وأدخلها.

3. أعد تركيب المفصلات في المواضع الجديدة.

4. أدخل الغطاء في مواضع المفصلات الجديدة ( شكل 5 بالصفحة 446).

### توفير الطاقة

- < اختر موقعاً جيد التهوية بعيداً عن أشعة الشمس المباشرة.
- < اترك الطعام الدافئ حتى يبرد أولاً قبل وضعه في جهاز التبريد للحفاظ عليه بارداً.
- < لا تفتح جهاز التبريد بشكل متكرر أكثر من اللازم.
- < لا تترك جهاز التبريد مفتوحاً لفترة أطول من اللازم.
- < في حال كان جهاز التبريد يحتوي على سلة؛ للحصول على استهلاك طاقة أمثل، ضع السلة مثلما كانت عليه عند التسليم.
- < تأكد بشكل منتظم من أن الغطاء لا يزال محكمًا بشكل مناسب.
- < تجنب استخدام درجات الحرارة المنخفضة بدون داع.

### توصيل جهاز التبريد

#### التوصيل ببطارية

#### تحذير! خطر التلف

- < بغرض حماية الجهاز، فإن كابل التيار المستمر المتوفر مع الجهاز يحتوي على مصهر داخل القابس. لا تقم بإزالة قابس التيار المستمر المزود بمصهر. لا تستخدم سوى كابل التيار المستمر المتوفر مع الجهاز.
- < افصل جهاز التبريد والوحدات الاستهلاكية الأخرى من البطارية قبل توصيل البطارية بجهاز شحن سريع. يمكن أن يؤدي الجهد الزائد إلى تلف الإلكترونيات الأجهزة المتصلة بالبطارية.



**ملاحظة!** تم تزويد جهاز التبريد بنظام إلكتروني لمنع انعكاس القطبية. يحمي النظام الإلكتروني جهاز التبريد من قصر الدائرة الكهربائية عند التوصيل بالبطارية.



يمكن تشغيل جهاز التبريد بجهد كهربائي يبلغ 12 فولت أو 24 فولت. <  
> قم بتوصيل جهاز التبريد بالبطارية باستخدام كابل توصيل التيار المستمر على النحو الموضح.

### التوصيل بمصدر تيار متردد

#### خطر! خطر التعرض إلى الصعق الكهربائي



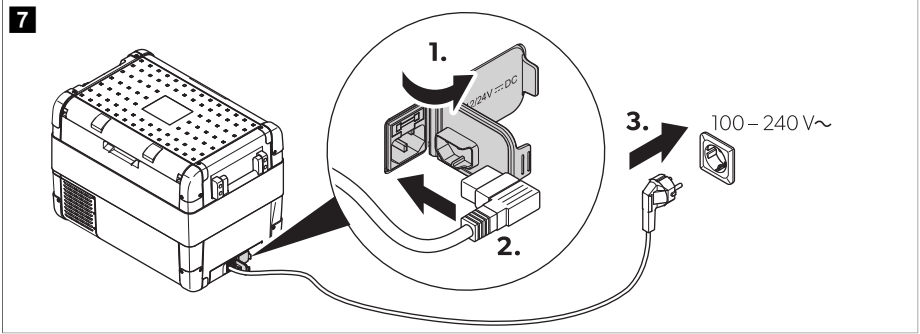
- < يجب عدم الإمساك بالقوايس والمفاتيح مطلقاً إذا كانت يديك مبللة أو كنت تقف على سطح مبلل.
- < إذا تم تشغيل جهاز التبريد على متن قارب من مصدر طاقة التيار المتردد، فيجب تركيب قاطع دائرة التيار المتبقي بين مصدر طاقة التيار المتردد وجهاز التبريد. اطلب نصيحة أحد الفنيين المدربين.

#### ملاحظة!



تم تزويد جهاز التبريد بمصدر طاقة مدمج متعدد الجهد الكهربائي يتضمن دائرة ذات أولوية للتوصيل بمصدر جهد تيار متردد. تعمل الدائرة ذات الأولوية على تحويل جهاز التبريد أوتوماتيكياً إلى التشغيل بالتيار المتردد إذا كان جهاز التبريد متصلاً بمصدر طاقة تيار متردد، حتى إذا كان كابل التيار المستمر لا يزال متصلاً.

< قم بتوصيل جهاز التبريد بمصدر طاقة تيار متردد باستخدام كابل توصيل التيار المتردد على النحو الموضح.



### استخدام جهاز التبريد

#### تحذير! خطر التلف



ضع جهاز التبريد مع توجيه القاعدة نحو الأسفل.

1. ضع جهاز التبريد على مكان ثابت.
2. وصّل جهاز التبريد (راجع الفصل توصيل جهاز التبريد بالصفحة 446).

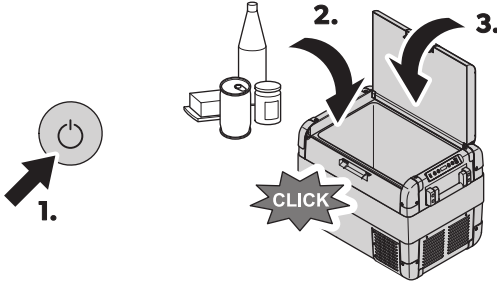
#### تنبيه! المخاطر الصحية



تأكد من وضع العناصر الفراد تبريدها فقط في درجة الحرارة المحددة داخل جهاز التبريد.

3. اضغط على الزر "ON/OFF" (التشغيل/إيقاف التشغيل) لمدة 1 ... 2 ثوان .

8



يُضيء مؤشر LED الخاص بالطاقة. يتم تشغيل شاشة العرض وتعرض درجة الحرارة الحالية. ✓

### ملاحظة! درجة الحرارة المعروضة على الشاشة

CFX2 57: درجة الحرارة المعروضة هي درجة حرارة المقصورة الداخلية الكبيرة ( شكل 9 بالصفحة 1448).



يبدأ جهاز التبريد في تبريد الجزء الداخلي.

### إغلاق غطاء جهاز التبريد بسقطة

1. أغلق الغطاء.
2. اضغط على السقطة لأسفل حتى تسمع صوت استقرارها في مكانها.

### تجنب إهدار الأطعمة

- لتجنب إهدار الأطعمة، عليك مراعاة ما يلي
- < حافظ قدر الإمكان على أدنى مستوى لتقلب درجة الحرارة. لا تفتح جهاز التبريد أكثر من اللازم إلا عند الحاجة لذلك. قم بتخزين الأطعمة بطريقة تسمح للهواء بالدوران بشكل جيد.
- < اضبط درجة الحرارة حسب كمية ونوع الأطعمة.
- < يمكن أن تُصدر المواد الغذائية روائح أو تمتصها. يجب دائماً تخزين المواد الغذائية مغطاة أو في حاويات/زجاجات مغلقة.

### ضبط درجة الحرارة

1. اضغط على الزر SET مرة واحدة.
  2. استخدم الزرين + و - لتحديد درجة حرارة التبريد.
- ✓ تظهر درجة الحرارة المحددة و [E] على شاشة العرض لبضع ثوانٍ. تومض شاشة العرض عدة مرات. بعدئذ يتم عرض درجة الحرارة الحالية مرة أخرى.

### اختيار وحدة درجة الحرارة

1. اضغط على الزر SET مرتين.
  2. اضغط على الزر + أو - لتحديد وحدة درجة الحرارة.
- ✓ يتم عرض وحدة درجة الحرارة المحددة و [F] على شاشة العرض لبضع ثوانٍ. تومض شاشة العرض عدة مرات قبل عرض درجة الحرارة الحالية.

### استخدام مراقب البطارية

تحذير! خطر التلف



عند إيقاف تشغيل مراقب البطارية، فهذا يعني أن البطارية لم تعد مشحونة بالكامل. تجنب التشغيل المتكرر أو تشغيل مستهلكات الطاقة من دون مراحل شحن أطول. تأكد من إعادة شحن البطارية.

تم تزويد جهاز التبريد بمراقب بطارية متعدد المستويات يحمي بطارية سيارتك من التفريغ الزائد عند توصيل جهاز التبريد بمصدر التيار المستمر داخل السيارة.

في حال تشغيل جهاز التبريد مع وجود مفتاح إشعال السيارة في وضع إيقاف التشغيل، يتم إيقاف تشغيل جهاز التبريد تلقائيًا بمجرد انخفاض جهد مصدر الإمداد بالطاقة عن قيمة معينة. يتم تشغيل جهاز التبريد مرة أخرى بمجرد إعادة شحن البطارية حتى جهد إعادة التشغيل.

في الوضع "HIGH" (مرتفع)، يستجيب مراقب البطارية بشكل أسرع من الوضع "LOW" (منخفض) و "MED" (متوسط).

| وضع مراقب البطارية            | منخفض     | متوسط     | مرتفع     |
|-------------------------------|-----------|-----------|-----------|
| جهد بدء التشغيل عند 12 فولت   | 11.4 فولت | 12.2 فولت | 12.6 فولت |
| جهد إيقاف التشغيل عند 12 فولت | 10.1 فولت | 11.2 فولت | 11.8 فولت |
| جهد بدء التشغيل عند 24 فولت   | 23 فولت   | 25.3 فولت | 26.4 فولت |
| جهد إيقاف التشغيل عند 24 فولت | 21.5 فولت | 24.1 فولت | 24.6 فولت |

حدد وضع مراقب البطارية على النحو التالي:

1. قم بتشغيل جهاز التبريد.
  2. اضغط على الزر SET 3 مرات.
  3. استخدم الزرين + أو - لتحديد وضع مراقب البطارية.  
 v تغيير شاشة العرض على النحو التالي: (LOW), (MED), (HIGH) (P\_H\_I), (P\_M\_D), (P\_L\_O).
- يظهر الوضع المحدد على شاشة العرض لبضع ثوانٍ. تومض شاشة العرض عدة مرات قبل الرجوع إلى درجة الحرارة الحالية.

**ملاحظة!** عند تزويد جهاز التبريد بالطاقة من بطارية بدء التشغيل، حدد وضع مراقب البطارية "HIGH" (مرتفع). إذا كان جهاز التبريد متصلًا ببطارية منزلية، فحدد وضع مراقب البطارية "LOW" (منخفض).



#### ضبط درجة سطوع الشاشة

قد يبدو سطوع الشاشة معتم بسبب ظروف الإضاءة المحيطة.

1. قم بتشغيل جهاز التبريد.
  2. اضغط على الزر SET 4 مرات.
  3. استخدم الزرين + أو - لضبط سطوع شاشة العرض.  
 v تغيير شاشة العرض على النحو التالي: (منخفض)، (متوسط)، (مرتفع) (P\_H\_I), (P\_M\_D), (P\_L\_O).
- تعرض شاشة العرض الوضع المضبوط لبضع ثوانٍ. تومض شاشة العرض بضع مرات قبل الرجوع إلى السطوع الحالي.

**ملاحظة!** إذا حدث خطأ ما، يتحول السطوع أوتوماتيكيًا إلى (P\_H\_I) الافتراضي). بمجرد تصحيح الخطأ، تتم إعادة تنشيط السطوع المضبوط.



#### استخدام منفذ USB

يسمح منفذ USB بشحن الأجهزة الصغيرة مثل الهواتف المحمولة ومُشغلات mp3.  
 < قم بتوصيل الجهاز المراد شحنه بمنفذ USB في جهاز التبريد باستخدام كابل USB (غير مرفق).

**ملاحظة!** تأكد من توافق الجهاز المتصل مع تشغيل 5 فولت / 2 أمبير .



## ضبط وضع شاشة العرض

1. اضغط على الزر **SET** 5 مرات.
2. استخدم الزرين **+** أو **-** لضبط وضع السكون.  
 ✓ تغيير شاشة العرض على النحو التالي: (**S OFF**) (إيقاف التشغيل)، (**S On**) (التشغيل)، (**S Lo**) (منخفض)
- S Off** (إيقاف التشغيل): يتم إلغاء تنشيط وضع السكون. ويتم تشغيل شاشة العرض باستمرار.
- S On** (التشغيل): يتم تنشيط وضع السكون. إذا لم يتم استخدام جهاز التبريد لعدة دقائق، فستعرض شاشة العرض نقطة فقط.
- S Lo** (منخفض): يتم تنشيط وضع السكون الفرعي. إذا لم يتم استخدام جهاز التبريد لعدة دقائق، فسيتم تحويل شاشة العرض إلى أدنى سطوع لشاشة العرض.

**ملاحظة!** إذا كانت شاشة العرض في وضع السكون أو وضع السكون الفرعي، فاضغط على زر في جهاز التبريد للخروج لفترة وجيزة من الوضع المقابل.



## استخدام تطبيق التبريد للأجهزة المحمولة

- تتم مراقبة جهاز التبريد والتحكم فيه عبر **Bluetooth** أو الشبكة اللاسلكية (**WLAN**) باستخدام تطبيق يمكنك تثبيته على جهاز متوافق.
1. قم بتنزيل تطبيق التبريد للأجهزة المحمولة وتثبيته.

احصل على التطبيق من [gr.dometic.com/beiv4R](http://gr.dometic.com/beiv4R).



2. اضغط على الزر **SET** على النحو التالي:

- 6 مرات لفتح إعدادات **Bluetooth**.
  - 7 مرات لفتح إعدادات الشبكة اللاسلكية (**WLAN**).
3. استخدم الزرين **+** أو **-** لضبط **Bluetooth** أو الشبكة اللاسلكية (**WLAN**).

**ملاحظة!** إذا تم إقران جهاز التبريد بجهاز متوافق عبر **Bluetooth**، فيجب ضبط وضع الاقتران.



✓ تغيير شاشة العرض على النحو التالي عند ضبط **Bluetooth**: (**BL OFF**) (إيقاف التشغيل)، (**BL On**) (التشغيل)، (**BL PR**) (الاقتران)

**ملاحظة!** إذا تم عرض (**BL OFF**)، فلن يتم تغيير الشاشة عند الضغط على الزر **-**. إذا تم عرض (**BL PR**)، فلن يتم تغيير الشاشة عند الضغط على الزر **+**.



يوميض مؤشر **LED** الخاص بتقنية **Bluetooth** باللون الأبيض وتعرض شاشة العرض (**BL**) في أثناء إنشاء الاقتران بتقنية **Bluetooth**.

تغيير الشاشة على النحو التالي عند ضبط الشبكة اللاسلكية (**WLAN**): (**F, OFF**) (إيقاف التشغيل)، (**F, On**) (التشغيل)

4. اتبع التعليمات الموجودة في تطبيق التبريد للأجهزة المحمولة.
- ✓ يضيء مؤشر **LED** الخاص بتقنية **Bluetooth** أو الشبكة اللاسلكية (**WLAN**) عند توصيل جهاز التبريد.

## إيقاف تشغيل جهاز التبريد

1. أفرغ جهاز التبريد.



2. اضغط على الزر "ON/OFF" (التشغيل/إيقاف التشغيل).
  3. اسحب كابل التوصيل إلى الخارج.
  4. إذا لم يتم استخدام جهاز التبريد لفترة زمنية أطول، فانترك الغطاء مفتوحًا حتى لا تتراكم الروائح.
- إذابة الثلج المتكون في جهاز التبريد**
- قد تتسبب الرطوبة في تكوّن ثلج في الجزء الداخلي من المبرد أو على المبخرات. يقلل هذا من قدرة التبريد.

#### تحذير! خطر التلف



لا تستخدم أبدًا أدوات صلبة أو مدببة لإزالة الثلج أو لفك الأشياء المتجمدة في مكانها.

لإذابة الثلج المتكون في جهاز التبريد، اتبع الخطوات التالية:

1. أخرج محتويات جهاز التبريد.
2. إذا لزم الأمر، فضع المحتويات في جهاز تبريد آخر لإبقائها باردة.
3. أوقف تشغيل جهاز التبريد.
4. اترك الغطاء مفتوحًا.
5. جفف الماء المذاب.

#### استبدال مصهر التيار المتردد

#### خطر! خطر التعرض إلى الصعق الكهربائي



افصل مصدر الإمداد بالطاقة وكابل التوصيل قبل استبدال مصهر التيار المتردد.

1. افصل مصدر إمداد جهاز التبريد بالطاقة.
2. اسحب كابل التوصيل.
3. أخرج قلب المصهر (شكل 5) بالشكل 4 بالصفحة 2 445) باستخدام مفك البراغي.
4. استبدل المصهر الزجاجي المعيب بمصهر جديد من النوع والفئة نفسيهما (4 أمبير ، 250 فولت).
5. اضغط على الجزء المدخل من المصهر إلى الخلف داخل المبيت.
6. أعد توصيل مصدر الطاقة بالجهاز.

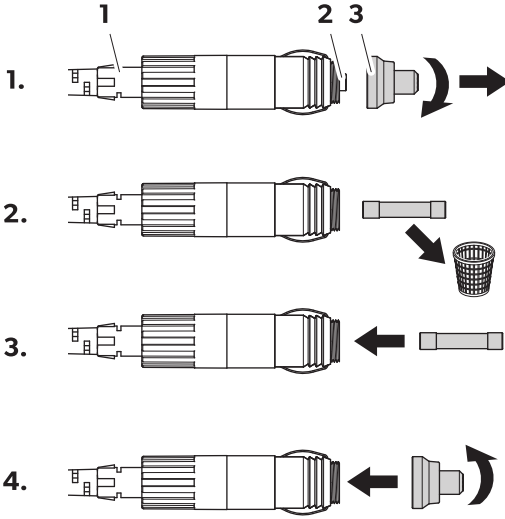
#### استبدال مصهر قابس التيار المستمر



**ملاحظة!** يوجد مصهر إضافي للتيار المستمر داخل الجهاز (مصهر بنصل قياسي للسيارات، 10 أمبير). لا يمكن استبدال المصهر هذا إلا من قبل مركز إصلاحات معتمد.

1. فك مبيت ديوس التلامس (شكل 11 بالصفحة 3 452) من القابس (شكل 11 بالصفحة 1 452).

11



2. استبدال المصهر المعيب ( شكل 11 بالصفحة 452 2) بمصهر جديد من النوع والفئة نفسيهما (3AG، سريع العمل، 10 أمبير).

3. أعد تجميع القابض بترتيب عكسي.

استبدال لوحة الدائرة الإلكترونية المطبوعة الخاصة بالضوء

#### تحذير! خطر التلف

لا يمكن استبدال لوحة الدائرة الإلكترونية المطبوعة (PCB) الخاصة بالضوء إلا من قبل الشركة المصنّعة أو من قبل وكيل الخدمة أو شخص على نفس مستوى الكفاءة وذلك لتجنب الخطر.



## 10 التنظيف والعناية

#### احتراس! خطر التعرض إلى الصعق الكهربائي

تأكد من فصل جهاز التبريد عن مصدر الإمداد بالطاقة قبل إجراء أي أعمال تنظيف أو صيانة.



#### تحذير! خطر التلف

< تجنب مطلقاً تنظيف جهاز التبريد تحت الماء الجاري أو في ماء الشطف.

< لا تستخدم مواد تنظيف كاشطة أو أجساماً صلبة في أثناء التنظيف.



< نظّف الجهاز من الداخل والخارج بقطعة قماش مبللة من حين لآخر.

< تأكد من أن فتحات دخول وخروج الهواء في جهاز التبريد خالية من أي أتربة وأوساخ، حتى يتسنى تصريف الحرارة ولا يتعرض جهاز التبريد للتلف.

## 11 استكشاف الأخطاء وإصلاحها

| المشكلة   | السبب المحتمل   | الحل  |
|---|---|---|
| لا يعمل جهاز التبريد. لا يضيء مؤشر LED الخاص بالطاقة.   | لم يتم اكتشاف جهد في مقبس التيار المستمر (DC).                | < قم بتنشيط مفتاح الإشعال في السيارة.<br>< استخدم مقبس توصيل آخر.   |
|   | لم يتم اكتشاف جهد في مقبس التيار المتردد (AC).                | < استبدل مصهر التيار المتردد، انظر استبدال مصهر التيار المتردد بالصفحة 451.   |
|   | مصهر التيار المتردد به عيب.                                   | < مصدر الطاقة المدمج تالف.  |
| يضيء مؤشر LED الخاص بالطاقة باللون البرتقالي، ويتم عرض رمز الخطأ 01 E، ولا يقوم جهاز التبريد بالتبريد على الرغم من توصيل المقابس. | تم ضبط مراقب البطارية على مستوى مرتفع للغاية.                 | 1. اضبط مراقب البطارية على وضع أقل (راجع استخدام مراقب البطارية بالصفحة 448).<br>2. اختبر بطارية بدء التشغيل.<br>3. إذا لزم الأمر، فاشحن بطارية بدء التشغيل. اتبع تعليمات الشركة المُصنِّعة.  |
|   | تم ضبط مراقب البطارية على مستوى منخفض للغاية.                 | 1. اضبط مراقب البطارية على وضع أعلى (راجع استخدام مراقب البطارية بالصفحة 448).<br>2. اختبر بطارية بدء التشغيل.<br>3. إذا لزم الأمر، فاشحن بطارية بدء التشغيل. اتبع تعليمات الشركة المُصنِّعة. |
| عند تشغيل جهاز التبريد من منفذ التيار المستمر (DC)، تم تشغيل الإشعال ولا يعمل جهاز التبريد. لا يضيء مؤشر LED الخاص بالطاقة.       | لم يتم توصيل قابس التيار المستمر (DC) بشكل صحيح.              | < أعد توصيل قابس التيار المستمر (DC).<br>< نظّف منفذ التيار المستمر (DC). اتبع تعليمات الشركة المُصنِّعة.   |
|   | مقبس التيار المستمر متسخ. يؤدي هذا إلى ضعف الاتصال الكهربائي. | < انفجر مصهر قابس التيار المستمر (DC).<br>< انفجر مصهر التيار المستمر (DC) داخل جهاز التبريد.   |
|   | انفجر مصهر قابس التيار المستمر (DC).                          | < استبدل مصهر قابس التيار المستمر (DC)، راجع الفصل استبدال مصهر قابس التيار المستمر بالصفحة 451.<br>< اتصل بوكيل الخدمة المعتمد.  |
|   | انفجر مصهر التيار المستمر (DC) للسيارة.                       | < استبدل مصهر منفذ التيار المستمر (DC) للسيارة. اتبع تعليمات الشركة المُصنِّعة.   |
| تعرض شاشة العرض رمز خطأ ولا يقوم جهاز التبريد بالتبريد (راجع رموز الخطأ بالصفحة 453).   | تم إيقاف تشغيل جهاز التبريد بسبب خطأ داخلي.                   | < اتصل بوكيل الخدمة المعتمد.  |

## رموز الخطأ

ملاحظة! في حال حدوث أحد رموز الخطأ من E 02 إلى E 07، اتصل بوكيل خدمة معتمد.



| الوصف                    | رمز الخطأ |
|--------------------------|-----------|
| انخفاض الجهد/زيادة الجهد | E 01      |
| فُرط تيار المروحة        | E 02      |

| الوصف                   | رمز الخطأ |
|-------------------------|-----------|
| فشل بدء تشغيل المكثف    | E 03      |
| سرعة المكثف منخفضة      | E 04      |
| زيادة سخونة وحدة التحكم | E 05      |
| الدائرة مفتوحة NTC      | E 06      |
| دائرة قصر في NTC        | E 07      |

## 12 الضمان

يتم تطبيق فترة الضمان القانونية. إذا كان المنتج تالفًا، يُرجى الاتصال بفرع الشركة المصنعة في بلدك (راجع [dometic.com/dealer](http://dometic.com/dealer)) أو بائع التجزئة لديك.

لتنفيذ إجراءات الإصلاح والضمان، يُرجى إرفاق المستندات التالية مع الجهاز:

- نسخة من الفاتورة مع تاريخ الشراء
- سبب الشكوى أو وصف للعطل

عليك الحذر من أن الإصلاح الذاتي أو غير الاحترافي قد يؤدي إلى عواقب تتعلق بالسلامة وإلغاء الضمان.

## 13 التخلص من الجهاز

**تنبيه! خطر انحباس الأطفال**



قبل التخلص من جهاز التبريد القديم لديك، فُك الغطاء. اترك السلالات في مكانها حتى لا يتمكن الأطفال من التسلق إلى داخله بسهولة.

ضع مواد التعبئة والتغليف في الصناديق المناسبة الخاصة بالنفايات القابلة لإعادة التدوير كلما أمكن ذلك. استشر مركز محلي لإعادة التدوير أو تاجر متخصص للحصول على تفاصيل حول كيفية التخلص من المنتج وفقًا للوائح التخلص المطبقة.



إعادة تدوير المنتجات المزودة ببطاريات وبطاريات قابلة لإعادة الشحن ومصادر الإضاءة: أزل أي بطاريات، وبطاريات قابلة لإعادة الشحن ومصادر إضاءة قبل إعادة تدوير المنتج. يُرجى إرسال البطاريات المستهلكة والمراكم التالفة إلى التاجر أو إلى أحد مراكز التجميع. لا تتخلص من أي بطاريات وبطاريات قابلة لإعادة الشحن ومصادر الإضاءة مع النفايات المنزلية العامة. إذا كنت ترغب في التخلص من المنتج نهائيًا، فاطلب من مركز إعادة التدوير المحلي أو التاجر المتخصص الحصول على تفاصيل حول كيفية القيام بذلك وفقًا للوائح التخلص المعمول بها. يمكن التخلص من المنتج مجانًا.



## 14 البيانات الفنية

**ملاحظة!** إذا كانت درجة الحرارة المحيطة أعلى من 32 درجة مئوية، فلا يمكن الوصول إلى أدنى درجة حرارة.



يحتوي هذا المنتج على غازات مفلورة مسببة للاحتباس الحراري.

وحدة التبريد محكمة الغلق.

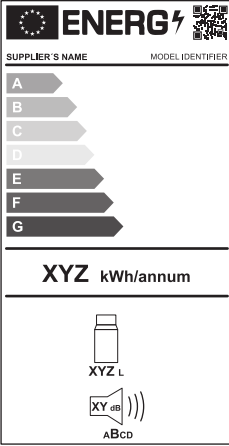
| CFX2 57 | CFX2 45           | CFX2 37 | CFX2 28 |                 |
|---------|-------------------|---------|---------|-----------------|
|         | 50 ... 60 هرتز    |         |         | الدخل المُقدَّر |
|         | 100 ... 240 فولت~ |         |         |                 |

| CFX2 57                           | CFX2 45                  | CFX2 37                  | CFX2 28                  |  |
|-----------------------------------|--------------------------|--------------------------|--------------------------|--|
| 12 فولت : 9 أمبير                 | 12 فولت : 8.8 أمبير      | 12 فولت : 8.7 أمبير      | 12 فولت : 8.6 أمبير      | التيار المقدر  |
| 24 فولت : 4 أمبير                 | 24 فولت : 3.9 أمبير      | 24 فولت : 3.85 أمبير     | 24 فولت : 3.8 أمبير      |  |
| 100 فولت : 1.7 أمبير              | 100 فولت : 1.65 أمبير    | 100 فولت : 1.63 أمبير    | 100 فولت : 1.6 أمبير     |  |
| 240 فولت : 0.8 أمبير              | 240 فولت : 0.79 أمبير    | 240 فولت : 0.78 أمبير    | 240 فولت : 0.77 أمبير    |  |
| - 22 درجة مئوية ... 20 درجة مئوية |                          |                          |                          | قدرة التبريد   |
| 16 درجة مئوية ... 43 درجة مئوية   |                          |                          |                          | درجة الحرارة المحيطة                                   |
| T أو N                            |                          |                          |                          | فئة المناخ   |
| 5 فولت 2 أمبير                    |                          |                          |                          | USB  |
| R600a                             |                          |                          |                          | مادة التبريد   |
| 17 غ                              | 14 غ                     | 13 غ                     | 13 غ                     | كمية المبردات  |
| 709 مم × 503 مم × 458 مم          | 678 مم × 493 مم × 401 مم | 678 مم × 428 مم × 401 مم | 600 مم × 427 مم × 345 مم | الأبعاد (العرض × الارتفاع × العمق، بما في ذلك المقابض) |
| 57 لتر                            | 45 لتر                   | 37 لتر                   | 28 لتر                   | الحجم  |
| 18.5 كجم                          | 16.8 كجم                 | 15.8 كجم                 | 13.5 كجم                 | الوزن  |
| 2.4 جيجاهرتز                      |                          |                          |                          | نطاق التردد (WLAN)                                     |
| dBm 19.22                         |                          |                          |                          | الحد الأقصى لطاقة الخرج                                |
| dBm 7.93                          |                          |                          |                          | الشبكة اللاسلكية (WLAN)                                |
|                                   |                          |                          |                          | Bluetooth  |

بموجب هذا المستند، تعلن شركة Dometic (Zhuhai) Technology Co., Ltd بأن نوع الجهاز اللاسلكي، CFX2 28، CFX2 37، CFX2 45، CFX2 57 يتوافق مع التوجيه 2014/53/EU. إن النص الكامل لإعلان المطابقة الأوروبي متاحاً على عنوان الإنترنت التالي: [documents.dometic.com](http://documents.dometic.com)

يمكن الوصول إلى مزيد من معلومات المنتج عبر رمز QR الموجود على ملصق الطاقة أو عبر الموقع [eprel.ec.europa.eu](http://eprel.ec.europa.eu).

12



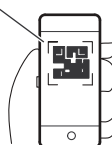
SUPPLIER'S NAME: MODEL IDENTIFIER

A B C D E F G

XYZ kWh/annum

XYZ L

XY dB(A) ABCd



[eprel.ec.europa.eu](http://eprel.ec.europa.eu)



[dometic.com](https://dometic.com)

---

## **YOUR LOCAL DEALER**

[dometic.com/dealer](https://dometic.com/dealer)

## **YOUR LOCAL SUPPORT**

[dometic.com/contact](https://dometic.com/contact)

## **YOUR LOCAL SALES OFFICE**

[dometic.com/sales-offices](https://dometic.com/sales-offices)

---