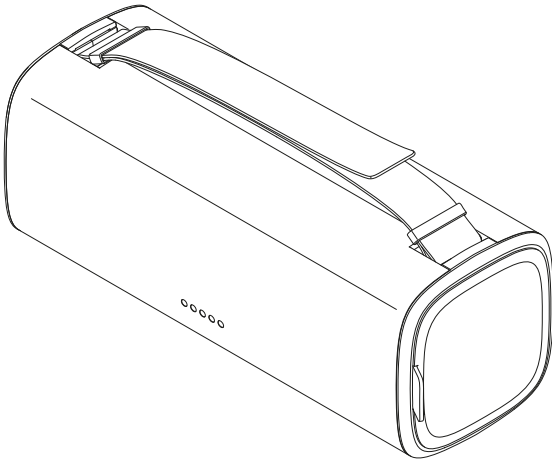


**↗ DOMETIC**

# **POWER & CONTROL**

# **PORTABLE BATTERY PACK**



## **PLB15**

<b>EN</b>	<b>Portable Battery Pack</b>	
	Operating manual.....	3

## **Copyright**

© 2024 Dometic Group. The visual appearance of the contents of this manual is protected by copyright and design law. The underlying technical design and the products contained herein may be protected by design, patent or pending patent. The trademarks mentioned in this manual belong to Dometic Sweden AB. All rights are reserved.

## English

1	Important notes.....	3
2	Explanation of symbols.....	3
3	Safety instructions.....	4
4	Scope of delivery.....	5
5	Intended use.....	6
6	Technical description.....	6
7	Operation.....	7
8	Cleaning and maintenance.....	10
9	Storing.....	10
10	Troubleshooting.....	10
11	Disposal.....	11
12	Warranty.....	11
13	Technical data.....	12

## 1 Important notes

Please read these instructions carefully and follow all instructions, guidelines, and warnings included in this product manual in order to ensure that you install, use, and maintain the product properly at all times. These instructions **MUST** stay with this product.

By using the product, you hereby confirm that you have read all instructions, guidelines, and warnings carefully and that you understand and agree to abide by the terms and conditions as set forth herein. You agree to use this product only for the intended purpose and application and in accordance with the instructions, guidelines, and warnings as set forth in this product manual as well as in accordance with all applicable laws and regulations. A failure to read and follow the instructions and warnings set forth herein may result in an injury to yourself and others, damage to your product or damage to other property in the vicinity. This product manual, including the instructions, guidelines, and warnings, and related documentation, may be subject to changes and updates. For up-to-date product information, please visit [documents.dometic.com](http://documents.dometic.com).

## 2 Explanation of symbols



### **WARNING!**

Indicates a hazardous situation that, if not avoided, could result in death or serious injury.



### **CAUTION!**

Indicates a hazardous situation that, if not avoided, could result in minor or moderate injury.



### **NOTICE!**

Indicates a situation that, if not avoided, can result in property damage.



**NOTE** Supplementary information for operating the product.

## 3 Safety instructions

### General safety



#### **WARNING! Electrocuting hazard**

- Do not operate the device if it is visibly damaged.
- The device may only be repaired by qualified personnel. Improper repairs can lead to considerable hazards.
- Do not disassemble the device.
- Do not modify or adapt any of the components in any way.
- Only use accessories and spare parts that are recommended by the manufacturer.
- Do not use the device in wet conditions or submerge in any liquid. Store in a dry place.
- Switch off the device and disconnect it from the power supply before each cleaning or maintenance and after every use.



#### **WARNING! Risk of injury**

Batteries contain aggressive and caustic acids. Avoid battery fluid coming into contact with your body. If your skin does come into contact with battery fluid, wash that part of your body thoroughly with water. If you sustain any injuries from acids, contact a doctor immediately.



#### **WARNING! Health hazard**

- Do not open or damage batteries or allow them to enter the environment, as they contain toxic and environmentally harmful heavy metals.
- This device is not intended for use by persons (including children) with reduced physical, sensory or mental capabilities, or lack of experience and knowledge, unless they have been given supervision or instruction concerning use of the device by a person responsible for their safety.
- **Electrical devices are not toys.** Always keep and use the device out of the reach of very young children.
- Children must be supervised to ensure that they do not play with the device.
- Cleaning and user maintenance shall not be made by children without supervision.



#### **NOTICE! Damage hazard**

- Before start-up, check that the voltage specification on the data plate is the same as that of the power supply.
- Ensure that other objects **cannot** cause a short circuit at the contacts of the device.
- Ensure that the negative and positive poles **never** come into contact.
- Do not use the cables as a handle.

### Operating the device safely



#### **CAUTION! Explosion hazard**

- Do **not** operate the device under the following conditions:
  - In salty, wet or damp environments
  - In the vicinity of corrosive fumes
  - In the vicinity of combustible materials
  - In areas where there is a risk of gas or dust explosion

- Never attempt to charge a frozen or defective battery. Place the battery pack in a frost-free area and wait until the battery has acclimatised to the ambient temperature.
- Do not place the device near heat sources (heaters, direct sunlight, gas ovens, etc.).
- Do not smoke, use an open flame, or cause sparking near the battery pack.
- Do not leave the device unattended when in use.



#### **CAUTION! Electrocutation hazard**

- Before starting the device ensure that the power supply cable and the plug are dry and the plug is free from rust or dirt.
- When working on electrical systems ensure that there is somebody close at hand who can help in emergencies.
- Lay the cables so that they cannot be damaged by sharp edges, doors, or the hood. Do **not** lay any cable so that it is heavily kinked. Crushed cables can lead to serious injury.
- Do not disconnect any cables when the device is still in use.



#### **CAUTION! Fire hazard**

- Do not drop, hit, or apply excessive force to the device to avoid damage to external and internal parts.
- Do not place the device near flammable materials.



#### **CAUTION! Risk of injury**

When positioning the device ensure that all cables are suitably secured to avoid any form of trip hazard.



#### **NOTICE! Damage hazard**

- Ensure that the air inlets and outlets of the device are not covered.
- Ensure a good ventilation.
- Set up the device in a dry location where it is protected against splashing water.
- Never pull the plug out of the socket by the cable.
- Loop the cable loosely when storing, tight wrapping may damage the cable and internal parts.
- Avoid deep discharge of the device.

## **4 Scope of delivery**

<b>Quantity</b>	<b>Description</b>
1	Portable battery pack
1	Charging cable (USB-C to USB-C)
1	Car charging cable (cigarette lighter port to DC5525)
1	Short operating manual
1	Operating manual (digital only)

## 5 Intended use

The portable battery pack is intended for charging digital mobile devices (e.g., cell phones, tablets, laptops, cameras, etc.), or operation of 12 V devices (e.g., air pumps, cooling boxes, and other outdoor equipment), and for use as a flashlight.

The portable battery pack is suitable for outdoor use, e.g., touring.

The portable battery pack is **not** suitable for

- Parallel connection with other portable battery packs
- Commercial use

This product is only suitable for the intended purpose and application in accordance with these instructions.

This manual provides information that is necessary for proper installation and/or operation of the product. Poor installation and/or improper operating or maintenance will result in unsatisfactory performance and a possible failure.

The manufacturer accepts no liability for any injury or damage to the product resulting from:

- Incorrect installation, assembly or connection, including excess voltage
- Incorrect maintenance or use of spare parts other than original spare parts provided by the manufacturer
- Alterations to the product without express permission from the manufacturer
- Use for purposes other than those described in this manual

Dometic reserves the right to change product appearance and product specifications.

## 6 Technical description

### General description

The battery pack is equipped with a lithium iron phosphate battery and an integrated LED flashlight.

Digital mobile devices can be charged at one of the two USB outputs (**2** and **4**, Fig. **1** on page 7). In addition, the device can be used to operate 12 V devices via the DC output (connection for car charging adapter, **5**, Fig. **1** on page 7).

The portable battery pack can be charged via the USB-C input (**2**, Fig. **1** on page 7) or the DC input (**6**, Fig. **1** on page 7).

The charging process and the current state of charge are displayed by the battery status indicator (**8**, Fig. **1** on page 7). The battery status indicator is activated as soon as:

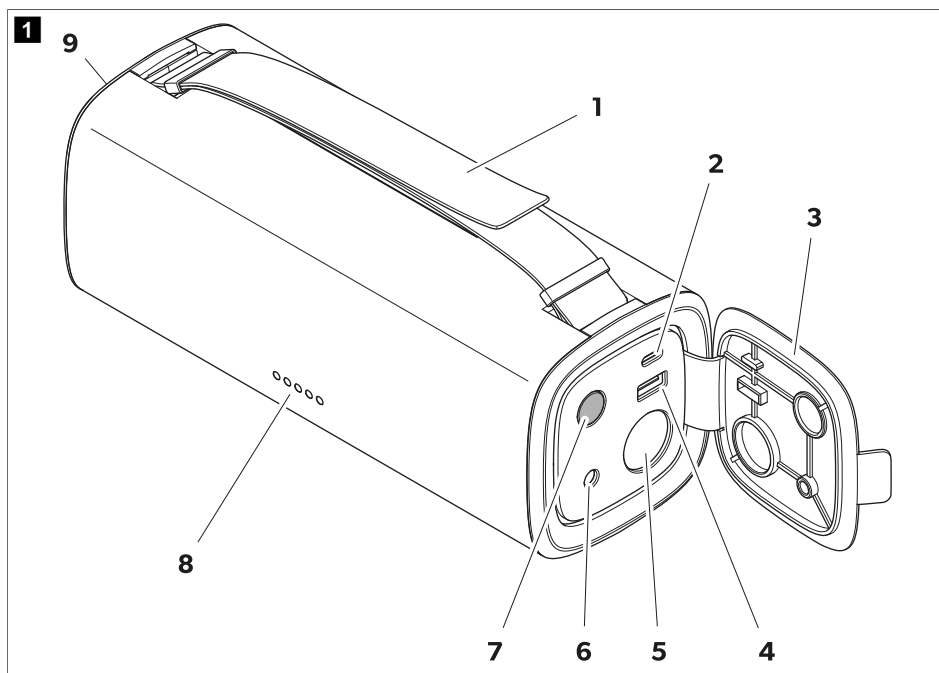
- The battery pack is being charged.
- A load is connected to the battery pack.
- The flashlight is switched on.

The portable battery pack has the following protective mechanisms:

- High and low temperature protection
- Overcurrent protection
- Overvoltage and undervoltage protection at the inputs
- Overvoltage protection at the outputs

- Short circuit protection
- Overcharge and deep discharge protection

## Description of the device



No.	Explanation	No.	Explanation
1	Adjustable carrying handle	6	DC5525 input (12 V ... 32 V)
2	USB-C input/ output (5 V/3 A, 9 V/3 A, 12 V/3 A, 15 V/3 A, 20 V/3 A)	7	On/Off button
3	Device lid	8	LED battery status indicator
4	USB-A output (5 V/2.4 A, 9 V/2 A, 12 V/1.5 A)	9	LED flashlight
5	DC output (12 V/15 A)		

## 7 Operation



### NOTICE! Damage hazard

Charge the battery pack after each use.



**NOTE** Charging digital mobile devices, operating 12 V devices and charging the battery pack are possible at the same time.

## Before first use

- > Charge the battery pack before first use until it is fully charged (see chapter Charging the battery pack on page 8).

## Charging the battery pack



### NOTICE! Damage hazard

- Provide sufficient ventilation and ensure that the heat generated during the charging process can be dissipated from the battery pack.
- Ensure that the open-circuit voltage (Voc) of the vehicle battery or solar module does not exceed 32 V.

The required charging time of the battery pack depends on the selected charging source and charging input. The portable battery pack can be charged up to 60 W via the USB-C input or up to 100 W via the DC input. When charging via USB-C input and DC input simultaneously the charging power can be increased up to 120 W.


The DC input supports both charging by vehicle batteries and charging by solar power.

1. Place the battery pack on a firm and heat-resistant base.
  2. Open the device lid to access the connections and controls.
  3. Connect a suitable power source (e.g., vehicle battery, solar panel) to the DC input or the USB-C input of the battery pack.
- ✓ The battery status indicator shows the state of charge (see chapter Checking the state of charge on page 8). The LED for the next higher charging level is flashing until the full charging level is reached.

The charging process stops automatically when the battery pack is fully charged. All LEDs of the battery status indicator are lit.

4. After charging, remove all charging cables and close the device lid.

## Checking the state of charge

- > Press the  button to activate or deactivate the battery status indicator (8, Fig. 1 on page 7).



### NOTE

- The battery status indicator automatically switches off if no load and no charging source are connected.
- As soon as the state of charge falls below 5 %, LED 1 starts flashing to indicate low battery status.

- ✓ The battery status indicator shows the state of charge between 0 % (discharged) and 100 % (fully charged).

Battery status indicator					Battery capacity
LED 1	LED 2	LED 3	LED 4	LED 5	
○	○	○	○	○	0 %
●	○	○	○	○	5 ... 20 %
●	●	○	○	○	21 ... 40 %
●	●	●	○	○	41 ... 60 %



Battery status indicator					Battery capacity
LED 1	LED 2	LED 3	LED 4	LED 5	
●	●	●	●	○	61 ... 80 %
●	●	●	●	●	81 ... 100 %

## Using the LED flashlight





### CAUTION! Risk of injury

Avoid looking directly into the LED flashlight as this may damage your eyes.



**NOTE** The flashlight is adjustable in 2 color temperatures: Neutral white (at 4300 K) and cool white (at 6400 K).

1. Open the device lid to access the connections and controls.
2. Press and hold the  button for 3 s to turn the flashlight on or off.
- ✓ The battery status indicator is lit.
3. Press the  button to switch between the color temperatures.



**NOTE** If loads or charging sources are connected, the cool white color temperature is not available and the flashlight is set to neutral white automatically.

4. Hold the flashlight by the carrying handle. The carrying handle can be adjusted to the required length.
5. After use, close the device lid.

## Charging digital devices via USB

The USB-C output has a charging power of 60 W, the USB-A output has a charging power of 18 W.



### NOTE

- Charging of digital mobile devices is not possible if the battery pack is in low battery status (state of charge < 5 %).
- Two digital mobile devices can be charged at the same time by using both USB outputs.

1. Open the device lid to access the connections and controls.
2. Select a charging cable with a suitable adapter depending on the USB output to be used, and connect the battery pack to the digital device.
- ✓ The digital device is automatically charged via the battery pack. The battery status indicator shows the remaining state of charge of the battery pack.
3. After charging, remove all charging cables and close the device lid.

## Operating 12 V devices



### NOTICE! Damage hazard

Provide sufficient ventilation and ensure that the heat generated can be dissipated from the battery pack.



**NOTE** Operation of 12 V devices is not possible as soon as the battery pack is in low battery status (state of charge < 5 %).

The DC output provides a mobile power supply with up to 150 W continuous power.

1. Place the battery pack on a firm and heat-resistant base.
  2. Open the device lid to access the connections and controls.
  3. Connect the power cable of the 12 V device to the DC output of the battery pack.
- ✓ The 12 V device is automatically supplied with power for operation via the battery pack. The battery status indicator shows the remaining state of charge of the battery pack.
4. After use, disconnect the power cable of the 12 V device and close the device lid of the battery pack.

## 8 Cleaning and maintenance



### **WARNING! Electrocutation hazard**

Unplug the device from the power supply before each cleaning and maintenance.



### **NOTICE! Damage hazard**

- Never clean the device under running water or in dish water.
  - Do not use sharp or hard objects, abrasive cleaning agents, or bleach during cleaning as these can damage the device.
- > Occasionally clean the device with a soft, damp cloth.
- > Regularly check live cables or lines for insulation faults, breaks, or loose connections.

## 9 Storing



### **NOTICE! Damage hazard**

- Only store the battery pack fully charged. Recharge the stored battery pack regularly and at least every 3 – 6 months, even when not in use.
  - Observe the specified optimum storage temperature as long-term storage at high and low temperatures can impair the service life and performance of the battery pack.
- > Store the battery pack in a well-ventilated, dry place where it is protected from dust and dirt.
- > Regularly check the state of charge of the battery pack (see chapter Checking the state of charge on page 8).

## 10 Troubleshooting

Problem	Possible cause	Suggested remedy
The battery pack does not work. The  button does not respond.	The battery pack is deeply discharged.	Charge the battery pack (see chapter Charging the battery pack on page 8).

Problem	Possible cause	Suggested remedy
	Insulation faults, breaks, or loose connections at the live cables.	<ul style="list-style-type: none"> <li>&gt; Check live cables for insulation faults, breaks, or loose connections.</li> <li>&gt; If you cannot find an error, contact an authorized service agent.</li> </ul>
	Overcurrent protection of the battery pack triggered. Short circuit protection of the battery pack triggered.	<ol style="list-style-type: none"> <li>1. Remove the loads from the USB-C, USB-A, and DC outputs.</li> <li>2. Observe the maximum load of the outputs (see chapter Technical data on page 12) when re-connecting the devices.</li> <li>3. If charging does not restart immediately after connecting devices, charge the battery pack to reactivate it (see chapter Charging the battery pack on page 8).</li> </ol>

## 11 Disposal



Recycling packaging material: Place the packaging material in the appropriate recycling waste bins whenever possible.



Recycling products with non-replaceable batteries, rechargeable batteries, or light sources:

- If the product contains any non-replaceable batteries, rechargeable batteries, or light sources, you don't have to remove them before disposal.
- If you wish to finally dispose of the product, ask your local recycling center or specialist dealer for details about how to do this in accordance with the applicable disposal regulations.

## 12 Warranty

If the product does not work as it should, please contact your retailer or the manufacturer's branch in your country (see [dometic.com/dealer](http://dometic.com/dealer)). The warranty applicable to your product is undefined year(s).

For repair and warranty processing, please include the following documents when you send in the device:

- A copy of the receipt with purchasing date
- A reason for the claim or description of the fault

Note that self-repair or nonprofessional repair can have safety consequences and might void the warranty.

### Australia only

Our goods come with guarantees that cannot be excluded under the Australian Consumer Law. You are entitled to a replacement or refund for a major failure and for compensation for any other reasonably foreseeable loss or damage. You are also entitled to have the goods repaired or replaced if the goods fail to be of acceptable quality and the failure does not amount to a major failure.

### New Zealand only

This warranty policy is subject to the conditions and guarantees which are mandatory as implied by the Consumer Guarantees Act 1993(NZ).

### Local support

Please find local support at the following link address: [dometic.com/dealer](http://dometic.com/dealer)

## 13 Technical data

<b>Battery pack</b>	
Battery type	Lithium iron phosphate/LiFePO <sub>4</sub>
Rated battery capacity	15 Ah
Rated battery voltage	12.8 V <sub>nom</sub>
<b>USB-A output</b>	
Output voltage/rated current	5 V <sub>nom</sub> /2.4 A, 9 V <sub>nom</sub> /2 A, 12 V <sub>nom</sub> /1.5 A
<b>USB-C output/ input</b>	
Charging voltage range	5 ... 20 V <sub>nom</sub>
Input current	3 A
<b>DC output</b>	
Output voltage	12 V <sub>nom</sub>
Rated current	15 A
<b>DC input</b>	
Charging voltage range	12 ... 32 V <sub>nom</sub>
Maximum input current	5.5 A
<b>LED flashlight</b>	
Cool white	
<ul style="list-style-type: none"> <li>LED lighting power</li> <li>Lumen</li> </ul>	4.5 W ± 0.5 W 160 lm ± 10 lm
Neutral white	
<ul style="list-style-type: none"> <li>LED lighting power</li> <li>Lumen</li> </ul>	2.5 W ± 0.5 W 50 lm ± 10 lm
<b>General technical data</b>	
Ambient temperature for operation	-10 °C ... 45 °C
Charging temperature	0 °C ... 45 °C
Storage temperature range	-20 °C ... 60 °C
Maximum self-discharge rate at 25 °C	5 % per month
Ambient humidity	≤ 95 %, non-condensing
Protection type	IP 44
Service life	2000 charging cycles

Dimensions (WxHxD)	85 × 222 × 85 mm
Weight	1.8 kg
Test/ certificates	







[dometic.com](https://dometic.com)

---

## **YOUR LOCAL DEALER**

[dometic.com/dealer](https://dometic.com/dealer)

## **YOUR LOCAL SUPPORT**

[dometic.com/contact](https://dometic.com/contact)

## **YOUR LOCAL SALES OFFICE**

[dometic.com/sales-offices](https://dometic.com/sales-offices)

---