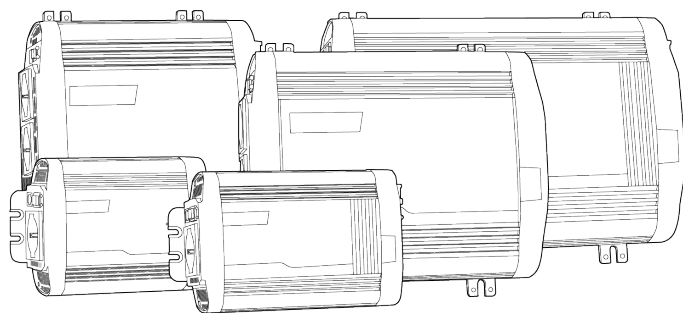


POWER & CONTROL

SMART-IN



SM400-12, SM600-12, SM600-24, SM1000-12, SM1500-12, SP400-12, SP600-12, SP600-24, SP1000-12, SPB1000I-12, SP1500-12, SPB1500I-12, SP1500-24, SPB2000I-12, SP3000-12, SP3000-24

EN	Inverter Installation and Operating Manual..... 3	SK	Strieďač Návod na montáž a uvedenie do prevádzky..... 232
DE	Wechselrichter Montage- und Bedienungsanleitung..... 22	CS	Měníč Návod k montáži a obsluze..... 250
FR	Onduleur Instructions de montage et de service..... 41	HU	Inverter Szerelési és használati útmutató..... 268
ES	Inversor Instrucciones de montaje y de uso..... 60	HR	Inverter Upute za montažu i rukovanje..... 288
PT	Inversor Instruções de montagem e manual de instruções..... 79	TR	İnvertör Montaj ve Kullanım Kılavuzu..... 306
IT	Inverter Istruzioni di montaggio e d'uso..... 98	SL	Pretvornik Navodila za montažo in uporabo..... 324
NL	Omvormer Montagehandleiding en gebruiksaanwijzing..... 117	RO	Invertor Manual de instalare și de utilizare..... 343
DA	Inverter Monterings- og betjeningsvejledning..... 137	BG	Инвартор Ръководство за инсталация и работа..... 362
SV	Växleriktare Monterings- och bruksanvisning..... 156	ET	Inverter Paigaldus- ja kasutusjuhend..... 382
NO	Vekselretter Monterings- og bruksanvisning..... 175	EL	Μετατροπέας inverter Εγχειρίδιο τοποθέτησης και χρήσης..... 400
FI	Inverterit Asennus- ja käyttöohje..... 193	LT	Inverteris Montavimo ir naudojimo vadovas..... 421
PL	Przetwornica Instrukcja montażu i obsługi..... 212	LV	Strāvas pārveidotājs Uzstādīšanas un lietošanas rokasgrāmata..... 440

Copyright

© 2025 Dometic Group. The visual appearance of the contents of this manual is protected by copyright and design law. The underlying technical design and the products contained herein may be protected by design, patent or pending patent. The trademarks mentioned in this manual belong to Dometic Sweden AB. All rights are reserved.

English

1	Important notes.....	3
2	Explanation of symbols.....	3
3	Safety instructions.....	4
4	Scope of delivery.....	4
5	Intended use.....	4
6	Target group.....	5
7	Technical description.....	5
8	Before installation.....	5
9	Installation.....	8
10	Connecting the external mains power supply (SPB1000I-12, SPB1500I-12 and SPB2000I-12 models).....	11
11	Connecting the remote control.....	12
12	Connecting N-BUS.....	13
13	Operation.....	14
14	Fuse replacement.....	15
15	Cleaning and maintenance.....	18
16	Disposal.....	18
17	Warranty.....	19
18	Technical data.....	19

1 Important notes

Please read these instructions carefully and follow all instructions, guidelines, and warnings included in this product manual in order to ensure that you install, use, and maintain the product properly at all times. These instructions **MUST** stay with this product.

By using the product, you hereby confirm that you have read all instructions, guidelines, and warnings carefully and that you understand and agree to abide by the terms and conditions as set forth herein. You agree to use this product only for the intended purpose and application and in accordance with the instructions, guidelines, and warnings as set forth in this product manual as well as in accordance with all applicable laws and regulations. A failure to read and follow the instructions and warnings set forth herein may result in an injury to yourself and others, damage to your product or damage to other property in the vicinity. This product manual, including the instructions, guidelines, and warnings, and related documentation, may be subject to changes and updates. For up-to-date product information, please visit documents.dometic.com.

2 Explanation of symbols

A signal word will identify safety messages and property damage messages, and also will indicate the degree or level of hazard seriousness.



WARNING!

Indicates a hazardous situation that, if not avoided, could result in death or serious injury.



CAUTION!

Indicates a hazardous situation that, if not avoided, could result in minor or moderate injury.



NOTICE!

Indicates a situation that, if not avoided, can result in property damage.



NOTE Supplementary information for operating the product.

3 Safety instructions



WARNING! Failure to obey these warnings could result in death or serious injury.

- > In event of fire, use a fire extinguisher which is suitable for electrical device.
- > Do not operate the device if it is visibly damaged.



CAUTION! Failure to obey these warnings could result in death or serious injury.

- > Installation, assembly, and wiring as well as all other work may only be performed by qualified electrical specialists. Inadequate repairs may cause serious hazards.
- > Installation in potentially explosive areas such as rooms with inflammable liquids or gases is not permitted.
- > Do not install or keep the device near flames or other heat sources (heating, direct sunlight, gas ovens etc.).
- > Children shall not play with the appliance.
- > This appliance can be used by children aged from 8 years and above and persons with reduced physical, sensory or mental capabilities or lack of experience and knowledge if they have been given supervision or instruction concerning use of the appliance in a safe way and understand the hazards involved.



NOTICE! Indicates a situation that, if not avoided, can result in property damage.

- > Check that the voltage specification on the data plate corresponds to that of the energy supply.
- > Never immerse the device in water.
- > Protect the device and cables against heat and moisture.
- > Do not expose the device to rain.
- > Make sure that the mounting surface is capable of supporting the weight of the device.
- > Lay the cables so that they cannot be tripped over or damaged.
- > Use ductwork or cable ducts if it is necessary to lay cables through metal panels or other panels with sharp edges.

4 Scope of delivery

Description	Quantity
Inverter	1
Red power cable	1
Black power cable	1
Installation and operating manual	1

5 Intended use

The device is intended to supply 230 V to connected appliances generated from 12 V or 24 V input voltage. The device is designed to be used in motorhomes, campervans and coaches.

The model line includes two types of devices:

- The SM400-12, SM600-12, SM600-24, SM1000-12 and SM1500-12 models are inverters with modified sinusoidal wave output.
- The SP400-12, SP600-12, SP600-24, SP1000-12, SP1500-12, SP1500-24, SP3000-12 and SP3000-24 models are inverters with pure sinusoidal wave output.

The SPB1000I-12, SPB1500I-12 and SPB2000I-12 models are featuring an integrated priority function (IVT) and a fuse-protected input (IEC) socket for the external power supply connection.

This product is only suitable for the intended purpose and application in accordance with these instructions.

This manual provides information that is necessary for proper installation and/or operation of the product. Poor installation and/or improper operation or maintenance will result in unsatisfactory performance and a possible failure.

The manufacturer accepts no liability for any injury or damage to the product resulting from:

- Incorrect installation, assembly or connection, including excess voltage
- Incorrect maintenance or use of spare parts other than original spare parts provided by the manufacturer
- Alterations to the product without express permission from the manufacturer
- Use for purposes other than those described in this manual

Dometic reserves the right to change product appearance and product specifications.

6 Target group



The electrical installation and setup of the device must be performed by a qualified electrician who has demonstrated skill and knowledge related to the construction and operation of electrical equipment and installations, and who is familiar with the applicable regulations of the country in which the equipment is to be installed and/or used, and has received safety training to identify and avoid the hazards involved.

All other actions are intended also for non-professional users.

7 Technical description

The device has two main circuit stages to convert the 12 V \approx or 24 V \approx input voltage to AC output voltage. The first stage consists of an isolated high frequency DC/DC converter to convert the 12 V DC or 24 V DC input voltage to an output voltage up to 400 V DC. The final stage consists of a H-bridge that converts the DC high voltage bus to 230 V AC voltage.

The device has the following main features:

- Low consumption.
- Galvanically isolated input and output for increased safety.
- Temperature-controlled fan speed for quiet operation.
- Integrated priority switch between external mains network and the battery.
- Ready for On/Off remote control.
- Low battery voltage alarm.
- Low and high battery voltage shutdown.
- Overload shutdown.
- Protection against short-circuit, overtemperature, overload, and reverse polarity.
- Soft start function.

SPB1000I-12, SPB1500I-12, SPB2000I-12 only: The device is N-BUS compatible (see chapter Connecting N-BUS on page 13).

8 Before installation

Battery requirements

Battery type and size can strongly affect the performance of inverters. Therefore, the type of loads the inverter will be powering and the duration of use between recharging must be indentified. To determine the minimum battery requirements for an application, do the following:

1. Determine the wattage from the labels of each appliance to be used simultaneously from the inverter. Usually, power consumption is shown in watts. If it is shown in amps, multiply the value by 230 V to determine the wattage.
2. Estimate the number of hours the equipment will be in use before recharging of the battery.
3. Calculate the total energy required in Wh (Watt hours) by multiplying the time determined above with the sum of wattage. Divide the result by 10 if the inverter input is 12 V , or by 20 if it is 24 V . The resulting value in Ah represents the power requirement of the application.



NOTE When possible, recharge the battery when about 50 % discharged or earlier. This gives the battery a much longer life cycle, opposed to only recharging it when it is deeply discharged.

Troubleshooting interference problems

Some inexpensive sound systems may emit a buzzing noise from the loudspeakers when operated from the inverter. This occurs because the power supply in the sound system does not adequately filter the modified sine wave produced by the inverter. The solution is to use a sound system that has a high quality power supply, or use a pure sine wave inverter. When the inverter is operating, it can interfere with television reception on some channels. If interference occurs, try the following:

1. Make sure that the chassis ground screw of the inverter is connected to the ground of the vehicle.
2. Make sure that the television antenna provides an adequate signal and the antenna cable is in good condition.
3. Keep the cables between the battery and the inverter as short as possible, and twist them together to reduce the radiated emissions.
4. Move the television as far away from the inverter as possible.
5. Do not operate high power loads with the inverter when the television is on.

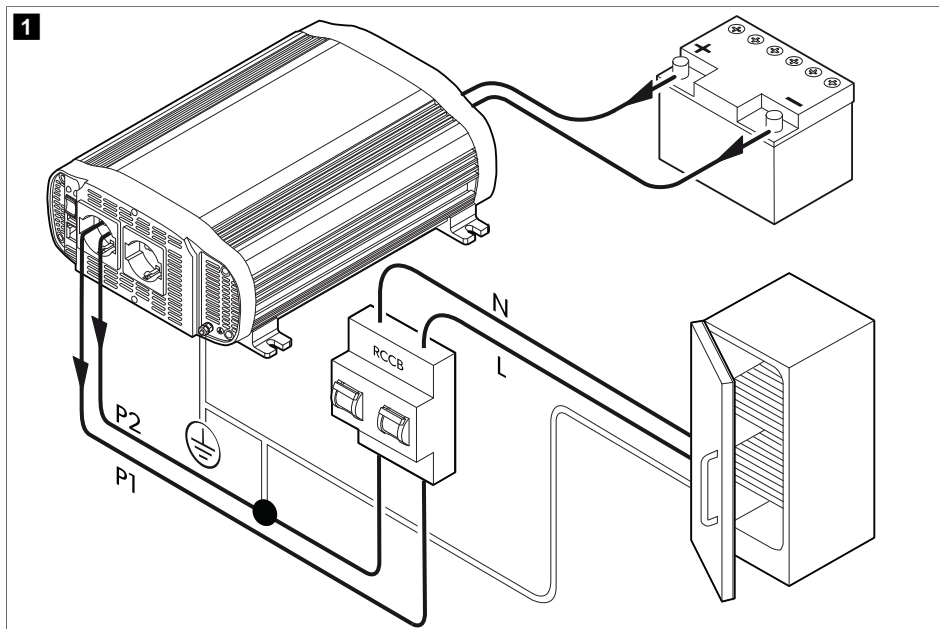
Ground leak protection (excluding the SPB1000I-12, SPB1500I-12 and SPB2000I-12 models)



NOTICE! Damage hazard

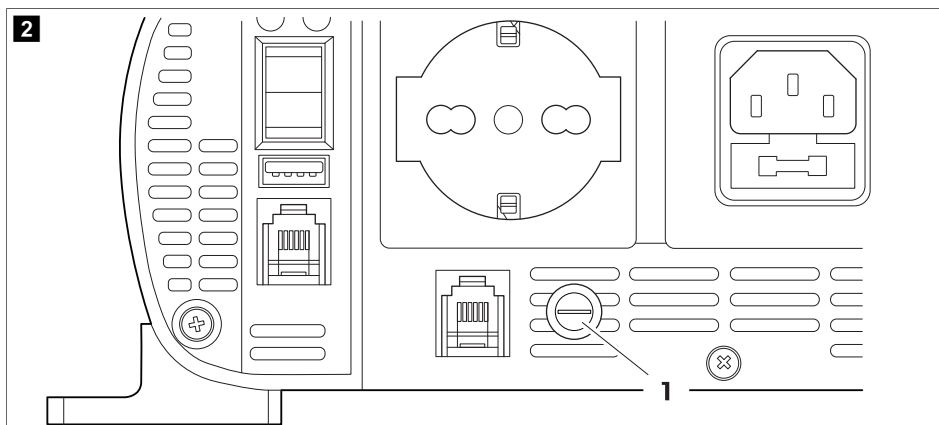
For the safe operation of multiple appliances, it is essential that a circuit breaker (residual current circuit breaker) is built into the socket distribution circuit.

The ground socket is designed for a safety system such as the residual current circuit breaker (RCCB). Connect residual current circuit breaker according to the following diagram:



1. Connect the phase (P1) and neutral (P2) output to the residual current circuit breaker input.
2. Connect the inverter ground to one of the two wires connected to the residual current circuit breaker input.
3. Connect the neutral and the phase output from the residual circuit breaker input to the appliances.
4. Connect the ground of the inverter to the ground of the appliances.

Ground leak protection (SPB1000I-12, SPB1500I-12 and SPB2000I-12 models)




NOTICE! Damage hazard

The diagram above refers to the connection of the inverter output only. The IEC connector of the external mains input must be connected to the circuit breaker output of the external mains power source.

TN or IT type grounding arrangements for SPB1000I-12, SPB1500I-12 and SPB2000I-12 are configurable with a fuse.

- > To establish a TN type grounding arrangement, make sure the fuse is inserted into the fuse holder ①.
- > To establish a IT type grounding arrangement, make sure the fuse is **not** inserted into the fuse holder ①.

9 Installation


CAUTION! Damage hazard

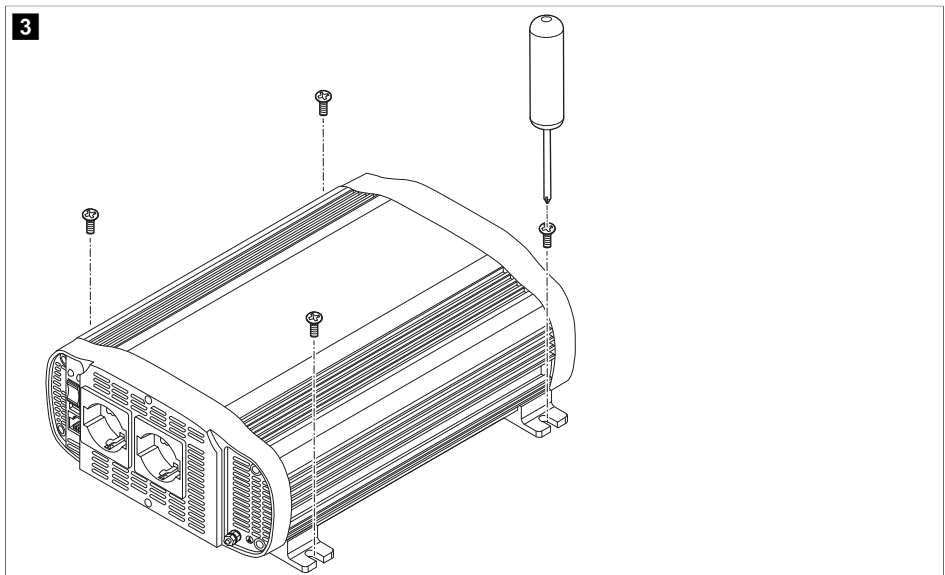
Do not install the device close to heat sources or in not adequately ventilated places.



NOTE The device can be mounted in any position. If installed on a vertical surface, it is recommended to keep the long side parallel to the floor.



NOTE Install the device as close to the 12 V / 24 V power source as possible.



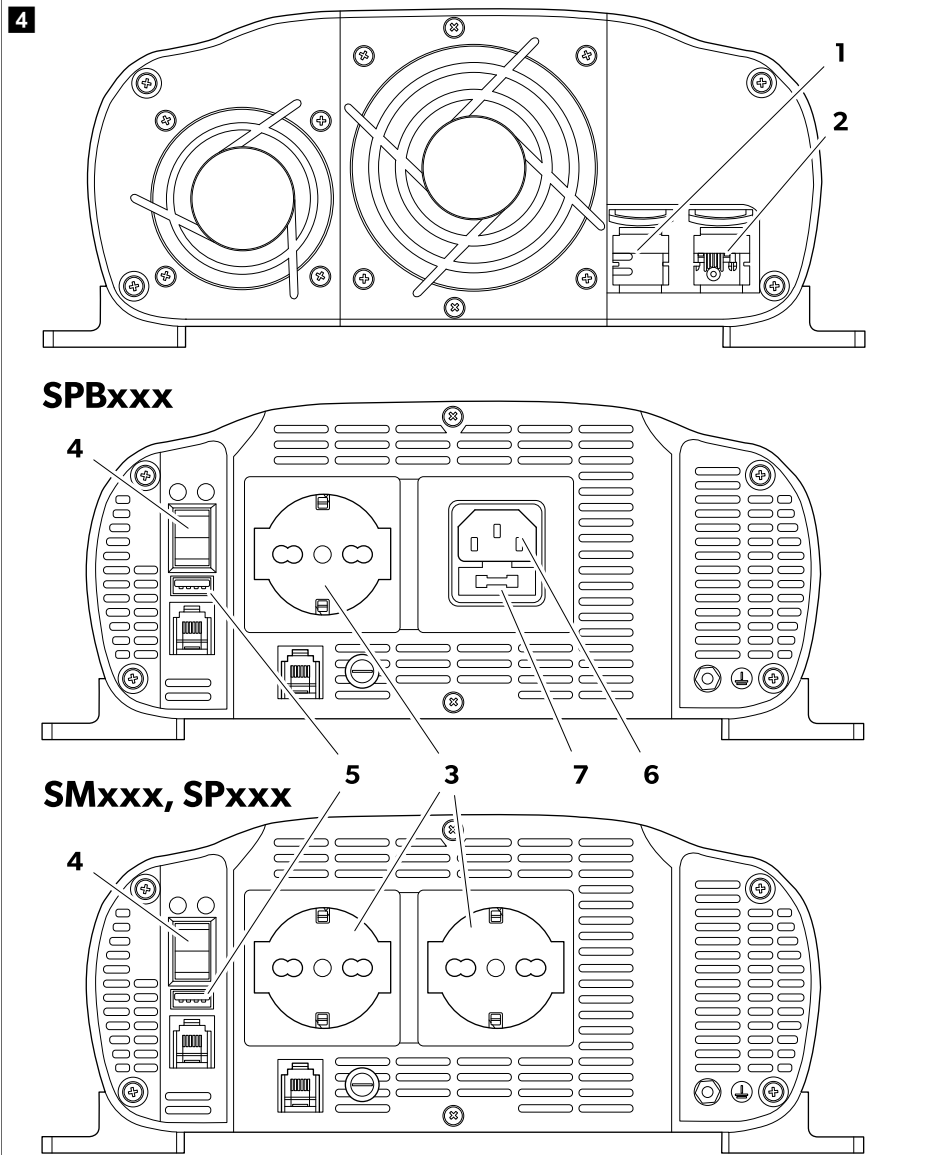
1. Mount the device by the four mounting flanges using appropriate screws.


NOTICE! Damage hazard

Before connecting the device, make sure that the power switch is in off position.



NOTE Use the supplied wires to connect the battery to the device. If the distance between the battery and the device exceeds 2 meters, increase the cross-section of the wire to reduce voltage drop and power losses.



2. Connect the negative terminal of the battery to the negative terminal of the inverter ①.



NOTICE! Damage hazard

To protect the connected devices, install an inline fuse on the positive battery cable.

3. Connect the positive terminal of the battery to the positive terminal of the inverter ②.



NOTICE! Damage hazard

Before connecting an appliance to the inverter, make sure it is turned off.

4. Connect the 230 V appliance to an output socket ③.
5. Turn the inverter on with On/Off switch ④.



NOTE When the inverter is turned on, the red and the green LED both turns on for 3 to 5 seconds. After a short time, the red LED turns off and the green remains on and the device emits an acoustic signal. The green LED indicates that the inverter is functioning properly.



NOTICE! Damage hazard

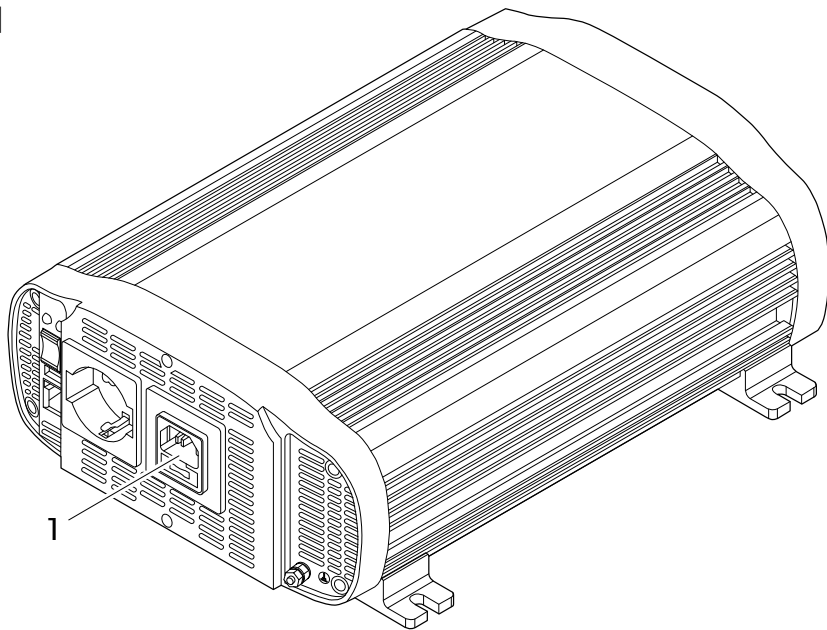
- > When you plan to operate more than one appliance, connect the one with the higher load requirement first.
- > Make sure that the combined load requirement of your appliances does not exceed the output rating of the inverter.
- > When using an extension cord from the inverter to an appliance, the extension cord should not be longer than 1.5 m.
- > Do not connect the inverter to any AC load circuit in which the neutral conductor is connected to the ground.

6. Connect additional 230 V appliances and turn them on.
7. To charge a 5 V appliance, connect it to the USB port ⑤.

10 Connecting the external mains power supply (SPB1000I-12, SPB1500I-12 and SPB2000I-12 models)

It is possible to connect an IEC cable into the external mains socket to feed the connected appliances directly with AC voltage from the public power network.

5

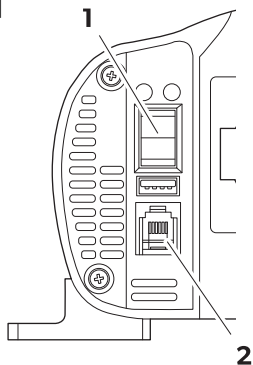


1. Connect the cable to the socket ①.
2. Install or remove the fuse to the inline fuse holder ⑦ according to the desired type ground arrangement (see chapter Before installation on page 5).

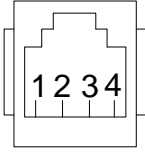
11 Connecting the remote control

The device can be remotely controlled with an optional external switch (RC03) or any generic switch configured to the RJ11 connector ① of the device. The following description of pin configurations can be used as a guideline when using generic external switches.

6




The optional RC03 external switch is using the following pin configuration:

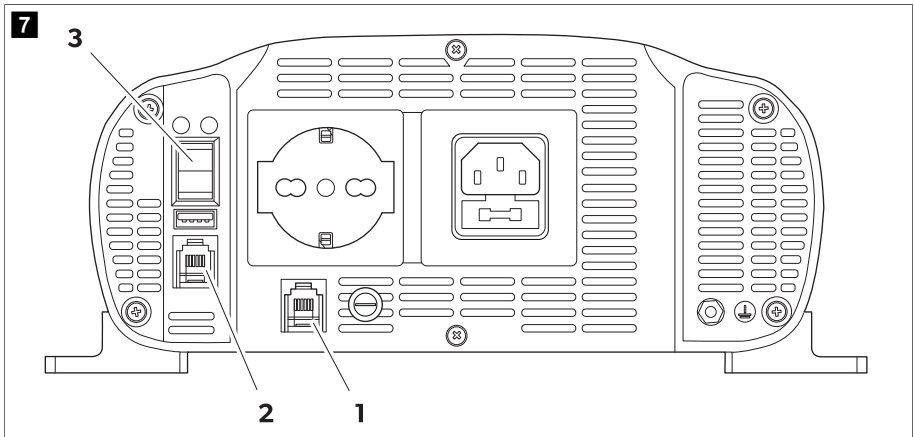
	Pin	Function
	2	Red LED connection
	1-3	External switch connection
	4	Ground

- > To enable the remote control, switch the On/Off switch (2) to position 2.

12 Connecting N-BUS

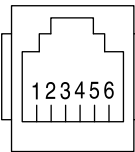
(SPB1000I-12, SPB1500I-12, SPB2000I-12 only)

1. Connect the RJ12 plug (BC03, BC06, BC10) to the N-BUS socket ( Fig. 7 on page 13, 1).



Use a 6-pole flat cable with RJ12 plug in straight configuration. The pinout configuration is as follows:

Pin	Function
1	Network status
2	Remote control
3	N-BUS/CI-BUS
4	Ground
5	Bus voltage (VBUS)
6	(not connected)



NOTICE! Damage hazard

Ensure not to mix up the connections for N-BUS and remote control ( Fig. 7 on page 13, 2).

2. Switch the On/Off switch ( Fig. 7 on page 13, 3) to position II.

3. Connect N-BUS compatible devices.

Configuring the inverter in the N-BUS network

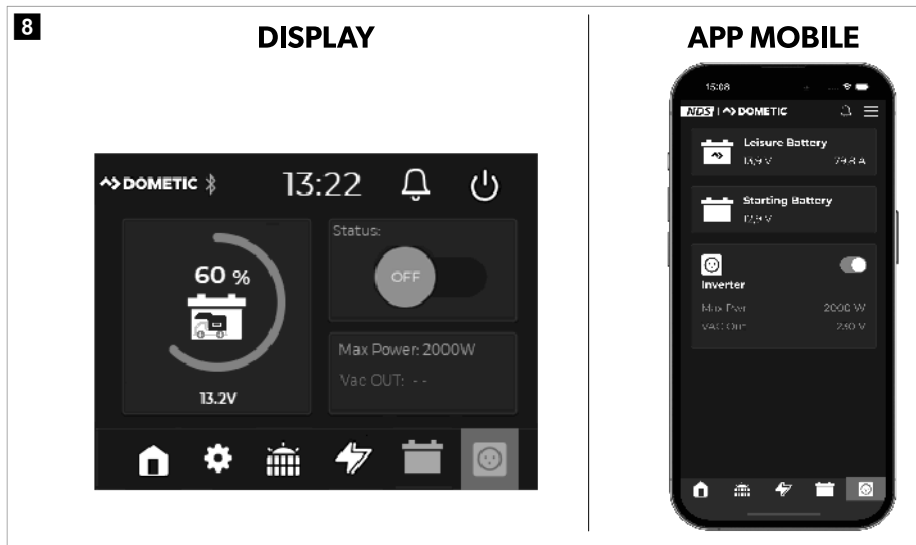
N-BUS compatible devices can be configured and controlled in the N-BUS network via display or mobile app.



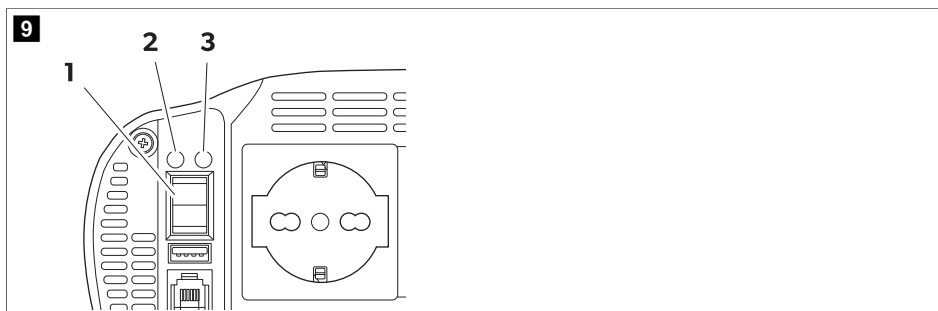
NOTE

- At least one Bluetooth device in the N-BUS network is required to use the mobile app.
- Set one of the devices as MASTER.

> Select the inverter menu and drag the slider to the on or off position to switch the inverter on or off.



13 Operation



On/Off switch

> To turn the device on, press the On/Off switch ① to position I.

- > To turn the device off, press the On/Off switch ① to position 0.
- > To enable the remote control, press the On/Off switch ① to position II.

LED indicators

The device is equipped with a green ② and a red ③ LED indicator, to display operating status.

LED	Description
Green	The device is on and properly operating
Red	Device malfunction

14 Fuse replacement

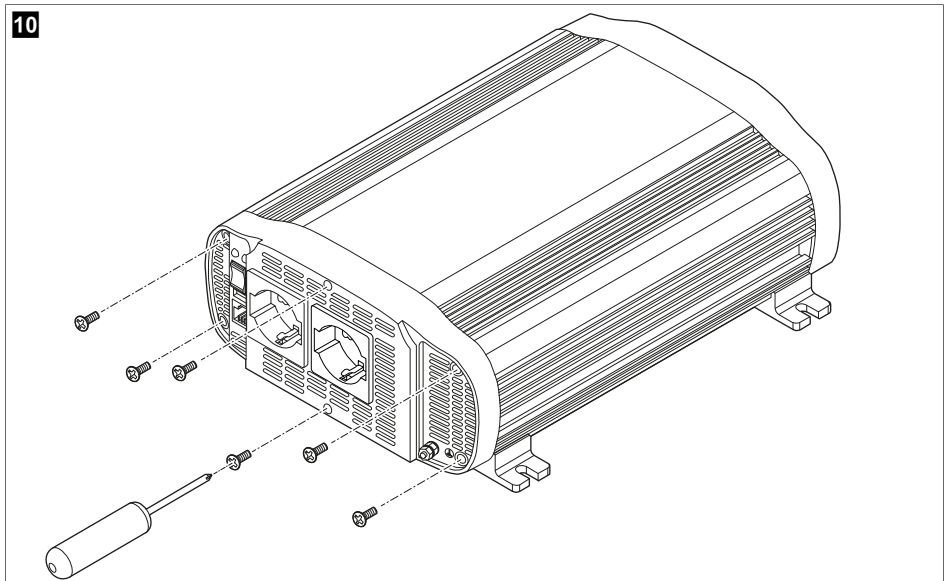


WARNING!

- Electrocutation hazard
- The installation may only be carried out by a qualified electrician.

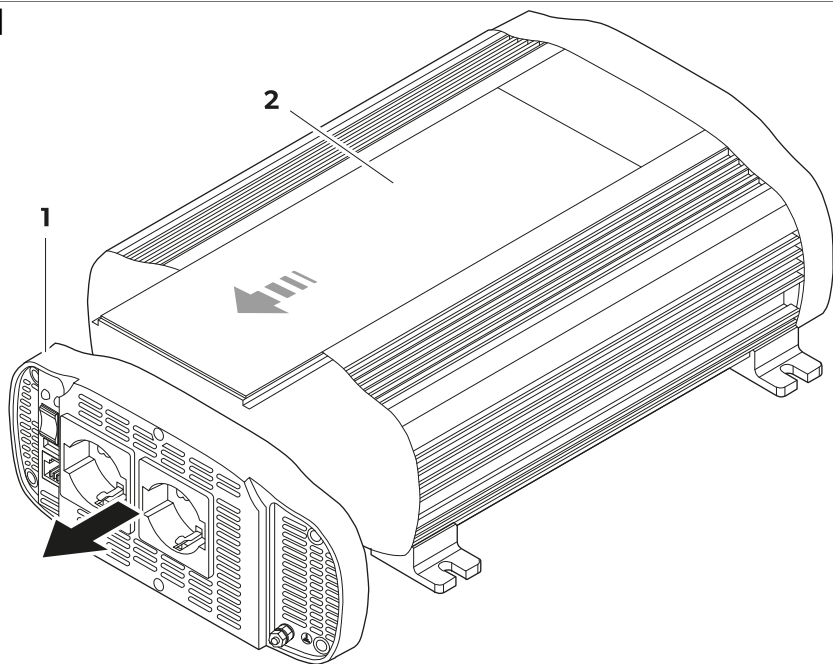
The device is protected by an integral electronic circuit. Also, fuses are located inside the device. In case of reversed polarity of a connection, a fuse blows. Devices with IVT function also feature a glass fuse inside the IEC socket for the external mains connection. Spare fuses are included in the product packaging.

Replacing internal fuses

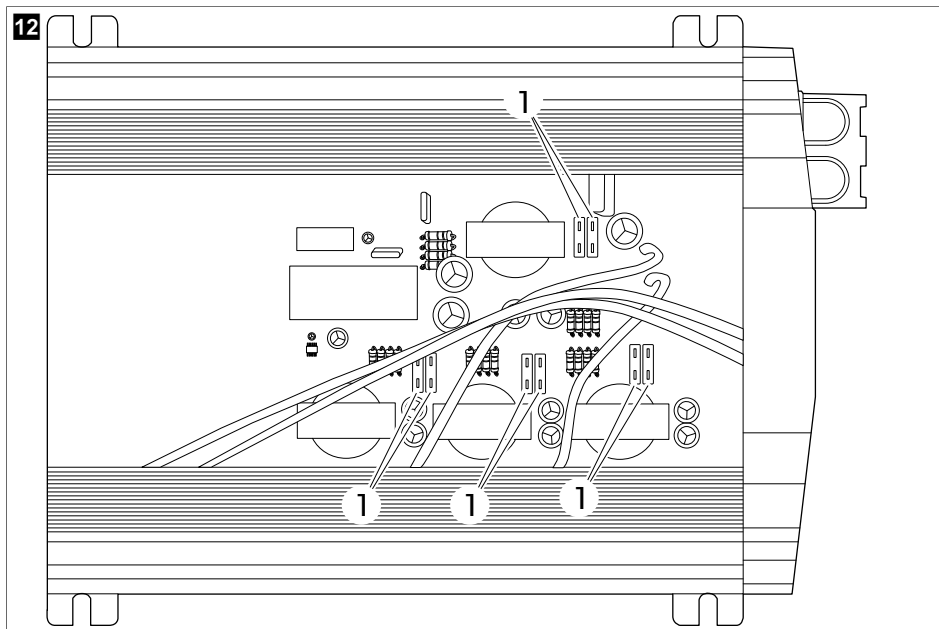


1. Remove the six screws.

11



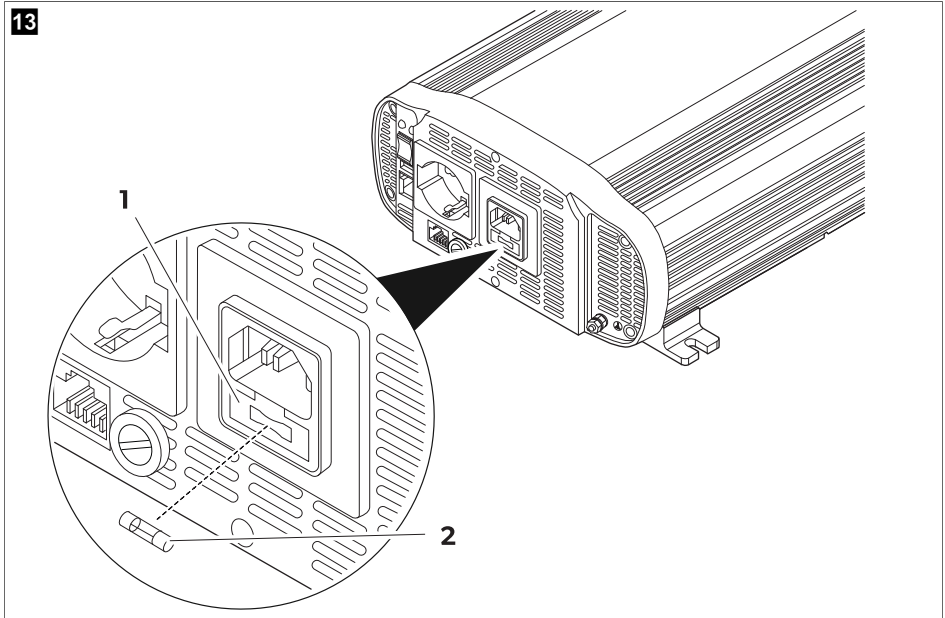
2. Tilt the front panel forward ①.
3. Remove the lid ②.



4. Replace the fuse ①.

Model	Fuse quantity	Fuse rating	
SM400-12, SP400-12	1	50 A	red
SM600-12, SP600-12	2	50 A	red
SM600-24, SP600-24	2	25 A	white
SM1000-12, SP1000-12	4	30 A	green
SM1500-12, SP1500-12	6	30 A	green
SP1500-24	6	15 A	blue
SP2000-12	8	30 A	green
SP3000-12	12	30 A	green
SP3000-24	12	15 A	blue

Replacing the IEC socket fuse



1. Open the lid ① of the socket housing.
2. Replace the fuse ②.

Model	Fuse quantity	Fuse rating
SPB1000I-12, SPB1500I-12 and SPB2000I-12	1	10 A (F10AL 250V glass fuse)



NOTE After fuse replacement, the device automatically restarts itself. If the device is not working properly after the fuse replacement, contact a technician to troubleshoot the problems.

15 Cleaning and maintenance

- > Occasionally clean the product with a damp cloth.
- > Check that the input and output connections are tight and secure.
- > Make sure that the ventilation slots are not obstructed by dirt or any material.

16 Disposal



Recycling packaging material: Place the packaging material in the appropriate recycling waste bins wherever possible.



If you wish to finally dispose of the product, ask your local recycling center or specialist dealer for details about how to do this in accordance with the applicable disposal regulations. The product can be disposed free of charge.



If the product contains any non-replaceable batteries, rechargeable batteries, or light sources, you don't have to remove them before disposal.

17 Warranty

The statutory warranty period applies. If the product is defective, please contact the manufacturer's branch in your country (see dometic.com/dealer) or your retailer.

For repair and warranty processing, please include the following documents when you send in the device:


- A copy of the receipt with purchasing date
- A reason for the claim or description of the fault



Note that self-repair or nonprofessional repair can have safety consequences and might void the warranty.

18 Technical data




	SM400-12	SM600-12	SM600-24
Continuous output power	400 W	600 W	
Peak output power	800 W (few seconds)	1200 W (few seconds)	
Output voltage (RMS)/Frequency	230 V AC / 50 Hz ± 3 Hz		
USB output	5 V 2.1 A		
Input voltage	12 V		24 V
Self-consumption	200 mA (13.2 V)	220 mA (13.2 V)	100 mA (26.4 V)
Connectivity	–	–	–
Dimensions (W x D x H)	140 mm x 184 mm x 71 mm	140 mm x 214 mm x 71 mm	140 mm x 214 mm x 71 mm
Certificate	 (10 R-05 0094)		




	SM1000-12	SM1500-12
Continuous output power	1000 W	1500 W
Peak output power	2000 W (few seconds)	3000 W (few seconds)
Output voltage(RMS)/Frequency	230 V AC / 50 Hz ± 3 Hz	
USB output	5 V 2.1 A	
Input voltage	12 V	
Self-consumption	530 mA (13.2 V)	460 mA (13.2 V)
Connectivity	–	–
Dimensions (W x D x H)	270 mm x 262 mm x 107.5 mm	270 mm x 262 mm x 107.5 mm
Certificate	 (10 R-05 0094)	

	SP400-12	SP600-12	SP600-24
Continous output power	400 W	600 W	
Peak output power	1000 W (few seconds)	1500 W (few seconds)	
Output voltage(RMS)/Frequency	230 V AC / 50 Hz ± 3 Hz		
USB output	5 V 2.1 A		
Input voltage	12 V		24 V
Self-consumption	340 mA (13.2 V)	420 mA (13.2 V)	210 mA (26.4 V)
Connectivity	-	-	-
Dimensions (W x D x H)	140 mm × 214.5 mm × 71 mm	140 mm × 244.5 mm × 71 mm	140 mm × 244.5 mm × 71 mm
Certificate	 (10 R - 05 0094)		

	SP1000-12	SPB1000I-12
Continous output power	1000 W	
Peak output power	2500 W (few seconds)	
Output voltage (RMS)/Frequency	230 V AC / 50 Hz ± 3 Hz	
USB output	5 V 2.1 A	
Input voltage	12 V	
Self-consumption	870 mA (13.2 V)	680 mA (13.2 V)
Switching time from battery to external mains	-	0.02 s
Switching time from external mains to battery	-	0.1 s
Connectivity	-	N-BUS
Dimensions (W x D x H)	270 mm × 262.4 mm × 107.5 mm	270 mm × 262.4 mm × 107.5 mm
Certificate	 (10 R - 05 0094)	 (10 R - 06-02 5174 00)

	SP1500-12	SPB1500I-12	SP1500-24
Continous output power	1500 W		
Peak output power	4000 W (few seconds)		
Output voltage (RMS)/Frequency	230 V AC / 50 Hz ± 3 Hz		
USB output	5 V 2.1 A		
Input voltage	12 V		24 V
Self-consumption	850 mA (13.2 V)	930 mA (13.2 V)	620 mA (26.4 V)
Switching time from battery to external mains	-	0.02 s	-
Switching time from external mains to battery	-	0.1 s	-

	SP1500-12	SPB1500I-12	SP1500-24
Connectivity	–	N-BUS	–
Dimensions (W x D x H)	270 mm × 322.4 mm × 107.5 mm	270 mm × 360 mm × 107.5 mm	270 mm × 322.4 mm × 107.5 mm
Certificate	 (10 R - 05 0094)	 (10 R - 06-02 5174 00)	 (10 R - 05 0094)

	SPB2000I-12	SP3000-12	SP3000-24
Continuous output power	2000 W	3000 W	
Peak output power	6000 W (few seconds)	8000 W (few seconds)	
Output voltage (RMS)/Frequency	230 V AC / 50 Hz ± 3 Hz		
USB output	5 V 2.1 A		
Input voltage	12 V		24 V
Self-consumption	900 mA (13.2 V)	1270 mA (13.2 V)	680 mA (26.4 V)
Switching time from battery to external mains	0.02 s	–	–
Switching time from external mains to battery	0.1 s	–	–
Connectivity	N-BUS	–	–
Dimensions (W x D x H)	270 mm × 385 mm × 107.5 mm	270 mm × 452 mm × 107.5 mm	270 mm × 452 mm × 107.5 mm
Certificate			
	 (10 R - 06-02 5174 00)	 (10 R - 05 0094)	

Hereby, Dometic declares that the radio equipment type SPB1000I-12, SPB1500I-12 and SPB2000I-12 is in compliance with Directive 2014/53/EU. The full text of the EU declaration of conformity is available at the following internet address: documents.dometic.com

Deutsch

1	Wichtige Hinweise.....	22
2	Erklärung der Symbole.....	22
3	Sicherheitshinweise.....	23
4	Lieferumfang.....	23
5	Bestimmungsgemäßer Gebrauch.....	24
6	Zielgruppe.....	24
7	Technische Beschreibung.....	24
8	Vor der Installation.....	25
9	Installation.....	27
10	Externe Netzstromversorgung anschließen (Modelle SPB1000I-12, SPB1500I-12 und SPB2000I-12).....	30
11	Fernbedienung anschließen.....	31
12	N-BUS anschließen.....	32
13	Betrieb.....	33
14	Sicherungen austauschen.....	34
15	Reinigung und Wartung.....	37
16	Entsorgung.....	37
17	Gewährleistung.....	38
18	Technische Daten.....	38

1 Wichtige Hinweise

Lesen und befolgen Sie bitte alle Anweisungen, Richtlinien und Warnhinweise in diesem Produkthandbuch sorgfältig, um sicherzustellen, dass Sie das Produkt ordnungsgemäß installieren und stets ordnungsgemäß betreiben und warten. Diese Anleitung MUSS bei dem Produkt verbleiben.

Durch die Verwendung des Produktes bestätigen Sie hiermit, dass Sie alle Anweisungen, Richtlinien und Warnhinweise sorgfältig gelesen haben und dass Sie die hierin dargelegten Bestimmungen verstanden haben und ihnen zustimmen. Sie erklären sich damit einverstanden, dieses Produkt nur für den angegebenen Verwendungszweck und gemäß den Anweisungen, Richtlinien und Warnhinweisen dieses Produkthandbuchs sowie gemäß allen geltenden Gesetzen und Vorschriften zu verwenden. Eine Nichtbeachtung der hierin enthaltenen Anweisungen und Warnhinweise kann zu einer Verletzung Ihrer selbst und anderer Personen, zu Schäden an Ihrem Produkt oder zu Schäden an anderem Eigentum in der Umgebung führen. Dieses Produkthandbuch, einschließlich der Anweisungen, Richtlinien und Warnhinweise, sowie die zugehörige Dokumentation können Änderungen und Aktualisierungen unterliegen. Aktuelle Produktinformationen finden Sie unter documents.domestic.com.

2 Erklärung der Symbole

Ein Signalwort kennzeichnet Sicherheits- und Sachschadensmeldungen und gibt zudem den Grad oder das Ausmaß der Gefährdung an.



WARNUNG!

Kennzeichnet eine Gefahrensituation, die zum Tod oder schwerer Verletzung führen könnte, wenn die jeweiligen Anweisungen nicht befolgt werden.



VORSICHT!

Kennzeichnet eine Gefahrensituation, die zu geringer oder mittelschwerer Verletzung führen könnte, wenn die jeweiligen Anweisungen nicht befolgt werden.



ACHTUNG!

Kennzeichnet eine Situation, die zu Sachschäden führen kann, wenn die jeweiligen Anweisungen nicht befolgt werden.



HINWEIS Zusätzliche Informationen zur Bedienung des Produktes.

3 Sicherheitshinweise



WARNUNG! Nichtbeachtung dieser Warnungen kann zum Tod oder schwerer Verletzung führen.

- > Verwenden im Brandfall einen Feuerlöscher, der für elektrische Geräte geeignet ist.
- > Wenn das Gerät sichtbare Beschädigungen aufweist, dürfen Sie es nicht in Betrieb nehmen.



VORSICHT! Nichtbeachtung dieser Warnungen kann zum Tod oder schwerer Verletzung führen.

- > Die Installation, die Montage und die Verkabelung sowie alle anderen Arbeiten dürfen nur durch eine qualifizierte Elektrofachkraft durchgeführt werden. Durch unsachgemäße Reparaturen können erhebliche Gefahren entstehen.
- > Die Installation in explosionsgefährdeten Bereichen wie beispielsweise Räumen mit entzündlichen Flüssigkeiten oder Gasen ist nicht zulässig.
- > Installieren und verwahren Sie das Gerät nicht in der Nähe von offenen Flammen oder anderen Wärmequellen (Heizung, direkte Sonneneinstrahlung, Gasöfen usw.).
- > Kinder dürfen nicht mit dem Gerät spielen.
- > Dieses Gerät kann von Kindern ab 8 Jahren und von Personen mit verringerten physischen, sensorischen oder mentalen Fähigkeiten oder Mangel an Erfahrung und/oder Wissen verwendet werden, wenn diese Personen überwacht oder im sicheren Gebrauch des Gerätes unterwiesen wurden und die daraus resultierenden Gefahren verstanden haben.



ACHTUNG! Kennzeichnet eine Situation, die zu Sachschäden führen kann, wenn die jeweiligen Anweisungen nicht befolgt werden.

- > Prüfen Sie, ob die Spannungsangabe auf dem Typenschild mit der vorhandenen Energieversorgung übereinstimmt.
- > Tauchen Sie das Gerät nie in Wasser.
- > Schützen Sie das Gerät und die Kabel vor Hitze und Nässe.
- > Setzen Sie das Gerät nicht Regen aus.
- > Stellen Sie sicher, dass die Montagefläche das Gewicht des Geräts tragen kann.
- > Verlegen Sie die Leitungen so, dass keine Stolpergefahr besteht und eine Beschädigung des Kabels ausgeschlossen ist.
- > Benutzen Sie Leerrohre oder Leitungsdurchführungen, wenn Kabel durch Blechwände oder andere scharfkantige Wände geführt werden müssen.

4 Lieferumfang

Beschreibung	Anzahl
Wechselrichter	1
Rotes Stromkabel	1
Schwarzes Stromkabel	1
Montage- und Bedienungsanleitung	1

5 Bestimmungsgemäßer Gebrauch

Das Gerät ist für die Versorgung angeschlossener Geräte mit einer Spannung von 230 V vorgesehen, die aus einer Eingangsspannung von 12 V oder 24 V erzeugt wird. Das Gerät ist für den Einsatz in Wohnmobilen, Reisemobilen und Reisebussen vorgesehen.

Die Modellreihe umfasst zwei Arten von Geräten:

- Die Modelle SM400-12, SM600-12, SM600-24, SM1000-12 und SM1500-12 sind Wechselrichter mit modifiziertem Sinuswellenausgang.
- Die Modelle SP400-12, SP600-12, SP600-24, SP1000-12, SP1500-12, SP1500-24, SP3000-12 und SP3000-24 sind Wechselrichter mit rein sinusförmigem Wellenausgang.

Die Modelle SPB1000I-12, SPB1500I-12 und SPB2000I-12 verfügen über eine integrierte Prioritätsfunktion (IVT) und eine abgesicherte Eingangsbuchse (IEC) für den Anschluss der externen Stromversorgung.

Dieses Produkt ist nur für den angegebenen Verwendungszweck und die Anwendung gemäß dieser Anleitung geeignet.

Dieses Handbuch enthält Informationen, die für die ordnungsgemäße Installation und/oder den ordnungsgemäßen Betrieb des Produkts erforderlich sind. Installationsfehler und/oder ein nicht ordnungsgemäßer Betrieb oder eine nicht ordnungsgemäße Wartung haben eine unzureichende Leistung und u. U. einen Ausfall des Geräts zur Folge.

Der Hersteller übernimmt keine Haftung für Verletzungen oder Schäden am Produkt, die durch Folgendes entstehen:

- Unsachgemäße Installation oder falscher Anschluss, einschließlich Überspannung
- Unsachgemäße Wartung oder Verwendung von anderen als den vom Hersteller gelieferten Original-Ersatzteilen
- Veränderungen am Produkt ohne ausdrückliche Genehmigung des Herstellers
- Verwendung für andere als die in der Anleitung beschriebenen Zwecke

Dometic behält sich das Recht vor, das Erscheinungsbild des Produkts und dessen technische Daten zu ändern.

6 Zielgruppe



Die elektrische Installation und Einrichtung des Geräts müssen von einer qualifizierten Elektrofachkraft durchgeführt werden, die ihre Fähigkeiten und Kenntnisse im Zusammenhang mit dem Aufbau und der Bedienung von elektrischen Geräten und Installationen unter Beweis gestellt hat und die mit den geltenden Vorschriften des Landes, in dem das Gerät installiert und/oder verwendet werden soll, vertraut ist und eine Sicherheitsschulung erhalten hat, um die damit verbundenen Gefahren zu erkennen und zu vermeiden.

Alle anderen Maßnahmen richten sich auch an nicht-professionelle Benutzer.

7 Technische Beschreibung

Das Gerät verfügt über zwei Hauptschaltstufen zur Umwandlung der Eingangsspannung von 12 V $\overline{\text{=}}$ oder 24 V $\overline{\text{=}}$ in Ausgangsspannung. Die erste Stufe besteht aus einem isolierten Hochfrequenz-DC/DC-Wandler zur Umwandlung der Eingangsgleichspannung von 12 V oder 24 V in eine Ausgangsgleichspannung von bis zu 400 V. Die letzte Stufe besteht aus einer H-Brücke, die die hohe Gleichspannung der Sammelschiene in eine 230 V-Wechselspannung umwandelt.

Das Gerät weist folgende Hauptmerkmale auf:

- Geringe Leistungsaufnahme.
- Galvanisch getrennter Eingang und Ausgang für erhöhte Sicherheit.

- Temperaturregelte Lüftergeschwindigkeit für leisen Betrieb.
- Integrierte Prioritätsumschaltung zwischen externem Netzstrom und Batterie.
- Vorbereitet für Ein-/Ausschalten per Fernbedienung.
- Alarm bei zu niedriger Batteriespannung.
- Abschaltung bei zu niedriger und zu hoher Batteriespannung.
- Abschaltung bei Überlast.
- Schutz vor Kurzschluss, Übertemperatur, Überlast und Verpolung.
- Sanftanlauffunktion.

Nur SPB1000I-12, SPB1500I-12, SPB2000I-12: Das Gerät ist N-BUS-kompatibel (siehe Kapitel N-BUS anschließen auf Seite 32).

8 Vor der Installation

Batterieranforderungen

Batterietyp und -größe können die Leistung von Wechselrichtern stark beeinflussen. Daher müssen die Art der Lasten, die der Wechselrichter mit Strom versorgen soll, und die Nutzungsdauer zwischen den Ladevorgängen bestimmt werden. Gehen Sie wie folgt vor, um die Mindestbatterieranforderungen für eine Anwendung zu ermitteln:

1. Ermitteln Sie anhand der Etiketten die Wattleistung der einzelnen Geräte, die gleichzeitig über den Wechselrichter betrieben werden sollen. In der Regel ist die Leistungsaufnahme in Watt angegeben. Falls sie in Ampere angegeben ist, multiplizieren Sie den Wert mit 230 V, um die Wattleistung zu ermitteln.
2. Schätzen Sie die Anzahl an Stunden, die das Gerät vor Wiederaufladen der Batterie in Betrieb sein wird.
3. Berechnen Sie die insgesamt erforderliche Energie in Wh (Wattstunden), indem Sie die oben ermittelte Zeit mit der Summe der Wattleistung multiplizieren. Teilen Sie das Ergebnis durch 10, wenn der Wechselrichtereingang 12 V beträgt, oder durch 20, wenn er 24 V beträgt. Der resultierende Wert in Ah stellt die Leistungsanforderung der Anwendung dar.



HINWEIS Wenn möglich, laden Sie die Batterie spätestens dann auf, wenn sie zu 50 % entladen ist. Dadurch hat die Batterie eine deutlich längere Lebensdauer, als wenn sie erst nach einer Tiefentladung aufgeladen wird.

Fehlerbehebung bei Problemen mit Störungen

Einige preiswerte Soundsysteme können ein Brummen aus den Lautsprechern ausgeben, wenn sie über den Wechselrichter betrieben werden. Dies liegt daran, dass die Leistungsversorgung im Soundsystem die vom Wechselrichter erzeugte modifizierte Sinuswelle nicht ausreichend filtert. Die Lösung besteht darin, ein Soundsystem mit einer hochwertigen Leistungsversorgung oder einen Wechselrichter mit reiner Sinuswelle zu verwenden. Wenn der Wechselrichter in Betrieb ist, kann er den Fernsehempfang auf einigen Kanälen stören. Gehen Sie bei Störungen wie folgt vor:

1. Stellen Sie sicher, dass die Gehäuseerdungsschraube des Wechselrichters mit der Fahrzeugmasse verbunden ist.
2. Stellen Sie sicher, dass die Fernsehantenne ein geeignetes Signal liefert und das Antennenkabel in gutem Zustand ist.
3. Halten Sie die Kabel zwischen der Batterie und dem Wechselrichter so kurz wie möglich und verdrehen Sie sie miteinander, um die Strahlungsemissionen zu reduzieren.
4. Stellen Sie den Fernseher so weit wie möglich vom Wechselrichter entfernt auf.
5. Betreiben Sie keine Hochleistungslasten mit dem Wechselrichter, wenn das Fernsehgerät eingeschaltet ist.

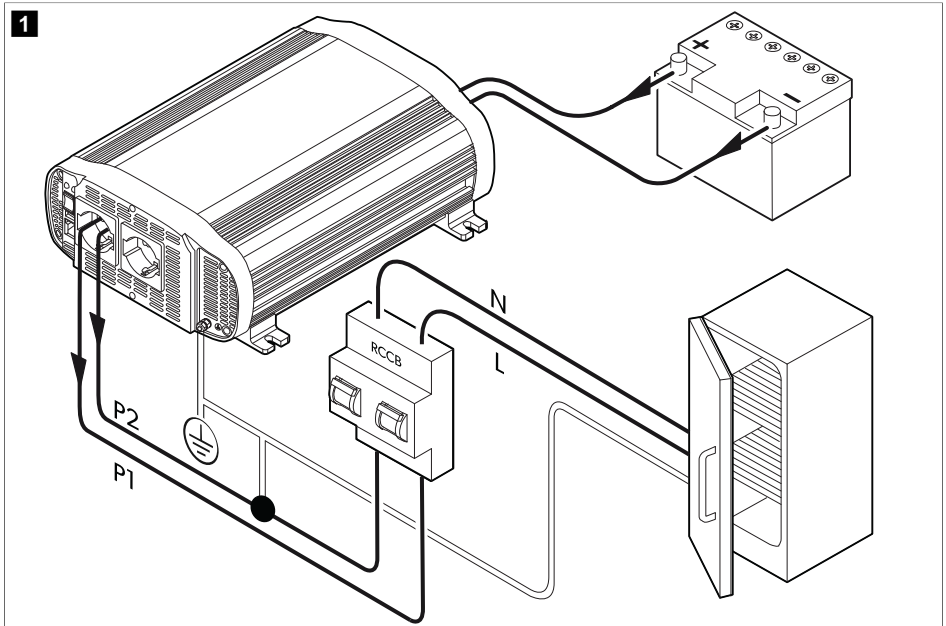
Schutz vor Masseschluss (außer Modelle SPB1000I-12, SPB1500I-12 und SPB2000I-12)



ACHTUNG! Beschädigungsgefahr

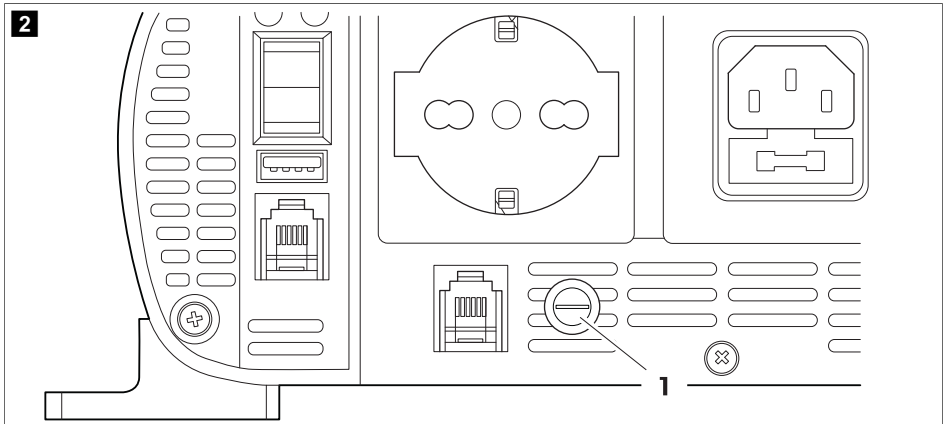
Zum sicheren Betrieb von mehreren Geräten ist es zwingend notwendig, dass im Steckdosenverteilerkreis ein Schutzschalter (FI-Schalter) eingebaut wird.

Die Erdungsbuchse ist für ein Sicherheitssystem wie einen Fehlerstromschutzschalter (FI-Schutzschalter) vorgesehen. Schließen Sie den Fehlerstromschutzschalter nach folgendem Anschlussplan an:



1. Schließen Sie den Phasenausgang (P1) und den Neutralleiterausgang (P2) an den Eingang des Fehlerstromschutzschalters an.
2. Schließen Sie die Erdung des Wechselrichters an eine der beiden Leitungen an, die mit dem Eingang des Fehlerstromschutzschalters verbunden sind.
3. Schließen Sie den Neutralleiterausgang und den Phasenausgang vom Eingang des Fehlerstromschutzschalters an die Geräte an.
4. Schließen Sie die Erdung des Wechselrichters an die Erdung der Geräte an.

Schutz vor Masseschluss (Modelle SPB1000I-12, SPB1500I-12 und SPB2000I-12)



ACHTUNG! Beschädigungsgefahr

Der obige Anschlussplan bezieht sich nur auf den Anschluss des Wechselrichteransgangs. Der IEC-Stecker des externen Netzstromeingangs muss an den Schutzschalterausgang der externen Netzstromversorgung angeschlossen werden.

Erdungsanordnungen vom Typ TN oder IT für SPB1000I-12, SPB1500I-12 und SPB2000I-12 sind mit einer Sicherung konfigurierbar.

- > Um eine TN-Erdungsanordnung herzustellen, stellen Sie sicher, dass die Sicherung in den Sicherungshalter ① eingesetzt ist.
- > Um eine IT-Erdungsanordnung herzustellen, stellen Sie sicher, dass die Sicherung **nicht** in den Sicherungshalter ① eingesetzt ist.

9 Installation



VORSICHT! Beschädigungsgefahr

Installieren Sie das Gerät nicht in der Nähe von Wärmequellen oder an nicht ausreichend belüfteten Stellen.

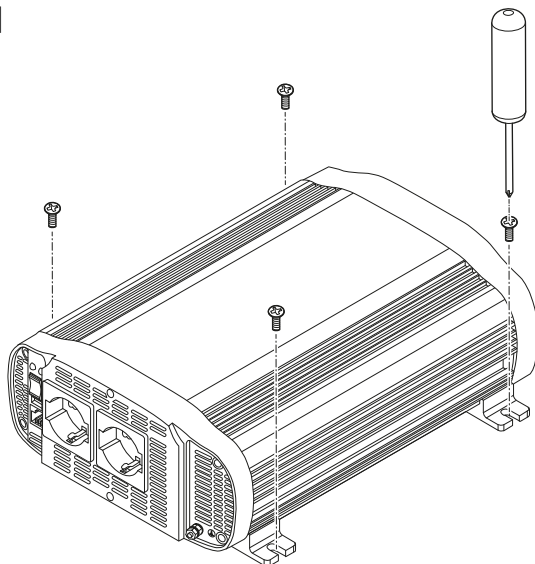


HINWEIS Das Gerät kann in einer beliebigen Position montiert werden. Bei Montage auf einer vertikalen Fläche wird empfohlen, die lange Seite parallel zum Boden zu halten.



HINWEIS Installieren Sie das Gerät so nah wie möglich an der 12 V-/ 24 V-Stromquelle.

3



1. Montieren Sie das Gerät an den vier Montageflanschen mit geeigneten Schrauben.

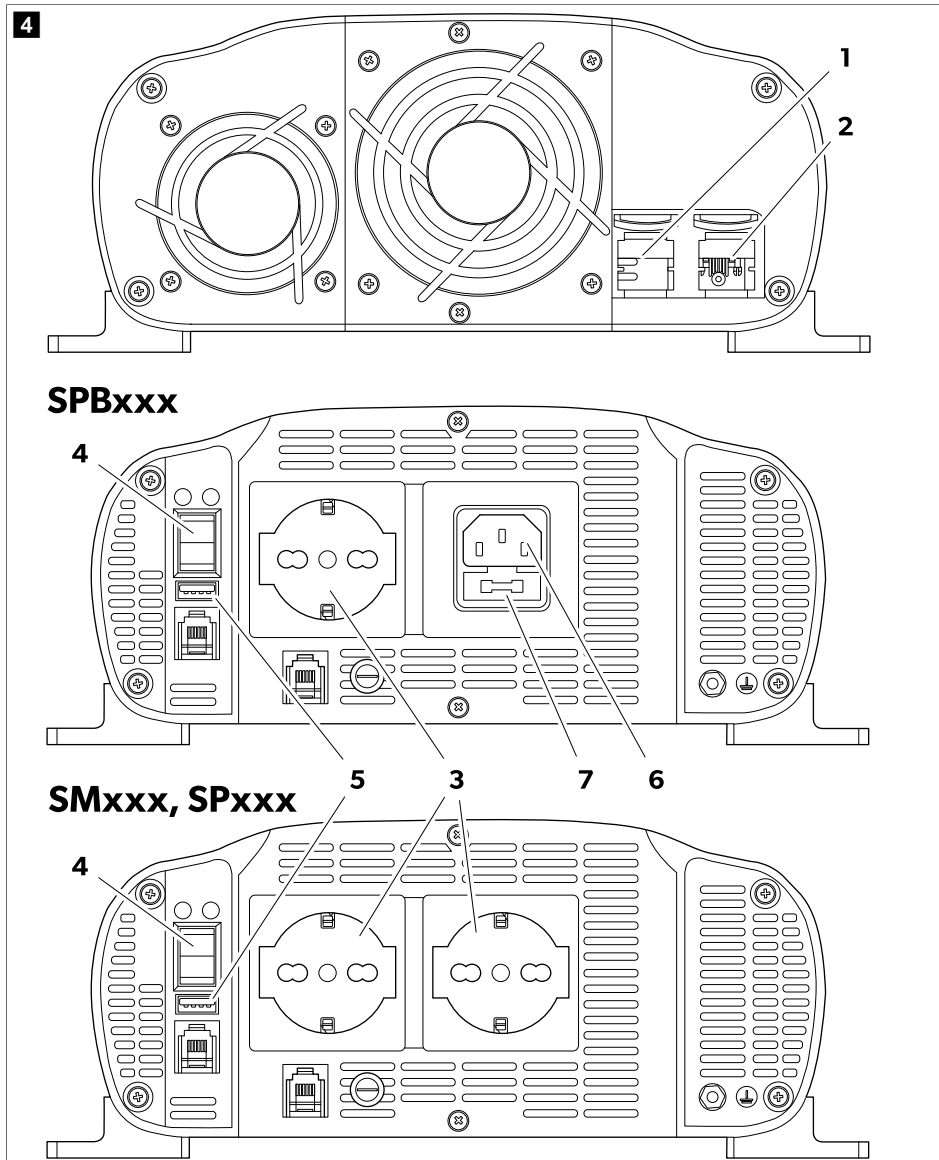


ACHTUNG! Beschädigungsgefahr

Stellen Sie vor dem Anschließen des Geräts sicher, dass sich der Netzschalter in der Position AUS befindet.



HINWEIS Verwenden Sie die mitgelieferten Leitungen, um die Batterie an das Gerät anzuschließen. Wenn der Abstand zwischen der Batterie und dem Gerät mehr als 2 Meter beträgt, vergrößern Sie den Querschnitt der Leitung, um einen Spannungsabfall und Leistungsverluste zu reduzieren.



2. Schließen Sie den Minusanschluss der Batterie an den Minusanschluss des Wechselrichters ① an.



ACHTUNG! Beschädigungsgefahr

Um die angeschlossenen Geräte zu schützen, installieren Sie eine Inline-Sicherung am Pluskabel der Batterie.

3. Schließen Sie den Plusanschluss der Batterie an den Plusanschluss des Wechselrichters ② an.



ACHTUNG! Beschädigungsgefahr

Bevor Sie ein Gerät an den Wechselrichter anschließen, stellen Sie sicher, dass es ausgeschaltet ist.

4. Schließen Sie das 230 V -Gerät an eine Ausgangsbuchse ③ an.
5. Schalten Sie den Wechselrichter mit dem Ein-/Aus-Schalter ④ ein.



HINWEIS Beim Einschalten des Wechselrichters leuchten die rote und die grüne LED jeweils für 3 bis 5 Sekunden auf. Nach kurzer Zeit erlischt die rote LED, die grüne LED leuchtet dauerhaft und das Gerät gibt ein akustisches Signal aus. Die grüne LED zeigt an, dass der Wechselrichter ordnungsgemäß funktioniert.



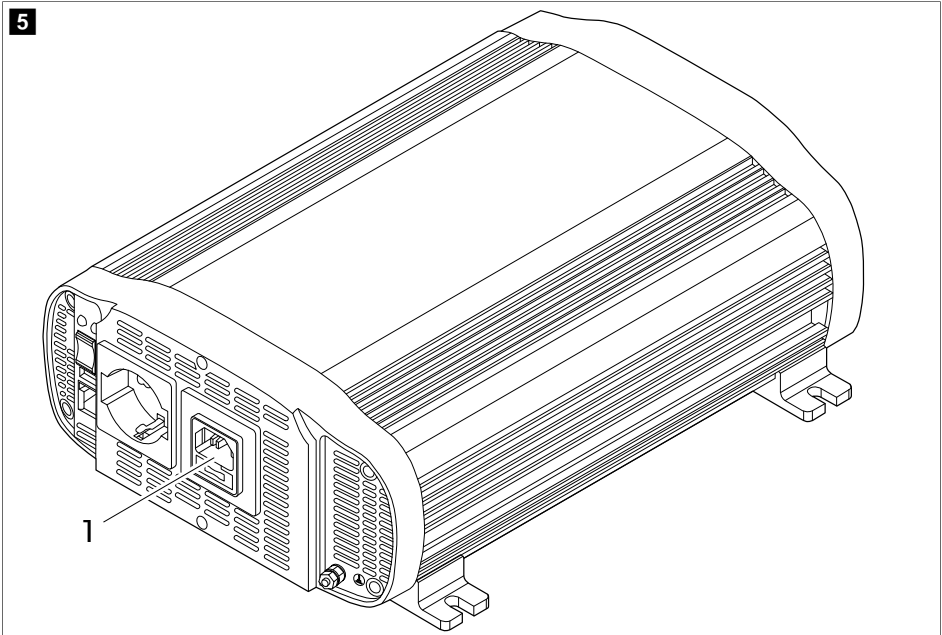
ACHTUNG! Beschädigungsgefahr

- > Wenn Sie mehr als ein Gerät betreiben möchten, schließen Sie zuerst das Gerät mit der höheren Lastanforderung an.
- > Stellen Sie sicher, dass die kombinierte Lastanforderung Ihrer Geräte die Nennleistung des Wechselrichters nicht überschreitet.
- > Bei Verwendung eines Verlängerungskabels vom Wechselrichter zu einem Gerät sollte das Verlängerungskabel nicht länger als 1,5 m sein.
- > Schließen Sie den Wechselrichter nicht an einen Wechselstromlastkreis an, in dem der Neutralleiter geerdet ist.

6. Schließen Sie weitere 230 V -Geräte an und schalten Sie sie ein.
7. Um ein 5 V -Gerät aufzuladen, schließen Sie es an den USB-Anschluss ⑤ an.

10 Externe Netzstromversorgung anschließen (Modelle SPB1000I-12, SPB1500I-12 und SPB2000I-12)

Es ist möglich, ein IEC-Kabel an die externe Netzsteckdose anzuschließen, um die angeschlossenen Geräte direkt mit Wechselspannung aus dem öffentlichen Stromnetz zu versorgen.



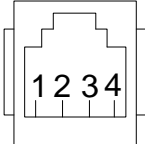
1. Schließen Sie das Kabel an die Buchse ① an.
2. Setzen Sie die Sicherung in den Inline-Sicherungshalter ein oder entfernen Sie sie ⑦ entsprechend der gewünschten Erdungsanordnung (siehe Kapitel Vor der Installation auf Seite 25).

11 Fernbedienung anschließen

Das Gerät kann mit einem optionalen externen Schalter (RC03) oder einem beliebigen üblichen Schalter, der für den RJ11-Anschluss ① des Geräts ausgelegt ist, ferngesteuert werden. Die folgende Beschreibung der Stiftbelegungen kann als Richtlinie bei der Verwendung üblicher externer Schalter verwendet werden.




Der optionale externe RC03-Schalter hat die folgende Stiftbelegung:

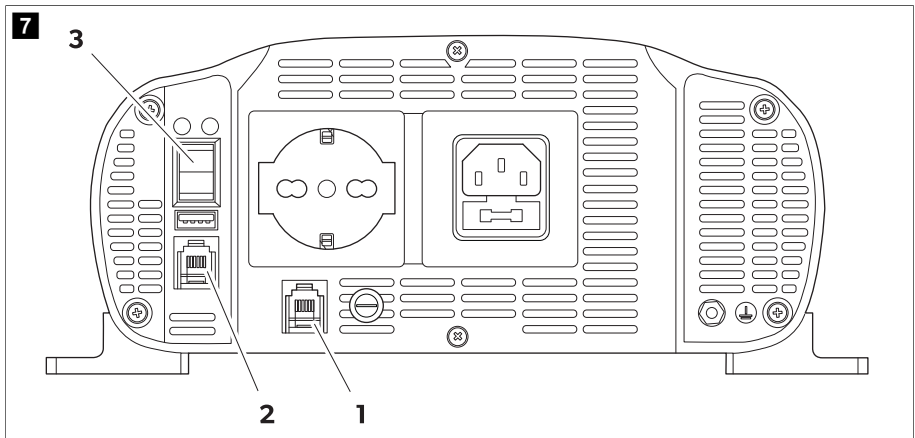
	Pin	Funktion
	2	Anschluss rote LED
	1-3	Anschluss externer Schalter
	4	Ground

- > Um die Fernbedienung zu aktivieren, stellen Sie den Ein-/Aus-Schalter ② in Stellung 2.

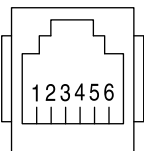
12 N-BUS anschließen

(Nur SPB1000I-12, SPB1500I-12, SPB2000I-12)

1. Verbinden Sie den Stecker RJ12 (BC03, BC06, BC10) mit der Buchse N-BUS ( Abb. **7** auf Seite 32, **1**).




Verwenden Sie ein 6-poliges Flachbandkabel mit RJ12-Stecker in gerader Konfiguration. Die Pinbelegung ist wie folgt konfiguriert:

Pin	Funktion	
	1	Netzwerkstatus
	2	Fernbedienung
	3	N-BUS/CI-BUS
	4	Ground
	5	Bus-Spannung (VBUS)
	6	(nicht angeschlossen)



ACHTUNG! Beschädigungsgefahr

Achten Sie darauf, dass die Anschlüsse für den N-BUS und die Fernsteuerung( Abb. **7** auf Seite 32, **2**) nicht verwechselt werden.

2. Bringen Sie den Ein/Aus-Schalter ( Abb. 7 auf Seite 32, 3) in Stellung „II“.
3. Schließen Sie N-BUS-kompatible Geräte an.

Wechselrichter im N-BUS-Netzwerk konfigurieren

N-BUS-kompatible Geräte können im N-BUS-Netzwerk über Display oder mobile App konfiguriert und gesteuert werden.

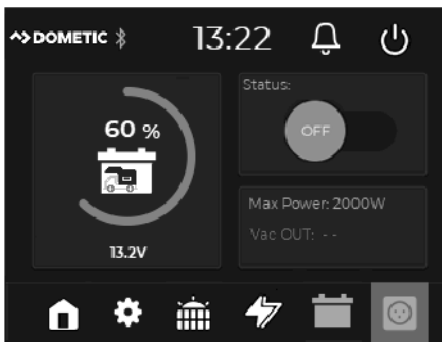


HINWEIS

- Die mobile App benötigt mindestens ein Bluetooth-Gerät im N-BUS-Netzwerk.
 - Legen Sie eines der Geräte als MASTER fest.
- Wählen Sie das Menü „Wechselrichter“ und ziehen Sie den Schieberegler in die Position „ein“ oder „aus“, um den Wechselrichter ein- oder auszuschalten.

8

DISPLAY

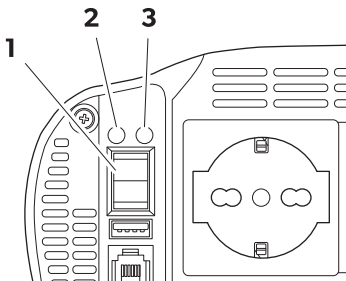


APP MOBILE



13 Betrieb

9



Ein-/Aus-Schalter

- > Um das Gerät einzuschalten, bringen Sie den Ein-/Aus-Schalter ① in Stellung „I“.
- > Um das Gerät auszuschalten, bringen Sie den Ein-/Aus-Schalter ① in Stellung 0.
- > Um die Fernsteuerung zu aktivieren, bringen Sie den Ein-/Aus-Schalter ① in Stellung „II“.

Anzeige-LED

Das Gerät ist mit einer grünen ② und einer roten ③ LED-Anzeige ausgestattet, um den Betriebszustand anzuzeigen.

LED	Beschreibung
Green	Das Gerät ist eingeschaltet und funktioniert ordnungsgemäß
Red	Fehlfunktion des Geräts

14 Sicherungen austauschen

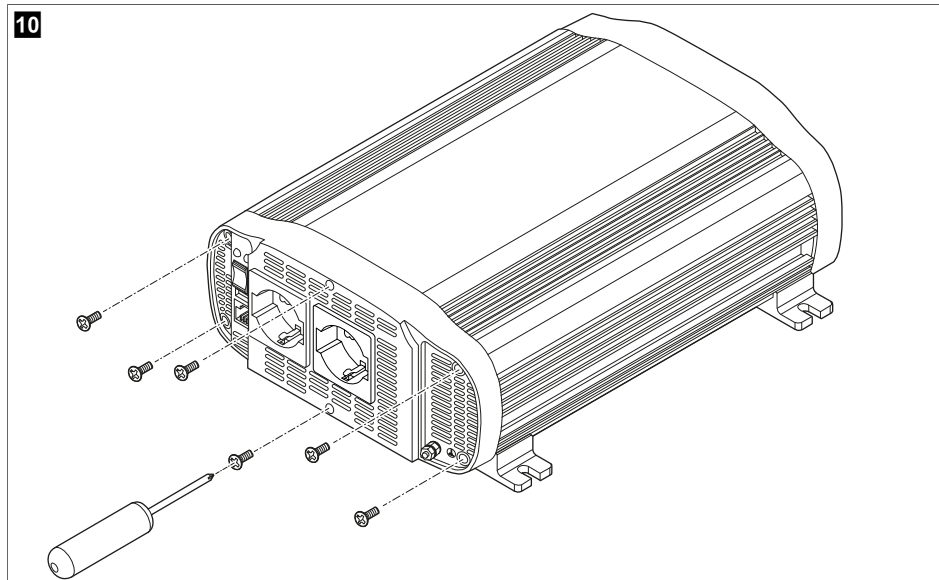


WARNUNG!

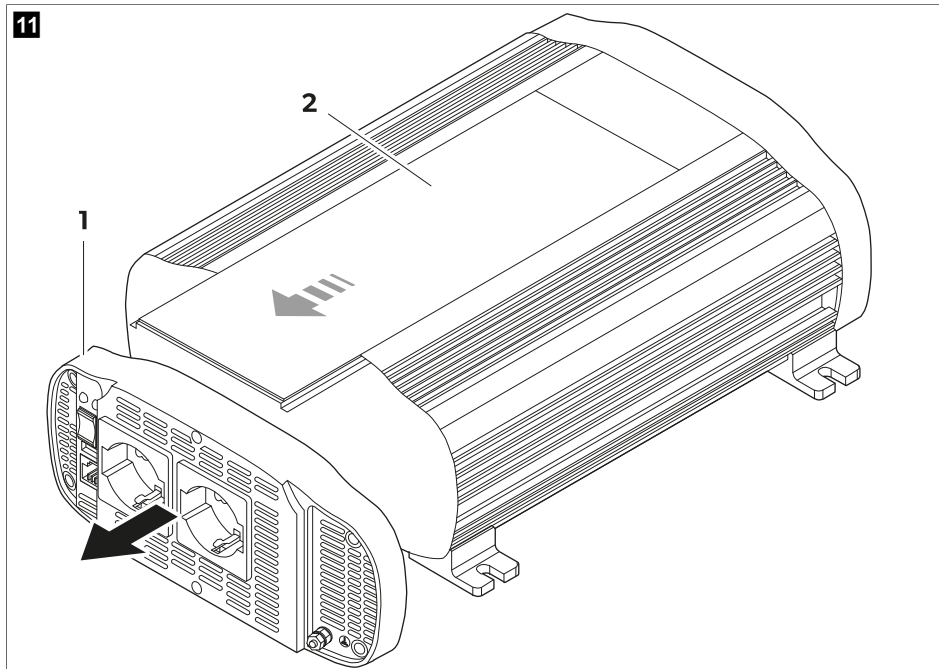
- Gefahr durch Stromschlag
- Die Installation darf nur durch eine qualifizierte Elektrofachkraft durchgeführt werden.

Das Gerät ist durch einen integrierten elektronischen Schaltkreis abgesichert. Außerdem befinden sich Sicherungen im Inneren des Geräts. Bei Anschluss mit vertauschter Polarität brennt eine Sicherung durch. Geräte mit IVT-Funktion verfügen auch über eine Glassicherung in der IEC-Buchse für den externen Netzanschluss. Ersatzsicherungen sind in der Produktverpackung enthalten.

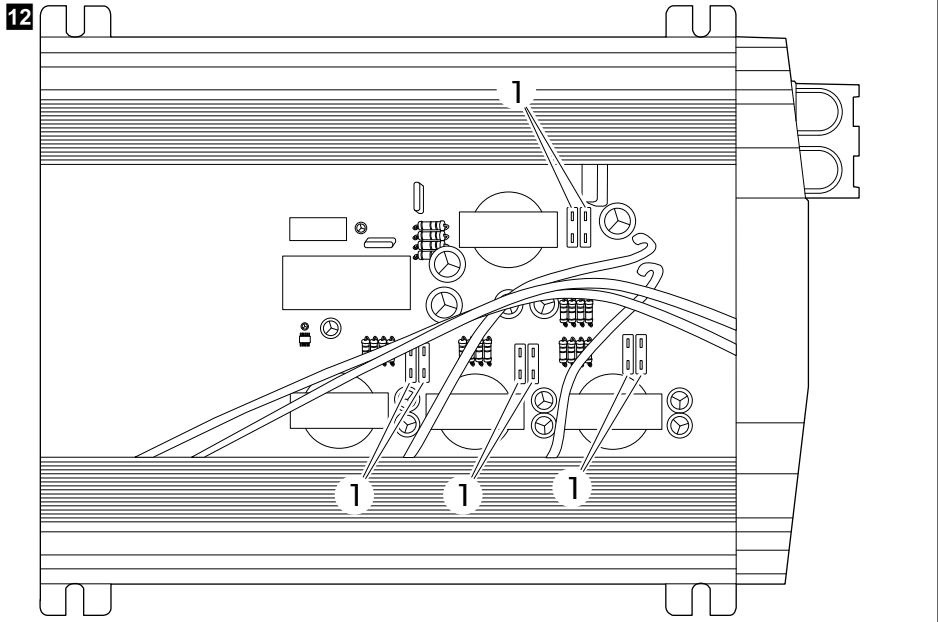
Interne Sicherungen austauschen



1. Entfernen Sie die sechs Schrauben.



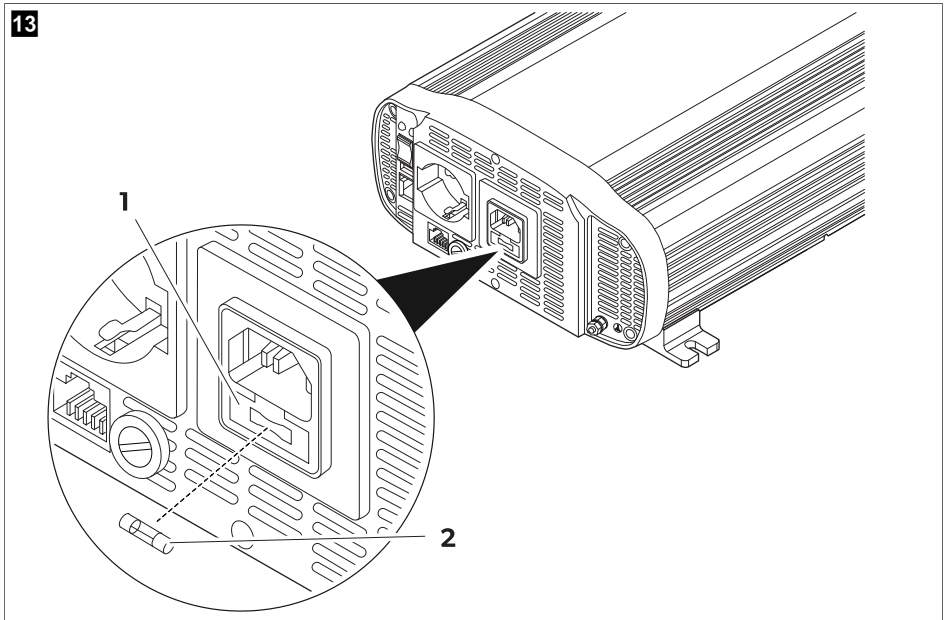
2. Kippen Sie die Frontblende ① nach vorn.
3. Entfernen Sie den Deckel ②.



4. Tauschen Sie die Sicherung ① aus.

Modell	Anzahl der Sicherungen	Wert der Sicherung	
SM400-12, SP400-12	1	50 A	Rot
SM600-12, SP600-12	2	50 A	Rot
SM600-24, SP600-24	2	25 A	Weiß
SM1000-12, SP1000-12	4	30 A	Grün
SM1500-12, SP1500-12	6	30 A	Grün
SP1500-24	6	15 A	Blau
SP2000-12	8	30 A	Grün
SP3000-12	12	30 A	Grün
SP3000-24	12	15 A	Blau

Sicherung der IEC-Buchse austauschen



1. Öffnen Sie den Deckel ① des Buchsengehäuses.
2. Tauschen Sie die Sicherung ② aus.

Modell	Anzahl der Sicherungen	Wert der Sicherung
SPB1000I-12, SPB1500I-12 und SPB2000I-12	1	10 A (Glassicherung F10AL 250 V)



HINWEIS Nach dem Austausch der Sicherung startet sich das Gerät automatisch neu. Wenn das Gerät nach dem Austausch der Sicherung nicht ordnungsgemäß funktioniert, wenden Sie sich an einen Techniker zur Behebung der Probleme.

15 Reinigung und Wartung

- > Reinigen Sie das Produkt gelegentlich mit einem feuchten Tuch.
- > Stellen Sie sicher, dass die Eingangs- und Ausgangsanschlüsse fest und sicher sitzen.
- > Stellen Sie sicher, dass die Lüftungsschlitze nicht durch Schmutz oder andere Materialien blockiert werden.

16 Entsorgung



Verpackungsmaterial recyceln: Geben Sie das Verpackungsmaterial möglichst in den entsprechenden Recycling-Müll.



Wenn Sie das Gerät endgültig entsorgen möchten, informieren Sie sich bitte bei Ihrem Wertstoffhof vor Ort oder bei Ihrem Fachhändler, wie dies gemäß den geltenden Entsorgungsvorschriften zu tun ist. Das Produkt kann kostenlos entsorgt werden.



Wenn das Produkt nicht auswechselbare Batterien, wiederaufladbare Batterien oder Leuchtmittel enthält, brauchen Sie diese vor der Entsorgung nicht zu entfernen.

17 Gewährleistung


Es gilt die gesetzliche Gewährleistungsfrist. Sollte das Produkt defekt sein, wenden Sie sich bitte an die Niederlassung des Herstellers in Ihrem Land (siehe dometic.com/dealer) oder an Ihren Fachhändler.

Bitte senden Sie bei einem Reparatur- bzw. Gewährleistungsantrag folgende Unterlagen mit dem Gerät ein:

- eine Kopie der Rechnung mit Kaufdatum
- einen Reklamationsgrund oder eine Fehlerbeschreibung


Bitte beachten Sie, dass eigenständig oder nicht fachgerecht durchgeführte Reparaturen die Sicherheit gefährden und zum Erlöschen der Gewährleistung führen können.



18 Technische Daten

	SM400-12	SM600-12	SM600-24
Dauerleistung	400 W	600 W	
Spitzen-Ausgangsleistung	800 W (einige Sekunden)	1200 W (einige Sekunden)	
Ausgangsspannung (RMS)/ Frequenz	230 V AC / 50 Hz ± 3 Hz		
USB-Ausgang	5 V 2,1 A		
Eingangsspannung	12 V		24 V
Eigenverbrauch	200 mA (13,2 V)	220 mA (13,2 V)	100 mA (26,4 V)
Anschlussmöglichkeit	-	-	-
Abmessungen (B x T x H)	140 mm x 184 mm x 71 mm	140 mm x 214 mm x 71 mm	140 mm x 214 mm x 71 mm
Zertifikat	 (10 R - 05 0094)		




	SM1000-12	SM1500-12
Dauerleistung	1000 W	1500 W
Spitzen-Ausgangsleistung	2000 W (einige Sekunden)	3000 W (einige Sekunden)
Ausgangsspannung (RMS)/ Frequenz	230 V AC / 50 Hz ± 3 Hz	
USB-Ausgang	5 V 2,1 A	
Eingangsspannung	12 V	
Eigenverbrauch	530 mA (13,2 V)	460 mA (13,2 V)
Anschlussmöglichkeit	-	-
Abmessungen (B x T x H)	270 mm x 262 mm x 107,5 mm	270 mm x 262 mm x 107,5 mm




	SM1000-12	SM1500-12
Zertifikat	 (10 R - 05 0094)	

	SP400-12	SP600-12	SP600-24
Dauerleistung	400 W	600 W	
Spitzen-Ausgangsleistung	1000 W (einige Sekunden)	1500 W (einige Sekunden)	
Ausgangsspannung (RMS)/ Frequenz	230 V AC / 50 Hz ± 3 Hz		
USB-Ausgang	5 V 2,1 A		
Eingangsspannung	12 V		24 V
Eigenverbrauch	340 mA (13,2 V)	420 mA (13,2 V)	210 mA (26,4 V)
Anschlussmöglichkeit	-	-	-
Abmessungen (B x T x H)	140 mm × 214,5 mm × 71 mm	140 mm × 244,5 mm × 71 mm	140 mm × 244,5 mm × 71 mm
Zertifikat	 (10 R - 05 0094)		

	SP1000-12	SPB1000I-12
Dauerleistung	1000 W	
Spitzen-Ausgangsleistung	2500 W (einige Sekunden)	
Ausgangsspannung (RMS)/ Frequenz	230 V AC / 50 Hz ± 3 Hz	
USB-Ausgang	5 V 2,1 A	
Eingangsspannung	12 V	
Eigenverbrauch	870 mA (13,2 V)	680 mA (13,2 V)
Umschaltzeit von der Batterie auf externen Netzstrom	-	0,02 s
Umschaltzeit von externem Netzstrom auf die Batterie	-	0,1 s
Anschlussmöglichkeit	-	N-BUS
Abmessungen (B x T x H)	270 mm × 262,4 mm × 107,5 mm	270 mm × 262,4 mm × 107,5 mm
Zertifikat	 (10 R - 05 0094)	 (10 R - 06-02 5174 00)

	SP1500-12	SPB1500I-12	SP1500-24
Dauerleistung	1500 W		
Spitzen-Ausgangsleistung	4000 W (einige Sekunden)		
Ausgangsspannung (RMS)/ Frequenz	230 V AC / 50 Hz ± 3 Hz		
USB-Ausgang	5 V 2,1 A		
Eingangsspannung	12 V		24 V
Eigenverbrauch	850 mA (13,2 V)	930 mA (13,2 V)	620 mA (26,4 V)

	SP1500-12	SPB1500I-12	SP1500-24
Umschaltzeit von der Batterie auf externen Netzstrom	–	0,02 s	–
Umschaltzeit von externem Netzstrom auf die Batterie	–	0,1 s	–
Anschlussmöglichkeit	–	N-BUS	–
Abmessungen (B x T x H)	270 mm × 322,4 mm × 107,5 mm	270 mm × 360 mm × 107,5 mm	270 mm × 322,4 mm × 107,5 mm
Zertifikat	 (10 R - 05 0094)	 (10 R - 06-02 5174 00)	 (10 R - 05 0094)

	SPB2000I-12	SP3000-12	SP3000-24
Dauerleistung	2000 W	3000 W	
Spitzen-Ausgangsleistung	6000 W (einige Sekunden)	8000 W (einige Sekunden)	
Ausgangsspannung (RMS)/ Frequenz	230 V AC / 50 Hz ± 3 Hz		
USB-Ausgang	5 V 2,1 A		
Eingangsspannung	12 V		24 V
Eigenverbrauch	900 mA (13,2 V)	1270 mA (13,2 V)	680 mA (26,4 V)
Umschaltzeit von der Batterie auf externen Netzstrom	0,02 s	–	–
Umschaltzeit von externem Netzstrom auf die Batterie	0,1 s	–	–
Anschlussmöglichkeit	N-BUS	–	–
Abmessungen (B x T x H)	270 mm × 385 mm × 107,5 mm	270 mm × 452 mm × 107,5 mm	270 mm × 452 mm × 107,5 mm
Zertifikat			
	 (10 R - 06-02 5174 00)	 (10 R - 05 0094)	

Hiermit erklärt Dometic, dass der Funkgerätetyp SPB1000I-12, SPB1500I-12 und SPB2000I-12 der Richtlinie 2014/53/EU entspricht. Der vollständige Text der EU-Konformitätserklärung ist unter der folgenden Internetadresse verfügbar: documents.dometic.com

Français

1	Remarques importantes.....	41
2	Signification des symboles.....	41
3	Consignes de sécurité.....	42
4	Contenu de la livraison.....	42
5	Usage conforme.....	43
6	Groupe cible.....	43
7	Description technique.....	43
8	Avant l'installation.....	44
9	Installation.....	46
10	Connexion de l'alimentation secteur externe (modèles SPB1000I-12, SPB1500I-12 et SPB2000I-12).....	49
11	Raccordement de la télécommande.....	50
12	Connexion de N-BUS.....	51
13	Utilisation.....	52
14	Remplacement du fusible.....	53
15	Nettoyage et entretien.....	56
16	Mise au rebut.....	56
17	Garantie.....	57
18	Caractéristiques techniques.....	57

1 Remarques importantes

Veillez lire et suivre attentivement l'ensemble des instructions, directives et avertissements figurant dans ce manuel afin d'installer, d'utiliser et d'entretenir le produit correctement à tout moment. Ces instructions DOIVENT rester avec le produit.

En utilisant ce produit, vous confirmez expressément avoir lu attentivement l'ensemble des instructions, directives et avertissements et que vous comprenez et acceptez de respecter les modalités et conditions énoncées dans le présent document. Vous acceptez d'utiliser ce produit uniquement pour l'usage et l'application prévus et conformément aux instructions, directives et avertissements figurant dans le présent manuel, ainsi qu'à toutes les lois et réglementations applicables. En cas de non-respect des instructions et avertissements figurant dans ce manuel, vous risquez de vous blesser ou de blesser d'autres personnes, d'endommager votre produit ou d'endommager d'autres biens à proximité. Le présent manuel produit, y compris les instructions, directives et avertissements, ainsi que la documentation associée peuvent faire l'objet de modifications et de mises à jour. Pour obtenir des informations actualisées sur le produit, consulter le site documents.domestic.com.

2 Signification des symboles

Un mot de signalement identifie les messages relatifs à la sécurité et aux dégâts matériels en indiquant le degré ou le niveau de gravité du danger.



AVERTISSEMENT !

Indique une situation dangereuse qui, si elle n'est pas évitée, est susceptible d'entraîner des blessures graves, voire mortelles.



ATTENTION !

Indique une situation dangereuse qui, si elle n'est pas évitée, est susceptible d'entraîner des blessures légères ou de gravité modérée.



AVIS !

Indique une situation dangereuse qui, si elle n'est pas évitée, peut entraîner des dommages matériels.



REMARQUE Informations supplémentaires sur l'utilisation de ce produit.

3 Consignes de sécurité



AVERTISSEMENT ! Le non-respect de ces mises en garde peut entraîner des blessures graves, voire mortelles.

- > En cas d'incendie, utilisez un extincteur adapté aux appareils électriques.
- > Si l'appareil présente des dégâts visibles, ne le mettez pas en service.



ATTENTION ! Le non-respect de ces mises en garde peut entraîner des blessures graves, voire mortelles.

- > L'installation, le montage et le câblage, ainsi que toute autre opération peuvent uniquement être réalisés par des électriciens agréés. Une réparation incorrecte peut entraîner de graves dangers.
- > L'installation dans des zones potentiellement explosives telles que des pièces contenant des liquides ou des gaz inflammables est interdite.
- > N'installez ou ne stockez pas l'appareil à proximité de flammes ou d'autres sources de chaleur (chauffage, rayonnement solaire, fours à gaz, etc.).
- > Les enfants ne doivent pas jouer avec cet appareil.
- > Cet appareil peut être utilisé par des enfants âgés de 8 ans et plus et des personnes ayant des capacités physiques, sensorielles ou mentales réduites ou un manque d'expérience et de connaissances, s'ils sont sous surveillance ou ont reçu des instructions sur l'utilisation de l'appareil en toute sécurité et comprennent les risques impliqués.



AVIS ! Indique une situation dangereuse qui, si elle n'est pas évitée, peut entraîner des dommages matériels.

- > Vérifiez que la tension indiquée sur la plaque signalétique correspond à l'alimentation électrique dont vous disposez.
- > Ne plongez jamais l'appareil dans l'eau.
- > Tenez l'appareil et les câbles à l'abri de la chaleur et de l'humidité.
- > N'exposez pas l'appareil à la pluie.
- > Assurez-vous que la surface de montage est capable de supporter le poids de l'appareil.
- > Posez les câbles de manière à exclure tout risque de trébuchement ou d'endommagement du câble.
- > Si des lignes électriques doivent traverser des cloisons en tôle ou autres murs à arêtes vives, utilisez des tubes vides ou des conduits pour câbles.

4 Contenu de la livraison

Description	Quantité
Onduleur	1
Câble d'alimentation rouge	1
Câble d'alimentation noir	1
Instructions de montage et de service	1

5 Usage conforme

L'appareil est conçu pour fournir une tension de 230 V aux appareils connectés, générée via une tension d'entrée de 12 V ou 24 V. L'appareil est conçu pour être utilisé dans les camping-cars, les fourgons aménagés et les autocars.

La gamme de modèles comprend deux types d'appareils :

- Les modèles SM400-12, SM600-12, SM600-24, SM1000-12 et SM1500-12 sont des onduleurs avec sortie à onde sinusoïdale modifiée.
- Les modèles SP400-12, SP600-12, SP600-24, SP1000-12, SP1500-12, SP1500-24, SP3000-12 et SP3000-24 sont des onduleurs avec sortie à onde sinusoïdale pure.

Les modèles SPB1000I-12, SPB1500I-12 et SPB2000I-12 sont dotés d'une fonction de priorité intégrée (IVT) et d'une prise d'entrée protégée par fusible (CEI) pour la connexion à la source d'alimentation externe.

Ce produit convient uniquement à l'usage et à l'application prévus, conformément au présent manuel d'instructions.

Ce manuel fournit les informations nécessaires à l'installation et/ou à l'utilisation correcte du produit. Une installation, une utilisation ou un entretien inappropriés entraînera des performances insatisfaisantes et une éventuelle défaillance.

Le fabricant décline toute responsabilité en cas de blessure ou de dommage résultant :

- d'une installation, d'un montage ou d'un raccordement incorrect, y compris d'une surtension
- d'un entretien inadapté ou de l'utilisation de pièces de rechange autres que les pièces de rechange d'origine fournies par le fabricant
- de modifications apportées au produit sans autorisation explicite du fabricant
- d'usages différents de ceux décrits dans ce manuel

Dometic se réserve le droit de modifier l'apparence et les spécifications produit.

6 Groupe cible



L'installation et la configuration électriques de l'appareil doivent être réalisées par un électricien agréé disposant des compétences et connaissances structurelles et fonctionnelles requises en matière d'équipements et d'installations électriques, au fait des réglementations en vigueur dans le pays dans lequel l'équipement doit être installé et/ou utilisé, et ayant suivi une formation de sécurité pour identifier et éviter les dangers impliqués.

Toutes les autres opérations sont également destinées aux utilisateurs non professionnels.

7 Description technique

Le circuit de l'appareil comprend deux phases principales pour convertir la tension d'entrée de 12 V \Rightarrow 24 V \Rightarrow CC en tension de sortie CA. La première phase utilise un convertisseur CC/CC haute fréquence isolé pour convertir la tension d'entrée 12 V CC ou 24 V CC en tension de sortie jusqu'à 400 V CC. La phase finale comprend un pont en H qui convertit le bus haute tension CC en tension 230 V CA.

Les principales fonctionnalités de l'appareil sont les suivantes :

- Basse consommation.
- Entrée et sortie isolées galvaniquement pour une sécurité accrue.
- Vitesse de ventilation à température contrôlée pour un fonctionnement silencieux.
- Commutateur de priorité intégré entre l'alimentation secteur externe et la batterie.
- Compatibilité avec les commandes Marche/Arrêt à distance.

- Alarme de tension de batterie faible.
- Coupure en cas de tension de batterie faible/élevée.
- Coupure en cas de surcharge.
- Protection contre les courts-circuits, les surchauffes, les surcharges et les inversions de polarité.
- Fonction de démarrage progressif.

SPB1000I-12, SPB1500I-12 et SPB2000I-12 uniquement : L'appareil est compatible avec N-BUS (voir chapitre Connexion de N-BUS à la page 51).

8 Avant l'installation

Exigences relatives à la batterie

Le type et la taille de la batterie peuvent fortement affecter les performances des onduleurs. Par conséquent, le type de charges que l'onduleur alimente et la durée d'utilisation entre les recharges doivent être identifiés. Pour déterminer les exigences de batterie minimales pour une application, procédez comme suit :

1. Déterminez la puissance en watts en consultant les étiquettes de chaque appareil à utiliser simultanément via l'onduleur. En règle générale, la consommation d'électricité est indiquée en watts. Si elle est indiquée en ampères, multipliez la valeur par 230 V pour déterminer la puissance en watts.
2. Estimez le nombre d'heures d'utilisation de l'équipement avant de recharger la batterie.
3. Calculez l'énergie totale requise en watts-heure (Wh) en multipliant le temps déterminé ci-dessus par la somme des puissances en watts. Divisez le résultat par 10 si l'entrée de l'onduleur est de 12 V, ou par 20 si elle est de 24 V. La valeur obtenue en Ah représente l'énergie requise pour l'application.



REMARQUE Si possible, rechargez la batterie lorsqu'elle est déchargée d'environ 50 %, ou plus tôt. Cela permet de prolonger sensiblement sa durée de vie, contrairement au chargement suite à une décharge complète uniquement.

Dépannage des problèmes d'interférence

Certains systèmes audio bon marché peuvent émettre un bourdonnement provenant des haut-parleurs lorsqu'ils sont opérés via l'onduleur. Cela se produit, car l'alimentation du système audio ne filtre pas correctement l'onde sinusoïdale modifiée produite par l'onduleur. Pour résoudre ce problème, utilisez un système audio doté d'une alimentation de haute qualité ou un onduleur à onde sinusoïdale pure. Lorsque l'onduleur fonctionne, il peut interférer avec la réception de certaines chaînes de télévision. En cas d'interférence, essayez les solutions suivantes :

1. Assurez-vous que la vis de masse du châssis de l'onduleur est connectée à la masse du véhicule.
2. Assurez-vous que l'antenne de télévision fournit un signal adéquat et que le câble d'antenne est en bon état.
3. Veillez à ce que les câbles entre la batterie et l'onduleur soient aussi courts que possible, et torsadez-les ensemble pour réduire les émissions par rayonnement.
4. Éloignez autant que possible le téléviseur de l'onduleur.
5. N'utilisez pas de charges haute puissance avec l'onduleur lorsque le téléviseur est allumé.

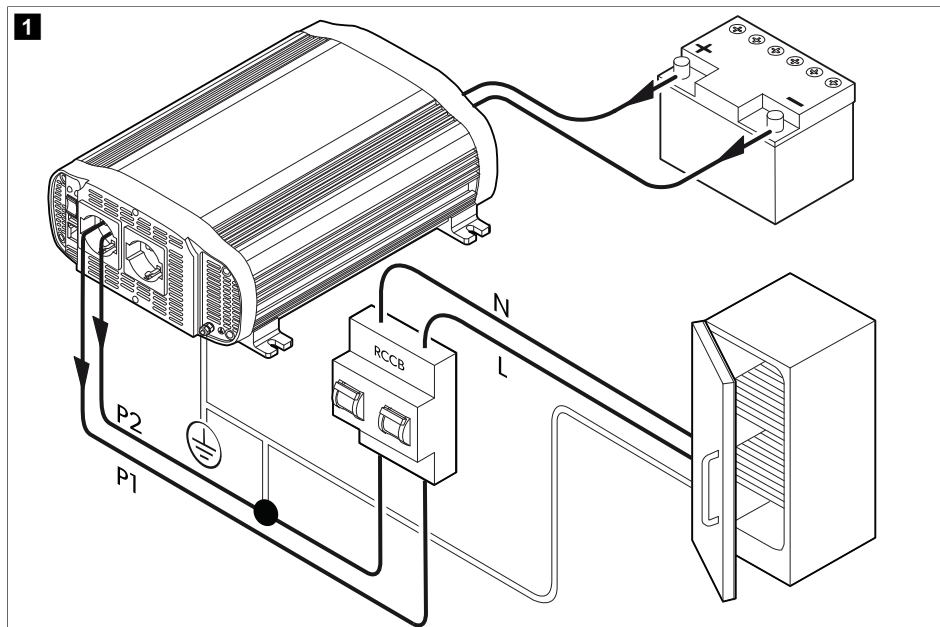
Protection contre les fuites à la terre (à l'exception des modèles SPB1000I-12, SPB1500I-12 et SPB2000I-12)



AVIS ! Risque d'endommagement

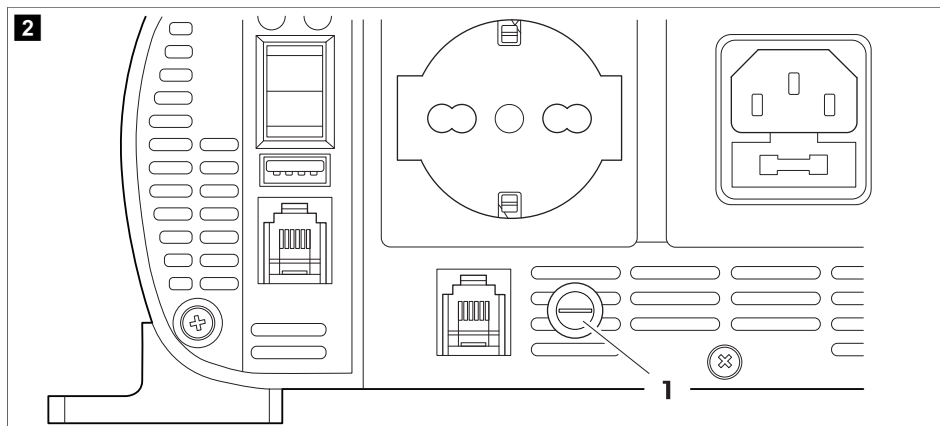
Afin d'utiliser plusieurs appareils en toute sécurité, il est essentiel d'installer un disjoncteur différentiel sur le circuit de répartition des prises.

La prise de terre est conçue pour être connectée à un système de sécurité, tel qu'un disjoncteur différentiel. Connectez le disjoncteur différentiel conformément au schéma suivant :



1. Connectez la sortie des contacts phase (P1) et neutre (P2) à l'entrée du disjoncteur différentiel.
2. Connectez la masse de l'onduleur à l'un des deux fils connectés à l'entrée du disjoncteur différentiel.
3. Connectez la sortie des contacts neutre et phase de l'entrée du disjoncteur différentiel aux appareils.
4. Connectez la masse de l'onduleur à la masse des appareils.

Protection contre les fuites à la terre (modèles SPB1000I-12, SPB1500I-12 et SPB2000I-12)



AVIS ! Risque d'endommagement

Le schéma ci-dessus se rapporte uniquement à la connexion de la sortie de l'onduleur. Le connecteur CEI de l'entrée secteur externe doit être connecté à la sortie du disjoncteur de la source d'alimentation secteur externe.

Les mises à la terre de type TN ou IT pour SPB1000I-12, SPB1500I-12 et SPB2000I-12 peuvent être configurés avec un fusible.

- > Pour établir une mise à la terre de type TN, assurez-vous que le fusible est inséré dans le porte-fusible ①.
- > Pour établir une mise à la terre de type IT, assurez-vous que le fusible **n'est pas** inséré dans le porte-fusible ①.

9 Installation



ATTENTION ! Risque d'endommagement

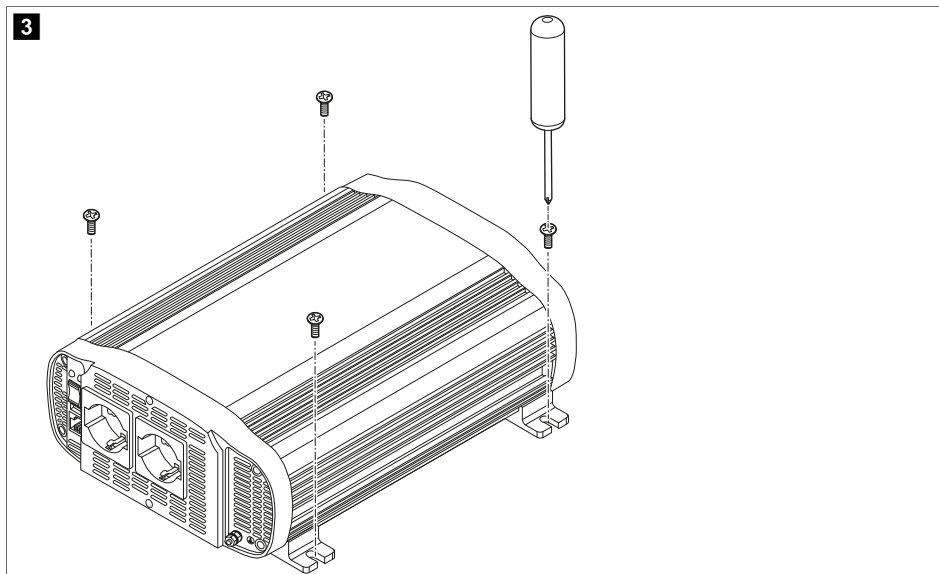
N'installez pas l'appareil à proximité de sources de chaleur ou dans des endroits mal ventilés.



REMARQUE L'appareil peut être monté dans n'importe quelle position. S'il est installé sur une surface verticale, il est recommandé de positionner le côté le plus long parallèlement au sol.



REMARQUE Installez l'appareil aussi près que possible de la source d'alimentation 12 V / 24 V.



1. Installez l'appareil en fixant les quatre brides de montage à l'aide des vis appropriées.



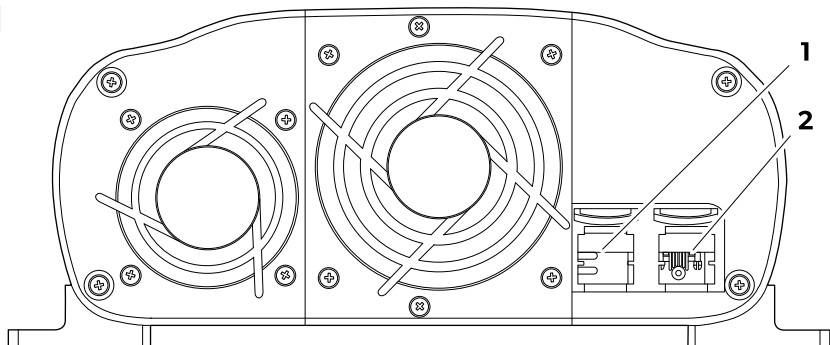
AVIS ! Risque d'endommagement

Avant de connecter l'appareil, assurez-vous que le commutateur d'alimentation est en position Arrêt.

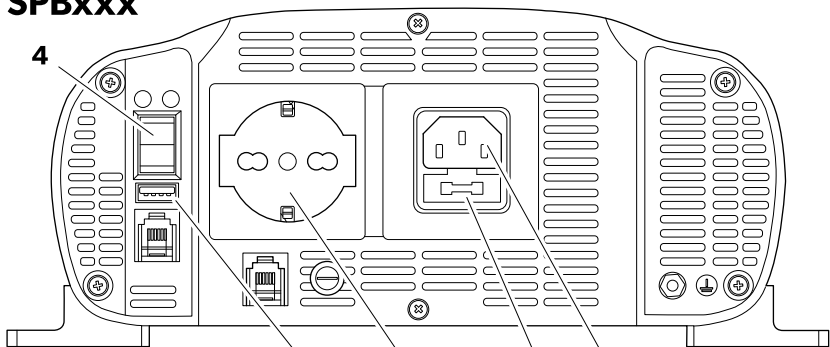


REMARQUE Utilisez les câbles fournis pour connecter la batterie à l'appareil. Si la distance entre la batterie et l'appareil dépasse 2 mètres, augmentez la section du fil pour réduire les chutes de tension et les pertes de puissance.

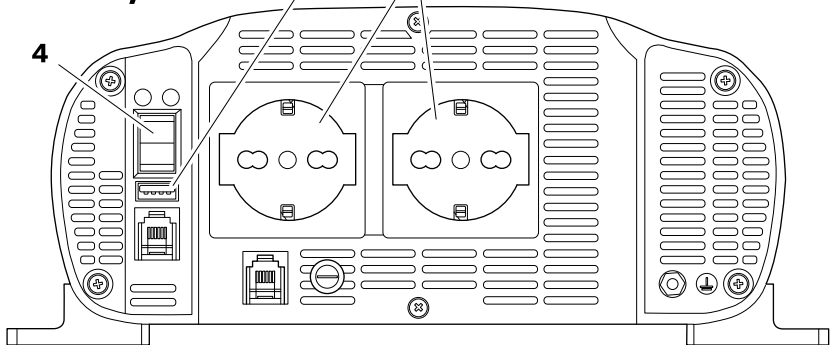
4



SPBxxx



SMxxx, SPxxx



2. Branchez la borne négative de la batterie à la borne négative de l'onduleur ①.

**AVIS ! Risque d'endommagement**

Pour protéger les appareils connectés, installez un fusible en ligne sur le câble positif de la batterie.

3. Branchez la borne positive de la batterie à la borne positive de l'onduleur ②.

**AVIS ! Risque d'endommagement**

Avant de connecter un appareil à l'onduleur, assurez-vous qu'il est éteint.

4. Branchez l'appareil 230 V sur une prise de sortie ③.
5. Mettez l'onduleur sous tension à l'aide du commutateur Marche/Arrêt ④.



REMARQUE Lorsque l'onduleur est sous tension, les voyants LED rouge et vert s'allument pendant 3 à 5 secondes. Après un court instant, le voyant LED rouge s'éteint, le voyant LED vert reste allumé et l'appareil émet un signal sonore. Le voyant LED vert indique que l'onduleur fonctionne correctement.

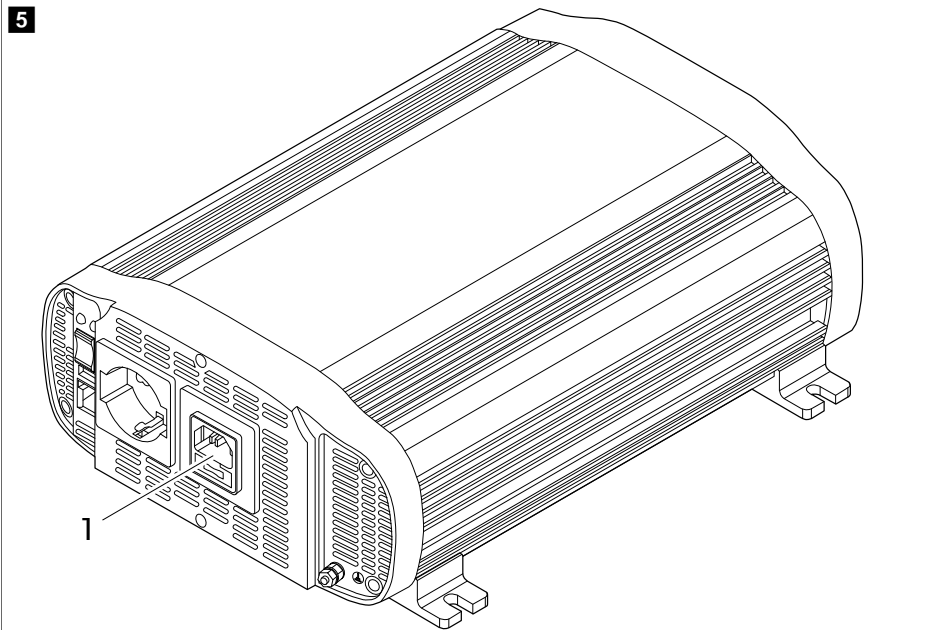
**AVIS ! Risque d'endommagement**

- > Si vous prévoyez d'utiliser plusieurs appareils, branchez d'abord celui qui nécessite la charge la plus élevée.
- > Assurez-vous que les exigences de charge combinées de vos appareils ne dépassent pas la puissance de sortie nominale de l'onduleur.
- > Lors de l'utilisation d'une rallonge entre l'onduleur et un appareil, la rallonge ne doit pas dépasser 1,5 m.
- > Ne raccordez pas l'onduleur à un circuit de charge CA dans lequel le contact neutre est connecté à la terre.

6. Connectez les appareils 230 V supplémentaires et mettez-les sous tension.
7. Pour charger un appareil 5 V, connectez-le au port USB ⑤.

10 Connexion de l'alimentation secteur externe (modèles SPB1000I-12, SPB1500I-12 et SPB2000I-12)

Il est possible de connecter un câble CEI à la prise secteur externe pour alimenter les appareils connectés directement avec la tension CA provenant du réseau électrique public.



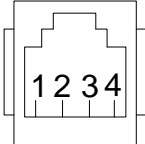
1. Connectez le câble à la prise ①.
2. Installez ou retirez le fusible du porte-fusible en ligne ⑦ selon le type de mise à la terre souhaité (voir chapitre Avant l'installation à la page 44).

11 Raccordement de la télécommande

L'appareil peut être contrôlé à distance à l'aide d'un commutateur externe en option (RC03) ou de tout commutateur générique configuré sur le connecteur RJ11 ① de l'appareil. La description suivante des configurations de broches peut être utilisée comme guide lors de l'utilisation de commutateurs externes génériques.




Le commutateur externe RCO3 en option utilise la configuration de broches suivante :

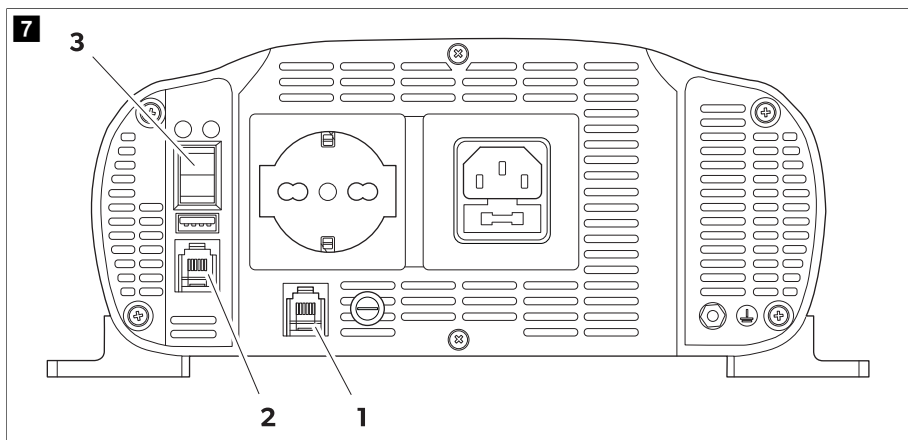
	Broche	Fonction
	2	Connexion LED rouge
	1-3	Connexion du commutateur externe
	4	Terre

- > Pour activer la commande à distance, placez le commutateur Marche/Arrêt ② en position 2.

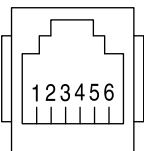
12 Connexion de N-BUS

(SPB1000I-12, SPB1500I-12 et SPB2000I-12 uniquement)

1. Branchez la fiche RJ12 (BC03, BC06, BC10) à la prise N-BUS ( fig. 7 à la page 51, 1).



Utilisez un câble plat à 6 pôles avec une fiche RJ12 en configuration droite. La configuration du brochage est la suivante :

Broche	Fonction	
	1	État du réseau
	2	Télécommande
	3	N-BUS/CI-BUS
	4	Terre
	5	Tension du bus (VBUS)
	6	(non connecté)



AVIS ! Risque d'endommagement

Veillez à ne pas mélanger les connexions N-BUS et de la télécommande ( fig. 7 à la page 51, 2).

2. Mettez le commutateur Marche/Arrêt ( fig. 7 à la page 51, **3**) en position II.
3. Connectez les appareils compatibles avec N-BUS.

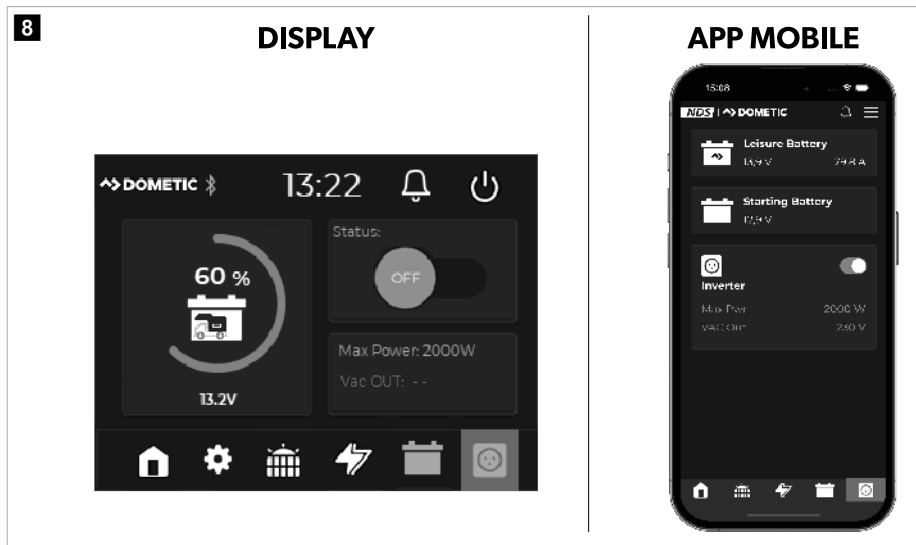
Configuration de l'onduleur dans le réseau N-BUS

Les appareils compatibles avec N-BUS peuvent être configurés et contrôlés dans le réseau N-BUS via un écran ou une application mobile.

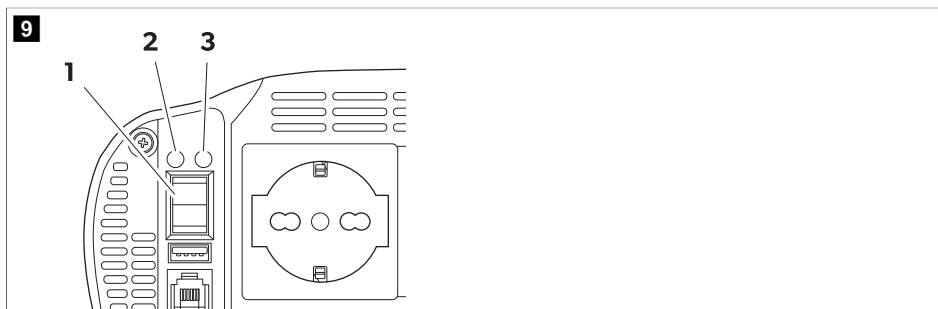


REMARQUE

- Au moins un appareil Bluetooth dans le réseau N-BUS est nécessaire pour utiliser l'application mobile.
 - Définissez l'un des appareils comme MAÎTRE.
- > Sélectionnez le menu de l'onduleur et faites glisser le curseur vers la position de marche ou d'arrêt pour allumer ou éteindre l'onduleur.



13 Utilisation



Commutateur marche/arrêt

- > Pour mettre l'appareil sous tension, placez le commutateur Marche/Arrêt ① sur la position I.
- > Pour mettre l'appareil hors tension, placez le commutateur Marche/Arrêt ① en position 0.
- > Pour activer la télécommande, placez le commutateur Marche/Arrêt ① sur la position II.

Témoin LED

L'appareil est équipé d'un voyant LED vert ② et d'un voyant LED rouge ③ pour afficher l'état de fonctionnement.

LED	Description
Green	L'appareil est allumé et fonctionne correctement
Red	Dysfonctionnement de l'appareil

14 Remplacement du fusible

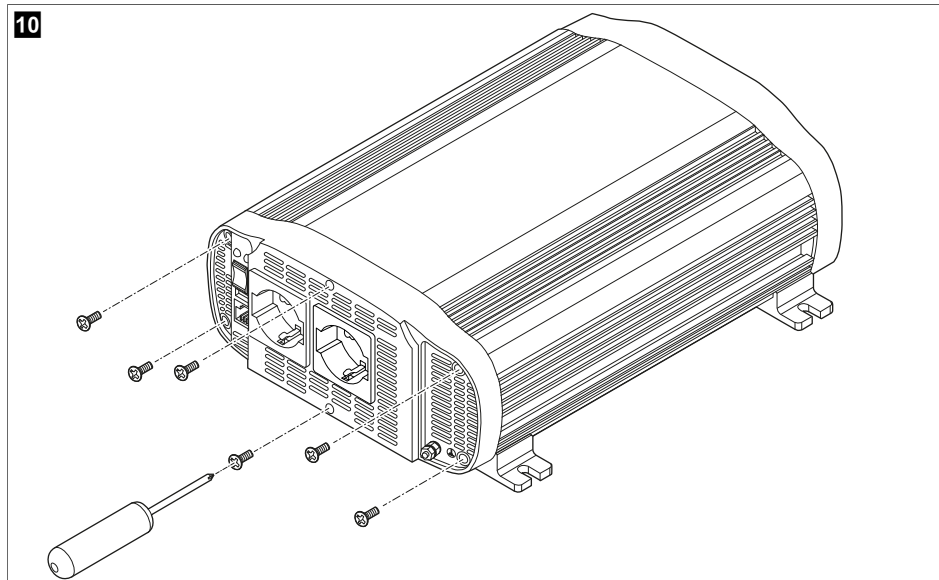


AVERTISSEMENT !

- Risque d'électrocution
- L'installation peut uniquement être effectuée par un électricien qualifié.

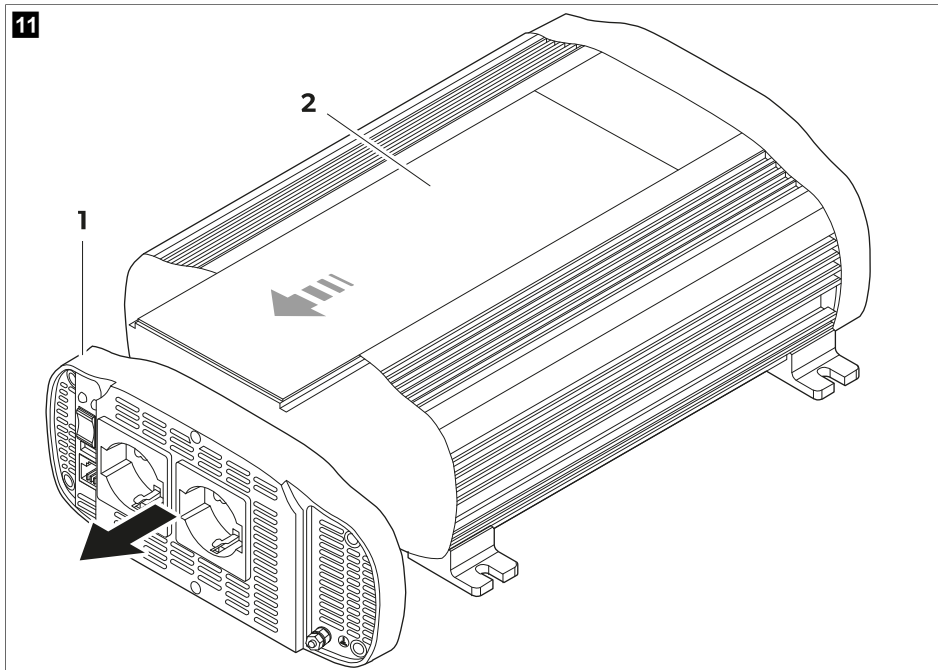
L'appareil est protégé par un circuit électronique intégré. De plus, les fusibles sont situés à l'intérieur de l'appareil. En cas d'inversion de polarité d'une connexion, un fusible fond. Les appareils dotés de la fonction IVT disposent également d'un fusible en verre à l'intérieur de la prise CEI pour la connexion au secteur externe. Des fusibles de rechange sont inclus dans l'emballage du produit.

Remplacement des fusibles internes

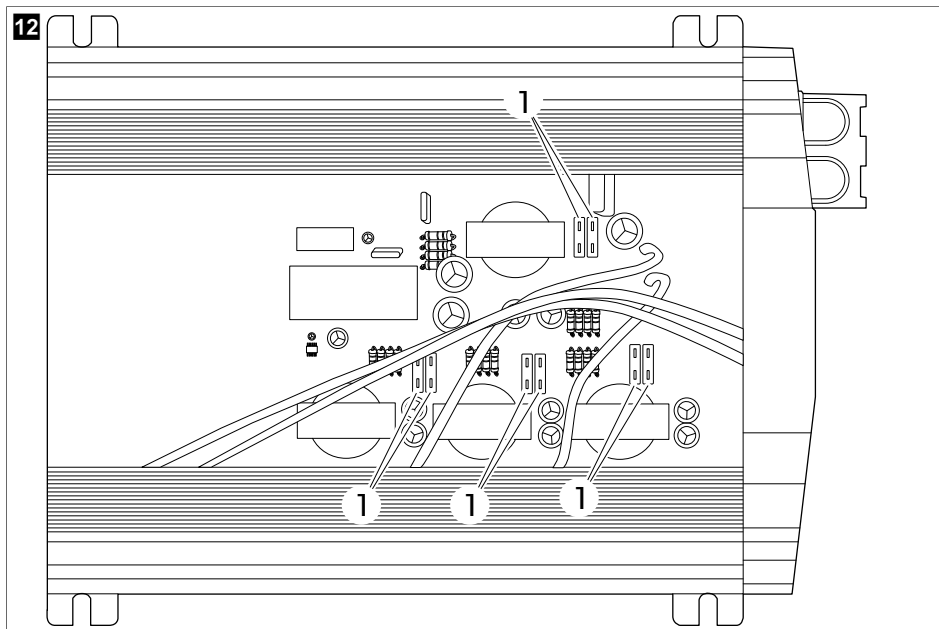


1. Déposez les six vis.

11



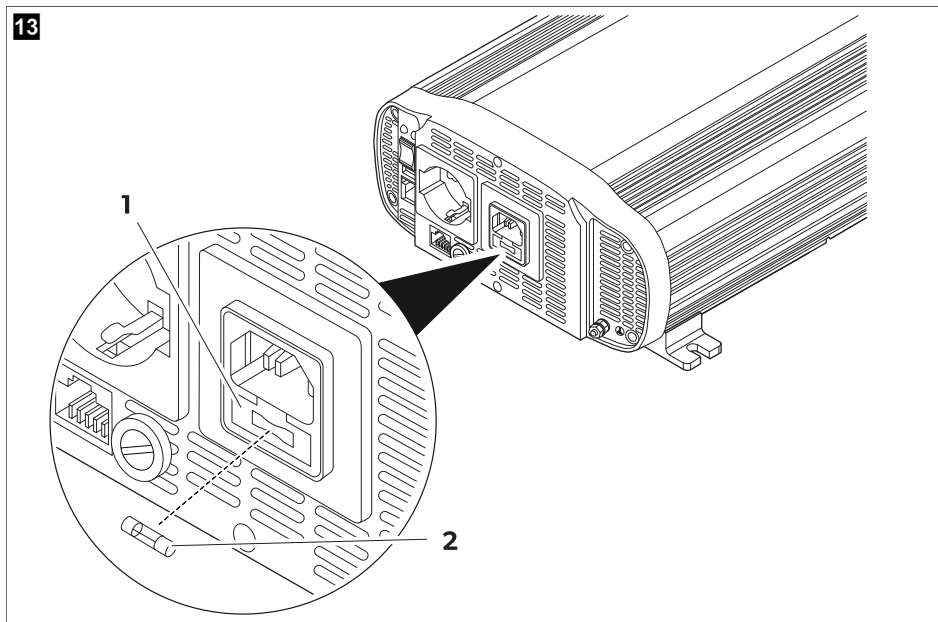
2. Inclinez le panneau avant vers l'avant ①.
3. Retirez le couvercle ②.



4. Changez le fusible ①.

Modèle	Nombre de fusibles	Caractéristiques des fusibles	
SM400-12, SP400-12	1	50 A	rouge
SM600-12, SP600-12	2	50 A	rouge
SM600-24, SP600-24	2	25 A	blanc
SM1000-12, SP1000-12	4	30 A	vert
SM1500-12, SP1500-12	6	30 A	vert
SP1500-24	6	15 A	bleu
SP2000-12	8	30 A	vert
SP3000-12	12	30 A	vert
SP3000-24	12	15 A	bleu

Remplacement du fusible de la prise CEI



1. Ouvrez le couvercle ① du boîtier de la prise.
2. Changez le fusible ②.

Modèle	Nombre de fusibles	Caractéristiques des fusibles
SPB1000I-12, SPB1500I-12 et SPB2000I-12	1	10 A (Fusible en verre F10AL 250 V)



REMARQUE Après le remplacement du fusible, l'appareil redémarre automatiquement. Si l'appareil ne fonctionne pas correctement après le remplacement du fusible, contactez un technicien pour résoudre les problèmes.

15 Nettoyage et entretien

- > Nettoyez de temps en temps le produit avec un chiffon humide.
- > Vérifiez que les connexions d'entrée et de sortie sont bien serrées et fixées.
- > Assurez-vous que les orifices d'aération ne sont pas obstrués par des impuretés ou des corps étrangers.

16 Mise au rebut



Recyclage des emballages : Dans la mesure du possible, veuillez éliminer les emballages dans les conteneurs de déchets recyclables prévus à cet effet.



Si vous souhaitez mettre le produit au rebut, contactez le centre de recyclage le plus proche ou votre revendeur spécialisé afin d'être informé des réglementations liées au traitement des déchets. Le produit peut être mis au rebut gratuitement.



Si le produit contient des piles non remplaçables, des batteries ou des sources lumineuses rechargeables, vous n'avez pas besoin de les retirer avant de les mettre au rebut.

17 Garantie


La période de garantie légale s'applique. Si le produit s'avérait défectueux, contactez la succursale du fabricant située dans votre pays (voir dometic.com/dealer) ou votre revendeur.

Pour toutes réparations ou autres prestations de garantie, veuillez joindre à l'appareil les documents suivants :

- une copie de la facture avec la date d'achat
- un motif de réclamation ou une description du dysfonctionnement


Notez que toute réparation effectuée par une personne non agréée peut présenter un risque de sécurité et annuler la garantie.



18 Caractéristiques techniques

	SM400-12	SM600-12	SM600-24
Puissance de sortie continue	400 W	600 W	
Puissance de sortie en crête	800 W (quelques secondes)	1200 W (quelques secondes)	
Tension de sortie (RMS)/fréquence	230 V CA / 50 Hz ± 3 Hz		
USB Output	5 V 2,1 A		
Tension d'entrée	12 V		24 V
Auto-consommation	200 mA (13,2 V)	220 mA (13,2 V)	100 mA (26,4 V)
Connectivité	-	-	-
Dimensions (l x P x H)	140 mm × 184 mm × 71 mm	140 mm × 214 mm × 71 mm	140 mm × 214 mm × 71 mm
Certificat	 (10 R - 05 0094)		




	SM1000-12	SM1500-12
Puissance de sortie continue	1000 W	1500 W
Puissance de sortie en crête	2000 W (quelques secondes)	3000 W (quelques secondes)
Tension de sortie (RMS)/fréquence	230 V CA / 50 Hz ± 3 Hz	
USB Output	5 V 2,1 A	
Tension d'entrée	12 V	
Auto-consommation	530 mA (13,2 V)	460 mA (13,2 V)
Connectivité	-	-
Dimensions (l x P x H)	270 mm × 262 mm × 107,5 mm	270 mm × 262 mm × 107,5 mm




	SM1000-12	SM1500-12
Certificat	 (10 R - 05 0094)	

	SP400-12	SP600-12	SP600-24
Puissance de sortie continue	400 W	600 W	
Puissance de sortie en crête	1000 W (quelques secondes)	1500 W (quelques secondes)	
Tension de sortie (RMS)/fréquence	230 V CA / 50 Hz ± 3 Hz		
USB Output	5 V 2,1 A		
Tension d'entrée	12 V		24 V
Auto-consommation	340 mA (13,2 V)	420 mA (13,2 V)	210 mA (26,4 V)
Connectivité	-	-	-
Dimensions (l x P x H)	140 mm × 214,5 mm × 71 mm	140 mm × 244,5 mm × 71 mm	140 mm × 244,5 mm × 71 mm
Certificat	 (10 R - 05 0094)		

	SP1000-12	SPB1000I-12
Puissance de sortie continue	1000 W	
Puissance de sortie en crête	2500 W (quelques secondes)	
Tension de sortie (RMS)/fréquence	230 V CA / 50 Hz ± 3 Hz	
USB Output	5 V 2,1 A	
Tension d'entrée	12 V	
Auto-consommation	870 mA (13,2 V)	680 mA (13,2 V)
Temps de commutation de la batterie à l'alimentation secteur externe	-	0,02 s
Temps de commutation de l'alimentation secteur externe à la batterie	-	0,1 s
Connectivité	-	N-BUS
Dimensions (l x P x H)	270 mm × 262,4 mm × 107,5 mm	270 mm × 262,4 mm × 107,5 mm
Certificat	 (10 R - 05 0094)	 (10 R - 06-02 5174 00)

	SP1500-12	SPB1500I-12	SP1500-24
Puissance de sortie continue	1500 W		
Puissance de sortie en crête	4000 W (quelques secondes)		
Tension de sortie (RMS)/fréquence	230 V CA / 50 Hz ± 3 Hz		
USB Output	5 V 2,1 A		

	SP1500-12	SPB1500I-12	SP1500-24
Tension d'entrée	12 V		24 V
Auto-consommation	850 mA (13,2 V)	930 mA (13,2 V)	620 mA (26,4 V)
Temps de commutation de la batterie à l'alimentation secteur externe	-	0,02 s	-
Temps de commutation de l'alimentation secteur externe à la batterie	-	0,1 s	-
Connectivité	-	N-BUS	-
Dimensions (l x P x H)	270 mm × 322,4 mm × 107,5 mm	270 mm × 360 mm × 107,5 mm	270 mm × 322,4 mm × 107,5 mm
Certificat	 (10 R - 05 0094)	 (10 R - 06-02 5174 00)	 (10 R - 05 0094)

	SPB2000I-12	SP3000-12	SP3000-24
Puissance de sortie continue	2000 W	3000 W	
Puissance de sortie en crête	6000 W (quelques secondes)	8000 W (quelques secondes)	
Tension de sortie (RMS)/fréquence	230 V CA / 50 Hz ± 3 Hz		
USB Output	5 V 2,1 A		
Tension d'entrée	12 V		24 V
Auto-consommation	900 mA (13,2 V)	1270 mA (13,2 V)	680 mA (26,4 V)
Temps de commutation de la batterie à l'alimentation secteur externe	0,02 s	-	-
Temps de commutation de l'alimentation secteur externe à la batterie	0,1 s	-	-
Connectivité	N-BUS	-	-
Dimensions (l x P x H)	270 mm × 385 mm × 107,5 mm	270 mm × 452 mm × 107,5 mm	270 mm × 452 mm × 107,5 mm
Certificat			
	 (10 R - 06-02 5174 00)	 (10 R - 05 0094)	

Par la présente, Dometic déclare que l'équipement radioélectrique de type SPB1000I-12, SPB1500I-12 et SPB2000I-12 est conforme à la directive 2014/53/UE. Le texte intégral de la déclaration de conformité de l'UE est disponible à l'adresse internet suivante : documents.dometic.com

Español

1	Notas importantes.....	60
2	Explicación de los símbolos.....	60
3	Indicaciones de seguridad.....	61
4	Volumen de entrega.....	61
5	Uso previsto.....	62
6	Personal al que va dirigido el manual.....	62
7	Descripción técnica.....	62
8	Antes de la instalación.....	63
9	Instalación.....	65
10	Conexión de la fuente de alimentación de la red eléctrica externa (modelos SPB1000I-12, SPB1500I-12 y SPB2000I-12).....	68
11	Conexión del control remoto.....	69
12	Conexión de N-BUS.....	70
13	Funcionamiento.....	71
14	Sustitución de fusibles.....	72
15	Limpieza y mantenimiento.....	75
16	Eliminación.....	75
17	Garantía.....	76
18	Datos técnicos.....	76

1 Notas importantes

Lea atentamente estas instrucciones y siga las indicaciones, directrices y advertencias incluidas en este manual para asegurarse de que instala, utiliza y mantiene correctamente el producto en todo momento. Estas instrucciones DEBEN conservarse junto con este producto.

Al utilizar el producto, usted confirma que ha leído cuidadosamente todas las instrucciones, directrices y advertencias, y que entiende y acepta cumplir los términos y condiciones aquí establecidos. Usted se compromete a utilizar este producto solo para el propósito y la aplicación previstos y de acuerdo con las instrucciones, directrices y advertencias establecidas en este manual del producto, así como de acuerdo con todas las leyes y reglamentos aplicables. La no lectura y observación de las instrucciones y advertencias aquí expuestas puede causarles lesiones a usted o a terceros, daños en el producto o daños en otras propiedades cercanas. Este manual del producto, incluyendo las instrucciones, directrices y advertencias, y la documentación relacionada, pueden estar sujetos a cambios y actualizaciones. Para obtener información actualizada sobre el producto, visite documents.dometic.com.

2 Explicación de los símbolos

Una palabra de advertencia señalará los mensajes de seguridad y de daño material, y también indicará el grado o nivel de gravedad del riesgo.



¡ADVERTENCIA!

Indica una situación peligrosa que, de no evitarse, puede ocasionar la muerte o lesiones graves.



¡ATENCIÓN!

Indica una situación peligrosa que, de no evitarse, puede ocasionar lesiones moderadas o leves.



¡AVISO!

Indica una situación peligrosa que, de no evitarse, puede provocar daños materiales.



NOTA Información adicional para el manejo del producto.

3 Indicaciones de seguridad



¡ADVERTENCIA! El incumplimiento de estas advertencias podría acarrear la muerte o lesiones graves.

- > En caso de incendio, utilice un extintor adecuado para aparatos eléctricos.
- > No ponga el aparato en funcionamiento si presenta desperfectos visibles.



¡ATENCIÓN! El incumplimiento de estas advertencias podría acarrear la muerte o lesiones graves.

- > La instalación, el montaje y el cableado, así como todos los demás trabajos, solo pueden ser realizados por electricistas cualificados. Las reparaciones realizadas incorrectamente pueden generar situaciones de considerable peligro.
- > No se permite la instalación en atmósferas potencialmente explosivas, como salas con líquidos o gases inflamables.
- > No instale ni ponga en funcionamiento el aparato cerca de llamas vivas ni otras fuentes de calor (calefacción, radiación directa del sol, estufas de gas, etc.).
- > No deje que los niños jueguen con el aparato.
- > Este aparato puede ser utilizado por menores a partir de 8 años y personas con capacidad física, sensorial o mental reducida, o con falta de experiencia y conocimientos, siempre que lo hagan bajo supervisión o hayan recibido instrucciones relativas al uso del mismo de manera segura y entendiendo los riesgos asociados.



¡AVISO! Indica una situación peligrosa que, de no evitarse, puede provocar daños materiales.

- > Compruebe que el valor de tensión indicado en la etiqueta de tipo se corresponde con el del suministro de energía.
- > No sumerja nunca el aparato en agua.
- > Proteja el aparato y los cables contra el calor y la humedad.
- > No exponga el aparato a la lluvia.
- > Asegúrese de que la superficie de montaje puede resistir el peso del aparato.
- > Tienda los cables de tal forma que no se pueda tropezar con ellos ni puedan quedar dañados.
- > Use tubos corrugados o guías de cables cuando los cables se tengan que pasar a través de paredes chapa u otras paredes afiladas.

4 Volumen de entrega

Descripción	Cantidad
Inversor	1
Cable de alimentación rojo	1
Cable de alimentación negro	1
Instrucciones de montaje y de uso	1

5 Uso previsto

El aparato está diseñado para suministrar 230 voltios a los aparatos conectados generados a partir de la tensión de entrada de 12 V o 24 V. El aparato está diseñado para su uso en autocaravanas, furgonetas cámper y autocares.

La línea de modelos incluye dos tipos de aparatos:

- Los modelos SM400-12, SM600-12, SM600-24, SM1000-12 y SM1500-12 son inversores con salida de onda sinusoidal modificada.
- Los modelos SP400-12, SP600-12, SP600-24, SP1000-12, SP1500-12, SP1500-24, SP3000-12 y SP3000-24 son inversores con salida de onda sinusoidal pura.

Los modelos SPB1000I-12, SPB1500I-12 y SPB2000I-12 cuentan con una función de prioridad integrada (IVT) y una toma de entrada protegida por fusible (IEC) para conectar a la fuente de alimentación externa.

Este producto solo es apto para el uso previsto y la aplicación de acuerdo con estas instrucciones.

Este manual proporciona la información necesaria para la correcta instalación y/o funcionamiento del producto. Una instalación deficiente o un uso y mantenimiento inadecuados conllevan un rendimiento insatisfactorio y posibles fallos.

El fabricante no se hace responsable de ninguna lesión o daño en el producto ocasionados por:

- Una instalación, un montaje o una conexión incorrectos, incluido un exceso de tensión
- Un mantenimiento incorrecto o el uso de piezas de recambio distintas de las originales proporcionadas por el fabricante
- Modificaciones realizadas en el producto sin el expreso consentimiento del fabricante
- Uso con una finalidad distinta de la descrita en las instrucciones

Dometic se reserva el derecho de cambiar la apariencia y las especificaciones del producto.

6 Personal al que va dirigido el manual



La instalación eléctrica y configuración del aparato debe ser realizada por un electricista cualificado que haya demostrado sus habilidades y conocimientos relacionados con la construcción y el funcionamiento de equipos e instalaciones eléctricas, y que esté familiarizado con las normativas aplicables del país en el que se va a instalar y/o utilizar el equipo, y que haya recibido formación sobre seguridad para identificar y evitar los peligros implicados.

El resto de acciones pueden ser realizadas por usuarios no profesionales.

7 Descripción técnica

El aparato tiene dos etapas de circuito principales para convertir la tensión de entrada de 12 V \Rightarrow o 24 V \Rightarrow en tensión de salida de CA. La primera etapa consta de un convertidor CC/CC de alta frecuencia aislado para convertir la tensión de entrada de 12 V 24 V CC en una tensión de salida de hasta 400 V CC. La etapa final consta de un puente H que convierte el bus de alta tensión de CC en tensión de 230 V CA.

El aparato ofrece las siguientes características principales:

- Bajo consumo.
- Entrada y salida aisladas galvánicamente para mayor seguridad.
- Velocidad del ventilador controlada por temperatura para un funcionamiento silencioso.
- Selector de prioridad integrado entre la red eléctrica externa y la batería.
- Listo para el control remoto de encendido/apagado.

- Alarma de tensión de la batería baja.
- Desconexión por tensión de la batería alta y baja.
- Desconexión por sobrecarga.
- Protección contra cortocircuitos, sobretensión, sobrecarga y polaridad inversa.
- Función de arranque suave.

Solo SPB1000I-12, SPB1500I-12, SPB2000I-12: El dispositivo es compatible con N-BUS (consulte el capítulo Conexión de N-BUS en la página 70).

8 Antes de la instalación

Requisitos de la batería

El tipo y el tamaño de la batería pueden afectar considerablemente al rendimiento de los inversores. Por lo tanto, se debe identificar el tipo de cargas que alimentará el inversor y la duración del uso entre recargas. Para determinar los requisitos mínimos de la batería para una aplicación, realice lo siguiente:

1. Determine el vataje de las etiquetas de cada aparato que se vaya a utilizar simultáneamente desde el inversor. Normalmente, el consumo de potencia se muestra en vatios. Si se muestra en amperios, multiplique el valor por 230 V para determinar el vataje.
2. Calcule el número de horas que el equipo estará en uso antes de recargar la batería.
3. Calcule la energía total requerida en Wh (vatios hora) multiplicando el tiempo determinado anteriormente por la suma de vatios. Divida el resultado entre 10 si la entrada del inversor es 12 V, o entre 20 si es 24 V. El valor resultante en Ah representa el requisito de potencia de la aplicación.



NOTA Cuando sea posible, recargue la batería cuando esté descargada aproximadamente al 50 % o antes. Esto proporciona a la batería un ciclo de vida mucho más largo, en lugar de recargarla únicamente cuando está totalmente descargada.

Resolución de problemas de interferencias

Algunos sistemas de sonido económicos pueden emitir un zumbido procedente de los altavoces cuando se accionan desde el inversor. Esto ocurre porque la fuente de alimentación del sistema de sonido no filtra adecuadamente la onda sinusoidal modificada producida por el inversor. La solución es utilizar un sistema de sonido que tenga una fuente de alimentación de alta calidad o un inversor de onda sinusoidal pura. Cuando el inversor está en funcionamiento, puede interferir con la recepción de televisión en algunos canales. Si se producen interferencias, intente lo siguiente:

1. Asegúrese de que el tornillo de conexión a tierra del chasis del inversor está conectado a la conexión de tierra del vehículo.
2. Asegúrese de que la antena de televisión proporciona una señal adecuada y que el cable de la antena está en buen estado.
3. Mantenga los cables entre la batería y el inversor lo más cortos posible y tréncelos juntos para reducir las emisiones irradiadas.
4. Aleje la televisión lo máximo posible del inversor.
5. No utilice cargas de alta potencia con el inversor cuando la televisión esté encendida.

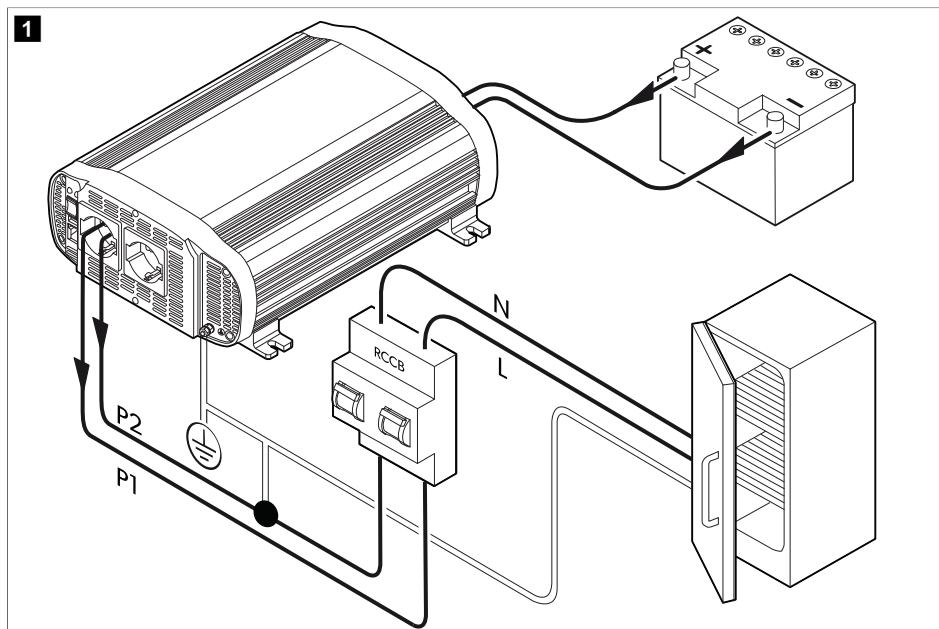
Protección contra fugas a tierra (excepto los modelos SPB1000I-12, SPB1500I-12 y SPB2000I-12)



¡AVISO! Peligro de daños

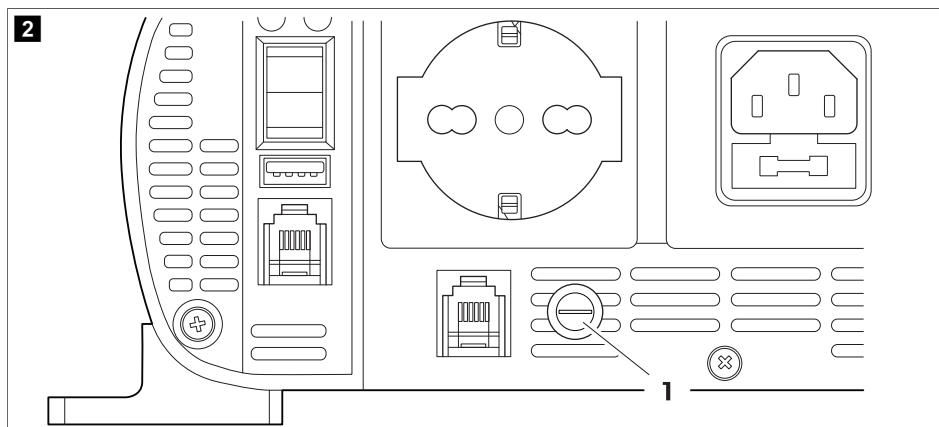
Para el funcionamiento seguro de múltiples aparatos, es absolutamente necesario que se instale un interruptor automático (interruptor diferencial) en el circuito de distribución de cajas de enchufe.

La toma de tierra está diseñada para un sistema de seguridad como el interruptor diferencial (RCCB). Conecte el interruptor diferencial según el siguiente diagrama:



1. Conecte la salida de fase (P1) y neutro (P2) a la entrada del interruptor diferencial.
2. Conecte la tierra del inversor a uno de los dos cables conectados a la entrada del interruptor diferencial.
3. Conecte el neutro y la salida de fase de la entrada del interruptor diferencial a los aparatos.
4. Conecte la toma de tierra del inversor a la tierra de los aparatos.

Protección contra fugas a tierra (modelos SPB1000I-12, SPB1500I-12 y SPB2000I-12)



¡AVISO! Peligro de daños

El diagrama anterior se refiere únicamente a la conexión de la salida del inversor. El conector IEC de la entrada de red eléctrica externa debe conectarse a la salida del interruptor automático de la fuente de alimentación de la red eléctrica externa.

Las disposiciones de puesta a tierra de tipo TN o IT para SPB1000I-12, SPB1500I-12 y SPB2000I-12 se pueden configurar con un fusible.

- > Para establecer una disposición de puesta a tierra tipo TN, asegúrese de que el fusible esté insertado en el portafusibles ①.
- > Para establecer una disposición de puesta a tierra de tipo IT, asegúrese de que el fusible **no** esté insertado en el portafusibles ①.

9 Instalación



¡ATENCIÓN! Peligro de daños

No instale el aparato cerca de fuentes de calor ni en lugares con ventilación inadecuada.

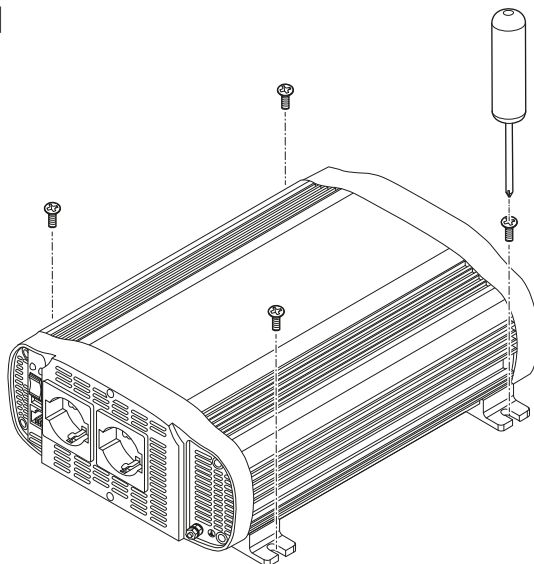


NOTA El aparato se puede montar en cualquier posición. Si se instala en una superficie vertical, se recomienda mantener el lado largo paralelo al suelo.



NOTA Instale el aparato lo más cerca posible de la fuente de alimentación de 12 V / 24 V .

3



1. Monte el aparato por las cuatro bridas de montaje con los tornillos adecuados.

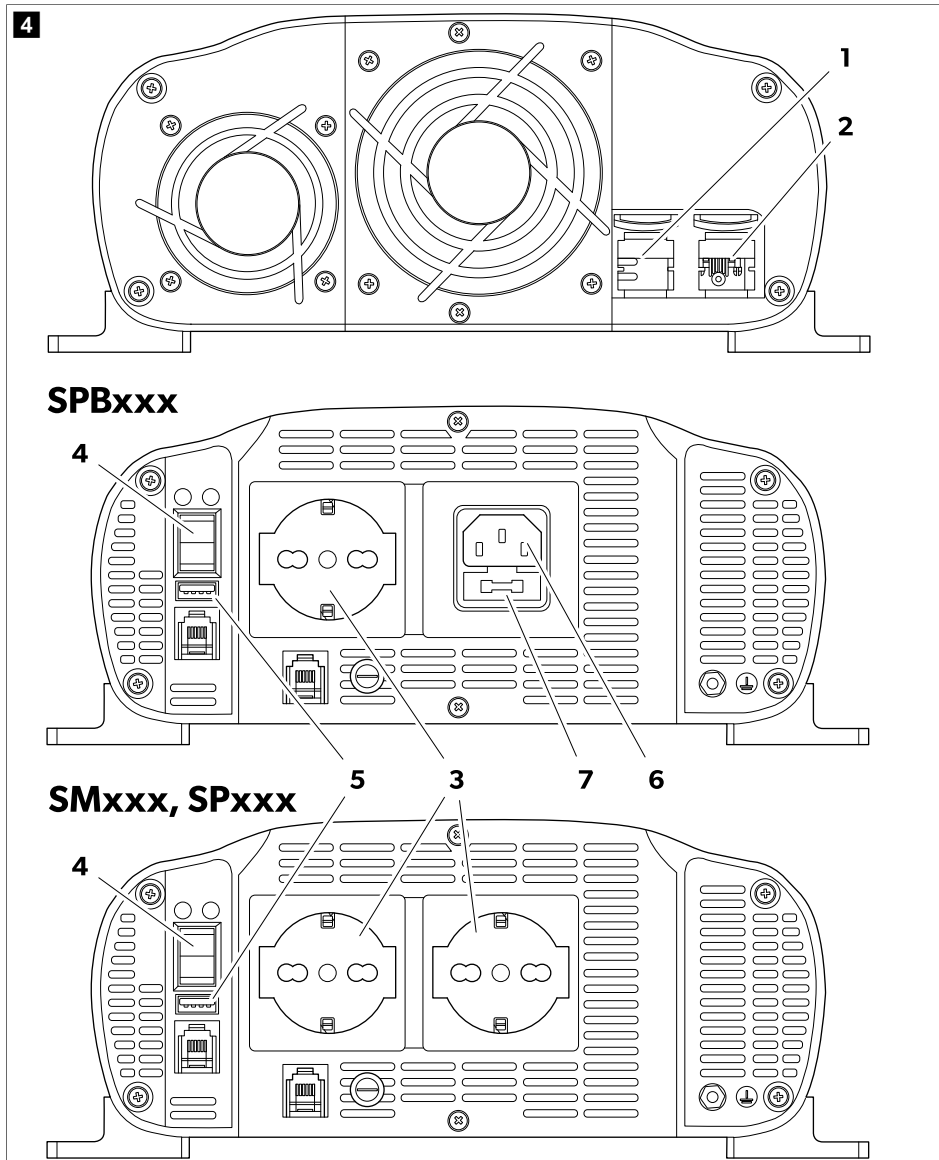


¡AVISO! Peligro de daños

Antes de conectar el aparato, asegúrese de que el interruptor de alimentación esté en la posición OFF.



NOTA Utilice los cables suministrados para conectar la batería al aparato. Si la distancia entre la batería y el aparato supera los 2 metros, aumente la sección transversal del cable para reducir la caída de tensión y las pérdidas de potencia.



2. Conecte el terminal negativo de la batería al terminal negativo del inversor ①.

**¡AVISO! Peligro de daños**

Para proteger los aparatos conectados, instale un fusible en línea en el cable positivo de la batería.

3. Conecte el terminal positivo de la batería al terminal positivo del inversor ②.

**¡AVISO! Peligro de daños**

Antes de conectar un aparato al inversor, asegúrese de que está apagado.

4. Conecte el 230 V aparato a una toma de salida ③.
5. Encienda en inversor con el interruptor de encendido y apagado ④.



NOTA Cuando el inversor está encendido, el LED rojo y el verde se encienden durante 3 a 5 segundos. Después de un breve periodo de tiempo, el LED rojo se apaga, el verde permanece encendido y el aparato emite una señal acústica. El LED verde indica que el inversor funciona correctamente.

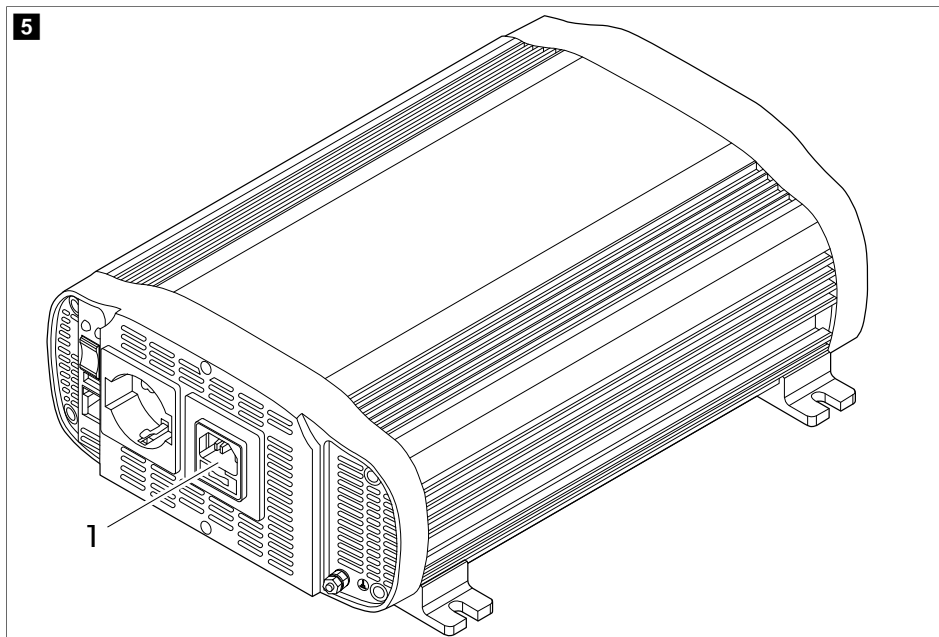
**¡AVISO! Peligro de daños**

- > Si tiene previsto utilizar más de un aparato, conecte primero el que tenga el requisito de carga más alto.
- > Asegúrese de que el requisito de carga combinada de sus aparatos no supera la potencia nominal de salida del inversor.
- > Cuando se utiliza un cable alargador desde el inversor a un aparato, el cable alargador no debe tener una longitud superior 1,5 m.
- > No conecte el inversor a ningún circuito de carga de CA en el que el conductor neutro esté conectado a tierra.

6. Conecte otros aparatos de 230 V y enciéndalos.
7. Para cargar un aparato de 5 V, conéctelo al puerto USB ⑤.

10 Conexión de la fuente de alimentación de la red eléctrica externa (modelos SPB1000I-12, SPB1500I-12 y SPB2000I-12)

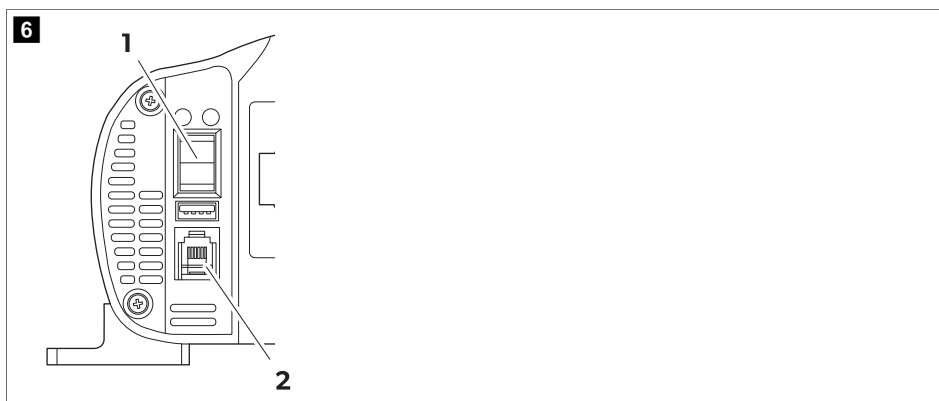
Es posible conectar un cable IEC a la toma de la red eléctrica externa para alimentar los aparatos conectados directamente con tensión de CA desde la red de alimentación pública.



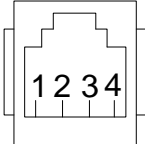
1. Conecte el cable a la toma ①.
2. Instale o retire el fusible en el portafusibles en línea ⑦ según el tipo de disposición de puesta a tierra deseado (consulte el capítulo Antes de la instalación en la página 63).

11 Conexión del control remoto

El aparato se puede controlar de forma remota con un interruptor externo opcional (RC03) o con cualquier interruptor genérico configurado para el conector RJ11 ① del aparato. La siguiente descripción de las configuraciones de pines se puede utilizar como guía cuando se utilizan interruptores externos genéricos.




El interruptor externo RC03 opcional utiliza la siguiente configuración de pines:

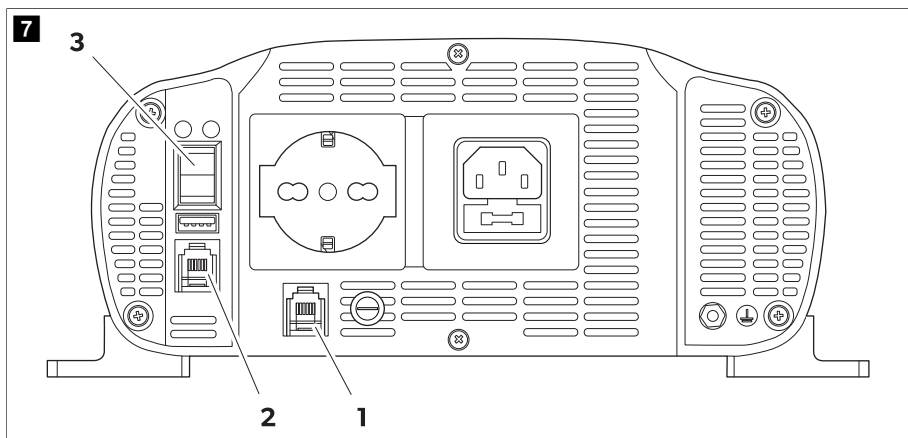
	Pin	Función
	2	Conexión del LED rojo
	1-3	Conexión del interruptor externo
	4	Masa

- > Para activar el control remoto, coloque el interruptor de encendido y apagado ② en la posición 2.

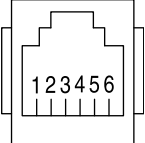
12 Conexión de N-BUS

(Solo SPB1000I-12, SPB1500I-12, SPB2000I-12)

1. Conecte el conector RJ12 (BC03, BC06, BC10) a la toma N-BUS ( fig. 7 en la página 70, 1).




Utilice un cable plano de 6 polos con conector RJ12 con una configuración recta. La configuración de los pines es la siguiente:

Pin	Función	
	1	Estado de la red
	2	Control remoto
	3	N-BUS/CI-BUS
	4	Masa
	5	Tensión bus (VBUS)
	6	(No conectado)



¡AVISO! Peligro de daños

Asegúrese de no mezclar las conexiones del N-BUS y del control remoto ( fig. 7 en la página 70, 2).

- Coloque el interruptor de encendido/apagado ( fig. 7 en la página 70, **3**) en la posición II.
- Conecte los dispositivos compatibles con N-BUS.

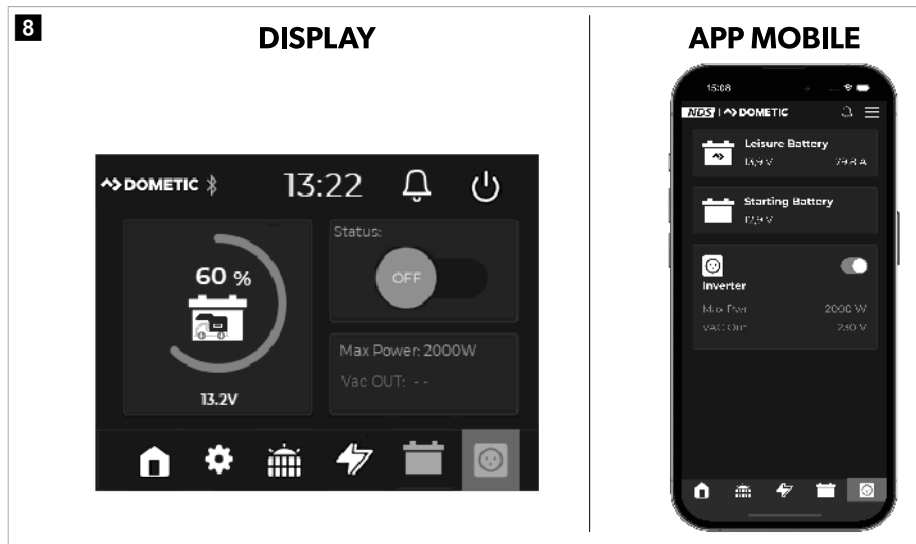
Configuración del inversor en la red N-BUS

Los dispositivos compatibles con N-BUS se pueden configurar y controlar en la red N-BUS a través de la pantalla o la aplicación móvil.

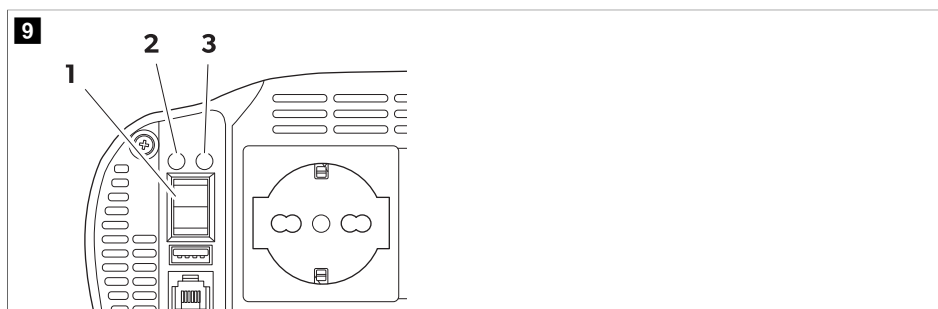


NOTA

- Se necesita al menos un dispositivo Bluetooth en la red N-BUS para utilizar la aplicación móvil.
 - Establezca uno de los dispositivos como PRINCIPAL.
- > Seleccione el menú del inversor y arrastre el control deslizante a la posición ON (activado) u OFF (desactivado) para activar o desactivar el inversor.



13 Funcionamiento



Interruptor de encendido y apagado

- > Para encender el aparato, coloque el interruptor de encendido/apagado ① en la posición I.
- > Para apagar el aparato, coloque el interruptor de encendido y apagado ① en la posición 0.
- > Para activar el control remoto, coloque el interruptor de encendido/apagado ① en la posición II.

Indicadores LED

El aparato está equipado con un indicador LED verde ② y otro rojo ③ para mostrar el estado de funcionamiento.

LED	Descripción
Green	El aparato está encendido y funciona correctamente
Red	Funcionamiento incorrecto del aparato

14 Sustitución de fusibles

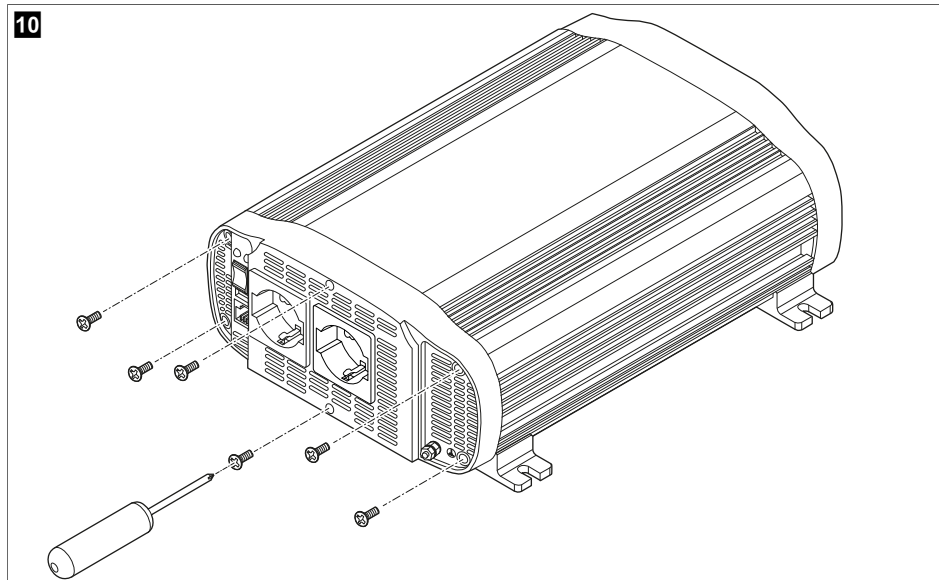


¡ADVERTENCIA!

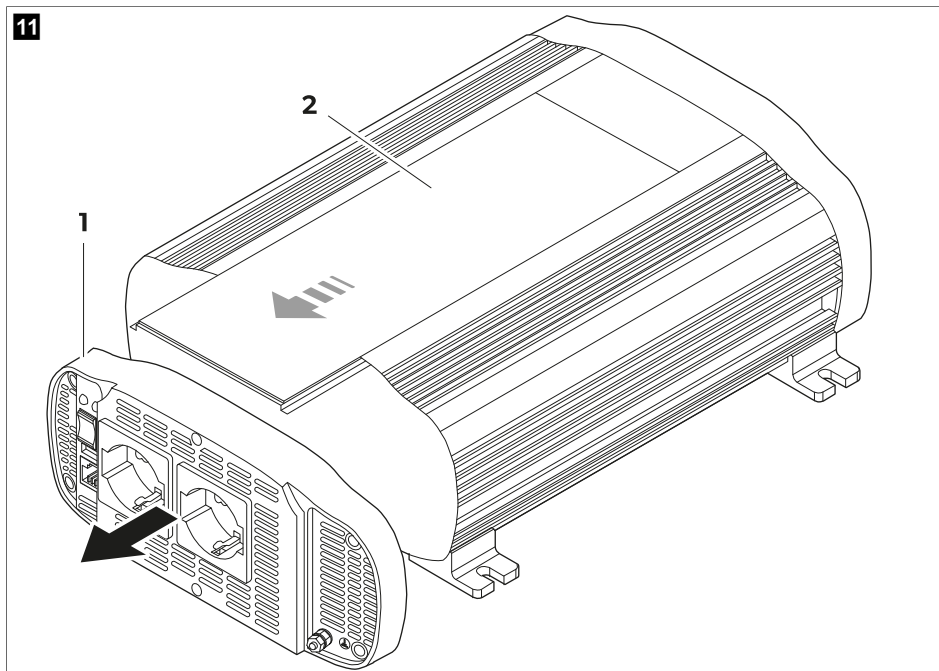
- Riesgo de electrocución
- La instalación solo puede realizarla un electricista cualificado.

El aparato está protegido por un circuito electrónico integral. Además, los fusibles se encuentran dentro del aparato. En caso de inversión de la polaridad de una conexión, se funde un fusible. Los aparatos con función IVT también disponen de un fusible de vidrio dentro de la toma IEC para la conexión a la red eléctrica externa. Los fusibles de repuesto se incluyen en el embalaje del producto.

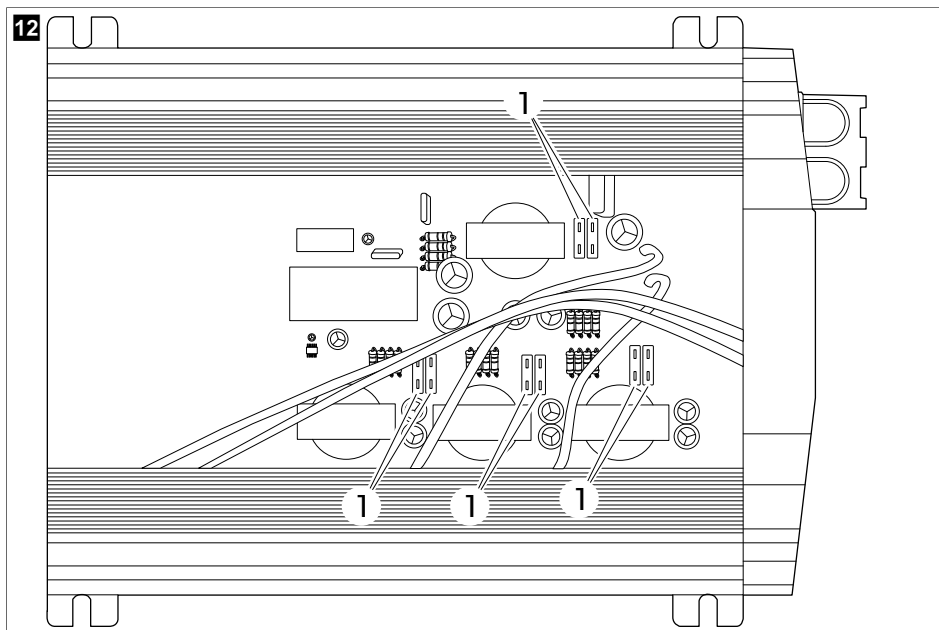
Sustitución de fusibles internos



1. Retire los seis tornillos.



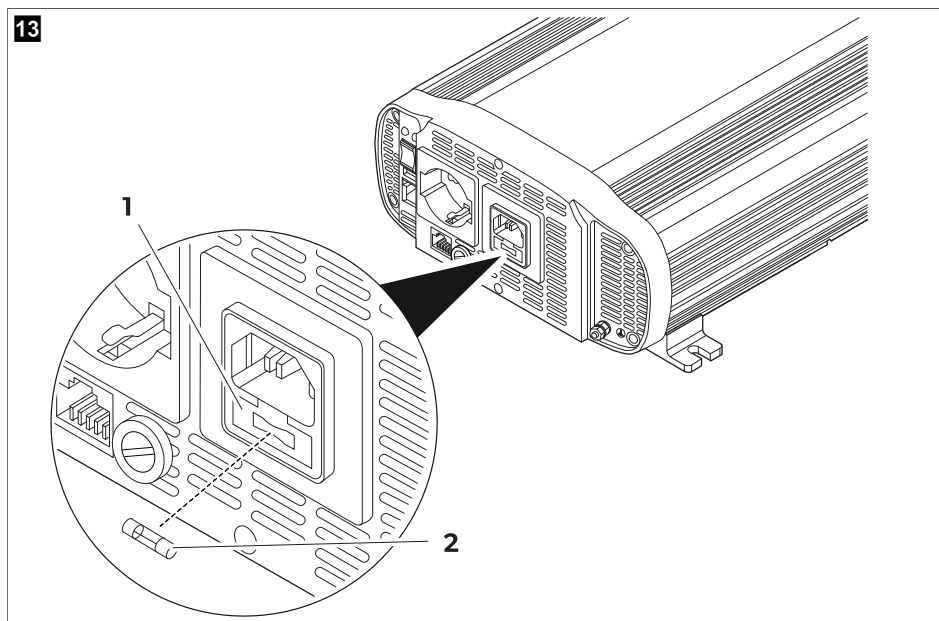
2. Incline el panel frontal hacia delante ①.
3. Retire la tapa ②.



4. Sustituya el fusible ①.

Modelo	Cantidad de fusibles	Capacidad del fusible	
SM400-12, SP400-12	1	50 A	rojo
SM600-12, SP600-12	2	50 A	rojo
SM600-24, SP600-24	2	25 A	blanco
SM1000-12, SP1000-12	4	30 A	verde
SM1500-12, SP1500-12	6	30 A	verde
SP1500-24	6	15 A	azul
SP2000-12	8	30 A	verde
SP3000-12	12	30 A	verde
SP3000-24	12	15 A	azul

Sustitución del fusible de la toma IEC



1. Abra la tapa ① de la carcasa de la toma.
2. Sustituya el fusible ②.

Modelo	Cantidad de fusibles	Capacidad del fusible
SPB1000I-12, SPB1500I-12 y SPB2000I-12	1	10 A (fusible de cristal de F10AL 250 V)



NOTA Después de sustituir el fusible, el aparato se reinicia automáticamente. Si el aparato no funciona correctamente después de sustituir el fusible, póngase en contacto con un técnico para la resolución de problemas.

15 Limpieza y mantenimiento

- > Limpie de vez en cuando el producto con un paño húmedo.
- > Compruebe que las conexiones de entrada y salida estén bien apretadas y fijadas.
- > Asegúrese de que las ranuras de ventilación no estén obstruidas por suciedad ni cualquier otro material.

16 Eliminación



Reciclaje del material de embalaje: Si es posible, deseche el material de embalaje en el contenedor de reciclaje adecuado.



Cuando vaya a desechar definitivamente el producto, infórmese en el centro de reciclaje más cercano o en un distribuidor especializado sobre las normas pertinentes de gestión de residuos. El producto podrá desecharse gratuitamente.



Si el producto contiene baterías no sustituibles, recargables o fuentes de luz, no es necesario que las extraiga antes de desecharlo.

17 Garantía


Se aplica el período de garantía estipulado por la ley. Si el producto es defectuoso, póngase en contacto con la sucursal del fabricante de su país (consulte dometic.com/dealer) o con su punto de venta.

Para tramitar la reparación y la garantía, incluya los siguientes documentos cuando envíe el aparato:

- Una copia de la factura con fecha de compra
- El motivo de la reclamación o una descripción de la avería


Tenga en cuenta que una reparación por medios propios o no profesionales puede tener consecuencias de seguridad y suponer la anulación de la garantía.



18 Datos técnicos

	SM400-12	SM600-12	SM600-24
Potencia de salida continua	400 W	600 W	
Potencia de salida máxima	800 W (unos segundos)	1200 W (unos segundos)	
Tensión de salida (RMS)/frecuencia	230 V CA / 50 Hz ± 3 Hz		
Salida USB	5 V 2,1 A		
Tensión de entrada	12 V		24 V
Autoconsumo	200 mA (13,2 V)	220 mA (13,2 V)	100 mA (26,4 V)
Conectividad	-	-	-
Dimensiones (An x Pr x Al)	140 mm x 184 mm x 71 mm	140 mm x 214 mm x 71 mm	140 mm x 214 mm x 71 mm
Certificado	 (10 R - 05 0094)		




	SM1000-12	SM1500-12
Potencia de salida continua	1000 W	1500 W
Potencia de salida máxima	2000 W (unos segundos)	3000 W (unos segundos)
Tensión de salida (RMS)/frecuencia	230 V CA / 50 Hz ± 3 Hz	
Salida USB	5 V 2,1 A	
Tensión de entrada	12 V	
Autoconsumo	530 mA (13,2 V)	460 mA (13,2 V)
Conectividad	-	-
Dimensiones (An x Pr x Al)	270 mm x 262 mm x 107,5 mm	270 mm x 262 mm x 107,5 mm




	SM1000-12	SM1500-12
Certificado	 (10 R - 05 0094)	

	SP400-12	SP600-12	SP600-24
Potencia de salida continua	400 W	600 W	
Potencia de salida máxima	1000 W (unos segundos)	1500 W (unos segundos)	
Tensión de salida (RMS)/frecuencia	230 V CA / 50 Hz ± 3 Hz		
Salida USB	5 V 2,1 A		
Tensión de entrada	12 V		24 V
Autoconsumo	340 mA (13,2 V)	420 mA (13,2 V)	210 mA (26,4 V)
Conectividad	-	-	-
Dimensiones (An x Pr x Al)	140 mm × 214,5 mm × 71 mm	140 mm × 244,5 mm × 71 mm	140 mm × 244,5 mm × 71 mm
Certificado	 (10 R - 05 0094)		

	SP1000-12	SPB1000I-12
Potencia de salida continua	1000 W	
Potencia de salida máxima	2500 W (unos segundos)	
Tensión de salida (RMS)/frecuencia	230 V CA / 50 Hz ± 3 Hz	
Salida USB	5 V 2,1 A	
Tensión de entrada	12 V	
Autoconsumo	870 mA (13,2 V)	680 mA (13,2 V)
Tiempo de conmutación de la batería a la red eléctrica externa	-	0,02 s
Tiempo de conmutación de la red eléctrica externa a la batería	-	0,1 s
Conectividad	-	N-BUS
Dimensiones (An x Pr x Al)	270 mm × 262,4 mm × 107,5 mm	270 mm × 262,4 mm × 107,5 mm
Certificado	 (10 R - 05 0094)	 (10 R - 06-02 5174 00)

	SP1500-12	SPB1500I-12	SP1500-24
Potencia de salida continua	1500 W		
Potencia de salida máxima	4000 W (unos segundos)		
Tensión de salida (RMS)/frecuencia	230 V CA / 50 Hz ± 3 Hz		
Salida USB	5 V 2,1 A		

	SP1500-12	SPB1500I-12	SP1500-24
Tensión de entrada	12 V		24 V
Autoconsumo	850 mA (13,2 V)	930 mA (13,2 V)	620 mA (26,4 V)
Tiempo de conmutación de la batería a la red eléctrica externa	-	0,02 s	-
Tiempo de conmutación de la red eléctrica externa a la batería	-	0,1 s	-
Conectividad	-	N-BUS	-
Dimensiones (An x Pr x Al)	270 mm × 322,4 mm × 107,5 mm	270 mm × 360 mm × 107,5 mm	270 mm × 322,4 mm × 107,5 mm
Certificado	 (10 R - 05 0094)	 (10 R - 06-02 5174 00)	 (10 R - 05 0094)

	SPB2000I-12	SP3000-12	SP3000-24
Potencia de salida continua	2000 W	3000 W	
Potencia de salida máxima	6000 W (unos segundos)	8000 W (unos segundos)	
Tensión de salida (RMS)/frecuencia	230 V CA / 50 Hz ± 3 Hz		
Salida USB	5 V 2,1 A		
Tensión de entrada	12 V		24 V
Autoconsumo	900 mA (13,2 V)	1270 mA (13,2 V)	680 mA (26,4 V)
Tiempo de conmutación de la batería a la red eléctrica externa	0,02 s	-	-
Tiempo de conmutación de la red eléctrica externa a la batería	0,1 s	-	-
Conectividad	N-BUS	-	-
Dimensiones (An x Pr x Al)	270 mm × 385 mm × 107,5 mm	270 mm × 452 mm × 107,5 mm	270 mm × 452 mm × 107,5 mm
Certificado			
	 (10 R - 06-02 5174 00)	 (10 R - 05 0094)	

Por el presente documento, Dometic declara que el tipo de equipo radioeléctrico SPB1000I-12, SPB1500I-12 y SPB2000I-12 cumple la directiva 2014/53/UE. El texto completo de la declaración de conformidad de la UE está disponible en la siguiente dirección de Internet: documents.dometic.com

Português

1	Notas importantes.....	79
2	Explicação dos símbolos.....	79
3	Indicações de segurança.....	80
4	Material fornecido.....	80
5	Utilização adequada.....	80
6	Grupo alvo.....	81
7	Descrição técnica.....	81
8	Antes da instalação.....	82
9	Instalação.....	84
10	Ligar a fonte de alimentação da rede elétrica externa (modelos SPB1000I-12, SPB1500I-12 e SPB2000I-12).....	87
11	Ligar o controlo remoto.....	88
12	Ligar a N-BUS.....	89
13	Operação.....	90
14	Substituição de fusíveis.....	91
15	Limpeza e manutenção.....	94
16	Eliminação.....	94
17	Garantia.....	95
18	Ficha de dados técnicos.....	95

1 Notas importantes

Leia atentamente as presentes instruções e siga todas as instruções, orientações e avisos incluídos neste manual, de modo a garantir a correta instalação, utilização e manutenção do produto. É OBRIGATÓRIO manter estas instruções junto com o produto.

Ao utilizar o produto, está a confirmar que leu atentamente todas as instruções, orientações e avisos, e que compreende e aceita cumprir os termos e condições estabelecidos no presente manual. Aceita utilizar este produto exclusivamente para o fim e a aplicação à que se destina e de acordo com as instruções, orientações e avisos estabelecidos neste manual, assim como de acordo com todas as leis e regulamentos aplicáveis. Caso não leia nem siga as instruções e os avisos aqui estabelecidos, poderá sofrer ferimentos pessoais ou causar ferimentos a terceiros e o produto ou outros materiais nas proximidades poderão ficar danificados. Este manual do produto, incluindo as instruções, orientações e avisos, bem como a documentação relacionada, podem estar sujeitos a alterações e atualizações. Para consultar as informações atualizadas do produto, visite documents.dometic.com.

2 Explicação dos símbolos

As palavras de advertência identificam mensagens de segurança e mensagens de danos à propriedade, assim como o grau ou nível de seriedade do perigo.



AVISO!

Indica uma situação perigosa que, se não for evitada, pode causar a morte ou ferimentos graves.



PRECAUÇÃO!

Indica uma situação perigosa que, se não for evitada, pode causar ferimentos ligeiros ou moderados.



NOTA!

Indica uma situação que, se não for evitada, pode causar danos materiais.



OBSERVAÇÃO Informações suplementares para a utilização do produto.

3 Indicações de segurança



AVISO! O incumprimento destes avisos poderá resultar em morte ou ferimentos graves.

- > Em caso de incêndio, utilize um extintor que seja adequado para um aparelho elétrico.
- > Não coloque o aparelho em funcionamento se este apresentar danos visíveis.



PRECAUÇÃO! O incumprimento destes avisos poderá resultar em morte ou ferimentos graves.

- > A instalação, a montagem e a cablagem só podem ser executadas por eletricitistas com qualificação especializada. Reparações inadequadas podem originar perigos graves.
- > Não é permitido instalar o aparelho em áreas potencialmente explosivas como espaços com líquidos ou gases inflamáveis.
- > Não instale nem guarde o aparelho na proximidade de chamas ou de outras fontes de calor (aquecimento, luz solar direta, fornos a gás, etc.).
- > As crianças não podem brincar com o aparelho.
- > Este aparelho pode ser utilizado por crianças a partir dos 8 anos e pessoas com capacidades físicas, sensoriais ou mentais reduzidas ou sem experiência e conhecimento se forem supervisionadas ou receberem instruções sobre a utilização do aparelho de forma segura e compreenderem os perigos implicados.



NOTA! Indica uma situação que, se não for evitada, pode causar danos materiais.

- > Verifique se a especificação de tensão na placa de características corresponde à da alimentação de energia.
- > Nunca mergulhe o aparelho em água.
- > Proteja o aparelho e os cabos do calor e da humidade.
- > Não permita que o aparelho apanhe chuva.
- > Certifique-se de que a superfície de montagem é capaz de suportar o peso do aparelho.
- > Coloque os cabos de modo a excluir riscos de tropeções e de danos.
- > Utilize tubos vazios ou condutas de cabos se for necessário passar os cabos por painéis de metal ou por outros painéis com arestas afiadas.

4 Material fornecido

Descrição	Quantidade
Inversor	1
Cabo de alimentação vermelho	1
Cabo de alimentação preto	1
Instruções de montagem e manual de instruções	1

5 Utilização adequada

O aparelho destina-se a fornecer aos equipamentos ligados 230 V gerados a partir de uma tensão de entrada de 12 V ou 24 V. O aparelho está concebido para ser utilizado em autocaravanas, carrinhas de campismo e camionetas.

A linha de modelo inclui dois tipos de aparelho:

- Os modelos SM400-12, SM600-12, SM600-24, SM1000-12 e SM1500-12 são inversores com saída de onda sinusoidal modificada.
- Os modelos SP400-12, SP600-12, SP600-24, SP1000-12, SP1500-12, SP1500-24, SP3000-12 e SP3000-24 são inversores com saída de onda sinusoidal pura.

Os modelos SPB1000I-12, SPB1500I-12 e SPB2000I-12 incluem uma função de prioridade integrada (IVT) e uma tomada de entrada com proteção de fusível (IEC) para a ligação à fonte de alimentação externa.

Este produto destina-se exclusivamente à aplicação e aos fins pretendidos com base nestas instruções.

Este manual fornece informações necessárias para proceder a uma instalação e/ou a uma operação adequadas do produto. Uma instalação e/ou uma operação ou manutenção incorretas causarão um desempenho insatisfatório e uma possível avaria.

O fabricante não aceita qualquer responsabilidade por danos ou prejuízos no produto resultantes de:

- Instalação, montagem ou ligação incorretas, incluindo sobretensões
- Manutenção incorreta ou utilização de peças sobressalentes não originais fornecidas pelo fabricante
- Alterações ao produto sem autorização expressa do fabricante
- Utilização para outras finalidades que não as descritas no presente manual

A Dometic reserva-se o direito de alterar o design e as especificações do produto.

6 Grupo alvo



A instalação elétrica e a configuração do aparelho têm de ser efetuadas por um electricista qualificado com capacidades e conhecimentos comprovados relacionados com a construção e operação de equipamento e instalações elétricas e que esteja familiarizado com as normas aplicáveis no país em que o equipamento será instalado e/ou utilizado. Além disso, este técnico deve ter concluído formação em segurança para identificar e evitar os perigos envolvidos.

Todas as outras ações também se destinam a utilizadores não profissionais.

7 Descrição técnica

O aparelho tem dois estágios de circuito principais para converter a tensão de entrada de 12 V \Rightarrow ou 24 V \Rightarrow em tensão de saída CA. O primeiro estágio consiste num conversor CC/CC de alta frequência isolado que converte a tensão de entrada de 12 V CC ou 24 V CC numa tensão de saída até 400 V CC. O estágio final consiste numa ponte H que converte o bus de alta tensão CC em tensão 230 V CA.

O aparelho tem as seguintes características principais:

- Baixo consumo.
- Entrada e saída com isolamento galvânico para maior segurança.
- Velocidade do ventilador com temperatura controlada para uma operação silenciosa.
- Interruptor prioritário integrado entre a rede elétrica externa e a bateria.
- Preparado para controlo remoto On/Off.
- Alarme de bateria com tensão baixa.
- Paragem por tensão baixa e alta da bateria.
- Paragem por sobrecarga.
- Proteção contra curto-circuito, sobreaquecimento, sobrecarga e polaridade inversa.
- Função de arranque suave.

Apenas SPB1000I-12, SPB1500I-12, SPB2000I-12: O aparelho é compatível com N-BUS (consulte o capítulo Ligar a N-BUS na página 89).

8 Antes da instalação

Requisitos da bateria

O tipo e o tamanho da bateria podem comprometer fortemente o desempenho dos inversores. Por isso, é necessário identificar o tipo de cargas que o inversor deverá alimentar e a duração de utilização entre recargas. Para determinar os requisitos mínimos da bateria para determinada aplicação, proceda do seguinte modo:

1. Determine a potência em watts indicada nas chapas de características de cada aparelho que pretende utilizar simultaneamente com o inversor. Geralmente, o consumo de energia é indicado em watts. Se estes valores forem indicados em amperes, multiplique o respetivo valor por 230 V para determinar a potência em watts.
2. Estime o número de horas que o equipamento será utilizado antes de recarregar a bateria.
3. Calcule a energia total necessária em Wh (watt horas) multiplicando o tempo determinado no passo anterior pela soma da potência em watts. Divida o resultado por 10 se a entrada do inversor for de 12 V, ou por 20 se a entrada for de 24 V. O valor resultante em Ah representa a exigência energética da aplicação.



OBSERVAÇÃO Se possível, recarregue a bateria quando o nível de descarga atingir 50% ou antes. Este procedimento dá à bateria uma vida útil muito mais longa, ao contrário do que acontece se recarregar a bateria apenas quando esta está completamente descarregada.

Resolução de problemas de interferência

As colunas de alguns sistemas de som económicos podem emitir um zumbido se funcionarem com o inversor. Isto acontece porque a fonte de alimentação no sistema de som filtra mal a onda senoidal modificada produzida pelo inversor. A solução consiste em utilizar um sistema de som com uma fonte de alimentação de alta qualidade ou utilizar um inversor de onda senoidal pura. Quando está em funcionamento, o inversor pode interferir com a receção de televisão em alguns canais. Se ocorrer interferência, tente o seguinte:

1. Certifique-se de que o parafuso de ligação à terra do chassis do inversor está ligado à terra do veículo.
2. Certifique-se de que a antena de televisão fornece um sinal adequado e que o cabo da antena está em boas condições.
3. Mantenha o comprimento dos cabos entre a bateria e o inversor o mais curto possível e una os cabos torcendo-os para reduzir as emissões radiadas.
4. Afaste a televisão o mais possível do inversor.
5. Não utilize cargas de potência elevada com o inversor quando a televisão estiver ligada.

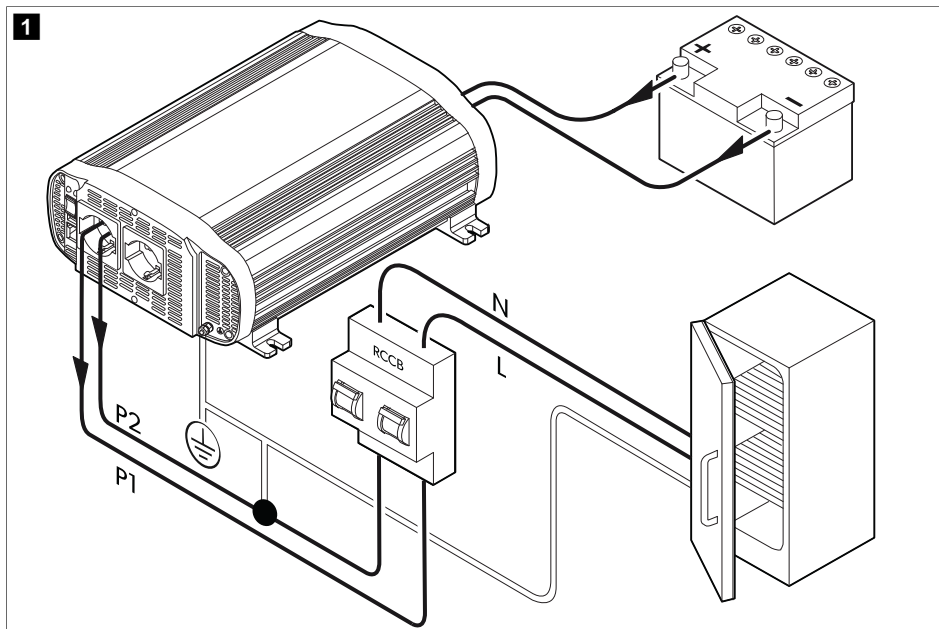
Proteção de fuga de terra (excluindo os modelos SPB1000I-12, SPB1500I-12 e SPB2000I-12)



NOTA! Risco de danos

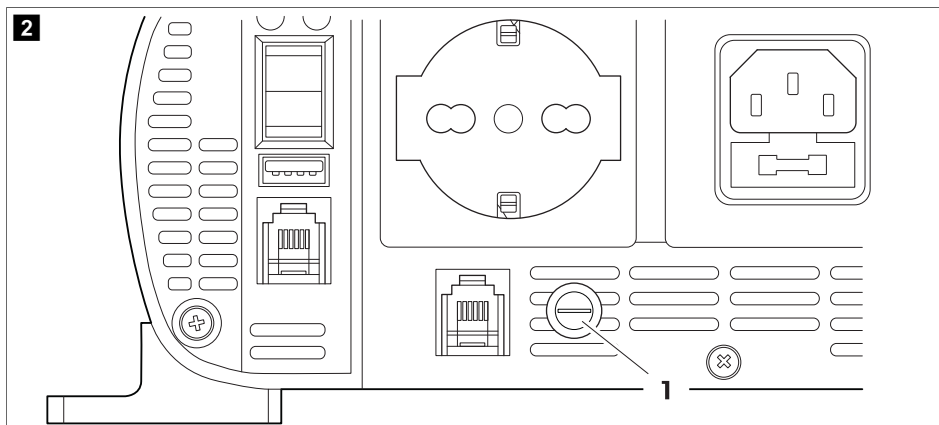
Para o funcionamento seguro com vários aparelhos, é essencial ter um disjuntor (disjuntor de corrente residual) instalado no circuito de distribuição das tomadas.

A tomada de terra está concebida para um sistema de segurança como o disjuntor de corrente residual (RCCB). Ligue o disjuntor de corrente residual de acordo com o seguinte esquema:



1. Ligue a fase de saída (P1) e o neutro de saída (P2) à entrada do disjuntor de corrente residual.
2. Ligue a terra do inversor a um dos cabos ligados à entrada do disjuntor de corrente residual.
3. Ligue o neutro de saída e a fase de saída da entrada do disjuntor residual aos aparelhos.
4. Ligue a terra do inversor à terra dos aparelhos.

Proteção de fuga de terra (modelos SPB1000I-12, SPB1500I-12 e SPB2000I-12)



**NOTA! Risco de danos**

O esquema acima refere-se apenas à conexão da saída do inversor. O conector IEC da entrada da rede elétrica externa tem de ser ligado à saída do disjuntor da rede elétrica externa.

As soluções de aterramento tipo TN ou IT para SPB1000I-12, SPB1500I-12 e SPB2000I-12 são configuráveis com um fusível.

- > Para estabelecer uma solução de aterramento tipo TN, certifique-se de que o fusível está inserido no porta-fusíveis ①.
- > Para estabelecer uma solução de aterramento tipo IT, certifique-se de que o fusível **não** está inserido no porta-fusíveis ①.

9 Instalação

**PRECAUÇÃO! Risco de danos**

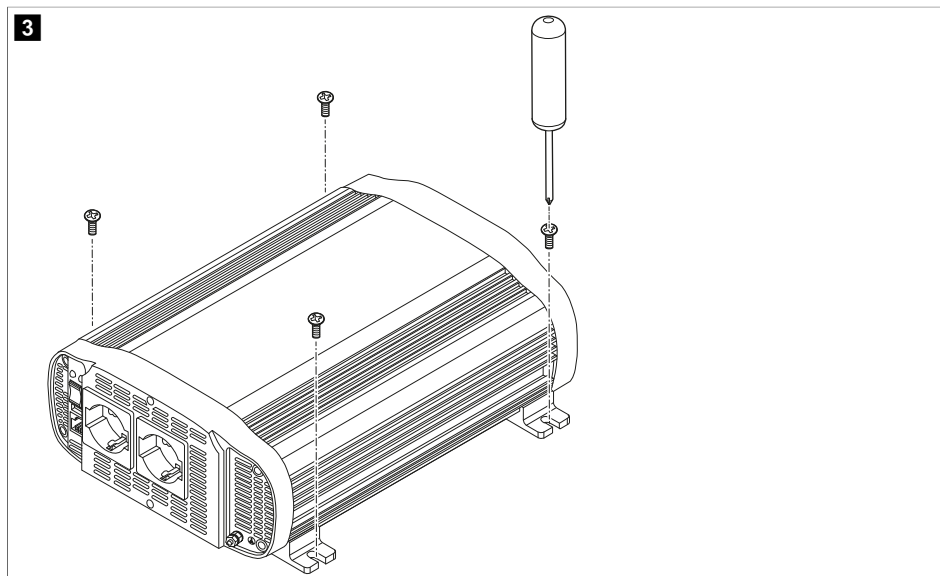
Não instale o aparelho perto de fontes de calor ou em locais mal ventilados.



OBSERVAÇÃO O aparelho pode ser montado em qualquer posição. Se o aparelho for instalado numa superfície vertical, recomenda-se manter o lado comprido paralelo ao chão.



OBSERVAÇÃO Instale o aparelho o mais próximo possível da fonte de energia de 12 V / 24 V.



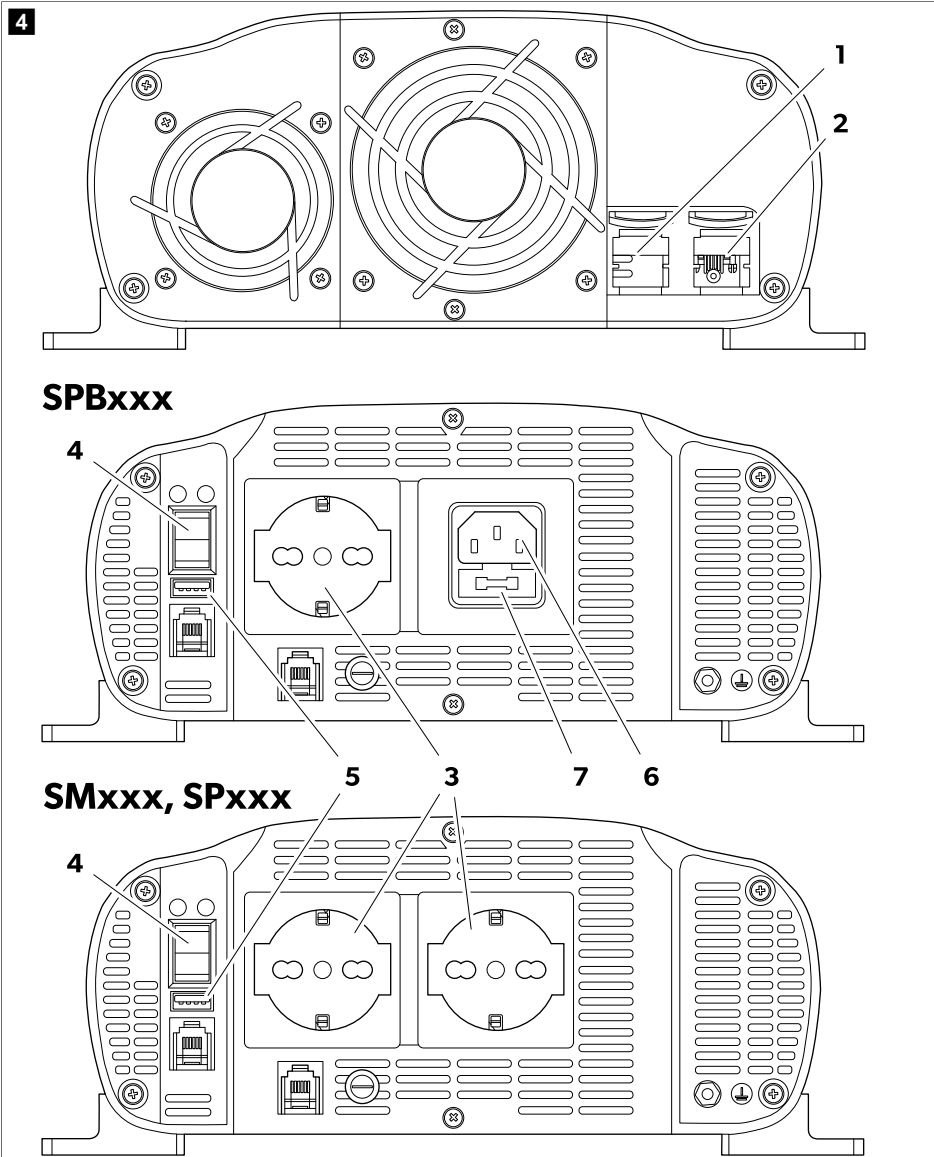
1. Monte o aparelho pelos quatro flanges de montagem, utilizando parafusos adequados.

**NOTA! Risco de danos**

Antes de ligar o aparelho, certifique-se de que o interruptor de energia está na posição Off.



OBSERVAÇÃO Utilize os cabos fornecidos para ligar a bateria ao aparelho. Se a distância entre a bateria e o aparelho for superior a 2 metros, aumente a secção transversal do cabo para reduzir a queda de tensão e as perdas de potência.



2. Ligue o terminal negativo da bateria ao terminal negativo do inversor ①.

**NOTA! Risco de danos**

Para proteger os aparelhos ligados, instale um fusível em linha no cabo positivo da bateria.

3. Ligue o terminal positivo da bateria ao terminal positivo do inversor ②.

**NOTA! Risco de danos**

Antes de ligar um aparelho ao inversor, certifique-se de que o aparelho está desligado.

4. Ligue o aparelho 230 V a uma tomada de saída ③.
5. Ligue o inversor com o interruptor de Ligar/Desligar ④.



OBSERVAÇÃO Quando o inversor está ligado, o LED vermelho e o LED verde acendem-se ambos durante 3 a 5 segundos. Passado pouco tempo, o LED vermelho desliga-se, o LED verde continua aceso e o aparelho emite um sinal sonoro. O LED verde indica que o inversor está a funcionar corretamente.

**NOTA! Risco de danos**

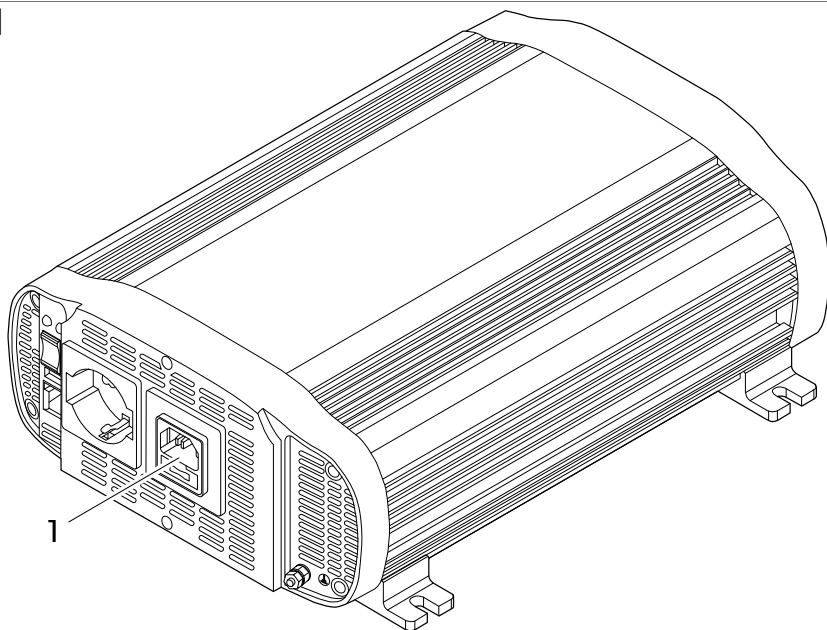
- > Caso planeie colocar em funcionamento mais de um aparelho, ligue em primeiro lugar o aparelho com a exigência de carga mais elevada.
- > Certifique-se de que a exigência de carga combinada dos seus aparelhos não excede a potência nominal do inversor.
- > Caso utilize um cabo de extensão do inversor para um aparelho, o cabo de extensão não deve ter um comprimento superior a 1,5 m.
- > Não ligue o inversor a nenhum circuito de carga CA em que o condutor neutro esteja ligado à terra.

6. Ligue os aparelhos 230 V adicionais e ligue-os.
7. Para carregar um aparelho 5 V, ligue-o à porta USB ⑤.

10 Ligar a fonte de alimentação da rede elétrica externa (modelos SPB1000I-12, SPB1500I-12 e SPB2000I-12)

É possível ligar um cabo IEC à tomada da rede elétrica externa para alimentar diretamente com tensão CA da rede de energia pública os aparelhos ligados.

5

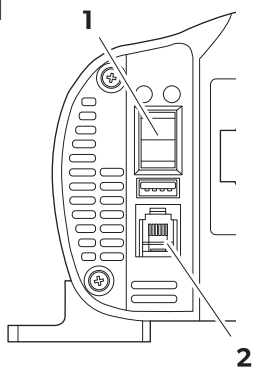


1. Ligue o cabo à tomada ①.
2. Instale ou retire o fusível no porta-fusíveis em linha ⑦ de acordo com a solução de aterramento pretendido (consulte o capítulo Antes da instalação na página 82).

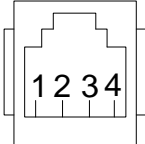
11 Ligar o controlo remoto

É possível controlar remotamente o aparelho através de um interruptor externo opcional (RC03) ou de qualquer interruptor genérico configurado para o conector RJ11 ① do aparelho. A seguinte descrição das configurações de pinos pode servir de orientação caso utilize interruptores externos genéricos.

6




O interruptor externo RC03 opcional utiliza a seguinte configuração de pinos:

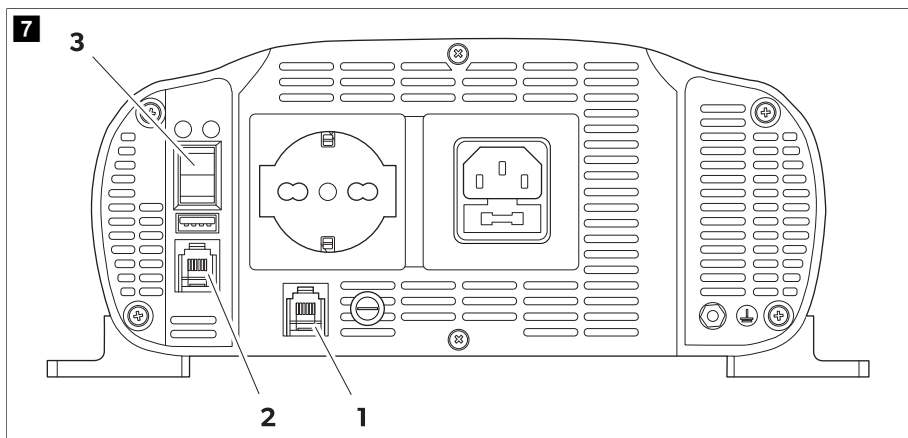
	Pino	Função
	2	Conexão LED vermelho
	1-3	Conexão interruptor externo
	4	Terra

- > Para ativar o controlo remoto, coloque o interruptor de Ligar/Desligar (2) na posição 2.

12 Ligar a N-BUS

(apenas SPB1000I-12, SPB1500I-12, SPB2000I-12)

- Ligue a ficha RJ12 (BC03, BC06, BC10) à tomada N-BUS ( fig. 7 na página 89, 1).





Utilize um cabo plano de 6 pinos com ficha RJ12 na configuração reta. A configuração da pinagem é a seguinte:

Pino	Função
1	Estado da rede
2	Controlo remoto
3	N-BUS/CI-BUS
4	Terra
5	Tensão do bus (VBUS)
6	(não ligado)



NOTA! Risco de danos

Certifique-se de que não mistura as ligações para N-BUS e controlo remoto ( fig. 7 na página 89, 2).

2. Coloque o interruptor de Ligar/Desligar ( fig. 7 na página 89, 3) na posição II.
3. Ligue aparelhos compatíveis com N-BUS.

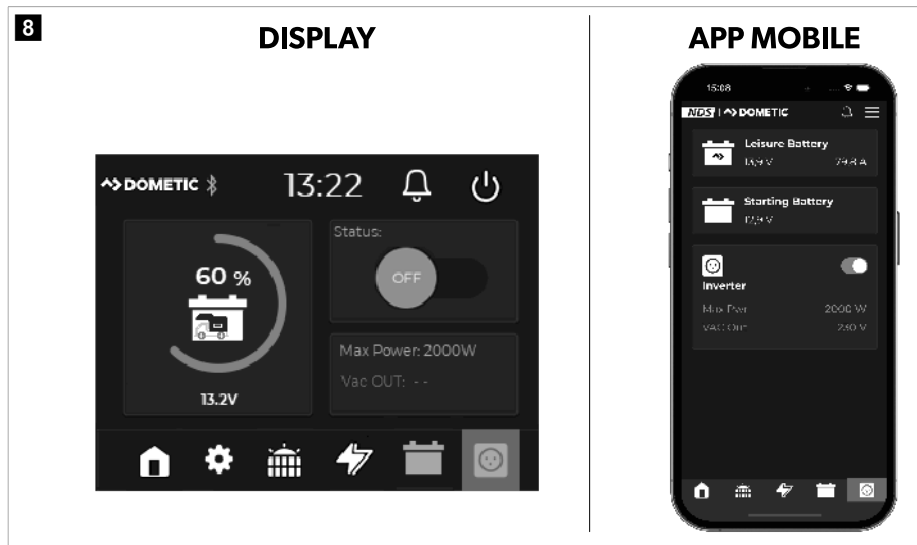
Configurar o inversor na rede N-BUS

Os aparelhos compatíveis com N-BUS podem ser configurados e controlados na rede N-BUS através do visor ou de aplicação móvel.

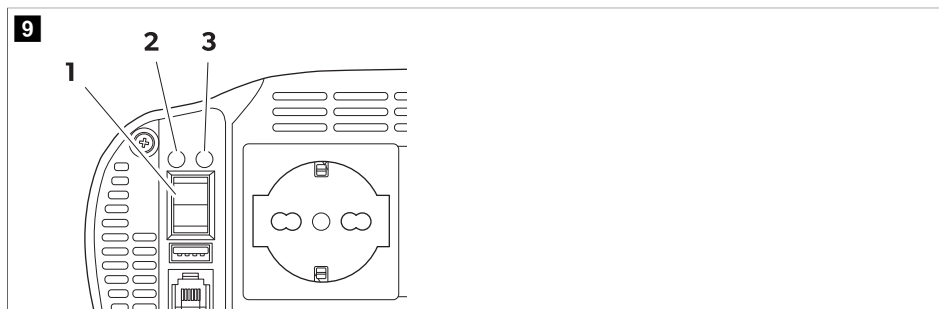


OBSERVAÇÃO

- É necessário, pelo menos, um aparelho Bluetooth na rede N-BUS para utilizar a aplicação móvel.
 - Defina um dos aparelhos como PRINCIPAL.
- > Seleccione o menu do inversor e arraste a patilha para a posição ligada ou desligada para ligar ou desligar o inversor.



13 Operação



Interruptor de Ligar/Desligar

- > Para ligar o aparelho, prima o interruptor de Ligar/Desligar ① para a posição I.
- > Para desligar o aparelho, prima o interruptor de Ligar/Desligar ① para a posição 0.
- > Para ativar o controlo remoto, prima o interruptor de Ligar/Desligar ① para a posição II.

Indicadores LED

O aparelho está equipado com um indicador LED verde ② e um indicador LED vermelho ③ que mostram o estado operacional.

LED	Descrição
Green	O aparelho está ligado e a funcionar corretamente
Red	Avaria do aparelho

14 Substituição de fusíveis

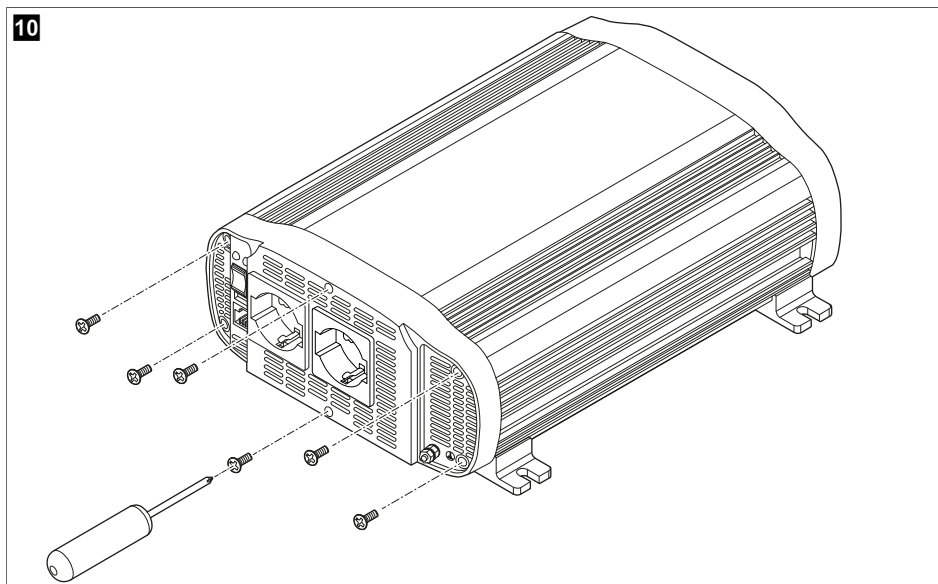


AVISO!

- Risco de eletrocussão
- A instalação apenas pode ser realizada por um eletricitista qualificado.

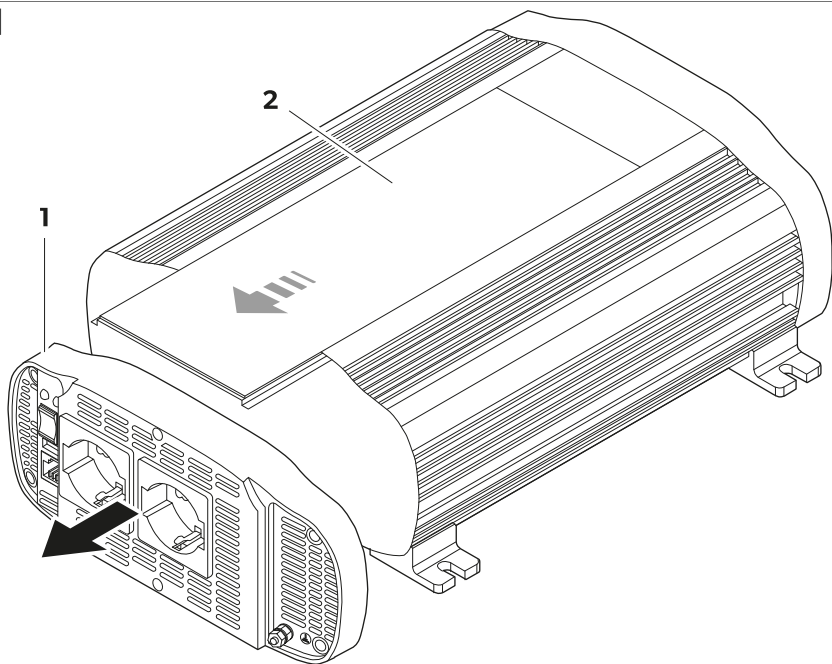
O aparelho encontra-se protegido por um circuito eletrónico integral. Além disso, no interior do aparelho também existem fusíveis. Se houver polaridade inversa numa conexão, um dos fusíveis queima. Os aparelhos com função IVT também incluem um fusível de vidro no interior da tomada IEC para a conexão da rede elétrica externa. Os fusíveis sobressalentes estão incluídos na embalagem do produto.

Substituição de fusíveis internos



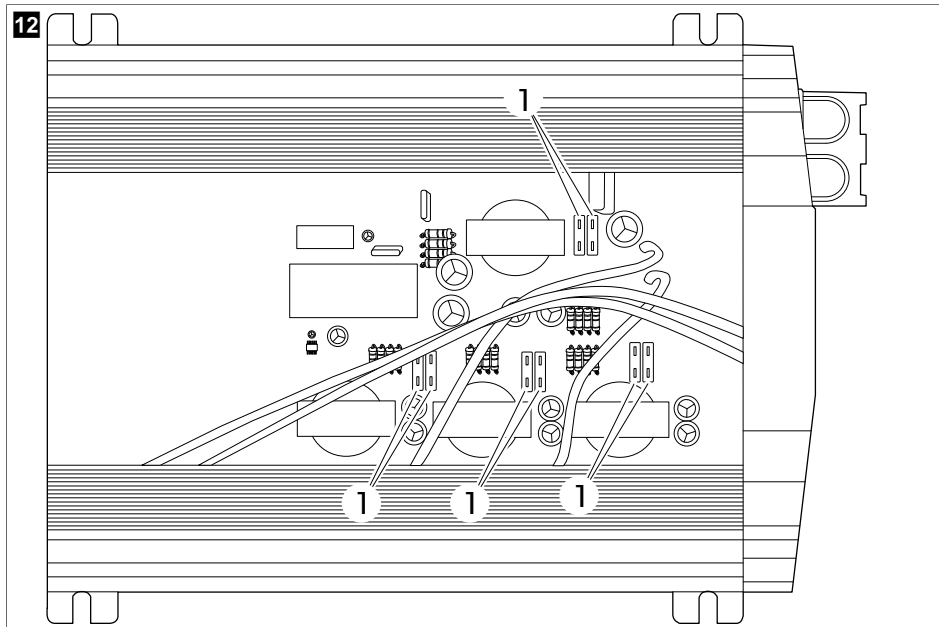
1. Desaparafuse os seis parafusos.

11



2. Inclina o friso frontal para a frente ①.

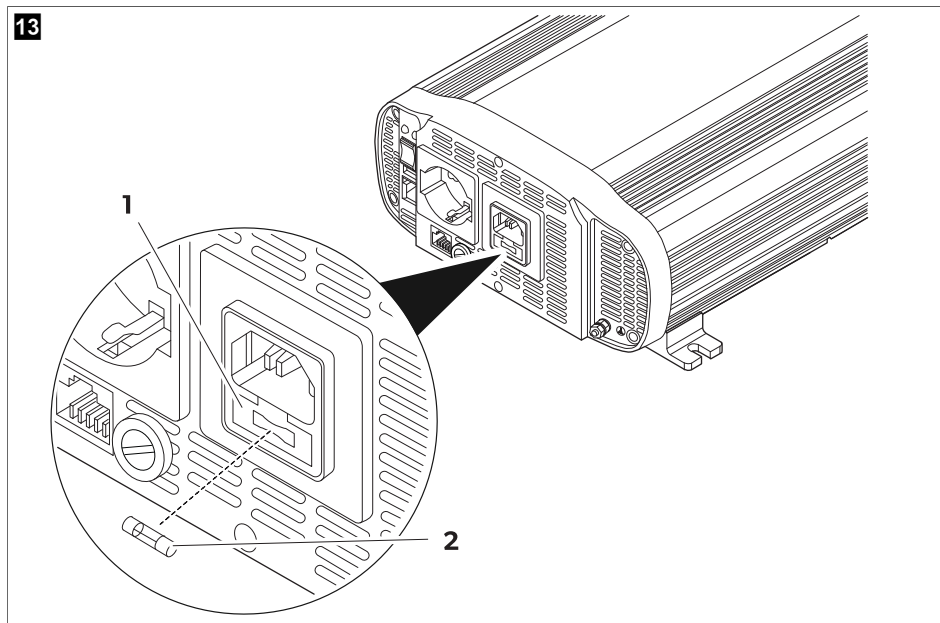
3. Retire a tampa ②.



4. Substitua o fusível ①.

Modelo	Quantidade de fusíveis	Potência do fusível	
SM400-12, SP400-12	1	50 A	Vermelho
SM600-12, SP600-12	2	50 A	Vermelho
SM600-24, SP600-24	2	25 A	Branco
SM1000-12, SP1000-12	4	30 A	Verde
SM1500-12, SP1500-12	6	30 A	Verde
SP1500-24	6	15 A	Azul
SP2000-12	8	30 A	Verde
SP3000-12	12	30 A	Verde
SP3000-24	12	15 A	Azul

Substituição do fusível da tomada IEC



1. Abra a tampa ① da caixa da tomada.
2. Substitua o fusível ②.

Modelo	Quantidade de fusíveis	Potência do fusível
SPB1000I-12, SPB1500I-12 e SPB2000I-12	1	10 A (fusível de vidro F10AL 250V)



OBSERVAÇÃO Depois de substituir o fusível, o aparelho reinicia automaticamente. Se o aparelho não funcionar corretamente após a substituição de fusíveis, contacte um técnico para resolver os problemas.

15 Limpeza e manutenção

- > De vez em quando, limpe o produto com um pano húmido.
- > Verifique se as conexões de entrada e de saída estão bem apertadas e firmes.
- > Certifique-se de que as aberturas de ar/ventilação não estão obstruídas por sujidade ou outros materiais.

16 Eliminação



Reciclagem do material de embalagem: Sempre que possível, coloque o material de embalagem no respetivo contentor de reciclagem.



Para eliminar definitivamente o produto, informe-se junto do centro de reciclagem ou distribuidor mais próximo sobre as disposições de eliminação aplicáveis. O produto pode ser eliminado gratuitamente.



Se o produto contiver quaisquer pilhas, baterias recarregáveis ou fontes de luz não substituíveis, não tem de as remover antes da eliminação.

17 Garantia


Aplica-se o prazo de garantia legal. Se o produto apresentar defeitos, contacte a filial do fabricante no seu país (consulte dometic.com/dealer) ou o seu revendedor.

Para fins de reparação ou de garantia, terá de enviar também os seguintes documentos:



- Uma cópia da fatura com a data de aquisição
- Um motivo de reclamação ou uma descrição da falha



Tenha em atenção que as reparações feitas por si ou por não profissionais podem ter consequências sobre a segurança e anular a garantia.

18 Ficha de dados técnicos




	SM400-12	SM600-12	SM600-24
Potência de saída contínua	400 W	600 W	
Potência de saída máxima	800 W (alguns segundos)	1200 W (alguns segundos)	
Tensão de saída (RMS)/ frequência	230 V CA/50 Hz ± 3 Hz		
Saída USB	5 V 2,1 A		
Tensão de entrada	12 V		24 V
Autoconsumo	200 mA (13,2 V)	220 mA (13,2 V)	100 mA (26,4 V)
Conetividade	-	-	-
Dimensões (L x P x A)	140 mm × 184 mm × 71 mm	140 mm × 214 mm × 71 mm	140 mm × 214 mm × 71 mm
Certificado	 (10 R - 05 0094)		




	SM1000-12	SM1500-12
Potência de saída contínua	1000 W	1500 W
Potência de saída máxima	2000 W (alguns segundos)	3000 W (alguns segundos)
Tensão de saída (RMS)/ frequência	230 V CA/50 Hz ± 3 Hz	
Saída USB	5 V 2,1 A	
Tensão de entrada	12 V	
Autoconsumo	530 mA (13,2 V)	460 mA (13,2 V)
Conetividade	-	-
Dimensões (L x P x A)	270 mm × 262 mm × 107,5 mm	270 mm × 262 mm × 107,5 mm

	SM1000-12	SM1500-12	
Certificado	 (10 R - 05 0094)		
	SP400-12	SP600-12	SP600-24
Potência de saída contínua	400 W	600 W	
Potência de saída máxima	1000 W (alguns segundos)	1500 W (alguns segundos)	
Tensão de saída (RMS)/ frequência	230 V CA/50 Hz ± 3 Hz		
Saída USB	5 V 2,1 A		
Tensão de entrada	12 V		24 V
Autoconsumo	340 mA (13,2 V)	420 mA (13,2 V)	210 mA (26,4 V)
Conetividade	-		
Dimensões (L x P x A)	140 mm × 214,5 mm × 71 mm	140 mm × 244,5 mm × 71 mm	140 mm × 244,5 mm × 71 mm
Certificado	 (10 R - 05 0094)		

	SP1000-12	SPB1000I-12
Potência de saída contínua	1000 W	
Potência de saída máxima	2500 W (alguns segundos)	
Tensão de saída (RMS)/ frequência	230 V CA/50 Hz ± 3 Hz	
Saída USB	5 V 2,1 A	
Tensão de entrada	12 V	
Autoconsumo	870 mA (13,2 V)	680 mA (13,2 V)
Tempo de comutação da ba- teria para a rede elétrica ex- terna	-	0,02 s
Tempo de comutação da re- de elétrica externa para a ba- teria	-	0,1 s
Conetividade	-	N-BUS
Dimensões (L x P x A)	270 mm × 262,4 mm × 107,5 mm	270 mm × 262,4 mm × 107,5 mm
Certificado	 (10 R - 05 0094)	 (10 R - 06-02 5174 00)

	SP1500-12	SPB1500I-12	SP1500-24
Potência de saída contínua	1500 W		
Potência de saída máxima	4000 W (alguns segundos)		
Tensão de saída (RMS)/ frequência	230 V CA/50 Hz ± 3 Hz		
Saída USB	5 V 2,1 A		

	SP1500-12	SPB1500I-12	SP1500-24
Tensão de entrada	12 V		24 V
Autoconsumo	850 mA (13,2 V)	930 mA (13,2 V)	620 mA (26,4 V)
Tempo de comutação da bateria para a rede elétrica externa	-	0,02 s	-
Tempo de comutação da rede elétrica externa para a bateria	-	0,1 s	-
Conetividade	-	N-BUS	-
Dimensões (L x P x A)	270 mm × 322,4 mm × 107,5 mm	270 mm × 360 mm × 107,5 mm	270 mm × 322,4 mm × 107,5 mm
Certificado	 (10 R - 05 0094)	 (10 R - 06-02 5174 00)	 (10 R - 05 0094)

	SPB2000I-12	SP3000-12	SP3000-24
Potência de saída contínua	2000 W	3000 W	
Potência de saída máxima	6000 W (alguns segundos)	8000 W (alguns segundos)	
Tensão de saída (RMS)/ frequência	230 V CA/50 Hz ± 3 Hz		
Saída USB	5 V 2,1 A		
Tensão de entrada	12 V		24 V
Autoconsumo	900 mA (13,2 V)	1270 mA (13,2 V)	680 mA (26,4 V)
Tempo de comutação da bateria para a rede elétrica externa	0,02 s	-	-
Tempo de comutação da rede elétrica externa para a bateria	0,1 s	-	-
Conetividade	N-BUS	-	-
Dimensões (L x P x A)	270 mm × 385 mm × 107,5 mm	270 mm × 452 mm × 107,5 mm	270 mm × 452 mm × 107,5 mm
Certificado			
	 (10 R - 06-02 5174 00)	 (10 R - 05 0094)	

Com a presente, a Dometic declara que o tipo de equipamento de rádio SPB1000I-12, SPB1500I-12 e SPB2000I-12 cumpre a Diretiva 2014/53/UE. O texto integral da declaração de conformidade UE está disponível no seguinte endereço de Internet: documents.dometic.com

Italiano

1	Note importanti.....	98
2	Spiegazione dei simboli.....	98
3	Istruzioni per la sicurezza.....	99
4	Dotazione.....	99
5	Destinazione d'uso.....	100
6	Destinatari.....	100
7	Descrizione delle caratteristiche tecniche.....	100
8	Prima dell'installazione.....	101
9	Installazione.....	103
10	Collegamento dell'alimentazione da rete elettrica esterna (modelli SPB1000I-12, SPB1500I-12 e SPB2000I-12).....	106
11	Collegamento del telecomando.....	107
12	Collegamento della rete N-BUS.....	108
13	Funzionamento.....	109
14	Sostituzione dei fusibili.....	110
15	Pulizia e manutenzione.....	113
16	Smaltimento.....	113
17	Garanzia.....	114
18	Specifiche tecniche.....	114

1 Note importanti

Si prega di leggere attentamente e di seguire tutte le istruzioni, le linee guida e le avvertenze incluse in questo manuale del prodotto, al fine di garantire che il prodotto venga sempre installato, utilizzato e mantenuto nel modo corretto. Queste istruzioni DEVONO essere conservate insieme al prodotto.

Utilizzando il prodotto, l'utente conferma di aver letto attentamente tutte le istruzioni, le linee guida e le avvertenze e di aver compreso e accettato di rispettare i termini e le condizioni qui espressamente indicati. L'utente accetta di utilizzare questo prodotto solo per lo scopo e l'applicazione previsti e in conformità alle istruzioni, le linee guida e le avvertenze indicate nel presente manuale del prodotto, nonché in conformità alle leggi e ai regolamenti applicabili. La mancata lettura e osservanza delle istruzioni e delle avvertenze qui espressamente indicate può causare lesioni personali e a terzi, danni al prodotto o ad altre proprietà nelle vicinanze. Il presente manuale del prodotto, comprese le istruzioni, le linee guida e le avvertenze e la relativa documentazione possono essere soggetti a modifiche e aggiornamenti. Per informazioni aggiornate sul prodotto, visitare documents.dometic.com.

2 Spiegazione dei simboli

Il termine presente nella segnalazione identifica i messaggi di sicurezza e quelli relativi al danneggiamento della proprietà, oltre a indicare il grado o livello di gravità del rischio.



AVVERTENZA!

Indica una situazione di pericolo che, se non evitata, potrebbe provocare lesioni gravi o mortali.



ATTENZIONE!

Indica una situazione di pericolo che, se non evitata, potrebbe provocare lesioni di entità lieve o moderata.



AVVISO!

Indica una situazione di pericolo che, se non evitata, può provocare danni alle cose.



NOTA Informazioni supplementari relative al funzionamento del prodotto.

3 Istruzioni per la sicurezza



AVVERTENZA! La mancata osservanza di queste avvertenze potrebbe causare la morte o lesioni gravi.

- > In caso di incendio usare un estintore per apparecchi elettrici.
- > Non mettere in funzione l'apparecchio se presenta danni visibili.



ATTENZIONE! La mancata osservanza di queste avvertenze potrebbe causare la morte o lesioni gravi.

- > L'installazione, il montaggio, il cablaggio e tutti gli altri interventi possono essere eseguiti esclusivamente da elettricisti qualificati. Le riparazioni effettuate in modo scorretto possono causare gravi pericoli.
- > Non è consentita l'installazione in aree potenzialmente esplosive come locali in cui sono immagazzinati liquidi o gas infiammabili.
- > Non installare o conservare l'apparecchio in prossimità di fiamme libere o altre fonti di calore (riscaldamento, luce solare diretta, forni a gas, ecc.).
- > I bambini non devono giocare con l'apparecchio.
- > Questo apparecchio può essere utilizzato da bambini di età superiore a 8 anni, da persone con capacità fisiche, sensoriali o mentali ridotte o da persone inesperte solo se preventivamente istruite sull'utilizzo in sicurezza o supervisionate e solo se informate dei pericoli legati al prodotto stesso.



AVVISO! Indica una situazione di pericolo che, se non evitata, può provocare danni alle cose.

- > Verificare che i dati della tensione riportati sulla targhetta dei dati corrispondano a quelli relativi all'alimentazione elettrica.
- > Non immergere mai l'apparecchio in acqua.
- > Proteggere l'apparecchio e i cavi dal caldo e dall'umidità.
- > Non esporre l'apparecchio alla pioggia.
- > Assicurarsi che la superficie di montaggio sia in grado di sostenere il peso dell'apparecchio.
- > Posare i cavi in modo tale che non sussista pericolo di inciampo e che si possano escludere eventuali danni al cavo.
- > Utilizzare tubi vuoti o canaline per cavi qualora i cavi debbano passare attraverso pannelli in lamiera oppure pannelli con spigoli vivi.

4 Dotazione

Descrizione	Quantità
Inverter	1
Cavo di alimentazione rosso	1
Cavo di alimentazione nero	1
Istruzioni di montaggio e d'uso	1

5 Destinazione d'uso

L'apparecchio è progettato per fornire un'alimentazione di 230 V agli apparecchi collegati generata da tensione di ingresso di 12 V o 24 V. L'apparecchio è stato progettato per essere utilizzato in camper e pullman.

La linea di modelli include due tipi di apparecchi:

- I modelli SM400-12, SM600-12, SM600-24, SM1000-12 e SM1500-12 sono inverter con uscita a onda sinusoidale modificata.
- I modelli SP400-12, SP600-12, SP600-24, SP1000-12, SP1500-12, SP1500-24, SP3000-12 e SP3000-24 sono inverter con uscita a onda sinusoidale pura.

I modelli SPB1000I-12, SPB1500I-12 e SPB2000I-12 sono dotati di una funzione di priorità integrata (IVT) e di una presa di ingresso protetta da fusibile (IEC) per il collegamento di un'alimentazione esterna.

Questo prodotto è adatto solo per l'uso e l'applicazione previsti in conformità alle presenti istruzioni.

Il presente manuale fornisce le informazioni necessarie per la corretta installazione e/o il funzionamento del prodotto. Un'installazione errata e/o un utilizzo o una manutenzione impropri comporteranno prestazioni insoddisfacenti e un possibile guasto.

Il fabbricante non si assume alcuna responsabilità per eventuali lesioni o danni al prodotto che derivino da:

- Installazione, montaggio o collegamento errati, compresa la sovratensione
- Manutenzione non corretta o uso di parti di ricambio diverse da quelle originali fornite dal fabbricante
- Modifiche al prodotto senza esplicita autorizzazione del fabbricante
- Impiego per scopi diversi da quelli descritti nel presente manuale

Dometic si riserva il diritto di modificare l'aspetto e le specifiche del prodotto.

6 Destinatari



L'installazione elettrica e la configurazione dell'apparecchio devono essere eseguite da un elettricista qualificato che abbia dimostrato competenze e conoscenze relative alla costruzione e al funzionamento delle apparecchiature elettriche e alle installazioni, e che conosca le normative vigenti nel Paese in cui l'apparecchiatura deve essere installata e/o utilizzata e abbia ricevuto una formazione sulla sicurezza per identificare ed evitare i pericoli coinvolti.

Tutte le altre azioni sono destinate anche agli utenti non professionali.

7 Descrizione delle caratteristiche tecniche

L'apparecchio prevede due stadi di circuito principali per convertire la tensione di ingresso da 12 V \Rightarrow o 24 V \Rightarrow in tensione di uscita CA. Il primo stadio è costituito da un convertitore CC/CC ad alta frequenza isolato per convertire la tensione di ingresso 12 V CC o 24 V CC in una tensione di uscita fino a 400 V CC. Lo stadio finale è costituito da un ponte ad H che converte il bus ad alta tensione CC in tensione 230 V CA.

L'apparecchio presenta le seguenti caratteristiche principali:

- Basso consumo.
- Ingresso e uscita con isolamento galvanico per una maggiore sicurezza.
- Velocità della ventola a temperatura controllata per un funzionamento silenzioso.
- Interruttore di priorità integrato tra la rete di alimentazione esterna e la batteria.
- Accensione o spegnimento del comando remoto supportati.
- Allarme di bassa tensione della batteria.

- Spegnimento per bassa e alta tensione della batteria.
- Protezione da sovraccarico.
- Protezione da cortocircuito, sovratemperatura, sovraccarico e inversione di polarità.
- Funzione Soft Start.

Solo SPB1000I-12, SPB1500I-12, SPB2000I-12: l'apparecchio è compatibile con le reti N-BUS (vedere il capitolo Collegamento della rete N-BUS alla pagina 108).

8 Prima dell'installazione

Requisiti della batteria

Il tipo e le dimensioni della batteria possono incidere fortemente sulle prestazioni degli inverter. Occorre pertanto individuare il tipo di carichi che l'inverter alimenterà e la durata di utilizzo tra le ricariche. Per determinare i requisiti minimi della batteria per un'applicazione, procedere come indicato di seguito:

1. Determinare la potenza in watt in base alle etichette di ciascun apparecchio che deve essere utilizzato contemporaneamente dall'inverter. In genere, il consumo energetico è espresso in watt. Se viene visualizzato in ampere, moltiplicare il valore per 230 V al fine di determinare la potenza in watt.
2. Valutare il numero di ore di utilizzo dell'apparecchiatura prima della ricarica della batteria.
3. Calcolare l'energia totale richiesta in Wh (Watt/ora) moltiplicando il tempo determinato sopra per la somma della potenza in watt. Dividere il risultato per 10 se l'ingresso dell'inverter è 12 V o per 20 se è 24 V. Il valore risultante in Ah rappresenta la potenza richiesta dall'applicazione.



NOTA Se possibile, ricaricare la batteria quando è scarica al 50 % o prima. In questo modo la batteria dura molto più a lungo rispetto a ricaricarla solo quando è completamente scarica.

Risoluzione dei problemi di interferenza

Gli altoparlanti di alcuni sistemi audio economici possono emettere un ronzio quando sono azionati dall'inverter. Ciò si verifica perché l'alimentazione dell'impianto audio non filtra adeguatamente l'onda sinusoidale modificata prodotta dall'inverter. La soluzione è utilizzare un sistema audio con un'alimentazione di alta qualità o un inverter a onda sinusoidale pura. Quando l'inverter è in funzione può interferire con la ricezione televisiva di alcuni canali. In caso di interferenza, provare quanto segue:

1. Assicurarsi che la vite di messa a terra del telaio dell'inverter sia collegata alla massa del veicolo.
2. Assicurarsi che l'antenna del televisore fornisca un segnale adeguato e che il cavo dell'antenna sia in buone condizioni.
3. Tenere i cavi tra la batteria e l'inverter il più corti possibile e attorcigliarli insieme per ridurre le emissioni irradiate.
4. Allontanare il televisore il più possibile dall'inverter.
5. Non far funzionare carichi ad alta potenza con l'inverter quando il televisore è acceso.

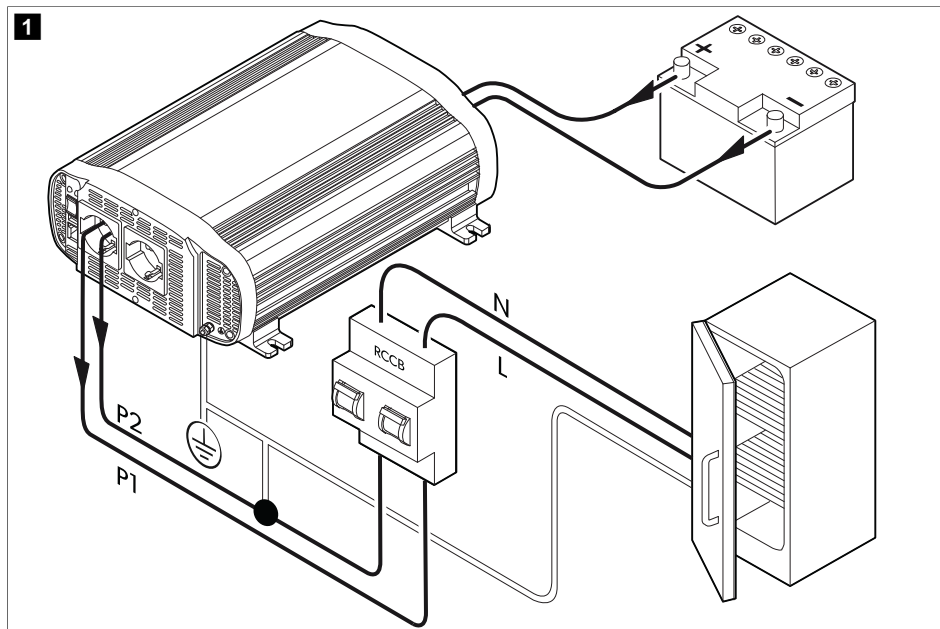
Protezione dalle perdite di terra (esclusi i modelli SPB1000I-12, SPB1500I-12 e SPB2000I-12)



AVVISO! Rischio di danni

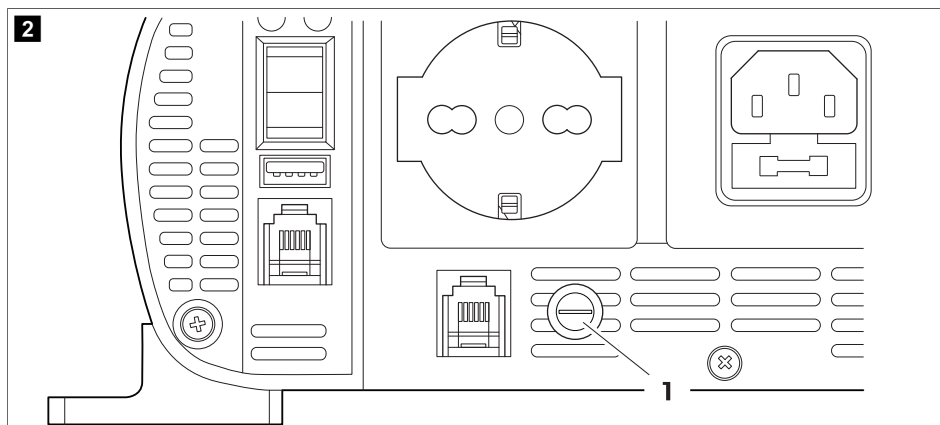
Per far funzionare in modo sicuro più di un'utenza è indispensabile che nel circuito di distribuzione prese sia integrato un interruttore di protezione (interruttore differenziale).

La presa di messa a terra è progettata per un sistema di sicurezza come l'interruttore differenziale (RCCB). Collegare l'interruttore differenziale come indicato nello schema seguente:



1. Collegare l'uscita della fase (P1) e del neutro (P2) all'ingresso dell'interruttore differenziale.
2. Collegare la massa dell'inverter a uno dei fili collegati all'ingresso dell'interruttore differenziale.
3. Collegare l'uscita del neutro e della fase dall'ingresso dell'interruttore differenziale agli apparecchi.
4. Collegare la massa dell'inverter alla massa degli apparecchi.

Protezione dalle perdite di terra (modelli SPB1000I-12, SPB1500I-12 e SPB2000I-12)





AVVISO! Rischio di danni

Lo schema sopra si riferisce solo al collegamento dell'uscita dell'inverter. Il connettore IEC dell'ingresso dell'alimentazione da rete elettrica esterna deve essere collegato all'uscita dell'interruttore di protezione della fonte di alimentazione da rete elettrica esterna.

I sistemi di messa a terra di tipo TN o IT per SPB1000I-12, SPB1500I-12 e SPB2000I-12 sono configurabili mediante un fusibile.

- > Per stabilire un sistema di messa a terra di tipo TN, assicurarsi che il fusibile sia inserito nel portafusibili ①.
- > Per stabilire un sistema di messa a terra di tipo IT, assicurarsi che il fusibile **non** sia inserito nel portafusibili ①.

9 Installazione



ATTENZIONE! Rischio di danni

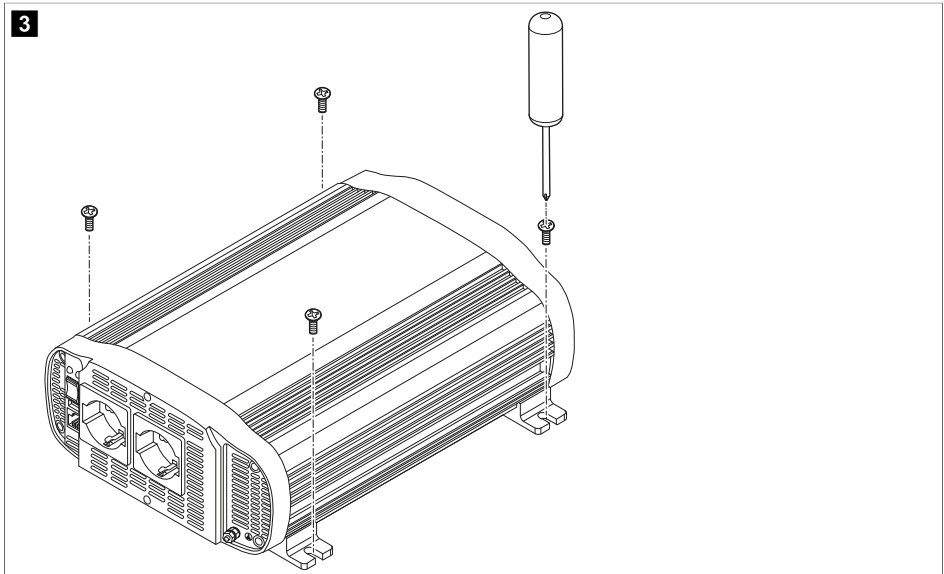
Non installare l'apparecchio vicino a fonti di calore o in luoghi non adeguatamente ventilati.



NOTA L'apparecchio può essere montato in qualsiasi posizione. Se installato su una superficie verticale, si consiglia di mantenere il lato lungo parallelo al pavimento.



NOTA Installare l'apparecchio il più vicino possibile alla fonte di alimentazione 12 V / 24 V.



1. Montare l'apparecchio con le quattro flange di montaggio utilizzando le viti appropriate.

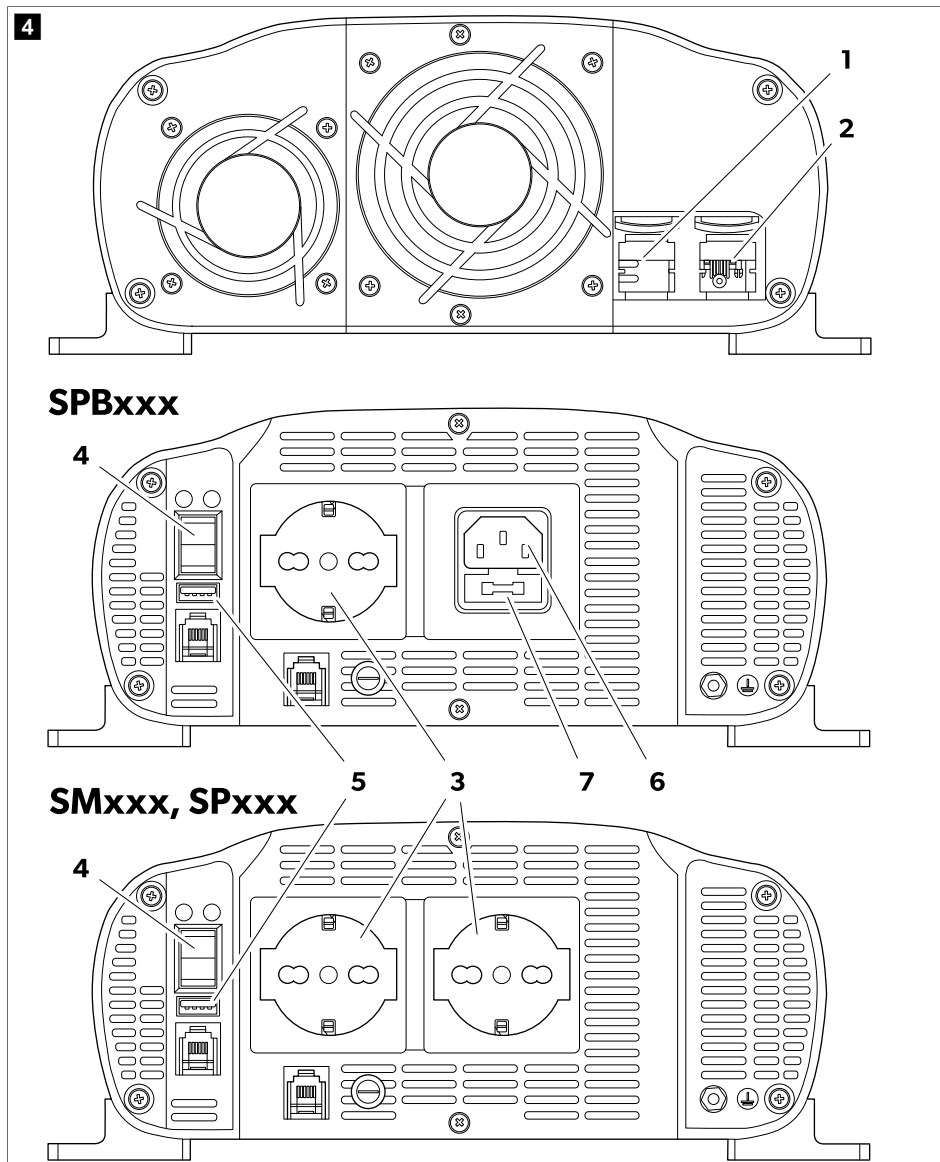


AVVISO! Rischio di danni

Prima di collegare l'apparecchio, accertarsi che l'interruttore di alimentazione sia in posizione OFF.



NOTA Utilizzare i fili in dotazione per collegare la batteria all'apparecchio. Se la distanza tra la batteria e l'apparecchio supera i 2 metri, aumentare la sezione del filo per ridurre la caduta di tensione e le perdite di potenza.



2. Collegare il polo negativo della batteria al polo negativo dell'inverter ①.

**AVVISO! Rischio di danni**

Per proteggere gli apparecchi collegati, montare un fusibile in linea sul cavo positivo della batteria.

- Collegare il polo positivo della batteria al polo positivo dell'inverter ②.

**AVVISO! Rischio di danni**

Prima di collegare un apparecchio all'inverter assicurarsi che sia spento.

- Collegare l'apparecchio 230 V a una presa di uscita ③.
- Accendere l'inverter con l'interruttore On/Off ④.



NOTA Quando l'inverter viene acceso, i LED rosso e verde si accendono entrambi per 3 – 5 secondi. Dopo un breve periodo di tempo, il LED rosso si spegne, quello verde rimane acceso e l'apparecchio emette un segnale acustico. Il LED verde indica che l'inverter funziona correttamente.

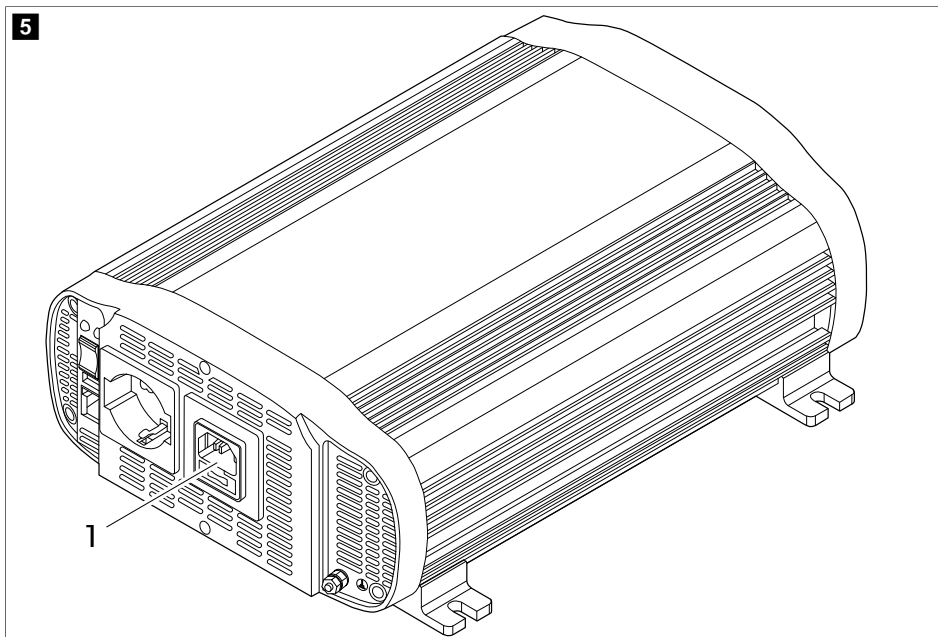
**AVVISO! Rischio di danni**

- > Se si prevede di utilizzare più di un'apparecchiatura, collegare prima quella con il requisito di carico più elevato.
- > Assicurarsi che il requisito di carico combinato degli apparecchi non superi la potenza di uscita dell'inverter.
- > Quando si utilizza una prolunga dall'inverter a un apparecchio, la prolunga non deve essere più lunga di 1,5 m.
- > Non collegare l'inverter a un circuito di carico CA in cui il conduttore neutro è collegato a massa.

- Collegare altri apparecchi 230 V e accenderli.
- Per caricare un apparecchio da 5 V, collegarlo alla porta USB ⑤.

10 Collegamento dell'alimentazione da rete elettrica esterna (modelli SPB1000I-12, SPB1500I-12 e SPB2000I-12)

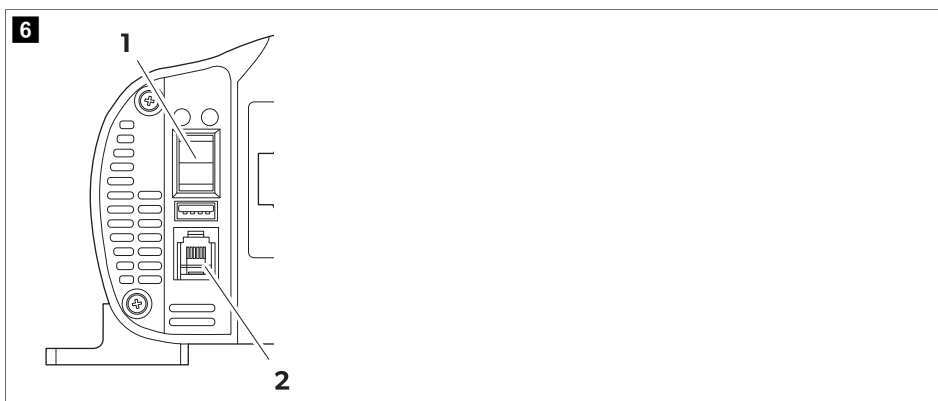
È possibile collegare un cavo IEC alla presa di alimentazione da rete esterna per alimentare gli apparecchi collegati direttamente con tensione CA dalla rete di alimentazione pubblica.



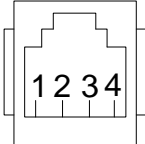
1. Collegare il cavo alla presa ①.
2. Installare o rimuovere il fusibile nel o dal portafusibili in linea ②, in funzione del sistema di messa a terra desiderato (vedere il capitolo Prima dell'installazione alla pagina 101).

11 Collegamento del telecomando

L'apparecchio può essere comandato da remoto con un interruttore esterno opzionale (RC03) o qualsiasi interruttore generico configurato sul connettore RJ11 ① dell'apparecchio. La seguente descrizione delle configurazioni dei pin può essere utilizzata come linea guida quando si utilizzano interruttori esterni generici.




L'interruttore esterno RC03 opzionale utilizza la seguente configurazione dei pin:

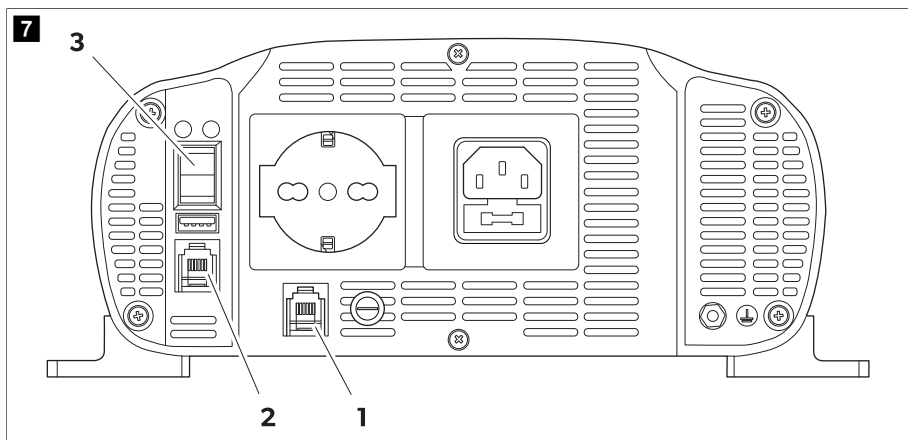
	Pin	Funzione
	2	Collegamento LED rosso
	1-3	Collegamento interruttore esterno
	4	Terra

- > Per attivare il controllo remoto, portare l'interruttore On/Off ② in posizione 2.

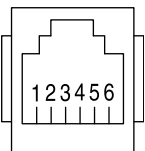
12 Collegamento della rete N-BUS

(Solo SPB1000I-12, SPB1500I-12, SPB2000I-12)

- Collegare la spina RJ12 (BC03, BC06, BC10) alla presa N-BUS ( fig. 7 alla pagina 108, 1).




Utilizzare un cavo piatto a 6 poli con spina RJ12 nelle configurazioni diritti. La configurazione dei pin è la seguente:

Pin	Funzione	
	1	Stato della rete
	2	Telecomando
	3	N-BUS/CI-BUS
	4	Terra
	5	Tensione bus (VBUS)
	6	(Mancanza di collegamento)



AVVISO! Rischio di danni

Assicurarsi di non confondere i collegamenti per la rete N-BUS con quelli per il telecomando ( fig. 7 alla pagina 108, 2).

2. Posizionare l'interruttore On/Off ( fig. **7** alla pagina 108, **3**) su II.
3. Collegare gli apparecchi compatibili con la rete N-BUS.

Configurazione dell'inverter nella rete N-BUS

Gli apparecchi compatibili con la rete N-BUS possono essere configurati e controllati all'interno della rete tramite lo schermo o l'app mobile.

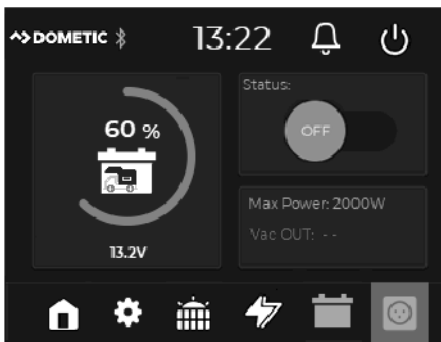


NOTA

- Per utilizzare l'app mobile è necessario che almeno un apparecchio nella rete N-BUS disponga della funzionalità Bluetooth.
 - Impostare uno degli apparecchi come MASTER.
- > Selezionare il menu dell'inverter e trascinare il cursore sulla posizione On od Off per attivare o disattivare l'inverter.

8

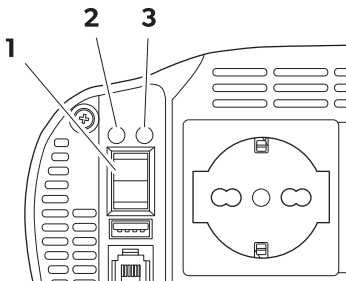
DISPLAY



APP MOBILE



13 Funzionamento

9


Interruttore On/Off

- > Per accendere l'apparecchio, portare l'interruttore On/Off ① in posizione I.
- > Per spegnere l'apparecchio, portare l'interruttore On/Off ① in posizione 0.
- > Per attivare il controllo remoto, portare l'interruttore On/Off ① in posizione II.

LED display

L'apparecchio è dotato di un indicatore a LED verde ② e rosso ③ per visualizzare lo stato di funzionamento.

LED	Descrizione
Green	L'apparecchio è acceso e funziona correttamente
Red	Malfunzionamento dell'apparecchio

14 Sostituzione dei fusibili

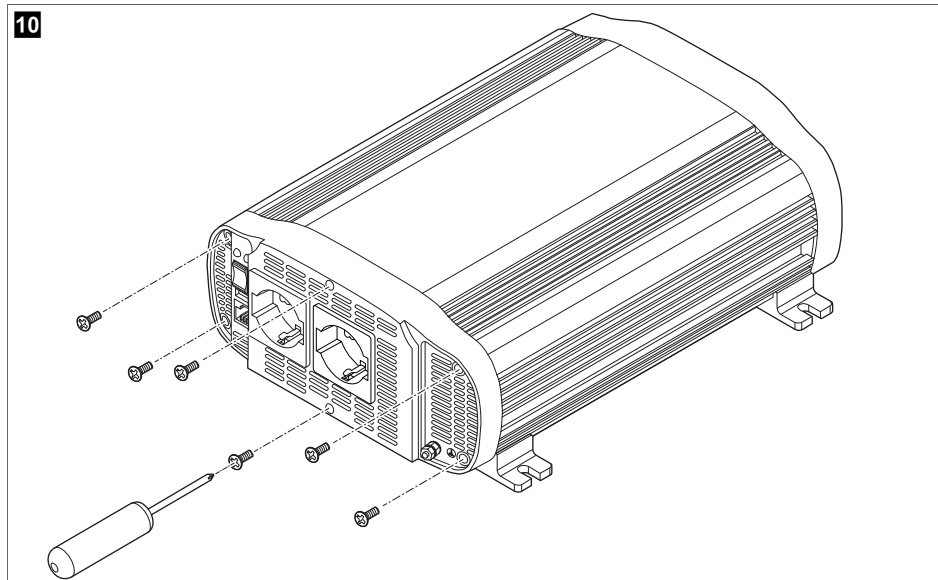


AVVERTENZA!

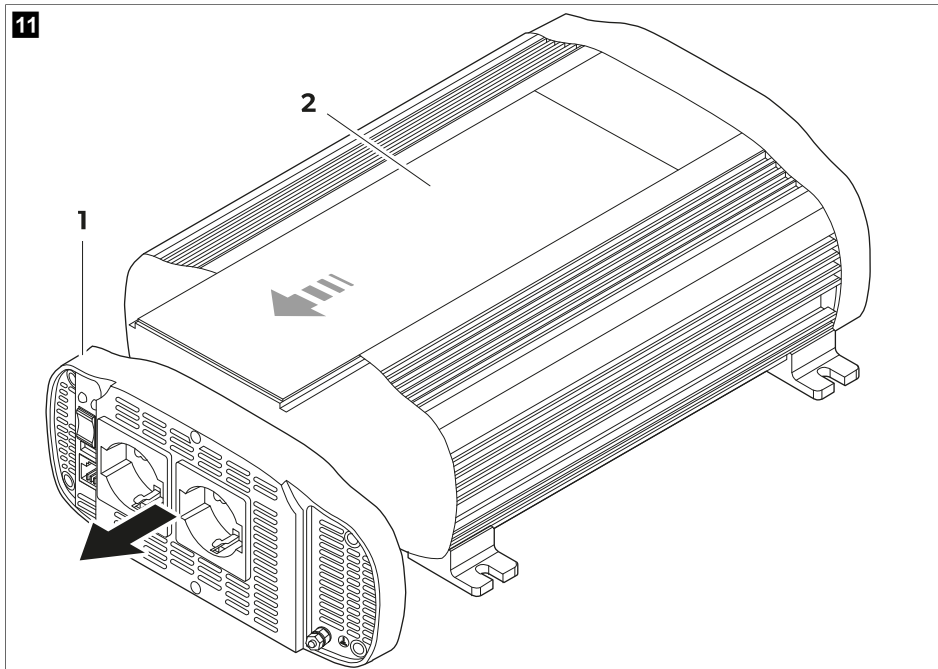
- Pericolo di scosse elettriche
- L'installazione può essere eseguita solo da un elettricista qualificato.

L'apparecchio è protetto da un circuito elettronico integrato. Inoltre è dotato di fusibili al suo interno. In caso di polarità inversa di un collegamento, un fusibile si brucia. Gli apparecchi con funzione IVT sono inoltre dotati di un fusibile di vetro all'interno della presa IEC per il collegamento all'alimentazione da rete elettrica esterna. La dotazione del prodotto comprende fusibili di ricambio.

Sostituzione dei fusibili interni

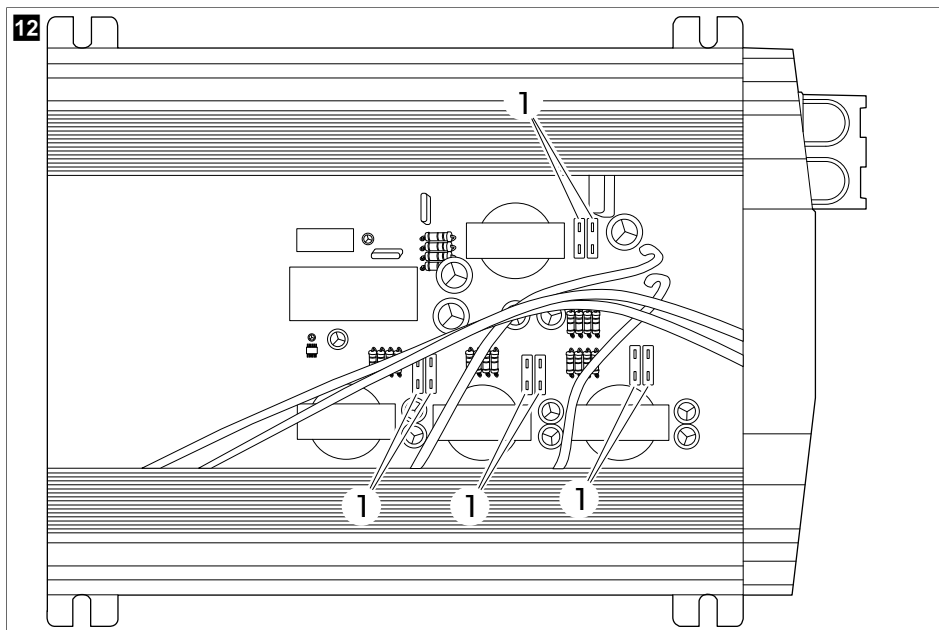


1. Rimuovere le sei viti.



2. Inclinare il pannello anteriore in avanti ①.

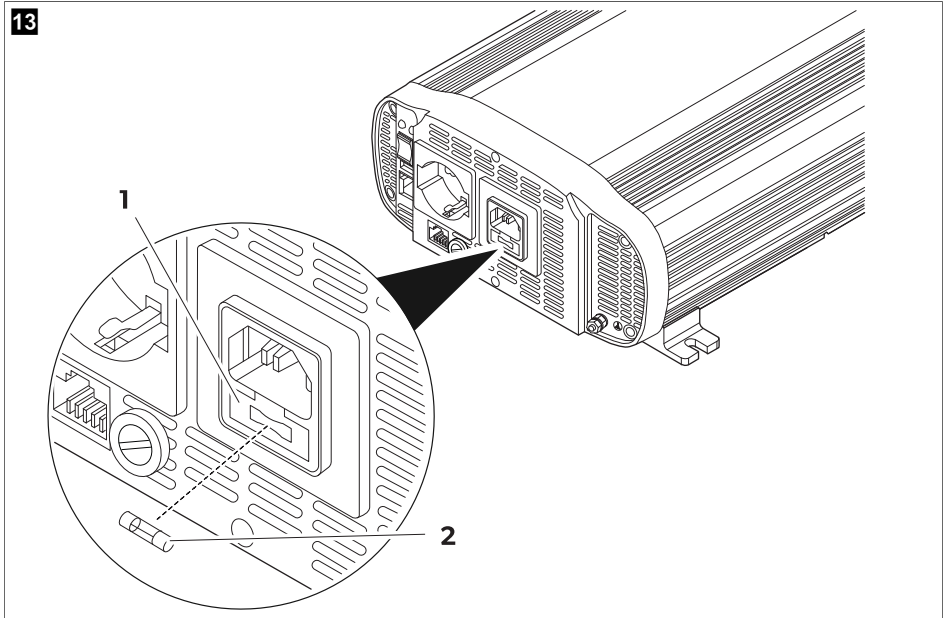
3. Togliere il coperchio ②.



4. Sostituire il fusibile ①.

Modello	Quantità di fusibili	Potenza del fusibile	
SM400-12, SP400-12	1	50 A	rosso
SM600-12, SP600-12	2	50 A	rosso
SM600-24, SP600-24	2	25 A	bianco
SM1000-12, SP1000-12	4	30 A	verde
SM1500-12, SP1500-12	6	30 A	verde
SP1500-24	6	15 A	blu
SP2000-12	8	30 A	verde
SP3000-12	12	30 A	verde
SP3000-24	12	15 A	blu

Sostituzione del fusibile della presa IEC



1. Aprire il coperchio ① della scatola della presa.
2. Sostituire il fusibile ②.

Modello	Quantità di fusibili	Potenza del fusibile
SPB1000I-12, SPB1500I-12 e SPB2000I-12	1	10 A (fusibile di vetro F10AL 250V)



NOTA Dopo la sostituzione del fusibile, l'apparecchio si riavvia automaticamente. Se l'apparecchio non funziona correttamente dopo la sostituzione del fusibile, contattare un tecnico per risolvere i problemi.

15 Pulizia e manutenzione

- > Pulire di tanto in tanto il prodotto con un panno umido.
- > Controllare che i collegamenti di ingresso e di uscita siano serrati e saldi.
- > Assicurarsi che le aperture di ventilazione non siano ostruite da sporcizia o altro.

16 Smaltimento



Riciclaggio del materiale da imballaggio: Smaltire il materiale da imballaggio negli appositi contenitori di riciclaggio, dove possibile.



Per smaltire definitivamente il prodotto, informarsi presso il centro di riciclaggio più vicino o presso il proprio distributore specializzato sulle norme relative allo smaltimento. È possibile smaltire il prodotto gratuitamente.



Se il prodotto contiene batterie non sostituibili, batterie ricaricabili o fonti di luce, non è necessario rimuoverle prima dello smaltimento.

17 Garanzia


Si applica il periodo di garanzia previsto dalla legge. Se il prodotto è difettoso, contattare la filiale del fabbricante nel proprio Paese (vedere dometic.com/dealer) o il rivenditore di riferimento.

Per attivare la garanzia e predisporre eventuali interventi di riparazione, è necessario inviare la seguente documentazione insieme al prodotto:



- una copia della ricevuta con la data di acquisto,
- il motivo della richiesta o la descrizione del guasto.



Tenere presente che le riparazioni eseguite in autonomia o da personale non professionista possono avere conseguenze sulla sicurezza e invalidare la garanzia.

18 Specifiche tecniche




	SM400-12	SM600-12	SM600-24
Potenza di uscita continua	400 W	600 W	
Potenza di uscita di picco	800 W (pochi secondi)	1200 W (pochi secondi)	
Tensione di uscita (RMS)/frequenza	230 V CA/50 Hz ± 3 Hz		
Output USB	5 V 2,1 A		
Tensione di ingresso	12 V		24 V
Autoconsumo	200 mA (13,2 V)	220 mA (13,2 V)	100 mA (26,4 V)
Connettività	–	–	–
Dimensioni (L x P x H)	140 mm × 184 mm × 71 mm	140 mm × 214 mm × 71 mm	140 mm × 214 mm × 71 mm
Certificato	 (10 R-05 0094)		




	SM1000-12	SM1500-12
Potenza di uscita continua	1000 W	1500 W
Potenza di uscita di picco	2000 W (pochi secondi)	3000 W (pochi secondi)
Tensione di uscita (RMS)/frequenza	230 V CA/50 Hz ± 3 Hz	
Output USB	5 V 2,1 A	
Tensione di ingresso	12 V	
Autoconsumo	530 mA (13,2 V)	460 mA (13,2 V)
Connettività	–	–
Dimensioni (L x P x H)	270 mm × 262 mm × 107,5 mm	270 mm × 262 mm × 107,5 mm

	SM1000-12	SM1500-12	
Certificato			
	SP400-12	SP600-12	SP600-24
Potenza di uscita continua	400 W	600 W	
Potenza di uscita di picco	1000 W (pochi secondi)	1500 W (pochi secondi)	
Tensione di uscita (RMS)/frequenza	230 V CA/50 Hz \pm 3 Hz		
Output USB	5 V 2,1 A		
Tensione di ingresso	12 V		24 V
Autoconsumo	340 mA (13,2 V)	420 mA (13,2 V)	210 mA (26,4 V)
Connettività	-	-	-
Dimensioni (L x P x H)	140 mm \times 214,5 mm \times 71 mm	140 mm \times 244,5 mm \times 71 mm	140 mm \times 244,5 mm \times 71 mm
Certificato			

	SP1000-12	SPB1000I-12
Potenza di uscita continua	1000 W	
Potenza di uscita di picco	2500 W (pochi secondi)	
Tensione di uscita (RMS)/frequenza	230 V CA/50 Hz \pm 3 Hz	
Output USB	5 V 2,1 A	
Tensione di ingresso	12 V	
Autoconsumo	870 mA (13,2 V)	680 mA (13,2 V)
Tempo di commutazione dalla batteria all'alimentazione da rete elettrica esterna	-	0,02 s
Tempo di commutazione dall'alimentazione da rete elettrica esterna alla batteria	-	0,1 s
Connettività	-	N-BUS
Dimensioni (L x P x H)	270 mm \times 262,4 mm \times 107,5 mm	270 mm \times 262,4 mm \times 107,5 mm
Certificato		

	SP1500-12	SPB1500I-12	SP1500-24
Potenza di uscita continua	1500 W		
Potenza di uscita di picco	4000 W (pochi secondi)		
Tensione di uscita (RMS)/frequenza	230 V CA/50 Hz \pm 3 Hz		
Output USB	5 V 2,1 A		

	SP1500-12	SPB1500I-12	SP1500-24
Tensione di ingresso	12 V		24 V
Autoconsumo	850 mA (13,2 V)	930 mA (13,2 V)	620 mA (26,4 V)
Tempo di commutazione dalla batteria all'alimentazione da rete elettrica esterna	-	0,02 s	-
Tempo di commutazione dall'alimentazione da rete elettrica esterna alla batteria	-	0,1 s	-
Connettività	-	N-BUS	-
Dimensioni (L x P x H)	270 mm × 322,4 mm × 107,5 mm	270 mm × 360 mm × 107,5 mm	270 mm × 322,4 mm × 107,5 mm
Certificato	 (10 R - 05 0094)	 (10 R - 06-02 5174 00)	 (10 R - 05 0094)

	SPB2000I-12	SP3000-12	SP3000-24
Potenza di uscita continua	2000 W	3000 W	
Potenza di uscita di picco	6000 W (pochi secondi)	8000 W (pochi secondi)	
Tensione di uscita (RMS)/frequenza	230 V CA/50 Hz ± 3 Hz		
Output USB	5 V 2,1 A		
Tensione di ingresso	12 V		24 V
Autoconsumo	900 mA (13,2 V)	1270 mA (13,2 V)	680 mA (26,4 V)
Tempo di commutazione dalla batteria all'alimentazione da rete elettrica esterna	0,02 s	-	-
Tempo di commutazione dall'alimentazione da rete elettrica esterna alla batteria	0,1 s	-	-
Connettività	N-BUS	-	-
Dimensioni (L x P x H)	270 mm × 385 mm × 107,5 mm	270 mm × 452 mm × 107,5 mm	270 mm × 452 mm × 107,5 mm
Certificato			
	 (10 R - 06-02 5174 00)	 (10 R - 05 0094)	

Con la presente, Dometic dichiara che l'apparecchiatura radio tipo SPB1000I-12, SPB1500I-12 e SPB2000I-12 è conforme alla Direttiva 2014/53/EU. Il testo completo della dichiarazione di conformità UE è disponibile al seguente indirizzo internet: documents.dometic.com

Nederlands

1	Belangrijke opmerkingen.....	117
2	Verklaring van de symbolen.....	117
3	Veiligheidsaanwijzingen.....	118
4	Omvang van de levering.....	118
5	Beoogd gebruik.....	118
6	Doelgroep.....	119
7	Technische beschrijving.....	119
8	Voor de installatie.....	120
9	Installatie.....	122
10	De externe stroomvoorziening aansluiten (modellen SPB1000I-12, SPB1500I-12 en SPB2000I-12).....	125
11	Afstandsbediening aansluiten.....	126
12	N-BUS aansluiten.....	127
13	Gebruik.....	129
14	Zekering vervangen.....	129
15	Reiniging en onderhoud.....	133
16	Verwijdering.....	133
17	Garantie.....	134
18	Technische gegevens.....	134

1 Belangrijke opmerkingen

Lees deze gebruiksaanwijzing zorgvuldig door en volg alle instructies, richtlijnen en waarschuwingen in deze handleiding op om ervoor te zorgen dat u het product te allen tijde op de juiste manier installeert, gebruikt en onderhoudt. Deze gebruiksaanwijzing MOET bij dit product worden bewaard.

Door het product te gebruiken, bevestigt u hierbij dat u alle instructies, richtlijnen en waarschuwingen zorgvuldig hebt gelezen en dat u de voorwaarden zoals hierin beschreven begrijpt en accepteert. U gaat ermee akkoord dit product alleen te gebruiken voor het beoogde doel en de beoogde toepassing en in overeenstemming met de instructies, richtlijnen en waarschuwingen zoals beschreven in deze gebruiksaanwijzing en in overeenstemming met de geldende wet- en regelgeving. Het niet lezen en opvolgen van de hierin beschreven instructies en waarschuwingen kan leiden tot letsel voor uzelf en anderen, schade aan uw product of schade aan andere eigendommen in de omgeving. Deze gebruiksaanwijzing, met inbegrip van de instructies, richtlijnen en waarschuwingen, en de bijbehorende documentatie kan onderhevig zijn aan wijzigingen en updates. Voor de recentste productinformatie, bezoek documents.dometic.com.

2 Verklaring van de symbolen

Een signaalwoord geeft informatie over veiligheid en eigendomsschade en geeft de mate of ernst van het gevaar aan.



WAARSCHUWING!

Duidt op een gevaarlijke situatie die, indien deze niet wordt voorkomen, ernstig letsel of de dood tot gevolg kan hebben.



VOORZICHTIG!

Duidt op een gevaarlijke situatie die, indien deze niet wordt voorkomen, licht of matig letsel tot gevolg kan hebben.



LET OP!

Duidt op een situatie die, indien deze niet wordt voorkomen, kan leiden tot materiële schade.



INSTRUCTIE Aanvullende informatie voor het gebruik van het product.

3 Veiligheidsaanwijzingen



WAARSCHUWING! Het niet in acht nemen van deze waarschuwingen kan leiden tot ernstig letsel of de dood.

- > Gebruik in geval van brand een brandblusser die geschikt is voor elektrische toestellen.
- > Gebruik het toestel niet als het zichtbaar beschadigd is.



VOORZICHTIG! Het niet in acht nemen van deze waarschuwingen kan leiden tot ernstig letsel of de dood.

- > Installatie, montage en bedrading en alle andere werkzaamheden mogen alleen worden uitgevoerd door bevoegde elektriciens. Door ondeskundige reparaties kunnen grote gevaren ontstaan.
- > Installatie in explosiegevaarlijke omgevingen zoals ruimtes met ontvlambare vloeistoffen of gassen is niet toegestaan.
- > Plaats of houd het toestel niet in de buurt van open vuur of andere warmtebronnen (verwarming, direct zonlicht, gasovens enz.).
- > Kinderen mogen niet met het toestel spelen.
- > Dit toestel mag worden gebruikt door kinderen vanaf 8 jaar en ouder evenals door personen met verminderd fysiek, zintuiglijk of mentaal vermogen of gebrek aan kennis en ervaring, mits zij onder toezicht staan of zijn geïnstrueerd in het veilig gebruik van het toestel en zij inzicht hebben in de gevaren die het gebruik ervan met zich meebrengt.



LET OP! Duidt op een situatie die, indien deze niet wordt voorkomen, kan leiden tot materiële schade.

- > Vergelijk de spanningsgegevens op het typeplaatje met de beschikbare energievoorziening.
- > Dompel het toestel nooit onder in water.
- > Bescherm het toestel en de kabels tegen hitte en vocht.
- > Stel het toestel niet bloot aan regen.
- > Zorg ervoor dat het montageoppervlak het gewicht van het toestel kan dragen.
- > Leg de kabels zodanig dat er niet over kan worden gestruikeld en dat ze niet beschadigd kunnen raken.
- > Gebruik holle buizen of leidingdoorvoeren, als leidingen door plaatwanden of andere wanden met scherpe randen geleid moeten worden.

4 Omvang van de levering

Beschrijving	Aantal
Omvormer	1
Rood netsnoer	1
Zwart netsnoer	1
Montagehandleiding en gebruiksaanwijzing	1

5 Beoogd gebruik

Het toestel is bedoeld om 230 V te leveren aan aangesloten apparatuur, gegenereerd op basis van een ingangsspanning van 12 V of 24 V. Het toestel is ontworpen voor gebruik in campers, buscampers en reisbussen.

De modelserie omvat twee typen toestellen:

- De modellen SM400-12, SM600-12, SM600-24, SM1000-12 en SM1500-12 zijn omvormers met een gemodificeerde sinusvormige uitgangsspanning.
- De modellen SP400-12, SP600-12, SP600-24, SP1000-12, SP1500-12, SP1500-24, SP3000-12 en SP3000-24 zijn omvormers met zuivere sinusvormige uitgangsspanning.

De modellen SPB1000I-12, SPB1500I-12 en SPB2000I-12 bevatten een geïntegreerde prioriteitsfunctie (IVT) en een gezekeerde ingangsaansluiting (IEC) voor aansluiting van de externe stroomvoorziening.

Dit product is alleen geschikt voor het beoogde gebruik en de toepassing in overeenstemming met deze gebruiksaanwijzing.

Deze handleiding geeft informatie die nodig is voor een correcte installatie en/of correct gebruik van het product. Een slechte installatie en/of onjuist gebruik of onderhoud leidt tot onvoldoende prestaties en mogelijke storingen.

De fabrikant aanvaardt geen aansprakelijkheid voor letsel of schade aan het product die het gevolg is van:

- Onjuiste installatie, montage of aansluiting, inclusief te hoge spanning
- Onjuist onderhoud of gebruik van andere dan door de fabrikant geleverde originele reserveonderdelen
- Wijzigingen aan het product zonder uitdrukkelijke toestemming van de fabrikant
- Gebruik voor andere doeleinden dan beschreven in deze handleiding

Dometic behoudt zich het recht voor om het uiterlijk en de specificaties van het product te wijzigen.

6 Doelgroep



De elektrische installatie en instelling van het apparaat moeten worden uitgevoerd door een bevoegde elektricien die zijn vaardigheden en kennis heeft laten zien met betrekking tot de constructie en werking van elektrische apparatuur en installaties en die vertrouwd is met de toepasselijke regelgeving van het land waarin de apparatuur moet worden geïnstalleerd en/of gebruikt en die een veiligheidstraining heeft gevolgd om de gevaren te identificeren en te vermijden.

Alle andere acties zijn ook bedoeld voor niet-professionele gebruikers.

7 Technische beschrijving

Het toestel heeft twee hoofdcircuitfasen om de 12 V \Rightarrow 24 V \Rightarrow ingangsspanning om te zetten in AC-uitgangsspanning. De eerste fase bestaat uit een geïsoleerde hoogfrequente DC/DC-omvormer om de 12 V DC- of 24 V DC-ingangsspanning om te zetten in een uitgangsspanning 400 V DC. De laatste fase bestaat uit een H-brug die de DC-hoogspanningsaansluiting omzet in 230 V AC-spanning.

Het toestel heeft de volgende belangrijkste eigenschappen:

- Laag verbruik.
- Galvanisch geïsoleerde ingang en uitgang voor verhoogde veiligheid.
- Temperatuurafhankelijk geregelde ventilatorsnelheid voor een stille werking.
- Geïntegreerde voorrangsschakelaar tussen het externe elektriciteitsnet en de accu.
- Geschikt voor aan/uit-afstandsbediening.
- Alarm voor lage accuspanning.
- Uitschakeling bij lage en hoge accuspanning.
- Uitschakeling bij overbelasting.
- Beveiliging tegen kortsluiting, oververhitting, overbelasting en omgekeerde polariteit.
- Softstart-functie.

Alleen SPB1000I-12, SPB1500I-12, SPB2000I-12: Het toestel is N-BUS-compatibel (zie hoofdstuk N-BUS aansluiten op pagina 127).

8 Voor de installatie

Accuvereisten

Accutype en -grootte kunnen de prestaties van omvormers sterk beïnvloeden. Daarom moeten het type verbruikers dat de omvormer van stroom voorziet en de gebruiksduur tussen twee keer opladen worden geïdentificeerd. Ga als volgt te werk om de minimale accuvereisten voor een toepassing te bepalen:

1. Bepaal het wattage aan de hand van de etiketten van elk apparaat dat tegelijkertijd moet worden gevoed door de omvormer. Het stroomverbruik wordt normaal gesproken weergegeven in watt. Als het wordt weergegeven in ampère, vermenigvuldigt u de waarde met 230 V om het wattage te bepalen.
2. Schat het aantal uren dat de apparatuur in gebruik zal zijn voordat de accu opnieuw wordt opgeladen.
3. Bereken de totale benodigde energie in Wh (wattuur) door de hierboven geschatte tijd te vermenigvuldigen met de som van het wattage. Deel het resultaat door 10 als de ingangsspanning van de omvormer 12 V is, of door 20 als de ingangsspanning 24 V is. De resulterende waarde in Ah geeft de vermogensbehoefte van de toepassing aan.



INSTRUCTIE Laad de accu zo mogelijk op wanneer deze ongeveer 50 % leeg is of eerder. Dit geeft de accu een veel langere levensduur, in tegenstelling tot deze alleen op te laden wanneer deze diep ontladen is.

Problemen met interferentie oplossen

Sommige goedkope geluidssystemen kunnen een zoemend geluid uit de luidsprekers produceren wanneer ze worden bediend met de omvormer. Dit gebeurt omdat de stroomvoorziening in het geluidssysteem de gemodificeerde sinusgolf die door de omvormer wordt geproduceerd niet goed filtert. De oplossing is het gebruik van een geluidssysteem met een stroomvoorziening van hoge kwaliteit of het gebruik van een omvormer met zuivere sinusgolf. Wanneer de omvormer in werking is, kan deze de televisieontvangst op sommige kanalen verstoren. Probeer het volgende als er interferentie optreedt:

1. Zorg ervoor dat de massaschroef voor het chassis van de omvormer is verbonden met de massa van het voertuig.
2. Zorg ervoor dat de televisieantenne een goed signaal levert en dat de antennekabel in goede staat verkeert.
3. Houd de kabels tussen de accu en de omvormer zo kort mogelijk en draai ze samen om de uitgestraalde emissie te verminderen.
4. Verplaats de televisie zo ver mogelijk van de omvormer vandaan.
5. Gebruik geen grote verbruikers met de omvormer als de televisie is ingeschakeld.

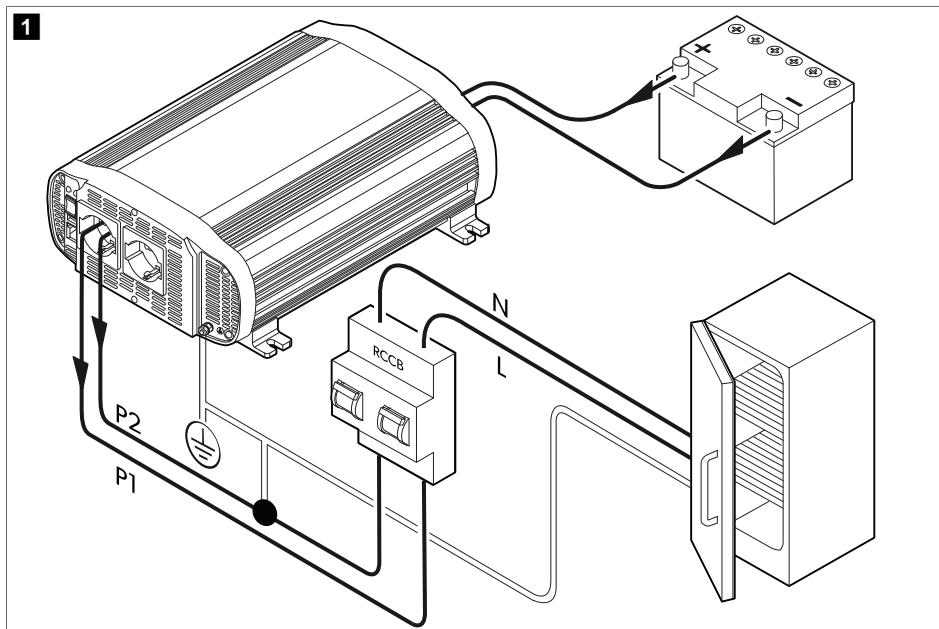
Bescherming tegen aardlekken (met uitzondering van de modellen SPB1000I-12, SPB1500I-12 en SPB2000I-12)



LET OP! Gevaar voor schade

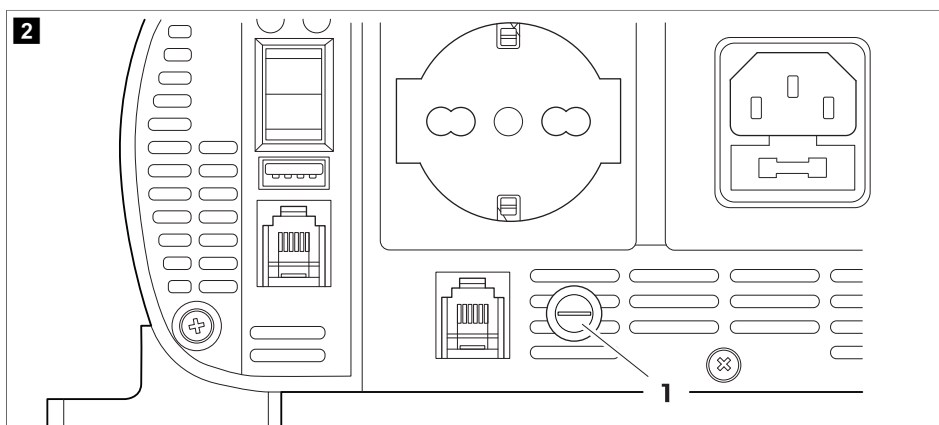
Voor een veilige werking van meerdere verbruikers is het beslist noodzakelijk dat er een stroomonderbreker (aardlekschakelaar) in het contactdoos-verdeelcircuit is geïntegreerd.

De aardaansluiting is ontworpen voor een beveiligingssysteem zoals de aardlekschakelaar. Sluit de aardlekschakelaar aan volgens het volgende schema:



1. Sluit de fase- (P1) en nuluitgang (P2) aan op de ingang van de aardlekschakelaar.
2. Sluit de massa van de omvormer aan op een van de twee draden die zijn aangesloten op de ingang van de aardlekschakelaar.
3. Sluit de nul- en de fase-uitgang van de ingang van de aardlekschakelaar aan op de verbruikers.
4. Sluit de massa van de omvormer aan op de massa van de verbruikers.

Bescherming tegen aardlekken (modellen SPB1000I-12, SPB1500I-12 en SPB2000I-12)





LET OP! Gevaar voor schade

Het bovenstaande schema heeft alleen betrekking op de aansluiting van de uitgang van de omvormer. De IEC-connector van de externe netingang moet worden aangesloten op de stroomonderbrekeruitgang van de externe stroomvoorziening.

Aardingsstelsels van het type TN of IT voor SPB1000I-12, SPB1500I-12 en SPB2000I-12 kunnen worden geconfigureerd met een zekering.

- > Zorg ervoor dat de zekering in de zekeringhouder ① is geplaatst om een aardingsstelsel van het type TN tot stand te brengen.
- > Zorg ervoor dat de zekering **niet** in de zekeringhouder ① is geplaatst om een aardingsstelsel van het type IT tot stand te brengen.

9 Installatie



VOORZICHTIG! Gevaar voor schade

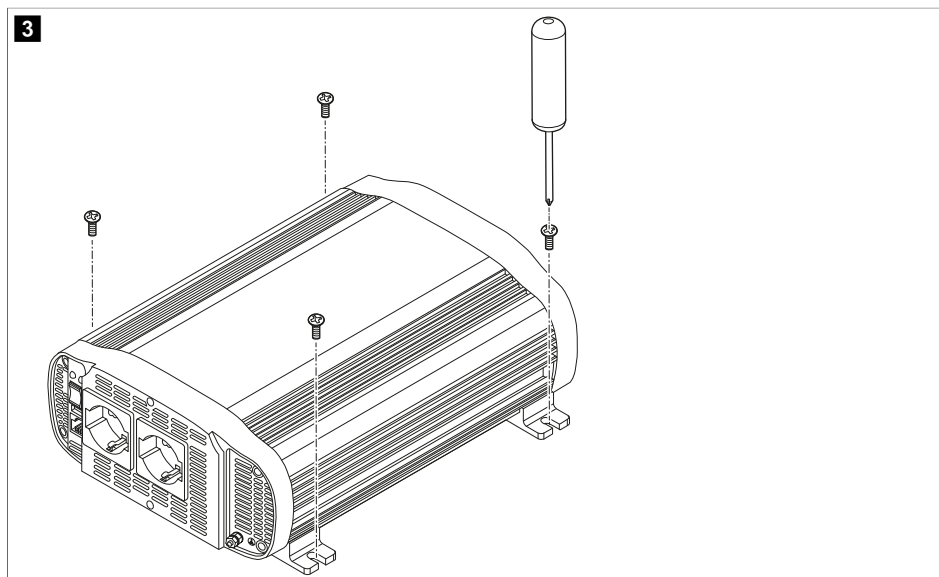
Plaats het toestel niet in de buurt van warmtebronnen of op onvoldoende geventileerde plaatsen.



INSTRUCTIE Het toestel kan in elke positie worden gemonteerd. Als het toestel op een verticaal oppervlak wordt geplaatst, is het raadzaam de lange zijde parallel aan de vloer te houden.



INSTRUCTIE Plaats het toestel zo dicht mogelijk bij de 12 V / 24 V-stroombron.



1. Monteer het toestel met behulp van de vier montageflenzen en geschikte schroeven.

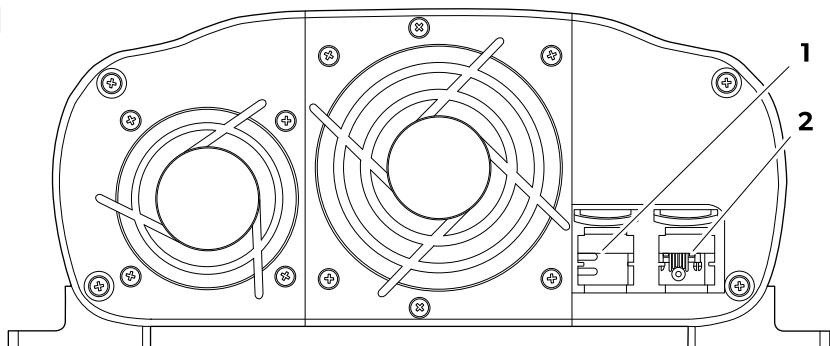
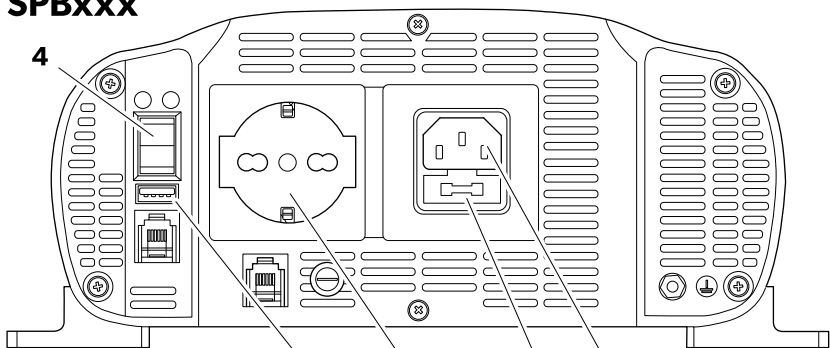
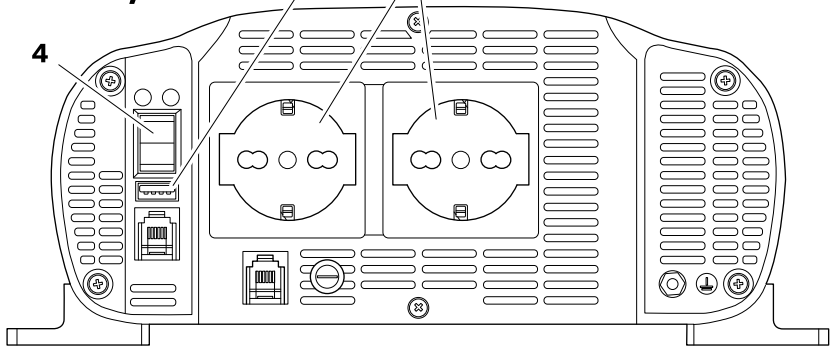
**LET OP! Gevaar voor schade**

Zorg ervoor dat de aan/uit-schakelaar in de uit-stand staat alvorens het toestel aan te sluiten.



INSTRUCTIE Gebruik de meegeleverde draden om de accu aan te sluiten op het toestel. Als de afstand tussen de accu en het toestel meer dan 2 meter bedraagt, vergroot dan de doorsnede van de draad om spanningsval en vermogensverlies te verminderen.

4

**SPBxxx****SMxxx, SPxxx**

2. Verbind de minpool van de accu met de minpool van de omvormer ①.



LET OP! Gevaar voor schade

Breng een inline-zekering aan op de pluskabel van de accu om de aangesloten apparatuur te beschermen.

3. Verbind de pluspool van de accu met de pluspool van de omvormer ②.



LET OP! Gevaar voor schade

Zorg ervoor dat een apparaat is uitgeschakeld voordat u het aansluit op de omvormer.

4. Sluit de 230 V -apparatuur aan op een uitgangcontactdoos ③.
5. Schakel de omvormer in met de aan/uit-schakelaar ④.



INSTRUCTIE Als de omvormer is ingeschakeld, gaan de rode en groene led allebei 3 tot 5 seconden branden. Na korte tijd gaat de rode led uit en blijft de groene branden en geeft het toestel een akoestisch signaal af. De groene led geeft aan dat de omvormer correct werkt.



LET OP! Gevaar voor schade

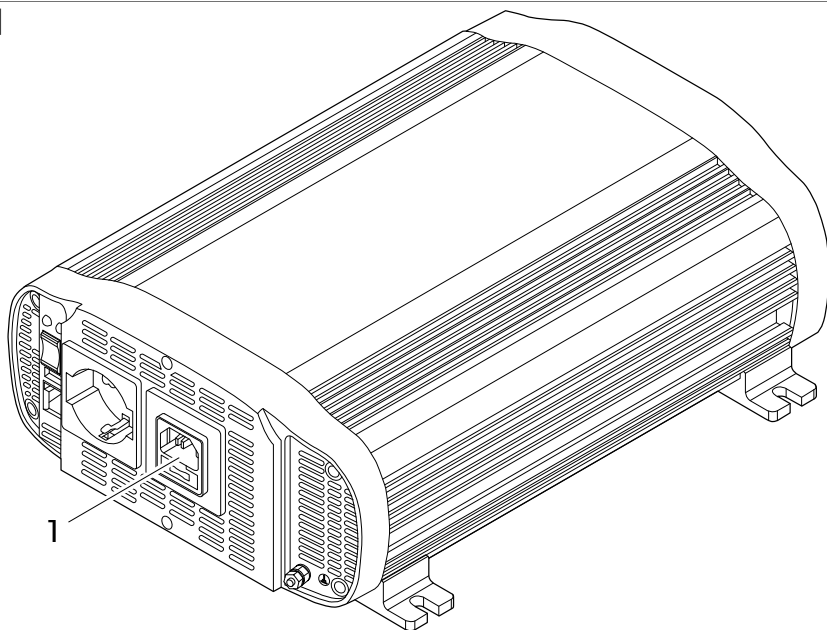
- > Wanneer u meer dan één apparaat wilt gebruiken, dient u de verbruiker met de hogere belasting als eerste aan te sluiten.
- > Zorg ervoor dat de gecombineerde belasting van uw apparaten het nominale uitgangsvermogen van de omvormer niet overschrijdt.
- > Wanneer u een verlengsnoer van de omvormer naar een apparaat gebruikt, mag het verlengsnoer niet langer zijn dan 1,5 m.
- > Sluit de omvormer niet aan op een wisselstroomkring waarin de nulleider is aangesloten op de aarde.

6. Sluit extra 230 V -apparaten aan en schakel ze in.
7. Sluit een 5 V -apparaat aan op de USB-poort ⑤ om het op te laden.

10 De externe stroomvoorziening aansluiten (modellen SPB1000I-12, SPB1500I-12 en SPB2000I-12)

Het is mogelijk om een IEC-kabel aan te sluiten op de externe contactdoos om de aangesloten apparatuur rechtstreeks met wisselspanning van het openbare elektriciteitsnet te voeden.

5

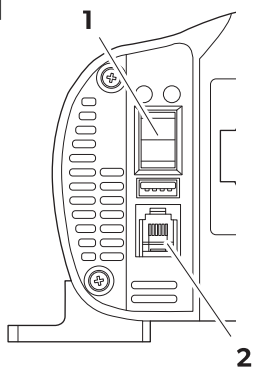


1. Steek de stekker in de contactdoos ①.
2. Plaats of verwijder de zekering in de inline-zekeringhouder ⑦ volgens het gewenste type aarding (zie hoofdstuk Voor de installatie op pagina 120).

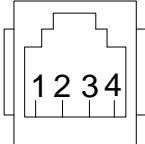
11 Afstandsbediening aansluiten

Het toestel kan op afstand worden bediend met een optionele externe schakelaar (RC03) of een algemene schakelaar die is geconfigureerd voor de RJ11-connector ① van het toestel. De volgende beschrijving van penbezettingen kan als richtlijn worden gebruikt bij het gebruik van algemene externe schakelaars.

6




De optionele externe RC03-schakelaar gebruikt de volgende penbezetting:

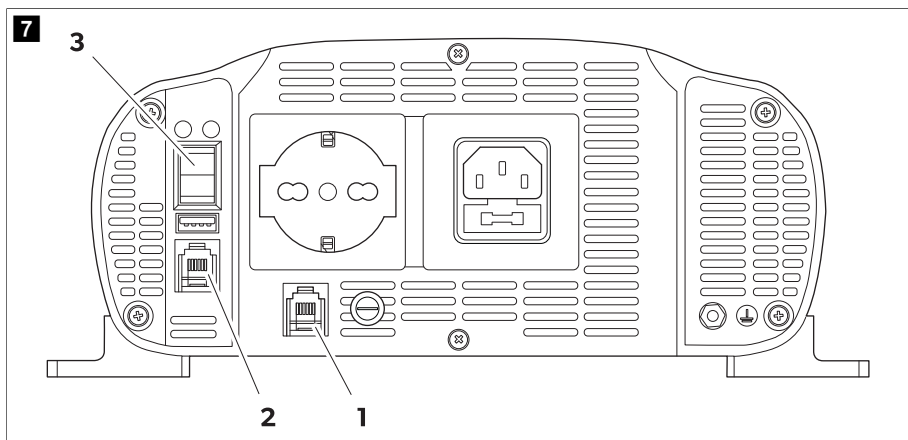
	Pen	Functie
	2	Aansluiting rode led
	1-3	Aansluiting externe schakelaar
	4	Massa

- > Zet de aan/uit-schakelaar ② in stand 2 om de afstandsbediening in te schakelen.

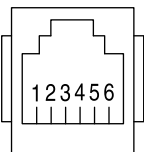
12 N-BUS aansluiten

(Alleen SPB1000I-12, SPB1500I-12, SPB2000I-12)

- Sluit de RJ12-plug (BC03, BC06, BC10) aan op de N-BUS-aansluiting ( afb. **7** op pagina 127, **1**).




Gebruik een 6-polige platte kabel met RJ12-plug in rechte configuratie. De penbezetting is als volgt:

Pen	Functie	
	1	Netwerkstatus
	2	Afstandsbediening
	3	N-BUS/CI-BUS
	4	Massa
	5	Busspanning (VBUS)
	6	(niet aangesloten)



LET OP! Gevaar voor schade

Zorg ervoor dat u de aansluitingen voor N-BUS en de afstandsbediening niet verwisselt ( afb. **7** op pagina 127, **2**).

2. Zet de aan/uit-schakelaar ( afb. **7** op pagina 127, **3**) naar stand II.
3. Sluit N-BUS-compatibele apparaten aan.

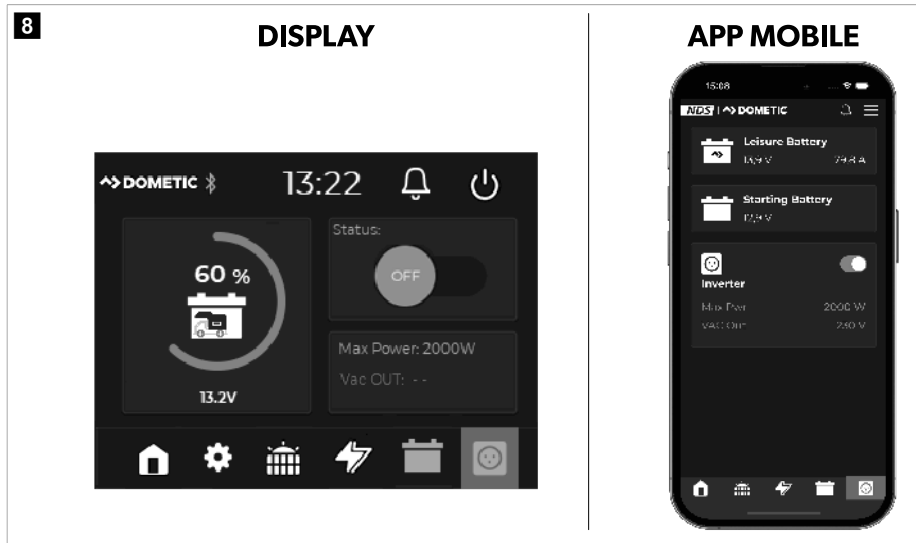
De omvormer configureren in het N-BUS-netwerk

N-BUS-compatibele apparaten kunnen via het display of een mobiele app in het N-BUS-netwerk worden geconfigureerd en bediend.

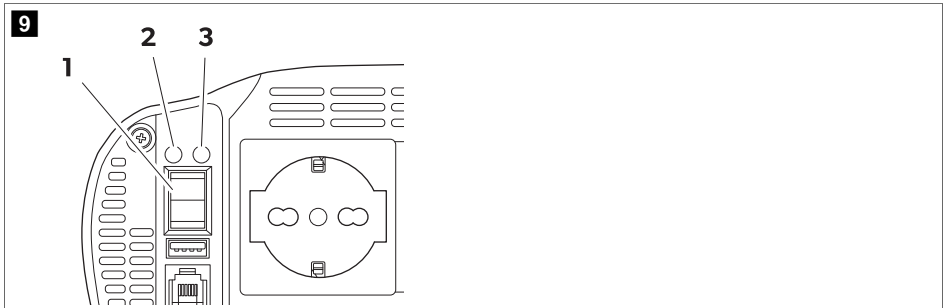


INSTRUCTIE

- Om de mobiele app te kunnen gebruiken, is minimaal één Bluetooth-apparaat in het N-BUS-netwerk vereist.
 - Stel een van de apparaten in als MASTER.
- > Selecteer het omvormermenu en sleep de schuifregelaar naar de aan- of uitpositie om de omvormer in of uit te schakelen.



13 Gebruik



Aan/uit-schakelaar

- > Zet de aan/uit-schakelaar ① in stand I om het toestel in te schakelen.
- > Zet de aan/uit-schakelaar ① in stand 0 om het toestel uit te schakelen.
- > Zet de aan/uit-schakelaar ① in stand II om de afstandsbediening in te schakelen.

Ledlampjes

Het toestel is voorzien van een groen ② en een rood ③ ledlampje om de bedrijfsstatus aan te geven.

Led	Beschrijving
Green	Het toestel is ingeschakeld en werkt correct
Red	Storing

14 Zekering vervangen

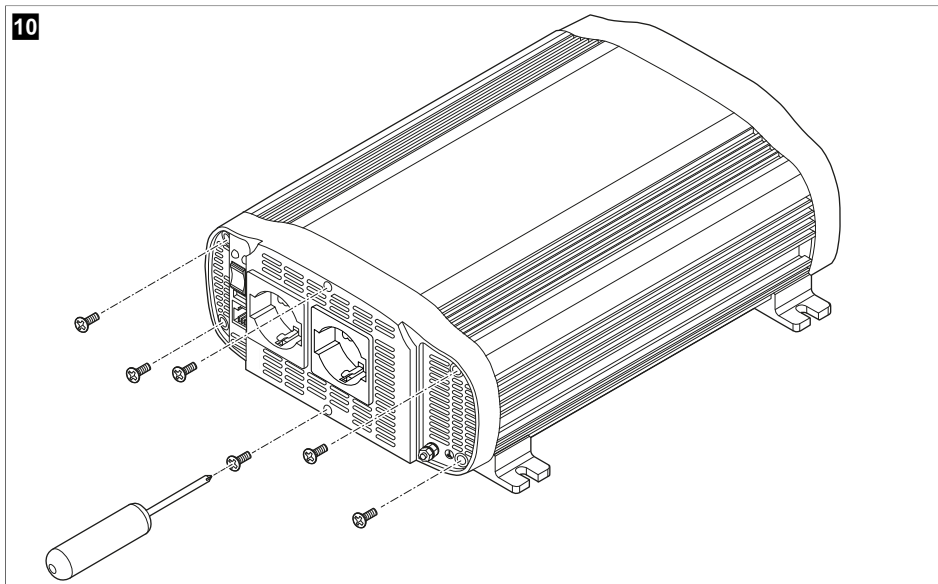


WAARSCHUWING!

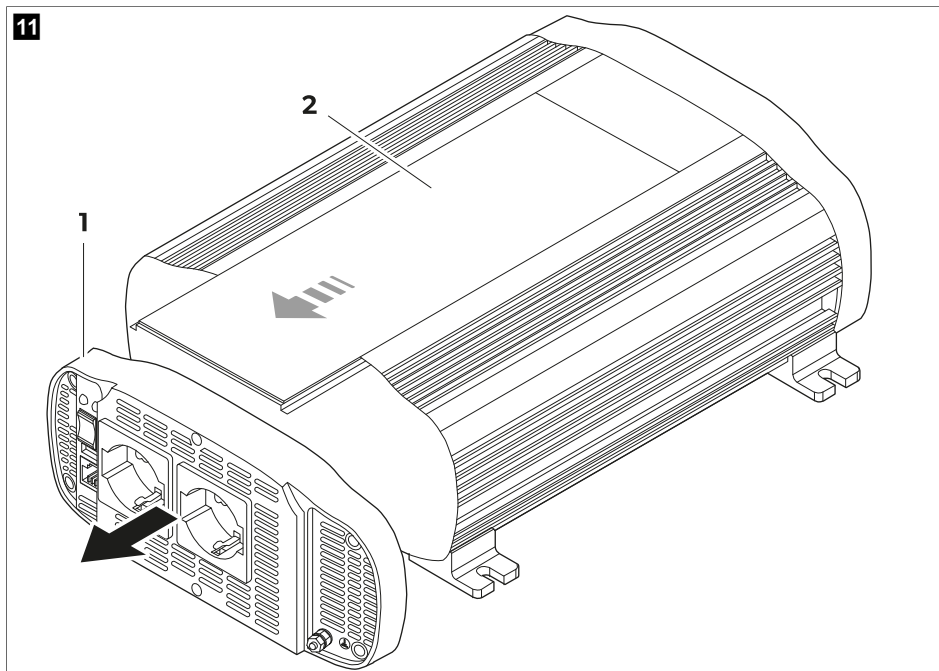
- Gevaar voor elektrische schokken
- De installatie mag alleen worden uitgevoerd door een bevoegde elektricien.

Het toestel is beveiligd door een geïntegreerde elektronische schakeling. Er bevinden zich ook zekeringen in het toestel. In geval van omgekeerde polariteit van een aansluiting, brandt een zekering door. Toestellen met IVT-functie hebben ook een glazen zekering in de IEC-contactdoos voor de externe netaansluiting. In de productverpakking zitten reservezekeringen.

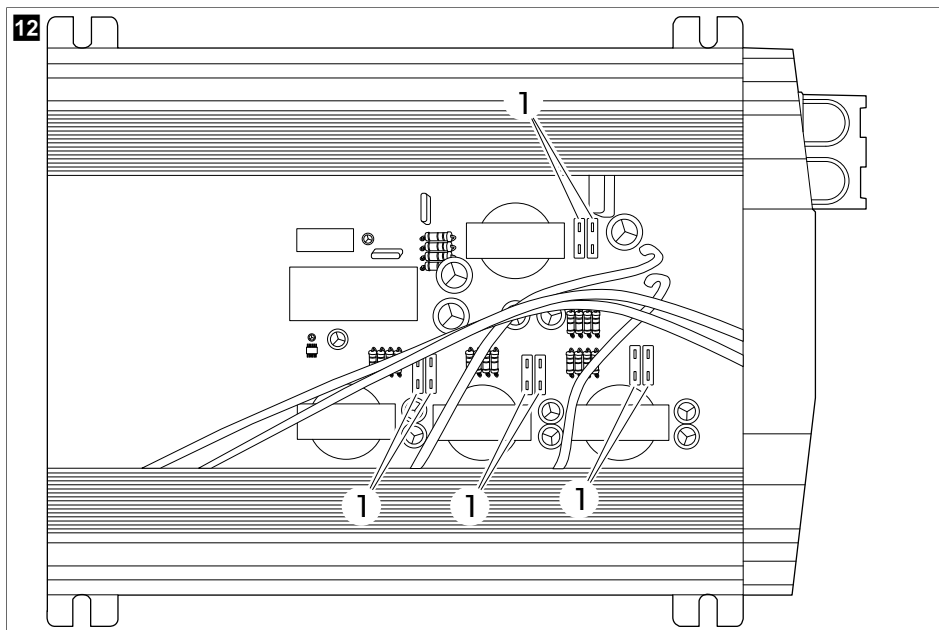
Interne zekering vervangen

10

1. Verwijder de zes schroeven.



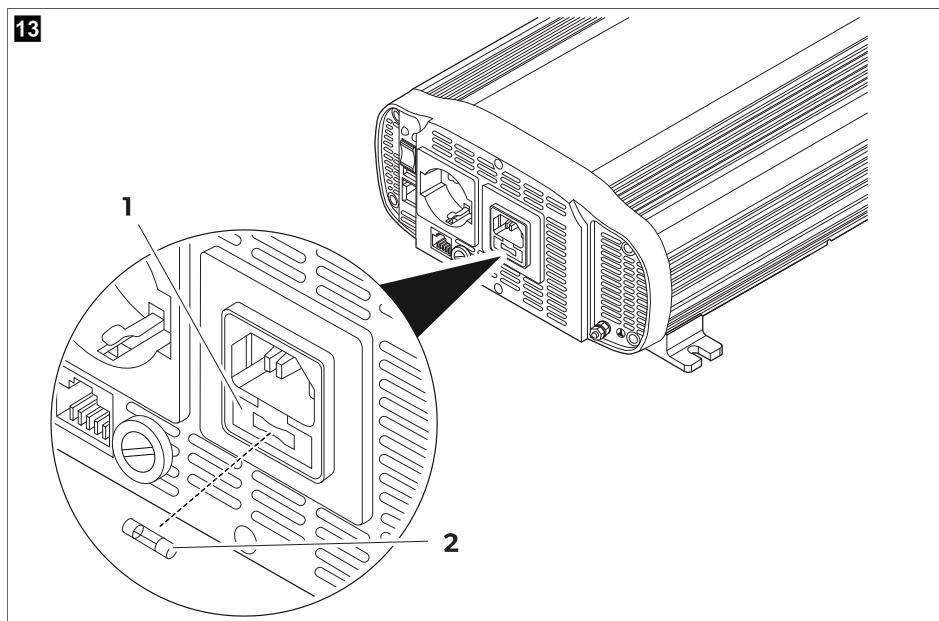
2. Klap de frontkap naar voren ①.
3. Verwijder het deksel ②.



4. Vervang de zekering ①.

Model	Aantal zekeringen	Zekeringwaarde	
SM400-12, SP400-12	1	50 A	Rood
SM600-12, SP600-12	2	50 A	Rood
SM600-24, SP600-24	2	25 A	Wit
SM1000-12, SP1000-12	4	30 A	Groen
SM1500-12, SP1500-12	6	30 A	Groen
SP1500-24	6	15 A	Blauw
SP2000-12	8	30 A	Groen
SP3000-12	12	30 A	Groen
SP3000-24	12	15 A	Blauw

De IEC-contactzekering vervangen



1. Open het deksel ① van de behuizing.
2. Vervang de zekering ②.

Model	Aantal zekeringen	Zekeringwaarde
SPB1000I-12, SPB1500I-12 en SPB2000I-12	1	10 A (F10AL 250V-glaszekering)



INSTRUCTIE Nadat de zekering is vervangen, start het toestel automatisch opnieuw op. Als het toestel niet goed werkt nadat de zekering is vervangen, neem dan contact op met een technicus om de problemen op te lossen.

15 Reiniging en onderhoud

- > Reinig het product af en toe met een vochtige doek.
- > Zorg ervoor dat de ingangs- en uitgangsaansluitingen goed vastzitten.
- > Zorg ervoor dat de ventilatiesleuven niet worden geblokkeerd door vuil of ander materiaal.

16 Verwijdering



Verpakkingsmateriaal recycleren: Gooi het verpakkingsmateriaal indien mogelijk altijd in recyclingafvalbakken.



Als u het product definitief weg wilt doen, vraag dan bij het dichtstbijzijnde afvalverwerkingsbedrijf of uw dealer naar de betreffende afvoerschriften. Het product kan gratis worden afgevoerd.



Als het product niet-vervangbare batterijen, oplaadbare batterijen of lichtbronnen bevat, hoeft u die niet te verwijderen voordat u het product afvoert.

17 Garantie


De wettelijke garantieperiode is van toepassing. Als het product defect is, neem dan contact op met de vestiging van de fabrikant in uw land (zie dometic.com/dealer) of uw verkoper.

Stuur voor de afhandeling van reparaties of garantie de volgende documenten mee:

- Een kopie van de factuur met datum van aankoop
- De reden voor de claim of een beschrijving van de fout


Houd er rekening mee dat eigenmachtige of niet-professionele reparatie gevolgen voor de veiligheid kan hebben en dat de garantie hierdoor kan komen te vervallen.



18 Technische gegevens

	SM400-12	SM600-12	SM600-24
Continu uitgangsvermogen	400 W	600 W	
Piekuitgangsvermogen	800 W (enkele seconden)	1200 W (enkele seconden)	
Uitgangsspanning (RMS)/- frequentie	230 V AC / 50 Hz ± 3 Hz		
USB-uitgang	5 V 2,1 A		
Ingangsspanning	12 V		24 V
Eigen verbruik	200 mA (13,2 V)	220 mA (13,2 V)	100 mA (26,4 V)
Connectiviteit	-	-	-
Afmetingen (b x d x h)	140 mm × 184 mm × 71 mm	140 mm × 214 mm × 71 mm	140 mm × 214 mm × 71 mm
Certificaat	 (10 R - 05 0094)		




	SM1000-12	SM1500-12
Continu uitgangsvermogen	1000 W	1500 W
Piekuitgangsvermogen	2000 W (enkele seconden)	3000 W (enkele seconden)
Uitgangsspanning (RMS)/- frequentie	230 V AC / 50 Hz ± 3 Hz	
USB-uitgang	5 V 2,1 A	
Ingangsspanning	12 V	
Eigen verbruik	530 mA (13,2 V)	460 mA (13,2 V)
Connectiviteit	-	-
Afmetingen (b x d x h)	270 mm × 262 mm × 107,5 mm	270 mm × 262 mm × 107,5 mm




	SM1000-12	SM1500-12
Certificaat	 (10 R - 05 0094)	

	SP400-12	SP600-12	SP600-24
Continu uitgangsvermogen	400 W	600 W	
Piekuitgangsvermogen	1000 W (enkele seconden)	1500 W (enkele seconden)	
Uitgangsspanning (RMS)/-frequentie	230 V AC / 50 Hz \pm 3 Hz		
USB-uitgang	5 V 2,1 A		
Ingangsspanning	12 V		24 V
Eigen verbruik	340 mA (13,2 V)	420 mA (13,2 V)	210 mA (26,4 V)
Connectiviteit	-	-	-
Afmetingen (b x d x h)	140 mm \times 214,5 mm \times 71 mm	140 mm \times 244,5 mm \times 71 mm	140 mm \times 244,5 mm \times 71 mm
Certificaat	 (10 R - 05 0094)		

	SP1000-12	SPB1000I-12
Continu uitgangsvermogen	1000 W	
Piekuitgangsvermogen	2500 W (enkele seconden)	
Uitgangsspanning (RMS)/-frequentie	230 V AC / 50 Hz \pm 3 Hz	
USB-uitgang	5 V 2,1 A	
Ingangsspanning	12 V	
Eigen verbruik	870 mA (13,2 V)	680 mA (13,2 V)
Schakeltijd van accu naar externe stroomvoorziening	-	0,02 s
Schakeltijd van externe stroomvoorziening naar accu	-	0,1 s
Connectiviteit	-	N-BUS
Afmetingen (b x d x h)	270 mm \times 262,4 mm \times 107,5 mm	270 mm \times 262,4 mm \times 107,5 mm
Certificaat	 (10 R - 05 0094)	 (10 R - 06-02 5174 00)

	SP1500-12	SPB1500I-12	SP1500-24
Continu uitgangsvermogen	1500 W		
Piekuitgangsvermogen	4000 W (enkele seconden)		
Uitgangsspanning (RMS)/-frequentie	230 V AC / 50 Hz \pm 3 Hz		
USB-uitgang	5 V 2,1 A		
Ingangsspanning	12 V		24 V
Eigen verbruik	850 mA (13,2 V)	930 mA (13,2 V)	620 mA (26,4 V)

	SP1500-12	SPB1500I-12	SP1500-24
Schakeltijd van accu naar externe stroomvoorziening	-	0,02 s	-
Schakeltijd van externe stroomvoorziening naar accu	-	0,1 s	-
Connectiviteit	-	N-BUS	-
Afmetingen (b x d x h)	270 mm × 322,4 mm × 107,5 mm	270 mm × 360 mm × 107,5 mm	270 mm × 322,4 mm × 107,5 mm
Certificaat	 (10 R - 05 0094)	 (10 R - 06-02 5174 00)	 (10 R - 05 0094)

	SPB2000I-12	SP3000-12	SP3000-24
Continu uitgangsvermogen	2000 W	3000 W	
Piekitgangsvermogen	6000 W (enkele seconden)	8000 W (enkele seconden)	
Uitgangsspanning (RMS)/-frequentie	230 V AC / 50 Hz ± 3 Hz		
USB-uitgang	5 V 2,1 A		
Ingangsspanning	12 V		24 V
Eigen verbruik	900 mA (13,2 V)	1270 mA (13,2 V)	680 mA (26,4 V)
Schakeltijd van accu naar externe stroomvoorziening	0,02 s	-	-
Schakeltijd van externe stroomvoorziening naar accu	0,1 s	-	-
Connectiviteit	N-BUS	-	-
Afmetingen (b x d x h)	270 mm × 385 mm × 107,5 mm	270 mm × 452 mm × 107,5 mm	270 mm × 452 mm × 107,5 mm
Certificaat			
	 (10 R - 06-02 5174 00)	 (10 R - 05 0094)	

Hierbij verklaart Dometic dat de radioapparatuur van het type SPB1000I-12, SPB1500I-12 en SPB2000I-12 voldoet aan de richtlijn 2014/53/EU. De volledige tekst van de EU-conformiteitsverklaring kan worden geraadpleegd op het volgende internetadres: documents.dometic.com

Dansk

1	Vigtige henvisninger.....	137
2	Forklaring af symboler.....	137
3	Sikkerhedsanvisninger.....	138
4	Leveringsomfang.....	138
5	Korrekt brug.....	138
6	Målgruppe.....	139
7	Teknisk beskrivelse.....	139
8	Før installationen.....	139
9	Montering.....	142
10	Tilslutning af den eksterne strømforsyning (modellerne SPB1000I-12, SPB1500I-12 og SPB2000I-12).....	145
11	Tilslutning af fjernbetjeningen.....	146
12	Tilslutning af N-BUS.....	147
13	Betjening.....	148
14	Udskiftning af sikring.....	149
15	Rengøring og vedligeholdelse.....	152
16	Bortskaffelse.....	152
17	Garanti.....	153
18	Tekniske data.....	153

1 Vigtige henvisninger

Læs og følg alle disse anvisninger, retningslinjer og advarsler i denne produktvejledning grundigt for at sikre, at du altid installerer, bruger og vedligeholder produktet korrekt. Disse anvisninger SKAL opbevares sammen med dette produkt.

Ved at benytte produktet bekræfter du hermed, at du har læst alle anvisninger, retningslinjer og advarsler grundigt, og at du forstår og er indforstået med de vilkår og betingelser, der er fastlagt heri. Du er indforstået med kun at bruge dette produkt til det beregnede formål og anvendelse i overensstemmelse med anvisningerne, retningslinjerne og advarselene i denne produktvejledning samt i overensstemmelse med alle de gældende love og forskrifter. Manglende læsning og ignorering af disse anvisninger og advarsler kan medføre kvæstelser på dig selv og andre, skade på dit produkt eller skade på anden ejendom i nærheden. Der tages forbehold for eventuelle ændringer og opdateringer af denne produktvejledning samt anvisningerne, retningslinjerne og advarselene samt den tilhørende dokumentation. Se documents.dometic.com for de nyeste produktinformationer.

2 Forklaring af symboler

Et signalord vil identificere sikkerhedsmeddelelser og meddelelser om skade på ejendom og vil også angive graden eller niveauet af farens alvor.



ADVARSEL!

Angiver en farlig situation, som kan medføre dødsfald eller alvorlig kvæstelse, såfremt den ikke undgås.



FORSIGTIG!

Angiver en farlig situation, som kan medføre mindre eller lette kvæstelser, såfremt den ikke undgås.



VIGTIGT!

Angiver en situation, som kan medføre materielle skader, såfremt den ikke undgås.



BEMÆRK Supplerende oplysninger om betjening af produktet.

3 Sikkerhedsanvisninger



ADVARSEL! Manglende overholdelse af disse advarsler kan medføre dødelige eller alvorlige kvæstelser.

- > Anvend i tilfælde af brand en ildslukker, der er egnet til elektriske apparater.
- > Hvis apparatet har synlige beskadigelser, må apparatet ikke tages i brug.



FORSIGTIG! Manglende overholdelse af disse advarsler kan medføre dødelige eller alvorlige kvæstelser.

- > Installation, montering og ledningsføring samt alt andet arbejde må kun udføres af kvalificerede elektrikere. Ved ukorrekte reparationer kan der opstå alvorlige farer.
- > Installation i potentielt eksplosive områder som f.eks. rum med brændbare væsker eller gasser, er ikke tilladt.
- > Apparatet må ikke installeres eller opbevares i nærheden af åben ild eller andre varmekilder (varmeapparater, stærk sol, gasovne osv.).
- > Børn må ikke lege med apparatet.
- > Dette apparat kan anvendes af børn over 8 år og personer med reducerede fysiske, sans- eller mentale evner eller uden erfaring eller viden, hvis de er under opsyn eller blev instrueret i sikker brug af apparatet og forstår de involverede farer.



VIGTIGT! Angiver en situation, som kan medføre materielle skader, såfremt den ikke undgås.

- > Kontrollér, at spændingsangivelsen på typemærkatet svarer til den fra energiforsyningen.
- > Dyp aldrig apparatet i vand.
- > Beskyt apparatet og kablerne mod varme og fugtighed.
- > Apparatet må ikke udsættes for regnvej.
- > Kontrollér, at monteringsoverfladen kan bære apparatets vægt.
- > Træk ledningerne, så der ikke er fare for at falde over dem, og en beskadigelse af kablet er udelukket.
- > Anvend tomme rør eller ledningsgennemføringer, når ledninger skal føres gennem pladevægge eller andre vægge med skarpe kanter.

4 Leveringsomfang

Beskrivelse	Antal
Inverter	1
Rødt strømkabel	1
Sort strømkabel	1
Monterings- og betjeningsvejledning	1

5 Korrekt brug

Apparatet er beregnet til at forsyne 230 V til tilsluttede apparater, der er genereret fra 12 V - eller 24 V - indgangsspænding. Apparatet er beregnet til at blive anvendt i autocampere, campingvogne og busser.

Modelserien har to typer apparater:

- Modellerne SM400-12, SM600-12, SM600-24, SM1000-12 og SM1500-12 er invertere med modificeret sinusbølgeudgang.
- Modellerne SP400-12, SP600-12, SP600-24, SP1000-12, SP1500-12, SP1500-24, SP3000-12 og SP3000-24 er invertere med ren sinusbølgeudgang.

Modellerne SPB1000I-12, SPB1500I-12 og SPB2000I-12 har en integreret prioritetsfunktion (IVT) og et sikringsbeskyttet indgangsstik (IEC) til ekstern strømforsyning.

Dette produkt er kun egnet til dets beregnede formål og anvendelse i overensstemmelse med disse anvisninger.

Denne vejledning giver dig oplysninger om, hvad der er nødvendigt med henblik på en korrekt montering og/eller drift af produktet. Dårlig montering og/eller ukorrekt drift eller vedligeholdelse medfører utilstrækkelig ydeevne og mulige fejl.

Producenten påtager sig intet ansvar for kvæstelser eller skader i forbindelse med produktet, der skyldes:

- ukorrekt montering eller forbindelse inklusive for høj spænding
- ukorrekt vedligeholdelse eller brug af uoriginale reservedele, der ikke stammer fra producenten
- ændringer på produktet uden udtrykkelig tilladelse fra producenten
- brug til andre formål end dem, der er beskrevet i vejledningen

Dometic forbeholder sig ret til at ændre produktets udseende og produktspecifikationer.

6 Målgruppe



Den elektriske installation og opsætning af apparatet skal udføres af en kvalificeret elektriker, som har godtgjort sine evner og sit kendskab med henblik på konstruktion og betjening af elektrisk udstyr og installationer, og som er bekendt med de gældende nationale forskrifter, hvor udstyret skal installeres og/eller anvendes, og som har modtaget sikkerhedsuddannelse med henblik på at kunne identificere og undgå de involverede farer.

Alle andre handlinger er også beregnet til ikke-professionelle brugere.

7 Teknisk beskrivelse

Apparatet har to hovedkredsløbstrin til at omforme 12 V \approx eller 24 V \approx indgangsspænding til AC-udgangsspænding. Det første trin består af en isoleret højfrekvent DC/DC-omformer for at omforme 12 V DC eller 24 V DC-indgangsspænding til en udgangsspænding op til 400 V DC. Det sidste trin består af en H-bro, der omformer DC-højspændingsbussen til 230 V AC-spænding.

Apparatet har følgende hovedfunktioner:

- Lavt forbrug.
- Galvanisk isoleret indgang og udgang med henblik på større sikkerhed.
- Temperaturstyret ventilatorhastighed med henblik på en støjsvag drift.
- Integreret prioritetskontakt mellem det eksterne hovednetværk og batteriet.
- Forberedt til tænd/sluk-fjernbetjening.
- Alarm for lav batterispænding.
- Frakobling ved lav og høj batterispænding.
- Overbelastningsfrakobling.
- Beskyttelse mod kortslutning, overtemperatur, overbelastning og omvendt polaritet.
- Soft start-funktion.

Kun SPB1000I-12, SPB1500I-12, SPB2000I-12: Enheden er N-BUS-kompatibel (se kapitlet Tilslutning af N-BUS på side 147).

8 Før installationen

Krav til batteriet

Batteritypen og -størrelsen kan i høj grad påvirke inverterernes ydeevne. Derfor skal man identificere de typer af laster, som inverteren skal forsyne, og varigheden af brugen mellem opladningen. Gør følgende for at bestemme de min. batterikrav for en anvendelse:

1. Bestem wattnormeringen ud fra mærkaterne på hvert apparat, der skal anvendes samtidigt fra inverteren. Normalt vises effektforbruget i watt. Hvis det vises i ampere, skal værdien ganges med 230 V for at finde wattnormeringen.
2. Vurdér antallet af timer, som udstyret skal anvendes, før batteriet genoplades.
3. Beregn den samlede krævede energi i Wh (watt-timer) ved at gange den ovennævnte fastlagte tid med summen for wattnormeringen. Dividér resultatet med 10, hvis inverterindgangen er 12 V eller med 20, hvis den er 24 V. Den deraf følgende værdi i Ah udgør effektkravene for anvendelsen.



BEMÆRK Genoplad batteriet, når det er muligt, når det er ca. 50 % afladet, eller tidligere. Dette giver batteriet en meget længere levetidscyklus i modsætning til, hvis man kun oplader det, når det er dybafladet.

Fejlfinding ved forstyrrelsesproblemer

Enkelte billige lydssystemer kan udsende en summende støj fra højttalerne, når de anvendes via inverteren. Dette opstår, fordi effektforsyningen i lydsystemet ikke filtreres tilstrækkeligt med den modificerede sinusbølge, som genereres af inverteren. Løsningen er at benytte en lydssystem, som har en effektforsyning med højere kvalitet eller benytte en inverter med ren sinusbølge. Når inverteren er i drift, kan den forstyrre fjernsynsmodtagelsen på enkelte kanaler. Prøv at gøre følgende, hvis der opstår forstyrrelser:

1. Kontrollér, at inverterens skrue til chassisjord er tilsluttet på køretøjets jordforbindelse.
2. Kontrollér, at fjernsynsantennen leverer et tilstrækkeligt signal, og at antennekablet har en god tilstand.
3. Hold kablerne mellem batteriet og inverteren så korte som muligt, og sno dem sammen for at mindske de udstrålede emissioner.
4. Flyt fjernsynet så langt væk fra inverteren som muligt.
5. Du må ikke anvende kraftige effektbelastninger med inverteren, når fjernsynet er tændt.

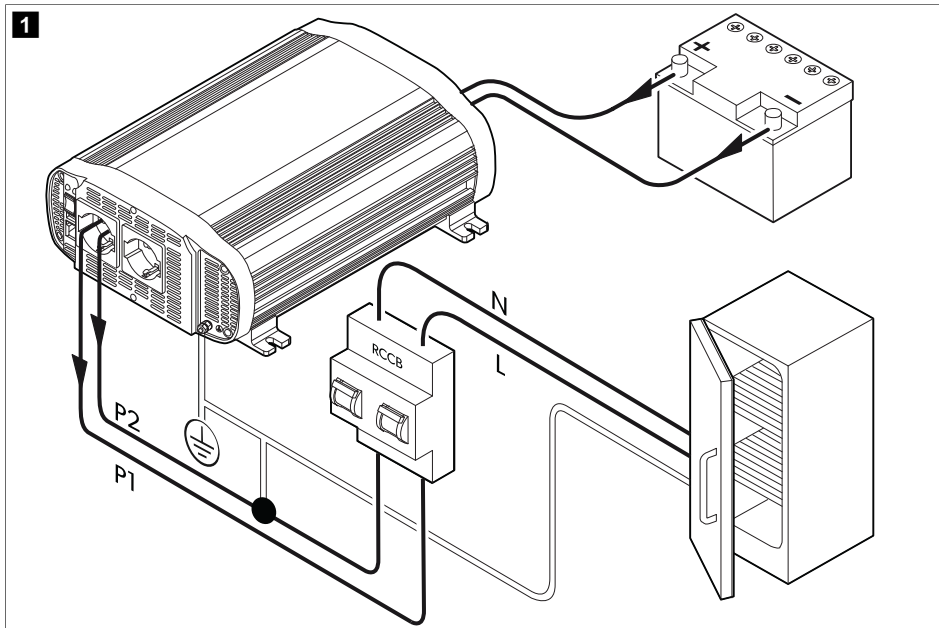
Beskyttelse mod jordslutning (undtagen modellerne SPB1000I-12, SPB1500I-12 og SPB2000I-12)



VIGTIGT! Fare for beskadigelse

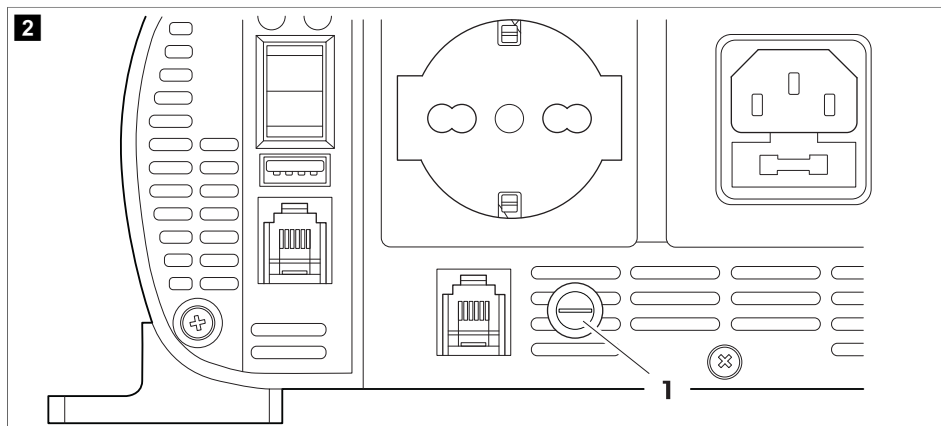
Af hensyn til sikker drift af flere forbrugere er det bydende nødvendigt, at der monteres en sikkerhedsafbryder (fejlstømsrelæ) i stikdåsefordelerkredsen.

Jordforbindelsesstikket er designet til et sikkerhedssystem som f.eks. et fejlstrømsrelæ (RCCB hhv. FI-relæ). Tilslut fejlstrømsrelæet iht. strømskemaet:



1. Tilslut fasen (P1) og neutraludgangen (P2) til indgangen fejlstrømsrelæet.
2. Tilslut inverterjordforbindelsen til en af de to ledninger, der er tilsluttet fejlstrømsrelæet.
3. Tilslut neutral- og faseudgangen fra indgangen på fejlstrømsrelæet til apparaterne.
4. Tilslut inverterens jordforbindelse til apparaternes jordforbindelse.

Beskyttelse mod jordslutning (undtagen modellerne SPB1000I-12, SPB1500I-12 og SPB2000I-12)





VIGTIGT! Fare for beskadigelse

Diagrammet ovenfor henviser kun til inverterudgangens tilslutning. IEC-stikket til de eksterne netspændingsindgang skal tilsluttes til sikkerhedsafbryderens udgang på den eksterne netstrømkilde.

TN- eller IT-type jording for SPB1000I-12, SPB1500I-12 og SPB2000I-12 kan konfigureres med en sikring.

- > For at oprette en TN-type jording skal du kontrollere, at sikringer er sat i sikringsholderen ①.
- > For at oprette en IT-jording skal du kontrollere, at sikringen **ikke** er sat i sikringsholderen ①.

9 Montering



FORSIGTIG! Fare for beskadigelse

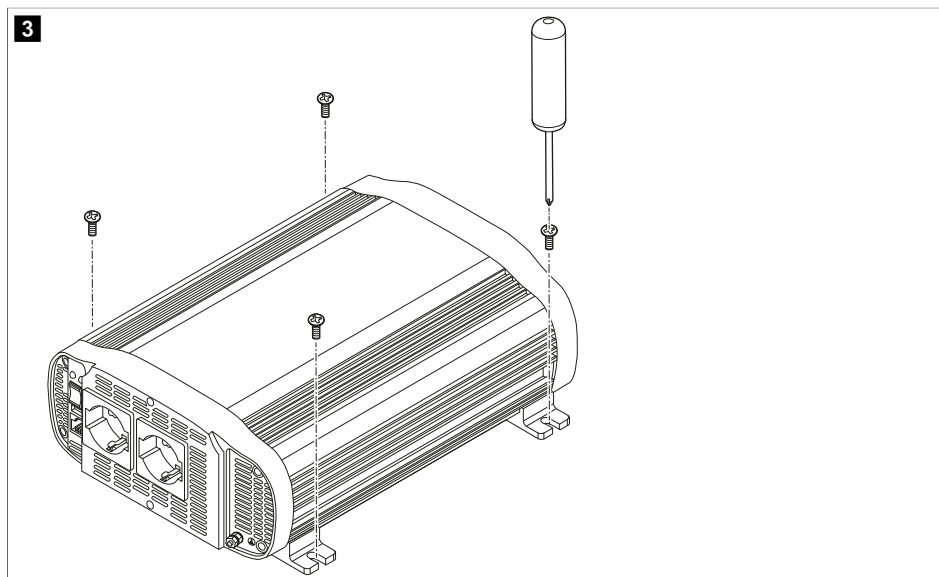
Du må ikke montere apparatet tæt på varmekilder eller i dårligt udluftede områder.



BEMÆRK Apparatet kan monteres i alle positioner. Hvis det monteres på en vertikal flade, anbefales det at holde den lange side parallelt med gulvet.



BEMÆRK Montér apparat så tæt på 12 V / 24 V -strømkilden som muligt.



1. Montér apparatet med de fire monteringsflanger vha. passende skruer.



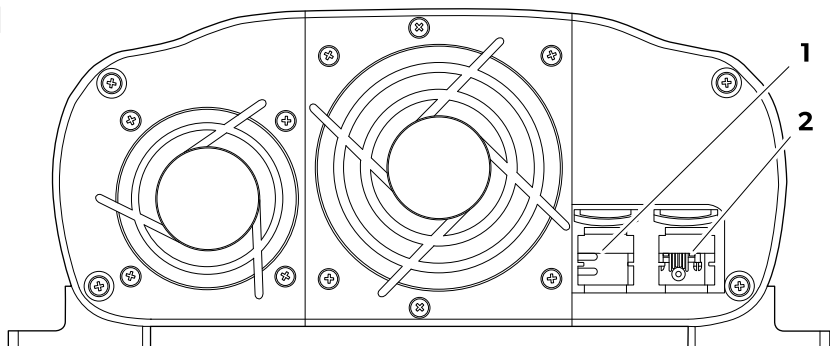
VIGTIGT! Fare for beskadigelse

Før apparatet tilsluttes, skal du kontrollere, at tænd/sluk-kontakten er på den slukkede position.

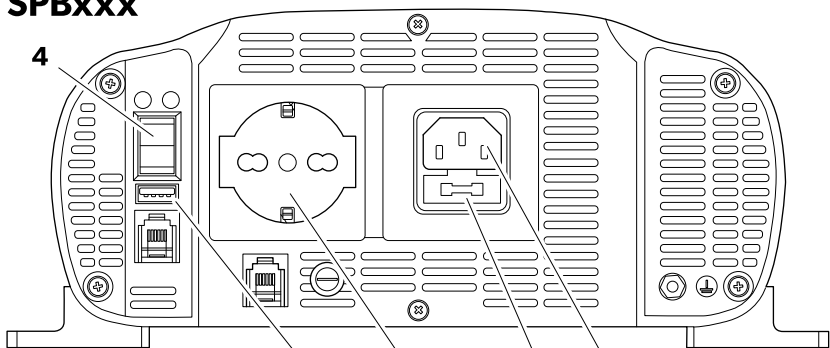


BEMÆRK Brug de medfølgende ledninger til at tilslutte batteriet til apparatet. Hvis afstanden mellem batteriet og apparatet er over 2 meter, skal tværsnittet for ledningen forøges for at sænke spændingsfaldet og effekttabet.

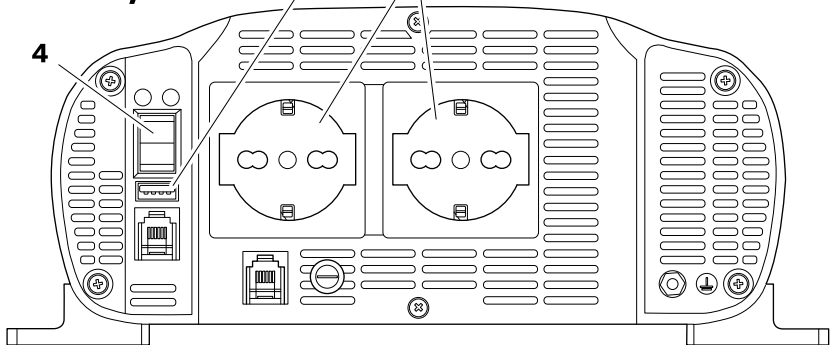
4



SPBxxx



SMxxx, SPxxx



2. Tilslut batteriets negative klemme på inverterens negative klemme ①.

**VIGTIGT! Fare for beskadigelse**

Montér en inline-sikring på det positive batterikabel for at beskytte de tilsluttede apparater.

3. Tilslut batteriets positive klemme på inverterens positive klemme ②.

**VIGTIGT! Fare for beskadigelse**

Kontrollér, at et apparat er slukket, før det tilsluttes til inverteren.

4. Tilslut 230 V-apparatet til et udgangsstik ③.
5. Tænd for inverteren med tænd/sluk-kontakten ④.



BEMÆRK Når inverteren er tændt, lyser både den røde og den grønne LED i 3 til 5 sekunder. Efter kort tid slukker den røde LED, og den grønne forbliver tændt, og apparatet udsender et akustisk signal. Den grønne LED viser, at inverteren fungerer korrekt.

**VIGTIGT! Fare for beskadigelse**

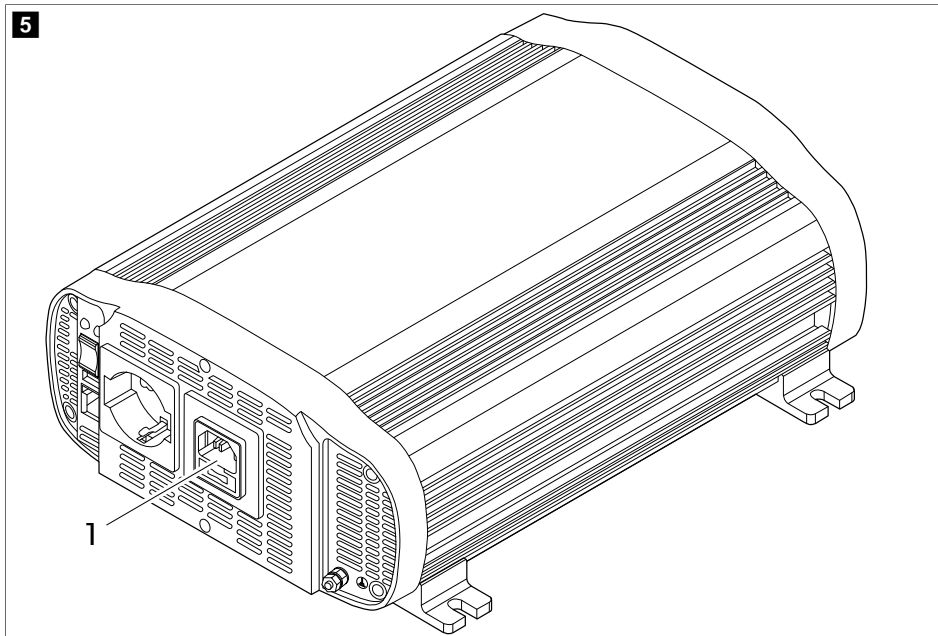
- > Når du planlægger at anvende mere end ét apparat, skal du tilslutte det med det højeste lastkrav først.
- > Kontrollér, at det kombinerede lastkrav for dine apparater ikke overskrider inverterens mærkeudgangseffekt.
- > Når der anvendes en forlængerledning fra inverteren til et apparat, bør forlængerledningen ikke være længere end 1,5 m.
- > Du må ikke tilslutte inverteren til noget vekselstrømskredsløb, hvor nullederen er tilsluttet til jord.

6. Tilslut andre 230 V-apparater, og tænd for dem.
7. For at oplade et 5 V-apparat, skal du tilslutte det til USB-porten ⑤.

10 Tilslutning af den eksterne strømforsyning (modellerne SPB1000I-12, SPB1500I-12 og SPB2000I-12)

Det er muligt at tilslutte et IEC-kabel på det eksterne netstrømsstik for at forsyne de tilsluttede apparater direkte med vekselstrømsspænding fra det offentlige elnet.

5



1. Sæt kablet i stikket ①.
2. Installer eller flyt sikringen på inline-sikringsholderen ⑦ i henhold til den ønskede type af jording (se kapitlet Føø installationen på side 139).

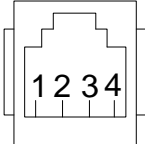
11 Tilslutning af fjernbetjeningen

Apparatet kan fjernbetjenes med en valgfri ekstern kontakt (RC03) eller en vilkåø generisk kontakt, der er konfigureret til apparatets RJ11-stik ①. Den følgende beskrivelse af stikbønskonfigurationerne kan anvendes som en vejledning, når der anvendes generiske eksterne kontakter.

6




Den valgfrie eksterne RC03-kontakt anvendes med følgende stikbønskonfiguration:

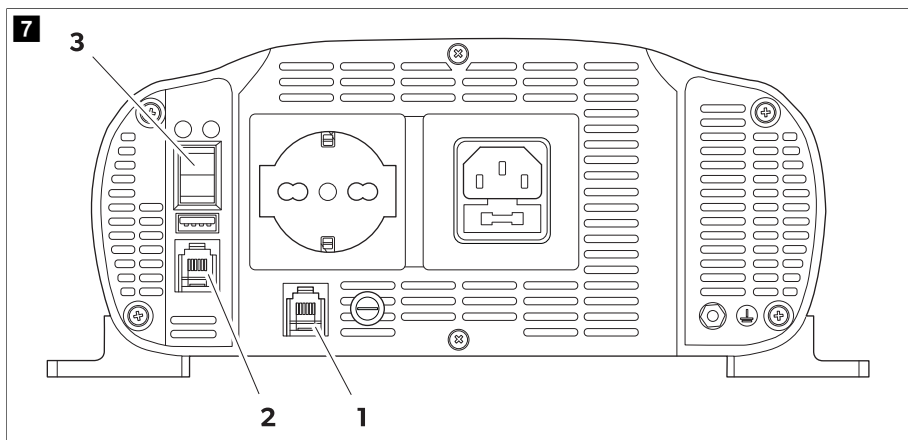
	Stikbøns	Funktion
	2	Rød LED-tilslutning
	1-3	Ekstern kontaktilslutning
	4	Jord

- > For at aktivere fjernbetjeningen skal tænd/sluk-kontakten ② indstilles på position 2.

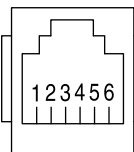
12 Tilslutning af N-BUS

(kun SPB1000I-12, SPB1500I-12, SPB2000I-12)

1. Tilslut RJ12-stikket (BC03, BC06, BC10) til N-BUS-stikket ( fig. 7 på side 147, 1).




Brug et 6-polet fladt kabel med RJ12-stik i lige konfiguration. Pinout-konfigurationen er som følger:

Stikbøns	Funktion	
	1	Netværksstatus
	2	Fjernbetjening
	3	N-BUS/CI-BUS
	4	Jord
	5	Bus-spænding (VBUS)
	6	(ikke tilsluttet)



VIGTIGT! Fare for beskadigelse

Sørg for at vælge de rigtige tilslutninger til hhv. N-BUS og fjernbetjening ( fig. 7 på side 147, 2).

- Sæt tænd/sluk-kontakten til ( fig. 7 på side 147, 3) til II.
- Tilslut N-BUS-kompatible enheder.

Konfiguration af inverteren i N-BUS-netværket

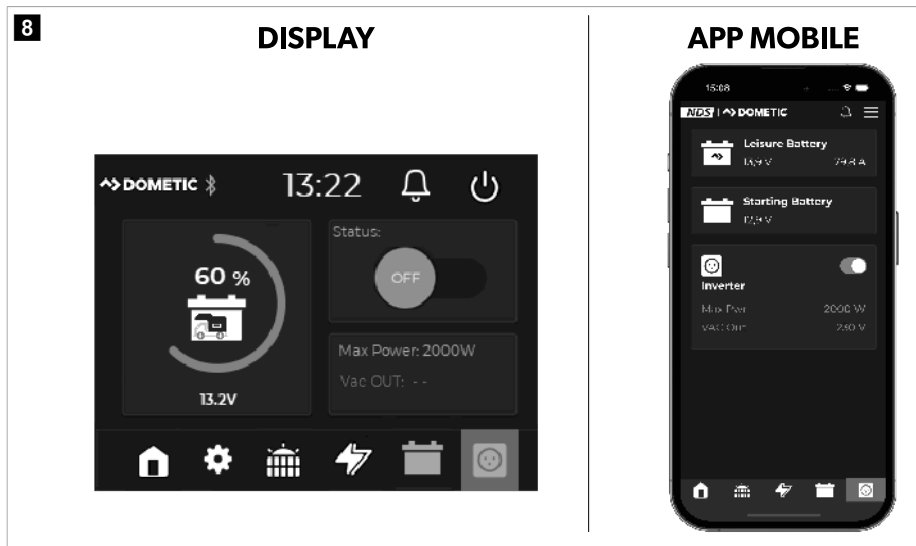
N-BUS-kompatible enheder kan konfigureres og betjenes i N-BUS-netværket via displayet eller mobilappen.



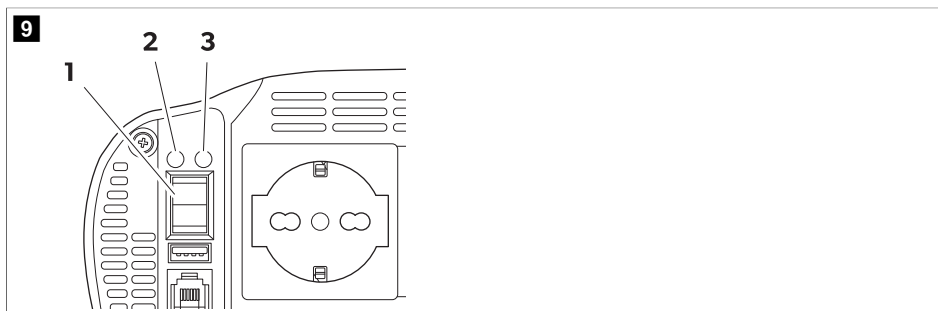
BEMÆRK

- Mindst én Bluetooth-enhed i N-BUS-netværket skal bruge mobilappen.
- Konfigurer en af enhederne som MASTER.

- > Vælg invertermenuen, og træk skyderen for at slå inverteren til eller fra.



13 Betjening



Tænd/sluk-kontakt

- > For at tænde for apparatet skal du trykke tænd/sluk-kontakten ① hen på position I.
- > For at slukke for apparatet skal du trykke tænd/sluk-kontakten ① hen på position 0.
- > For at aktivere fjernbetjeningen skal du trykke tænd/sluk-kontakten ① hen på position II.

LED-indikatorer

Apparatet er udstyret med en grøn ② og en rød ③ LED-indikator, der viser driftsstatussen.

LED	Beskrivelse
Green	Apparatet er tændt og fungerer korrekt
Red	Funktionsfejl i apparatet

14 Udskiftning af sikring

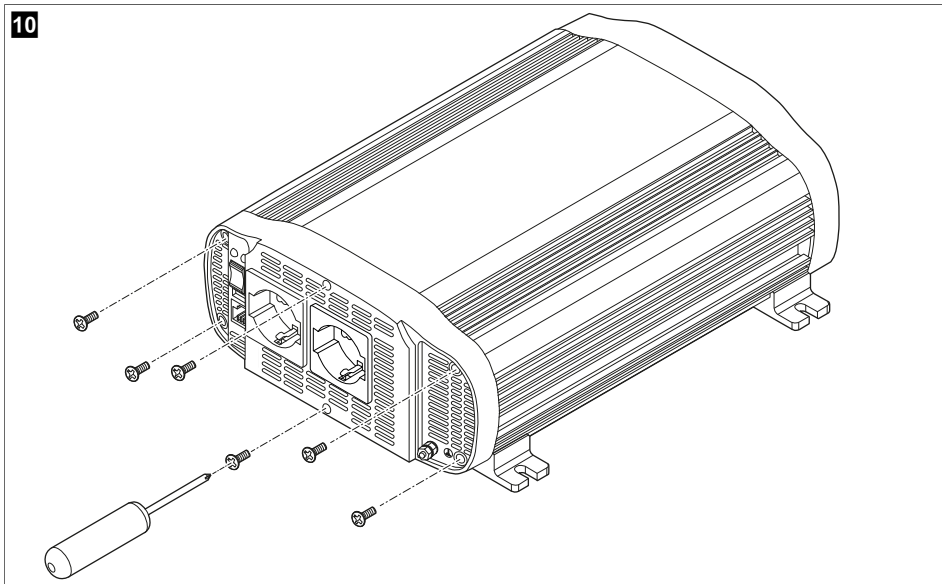


ADVARSEL!

- Fare for elektrisk stød
- Monteringen må kun udføres af en kvalificeret elektriker.

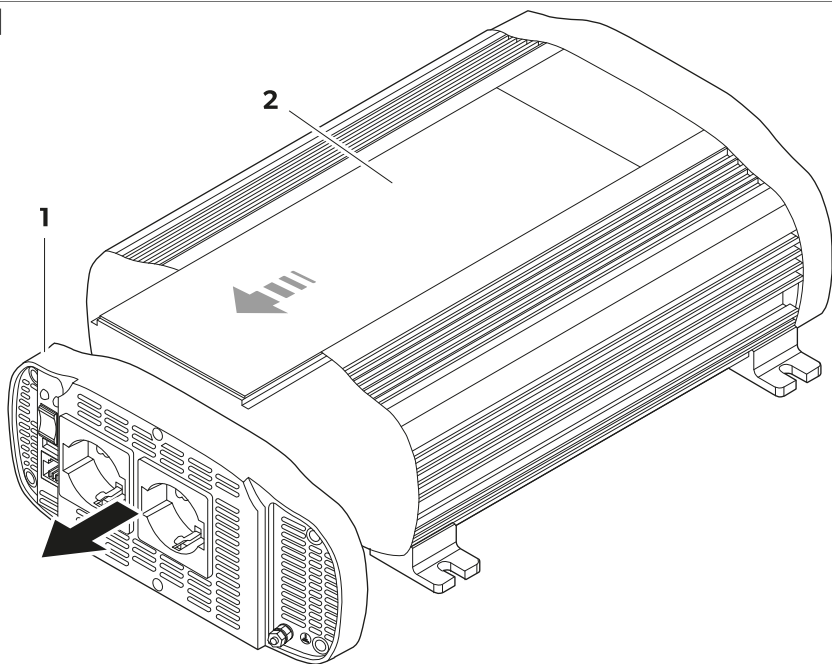
Apparatet er beskyttet af et integreret elektronisk kredsløb. Der findes også sikringer i apparatet. En sikring sprænger, hvis polerne vender forkert. Apparater med IVT-funktion har også en glassikring i IEC-stikket til den eksterne netstrømstilslutning. Der medfølger reservesikringer i produktets emballage.

Udskiftning af interne sikringer



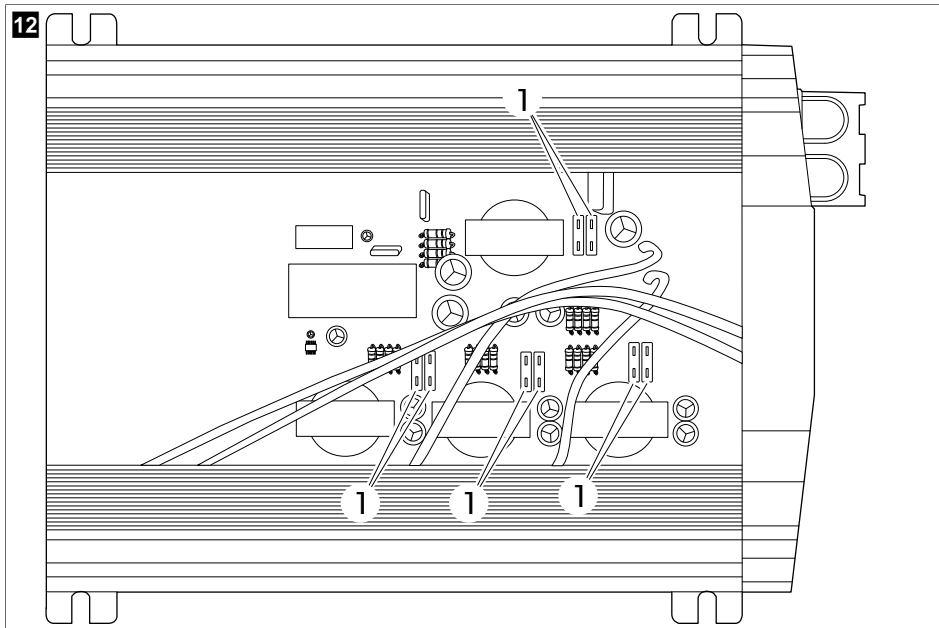
1. Fjern de seks skruer.

11



2. Vip frontpanelet fremad ①.

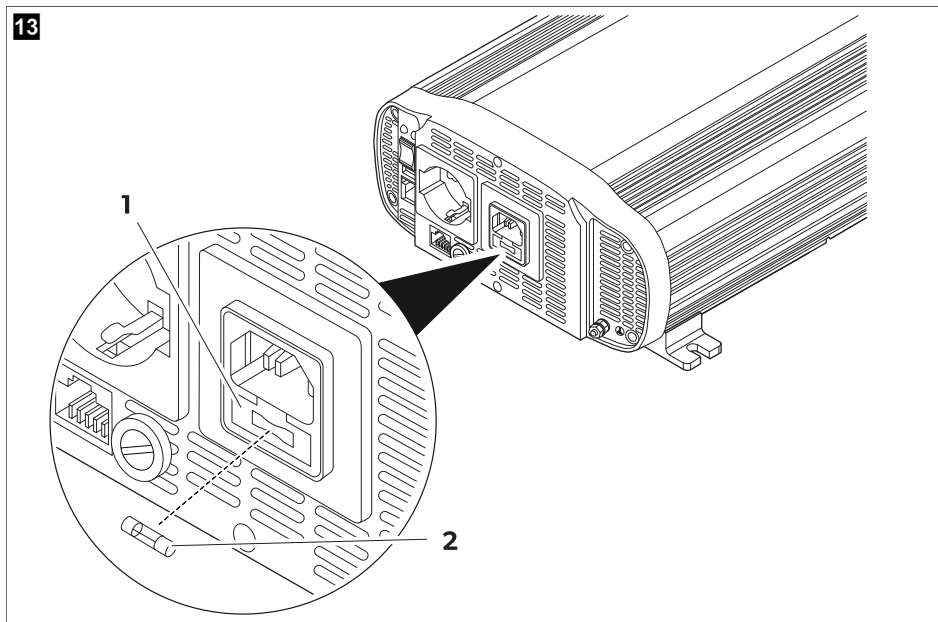
3. Fjern låget ②.



4. Udskift sikringen ①.

Model	Antal sikringer	Sikringsstyrke	
SM400-12, SP400-12	1	50 A	Rød
SM600-12, SP600-12	2	50 A	Rød
SM600-24, SP600-24	2	25 A	Hvid
SM1000-12, SP1000-12	4	30 A	Grøn
SM1500-12, SP1500-12	6	30 A	Grøn
SP1500-24	6	15 A	Blå
SP2000-12	8	30 A	Grøn
SP3000-12	12	30 A	Grøn
SP3000-24	12	15 A	Blå

Udskiftning af sikring til IEC-stikdåsen



1. Åbn låget ① til stikdåsens hus.
2. Udskift sikringen ②.

Model	Antal sikringer	Sikringsstyrke
SPB1000I-12, SPB1500I-12 og SPB2000I-12	1	10 A (F10AL 250V glassikring)



BEMÆRK Apparatet genstarter automatisk efter udskiftningen af sikringen. Hvis apparatet ikke fungerer korrekt efter udskiftningen af sikringen, skal du kontakte en tekniker for at finde problemet.

15 Rengøring og vedligeholdelse

- > Rengør af og til produktet med en fugtig klud.
- > Kontrollér, at indgangs- og udgangsforbindelserne er spændt sikkert fast.
- > Kontrollér, at ventilationsåbningerne ikke hindres af snavs eller andet materiale.

16 Bortskaffelse



Genbrug af emballagemateriale: Bortskaf så vidt muligt emballagen i affaldscontainerne til den pågældende type genbrugsaffald.



Hvis du vil bortskaffe produktet endegyldigt, skal du kontakte den nærmeste genbrugsstation eller din forhandler for at få de pågældende forskrifter om bortskaffelse. Produktet kan bortskaffes uden gebyr.



Hvis produktet indeholder batterier, genopladelige batterier eller lyskilder, der ikke kan udskiftes, skal du ikke fjerne dem før bortskaffelse.

17 Garanti


Den lovbestemte garantiperiode gælder. Hvis produktet er defekt, skal du kontakte producentens afdeling i dit land (se dometic.com/dealer) eller din forhandler.

Ved reparation eller krav om garanti skal du medsende følgende bilag:



- en kopi af regningen med købsdato
- en reklameringsgrund eller en fejlbeskrivelse



Vær opmærksom på, at egne eller uprofessionelle reparationer kan få sikkerhedsmæssige konsekvenser og kan gøre garantien ugyldig.

18 Tekniske data




	SM400-12	SM600-12	SM600-24
Kontinuerlig udgangseffekt	400 W	600 W	
Spidsudgangseffekt	800 W (få sekunder)	1200 W (få sekunder)	
Udgangsspænding (RMS)/frekvens	230 V vekselstrøm/50 Hz ± 3 Hz		
USB Output	5 V 2,1 A		
Indgangsspænding	12 V		24 V
Eget forbrug	200 mA (13,2 V)	220 mA (13,2 V)	100 mA (26,4 V)
Tilslutning	-	-	-
Mål (B x D x H)	140 mm x 184 mm x 71 mm	140 mm x 214 mm x 71 mm	140 mm x 214 mm x 71 mm
Certifikat	 (10 R - 05 0094)		




	SM1000-12	SM1500-12
Kontinuerlig udgangseffekt	1000 W	1500 W
Spidsudgangseffekt	2000 W (få sekunder)	3000 W (få sekunder)
Udgangsspænding (RMS)/frekvens	230 V vekselstrøm/50 Hz ± 3 Hz	
USB Output	5 V 2,1 A	
Indgangsspænding	12 V	
Eget forbrug	530 mA (13,2 V)	460 mA (13,2 V)
Tilslutning	-	-
Mål (B x D x H)	270 mm x 262 mm x 107,5 mm	270 mm x 262 mm x 107,5 mm

	SM1000-12	SM1500-12	
Certifikat	 (10 R - 05 0094)		
	SP400-12	SP600-12	SP600-24
Kontinuerlig udgangseffekt	400 W	600 W	
Spidsudgangseffekt	1000 W (få sekunder)	1500 W (få sekunder)	
Udgangsspænding (RMS)/frekvens	230 V vekselstrøm/50 Hz ± 3 Hz		
USB Output	5 V 2,1 A		
Indgangsspænding	12 V		24 V
Eget forbrug	340 mA (13,2 V)	420 mA (13,2 V)	210 mA (26,4 V)
Tilslutning	-	-	-
Mål (B x D x H)	140 mm × 214,5 mm × 71 mm	140 mm × 244,5 mm × 71 mm	140 mm × 244,5 mm × 71 mm
Certifikat	 (10 R - 05 0094)		

	SP1000-12	SPB1000I-12
Kontinuerlig udgangseffekt	1000 W	
Spidsudgangseffekt	2500 W (få sekunder)	
Udgangsspænding (RMS)/frekvens	230 V vekselstrøm/50 Hz ± 3 Hz	
USB Output	5 V 2,1 A	
Indgangsspænding	12 V	
Eget forbrug	870 mA (13,2 V)	680 mA (13,2 V)
Skiftetid fra batteri til ekstern netstrøm	-	0,02 s
Skiftetid fra ekstern netstrøm til batteri	-	0,1 s
Tilslutning	-	N-BUS
Mål (B x D x H)	270 mm × 262,4 mm × 107,5 mm	270 mm × 262,4 mm × 107,5 mm
Certifikat	 (10 R - 05 0094)	 (10 R - 06-02 5174 00)

	SP1500-12	SPB1500I-12	SP1500-24
Kontinuerlig udgangseffekt	1500 W		
Spidsudgangseffekt	4000 W (få sekunder)		
Udgangsspænding (RMS)/frekvens	230 V vekselstrøm/50 Hz ± 3 Hz		
USB Output	5 V 2,1 A		
Indgangsspænding	12 V		24 V
Eget forbrug	850 mA (13,2 V)	930 mA (13,2 V)	620 mA (26,4 V)

	SP1500-12	SPB1500I-12	SP1500-24
Skiftetid fra batteri til ekstern netstrøm	-	0,02 s	-
Skiftetid fra ekstern netstrøm til batteri	-	0,1 s	-
Tilslutning	-	N-BUS	-
Mål (B x D x H)	270 mm × 322,4 mm × 107,5 mm	270 mm × 360 mm × 107,5 mm	270 mm × 322,4 mm × 107,5 mm
Certifikat	 (10 R - 05 0094)	 (10 R - 06-02 5174 00)	 (10 R - 05 0094)

	SPB2000I-12	SP3000-12	SP3000-24
Kontinuerlig udgangseffekt	2000 W	3000 W	
Spidsudgangseffekt	6000 W (få sekunder)	8000 W (få sekunder)	
Udgangsspænding (RMS)/ frekvens	230 V vekselstrøm/50 Hz ± 3 Hz		
USB Output	5 V 2,1 A		
Indgangsspænding	12 V		24 V
Eget forbrug	900 mA (13,2 V)	1270 mA (13,2 V)	680 mA (26,4 V)
Skiftetid fra batteri til ekstern netstrøm	0,02 s	-	-
Skiftetid fra ekstern netstrøm til batteri	0,1 s	-	-
Tilslutning	N-BUS	-	-
Mål (B x D x H)	270 mm × 385 mm × 107,5 mm	270 mm × 452 mm × 107,5 mm	270 mm × 452 mm × 107,5 mm
Certifikat			
	 (10 R - 06-02 5174 00)	 (10 R - 05 0094)	

Hermed erklærer Dometic, at radioudstyret af typen SPB1000I-12, SPB1500I-12 og SPB2000I-12 er i overensstemmelse med direktiv 2014/53/EU. EU-overensstemmelseserklæringens fulde tekst kan findes på internetadressen: documents.dometic.com

Svenska

1	Observera.....	156
2	Förklaring av symboler.....	156
3	Säkerhetsanvisningar.....	157
4	Leveransomfattning.....	157
5	Avsedd användning.....	157
6	Målgrupp.....	158
7	Teknisk beskrivning.....	158
8	Före installation.....	158
9	Installation.....	161
10	Anslutning av externt nättaggregat (modellerna SPB1000I-12, SPB1500I-12 och SPB2000I-12).....	164
11	Ansluta fjärrkontrollen.....	165
12	Ansluta N-BUS.....	166
13	Användning.....	167
14	Säkringsbyte.....	168
15	Rengöring och skötsel.....	171
16	Kassering.....	171
17	Garanti.....	172
18	Tekniska data.....	172

1 Observera

Läs och följ noggrant alla instruktioner, direktiv och varningar i den här produkthandboken för att säkerställa att du alltid installerar, använder och underhåller produkten på rätt sätt. Dessa instruktioner **MÅSTE** förvaras tillsammans med produkten.

Genom att använda produkten bekräftar du härmed att du noggrant har läst alla instruktioner, direktiv och varningar och att du förstår och är införstådd med att följa de villkor som anges här. Du är införstådd med att endast använda denna produkt i avsett syfte och i enlighet med instruktionerna, direktiven och varningarna som anges i denna produkthandbok samt i enlighet med alla gällande lagar och bestämmelser. Om du inte läser och följer instruktionerna och varningarna som anges här kan det leda till personskador på dig eller andra, på produkten eller annan egendom i närheten. Denna produkthandbok, inklusive instruktionerna, direktiven och varningarna samt relaterad information, kan ändras och uppdateras. Aktuell produktinformation finns på documents.dometic.com.

2 Förklaring av symboler

Ett signalord identifierar säkerhetsmeddelanden och meddelanden om egendomsskada och indikerar även farans allvarlighetsgrad.



VARNING!

Anger en farlig situation som, om den inte kan undvikas, kan leda till döden eller allvarlig personskada.



AKTA!

Anger en farlig situation som, om den inte kan undvikas, leder lindrig eller måttlig personskada.



OBSERVERA!

Anger en situation som, om den inte kan undvikas, kan leda till materiell skada.



ANVISNING Kompletterande information om användning av produkten.

3 Säkerhetsanvisningar



WARNING! Om man underlåter att följa de här varningarna kan följden bli dödsfall eller allvarlig personskada.

- > Vid brand får endast brandsläckare användas som är avsedda för elektriska apparater.
- > Om apparaten uppvisar synliga skador får den ej tas i drift.



AKTA! Om man underlåter att följa de här varningarna kan följden bli dödsfall eller allvarlig personskada.

- > Installation, montering och ledningsdragnings samt alla andra arbeten får bara utföras av kvalificerade elspecialister. Icke fackmässiga reparationer kan medföra allvarliga risker.
- > Installation är inte tillåten i potentiellt explosiva miljöer som rum med brandfarliga vätskor eller gaser.
- > Installera eller placera inte apparaten nära öppen eld eller andra värmekällor (värmeelement, starkt solljus, gasspisar osv.).
- > Barn får inte leka med apparaten.
- > Barn från åtta års ålder, personer med nedsatt fysisk, sensorisk eller mental förmåga, eller personer med bristande erfarenhet och kunskaper får använda den här anordningen förutsatt att de hålls under uppsikt eller om de har fått anvisningar om hur man använder den här anordningen på ett säkert sätt och känner till vilka risker som är förknippade med användningen.



OBSERVERA! Anger en situation som, om den inte kan undvikas, kan leda till materiell skada.

- > Jämför spänningsuppgifterna på typetiketten med elförsörjningen på plats.
- > Doppa aldrig ner apparaten i vatten.
- > Skydda apparaten och kablarna mot värme och fukt.
- > Utsätt inte apparaten för regn.
- > Se till att monteringsytan kan bära apparatens vikt.
- > Dra kablarna så att ingen kan snubbla över dem och så att kablarna inte kan skadas.
- > Använd tomma rör eller kabelkanaler om kablarna dras genom plåtväggar eller andra väggar med vassa kanter.

4 Leveransomfattning

Beskrivning	Mängd
Växelriktare	1
Röd elkabel	1
Svart elkabel	1
Monterings- och bruksanvisning	1

5 Avsedd användning

Apparaten är avsedd att mata 230 V till anslutna apparater, genererat från 12 V - eller 24 V - ingångsspänning. Apparaten är konstruerad för användning i husbilar och bussar.

Det finns två typer av apparater i modellserien:

- Modellerna SM400-12, SM600-12, SM600-24, SM1000-12 och SM1500-12 är växelriktare med modifierad sinusvägutsignal.
- Modellerna SP400-12, SP600-12, SP600-24, SP1000-12, SP1500-12, SP1500-24, SP3000-12 och SP3000-24 är växelriktare med ren sinusvägutsignal.

Modellerna SPB1000I-12, SPB1500I-12 och SPB2000I-12 har en integrerad prioritetsfunktion (IVT) och ett säkringsskyddat ingångsuttag (IEC) för externt nättaggregat.

Den här produkten lämpar sig endast för avsedd användning i enlighet med denna bruksanvisning.

Den här manualen informerar om vad som krävs för att installera och/eller använda produkten på rätt sätt. Felaktig installation eller användning eller felaktigt underhåll kommer leda till att produkten inte fungerar optimalt och riskerar gå sönder.

Tillverkaren åtar sig inget ansvar för personskador eller materiella skador på produkten som uppstår till följd av:

- Felaktig installation, montering eller anslutning, inklusive för hög spänning
- Felaktigt underhåll eller användning av reservdelar som inte är originaldelar från tillverkaren
- Ändringar som utförts utan uttryckligt medgivande från tillverkaren
- Användning för andra ändamål än de som beskrivs i denna bruksanvisning

Dometic förbehåller sig rätten att ändra produktens utseende och specifikationer.

6 Målgrupp



Elinstallation och inställningen av apparaten måste utföras av en kvalificerad elektriker som har bevisat sina färdigheter och kunskaper inom konstruktion och drift av elutrustning och elinstallationer och som känner till gällande bestämmelser i landet där utrustningen installeras eller används och har fått säkerhetsutbildning för att kunna upptäcka och undvika de faror som kan uppstå.

Alla andra åtgärder som beskrivs är avsedda även för icke-professionella användare.

7 Teknisk beskrivning

Apparaten har två steg för att omvandla 12 V \rightleftharpoons eller 24 V \rightleftharpoons ingångsspänning till AC-utgångsspänning. Det första steget består av en isolerad DC/DC-omvandlare med hög frekvens för att omvandla 12 V DC- eller 24 V DC- ingångsspänning till en utgångsspänning på upp till 400 V DC. Det sista steget består av en H-brygga som omvandlar DC-högspänningsbussen till 230 V AC-spänning.

Apparaten har följande huvudsakliga egenskaper:

- Låg förbrukning.
- Galvaniskt isolerad ingång och utgång för ökad säkerhet.
- Temperaturstyrd fläkthastighet för tyst drift.
- Integrerad prioritetsomkopplare mellan extern nätanslutning och batteri.
- Klar för På/Av-fjärrkontroll.
- Larm för låg batterispänning.
- Spänningsavstängning vid för låg och hög batterispänning.
- Avstängning vid överbelastning.
- Skydd mot kortslutning, övertemperatur, överbelastning och omvänd polaritet.
- Mjukstartfunktion.

Endast SPB1000I-12, SPB1500I-12, SPB2000I-12: Apparaten är N-BUS-kompatibel (se kapitlet Ansluta N-BUS sida 166).

8 Före installation

Batterikrav

Batterityp och batteristorlek kan kraftigt påverka växelriktarnas prestanda. Därför måste det fastställas vilken typ av elförbrukare växelriktaren ska försörja samt användningstiden mellan laddningstillfällen. Gör så här för att fastställa minimumbatterikraven för en applikation:

1. Ta reda på effekten som står på etiketterna för de apparater som ska användas samtidigt från växelriktaren. Vanligtvis anges effektförbrukningen i watt. Om den visas i ampere kan du multiplicera värdet med 230 V för att få effekten i watt.
2. Uppskatta antalet timmar utrustningen kommer användas innan batteriet laddas igen.
3. Beräkna den totala energin som krävs i Wh (wattimmar) genom att multiplicera tiden ovan med summan av effektförbrukningen i watt. Dividera resultatet med 10 om växelriktaringsgången är 12 V , eller med 20 om den är 24 V . Det resulterande värdet i Ah visar applikationens effektbehov.



ANVISNING Ladda om möjligt batteriet när det är ungefär 50 % urladdat, eller tidigare. Detta ger batteriet mycket längre livslängd jämfört med att bara ladda det när det är djupurladdat.

Felsökning av störningar

En del billiga ljudsystem kan avge ett surrande ljud från högtalarna när de drivs från växelriktaren. Detta uppstår på grund av att spänningsförsörjningen i ljudsystemet inte filtrerar sinusvågen från växelriktaren tillräckligt mycket. Lösningen är att använda ett ljudsystem som har spänningsförsörjning av hög kvalitet eller att använda en ren sinusväxelriktare. När växelriktaren är i drift kan den störa tv-mottagningen på vissa kanaler. Prova följande om en sådan störning uppstår:

1. Se till att växelriktarens chassijordningsskruv är ansluten till fordonets jord.
2. Se till att tv-antennen ger en tillräcklig signal och att antennkabeln är i gott skick.
3. Håll kablarna mellan batteriet och växelriktaren så korta som möjligt och tvinna ihop dem för att minska utstrålade störningar.
4. Flytta tv-apparaten så långt bort från växelriktaren som möjligt.
5. Driv inte elförbrukare som har hög effekt med växelriktaren när tv-apparaten är på.

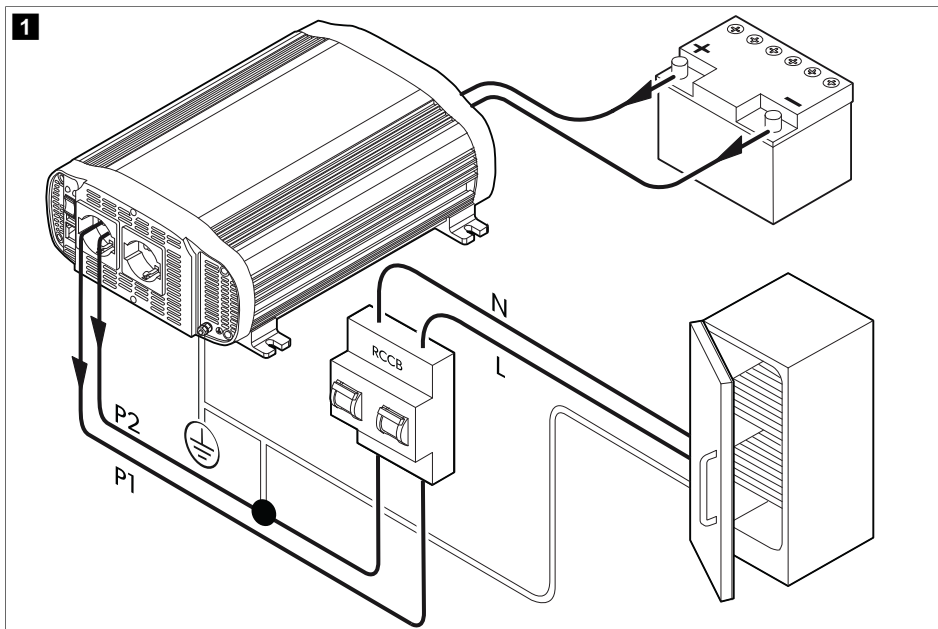
Jordläckageskydd (undantaget modellerna SPB1000I-12, SPB1500I-12 och SPB2000I-12)



OBSERVERA! Risk för skada

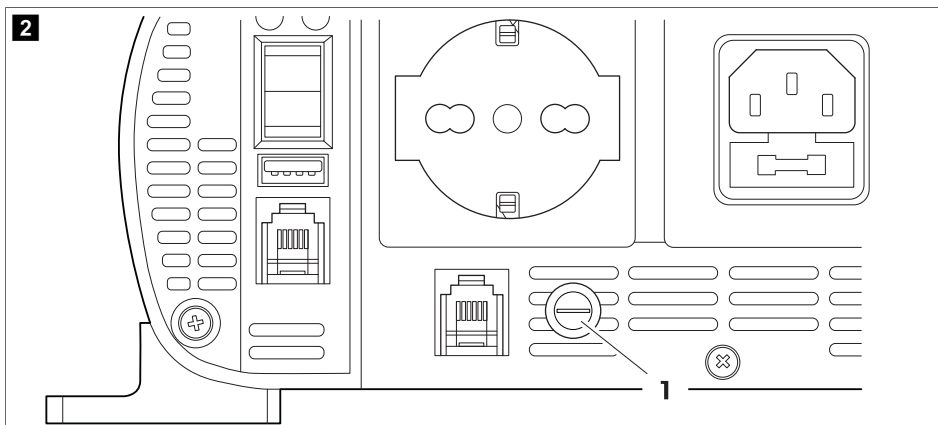
För säker användning av flera apparater är det viktigt att en jordfelsbrytare installeras i förgreningskretsen.

Jorduttaget är konstruerat för ett säkerhetssystem som jordfelsbrytaren (RCCB). Anslut jordfelsbrytaren enligt följande schema:



1. Anslut fas- (P1) och neutral- (P2) utgången till jordfelsbrytarens ingång.
2. Anslut växelriktarens jord till en av de två kablarna som är anslutna till jordfelsbrytarens ingång.
3. Anslut neutral- och fasutgången från jordfelsbrytarens ingång till apparaterna.
4. Anslut växelriktarens jord till apparaternas jord.

Jordläckageskydd (modellerna SPB1000I-12, SPB1500I-12 och SPB2000I-12)




OBSERVERA! Risk för skada

Schemat ovan avser endast anslutningen av växelriktarens utgång. Den externa nätanslutningsingångens IEC-kontakt måste anslutas till jordfelsbrytarens utgång från den externa nätanslutningens strömkälla.

Jordning av TN- eller IT-typ för SPB1000I-12, SPB1500I-12 och SPB2000I-12 går att konfigurera med en säkring.

- > För att kunna skapa en jordning av TN-typ måste säkringen sitta i säkringshållaren ①.
- > För att kunna skapa en jordning av IT-typ får säkringen **inte** sitta i säkringshållaren ①.

9 Installation


AKTA! Risk för skada

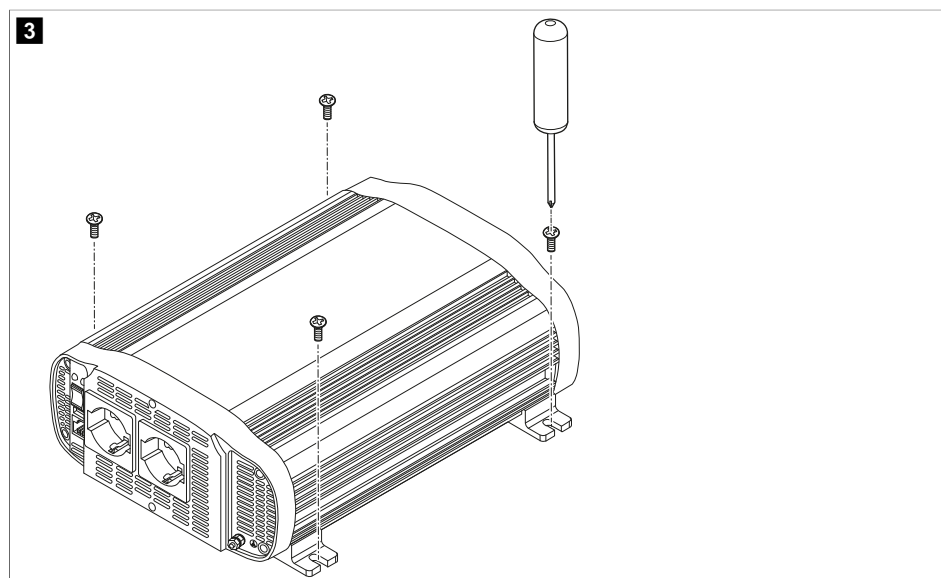
Installera inte apparaten när värmekällor eller i otillräckligt ventilerade utrymmen.



ANVISNING Apparaten kan monteras i vilket läge som helst. Om den monteras på en vertikal yta rekommenderas det att ha den långa sidan parallell med golvet.



ANVISNING Installera apparaten så nära 12 V / 24 V-strömkällan som möjligt.



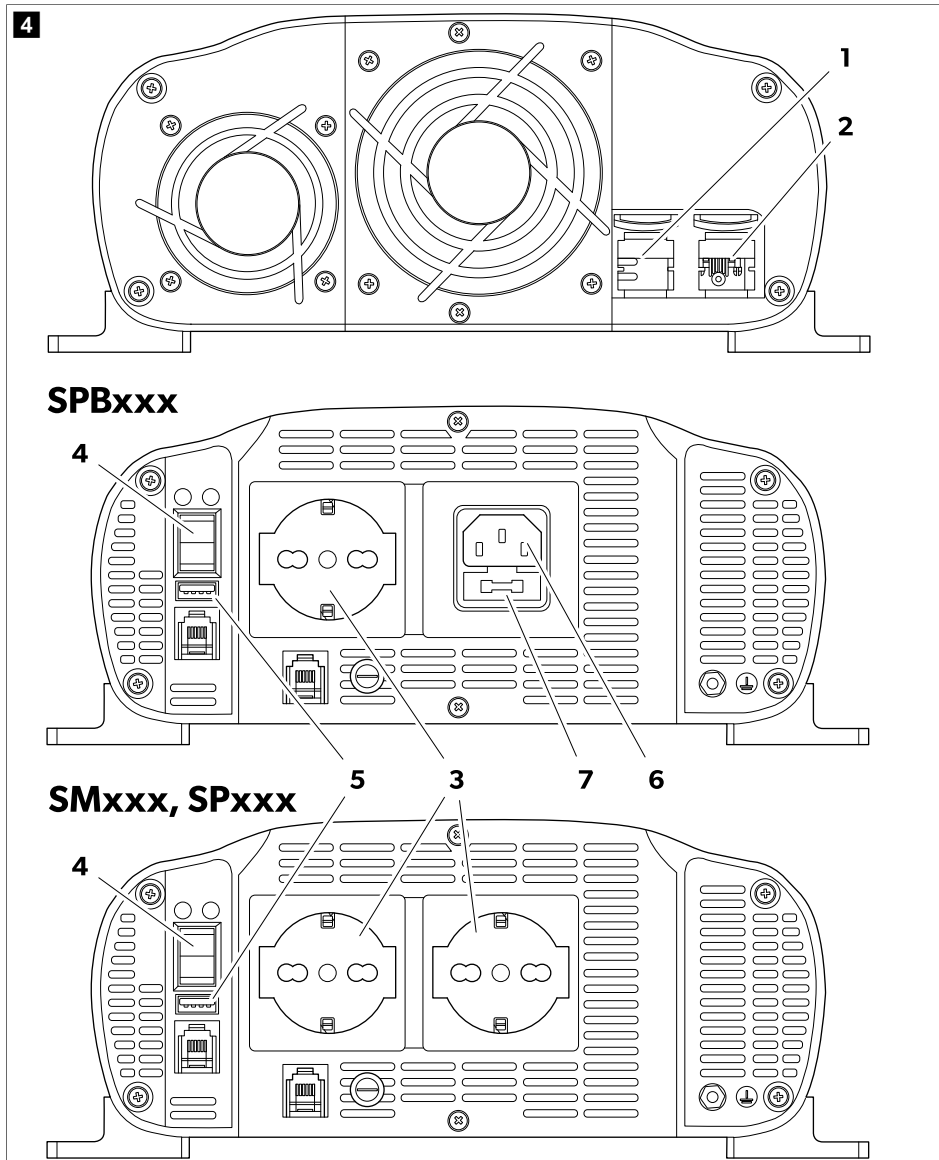
1. Montera apparaten med de fyra monteringsflänsarna samt passande skruvar.


OBSERVERA! Risk för skada

Se till att strömbrytaren är i läge Av innan apparaten ansluts.



ANVISNING Använd de medföljande kablarna för att ansluta batteriet till apparaten. Om avståndet mellan batteriet och apparaten är större än 2 meter ska kabelns tvärsnittsarea ökas för att minska spänningsfall och effektförluster.



2. Anslut batteriets minuspol till växelriktarens minuspol ①.

**OBSERVERA! Risk för skada**

Installera en säkring på batteriets pluskabel för att skydda de anslutna apparaterna.

3. Anslut batteriets pluspol till pluspolen på växelriktaren ②.

**OBSERVERA! Risk för skada**

Se till att en apparat som ansluts till växelriktaren är avstängd.

4. Anslut 230 V -apparaten till ett utgångsuttag ③.
5. Slå på växelriktaren med På/Av-knappen ④.



ANVISNING När växelriktaren slås på tänds både den röda och den gröna LED-indikeringen i 3 till 5 sekunder. Efter en kort stund stängs den röda LED-indikeringen av och den gröna fortsätter vara på och apparaten avger en ljudsignal. Den gröna LED-indikeringen visar att växelriktaren fungerar som den ska.

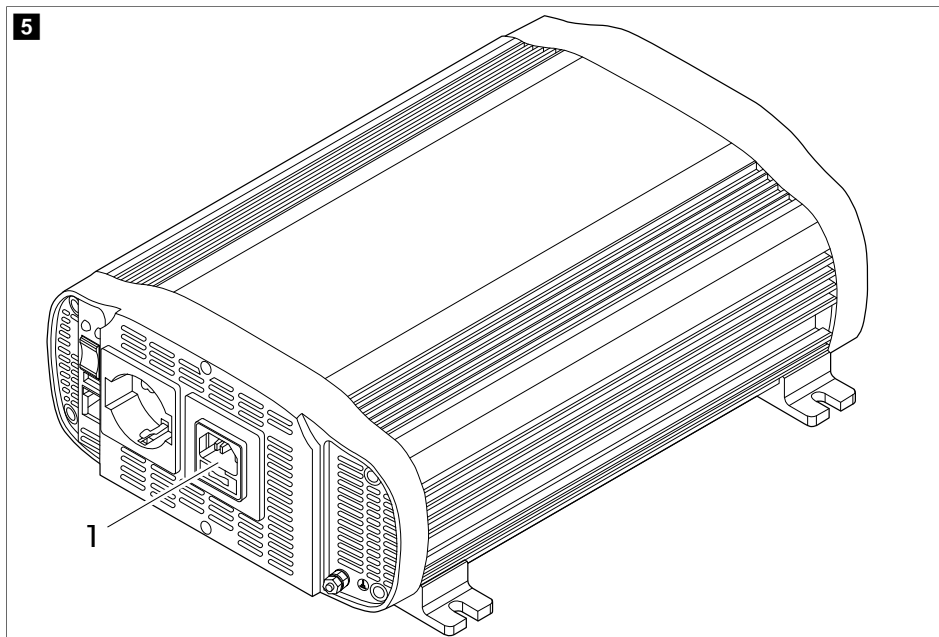
**OBSERVERA! Risk för skada**

- > Om du tänker använda mer än en apparat ska apparaten med störst förbrukningsbehov anslutas först.
- > Se till att det sammanlagda förbrukningskravet för dina apparater inte överskrider växelriktarens märkuteffekt.
- > När en förlängningssladd används mellan växelriktaren och en apparat, får sladden inte vara längre än 1,5 m.
- > Anslut inte växelriktaren till någon växelströmsförbrukarkrets där neutralledaren är ansluten till jord.

6. Anslut ytterligare 230 V -apparater och slå på dem.
7. Om du ska ladda en 5 V apparat, anslut den till USB-porten ⑤.

10 Anslutning av externt nätaggregat (modellerna SPB1000I-12, SPB1500I-12 och SPB2000I-12)

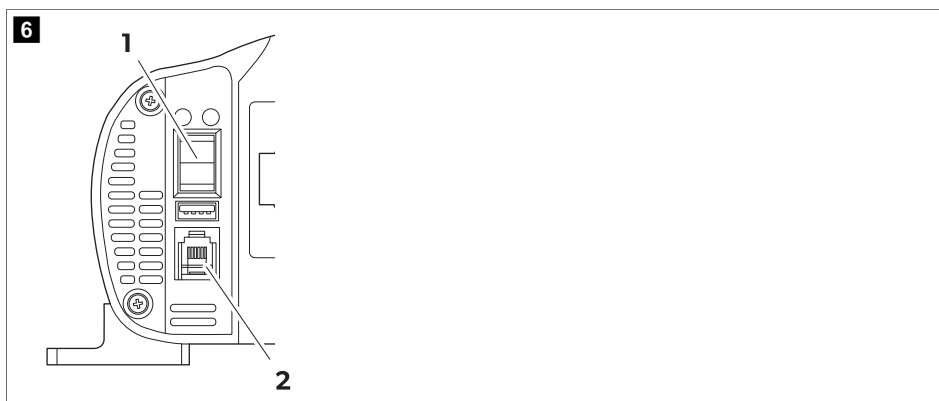
Det går att ansluta en IEC-kabel till det externa nätanslutningsuttaget för att spänningsförsörja den anslutna apparaterna direkt med växelspanning från det allmänna elnätet.



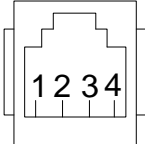
1. Anslut kabeln till uttaget ①.
2. Installera eller ta bort säkringen i den inre säkringshållaren ② enligt önskad jordtyp (se kapitel Före installation sida 158).

11 Ansluta fjärrkontrollen

Apparaten kan fjärrstyras med en extern brytare (RC03) som finns som tillval eller vilken brytare som helst som är konfigurerad för apparatens RJ11-kontakt ①. Följande beskrivning av stiftkonfigurationer kan fungera som handledning när vanliga externa brytare används.




Den externa brytaren RC03 som finns som tillval använder följande stiftkonfiguration:

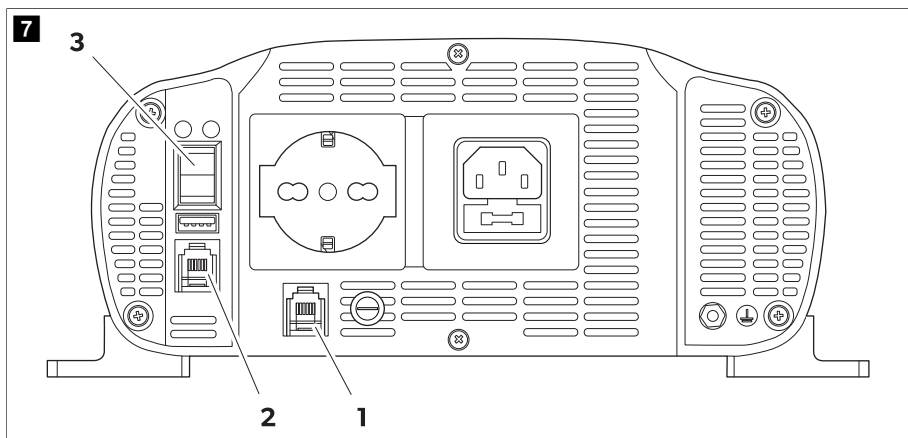
	Stift	Funktion
	2	Röd LED-anslutning
	1-3	Extern brytaranslutning
	4	Jord

- > Aktivera fjärrkontrollen genom att vrida På/Av-brytaren (2) till läge 2.

12 Ansluta N-BUS

(Endast SPB1000I-12, SPB1500I-12, SPB2000I-12)

- Anslut RJ12-kontakten (BC03, BC06, BC10) till N-BUS-uttaget ( bild. 7 sida 166, 1).




Använd en 6-polig platt kabel med en RJ12-kontakt i rak konfiguration. Pinout-konfigurationen är enligt följande:

Stift	Funktion
1	Nätverksstatus
2	Fjärrkontroll
3	N-BUS/CI-BUS
4	Jord
5	Bus-spänning (VBUS)
6	(ej ansluten)



OBSERVERA! Risk för skada

Se till att inte blanda ihop anslutningarna för N-BUS och fjärrkontroll ( bild. 7 sida 166, 2).

- Ställ in på/av-brytaren ( bild. 7 sida 166, 3) till läge II.

3. Anslut N-BUS-kompatibla enheter.

Konfigurera växelriktaren i N-BUS-nätverket

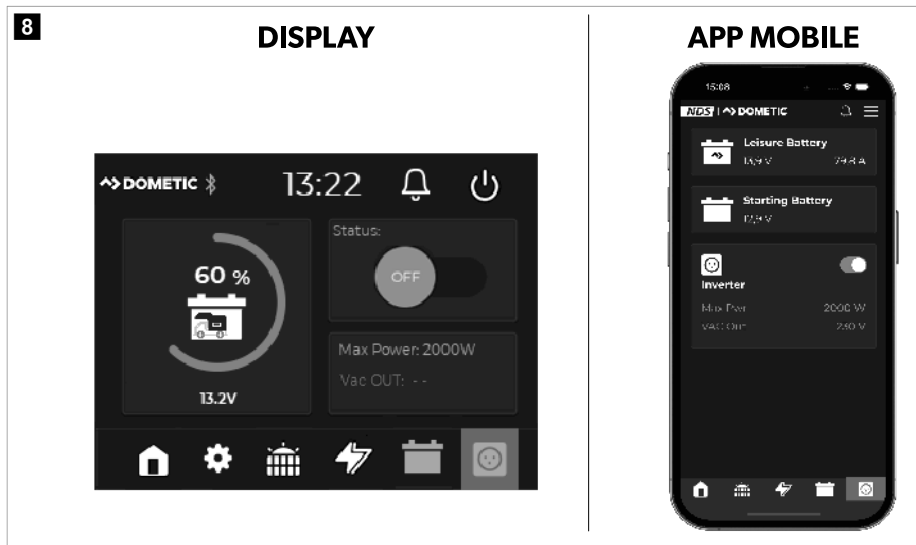
N-BUS-kompatibla enheter kan konfigureras och styras i N-BUS-nätverket via skärmen eller mobilappen.



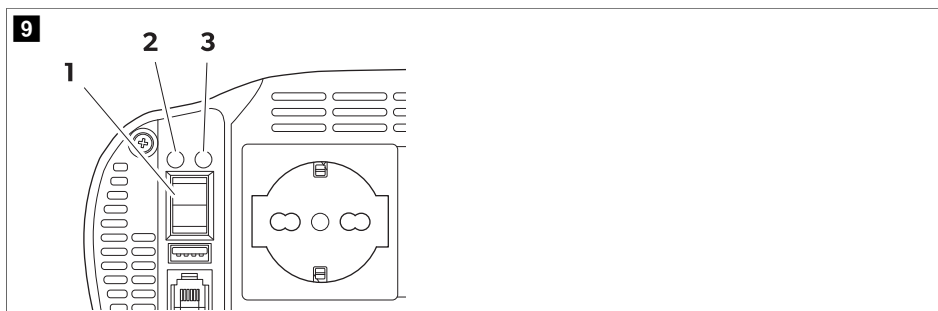
ANVISNING

- För att använda mobilappen krävs minst en Bluetooth-enhet i N-BUS-nätverket.
- Ställ in en av enheterna som HUVUD.

> Välj meny för växelriktaren och dra skjutreglaget till läge på eller av för att slå på eller av växelriktaren.



13 Användning



På/Av-knapp

> Slå på apparaten genom att sätta på/av-brytaren ① i läge I.

- > Stäng av apparaten genom att trycka På/Av-brytaren ① till läge 0.
- > Aktivera fjärrkontrollen genom att sätta på/av-brytaren ① i läge II.

LED-lampor

Apparaten har en grön ② och en röd ③ LED-indikering som visar driftstatus.

Lysdiod	Beskrivning
Green	Apparaten är påslagen och fungerar
Red	Apparaten har funktionsfel

14 Säkringsbyte

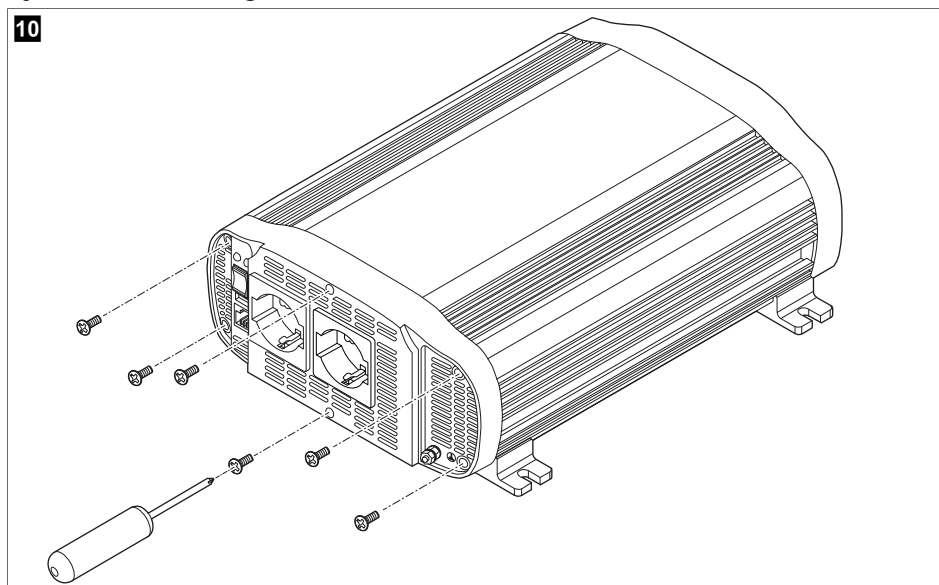


VARNING!

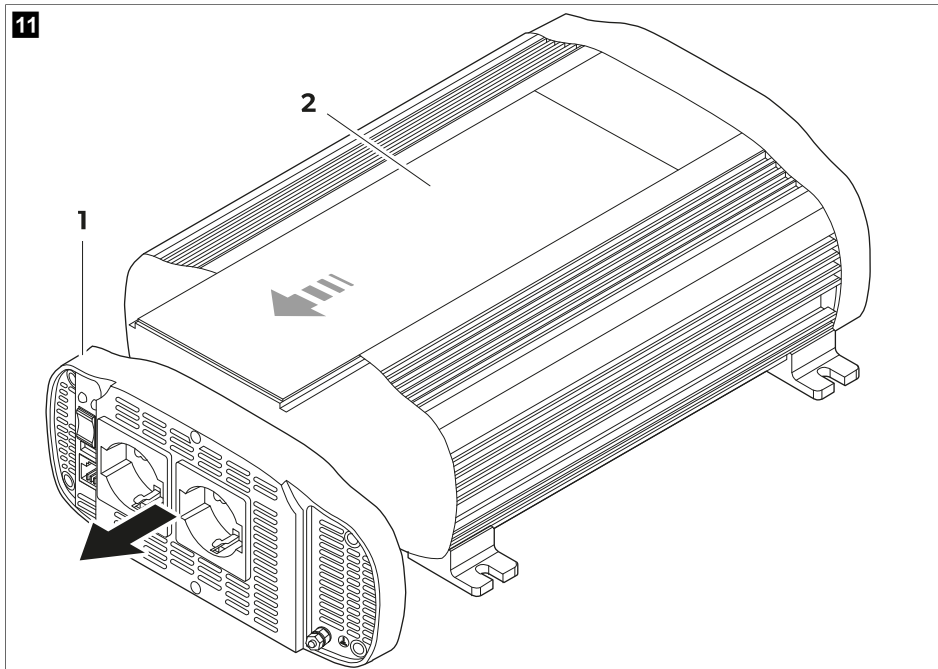
- Risk för dödsfall på grund av elektricitet
- Installationen får endast utföras av en kvalificerad elektriker.

Apparaten skyddas med en integrerad elektronisk krets. Säkringar kan även sättas inuti apparaten. Om en anslutning har felvända poler kommer en säkring att gå. Apparater med IVT-funktion har även en glassäkring inuti IEC-uttaget för den externa elnätsanslutningen. Reservsäkringar ingår i produktpaketet.

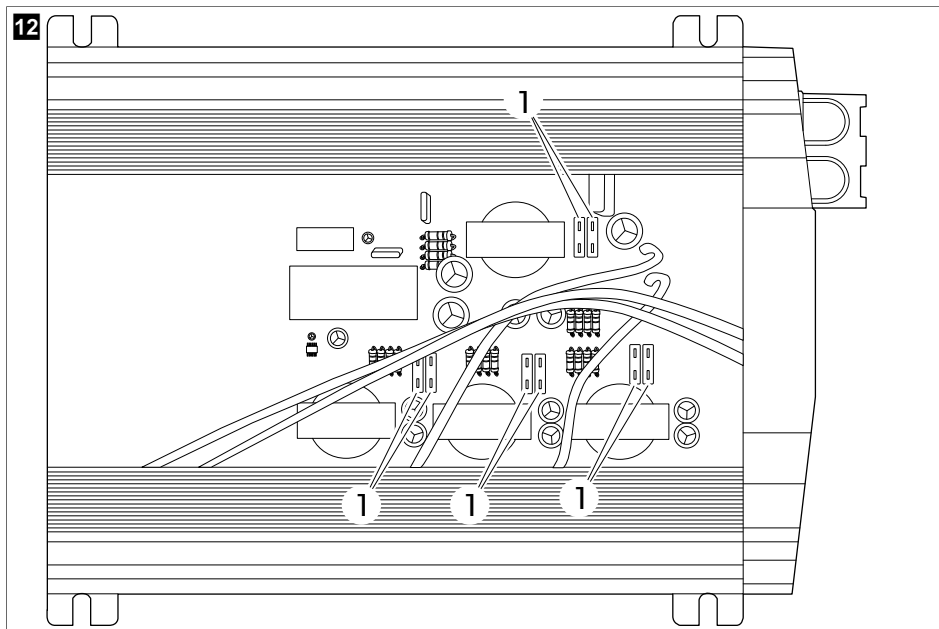
Byte av interna säkringar



1. Skruva ur de sex skruvarna.



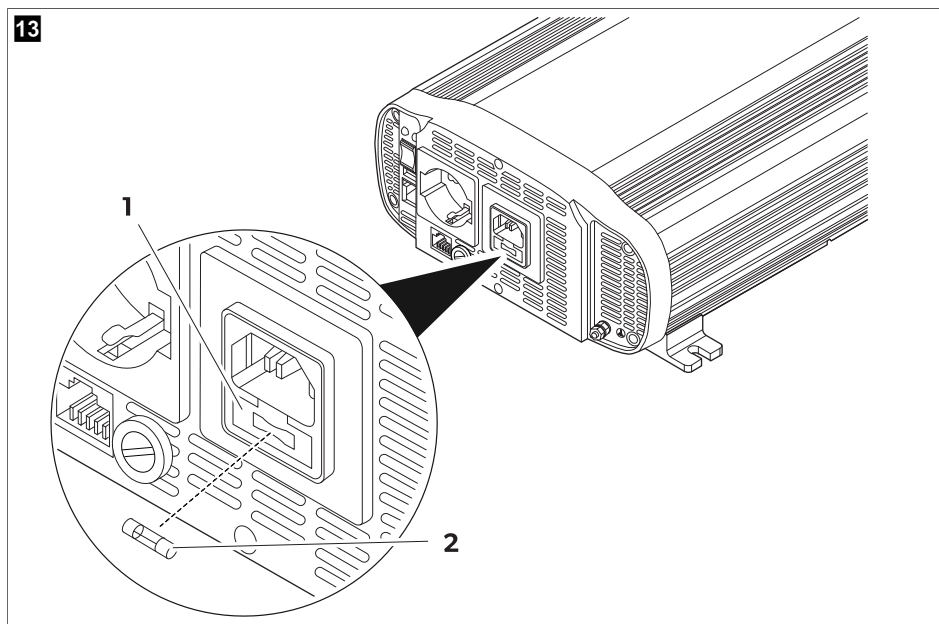
2. Luta frontskyddet framåt ①.
3. Ta bort locket ②.



4. Byt säkringen ①.

Modell	Antal säkringar	Säkringsklass	
SM400-12, SP400-12	1	50 A	röd
SM600-12, SP600-12	2	50 A	röd
SM600-24, SP600-24	2	25 A	vit
SM1000-12, SP1000-12	4	30 A	grön
SM1500-12, SP1500-12	6	30 A	grön
SP1500-24	6	15 A	blå
SP2000-12	8	30 A	grön
SP3000-12	12	30 A	grön
SP3000-24	12	15 A	blå

Byte av IEC-uttagssäkring



1. Öppna locket ① till uttagshöljet.
2. Byt säkring ②.

Modell	Antal säkringar	Säkringsklass
SPB1000I-12, SPB1500I-12 och SPB2000I-12	1	10 A (F10AL 250 V glassäkring)



ANVISNING Efter säkringsbyte startar apparaten om automatiskt. Kontakta en tekniker som kan åtgärda problemet om apparaten inte fungerar som den ska efter säkringsbyte.

15 Rengöring och skötsel

- > Rengör produkten då och då med en fuktig trasa.
- > Kontrollera att ingångs- och utgångsanslutningarna sitter fast säkert och ordentligt.
- > Se till att ventilationsöppningarna inte blockeras av smuts eller något annat.

16 Kassering



Återvinning av förpackningsmaterial: Lämna om möjligt förpackningsmaterialet till återvinning.



När produkten slutgiltigt tas ur bruk: Informera dig om gällande bestämmelser hos närmaste återvinningscentral eller hos återförsäljaren. Produkten kan kasseras utan avgift.



Om produkten innehåller icke-utbytbara batterier, laddningsbara batterier eller ljuskällor behöver du inte avlägsna dem före kassering.

17 Garanti


Den lagstadgade garantitiden gäller. Kontakta tillverkarens filial i ditt land (se dometic.com/dealer) eller din återförsäljare om produkten är defekt.

För reparations- och garantibehandling skickar du med följande dokument när du returnerar produkten:

- En kopia på fakturan med inköpsdatum
- En reklameringsbeskrivning eller felbeskrivning


Observera att självständiga eller icke professionella reparationer kan påverka säkerheten och leda till att garantin blir ogiltig.



18 Tekniska data

	SM400-12	SM600-12	SM600-24
Kontinuerlig uteffekt	400 W	600 W	
Högsta uteffekt	800 W (några sekunder)	1200 W (några sekunder)	
Utgångsspänning (RMS)/frekvens	230 V AC/50 Hz ± 3 Hz		
USB Output	5 V 2,1 A		
Ingångsspänning	12 V		24 V
Självförbrukning	200 mA (13,2 V)	220 mA (13,2 V)	100 mA (26,4 V)
Anslutning	-	-	-
Mått (B x D x H)	140 mm x 184 mm x 71 mm	140 mm x 214 mm x 71 mm	140 mm x 214 mm x 71 mm
Certifikat	 (10 R - 05 0094)		




	SM1000-12	SM1500-12
Kontinuerlig uteffekt	1000 W	1500 W
Högsta uteffekt	2000 W (några sekunder)	3000 W (några sekunder)
Utgångsspänning (RMS)/frekvens	230 V AC/50 Hz ± 3 Hz	
USB Output	5 V 2,1 A	
Ingångsspänning	12 V	
Självförbrukning	530 mA (13,2 V)	460 mA (13,2 V)
Anslutning	-	-
Mått (B x D x H)	270 mm x 262 mm x 107,5 mm	270 mm x 262 mm x 107,5 mm




	SM1000-12	SM1500-12
Certifikat	 (10 R - 05 0094)	

	SP400-12	SP600-12	SP600-24
Kontinuerlig uteffekt	400 W	600 W	
Högsta uteffekt	1000 W (några sekunder)	1500 W (några sekunder)	
Utgångsspänning (RMS)/frekvens	230 V AC/50 Hz ± 3 Hz		
USB Output	5 V 2,1 A		
Ingångsspänning	12 V		24 V
Självförbrukning	340 mA (13,2 V)	420 mA (13,2 V)	210 mA (26,4 V)
Anslutning	-	-	-
Mått (B x D x H)	140 mm × 214,5 mm × 71 mm	140 mm × 244,5 mm × 71 mm	140 mm × 244,5 mm × 71 mm
Certifikat	 (10 R - 05 0094)		

	SP1000-12	SPB1000I-12
Kontinuerlig uteffekt	1000 W	
Högsta uteffekt	2500 W (några sekunder)	
Utgångsspänning (RMS)/frekvens	230 V AC/50 Hz ± 3 Hz	
USB Output	5 V 2,1 A	
Ingångsspänning	12 V	
Självförbrukning	870 mA (13,2 V)	680 mA (13,2 V)
Omkopplingstid från batteri till extern nätslutning	-	0,02 s
Omkopplingstid från extern nätslutning till batteri	-	0,1 s
Anslutning	-	N-BUS
Mått (B x D x H)	270 mm × 262,4 mm × 107,5 mm	270 mm × 262,4 mm × 107,5 mm
Certifikat	 (10 R - 05 0094)	 (10 R - 06-02 5174 00)

	SP1500-12	SPB1500I-12	SP1500-24
Kontinuerlig uteffekt	1500 W		
Högsta uteffekt	4000 W (några sekunder)		
Utgångsspänning (RMS)/frekvens	230 V AC/50 Hz ± 3 Hz		
USB Output	5 V 2,1 A		
Ingångsspänning	12 V		24 V
Självförbrukning	850 mA (13,2 V)	930 mA (13,2 V)	620 mA (26,4 V)

	SP1500-12	SPB1500I-12	SP1500-24
Omkopplingstid från batteri till extern nätanslutning	-	0,02 s	-
Omkopplingstid från extern nätanslutning till batteri	-	0,1 s	-
Anslutning	-	N-BUS	-
Mått (B x D x H)	270 mm × 322,4 mm × 107,5 mm	270 mm × 360 mm × 107,5 mm	270 mm × 322,4 mm × 107,5 mm
Certifikat	 (10 R - 05 0094)	 (10 R - 06-02 5174 00)	 (10 R - 05 0094)

	SPB2000I-12	SP3000-12	SP3000-24
Kontinuerlig uteffekt	2000 W	3000 W	
Högsta uteffekt	6000 W (några sekunder)	8000 W (några sekunder)	
Utgångsspänning (RMS)/frekvens	230 V AC/50 Hz ± 3 Hz		
USB Output	5 V 2,1 A		
Ingångsspänning	12 V		24 V
Självförbrukning	900 mA (13,2 V)	1270 mA (13,2 V)	680 mA (26,4 V)
Omkopplingstid från batteri till extern nätanslutning	0,02 s	-	-
Omkopplingstid från extern nätanslutning till batteri	0,1 s	-	-
Anslutning	N-BUS	-	-
Mått (B x D x H)	270 mm × 385 mm × 107,5 mm	270 mm × 452 mm × 107,5 mm	270 mm × 452 mm × 107,5 mm
Certifikat			
	 (10 R - 06-02 5174 00)	 (10 R - 05 0094)	

Dometic försäkrar härmed att radioutrustningen av typ SPB1000I-12, SPB1500I-12 och SPB2000I-12 överensstämmer med direktivet 2014/53/EU. Hela texten till EU-försäkringen om överensstämmelse finns på internetadressen: documents.dometic.com

Norsk

1	Viktige merknader.....	175
2	Symbolforklaring.....	175
3	Sikkerhetsinstruksjoner.....	176
4	Leveringsomfang.....	176
5	Forskriftsmessig bruk.....	176
6	Målgruppe.....	177
7	Teknisk beskrivelse.....	177
8	Før montering.....	178
9	Installasjon.....	180
10	Kople til den eksterne strømnnettfor­syningen (SPB1000I-12, SPB1500I-12 og SPB2000I-12-modeller).....	182
11	Koble til fjernkontrollen.....	183
12	Koble til N-BUS.....	184
13	Betjening.....	185
14	Skifte ut sikring.....	186
15	Rengjøring og vedlikehold.....	189
16	Avfallshåndtering.....	189
17	Garanti.....	190
18	Tekniske spesifikasjoner.....	190

1 Viktige merknader

Vennligst les disse instruksjonene nøye og følg alle anvisninger, retningslinjer og advarsler i denne produktveiledningen for å sikre at du installerer, bruker og vedlikeholder produktet ordentlig til enhver tid. Disse instruksjonene MÅ alltid følge med produktet.

Ved å bruke dette produktet bekrefter du at du har lest alle anvisninger, retningslinjer og advarsler grundig, og at du forstår og samtykker i å overholde vilkårene slik de er presentert her. Du godtar å bruke dette produktet kun til tiltenkt formål og bruksområder, og i samsvar med anvisningene, retningslinjene og advarslene slik de er presentert i denne produktveiledningen, så vel som i samsvar med alle gjeldende lovbestemmelser og forskrifter. Hvis anvisningene og advarslene som er presentert her, ikke blir lest og fulgt, kan det føre til personskader hos deg selv eller andre, skader på produktet eller skader på annen eiendom i nærheten. Denne produktveiledningen med sine anvisninger, retningslinjer og advarsler, samt relatert dokumentasjon, kan være underlagt endringer og oppdateringer. For oppdatert produktinformasjon, se documents.dometic.com.

2 Symbolforklaring

Et signalord identifiserer sikkerhetsmeldinger og meldinger om mulige skader på eiendom, og indikerer også alvorlighetsgraden av faren.



ADVARSEL!

Kjennetegner en farlig situasjon som - dersom den ikke unngås - kan resultere i alvorlige personskader, eventuelt med døden til følge.



FORSIKTIG!

Kjennetegner en farlig situasjon som - dersom den ikke unngås - kan resultere i mindre til moderate personskader.



PASS PÅ!

Kjennetegner en situasjon som - dersom den ikke unngås - kan resultere i materielle skader.



MERK Ytterligere informasjon om betjening av produktet.

3 Sikkerhetsinstruksjoner



ADVARSEL! Manglende overholdelse av disse advarslene kan resultere i alvorlige personskader, eventuelt med døden til følge.

- > Ved branntilfeller må det brukes et brannslukningsapparat som er egnet for elektriske apparater.
- > Apparatet må ikke tas i bruk hvis det har synlige skader.



FORSIKTIG! Manglende overholdelse av disse advarslene kan resultere i alvorlige personskader, eventuelt med døden til følge.

- > Installasjon, montering og kabling, så vel som alt annet arbeid, skal bare utføres av kvalifiserte elektrikere. Usakkyndige reparasjoner kan føre til alvorlige farer.
- > Installasjon i potensielt eksplosive områder slik som rom med brennbare væsker eller gasser, er ikke tillatt.
- > Ikke installer eller hold apparatet i nærheten av åpen flamme eller andre varmekilder (oppvarming, sterk solbestråling, gassovner, osv.).
- > Barn må ikke leke med apparatet.
- > Dette apparatet kan brukes av barn fra 8 år og oppover og personer med reduserte fysiske, sensoriske eller mentale evner eller som mangler erfaring og kunnskap, hvis de er under oppsyn eller har fått veiledning i hvordan apparatet brukes på en forsvarlig måte og forstår hvilke farer det innebærer.



PASS PÅ! Kjennetegner en situasjon som - dersom den ikke unngås - kan resultere i materielle skader.

- > Kontroller at spenningsspesifikasjonene på merkeskiltet tilsvarer den tilgjengelige strømtilførselen.
- > Dyppe aldri apparatet i vann.
- > Beskytt apparatet og kablene mot varme og fuktighet.
- > Ikke eksponer apparatet for regn.
- > Sørg for at monteringsflaten er i stand til å bære apparatets vekt.
- > Legg ledningene slik at man ikke snubler i dem, og slik at man unngår å skade kabelen.
- > Bruk tomme rør eller ledningsgjennomføringer når ledninger må føres gjennom platevegger eller andre vegger med skarpe kanter.

4 Leveringsomfang

Beskrivelse	Antall
Vekselretter	1
Rød strømledning	1
Svart strømledning	1
Monterings- og bruksanvisning	1

5 Forskriftsmessig bruk

Enheten er ment for å forsyne tilkoblede apparater med 230 V generert fra en inngangsspenning på 12 V eller 24 V. Enheten er designet for bruk i bobil, campingbil og busser.

Modellinjen inkluderer to typer enheter:

- SM400-12, SM600-12, SM600-24, SM1000-12 og SM1500-12-modellene er vekselrettere med modifisert sinusbølgeformet utgangsspenning.
- SP400-12, SP600-12, SP600-24, SP1000-12, SP1500-12, SP1500-24, SP3000-12 og SP3000-24-modellene er vekselrettere med ren sinusbølgeformet utgangsspenning.

SPB1000I-12, SPB1500I-12 og SPB2000I-12-modellene har en integrert prioritetsfunksjon (IVT) og en sikringsbeskyttet inngangskontakt (IEC) for ekstern strømforsyning.

Dette produktet er kun egnet for det tiltenkte formålet og bruksområdet i samsvar med disse instruksjonene.

Denne veiledningen gir informasjon som er nødvendig for korrekt montering og/eller bruk av produktet. Feilaktig montering og/eller ukorrekt bruk eller vedlikehold fører til utilfredsstillende ytelse og mulig svikt.

Produsenten fraskriver seg ethvert ansvar for personskader eller materielle skader på produktet som følge av:

- feilaktig installasjon, montering eller tilkobling, inkludert for høy spenning
- Ukorrekt vedlikehold eller bruk av andre reservedeler enn originale reservedeler levert av produsenten
- Modifisering av produktet uten at det er gitt uttrykkelig godkjenning av produsenten
- Bruk til andre formål enn beskrevet i denne veiledningen

Dometic forbeholder seg rettigheten til å endre produktet ytre og produktspesifikasjoner.

6 Målgruppe



Den elektriske installasjonen og oppsettet av apparatet må utføres av en kvalifisert elektriker som har vist ferdigheter og kunnskaper relatert til konstruksjon og drift av elektrisk utstyr og installasjoner, og som er kjent med gjeldende forskrifter i det landet hvor utstyret skal installeres og/eller brukes, og har mottatt sikkerhetsopplæring for å kunne identifisere og unngå farene som er forbundet med arbeidet.

Alle andre handlinger er også ment for ikke-profesjonelle brukere.

7 Teknisk beskrivelse

Enheden har to hovedkretsstadier som kan konvertere en inngangsspenning på 12 V \approx eller 24 V \approx til utgangsvekselspenningen. Det første stadiet består av en isolert høyfrekvent likestrøm/likestrøm-omformer som kan konvertere en likestrøm på 12 V eller en likestrømsforsyning på 24 V til en utgangsspenning på opptil 400 V likestrøm. Det siste stadiet består av en H-bro som konverterer likestrøm-Bus-høyspenning til 230 V vekselspenning.

Enheden har følgende hovedfunksjoner:

- Lavt strømforbruk.
- Galvanisk isolasjon mellom innganger og utganger for økt sikkerhet.
- Temperaturregulert viftehastighet for stillestående drift.
- Integrert prioritetsbryter mellom eksternt strømnnett og batteriet.
- Klar for fjernkontroll med av/på-funksjon.
- Alarm for lav batterispenning.
- Utkobling ved lav og høy batterispenning.
- Utkobling ved overbelastning.
- Beskyttelse mot kortslutning, overoppheting, overbelastning og motsatt polaritet.
- Myk startfunksjon.

Kun SPB1000I-12, SPB1500I-12, SPB2000I-12: Enheden er N-BUS-kompatibel (se kapittel Koble til N-BUS på side 184).

8 Før montering

Batterikrav

Batteritype og -størrelse kan påvirke ytelsen til vekselrettere sterkt. Derfor må typen last vekselretterne driver, og varigheten av bruken mellom opplading, bli insentifisert. Gjør følgende for å fastslå minimumskravene for et bruksområde:

1. Finn ut av wattforbruket fra etikettene til hvert apparat som skal brukes samtidig fra vekselretteren. Vanligvis blir strømforbruket vist i watt. Hvis den vises i ampere, multipliserer du verdien med 230 V for å finne wattforbruket.
2. Anslå hvor mange timer utstyret skal brukes før batteriet lades.
3. Beregn den totale energien som kreves i Wh (watttimer) ved å multiplisere den med tiden som ble fastsatt ovenfor med summen av wattforbruket. Del resultatet på 10 hvis vekselreterringangen er 12 V, eller på 20 hvis den er 24 V. Den resulterende verdien i Ah representerer effektbehovet til apparatet.



MERK Når det er mulig, må du lade batteriet når det er 50 % prosent utladet eller tidligere. Dette gir batteriet en mye lengre levetid, i motsetning til bare å lade det når det er fullstendig utladet.

Feilsøking av forstyrrelsesproblemer

Noen billige lydanlegg kan avgje en summende lyd fra høyttalerne når de drives av vekselretteren. Dette skjer fordi strømforsyningen i lydanlegget ikke filtrerer den modifiserte sinusbølgen som vekselretteren produserer tilstrekkelig. Løsningen er å bruke et lydanlegg med en strømforsyning av høy kvalitet, eller bruke en ren sinusvekselretter. Når vekselretteren er i drift, kan den forstyrre TV-mottak på noen kanaler. Hvis det oppstår forstyrrelser, kan du prøve følgende:

1. Kontroller at jordingskruen til rammen på vekselretteren er koblet til gulvet på kjøretøyet.
2. Kontroller at TV-antennen gir et tilstrekkelig signal, og at antennekabelen er i god stand.
3. Hold kablene mellom batteriet og vekselretteren så korte som mulig, og vikle dem om hverandre for å redusere strålingsutslipp.
4. Flytt TV-en så langt unna vekselretteren som mulig.
5. Ikke bruk høyeffekts belastning med vekselretteren når TV-en er på.

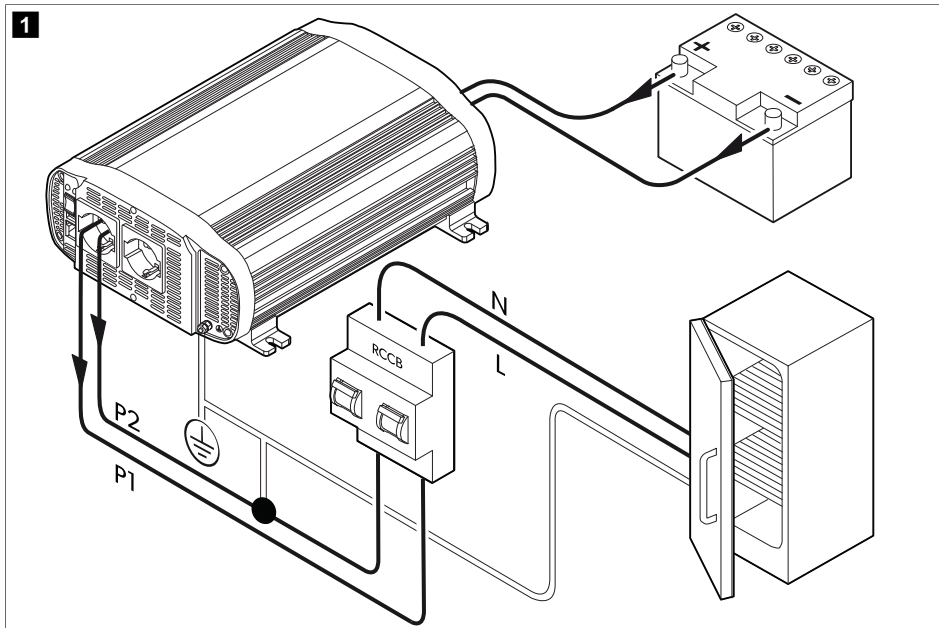
Beskyttelse mot grunnlekkasje (unntatt SPB1000I-12, SPB1500I-12 og SPB2000I-12-modellene)



PASS PÅ! Fare for skader

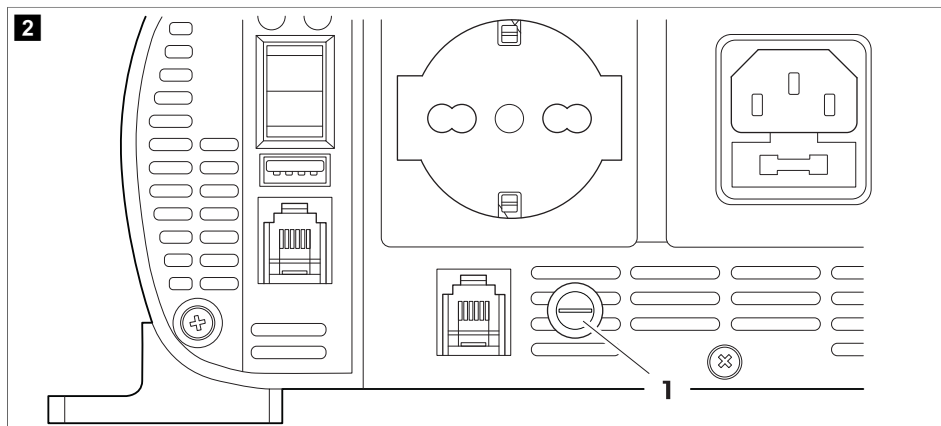
For sikker drift av flere apparater er det viktig at det monteres inn en jordfeilbryter i stikkontaktfordelerkretsen.

Jordkontakten er utformet for et sikkerhetssystem som jordfeilbryteren (RCCB). Kople til jordfeilbryteren i henhold til følgende diagram:



1. Kople faseutgangen (P1) og nøytralutgangen (P2) til jordfeilbryterinngangen.
2. Kople jordingen på vekselretteren til en av de to ledningene som er koblet til jordfeilbryterinngangen.
3. Kople nøytralutgangen og faseutgangen fra jordfeilbryterinngangen til apparatene.
4. Kople jordingen på vekselretteren til jordingen på apparatene.

Beskyttelse mot grunnlekkasje (SPB1000I-12, SPB1500I-12 og SPB2000I-12-modellene)





PASS PÅ! Fare for skader

Diagrammet ovenfor refererer bare til tilkoblingen av vekselretterutgangen. IEC-kontakten på den eksterne nettingangen må være koblet til jordfeilbryterutgangen til den eksterne strømkilden.

Jordingsfordelinger av TN- eller IT-typen for SPB1000I-12, SPB1500I-12 og SPB2000I-12 kan konfigureres med en sikring.

- > Kontroller at sikringen er satt inn i sikringsholderen ① for å etablere en jordingsfordeling av TN-typen.
- > Når du skal etablere en jordingsfordeling av IT-typen, må du passe på at sikringen **ikke** er satt inn i sikringsholderen ①.

9 Installasjon



FORSIKTIG! Fare for skader

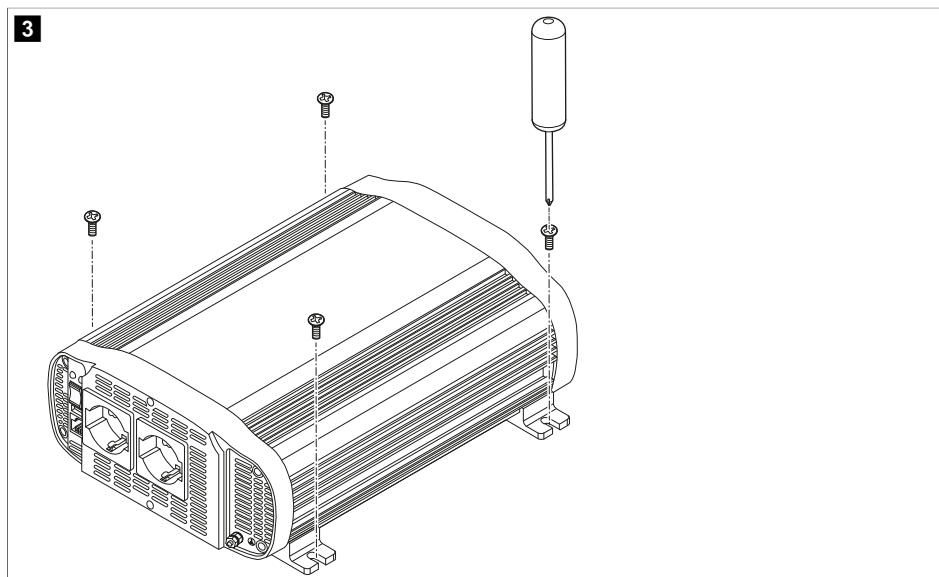
Ikke monter enheten nær varmekilder eller på steder som ikke er tilstrekkelig ventilert.



MERK Apparatet kan monteres i enhver posisjon. Hvis enheten installeres på en vertikal overflate, anbefales det å holde den lange siden parallellt med gulvet.



MERK Installer enheten så nær 12 V / 24 V strømkilden som mulig.



1. Monter enheten med de fire monteringsflensene ved hjelp av passende skruer.

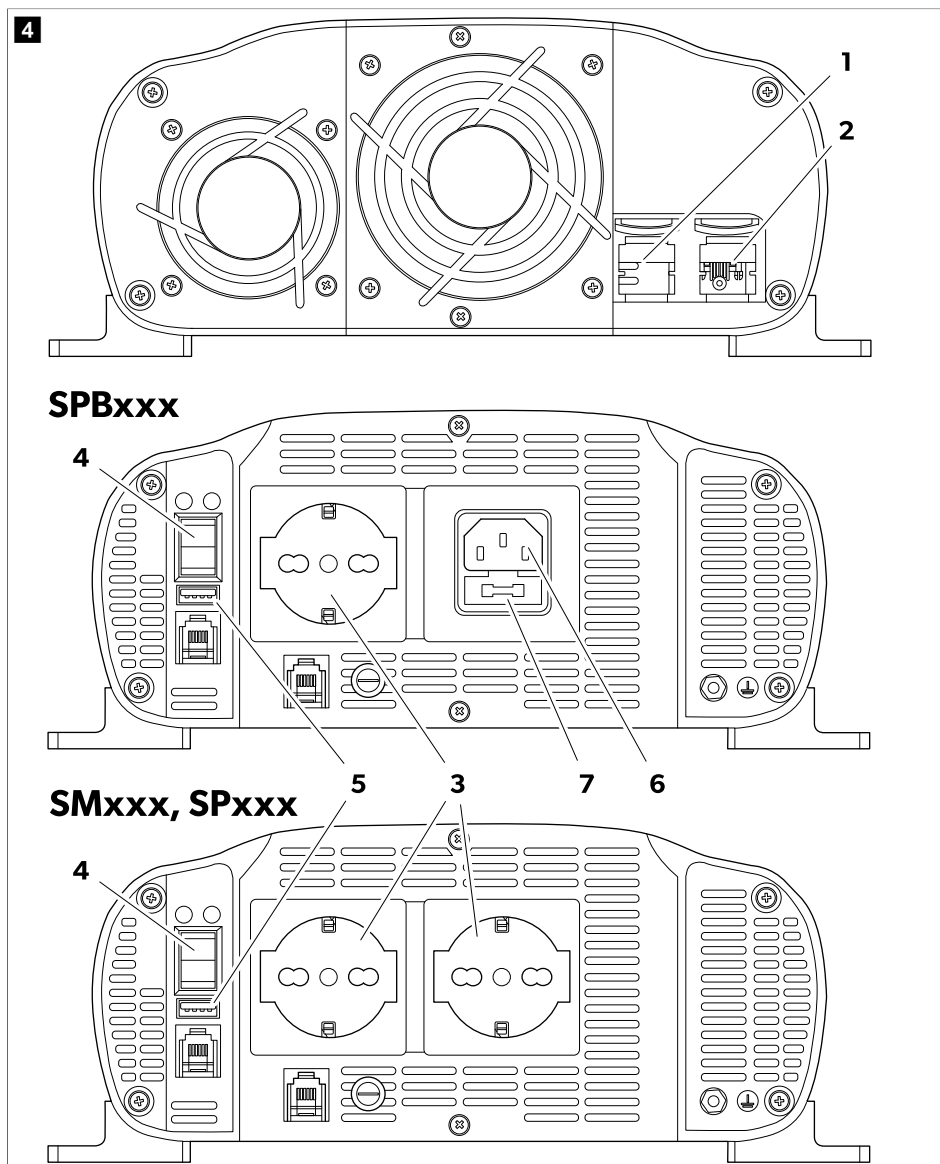


PASS PÅ! Fare for skader

Før du kobler til enheten, må du kontrollere at strømbryteren er i av-posisjonen.



MERK Bruk de medfølgende ledningene til å koble batteriet til enheten. Hvis avstanden mellom batteriet og enheten overskrider 2 meter, øker du tverrsnittet til ledningen for å redusere spenningsfall og strømtap.



2. Koble minuspolen på batteriet til minuspolen på vekselretteren ①.

**PASS PÅ! Fare for skader**

Hvis du vil beskytte de tilkoblede enhetene, må du montere en innebygd sikring på plusspolen til batterikabelen.

3. Koble plusspolen på batteriet til plusspolen på vekselretteren ②.

**PASS PÅ! Fare for skader**

Før du kobler et apparat til vekselretteren, må du kontrollere at det er slått av.

4. Koble 230 V apparatet til en stikkontakt ③.
5. Slå vekselretteren på med av/på-bryteren ④.



MERK Når vekselretteren er slått på, slås den røde og den grønne LED-lampen på i tre til fem sekunder. Etter kort tid slås den røde LED-lampen av og den grønne forblir på, og enheten avgir et akustisk signal. Den grønne LED-lampen indikerer at vekselretteren fungerer som den skal.

**PASS PÅ! Fare for skader**

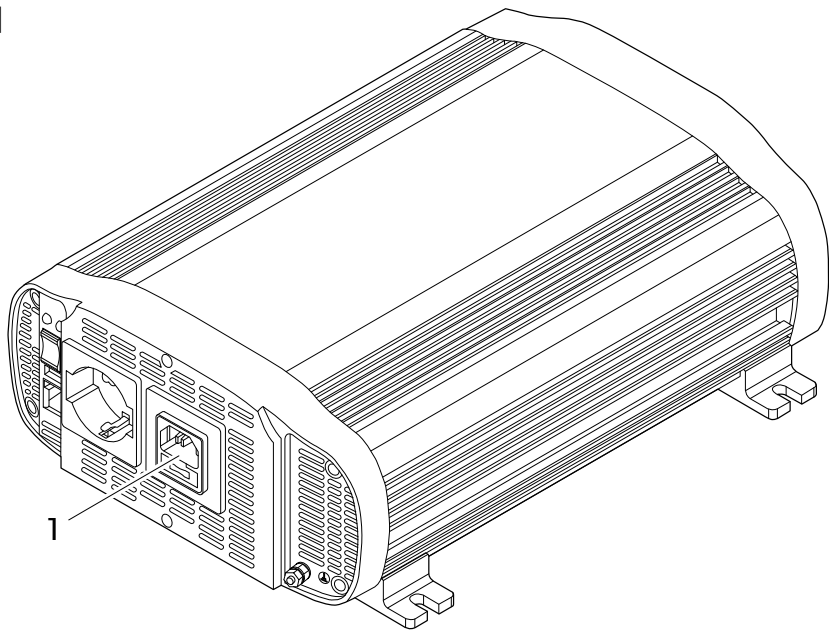
- > Når du har tenkt å bruke mer enn ett apparat, må du først koble til apparatet som har det høyeste belastningsbehovet.
- > Kontroller at det kombinerte lastkravet til apparatene ikke overstiger utgangskravet til vekselretteren.
- > Når du bruker en skjøteledning fra vekselretteren til et apparat, bør ikke skjøteledningen være lengre enn 1,5 m.
- > Ikke koble vekselretteren til en vekselstrømkrets der nullederen er koblet til jord.

6. Koble til flere 230 V apparater og slå dem på.
7. Hvis du vil lade et 5 V apparat, kobler du det til USB-porten ⑤.

10 Koble til den eksterne strømnettforsyningen (SPB1000I-12, SPB1500I-12 og SPB2000I-12-modeller)

Det er mulig å koble en IEC-kabel til den eksterne strømnettkontakten for å mate de tilkoblede apparatene direkte med vekselstrøm fra det offentlige strømmettet.

5

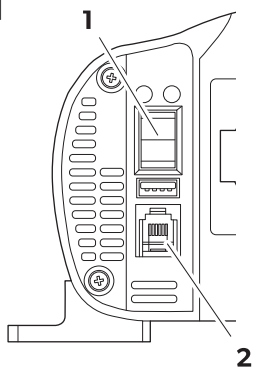


1. Koble kabelen til stikkontakten ①.
2. Sett sikringen inn i, eller fjern den fra, den innebygde sikringsholderen ⑦ ut fra hva slags jordingsfordeling du ønsker (se kapittel Før montering på side 178).

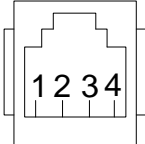
11 Koble til fjernkontrollen

Enheten kan fjernstyres med en valgfri ekstern bryter (RC03) eller en generell bryter som er konfigurert til RJ11-kontakten ① på enheten. Følgende beskrivelse av PIN-konfigurasjoner kan brukes som en retningslinje ved bruk av generiske eksterne brytere.

6




Den eksterne RC03-bryteren (tilleggsstyr) bruker følgende PIN-konfigurasjon:

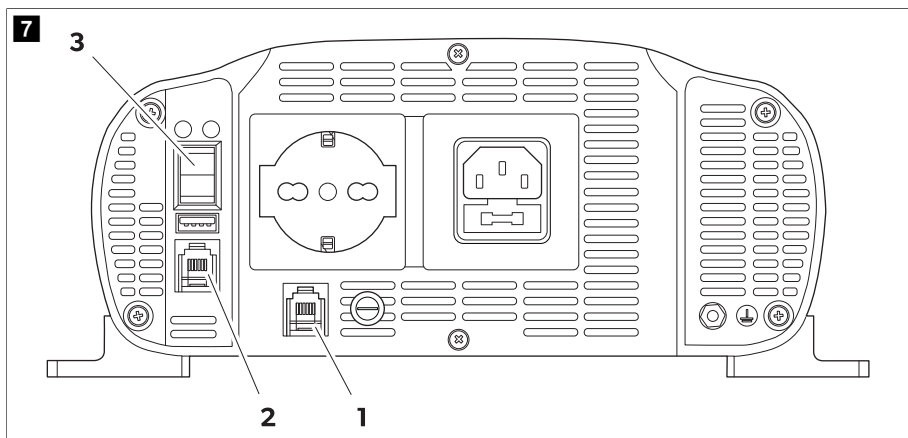
	Pinne	Funksjon
	2	Rød LED-tilkobling
	1-3	Ekstern brytertilkobling
	4	Jord

> Hvis du vil aktivere fjernkontrollen, slår du bryteren av/på ② til posisjon 2.

12 Koble til N-BUS

(kun SPB1000I-12, SPB1500I-12, SPB2000I-12)

1. Koble RJ12-pluggen (BC03, BC06, BC10) til N-BUS-kontakten ( fig. 7 på side 184, 1).




Bruk en flat kabel med 6 poler med RJ12-plugg i en rett konfigurasjon. Pinout-konfigurasjonen er som følger:

Pinne	Funksjon
1	Nettverksstatus
2	Fjernkontroll
3	N-BUS/CI-BUS
4	Jord
5	Bus-spenning (VBUS)
6	(ikke tilkoblet)



PASS PÅ! Fare for skader

Pass på at du ikke blander tilkoblingene for N-BUS og fjernkontrollen ( fig. 7 på side 184, 2).

2. Sett av/på-bryteren ( fig. 7 på side 184, 3) til posisjon II.

3. Koble til N-BUS-kompatible enheter.

Konfigurere vekselretteren i N-BUS-nettverket

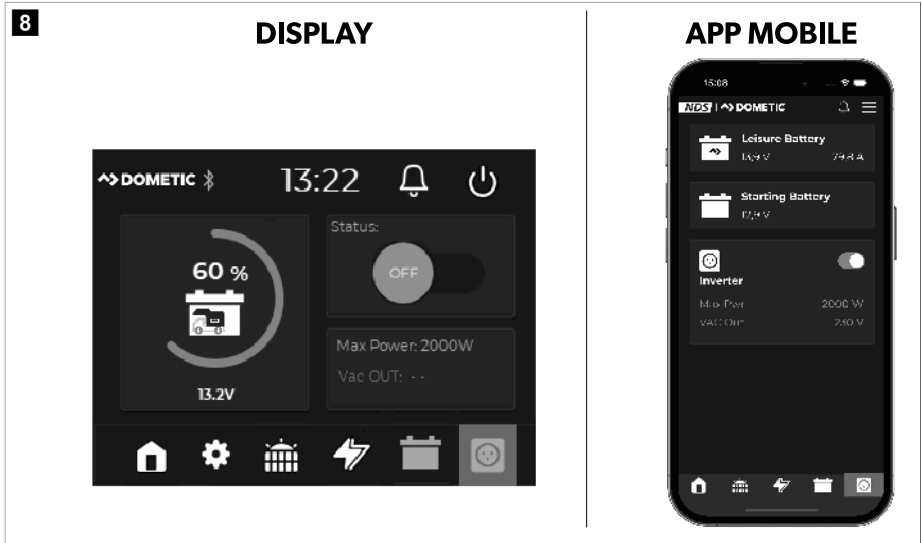
N-BUS-kompatible enheter kan konfigureres og kontrolleres i N-BUS-nettverket via displayet eller mobilappen.



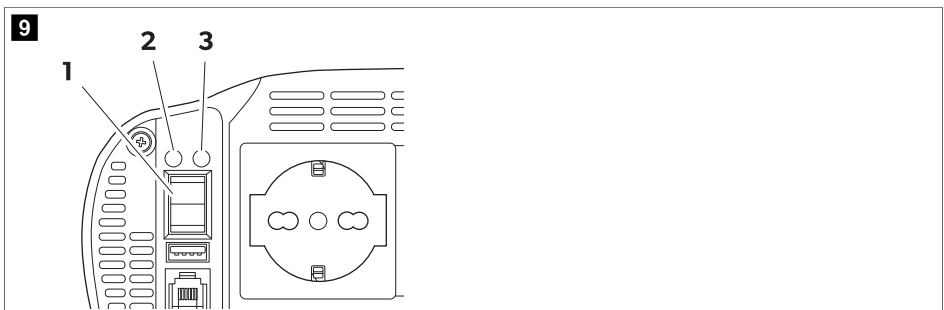
MERK

- Minst én Bluetooth-enhet i N-BUS-nettverket krever at du bruker mobilappen.
- Angi en av enhetene som MASTER.

> Velg vekselrettermenyen og dra glidebryteren til på- eller av-posisjonen for å slå vekselretteren på eller av.



13 Betjening



Av/på-bryter

> For å slå på enheten setter du av/på-bryteren ① til posisjon I.

- > For å slå av enheten, slår du bryteren av/på ① til posisjon 0.
- > Hvis du vil aktivere fjernkontrollen, setter du av/på-bryteren ① til posisjon II.

Visnings-LED

Enheden er utstyrt med en grønn ② og en rød ③ LED-indikator for å vise driftsstatus.

LED:	Beskrivelse
Green	Enheden er på og fungerer som den skal
Red	Feil på enheten

14 Skifte ut sikring

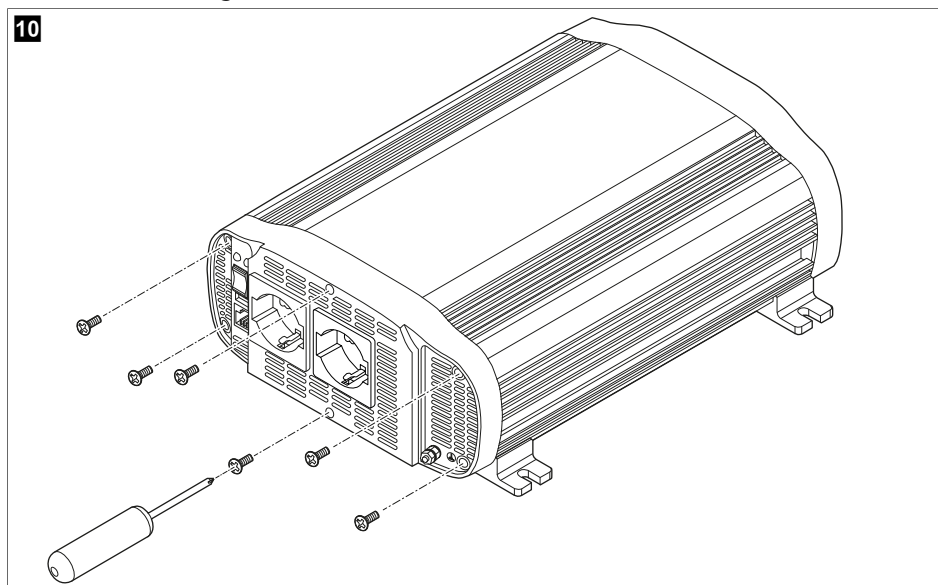


ADVARSEL!

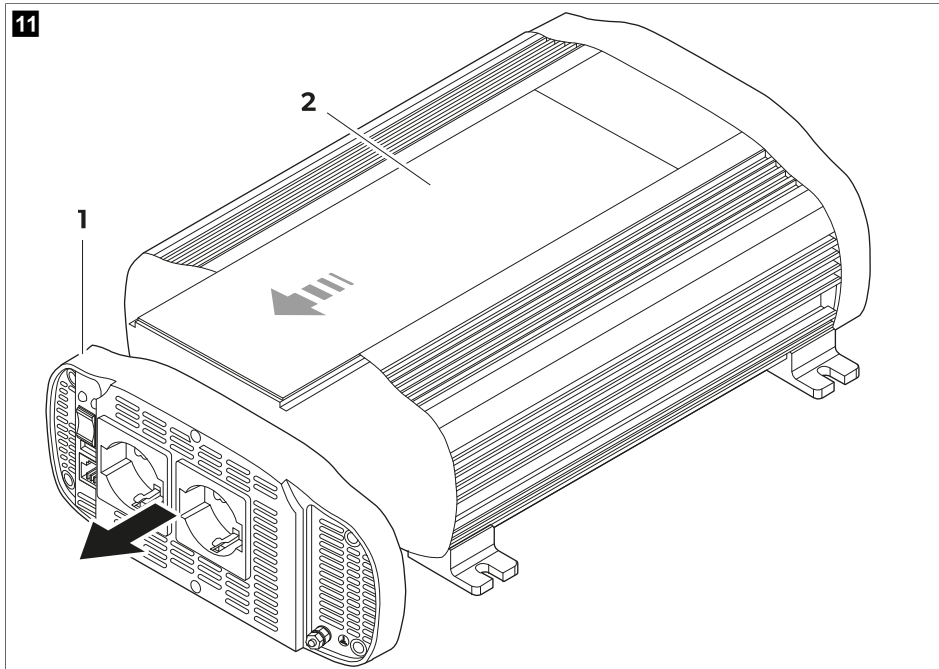
- Fare for elektrisk støt
- Installasjonen må kun utføres av en kvalifisert elektriker.

Enheden er beskyttet av en integrert elektronisk krets. Sikringene er også plassert inne i enheten. Sikringen utløses ved feil polaritet i en tilkobling. Enheter med IVT-funksjon har også en glassikring inne i IEC-kontakten for den eksterne strømnettkontakten. Ekstra sikringer er inkludert i produktemballasjen.

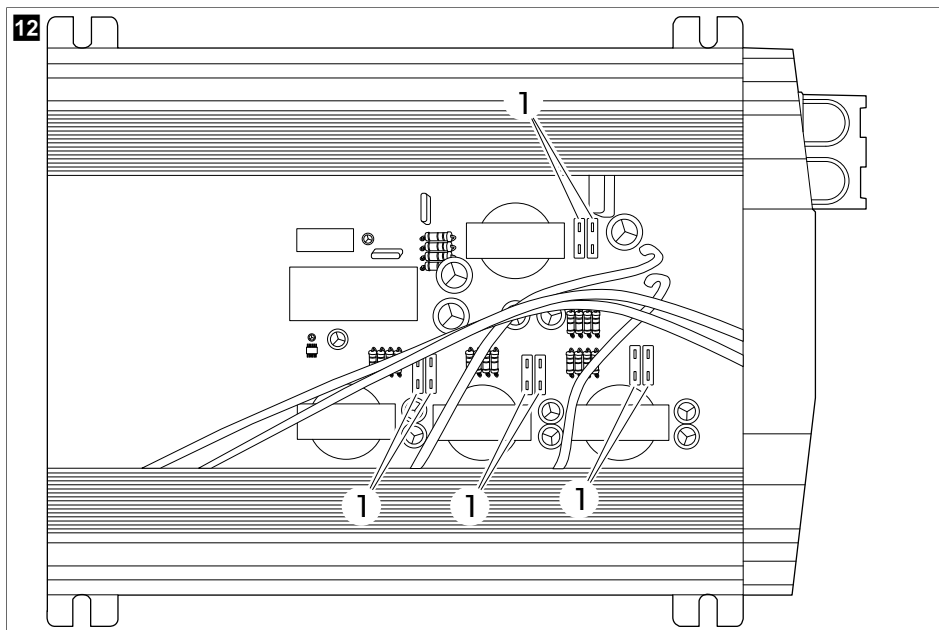
Skifte interne sikringer



1. Skru ut de seks skruene.



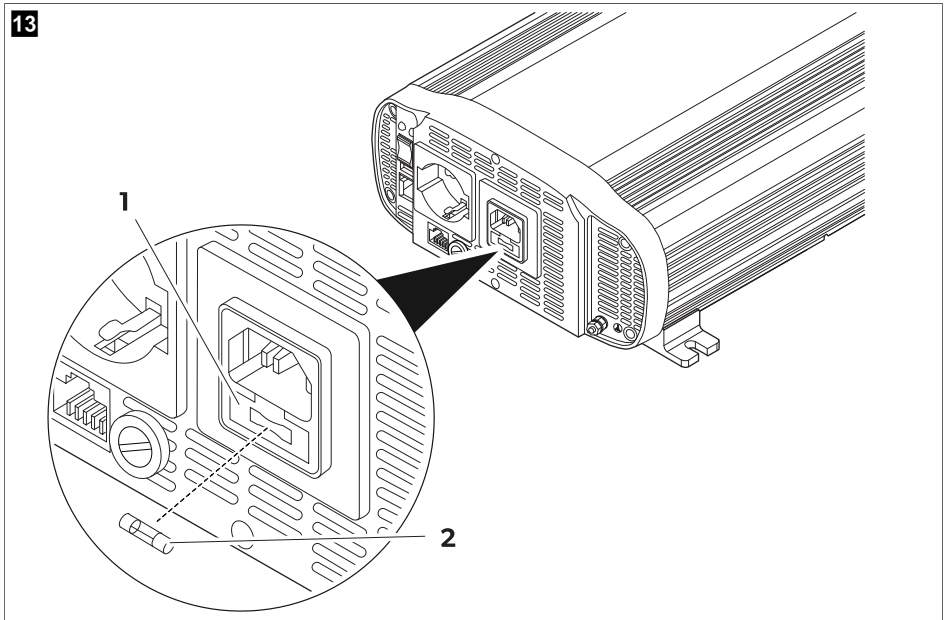
2. Vipp frontskjermen forover ①.
3. Ta av lokket ②.



4. Skift ut sikringen ①.

Modell	Sikringsmengde	Sikringsspesifikasjoner	
SM400-12, SP400-12	1	50 A	rød
SM600-12, SP600-12	2	50 A	rød
SM600-24, SP600-24	2	25 A	hvit
SM1000-12, SP1000-12	4	30 A	grønn
SM1500-12, SP1500-12	6	30 A	grønn
SP1500-24	6	15 A	blå
SP2000-12	8	30 A	grønn
SP3000-12	12	30 A	grønn
SP3000-24	12	15 A	blå

Utskifting av sikringen for IEC-kontakten



1. Åpne lokket ① på sokkelhuset.
2. Skift ut sikringen ②.

Modell	Sikringsmengde	Sikringsspesifikasjoner
SPB1000I-12, SPB1500I-12 og SPB2000I-12	1	10 A (F10AL 250V-glassikring)



MERK Etter at sikringen er skiftet ut, starter enheten automatisk på nytt. Hvis enheten ikke fungerer som den skal etter at sikringen er skiftet ut, må du kontakte en tekniker for å feilsøke problemene.

15 Rengjøring og vedlikehold

- > Rengjør produktet regelmessig med en fuktig klut.
- > Kontroller at inngangs- og utgangstilkoblingene er tette og sikre.
- > Kontroller at ventilasjonsåpningene ikke er blokkert av smuss eller annet materiale.

16 Avfallshåndtering



Resirkulering av emballasje: Lever emballasje til resirkulering så langt det er mulig.



Hvis du ønsker å avfallsbehandle produktet, må du rådføre deg med nærmeste gjenvinningsstasjon eller din faghandler om hvordan du kan gjøre dette i overensstemmelse med gjeldende deponeringsforskrifter. Produktet kan avhendes gratis.



Hvis produkter inneholder ikke-erstattbare batterier, oppladbare batterier eller lyskilder, trenger du ikke fjerne dem før avhending.

17 Garanti


Lovmessig garantitid gjelder. Hvis produktet er defekt: Ta kontakt med produsentens filial (se dometic.com/dealer) eller forhandler i ditt land.

Ved henvendelser vedrørende reparasjon eller garanti, må du sende med følgende dokumentasjon:

- Kopi av kvitteringen med kjøpsdato
- Årsak til reklamasjonen eller beskrivelse av feilen


Vær oppmerksom på at reparasjoner som utføres selv, eller som ikke utføres på en profesjonell måte, kan gå ut over sikkerheten og føre til at garantien blir ugyldig.



18 Tekniske spesifikasjoner

	SM400-12	SM600-12	SM600-24
Kontinuerlig utgangseffekt	400 W	600 W	
Topp-utgangseffekt	800 W (noen sekunder)	1200 W (noen sekunder)	
Utgangsspenning (RMS)/-frekvens	230 V -vekselstrøm / 50 Hz ± 3 Hz		
USB-utgang	5 V 2,1 A		
Inngangsspenning	12 V		24 V
Egenforbruk	200 mA (13,2 V)	220 mA (13,2 V)	100 mA (26,4 V)
Tilkobling	-	-	-
Mål (B x D x H)	140 mm x 184 mm x 71 mm	140 mm x 214 mm x 71 mm	140 mm x 214 mm x 71 mm
Sertifikat	 (10 R-05 0094)		




	SM1000-12	SM1500-12
Kontinuerlig utgangseffekt	1000 W	1500 W
Topp-utgangseffekt	2000 W (noen sekunder)	3000 W (noen sekunder)
Utgangsspenning (RMS)/ utgangsfrekvens	230 V -vekselstrøm / 50 Hz ± 3 Hz	
USB-utgang	5 V 2,1 A	
Inngangsspenning	12 V	
Egenforbruk	530 mA (13,2 V)	460 mA (13,2 V)
Tilkobling	-	-
Mål (B x D x H)	270 mm x 262 mm x 107,5 mm	270 mm x 262 mm x 107,5 mm




	SM1000-12	SM1500-12
Sertifikat	 (10 R-05 0094)	

	SP400-12	SP600-12	SP600-24
Kontinuerlig utgangseffekt	400 W	600 W	
Topp-utgangseffekt	1000 W (noen sekunder)	1500 W (noen sekunder)	
Utgangsspenning (RMS)/ utgangsfrekvens	230 V-vekselstrøm / 50 Hz ± 3 Hz		
USB-utgang	5 V 2,1 A		
Inngangsspenning	12 V		24 V
Egenforbruk	340 mA (13,2 V)	420 mA (13,2 V)	210 mA (26,4 V)
Tilkobling	-	-	-
Mål (B x D x H)	140 mm × 214,5 mm × 71 mm	140 mm × 244,5 mm × 71 mm	140 mm × 244,5 mm × 71 mm
Sertifikat	 (10 R-05 0094)		

	SP1000-12	SPB1000I-12
Kontinuerlig utgangseffekt	1000 W	
Topp-utgangseffekt	2500 W (noen sekunder)	
Utgangsspenning (RMS)/-frekvens	230 V-vekselstrøm / 50 Hz ± 3 Hz	
USB-utgang	5 V 2,1 A	
Inngangsspenning	12 V	
Egenforbruk	870 mA (13,2 V)	680 mA (13,2 V)
Koblingstid fra batteri til eksternt strømnett	-	0,02 s
Koblingstid fra eksternt strømnett til batteri	-	0,1 s
Tilkobling	-	N-BUS
Mål (B x D x H)	270 mm × 262,4 mm × 107,5 mm	270 mm × 262,4 mm × 107,5 mm
Sertifikat	 (10 R-05 0094)	 (10 R-06-02 5174 00)

	SP1500-12	SPB1500I-12	SP1500-24
Kontinuerlig utgangseffekt	1500 W		
Topp-utgangseffekt	4000 W (noen sekunder)		
Utgangsspenning (RMS)/-frekvens	230 V-vekselstrøm / 50 Hz ± 3 Hz		
USB-utgang	5 V 2,1 A		
Inngangsspenning	12 V		24 V
Egenforbruk	850 mA (13,2 V)	930 mA (13,2 V)	620 mA (26,4 V)

	SP1500-12	SPB1500I-12	SP1500-24
Koblingstid fra batteri til eksternt strømnett	-	0,02 s	-
Koblingstid fra eksternt strømnett til batteri	-	0,1 s	-
Tilkobling	-	N-BUS	-
Mål (B x D x H)	270 mm × 322,4 mm × 107,5 mm	270 mm × 360 mm × 107,5 mm	270 mm × 322,4 mm × 107,5 mm
Sertifikat	 (10 R - 05 0094)	 (10 R - 06-02 5174 00)	 (10 R - 05 0094)

	SPB2000I-12	SP3000-12	SP3000-24
Kontinuerlig utgangseffekt	2000 W	3000 W	
Topp-utgangseffekt	6000 W (noen sekunder)	8000 W (noen sekunder)	
Utgangsspenning (RMS)/-frekvens	230 V-vekselstrøm / 50 Hz ± 3 Hz		
USB-utgang	5 V 2,1 A		
Inngangsspenning	12 V		24 V
Egenforbruk	900 mA (13,2 V)	1270 mA (13,2 V)	680 mA (26,4 V)
Koblingstid fra batteri til eksternt strømnett	0,02 s	-	-
Koblingstid fra eksternt strømnett til batteri	0,1 s	-	-
Tilkobling	N-BUS	-	-
Mål (B x D x H)	270 mm × 385 mm × 107,5 mm	270 mm × 452 mm × 107,5 mm	270 mm × 452 mm × 107,5 mm
Sertifikat			
	 (10 R - 06-02 5174 00)	 (10 R - 05 0094)	

Med dette erklærer Dometic at radioutstyret av typen SPB1000I-12, SPB1500I-12 og SPB2000I-12 er i samsvar med direktivet 2014/53/EU. Den komplette teksten for EU-samsvarserklæringen er tilgjengelig på følgende internettsadresse: documents.dometic.com

Suomi

1	Tärkeitä huomautuksia.....	193
2	Symbolien selitykset.....	193
3	Turvallisuusohjeet.....	194
4	Toimituskokonaisuus.....	194
5	Käyttötarkoitus.....	194
6	Kohderyhmä.....	195
7	Tekninen kuvaus.....	195
8	Ennen asennusta.....	196
9	Asennus.....	198
10	Ulkoisen verkkovirran syötön liittäminen (mallit SPB1000I-12, SPB1500I-12 ja SPB2000I-12).....	201
11	Kaukosäätimen liittäminen.....	202
12	N-väylän yhdistäminen.....	203
13	Käyttö.....	204
14	Sulakkeen vaihto.....	205
15	Puhdistus ja hoito.....	208
16	Hävittäminen.....	208
17	Takuu.....	209
18	Tekniset tiedot.....	209

1 Tärkeitä huomautuksia

Lue nämä ohjeet huolellisesti ja noudata kaikkia tämän tuotteen käyttöohjeissa annettuja ohjeita, määräyksiä ja varoituksia. Näin varmistat, että tuotteen asennus, käyttö ja huolto sujuu aina oikein. Näiden ohjeiden TÄYTYY jäädä tuotteen yhteyteen.

Käyttämällä tuotetta vahvistat lukeneesi kaikki ohjeet, määräykset ja varoitukset huolellisesti ja että ymmärrät ja hyväksyt tässä annetut ehdot. Sitoudut käyttämään tuotetta ainoastaan sen käyttötarkoitukseen ja ilmoitetuissa käyttökohteissa ja noudattaen tässä tuotteen käyttöohjeessa annettuja ohjeita, määräyksiä ja varoituksia sekä voimassa olevia lakeja ja määräyksiä. Tässä annettujen ohjeiden ja varoitusten lukematta ja noudattamatta jättäminen voi johtaa omaan tai muiden loukkaantumiseen, tuotteen vaurioitumiseen tai muun ympärillä olevan omaisuuden vaurioitumiseen. Tähän tuotteen käyttöohjeeseen, ohjeisiin, määräyksiin ja varoituksiin sekä ohaisdokumenteihin voidaan tehdä muutoksia ja niitä voidaan päivittää. Katso ajantasaiset tuotetiedot osoitteesta documents.dometic.com.

2 Symbolien selitykset

Merkkisana tunnistaa turvallisuusviestejä ja omaisuusvahinkoihin liittyviä viestejä ja osoittaa lisäksi vaaratekijän vakavuusasteen.



VAROITUS!

viittaavat vaaralliseen tilanteeseen, joka voi johtaa kuolemaan tai vakavaan loukkaantumiseen, jos ohjeita ei noudateta.



HUOMIO!

viittaavat vaaralliseen tilanteeseen, joka voi johtaa lievään tai kohtalaiseen loukkaantumiseen, jos ohjeita ei noudateta.



HUOMAUTUS!

viittaavat tilanteeseen, joka voi johtaa esinevahinkoon, jos ohjeita ei noudateta.



OHJE Tuotteen käyttöä koskevia lisätietoja.

3 Turvallisuusohjeet



VAROITUS! Näiden varoitusten noudattamatta jättäminen voi johtaa kuolemaan tai vakavaan vammaan.

- > Käytä tulipalon sattuessa palonsammutinta, joka sopii sähkölaitteiden sammuttamiseen.
- > Laitetta ei saa ottaa käyttöön, jos laitteessa on näkyviä vaurioita.



HUOMIO! Näiden varoitusten noudattamatta jättäminen voi johtaa kuolemaan tai vakavaan vammaan.

- > Asennuksen, kokoamisen ja johdotuksen sekä kaikki muut työt saa tehdä vain pätevä sähköasentaja. Virheellisesti suoritetuista korjaustoimista saattaa aiheutua huomattavia vaaroja.
- > Asennus mahdollisesti räjähdysalttiille alueille kuten tiloihin, joissa on syttyviä nesteitä tai kaasuja, ei ole sallittua.
- > Älä asenna äläkä säilytä laitetta avoliekkien tai muiden lämpölähteiden (lämmitys, voimakas auringonpaiste, kaasu-uunit jne.) lähellä.
- > Lapset eivät saa leikkiä laitteella.
- > Tätä laitetta voivat käyttää valvonnan alaisuudessa myös vähintään 8-vuotiaat lapset samoin kuin henkilöt, joiden fyysiset, aistinvaraiset tai henkiset kyvyt ovat rajoittuneet tai joilta puuttuu laitteen käytön vaatima kokemus tai tietämys, mikäli edellä mainittuja henkilöitä on opastettu käyttämään laitetta turvallisesti ja mikäli henkilöt ymmärtävät laitteen käyttöön liittyvät riskit.



HUOMAUTUS! Viittaavat tilanteeseen, joka voi johtaa esinevahinkoon, jos ohjeita ei noudateta.

- > Varmista, että tyyppietiketin jännitetiedot vastaavat käytettävissä olevaa energiansyöttöä.
- > Älä koskaan upota laitetta veteen.
- > Suojaa laite ja johdot kuumuudelta ja kosteudelta.
- > Älä altista laitetta sateelle.
- > Varmista, että asennuspinta kestää laitteen painon.
- > Sijoita johdot siten, että johtoihin ei voi kompastua ja että johdot eivät voi vaurioitua.
- > Käytä putkia tai läpivientiholkkeja, jos johtimia täytyy vetää peltiseinien tai muiden terävreunaisten seinien läpi.

4 Toimituskokonaisuus

Kuvaus	Määrä
Invertteri	1
Punainen virtajohto	1
Musta virtajohto	1
Asennus- ja käyttöohje	1

5 Käyttötarkoitus

Laitte on tarkoitettu tarjoamaan liitettuihin laitteisiin 230 V:n jännitettä, joka on tuotettu 12 V :n tai 24 V :n tulojännitteestä. Laitte on suunniteltu käytettäväksi matkailuautoissa, retkeilyautoissa ja busseissa.

Mallisarjaan kuuluu kahdentyyppisiä laitteita:

- Mallit SM400-12, SM600-12, SM600-24, SM1000-12 ja SM1500-12 ovat modifioidun siniaallon tuottavia vaihtosuuntaajia.
- Mallit SP400-12, SP600-12, SP600-24, SP1000-12, SP1500-12, SP1500-24, SP3000-12 ja SP3000-24 ovat puhtaan siniaallon tuottavia vaihtosuuntaajia.

Malleissa SPB1000I-12, SPB1500I-12 ja SPB2000I-12 on integroitu priorisointitoiminto (IVT) ja sulakkeella suojattu tulopistorasia (IEC) ulkoisen teholähteen liittämistä varten.

Tämä tuote soveltuu ainoastaan näissä ohjeissa ilmoitettuun käyttötarkoitukseen ja käyttökohteeseen.

Näistä ohjeista saat tuotteen asianmukaiseen asennukseen ja/tai käyttöön tarvittavat tiedot. Väärin tehdyn asennuksen ja/tai väärän käyttötavan tai vääränlaisen huollon seurauksena laite ei toimi tyydyttävästi, ja se saattaa mennä epäkonttoon.

Valmistaja ei ota vastuuta tapaturmista tai tuotevaurioista, jotka johtuvat seuraavista:

- Väärin tehty asennus tai liitäntä, ylijännite mukaan lukien
- Väärin tehty huolto tai muiden kuin valmistajalta saatavien alkuperäisten varaosien käyttö
- Tuotteeseen ilman valmistajan nimenomaista lupaa tehdyt muutokset
- Käyttö muuhun kuin tässä ohjeessa ilmoitettuun tarkoitukseen

Dometic pidättää itsellään oikeuden muutoksiin tuotteen ulkonäössä ja spesifikaatioissa.

6 Kohderyhmä



Laitteen sähköasennus ja asetusten tekeminen täytyy antaa pätevän sähköasentajan tehtäväksi. Sähköasentajan täytyy pystyä osoittamaan sähkövarusteiden rakenteeseen ja käyttöön sekä asennukseen liittyvät tietonsa ja taitonsa, ja hänen täytyy tuntea asiaa koskevat määräykset, jotka ovat voimassa siinä maassa, jossa varuste on määrä asentaa ja/tai jossa sitä on määrä käyttää. Lisäksi hänellä täytyy olla suoritettuna turvallisuuskoulutus, jonka ansiosta hän pystyy tunnistamaan asiaan liittyvät vaarat ja välttämään ne.

Kaikki muut toimet ovat sallittuja muillekin kuin ammattilaisille.

7 Tekninen kuvaus

Laitteessa on kaksi pääpiiriin vaihetta, joilla 12 V \approx :n tai 24 V \approx :n tulojännite muutetaan AC-lähtöjännitteeksi. Ensimmäinen vaihe on eristetty suurtaajuuksinen DC/DC-muunnin, jolla 12 V :n DC-tulojännite tai 24 V :n DC-tulojännite muutetaan enintään 400 V :n DC-lähtöjännitteeksi. Viimeinen vaihe on H-silta, joka muuntaa DC-suurjänniteväylän 230 V :n AC-jännitteeksi.

Laitteessa on seuraavat pääominaisuudet:

- Vähäinen kulutus.
- Galvaanisesti eristetty tulo ja lähtö, mikä parantaa turvallisuutta.
- Lämpötilan mukaan säätyvä puhallinteho, mikä tekee toiminnasta hiljaisem.
- Integroitu priorisointikytkin ulkoisen sähköverkon ja akun välillä.
- Asennusvalmius päälle-/pois-kaukosäädintä varten.
- Akun varauksen vähenemisen ilmaisu äänimerkillä.
- Poiskytkentä akun varauksen ollessa liian vähäinen tai suuri.
- Poiskytkentä ylikuormitustilanteessa.
- Oikosulku-, ylikuormenemis-, ylikuormitus- ja vääränapaisuussuoja.

- Pehmeä käynnistys.

Vain SPB1000I-12, SPB1500I-12, SPB2000I-12: Laite on yhteensopiva N-väylän (katso kappale N-väylän yhdistäminen sivulla 203) kanssa.

8 Ennen asennusta

Akulle asetettavat vaatimukset

Akun tyyppi ja koko voivat vaikuttaa merkittävästi vaihtosuuntaajan suorituskykyyn. Siksi on tärkeää tietää, minkä tyyppisiä laitteita vaihtosuuntaajaan on määrä liittää ja kuinka pitkä on latausten välinen käyttöaika. Selvitä käyttökohteen akulle asetettavat vähimmäisvaatimukset näin:

1. Katso kaikkien vaihtosuuntaajalla samanaikaisesti käytettävien laitteiden teknisistä tiedoista niiden tehonkulutus. Tehonkulutus ilmoitetaan yleensä watteina. Jos se on ilmoitettu ampeereina, kerro arvo 230 V :lla, niin saat wattimäärän selville.
2. Arvioi, montako tuntia varusteita käytetään, kunnes akku täytyy ladata.
3. Laske energiantarve wattitunteina (Wh) kertomalla määritetty aika wattimäärällä. Jaa tulos 10:llä, jos vaihtosuuntaajan tulojännite on 12 V , tai 20:llä, jos tulojännite on 24 V . Tulokseksi saatava ampeerituntimäärä (Ah) on käyttökohteen tehontarve.



OHJE Jos mahdollista, lataa akku viimeistään, kun 50 % on kulutettu. Näin akun käyttöikä saadaan pidennettyä tuntuvasti verrattuna siihen, että sitä ladattaisiin vain sen syväpurkauduttua.

Häirintäongelmien määräyty

Joidenkin halpahintaisten äänentoistojärjestelmien kaiuttimista saattaa kuulua surinaa, jos niitä käytetään vaihtosuuntaajalla. Tämä johtuu siitä, että äänentoistojärjestelmän virransyöttö ei suodata vaihtosuuntaajan tuottamaa modifioitua siniaaltoa kunnolla. Ongelma voidaan ratkaista käyttämällä äänentoistojärjestelmää, jossa on laadukas virransyöttö, taikka vaihtosuuntaajaa, joka tuottaa puhdasta siniaaltoa. Vaihtosuuntaaja saattaa toiminnassa ollessaan häiritä televisiovastaanottoa tietyillä kanavilla. Jos häiriötä esiintyy, kokeile seuraavaa:

1. Varmista, että vaihtosuuntaajan korimaadoitusruuvi on liitetty ajoneuvon maadoitukseen.
2. Varmista, että television antenni tarjoaa riittävän signaalin ja että antennin johto on hyvässä kunnossa.
3. Pidä akun ja vaihtosuuntaajan väliset johdot mahdollisimman lyhyinä ja kierrä ne yhteen, jotta säteilypäästö vähenee.
4. Siirrä televisio mahdollisimman kauas vaihtosuuntaajasta.
5. Älä käytä suuritehoisia laitteita vaihtosuuntaajalla television ollessa päällä.

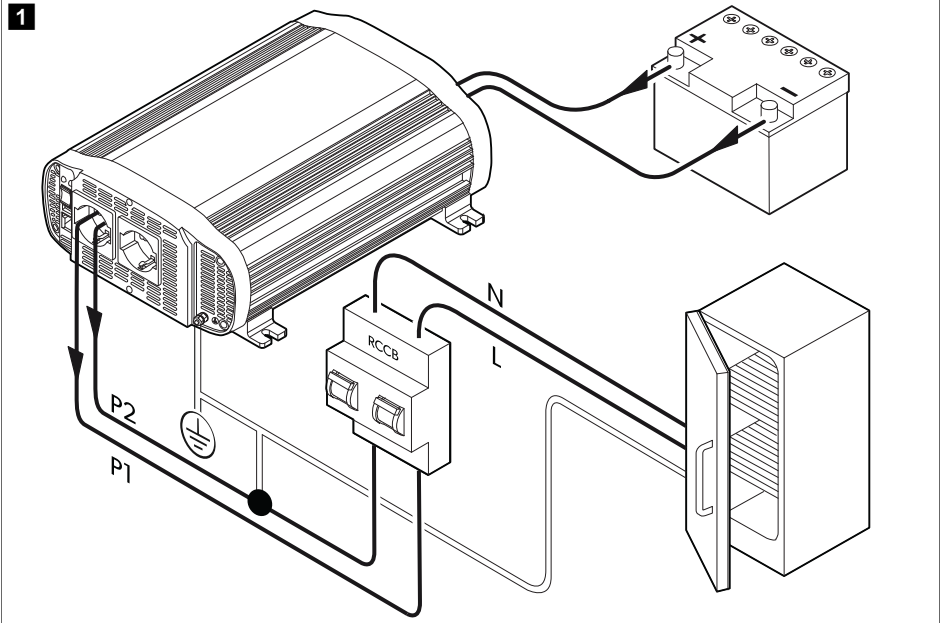
Maavuotosuojaus (ei malleissa SPB1000I-12, SPB1500I-12 ja SPB2000I-12)



HUOMAUTUS! Vahingonvaara

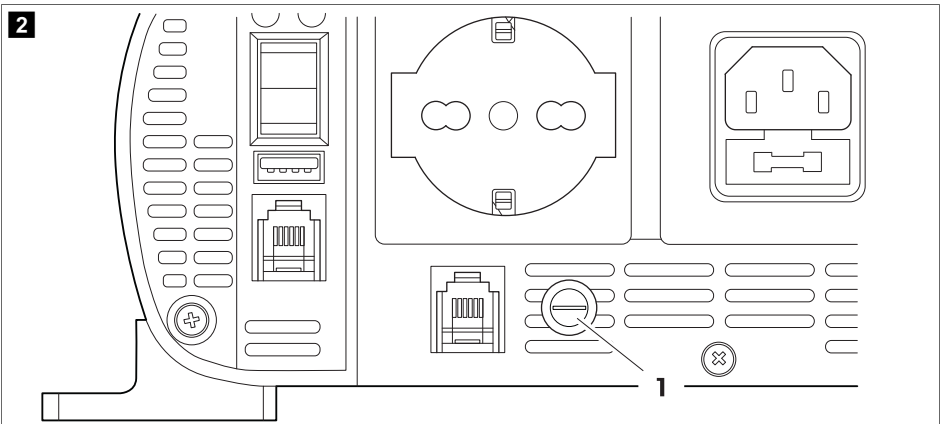
Jotta useita sähkölaitteita on turvallista käyttää samanaikaisesti, pistorasian pääjohtoon on ehdottomasti asennettava suojajytkin (vikavirtasuojajytkin).

Maadoitettu pistorasia sopii turvajärjestelmille kuten vikavirtasuojajytkimelle (RCCB). Liitä vikavirtasuojajytkin seuraavan kaavion mukaisesti:



1. Liitä vaiheen lähtö (P1) ja nolajännitteen lähtö (P2) vikavirtasuojakytkimen tuloon.
2. Liitä vaihtosuuntaajan maadoitus toiseen johdoista, jotka on liitetty vikavirtasuojakytkimen tuloon.
3. Liitä nolajännitteen ja vaiheen lähtö vikavirtasuojakytkimen tulosta laitteisiin.
4. Liitä vaihtosuuntaajan maadoitus laitteiden maadoitukseen.

Maavuotosuojalaus (malleissa SPB1000I-12, SPB1500I-12 ja SPB2000I-12)





HUOMAUTUS! Vahingonvaara

Edellä oleva kaavio koskee vain vaihtosuuntaajan lähtöliitäntää. Ulkoisen verkkosähkötulon IEC-liitin täytyy liittää ulkoisen verkkosähkölähteen katkaisimen lähtöön.

Mallien SPB1000I-12, SPB1500I-12 ja SPB2000I-12 TN- tai IT-tyypin maadoitusjärjestelmät voidaan määrittää sulakkeen avulla.

- > TN-tyypin maadoitusjärjestelmää varten sulakkeen täytyy olla sulakkeenpitimessä ①.
- > IT-tyypin maadoitusjärjestelmää varten sulake **ei** saa olla sulakkeenpitimessä ①.

9 Asennus



HUOMIO! Vahingonvaara

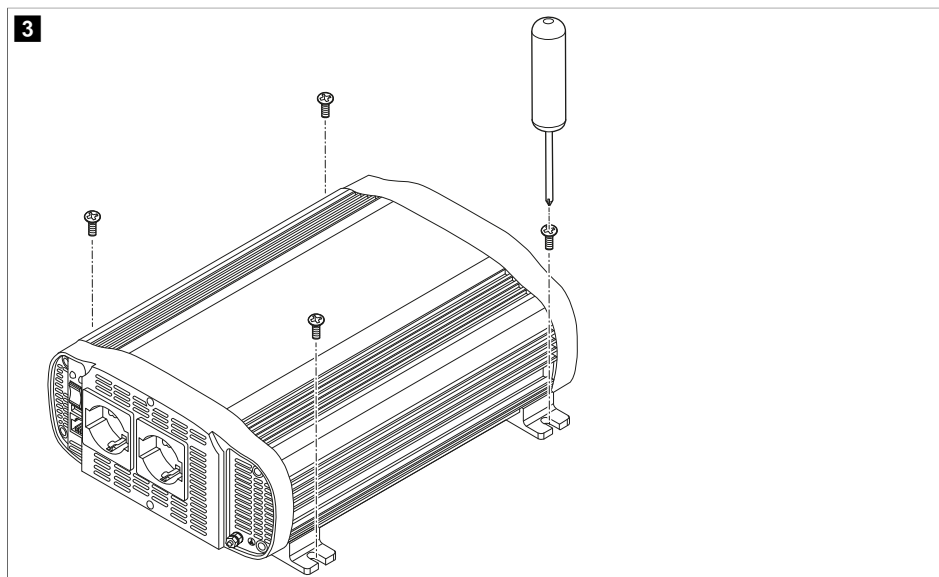
Älä asenna laitetta lämpölähteiden lähelle äläkä tilaan, jossa ilmanvaihto ei ole riittävä.



OHJE Laitte voidaan asentaa mihin asentoon tahansa. Jos se asennetaan pystypintaan, pitkän sivun kannattaa olla lattian suuntainen.



OHJE Asenna laite mahdollisimman lähelle 12 V :n / 24 V :n tehonlähdettä.



1. Kiinnitä laite neljällä kiinnitysliapalla tarkoitukseen sopivia ruuveja käyttäen.



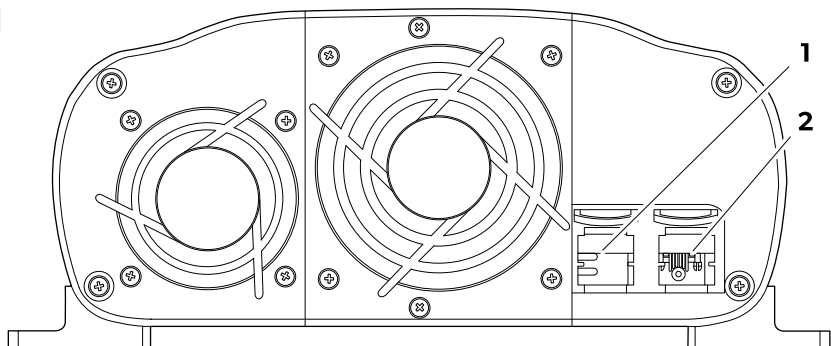
HUOMAUTUS! Vahingonvaara

Varmista, että virta on kytketty pois, ennen kuin liität laitteen.

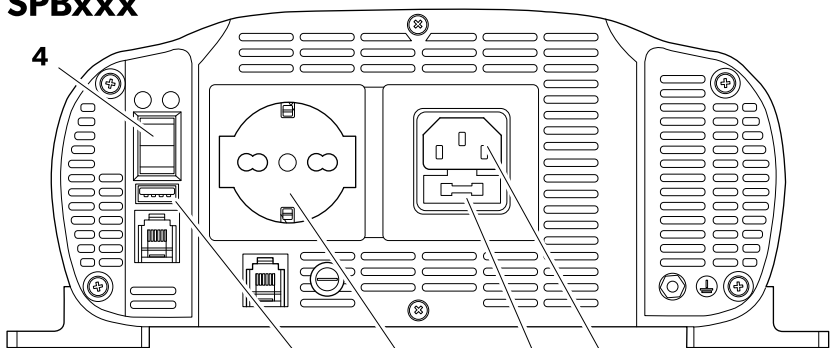


OHJE Liitä akku laitteeseen mukana toimitetuilla johdoilla. Jos akun ja laitteen välinen etäisyys on yli 2 metriä, johdon poikkipinta-alaa täytyy suurentaa, jotta jännitteen alenema ja tehon heikkeneminen voidaan välttää.

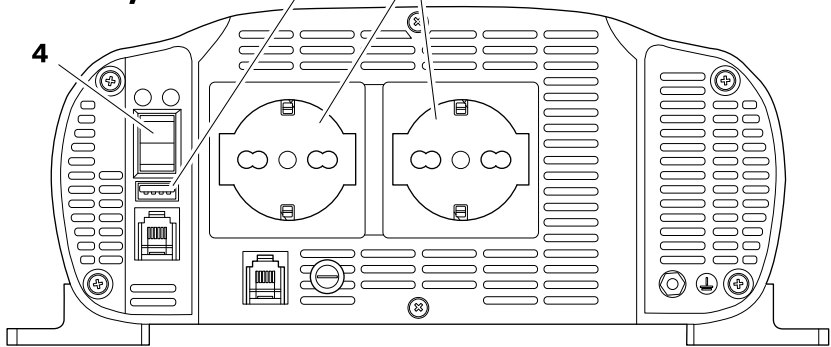
4



SPBxxx



SMxxx, SPxxx



2. Yhdistä akun miinusnapa vaihtosuuntaajan miinusnapaan ①.



HUOMAUTUS! Vahingonvaara

Asenna akun plusjohtoon sulake liitettyjen laitteiden suojaksi.

3. Yhdistä akun plusnapa vaihtosuuntaajan plusnapaan ②.



HUOMAUTUS! Vahingonvaara

Ennen kuin liität laitetta vaihtosuuntaajaan, varmista että se on kytketty pois päältä.

4. Liitä 230 V :n laite lähtöliittimeen ③.
5. Kytke vaihtosuuntaaja päälle päälle-/pois-kytkimellä ④.



OHJE Kun vaihtosuuntaaja on kytketty päälle, sekä punainen että vihreä LED syttyy 3 – 5 sekunniksi. Vähän ajan kuluttua punainen LED sammuu ja vain vihreä jää palamaan, ja laite antaa äänimerkin. Vihreä LED kertoo, että vaihtosuuntaaja toimii oikein.



HUOMAUTUS! Vahingonvaara

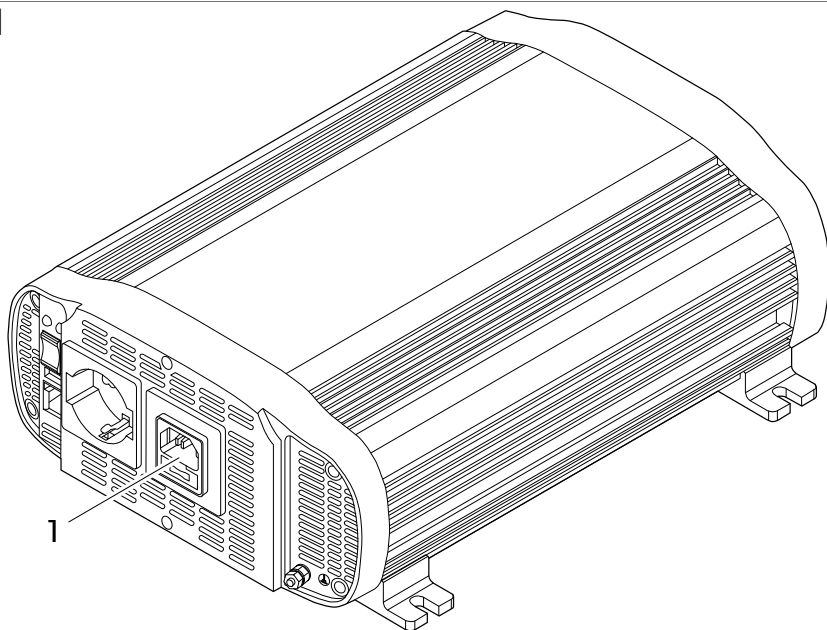
- > Jos aiot käyttää useampaa kuin yhtä laitetta, liitä suuremman tehon vaativa laite ensin.
- > Varmista, että laitteiden yhteenlaskettu tehontarve ei ylitä vaihtosuuntaajan nimellisantotehoa.
- > Jos liität laitteen vaihtosuuntaajaan jatkojohdolla, jatkojohto saa olla enintään 1,5 m.
- > Älä liitä vaihtosuuntaajaa vaihtovirtakuormituspiiriin, jonka nollajohdin on kytketty maahan.

6. Liitä muut 230 V :n laitteet ja kytke ne päälle.
7. Jos aiot ladata 5 V :n laitetta, liitä se USB-porttiin ⑤.

10 Ulkoisen verkkovirran syötön liittäminen (mallit SPB1000I-12, SPB1500I-12 ja SPB2000I-12)

Liitettäisiin laitteisiin voidaan syöttää vaihtovirtaa suoraan julkisesta sähköverkosta liittämällä IEC-johto ulkoiseen verkkovirtapistoraasiaan.

5

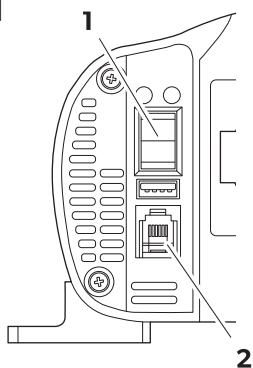


1. Liitä johto liittimeen ①.
2. Asenna sulake johtosulakkeen pitimeen ⑦ tai poista se sieltä halutun tyyppin maadoitusjärjestelmän mukaisesti (katso kappale Ennen asennusta sivulla 196).

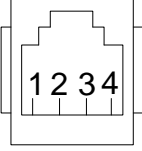
11 Kaukosäätimen liittäminen

Laitetta voidaan etäkäyttää valinnaisella ulkoisella kytkimellä (RC03) tai millä tahansa yleisillä kytkimellä, joka on konfiguroitu laitteen RJ11-liittimeen ①. Seuraavassa kuvattua napakonfiguraatiota voidaan käyttää suuntaa antavina ohjeina, kun käytetään yleisistä ulkoista kytkintä.

6



Valinnaisen ulkoisen RC03-kytkimen napakonfiguraatio on seuraavanlainen:

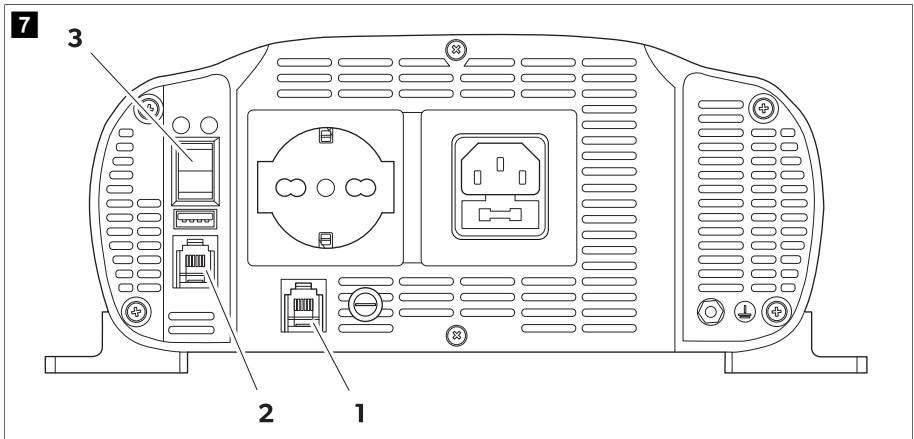
	Napa	Toiminto
	2	Punainen LED-liitäntä
	1-3	Ulkoisen kytkimen liitäntä
	4	Maa

- > Kaukosäädin hyväksytään siirtämällä päälle-/pois-kytkin ② asentoon 2.

12 N-väylän yhdistäminen

(vain SPB1000I-12, SPB1500I-12, SPB2000I-12)

1. Liitä RJ12-pistoke (BC03, BC06, BC10) N-väylän liitäntään ( kuva. **7** sivulla 203, **1**).



Käytä 6-napaista lattakaapelia, jossa on RJ12-pistoke, suorassa asennuksessa. Liitinkokoonpano on seuraava:

Napa	Toiminto
1	Verkon tila
2	Kaukosäädin
3	N-väylä/CI-väylä
4	Maa
5	Väylän jännite (VBUS)
6	(ei liitetty)



HUOMAUTUS! Vahingonvaara

Älä sekoita N-väylän ja kaukosäätimen liitäntöjä keskenään ( kuva. **7** sivulla 203, **2**).

2. Aseta päälle-/pois-kytkin ( kuva. **7** sivulla 203, **3**) asentoon II.

3. Yhdistä N-väylälaitteet.

Vaihtosuuntaajan määrittäminen N-väyläverkkoon

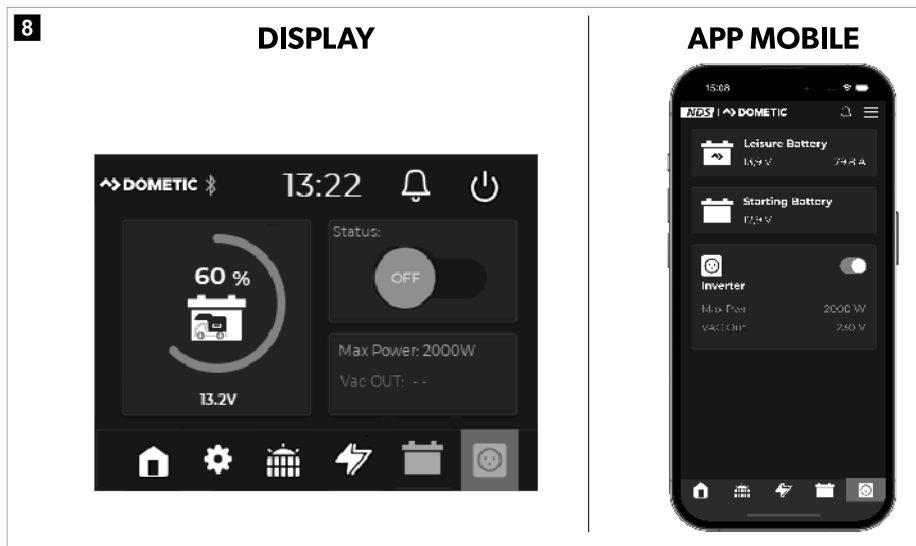
N-väylälaitteita voidaan määrittää ja ohjata N-väyläverkossa näytön tai mobiilisovelluksen kautta.



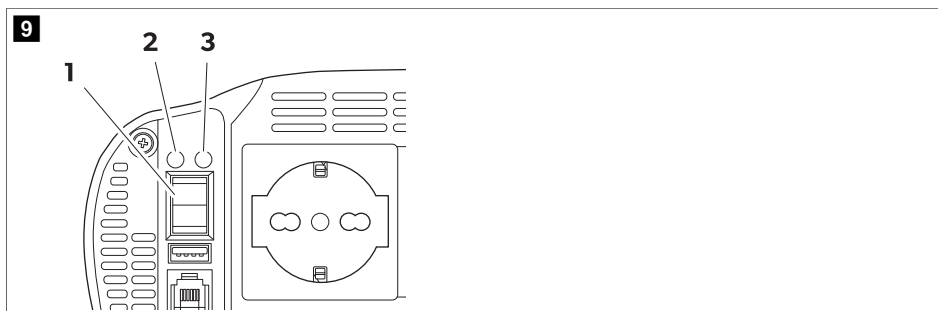
OHJE

- Mobiilisovelluksen käyttäminen edellyttää vähintään yhtä Bluetooth-laitetta N-väyläverkossa.
- Aseta yksi laitteista MASTER-tilaan.

> Valitse vaihtosuuntaajan valikko ja vedä liukusäädin on- tai off-asentoon kytkeäksesi vaihtosuuntaajan päälle tai pois päältä.



13 Käyttö



Päälle-/pois-kytkin

> Laite kytetään päälle painamalla päälle-/pois-kytkin ① asentoon I.

- > Laitte kytetään pois päältä painamalla päälle-/pois-kytkin ① asentoon 0.
- > Kaukosäädin otetaan käyttöön painamalla päälle-/pois-kytkin ① asentoon II.

LED-näytöt

Laitteessa on vihreä ② ja punainen ③ LED-näyttö, jotka kertovat käyttötilan.

LED	Kuvaus
Green	Laitte on päällä ja toimii oikein
Red	Laitteen virhetoiminto

14 Sulakkeen vaihto

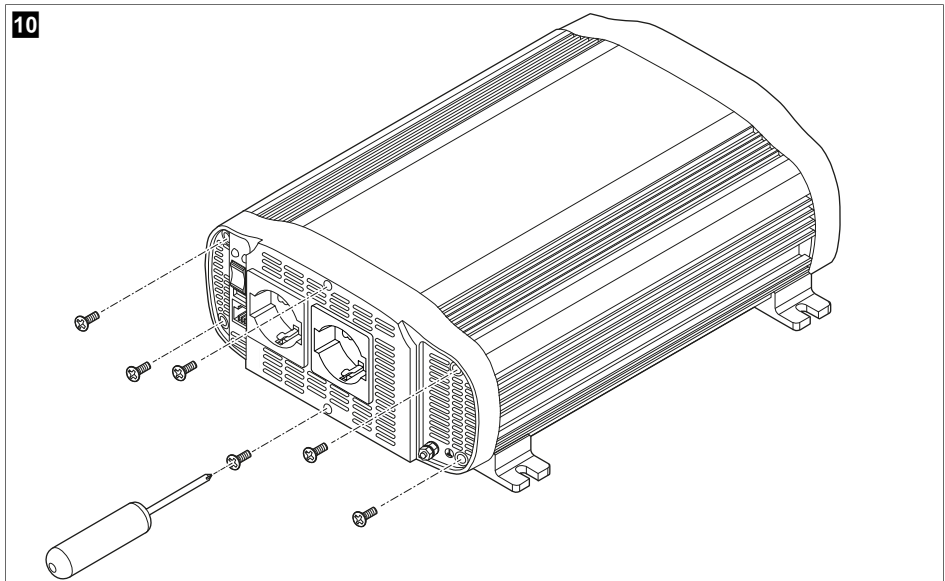


VAROITUS!

- Sähköiskun vaara
- Asennuksen saa tehdä vain pätevä sähköasentaja.

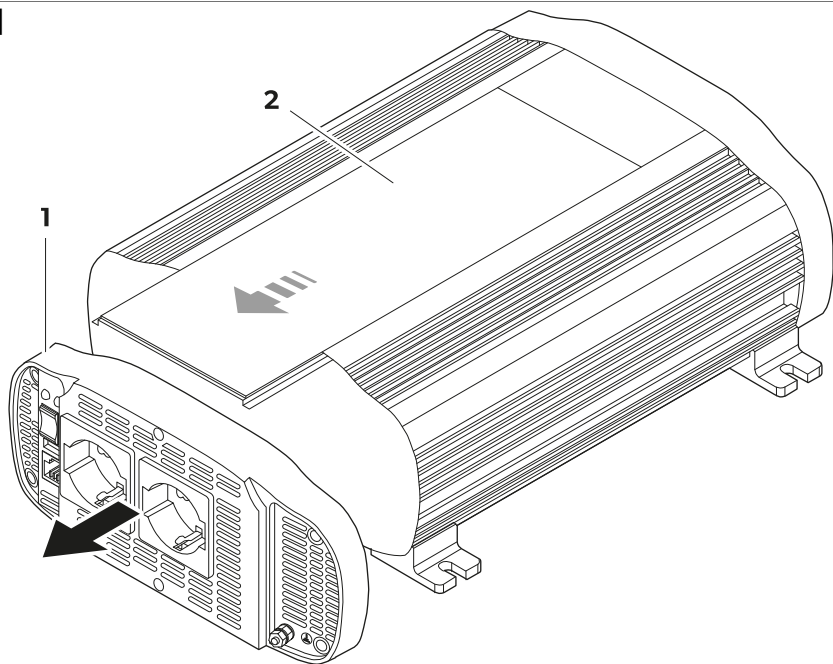
Laitteen suojana on integroitu elektroninen piiri. Laitteen sisällä on lisäksi sulakkeita. Jos johdot liitetään väärin napoihin, sulake laukeaa. Jos laitteessa on IVT-toiminto, ulkoisen verkkovirtaliitännän IEC-pistorasiassa on lisäksi lasisulake. Tuotteen pakkauksessa on varasulakkeita.

Sisäisten sulakkeiden vaihto



1. Irrota kuusi ruuvia.

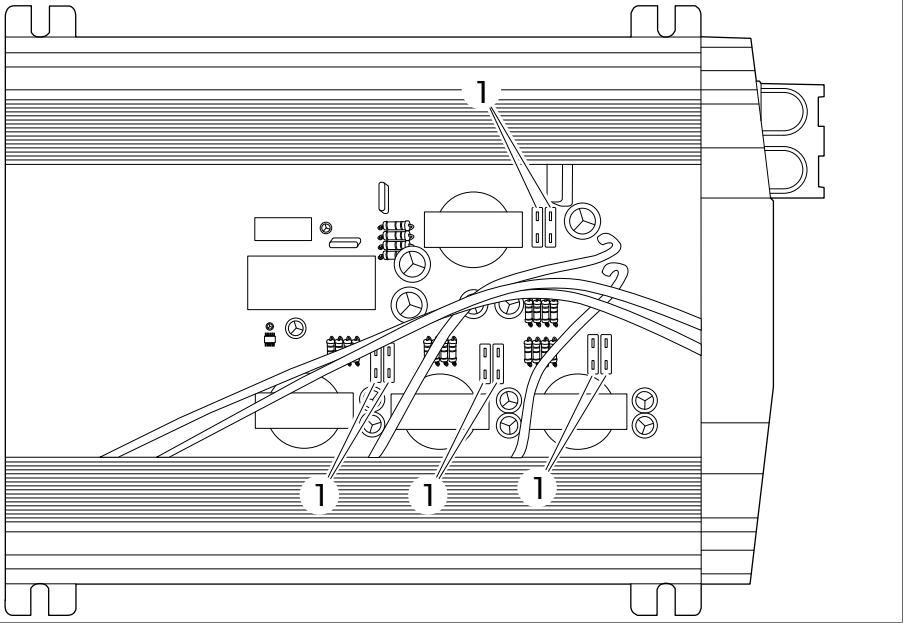
11



2. Käännä etupaneeli eteen ①.

3. Irrota kansi ②.

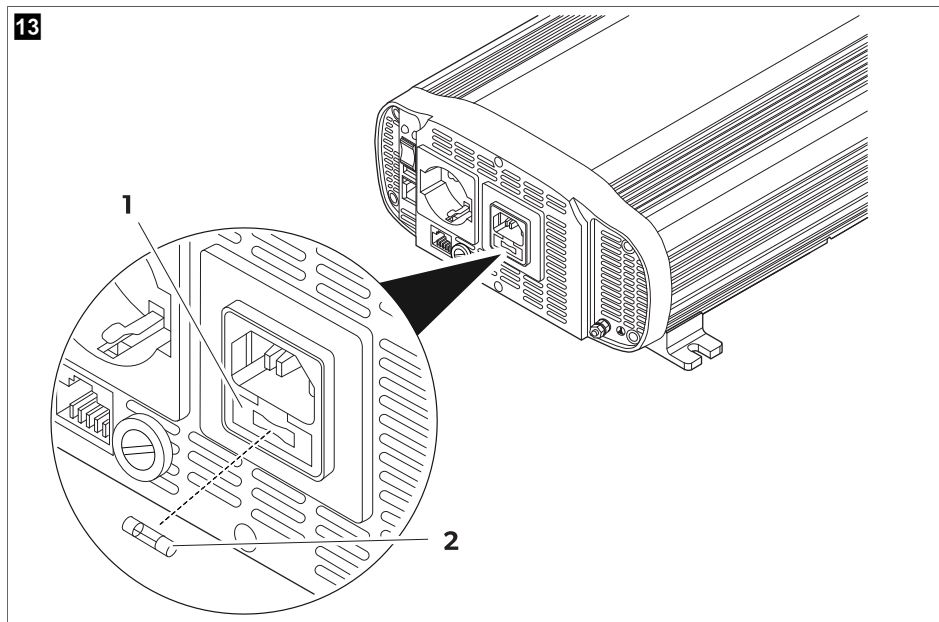
12



4. Vaihda sulake ①.

Malli	Sulakkeiden määrä	Sulakkeen arvo	
SM400-12, SP400-12	1	50 A	punainen
SM600-12, SP600-12	2	50 A	punainen
SM600-24, SP600-24	2	25 A	valkoinen
SM1000-12, SP1000-12	4	30 A	vihreä
SM1500-12, SP1500-12	6	30 A	vihreä
SP1500-24	6	15 A	sininen
SP2000-12	8	30 A	vihreä
SP3000-12	12	30 A	vihreä
SP3000-24	12	15 A	sininen

IEC-pistorasian sulakkeen vaihto



1. Avaa pistorasiakotelon kansi ①.
2. Vaihda sulake ②.

Malli	Sulakkeiden määrä	Sulakkeen arvo
SPB1000I-12, SPB1500I-12 ja SPB2000I-12	1	10 A (F10AL 250 V lasisulake)



OHJE Laite kytkeytyy automaattisesti uudelleen päälle sulakkeen vaihdon jälkeen. Jos laite ei toimi kunnolla sulakkeen vaihdon jälkeen, pyydä asentajaa selvittämään ongelman syy.

15 Puhdistus ja hoito

- > Puhdista tuote toisinaan ulkopuolelta kostealla liinalla.
- > Varmista, että tulo- ja lähtöliitännät on liitetty tiukkaan ja tukevasti.
- > Varmista, että tuuletusaukot eivät ole liian tukkimia tai minkään materiaalin peittämiä.

16 Hävittäminen



Pakkausmateriaalin kierrätys: Vie pakkausmateriaalit mahdollisuuksien mukaan niille tarkoitettuihin kierrätysjäteastioihin.



Jos haluat poistaa tuotteen lopullisesti käytöstä, tiedustele yksityiskohtaisia hävittämistä koskevia ohjeita ja määräyksiä lähimmästä kierrätyskeskuksesta tai jälleenmyyjältä. Tuotteen voi hävittää veloituksetta.



Jos tuotteessa on kiinteästi asennettuja akkuja, ladattavia akkuparistoja tai valonlähteitä, niitä ei tarvitse poistaa ennen tuotteen hävittämistä.

17 Takuu

Tuotetta koskee lakisääteinen tuotevastuuaika. Jos tuote on viallinen, ota yhteyttä valmistajan toimipisteeseen omissa maassasi (ks. dometic.com/dealer) tai jälleenmyyjään.

Jos lähetät tuotteen korjattavaksi, liitä korjaus- ja takuukäsittelyä varten mukaan seuraavat asiakirjat:


- Kopio kuitista, jossa näkyy ostopäivä
- Valitusperuste tai vikakuvaus



Huomaa, että itse tai väärin tehty korjaus voi vaarantaa turvallisuuden ja johtaa takuun raukeamiseen.

18 Tekniset tiedot




	SM400-12	SM600-12	SM600-24
Jatkuva lähtöteho	400 W	600 W	
Huippulähtöteho	800 W (muutaman sekunnin ajan)	1200 W (muutaman sekunnin ajan)	
Lähtöjännite (RMS) / taajuus	230 V :n vaihtovirta / 50 Hz ± 3 Hz		
USB Output	5 V 2,1 A		
Tulojännite	12 V		24 V
Oma kulutus	200 mA (13,2 V)	220 mA (13,2 V)	100 mA (26,4 V)
Liitännät	-	-	-
Mitat (L x S x K)	140 mm × 184 mm × 71 mm	140 mm × 214 mm × 71 mm	140 mm × 214 mm × 71 mm
Sertifikaatti	 (10 R-05 0094)		




	SM1000-12	SM1500-12
Jatkuva lähtöteho	1000 W	1500 W
Huippulähtöteho	2000 W (muutaman sekunnin ajan)	3000 W (muutaman sekunnin ajan)
Lähtöjännite (RMS) / taajuus	230 V :n vaihtovirta / 50 Hz ± 3 Hz	
USB Output	5 V 2,1 A	
Tulojännite	12 V	
Oma kulutus	530 mA (13,2 V)	460 mA (13,2 V)
Liitännät	-	-
Mitat (L x S x K)	270 mm × 262 mm × 107,5 mm	270 mm × 262 mm × 107,5 mm
Sertifikaatti	 (10 R-05 0094)	

	SP400-12	SP600-12	SP600-24
Jatkuva lähtöteho	400 W	600 W	
Huippulähtöteho	1000 W (muutaman sekunnin ajan)	1500 W (muutaman sekunnin ajan)	
Lähtöjännite (RMS) / taajuus	230 V :n vaihtovirta / 50 Hz ± 3 Hz		
USB Output	5 V 2,1 A		
Tulojännite	12 V		24 V
Oma kulutus	340 mA (13,2 V)	420 mA (13,2 V)	210 mA (26,4 V)
Liitännät	-	-	-
Mitat (L x S x K)	140 mm × 214,5 mm × 71 mm	140 mm × 244,5 mm × 71 mm	140 mm × 244,5 mm × 71 mm
Sertifikaatti	 (10 R - 05 0094)		

	SP1000-12	SPB1000I-12
Jatkuva lähtöteho	1000 W	
Huippulähtöteho	2500 W (muutaman sekunnin ajan)	
Lähtöjännite (RMS) / taajuus	230 V :n vaihtovirta / 50 Hz ± 3 Hz	
USB Output	5 V 2,1 A	
Tulojännite	12 V	
Oma kulutus	870 mA (13,2 V)	680 mA (13,2 V)
Vaihto aika akusta ulkoiseen verkkosähköön	-	0,02 s
Vaihto aika ulkoisesta verkkosähköstä akkuun	-	0,1 s
Liitännät	-	N-väylä
Mitat (L x S x K)	270 mm × 262,4 mm × 107,5 mm	270 mm × 262,4 mm × 107,5 mm
Sertifikaatti	 (10 R - 05 0094)	 (10 R - 06-02 5174 00)

	SP1500-12	SPB1500I-12	SP1500-24
Jatkuva lähtöteho	1500 W		
Huippulähtöteho	4000 W (muutaman sekunnin ajan)		
Lähtöjännite (RMS) / taajuus	230 V :n vaihtovirta / 50 Hz ± 3 Hz		
USB Output	5 V 2,1 A		
Tulojännite	12 V		24 V
Oma kulutus	850 mA (13,2 V)	930 mA (13,2 V)	620 mA (26,4 V)
Vaihto aika akusta ulkoiseen verkkosähköön	-	0,02 s	-
Vaihto aika ulkoisesta verkkosähköstä akkuun	-	0,1 s	-
Liitännät	-	N-väylä	-

	SP1500-12	SPB1500I-12	SP1500-24
Mitat (L x S x K)	270 mm × 322,4 mm × 107,5 mm	270 mm × 360 mm × 107,5 mm	270 mm × 322,4 mm × 107,5 mm
Sertifikaatti	 (10 R - 05 0094)	 (10 R - 06-02 5174 00)	 (10 R - 05 0094)

	SPB2000I-12	SP3000-12	SP3000-24
Jatkuva lähtöteho	2000 W	3000 W	
Huippulähtöteho	6000 W (muutamman sekunnin ajan)	8000 W (muutamman sekunnin ajan)	
Lähtöjännite (RMS) / taajuus	230 V :n vaihtovirta / 50 Hz ± 3 Hz		
USB Output	5 V 2,1 A		
Tulojännite	12 V		24 V
Oma kulutus	900 mA (13,2 V)	1270 mA (13,2 V)	680 mA (26,4 V)
Vaihtoaika akusta ulkoiseen verkkosähköön	0,02 s	-	-
Vaihtoaika ulkoisesta verkkosähköstä akkuun	0,1 s	-	-
Liitännät	N-väylä	-	-
Mitat (L x S x K)	270 mm × 385 mm × 107,5 mm	270 mm × 452 mm × 107,5 mm	270 mm × 452 mm × 107,5 mm
Sertifikaatti			
	 (10 R - 06-02 5174 00)	 (10 R - 05 0094)	

Dometic vakuuttaa täten, että radiolaite tyyppi SPB1000I-12, SPB1500I-12 ja SPB2000I-12 on direktiivin 2014/53/EU mukainen. EU-vaatimustenmukaisuusvakuutuksen teksti on luettavissa kokonaisuudessaan seuraavassa Internet-osoitteessa: documents.dometic.com

Polski

1	Ważne wskazówki.....	212
2	Objaśnienie symboli.....	212
3	Wskazówki bezpieczeństwa.....	213
4	W zestawie.....	213
5	Użytkowanie zgodne z przeznaczeniem.....	214
6	Odbiorcy instrukcji.....	214
7	Opis techniczny.....	214
8	Przed montażem.....	215
9	Montaż.....	217
10	Podłączanie zewnętrznego zasilania sieciowego (modele SPB1000I-12, SPB1500I-12 i SPB2000I-12)....	220
11	Podłączanie pilota.....	221
12	Podłączanie N-BUS.....	222
13	Eksplloatacja.....	224
14	Wymiana bezpiecznika.....	224
15	Czyszczenie i konserwacja.....	228
16	Utylizacja.....	228
17	Gwarancja.....	229
18	Dane techniczne.....	229

1 Ważne wskazówki

Prosimy o uważne przeczytanie niniejszej instrukcji obsługi produktu i przestrzeganie wszystkich zaleceń, wskazówek oraz ostrzeżeń w niej zawartych w celu zapewnienia prawidłowego montażu, użytkowania oraz konserwacji produktu w każdej sytuacji. Niniejsza instrukcja MUSI przez cały czas pozostawać przy produkcie.

Korzystając z produktu, użytkownik potwierdza uważne przeczytanie wszelkich instrukcji, wskazówek i ostrzeżeń, ich zrozumienie oraz zobowiązuje się przestrzegać zawartych w nich warunków. Użytkownik zobowiązuje się wykorzystywać niniejszy produkt wyłącznie zgodnie z jego przeznaczeniem i zamierzonym zastosowaniem oraz z instrukcjami, wskazówkami i ostrzeżeniami wyszczególnionymi w niniejszej instrukcji produktu, jak również ze wszystkimi mającymi zastosowanie przepisami i regulacjami prawnymi.

Nieprzestrzeganie zawartych tu instrukcji i ostrzeżeń może skutkować obrażeniami u użytkownika oraz osób trzecich, uszkodzeniem produktu lub też uszkodzeniem mienia w sąsiedztwie produktu. Zastrzega się możliwość wprowadzania zmian i aktualizacji niniejszej instrukcji produktu, wraz z instrukcjami, wskazówkami i ostrzeżeniami oraz powiązaną dokumentacją. Aktualne informacje dotyczące produktu można zawsze znaleźć na stronie documents.dometic.com.

2 Objąśnienie symboli

Słowo sygnałowe pozwala rozpoznać komunikaty dotyczące bezpieczeństwa i komunikaty dotyczące uszkodzeń mienia, a także wskazuje stopień lub poziom zagrożenia.



OSTRZEŻENIE!

Wskazuje niebezpieczną sytuację, która – jeśli się jej nie uniknie – może prowadzić do śmierci lub poważnych obrażeń.



OSTROŻNIE!

Wskazuje niebezpieczną sytuację, która – jeśli się jej nie uniknie – może prowadzić do lekkich lub umiarkowanych obrażeń.



UWAGA!

Wskazuje sytuację, która – jeśli się jej nie uniknie – może prowadzić do powstania szkód materialnych.



WSKAZÓWKA Dodatkowe informacje dotyczące obsługi produktu.

3 Wskazówki bezpieczeństwa



OSTRZEŻENIE! Nieprzestrzeganie tych ostrzeżeń może prowadzić do śmierci lub ciężkich obrażeń.

- > W przypadku pożaru należy użyć gaśnicy odpowiedniej do gaszenia urządzeń elektrycznych.
- > Nie używać urządzenia, jeśli ma ono widoczne uszkodzenia.



OSTROŻNIE! Nieprzestrzeganie tych ostrzeżeń może prowadzić do śmierci lub ciężkich obrażeń.

- > Montaż, instalacja, oprzewodowanie oraz wszelkie inne prace mogą być wykonywane wyłącznie przez osoby wykwalifikowane w zakresie elektrotechniki. Nieodpowiednio wykonane naprawy mogą być przyczyną poważnych zagrożeń.
- > Montaż w przestrzeniach zagrożonych wybuchem, takich jak pomieszczenia, w których znajdują się łatwopalne ciecze lub gazy, jest niedopuszczalny.
- > Nie montować ani nie przechowywać urządzenia w pobliżu płomieni ani innych źródeł ciepła (ogrzewania, bezpośredniego promieniowania słonecznego, piekarników gazowych itp.).
- > Dzieci nie mogą bawić się urządzeniem.
- > Dzieci od 8 lat i osoby o ograniczonych możliwościach fizycznych, sensorycznych lub intelektualnych oraz osoby niedysponujące stosowną wiedzą i doświadczeniem mogą używać tego urządzenia jedynie pod nadzorem innej osoby bądź pod warunkiem uzyskania informacji dotyczących bezpiecznego użytkowania urządzenia i zrozumienia wynikających z tego zagrożeń.



UWAGA! Wskazuje sytuację, która – jeśli się jej nie uniknie – może prowadzić do powstania szkód materialnych.

- > Należy porównać dane dotyczące napięcia na tabliczce znamionowej z dostępnym źródłem zasilania.
- > Nigdy nie zanurzać urządzenia w wodzie.
- > Chronić urządzenie i jego kable przed wysokimi temperaturami i wilgocią.
- > Nie wystawiać urządzenia na działanie deszczu.
- > Upewnić się, że powierzchnia montażowa jest w stanie wytrzymać masę urządzenia.
- > Przewody należy układać w sposób pozwalający uniknąć dotykania się o nie oraz ich uszkodzenia.
- > Jeżeli przewody muszą zostać przeprowadzone przez blaszane ściany lub inne ściany o ostrych krawędziach, należy użyć pustych rurek lub przepustów przewodów.

4 W zestawie

Opis	Liczba
Przetwornica	1
Czerwony kabel zasilający	1
Czarny kabel zasilający	1
Instrukcja montażu i obsługi	1

5 Użytkowanie zgodne z przeznaczeniem

Urządzenie jest przeznaczone do zasilania przyłączonych do niego urządzeń napięciem 230 V, generowanym z napięcia wejściowego 12 V lub 24 V. Urządzenie przeznaczone jest do wykorzystywania w kamperach, busach kempingowych oraz w autobusach.

Ta linia modeli składa się z dwóch typów urządzeń:

- Modele SM400-12, SM600-12, SM600-24, SM1000-12 i SM1500-12 są przetwornicami wytwarzającymi napięcie wyjściowe ze zmodyfikowaną falą sinusoidalną.
- Modele SP400-12, SP600-12, SP600-24, SP1000-12, SP1500-12, SP1500-24, SP3000-12 i SP3000-24 są przetwornicami wytwarzającymi napięcie wyjściowe z czystą falą sinusoidalną.

Modele SPB1000-12, SPB1500-12 i SPB2000-12 mają zintegrowaną funkcję automatycznego przełączania źródła zasilania (IVT) i zabezpieczone bezpiecznikiem gniazdo wyjściowe (IEC) do przyłączenia zasilacza zewnętrznego.

Niniejszy produkt jest przystosowany wyłącznie do wykorzystywania zgodnie z jego przeznaczeniem oraz zamierzonym zastosowaniem według niniejszej instrukcji.

Niniejsza instrukcja zawiera informacje, które są niezbędne do prawidłowego montażu i/lub obsługi produktu. Nieprawidłowy montaż i/lub niewłaściwa obsługa lub konserwacja powodują niezadowalające działanie i mogą prowadzić do uszkodzeń.

Producent nie ponosi żadnej odpowiedzialności za ewentualne obrażenia lub uszkodzenia produktu wynikłe z następujących przyczyn:

- Nieprawidłowy montaż, złożenie lub podłączenie, w tym zbyt wysokie napięcie
- Niewłaściwa konserwacja lub użycie innych części zamiennych niż oryginalne części zamienne dostarczone przez producenta
- Wprowadzanie zmian w produkcie bez wyraźnej zgody producenta
- Użytkowanie w celach innych niż opisane w niniejszej instrukcji obsługi

Firma Dometic zastrzega sobie prawo do zmiany wyglądu i specyfikacji produktu.

6 Odbiorcy instrukcji



Instalacji elektrycznej urządzenia oraz jego konfiguracji musi dokonać wykwalifikowany elektryk, posiadający poświadczone kompetencje i wiedzę w zakresie budowy i sposobu działania urządzeń oraz instalacji elektrycznych, znający przepisy obowiązujące w kraju, w którym urządzenie ma być zainstalowane i/lub wykorzystywane, oraz posiadający ukończone szkolenie w zakresie bezpieczeństwa, pozwalające na rozpoznawanie i unikanie występujących zagrożeń.

Wszelkie inne czynności mogą być wykonywane również przez użytkowników bez specjalistycznych kwalifikacji.

7 Opis techniczny

Główny obwód urządzenia jest podzielony na dwa etapy przekształcające napięcie 12 V \Rightarrow lub 24 V \Rightarrow na napięcie wyjściowe AC. Pierwszy etap to izolowana przetwornica DC/DC wysokiej częstotliwości, przekształcająca napięcie wejściowe 12 V DC lub 24 V DC na napięcie wyjściowe 400 V DC. Końcowym etapem jest mostek H, przekształcający wysokie napięcie DC z szynoprzewodu na napięcie 230 V AC.

Urządzenie ma następujące główne cechy:

- Niskie zużycie energii.
- Separacja galwaniczna wejścia i wyjścia dla wyższego bezpieczeństwa.

- Regulacja prędkości wentylatora w zależności od temperatury, zapewniająca cichą pracę.
- Zintegrowany automatyczny przełącznik zasilania do przełączania pomiędzy zewnętrzną siecią elektroenergetyczną a akumulatorem.
- Możliwość zdalnego włączania/wyłączania.
- Alarm niskiego napięcia akumulatora.
- Wyłączenie przy zbyt niskim lub zbyt wysokim napięciu akumulatora.
- Wyłączanie w przypadku przeciążenia.
- Zabezpieczenie przed zwarcie, przegrzaniem, przeciążeniem oraz odwrotną biegunowością.
- Funkcja łagodnego rozruchu.

Tylko SPB1000I-12, SPB1500I-12, SPB2000I-12: Urządzenie jest zgodne z magistralą N-BUS (patrz rozdział Podłączanie N-BUS na stronie 222).

8 Przed montażem

Wymagania dotyczące akumulatora

Typ i pojemność akumulatora mogą mieć znaczny wpływ na pracę przetwornic. Dlatego też należy określić typ odbiorników, które mają być zasilane przez przetwornicę, oraz czas, przez które będą one wykorzystywane pomiędzy ładowaniami. Aby określić minimalne wymagania dotyczące akumulatora dla danego zastosowania, należy:

1. Odczytać moc podaną na etykietach każdego z urządzeń, które mają być równocześnie zasilane z przetwornicy. Zużycie energii jest zwykle podawane w watach. Jeżeli zamiast tego pobór prądu jest podany w amperach, wartość tę należy pomnożyć przez 230 V, aby otrzymać moc w watach.
2. Oszacować liczbę godzin, przez które wyposażenie to będzie używane, zanim akumulator zostanie naładowany.
3. Obliczyć łączną ilość wymaganej energii w Wh (watogodzinach), mnożąc oszacowany powyżej czas przez sumę mocy odbiorników w watach. Otrzymany wynik podzielić przez 10, jeżeli napięcie wejściowe przetwornicy wynosi 12 V, lub przez 20, jeżeli wynosi ono 24 V. Obliczona w ten sposób wartości w Ah stanowi zapotrzebowanie na energię dla danego zastosowania.



WSKAZÓWKA W miarę możliwości ładować akumulator, gdy jest on rozładowany do około 50% lub wcześniej. Znacznie wydłuży to żywotność akumulatora w porównaniu z jego ładowaniem dopiero wtedy, gdy jest on głęboko rozładowany.

Rozwiązywanie problemów związanych z zakłóceniami

Niektóre niedrogie systemy nagłośnienia mogą emitować brzęczenie z głośników podczas pracy przetwornicy. Dzieje się tak, ponieważ układ zasilania systemu nagłośnienia nie filtruje prawidłowo zmodyfikowanej fali sinusoidalnej wytwarzanej przez przetwornicę. Rozwiązaniem jest zastosowanie systemu nagłośnienia wyposażonego w wysokiej jakości układ zasilania lub zastosowanie przetwornicy wytwarzającej czystą falę sinusoidalną. Przetwornica podczas pracy może zakłócać odbiór kanałów telewizyjnych na niektórych częstotliwościach. W przypadku wystąpienia zakłóceń spróbować wykonać następujące czynności:

1. Upewnić się, że śruba uziemiająca obudowy przetwornicy jest połączona z masą pojazdu.
2. Upewnić się, że antena telewizyjna dostarcza dobrego sygnału i że kabel jest w dobrym stanie.
3. Stosować jak najkrótsze kable pomiędzy akumulatorem a przetwornicą i skręcać je ze sobą w celu ograniczenia wypromieniowanych emisji.
4. Przetawić telewizor możliwie jak najdalej od przetwornicy.
5. Nie zasilać za pomocą przetwornicy odbiorników o wysokiej mocy przy włączonym telewizorze.

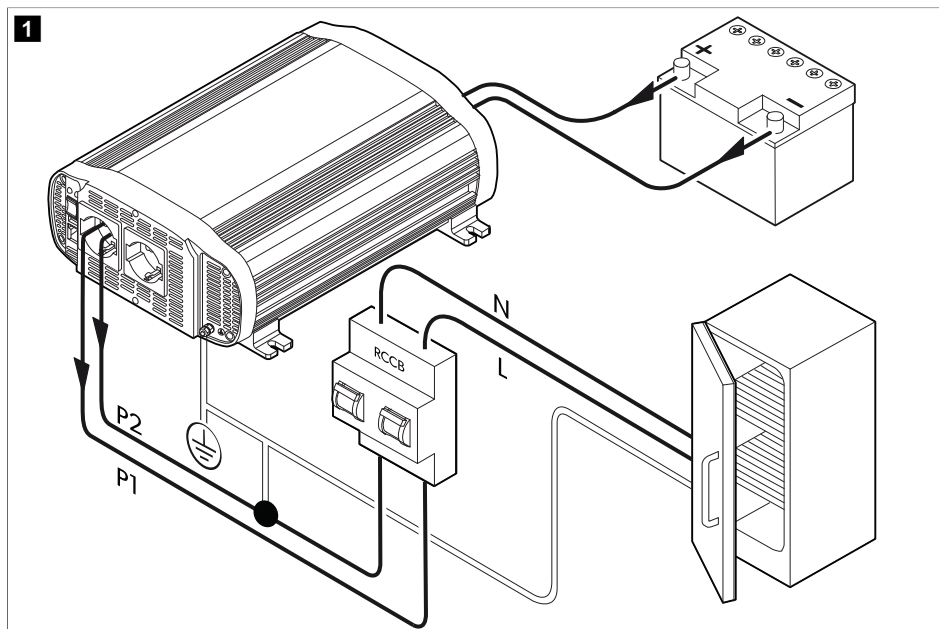
Zabezpieczenie przed zwarcieniem doziemnym (oprócz modeli SPB1000I-12, SPB1500I-12 i SPB2000I-12)



UWAGA! Ryzyko uszkodzenia

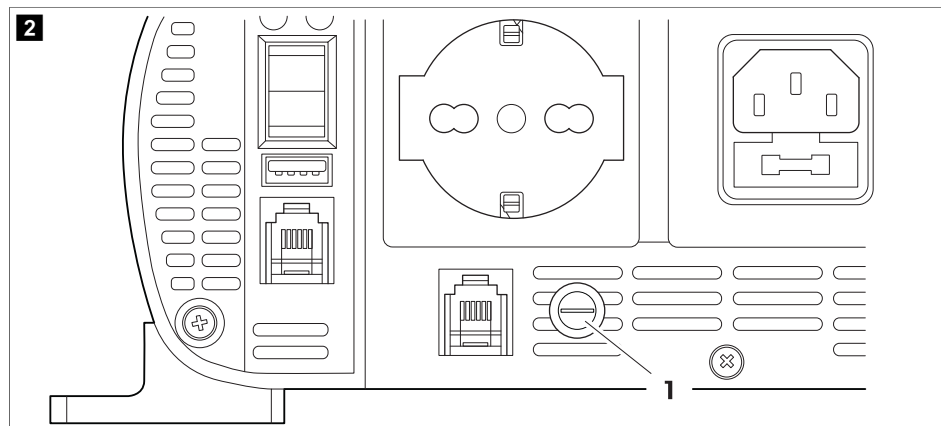
W celu umożliwienia bezpiecznej pracy wielu odbiorników energii bezwzględnie wymagane jest zainstalowanie wyłącznika różnicowoprądowego (RCCD) w obwodzie rozdzielającym napięcie do gniazdek elektrycznych.

Gniazdo uziemiające przeznaczone jest dla układu zabezpieczającego, takiego jak wyłącznik różnicowoprądowy (RCCB). Podłączyć wyłącznik różnicowoprądowy zgodnie z następującym schematem:



1. Podłączyć wyjścia przewodu fazowego (P1) i neutralnego (P2) do wejścia wyłącznika różnicowoprądowego.
2. Podłączyć uziemienie przetwornicy do jednego z dwóch przewodów przyłączonych do wyłącznika różnicowoprądowego.
3. Podłączyć wyjście przewodu neutralnego i fazowego wyłącznika różnicowoprądowego do zasilanych urządzeń.
4. Połączyć uziemienie przetwornicy z uziemieniem urządzeń.

Zabezpieczenie przed zwarciem doziemnym (modele SPB1000I-12, SPB1500I-12 i SPB2000I-12)



UWAGA! Ryzyko uszkodzenia

Powyższy schemat dotyczy wyłącznie podłączenia wyjścia przetwornicy. Złącze IEC wejścia zewnętrznego zasilania sieciowego musi być podłączone do wyjścia wyłącznika instalacyjnego źródła zewnętrznego zasilania sieciowego.

Uziemienie w układzie typu TN lub IT dla SPB1000I-12, SPB1500I-12 i SPB2000I-12 można skonfigurować przy użyciu bezpiecznika.

- > W celu utworzenia uziemienia w układzie typu TN upewnij się, że bezpiecznik jest umieszczony w gnieździe bezpiecznika ①.
- > W celu utworzenia uziemienia w układzie typu IT upewnij się, że bezpiecznik **nie** jest umieszczony w gnieździe bezpiecznika ①.

9 Montaż



OSTROŻNIE! Ryzyko uszkodzenia

Nie montować urządzenia w pobliżu źródeł ciepła lub w niewystarczająco wentylowanych przestrzeniach.

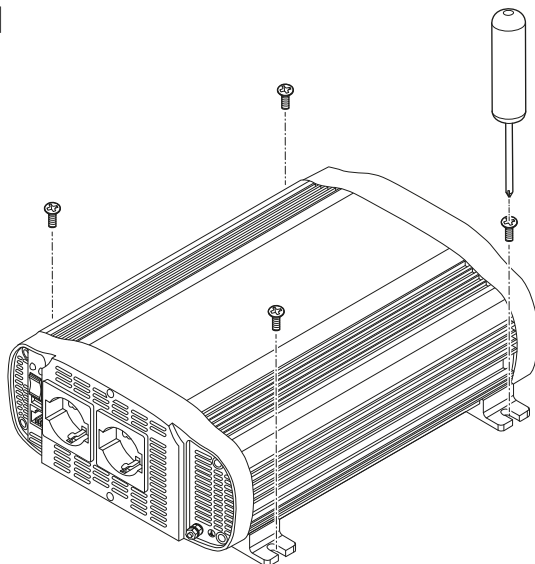


WSKAZÓWKA Urządzenie można montować w dowolnym położeniu. Jeżeli urządzenie jest montowane na pionowej powierzchni, zaleca się, aby jego dłuższa strona była równoległa do podłogi.



WSKAZÓWKA Urządzenie montować możliwie najbliżej źródła zasilania 12 V / 24 V .

3



1. Zamontować urządzenie, przykręcając je odpowiednimi śrubami za cztery kołnierze montażowe.

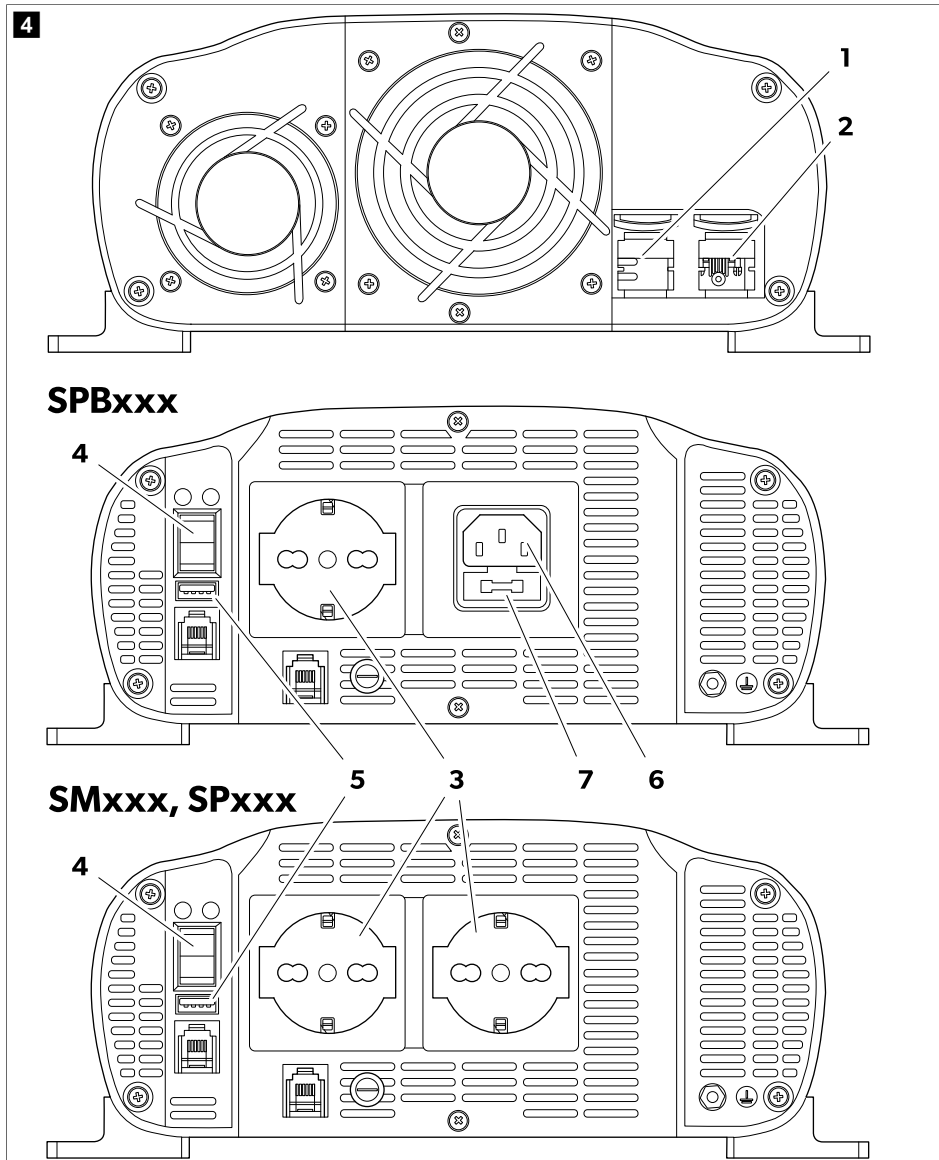


UWAGA! Ryzyko uszkodzenia

Przed podłączeniem urządzenia upewnić się, że jego wyłącznik znajduje się w położeniu wyłączonym.



WSKAZÓWKA Posłużyć się dostarczonymi przewodami do podłączenia akumulatora do urządzenia. Jeżeli odległość pomiędzy akumulatorem a urządzeniem wynosi więcej niż 2 metry, zwiększyć przekrój przewodu w celu ograniczenia spadku napięcia i strat energii.



2. Podłączyć ujemny zacisk akumulatora do ujemnego zacisku przetwornicy ①.

**UWAGA! Ryzyko uszkodzenia**

W celu zabezpieczenia urządzeń zainstalować bezpiecznik na dodatnim kablu akumulatora.

- Podłączyć dodatni zacisk akumulatora do dodatniego zacisku przetwornicy ②.

**UWAGA! Ryzyko uszkodzenia**

Przed podłączeniem urządzeń do przetwornicy upewnić się, że jest ona wyłączona.

- Podłączyć urządzenie na 230 V do gniazda wyjściowego ③.
- Włączyć przetwornicę włącznikiem/wyłącznikiem ④.



WSKAZÓWKA Po włączeniu przetwornicy czerwona i zielona kontrolka LED jednocześnie świecą się przez 3 do 5 sekund. Po krótkim czasie czerwona kontrolka LED gaśnie, podczas gdy zielona pozostaje zapalona, a urządzenie wydaje sygnał dźwiękowy. Zielona kontrolka LED wskazuje, że przetwornica działa prawidłowo.

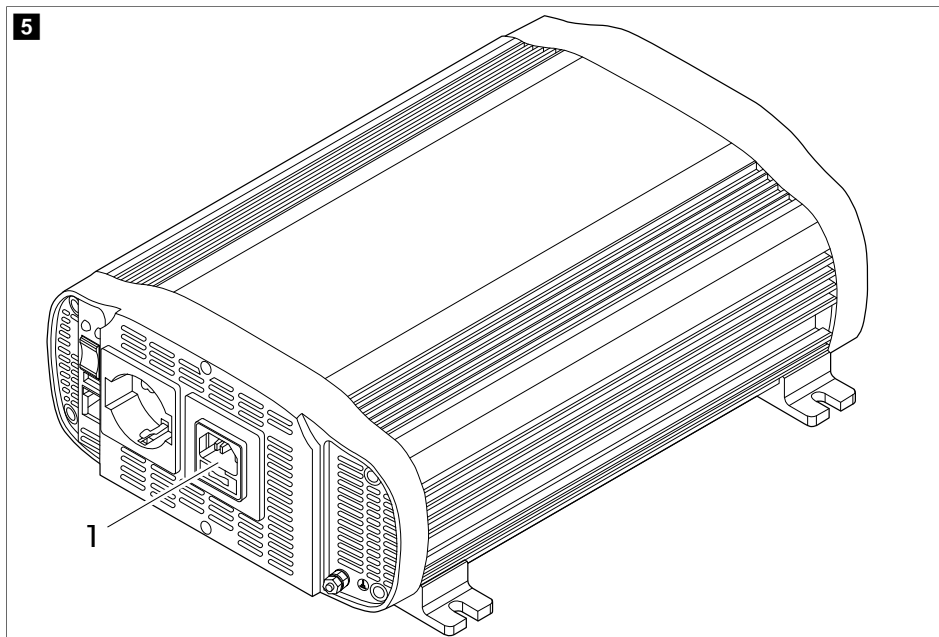
**UWAGA! Ryzyko uszkodzenia**

- > Jeżeli wykorzystywane ma być więcej niż jedno urządzenie, w pierwszej kolejności należy podłączyć to z nich, które ma największe zapotrzebowanie na moc.
- > Upewnić się, że łączne zapotrzebowanie na moc wszystkich urządzeń nie przekracza znamionowej mocy wyjściowej przetwornicy.
- > W przypadku zastosowania przedłużacza pomiędzy przetwornicą a urządzeniem nie powinien być on dłuższy niż 1,5 m.
- > Nie podłączać przetwornicy do jakiegokolwiek obwodu odbiorników prądu przemiennego, w którym przewód neutralny jest połączony z ziemią.

- Podłączyć dodatkowe urządzenia na 230 V i włączyć je.
- W celu naładowania urządzenia na 5 V podłączyć je do portu USB ⑤.

10 Podłączanie zewnętrznego zasilania sieciowego (modele SPB1000I-12, SPB1500I-12 i SPB2000I-12)

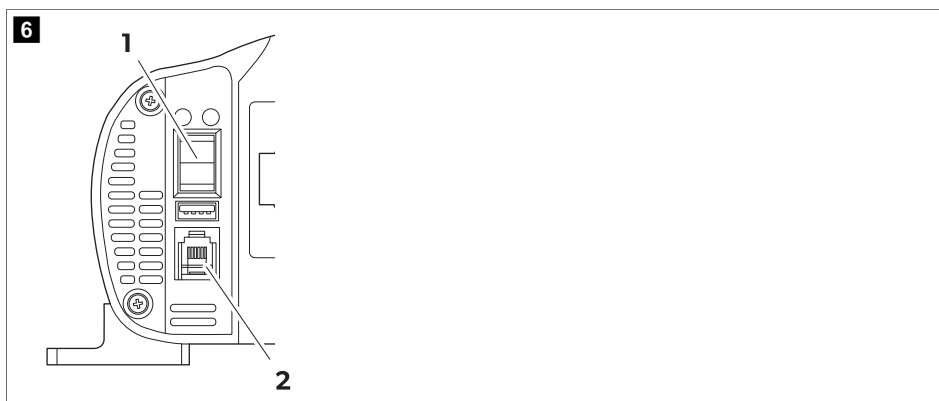
Do gniazda zewnętrznego zasilania sieciowego można podłączyć kabel IEC, co umożliwia zasilanie podłączonych urządzeń napięciem przemiennym (AC) bezpośrednio z publicznej sieci elektroenergetycznej.



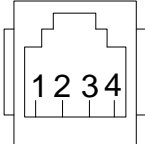
1. Podłączyć kabel do gniazda ①.
2. Umieścić bezpiecznik w oprawie bezpiecznika na kablu ⑦ lub go z niej wyjąć zgodnie z wybranym układem uziemienia (patrz rozdział Przed montażem na stronie 215).

11 Podłączanie pilota

Urządzeniem można zdalnie sterować za pomocą opcjonalnego zewnętrznego przełącznika (RC03) lub dowolnego standardowego przełącznika przyłączonego do złącza RJ11 ① urządzenia. W przypadku korzystania ze standardowych zewnętrznych przełączników można posłużyć się poniższym opisem.




Opcjonalny zewnętrzny przełącznik RC03 wykorzystuje następującą konfigurację pinów:

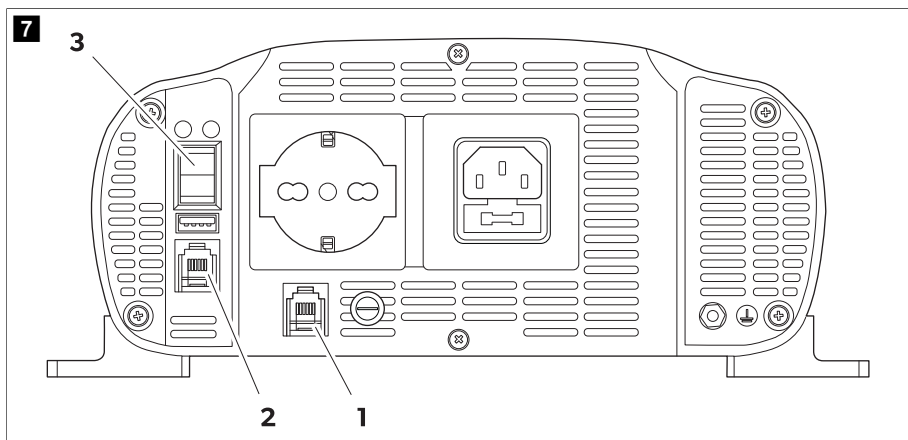
	Styk	Funkcja
	2	Przylącze czerwonej kontrolki LED
	1-3	Przylącze przełącznika zewnętrznego
	4	Masa

- > Aby aktywować zdalne sterowanie pilotem, ustawić włącznik/wyłącznik ② w położeniu 2.

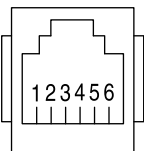
12 Podłączenie N-BUS

(tylko SPB1000I-12, SPB1500I-12, SPB2000I-12)

1. Podłączyć wtyczkę Rj12 (BC03, BC06, BC10) do gniazda N-BUS ( rys. 7 na stronie 222, 1).





Użyć 6-żyłowego płaskiego przewodu z wtyczką Rj12 w konfiguracji prostej. Konfiguracja styków jest następująca:

Styk	Funkcja	
	1	Stan sieci
	2	Pilot
	3	N-BUS/CI-BUS
	4	Masa
	5	Napięcie magistrali (VBUS)
	6	(niepodłączone)



UWAGA! Ryzyko uszkodzenia

Należy upewnić się, że połączenia magistrali N-BUS i pilota nie są pomieszane ( rys. 7 na stronie 222, 2).

2. Przesłać włącznik/wyłącznik ( rys. **7** na stronie 222, **3**) w położenie II.
3. Podłączyć urządzenia zgodne z N-BUS.

Konfiguracja przetwornicy w sieci N-BUS

Urządzenia kompatybilne z magistralą N-BUS mogą być konfigurowane i sterowane w sieci N-BUS za pośrednictwem wyświetlacza lub aplikacji mobilnej.

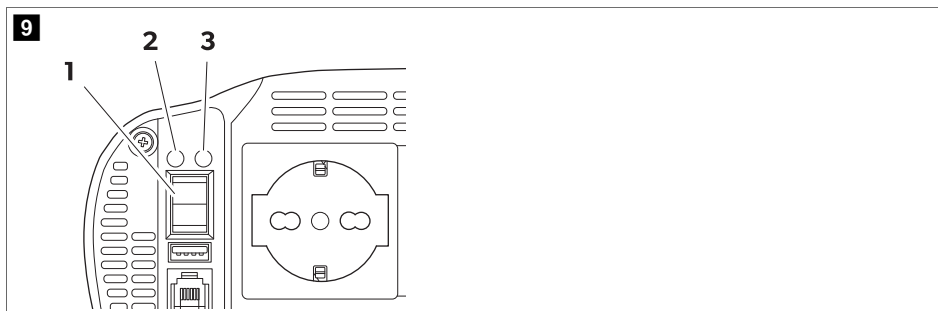


WSKAZÓWKA

- Do korzystania z aplikacji mobilnej wymagane jest co najmniej jedno urządzenie Bluetooth w sieci N-BUS.
 - Należy ustawić jedno z urządzeń jako URZĄDZENIE GŁÓWNE.
- > Wybrać menu przetwornicy i przeciągnąć suwak do pozycji włączenia lub wyłączenia, aby włączyć lub wyłączyć urządzenie.



13 Eksploatacja



Włącznik/wyłącznik

- > Aby włączyć urządzenie, ustawić włącznik/wyłącznik ① w położeniu I.
- > Aby wyłączyć urządzenie, ustawić włącznik/wyłącznik ① w położeniu 0.
- > Aby aktywować zdalne sterowanie pilotem, ustawić włącznik/wyłącznik ① w położeniu II.

Kontrolki LED

Urządzenie wyposażone jest w zieloną ② i w czerwoną ③ kontrolkę LED, wskazujące jego stan.

LED	Opis
Green	Urządzenie jest włączone i działa prawidłowo
Red	Usterka urządzenia

14 Wymiana bezpiecznika

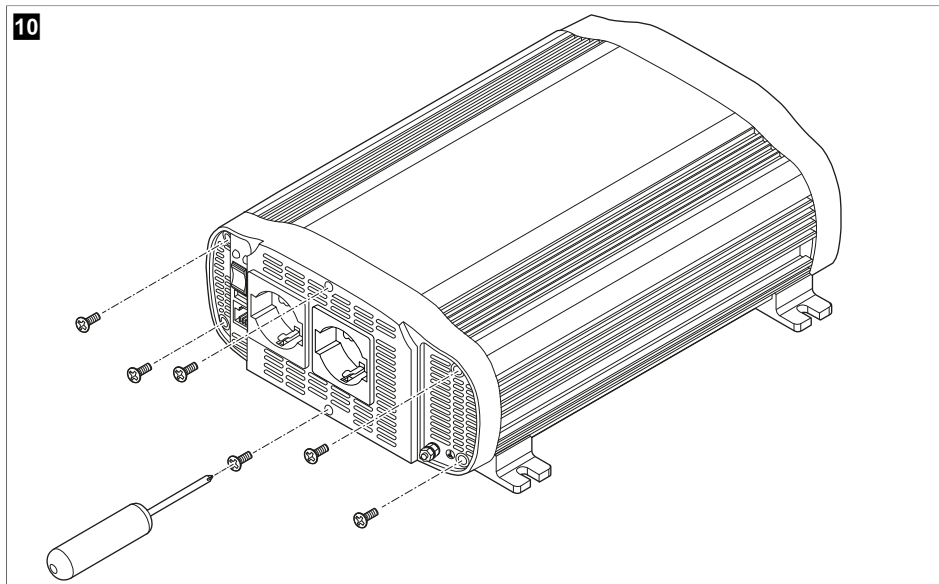


OSTRZEŻENIE!

- Ryzyko porażenia prądem
- Montażu dokonywać może wyłącznie wykwalifikowany elektryk.

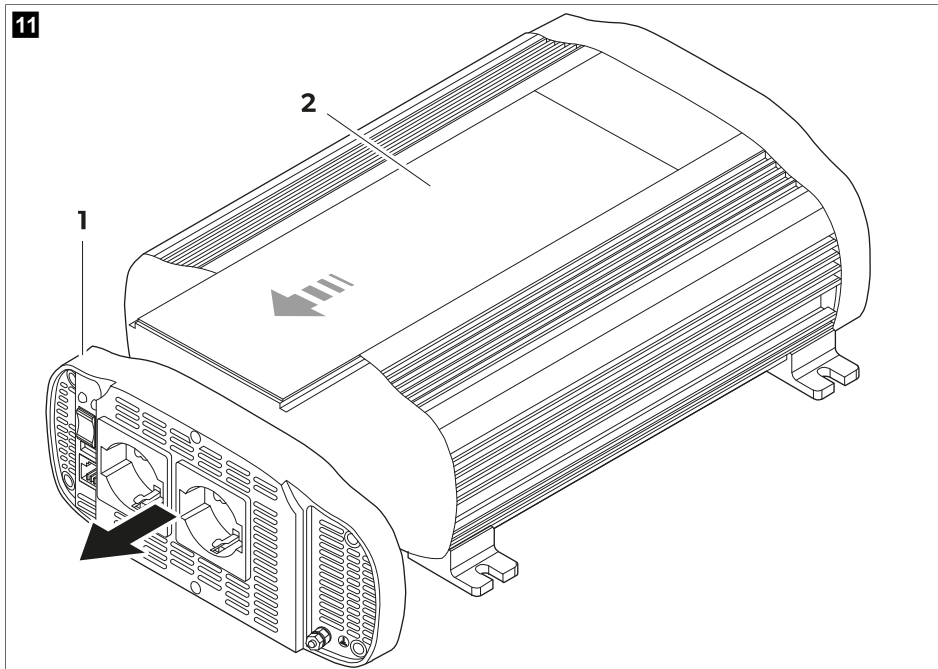
Urządzenie zabezpieczone jest za pomocą wewnętrznego obwodu elektronicznego. Wewnątrz urządzenia znajdują się również bezpieczniki. W przypadku odwrotnego przyłączenia biegunów bezpiecznik przepala się. Urządzenia z funkcją IVT wyposażone są również w szklany bezpiecznik wewnątrz gniazda IEC, służącego do przyłączenia zewnętrznego zasilania sieciowego. Zapasowe bezpieczniki są dołączone w opakowaniu produktu.

Wymiana wewnętrznych bezpieczników

10

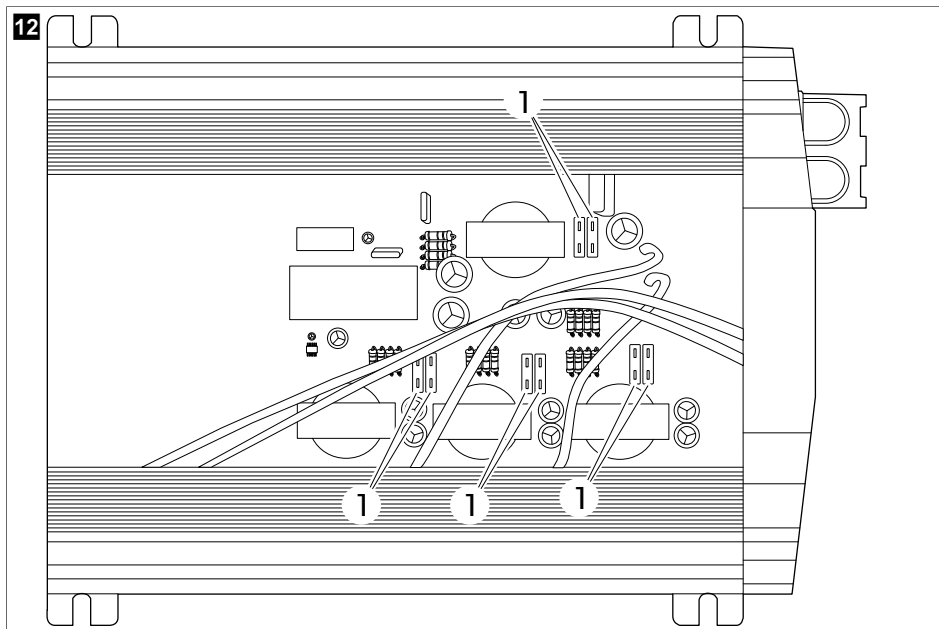
1. Wykręcić sześć śrub.

11



2. Przymocować do przodu przedni panel ①.

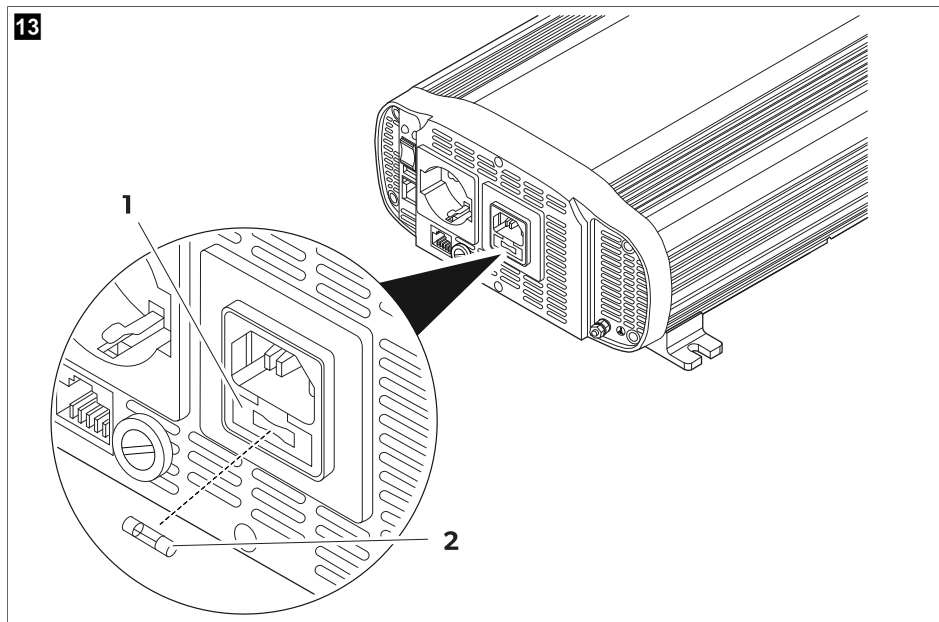
3. Zdjąć pokrywę ②.



4. Wymienić bezpiecznik ①.

Model	Liczba bezpieczników	Prąd znamionowy bezpiecznika	
SM400-12, SP400-12	1	50 A	czerwony
SM600-12, SP600-12	2	50 A	czerwony
SM600-24, SP600-24	2	25 A	biały
SM1000-12, SP1000-12	4	30 A	zielony
SM1500-12, SP1500-12	6	30 A	zielony
SP1500-24	6	15 A	niebieski
SP2000-12	8	30 A	zielony
SP3000-12	12	30 A	zielony
SP3000-24	12	15 A	niebieski

Wymiana bezpiecznika w gnieździe IEC



1. Otworzyć pokrywę ① obudowy gniazda.
2. Wymienić bezpiecznik ②.

Model	Liczba bezpieczników	Prąd znamionowy bezpiecznika
SPB1000I-12, SPB1500I-12 i SPB2000I-12	1	10 A (szklany bezpiecznik F10AL 250V)



WSKAZÓWKA Po wymianie bezpiecznika urządzenie automatycznie ponownie się uruchamia. Jeżeli po wymianie bezpiecznika urządzenie nie działa prawidłowo, skontaktować się z technikiem w celu przeprowadzenia diagnostyki.

15 Czyszczenie i konserwacja

- > Od czasu do czasu należy czyścić produkt wilgotną ściereczką.
- > Sprawdzić, czy przyłącza wejściowe i wyjściowe są mocno dokręcone i stabilnie osądzone.
- > Upewnić się, że szczeliny wentylacyjne nie są zatkane zanieczyszczeniami ani żadnym innym materiałem.

16 Utylizacja



Recykling materiałów opakowaniowych: Opakowanie należy wyrzucić do odpowiedniego pojemnika na odpady do recyklingu.



Jeśli produkt nie będzie już dalej wykorzystywany, należy dowiedzieć się w najbliższym zakładzie recyklingu lub od wyspecjalizowanego sprzedawcy, w jaki sposób można zutylizować produkt zgodnie z obowiązującymi przepisami. Produkt można zutylizować nieodpłatnie.



Jeśli produkt zawiera niewymienne baterie, akumulatory lub źródła światła, nie trzeba ich usuwać przed utylizacją.

17 Gwarancja


Obowiązuje ustawowy okres gwarancji. W przypadku stwierdzenia uszkodzenia produktu należy zwrócić się do oddziału producenta w danym kraju (patrz dometic.com/dealer) lub do sprzedawcy produktu.

W celu naprawy lub rozpatrzenia gwarancji konieczne jest przesłanie następujących dokumentów:

- Kopii rachunku z datą zakupu
- Informacji o przyczynie reklamacji lub opisu wady

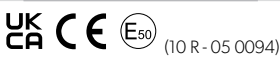
Uwaga: samodzielne lub nieprofesjonalne wykonywanie napraw może negatywnie wpływać na bezpieczeństwo i prowadzić do utraty gwarancji.

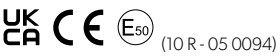
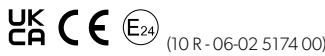
18 Dane techniczne

	SM400-12	SM600-12	SM600-24
Ciągła moc wyjściowa	400 W	600 W	
Szczytowa moc wyjściowa	800 W (kilka sekund)	1200 W (kilka sekund)	
Napięcie wyjściowe (RMS) / częstotliwość	230 V AC / 50 Hz ± 3 Hz		
USB Output	5 V 2,1 A		
Napięcie wejściowe	12 V		24 V
Zużycie własne	200 mA (13,2 V)	220 mA (13,2 V)	100 mA (26,4 V)
Łączność	-	-	-
Wymiary (szer. x gł. x wys.)	140 mm × 184 mm × 71 mm	140 mm × 214 mm × 71 mm	140 mm × 214 mm × 71 mm
Certyfikat	 (10 R - 05 0094)		




	SM1000-12	SM1500-12
Ciągła moc wyjściowa	1000 W	1500 W
Szczytowa moc wyjściowa	2000 W (kilka sekund)	3000 W (kilka sekund)
Napięcie wyjściowe (RMS) / częstotliwość	230 V AC / 50 Hz ± 3 Hz	
USB Output	5 V 2,1 A	
Napięcie wejściowe	12 V	
Zużycie własne	530 mA (13,2 V)	460 mA (13,2 V)
Łączność	-	-
Wymiary (szer. x gł. x wys.)	270 mm × 262 mm × 107,5 mm	270 mm × 262 mm × 107,5 mm




	SM1000-12	SM1500-12
Certyfikat		

	SP400-12	SP600-12	SP600-24
Ciągła moc wyjściowa	400 W	600 W	
Szczytowa moc wyjściowa	1000 W (kilka sekund)	1500 W (kilka sekund)	
Napięcie wyjściowe (RMS) / częstotliwość	230 V AC / 50 Hz ± 3 Hz		
USB Output	5 V 2,1 A		
Napięcie wejściowe	12 V		24 V
Zużycie własne	340 mA (13,2 V)	420 mA (13,2 V)	210 mA (26,4 V)
Łączność	-	-	-
Wymiary (szer. x gł. x wys.)	140 mm × 214,5 mm × 71 mm	140 mm × 244,5 mm × 71 mm	140 mm × 244,5 mm × 71 mm
Certyfikat			

	SP1000-12	SPB1000I-12
Ciągła moc wyjściowa	1000 W	
Szczytowa moc wyjściowa	2500 W (kilka sekund)	
Napięcie wyjściowe (RMS) / częstotliwość	230 V AC / 50 Hz ± 3 Hz	
USB Output	5 V 2,1 A	
Napięcie wejściowe	12 V	
Zużycie własne	870 mA (13,2 V)	680 mA (13,2 V)
Czas przełączania z akumulatora na zewnętrzne zasilanie sieciowe	-	0,02 s
Czas przełączania z zewnętrznego zasilania sieciowego na akumulator	-	0,1 s
Łączność	-	N-BUS
Wymiary (szer. x gł. x wys.)	270 mm × 262,4 mm × 107,5 mm	270 mm × 262,4 mm × 107,5 mm
Certyfikat		

	SP1500-12	SPB1500I-12	SP1500-24
Ciągła moc wyjściowa	1500 W		
Szczytowa moc wyjściowa	4000 W (kilka sekund)		
Napięcie wyjściowe (RMS) / częstotliwość	230 V AC / 50 Hz ± 3 Hz		
USB Output	5 V 2,1 A		

	SP1500-12	SPB1500I-12	SP1500-24
Napięcie wejściowe	12 V		24 V
Zużycie własne	850 mA (13,2 V)	930 mA (13,2 V)	620 mA (26,4 V)
Czas przełączania z akumulatora na zewnętrzne zasilanie sieciowe	-	0,02 s	-
Czas przełączania z zewnętrznego zasilania sieciowego na akumulator	-	0,1 s	-
Łączność	-	N-BUS	-
Wymiary (szer. x gł. x wys.)	270 mm × 322,4 mm × 107,5 mm	270 mm × 360 mm × 107,5 mm	270 mm × 322,4 mm × 107,5 mm
Certyfikat	 (10 R - 05 0094)	 (10 R - 06-02 5174 00)	 (10 R - 05 0094)

	SPB2000I-12	SP3000-12	SP3000-24
Ciągła moc wyjściowa	2000 W	3000 W	
Szczytowa moc wyjściowa	6000 W (kilka sekund)	8000 W (kilka sekund)	
Napięcie wyjściowe (RMS) / częstotliwość	230 V AC / 50 Hz ± 3 Hz		
USB Output	5 V 2,1 A		
Napięcie wejściowe	12 V		24 V
Zużycie własne	900 mA (13,2 V)	1270 mA (13,2 V)	680 mA (26,4 V)
Czas przełączania z akumulatora na zewnętrzne zasilanie sieciowe	0,02 s	-	-
Czas przełączania z zewnętrznego zasilania sieciowego na akumulator	0,1 s	-	-
Łączność	N-BUS	-	-
Wymiary (szer. x gł. x wys.)	270 mm × 385 mm × 107,5 mm	270 mm × 452 mm × 107,5 mm	270 mm × 452 mm × 107,5 mm
Certyfikat			
	 (10 R - 06-02 5174 00)	 (10 R - 05 0094)	

Firma Dometic niniejszym oświadcza, że urządzenie radiowe typu SPB1000I-12, SPB1500I-12 i SPB2000I-12 jest zgodne z dyrektywą 2014/53/UE. Pełny tekst deklaracji zgodności UE dostępny jest w internecie pod adresem: documents.dometic.com

Slovensky

1	Dôležité oznámenia.....	232
2	Vysvetlenie symbolov.....	232
3	Bezpečnostné pokyny.....	233
4	Rozsah dodávky.....	233
5	Používanie v súlade s určením.....	233
6	Cieľová skupina.....	234
7	Technický opis.....	234
8	Pred montážou.....	235
9	Montáž.....	237
10	Pripojenie externého zdroja napájania (modely SPB1000I-12, SPB1500I-12 a SPB2000I-12).....	239
11	Pripojenie diaľkového ovládania.....	240
12	Pripojenie N-BUS.....	241
13	Obsluha.....	242
14	Výmena poistky.....	243
15	Čistenie a údržba.....	246
16	Likvidácia.....	246
17	Záruka.....	247
18	Technické údaje.....	247

1 Dôležité oznámenia

Dôkladne si prečítajte tento návod a dodržiavajte všetky pokyny, usmernenia a varovania uvedené v tomto návode k výrobku, aby bolo zaručené, že výrobok bude vždy správne nainštalovaný, používaný a udržiavaný. Tento návod MUSÍ zostať priložený k výrobku.

Použitím tohto výrobku týmto potvrdzujete, že ste si dôkladne prečítali všetky pokyny, usmernenia a varovania a že rozumiete a súhlasíte s dodržiavaním všetkých uvedených podmienok. Súhlasíte, že tento výrobok budete používať iba v súlade so zamýšľaným použitím a v súlade s pokynmi, usmerneniami a varovaniami uvedenými v tomto návode k výrobku, ako aj v súlade so všetkými platnými zákonmi a nariadeniami. V prípade, že si neprečítate a nebudete sa riadiť pokynmi a varovaniami uvedenými v tomto návode, môže mať za následok vaše poranenie alebo poranenie iných osôb, poškodenie vášho výrobku alebo poškodenie majetku v jeho blízkosti. Tento návod na obsluhu výrobku vrátane pokynov, usmernení a varovaní, a súvisiaca dokumentácia môže podliehať zmenám a aktualizáciám. Najaktuálnejšie informácie o výrobku nájdete na adrese documents.dometic.com.

2 Vysvetlenie symbolov

Signálne slovo identifikuje bezpečnostné správy a správy o škodách na majetku a tiež označuje stupeň alebo úroveň závažnosti nebezpečenstva.



VÝSTRAHA!

Označuje nebezpečnú situáciu, ktorej následkom môže byť smrť alebo vážne zranenie, ak sa jej nezabráni.



UPOZORNENIE!

Označuje nebezpečnú situáciu, ktorej následkom môže byť malé alebo stredne ťažké zranenie, ak sa jej nezabráni.



POZOR!

Označuje situáciu, ktorej následkom môže byť poškodenie majetku, ak sa jej nezabráni.



POZNÁMKA Doplnujúce informácie týkajúce sa obsluhy produktu.

3 Bezpečnostné pokyny



VÝSTRAHA! Nedodržanie týchto varovaní môže mať za následok smrť alebo vážne poranenie.

- > V prípade požiaru použite hasiaci prístroj, ktorý je vhodný na hasenie požiarov elektrických zariadení.
- > Keď zariadenie vykazuje viditeľné poškodenia, nesmiete ho uvádzať do prevádzky.



UPOZORNENIE! Nedodržanie týchto varovaní môže mať za následok smrť alebo vážne poranenie.

- > Montáž, zmontovanie a zapojenie, ako aj všetky ostatné práce smú vykonávať iba kvalifikovaní elektrikári. Neodborné opravy môžu spôsobiť vážne nebezpečenstvo.
- > Montáž v potenciálne výbušných atmosférach, ako napríklad v miestnostiach s horľavými kvapalinami alebo plynmi je zakázaná.
- > Zariadenie nemontujte ani nenechávajte v blízkosti plameňa alebo iných zdrojov tepla (kúrenie, plynové pece atď.).
- > Deti sa nesmú hrať so zariadením.
- > Toto zariadenie smú používať deti od 8 rokov a osoby so zníženými psychickými, zmyslovými alebo mentálnymi schopnosťami a vedomosťami, keď sú pod dozorom alebo keď boli poučené o bezpečnom používaní zariadenia a chápu, aké riziká z toho vyplývajú.



POZOR! Označuje situáciu, ktorej následkom môže byť poškodenie majetku, ak sa jej nezabráni.

- > Skontrolujte, či údaj o napätí na typovom štítku súhlasí s údajom na zdroji napájania.
- > Zariadenie nikdy neponárajte do vody.
- > Chráňte zariadenie a káble pred vysokými teplotami a vlhkosťou.
- > Nevystavujte zariadenie dažďu.
- > Ubezpečte sa, že montážna plocha unesie hmotnosť zariadenia.
- > Káble uložte tak, aby nehrozilo nebezpečenstvo zakopnutia a aby bolo vylúčené poškodenie kábla.
- > Keď sa vodiče musia viesť cez plechové steny alebo iné steny s ostrými hranami, použite prázdne rúrky alebo káblové priechodky.

4 Rozsah dodávky

Opis	Počet
Striedač	1
Červený elektrický kábel	1
Čierny elektrický kábel	1
Návod na montáž a uvedenie do prevádzky	1

5 Používanie v súlade s určením

Zariadenie je určené na napájanie pripojených spotrebičov 230 V vygenerovanými zo vstupného napätia 12 V alebo 24 V. Zariadenie je určené na použitie v obytných vozidlách, obytných dodávkach a diaľkových autobusoch.

Modelový rad zahŕňa dva typy zariadení:

- Modely SM400-12, SM600-12, SM600-24, SM1000-12 a SM1500-12 sú meniče s výstupnou modifikovanou sínusovou vlnou.
- Modely SP400-12, SP600-12, SP600-24, SP1000-12, SP1500-12, SP1500-24, SP3000-12 a SP3000-24 sú meniče s výstupnou čistou sínusovou vlnou.

Modely SPB1000I-12, SPB1500I-12 a SPB2000I-12 disponujú integrovanou prioritnou funkciou (IVT) a vstupnou zásuvkou chránenou poistkou (IEC) pre pripojenie externého zdroja napájania.

Tento výrobok je vhodný iba na určené použitie a použitie v súlade s týmto návodom.

Tento návod obsahuje informácie, ktoré sú nevyhnutné pre správnu inštaláciu a/alebo obsluhu výrobku. Chybná inštalácia a/alebo nesprávna obsluha či údržba bude mať za následok neuspokojivý výkon a možnú poruchu.

Výrobca nenesie žiadnu zodpovednosť za akékoľvek poranenia či škody na výrobku spôsobené:

- nesprávnu inštaláciu alebo pripojením vrátane nadmerného napätia
- nesprávnu údržbou alebo použitím iných ako originálnych náhradných dielov poskytnutých výrobcom
- Zmeny produktu bez výslovného povolenia výrobcu
- Použitie na iné účely než na účely opísané v návode

Firma Dometic si vyhradzuje právo na zmenu vzhľadu a technických parametrov výrobku.

6 Cieľová skupina



Elektrickú inštaláciu a nastavenie zariadenia musí vykonať kvalifikovaný elektrikár, ktorý preukázal zručnosti a znalosti týkajúce sa konštrukcie a prevádzky elektrického vybavenia a inštalácií, a ktorý je oboznámený s platnými predpismi krajiny, v ktorej sa zariadenie bude inštalovať a/alebo používať, a ktorý absolvoval bezpečnostné školenie zamerané na identifikáciu konkrétnych nebezpečenstiev a ich predchádzaniu.

Všetky ostatné kroky sú určené tiež pre neprofesionálnych používateľov.

7 Technický opis

Zariadenie disponuje dvomi hlavnými obvodymi stupňami na konvertovanie jednosmerného vstupného napätia 12 V \rightleftharpoons alebo 24 V \rightleftharpoons na striedavé výstupné napätie. Prvý stupeň pozostáva z izolovaného vysokofrekvenčného meniča DC/DC na konvertovanie jednosmerného vstupného napätia 12 V alebo 24 V na jednosmerné výstupné napätie až do 400 V. Konečný stupeň pozostáva z H-mostíka, ktorý konvertuje jednosmernú vysokonapäťovú zbernicu na striedavé napätie 230 V.

Zariadenie disponuje nasledujúcimi hlavnými funkciami:

- Nízka spotreba.
- Galvanicky izolovaný vstup a výstup pre väčšiu bezpečnosť.
- Otáčky ventilátora s reguláciou teploty pre tichú prevádzku.
- Integrovaný prioritný spínač medzi externou elektrickou sieťou a batériou.
- Pripravené pre zapnutie/vypnutie diaľkovým ovládaním.
- Alarm pri nízkom napätí batérie.
- Vypnutie pri nízkom a vysokom napätí batérie.
- Vypnutie pri preťažení.
- Ochrana pred skratom, nadmernou teplotou, preťažením a obrátenou polaritou.
- Funkcia mäkkého štartu.

Len modely SPB1000I-12, SPB1500I-12, SPB2000I-12: Zariadenie je kompatibilné s N-BUS (pozrite si kapitolu Pripojenie N-BUS na strane 241).

8 Pred montážou

Požiadavky na batériu

Typ a veľkosť batérie môže výrazne ovplyvniť výkon meničov. Preto sa musia identifikovať typy záťaží, ktoré bude menič napájať a trvanie používania medzi nabíjajúcimi. Pre zistenie minimálnych požiadaviek batérie pre aplikáciu vykonajte nasledujúce:

1. Zistíte spotrebu energie zo štítkov každého spotrebiča, ktoré sa budú používať súčasne s meniča. Spotreba energie sa obvykle zobrazuje vo wattoch. Ak je zobrazená v ampéroch, vynásobte hodnotu s 230 V pri zistení spotreby.
2. Pred nabitím batérie odhadnite počet hodín, kedy bude vybavenie v prevádzke.
3. Vypočítajte celkovú potrebnú energiu vo Wh (watthodiny) vynásobením času stanoveného vyššie so hodnotou spotreby energie. Vydeľte výsledok 10, ak je vstup meniča 12 V, alebo 20, ak je vstup 24 V. Výsledná hodnota v Ah predstavuje náročnosť aplikácie na energiu.



POZNÁMKA Ak je to možné, nabite batériu, keď je vybitá približne na 50 % alebo skôr. Takto batéria dosiahne oveľa dlhšiu životnosť, na rozdiel od nabíjania iba vtedy, keď je hlboko vybitá.

Riešenie problémov s interferenciou

V prípade niektorých lacných audiosystémov môže pri prevádzke z meniča dochádzať k bzucaniu z reproduktorov. K tomu dochádza preto, lebo zdroj napájania v audiosystéme nedokáže dostatočne filtrovať modifikovanú sínusovú vlnu generovanú meničom. Riešením je používať audiosystém, ktorý disponuje kvalitným zdrojom napájania alebo používať menič s čistou sínusovou vlnou. Pri prevádzke meniča môže na niektorých kanáloch dochádzať k interferencii s televíznym príjmom. Ak sa vyskytne interferencia, vyskúšajte nasledujúci postup:

1. Ubezpečte sa, že uzemňovacia skrutka skrine meniča je pripojená k uzemneniu vozidla.
2. Ubezpečte sa, že televízna anténa poskytuje dostatočný signál a kábel antény je v dobrom stave.
3. Káble medzi batériou a meničom položte čo najkratšie a vzájomne ich skrúťte, aby sa znížilo vyžarovanie.
4. Premiestnite televízor čo možno najďalej od meniča.
5. Keď je televízor zapnutý, nepoužívajte s meničom spotrebiče s vysokou elektrickou záťažou.

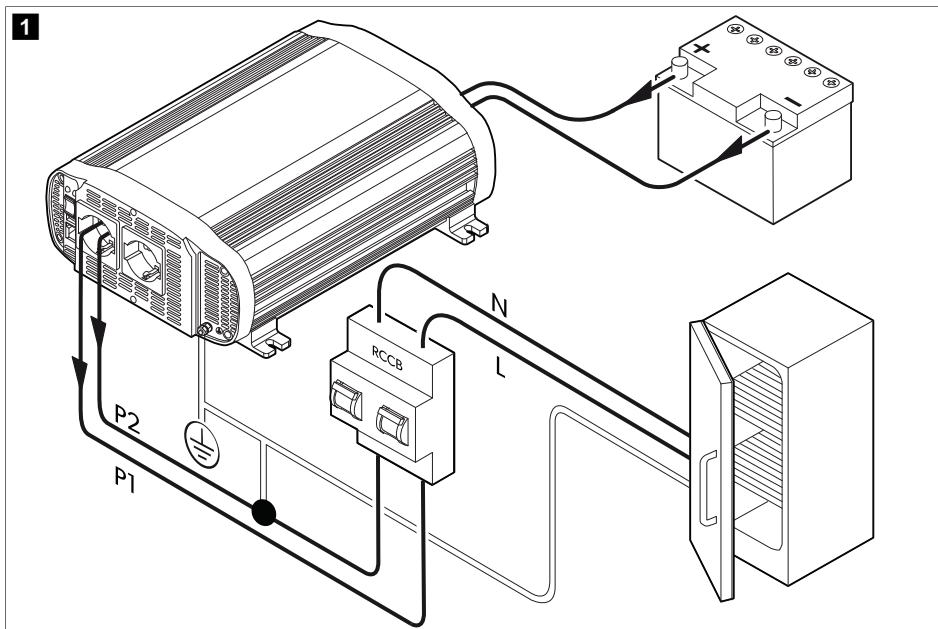
Ochrana pred narušením ochranného obvodu (okrem modelov SPB1000I-12, SPB1500I-12 a SPB2000I-12)



POZOR! Nebezpečenstvo poškodenia

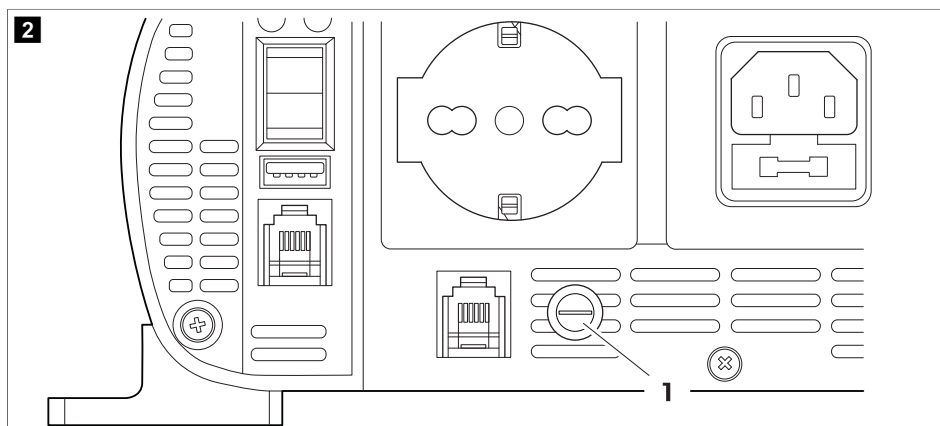
Pre bezpečnú prevádzku viacerých spotrebičov je nevyhnutné, aby bol v zásuvkovom rozdeľovacom obvode zabudovaný prúdový chránič (RCCB).

Uzemňovacia zásuvka je navrhnutá pre bezpečnostný systém, ako napríklad prúdový chránič (RCCB). Pripojte prúdový chránič podľa nasledujúcej schémy:



1. Pripojte fázový (P1) a nulový (P2) výstup k vstupu prúdového chrániča.
2. Pripojte uzemnenie meniča k jednému z dvoch káblov pripojených k vstupu prúdového chrániča.
3. Pripojte nulový a fázový výstup zo vstupu prúdového chrániča do spotrebičov.
4. Pripojte uzemnenie meniča k uzemneniu spotrebičov.

Ochrana pred narušením ochranného obvodu (okrem modelov SPB1000I-12, SPB1500I-12 a SPB2000I-12)





POZOR! Nebezpečenstvo poškodenia

Schéma vyššie sa vzťahuje iba na pripojenie výstupu meniča. IEC konektor vstupu externej elektrickej siete musí byť pripojený k vstupu prúdového chrániča zdroja externej elektrickej siete.

Uzemňovacie zariadenia typu TN alebo IT pre modely SPB1000I-12, SPB1500I-12 a SPB2000I-12 sú konfigurovateľné s poistkou.

- > Pre vytvorenie uzemnenia typu TN zabezpečte, aby poistka bola vložená v držiaku poistky ①.
- > Pre vytvorenie uzemnenia typu IT zabezpečte, aby poistka **nebola** vložená do držiaku poistky ①.

9 Montáž



UPOZORNENIE! Nebezpečenstvo poškodenia

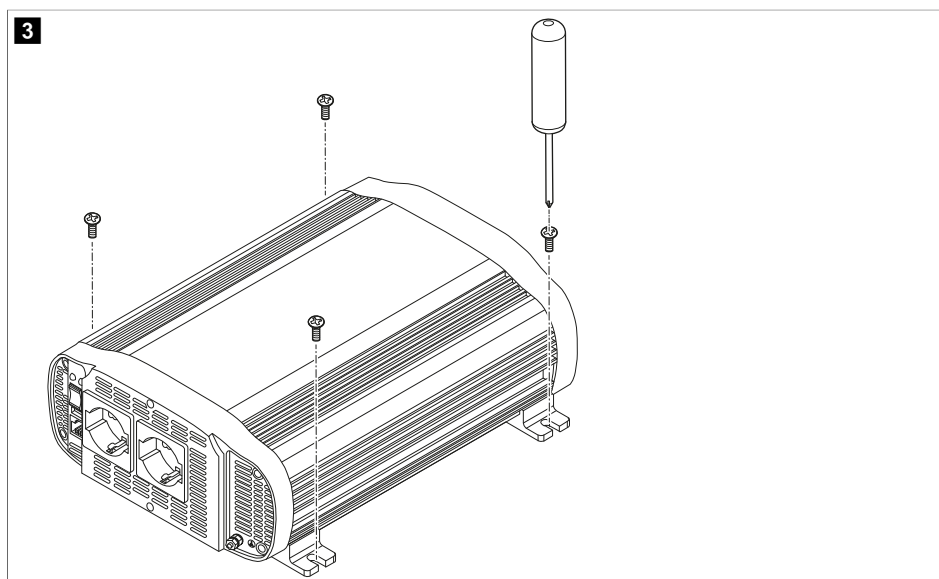
Nemontujte zariadenie v blízkosti zdrojov tepla alebo v nedostatočne vetraných priestoroch.



POZNÁMKA Zariadenie je možné namontovať v každej polohe. Ak je namontované na zvislom povrchu, odporúča sa, aby dlhá strana bola súběžne s podlahou.



POZNÁMKA Namontujte zariadenie čo možno najbližšie k zdroju napätia 12 V / 24 V.



1. Zariadenie namontujte s pomocou štyroch montážnych prírub s vhodnými skrutkami.

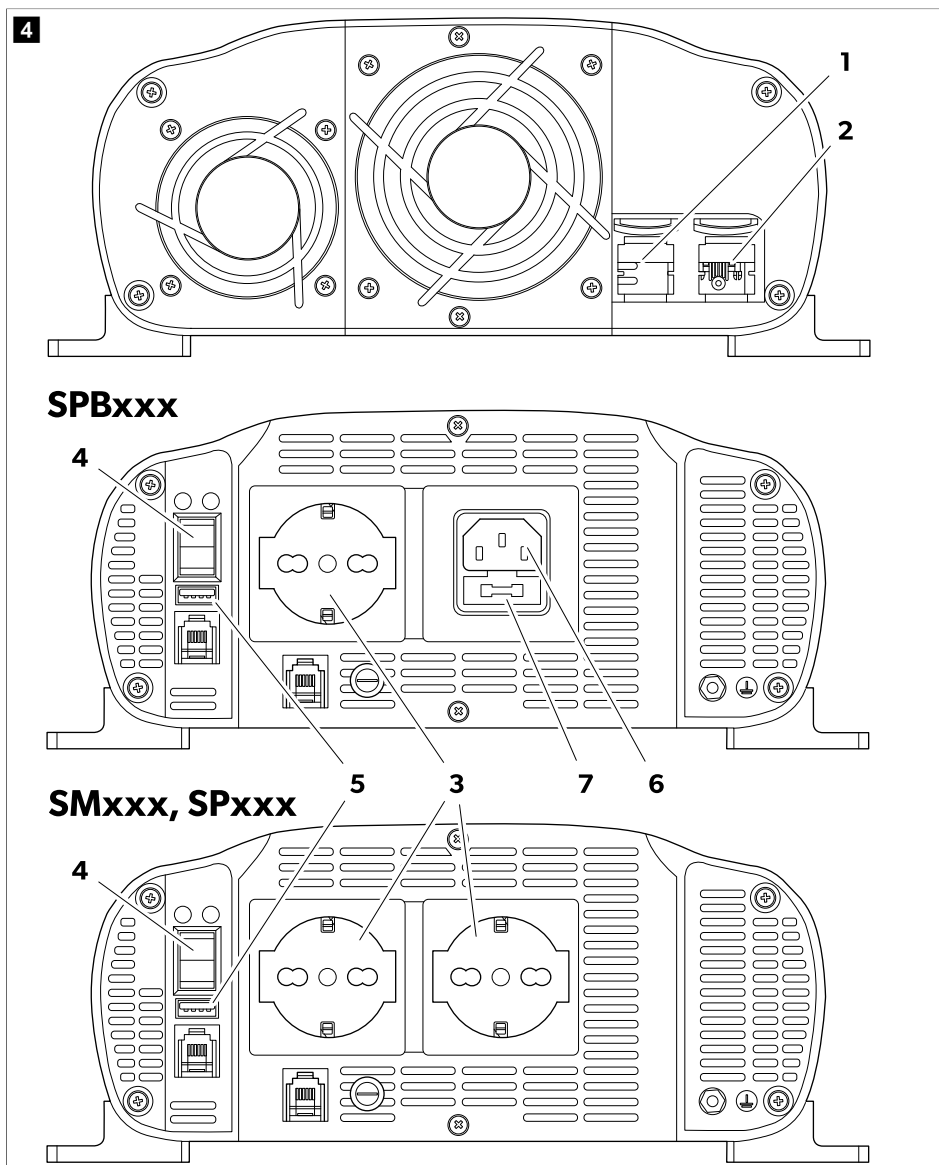


POZOR! Nebezpečenstvo poškodenia

Pred pripojením zariadenia sa ubezpečte, že vypínač je polohy Vyp.



POZNÁMKA Použite dodané káble na pripojenie batérie k zariadeniu. Ak vzdialenosť medzi batériou a zariadením presiahne 2 metre, zväčšite prierez kábla, aby ste znížili pokles napätia a straty energie.



2. Pripojte zápornú svorku batérie k zápornej svorke meniča ①.

**POZOR! Nebezpečenstvo poškodenia**

Pre ochranu pripojených zariadení namontujte inline poistku na kladný kábel batérie.

3. Pripojte kladnú svorku batérie ku kladnej svorke meniča ②.

**POZOR! Nebezpečenstvo poškodenia**

Pred pripojením spotrebiča k meniču sa uistite, že je vypnutý.

4. Pripojte 230 V spotrebič k výstupnej zásuvke ③.

5. Zapnite menič s vypínačom ④.



POZNÁMKA Keď je menič zapnutý, červená a zelená LED sa rozsvietia na 3 až 5 sekúnd. Po krátkej dobe červená LED zhasne a zelená zostane svietiť, a zariadenie vydá zvukový signál. Zelená LED signalizuje, že menič funguje správne.

**POZOR! Nebezpečenstvo poškodenia**

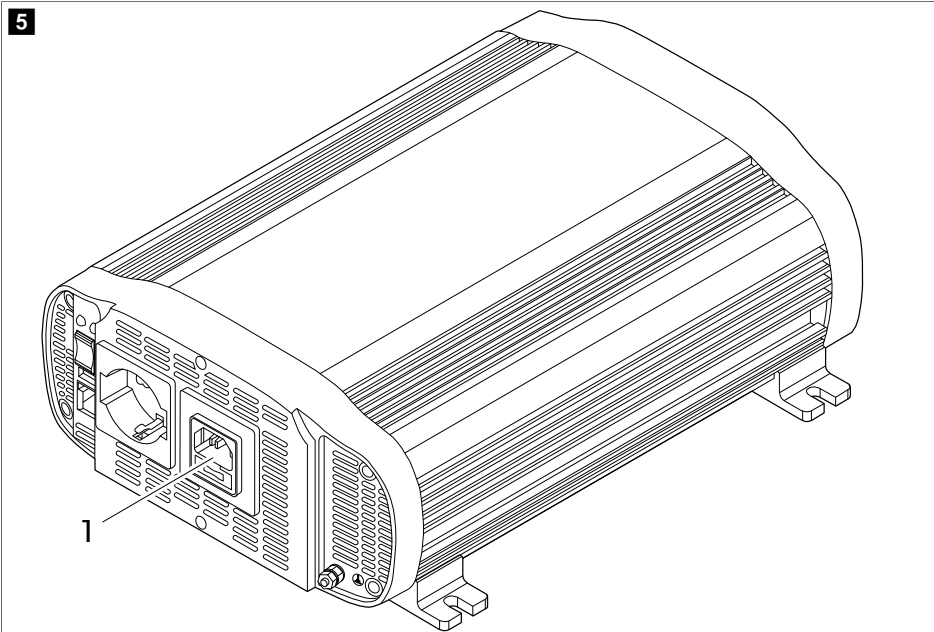
- > Ak plánujete používať viac ako jeden spotrebič, ako prvý pripojte spotrebič s vyššou záťažou.
- > Ubezpečte sa, že kombinovaná záťaž vašich spotrebičov neprekročí výstupný výkon meniča.
- > Pri použití predlžovacieho kábla z meniča do spotrebiča by predlžovací kábel nemal byť dlhší ako 1,5 m.
- > Nepripájajte menič k žiadnemu záťažovému obvodu striedavého prúdu, v ktorom je nulový vodič pripojený k uzemneniu.

6. Pripojte ďalšie 230 V spotrebiče a zapnite ich.

7. Pre nabíjanie 5 V spotrebiča, pripojte tento k USB portu ⑤.

10 Pripojenie externého zdroja napájania (modely SPB1000I-12, SPB1500I-12 a SPB2000I-12)

IEC kábel je možné pripojiť priamo do externej elektrickej zásuvky pre napájanie pripojených spotrebičov so striedavým napätím z verejnej elektrickej siete.



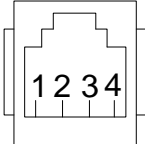
1. Pripojte kábel do zásuvky ①.
2. Nainštalujte alebo vyberte poistku do držiaka poistky ② podľa požadovaného typu uzemnenia (pozrite si kapitolu Pred montážou na strane 235).

11 Pripojenie diaľkového ovládania

Zariadenie je možné diaľkovo ovládať s voliteľným externým spínačom (RC03) alebo ľubovoľným generickým spínačom nakonfigurovaným na konektor RJ11 ① zariadenia. Nasledujúci popis konfigurácie pinu je možné použiť ako návod, keď sa používajú generické externé spínače.




Voliteľný externý spínač RC03 používa nasledujúcu konfiguráciu pinu:

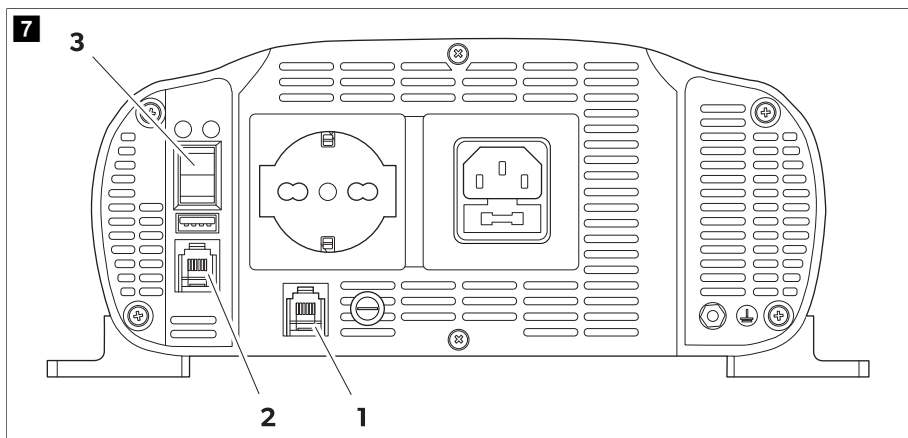
	Kontakt	Funkcia
	2	Červená LED pripojenia
	1-3	Externý spínač pripojenia
	4	Uzemnenie

- > Pre aktivovanie diaľkového ovládania prepnite vypínač ② do polohy 2.

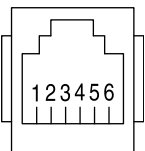
12 Pripojenie N-BUS

(Len modely SPB1000I-12, SPB1500I-12, SPB2000I-12)

- Zapojte zástrčku RJ12 (BC03, BC06, BC10) do zásuvky N-BUS ( obr. 7 na strane 241, 1).





Použite 6-pólový plochý kábel so zástrčkou RJ12 v priamej konfigurácii. Konfigurácia vývodov je nasledovná:

Kontakt	Funkcia	
	1	Stav siete
	2	Diaľkové ovládanie
	3	N-BUS/CI-BUS
	4	Uzemnenie
	5	Napätie zbernice (VBUS)
	6	(nepripojené)



POZOR! Nebezpečenstvo poškodenia

Dbajte na to, aby ste si nezamenili pripojenia pre N-BUS a diaľkové ovládanie ( obr. 7 na strane 241, 2).

- Vypínač prepnite do polohy II ( obr. 7 na strane 241, 3).
- Prípojte zariadenia kompatibilné s N-BUS.

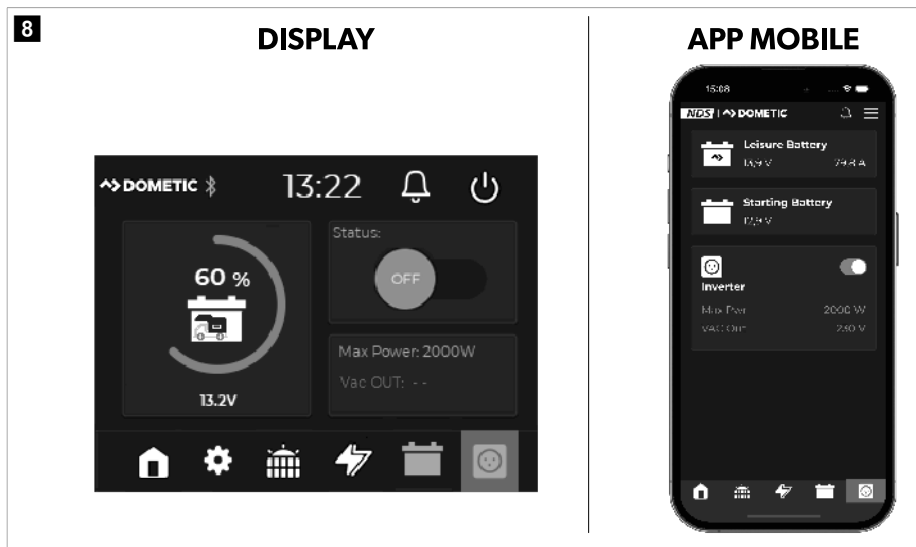
Konfigurácia meniča v sieti N-BUS

Zariadenia kompatibilné s N-BUS je možné konfigurovať a ovládať v sieti N-BUS prostredníctvom displeja alebo mobilnej aplikácie.

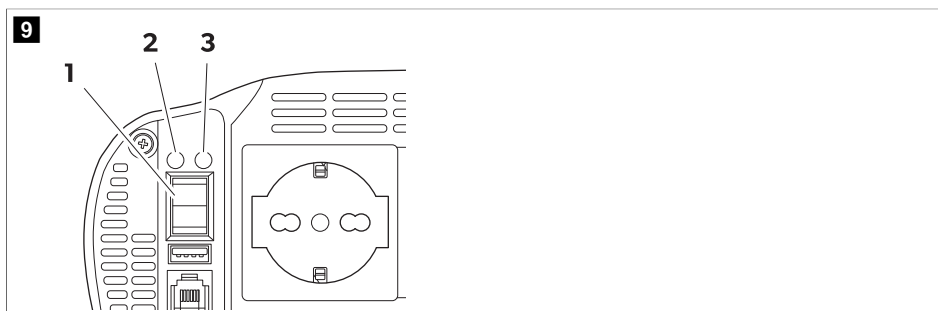


POZNÁMKA

- Na používanie mobilnej aplikácie je potrebné aspoň jedno zariadenie Bluetooth v sieti N-BUS.
 - Nastavte jedno zo zariadení ako MASTER.
- > Vyberte ponuku meniča a potiahnutím posúvača do polohy zapnuté alebo vypnuté menič zapnite alebo vypnite.



13 Obsluha



Vypínač

- > Pre zapnutie zariadenia zatlačte vypínač ① do polohy I.
- > Pre vypnutie zariadenia zatlačte vypínač ① do polohy 0.
- > Pre aktivovanie diaľkového ovládania zatlačte vypínač ① do polohy II.

Indikátory LED

Zariadenie je vybavené so zeleným ② a červeným ③ LED indikátorom pre signalizáciu prevádzkového stavu.

LED	Opis
Green	Zariadenie je zapnuté a správne funguje
Red	Porucha zariadenia

14 Výmena poistky

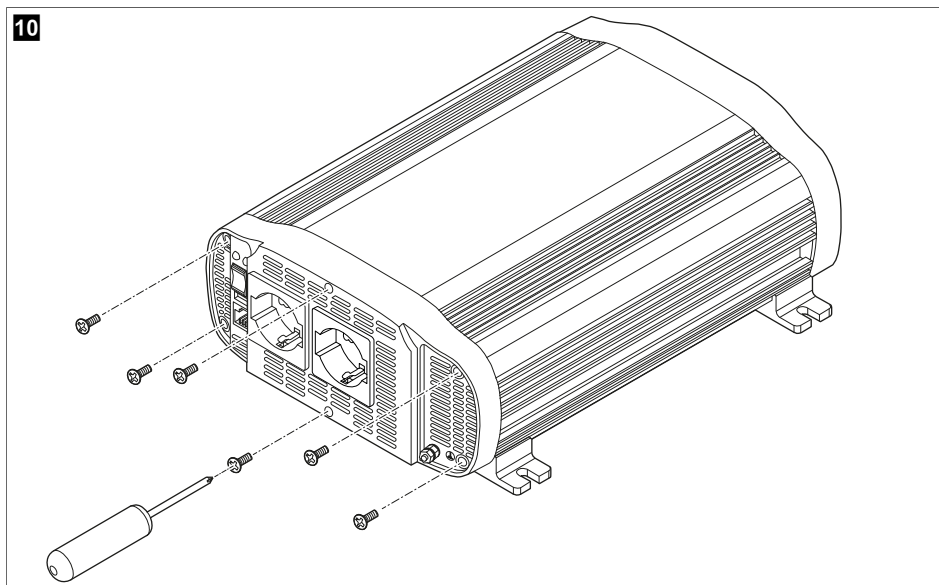


VÝSTRAHA!

- Nebezpečenstvo zásahu elektrickým prúdom
- Montáž smie vykonávať len kvalifikovaný elektrikár.

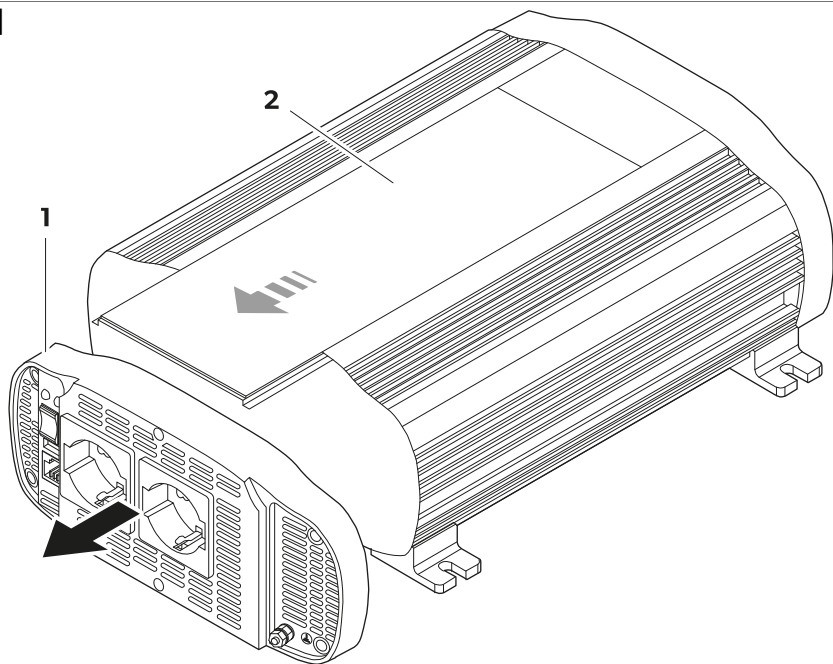
Zariadenie je chránené integrovaným elektronickým obvodom. Poistky sú teda umiestnené vnútri zariadenia. V prípade opačnej polarity pripojenia zareaguje poistka. Zariadenia s funkciou IVT teda disponujú sklenenou poistkou vnútri IEC zásuvky pre pripojenie externej elektrickej siete. Nahrádné poistky sú dodávané v balení výrobku.

Výmena interných poistiek



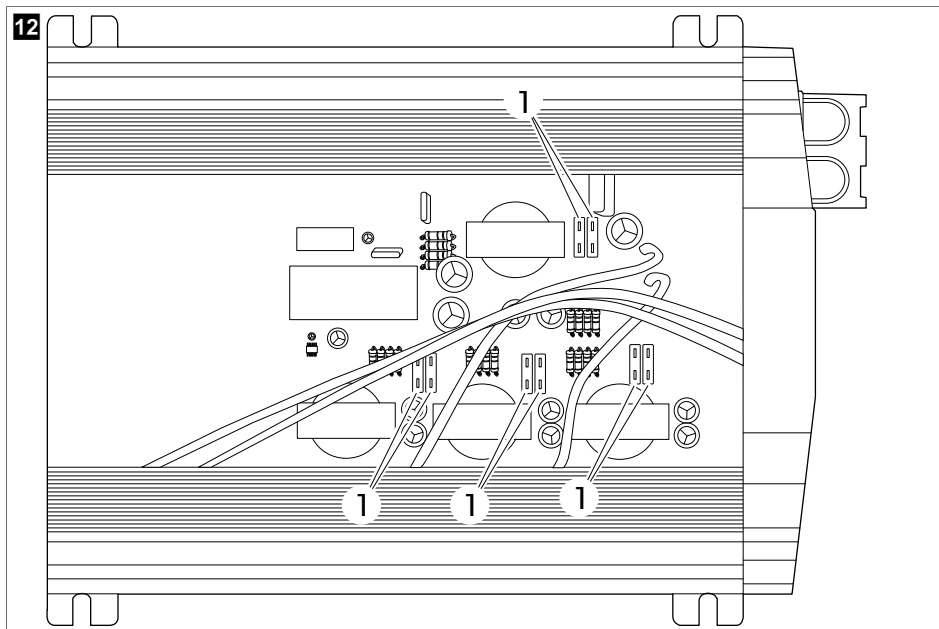
1. Vyskrutkujte šesť skrutiek.

11



2. Nakloňte predný panel dopredu ①.

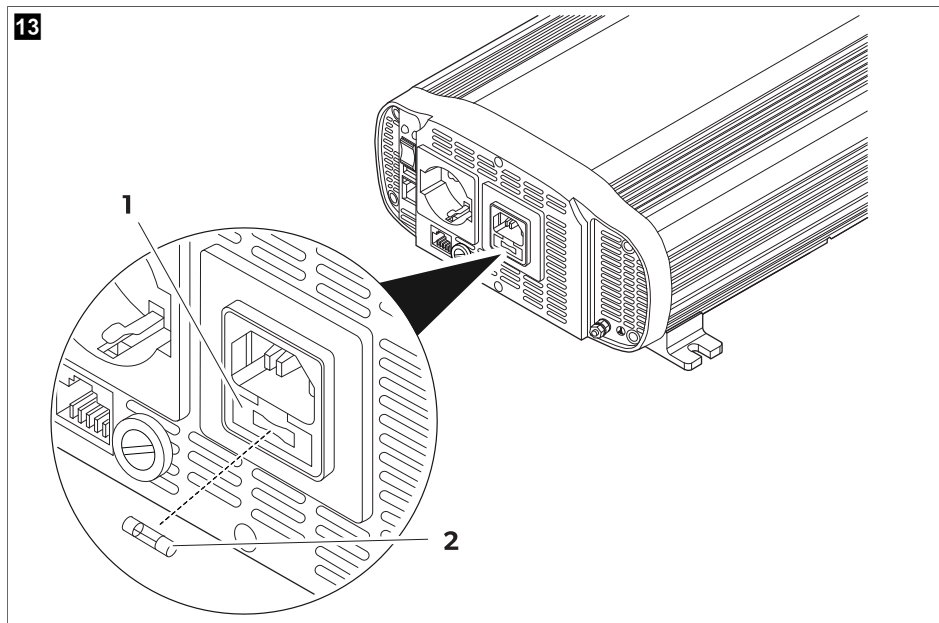
3. Odoberte veko ②.



4. Vymeňte poistku ①.

Model	Počet poistiek	Hodnota poistky	
SM400-12, SP400-12	1	50 A	červená
SM600-12, SP600-12	2	50 A	červená
SM600-24, SP600-24	2	25 A	biela
SM1000-12, SP1000-12	4	30 A	zelená
SM1500-12, SP1500-12	6	30 A	zelená
SP1500-24	6	15 A	modrá
SP2000-12	8	30 A	zelená
SP3000-12	12	30 A	zelená
SP3000-24	12	15 A	modrá

Výmena poistky IEC zásuvky



1. Otvorte veko ① puzdra zásuvky.
2. Vymeňte poistku ②.

Model	Počet poistiek	Hodnota poistky
SPB1000I-12, SPB1500I-12 a SPB2000I-12	1	10 A (sklenená poistka F10AL 250V)



POZNÁMKA Po výmene poistky sa zariadenie automaticky reštartuje. Ak zariadenie po výmene poistky nepracuje správne, kontaktujte technika kvôli riešeniu problémov.

15 Čistenie a údržba

- > Výrobok príležitostne vyčistite mierne navlhčenou handričkou.
- > Skontrolujte, či pripojenia vstupu a výstupu sú pevné a zaistené.
- > Ubezpečte sa, že vetracie drážky nie sú zanesené nečistotami alebo blokované predmetmi či materiálmi.

16 Likvidácia



Recyklácia obalového materiálu: Obalový materiál dávajte podľa možnosti do príslušného recyklovateľného odpadu.



Keď výrobok chcete definitívne vyradiť z prevádzky, informujte sa v najbližšom recyklačnom stredisku alebo u svojho špecializovaného predávajúceho o príslušných predpisoch týkajúcich sa likvidácie. Výrobok je možné bezplatne zlikvidovať.



Ak výrobok obsahuje integrované batérie, nabíjateľné batérie alebo svetelné zdroje, nemusíte ich pred likvidáciou vybrať.

17 Záruka

Platí zákonom stanovená záručná doba. Ak je výrobok poškodený, obráťte sa na pobočku výrobcu vo vašej krajine (pozrite si stránku dometic.com/dealer) alebo na predajcu.

Ak žiadate o vybavenie opravy alebo nárokov vyplývajúcich zo záruky, musíte priložiť nasledovné podklady:



- kópiu faktúry s dátumom kúpy,
- dôvod reklamácie alebo opis chyby.



Upozorňujeme vás, že samooprava alebo neodborná oprava môže mať za následok ohrozenie bezpečnosti a zánik záruky.

18 Technické údaje




	SM400-12	SM600-12	SM600-24
Nepretržitý výstupný výkon	400 W	600 W	
Výstupný výkon pri maximálnom zaťažení	800 W (niekoľko sekúnd)	1200 W (niekoľko sekúnd)	
Výstupné napätie (RMS)/frekvencia	230 V AC / 50 Hz ± 3 Hz		
USB Output	5 V 2,1 A		
Vstupné napätie	12 V		24 V
Vlastná spotreba	200 mA (13,2 V)	220 mA (13,2 V)	100 mA (26,4 V)
Pripojenie	–	–	–
Rozmery (Š × H × V)	140 mm × 184 mm × 71 mm	140 mm × 214 mm × 71 mm	140 mm × 214 mm × 71 mm
Certifikát	(10 R – 05 0094)		




	SM1000-12	SM1500-12
Nepretržitý výstupný výkon	1000 W	1500 W
Výstupný výkon pri maximálnom zaťažení	2000 W (niekoľko sekúnd)	3000 W (niekoľko sekúnd)
Výstupné napätie (RMS)/frekvencia	230 V AC / 50 Hz ± 3 Hz	
USB Output	5 V 2,1 A	
Vstupné napätie	12 V	
Vlastná spotreba	530 mA (13,2 V)	460 mA (13,2 V)
Pripojenie	–	–
Rozmery (Š × H × V)	270 mm × 262 mm × 107,5 mm	270 mm × 262 mm × 107,5 mm

	SM1000-12	SM1500-12	
Certifikát	 (10 R - 05 0094)		
	SP400-12	SP600-12	SP600-24
Nepretržitý výstupný výkon	400 W	600 W	
Výstupný výkon pri maximálnom zaťažení	1000 W (niekoľko sekúnd)	1500 W (niekoľko sekúnd)	
Výstupné napätie (RMS)/frekvencia	230 V AC / 50 Hz ± 3 Hz		
USB Output	5 V 2,1 A		
Vstupné napätie	12 V		24 V
Vlastná spotreba	340 mA (13,2 V)	420 mA (13,2 V)	210 mA (26,4 V)
Pripojenie	-	-	-
Rozmery (Š × H × V)	140 mm × 214,5 mm × 71 mm	140 mm × 244,5 mm × 71 mm	140 mm × 244,5 mm × 71 mm
Certifikát	 (10 R - 05 0094)		

	SP1000-12	SPB1000I-12
Nepretržitý výstupný výkon	1000 W	
Výstupný výkon pri maximálnom zaťažení	2500 W (niekoľko sekúnd)	
Výstupné napätie (RMS)/frekvencia	230 V AC / 50 Hz ± 3 Hz	
USB Output	5 V 2,1 A	
Vstupné napätie	12 V	
Vlastná spotreba	870 mA (13,2 V)	680 mA (13,2 V)
Čas prepnutia z batérie na externú elektrickú sieť	-	0,02 s
Čas prepnutia z externej elektrickej siete na batériu	-	0,1 s
Pripojenie	-	N-BUS
Rozmery (Š × H × V)	270 mm × 262,4 mm × 107,5 mm	270 mm × 262,4 mm × 107,5 mm
Certifikát	 (10 R - 05 0094)	 (10 R - 06-02 5174 00)

	SP1500-12	SPB1500I-12	SP1500-24
Nepretržitý výstupný výkon	1500 W		
Výstupný výkon pri maximálnom zaťažení	4000 W (niekoľko sekúnd)		
Výstupné napätie (RMS)/frekvencia	230 V AC / 50 Hz ± 3 Hz		
USB Output	5 V 2,1 A		

	SP1500-12	SPB1500I-12	SP1500-24
Vstupné napätie	12 V		24 V
Vlastná spotreba	850 mA (13,2 V)	930 mA (13,2 V)	620 mA (26,4 V)
Čas prepnutia z batérie na externú elektrickú sieť	-	0,02 s	-
Čas prepnutia z externej elektrickej siete na batériu	-	0,1 s	-
Pripojenie	-	N-BUS	-
Rozmery (Š × H × V)	270 mm × 322,4 mm × 107,5 mm	270 mm × 360 mm × 107,5 mm	270 mm × 322,4 mm × 107,5 mm
Certifikát	 (10 R - 05 0094)	 (10 R - 06-02 5174 00)	 (10 R - 05 0094)

	SPB2000I-12	SP3000-12	SP3000-24
Nepretržitý výstupný výkon	2000 W	3000 W	
Výstupný výkon pri maximálnom zaťažení	6000 W (niekoľko sekúnd)	8000 W (niekoľko sekúnd)	
Výstupné napätie (RMS)/frekvencia	230 V AC / 50 Hz ± 3 Hz		
USB Output	5 V 2,1 A		
Vstupné napätie	12 V		24 V
Vlastná spotreba	900 mA (13,2 V)	1270 mA (13,2 V)	680 mA (26,4 V)
Čas prepnutia z batérie na externú elektrickú sieť	0,02 s	-	-
Čas prepnutia z externej elektrickej siete na batériu	0,1 s	-	-
Pripojenie	N-BUS	-	-
Rozmery (Š × H × V)	270 mm × 385 mm × 107,5 mm	270 mm × 452 mm × 107,5 mm	270 mm × 452 mm × 107,5 mm
Certifikát			
	 (10 R - 06-02 5174 00)	 (10 R - 05 0094)	

Firma Dometic týmto vyhlasuje, že rádiové zariadenie typu SPB1000I-12, SPB1500I-12 a SPB2000I-12 vyhovuje smernici 2014/53/EÚ. Úplné znenie EÚ vyhlásenia o zhode je dostupné na nasledujúcej internetovej adrese: documents.dometic.com

Čeština

1	Důležité poznámky.....	250
2	Vysvětlení symbolů.....	250
3	Bezpečnostní pokyny.....	251
4	Obsah dodávky.....	251
5	Určené použití.....	251
6	Cílová skupina.....	252
7	Technický popis.....	252
8	Před instalací.....	253
9	Instalace.....	255
10	Připojení vnějšího napájecího zdroje (modely SPB1000I-12, SPB1500I-12 a SPB2000I-12).....	257
11	Připojení dálkového ovladače.....	258
12	Připojení sítě N-BUS.....	259
13	Použití.....	260
14	Výměna pojistek.....	261
15	Čištění a péče.....	264
16	Likvidace.....	264
17	Záruka.....	265
18	Technické údaje.....	265

1 Důležité poznámky

Pečlivě si prosím přečtěte a dodržujte všechny pokyny, směrnice a varování obsažené v tomto návodu k výrobku, abyste měli jistotu, že výrobek budete vždy správně instalovat, používat a udržívat. Tyto pokyny MUSÍ být uschovány v blízkosti výrobku.

Používáním výrobku tímto potvrzujete, že jste si pečlivě přečetli všechny pokyny, směrnice a varování a že rozumíte podmínkám uvedeným v tomto dokumentu a souhlasíte s nimi. Souhlasíte s používáním tohoto výrobku pouze k určenému účelu a použití a v souladu s pokyny, směrnice a varováními uvedenými v tomto návodu k výrobku a v souladu se všemi příslušnými zákony a předpisy. Pokud si nepřečtete a nebudete dodržovat zde uvedené pokyny a varování, může to vést ke zranění vás i ostatních, poškození vašeho výrobku nebo poškození jiného majetku v okolí. Tento návod k výrobku, včetně pokynů, směrnic a varování a související dokumentace může být předmětem změn a aktualizací. Aktuální informace o výrobku naleznete na adrese documents.domestic.com.

2 Vysvětlení symbolů

Signální slovo označuje bezpečnostní zprávy a zprávy o škodách na majetku a také označuje stupeň nebo úroveň závažnosti nebezpečí.



VÝSTRAHA!

Označuje nebezpečnou situaci, která, pokud se jí nezabrání, může mít za následek smrt nebo vážné zranění.



UPOZORNĚNÍ!

Označuje nebezpečnou situaci, která, pokud se jí nezabrání, může mít za následek lehké nebo středně těžké zranění.



POZOR!

Označuje nebezpečnou situaci, která, pokud se jí nezabrání, může mít za následek majetkové škody.



POZNÁMKA Doplnující informace týkající se obsluhy výrobku.

3 Bezpečnostní pokyny



VÝSTRAHA! Nedodržení těchto varování může mít za následek smrt nebo vážné zranění.

- > V případě požáru použijte hasicí přístroj vhodný na elektrická zařízení.
- > V případě, že je přístroj viditelně poškozen, nesmíte ho používat.



UPOZORNĚNÍ! Nedodržení těchto varování může mít za následek smrt nebo vážné zranění.

- > Instalaci, montáž, zapojení a všechny další práce smí provádět pouze kvalifikovaní elektrikáři. Nesprávně provedené opravy mohou být zdrojem značných rizik.
- > Instalace v prostorách s nebezpečím výbuchu, například v místnostech s hořlavými kapalinami nebo plyny, není povolena.
- > Zařízení neinstalujte ani neuchovávejte v blízkosti plamenů nebo jiných zdrojů tepla (topení, přímé sluneční světlo, plynové trouby atd.).
- > Děti si s přístrojem nesmí hrát.
- > Tento přístroj mohou používat děti od 8 let a osoby se sníženými fyzickými, smyslovými nebo duševními schopnostmi nebo s nedostatečnými zkušenostmi a znalostmi, pokud jsou pod dohledem nebo obdržely pokyny týkající se používání spotřebiče bezpečným způsobem a porozuměly souvisejícím nebezpečím.



POZOR! Označuje nebezpečnou situaci, která, pokud se jí nezabrání, může mít za následek majetkové škody.

- > Zkontrolujte, zda údaj o napětí na typovém štítku odpovídá údaji pro zdroje napájení.
- > Přístroj nikdy nepoňoujte do vody.
- > Přístroj a kabely chraňte před horkem a vlhkem.
- > Nevystavujte zařízení dešti.
- > Ujistěte se, že montážní plocha unese hmotnost přístroje.
- > Instalujte vodiče tak, aby nehrozilo nebezpečí zakopnutí a nemohlo dojít k poškození kabelů.
- > Používejte trubky nebo průchodky kabelů, pokud musíte vést kabely plechovými stěnami nebo jinými stěnami s ostrými hranami.

4 Obsah dodávky

Popis	Množství
Měnič	1
Červený napájecí kabel	1
Černý napájecí kabel	1
Návod k montáži a obsluze	1

5 Určené použití

Zařízení je určeno k 230V napájení připojených spotřebičů, které se generuje ze vstupního napětí 12 V nebo 24 V. Přístroj je konstruován k použití v obytných automobilech, karavanech a dálkových autobusech.

Modelová řada zahrnuje dva typy zařízení:

- Modely SM400-12, SM600-12, SM600-24, SM1000-12 a SM1500-12 jsou měniče s modifikovanou sinusoidou.
- Modely SP400-12, SP600-12, SP600-24, SP1000-12, SP1500-12, SP1500-24, SP3000-12 a SP3000-24 představují měniče s čistě sinusovým výstupem.

Modely SPB1000I-12, SPB1500I-12 a SPB2000I-12 disponují integrovanou funkcí priority (IVT) a vstupní zásuvkou chráněnou pojistkou (IEC) pro připojení vnějšího napájecího zdroje.

Tento výrobek je vhodný pouze k určenému účelu a použití v souladu s těmito pokyny.

Tento návod obsahuje informace, které jsou nezbytné k řádné instalaci a/ nebo použití výrobku. Nesprávná instalace a/ nebo nevhodné použití či údržba povedou k neuspokojivému výkonu a možné závadě.

Výrobce nepřijímá žádnou odpovědnost za jakékoli zranění nebo poškození výrobku vyplývající z následujících:

- Nesprávné instalace, sestavení nebo připojení včetně nadměrného napětí
- Nesprávná údržba nebo použití jiných náhradních dílů než originálních dílů dodaných výrobcem
- Úpravy výrobku bez výslovného souhlasu výrobce
- Použití k jiným účelům, než jsou popsány v tomto návodu

Společnost Dometic si vyhrazuje právo změnit vzhled a specifikace výrobku.

6 Cílová skupina



Elektrickou instalaci přístroje musí provést kvalifikovaný elektrikář, který disponuje potřebnými dovednostmi a znalostmi týkajícími se konstrukce, instalace a provozu elektrických zřízení, který zná platné předpisy v zemi instalace nebo používání tohoto zařízení a který absolvoval bezpečnostní školení, aby byl schopen rozpoznat související nebezpečí a předejít jim.

Všechny ostatní kroky mohou provést i běžní uživatelé.

7 Technický popis

Přístroj má dva hlavní obvodové stupně pro převod vstupního napětí 12 V \equiv nebo 24 V \equiv na výstupní střídavé (AC) napětí. První stupeň sestává z izolovaného vysokofrekvenčního DC/DC měniče, který převádí stejnosměrné (DC) vstupní napětí 12 V nebo 24 V na stejnosměrné (DC) výstupní napětí až 400 V. Koncový stupeň sestává z H-můstku, který převádí stejnosměrnou (DC) vysokonapětovou sběrnici na střídavé (AC) napětí 230 V.

Charakteristické vlastnosti zařízení:

- Nízká spotřeba.
- Galvanicky oddělený vstup a výstup pro vyšší bezpečnost.
- Regulace otáček ventilátoru podle teploty pro tichý provoz.
- Integrovaný přepínač priority mezi externím síťovým napájením a baterií.
- Příprava pro dálkové ovládání zapnutí/vypnutí.
- Výstraha při nízkém napětí baterie.
- Vypnutí při příliš nízkém nebo vysokém napětí baterie.
- Vypnutí při přetížení.
- Ochrana proti zkratu, přehřátí, přetížení a přepólování.
- Funkce plynulého rozběhu (soft-start).

Pouze modely SPB1000I-12, SPB1500I-12, SPB2000I-12: Zařízení je kompatibilní se sítí N-BUS (viz kapitola Připojení sítě N-BUS na stránce 259).

8 Před instalací

Požadavky na baterii

Typ a velikost baterie může výrazně ovlivnit výkon měničů. Proto je třeba určit typ spotřebičů (zátěží), které bude měnič napájet, a dobu používání mezi dobíjením. Abyste mohli určit minimální požadavky na baterii pro danou aplikaci, postupujte následovně:

1. Ze štítků jednotlivých spotřebičů, které budou současně napájeny z měniče, určete jejich příkon. Tento příkon se obvykle uvádí ve wattch. Pokud je hodnota uvedena v ampérech, vynásobte ji 230 V, čímž získáte příkon ve wattch.
2. Odhadněte počet hodin, po které bude vybavení v provozu, než dojde k dobíjení baterie.
3. Vynásobením takto zjištěné doby a součtu příkonů spotřebičů vypočítejte celkovou potřebnou energii ve Wh (wattodinách). Výsledek vydělte 10, pokud je vstupní napětí měniče 12 V, nebo 20 při napětí 24 V. Výsledná hodnota v Ah představuje energetickou potřebu dané aplikace.



POZNÁMKA Pokud je to možné, dobíjejte baterii při vybití na přibližně 50 % nebo dříve. Výrazně tím prodloužíte životnost baterie, na rozdíl od dobíjení až při hlubokém vybití.

Řešení problémů s rušením

Některé levné zvukové systémy mohou při napájení z měniče vydávat bzučivý zvuk z reproduktorů. K tomu dochází proto, že napájecí zdroj ve zvukovém systému dostatečně neodfiltruje modifikovanou sinusoidu generovanou měničem. Řešením je použití takového zvukového systému, který má kvalitní napájecí zdroj, nebo použití měniče s čistou sinusoidou. Když je měnič v provozu, může na některých kanálech rušit televizní příjem. Pokud k rušení dochází, zkuste provést následující:

1. Zkontrolujte, zda je zemnicí šroub na plášti měniče připojen k uzemnění vozidla.
2. Ujistěte se, že televizní anténa poskytuje dostatečný signál a že je anténní kabel v dobrém stavu.
3. Kabely mezi baterií a měničem by měly být co nejkratší a také smotané dohromady, aby se snížilo jejich vyzařování.
4. Televizní přijímač umístěte co nejdále od měniče.
5. Když je zapnutý televizor, nenapájejte měničem spotřebiče s vysokým příkonem.

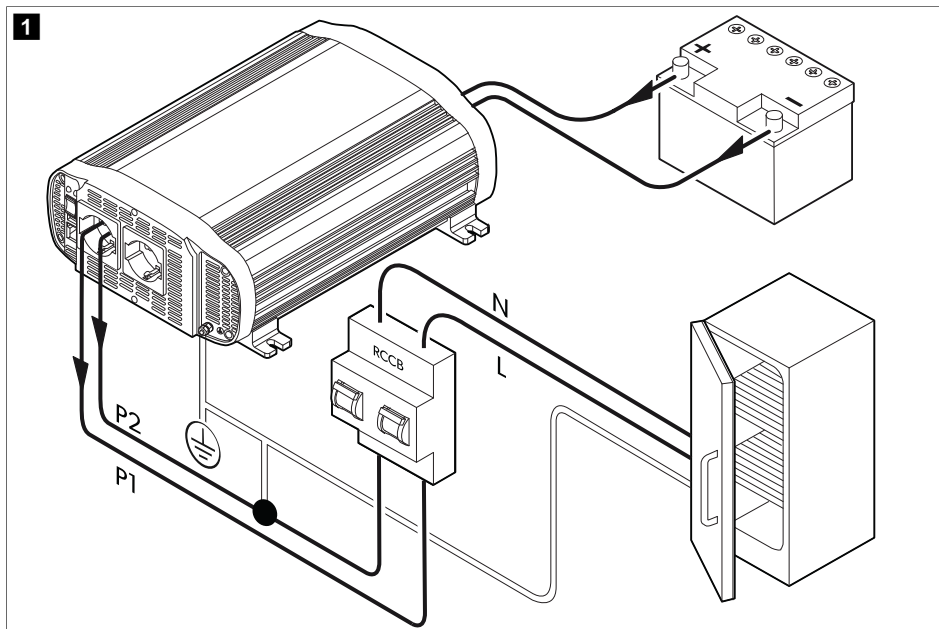
Ochrana proti zemnímu spojení (kromě modelů SPB1000I-12, SPB1500I-12 a SPB2000I-12)



POZOR! Nebezpečí poškození

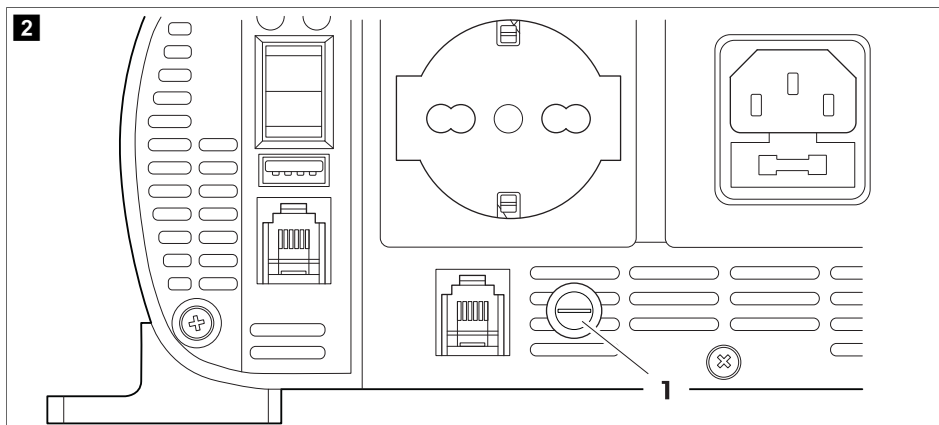
Pro zajištění bezpečného provozu více spotřebičů je nezbytné, aby byl v zásuvkovém rozvodu instalován jistič (proudový chránič).

Zemnicí zásuvka je určena pro bezpečnostní systém, jako je proudový chránič (RCCB). Proudový chránič připojte podle následujícího schématu:



1. Připojte fázový (P1) a nulový (P2) výstup ke vstupu proudového chrániče.
2. Připojte uzemnění měniče k jednomu ze dvou vodičů připojených ke vstupu proudového chrániče.
3. Připojte nulový a fázový výstup ze vstupu proudového chrániče ke spotřebičům.
4. Připojte uzemnění měniče k uzemnění spotřebičů.

Ochrana proti zemnímu spojení (modely SPB1000I-12, SPB1500I-12 a SPB2000I-12)





POZOR! Nebezpečí poškození

Výše uvedené schéma se týká pouze připojení výstupu měniče. Konektor IEC externího síťového vstupu musí být připojen k výstupu jističe externího síťového zdroje.

Uspořádání uzemnění typu TN nebo IT u modelů SPB1000I-12, SPB1500I-12 a SPB2000I-12 lze konfigurovat pomocí pojistky.

- > Chcete-li vytvořit uspořádání uzemnění typu TN, ujistěte se, že je pojistka vložena do držáku pojistky ①.
- > Chcete-li vytvořit uspořádání uzemnění typu IT, zajistěte, aby pojistka **nebyla** vložena do držáku pojistky ①.

9 Instalace



UPOZORNĚNÍ! Nebezpečí poškození

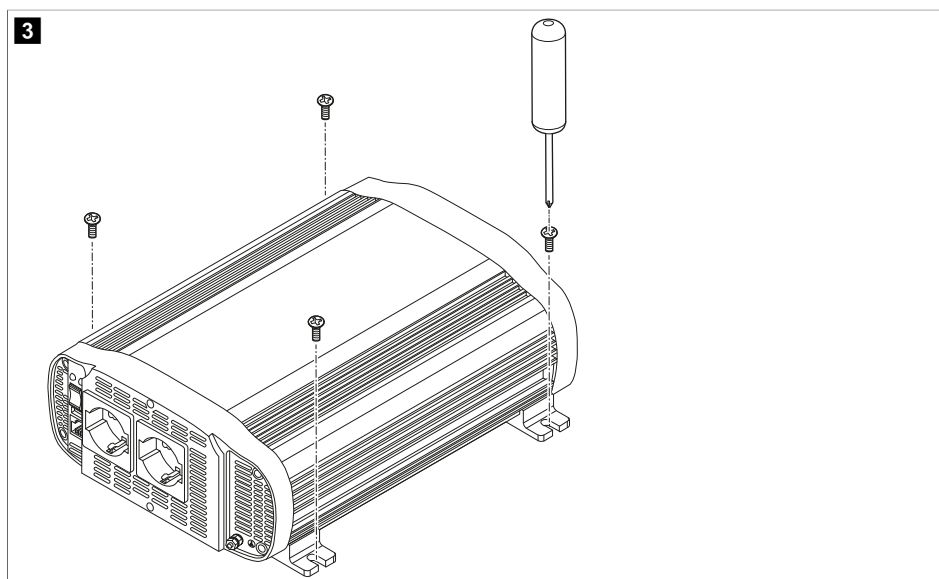
Zařízení neinstalujte v blízkosti zdrojů tepla nebo na nedostatečně větraných místech.



POZNÁMKA Zařízení lze namontovat v libovolné poloze. Při instalaci na svislý povrch se doporučuje, aby byla delší strana zařízení rovnoběžná s podlahou.



POZNÁMKA Zařízení instalujte co nejbližže zdroji napájení 12 V / 24 V.



1. Zařízení pomocí vhodných šroubů připevněte za čtyři montážní příruby.

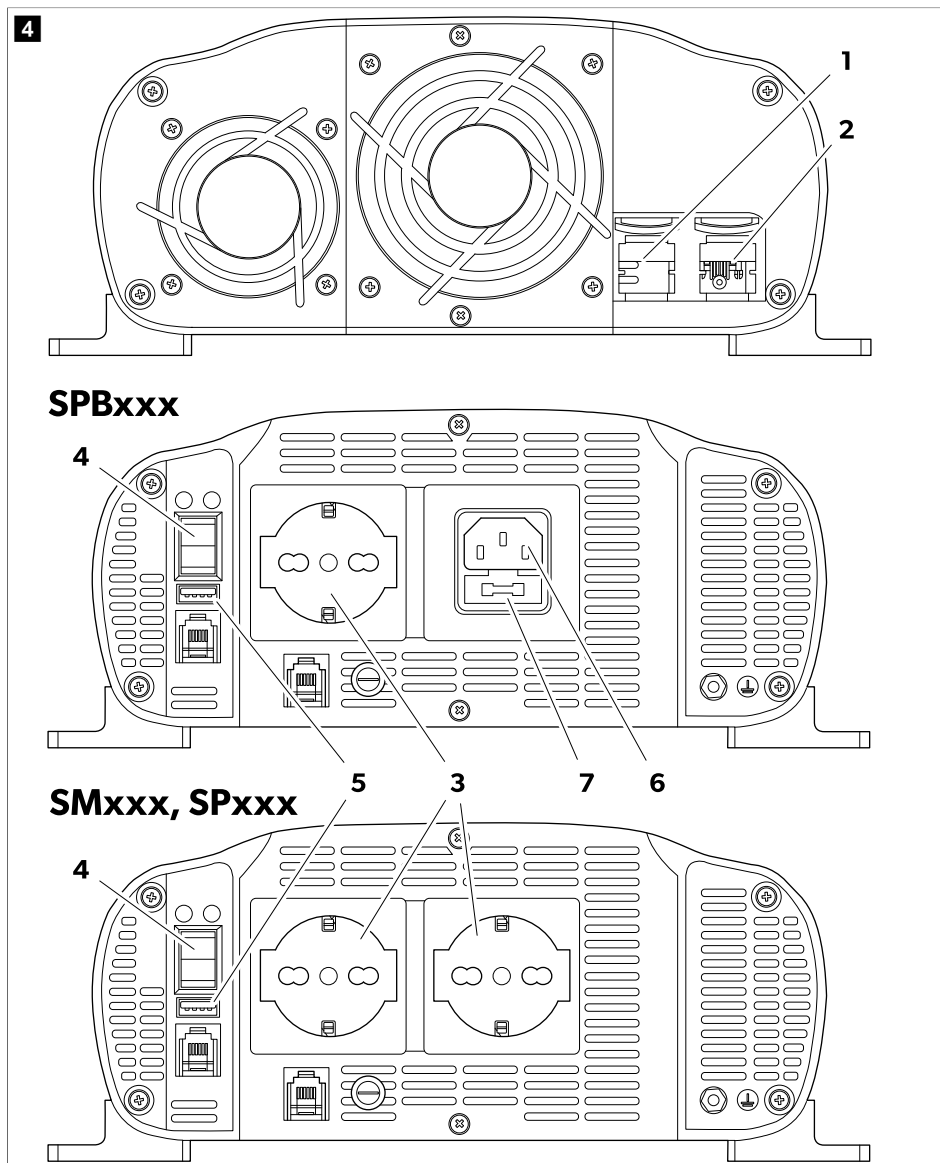


POZOR! Nebezpečí poškození

Před připojením zařízení se ujistěte, že je vypínač v poloze vypnuto.



POZNÁMKA Pomocí dodaných vodičů připojte baterii k zařízení. Přesahuje-li vzdálenost mezi baterií a zařízením 2 metry, použijte vodič s větším průřezem, abyste snížili úbytek napětí a ztráty výkonu.



2. Připojte záporný pól baterie k zápornému pólu měniče ①.

**POZOR! Nebezpečí poškození**

Pro zajištění ochrany připojených spotřebičů nainstalujte na kladný kabel baterie řadovou pojistku.

3. Připojte kladný pól baterie ke kladnému pólu měniče ②.

**POZOR! Nebezpečí poškození**

Před připojením spotřebiče k měniči se ujistěte, že je vypnutý.

4. Připojte spotřebič 230 V do výstupní zásuvky ③.
5. Zapněte měnič pomocí vypínače ④.



POZNÁMKA Po zapnutí měniče se na 3 až 5 sekund rozsvítí červená i zelená LED dioda. Po krátké době červená LED dioda zhasne, zelená dioda zůstane svítit a přístroj vydá zvukový signál. Zelená LED dioda indikuje správné fungování měniče.

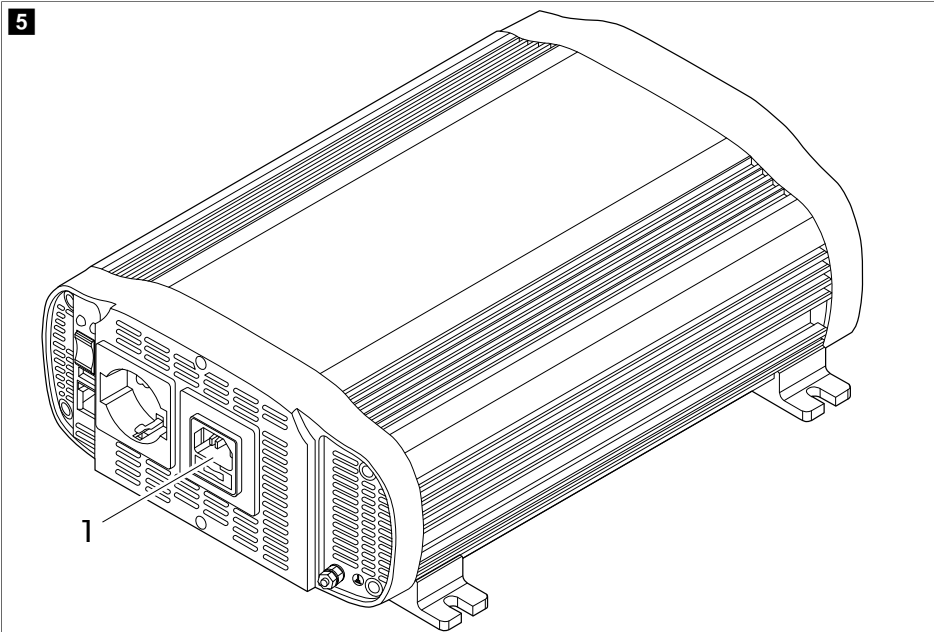
**POZOR! Nebezpečí poškození**

- > Máte-li v plánu provozovat více než jeden spotřebič, připojte nejprve ten s vyšším příkonem.
- > Ujistěte se, že kombinované zatížení ze strany spotřebičů nepřekračuje jmenovitý výkon měniče.
- > Při použití prodlužovacího kabelu od měniče ke spotřebiči by tento prodlužovací kabel neměl být delší než 1,5 m.
- > Měnič nepřipojujte k žádnému zátěžovému obvodu střídavého proudu, ve kterém je nulový vodič spojen se zemí.

6. Připojte další spotřebiče na napětí 230 V a zapněte je.
7. Chcete-li nabíjet nějaké zařízení napětím 5 V, připojte jej k USB portu ⑤.

10 Připojení vnějšího napájecího zdroje (modely SPB1000I-12, SPB1500I-12 a SPB2000I-12)

Do externí síťové zásuvky je možné připojit kabel IEC a napájet tak připojené spotřebiče přímo střídavým napětím z veřejné elektrické sítě.



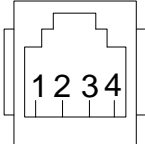
1. Zapojte kabel do zásuvky ①.
2. Vložte pojistku do řadového držáku pojistek nebo ji z něj vyjměte ② podle požadovaného typu uspořádání uzemnění (viz kapitola Před instalací na stránce 253).

11 Připojení dálkového ovladače

Zařízení lze dálkově ovládat pomocí volitelného externího spínače (RC03) nebo jakéhokoli běžného spínače, který se připojí ke konektoru RJ11 zařízení ①. Následující popis konfigurace pinů lze použít jako pomůcku při použití generických externích spínačů.




Volitelný externí spínač RC03 využívá následující konfiguraci pinů:

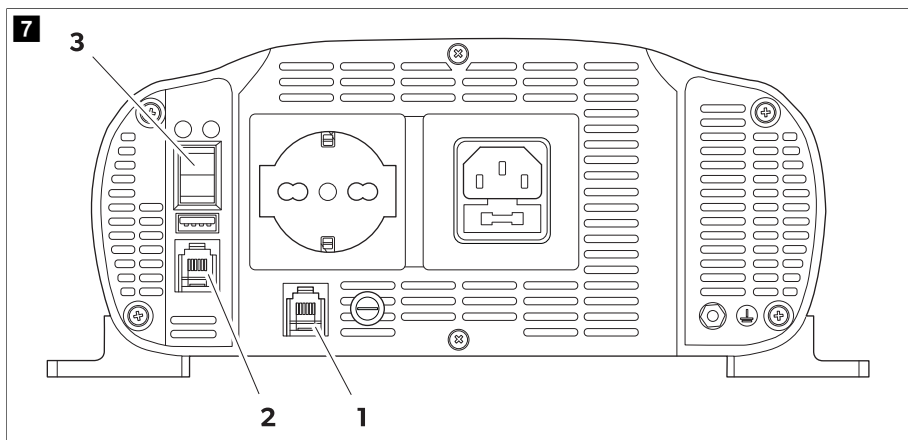
	Pin	Funkce
	2	Připojení červené LED diody
	1-3	Připojení externího spínače
	4	Uzemnění

> Chcete-li povolit dálkové ovládání, přepněte vypínač ② do polohy 2.

12 Připojení sítě N-BUS

(Pouze modely SPB1000I-12, SPB1500I-12, SPB2000I-12)

1. Připojte zástrčku RJ12 (BC03, BC06, BC10) do zásuvky sítě N-BUS ( obr. 7 na stránce 259, 1).





Použijte 6pólový plochý kabel se zástrčkou RJ12 v přímé konfiguraci. Konfigurace pinů je následující:

Pin	Funkce
1	Stav sítě
2	Dálkový ovladač
3	N-BUS/CI-BUS
4	Uzemnění
5	Napětí sběrnice (VBUS)
6	(nepřipojeno)



POZOR! Nebezpečí poškození

Dbejte na to, abyste nezaměnili spoje pro síť N-BUS a dálkový ovladač ( obr. 7 na stránce 259, 2).

2. Přepněte vypínač ( obr. 7 na stránce 259, 3) do polohy II.
3. Připojte zařízení kompatibilní se sítí N-BUS.

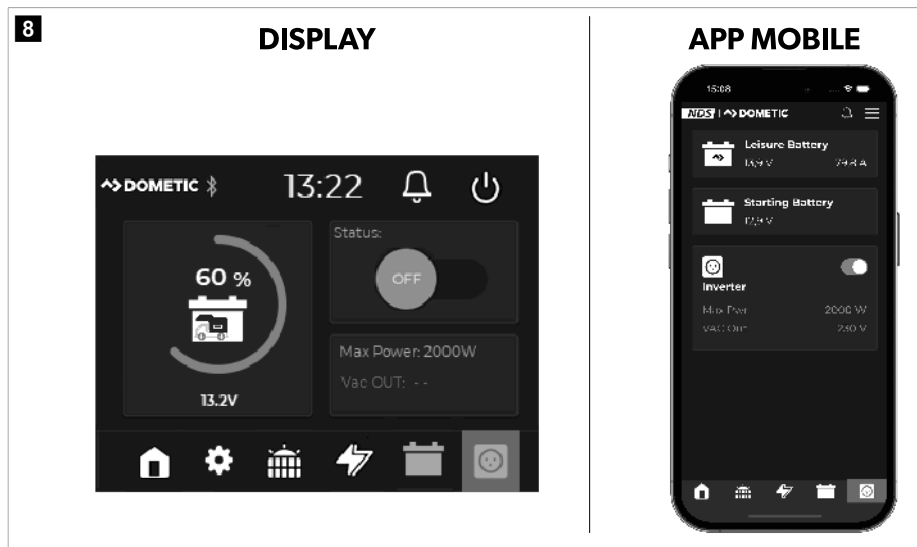
Konfigurace měniče v síti N-BUS

Zařízení kompatibilní se sítí N-BUS lze konfigurovat a ovládat v síti N-BUS prostřednictvím displeje nebo mobilní aplikace.

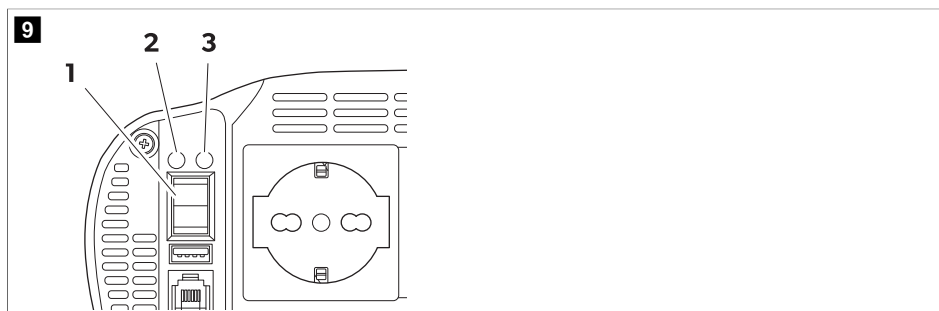


POZNÁMKA

- Aby bylo možné použít mobilní aplikaci, je v síti N-BUS vyžadováno alespoň jedno zařízení Bluetooth.
 - Nastavte jedno zařízení do režimu MASTER.
- K zapnutí a vypnutí měniče vyberte nabídku měniče a přetáhněte posuvník do polohy zapnuto nebo vypnuto.



13 Použití



Vypínač

- > Chcete-li přístroj zapnout, přepněte vypínač ① do polohy I.
- > Chcete-li přístroj vypnout, přepněte vypínač ① do polohy 0.
- > Chcete-li povolit dálkové ovládání, přepněte vypínač ① do polohy II.

Kontrolky LED

Přístroj je vybaven zelenou ② a červenou ③ kontrolkou LED pro indikaci provozního stavu.

LED:	Popis
Green	Zařízení je zapnuté a funguje správně.
Red	Porucha zařízení

14 Výměna pojistek

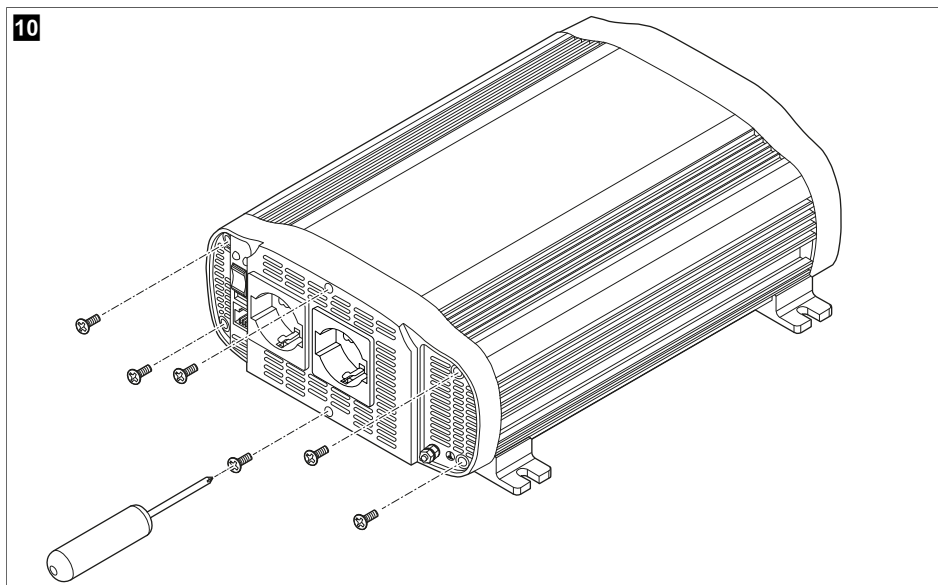


VÝSTRAHA!

- Nebezpečí usmrcení elektrickým proudem
- Instalaci směřj provádět pouze kvalifikovaní elektrikáři.

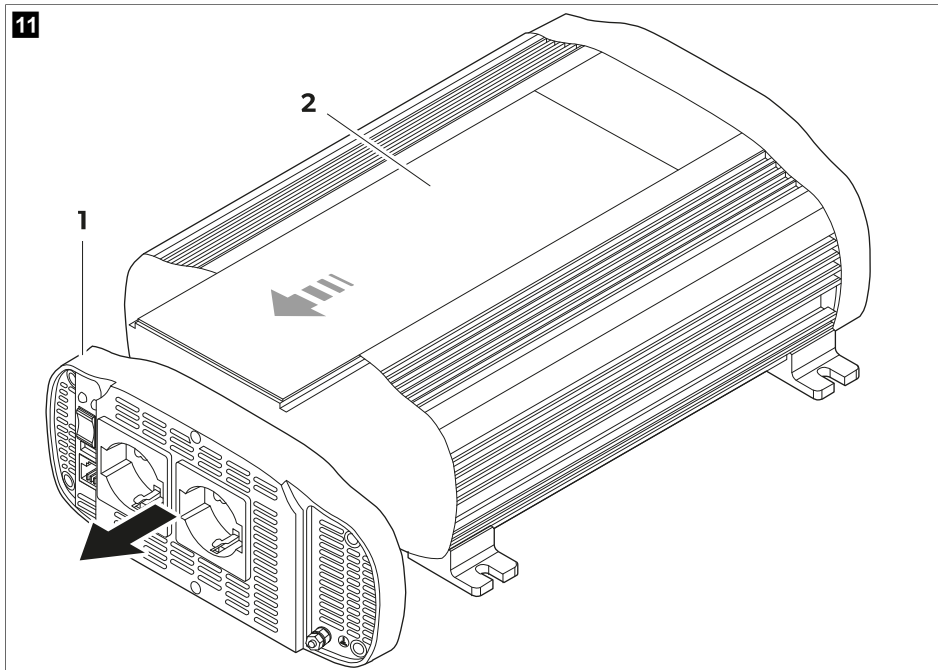
Zařízení je chráněno integrovaným elektronickým obvodem. Uvnitř zařízení se také nacházejí pojistky. Při přepólování připojení dojde k přepálení pojistky. Zařízení s funkcí IVT jsou rovněž vybavena skleněnou pojistkou uvnitř zásuvky IEC pro připojení k externí elektrické síti. Náhradní pojistky jsou součástí balení výrobku.

Výměna vnitřních pojistek



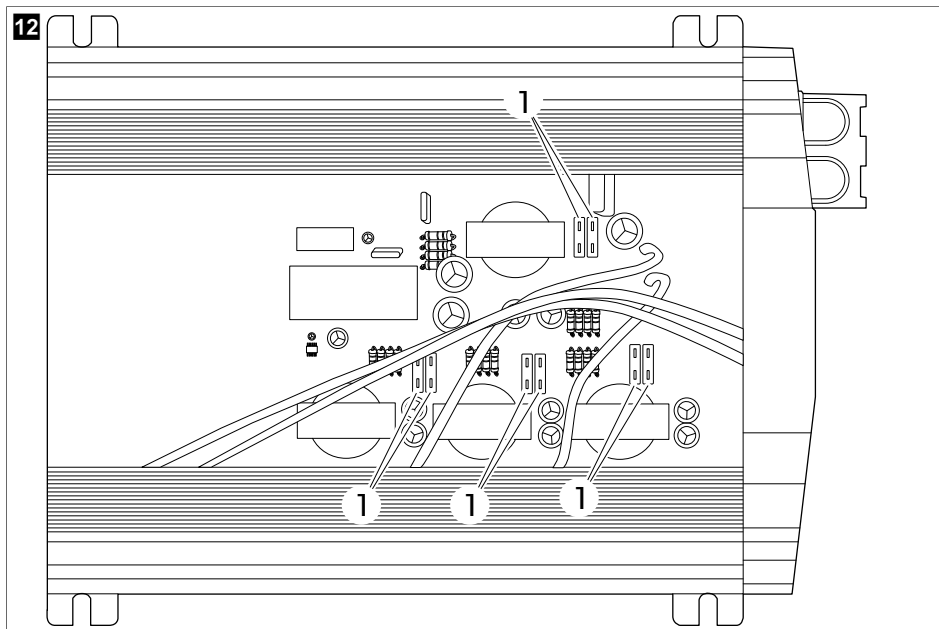
1. Vyšroubujte šest šroubů.

11



2. Vyklopte přední panel dopředu ①.

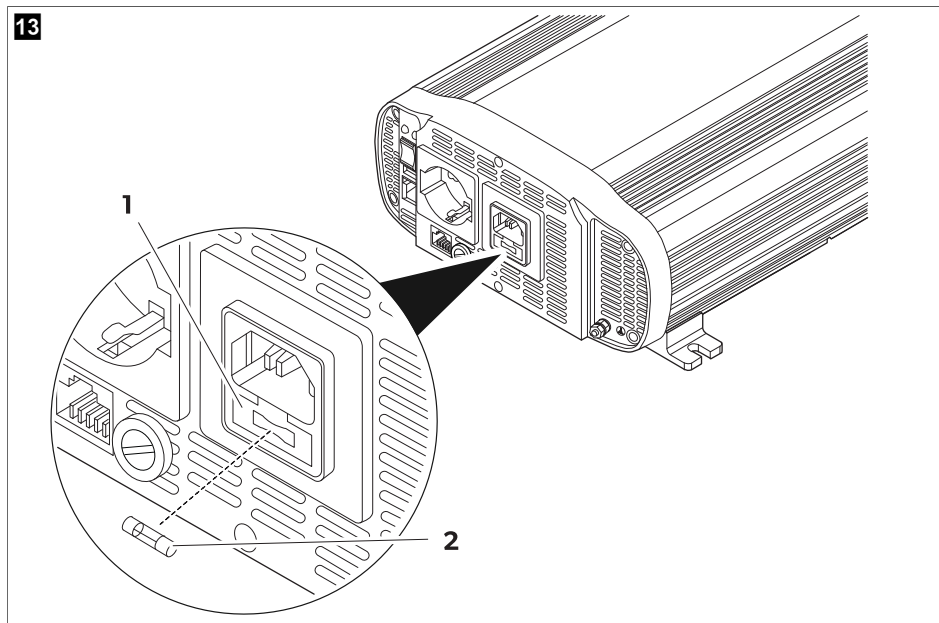
3. Sejměte víko ②.



4. Vyměňte pojistku ①.

Model	Počet pojistek	Jmenovitý proud pojistky	
SM400-12, SP400-12	1	50 A	červená
SM600-12, SP600-12	2	50 A	červená
SM600-24, SP600-24	2	25 A	bílá
SM1000-12, SP1000-12	4	30 A	zelená
SM1500-12, SP1500-12	6	30 A	zelená
SP1500-24	6	15 A	modrá
SP2000-12	8	30 A	zelená
SP3000-12	12	30 A	zelená
SP3000-24	12	15 A	modrá

Výměna pojistky zásuvky IEC



1. Otevřete víko ① pláště zásuvky.
2. Vyměňte pojistku ②.

Model	Počet pojistek	Jmenovitý proud pojistky
SPB1000I-12, SPB1500I-12 a SPB2000I-12	1	10 A (skleněná pojistka F10AL 250V)



POZNÁMKA Po výměně pojistky se zařízení automaticky restartuje. Pokud zařízení po výměně pojistky nefunguje správně, obraťte se na technika, aby vyřešil vzniklé problémy.

15 Čištění a péče

- > Příležitostně vyčistěte výrobek zvlhčenou utěrkou.
- > Zkontrolujte, zda jsou vstupní i výstupní přípojky pevné a zajištěné.
- > Ujistěte se, že větrací otvory neblokují nečistoty nebo jiný materiál.

16 Likvidace



Recyklace obalového materiálu: Kdekoli je to možné, tříděte obalový materiál do příslušných kontejnerů.



Pokud budete chtít výrobek definitivně zlikvidovat, informace o příslušném postupu v souladu s platnými předpisy pro likvidaci vám sdělí místní recyklační středisko nebo specializovaný obchodník. Výrobek lze zlikvidovat bezplatně.



Pokud výrobek obsahuje nevyměnitelné baterie, dobíjecí baterie nebo světelné zdroje, nemusíte je před likvidací odstraňovat.

17 Záruka


Na výrobek je poskytována záruka v souladu s platnými zákony. Pokud je výrobek vadný, kontaktujte pobočku výrobce ve vaší zemi nebo svého prodejce (viz dometic.com/dealer).


K vyřízení opravy nebo záruky nezapomeňte odeslat následující dokumenty:


- kopii účtenky s datem zakoupení,
- uvedení důvodu reklamace nebo popis vady.



Upozorňujeme, že oprava svépomocí nebo neodborná oprava může ohrozit bezpečnost a vést ke ztrátě záruky.

18 Technické údaje




	SM400-12	SM600-12	SM600-24
Stálý výstupní výkon	400 W	600 W	
Výstupní výkon ve špičkách	800 W (několik sekund)	1200 W (několik sekund)	
Výstupní napětí (RMS)/Frekvence	230 V AC / 50 Hz ± 3 Hz		
Výstup USB	5 V 2,1 A		
Vstupní napětí	12 V		24 V
Vlastní spotřeba	200 mA (13,2 V)	220 mA (13,2 V)	100 mA (26,4 V)
Možnosti připojení	–	–	–
Rozměry (Š × H × V)	140 mm × 184 mm × 71 mm	140 mm × 214 mm × 71 mm	140 mm × 214 mm × 71 mm
Certifikát	 (10 R-05 0094)		




	SM1000-12	SM1500-12
Stálý výstupní výkon	1000 W	1500 W
Výstupní výkon ve špičkách	2000 W (několik sekund)	3000 W (několik sekund)
Výstupní napětí (RMS)/Frekvence	230 V AC / 50 Hz ± 3 Hz	
Výstup USB	5 V 2,1 A	
Vstupní napětí	12 V	
Vlastní spotřeba	530 mA (13,2 V)	460 mA (13,2 V)
Možnosti připojení	–	–
Rozměry (Š × H × V)	270 mm × 262 mm × 107,5 mm	270 mm × 262 mm × 107,5 mm
Certifikát	 (10 R-05 0094)	

	SP400-12	SP600-12	SP600-24
Stálý výstupní výkon	400 W	600 W	
Výstupní výkon ve špičkách	1000 W (několik sekund)	1500 W (několik sekund)	
Výstupní napětí (RMS)/Frekvence	230 V AC / 50 Hz ± 3 Hz		
Výstup USB	5 V 2,1 A		
Vstupní napětí	12 V		24 V
Vlastní spotřeba	340 mA (13,2 V)	420 mA (13,2 V)	210 mA (26,4 V)
Možnosti připojení	-	-	-
Rozměry (Š × H × V)	140 mm × 214,5 mm × 71 mm	140 mm × 244,5 mm × 71 mm	140 mm × 244,5 mm × 71 mm
Certifikát	 (10 R - 05 0094)		

	SP1000-12	SPB1000I-12
Stálý výstupní výkon	1000 W	
Výstupní výkon ve špičkách	2500 W (několik sekund)	
Výstupní napětí (RMS)/Frekvence	230 V AC / 50 Hz ± 3 Hz	
Výstup USB	5 V 2,1 A	
Vstupní napětí	12 V	
Vlastní spotřeba	870 mA (13,2 V)	680 mA (13,2 V)
Doba přepnutí z baterie na externí síťové napájení	-	0,02 s
Doba přepnutí z externího síťového napájení na baterii	-	0,1 s
Možnosti připojení	-	N-BUS
Rozměry (Š × H × V)	270 mm × 262,4 mm × 107,5 mm	270 mm × 262,4 mm × 107,5 mm
Certifikát	 (10 R - 05 0094)	 (10 R - 06-02 5174 00)

	SP1500-12	SPB1500I-12	SP1500-24
Stálý výstupní výkon	1500 W		
Výstupní výkon ve špičkách	4000 W (několik sekund)		
Výstupní napětí (RMS)/Frekvence	230 V AC / 50 Hz ± 3 Hz		
Výstup USB	5 V 2,1 A		
Vstupní napětí	12 V		24 V
Vlastní spotřeba	850 mA (13,2 V)	930 mA (13,2 V)	620 mA (26,4 V)
Doba přepnutí z baterie na externí síťové napájení	-	0,02 s	-
Doba přepnutí z externího síťového napájení na baterii	-	0,1 s	-

	SP1500-12	SPB1500I-12	SP1500-24
Možnosti připojení	–	N-BUS	–
Rozměry (Š × H × V)	270 mm × 322,4 mm × 107,5 mm	270 mm × 360 mm × 107,5 mm	270 mm × 322,4 mm × 107,5 mm
Certifikát	 (10 R - 05 0094)	 (10 R - 06-02 5174 00)	 (10 R - 05 0094)

	SPB2000I-12	SP3000-12	SP3000-24
Stálý výstupní výkon	2000 W	3000 W	
Výstupní výkon ve špičkách	6000 W (několik sekund)	8000 W (několik sekund)	
Výstupní napětí (RMS)/Frekvence	230 V AC / 50 Hz ± 3 Hz		
Výstup USB	5 V 2,1 A		
Vstupní napětí	12 V		24 V
Vlastní spotřeba	900 mA (13,2 V)	1270 mA (13,2 V)	680 mA (26,4 V)
Doba přepnutí z baterie na externí síťové napájení	0,02 s	–	–
Doba přepnutí z externího síťového napájení na baterii	0,1 s	–	–
Možnosti připojení	N-BUS	–	–
Rozměry (Š × H × V)	270 mm × 385 mm × 107,5 mm	270 mm × 452 mm × 107,5 mm	270 mm × 452 mm × 107,5 mm
Certifikát			
	 (10 R - 06-02 5174 00)	 (10 R - 05 0094)	

Společnost Dometic tímto prohlašuje, že rádiové zařízení typu SPB1000I-12, SPB1500I-12 a SPB2000I-12 odpovídá požadavkům směrnice 2014/53/EU. Plné znění prohlášení o shodě EU je k dispozici na následující internetové adrese: documents.dometic.com

Magyar

1	Fontos információk.....	268
2	Szimbólumok magyarázata.....	268
3	Biztonsági útmutatások.....	269
4	A csomag tartalma.....	269
5	Rendeltetésszerű használat.....	269
6	Célcsoport.....	270
7	Műszaki leírás.....	270
8	Telepítés előtt.....	271
9	Szerelés.....	273
10	A külső elektromos hálózati tápegység csatlakoztatása (SPB1000I-12, SPB1500I-12 és SPB2000I-12 modellek).....	276
11	A távirányító csatlakoztatása.....	277
12	Az N-BUS csatlakoztatása.....	278
13	Üzemeltetés.....	279
14	Biztosítékcseré.....	280
15	Tisztítás és karbantartás.....	283
16	Ártalmatlanítás.....	283
17	Garancia.....	284
18	Műszaki adatok.....	284

1 Fontos információk

A termék mindenkor szakszerű telepítése, használata és karbantartása érdekében kérjük figyelmesen olvassa el az ebben a termék kézikönyvben található utasításokat, irányelveket és figyelmeztetéseket, valamint mindig tartsa be ezeket. Ezt az útmutatót a termék közelében KELL tartani.

A termék használatba vételével Ön kijelenti hogy figyelmesen elolvasta az összes utasítást, irányelvet és figyelmeztetést, valamint megértette és elfogadja az itt leírt szerződési feltételeket. Ön elfogadja, hogy kizárólag a rendeltetésének megfelelő célra és a jelen termék kézikönyvben leírt útmutatásoknak, irányelveknek és figyelmeztetéseknek, valamint a hatályos törvényeknek és szabályozásoknak megfelelően használja ezt a terméket. Az itt leírt utasítások és figyelmeztetések elolvasásának és betartásának elmulasztása saját és mások sérüléséhez, a termék vagy a közelben található más anyagi javak károsodásához vezethet. Ez a termék kézikönyv és a benne található utasítások, irányelvek és figyelmeztetések, valamint a kapcsolódó dokumentációk módosulhatnak és frissülhetnek. Naprakész termékinformációkért látogasson el a következő honlagra: documents.domestic.com.

2 Szimbólumok magyarázata

A figyelmeztető szavak a biztonsági utasítások, valamint a vagyoni károk elkerülésére szolgáló utasítások jelzésére szolgálnak, továbbá a veszély súlyosságát is jelzik.



FIGYELMEZTETÉS!

Veszélyes helyzetet jelöl, amely súlyos sérülést vagy halált okozhat, ha nem kerülik el.



VIGYÁZAT!

Veszélyes helyzetet jelöl, amely könnyű vagy mérsékelt sérülést okozhat, ha nem kerülik el.



FIGYELEM!

Olyan helyzetet jelöl, amely vagyoni kárt okozhat, ha nem kerülik el.



MEGJEGYZÉS A termék kezelésére vonatkozó kiegészítő információk.

3 Biztonsági útmutatások



FIGYELMEZTETÉS! Ezeknek a figyelmeztetéseknek a figyelmen kívül hagyása súlyos, vagy halálos sérüléshez vezethet.

- > Tűz esetén elektromos készülékek oltására alkalmas tűzoltó készüléket használjon.
- > Ha a készüléken látható sérülések vannak, akkor a készüléket nem szabad üzembe helyezni.



VIGYÁZAT! Ezeknek a figyelmeztetéseknek a figyelmen kívül hagyása súlyos, vagy halálos sérüléshez vezethet.

- > Telepítést, összeszerelést és vezetékeztést, valamint minden egyéb munkát csak képzett villanyszerelő végezhet. A szakszerűtlen javítások jelentős veszélyeket okozhatnak.
- > A telepítés robbanásveszélyes területeken, például gyúlékony folyadékokat vagy gázokat tartalmazó helyiségekben tilos.
- > Ne telepítse vagy tartsa a készüléket nyílt láng vagy más hőforrás közelében (fűtés, erős napsugárzás, gázkályha, stb.).
- > A készülékkel gyermekek nem játszhatnak.
- > A készüléket 8 év feletti gyermekek, valamint korlátozott fizikai, érzékelési és mentális képességű, illetve megfelelő tapasztalattal és tudással nem rendelkező személyek csak felügyelet mellett, illetve a készülék biztonságos használatát és az abból eredő veszélyeket megértve használhatják.



FIGYELEM! Olyan helyzetet jelöl, amely vagyoni kárt okozhat, ha nem kerülik el.

- > Ellenőrizze, hogy a típuscímkén feltüntetett feszültségadatok egyeznek-e a rendelkezésre álló energiaellátással.
- > Soha ne mérítse vízbe a készüléket.
- > Védje a készüléket és a kábeleket a hőtől és a nedvességtől.
- > Ne tegye ki a készüléket az eső hatásának.
- > Győződjön meg arról, hogy a szerelőfelület elbírja a készülék súlyát.
- > A vezetékeket úgy helyezze el, hogy ne keletkezzen botlásveszély, és a kábel ne sérülhessen meg.
- > Ha vezetékeket lemezburkolatokon vagy más éles peremű falakon kell átvezetni, akkor használjon csöveket vagy átvezetőket.

4 A csomag tartalma

Leírás	Mennyiség
Inverter	1
Piros elektromos kábel	1
Fekete elektromos kábel	1
Szerelési és használati útmutató	1

5 Rendeltetészerű használat

A készülék arra szolgál, hogy a csatlakoztatott készülékeket olyan 230 V feszültséggel lássa el, amelynek előállítására 12 V vagy 24 V bemeneti feszültségről történik. A készülék lakóautóknak, lakó furgonokban és autóbuszokban történő használatra alkalmas.

A modellsorozat kétféle készüléktípust tartalmaz:

- Az SM400-12, SM600-12, SM600-24, SM1000-12 és SM1500-12 modellek módosított szinuszhullám kimenettel rendelkező inverterek.
- Az SP400-12, SP600-12, SP600-24, SP1000-12, SP1500-12, SP1500-24, SP3000-12 és SP3000-24 modellek tiszta szinuszhullám kimenettel rendelkező inverterek.

Az SPB1000I-12, SPB1500I-12 és SPB2000I-12 modellek integrált prioritás funkcióval (IVT) és biztosítókkal védett bemeneti (IEC) aljzattal rendelkeznek a külső tápegység csatlakoztatásához.

Ez a termék az itt leírt utasításoknak megfelelő rendeltetészerű használatra alkalmas.

Ez a kézikönyv olyan információkat nyújt, amelyek a termék szakszerű telepítéséhez és/vagy üzemeltetéséhez szükségesek. A hibás telepítés és/vagy a szakszerűtlen üzemeltetés vagy karbantartás elégtelen teljesítményhez és potenciálisan meghibásodáshoz vezethet.

A gyártó nem vállal felelősséget a termék olyan károsodásáért, vagy sérülésekért, amelyek a következőkre vezethetők vissza:

- Hibás beszerelés, összeszerelés vagy csatlakoztatás, ideértve a túlfeszültséget is
- Helytelen karbantartás, vagy a gyártó által szállított eredeti tartalék alkatrésztől eltérő tartalék alkatrészek használata
- A termék kifejezett gyártói engedély nélküli módosítása
- Az útmutatóban leírt céloktól eltérő felhasználás

A Dometic fenntartja a termék megjelenésének és specifikációjának módosítására vonatkozó jogát.

6 Célcsoport



A készülék elektromos beszerelését és beállítását csak olyan képzett villanyszerelő végezheti, aki bizonyítottan rendelkezik elektromos berendezések és szerelvények felépítésével és működtetésével kapcsolatos készségekkel és ismeretekkel, és aki ismeri annak az országnak az előírásait, amelyben a berendezést beszerelik és/vagy használják, valamint a veszélyek azonosítása és elkerülése érdekében biztonsági képzésben részesült.

Minden egyéb műveletet nem szakképzett felhasználók is elvégezhetnek.

7 Műszaki leírás

A készülék két fő áramköri fokozattal rendelkezik a 12 V \rightleftharpoons os vagy a 24 V \rightleftharpoons os bemeneti feszültség váltakozó kimeneti feszültséggé alakításához. Az első fokozat egy szigetelt nagyfrekvenciás egyenáram/egyenáram átalakítóból áll, amely a 12 V egyenáramú vagy a 24 V egyenáramú bemeneti feszültséget 400 V egyenáramig terjedő kimeneti feszültséggé alakítja át. Az utolsó fokozat egy H-hídból áll, amely a nagyfeszültségű egyenáramot 230 V váltakozó feszültséggé alakítja.

A készülék a következő lehetőségeket kínálja:

- Alacsony fogyasztás.
- A nagyobb biztonság érdekében galvanikusan leválasztott bemenet és kimenet.
- Hőmérséklet-szabályozású ventilátor fordulatszám a csendes működés érdekében.
- Integrált prioritáskapcsoló a külső elektromos hálózati és az akkumulátor között.
- Készen áll a be-/kikapcsoló távvezérlésre.
- Alacsony akkumulátorfeszültség riasztás.
- Alacsony és magas akkumulátorfeszültség leállítás.
- Túlterhelési lekapcsolás.

- Rövidzárlat, túlmelegedés, túlterhelés és felcserélt polaritás elleni védelem.
- Lágyindítási funkció.

Csak az SPB1000I-12, SPB1500I-12 és SPB2000I-12 típusoknál: A készülék N-BUS-kompatibilis (lásd a következő fejezetet: Az N-BUS csatlakoztatása 278. oldal).

8 Telepítés előtt

Az akkumulátorra vonatkozó követelmények

Az akkumulátor típusa és mérete erősen befolyásolhatja az inverterek teljesítményét. Ezért meg kell határozni, hogy az inverter milyen típusú fogyasztókat fog ellátni, és milyen hosszú ideig tart a használat az újratöltések között. Az alkalmazás minimális akkumulátorigényének meghatározásához végezze el a következőket:

1. A címék alapján határozza meg az inverterről egyidejűleg használni kívánt minden egyes készülék teljesítményét. A teljesítményfelvétel általában wattban van feltüntetve. Ha amperben van feltüntetve, akkor a watt-teljesítmény meghatározásához szorozza meg az értéket 230 V -tal.
2. Becsülje meg, hány órán át lesz használatban a berendezés az akkumulátor újratöltése előtt.
3. Számítsa ki a teljes energiaszükségletet Wh-ban (wattórában) úgy, hogy a fent meghatározott időt megszorozza a teljesítmény összegével. Az eredményt ossza el 10-zel, ha az inverter bemenete 12 V, vagy 20-szal, ha 24 V. Az így kapott érték az alkalmazás energiaigényét mutatja meg Ah-ban kifejezve.



MEGJEGYZÉS Ha lehetséges, töltsse fel az akkumulátort, amikor kb. 50 % lemerült vagy ennél korábban. Összehasonlítva azzal, ha csak akkor tölti fel, amikor már teljesen lemerült, ez sokkal hosszabb élettartamot biztosít az akkumulátornak.

Interferenciaproblémák hibaelhárítása

Inverterről történő üzemeltetéskor egyes olcsó hangrendszerek zúgó hangot adhatnak ki a hangszórókból. Ez azért fordul elő, mert a hangrendszer tápegysége nem szűri megfelelően az inverter által előállított módosított szinuszhullámot. A megoldás egy olyan hangrendszer használata, amely jó minőségű tápegységgel rendelkezik, vagy tiszta szinuszhullámú inverter használata. Az inverter működése közben egyes csatornákon zavarhatja a televíziós jelvéltet. Ha interferencia lép fel, próbálja meg a következőket:

1. Biztosítsa, hogy az inverter alváz földelőcsavarja csatlakozzon a jármű földeléséhez.
2. Biztosítsa, hogy a televízió antennája megfelelő jelet szolgáltatson, és hogy az antennakábel jó állapotban legyen.
3. Az akkumulátor és az inverter közötti kábelek a lehető legrövidebbek legyenek, és a kisugárzott sugárzás csökkentése érdekében tekerje össze ezeket.
4. Helyezze a televíziót a lehető legtávolabb az invertertől.
5. Amikor a televízió be van kapcsolva, ne üzemeltessen nagy teljesítményű fogyasztót az inverterről.

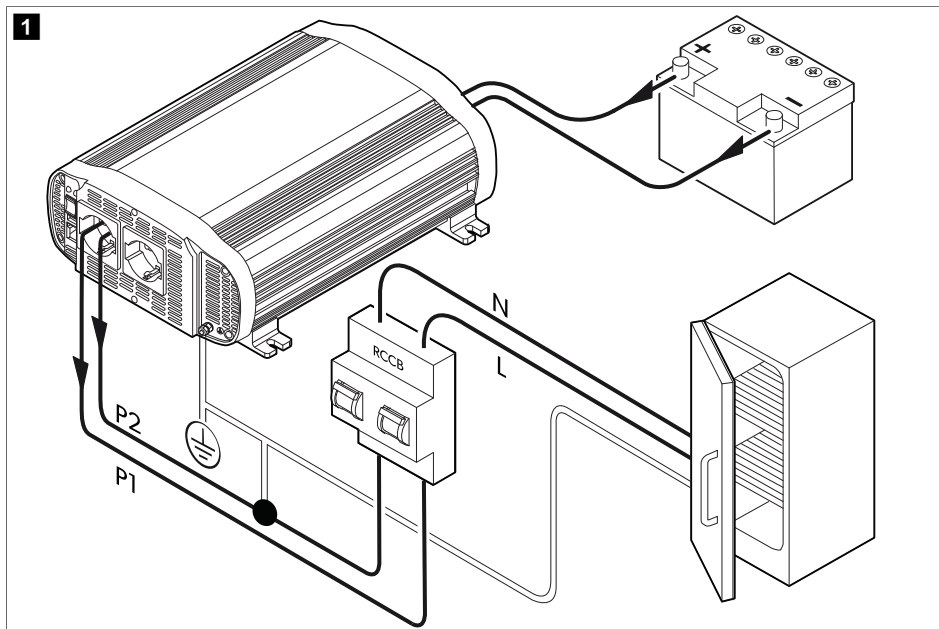
Földszivárgás elleni védelem (kivéve az SPB1000I-12, SPB1500I-12 és SPB2000I-12 modelleket)



FIGYELEM! Károsodás veszélye

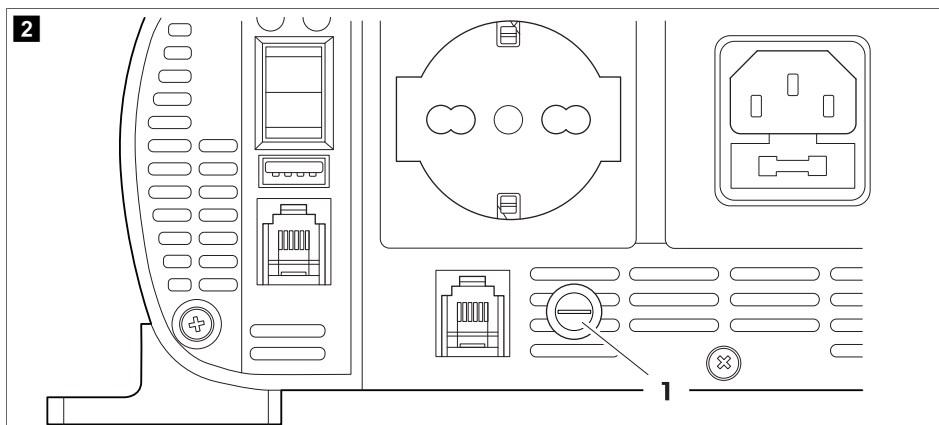
Több fogyasztó biztonságos üzemeléséhez feltétlenül be kell építeni a dugaszolóaljzat-elosztókörbe egy védőkapcsolót (fi-relét).

A földelt aljzatot olyan biztonsági rendszerhez tervezték, mint a maradék áram megszakító (RCCB). A maradék áram megszakítót az alábbi ábra szerint csatlakoztassa:



1. Csatlakoztassa a fázist (P1) és a semleges (P2) kimenetet a maradék áram megszakító bemenetéhez.
2. Csatlakoztassa az inverter földelését a maradék áram megszakító bemenetéhez csatlakoztatott két vezeték egyikéhez.
3. Csatlakoztassa maradék áram megszakító bemenetéről érkező semleges és fázis kimenetet a készülékekhez.
4. Csatlakoztassa az inverter földelését a készülékek földeléséhez.

Földszivárgás elleni védelem (SPB1000I-12, SPB1500I-12 és SPB2000I-12 modellek)





FIGYELEM! Károsodás veszélye

A fenti ábra csak az inverter kimenetének csatlakoztatására vonatkozik. A külső elektromos hálózati bemenet IEC csatlakozóját a külső hálózati áramforrás megszakító kimenetéhez kell csatlakoztatni.

Az SPB1000I-12, SPB1500I-12 és SPB2000I-12 típusok esetében a TN vagy IT típusú földelés biztosítékkal konfigurálható.

- > A TN típusú földelés kialakításához győződjön meg arról, hogy a biztosíték be legyen helyezve a biztosítéktartóba ①.
- > Az IT típusú földelés kialakításához győződjön meg arról, hogy a biztosíték **ne** legyen behelyezve a biztosítéktartóba ①.

9 Szerelés



VIGYÁZAT! Károsodás veszélye

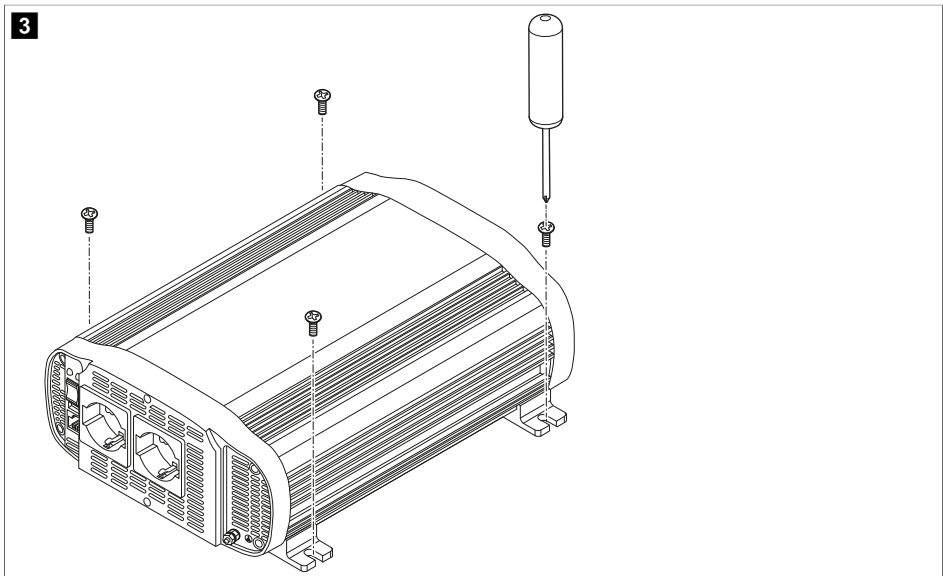
Ne telepítse a készüléket hőforrások közelébe vagy nem megfelelően szellőző helyre.



MEGJEGYZÉS A készüléket bármilyen helyzetben fel lehet szerelni. Függőleges felületre történő telepítés esetén azt javasoljuk, hogy a készülék hosszú oldala legyen párhuzamos a padlóval.



MEGJEGYZÉS A készüléket a lehető legközelebb telepítse a 12 V / 24 V áramforráshoz.



1. A megfelelő csavarok és a négy szerelőkarima segítségével szerelje fel a készüléket.

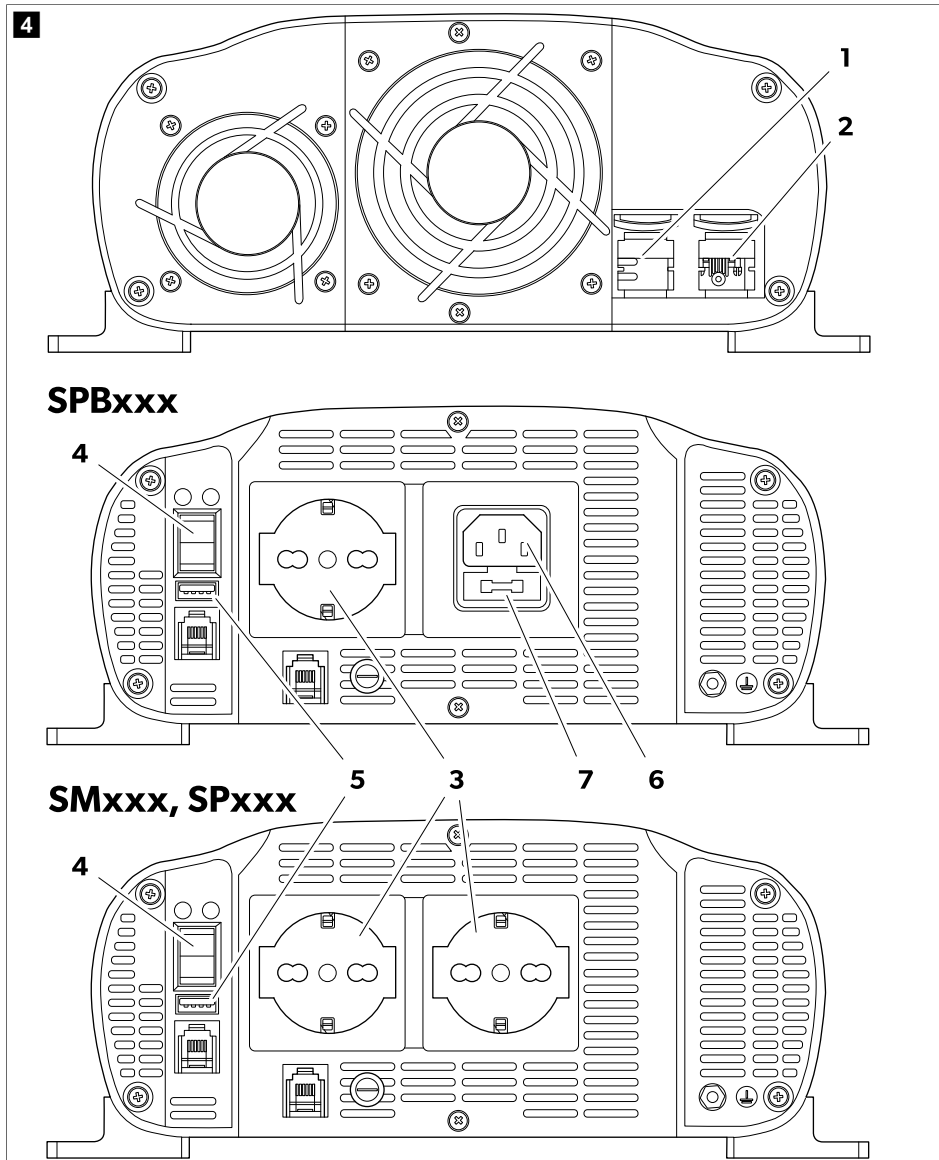


FIGYELEM! Károsodás veszélye

A készülék csatlakoztatása előtt biztosítsa, hogy a hálózati kapcsoló kikapcsolt állásban legyen.



MEGJEGYZÉS A mellékelt vezetékkel csatlakoztassa az akkumulátort a készülékhez. Ha az akkumulátor és a készülék közötti távolság meghaladja a 2 métert, akkor a feszültségesés és a teljesítményveszteségek csökkentése érdekében növelje a vezeték keresztmetszetét.



2. Csatlakoztassa az akkumulátor negatív pólusát az inverter negatív pólusához ①.



FIGYELEM! Károsodás veszélye

A csatlakoztatott készülékek védelme érdekében kössön be egy soros biztosítékot az akkumulátor pozitív kábelébe.

3. Kösse össze az akkumulátor pozitív csatlakozóját az inverter pozitív csatlakozójával ②.



FIGYELEM! Károsodás veszélye

Mielőtt készüléket csatlakoztatna az inverterhez, biztosítsa, hogy az ki legyen kapcsolva.

4. Csatlakoztassa a 230 V készüléket a kimeneti aljzathoz ③.
5. Kapcsolja be az invertert a Be/Ki kapcsolóval ④.



MEGJEGYZÉS Az inverter bekapcsolásakor a piros és a zöld LED is kigyullad 3 – 5 másodpercre. Rövid idő elteltével a piros LED kialszik, a zöld pedig világít, és a készülék hangjelzést ad. A zöld LED jelzi, hogy az inverter megfelelően működik.



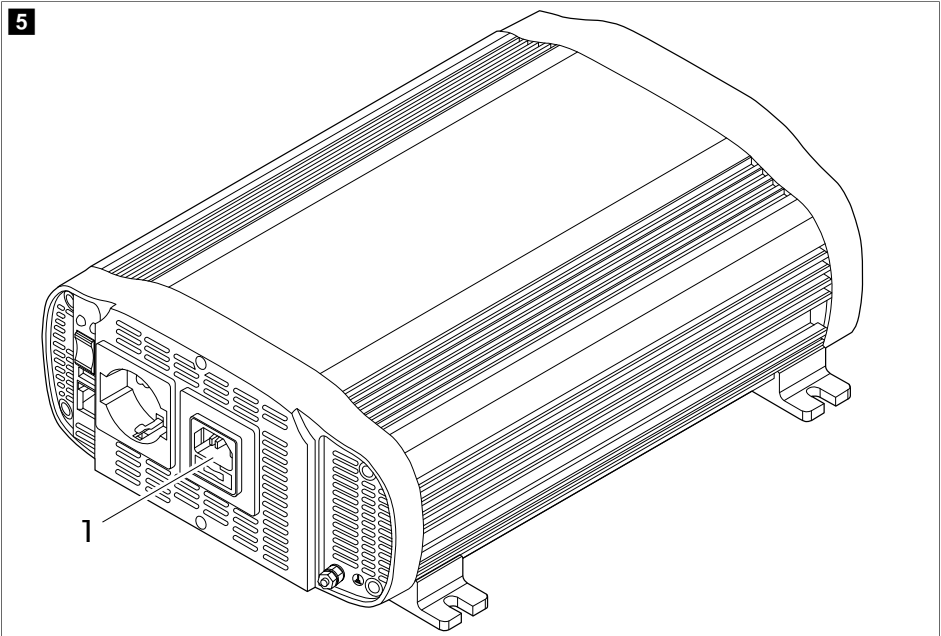
FIGYELEM! Károsodás veszélye

- > Ha több készüléket kíván üzemeltetni, akkor először a nagyobb terhelést jelentő készüléket csatlakoztassa.
- > Ügyeljen arra, hogy a készülékek együttes terhelése ne haladja meg az inverter kimeneti teljesítményét.
- > Ha hosszabbító kábelt használ az invertertől egy készülékhez, akkor a hosszabbító kábel ne legyen hosszabb 1,5 m-nél.
- > Ne csatlakoztassa az invertert olyan váltakozó áramú fogyasztó áramkörhöz, amelyben a nulla vezető a földeléshez van csatlakoztatva.

6. Csatlakoztasson további 230 V készüléket, és kapcsolja be ezeket.
7. Egy 5 V készülék töltéséhez csatlakoztassa azt az USB-porthoz ⑤.

10 A külső elektromos hálózati tápegység csatlakoztatása (SPB1000I-12, SPB1500I-12 és SPB2000I-12 modellek)

Annak érdekében hogy a csatlakoztatott készülékeket közvetlenül a közműhálózathoz származó váltakozó feszültséggel láthassa el, külső elektromos hálózati aljzatba IEC-kábel csatlakoztatása lehetséges.



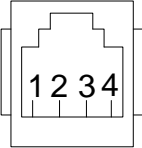
1. Csatlakoztassa a kábelt az aljzathoz ①.
2. Helyezze be vagy vegye ki a biztosítékot a vezetékbe iktatott biztosítéktartóból ⑦ a kívánt földelési típusnak megfelelően (lásd a következő fejezetet: Telepítés előtt 271. oldal).

11 A távirányító csatlakoztatása

A készüléket egy opcionális külső kapcsolóval (RC03) vagy a készülék RJ11 csatlakozójára ① konfigurált bármely általános kapcsolóval lehet távolról vezérelni. Az alábbi tű konfigurációk leírása iránymutatásként használható általános külső kapcsolók használatakor.



Az opcionális RC03 külső kapcsoló a következő tű konfigurációt használja:

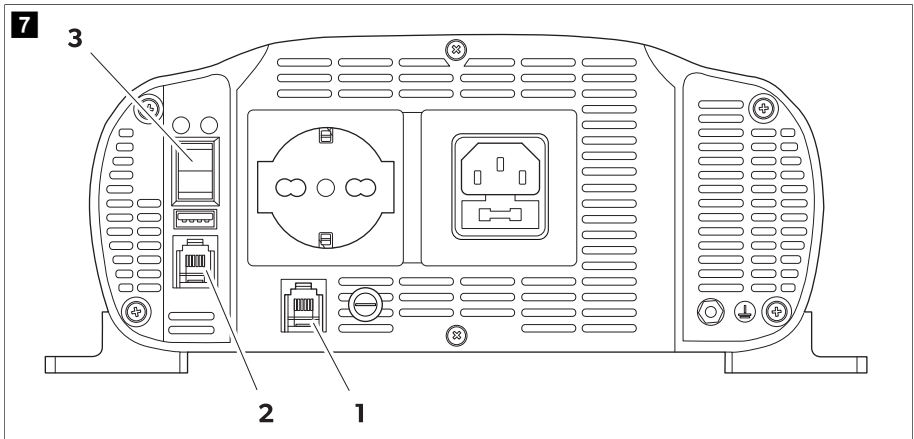
	Tű	Funkció
	2	Piros LED csatlakozó
	1-3	Külső kapcsoló csatlakozó
	4	Földelés

> A távvezérlés engedélyezéséhez kapcsolja a Be/Ki kapcsolót (2) a 2. állásba.

12 Az N-BUS csatlakoztatása

(Csak az SPB1000I-12, SPB1500I-12 és SPB2000I-12 típusoknál)

- Csatlakoztassa az RJ12-csatlakozót (BC03, BC06, BC10) az N-BUS-aljzathoz ( . ábra **7** 278. oldal , **1**).




Használjon 6 pólusú lapos kábelt RJ12-csatlakozóval egyenes konfigurációban. A tűkivezetési konfiguráció a következő:

Tű	Funkció	
	1	Hálózati állapot
	2	Távírányító
	3	N-BUS/CI-BUS
	4	Földelés
	5	Buszfeszültség (VBUS)
	6	(nincs csatlakoztatva)



FIGYELEM! Károsodás veszélye

Ügyeljen arra, hogy ne keverje össze az N-BUS és a távírányító csatlakozásait ( . ábra **7** 278. oldal , **2**).

2. Állítsa a főkapcsolót ( . ábra 7 278. oldal , 3) a II. helyzetbe.
3. Csatlakoztassa az N-BUS-kompatibilis készülékeket.

Az inverter konfigurálása az N-BUS-hálózatban

Az N-BUS-kompatibilis készülékek a kijelző vagy a mobilalkalmazás használatával konfigurálhatók és vezérelhetők az N-BUS-hálózatban.

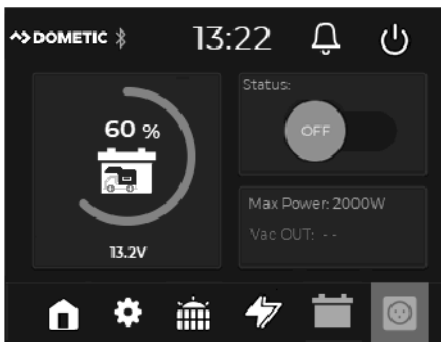


MEGJEGYZÉS

- A mobilalkalmazás használatához legalább egy Bluetooth-készüléknek lennie kell az N-BUS-hálózatban.
 - Állítsa az egyik készüléket MASTER státuszba.
- > Válassza ki az inverter menüjét, és húzza a csúszkát be- vagy kikapcsolt helyzetbe az inverter be- vagy kikapcsolásához.

8

DISPLAY

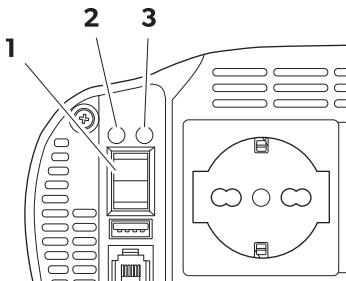


APP MOBILE



13 Üzemeltetés

9



Be/Ki kapcsoló

- > A készülék bekapcsolásához állítsa a főkapcsolót ① I. állásba.
- > A készülék kikapcsolásához állítsa a főkapcsolót ① 0. állásba.
- > A távirányító bekapcsolásához állítsa a főkapcsolót ① II. állásba.

LED jelzők

A készülék az üzemállapot jelzése érdekében egy zöld ② és egy piros ③ LED jelzővel van ellátva.

LED:	Leírás
Green	A készülék be van kapcsolva és megfelelően üzemel
Red	A készülék meghibásodott

14 Biztosítékcseré

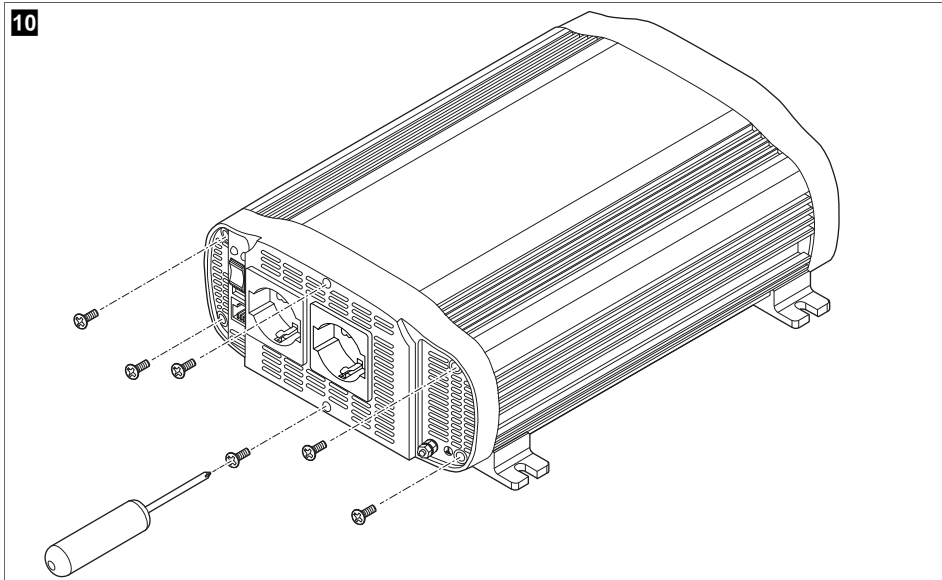


FIGYELMEZTETÉS!

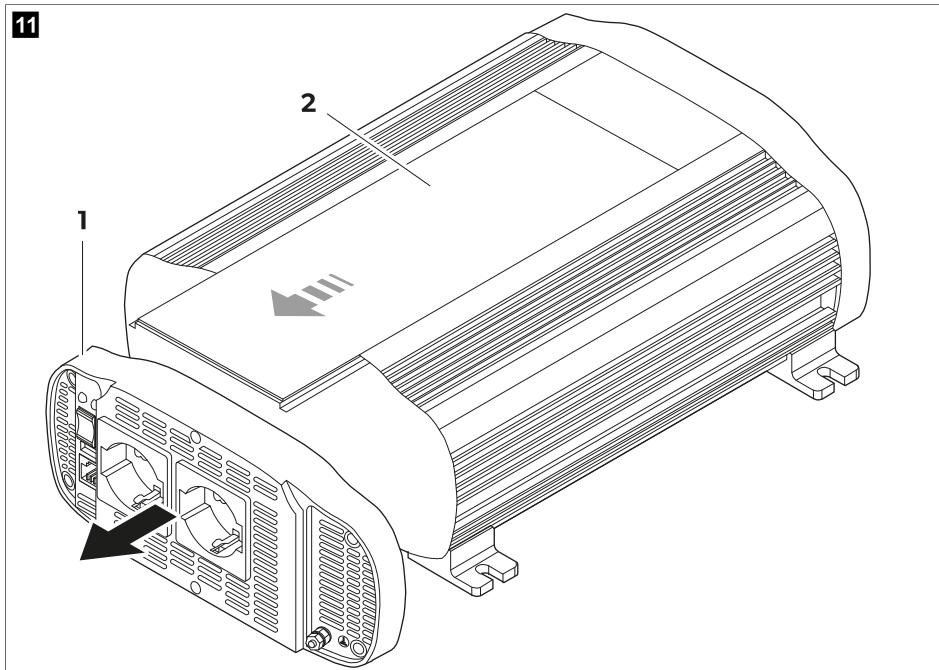
- Áramütés miatti veszély
- A beépítést csak képzett villanyszerelő végezheti el.

A készüléket egy integrált elektronikus áramkör védi. A készülék belsejében biztosítékok is találhatóak. A csatlakozó polaritásának felcserélése esetén a biztosíték kiég. Az IVT funkcióval rendelkező készülékek a külső elektromos hálózati csatlakozáshoz az IEC aljzatban üveg biztosítókkal is rendelkeznek. A termék csomagolásában tartalék biztosítékok találhatók.

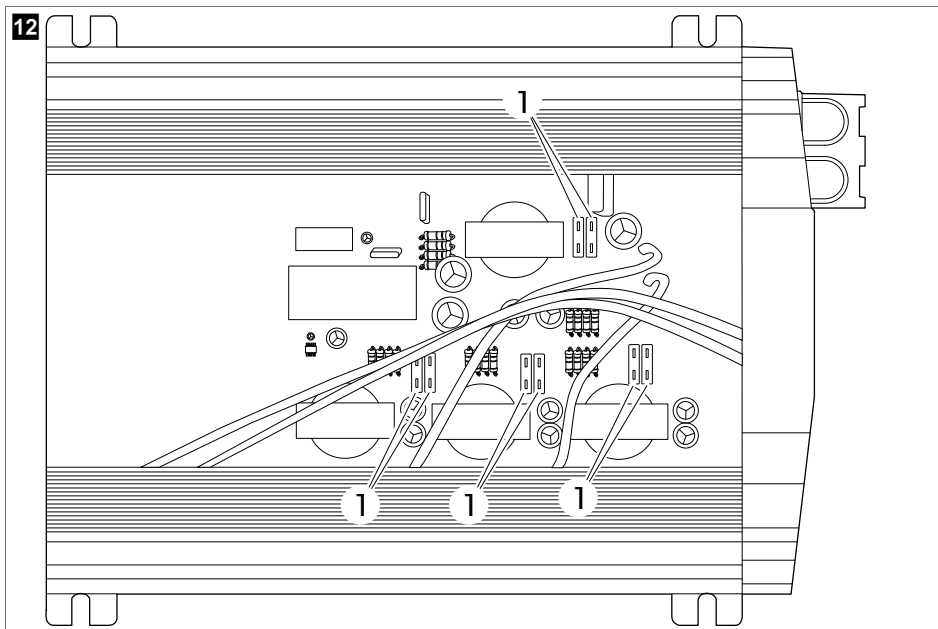
Belső biztosítékok cseréje



1. Távolítsa el a hat csavart.



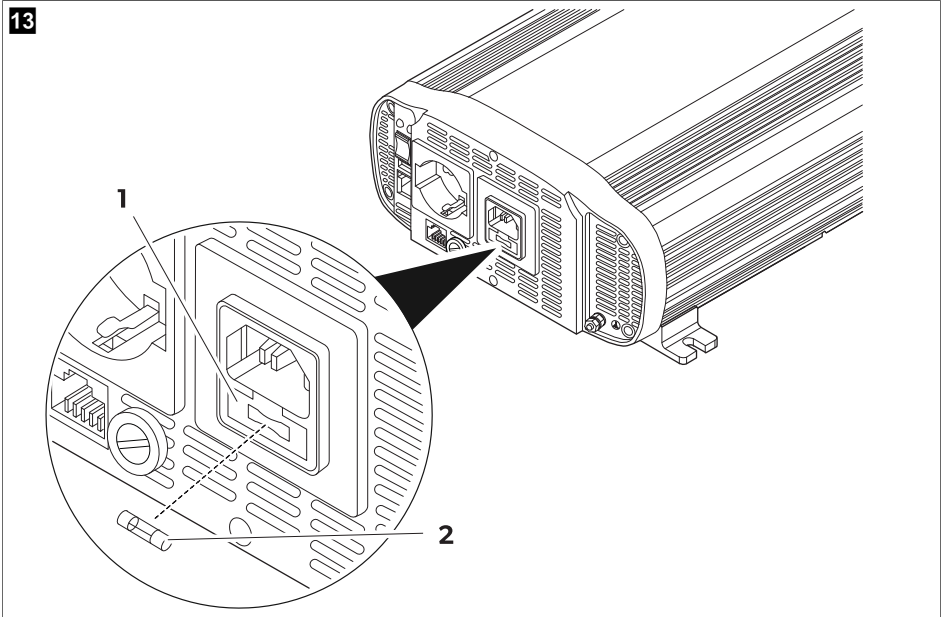
2. Döntse előre az első panelt ①.
3. Távolítsa el a fedelet ②.



4. Cserélje ki a biztosítékot ①.

Modell	Biztosíték mennyiség	Biztosíték névleges értéke	
		Áramerősség	Szín
SM400-12, SP400-12	1	50 A	piros
SM600-12, SP600-12	2	50 A	piros
SM600-24, SP600-24	2	25 A	fehér
SM1000-12, SP1000-12	4	30 A	zöld
SM1500-12, SP1500-12	6	30 A	zöld
SP1500-24	6	15 A	kék
SP2000-12	8	30 A	zöld
SP3000-12	12	30 A	zöld
SP3000-24	12	15 A	kék

Az IEC aljzat biztosítékának cseréje



1. Nyissa ki az aljzatház fedelét ①.
2. Cserélje ki a biztosítékot ②.

Modell	Biztosíték mennyiség	Biztosíték névleges értéke
SPB1000I-12, SPB1500I-12 és SPB2000I-12	1	10 A (F10AL 250V üveg biztosíték)



MEGJEGYZÉS A biztosíték cseréje után a készülék automatikusan újraindul. Ha a készülék a biztosíték cseréje után nem működik megfelelően, a hibaelhárítás érdekében forduljon szakemberhez.

15 Tisztítás és karbantartás

- > Alkalmanként tisztítsa meg a terméket nedves ruhával.
- > Ellenőrizze, hogy a bemeneti és kimeneti csatlakozók stabilak és biztonságosak-e.
- > Biztosítsa, hogy a szellőzőnyílásokat ne zárja el szennyeződés vagy bármilyen anyag.

16 Ártalmatlanítás



Csomagolóanyagok újrahasznosítása: A csomagolóanyagot lehetőség szerint a megfelelő szelektív hulladékgyűjtő tartályokba kell helyezni.



A termék végleges üzemen kívül helyezése esetén tájékozódjon a legközelebbi újrahasznosító központban vagy szakkereskedőjénél a vonatkozó ártalmatlanítási előírásokról. A termék ingyenesen ártalmatlanítható.



Ha a termék nem cserélhető elemeket, akkumulátorokat vagy fényforrásokat tartalmaz, azokat nem kell eltávolítani az ártalmatlanítás előtt.

17 Garancia

A termékre a törvény szerinti garancia-időszak érvényes. Amennyiben a termék meghibásodott, lépjen kapcsolatba a gyártó helyi képviselőjével (lásd: dometic.com/dealer) vagy a kereskedővel.

A javításhoz, illetve a garancia-adminisztrációhoz a következő dokumentumokat kell mellékelnie a termék beküldésekor:


- A számla vásárlási dátummal rendelkező másolatát
- A reklamáció okát vagy a hibát tartalmazó leírást


Vegye figyelembe, hogy az önkészítéssel végzett javítás vagy a nem szakszerű javítás biztonsági következményekkel járhat, és érvénytelenítheti a garanciát.



18 Műszaki adatok




	SM400-12	SM600-12	SM600-24
Folyamatos kimenő teljesítmény	400 W	600 W	
Kimeneti csúcsteljesítmény	800 W (pár másodperc)	1200 W (pár másodperc)	
Kimeneti feszültség (RMS)/frekvencia	230 V -os váltakozó áram/50 Hz ± 3 Hz		
USB-kimenet	5 V 2,1 A		
Bemeneti feszültség	12 V		24 V
Saját fogyasztás	200 mA (13,2 V)	220 mA (13,2 V)	100 mA (26,4 V)
Csatlakoztatás	-	-	-
Méret (szélesség x mélység x magasság)	140 mm × 184 mm × 71 mm	140 mm × 214 mm × 71 mm	140 mm × 214 mm × 71 mm
Tanúsítvány	(10 R - 05 0094)		




	SM1000-12	SM1500-12
Folyamatos kimenő teljesítmény	1000 W	1500 W
Kimeneti csúcsteljesítmény	2000 W (pár másodperc)	3000 W (pár másodperc)
Kimeneti feszültség (RMS)/frekvencia	230 V -os váltakozó áram/50 Hz ± 3 Hz	
USB-kimenet	5 V 2,1 A	
Bemeneti feszültség	12 V	
Saját fogyasztás	530 mA (13,2 V)	460 mA (13,2 V)

	SM1000-12	SM1500-12
Csatlakoztatás	-	-
Méreték (szélesség x mélység x magasság)	270 mm × 262 mm × 107,5 mm	270 mm × 262 mm × 107,5 mm
Tanúsítvány	 (10 R - 05 0094)	

	SP400-12	SP600-12	SP600-24
Folyamatos kimenő teljesítmény	400 W	600 W	
Kimeneti csúcsteljesítmény	1000 W (pár másodperc)	1500 W (pár másodperc)	
Kimeneti feszültség (RMS)/frekvencia	230 V -os váltakozó áram/50 Hz ± 3 Hz		
USB-kimenet	5 V 2,1 A		
Bemeneti feszültség	12 V		24 V
Saját fogyasztás	340 mA (13,2 V)	420 mA (13,2 V)	210 mA (26,4 V)
Csatlakoztatás	-	-	-
Méreték (szélesség x mélység x magasság)	140 mm × 214,5 mm × 71 mm	140 mm × 244,5 mm × 71 mm	140 mm × 244,5 mm × 71 mm
Tanúsítvány	 (10 R - 05 0094)		

	SP1000-12	SPB1000I-12
Folyamatos kimenő teljesítmény	1000 W	
Kimeneti csúcsteljesítmény	2500 W (pár másodperc)	
Kimeneti feszültség (RMS)/frekvencia	230 V -os váltakozó áram/50 Hz ± 3 Hz	
USB-kimenet	5 V 2,1 A	
Bemeneti feszültség	12 V	
Saját fogyasztás	870 mA (13,2 V)	680 mA (13,2 V)
Átkapcsolási idő az akkumulátorról a külső elektromos hálózatra	-	0,02 s
Átkapcsolási idő a külső elektromos hálózatról az akkumulátorra	-	0,1 s
Csatlakoztatás	-	N-BUS
Méreték (szélesség x mélység x magasság)	270 mm × 262,4 mm × 107,5 mm	270 mm × 262,4 mm × 107,5 mm
Tanúsítvány	 (10 R - 05 0094)	 (10 R - 06-02 5174 00)

	SP1500-12	SPB1500I-12	SP1500-24
Folyamatos kimenő teljesítmény	1500 W		
Kimeneti csúcsteljesítmény	4000 W (pár másodperc)		
Kimeneti feszültség (RMS)/frekvencia	230 V -os váltakozó áram/50 Hz ± 3 Hz		
USB-kimenet	5 V, 2,1 A		
Bemeneti feszültség	12 V		24 V
Saját fogyasztás	850 mA (13,2 V)	930 mA (13,2 V)	620 mA (26,4 V)
Átkapcsolási idő az akkumulátorról a külső elektromos hálózatra	-	0,02 s	-
Átkapcsolási idő a külső elektromos hálózatról az akkumulátorra	-	0,1 s	-
Csatlakoztatás	-	N-BUS	-
Méreték (szélesség x mélység x magasság)	270 mm × 322,4 mm × 107,5 mm	270 mm × 360 mm × 107,5 mm	270 mm × 322,4 mm × 107,5 mm
Tanúsítvány	 (10 R - 05 0094)	 (10 R - 06-02 5174 00)	 (10 R - 05 0094)

	SPB2000I-12	SP3000-12	SP3000-24
Folyamatos kimenő teljesítmény	2000 W	3000 W	
Kimeneti csúcsteljesítmény	6000 W (pár másodperc)	8000 W (pár másodperc)	
Kimeneti feszültség (RMS)/frekvencia	230 V -os váltakozó áram/50 Hz ± 3 Hz		
USB-kimenet	5 V, 2,1 A		
Bemeneti feszültség	12 V		24 V
Saját fogyasztás	900 mA (13,2 V)	1270 mA (13,2 V)	680 mA (26,4 V)
Átkapcsolási idő az akkumulátorról a külső elektromos hálózatra	0,02 s	-	-
Átkapcsolási idő a külső elektromos hálózatról az akkumulátorra	0,1 s	-	-
Csatlakoztatás	N-BUS	-	-
Méreték (szélesség x mélység x magasság)	270 mm × 385 mm × 107,5 mm	270 mm × 452 mm × 107,5 mm	270 mm × 452 mm × 107,5 mm
Tanúsítvány			
	 (10 R - 06-02 5174 00)	 (10 R - 05 0094)	

A Dometic ezúton kijelenti, hogy a SPB1000I-12, SPB1500I-12 és SPB2000I-12 típusú rádióberendezés megfelel a 2014/53/EU irányelvnek. Az EU megfelelőségi nyilatkozat teljes szövege a következő honlapon érhető el:
documents.dometic.com

Hrvatski

1	Važne napomene.....	288
2	Objašnjenje simbola.....	288
3	Sigurnosne upute.....	289
4	Opseg isporuke.....	289
5	Namjena.....	289
6	Ciljna skupina.....	290
7	Tehnički opis.....	290
8	Prije montaže.....	290
9	Instalacija.....	293
10	Priključivanje vanjskog mrežnog napajanja (modeli SPB1000I-12, SPB1500I-12 i SPB2000I-12).....	295
11	Priključivanje daljinskog upravljanja.....	296
12	Povezivanje N-BUS uređaja.....	297
13	Rad.....	298
14	Zamjena osigurača.....	299
15	Čišćenje i održavanje.....	302
16	Odlaganje u otpad.....	302
17	Jamstvo.....	303
18	Tehnički podaci.....	303

1 Važne napomene

Pažljivo pročitajte ove upute i poštujte sve upute, smjernice i upozorenja sadržane u ovim uputama kako biste u svakom trenutku osigurali pravilnu instalaciju, uporabu i održavanje proizvoda. Ove upute MORAJU ostati u blizini ovog proizvoda.

Uporabom proizvoda potvrđujete da ste pažljivo pročitali sve upute, smjernice i upozorenja te da razumijete i pristajete poštovati ovdje navedene uvjete i odredbe. Pristajete koristiti se ovim proizvodom samo za predviđenu svrhu i namjenu te u skladu s uputama, smjernicama i upozorenjima navedenima u ovom priručniku za proizvod, kao i u skladu sa svim važećim zakonima i propisima. Ako ne pročitate i ne poštujete ovdje navedene upute i upozorenja, tada to može dovesti do ozljeđivanja vas i drugih osoba, do oštećenja proizvoda ili druge imovine u blizini. Ovaj priručnik za proizvod, uključujući i upute, smjernice i upozorenja, te povezanu dokumentaciju može biti podložan promjenama i ažuriranjima. Za najnovije podatke o proizvodu posjetite documents.dometic.com.

2 Objašnjenje simbola

Signalna riječ opisuju poruke o sigurnosti i oštećenju imovine, kao i stupanj ili razinu težine potencijalne opasnosti.



UPOZORENJE!

Naznačuje opasnu situaciju, koja bi, ako se ne izbjegne, mogla rezultirati smrću ili teškim ozljedama.



OPREZ!

Naznačuje opasnu situaciju, koja bi, ako se ne izbjegne, mogla rezultirati lakšim ili umjerenim ozljedama.



POZOR!

Naznačuje situaciju, koja, ako se ne izbjegne, može rezultirati materijalnom štetom.



UPUTA Dodatne informacije za rukovanje proizvodom.

3 Sigurnosne upute



UPOZORENJE! Nepoštivanje ovih upozorenja moglo bi dovesti do smrti ili teške ozljede.

- > U slučaju požara koristite aparat za gašenje požara prikladan za električni uređaj.
- > Nemojte koristiti ovaj uređaj ako na njemu ima vidljivih oštećenja.



OPREZ! Nepoštivanje ovih upozorenja moglo bi dovesti do smrti ili teške ozljede.

- > Montažu, sastavljanje i ožičenje, ali i sve druge radove, smiju izvoditi samo kvalificirani električari. Neadekvatni popravci mogu prouzročiti ozbiljne opasnosti.
- > Montaža u potencijalno eksplozivnim područjima, primjerice u prostorijama sa zapaljivim tekućinama ili plinovima, nije dopuštena.
- > Nemojte montirati ili čuvati uređaj u blizini plamena ili drugih izvora topline (grijanje, izravna sunčeva svjetlost, plinske pećnice itd.).
- > Djeca se ne smiju igrati s uređajem.
- > Ovaj uređaj smiju koristiti djeca od 8 godina i starija te osobe sa smanjenim fizičkim, senzornim ili mentalnim sposobnostima ili osobe s nedovoljnim iskustvom i znanjem ako su pod nadzorom ili ako su dobili upute o sigurnoj uporabi uređaja te razumiju opasnosti koje se pri tome javljaju.



POZOR! Naznačuje situaciju, koja, ako se ne izbjegne, može rezultirati materijalnom štetom.

- > Provjerite odgovara li specifikacija napona na tipskoj pločici specifikaciji izvora električne energije.
- > Nikada ne uranjajte uređaj u vodu.
- > Zaštite uređaj i kabele od topline i vlage.
- > Uređaj nemojte izlagati kiši.
- > Uvjerite se da montažna površina može nositi težinu uređaja.
- > Položite kabele tako da se preko njih ne možete spotaknuti ili tako da se ne mogu oštetiti.
- > Koristite razvod kanala ili kabelaške kanale ako je potrebno polagati kabele kroz metalne ili druge oplate s oštrim rubovima.

4 Opseg isporuke

Opis	Količina
Inverter	1
Crveni strujni kabel	1
Crni strujni kabel	1
Upute za montažu i rukovanje	1

5 Namjena

Uređaj je namijenjen za napajanje priključenih uređaja s 230 V generiranih iz ulaznog napona 12 V ili 24 V. Uređaj je namijenjen za uporabu u kamperima, kamp-kućicama i putničkim autobusima.

Linija modela uključuje dva tipa uređaja:

- Modeli SM400-12, SM600-12, SM600-24, SM1000-12 i SM1500-12 su inverteri s modificiranim sinusnim valom na izlazu.
- Modeli SP400-12, SP600-12, SP600-24, SP1000-12, SP1500-12, SP1500-24, SP3000-12 i SP3000-24 su inverteri s čistim sinusnim valom na izlazu.

Modeli SPB1000I-12, SPB1500I-12 i SPB2000I-12 odlikuju se funkcijom integriranog prioriteta (IVT) i ulaznom utičnicom zaštićenom osiguračem (IEC) za priključak na vanjsko napajanje.

Ovaj je proizvod prikladan samo za predviđenu namjenu i primjenu u skladu s ovim uputama.

Ove upute donose informacije neophodne za pravilnu instalaciju i/ili rad proizvoda. Loša instalacija i/ili nepravilan rad ili održavanje rezultirat će nezadovoljavajućom uspješnošću i mogućim kvarom.

Proizvođač ne preuzima nikakvu odgovornost za bilo kakve ozljede ili oštećenja proizvoda koje nastanu kao rezultat:

- nepravilnog sklapanja, montaže ili priključivanja, uključujući i previsok napon
- nepravilnog održavanja ili uporabe nekih drugih rezervnih dijelova osim originalnih rezervnih dijelova koje isporučuje proizvođač
- izmjena na proizvodu bez izričitog dopuštenja proizvođača
- uporabe u svrhe koje nisu opisane u ovim uputama

Dometic pridržava pravo na izmjene izgleda i specifikacija proizvoda.

6 Ciljna skupina



Električnu montažu te postavljanje uređaja smije provoditi samo kvalificirani električar koji je pokazao vještinu i znanje vezano za konstrukciju i rad električne opreme i izvođenje instalacija, koji dobro poznaje važeće propise države u kojoj se oprema treba instalirati i/ili koristiti i koji je prošao obuku o sigurnosti koja mu omogućava da prepozna i izbjegne opasnosti koje se pri tome javljaju.

Sve ostale radnje namijenjene su također za neprofesionalne korisnike.

7 Tehnički opis

Uređaj ima dva glavna stupnja strujnog kruga za pretvaranje ulaznog napona 12 V $\overline{\text{=}}$ ili 24 V $\overline{\text{=}}$ u izmjenični izlazni napon. Prvi stupanj sastoji se od visoko frekvencijskog istosmjernog DC/DC pretvarača za pretvaranje istosmjernog ulaznog napona 12 V ili istosmjernog ulaznog napona 24 V u izlazni istosmjerni napon do 400 V. Zadnji stupanj sastoji se od H-mosta koji pretvara visokonaponsku sabirnicu u izmjenični napon 230 V.

Uređaj ima sljedeće glavne karakteristike:

- Niska potrošnja.
- Galvanski izolirani ulaz i izlaz za povećanu sigurnost.
- Temperaturno regulirana brzina ventilatora za tihi rad.
- Integrirana prioriteta sklopka između vanjske električne mreže i akumulatora.
- Priprema za uključivanje/isključivanje daljinskog upravljanja.
- Alarm za nizak napon akumulatora.
- Isključivanje zbog niskog i visokog napona akumulatora.
- Isključivanje zbog preopterećenja.
- Zaštita od kratkog spoja, previsoke temperature, preopterećenja i obrnutog polariteta.
- Funkcija Soft Start za nježno pokretanje.

Samo SPB1000I-12, SPB1500I-12, SPB2000I-12: Uređaj je kompatibilan za N-BUS (pogledajte poglavlje Povezivanje N-BUS uređaja na stranici 297).

8 Prije montaže

Zahtjevi na akumulator

Tip i veličina akumulatora mogu jako utjecati na učinak invertera. Stoga se mora identificirati tip trošila koje će inverter napajati i trajanje uporabe između punjenja. Kako biste definirali minimalne zahtjeve na akumulator za primjenu, napravite sljedeće:

1. Utvrdite snagu s oznaka svakog pojedinog uređaja koji će se istovremeno napajati iz invertera. Potrošnja energije obično se prikazuje u vatima. Ako se prikazuju u amperima, pomnožite vrijednost s 230 V kako biste odredili vate.
2. Procijenite broj sati tijekom kojih će oprema biti u uporabi prije punjenja akumulatora.
3. Izračunajte ukupnu potrebnu energiju u Wh (vat sati) tako što ćete pomnožiti gore utvrđeno vrijeme sa zbrojem vata. Podijelite rezultat s 10 ako je ulaz invertera 12 V, ili s 20 ako je 24 V. Dobivena vrijednost u Ah predstavlja snagu potrebnu za primjenu.



UPUTA Ako je moguće, napunite akumulator kad je ispražnjen oko 50 % ili ranije. To akumulatoru omogućava znatno duži životni ciklus, za razliku od punjenja kad je dubinski ispražnjen.

Uklanjanje problema interferencije

Neki audio sustavi nižeg cjenovnog razreda mogu emitirati zujajuću buku iz zvučnika dok se napajaju iz invertera. To se događa zato što napajanje u audio sustavu adekvatno ne filtrira modificirani sinusni val koji proizvodi inverter. Rješenje je korištenje audio sustava koji ima visoko kvalitetno napajanje ili korištenje invertera s čistim sinusnim valom. Kad inverter radi, on može ometati televizijski prijem na nekim kanalima. Ako dođe do interferencije, pokušajte napraviti sljedeće:

1. Uvjerite se da je vijak za uzemljenje invertera na šasiji spojen s uzemljenjem vozila.
2. Uvjerite se da televizijska antena osigurava adekvatan signal i da je antenski kabel u dobrom stanju.
3. Skratite kabele između akumulatora i invertera u najvećoj mogućoj mjeri i upletite ih kako biste smanjili zračene emisije.
4. Premjestite televizor što je moguće dalje od invertera.
5. Nemojte napajati snažna trošila putem invertera dok je televizor uključen.

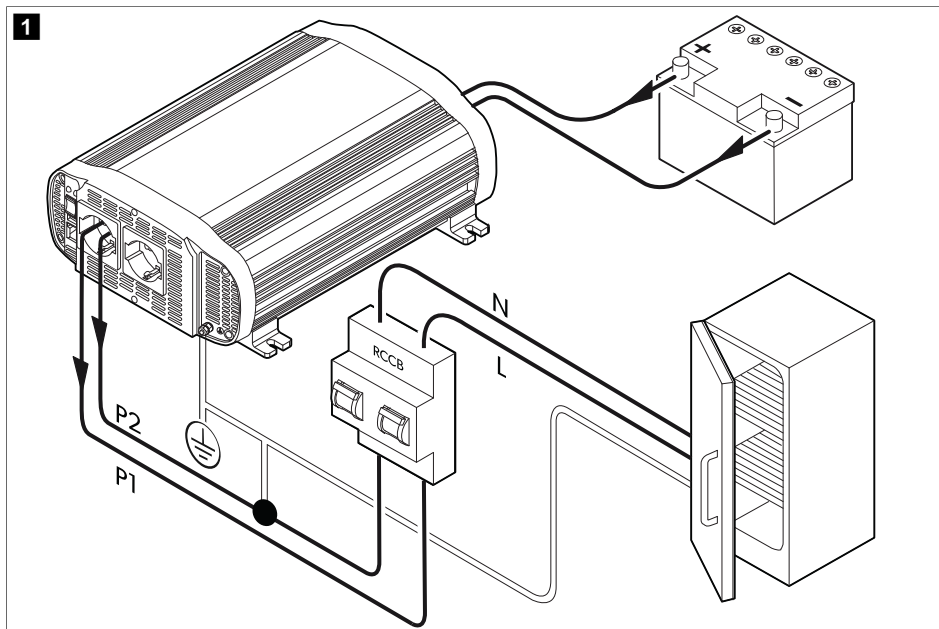
Zaštita od zemljospoja (ne uključuje modele SPB1000I-12, SPB1500I-12 i SPB2000I-12)



POZOR! Opasnost od oštećenja

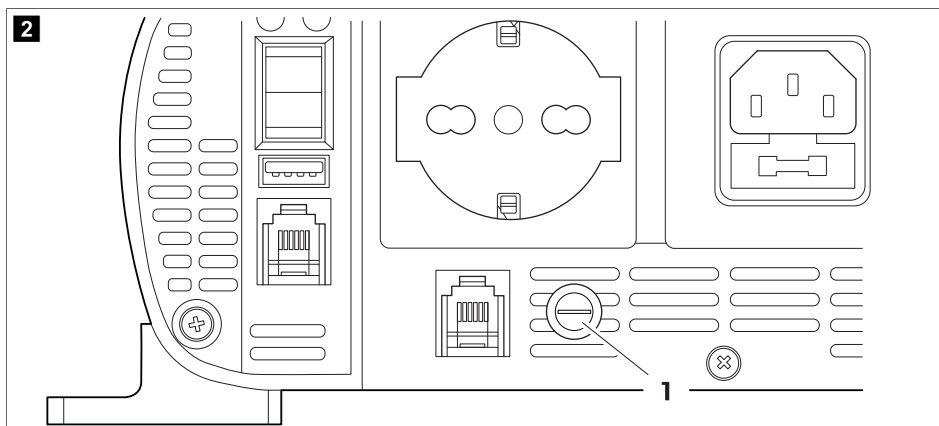
Za siguran rad više uređaja iznimno je bitno da u razvodni krug utičnice bude integrirana automatska sklopka (strujna zaštitna sklopka).

Utičnica za uzemljenje dizajnirana je za sigurnosni sustav kao što je strujna zaštitna sklopka (RCCB). Priključite strujnu zaštitnu sklopku prema sljedećoj shemi:



1. Spojite izlaz faze (P1) i nule (P2) na ulaz strujne zaštitne sklopke.
2. Spojite uzemljenje invertera na jedan od dva voda spojena s ulazom strujne zaštitne sklopke.
3. Spojite izlaz nule i faze iz ulaza strujne zaštitne sklopke na uređaje.
4. Spojite uzemljenje invertera na uzemljenje uređaja.

Zaštita od zemljospoja (modeli SPB1000I-12, SPB1500I-12 i SPB2000I-12)





POZOR! Opasnost od oštećenja

Gornja shema odnosi se samo na spajanje izlaza invertera. IEC priključak ulaza vanjske električne mreže mora se spojiti na izlaz automatske sklopke izvora vanjske električne mreže.

Raspored uzemljenja tipa TN ili IT za SPB1000I-12, SPB1500I-12 i SPB2000I-12 moguće je konfigurirati s osiguračem.

- > Za uspostavu rasporeda uzemljenja tipa TN, uvjerite se da je osigurač umetnut u držač osigurača ①.
- > Za uspostavu rasporeda uzemljenja tipa IT, uvjerite se da osigurač **nije** umetnut u držač osigurača ①.

9 Instalacija



OPREZ! Opasnost od oštećenja

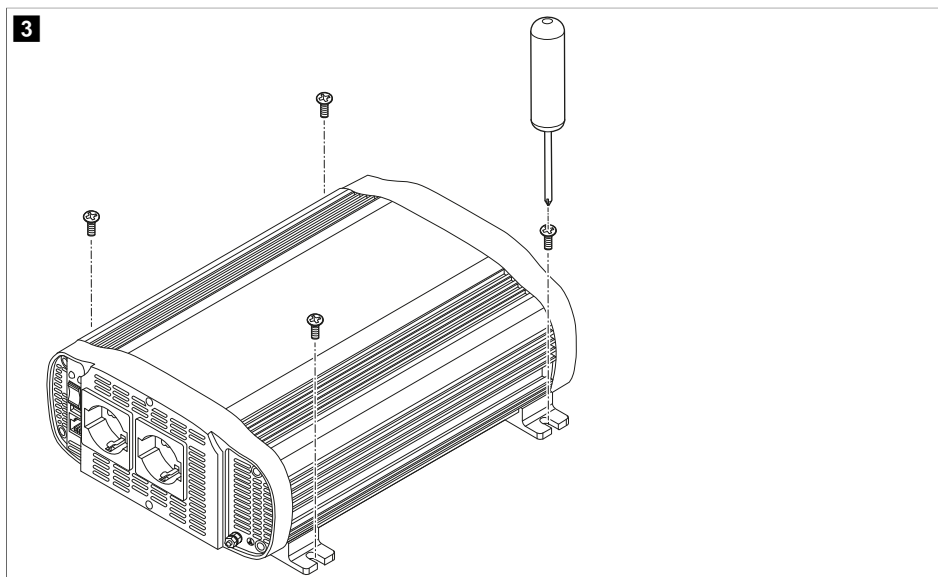
Nemojte montirati uređaj blizu izvora topline ili u prostorima s neadekvatnom ventilacijom.



UPUTA Uređaj se može montirati u bilo kojem položaju. Ako ga montirate na vertikalnu površinu, preporučujemo da duga strana bude paralelna s tlom.



UPUTA Montirajte uređaj što je moguće bliže izvoru napajanja 12 V / 24 V.



1. Montirajte uređaj na četiri montažne priрубnice pomoću odgovarajućih vijaka.

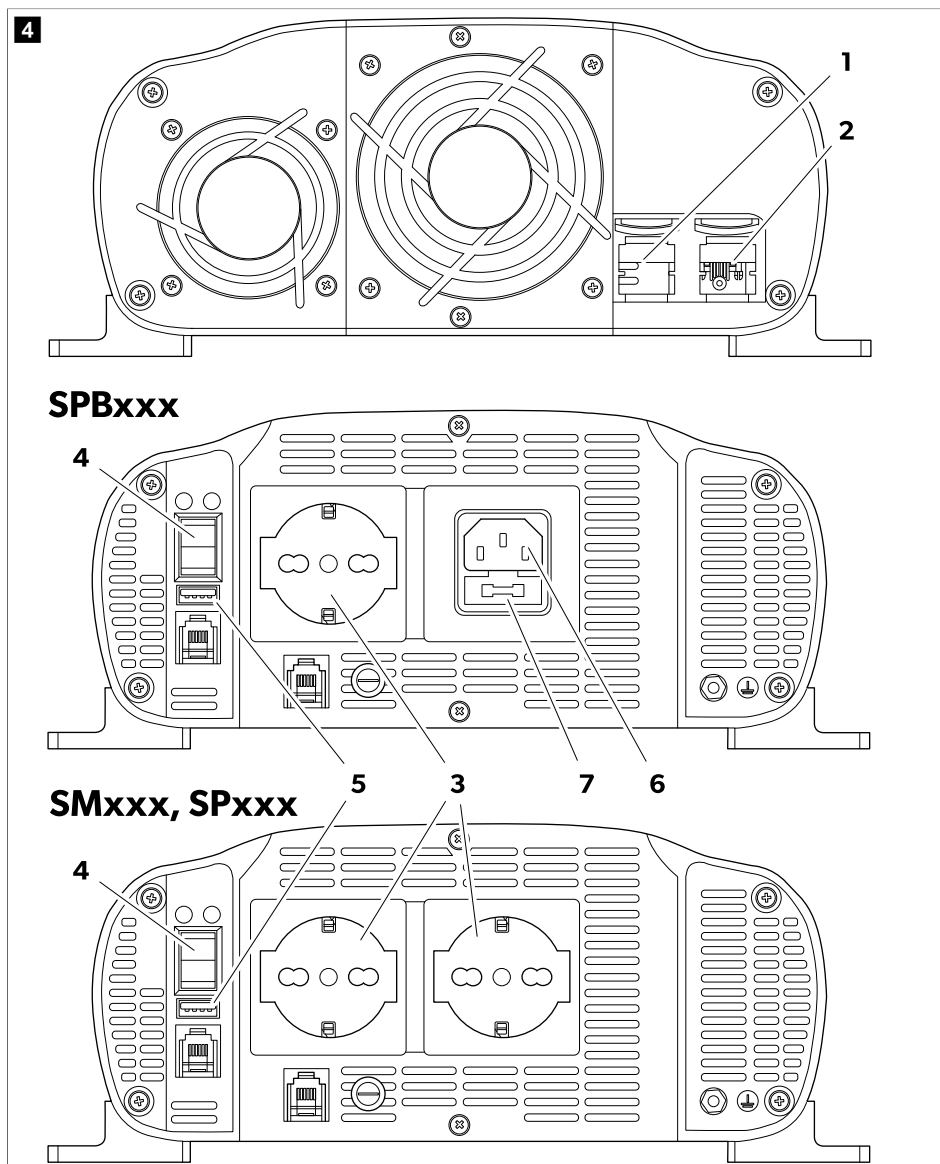


POZOR! Opasnost od oštećenja

Prije priključivanja uređaja uvjerite se da je učinska sklopka u isključenom položaju.



UPUTA Spojite akumulator na uređaj pomoću priloženih vodova. Ako je udaljenost između akumulatora i uređaja veća od 2 metra, povećajte presjek voda kako biste smanjili pad napona i gubitke snage.



2. Priključite minus stezaljku akumulatora na minus stezaljku invertera ①.

**POZOR! Opasnost od oštećenja**

Za zaštitu priključenih uređaja, instalirajte in-line osigurač na plus kabel akumulatora.

3. Priključite plus stezaljku akumulatora na plus stezaljku invertera ②.

**POZOR! Opasnost od oštećenja**

Prije priključivanja uređaja na inverter, uvjerite se da je isključen.

4. Priključite uređaj 230 V na izlaznu utičnicu ③.
5. Uključite inverter sklopkom za uključivanje/isključivanje ④.



UPUTA Kad je inverter uključen, i crvena i zelena LED žaruljica svijetle 3 do 5 sekundi. Nakon kratkog vremena, crvena LED žaruljica se isključuje, a zelena ostaje uključena i uređaj emitira zvučni signal. Zelena LED žaruljica signalizira da inverter ispravno radi.

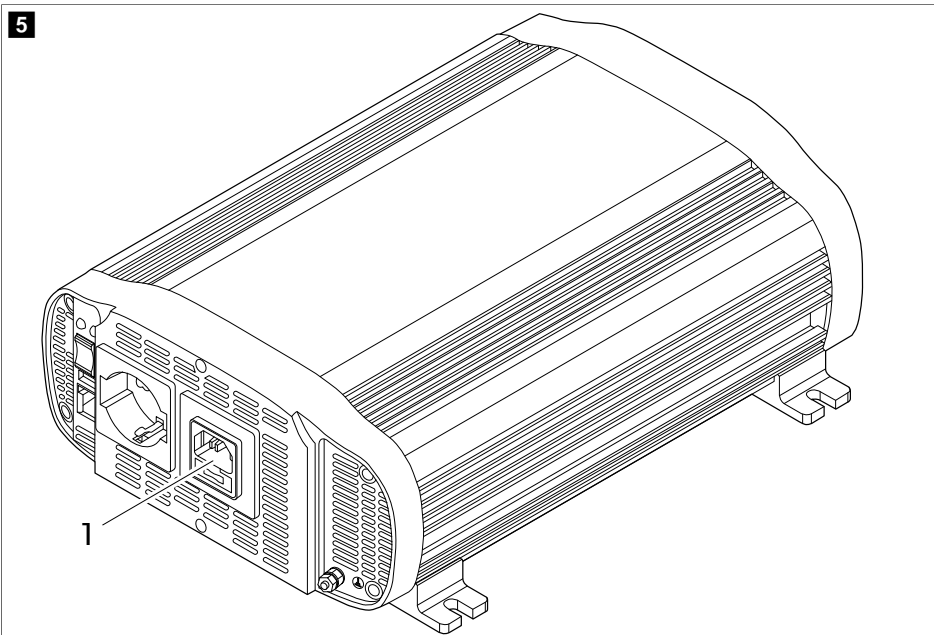
**POZOR! Opasnost od oštećenja**

- > Kad planirate napajati više od jednog uređaja, prvo priključite onaj s višim potrebnim opterećenjem.
- > Uvjerite se da kombinirana potreba za opterećenjem Vaših uređaja ne prekoračuje izlaznu nazivnu vrijednost invertera.
- > Kad koristite produžni kabel od invertera do uređaja, taj produžni kabel ne smije biti dulji od 1,5 m.
- > Nemojte priključivati inverter na opteretni krug izmjenične struje, u kojem je nulti vodič spojen na uzemljenje.

6. Priključite dodatne uređaje 230 V i uključite ih.
7. Za punjenje uređaja 5 V , priključite uređaj na USB priključak ⑤.

10 Priključivanje vanjskog mrežnog napajanja (modeli SPB1000I-12, SPB1500I-12 i SPB2000I-12)

IEC kabel može se spojiti na vanjsku mrežnu utičnicu za napajanje priključenih uređaja izmjeničnim naponom izravno iz javne električne mreže.



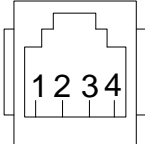
1. Priključite kabel na utičnicu ①.
2. Montirajte osigurač u držač osigurača ili ga od tamo uklonite ⑦ prema željenom rasporedu uzemljenja (pogledajte poglavlje Prije montaže na stranici 290).

11 Priključivanje daljinskog upravljanja

Uređajem se može daljinski upravljati opcionalnom vanjskom sklopkom (RC03) ili bilo kojom generičkom sklopkom konfiguriranom za priključak RJ11 ① uređaja. Sljedeći opis konfiguracije pinova može se koristiti kao smjernica u slučaju korištenja generičkih vanjskih sklopki.




Opcionalna vanjska sklopka RC03 koristi sljedeću konfiguraciju pinova:

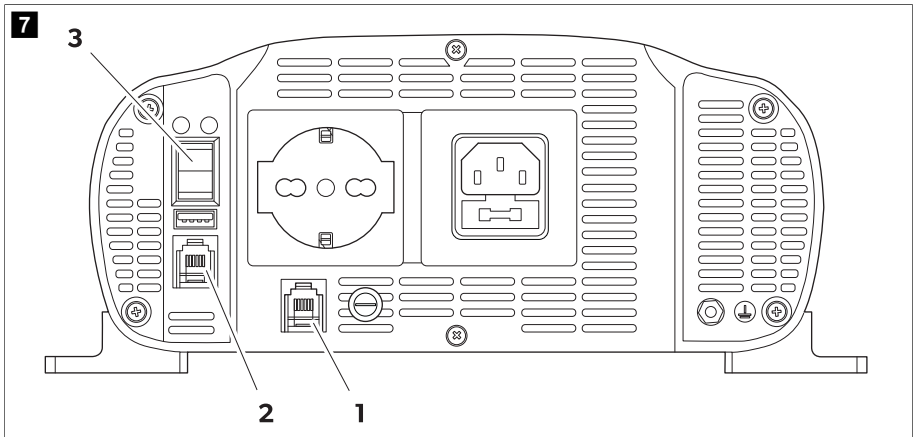
	Pin	Funkcija
	2	Priključak crvene LED žaruljice
	1-3	Priključak vanjske sklopke
	4	Uzemljenje

- > Kako biste omogućili daljinsko upravljanje, prebacite sklopku za uključivanje/isključivanje (2) na položaj 2.

12 Povezivanje N-BUS uređaja

(Samo SPB1000I-12, SPB1500I-12, SPB2000I-12)

1. Povežite priključak RJ12 (BC03, BC06, BC10) s utičnicom N-BUS ( sl. 7 na stranici 297, 1).




Upotrijebite 6-pinski ravni kabel s RJ12 priključkom u ravnoj konfiguraciji. Pin konfiguracija je sljedeća:

Pin	Funkcija
1	Status mreže
2	Daljinski upravljač
3	N-BUS/CI-BUS
4	Uzemljenje
5	Napon sabirnice (VBUS)
6	(nije povezano)



POZOR! Opasnost od oštećenja

Provjerite niste li pomiješali poveznice za N-BUS i daljinski upravljač ( sl. 7 na stranici 297, 2).

2. Sklopku za uključivanje/isključivanje postavite ( sl. 7 na stranici 297, 3) u položaj II.

3. Povežite kompatibilne N-BUS uređaje.

Konfiguracija invertera u mreži N-BUS

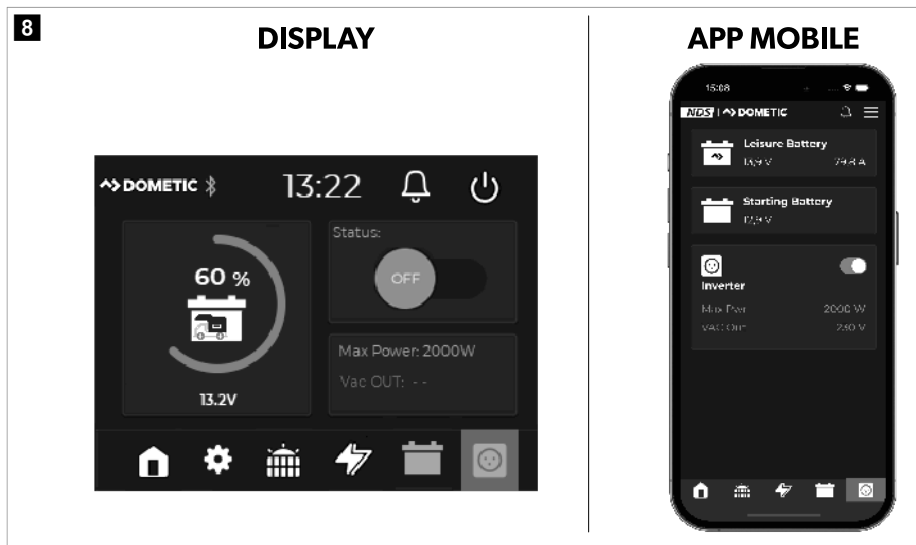
Kompatibilne N-BUS uređaje moguće je konfigurirati u mreži N-BUS putem zaslona ili mobilne aplikacije te njima i upravljati.



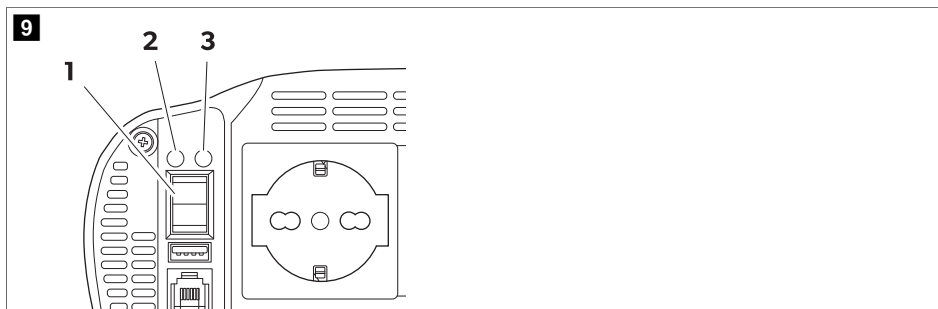
UPUTA

- Najmanje jedan Bluetooth uređaj u mreži N-BUS mora koristiti mobilnu aplikaciju.
- Postavite neke uređaje kao NADREĐENE.

> Odaberite izbornik invertera i povucite klizač u položaj za uključivanje ili isključivanje kako biste uključili ili isključili inverter.



13 Rad



Sklopka za uključivanje/isključivanje

- > Za uključivanje uređaja postavite prekidač za uključivanje/isključivanje ① u položaj I.
- > Za isključivanje uređaja pritisnite sklopku za uključivanje/isključivanje ① na položaj 0.
- > Za omogućavanje daljinskog upravljanja postavite sklopku za uključivanje/isključivanje ① u položaj II.

LED pokazivači

Uređaj je opremljen zelenim ② i crvenim ③ LED pokazivačem koji prikazuju radni status.

LED	Opis
Green	Uređaj je uključen i ispravno radi
Red	Kvar uređaja

14 Zamjena osigurača

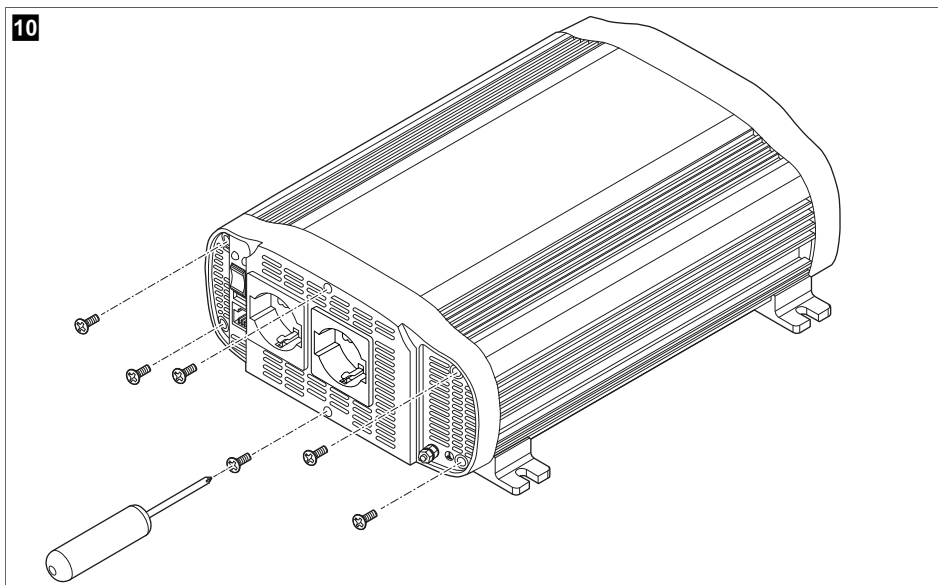


UPOZORENJE!

- Opasnost od strujnog udara
- Montažu smije provoditi samo kvalificirani električar.

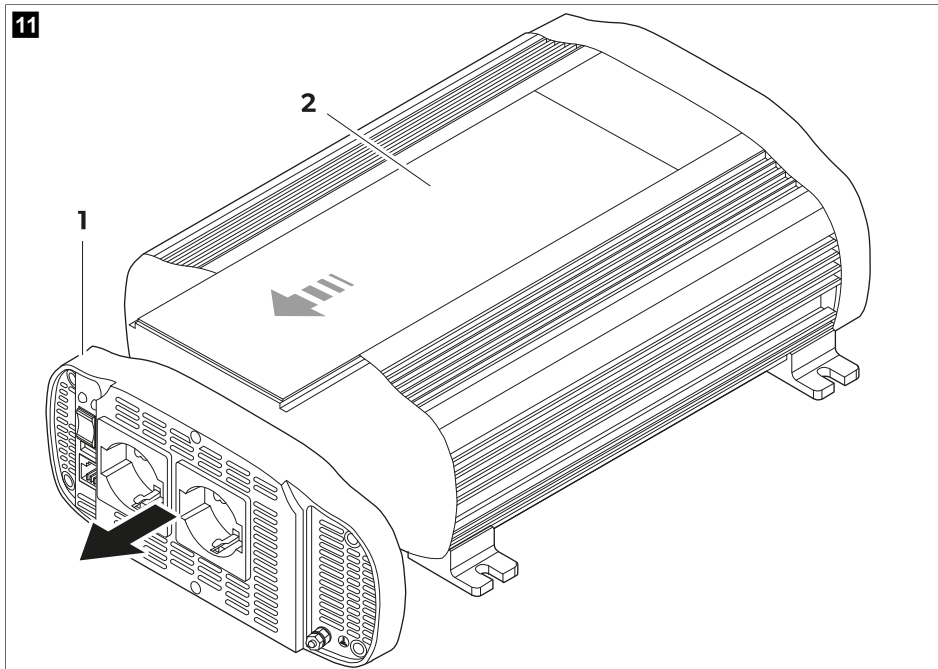
Uređaj je zaštićen integralnim elektroničkim krugom. Također, osigurači se nalaze unutar uređaja. U slučaju obrnutog polariteta priključka, osigurač pregara. Uređaji s funkcijom IVT također imaju stakleni osigurač u IEC utičnici za priključak na vanjsku električnu mrežu. Rezervni osigurači nalaze se u paketu proizvoda.

Zamjena unutarnjih osigurača

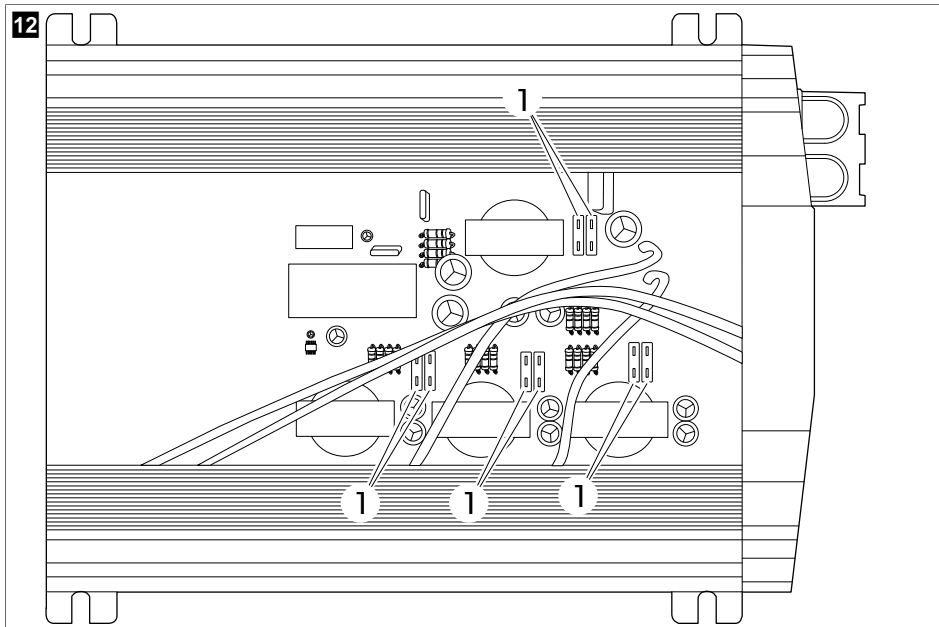


1. Uklonite šest vijaka.

11



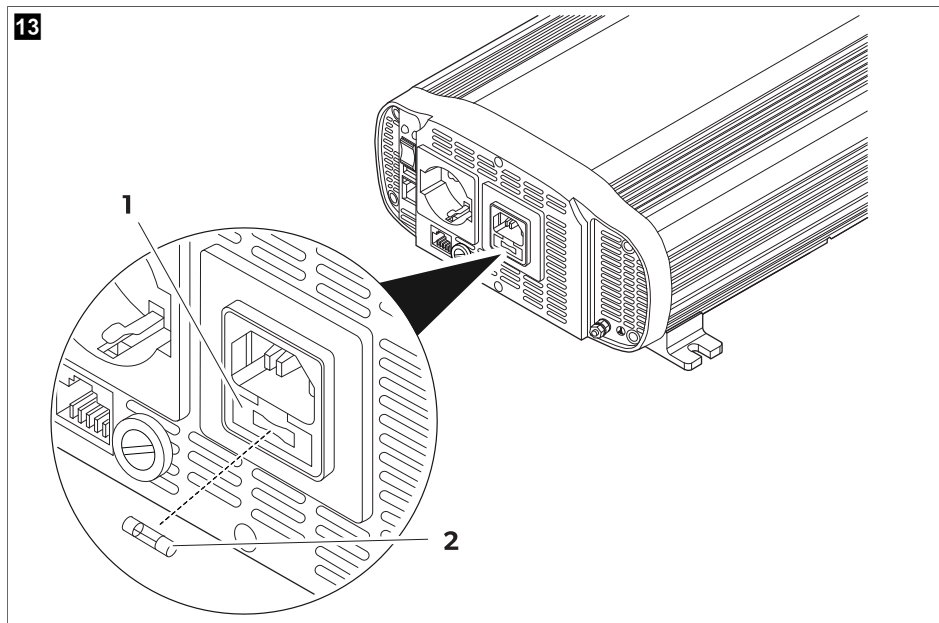
2. Nagnite prednju ploču prema naprijed ①.
3. Skinite poklopac ②.



4. Zamijenite osigurač ①.

Model	Broj osigurača	Snaga osigurača	
SM400-12, SP400-12	1	50 A	crvena
SM600-12, SP600-12	2	50 A	crvena
SM600-24, SP600-24	2	25 A	bijela
SM1000-12, SP1000-12	4	30 A	zelena
SM1500-12, SP1500-12	6	30 A	zelena
SP1500-24	6	15 A	plava
SP2000-12	8	30 A	zelena
SP3000-12	12	30 A	zelena
SP3000-24	12	15 A	plava

Zamjena osigurača IEC utičnice



1. Otvorite poklopac ① kućišta utičnice.
2. Zamijenite osigurač ②.

Model	Broj osigurača	Snaga osigurača
SPB1000I-12, SPB1500I-12 i SPB2000I-12	1	10 A (F10AL 250V stakleni osigurač)



UPUTA Nakon zamjene osigurača, uređaj se samostalno ponovno pokreće. Ako uređaj ne radi ispravno nakon zamjene osigurača, kontaktirajte servisera koji će potražiti i ukloniti probleme.

15 Čišćenje i održavanje

- > Povremeno očistite proizvod vlažnom krpom.
- > Provjerite da su ulazni i izlazni spojevi čvrsto stegnuti i osigurani.
- > Uvjerite se da ventilacijski prorezi nisu začepljeni nečistoćom ili drugim materijalom.

16 Odlaganje u otpad



Recikliranje ambalaže: Odložite ambalažu u odgovarajuće kante za reciklažu otpada gdje god je to moguće.



Ako proizvod želite konačno odložiti u otpad, zatražite od svog lokalnog reciklažnog centra ili specijaliziranog trgovca pojedinosti o tomu kako to učiniti u skladu s primjenjivim propisima o odlaganju u otpad. Proizvod se može besplatno odložiti u otpad.



Ako proizvod sadrži jednokratne baterije, punjive baterije ili izvore svjetla, ne morate ih uklanjati prije odlaganja u otpad.

17 Jamstvo


Primjenjuje se zakonom propisano jamstveno razdoblje. Ako je proizvod neispravan, obratite se podružnici proizvođača u svojoj državi (pogledajte dometic.com/dealer) ili svojem trgovcu na malo.

Za potrebe popravaka i obrade jamstva pri slanju uređaja priložite sljedeće dokumente:

- presliku računa s datumom kupnje
- razlog reklamacije ili opis kvara


Obratite pozornost da samostalni ili nestručni popravak može imati negativne posljedice na sigurnost i uzrokovati gubitak jamstva.



18 Tehnički podaci

	SM400-12	SM600-12	SM600-24
Kontinuirana izlazna snaga	400 W	600 W	
Vršna izlazna snaga	800 W (nekoliko sekundi)	1200 W (nekoliko sekundi)	
Izlazni napon (efektivni napon)/frekvencija	230 V AC / 50 Hz ± 3 Hz		
USB izlaz	5 V 2,1 A		
Ulazni napon	12 V		24 V
Vlastita potrošnja	200 mA (13,2 V)	220 mA (13,2 V)	100 mA (26,4 V)
Povezivost	-	-	-
Dimenzije (Š × D × V)	140 mm × 184 mm × 71 mm	140 mm × 214 mm × 71 mm	140 mm × 214 mm × 71 mm
Certifikat	 (10 R - 05 0094)		




	SM1000-12	SM1500-12
Kontinuirana izlazna snaga	1000 W	1500 W
Vršna izlazna snaga	2000 W (nekoliko sekundi)	3000 W (nekoliko sekundi)
Izlazni napon (efektivni napon)/frekvencija	230 V AC / 50 Hz ± 3 Hz	
USB izlaz	5 V 2,1 A	
Ulazni napon	12 V	
Vlastita potrošnja	530 mA (13,2 V)	460 mA (13,2 V)
Povezivost	-	-
Dimenzije (Š × D × V)	270 mm × 262 mm × 107,5 mm	270 mm × 262 mm × 107,5 mm




	SM1000-12	SM1500-12
Certifikat	 (10 R - 05 0094)	

	SP400-12	SP600-12	SP600-24
Kontinuirana izlazna snaga	400 W	600 W	
Vršna izlazna snaga	1000 W (nekoliko sekundi)	1500 W (nekoliko sekundi)	
Izlazni napon (efektivni napon)/frekvencija	230 V AC / 50 Hz ± 3 Hz		
USB izlaz	5 V 2,1 A		
Ulazni napon	12 V		24 V
Vlastita potrošnja	340 mA (13,2 V)	420 mA (13,2 V)	210 mA (26,4 V)
Povezivost	-	-	-
Dimenzije (Š x D x V)	140 mm x 214,5 mm x 71 mm	140 mm x 244,5 mm x 71 mm	140 mm x 244,5 mm x 71 mm
Certifikat	 (10 R - 05 0094)		

	SP1000-12	SPB1000I-12
Kontinuirana izlazna snaga	1000 W	
Vršna izlazna snaga	2500 W (nekoliko sekundi)	
Izlazni napon (efektivni napon)/frekvencija	230 V AC / 50 Hz ± 3 Hz	
USB izlaz	5 V 2,1 A	
Ulazni napon	12 V	
Vlastita potrošnja	870 mA (13,2 V)	680 mA (13,2 V)
Vrijeme prebacivanja s akumulatora na vanjsku električnu mrežu	-	0,02 s
Vrijeme prebacivanja s vanjske električne mreže na akumulator	-	0,1 s
Povezivost	-	N-BUS
Dimenzije (Š x D x V)	270 mm x 262,4 mm x 107,5 mm	270 mm x 262,4 mm x 107,5 mm
Certifikat	 (10 R - 05 0094)	 (10 R - 06-02 5174 00)

	SP1500-12	SPB1500I-12	SP1500-24
Kontinuirana izlazna snaga	1500 W		
Vršna izlazna snaga	4000 W (nekoliko sekundi)		
Izlazni napon (efektivni napon)/frekvencija	230 V AC / 50 Hz ± 3 Hz		
USB izlaz	5 V 2,1 A		

	SP1500-12	SPB1500I-12	SP1500-24
Ulazni napon	12 V		24 V
Vlastita potrošnja	850 mA (13,2 V)	930 mA (13,2 V)	620 mA (26,4 V)
Vrijeme prebacivanja s akumulatora na vanjsku električnu mrežu	–	0,02 s	–
Vrijeme prebacivanja s vanjske električne mreže na akumulator	–	0,1 s	–
Povezivost	–	N-BUS	–
Dimenzije (Š x D x V)	270 mm x 322,4 mm x 107,5 mm	270 mm x 360 mm x 107,5 mm	270 mm x 322,4 mm x 107,5 mm
Certifikat	 (10 R - 05 0094)	 (10 R - 06-02 5174 00)	 (10 R - 05 0094)

	SPB2000I-12	SP3000-12	SP3000-24
Kontinuirana izlazna snaga	2000 W	3000 W	
Vršna izlazna snaga	6000 W (nekoliko sekundi)	8000 W (nekoliko sekundi)	
Izlazni napon (efektivni napon)/frekvencija	230 V AC / 50 Hz ± 3 Hz		
USB izlaz	5 V 2,1 A		
Ulazni napon	12 V		24 V
Vlastita potrošnja	900 mA (13,2 V)	1270 mA (13,2 V)	680 mA (26,4 V)
Vrijeme prebacivanja s akumulatora na vanjsku električnu mrežu	0,02 s	–	–
Vrijeme prebacivanja s vanjske električne mreže na akumulator	0,1 s	–	–
Povezivost	N-BUS	–	–
Dimenzije (Š x D x V)	270 mm x 385 mm x 107,5 mm	270 mm x 452 mm x 107,5 mm	270 mm x 452 mm x 107,5 mm
Certifikat			
	 (10 R - 06-02 5174 00)	 (10 R - 05 0094)	

Ovime poduzeće Dometic izjavljuje da je radijska oprema tipa SPB1000I-12, SPB1500I-12 i SPB2000I-12 sukladna s Direktivom 2014/53/EU. Cjeloviti tekst EU izjave sukladnosti dostupan je na sljedećoj internetskoj adresi: documents.dometic.com

Türkçe

1	Önemli notlar.....	306
2	Sembollerin açıklanması.....	306
3	Güvenlik uyarıları.....	307
4	Teslimat kapsamı.....	307
5	Amacına Uygun Kullanım.....	307
6	Hedef grup.....	308
7	Teknik açıklama.....	308
8	Montajdan önce.....	308
9	Montaj.....	311
10	Harici ana güç kaynağının bağlanması (SPB1000I-12, SPB1500I-12 ve SPB2000I-12 modelleri).....	313
11	Uzaktan kumandanın bağlanması.....	314
12	N-BUS'un bağlanması.....	315
13	Kullanım.....	316
14	Sigorta değişimi.....	317
15	Temizlik ve bakım.....	320
16	Atık İmhası.....	320
17	Garanti.....	321
18	Teknik Bilgiler.....	321

1 Önemli notlar

Bu ürünü doğru monte ettiğinizden ve ürünün daima kullanıma hazır olduğundan emin olmak için lütfen tüm talimatları ve bu ürün kılavuzunda verilen kılavuzları ve uyarıları dikkatlice okuyunuz. Bu talimatlar bu ürün ile birlikte SAKLANMALIDIR.

Bu ürünü kullandığınızda tüm talimatları, kılavuzları ve uyarıları dikkatlice okuduğunuzu ve anladığınızı ve hükümlere ve koşullara bu sözleşmede yer alıyormuş gibi uyacağınızı onay verirsiniz. Bu ürünü sadece amacına ve uygulamaya uygun ve talimatlara, kılavuzlara ve uyarılara uygun bu ürün kılavuzu ile geçerli yasalara ve yönetmeliklere uygun olarak kullanacağınızı kabul ediyorsunuz. Talimatların ve uyarıların burada verildiği gibi okunmaması veya bunlara uyulmaması sonucu kendiniz ve diğer insanlar yaralanabilir veya ürününüz veya yakınında bulunan diğer mallar hasar görebilir. Talimatlar, kılavuzlar ve uyarılar da dahil, bu ürün kılavuzu ve buna ait olan dokümanlarda değişiklikler ve güncellemeler yapılabilir. Güncel ürün bilgileri için lütfen documents.dometic.com adresini ziyaret edin.

2 Sembollerin açıklanması

Bir sinyal sözcüğü, güvenlik ve maddi hasar mesajlarını tanımlar ve ayrıca tehlikenin ciddiyet derecesini veya seviyesini gösterir.



UYARI!

Önlenmediğinde, can kaybı veya ağır bir yaralanmaya neden olabilecek tehlikeli bir durumu gösterir.



DİKKAT!

Önlenmediğinde, hafif veya orta derecede bir yaralanmaya neden olabilecek tehlikeli bir durumu gösterir.



İKAZ!

Önlenmediğinde, maddi hasara neden olabilecek bir durumu gösterir.



NOT Ürünün kullanılması ile ilgili ek bilgiler.

3 Güvenlik uyarıları



UYARI! Bu uyarılara uyulmaması can kaybı veya ağır yaralanmaya sebep olabilir.

- > Yangın çıkması durumunda, elektrikli cihazlara uygun bir yangın söndürücü kullanın.
- > Cihazda gözle görülebilir hasar varsa cihazı çalıştırmayın.



DİKKAT! Bu uyarılara uyulmaması can kaybı veya ağır yaralanmaya sebep olabilir.

- > Kurulum, montaj ve kablolama ile diğer tüm işler yalnızca kalifiye elektrik uzmanları tarafından gerçekleştirilmelidir. Yanlış onarımlar ciddi tehlikelere neden olabilir.
- > Yanıcı sıvıların veya gazların bulunduğu odalar gibi potansiyel olarak patlayıcı alanlarda montaja izin verilmez.
- > Cihazı ateş veya diğer ısı kaynaklarının (ısıtıcılar, doğrudan güneş ışığı, gazlı fırın vb.) yakınına monte etmeyin veya bulundurmeyin.
- > Çocukların bu cihazla oynamaları yasaktır.
- > Bu cihaz, gözetim altında olmaları veya cihazın güvenli bir şekilde kullanımıyla ilgili talimatların verilmesi ve tehlikeleri anlamaları halinde, 8 yaş ve üzeri çocuklar ve fiziksel, duyuusal veya zihinsel yetenekleri kısıtlı veya deneyim ve bilgi eksikliği olan kişiler tarafından kullanılabilir.



İKAZ! Önlenmediğinde, maddi hasara neden olabilecek bir durumu gösterir.

- > Veri plakası üzerinde verilen voltaj değerinin enerji kaynağının değeri ile aynı olmasına dikkat edin.
- > Cihazı kesinlikle suya batırmayın.
- > Cihazı ve kabloları, ısıya ve neme karşı koruyun.
- > Cihazı yağmura maruz bırakmayın.
- > Montaj yüzeyinin cihazın ağırlığını taşıyabileceğinden emin olun.
- > Kabloları ayak takılmayacak veya hasar görmeyecek şekilde döşeyin.
- > Kabloları, metal paneller veya keskin kenarlı diğer panellerin arasına döşemek gerekiyorsa kanal sistemi veya kablo kanalları kullanın.

4 Teslimat kapsamı

Adı	Miktar
İnvertör	1
Kırmızı güç kablosu	1
Siyah güç kablosu	1
Montaj ve Kullanım Kılavuzu	1

5 Amacına Uygun Kullanım

Cihaz, bağlı olan cihazlara 12 V ya da 24 V giriş geriliminden 230 V gerilim sağlamak için tasarlanmıştır. Cihaz motorlu karavanlarda, karavanlarda ve yolcu otobüslerinde kullanılmak üzere tasarlanmıştır.

Model serisinde iki tür cihaz bulunur:

- SM400-12, SM600-12, SM600-24, SM1000-12 ve SM1500-12 modelleri, modifiye sinüsoidal dalga çıkışlı invertörlerdir.
- SP400-12, SP600-12, SP600-24, SP1000-12, SP1500-12, SP1500-24, SP3000-12 ve SP3000-24 modelleri saf sinüsoidal dalga çıkışlı invertörlerdir.

SPB1000I-12, SPB1500I-12 ve SPB2000I-12 modellerinde, harici güç kaynağı bağlantısı için entegre edilmiş öncelik işlevi (IVT) ve bir sigorta korumalı giriş (IEC) soketi bulunur.

Bu ürün sadece amacına uygun ve bu talimata göre kullanılmalıdır.

Bu kılavuzda ürünün doğru olarak monte edilmesi ve/veya kullanılması için gerekli bilgiler verilmektedir. Doğru yapılmayan montaj ve/veya yanlış işletim ya da bakım, performansın yetersiz olmasına ve olası bir arızaya neden olabilir.

Üretici, aşağıdaki durumların neden olduğu yaralanmalardan veya ürün hasarlarından sorumlu değildir:

- Aşırı voltaj da dahil olmak üzere hatalı kurulum, montaj veya bağlantı
- Yanlış bakım veya üretici tarafından sağlanan orijinal yedek parçalardan başka yedek parçalar kullanılması
- Üreticisinden açıkça izin almadan cihazda değişiklikler yapılması
- Bu kılavuzda tanımlananların dışında bir amaçlar için kullanıldığında

Dometic ürünün görünümünde ve ürün özelliklerinde değişiklik yapma hakkını saklı tutar.

6 Hedef grup



Cihazın elektrik montajı ve devreye alınması, elektrikli ekipmanların yapısı, çalıştırılması ve montajı konusunda bilgi ve beceriye sahip, ekipmanın montajının yapılacağı ve/veya kullanılacağı ülkenin geçerli düzenlemelerine aşına olan, ilgili tehlikeleri belirlemek ve bunlardan kaçınmak için güvenlik eğitimi almış kalifiye bir teknisyen tarafından yapılmalıdır.

Diğer tüm işlemler, profesyonel olmayan kullanıcılar tarafından yapılacak şekilde tasarlanmıştır.

7 Teknik açıklama

Cihaz, 12 V \rightleftharpoons veya 24 V \rightleftharpoons giriş gerilimini AC çıkış gerilimine çevirmek için iki ana devre aşamasına sahiptir. Birinci aşama, 12 V DC ya da 24 V DC giriş gerilimini 400 V DC çıkış gerilimine dönüştüren izole edilmiş yüksek frekanslı DC/DC dönüştürücüden oluşur. Son aşama ise, DC yüksek gerilimi 230 V AC gerilime dönüştüren bir H köprüsünden oluşur.

Cihaz aşağıdaki ana özelliklere sahiptir:

- Düşük tüketim.
- Artırılmış güvenlik için galvanik olarak izole edilmiş giriş ve çıkış.
- Sessiz çalışma için sıcaklık kontrollü fan hızı.
- Harici ana şebeke ve akü arasında entegre edilmiş öncelik anahtarı.
- Uzaktan kumanda ile Açma/Kapama için hazır.
- Düşük akü gerilimi alarmı.
- Düşük ve yüksek akü gerilimi durumunda kapatma.
- Aşırı yük durumunda kapatma.
- Kısa devre, aşırı sıcaklık, aşırı yük ve ters polariteye karşı koruma.
- Yumuşak başlatma işlevi.

Yalnızca SPB1000I-12, SPB1500I-12, SPB2000I-12: Cihaz N-BUS uyumludur (N-BUS'un bağlanması sayfa 315 bölümüne bakın).

8 Montajdan önce

Akü gereksinimleri

Akü tipi ve boyutu, invertörlerin performansını büyük ölçüde etkileyebilir. Bu nedenle invertörün besleyeceği yüklerin türü ve şarjlar arasındaki kullanım süresi belirlenmelidir. Bir uygulamanın minimum akü gereksinimlerini belirlemek için yapmanız gerekenler:

1. İnvörtörden eş zamanlı olarak kullanılacak her bir cihazın etiketlerinden watt değerini belirleyin. Güç tüketimi genelde Watt olarak belirtilir. Amper olarak belirtiliyorsa, Watt değerini belirlemek için 230 V ile çarpın.
2. Akü yeniden şarj edilmeden önce ekipmanın kullanımda olacağı saat süresini tahmini olarak belirleyin.
3. Yukarıda belirlenen süreyi watt toplamı ile çarparak Wh (Watt saat) cinsinden gereken toplam enerjiyi hesaplayın. Eğer invertör giriş gerilimi 12 V ise 10'a, 24 V ise 20'ye bölün. Ah cinsinden elde edilen değer, uygulamanın güç gereksinimini temsil eder.



NOT Mümkünse, akü kapasitesi 50 % olduğunda ya da daha önce aküyü şarj edin. Bu, akünün tamamen boşaldığında yeniden şarj edilerek kullanıldığı durumlardaki kullanım ömrüne kıyasla çok daha uzun bir kullanım ömrü sağlar.

Parazit sorunlarını giderme

Bazı ucuz ses sistemleri, invertörden çalıştırıldığında hoparlörlerden vızılı sesi çıkarabilir. Bunun nedeni, ses sistemindeki güç kaynağının invertör tarafından üretilen modifiye sinüs dalgasını yeterince filtreleyememesidir. Çözüm, yüksek kaliteli güç kaynağına sahip bir ses sistemi kullanmak veya saf sinüs dalgalı bir invertör kullanmaktır. İnvörtör işletimde iken televizyondaki bazı kanallarda parazitte neden olabilir. Parazit oluşursa, aşağıdakileri deneyin:

1. İnvörtörün şasi topraklama vidasının aracın toprağına bağlı olduğundan emin olun.
2. Televizyon anteninin yeterli sinyal sağladığından ve anten kablosunun iyi durumda olduğundan emin olun.
3. Akü ile invertör arasındaki kabloları mümkün olduğu kadar kısa tutun ve yayılan emisyonları azaltmak için bu kabloları birlikte döşeyin.
4. Televizyonu invertörden mümkün olduğunca uzağı taşıyın.
5. Televizyon açıkken invertörü yüksek güçte çalıştırmayın.

Toprak kaçağı koruması (SPB1000I-12, SPB1500I-12 ve SPB2000I-12 modelleri hariç)

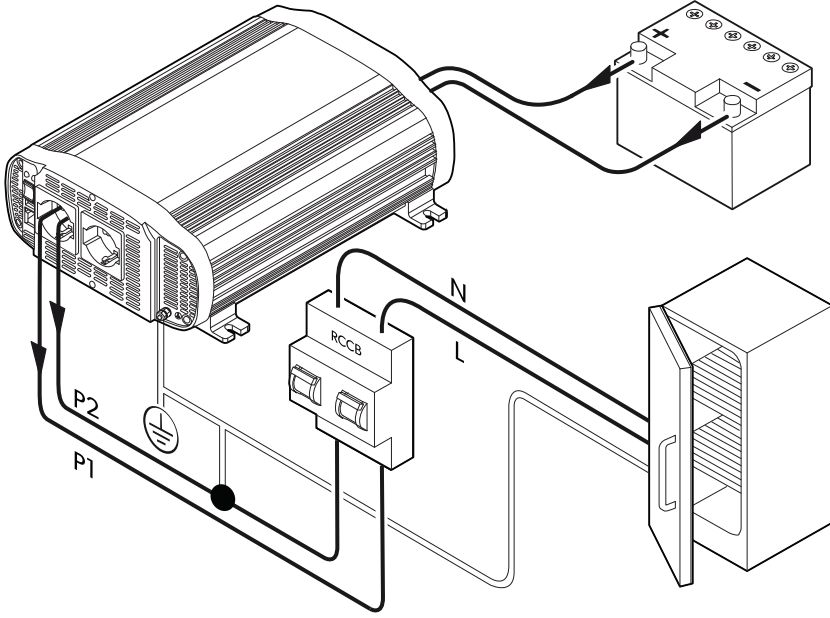


İKAZ! Hasar tehlikesi

Birden fazla cihazın güvenli çalışması için priz dağıtım devresine bir devre kesicinin (kaçak akım rölesi) yerleştirilmesi önemlidir.

Topraklı prizi, kaçak akım rölesi (RCCB) gibi bir güvenlik sistemi için tasarlanmıştır. Kaçak akım rölesini aşağıdaki şemaya göre bağlayın:

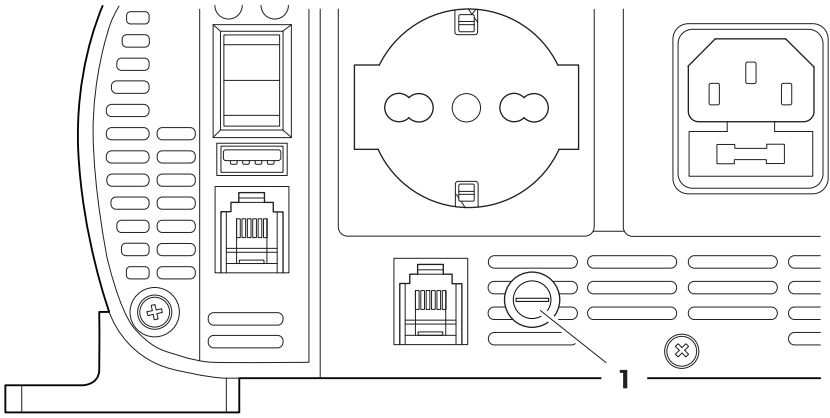
1



1. Faz (P1) ve nötr (P2) çıkışını kaçak akım rölesinin girişine bağlayın.
2. İnvörtörün toprağını kaçak akım rölesi girişine bağlı iki kablodan birine bağlayın.
3. Nötr ve fazı kaçak akım rölesinin çıkışından cihazlara bağlayın.
4. İnvörtörün topraklamasını cihazların topraklamasına bağlayın.

Toprak kaçağı koruması (SPB1000I-12, SPB1500I-12 ve SPB2000I-12 modelleri)

2





İKAZ! Hasar tehlikesi

Yukarıdaki şema, yalnızca invertör çıkışının bağlantısını gösterir. Harici şebeke girişi IEC konnektörü, harici ana güç kaynağının devre kesicisinin çıkışına bağlanmalıdır.

SPB1000I-12, SPB1500I-12 ve SPB2000I-12 için TN veya IT tipi topraklama düzenlemeleri bir sigorta ile yapılandırılabilir.

- > TN tipi bir topraklama düzenlemesi oluşturmak için sigortanın sigorta yuvasına ① takıldığından emin olun.
- > IT tipi bir topraklama düzenlemesi oluşturmak için sigortanın sigorta yuvasına ① takılı **olmadığından** emin olun.

9 Montaj



DİKKAT! Hasar tehlikesi

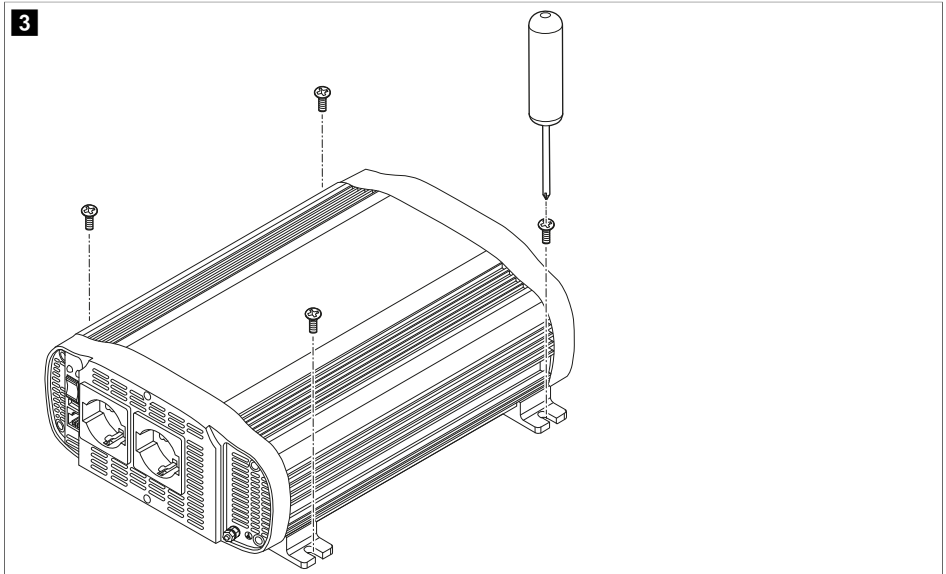
Cihazı ısı kaynaklarının yakınına veya yeterince havalandırılmayan yerlere kurmayın.



NOT Cihaz herhangi bir pozisyonda monte edilebilir. Dikey bir yüzeye monte edilirse, uzun kenarın zemine paralel tutulması önerilir.



NOT Cihazı mümkün olduğunca 12 V / 24 V güç kaynağına yakın monte edin.



1. Cihazı uygun vidalar kullanarak dört montaj flanşından monte edin.

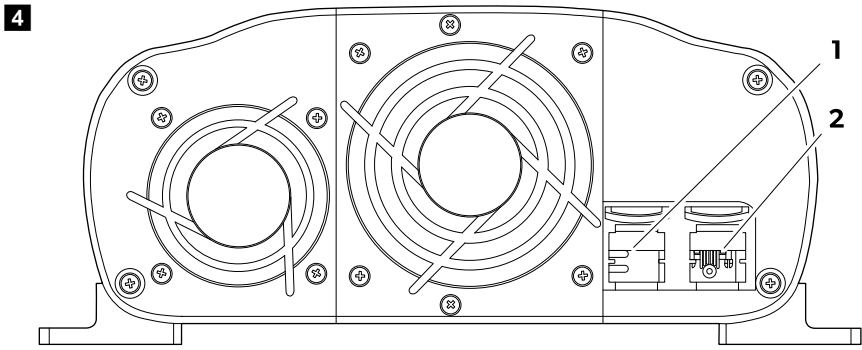


İKAZ! Hasar tehlikesi

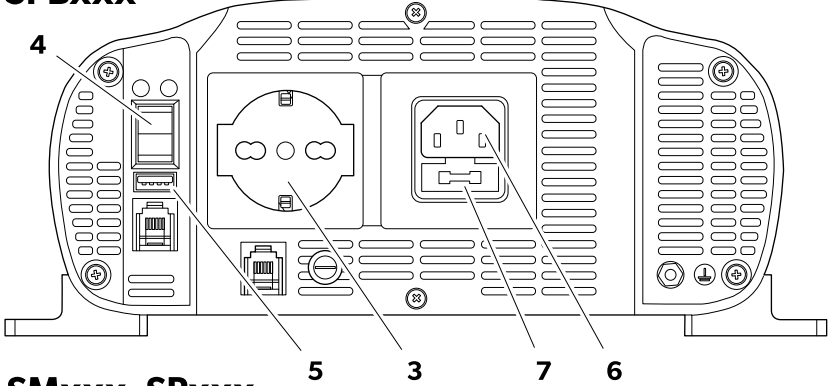
Cihazı bağlamadan önce, güç anahtarının kapalı konumda olduğundan emin olun.



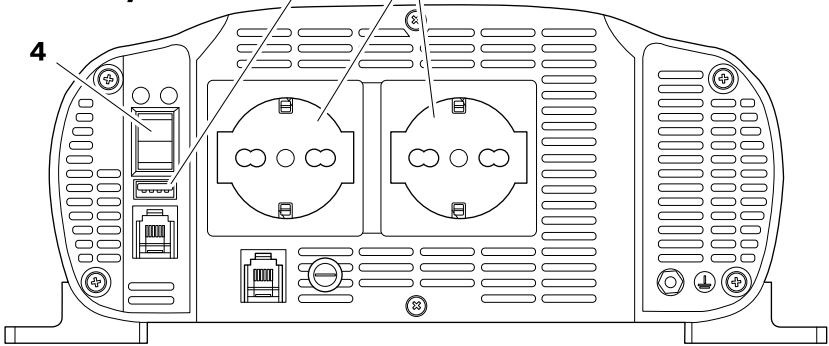
NOT Aküyü cihaza bağlamak için verilen kabloları kullanın. Akü ile cihaz arasındaki mesafe 2 metreyi aşıyorsa, gerilim düşmesini ve güç kayıplarını azaltmak için kablunun kesitini artırın.



SPBxxx



SMxxx, SPxxx



2. Akünün eksi kutbunu invertörün eksi bağlantı noktasına ① bağlayın.



İKAZ! Hasar tehlikesi

Bağlı cihazları korumak için artı akü kablosuna bir hat içi sigorta takın.

3. Akünün artı kutbunu invertörün artı bağlantı noktasına ② bağlayın.



İKAZ! Hasar tehlikesi

Bir cihazı invertöre bağlamadan önce, kapalı olduğundan emin olun.

4. 230 V cihazı bir çıkış soketine bağlayın ③.
5. Açma/Kapama anahtarını ④ kullanarak invertörü açın.



NOT İntertör açıldığında, kırmızı ve yeşil LED'lerin her ikisi de 3 ila 5 saniye süreyle yanar. Kısa bir süre sonra kırmızı LED söner, yeşil LED yanık kalır ve cihaz sesli sinyal verir. Yeşil LED, invertörün düzgün çalıştığını gösterir.



İKAZ! Hasar tehlikesi

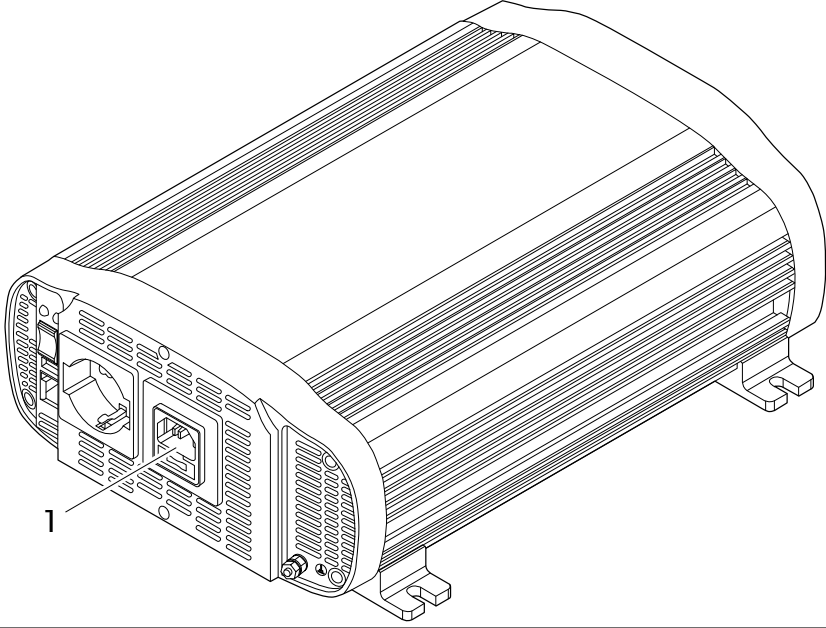
- > Birden fazla cihaz çalıştırmayı planladığınızda, önce yük gereksinimi daha yüksek olan cihazı bağlayın.
- > Cihazlarınızın birleşik yük gereksiniminin invertörün çıkış gücünü aşmadığından emin olun.
- > Bir cihazı çalıştırmak için invertörden uzatma kablosu çektiğinizde, uzatma kablosunun uzunluğu 1,5 m'yi aşmamalıdır.
- > İntertörü, nötr iletkeninin toprağa bağlı olduğu herhangi bir AC yük devresine bağlamayın.

6. Ek 230 V cihazları bağlayın ve açın.
7. Bir cihazı şarj etmek için 5 V USB bağlantı noktasına ⑤ bağlayın.

10 Harici ana güç kaynağının bağlanması (SPB1000I-12, SPB1500I-12 ve SPB2000I-12 modelleri)

Bağlı cihazları doğrudan kamusal elektrik şebekesinden gelen AC gerilimle beslemek için harici elektrik prizine bir IEC kablosu bağlamak mümkündür.

5

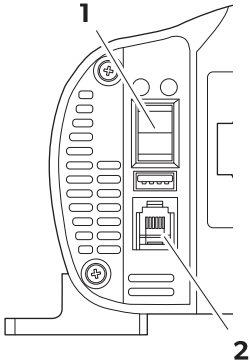


1. Kabloyu sokete bağlayın ①.
2. Sigortayı istenen tip topraklama düzenlemesine göre ② hat içi sigorta yuvasına takın veya çıkartın (Montajdan önce sayfa 308 bölümüne bakın).

11 Uzaktan kumandanın bağlanması

Cihaz, isteğe bağlı bir harici anahtar (RC03) veya cihazın RJ11 konnektöründe ① yapılandırılan herhangi bir genel anahtar ile uzaktan kontrol edilebilir. Aşağıda belirtilen pin yapılandırması, genel harici anahtarlar kullanılırken bir kılavuz olarak kullanılabilir.

6




İsteğe bağlı RC03 harici anahtarı aşağıdaki pin yapılandırmasını kullanır:

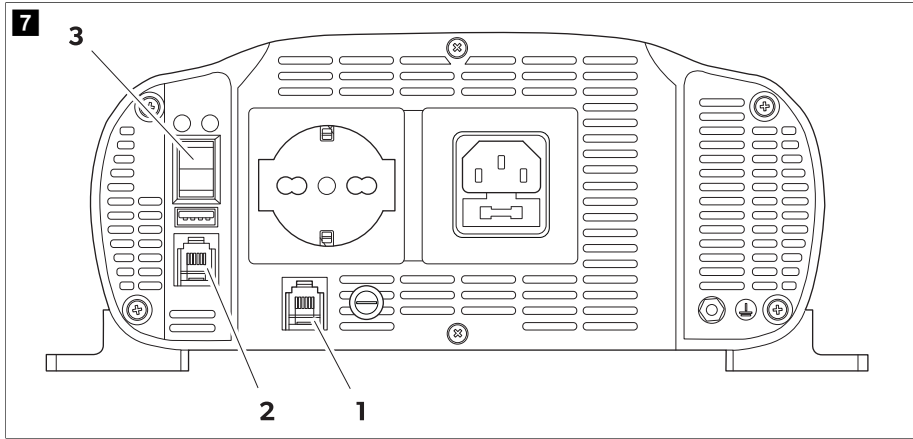
	Pin	İşlev
	2	Kırmızı LED bağlantısı
	1-3	Harici anahtar bağlantısı
	4	Toprak

- > Uzaktan kumandayı etkinleştirmek için Açma/Kapama anahtarını ② 2 konumuna getirin.

12 N-BUS'un bağlanması

(yalnızca SPB1000I-12, SPB1500I-12, SPB2000I-12)

1. RJ12 fişi (BC03, BC06, BC10) N-BUS soketine bağlayın ( şekil **7** sayfa 315, **1**).



Düz yapılandırmada RJ12 fişli 6 kutuplu yassı kablo kullanın. Pin çıkışı yapılandırması aşağıdaki gibidir:

Pin	İşlev
1	Ağ durumu
2	Uzaktan kumanda
3	N-BUS/CI-BUS
4	Toprak
5	Veri yolu gerilimi (VBUS)
6	(bağlanmaz)



İKAZ! Hasar tehlikesi

N-BUS ve uzaktan kumanda bağlantılarını karıştırmadığınızdan emin olun ( şekil **7** sayfa 315, **2**).

2. Açma/Kapatma anahtarını ( şekil **7** sayfa 315, **3**) II konumuna getirin.

3. N-BUS uyumlu cihazları bağlayın.

İnvertörün N-BUS ağında yapılandırılması

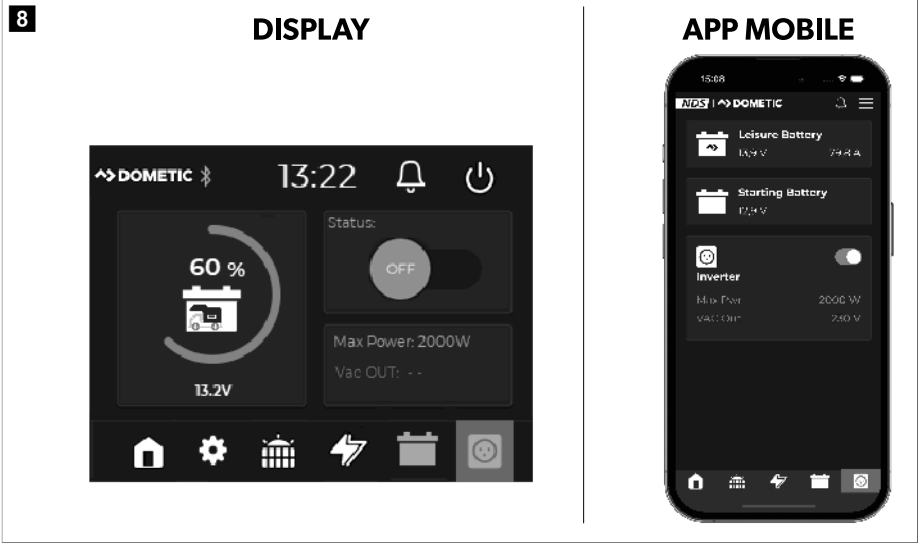
N-BUS uyumlu cihazlar, ekran veya mobil uygulama aracılığıyla N-BUS ağında yapılandırılabilir ve kontrol edilebilir.



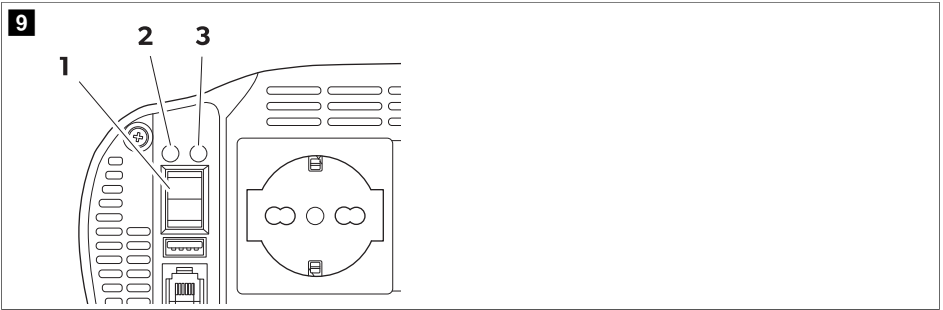
NOT

- Mobil uygulamayı kullanmak için N-BUS ağında en az bir Bluetooth cihazı gereklidir.
- Cihazlardan birini MASTER olarak ayarlayın.

> İnvertör menüsünü seçin ve invertörü açmak ya da kapatmak için kaydırıcıyı açık veya kapalı konuma sürükleyin.



13 Kullanım



Açma/Kapatma anahtarı

> Cihazı açmak için Açma/Kapatma anahtarını ① 1 konumuna getirin.

- > Cihazı kapatmak için Açma/Kapama anahtarını ① 0 konumuna getirin.
- > Uzaktan kumandayı etkinleştirmek için Açma/Kapatma anahtarını ① II konumuna getirin.

LED göstergeler

Cihaz, çalışma durumunu göstermek için yeşil ② ve kırmızı bir ③ LED gösterge ile donatılmıştır.

LED	Adı
Green	Cihaz açık ve düzgün çalışıyor
Red	Cihaz arızası

14 Sigorta değişimi

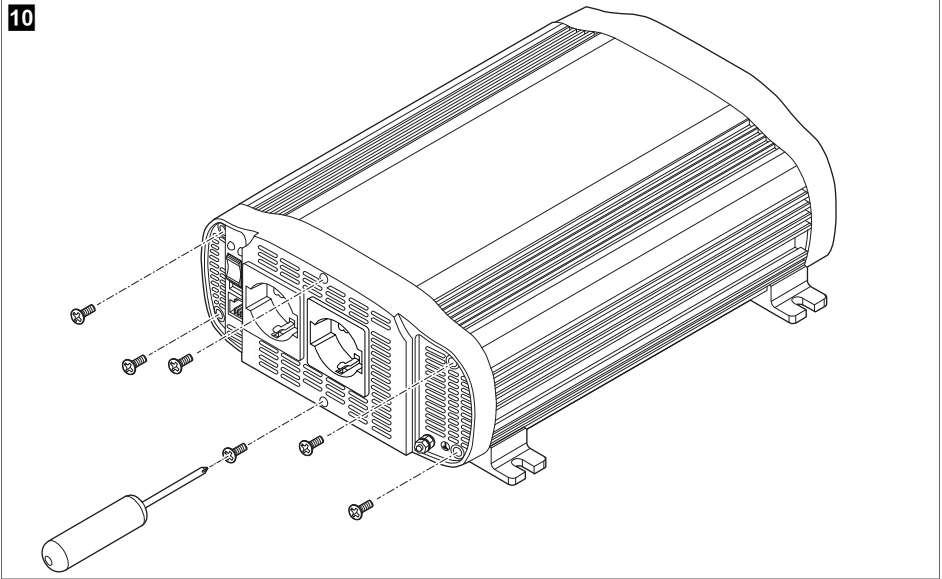


UYARI!

- Elektrik çarpması tehlikesi
- Montaj sadece kalifiye bir elektrikçi tarafından gerçekleştirilmelidir.

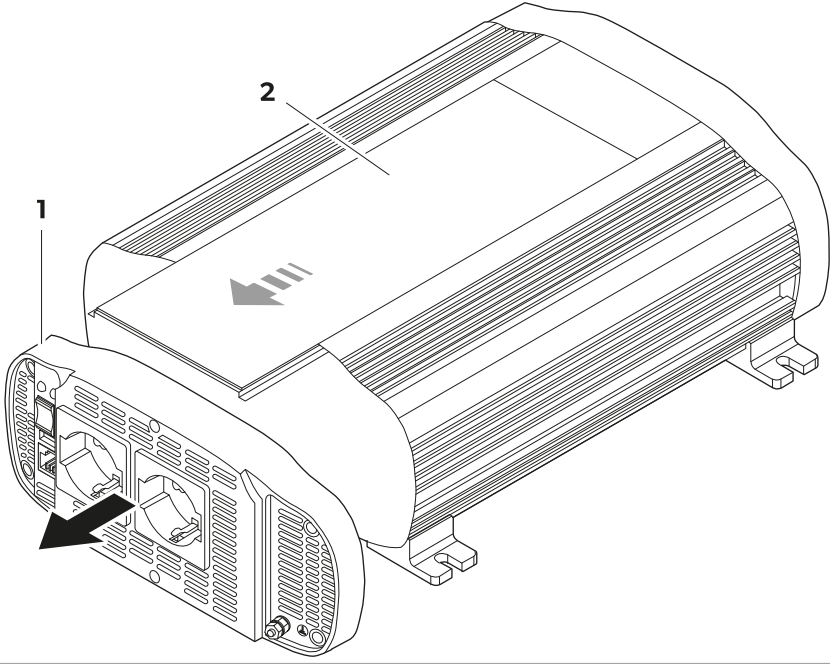
Cihaz entegre edilmiş bir elektronik devre ile korunmaktadır. Ayrıca cihazın içinde sigortalar bulunmaktadır. Bir bağlantının kutuplarının ters olması durumunda bir sigorta atar. IVT işlevine sahip cihazlarda harici şebeke bağlantısının yapıldığı IEC soketinin içinde ayrıca bir cam sigorta bulunur. Yedek sigortalar ürün ambalajı içerisinde yer almaktadır.

Dahili sigortaların değiştirilmesi

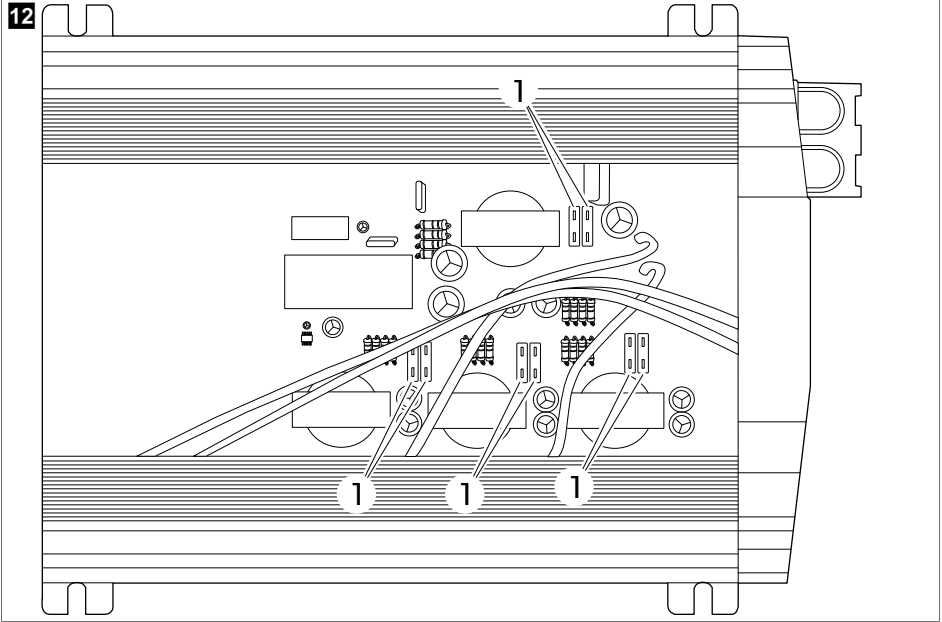


1. Altı vidayı sökün.

11



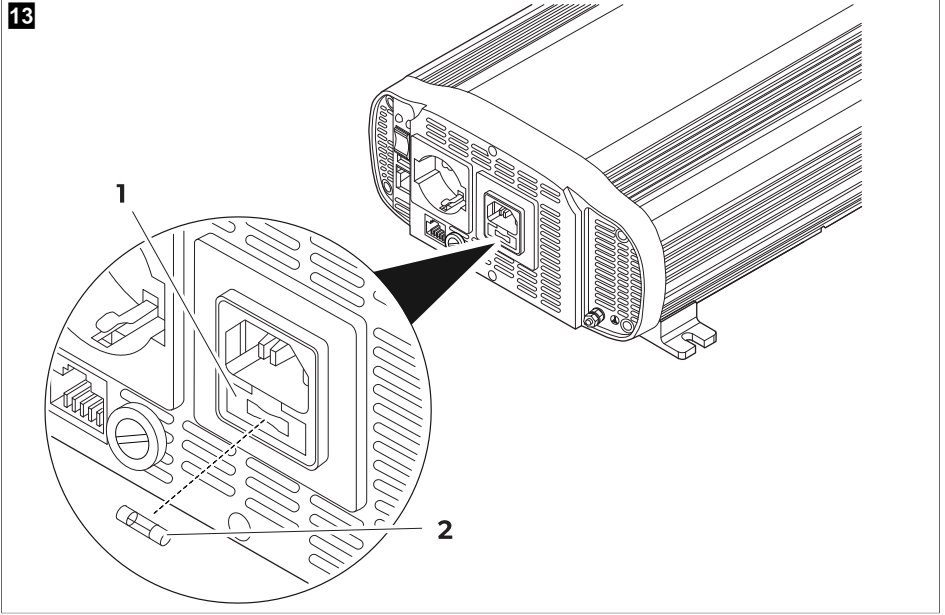
2. Ön paneli öne doğru eğin ①.
3. Kapağı çıkarın ②.



4. Sigortayı deęiřtirin ①.

Model	Sigorta adedi	Sigorta deęeri	
SM400-12, SP400-12	1	50 A	kırmızı
SM600-12, SP600-12	2	50 A	kırmızı
SM600-24, SP600-24	2	25 A	beyaz
SM1000-12, SP1000-12	4	30 A	yeřil
SM1500-12, SP1500-12	6	30 A	yeřil
SP1500-24	6	15 A	mavi
SP2000-12	8	30 A	yeřil
SP3000-12	12	30 A	yeřil
SP3000-24	12	15 A	mavi

IEC soket sigortasının değiştirilmesi



1. Soket yuvasının kapağını ① açın.
2. Sigortayı değiştirin ②.

Model	Sigorta adedi	Sigorta değeri
SPB1000I-12, SPB1500I-12 ve SPB2000I-12	1	10 A (F10AL 250V cam sigorta)



NOT Sigorta değişiminden sonra cihaz otomatik olarak kendini yeniden başlatır. Sigorta değiştirildikten sonra cihaz düzgün çalışmıyorsa, sorunları gidermek için bir teknisyene iletişime geçin.

15 Temizlik ve bakım

- > Ürünü ara sıra nemli bir bezle temizleyin.
- > Giriş ve çıkış bağlantılarının sıkı ve güvenli olduğunu kontrol edin.
- > Havalandırma kanallarının kir veya herhangi bir malzeme tarafından engellenmediğinden emin olun.

16 Atık İmhası



Ambalaj malzemesi geri dönüşümü: Ambalaj malzemesini mümkünse ilgili geri dönüşüm atık sistemine kazandırın.



Bu ürünü nihai olarak imha etmek istiyorsanız, bu işlemin geçerli imha yönetmeliklerine göre nasıl yapılacağı hakkında ayrıntılı bilgi için yerel geri dönüşüm merkezine veya uzman satıcınıza danışın. Ürün ücretsiz olarak imha edilebilir.



Ürün, değiştirilemeyen piller, şarj edilebilir piller veya ışık kaynakları içeriyorsa, bunları bertaraf etmeden önce çıkarmanız gerekir.

17 Garanti


Yasal garanti süresi geçerlidir. Üründe hasar varsa üreticinin ülkenizdeki şubesi (bkz. dometic.com/dealer) veya satıcınızla iletişime geçin.


Onarım ve garanti işlemleri için cihazı aşağıdaki dokümanlarla birlikte gönderin:


- Satın alma tarihini içeren faturanın bir kopyası
- Talebinizin nedeni veya hatanın açıklanması



Kendi kendine onarımın veya profesyonel olmayan onarımın güvenle ilgili sonuçları olabileceğini ve garantiyi geçersiz kılabileceğini unutmayın.

18 Teknik Bilgiler




	SM400-12	SM600-12	SM600-24
Sürekli çıkış gücü	400 W	600 W	
Maksimum çıkış gücü	800 W (birkaç saniye)	1200 W (birkaç saniye)	
Çıkış gerilimi (RMS)/Frekans	230 V AC / 50 Hz ± 3 Hz		
USB çıkışı	5 V 2,1 A		
Giriş gerilimi	12 V		24 V
Cihazın kendi tüketimi	200 mA (13,2 V)	220 mA (13,2 V)	100 mA (26,4 V)
Bağlantı tipi	-	-	-
Boyutlar (G x D x Y)	140 mm x 184 mm x 71 mm	140 mm x 214 mm x 71 mm	140 mm x 214 mm x 71 mm
Sertifika	 (10 R - 05 0094)		




	SM1000-12	SM1500-12
Sürekli çıkış gücü	1000 W	1500 W
Maksimum çıkış gücü	2000 W (birkaç saniye)	3000 W (birkaç saniye)
Çıkış gerilimi (RMS)/Frekans	230 V AC / 50 Hz ± 3 Hz	
USB çıkışı	5 V 2,1 A	
Giriş gerilimi	12 V	
Cihazın kendi tüketimi	530 mA (13,2 V)	460 mA (13,2 V)
Bağlantı tipi	-	-
Boyutlar (G x D x Y)	270 mm x 262 mm x 107,5 mm	270 mm x 262 mm x 107,5 mm
Sertifika	 (10 R - 05 0094)	

	SP400-12	SP600-12	SP600-24
Sürekli çıkış gücü	400 W	600 W	
Maksimum çıkış gücü	1000 W (birkaç saniye)	1500 W (birkaç saniye)	
Çıkış gerilimi (RMS)/Frekans	230 V AC / 50 Hz ± 3 Hz		
USB çıkışı	5 V 2,1 A		
Giriş gerilimi	12 V		24 V
Cihazın kendi tüketimi	340 mA (13,2 V)	420 mA (13,2 V)	210 mA (26,4 V)
Bağlantı tipi	-	-	-
Boyutlar (G x D x Y)	140 mm × 214,5 mm × 71 mm	140 mm × 244,5 mm × 71 mm	140 mm × 244,5 mm × 71 mm
Sertifika	 (10 R - 05 0094)		

	SP1000-12	SPB1000I-12
Sürekli çıkış gücü	1000 W	
Maksimum çıkış gücü	2500 W (birkaç saniye)	
Çıkış gerilimi (RMS)/Frekans	230 V AC / 50 Hz ± 3 Hz	
USB çıkışı	5 V 2,1 A	
Giriş gerilimi	12 V	
Cihazın kendi tüketimi	870 mA (13,2 V)	680 mA (13,2 V)
Aküden harici şebekeye geçiş süresi	-	0,02 s
Harici şebekeden aküye geçiş süresi	-	0,1 s
Bağlantı tipi	-	N-BUS
Boyutlar (G x D x Y)	270 mm × 262,4 mm × 107,5 mm	270 mm × 262,4 mm × 107,5 mm
Sertifika	 (10 R - 05 0094)	 (10 R - 06-02 5174 00)

	SP1500-12	SPB1500I-12	SP1500-24
Sürekli çıkış gücü	1500 W		
Maksimum çıkış gücü	4000 W (birkaç saniye)		
Çıkış gerilimi (RMS)/Frekans	230 V AC / 50 Hz ± 3 Hz		
USB çıkışı	5 V 2,1 A		
Giriş gerilimi	12 V		24 V
Cihazın kendi tüketimi	850 mA (13,2 V)	930 mA (13,2 V)	620 mA (26,4 V)
Aküden harici şebekeye geçiş süresi	-	0,02 s	-
Harici şebekeden aküye geçiş süresi	-	0,1 s	-
Bağlantı tipi	-	N-BUS	-

	SP1500-12	SPB1500I-12	SP1500-24
Boyutlar (G x D x Y)	270 mm × 322,4 mm × 107,5 mm	270 mm × 360 mm × 107,5 mm	270 mm × 322,4 mm × 107,5 mm
Sertifika	 (10 R - 05 0094)	 (10 R - 06-02 5174 00)	 (10 R - 05 0094)

	SPB2000I-12	SP3000-12	SP3000-24
Sürekli çıkış gücü	2000 W	3000 W	
Maksimum çıkış gücü	6000 W (birkaç saniye)	8000 W (birkaç saniye)	
Çıkış gerilimi (RMS)/Frekans	230 V AC / 50 Hz ± 3 Hz		
USB çıkışı	5 V 2,1 A		
Giriş gerilimi	12 V		24 V
Cihazın kendi tüketimi	900 mA (13,2 V)	1270 mA (13,2 V)	680 mA (26,4 V)
Aküden harici şebekeye geçiş süresi	0,02 s	-	-
Harici şebekeden aküye geçiş süresi	0,1 s	-	-
Bağlantı tipi	N-BUS	-	-
Boyutlar (G x D x Y)	270 mm × 385 mm × 107,5 mm	270 mm × 452 mm × 107,5 mm	270 mm × 452 mm × 107,5 mm
Sertifika			
	 (10 R - 06-02 5174 00)	 (10 R - 05 0094)	

Dometic işbu belge ile SPB1000I-12, SPB1500I-12 ve SPB2000I-12 tipi telsiz ekipmanının 2014/53/EU direktifine uygun olduğunu beyan eder. EU Uygunluk Beyanı'nın tam metninin bulunduğu internet adresi: documents.dometic.com

Slovenščina

1	Pomembna obvestila.....	324
2	Razlaga simbolov.....	324
3	Varnostni napotki.....	325
4	Obseg dobave.....	325
5	Predvidena uporaba.....	325
6	Ciljna skupina.....	326
7	Tehnični opis.....	326
8	Pred namestitvijo.....	326
9	Namestitev.....	329
10	Priključitev zunanjega omrežnega napajanja (modeli SPB1000I-12, SPB1500I-12 in SPB2000I-12).....	332
11	Priključitev daljinskega upravljalnika.....	333
12	Priključitev N-BUS.....	334
13	Uporaba.....	335
14	Zamenjava varovalke.....	336
15	Čiščenje in vzdrževanje.....	339
16	Odstranjevanje.....	339
17	Garancija.....	340
18	Tehnični podatki.....	340

1 Pomembna obvestila

Pozorno preberite in upoštevajte vsa navodila, smernice in opozorila iz tega navodila, da zagotovite pravilno vgradnjo, uporabo in vzdrževanje izdelka. Ta navodila MORATE hraniti skupaj z izdelkom.

Z uporabo izdelka potrjujete, da ste pozorno prebrali vsa navodila, smernice in opozorila ter razumete in upoštevate vsa določila ter pogoje v tem dokumentu. Strinjate se, da boste izdelek uporabljali samo za predvideni namen uporabe in v skladu z navodili, smernicami in opozorili in v skladu z vsemi veljavnimi zakoni in predpisi. Če navodil in opozoril v nadaljevanju ne preberete in ne upoštevate, boste morda poškodovali izdelek ali povzročili materialno škodo v bližini. Pridržujemo si pravico do sprememb in posodobitev navodila, vključno z navodili, smernicami in opozorili ter povezano dokumentacijo. Za najnovejše informacije o izdelku obiščite documents.domestic.com.

2 Razlaga simbolov

Signalna beseda označuje varnostna sporočila in sporočila o materialni škodi ter stopnjo ali raven nevarnosti.



OPOZORILO!

Označuje nevarno situacijo, ki lahko povzroči smrt ali hude poškodbe, če ni preprečena.



POZOR!

Označuje nevarno situacijo, ki lahko povzroči lažje ali zmerne poškodbe, če ni preprečena.



OBVESTILO!

Označuje nevarno situacijo, ki lahko povzroči materialno škodo, če ni preprečena.



NASVET Dodatne informacije za upravljanje izdelka.

3 Varnostni napotki



OPOZORILO! Neupoštevanje teh opozoril lahko povzroči smrt ali hude poškodbe.

- > Za gašenje požara uporabite gasilni aparat, ki je primeren za električno napravo.
- > Če na napravi opazite vidne znake poškodb, je ne uporabljajte.



POZOR! Neupoštevanje teh opozoril lahko povzroči smrt ali hude poškodbe.

- > Namestitvev, sestavljanje in ožičenje ter druga dela smejo izvajati samo usposobljeni strokovnjaki za elektrotehniko. Neustrezna popravila lahko povzročijo resne nevarnosti.
- > Namestitvev ni dovoljena v potencialno eksplozivnih območjih, na primer v prostorih z vnetljivimi tekočinami ali plini.
- > Naprave ne namestite ali ne hranite v bližini ognja ali drugih toplotnih virov (ogrevanje, neposredna sončna svetloba, plinske peči itd.).
- > Otroci se z napravo ne smejo igrati.
- > Ta aparat smejo uporabljati otroci, ki so starejši od 8 let, in osebe z zmanjšanimi fizičnimi, zaznavnimi ali duševnimi sposobnostmi ali s pomanjkljivimi izkušnjami in znanjem, če so nadzorovani ali so prejeli navodila glede varne uporabe aparata ter razumejo s tem povezana tveganja.



OBVESTILO! Označuje nevarno situacijo, ki lahko povzroči materialno škodo, če ni preprečena.

- > Preverite, ali se podatki o napetosti na tipski ploščici ujemajo z vrednostmi, ki veljajo za dovajanje energije v aparat.
- > Naprave ne namakajte v vodo.
- > Napravo in kable zaščitite pred vročino in vlago.
- > Naprave ne izpostavljajte dežju.
- > Prepričajte se, da je montažna površina sposobna prenesti težo naprave.
- > Kable položite tako, da ne predstavljajo nevarnosti spotikanja in se ne morejo poškodovati.
- > Uporabite vode ali kabelske kanale, če je treba kable položiti skozi kovinske plošče ali druge plošče z ostrimi robovi.

4 Obseg dobave

Opis	Količina
Pretvornik	1
Rdeč napajalni kabel	1
Črn napajalni kabel	1
Navodila za montažo in uporabo	1

5 Predvidena uporaba

Naprava je predvidena za napajanje priključenih aparatov z napetostjo 230 V, proizvedeno iz 12 V ali 24 V vhodne napetosti. Naprava je zasnovana za uporabo v avtomobilih, počitniških prikolicah in avtobusih.

Modelna linija vključuje dve vrsti naprav:

- Modeli SM400-12, SM600-12, SM600-24, SM1000-12 in SM1500-12 so pretvorniki s spremenjenim sinusnim valom.
- Modeli SP400-12, SP600-12, SP600-24, SP1000-12, SP1500-12, SP1500-24, SP3000-12 in SP3000-24 so pretvorniki s čistim sinusnim valom.

Modeli SPB1000I-12, SPB1500I-12 in SPB2000I-12 imajo vgrajeno prednostno funkcijo (IVT) in z varovalko zaščiten vohodno vtičnico (IEC) za priključitev zunanjšega napajanja.

Ta izdelek je primeren samo za predvideni namen in uporabo v skladu s temi navodili.

V tem navodilu so navedene informacije, ki jih je treba upoštevati za pravilno vgradnjo in/ali delovanje izdelka. Aparat zaradi slabe vgradnje in/ali nepravilne uporabe oziroma vzdrževanja ne bo dobro deloval in se lahko pokvari.

Proizvajalec ne sprejema nobene odgovornosti za telesne poškodbe ali poškodbe izdelka, do katerih pride zaradi:

- napačne namestitve, sestave ali priklopa, vključno s previsoko napetostjo;
- neustreznih vzdrževalnih del ali uporabe neoriginalnih nadomestnih delov, ki jih ni dobavil proizvajalec;
- sprememb izdelka brez izrecnega dovoljenja proizvajalca;
- uporabe za namene, ki niso opisani v navodilu.

Družba Dometic si pridržuje pravico do spremembe videza in specifikacij izdelka.

6 Ciljna skupina



Električno namestitev in nastavitve naprave mora izvesti usposobljeni električar, ki je dokazal spretnosti in znanje glede sestave in delovanja električne opreme in inštalacij, ki je seznanjen z veljavnimi predpisi, ki veljajo v državi, v kateri bo oprema vgrajena, ter je opravil varnostno usposabljanje za prepoznavanje in preprečevanje nevarnosti.

Vsa druga dela lahko izvajajo tudi neprofesionalni uporabniki.

7 Tehnični opis

Naprava ima dve glavni omrežni stopnji za pretvarjanje vhodne napetosti 12 V = ali 24 V = v izmenično izhodno napetost. V prvi stopnji izolirani visokofrekvenčni pretvornik enosmernega v enosmerni tok pretvori enosmerno vhodno napetost 12 V ali 24 V v enosmerno izhodno napetost do 400 V. Končno stopnjo predstavlja H-most, ki pretvori tok visokonapetostnega vodila za enosmerni tok v izmenični tok z napetostjo 230 V.

Naprava ima naslednje glavne lastnosti:

- Nizka poraba.
- Galvansko izolirana vhod in izhod za večjo varnost.
- Temperaturno nadzorovana hitrost ventilatorja za tiho delovanje.
- Integriran prednostni preklopnik med zunanjim električnim omrežjem in baterijo.
- Pripravljenost za daljinsko upravljanje (VKLOP/IZKLOP).
- Alarm za nizko napetost baterije.
- Izklop zaradi nizke in visoke napetosti baterije.
- Izklop zaradi preobremenitve.
- Zaščita pred kratkim stikom, previsoko temperaturo, preobremenitvijo in zamenjano polariteto.
- Funkcija mehkega zagona.

Samo SPB1000I-12, SPB1500I-12, SPB2000I-12: Naprava je združljiva z N-BUS (glejte poglavje Priključitev N-BUS na strani 334).

8 Pred namestitvijo

Zahteve za baterijo

Vrsta in velikost baterije lahko zelo vplivata na delovanje pretvornikov. Zato je treba določiti vrste obremenitev, ki jih bo pretvornik napajal, in trajanje uporabe med ponovnimi polnjenji. Da bi določili minimalne zahteve za baterijo pri posamezni uporabi, storite naslednje:

1. Določite moč s pomočjo nalepk vseh naprav, ki bodo hkrati uporabljene s pretvornikom. Običajno je poraba moči navedena v vatih (W). Če je navedena v amperih, vrednost pomnožite z 230 V, da izračunate moč.
2. Ocenite število ur uporabe opreme pred polnjenjem baterije.
3. Izračunajte skupno potrebno energijo v Wh (vatne ure) tako, da pomnožite prej določen čas z vsoto moči. Rezultat delite z 10, če je vhodna napetost pretvornika 12 V ali z 20, če je 24 V. Dobljena vrednost v Ah je moč, ki je potrebna za predvideno uporabo.



NASVET Če je možno, baterijo napolnite, ko doseže 50 % kapacitete, ali prej. Tako bo življenjski cikel baterije veliko daljši, kot če bi jo polnili samo ob globokem izpraznjenju.

Odpravljanje težav zaradi motenj

Nekateri poceni zvočni sistemi lahko oddajajo brenčoč zvok iz zvočnikov, ko jih uporabljate s pretvornikom. To se zgodi, ker napajanje zvočnega sistema ne more ustrezno filtrirati spremenjenega sinusnega vala, ki ga proizvaja pretvornik. Rešitev je uporaba zvočnega sistema z visokokakovostnim napajanjem ali pretvornika s čistim sinusnim valom. Delovanje pretvornika lahko moti televizijski sprejem določenih kanalov. Če se pojavijo motnje, poskusite naslednje:

1. Prepričajte se, da je ozemljitveni vijak ohišja pretvornika priključen na ozemljitev vozila.
2. Prepričajte se, da televizijska antena zagotavlja ustrezen signal in da je kabel antene v dobrem stanju.
3. Kabli med baterijo in pretvornikom morajo biti čim krajši in jih zvijte skupaj, da zmanjšate oddane emisije.
4. Televizor čim bolj odmaknite od pretvornika.
5. Ko je televizor vklopljen, pretvornika ne uporabljajte z visoko močjo.

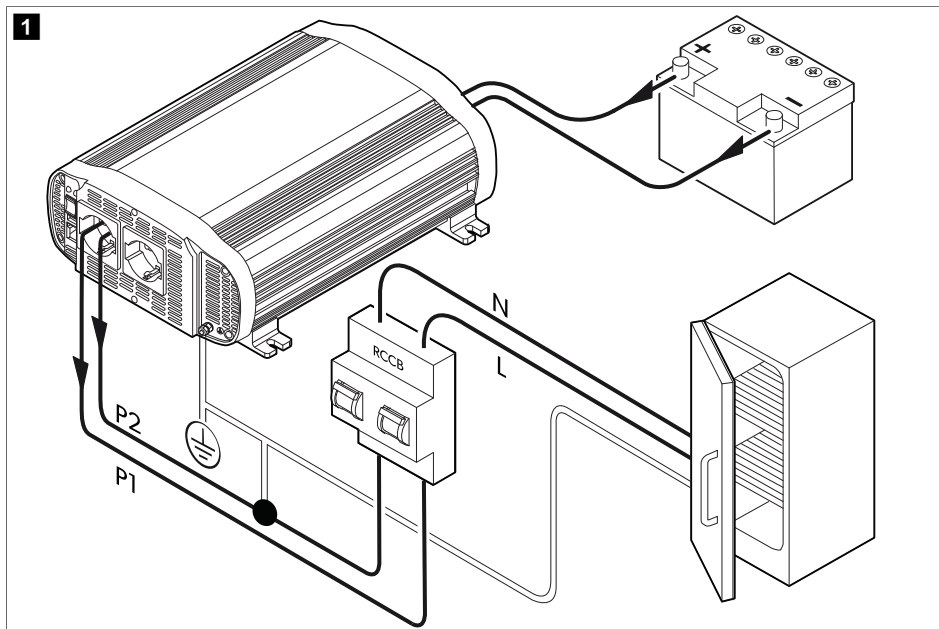
Zaščita pred zemeljskim stikom (razen modelov SPB1000I-12, SPB1500I-12 in SPB2000I-12)



OBVESTILO! Nevarnost poškodb

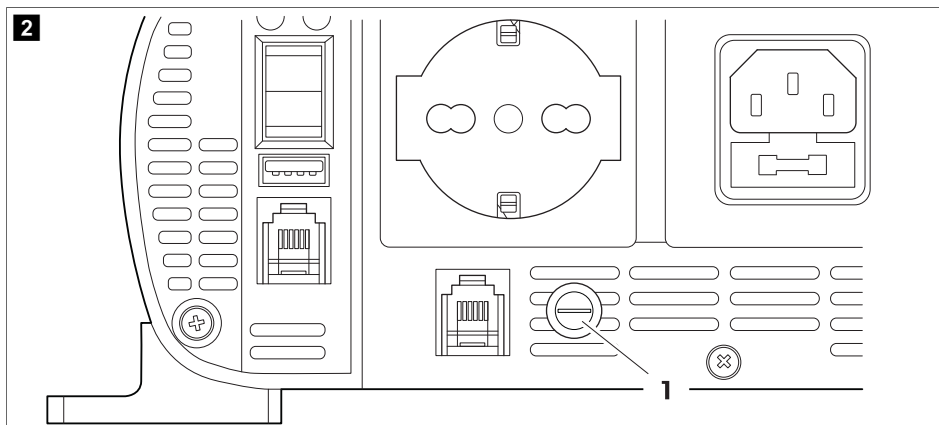
Za varno delovanje več aparatov mora biti v razdelilni tokokrog vtičnice vgrajen tokovni prekinjevalnik (zaščitno stikalo na diferenčni tok).

Ozemljitvena vtičnica je zasnovana za varnostni sistem, kot je zaščitno stikalo na diferenčni tok (RCCB). Priključite zaščitno stikalo na diferenčni tok v skladu z naslednjo shemo:



1. Priključite fazni (P1) in nevtralni (P2) izhod na vhod zaščitnega stikala na diferenčni tok.
2. Priključite ozemljitev pretvornika na eno od dveh žic, povezanih z vhomom zaščitnega stikala na diferenčni tok.
3. Priključite nevtralni in fazni izhod iz vhoda zaščitnega stikala na diferenčni tok na naprave.
4. Povežite ozemljitev pretvornika z ozemljitvijo naprav.

Zaščita pred zemeljskim stikom (modeli SPB1000I-12, SPB1500I-12 in SPB2000I-12)





OBVESTILO! Nevarnost poškodb

Prej omenjeni diagram se nanaša samo na priključitev izhoda pretvornika. Priključek IEC zunanjega omrežnega vhoda mora biti priključen na izhod tokovnega prekinjevalnika na zunanjem omrežnem viru napajanja.

Sistemi ozemljitve TN ali IT za SPB1000I-12, SPB1500I-12 in SPB2000I-12 so nastavljeni z varovalko.

- > Da bi vzpostavili sistem ozemljitve TN, mora biti varovalka vstavljena v držalo varovalke ①.
- > Da bi vzpostavili sistem ozemljitve IT, varovalka **ne** sme biti vstavljena v držalo varovalke ①.

9 Namestitev



POZOR! Nevarnost poškodb

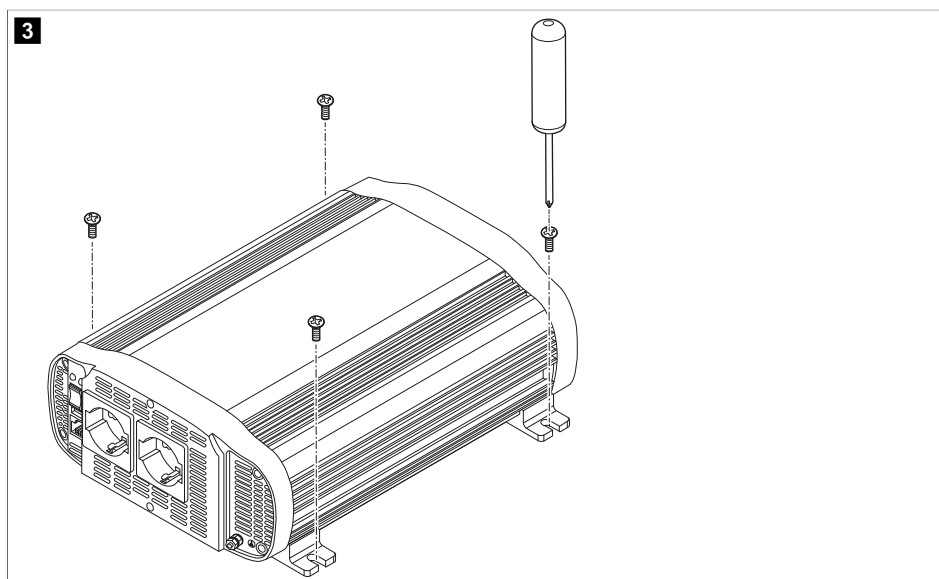
Naprave ne nameščajte v bližini virov toplote ali na nezadostno prezračevanih mestih.



NASVET Napravo je mogoče namestiti v kateremkoli položaju. Če jo namestite na navpično površino, je priporočljivo, da je daljša stran vzporedna s tlemi.



NASVET Napravo namestite čim bližje viru napajanja 12 V / 24 V .



1. Napravo pritrdite s primernimi vijaki na štirih pritrdilnih zavihkih.

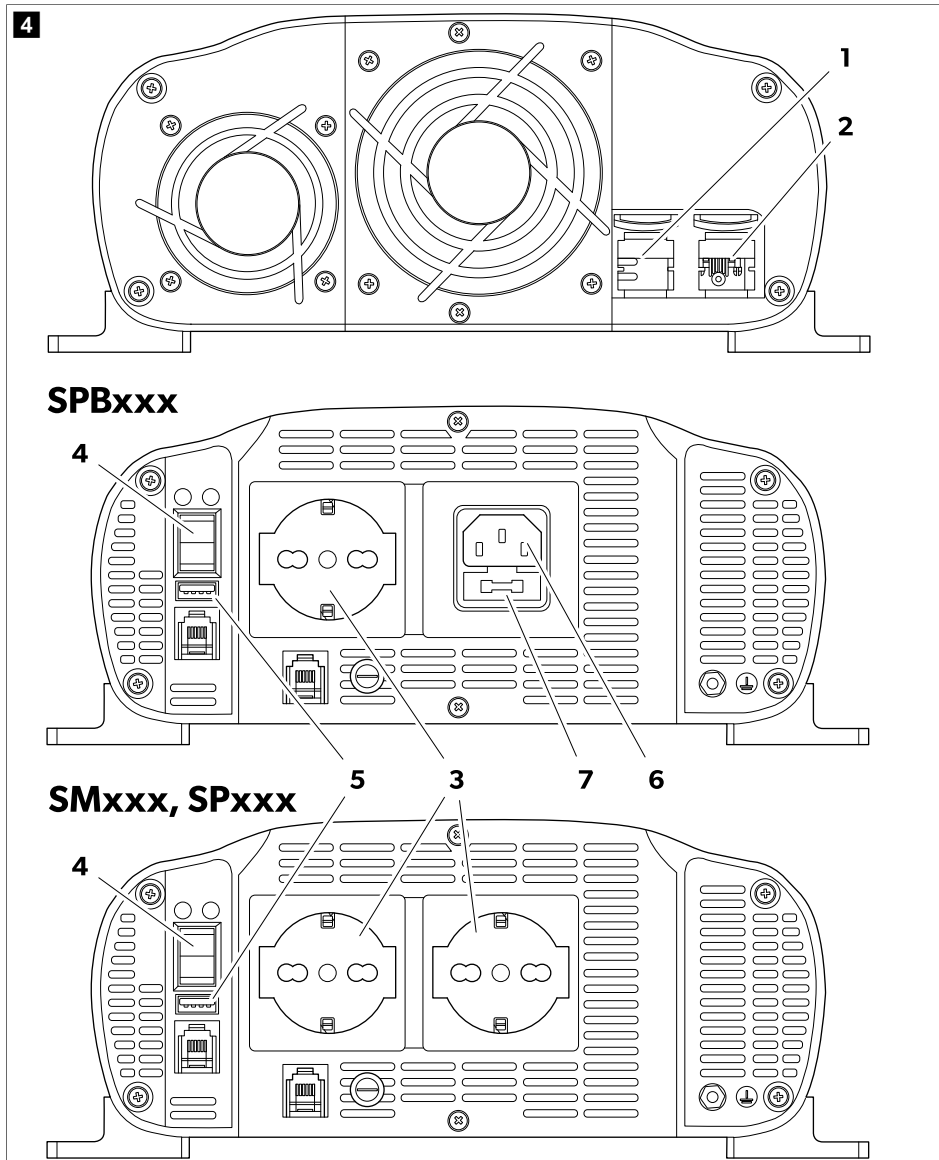


OBVESTILO! Nevarnost poškodb

Preden napravo priključite, se prepričajte, da je vklopno stikalo v položaju za izklop.



NASVET Priložene kable uporabite za priključitev baterije na napravo. Če je razdalja med baterijo in napravo več kot 2 metra, uporabite kabel z večjim presekom, da zmanjšate padec napetosti in izpade napajanje.



2. Priključite negativni pol baterije na negativni pol pretvornika ①.

**OBVESTILO! Nevarnost poškodb**

Za zaščito priključenih naprav namestite linijsko varovalko na pozitivni kabel baterije.

3. Priključite pozitivni pol baterije na pozitivni pol pretvornika ②.

**OBVESTILO! Nevarnost poškodb**

Preden napravo priključite na pretvornik, se prepričajte, da je izklopljena.

4. Priključite 230 V napravo na izhodno vtičnico ③.

5. Vkllopite pretvornik s stikalom za vklop/izklop ④.



NASVET Ko je pretvornik vklopljen, se rdeča in zelena LED vklopita za 3 do 5 sekund. Čez kratek čas rdeča LED ugasne, zelena LED pa še naprej sveti in naprava odda zvočni signal. Zelena LED signalizira, da pretvornik pravilno deluje.

**OBVESTILO! Nevarnost poškodb**

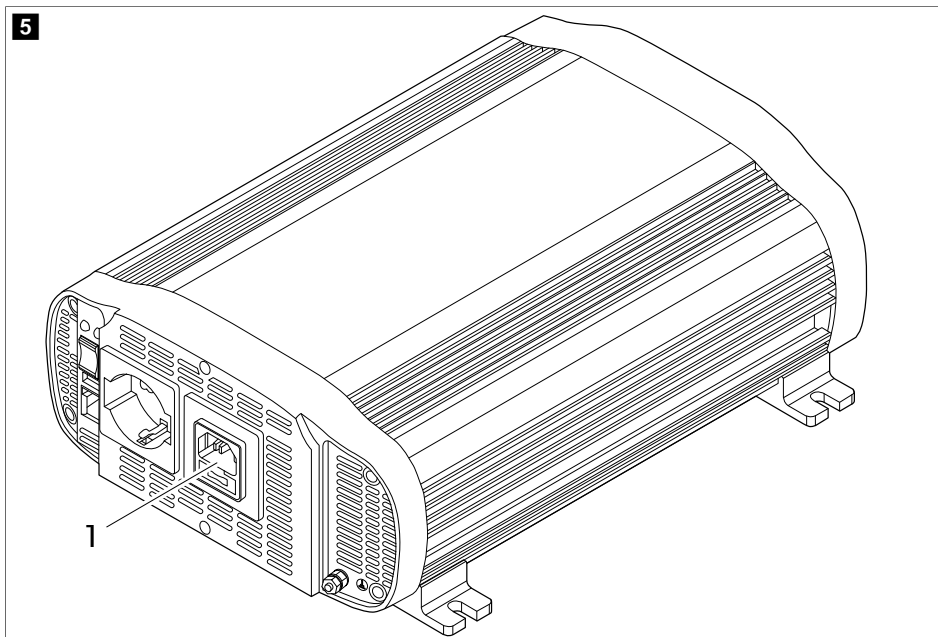
- > Če nameravate uporabljati več kot eno napravo, najprej priključite napravo z največjo močjo.
- > Skupne zahteve glede napajanja naprav ne smejo biti večje od izhodne moči pretvornika.
- > Pri uporabi podaljška od pretvornika do naprave, podaljšek ne sme biti daljši od 1,5 m.
- > Pretvornika ne priključujte na nobeno obremenitveno omrežje izmeničnega toka, v katerem je nevtralni vodnik priključen na ozemljitev.

6. Priključite dodatne 230 V naprave in jih vklopite.

7. Za polnjenje 5 V napravo priključite na USB priključek ⑤.

10 Priključitev zunanjega omrežnega napajanja (modeli SPB1000I-12, SPB1500I-12 in SPB2000I-12)

V zunanjo omrežno vtičnico je možno priključiti IEC kabel za napajanje priključenih aparatov neposredno z izmenično napetostjo iz javnega električnega omrežja.



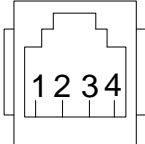
1. Kabel priključite v vtičnico ①.
2. Namešitev varovalke v držalo linijskih varovalk ⑦ ali odstranitev iz držala glede na zelen sistem ozemljitve (glejte poglavje Pred namestitvijo na strani 326).

11 Priključitev daljinskega upravljalnika

Napravo je mogoče upravljati na daljavo z izbirnim zunanjim stikalom (RC03) ali katerim koli generičnim stikalom, konfiguriranim na priključek ① na napravi. Naslednji opis konfiguracij pinov lahko uporabite kot vodilo pri uporabi generičnih zunanjih stikal.



Izbirno zunanje stikalo RC03 uporablja naslednjo konfiguracijo pinov:

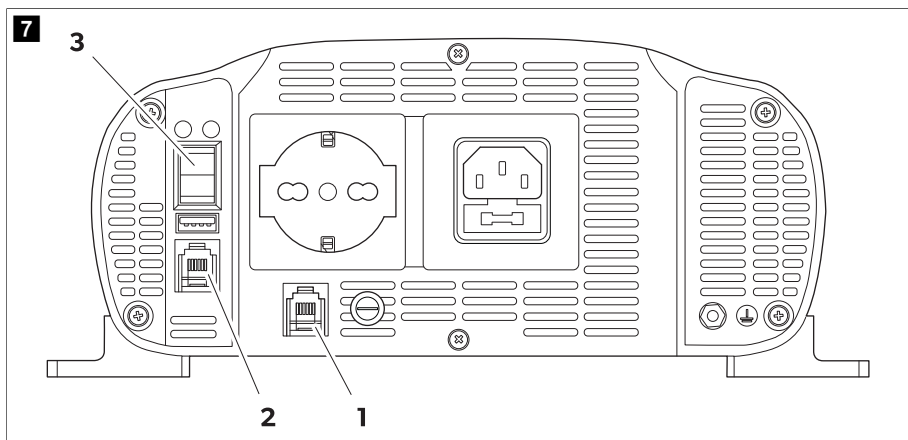
	Pin	Funkcija
	2	Priključek rdeče LED
	1-3	Priključek zunanjega stikala
	4	Ozemljitev

> Da bi omogočili daljinsko upravljanje, preklopite stikalo za vklop/izklop (2) v položaj 2.

12 Priključitev N-BUS

(Samo SPB1000I-12, SPB1500I-12, SPB2000I-12)

1. Vstavite vtič RJ12 (BC03, BC06, BC10) v priključek N-BUS ( sl. 7 na strani 334, 1).





Uporabite 6-polni ploski kabel z vtičem RJ12 v ravni konfiguraciji. Konfiguracija pinov je naslednja:

Pin	Funkcija
1	Stanje omrežja
2	Daljinski upravljalnik
3	N-BUS/CI-BUS
4	Ozemljitev
5	Napetost vodila (VBUS)
6	(ni priključeno)



OBVESTILO! Nevarnost poškodb

Bodite pozorni, da ne zamešate priključkov za N-BUS in za daljinski upravljalnik ( sl. 7 na strani 334, 2).

2. Stikalo za vklop/izklop ( sl. 7 na strani 334, 3) nastavite v položaj II.
3. Priključite naprave, združljive z omrežjem N-BUS.

Konfiguriranje pretvornika v omrežju N-BUS

Naprave, združljive z omrežjem N-BUS, je mogoče konfigurirati in upravljati v omrežju N-BUS na zaslonu ali v mobilni aplikaciji.

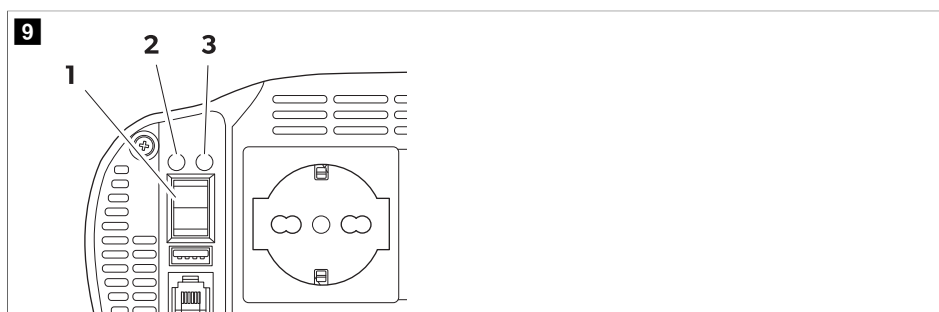


NASVET

- Za uporabo mobilne aplikacije mora biti v omrežju N-BUS vsaj ena naprava Bluetooth.
 - Eno od naprav nastavite kot GLAVNO.
- » Za vklop ali izklop pretvornika izberite meni pretvornika in povlecite drsnik v položaj za vklop oziroma izklop.



13 Uporaba



Stikalo za vklop/izklop

- > Napravo vklopite tako, da stikalo za vklop/izklop ① potisnete v položaj I.
- > Napravo izklopite, tako da stikalo za vklop/izklop ① potisnete v položaj 0.
- > Daljinsko upravljanje omogočite tako, da stikalo za vklop/izklop ① potisnete v položaj II.

LED indikatorja

Naprava ima zelen ② in rdeč ③ LED indikator za prikaz stanja delovanja.

LED	Opis
Green	Naprava je vklopljena in pravilno deluje
Red	Okvara naprave

14 Zamenjava varovalke

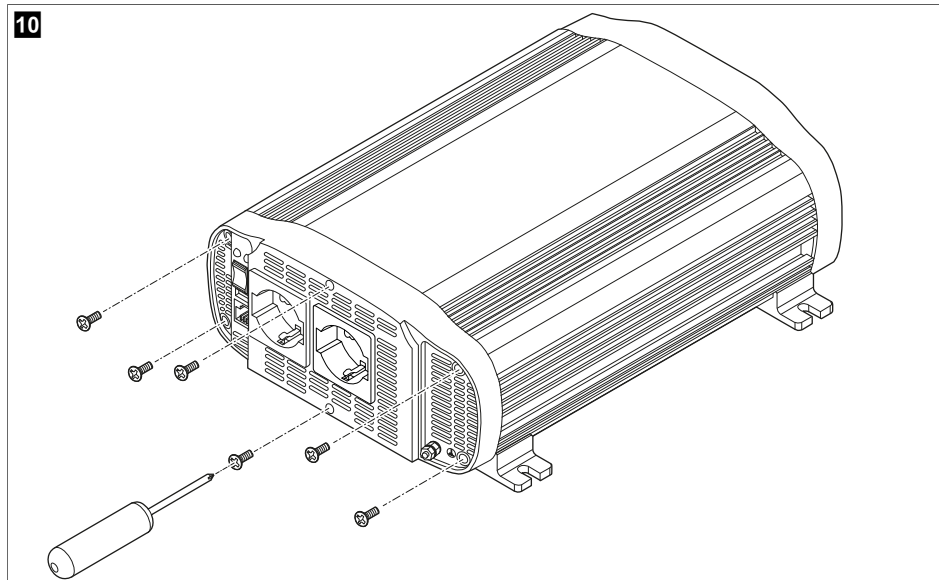


OPOZORILO!

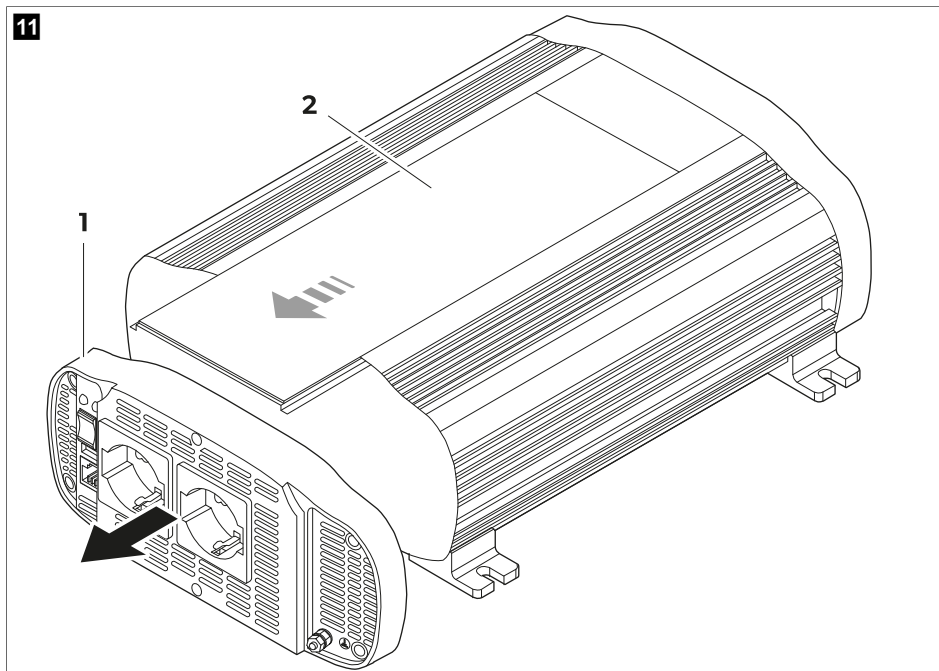
- Nevarnost električnega udara
- Namestitev lahko izvede samo usposobljen električar.

Naprava je zavarovana z integriranim elektronskim vezjem. Znotraj naprave so nameščene tudi varovalke. Če na katerem priključku pride do zamenjave polaritete, pregori varovalka. Naprave s funkcijo IVT imajo znotraj vtičnice IEC za priključitev zunanega omrežnega napajanja tudi stekleno varovalko. Rezervne varovalke so priložene v embalaži izdelka.

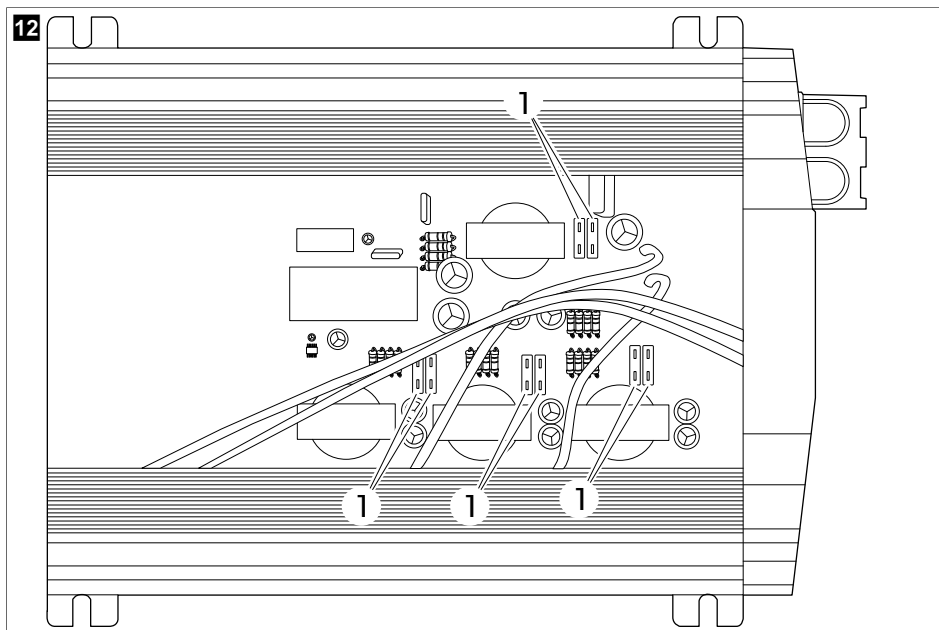
Zamenjava internih varovalk



1. Odstranite šest vijakov.



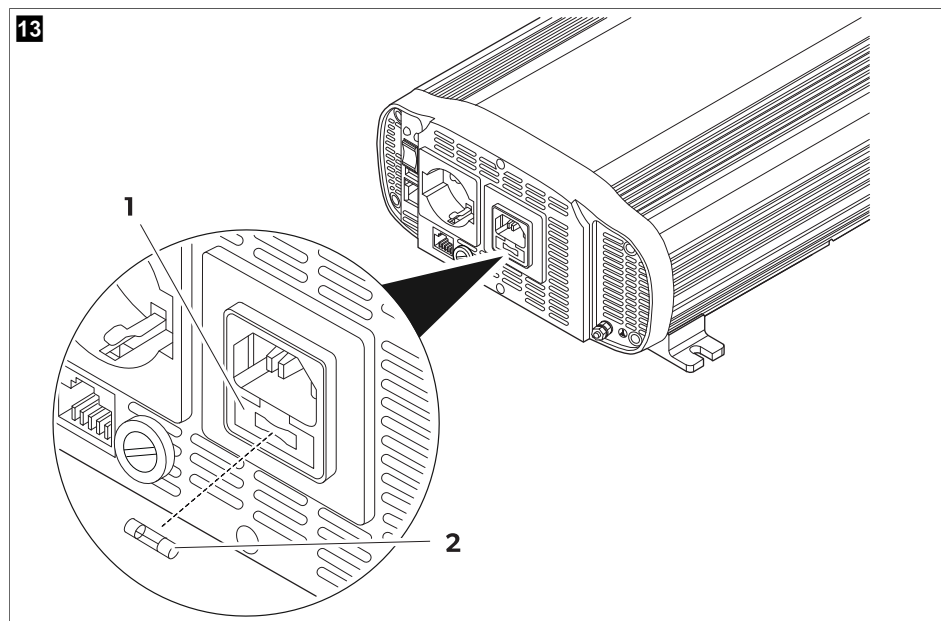
2. Sprednjo ploščo nagnite naprej ①.
3. Odstranite pokrov ②.



4. Zamenjajte varovalko ①.

Model	Število varovalk	Moč varovalk	
SM400-12, SP400-12	1	50 A	Rdeča
SM600-12, SP600-12	2	50 A	Rdeča
SM600-24, SP600-24	2	25 A	Bela
SM1000-12, SP1000-12	4	30 A	Zelena
SM1500-12, SP1500-12	6	30 A	Zelena
SP1500-24	6	15 A	Modra
SP2000-12	8	30 A	Zelena
SP3000-12	12	30 A	Zelena
SP3000-24	12	15 A	Modra

Zamenjava varovalke za vtičnico IEC



1. Odprite pokrov ① ohišja varovalke.
2. Zamenjajte varovalko ②.

Model	Število varovalk	Moč varovalk
SPB1000I-12, SPB1500I-12 in SPB2000I-12	1	10 A (F10AL 250V steklena varovalka)



NASVET Po zamenjavi varovalke se naprava samodejno znova zažene. Če naprava po zamenjavi varovalke ne deluje pravilno, stopite v stik s tehnikom, ki bo odpravil težave.

15 Čiščenje in vzdrževanje

- > Proizvod po potrebi očistite z vlažno krpo.
- > Preverite, ali so vhodni in izhodni priključki trdno pritrjeni in varni.
- > Preverite, ali ventilacijskih rež ne ovirajo umazanije ali drugi materiali.

16 Odstranjevanje



Recikliranje embalažnega materiala: Embalažni material odstranite v primerne zaboje za recikliranje odpadkov, če je to mogoče.



Ko boste želeli izdelek dokončno odstraniti, se o odstranjevanju v skladu z veljavnimi predpisi pozanimajte pri lokalnem centru za zbiranje odpadkov ali specializiranem trgovcu. Izdelek je mogoče brezplačno odstraniti.



Če ima izdelek vgrajene baterije, baterije za ponovno polnjenje ali svetlobne vire, jih pred odstranjevanjem ni treba odstraniti.

17 Garancija


Velja zakonsko določen garancijski rok. Če je izdelek pokvarjen, se obrnite na podružnico proizvajalca v svoji državi (glejte dometic.com/dealer) ali na trgovca.

Za obravnavanje zahtevkov popravil oz. garancijskih zahtevkov morate skupaj z aparatom poslati naslednjo dokumentacijo:

- kopijo računa z datumom nakupa,
- razlog za reklamacijo ali opis napake.


Upoštevajte, da lahko imajo lastnoročna ali neprofesionalna popravila varnostne posledice in lahko razveljavijo garancijo.



18 Tehnični podatki

	SM400-12	SM600-12	SM600-24
Stalna izhodna moč	400 W	600 W	
Konična izhodna moč	800 W (nekaj sekund)	1200 W (nekaj sekund)	
Izhodna napetost (RMS)/frekvenca	230 V AC/50 Hz ± 3 Hz		
USB izhod	5 V 2,1 A		
Vhodna napetost	12 V		24 V
Lastna poraba	200 mA (13,2 V)	220 mA (13,2 V)	100 mA (26,4 V)
Povezljivost	–	–	–
Mere (Š x G x V)	140 mm x 184 mm x 71 mm	140 mm x 214 mm x 71 mm	140 mm x 214 mm x 71 mm
Certifikat	 (10 R - 05 0094)		




	SM1000-12	SM1500-12
Stalna izhodna moč	1000 W	1500 W
Konična izhodna moč	2000 W (nekaj sekund)	3000 W (nekaj sekund)
Izhodna napetost (RMS)/frekvenca	230 V AC/50 Hz ± 3 Hz	
USB izhod	5 V 2,1 A	
Vhodna napetost	12 V	
Lastna poraba	530 mA (13,2 V)	460 mA (13,2 V)
Povezljivost	–	–
Mere (Š x G x V)	270 mm x 262 mm x 107,5 mm	270 mm x 262 mm x 107,5 mm




	SM1000-12	SM1500-12
Certifikat	 (10 R - 05 0094)	

	SP400-12	SP600-12	SP600-24
Stalna izhodna moč	400 W	600 W	
Konična izhodna moč	1000 W (nekaj sekund)	1500 W (nekaj sekund)	
Izhodna napetost (RMS)/frekvenca	230 V AC/50 Hz ± 3 Hz		
USB izhod	5 V 2,1 A		
Vhodna napetost	12 V		24 V
Lastna poraba	340 mA (13,2 V)	420 mA (13,2 V)	210 mA (26,4 V)
Povezljivost	-	-	-
Mere (Š x G x V)	140 mm × 214,5 mm × 71 mm	140 mm × 244,5 mm × 71 mm	140 mm × 244,5 mm × 71 mm
Certifikat	 (10 R - 05 0094)		

	SP1000-12	SPB1000I-12
Stalna izhodna moč	1000 W	
Konična izhodna moč	2500 W (nekaj sekund)	
Izhodna napetost (RMS)/frekvenca	230 V AC/50 Hz ± 3 Hz	
USB izhod	5 V 2,1 A	
Vhodna napetost	12 V	
Lastna poraba	870 mA (13,2 V)	680 mA (13,2 V)
Preklopni čas z baterijskega napajanja na zunanje omrežno napajanje	-	0,02 s
Preklopni čas z zunanjega omrežnega napajanja na baterijsko napajanje	-	0,1 s
Povezljivost	-	N-BUS
Mere (Š x G x V)	270 mm × 262,4 mm × 107,5 mm	270 mm × 262,4 mm × 107,5 mm
Certifikat	 (10 R - 05 0094)	 (10 R - 06-02 5174 00)

	SP1500-12	SPB1500I-12	SP1500-24
Stalna izhodna moč	1500 W		
Konična izhodna moč	4000 W (nekaj sekund)		
Izhodna napetost (RMS)/frekvenca	230 V AC/50 Hz ± 3 Hz		
USB izhod	5 V 2,1 A		

	SP1500-12	SPB1500I-12	SP1500-24
Vhodna napetost	12 V		24 V
Lastna poraba	850 mA (13,2 V)	930 mA (13,2 V)	620 mA (26,4 V)
Preklopni čas z baterijskega napajanja na zunanje omrežno napajanje	–	0,02 s	–
Preklopni čas z zunanjega omrežnega napajanja na baterijsko napajanje	–	0,1 s	–
Povezljivost	–	N-BUS	–
Mere (Š x G x V)	270 mm × 322,4 mm × 107,5 mm	270 mm × 360 mm × 107,5 mm	270 mm × 322,4 mm × 107,5 mm
Certifikat	 (10 R - 05 0094)	 (10 R - 06-02 5174 00)	 (10 R - 05 0094)

	SPB2000I-12	SP3000-12	SP3000-24
Stalna izhodna moč	2000 W	3000 W	
Konična izhodna moč	6000 W (nekaj sekund)	8000 W (nekaj sekund)	
Izhodna napetost (RMS)/frekvenca	230 V AC/50 Hz ± 3 Hz		
USB izhod	5 V 2,1 A		
Vhodna napetost	12 V		24 V
Lastna poraba	900 mA (13,2 V)	1270 mA (13,2 V)	680 mA (26,4 V)
Preklopni čas z baterijskega napajanja na zunanje omrežno napajanje	0,02 s	–	–
Preklopni čas z zunanjega omrežnega napajanja na baterijsko napajanje	0,1 s	–	–
Povezljivost	N-BUS	–	–
Mere (Š x G x V)	270 mm × 385 mm × 107,5 mm	270 mm × 452 mm × 107,5 mm	270 mm × 452 mm × 107,5 mm
Certifikat			
	 (10 R - 06-02 5174 00)	 (10 R - 05 0094)	

S tem podjetje Dometic potrjuje, da je radijska oprema tipa SPB1000I-12, SPB1500I-12 in SPB2000I-12 v skladu z Direktivo 2014/53/EU. Celotno besedilo izjave EU o skladnosti je na voljo na naslednjem internetnem naslovu: documents.dometic.com

Română

1	Observații importante.....	343
2	Explicația simbolurilor.....	343
3	Instrucțiuni de siguranță.....	344
4	Domeniul de livrare.....	344
5	Domeniul de utilizare.....	344
6	Categorie vizată.....	345
7	Descriere tehnică.....	345
8	Înainte de instalare.....	346
9	Instalare.....	348
10	Conectarea sursei de alimentare de la rețea externă (modelele SPB1000I-12, SPB1500I-12 și SPB2000I-12).....	351
11	Conectarea telecomenzii.....	352
12	Conectarea N-BUS.....	353
13	Utilizarea.....	354
14	Înlocuirea siguranței.....	355
15	Curățarea și întreținerea.....	358
16	Eliminarea.....	358
17	Garanție.....	359
18	Date tehnice.....	359

1 Observații importante

Citiți cu atenție și respectați toate instrucțiunile, indicațiile și avertismentele incluse în acest manual de produs pentru a vă asigura că instalați, utilizați și întrețineți produsul în permanență. Aceste instrucțiuni TREBUIE păstrate cu acest produs.

Prin utilizarea produsului, confirmați că ați citit cu atenție toate instrucțiunile, indicațiile și avertismentele și că înțelegeți și sunteți de acord să respectați termenii și condițiile stabilite. Sunteți de acord să utilizați acest produs numai pentru scopul și aplicația prevăzute și în conformitate cu instrucțiunile, indicațiile și avertismentele prezentate în acest manual de produs, precum și în conformitate cu toate legile și reglementările aplicabile. Nerespectarea instrucțiunilor și avertismentelor prezentate aici poate duce la vătămarea personală a utilizatorului sau a altora, la deteriorarea produsului sau a altor bunuri din apropiere. Acest manual al produsului, inclusiv instrucțiunile, indicațiile și avertismentele și documentația aferentă pot fi supuse modificărilor și actualizărilor. Pentru informații actualizate despre produs, vă rugăm să vizitați documents.dometic.com.

2 Explicația simbolurilor

Un cuvânt de semnalizare identifică mesajele de siguranță și mesajele privind daunele materiale și, de asemenea, indică gradul sau nivelul de gravitate a pericolului.



AVERTIZARE!

Indică o situație periculoasă care, dacă nu este evitată, poate provoca moartea sau răni grave.



PRECAUȚIE!

Indică o situație periculoasă care, dacă nu este evitată, poate provoca răni minore sau medii.



ATENȚIE!

Indică o situație care, dacă nu este evitată, poate duce la pagube materiale.



INDICAȚIE Informații complementare privind operarea produsului.

3 Instrucțiuni de siguranță



AVERTIZARE! Nerespectarea acestor avertismente poate conduce la moarte sau vătămări grave.

- > În caz de incendiu, folosiți un stingător de incendii adecvat pentru dispozitive electrice.
- > În cazul în care prezintă defecțiuni vizibile, nu este permisă punerea aparatului acestuia în funcțiune.



PRECAUȚIE! Nerespectarea acestor avertismente poate conduce la moarte sau vătămări grave.

- > Instalarea, asamblarea și cablarea, precum și toate celelalte lucrări, pot fi efectuate numai de către specialiști electricieni calificați. Reparațiile necorespunzătoare pot cauza pericole grave.
- > Instalarea în zone potențial explozive, cum ar fi încăperi cu lichide sau gaze inflamabile, nu este permisă.
- > Nu instalați sau țineți dispozitivul în apropierea flăcărilor sau a altor surse de căldură (sisteme de încălzire, lumină directă a soarelui, cuptoare pe gaz etc.).
- > Copiii nu trebuie să se joace cu aparatul.
- > Acest aparat poate fi utilizat de copiii cu vârsta de peste 8 ani și de către persoane cu capacități fizice, senzoriale sau mentale reduse sau de către persoane lipsite de experiență și cunoștințe dacă acestea au fost supravegheate și instruite cu privire la utilizarea aparatului în condiții de siguranță și înțeleg riscurile pe care le implică.



ATENȚIE! Indică o situație care, dacă nu este evitată, poate duce la pagube materiale.

- > Verificați dacă specificația de tensiune de pe eticheta de tip corespunde cu cea a sursei de alimentare.
- > Nu imersați niciodată aparatul în apă.
- > Protejați dispozitivul și cablurile împotriva căldurii și a umezelii.
- > Nu expuneți dispozitivul la ploaie.
- > Asigurați-vă că suprafața de montare poate susține greutatea dispozitivului.
- > Dispuneți cablurile astfel încât să nu vă împiedicați de ele și să nu poată fi deteriorate.
- > Folosiți canale sau tuburi de cablu dacă este necesar, pentru a traversa panouri metalice sau alte panouri cu margini ascuțite.

4 Domeniul de livrare

Denumire	Numărul
Invertor	1
Cablu de alimentare roșu	1
Cablu de alimentare negru	1
Manual de instalare și de utilizare	1

5 Domeniul de utilizare

Dispozitivul este prevăzut să furnizeze 230 V aparaturii conectate, de la o tensiune de intrare de 12 V sau 24 V. Dispozitivul este conceput pentru a fi utilizat în autoturisme și autocare.

Gama de modele include două tipuri de dispozitive:

- Modelele SM400-12, SM600-12, SM600-24, SM1000-12 și SM1500-12 sunt invertoare cu ieșire de undă sinusoidă modificată.
- Modelele SP400-12, SP600-12, SP600-24, SP1000-12, SP1500-12, SP1500-24, SP3000-12 și SP3000-24 sunt invertoare cu ieșire de undă sinusoidă pură.

Modelele SPB1000I-12, SPB1500I-12 și SPB2000I-12 dispun de o funcție de prioritate integrată (IVT) și o priză de intrare protejată cu siguranță (IEC) pentru conectarea sursei de alimentare externe.

Acest produs este potrivit numai pentru scopul și utilizarea prevăzute în conformitate cu aceste instrucțiuni.

Acest manual oferă informații necesare pentru instalarea și/sau utilizarea corectă a produsului. Instalarea defectuoasă și/sau utilizarea sau întreținerea necorespunzătoare vor avea ca rezultat performanțe nesatisfăcătoare și o posibilă defectare.

Producătorul nu își asumă nicio răspundere pentru orice vătămare sau deteriorare a produsului - rezultate din:

- Instalarea, asamblarea sau conectarea incorectă, inclusiv supratensiunea
- Întreținerea sau utilizarea incorectă a pieselor de schimb, altele decât piesele de schimb originale furnizate de producător
- Modificări aduse produsului fără aprobarea explicită din partea producătorului
- Utilizarea în alte scopuri decât cele descrise în manual

Dometic își rezervă dreptul de a modifica aspectul și specificațiile produsului.

6 Categorie vizată



Instalarea și configurarea electrică a dispozitivului trebuie efectuată de către un electrician calificat cu abilități și cunoștințe dovedite cu privire la structura și funcționarea echipamentelor și instalațiilor electrice și care este familiarizat cu reglementările aplicabile ale țării în care echipamentul urmează a fi instalat și/sau folosit și a beneficiat de formare în domeniul siguranței, pentru identificarea și evitarea pericolelor asociate.

Toate celelalte acțiuni sunt destinate și utilizatorilor neprofesioniști.

7 Descriere tehnică

Dispozitivul are două etape de circuit principal pentru a transforma tensiunea de intrare de 12 V \approx sau 24 V \approx în tensiune de ieșire c.a. Prima etapă constă într-un transformator c.c./c.c. de înaltă frecvență izolat pentru a transforma tensiunea de intrare de 12 V c.c. sau 24 V c.c. într-o tensiune de ieșire de până la 400 V c.c. Etapa finală constă într-o punte H care transformă bara colectoare de înaltă tensiune c.c. în tensiune c.a. de 230 V.

Dispozitivul are următoarele caracteristici principale:

- Consum redus.
- Intrare și ieșire izolate galvanic pentru siguranță sporită.
- Turație a ventilatorului controlată de temperatură, pentru funcționare silențioasă.
- Comutare a priorității integrată între rețeaua externă și baterie.
- Pregătire pentru telecomandă de pornire/oprire.
- Alarmă de tensiune scăzută a bateriei.
- Întrerupere la tensiune scăzută și ridicată a bateriei.
- Întrerupere la suprasarcină.
- Protecție împotriva scurtcircuitului, supratemperaturii, suprasarcinii și polarității inverse.
- Funcție de pornire lentă.

Doar la SPB1000I-12, SPB1500I-12, SPB2000I-12: Dispozitivul este compatibil N-BUS (consultați capitolul Conectarea N-BUS pagină 353).

8 Înainte de instalare

Cerințe privind bateria

Tipul și dimensiunea bateriei poate afecta puternic performanțele invertoarelor. Prin urmare, trebuie stabilite tipurile de consumatori care urmează a fi alimentate de inverter și durata de utilizare între reîncărcări. Pentru a stabili cerințele minime privind bateria pentru o aplicație, procedați în felul următor:

1. Stabiliți energia în wați de pe etichetele fiecărui aparat ce urmează a fi alimentat simultan de la inverter. De obicei, consumul de energie electrică este afișat în wați. Dacă este afișat în amperi, înmulțiți valoarea cu 230 V pentru a stabili energia în wați.
2. Estimați numărul total de ore în care echipamentul va fi utilizat înainte de reîncărcarea bateriei.
3. Calculați energia totală necesară în Wh (wați-oră), înmulțind durata stabilită mai sus cu suma energiei wați. Împărțiți rezultatul la 10, dacă intrarea inverterului este de 12 V, sau la 20, dacă este de 24 V. Valoarea rezultată în Ah reprezintă necesarul de alimentare al aplicației.



INDICAȚIE Acolo unde este posibil, reîncărcați bateria când este aproximativ 50 % descărcată sau mai devreme. Acest lucru asigură bateriei un ciclu de viață mult mai lung, față de reîncărcarea doar atunci când este profund descărcată.

Depanarea problemelor de interferență

Anumite sisteme audio modeste pot emite un bâzâit prin difuzoare atunci când sunt alimentate de la inverter. Acest lucru se întâmplă deoarece sursa de alimentare din sistemul audio nu filtrează corespunzător unda sinusoidală modificată emisă de inverter. Soluția este să folosiți un sistem audio cu o sursă de alimentare de înaltă calitate sau să folosiți un inverter cu undă sinusoidală pură. În timp ce inverterul este în funcțiune, acesta poate interfera cu recepția semnalului TV pe unele canale. Dacă apar interferențe, încercați următoarele:

1. Asigurați-vă că șurubul de împământare pe șasiu al inverterului este conectat la masa vehiculului.
2. Asigurați-vă că antena TV furnizează un semnal adecvat și că starea cablului antenei este bună.
3. Limitați cât mai mult lungimea cablurilor dintre baterie și inverter și răsuciți-le împreună pentru a reduce emisiile radiate.
4. Mutați televizorul cât mai departe de inverter.
5. Nu alimentați consumatori de mare putere cu inverterul cât timp este pornit televizorul.

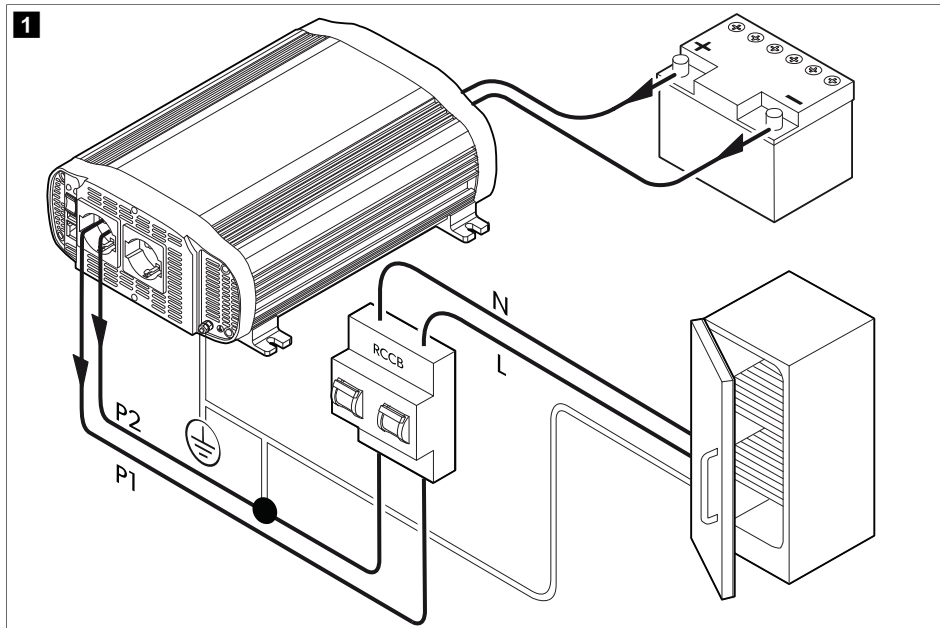
Protecție împotriva pierderii la pământ (exclue modelele SPB1000I-12, SPB1500I-12 și SPB2000I-12)



ATENȚIE! Pericol de defectare

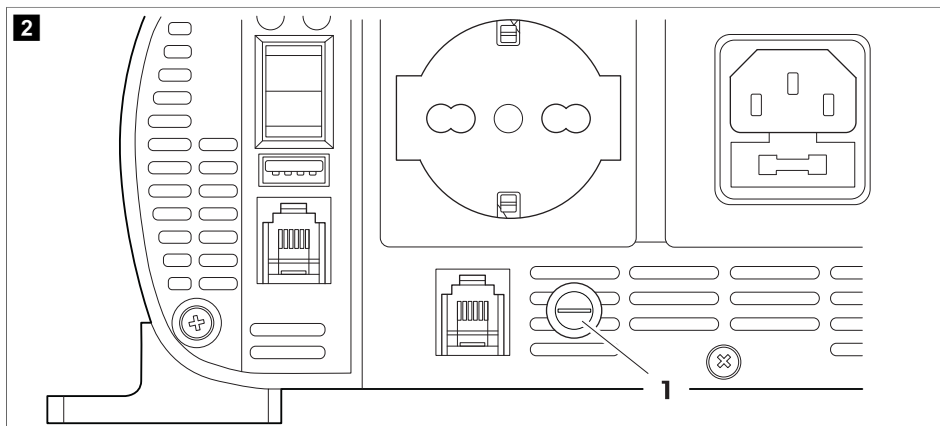
Pentru alimentarea în siguranță a mai multor aparate, este esențială integrarea unui disjunct (disjunct de curent rezidual) în circuitul de distribuție al prizei.

Priza de împământare este concepută pentru un sistem de siguranță, cum ar fi disjunctul de curent rezidual (RCCB). Conectați disjunctul de curent rezidual conform următoarei scheme:



1. Conectați ieșirea de fază (P1) și nul (P2) la intrarea disjunctivului de curent rezidual.
2. Conectați masa invertorului la unul dintre cele două fire conectate la intrarea disjunctivului de curent rezidual.
3. Conectați ieșirea de nul și fază de la intrarea disjunctivului de curent rezidual la aparatură.
4. Conectați masa invertorului la masa aparaturii.

Protecție împotriva pierderii la pământ (modelele SPB1000I-12, SPB1500I-12 și SPB2000I-12)





ATENȚIE! Pericol de defectare

Schema de mai sus se referă numai la conectarea ieșirii inverterului. Conectorul IEC al intrării rețelei externe trebuie conectat la ieșirea disjuncteurului sursei de alimentare de rețea externă.

Configurațiile de împământare TN sau IT pentru SPB1000I-12, SPB1500I-12 și SPB2000I-12 pot fi configurate cu o siguranță.

- > Pentru a stabili o configurație de împământare de tip TN, asigurați-vă că siguranța este introdusă în port-siguranță ①.
- > Pentru a stabili o configurație de împământare de tip IT, asigurați-vă că siguranța **nu** este introdusă în port-siguranță ①.

9 Instalare



PRECAUȚIE! Pericol de defectare

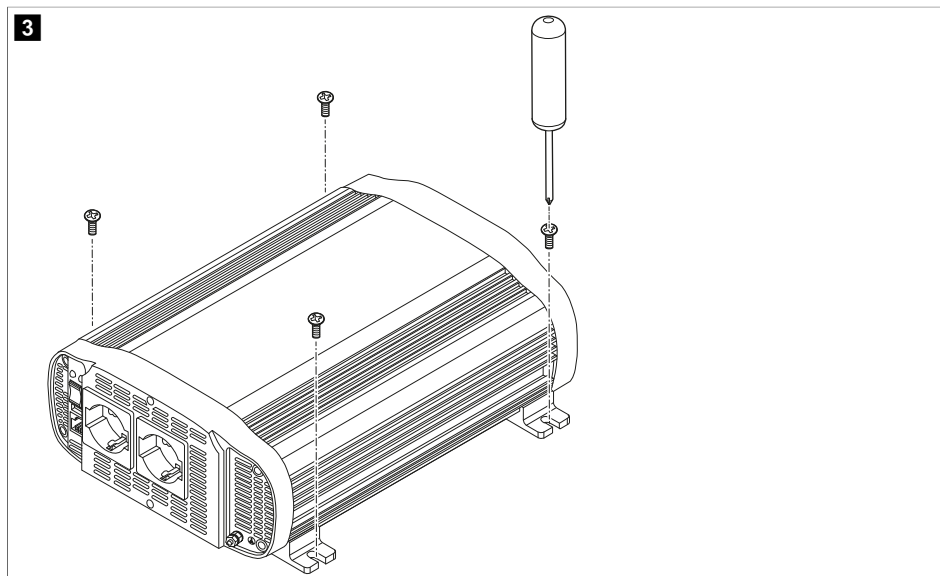
Nu instalați dispozitivul în apropierea surselor de căldură sau în locuri neaerisite corespunzător.



INDICAȚIE Dispozitivul poate fi instalat în orice poziție. Dacă este instalat pe o suprafață verticală, se recomandă ca latura lungă să rămână paralelă cu podeaua.



INDICAȚIE Instalați dispozitivul cât mai aproape de sursa de alimentare de 12 V / 24 V .



1. Montați dispozitivul prin cele patru flanșe de montare, folosind șuruburi adecvate.



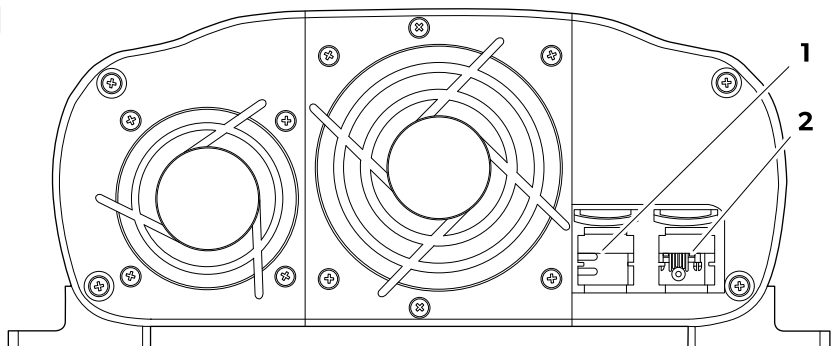
ATENȚIE! Pericol de defectare

Înainte de a conecta dispozitivul, asigurați-vă că comutatorul de alimentare este în poziția oprit.

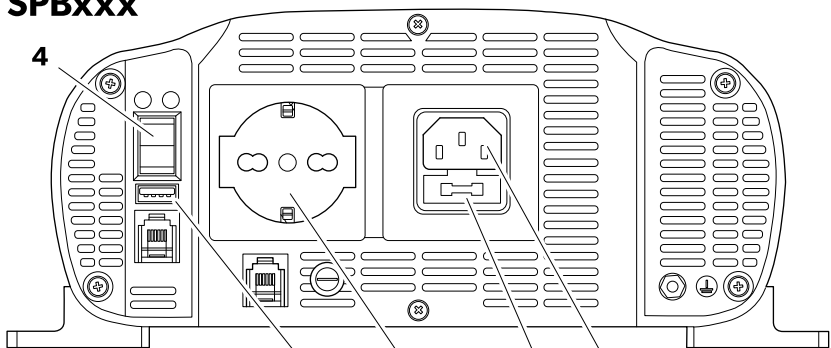


INDICAȚIE Folosiți firele furnizate pentru a conecta bateria la dispozitiv. Dacă distanța dintre baterie și dispozitiv depășește 2 metri, creșteți secțiunea transversală a firului pentru a reduce căderea de tensiune și pierderile de putere.

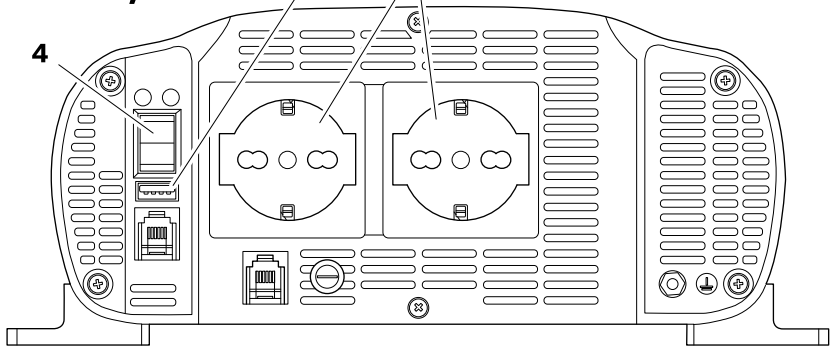
4



SPBxxx



SMxxx, SPxxx



2. Conectați borna negativă a bateriei la borna negativă a invertorului ①.

**ATENȚIE! Pericol de defectare**

Pentru a proteja dispozitivele conectate, instalați o siguranță în serie pe cablul de plus al bateriei.

3. Conectați borna pozitivă a bateriei la borna pozitivă a inverterului ②.

**ATENȚIE! Pericol de defectare**

Înainte de a conecta un aparat la inverter, asigurați-vă că acesta este oprit.

4. Conectați aparatul de 230 V la o priză de ieșire ③.
5. Porniți inverterul cu comutatorul pornire/oprire ④.

**INDICAȚIE** Când inverterul este pornit, LED-urile roșu și verde se aprind ambele timp de 3-5 secunde.

După o scurtă perioadă, LED-ul roșu se stinge, iar cel verde rămâne aprins și dispozitivul emite un semnal sonor. LED-ul verde indică funcționarea corectă a inverterului.

**ATENȚIE! Pericol de defectare**

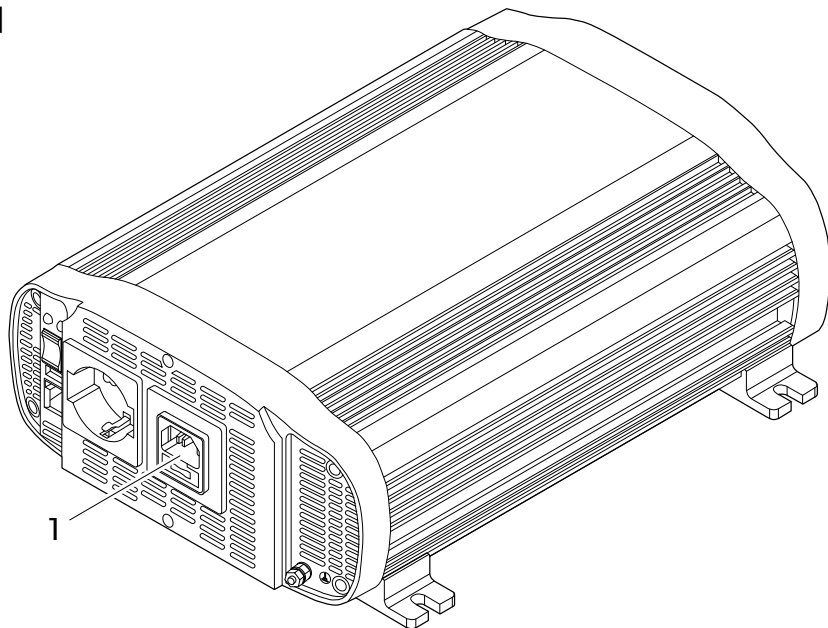
- > Când intenționați să alimentați mai mult de un aparat, conectați-l mai întâi pe cel cu necesarul de alimentare cel mai mare.
- > Asigurați-vă că necesarul de alimentare combinat al aparaturii dvs. nu depășește puterea nominală de ieșire a inverterului.
- > Când folosiți un prelungitor de la inverter la un aparat, prelungitorul nu trebuie să fie mai lung de 1,5 m.
- > Nu conectați inverterul la un circuit de sarcină c.a. în care conductorul nul este conectat la masă.

6. Conectați aparatele de 230 V suplimentare și porniți-le.
7. Pentru a încărca un aparat de 5 V, conectați-l la portul USB ⑤.

10 Conectarea sursei de alimentare de la rețea externă (modelele SPB1000I-12, SPB1500I-12 și SPB2000I-12)

Este posibilă conectarea unui cablu IEC la priza de rețea externă pentru a alimenta aparatura conectată direct cu tensiune c.a. de la rețeaua publică.

5

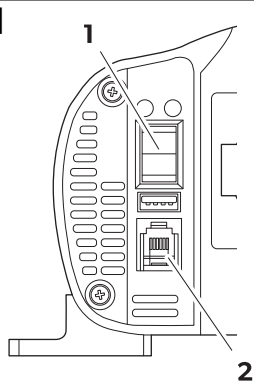


1. Conectați cablul la priză ①.
2. Instalați sau demontați siguranța în port-siguranță în serie ⑦ conform configurației dorite pentru împământare (consultați capitolul Înainte de instalare pagină 346).

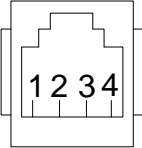
11 Conectarea telecomenzii

Dispozitivul poate fi controlat de la distanță printr-un comutator extern opțional (RC03) sau orice comutator universal configurat pe conectorul RJ11 ① al dispozitivului. Următoarea descriere a configurațiilor de pini poate fi folosită ca ghid atunci când folosiți comutatoare externe universale.

6




Comutatorul extern RC03 opțional folosește următoarea configurație de pini:

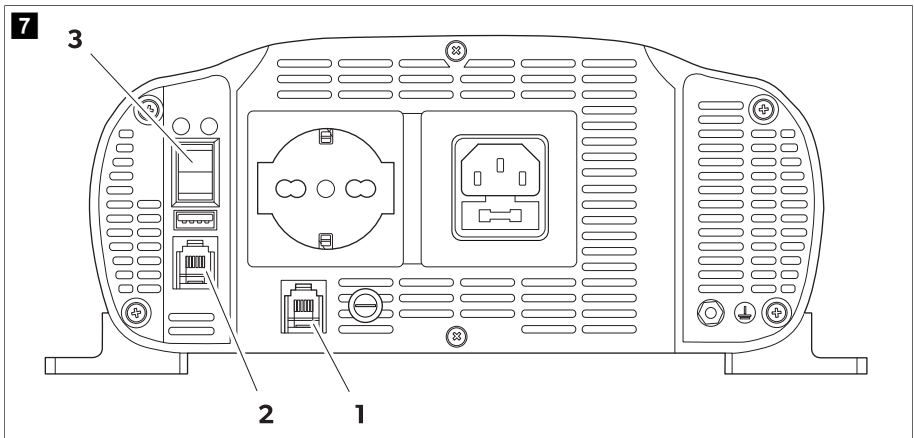
	Pin	Funcție
	2	Conexiune LED roșu
	1-3	Conexiune comutator extern
	4	Masă

> Pentru a activa telecomanda, comutați comutatorul pornire/oprire (2) la poziția 2.

12 Conectarea N-BUS

(Doar la SPB1000I-12, SPB1500I-12, SPB2000I-12)

1. Conectați fișa RJ12 (BC03, BC06, BC10) la priza N-BUS ( fig. 7 pagină 353, 1).



Utilizați un cablu plat cu 6 poli cu fișă RJ12 în configurație dreaptă. Configurația pinout este următoarea:

Pin	Funcție
1	Stare rețea
2	Telecomanda
3	N-BUS/CI-BUS
4	Masă
5	Tensiune BUS (VBUS)
6	(neconectat)



ATENȚIE! Pericol de defectare

Asigurați-vă că nu amestecați conexiunile pentru N-BUS și telecomandă ( fig. 7 pagină 353, 2).

2. Comutați comutatorul pornire/oprire ( fig. 7 pagină 353, 3) la poziția II.

3. Conectați dispozitivele compatibile N-BUS.

Configurarea invertorului în rețeaua N-BUS

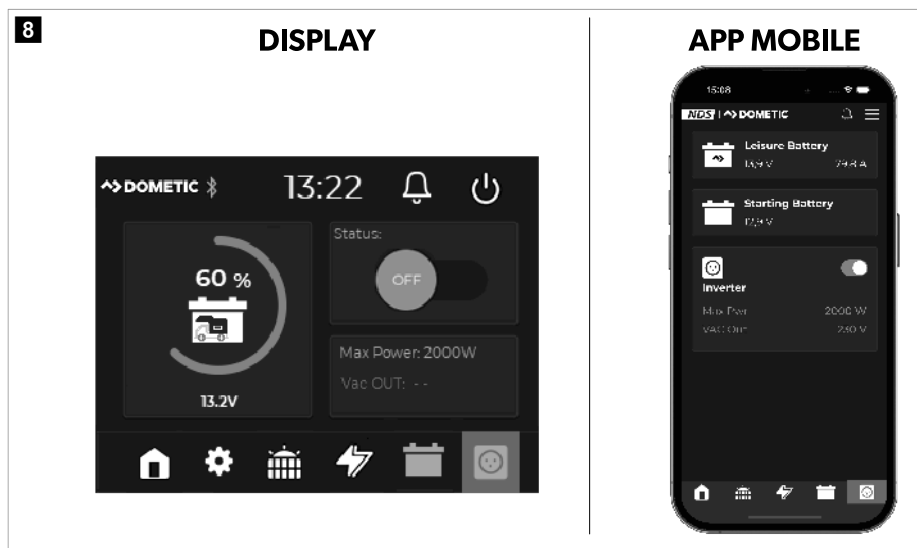
Dispozitivele compatibile cu N-BUS pot fi configurate și controlate în rețeaua N-BUS prin intermediul afișajului sau al aplicației mobile.



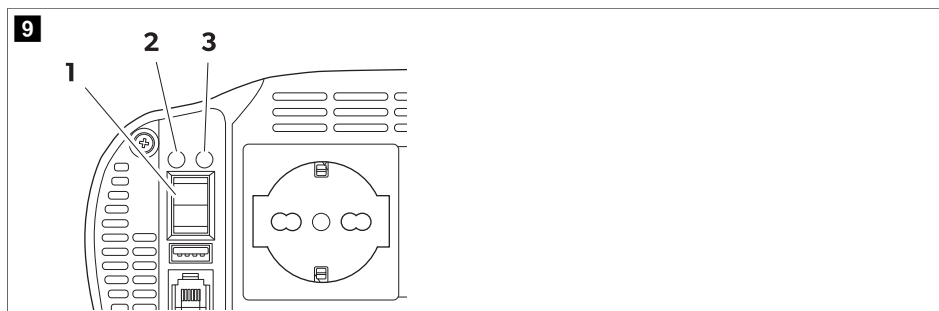
INDICAȚIE

- Cel puțin un dispozitiv Bluetooth din rețeaua N-BUS este necesar pentru a utiliza aplicația mobilă.
- Setează unul dintre dispozitive ca MASTER.

> Selectați meniul invertorului și glisați glisorul în poziția pornit sau oprit pentru a porni sau opri invertorul.



13 Utilizarea



Comutator pornire/oprire

> Pentru porni dispozitivul, comutați comutatorul pornire/oprire ① la poziția I.

- > Pentru opri dispozitivul, comutați comutatorul pornire/oprire ① la poziția 0.
- > Pentru a activa telecomanda, comutați comutatorul pornire/oprire ① la poziția II.

Indicatoare cu LED

Dispozitivul este echipat cu indicator LED verde ② și unul roșu ③, pentru a indica starea de funcționare.

LED	Denumire
Green	Dispozitivul este pornit și funcționează corect
Red	Defecțiune a dispozitivului

14 Înlocuirea siguranței

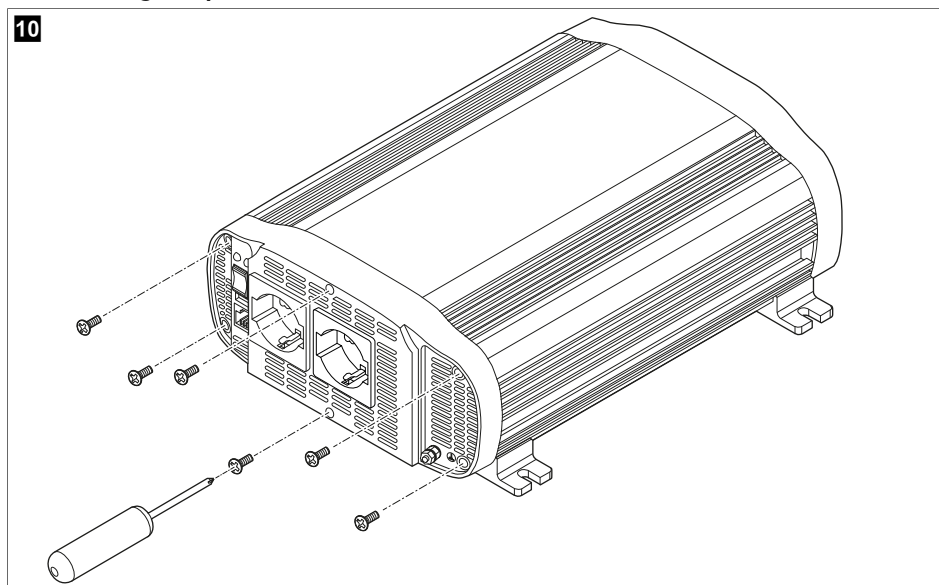


AVERTIZARE!

- Pericol de electrocutare
- Instalarea poate fi efectuată numai de către un electrician calificat.

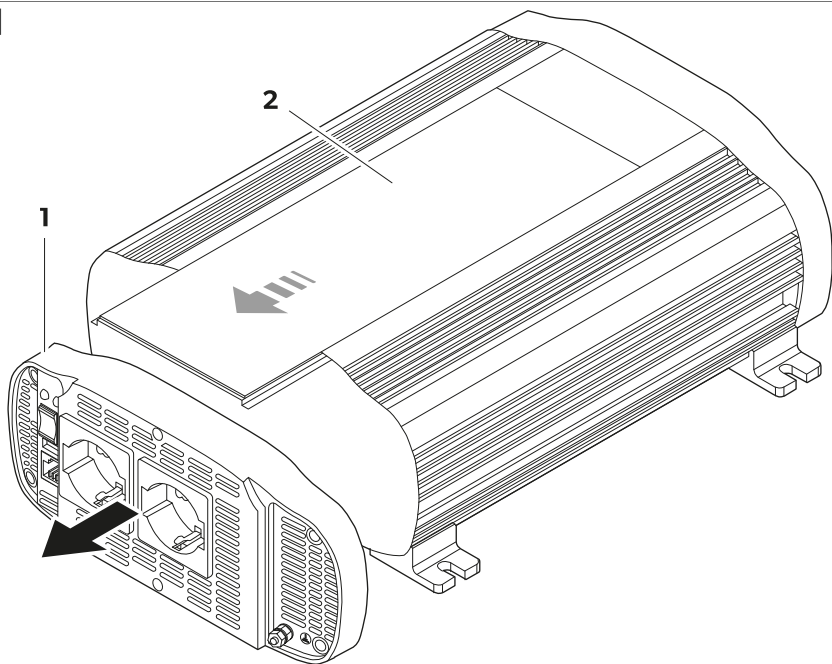
Dispozitivul este protejat de un circuit electronic integrat. De asemenea, în dispozitiv se află siguranțe. În caz de polaritate inversată a unei conexiuni, se arde o siguranță. Dispozitivele cu funcție IVT dispun și de o siguranță din sticlă în interiorul prizei IEC pentru conexiunea la rețea externă. Ambalajul produsului include siguranțe de rezervă.

Înlocuirea siguranțelor interne

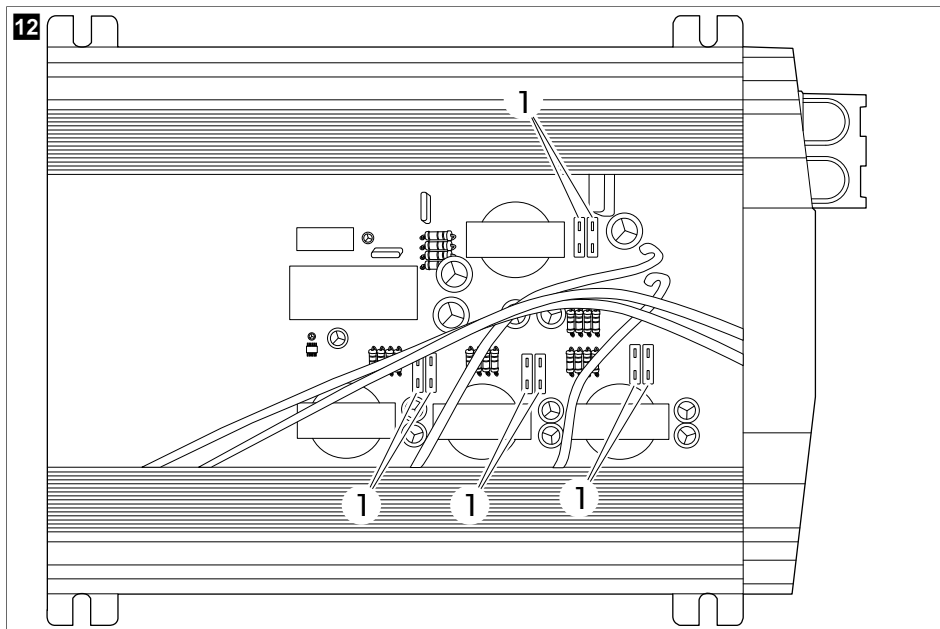


1. Scoateți cele șase șuruburi

11



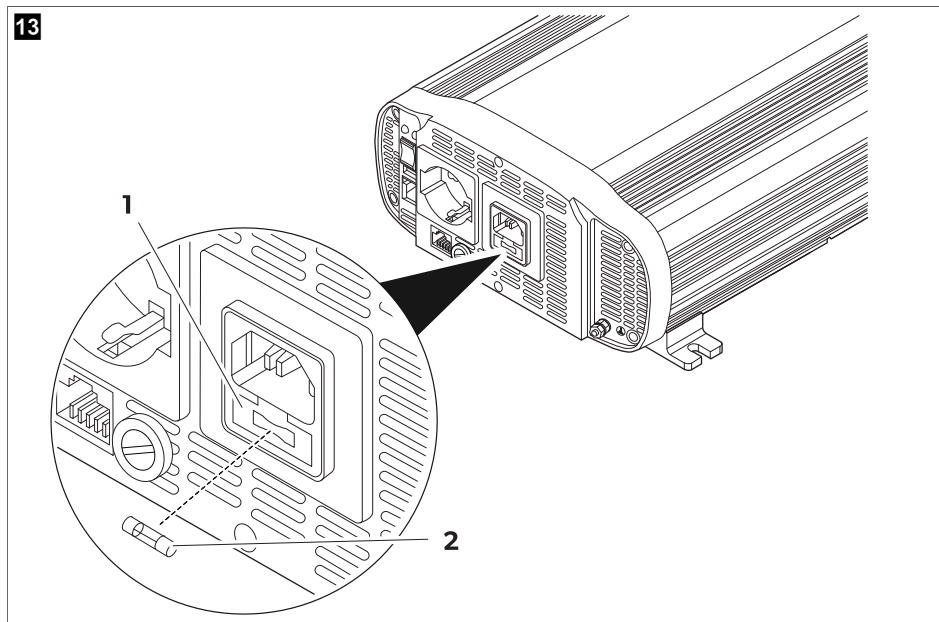
2. Înclinați în față panoul frontal ①.
3. Scoateți capacul ②.



4. Înlocuiți siguranța ①.

Model	Număr siguranțe	Clasă siguranță	
SM400-12, SP400-12	1	50 A	roșu
SM600-12, SP600-12	2	50 A	roșu
SM600-24, SP600-24	2	25 A	alb
SM1000-12, SP1000-12	4	30 A	verde
SM1500-12, SP1500-12	6	30 A	verde
SP1500-24	6	15 A	albastru
SP2000-12	8	30 A	verde
SP3000-12	12	30 A	verde
SP3000-24	12	15 A	albastru

Înlocuirea siguranței prizei IEC



1. Deschideți capacul ① carcasei prizei.
2. Înlocuiți siguranța ②.

Model	Număr siguranțe	Clasă siguranță
SPB1000I-12, SPB1500I-12 și SPB2000I-12	1	10 A (siguranță din sticlă F10AL 250 V)



INDICAȚIE După înlocuirea siguranței, dispozitivul repornește automat. Dacă dispozitivul nu funcționează corect după înlocuirea siguranței, contactați un tehnician pentru a depana problemele.

15 Curățarea și întreținerea

- > Curățați din când în când produsul cu o lavetă udă.
- > Asigurați-vă că conexiunile de intrare și de ieșire sunt strânse și fixate bine.
- > Asigurați-vă că fanțele de aerisire nu sunt obturate de murdărie sau de orice material.

16 Eliminarea



Reciclarea materialelor de ambalare: Depuneți materialul de ambalare pe cât posibil în containerele corespunzătoare de reciclare.



Dacă doriți să eliminați în final produsul, adresați-vă centrului local de reciclare sau distribuitorului pentru detalii despre cum să faceți acest lucru în conformitate cu reglementările privind eliminarea aplicabile. Produsul poate fi eliminat gratuit.



În cazul în care produsul conține baterii neînlocuibile, acumulatori sau surse de lumină, nu trebuie să le îndepărtați înainte de a le elimina.

17 Garanție


Se aplică termenul de garanție legal. În cazul în care produsul este defect, contactați reprezentanța producătorului din țara dvs. (consultați dometic.com/dealer) sau comerciantul.

Pentru operații de reparație și în baza garanției, trebuie să trimiteți și următoarele documente:

- O copie a facturii cu data cumpărării
- Un motiv de reclamație sau o descriere a defecțiunii.


Rețineți că repararea prin mijloace proprii sau reparațiile neprofesionale pot avea consecințe asupra securității și pot anula garanția.



18 Date tehnice

	SM400-12	SM600-12	SM600-24
Putere de ieșire continuă	400 W	600 W	
Putere de ieșire de vârf	800 W (câteva secunde)	1200 W (câteva secunde)	
Tensiune de ieșire (RMS)/ Frecvență	230 V c.a. / 50 Hz ± 3 Hz		
Ieșire USB	5 V 2,1 A		
Tensiune de intrare	12 V		24 V
Consum propriu	200 mA (13,2 V)	220 mA (13,2 V)	100 mA (26,4 V)
Conectivitate	-	-	-
Dimensiuni (L x A x H)	140 mm x 184 mm x 71 mm	140 mm x 214 mm x 71 mm	140 mm x 214 mm x 71 mm
Certificat	 (10 R - 05 0094)		




	SM1000-12	SM1500-12
Putere de ieșire continuă	1000 W	1500 W
Putere de ieșire de vârf	2000 W (câteva secunde)	3000 W (câteva secunde)
Tensiune de ieșire (RMS)/ Frecvență	230 V c.a. / 50 Hz ± 3 Hz	
Ieșire USB	5 V 2,1 A	
Tensiune de intrare	12 V	
Consum propriu	530 mA (13,2 V)	460 mA (13,2 V)
Conectivitate	-	-
Dimensiuni (L x A x H)	270 mm x 262 mm x 107,5 mm	270 mm x 262 mm x 107,5 mm




	SM1000-12	SM1500-12
Certificat	 (10 R - 05 0094)	

	SP400-12	SP600-12	SP600-24
Putere de ieșire continuă	400 W	600 W	
Putere de ieșire de vârf	1000 W (câteva secunde)	1500 W (câteva secunde)	
Tensiune de ieșire (RMS)/ Frecvență	230 V c.a. / 50 Hz ± 3 Hz		
Ieșire USB	5 V 2,1 A		
Tensiune de intrare	12 V		24 V
Consum propriu	340 mA (13,2 V)	420 mA (13,2 V)	210 mA (26,4 V)
Conectivitate	-	-	-
Dimensiuni (L x A x H)	140 mm × 214,5 mm × 71 mm	140 mm × 244,5 mm × 71 mm	140 mm × 244,5 mm × 71 mm
Certificat	 (10 R - 05 0094)		

	SP1000-12	SPB1000I-12
Putere de ieșire continuă	1000 W	
Putere de ieșire de vârf	2500 W (câteva secunde)	
Tensiune de ieșire (RMS)/ Frecvență	230 V c.a. / 50 Hz ± 3 Hz	
Ieșire USB	5 V 2,1 A	
Tensiune de intrare	12 V	
Consum propriu	870 mA (13,2 V)	680 mA (13,2 V)
Timp de comutare de la batre- rie la rețea externă	-	0,02 s
Timp de comutare de la rețea externă la baterie	-	0,1 s
Conectivitate	-	N-BUS
Dimensiuni (L x A x H)	270 mm × 262,4 mm × 107,5 mm	270 mm × 262,4 mm × 107,5 mm
Certificat	 (10 R - 05 0094)	 (10 R - 06-02 5174 00)

	SP1500-12	SPB1500I-12	SP1500-24
Putere de ieșire continuă	1500 W		
Putere de ieșire de vârf	4000 W (câteva secunde)		
Tensiune de ieșire (RMS)/ Frecvență	230 V c.a. / 50 Hz ± 3 Hz		
Ieșire USB	5 V 2,1 A		
Tensiune de intrare	12 V		24 V
Consum propriu	850 mA (13,2 V)	930 mA (13,2 V)	620 mA (26,4 V)

	SP1500-12	SPB1500I-12	SP1500-24
Tim de comutare de la baterie la rețea externă	-	0,02 s	-
Tim de comutare de la rețea externă la baterie	-	0,1 s	-
Conectivitate	-	N-BUS	-
Dimensiuni (L x A x H)	270 mm × 322,4 mm × 107,5 mm	270 mm × 360 mm × 107,5 mm	270 mm × 322,4 mm × 107,5 mm
Certificat	 (10 R - 05 0094)	 (10 R - 06-02 5174 00)	 (10 R - 05 0094)

	SPB2000I-12	SP3000-12	SP3000-24
Putere de ieșire continuă	2000 W	3000 W	
Putere de ieșire de vârf	6000 W (câteva secunde)	8000 W (câteva secunde)	
Tensiune de ieșire (RMS)/ Frecvență	230 V c.a. / 50 Hz ± 3 Hz		
Ieșire USB	5 V 2,1 A		
Tensiune de intrare	12 V		24 V
Consum propriu	900 mA (13,2 V)	1270 mA (13,2 V)	680 mA (26,4 V)
Tim de comutare de la baterie la rețea externă	0,02 s	-	-
Tim de comutare de la rețea externă la baterie	0,1 s	-	-
Conectivitate	N-BUS	-	-
Dimensiuni (L x A x H)	270 mm × 385 mm × 107,5 mm	270 mm × 452 mm × 107,5 mm	270 mm × 452 mm × 107,5 mm
Certificat			
	 (10 R - 06-02 5174 00)	 (10 R - 05 0094)	

Prin prezenta, Dometic declară că echipamentul radio de tip SPB1000I-12, SPB1500I-12 și SPB2000I-12 este în conformitate cu Directiva 2014/53/UE. Textul integral al declarației UE de conformitate este disponibil la următoarea adresă de internet: documents.dometic.com

Български език

1	Важни бележки.....	362
2	Обяснение на символите.....	362
3	Инструкции за безопасност.....	363
4	Обхват на доставката.....	363
5	Използване по предназначение.....	363
6	Целева група.....	364
7	Техническо описание.....	364
8	Преди инсталирането.....	365
9	Инсталиране.....	367
10	Свързване на външното мрежово захранване (SPB1000I-12, SPB1500I-12 И SPB2000I-12).....	370
11	Свързване на дистанционното управление.....	371
12	Свързване на N-BUS.....	372
13	Работа.....	374
14	Смяна на предпазителите.....	375
15	Почистване и поддръжка.....	378
16	Изхвърляне.....	378
17	Гаранция.....	379
18	Технически данни.....	379

1 Важни бележки

Моля, прочетете внимателно тези инструкции и спазвайте всички указания, напътствия и предупреждения, включени в настоящото ръководство, за да сте сигурни, че монтирате, използвате и поддържате правилно този продукт. Тези инструкции ТРЯБВА да се съхраняват с продукта.

Като използвате продукта, Вие потвърждавате, че сте прочели внимателно всички указания, напътствия и предупреждения и че разбирате и приемате да спазвате сроковете и условията, съдържащи се в тях. Вие се съгласявате да използвате този продукт само по предназначение и в съответствие с указанията, инструкциите и предупрежденията, описани в ръководството на продукта, както и в съответствие с всички приложими закони и разпоредби. Ако не прочетете и не спазвате инструкциите и предупрежденията, това може да доведе до наранявания за вас или за други хора, щети по продукта или щети по други предмети в близост до него. Това ръководство на продукта, включително указанията, инструкциите и предупрежденията и другата документация, подлежи на промяна и обновяване. За актуална информация за продукта, моля, посетете documents.domestic.com.

2 Обяснение на символите

Сигналната дума идентифицира съобщенията за безопасност и за материални щети, както и степента или нивото на сериозност на опасността.



ПРЕДУПРЕЖДЕНИЕ!

Показва опасна ситуация която, ако не бъде избегната, може да доведе до смърт или тежко нараняване.



ВНИМАНИЕ!

Показва опасна ситуация която, ако не бъде избегната, може да доведе до леко или средно нараняване.



ВНИМАНИЕ!

Показва ситуация която, ако не бъде избегната, ще доведе до щети по имуществото.



УКАЗАНИЕ Допълнителна информация за боравенето с продукта.

3 Инструкции за безопасност



ПРЕДУПРЕЖДЕНИЕ! Неспазването на тези предупреждения може да доведе до смърт или сериозни наранявания.

- > В случай на пожар използвайте пожарогасител, който е подходящ за електрическо устройство.
- > Не работете с уреда, ако е видимо увреден.



ВНИМАНИЕ! Неспазването на тези предупреждения може да доведе до смърт или сериозни наранявания.

- > Инсталирането, сглобяването и окабеляване, както и всички други работи могат да се извършват само от квалифицирани специалисти по електротехника. Неправилни ремонти могат да доведат до сериозни опасности.
- > Не се разрешава инсталиране в потенциално експлозивни зони, като например помещения със запалими течности или газове.
- > Не монтирайте и не дръжте устройството в близост до пламъци или други източници на топлина (отопление, пряка слънчева светлина, газови фурни и др.).
- > Не се позволява на деца да си играят с уреда.
- > Този уред може да се използва от деца над 8 години и лица с намалени физически, сензорни или умствени способности, или с липса на знания и опит, ако са получили инструкции за безопасното използване на уреда и разбират евентуалните опасности.



ВНИМАНИЕ! Показва ситуация която, ако не бъде избегната, ще доведе до щети по имуществото.

- > Проверете дали спецификацията за напрежение на табелката с данните съответства на захранващото напрежение.
- > Не потапяйте уреда във вода.
- > Защитете устройството и кабелите от топлина и влага.
- > Не излагайте устройството на дъжд.
- > Уверете се, че монтажната повърхност е в състояние да поддържа теплото на устройството.
- > Поставете кабелите така, че да не предизвикват спъване и да не се повредят.
- > Използвайте тръбни или кабелни канали, ако е необходимо да поставите кабели през метални панели или други панели с остри ръбове.

4 Обхват на доставката

Описание	Количество
Инвертор	1
Червен захранващ кабел	1
Черен захранващ кабел	1
Ръководство за инсталация и работа	1

5 Използване по предназначение

Устройството е предназначено за захранване на 230 V към свързани уреди, генерирани от 12 V или 24 V входящо напрежение. Устройството е проектирано да се използва в кемпери, каравани и автобуси.

Линията модели включва два вида устройства:

- SM400-12, SM600-12, SM600-24, SM1000-12 И SM1500-12 са инвертори с модифицирана синусоидална вълна.
- SP400-12, SP600-12, SP600-24, SP1000-12, SP1500-12, SP1500-24, SP3000-12 И SP3000-24 са инвертори с чиста синусоидална вълна.

SPB1000I-12, SPB1500I-12 И SPB2000I-12 имат интегрирана приоритетна функция (IVT) и гнездо за вход, защитено с предпазители (IEC) за външната връзка за захранване.

Този продукт е подходящ само за предвидената цел и приложение съгласно настоящите инструкции.

Това ръководство предоставя информация, необходима за правилната инсталация и/или експлоатация на продукта. Лошо инсталиране и/или неправилна употреба и поддръжка ще доведат до незадоволителна работа и евентуално до повреди.

Производителят не носи отговорност за наранявания и повреди по продукта, причинени от:

- Неправилен монтаж, сплобяване или свързване, включително твърде високо напрежение
- Неправилна поддръжка или използване на резервни части, различни от оригиналните, предоставяни от производителя
- Изменения на продукта без изрично разрешение от производителя
- Използване за цели, различни от описаните в това ръководство

Domestic си запазва правото да променя външния вид и спецификациите на продукта.

6 Целева група



Електрическият монтаж и настройка на устройството трябва да се извършват от квалифициран електротехник с умения и знания, свързани с изграждането и експлоатацията на електрооборудване и инсталации, и който е запознат с приложимите разпоредби на страната, в която оборудването трябва да бъде инсталирано и/или използвано, и е преминал обучение по безопасност, за да идентифицира и избегне свързаните с това опасности.

Всички други действия са предназначени и за непрофесионални потребители.

7 Техническо описание

Устройството има два основни етапа на веригата за преобразуване на входното напрежение на постоянен 12 V \Rightarrow или 24 V \Rightarrow постоянен ток в изходно напрежение на променлив ток. Първият етап се състои от изолиран високочестотен DC/DC преобразувател, който преобразува 12 V входното напрежение на постоянен ток или 24 V постоянен ток в изходно напрежение до 400 V постоянен ток. Последният етап се състои от H-мост, който преобразува DC шината с високо напрежение в 230 V променливотоково напрежение.

Устройството има следните основни характеристики:

- Ниска консумация.
- Галванично изолиран вход и изход за повишена безопасност.
- Скорост на вентилатора с контролирана температура за тиха работа.
- Интегриран приоритетен превключвател между външната мрежа и акумулатора.
- Готов за включване/изключване на дистанционно управление.
- Аларма за ниско напрежение на акумулатора.
- Изключване на ниско и високо напрежение на акумулатора.
- Изключване от претоварване.
- Защита срещу късо съединение, прегряване, претоварване и обратна полярност.
- Функция Soft Start (мек старт).

Само за SPB1000I-12, SPB1500I-12, SPB2000I-12: Устройството е съвместимо с N-BUS (вижте глава Свързване на N-BUS на страница 372).

8 Преди инсталирането

Изисквания към акумулатора

Типът и размерът на акумулатора могат силно да повлияят на работата на инверторите. Ето защо видът на товарите, които инверторът ще захранва, и продължителността на употреба между презареждането трябва да бъде идентифицирана. За да определите минималните изисквания за акумулатора за дадено приложение, направете следното:

1. Определете мощността от етикетите на всеки уред, който да се използва едновременно от инвертора. Обикновено консумираната мощност се показва във ватове. Ако е показано в амperi, умножете по стойността 230 V, за да определите мощността.
2. Изчислете броя часове, през които оборудването ще се използва, преди зареждане на акумулатора.
3. Изчислете необходимата обща енергия във Wh (ватови часове), като умножите времето, определено по-горе, със сумата на мощността. Разделете резултата на 10, ако входящият инвертор е 12 V, или на 20, ако е 24 V. Получената стойност в Ah представлява изискването за мощност на приложението.



УКАЗАНИЕ Когато е възможно, заредете акумулатора, когато е 50 % разреден или по-рано. Това дава на батерията много по-дълъг жизнен цикъл, за разлика от това да я презарежда само когато е дълбоко разредена.

Отстраняване на проблеми с интерференция

Някои евтини звукови системи могат да излъчват бръмчаш шум от високоговорителите, когато работят от инвертора. Това се случва, защото захранването в звуковата система не филтрира адекватно модифицираната синусоидална вълна, произведена от инвертора. Решението е да се използва звукова система, която има високо качество на захранване, или да се използва чист синусоидален инвертор. Когато инверторът работи, той може да попречи на телевизионното приемане на някои канали. Ако възникне интерференция, опитайте следното:

1. Уверете се, че заземяването на шасито на инвертора е свързано към земята на автомобила.
2. Уверете се, че телевизионната антена осигурява адекватен сигнал и кабелът на антената е в добро състояние.
3. Дръжте кабелите между акумулатора и инвертора възможно най-къси и ги завъртете заедно, за да намалите излъчваните емисии.
4. Преместете телевизора възможно най-далеч от инвертора.
5. Не работете с инвертора с висока мощност, когато телевизорът е включен.

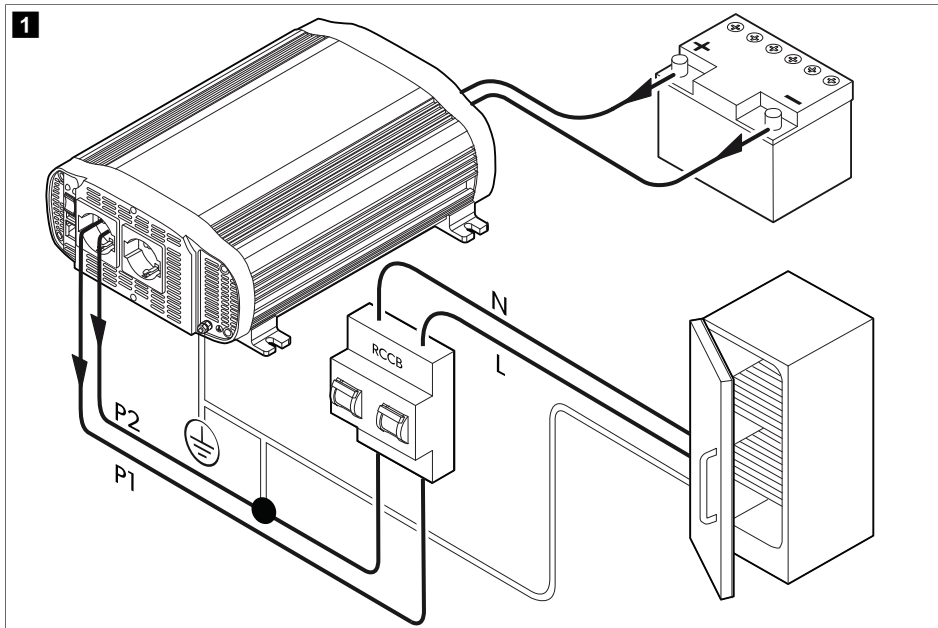
Защита срещу теч на земята (с изключение SPB1000I-12, SPB1500I-12 и SPB2000I-12)



ВНИМАНИЕ! Опасност от повреда

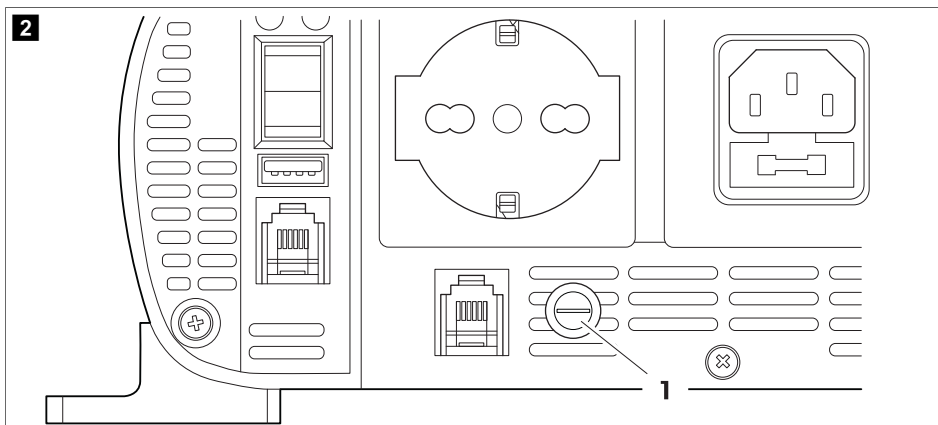
За безопасната работа на множество уреди е от съществено значение в веригата за разпределение на гнездото да бъде вграден прекъсвач (прекъсвач с остатъчен ток).

Гнездото за заземяване е предназначено за система за безопасност, като например прекъсвача с остатъчен ток (RCCB). Свържете прекъсвача с остатъчен ток съгласно следната диаграма:



1. Свържете фазовия (P1) и нулния (P2) изход към входа на прекъсвача с остатъчен ток.
2. Свържете инверторната земя към един от двата проводника, свързани към входа на прекъсвача с остатъчен ток.
3. Свържете нулния и фазовия изход от входа на остатъчния прекъсвач към уредите.
4. Свържете земята на инвертора към земята на уредите.

Защита от теч на земята (SPB1000I-12, SPB1500I-12 И SPB2000I-12)







ВНИМАНИЕ! Опасност от повреда

Диаграмата по-горе се отнася само до свързването на изхода на инвертора. Конекторът IEC на входа на външната мрежа трябва да бъде свързан към изхода на прекъсвача на външния източник на захранване от електрическата мрежа.

Заземяващите устройства от типа TN или IT за SPB1000I-12, SPB1500I-12 И SPB2000I-12 могат да се конфигурират с предпазител.

- > За да установите заземяване тип TN, се уверете , че предпазителят е поставен в държача за предпазители .
- > За да установите заземяващо устройство тип IT, се уверете, че предпазителят **не е** поставен в държача за предпазители .

9 Инсталиране



ВНИМАНИЕ! Опасност от повреда

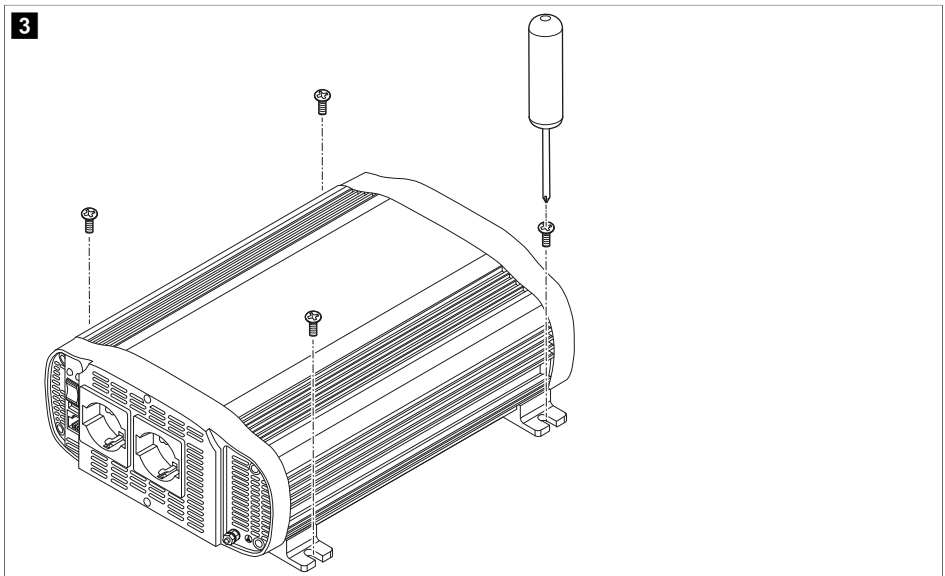
Не монтирайте устройството в близост до източници на топлина или на места, които не са адекватно проветрени.



УКАЗАНИЕ Устройството може да бъде монтирано във всяко положение. Ако е монтиран на вертикална повърхност, се препоръчва дългата страна да бъде успоредна на пода.



УКАЗАНИЕ Инсталирайте устройството възможно най-близко до източника на 12 V / 24 V захранване.



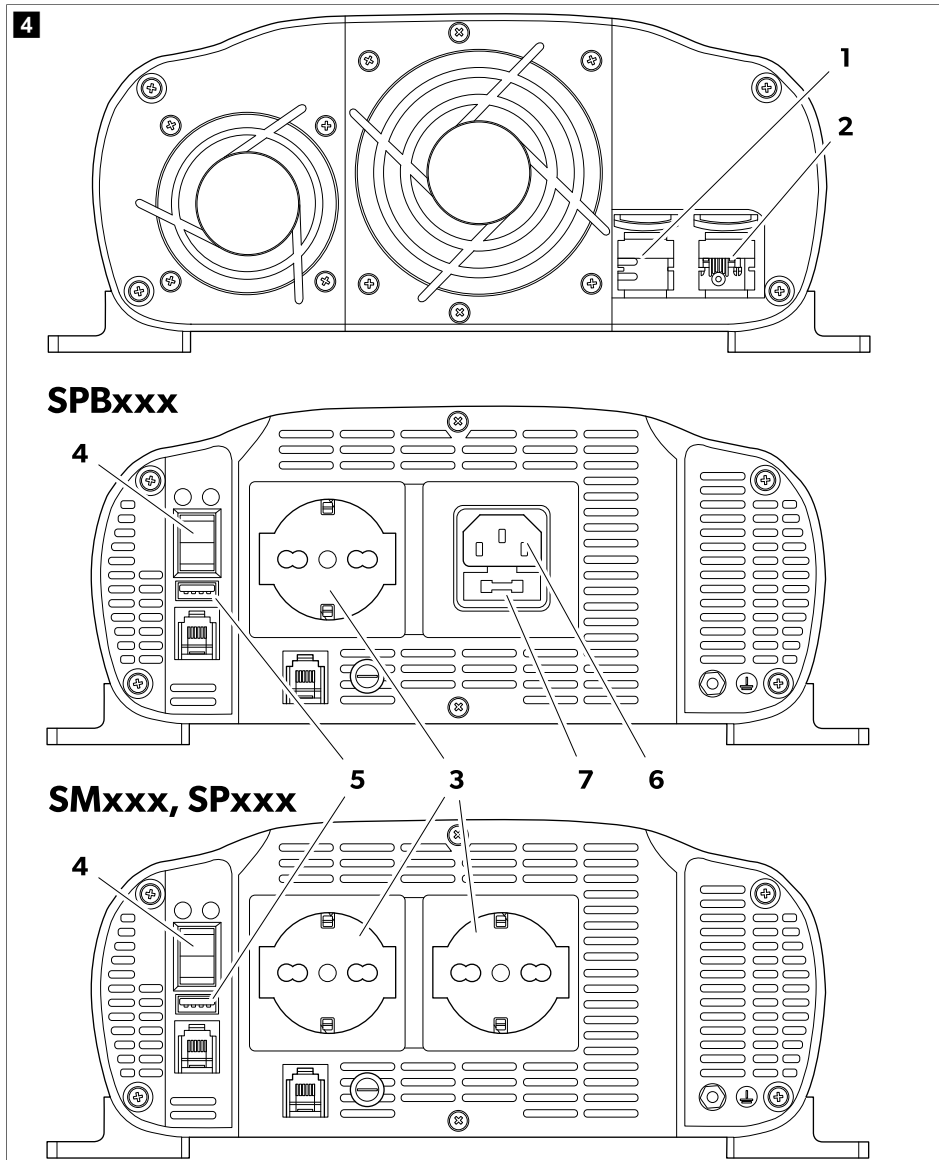
1. Монтирайте устройството чрез четирите монтажни фланци, като използвате подходящи винтове.

**ВНИМАНИЕ! Опасност от повреда**

Преди да свържете устройството, уверете се, че превключвателят за захранване е в изключено положение.

**УКАЗАНИЕ** Използвайте доставените проводници, за да свържете акумулатора към устройството.

Ако разстоянието между акумулатора и устройството надвишава 2 метра, увеличете напречното сечение на проводника, за да намалите спада на напрежението и загубите на мощност.



2. Свържете отрицателната клема на акумулатора към отрицателната клема на инвертора①.



ВНИМАНИЕ! Опасност от повреда

За да защитите свързаните устройства, инсталирайте вграден предпазител на положителния кабел на акумулатора.

3. Свържете положителната клема на акумулатора към положителната клема на инвертора^②.



ВНИМАНИЕ! Опасност от повреда

Преди да свържете уреда към инвертора, се уверете, че е изключен.

4. Свържете 230 V уреда към изходен контакт^③.
5. Включете инвертора с превключвател ВКЛ./ИЗКЛ^④.



УКАЗАНИЕ Когато инверторът е включен, червеният и зеленият светодиод се включва в продължение на 3 до 5 секунди. След кратко време червеният светодиод се изключва и зеленият остава включен и устройството излъчва акустичен сигнал. Зеленият светодиод показва, че инверторът работи правилно.



ВНИМАНИЕ! Опасност от повреда

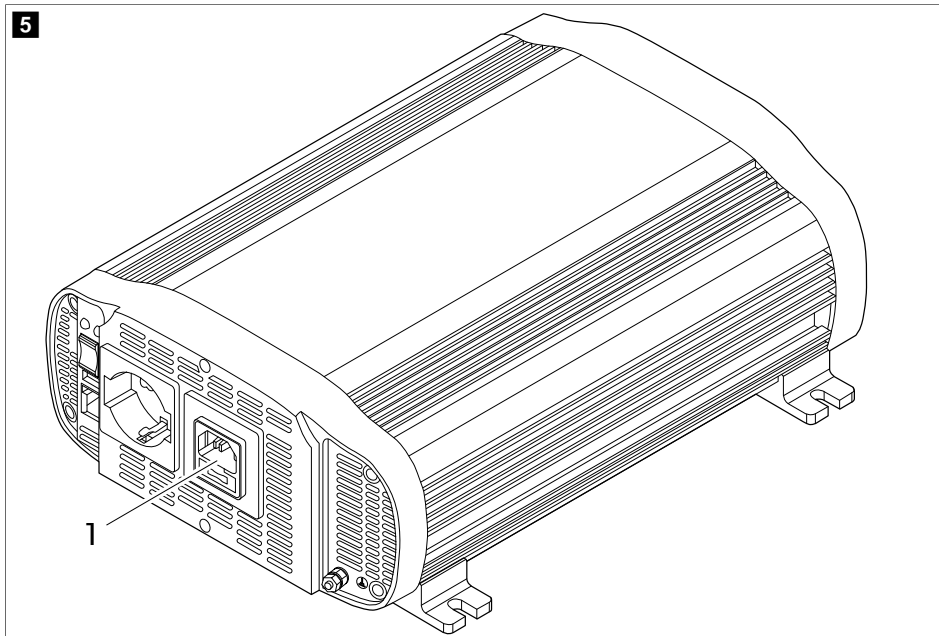
- > Когато планирате да работите с повече от един уред, първо свържете този, който изисква по-високо натоварване.
- > Уверете се, че изискването за комбинирано натоварване на вашите уреди не надвишава изходната стойност на инвертора.
- > Когато използвате удължителен кабел от инвертора към уред, удължителният кабел не трябва да бъде по-дълъг от 1,5 m.
- > Не свързвайте инвертора към верига за променливотоково натоварване, в която неутралният проводник е свързан към земята.

6. Свържете допълнителни 230 V уреди и ги включете.
7. За да заредите 5 V уред, свържете го към USB порта^⑤.

10 Свързване на външното мрежово захранване (SPB1000I-12, SPB1500I-12 И SPB2000I-12)

Възможно е да свържете кабел IEC към външното мрежово гнездо, за да захранвате свързаните уреди директно с променливотоково напрежение от обществената електрическа мрежа.

5



1. Свържете кабела към гнездото ①.
2. Монтирайте или свалете предпазителя към вградения държач за предпазители ⑦ в съответствие с желаното устройство за заземяване (вижте глава Преди инсталирането на страница 365).

11 Свързване на дистанционното управление

Устройството може да се управлява дистанционно с допълнителен външен превключвател (RC03) или с всеки общ превключвател, конфигуриран към RJ11-ия конектор ① на устройството. Следното описание на конфигурациите на шифтовете може да се използва като насока при използване на общи външни превключватели.




Опционалният външен превключател RC03 използва следната конфигурация на шифтовете:

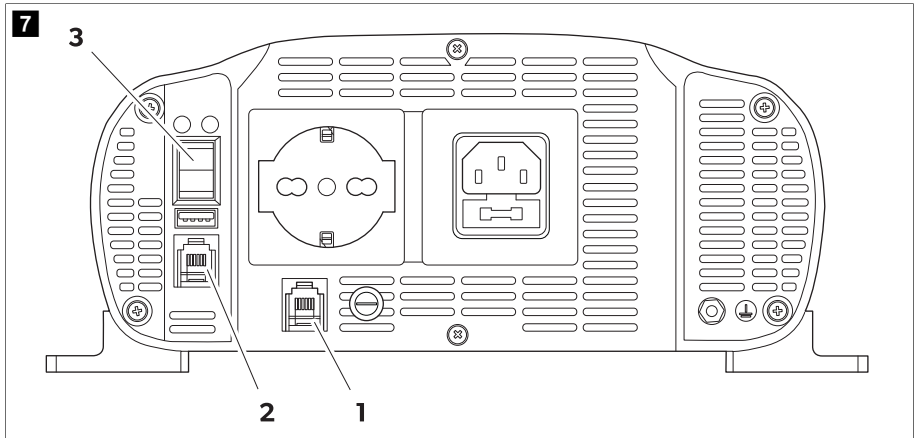
	Шифт	Функция
	2	Червена светодиодна връзка
	1-3	Външна връзка на превключателя
	4	Земя

- > За да активирате дистанционното управление, включете превключателя за включване/изключване ② в позиция 2.

12 Свързване на N-BUS

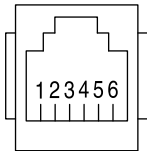
(Само за SPB1000I-12, SPB1500I-12, SPB2000I-12)

1. Свържете RJ12 шепсела (BC03, BC06, BC10) към гнездото на N-BUS ( фиг. 7 на страница 373, 1).




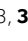
Използвайте 6-полюсен плосък кабел с RJ12 щепсел в права конфигурация. Конфигурацията на щифовете е както следва:

Щифт	Функция
1	Състояние на мрежата
2	Дистанционно управление
3	N-BUS/CI-BUS
4	Земя
5	Напрежение на шината (VBUS)
6	(не е свързано)



ВНИМАНИЕ! Опасност от повреда

Внимавайте да не объркате връзките за N-BUS и дистанционното управление ( фиг. 7 на страница 373, **2**).

- Превключете превключвателя за включване/изключване ( фиг. 7 на страница 373, **3**) на положение II.
- Свързване на устройства, съвместими с N-BUS.

Конфигуриране на инвертора в мрежата на N-BUS

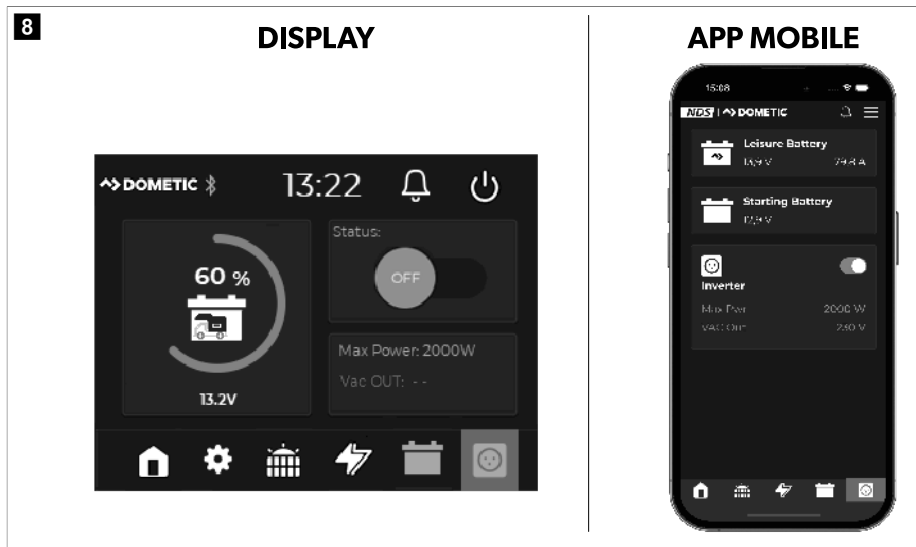
Устройствата, съвместими с N-BUS, могат да бъдат конфигурирани и контролирани в мрежата на N-BUS чрез дисплей или мобилно приложение.



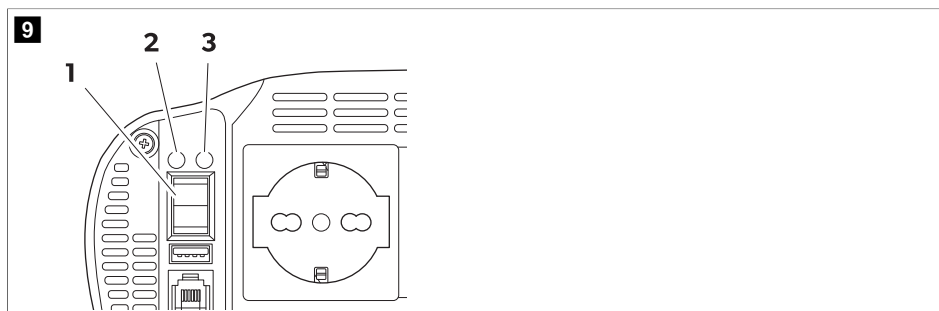
УКАЗАНИЕ

- За използване на мобилното приложение е необходимо поне едно Bluetooth устройство в мрежата на N-BUS.
- Задайте едно от устройствата като ГЛАВНО.

- > Изберете менюто на инвертора и издърпайте плъзгача в положение вкл. или изкл., за да включите или изключите инвертора.



13 Работа



Превключвател ВКЛ./ИЗКЛ.

- > За да включите устройството, натиснете превключвателя Вкл./Изк. ① в положение I.
- > За да изключите устройството, натиснете превключвателя ВКЛ./ИЗКЛ. ①(ВКЛ./ИЗКЛ.) в позиция 0.
- > За да активирате дистанционното управление, натиснете превключвателя Вкл./Изк. ① в положение II.

СВЕТОДИОДНИ индикатори

Устройството е оборудвано със зелен ② и червен ③ светодиоден индикатор, за да се покаже работното състояние.

СВЕТОДИОД	Описание
Green	Устройството е включено и работи правилно

СВЕТОДИОД	Описание
Red	Неизправност на устройството

14 Смяна на предпазителите

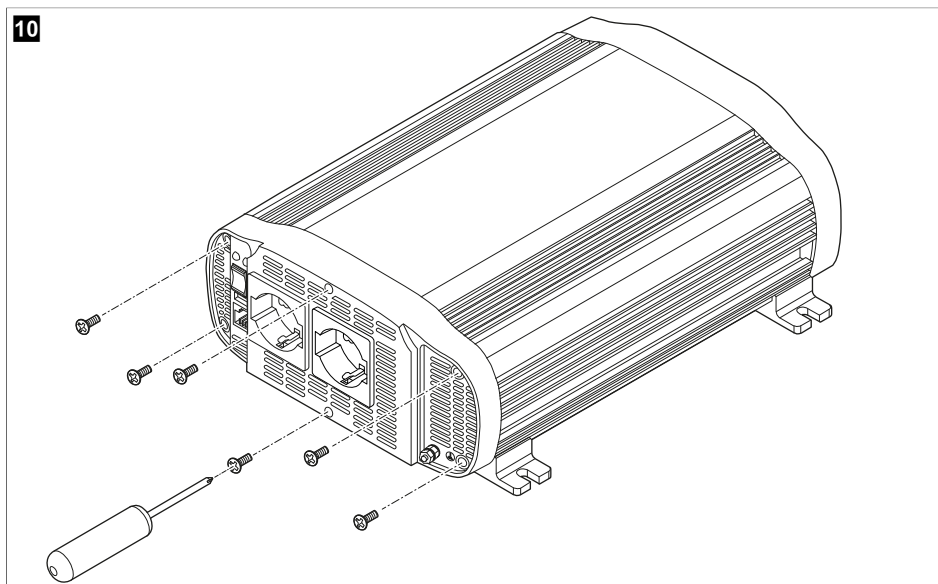


ПРЕДУПРЕЖДЕНИЕ!

- Опасност от електрически удар
- Монтажът може да се извършва само от квалифициран електротехник.

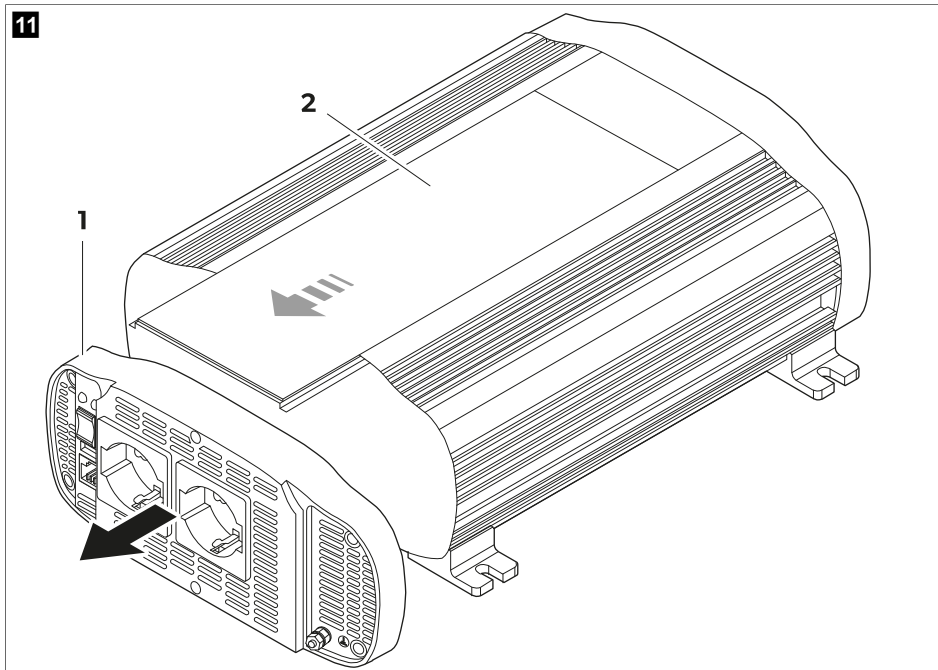
Устройството е защитено от интегрална електронна верига. Също така, предпазителите се намират вътре в устройството. В случай на обратна полярност на връзка предпазител ще изгори. Устройствата с функция IVT също разполагат със стъклен предпазител в гнездото IEC за външно мрежово свързване. Резервните предпазителни са включени в опаковката на продукта.

Смяна на вътрешните предпазителни



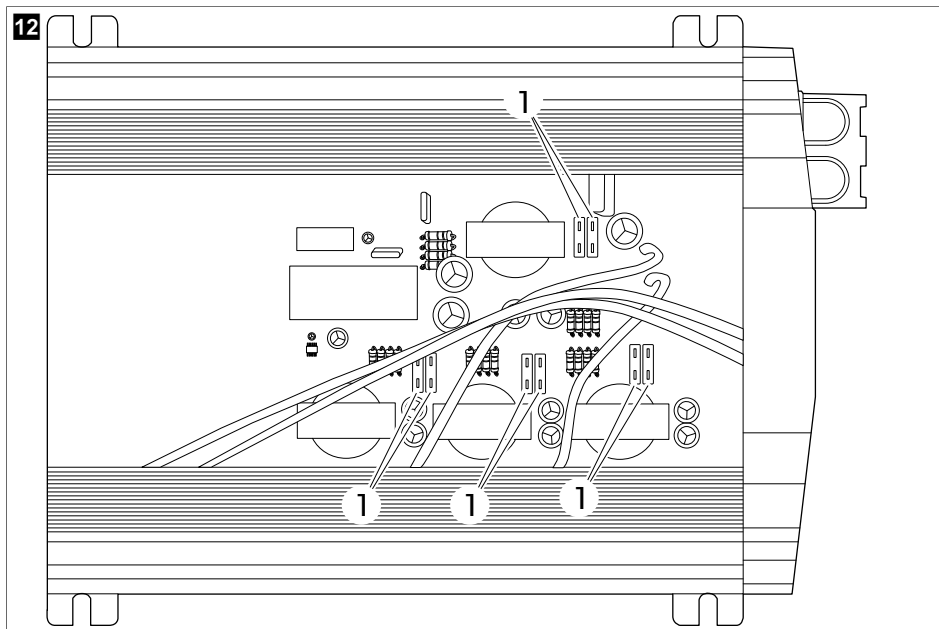
1. Свалете шестте винта.

11



2. Наклонете предния панел напред①.

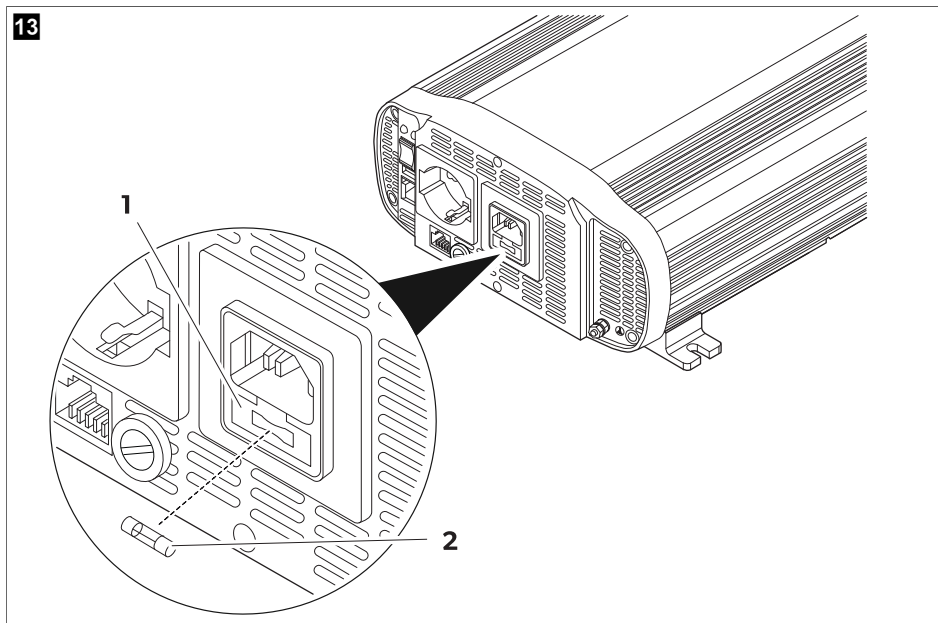
3. Отстранете капака②.



4. Сменете предпазителя①.

Модел	Количество на предпазителя	Номинална стойност на предпазителя	
SM400-12, SP400-12	1	50 A	червен
SM600-12, SP600-12	2	50 A	червен
SM600-24, SP600-24	2	25 A	бял
SM1000-12, SP1000-12	4	30 A	зелен
SM1500-12, SP1500-12	6	30 A	зелен
SP1500-24	6	15 A	син
SP2000-12	8	30 A	зелен
SP3000-12	12	30 A	зелен
SP3000-24	12	15 A	син

Смяна на предпазителя на гнездото IEC



1. Отворете капака ① на корпуса на гнездото.
2. Сменете предпазителя ②.

Модел	Количество на предпазителя	Номинална стойност на предпазителя
SPB1000I-12, SPB1500I-12 И SPB2000I-12	1	10 A (F10AL 250V стъклен предпазител)



УКАЗАНИЕ След смяна на предпазителя устройството автоматично се рестартира. Ако устройството не работи правилно след подмяната на предпазителя, свържете се с техник, за да отстраните проблемите.

15 Почистване и поддръжка

- > От време на време почиствайте продукта с влажна кърпа.
- > Проверете дали входните и изходните връзки са здрави и сигурни.
- > Уверете се, че вентилационните отвори не са запушени от мръсотия или какъвто и да е материал.

16 Изхвърляне



Рециклиране на опаковъчния материал: По възможност предайте опаковката за рециклиране.



Ако искате окончателно да изхвърлите продукта, попитайте местния център за рециклиране или специализиран търговец за подробности как това да се извърши в съответствие с валидните предписания. Продуктът може да бъде изхвърлен безплатно.



Ако продуктът съдържа незаменяеми батерии, презареждаеми батерии или източници на светлина, не е необходимо да ги отстранявате, преди да изхвърлите продукта.

17 Гаранция

Важи гаранционният срок, определен от закона. Ако продуктът е дефектен, моля, свържете се с клона на производителя във вашата страна (вижте dometic.com/dealer) или с вашия търговец на дребно.

За обработка на гаранцията и ремонта, моля приложете следните документи при изпращането на уреда:

- Копие от фактурата с дата на покупката
- Причина за претенцията или описание на дефекта

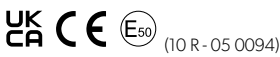
Отбележете, че саморъчен или непрофесионален ремонт може има последствия за безопасността и да анулира гаранцията.


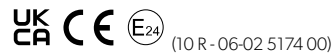
18 Технически данни

	SM400-12	SM600-12	SM600-24
Непрекъсната изходна мощност	400 W	600 W	
Пикова изходна мощност	800 W (няколко секунди)	1200 W (няколко секунди)	
Изходно напрежение (RMS)/честота	230 V AC/50 Hz ± 3 Hz		
USB изход	5 V 2,1 A		
Входно напрежение	12 V		24 V
Самопотребление	200 mA (13,2 V)	220 mA (13,2 V)	100 mA (26,4 V)
Свързаност	-	-	-
Размери (ДхШхВ)	140 mm × 184 mm × 71 mm	140 mm × 214 mm × 71 mm	140 mm × 214 mm × 71 mm
Сертификат	(10 R - 05 0094)		




	SM1000-12	SM1500-12
Непрекъсната изходна мощност	1000 W	1500 W
Пикова изходна мощност	2000 W (няколко секунди)	3000 W (няколко секунди)
Изходно напрежение (RMS)/честота	230 V AC/50 Hz ± 3 Hz	
USB изход	5 V 2,1 A	
Входно напрежение	12 V	
Самопотребление	530 mA (13,2 V)	460 mA (13,2 V)
Свързаност	-	-
Размери (ДхШхВ)	270 mm × 262 mm × 107,5 mm	270 mm × 262 mm × 107,5 mm




	SM1000-12	SM1500-12
Сертификат		

	SP400-12	SP600-12	SP600-24
Непрекъсната изходна мощност	400 W	600 W	
Пикова изходна мощност	1000 W (няколко секунди)	1500 W (няколко секунди)	
Изходно напрежение (RMS)/честота	230 V AC/50 Hz ± 3 Hz		
USB изход	5 V 2,1 A		
Входно напрежение	12 V		24 V
Самопотребление	340 mA (13,2 V)	420 mA (13,2 V)	210 mA (26,4 V)
Свързаност	-	-	-
Размери (ДхШхВ)	140 mm × 214,5 mm × 71 mm	140 mm × 244,5 mm × 71 mm	140 mm × 244,5 mm × 71 mm
Сертификат			

	SP1000-12	SPB1000I-12
Непрекъсната изходна мощност	1000 W	
Пикова изходна мощност	2500 W (няколко секунди)	
Изходно напрежение (RMS)/честота	230 V AC/50 Hz ± 3 Hz	
USB изход	5 V 2,1 A	
Входно напрежение	12 V	
Самопотребление	870 mA (13,2 V)	680 mA (13,2 V)
Време за превключване от батерия към външна мрежа	-	0,02 s
Време за превключване от външна мрежа към батерия	-	0,1 s
Свързаност	-	N-BUS
Размери (ДхШхВ)	270 mm × 262,4 mm × 107,5 mm	270 mm × 262,4 mm × 107,5 mm
Сертификат		

	SP1500-12	SPB1500I-12	SP1500-24
Непрекъсната изходна мощност	1500 W		
Пикова изходна мощност	4000 W (няколко секунди)		
Изходно напрежение (RMS)/честота	230 V AC/50 Hz ± 3 Hz		
USB изход	5 V 2,1 A		

	SP1500-12	SPB1500I-12	SP1500-24
Входно напрежение	12 V		24 V
Самопотребление	850 mA (13,2 V)	930 mA (13,2 V)	620 mA (26,4 V)
Време за превключване от батерия към външна мрежа	-	0,02 s	-
Време за превключване от външна мрежа към батерия	-	0,1 s	-
Свързаност	-	N-BUS	-
Размери (ДхШхВ)	270 mm × 322,4 mm × 107,5 mm	270 mm × 360 mm × 107,5 mm	270 mm × 322,4 mm × 107,5 mm
Сертификат	 (10 R - 05 0094)	 (10 R - 06-02 5174 00)	 (10 R - 05 0094)

	SPB2000I-12	SP3000-12	SP3000-24
Непрекъсната изходна мощност	2000 W	3000 W	
Пикова изходна мощност	6000 W (няколко секунди)	8000 W (няколко секунди)	
Изходно напрежение (RMS)/ честота	230 V AC/50 Hz ± 3 Hz		
USB изход	5 V 2,1 A		
Входно напрежение	12 V		24 V
Самопотребление	900 mA (13,2 V)	1270 mA (13,2 V)	680 mA (26,4 V)
Време за превключване от батерия към външна мрежа	0,02 s	-	-
Време за превключване от външна мрежа към батерия	0,1 s	-	-
Свързаност	N-BUS	-	-
Размери (ДхШхВ)	270 mm × 385 mm × 107,5 mm	270 mm × 452 mm × 107,5 mm	270 mm × 452 mm × 107,5 mm
Сертификат			
	 (10 R - 06-02 5174 00)	 (10 R - 05 0094)	

С настоящото Dometic декларира, че радио оборудването от тип SPB1000I-12, SPB1500I-12 и SPB2000I-12 е в съответствие с Директива 2014/53/ЕС. Пълният текст на ЕС декларацията за съответствие е наличен на следния Интернет адрес: documents.dometic.com

Eesti keel

1	Olulised märkused.....	382
2	Sümbolite selgitus.....	382
3	Ohutusjuhised.....	383
4	Tarnekomplekt.....	383
5	Kasutusotstarve.....	383
6	Sihtrühm.....	384
7	Tehniline kirjeldus.....	384
8	Enne paigaldamist.....	384
9	Paigaldamine.....	387
10	Välise toiteallika ühendamine (mudelid SPB1000I-12, SPB1500I-12 ja SPB2000I-12).....	389
11	Kaugjuhtimispuhldi ühendamine.....	390
12	N-siini ühendamine.....	391
13	Kasutamine.....	392
14	Kaitsmete vahetamine.....	393
15	Puhastamine ja hooldamine.....	396
16	Kõrvaldamine.....	396
17	Garantii.....	397
18	Tehnilised andmed.....	397

1 Olulised märkused

Lugege see juhend tähelepanelikult läbi ja järgige kõiki selles esitatud juhiseid, suuniseid ja hoiatusi, et tagada alati toote õigesti paigaldamine, kasutamine ning hooldamine. See juhend PEAB jääma selle toote juurde.

Toote kasutamisega kinnitate, et olete kõik juhised, suunised ja hoiatused tähelepanelikult läbi lugenud ning mõistate ja nõustute järgima nendes sätestatud tingimusi. Nõustute kasutama seda toodet üksnes ettenähtud eesmärgil ja otstarbel ning kooskõlas kasutusjuhendis sätestatud juhiste, suuniste ja hoiatustega, samuti kooskõlas kõigi kohaldatavate õigusaktide ja eeskirjadega. Siin sätestatud juhiste ja hoiatuste lugemise ja järgimise eiramine võib põhjustada vigastusi teile ja kolmandatele isikutele, kahjustada teie toodet või läheduses asuvat muud vara. Toote kasutusjuhendit, sh juhiseid, suuniseid ja hoiatusi, ning seotud dokumente võidakse muuta ja uuendada. Värskema tootekirjelduse leiate veebisaidilt documents.domestic.com.

2 Sümbolite selgitus

Signaalsõna tähistab ohutusteateid ja varalise kahju teateid ning näitab ka ohu raskusastet või taset.



HOIATUS!

viitab ohtlikule olukorrale, mis eiramise korral võib lõppeda surma või raske vigastusega.



ETTEVAATUST!

viitab ohtlikule olukorrale, mis eiramise korral võib lõppeda kerge või keskmise vigastusega.



TÄHELEPANU!

Viitab ohtlikule olukorrale, mis eiramise korral võib lõppeda varalise kahjuga.



MÄRKUS Lisateave toote käitamiseks.

3 Ohutusjuhised



HOIATUS! Nende hoiatuste mittejärgimine võib põhjustada raskeid vigastusi või surma.

- > Tulekahju korral kasutage elektriseadmete jaoks sobivat tulekustutit.
- > Kui seadmel on nähtavaid kahjustusi, ei tohi seda kasutada.



ETTEVAATUST! Nende hoiatuste mittejärgimine võib põhjustada raskeid vigastusi või surma.

- > Paigalduse, kokkupaneku ja juhtmete ühendamise ning kõigi muude töödega tohivad tegeleda ainult kvalifitseeritud elektrikud. Valed remonditööd võivad tekitada suurt kahju.
- > Paigaldada ei tohi potentsiaalselt plahvatusohtlikku keskkonda, näiteks ruumi, kus on tuleohtlikke vedelikke või gaase.
- > Ärge paigaldage seadet lahtise leegi ega muude soojusallikate (kütteseadmed, otsene päikesepaiste, gaasihjud jne) lähedale ega hoidke seda seal.
- > Lapsed ei tohi seadmega mängida.
- > Lapsed alates 8. eluaastast ning piiratud füüsiliste, sensoorsete või vaimsete võimetega või vajalike kogemuste ja teadmisteta isikud võivad seda seadet kasutada järelevalve all või pärast seda, kui neid on õpetatud seadet ohutult kasutama ja nad mõistavad seadme kasutamiseiga kaasnevaid ohte.



TÄHELEPANU! Viitab ohtlikule olukorrale, mis eiramise korral võib lõppeda varalise kahjuga.

- > Kontrollige, kas tüübisildile märgitud pingenäitajad kattuvad toiteallika näitajatega.
- > Ärge kastke seadet vette.
- > Kaitske seadet ja kaablit kuumuse ning niiskuse eest.
- > Ärge jätke seadet vihma kätte.
- > Veenduge, et paigalduspind suudab seadme raskust kanda.
- > Paigutage kaablid nii, et nende otsa ei komistataks ega need ei saaks kahjustada.
- > Kui kaableid on vaja vedada läbi metallpaneelide või muude paneelide, millel on teravad servad, kasutage selleks kanalisüsteemi või kaablikanaleid.

4 Tarnekomplekt

Kirjeldus	Kogus
Inverter	1
Punane toitekaabel	1
Must toitekaabel	1
Paigaldus- ja kasutusjuhend	1

5 Kasutusotstarve

Seade on mõeldud sellega ühendatud seadmete varustamiseks 230 V pingega, mis saadakse 12 V või 24 V sisendpingest. Seade on loodud kasutamiseks matkabussides, matkaautodes ja reisibussides.

Mudeliseeriasse kuuluvad kahte tüüpi seadmed:

- Mudelid SM400-12, SM600-12, SM600-24, SM1000-12 ja SM1500-12 on modifitseeritud siinuslaine väljundiga inverterid.
- Mudelid SP400-12, SP600-12, SP600-24, SP1000-12, SP1500-12, SP1500-24, SP3000-12 ja SP3000-24 on puhta siinuslaine väljundiga inverterid.

Mudelitel SPB1000I-12, SPB1500I-12 ja SPB2000I-12 on integreeritud prioriteetsusfunktsioon (IVT) ja kaitsmetega sisendpesa (IEC) välise toiteühenduse jaoks.

See toode sobib kasutamiseks üksnes ettenähtud otstarbel ja käesolevas kasutusjuhendis toodud valdkonnas.

Käesolev juhend sisaldab teavet, mis on vajalik toote korrektseks paigaldamiseks ja/või kasutamiseks. Halva paigalduse ja/või valesti kasutamise või hooldamise korral halvenevad töomadused ja võib tekkida rike.

Tootja ei võta vastutust mis tahes kahju või tootekahjustuse eest, mis on tingitud mõnest järgmisest asjaolust:

- valesti paigaldamine, kokkupanek või ühendamine, sh liigpinge;
- valesti hooldamine või tootja poolt ette nähtud originaalvaruosadest erinevate varuosade kasutamine;
- tootel ilma tootja selge loata tehtud muudatused;
- kasutamine otstarbel, mida ei ole kasutusjuhendis kirjeldatud.

Dometic jätab endale õiguse muuta toote välimust ja tehnilisi näitajaid.

6 Sihtrühm



Elektrilise paigaldusega peab tegelema ning seadme peab seadistama kvalifitseeritud elektrik, kes on tõestanud oma oskusi ja teadmisi sõidukite ülesehituse ja töö ning paigaldamise osas ja kes tunneb seadme paigaldus- ja/või kasutusriigis kehtivaid määrusi ning kes on läbinud ohutusosalase koolituse, et tuvastada ja vältida vastavaid ohtusid.

Kõiki muid toiminguid tohivad teha ka kasutajad, kes ei ole spetsialistid.

7 Tehniline kirjeldus

Seadmel on kaks põhiahela astet, et muundada 12 V \rightleftharpoons 24 V \rightleftharpoons sisendpinge vahelduvvoolu väljundpingeks. Esimene aste hõlmab isoleeritud kõrgsageduslikku alalisvoolumuundurit, et muundada 12 V alalisvoolu või 24 V alalisvoolu sisendpinge kuni 400 V alalisvoolu väljundpingeks. Viimane aste hõlmab H-silda, mis muundab alalisvoolu kõrgepingesiini 230 V vahelduvvoolu pingeks.

Seadme põhiomadused on järgmised.

- Väike energiatarve.
- Galvaaniliselt isoleeritud sisend ja väljund muudavad seadme ohutumaks.
- Temperatuuri järgi reguleeritav ventilaatori kiirus tagab vaigse töö.
- Sisseehitatud prioriteetlüli välise avalik elektrivõrgu ja aku vahel.
- Sisse-/väljalülitamise kaugjuhtimispuldi ühendamise valmidus.
- Madala akupinge alarm.
- Väljalülitamine madala ja kõrge akupinge korral.
- Väljalülitamine ülekoormuse korral.
- Kaitse lühise, liiga kõrge temperatuuri, ülekoormuse ja pooluste vahetamise korral.
- Sujuvkäivituse funktsioon.

Ainult SPB1000I-12, SPB1500I-12, SPB2000I-12: seade ühildub N-siiniga (vt peatükki „N-siini ühendamine leheküljel 391“).

8 Enne paigaldamist

Aku nõuded

Aku tüüp ja suurus võivad inverteri jõudlust märgatavalt mõjutada. Seetõttu tuleb kindlaks teha koormuste tüüp, mida inverter toitega varustab ja laadimiseni jäänud kasutamisaeg. Seadme jaoks aku miinimumnõuete kindlaksmääramiseks tehke järgmist.

1. Vaadake kõigi inverteriga korraga ühendatavate seadmete märgistelt nimivõimsust. Tavaliselt esitatakse voolutarve vattides. Kui see on esitatud amprites, korrutage väärtus arvuga 230 V, et nimivõimsust välja selgitada.
2. Hinnake, mitu tundi seadet enne aku laadimist kasutatakse.
3. Arvutage kogu vajalik energia ühikutes Wh (vatt-tunnid), korrutades eespool kindlaks määratud aja nimipinge summaga. Jagage tulemus 10-ga, kui inverteri sisendpinge on 12 V, või 20-ga, kui see on 24 V. Selle tulemuse saadud väärtus ühikutes Ah näitab seadme energiavajadust.



MÄRKUS Võimaluse korral laadige akut, kui see on ligikaudu 50% tühjenenud, või varem. See tagab aku palju pikema tööea võrreldes sellega, kui laete seda ainult siis, kui see on peaaegu tühi.

Häiringutega seotud probleemide veaotsing

Mõne odava helisüsteemi kõlarid võivad tekitada sumisevat heli, kui süsteemi inverteri abil kasutatakse. Selle põhjustab asjaolu, et helisüsteemi toiteplokk ei filtreeri inverteri tekitavaid modifitseeritud siinuslaineid piisavalt. Lahendus on kvaliteetse toiteplokkiga helisüsteemi või puhta siinuslaine inverteri kasutamine. Kui inverter töötab, võib see häirida mõne televisioonikanali vastuvõttu. Häiringu korral proovige teha järgmist.

1. Veenduge, et inverteri maanduspolt on ühendatud sõiduki maandusega.
2. Veenduge, et televiisori antenni signaal oleks piisav ja antennikaabel heas korras.
3. Kasutage aku ja inverteri vahel võimalikult lühikesi kaableid ja keerutage need häiringukiirguse vähendamiseks kokku.
4. Liigutage televiisor inverterist võimalikult kaugemale.
5. Ärge kasutage inverteril suurt toitekoormust, kui televiisor on sisse lülitatud.

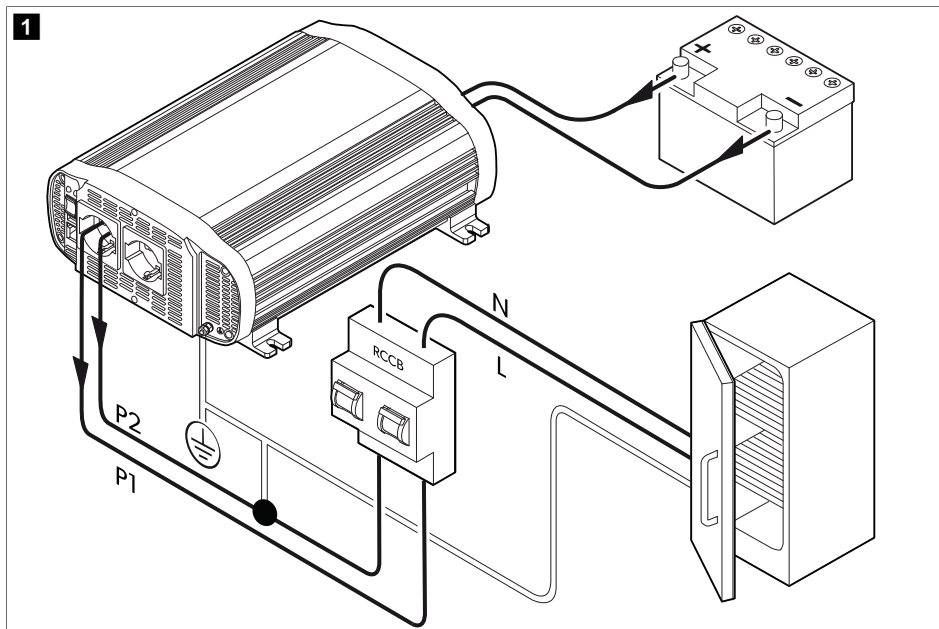
Maanduslekkekaitse (välja arvatud mudelid SPB1000I-12, SPB1500I-12 ja SPB2000I-12)



TÄHELEPANU! Kahjustuste oht

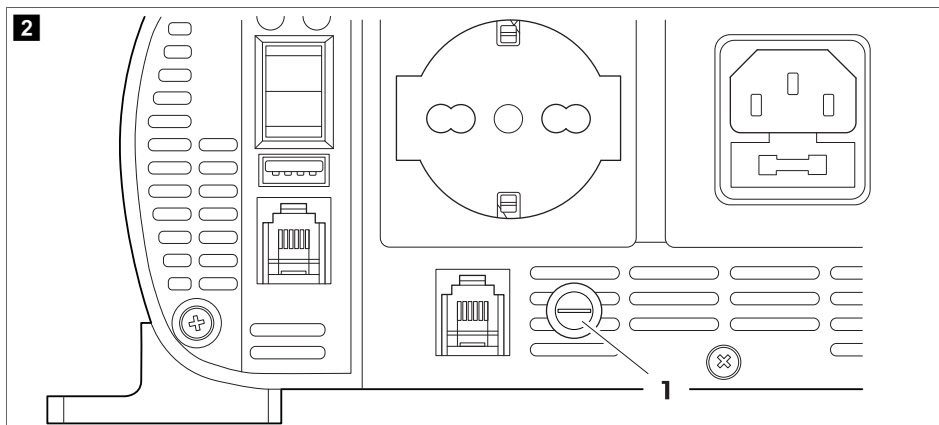
Mitme seadme ohutuks koos kasutamiseks tuleb pesade jaotusahelasse kindlasti lahklüliti (jääkvoolu lahklüliti) paigaldada.

Maanduspesa on loodud sellise ohutussüsteemi jaoks nagu jääkvoolu lahklüliti (RCCB). Ühendage jääkvoolu lahklüliti järgmise graafiku järgi.



1. Ühendage faasi (P1) ja neutraalne (P2) väljund jääkvoolu lahkliüliti sisendiga.
2. Ühendage inverteri maandus ühega kahest juhtmest, mis on ühendatud jääkvoolu lahkliüliti sisendiga.
3. Ühendage neutraalne ja faasi väljund jääkvoolu lahkliüliti seadmetesse.
4. Ühendage inverteri maandus seadmete maandusega.

Maanduslekkekaitse (mudelid SPB1000I-12, SPB1500I-12 ja SPB2000I-12)





TÄHELEPANU! Kahjustuste oht

Eespool kujutatud graafikul on kujutatud ainult inverteri väljundi ühendamist. Välise elektrivõrgu sisendi IEC konnektor tuleb ühendada välise toiteallika lahkliitli väljundiga.

SPB1000I-12, SPB1500I-12 ja SPB2000I-12 TN- või IT-tüüpi maandamise paigaldised on kaitsmega konfigureeritavad.

- > TN-tüüpi maanduse loomiseks veenduge, et kaitse sisestatakse kaitsmepessa ①.
- > IT-tüüpi maanduse loomiseks veenduge, et kaitset **ei** sisestatakse kaitsmehoidikusse ①.

9 Paigaldamine



ETTEVAATUST! Kahjustuste oht

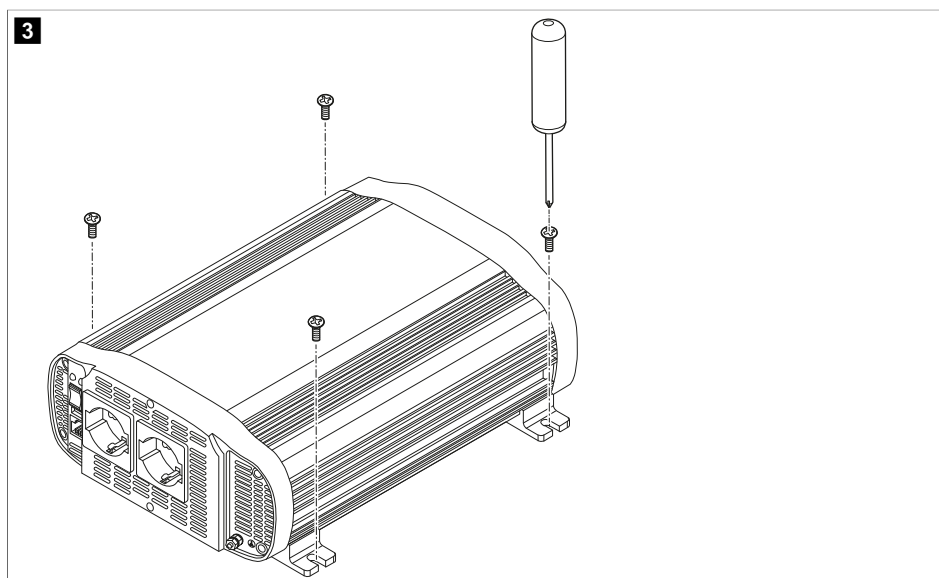
Ärge paigaldage seadet soojusallikate lähedale ega ebapiisava ventilatsiooniga kohta.



MÄRKUS Seadme võib paigaldada igas asendis. Vertikaalsele pinnale paigaldamise korral on soovitatav pikk külg pörandaga paralleelseks seada.



MÄRKUS Paigaldage seade 12 V / 24 V toiteallikale võimalikult lähedale.



1. Kinnitage seade sobivate kruvide ja nelja kinnitusaäriku abil.

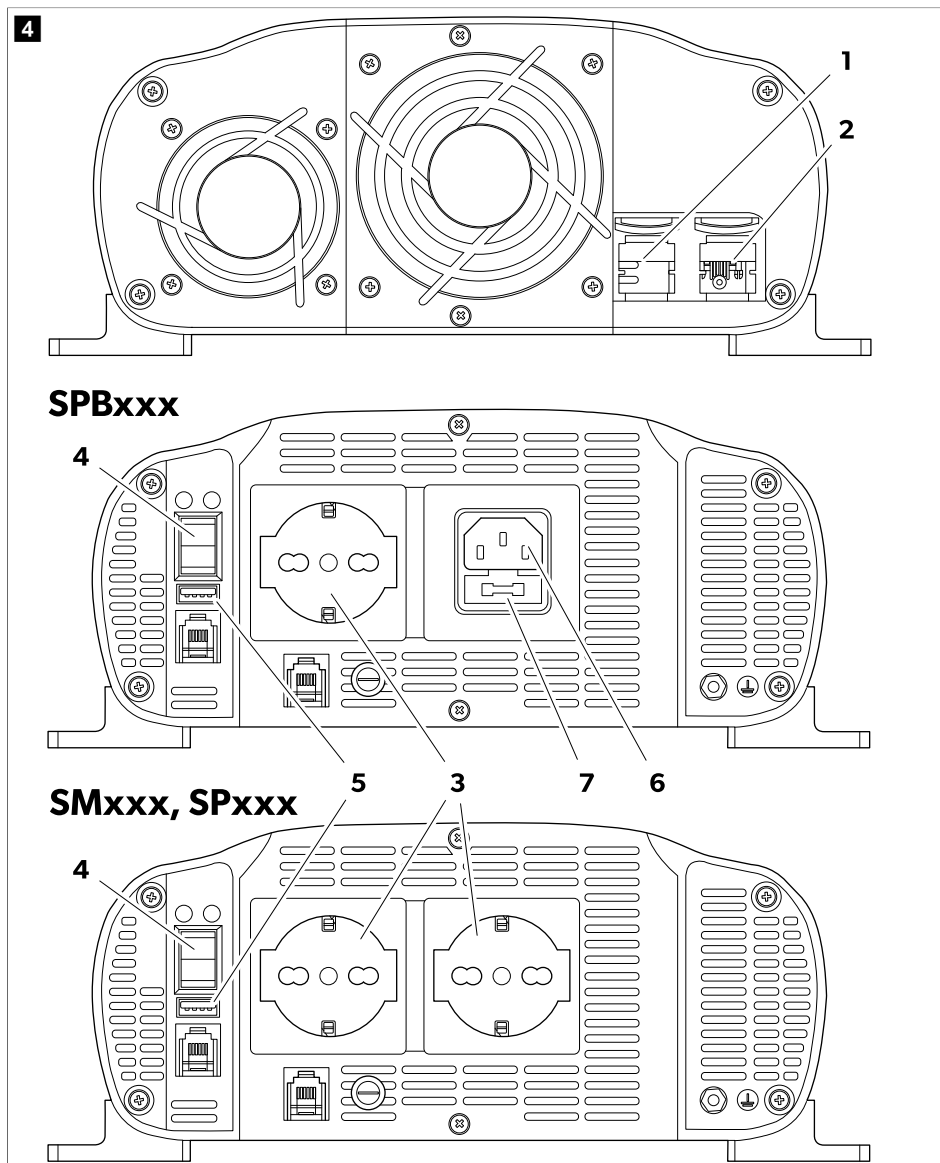


TÄHELEPANU! Kahjustuste oht

Veenduge enne seadme ühendamist, et toitelüliti oleks väljalülitatud asendis.



MÄRKUS Kasutage aku ja seadme ühendamiseks kaasasolevaid juhtmeid. Kui aku ja seadme vahele jääb rohkem kui 2 meetrit, suurendage juhtme ristlõiget, et vähendada pingelangust ja võimsuse kadu.



2. Ühendage aku miinusklenn inverteri miinusklenniga ①.

**TÄHELEPANU! Kahjustuste oht**

Paigaldage ühendatud seadmete kaitsmiseks aku plusskaablile jadakaitse.

- Ühendage aku plussklemm inverteri plussklemmiga ②.

**TÄHELEPANU! Kahjustuste oht**

Enne mõne seadme ühendamist inverteriga veenduge, et see oleks välja lülitatud.

- Ühendage 230 V seade väljundpessa ③.
- Lülitage inverter sisse-/väljalülitamise lülitist sisse ④.



MÄRKUS Inverteri sisselülitamisel süttivad 3 – 5 sekundiks nii punane kui ka roheline LED. Peagi lülitub punane LED välja ning roheline jääb põlema ja seadmest kõlab helisignaali. Roheline LED annab märku, et inverter töötab nõuetekohaselt.

**TÄHELEPANU! Kahjustuste oht**

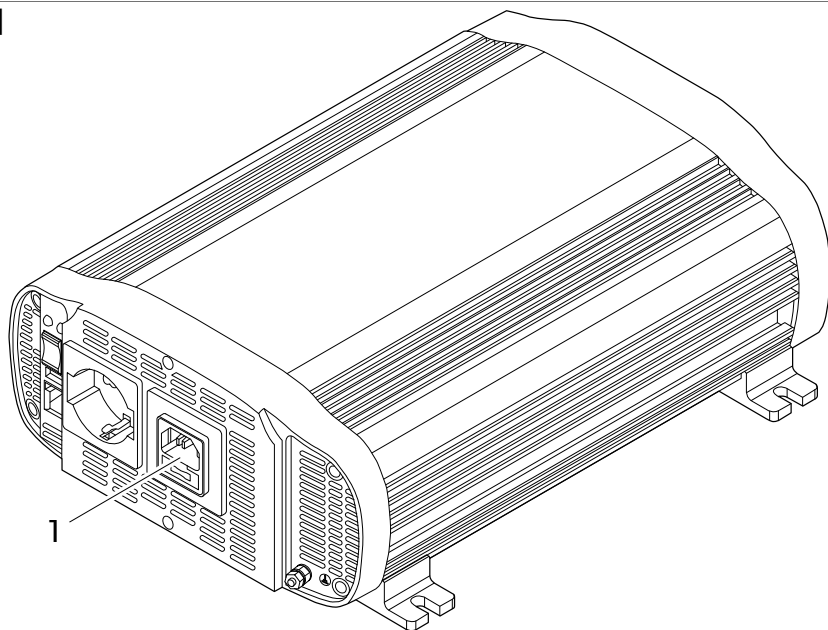
- > Kui kavatsete kasutada rohkem kui üht seadet, ühendage esmalt suurema koormusvajadusega seade.
- > Veenduge, et seadmete koormusvajaduse summa ei ületaks inverteri väljundvõimsust.
- > Kui kasutate inverteri ja seadme vahel pikendusjuhet, ei tohi pikendusjuhe olla pikem kui 1,5 m.
- > Ärge ühendage inverterit vahelduvvoolu koormusega ahelaga, mille neutraalne juhe on maandusega ühendatud.

- Ühendage ülejäänud 230 V seadmed ja lülitage need sisse.
- 5 V seadme laadimiseks ühendage see USB-pessa ⑤.

10 Välise toiteallika ühendamine (mudelid SPB1000I-12, SPB1500I-12 ja SPB2000I-12)

IEC kaabli saab ühendada välise elektrivõrgu pessa, et varustada ühendatud seadmeid vahelduvvoolu pingega otse avalikust elektrivõrgust.

5

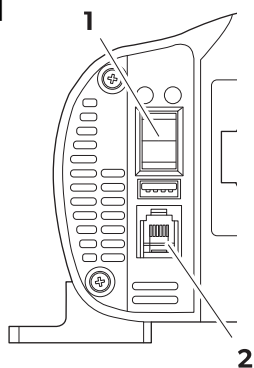


1. Ühendage kaabel pesaga ①.
2. Paigaldage kaitse jadakaitse hoidikusse ⑦ või eemaldage kaitse hoidikust vastavalt soovitud tüüpi maandamise paigaldisele (vt peatükki „Enne paigaldamist leheküljel 384“).

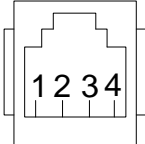
11 Kaugjuhtimispuldi ühendamine

Seadet saab eemalt juhtida lisavarustusena saadaoleva välise lüliti (RC03) või mis tahes muu üldise lülitiga, mis on konfigureeritud seadme konektori RJ11 ① järgi. Järgmist kontaktide konfiguratsiooni kirjeldust võib kasutada üldiste väliste lülitite kasutamisel suunisena.

6




Lisavarustusena saadaolev väline lüliti RC03 kasutab järgmist kontaktikonfiguratsiooni.

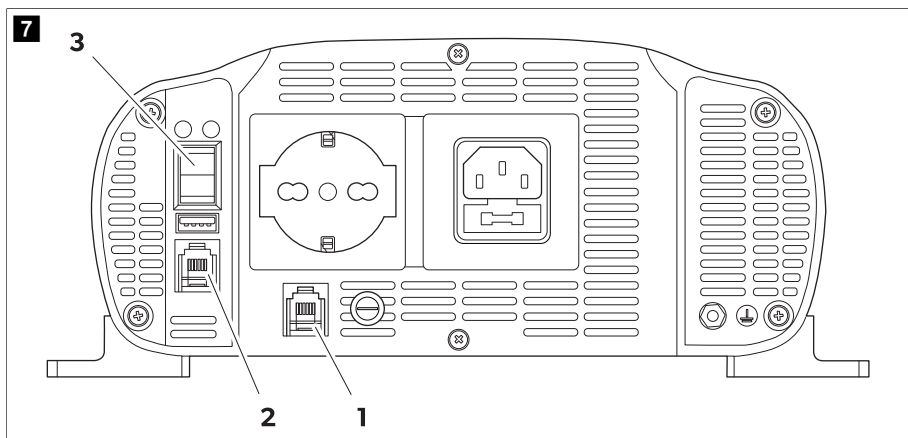
	Kontakt	Funktsioon
	2	Punase LED-i ühendus
	1-3	Välise lüliti ühendus
	4	Maandus

> Kaugjuhtimispuldi lubamiseks lülitage sisse-/väljalülitamise lüliti ② asendisse 2.

12 N-siini ühendamine

(ainult SPB1000I-12, SPB1500I-12, SPB2000I-12)

1. Ühendage RJ12 pistik (BC03, BC06, BC10) N-siini pessa ( joon. 7 leheküljel 391, 1).



Kasutage sirges konfiguratsioonis 6 klemmiga lamekaablit koos RJ12 pistikuga. Kontaktide asetuse konfiguratsioon on järgmine:

Kontakt	Funktsioon	
	1	Võrgu olek
	2	Kaugjuhtimispult
	3	N-siin/CI-siin
	4	Maandus
	5	Siini pinge (VBUS)
	6	(pole ühendatud)



TÄHELEPANU! Kahjustuste oht

Ärge segage N-siini ja kaugjuhtimispuldi ühendusi mavahel ( joon. 7 leheküljel 391, 2).

- Lülitage sisse-/väljalülitamise lüliti ( joon. 7 leheküljel 391, 3) asendisse II.
- Ühendage N-siiniga ühilduvad seadmed.

N-siini võrgus inverteri konfigureerimine

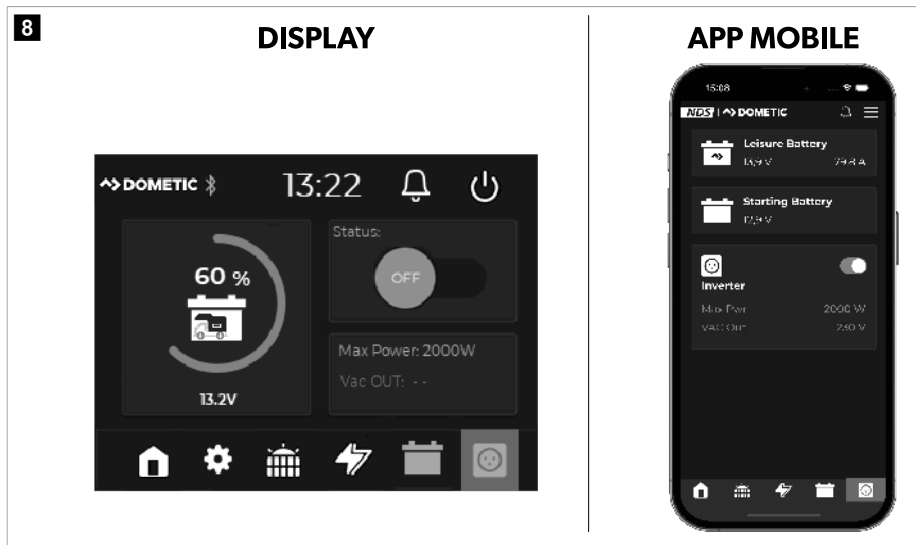
N-siiniga ühilduvaid seadmeid saab N-siini võrgus konfigureerida ja juhtida ekraani või mobiilirakenduse kaudu.



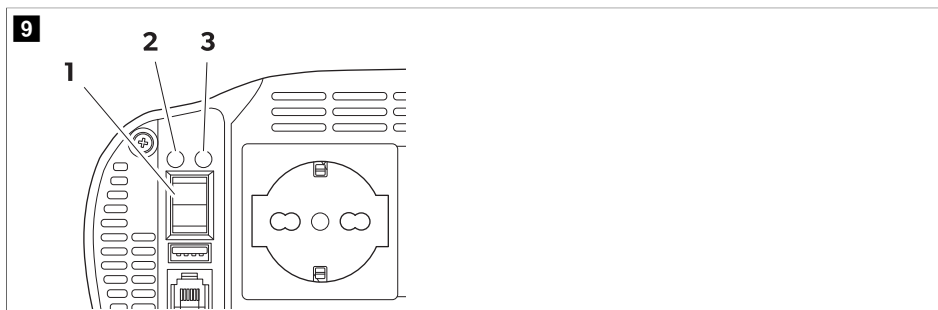
MÄRKUS

- Mobiilirakenduse kasutamiseks on vaja N-siini võrgus vähemalt ühte Bluetooth-seadet.
- Määrake üks seadmetest PÕHISEADMEKS.

- > Valige inverteri menüü ja lohistage liugur sisse- või väljalülitatud asendisse, et lülitada inverter sisse või välja.



13 Kasutamine



Sisse-/väljalülitamise lüüti

- > Seadme sisselülitamiseks vajutage sisse-/väljalülitamise lüüti ① asendisse I.
- > Seadme väljalülitamiseks vajutage sisse-/väljalülitamise lüüti ① asendisse O.
- > Kaugjuhtimispuhldi lubamiseks vajutage sisse-/väljalülitamise lüüti ① asendisse II.

LED-näidikud

Seadmel on tööoleku näitamiseks roheline ② ja punane ③ LED-näidik.

LED	Kirjeldus
Green	Seade on sisse lülitatud ja töötab nõuetekohaselt
Red	Seadme rike

14 Kaitsmete vahetamine

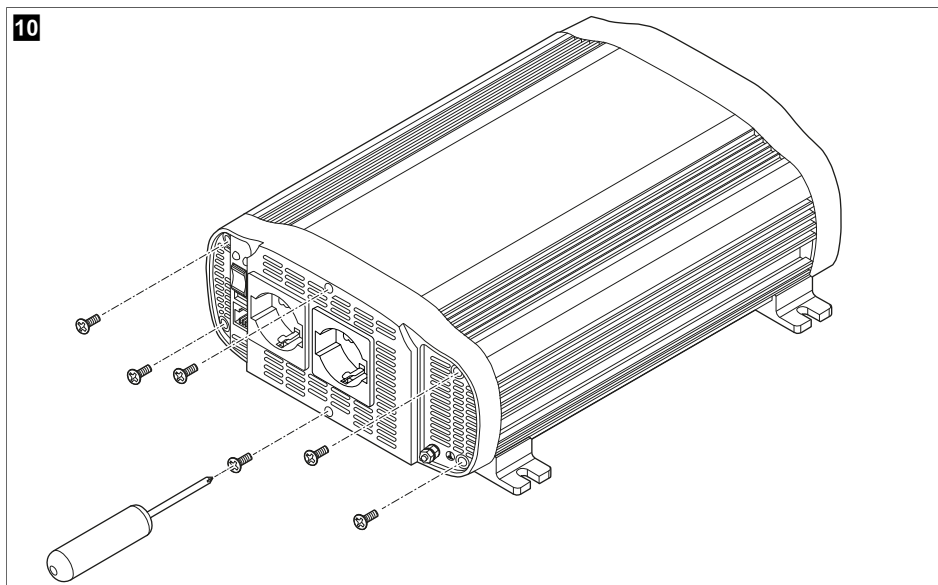


HOIATUS!

- Elektrilöögi oht
- Paigaldada tohib ainult kvalifitseeritud elektrik.

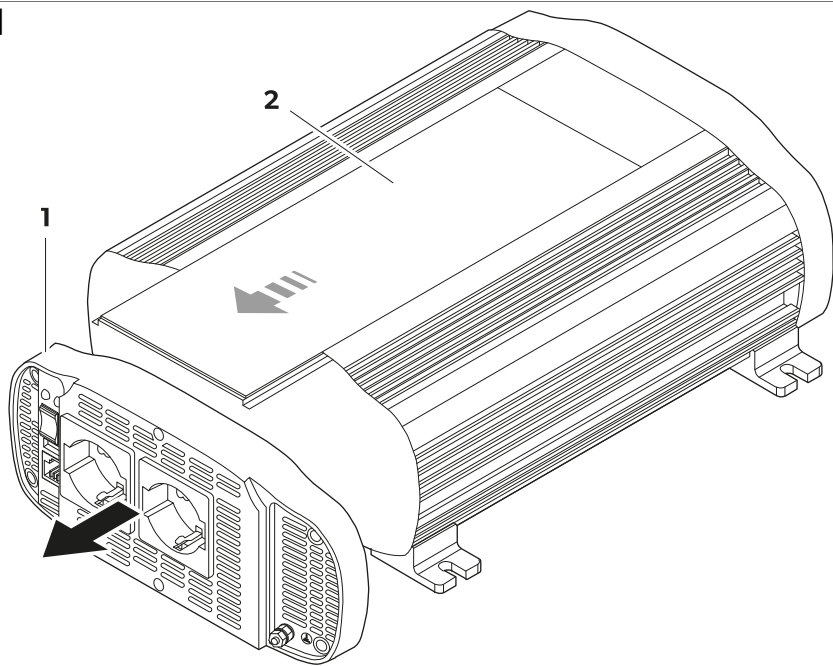
Seade on kaitsstud sulavkaitsmetega elektriabelaga. Kaitsmed asuvad seadme sees. Kaitsve põleb läbi, kui ühendamisel on poolused vahetusse läinud. IVT funktsiooniga seadmel on IEC pesas välise võrguga ühendamiseks ka klaaskaitse. Toote pakendis on kaasas varukaitsemed.

Sisemiste kaitsmete vahetamine

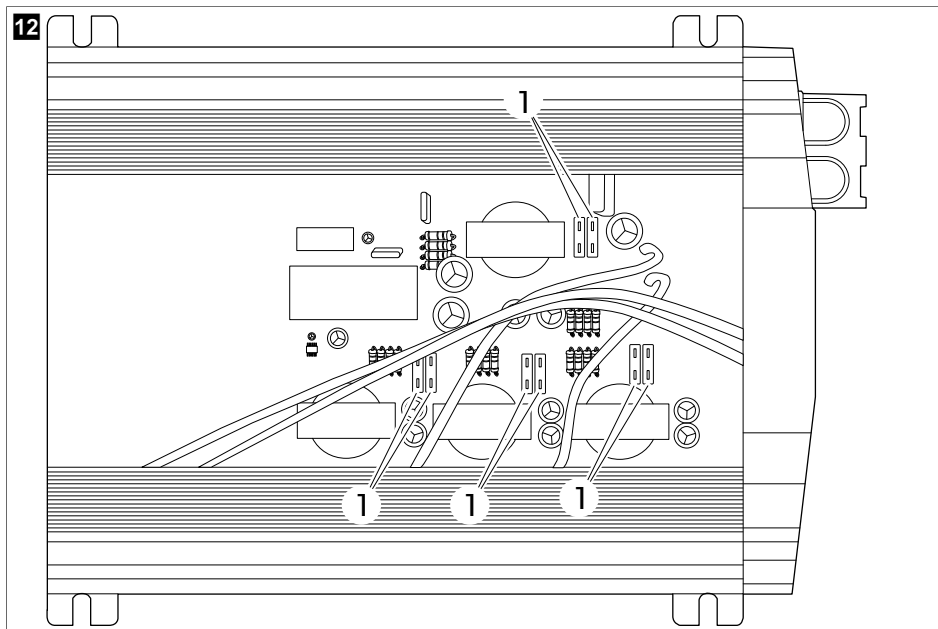


1. Eemaldage kuus kruvi.

11



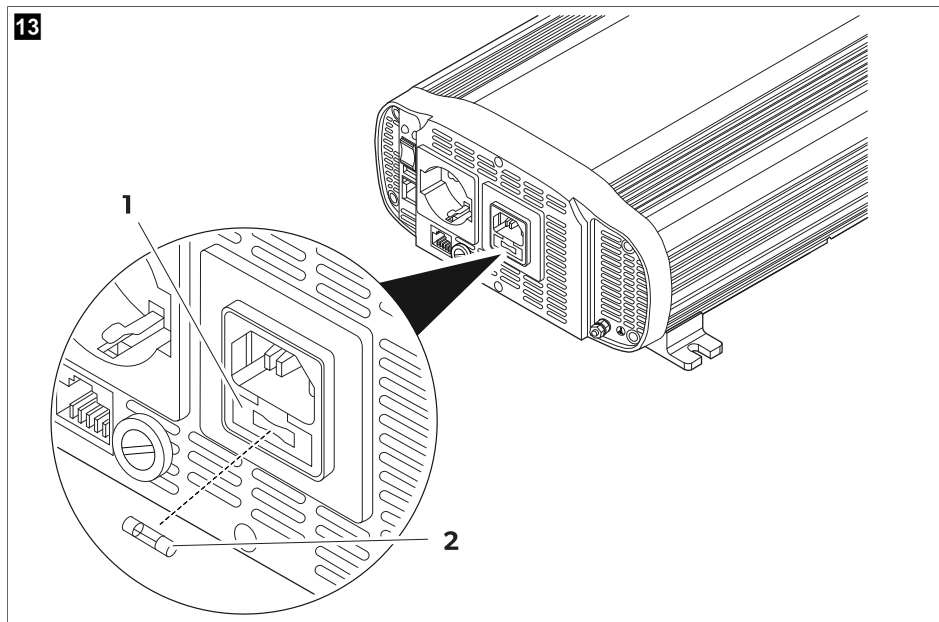
2. Kallutage eesmist paneeli ettepoole ①.
3. Eemaldage kaas ②.



4. Vahetage kaitse ①.

Mudel	Kaitsmete arv	Kaitsme suurus	
SM400-12, SP400-12	1	50 A	punane
SM600-12, SP600-12	2	50 A	punane
SM600-24, SP600-24	2	25 A	valge
SM1000-12, SP1000-12	4	30 A	roheline
SM1500-12, SP1500-12	6	30 A	roheline
SP1500-24	6	15 A	sinine
SP2000-12	8	30 A	roheline
SP3000-12	12	30 A	roheline
SP3000-24	12	15 A	sinine

IEC pesa kaitsme vahetamine



1. Avage pesa korpuse kaas ①.
2. Vahetage kaitsse ②.

Mudel	Kaitsmete arv	Kaitsme suurus
SPB1000I-12, SPB1500I-12 ja SPB2000I-12	1	10 A (F10AL 250V klaaskaitse)



MÄRKUS Pärast kaitsmete vahetamist käivitub seade automaatselt uuesti. Kui seade ei tööta pärast kaitsmete vahetamist õigesti, võtke probleemi põhjuse leidmiseks ühendust tehnikuga.

15 Puhastamine ja hooldamine

- > Puhastage toodet aeg-ajalt niiske lapiga.
- > Kontrollige, kas sisend- ja väljundühendused on kindlalt kinni ja kaitstud.
- > Veenduge, et ventilatsioonivad ei oleks kaetud mustuse ega muude materjalidega.

16 Kõrvaldamine



Pakkematerjali ringlussevõtt. Kui võimalik, pange pakkematerjal vastavasse ringlussevõetava prügi kasti.



Kui soovite toote utiliseerida, küsige oma kohalikust jäätmekäitlusteetvõttest või -spetsialistist edasimüüjalt üksikasjaliku, kuidas seda kehtivate jäätmekäitluseeskirjade järgi teha. Toote saab jäätmekäitlusele anda tasuta.



Kui toode sisaldab integreeritud akusid, tavalisi akusid või valgusallikaid, siis neid ei pea enne jäätmekäitlusele andmist eemaldama.

17 Garantii


Kehtib seadusega ettenähtud garantii. Kui toode on defektne, võtke ühendust tootja kohaliku filiaaliga (vt dometic.com/dealer) või edasimüüjaga.

Remondi- ja garantiitööde töötlemiseks lisage palun alljärgnevad dokumendid, kui seadme meile saadate:



- ostukuupäevaga arve koopia;
- kaebuse põhjus või vea kirjeldus.



Pange tähele, et kui parandate ise või lasete mittekutselisel parandajal seda teha, võib see ohutust mõjutada ja garantii kehtetuks muuta.

18 Tehnilised andmed




	SM400-12	SM600-12	SM600-24
Pidev väljundvõimsus	400 W	600 W	
Tippväljundvõimsus	800 W (mõni sekund)	1200 W (mõni sekund)	
Väljundpinge (RMS) / sagedus	230 V vahelduvvool / 50 Hz ± 3 Hz		
USB-väljund	5 V 2,1 A		
Sisendpinge	12 V		24 V
Omatarbimine	200 mA (13,2 V)	220 mA (13,2 V)	100 mA (26,4 V)
Ühenduvus	-	-	-
Mõõtmed (L x S x K)	140 mm x 184 mm x 71 mm	140 mm x 214 mm x 71 mm	140 mm x 214 mm x 71 mm
Sertifikaat	 (10 R-05 0094)		




	SM1000-12	SM1500-12
Pidev väljundvõimsus	1000 W	1500 W
Tippväljundvõimsus	2000 W (mõni sekund)	3000 W (mõni sekund)
Väljundpinge (RMS) / sagedus	230 V vahelduvvool / 50 Hz ± 3 Hz	
USB-väljund	5 V 2,1 A	
Sisendpinge	12 V	
Omatarbimine	530 mA (13,2 V)	460 mA (13,2 V)
Ühenduvus	-	-
Mõõtmed (L x S x K)	270 mm x 262 mm x 107,5 mm	270 mm x 262 mm x 107,5 mm

	SM1000-12	SM1500-12	
Sertifikaat	 (10 R-05 0094)		
	SP400-12	SP600-12	SP600-24
Pidev väljundvõimsus	400 W	600 W	
Tippväljundvõimsus	1000 W (mõni sekund)	1500 W (mõni sekund)	
Väljundpinge (RMS) / sagedus	230 V vahelduvvool / 50 Hz ± 3 Hz		
USB-väljund	5 V 2,1 A		
Sisendpinge	12 V		24 V
Omatarbimine	340 mA (13,2 V)	420 mA (13,2 V)	210 mA (26,4 V)
Ühenduvus	-	-	-
Mõõtmed (L x S x K)	140 mm × 214,5 mm × 71 mm	140 mm × 244,5 mm × 71 mm	140 mm × 244,5 mm × 71 mm
Sertifikaat	 (10 R-05 0094)		

	SP1000-12	SPB1000I-12
Pidev väljundvõimsus	1000 W	
Tippväljundvõimsus	2500 W (mõni sekund)	
Väljundpinge (RMS) / sagedus	230 V vahelduvvool / 50 Hz ± 3 Hz	
USB-väljund	5 V 2,1 A	
Sisendpinge	12 V	
Omatarbimine	870 mA (13,2 V)	680 mA (13,2 V)
Akult välisele elektrivõrgule lülitamise aeg	-	0,02 s
Väliselt elektrivõrgult akule lülitamise aeg	-	0,1 s
Ühenduvus	-	N-siin
Mõõtmed (L x S x K)	270 mm × 262,4 mm × 107,5 mm	270 mm × 262,4 mm × 107,5 mm
Sertifikaat	 (10 R-05 0094)	 (10 R-06-02 5174 00)

	SP1500-12	SPB1500I-12	SP1500-24
Pidev väljundvõimsus	1500 W		
Tippväljundvõimsus	4000 W (mõni sekund)		
Väljundpinge (RMS) / sagedus	230 V vahelduvvool / 50 Hz ± 3 Hz		
USB-väljund	5 V 2,1 A		
Sisendpinge	12 V		24 V
Omatarbimine	850 mA (13,2 V)	930 mA (13,2 V)	620 mA (26,4 V)

	SP1500-12	SPB1500I-12	SP1500-24
Akult välisele elektrivõrgule lülitamise aeg	–	0,02 s	–
Väliselt elektrivõrgult akule lülitamise aeg	–	0,1 s	–
Ühenduvus	–	N-siin	–
Mõõtmed (L x S x K)	270 mm × 322,4 mm × 107,5 mm	270 mm × 360 mm × 107,5 mm	270 mm × 322,4 mm × 107,5 mm
Sertifikaat	 (10 R - 05 0094)	 (10 R - 06-02 5174 00)	 (10 R - 05 0094)

	SPB2000I-12	SP3000-12	SP3000-24
Pidev väljundvõimsus	2000 W	3000 W	
Tippväljundvõimsus	6000 W (mõni sekund)	8000 W (mõni sekund)	
Väljundpinge (RMS) / sagedus	230 V vahelduvvool / 50 Hz ± 3 Hz		
USB-väljund	5 V 2,1 A		
Sisendpinge	12 V		24 V
Omatarbimine	900 mA (13,2 V)	1270 mA (13,2 V)	680 mA (26,4 V)
Akult välisele elektrivõrgule lülitamise aeg	0,02 s	–	–
Väliselt elektrivõrgult akule lülitamise aeg	0,1 s	–	–
Ühenduvus	N-siin	–	–
Mõõtmed (L x S x K)	270 mm × 385 mm × 107,5 mm	270 mm × 452 mm × 107,5 mm	270 mm × 452 mm × 107,5 mm
Sertifikaat			
	 (10 R - 06-02 5174 00)	 (10 R - 05 0094)	

Käesolevaga deklareerib Dometic, et käesolev raadioseadme tüüp SPB1000I-12, SPB1500I-12 ja SPB2000I-12 vastab direktiivi 2014/53/EL nõuetele. Eli vastavusdeklaratsiooni täielik tekst on kättesaadav järgmisel internetiaadressil: documents.dometic.com

Ελληνικά

1	Σημαντικές σημειώσεις.....	400
2	Επεξήγηση των συμβόλων.....	400
3	Υποδείξεις ασφαλείας.....	401
4	Περιεχόμενα συσκευασίας.....	401
5	Προβλεπόμενη χρήση.....	402
6	Ομάδα στόχος.....	402
7	Τεχνική περιγραφή.....	403
8	Πριν από την τοποθέτηση.....	403
9	Εγκατάσταση.....	406
10	Σύνδεση της εξωτερικής τροφοδοσίας ρεύματος ηλεκτρικού δικτύου (μοντέλα SPB1000I-12, SPB1500I-12 και SPB2000I-12).....	409
11	Σύνδεση του τηλεχειριστηρίου.....	410
12	Σύνδεση N-BUS.....	411
13	Λειτουργία.....	413
14	Αντικατάσταση ασφάλειας τήξης.....	414
15	Καθαρισμός και φροντίδα.....	417
16	Απόρριψη.....	417
17	Εγγύηση.....	418
18	Τεχνικά χαρακτηριστικά.....	418

1 Σημαντικές σημειώσεις

Παρακαλούμε να διαβάσετε προσεκτικά αυτές τις οδηγίες και να ακολουθήσετε όλες τις οδηγίες, τους κανονισμούς και τις προειδοποιήσεις που περιλαμβάνονται στο εγχειρίδιο αυτού του προϊόντος, έτσι ώστε να διασφαλίζεται πάντοτε η σωστή εγκατάσταση, χρήση και συντήρηση του προϊόντος. Αυτές οι οδηγίες ΠΡΕΠΕΙ πάντοτε να συνοδεύουν το προϊόν.

Με τη χρήση του προϊόντος επιβεβαιώνετε δια του παρόντος ότι έχετε διαβάσει προσεκτικά όλες τις οδηγίες, τους κανονισμούς και τις προειδοποιήσεις καθώς και ότι έχετε κατανοήσει και συμφωνείτε να τηρήσετε τους όρους και τις προϋποθέσεις που ορίζονται στο παρόν έγγραφο. Συμφωνείτε να χρησιμοποιείτε αυτό το προϊόν μόνο για τον προβλεπόμενο σκοπό και την προβλεπόμενη χρήση, πάντοτε σύμφωνα με τις οδηγίες, τους κανονισμούς και τις προειδοποιήσεις που ορίζονται στο παρόν εγχειρίδιο προϊόντος καθώς και σύμφωνα με όλους τους ισχύοντες νόμους και κανονισμούς. Σε περίπτωση μη ανάγνωσης και τήρησης των οδηγιών και των προειδοποιήσεων που ορίζονται στο παρόν έγγραφο, ενδέχεται να προκληθούν τραυματισμοί σε εσάς τον ίδιο και σε τρίτους, ζημία στο προϊόν σας ή υλικές ζημιές σε άλλες ιδιοκτησίες στο άμεσο περιβάλλον. Αυτό το εγχειρίδιο προϊόντος, συμπεριλαμβανομένων των οδηγιών, των κανονισμών, των προειδοποιήσεων και των σχετικών εγγράφων, ενδέχεται να υποβληθεί σε τροποποιήσεις και ενημερώσεις. Για ενημερωμένες πληροφορίες για το προϊόν, επισκεφθείτε την ηλεκτρονική διεύθυνση documents.domestic.com.

2 Επεξήγηση των συμβόλων

Μια λέξη σήμανσης επιτρέπει την αναγνώριση μηνυμάτων για την ασφάλεια και μηνυμάτων για υλικές ζημιές και υποδεικνύει τον βαθμό ή το επίπεδο σοβαρότητας του κινδύνου.



ΠΡΟΕΙΔΟΠΟΙΗΣΗ!

Καταδεικνύει μια επικίνδυνη κατάσταση, η οποία εάν δεν αποτραπεί, μπορεί να προκληθεί θανατηφόρο ατύχημα ή σοβαρός τραυματισμός.



ΠΡΟΦΥΛΑΞΗ!

Καταδεικνύει μια επικίνδυνη κατάσταση, η οποία εάν δεν αποτραπεί, μπορεί να προκληθεί μικρής ή μέτριας σοβαρότητας τραυματισμός.

**ΠΡΟΣΟΧΗ!**

Καταδεικνύει μια κατάσταση, η οποία εάν δεν αποτραπεί, μπορεί να προκληθούν υλικές ζημιές.



ΥΠΟΔΕΙΞΗ Συμπληρωματικές πληροφορίες για τον χειρισμό του προϊόντος.

3 Υποδείξεις ασφαλείας



ΠΡΟΕΙΔΟΠΟΙΗΣΗ! Η μη τήρηση αυτών των προειδοποιήσεων ενδέχεται να έχει ως αποτέλεσμα την πρόκληση θανάτου ή σοβαρού τραυματισμού.

- > Σε περίπτωση πυρκαγιάς, χρησιμοποιήστε έναν πυροσβεστήρα, ο οποίος είναι κατάλληλος για ηλεκτρικές συσκευές.
- > Μη θέσετε σε λειτουργία τη συσκευή, εάν παρουσιάζει εμφανείς ζημιές.



ΠΡΟΦΥΛΑΞΗ! Η μη τήρηση αυτών των προειδοποιήσεων ενδέχεται να έχει ως αποτέλεσμα την πρόκληση θανάτου ή σοβαρού τραυματισμού.

- > Η τοποθέτηση, η συναρμολόγηση και η καλωδίωση καθώς και όλες οι λοιπές εργασίες επιτρέπεται να πραγματοποιούνται μόνο από εξειδικευμένους ηλεκτρολόγους. Σε περίπτωση μη ενδεδειγμένων επισκευών, ενδέχεται να προκληθούν σοβαροί κίνδυνοι.
- > Η τοποθέτηση σε πιθανώς εκρηκτικές περιοχές, όπως χώροι με εύφλεκτη υγρά ή αέρια, δεν επιτρέπεται.
- > Μην τοποθετείτε ή διατηρείτε τη συσκευή κοντά σε φλόγες ή σε άλλες πηγές θερμότητας (συσκευές θέρμανσης, άμεση ηλιακή ακτινοβολία, φούρνους αερίου κ.λπ.).
- > Τα παιδιά δεν επιτρέπεται να παίζουν με τη συσκευή.
- > Αυτή η συσκευή μπορεί να χρησιμοποιηθεί από παιδιά ηλικίας 8 ετών και επάνω καθώς και άτομα με μειωμένες φυσικές, αισθητηριακές ή πνευματικές ικανότητες ή με έλλειψη εμπειρίας και γνώσεων, εάν επιτηρούνται ή τους έχουν δοθεί οδηγίες σχετικά με τη χρήση της συσκευής με ασφαλή τρόπο και κατανοούν τους σχετικούς κινδύνους.



ΠΡΟΣΟΧΗ! Καταδεικνύει μια κατάσταση, η οποία εάν δεν αποτραπεί, μπορεί να προκληθούν υλικές ζημιές.

- > Βεβαιωθείτε ότι η προδιαγραφή τάσης στην πινακίδα στοιχείων αντιστοιχεί στην υπάρχουσα τροφοδοσία ενέργειας.
- > Ποτέ μη βυθίζετε τη συσκευή μέσα στο νερό.
- > Προστατέψτε τη συσκευή και τα καλώδια από τη ζέστη και την υγρασία.
- > Η συσκευή δεν επιτρέπεται να εκτίθεται σε βροχή.
- > Βεβαιωθείτε ότι η επιφάνεια τοποθέτησης είναι σε θέση να υποστηρίξει το βάρος της συσκευής.
- > Τακτοποιήστε τα καλώδια κατά τέτοιο τρόπο, ώστε να μην υπάρχει κίνδυνος να σκοντάψει κανείς ή να τους προκαλέσει ζημιά.
- > Χρησιμοποιήστε σύστημα αγωγών ή κανάλια καλωδίων, εάν πρέπει να περαστούν καλώδια μέσα από μεταλλικά πάνελ ή άλλου είδους πάνελ με αιχμηρές ακμές.

4 Περιεχόμενα συσκευασίας

Περιγραφή	Ποσότητα
Μετατροπέας inverter	1
Κόκκινο καλώδιο τροφοδοσίας	1

Περιγραφή	Ποσότητα
Μαύρο καλώδιο τροφοδοσίας	1
Εγχειρίδιο τοποθέτησης και οδηγίες χειρισμού	1

5 Προβλεπόμενη χρήση

Η συσκευή προορίζεται για την παροχή τάσης 230 V, η οποία παράγεται από τάση εισόδου 12 V ή 24 V, σε συνδεδεμένες συσκευές. Η συσκευή προορίζεται για χρήση σε μεγάλα και μικρά αυτοκινούμενα τροχήλατα καθώς και σε λεωφορεία.

Η γραμμή μοντέλου περιλαμβάνει δύο τύπους συσκευών:

- Τα μοντέλα SM400-12, SM600-12, SM600-24, SM1000-12 και SM1500-12 είναι μετατροπείς τύπου inverter με έξοδο τροποποιημένου ημιτονοειδούς κύματος.
- Τα μοντέλα SP400-12, SP600-12, SP600-24, SP1000-12, SP1500-12, SP1500-24, SP3000-12 και SP3000-24 είναι μετατροπείς τύπου inverter με έξοδο καθαρού ημιτονοειδούς κύματος.

Τα μοντέλα SPB1000I-12, SPB1500I-12 και SPB2000I-12 διαθέτουν μια ενσωματωμένη λειτουργία προτεραιότητας (IVT) και μια προστατευμένη μέσω ασφάλειας τήξης υποδοχή σύνδεσης εισόδου (IEC) για τη σύνδεση εξωτερικής τροφοδοσίας ρεύματος.

Αυτό το προϊόν είναι κατάλληλο μόνο για τον προβλεπόμενο σκοπό και την προβλεπόμενη χρήση σύμφωνα με αυτές τις οδηγίες.

Αυτό το εγχειρίδιο παρέχει πληροφορίες που είναι απαραίτητες για τη σωστή εγκατάσταση και χρήση του προϊόντος. Σε περίπτωση λανθασμένης εγκατάστασης ή/και χρήσης ή συντήρησης, θα προκύψει μη κανονποιητική απόδοση και, πιθανώς, βλάβη.

Ο κατασκευαστής δεν αποδέχεται καμία ευθύνη για τυχόν τραυματισμούς ή ζημιές στο προϊόν, που οφείλονται σε:

- Λανθασμένη τοποθέτηση, συναρμολόγηση ή σύνδεση, συμπεριλαμβανομένης της υπερβολικά υψηλής τάσης
- Λανθασμένη συντήρηση ή χρήση μη αυθεντικών ανταλλακτικών εξαρτημάτων, που δεν προέρχονται από τον κατασκευαστή
- Μετατροπές στο προϊόν χωρίς τη ρητή άδεια του κατασκευαστή
- Χρήση για σκοπούς διαφορετικούς από αυτούς που περιγράφονται σε αυτό το εγχειρίδιο

Η Dometic διατηρεί το δικαίωμα αλλαγής της εμφάνισης και των προδιαγραφών του προϊόντος.

6 Ομάδα στόχος



Η ηλεκτρολογική εγκατάσταση καθώς και η ρύθμιση της συσκευής πρέπει να πραγματοποιούνται από έναν εξειδικευμένο ηλεκτρολόγο, ο οποίος διαθέτει αντίστοιχη κατάρτιση και επαρκείς γνώσεις σχετικά με την κατασκευή και τη λειτουργία ηλεκτρικού εξοπλισμού και ηλεκτρικών εγκαταστάσεων, είναι εξοικειωμένος με τους σχετικούς κανονισμούς της χώρας, στην οποία πρόκειται να εγκατασταθεί ή/και να χρησιμοποιηθεί ο εξοπλισμός και έχει λάβει εκπαίδευση ασφαλείας για την αναγνώριση και την αποφυγή των σχετικών κινδύνων.

Όλες οι άλλες ενέργειες μπορούν επίσης να πραγματοποιηθούν από μη επαγγελματίες χρήστες.

7 Τεχνική περιγραφή

Η συσκευή διαθέτει δύο βαθμίδες κύριου κυκλώματος για τη μετατροπή της τάσης εισόδου συνεχούς ρεύματος 12 V \equiv ή 24 V \equiv σε τάση εξόδου εναλλασσόμενου ρεύματος (AC). Η πρώτη βαθμίδα αποτελείται από ένα μονωμένο μετατροπέα DC/DC υψηλής συχνότητας για τη μετατροπή της τάσης εισόδου συνεχούς ρεύματος 12 V ή 24 V σε τάση εξόδου συνεχούς ρεύματος έως και 400 V. Η τελική βαθμίδα αποτελείται από μια γέφυρα τύπου H, η οποία μετατρέπει την υψηλή τάση συνεχούς ρεύματος σε τάση εναλλασσόμενου ρεύματος 230 V.

Η συσκευή έχει τα εξής κύρια χαρακτηριστικά:

- Χαμηλή κατανάλωση.
- Γαλβανικά μονωμένη είσοδος και έξοδος για αυξημένη ασφάλεια.
- Ελεγχόμενη βάση θερμοκρασίας ταχύτητα ανεμιστήρα για αθόρυβη λειτουργία.
- Ενσωματωμένος διακόπτης προτεραιότητας ανάμεσα στο εξωτερικό ηλεκτρικό δίκτυο και στην μπαταρία.
- Δυνατότητα χρήσης τηλεχειριστηρίου ενεργοποίησης / απενεργοποίησης.
- Προειδοποίηση χαμηλής τάσης μπαταρίας.
- Τερματισμός λειτουργίας χαμηλής και υψηλής τάσης μπαταρίας.
- Τερματισμός λειτουργίας υπερφόρτωσης.
- Προστασία έναντι βραχυκυκλώματος, υπερθέρμανσης, υπερφόρτωσης και αντιστροφής πολικότητας.
- Λειτουργία ήπιας εκκίνησης.

SPB1000I-12, SPB1500I-12, SPB2000I-12 μόνο: Η συσκευή είναι συμβατή με N-BUS (βλ. κεφάλαιο Σύνδεση N-BUS στη σελίδα 41).

8 Πριν από την τοποθέτηση

Απαιτήσεις για τις μπαταρίες

Ο τύπος και το μέγεθος της μπαταρίας μπορεί να επηρεάσουν σημαντικά την απόδοση των μετατροπέων τύπου inverter. Για αυτό το λόγο, απαιτείται ο καθορισμός του τύπου των φορτίων που πρέπει να τροφοδοτήσει ο μετατροπέας inverter καθώς και της διάρκειας χρήσης μεταξύ των διαδικασιών επαναφόρτισης. Για να καθορίσετε τις ελάχιστες απαιτήσεις μπαταρίας για μια εφαρμογή, ακολουθήστε την παρακάτω διαδικασία:

1. Υπολογίστε την κατανάλωση ηλεκτρικής ισχύος από τις ετικέτες των συσκευών, που πρόκειται να χρησιμοποιηθούν ταυτόχρονα μέσω του μετατροπέα inverter. Συνήθως, η κατανάλωση ηλεκτρικού ρεύματος καταδεικνύεται σε βατ. Εάν αναφέρεται σε αμπέρ, πολλαπλασιάστε την τιμή επί 230 V, για να υπολογίσετε την κατανάλωση ηλεκτρικής ισχύος.
2. Εκτιμήστε τον αριθμό ωρών που πρόκειται να χρησιμοποιείται ο εξοπλισμός, πριν από την επαναφόρτιση της μπαταρίας.
3. Υπολογίστε τη συνολική ενέργεια που απαιτείται σε Wh (βατώρες), πολλαπλασιάζοντας τον χρόνο που υπολογίστηκε πιο πάνω με το άθροισμα της κατανάλωσης ηλεκτρικής ισχύος. Διαιρέστε το αποτέλεσμα με τον αριθμό 10, εάν η τάση εισόδου του μετατροπέα inverter είναι 12 V, ή με τον αριθμό 20, εάν είναι 24 V. Η τιμή που προκύπτει σε Ah αντιπροσωπεύει τις απαιτήσεις ισχύος της εφαρμογής.



ΥΠΟΔΕΙΞΗ Εάν είναι εφικτό, επαναφορτίστε την μπαταρία, όταν έχει αποφορτιστεί σε ποσοστό περ. 50 % ή νωρίτερα. Έτσι επιτυγχάνεται πολύ μεγαλύτερος κύκλος ζωής της μπαταρίας, σε σχέση με την επαναφόρτισή της μόνο όταν έχει πλέον υποστεί βαθιά εκφόρτιση.

Αντιμετώπιση προβλημάτων παρεμβολών

Ορισμένα ηχοσυστήματα χαμηλού κόστους ενδέχεται να εκπέμπουν ένα θόρυβο βόμβου από τα ηχεία, όταν λειτουργούν μέσω του μετατροπέα inverter. Αυτό συμβαίνει, διότι η τροφοδοσία ηλεκτρικού ρεύματος στο ηχοσύστημα δεν φιλτράρει επαρκώς το τροποποιημένο ημιτονοειδές κύμα, που παράγεται από το μετατροπέα τύπου inverter. Η λύση είναι η χρήση ενός ηχοσυστήματος που διαθέτει τροφοδοσία ηλεκτρικού ρεύματος υψηλής ποιότητας ή η χρήση ενός μετατροπέα inverter καθαρού ημιτονοειδούς κύματος. Όταν ο μετατροπέας inverter λειτουργεί, ενδέχεται να προκαλέσει παρεμβολές στην τηλεοπτική λήψη ή σε ορισμένα κανάλια. Εάν παρουσιαστούν παρεμβολές, δοκιμάστε τα παρακάτω:

1. Βεβαιωθείτε ότι η βίδα γείωσης πλαισίου του μετατροπέα inverter είναι συνδεδεμένη στη γείωση του οχήματος.
2. Βεβαιωθείτε ότι η κεραία της τηλεόρασης παρέχει επαρκές σήμα καθώς και ότι το καλώδιο της κεραίας βρίσκεται σε καλή κατάσταση.
3. Διατηρήστε τα καλώδια ανάμεσα στην μπαταρία και στο μετατροπέα inverter κατά το δυνατόν πιο κοντά και συστρέψτε τα μεταξύ τους, για να μειωθούν οι εκπομπές ακτινοβολίας.
4. Μετακινήστε την τηλεόραση όσο πιο μακριά γίνεται από το μετατροπέα inverter.
5. Μην ενεργοποιείτε φορτία υψηλής ισχύος με το μετατροπέα inverter, όταν η τηλεόραση είναι ανοιχτή.

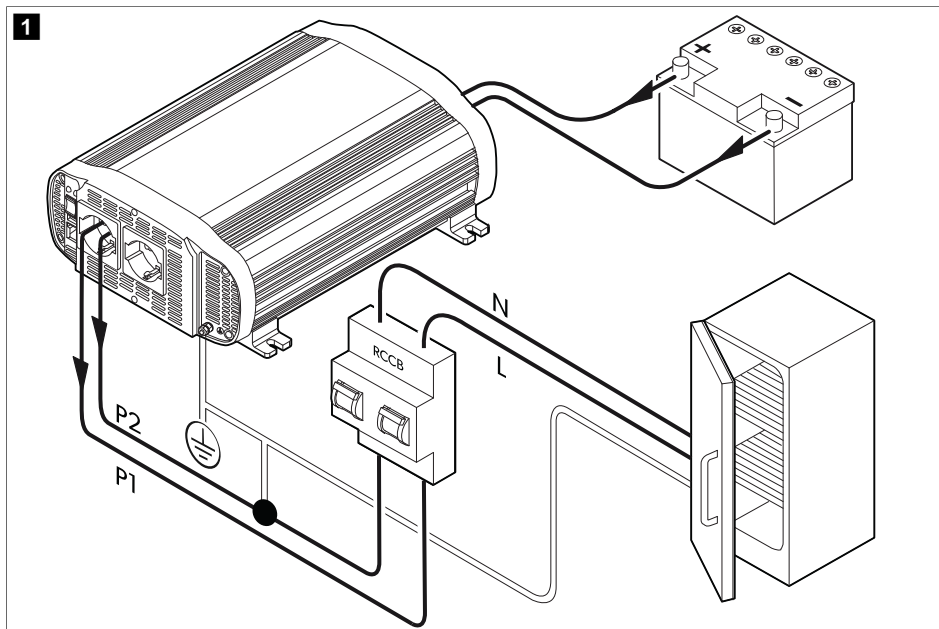
Προστασία διαρροής γείωσης (εξαιρούνται τα μοντέλα SPB1000I-12, SPB1500I-12 και SPB2000I-12)



ΠΡΟΣΟΧΗ! Κίνδυνος πρόκλησης ζημιάς

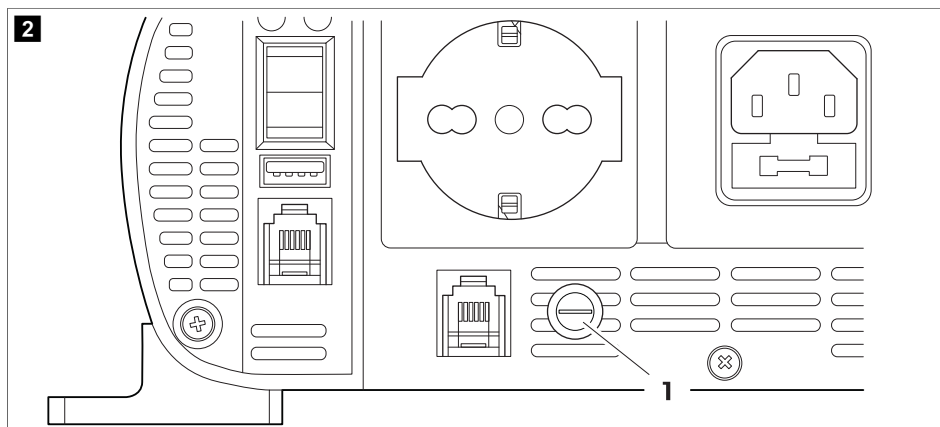
Για την ασφαλή λειτουργία πολλαπλών συσκευών, απαιτείται οπωσδήποτε η ενσωμάτωση ενός διακόπτη κυκλώματος (ασφαλειοδιακόπτης ρεύματος διαρροής) στο κύκλωμα διανομής για τις πρίζες.

Η υποδοχή σύνδεσης γείωσης έχει σχεδιαστεί για ένα σύστημα ασφαλείας, όπως ο ασφαλειοδιακόπτης ρεύματος διαρροής (RCCB). Συνδέστε τον ασφαλειοδιακόπτη ρεύματος διαρροής σύμφωνα με το παρακάτω διάγραμμα:



1. Συνδέστε την έξοδο φάσης (P1) και ουδέτερου (P2) στην είσοδο του ασφαλειοδιακόπτη ρεύματος διαρροής.
2. Συνδέστε τη γείωση του μετατροπέα inverter στο ένα από τα δύο καλώδια, που είναι συνδεδεμένα στην είσοδο του ασφαλειοδιακόπτη ρεύματος διαρροής.
3. Συνδέστε την έξοδο ουδέτερου και την έξοδο φάσης από τον ασφαλειοδιακόπτη ρεύματος διαρροής στην είσοδο των συσκευών.
4. Συνδέστε τη γείωση του μετατροπέα inverter στη γείωση των συσκευών.

Προστασία διαρροής γείωσης (μοντέλα SPB1000I-12, SPB1500I-12 και SPB2000I-12)



ΠΡΟΣΟΧΗ! Κίνδυνος πρόκλησης ζημιάς

Το παραπάνω διάγραμμα αφορά μόνο στη σύνδεση της εξόδου του μετατροπέα inverter. Ο σύνδεσμος IEC της εισόδου εξωτερικού ηλεκτρικού δικτύου πρέπει να είναι συνδεδεμένος στην έξοδο του διακόπτη κυκλώματος της εξωτερικής πηγής τροφοδοσίας ηλεκτρικού δικτύου.

Οι διατάξεις γείωσης τύπου TN ή IT για τα SPB1000I-12, SPB1500I-12 και SPB2000I-12 μπορούν να διαμορφωθούν με μια ασφάλεια τήξης.

- > Για να δημιουργηθεί μια διάταξη γείωσης τύπου TN, βεβαιωθείτε ότι η ασφάλεια τήξης έχει τοποθετηθεί στη θήκη της ασφάλειας ①.
- > Για να δημιουργηθεί μια διάταξη γείωσης τύπου IT, βεβαιωθείτε ότι η ασφάλεια τήξης **δεν** έχει τοποθετηθεί στη θήκη της ασφάλειας ①.

9 Εγκατάσταση



ΠΡΟΦΥΛΑΞΗ! Κίνδυνος πρόκλησης ζημιάς

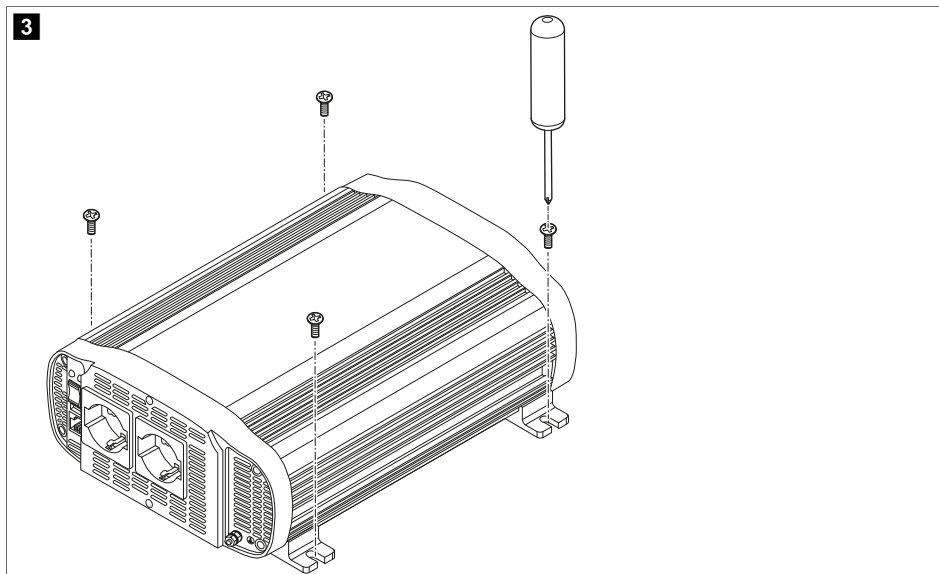
Μην τοποθετείτε τη συσκευή κοντά σε πηγές θερμότητας ή σε μη επαρκώς αεριζόμενα σημεία.



ΥΠΟΔΕΙΞΗ Η συσκευή μπορεί να τοποθετηθεί σε οποιαδήποτε θέση. Εάν εγκατασταθεί σε κατακόρυφη επιφάνεια, συνιστάται να τοποθετηθεί η πλευρά με το μεγαλύτερο μήκος παράλληλα με το δάπεδο.



ΥΠΟΔΕΙΞΗ Τοποθετήστε τη συσκευή κατά το δυνατόν πιο κοντά στην πηγή τροφοδοσίας 12 V / 24 V.



1. Στερώστε τη συσκευή με τα τέσσερα πέλματα στερέωσης, χρησιμοποιώντας κατάλληλες βίδες.

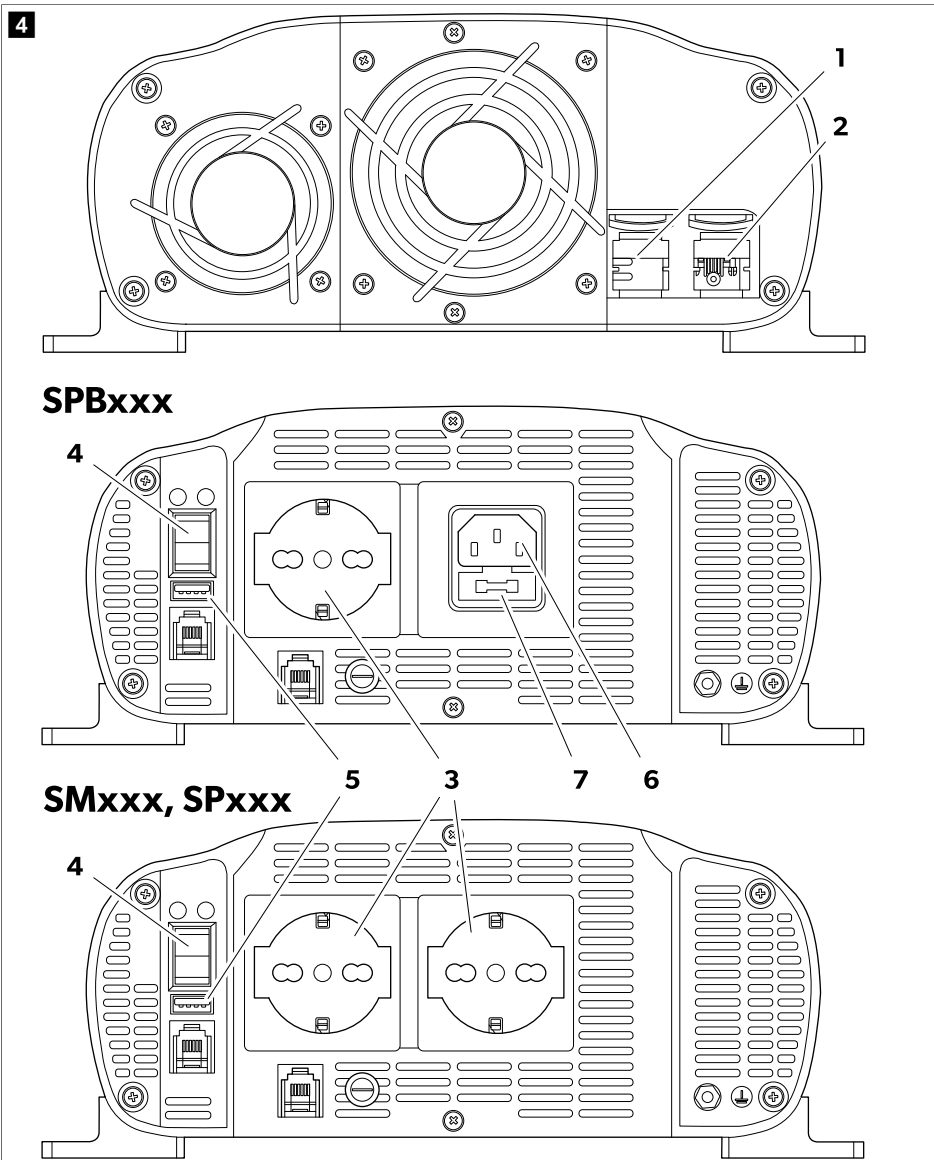


ΠΡΟΣΟΧΗ! Κίνδυνος πρόκλησης ζημιάς

Πριν συνδέσετε τη συσκευή, βεβαιωθείτε ότι ο διακόπτης τροφοδοσίας βρίσκεται στη θέση off.



ΥΠΟΔΕΙΞΗ Χρησιμοποιήστε τα παρεχόμενα καλώδια, για να συνδέσετε την μπαταρία στη συσκευή. Εάν η απόσταση ανάμεσα στην μπαταρία και στη συσκευή υπερβαίνει τα 2 μέτρα, αυξήστε τη διατομή του καλωδίου, για να μειωθούν οι απώλειες ισχύος και η πτώση της τάσης.



2. Συνδέστε τον αρνητικό ακροδέκτη της μπαταρίας στον αρνητικό ακροδέκτη του μετατροπέα inverter ①.



ΠΡΟΣΟΧΗ! Κίνδυνος πρόκλησης ζημιάς

Για την προστασία των συνδεδεμένων συσκευών, τοποθετήστε μια εν σειρά ασφάλεια τήξης στο θετικό καλώδιο της μπαταρίας.

3. Συνδέστε το θετικό ακροδέκτη της μπαταρίας στο θετικό ακροδέκτη του μετατροπέα inverter ②.



ΠΡΟΣΟΧΗ! Κίνδυνος πρόκλησης ζημιάς

Πριν συνδέσετε μια συσκευή στο μετατροπέα inverter, βεβαιωθείτε ότι είναι απενεργοποιημένη.

4. Συνδέστε τη συσκευή 230 V σε μια πρίζα εξόδου ③.
5. Ενεργοποιήστε το μετατροπέα inverter με το διακόπτη On/Off ④.



ΥΠΟΔΕΙΞΗ Όταν ο μετατροπέας inverter ενεργοποιείται, η κόκκινη και η πράσινη λυχνία LED ανάβουν για 3 έως 5 δευτερόλεπτα. Μετά από λίγο, η κόκκινη λυχνία LED σβήνει, η πράσινη παραμένει αναμμένη και η συσκευή εκπέμπει ένα ηχητικό σήμα. Η πράσινη λυχνία LED δείχνει ότι ο μετατροπέας inverter λειτουργεί κανονικά.



ΠΡΟΣΟΧΗ! Κίνδυνος πρόκλησης ζημιάς

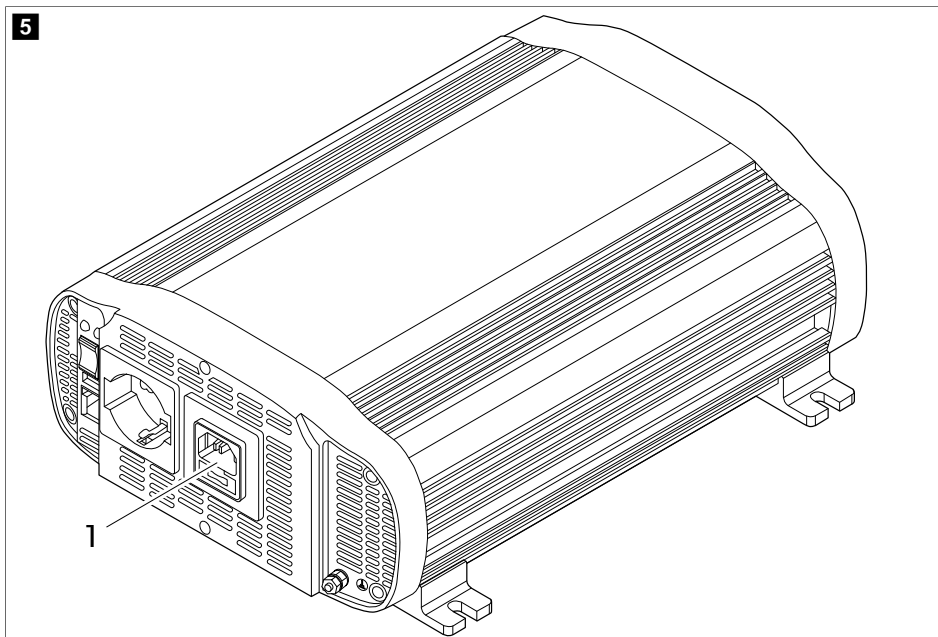
- > Εάν σκοπεύετε να χρησιμοποιήσετε περισσότερες από μία συσκευές, συνδέστε πρώτα τη συσκευή με τις υψηλότερες απαιτήσεις φορτίου.
- > Βεβαιωθείτε ότι οι συνδυασμένες απαιτήσεις φορτίου των συσκευών σας δεν υπερβαίνουν την ονομαστική ισχύ εξόδου του μετατροπέα inverter.
- > Όταν χρησιμοποιείται καλώδιο προέκτασης από το μετατροπέα inverter προς κάποια συσκευή, το μήκος του καλωδίου προέκτασης δεν πρέπει να υπερβαίνει τα 1,5 m.
- > Μη συνδέετε το μετατροπέα inverter σε κύκλωμα φορτίου AC, στο οποίο ο ουδέτερος αγωγός είναι συνδεδεμένος με τη γείωση.

6. Συνδέστε τις πρόσθετες συσκευές 230 V και ενεργοποιήστε τις.
7. Για να φορτίσετε μια συσκευή 5 V, συνδέστε την στη θύρα USB ⑤.

10 Σύνδεση της εξωτερικής τροφοδοσίας ρεύματος ηλεκτρικού δικτύου (μοντέλα SPB1000I-12, SPB1500I-12 και SPB2000I-12)

Υπάρχει η δυνατότητα σύνδεσης ενός καλωδίου IEC στην υποδοχή σύνδεσης εξωτερικού ηλεκτρικού δικτύου για την απευθείας τροφοδοσία των συνδεδεμένων συσκευών με τάση εναλλασσόμενου ρεύματος (AC) από το δημόσιο δίκτυο ηλεκτρικού ρεύματος.

5



1. Συνδέστε το καλώδιο στην υποδοχή σύνδεσης ①.
2. Τοποθετήστε ή αφαιρέστε την ασφάλεια τήξης στη θήκη εν σειρά ασφάλειας ⑦ σύμφωνα με την επιθυμητή διάταξη γείωσης τύπου (βλ. κεφάλαιο Πριν από την τοποθέτηση στη σελίδα 403).

11 Σύνδεση του τηλεχειριστηρίου

Ο χειρισμός της συσκευής μπορεί να πραγματοποιηθεί από απόσταση με έναν προαιρετικό εξωτερικό διακόπτη (RC03) ή οποιονδήποτε άλλο διακόπτη γενικής χρήσης με αντίστοιχη διαμόρφωση για το σύνδεσμο RJ11 ① της συσκευής. Η παρακάτω περιγραφή των διαμορφώσεων ακίδων μπορεί να χρησιμοποιηθεί ως οδηγός για την περίπτωση χρήσης εξωτερικών διακοπών γενικής χρήσης.



Ο προαιρετικός εξωτερικός διακόπτης RC03 χρησιμοποιεί την εξής διαμόρφωση ακίδων:

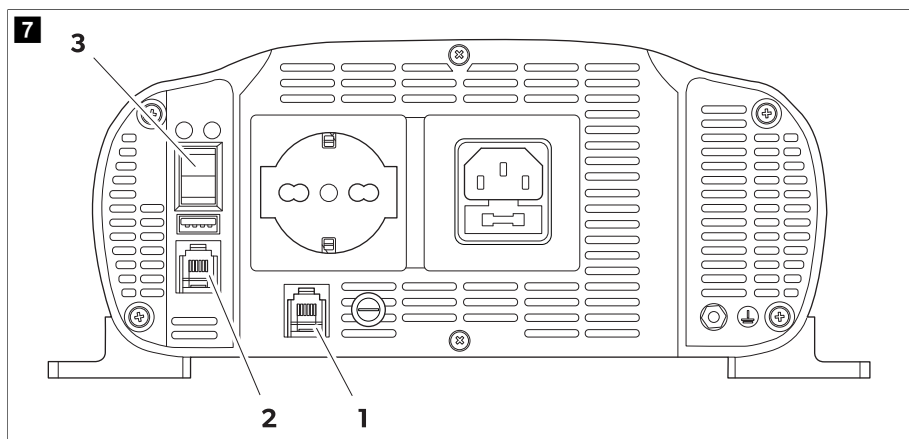
	Ακίδα	Λειτουργία
	2	Σύνδεση κόκκινης λυχνίας LED
	1-3	Σύνδεση εξωτερικού διακόπτη
	4	Γείωση

> Για να ενεργοποιηθεί ο τηλεχειρισμός, ρυθμίστε το διακόπτη On/Off στη θέση 2.

12 Σύνδεση N-BUS

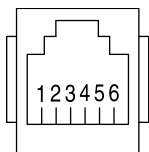
(SPB1000I-12, SPB1500I-12, SPB2000I-12 μόνο)

1. Συνδέστε το βύσμα RJ12 (BC03, BC06, BC10) στην υποδοχή N-BUS (σχ. **7** στη σελίδα 411, **1**).





Χρησιμοποιήστε ένα 6-πολικό επίπεδο καλώδιο με βύσμα RJ12 σε ευθεία διάταξη. Η διαμόρφωση των ακροδεκτών έχει ως εξής:

Ακίδα	Λειτουργία
1	Κατάσταση δικτύου
2	Τηλεχειριστήριο
3	N-BUS/CI-BUS
4	Γείωση
5	Τάση διαύλου (VBUS)
6	(μη συνδεδεμένο)



ΠΡΟΣΟΧΗ! Κίνδυνος πρόκλησης ζημιάς

Βεβαιωθείτε ότι δεν έχετε μπερδέψει τις συνδέσεις για το N-BUS και τον τηλεχειρισμό ( σχ. **7** στη σελίδα 411, **2**).

2. Θέστε τον διακόπτη ενεργοποίησης/απενεργοποίησης ( σχ. **7** στη σελίδα 411, **3**) στη θέση II.
3. Συνδέστε τις συμβατές συσκευές N-BUS.

Διαμόρφωση του μετατροπέα inverter στο δίκτυο N-BUS

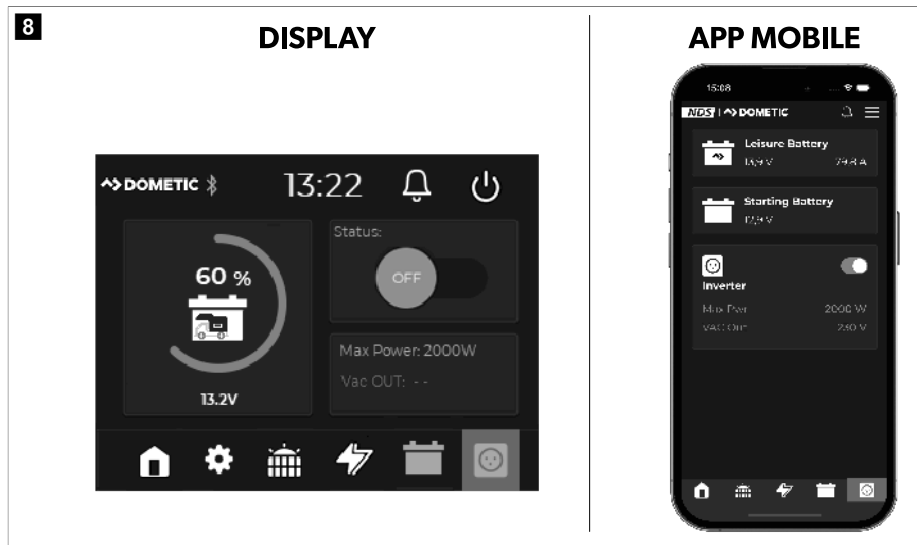
Οι συμβατές με N-BUS συσκευές μπορούν να διαμορφωθούν και να ελεγχθούν στο δίκτυο N-BUS μέσω της οθόνης ή της εφαρμογής για κινητά.



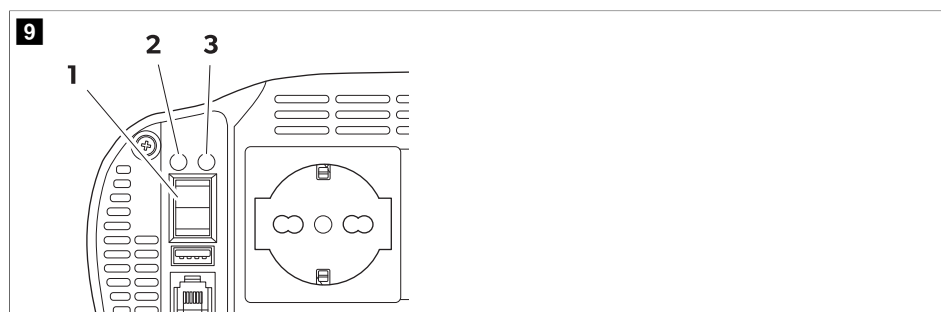
ΥΠΟΔΕΙΞΗ

- Για τη χρήση της εφαρμογής για κινητά απαιτείται τουλάχιστον μία συσκευή Bluetooth στο δίκτυο N-BUS.
- Ορίστε μία από τις συσκευές ως MASTER.

- > Επιλέξτε το μενού μετατροπέα inverter και σύρετε τον σύρτη στη θέση ενεργοποίησης ή απενεργοποίησης για να ενεργοποιήσετε ή να απενεργοποιήσετε τον μετατροπέα inverter.



13 Λειτουργία



Διακόπτης On/Off

- > Για να ενεργοποιηθεί η συσκευή, πιέστε τον διακόπτη On/Off ① στη θέση I.
- > Για να απενεργοποιηθεί η συσκευή, πιέστε το διακόπτη On/Off ① στη θέση 0.
- > Για να ενεργοποιηθεί ο τηλεχειρισμός, πιέστε το διακόπτη On/Off ① στη θέση II.

Ενδεικτικές λυχνίες LED

Η συσκευή είναι εξοπλισμένη με μια πράσινη ② και μια κόκκινη ③ ενδεικτική λυχνία LED για την απεικόνιση της κατάστασης λειτουργίας.

LED	Περιγραφή
Green	Η συσκευή είναι ενεργοποιημένη και λειτουργεί σωστά

LED	Περιγραφή
Red	Δυσλειτουργία συσκευής

14 Αντικατάσταση ασφάλειας τήξης

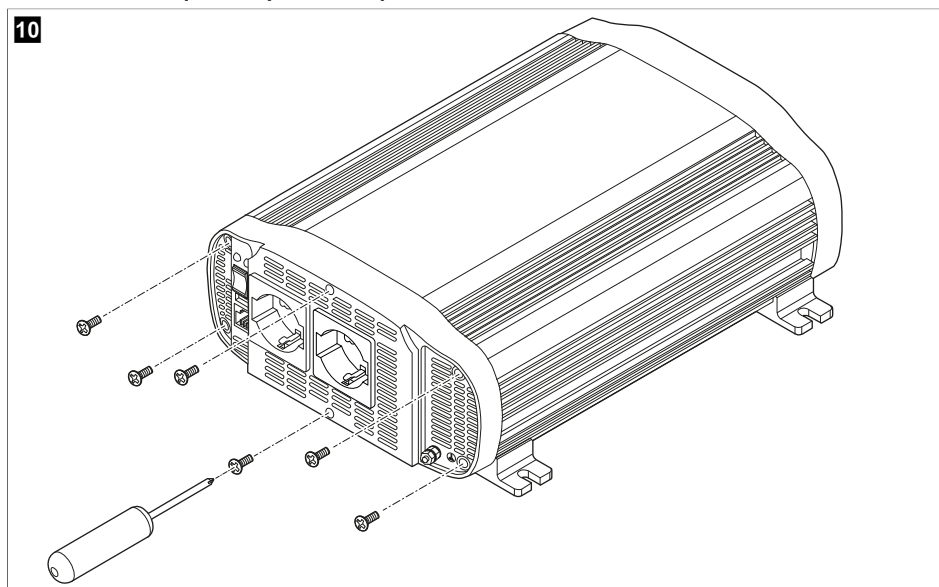


ΠΡΟΕΙΔΟΠΟΙΗΣΗ!

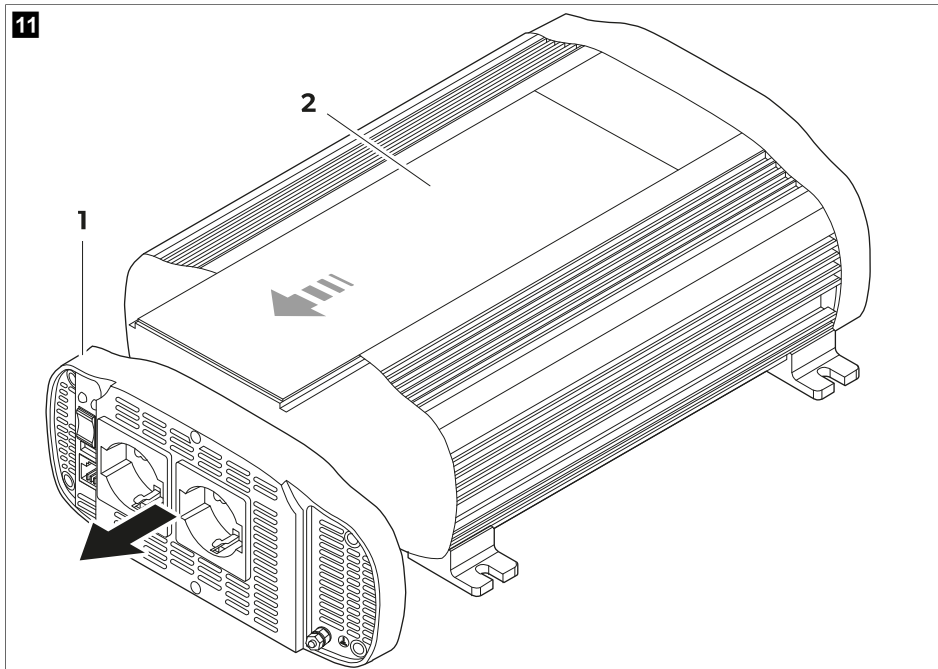
- Κίνδυνος ηλεκτροπληξίας
- Η τοποθέτηση επιτρέπεται να πραγματοποιείται μόνο από εξειδικευμένο ηλεκτρολόγο.

Η συσκευή προστατεύεται από ένα ενσωματωμένο ηλεκτρονικό κύκλωμα. Επίσης υπάρχουν ασφάλειες τήξης στο εσωτερικό της συσκευής. Σε περίπτωση ανεστραμμένης πολικότητας μιας σύνδεσης, θα καεί κάποια ασφάλεια. Οι συσκευές με λειτουργία ΙΝΤ διαθέτουν επίσης μια γυάλινη ασφάλεια στο εσωτερικό της υποδοχής σύνδεσης IEC για τη σύνδεση του εξωτερικού ηλεκτρικού δικτύου. Στη συσκευασία του προϊόντος περιλαμβάνονται εφεδρικές ασφάλειες.

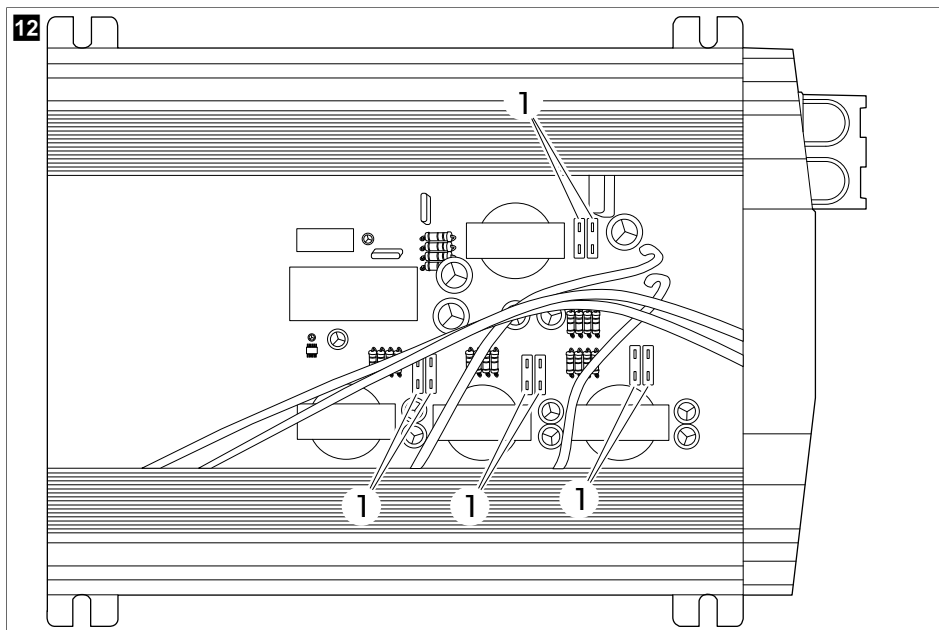
Αντικατάσταση εσωτερικών ασφαλειών



1. Αφαιρέστε τις έξι βίδες.



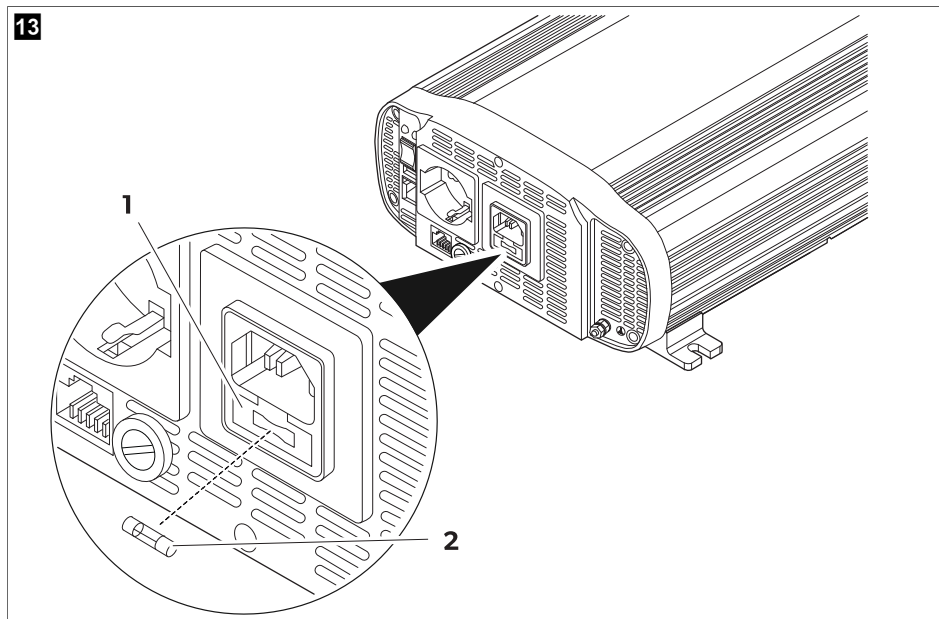
2. Γείρετε το μπροστινό πάνελ προς τα εμπρός ①.
3. Αφαιρέστε το καπάκι ②.



4. Αντικαταστήστε την ασφάλεια ①.

Μοντέλο	Ποσότητα ασφαλειών	Ονομαστική ένταση ασφάλειας	
SM400-12, SP400-12	1	50 A	Κόκκινο
SM600-12, SP600-12	2	50 A	Κόκκινο
SM600-24, SP600-24	2	25 A	Λευκό
SM1000-12, SP1000-12	4	30 A	Πράσινο
SM1500-12, SP1500-12	6	30 A	Πράσινο
SP1500-24	6	15 A	Μπλε
SP2000-12	8	30 A	Πράσινο
SP3000-12	12	30 A	Πράσινο
SP3000-24	12	15 A	Μπλε

Αντικατάσταση της ασφάλειας υποδοχής σύνδεσης IEC



1. Ανοίξετε το καπάκι ① του περιβλήματος της υποδοχής σύνδεσης.
2. Αντικαταστήστε την ασφάλεια ②.

Μοντέλο	Ποσότητα ασφαλειών	Ονομαστική ένταση ασφάλειας
SPB1000I-12, SPB1500I-12 και SPB2000I-12	1	10 A (γυάλινη ασφάλεια F10AL 250V)



ΥΠΟΔΕΙΞΗ Μετά από την αντικατάσταση της ασφάλειας τήξης, η συσκευή επανεκκινεί αυτόματα. Εάν η συσκευή δεν λειτουργεί σωστά μετά από την αντικατάσταση της ασφάλειας, επικοινωνήστε με έναν τεχνικό για την αντιμετώπιση των προβλημάτων.

15 Καθαρισμός και φροντίδα

- > Καθαρίστε περιστασιακά το προϊόν με ένα υγρό πανί.
- > Ελέγξτε ότι οι συνδέσεις εισόδου και εξόδου έχουν σφιχθεί σωστά και είναι ασφαλείς.
- > Βεβαιωθείτε ότι οι σχισμές εξαερισμού δεν είναι φραγμένες από ρύπους ή άλλα υλικά.

16 Απόρριψη



Ανακύκλωση των υλικών συσκευασίας: Εάν είναι εφικτό, απορρίψτε τα υλικά συσκευασίας στους αντίστοιχους κάδους ανακύκλωσης.



Εάν επιθυμείτε την τελική απόρριψη του προϊόντος, ζητήστε από το τοπικό κέντρο ανακύκλωσης ή έναν εξειδικευμένο αντιπρόσωπο λεπτομερείς πληροφορίες για τη σχετική διαδικασία σύμφωνα με τους ισχύοντες κανονισμούς διάθεσης απορριμμάτων. Το προϊόν μπορεί να απορριφθεί δωρεάν.



Εάν το προϊόν περιέχει μη αντικαθιστώμενες μπαταρίες, επαναφορτιζόμενες μπαταρίες ή φωτεινές πηγές, δεν χρειάζεται να τις αφαιρέσετε πριν από την απόρριψή του.

17 Εγγύηση

Ισχύει η νόμιμη διάρκεια εγγύησης. Εάν το προϊόν είναι ελαττωματικό, επικοινωνήστε με τον αντιπρόσωπο του κατασκευαστή στη χώρα σας (βλ. dometic.com/dealer) ή στο κατάστημα αγοράς.

Για τυχόν επισκευή ή αξίωση κάλυψης από την εγγύηση, παρακαλούμε να αποστείλετε επίσης τα παρακάτω έγγραφα μαζί με τη συσκευή:


- Ένα αντίγραφο της απόδειξης αγοράς με την ημερομηνία αγοράς
- Τον λόγο για την αξίωση κάλυψης από την εγγύηση ή μια περιγραφή του σφάλματος


Λάβετε υπόψη ότι τυχόν επισκευή από εσάς τον ίδιο ή μη επαγγελματική επισκευή ενδέχεται να έχει συνέπειες ασφαλείας καθώς και να αποτελέσει αιτία ακύρωσης της εγγύησης.



18 Τεχνικά χαρακτηριστικά

	SM400-12	SM600-12	SM600-24
Συνεχής ισχύς εξόδου	400 W	600 W	
Μέγιστη ισχύς εξόδου	800 W (για λίγα δευτερόλεπτα)	1200 W (για λίγα δευτερόλεπτα)	
Τάση εξόδου (RMS) / Συχνότητα	230 V AC / 50 Hz ± 3 Hz		
Έξοδος USB	5 V 2,1 A		
Τάση εισόδου	12 V		24 V
Ιδιοκατανάλωση	200 mA (13,2 V)	220 mA (13,2 V)	100 mA (26,4 V)
Συνδεσιμότητα	-		
Διαστάσεις (Π x Β x Υ)	140 mm x 184 mm x 71 mm	140 mm x 214 mm x 71 mm	140 mm x 214 mm x 71 mm
Πιστοποιητικό	(10 R - 05 0094)		

	SM1000-12	SM1500-12
Συνεχής ισχύς εξόδου	1000 W	1500 W
Μέγιστη ισχύς εξόδου	2000 W (για λίγα δευτερόλεπτα)	3000 W (για λίγα δευτερόλεπτα)
Τάση εξόδου (RMS)/Συχνότητα	230 V AC / 50 Hz ± 3 Hz	
Έξοδος USB	5 V 2,1 A	
Τάση εισόδου	12 V	
Ιδιοκατανάλωση	530 mA (13,2 V)	460 mA (13,2 V)
Συνδεσιμότητα	-	




	SM1000-12	SM1500-12
Διαστάσεις (Π x Β x Υ)	270 mm x 262 mm x 107,5 mm	270 mm x 262 mm x 107,5 mm
Πιστοποιητικό	 (10 R-05 0094)	

	SP400-12	SP600-12	SP600-24
Συνεχής ισχύς εξόδου	400 W	600 W	
Μέγιστη ισχύς εξόδου	1000 W (για λί- γα δευτερόλεπτα)	1500 W (για λίγα δευτερόλεπτα)	
Τάση εξόδου (RMS)/Συχνότητα	230 V AC / 50 Hz ± 3 Hz		
Έξοδος USB	5 V, 2,1 A		
Τάση εισόδου	12 V		24 V
Ιδιοκατανάλωση	340 mA (13,2 V)	420 mA (13,2 V)	210 mA (26,4 V)
Συνδεσιμότητα	-	-	-
Διαστάσεις (Π x Β x Υ)	140 mm x 214,5 mm x 71 mm	140 mm x 244,5 mm x 71 mm	140 mm x 244,5 mm x 71 mm
Πιστοποιητικό	 (10 R-05 0094)		

	SP1000-12	SPB1000I-12
Συνεχής ισχύς εξόδου	1000 W	
Μέγιστη ισχύς εξόδου	2500 W (για λίγα δευτερόλεπτα)	
Τάση εξόδου (RMS) / Συχνότητα	230 V AC / 50 Hz ± 3 Hz	
Έξοδος USB	5 V, 2,1 A	
Τάση εισόδου	12 V	
Ιδιοκατανάλωση	870 mA (13,2 V)	680 mA (13,2 V)
Χρόνος μεταγωγής από μπαταρία σε εξωτερικό ηλεκτρικό δίκτυο	-	0,02 s
Χρόνος μεταγωγής από εξωτερικό ηλεκτρικό δίκτυο σε μπαταρία	-	0,1 s
Συνδεσιμότητα	-	N-BUS
Διαστάσεις (Π x Β x Υ)	270 mm x 262,4 mm x 107,5 mm	270 mm x 262,4 mm x 107,5 mm
Πιστοποιητικό	 (10 R-05 0094)	 (10 R-06-02 5174 00)

	SP1500-12	SPB1500I-12	SP1500-24
Συνεχής ισχύς εξόδου	1500 W		
Μέγιστη ισχύς εξόδου	4000 W (για λίγα δευτερόλεπτα)		
Τάση εξόδου (RMS) / Συχνότητα	230 V AC / 50 Hz ± 3 Hz		

	SP1500-12	SPB1500I-12	SP1500-24
Έξοδος USB	5 V 2,1 A		
Τάση εισόδου	12 V		24 V
Ιδιοκατανάλωση	850 mA (13,2 V)	930 mA (13,2 V)	620 mA (26,4 V)
Χρόνος μεταγωγής από μπαταρία σε εξωτερικό ηλεκτρικό δίκτυο	-	0,02 s	-
Χρόνος μεταγωγής από εξωτερικό ηλεκτρικό δίκτυο σε μπαταρία	-	0,1 s	-
Συνδεσιμότητα	-	N-BUS	-
Διαστάσεις (Π x Β x Υ)	270 mm × 322,4 mm × 107,5 mm	270 mm × 360 mm × 107,5 mm	270 mm × 322,4 mm × 107,5 mm
Πιστοποιητικό	 (10 R - 05 0094)	 (10 R - 06-02 5174 00)	 (10 R - 05 0094)

	SPB2000I-12	SP3000-12	SP3000-24
Συνεχής ισχύς εξόδου	2000 W	3000 W	
Μέγιστη ισχύς εξόδου	6000 W (για λίγα δευτερόλεπτα)	8000 W (για λίγα δευτερόλεπτα)	
Τάση εξόδου (RMS) / Συχνότητα	230 V AC / 50 Hz ± 3 Hz		
Έξοδος USB	5 V 2,1 A		
Τάση εισόδου	12 V		24 V
Ιδιοκατανάλωση	900 mA (13,2 V)	1270 mA (13,2 V)	680 mA (26,4 V)
Χρόνος μεταγωγής από μπαταρία σε εξωτερικό ηλεκτρικό δίκτυο	0,02 s	-	-
Χρόνος μεταγωγής από εξωτερικό ηλεκτρικό δίκτυο σε μπαταρία	0,1 s	-	-
Συνδεσιμότητα	N-BUS	-	-
Διαστάσεις (Π x Β x Υ)	270 mm × 385 mm × 107,5 mm	270 mm × 452 mm × 107,5 mm	270 mm × 452 mm × 107,5 mm
Πιστοποιητικό			
	 (10 R - 06-02 5174 00)	 (10 R - 05 0094)	

Δια του παρόντος, η Dometic δηλώνει ότι ο ραδιοεξοπλισμός τύπου SPB1000I-12, SPB1500I-12 και SPB2000I-12 συμμορφώνεται με την Οδηγία 2014/53/ΕΕ. Το πλήρες κείμενο της δήλωσης συμμόρφωσης ΕΕ είναι διαθέσιμο στην παρακάτω ηλεκτρονική διεύθυνση internet: documents.dometic.com

Lietuvių k.

1	Svarbios pastabos.....	421
2	Simbolių paaiškinimas.....	421
3	Saugos instrukcijos.....	422
4	Pristatoma komplektacija.....	422
5	Paskirtis.....	422
6	Tikslinė grupė.....	423
7	Techninis aprašymas.....	423
8	Prieš montuojant.....	424
9	Montavimas.....	426
10	Išorinio maitinimo iš elektros tinklo šaltinio prijungimas (SPB1000I-12, SPB1500I-12 ir SPB2000I-12 modeliai).....	429
11	Nuotolinio valdymo pulto prijungimas.....	430
12	N-BUS prijungimas.....	431
13	Naudojimas.....	432
14	Saugiklio keitimas.....	433
15	Valymas ir priežiūra.....	436
16	Utilizavimas.....	436
17	Garantija.....	437
18	Techniniai duomenys.....	437

1 Svarbios pastabos

Atidžiai perskaitykite šią instrukciją ir sekite visas instrukcijas, nurodymus ir perspėjimus, pateiktus šiame gaminio vadove, ir griežtai jų laikykitės, kad užtikrintumėte, jog šis gaminys visada bus įrengtas, naudojamas ir prižiūrimas tinkamai. Ši instrukcija PRIVALO likti šalia šio gaminio.

Naudodamiesi šiuo gaminio patvirtinate, kad atidžiai perskaitėte visas instrukcijas, nurodymus ir perspėjimus ir suprantate dokumente išdėstytas sąlygas bei sutinkate jų laikytis. Šį gaminį sutinkate naudoti tik pagal numatytąją paskirtį ir taip, kaip nurodo šioje gaminio instrukcijoje pateiktos instrukcijos, nurodymai ir perspėjimai, taip pat laikydamiesi taikomų teisių ir teisės aktų. Nesusipažinus su šioje instrukcijoje pateiktomis instrukcijomis ir perspėjimais ir jų nesilaikius galite susižaloti patys ir sužaloti kitus asmenis, pažeisti gaminį arba pridaryti žalos kitai netoliese esančiai nuosavybei. Ši gaminio instrukcija, taip pat ir instrukcijos, nurodymai, perspėjimai ir kiti susiję dokumentai, gali būti keičiami ir atnaujinami. Norėdami gauti naujausios informacijos apie gaminį, apsilankykite adresu documents.dometic.com.

2 Simbolių paaiškinimas

Signaliniu žodžiu pažymima informacija apie saugą ir turtinę žalą, taip pat nurodomas pavojaus rimtumo laipsnis ar lygis.



ISPĖJIMAS!

nurodo pavojingą situaciją, kurios neišvengus gali grėsti mirtinas arba sunkus sužalojimas.



PERSPĖJIMAS!

nurodo pavojingą situaciją, kurios neišvengus gali grėsti lengvas arba vidutinio sunkumo sužalojimas.



PRANEŠIMAS!

Nurodo situaciją, kurios neišvengus, gresia materialinė žala.



PASTABA Papildoma informacija apie gaminio eksploatavimą.

3 Saugos instrukcijos



ĮSPĖJIMAS! Nesilaikant šių įspėjimų gali grėsti mirtis arba rimtas susižalojimas.

- > Kilus gaisrui, naudokite elektros prietaisui gesinti tinkamą gesintuvą.
- > Nenaudokite prietaiso, jei jis pastebimai pažeistas.



PERSPĖJIMAS! Nesilaikant šių įspėjimų gali grėsti mirtis arba rimtas susižalojimas.

- > Montavimo, surinkimo ir laidų instaliacijos, taip pat visus kitus darbus gali atlikti tik kvalifikuoti elektros specialistai. Netinkamai atliktas remontas gali kelti rimtą pavojų.
- > Draudžiama montuoti potencialiai sprogiose vietose, pvz., patalpose, kuriose yra degių skysčių arba dujų.
- > Nemontuokite ar nestatykite prietaiso arti atviros ugnies ar kitų šilumos šaltinių (šildymo prietaisų, tiesioginės saulės šviesos, dujinių viryklių ir pan.).
- > Vaikams su šiuo prietaisu žaisti draudžiama.
- > Šį prietaisą gali naudoti vaikai nuo 8 metų amžiaus ir fizinių, sensorinių arba psichikos sutrikimų turintys arba stokojantys patirties ir žinių asmenys, jeigu jie yra prižiūrimi arba instruktuojami dėl šio prietaiso naudojimo saugiai ir suvokia jo keliamus pavojus.



PRANEŠIMAS! Nurodo situaciją, kurios neišvengus, gresia materialinė žala.

- > Patikrinkite, ar duomenų plokštelėje nurodyta įtampa atitinka maitinimo šaltinio įtampą.
- > Niekada nemerkite prietaiso į vandenį.
- > Saugokite prietaisą ir kabelius nuo karščio ir drėgmės.
- > Saugokite prietaisą nuo lietaus.
- > Įsitinkinkite, kad įrengimo paviršius galėtų išlaikyti prietaiso svorį.
- > Kabelius išdėstykite taip, kad už jų neužkliūtumėte ar jų nepažeistumėte.
- > Naudokite ortakius ar kabelių kanalus, jei reikia kloti kabelius per metalines plokštes ar kitas plokštes su aštriais kraštais.

4 Pristatoma komplektacija

Aprašymas	Kiekis
Inverteris	1
Raudonas maitinimo laidas	1
Juodas maitinimo laidas	1
Montavimo ir naudojimo vadovas	1

5 Paskirtis

Prietaisas skirtas į prijungtus prietaisus tiekti 230 V, sugeneruotus iš 12 V arba 24 V įvesties įtampos. Prietaisas skirtas naudoti kelioniniuose automobiliuose, gyvenamuosiuose autofurgonuose ir autobusuose.

Modelio linija apima dviejų tipų prietaisus:

- SM400-12, SM600-12, SM600-24, SM1000-12 ir SM1500-12 modeliai yra inverteriai su modifikuota sinusinių bangų išvestimi.

- SP400-12, SP600-12, SP600-24, SP1000-12, SP1500-12, SP1500-24, SP3000-12 ir SP3000-24 modeliai yra inverteriai su grynų sinusinių bangų išvestimi.

SPB1000I-12, SPB1500I-12 ir SPB2000I-12 modeliai turi integruotą prioritetinę funkciją (IVT) ir saugikliu apsaugotą įvesties (IEC) lizdą, skirtą išorinio maitinimo šaltinio jungčiai.

Šis gaminį galima naudoti tik pagal numatytą paskirtį ir vadovaujantis šiomis instrukcijomis.

Šiame vadove pateikiama informacija, reikalinga tinkamam gaminio įrengimui ir (arba) naudojimui. Dėl prasto įrengimo ir (arba) netinkamo naudojimo ar techninės priežiūros gaminys gali veikti netinkamai ir sugesti.

Gamintojas neprisims atsakomybės už patirtus sužeidimus ar žalą gaminiumi, atsiradusią dėl šių priežasčių:

- Netinkamas montavimas, surinkimas ar prijungimas, įskaitant per aukštą įtampą
- Netinkamos techninės priežiūros arba jeigu buvo naudotos neoriginalios, gamintojo nepateiktos atsarginės dalys
- Gaminio pakeitimai be aiškaus gamintojo leidimo
- Naudojimas kitais tikslais, nei nurodyta šiame vadove

„Dometic“ pasilieka teisę keisti gaminio išvaizdą ir specifikacijas.

6 Tikslinė grupė



Prietaiso elektros instaliaciją ir nustatymą turi atlikti kvalifikuotas elektrikas, turintis elektros įrangos montavimo ir eksploatavimo praktinių įgūdžių bei žinių ir baigęs saugos mokymo kursą apie tai, kaip atpažinti darbe kylančius pavojus ir nuo jų apsaugoti. Be to, šis asmuo turi būti susipažinęs su šalyje, kurioje montuojama ir (arba) naudojama įranga, taikomomis taisyklėmis ir dalyvavęs saugos mokymuose, kad galėtų nustatyti ir išvengti susijusių pavojų.

Visi kiti veiksmai numatyti ir neprofesionaliems naudotojams.

7 Techninis aprašymas

Prietaise naudojami du pagrindiniai grandinės etapai 12 V \rightleftharpoons arba 24 V \rightleftharpoons įvesties įtampai konvertuoti į kintamosios srovės išvesties įtampą. Pirmąjį etapą sudaro izoliuotas aukšto dažnio nuol. sr. / nuol. sr. keitiklis, skirtas 12 V nuol. sr. arba 24 V nuol. sr. įvesties įtampai konvertuoti į išvesties įtampą iki 400 V nuol. sr. Galutinį etapą sudaro H tiltelis, kuris konvertuoja nuol. sr. aukštos įtampos magistralę į 230 V kint. sr. įtampą.

Prietaisas turi šias pagrindines funkcijas:

- Mažas suvartojimas.
- Galvaniškai izoliuota įvestis ir išvestis padidina saugumą.
- Pagal temperatūrą reguliuojamas ventiliatoriaus greitis, kad prietaisas veiktų tyliai.
- Integruotas prioritetinis jungiklis tarp išorinio maitinimo iš elektros tinklo ir akumulatoriaus.
- Paruoštas įjungimo / išjungimo nuotolinio valdymo pultui.
- Žemos akumulatoriaus įtampos pavojaus signalas.
- Išjungimas esant žemai arba aukštai akumulatoriaus įtampai.
- Išjungimas esant perkrovai.
- Apsauga nuo trumpojo jungimo, pernelyg didelės temperatūros, perkrovos ir atvirkštinio poliškumo.
- Švelnaus paleidimo funkcija.

Tik SPB1000I-12, SPB1500I-12, SPB2000I-12: Prietaisas suderinamas su N-BUS (žr. skyrių N-BUS prijungimas puslapyje 431).

8 Prieš montuojant

Akumuliatoriaus reikalavimai

Akumuliatoriaus tipas ir dydis gali turėti daug įtakos inverterių našumui. Todėl turi būti nurodytas apkrovų, kurias maitins inverteris, tipas ir naudojimo tarp įkrovimų trukmė. Norėdami nustatyti minimalius akumuliatoriaus reikalavimus pritaikymo sričiai, atlikite šiuos veiksmus:

1. Vadovaudamiesi kiekvieno prietaiso, kuris bus naudojamas vienu metu prijungus prie inverterio, etiketėmis nustatykite galią vatais. Paprastai energijos sąnaudos nurodomos vatais. Jei jos nurodytos amperais, padauginkite vertę iš 230 V, kad gautumėte vertę vatais.
2. Prieš įkraudami akumuliatorių apskaičiuokite, kiek valandų įranga bus naudojama.
3. Apskaičiuokite bendrą reikalingą energiją vatvalandėmis (Wh), nustatytą laiką padaugindami iš galios vatais sumos. Rezultatą padalykite iš 10, jei inverterio įvestis yra 12 V, arba iš 20, jei ji yra 24 V. Gauta vertė (Ah) atitinka reikalingą galią.



PASTABA Kai įmanoma, įkraukite akumuliatorių, kai išsikrovė 50% ar anksčiau. Tai užtikrina žymiai ilgesnį akumuliatoriaus eksploataavimo laiką, palyginti su įkrovimu, kai jis yra labai išsikrovęs.

Trukdžių problemų šalinimas

Kai kurios nebrangios garso sistemos gali skleisti triukšmą iš garsiakalbių, kai jos veikia prijungus prie inverterio. Taip atsitinka dėl to, kad garso sistemos maitinimo šaltinis tinkamai nefiltruoja modifikuotos sinusinės bangos, kurią sukuria inverteris. Tam išspręsti galima naudoti garso sistemą, turinčią aukštos kokybės maitinimo šaltinį, arba naudoti grynos sinusinės bangos inverterį. Kai inverteris veikia, jis gali trukdyti priimti kai kurių kanalų televizijos aparato signalą. Atsiradus trukdžių, pabandykite atlikti:

1. Įsitikinkite, kad inverterio važiuoklės įžeminimo varžtas prijungtas prie transporto priemonės įžeminimo.
2. Įsitikinkite, kad televizijos aparato antena siunčia tinkamą signalą, o antenos kabelis yra geros būklės.
3. Kabelius tarp akumuliatoriaus ir inverterio laikykite kuo trumpiau, juos susikite kartu, kad sumažintumėte spinduliuotę.
4. Perkelkite televizijos aparatą kuo toliau nuo inverterio.
5. Nenaudokite didelės galios apkrovų su inverteriu, kai televizijos aparatas įjungtas.

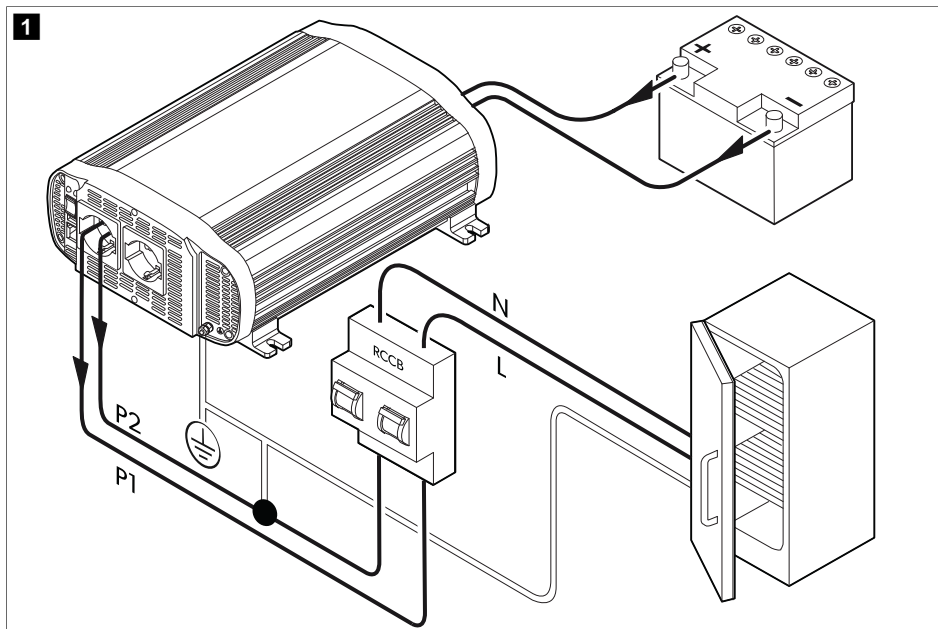
Apsauga nuo įžeminimo nuotėkio (išskyrus SPB1000I-12, SPB1500I-12 ir SPB2000I-12 modelius)



PRANEŠIMAS! Žalos pavojus

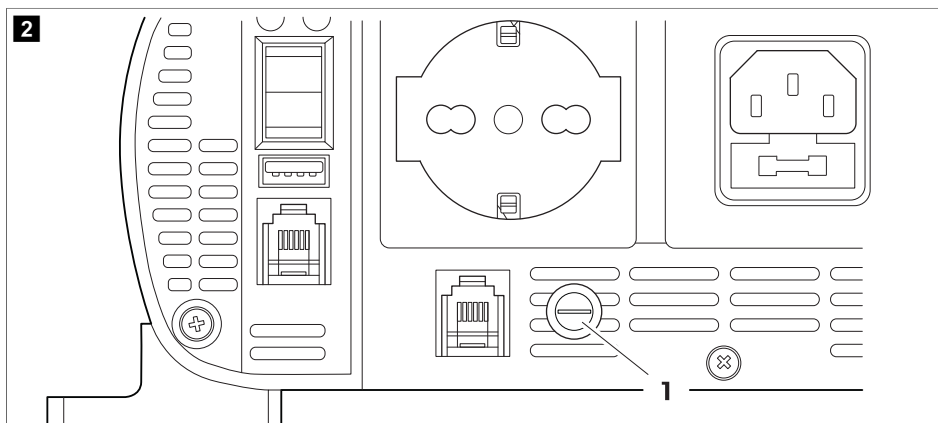
Siekiant užtikrinti saugų kelių prietaisų veikimą, labai svarbu, kad lizdo paskirstymo grandinėje būtų sumontuotas grandinės pertraukiklis (liekamosios srovės grandinės pertraukiklis).

Įžeminimo lizdas skirtas saugos sistemai, pvz., liekamosios srovės grandinės pertraukikliui (RCCB). Prijunkite liekamosios srovės jungiklį pagal šią diagramą:



1. Prie liekamosios srovės grandinės pertraukiklio įvesties prijunkite fazės (P1) ir neutralią (P2) išvestis.
2. Prijunkite inverterio žeminimą prie vieno iš dviejų laidų, prijungtų prie liekamosios srovės grandinės pertraukiklio įvesties.
3. Prijunkite neutralią ir fazės išvestis nuo liekamosios srovės grandinės pertraukiklio įvesties prie prietaisų.
4. Prijunkite inverterio žeminimą prie prietaisų žeminimo.

Apsauga nuo įžeminimo nuotėkio (SPB1000I-12, SPB1500I-12 ir SPB2000I-12 modeliai)





PRANEŠIMAS! Žalos pavojus

Pirmiau pateiktoje diagramoje nurodoma tik inverterio išvesties jungtis. Išorinio maitinimo iš elektros tinklo IEC jungtis turi būti prijungta prie išorinio maitinimo iš elektros tinklo šaltinio grandinės pertraukiklio išvesties.

TN arba IT tipo įžeminimo priemonės SPB1000I-12, SPB1500I-12 ir SPB2000I-12 prietaisams galima konfigūruoti su saugikliu.

- > Norėdami atlikti TN tipo įžeminimą, įsitikinkite, kad saugiklis įkištas į saugiklio laikiklį ①.
- > Norėdami atlikti IT tipo įžeminimą, įsitikinkite, kad saugiklis **nėra** įstatytas į saugiklio laikiklį ①.

9 Montavimas



PERSPĖJIMAS! Žalos pavojus

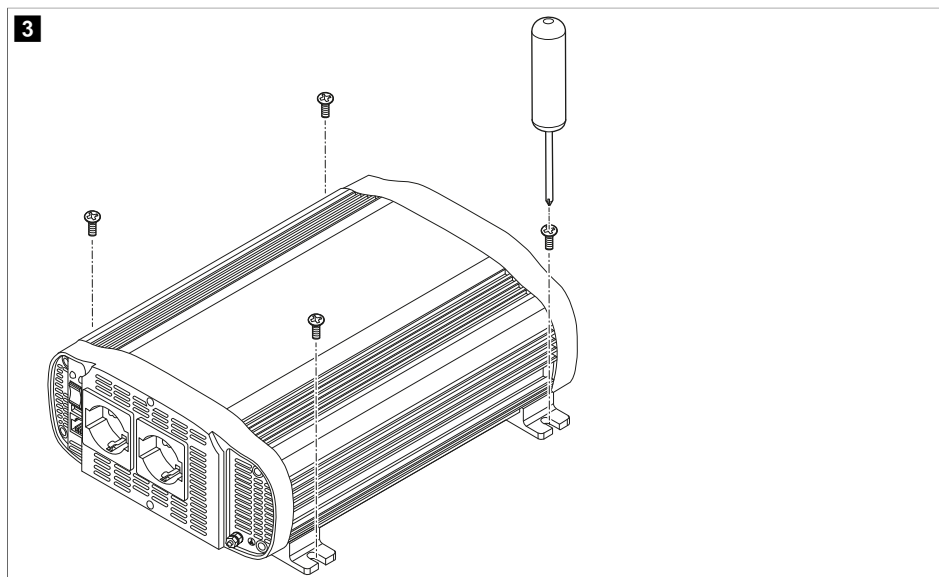
Nemontuokite prietaiso prie šilumos šaltinių arba netinkamai vėdinamose vietose.



PASTABA Prietaisą galima montuoti bet kurioje padėtyje. Jei montuojama ant vertikalaus paviršiaus, rekomenduojama ilgąją pusę išlaikyti lygiagrečiai grindims.



PASTABA Sumontuokite prietaisą kuo arčiau 12 V / 24 V maitinimo šaltinio.



1. Sumontuokite prietaisą naudodami keturias montavimo junges ir tinkamus varžtus.

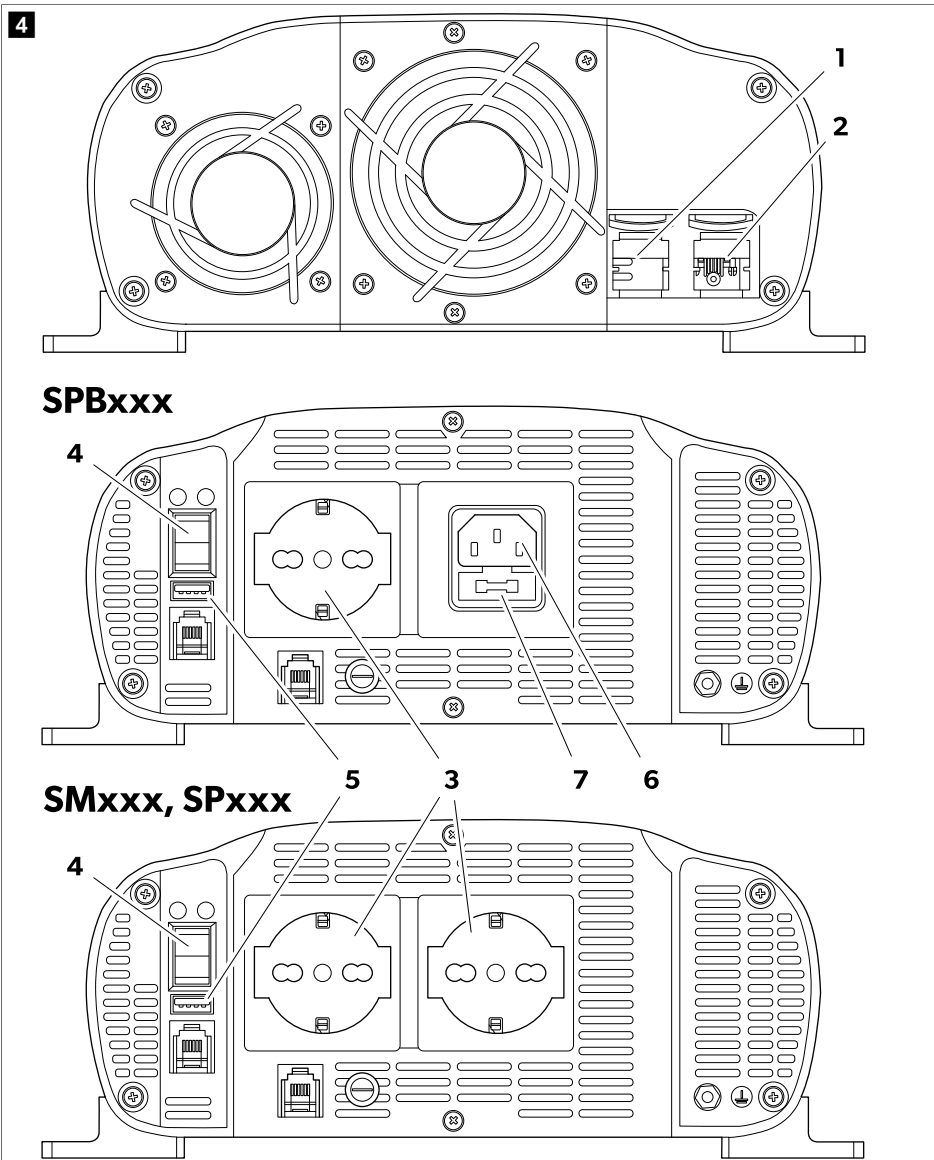


PRANEŠIMAS! Žalos pavojus

Prieš prijungdami prietaisą įsitikinkite, kad maitinimo jungiklis išjungtas.



PASTABA Naudodami pateiktus laidus prijunkite akumuliatorių prie prietaiso. Jei atstumas tarp akumuliatoriaus ir prietaiso didesnis nei 2 metrai, padidinkite laido skerspjūvį, kad sumažintumėte įtampos kritimą ir energijos nuostolius.



2. Prijunkite neigiamą akumulatoriaus gnybtą prie inverterio neigiamo gnybto ①.

**PRANEŠIMAS! Žalos pavojus**

Sumontuokite linijos saugiklį ant teigiamo akumuliatoriaus laido, kad apsaugotumėte prijungtus prietaisus.

3. Prijunkite teigiamą akumuliatoriaus gnybtą prie inverterio teigiamo gnybto ②.

**PRANEŠIMAS! Žalos pavojus**

Prieš jungdami prietaisą prie inverterio įsitinkinkite, kad jis išjungtas.

4. Prijunkite 230 V prietaisą prie išvesties lizdo ③.
5. Įjunkite inverterį, naudodami įjungimo / išjungimo jungiklį ④.



PASTABA Įjungus inverterį, raudonas ir žalias šviesos diodai šviečia 3 – 5 sekundes. Po trumpo laiko raudonas šviesos diodas išsijungia, žalias lieka šviesti, o prietaisus skleidžia garsinį signalą. Žalias šviesos diodas rodo, kad inverteris veikia tinkamai.

**PRANEŠIMAS! Žalos pavojus**

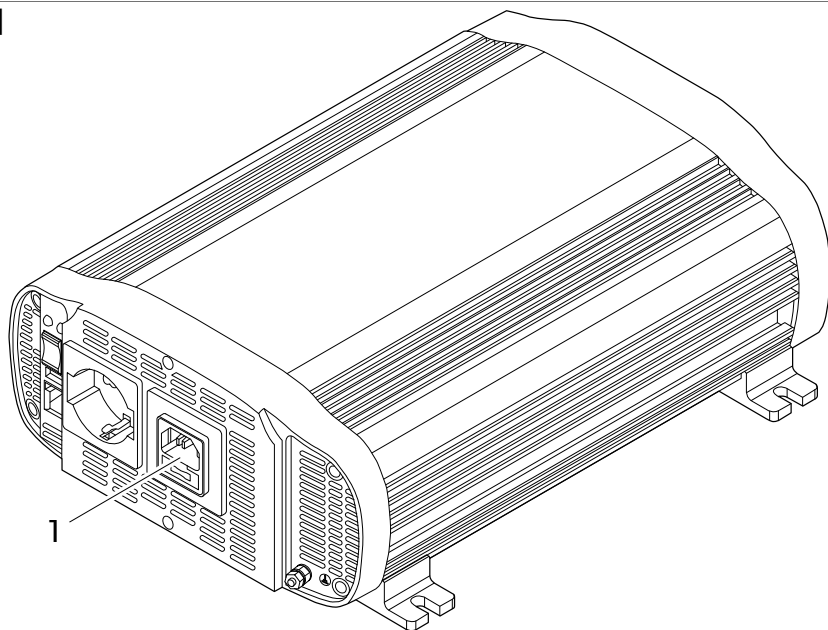
- > Kai planuojate naudoti daugiau nei vieną prietaisą, pirmiausia prijunkite prietaisą su didesnės apkrovos poreikiu.
- > Įsitinkinkite, kad jūsų prietaisų bendras apkrovos poreikis neviršija inverterio išvesties klasės.
- > Naudojant ilginamąjį laidą nuo inverterio prie prietaiso, ilginamasis laidas turi būti ne ilgesnis kaip 1,5 m.
- > Nejunkite inverterio prie jokios kintamosios srovės apkrovos grandinės, kurioje neutralus laidininkas prijungtas prie žemėjimo.

6. Prijunkite ir įjunkite papildomus 230 V prietaisus.
7. Norėdami įkrauti 5 V prietaisą, prijunkite jį prie USB prievado ⑤.

10 Išorinio maitinimo iš elektros tinklo šaltinio prijungimas (SPB1000I-12, SPB1500I-12 ir SPB2000I-12 modeliai)

IEC laidą galima prijungti prie išorinio maitinimo iš elektros tinklo lizdo, kad prijungtus prietaisus būtų galima maitinti tiesiogiai kintamosios srovės įtampa iš viešojo elektros tinklo.

5

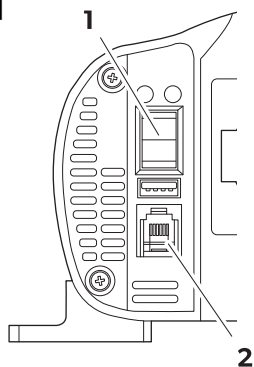


1. Prijunkite laidą prie lizdo ①.
2. Įdėkite saugiklį į linijos saugiklio laikiklį ⑦ arba išimkite iš jo priklausomai nuo norimo įžeminimo tipo (žr. skyrių Prieš montuojant puslapyje 424).

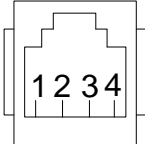
11 Nuotolinio valdymo pulto prijungimas

Prietaisą galima valdyti nuotoliniu būdu naudojant pasirinktą išorinį jungiklį (RC03) arba bet kokį bendrąjį jungiklį, sukonfigūruotą naudoti prie prietaiso RJ11 jungties ①. Toliau pateikiamas kontaktų konfigūracijų aprašymas gali būti naudojamas kaip rekomendacija naudojant bendrojo tipo išorinius jungiklius.

6




Pasirenkamas RC03 išorinis jungiklis naudoja šią kontaktų konfigūraciją:

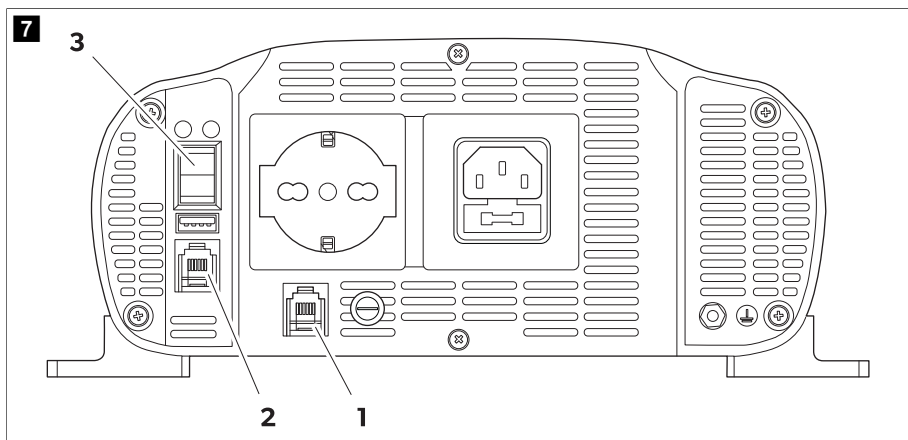
	Kontaktas	Funkcija
	2	Raudono šviesos diodo jungtis
	1-3	Išorinio jungiklio jungtis
	4	Įžeminimas

> Norėdami įjungti nuotolinio valdymo pultą, nustatykite įjungimo / išjungimo jungiklį ② į 2 padėtį.

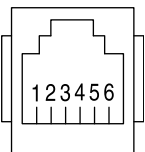
12 N-BUS prijungimas

(tik SPB1000I-12, SPB1500I-12, SPB2000I-12)

1. Prijunkite RJ12 kištuką (BC03, BC06, BC10) prie N-BUS lizdo ( pav. **7** puslapyje 431, **1**).





Naudokite 6 polių plokščiąjį kabelį su RJ12 kištuku tiesia konfigūracija. Kontaktų konfigūracija aprašyta toliau:

Kontaktas	Funkcija	
	1	Tinklo būseną
	2	Nuotolinio valdymo pultas
	3	N-BUS / CI-BUS
	4	Įžeminimas
	5	Magistralės įtampa (VBUS)
	6	(neprijungta)



PRANEŠIMAS! Žalos pavojus

Saugokitės, kad nesupainiotumėte N-BUS ir nuotolinio valdymo pulto jungčių ( pav. **7** puslapyje 431, **2**).

- Nustatykite įjungimo / išjungimo jungiklį ( pav. 7 puslapyje 431, 3) į padėtį II.
- Prįjunkite su N-BUS suderinamus prietaisus.

Inverterio konfigūravimas N-BUS tinkle

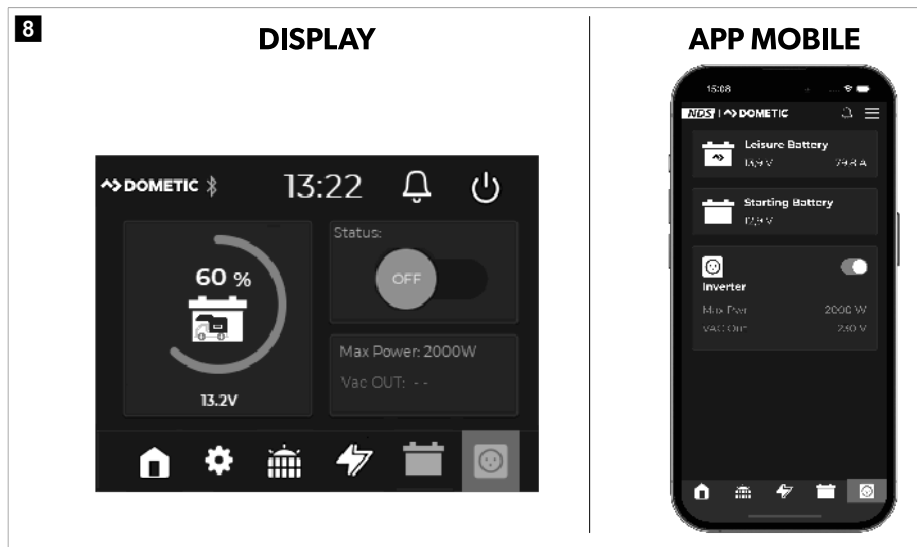
Su N-BUS suderinamus prietaisus galima konfigūruoti ir valdyti N-BUS tinkle naudojantis ekranu arba mobiliąja programėle.



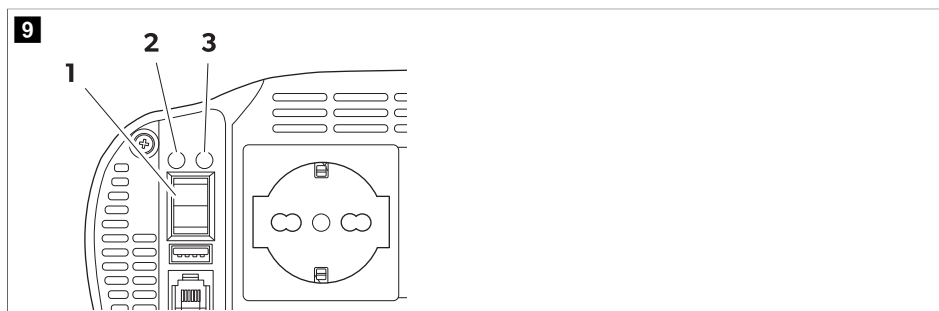
PASTABA

- Norint naudotis mobiliąja programėle, N-BUS tinkle turi būti bent vienas „Bluetooth“ prietaisas.
- Nustatykite vieną iš prietaisų kaip PAGRINDINĮ.

- > Pasirinkite inverterio meniu ir tempdami slankiklį į įjungimo arba išjungimo padėtį įjunkite arba išjunkite inverterį.



13 Naudojimas



Ijungimo / išjungimo jungiklis

- > Norėdami įjungti prietaisą, paspauskite įjungimo / išjungimo jungiklį ① į padėtį I.
- > Norėdami įjungti prietaisą, paspauskite įjungimo / išjungimo jungiklį ① į 0 padėtį.
- > Norėdami įjungti nuotolinio valdymo pultą, paspauskite įjungimo / išjungimo jungiklį ① į padėtį II.

Šviesdiodiniai indikatoriai

Prietaise sumontuoti žalias ② ir raudonas ③ šviesdiodiniai indikatoriai, skirti veikimo būsenai rodyti.

Šviesos diodas	Aprašymas
Green	Prietaisas įjungtas ir veikia tinkamai
Red	Prietaiso gedimas

14 Saugiklio keitimas

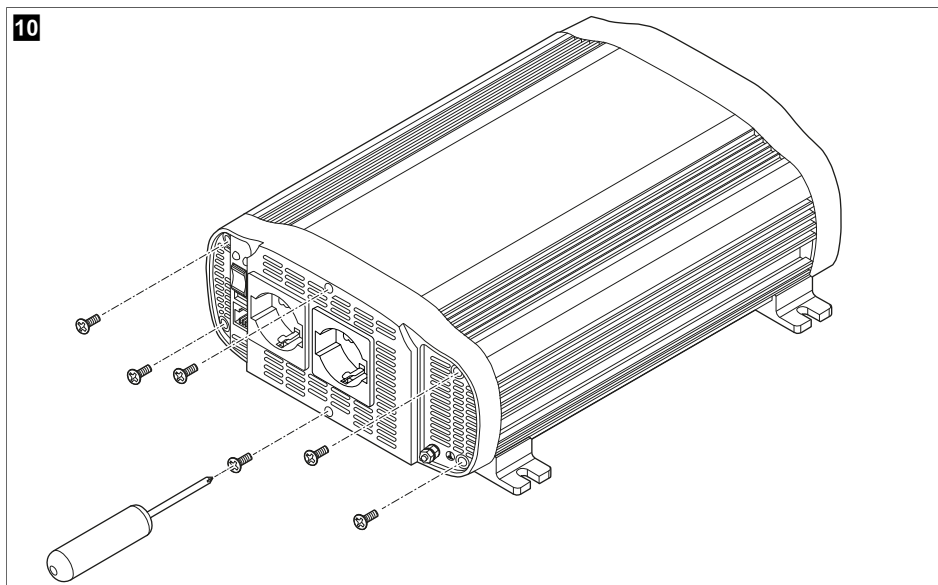


ĮSPĖJIMAS!

- Elektros srovės pavojus
- Montuoti gali tik kvalifikuotas elektrikas.

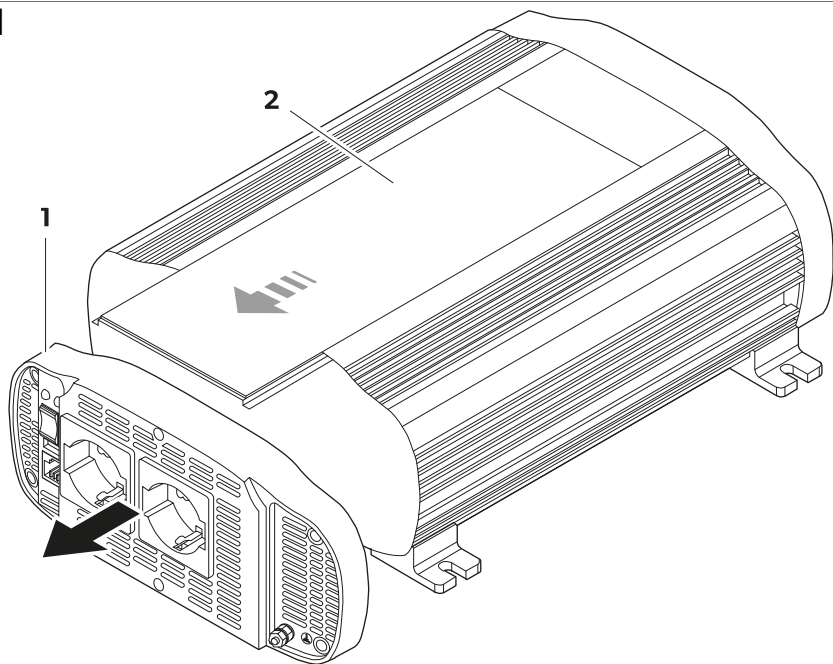
Prietaisas apsaugotas integruota elektronine grandine. Be to, saugikliai yra prietaise. Jei prijungiant poliai bus sujungti atvirkščiai, saugiklis perdegės. Prietaisuose su IVT funkcija taip pat yra stiklinis saugiklis, įtaisytas išorinio maitinimo iš elektros tinklo jungties IEC lizde. Gaminių pakuotėje rasite atsarginius saugiklius.

Vidinių saugiklių keitimas

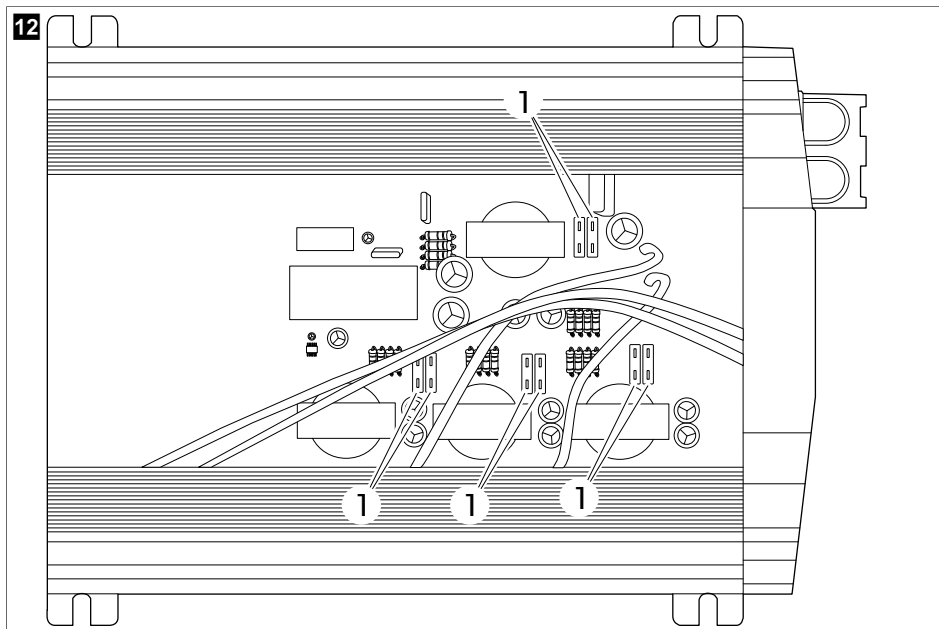


1. Išsukite šešis varžtus.

11



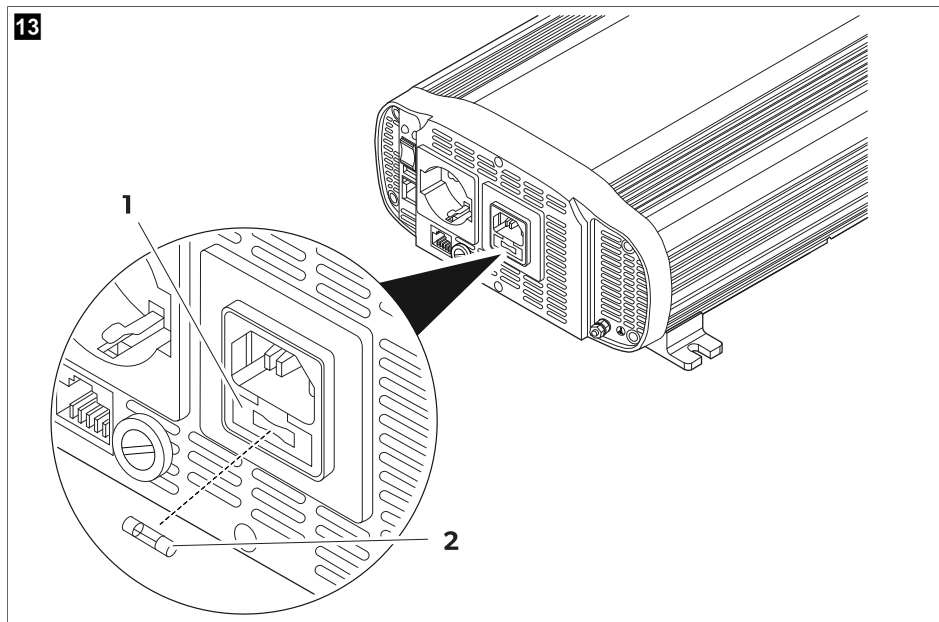
2. Pakreipkite priekinį skydą į priekį ①.
3. Nuimkite dangtelį ②.



4. Pakeiskite saugiklį ①.

Modelis	Saugiklių skaičius	Saugiklio kategorija	
SM400-12, SP400-12	1	50 A	raudona
SM600-12, SP600-12	2	50 A	raudona
SM600-24, SP600-24	2	25 A	balta
SM1000-12, SP1000-12	4	30 A	žalia
SM1500-12, SP1500-12	6	30 A	žalia
SP1500-24	6	15 A	mėlyna
SP2000-12	8	30 A	žalia
SP3000-12	12	30 A	žalia
SP3000-24	12	15 A	mėlyna

IEC lizdo saugiklio keitimas



1. Atidarykite lizdo korpuso dangtelį ①.
2. Pakeiskite saugiklį ②.

Modelis	Saugiklių skaičius	Saugiklio kategorija
SPB1000I-12, SPB1500I-12 ir SPB2000I-12	1	10 A (F10AL 250 V stiklinis saugiklis)



PASTABA Pakeitus saugiklį, prietaisas automatiškai paleidžiamas iš naujo. Jei pakeitus saugiklį prietaisas tinkamai neveikia, kreipkitės į techniką, kad išspręstumėte problemas.

15 Valymas ir priežiūra

- > Retkarčiais nuvalykite gaminį drėgna šluoste.
- > Patikrinkite, ar įvesties ir išvesties jungtys yra tvirtai ir patikimai prijungtos.
- > Įsitinkinkite, kad ventilacijos angos nėra užsikimšusios purvu ar bet kokia kita medžiaga.

16 Utilizavimas



Pakavimo medžiagos perdirbimas. Jei įmanoma, pakavimo medžiagą sudėkite į atitinkamas perdirbimo šiukšliniades.



Jei norite utilizuoti gaminį, kreipkitės į vietinį perdirbimo centrą arba specializuotą prekybos atstovą, kuris nurodys, kaip tai padaryti pagal galiojančias atliekų šalinimo taisykles. Produktą galima utilizuoti nemokamai.



Jei gaminio sudėtyje yra nekeičiamų akumuliatorių, įkraunamų akumuliatorių ar šviesos šaltinių, prieš utilizuojant jų išimti nereikia.

17 Garantija


Taikomas įstatymų nustatytas garantinis laikotarpis. Jei gaminys pažeistas, susisieki su jūsų šalyje veikiančiu gamintojo filialu (žr. dometic.com/dealer) arba prekyautoju.

Jei reikalingas remontas ir garantinis aptarnavimas, pristatydami prietaisą pateikite šiuos dokumentus:


- Kvito kopiją su nurodyta pirkimo data
- Pretenzijos priežastį arba gedimo aprašymą


Atminkite, kad savarankiškas arba neprofesionalus remontas gali turėti pasekmių saugai ir anuluoti garantiją.



18 Techniniai duomenys

	SM400-12	SM600-12	SM600-24
Nepertraukiama išvesties galia	400 W	600 W	
Didžiausia išvesties galia	800 W (kelias sekundes)	1200 W (kelias sekundes)	
Išvesties įtampa (RMS) / dažnis	230 V KS / 50 Hz ± 3 Hz		
USB išvestis	5 V 2,1 A		
Išvesties įtampa	12 V		24 V
Savaiminis suvartojimas	200 mA (13,2 V)	220 mA (13,2 V)	100 mA (26,4 V)
Ryšys	-	-	-
Matmenys (plotis x gylis x aukštis)	140 mm × 184 mm × 71 mm	140 mm × 214 mm × 71 mm	140 mm × 214 mm × 71 mm
Sertifikatas	 (10 R - 05 0094)		




	SM1000-12	SM1500-12
Nepertraukiama išvesties galia	1000 W	1500 W
Didžiausia išvesties galia	2000 W (kelias sekundes)	3000 W (kelias sekundes)
Išvesties įtampa (RMS) / dažnis	230 V KS / 50 Hz ± 3 Hz	
USB išvestis	5 V 2,1 A	
Išvesties įtampa	12 V	
Savaiminis suvartojimas	530 mA (13,2 V)	460 mA (13,2 V)
Ryšys	-	-




	SM1000-12	SM1500-12
Matmenys (plotis x gylis x aukštis)	270 mm × 262 mm × 107,5 mm	270 mm × 262 mm × 107,5 mm
Sertifikatas	 (10 R - 05 0094)	

	SP400-12	SP600-12	SP600-24
Nepertraukiama išvesties galia	400 W	600 W	
Didžiausia išvesties galia	1000 W (kelias sekundes)	1500 W (kelias sekundes)	
Išvesties įtampa (RMS) / dažnis	230 V KS / 50 Hz ± 3 Hz		
USB išvestis	5 V, 2,1 A		
Įvesties įtampa	12 V		24 V
Savaiminis suvartojimas	340 mA (13,2 V)	420 mA (13,2 V)	210 mA (26,4 V)
Ryšys	-	-	-
Matmenys (plotis x gylis x aukštis)	140 mm × 214,5 mm × 71 mm	140 mm × 244,5 mm × 71 mm	140 mm × 244,5 mm × 71 mm
Sertifikatas	 (10 R - 05 0094)		

	SP1000-12	SPB1000I-12
Nepertraukiama išvesties galia	1000 W	
Didžiausia išvesties galia	2500 W (kelias sekundes)	
Išvesties įtampa (RMS) / dažnis	230 V KS / 50 Hz ± 3 Hz	
USB išvestis	5 V, 2,1 A	
Įvesties įtampa	12 V	
Savaiminis suvartojimas	870 mA (13,2 V)	680 mA (13,2 V)
Persijungimo iš akumuliatoriaus į išorinį maitinimą iš elektros tinklo trukmė	-	0,02 s
Persijungimo iš maitinimo iš elektros tinklo į akumuliatorių trukmė	-	0,1 s
Ryšys	-	N-BUS
Matmenys (plotis x gylis x aukštis)	270 mm × 262,4 mm × 107,5 mm	270 mm × 262,4 mm × 107,5 mm
Sertifikatas	 (10 R - 05 0094)	 (10 R - 06-02 5174 00)

	SP1500-12	SPB1500I-12	SP1500-24
Nepertraukiama išvesties galia	1500 W		

	SP1500-12	SPB1500I-12	SP1500-24
Didžiausia išvesties galia	4000 W (kelias sekundes)		
Išvesties įtampa (RMS) / dažnis	230 V KS / 50 Hz ± 3 Hz		
USB išvestis	5 V 2,1 A		
Įvesties įtampa	12 V		24 V
Savaiminis suvartojimas	850 mA (13,2 V)	930 mA (13,2 V)	620 mA (26,4 V)
Persijungimo iš akumuliatoriaus į išorinį maitinimą iš elektros tinklo trukmė	–	0,02 s	–
Persijungimo iš maitinimo iš elektros tinklo į akumuliatorių trukmė	–	0,1 s	–
Ryšys	–	N-BUS	–
Matmenys (plotis x gylis x aukštis)	270 mm × 322,4 mm × 107,5 mm	270 mm × 360 mm × 107,5 mm	270 mm × 322,4 mm × 107,5 mm
Sertifikatas	 (10 R - 05 0094)	 (10 R - 06-02 5174 00)	 (10 R - 05 0094)

	SPB2000I-12	SP3000-12	SP3000-24
Nepertraukiama išvesties galia	2000 W	3000 W	
Didžiausia išvesties galia	6000 W (kelias sekundes)	8000 W (kelias sekundes)	
Išvesties įtampa (RMS) / dažnis	230 V KS / 50 Hz ± 3 Hz		
USB išvestis	5 V 2,1 A		
Įvesties įtampa	12 V		24 V
Savaiminis suvartojimas	900 mA (13,2 V)	1270 mA (13,2 V)	680 mA (26,4 V)
Persijungimo iš akumuliatoriaus į išorinį maitinimą iš elektros tinklo trukmė	0,02 s	–	–
Persijungimo iš maitinimo iš elektros tinklo į akumuliatorių trukmė	0,1 s	–	–
Ryšys	N-BUS	–	–
Matmenys (plotis x gylis x aukštis)	270 mm × 385 mm × 107,5 mm	270 mm × 452 mm × 107,5 mm	270 mm × 452 mm × 107,5 mm
Sertifikatas			
	 (10 R - 06-02 5174 00)	 (10 R - 05 0094)	

Šiuo dokumentu Dometic pareiškia, kad SPB1000I-12, SPB1500I-12 ir SPB2000I-12 tipo radijo ryšio įranga atitinka direktyvą 2014/53/ES. Visą ES atitikties deklaracijos tekstą galima rasti šiuo interneto adresu:

documents.dometic.com

Latviešu

1	Svarīgas piezīmes.....	440
2	Simbolu skaidrojums.....	440
3	Drošības instrukcijas.....	441
4	Komplektācija.....	441
5	Paredzētais izmantošanas mērķis.....	441
6	Mērķauditorija.....	442
7	Tehniskais apraksts.....	442
8	Pirms uzstādīšanas.....	442
9	Uzstādīšana.....	445
10	Pievienošana ārējam elektrotīklam (SPB1000I-12, SPB1500I-12 un SPB2000I-12 modeļiem).....	448
11	Tālvadības pults pievienošana.....	449
12	N-BUS pievienošana.....	450
13	Ekspluatācija.....	451
14	Drošinātāju nomaīņa.....	452
15	Tīrīšana un apkope.....	455
16	Atkritumu pārstrāde.....	455
17	Garantija.....	456
18	Tehniskie dati.....	456

1 Svarīgas piezīmes

Lūdzam rūpīgi izlasīt un ņemt vērā visus produkta rokasgrāmatā iekļautos norādījumus, vadlīnijas un brīdinājumus, lai nodrošinātu, ka jūs šo produktu vienmēr uzstādāt, lietojat un apkopjat atbilstoši. Šie norādījumi ir OBLIGĀTI jāsaģlabā kopā ar šo produktu.

Lietojot šo produktu, jūs apstiprināt, ka esat rūpīgi izlasījuši visus norādījumus, vadlīnijas un brīdinājumus, un jūs saprotat un piekrītat ievērot šeit izklāstītos noteikumus un nosacījumus. Jūs piekrītat lietot šo produktu tikai tā paredzētajam mērķim un lietojumam saskaņā ar norādījumiem, vadlīnijām un brīdinājumiem, kas izklāstīti šī produkta rokasgrāmatā, kā arī ievērojot visus piemērojamos normatīvos aktus. Šeit izklāstīto norādījumu un brīdinājumu neizlasīšana un neievērošana var izraisīt traumas sev un citiem, vai radīt bojājumus pašam produktam vai apkārt esošam īpašumam. Informācija šajā produkta rokasgrāmatā, tajā skaitā norādījumi, vadlīnijas, brīdinājumi un saistītā dokumentācija, var tikt mainīta un papildināta. Lai iegūtu jaunāko informāciju par produktu, apmeklējiet vietni documents.dometic.com.

2 Simbolu skaidrojums

Signālvārds identificē drošības ziņojumus un ziņojumus par īpašuma bojājumu, kā arī norāda bistamības smaguma pakāpi vai līmeni.



BRĪDINĀJUMS!

Apzīmē bīstamu situāciju, kas var izraisīt nāvējošus vai nopietnus savainojumus, ja netiks novērsta.



ESIET PIESARDZĪGI!

Apzīmē bīstamu situāciju, kas var izraisīt vieglus vai vidēji smagus savainojumus, ja netiks novērsta.



NEMIET VĒRĀ!

Apzīmē bīstamu situāciju, kas var izraisīt materiālu kaitējumu, ja netiks novērsta.



PIEZĪME Papildu informācija produkta lietošanai.

3 Drošības instrukcijas



BRĪDINĀJUMS! Šo brīdinājumu neievērošana var izraisīt nāvējošas vai smagas traumas.

- > Ugunsgrēka gadījumā izmantojiet elektroierīcēm piemērotu ugunsdzēsības aparātu.
- > Nelietojiet ierīci, ja tai ir redzami bojājumi.



ESIET PIESARDZĪGI! Šo brīdinājumu neievērošana var izraisīt nāvējošas vai smagas traumas.

- > Uzstādīšanu, montāžu, elektroinstalāciju, kā arī jebkurus pārējos darbus drīkst veikt tikai kvalificēti elektriķi. Nepareizi veikts remonts var radīt nopietnus apdraudējumus.
- > Uzstādīšana nav atļauta potenciāli sprādzienbīstamās zonās, piemēram, telpās, kurās ir uzliesmojoši šķidrums vai gāzes.
- > Neuzstādiēt vai neglabājiet ierīci atklātas liesmas vai citu siltuma avotu (sildītāju, tiešu saules staru, gāzesplīšu u.c.) tuvumā.
- > Neļaujiet bērniem rotalāties ar ierīci.
- > Bērni, kas sasnieguši 8 gadu vecumu, un personas ar ierobežotām fiziskām, uztveres vai garīgām spējām vai bez pieredzes un zināšanām šo ierīci drīkst lietot tikai tad, ja šādas personas tiek uzraudzītas vai ir saņēmušas norādījumus par ierīces drošu lietošanu, un ir izpratušas iespējamus riskus.



NĒMIET VĒRĀ! Apzīmē bīstamu situāciju, kas var izraisīt materiālu kaitējumu, ja netiks novērsta.

- > Pārliecinieties, ka barošanas avota spriegums atbilst tipa marķējumā norādītajam.
- > Nekādā gadījumā neiegremdējiet ierīci ūdenī.
- > Sargājiet ierīci un vadus no karstuma un mitruma.
- > Nepakļaujiet ierīci lietus ietekmei.
- > Pārliecinieties, ka montāžas virsma spēj noturēt ierīces svaru.
- > Novietojiet vadus tā, lai aiz tiem nevarētu pakļupt un nevarētu tos sabojāt.
- > Izmantojiet cauruļvadus vai kabeļu kanālus, ja nepieciešams izvilkat vadus cauri metāla paneļiem vai citiem paneļiem ar asām malām.

4 Komplektācija

Apraksts	Daudzums
Strāvas pārveidotājs	1
Sarkans barošanas vads	1
Melns barošanas vads	1
Uzstādīšanas un lietošanas rokasgrāmata	1

5 Paredzētais izmantošanas mērķis

Šī ierīce ir paredzēta, lai pievienotajai aparatūrai nodrošinātu 230 V spriegumu, kas iegūts no 12 V vai 24 V ieejas sprieguma. Šo ierīci paredzēts izmantot autofurgonos, kempingos un autobusus.

Modeļu līnijā ir divu veidu ierīces:

- SM400-12, SM600-12, SM600-24, SM1000-12 un SM1500-12 modeļi ir strāvas pārveidotāji ar modificētu sinusoidālā viļņa izeju.
- SP400-12, SP600-12, SP600-24, SP1000-12, SP1500-12, SP1500-24, SP3000-12 un SP3000-24 modeļi ir strāvas pārveidotāji ar tīru sinusoidālā viļņa izeju.

SPB1000I-12, SPB1500I-12 un SPB2000I-12 modeļiem ir integrēta prioritātes funkcija (IVT) un ar drošinātāju aizsargāta ieejas (IEC) kontaktligzda ārējā barošanas avota pievienošanai.

Šis produkts ir piemērots tikai paredzētajam mērķim un lietojumam saskaņā ar šo instrukciju.

Šajā rokasgrāmatā ir sniegta informācija, kas nepieciešama pareizai produkta uzstādīšanai un/vai lietošanai. Nekvalitatīva uzstādīšana un/vai nepareiza lietošana vai apkope izraisīs neatbilstošu darbību un iespējamu atteici.

Ražotājs neuzņemas atbildību par savainojumiem vai produkta bojājumiem, kas radušies šādu iemeslu dēļ:

- nepareiza uzstādīšana, montāža vai pievienošana, tostarp pārmērīgs spriegums;
- nepareiza apkope vai tādu neoriģinālo rezerves daļu, kuras nav piegādājis ražotājs, lietošana;
- produkta modifikācijas, kuras ražotājs nav nepārprotami apstiprinājis;
- lietošana citiem mērķiem, kas nav aprakstīti šajā rokasgrāmatā.

Dometic patur tiesības mainīt produkta ārējo izskatu un specifiskās funkcijas.

6 Mērķauditorija



Elektroinstalāciju un konfigurāciju drīkst veikt tikai kvalificēts elektriķis, kuram ir pārbaudītas prasmes un zināšanas par elektroaprīkojuma un elektroinstalāciju uzbūvi un lietošanu, kurš pārzina spēkā esošos noteikumus attiecīgajā valstī, kurā šī ierīce tiek uzstādīta un/vai lietota, un, kurš ir apguvis drošības instrukciju iespējamo risku noteikšanu un novēršanu.

Visas pārējās darbības var veikt arī neprofesionāli lietotāji.

7 Tehniskais apraksts

Ierīcei ir divi galvenās ķēdes posmi 12 V \rightleftharpoons vai 24 V \rightleftharpoons ieejas sprieguma pārveidošanai maiņstrāvas izejas spriegumā. Pirmajā posmā izolēts augstas frekvences DC/DC pārveidotājs pārveido 12 V līdzstrāvas vai 24 V līdzstrāvas ieejas spriegumu līdzstrāvas izejas spriegumā līdz 400 V. Pēdējais posms sastāv no pārvienojuma, kas pārveido līdzstrāvas augstsprieguma kopni 230 V maiņstrāvas spriegumā.

Ierīcei ir tālāk norādītās galvenās funkcijas.

- Zems patēriņš.
- Galvaniski izolēta ieeja un izeja papildu drošībai.
- Ventilatora ātruma kontrole atkarībā no temperatūras klusākai darbībai.
- Integrēts prioritātes slēdzis starp ārējo elektrotīklu un akumulatoru.
- Gatavība ieslēgšanas/izslēgšanas tālvadībai.
- Bridinājums par zemu akumulatora spriegumu.
- Izslēgšanās augsta vai zema akumulatora sprieguma gadījumā.
- Izslēgšanās pārslodzes gadījumā.
- Aizsardzība pret īssavienojumu, pārkaršanu, pārslodzi un mainītu polaritāti.
- Soft Start funkcija.

Tikai SPB1000I-12, SPB1500I-12, SPB2000I-12: Ierīce ir saderīga ar N-BUS (skat. nodaļu N-BUS pievienošana lpp. 450).

8 Pirms uzstādīšanas

Prasības akumulatoram

Akumulatora veids un izmērs var ievērojami ietekmēt strāvas pārveidotāju veiktspēju. Tāpēc jānosaka lietošanas ilgums starp uzlādēm un tas, kāda veida slodzēs strāvas pārveidotājs darbosies. Lai attiecīgajam lietojumam noteiktu minimālās akumulatora prasības, veiciet tālāk uzskaitītās darbības.

1. No marķējuma nosakiet jaudas vērtības katrai ierīcei, kas vienlaicīgi tiks izmantotas, pieslēdzot tās strāvas pārveidotājam. Parasti enerģijas patēriņu norāda vatos. Ja tas ir norādīts ampēros, sareiziniet šo vērtību ar 230 V, lai iegūtu vērtību vatos.
2. Nosakiet, cik stundas aprīkojums darbosies līdz atkārtotai akumulatora uzlādei.
3. Aprēķiniet kopējo nepieciešamo elektroenerģijas daudzumu Wh (vatstundās), reizinot augstāk noteikto laiku ar jaudas vērtību vatos. Daliel rezultātu ar 10, ja strāvas pārveidotāja ieejas spriegums ir 12 V, vai ar 20, ja tas ir 24 V. Iegūtā vērtība ampērstundās (Ah) norāda uz attiecīgajam lietojumam nepieciešamo jaudu.



PIEZĪME Ja iespējams, uzlādējiet akumulatoru, kad tā uzlādes līmenis nav nokritis zemāk par 50%. Šādi tiek krietni paildzināts akumulatora dzīves cikls, salīdzinājumā ar uzlādes veikšanu tad, kad tas izlādējies pilnībā.

Iespējamie traucējumu cēloņi

Pastāv iespēja, ka no nekvalitatīvām audiosistēmām, kas pievienotas strāvas pārveidotājam, var būt dzirdama dūkoņa. Tas notiek tāpēc, ka audiosistēmas barošanas bloks nespēj pietiekami filtrēt modificēto sinusoidālo viļni, ko rada strāvas pārveidotājs. Risinājums ir izmantot audiosistēmu, kas aprīkota ar augstas kvalitātes barošanas bloku, vai izmantot tīra sinusoidālā viļņa strāvas pārveidotāju. Kad strāvas pārveidotājs darbojas, tas var traucēt dažu televīzijas kanālu uztveršanu. Ja vērojami traucējumi, veiciet tālāk norādītās darbības.

1. Pārliedzieties, vai strāvas pārveidotāja šasijas zemējuma skrūve ir pievienota transportlīdzekļa zemējumam.
2. Pārliedzieties, vai televizora antena nodrošina pietiekamu signālu un antenas vads nav bojāts.
3. Starp akumulatoru un strāvas pārveidotāju lietojiet pēc iespējas īsākus vadus un savijiet tos kopā, lai mazinātu izstarotās emisijas.
4. Novietojiet televizoru pēc iespējas tālāk no strāvas pārveidotāja.
5. Kad televizors ir ieslēgts, nedarbiniet strāvas pārveidotāju ar pārlietu lielu slodzi.

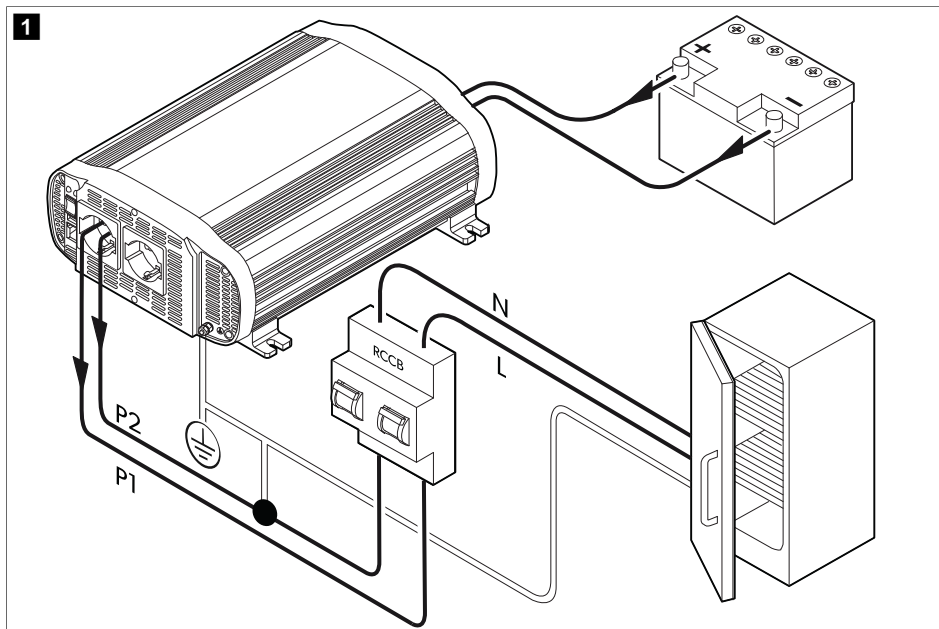
Aizsardzība pret strāvas noplūdi (izņemot SPB1000I-12, SPB1500I-12 un SPB2000I-12 modeļiem)



NEMIET VĒRĀ! Bojājumu risks

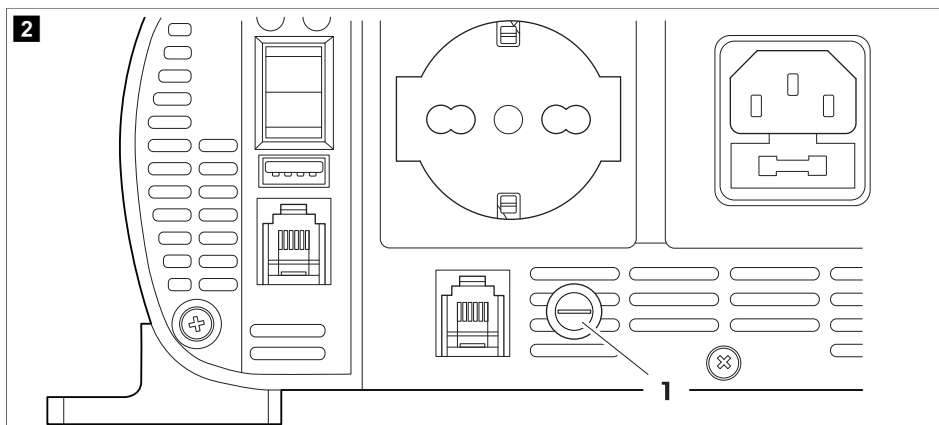
Lai vairākas ierīces varētu darboties droši, ir svarīgi, ka kontaktlīdzdas sadales ķēdē iebūvēts noplūdes strāvas slēdzis (paliekošās strāvas slēdzis).

Zemējuma kontaktlīdzda paredzēta drošības sistēmai, piemēram, paliekošās strāvas slēdzim (RCCB). Pievienojiet paliekošās strāvas slēdzi saskaņā ar diagrammu.



1. Pievienojiet fāzes (P1) un neitrāles (P2) izeju paliekošās strāvas slēdža ieejai.
2. Pievienojiet strāvas pārveidotāja zemējumu pie viena no diviem vadiem, kas pievienots paliekošās strāvas slēdža ieejai.
3. No paliekošās strāvas slēdža ieejas pievienojiet ierīcēm neitrāles un fāzes izeju.
4. Pievienojiet strāvas pārveidotāja zemējumu ierīču zemējumam.

Aizsardzība pret strāvas noplūdi (SPB1000I-12, SPB1500I-12 un SPB2000I-12 modeļiem)





NEMIET VĒRĀ! Bojājumu risks

Diagramma attiecas tikai uz savienojumu ar strāvas pārveidotāja izeju. Ārējā elektrotīkla ieejas IEC spraudnis jāpievieno ārējā elektrotīkla slēdža izejai.

TN vai IT tipa zemējuma risinājumi SPB1000I-12, SPB1500I-12 un SPB2000I-12 modeļiem ir konfigurējami ar drošinātāju.

- > Lai izveidotu TN tipa zemējumu, pārliecinieties, ka drošinātājs ir ievietots ietverē ①.
- > Lai izveidotu IT tipa zemējumu, pārliecinieties, ka drošinātājs **nav** ievietots ietverē ①.

9 Uzstādīšana



ESIET PIESARDZĪGĪ! Bojājumu risks

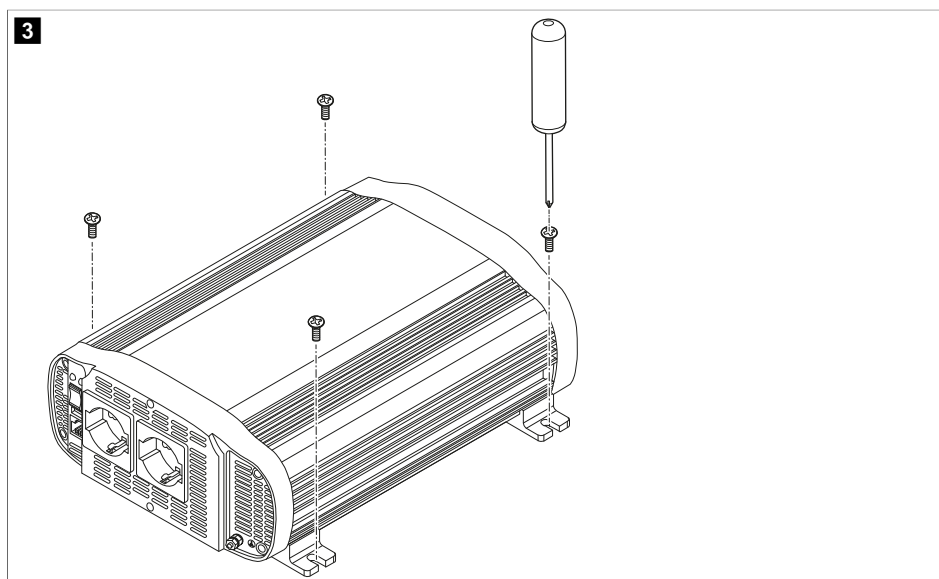
Neuzstādiet ierīci siltuma avotu tuvumā vai nepietiekami ventilētās vietās.



PIEZĪME Ierīci iespējams uzstādīt jebkādā pozīcijā. Ja uzstādiat to uz vertikālas virsmas, ieteicams ierīces garāko malu nostādīt paralēli grīdai.



PIEZĪME Uzstādiat ierīci pēc iespējas tuvāk 12 V / 24 V barošanas avotam.



1. Montējiet ierīci, izmantojot četrus montāžas atlokus un atbilstošas skrūves.

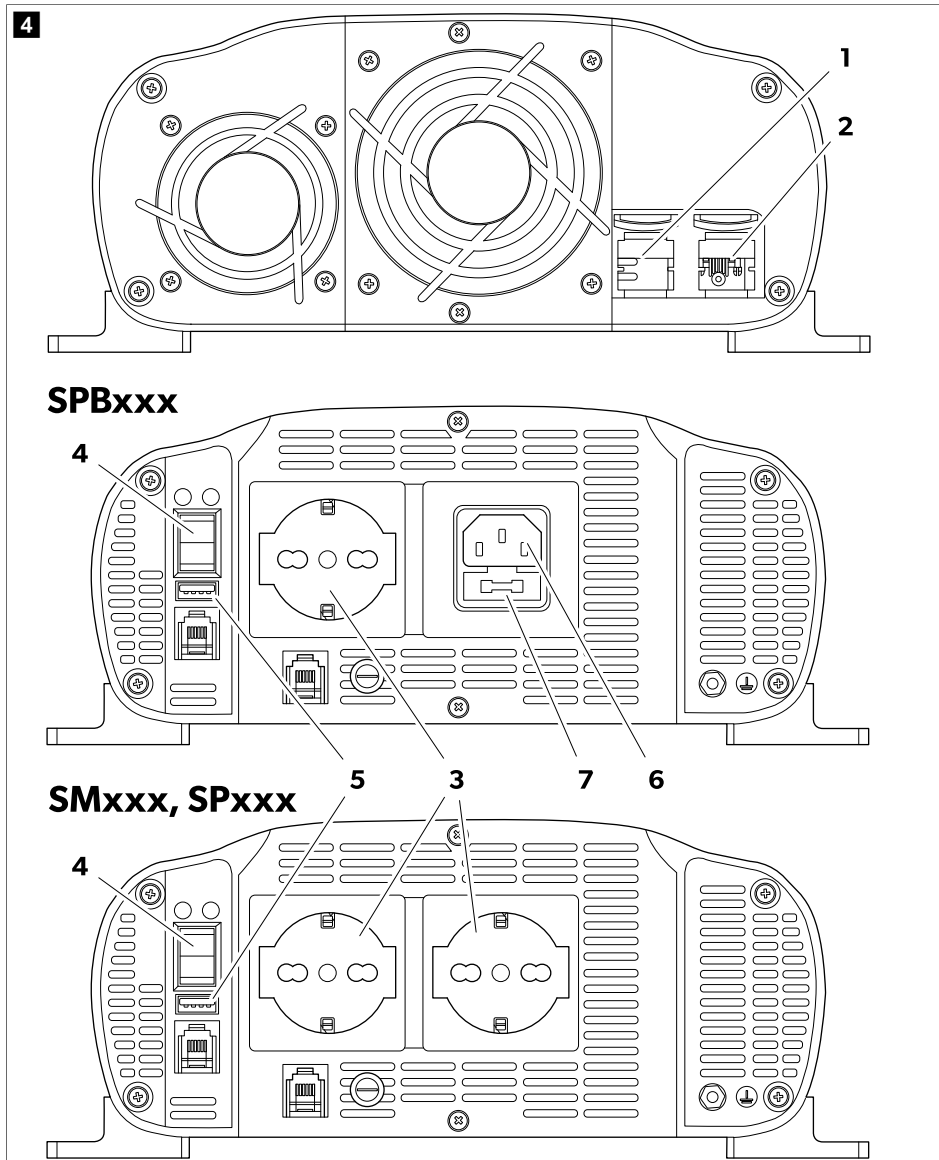


NEMIET VĒRĀ! Bojājumu risks

Pirms ierīces pievienošanas pārliecinieties, ka barošanas slēdzis ir izsl. pozīcijā.



PIEZĪME Izmantojiet komplektā iekļautos vadus, lai ierīcei pievienotu akumulatoru. Ja attālums starp akumulator un ierīci pārsniedz 2 metrus, palieliniet vada šķērs griezumu, lai izvairītos no sprieguma krituma un jaudas zudumiem.



2. Savienojiet akumulatora negatīvo polu ar strāvas pārveidotāja negatīvo polu ①.

**NEMIET VĒRĀ! Bojājumu risks**

Pievienoto ierīču aizsardzībai uz pozitīvā akumulatora vada uzstādiēt līnijas drošinātāju.

3. Savienojiet akumulatora pozitīvo polu ar strāvas pārveidotāja pozitīvo polu ②.

**NEMIET VĒRĀ! Bojājumu risks**

Pirms ierīces pievienošanas strāvas pārveidotājam pārliecinieties, ka tā ir izslēgta.

4. Pievienojiet 230 V ierīci izejas kontaktligzdai ③.
5. Ieslēdziet strāvas pārveidotāju ar ieslēgšanas/izslēgšanas slēdzi ④.



PIEZĪME Kad strāvas pārveidotājs ir ieslēgts, uz 3 līdz 5 sekundēm ieslēdzas gan sarkanā, gan zaļā gaismas diode. Pēc neliela brīža sarkanā gaismas diode izslēdzas, un ierīce izdod skaņas signālu. Zaļā gaismas diode norāda, ka strāvas pārveidotājs darbojas pareizi.

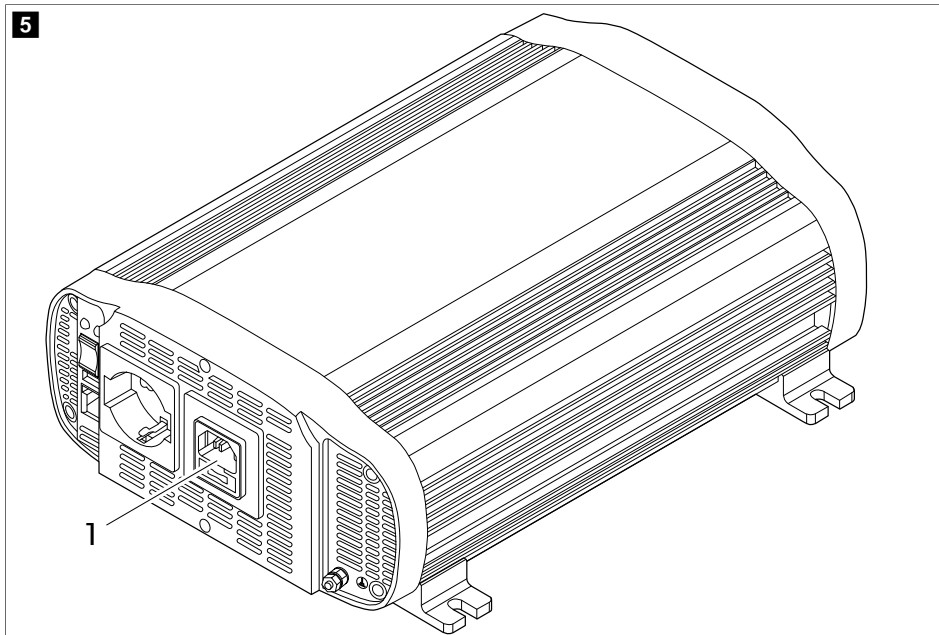
**NEMIET VĒRĀ! Bojājumu risks**

- > Ja plānojat pieslēgt vairāk nekā vienu ierīci, vispirms pievienojiet to, kurai nepieciešams vairāk jaudas.
- > Pārliecinieties, ka kombinētā jūsu ierīču jauda nepārsniedz strāvas pārveidotāja izejas jaudu.
- > Ja starp strāvas pārveidotāju un ierīci izmantojat pagarinātāju, tā garums nedrīkst pārsniegt 1,5 m.
- > Nepievienojiet strāvas pārveidotāju tādai maiņstrāvas ķēdei, kur nullvads pievienots zemējumam.

6. Pievienojiet papildu 230 V ierīces un ieslēdziet tās.
7. Lai uzlādētu 5 V ierīci, pievienojiet to USB portam ⑤.

10 Pievienošana ārējam elektrotīklam (SPB1000I-12, SPB1500I-12 un SPB2000I-12 modeļiem)

Ir iespējams pievienot IEC vadu ārējā elektrotīkla kontaktligzdai, lai tieši apgādātu pievienotās ierīces ar maiņstrāvas spriegumu no publiskā elektrotīkla.



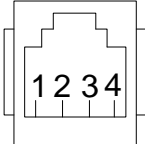
1. Pievienojiet vadu kontaktligzdai ①.
2. Uzstādiet vai noņemiet drošinātāju pie līnijas drošinātāja ietveres ⑦ atbilstoši vēlamajam zemējuma izvietojuma tipam (skat. nodaļu Pirms uzstādīšanas lpp. 442).

11 Tālvadības pults pievienošana

Ierīci iespējams vadīt attālināti ar izvēles aprīkojumā pieejamu ārējo slēdzi (RC03) vai jebkuru citu standarta slēdzi, kas pielāgots ierīces RJ11 savienojumam ①. Tālākais kontakttāpu konfigurāciju apraksts var tikt izmantots kā vadlīnija, izvēloties standarta ārējos slēdžus.



Izvēles aprīkojuma RC03 ārējam slēdzim ir šāda kontakttapu konfigurācija:

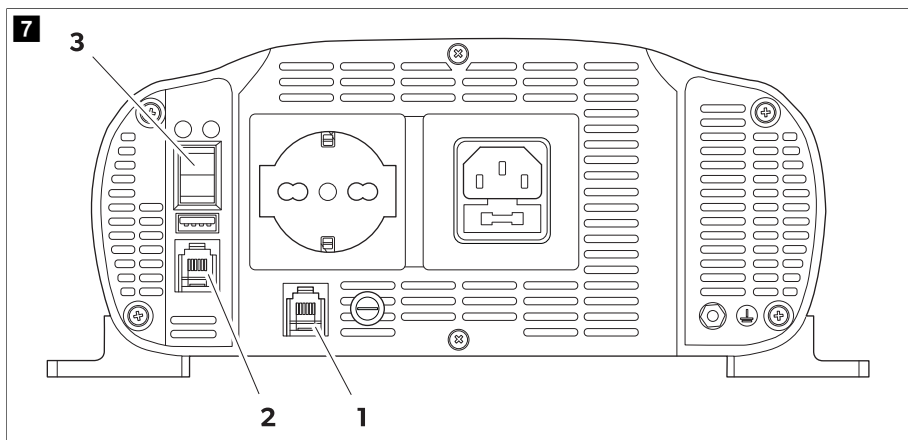
	Kontakttapa	Funkcija
	2	Sarkanās gaismas diodes savienojums
	1-3	Ārējā slēdža savienojums
	4	Zemējums

> Lai iespējotu tālvadības pulti, pārslēdziet ieslēgšanas/izslēgšanas slēdzi ② 2. pozīcijā.

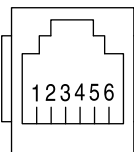
12 N-BUS pievienošana

(Tikai SPB1000I-12, SPB1500I-12, SPB2000I-12)

1. Savienojiet RJ12 spraudni (BC03, BC06, BC10) ar N-BUS līdzdu ( att. **7** lpp. 450, **1**).




Izmantojiet 6 polu plakānu kabeli ar RJ12 spraudni taisnā konfigurācijā. Izvades kontaktu konfigurācija ir šāda:

Kontakttapa	Funkcija	
	1	Tikla statuss
	2	Tālvadības pults
	3	N-BUS/CI-BUS
	4	Zemējums
	5	Kopnes spriegums (VBUS)
	6	(nav pievienots)



NEMIET VĒRĀ! Bojājumu risks

Novēro, lai netiktu sajaukti N-BUS un tālvadības pults savienojumi ( att. **7** lpp. 450, **2**).

2. Novietojiet ieslēgšanas/izslēgšanas slēdzi ( att. **7** lpp. 450, **3**) l pozīcijā.

3. Pievienojiet ar N-BUS saderīgās ierīces.

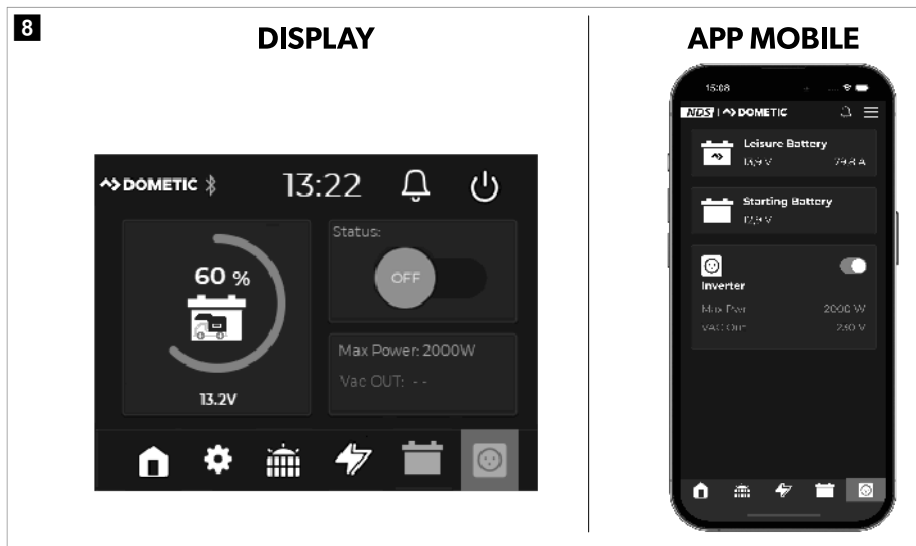
Strāvas pārveidotāja konfigurēšana N-BUS tīklā

Ar N-BUS saderīgas ierīces var konfigurēt un kontrolēt N-BUS tīklā, izmantojot displeju vai mobilo lietotni.

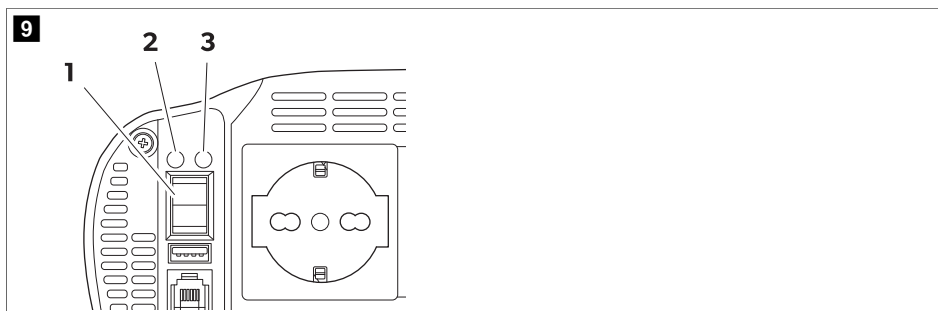


PIEZĪME

- Lai izmantotu mobilo lietotni, ir nepieciešama vismaz viena Bluetooth ierīce N-BUS tīklā.
 - Iestatiet vienu no ierīcēm kā vedējelementu (MASTER).
- > Atlasiet strāvas pārveidotāja izvēlni un velciet slīdni uz ieslēgšanas vai izslēgšanas pozīciju, lai ieslēgtu vai izslēgtu strāvas pārveidotāju.



13 Eksploatācija



Ieslēgšanas/izslēgšanas slēdzis

- > Lai ieslēgtu ierīci, pārslēdziet ieslēgšanas/izslēgšanas slēdzi ① I pozīcijā.

- > Lai izslēgtu ierīci, pārslēdziet ieslēgšanas/izslēgšanas slēdzi ① 0 pozīcijā.
- > Lai iespējotu tālvadības pulti, pārslēdziet ieslēgšanas/izslēgšanas slēdzi ① II pozīcijā.

LED indikatori

Ierīce aprīkota ar zaļu ② un sarkanu ③ LED indikatoru, lai parādītu darbības statusu.

LED	Apraksts
Green	Ierīce ir ieslēgta un darbojas pareizi
Red	Ierīces kļūme

14 Drošinātāju nomainīšana

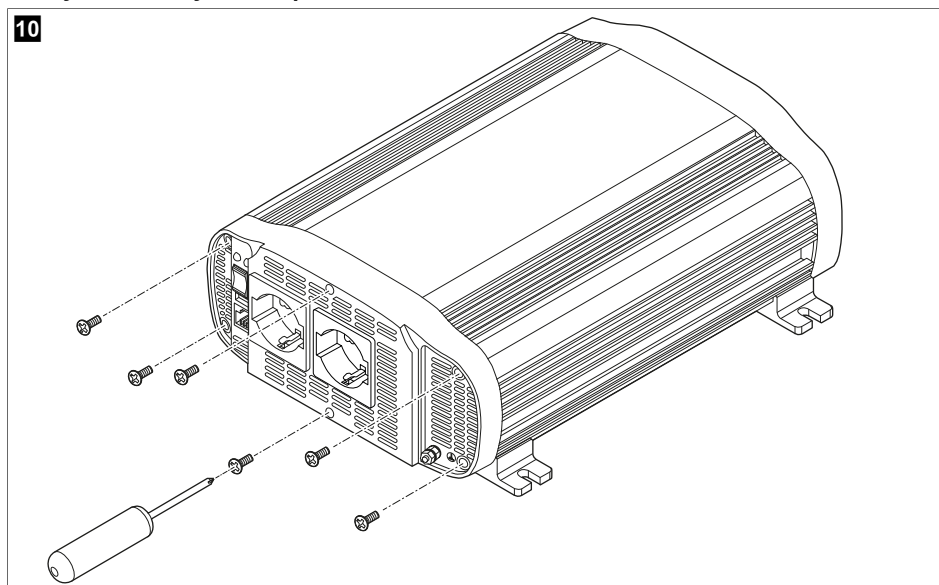


BRĪDINĀJUMS!

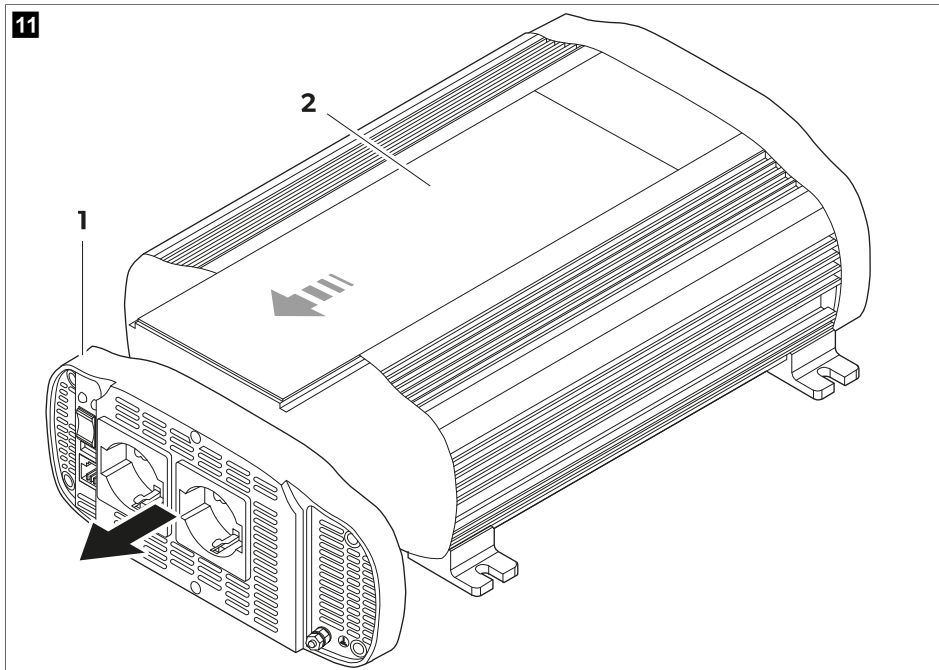
- Nāvējoša elektrošoka risks
- Uzstādīšanu drīkst veikt tikai kvalificēts elektriķis.

Ierīce ir aizsargāta ar integrētu elektronisko shēmu. Turklāt arī drošinātāji atrodas ierīces iekšpusē. Apgrieztas polaritātes gadījumā drošinātājs nostrādā. Ierīcēm ar IVT funkciju ir arī stikla drošinātājs, kas atrodas ārējā elektrotīkla savienojuma IEC kontaktligzdā. Rezerves drošinātāji ir iekļauti produkta iepakojumā.

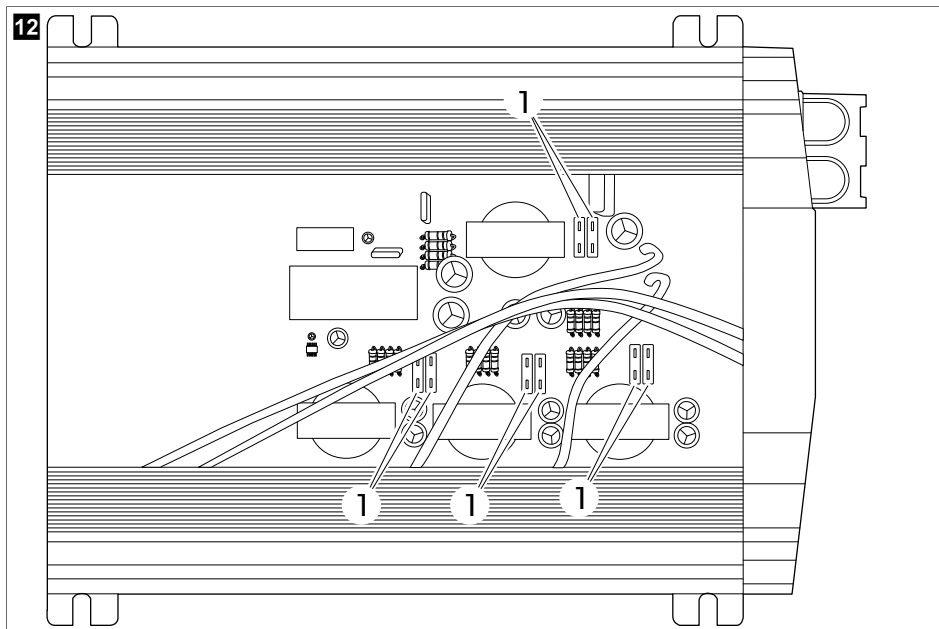
Iekšējo drošinātāju nomainīšana



1. Iznemiet sešas skrūves.



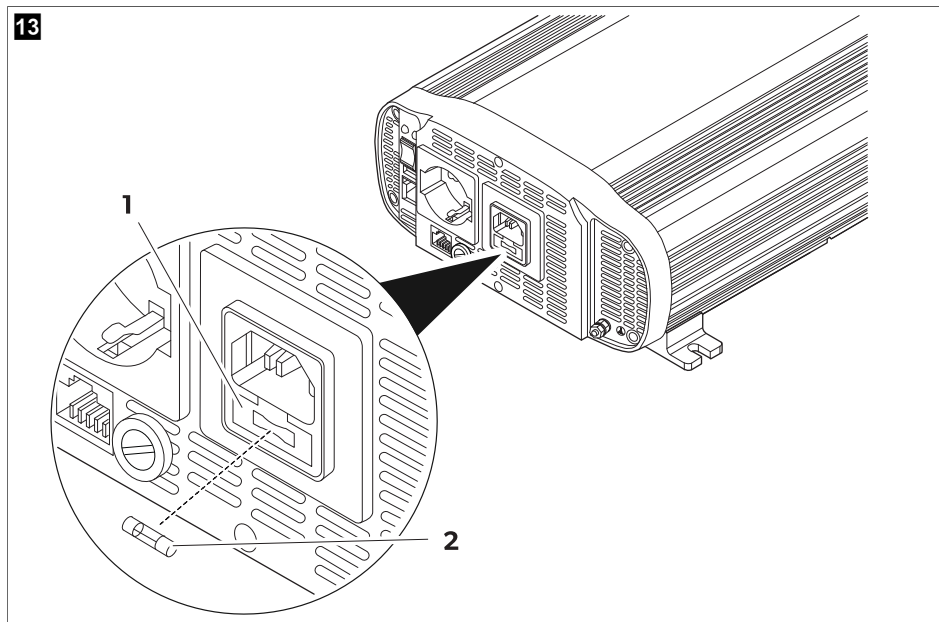
2. Lieciet priekšējo paneli uz priekšu ①.
3. Noņemiet vāku ②.



4. Nomainiet drošinātāju ①.

Modelis	Drošinātāju daudzums	Drošinātāja nominālvērtība	
SM400-12, SP400-12	1	50 A	sarkans
SM600-12, SP600-12	2	50 A	sarkans
SM600-24, SP600-24	2	25 A	balts
SM1000-12, SP1000-12	4	30 A	zaļš
SM1500-12, SP1500-12	6	30 A	zaļš
SP1500-24	6	15 A	zils
SP2000-12	8	30 A	zaļš
SP3000-12	12	30 A	zaļš
SP3000-24	12	15 A	zils

IEC kontaktligzdas drošinātāja nomaiņa



1. Atveriet kontaktligzdas korpusa vāku ①.
2. Nomainiet drošinātāju ②.

Modelis	Drošinātāju daudzums	Drošinātāja nominālvērtība
SPB1000I-12, SPB1500I-12 un SPB2000I-12	1	10 A (F10AL 250V stikla drošinātājs)



PIEZĪME Pēc drošinātāja nomaiņas ierīce pati pārstartējas. Ja pēc drošinātāja nomaiņas ierīce nedarbojas pareizi, sazinieties ar tehniķi, lai novērstu problēmu.

15 Tīrīšana un apkope

- > Laiku pa laikam notīriet produktu ar mitru drānu.
- > Pārbaudiet, vai ieejas un izejas savienojumi ir cieši un droši.
- > Pārlecinieties, ka netīrumi vai jebkādi citi materiāli nebloķē ventilācijas atveres.

16 Atkritumu pārstrāde



Iepakojuma materiālu pārstrāde: Ja iespējams, iepakojuma materiālus izmetiet atbilstošos atkritumu šķirošanas konteineros.



Ja vēlaties izmantot nolietoto produktu, sazinieties ar vietējo atkritumu šķirošanas centru vai specializēto tirgotāju, lai noskaidrotu, kā to pareizi izdarīt saskaņā ar spēkā esošajiem atkritumu apsaimniekošanas noteikumiem. Produktu iespējams izmantot bez maksas.



Ja produktam ir iebūvēts akumulators, atkārtoti uzlādējams akumulators vai gaismas avots, to pirms utilizācijas nav nepieciešams demontēt.

17 Garantija

Ir spēkā likumā noteiktais garantijas periods. Produkta bojājumu gadījumā sazinieties ar ražotāja filiāli savā valstī (skatiet dometic.com/dealer) vai tirgotāju.

Nosūtot ierīci remontam garantijas ietvaros, pievienojiet šādus dokumentus:


- čeka kopiju, kurā norādīts iegādes datums;
- pretenzijas iesniegšanas iemeslu vai bojājuma aprakstu.



Ņemiet vērā, ka pašrocīgi vai neprofesionāli veikts remonts var radīt drošības riskus, un garantija var tikt anulēta.

18 Tehniskie dati




	SM400-12	SM600-12	SM600-24
Pastāvīgā izejas jauda	400 W	600 W	
Maksimālā izejas jauda	800 W (dažas sekundes)	1200 W (dažas sekundes)	
Izejas spriegums (RMS) / frekvence	230 V AC / 50 Hz ± 3 Hz		
USB izeja	5 V 2,1 A		
Ieejas spriegums	12 V		24 V
Pašpatēriņš	200 mA (13,2 V)	220 mA (13,2 V)	100 mA (26,4 V)
Savienojamība	–	–	–
Izmēri (plat. x dziļ. x augst.)	140 mm × 184 mm × 71 mm	140 mm × 214 mm × 71 mm	140 mm × 214 mm × 71 mm
Sertifikāts	 (10 R-05 0094)		




	SM1000-12	SM1500-12
Pastāvīgā izejas jauda	1000 W	1500 W
Maksimālā izejas jauda	2000 W (dažas sekundes)	3000 W (dažas sekundes)
Izejas spriegums (RMS) / frekvence	230 V AC / 50 Hz ± 3 Hz	
USB izeja	5 V 2,1 A	
Ieejas spriegums	12 V	
Pašpatēriņš	530 mA (13,2 V)	460 mA (13,2 V)
Savienojamība	–	–
Izmēri (plat. x dziļ. x augst.)	270 mm × 262 mm × 107,5 mm	270 mm × 262 mm × 107,5 mm
Sertifikāts	 (10 R-05 0094)	

	SP400-12	SP600-12	SP600-24
Pastāvīgā izejas jauda	400 W	600 W	
Maksimālā izejas jauda	1000 W (dažas sekundes)	1500 W (dažas sekundes)	
Izejas spriegums (RMS) / frekvence	230 V AC / 50 Hz ± 3 Hz		
USB izeja	5 V 2,1 A		
Ieejas spriegums	12 V		24 V
Pašpatēriņš	340 mA (13,2 V)	420 mA (13,2 V)	210 mA (26,4 V)
Savienojamība	-	-	-
Izmēri (plat. x dziļ. x augst.)	140 mm × 214,5 mm × 71 mm	140 mm × 244,5 mm × 71 mm	140 mm × 244,5 mm × 71 mm
Sertifikāts	 (10 R - 05 0094)		

	SP1000-12	SPB1000I-12
Pastāvīgā izejas jauda	1000 W	
Maksimālā izejas jauda	2500 W (dažas sekundes)	
Izejas spriegums (RMS) / frekvence	230 V AC / 50 Hz ± 3 Hz	
USB izeja	5 V 2,1 A	
Ieejas spriegums	12 V	
Pašpatēriņš	870 mA (13,2 V)	680 mA (13,2 V)
Pārslēgšanās laiks no akumulatora uz ārējo elektrotīklu	-	0,02 s
Pārslēgšanās laiks no ārējā elektrotīkla uz akumulatoru	-	0,1 s
Savienojamība	-	N-BUS
Izmēri (plat. x dziļ. x augst.)	270 mm × 262,4 mm × 107,5 mm	270 mm × 262,4 mm × 107,5 mm
Sertifikāts	 (10 R - 05 0094)	 (10 R - 06-02 5174 00)

	SP1500-12	SPB1500I-12	SP1500-24
Pastāvīgā izejas jauda	1500 W		
Maksimālā izejas jauda	4000 W (dažas sekundes)		
Izejas spriegums (RMS) / frekvence	230 V AC / 50 Hz ± 3 Hz		
USB izeja	5 V 2,1 A		
Ieejas spriegums	12 V		24 V
Pašpatēriņš	850 mA (13,2 V)	930 mA (13,2 V)	620 mA (26,4 V)
Pārslēgšanās laiks no akumulatora uz ārējo elektrotīklu	-	0,02 s	-
Pārslēgšanās laiks no ārējā elektrotīkla uz akumulatoru	-	0,1 s	-

	SP1500-12	SPB1500I-12	SP1500-24
Savienojamība	–	N-BUS	–
Izmēri (plat. x dziļ. x augst.)	270 mm × 322,4 mm × 107,5 mm	270 mm × 360 mm × 107,5 mm	270 mm × 322,4 mm × 107,5 mm
Sertifikāts	 (10 R - 05 0094)	 (10 R - 06-02 5174 00)	 (10 R - 05 0094)

	SPB2000I-12	SP3000-12	SP3000-24
Pastāvīgā izejas jauda	2000 W	3000 W	
Maksimālā izejas jauda	6000 W (dažas sekundes)	8000 W (dažas sekundes)	
Izejas spriegums (RMS) / frekvence	230 V AC / 50 Hz ± 3 Hz		
USB izeja	5 V 2,1 A		
Ieejas spriegums	12 V		24 V
Pašpatēriņš	900 mA (13,2 V)	1270 mA (13,2 V)	680 mA (26,4 V)
Pārslēgšanās laiks no akumulatora uz ārējo elektrotīklu	0,02 s	–	–
Pārslēgšanās laiks no ārējā elektrotīkla uz akumulatoru	0,1 s	–	–
Savienojamība	N-BUS	–	–
Izmēri (plat. x dziļ. x augst.)	270 mm × 385 mm × 107,5 mm	270 mm × 452 mm × 107,5 mm	270 mm × 452 mm × 107,5 mm
Sertifikāts			
	 (10 R - 06-02 5174 00)	 (10 R - 05 0094)	

Ar šo Dometic apliecina, ka SPB1000I-12, SPB1500I-12 un SPB2000I-12 tipa radioiekārta atbilst direktīvas 2014/53/ES prasībām. Pilns ES atbilstības deklarācijas teksts ir pieejams šajā interneta adresē: documents.dometic.com



**YOUR LOCAL
DEALER AND SUPPORT**

ndsenergy.eu
