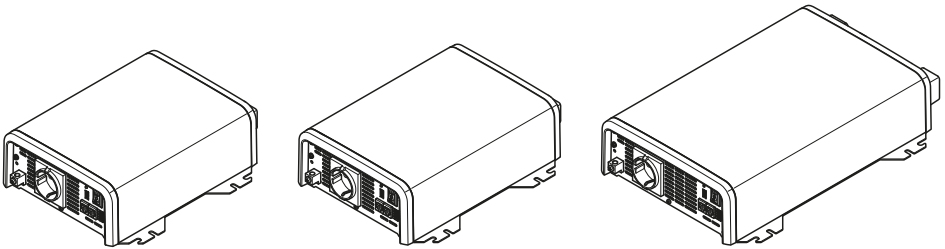




# MOBILE POWER SOLUTIONS

## DPSI



### SinePower DPSI612, DPSI624, DPSI1012, DPSI1024, DPSI1512, DPSI1524, DPSI2012, DPSI2024

<b>EN</b>	<b>Sinewave inverter</b> Installation and Operating Manual.....	3
<b>DE</b>	<b>Sinuswellen-Wechselrichter</b> Montage- und Bedienungsanleitung.....	23
<b>FR</b>	<b>Onduleur sinusoïdal</b> Instructions de montage et de service.....	43
<b>ES</b>	<b>Inversor de onda sinusoidal</b> Instrucciones de montaje y de uso.....	63
<b>PT</b>	<b>Inversor de onda sinusoidal</b> Instruções de montagem e manual de instruções.....	83
<b>IT</b>	<b>Inverter a onda sinusoidale</b> Istruzioni di montaggio e d'uso.....	103
<b>NL</b>	<b>Sinusomvormer</b> Montagehandleiding en gebruiksaanwijzing.....	123
<b>DA</b>	<b>Sinusbølgeinverter</b> Monterings- og betjeningsvejledning.....	143
<b>SV</b>	<b>Sinusväxelriktare</b> Monterings- och bruksanvisning.....	163
<b>NO</b>	<b>Sinusvekselretter</b> Monterings- og bruksanvisning.....	183
<b>FI</b>	<b>Sini-vaihtosuuntaaja</b> Asennus- ja käyttöohje.....	203
<b>PL</b>	<b>Przetwornica sinusoidalna</b> Instrukcja montażu i obsługi.....	223
<b>SK</b>	<b>Sinusový menič napätia</b> Návod na montáž a uvedenie do prevádzky.....	244
<b>CS</b>	<b>Měníč se sinusovým průběhem</b> Návod k montáži a obsluze.....	264
<b>HU</b>	<b>Szinusz hullámos inverter</b> Szerelési és használati útmutató.....	284
<b>HR</b>	<b>Sinusni inverter</b> Upute za montažu i rukovanje.....	304
<b>TR</b>	<b>Sinüs dalgalı invertör</b> Montaj ve Kullanım Kılavuzu.....	324
<b>SL</b>	<b>Sinusni razsmernik</b> Navodila za montažo in uporabo.....	344
<b>RO</b>	<b>Invertor sinusoid</b> Manual de instalare și de utilizare.....	364
<b>BG</b>	<b>Синусоидален инвертор</b> Ръководство за инсталация и работа.....	384
<b>ET</b>	<b>Sinuslaine inverter</b> Paigaldus- ja kasutusjuhend.....	404
<b>EL</b>	<b>Μετατροπέας inverter ημιτονικού σήματος</b> Εγχειρίδιο τοποθέτησης και χρήσης.....	424
<b>LT</b>	<b>Sinusinių bangų inverteris</b> Montavimo ir naudojimo vadovas.....	446
<b>LV</b>	<b>Sinewave strāvas pārveidotājs</b> Uzstādīšanas un lietošanas rokasgrāmata.....	466

## Copyright

© 2024 Dometic Group. The visual appearance of the contents of this manual is protected by copyright and design law. The underlying technical design and the products contained herein may be protected by design, patent or pending patent. The trademarks mentioned in this manual belong to Dometic Sweden AB. All rights are reserved.

# English

1	Important notes.....	3
2	Explanation of symbols.....	3
3	Safety instructions.....	4
4	Scope of delivery.....	7
5	Accessories.....	7
6	Intended use.....	7
7	Technical description.....	8
8	Installation.....	11
9	Configuring the network system.....	17
10	Operation.....	18
11	Cleaning and maintenance.....	19
12	Troubleshooting.....	19
13	Warranty.....	20
14	Disposal.....	20
15	Technical data.....	21

## 1 Important notes

Please read these instructions carefully and follow all instructions, guidelines, and warnings included in this product manual in order to ensure that you install, use, and maintain the product properly at all times. These instructions **MUST** stay with this product.

By using the product, you hereby confirm that you have read all instructions, guidelines, and warnings carefully and that you understand and agree to abide by the terms and conditions as set forth herein. You agree to use this product only for the intended purpose and application and in accordance with the instructions, guidelines, and warnings as set forth in this product manual as well as in accordance with all applicable laws and regulations. A failure to read and follow the instructions and warnings set forth herein may result in an injury to yourself and others, damage to your product or damage to other property in the vicinity. This product manual, including the instructions, guidelines, and warnings, and related documentation, may be subject to changes and updates. For up-to-date product information, please visit [documents.dometic.com](http://documents.dometic.com).

## 2 Explanation of symbols

A signal word will identify safety messages and property damage messages, and also will indicate the degree or level of hazard seriousness.



### **DANGER!**

Indicates a hazardous situation that, if not avoided, will result in death or serious injury.



### **WARNING!**

Indicates a hazardous situation that, if not avoided, could result in death or serious injury.



### **CAUTION!**

Indicates a hazardous situation that, if not avoided, could result in minor or moderate injury.



### **NOTICE!**

Indicates a situation that, if not avoided, can result in property damage.



**NOTE** Supplementary information for operating the product.

## 3 Safety instructions

**Also observe the safety instructions and stipulations issued by the vehicle manufacturer and authorized workshops.**

### 3.1 General safety



#### **DANGER! Electrocutation hazard**

- > Do not touch exposed cables with your bare hands.
- > To be able to disconnect the device quickly from the AC power supply, the socket must be close to the device and be easily accessible.



#### **WARNING! Electrocutation hazard**

- > Installation and removal of the device may only be carried out by qualified personnel.
- > Do not operate the device if the device itself or the connection cable is visibly damaged.
- > If this device's power cable is damaged, the power cable must be replaced in order to prevent safety hazards.
- > This device may only be repaired by qualified personnel. Improper repairs can lead to considerable hazards.
- > Only use accessories that are recommended by the manufacturer.
- > Do not modify or adapt any of the components in any way.
- > Do not disconnect any cables when the device is still in use.
- > Disconnect the device from the power supply:
  - After use
  - Before each cleaning and maintenance
  - Before changing a fuse



#### **WARNING! Fire hazard/Flammable materials**

In event of fire, use a fire extinguisher which is suitable for electrical devices.



#### **WARNING! Risk of asphyxiation**

The cable and control unit of the device can give rise to risks of entanglement, strangulation, tripping or treading if not correctly arranged. Ensure that excess ties and power cables shall be arranged in a safe way.



#### **WARNING! Health hazard**

- > This device can be used by children aged from 8 years and above and persons with reduced physical, sensory or mental capabilities or lack of experience and knowledge if they have been given supervision or instruction concerning use of the device in a safe way and understand the hazards involved.
- > **Electrical devices are not toys.** Always keep and use the device out of the reach of very young children.
- > Children must be supervised to ensure that they do not play with the device.
- > Cleaning and user maintenance shall not be made by children without supervision.



#### **NOTICE! Damage hazard**

- > Before start-up, check that the voltage specification on the data plate is the same as that of the power supply.
- > Ensure that other objects **cannot** cause a short circuit at the contacts of the device.
- > Ensure that the negative and positive poles **never** come into contact.
- > Do not pull on the connection cables or use the cables as a handle.
- > The device must not be exposed to rain or moisture. Store in a dry place.

### **3.2 Installing the device safely**



#### **DANGER! Explosion hazard**

- > Only install and operate the device in closed, well-ventilated rooms.
- > Do **not** install or operate the device under the following conditions:
  - In salty, wet or damp environments
  - In the vicinity of corrosive fumes
  - In the vicinity of combustible materials
  - In the vicinity of heat sources (heaters, direct sunlight, gas ovens, etc.)
  - In areas where there is a risk of gas or dust explosion



#### **WARNING! Risk of injury**

- > Ensure that the device is standing firmly. The device must be set up and fastened in such a way that it cannot tip over or fall down.
- > When positioning the device, ensure that all cables are suitably secured to avoid any form of trip hazard.



#### **NOTICE! Damage hazard**

- > Place the device in a dry location where it is protected against splashing water.
- > Always use sockets which are grounded and secured by residual current circuit breakers

### **3.3 Safety when connecting the device electrically**



#### **DANGER! Electrocutation hazard**

If you are working on electrical systems, ensure that there is somebody close at hand who can help you in emergencies.



#### **WARNING! Electrocutation hazard**

- > Observe the recommended cable cross-sections.
- > Lay the cables so that they cannot be damaged by the doors or the hood. Crushed cables can lead to serious injury.



#### **NOTICE! Damage hazard**

- > Use ductwork or cable ducts if it is necessary to lay cables through metal panels or other panels with sharp edges.
- > Do **not** lay the 230 V mains cable and the 12 V DC cable in the same duct.
- > Do **not** lay the cable so that it is loose or heavily kinked.
- > Fasten the cables securely.

### 3.4 Safety precautions when handling batteries



#### **WARNING! Risk of injury**

- > Batteries contain aggressive and caustic acids. Avoid battery fluid coming into contact with your body. If your skin does come into contact with battery fluid, wash that part of your body thoroughly with water. If you sustain any injuries from acids, contact a doctor immediately.
- > When working on batteries, do not wear any metal objects such as watches or rings. Lead acid batteries can cause short circuits which can cause serious injuries.
- > Only use insulated tools.
- > Do not place any metal parts on the battery and prevent any metal parts from falling on the battery. This can cause sparks or short-circuits the battery and other electrical devices.
- > Wear goggles and protective clothing when working on batteries. Do not touch your eyes when working on batteries.
- > Only use rechargeable batteries.
- > Do not use defective batteries.



#### **CAUTION! Explosion hazard**

- > Never attempt to charge a frozen or defective battery. Place the battery in a frost-free area and wait until the battery has acclimatised to the ambient temperature. Then start the charging process.
- > Do not smoke, use an open flame, or cause sparking near the engine or a battery.
- > Keep the battery away from heat sources.



#### **NOTICE! Damage hazard**

- > Ensure that the polarity is correct when connecting the battery.
- > Follow the instructions of the battery manufacturer and those of the manufacturer of the system or vehicle in which the battery is used.
- > If the battery has to be removed, first disconnect the ground connection. Disconnect all connections and all consumers from the battery before removing it.
- > Only store fully charged batteries. Recharge stored batteries regularly.
- > Do not carry the battery by its terminals.

### 3.5 Operating the device safely



#### **WARNING! Electrocutation hazard**

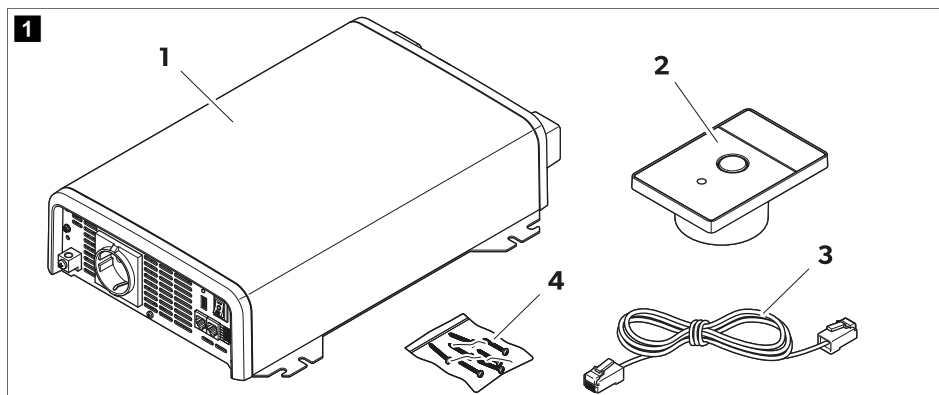
- > Do not use the device in wet conditions or submerge in any liquid.
- > Before starting the device, ensure that the power supply line and the plug are dry and the plug is free from rust or dirt.
- > Observe that parts of the device may still conduct voltage even if the fuse has blown.




#### **NOTICE! Damage hazard**

- > Ensure that the air inlets and outlets of the device are not covered.
- > Ensure a good ventilation.

## 4 Scope of delivery



No. in  Fig. 1 on page 7	Designation	Quantity
1	Sine wave inverter	1
2	Remote control	1
3	Remote control connection cable	1
4	Fixing screws	6
-	Installation and operating manual	1

## 5 Accessories

Designation	Ref.no.
Remote control DPSI-RC	9620018306
Touch display TD283	9620013272

## 6 Intended use

The inverter is intended to convert direct current into a pure sine wave 230 V~ alternating voltage (AC) for operation and stable power supply of connected 230 V consumers.

The inverter is intended for connection to:

- DPSI612, DPSI1012, DPSI1512, DPSI2012: 12 V $\overline{\text{DC}}$
- DPSI624, DPSI1024, DPSI1524, DPSI2024: 24 V $\overline{\text{DC}}$

The inverter is suitable for:

- Installation in recreational vehicles (RV), commercial vehicles or motor and sailing yachts
- Stationary or mobile use
- Indoor use

The inverter is **not** suitable for:

- Outdoor use

This product is only suitable for the intended purpose and application in accordance with these instructions.

This manual provides information that is necessary for proper installation and/or operation of the product. Poor installation and/or improper operation or maintenance will result in unsatisfactory performance and a possible failure.

The manufacturer accepts no liability for any injury or damage to the product resulting from:

- Incorrect installation, assembly or connection, including excess voltage
- Incorrect maintenance or use of spare parts other than original spare parts provided by the manufacturer
- Alterations to the product without express permission from the manufacturer
- Use for purposes other than those described in this manual

Dometic reserves the right to change product appearance and product specifications.

## 7 Technical description

### 7.1 General description

The inverter is a DC-to-AC sine wave inverter.

The inverter can be operated in the following network systems:

- TN network
- IT network

The network systems are set via a screw on the inverter.

The inverter has the following protective mechanisms:

- **Overvoltage shutdown:** The inverter switches off when the voltage exceeds the cut-off value. The inverter restarts automatically when the voltage drops to the restart value.
- **Undervoltage shutdown:** The inverter switches off when the voltage falls below the cut-off value. The inverter restarts automatically when the voltage exceeds the restart value.
- **High temperature shutdown:** The inverter switches off when the internal temperature of the device exceeds the cut-off value. The inverter restarts automatically when the internal temperature drops to the restart value.
- **High output current protection:** The inverter switches off when too many loads are connected.
- **Protection against short circuit:** The inverter switches off when a short circuit has been generated. The inverter restarts automatically after a few seconds. If a short circuit is detected for five consecutive times, the inverter does not restarts automatically and a manual restart is needed.

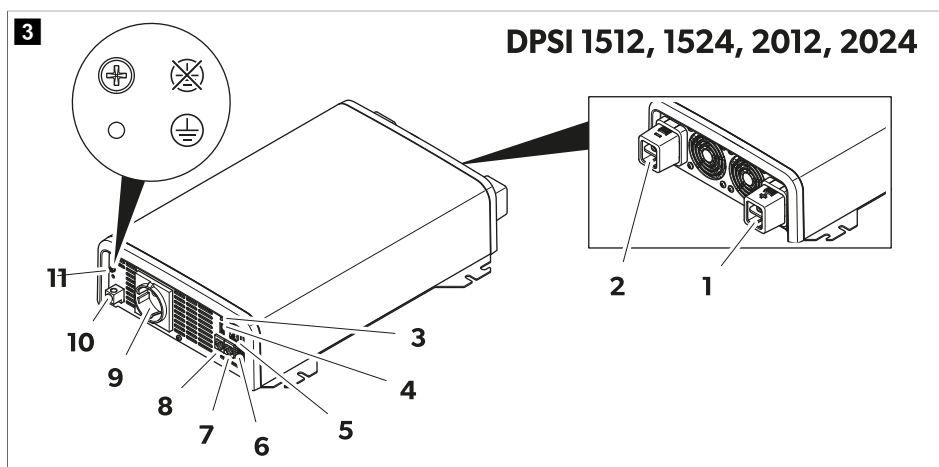
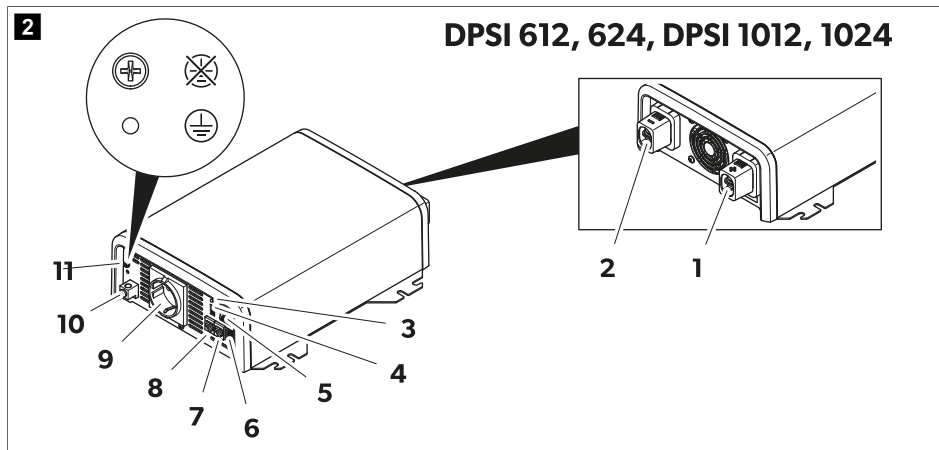
The inverter is N-BUS and CI-BUS compliant for data and function, both controllable on a touch display (accessories) and the mobile app.

The inverter is equipped with a remote control for switching the inverter on or off.

The inverter can be switched to the energy-saving mode in order to reduce idle consumption and minimize the load on the battery. This can be done via a DIP switch or



## 7.2 Control elements and connections

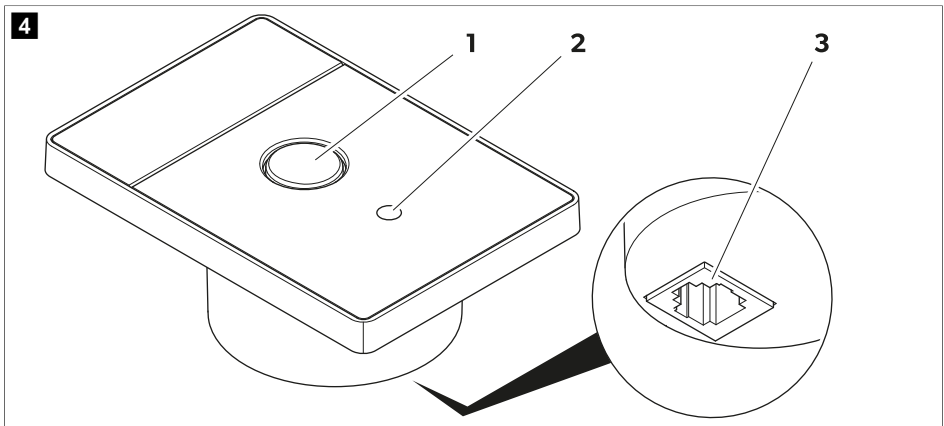


**NOTE** The figures show the versions for continental Europe.

No.	Designation
1	(+) terminal, connection to the positive pole of the house battery
2	(-) terminal, connection to the negative pole of the house battery
3	Status indication LED
4	Dip switch
5	On/off switch

No.	Designation
6	Terminal for external control
7	CI BUS/N Bus/remote control connection (LINB)
8	CI BUS/N Bus/remote control connection (LINA)
9	AC outlet
10	Ground connection
11	Screw for IT/TN network setting

### 7.3 Remote control



No. in  Fig. 4  
on page 10

#### Designation

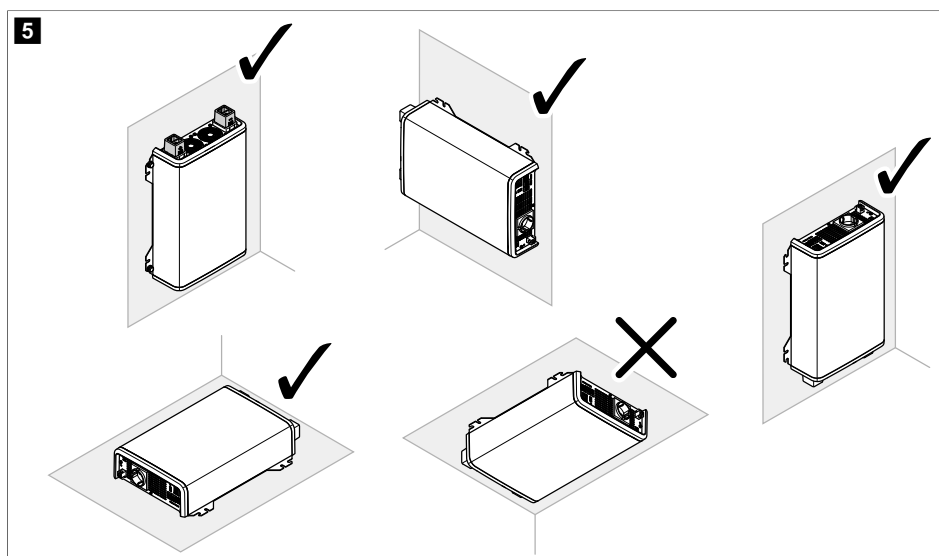
1	On/off button
2	Status indication LED
3	Remote control connection

### 7.4 Status indication LED

Status	Description
Green	Inverter operation
Orange	Warning: AC output present, risk of overvoltage, undervoltage, or power failures
Red	Error: No AC input present, inverter deactivated (see chapter Troubleshooting on page 19)

## 8 Installation

### 8.1 Installation location



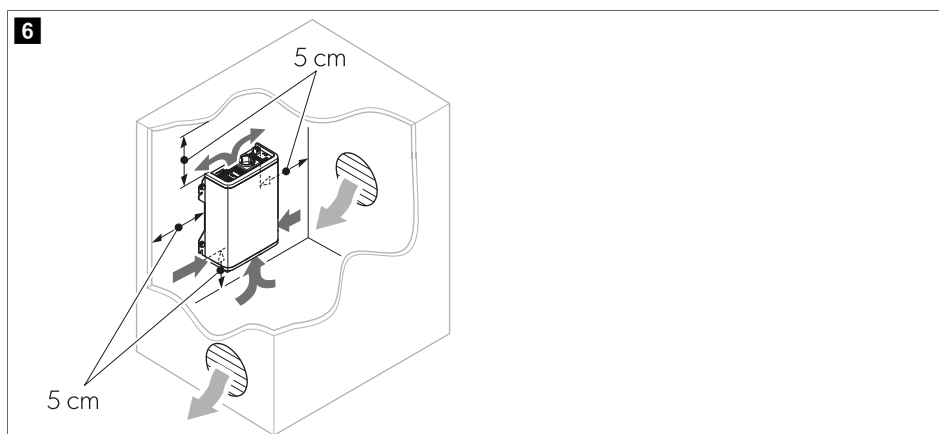
**NOTICE! Damage hazard**

Before drilling any holes, ensure that no electrical cables or other parts of the vehicle can be damaged by drilling, sawing and filing.




**NOTE**

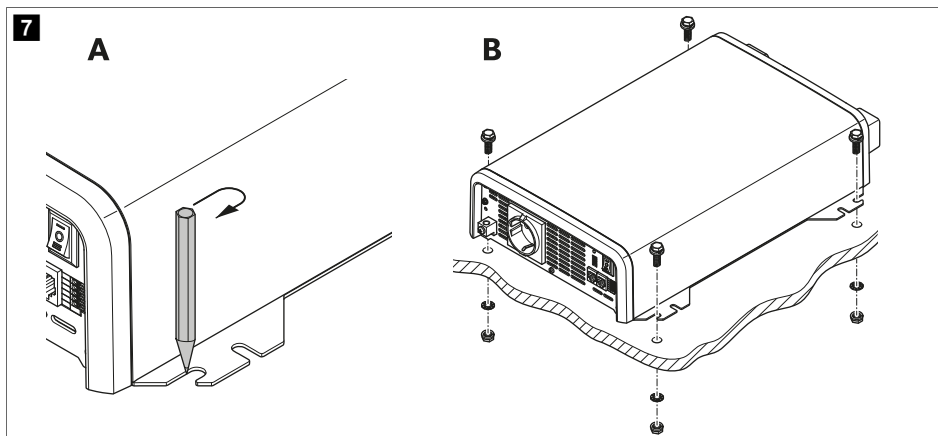
The inverter can be mounted either sitting or hanging (  Fig. **5** on page 11).





Observe the following instructions when selecting an installation location:

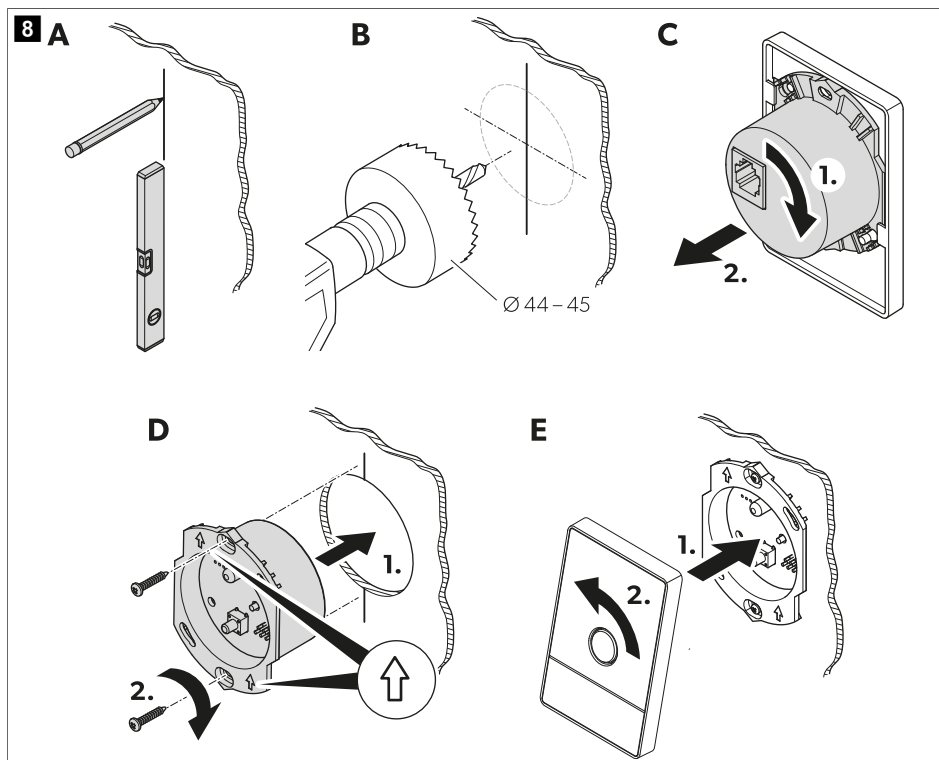
- Ensure that the mounting surface is solid and level.
- Observe the distance specifications for sufficient ventilation (  Fig. 6 on page 11).





## 8.2 Mounting the inverter



1. Select the appropriate mounting holes depending on the selected mounting type (sitting or hanging) and mark the drilling holes (  Fig. 7 on page 12, **A**).
2. Pre-drill the mounting holes.
3. Screw the inverter in place (  Fig. 7 on page 12, **B**).


### 8.3 Mounting the remote control



1. Mark the mounting surface (  Fig. 8 on page 13, **A**).
2. Drill a hole with a diameter of 44 mm ... 45 mm, e.g., with a hole saw (  Fig. 8 on page 13, **B**).
3. Remove the junction box from the control panel (  Fig. 8 on page 13, **C**).
4. Insert the junction box into the hole and screw the junction box in place (  Fig. 8 on page 13, **D**).



**NOTE** Ensure correct vertical alignment as indicated by the arrows on the junction box.

5. Attach the control panel to the junction box (  Fig. 8 on page 13, **E**).
6. Remove the protective film.

## 8.4 Connecting the inverter



The electrical installation and setup of the device must be performed by a qualified electrician who has demonstrated skill and knowledge related to the construction and operation of electrical equipment and installations, and who is familiar with the applicable regulations of the country in which the equipment is to be installed and/or used, and has received safety training to identify and avoid the hazards involved.

All other actions are intended also for non-professional users.



### **WARNING! Electrocution hazard**

Observe the recommended cable cross-sections, cable lengths and fuse.



### **CAUTION! Fire hazard**

Place the fuses near the batteries to protect the cable from short circuits and possible burning.



### **NOTICE! Damage hazard**

- > Do not reverse the polarity.
- > Tighten the screws and nuts to a maximum torque of 15 Nm. Loose connections can lead to overheating.

Observe the following instructions when connecting the inverter:

- Observe the applicable regulations when setting up a socket outlet distribution circuit (mains installation).
- Select the cable length of the DC cables (connection to battery terminals) as short as possible  $\leq 1$  m).
- For **TN network** connection: Install a residual current device (RCD).
- For **IT network** connection: Install an insulation monitoring device (IMD) if more than one load is connected.

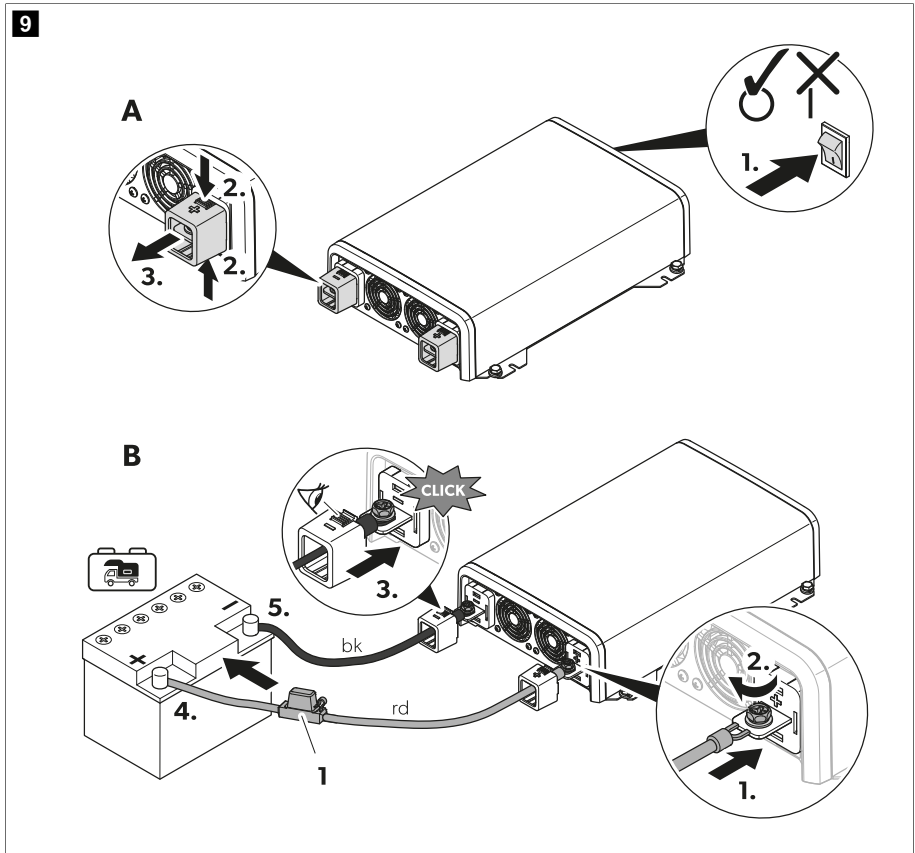
#### **National standards apply.**



1. Determine the cable cross-sections and fuse:

	<b>Cable cross-section</b>	<b>Cable fuse</b>
DPSI612	25 mm <sup>2</sup>	150 A
DPSI624	25 mm <sup>2</sup>	150 A
DPSI1012	35 mm <sup>2</sup>	200 A
DPSI1024	25 mm <sup>2</sup>	150 A
DPSI1512	50 mm <sup>2</sup>	250 A
DPSI1524	25 mm <sup>2</sup>	150 A
DPSI2012	70 mm <sup>2</sup>	300 A
DPSI2024	35 mm <sup>2</sup>	200 A


2. Check that the device is switched off (  Fig. **9** on page 15, **1**).



9

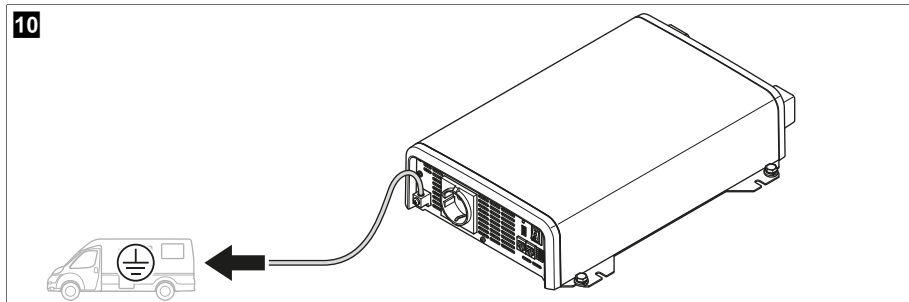


3. Detach the covers from the terminals (  Fig. 9 on page 15, 2–3).
4. Connect (+) to the positive terminal of the house battery (red (rd) connection cable,  Fig. 9 on page 15, 4).



**NOTE** Protect the positive cable of the house battery with a fuse (  Fig. 9 on page 15, 1).

5. Connect (–) to the negative terminal of the house battery (black (bk) connection cable (  Fig. 9 on page 15, 5).
6. Connect the ground connection to ground (chassis) (  Fig. 10 on page 16).

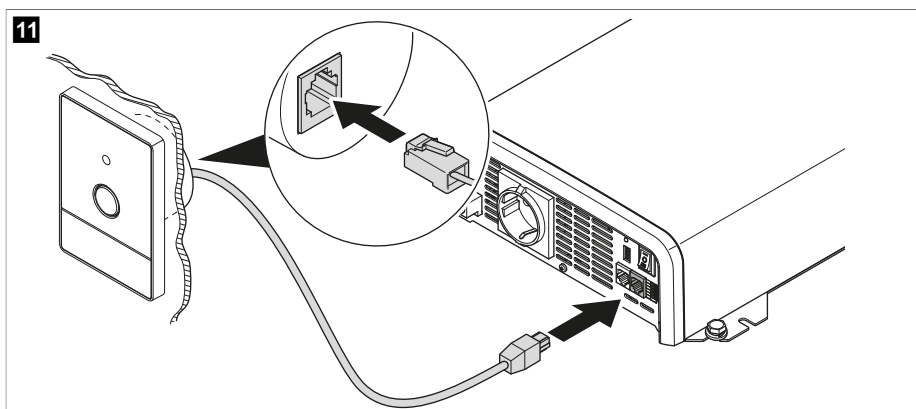


## 8.5 Connecting the remote control



**NOTE** The remote control and the N-BUS/CI-BUS network cannot be connected simultaneously.

- > Connect the remote control to the remote control connection using the remote control connection cable.



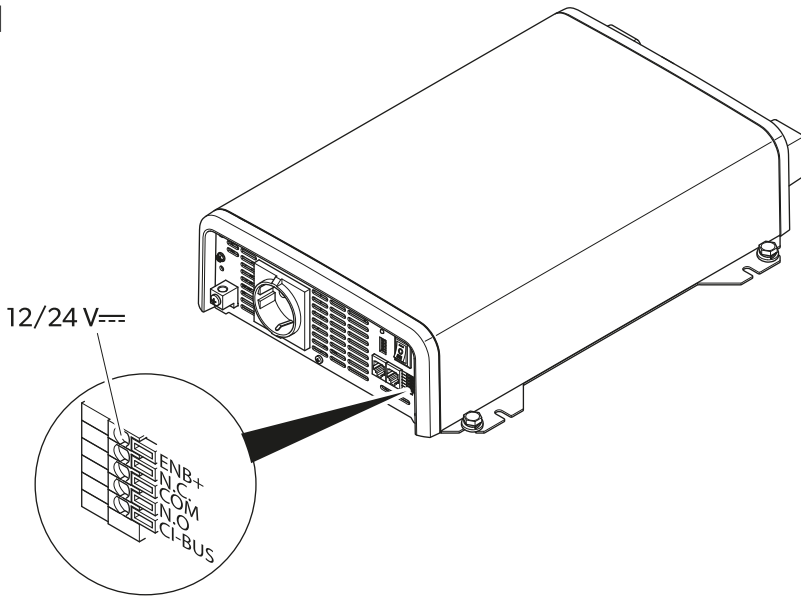
## 8.6 Connecting the ENB+ pin



**NOTE** If the ENB+ pin is connected, the status of the energy-saving mode cannot be changed.



12



1. Set the on/off switch to position **0**.
2. Use the ENB+ pin as follows:
  - To switch the inverter on connect the ENB+ pin to the house battery's positive pole via a suitable electrical cable.
  - To switch the inverter off detach the ENB+ pin from the house battery.

## 9 Configuring the network system





The electrical installation and setup of the device must be performed by a qualified electrician who has demonstrated skill and knowledge related to the construction and operation of electrical equipment and installations, and who is familiar with the applicable regulations of the country in which the equipment is to be installed and/or used, and has received safety training to identify and avoid the hazards involved.

All other actions are intended also for non-professional users.

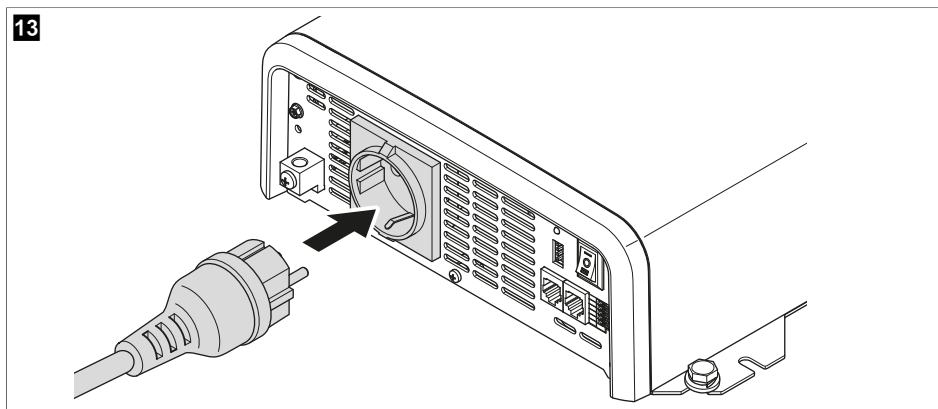


### **DANGER! Electrocutation hazard**

- > Only remove the protective cap from the DIP switch for configuration.
  - > Replace the protective cap to prevent accidental adjustment of the DIP switch.
  - > For **TN network** configuration: Ensure that a residual current device (RCD) is installed.
  - > For **IT network** configuration: Operate one load only or install an insulation monitoring device (IMD). Observe the national standards.
- > Insert the screw into the position  to set the **TN network**.
  - > Insert the screw into the position  to set the **IT network**.

## 10 Operation

### 10.1 Operating 230V devices



#### NOTE

Only connect devices whose total load does not exceed the values listed in Technical data on page 21.

- > Connect 230 V devices to the AC outlet of the inverter (  Fig. 13 on page 18).

### 10.2 Switching the inverter on and off



#### NOTE

- > If the inverter is to be controlled via the remote control, the on/off switch must be set to position **II**.
- > If the inverter is to be controlled via the ENB+ pin, the on/off switch must be set to position **0**.

- > To switch on the inverter, set the on/off switch to position **I**.
- > To switch off the inverter, set the on/off switch to position **0**.
- > Use the remote control or the ENB+ pin to switch the inverter on and off.

### 10.3 Setting the energy saving mode



#### NOTE

- If the DIP switch S2 is set to position **OFF**, the inverter automatically switches to normal operation when a load  $\geq 45$  W is connected.
- If the DIP switch S2 is set to position **ON**, the inverter automatically switches to normal operation when a load  $\geq 80$  W is connected.
- The status of the energy saving mode cannot be changed if the remote control or the ENB+ pin are used unless a complete on-off cycle is done

#### Activating the energy saving mode

1. If necessary, switch the inverter off.

2. Slide the DIP switch S1 in position **ON**.
- ✓ The energy saving mode is activated.

### Deactivating the energy saving mode

1. Switch the inverter off.
  2. Slide the DIP switch S1 in position **OFF**.
- ✓ The energy saving mode is deactivated.

## 11 Cleaning and maintenance



### **WARNING! Electrocuting hazard**

Unplug the device from the power supply before cleaning and maintenance.



### **NOTICE! Damage hazard**

- > Never clean the device under running water or in dish water.
  - > Do not use sharp or hard objects, abrasive cleaning agents or bleach during cleaning as these can damage the device.
  - > Ensure that the air inlet and outlet vents of the device are free of dust and dirt so that the heat can be released.
- > Occasionally clean the device with a soft, damp cloth.
  - > Regularly check live cables or lines for insulation faults, breaks or loose connections.

## 12 Troubleshooting

Problem	Possible cause	Suggested remedy
The inverter does not work. The status indication LED is off.	Short circuit for five consecutive times.	> The device fuse must be replaced by an authorized service agent after it has been triggered by excess current.
	Insulation faults, breaks or loose connections at the live cables.	> Check live cables for insulation faults, breaks or loose connections. If you cannot find an error, contact an authorized service agent.
The inverter does not work. The status indication LED lights up red.	High output current protection.	Reduce the connected loads.
	High temperature shutdown.	1. Switch off the inverter and the connected loads. 2. Check that the air inlets and outlets are not covered or obstructed. 3. Allow the inverter to cool down.
	Short circuit has been generated.	The device fuse must be replaced by an authorized service agent after it has been triggered by excess current.

Problem	Possible cause	Suggested remedy
	Overvoltage shutdown. Battery voltages too high.	<ul style="list-style-type: none"> <li>&gt; Reduce the connected voltages. The inverter restarts automatically when the voltage drops to the restart value (see chapter Overvoltage shutdown on page 22).</li> <li>&gt; If the error still occurs: Increase the cable cross-sections. Reduce the cable length.</li> </ul>
	Undervoltage shutdown. Battery voltages too low.	<ul style="list-style-type: none"> <li>&gt; Allow the battery to recharge slowly. The inverter restarts automatically when the voltage exceeds the restart value (see chapter Undervoltage shutdown on page 22).</li> </ul>

## 13 Warranty

The statutory warranty period applies. If the product is defective, please contact the manufacturer's branch in your country (see [dometic.com/dealer](http://dometic.com/dealer)) or your retailer.

For repair and warranty processing, please include the following documents when you send in the device:

- A copy of the receipt with purchasing date
- A reason for the claim or description of the fault

Note that self-repair or nonprofessional repair can have safety consequences and might void the warranty.

## 14 Disposal

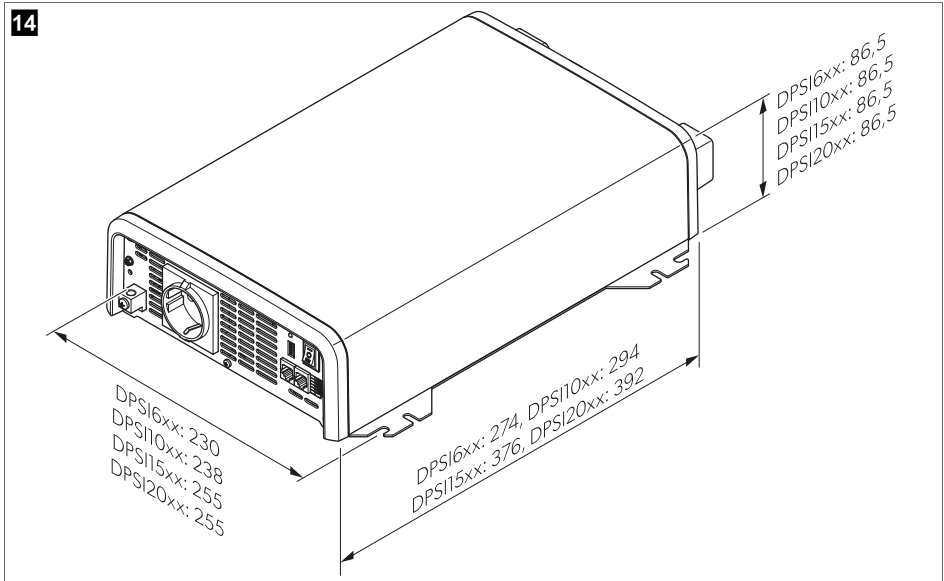


Place the packaging material in the appropriate recycling waste bins wherever possible.

Consult a local recycling center or specialist dealer for details about how to dispose of the product in accordance with the applicable disposal regulations.

The product can be disposed free of charge.

## 15 Technical data



	<b>DPSI 612</b>	<b>DPSI 1012</b>	<b>DPSI 624</b>	<b>DPSI 1024</b>
Nominal input voltage	12 V <sub>DC</sub>		24 V <sub>DC</sub>	
Input voltage range	10.5 ... 16.5 V <sub>DC</sub>		21 ... 33 V <sub>DC</sub>	
Continuous output power P <sub>nom</sub>	600 W	1000 W	600 W	1000 W
Maximum output power (1 min)	690 W	1150 W	690 W	1150 W
Maximum surge power (1 s) P <sub>surge</sub>	1200 W	2000 W	1200 W	2000 W
Current consumption in idle mode	≤ 1 A	≤ 1.1 A	≤ 0.6 A	≤ 0.6 A
Current consumption in standby mode	≤ 0.3 A	≤ 0.35 A	≤ 0.2 A	≤ 0.2 A
Dimensions	📷 Fig. 14 on page 21			
Weight	1.1 kg	1.2 kg	1.1 kg	1.2 kg

	<b>DPSI 1512</b>	<b>DPSI 2012</b>	<b>DPSI 1524</b>	<b>DPSI 2024</b>
Nominal input voltage	12 V <sub>DC</sub>		24 V <sub>DC</sub>	
Input voltage range	10.5 ... 16.5 V <sub>DC</sub>		21 ... 33 V <sub>DC</sub>	
Continuous output power P <sub>nom</sub>	1500 W	2000 W	1500 W	2000 W
Maximum output power (1 min)	1725 W	2300 W	1725 W	2300 W
Maximum surge power (1 s) P <sub>surge</sub>	3000 W	4000 W	3000 W	4000 W
Current consumption in idle mode	≤ 1.2 A	≤ 1.5 A	≤ 0.7 A	≤ 0.8 A
Current consumption in standby mode	≤ 0.4 A	≤ 0.5 A	≤ 0.25 A	≤ 0.3 A

	DPSI 1512	DPSI 2012	DPSI 1524	DPSI 2024
Dimensions				
Weight	1.1 kg	1.2 kg	1.1 kg	1.2 kg

 Fig. 14 on page 21

## 15.1 General technical data

Output voltage range	230 V $\sim$ $\pm$ 10%
Output frequency	50 Hz $\pm$ 1%
Output waveform	Pure sine wave
Peak efficiency	90%
Ambient temperature for operation	0 ... 50°C
Ambient temperature for storage	- 30°C ... 70°C
Ambient humidity	0 ... 95%, non-condensing
Inspection/certification	



## 15.2 Undervoltage shutdown

	Cut-off value	Restart value
DPSI <sub>xx</sub> 12	10.3 V	11.8 V
DPSI <sub>xx</sub> 24	20.6 V	23.6 V

## 15.3 Overvoltage shutdown

	Cut-off value	Restart value
DPSI <sub>xx</sub> 12	16.5 V	15.5 V
DPSI <sub>xx</sub> 24	33 V	31 V

# Deutsch

1	Wichtige Hinweise.....	23
2	Erklärung der Symbole.....	23
3	Sicherheitshinweise.....	24
4	Lieferumfang.....	27
5	Zubehör.....	27
6	Bestimmungsgemäßer Gebrauch.....	27
7	Technische Beschreibung.....	28
8	Installation.....	31
9	Netzwerkssystem konfigurieren.....	37
10	Betrieb.....	38
11	Reinigung und Pflege.....	39
12	Fehlersuche und Fehlerbehebung.....	39
13	Garantie.....	40
14	Entsorgung.....	41
15	Technische Daten.....	41

## 1 Wichtige Hinweise

Lesen und befolgen Sie bitte alle Anweisungen, Richtlinien und Warnhinweise in diesem Produkthandbuch sorgfältig, um sicherzustellen, dass Sie das Produkt ordnungsgemäß installieren und stets ordnungsgemäß betreiben und warten. Diese Anleitung MUSS bei dem Produkt verbleiben.

Durch die Verwendung des Produktes bestätigen Sie hiermit, dass Sie alle Anweisungen, Richtlinien und Warnhinweise sorgfältig gelesen haben und dass Sie die hierin dargelegten Bestimmungen verstanden haben und ihnen zustimmen. Sie erklären sich damit einverstanden, dieses Produkt nur für den angegebenen Verwendungszweck und gemäß den Anweisungen, Richtlinien und Warnhinweisen dieses Produkthandbuchs sowie gemäß allen geltenden Gesetzen und Vorschriften zu verwenden. Eine Nichtbeachtung der hierin enthaltenen Anweisungen und Warnhinweise kann zu einer Verletzung Ihrer selbst und anderer Personen, zu Schäden an Ihrem Produkt oder zu Schäden an anderem Eigentum in der Umgebung führen. Dieses Produkthandbuch, einschließlich der Anweisungen, Richtlinien und Warnhinweise, sowie die zugehörige Dokumentation können Änderungen und Aktualisierungen unterliegen. Aktuelle Produktinformationen finden Sie unter [documents.dometic.com](http://documents.dometic.com).

## 2 Erklärung der Symbole

Ein Signalwort kennzeichnet Sicherheits- und Sachschadensmeldungen und gibt zudem den Grad oder das Ausmaß der Gefährdung an.



### **GEFAHR!**

Kennzeichnet eine Gefahrensituation, die zum Tod oder schwerer Verletzung führt, wenn die jeweiligen Anweisungen nicht befolgt werden.



### **WARNUNG!**

Kennzeichnet eine Gefahrensituation, die zum Tod oder schwerer Verletzung führen könnte, wenn die jeweiligen Anweisungen nicht befolgt werden.



### **VORSICHT!**

Kennzeichnet eine Gefahrensituation, die zu geringer oder mittelschwerer Verletzung führen könnte, wenn die jeweiligen Anweisungen nicht befolgt werden.



### **ACHTUNG!**

Kennzeichnet eine Situation, die zu Sachschäden führen kann, wenn die jeweiligen Anweisungen nicht befolgt werden.



**HINWEIS** Ergänzende Informationen zur Bedienung des Produktes.

## 3 Sicherheitshinweise

**Beachten Sie die vom Fahrzeughersteller und vom Kfz-Handwerk herausgegebenen Sicherheitshinweise und Auflagen.**

### 3.1 Grundlegende Sicherheit



#### **GEFAHR! Gefahr durch Stromschlag**

- > Fassen Sie nie mit bloßen Händen an blanke Kabel.
- > Um das Gerät schnell vom Wechselstromnetz trennen zu können, muss sich die Steckdose in der Nähe des Gerätes befinden und leicht zugänglich sein.



#### **WARNUNG! Gefahr durch Stromschlag**

- > Montage und Demontage des Geräts dürfen nur durch qualifiziertes Fachpersonal erfolgen.
- > Wenn das Gerät selbst oder das Anschlusskabel sichtbare Beschädigungen aufweist, dürfen Sie das Gerät nicht in Betrieb nehmen.
- > Wenn das Netzkabel dieses Geräts beschädigt ist, muss es ausgetauscht werden, um Sicherheitsrisiken zu vermeiden.
- > Reparaturen an diesem Gerät dürfen nur von Fachkräften durchgeführt werden. Durch unsachgemäße Reparaturen können erhebliche Gefahren entstehen.
- > Verwenden Sie nur vom Hersteller empfohlenes Zubehör.
- > Führen Sie keine Änderungen bzw. Anpassungen an Komponenten durch.
- > Lösen Sie keine Kabel, wenn das Gerät noch in Betrieb ist.
- > Trennen Sie das Gerät von der Stromversorgung:
  - nach jedem Gebrauch
  - vor jeder Reinigung und Pflege
  - vor einem Sicherungswechsel



#### **WARNUNG! Brandgefahr/brennbare Materialien**

Verwenden im Falle eines Feuers einen Feuerlöscher, der für elektrische Geräte geeignet ist.



#### **WARNUNG! Erstickungsgefahr**

Wenn das Kabel und die Steuereinheit des Geräts nicht ordnungsgemäß verlegt bzw. platziert wird, besteht die Gefahr, sich zu verheddern, zu strangulieren oder zu verfangen bzw. darauf zu treten. Stellen Sie sicher, dass überstehende Kabelbinder und Stromkabel auf sichere Weise verstaut sind.



#### **WARNUNG! Gesundheitsgefahr**

- > Dieses Gerät kann von Kindern ab 8 Jahren und von Personen mit verringerten physischen, sensorischen oder mentalen Fähigkeiten oder Mangel an Erfahrung und/oder Wissen verwendet werden, wenn diese Personen beaufsichtigt werden oder im sicheren Gebrauch des Geräts unterwiesen wurden und die daraus resultierenden Gefahren verstanden haben.
- > **Elektrogeräte sind kein Kinderspielzeug!** Verwahren und benutzen Sie das Gerät außerhalb der Reichweite kleiner Kinder.
- > Kinder sollten beaufsichtigt werden, um sicherzustellen, dass sie nicht mit dem Gerät spielen.
- > Reinigung und Benutzerwartung dürfen nicht durch unbeaufsichtigte Kinder durchgeführt werden.





### **ACHTUNG! Beschädigungsgefahr**

- > Prüfen Sie vor der Inbetriebnahme, ob die Spannungsangabe auf dem Typenschild mit der vorhandenen Netzspannung übereinstimmt.
- > Achten Sie darauf, dass andere Gegenstände **keinen** Kurzschluss an den Kontakten des Gerätes verursachen können.
- > Stellen Sie sicher, dass die Plus- und Minusanschlüsse **niemals** miteinander in Kontakt kommen.
- > Ziehen Sie nicht an den Anschlusskabeln und verwenden Sie sie nicht als Griffe.
- > Das Gerät darf nicht Regen oder Feuchtigkeit ausgesetzt werden. Lagern Sie das Gerät an einem trockenen Ort.

## **3.2 Sichere Installation des Geräts**



### **GEFAHR! Explosionsgefahr**

- > Installieren und betreiben Sie das Gerät ausschließlich in geschlossenen, gut belüfteten Räumen.
- > Installieren und betreiben Sie das Gerät **nicht** unter den folgenden Bedingungen:
  - in salzhaltiger, feuchter oder nasser Umgebung
  - in der Nähe von aggressiven Dämpfen
  - in der Nähe brennbarer Materialien
  - in der Nähe von Wärmequellen (Heizungen, direkte Sonneneinstrahlung, Gasöfen usw.)
  - in Bereichen, in denen die Gefahr einer Gas- oder Staubexplosion besteht



### **WARNUNG! Verletzungsgefahr**

- > Achten Sie auf einen sicheren Stand. Das Gerät muss so sicher aufgestellt und befestigt werden, dass es nicht umstürzen oder herabfallen kann.
- > Stellen Sie beim Aufstellen des Geräts sicher, dass alle Kabel korrekt gesichert sind und keine Stolpergefahr besteht.



### **ACHTUNG! Beschädigungsgefahr**

- > Platzieren Sie das Gerät an einem trockenen und gegen Spritzwasser geschützten Ort.
- > Verwenden Sie stets geerdete und durch FI-Schutzschalter gesicherte Steckdosen.

## **3.3 Sicherheit beim elektrischen Anschluss des Geräts**



### **GEFAHR! Gefahr durch Stromschlag**

Wenn Sie an elektrischen Anlagen arbeiten, stellen Sie sicher, dass jemand in der Nähe ist, um Ihnen im Notfall helfen zu können.



### **WARNUNG! Gefahr durch Stromschlag**

- > Beachten Sie die empfohlenen Kabelquerschnitte.
- > Verlegen Sie die Kabel so, dass sie nicht durch die Türen oder die Motorhaube beschädigt werden können. Eingequetschte Kabel können zu lebensgefährlichen Verletzungen führen.



### **ACHTUNG! Beschädigungsgefahr**

- > Benutzen Sie Leerrohre oder Kabeldurchführungen, wenn Kabel durch Blechwände oder andere scharfkantige Wände geführt werden müssen.
- > Verlegen Sie das 230 V-Anschlusskabel und das 12 V-Kabel **nicht** in derselben Leitungsdurchführung.
- > Verlegen Sie die Kabel **nicht** lose oder scharf abgeknickt.
- > Befestigen Sie die Leitungen sicher.

### 3.4 Sicherheit beim Umgang mit Batterien



#### **WARNUNG! Verletzungsgefahr**

- > Batterien enthalten aggressive und ätzende Säuren. Verhindern Sie jeden Körperkontakt mit der Batterieflüssigkeit. Sollte Ihre Haut mit Batterieflüssigkeit in Berührung kommen, so spülen Sie das entsprechende Körperteil gründlich mit Wasser ab. Suchen Sie bei Verletzungen durch Säure unbedingt einen Arzt auf.
- > Tragen Sie während der Arbeit an Batterien keine Metallgegenstände wie Uhren oder Ringe. Bleisäurebatterien können Kurzschlussströme erzeugen, die zu schweren Verletzungen führen können.
- > Verwenden Sie ausschließlich isolierte Werkzeuge.
- > Legen Sie keine Metallteile auf die Batterie und verhindern Sie, dass Metallteile auf die Batterie fallen. Das kann Funken erzeugen oder die Batterie und andere elektrische Geräte kurzschließen.
- > Tragen Sie während Arbeiten an Batterien eine Schutzbrille und Schutzkleidung. Berühren Sie während Arbeiten an Batterien nicht Ihre Augen.
- > Verwenden Sie ausschließlich wiederaufladbare Batterien.
- > Verwenden Sie keine defekten Batterien.



#### **VORSICHT! Explosionsgefahr**

- > Versuchen Sie nie, eine eingefrorene oder defekte Batterie zu laden. Stellen Sie die Batterie in diesem Fall an einen frostfreien Ort und warten Sie, bis sich die Batterie der Umgebungstemperatur angepasst hat. Beginnen Sie erst dann mit dem Ladevorgang.
- > Rauchen Sie in der Nähe des Motors oder einer Batterie nicht, verwenden Sie keine offenen Flammen und verursachen Sie keine Funken.
- > Halten Sie die Batterie von Wärmequellen fern.



#### **ACHTUNG! Beschädigungsgefahr**

- > Beachten Sie beim Anschluss der Batterie die korrekte Polarität.
- > Beachten Sie die Anleitungen des Batterieherstellers und des Herstellers der Anlage oder des Fahrzeugs, in denen die Batterie verwendet wird.
- > Wenn die Batterie entfernt werden muss, trennen Sie zuerst die Masseverbindung. Trennen Sie alle Verbindungen und alle Verbraucher von der Batterie, bevor Sie diese ausbauen.
- > Lagern Sie nur vollständig geladene Batterien ein. Laden Sie eingelagerte Batterien regelmäßig auf.
- > Tragen Sie die Batterie nicht an ihren Polen.

### 3.5 Sicherheit beim Betrieb des Gerätes



#### **WARNUNG! Gefahr durch Stromschlag**

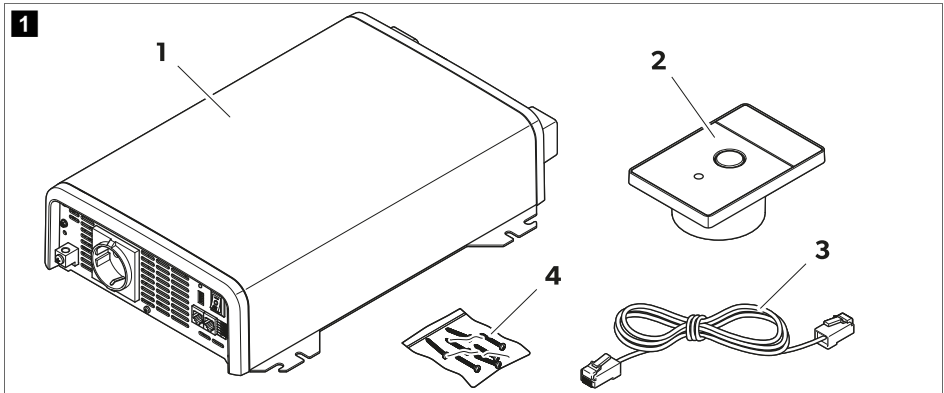
- > Verwenden Sie das Gerät nicht bei Nässe und tauchen Sie es nicht in Flüssigkeiten ein.
- > Bevor Sie das Gerät in Betrieb nehmen, vergewissern Sie sich, dass das Stromversorgungskabel und der Stecker trocken sind und der Stecker frei von Rost oder Schmutz ist.
- > Beachten Sie, dass auch nach Auslösen der Schutzeinrichtung (Sicherung) Teile des Gerätes unter Spannung bleiben können.



#### **ACHTUNG! Beschädigungsgefahr**

- > Stellen Sie sicher, dass Luftein- und -auslässe des Gerätes nicht verdeckt werden.
- > Stellen Sie eine gute Belüftung sicher.

## 4 Lieferumfang



Nr. in  Abb. <b>1</b> auf Seite 27	Bezeichnung	Anzahl
1	Sinus Wechselrichter	1
2	Fernbedienung	1
3	Fernbedienungsanschlusskabel	1
4	Befestigungsschrauben	6
-	Montage- und Bedienungsanleitung	1

## 5 Zubehör

Bezeichnung	Art.-Nr.
Fernbedienung DPSI-RC	9620018306
Touch-Display TD283	9620013272

## 6 Bestimmungsgemäßer Gebrauch

Der Wechselrichter dient zur Umwandlung von Gleichstrom in eine reine Sinuswellen-Wechselspannung (AC) von 230 V~ für den Betrieb und die stabile Stromversorgung der angeschlossenen Verbraucher von 230 V.

Der Wechselrichter ist vorgesehen für den Anschluss an:

- DPSI612, DPSI1012, DPSI1512, DPSI2012: 12 V $\overline{=}$
- DPSI624, DPSI1024, DPSI1524, DPSI2024: 24 V $\overline{=}$

Der Wechselrichter ist für folgende Verwendungszwecke geeignet:

- die Installation in Wohnmobilen, Fahrzeugen oder Motoren zur gewerblichen Verwendung und Segelyachten
- den stationären oder mobilen Einsatz
- die Verwendung in Innenräumen

Der Wechselrichter ist **nicht** für folgende Verwendungszwecke geeignet:

- den Einsatz im Freien

Dieses Produkt ist nur für den angegebenen Verwendungszweck und die Anwendung gemäß dieser Anleitung geeignet.

Dieses Handbuch enthält Informationen, die für die ordnungsgemäße Installation und/oder den ordnungsgemäßen Betrieb des Produkts erforderlich sind. Installationsfehler und/oder ein nicht ordnungsgemäßer Betrieb oder eine nicht ordnungsgemäße Wartung haben eine unzureichende Leistung und u. U. einen Ausfall des Geräts zur Folge.

Der Hersteller übernimmt keine Haftung für Verletzungen oder Schäden am Produkt, die durch Folgendes entstehen:

- Unsachgemäße Installation oder falscher Anschluss, einschließlich Überspannung
- Unsachgemäße Wartung oder Verwendung von anderen als den vom Hersteller gelieferten Original-Ersatzteilen
- Veränderungen am Produkt ohne ausdrückliche Genehmigung des Herstellers
- Verwendung für andere als die in der Anleitung beschriebenen Zwecke

Dometic behält sich das Recht vor, das Erscheinungsbild des Produkts und dessen technische Daten zu ändern.

## 7 Technische Beschreibung

### 7.1 Allgemeine Beschreibung

Der Wechselrichter ist ein Sinuswellen-Wechselrichter.

Der Wechselrichter kann in folgenden Netzwerksystemen betrieben werden:

- TN-Netzwerk
- IT-Netzwerk

Die Einstellung der Netzwerksysteme erfolgt über eine Schraube am Wechselrichter.

Der Wechselrichter verfügt über folgende Schutzmechanismen:

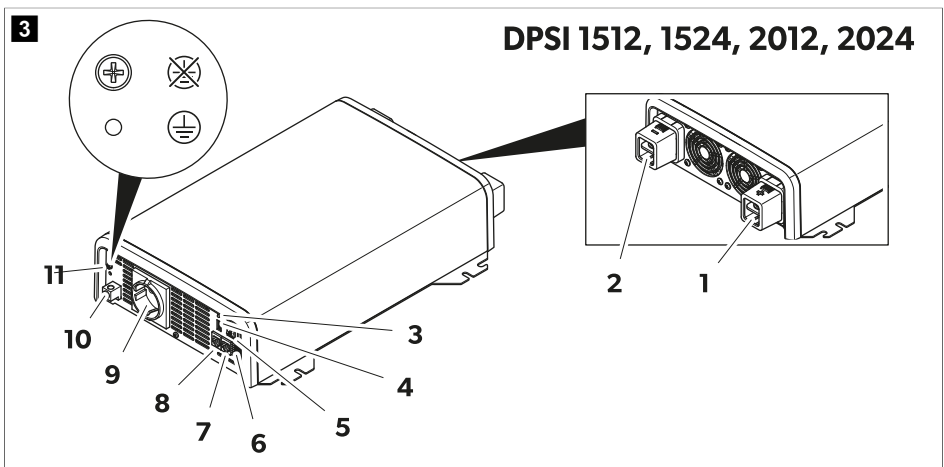
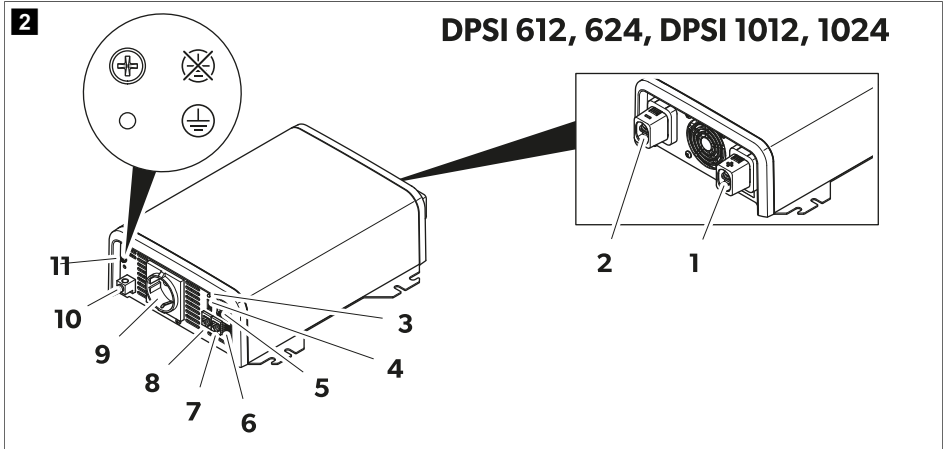
- **Überspannungs-Schutz:** Der Wechselrichter schaltet ab, wenn die Spannung über den Abschalt-Wert steigt. Der Wechselrichter startet automatisch neu, wenn die Spannung auf den Wiederanlaufwert fällt.
- **Unterspannungs-Schutz:** Der Wechselrichter schaltet ab, wenn die Spannung unter den Abschalt-Wert fällt. Der Wechselrichter startet automatisch neu, wenn die Spannung über den Wiederanlaufwert steigt.
- **Übertemperatur-Schutz:** Der Wechselrichter schaltet ab, wenn die Innentemperatur des Gerätes über den Abschalt-Wert steigt. Der Wechselrichter startet automatisch neu, wenn die Innentemperatur auf den Wiederanlaufwert fällt.
- **Schutz vor hohem Ausgangsstrom:** Der Wechselrichter schaltet ab, wenn zu viele Lasten angeschlossen sind.
- **Schutz vor Kurzschluss:** Der Wechselrichter schaltet ab, wenn ein Kurzschluss erzeugt wurde. Der Wechselrichter startet nach einigen Sekunden automatisch neu. Wenn fünf Mal hintereinander ein Kurzschluss erkannt wird, startet der Wechselrichter nicht mehr automatisch neu, und ein manueller Neustart ist erforderlich.

Der Wechselrichter ist für die Daten- und Funktionsanzeige auf dem Touch-Display (Zubehör) und der mobilen App N-BUS- und CI-BUS-fähig.

Der Wechselrichter ist mit einer Fernbedienung zum Ein- und Ausschalten des Wechselrichters ausgestattet.

Der Wechselrichter kann in den Energiesparmodus geschaltet werden, um den Verbrauch im Leerlauf zu reduzieren und die Last an der Batterie zu minimieren. Dies erfolgt über einen DIP-Schalter oder

## 7.2 Bedienelemente und Anschlüsse

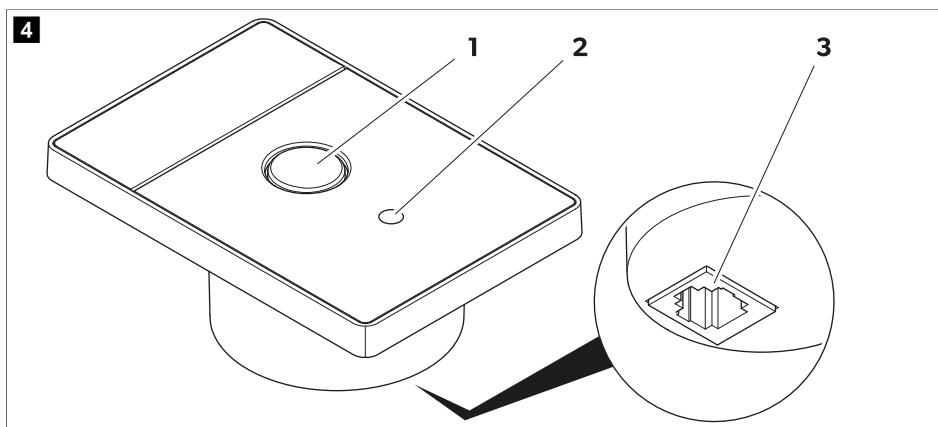


**HINWEIS** Die Abbildungen zeigen die Versionen für Kontinentaleuropa.

Nr.	Bezeichnung
1	(+) Pol, Anschluss an den Pluspol der Bordbatterie
2	(-) Pol, Anschluss an den Minuspol der Bordbatterie
3	LED-Statusanzeige
4	Dip-Schalter
5	Ein/Aus-Schalter

Nr.	Bezeichnung
6	Pol für externe Steuerung
7	CI-BUS/N-Bus/Fernbedienungsanschluss (LINB)
8	CI-BUS/N-Bus/Fernbedienungsanschluss (LINA)
9	Wechselstromsteckdose
10	Masseverbindung
11	Schraube für IT-/TN-Netzwerkeinstellung

### 7.3 Fernbedienung



Nr. in  Abb. 4  
auf Seite 30

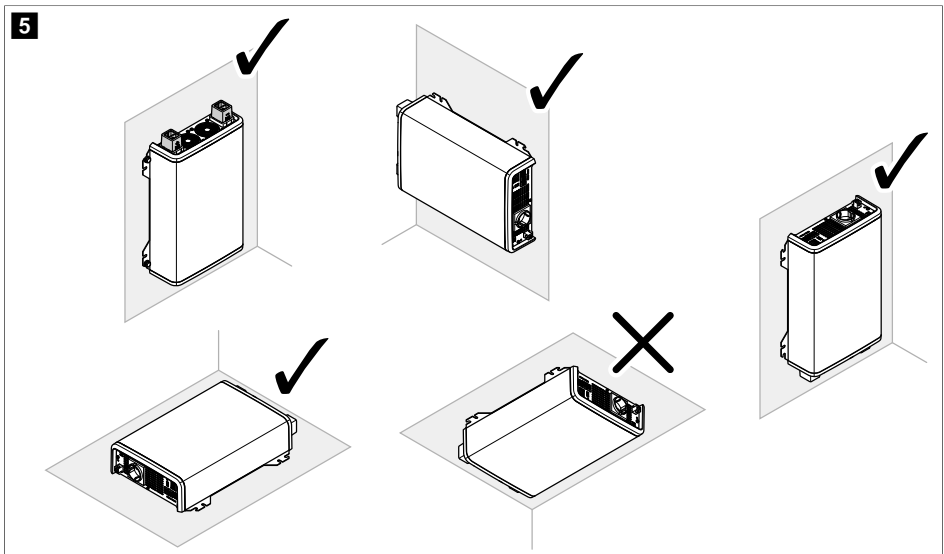
Nr.	Bezeichnung
1	An/Aus-Taste
2	LED-Statusanzeige
3	Anschluss für Fernbedienung

### 7.4 LED-Statusanzeige

Status	Beschreibung
Green	Wechselrichterbetrieb
Orange	Warnung: Wechselstromausgang vorhanden, Gefahr von Überspannung, Unterspannung oder Stromausfällen
Red	Error: Kein Wechselstromeingang vorhanden, Wechselrichter deaktiviert (siehe Kapitel Fehlersuche und Fehlerbehebung auf Seite 39)

## 8 Installation

### 8.1 Installationsort




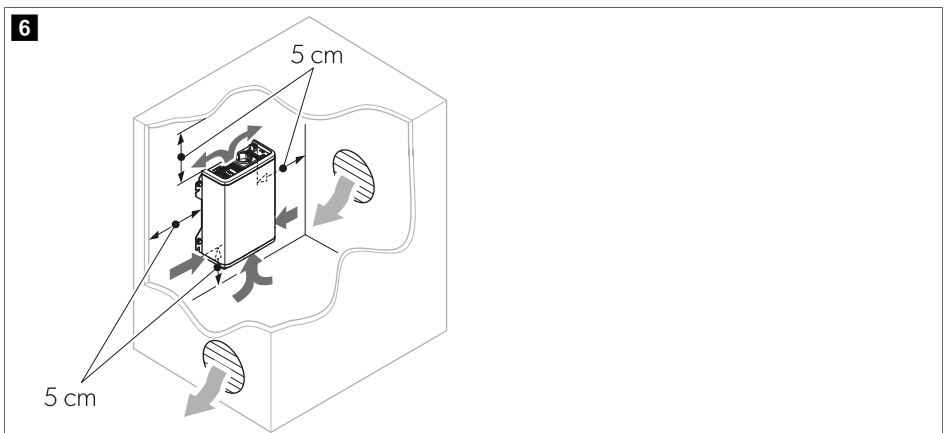
#### **ACHTUNG! Beschädigungsgefahr**

Bevor Sie irgendwelche Bohrungen vornehmen, stellen Sie sicher, dass keine elektrischen Kabel oder andere Teile des Fahrzeuges durch Bohren, Sägen und Feilen beschädigt werden.




#### **HINWEIS**

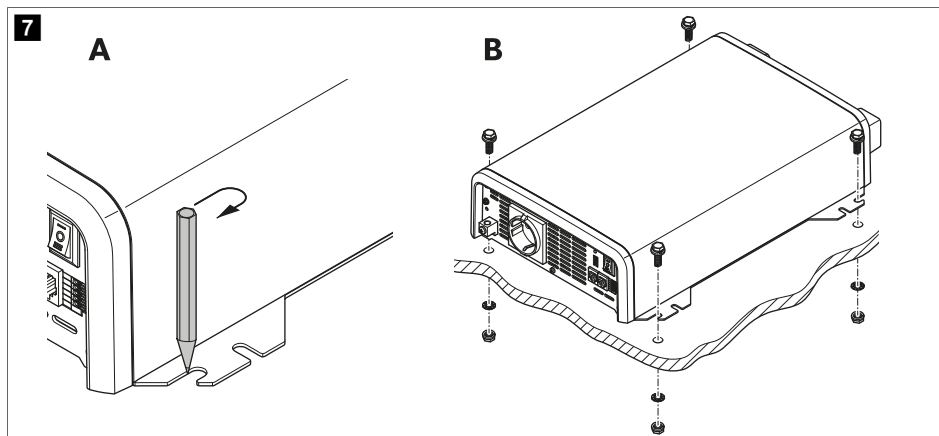
Der Wechselrichter kann aufsitzend oder hängend montiert werden (  Abb. **5** auf Seite 31).





Beachten Sie bei der Wahl des Installationsortes folgende Hinweise:

- Stellen Sie sicher, dass die Montagefläche fest und eben ist.
- Beachten Sie die Abstandsvorgaben für ausreichende Belüftung (  Abb. **6** auf Seite 31).

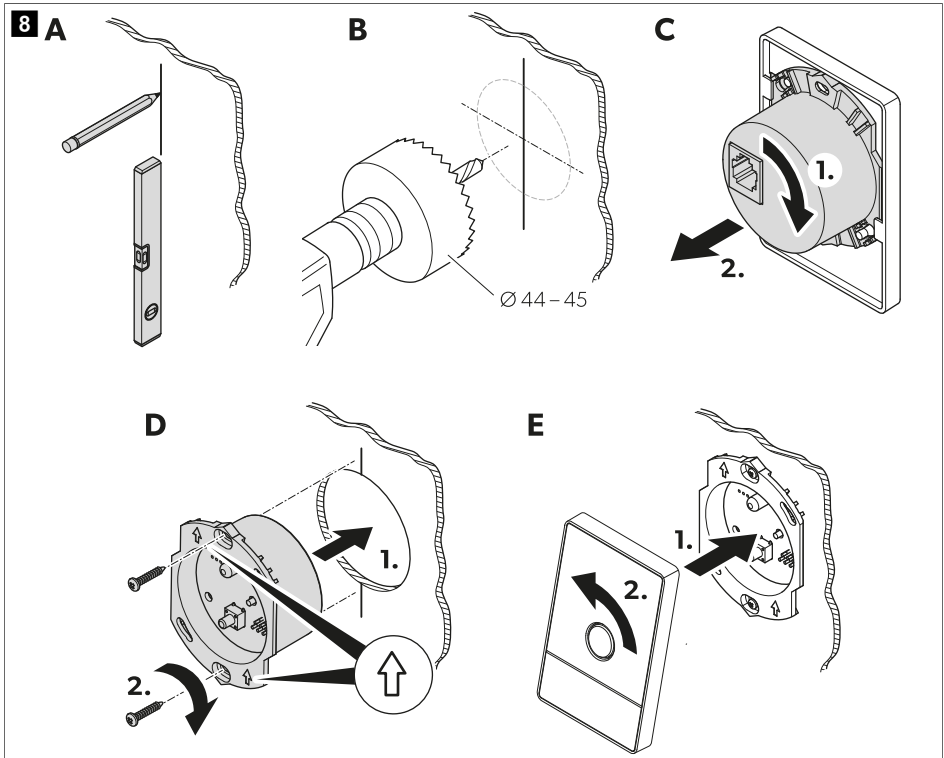
## 8.2 Wechselrichter montieren



1. Wählen Sie die entsprechenden Montagebohrungen je nach gewählter Montageart (aufsitzend oder hängend) aus und markieren Sie die Bohrlöcher (  Abb. **7** auf Seite 32, **A**).
2. Bohren Sie die Montagebohrungen vor.
3. Schrauben Sie den Wechselrichter fest (  Abb. **7** auf Seite 32, **B**).



### 8.3 Fernbedienung anbringen



1. Markieren Sie die Montagefläche ( Abb. 8 auf Seite 33, **A**).
2. Bohren Sie ein Loch mit einem Durchmesser von 44 mm ... 45 mm, z. B. mit einer Lochsäge ( Abb. 8 auf Seite 33, **B**).
3. Entfernen Sie den Anschlusskasten vom Bedienfeld ( Abb. 8 auf Seite 33, **C**).
4. Setzen Sie den Anschlusskasten in die Öffnung ein und schrauben Sie ihn fest ( Abb. 8 auf Seite 33, **D**).



**HINWEIS** Achten Sie auf die korrekte vertikale Ausrichtung, wie sie durch die Pfeile auf dem Anschlusskasten angezeigt wird.

5. Befestigen Sie das Bedienfeld am Anschlusskasten ( Abb. 8 auf Seite 33, **E**).
6. Entfernen Sie die Schutzfolie.

## 8.4 Wechselrichter anschließen



Die elektrische Installation und Einrichtung des Geräts müssen von einer qualifizierten Elektrofachkraft durchgeführt werden, die ihre Fähigkeiten und Kenntnisse im Zusammenhang mit dem Aufbau und der Bedienung von elektrischen Geräten und Installationen unter Beweis gestellt hat und die mit den geltenden Vorschriften des Landes, in dem das Gerät installiert und/oder verwendet werden soll, vertraut ist und eine Sicherheitsschulung erhalten hat, um die damit verbundenen Gefahren zu erkennen und zu vermeiden.

Alle anderen Maßnahmen richten sich auch an nicht-professionelle Benutzer.



### **WARNUNG! Gefahr durch Stromschlag**

Beachten Sie die empfohlenen Kabelquerschnitte, Kabellängen und Sicherungen.



### **VORSICHT! Brandgefahr**

Platzieren Sie die Sicherungen in der Nähe der Batterien, um das Kabel vor Kurzschlüssen und möglichem Brand zu schützen.



### **ACHTUNG! Beschädigungsgefahr**

- > Achten Sie darauf, dass die Polarität nicht vertauscht wird.
- > Ziehen Sie die Schrauben und Muttern mit einem Drehmoment von max. 15 Nm fest. Lockere Anschlüsse können zu Überhitzung führen.

Beachten Sie beim Anschluss des Wechselrichters folgende Hinweise:

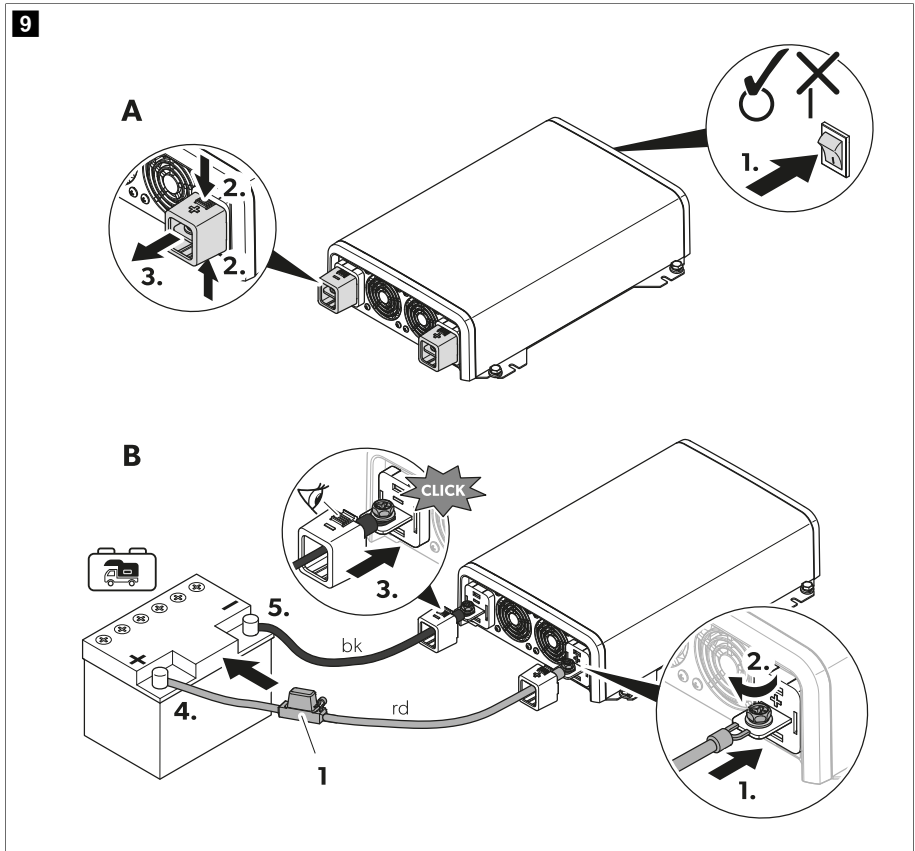
- Beachten Sie bei der Installation eines Steckdosenverteilerkreises (Netzstrominstallation) die geltenden Vorschriften.
- Wählen Sie die Kabellänge der DC-Kabel (Anschluss an Batteriepole) so kurz wie möglich aus ( $\leq 1$  m).
- Zur **TN-Netzwerkverbindung**: Bauen Sie einen Fehlerstromschutzschalter (RCD) ein.
- Zur **IT-Netzwerkverbindung**: Bauen Sie ein Isolationsüberwachungsgerät (IMD) ein, wenn mehr als eine Last angeschlossen ist. **Es gelten die nationalen Normen.**



1. Kabelquerschnitte und Sicherungen bestimmen:

	<b>Kabelquerschnitt</b>	<b>Kabelsicherung</b>
DPSI612	25 mm <sup>2</sup>	150 A
DPSI624	25 mm <sup>2</sup>	150 A
DPSI1012	35 mm <sup>2</sup>	200 A
DPSI1024	25 mm <sup>2</sup>	150 A
DPSI1512	50 mm <sup>2</sup>	250 A
DPSI1524	25 mm <sup>2</sup>	150 A
DPSI2012	70 mm <sup>2</sup>	300 A
DPSI2024	35 mm <sup>2</sup>	200 A


2. Stellen Sie sicher, dass das Gerät ausgeschaltet ist (  Abb. **9** auf Seite 35, **1**).



9



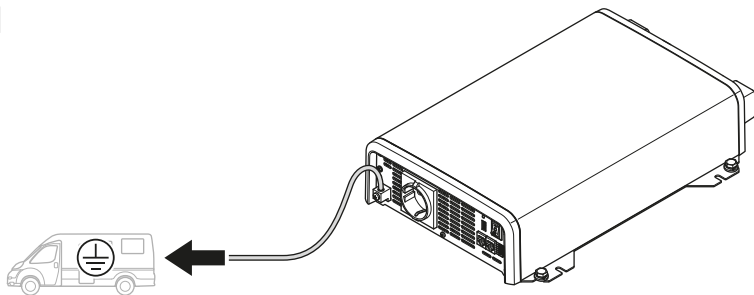
3. Lösen Sie die Abdeckungen von den Polen (  Abb. **9** auf Seite 35, **2 – 3**).
4. Schließen Sie (+) an den Pluspol der Bordbatterie an (rotes Anschlusskabel (rd),  Abb. **9** auf Seite 35, **4**).



**HINWEIS** Sichern Sie das Pluskabel der Bordbatterie mit einer Sicherung ab (  Abb. **9** auf Seite 35, **1**).

5. Schließen Sie (-) an den Minuspol der Bordbatterie an (schwarzes Anschlusskabel (bk),  Abb. **9** auf Seite 35, **5**).
6. Schließen Sie die Masseverbindung an Masse (Chassis) an (  Abb. **10** auf Seite 36).

10



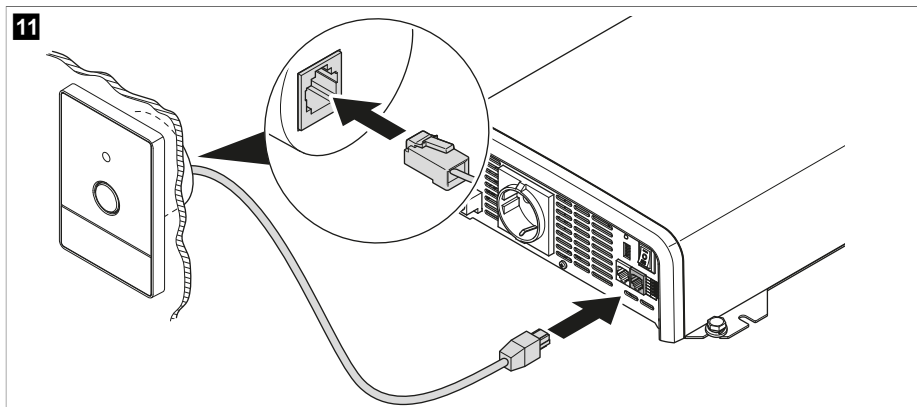
## 8.5 Fernbedienung anschließen



**HINWEIS** Die Fernbedienung und das N-BUS/CI-BUS-Netzwerk können nicht gleichzeitig angeschlossen werden.

- > Verbinden Sie die Fernbedienung über das Fernbedienungsanschlusskabel mit dem Fernbedienungsanschluss.

11

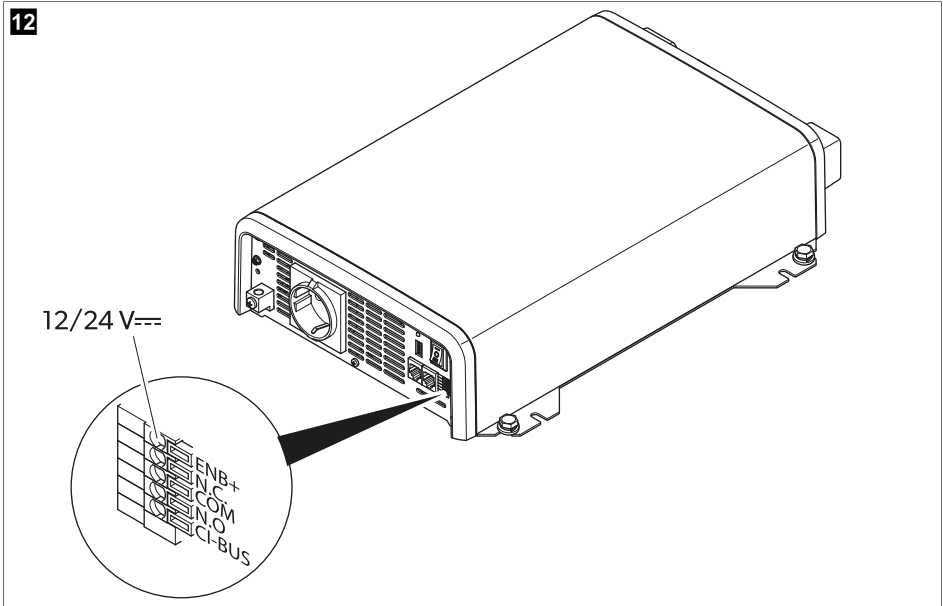


## 8.6 ENB+-Stift anschließen



**HINWEIS** Wenn der ENB+-Stift angeschlossen ist, kann der Status des Energiesparmodus nicht geändert werden.

12



1. Stellen Sie den Ein/Aus-Schalter auf **0**.
2. Verwenden Sie den ENB+-Stift wie folgt:
  - Um den Wechselrichter einzuschalten, verbinden Sie den ENB+-Stift über ein geeignetes Stromkabel mit dem Pluspol der Bordbatterie.
  - Um den Wechselrichter auszuschalten, trennen Sie den ENB+-Stift von der Bordbatterie.

## 9 Netzwerksystem konfigurieren



Die elektrische Installation und Einrichtung des Geräts müssen von einer qualifizierten Elektrofachkraft durchgeführt werden, die ihre Fähigkeiten und Kenntnisse im Zusammenhang mit dem Aufbau und der Bedienung von elektrischen Geräten und Installationen unter Beweis gestellt hat und die mit den geltenden Vorschriften des Landes, in dem das Gerät installiert und/oder verwendet werden soll, vertraut ist und eine Sicherheitsschulung erhalten hat, um die damit verbundenen Gefahren zu erkennen und zu vermeiden.

Alle anderen Maßnahmen richten sich auch an nicht-professionelle Benutzer.



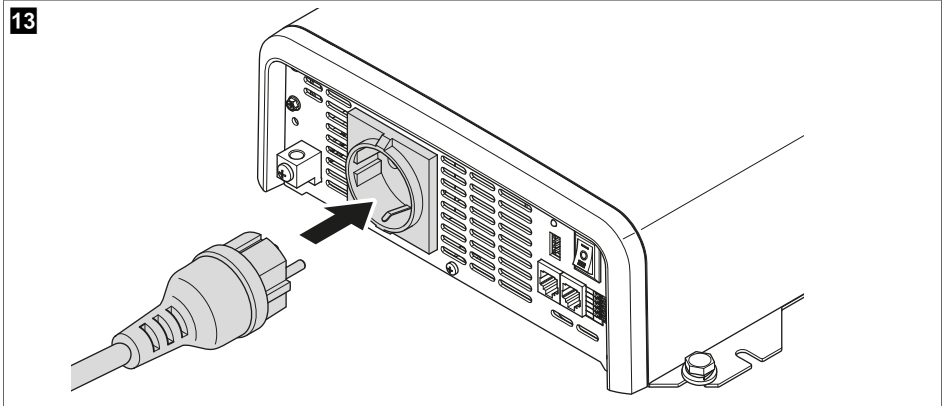
### **GEFAHR! Gefahr durch Stromschlag**

- > Entfernen Sie die Schutzkappe nur zur Einstellung vom DIP-Schalter.
  - > Tauschen Sie die Schutzkappe aus, um eine versehentliche Einstellung des DIP-Schalters zu verhindern.
  - > Zur **TN-Netzwerkeinstellung**: Stellen Sie sicher, dass ein Fehlerstromschutzschalter (RCD) installiert ist.
  - > Zur **IT-Netzwerkeinstellung**: Betreiben Sie nur eine Last oder installieren Sie ein Isolationsüberwachungsgerät (IMD). Beachten Sie die nationalen Normen.
- > Setzen Sie die Schraube in die Position  $\oplus$  ein, um das **TN-Netz** einzustellen.

- > Setzen Sie die Schraube in die Position  ein, um das **IT-Netzwerk** einzustellen.


## 10 Betrieb

### 10.1 230-V-Geräte betreiben



#### HINWEIS

Schließen Sie nur Geräte an, deren Gesamtlast die unter Technische Daten auf Seite 41 aufgeführten Werte nicht überschreitet.

- > Schließen Sie Geräte mit 230 V an den Wechselstromausgang des Wechselrichters an ( Abb. **13** auf Seite 38).

### 10.2 Wechselrichter ein- und ausschalten



#### HINWEIS

- > Wenn der Wechselrichter über die Fernbedienung gesteuert werden soll, muss der Ein-/Aus-Schalter auf die Position **II** gestellt werden.
- > Wenn der Wechselrichter über den ENB+-Stift gesteuert werden soll, muss der Ein-/Aus-Schalter auf die Position **0** gestellt werden.
- > Zum Einschalten des Wechselrichters stellen Sie den Ein-/Aus-Schalter auf die Position **I**.
- > Zum Ausschalten des Wechselrichters stellen Sie den Ein-/Aus-Schalter auf die Position **0**.
- > Verwenden Sie die Fernbedienung oder den ENB+-Stift, um den Wechselrichter ein- und auszuschalten.

## 10.3 Energiesparmodus einstellen



### HINWEIS

- Wenn der DIP-Schalter S2 auf **OFF** gestellt ist, schaltet der Wechselrichter bei einer Last über  $\geq 45$  W automatisch in den Normalbetrieb.
- Wenn der DIP-Schalter S2 auf **ON** gestellt ist, schaltet der Wechselrichter bei einer Last über  $\geq 80$  W automatisch in den Normalbetrieb.
- Der Status des Energiesparmodus kann nicht geändert werden, wenn die Fernbedienung oder der ENB+-Stift verwendet werden, es sei denn, ein vollständiger Ein-/Aus-Zyklus wird durchgeführt.

### Energiesparmodus aktivieren

1. Schalten Sie den Wechselrichter ggf. aus.
  2. Stellen Sie den DIP-Schalter S1 auf **ON**.
- ✓ Der Energiesparmodus ist aktiviert.

### Energiesparmodus deaktivieren

1. Schalten Sie den Wechselrichter aus.
  2. Stellen Sie den DIP-Schalter S1 auf **OFF**.
- ✓ Der Energiesparmodus ist deaktiviert.

## 11 Reinigung und Pflege



### WARNUNG! Gefahr durch Stromschlag

Ziehen Sie den Stecker des Geräts vor Reinigungs- und Wartungsarbeiten aus der Steckdose.



### ACHTUNG! Beschädigungsgefahr

- > Reinigen Sie das Gerät niemals unter fließendem Wasser oder gar im Spülwasser.
  - > Verwenden Sie zur Reinigung keine scharfen oder harten Gegenstände, scheuernden Reinigungsmittel oder Bleichmittel, da diese das Gerät beschädigen können.
  - > Stellen Sie sicher, dass die Lufteinlass- und Entlüftungsöffnungen am Gerät frei von Staub und Verunreinigungen sind, damit die Wärme nach außen geleitet werden kann.
- > Reinigen Sie das Gerät gelegentlich mit einem weichen, feuchten Tuch.
- > Prüfen Sie stromführende Kabel regelmäßig auf Isolationsmängel, Brüche oder lose Verbindungen.

## 12 Fehlersuche und Fehlerbehebung

Problem	Mögliche Ursache	Lösungsvorschlag
Der Wechselrichter funktioniert nicht. Die LED-Statusanzeige ist aus.	Fünf Mal hintereinander Kurzschluss erkannt.	> Die Gerätesicherung muss durch einen zugelassenen Kundendienstbetrieb ausgetauscht werden, wenn sie bei Überstrom ausgelöst hat.

Problem	Mögliche Ursache	Lösungsvorschlag
	Isolationsmängel, Brüche oder lose Verbindungen an den stromführenden Kabeln.	<p>&gt; Prüfen Sie stromführende Kabel auf Isolationsmängel, Brüche oder lose Verbindungen.</p> <p>Wenn Sie keinen Fehler finden können, wenden Sie sich an einen autorisierten Kundendienst.</p>
Der Wechselrichter funktioniert nicht. Die LED-Statusanzeige leuchtet rot.	Schutz vor hohem Ausgangsstrom.	Reduzieren Sie die Anzahl an angeschlossenen Lasten.
	Schutz vor Übertemperatur.	<ol style="list-style-type: none"> <li>1. Schalten Sie den Wechselrichter und die angeschlossenen Lasten aus.</li> <li>2. Vergewissern Sie sich, dass die Luftein- und -auslässe nicht verdeckt oder verstopft sind.</li> <li>3. Lassen Sie den Wechselrichter abkühlen.</li> </ol>
	Es wurde ein Kurzschluss erzeugt.	Die Gerätesicherung muss durch einen zugelassenen Kundendienstbetrieb ausgetauscht werden, wenn sie bei Überstrom ausgelöst hat.
	Überspannungs-Schutz. Batteriespannungen zu hoch.	<p>&gt; Reduzieren Sie die angeschlossenen Spannungen.</p> <p>Der Wechselrichter startet automatisch neu, wenn die Spannung auf den Wiederanlaufwert fällt (siehe Kapitel Überspannungs-Schutz auf Seite 42).</p> <p>&gt; Wenn der Fehler weiterhin auftritt: Vergrößern Sie die Kabelquerschnitte. Reduzieren Sie die Kabellänge.</p>
Unterspannungs-Schutz. Batteriespannungen zu gering.	<p>&gt; Lassen Sie die Batterie langsam wieder aufladen.</p> <p>Der Wechselrichter startet automatisch neu, wenn die Spannung über den Wiederanlaufwert steigt (siehe Kapitel Unterspannungs-Schutz auf Seite 42).</p>	

## 13 Garantie

Es gilt die gesetzliche Gewährleistungsfrist. Sollte das Produkt defekt sein, wenden Sie sich bitte an die Niederlassung des Herstellers in Ihrem Land (siehe [dometic.com/dealer](http://dometic.com/dealer)) oder an Ihren Fachhändler.

Bitte senden Sie bei einem Reparatur- bzw. Garantieantrag folgende Unterlagen mit dem Gerät ein:

- eine Kopie der Rechnung mit Kaufdatum
- einen Reklamationsgrund oder eine Fehlerbeschreibung

Bitte beachten Sie, dass eigenständig oder nicht fachgerecht durchgeführte Reparaturen die Sicherheit gefährden und zum Erlöschen der Garantie führen können.



## 14 Entsorgung

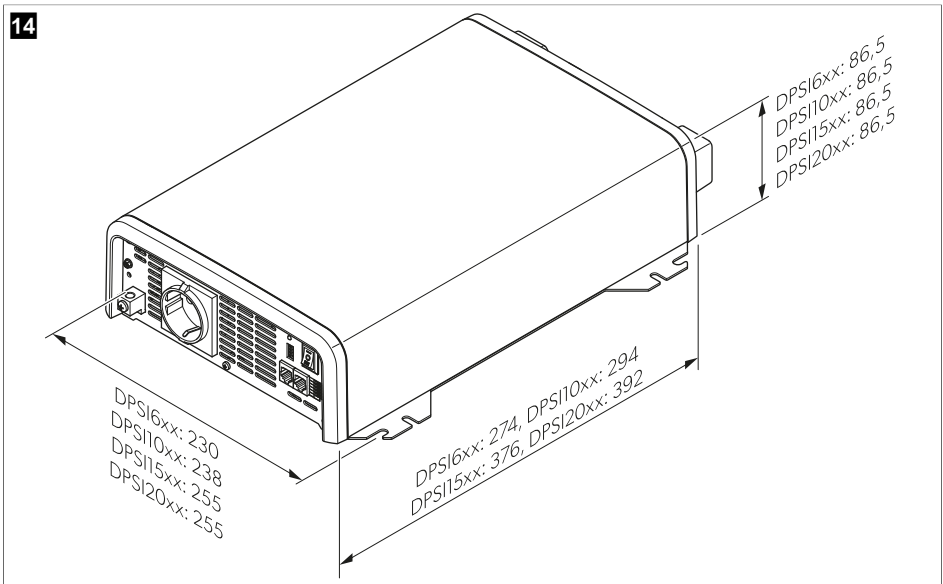


Geben Sie das Verpackungsmaterial möglichst in den entsprechenden Recycling-Müll.


Wenden Sie sich an ein örtliches Recyclingzentrum oder einen Fachhändler, um zu erfahren, wie Sie das Produkt gemäß den geltenden Entsorgungsvorschriften entsorgen können.

Das Produkt kann kostenlos entsorgt werden.



## 15 Technische Daten



	DPSI 612	DPSI 1012	DPSI 624	DPSI 1024
Nenningangsspannung	12 V $\overline{\text{---}}$		24 V $\overline{\text{---}}$	
Eingang – Spannungsbereich	10,5 ... 16,5 V $\overline{\text{---}}$		21 ... 33 V $\overline{\text{---}}$	
Dauerausgangsleistung $P_{\text{nom}}$	600 W	1000 W	600 W	1000 W
Maximale Ausgangsleistung (1 min)	690 W	1150 W	690 W	1150 W
Maximale Spitzenleistung (1 s) $P_{\text{surge}}$	1200 W	2000 W	1200 W	2000 W
Stromaufnahme im Leerlaufzustand	$\leq 1$ A	$\leq 1,1$ A	$\leq 0,6$ A	$\leq 0,6$ A
Stromaufnahme im Bereitschaftszustand	$\leq 0,3$ A	$\leq 0,35$ A	$\leq 0,2$ A	$\leq 0,2$ A
Abmessungen	Abb. 14 auf Seite 41			
Gewicht	1,1 kg	1,2 kg	1,1 kg	1,2 kg
	DPSI 1512	DPSI 2012	DPSI 1524	DPSI 2024
Nenningangsspannung	12 V $\overline{\text{---}}$		24 V $\overline{\text{---}}$	

	DPSI 1512	DPSI 2012	DPSI 1524	DPSI 2024
Eingang – Spannungsbereich	10,5 ... 16,5 V $\overline{=}$		21 ... 33 V $\overline{=}$	
Dauerausgangsleistung P <sub>nom</sub>	1500 W	2000 W	1500 W	2000 W
Maximale Ausgangsleistung (1 min)	1725 W	2300 W	1725 W	2300 W
Maximale Spitzenleistung (1 s) P <sub>surge</sub>	3000 W	4000 W	3000 W	4000 W
Stromaufnahme im Leerlaufzustand	≤ 1,2 A	≤ 1,5 A	≤ 0,7 A	≤ 0,8 A
Stromaufnahme im Bereitschaftszustand	≤ 0,4 A	≤ 0,5 A	≤ 0,25 A	≤ 0,3 A
Abmessungen	 Abb. 14 auf Seite 41			
Gewicht	1,1 kg	1,2 kg	1,1 kg	1,2 kg

## 15.1 Allgemeine technische Daten

Ausgangsspannungsbereich	230 V $\sim$ ± 10 %
Ausgangsfrequenz	50 Hz ± 1 %
Ausgangswellenform	Reine Sinuswelle
Spitzeneffizienz	90 %
Umgebungstemperatur Betrieb	0 ... 50 °C
Umgebungstemperatur Lagerung	- 30 °C ... 70 °C
Umgebungsfeuchtigkeit	0 ... 95 %, non-condensing
Prüfung/Zertifikat	 

## 15.2 Unterspannungs-Schutz

	Abschalt-Wert	Wiederanlaufwert
DPSlxx12	10,3 V	11,8 V
DPSlxx24	20,6 V	23,6 V

## 15.3 Überspannungs-Schutz

	Abschalt-Wert	Wiederanlaufwert
DPSlxx12	16,5 V	15,5 V
DPSlxx24	33 V	31 V

# Français

1	Remarques importantes.....	43
2	Signification des symboles.....	43
3	Consignes de sécurité.....	44
4	Contenu de la livraison.....	47
5	Accessoires.....	47
6	Usage conforme.....	47
7	Description technique.....	48
8	Installation.....	51
9	Configuration du système réseau.....	57
10	Utilisation.....	58
11	Nettoyage et entretien.....	59
12	Dépannage.....	59
13	Garantie.....	60
14	Mise au rebut.....	60
15	Caractéristiques techniques.....	61

## 1 Remarques importantes

Veuillez lire et suivre attentivement l'ensemble des instructions, directives et avertissements figurant dans ce manuel afin d'installer, d'utiliser et d'entretenir le produit correctement à tout moment. Ces instructions DOIVENT rester avec le produit.

En utilisant ce produit, vous confirmez expressément avoir lu attentivement l'ensemble des instructions, directives et avertissements et que vous comprenez et acceptez de respecter les modalités et conditions énoncées dans le présent document. Vous acceptez d'utiliser ce produit uniquement pour l'usage et l'application prévus et conformément aux instructions, directives et avertissements figurant dans le présent manuel, ainsi qu'à toutes les lois et réglementations applicables. En cas de non-respect des instructions et avertissements figurant dans ce manuel, vous risquez de vous blesser ou de blesser d'autres personnes, d'endommager votre produit ou d'endommager d'autres biens à proximité. Le présent manuel produit, y compris les instructions, directives et avertissements, ainsi que la documentation associée peuvent faire l'objet de modifications et de mises à jour. Pour obtenir des informations actualisées sur le produit, consulter le site [documents.dometic.com](http://documents.dometic.com).

## 2 Signification des symboles

Un mot de signalement identifie les messages relatifs à la sécurité et aux dégâts matériels en indiquant le degré ou le niveau de gravité du danger.



### **DANGER !**

Indique une situation dangereuse qui, si elle n'est pas évitée, entraînera des blessures graves, voire mortelles.



### **AVERTISSEMENT !**

Indique une situation dangereuse qui, si elle n'est pas évitée, est susceptible d'entraîner des blessures graves, voire mortelles.



### **ATTENTION !**

Indique une situation dangereuse qui, si elle n'est pas évitée, est susceptible d'entraîner des blessures légères ou de gravité modérée.



### **AVIS !**

Indique une situation dangereuse qui, si elle n'est pas évitée, peut entraîner des dommages matériels.



**REMARQUE** Informations complémentaires sur l'utilisation de ce produit.

## 3 Consignes de sécurité

**Respectez également les consignes de sécurité et autres prescriptions fournies par le fabricant du véhicule et par les ateliers agréés.**

### 3.1 Sécurité générale



#### **DANGER ! Risque d'électrocution**

- > Ne touchez pas les câbles dénudés à mains nues.
- > Afin de pouvoir couper rapidement l'alimentation CA de l'appareil, la prise doit se trouver à proximité de celui-ci et être facilement accessible.



#### **AVERTISSEMENT ! Risque d'électrocution**

- > L'installation et le retrait de l'appareil doivent uniquement être réalisés par un opérateur qualifié.
- > N'utilisez pas l'appareil si celui-ci ou le câble de raccordement présente des dommages apparents.
- > Si le câble d'alimentation de cet appareil est endommagé, il doit être remplacé afin d'éviter tout risque pour la sécurité.
- > Seul un personnel qualifié est habilité à effectuer des réparations sur ce dispositif. Des réparations inadéquates peuvent engendrer des risques considérables.
- > Utilisez uniquement les accessoires recommandés par le fabricant.
- > Ne modifiez pas et n'adaptez pas les composants de quelque manière que ce soit.
- > Ne débranchez pas de câbles pendant le fonctionnement de l'appareil.
- > Coupez l'alimentation en courant de l'appareil :
  - après chaque utilisation
  - Avant toute opération de nettoyage et d'entretien
  - avant le changement d'un fusible



#### **AVERTISSEMENT ! Risque d'incendie/matériaux inflammables**

En cas d'incendie, utilisez un extincteur adapté aux appareils électriques.



#### **AVERTISSEMENT ! Risque d'asphyxie**

Le câble et l'unité de commande de l'appareil peuvent présenter un risque d'étranglement, de strangulation, de chute ou de piétinement s'ils ne sont pas correctement installés. Assurez-vous que les fixations saillantes et les câbles d'alimentation sont installés de manière sécurisée.



#### **AVERTISSEMENT ! Risque pour la santé**

- > Cet appareil peut être utilisé par des enfants âgés de 8 ans et plus et des personnes ayant des capacités physiques, sensorielles ou mentales réduites ou un manque d'expérience et de connaissances, s'ils sont sous surveillance ou ont reçu des instructions sur l'utilisation de l'appareil en toute sécurité et comprennent les risques impliqués.
- > **Les appareils électriques ne sont pas des jouets pour enfants.** Placez et utilisez l'appareil hors de portée des jeunes enfants.
- > Les enfants doivent être surveillés pour s'assurer qu'ils ne jouent pas avec l'appareil.
- > Le nettoyage et l'entretien ne doivent pas être effectués par des enfants sans surveillance.



### AVIS ! Risque d'endommagement

- > Avant la mise en service, vérifiez que la tension indiquée sur la plaque signalétique correspond à l'alimentation électrique dont vous disposez.
- > Veillez à ce que d'autres objets ne puissent **pas** provoquer de court-circuit au niveau des contacts de l'appareil.
- > Assurez-vous que les pôles négatifs et positifs n'entrent **jamais** en contact.
- > Ne tirez pas sur les câbles de connexion et ne les utilisez pas comme poignée.
- > L'appareil ne doit pas être exposé à la pluie ou à l'humidité. Stockez l'appareil dans un endroit sec.

## 3.2 Installation de l'appareil en toute sécurité



### DANGER ! Risque d'explosion

- > Installez et utilisez uniquement l'appareil dans des pièces fermées et bien aérées.
- > N'installez ou n'utilisez **pas** l'appareil dans les conditions suivantes :
  - en milieu humide, à forte teneur en sel,
  - à proximité de vapeurs agressives,
  - à proximité de matériaux inflammables,
  - à proximité de sources de chaleur (radiateurs, rayons directs du soleil, fours à gaz, etc.)
  - dans les zones présentant un risque d'explosion de gaz ou de poussières



### AVERTISSEMENT ! Risque de blessure

- > Veillez à un positionnement stable du produit ! Veillez à installer et fixer l'appareil de manière à ce qu'il ne puisse ni se renverser ni tomber.
- > Lors du positionnement de l'appareil, assurez-vous que tous les câbles sont installés de manière sécurisée, afin d'éviter tout risque de chute.



### AVIS ! Risque d'endommagement

- > Placez l'appareil dans un endroit sec et à l'abri des éclaboussures d'eau.
- > Utilisez uniquement des prises de courant mises à la terre protégées par un disjoncteur différentiel.

## 3.3 Consignes de sécurité relatives au raccordement électrique de l'appareil



### DANGER ! Risque d'électrocution

Lorsque vous effectuez des travaux sur des installations électriques, assurez-vous qu'une personne pouvant vous apporter assistance en cas d'urgence se trouve à proximité.



### AVERTISSEMENT ! Risque d'électrocution

- > Utilisez uniquement les sections de câble recommandées.
- > Posez les câbles de manière à ce qu'ils ne puissent pas être endommagés par les portières ou par le capot. Des câbles compressés peuvent entraîner des blessures mortelles.



### AVIS ! Risque d'endommagement

- > Si des lignes électriques doivent traverser des cloisons en tôle ou autres murs à arêtes vives, utilisez des tubes vides ou des conduits pour câbles.
- > Ne placez **pas** le câble secteur 230 V et le câble 12 V CC dans la même conduite.
- > Ne posez **pas** le câble sans le fixer ou en le pliant fortement.
- > Fixez les câbles solidement.

### 3.4 Précautions appropriées lors de la manipulation des piles



#### AVERTISSEMENT ! Risque de blessure

- > Les batteries peuvent contenir des acides agressifs et corrosifs. Évitez tout contact avec le liquide qui contient la batterie. En cas de contact cutané avec le liquide de la batterie, lavez soigneusement la zone affectée avec de l'eau. Si vous subissez des blessures causées par des acides, contactez immédiatement un médecin.
- > Lorsque vous travaillez sur des batteries, ne portez pas d'objets métalliques tels que des montres ou des bagues. Les batteries au plomb peuvent provoquer des courts-circuits pouvant causer des blessures graves.
- > Utilisez uniquement des outils isolés.
- > Ne placez aucune pièce métallique sur la batterie. Évitez qu'une pièce métallique ne tombe sur la batterie. Cela peut provoquer des étincelles ou court-circuiter la batterie et d'autres appareils électriques.
- > Portez des lunettes et des vêtements de protection lorsque vous travaillez sur les batteries. Ne touchez pas vos yeux lorsque vous travaillez sur les batteries.
- > Utilisez exclusivement des batteries rechargeables.
- > N'utilisez pas de batteries défectueuses.



#### ATTENTION ! Risque d'explosion

- > N'essayez jamais de charger une batterie gelée ou défectueuse. Placez la batterie dans une zone sans gel et attendez que la batterie se soit acclimatée à la température ambiante. Démarrez ensuite le processus de chargement.
- > Ne fumez pas, n'utilisez pas de flamme nue et ne provoquez pas d'étincelles à proximité du moteur ou d'une batterie.
- > Tenez la batterie à l'écart des sources de chaleur.



#### AVIS ! Risque d'endommagement

- > Lors du raccordement de l'accumulateur, s'assurer de la bonne polarité des connexions.
- > Suivre les instructions du fabricant de l'accumulateur et celles du fabricant du système ou du véhicule dans lequel il est utilisé.
- > Si la batterie doit être déposée, débranchez d'abord la connexion à la masse. Débranchez tous les raccordements et tous les consommateurs de la batterie avant de la retirer.
- > Stockez uniquement les batteries complètement chargées. Rechargez régulièrement les batteries stockées.
- > Ne portez pas la batterie en la tenant par ses bornes.

### 3.5 Consignes de sécurité concernant le fonctionnement de l'appareil



#### AVERTISSEMENT ! Risque d'électrocution

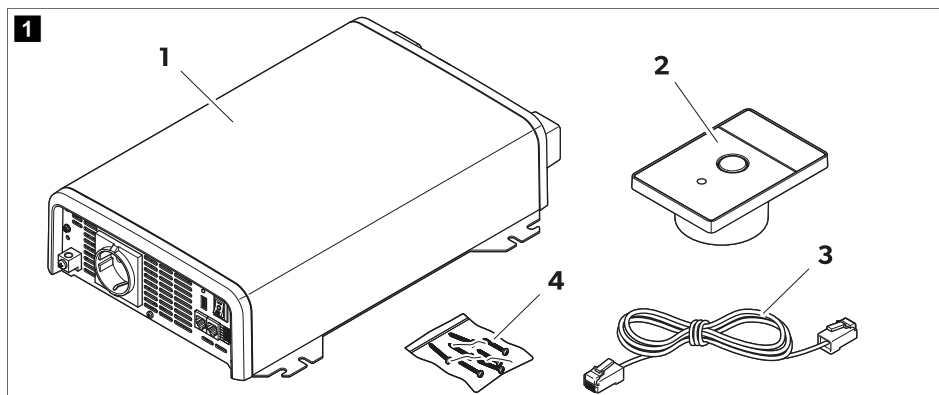
- > N'utilisez pas l'appareil dans des conditions humides et ne le plongez pas dans un liquide.
- > Avant d'allumer l'appareil, assurez-vous que le câble d'alimentation et la prise sont secs et que la prise est exempte de rouille ou de saletés.
- > Notez que même après déclenchement du fusible, il est possible que certaines pièces de l'appareil restent sous tension.




#### AVIS ! Risque d'endommagement

- > Assurez-vous que les entrées et les sorties d'air de l'appareil ne sont pas couvertes.
- > Assurez une ventilation suffisante.

## 4 Contenu de la livraison



N° sur la  fig. 1 à la page 47	Désignation	Quantité
1	Onduleur sinusoïdal	1
2	Télécommande	1
3	Câble de connexion de la télécommande	1
4	Vis de fixation	6
-	Instructions de montage et d'utilisation	1

## 5 Accessoires

Désignation	N° d'article
Télécommande DPSI-RC	9620018306
Écran tactile TD283	9620013272

## 6 Usage conforme

L'onduleur est destiné à convertir le courant continu en une tension alternative sinusoïdale pure (CA) de 230 V~ pour le fonctionnement et l'alimentation stable des appareils connectés sur 230 V.

L'onduleur est destiné à être connecté à :

- DPSI612, DPSI1012, DPSI1512, DPSI2012 : 12 V $\text{---}$
- DPSI624, DPSI1024, DPSI1524, DPSI2024 : 24 V $\text{---}$

L'onduleur convient aux applications suivantes :

- Installation dans les véhicules récréatifs (VR), véhicules utilitaires ou à moteur, et yachts à voile
- Utilisation stationnaire ou mobile
- Utilisation à l'intérieur

L'onduleur n'est **pas** adapté aux utilisations suivantes :

- Utilisation en extérieur

Ce produit convient uniquement à l'usage et à l'application prévus, conformément au présent manuel d'instructions.

Ce manuel fournit les informations nécessaires à l'installation et/ou à l'utilisation correcte du produit. Une installation, une utilisation ou un entretien inappropriés entraînera des performances insatisfaisantes et une éventuelle défaillance.

Le fabricant décline toute responsabilité en cas de blessure ou de dommage résultant :

- d'une installation, d'un montage ou d'un raccordement incorrect, y compris d'une surtension
- d'un entretien inadapté ou de l'utilisation de pièces de rechange autres que les pièces de rechange d'origine fournies par le fabricant
- de modifications apportées au produit sans autorisation explicite du fabricant
- d'usages différents de ceux décrits dans ce manuel

Dometic se réserve le droit de modifier l'apparence et les spécifications produit.

## 7 Description technique

### 7.1 Description générale

L'appareil est un onduleur CC-CA à onde sinusoïdale.

L'onduleur peut être utilisé dans les systèmes de réseau suivants :

- Réseau TN
- Réseau IT

Les systèmes de réseau sont réglés à l'aide d'une vis située sur l'onduleur.

L'onduleur est doté des mécanismes de protection suivants :

- **Protection de surtension** : L'onduleur s'éteint lorsque la valeur de tension passe au-dessus du seuil d'arrêt. L'onduleur redémarre automatiquement lorsque la tension chute à la valeur de redémarrage.
- **Protection de sous-tension** : L'onduleur s'éteint lorsque la valeur de tension passe en dessous du seuil d'arrêt. L'onduleur redémarre automatiquement lorsque la tension dépasse la valeur de redémarrage.
- **Protection de surtempérature** : L'onduleur s'éteint lorsque la température interne de l'appareil dépasse le seuil d'arrêt. L'onduleur redémarre automatiquement lorsque la température interne descend à la valeur de redémarrage.
- **Protection contre les courants de sortie élevés** : L'onduleur s'éteint lorsque trop de charges sont connectées.
- **Protection contre les courts-circuits** : L'onduleur s'éteint lorsqu'un court-circuit est généré. L'onduleur redémarre automatiquement après quelques secondes. Si un court-circuit est détecté cinq fois de suite, l'onduleur ne redémarre pas automatiquement : un redémarrage manuel sera nécessaire.

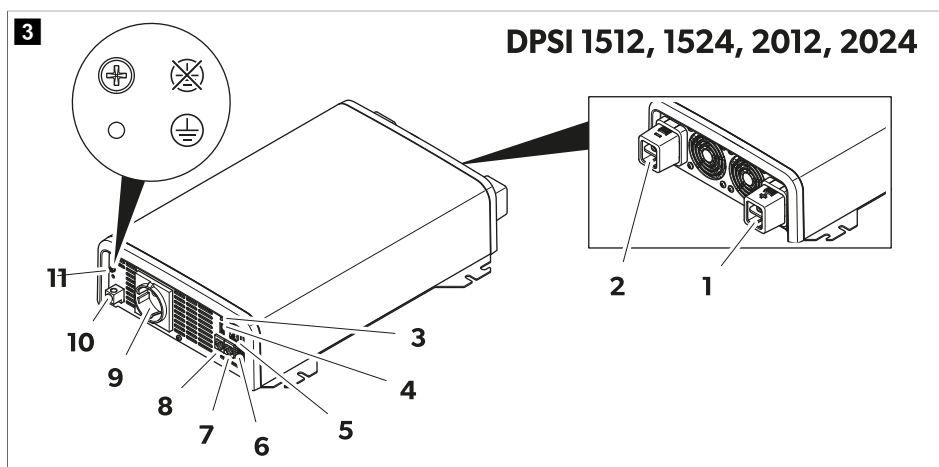
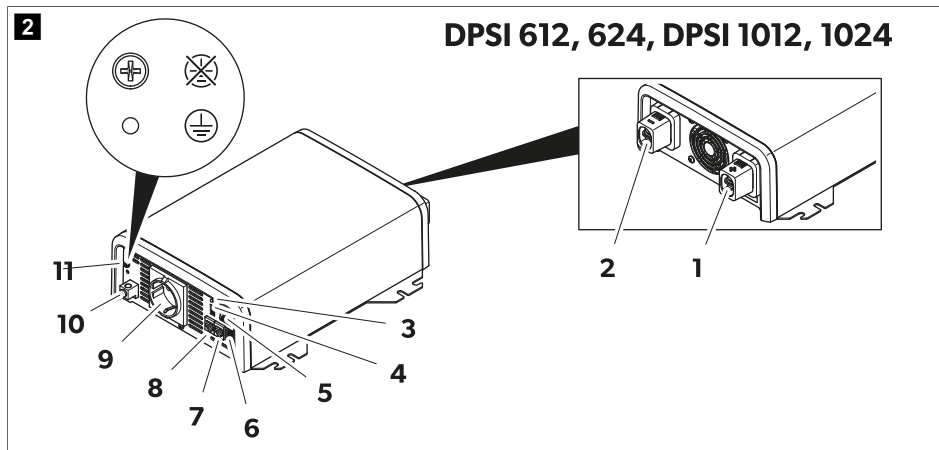
L'onduleur est conforme N-BUS et CI-BUS pour l'affichage des données et des fonctions contrôlables sur un écran tactile (accessoires) et l'application mobile.

L'onduleur est équipé d'une télécommande pour l'activer ou le désactiver.

L'onduleur peut être mis en mode d'économie d'énergie afin de réduire la consommation au ralenti et de minimiser la charge sur la batterie. Cela peut s'effectuer via un commutateur DIP ou



## 7.2 Éléments de commande et connexions

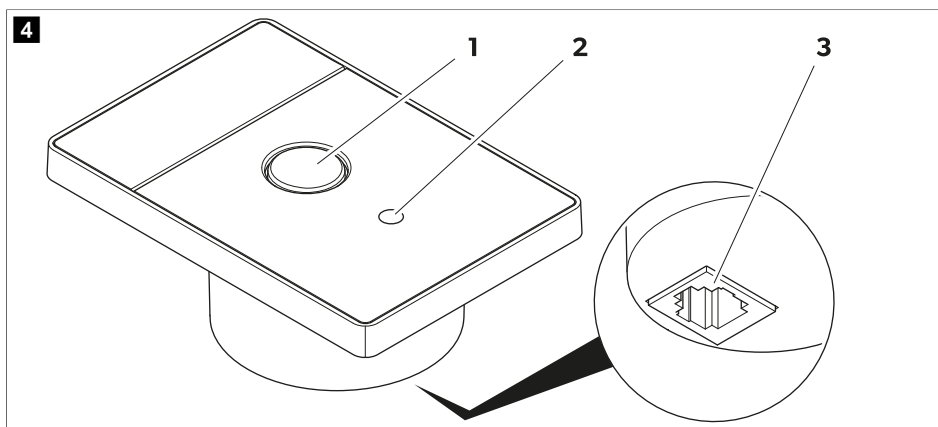


**REMARQUE** Les chiffres montrent les versions pour l'Europe continentale.

N°	Désignation
1	Borne (+), connexion au pôle positif de la batterie domestique
2	Borne (-), connexion au pôle négatif de la batterie domestique
3	LED d'état
4	Commutateur DIP
5	Interrupteur de marche/arrêt

N°	Désignation
6	Borne pour commande externe
7	Connexion BUS CI/Bus N/télécommande (LINB)
8	Connexion BUS CI/Bus N/télécommande (LINA)
9	Prise de courant alternatif
10	Raccordement à la masse
11	Vis pour le réglage du réseau IT/TN

### 7.3 Télécommande



N° sur la  fig. 4  
à la page 50

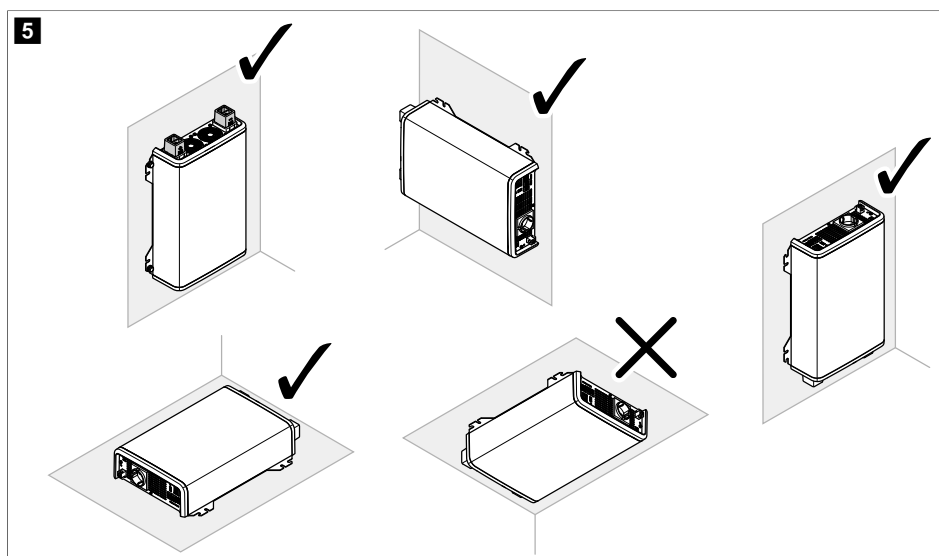
N°	Désignation
1	Bouton Marche/Arrêt
2	LED d'état
3	Raccordement pour télécommande

### 7.4 LED d'état

État	Description
Green	Fonctionnement de l'onduleur
Orange	Avertissement : présence d'une sortie CA, risque de surtension, de sous-tension ou de pannes de courant
Red	Erreur : Pas d'entrée CA présente, onduleur désactivé (voir le chapitre Dépannage à la page 59)

## 8 Installation

### 8.1 Emplacement de montage




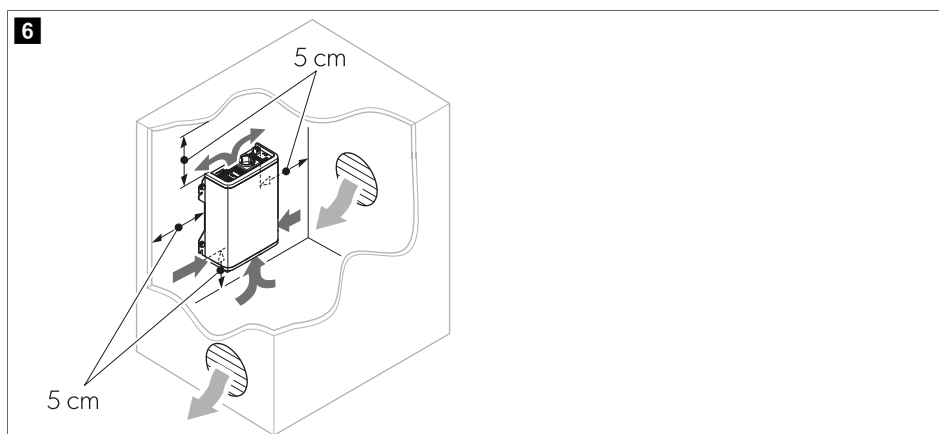
#### AVIS ! Risque d'endommagement

Avant de commencer à percer, assurez-vous qu'aucun câble électrique ou autre élément du véhicule ne risque d'être endommagé par le perçage, le sciage ou le limage.




#### REMARQUE

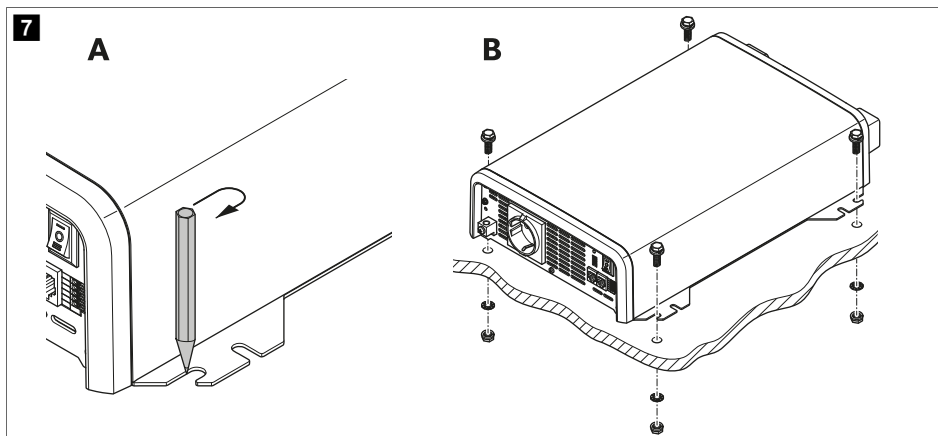
L'onduleur peut être monté assis ou suspendu (  fig. **5** à la page 51).





Respectez les instructions suivantes lors de la sélection d'un emplacement d'installation :

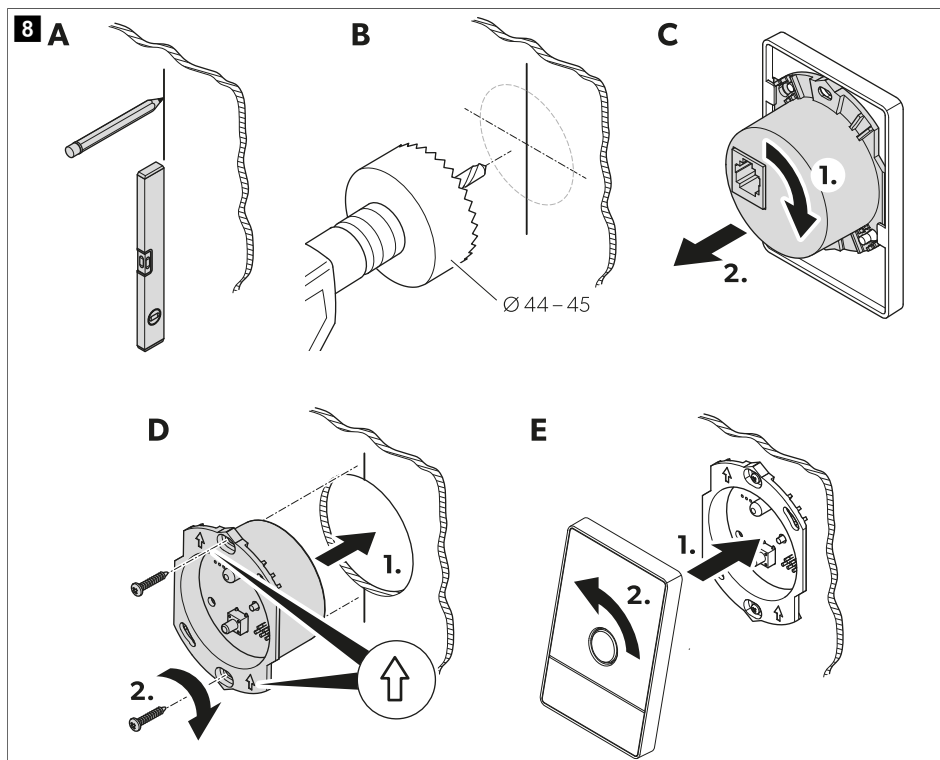
- Assurez-vous que la surface de montage est plane et solide.
- Respectez les distances prescrites pour une ventilation suffisante (  fig. **6** à la page 51).





## 8.2 Montage de l'onduleur



1. Sélectionnez les trous de montage appropriés en fonction du type de montage choisi (assis ou suspendu) et marquez les trous de perçage (  fig. **7** à la page 52 , **A**).
2. Prépercez les trous de montage.
3. Vissez l'onduleur (  fig. **7** à la page 52, **B**).

### 8.3 Montage de la télécommande



1. Marquez la surface de montage (  fig. 8 à la page 53 , **A**).
2. Percez un trou de diamètre 44 mm ... 45 mm, par exemple avec une scie cloche (  fig. 8 à la page 53 , **B**).
3. Déposez le boîtier de raccordement du tableau de commande (  fig. 8 à la page 53 , **C**).
4. Insérez le boîtier de raccordement dans le trou et vissez-le (  fig. 8 à la page 53 , **d**).



**REMARQUE** Assurez-vous que l'alignement vertical est correct comme indiqué par les flèches sur le boîtier de raccordement.

5. Fixez le tableau de commande au boîtier de raccordement (  fig. 8 à la page 53 , **E**).
6. Retirez le film protecteur.

## 8.4 Raccordement de l'onduleur



L'installation et la configuration électriques de l'appareil doivent être réalisées par un électricien agréé disposant des compétences et connaissances structurelles et fonctionnelles requises en matière d'équipements et d'installations électriques, au fait des réglementations en vigueur dans le pays dans lequel l'équipement doit être installé et/ou utilisé, et ayant suivi une formation de sécurité pour identifier et éviter les dangers impliqués.

Toutes les autres opérations sont également destinées aux utilisateurs non professionnels.



### AVERTISSEMENT ! Risque d'électrocution

Utilisez les sections de câble, les longueurs de câble et les fusibles recommandés.



### ATTENTION ! Risque d'incendie

Placez les fusibles à proximité des batteries pour protéger le câble des courts-circuits et des risques de brûlure.



### AVIS ! Risque d'endommagement

- > Assurez-vous que la polarité n'est pas inversée.
- > Serrez les vis et les écrous avec un couple maximum de 15 Nm. Des connexions mal serrées peuvent entraîner une surchauffe.

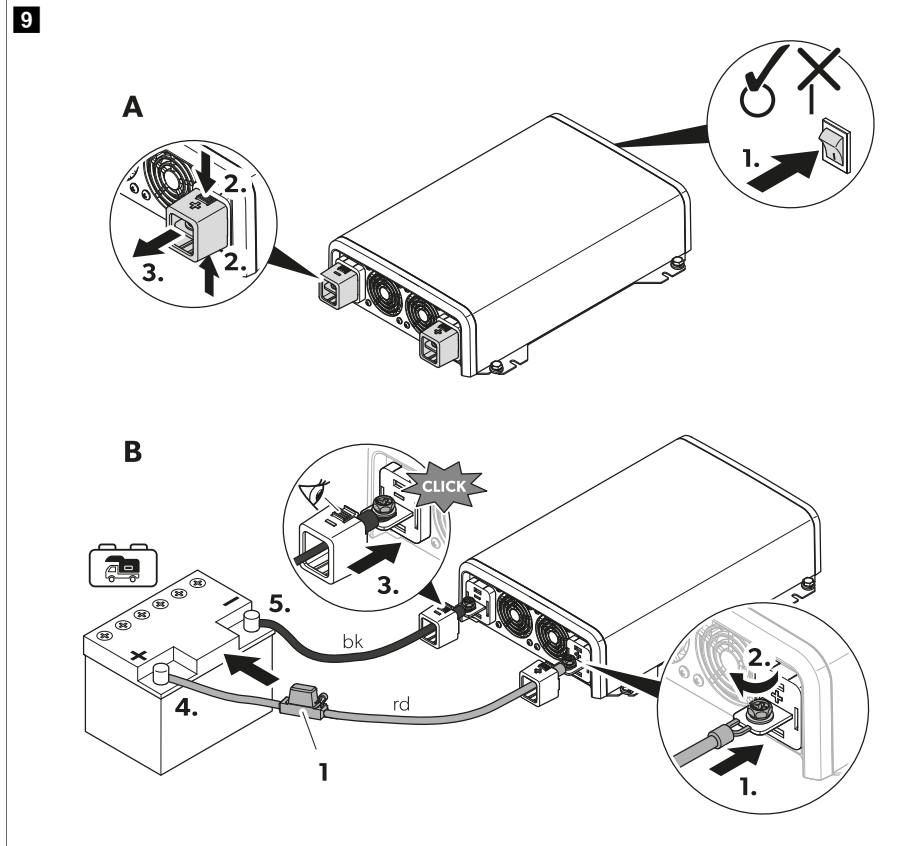
Lors du raccordement de l'onduleur, respectez les consignes suivantes :

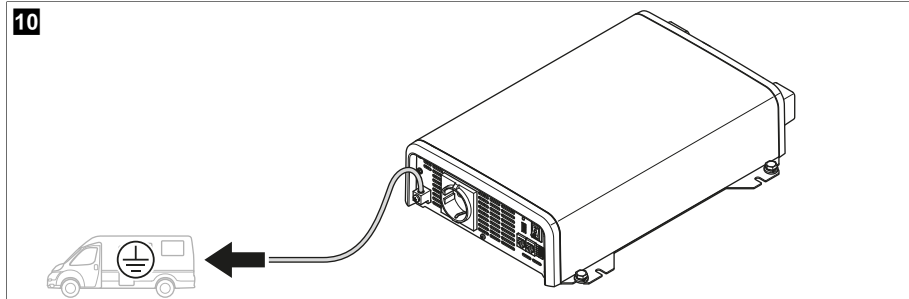
- Lorsque vous mettez en place un circuit de distribution de prises de courant (installation sur le réseau), assurez-vous de respecter les réglementations en vigueur.
- La longueur des câbles CC (connexion aux bornes de la batterie) doit être la plus courte possible  $\leq 1$  m).
- Pour une connexion **réseau TN** : Installer un disjoncteur différentiel (RCD).
- Pour une connexion **réseau IT** : Si plusieurs charges sont connectées, installez un dispositif de contrôle de l'isolement (IMD). **Les normes nationales s'appliquent.**

1. Déterminez la section des câbles et les fusibles :

	Section du câble	Fusible de ligne
DPSI612	25 mm <sup>2</sup>	150 A
DPSI624	25 mm <sup>2</sup>	150 A
DPSI1012	35 mm <sup>2</sup>	200 A
DPSI1024	25 mm <sup>2</sup>	150 A
DPSI1512	50 mm <sup>2</sup>	250 A
DPSI1524	25 mm <sup>2</sup>	150 A
DPSI2012	70 mm <sup>2</sup>	300 A
DPSI2024	35 mm <sup>2</sup>	200 A

2. Vérifiez que l'appareil est éteint (  fig. 9 à la page 55, 1).



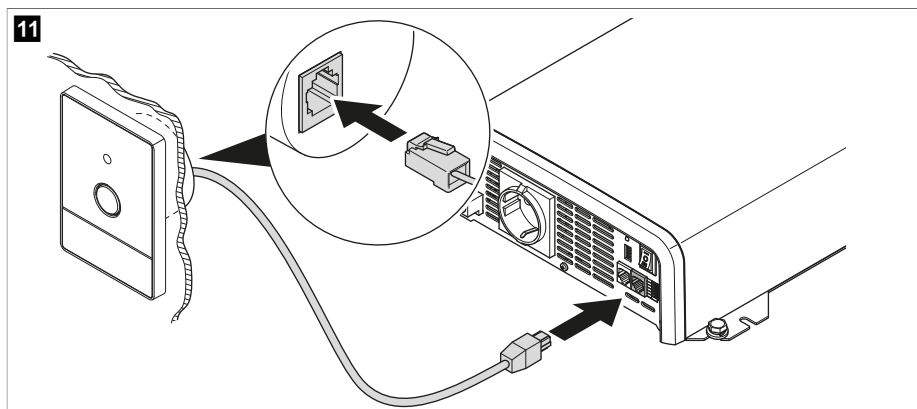


## 8.5 Raccordement de la télécommande



**REMARQUE** La télécommande et le réseau N-BUS/CI-BUS ne peuvent pas être connectés simultanément.

- > Connectez la télécommande à la connexion de la télécommande à l'aide du câble de connexion de la télécommande.



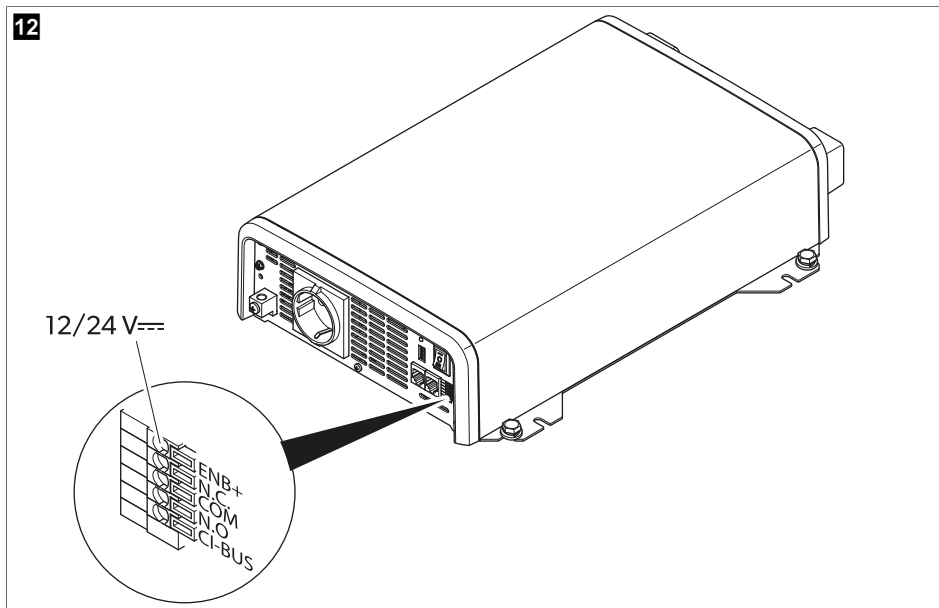
## 8.6 Connexion de la broche ENB+



**REMARQUE** Si la broche ENB+ est connectée, l'état du mode d'économie d'énergie ne peut pas être modifié.



12



1. Mettez l'interrupteur marche/arrêt sur la position **0**.
2. Utilisez la broche ENB+ comme suit :
  - Pour activer l'onduleur, connectez la broche ENB+ au pôle positif de la batterie interne via un câble électrique adapté.
  - Pour désactiver l'onduleur, détachez la broche ENB+ de la batterie interne.

## 9 Configuration du système réseau





L'installation et la configuration électriques de l'appareil doivent être réalisées par un électricien agréé disposant des compétences et connaissances structurelles et fonctionnelles requises en matière d'équipements et d'installations électriques, au fait des réglementations en vigueur dans le pays dans lequel l'équipement doit être installé et/ou utilisé, et ayant suivi une formation de sécurité pour identifier et éviter les dangers impliqués.

Toutes les autres opérations sont également destinées aux utilisateurs non professionnels.

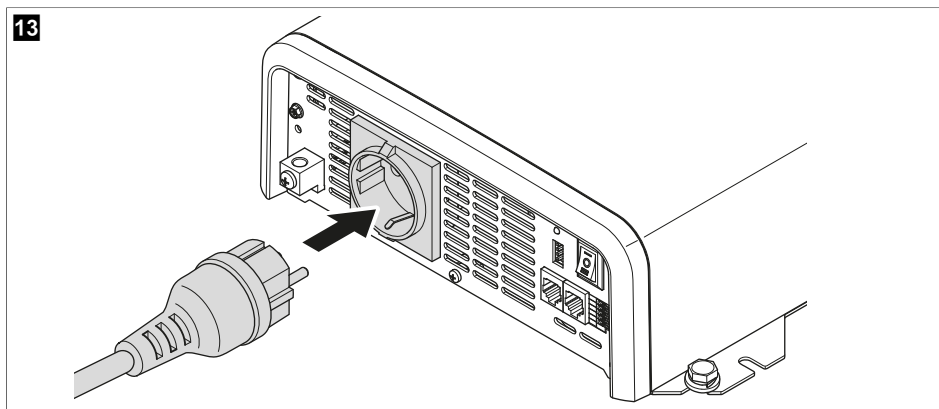


### **DANGER ! Risque d'électrocution**

- > Ne retirez le capuchon de protection du commutateur DIP que pour la configuration.
  - > Remettez le capuchon de protection en place pour éviter tout réglage accidentel du commutateur DIP.
  - > Pour la configuration **réseau TN** : Assurez-vous qu'un disjoncteur différentiel est installé.
  - > Pour la configuration **réseau IT** : Ne faites fonctionner qu'une seule charge ou installez un dispositif de contrôle de l'isolement (IMD). Respectez les normes nationales.
- 
- > Insérez la vis dans la position  pour définir le **réseau TN**.
  - > Insérez la vis dans la position  pour définir le **réseau IT**.

## 10 Utilisation

### 10.1 Utilisation d'appareils 230 V



#### REMARQUE

Connectez uniquement les appareils dont la charge totale ne dépasse pas les valeurs répertoriées dans Caractéristiques techniques à la page 61.

- > Connectez les périphériques 230 V à la prise CA de l'onduleur (  fig. 13 à la page 58 ).

### 10.2 Mise en marche et arrêt de l'onduleur



#### REMARQUE

- > Si vous souhaitez contrôler l'onduleur à l'aide de la télécommande, l'interrupteur marche/arrêt doit être placé en position **II**.
- > Si vous souhaitez contrôler l'onduleur à l'aide de la broche ENB+, l'interrupteur marche/arrêt doit être placé en position **0**.
- > Pour allumer l'onduleur, placez l'interrupteur marche/arrêt en position **I**.
- > Pour éteindre l'onduleur, placez l'interrupteur marche/arrêt en position **0**.
- > Utilisez la télécommande ou la broche ENB+ pour allumer et éteindre l'onduleur.

### 10.3 Réglage du mode économie d'énergie



#### REMARQUE

- Si l'interrupteur DIP S2 est réglé sur la position **OFF**, l'onduleur passe automatiquement en fonctionnement normal lorsqu'une charge de  $\geq 45$  W est connectée.
- Si l'interrupteur DIP S2 est réglé sur la position **ON**, l'onduleur passe automatiquement en fonctionnement normal lorsqu'une charge de  $\geq 80$  W est connectée.
- L'état du mode d'économie d'énergie ne peut pas être modifié si la télécommande ou la broche ENB+ sont utilisées, sauf si un cycle marche-arrêt complet est effectué

### Activation du mode économie d'énergie

1. Éteignez éventuellement l'onduleur.
  2. Placez le commutateur DIP S1 sur la position **ON**.
- ✓ Le mode d'économie d'énergie est activé.

### Désactivation du mode économie d'énergie

1. Éteignez l'onduleur.
  2. Placez le commutateur DIP S1 sur la position **OFF**.
- ✓ Le mode d'économie d'énergie est désactivé.

## 11 Nettoyage et entretien



### AVERTISSEMENT ! Risque d'électrocution

Débranchez l'appareil de l'alimentation avant toute opération de nettoyage et d'entretien.



### AVIS ! Risque d'endommagement

- > Ne nettoyez jamais l'appareil à l'eau courante et ne le plongez pas non plus dans l'eau.
  - > N'utilisez aucun objet coupant ou dur, de détergents abrasifs ou d'eau de javel pour le nettoyage, car cela pourrait endommager l'appareil.
  - > Veillez à ce que les orifices d'entrée et de sortie d'air de l'appareil soient exempts de poussière et de saleté afin que la chaleur puisse être évacuée.
- > Nettoyez régulièrement l'appareil à l'aide d'un chiffon humide.
- > Vérifiez régulièrement que les câbles ou les lignes sous tension ne présentent pas de défauts d'isolation, de coupures ou de connexions desserrées.

## 12 Dépannage

Panne	Cause possible	Solution proposée
L'onduleur ne fonctionne pas. La LED d'état est éteinte.	Court-circuit cinq fois consécutives.	> Le fusible de l'appareil doit être remplacé par un agent de service agréé suite à son déclenchement par un courant excessif.
	Défauts d'isolation, coupures ou connexions desserrées au niveau des câbles sous tension.	> Vérifiez que les câbles sous tension ne présentent pas de défauts d'isolation, de coupures ou de connexions desserrées. Si vous ne trouvez pas d'erreur, contactez un agent de service agréé.
L'onduleur ne fonctionne pas. La LED d'indication d'état s'allume en rouge.	Protection contre les courants de sortie élevés.	Réduisez le nombre de charges connectées.
	Protection contre les températures élevées.	1. Mettez l'onduleur et les charges connectées hors tension. 2. Vérifiez que les entrées et sorties d'air ne sont pas couvertes ou obstruées.

Panne	Cause possible	Solution proposée
		3. Laissez l'onduleur refroidir.
	Un court-circuit s'est produit.	Le fusible de l'appareil doit être remplacé par un agent de service agréé suite à son déclenchement par un courant excessif.
	Arrêt en cas de surtension. Tension de la batterie trop élevée.	<ul style="list-style-type: none"> <li>&gt; Réduisez les tensions connectées. L'onduleur redémarre automatiquement lorsque la tension descend à la valeur de redémarrage (voir le chapitre Protection de surtension à la page 62).</li> <li>&gt; Si l'erreur persiste : Augmentez la taille des sections de câble. Réduisez la longueur du câble.</li> </ul>
	Arrêt en cas de sous-tension. Tension de la batterie trop faible.	<ul style="list-style-type: none"> <li>&gt; Laissez la batterie se recharger lentement. L'onduleur redémarre automatiquement lorsque la tension dépasse la valeur de redémarrage (voir le chapitre Protection de sous-tension à la page 62).</li> </ul>

## 13 Garantie

La période de garantie légale s'applique. Si le produit s'avérait défectueux, contactez la succursale du fabricant située dans votre pays (voir [dometic.com/dealer](http://dometic.com/dealer)) ou votre revendeur.

Pour toutes réparations ou autres prestations de garantie, veuillez joindre à l'appareil les documents suivants :

- une copie de la facture avec la date d'achat
- un motif de réclamation ou une description du dysfonctionnement

Notez que toute réparation effectuée par une personne non agréée peut présenter un risque de sécurité et annuler la garantie.

## 14 Mise au rebut

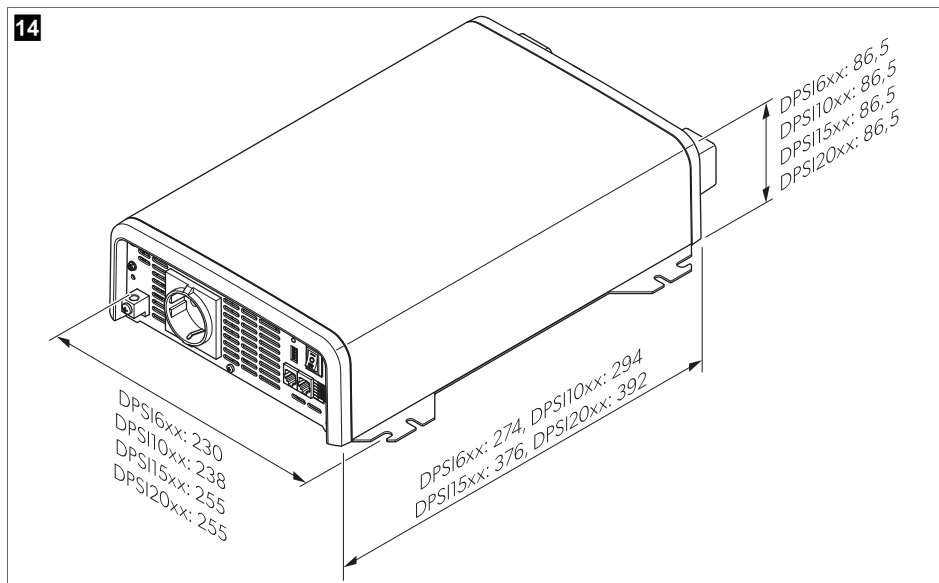



Dans la mesure du possible, veuillez éliminer les emballages dans les conteneurs de déchets recyclables prévus à cet effet.

Pour éliminer définitivement le produit, contacter le centre de recyclage le plus proche ou votre revendeur spécialisé afin de vous informer sur les dispositions relatives au retraitement des déchets.


Le produit peut être mis au rebut gratuitement.

## 15 Caractéristiques techniques





	<b>DPSI 612</b>	<b>DPSI 1012</b>	<b>DPSI 624</b>	<b>DPSI 1024</b>
Tension d'entrée nominale	12 V <sub>DC</sub>		24 V <sub>DC</sub>	
Plage de tensions d'entrée	10,5 ... 16,5 V <sub>DC</sub>		21 ... 33 V <sub>DC</sub>	
Puissance de sortie continue P <sub>nom</sub>	600 W	1000 W	600 W	1000 W
Puissance de sortie maximale (1 min)	690 W	1150 W	690 W	1150 W
Puissance de surtension maximale (1 s) P <sub>surge</sub>	1200 W	2000 W	1200 W	2000 W
Consommation de courant en mode in-actif	≤ 1 A	≤ 1,1 A	≤ 0,6 A	≤ 0,6 A
Consommation de courant en mode de Veille	≤ 0,3 A	≤ 0,35 A	≤ 0,2 A	≤ 0,2 A
Dimensions	 fig. 14 à la page 61			
Poids	1,1 kg	1,2 kg	1,1 kg	1,2 kg

	<b>DPSI 1512</b>	<b>DPSI 2012</b>	<b>DPSI 1524</b>	<b>DPSI 2024</b>
Tension d'entrée nominale	12 V <sub>DC</sub>		24 V <sub>DC</sub>	
Plage de tensions d'entrée	10,5 ... 16,5 V <sub>DC</sub>		21 ... 33 V <sub>DC</sub>	
Puissance de sortie continue P <sub>nom</sub>	1500 W	2000 W	1500 W	2000 W
Puissance de sortie maximale (1 min)	1725 W	2300 W	1725 W	2300 W

	DPSI 1512	DPSI 2012	DPSI 1524	DPSI 2024
Puissance de surtension maximale (1 s) $P_{\text{surge}}$	3000 W	4000 W	3000 W	4000 W
Consommation de courant en mode in-actif	$\leq 1,2$ A	$\leq 1,5$ A	$\leq 0,7$ A	$\leq 0,8$ A
Consommation de courant en mode de Veille	$\leq 0,4$ A	$\leq 0,5$ A	$\leq 0,25$ A	$\leq 0,3$ A
Dimensions	 fig. 14 à la page 61			
Poids	1,1 kg	1,2 kg	1,1 kg	1,2 kg

## 15.1 Caractéristiques techniques générales

Plage de tensions de sortie	230 V $\sim$ $\pm$ 10 %
Fréquence de sortie	50 Hz $\pm$ 1 %
Forme d'onde de sortie	Onde sinusoïdale pure
Efficacité maximale	90 %
Température ambiante de fonctionnement	0 ... 50 °C
Température ambiante pour le stockage	- 30 °C ... 70 °C
Humidité ambiante	0 ... 95 %, non-condensing
Contrôle/certification	 

## 15.2 Protection de sous-tension

	Seuil d'arrêt	Valeur de redémarrage
DPSlxx12	10,3 V	11,8 V
DPSlxx24	20,6 V	23,6 V

## 15.3 Protection de surtension

	Seuil d'arrêt	Valeur de redémarrage
DPSlxx12	16,5 V	15,5 V
DPSlxx24	33 V	31 V

# Español

1	Notas importantes.....	63
2	Explicación de los símbolos.....	63
3	Indicaciones de seguridad.....	64
4	Volumen de entrega.....	67
5	Accesorios.....	67
6	Uso previsto.....	67
7	Descripción técnica.....	68
8	Instalación.....	71
9	Configuración del sistema de red.....	77
10	Funcionamiento.....	78
11	Limpieza y mantenimiento.....	79
12	Solución de problemas.....	79
13	Garantía.....	80
14	Eliminación.....	80
15	Datos técnicos.....	81

## 1 Notas importantes

Lea atentamente estas instrucciones y siga las indicaciones, directrices y advertencias incluidas en este manual para asegurarse de que instala, utiliza y mantiene correctamente el producto en todo momento. Estas instrucciones DEBEN conservarse junto con este producto.

Al utilizar el producto, usted confirma que ha leído cuidadosamente todas las instrucciones, directrices y advertencias, y que entiende y acepta cumplir los términos y condiciones aquí establecidos. Usted se compromete a utilizar este producto solo para el propósito y la aplicación previstos y de acuerdo con las instrucciones, directrices y advertencias establecidas en este manual del producto, así como de acuerdo con todas las leyes y reglamentos aplicables. La no lectura y observación de las instrucciones y advertencias aquí expuestas puede causarle lesiones a usted o a terceros, daños en el producto o daños en otras propiedades cercanas. Este manual del producto, incluyendo las instrucciones, directrices y advertencias, y la documentación relacionada, pueden estar sujetos a cambios y actualizaciones. Para obtener información actualizada sobre el producto, visite [documents.dometic.com](http://documents.dometic.com).

## 2 Explicación de los símbolos

Una palabra de advertencia señalará los mensajes de seguridad y de daño material, y también indicará el grado o nivel de gravedad del riesgo.



### ¡PELIGRO!

Indica una situación peligrosa que, de no evitarse, ocasionará la muerte o lesiones graves.



### ¡ADVERTENCIA!

Indica una situación peligrosa que, de no evitarse, puede ocasionar la muerte o lesiones graves.



### ¡ATENCIÓN!

Indica una situación peligrosa que, de no evitarse, puede ocasionar lesiones moderadas o leves.



### ¡AVISO!

Indica una situación peligrosa que, de no evitarse, puede provocar daños materiales.



**NOTA** Información complementaria para el manejo del producto.

## 3 Indicaciones de seguridad

**Tenga en cuenta las indicaciones de seguridad y las condiciones estipuladas por el fabricante del vehículo y los talleres autorizados.**

### 3.1 Seguridad general



#### ¡PELIGRO! Riesgo de electrocución

- > No toque los cables sin aislamiento directamente con las manos.
- > Para, en caso de peligro, poder desconectar rápidamente el aparato de la red de corriente alterna, el enchufe de conexión debe estar cerca del aparato y ser fácilmente accesible.



#### ¡ADVERTENCIA! Riesgo de electrocución

- > Únicamente el personal cualificado podrá ejecutar la instalación y la retirada del aparato.
- > No utilice el dispositivo si este o el cable de conexión presentan daños visibles.
- > Si el cable de alimentación de este aparato está dañado, habrá que sustituirlo para evitar riesgos de seguridad.
- > Solo el personal cualificado puede realizar reparaciones en el dispositivo. Las reparaciones inadecuadas pueden conllevar peligros considerables.
- > Utilice únicamente los accesorios recomendados por el fabricante.
- > No modifique ni adapte ninguno de los componentes de ninguna manera.
- > No desconecte ningún cable mientras el aparato aún se encuentre en funcionamiento.
- > Desconecte el aparato del suministro de energía eléctrica:
  - después de cada uso
  - antes de realizar cualquier tarea de limpieza o mantenimiento
  - antes de cambiar un fusible



#### ¡ADVERTENCIA! Peligro de incendio / materiales inflamables

En caso de incendio, utilice un extintor adecuado para aparatos eléctricos.



#### ¡ADVERTENCIA! Riesgo de asfixia

Si el cable y la unidad de control del aparato no están correctamente dispuestos, pueden ocasionarse riesgos de enredo, estrangulamiento, tropiezos o pisadas. Asegúrese de que el exceso de empalmes y cables de alimentación se dispongan de forma segura.



#### ¡ADVERTENCIA! Riesgo para la salud

- > Este aparato puede ser utilizado por menores a partir de 8 años y personas con capacidad física, sensorial o mental reducida, o con falta de experiencia y conocimientos, siempre que lo hagan bajo supervisión o hayan recibido instrucciones relativas al uso del mismo de manera segura y entendiendo los riesgos asociados.
- > **Los aparatos eléctricos no son juguetes.** Mantenga y utilice el aparato fuera del alcance de los niños pequeños.
- > Controle a los niños para asegurarse de que no jueguen con el aparato.
- > Los menores no deberán limpiar ni realizar el mantenimiento de usuario sin la debida supervisión.





### ¡AVISO! Peligro de daños

- > Antes poner el aparato en funcionamiento, compruebe que el valor de tensión indicado en la placa de características coincide con el de la fuente de alimentación.
- > Asegúrese de que **ningún** otro objeto pueda causar un cortocircuito en los contactos del aparato.
- > Asegúrese de que los polos positivo y negativo **nunca** entren en contacto.
- > No tire de los cables de conexión ni los utilice como asa.
- > El dispositivo no debe quedar expuesto a la lluvia o la humedad. Guárdela en un lugar seco.

## 3.2 Instalación segura del aparato



### ¡PELIGRO! Peligro de explosión

- > Instale y utilice el dispositivo únicamente en recintos cerrados y bien ventilados.
- > **No** instale ni utilice el dispositivo bajo las siguientes condiciones:
  - en entornos salinos, húmedos o mojados
  - cerca de gases corrosivos
  - cerca de materiales combustibles
  - cerca de fuentes de calor (calentadores, radiación directa del sol, hornos de gas, etc.)
  - en zonas donde exista riesgo de explosión de gas o polvo



### ¡ADVERTENCIA! Peligro de lesiones

- > ¡Procure mantenerlo en una posición segura! Instale y fije el aparato de forma segura, de manera que no pueda caerse ni volcarse.
- > Cuando ubique el aparato, asegúrese de que todos los cables estén bien sujetos para evitar cualquier tipo de peligro de tropiezo.



### ¡AVISO! Peligro de daños

- > Coloque el aparato en un lugar seco y protegido contra posibles salpicaduras de agua.
- > Utilice siempre cajas de enchufe con puesta a tierra y protegidas mediante interruptor de protección FI.

## 3.3 Seguridad durante la conexión eléctrica del aparato



### ¡PELIGRO! Riesgo de electrocución

Al trabajar en instalaciones eléctricas asegúrese de que haya alguien en las cercanías para que le pueda ayudar en caso de emergencia.



### ¡ADVERTENCIA! Riesgo de electrocución

- > Tenga en cuenta las secciones transversales recomendadas para los cables.
- > Tienda los cables de forma que las puertas o el capó del motor no los puedan dañar. Los cables aplastados pueden provocar lesiones que pongan en peligro la vida.



### ¡AVISO! Peligro de daños

- > Use tubos corrugados o guías de cables cuando los cables se tengan que pasar a través de paredes chapa u otras paredes afiladas.
- > **No** tienda el cable de red de 230 V y el cable de CC de 12 V dentro del mismo conducto.
- > **No** tienda el cable de forma que quede suelto o muy doblado.
- > Sujete los cables de manera segura.

### 3.4 Precauciones de seguridad durante la manipulación de las baterías



#### ¡ADVERTENCIA! Peligro de lesiones

- > Las baterías pueden contener ácidos agresivos y cáusticos. Evite que el líquido de la batería entre en contacto con su cuerpo. Si el líquido de batería entra en contacto con la piel, lave con agua la zona del cuerpo afectada. Si sufre alguna lesión a causa de ácidos, póngase inmediatamente en contacto con un médico.
- > Cuando trabaje con baterías, no lleve puesto ningún objeto de metal como por ejemplo relojes o anillos. Las baterías de plomo-ácido pueden producir corrientes de cortocircuito que podrían provocar graves quemaduras.
- > Utilice únicamente herramientas aisladas.
- > No coloque ninguna pieza metálica sobre la batería y evite que caigan piezas de metal sobre la batería. Esto podría provocar chispas o cortocircuitos en la batería y otros dispositivos eléctricos.
- > Utilice gafas y ropa de protección cuando trabaje con baterías. No se toque los ojos cuando trabaje con baterías.
- > Utilice únicamente baterías recargables.
- > No utilice baterías defectuosas.



#### ¡ATENCIÓN! Peligro de explosión

- > Nunca intente cargar una batería congelada o averiada. Coloque la batería en un lugar donde no se congele y espere a que adopte la temperatura ambiente. A continuación inicie el proceso de carga.
- > No fume, no encienda fuego ni provoque ninguna chispa cerca del motor o de la batería.
- > Mantenga la batería alejada de fuentes de calor.



#### ¡AVISO! Peligro de daños

- > Asegúrese de que la polaridad sea correcta al conectar la batería.
- > Siga las instrucciones del fabricante de la batería y las del fabricante del sistema o vehículo en el que se usa la batería.
- > Si es necesario extraer la batería, desconecte primero la conexión a tierra. Desconecte todas las conexiones y todos los aparatos conectados de la batería antes de quitarla.
- > Las baterías deben ser almacenadas completamente cargadas. Recargue periódicamente las baterías almacenadas.
- > No transporte la batería por sus bornes.

### 3.5 Uso seguro del aparato



#### ¡ADVERTENCIA! Riesgo de electrocución

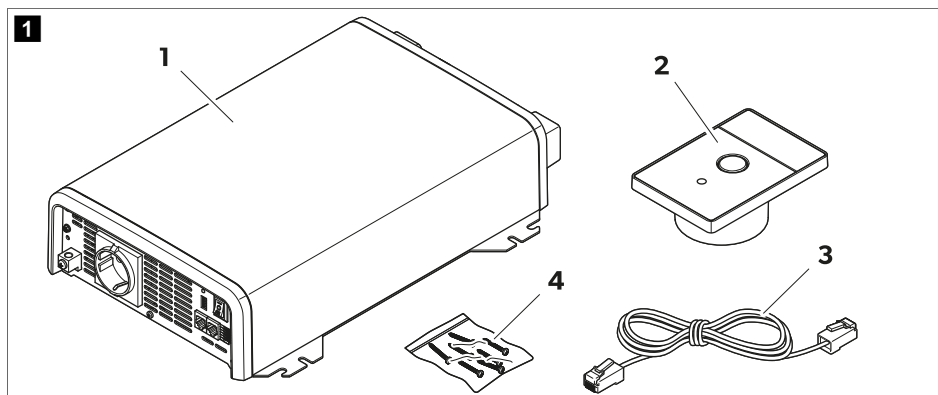
- > No use el dispositivo estando mojado ni lo sumerja en ningún líquido.
- > Antes de poner en marcha el aparato, asegúrese de que el cable de alimentación y el enchufe estén secos y de que el enchufe no presente óxido ni suciedad.
- > Observe que el aparato puede seguir bajo tensión incluso si ha saltado el fusible.




#### ¡AVISO! Peligro de daños

- > Asegúrese de que las entradas y salidas de aire del aparato no estén obstruidas.
- > Garantice una buena ventilación.

## 4 Volumen de entrega



N.º en  fig. 1 en la página 67	Denominación	Cantidad
1	Inversor de onda sinusoidal	1
2	Control remoto	1
3	Cable de conexión del control remoto	1
4	Tornillos de fijación	6
-	Instrucciones de montaje y uso	1

## 5 Accesorios

Denominación	N.º de art.
Control remoto DPSI-RC	9620018306
Pantalla táctil TD283	9620013272

## 6 Uso previsto

El inversor está diseñado para convertir la corriente continua en tensión alterna (CA) de 230 V~ de onda sinusoidal pura para el funcionamiento y la alimentación estable de los aparatos de 230 V conectados.

El inversor está diseñado para conectarse a:

- DPSI612, DPSI1012, DPSI1512, DPSI2012: 12 V $\overline{=}$
- DPSI624, DPSI1024, DPSI1524, DPSI2024: 24 V $\overline{=}$

El inversor es apto para:

- Instalación en vehículos de recreo (RV), vehículos comerciales o yates a motor o vela
- Uso estacionario o móvil
- Uso en interiores

El inversor **no** es apto para:

- Uso en exteriores

Este producto solo es apto para el uso previsto y la aplicación de acuerdo con estas instrucciones.

Este manual proporciona la información necesaria para la correcta instalación y/o funcionamiento del producto. Una instalación deficiente o un uso y mantenimiento inadecuados conllevan un rendimiento insatisfactorio y posibles fallos.

El fabricante no se hace responsable de ninguna lesión o daño en el producto ocasionados por:

- Una instalación, un montaje o una conexión incorrectos, incluido un exceso de tensión
- Un mantenimiento incorrecto o el uso de piezas de repuesto distintas de las originales proporcionadas por el fabricante
- Modificaciones realizadas en el producto sin el expreso consentimiento del fabricante
- Uso con una finalidad distinta de la descrita en las instrucciones

Dometic se reserva el derecho de cambiar la apariencia y las especificaciones del producto.

## 7 Descripción técnica

### 7.1 Descripción general

El inversor es un inversor de onda sinusoidal de CC a CA.

El inversor se puede utilizar en los siguientes sistemas de red:

- Red TN
- Red TI

Los sistemas de red se establecen mediante un tornillo en el inversor.

El inversor tiene los siguientes mecanismos de protección:

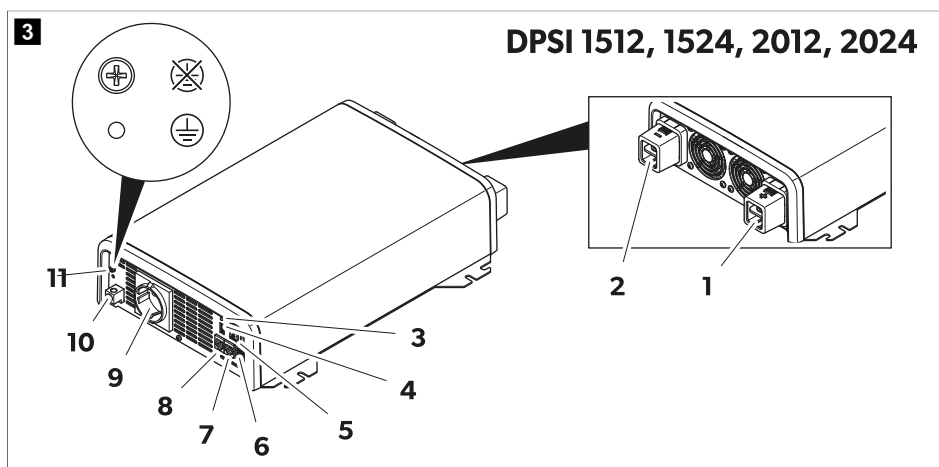
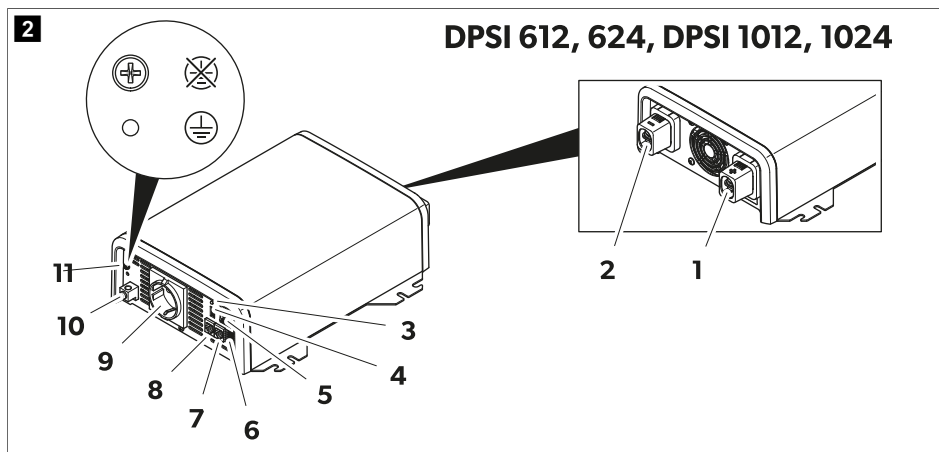
- **Protección contra la sobretensión:** El inversor se desconecta cuando el valor de tensión asciende por encima del valor de desconexión. El inversor se reconecta automáticamente cuando el valor de tensión desciende hasta el valor de reconexión.
- **Protección contra la subtensión:** El inversor se desconecta cuando el valor de tensión desciende por debajo del valor de desconexión. El inversor se reconecta automáticamente cuando el valor de tensión supera el valor de reconexión.
- **Protección contra el sobrecalentamiento:** El inversor se desconecta cuando la temperatura en el interior del dispositivo supera el valor de desconexión. El inversor se reconecta automáticamente cuando la temperatura interna desciende hasta el valor de reconexión.
- **Protección contra corriente de salida alta:** El inversor se desconecta cuando hay demasiadas cargas conectadas.
- **Protección contra cortocircuitos:** El inversor se desconecta cuando se produce un cortocircuito. El inversor se reconecta automáticamente después de unos segundos. Si se detecta un cortocircuito cinco veces consecutivas, el inversor no se reconecta automáticamente y es necesario hacerlo de forma manual.

El inversor es compatible con N-BUS y CI-BUS para los datos y las funciones, que se pueden controlar tanto en la pantalla táctil (accesorios) como en la aplicación móvil.

El inversor está equipado con un control remoto para encenderlo o apagarlo.

El inversor se puede cambiar al modo de ahorro de energía para reducir el consumo en reposo y minimizar la carga de la batería. Esto puede hacerse mediante un interruptor DIP.

## 7.2 Elementos de control y conexiones

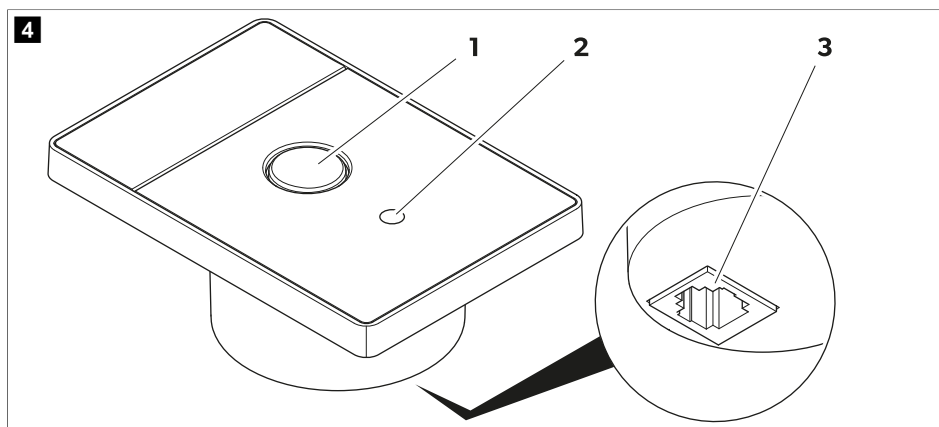


**NOTA** Las figuras muestran las versiones para Europa continental.

Núm.	Denominación
1	Terminal (+), conexión al polo positivo de la batería doméstica
2	Terminal (-), conexión al polo negativo de la batería doméstica
3	LED de estado
4	Interruptor DIP
5	Interruptor de encendido/apagado

Núm.	Denominación
6	Terminal para el control externo
7	CI-BUS/N-Bus/conexión de control remoto (LINB)
8	CI-BUS/N-Bus/conexión de control remoto (LINA)
9	Toma de corriente alterna
10	Conexión a masa
11	Tornillo para el ajuste de red TI/TN

### 7.3 Control remoto



N.º en  fig. 4  
en la página 70

Denominación

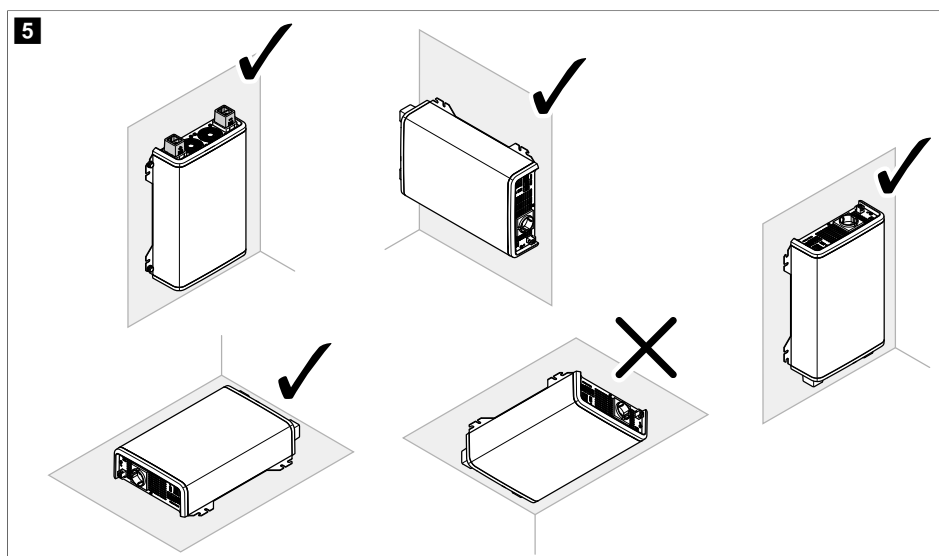
1	Pulsador de encendido y apagado
2	LED de estado
3	Conexión del control remoto

### 7.4 LED de estado

Estado	Descripción
Green	Inversor en funcionamiento
Orange	Advertencia: Salida de CA presente, riesgo de sobretensión, subtensión o fallos de alimentación
Red	Error: Entrada de CA no presente, inversor desactivado (consulte el capítulo Solución de problemas en la página 79)

## 8 Instalación

### 8.1 Lugar de montaje




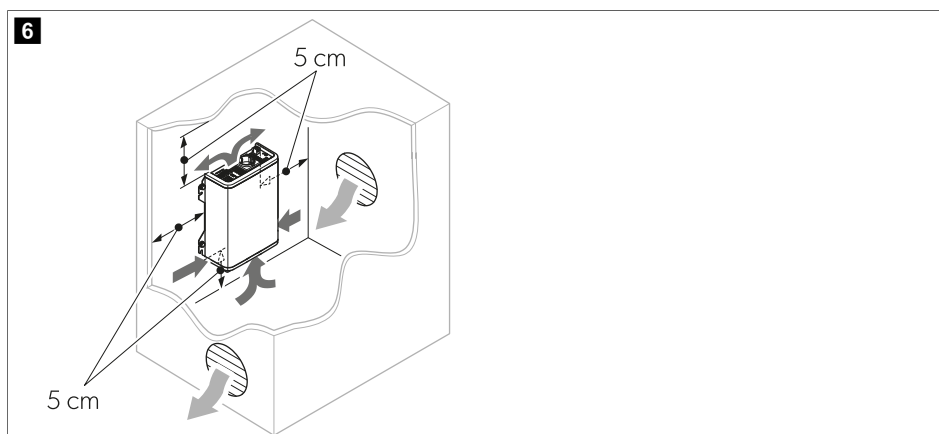
#### ¡AVISO! Peligro de daños

Antes de realizar cualquier perforación, asegúrese de que ningún cable eléctrico ni ninguna otra pieza del vehículo puedan resultar dañados al taladrar, serrar o limar.



#### NOTA

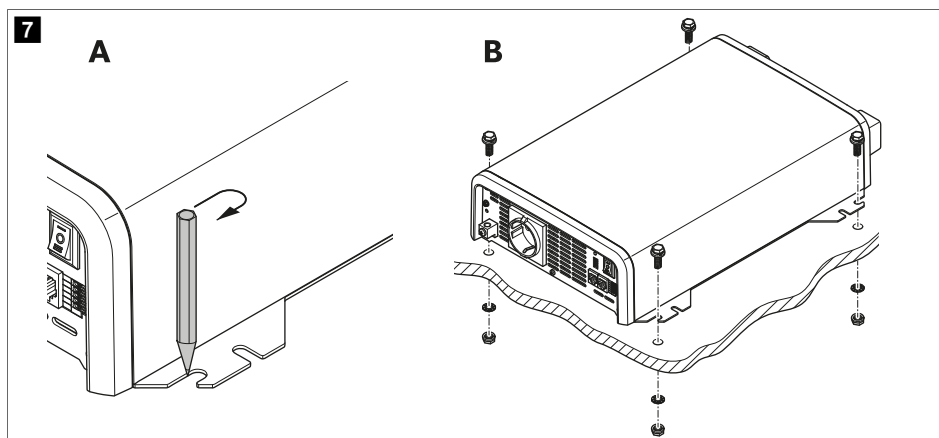
El inversor se puede montar apoyado o suspendido (  fig. **5** en la página 71).



Tenga en cuenta las siguientes instrucciones al seleccionar un lugar de montaje:

- Asegúrese de que la superficie de montaje sea resistente y nivelada.
- Respete las especificaciones de distancia para garantizar una ventilación suficiente (véase fig. 6 en la página 71).

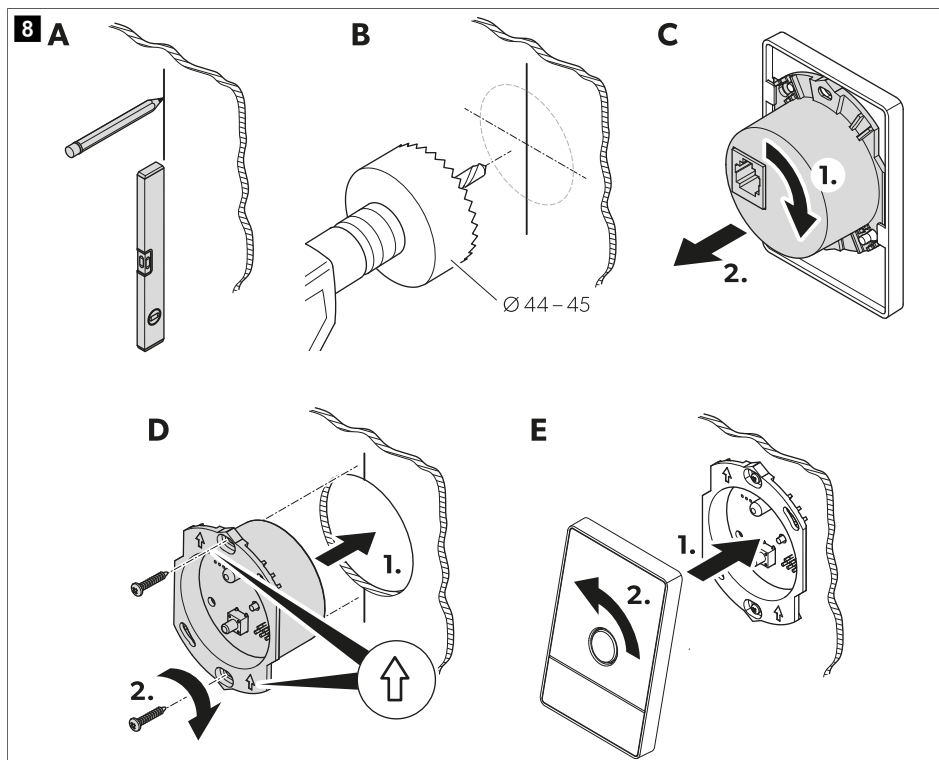
## 8.2 Instalación del inversor


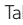




1. Seleccione los orificios de montaje adecuados en función del tipo de montaje seleccionado (apoyado o suspendido) y marque los orificios de perforación (véase fig. 7 en la página 72, A).
2. Taladre previamente los orificios de montaje.
3. Atornille el inversor en su sitio (véase fig. 7 en la página 72, B).




### 8.3 Instalación del control remoto



1. Marque la superficie de montaje (  fig. 8 en la página 73, **A**).
2. Taladre un orificio con un diámetro de 44 mm ... 45 mm, por ejemplo, con una sierra de corona (  fig. 8 en la página 73, **B**).
3. Extraiga la caja de conexiones del panel de control (  fig. 8 en la página 73, **C**).
4. Inserte la caja de conexiones en el orificio y atorníllela en su sitio (  fig. 8 en la página 73, **D**).



**NOTA** Asegúrese de que la alineación vertical es correcta, como indican las flechas de la caja de conexiones.

5. Fije el panel de control a la caja de conexiones (  fig. 8 en la página 73, **E**).
6. Retire la lámina protectora.

## 8.4 Conexión del inversor



La instalación eléctrica y configuración del aparato debe ser realizada por un electricista cualificado que haya demostrado sus habilidades y conocimientos relacionados con la construcción y el funcionamiento de equipos e instalaciones eléctricas, y que esté familiarizado con las normativas aplicables del país en el que se va a instalar y/o utilizar el equipo, y que haya recibido formación sobre seguridad para identificar y evitar los peligros implicados.

El resto de acciones pueden ser realizadas por usuarios no profesionales.



### ¡ADVERTENCIA! Riesgo de electrocución

Respete las secciones transversales y las longitudes de los cables y el fusible recomendados.



### ¡ATENCIÓN! Peligro de incendio

Coloque los fusibles cerca de las baterías para proteger el cable contra cortocircuitos y posibles quemaduras.



### ¡AVISO! Peligro de daños


- > Asegúrese de no invertir la polaridad.
- > Apriete los tornillos y tuercas a un par máximo de 15 Nm. Las conexiones flojas pueden provocar un sobrecalentamiento.

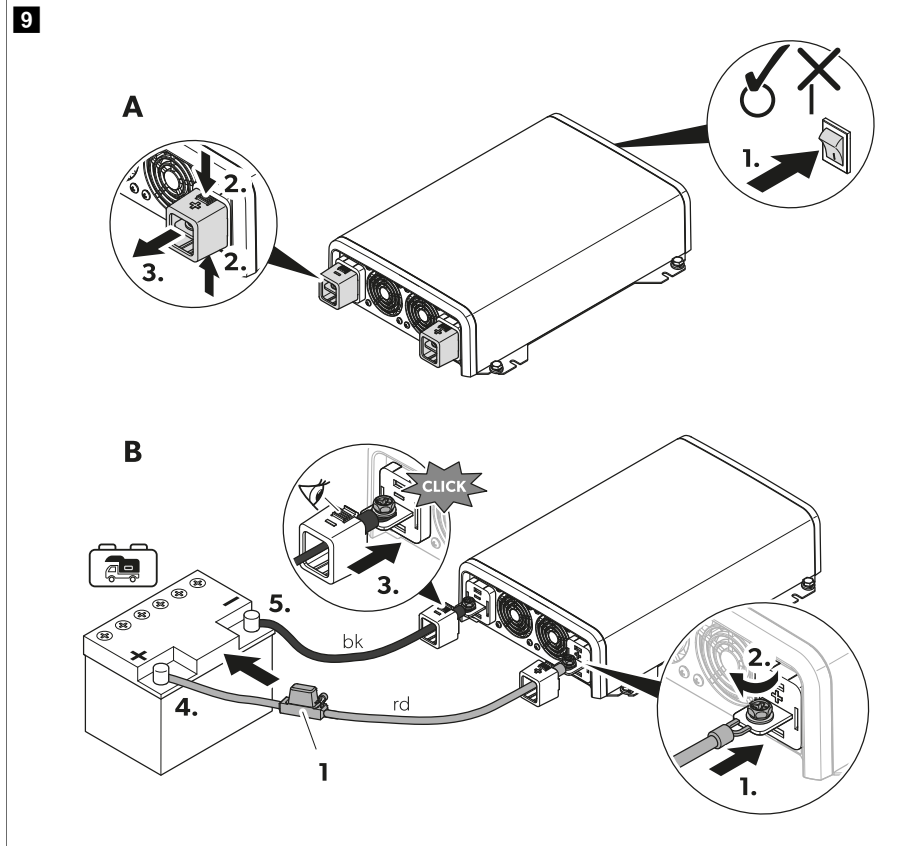
Tenga en cuenta las siguientes indicaciones al conectar el inversor:



- Respete las normativas aplicables al configurar un circuito de distribución de cajas de enchufe (instalación de red eléctrica).
- Seleccione la menor longitud posible para los cables de CC (conexión a los terminales de la batería)  $\leq 1$  m).
- Para la conexión de la **red TN**: Instale un disyuntor de corriente residual (RCD).
- Para la conexión de la **red TI**: Instale un dispositivo de control del aislamiento (IMD) si hay más de una carga conectada. **Se aplican las normas nacionales.**

1. Determine las secciones transversales de los cables y el fusible:

	Sección de cable	Fusible del cable
DPSI612	25 mm <sup>2</sup>	150 A
DPSI624	25 mm <sup>2</sup>	150 A
DPSI1012	35 mm <sup>2</sup>	200 A
DPSI1024	25 mm <sup>2</sup>	150 A
DPSI1512	50 mm <sup>2</sup>	250 A
DPSI1524	25 mm <sup>2</sup>	150 A
DPSI2012	70 mm <sup>2</sup>	300 A
DPSI2024	35 mm <sup>2</sup>	200 A



2. Compruebe que el dispositivo está apagado (  fig. 9 en la página 75, 1).

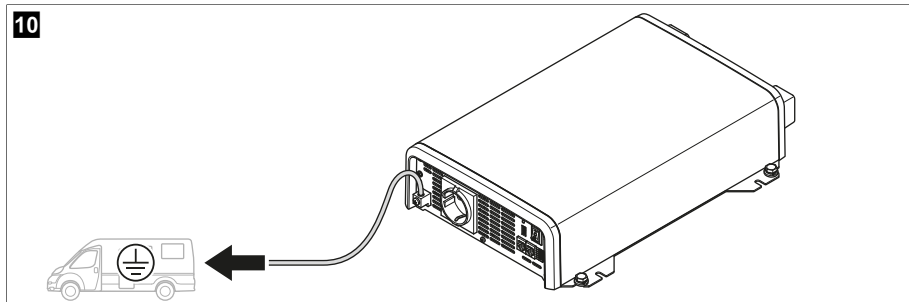


3. Separe las cubiertas de los terminales (  fig. **9** en la página 75, **2-3**).
4. Conecte (+) al terminal positivo de la batería doméstica (cable de conexión rojo (rd),  fig. **9** en la página 75, **4**).



**NOTA** Proteja el cable positivo de la batería con un fusible (  fig. **9** en la página 75, **1**).

5. Conecte (-) al terminal negativo de la batería doméstica (cable de conexión negro (bk),  fig. **9** en la página 75, **5**).
6. Conecte la conexión a tierra (chasis) (  fig. **10** en la página 76).

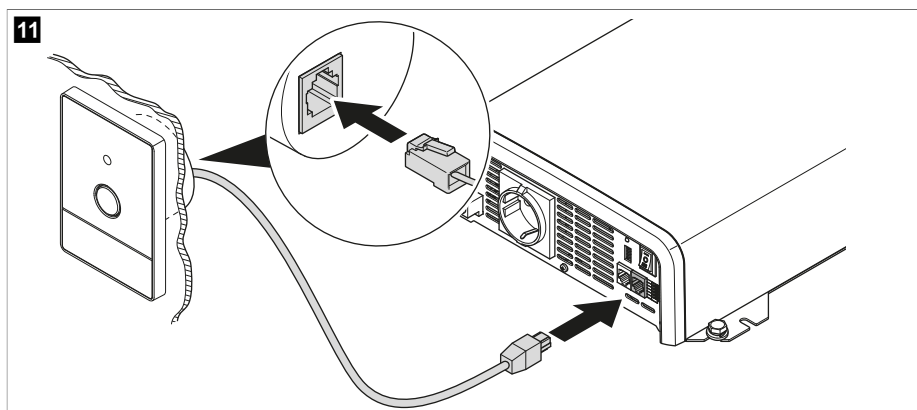


## 8.5 Conexión del control remoto



**NOTA** El control remoto y la red N-BUS/CI-BUS no se pueden conectar simultáneamente.

- > Conecte el control remoto a la conexión de dicho control remoto mediante el cable de conexión de este.

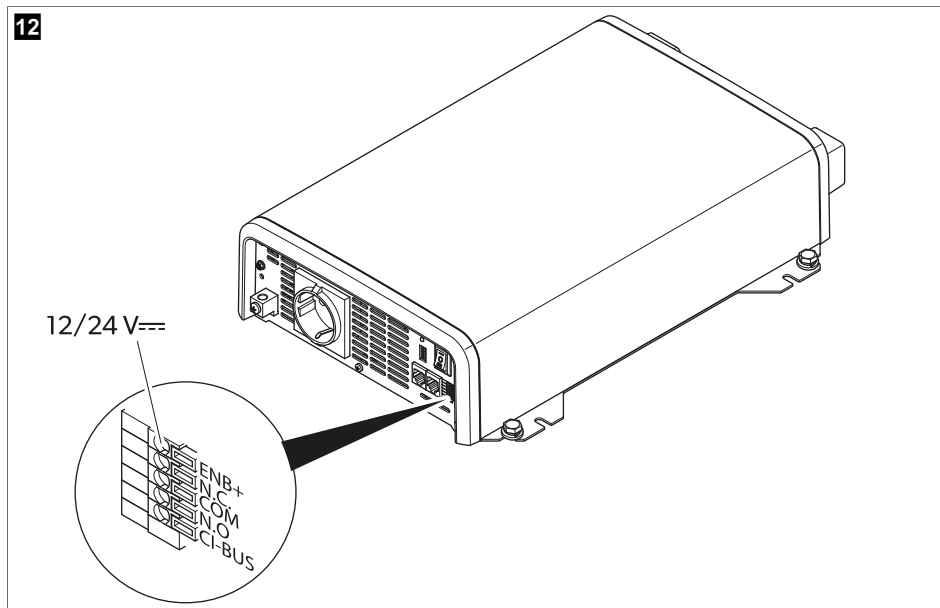


## 8.6 Conexión del pin ENB+



**NOTA** Si el pin ENB+ está conectado, el estado del modo de ahorro de energía no se puede cambiar.

12



1. Coloque el interruptor de encendido/apagado en la posición **0**.
2. Utilice el pin ENB+ como se indica a continuación:
  - Para encender el inversor, conecte el pin ENB+ al polo positivo de la batería doméstica mediante un cable eléctrico adecuado.
  - Para apagar el inversor, desconecte el pin ENB+ de la batería doméstica.

## 9 Configuración del sistema de red





La instalación eléctrica y configuración del aparato debe ser realizada por un electricista cualificado que haya demostrado sus habilidades y conocimientos relacionados con la construcción y el funcionamiento de equipos e instalaciones eléctricas, y que esté familiarizado con las normativas aplicables del país en el que se va a instalar y/o utilizar el equipo, y que haya recibido formación sobre seguridad para identificar y evitar los peligros implicados.

El resto de acciones pueden ser realizadas por usuarios no profesionales.

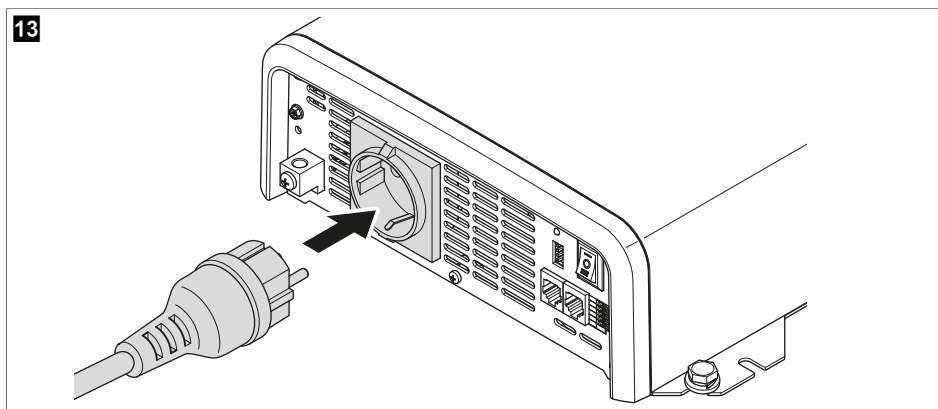


### ¡PELIGRO! Riesgo de electrocución

- > Retire únicamente la tapa protectora del interruptor DIP para la configuración.
  - > Vuelva a colocar la tapa protectora para evitar un reajuste accidental del interruptor DIP.
  - > Para la configuración de la **red TN**: Asegúrese de que haya instalado un disyuntor de corriente residual (RCD).
  - > Para la configuración de la **red TI**: Haga funcionar una sola carga o instale un dispositivo de control del aislamiento (IMD). Respete las normas nacionales.
- > Inserte el tornillo en la posición  para ajustar la **red TN**.
  - > Inserte el tornillo en la posición  para ajustar la **red TI**.

## 10 Funcionamiento

### 10.1 Funcionamiento de dispositivos de 230 V



#### NOTA

Conecte únicamente dispositivos cuya carga total no supere los valores indicados en Datos técnicos en la página 81.

- > Conecte los dispositivos de 230 V a la toma de CA del inversor (  fig. 13 en la página 78).

### 10.2 Encendido y apagado del inversor



#### NOTA

- > Si el inversor se va a controlar a través del control remoto, el interruptor de encendido/apagado debe estar en la posición **II**.
- > Si el inversor se va a controlar a través del pin ENB+, el interruptor de encendido/apagado debe estar en la posición **0**.
- > Para encender el inversor, coloque el interruptor de encendido/apagado en la posición **I**.
- > Para apagar el inversor, coloque el interruptor de encendido/apagado en la posición **0**.
- > Utilice el control remoto o el pin ENB+ para encender y apagar el inversor.

### 10.3 Ajuste del modo de ahorro de energía



#### NOTA

- Si el interruptor DIP S2 está ajustado en la posición **OFF**, el inversor pasa automáticamente al funcionamiento normal cuando se conecta una carga de  $\geq 45$  W.
- Si el interruptor DIP S2 está ajustado en la posición **ON**, el inversor pasa automáticamente al funcionamiento normal cuando se conecta una carga de  $\geq 80$  W.
- El estado del modo de ahorro de energía no se puede cambiar si se utiliza el control remoto o el pin ENB+, a menos que se realice un ciclo de encendido/apagado completo.

### Activación del modo de ahorro de energía

1. Desconecte el inversor.
  2. Deslice el interruptor DIP S1 a la posición **ON**.
- ✓ El modo de ahorro de energía se activa.

### Desactivación del modo de ahorro de energía

1. Apague el inversor.
  2. Deslice el interruptor DIP S1 a la posición **OFF**.
- ✓ El modo de ahorro de energía se desactiva.

## 11 Limpieza y mantenimiento



### ¡ADVERTENCIA! Riesgo de electrocución

Desenchufe el aparato de la toma de corriente antes de proceder a su limpieza y mantenimiento.



### ¡AVISO! Peligro de daños

- > Nunca limpie el aparato bajo un chorro de agua corriente ni inmerso en agua jabonosa.
  - > No utilice objetos duros o afilados, productos de limpieza abrasivos ni lejía para limpiar el aparato, ya que podrían dañarlo.
  - > Asegúrese de que los orificios de ventilación del dispositivo estén limpios de polvo y suciedad para que el calor pueda salir.
- > Limpie de vez en cuando el aparato con un paño suave y húmedo.
- > Compruebe periódicamente si hay fallos de aislamiento, roturas o conexiones sueltas en los cables con tensión y el resto de líneas.

## 12 Solución de problemas

Fallo	Posible causa	Propuesta de solución
El inversor no funciona. El LED de estado está apagado.	Cortocircuito cinco veces consecutivas.	> El fusible del aparato debe ser reemplazado por un técnico de mantenimiento autorizado después de que haya saltado por sobrecorriente.
	Los cables con tensión tienen fallos de aislamiento, roturas o malas conexiones.	> Compruebe si hay fallos de aislamiento, roturas o conexiones sueltas en los cables con tensión y el resto de líneas.  Si no encuentra ningún fallo, póngase en contacto con un técnico de mantenimiento autorizado.
El inversor no funciona. El LED de estado se ilumina en rojo.	Protección contra corriente de salida alta.	Reduce las cargas conectadas.
	Protección contra el sobrecalentamiento.	<ol style="list-style-type: none"> <li>1. Desconecte el inversor y las cargas conectadas.</li> <li>2. Compruebe que las entradas y salidas de aire no están tapadas ni obstruidas.</li> </ol>

Fallo	Posible causa	Propuesta de solución
		3. Deje que se enfríe el inversor.
	Se ha generado un cortocircuito.	El fusible del aparato debe ser reemplazado por un técnico de mantenimiento autorizado después de que haya saltado por sobrecorriente.
	Protección contra la sobretensión. Tensiones de la batería demasiado altas.	<ul style="list-style-type: none"> <li>&gt; Reduzca las tensiones conectadas. El inversor se reconecta automáticamente cuando el valor de tensión desciende hasta el valor de reconexión (consulte el capítulo Protección contra la sobretensión en la página 82).</li> <li>&gt; Si el error persiste: Aumente las secciones transversales de los cables. Reduzca la longitud del cable.</li> </ul>
	Protección contra la subtensión. Tensiones de la batería demasiado bajas.	<ul style="list-style-type: none"> <li>&gt; Deje que la batería se recargue lentamente. El inversor se reconecta automáticamente cuando el valor de tensión supera el valor de reconexión (consulte el capítulo Protección contra la subtensión en la página 82).</li> </ul>

## 13 Garantía

Se aplica el período de garantía estipulado por la ley. Si el producto es defectuoso, póngase en contacto con la sucursal del fabricante de su país (consulte [dometic.com/dealer](http://dometic.com/dealer)) o con su punto de venta.

Para tramitar la reparación y la garantía, incluya los siguientes documentos cuando envíe el aparato:

- Una copia de la factura con fecha de compra
- El motivo de la reclamación o una descripción de la avería

Tenga en cuenta que una reparación por medios propios o no profesionales puede tener consecuencias de seguridad y suponer la anulación de la garantía.

## 14 Eliminación



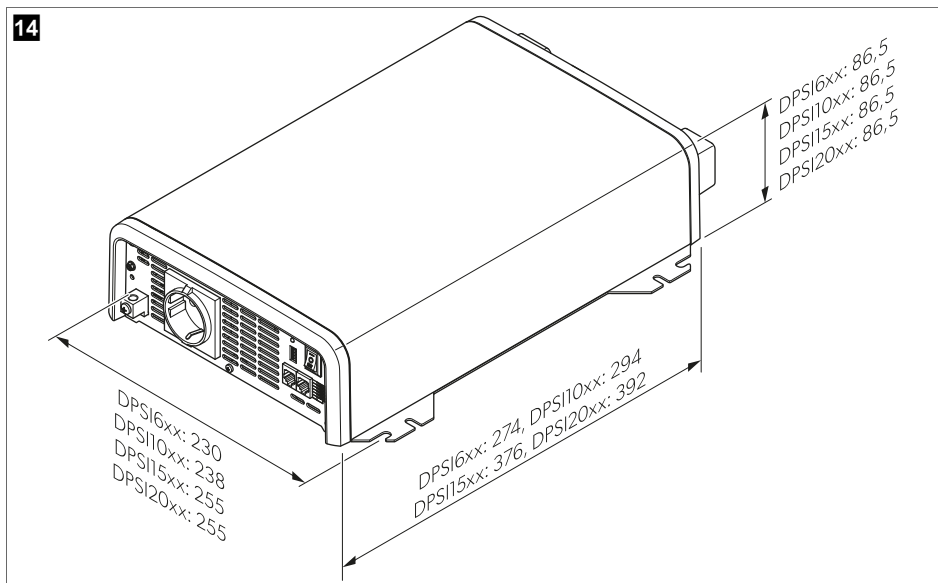
Si es posible, deseche el material de embalaje en el contenedor de reciclaje adecuado.


Consulte con un punto limpio o con un distribuidor especializado para obtener más información sobre cómo eliminar el producto de acuerdo con las normativas aplicables de eliminación.

El producto podrá desecharse gratuitamente.




## 15 Datos técnicos





	<b>DPSI 612</b>	<b>DPSI 1012</b>	<b>DPSI 624</b>	<b>DPSI 1024</b>
Tensión de entrada nominal	12 V $\overline{=}$		24 V $\overline{=}$	
Rango de tensión de entrada	10,5 ... 16,5 V $\overline{=}$		21 ... 33 V $\overline{=}$	
Potencia continua de salida P $_{nom}$	600 W	1000 W	600 W	1000 W
Potencia máxima de salida (1 min)	690 W	1150 W	690 W	1150 W
Potencia máxima de sobretensión (1 s) P $_{surge}$	1200 W	2000 W	1200 W	2000 W
Consumo de corriente en modo inactivo	$\leq 1$ A	$\leq 1,1$ A	$\leq 0,6$ A	$\leq 0,6$ A
Consumo de corriente en modo preparado	$\leq 0,3$ A	$\leq 0,35$ A	$\leq 0,2$ A	$\leq 0,2$ A
Dimensiones	 fig. 14 en la página 81			
Peso	1,1 kg	1,2 kg	1,1 kg	1,2 kg

	<b>DPSI 1512</b>	<b>DPSI 2012</b>	<b>DPSI 1524</b>	<b>DPSI 2024</b>
Tensión de entrada nominal	12 V $\overline{=}$		24 V $\overline{=}$	
Rango de tensión de entrada	10,5 ... 16,5 V $\overline{=}$		21 ... 33 V $\overline{=}$	
Potencia continua de salida P $_{nom}$	1500 W	2000 W	1500 W	2000 W
Potencia máxima de salida (1 min)	1725 W	2300 W	1725 W	2300 W
Potencia máxima de sobretensión (1 s) P $_{surge}$	3000 W	4000 W	3000 W	4000 W

	DPSI 1512	DPSI 2012	DPSI 1524	DPSI 2024
Consumo de corriente en modo inactivo	≤ 1,2 A	≤ 1,5 A	≤ 0,7 A	≤ 0,8 A
Consumo de corriente en modo preparado	≤ 0,4 A	≤ 0,5 A	≤ 0,25 A	≤ 0,3 A
Dimensiones	 fig. 14 en la página 81			
Peso	1,1 kg	1,2 kg	1,1 kg	1,2 kg

## 15.1 Datos técnicos generales

Rango de tensión de salida	230 V~ ± 10 %
Frecuencia de salida	50 Hz ± 1 %
Forma de onda de salida	Onda sinusoidal pura
Eficiencia máxima	90 %
Temperatura ambiente para el funcionamiento	0 ... 50 °C
Temperatura ambiente para el almacenaje	-30 °C ... 70 °C
Humedad ambiental	0 ... 95 %, non-condensing
Inspección/certificación	 

## 15.2 Protección contra la subtensión

	Valor de desconexión	Valor de reconexión
DPSI <sub>xx</sub> 12	10,3 V	11,8 V
DPSI <sub>xx</sub> 24	20,6 V	23,6 V

## 15.3 Protección contra la sobretensión

	Valor de desconexión	Valor de reconexión
DPSI <sub>xx</sub> 12	16,5 V	15,5 V
DPSI <sub>xx</sub> 24	33 V	31 V

# Português

1	Notas importantes.....	83
2	Explicação dos símbolos.....	83
3	Indicações de segurança.....	84
4	Material fornecido.....	87
5	Acessórios.....	87
6	Utilização adequada.....	87
7	Descrição técnica.....	88
8	Instalação.....	91
9	Configurar o sistema de rede.....	97
10	Operação.....	98
11	Limpeza e manutenção.....	99
12	Resolução de falhas.....	99
13	Garantia.....	100
14	Eliminação.....	100
15	Dados técnicos.....	101

## 1 Notas importantes

Leia atentamente as presentes instruções e siga todas as instruções, orientações e avisos incluídos neste manual, de modo a garantir a correta instalação, utilização e manutenção do produto. É OBRIGATÓRIO manter estas instruções junto com o produto.

Ao utilizar o produto, está a confirmar que leu atentamente todas as instruções, orientações e avisos, e que compreende e aceita cumprir os termos e condições estabelecidos no presente manual. Aceita utilizar este produto exclusivamente para o fim e a aplicação a que se destina e de acordo com as instruções, orientações e avisos estabelecidos neste manual, assim como de acordo com todas as leis e regulamentos aplicáveis. Caso não leia nem siga as instruções e os avisos aqui estabelecidos, poderá sofrer ferimentos pessoais ou causar ferimentos a terceiros e o produto ou outros materiais nas proximidades poderão ficar danificados. Este manual do produto, incluindo as instruções, orientações e avisos, bem como a documentação relacionada, podem estar sujeitos a alterações e atualizações. Para consultar as informações atualizadas do produto, visite [documents.dometic.com](http://documents.dometic.com).

## 2 Explicação dos símbolos

As palavras de advertência identificam mensagens de segurança e mensagens de danos à propriedade, assim como o grau ou nível de seriedade do perigo.



### **PERIGO!**

Indica uma situação perigosa que, se não for evitada, resultará em morte ou ferimentos graves.



### **AVISO!**

Indica uma situação perigosa que, se não for evitada, pode causar a morte ou ferimentos graves.



### **PRECAUÇÃO!**

Indica uma situação perigosa que, se não for evitada, pode causar ferimentos ligeiros ou moderados.



### **NOTA!**

Indica uma situação que, se não for evitada, pode causar danos materiais.



**OBSERVAÇÃO** Informações complementares para a utilização do produto.

## 3 Indicações de segurança

Tenha também em atenção as indicações de segurança e as estipulações definidas pelo fabricante do veículo e pelas oficinas autorizadas.

### 3.1 Princípios básicos de segurança



#### **PERIGO! Risco de eletrocussão**

- > Nunca toque em cabos não blindados com as mãos desprotegidas.
- > Para poder desligar rapidamente o aparelho da fonte de alimentação de corrente alternada, a tomada deve encontrar-se nas proximidades do aparelho e ser de fácil acesso.



#### **AVISO! Risco de eletrocussão**

- > Apenas técnicos qualificados podem executar a montagem e a remoção do aparelho.
- > Não utilize o aparelho se este ou o cabo de ligação apresentarem danos visíveis.
- > Se o cabo de alimentação deste aparelho estiver danificado, o cabo de alimentação terá de ser substituído de modo a evitar perigos.
- > As reparações neste aparelho apenas podem ser realizadas por técnicos qualificados. Reparções inadequadas podem dar origem a perigos consideráveis.
- > Utilize apenas os acessórios recomendados pelo fabricante.
- > Não altere nem adapte nenhum dos componentes, seja de que modo for.
- > Não desligue nenhum cabo enquanto o aparelho estiver em funcionamento.
- > Desligue o aparelho da fonte de alimentação:
  - Após cada utilização
  - Antes de cada limpeza e manutenção
  - Antes de trocar um fusível



#### **AVISO! Perigo de incêndio/materiais inflamáveis**

Em caso de incêndio, utilize um extintor que seja adequado para aparelhos elétricos.



#### **AVISO! Risco de asfixia**

O cabo e a unidade de comando do aparelho podem dar origem a riscos de emaranhamento, estrangulamento, queda ou esmagamento com os pés. Garanta que as braçadeiras e os cabos de alimentação em excesso estão arrumados em segurança.



#### **AVISO! Risco para a saúde**

- > Este aparelho pode ser utilizado por crianças a partir dos 8 anos e pessoas com capacidades físicas, sensoriais ou mentais reduzidas ou sem experiência e conhecimento se forem supervisionadas ou receberem instruções sobre a utilização do aparelho de forma segura e compreenderem os perigos implicados.
- > **Os aparelhos elétricos não são brinquedos.** Guarde e utilize sempre o aparelho fora do alcance de crianças muito pequenas.
- > As crianças têm de ser supervisionadas, por forma a garantir que não brincam com o aparelho.
- > A limpeza e a manutenção não podem ser efetuadas por crianças sem supervisão.



#### **NOTA! Risco de danos**

- > Antes da colocação em funcionamento, verifique se a especificação de tensão na placa de características coincide com a da fonte de alimentação.
- > Certifique-se de que está **excluída** a possibilidade de outros objetos causarem curto-circuitos nos contactos do aparelho.
- > Garanta que os polos negativo e positivo **nunca** entram em contacto um com o outro.
- > Não puxe os cabos de ligação nem utilize os cabos como pega.
- > O aparelho não pode ser exposto à chuva ou humidade. Armazene-a num local seco.

## **3.2 Instalação segura do aparelho**



#### **PERIGO! Perigo de explosão**

- > Instale e utilize o aparelho apenas em divisões fechadas e bem ventiladas.
- > **Não** instale nem utilize o aparelho nas seguintes condições:
  - Em ambientes salíferos, húmidos ou molhados
  - Nas proximidades de vapores corrosivos
  - Nas proximidades de materiais inflamáveis
  - Na proximidade de fontes de calor (aquecedores, luz solar direta, fornos a gás, etc.)
  - Em áreas nas quais existe perigo de explosão de gás ou de poeiras



#### **AVISO! Perigo de ferimentos**

- > Certifique-se de que o aparelho está posicionado de forma estável. O aparelho tem de ser instalado e fixado de modo a que não possa tombar ou cair.
- > Ao posicionar o aparelho, assegure-se de que todos os cabos estão fixados de modo adequado para evitar risco de tropeçar.



#### **NOTA! Risco de danos**

- > Coloque o aparelho num lugar seco e protegido contra salpicos de água.
- > Utilize sempre tomadas elétricas com ligação à terra e protegidas por disjuntores de corrente residual

## **3.3 Segurança durante a conexão elétrica do aparelho**



#### **PERIGO! Risco de eletrocussão**

Ao trabalhar em sistemas elétricos, certifique-se de que tem alguém por perto que o possa ajudar em caso de emergência.



#### **AVISO! Risco de eletrocussão**

- > Tenha em atenção as secções transversais recomendadas dos cabos.
- > Coloque os cabos de forma que não possam ser danificados pelas portas ou pelo capô. Cabos esmagados podem originar ferimentos graves.



#### **NOTA! Risco de danos**

- > Utilize tubos vazios ou condutas de cabos se for necessário passar os cabos por painéis de metal ou por outros painéis com arestas afiadas.
- > **Não** instale o cabo de alimentação de 230 V e o cabo de corrente contínua de 12 V na mesma conduta.
- > **Não** instale os cabos soltos ou muito dobrados.
- > Fixe os cabos de modo seguro.

### 3.4 Medidas de segurança ao manusear as baterias



#### **AVISO! Perigo de ferimentos**

- > As baterias podem conter ácidos agressivos e cáusticos. Evite qualquer tipo de contacto do corpo com o líquido das baterias. Se a sua pele entrar em contacto com o líquido da bateria, lave bem essa zona do corpo com água abundante. Em caso de ferimentos resultantes de ácidos, consulte um médico imediatamente.
- > Não use quaisquer objetos metálicos como relógios ou anéis ao trabalhar nas baterias. Baterias de chumbo-ácido podem gerar curtos-circuitos que podem provocar ferimentos graves.
- > Utilize apenas ferramentas com isolamento.
- > Não coloque quaisquer peças metálicas sobre a bateria e evite a queda de quaisquer peças metálicas sobre a mesma. Isto pode causar faíscas ou curtos-circuitos na bateria ou noutros aparelhos elétricos.
- > Utilize óculos e vestuário de proteção ao trabalhar em baterias. Não toque nos olhos ao trabalhar em baterias.
- > Utilize exclusivamente baterias recarregáveis.
- > Não utilize baterias com defeito.



#### **PRECAUÇÃO! Perigo de explosão**

- > Nunca tente carregar uma bateria congelada ou com defeito. Neste caso guarde a bateria num local onde não ocorra congelação e aguarde até a bateria estar adaptada à temperatura ambiente. Inicie então o processo de carregamento.
- > Não fume, não utilize chama aberta nem provoque faíscas nas proximidades do motor ou da bateria.
- > Mantenha a bateria afastada de fontes de calor.



#### **NOTA! Risco de danos**

- > Certifique-se de que a polaridade está correta durante a ligação da bateria.
- > Siga as instruções do fabricante da bateria e do fabricante do sistema ou do veículo no qual a bateria é usada.
- > Se a bateria tiver de ser retirada, desligue primeiro a ligação à terra. Desligue todas as ligações e todos os consumidores da bateria antes de a remover.
- > Armazene apenas baterias completamente carregadas. Recarregue regularmente as baterias armazenadas.
- > Não transporte a bateria pelos terminais.

### 3.5 Utilização segura do aparelho



#### **AVISO! Risco de eletrocussão**

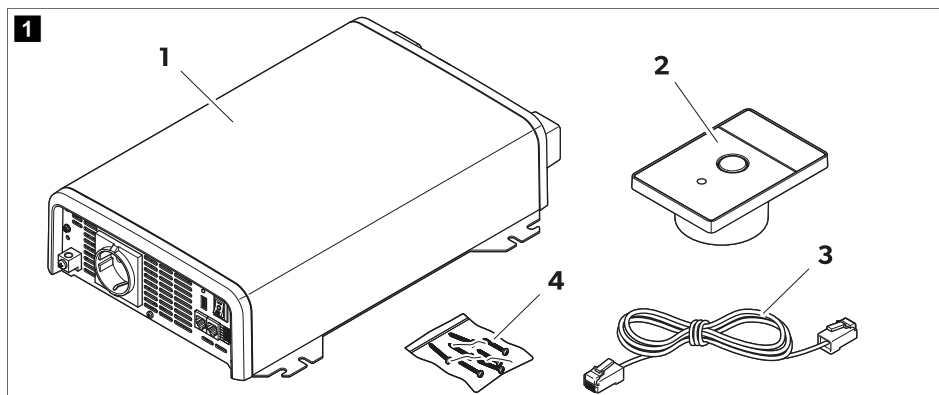
- > Não use o aparelho em condições de humidade nem o submerja em qualquer líquido.
- > Antes de ligar o aparelho, garanta que a linha da fonte de alimentação e a ficha estão secas e que a ficha não apresenta ferrugem ou sujidade.
- > Tenha em atenção que, mesmo que o fusível queime, há peças do aparelho que podem permanecer sob tensão.




#### **NOTA! Risco de danos**

- > Certifique-se de que as entradas e saídas de ar do aparelho não estão tapadas.
- > Garanta uma boa ventilação.

## 4 Material fornecido



N.º na  fig. 1 na página 87	Designação	Quantidade
1	Inversor de onda sinusoidal	1
2	Controlo remoto	1
3	Cabo de ligação para controlo remoto	1
4	Parafusos de fixação	6
-	Manual de montagem e operação	1

## 5 Acessórios

Designação	N.º art.
Controlo remoto DPSI-RC	9620018306
Ecrã tátil TD283	9620013272

## 6 Utilização adequada

O inversor destina-se a converter corrente contínua numa tensão alternada (CA) de onda sinusoidal pura de 230 V~ para funcionamento e alimentação estável de consumidores de 230 V ligados.

O inversor destina-se a ligação a:

- DPSI612, DPSI1012, DPSI1512, DPSI2012: 12 V $\overline{=}$
- DPSI624, DPSI1024, DPSI1524, DPSI2024: 24 V $\overline{=}$

O inversor é adequado para:

- Instalação em veículos de recreio (RV), veículos comerciais ou embarcações a motor e a vela
- Utilização fixa ou móvel
- Utilização em interiores

O inversor **não** é adequado para:

- Utilização exterior

Este produto destina-se exclusivamente à aplicação e aos fins pretendidos com base nestas instruções.

Este manual fornece informações necessárias para proceder a uma instalação e/ou a uma operação adequadas do produto. Uma instalação e/ou uma operação ou manutenção incorretas causarão um desempenho insatisfatório e uma possível avaria.

O fabricante não aceita qualquer responsabilidade por danos ou prejuízos no produto resultantes de:

- Instalação, montagem ou ligação incorretas, incluindo sobretensões
- Manutenção incorreta ou utilização de peças sobressalentes não originais fornecidas pelo fabricante
- Alterações ao produto sem autorização expressa do fabricante
- Utilização para outras finalidades que não as descritas no presente manual

A Dometic reserva-se o direito de alterar o design e as especificações do produto.

## 7 Descrição técnica

### 7.1 Descrição geral

O inversor é um inversor de onda sinusoidal pura de corrente contínua para corrente alternada.

O inversor pode ser operado nos seguintes sistemas de rede:

- Rede TN
- Rede IT

Os sistemas de rede são definidos através de um parafuso no inversor.

O inversor possui os seguintes mecanismos de proteção:

- **Proteção contra sobretensão:** o inversor desliga-se quando a tensão excede o valor de desativação. O inversor reinicia automaticamente quando a tensão desce para o valor de reinício.
- **Proteção contra subtensão:** o inversor desliga-se quando a tensão desce abaixo do valor de desativação. O inversor reinicia automaticamente quando a tensão excede o valor de reinício.
- **Proteção contra sobreaquecimento:** o inversor desliga-se quando a temperatura interna do aparelho excede o valor de desativação. O inversor reinicia automaticamente quando a temperatura interna desce para o valor de reinício.
- **Proteção contra corrente de saída elevada:** o inversor desliga-se quando estão ligadas demasiadas cargas.
- **Proteção contra curto-circuito:** o inversor desliga-se quando é gerado um curto-circuito. O inversor reinicia automaticamente após alguns segundos. Se for detetado um curto-circuito cinco vezes consecutivas, o inversor não reinicia automaticamente e é necessário reiniciar manualmente.

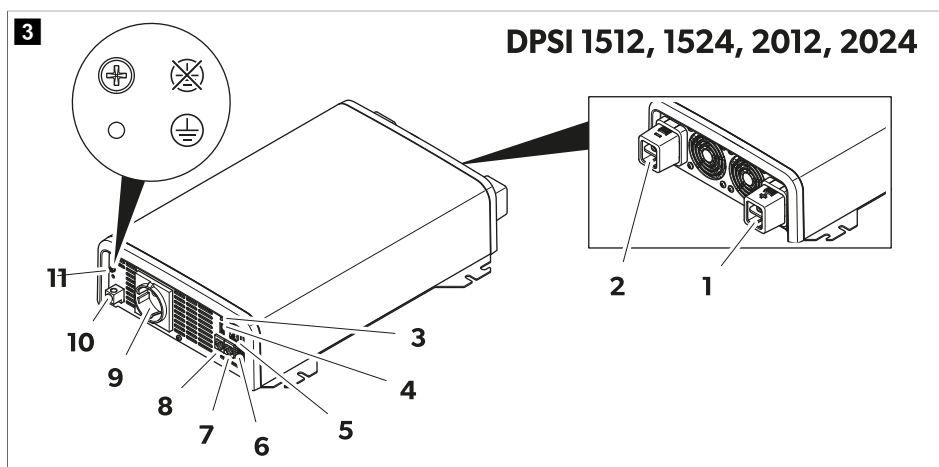
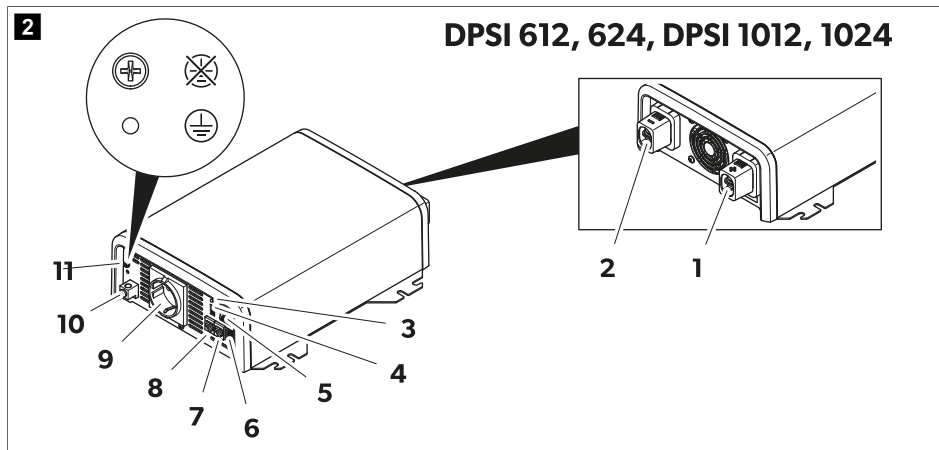
O inversor é compatível com N-BUS e CI-BUS para dados e funções, controláveis num ecrã tátil (acessórios) e na aplicação móvel.

O inversor está equipado com um controlo remoto para ligar ou desligar o inversor.

O inversor pode ser colocado no modo de poupança de energia, para reduzir o consumo sem carga e minimizar a carga da bateria. Isto pode ser feito através de um interruptor DIP ou



## 7.2 Elementos de comando e ligações

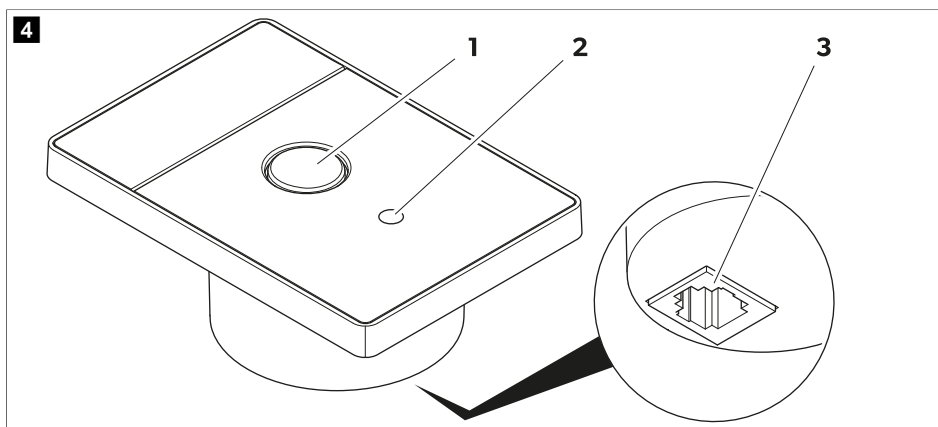


**OBSERVAÇÃO** As figuras mostram as versões para a Europa continental.

N.º	Designação
1	Terminal (+), ligação ao polo positivo da bateria de bordo
2	Terminal (-), ligação ao polo negativo da bateria de bordo
3	LED de indicação de estado
4	Interruptor DIP
5	Interruptor de ligar/desligar

N.º	Designação
6	Terminal para controlo externo
7	Ligação CI-BUS/N-BUS/de controlo remoto (LINB)
8	Ligação CI-BUS/N-BUS/de controlo remoto (LINA)
9	Saída de corrente alternada
10	Ligação à terra
11	Parafuso para definição de rede de TI/TN

### 7.3 Controlo remoto



N.º na  fig. 4  
na página 90

#### Designação

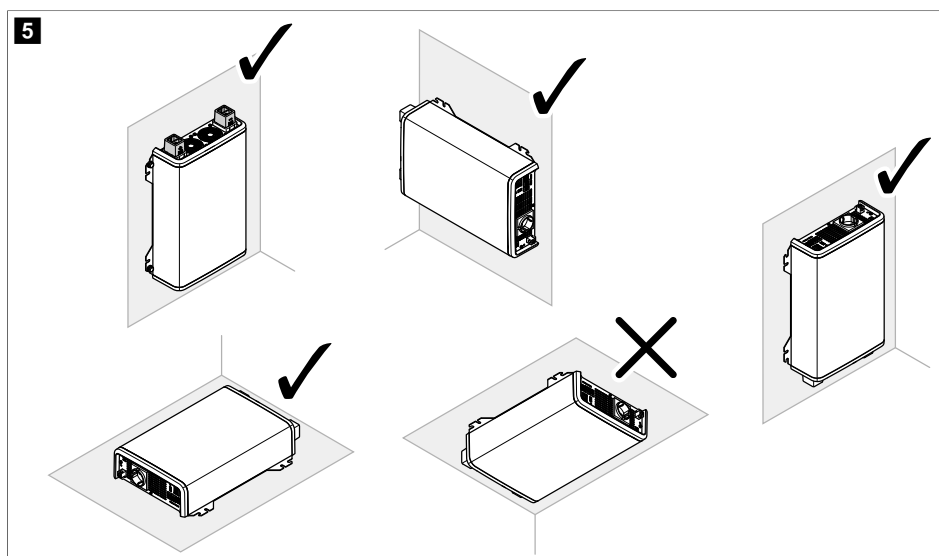
1	Botão para ligar/desligar
2	LED de indicação de estado
3	Ligação para controlo remoto

### 7.4 LED de indicação de estado

Estado	Descrição
Green	Funcionamento do inversor
Orange	Aviso: Saída de corrente alternada presente, risco de sobretensão, subtensão ou falhas de energia
Red	Erro: Nenhuma entrada de corrente alternada presente, inversor desativado (consulte o capítulo Resolução de falhas na página 99)

## 8 Instalação

### 8.1 Local de montagem



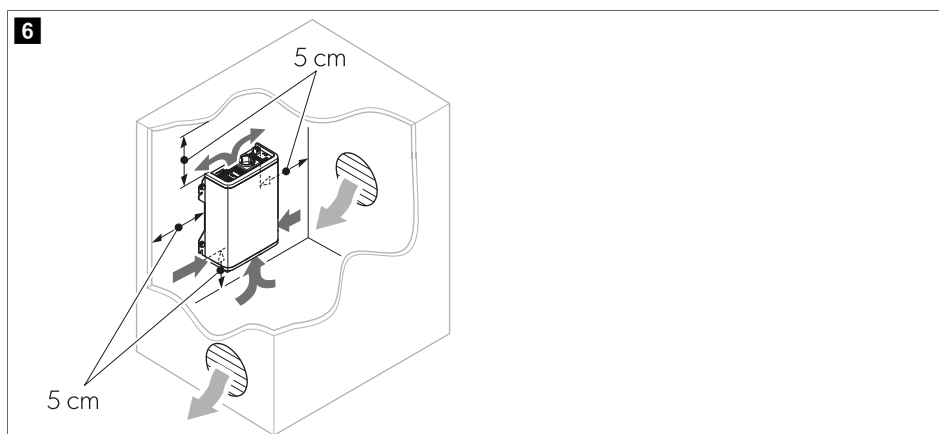
**NOTA! Risco de danos**

Antes de efetuar quaisquer perfurações, certifique-se de que não são danificados cabos elétricos ou outras peças do veículo devido a trabalhos de perfuração, corte ou lixamento.




**OBSERVAÇÃO**

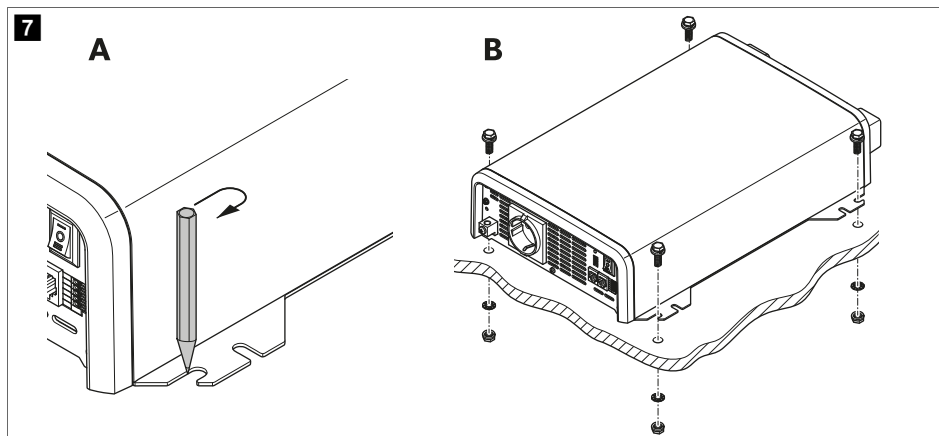
O inversor pode ser montado no chão ou pendurado ( ver fig. **5** na página 91).





Ao seleccionar o local, cumpra as instruções seguintes:

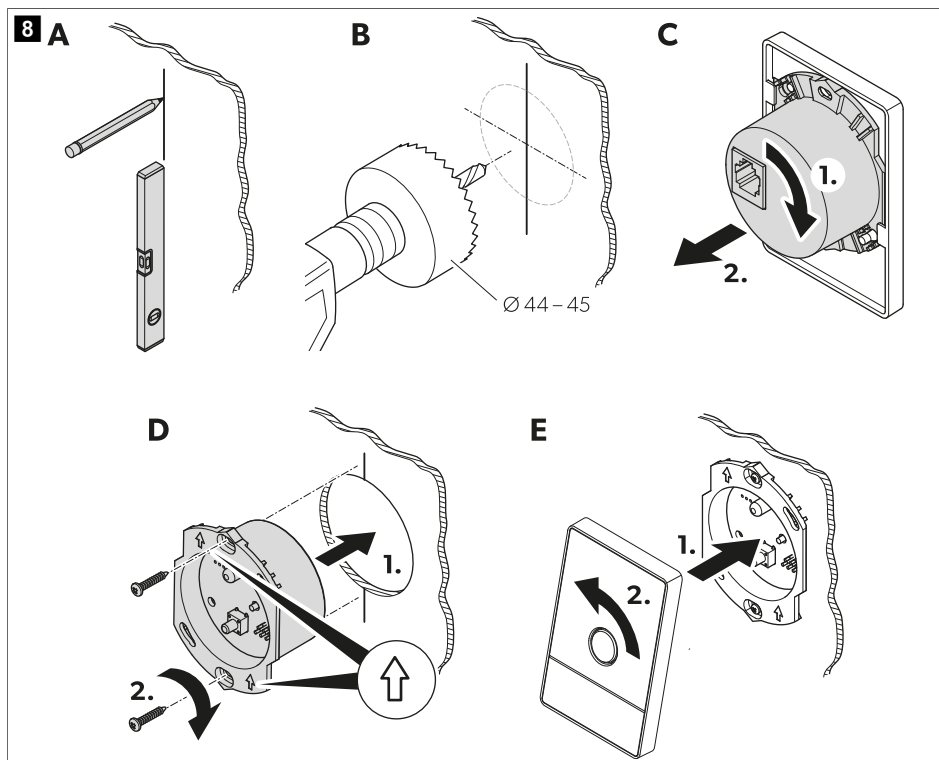
- Assegure-se de que a superfície de montagem é sólida e plana.
- Respeite as especificações de distância para ventilação suficiente (  fig. **6** na página 91).





## 8.2 Montar o inversor



1. Selecione os orifícios de montagem adequados, consoante o tipo de montagem selecionado (no chão ou pendurado), e marque os orifícios de perfuração (  fig. **7** na página 92, **A**).
2. Faça previamente os orifícios de montagem.
3. Aparafuse o inversor no devido lugar (  fig. **7** na página 92, **B**).


### 8.3 Montar o controlo remoto



1. Marque a superfície de montagem (  fig. 8 na página 93, **A**).
2. Perfure um orifício com um diâmetro de 44 mm ... 45 mm, por exemplo, com uma broca (  fig. 8 na página 93, **B**).
3. Retire a caixa de derivação do painel de controlo (  fig. 8 na página 93, **C**).
4. Introduza a caixa de derivação no orifício e aperte a caixa de derivação no devido lugar (  fig. 8 na página 93, **D**).



**OBSERVAÇÃO** Certifique-se de que o alinhamento vertical é o correto, conforme indicado pelas setas na caixa de derivação.

5. Fixe o painel de controlo à caixa de derivação (  fig. 8 na página 93, **E**).
6. Remova a película protetora.

## 8.4 Ligar o inversor



A instalação elétrica e a configuração do aparelho têm de ser efetuadas por um electricista qualificado com capacidades e conhecimentos comprovados relacionados com a construção e operação de equipamento e instalações elétricas e que esteja familiarizado com as normas aplicáveis no país em que o equipamento será instalado e/ou utilizado. Além disso, este técnico deve ter concluído formação em segurança para identificar e evitar os perigos envolvidos.

Todas as outras ações também se destinam a utilizadores não profissionais.



### AVISO! Risco de eletrocussão

Respeite as secções transversais recomendadas do cabo, assim como os comprimentos recomendados do cabo e do fusível.



### PRECAUÇÃO! Perigo de incêndio

Coloque os fusíveis junto das baterias para proteger o cabo contra curto-circuitos e eventuais queimaduras.



### NOTA! Risco de danos

- > Não troque a polaridade.
- > Aperte os parafusos e as porcas com um binário máximo de 15 Nm. As ligações soltas podem provocar sobreaquecimento.

Respeite as seguintes instruções ao ligar o inversor:

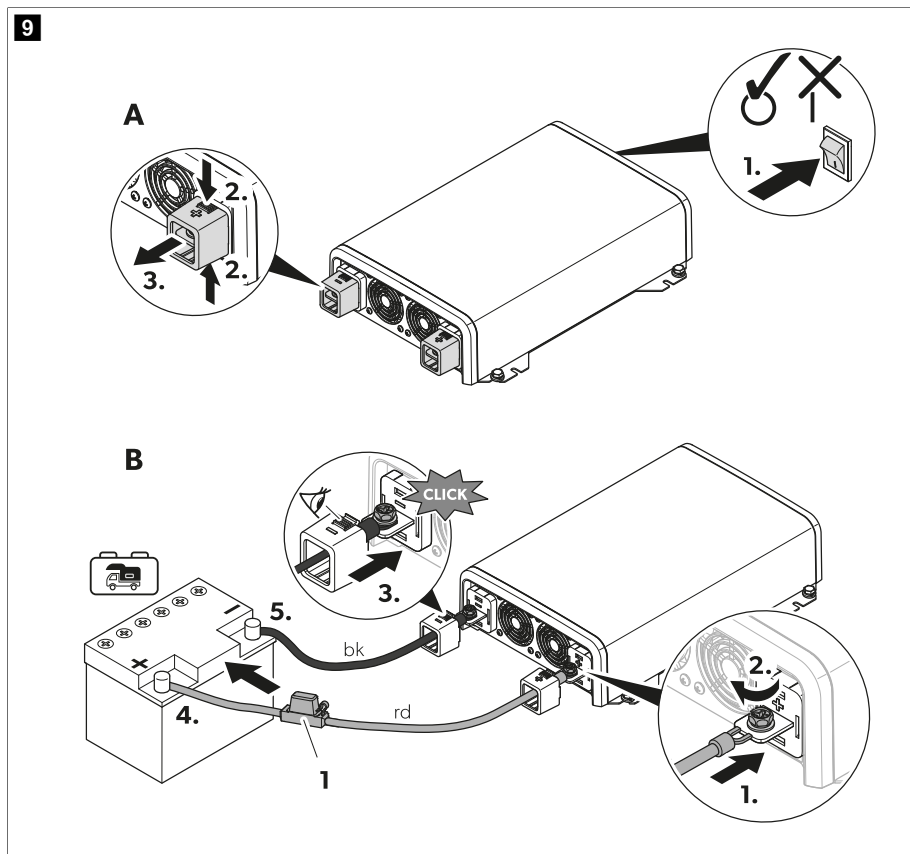
- Respeite os regulamentos aplicáveis ao configurar um circuito de distribuição da tomada (instalação elétrica).
- Selecione o comprimento mais curto possível para os cabos de corrente contínua (ligação aos terminais da bateria)  $\leq 1$  m).
- Para uma ligação de **rede TN**: instale um dispositivo de corrente residual (RCD).
- Para uma ligação de **rede IT**: instale um dispositivo de monitorização do isolamento (IMD) se estiver ligada mais do que uma carga. **Aplicam-se as normas nacionais.**



1. Determine as secções transversais do cabo e dos fusíveis:

	Secção transversal do cabo	Fusível
DPSI612	25 mm <sup>2</sup>	150 A
DPSI624	25 mm <sup>2</sup>	150 A
DPSI1012	35 mm <sup>2</sup>	200 A
DPSI1024	25 mm <sup>2</sup>	150 A
DPSI1512	50 mm <sup>2</sup>	250 A
DPSI1524	25 mm <sup>2</sup>	150 A
DPSI2012	70 mm <sup>2</sup>	300 A
DPSI2024	35 mm <sup>2</sup>	200 A

2. Verifique se o dispositivo está desligado (  fig. 9 na página 95, 1).



9



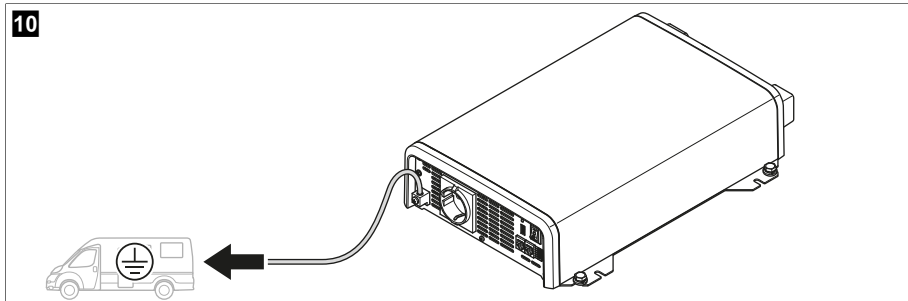
3. Separe as tampas dos terminais (  fig. 9 na página 95, 2 – 3).
4. Ligue (+) ao terminal positivo da bateria de bordo (cabo de ligação vermelho (rd),  fig. 9 na página 95, 4).



**OBSERVAÇÃO** proteja o cabo positivo da bateria de bordo com um fusível (  fig. 9 na página 95, 1).

5. Ligue (+) ao terminal positivo da bateria de bordo (cabo de ligação preto (bk), (  fig. 9 na página 95, 5).
6. Ligue a ligação de terra à terra (chassis) (  fig. 10 na página 96).

10



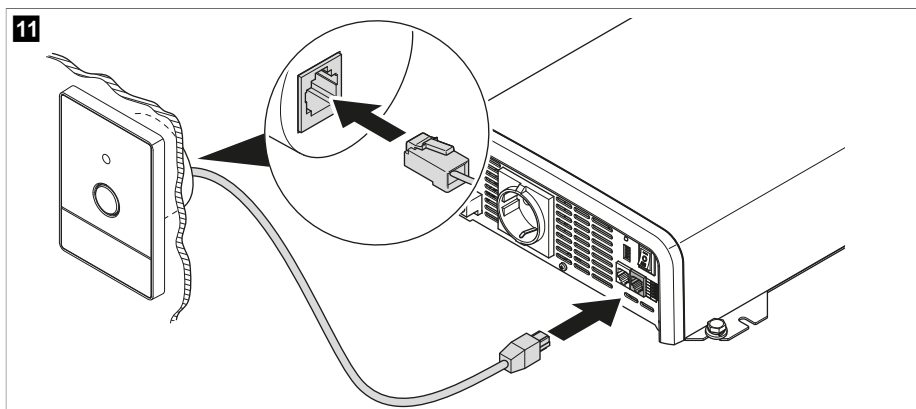
## 8.5 Ligar o controlo remoto



**OBSERVAÇÃO** O controlo remoto e a rede N-BUS/CI-BUS não podem ser ligados em simultâneo.

- > Ligue o controlo remoto à ligação do controlo remoto, utilizando o cabo de ligação do controlo remoto.

11



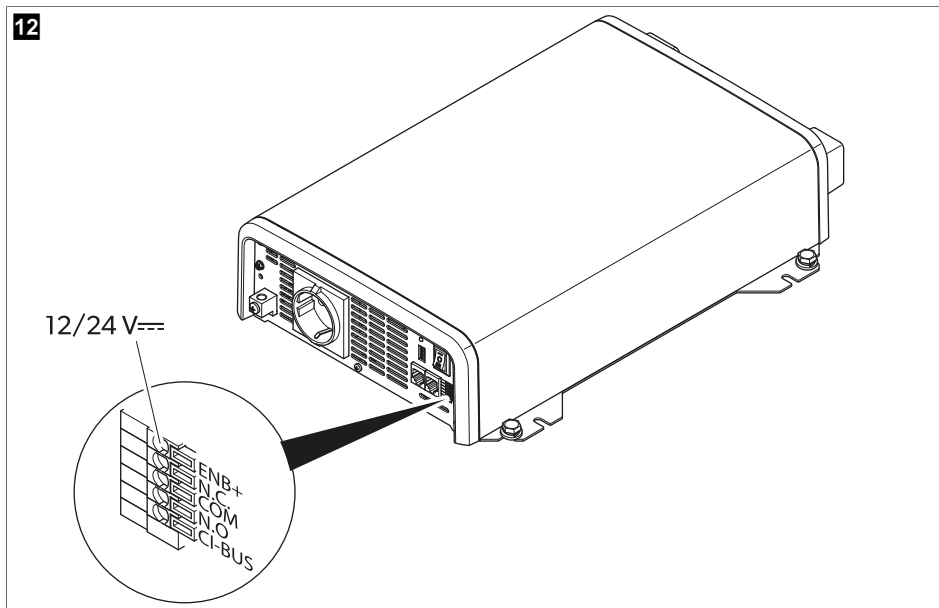
## 8.6 Ligar o pino ENB+



**OBSERVAÇÃO** Se o pino ENB+ estiver ligado, o estado do modo de poupança de energia não pode ser alterado.



12



1. Coloque o interruptor de ligar/desligar na posição **0**.
2. Utilize o pino ENB+ da seguinte forma:
  - Para ligar o inversor, ligue o pino ENB+ ao polo positivo da bateria de bordo através de um cabo elétrico adequado.
  - Para desligar o inversor, retire o pino ENB+ da bateria de bordo.

## 9 Configurar o sistema de rede





A instalação elétrica e a configuração do aparelho têm de ser efetuadas por um eletricitista qualificado com capacidades e conhecimentos comprovados relacionados com a construção e operação de equipamento e instalações elétricas e que esteja familiarizado com as normas aplicáveis no país em que o equipamento será instalado e/ou utilizado. Além disso, este técnico deve ter concluído formação em segurança para identificar e evitar os perigos envolvidos.

Todas as outras ações também se destinam a utilizadores não profissionais.

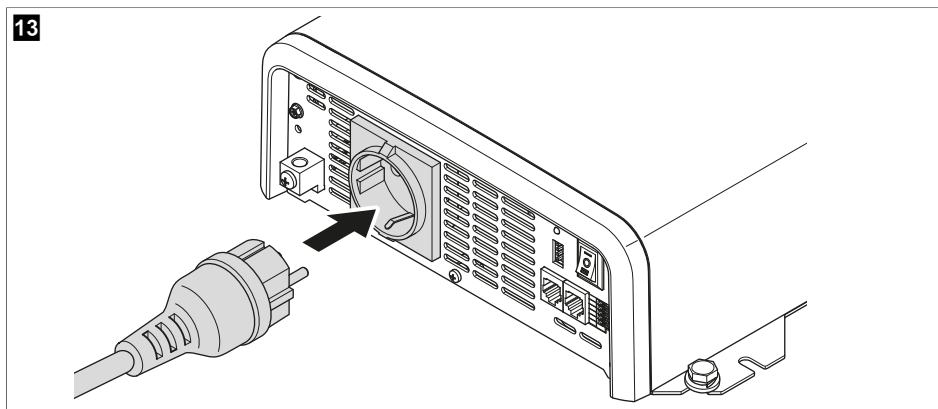


### PERIGO! Risco de eletrocussão

- > Remova a tampa de proteção do interruptor DIP apenas para configuração.
  - > Volte a colocar a tampa de proteção para evitar o ajuste acidental do interruptor DIP.
  - > Para configuração da **rede TN**: certifique-se de que está instalado um dispositivo de corrente residual (RCD).
  - > Para configuração da **rede IT**: utilize apenas uma carga ou instale um dispositivo de monitorização do isolamento (IMD). Cumpra as normas nacionais aplicáveis.
- > Insira o parafuso na posição  para definir a **rede TN**.
  - > Insira o parafuso na posição  para definir a **rede IT**.

## 10 Operação

### 10.1 Operar aparelhos de 230 V



#### OBSERVAÇÃO

Ligue apenas dispositivos cuja carga total não exceda os valores indicados em Dados técnicos na página 101.

- > Ligue os dispositivos de 230 V à tomada de corrente alternada do inversor (  fig. 13 na página 98).

### 10.2 Ligar e desligar o inversor



#### OBSERVAÇÃO

- > Se o inversor for controlado através do controlo remoto, o interruptor de ligar/desligar tem de ser colocado na posição **II**.
  - > Se o inversor for controlado através do pino ENB+, o interruptor de ligar/desligar tem de ser colocado na posição **0**.
- > Para ligar o inversor, coloque o interruptor de ligar/desligar na posição **I**.
  - > Para desligar o inversor, coloque o interruptor de ligar/desligar na posição **0**.
  - > Utilize o controlo remoto ou o pino ENB+ para ligar ou desligar o inversor.

### 10.3 Configurar o modo de poupança de energia



#### OBSERVAÇÃO

- Se o interruptor DIP S2 estiver definido para a posição **OFF**, o inversor muda automaticamente para o funcionamento normal quando é ligada uma carga de  $\geq 45$  W.
- Se o interruptor DIP S2 estiver definido para a posição **ON**, o inversor muda automaticamente para o funcionamento normal quando é ligada uma carga de  $\geq 80$  W.
- O estado do modo de poupança de energia não pode ser alterado se o controlo remoto ou o pino ENB+ forem utilizados, a não ser que seja concluído um ciclo de ligar/desligar completo

### Ativar o modo de poupança de energia

1. Eventualmente, desligue o conversor.
  2. Deslize o interruptor DIP S1 para a posição **ON**.
- ✓ O modo de poupança de energia está ativado.

### Desativar o modo de poupança de energia

1. Desligue o conversor.
  2. Deslize o interruptor DIP S1 para a posição **OFF**.
- ✓ O modo de poupança de energia está desativado.

## 11 Limpeza e manutenção



#### AVISO! Risco de eletrocussão

Desligue o aparelho da fonte de alimentação antes de efetuar quaisquer trabalhos de limpeza e manutenção.



#### NOTA! Risco de danos

- > Nunca limpe o aparelho sob água corrente nem em água de lavagem suja.
  - > Ao limpar, não utilize objetos afiados ou duros, nem produtos de limpeza abrasivos ou lixívia, uma vez que estes podem danificar o aparelho.
  - > Certifique-se de que as aberturas de entrada e saída de ar do aparelho estão livres de pó e sujidade para que, durante o funcionamento, o calor possa ser libertado.
- > Limpe o aparelho ocasionalmente com um pano macio e húmido.
- > Verifique regularmente os cabos ou linhas sob tensão quanto a danos no isolamento, ruturas ou ligações soltas.

## 12 Resolução de falhas

Falha	Possível causa	Sugestão de solução
O inversor não funciona. O LED de indicação de estado está apagado.	Curto-circuito cinco vezes consecutivas.	> Depois de ter sido acionado por uma corrente excessiva, o fusível do aparelho tem de ser substituído por um agente de assistência técnica autorizado.
	Danos no isolamento, ruturas ou ligações soltas nos cabos sob tensão.	> Verifique os cabos sob tensão quanto a danos no isolamento, ruturas ou ligações soltas. Se não encontrar erros, contacte um agente de assistência técnica autorizado.
O inversor não funciona. O LED de indicação de estado acende a vermelho.	Proteção contra corrente de saída elevada.	Reduza as cargas ligadas.
	Proteção contra sobreaquecimento.	<ol style="list-style-type: none"> <li>1. Desligue o inversor e as cargas ligadas.</li> <li>2. Verifique se as entradas e saídas de ar não estão cobertas ou obstruídas.</li> </ol>

Falha	Possível causa	Sugestão de solução
		3. Deixe o inversor arrefecer.
	Gerou-se um curto-circuito.	Depois de ter sido acionado por uma corrente excessiva, o fusível do aparelho tem de ser substituído por um agente de assistência técnica autorizado.
	Desativação por sobretensão. Tensão da bateria demasiado elevada.	<ul style="list-style-type: none"> <li>&gt; Reduza a carga ligada.</li> </ul> <p>O inversor reinicia automaticamente quando a tensão desce para o valor de reinício (consulte o capítulo Desativação por sobretensão na página 102).</p> <ul style="list-style-type: none"> <li>&gt; Se o erro persistir: aumente as secções transversais do cabo. Reduza o comprimento do cabo.</li> </ul>
	Desativação por subtensão. Tensão da bateria demasiado baixa.	<ul style="list-style-type: none"> <li>&gt; Deixe a bateria recarregar lentamente.</li> </ul> <p>O inversor reinicia automaticamente quando a tensão excede o valor de reinício (consulte o capítulo Desativação por subtensão na página 102).</p>

## 13 Garantia

Aplica-se o prazo de garantia legal. Se o produto apresentar defeitos, contacte a filial do fabricante no seu país (consulte [dometic.com/dealer](http://dometic.com/dealer)) ou o seu revendedor.

Para fins de reparação ou de garantia, terá de enviar também os seguintes documentos:

- Uma cópia da fatura com a data de aquisição
- Um motivo de reclamação ou uma descrição da falha

Tenha em atenção que as reparações feitas por si ou por não profissionais podem ter consequências sobre a segurança e anular a garantia.

## 14 Eliminação

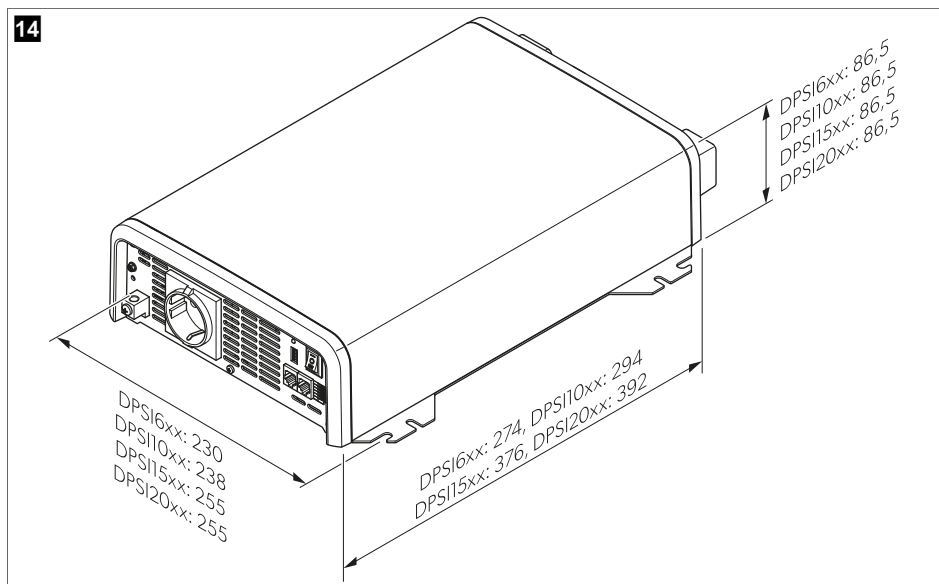



Sempre que possível, coloque o material de embalagem no respetivo contentor de reciclagem.

Informe-se junto do centro de reciclagem ou revendedor mais próximo sobre como eliminar este produto de acordo com as disposições de eliminação aplicáveis.


O produto pode ser eliminado gratuitamente.

## 15 Dados técnicos





	<b>DPSI 612</b>	<b>DPSI 1012</b>	<b>DPSI 624</b>	<b>DPSI 1024</b>
Tensão de entrada nominal	12 V <sub>DC</sub>		24 V <sub>DC</sub>	
Gama de tensão de entrada	10,5 ... 16,5 V <sub>DC</sub>		21 ... 33 V <sub>DC</sub>	
Potência de saída contínua P <sub>nom</sub>	600 W	1000 W	600 W	1000 W
Potência de saída máxima (1 min)	690 W	1150 W	690 W	1150 W
Potência de pico máxima (1 s) P <sub>pico</sub>	1200 W	2000 W	1200 W	2000 W
Consumo de corrente no modo inativo	≤ 1 A	≤ 1,1 A	≤ 0,6 A	≤ 0,6 A
Consumo de corrente no modo de espera	≤ 0,3 A	≤ 0,35 A	≤ 0,2 A	≤ 0,2 A
Dimensões	 fig. 14 na página 101			
Peso	1,1 kg	1,2 kg	1,1 kg	1,2 kg

	<b>DPSI 1512</b>	<b>DPSI 2012</b>	<b>DPSI 1524</b>	<b>DPSI 2024</b>
Tensão de entrada nominal	12 V <sub>DC</sub>		24 V <sub>DC</sub>	
Gama de tensão de entrada	10,5 ... 16,5 V <sub>DC</sub>		21 ... 33 V <sub>DC</sub>	
Potência de saída contínua P <sub>nom</sub>	1500 W	2000 W	1500 W	2000 W
Potência de saída máxima (1 min)	1725 W	2300 W	1725 W	2300 W
Potência de pico máxima (1 s) P <sub>pico</sub>	3000 W	4000 W	3000 W	4000 W
Consumo de corrente no modo inativo	≤ 1,2 A	≤ 1,5 A	≤ 0,7 A	≤ 0,8 A

	DPSI 1512	DPSI 2012	DPSI 1524	DPSI 2024
Consumo de corrente no modo de espera	≤ 0,4 A	≤ 0,5 A	≤ 0,25 A	≤ 0,3 A
Dimensões	 fig. 14 na página 101			
Peso	1,1 kg	1,2 kg	1,1 kg	1,2 kg

## 15.1 Dados técnicos gerais

Intervalo de tensão de saída	230 V~ ± 10 %
Frequência de saída	50 Hz ± 1 %
Forma de onda de saída	Onda sinusoidal pura
Eficiência máxima	90 %
Temperatura ambiente do funcionamento	0 ... 50 °C
Temperatura ambiente de armazenamento	-30 °C ... 70 °C
Humidade do ar ambiente	0 ... 95 %, non-condensing
Inspeção/certificação	 

## 15.2 Desativação por subtensão

	Valor de desativação	Valor de reinício
DPSIxx12	10,3 V	11,8 V
DPSIxx24	20,6 V	23,6 V

## 15.3 Desativação por sobretensão

	Valor de desativação	Valor de reinício
DPSIxx12	16,5 V	15,5 V
DPSIxx24	33 V	31 V

# Italiano

1	Note importanti.....	103
2	Spiegazione dei simboli.....	103
3	Istruzioni per la sicurezza.....	104
4	Dotazione.....	107
5	Accessori.....	107
6	Destinazione d'uso.....	108
7	Descrizione delle caratteristiche tecniche.....	108
8	Installazione.....	111
9	Configurazione del sistema di rete.....	117
10	Funzionamento.....	118
11	Pulizia e manutenzione.....	119
12	Risoluzione dei problemi.....	119
13	Garanzia.....	120
14	Smaltimento.....	120
15	Specifiche tecniche.....	121

## 1 Note importanti

Si prega di leggere attentamente e di seguire tutte le istruzioni, le linee guida e le avvertenze incluse in questo manuale del prodotto, al fine di garantire che il prodotto venga sempre installato, utilizzato e mantenuto nel modo corretto. Queste istruzioni DEVONO essere conservate insieme al prodotto.

Utilizzando il prodotto, l'utente conferma di aver letto attentamente tutte le istruzioni, le linee guida e le avvertenze e di aver compreso e accettato di rispettare i termini e le condizioni qui espressamente indicati. L'utente accetta di utilizzare questo prodotto solo per lo scopo e l'applicazione previsti e in conformità alle istruzioni, le linee guida e le avvertenze indicate nel presente manuale del prodotto, nonché in conformità alle leggi e i regolamenti applicabili. La mancata lettura e osservanza delle istruzioni e delle avvertenze qui espressamente indicate può causare lesioni personali e a terzi, danni al prodotto o ad altre proprietà nelle vicinanze. Il presente manuale del prodotto, comprese le istruzioni, le linee guida e le avvertenze e la relativa documentazione possono essere soggetti a modifiche e aggiornamenti. Per informazioni aggiornate sul prodotto, visitare [documents.dometic.com](http://documents.dometic.com).

## 2 Spiegazione dei simboli

Il termine presente nella segnalazione identifica i messaggi di sicurezza e quelli relativi al danneggiamento della proprietà, oltre a indicare il grado o livello di gravità del rischio.



### **PERICOLO!**

indica una situazione di pericolo che, se non evitata, provoca lesioni gravi o mortali.



### **AVVERTENZA!**

indica una situazione di pericolo che, se non evitata, potrebbe provocare lesioni gravi o mortali.



### **ATTENZIONE!**

indica una situazione di pericolo che, se non evitata, potrebbe provocare lesioni di entità lieve o moderata.



### **AVVISO!**

Indica una situazione di pericolo che, se non evitata, può provocare danni alle cose.



**NOTA** Informazioni supplementari relative all'esercizio del prodotto.

## 3 Istruzioni per la sicurezza

**Osservare anche le indicazioni di sicurezza e le condizioni previste dal fabbricante del veicolo e dalle officine autorizzate.**

### 3.1 Sicurezza generale



#### **PERICOLO! Pericolo di scosse elettriche**

- > Non toccare mai i cavi esposti a mani nude.
- > Per essere in grado di staccare velocemente l'apparecchio dall'alimentazione in corrente alternata, è necessario che la presa si trovi nelle vicinanze dell'apparecchio e che sia facilmente accessibile.



#### **AVVERTENZA! Pericolo di scosse elettriche**

- > L'installazione e la rimozione dell'apparecchio possono essere eseguite soltanto da personale qualificato.
- > Se il cavo di collegamento o l'apparecchio presentano danni visibili, non mettere in funzione l'apparecchio.
- > Se il cavo di alimentazione dell'apparecchio è danneggiato, è necessario sostituirlo per prevenire rischi per la sicurezza.
- > Questo apparecchio può essere riparato solo da personale qualificato. Riparazioni eseguite non correttamente possono creare considerevoli rischi.
- > Utilizzare esclusivamente gli accessori consigliati dal produttore.
- > Non modificare o adattare alcun componente in alcun modo.
- > Non staccare nessun cavo se l'apparecchio è ancora in funzione.
- > Scollegare l'apparecchio dall'alimentazione:
  - dopo ogni utilizzo
  - prima di effettuare operazioni di pulizia e manutenzione
  - prima di sostituire un fusibile



#### **AVVERTENZA! Pericolo di incendio/materiali infiammabili**

In caso di incendio usare un estintore per apparecchi elettrici.



#### **AVVERTENZA! Rischio di asfissia**

Se non sono disposti correttamente, il cavo e l'unità di comando dell'apparecchio possono provocare il rischio di impigliamento, strangolamento, inciampo o calpestamento. Accertarsi che le fascette e i cavi di alimentazione siano posati in modo sicuro.





### **AVVERTENZA! Pericolo per la salute**

- > Questo apparecchio può essere utilizzato da bambini di età superiore a 8 anni, da persone con ridotte capacità fisiche, sensoriali o mentali o da persone inesperte o prive di conoscenze specifiche solo se sorvegliate o preventivamente istruite sull'impiego dell'apparecchio in sicurezza e se informate dei pericoli legati al prodotto stesso.
- > **Gli apparecchi elettrici non sono giocattoli.** Conservare e utilizzare l'apparecchio lontano dalla portata dei bambini molto piccoli.
- > Controllare che i bambini non giochino con questo apparecchio.
- > La pulizia e la manutenzione non devono essere eseguite da bambini senza la presenza di un adulto.



### **AVVISO! Rischio di danni**

- > Prima della messa in funzione, confrontare i dati della tensione riportati sulla targhetta con quelli dell'alimentazione.
- > Assicurarsi che altri oggetti **non possano** causare un cortocircuito sui contatti dell'apparecchio.
- > Assicurarsi che i poli negativi e positivi non entrino **mai** in contatto.
- > Non tirare i cavi di collegamento né utilizzare i cavi come maniglie.
- > Non esporre l'apparecchio alla pioggia o all'umidità. Conservare in un luogo asciutto.

## **3.2 Installazione dell'apparecchio in sicurezza**



### **PERICOLO! Pericolo di esplosione**

- > Installare e utilizzare l'apparecchio esclusivamente in ambienti chiusi ben aerati.
- > **Non** installare o utilizzare l'apparecchio nelle condizioni seguenti:
  - in ambienti salini, umidi o bagnati
  - in prossimità di vapori aggressivi
  - in prossimità di materiali infiammabili
  - in prossimità di fonti di calore (riscaldamento, luce solare diretta, forni a gas ecc.)
  - In aree a rischio di esplosione di gas o polvere



### **AVVERTENZA! Rischio di lesioni**

- > Accertarsi che la base di appoggio sia sicura! Posizionare e fissare l'apparecchio in modo sicuro per impedire che possa rovesciarsi o cadere.
- > Quando si posiziona l'apparecchio, assicurarsi che tutti i cavi siano adeguatamente fissati per evitare qualsiasi forma di rischio di inciampo.



### **AVVISO! Rischio di danni**

- > Posizionare l'apparecchio in un luogo asciutto e protetto da eventuali spruzzi d'acqua.
- > Utilizzare sempre prese collegate a terra e protette da un interruttore differenziale di protezione

## **3.3 Sicurezza durante il collegamento elettrico dell'apparecchio**



### **PERICOLO! Pericolo di scosse elettriche**

Quando si eseguono lavori agli impianti elettrici, assicurarsi che nelle vicinanze si trovi qualcuno in grado di intervenire in caso di necessità.



#### **AVVERTENZA! Pericolo di scosse elettriche**

- > Rispettare le sezioni dei cavi consigliate.
- > Posare i cavi in modo che non possano essere danneggiati da porte o cofani. Cavi schiacciati possono causare lesioni gravi.



#### **AVVISO! Rischio di danni**

- > Utilizzare tubi vuoti o canaline per cavi qualora i cavi debbano passare attraverso pannelli in lamiera oppure pannelli con spigoli vivi.
- > **Non** posare il cavo dell'alimentazione 230 V e il cavo CC da 12 V nello stesso condotto.
- > **Non** posare il cavo lasciandolo penzolare o creando strozzature.
- > Fissare i cavi in modo saldo.

### **3.4 Precauzioni per la sicurezza durante la manipolazione delle batterie**



#### **AVVERTENZA! Rischio di lesioni**

- > Le batterie contengono acidi aggressivi e corrosivi. Evitare che il liquido delle batterie venga a contatto con la pelle. In caso di contatto della pelle con il liquido della batteria, lavare accuratamente la parte del corpo interessata con acqua. Qualora si verificano ferite dovute all'acido, consultare immediatamente un medico.
- > Quando si opera sulle batterie non indossare oggetti metallici come orologi o anelli. Le batterie al piombo acido possono creare correnti di cortocircuito che possono causare gravi ustioni.
- > Utilizzare esclusivamente attrezzi isolati.
- > Non collocare parti metalliche sulla batteria ed evitare che le parti metalliche cadano sulla batteria. Ciò potrebbe causare la formazione di scintille o mandare in cortocircuito la batteria e altri apparecchi elettrici.
- > Indossare occhiali e abbigliamento di protezione quando si opera sulle batterie. Quando si opera sulle batterie, evitare di toccarsi gli occhi.
- > Utilizzare esclusivamente batterie ricaricabili.
- > Non utilizzare batterie difettose.



#### **ATTENZIONE! Pericolo di esplosione**

- > Non tentare mai di caricare una batteria congelata o difettosa. Collocare la batteria in un'area non soggetta a congelamento e attendere che la batteria si sia acclimatata alla temperatura ambiente. Avviare quindi la fase di carica.
- > Non fumare, utilizzare fiamme libere o scintille in prossimità del motore o della batteria.
- > Tenere la batteria lontano da fonti di calore.



#### **AVVISO! Rischio di danni**

- > Assicurarsi che la polarità sia corretta prima di collegare la batteria.
- > Attenersi alle indicazioni fornite dal produttore della batteria e dal produttore dell'impianto o del veicolo in cui la batteria viene utilizzata.
- > Se è necessario rimuovere la batteria, scollegare prima il collegamento a massa. Prima di smontarla, staccare tutti i relativi collegamenti e tutte le utenze dalla batteria.
- > Immagazzinare le batterie solo completamente cariche. Ricaricare regolarmente le batterie immagazzinate.
- > Non trasportare la batteria tenendola per i poli.

### 3.5 Sicurezza durante l' utilizzo dell' apparecchio



#### AVVERTENZA! Pericolo di scosse elettriche

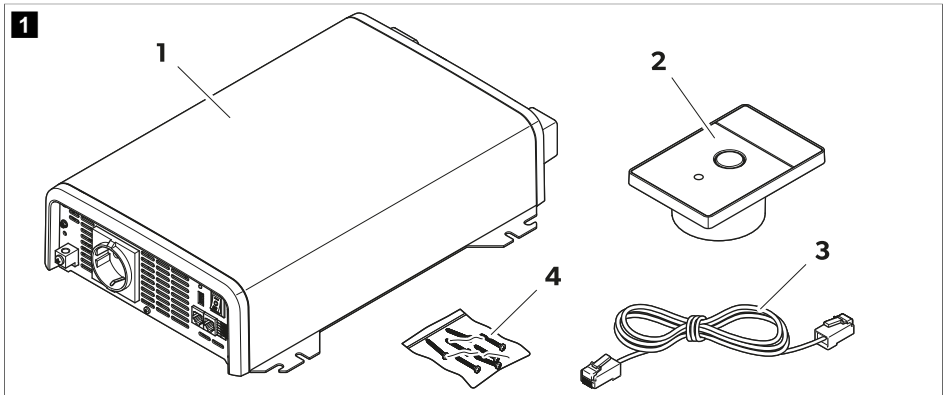
- > Non utilizzare l'apparecchio in ambienti bagnati né immergerlo in sostanze liquide.
- > Prima di avviare l'apparecchio, assicurarsi che il cavo di alimentazione e la spina siano asciutti e che la spina sia priva di ruggine o corpi estranei.
- > Tenere presente che, anche se il fusibile è bruciato, alcuni componenti dell'apparecchio possono rimanere sotto tensione.




#### AVVISO! Rischio di danni

- > Assicurarsi che gli ingressi e le uscite dell'aria dell'apparecchio non siano coperte.
- > Garantire una buona ventilazione.

## 4 Dotazione



N. nella  fig. 1 alla pagina 107	Denominazione	Quantità
1	Inverter a onda sinusoidale	1
2	Telecomando	1
3	Cavo di collegamento del telecomando	1
4	Viti di fissaggio	6
-	Istruzioni di montaggio e d'uso	1

## 5 Accessori

Denominazione	N. art.
Telecomando DPSI-RC	9620018306
Display touch TD283	9620013272

## 6 Destinazione d'uso

L'inverter è progettato per convertire la corrente continua in una tensione alternata (CA) sinusoidale pura di 230 V~ per il funzionamento e l'alimentazione stabile delle utenze collegate da 230 V.

L'inverter è progettato per il collegamento a:

- DPSI612, DPSI1012, DPSI1512, DPSI2012: 12 V $\equiv$
- DPSI624, DPSI1024, DPSI1524, DPSI2024: 24 V $\equiv$

L'inverter è adatto per:

- installazione su veicoli ricreazionali (RV), veicoli commerciali o motori e yacht a vela
- uso fisso o mobile
- uso interno

L'inverter **non** è adatto per:

- uso all'aperto

Questo prodotto è adatto solo per l'uso e l'applicazione previsti in conformità alle presenti istruzioni.

Il presente manuale fornisce le informazioni necessarie per la corretta installazione e/o il funzionamento del prodotto. Un'installazione errata e/o un utilizzo o una manutenzione impropri comporteranno prestazioni insoddisfacenti e un possibile guasto.

Il produttore non si assume alcuna responsabilità per eventuali lesioni o danni al prodotto che derivino da:

- installazione, montaggio o collegamento errati, compresa la sovratensione
- manutenzione non corretta o uso di ricambi diversi da quelli originali forniti dal produttore
- modifiche al prodotto senza esplicita autorizzazione del produttore
- impiego per scopi diversi da quelli descritti nel presente manuale.

Dometic si riserva il diritto di modificare l'aspetto e le specifiche del prodotto.

## 7 Descrizione delle caratteristiche tecniche

### 7.1 Descrizione generale

L'inverter è un apparecchio a onda sinusoidale CC/CA.

L'inverter può essere azionato nei seguenti sistemi di rete:

- Rete TN
- Rete IT

I sistemi di rete vengono impostati tramite una vite sull'inverter.

L'inverter è dotato dei seguenti meccanismi di protezione:

- **Protezione da sovratensione:** L'inverter si spegne quando la tensione supera il valore di disinserimento. L'inverter si riavvia automaticamente quando la tensione scende al valore di riavvio.
- **Protezione da sottotensione:** L'inverter si spegne quando la tensione scende sotto il valore di disinserimento. L'inverter si riavvia automaticamente quando la tensione supera il valore di riavvio.
- **Protezione da sovratemperatura:** L'inverter si spegne quando la temperatura all'interno dell'apparecchio supera il valore di disinserimento. L'inverter si riavvia automaticamente quando la temperatura interna scende al valore di riavvio.

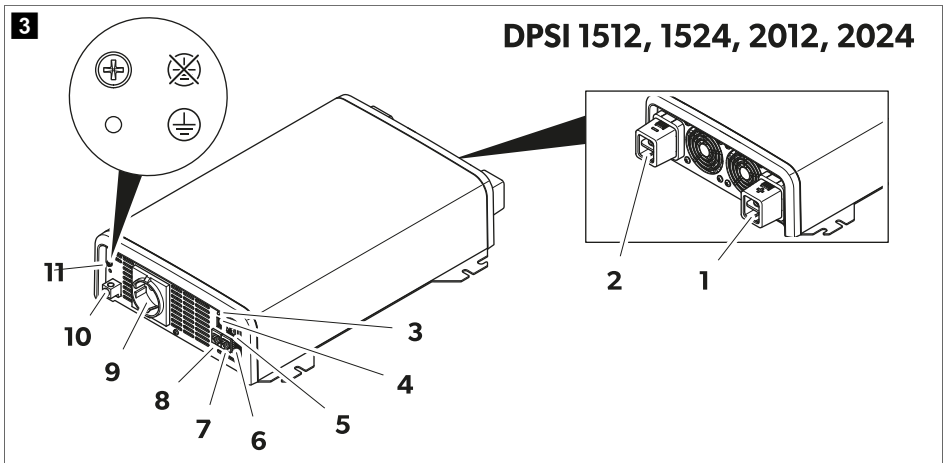
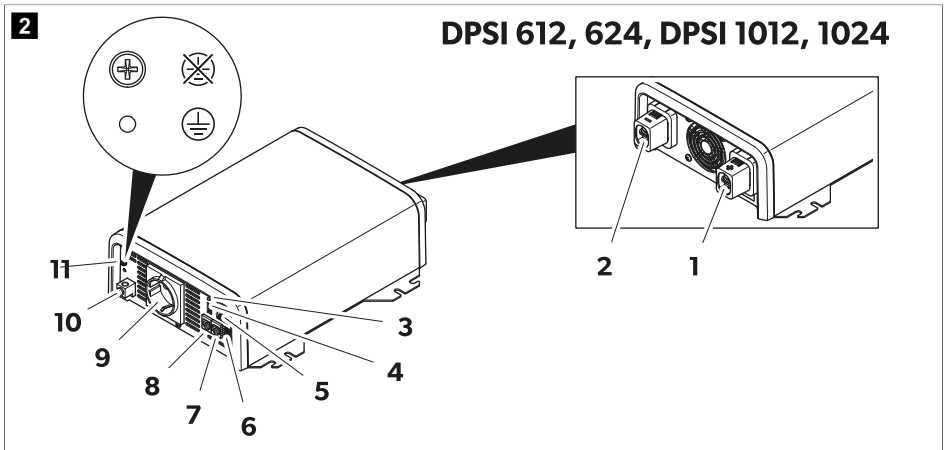
- **Protezione contro una corrente in uscita elevata:** l'inverter si spegne quando sono collegati troppi carichi.
- **Protezione da cortocircuito:** l'inverter si spegne quando si genera un cortocircuito. L'inverter si riavvia automaticamente dopo alcuni secondi. Se viene rilevato un cortocircuito per cinque volte consecutive, l'inverter non si riavvia automaticamente ed è necessario un riavvio manuale.

L'inverter è compatibile con le reti N-BUS e CI-BUS per la visualizzazione di dati e funzioni, controllabili su un display touch (accessori) e sull'app mobile.

È dotato di un telecomando per l'accensione o lo spegnimento dell'apparecchio.

L'inverter può essere commutato nella modalità a basso consumo energetico per ridurre il consumo a vuoto e il carico sulla batteria. Questa operazione può essere eseguita tramite un interruttore di regolazione o dal

## 7.2 Elementi di comando e collegamenti

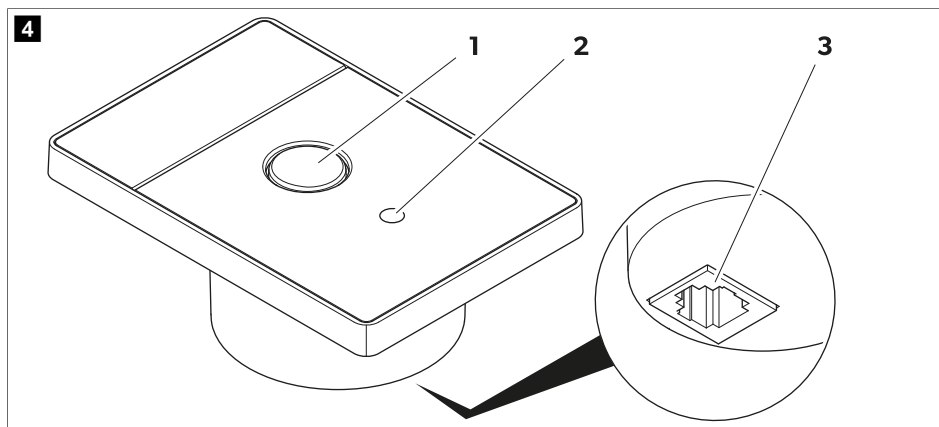




**NOTA** Le figure mostrano le versioni per l'Europa continentale.

Pos.	Denominazione
1	Morsetto (+), collegamento al polo positivo della batteria di bordo
2	Morsetto (-), collegamento al polo negativo della batteria di bordo
3	LED di indicazione di stato
4	Interruttore di regolazione
5	Interruttore On/Off
6	Morsetto per comando esterno
7	Collegamento CI BUS/N Bus/telecomando (LINB)
8	Collegamento CI BUS/N Bus/telecomando (LINA)
9	Presa CA
10	Collegamento a massa
11	Vite per l'impostazione della rete IT/TN

### 7.3 Telecomando



N. nella  fig. 4  
alla pagina 110

**Denominazione**

1	Pulsante On/Off
2	LED di indicazione di stato
3	Collegamento per telecomando

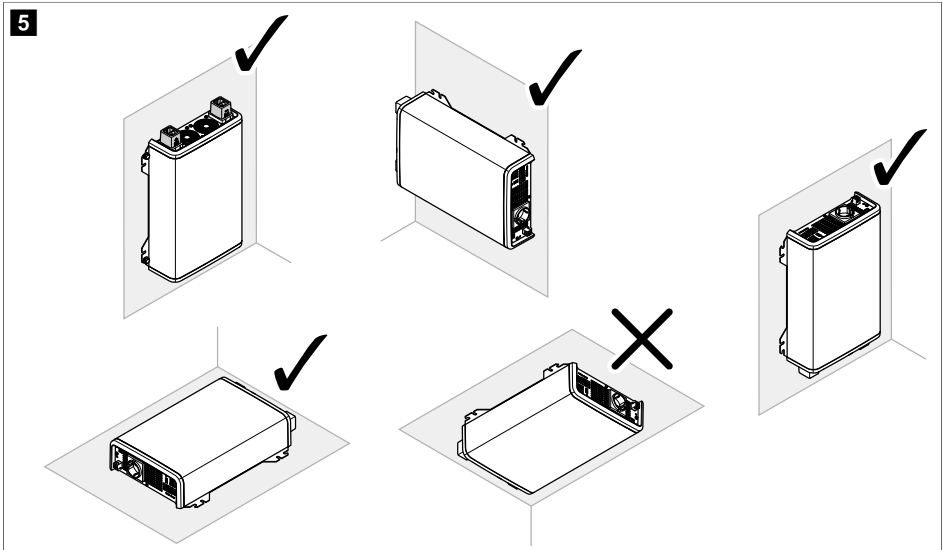
### 7.4 LED di indicazione di stato

Stato	Descrizione
Green	Funzionamento a inverter

Stato	Descrizione
Orange	Avvertenza: uscita CA presente, rischio di sovratensione, sottotensione o interruzione dell'alimentazione
Red	Errore: nessun ingresso CA presente, inverter disattivato (vedere il capitolo Risoluzione dei problemi alla pagina 119)

## 8 Installazione

### 8.1 Punto di montaggio



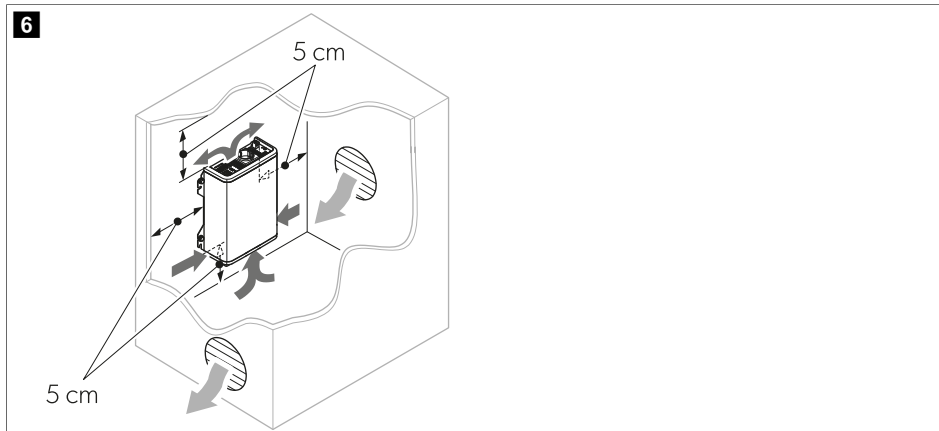
#### **AVVISO! Rischio di danni**

Prima di effettuare qualsiasi tipo di foro, assicurarsi che nessun cavo elettrico o altri componenti del veicolo vengano danneggiati durante l'uso di trapani, seghe e lime.




#### **NOTA**

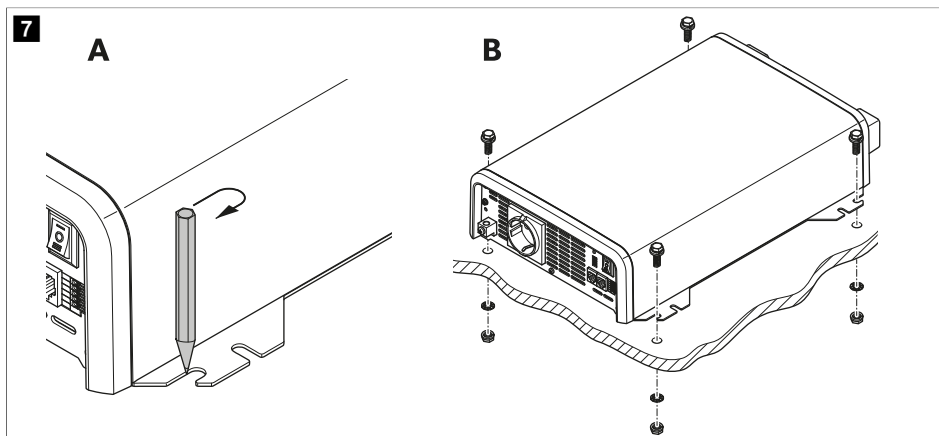
L'inverter può essere montato sia in posizione orizzontale sia sospesa (  fig. **5** alla pagina 111).





Osservare le seguenti istruzioni quando si sceglie il luogo di montaggio:

- Assicurarsi che la superficie di montaggio sia stabile e piana.
- Rispettare le specifiche della distanza per una ventilazione sufficiente (  fig. **6** alla pagina 112).

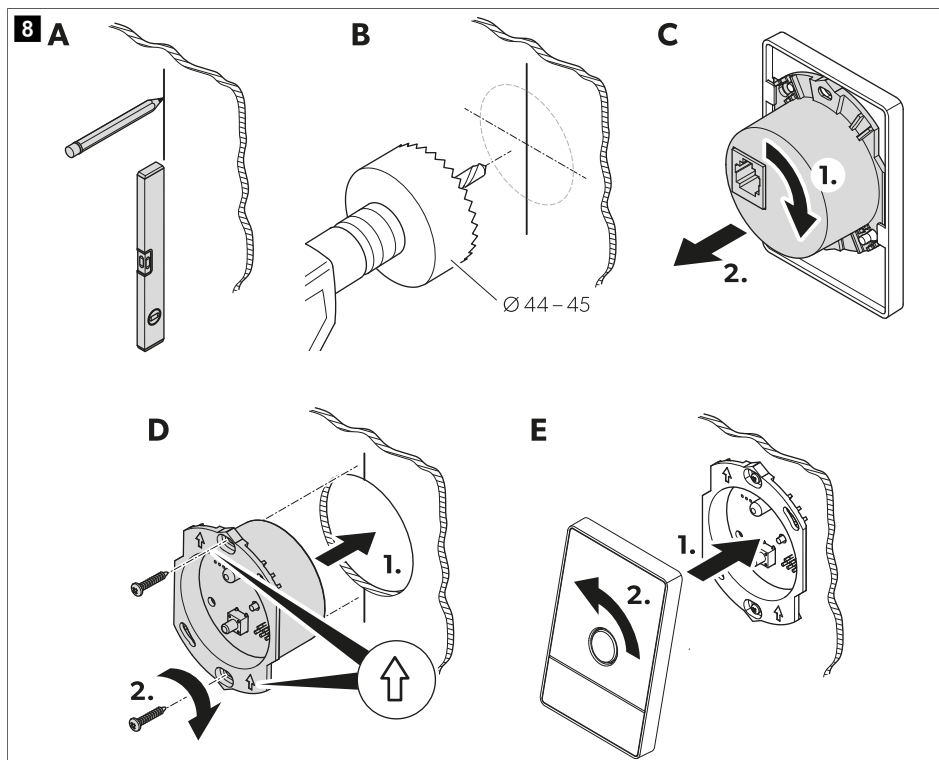
## 8.2 Montaggio dell'inverter







1. Selezionare i fori di montaggio adatti a seconda del tipo di montaggio selezionato (posizione orizzontale o sospesa) e contrassegnare i fori da realizzare (  fig. **7** alla pagina 112, **A**).
2. Preforare i fori di montaggio.
3. Avvitare l'inverter in posizione (  fig. **7** alla pagina 112, **B**).




### 8.3 Montaggio del telecomando



1. Contrassegnare la superficie di montaggio (  fig. 8 alla pagina 113, **A**).
2. Praticare un foro con un diametro di 44 mm ... 45 mm, ad esempio con un seghetto a gattuccio (  fig. 8 alla pagina 113, **B**).
3. Rimuovere la scatola di derivazione dal pannello di controllo (  fig. 8 alla pagina 113, **C**).
4. Inserire la scatola di derivazione nel foro e avvitare saldamente (  fig. 8 alla pagina 113, **D**).



**NOTA** Seguire che l'allineamento verticale corretto indicato dalle frecce sulla scatola di derivazione.

5. Collegare il pannello di controllo alla scatola di derivazione (  fig. 8 alla pagina 113, **E**).
6. Togliere la pellicola protettiva.

## 8.4 Collegamento dell'inverter



L'installazione elettrica e la configurazione dell'apparecchio devono essere eseguite da un elettricista qualificato che abbia dimostrato competenze e conoscenze relative alla costruzione e al funzionamento delle apparecchiature elettriche e alle installazioni, e che conosca le normative vigenti nel Paese in cui l'apparecchiatura deve essere installata e/o utilizzata e abbia ricevuto una formazione sulla sicurezza per identificare ed evitare i pericoli coinvolti.

Tutte le altre azioni sono destinate anche agli utenti non professionali.



### **AVVERTENZA! Pericolo di scosse elettriche**

Rispettare le sezioni e le lunghezze dei cavi e il fusibile consigliati.



### **ATTENZIONE! Pericolo di incendio**

Posizionare i fusibili vicino alle batterie per proteggere il cavo da cortocircuiti e possibili bruciature.



### **AVVISO! Rischio di danni**

- > Non invertire la polarità.
- > Serrare le viti o i dadi a una coppia massima di 15 Nm. I collegamenti allentati possono causare il surriscaldamento.

Attenersi alle seguenti istruzioni per collegare l'inverter:

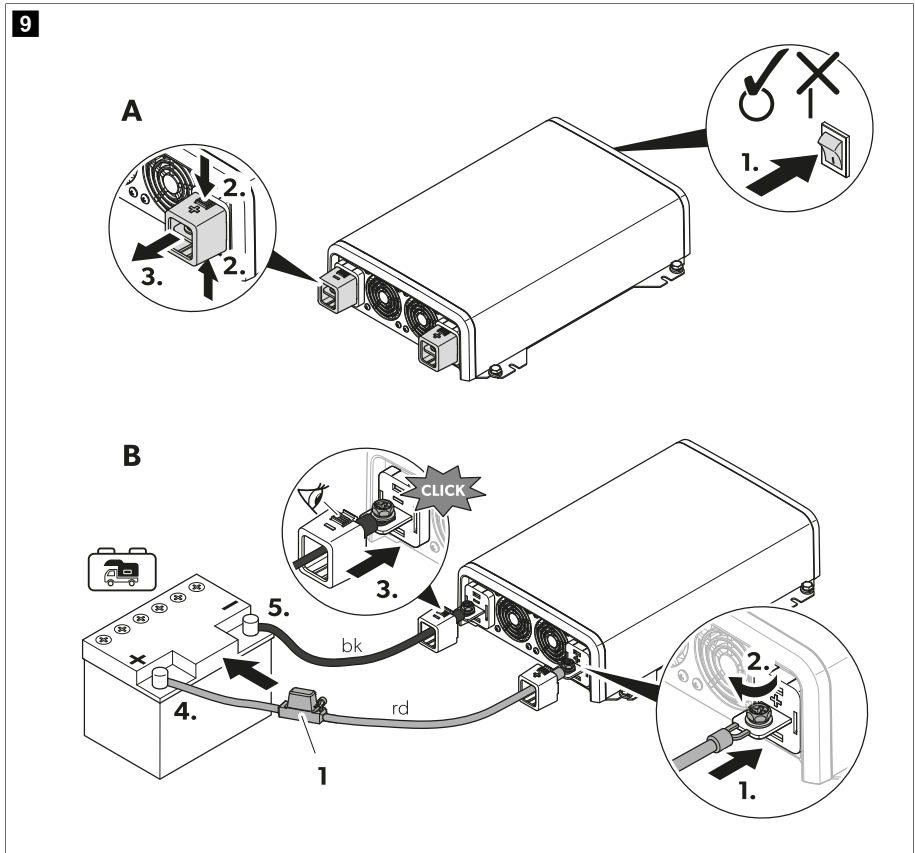
- Rispettare le normative applicabili durante la configurazione di un circuito di distribuzione prese (installazione di rete).
- Selezionare la lunghezza dei cavi CC (collegamento ai morsetti della batteria) più corta possibile ( $\leq 1$  m).
- Per il collegamento alla **rete TN**: installare un interruttore differenziale (RCD).
- Per il collegamento alla **rete IT**: installare un dispositivo di monitoraggio dell'isolamento (IMD) se è collegato più di un carico. **Si applicano le norme nazionali.**



1. Definire le sezioni dei cavi e i fusibili:

	Sezione cavo	Fusibile per cavi
DPSI612	25 mm <sup>2</sup>	150 A
DPSI624	25 mm <sup>2</sup>	150 A
DPSI1012	35 mm <sup>2</sup>	200 A
DPSI1024	25 mm <sup>2</sup>	150 A
DPSI1512	50 mm <sup>2</sup>	250 A
DPSI1524	25 mm <sup>2</sup>	150 A
DPSI2012	70 mm <sup>2</sup>	300 A
DPSI2024	35 mm <sup>2</sup>	200 A


2. Controllare che l'apparecchio sia spento (  fig. **9** alla pagina 115, **1**).

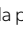

9



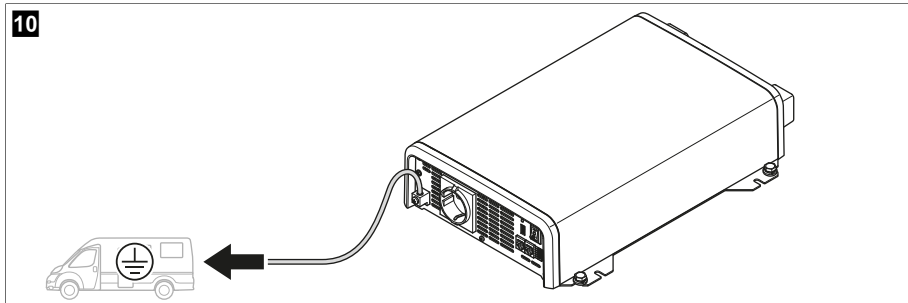
3. Staccare i coperchi dai morsetti (  fig. 9 alla pagina 115, 2 – 3).
4. Collegare (+) al morsetto positivo della batteria di bordo (cavo rosso (rd),  fig. 9 alla pagina 115, 4).



**NOTA** proteggere il cavo positivo della batteria di bordo con un fusibile (  fig. 9 alla pagina 115, 1).

5. Collegare (-) al morsetto negativo della batteria di bordo (cavo nero (bk) (  fig. 9 alla pagina 115, 5).
6. Collegare il collegamento a massa alla massa (telaio) (  fig. 10 alla pagina 116).

10



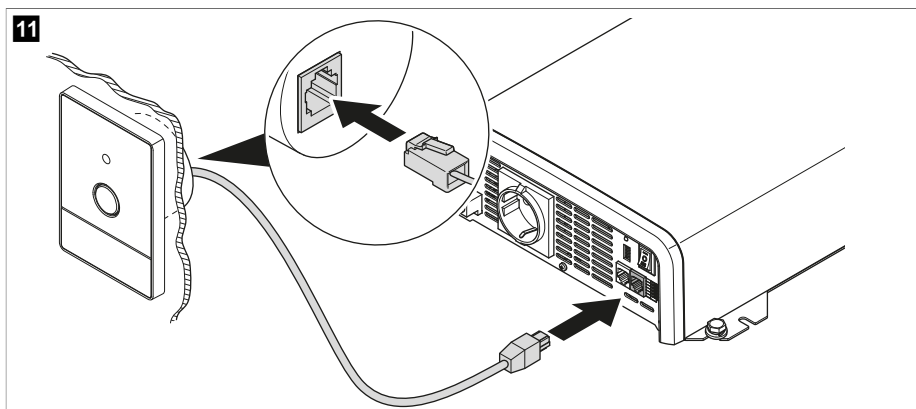
## 8.5 Collegamento del telecomando



**NOTA** Il telecomando e la rete N-BUS/CI-BUS non possono essere collegati contemporaneamente.

- > Collegare il telecomando all'apposito collegamento utilizzando il cavo del telecomando.

11

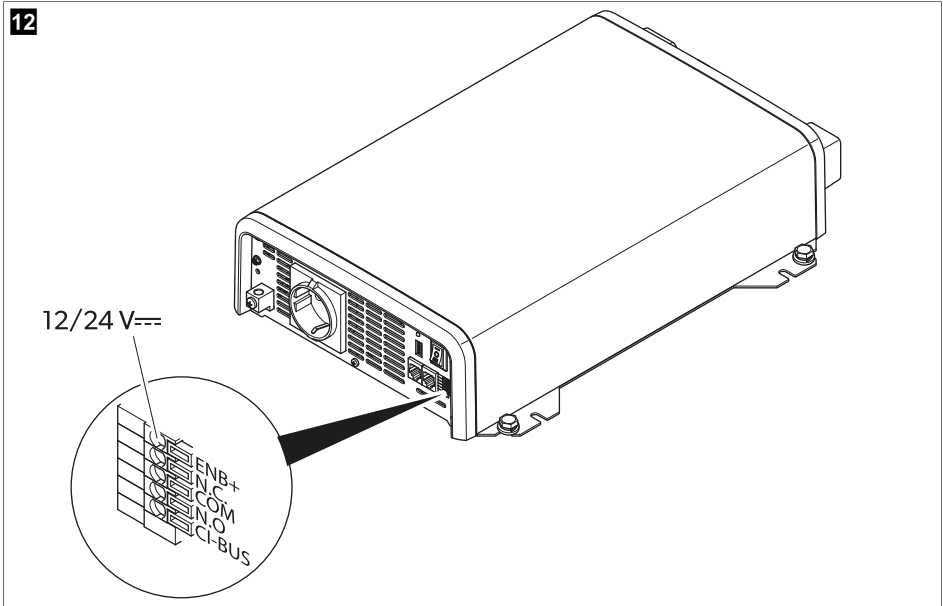


## 8.6 Collegamento del pin ENB+



**NOTA** In presenza di un pin ENB+ collegato, non è possibile modificare lo stato della modalità a basso consumo energetico.

12



1. Posizionare l'interruttore On/Off su **0**.
2. Utilizzare il pin ENB+ come segue:
  - Per attivare l'inverter, collegare il pin ENB+ al polo positivo della batteria di bordo tramite un cavo elettrico adeguato.
  - Per spegnere l'inverter, scollegare il pin ENB+ dalla batteria di bordo.

## 9 Configurazione del sistema di rete

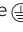



L'installazione elettrica e la configurazione dell'apparecchio devono essere eseguite da un elettricista qualificato che abbia dimostrato competenze e conoscenze relative alla costruzione e al funzionamento delle apparecchiature elettriche e alle installazioni, e che conosca le normative vigenti nel Paese in cui l'apparecchiatura deve essere installata e/o utilizzata e abbia ricevuto una formazione sulla sicurezza per identificare ed evitare i pericoli coinvolti.

Tutte le altre azioni sono destinate anche agli utenti non professionali.

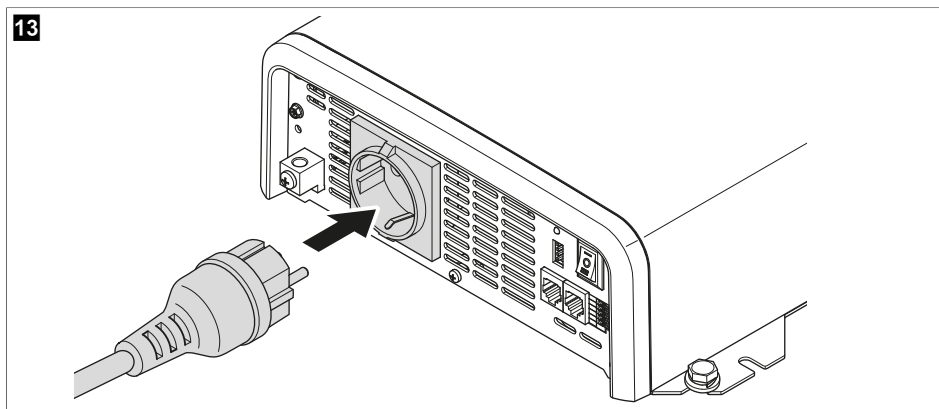


### **PERICOLO! Pericolo di scosse elettriche**

- > Rimuovere il cappuccio di protezione dall'interruttore di regolazione solo a fini della configurazione.
  - > Sostituire il cappuccio di protezione per evitare una regolazione accidentale dell'interruttore di regolazione.
  - > Per la configurazione della **rete TN**: assicurarsi che sia installato un interruttore differenziale (RCD).
  - > Per la configurazione della **rete IT**: azionare un solo carico o installare un dispositivo di monitoraggio dell'isolamento (IMD). Rispettare le norme nazionali.
- 
- > Inserire la vite nella posizione  per impostare la rete **TN**.
  - > Inserire la vite nella posizione  per impostare la rete **IT**.

## 10 Funzionamento

### 10.1 Utilizzo di apparecchi a 230 V



#### NOTA

Collegare solo apparecchi il cui carico totale non supera i valori elencati in Specifiche tecniche alla pagina 121.

- > Collegare gli apparecchi a 230 V all'uscita CA dell'inverter (  fig. **13** alla pagina 118).

### 10.2 Attivazione e disattivazione dell'inverter



#### NOTA

- > Se l'inverter deve essere controllato tramite il telecomando, l'interruttore On/Off deve essere impostato sulla posizione **II**.
- > Se l'inverter deve essere controllato tramite il pin ENB+, impostare l'interruttore On/Off sulla posizione **0**.
- > Per accendere l'inverter, impostare l'interruttore On/Off sulla posizione **I**.
- > Per spegnere l'inverter, impostare l'interruttore On/Off sulla posizione **0**.
- > Per accendere e spegnere l'inverter, è possibile utilizzare il telecomando o il pin ENB+.

### 10.3 Impostazione della modalità a basso consumo energetico



#### NOTA

- Se l'interruttore di regolazione S2 è in posizione **OFF**, l'inverter automaticamente passa al funzionamento normale non appena viene collegato un carico di  $\geq 45$  W.
- Se l'interruttore di regolazione S2 è in posizione **ON**, l'inverter automaticamente passa al funzionamento normale non appena viene collegato un carico di  $\geq 80$  W.
- Lo stato della modalità di risparmio energetico non può essere modificato se si utilizza il telecomando o il pin ENB+, a meno che non venga eseguito un ciclo di accensione/spengimento completo.

### Attivazione della modalità a basso consumo energetico

1. Spegnerne l'inverter se necessario.
  2. Posizionare l'interruttore di regolazione S1 su **ON**.
- ✓ La modalità a basso consumo energetico è attivata.

### Disattivazione della modalità a basso consumo energetico

1. Spegnerne l'inverter.
  2. Posizionare l'interruttore di regolazione S1 su **OFF**.
- ✓ La modalità a basso consumo energetico è disattivata.

## 11 Pulizia e manutenzione



### AVVERTENZA! Pericolo di scosse elettriche

Scollegare l'apparecchio dall'alimentazione elettrica prima di eseguire la pulizia e la manutenzione.



### AVVISO! Rischio di danni

- > Non lavare mai l'apparecchio sotto acqua corrente e non immergerlo in acqua per risciaccarlo.
  - > Per la pulizia non impiegare oggetti appuntiti o duri, detersivi abrasivi o candeggina, perché potrebbero danneggiare l'apparecchio.
  - > Assicurarsi che le aperture di aerazione e disaerazione dell'apparecchio siano prive di polvere e sporcizia, in modo da permettere al calore di fuoriuscire.
- > Pulire l'apparecchio di tanto in tanto con un panno umido morbido.
- > Controllare regolarmente che i cavi sotto tensione non presentino difetti di isolamento, rotture o collegamenti allentati.

## 12 Risoluzione dei problemi

Guasto	Possibile causa	Rimedio
L'inverter non funziona. Il LED di indicazione di stato è spento.	Cortocircuito per cinque volte consecutive.	> Se è scattato a causa di sovracorrente, il fusibile dell'apparecchio deve essere sostituito dal servizio di assistenza autorizzato.
	Difetti di isolamento, rotture o collegamenti allentati in corrispondenza dei cavi sotto tensione.	> Controllare che i cavi sotto tensione non presentino difetti di isolamento, rotture o collegamenti allentati.  Se non si riesce a trovare un errore, contattare il servizio di assistenza autorizzato.
L'inverter non funziona. Il LED di indicazione di stato si accende con luce rossa.	Protezione contro una corrente in uscita elevata.	Ridurre i carichi collegati.
	Spegnimento per alta temperatura.	1. Spegnerne l'inverter e i carichi collegati. 2. Verificare che le prese d'aria non siano coperte od ostruite. 3. Lasciare raffreddare l'inverter.

Guasto	Possibile causa	Rimedio
	È stato generato un cortocircuito.	Se è scattato a causa di sovracorrente, il fusibile dell'apparecchio deve essere sostituito dal servizio di assistenza autorizzato.
	Spegnimento per sovratensione. Tensioni della batteria troppo alte.	<ul style="list-style-type: none"> <li>&gt; Ridurre le tensioni connesse.</li> </ul> L'inverter si riavvia automaticamente quando la tensione scende al valore di riavvio (vedere il capitolo Protezione da sovratensione alla pagina 122). <ul style="list-style-type: none"> <li>&gt; Se l'errore persiste: Aumentare la sezione dei cavi. Ridurre la lunghezza dei cavi.</li> </ul>
	Spegnimento per sottotensione. Tensioni della batteria insufficienti.	<ul style="list-style-type: none"> <li>&gt; Attendere che la batteria si ricarichi lentamente.</li> </ul> L'inverter si riavvia automaticamente quando la tensione supera il valore di riavvio (vedere il capitolo Protezione da sottotensione alla pagina 122).

## 13 Garanzia

Vale il termine di garanzia previsto dalla legge. Se il prodotto è difettoso, contattare la filiale del produttore nel proprio Paese (vedere [dometic.com/dealer](http://dometic.com/dealer)) o il rivenditore di riferimento.

Per attivare la garanzia e predisporre eventuali interventi di riparazione, è necessario inviare la seguente documentazione insieme al prodotto:

- una copia della ricevuta con la data di acquisto,
- il motivo della richiesta o la descrizione del guasto.

Tenere presente che le riparazioni eseguite in autonomia o da personale non professionista possono avere conseguenze sulla sicurezza e invalidare la garanzia.

## 14 Smaltimento



Smaltire il materiale da imballaggio negli appositi contenitori di riciclaggio, dove possibile.

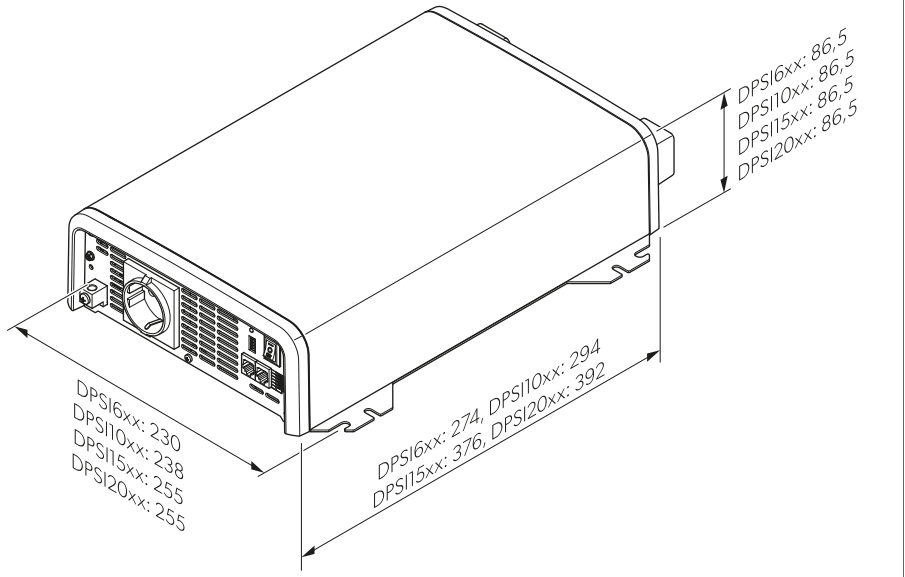
Consultare il centro locale di riciclaggio o il rivenditore specializzato per informazioni su come smaltire il prodotto secondo le norme sullo smaltimento applicabili.

È possibile smaltire il prodotto gratuitamente.




## 15 Specifiche tecniche

14





	<b>DPSI 612</b>	<b>DPSI 1012</b>	<b>DPSI 624</b>	<b>DPSI 1024</b>
Tensione nominale di ingresso	12 V <sup>===</sup>		24 V <sup>===</sup>	
Tolleranza della tensione di ingresso	10,5 ... 16,5 V <sup>===</sup>		21 ... 33 V <sup>===</sup>	
Potenza di uscita continua P <sub>nom</sub>	600 W	1000 W	600 W	1000 W
Potenza di uscita massima (1 min)	690 W	1150 W	690 W	1150 W
Potenza di picco massima (1 s) P <sub>surge</sub>	1200 W	2000 W	1200 W	2000 W
Corrente assorbita in modo stand-by	≤ 1 A	≤ 1,1 A	≤ 0,6 A	≤ 0,6 A
Corrente assorbita in modo stand-by	≤ 0,3 A	≤ 0,35 A	≤ 0,2 A	≤ 0,2 A
Dimensioni	📐 fig. 14 alla pagina 121			
Peso	1,1 kg	1,2 kg	1,1 kg	1,2 kg

	<b>DPSI 1512</b>	<b>DPSI 2012</b>	<b>DPSI 1524</b>	<b>DPSI 2024</b>
Tensione nominale di ingresso	12 V <sup>===</sup>		24 V <sup>===</sup>	
Tolleranza della tensione di ingresso	10,5 ... 16,5 V <sup>===</sup>		21 ... 33 V <sup>===</sup>	
Potenza di uscita continua P <sub>nom</sub>	1500 W	2000 W	1500 W	2000 W
Potenza di uscita massima (1 min)	1725 W	2300 W	1725 W	2300 W
Potenza di picco massima (1 s) P <sub>surge</sub>	3000 W	4000 W	3000 W	4000 W
Corrente assorbita in modo stand-by	≤ 1,2 A	≤ 1,5 A	≤ 0,7 A	≤ 0,8 A
Corrente assorbita in modo stand-by	≤ 0,4 A	≤ 0,5 A	≤ 0,25 A	≤ 0,3 A

	DPSI 1512	DPSI 2012	DPSI 1524	DPSI 2024
Dimensioni	 fig. 14 alla pagina 121			
Peso	1,1 kg	1,2 kg	1,1 kg	1,2 kg

### 15.1 Specifiche tecniche generali

Intervallo della tensione di uscita	230 V $\sim$ $\pm$ 10 %
Frequenza di uscita	50 Hz $\pm$ 1 %
Forma d'onda in uscita	Onda sinusoidale pura
Efficienza di picco	90 %
Temperatura ambiente per il funzionamento	0 ... 50 °C
Temperatura ambiente per stoccaggio	- 30 °C ... 70 °C
Umidità ambientale:	0 ... 95 %, non-condensing
Ispezione/certificazione	 

### 15.2 Protezione da sottotensione

	Valore di disinserimento	Valore di riavvio
DPSlxx12	10,3 V	11,8 V
DPSlxx24	20,6 V	23,6 V

### 15.3 Protezione da sovratensione

	Valore di disinserimento	Valore di riavvio
DPSlxx12	16,5 V	15,5 V
DPSlxx24	33 V	31 V

## Nederlands

1	Belangrijke opmerkingen.....	123
2	Verklaring van de symbolen.....	123
3	Veiligheidsaanwijzingen.....	124
4	Omvang van de levering.....	127
5	Accessoires.....	127
6	Beoogd gebruik.....	127
7	Technische beschrijving.....	128
8	Installatie.....	131
9	Het netwerksysteem configureren.....	137
10	Gebruik.....	138
11	Reiniging en onderhoud.....	139
12	Problemen oplossen.....	139
13	Garantie.....	140
14	Verwijdering.....	140
15	Technische gegevens.....	141

## 1 Belangrijke opmerkingen

Lees deze gebruiksaanwijzing zorgvuldig door en volg alle instructies, richtlijnen en waarschuwingen in deze handleiding op om ervoor te zorgen dat u het product te allen tijde op de juiste manier installeert, gebruikt en onderhoudt. Deze gebruiksaanwijzing MOET bij dit product worden bewaard.

Door het product te gebruiken, bevestigt u hierbij dat u alle instructies, richtlijnen en waarschuwingen zorgvuldig hebt gelezen en dat u de voorwaarden zoals hierin beschreven begrijpt en accepteert. U gaat ermee akkoord dit product alleen te gebruiken voor het beoogde doel en de beoogde toepassing en in overeenstemming met de instructies, richtlijnen en waarschuwingen zoals beschreven in deze gebruiksaanwijzing en in overeenstemming met de geldende wet- en regelgeving. Het niet lezen en opvolgen van de hierin beschreven instructies en waarschuwingen kan leiden tot letsel voor uzelf en anderen, schade aan uw product of schade aan andere eigendommen in de omgeving. Deze gebruiksaanwijzing, met inbegrip van de instructies, richtlijnen en waarschuwingen, en de bijbehorende documentatie kan onderhevig zijn aan wijzigingen en updates. Voor de recentste productinformatie, bezoek [documents.dometic.com](http://documents.dometic.com).

## 2 Verklaring van de symbolen

Een signaalwoord geeft informatie over veiligheid en eigendomsschade en geeft de mate of ernst van het gevaar aan.



### GEVAAR!

Duidt op een gevaarlijke situatie die, indien deze niet wordt voorkomen, ernstig letsel of de dood tot gevolg heeft.



### WAARSCHUWING!

Duidt op een gevaarlijke situatie die, indien deze niet wordt voorkomen, ernstig letsel of de dood tot gevolg kan hebben.



### VOORZICHTIG!

Duidt op een gevaarlijke situatie die, indien deze niet wordt voorkomen, licht of matig letsel tot gevolg kan hebben.



### LET OP!

Duidt op een situatie die, indien deze niet wordt voorkomen, kan leiden tot materiële schade.



**INSTRUCTIE** Aanvullende informatie voor het gebruik van het product.

## 3 Veiligheidsaanwijzingen

**Neem ook de veiligheidsaanwijzingen en voorschriften van de voertuigfabrikant en erkende werkplaatsen in acht.**

### 3.1 Algemene veiligheid



#### **GEVAAR! Gevaar voor elektrische schokken**

- > Raak blanke leidingen nooit met blote handen aan.
- > Om bij gevaar het toestel snel van het wisselstroomnet te kunnen loskoppelen, moet het stopcontact zich in de buurt van het toestel bevinden en gemakkelijk toegankelijk zijn.



#### **WAARSCHUWING! Gevaar voor elektrische schokken**

- > Montage en demontage van het toestel mogen alleen door gekwalificeerd personeel worden uitgevoerd.
- > Gebruik het toestel niet als het toestel zelf of de aansluitkabel zichtbaar beschadigd is.
- > Als het netsnoer van dit toestel beschadigd is, moet het netsnoer worden vervangen om gevaren te voorkomen.
- > Dit toestel mag uitsluitend worden gerepareerd door bevoegd personeel. Ondeskundige reparaties kunnen leiden tot aanzienlijke gevaren.
- > Gebruik uitsluitend door de fabrikant aanbevolen accessoires.
- > Bewerk de componenten niet zelf en maak geen aanpassingen.
- > Maak geen kabels los als het toestel nog in gebruik is.
- > Ontkoppel het toestel van de stroomvoorziening:
  - Na elk gebruik
  - Voor elke reiniging en elk onderhoud
  - Voor het vervangen van een zekering



#### **WAARSCHUWING! Brandgevaar/ontvlambare materialen**

Gebruik in geval van brand een brandblusser die geschikt is voor elektrische toestellen.



#### **WAARSCHUWING! Verstikkingsgevaar**

De kabel en bedieningseenheid van het toestel kunnen een gevaar voor verstriking, wurging, struikelen etc. vormen indien ze niet correct worden gebruikt. Zorg ervoor dat extra aansluitingen en stroomkabels op een veilige manier worden gelegd.



#### **WAARSCHUWING! Gevaar voor de gezondheid**

- > Dit toestel mag worden gebruikt door kinderen vanaf 8 jaar en ouder evenals door personen met verminderd fysiek, zintuiglijk of mentaal vermogen of gebrek aan kennis en ervaring, mits zij onder toezicht staan of zijn geïnstrueerd in het veilig gebruik van het toestel en zij inzicht hebben in de gevaren die het gebruik ervan met zich meebrengt.
- > **Elektrische toestellen zijn geen speelgoed.** Houd en gebruik het toestel buiten het bereik van zeer jonge kinderen.
- > Kinderen moeten onder toezicht staan om te garanderen dat ze niet met het toestel spelen.
- > Reiniging en gebruikersonderhoud mogen niet door kinderen zonder toezicht worden uitgevoerd.



### LET OP! Gevaar voor schade

- > Controleer voor de ingebruikname of de spanning op het typeplaatje overeenkomt met de aanwezige stroomvoorziening.
- > Let erop dat andere voorwerpen **geen** kortsluiting bij de contacten van het toestel kunnen veroorzaken.
- > Let op dat de min- en pluspolen **nooit** in contact komen.
- > Trek niet aan de aansluitkabels en gebruik de kabels niet als handgreep.
- > Het toestel mag niet aan regen of vocht worden blootgesteld. Berg het toestel op op een droge plaats.

## 3.2 Het toestel veilig monteren



### GEVAAR! Explosiegevaar

- > Monteer en gebruik het toestel in gesloten, goed geventileerde ruimtes.
- > Monteer en gebruik het toestel **niet** onder de volgende omstandigheden:
  - in een zouthoudende, vochtige of natte omgeving
  - in de buurt van agressieve dampen
  - in de buurt van brandbare materialen
  - In de buurt van warmtebronnen (verwarmingen, direct zonlicht, gasovens, enz.)
  - in zones waar gevaar voor gas- of stofexplosies heerst



### WAARSCHUWING! Gevaar voor letsel

- > Let op een stabiele stand. Het toestel moet zo veilig opgesteld en bevestigd worden, dat het niet kan omvallen of naar beneden kan vallen.
- > Zorg er bij het opstellen van het toestel voor dat alle kabels veilig zijn bevestigd, om struikelen te voorkomen.



### LET OP! Gevaar voor schade

- > Plaats het toestel op een droge locatie waar het is beschermd tegen spatwater.
- > Gebruik altijd gearde en door aardlekschakelaars beveiligde contactdozen.

## 3.3 Veiligheid bij de elektrische aansluiting van het toestel



### GEVAAR! Gevaar voor elektrische schokken

Als u aan elektrische installaties werkt, zorg er dan voor dat er iemand in de buurt is die u in geval van nood kan helpen.



### WAARSCHUWING! Gevaar voor elektrische schokken

- > Neem de aanbevolen kabeldoorsneden in acht.
- > Leg de kabels zodanig dat deze niet beschadigd kunnen raken door de deuren of de motorkap. Geplette kabels kunnen tot levensgevaarlijke verwondingen leiden.



### LET OP! Gevaar voor schade

- > Gebruik holle buizen of leidingdoorvoeren, als leidingen door plaatwanden of andere wanden met scherpe randen geleid moeten worden.
- > Leg het 230 V-netsnoer en de 12 V-gelijkstroomkabel **niet** samen in dezelfde kabelgoot.
- > Leg de kabel **niet** los of scherp geknikt.
- > Bevestig de kabels op een veilige wijze.

### 3.4 Veiligheid bij de omgang met accu's



#### **WAARSCHUWING! Gevaar voor letsel**

- > Accu's kunnen agressieve en bijtende zuren bevatten. Vermijd elk lichamelijk contact met de accuvloeistof. Indien uw huid in aanraking komt met accuvloeistof, was dan het desbetreffende lichaamsdeel grondig met water. Consulteer bij verwondingen door zuren in ieder geval een arts.
- > Draag bij het werken met accu's geen metalen voorwerpen zoals horloges of ringen. Loodzuuraccu's kunnen kortsluitstromen veroorzaken, die tot ernstige verbrandingen kunnen leiden.
- > Gebruik uitsluitend geïsoleerd gereedschap.
- > Plaats geen metalen onderdelen op de accu en voorkom dat metalen onderdelen op de accu vallen. Dit kan vonken of kortsluiting veroorzaken in de accu en andere elektrische apparaten.
- > Draag een veiligheidsbril en veiligheidskleding wanneer u aan accu's werkt. Raak uw ogen niet aan wanneer u aan accu's werkt.
- > Gebruik uitsluitend herlaadbare accu's.
- > Gebruik geen defecte accu's.



#### **VOORZICHTIG! Explosiegevaar**

- > Probeer geen bevroren of defecte accu op te laden. Plaats de accu in een vorstvrije ruimte en wacht tot de accu op omgevingstemperatuur is. Start dan pas de laadprocedure.
- > Rook niet, gebruik geen open vuur of veroorzaak geen vonken in de buurt van de motor of een accu.
- > Houd de accu uit de buurt van warmtebronnen.



#### **LET OP! Gevaar voor schade**

- > Let bij het aansluiten van de accu op de juiste polariteit.
- > Neem de handleidingen in acht van de accufabrikant en van de fabrikant van de installatie of het voertuig waarin de accu wordt gebruikt.
- > Als de accu moet worden verwijderd, koppel dan eerst de aardverbinding los. Verbreek alle verbindingen en maak alle verbruikers van de accu los, voordat u deze verwijdert.
- > Bewaar uitsluitend volledig opgeladen accu's. Laad opgeslagen accu's regelmatig op.
- > Draag de accu niet aan de polen.

### 3.5 Veiligheid bij het gebruik van het toestel



#### **WAARSCHUWING! Gevaar voor elektrische schokken**

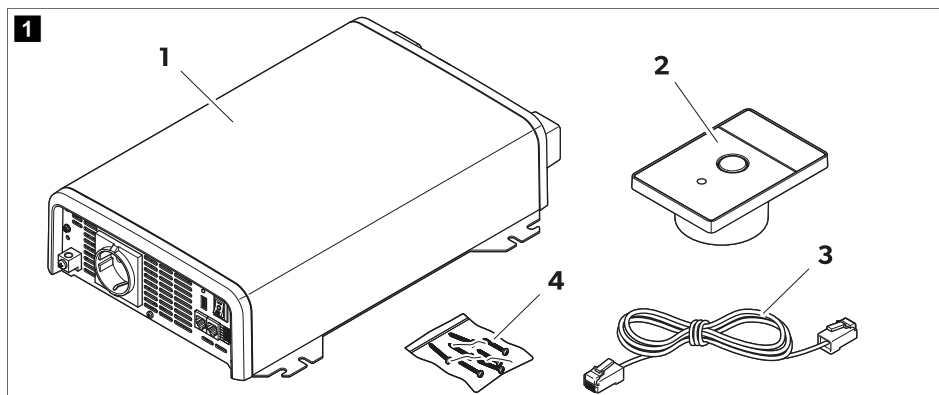
- > Gebruik het toestel niet onder vochtige omstandigheden en dompel het niet onder in een vloeistof.
- > Voordat u het toestel start, moet u ervoor zorgen dat het netsnoer en de stekker droog zijn en de stekker vrij is van roest of vuil.
- > Houd er rekening mee dat onderdelen van het toestel nog onder spanning kunnen staan, zelfs als de zekering is gesprongen.




#### **LET OP! Gevaar voor schade**

- > Zorg ervoor dat de luchtinlaten en -uitlaten van het toestel niet afgedekt zijn.
- > Zorg voor goede ventilatie.

## 4 Omvang van de levering



Nr. in  afb. <b>1</b> op pagina 127	Aanduiding	Aantal
1	Sinusomvormer	1
2	Afstandsbediening	1
3	Aansluitkabel voor afstandsbediening	1
4	Bevestigingsschroeven	6
-	Montagehandleiding en gebruiksaanwijzing	1

## 5 Accessoires

Aanduiding	Artikelnr.
Afstandsbediening DPSI-RC	9620018306
Touchscreen TD283	9620013272

## 6 Beoogd gebruik

De omvormer is bedoeld om gelijkstroom om te zetten in een zuivere sinusgolf-wisselspanning (AC) van 230 V~ voor de werking en stabiele voeding van aangesloten 230 V-verbruikers.

De omvormer is bedoeld voor aansluiting op:

- DPSI612, DPSI1012, DPSI1512, DPSI2012: 12 V $\leftarrow$
- DPSI624, DPSI1024, DPSI1524, DPSI2024: 24 V $\leftarrow$

De omvormer is geschikt voor:

- Installatie in recreatieve voertuigen (RV), bedrijfsvoertuigen of motor- en zeiljachten
- Stationair of mobiel gebruik
- Gebruik binnenshuis

De omvormer is **niet** geschikt voor:

- Gebruik buiten

Dit product is alleen geschikt voor het beoogde gebruik en de toepassing in overeenstemming met deze gebruiksaanwijzing.

Deze handleiding geeft informatie die nodig is voor een correcte installatie en/of correct gebruik van het product. Een slechte installatie en/of onjuist gebruik of onderhoud leidt tot onvoldoende prestaties en mogelijke storingen.

De fabrikant aanvaardt geen aansprakelijkheid voor letsel of schade aan het product die het gevolg is van:

- Onjuiste installatie, montage of aansluiting, inclusief te hoge spanning
- Onjuist onderhoud of gebruik van andere dan door de fabrikant geleverde originele reserveonderdelen
- Wijzigingen aan het product zonder uitdrukkelijke toestemming van de fabrikant
- Gebruik voor andere doeleinden dan beschreven in deze handleiding

Dometic behoudt zich het recht voor om het uiterlijk en de specificaties van het product te wijzigen.

## 7 Technische beschrijving

### 7.1 Algemene beschrijving

De omvormer is een sinusgolfomvormer voor gelijkstroom naar wisselstroom.

De omvormer kan in de volgende netwerksystemen worden gebruikt:

- TN-netwerk
- IT-netwerk

De netwerksystemen worden ingesteld met een schroef op de omvormer.

De omvormer heeft de volgende beschermingsmechanismen:

- **Overspanningsuitschakeling:** De omvormer schakelt uit, als de spanning boven de uitschakelwaarde stijgt. De omvormer start automatisch opnieuw op wanneer de spanning daalt tot de herstartwaarde.
- **Onderspanningsuitschakeling:** De omvormer schakelt uit, als de spanning onder de uitschakelwaarde daalt. De omvormer start automatisch opnieuw op wanneer de spanning de herstartwaarde overschrijdt.
- **Oververhittingsbeveiliging:** De omvormer schakelt uit, als de interne temperatuur van het toestel de uitschakelwaarde overschrijdt. De omvormer start automatisch opnieuw op wanneer de interne temperatuur daalt tot de herstartwaarde.
- **Bescherming tegen hoge uitgangsstroom:** De omvormer schakelt uit wanneer er te veel belastingen zijn aangesloten.
- **Bescherming tegen kortsluiting:** De omvormer schakelt uit wanneer er een kortsluiting is gegenereerd. De omvormer start na enkele seconden automatisch opnieuw op. Als er vijf keer achter elkaar een kortsluiting wordt gedetecteerd, start de omvormer niet automatisch opnieuw op en moet de omvormer handmatig opnieuw worden gestart.

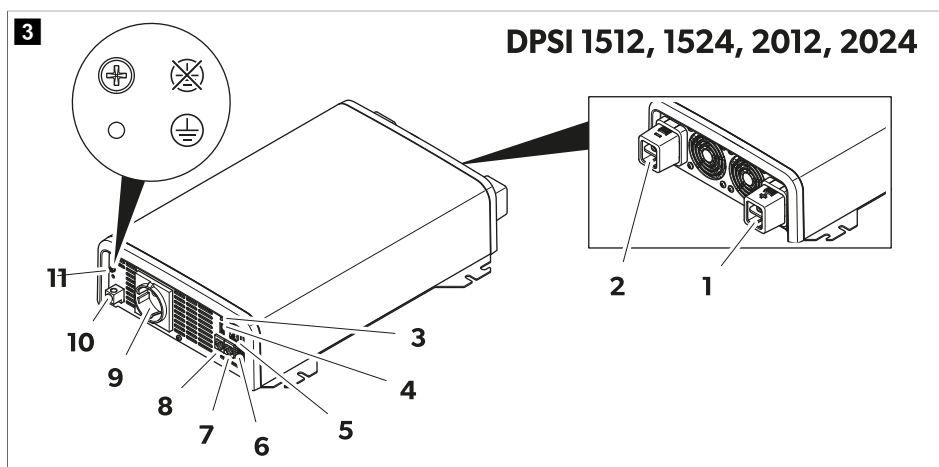
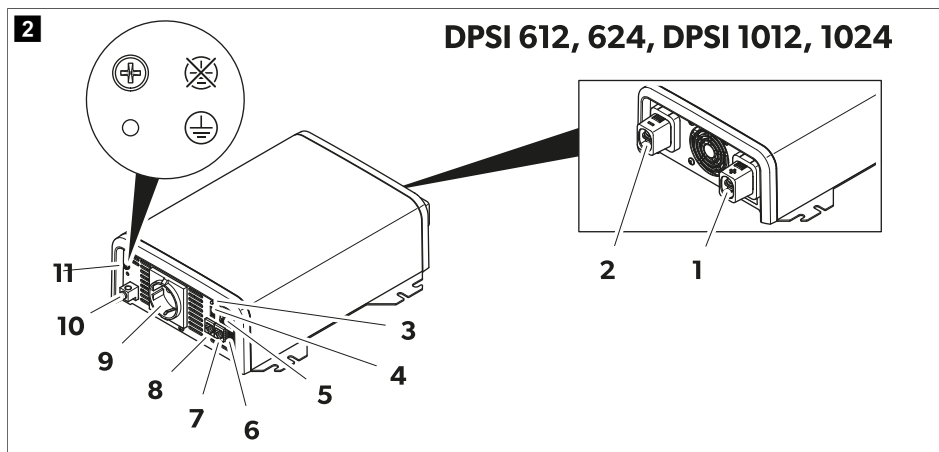
De omvormer is geschikt voor N-BUS en CI-BUS voor weergave van gegevens en functies, en beide zijn te bedienen op het touchscreen (accessoires) en de mobiele app.

De omvormer is voorzien van een afstandsbediening waarmee de omvormer in- en uitgeschakeld kan worden.

De omvormer kan in de energiebesparende modus worden gezet om het verbruik bij stationair draaien te verlagen en de belasting van de accu te minimaliseren. Dit kunt u doen via een DIP-knop of



## 7.2 Bedieningselementen en aansluitingen

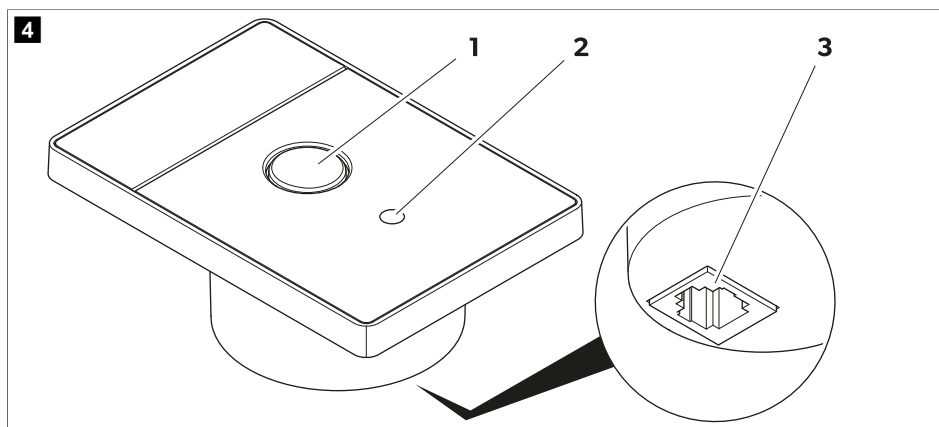


**INSTRUCTIE** De afbeeldingen tonen de versies voor het vasteland van Europa.

Nr.	Aanduiding
1	(+) aansluiting, aansluiting op de pluspool van de huishoudaccu
2	(-) aansluiting, aansluiting op de minpool van de huishoudaccu
3	Statusindicatielampje
4	DIP-schakelaar
5	Aan/uit-schakelaar

Nr.	Aanduiding
6	Aansluiting voor afstandsbediening
7	CI BUS/N Bus/afstandsbediening-aansluiting (LINB)
8	CI BUS/N Bus/afstandsbediening-aansluiting (LINA)
9	Wisselstroomcontactdoos
10	Massa-aansluiting
11	Schroef voor IT/TN-netwerkinstelling

### 7.3 Afstandsbediening



Nr. in  afb. **4**  
op pagina 130

#### Aanduiding

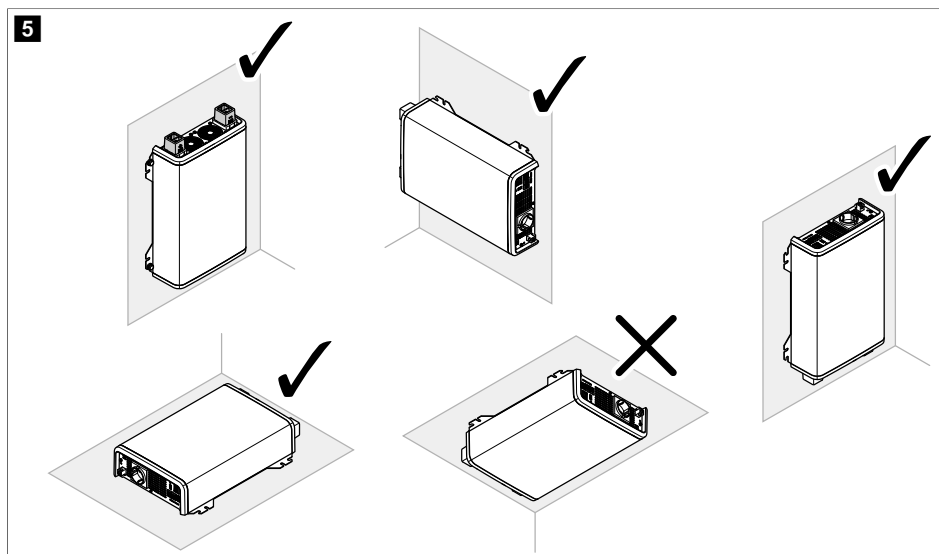
1	Aan/uit-knop
2	Statusindicatielampje
3	Aansluiting voor afstandsbediening

### 7.4 Statusindicatielampje

Status	Beschrijving
Green	Omvormermodus
Orange	Waarschuwing: Gelijkstroomuitgang aanwezig, risico op overspanning, onderspanning of voedingsstoringen
Red	Fout: Geen wisselstroomingang aanwezig, omvormer gedeactiveerd (zie hoofdstuk Problemen oplossen op pagina 139)

## 8 Installatie

### 8.1 Montageplaats



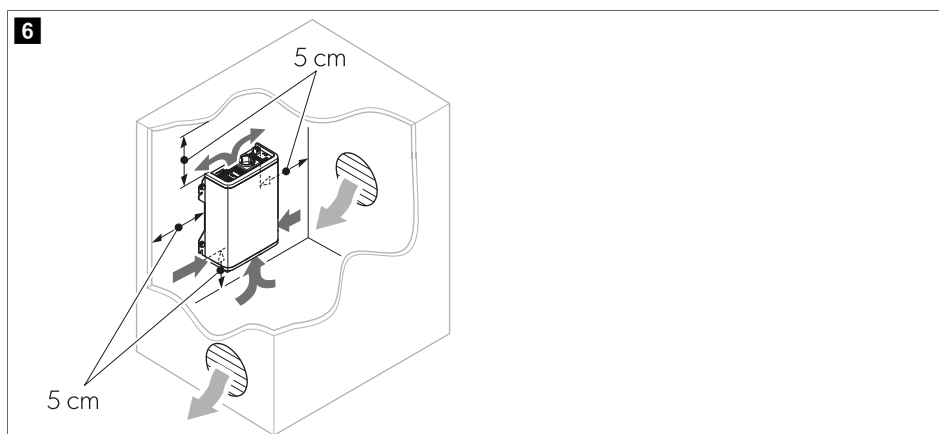
#### LET OP! Gevaar voor schade

Controleer voor het boren of er geen elektrische kabels of andere delen van het voertuig door boren, zagen en vijlen beschadigd kunnen raken.




#### INSTRUCTIE

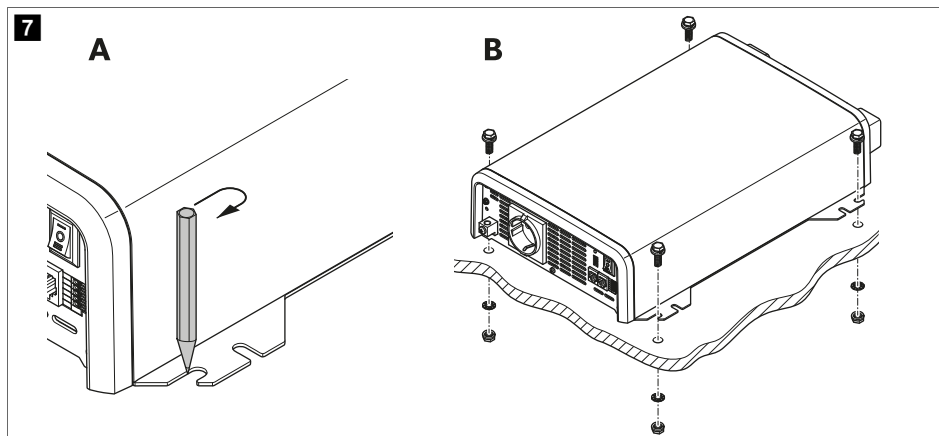
Den omvormer kan zowel zittend als hangend worden gemonteerd (  afb. **5** op pagina 131).





Neem de volgende instructies in acht bij de keuze van de montageplaats:

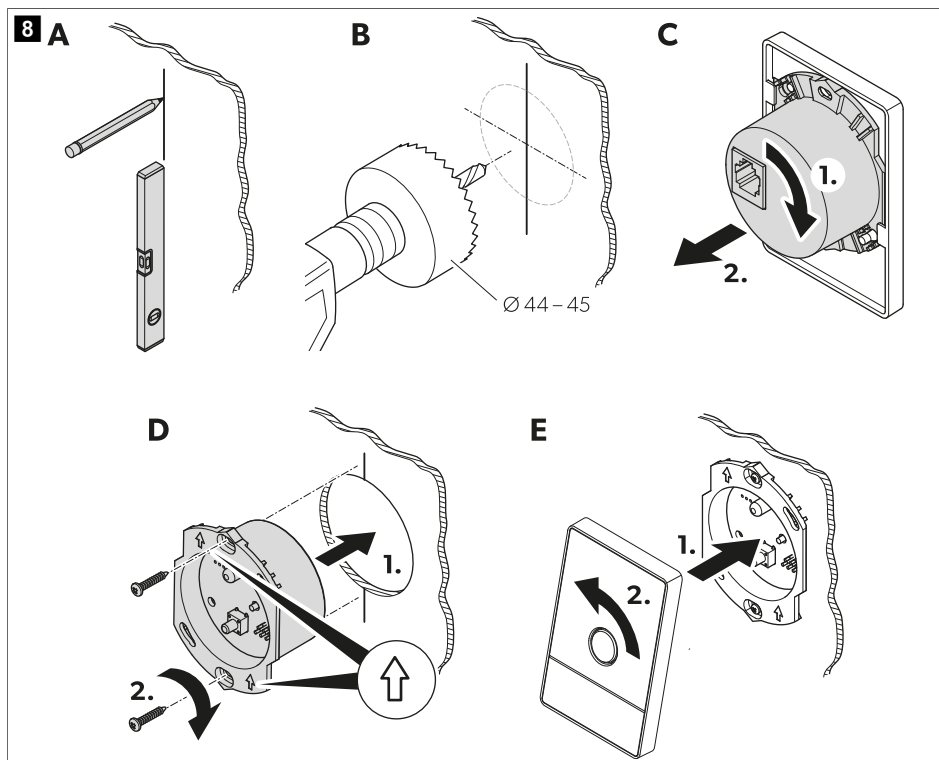
- Zorg ervoor dat het montageoppervlak vlak en stevig is.
- Houd u aan de afstandsspecificaties voor voldoende ventilatie (  afb. **6** op pagina 131).





## 8.2 Omvormer monteren



1. Selecteer de juiste montagegaten afhankelijk van het geselecteerde type montage (zittend of hangend) en markeer de boorgaten (  afb. **7** op pagina 132, **A**).
2. Boor de bevestigingsgaten.
3. Schroef de omvormer op zijn plaats (  afb. **7** op pagina 132, **B**).

### 8.3 Afstandsbediening monteren



1. Markeer de montagelocatie (  afb. **8** op pagina 133, **A**).
2. Boor een gat met een diameter van 44 mm ... 45 mm, bijvoorbeeld met een gatenzaag (  afb. **8** op pagina 133, **B**).
3. Verwijder de stroomverdeeldoos van het bedieningspaneel (  afb. **8** op pagina 133, **C**).
4. Plaats de stroomverdeeldoos in de gemaakte opening en schroef de verdeeldoos op zijn plaats vast (  afb. **8** op pagina 133, **D**).



**INSTRUCTIE** Zorg voor de juiste verticale uitlijning zoals aangegeven door de pijlen op de verdeeldoos.

5. Monteer het bedieningspaneel aan de stroomverdeeldoos (  afb. **8** op pagina 133, **E**).
6. Verwijder de beschermingsfolie.

## 8.4 Omvormer aansluiten



De elektrische installatie en instelling van het apparaat moeten worden uitgevoerd door een bevoegde elektricien die zijn vaardigheden en kennis heeft laten zien met betrekking tot de constructie en werking van elektrische apparatuur en installaties en die vertrouwd is met de toepasselijke regelgeving van het land waarin de apparatuur moet worden geïnstalleerd en/of gebruikt en die een veiligheidstraining heeft gevolgd om de gevaren te identificeren en te vermijden.

Alle andere acties zijn ook bedoeld voor niet-professionele gebruikers.



### **WAARSCHUWING! Gevaar voor elektrische schokken**

Neem de aanbevolen kabeldoorsneden, kabellengtes en zekering in acht.



### **VOORZICHTIG! Brandgevaar**

Breng de zekeringen in de buurt van de accu's aan om de kabel te beschermen tegen kortsluiting en mogelijk verschroeien.



### **LET OP! Gevaar voor schade**

- > Zorg ervoor dat de polariteit niet wordt verwisseld.
- > Draai de schroeven of moeren vast met een aanhaalmoment van max. 15 Nm. Losse aansluitingen kunnen leiden tot oververhitting.

Neem de volgende aanwijzingen in acht bij het aansluiten van de omvormer:

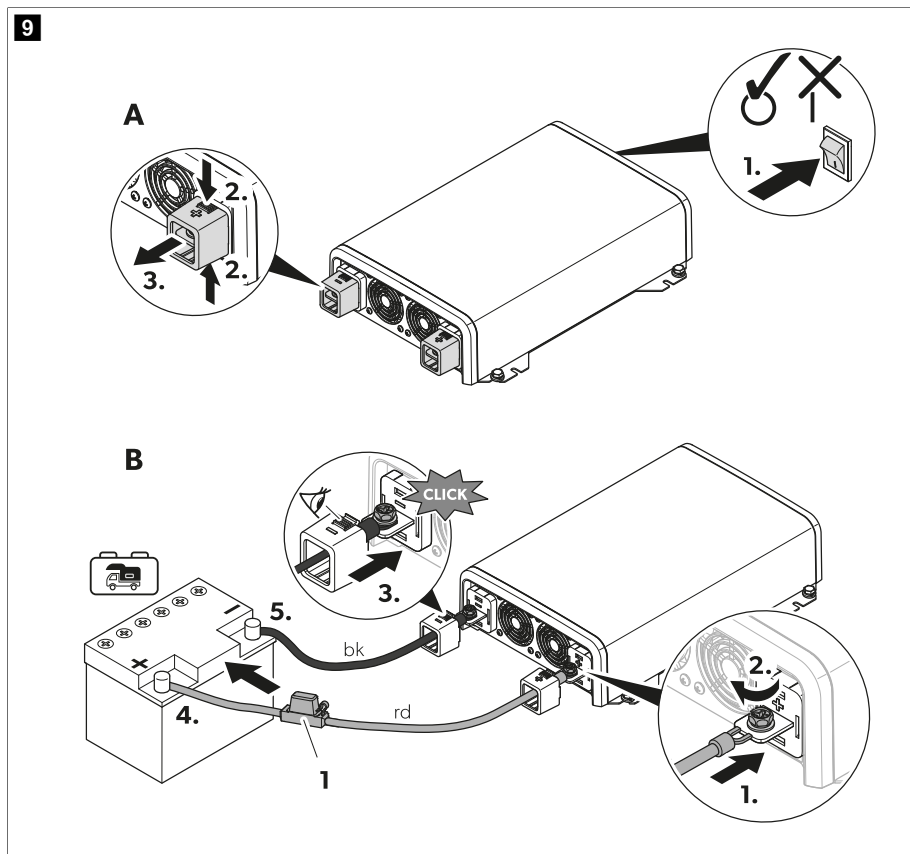
- Neem de van toepassing zijnde voorschriften bij het instellen van een verdeelcircuit voor contactdozen (netspanningsinstallatie) in acht.
- Selecteer de kabellengte van de gelijkstroomkabels (aansluiting op de accu-aansluitingen) zo kort mogelijk ( $\leq 1$  m).
- Voor **TN-netwerk**-aansluiting: Installeer een aardlekschakelaar (ALS).
- Voor **IT-netwerk**-aansluiting: Installeer een isolatiebewakingsapparaat (IMD) als er meer dan één belasting is aangesloten. **Nationale normen zijn van toepassing.**



1. De kabeldoorsneden en zekering bepalen:

	<b>Kabeldoorsnede</b>	<b>Kabelzekering</b>
DPSI612	25 mm <sup>2</sup>	150 A
DPSI624	25 mm <sup>2</sup>	150 A
DPSI1012	35 mm <sup>2</sup>	200 A
DPSI1024	25 mm <sup>2</sup>	150 A
DPSI1512	50 mm <sup>2</sup>	250 A
DPSI1524	25 mm <sup>2</sup>	150 A
DPSI2012	70 mm <sup>2</sup>	300 A
DPSI2024	35 mm <sup>2</sup>	200 A


2. Controleer of het apparaat is uitgeschakeld (  afb. **9** op pagina 135, **1**).



9



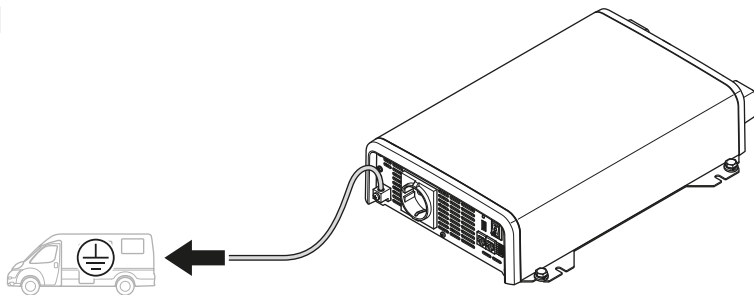
3. Maak de afdekkingen los van de aansluitingen (  afb. **9** op pagina 135, **2 - 3**).
4. Sluit (+) aan op de positieve aansluiting van de huishoudaccu (rode (rd) verbindingskabel,  afb. **9** op pagina 135, **4**).



**INSTRUCTIE** Bescherm de positieve kabel van de huishoudaccu met een zekering (  afb. **9** op pagina 135, **1**).

5. Sluit (-) aan op de negatieve aansluiting van de huishoudaccu (zwarte (bk) verbindingskabel (  afb. **9** op pagina 135, **5**).
6. Sluit de massa-aansluiting aan op de massa (chassis) (  afb. **10** op pagina 136).

10



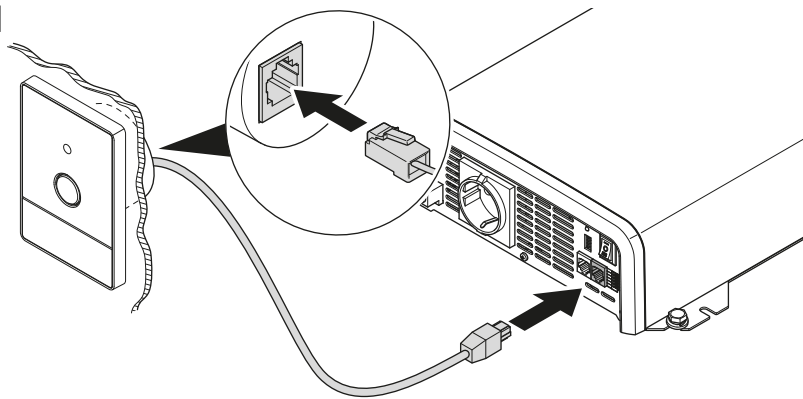
## 8.5 Afstandsbediening aansluiten



**INSTRUCTIE** De afstandsbediening en het N-BUS/CI-BUS-netwerk kunnen niet tegelijkertijd worden aangesloten.

- > Sluit de afstandsbediening aan op de aansluiting voor de afstandsbediening met behulp van de afstandsbedieningskabel.

11



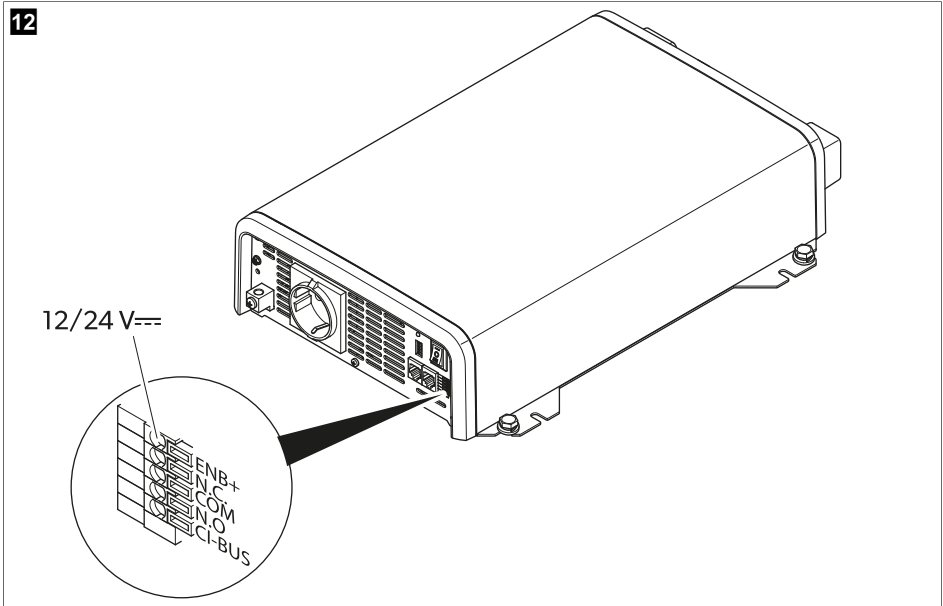
## 8.6 De ENB+ pen aansluiten



**INSTRUCTIE** Als de ENB+ pen is aangesloten, kan de status van de energiebesparende modus niet worden gewijzigd.



12



1. Zet de aan/uit-schakelaar op de stand **0**.
2. Gebruik de ENB+ pen als volgt:
  - Om de omvormer in te schakelen sluit u de ENB+ pin via een geschikte elektrische kabel aan op de pluspool van de huishoudaccu.
  - Om de omvormer uit te schakelen, ontkoppelt u de ENB+ pen van de huishoudaccu.

## 9 Het netwerksysteem configureren



De elektrische installatie en instelling van het apparaat moeten worden uitgevoerd door een bevoegde elektricien die zijn vaardigheden en kennis heeft laten zien met betrekking tot de constructie en werking van elektrische apparatuur en installaties en die vertrouwd is met de toepasselijke regelgeving van het land waarin de apparatuur moet worden geïnstalleerd en/of gebruikt en die een veiligheidstraining heeft gevolgd om de gevaren te identificeren en te vermijden.

Alle andere acties zijn ook bedoeld voor niet-professionele gebruikers.

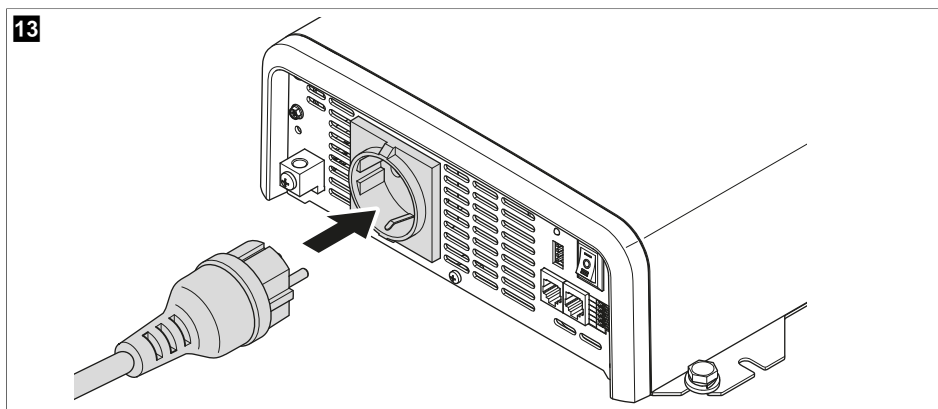


### GEVAAR! Gevaar voor elektrische schokken

- > Verwijder alleen de beschermkap van de DIP-schakelaar voor configuratie.
  - > Plaats de beschermkap terug om te voorkomen dat de DIP-schakelaar per ongeluk wordt afgesteld.
  - > Voor **TN-netwerk**-configuratie: Zorg ervoor dat er een aardlekschakelaar (ALS) is geïnstalleerd.
  - > Voor **IT-netwerk**-configuratie: Bedien slechts één belasting of installeer een isolatiebewakingsapparaat (IMD). Neem de nationale normen in acht.
- 
- > Plaats de schroef in de stand  $\oplus$  om het **TN-netwerk** in te stellen.
  - > Plaats de schroef in de stand  $\otimes$  om het **IT-netwerk** in te stellen.

## 10 Gebruik

### 10.1 230 V-toestellen gebruiken



#### INSTRUCTIE

Sluit alleen toestellen aan waarvan de totale belasting de waarden in Technische gegevens op pagina 141 niet overschrijft.

- > Verbind de 230 V-apparaten met de wisselstroomuitgang van de omvormer (  afb. **13** op pagina 138).

### 10.2 De omvormer in- en uitschakelen



#### INSTRUCTIE

- > Als de omvormer via de afstandsbediening moet worden bediend, moet de aan/uit-schakelaar in de stand **II** worden gezet.
- > Als de omvormer via de ENB+ pen moet worden bediend, moet de aan/uit-schakelaar in de stand **0** worden gezet.
- > Om de omvormer in te schakelen, zet u de aan/uit-schakelaar in de stand **I**.
- > Om de omvormer uit te schakelen, zet u de aan/uit-schakelaar in de stand **0**.
- > De afstandsbediening of de ENB+ pen kan worden gebruikt om de omvormer in en uit te schakelen.

### 10.3 De energiebesparende modus instellen



#### INSTRUCTIE

- Indien de DIP-knop S2 is ingesteld op **OFF**, schakelt de omvormer automatisch naar normaal bedrijf indien een belasting van  $\geq 45$  W wordt aangesloten.
- Indien de DIP-knop S2 is ingesteld op **ON**, schakelt de omvormer automatisch naar normaal bedrijf indien een belasting van  $\geq 80$  W wordt aangesloten.
- De status van de energiebesparingsmodus kan niet worden gewijzigd als de afstandsbediening of de ENB+ pen worden gebruikt, tenzij een volledige aan-uitcyclus wordt uitgevoerd.

### De energiebesparingsmodus activeren

1. Schakel de omvormer eventueel uit.
  2. Schuif de DIP-knop S1 naar de stand **ON**.
- ✓ De energiebesparingsmodus wordt geactiveerd.

### De energiebesparingsmodus deactiveren

1. Schakel de omvormer uit.
  2. Schuif de DIP-knop S1 naar de stand **OFF**.
- ✓ De energiebesparingsmodus wordt gedeactiveerd.

## 11 Reiniging en onderhoud



### WAARSCHUWING! Gevaar voor elektrische schokken

Trek de stekker van het toestel voor reiniging en onderhoud uit het stopcontact.



### LET OP! Gevaar voor schade

- > Reinig het toestel nooit onder stromend water of in afwaswater.
  - > Gebruik geen scherpe of harde voorwerpen, schurende reinigingsmiddelen of bleekmiddel bij het reinigen. Daardoor kan het toestel beschadigd raken.
  - > Zorg ervoor dat de ventilatieopeningen van het toestel vrij zijn van stof en vuil, zodat de warmte kan worden afgevoerd.
- > Reinig het toestel geregeld met een zachte, vochtige doek.
- > Controleer onder spanning staande kabels regelmatig op beschadigde isolatie, kabelbreuk of losse contacten.

## 12 Problemen oplossen

Fout	Mogelijke oorzaak	Voorstel tot oplossing
De omvormer werkt niet. Het statusindicatielampje is uit.	Vijf opeenvolgende keren kortsluiting.	> Als de zekering van het toestel is geactiveerd door overstroom, moet deze worden vervangen door een bevoegde klantenservice.
	Beschadigde isolatie, kabelbreuk of losse contacten van onder spanning staande kabels.	> Controleer onder spanning staande kabels op beschadigde isolatie, kabelbreuk of losse contacten. Neem contact op met een erkende klantenservice als u geen fout kunt vinden.
De omvormer werkt niet. Het statusindicatielampje brandt rood.	Bescherming tegen hoge uitgangsstroom.	Verminder de aangesloten verbruikers.
	Uitschakeling vanwege hoge temperatuur.	<ol style="list-style-type: none"> <li>1. Schakel de omvormer en de aangesloten belastingen uit.</li> <li>2. Zorg ervoor dat de luchtinlaten en -uitlaten niet zijn afgedekt of geblokkeerd.</li> <li>3. Laat de omvormer afkoelen.</li> </ol>

Fout	Mogelijke oorzaak	Voorstel tot oplossing
	Er is kortsluiting ontstaan.	Als de zekering van het toestel is geactiveerd door overstroom, moet deze worden vervangen door een bevoegde klantenservice.
	Overspanningsuitschakeling. Accu-spanningen te hoog.	<ul style="list-style-type: none"> <li>&gt; Verlaag de aangesloten spanningen.</li> </ul> <p>De omvormer start automatisch opnieuw op wanneer de spanning daalt tot de herstartwaarde (zie hoofdstuk Overspanningsuitschakeling op pagina 142).</p> <ul style="list-style-type: none"> <li>&gt; Als de fout nog steeds optreedt: Vergroot de kabeldoorsneden. Verminder de kabellengte.</li> </ul>
	Onderspanningsuitschakeling. Accu-spanningen te gering.	<ul style="list-style-type: none"> <li>&gt; Laat de accu langzaam opladen.</li> </ul> <p>De omvormer start automatisch opnieuw op wanneer de spanning de herstartwaarde overschrijdt (zie hoofdstuk Onderspanningsuitschakeling op pagina 142).</p>

## 13 Garantie

De wettelijke garantieperiode is van toepassing. Als het product defect is, neem dan contact op met de vestiging van de fabrikant in uw land (zie [dometic.com/dealer](http://dometic.com/dealer)) of uw verkoper.

Stuur voor de afhandeling van reparaties of garantie volgende documenten mee:

- Een kopie van de factuur met datum van aankoop
- De reden voor de claim of een beschrijving van de fout

Houd er rekening mee dat eigenmachtige of niet-professionele reparatie gevolgen voor de veiligheid kan hebben en dat de garantie hierdoor kan komen te vervallen.

## 14 Verwijdering

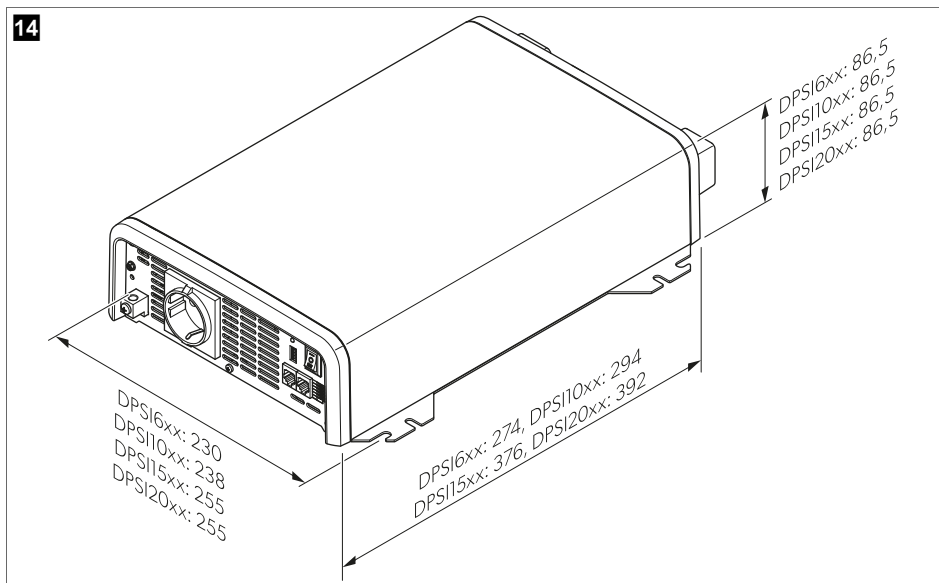



Gooi het verpakkingsmateriaal indien mogelijk altijd in recyclingafvalbakken.

Vraag het dichtstbijzijnde recyclingcentrum of uw dealer naar informatie over hoe het product kan worden weggegooid in overeenstemming met alle van toepassing zijnde nationale en lokale regelgeving.


Het product kan gratis worden afgevoerd.

## 15 Technische gegevens



	<b>DPSI 612</b>	<b>DPSI 1012</b>	<b>DPSI 624</b>	<b>DPSI 1024</b>
Nominale ingangsspanning	12 V <sup>===</sup>		24 V <sup>===</sup>	
Ingangsspanningsbereik	10,5 ... 16,5 V <sup>===</sup>		21 ... 33 V <sup>===</sup>	
Nominaal uitgangsvermogen P <sub>nom</sub>	600 W	1000 W	600 W	1000 W
Maximaal uitgangsvermogen (1 min)	690 W	1150 W	690 W	1150 W
Maximaal piekvermogen (1 s) P <sub>surge</sub>	1200 W	2000 W	1200 W	2000 W
Stroomverbruik in stationaire stand	≤ 1 A	≤ 1,1 A	≤ 0,6 A	≤ 0,6 A
Stroomverbruik in stand-bystand	≤ 0,3 A	≤ 0,35 A	≤ 0,2 A	≤ 0,2 A
Afmetingen	 afb. <b>14</b> op pagina 141			
Gewicht	1,1 kg	1,2 kg	1,1 kg	1,2 kg

	<b>DPSI 1512</b>	<b>DPSI 2012</b>	<b>DPSI 1524</b>	<b>DPSI 2024</b>
Nominale ingangsspanning	12 V <sup>===</sup>		24 V <sup>===</sup>	
Ingangsspanningsbereik	10,5 ... 16,5 V <sup>===</sup>		21 ... 33 V <sup>===</sup>	
Nominaal uitgangsvermogen P <sub>nom</sub>	1500 W	2000 W	1500 W	2000 W
Maximaal uitgangsvermogen (1 min)	1725 W	2300 W	1725 W	2300 W
Maximaal piekvermogen (1 s) P <sub>surge</sub>	3000 W	4000 W	3000 W	4000 W
Stroomverbruik in stationaire stand	≤ 1,2 A	≤ 1,5 A	≤ 0,7 A	≤ 0,8 A
Stroomverbruik in stand-bystand	≤ 0,4 A	≤ 0,5 A	≤ 0,25 A	≤ 0,3 A

	DPSI 1512	DPSI 2012	DPSI 1524	DPSI 2024
Afmetingen		 afb. 14 op pagina 141		
Gewicht	1,1 kg	1,2 kg	1,1 kg	1,2 kg

## 15.1 Algemene technische gegevens

Uitgangsspanningsbereik	230 V $\sim$ $\pm$ 10 %
Uitgangsfrequentie	50 Hz $\pm$ 1 %
Uitgangsgolfvorm	Zuivere sinusgolf
Piekefficiëntie	90 %
Omgevingstemperatuur voor bedrijf	0 ... 50 °C
Omgevingstemperatuur voor opslag	-30 °C ... 70 °C
Omgevingsvochtigheid	0 ... 95 %, non-condensing
Inspectie/certificering	



## 15.2 Onderspanningsuitschakeling

	Uitschakelwaarde	Herstartwaarde
DPSI <sub>xx</sub> 12	10,3 V	11,8 V
DPSI <sub>xx</sub> 24	20,6 V	23,6 V

## 15.3 Overspanningsuitschakeling

	Uitschakelwaarde	Herstartwaarde
DPSI <sub>xx</sub> 12	16,5 V	15,5 V
DPSI <sub>xx</sub> 24	33 V	31 V

## Dansk

1	Vigtige henvisninger.....	143
2	Forklaring af symboler.....	143
3	Sikkerhedshenvisninger.....	144
4	Leveringsomfang.....	147
5	Tilbehør.....	147
6	Korrekt brug.....	147
7	Teknisk beskrivelse.....	148
8	Montering.....	151
9	Konfiguration af netværkssystemet.....	157
10	Betjening.....	158
11	Rengøring og vedligeholdelse.....	159
12	Udbedring af fejl.....	159
13	Garanti.....	160
14	Bortskaffelse.....	160
15	Tekniske data.....	161

## 1 Vigtige henvisninger

Læs og følg alle disse anvisninger, retningslinjer og advarsler i denne produktvejledning grundigt for at sikre, at du altid installerer, bruger og vedligeholder produktet korrekt. Disse anvisninger SKÅL opbevares sammen med dette produkt.

Ved at benytte produktet bekræfter du hermed, at du har læst alle anvisninger, retningslinjer og advarsler grundigt, og at du forstår og er indforstået med de vilkår og betingelser, der er fastlagt heri. Du er indforstået med kun at bruge dette produkt til det beregnede formål og anvendelse i overensstemmelse med anvisningerne, retningslinjerne og advarslerne i denne produktvejledning samt i overensstemmelse med alle de gældende love og forskrifter. Manglende læsning og ignorering af disse anvisninger og advarsler kan medføre kvæstelser på dig selv og andre, skade på dit produkt eller skade på anden ejendom i nærheden. Der tages forbehold for eventuelle ændringer og opdateringer af denne produktvejledning samt anvisningerne, retningslinjerne og advarslerne samt den tilhørende dokumentation. Se [documents.dometic.com](http://documents.dometic.com) for de nyeste produktinformationer.

## 2 Forklaring af symboler

Et signalord vil identificere sikkerhedsmeddelelser og meddelelser om skade på ejendom og vil også angive graden eller niveauet af farens alvor.



### FARE!

Angiver en farlig situation, som medfører dødsfald eller alvorlig kvæstelse, såfremt den ikke undgås.



### ADVARSEL!

Angiver en farlig situation, som kan medføre dødsfald eller alvorlig kvæstelse, såfremt den ikke undgås.



### FORSIGTIG!

Angiver en farlig situation, som kan medføre mindre eller lette kvæstelser, såfremt den ikke undgås.



### VIGTIGT!

Angiver en situation, som kan medføre materielle skader, såfremt den ikke undgås.



**BEMÆRK** Supplerende informationer om betjening af produktet.

## 3 Sikkerhedshenvisninger

**Overhold også sikkerhedshenvisningerne og bestemmelser, der er udstedt af køretøjsproducenten og autoriserede værksteder.**

### 3.1 Grundlæggende sikkerhed



#### **FARE! Fare for elektrisk stød**

- > Tag aldrig fat i uisolerede ledninger med bare hænder.
- > For hurtigt at kunne afbryde apparatet fra vekselstrømsforsyningen ved farer skal stikdåsen befinde sig i nærheden af apparatet og være nem at nå.



#### **ADVARSEL! Fare for elektrisk stød**

- > Installation og fjernelse af apparatet må kun udføres af fagfolk.
- > Anvend ikke apparatet, hvis selve apparatet eller dets tilslutningskabel er synligt beskadiget.
- > Hvis dette apparats strømkabel er beskadiget, skal det udskiftes for at undgå sikkerhedsfarer.
- > Reparationer på dette apparat må kun foretages af fagfolk. Ukorrekte reparationer kan medføre betydelige farer.
- > Anvend kun tilbehør, der anbefales af producenten.
- > Ingen af komponenterne må på nogen måde ændres eller tilpasses.
- > Løs ikke kabler, når apparatet stadig er i brug.
- > Afbryd apparatet fra strømforsyningen:
  - efter brug
  - Før hver rengøring og vedligeholdelse
  - før et sikrings-skift



#### **ADVARSEL! Brandfare/brændbare materialer**

Anvend i tilfælde af brand en ildslukker, der er egnet til elektriske apparater.



#### **ADVARSEL! Risiko for kvælning**

Apparatets kabel og betjeningsenhed kan udgøre en risiko for indvikling, strangulering, samt for at snuble over eller træde på dem, hvis de ikke placeres korrekt. Sørg for, at overskydende bånd og strømkabler placeres på en sikker måde.



#### **ADVARSEL! Sundhedsfare**

- > Dette apparat kan anvendes af børn over 8 år og personer med nedsatte fysiske, sensoriske eller mentale evner eller manglende erfaring eller viden, hvis de er under opsyn eller er blevet instrueret i sikker brug af apparatet og forstår de involverede farer.
- > **Ei-apparater er ikke legetøj!** Opbevar og anvend apparatet uden for meget unge børns rækkevidde.
- > Børn skal overvåges for at sikre, at de ikke leger med apparatet.
- > Rengøring og vedligeholdelse må ikke udføres af børn uden opsyn.





### **VIGTIGT! Fare for beskadigelse**

- > Sammenlign spændingsspecifikationen på datapladen med den effektforsyning, der er til rådighed, før ibrugtagningen.
- > Sørg for, at andre genstande **ikke kan** forårsage en kortslutning i apparatets kontakter.
- > Kontrollér, at de negative og positive poler **aldrig** kommer i kontakt med hinanden.
- > Træk ikke i tilslutningskablerne, og brug ikke kablerne som håndtag.
- > Apparatet må ikke udsættes for regn eller fugt. Skal opbevares et tørt sted.

## **3.2 Sikker installation af apparatet**



### **FARE! Eksplosionsfare**

- > Installer og anvend udelukkende apparatet i lukkede, godt ventilerede rum.
- > Du må **ikke** installere eller anvende apparatet under følgende betingelser:
  - i saltholdige, fugtige eller våde omgivelser
  - i nærheden af aggressive dampe
  - i nærheden af brændbare materialer
  - i nærheden af varmekilder (varmeapparater, direkte sollys, gasovne, osv.)
  - i områder med gas- eller støvekspllosion.



### **ADVARSEL! Fare for kvæstelser**

- > Sørg for, at apparatet står sikkert! Apparatet skal opstilles og fastgøres sikkert, så det ikke kan vælte eller falde ned.
- > Når apparatet placeres, skal man sørge for, at alle kabler er fastgjort forsvarligt for at forhindre fare for at snuble.



### **VIGTIGT! Fare for beskadigelse**

- > Stil apparatet et tørt sted, der er beskyttet mod stænkvand.
- > Anvend altid jordede stikdåser, der er sikret med et fejlstrømsrelæ.

## **3.3 Sikkerhed under elektrisk tilslutning af apparatet**



### **FARE! Fare for elektrisk stød**

Når der arbejdes på elektriske anlæg, skal det kontrolleres, at der er nogen i nærheden, som kan hjælpe i et nødstilfælde.



### **ADVARSEL! Fare for elektrisk stød**

- > Overhold de anbefalede kabeltværsnit.
- > Før kablerne, så de ikke kan blive beskadiget af døre eller hjelmen. Klemte ledninger kan føre til livsfarlige kvæstelser.



### **VIGTIGT! Fare for beskadigelse**

- > Anvend tomme rør eller ledningsgennemføringer, når ledninger skal føres gennem pladevægge eller andre vægge med skarpe kanter.
- > Du må **ikke** føre 230 V netkablet og 12 V-kablet i den samme kabelkanal.
- > Før **ikke** ledningerne løst eller med skarpe knæk.
- > Fastgør kablerne sikkert.

### 3.4 Sikkerhedsforanstaltninger ved håndtering af batterier



#### ADVARSEL! Fare for kvæstelser

- > Batterier indeholder aggressive og ætsende syrer. Undgå, at batterivæske kommer i kontakt med din krop. Skyl den pågældende del af kroppen grundigt med vand, hvis din hud kommer i kontakt med batterivæske. Kontakt straks en læge, hvis du får kvæstelser på grund af syrer.
- > Bær ikke metalgenstande som f.eks. ure eller ringe, når du arbejder på batterier. Blysyre-batterier kan frembringe kortslutningsstrøm, der kan medføre alvorlige forbrændinger.
- > Brug kun isoleret værktøj.
- > Undlad at placere metaldele på batteriet og undgå, at der falder nogen former for metaldele ned på batteriet. Det kan forårsage gnister eller kortslutning af batteriet og andre elektriske enheder.
- > Bær beskyttelsesbriller og beskyttelsestøj, når der arbejdes på batterier. Berør ikke dine øjne, når du arbejder på batterier.
- > Anvend udelukkende genopladelige batterier.
- > Brug ikke defekte batterier.



#### FORSIGTIG! Eksplosionsfare

- > Forsøg aldrig at oplade et frosset eller defekt batteri. Stil batteriet på et frostfrit område, og vent, indtil batteriet har akklimatiseret sig til udenomstemperaturen. Start derefter opladningsprocessen.
- > Rygning, brug af åben flamme eller gnistdannelse i nærheden af motoren eller et batteri er forbudt.
- > Hold batteriet væk fra varmekilder.



#### VIGTIGT! Fare for beskadigelse

- > Kontrollér, at polerne vender korrekt, når batteriet tilsluttes.
- > Følg anvisningerne fra batteriproducenten og dem fra producenten af systemet eller køretøjet, som batteriet anvendes i.
- > Hvis batteriet skal fjernes, skal du først afbryde stelforbindelsen. Afbryd alle tilslutninger og alle forbrugere fra batteriet, før det fjernes.
- > Opbevar kun fuldt opladede batterier. Genoplad opbevarede batterier regelmæssigt.
- > Du må ikke bære batteriet på dets klemmer.

### 3.5 Sikkerhed under anvendelse af apparatet



#### ADVARSEL! Fare for elektrisk stød

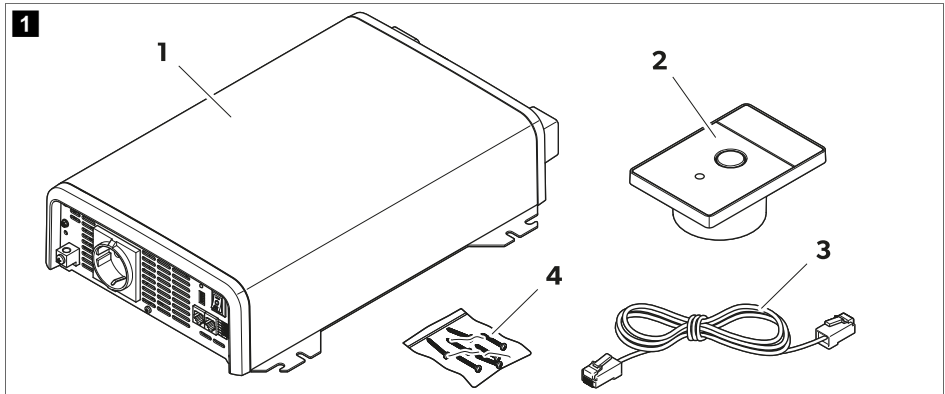
- > Apparatet må ikke bruges under våde forhold eller nedsænkes i væske.
- > Inden du starter apparatet, skal du kontrollere, at effektforsyningsledningen og stikket er tørre, og at stikket er fri for rust eller snavs.
- > Vær opmærksom på, at dele af apparatet stadig kan være spændingsførende, når sikringen har udløst.



#### VIGTIGT! Fare for beskadigelse

- > Kontrollér, at apparatets luftind- og -udgange ikke er tildækkede.
- > Sørg for en god ventilation.

## 4 Leveringsomfang



Nr. på  fig. 1 på side 147	Betegnelse	Antal
1	Sinusbølgeinverter	1
2	Fjernbetjening	1
3	Tilslutningskabel til fjernbetjening	1
4	Fastgørelsesskruer	6
-	Monterings- og betjeningsvejledning	1

## 5 Tilbehør

Betegnelse	Art.nr.
Fjernbetjening DPSI-RC	9620018306
Touchdisplay TD283	9620013272

## 6 Korrekt brug

Inverteren er beregnet til at konvertere jævnstrøm til vekselstrøm (AC) på 230 V~ med en ren sinusbølge til drift og stabil strømforsyning af tilsluttede 230 V forbrugere.

Inverteren er beregnet til tilslutning til:

- DPSI612, DPSI1012, DPSI1512, DPSI2012: 12 V $\overline{=}$
- DPSI624, DPSI1024, DPSI1524, DPSI2024: 24 V $\overline{=}$

Inverteren er egnet til:

- Montering i fritidskøretøjer, lastbiler, erhvervskøretøjer eller motor- og sejlbåde
- Stationær eller mobil brug
- Indendørs brug

Inverteren er **ikke** egnet til:

- Udendørs brug

Dette produkt er kun egnet til dets beregnede formål og anvendelse i overensstemmelse med disse anvisninger.

Denne vejledning giver dig oplysninger om, hvad der er nødvendigt med henblik på en korrekt montering og/eller drift af produktet. Dårlig montering og/eller ukorrekt drift eller vedligeholdelse medfører utilstrækkelig ydeevne og mulige fejl.

Producenten påtager sig intet ansvar for kvæstelser eller skader i forbindelse med produktet, der skyldes:

- ukorrekt montering eller forbindelse inklusive for høj spænding
- ukorrekt vedligeholdelse eller brug af uoriginale reservedele, der ikke stammer fra producenten
- ændringer på produktet uden udtrykkelig tilladelse fra producenten
- brug til andre formål end dem, der er beskrevet i vejledningen.

Dometic forbeholder sig ret til at ændre produktets udseende og produktspecifikationer.

## 7 Teknisk beskrivelse

### 7.1 Generel beskrivelse

Inverteren er en jævnstrøm til vekselstrøm-sinusbølgeinverter.

Inverteren kan bruges i følgende netværkssystemer:

- TN-netværk
- IT-netværk

Netværkssystemerne indstilles ved hjælp af en skrue på inverteren.

Inverteren har følgende beskyttelsesmekanismer:

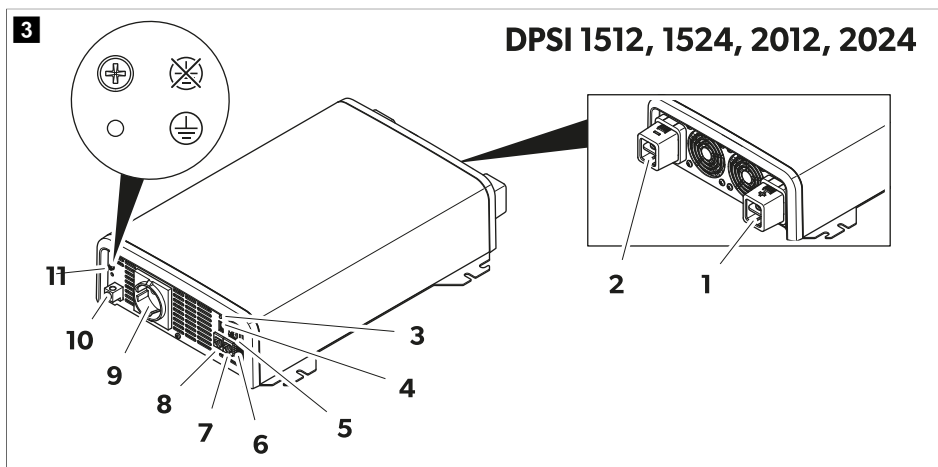
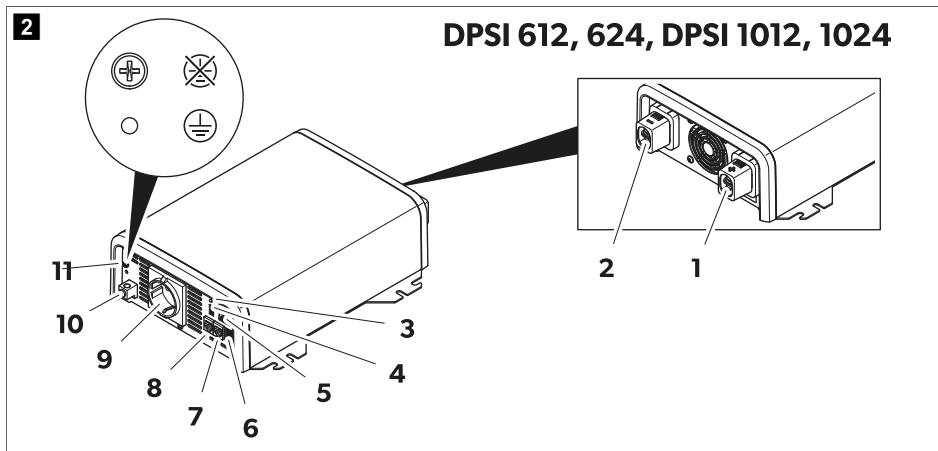
- **Overspændingsfrakobling:** Inverteren frakobles, hvis spændingen stiger til over frakoblingsværdien. Inverteren genstarter automatisk, når spændingen falder til genstartsværdien.
- **Underspændingsfrakobling:** Inverteren frakobles, hvis spændingen falder til under frakoblingsværdien. Inverteren genstarter automatisk, når spændingen overstiger genstartsværdien.
- **Overtemperaturbeskyttelse:** Inverteren frakobles, når apparatets indvendige temperatur overskrider frakoblingsværdien. Inverteren genstarter automatisk, når den indvendige temperatur falder til genstartsværdien.
- **Beskyttelse mod høj udgangsstrøm:** Inverteren frakobles, når der er tilsluttet for mange belastninger.
- **Beskyttelse mod kortslutning:** Inverteren frakobles, når der er opstået en kortslutning. Inverteren genstarter automatisk efter et par sekunder. Hvis der registreres en kortslutning fem på hinanden følgende gange, genstarter inverteren ikke automatisk, og en manuel genstart er nødvendig.

Inverteren er N-BUS- og CI-BUS-kompatibel til data- og funktionsvisning, som kan kontrolleres på touchdisplayet (tilbehør) og i mobilappen.

Inverteren er udstyret med en fjernbetjening til at slukke og tænde inverteren.

Inverteren kan skiftes til energibesparende tilstand for at reducere tomgangsforbruget og minimere belastningen af batteriet. Dette kan gøres ved hjælp af en DIP-omskifter eller

## 7.2 Betjeningslementer og tilslutninger

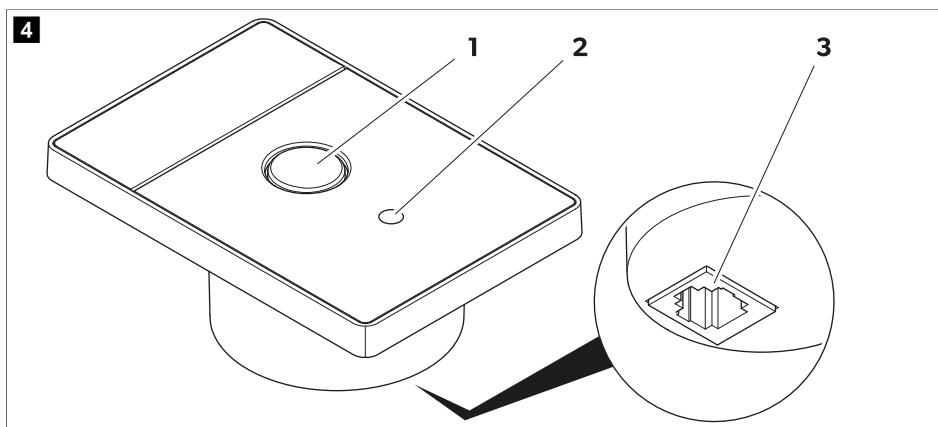


**BEMÆRK** Figurene viser versionerne for Kontinentaleuropa.

Nr.	Betegnelse
1	(+) terminal, tilslutning til forsyningsbatteriets positive pol
2	(-) terminal, tilslutning til forsyningsbatteriets negative pol
3	Status-LED
4	DIP-omskifter
5	Til/fra-kontakt

Nr.	Betegnelse
6	Terminal til ekstern styring
7	CI-BUS/N-BUS/fjernbetjeningstilslutning (LINB)
8	CI-BUS/N-BUS/fjernbetjeningstilslutning (LINA)
9	Vekselstrømsstik
10	Jordforbindelse
11	Skrue til IT/TN-netværksindstilling

### 7.3 Fjernbetjening



Nr. på  fig. 4 på side 150

Betegnelse

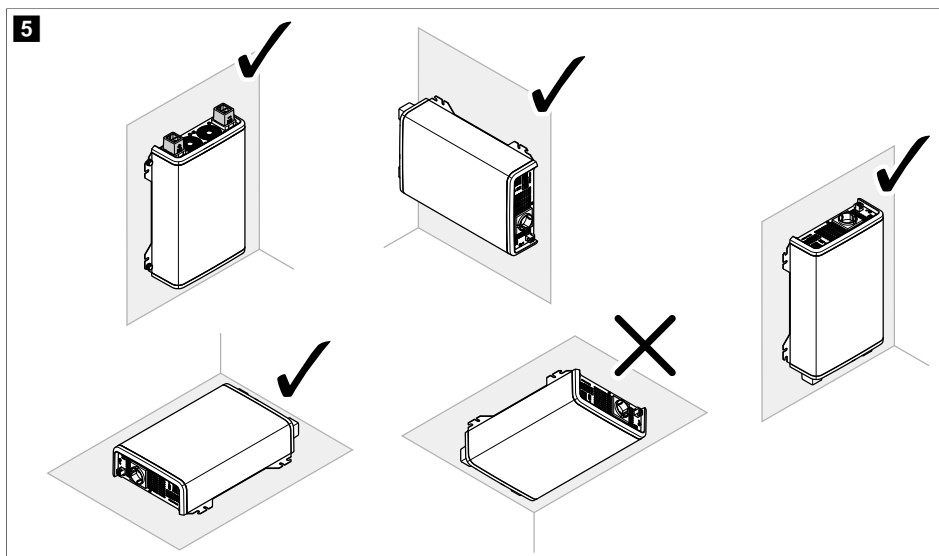
1	Tænd/sluk-knap
2	Status-LED
3	Tilslutning til fjernbetjening

### 7.4 Status-LED

Status	Beskrivelse
Green	Inverterdrift
Orange	Advarsel: Vekselstrømsudgang til stede, risiko for overspænding, underspænding eller strømsvigt
Red	Fejl: Ingen vekselstrømsindgang til stede, inverter deaktiveret (se kapitlet Udbedring af fejl på side 159)

## 8 Montering

### 8.1 Monteringssted



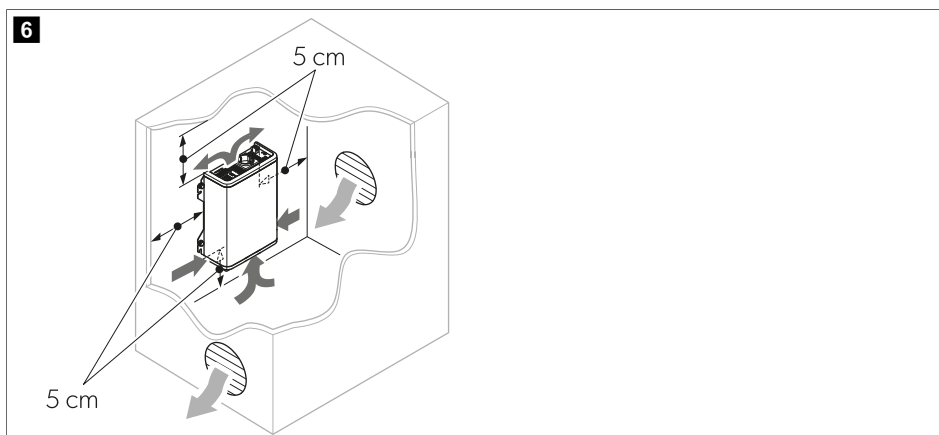
**VIGTIGT! Fare for beskadigelse**

Før du borer, skal du kontrollere, at elektriske kabler eller andre dele på køretøjet ikke beskadiges, når der bores, saves eller files.




**BEMÆRK**

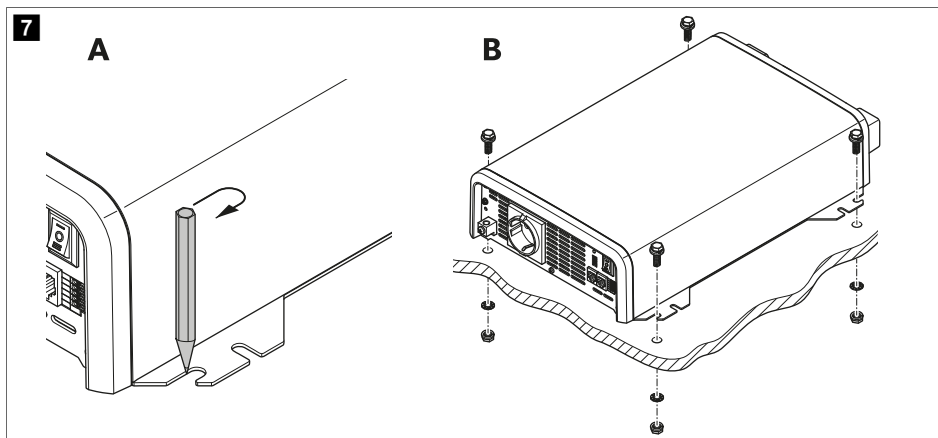
Inverteren kan monteret stående eller hængende ( se fig. 5 på side 151).





Overhold følgende anvisninger, når du vælger installationsstedet:

- Kontrollér, at monteringsoverfladen er fast og vandret.
- Overhold afstandsspecifikationerne for tilstrækkelig ventilation (  fig. 6 på side 151).

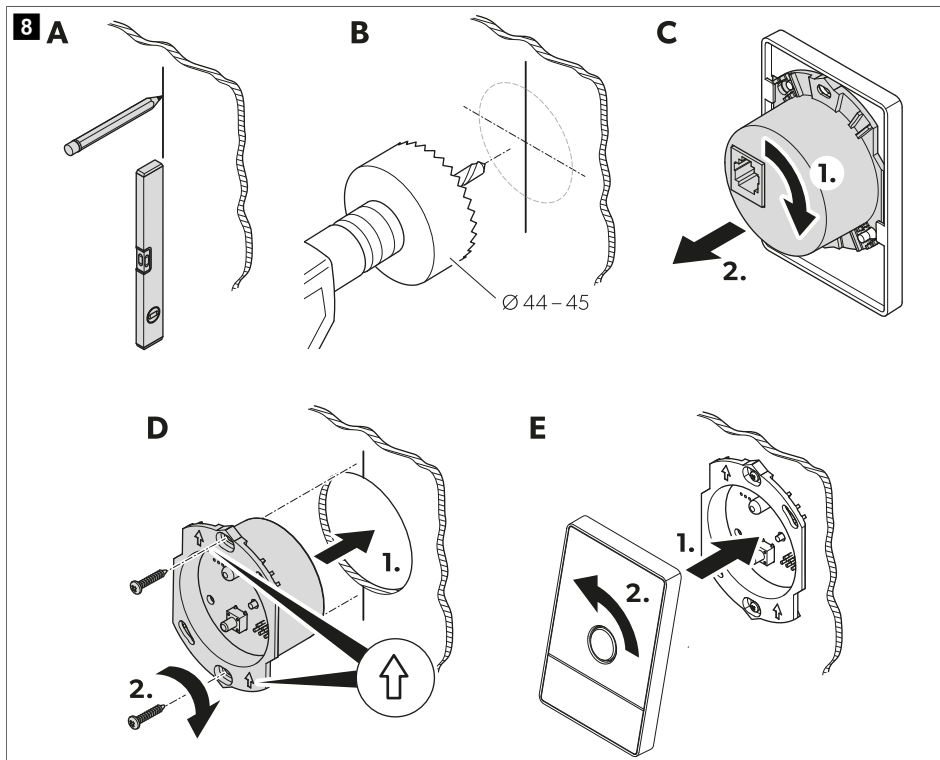
## 8.2 Montering af inverteren


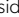


1. Vælg de relevante monteringshuller afhængigt af den valgte monteringsstype (stående eller hængende), og markér borehullerne (  fig. 7 på side 152, **A**).
2. Forbor monteringshullerne.
3. Skru inverteren på plads (  fig. 7 på side 152, **B**).




### 8.3 Montering af fjernbetjeningen



1. Markér monteringsoverfladen (  fig. 8 på side 153, **A**).
2. Bor et hul med en diameter på 44 mm ... 45 mm, f.eks. med en hulsav (  fig. 8 på side 153, **B**).
3. Fjern samleboksen fra kontrolpanelet (  fig. 8 på side 153, **C**).
4. Sæt samleboksen i hullet, og skru samleboksen på plads (  fig. 8 på side 153, **D**).



**BEMÆRK** Sørg for, at den er indstillet lodret som angivet af pilene på samleboksen.

5. Fastgør kontrolpanelet på samleboksen (  fig. 8 på side 153, **E**).
6. Fjern beskyttelsesfolien.

## 8.4 Tilslutning af inverteren



Den elektriske installation og opsætning af apparatet skal udføres af en kvalificeret elektriker, som har godtgjort sine evner og sit kendskab med henblik på konstruktion og betjening af elektrisk udstyr og installationer, og som er bekendt med de gældende nationale forskrifter, hvor udstyret skal installeres og/eller anvendes, og som har modtaget sikkerhedsuddannelse med henblik på at kunne identificere og undgå de involverede farer.

Alle andre handlinger er også beregnet til ikke-professionelle brugere.



### ADVARSEL! Fare for elektrisk stød

Overhold de anbefalede kabeltværsnit, kabellængder og sikringer.



### FORSIGTIG! Brandfare

Anbring sikringen i nærheden af batterierne for at beskytte kablet mod kortslutning og mulig brand.



### VIGTIGT! Fare for beskadigelse

- > Polerne må ikke byttes om.
- > Spænd møtrikkerne eller skruerne med et maks. drejningsmoment på 15 Nm. Løse forbindelser kan medføre overophedning.

Overhold følgende anvisninger, når du tilslutter inverteren:

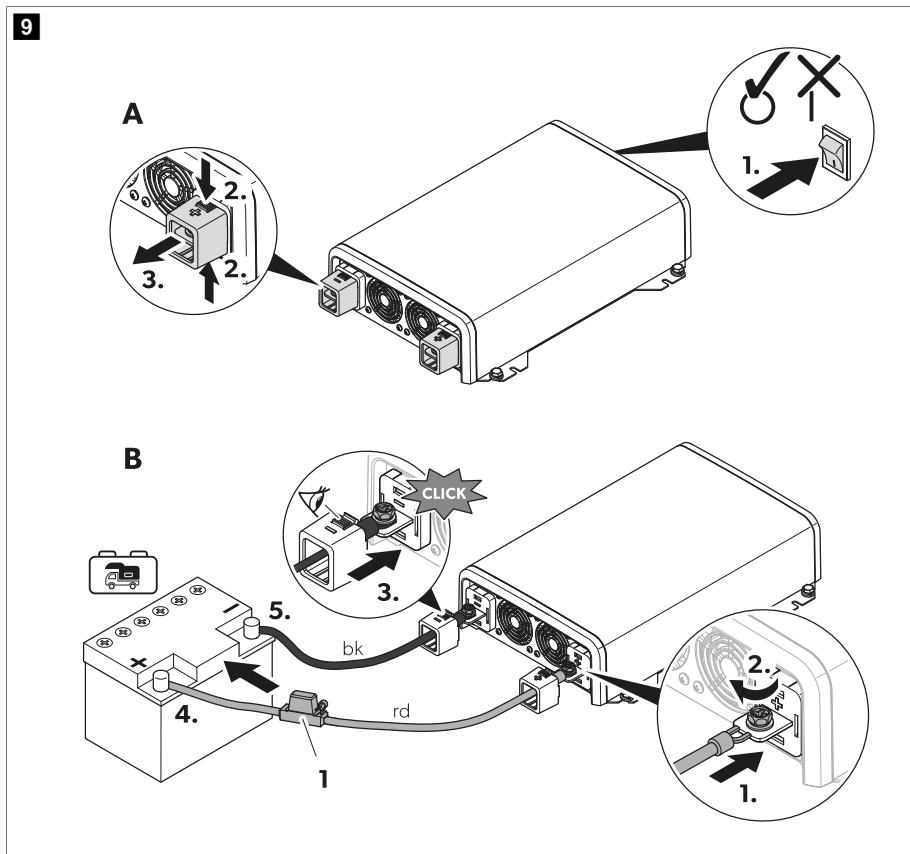
- Overhold de gældende bestemmelser ved opsætning af et strømforsyningskredsløb (lysnetsinstallation).
- Kabellængden for jævnstrømskablerne (tilslutning til batteriklemmer) skal være så kort som muligt  $\leq 1$  m.
- Ved **TN-netværksforbindelse**: Monter et fejlstrømsrelæ (RCD).
- Ved **IT-netværksforbindelse**: Monter en isoleringsovervågningsenhed (IMD), hvis der er tilsluttet mere end én belastning. **Nationale standarder gælder.**



1. Bestemmelse af kabeltværsnit og sikring:

	Kabeltværsnit	Kabelsikring
DPSI612	25 mm <sup>2</sup>	150 A
DPSI624	25 mm <sup>2</sup>	150 A
DPSI1012	35 mm <sup>2</sup>	200 A
DPSI1024	25 mm <sup>2</sup>	150 A
DPSI1512	50 mm <sup>2</sup>	250 A
DPSI1524	25 mm <sup>2</sup>	150 A
DPSI2012	70 mm <sup>2</sup>	300 A
DPSI2024	35 mm <sup>2</sup>	200 A


2. Kontrollér, at apparatet er slukket (  fig. **9** på side 155, **1**).



9

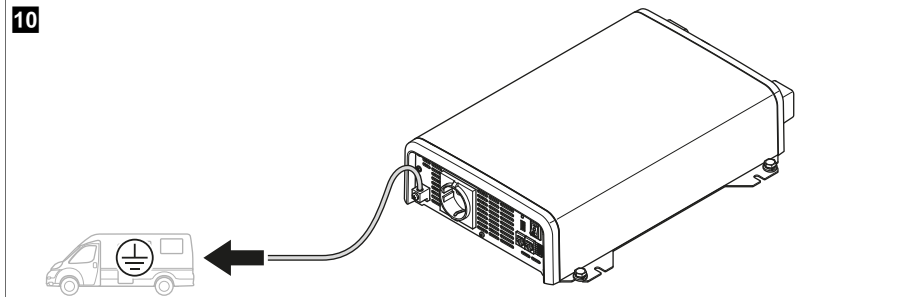


3. Fjern afdækningen fra terminalerne (  fig. 9 på side 155, 2 – 3).
4. Tilslut (+) til forsyningsbatteriets positive terminal (rødt (rd) tilslutningskabel,  fig. 9 på side 155, 4).



**BEMÆRK** Beskyt det positive kabel på forsyningsbatteriet med en sikring (  fig. 9 på side 155, 1).

5. Tilslut (-) til forsyningsbatteriets negative terminal (sort (bk) tilslutningskabel (  fig. 9 på side 155, 5).
6. Tilslut stelforbindelsen til stel (chassis) (  fig. 10 på side 156).

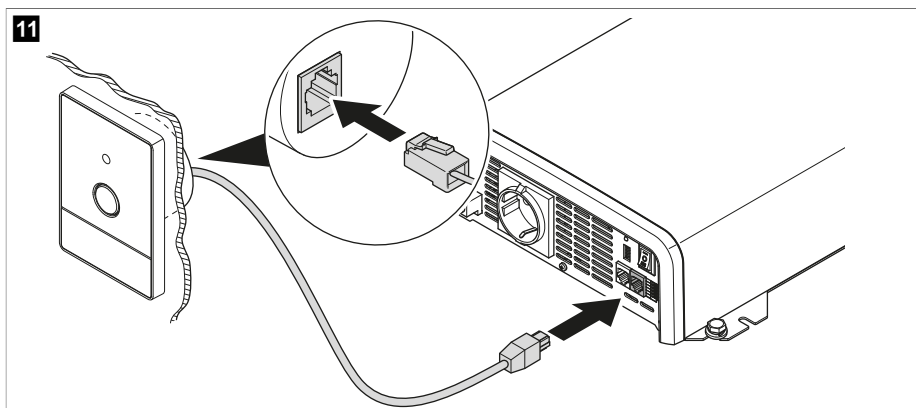


## 8.5 Tilslutning af fjernbetjeningen



**BEMÆRK** Fjernbetjeningen og N-BUS-/CI-BUS-netværket kan ikke tilsluttes samtidig.

- > Tilslut fjernbetjeningen til fjernbetjeningstilslutningen ved at bruge tilslutningskablet til fjernbetjeningen.

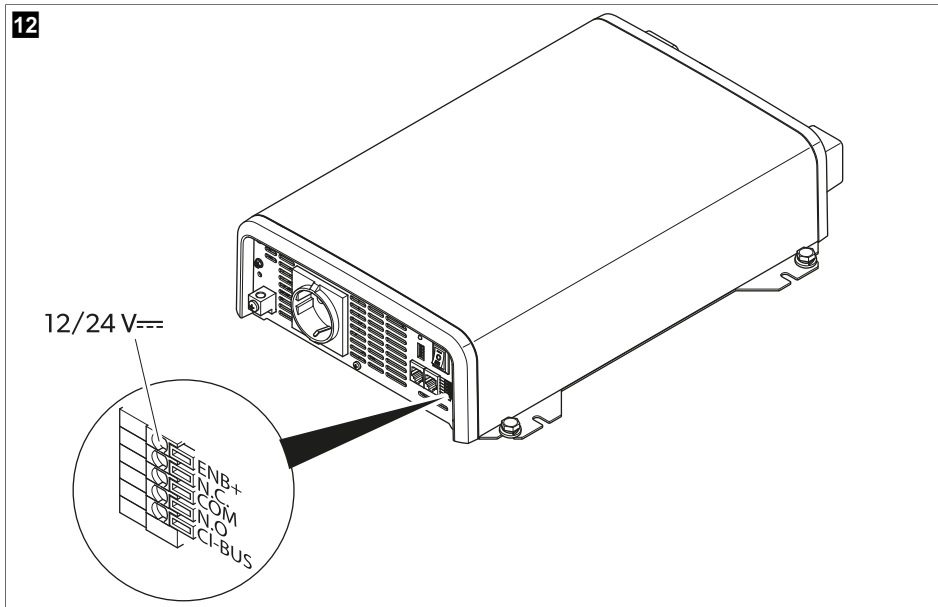


## 8.6 Tilslutning af ENB+-stikket



**BEMÆRK** Hvis ENB+-stikket er tilsluttet, kan status for energisparetilstand ikke ændres.

12



1. Sæt tænd/sluk-kontakten til **0**.
2. Brug ENB+-stikket som følger:
  - Tilslut ENB+-stikket til forsyningsbatteriets positive pol med et egnet elektrisk kabel for at tænde for inverteren.
  - Fjern ENB+-stikket fra forsyningsbatteriet for at slukke for inverteren.

## 9 Konfiguration af netværkssystemet



Den elektriske installation og opsætning af apparatet skal udføres af en kvalificeret elektriker, som har godtgjort sine evner og sit kendskab med henblik på konstruktion og betjening af elektrisk udstyr og installationer, og som er bekendt med de gældende nationale forskrifter, hvor udstyret skal installeres og/eller anvendes, og som har modtaget sikkerhedsuddannelse med henblik på at kunne identificere og undgå de involverede farer.

Alle andre handlinger er også beregnet til ikke-professionelle brugere.

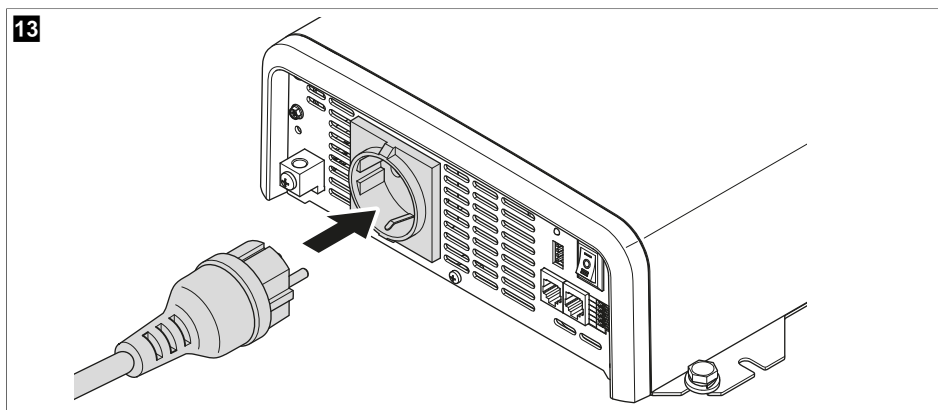


### FARE! Fare for elektrisk stød

- > Fjern kun beskyttelseshætten fra DIP-omskifteren for konfiguration.
  - > Sæt beskyttelseshætten på igen for at undgå utilsigtet justering af DIP-omskifteren.
  - > Ved **TN-netværkskonfiguration**: Sørg for, at der er installeret et fejlstrømsrelæ (RCD).
  - > Ved **IT-netværkskonfiguration**: Betjen kun én belastning, eller monter en isoleringsovervågningsenhed (IMD). Overhold de nationale standarder.
- > Sæt skruen i positionen ☹ for at sætte **TN-netværket**.
  - > Sæt skruen i positionen ☒ for at sætte **IT-netværket**.

## 10 Betjening

### 10.1 Brug af 230 V-apparater



#### BEMÆRK

Tilslut kun apparater, hvis samlede belastning ikke overstiger de værdier, der er angivet i Tekniske data på side 161.

- > Tilslut 230 V apparater til inverterens vekselstrømsstik (  fig. 13 på side 158).

### 10.2 Sådan tændes og slukkes inverteren



#### BEMÆRK

- > Hvis inverteren skal styres via fjernbetjeningen, skal tænd/sluk-kontakten indstilles til positionen **II**.
- > Hvis inverteren skal styres via ENB+-stikket, skal tænd/sluk-kontakten indstilles til positionen **0**.
- > Tænd for inverteren ved at sætte tænd/sluk-kontakten i positionen **I**.
- > For at slukke for inverteren skal du sætte tænd/sluk-kontakten i positionen **0**.
- > Brug fjernbetjeningen eller ENB+-stikket til at tænde og slukke inverteren.

### 10.3 Indstilling af energibesparesestilstand



#### BEMÆRK

- Hvis DIP-omskifter S2 er indstillet til positionen **OFF**, skifter inverteren automatisk til normal drift, når en belastning  $\geq 45$  W er tilsluttet.
- Hvis DIP-omskifter S2 er indstillet til positionen **ON**, skifter inverteren automatisk til normal drift, når en belastning  $\geq 80$  W er tilsluttet.
- Status for energibesparesestilstand kan ikke ændres, hvis fjernbetjeningen eller ENB+-stikket, medmindre man slukker og tænder helt

#### Aktivering af energibesparesestilstand

1. Sluk evt. inverteren.

2. Skub DIP-omskifteren S1 til positionen **ON**.
- ✓ Energibesparelsestilstand er aktiveret.

### Deaktivering af energibesparelsestilstand

1. Sluk inverteren.
  2. Skub DIP-omskifteren S1 til positionen **OFF**.
- ✓ Energibesparelsestilstand er deaktiveret.

## 11 Rengøring og vedligeholdelse



### ADVARSEL! Fare for elektrisk stød

Træk apparatet ud af strømforsyningen før rengøring og vedligeholdelse.



### VIGTIGT! Fare for beskadigelse

- > Rengør aldrig apparatet under rindende vand eller i opvaskevand.
  - > Anvend ikke skarpe eller hårde genstande, skurende rengøringsmidler eller blegemiddel ved rengøringen, da de kan beskadige apparatet.
  - > Kontrollér, at apparatets ventilations- og udluftningsåbninger er fri for støv og urenheder, så varmen kan ledes bort.
- > Rengør apparatet af og til med en fugtig klud.
  - > Kontrollér spændingsførende kabler regelmæssigt med henblik på isoleringsfejl, brud eller løse forbindelser.

## 12 Udbedring af fejl

Fejl	Mulig årsag	Løsningsforslag
Inverteren virker ikke. Status-LED'en er slukket.	Kortslutning fem på hinanden følgende gange.	> Apparatets sikring skal udskiftes af en autoriseret servicerepræsentant, efter den er blevet udløst af overstrøm.
	Isoleringsfejl, brud eller løse forbindelser på de spændingsførende kabler.	> Kontrollér spændingsførende kabler med henblik på isoleringsfejl, brud eller løse forbindelser. Hvis du ikke kan finde fejlen, så kontakt en autoriseret servicerepræsentant.
Inverteren virker ikke. Status-LED'en lyser rødt.	Beskyttelse mod høj udgangsstrøm.	Reducér den tilsluttede belastning.
	Overtemperaturfrakobling.	1. Sluk inverteren og de tilsluttede belastninger. 2. Kontrollér, at alle luftindgange og -udgange ikke er dækket til eller hindret. 3. Lad inverteren køle af.
	Der er opstået en kortslutning.	Apparatets sikring skal udskiftes af en autoriseret servicerepræsentant, efter den er blevet udløst af overstrøm.

Fejl	Mulig årsag	Løsningsforslag
	Overspændingsfrakobling. For høj batterispænding.	<ul style="list-style-type: none"> <li>&gt; Reducér tilslutningsspændingerne. Inverteren genstarter automatisk, når spændingen falder til genstartsværdien (se kapitlet Overspændingsfrakobling på side 162).</li> <li>&gt; Hvis fejlen stadig forekommer: Øg kabeltværsnittene. Reducer kabel-længden.</li> </ul>
	Underspændingsfrakobling. For lav batterispænding.	<ul style="list-style-type: none"> <li>&gt; Lad batteriet genoplade langsomt. Inverteren genstarter automatisk, når spændingen når over genstartsværdien (se kapitlet Underspændingsfrakobling på side 162).</li> </ul>

## 13 Garanti

Den lovbestemte garantiperiode gælder. Hvis produktet er defekt, skal du kontakte producentens afdeling i dit land (se [dometic.com/dealer](http://dometic.com/dealer)) eller din forhandler.

Ved reparation eller krav om garanti skal du medsende følgende bilag:

- en kopi af regningen med købsdato
- en reklamationsgrund eller en fejlbeskrivelse.

Vær opmærksom på, at egne eller uprofessionelle reparationer kan få sikkerhedsmæssige konsekvenser og kan gøre garantien ugyldig.

## 14 Bortskaffelse



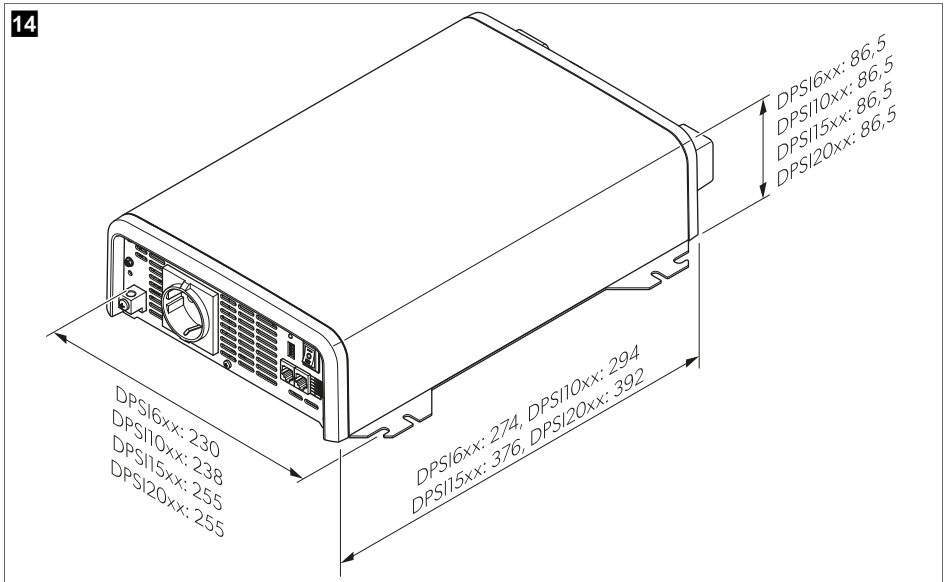
Bortskaf så vidt muligt emballagen i affaldscontainerne til den pågældende type genbrugsaffald.


Kontakt en lokal genbrugsstation eller din faghandel for at få de pågældende forskrifter om, hvordan du bortskaffer produktet i overensstemmelse med disse gældende forskrifter for bortskaffelse.


Produktet kan bortskaffes uden gebyr.




## 15 Tekniske data



	<b>DPSI 612</b>	<b>DPSI 1012</b>	<b>DPSI 624</b>	<b>DPSI 1024</b>
Nominel indgangsspænding	12 V <sup>DC</sup>		24 V <sup>DC</sup>	
Indgangsspændingsområde	10,5 ... 16,5 V <sup>DC</sup>		21 ... 33 V <sup>DC</sup>	
Kontinuerlig udgangseffekt P <sub>nom</sub>	600 W	1000 W	600 W	1000 W
Maks. udgangseffekt (1 min)	690 W	1150 W	690 W	1150 W
Maks. overspændingsstrøm (1 s) P <sub>over</sub> -spænding	1200 W	2000 W	1200 W	2000 W
Strømförbrug i tomgangstilstand	≤ 1 A	≤ 1,1 A	≤ 0,6 A	≤ 0,6 A
Strømförbrug i standbytilstand	≤ 0,3 A	≤ 0,35 A	≤ 0,2 A	≤ 0,2 A
Mål	 fig. 14 på side 161			
Vægt	1,1 kg	1,2 kg	1,1 kg	1,2 kg
	<b>DPSI 1512</b>	<b>DPSI 2012</b>	<b>DPSI 1524</b>	<b>DPSI 2024</b>
Nominel indgangsspænding	12 V <sup>DC</sup>		24 V <sup>DC</sup>	
Indgangsspændingsområde	10,5 ... 16,5 V <sup>DC</sup>		21 ... 33 V <sup>DC</sup>	
Kontinuerlig udgangseffekt P <sub>nom</sub>	1500 W	2000 W	1500 W	2000 W
Maks. udgangseffekt (1 min)	1725 W	2300 W	1725 W	2300 W
Maks. overspændingsstrøm (1 s) P <sub>over</sub> -spænding	3000 W	4000 W	3000 W	4000 W

	DPSI 1512	DPSI 2012	DPSI 1524	DPSI 2024
Strømforsbrug i tomgangstilstand	≤ 1,2 A	≤ 1,5 A	≤ 0,7 A	≤ 0,8 A
Strømforsbrug i standbytilstand	≤ 0,4 A	≤ 0,5 A	≤ 0,25 A	≤ 0,3 A
Mål	 fig. 14 på side 161			
Vægt	1,1 kg	1,2 kg	1,1 kg	1,2 kg

## 15.1 Generelle tekniske data

Udgangsspændingsområde	230 V $\sim$ ± 10 %
Udgangsrekvens	50 Hz ± 1 %
Udgangsbølgeform	Ren sinusbølge
Maksimal effektivitet	90 %
Omgivelsestemperatur for drift	0 ... 50 °C
Omgivelsestemperatur for opbevaring	-30 °C ... 70 °C
Udenomsfugtighed	0 ... 95 %, non-condensing
Inspektion/certificering	

## 15.2 Underspændingsfrakobling

	Frakoblingsværdi	Genstartsværdi
DPSlxx12	10,3 V	11,8 V
DPSlxx24	20,6 V	23,6 V

## 15.3 Overspændingsfrakobling

	Frakoblingsværdi	Genstartsværdi
DPSlxx12	16,5 V	15,5 V
DPSlxx24	33 V	31 V

## Svenska

1	Observera.....	163
2	Förklaring av symboler.....	163
3	Säkerhetsanvisningar.....	164
4	Leveransomfattning.....	167
5	Tillbehör.....	167
6	Avsedd användning.....	167
7	Teknisk beskrivning.....	168
8	Installation.....	171
9	Konfigurera nätverkssystemet.....	177
10	Användning.....	178
11	Rengöring och skötsel.....	179
12	Felsökning.....	179
13	Garanti.....	180
14	Kassering.....	180
15	Tekniska data.....	181

## 1 Observera

Läs och följ noggrant alla instruktioner, direktiv och varningar i den här produkthandboken för att säkerställa att du alltid installerar, använder och underhåller produkten på rätt sätt. Dessa instruktioner **MÅSTE** förvaras tillsammans med produkten.

Genom att använda produkten bekräftar du härmed att du noggrant har läst alla instruktioner, direktiv och varningar och att du förstår och är införstådd med att följa de villkor som anges här. Du är införstådd med att endast använda denna produkt i avsett syfte och i enlighet med instruktionerna, direktiven och varningarna som anges i denna produkthandbok samt i enlighet med alla gällande lagar och bestämmelser. Om du inte läser och följer instruktionerna och varningarna som anges här kan det leda till personskador på dig eller andra, på produkten eller annan egendom i närheten. Denna produkthandbok, inklusive instruktionerna, direktiven och varningarna samt relaterad information, kan ändras och uppdateras. Aktuell produktinformation finns på [documents.dometic.com](http://documents.dometic.com).

## 2 Förklaring av symboler

Ett signalord identifierar säkerhetsmeddelanden och meddelanden om egendomsskada och indikerar även farans allvarlighetsgrad.



### FARA!

Anger en farlig situation som, om den inte kan undvikas, leder till döden eller allvarlig personskada.



### WARNING!

Anger en farlig situation som, om den inte kan undvikas, kan leda till döden eller allvarlig personskada.



### AKTA!

Anger en farlig situation som, om den inte kan undvikas, leder till lindrig eller måttlig personskada.



### OBSERVERA!

Anger en situation som, om den inte kan undvikas, kan leda till materiell skada.



**ANVISNING** Kompletterande information om användning av produkten.

## 3 Säkerhetsanvisningar

Beakta även säkerhetsanvisningarna och riktlinjerna från fordonstillverkaren och auktoriserade verkstäder.

### 3.1 Allmänna säkerhetsanvisningar



#### **FARA! Risk för dödsfall på grund av elektricitet**

- > Ta inte tag i avskalade ledningar med händerna.
- > För att apparaten snabbt ska kunna kopplas bort från växelströmsnätet måste uttaget sitta i närheten av apparaten och vara lätt att nå.



#### **VARNING! Risk för dödsfall på grund av elektricitet**

- > Apparaten får endast installeras och tas bort av härför utbildad personal.
- > Om själva apparaten eller anslutningskablarna uppvisar synliga skador får apparaten ej tas i drift.
- > Om strömförsörjningskabeln till enheten skadas måste den bytas för att förhindra säkerhetsrisker.
- > Denna apparat får endast repareras av härför utbildad personal. Om man utför reparationer på fel sätt kan man utsättas för avsevärda risker.
- > Använd endast tillbehör som rekommenderas av tillverkaren.
- > Ändra eller anpassa inte komponenterna på något sätt.
- > Lossa inga kablar när apparaten används.
- > Koppla bort apparaten från strömförsörjningen:
  - Efter varje användning
  - före varje rengörings- och underhållstillfälle
  - före byte av säkring



#### **VARNING! Brandrisk/brännbara material**

Vid brand får endast brandsläckare användas som är avsedda för elektriska apparater.



#### **VARNING! Kvävningsrisk**

Apparatens kabel- och styrenhet kan innebära risk för att trassla in sig, strypas av, snubbla över eller trampa på kablarna om den inte utformas rätt. Säkerställ att kabeländar och spänningskablar placeras på ett säkert sätt.



#### **VARNING! Hälsorisk**

- > Barn från åtta års ålder, personer med nedsatt fysisk, sensorisk eller mental förmåga, eller personer med bristande erfarenhet och kunskaper får använda den här apparaten förutsatt att de hålls under uppsikt eller om de har fått anvisningar om hur man använder den här apparaten på ett säkert sätt och känner till vilka risker som är förknippade med användningen.
- > **Elapparater är inga leksaker.** Förvara och använd apparaten utom räckhåll för små barn.
- > Barn måste hållas under uppsikt så att de inte leker med apparaten.
- > Utan uppsikt får barn inte utföra rengörings- eller underhållsarbeten.

**OBSERVERA! Risk för skada**

- > Jämför spänningsuppgifterna på typetiketten med spänningen i ditt uttag innan apparaten tas i drift.
- > Kontrollera att det **inte** är möjligt för andra föremål att orsaka kortslutning vid apparatens kontakter.
- > Säkerställ att negativa och positiva poler **aldrig** kommer i kontakt med varandra.
- > Dra inte i anslutningskablarna och använd inte kablarna som handtag.
- > Apparaten får inte utsättas för regn eller fukt. Förvaras torrt.

### 3.2 Säkerhet vid installering av apparaten

**FARA! Explosionsrisk**

- > Installera och använd apparaten endast i slutna och väl ventilerade utrymmen.
- > Installera och använd **inte** apparaten i dessa förhållanden:
  - i salthaltiga, fuktiga eller blöta omgivningar
  - i närheten av aggressiva ångor
  - i närheten av brännbara material
  - i närheten av värmekällor (element, direkt solljus, gasspisar osv.).
  - I områden där det finns risk för gas- eller dammexplosioner.

**VARNING! Risk för personskada**

- > Se till att apparaten står säkert och stabilt. Produkten måste ställas upp och fästas så att den inte kan välta eller falla ner.
- > Se till att alla kablar är säkrade på lämpligt sätt för att undvika snubblingsrisk i samband med att apparaten sätts på plats.

**OBSERVERA! Risk för skada**

- > Ställ apparaten i ett torrt utrymme där den är skyddad mot vattenstänk.
- > Använd alltid jordade uttag med FI-jordfelsbrytare

### 3.3 Säkerhet vid elektrisk anslutning av apparaten

**FARA! Risk för dödsfall på grund av elektricitet**

Vid alla arbeten på den elektriska installationen: se till att det finns en annan person i närheten som kan ingripa vid ev. nödfall.

**VARNING! Risk för dödsfall på grund av elektricitet**

- > Beakta de nödvändiga kabelareorna.
- > Dra kablarna så att de inte kan skadas av dörrar eller motorhuven. Klämda kablar kan orsaka personsador med dödlig utgång.

**OBSERVERA! Risk för skada**

- > Använd tomma rör eller kabelkanaler om kablarna dras genom plåtväggar eller andra väggar med vassa kanter.
- > Lägg **inte** 230 V-nätanslutningskabeln och 12 V-likströmskabeln i samma kanal.
- > Lägg **inte** kabeln löst eller vikt.
- > Sätt fast kablarna så att de sitter säkert.

### 3.4 Säkerhet vid hantering av batterier

**VARNING! Risk för personskada**

- > Batterier innehåller aggressiva och frätande syror. Undvik kontakt med batterivätskan. Om huden kommer i kontakt med batterivätska ska stället på kroppen rengöras noggrant med vatten. Uppsök alltid läkare vid kroppsskador orsakade av syra.
- > Bär inte metallsmycken el. dyl., till exempel klocka eller ringar, när du hanterar batterier. Blysyrbatterier kan bilda kortslutningsström, som kan orsaka svåra brännskador.
- > Använd endast isolerade verktyg.
- > Lägg inga metalldelar på batteriet och förhindra att metalldelar faller ned på batteriet. Det kan orsaka gnistor eller kortsluta batteriet och andra elektriska apparater.
- > Använd skyddsglasögon och skyddsklädsel när du arbetar med batteriet. Vidrör inte ögonen när du arbetar med batterier.
- > Använd endast laddningsbara batterier.
- > Använd inte defekta batterier.

**AKTA! Explosionsrisk**

- > Försök aldrig ladda ett fryst eller trasigt batteri. Ställ batteriet i ett frostfritt utrymme och vänta tills batteriet har samma temperatur som omgivningen. Starta sedan laddningen.
- > Rök inte, använd inte öppna flammor och orsaka inga gnistor i närheten av motorn eller ett batteri.
- > Håll batteriet borta från värmekällor.

**OBSERVERA! Risk för skada**

- > Vid anslutning av batteriet, säkerställ att batteriets poler är korrekt anslutna.
- > Beakta anvisningarna från batteritillverkaren och från tillverkaren av fordonet/anläggningen där batteriet används.
- > Börja med att lossa jordanslutningen ifall batteriet måste tas bort. Koppla bort alla anslutningar och förbrukare från batteriet innan det demonteras.
- > Lagra endast fulladdade batterier. Ladda lagrade batterier regelbundet.
- > Bär inte batteriet i polerna.

### 3.5 Säkerhet vid användning av apparaten

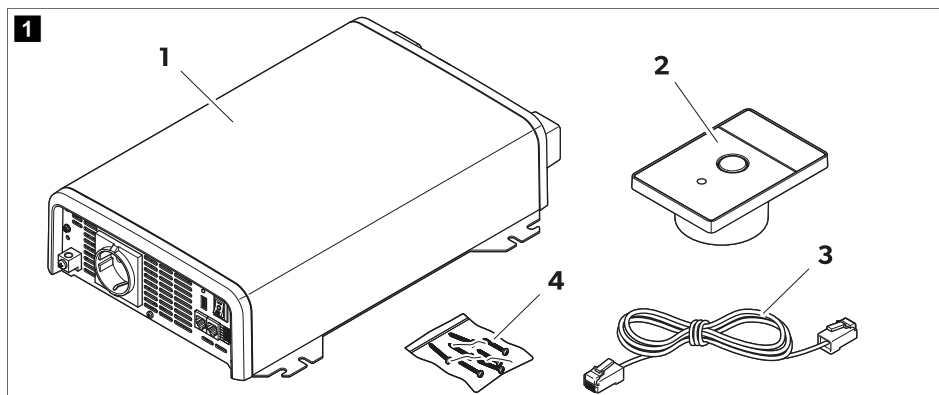
**VARNING! Risk för dödsfall på grund av elektricitet**

- > Använd inte enheten i våta förhållanden eller om den är nedsänkt i någon typ av vätska.
- > Innan apparaten startas måste du se till att elkabeln och elkontakten är torra och att elkontakten är fri från rost och smuts.
- > Observera att vissa av apparatens komponenter fortfarande är under spänning när säkringen har löst ut.

**OBSERVERA! Risk för skada**

- > Säkerställ att apparatens luftintag och luftutlopp inte är övertäckta.
- > Säkerställ en god ventilation.

## 4 Leveransomfattning



Nr på bild. 1 sida 167	Beteckning	Mängd
1	Sinusväxelriktare	1
2	Fjärrkontroll	1
3	Anslutningskabel för fjärrkontroll	1
4	Fästskruvar	6
-	Monterings- och bruksanvisning	1

## 5 Tillbehör

Beteckning	Art.nr
Fjärrkontroll DPSI-RC	9620018306
Pekskärm TD283	9620013272

## 6 Avsedd användning

Växelriktaren är avsedd att omvandla likström till en ren sinusvåg med växelspanning (AC) på 230 V~ för drift och stabil strömförsörjning av anslutna 230 V-förbrukare.

Växelriktaren är avsedd för anslutning till:

- DPSI612, DPSI1012, DPSI1512, DPSI2012: 12 V $\overline{=}$
- DPSI624, DPSI1024, DPSI1524, DPSI2024: 24 V $\overline{=}$

Växelriktaren är avsedd för följande:

- Installation i fritidsfordon (RV), kommersiella fordon eller motor- och segelbåtar
- Stationär eller mobil användning
- Inomhusbruk

Växelriktaren är **inte** avsedd för följande:

- Utomhusbruk

Den här produkten lämpar sig endast för avsedd användning i enlighet med denna bruksanvisning.

Den här manualen informerar om vad som krävs för att installera och/eller använda produkten på rätt sätt. Felaktig installation eller användning eller felaktigt underhåll kommer leda till att produkten inte fungerar optimalt och riskerar gå sönder.

Tillverkaren åtar sig inget ansvar för personskador eller materiella skador på produkten som uppstår till följd av:

- Felaktig installation, montering eller anslutning, inklusive för hög spänning
- Felaktigt underhåll eller användning av reservdelar som inte är originaldelar från tillverkaren
- Ändringar som utförts utan uttryckligt medgivande från tillverkaren
- Användning för andra ändamål än de som beskrivs i denna bruksanvisning

Dometic förbehåller sig rätten att ändra produktens utseende och specifikationer.

## 7 Teknisk beskrivning

### 7.1 Allmän beskrivning

Växelriktaren är en sinusväxelriktare för likström till växelström.

Växelriktaren kan användas i följande nätverkssystem:

- TN-nätverk
- IT-nätverk

Nätverkssystemen ställs in via en skruv på växelriktaren.

Växelriktaren har följande skyddsmekanismer:

- **Överspänningsskydd:** Växelriktaren stängs av när spänningsvärdet stiger över fränkopplingsvärdet. Växelriktaren startar om automatiskt när spänningen sjunker till omstartvärdet.
- **Underspänningsskydd:** Växelriktaren stängs av när spänningsvärdet sjunker under fränkopplingsvärdet. Växelriktaren startar om automatiskt när spänningen stiger över omstartvärdet.
- **Övertemperaturskydd:** Växelriktaren stängs av när apparatens interna temperatur stiger över fränkopplingsvärdet. Växelriktaren startar om automatiskt när den interna temperaturen sjunker till omstartvärdet.
- **Skydd mot hög utgångsspänning:** Växelriktaren stängs av när för många belastningar är anslutna.
- **Kortslutningsskydd:** Växelriktaren stängs av när en kortslutning har genererats. Växelriktaren startar om automatiskt efter några sekunder. Om en kortslutning upptäcks fem gånger i följd startar inte växelriktaren automatiskt om igen utan kräver en manuell omstart.

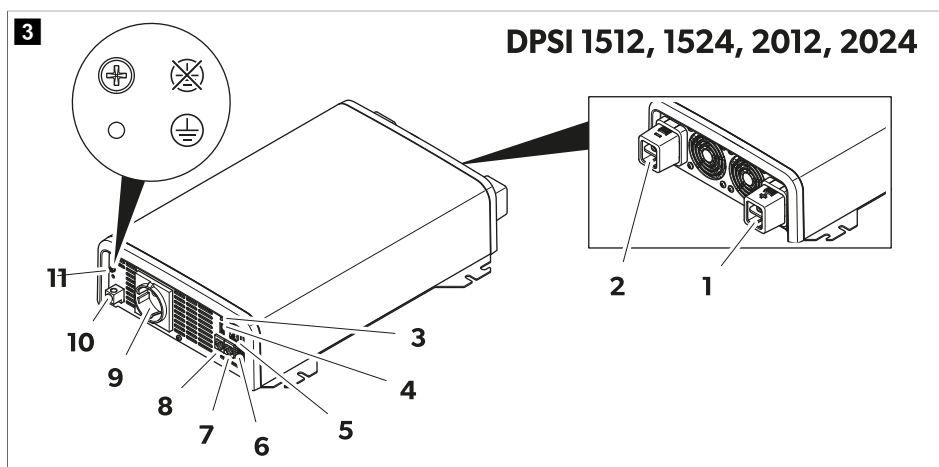
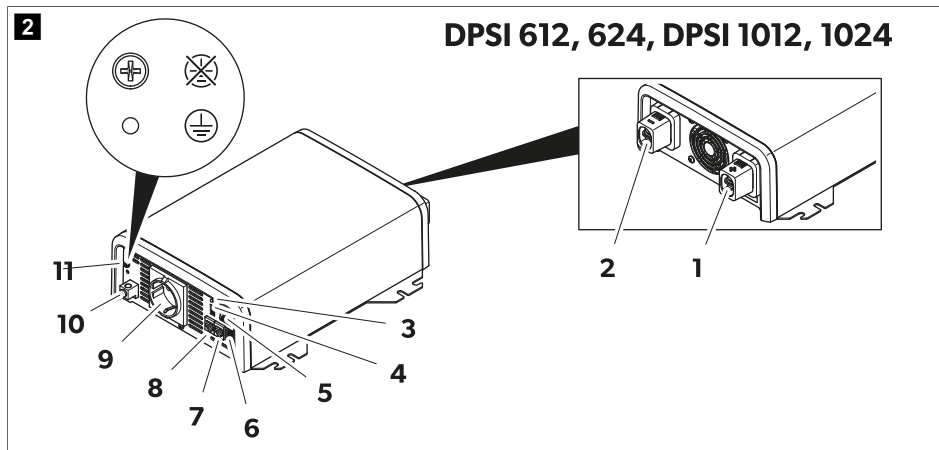
Växelriktaren är N-BUS- och CI-BUS-kompatibel för data och funktioner på pekskärmen (tillbehör) och i mobilappen.

Växelriktaren är utrustad med en fjärrkontroll för att slå på eller stänga av växelriktaren.

Växelriktaren kan växla till energisparläge för att minska förbrukningen i viloläge och minimera belastningen på batteriet. Detta kan göras via en DIP-switch.



## 7.2 Reglage och anslutningar

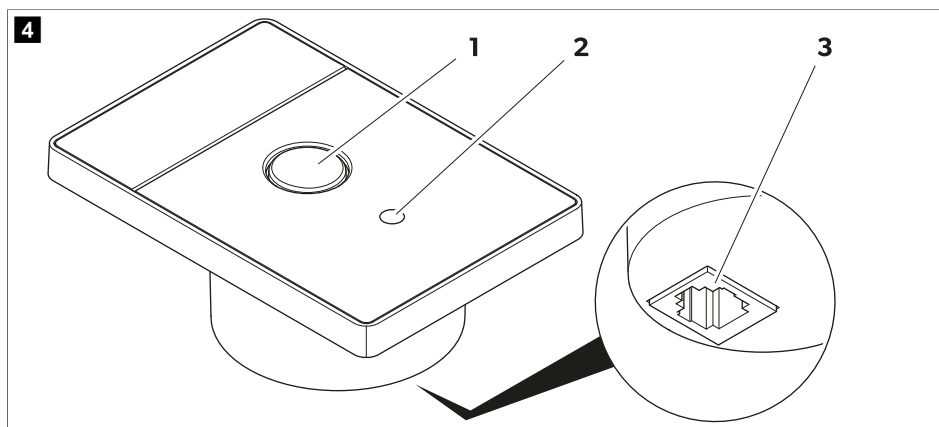


**ANVISNING** Bilderna visar versionen för Kontinentaleuropa.

Pos.	Beteckning
1	(+)-pol, anslutning till pluspolen på fritidsbatteriet
2	(-)-pol, anslutning till minuspolen på fritidsbatteriet
3	LED-statusindikering
4	DIP-switch
5	På/av-knapp

Pos.	Beteckning
6	Uttag för extern styrning
7	CI-BUS/N-Bus/fjärrkontrollanslutning (LINB)
8	CI-BUS/N-Bus/fjärrkontrollanslutning (LINA)
9	Växelströmsuttag
10	Jordanslutning
11	Skruv för inställning av IT/TN-nätverk

### 7.3 Fjärrkontroll



Nr på bild. **4** Beteckning  
sida 170

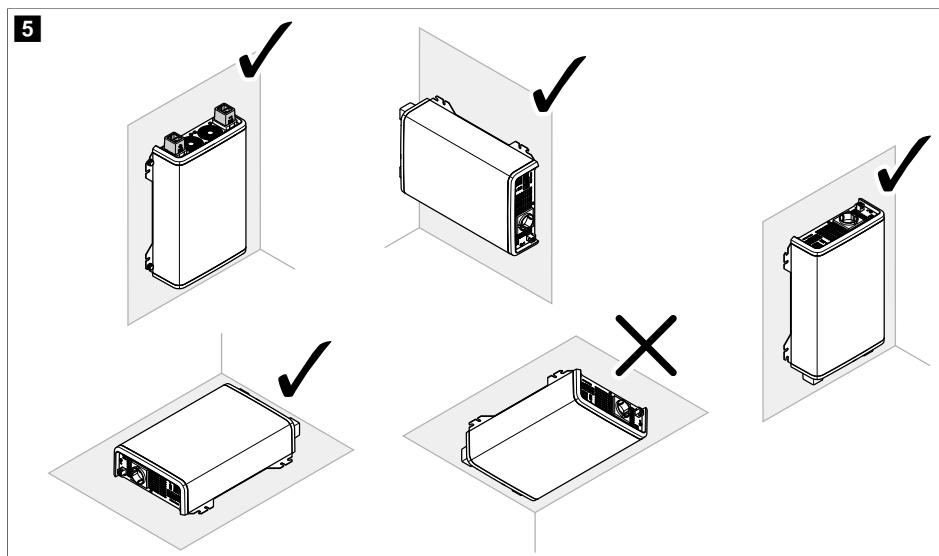
1	På/Av-knapp
2	LED-statusindikering
3	Anslutning för fjärrkontroll

### 7.4 LED-statusindikering

Status	Beskrivning
Green	Växelriktardrift
Orange	Varning! Växelströmsutgången medför risk för överspänning, underspänning eller strömavbrott
Red	Fel: Ingen växelströmsingång, växelriktaren är avaktiverad (se kapitel Felsökning sida 179)

## 8 Installation

### 8.1 Plats för installation



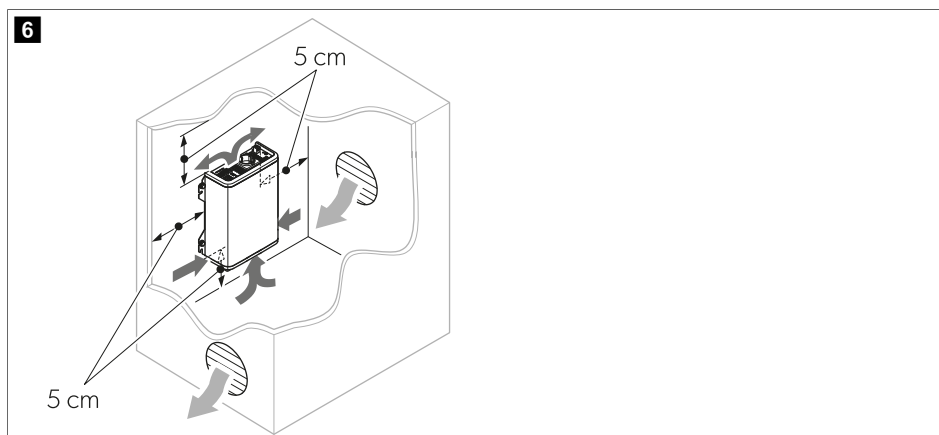
#### **OBSERVERA! Risk för skada**

Innan borrar gör: Kontrollera att inga elkablar eller andra delar kan skadas genom borrar, sågning eller filning.




#### **ANVISNING**

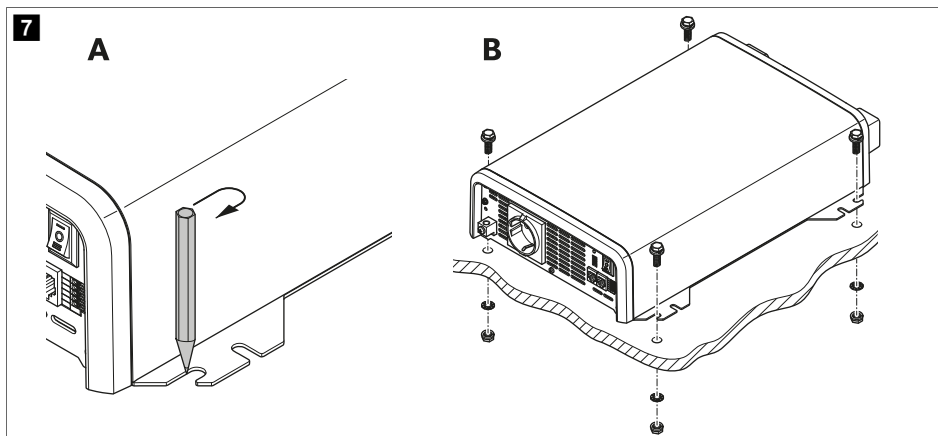
Växelriktaren kan monteras stående eller hängande (  bild. **5** sida 171).





Beakta följande anvisningar vid val av installationsplats:

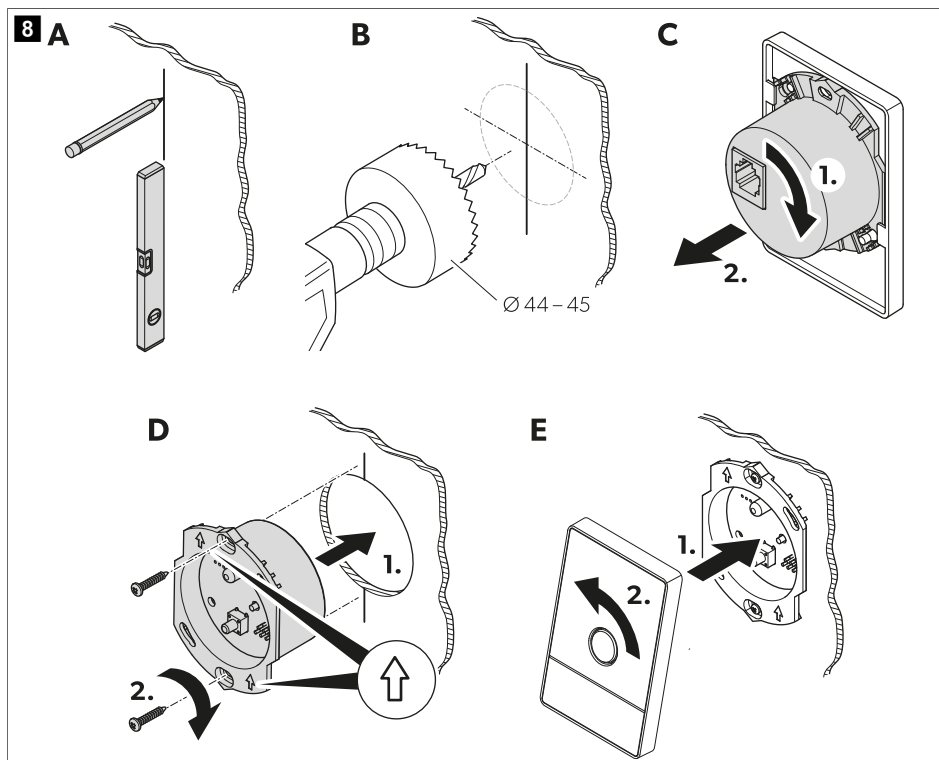
- Se till att monteringsytan är fast och jämn.
- Beakta de angivna avstånden för tillräcklig ventilation (  bild. **6** sida 171).





## 8.2 Montera växelriktaren



1. Välj lämpliga monteringshål beroende på monteringsstypen (stående eller hängande) och markera borrhålen (  bild. **7** sida 172, **A**).
2. Förborra monteringshålen.
3. Skruva fast växelriktaren (  bild. **7** sida 172, **B**).

### 8.3 Montera fjärrkontrollen



1. Markera monteringsytan (  bild. **8** sida 173, **A**).
2. Borra ett hål med en diameter på 44 mm ... 45 mm, t.ex. med en hålsåg (  bild. **8** sida 173, **B**).
3. Ta bort fördelardosan från kontrollpanelen (  bild. **8** sida 173, **C**).
4. Sätt i fördelardosan i hålet och skruva fast fördelardosan (  bild. **8** sida 173, **D**).



**ANVISNING** Se till att den vertikala inriktningen är korrekt enligt pilarna på fördelardosan.

5. Fäst kontrollpanelen på fördelardosan (  bild. **8** sida 173, **E**).
6. Ta bort skyddsfoliet.

## 8.4 Ansluta växelriktaren



Elinstallationen och inställningen av apparaten måste utföras av en kvalificerad elektriker som har bevisat sina färdigheter och kunskaper inom konstruktion och drift av elutrustning och elinstallationer och som känner till gällande bestämmelser i landet där utrustningen installeras eller används och har fått säkerhetsutbildning för att kunna upptäcka och undvika de faror som kan uppstå.

Alla andra åtgärder som beskrivs är avsedda även för icke-professionella användare.



### **VARNING! Risk för dödsfall på grund av elektricitet**

Beakta de rekommenderade kabeltvärsnittareorna, kabellängderna och säkringarna.



### **AKTA! Brandrisk**

Placera säkringarna nära batteriet för att förhindra kortslutningar i kabeln och möjliga bränder.



### **OBSERVERA! Risk för skada**

- > Se till att polerna ansluts rätt.
- > Dra åt skruvarna eller muttrarna med ett åtdragningsmoment på max. 15 Nm. Lösa anslutningar kan leda till överhettning.

Observera följande anvisningar vid anslutning av växelriktaren:

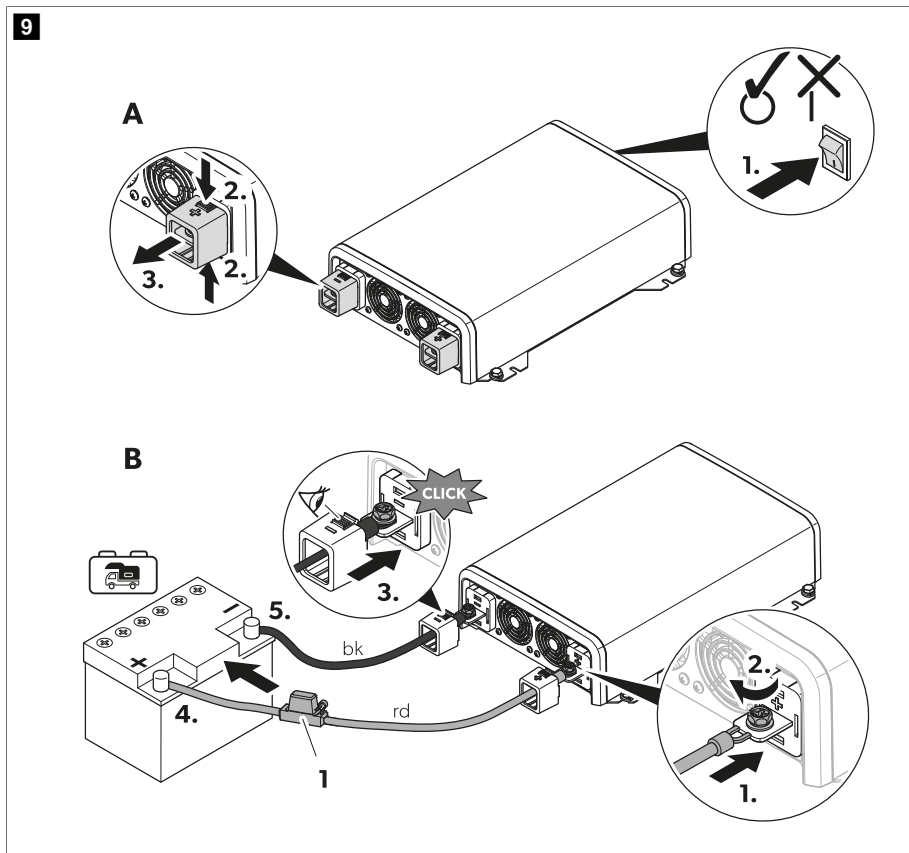
- Följ gällande bestämmelser när du installerar en förgreningskrets för utlopp (installation av elnätsanslutning).
  - Välj så kort kabellängd som möjligt för likströmskablar (anslutning till batteripolerna)  $\leq 1$  m).
  - För **TN**-nätverksanslutning: Installera en jordfelsbrytare (RCD).
  - För **IT**-nätverksanslutning: Installera en enhet för isoleringsövervakning (IMD) om mer än en belastning är ansluten.
- Nationella standarder gäller.**


1. Bestäm kabelareor och säkringar:


	Kabelarea	Kabelsäkring
DPSI612	25 mm <sup>2</sup>	150 A
DPSI624	25 mm <sup>2</sup>	150 A
DPSI1012	35 mm <sup>2</sup>	200 A
DPSI1024	25 mm <sup>2</sup>	150 A
DPSI1512	50 mm <sup>2</sup>	250 A
DPSI1524	25 mm <sup>2</sup>	150 A
DPSI2012	70 mm <sup>2</sup>	300 A
DPSI2024	35 mm <sup>2</sup>	200 A

2. Kontrollera att apparaten är avstängd (  bild. **9** sida 175, **1**).

9




3. Ta bort skydden från polerna (  bild. **9** sida 175, **2 – 3**).

4. Anslut (+) till fritidsbatteriets pluspol (röd (rd) anslutningskabel,  bild. **9** sida 175, **4**).

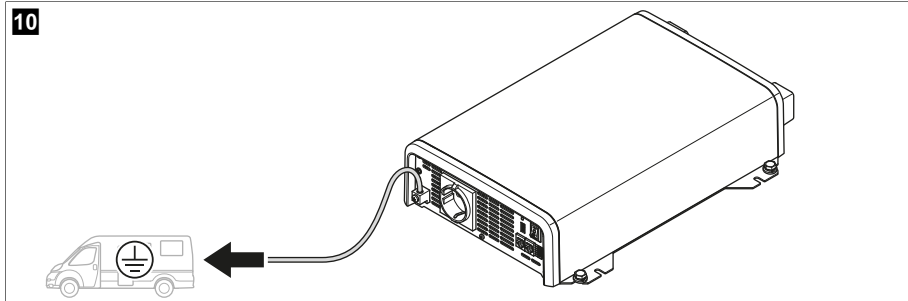


**ANVISNING** Skydda fritidsbatteriets pluskabel med en säkring (  bild. **9** sida 175, **1**).

5. Anslut (-) till fritidsbatteriets minuspol (svart (bk) anslutningskabel (  bild. **9** sida 175, **5**).

6. Anslut jordanslutningen till jorden (chassit) (  bild. **10** sida 176).

10



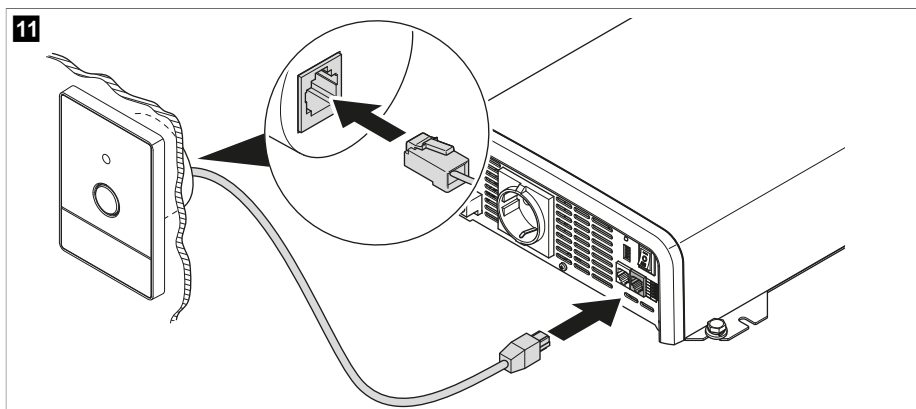
## 8.5 Ansluta fjärrkontrollen



**ANVISNING** Fjärrkontrollen och N-BUS/CI-BUS-nätverket kan inte anslutas samtidigt.

- > Anslut fjärrkontrollen till anslutningen för fjärrkontrollen med dess anslutningskabel.

11



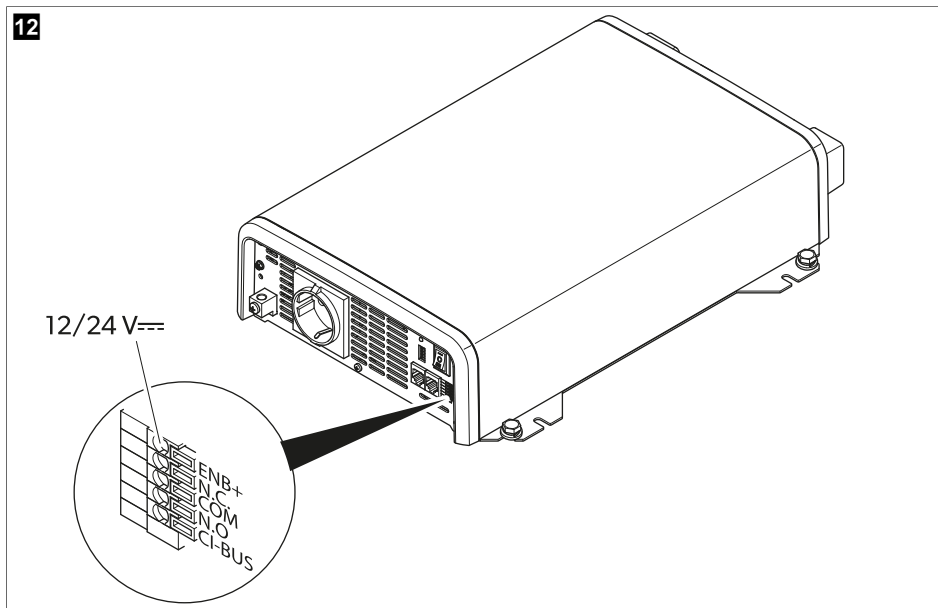
## 8.6 Ansluta ENB+-stiftet



**ANVISNING** Om ENB+-stiftet är anslutet kan statusen för energisparläget inte ändras.



12



1. Ställ in på/av-brytaren till läge **0**.
2. Använd ENB+-stiftet på följande sätt:
  - Slå på växelriktaren genom att ansluta ENB+-stiftet till fritidsbatteriets pluspol via en lämplig elkabel.
  - Slå av växelriktaren genom att lossa ENB+-stiftet från fritidsbatteriet.

## 9 Konfigurera nätverkssystemet



Elinstallationen och inställningen av apparaten måste utföras av en kvalificerad elektriker som har bevisat sina färdigheter och kunskaper inom konstruktion och drift av elutrustning och elinstallationer och som känner till gällande bestämmelser i landet där utrustningen installeras eller används och har fått säkerhetsutbildning för att kunna upptäcka och undvika de faror som kan uppstå.

Alla andra åtgärder som beskrivs är avsedda även för icke-professionella användare.

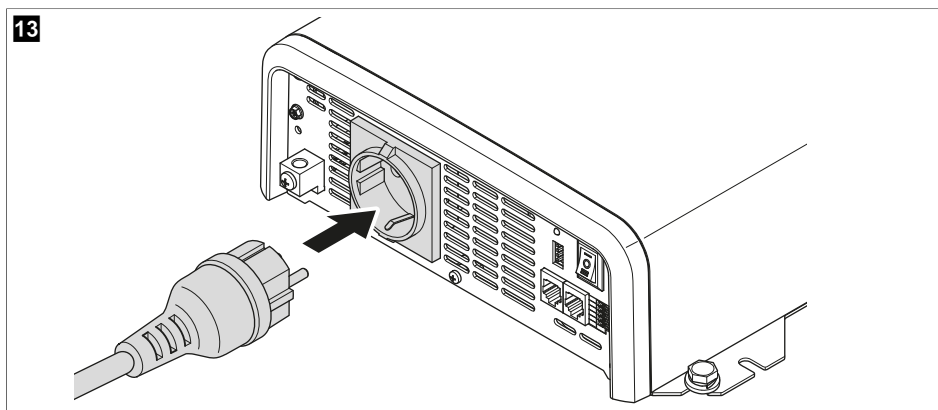


### **FARA! Risk för dödsfall på grund av elektricitet**

- > Ta endast bort skyddslocket från DIP-switchen vid konfiguration.
  - > Byt ut skyddslocket för att förhindra oavsiktlig justering av DIP-switchen.
  - > För **TN**-nätverkskonfiguration: Se till att en jordfelsbrytare (RCD) är installerad.
  - > För **IT**-nätverkskonfiguration: Använd endast en belastning eller installera en apparat för isoleringsövervakning (IMD). Beakta de nationella standarderna.
- > Sätt i skruven i läget ☹ för att ställa in **TN-nätverket**.
  - > Sätt i skruven i läget ☒ för att ställa in **IT-nätverket**.

## 10 Användning

### 10.1 Driva 230 V-enheter



#### ANVISNING

Anslut endast apparater vars totala belastning inte överskrider värdena som anges i Tekniska data sida 181.

- > Anslut 230 V-enheter till växelriktarens växelströmsuttag (  bild. **13** sida 178).

### 10.2 Slå på och av växelriktaren



#### ANVISNING

- > Om växelriktaren ska styras via fjärrkontrollen måste på/av-brytaren sättas i läge **II**.
- > Om växelriktaren ska styras via ENB+-stiftet måste på/av-brytaren sättas i läge **0**.
- > Slå på växelriktaren genom att sätta på/av-brytaren i läge **I**.
- > Stäng av växelriktaren genom att sätta på/av-brytaren i läge **0**.
- > Använd fjärrkontrollen eller ENB+-stiftet för att slå på och stänga av växelriktaren.

### 10.3 Ställa in energisparläget



#### ANVISNING

- Om DIP-switchen S2 är inställd på läge **OFF** växlar växelriktaren automatiskt till normal drift när en last  $\geq 45$  W ansluts.
- Om DIP-switchen S2 är inställd på läge **ON** växlar växelriktaren automatiskt till normal drift när en last  $\geq 80$  W ansluts.
- Statusen för energisparläget kan inte ändras om fjärrkontrollen eller ENB+-stiftet används såvida inte en fullständig på/av-cykel utförs

#### Aktivera energisparläget

1. Stäng ev. av växelriktaren.

2. Skjut DIP-switchen S1 till läge **ON**.

✓ Energisparläget är aktiverat.

### Avaktivera energisparläget

1. Stäng av växelriktaren.

2. Skjut DIP-switchen S1 till läge **OFF**.

✓ Energisparläget är avaktiverat.

## 11 Rengöring och skötsel



### **VARNING! Risk för dödsfall på grund av elektricitet**

Bryt strömmen till apparaten före rengöring och underhåll.



### **OBSERVERA! Risk för skada**

> Rengör aldrig apparaten under rinnande vatten eller i diskvatten.

> Använd inga vassa eller hårda föremål, starka rengöringsmedel eller blekmedel vid rengöringen, eftersom det kan skada apparaten.

> Se till att luftintaget och ventilationsöppningarna på apparaten är rena från damm och smuts så att värmen kan avledas.

> Rengör apparaten då och då med en mjuk, fuktig trasa.

> Kontrollera regelbundet de spänningsförande kablarna avseende isoleringsfel, brott eller lösa anslutningar.

## 12 Felsökning

Fel	Möjlig orsak	Lösning
Växelriktaren fungerar inte. LED-status-indikeringen är avstängd.	Kortslutning fem gånger i följd.	> Apparatsens säkring måste bytas av en auktoriserad servicerepresentant om den aktiveras av överström.
	Fel på isolering, brott eller lösa anslutningar på spänningsförande kablar.	> Kontrollera de spänningsförande kablarna avseende isoleringsfel, brott eller lösa anslutningar.  Om du inte kan hitta något fel, kontakta en auktoriserad servicerepresentant.
Växelriktaren fungerar inte. LED-status-indikeringen lyser rött.	Skydd mot hög utgångsspänning.	Reducera de anslutna lasterna.
	Övertemperaturskydd.	1. Stäng av växelriktaren och de anslutna lasterna.  2. Kontrollera att luftintagen och luftutsläppen inte är övertäckta eller blockerade.  3. Låt växelriktaren svalna.
	En kortslutning har inträffat.	Apparatsens säkring måste bytas av en auktoriserad servicerepresentant om den aktiveras av överström.

Fel	Möjlig orsak	Lösning
	Överspänningsskydd. Batterispänningarna är för höga.	<ul style="list-style-type: none"> <li>&gt; Reducera de anslutna spänningarna.</li> <li>Växelriktaren startar om automatiskt när spänningen sjunker till omstartvärdet (se kapitlet Överspänningsskydd sida 182).</li> <li>&gt; Om felet kvarstår: Öka kabelarean: Minska kabellängden.</li> </ul>
	Underspänningsskydd. Batterispänningarna är för låga.	<ul style="list-style-type: none"> <li>&gt; Låt batteriet laddas långsamt.</li> <li>Växelriktaren startar om automatiskt när spänningen stiger över omstartvärdet (se kapitlet Underspänningsskydd sida 182).</li> </ul>

## 13 Garanti

Den lagstadgade garantitiden gäller. Kontakta tillverkarens filial i ditt land (se [dometic.com/dealer](http://dometic.com/dealer)) eller din återförsäljare om produkten är defekt.

För reparations- och garantibehandling skickar du med följande dokument när du returnerar produkten:

- En kopia på fakturan med inköpsdatum
- En reklameringsbeskrivning eller felbeskrivning

Observera att självständiga eller icke professionella reparationer kan påverka säkerheten och leda till att garantin blir ogiltig.

## 14 Kassering

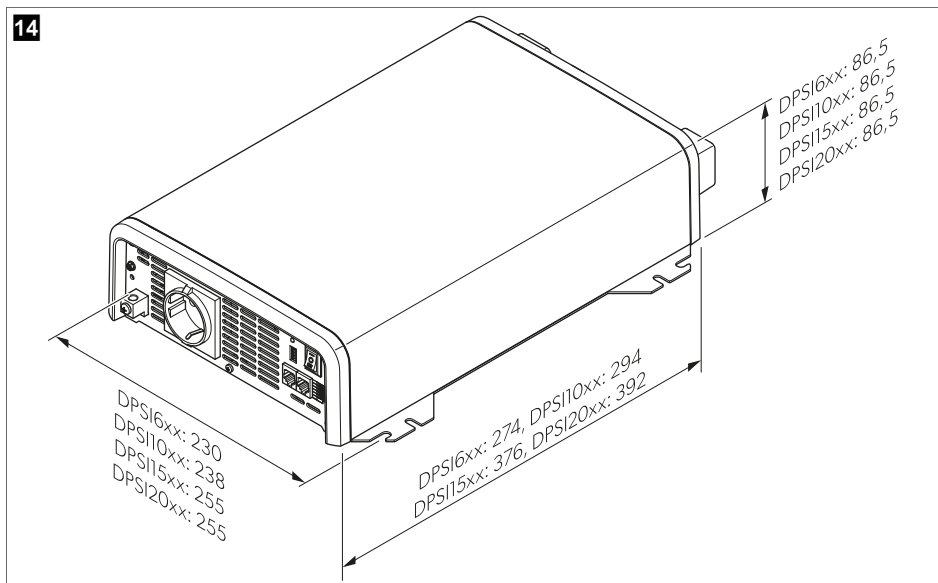


Lämna om möjligt förpackningsmaterialet till återvinning.

Kontakta ett lokalt återvinningscenter eller specialiserad återförsäljare för information om hur man kasserar produkten i enlighet med gällande bestämmelser.

Produkten kan kasseras utan avgift.

## 15 Tekniska data




	<b>DPSI 612</b>	<b>DPSI 1012</b>	<b>DPSI 624</b>	<b>DPSI 1024</b>
Nominell inspänning	12 V <sub>nom</sub>		24 V <sub>nom</sub>	
Område ingångsspänning	10,5 ... 16,5 V <sub>nom</sub>		21 ... 33 V <sub>nom</sub>	
Kontinuerlig uteffekt P <sub>nom</sub>	600 W	1000 W	600 W	1000 W
Max. utgångseffekt (1 min)	690 W	1150 W	690 W	1150 W
Maximal överspanningsström (1 s) P <sub>surge</sub>	1200 W	2000 W	1200 W	2000 W
Strömförbrukning i viloläge	≤ 1 A	≤ 1,1 A	≤ 0,6 A	≤ 0,6 A
Strömförbrukning i standby-läge	≤ 0,3 A	≤ 0,35 A	≤ 0,2 A	≤ 0,2 A
Dimensioner	📐 bild. 14 sida 181			
Vikt	1,1 kg	1,2 kg	1,1 kg	1,2 kg

	<b>DPSI 1512</b>	<b>DPSI 2012</b>	<b>DPSI 1524</b>	<b>DPSI 2024</b>
Nominell inspänning	12 V <sub>nom</sub>		24 V <sub>nom</sub>	
Område ingångsspänning	10,5 ... 16,5 V <sub>nom</sub>		21 ... 33 V <sub>nom</sub>	
Kontinuerlig uteffekt P <sub>nom</sub>	1500 W	2000 W	1500 W	2000 W
Max. utgångseffekt (1 min)	1725 W	2300 W	1725 W	2300 W
Maximal överspanningsström (1 s) P <sub>surge</sub>	3000 W	4000 W	3000 W	4000 W
Strömförbrukning i viloläge	≤ 1,2 A	≤ 1,5 A	≤ 0,7 A	≤ 0,8 A
Strömförbrukning i standby-läge	≤ 0,4 A	≤ 0,5 A	≤ 0,25 A	≤ 0,3 A

	DPSI 1512	DPSI 2012	DPSI 1524	DPSI 2024
Dimensioner			bild. 14 sida 181	
Vikt	1,1 kg	1,2 kg	1,1 kg	1,2 kg

### 15.1 Allmänna tekniska data

Utspanningsområde	230 V $\sim$ $\pm$ 10 %
Utgångsfrekvens	50 Hz $\pm$ 1 %
Utsignalens vågform	Ren sinusvåg
Maximal effektivitet	90 %
Omgivningstemperatur för drift	0 ... 50 °C
Omgivningstemperatur för förvaring	-30 °C ... 70 °C
Luftfuktighet omgivning	0 ... 95 %, non-condensing
Besiktning/certifiering	

### 15.2 Underspänningsskydd

	Frånkopplingsvärde	Omstartvärde
DPSIxx12	10,3 V	11,8 V
DPSIxx24	20,6 V	23,6 V

### 15.3 Överspänningsskydd

	Frånkopplingsvärde	Omstartvärde
DPSIxx12	16,5 V	15,5 V
DPSIxx24	33 V	31 V

## Norsk

1	Viktige merknader.....	183
2	Symbolforklaring.....	183
3	Sikkerhetsinstruksjoner.....	184
4	Leveringsomfang.....	187
5	Tilbehør.....	187
6	Forskriftsmessig bruk.....	187
7	Teknisk beskrivelse.....	188
8	Installasjon.....	191
9	Konfigurere nettverkssystemet.....	197
10	Betjening.....	198
11	Rengjøring og vedlikehold.....	199
12	Feilretting.....	199
13	Garanti.....	200
14	Avfallshåndtering.....	200
15	Tekniske spesifikasjoner.....	201

## 1 Viktige merknader

Vennligst les disse instruksjonene nøye og følg alle anvisninger, retningslinjer og advarsler i denne produktveiledningen for å sikre at du installerer, bruker og vedlikeholder produktet ordentlig til enhver tid. Disse instruksjonene MÅ alltid følge med produktet.

Ved å bruke dette produktet bekrefter du at du har lest alle anvisninger, retningslinjer og advarsler grundig, og at du forstår og samtykker i å overholde vilkårene slik de er presentert her. Du godtar å bruke dette produktet kun til tiltenkt formål og bruksområder, og i samsvar med anvisningene, retningslinjene og advarslene slik de er presentert i denne produktveiledningen, så vel som i samsvar med alle gjeldende lovbestemmelser og forskrifter. Hvis anvisningene og advarslene som er presentert her, ikke blir lest og fulgt, kan det føre til personskader hos deg selv eller andre, skader på produktet eller skader på annen eiendom i nærheten. Denne produktveiledningen med sine anvisninger, retningslinjer og advarsler, samt relatert dokumentasjon, kan være underlagt endringer og oppdateringer. For oppdatert produktinformasjon, se [documents.domestic.com](https://documents.domestic.com).

## 2 Symbolforklaring

Et signalord identifiserer sikkerhetsmeldinger og meldinger om mulige skader på eiendom, og indikerer også alvorlighetsgraden av faren.



### FARE!

Kjennetegner en farlig situasjon som, dersom den ikke unngås, vil føre til alvorlige personskader, eventuelt med døden til følge.



### ADVARSEL!

Kjennetegner en farlig situasjon som - dersom den ikke unngås - kan resultere i alvorlige personskader, eventuelt med døden til følge.



### FORSIKTIG!

Kjennetegner en farlig situasjon som - dersom den ikke unngås - kan resultere i mindre til moderate personskader.



### PASS PÅ!

Kjennetegner en situasjon som - dersom den ikke unngås - kan resultere i materielle skader.



**MERK** Ytterligere informasjon om betjening av produktet.

## 3 Sikkerhetsinstruksjoner

**Følg også sikkerhetsregler og vilkår fra kjøretøyproduzent og autorisert verksted.**

### 3.1 Grunnleggende sikkerhet



#### **FARE! Fare for elektrisk støt**

- > Ikke berør blanke ledninger med bare hender.
- > For å kunne skille apparatet raskt fra vekselspenningsnettet når det oppstår en fare, må stikkkontakten være i nærheten av apparatet og lett tilgjengelig.



#### **ADVARSEL! Fare for elektrisk støt**

- > Montasje og demontering av apparatet må kun utføres av kvalifiserte fagfolk.
- > Hvis apparatet eller tilkoblingskablene har synlige skader, må ikke apparatet brukes.
- > Hvis apparatets strømkabel er skadet, må den byttes ut for unngå risiko.
- > Reparasjoner på dette apparatet må kun utføres av kvalifiserte fagfolk. Utilstrekkelige reparasjoner kan medføre betydelige farer.
- > Bruk kun tilbehør som er anbefalt av produsenten.
- > Ikke modifier eller tilpass komponenter på noen måte.
- > Ikke løsne kabler mens apparatet fortsatt er i drift.
- > Koble apparatet fra strømforsyningen:
  - Etter bruk
  - Før rengjøring og vedlikehold
  - Før skifte av sikring



#### **ADVARSEL! Brannfare / brennbare materialer**

Ved branntilfeller må det brukes et brannslukningsapparat som er egnet for elektriske apparater.



#### **ADVARSEL! Kvelningsfare**

Kabelen og styreenheten til puten kan innebære en risiko for å vikle seg fast, kveles, snuble eller trække på det, dersom det ikke er plassert korrekt. Sørg for at overfløydige strips og strømkabler tas hånd om på en sikker måte.



#### **ADVARSEL! Helsefare**

- > Dette apparatet kan brukes av barn fra 8 år og oppover og personer med reduserte fysiske, sensoriske eller mentale evner eller som mangler erfaring og kunnskap, hvis de er under oppsyn eller har fått veiledning i hvordan apparatet brukes på en forsvarlig måte og forstår hvilke farer det innebærer.
- > **Elektriske apparater er ikke leketøy.** Oppbevar og bruk apparatet utenfor barns rekkevidde.
- > Barn skal være under tilsyn for å sikre at de ikke leker med apparatet.
- > Rengjøring og vedlikehold skal ikke utføres av barn uten at de er under oppsyn.





### **PASS PÅ! Fare for skader**

- > Før apparatet tas i bruk må du sammenlikne spenningsspesifikasjonene på typeskiltet med den tilgjengelige strømtilførselen.
- > Påse at andre gjenstander **ikke kan** forårsake kortslutning på kontaktene til apparatet.
- > Pass på at negative og positive poler **aldri** kommer i kontakt med hverandre.
- > Ikke dra i tilkoblingskabler eller bruk kablene som bærehåndtak.
- > Apparatet må ikke utsettes for regn eller fuktighet. Må oppbevares på en tørr plass.

## **3.2 Montere apparatet sikkert**



### **FARE! Eksplosjonsfare**

- > Monter og bruk apparatet kun i lukkede, godt ventilerte rom.
- > **Ikke** monter eller bruk apparatet under følgende forhold:
  - I saltholdige, fuktige eller våte omgivelser
  - I nærheten av aggressive damper
  - I nærheten av brennbare materialer
  - I nærheten av varmekilder (varmeapparater, direkte sollys, gassovner osv.)
  - på steder det er fare for gass- eller støveksplisjon



### **ADVARSEL! Fare for personskader**

- > Pass på at apparatet står stødig. Apparatet må stå stødig og festes slik at det ikke kan velte eller falle ned.
- > Når apparatet settes opp, må du påse at alle kabler/ledninger er festet på en slik måte at de ikke utgjør noen form for fallfare.



### **PASS PÅ! Fare for skader**

- > Plasser apparatet på et tørt sted som er beskyttet mot vannsprut.
- > Bruk alltid jordede stikkontakter og stikkontakter som er sikret med jordfeilbryter.

## **3.3 Sikkerhet ved elektrisk tilkobling av apparatet**



### **FARE! Fare for elektrisk støt**

Når du arbeider på elektriske anlegg, forsikre deg om at det er noen i nærheten som kan hjelpe deg i et nødstilfelle.



### **ADVARSEL! Fare for elektrisk støt**

- > Bruk de anbefalte kabeldiameterne.
- > Legg kablene slik at de ikke skades av dører eller panser. Kabler i klem kan føre til livsfarlige skader.



### **PASS PÅ! Fare for skader**

- > Bruk tomme rør eller ledningsgjennomføringer når ledninger må føres gjennom platevegger eller andre vegger med skarpe kanter.
- > Du må **ikke** legge 230 V-nettkabelen og 12 V-likestrømkabelen i samme kabelrør.
- > **Ikke** legg ledningene løst eller med skarpe bøyer.
- > Fest kablene sikkert.

### 3.4 Sikkerhetsregler ved håndtering av batterier



#### ADVARSEL! Fare for personskader

- > Batterier inneholder aggressive og etsende syrer. Unngå at batterivæske kommer i kontakt med kroppen. Hvis huden kommer i kontakt med batterivæske, må den delen av kroppen vaskes grundig med vann. Hvis du blir skadet av syre, kontakt lege umiddelbart.
- > Når du arbeider med batterier, ikke bruk metallobjekter som klokker eller ringe. Blysyrebatterier kan forårsake kortslutningsstrømmer som kan føre til alvorlige forbrenninger.
- > Bruk kun isolert verktøy.
- > Ikke legg metalldele på batteriet, og unngå at metalldele faller ned på batteriet. Det kan føre til gnister eller kortslutte batteriet og andre elektriske apparater.
- > Bruk vernebriller og verneklær når du arbeider med batterier. Unngå å berøre øynene når du arbeider med batterier.
- > Bruk kun oppladbare batterier.
- > Ikke bruk defekte batterier.



#### FORSIKTIG! Eksplosjonsfare

- > Forsøk aldri å lade et frossent eller defekt batteri. Plasser i dette tilfellet batteriet i et frostfritt område og vent til batteriet har tilpasset seg til omgivelsestemperatur. Start deretter ladeprosessen.
- > Ikke røyk, bruk åpen flamme eller forårsak gnister i nærheten av motoren eller et batteri.
- > Hold batteriet unna varmekilder.



#### PASS PÅ! Fare for skader

- > Påse at polariteten er korrekt ved tilkobling av batteriet.
- > Følg instruksjonene fra batteriproducenten og de fra produsenten av systemet eller kjøretøyet som batteriet brukes i.
- > Koble først fra jordforbindelsen dersom batteriet må fjernes. Koble fra alle tilkoblinger og alle forbrukere før du tar det ut.
- > Lagre kun fulladede batterier. Lagrede batterier må lades opp igjen jevnlig.
- > Ikke bær batteriet etter terminalene.

### 3.5 Sikkerhet ved bruk av apparatet



#### ADVARSEL! Fare for elektrisk støt

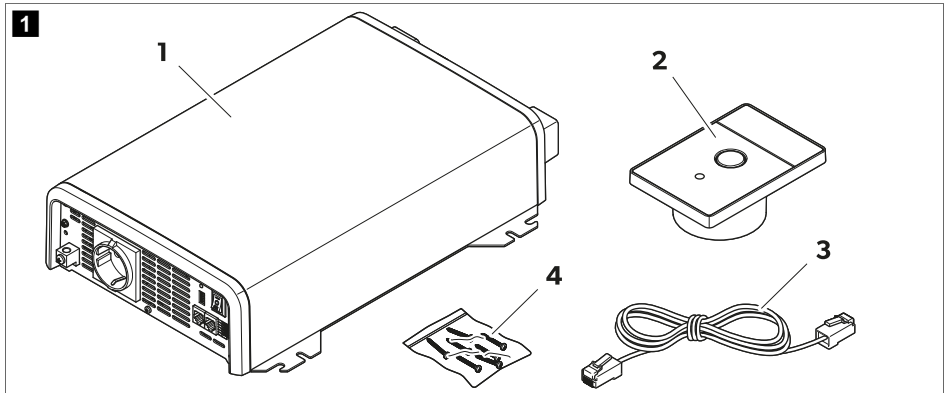
- > Ikke bruk apparatet under våte forhold eller senk det ned i væske.
- > Før du starter enheten må du kontrollere at strømkabelen og pluggen er tørre, og at pluggen er fri for rust eller smuss.
- > Vær oppmerksom på at deler av apparatet fortsatt er under spenning også etter at sikringen er utløst.




#### PASS PÅ! Fare for skader

- > Pass på at luftenåpningene på apparatet ikke tildekkes.
- > Sikre god ventilasjon.

## 4 Leveringsomfang



Nr. i  fig. 1 på side 187	Betegnelse	Antall
1	Sinus-vekselretter	1
2	Fjernkontroll	1
3	Tilkoblingskabel til fjernkontroll	1
4	Festeskruer	6
-	Monterings- og bruksanvisning	1

## 5 Tilbehør

Betegnelse	Art.nr.
Fjernkontroll DPSI-RC	9620018306
Berøringsskjerm TD283	9620013272

## 6 Forskriftsmessig bruk

Vekselretteren skal konvertere likestrøm til en ren vekselstrøm (AC) med sinusbølge på 230 V~ for drift og stabil strømforsyning til tilkoblede 230 V-forbrukere.

Vekselretteren skal brukes for tilkobling til:

- DPSI612, DPSI1012, DPSI1512, DPSI2012: 12 V $\overline{=}$
- DPSI624, DPSI1024, DPSI1524, DPSI2024: 24 V $\overline{=}$

Vekselretteren er egnet til følgende:

- Montering i bobiler, nyttekjøretøy eller motorer og seilbåter
- Stasjonær eller mobil bruk
- Innendørs bruk

Vekselretteren er **ikke** egnet for:

- Utendørs bruk

Dette produktet er kun egnet for det tiltenkte formålet og bruksområdet i samsvar med disse instruksjonene.

Denne veiledningen gir informasjon som er nødvendig for korrekt installasjon og/eller bruk av produktet. Feilaktig installasjon og/eller ukorrekt bruk eller vedlikehold fører til utilfredsstillende ytelse og mulig svikt.

Produsenten fraskriver seg ethvert ansvar for personskader eller materielle skader på produktet som følge av:

- feilaktig installasjon, montering eller tilkobling, inkludert for høy spenning
- Ukorrekt vedlikehold eller bruk av andre reservedeler enn originale reservedeler levert av produsenten
- Modifisering av produktet uten at det er gitt uttrykkelig godkjenning av produsenten
- Bruk til andre formål enn beskrevet i denne veiledningen

Dometic forbeholder seg rettigheten til å endre produktet ytre og produktspesifikasjoner.

## 7 Teknisk beskrivelse

### 7.1 Generell beskrivelse

Vekselretteren er en sinusvekselretter for likestrøm til vekselstrøm.

Vekselretteren kan driftes med følgende nettverkssystemer:

- TN-nettverk
- IT-nettverk

Nettverkssystemet velges ved hjelp av en skrue på vekselretteren.

Vekselretteren har følgende beskyttelsesmekanismer:

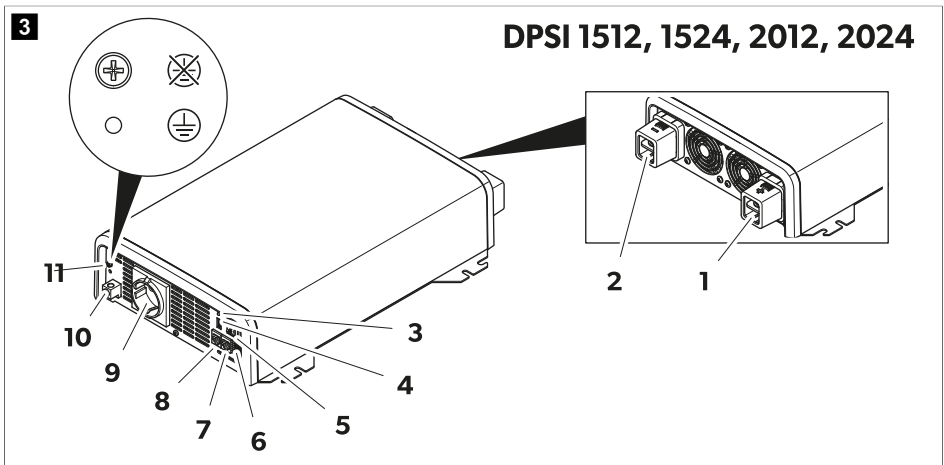
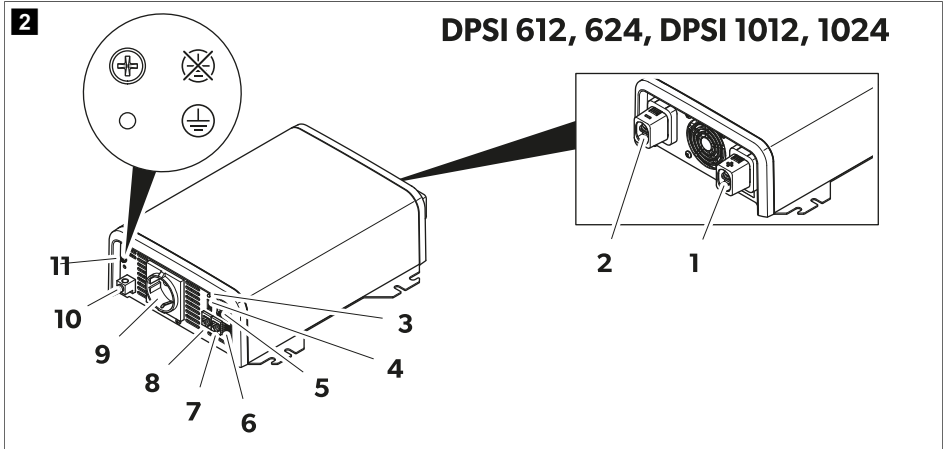
- **Overspenningsvern:** Vekselretteren kobles ut når spenningsverdien stiger over utkoblingsverdien. Vekselretteren starter automatisk på nytt dersom spenningen synker til omstartverdien.
- **Underspenningsvern:** Vekselretteren kobles ut når spenningsverdien synker under utkoblingsverdien. Vekselretteren starter automatisk på nytt dersom spenningen stiger over omstartverdien.
- **Overtemperaturvern:** Vekselretteren slås av når temperaturen inne i enheten overskrider utkoblingsverdien. Vekselretteren starter automatisk på nytt dersom den innvendige temperaturen synker til omstartverdien.
- **Overspenningsvern i utgangsstrøm:** Vekselretteren slås av når det er koblet til for mange laster.
- **Beskyttelse mot kortslutning:** Vekselretteren slås av når det oppstår en kortslutning. Vekselretteren starter automatisk på nytt etter noen sekunder. Hvis det oppdages en kortslutning fem ganger på rad, starter ikke vekselretteren opp automatisk, og den må startes på nytt manuelt.

Vekselretteren er N-BUS- og CI-BUS-klargjort for data og funksjon, som begge kan styres på en berøringsskjerm (ekstrautstyr) samt mobilappen.

Vekselretteren er utstyrt med en fjernkontroll for å slå vekselretteren på og av.

Vekselretteren kan stilles inn til energisparemodus for å redusere forbruket når den ikke er i bruk, og minimere belastningen på batteriet. Dette kan gjøres via en DIP-bryter eller

## 7.2 Styrelementer og tilkoblinger

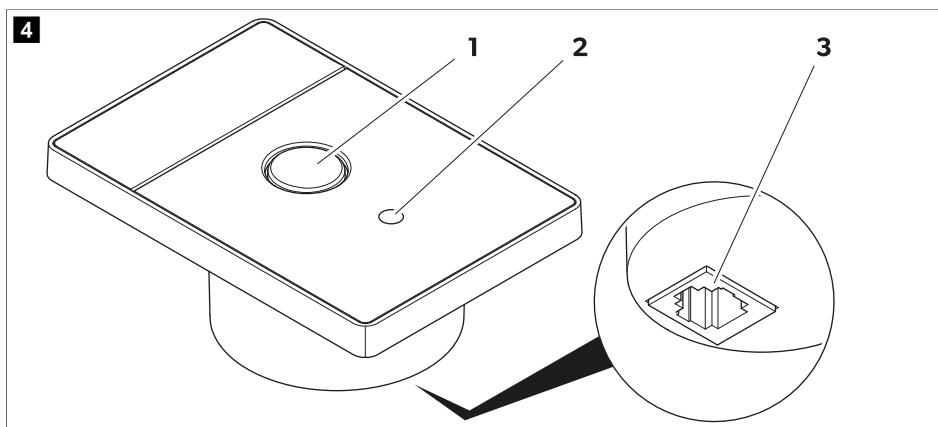


**MERK** Tallene viser versjonene for det europeiske fastlandet.

Nr.	Betegnelse
1	(+)-pol, tilkobling til plusspol på forbruksbatteri
2	(-)-pol, tilkobling til minuspol på forbruksbatteri
3	Indikator-LED-lampe
4	Dip-bryter
5	På/av-bryter

Nr.	Betegnels
6	Pol for ekstern kontroll
7	CI BUS- / N Bus- / fjernkontrolltilkobling (LINB)
8	CI BUS- / N Bus- / fjernkontrolltilkobling (LINA)
9	Vekselstrømutgang
10	Jordforbindelse
11	Skrue for innstilling av IT-/TN-nettverk

### 7.3 Fjernkontroll



Nr. i  fig. 4  
på side 190

Betegnels

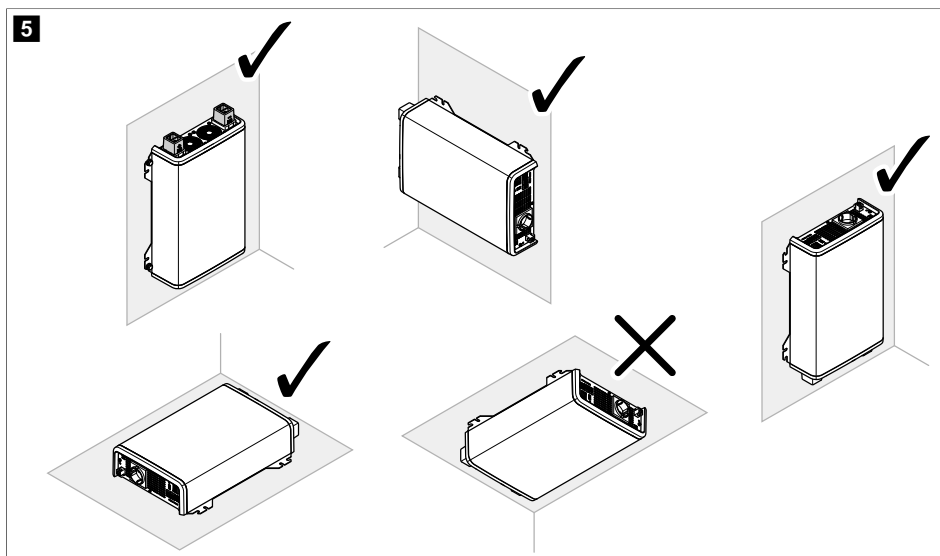
1	Av/på-knapp
2	Indikator-LED-lampe
3	Tilkobling for fjernkontroll

### 7.4 Indikator-LED-lampe

Status	Beskrivelse
Green	Vekselretterdrift
Orange	Advarsel: Vekselstrømutgang gir fare for overspenning, underspenning og strøbrudd
Red	Feil: Ingen vekselstrøminngang til stede, vekselretteren er deaktivert (se kapitlet Feilretting på side 199)

## 8 Installasjon

### 8.1 Montasjested



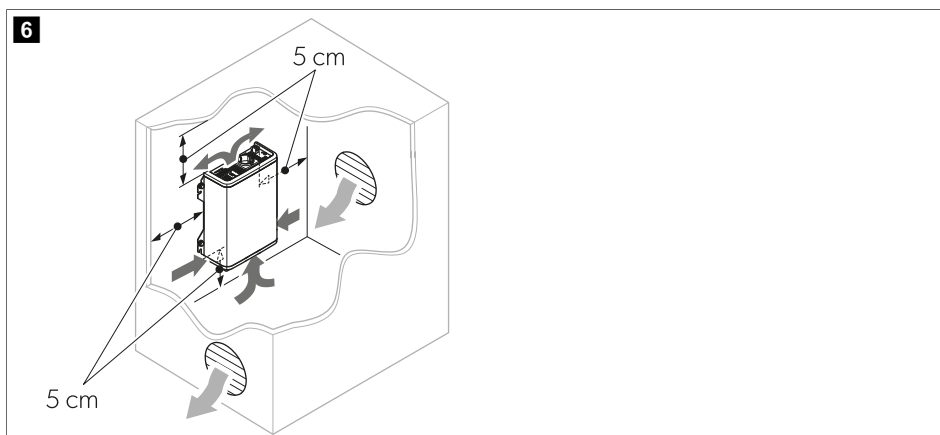
#### **PASS PÅ! Fare for skader**

Før du borer noe som helst, må du forsikre deg om at ingen elektriske kabler eller andre deler på kjøretøyet kan skades av boring, saging og filing.




#### **MERK**

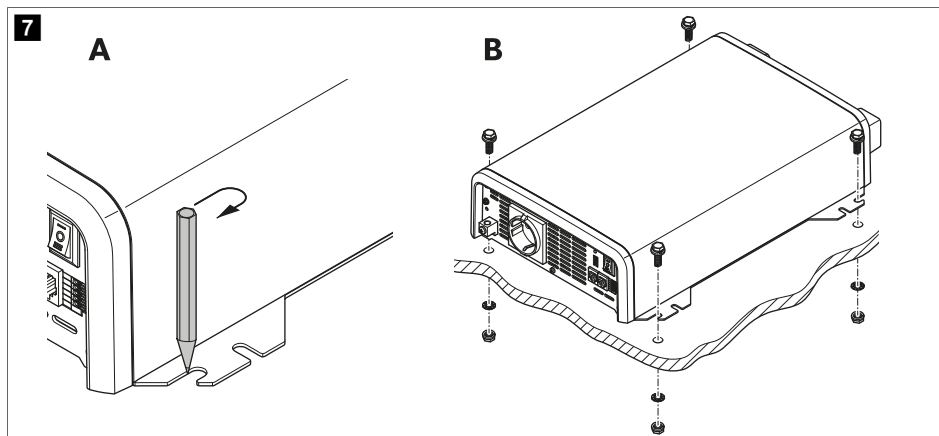
Vekselretteren kan monteres sittende eller hengende (  fig. 5 på side 191).





Vær oppmerksom på følgende instruksjer ved valg av montasjested:

- Forsikre deg om at montasjeflaten er solid og vannrett.
- Overhold avstanden som trengs for tilstrekkelig ventilasjon (  fig. 6 på side 191).

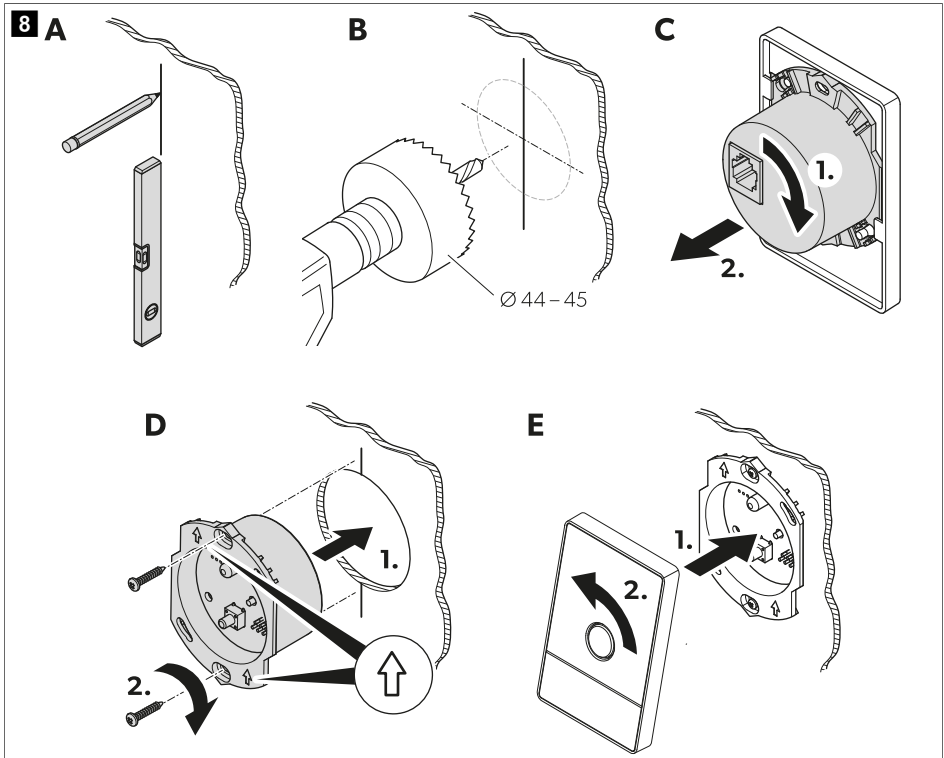
## 8.2 Montering av vekselretteren







1. Velg riktig monteringshull basert på den valgte monteringsstypen (sittende eller hengende), og merk borhullene (  fig. 7 på side 192, **A**).
2. Bor monteringshullene først.
3. Skru vekselretteren fast (  fig. 7 på side 192, **B**).




### 8.3 Montere fjernkontrollen



1. Merk monteringsoverflaten (  fig. 8 på side 193, **A**).
2. Bor et hull med en diameter på 44 mm ... 45 mm med for eksempel en hullsag (  fig. 8 på side 193, **B**).
3. Fjern koblingsboksen fra betjeningspanelet (  fig. 8 på side 193, **C**).
4. Sett koblingsboksen inn i hullet, og skru koblingsboksen på plass (  fig. 8 på side 193, **D**).



**MERK** Sørg for at boksen er riktig plassert i henhold til pilene på koblingsboksen.

5. Fest betjeningspanelet til koblingsboksen (  fig. 8 på side 193, **E**).
6. Fjern beskyttelsesfolien.

## 8.4 Koble til vekselretteren



Den elektriske installasjonen og oppsettet av apparatet må utføres av en kvalifisert elektriker som har vist ferdigheter og kunnskaper relatert til konstruksjon og drift av elektrisk utstyr og installasjoner, og som er kjent med gjeldende forskrifter i det landet hvor utstyret skal installeres og/eller brukes, og har mottatt sikkerhetsopplæring for å kunne identifisere og unngå farene som er forbundet med arbeidet.

Alle andre handlinger er også ment for ikke-profesjonelle brukere.



### ADVARSEL! Fare for elektrisk støt

Bruk anbefalte kabeldiameterer, kabellengder og sikring.



### FORSIKTIG! Brannfare

Plasser sikringene nær batteriene for å beskytte kablen mot kortslutning og mulig forbrenning.



### PASS PÅ! Fare for skader

- > Pass på at du ikke bytter polaritet.
- > Trekk til skruene eller mutrene med et dreiemoment på maks 15 Nm. Løse forbindelser kan føre til overoppheting.

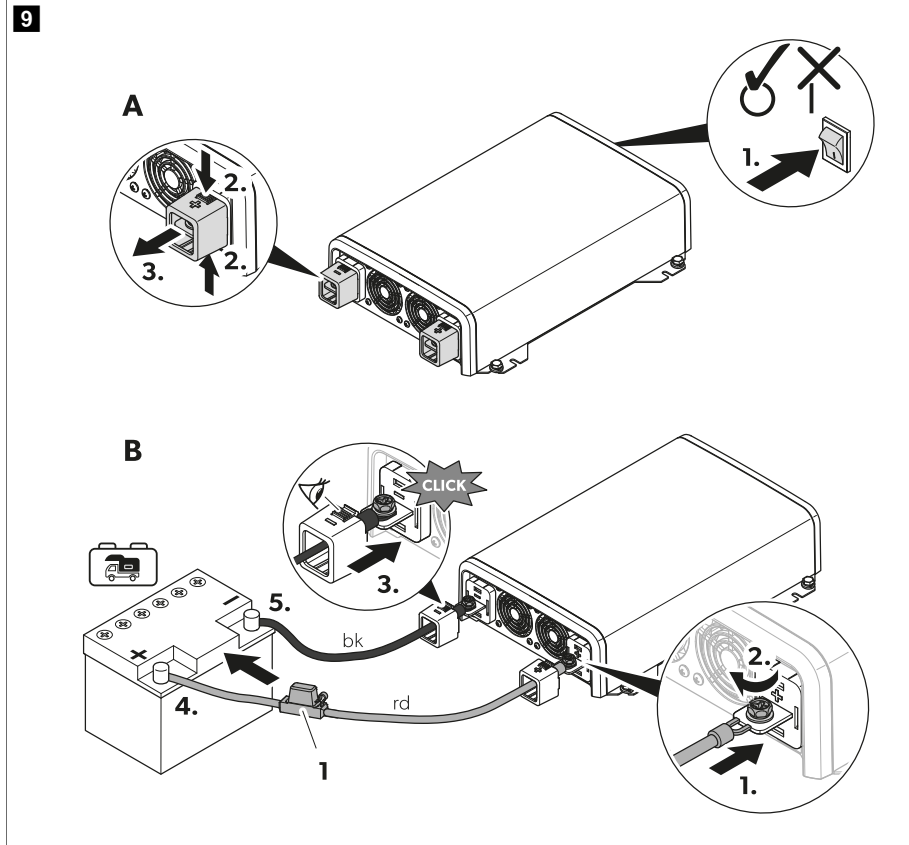
Overhold følgende anvisninger ved tilkobling av vekselretteren:



- Overhold gjeldende lowerk når du konfigurerer stikkontaktens distribusjonskrets (montering av strømnett).
- Velg en kabellengde til likestrømkablene (tilkobling til batteripolene) som er så kort som mulig  $\leq 1$  m).
- For tilkobling til **TN-nettverk**: Monter en jordfeilbryter.
- For tilkobling til **IT-nettverk**: Monter en enhet for isolasjonsovervåking (IMD) hvis det kobles til mer enn én last. **Nasjonale standarder gjelder.**

1. Fastslå kabelvernsnitt og sikring:

	Kabelvernsnitt	Kabelsikring
DPSI612	25 mm <sup>2</sup>	150 A
DPSI624	25 mm <sup>2</sup>	150 A
DPSI1012	35 mm <sup>2</sup>	200 A
DPSI1024	25 mm <sup>2</sup>	150 A
DPSI1512	50 mm <sup>2</sup>	250 A
DPSI1524	25 mm <sup>2</sup>	150 A
DPSI2012	70 mm <sup>2</sup>	300 A
DPSI2024	35 mm <sup>2</sup>	200 A


2. Sjekk at apparatet er slått av (  fig. **9** på side 195, **1**).

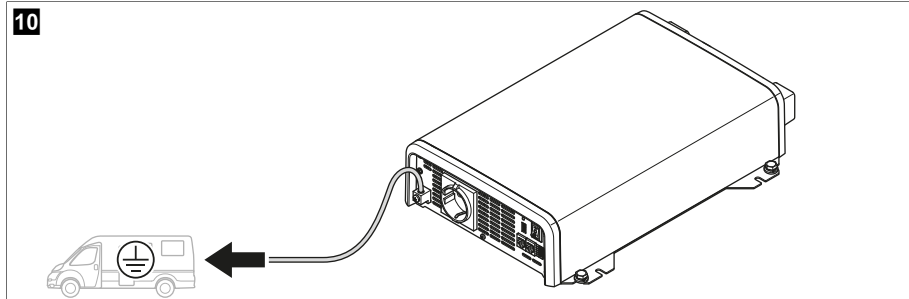


3. Fjern hettene fra polene (  fig. **9** på side 195, **2–3**).
4. Koble (+) til plusspolen på forbruksbatteriet (rød (rd) tilkoblingskabel,  fig. **9** på side 195, **4**).



**MERK** Beskytt plusskabelen til forbruksbatteriet med en sikring (  fig. **9** på side 195, **1**).

5. Koble (-) til minuspolen til forbruksbatteriet (svart (bk) tilkoblingskabel (  fig. **9** på side 195, **5**).
6. Koble jordforbindelsen til jord (chassis) (  fig. **10** på side 196).

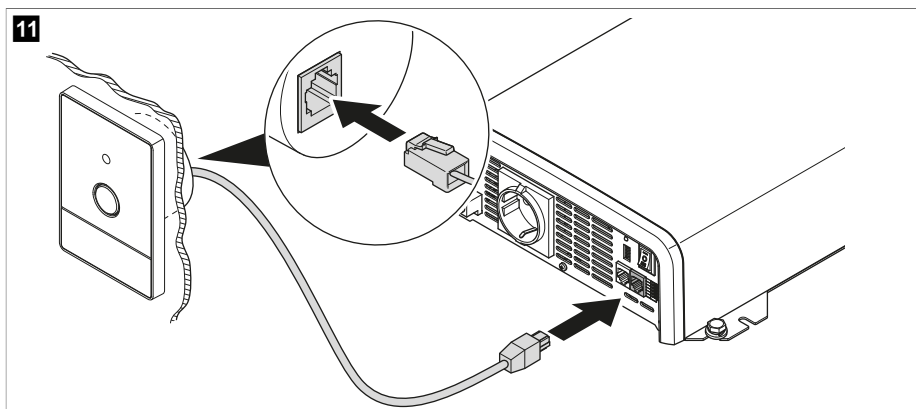


## 8.5 Koble til fjernkontrollen



**MERK** Fjernkontrollen og N-BUS/CI-BUS-nettverket kan ikke være koblet til samtidig.

- > Koble fjernkontrollen til fjernkontrolltilkoblingen ved å bruke tilkoblingskabelen til fjernkontrollen.

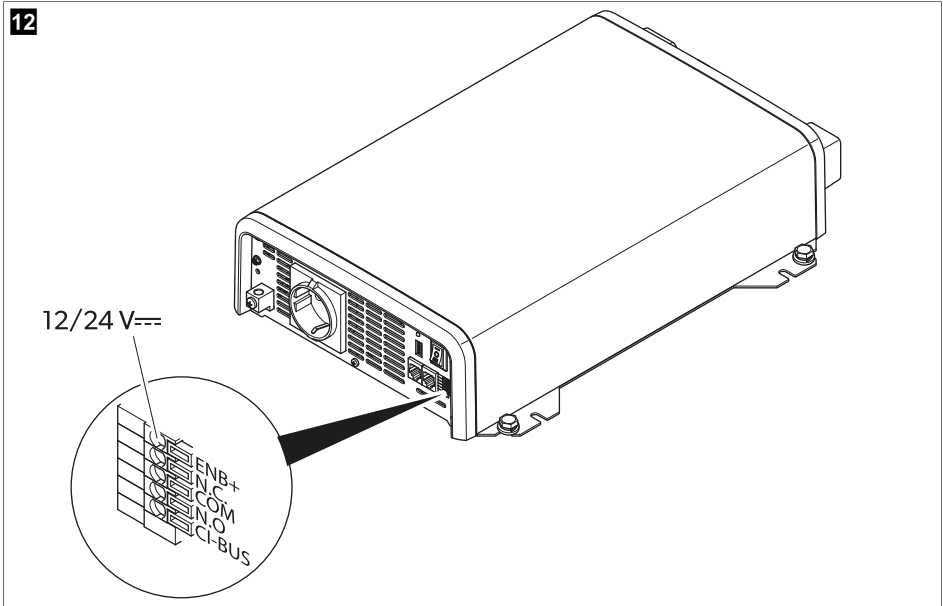


## 8.6 Koble til ENB+-pinnen



**MERK** Hvis en ENB+-pinne er koblet til, kan ikke statusen til energisparemodusen endres.

12



1. Sett av/på-bryteren til posisjon **0**.
2. Bruk ENB+-pinnen på følgende måte:
  - For å slå vekselretteren på må du koble ENB+-pinnen til forbruksbatteriets plusspol ved å bruke en egnet elektrisk kabel.
  - For å slå vekselretteren av løsner du ENB+-pinnen fra forbruksbatteriet.

## 9 Konfigurere nettverkssystemet





Den elektriske installasjonen og oppsettet av apparatet må utføres av en kvalifisert elektriker som har vist ferdigheter og kunnskaper relatert til konstruksjon og drift av elektrisk utstyr og installasjoner, og som er kjent med gjeldende forskrifter i det landet hvor utstyret skal installeres og/eller brukes, og har mottatt sikkerhetsopplæring for å kunne identifisere og unngå farene som er forbundet med arbeidet.

Alle andre handlinger er også ment for ikke-profesjonelle brukere.

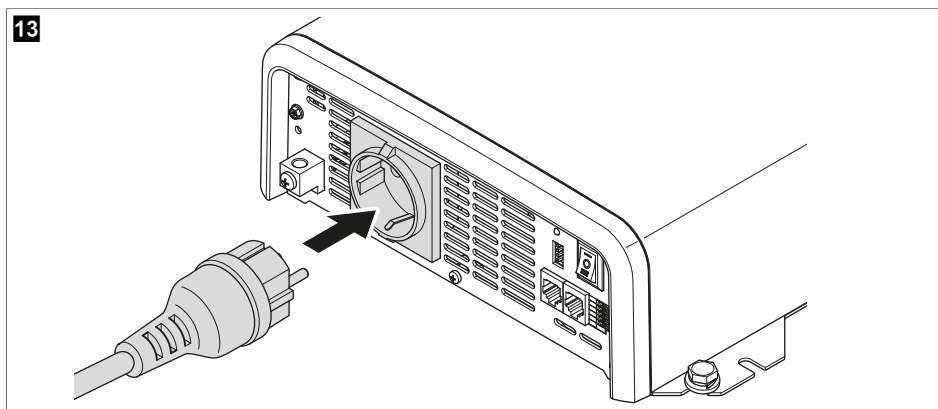


### FARE! Fare for elektrisk støt

- > Kun ta av klemmebeskyttelseshetten fra DIP-bryteren ved konfigurering.
  - > Sett klemmebeskyttelseshetten på igjen for å hindre at DIP-bryteren trykkes inn utilsiktet.
  - > For konfigurering av **TN-nettverk**: Påse at en jordfeilbryter er montert.
  - > For konfigurering av **IT-nettverk**: Betjen kun én last, eller monter en enhet for isolasjonsovervåking (IMD). Overhold nasjonale standarder.
- > Sett inn skruen i posisjon  for å velge **TN-nettverket**.
  - > Sett inn skruen i posisjon  for å velge **IT-nettverket**.

## 10 Betjening

### 10.1 Betjening av 230 V-enheter



#### MERK

Du må kun koble til enheter med en totalbelastning som ikke overskrider verdiene oppført under Tekniske spesifikasjoner på side 201.

- > Koble 230 V-enheter til vekselstrømutgangen på vekselretteren (  fig. 13 på side 198).

### 10.2 Slå vekselretteren av og på



#### MERK

- > Hvis vekselretteren skal styres via fjernkontrollen, må av/på-bryteren være satt til **II**.
- > Hvis vekselretteren skal styres via ENB+-pinnen, må av/på-bryteren settes til posisjon **0**.

- > For å slå på vekselretteren setter du av/på-bryteren til **I**.
- > For å slå av vekselretteren setter du av/på-bryteren til **0**.
- > Bruk fjernkontrollen eller ENB+-pinnen til å slå vekselretteren av og på.

### 10.3 Stille inn energisparemodusen



#### MERK

- Hvis DIP-bryter S2 er satt til posisjon **OFF**, går vekselretteren automatisk tilbake til normal drift når en last  $\geq 45$  W kobles til.
- Hvis DIP-bryter S2 er satt til posisjon **ON**, går vekselretteren automatisk tilbake til normal drift når en last  $\geq 80$  W kobles til.
- Statusen til energisparemodusen kan ikke endres hvis fjernkontrollen eller ENB+-pinnen brukes, med mindre en komplett på-av-syklus gjennomføres.

#### Aktivere energisparemodusen

1. Slå av vekselretteren.

2. Skyv DIP-bryter S1 i posisjon **ON**.
- ✓ Energisparemodusen er aktivert.

### Deaktivere energisparemodusen

1. Slå av vekselretteren.
  2. Skyv DIP-bryter S1 i posisjon **OFF**.
- ✓ Energisparemodusen er deaktivert.

## 11 Rengjøring og vedlikehold



### ADVARSEL! Fare for elektrisk støt

Koble apparatet fra strømforsyningen før rengjøring og vedlikehold.



### PASS PÅ! Fare for skader

- > Apparatet må aldri rengjøres under rennende vann eller spyles.
  - > Bruk ikke skarpe eller harde gjenstander, skurende vaskemidler eller blekemidler under rengjøring, da disse kan skade apparatet.
  - > Sikre deg at apparatets ventiler for inntak og uttak av luft er fri for støv og smuss, slik at varme slipper ut.
- > Rengjør apparatet regelmessig med en myk, fuktig klut.
  - > Sjekk strømførende kabler eller ledninger regelmessig for feil på isoleringen, brudd eller vakkellkontakter.

## 12 Feilretting

Problem	Mulig årsak	Løsningsforslag
Vekselretteren fungerer ikke. Indikator-LED-lampen er av.	Kortslutning fem ganger på rad.	> Apparatets sikring må skiftes av et autorisert serviceverksted etter at den er blitt utløst av overstrøm.
	Isoleringsfeil, brudd eller vakkellkontakter på strømførende kabler.	> Sjekk strømførende kabler for feil på isoleringen, brudd eller vakkellkontakter.  Hvis du ikke kan finne noen feil, tar du kontakt med et autorisert serviceverksted.
Vekselretteren fungerer ikke. LED-lampene for statusindikasjon begynner å lyse rødt.	Overspenningsvern i utgangsstrøm.	Reduser tilkoblet belastning.
	Overtemperaturvern.	1. Slå av vekselretteren og tilkoblede laster. 2. Kontroller at luftinntakene og utløpene ikke er tildekket eller blokkert. 3. La vekselretteren kjøles ned.
	Det har oppstått en kortslutning.	Apparatets sikring må skiftes av et autorisert serviceverksted etter at den er blitt utløst av overstrøm.

Problem	Mulig årsak	Løsningsforslag
	Overspenningsvern. For høy batterispenning.	<ul style="list-style-type: none"> <li>&gt; Reduser tilkoblede spenninger.</li> <li>Vekselretteren starter automatisk på nytt dersom spenningen synker til omstartverdien (se kapittel Overspenningsvern på side 202).</li> <li>&gt; Hvis feilen vedvarer: Øk kabelvernsnittene. Reduser kabellengden.</li> </ul>
	Underspenningsvern. For lav batterispenning.	<ul style="list-style-type: none"> <li>&gt; La batteriet bli ladet sakte.</li> <li>Vekselretteren starter automatisk på nytt dersom spenningen overskrider omstartverdien (se kapittel Underspenningsvern på side 202).</li> </ul>

## 13 Garanti

Lovmessig garantitid gjelder. Hvis produktet er defekt: Ta kontakt med produsentens filial (se [dometic.com/dealer](http://dometic.com/dealer)) eller forhandler i ditt land.

Ved henvendelser vedrørende reparasjon eller garanti, må du sende med følgende dokumentasjon:

- Kopi av kvitteringen med kjøpsdato
- Årsak til reklamasjonen eller beskrivelse av feilen

Vær oppmerksom på at reparasjoner som utføres selv, eller som ikke utføres på en profesjonell måte, kan gå ut over sikkerheten og føre til at garantien blir ugyldig.

## 14 Avfallshåndtering



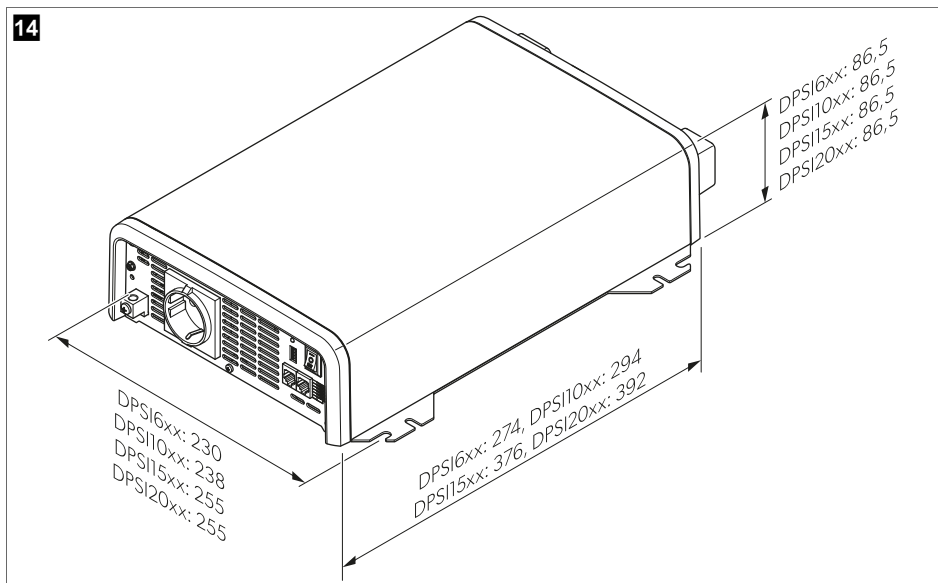
Lever emballasje til resirkulering så langt det er mulig.

For å kaste produktet endelig ta kontakt med det lokale resirkuleringssenteret eller faghandler om hvordan du kan gjøre dette i overensstemmelse med gjeldende avfallshåndteringsforskrifter.

Produktet kan avhendes gratis.




## 15 Tekniske spesifikasjoner





	<b>DPSI 612</b>	<b>DPSI 1012</b>	<b>DPSI 624</b>	<b>DPSI 1024</b>
Nominell inngangsspenning	12 V <sub>DC</sub>		24 V <sub>DC</sub>	
Inngangsspenningsområde	10,5 ... 16,5 V <sub>DC</sub>		21 ... 33 V <sub>DC</sub>	
Kontinuerlig utgangseffekt P <sub>nom</sub>	600 W	1000 W	600 W	1000 W
Maksimal utgangseffekt (1 min)	690 W	1150 W	690 W	1150 W
Maksimal strømeffekt (1 s) P <sub>surge</sub>	1200 W	2000 W	1200 W	2000 W
Strømforbruk i hvilemodus	≤ 1 A	≤ 1,1 A	≤ 0,6 A	≤ 0,6 A
Strømforbruk i standby-modus	≤ 0,3 A	≤ 0,35 A	≤ 0,2 A	≤ 0,2 A
Mål	📷 fig. 14 på side 201			
Vekt	1,1 kg	1,2 kg	1,1 kg	1,2 kg

	<b>DPSI 1512</b>	<b>DPSI 2012</b>	<b>DPSI 1524</b>	<b>DPSI 2024</b>
Nominell inngangsspenning	12 V <sub>DC</sub>		24 V <sub>DC</sub>	
Inngangsspenningsområde	10,5 ... 16,5 V <sub>DC</sub>		21 ... 33 V <sub>DC</sub>	
Kontinuerlig utgangseffekt P <sub>nom</sub>	1500 W	2000 W	1500 W	2000 W
Maksimal utgangseffekt (1 min)	1725 W	2300 W	1725 W	2300 W
Maksimal strømeffekt (1 s) P <sub>surge</sub>	3000 W	4000 W	3000 W	4000 W
Strømforbruk i hvilemodus	≤ 1,2 A	≤ 1,5 A	≤ 0,7 A	≤ 0,8 A
Strømforbruk i standby-modus	≤ 0,4 A	≤ 0,5 A	≤ 0,25 A	≤ 0,3 A

	DPSI 1512	DPSI 2012	DPSI 1524	DPSI 2024
Mål			 fig. 14 på side 201	
Vekt	1,1 kg	1,2 kg	1,1 kg	1,2 kg

## 15.1 Generelle tekniske spesifikasjoner

Spenningsområde	230 V $\sim$ $\pm$ 10 %
Utgangsfrekvens	50 Hz $\pm$ 1 %
Utgangsbølgeform	Ren sinusbølge
Maks effektivitet	90 %
Omgivelsestemperatur for drift	0 ... 50 °C
Omgivelsestemperatur for lagring	-30 °C ... 70 °C
Relativ luftfuktighet	0 ... 95 %, non-condensing
Inspeksjon/sertifisering	 

## 15.2 Underspenningsvern

	Utkoblingsverdi	Omstartsverdi
DPSI <sub>xx</sub> 12	10,3 V	11,8 V
DPSI <sub>xx</sub> 24	20,6 V	23,6 V

## 15.3 Overspenningsvern

	Utkoblingsverdi	Omstartsverdi
DPSI <sub>xx</sub> 12	16,5 V	15,5 V
DPSI <sub>xx</sub> 24	33 V	31 V

# Suomi

1	Tärkeitä huomautuksia.....	203
2	Symbolien selitykset.....	203
3	Turvallisuusohjeet.....	204
4	Toimituskokonaisuus.....	207
5	Lisävarusteet.....	207
6	Käyttötarkoitus.....	207
7	Tekninen kuvaus.....	208
8	Asennus.....	211
9	Verkköjärjestelmän konfigurointi.....	217
10	Käyttö.....	218
11	Puhdistus ja hoito.....	219
12	Vianetsintä.....	219
13	Takuu.....	220
14	Hävittäminen.....	220
15	Tekniset tiedot.....	221

## 1 Tärkeitä huomautuksia

Lue nämä ohjeet huolellisesti ja noudata kaikkia tämän tuotteen käyttöohjeissa annettuja ohjeita, määräyksiä ja varoituksia. Näin varmistat, että tuotteen asennus, käyttö ja huolto sujuu aina oikein. Näiden ohjeiden TÄYTYY jäädä tuotteen yhteyteen.

Käyttämällä tuotetta vahvistat lukeneesi kaikki ohjeet, määräykset ja varoitukset huolellisesti ja että ymmärrät ja hyväksyt tässä annetut ehdot. Sitoudut käyttämään tuotetta ainoastaan sen käyttötarkoitukseen ja ilmoitetuissa käyttökohteissa ja noudattaen tässä tuotteen käyttöohjeessa annettuja ohjeita, määräyksiä ja varoituksia sekä voimassa olevia lakeja ja määräyksiä. Tässä annettujen ohjeiden ja varoitusten lukematta ja noudattamatta jättäminen voi johtaa omaan tai muiden loukkaantumiseen, tuotteen vaurioitumiseen tai muun ympärillä olevan omaisuuden vaurioitumiseen. Tähän tuotteen käyttöohjeeseen, ohjeisiin, määräyksiin ja varoituksiin sekä ohjeidokumentteihin voidaan tehdä muutoksia ja niitä voidaan päivittää. Katso ajantasaiset tuotetiedot osoitteesta [documents.dometic.com](http://documents.dometic.com).

## 2 Symbolien selitykset

Merkkisana tunnistaa turvallisuusviestejä ja omaisuusvahinkoihin liittyviä viestejä ja osoittaa lisäksi vaaratekijän vakavuusasteen.



### VAARA!

Viittaa vaaralliseen tilanteeseen, joka johtaa kuolemaan tai vakavaan loukkaantumiseen, jos sitä ei vältetä.



### VAROITUS!

viittaavat vaaralliseen tilanteeseen, joka voi johtaa kuolemaan tai vakavaan loukkaantumiseen, jos ohjeita ei noudateta.



### HUOMIO!

viittaavat vaaralliseen tilanteeseen, joka voi johtaa lievään tai kohtalaiseen loukkaantumiseen, jos ohjeita ei noudateta.



### HUOMAUTUS!

viittaavat tilanteeseen, joka voi johtaa esinevahinkoon, jos ohjeita ei noudateta.



**OHJE** Tuotteen käyttöä koskevia lisätietoja.

## 3 Turvallisuusohjeet

**Noudata myös ajoneuvovalmistajan ja valtuutettujen huoltoliikkeiden antamia turvallisuusohjeita ja vaatimuksia.**

### 3.1 Perusturvallisuus



#### **VAARA! Sähköiskun vaara**

- > Älä kosketa avojohtimia koskaan paljain käsin.
- > Jotta laite voidaan irrottaa nopeasti vaihtovirtaverkosta, pistorasian täytyy olla lähellä laitetta ja siihen täytyy päästä helposti käsiksi.



#### **VAROITUS! Sähköiskun vaara**

- > Laitteen saavat asentaa tai irrottaa ainoastaan tehtävään pätevät henkilöt.
- > Älä käytä laitetta, jos laitteessa tai liitäntäjohdossa on näkyviä vaurioita.
- > Jos tämän laitteen virtajohto on vioittunut, se täytyy vaihtaa vaarojen välttämiseksi.
- > Ainoastaan pätevät ammattilaiset saavat korjata tätä laitetta. Väärin tehdyistä korjauksista voi aiheutua vakavia vaaroja.
- > Käytä ainoastaan valmistajan suosittelemia lisävarusteita.
- > Älä tee mihinkään osaan minkäänlaisia muutoksia.
- > Älä irrota mitään johtoja, kun laite on vielä toiminnassa.
- > Irrota laite virtalähteestä:
  - käytön jälkeen
  - Aina ennen puhdistusta tai huoltoa
  - ennen sulakkeen vaihtamista



#### **VAROITUS! Palovaara / palavia materiaaleja**

Käytä tulipalon sattuessa palonsammutinta, joka sopii sähkölaitteiden sammuttamiseen.



#### **VAROITUS! Tukehtumisvaara**

Laitteen johto ja ohjauksikkö voivat lisätä kietoutumis-, kuristumis-, kompastumis- tai päälleastumisvaaraa, mikäli niitä ei asetella asianmukaisesti. Varmista, että ylipitkät hihnat ja johdot asetellaan turvallisesti.



#### **VAROITUS! Terveysvaara**

- > Tätä laitetta voivat käyttää valvonnan alaisuudessa myös vähintään 8-vuotiaat lapset samoin kuin henkilöt, joiden fyysiset, aistinvaraiset tai henkiset kyvyt ovat rajoittuneet tai joilta puuttuu laitteen käytön vaatima kokemus tai tietämys, mikäli edellä mainittuja henkilöitä on opastettu käyttämään laitetta turvallisesti ja mikäli henkilöt ymmärtävät laitteen käyttöön liittyvät riskit.
- > **Sähkölaitteet eivät ole leikkikaluja.** Säilytä ja käytä laitetta hyvin pienten lasten ulottumattomissa.
- > Lapsia tulee valvoa sen varmistamiseksi, etteivät he leiki laitteella.
- > Lapset eivät saa ilman valvontaa puhdistaa laitetta eivätkä ryhtyä käyttäjälle sallittuihin kunnossapitotöihin.



### **HUOMAUTUS! Vahingonvaara**

- > Vertaa tyyppietiketin jännitetietoja käytettävissä olevaan energiansyöttöön ennen käyttöön ottamista.
- > Varmista, että muut esineet **eivät voi** aiheuttaa laitteen koskettimiin oikosulkua.
- > Huolehdi siitä, että plus- ja miinusnavat **eivät koskaan** ole kosketuksissa toisiinsa.
- > Älä vedä liitäntäjohtoja äläkä käytä niitä kahvana.
- > Laitetta ei saa altistaa sateelle tai kosteudelle. Säilytä sitä kuivassa paikassa.

## **3.2 Laitteen turvallinen asennus**



### **VAARA! Räjähdyksivaara**

- > Asenna ja käytä laitetta ainoastaan suljetuissa, hyvin tuuletetuissa tiloissa.
- > **Älä** asenna tai käytä laitetta seuraavissa olosuhteissa:
  - suolapitoisessa, kosteassa tai märässä ympäristössä
  - syövyttävien höyryjen lähellä
  - palavien materiaalien lähellä
  - lämmönlähteiden (lämmittimet, suora auringonvalo, kaasuuunit jne.) lähellä
  - alueilla, joilla on olemassa kaasui- tai pölyräjähdysten vaara



### **VAROITUS! Loukkaantumiswaara**

- > Varmista, että laite on tukevasti paikallaan. Laite täytyy sijoittaa ja kiinnittää niin vakaasti, että se ei voi kaatua tai pudota.
- > Kun sijoitat laitetta, varmista, että kaikki johdot on kiinnitetty sopivalla tavalla kaikenlaisten kompastumisvaarojen välttämiseksi.



### **HUOMAUTUS! Vahingonvaara**

- > Asenna laite kuivaan ja roiskevedeltä suojattuun paikkaan.
- > Käytä aina maadoitettuja ja vikavirtasuojajytkimellä varmistettuja pistorasioita

## **3.3 Turvallisuus laitteen sähköliitintä tehtäessä**



### **VAARA! Sähköiskun vaara**

Kun työskentelet sähköisten laitteiden kanssa, varmista, että joku on avuntarpeen tullen lähellä.



### **VAROITUS! Sähköiskun vaara**

- > Huomaa johdon poikkipinta-alaa koskevat suositukset.
- > Vedä johdot siten, että ovet tai konepelti eivät voi vahingoittaa niitä. Rusentuneet johdot voivat johtaa hengenvaarallisiin vammoihin.



### **HUOMAUTUS! Vahingonvaara**

- > Käytä putkia tai läpivientiholkkeja, jos johtimia täytyy vetää peltiseinien tai muiden teräväreunaisten seinien läpi.
- > **Älä** sijoita 230 V:n verkkosähköjohtoa ja 12 V:n tasavirtajohtoa samaan johtokanavaan.
- > Johtoja **ei** saa jättää löysälle eikä vetää niin, että muodostuu teräviä taitteita.
- > Kiinnitä johdot asianmukaisesti.

### 3.4 Turvatoimet akkuja käsiteltäessä



#### **VAROITUS! Loukkaantumiswaara**

- > Akut sisältävät vahvoja, syövyttäviä happoja. Vältä ihokosketusta akkunesteiden kanssa. Jos akkuneustettä on päässyt iholle, huuhtelee kyseinen alue huolellisesti vedellä. Jos happo on aiheuttanut sinulle vamman, hakeudu välittömästi lääkäriin.
- > Älä käytä mitään metallisia esineitä kuten kelloa tai sormuksia, kun käsittelet akkuja. Lyijyakut voivat aiheuttaa oikosulkuvirtoja, jotka voivat johtaa palovammaan.
- > Käytä vain eristettyjä työkaluja.
- > Älä laita metalliosia akun päälle ja estä metalliosien putoaminen akun päälle. Tämä voi aiheuttaa kipinöintiä tai akun ja muiden sähkölaitteiden oikosulun.
- > Käytä suojalaseja ja suojavaatetusta, kun työskentelet akun parissa. Älä kosketa silmiäsi, kun työskentelet akun parissa.
- > Käytä ainoastaan uudelleen ladattavia akkuja.
- > Älä käytä viallista akkua.



#### **HUOMIO! Räjähdyshaara**

- > Älä koskaan yritä ladata jäähtynyttä tai viallista akkua. Sijoita jäähtynyt akku tilaan, jossa ei ole pakkasta. Odota tämän jälkeen, että akku on mukautunut ympäristön lämpötilaan. Aloita lataaminen vasta sitten.
- > Älä tupakoi, sytytä avoli liekkiä äläkä aiheuta kipinöitä moottorin tai akun lähistöllä.
- > Pidä laite loitolla lämpölähteistä.



#### **HUOMAUTUS! Vahingonvaara**

- > Varmista oikea napaisuus, kun liität akkua.
- > Noudata akun valmistajan ohjeita sekä sen järjestelmän tai ajoneuvon valmistajan ohjeita, jossa akkua käytetään.
- > Jos akku täytyy irrottaa, irrota ensin maadoitusliitäntä. Irrota kaikki liitännät ja kaikki sähkölaitteet akusta ennen akun ottamista pois.
- > Akkua saa säilyttää varastossa vain täysin ladattuna. Lataa akkua säännöllisesti varastossa säilytyksen aikana.
- > Älä kannaa akkua sen navoista kiinni pitäen.

### 3.5 Laitteen käyttöturvallisuus



#### **VAROITUS! Sähköiskun vaara**

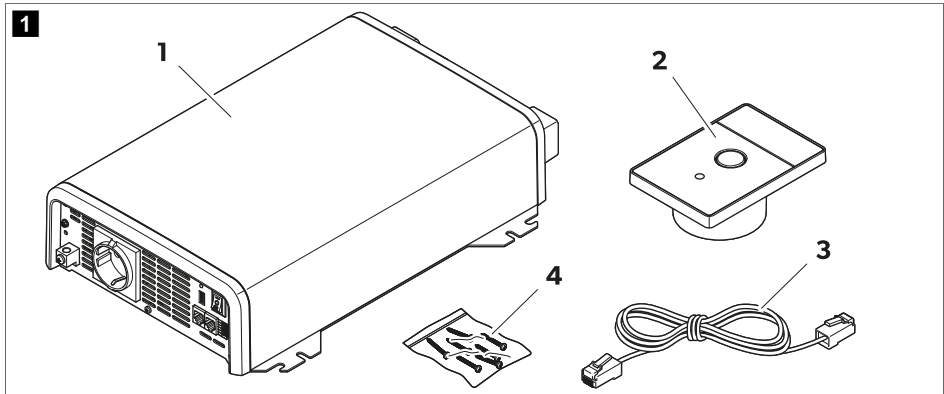
- > Älä käytä tätä laitetta märissä olosuhteissa äläkä upota sitä mihinkään nesteeseen.
- > Ennen laitteen käynnistämistä on varmistettava, että virtajohto ja pistoke ovat kuivat ja että pistokkeessa ei ole ruostetta eikä likaa.
- > Huomaa, että osa laitteesta voi jäädä jännitteiseksi myös sulakkeen laukeamisen jälkeen.



#### **HUOMAUTUS! Vahingonvaara**

- > Varmista, että laitteen ilmanotto- ja ilmanpoistoaukkoja ei ole peitetty.
- > Varmista hyvä ilmanvaihto.

## 4 Toimituskokonaisuus



Nro	 kuva. 1 sivulla 207	Kuvaus	Määrä
1		Sini-vaihtosuuntaaja	1
2		Kaukosäädin	1
3		Kaukosäätimen liitäntäkaapeli	1
4		Kiinnitysruuvit	6
-		Asennus- ja käyttöohje	1

## 5 Lisävarusteet

Kuvaus	Tuotenro
Kaukosäädin DPSI-RC	9620018306
Kosketusnäyttö TD283	9620013272

## 6 Käyttötarkoitus

Vaihtosuuntaaja on tarkoitettu muuntamaan tasavirta puhtaan siniaallon 230 V~ vaihtojännitteeksi (AC), ja tarjoamaan vakaan virransaannin siihen liitetyille 230 V laitteille.

Vaihtosuuntaaja on tarkoitettu liitettäväksi seuraaviin:

- DPSI612, DPSI1012, DPSI1512, DPSI2012: 12 V $\leftarrow$
- DPSI624, DPSI1024, DPSI1524, DPSI2024: 24 V $\leftarrow$

Vaihtosuuntaaja sopii seuraaviin:

- Asennus vapaa-ajan ajoneuvoihin, hyötyajoneuvoihin tai moottori- ja purjevereisiin
- Kiinteä asennus ja mobiilikäyttö
- Sisäkäyttö

Vaihtosuuntaaja **ei** sovellu seuraaviin:

- Ulkokäyttö

Tämä tuote soveltuu ainoastaan näissä ohjeissa ilmoitettuun käyttötarkoitukseen ja käyttökohteeseen.

Näistä ohjeista saat tuotteen asianmukaiseen asennukseen ja/tai käyttöön tarvittavat tiedot. Väärin tehdyn asennuksen ja/tai väärin käyttötavan tai väärinlaisen huollon seurauksena laite ei toimi tyydyttävästi, ja se saattaa mennä epäkuuntoon.

Valmistaja ei ota vastuuta tapaturmista tai tuotevaurioista, jotka johtuvat seuraavista:

- Väärin tehty asennus tai liitäntä, ylijännite mukaan lukien
- Väärin tehty huolto tai muiden kuin valmistajalta saatavien alkuperäisten varaosien käyttö
- Tuotteeseen ilman valmistajan nimenomaista lupaa tehdyt muutokset
- Käyttö muuhun kuin tässä ohjeessa ilmoitettuun tarkoitukseen

Dometic pidättää itsellään oikeuden muutoksiin tuotteen ulkonäössä ja spesifikaatioissa.

## 7 Tekninen kuvaus

### 7.1 Yleiskuvaus

Vaihtosuuntaaja tuottaa DC/AC siniaaltoa.

Vaihtosuuntaajaa voidaan käyttää seuraavissa verkkojärjestelmissä:

- TN-verkko
- IT-verkko

Verkkojärjestelmät asetetaan vaihtosuuntaajassa olevan ruuvien kautta.

Vaihtosuuntaajassa on seuraavat suojamekanismit:

- **Ylijännitesuoja:** Vaihtosuuntaaja kytkeytyy pois päältä, jos jännitearvo kohoaa katkaisuarvoa suuremmaksi. Vaihtosuuntaaja käynnistyy uudelleen automaattisesti, kun jännitearvo laskee uudelleenkäynnistysarvoon.
- **Alijännitesuoja:** Vaihtosuuntaaja kytkeytyy pois päältä, jos jännitearvo laskee katkaisuarvoa pienemmäksi. Vaihtosuuntaaja käynnistyy uudelleen automaattisesti, kun jännitearvo kohoaa uudelleenkäynnistysarvoa suuremmaksi.
- **Ylikuumentamissuoja:** Vaihtosuuntaaja kytkeytyy pois päältä, kun laitteen sisäinen lämpötila ylittää katkaisuarvon. Vaihtosuuntaaja käynnistyy uudelleen automaattisesti, kun sisäinen lämpötila laskee uudelleenkäynnistysarvoon.
- **Korkean lähtövirran suoja:** Vaihtosuuntaaja sammuu, jos siihen on liitetty liian monta kuormaa.
- **Suojaaminen oikosululta:** Vaihtosuuntaaja sammuu, kun on muodostunut oikosulku. Vaihtosuuntaaja käynnistyy uudelleen automaattisesti muutaman sekunnin kuluttua. Jos oikosulku havaitaan viisi kertaa peräkkäin, vaihtosuuntaaja ei käynnisty uudelleen automaattisesti, vaan tarvitaan manuaalinen uudelleenkäynnistys.

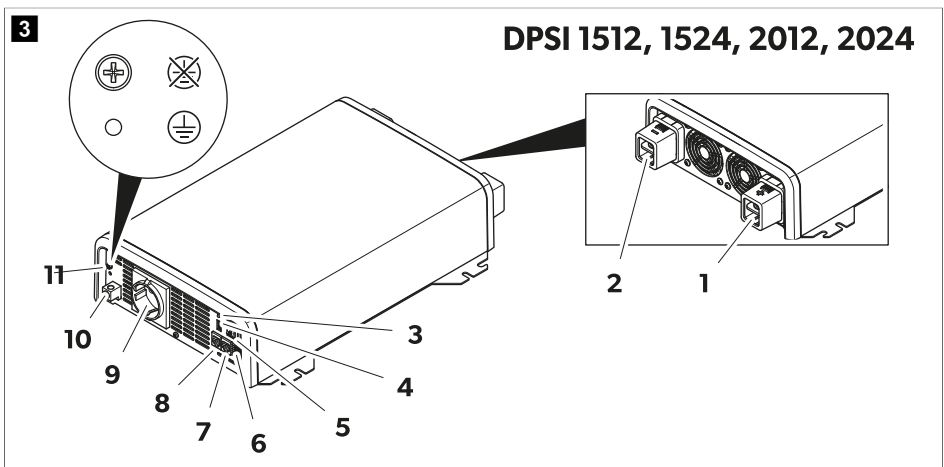
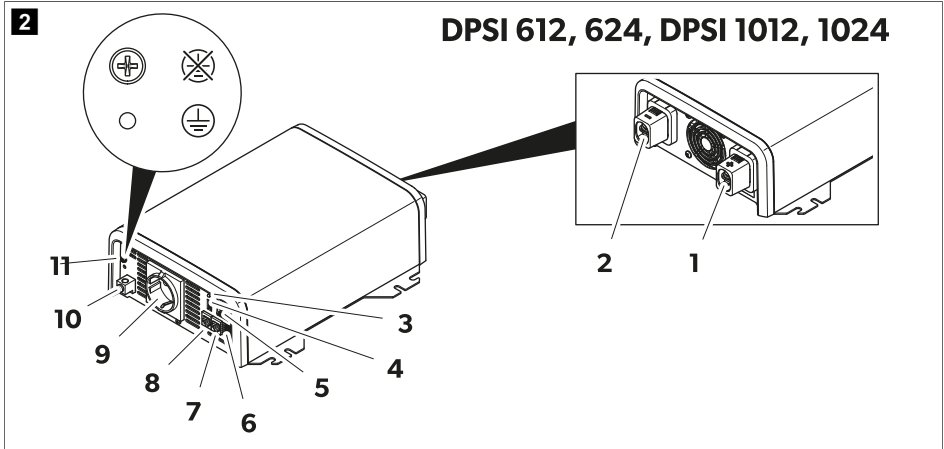
Vaihtosuuntaaja on yhteensopiva N-väylän ja CI-väylän tietojen ja toimintojen hallintaa varten kosketusnäytöllä (lisävaruste) ja mobiilisovelluksessa.

Vaihtosuuntaaja on varustettu kaukosäätimellä, jolla vaihtosuuntaaja voidaan kytkeä päälle tai pois päältä.

Vaihtosuuntaaja voidaan asettaa energiansäästötilaan, jolla voidaan vähentää lepotilan kulutusta ja minimoida akun kuormitus. Tämä voidaan tehdä DIP-kytkimellä tai



## 7.2 Käyttölaitteet ja liitännät

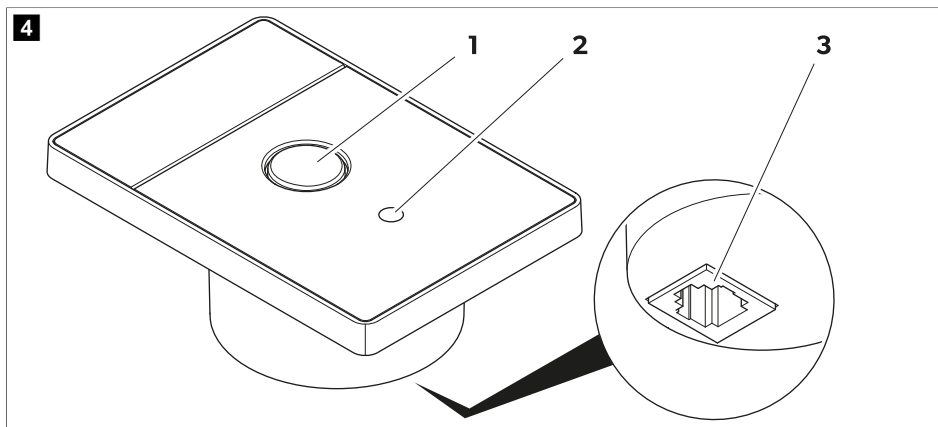


**OHJE** Kuvissa on esitetty Manner-Euroopan versiot.

Nro	Kuvaus
1	(+)-napa, yhteys rakennuksen akun plusnapaan
2	(-)-napa, yhteys rakennuksen akun miinusnapaan
3	LED-tilanilmaisin
4	Dip-kytkin
5	Virtakytkin

Nro	Kuvaus
6	Ulkoisen ohjauksen päätelaite
7	CI-väylä/N-väylä/kaukosäätimen liitäntä (LINB)
8	CI-väylä/N-väylä/kaukosäätimen liitäntä (LINA)
9	Vaihtovirtapistorasias
10	Maadoitusliitäntä
11	Ruuvi IT-/TN-verkon asettamiseen

### 7.3 Kaukosäädin



Nro  kuva. 4  
sivulla 210

#### Kuvaus


1	Virtapainike
2	LED-tilanilmaisain
3	Kaukosäätimen liitäntä

### 7.4 LED-tilanilmaisain

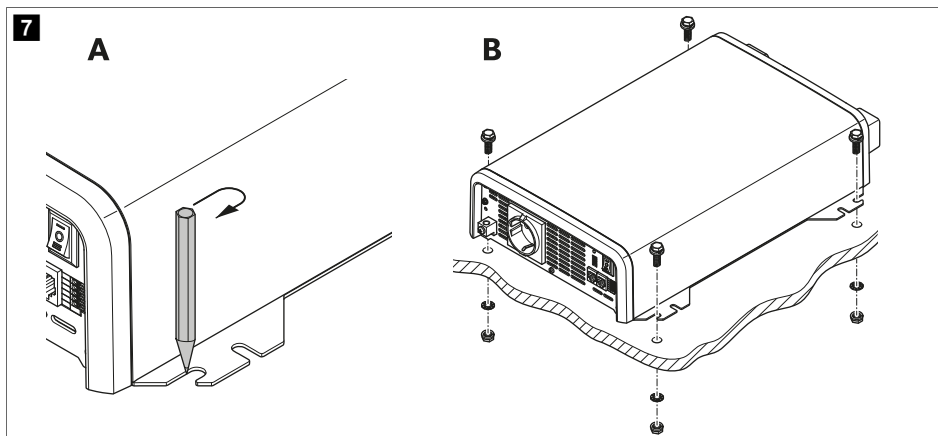
Tila	Kuvaus
Green	Vaihtosuuntaajan käyttäminen
Orange	Varoitus: Vaihtovirtalähtö olemassa, ylijännitteen, alijännitteen tai sähkökatkojen riski
Red	Virhe: Ei vaihtovirtaa, vaihtosuuntaaja deaktivoitu (katso kappale Vianetsintä sivulla 219)





Kun valitset asennuspaikkaa, ota huomioon seuraavat ohjeet:

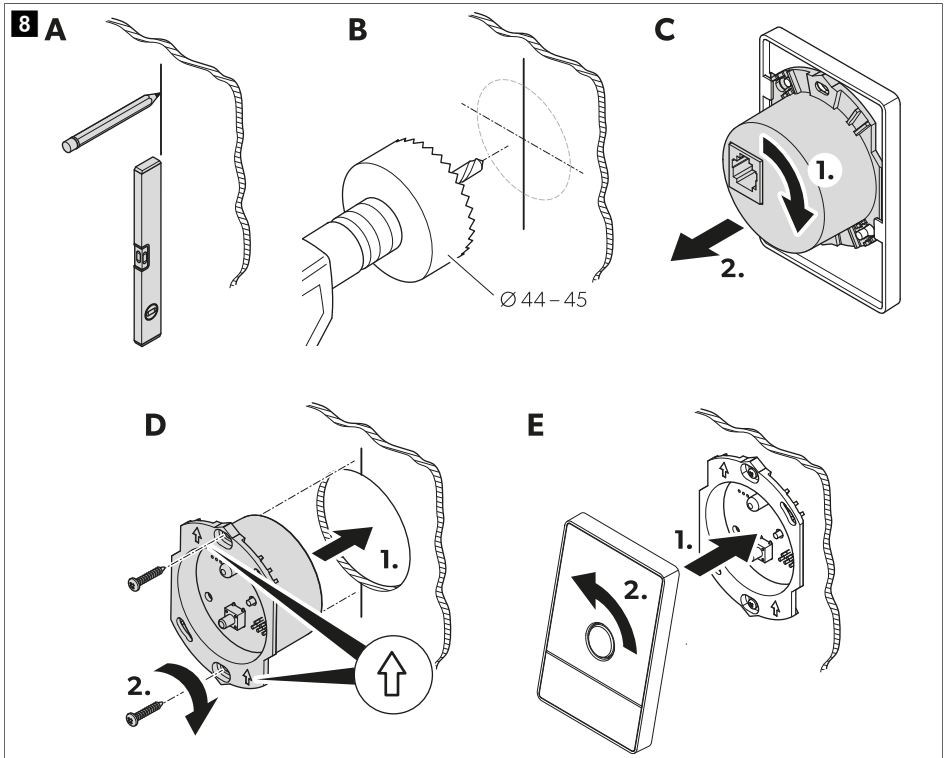
- Varmista, että asennuspinta on tukeva ja suora.
- Noudata vaatimuksia etäisyydestä varmistaaksesi riittävän ilmanvaihdon (  kuva. **6** sivulla 211).





## 8.2 Vaihtosuuntaajan asentaminen



1. Valitse sopivat kiinnitysreiät valitun kiinnitystyyppin mukaan (seisova tai riippuva) ja merkitse porausreiät (  kuva. **7** sivulla 212, **A**).
2. Tee esiporaus kiinnitysrei'ille.
3. Ruuvaa vaihtosuuntaaja paikalleen (  kuva. **7** sivulla 212, **B**).


### 8.3 Kaukosäätimen asentaminen



1. Merkitse asennuspinta (  kuva. **8** sivulla 213, **A**).
2. Poraa reikä, jonka halkaisija on 44 mm ... 45 mm esimerkiksi reikäshalla (  kuva. **8** sivulla 213, **B**).
3. Irrota jakorasia ohjauspaneelistä (  kuva. **8** sivulla 213, **C**).
4. Työnnä jakorasia reikään ja ruuvaa jakorasia paikoilleen (  kuva. **8** sivulla 213, **D**).



**OHJE** Varmista oikea pystysuuntainen kohdistus jakorasian nuolien osoittamalla tavalla.

5. Kiinnitä ohjauspaneeli jakorasiaan (  kuva. **8** sivulla 213, **E**).
6. Poista suojakalvo.

## 8.4 Invertterin liittäminen



Laitteen sähköasennus ja asetusten tekeminen täytyy antaa pätevän sähköasentajan tehtäväksi. Sähköasentajan täytyy pystyä osoittamaan sähkövarusteiden rakenteeseen ja käyttöön sekä asennukseen liittyvät tietonsa ja taitonsa, ja hänen täytyy tuntea asiaa koskevat määräykset, jotka ovat voimassa siinä maassa, jossa varuste on määrä asentaa ja/tai jossa sitä on määrä käyttää. Lisäksi hänellä täytyy olla suoritettuna turvallisuuskoulutus, jonka ansiosta hän pystyy tunnistamaan asiaan liittyvät vaarat ja välttämään ne.

Kaikki muut toimet ovat sallittuja muillekin kuin ammattilaisille.



### **VAROITUS! Sähköiskun vaara**

Huomaa suositeltu johdon poikkipinta-ala, johdon pituus ja sulakkeen mitoitus.



### **HUOMIO! Palovaara**

Johdon oikosulun ja mahdollisen palamisen välttämiseksi sulakkeet täytyy sijoittaa lähelle akkuja.



### **HUOMAUTUS! Vahingonvaara**



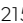
- > Huolehdi siitä, että napaisuus ei mene ristiin.
- > Kiristä ruuvit ja mutterit enintään 15 Nm kiristysmomentilla. Löysät liitännät voivat johtaa ylikuumenemiseen.

Noudata seuraavia ohjeita, kun liität vaihtosuuntaajan:

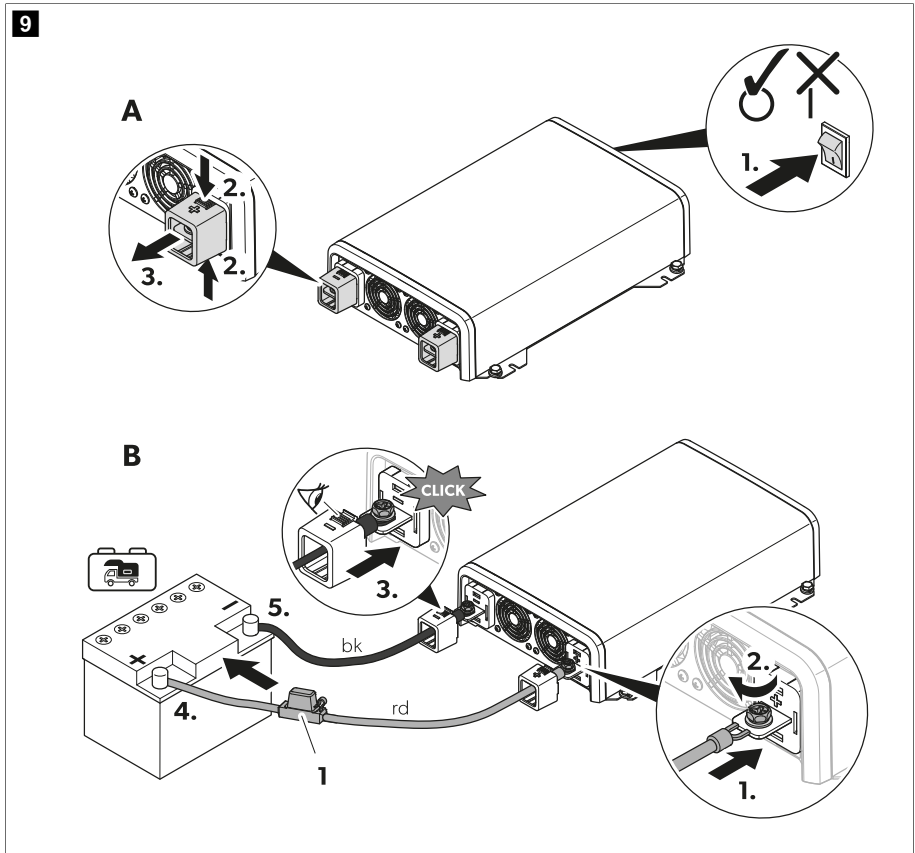
- Noudata soveltuvia määräyksiä, kun asennat pistorasiaverkon (verkon asennus).
  - Valitse mahdollisimman lyhyet tasavirtajohdot (liitäntä akun liittimiin)  $\leq 1$  m).
  - **TN-verkon** liittäminen: Asenna vikavirtasuojakytkin (RCD).
  - **IT-verkon** liittäminen: Asenna eristystilan valvontalaite (IMD), jos useampi kuin yksi kuorma on kytketty.
- Kansallisia standardeja sovelletaan.**

1. Määritä johdon poikkipinta-ala ja sulake:

	Johdon poikkipinta-ala	Johtosulake
DPSI612	25 mm <sup>2</sup>	150 A
DPSI624	25 mm <sup>2</sup>	150 A
DPSI1012	35 mm <sup>2</sup>	200 A
DPSI1024	25 mm <sup>2</sup>	150 A
DPSI1512	50 mm <sup>2</sup>	250 A
DPSI1524	25 mm <sup>2</sup>	150 A
DPSI2012	70 mm <sup>2</sup>	300 A
DPSI2024	35 mm <sup>2</sup>	200 A

2. Tarkista, että laite on kytketty pois päältä (  kuva.  sivulla 215,  ).


9





3. Irrota liittimien suojukset (  kuva. **9** sivulla 215, **2–3**).

4. Liitä (+) rakennuksen akun plusnapaan (punainen (rd) liitäntäjohto,  kuva. **9** sivulla 215, **4**).

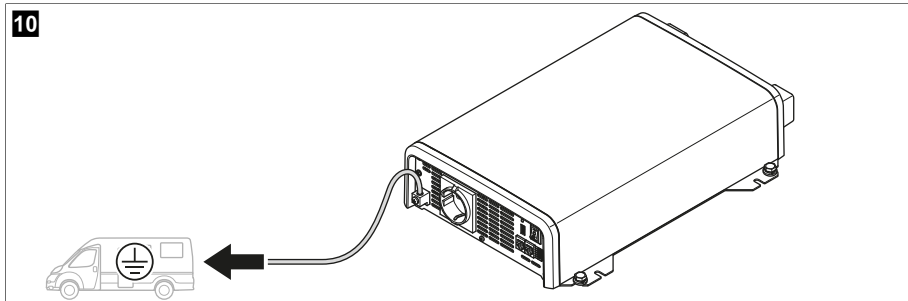


**OHJE** Suojaa rakennuksen akun plusjohto sulakkeella (  kuva. **9** sivulla 215, **1**).

5. Liitä (-) rakennuksen akun miinusnapaan (musta (bk) liitäntäjohto (  kuva. **9** sivulla 215, **5**).

6. Liitä maadoitusliitäntä maahan (alusta) (  kuva. **10** sivulla 216).

10



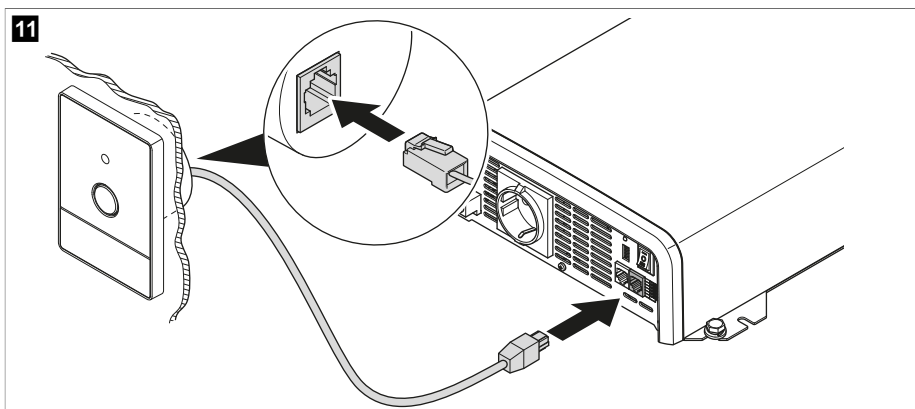
## 8.5 Kaukosäätimen liittäminen



**OHJE** Kaukosäädintä ja N-väylä-/CI-väyläverkkoa ei voi liittää samanaikaisesti.

- > Liitä kaukosäädin kaukosäätimen liitäntään kaukosäätimen liitäntäkaapelilla.

11



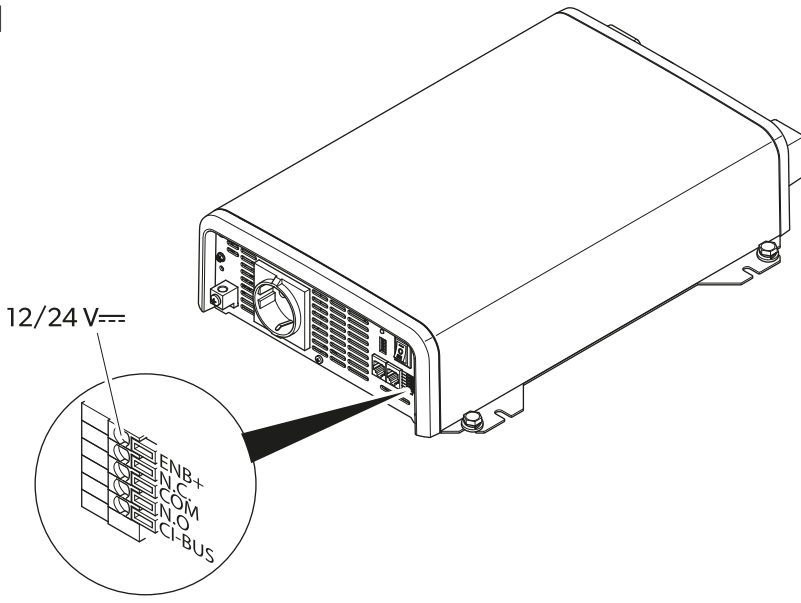
## 8.6 ENB+-nastan liittäminen



**OHJE** Jos ENB+-nasta on liitetty, energiansäästötilan toimintatila ei voida muuttua.



12



1. Aseta on/off-kytkin **0**-asentoon.
2. Käytä ENB+-nastaa seuraavasti:
  - Jos haluat kytkeä vaihtosuuntaimen päälle, liitä ENB+-nasta rakennuksen akun positiiviseen napaan sopivalla sähkökaapelilla.
  - Jos haluat kytkeä vaihtosuuntaimen pois päältä, irrota ENB+-nasta rakennuksen akusta.

## 9 Verkojärjestelmän konfigurointi





Laitteen sähköasennus ja asetusten tekeminen täytyy antaa pätevän sähköasentajan tehtäväksi. Sähköasentajan täytyy pystyä osoittamaan sähkövarusteiden rakenteeseen ja käyttöön sekä asennukseen liittyvät tietonsa ja taitonsa, ja hänen täytyy tuntea asiaa koskevat määräykset, jotka ovat voimassa siinä maassa, jossa varuste on määrä asentaa ja/tai jossa sitä on määrä käyttää. Lisäksi hänellä täytyy olla suoritettu turvallisuuskoulutus, jonka ansiosta hän pystyy tunnistamaan asiaan liittyvät vaarat ja välttämään ne.

Kaikki muut toimet ovat sallittuja muillekin kuin ammattilaisille.

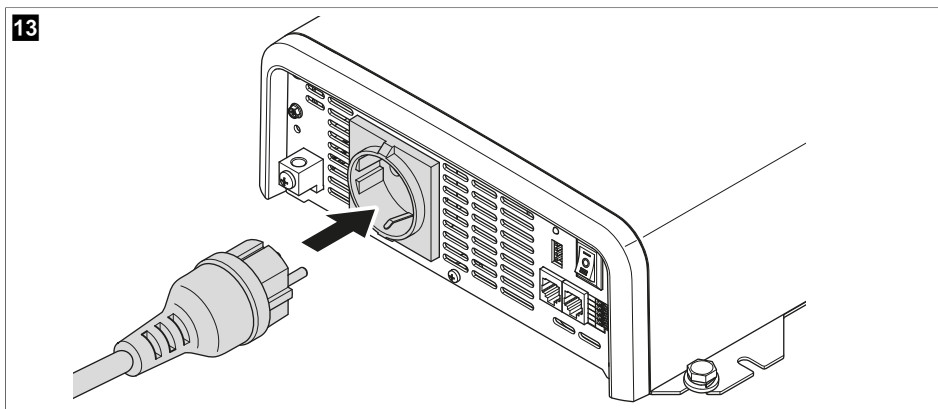


### VAARA! Sähköiskun vaara

- > Poista DIP-kytkimen suojakansi vain säätämistä varten.
  - > Aseta suojakansi takaisin paikalleen, jotta DIP-kytkintä ei säädetä vahingossa.
  - > **TN-verkon** säätäminen: Varmista, että vikavirtasuojakytkin (RCD) on asennettu.
  - > **IT-verkon** säätäminen: Käytä vain yhtä kuormaa tai asenna eristystilan valvontalaite (IMD). Noudata kansallisia standardeja.
- > Aseta ruuvi asentoon  **TN-verkon** asettamiseksi.
  - > Aseta ruuvi asentoon  **IT-verkon** asettamiseksi.

## 10 Käyttö

### 10.1 230 V:n laitteiden käyttäminen



#### OHJE

Liitä vain laitteita, joiden kokonaiskuormitus ei ylitä kohdassa Tekniset tiedot sivulla 221 listattuja arvoja.

- > Liitä 230 V:n laitteet vaihtosuuntaajan vaihtovirtapistorasiaan (  kuva. **13** sivulla 218).

### 10.2 Vaihtosuuntaajan kytkeminen päälle ja pois



#### OHJE

- > Jos vaihtosuuntaajaa on tarkoitus ohjata kaukosäätimellä, on/off-kytkin on asetettava asentoon **II**.
- > Jos vaihtosuuntaajaa on tarkoitus ohjata ENB+-nastalla, on/off-kytkin on asetettava asentoon **0**.
- > Laita vaihtosuuntaaja päälle asettamalla on/off-kytkin asentoon **I**.
- > Laita vaihtosuuntaaja pois päältä asettamalla on/off-kytkin asentoon **0**.
- > Kytke vaihtosuuntaaja päälle ja pois kaukosäätimellä tai ENB+-nastalla.

### 10.3 Energiansäästötilan asettaminen



#### OHJE

- Jos DIP-kytkin S2 on asetettu asentoon **OFF**, vaihtosuuntaaja vaihtaa automaattisesti normaaliin toimintaan, kun siihen liitetään  $\geq 45$  W:n kuorma.
- Jos DIP-kytkin S2 on asetettu asentoon **ON**, vaihtosuuntaaja vaihtaa automaattisesti normaaliin toimintaan, kun siihen liitetään  $\geq 80$  W:n kuorma.
- Energiansäästötilan tilaa ei voida muuttaa, jos käytetään kaukosäädintä tai ENB+ -nastaa, ellei täydellistä päälle- ja poiskytkentäsykliä ole tehty.

#### Energiansäästötilan käyttöönotto

1. Kytke invertteri tarvittaessa pois päältä.

2. Liu'uta DIP-kytkin S1 **ON**-asentoon.
- ✓ Energiänsäästötila on käytössä.

### Energiänsäästötilan poistaminen käytöstä

1. Kytke invertteri pois päältä.
  2. Liu'uta DIP-kytkin S1 **OFF**-asentoon.
- ✓ Energiänsäästötila on poistettu käytöstä.

## 11 Puhdistus ja hoito



### VAROITUS! Sähköiskun vaara

Irrota laite virransyötöstä ennen puhdistus- ja huoltotoimia.



### HUOMAUTUS! Vahingonvaara

- > Älä puhdistu laitetta koskaan juoksevan veden alla tai tiskivedessä.
  - > Älä käytä puhdistukseen teräviä tai kovia esineitä äläkä hankaus- tai valkaisuaineita, koska ne voivat vahingoittaa laitetta.
  - > Varmista, että laitteen ilmanotto- ja ilmanpoistoaukoissa ei ole pölyä tai likaa, jotta lämpö pääsee poistumaan.
- > Puhdista laite ajoittain pehmeällä kostealla liinalla.
  - > Tarkasta jännitteenalaiset johdot ja johtimet säännöllisesti eristevikojen, katkosten ja liitännöiden löystymisen varalta.

## 12 Vianetsintä

Häiriö	Mahdollinen syy	Ratkaisuehdotus
Vaihtosuuntaaja ei toimi. LED-tilanilmaisain ei pala.	Oikosulku viisi kertaa peräkkäin.	> Laitteen sulake täytyy vaihdattaa valtuutetulla huoltoliikkeellä, kun liian suuri virta on saanut sen laukeamaan.
	Jännitteenalaisen johdon eriste on vaurioitunut, johto on murtunut tai pistoke ei ole tiukasti paikallaan.	> Tarkasta, onko jännitteenalaisen johdon eristeessä vikaa, onko johto murtunut ja onko pistoke tiukasti paikallaan. Jos et löydä vikaa, ota yhteyttä valtuutettuun huoltopalveluun.
Vaihtosuuntaaja ei toimi. Tilan merkkivalo syttyy punaisena.	Korkean lähtövirran suoja.	Vähennä liitettjä kuormia.
	Ylikuumentumissuoja.	1. Kytke vaihtosuuntaaja ja liitetyt kuormat pois päältä. 2. Tarkasta, että ilmanottoaukot ja ilmanpoistoaukot eivät ole peittyneet tai tukkeutuneet. 3. Anna vaihtosuuntaajan jäähtyä.
	On muodostunut oikosulku.	Laitteen sulake täytyy vaihdattaa valtuutetulla huoltoliikkeellä, kun liian suuri virta on saanut sen laukeamaan.

Häiriö	Mahdollinen syy	Ratkaisuehdotus
	Ylijännitesuoja. Akkujännitteet liian suuret.	<ul style="list-style-type: none"> <li>&gt; Vähennä liitettyä jännitettä. Vaihtosuuntaaja käynnistyy uudelleen automaattisesti, kun jännitearvo laskee uudelleenkäynnistysarvoon (katso kappale Ylijännitesuoja sivulla 222).</li> <li>&gt; Jos virhe ilmenee edelleen: Lisää johdon poikkipinta-aloja. Lyhennä johtoa.</li> </ul>
	Alijännitesuoja. Akkujännitteet liian pienet.	<ul style="list-style-type: none"> <li>&gt; Anna akun latautua hitaasti. Vaihtosuuntaaja käynnistyy uudelleen automaattisesti, kun jännitearvo ylittää uudelleenkäynnistysarvon (katso kappale Alijännitesuoja sivulla 222).</li> </ul>

## 13 Takuu

Tuotetta koskee lakisääteinen tuotevastuu-aika. Jos tuote on viallinen, ota yhteyttä valmistajan toimipisteeseen omassa maassasi (ks. [dometic.com/dealer](http://dometic.com/dealer)) tai jälleenmyyjään.

Jos lähetät tuotteen korjattavaksi, liitä korjaus- ja takuukäsittelyä varten mukaan seuraavat asiakirjat:

- Kopio kuitista, jossa näkyy ostopäivä
- Valitusperuste tai vikakuvaus

Huomaa, että itse tai väärin tehty korjaus voi vaarantaa turvallisuuden ja johtaa takuun raukeamiseen.

## 14 Hävittäminen



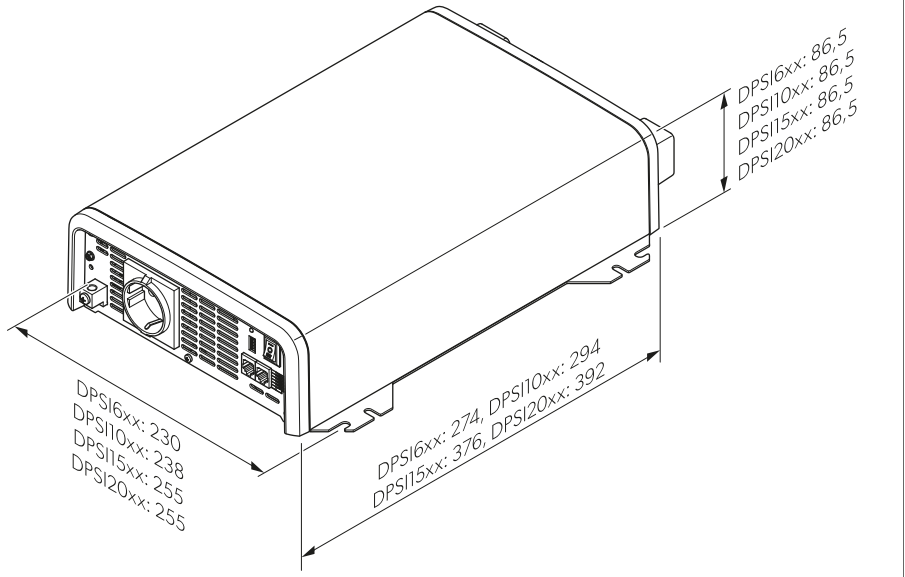
Vie pakkausmateriaalit mahdollisuuksien mukaan niille tarkoitettuihin kierrätysjäteastioihin.


Tiedustele lähimmästä kierrätyskeskuksesta tai erikoisliikkeestä tuotetta koskevia yksityiskohtaisia hävittämistä koskevia ohjeita.

Tuotteen voi hävittää veloitusetta.

## 15 Tekniset tiedot

14



	<b>DPSI 612</b>	<b>DPSI 1012</b>	<b>DPSI 624</b>	<b>DPSI 1024</b>
Nimellistulojännite	12 V <sub>nom</sub>		24 V <sub>nom</sub>	
Tulojännitteen alue	10,5 ... 16,5 V <sub>nom</sub>		21 ... 33 V <sub>nom</sub>	
Jatkuva lähtöteho P <sub>nom</sub>	600 W	1000 W	600 W	1000 W
Maksimilähtöteho (1 min)	690 W	1150 W	690 W	1150 W
Huippuvirta (1 s) P <sub>surge</sub>	1200 W	2000 W	1200 W	2000 W
Virrankulutus lepotilassa	≤ 1 A	≤ 1,1 A	≤ 0,6 A	≤ 0,6 A
Virrankulutus valmiustilassa	≤ 0,3 A	≤ 0,35 A	≤ 0,2 A	≤ 0,2 A
Mitat	 kuva. 14 sivulla 221			
Paino	1,1 kg	1,2 kg	1,1 kg	1,2 kg

	<b>DPSI 1512</b>	<b>DPSI 2012</b>	<b>DPSI 1524</b>	<b>DPSI 2024</b>
Nimellistulojännite	12 V <sub>nom</sub>		24 V <sub>nom</sub>	
Tulojännitteen alue	10,5 ... 16,5 V <sub>nom</sub>		21 ... 33 V <sub>nom</sub>	
Jatkuva lähtöteho P <sub>nom</sub>	1500 W	2000 W	1500 W	2000 W
Maksimilähtöteho (1 min)	1725 W	2300 W	1725 W	2300 W
Huippuvirta (1 s) P <sub>surge</sub>	3000 W	4000 W	3000 W	4000 W
Virrankulutus lepotilassa	≤ 1,2 A	≤ 1,5 A	≤ 0,7 A	≤ 0,8 A
Virrankulutus valmiustilassa	≤ 0,4 A	≤ 0,5 A	≤ 0,25 A	≤ 0,3 A

	DPSI 1512	DPSI 2012	DPSI 1524	DPSI 2024
Mitat			kuva. 14 sivulla 221	
Paino	1,1 kg	1,2 kg	1,1 kg	1,2 kg

### 15.1 Yleiset tekniset tiedot

Lähtöjännitealue	230 V $\sim$ $\pm$ 10 %
Lähtötaajuus	50 Hz $\pm$ 1 %
Lähdön aaltomuoto	Puhdas siniaalto
Huipputeho	90 %
Ympäristön lämpötila, käyttö	0 ... 50 °C
Ympäristön lämpötila varastoitaessa	-30 °C ... 70 °C
Ympäristön ilmankosteus	0 ... 95 %, non-condensing
Tarkastus/sertifikaatti	



### 15.2 Alijännitesuoja

	Katkaisuarvo	Uudelleenkäynnistysarvo
DPSI <sub>xx</sub> 12	10,3 V	11,8 V
DPSI <sub>xx</sub> 24	20,6 V	23,6 V

### 15.3 Ylijännitesuoja

	Katkaisuarvo	Uudelleenkäynnistysarvo
DPSI <sub>xx</sub> 12	16,5 V	15,5 V
DPSI <sub>xx</sub> 24	33 V	31 V

## Polski

1	Ważne wskazówki.....	223
2	Objaśnienie symboli.....	223
3	Wskazówki bezpieczeństwa.....	224
4	W zestawie.....	227
5	Akcesoria.....	227
6	Użytkowanie zgodne z przeznaczeniem.....	228
7	Opis techniczny.....	228
8	Montaż.....	232
9	Konfigurowanie systemu sieciowego.....	238
10	Eksploatacja.....	239
11	Czyszczenie i konserwacja.....	240
12	Usuwanie usterek.....	240
13	Gwarancja.....	241
14	Utylizacja.....	242
15	Dane techniczne.....	242

## 1 Ważne wskazówki

Prosimy o uważne przeczytanie niniejszej instrukcji obsługi produktu i przestrzeganie wszystkich zaleceń, wskazówek oraz ostrzeżeń w niej zawartych w celu zapewnienia prawidłowego montażu, użytkowania oraz konserwacji produktu w każdej sytuacji. Niniejsza instrukcja MUSI przez cały czas pozostawać przy produkcie.

Korzystając z produktu, użytkownik potwierdza uważne przeczytanie wszelkich instrukcji, wskazówek i ostrzeżeń, ich zrozumienie oraz zobowiązuje się przestrzegać zawartych w nich warunków. Użytkownik zobowiązuje się wykorzystywać niniejszy produkt wyłącznie zgodnie z jego przeznaczeniem i zamierzonym zastosowaniem oraz z instrukcjami, wskazówkami i ostrzeżeniami wyszczególnionymi w niniejszej instrukcji produktu, jak również ze wszystkimi mającymi zastosowanie przepisami i regulacjami prawnymi. Nieprzestrzeganie zawartych tu instrukcji i ostrzeżeń może skutkować obrażeniami u użytkownika oraz osób trzecich, uszkodzeniem produktu lub też uszkodzeniem mienia w sąsiedztwie produktu. Zastrzega się możliwość wprowadzania zmian i aktualizacji niniejszej instrukcji produktu, wraz z instrukcjami, wskazówkami i ostrzeżeniami oraz powiązaną dokumentacją. Aktualne informacje dotyczące produktu można zawsze znaleźć na stronie [documents.dometic.com](http://documents.dometic.com).

## 2 Objąsnienie symboli

Słowo sygnałowe pozwala rozpoznać komunikaty dotyczące bezpieczeństwa i komunikaty dotyczące uszkodzeń mienia, a także wskazuje stopień lub poziom zagrożenia.



### **NIEBEZPIECZEŃSTWO!**

Wskazuje niebezpieczną sytuację, która – jeśli się jej nie uniknie – prowadzi do śmierci lub poważnych obrażeń.



### **OSTRZEŻENIE!**

Wskazuje niebezpieczną sytuację, która – jeśli się jej nie uniknie – może prowadzić do śmierci lub poważnych obrażeń.



### **OSTROŻNIE!**

Wskazuje niebezpieczną sytuację, która – jeśli się jej nie uniknie – może prowadzić do lekkich lub umiarkowanych obrażeń.



### **UWAGA!**

Wskazuje sytuację, która – jeśli się jej nie uniknie – może prowadzić do powstania szkód materialnych.



**WSKAZÓWKA** Dodatkowe informacje dotyczące obsługi produktu.

## 3 Wskazówki bezpieczeństwa

**Należy stosować się również do wskazówek bezpieczeństwa i zaleceń wydanych przez producenta pojazdu i autoryzowane warsztaty.**

### 3.1 Podstawowe zasady bezpieczeństwa



#### **NIEBEZPIECZEŃSTWO! Ryzyko porażenia prądem**

- > Nigdy nie chwytać gołymi rękami nieosłoniętych przewodów.
- > Aby w razie niebezpieczeństwa można było szybko odłączyć urządzenie od sieci, gniazdo prądu przemiennego musi znajdować się w pobliżu urządzenia i być łatwo dostępne.



#### **OSTRZEŻENIE! Ryzyko porażenia prądem**

- > Montażu i demontażu urządzenia dokonywać może wyłącznie wykwalifikowany personel.
- > Jeżeli urządzenie lub przewód przyłączeniowy są w widoczny sposób uszkodzone, nie wolno używać urządzenia.
- > Jeśli przewód zasilający urządzenia ulegnie uszkodzeniu, należy go ze względów bezpieczeństwa wymienić.
- > Napraw mogą dokonywać tylko odpowiednio wykwalifikowane osoby. Nieodpowiednio wykonane naprawy mogą być przyczyną znacznych zagrożeń.
- > Używać wyłącznie akcesoriów zalecanych przez producenta.
- > Nie dokonywać jakichkolwiek modyfikacji ani nie dostosowywać żadnych elementów.
- > Nie należy odłączać żadnych przewodów w trakcie pracy urządzenia.
- > Odłączyć urządzenie od zasilania:
  - po każdym użyciu,
  - za każdym razem przed czyszczeniem i konserwacją,
  - przed wymianą bezpiecznika,



#### **OSTRZEŻENIE! Ryzyko pożaru / materiały łatwopalne**

W przypadku pożaru należy użyć gaśnicy odpowiedniej do gaszenia urządzeń elektrycznych.



#### **OSTRZEŻENIE! Ryzyko uduszenia**

Przewód i jednostka sterująca urządzenia mogą stwarzać ryzyko zaplątania się, uduszenia, potknięcia się lub nadeptnięcia, jeśli nie są one prawidłowo ułożone. Należy zadbać o bezpieczne ułożenie nadmiaru mocowań i przewodów.



#### **OSTRZEŻENIE! Zagrożenie zdrowia**

- > Dzieci od 8 lat i osoby o ograniczonych możliwościach fizycznych, sensorycznych lub intelektualnych oraz osoby niedysponujące stosowną wiedzą i doświadczeniem mogą używać tego urządzenia jedynie pod nadzorem innej osoby bądź pod warunkiem uzyskania informacji dotyczących bezpiecznego użytkowania urządzenia i zrozumienia wynikających z tego zagrożeń.
- > **Urządzenia elektryczne nie są zabawkami.** Urządzenie powinno zawsze znajdować się i być użytkowane poza zasięgiem bardzo małych dzieci.
- > Należy dopilnować, aby dzieci nie bawiły się urządzeniem.
- > Dzieci nie mogą czyścić i konserwować urządzenia bez nadzoru.





### **UWAGA! Ryzyko uszkodzenia**

- > Przed uruchomieniem należy porównać dane dotyczące napięcia na tabliczce znamionowej z dostępnym źródłem zasilania.
- > Należy zwrócić uwagę na to, aby inne przedmioty **nie** mogły spowodować zwarcia przy stykach urządzenia.
- > **Nigdy** nie dopuszczają do zetknięcia się ze sobą ujemnego i dodatniego bieguna.
- > Nie ciągnąć za przewody przyłączeniowe ani nie używać ich jako uchwytu.
- > Nie wolno narażać urządzenia na działanie deszczu lub wilgoci. Przechowywać w suchym miejscu.

## **3.2 Bezpieczeństwo podczas montażu urządzenia**



### **NIEBEZPIECZEŃSTWO! Ryzyko wybuchu**

- > Urządzenie należy instalować i użytkować wyłącznie w zamkniętych, dobrze wentylowanych pomieszczeniach.
- > **Nie** należy instalować ani użytkować urządzenia w następujących warunkach:
  - w słonym, wilgotnym lub mokrym otoczeniu,
  - w sąsiedztwie żrących oparów,
  - w pobliżu materiałów palnych,
  - w pobliżu źródeł ciepła (ogrzewania, bezpośredniego promieniowania słonecznego, kuchenek gazowych itp.),
  - w obszarach, w których występuje ryzyko wybuchu gazu lub pyłu.



### **OSTRZEŻENIE! Ryzyko obrażeń**

- > Należy zwrócić uwagę na stabilne ustawienie. Urządzenie musi być bezpiecznie ustawione i zamocowane tak, aby nie mogło przewrócić się lub spaść.
- > Podczas ustawiania urządzenia zwraca uwagę na odpowiednie zabezpieczenie wszystkich kabli, aby uniknąć ryzyka potknięcia się.



### **UWAGA! Ryzyko uszkodzenia**

- > Urządzenie należy umieścić w suchym miejscu, zabezpieczonym przed bryzgami wody.
- > Należy zawsze używać uziemionych gniazd sieciowych, zabezpieczonych bezpiecznikiem różnicowoprądowym.

## **3.3 Bezpieczeństwo podczas elektrycznego podłączania urządzenia**



### **NIEBEZPIECZEŃSTWO! Ryzyko porażenia prądem**

Przed przystąpieniem do prac przy układach elektrycznych należy upewnić się, że w pobliżu znajduje się osoba, która może w nagłym wypadku udzielić pomocy.



### **OSTRZEŻENIE! Ryzyko porażenia prądem**

- > Stosować przewody o zalecanych przekrojach.
- > Przewody należy układać tak, by uniknąć ich uszkodzenia przez drzwi lub maskę silnika. Zmiażdżone przewody mogą spowodować poważne obrażenia ciała.



#### **UWAGA! Ryzyko uszkodzenia**

- > Jeżeli przewody muszą zostać przeprowadzone przez blaszane ściany lub inne ściany o ostrych krawędziach, należy użyć pustych rurek lub przepustów przewodów.
- > **Nie** należy układać przewodów zasilania sieciowego 230 V i przewodów przewodzących napięcie 12 V DC w tym samym kanale.
- > **Nie** należy układać luźnych albo mocno zgiętych przewodów.
- > Przewody należy mocno przymocować.

### **3.4 Bezpieczeństwo użytkowania akumulatorów**



#### **OSTRZEŻENIE! Ryzyko obrażeń**

- > Akumulatory zawierają agresywne oraz żrące kwasy. Należy unikać wszelkiego kontaktu ciała z cieczą znajdującą się w akumulatorze. W przypadku dojścia do kontaktu cieczy znajdującej się w akumulatorze ze skórą, daną część ciała należy dokładnie umyć wodą. W razie obrażeń ciała spowodowanych kwasem należy bezzwłocznie udać się do lekarza.
- > Przy kontakcie z akumulatorami nie należy nosić na sobie żadnych przedmiotów metalowych, na przykład zegarków lub pierścionków. Akumulatory ołowiowo-kwasowe mogą powodować zwarcia, których skutkiem mogą być ciężkie obrażenia.
- > Stosować wyłącznie izolowane narzędzia.
- > Nie należy umieszczać żadnych metalowych części na akumulatorze i nie dopuścić do upadku metalowych części na akumulator. Mogłoby to spowodować iskrzenie oraz zwarcie akumulatora i innych urządzeń elektrycznych.
- > Podczas pracy z akumulatorami nosić okulary ochronne oraz odzież ochronną. Podczas pracy z akumulatorami nie dotykać oczu.
- > Należy używać akumulatorów wielokrotnego użytku.
- > Nie używać uszkodzonych akumulatorów.



#### **OSTROŻNIE! Ryzyko wybuchu**

- > Nigdy nie należy podejmować próby ładowania zamrażonego lub wadliwego akumulatora. W takim przypadku należy umieścić akumulator w miejscu zabezpieczonym przed mrozem i poczekać, aż dostosuje on swoją temperaturę do temperatury otoczenia. Następnie należy rozpocząć proces ładowania.
- > Nie palić, nie używać otwartego ognia ani nie powodować powstawania iskier w pobliżu silnika lub akumulatora.
- > Trzymać akumulator z dala od źródeł ciepła.



#### **UWAGA! Ryzyko uszkodzenia**

- > Przy podłączaniu akumulatora należy zwrócić uwagę na prawidłowe przyłączenie biegunów.
- > Należy stosować się do instrukcji obsługi producenta akumulatora oraz producenta urządzenia bądź pojazdu, w którym dany akumulator ma zostać użyty.
- > W razie konieczności demontażu akumulatora w pierwszej kolejności odłączyć połączenie masowe. Przed demontażem akumulatora należy najpierw odłączyć wszystkie połączenia oraz wszystkie odbiorniki.
- > Akumulatory przechowywać tylko w stanie całkowicie naładowanym. Regularnie doładowywać przechowywane akumulatory.
- > Nie przenosić akumulatora za zaciski.

### 3.5 Bezpieczeństwo podczas eksploatacji urządzenia



#### OSTRZEŻENIE! Ryzyko porażenia prądem

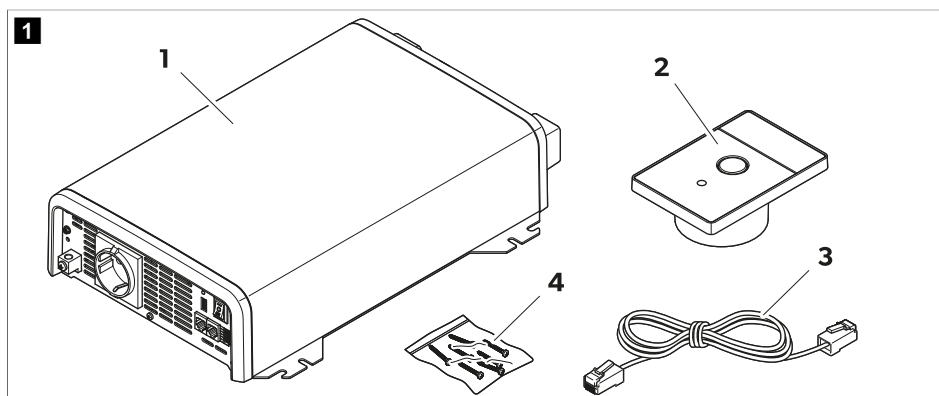
- > Nie używać urządzenia w wilgotnych warunkach ani nie zanurzać go w jakiegokolwiek cieczy.
- > Przed uruchomieniem urządzenia upewnić się, że przewód zasilający i wtyk są suche, a wtyk jest wolny od rdzy i zanieczyszczeń.
- > Po zadziałaniu bezpiecznika części urządzenia mogą pozostawać pod napięciem.



#### UWAGA! Ryzyko uszkodzenia

- > Należy uważać, aby nie zasłaniać wlotów i wylotów powietrza urządzenia.
- > Zapewnić dobrą wentylację.

## 4 W zestawie



Poz. na rys. 1 na stronie 227	Oznaczenie	Liczba
1	Przetwornica sinusoidalna	1
2	Pilot	1
3	Przewód przyłączeniowy pilota	1
4	Śruby mocujące	6
-	Instrukcja montażu i obsługi	1

## 5 Akcesoria

Oznaczenie	Nr. kat.
Pilot DPSI-RC	9620018306
Wyświetlacz dotykowy TD283	9620013272

## 6 Użytkowanie zgodne z przeznaczeniem

Przetwornica służy do przekształcania prądu stałego w czyste sinusoidalne napięcie przemienne (AC) 230 V~ do obsługi i stabilnego zasilania podłączonych odbiorników 230 V.

Przetwornica jest przeznaczona do podłączenia do:

- DPSI612, DPSI1012, DPSI1512, DPSI2012: 12 V $\leftarrow$
- DPSI624, DPSI1024, DPSI1524, DPSI2024: 24 V $\leftarrow$

Przetwornica jest przeznaczona do:

- Montażu w pojazdach kempingowych, użytkowych oraz w jachtach wyposażonych w silniki bądź żagle
- Zastosowań stacjonarnych lub mobilnych
- Wykorzystywania wewnątrz pomieszczeń

Przetwornica **nie** jest przeznaczona do:

- Wykorzystywania na wolnym powietrzu

Niniejszy produkt jest przystosowany wyłącznie do wykorzystywania zgodnie z jego przeznaczeniem oraz zamierzonym zastosowaniem według niniejszej instrukcji.

Niniejsza instrukcja zawiera informacje, które są niezbędne do prawidłowego montażu i/lub obsługi produktu. Nieprawidłowy montaż i/lub niewłaściwa obsługa lub konserwacja powodują niezadawalające działanie i mogą prowadzić do uszkodzeń.

Producent nie ponosi żadnej odpowiedzialności za ewentualne obrażenia lub uszkodzenia produktu wynikłe z następujących przyczyn:

- Nieprawidłowy montaż, złożenie lub podłączenie, w tym zbyt wysokie napięcie
- Niewłaściwa konserwacja lub użycie innych części zamiennych niż oryginalne części zamienne dostarczone przez producenta
- Wprowadzanie zmian w produkcie bez wyraźnej zgody producenta
- Użytkowanie w celach innych niż opisane w niniejszej instrukcji obsługi

Firma Dometic zastrzega sobie prawo do zmiany wyglądu i specyfikacji produktu.

## 7 Opis techniczny

### 7.1 Opis ogólny

Przetwornica jest przetwornicą sinusoidalną DC-AC.

Przetwornicę można użytkować w następujących systemach sieciowych:

- Sieć TN
- Sieć IT

System sieciowy można ustawić za pomocą śruby na przetwornicy.

Przetwornica jest wyposażona w następujące zabezpieczenia:

- **Ochrona przed przepięciem:** przetwornica wyłączy się, gdy wartość napięcia przekroczy wartość wyłączenia. Przetwornica uruchomi się automatycznie, gdy wartość napięcia spadnie do wartości ponownego uruchomienia.
- **Ochrona przed podnapięciem:** przetwornica wyłączy się, gdy wartość napięcia spadnie poniżej wartości wyłączenia. Przetwornica uruchomi się automatycznie, gdy wartość napięcia przekroczy wartość ponownego uruchomienia.

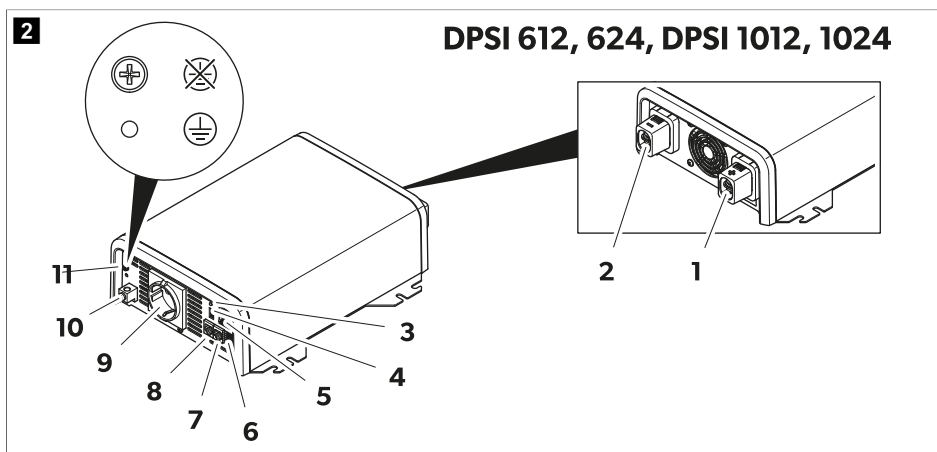
- **Ochrona przed zbyt wysoką temperaturą:** przetwornica wyłączy się, gdy wartość wewnętrznej temperatury urządzenia przekroczy wartość wyłączenia. Przetwornica uruchomi się automatycznie, gdy wartość wewnętrznej temperatury urządzenia spadnie do wartości ponownego uruchomienia.
- **Ochrona przed wysokim prądem wyjściowym:** przetwornica wyłączy się w przypadku podłączenia zbyt wielu odbiorników.
- **Ochrona przed zwarciami:** przetwornica wyłączy się w przypadku zwarcia. Przetwornica uruchomi się automatycznie po kilku sekundach. Jeśli zwarcie zostanie wykryte pięć razy z rzędu, przetwornica nie uruchomi się automatycznie i konieczny będzie ręczny restart.

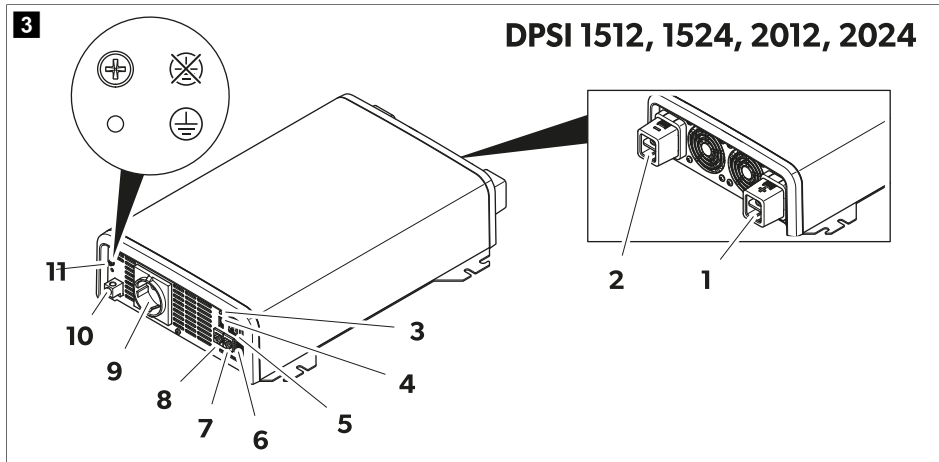
Przetwornica jest zgodna z magistralą N-BUS i CI-BUS w celu wyświetlania danych i funkcji na wyświetlaczu dotykowym (akcesoria) oraz w aplikacji mobilnej.

Przetwornica jest wyposażona w pilota zdalnego sterowania, który umożliwia jej włączanie i wyłączenie.

Przetwornicę można przełączyć w tryb oszczędzania energii w celu zmniejszenia zużycia energii w trybie bezczynności i zminimalizowania obciążenia akumulatora. Można to zrobić za pomocą przełącznika DIP

## 7.2 Elementy obsługowe i połączenia

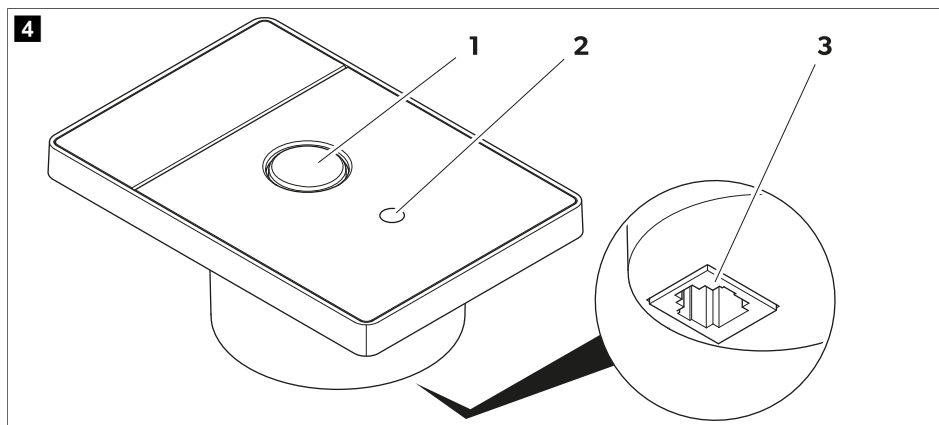




**WSKAZÓWKA** Na ilustracjach przedstawiono wersje na Europę kontynentalną.

Poz.	Oznaczenie
1	Zacisk (+), złącze dodatniego bieguna akumulatora pokładowego
2	Zacisk (-), złącze ujemnego bieguna akumulatora pokładowego
3	Wskaźnik LED stanu
4	Przełącznik DIP
5	Włącznik/wyłącznik
6	Złącze do sterowania zewnętrznego
7	Złącze CI BUS/N BUS/pilota (LINB)
8	Złącze CI BUS/N BUS/pilota (LINA)
9	Wyjście AC
10	Podłączenie masy
11	Śruba wyboru sieci IT/TN

### 7.3 Pilot



Poz. na  rys. 4  
na stronie 231

Oznaczenie

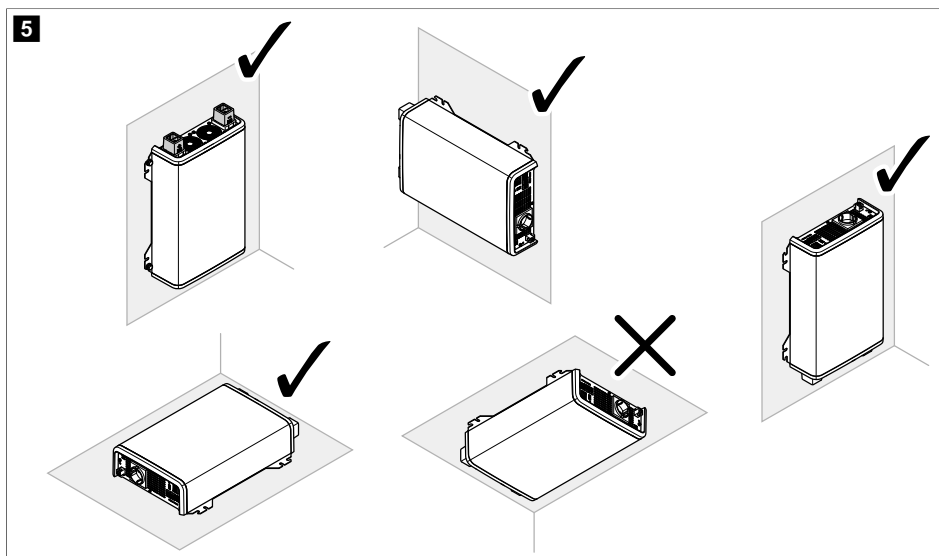
1	Przycisk włączania/wyłączania
2	Wskaźnik LED stanu
3	Złącze do pilota

### 7.4 Wskaźnik LED stanu

Stan	Opis
Green	Przetwornica pracuje
Orange	Ostrzeżenie: obecność zasilania AC na wyjściu, ryzyko przepięcia, podnapięcia lub awarii zasilania
Red	Błąd: brak zasilania AC na wejściu, przetwornica wyłączona (patrz rozdział Usuwanie usterek na stronie 240)

## 8 Montaż

### 8.1 Miejsce montażu



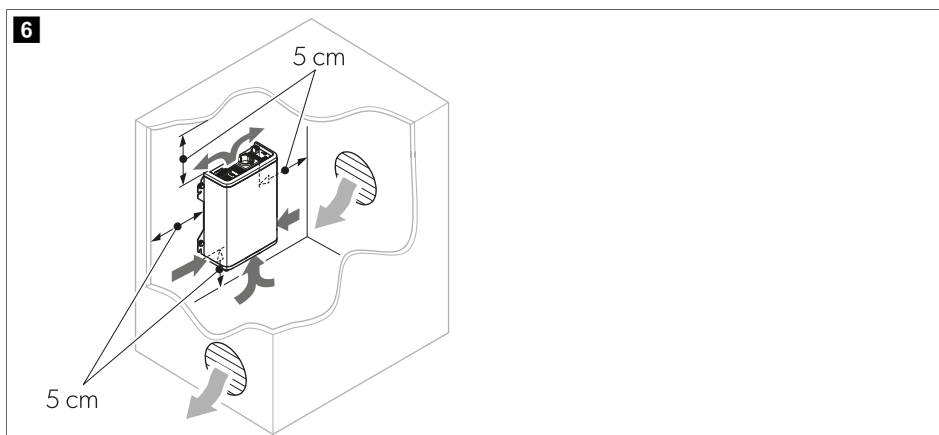
#### UWAGA! Ryzyko uszkodzenia

Przed wykonaniem jakichkolwiek nawierceń należy się upewnić, że kable elektryczne ani inne części samochodu nie zostaną uszkodzone w wyniku wiercenia i piłowania.



#### WSKAZÓWKA

Przetwornicę można zamontować w położeniu stojącym lub wiszącym (rys. 5 na stronie 232).

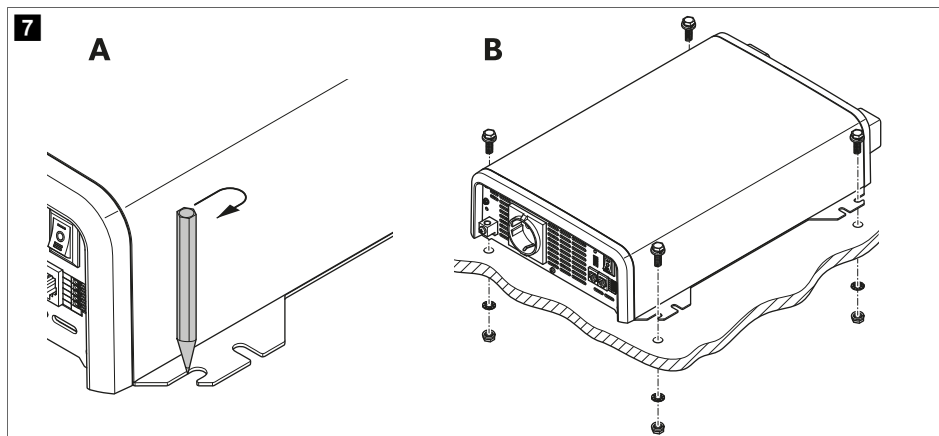




Przy wyborze miejsca montażu należy uwzględnić poniższe zalecenia:

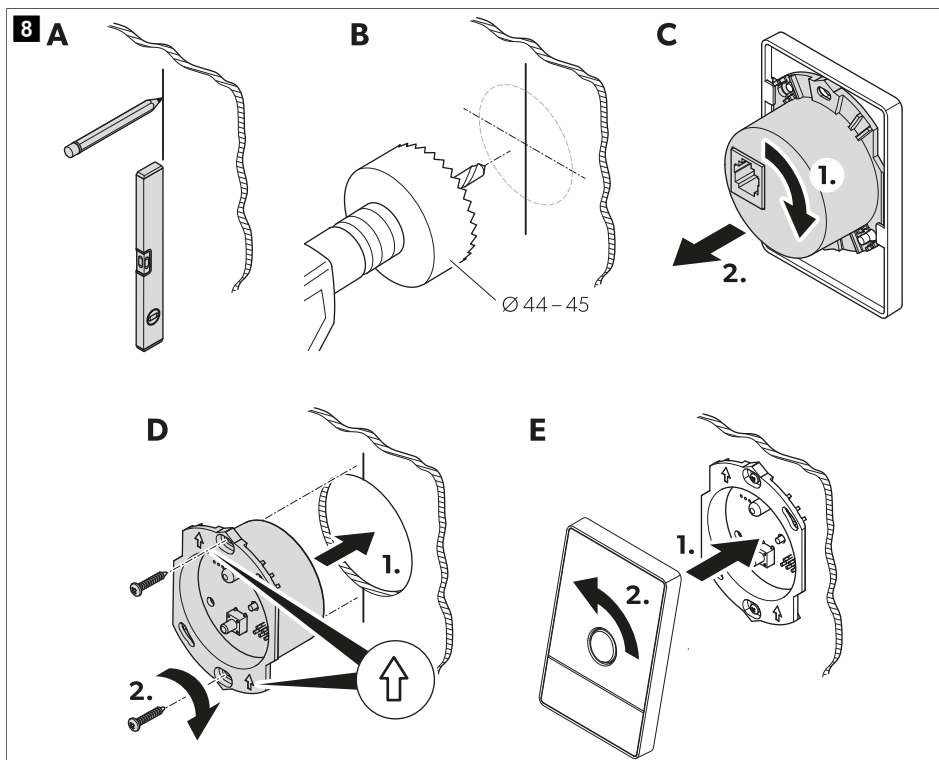
- Powierzchnia montażowa musi być wystarczająco wytrzymała i równa.
- Przestrzegać zaleceń dotyczących zachowania odległości w celu zapewnienia odpowiedniej wentylacji (rys. 6 na stronie 232).





## 8.2 Montaż przetwornicy



1. Wybrać odpowiednie otwory montażowe w zależności od wybranego sposobu montażu (położenie stojące lub wiszące) i zaznaczyć otwory do wywiercenia (rys. 7 na stronie 233, A).
2. Wywiercić otwory montażowe.
3. Przykręcić przetwornicę (rys. 7 na stronie 233, B).


### 8.3 Montaż panelu zdalnego sterowania



1. Oznaczyć powierzchnię montażową (  rys. 8 na stronie 234, **A**).
2. Wywiercić otwór o średnicy 44 mm ... 45 mm, np. za pomocą wiertnicy (  rys. 8 na stronie 234, **B**).
3. Zdemontować skrzynkę przyłączeniową z panelu sterowania (  rys. 8 na stronie 234, **C**).
4. Włożyć skrzynkę przyłączeniową do otworu i ją przykręcić (  rys. 8 na stronie 234, **D**).



**WSKAZÓWKA** Zapewnić prawidłowe ustawienie w pionie zgodnie ze strzałkami na skrzynce przyłączeniowej.

5. Przymocować panel sterowania do skrzynki przyłączowej (  rys. 8 na stronie 234, **E**).
6. Usunąć folię ochronną.

## 8.4 Podłączanie przetwornicy



Instalacji elektrycznej urządzenia oraz jego konfiguracji musi dokonać wykwalifikowany elektryk, posiadający poświadczone kompetencje i wiedzę w zakresie budowy i sposobu działania urządzeń oraz instalacji elektrycznych, znający przepisy obowiązujące w kraju, w którym urządzenie ma być zainstalowane i/lub wykorzystywane, oraz posiadający ukończone szkolenie w zakresie bezpieczeństwa, pozwalające na rozpoznawanie i unikanie występujących zagrożeń.

Wszelkie inne czynności mogą być wykonywane również przez użytkowników bez specjalistycznych kwalifikacji.



### **OSTRZEŻENIE! Ryzyko porażenia prądem**

Przestrzegać zaleceń w zakresie wymaganych przekrojów przewodów, ich długości oraz bezpieczników.



### **OSTROŻNIE! Ryzyko pożaru**

Umieścić bezpieczniki w pobliżu akumulatorów, aby zabezpieczyć przewód przed zwarciami i ew. zapaleniem się.



### **UWAGA! Ryzyko uszkodzenia**

- > Uważać, aby nie zamienić ze sobą biegunów.
- > Dokręcić śruby i nakrętki maksymalnym momentem obrotowym 15 Nm. Luźne połączenia mogą doprowadzić do przegrzania.

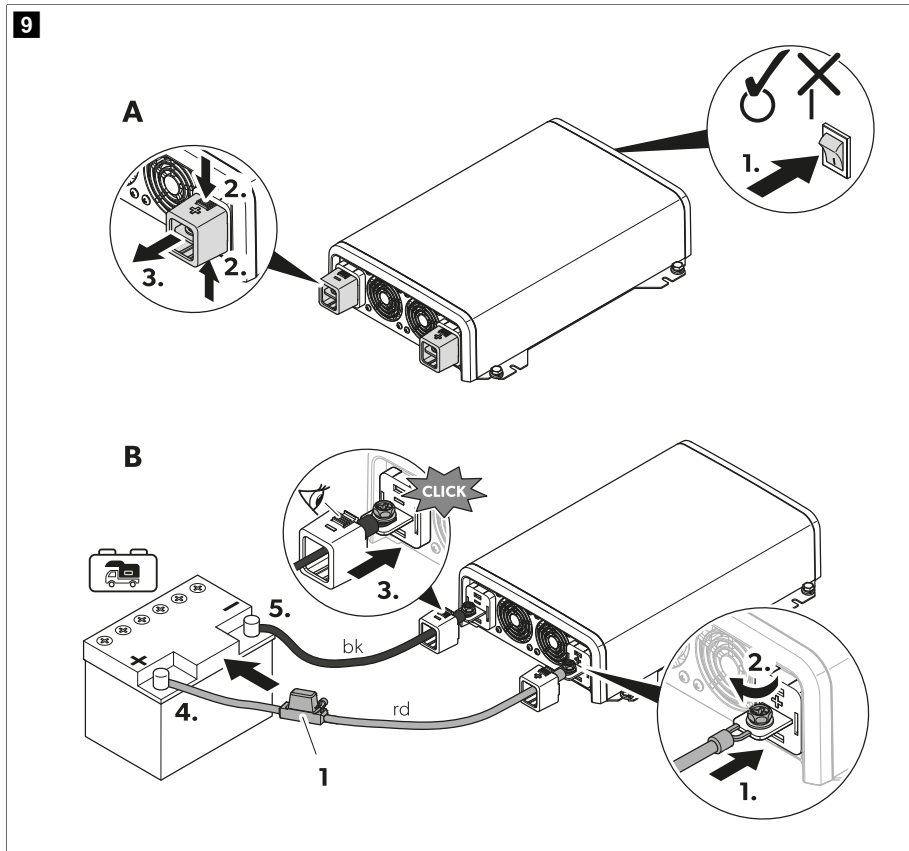
Podczas podłączania przetwornicy należy stosować się do następujących instrukcji:

- Należy przestrzegać obowiązujących przepisów podczas konfigurowania obwodu rozdzielającego napięcie do gniazdek elektrycznych (instalacja sieciowa).
- Przewody DC (podłączone do zacisków akumulatora) powinny być jak najkrótsze  $\leq 1$  m).
- W przypadku połączenia z **siecią TN**: zainstalować wyłącznik różnicowoprądowy (RCD).
- W przypadku połączenia z **siecią IT**: zainstalować przełącznik kontroli izolacji (IMD), jeśli podłączony jest więcej niż jeden odbiornik. **Obowiązują normy krajowe.**

1. Dobrać przekroje przewodów i parametry bezpieczników:

	Przekrój przewodu	Bezpiecznik przewodu
DPSI612	25 mm <sup>2</sup>	150 A
DPSI624	25 mm <sup>2</sup>	150 A
DPSI1012	35 mm <sup>2</sup>	200 A
DPSI1024	25 mm <sup>2</sup>	150 A
DPSI1512	50 mm <sup>2</sup>	250 A
DPSI1524	25 mm <sup>2</sup>	150 A
DPSI2012	70 mm <sup>2</sup>	300 A
DPSI2024	35 mm <sup>2</sup>	200 A

2. Sprawdzić, czy urządzenie jest wyłączone (  rys. **9** na stronie 236, **1**).



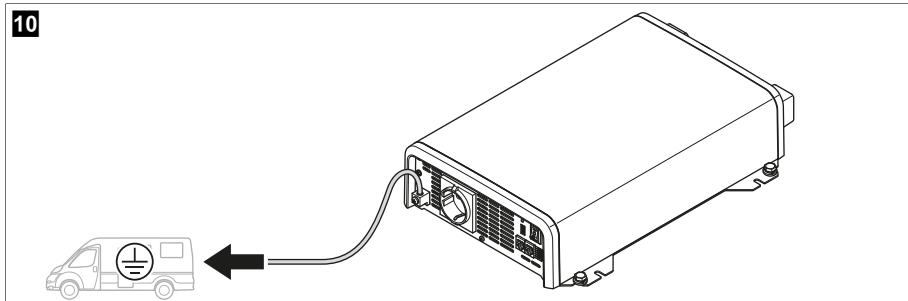
3. Odłączyć osłony zacisków ( rys. **9** na stronie 236, **2 – 3**).
4. Podłączyć (+) do zacisku dodatniego akumulatora pokładowego (czerwony przewód przyłączeniowy (rd), rys. **9** na stronie 236, **4**).



**WSKAZÓWKA** Zabezpieczyć przewód dodatni akumulatora pokładowego za pomocą bezpiecznika ( rys. **9** na stronie 236, **1**).

5. Podłączyć (-) do zacisku ujemnego akumulatora pokładowego (czarny przewód przyłączeniowy (bk), rys. **9** na stronie 236, **5**).
6. Podłączyć uziemienie do masy (podwozia) ( rys. **10** na stronie 237).

10



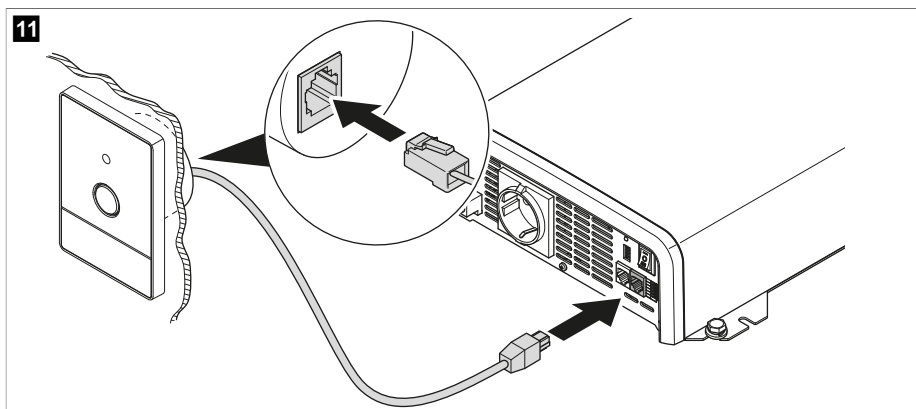
## 8.5 Podłączenie panelu zdalnego sterowania



**WSKAZÓWKA** Nie można jednocześnie podłączyć pilota i sieci N-BUS/Ci-BUS.

- > Podłączyć pilota do złącza pilota za pomocą przewodu przyłączeniowego.

11

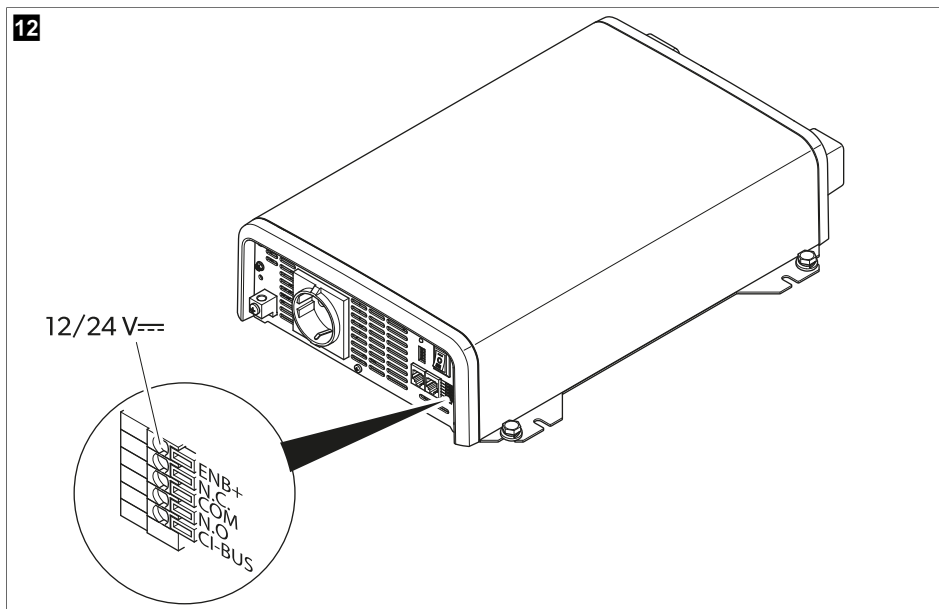


## 8.6 Podłączenie styku ENB+



**WSKAZÓWKA** Jeśli podłączony jest styk ENB+, nie można zmienić stanu trybu oszczędzania energii.

12



1. Przewrócić włącznik/wyłącznik w położenie **0**.
2. Użyć styku ENB+ w następujący sposób:
  - Aby włączyć przetwornicę, należy podłączyć styk ENB+ do dodatniego bieguna akumulatora pokładowego za pomocą odpowiedniego przewodu elektrycznego.
  - Aby wyłączyć przetwornicę, należy odłączyć styk ENB+ od akumulatora pokładowego.

## 9 Konfigurowanie systemu sieciowego





Instalacji elektrycznej urządzenia oraz jego konfiguracji musi dokonać wykwalifikowany elektryk, posiadający poświadczoną kompetencje i wiedzę w zakresie budowy i sposobu działania urządzeń oraz instalacji elektrycznych, znający przepisy obowiązujące w kraju, w którym urządzenie ma być zainstalowane i/lub wykorzystywane, oraz posiadający ukończone szkolenie w zakresie bezpieczeństwa, pozwalające na rozpoznawanie i unikanie występujących zagrożeń.

Wszelkie inne czynności mogą być wykonywane również przez użytkowników bez specjalistycznych kwalifikacji.



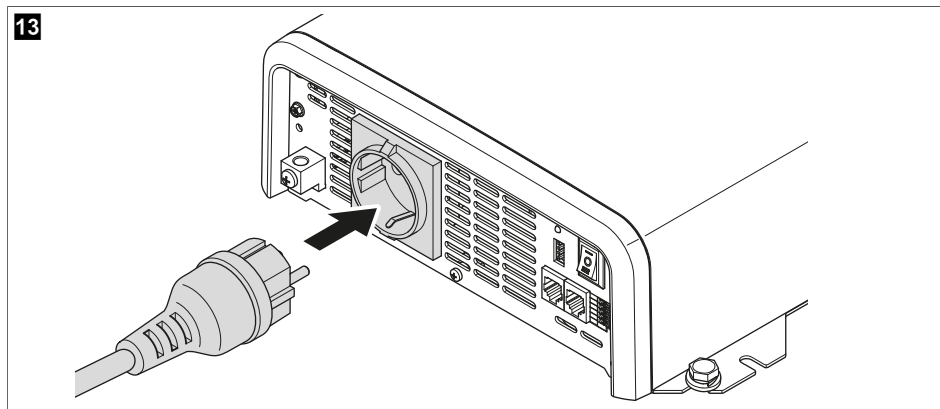
### **NIEBEZPIECZEŃSTWO! Ryzyko porażenia prądem**

- > Pokrywą zabezpieczającą przełącznik DIP należy zdejmować wyłącznie na czas przeprowadzania konfiguracji.
- > Po przeprowadzeniu konfiguracji założyć pokrywą zabezpieczającą, aby zapobiec przypadkowej regulacji przełącznika DIP.
- > W przypadku konfiguracji **sieci TN**: upewnić się, że zainstalowano wyłącznik różnicowoprądowy (RCD).
- > W przypadku konfiguracji **sieci IT**: uruchomić tylko jeden odbiornik lub zainstalować przełącznik kontroli izolacji (IMD). Przestrzegać krajowych norm.

- > Ustawić śrubę w położeniu , aby wybrać **sieć TN**.
- > Ustawić śrubę w położeniu , aby wybrać **sieć IT**.

## 10 Eksploatacja

### 10.1 Zasilanie urządzeń 230 V



#### WSKAZÓWKA

Podłączać tylko urządzenia, których całkowite obciążenie nie przekracza wartości podanych w sekcji Dane techniczne na stronie 242.

- > Urządzenia 230 V należy podłączyć do wyjścia AC przetwornicy (  rys. 13 na stronie 239).

### 10.2 Włączanie i wyłączanie przetwornicy



#### WSKAZÓWKA

- > Jeśli przetwornica ma być sterowana za pomocą pilota, włącznik/wyłącznik musi być ustawiony w położeniu **II**.
  - > Jeśli przetwornica ma być sterowana za pomocą przełącznika styku ENB+, włącznik/wyłącznik musi być ustawiony w położeniu **0**.
- > Aby włączyć przetwornicę, należy ustawić włącznik/wyłącznik w położenie **I**.
  - > Aby wyłączyć przetwornicę, należy ustawić włącznik/wyłącznik w położenie **0**.
  - > Do włączania i wyłączania przetwornicy należy używać pilota lub styku ENB+.

## 10.3 Ustawianie trybu oszczędzania energii



### WSKAZÓWKA

- Jeśli przełącznik DIP S2 jest ustawiony w położeniu **OFF**, przetwornica automatycznie przełączy się w tryb normalnej pracy po podłączeniu odbiornika  $\geq 45$  W.
- Jeśli przełącznik DIP S2 jest ustawiony w położeniu **ON**, przetwornica automatycznie przełączy się w tryb normalnej pracy po podłączeniu odbiornika  $\geq 80$  W.
- Nie można zmienić stanu trybu oszczędzania energii, jeśli używany jest pilot lub styk ENB+, chyba że zostanie wykonany pełny cykl włączania i wyłączenia.

### Włączanie trybu oszczędzania energii

1. Ewentualnie wyłączyć inwerter.
  2. Przesunąć przełącznik DIP S1 w położenie **ON**.
- ✓ Tryb oszczędzania energii jest włączony.

### Wyłączanie trybu oszczędzania energii

1. Wyłączyć inwerter.
  2. Przesunąć przełącznik DIP S1 w położenie **OFF**.
- ✓ Tryb energooszczędny jest wyłączony.

## 11 Czyszczenie i konserwacja



### OSTRZEŻENIE! Ryzyko porażenia prądem

Przed czyszczeniem i konserwacją odłączyć urządzenie od zasilania.



### UWAGA! Ryzyko uszkodzenia

- > Urządzenia nie wolno nigdy czyścić pod bieżącą wodą ani zamaczać w wodzie.
  - > Do czyszczenia nie używać ostrych ani twardych przedmiotów, ściernych środków czyszczących ani wybielacza, gdyż mogą one uszkodzić urządzenie.
  - > Upewnić się, że otwory wlotowe i wylotowe powietrza urządzenia nie są zabrudzone ani zakurzone, aby umożliwić odprowadzanie ciepła.
- > Od czasu do czasu czyścić urządzenie miękką, wilgotną ściereczką.
- > Regularnie sprawdzać kable i przewody elektryczne pod kątem uszkodzeń izolacji, przerwania oraz poluzowanych przyłączy.

## 12 Usuwanie usterek

Usterka	Możliwa przyczyna	Proponowane rozwiązanie
Przetwornica nie działa. Wskaźnik LED stanu jest wyłączony.	Wystąpienie zwarcia pięć razy z rzędu.	> Po zadziałaniu pod wpływem zbyt wysokiego prądu bezpiecznik urządzenia musi zostać wymieniony przez centrum serwisowe.



Usterka	Możliwa przyczyna	Proponowane rozwiązanie
	Uszkodzenia izolacji, przerwania lub poluzowane przyłącza przewodów zasilających.	<ul style="list-style-type: none"> <li>➤ Sprawdzić przewody zasilające pod kątem uszkodzeń izolacji, przerwania oraz poluzowanych przyłączy.</li> </ul> <p>Jeśli nie można znaleźć usterki, skontaktować się z autoryzowanym centrum serwisowym.</p>
Przetwornica nie działa. Wskaźnik LED stanu świeci się na czerwono.	Ochrona przed wysokim prądem wyjściowym.	Zmniejszyć moc podłączonych odbiorników.
	Ochrona przed zbyt wysoką temperaturą.	<ol style="list-style-type: none"> <li>1. Wyłączyć przetwornicę i podłączone odbiorniki.</li> <li>2. Sprawdzić, czy wloty i wyloty powietrza nie są zasłonięte lub zablokowane.</li> <li>3. Odczekać, aż przetwornica ostygnie.</li> </ol>
	Doszło do zwarcia.	Po zadziałaniu pod wpływem zbyt wysokiego prądu bezpiecznik urządzenia musi zostać wymieniony przez centrum serwisowe.
	Wyłączenie spowodowane przepięciem. Za wysokie napięcie akumulatora.	<ul style="list-style-type: none"> <li>➤ Ograniczyć podłączone napięcia. Przetwornica uruchomi się automatycznie, gdy wartość napięcia spadnie do wartości ponownego uruchomienia (patrz rozdział Ochrona przed przepięciem na stronie 243).</li> <li>➤ Jeśli błąd nadal występuje: Zastosować przewody o większych przekrojach. Zmniejszyć długość przewodu.</li> </ul>
Wyłączenie spowodowane podnapięciem. Za niskie napięcie akumulatora.	<ul style="list-style-type: none"> <li>➤ Pozwolić, aby akumulator powoli się naładował. Przetwornica uruchomi się automatycznie, gdy wartość napięcia przekroczy wartość ponownego uruchomienia (patrz rozdział Ochrona przed podnapięciem na stronie 243).</li> </ul>	

## 13 Gwarancja

Obowiązuje ustawowy okres gwarancji. W przypadku stwierdzenia uszkodzenia produktu należy zwrócić się do oddziału producenta w danym kraju (patrz [dometic.com/dealer](http://dometic.com/dealer)) lub do sprzedawcy produktu.

W celu naprawy lub rozpatrzenia gwarancji konieczne jest przesłanie następujących dokumentów:

- Kopii rachunku z datą zakupu
- Informacji o przyczynie reklamacji lub opisu wady

Uwaga: samodzielne lub nieprofesjonalne wykonywanie napraw może negatywnie wpływać na bezpieczeństwo i prowadzić do utraty gwarancji.

## 14 Utylizacja

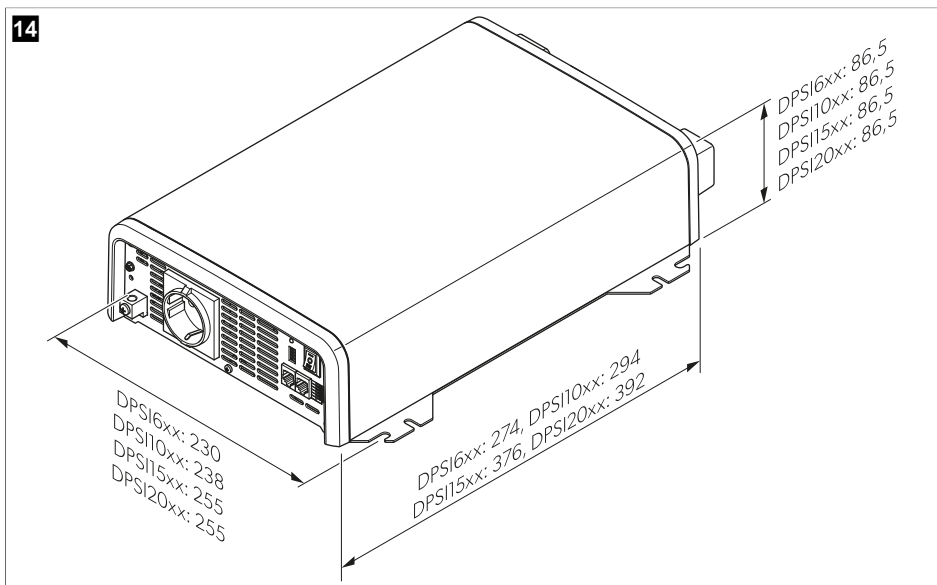



Opakowanie należy wyrzucić do odpowiedniego pojemnika na odpady do recyklingu.


Szczegółowe informacje na temat utylizacji produktu zgodnie z obowiązującymi przepisami można uzyskać w lokalnym zakładzie recyklingu lub u specjalistycznego dystrybutora.

Produkt można zutylizować nieodpłatnie.



## 15 Dane techniczne



	DPSI 612	DPSI 1012	DPSI 624	DPSI 1024
Nominalne napięcie wejściowe	12 V $\overline{=}$		24 V $\overline{=}$	
Zakres napięcia wejściowego	10,5 ... 16,5 V $\overline{=}$		21 ... 33 V $\overline{=}$	
Ciągła moc wyjściowa $P_{nom}$	600 W	1000 W	600 W	1000 W
Maks. moc wyjściowa (1 min)	690 W	1150 W	690 W	1150 W
Maksymalna moc przepięcia (1 s) $P_{surge}$	1200 W	2000 W	1200 W	2000 W
Pobór prądu w trybie bezczynności	$\leq 1$ A	$\leq 1,1$ A	$\leq 0,6$ A	$\leq 0,6$ A
Pobór prądu w trybie czuwania	$\leq 0,3$ A	$\leq 0,35$ A	$\leq 0,2$ A	$\leq 0,2$ A
Wymiary	 rys. 14 na stronie 242			
Masa	1,1 kg	1,2 kg	1,1 kg	1,2 kg
	DPSI 1512	DPSI 2012	DPSI 1524	DPSI 2024
Nominalne napięcie wejściowe	12 V $\overline{=}$		24 V $\overline{=}$	

	DPSI 1512	DPSI 2012	DPSI 1524	DPSI 2024
Zakres napięcia wejściowego	10,5 ... 16,5 V $\overline{=}$		21 ... 33 V $\overline{=}$	
Ciągła moc wyjściowa P <sub>nom</sub>	1500 W	2000 W	1500 W	2000 W
Maks. moc wyjściowa (1 min)	1725 W	2300 W	1725 W	2300 W
Maksymalna moc przepięcia (1 s) P <sub>surge</sub>	3000 W	4000 W	3000 W	4000 W
Pobór prądu w trybie bezczynności	≤ 1,2 A	≤ 1,5 A	≤ 0,7 A	≤ 0,8 A
Pobór prądu w trybie czuwania	≤ 0,4 A	≤ 0,5 A	≤ 0,25 A	≤ 0,3 A
Wymiary	 rys. 14 na stronie 242			
Masa	1,1 kg	1,2 kg	1,1 kg	1,2 kg

## 15.1 Ogólne dane techniczne

Zakres napięcia wyjściowego	230 V $\sim$ ± 10 %
Częstotliwość wyjściowa	50 Hz ± 1 %
Przebieg wyjściowy	Czysta fala sinusoidalna
Szczytowa wydajność	90 %
Temperatura otoczenia przy pracy	0 ... 50 °C
Temperatura otoczenia przy składowaniu	- 30 °C ... 70 °C
Wilgotność powietrza	0 ... 95 %, non-condensing
Kontrole/certyfikaty	 

## 15.2 Ochrona przed pod napięciem

	Wartość wyłączenia	Wartość ponownego uruchomienia
DPSI <sub>xx</sub> 12	10,3 V	11,8 V
DPSI <sub>xx</sub> 24	20,6 V	23,6 V

## 15.3 Ochrona przed przepięciem

	Wartość wyłączenia	Wartość ponownego uruchomienia
DPSI <sub>xx</sub> 12	16,5 V	15,5 V
DPSI <sub>xx</sub> 24	33 V	31 V

## Slovensky

1	Dôležité oznámenia.....	244
2	Vysvetlenie symbolov.....	244
3	Bezpečnostné pokyny.....	245
4	Rozsah dodávky.....	248
5	Príslušenstvo.....	248
6	Používanie v súlade s určením.....	248
7	Technický opis.....	249
8	Montáž.....	252
9	Konfigurácia sieťového systému.....	258
10	Obsluha.....	259
11	Čistenie a údržba.....	260
12	Odstraňovanie porúch.....	260
13	Záruka.....	261
14	Likvidácia.....	261
15	Technické údaje.....	262

## 1 Dôležité oznámenia

Dôkladne si prečítajte tento návod a dodržiavajte všetky pokyny, usmernenia a varovania uvedené v tomto návode k výrobku, aby bolo zaručené, že výrobok bude vždy správne nainštalovaný, používaný a udržiavaný. Tento návod **MUSÍ** zostať priložený k výrobku.

Použitím tohto výrobku týmto potvrdzujete, že ste si dôkladne prečítali všetky pokyny, usmernenia a varovania a že rozumiete a súhlasíte s dodržiavaním všetkých uvedených podmienok. Súhlasíte, že tento výrobok budete používať iba v súlade so zamýšľaným použitím a v súlade s pokynmi, usmerneniami a varovaniami uvedenými v tomto návode k výrobku, ako aj v súlade so všetkými platnými zákonmi a nariadeniami. V prípade, že si neprečítate a nebudete sa riadiť pokynmi a varovaniami uvedenými v tomto návode, môže mať za následok vaše poranenie alebo poranenie iných osôb, poškodenie vášho výrobku alebo poškodenie majetku v jeho blízkosti. Tento návod na obsluhu výrobku vrátane pokynov, usmernení a varovaní, a súvisiaca dokumentácia môže podliehať zmenám a aktualizáciám. Najaktuálnejšie informácie o výrobku nájdete na adrese [documents.dometic.com](http://documents.dometic.com).

## 2 Vysvetlenie symbolov

Signálne slovo identifikuje bezpečnostné správy a správy o škodách na majetku a tiež označuje stupeň alebo úroveň závažnosti nebezpečenstva.



### **NEBZPEČENSTVO!**

Označuje nebezpečnú situáciu, ktorej následkom je smrť alebo vážne zranenie, ak sa jej nezabráni.



### **VÝSTRAHA!**

Označuje nebezpečnú situáciu, ktorej následkom môže byť smrť alebo vážne zranenie, ak sa jej nezabráni.



### **UPOZORNENIE!**

Označuje nebezpečnú situáciu, ktorej následkom môže byť malé alebo stredne ťažké zranenie, ak sa jej nezabráni.



### **POZOR!**

Označuje situáciu, ktorej následkom môže byť poškodenie majetku, ak sa jej nezabráni.



**POZNÁMKA** Dopĺňujúce informácie týkajúce sa obsluhy produktu.

## 3 Bezpečnostné pokyny

Rešpektujte tiež bezpečnostné pokyny a nariadenia vydané výrobcem vozidla a autorizovanými servismi.

### 3.1 Základy bezpečnosti



#### **NEBEZPEČENSTVO! Nebezpečenstvo úrazu elektrickým prúdom**

- > Nikdy sa nedotýkajte holými rukami obnažených vodičov.
- > Aby sa zariadenie v prípade nebezpečenstva dalo rýchlo odpojiť od elektrickej siete striedavého prúdu, musí sa elektrická zásuvka nachádzať v blízkosti zariadenia a musí byť ľahko prístupná.



#### **VÝSTRAHA! Nebezpečenstvo úrazu elektrickým prúdom**

- > Montáž a demontáž zariadenia smú vykonávať len kvalifikovaní pracovníci.
- > Zariadenie, ktoré je poškodené alebo má poškodený pripájací kábel, nepoužívajte.
- > Ak je napájací kábel tohto zariadenia poškodený, musí sa vymeniť, aby sa zabránilo bezpečnostným rizikám.
- > Opravy na tomto zariadení smie vykonávať len spôsobilý personál. Nesprávne opravy môžu zapríčiniť vážne riziká.
- > Používajte výlučne príslušenstvo odporúčané výrobcom.
- > Žiadnym spôsobom neupravujte ani neprispôbujte žiadne komponenty.
- > Neodpájajte žiadne káble, pokiaľ je zariadenie ešte v prevádzke.
- > Zariadenie odpojte od zdroja napätia:
  - po každom použití,
  - pred každým čistením a údržbou,
  - po výmene poistky,



#### **VÝSTRAHA! Nebezpečenstvo požiaru/horľavé materiály**

V prípade požiaru použite hasiaci prístroj, ktorý je vhodný na hasenie požiarov elektrických zariadení.



#### **VÝSTRAHA! Nebezpečenstvo udusenía**

Ak kábel a ovládacia jednotka zariadenia nie sú správne uložené, hrozí zvýšené riziko zamotania sa, uskrtenia, zakopnutia alebo pošliapania. Postarajte sa, aby nadbytočné kábové viazače a elektrické káble boli bezpečne uložené.



#### **VÝSTRAHA! Nebezpečenstvo ohrozenia zdravia**

- > Toto zariadenie smú používať deti od 8 rokov a osoby so zníženými psychickými, zmyslovými alebo mentálnymi schopnosťami a vedomosťami, keď sú pod dozorom alebo keď boli poučené o bezpečnom používaní zariadenia a chápu, aké riziká z toho vyplývajú.
- > **Elektrické zariadenia nie sú detské hračky.** Zariadenie vždy uchovávajte a používajte mimo dosahu veľmi malých detí.
- > Dohliadnite na to, aby sa deti nehrali so zariadením.
- > Čistenie a bežnú údržbu nesmú vykonávať deti bez dozoru.

**POZOR! Nebezpečenstvo poškodenia**

- > Pred uvedením do prevádzky porovnajte, či sa údaje o napätí na typovom štítku zhodujú s existujúcim zdrojom napätia.
- > Zabezpečte, aby ostatné objekty **nemohli** spôsobiť skrat na kontaktoch zariadenia.
- > Zabezpečte, aby sa červená a čierna svorka **nikdy** vzájomne nedotkli.
- > Neťahajte za pripájacie káble a nepoužívajte káble ako rukoväť.
- > Zariadenie nesmie byť vystavené dažďu ani vlhkosti. Skladujte ho na suchom mieste.

**3.2 Bezpečná inštalácia zariadenia****NEBZPEČENSTVO! Nebezpečenstvo výbuchu**

- > Zariadenie inštalujte a používajte len v uzavretých, dobre vetraných miestnostiach.
- > Zariadenie **neinštalujte** v nasledujúcich podmienkach:
  - v slanom, vlhkom alebo mokrom prostredí
  - v blízkosti agresívnych výparov
  - v prostredí so horľavými materiálmi
  - v blízkosti zdrojov tepla (ohrievače, priame slnečné svetlo, plynové rúry atď.),
  - v priestoroch, v ktorých hrozí nebezpečenstvo výbuchu plynu alebo prachu

**VÝSTRAHA! Nebezpečenstvo poranenia**

- > Dbajte na bezpečné postavenie! Zariadenie musí byť nainštalované a upevnené takým spôsobom, aby sa neprevrátilo alebo nespadlo.
- > Pri umiestňovaní zariadenia sa ubezpečte, že všetky káble sú dostatočne zabezpečené, aby sa predišlo akémukoľvek nebezpečenstvu zakopnutia.

**POZOR! Nebezpečenstvo poškodenia**

- > Zariadenie umiestnite na suchom mieste, ktoré je chránené pred striekajúcou vodou.
- > Vždy používajte zásuvky, ktoré sú uzemnené a zabezpečené prúdovými chráničmi.

**3.3 Bezpečnosť elektrického pripojenia zariadenia****NEBZPEČENSTVO! Nebezpečenstvo úrazu elektrickým prúdom**

Keď pracujete na elektrických zariadeniach, uistite sa, že sa niekto nachádza v blízkosti, aby vám v prípade núdze mohol pomôcť.

**VÝSTRAHA! Nebezpečenstvo úrazu elektrickým prúdom**

- > Dodržte požadované prierezy káblov.
- > Káble uložte tak, aby sa nepoškodili dverami alebo kapotou motora. Privreté káble môžu byť príčinou životu nebezpečných poranení.

**POZOR! Nebezpečenstvo poškodenia**

- > Keď sa vodiče musia viesť cez plechové steny alebo iné steny s ostrými hranami, použite prázdne rúrky alebo káblové priechodky.
- > **Neklad'te** 230 V elektrický sieťový kábel a 12 V kábel do rovnakého kanála.
- > Kábel **neuložte** voľne alebo príliš ostro zalomený.
- > Káble bezpečne zaistite.

### 3.4 Bezpečnosť pri manipulácii s batériami



#### VÝSTRAHA! Nebezpečenstvo poranenia

- > Batérie môžu obsahovať agresívne alebo žieravé kyseliny. Zabráňte akémukoľvek kontaktu tela s kvapalinou batérií. Ak sa vaša pokožka dostane do kontaktu s kyselinou batérie, zasiahnutú časť tela dôkladne umyte vodou. Pri zraneniach spôsobených kyselinou bezpodmienečne vyhľadajte lekára.
- > Počas práce s batériami nenoste žiadne kovové predmety, ako hodinky alebo prstene. Olovené akumulátory môžu vytvárať skratové prúdy, ktoré môžu viesť k ťažkým popáleninám.
- > Používajte iba izolované náradie.
- > Na batériu neumiestňujte žiadne kovové časti a zabráňte pádu akýchkoľvek kovových častí na batériu. Môže to vytvoriť iskry alebo spôsobiť skrat batérie alebo iných elektrických zariadení.
- > Pri práci s batériami noste ochranné okuliare a ochranný odev. Počas práce s batériami sa nedotýkajte očí.
- > Používajte výlučne dobíjateľné batérie.
- > Nepoužívajte poškodené batérie.



#### UPOZORNENIE! Nebezpečenstvo výbuchu

- > Nikdy sa nepokúšajte nabíjať zamrznuté alebo poškodené akumulátory. Postavte batériu v tomto prípade na nemrznúce miesto a počkajte, kým sa batéria prispôsobí teplote okolia. Potom začnite s nabíjaním.
- > Nefajčite, nepoužívajte otvorený plameň ani nevytvárajte iskry v blízkosti motora alebo batérie.
- > Batériu uschovajte mimo zdrojov tepla.



#### POZOR! Nebezpečenstvo poškodenia

- > Pri pripájaní batérie dbajte na správnu polaritu.
- > Dodržiavajte pokyny v návodoch od výrobcov batérií a od výrobcu zariadenia alebo vozidla, v ktorom sa batéria bude používať.
- > Ak je batériu nutné odobrať, najprv odpojte uzemnenie. Pred vymontovaním batérie odpojte všetky spojenia a všetky spotrebiče.
- > Skladujte iba plne nabitú batériu. Uskladnené batérie pravidelne dobíjajte.
- > Neprenášajte batériu za svorky.

### 3.5 Bezpečnosť pri prevádzke zariadenia



#### VÝSTRAHA! Nebezpečenstvo úrazu elektrickým prúdom

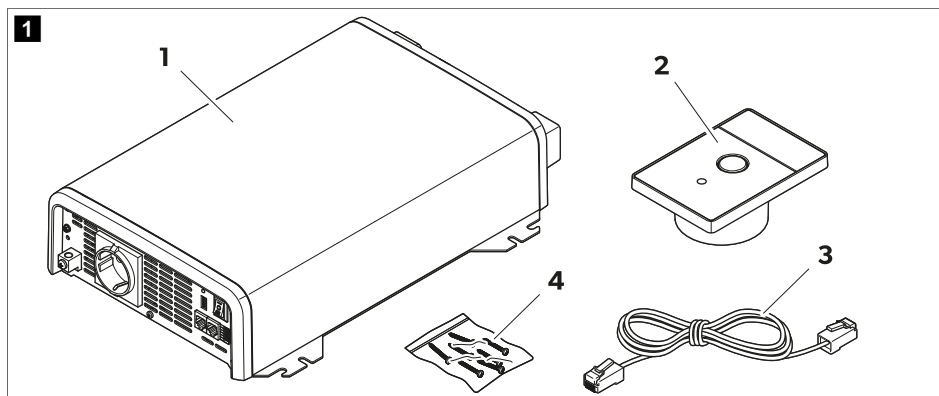
- > Zariadenie nepoužívajte vo vlhkých podmienkach ani ho neponárajte do žiadnych kvapalín.
- > Pred spustením zariadenia sa uistite, že napájací kábel a zástrčka sú suché a na zástrčke nie sú viditeľné známky korózie alebo nečistoty.
- > Aj po prehorení poistky môžu zostať časti zariadenia pod napätím.



#### POZOR! Nebezpečenstvo poškodenia

- > Zabezpečte, aby vstupy a výstupy vzduchu zariadenia neboli zakryté.
- > Zabezpečte dobré vetranie.

## 4 Rozsah dodávky



Č. na obr. 1 na strane 248	Označenie	Počet
1	Sínusový menič napätia	1
2	Diaľkové ovládanie	1
3	Prípojovací kábel pre diaľkové ovládanie	1
4	Upevňovacie skrutky	6
-	Návod na montáž a uvedenie do prevádzky	1

## 5 Príslušenstvo

Označenie	Č. výr.
Diaľkové ovládanie DPSI-RC	9620018306
Dotykový displej TD283	9620013272

## 6 Používanie v súlade s určením

Menič napätia je určený na premenu jednosmerného prúdu na čistú sínusovú vlnu striedavého prúdu (AC) 230 V~ na prevádzku a stabilné napájanie pripojených spotrebičov 230 V.

Menič napätia je určený na pripojenie k:

- DPSI612, DPSI1012, DPSI1512, DPSI2012: 12 V $\overline{=}$
- DPSI624, DPSI1024, DPSI1524, DPSI2024: 24 V $\overline{=}$

Menič napätia je vhodný na:

- inštaláciu do rekreačných vozidiel (RV), úžitkových vozidiel alebo motorových jacht a plachetníč,
- stacionárne alebo mobilné použitie
- použitie v interiéri.

Menič napätia **nie je** vhodný na:



- použitie v exteriéri

Tento výrobok je vhodný iba na určené použitie a použitie v súlade s týmto návodom.

Tento návod obsahuje informácie, ktoré sú nevyhnutné pre správnu inštaláciu a/alebo obsluhu výrobku. Chybná inštalácia a/alebo nesprávna obsluha či údržba bude mať za následok neuspokojivý výkon a možnú poruchu.

Výrobca nenesie žiadnu zodpovednosť za akékoľvek poranenia či škody na výrobku spôsobené:

- nesprávnou inštaláciou alebo pripojením vrátane nadmerného napätia
- nesprávnou údržbou alebo použitím iných ako originálnych náhradných dielov poskytnutých výrobcom
- Zmeny produktu bez výslovného povolenia výrobcu
- Použitie na iné účely než na účely opísané v návode

Firma Dometic si vyhradzuje právo na zmenu vzhľadu a technických parametrov výrobku.

## 7 Technický opis

### 7.1 Všeobecný opis

Menič napätia je menič jednosmerného prúdu na striedavý prúd so sínusovou vlnou.

Menič napätia je možné prevádzkovať v nasledujúcich sieťových systémoch:

- Sieť TN
- Sieť IT

Sieťové systémy sa nastavujú pomocou skrutky na meniči napätia.

Menič napätia je vybavený nasledujúcimi ochrannými mechanizmami:

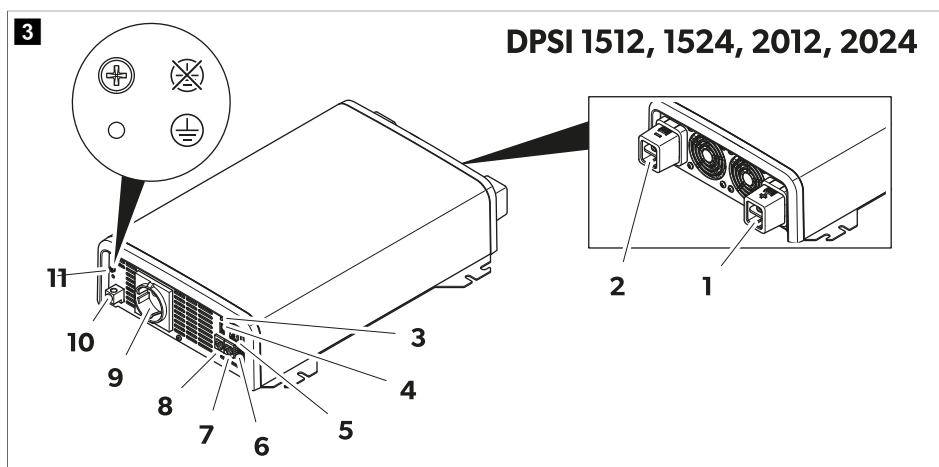
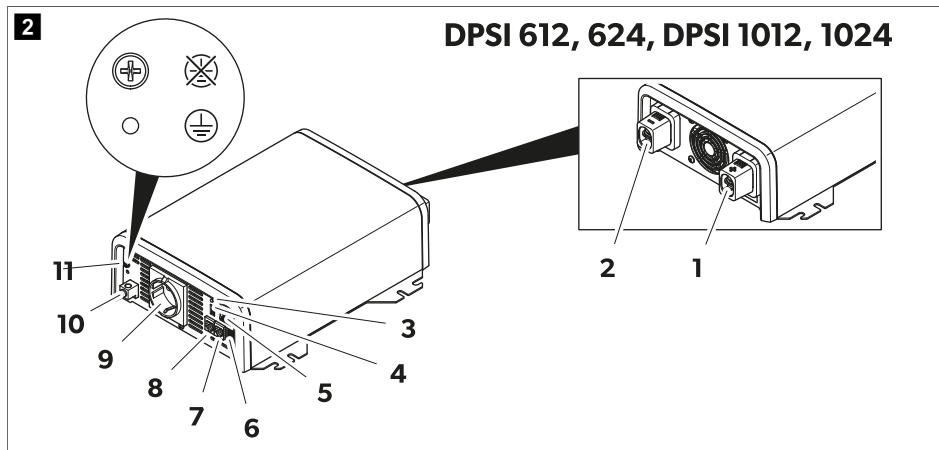
- **Prepätiová ochrana:** menič napätia sa vypne, keď hodnota napätia prekročí hodnotu vypnutia. Menič napätia sa automaticky reštartuje, keď napätie klesne na hodnotu reštartovania.
- **Ochrana v prípade podpätia:** menič napätia sa vypne, keď hodnota napätia klesne pod hodnotu vypnutia. menič napätia sa automaticky reštartuje, keď napätie prekročí hodnotu reštartovania.
- **Ochrana v prípade nadmernej teploty:** menič napätia sa vypne, keď teplota vo vnútri zariadenia prekročí hodnotu vypnutia. Menič napätia sa automaticky reštartuje, keď teplota vo vnútri zariadenia klesne na hodnotu reštartovania.
- **Ochrana proti vysokému výstupnému prúdu:** menič napätia sa vypne, keď je pripojených príliš veľa záťaží.
- **Ochrana proti skratu:** Keď dôjde ku skratu, menič napätia sa vypne. Po niekoľkých sekundách sa menič napätia automaticky reštartuje. Ak sa skrat zistí päťkrát po sebe, menič napätia sa automaticky nereštartuje a je potrebné ho reštartovať ručne.

Menič je dátovo a funkčne kompatibilný so zbernicami N-BUS a CI-BUS, obidve je možné ovládať pomocou dotykového displeja (príslušenstvo) a mobilnej aplikácie.

Menič je vybavený diaľkovým ovládačom na jeho zapnutie alebo vypnutie.

Menič napätia je možné prepnúť do energetickejšieho režimu, aby sa znížila spotreba pri nečinnosti a minimalizovalo zaťaženie batérie. Dá sa to urobiť cez DIP prepínač alebo

## 7.2 Ovládacie prvky a pripojenia

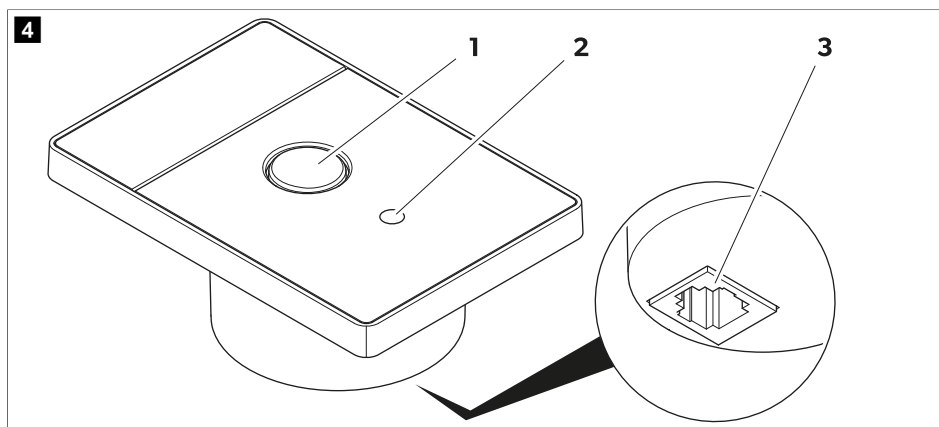


**POZNÁMKA** Obrázky zobrazujú verzie pre kontinentálnu Európu.

Č.	Označenie
1	Svorka (+), pripojenie ku kladnému pólu domovej batérie
2	Svorka (-), pripojenie k zápornému pólu domovej batérie
3	LED indikácie stavu
4	DIP spínač
5	Vypínač

Č.	Označenie
6	Svorka pre externé ovládanie
7	CI BUS/N Bus/prípojenie diaľkového ovládania (LINB)
8	CI BUS/N Bus/prípojenie diaľkového ovládania (LINA)
9	AC zásuvka
10	Uzemnenie
11	Skrutka na nastavenie siete IT/TN

### 7.3 Diaľkové ovládanie



Č. na obr. 4  
na strane 251

#### Označenie

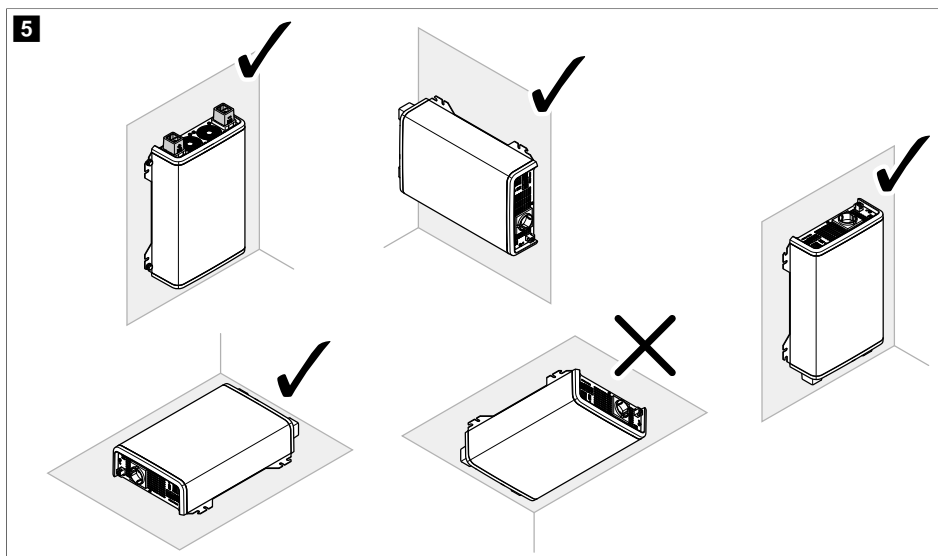
1	Tlačidlo Zap/Vyp
2	LED indikácie stavu
3	Prípojka pre diaľkové ovládanie

### 7.4 LED indikácie stavu

Stav	Opis
Green	Menič napätia je v prevádzke
Orange	Varovanie: Prítomný výstup striedavého prúdu, riziko prepätia, podpätia alebo výpadku napájania
Red	Chyba: Bez vstupu striedavého prúdu, menič napätia vypnutý (pozrite si kapitolu Odstraňovanie porúch na strane 260)

## 8 Montáž

### 8.1 Miesto montáže




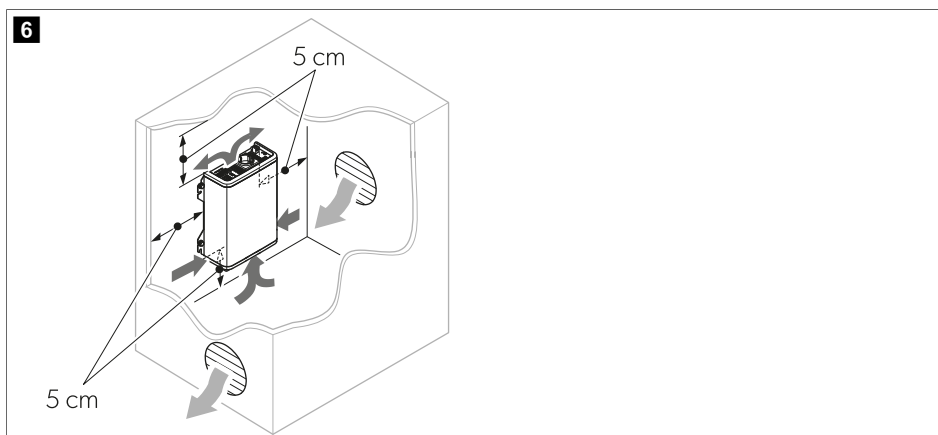
#### **POZOR! Nebezpečenstvo poškodenia**

Pred vytvorením otvorov zabezpečte, aby sa nepoškodili elektrické káble alebo iné časti vozidla vŕtaním, pílením alebo pilovaním.




#### **POZNÁMKA**

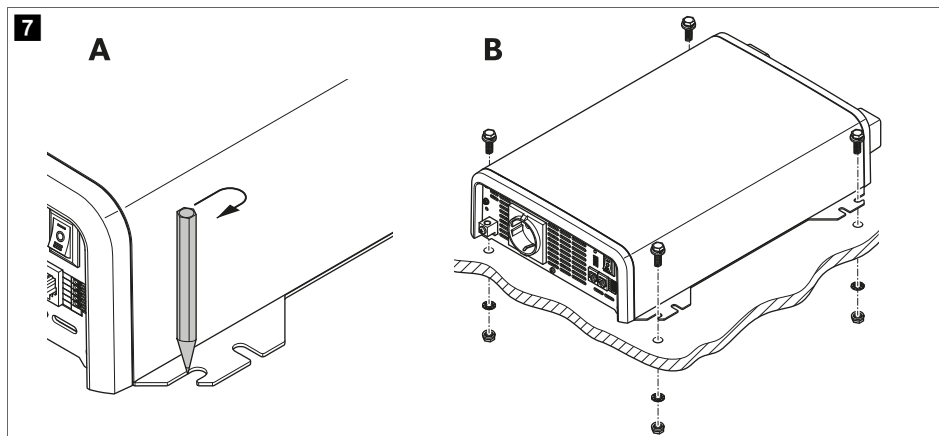
Menič napätia sa môže montovať na plochu alebo zavesený (  obr. 5 na strane 252).





Pri výbere miesta montáže dodržte nasledujúce pokyny:

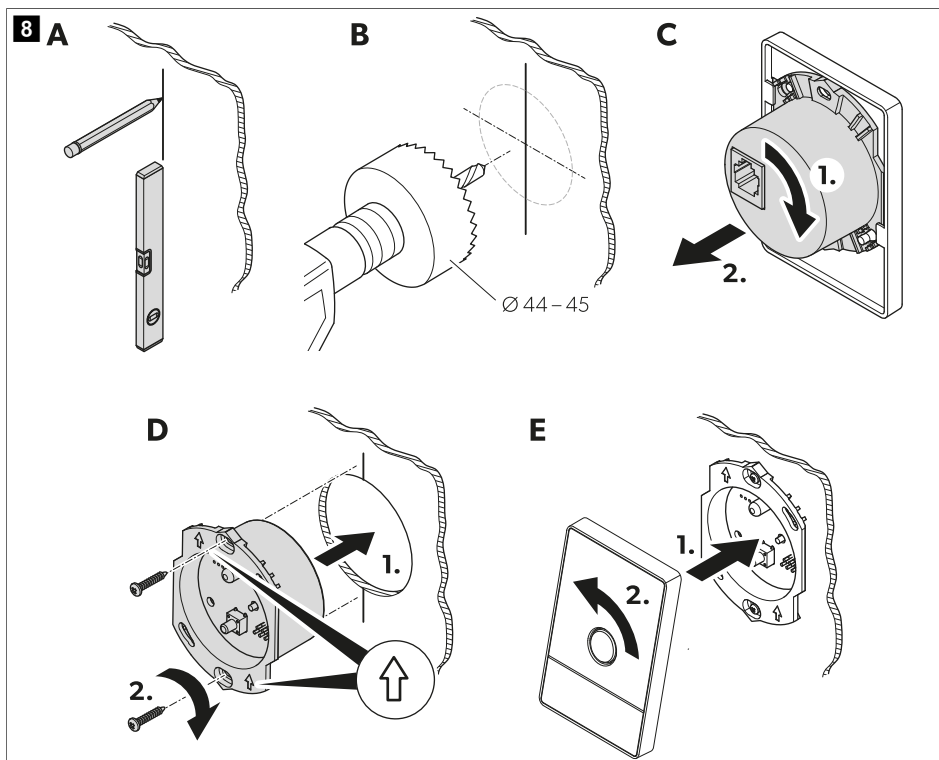
- Ubezpečte sa, že montážny povrch je pevný a rovný.
- Dodržiavajte určené vzdialenosti, aby sa zabezpečilo dostatočné vetranie (  obr. 6 na strane 252).



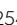

## 8.2 Montáž meniča napätia



1. Vyberte vhodné montážne otvory v závislosti od zvoleného typu montáže (montáž na ploche alebo závesná montáž) a označte otvory na vŕtanie (  obr. 7 na strane 253, **A**).
2. Predvŕtajte montážne otvory.
3. Priskrutkujte menič napätia na miesto (  obr. 7 na strane 253, **B**).


### 8.3 Montáž diaľkového ovládania



1. Označte montážny povrch (  obr. 8 na strane 254, **A**).
2. Vyvítajte otvor s priemerom 44 mm ... 45 mm, napr. pomocou dierovej píly (  obr. 8 na strane 254, **B**).
3. Odstráňte spojovaciu skrinku z ovládacieho panela (  obr. 8 na strane 254, **C**).
4. Vložte spojovaciu skrinku do otvoru a priskrutkujte ju na jej miesto (  obr. 8 na strane 254, **D**).



**POZNÁMKA** Zaisťte správne zvislé zarovnanie, ako ukazujú šípky na spojovacej skrinke.

5. Pripojte ovládací panel k spojovacej skrinke (  obr. 8 na strane 254, **E**).
6. Odstráňte ochrannú fóliu.

## 8.4 Pripojenie striedača



Elektrickú inštaláciu a nastavenie zariadenia musí vykonať kvalifikovaný elektrikár, ktorý preukázal zručnosti a znalosti týkajúce sa konštrukcie a prevádzky elektrického vybavenia a inštalácií, a ktorý je oboznámený s platnými predpismi krajiny, v ktorej sa zariadenie bude inštalovať a/alebo používať, a absolvoval bezpečnostné školenie zamerané na identifikáciu konkrétnych nebezpečenstiev a ich predchádzaniu.

Všetky ostatné kroky sú určené tiež pre neprofesionálnych používateľov.



### VÝSTRAHA! Nebezpečenstvo úrazu elektrickým prúdom

Dodržiavajte odporúčané prierezy káblov, dĺžky káblov a poistku.



### UPOZORNENIE! Nebezpečenstvo požiaru

Umiestnite poistky blízko batérií pre ochranu kábla proti skratom a možnému zhoreniu.



### POZOR! Nebezpečenstvo poškodenia

- > Dbajte na to, aby sa nezamenila polarita.
- > Uťahnite skrutky alebo matice uťahovacím momentom 15 Nm. Neutiahnuté pripojenia môžu viesť k prehrievaniu.

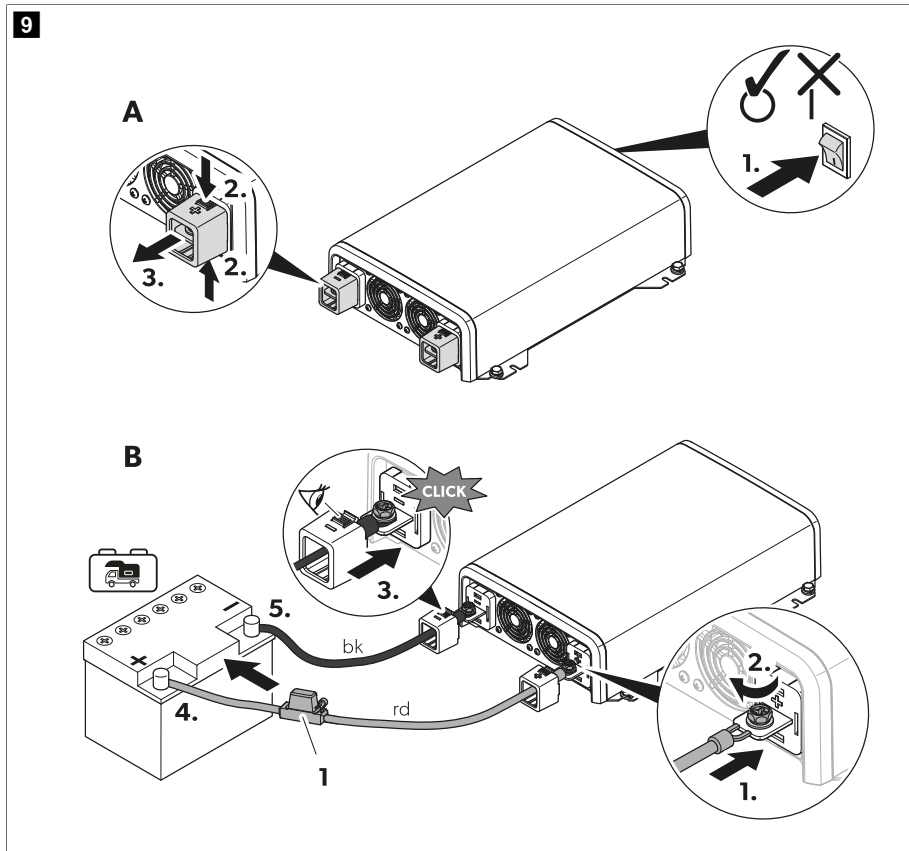
Pri pripájaní meniča napätia dodržiavajte nasledujúce pokyny:



- Pri nastavovaní zásuvkového rozvodu (sieťová inštalácia) dodržiavajte platné predpisy.
- Použite čo najkratšie káble jednosmerného prúdu (pripojenie k svorkám batérie)  $\leq 1$  m).
- Pripojenie **siete TN**: inštalujte prúdový chránič (RCD).
- Pripojenie **siete IT**: ak je pripojených viac ako jedna záťaž, inštalujte sledovač izolačného stavu (IMD). **Platia národné normy.**

1. Určenie prierezov káblov a poistiek:

	Prierez kábla	Káblková poistka
DPSI612	25 mm <sup>2</sup>	150 A
DPSI624	25 mm <sup>2</sup>	150 A
DPSI1012	35 mm <sup>2</sup>	200 A
DPSI1024	25 mm <sup>2</sup>	150 A
DPSI1512	50 mm <sup>2</sup>	250 A
DPSI1524	25 mm <sup>2</sup>	150 A
DPSI2012	70 mm <sup>2</sup>	300 A
DPSI2024	35 mm <sup>2</sup>	200 A


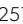
2. Skontrolujte, či je zariadenie vypnuté (  obr. 9 na strane 256, 1).



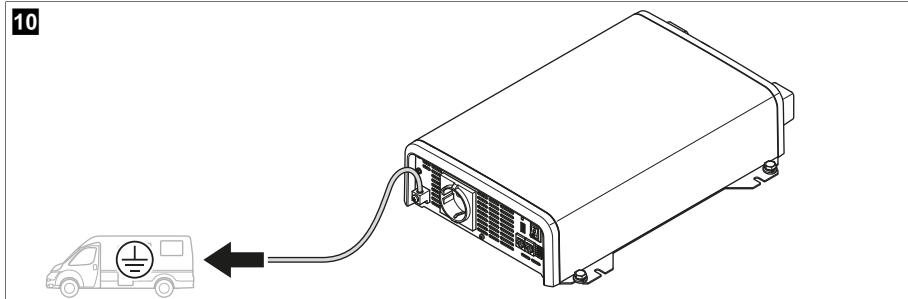
3. Vyberte kryty zo svoriek (  obr. 9 na strane 256, 2 – 3).
4. Zapojte (+) do kladnej svorky domovej batérie (červený (rd) pripojovací kábel,  obr. 9 na strane 256, 4).



**POZNÁMKA** Kladný kábel domovej batérie zabezpečte poisťou (  obr. 9 na strane 256, 1).

5. Zapojte (-) do zápornej svorky domovej batérie (čierny (bk) pripojovací kábel (  obr. 9 na strane 256, 5).
6. Uzemňovacie pripojenie zapojte do uzemnenia (kostra) (  obr. 10 na strane 257).



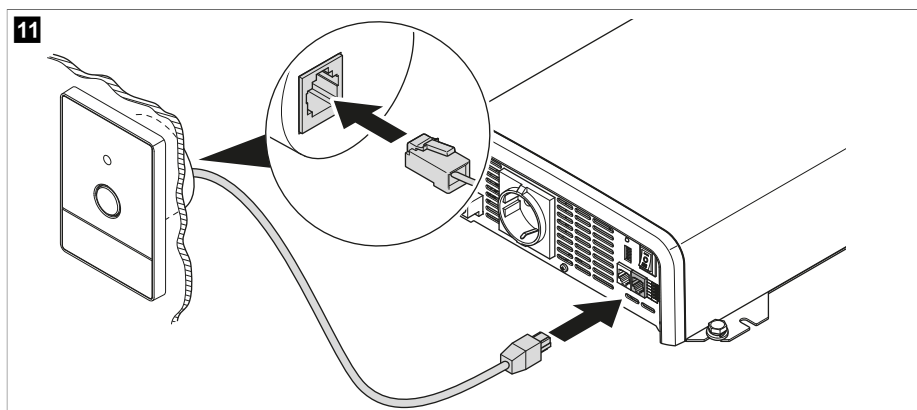


## 8.5 Pripojenie diaľkového ovládania



**POZNÁMKA** Diaľkové ovládanie a sieť N-BUS/CI-BUS nie je možné pripojiť súčasne.

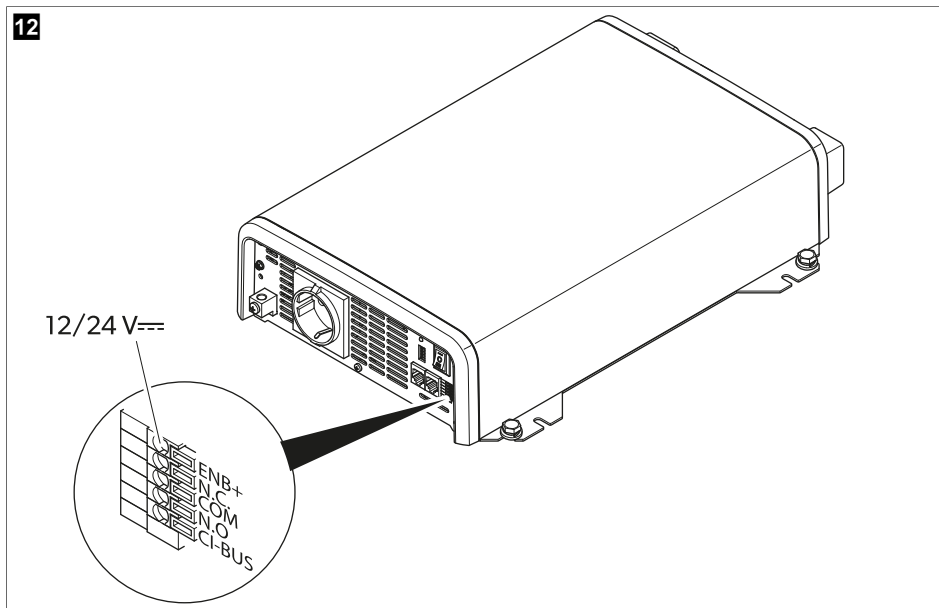
- > Pripojte diaľkový ovládač k prípojke diaľkového ovládača pomocou pripájacieho kábla diaľkového ovládača.



## 8.6 Pripojenie ENB+ kolíka



**POZNÁMKA** Ak je pripojený ENB+ kolík, stav úsporného režimu nie je možné zmeniť.



1. Vypínač prepnite do polohy **0**.
2. ENB+ kolík použite nasledovne:
  - Ak chcete menič zapnúť, pripojte ENB+ kolík ku kladnému pólu domovej batérie pomocou vhodného elektrického kábla.
  - Ak chcete menič vypnúť, odpojte ENB+ kolík z domovej batérie.

## 9 Konfigurácia sieťového systému





Elektrickú inštaláciu a nastavenie zariadenia musí vykonať kvalifikovaný elektrikár, ktorý preukázal zručnosti a znalosti týkajúce sa konštrukcie a prevádzky elektrického vybavenia a inštalácií, a ktorý je oboznámený s platnými predpismi krajiny, v ktorej sa zariadenie bude inštalovať a/alebo používať, a absolvoval bezpečnostné školenie zamerané na identifikáciu konkrétnych nebezpečenstiev a ich predchádzaniu.

Všetky ostatné kroky sú určené tiež pre neprofesionálnych používateľov.

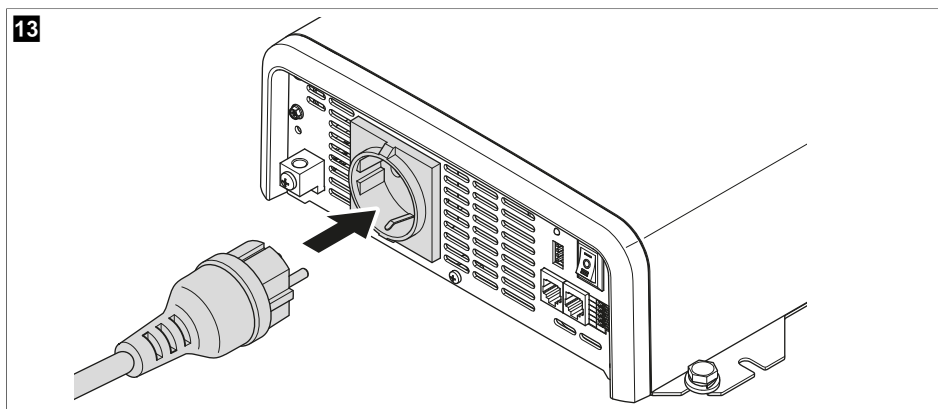


### **NEBZPEČENSTVO! Nebezpečenstvo úrazu elektrickým prúdom**

- > Ochranný kryt DIP spínačov odstraňujte len pri nastavovaní konfigurácie.
  - > Ochranný kryt nasadte naspäť, aby sa zabránilo náhodnému nastaveniu DIP spínača.
  - > Konfigurácia pre **sieť TN**: skontrolujte, či je inštalovaný prúdový chránič (RCD).
  - > Konfigurácia pre **sieť IT**: pripojte len jednu záťaž alebo nainštalujte sledovač izolačného stavu (IMD). Dodržujte normy platné vo vašej krajine.
- > Vložte skrutku do polohy  pre nastavenie **TN siete**.
  - > Vložte skrutku do polohy  pre nastavenie **IT siete**.

## 10 Obsluha

### 10.1 Prevádzka 230 V zariadení



#### POZNÁMKA

Pripojte iba zariadenia, ktorých celkové zaťaženie nepresahuje hodnoty uvedené v Technické údaje na strane 262.

- > Pripojte zariadenia 230 V k AC zásuvke na meniči (  obr. 13 na strane 259).

### 10.2 Zapnutie a vypnutie meniča napätia



#### POZNÁMKA

- > Ak sa má menič ovládať pomocou diaľkového ovládania, vypínač musí byť nastavený do polohy **II**.
- > Ak sa má menič ovládať pomocou ENB+ kolíka, vypínač musí byť nastavený do polohy **0**.
- > Ak chcete menič napätia zapnúť, vypínač prepnete do polohy **I**.
- > Ak chcete menič napätia vypnúť, vypínač prepnete do polohy **0**.
- > Na zapnutie a vypnutie meniča napätia použijete diaľkové ovládanie alebo ENB+ kolík.

### 10.3 Nastavenie režimu úspory energie



#### POZNÁMKA

- Ak je DIP prepínač S2 nastavený do polohy **OFF**, menič sa po pripojení zaťaženia.  $\geq 45$  W automaticky prepne do normálnej prevádzky.
- Ak je DIP prepínač S2 nastavený do polohy **ON**, menič sa po pripojení zaťaženia.  $\geq 80$  W automaticky prepne do normálnej prevádzky.
- Stav režimu úspory energie nie je možné zmeniť, ak sa používa diaľkové ovládanie alebo ENB+ kolík, pokiaľ sa nevykoná úplný cyklus zapnutia a vypnutia

#### Aktivovanie režimu úspory energie

1. Príp. vypnite striedač.

2. Posuňte DIP spínač S1 do polohy **ON**.
- ✓ Režim úspory energie je aktivovaný.

### Deaktivovanie režimu úspory energie

1. Vypnite striedač.
  2. Posuňte DIP spínač S1 do polohy **OFF**.
- ✓ Režim úspory energie je deaktivovaný.

## 11 Čistenie a údržba



### VÝSTRAHA! Nebezpečenstvo úrazu elektrickým prúdom

Pred čistením a údržbou odpojte zariadenie od zdroja napájania.



### POZOR! Nebezpečenstvo poškodenia

- > Zariadenie nikdy nečistite pod tečúcou vodou alebo dokonca vo vode.
  - > Na čistenie nepoužívajte ostré alebo tvrdé predmety, abrazívne čistiace prostriedky alebo bieliclo, pretože by mohli poškodiť zariadenie.
  - > Zabezpečte, aby vetracie príruby a vývody boli bez prachu a nečistôt, aby sa mohlo odvádzat teplo.
- > Kameru príležitostne vyčistite mäkkou, navlhčenou utierkou.
  - > Pravidelne kontrolujte živé káble alebo vedenia na porušenú izoláciu, zlomenia alebo uvoľnené spoje.

## 12 Odstraňovanie porúch

Porucha	Možná príčina	Návrh riešenia
Menič napätia nefunguje. LED indikácie stavu nesvieti.	Skrat päťkrát za sebou.	> Ak poistka zariadenia zareagovala v dôsledku nadmerného prúdu, musí ju vymeniť autorizovaný servisný technik.
	Porušená izolácia, zlomy alebo uvoľnené spoje na živých kábloch.	> Skontrolujte živé káble na porušenú izoláciu, zlomenia alebo uvoľnené spoje.  Ak nevíete nájsť chybu, obráťte sa na autorizovaného servisného technika.
Menič napätia nefunguje. Stavová LED svieti na červeno.	Ochrana proti vysokému výstupnému prúdu.	Znížte pripojenú záťaž.
	Vypnutie v prípade nadmernej teploty.	<ol style="list-style-type: none"> <li>1. Vypnite menič napätia a pripojenú záťaž.</li> <li>2. Skontrolujte, či príruby a vývody vzduchu nie sú zakryté alebo zablokované.</li> <li>3. Nechajte menič napätia vychladnúť.</li> </ol>
	Došlo ku skratu.	Ak poistka zariadenia zareagovala v dôsledku nadmerného prúdu, musí

Porucha	Možná príčina	Návrh riešenia
		ju vymeniť autorizovaný servisný technik.
	Vypnutie v prípade prepätia. Napätie batérie je príliš vysoké.	<ul style="list-style-type: none"> <li>&gt; Znížte pripojenú napäťovú záťaž. Menič napätia sa automaticky reštartuje, keď napätie klesne na hodnotu reštartovania (pozrite si kapitolu Prepäťová ochrana na strane 263).</li> <li>&gt; Ak chyba pretrváva: použite kábel s väčším prierezom. Použite kratší kábel.</li> </ul>
	Vypnutie v prípade podpätia. Napätie batérie je príliš nízke.	<ul style="list-style-type: none"> <li>&gt; Nechajte batériu pomaly nabíjať. Menič napätia sa automaticky reštartuje, keď napätie prekročí hodnotu reštartovania (pozrite si kapitolu Podpätová ochrana na strane 263).</li> </ul>

## 13 Záruka

Platí zákonom stanovená záručná lehota. Ak je výrobok poškodený, obráťte sa na pobočku výrobcu vo vašej krajine (pozrite si stránku [dometic.com/dealer](http://dometic.com/dealer)) alebo na predajcu.

Ak žiadate o vybavenie opravy alebo nárokov vyplývajúcich zo záruky, musíte priložiť nasledovné podklady:

- kópiu faktúry s dátumom kúpy,
- dôvod reklamácie alebo opis chyby.

Upozorňujeme Vás, že samooprava alebo neodborná oprava môže mať za následok ohrozenie bezpečnosti a zánik záruky.

## 14 Likvidácia

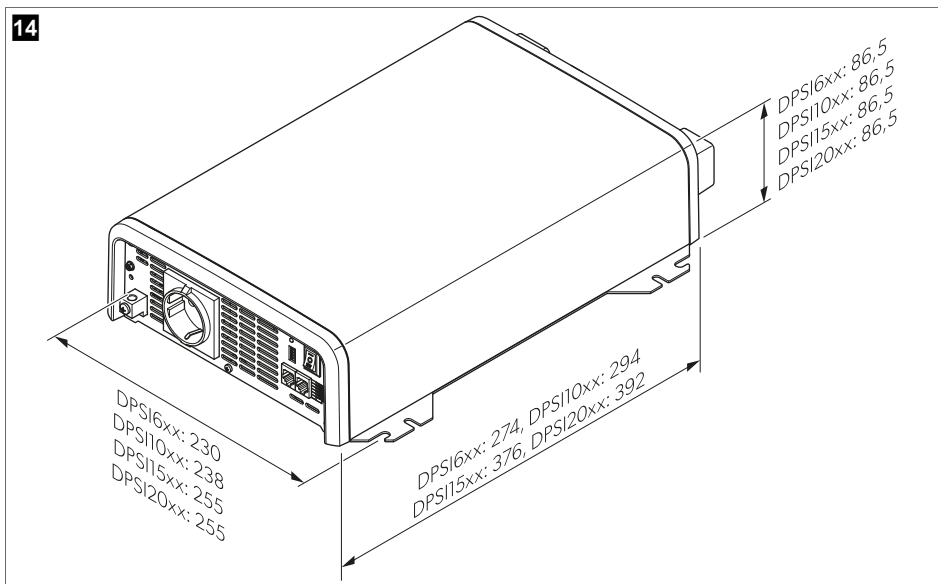



Obalový materiál dávajte podľa možnosti do príslušného recyklovateľného odpadu.

Informujte sa v najbližšom recyklačnom stredisku alebo u vášho špecializovaného predajcu o likvidácii výrobku v súlade s príslušnými predpismi týkajúcimi sa likvidácie.


Výrobok je možné bezplatne zlikvidovať.

## 15 Technické údaje





	<b>DPSI 612</b>	<b>DPSI 1012</b>	<b>DPSI 624</b>	<b>DPSI 1024</b>
Menovité vstupné napätie	12 V $\overline{=}$		24 V $\overline{=}$	
Rozsah vstupného napätia	10,5 ... 16,5 V $\overline{=}$		21 ... 33 V $\overline{=}$	
Kontinuálny výstupný výkon $P_{nom}$	600 W	1000 W	600 W	1000 W
Maximálny výstupný výkon (1 min)	690 W	1150 W	690 W	1150 W
Maximálny nárazový výkon (1 s) $P_{surge}$	1200 W	2000 W	1200 W	2000 W
Spotreba prúdu v režime nečinnosti	$\leq 1$ A	$\leq 1,1$ A	$\leq 0,6$ A	$\leq 0,6$ A
Spotreba prúdu v pohotovostnom režime	$\leq 0,3$ A	$\leq 0,35$ A	$\leq 0,2$ A	$\leq 0,2$ A
Rozmery	 obr. 14 na strane 262			
Hmotnosť	1,1 kg	1,2 kg	1,1 kg	1,2 kg

	<b>DPSI 1512</b>	<b>DPSI 2012</b>	<b>DPSI 1524</b>	<b>DPSI 2024</b>
Menovité vstupné napätie	12 V $\overline{=}$		24 V $\overline{=}$	
Rozsah vstupného napätia	10,5 ... 16,5 V $\overline{=}$		21 ... 33 V $\overline{=}$	
Kontinuálny výstupný výkon $P_{nom}$	1500 W	2000 W	1500 W	2000 W
Maximálny výstupný výkon (1 min)	1725 W	2300 W	1725 W	2300 W
Maximálny nárazový výkon (1 s) $P_{surge}$	3000 W	4000 W	3000 W	4000 W
Spotreba prúdu v režime nečinnosti	$\leq 1,2$ A	$\leq 1,5$ A	$\leq 0,7$ A	$\leq 0,8$ A

	DPSI 1512	DPSI 2012	DPSI 1524	DPSI 2024
Spotreba prúdu v pohotovostnom režime	≤ 0,4 A	≤ 0,5 A	≤ 0,25 A	≤ 0,3 A
Rožmery	 obr. 14 na strane 262			
Hmotnosť	1,1 kg	1,2 kg	1,1 kg	1,2 kg

## 15.1 Všeobecné technické údaje

Rozsah výstupného napätia	230 V~ ± 10 %
Výstupná frekvencia	50 Hz ± 1 %
Výstupná vlna	Čistá sínusová vlna
Špičková účinnosť	90 %
Teplota okolia pri prevádzke	0 ... 50 °C
Teplota okolia pri skladovaní	-30 °C ... 70 °C
Vlhkosť vzduchu	0 ... 95 %, non-condensing
Skúška/certifikát	 

## 15.2 Podpätová ochrana

	Hodnota vypnutia	Hodnota reštartovania
DPSlxx12	10,3 V	11,8 V
DPSlxx24	20,6 V	23,6 V

## 15.3 Prepätová ochrana

	Hodnota vypnutia	Hodnota reštartovania
DPSlxx12	16,5 V	15,5 V
DPSlxx24	33 V	31 V

## Čeština

1	Důležité poznámky.....	264
2	Vysvětlení symbolů.....	264
3	Bezpečnostní pokyny.....	265
4	Obsah dodávky.....	268
5	Příslušenství.....	268
6	Určené použití.....	268
7	Technický popis.....	269
8	Instalace.....	272
9	Konfigurace síťového systému.....	278
10	Použití.....	279
11	Čištění a péče.....	280
12	Řešení problémů.....	280
13	Záruka.....	281
14	Likvidace.....	281
15	Technické údaje.....	282

## 1 Důležité poznámky

Pečlivě si prosím přečtěte a dodržujte všechny pokyny, směrnice a varování obsažené v tomto návodu k výrobku, abyste měli jistotu, že výrobek budete vždy správně instalovat, používat a udržovat. Tyto pokyny MUSÍ být uschovány v blízkosti výrobku.

Používáním výrobku tímto potvrzujete, že jste si pečlivě přečetli všechny pokyny, směrnice a varování a že rozumíte podmínkám uvedeným v tomto dokumentu a souhlasíte s nimi. Souhlasíte s používáním tohoto výrobku pouze k určenému účelu a použití a v souladu s pokyny, směrnicemi a varováními uvedenými v tomto návodu k výrobku a v souladu se všemi příslušnými zákony a předpisy. Pokud si nepřečtete a nebudete dodržovat zde uvedené pokyny a varování, může to vést ke zranění vás i ostatních, poškození vašeho výrobku nebo poškození jiného majetku v okolí. Tento návod k výrobku, včetně pokynů, směrnic a varování a související dokumentace může být předmětem změn a aktualizací. Aktuální informace o výrobku naleznete na adrese [documents.dometic.com](http://documents.dometic.com).

## 2 Vysvětlení symbolů

Signální slovo označuje bezpečnostní zprávy a zprávy o škodách na majetku a také označuje stupeň nebo úroveň závažnosti nebezpečí.



### NEBEZPEČÍ!

Označuje nebezpečnou situaci, která, pokud se jí nezabrání, bude mít za následek smrt nebo vážné zranění.



### VÝSTRAHA!

Označuje nebezpečnou situaci, která, pokud se jí nezabrání, může mít za následek smrt nebo vážné zranění.



### UPOZORNĚNÍ!

Označuje nebezpečnou situaci, která, pokud se jí nezabrání, může mít za následek lehké nebo středně těžké zranění.



### POZOR!

Označuje nebezpečnou situaci, která, pokud se jí nezabrání, může mít za následek majetkové škody.





**POZNÁMKA** Doplnující informace týkající se obsluhy výrobku.

## 3 Bezpečnostní pokyny

**Dodržujte také bezpečnostní pokyny a předpisy vydané výrobcem vozidla a autorizovanými servis.**

### 3.1 Základní bezpečnost



#### **NEBEZPEČÍ! Nebezpečí usmrcení elektrickým proudem**

- > Nikdy se nedotýkejte odizolovaných vodičů.
- > K tomu, abyste mohli přístroj v případě nebezpečí rychle odpojit od napájecího zdroje střídavého proudu, se musí příslušná zásuvka nacházet v blízkosti přístroje a být snadno dostupná.



#### **VÝSTRAHA! Nebezpečí usmrcení elektrickým proudem**

- > Instalaci a odstranění přístroje směř provádět pouze kvalifikovaní pracovníci.
- > Pokud je přístroj nebo připojovací kabel viditelně poškozen, pak přístroj nepoužívejte.
- > Pokud je přírodní kabel tohoto zařízení poškozen, musí být vyměněn, aby se předešlo nebezpečí.
- > Opravy tohoto zařízení směř provádět pouze kvalifikovaní pracovníci. Nesprávné opravy mohou způsobit značné nebezpečí.
- > Používejte pouze výrobcem doporučené příslušenství.
- > Nijak neupravujte ani nepřizpůsobujte žádnou ze součástí.
- > Neodpojujte žádné kabely, dokud je přístroj ještě v provozu.
- > Odpojte přístroj od elektrického napájení:
  - po každém použití,
  - před každým čištěním a údržbou,
  - před výměnou pojistek.



#### **VÝSTRAHA! Nebezpečí požáru / hořlavé materiály**

V případě požáru použijte hasicí přístroj, který je vhodný k hašení elektrických zařízení.



#### **VÝSTRAHA! Riziko udušení**

Kabel a ovládací jednotka zařízení mohou být při nesprávném uspořádání příčinou nebezpečí zamotání, uškrcení, zakopnutí nebo zašlápnutí. Zajistěte bezpečné uspořádání doplňkových upínacích prvků a napájecích kabelů.



#### **VÝSTRAHA! Nebezpečí ohrožení zdraví**

- > Tento přístroj mohou používat děti od 8 let a osoby se sníženými fyzickými, smyslovými nebo duševními schopnostmi nebo s nedostatečnými zkušenostmi a znalostmi, pokud jsou pod dohledem nebo obdržely pokyny týkající se používání přístroje bezpečným způsobem a porozuměly souvisejícím nebezpečím.
- > **Elektrické přístroje nejsou hračky pro děti!** Výrobek vždy ukládejte a používejte mimo dosah velmi malých dětí.
- > Děti musejí být pod dohledem tak, aby si se zařízením nehrály.
- > Čištění a běžnou údržbu nesmějí provádět děti bez dozoru.



### **POZOR! Nebezpečí poškození**

- > Před uvedením do provozu porovnejte údaj o napětí na typovém štítku se stávajícím zdrojem napájení.
- > Zajistěte, aby jiné předměty **nemohly** způsobit zkrat kontaktů přístroje.
- > Dávejte pozor, aby **nikdy** nedošlo ke vzájemnému kontaktu záporného a kladného pólu.
- > Netahejte za přípojovací kabely a nepoužívejte je jako rukojeť.
- > Přístroj nesmí být vystaven dešti ani vlhku. Uchovávejte na suchém místě.

## **3.2 Bezpečná instalace spotřebiče**



### **NEBEZPEČÍ! Nebezpečí výbuchu**

- > Přístroj instalujte a provozujte pouze v uzavřených a dobře větráných místnostech.
- > Přístroj **neinstalujte a nepoužívejte** za následujících podmínek:
  - slané, vlhké nebo mokré prostředí,
  - blízkost agresivních výparů,
  - blízkost hořlavých materiálů,
  - blízkost zdrojů tepla (topná tělesa, přímé sluneční záření, plynové sporáky apod.),
  - prostředí s nebezpečím výbuchu plynu nebo prachu.



### **VÝSTRAHA! Riziko zranění**

- > Pamatujte na bezpečnou stabilitu přístroje. Přístroj musí být umístěn a upevněn tak, aby se nemohl převážít nebo spadnout.
- > Při umístování přístroje se ujistěte, že všechny kabely jsou řádně zajištěny, aby se předešlo jakémukoli nebezpečí zakopnutí.



### **POZOR! Nebezpečí poškození**

- > Přístroj umístěte na suché místo, chráněné před stříkající vodou.
- > Vždy používejte uzemněné zásuvky jištěné proudovými chrániči.

## **3.3 Bezpečnost při elektrickém připojování přístroje**



### **NEBEZPEČÍ! Nebezpečí usmrcení elektrickým proudem**

Pokud pracujete na elektrických zařízeních zajistěte, aby byla v blízkou další osoba, která vám může v nouzovém případě pomoci.



### **VÝSTRAHA! Nebezpečí usmrcení elektrickým proudem**

- > Dodržujte doporučené průřezy kabelů.
- > Kabely položte tak, aby nemohly být poškozeny dveřmi nebo kapotou. Přivřené kabely mohou mít za následek životu nebezpečné úrazy.



### **POZOR! Nebezpečí poškození**

- > Používejte trubky nebo průchodky kabelů, pokud musíte vést kabely plechovými stěnami nebo jinými stěnami s ostrými hranami.
- > **Nepokládejte** 230 V elektrický napájecí kabel a 12 V DC kabel do stejné trubky.
- > **Nepokládejte** kabely volně nebo ostře zalomené.
- > Upevněte kabely bezpečně.

### 3.4 Bezpečnost při manipulaci s bateriemi



#### **VÝSTRAHA! Riziko zranění**

- > Baterie mohou obsahovat agresivní a leptavé kyseliny. Zabraňte jakémukoliv tělesnému kontaktu s kapalinou z baterie. Potřísnete-li si kůží kapalinou z baterie, příslušnou část těla si důkladně omyjte vodou. Při úrazu způsobeném kyselinou ihned vyhledejte lékaře.
- > Při práci s bateriemi na sobě nesmíte mít žádné kovové předměty, jako jsou hodinky nebo prsteny. Olověné baterie mohou generovat zkratové proudy, které mohou způsobit závažné popáleniny.
- > Používejte pouze izolované nářadí.
- > Na baterii nepokládejte žádné kovové části a zabraňte pádu kovových částí na baterii. Mohlo by dojít k jiskření nebo ke zkratování baterie a jiných elektrických zařízení.
- > Při práci s bateriemi používejte ochranné brýle a ochranný oděv. Při práci s bateriemi se nedotýkejte očí.
- > Používejte výhradně dobíjecí baterie.
- > Nepoužívejte vadné baterie.



#### **UPOZORNĚNÍ! Nebezpečí výbuchu**

- > Nikdy se nepokoušejte nabíjet zmrzlou nebo vadnou baterii. V tomto případě umístěte baterii na místo chráněné před mrazem a vyčkejte, dokud se baterie nepřizpůsobí okolní teplotě. Potom spusťte proces nabíjení.
- > V blízkosti motoru nebo baterie nekuřte, nepoužívejte otevřený oheň ani nepůsobujte jiskření.
- > Uchovávejte baterie mimo dosah zdrojů tepla.



#### **POZOR! Nebezpečí poškození**

- > Při připojování baterie dbejte na správnou polaritu.
- > Dodržujte návody výrobce baterie a výrobce zařízení, nebo výrobce vozidla, ve kterém jsou baterie používány.
- > Pokud je nutné baterii vyjmout, nejprve odpojte zemnicí přípojku. Odpojte od baterie všechny přípojky a všechny spotřebiče dříve, než baterii vyjmete.
- > Skladujte jen plně nabité baterie. Uložené baterie pravidelně dobíjejte.
- > Nepřenášejte baterii za její svorky.

### 3.5 Bezpečné použití spotřebiče



#### **VÝSTRAHA! Nebezpečí usmrcení elektrickým proudem**

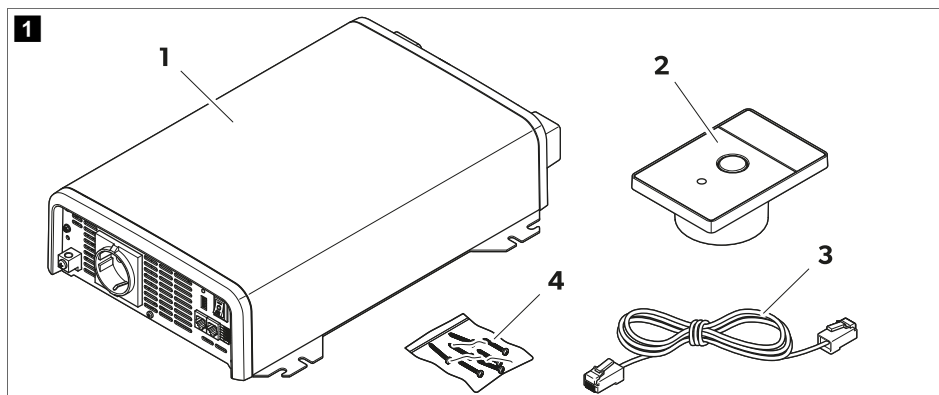
- > Příklad nepoužívejte ve vlhkém prostředí ani jej neponořujte do žádné kapaliny.
- > Před spuštěním zařízení se ujistěte, že napájecí vedení a zástrčka jsou suché a zástrčka není zrezivělá nebo znečištěná.
- > Pamatujte, že části zařízení mohou vést napětí, i když je pojistka spálená.



#### **POZOR! Nebezpečí poškození**

- > Dbejte na to, aby nedošlo k zakrytí vstupů a výstupů vzduchu přístroje.
- > Zajistěte dobrou ventilaci.

## 4 Obsah dodávky



Č. na obr. 1 na stránce 268	Označení	Množství
1	Vlnový měnič	1
2	Dálkový ovladač	1
3	Připojovací kabel dálkového ovladače	1
4	Upevňovací šrouby	6
-	Návod k montáži a obsluze	1

## 5 Příslušenství

Označení	Č. výr.
Dálkový ovladač DPSI-RC	9620018306
Dotykový displej TD283	9620013272

## 6 Určené použití

Měnič je určen k převodu stejnosměrného proudu na střídavé napětí (AC) 230 V~ s čistě sinusovým průběhem k zajištění provozu a stabilního napájení připojených 230 V spotřebičů.

Měnič je určen pro připojení k napětí:

- DPSI612, DPSI1012, DPSI1512, DPSI2012: 12 V $\overline{=}$
- DPSI624, DPSI1024, DPSI1524, DPSI2024: 24 V $\overline{=}$

Měnič je vhodný pro:

- Instalace do obytných vozidel (RV), užitkových vozidel nebo motorových a plachetních jacht
- Stacionární nebo mobilní použití
- Použití v interiéru

Měnič **není** vhodný pro:

- Venkovní použití

Tento výrobek je vhodný pouze k určenému účelu a použití v souladu s těmito pokyny.

Tento návod obsahuje informace, které jsou nezbytné k řádné instalaci a/nebo použití výrobku. Nesprávná instalace a/nebo nevhodné použití či údržba povedou k neuspokojivému výkonu a možné závadě.

Výrobce nepřijímá žádnou odpovědnost za jakékoli zranění nebo poškození výrobku vyplývající z následujícího:

- Nesprávné instalace, sestavení nebo připojení včetně nadměrného napětí
- Nesprávná údržba nebo použití jiných náhradních dílů než originálních dílů dodaných výrobcem
- Úpravy výrobku bez výslovného souhlasu výrobce
- Použití k jiným účelům, než jsou popsány v tomto návodu

Společnost Dometic si vyhrazuje právo změnit vzhled a specifikace výrobku.

## 7 Technický popis

### 7.1 Obecný popis

Tento měnič převádí stejnosměrný proud na střídavý proud se sinusovým průběhem.

Měnič lze používat v následujících síťových systémech:

- Síť TN
- Síť IT

Síťové systémy lze nastavit pomocí šroubu na měniči.

Měnič je vybaven následujícími ochrannými mechanismy:

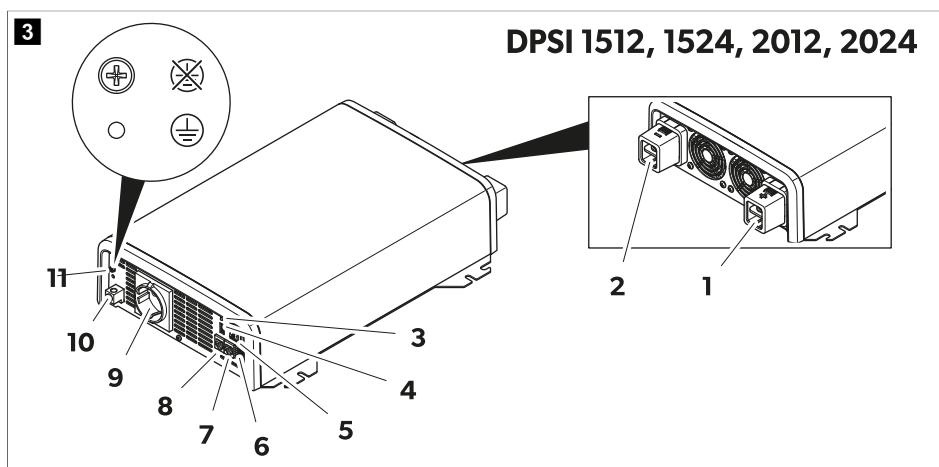
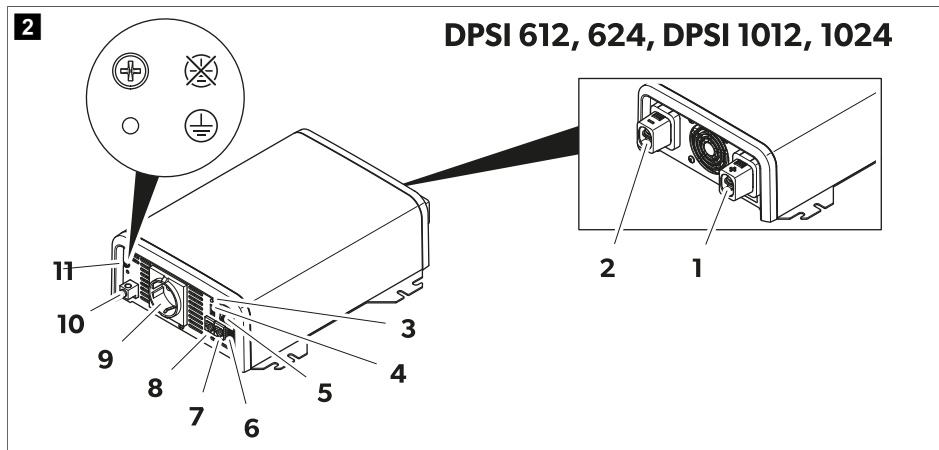
- **Přepětová ochrana:** Měnič se vypne, pokud napětí překročí mezní hodnotu. Když napětí klesne na restartovací hodnotu, měnič se znovu automaticky spustí.
- **Podpětová ochrana:** Měnič se vypne, pokud napětí klesne pod mezní hodnotu. Když napětí překročí restartovací hodnotu, měnič se znovu automaticky spustí.
- **Ochrana proti přehřívání:** Měnič se vypne, pokud vnitřní teplota přístroje překročí mezní hodnotu. Když vnitřní teplota klesne na restartovací hodnotu, měnič se znovu automaticky spustí.
- **Ochrana proti vysokému výstupnímu proudu:** Pokud je připojeno příliš mnoho zátěží, měnič se vypne.
- **Ochrana proti zkratu:** Pokud dojde ke zkratu, měnič se vypne. Po několika sekundách se měnič znovu automaticky spustí. Pokud je zkrat detekován pětkrát po sobě, měnič se již znovu automaticky nespustí a bude nutné spustit jej ručně.

Měnič je kompatibilní se sběrnicemi N-BUS a CI-BUS pro zobrazování údajů a funkcí a lze jej ovládat na dotykovém displeji (příslušenství) nebo v mobilní aplikaci.

Měnič je vybaven dálkovým ovladačem k zapnutí nebo vypnutí měniče.

Měnič lze přepnout do režimu úspory energie, který snižuje spotřebu při nečinnosti a minimalizuje zatížení baterie. To lze provést pomocí přepínače DIP nebo

## 7.2 Ovládací prvky a konektory

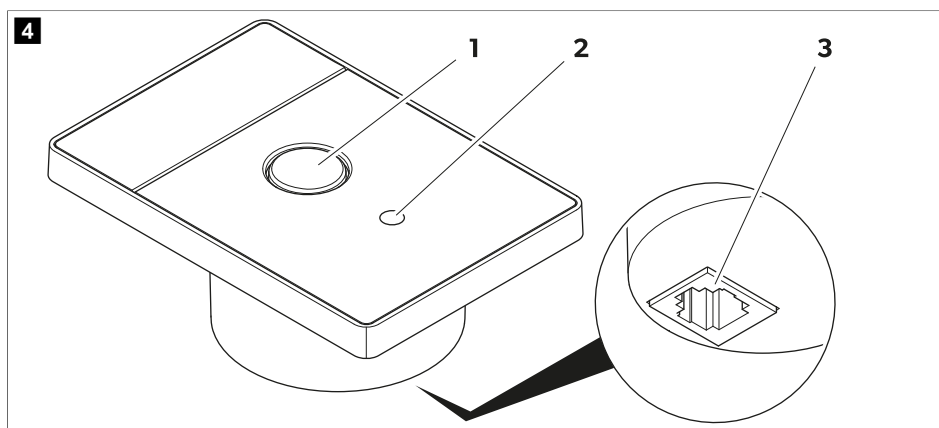


**POZNÁMKA** Na obrázcích jsou znázorněny verze pro kontinentální Evropu.

Č.	Označení
1	Svorka (+), připojení ke kladnému pólu domovní baterie
2	Svorka (-), připojení k zápornému pólu domovní baterie
3	Kontrolka LED indikace stavu
4	Přepínač DIP
5	Vypínač

Č.	Označení
6	Svorka pro externí ovládání
7	Konektor CI BUS / N Bus / dálkový ovladač (LINB)
8	Konektor CI BUS / N Bus / dálkový ovladač (LINA)
9	Zásuvka střídavého proudu
10	Zemnicí přípojka
11	Šroub pro nastavení sítě IT/TN

### 7.3 Dálkový ovladač



Č. na obr. 4  
na stránce 271

Označení

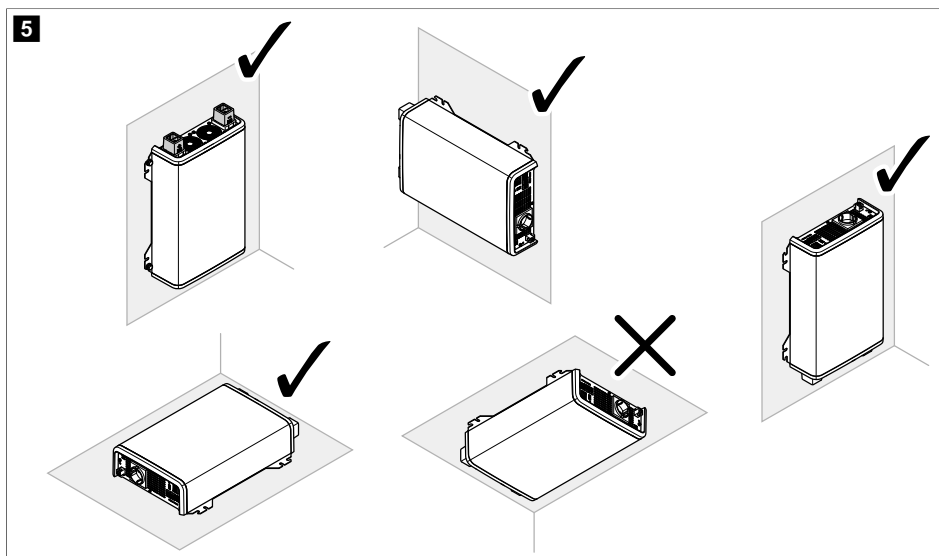
1	Tlačítko zap/vyp
2	Kontrolka LED indikace stavu
3	Přípojka dálkového ovladače

### 7.4 Kontrolka LED indikace stavu

Stav	Popis
Green	Měníč je v provozu
Orange	Výstraha: Je přítomen výstup střídavého proudu (AC), riziko přepětí, podpětí nebo výpadku napájení
Red	Chyba: Na vstupu není střídavý proud (AC), měnič je deaktivován (viz kapitola Řešení problémů na stránce 280)

## 8 Instalace

### 8.1 Místo montáže




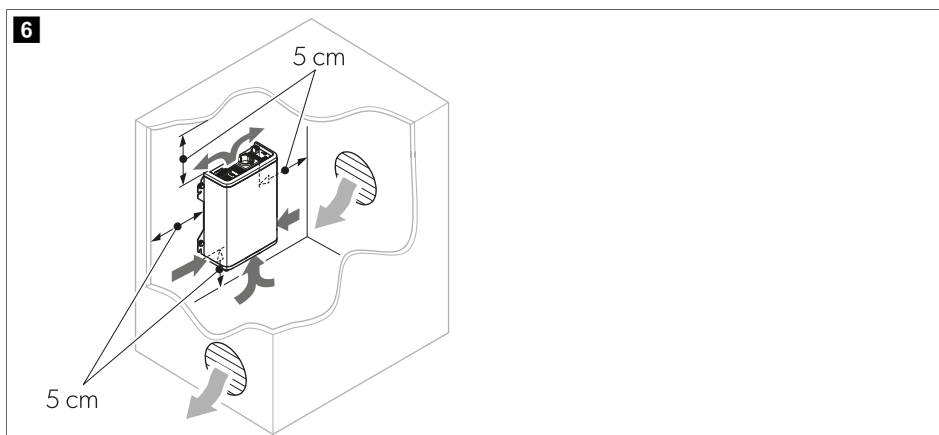
#### **POZOR! Nebezpečí poškození**

Dříve než provedete jakékoliv otvory zkontrolujte, zda nebudou vrtáním, řezáním a pilováním poškozeny elektrické kabely nebo jiné součásti vozidla.




#### **POZNÁMKA**

Měnič lze instalovat buď ve vodorovné poloze, nebo zavěšený (  obr. 5 na stránce 272).

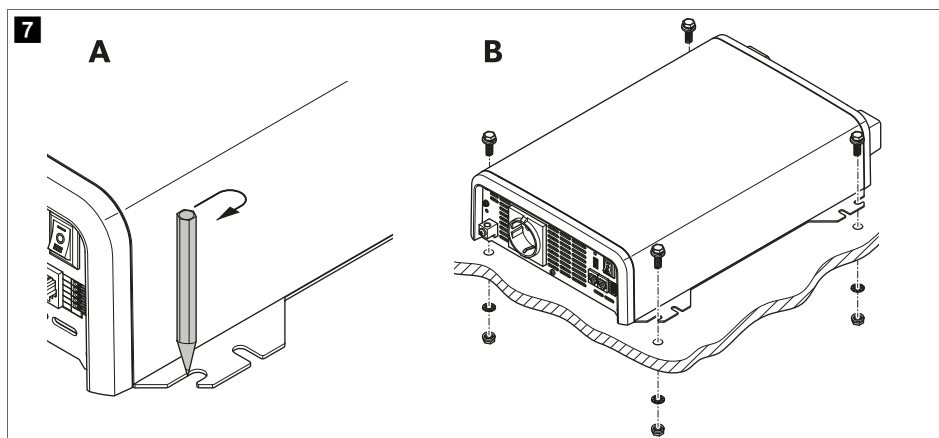






Při výběru místa instalace dodržujte následující pokyny:

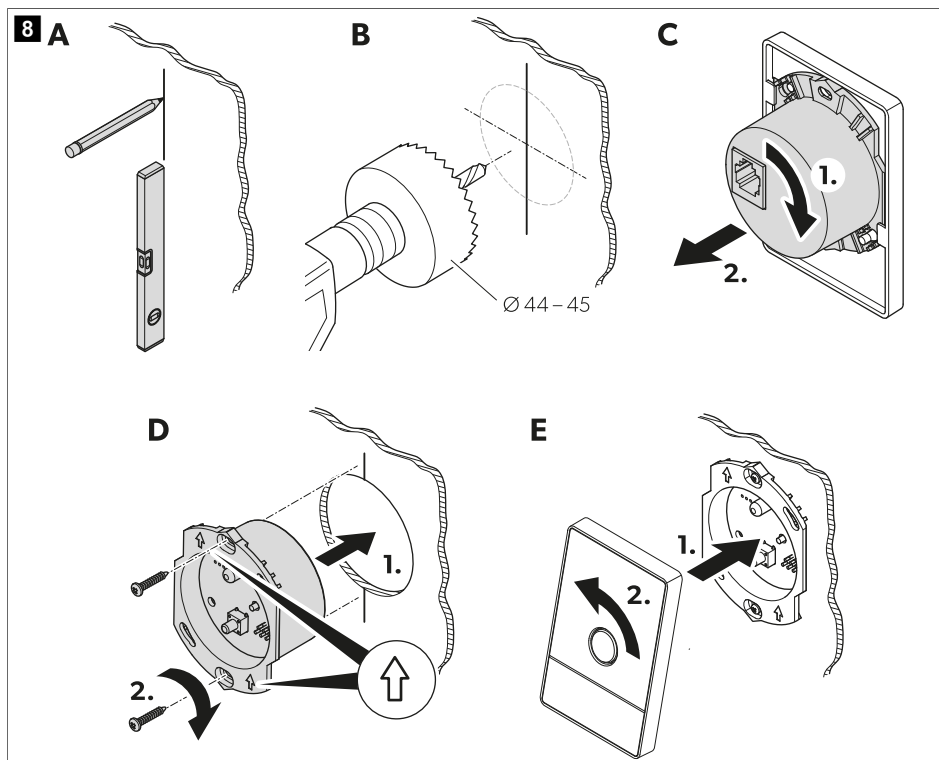
- Ujistěte se, že je montážní plocha pevná a rovná.
- Dodržte vzdálenosti pro dostatečné větrání uvedené v technických údajích (  obr. **6** na stránce 272).





## 8.2 Montáž měniče



1. Vyberte příslušné montážní otvory v závislosti na zvoleném typu montáže (vodorovná nebo závěsná) a vyznačte je (  obr. **7** na stránce 273, **A**).
2. Předvrtejte montážní otvory.
3. Přišroubujte měnič na místo (  obr. **7** na stránce 273, **B**).

### 8.3 Montáž dálkového ovladače



1. Označte montážní plochu (  obr. 8 na stránce 274, **A**).
2. Vyrtejte otvor o průměru 44 mm ... 45 mm, např. za pomoci děrovací pily (  obr. 8 na stránce 274, **B**).
3. Odmontujte elektroinstalační krabici z ovládacího panelu (  obr. 8 na stránce 274, **C**).
4. Vložte elektroinstalační krabici do vzniklého otvoru a přišroubujte ji na místo (  obr. 8 na stránce 274, **D**).



**POZNÁMKA** Zajistěte správné svislé zarovnání podle šipek na elektroinstalační krabici.

5. Připevněte ovládací panel k elektroinstalační krabici (  obr. 8 na stránce 274, **E**).
6. Odstraňte ochrannou fólii.

## 8.4 Připojení měniče



Elektrickou instalaci přístroje musí provést kvalifikovaný elektrikář, který disponuje potřebnými dovednostmi a znalostmi týkajícími se konstrukce, instalace a provozu elektrických zřízení, který zná platné předpisy v zemi instalace nebo používání tohoto zařízení a který absolvoval bezpečnostní školení, aby byl schopen rozpoznat související nebezpečí a předejít jim.

Všechny ostatní kroky mohou provést i běžní uživatelé.



### **VÝSTRAHA! Nebezpečí usmrcení elektrickým proudem**

Dodržujte doporučené průřezy kabelů, délky kabelů a hodnotu pojistky.



### **UPOZORNĚNÍ! Nebezpečí požáru**

Umístěte pojistky do blízkosti baterií, abyste kabel ochránili před zkratem a možným spálením.



### **POZOR! Nebezpečí poškození**

- > Dávejte pozor, abyste nezaměnili polaritu.
- > Utáhněte šrouby a matice maximálním utahovacím momentem 15 Nm. Volné spoje mohou vést k přehřátí.

Při připojování měniče dodržujte následující pokyny:

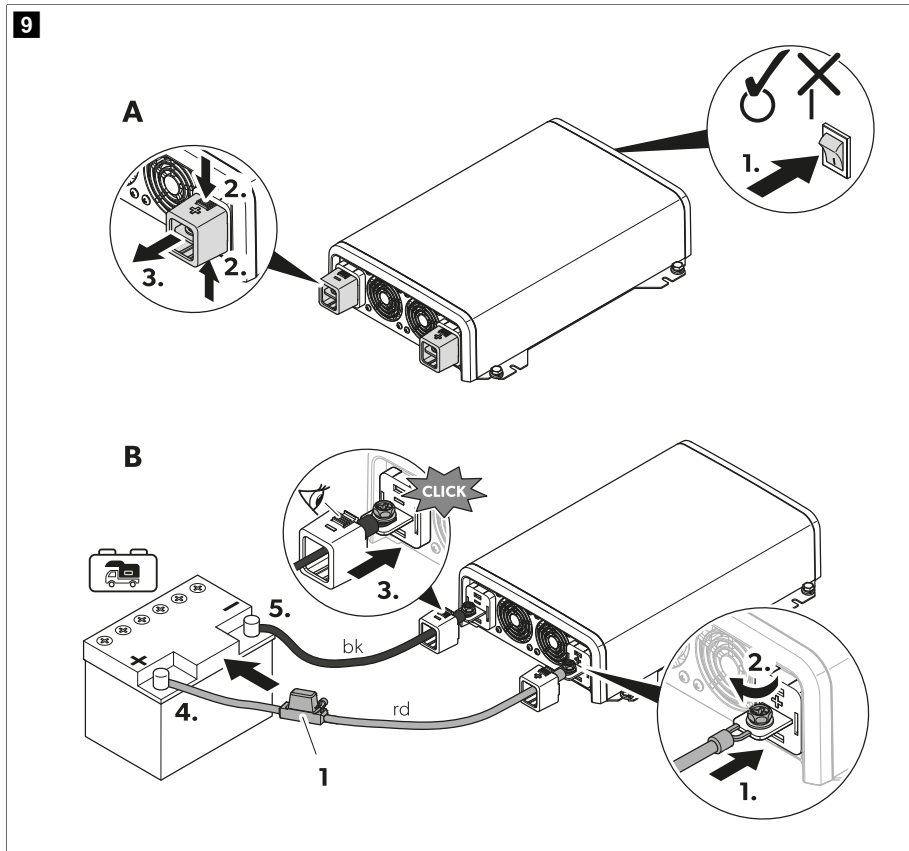
- Při zřizování rozvodu se zásuvkami (síťové instalace) dodržujte platné předpisy.
- Pro přívod stejnosměrného proudu (připojení ke svorkám baterie) použijte co nejkratší kabely ( $\leq 1$  m).
- Pro připojení k **síti TN**: Nainstalujte proudový chránič (RCD).
- Pro připojení k **síti IT**: Pokud je připojena více než jedna zátěž, nainstalujte zařízení pro sledování izolace (IMD).



### **Dodržujte národní normy.**

1. Určete vhodné průřezy kabelů a hodnotu pojistky:


	<b>Průřez kabelu</b>	<b>Jištění kabelu</b>
DPSI612	25 mm <sup>2</sup>	150 A
DPSI624	25 mm <sup>2</sup>	150 A
DPSI1012	35 mm <sup>2</sup>	200 A
DPSI1024	25 mm <sup>2</sup>	150 A
DPSI1512	50 mm <sup>2</sup>	250 A
DPSI1524	25 mm <sup>2</sup>	150 A
DPSI2012	70 mm <sup>2</sup>	300 A
DPSI2024	35 mm <sup>2</sup>	200 A

2. Zkontrolujte, zda je přístroj vypnutý (  obr. **9** na stránce 276, **1**).

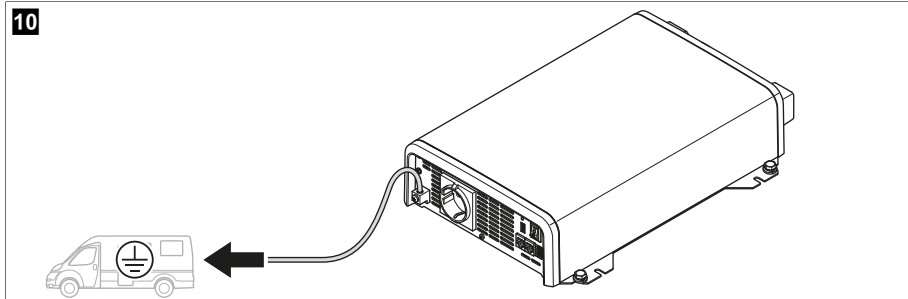


3. Odstraňte kryty ze svorek (  obr. **9** na stránce 276, **2 – 3**).
4. Připojte kabel (+) ke kladnému pólu domovní baterie (červený (rd) přípojovací kabel (  obr. **9** na stránce 276, **4**).



**POZNÁMKA** Kladný kabel od domovní baterie chraňte pojistkou (  obr. **9** na stránce 276, **1**).

5. Připojte kabel (-) k zápornému pólu domovní baterie (černý (bk) přípojovací kabel (  obr. **9** na stránce 276, **5**).
6. Připojte zemnicí přípojku k uzemnění (kostře) (  obr. **10** na stránce 277).

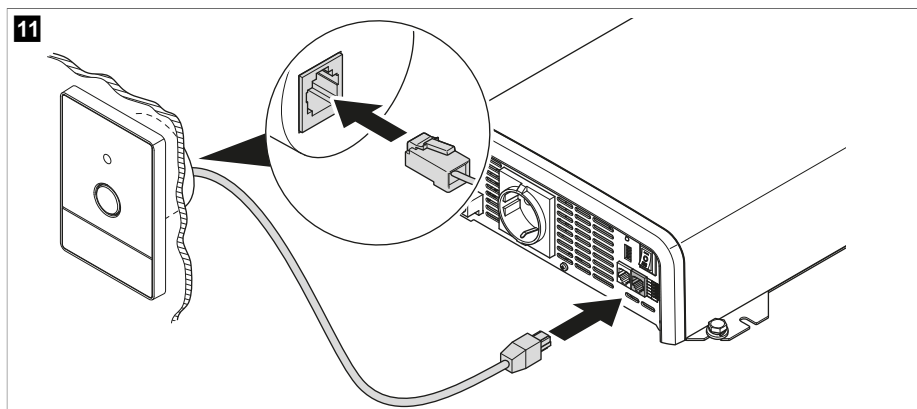


## 8.5 Připojení dálkového ovladače



**POZNÁMKA** Dálkový ovladač a síť N-BUS/CI-BUS nemohou být zapojeny zároveň.

- > Připojte dálkový ovladač ke konektoru dálkového ovládání pomocí připojovacího kabelu dálkového ovladače.

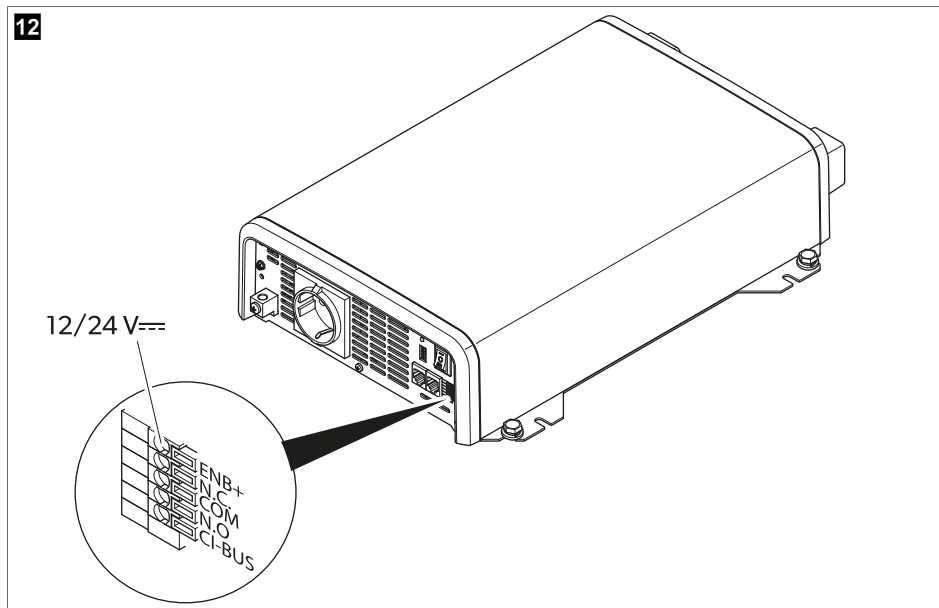


## 8.6 Připojení kolíku ENB+



**POZNÁMKA** Pokud je připojen kolík ENB+, nelze změnit stav režimu úspory energie.

12



1. Nastavte vypínač do polohy **0**.
2. Kolík ENB+ použijte následovně:
  - Chcete-li měnič zapnout, připojte kolík ENB+ ke kladnému pólu domovní baterie pomocí vhodného elektrického kabelu.
  - Chcete-li měnič vypnout, odpojte kolík ENB+ od domovní baterie.

## 9 Konfigurace síťového systému





Elektrickou instalaci přístroje musí provést kvalifikovaný elektrikář, který disponuje potřebnými dovednostmi a znalostmi týkajícími se konstrukce, instalace a provozu elektrických zřízení, který zná platné předpisy v zemi instalace nebo používání tohoto zařízení a který absolvoval bezpečnostní školení, aby byl schopen rozpoznat související nebezpečí a předejít jim.

Všechny ostatní kroky mohou provést i běžní uživatelé.

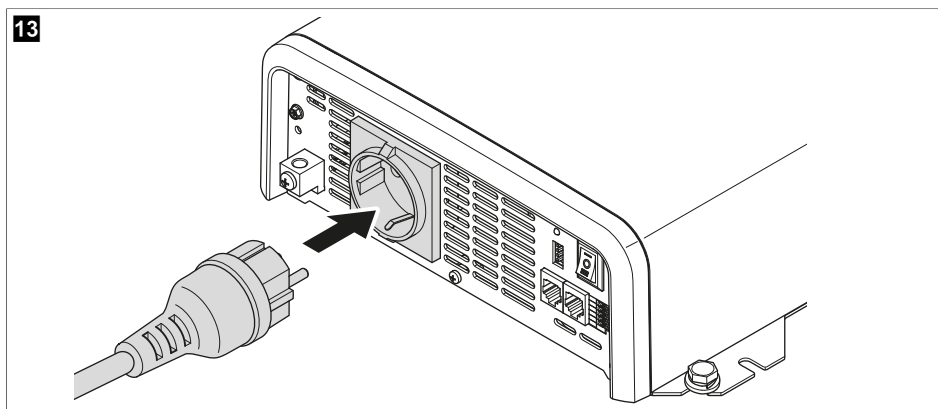


### NEBEZPEČÍ! Nebezpečí usmrcení elektrickým proudem

- > K provedení konfigurace stačí pouze odstranit ochrannou krytku z přepínačů DIP.
  - > Ochrannou krytku nasadte zpět, abyste zabránili náhodné změně nastavení přepínačů DIP.
  - > Při konfiguraci **sítě TN**: Ujistěte se, že je nainstalován proudový chránič (RCD).
  - > Při konfiguraci **sítě IT**: Použijte pouze jednu zátěž nebo nainstalujte zařízení pro sledování izolace (IMD). Dodržujte národní normy.
- > Vložením šroubu do polohy  nastavte **sítě TN**.
  - > Vložením šroubu do polohy  nastavte **sítě IT**.

## 10 Použití

### 10.1 Napájení 230V zařízení



#### POZNÁMKA

Připojte pouze zařízení, jejichž celkové zatížení nepřesáhne hodnoty uvedené v části Technické údaje na stránce 282.

- > Připojte 230 V zařízení k výstupu střídavého proudu (AC) měniče (  obr. 13 na stránce 279).

### 10.2 Zapínání a vypínání měniče



#### POZNÁMKA

- > Při ovládní měniče pomocí dálkového ovladače musí být vypínač nastaven do polohy **II**.
- > Při ovládní měniče pomocí kolíku ENB+ musí být vypínač nastaven do polohy **0**.
- > Chcete-li měnič zapnout, nastavte vypínač do polohy **I**.
- > Chcete-li měnič vypnout, nastavte vypínač do polohy **0**.
- > K zapínání a vypínání měniče použijte dálkový ovladač nebo kolík ENB+.

### 10.3 Nastavení režimu úspory energie



#### POZNÁMKA

- Je-li přepínač DIP S2 nastaven do polohy **OFF**, měnič se automaticky přepne do normálního provozu, když je připojena zátěž  $\geq 45$  W.
- Je-li přepínač DIP S2 nastaven do polohy **ON**, měnič se automaticky přepne do normálního provozu, když je připojena zátěž  $\geq 80$  W.
- Stav režimu úspory energie není možné změnit při používání dálkového ovládní nebo kolíku ENB+, dokud není dokončen celý cyklus vypnutí a zapnutí

#### Aktivace režimu úspory energie

1. Příp. vypněte měnič.

- Nastavte přepínač DIP S1 na pozici **ON**.
- ✓ Režim úspory energie je aktivován.

### Deaktivace režimu úspory energie

- Vypněte měnič.
  - Nastavte přepínač DIP S1 na pozici **OFF**.
- ✓ Režim úspory energie je deaktivován.

## 11 Čištění a péče



### VÝSTRAHA! Nebezpečí usmrcení elektrickým proudem

Před každým čištěním a údržbou odpojte přístroj od elektrického napájení.



### POZOR! Nebezpečí poškození

- > Nikdy nečistěte přístroj pod tekoucí vodou nebo ve vodní lázni.
  - > K čištění nepoužívejte žádné ostré nebo tvrdé předměty, čisticí píský nebo bělidlo, protože mohou přístroj poškodit.
  - > Dbejte na to, aby vstupní a výstupní větrací otvory přístroje byly zbaveny prachu a nečistot, a mohlo tak přes ně unikat teplo.
- > Příležitostně přístroj vyčistěte měkkou zvlhčenou utěrkou.
  - > Pravidelně kontrolujte kabely nebo vodiče pod napětím, zda na nich není patrné poškození izolace, nejsou nalomené nebo se neuvolnilo jejich připojení.

## 12 Řešení problémů

Porucha	Možná příčina	Návrh řešení
Měnič nefunguje. Kontrolka LED indikace stavu nesvítí.	Zkrat pětkrát po sobě.	<ul style="list-style-type: none"> <li>&gt; Pojistka zařízení musí být vyměněna autorizovaným servisem poté, co byla spuštěna nadměrným proudem.</li> </ul>
	Vadná izolace, přerušené nebo uvolněné připojení kabelů pod napětím.	<ul style="list-style-type: none"> <li>&gt; Pravidelně kontrolujte kabely pod napětím, zda na nich není patrné poškození izolace, zda nejsou nalomené nebo se neuvolnilo jejich připojení.</li> <li>Pokud nemůžete chybu najít, obraťte se na autorizovaného servisního zástupce.</li> </ul>
Měnič nefunguje. Kontrolka LED indikace stavu se rozsvítí červeně.	Ochrana proti vysokému výstupnímu proudu.	Snižte množství připojených zátěží.
	Ochrana proti přehřívání.	<ol style="list-style-type: none"> <li>Vypněte měnič a připojené zátěže.</li> <li>Zkontrolujte, zda nejsou zakryty nebo zablokovány vstupy a výstupy vzduchu.</li> <li>Umožněte měnič vychladnout.</li> </ol>



Porucha	Možná příčina	Návrh řešení
	Byl vytvořen zkrat.	Pojistka zařízení musí být vyměněna autorizovaným servisem poté, co byla spuštěna nadměrným proudem.
	Přepětíová ochrana. Příliš vysoké napětí baterie.	<ul style="list-style-type: none"> <li>&gt; Snižte připojená napětí. Když napětí klesne na restartovací hodnotu, měnič se znovu automaticky spustí (viz kapitola Přepětíová ochrana na stránce 283).</li> <li>&gt; Pokud k chybě dochází i nadále: Použijte kabely s většími průřezy. Použijte kratší kabely.</li> </ul>
	Podpětíová ochrana. Příliš nízké napětí baterie.	<ul style="list-style-type: none"> <li>&gt; Nechte baterii pomalu dobít. Když napětí překročí restartovací hodnotu, měnič se znovu automaticky spustí (viz kapitola Podpětíová ochrana na stránce 283).</li> </ul>

## 13 Záruka

Na výrobek je poskytována záruka v souladu s platnými zákony. Pokud je výrobek vadný, kontaktujte pobočku výrobce ve vaší zemi nebo svého prodejce (viz [dometic.com/dealer](http://dometic.com/dealer)).

K vyřízení opravy nebo záruky nezapomeňte odeslat následující dokumenty:

- kopii účtenky s datem zakoupení,
- uvedení důvodu reklamace nebo popis vady.

Upozorňujeme, že oprava svépomocí nebo neodborná oprava může ohrozit bezpečnost a vést ke ztrátě záruky.

## 14 Likvidace

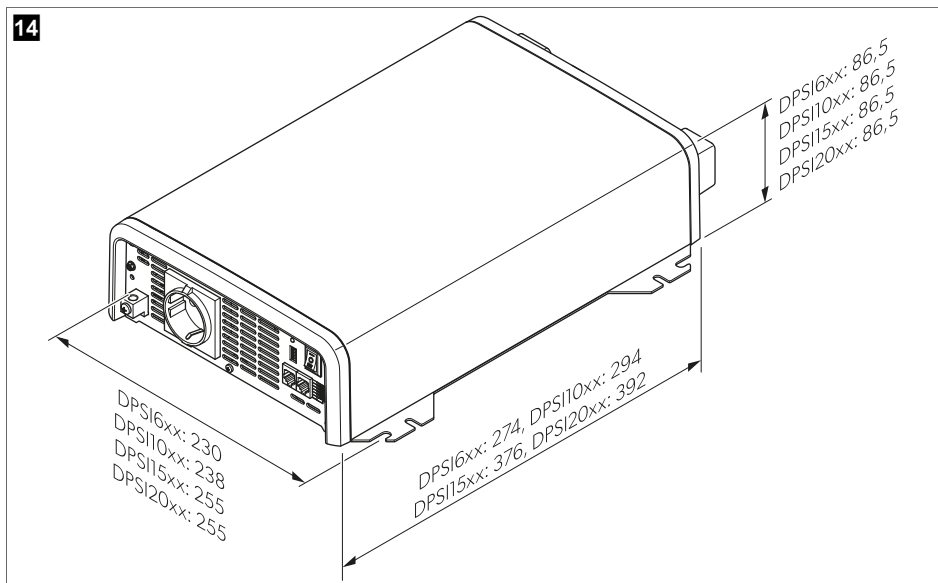


Kdekoli je to možné, třídte obalový materiál do příslušných kontejnerů.

Informace o likvidaci výrobku v souladu s platnými předpisy pro likvidaci vám sdělí místní recyklační středisko nebo specializovaný prodejce.


Výrobek lze zlikvidovat bezplatně.

## 15 Technické údaje





	<b>DPSI 612</b>	<b>DPSI 1012</b>	<b>DPSI 624</b>	<b>DPSI 1024</b>
Jmenovité vstupní napětí	12 V <sup>===</sup>		24 V <sup>===</sup>	
Rozsah vstupního napětí	10,5 ... 16,5 V <sup>===</sup>		21 ... 33 V <sup>===</sup>	
Trvalý výstupní výkon P <sub>jm.</sub>	600 W	1000 W	600 W	1000 W
Maximální výstupní výkon (1 min)	690 W	1150 W	690 W	1150 W
Maximální přepětový výkon (1 s) P <sub>přep.</sub>	1200 W	2000 W	1200 W	2000 W
Odběr proudu v režimu bez zatížení	≤ 1 A	≤ 1,1 A	≤ 0,6 A	≤ 0,6 A
Odběr proudu v pohotovostním režimu	≤ 0,3 A	≤ 0,35 A	≤ 0,2 A	≤ 0,2 A
Rozměry	📐 obr. 14 na stránce 282			
Hmotnost	1,1 kg	1,2 kg	1,1 kg	1,2 kg

	<b>DPSI 1512</b>	<b>DPSI 2012</b>	<b>DPSI 1524</b>	<b>DPSI 2024</b>
Jmenovité vstupní napětí	12 V <sup>===</sup>		24 V <sup>===</sup>	
Rozsah vstupního napětí	10,5 ... 16,5 V <sup>===</sup>		21 ... 33 V <sup>===</sup>	
Trvalý výstupní výkon P <sub>jm.</sub>	1500 W	2000 W	1500 W	2000 W
Maximální výstupní výkon (1 min)	1725 W	2300 W	1725 W	2300 W
Maximální přepětový výkon (1 s) P <sub>přep.</sub>	3000 W	4000 W	3000 W	4000 W
Odběr proudu v režimu bez zatížení	≤ 1,2 A	≤ 1,5 A	≤ 0,7 A	≤ 0,8 A
Odběr proudu v pohotovostním režimu	≤ 0,4 A	≤ 0,5 A	≤ 0,25 A	≤ 0,3 A

	DPSI 1512	DPSI 2012	DPSI 1524	DPSI 2024
Rozměry	 obr. 14 na stránce 282			
Hmotnost	1,1 kg	1,2 kg	1,1 kg	1,2 kg

### 15.1 Všeobecné technické údaje

Rozsah výstupního napětí	230 V $\sim$ $\pm$ 10 %
Výstupní frekvence	50 Hz $\pm$ 1 %
Výstupní průběh	Čistá sinusová vlna
Špičková účinnost	90 %
Okolní teplota za provozu	0 ... 50 °C
Okolní teplota při skladování	-30 °C ... 70 °C
Okolní vlhkost	0 ... 95 %, non-condensing
Zkouška/certifikát	 

### 15.2 Podpětová ochrana

	Mezní hodnota	Restartovací hodnota
DPSlxx12	10,3 V	11,8 V
DPSlxx24	20,6 V	23,6 V

### 15.3 Přepětová ochrana

	Mezní hodnota	Restartovací hodnota
DPSlxx12	16,5 V	15,5 V
DPSlxx24	33 V	31 V

## Magyar

1	Fontos információk.....	284
2	Szimbólumok magyarázata.....	284
3	Biztonsági útmutatások.....	285
4	A csomag tartalma.....	288
5	Tartozékok.....	288
6	Rendeltetésszerű használat.....	288
7	Műszaki leírás.....	289
8	Szerelés.....	292
9	A hálózati rendszer konfigurálása.....	298
10	Üzemeltetés.....	299
11	Tisztítás és karbantartás.....	300
12	Hibakeresés.....	300
13	Garancia.....	301
14	Ártalmatlanítás.....	301
15	Műszaki adatok.....	302

## 1 Fontos információk

A termék mindenkoriszakszerű telepítése, használata és karbantartása érdekében kérjük figyelmesen olvassa el az ebben a termék kézikönyvben található utasításokat, irányelveket és figyelmeztetéseket, valamint mindig tartsa be ezeket. Ezt az útmutatót a termék közelében KELL tartani.

A termék használatba vételével Ön kijelenti hogy figyelmesen elolvasta az összes utasítást, irányelvet és figyelmeztetést, valamint megértette és elfogadja az itt leírt szerződési feltételeket. Ön elfogadja, hogy kizárólag a rendeltetésének megfelelő célra és a jelen termék kézikönyvben leírt útmutatásoknak, irányelveknek és figyelmeztetéseseknek, valamint a hatályos törvényeknek és szabályozásoknak megfelelően használja ezt a terméket. Az itt leírt utasítások és figyelmeztetések elolvasásának és betartásának elmulasztása saját és mások sérüléséhez, a termék vagy a közelben található más anyagi javak károsodásához vezethet. Ez a termék kézikönyv és a benne található utasítások, irányelvek és figyelmeztetések, valamint a kapcsolódó dokumentációk módosulhatnak és frissülhetnek. Naprakész termékinformációkért látogasson el a következő honlapra: [documents.dometic.com](http://documents.dometic.com).

## 2 Szimbólumok magyarázata

A figyelmeztető szavak a biztonsági utasítások, valamint a vagyoni károk elkerülésére szolgáló utasítások jelzésére szolgálnak, továbbá a veszély súlyosságát is jelzik.



### VESZÉLY!

Veszélyes helyzetet jelöl, amely súlyos sérülést vagy halált okoz, ha nem kerülik el.



### FIGYELMEZTETÉS!

Veszélyes helyzetet jelöl, amely súlyos sérülést vagy halált okozhat, ha nem kerülik el.



### VIGYÁZAT!

Veszélyes helyzetet jelöl, amely könnyű vagy mérsékelt sérülést okozhat, ha nem kerülik el.



### FIGYELEM!

Olyan helyzetet jelöl, amely vagyoni kárt okozhat, ha nem kerülik el.



**MEGJEGYZÉS** A termék kezelésére vonatkozó kiegészítő információk.

## 3 Biztonsági útmutatások

**Vegye figyelembe a járműgyártó és a hivatalos szakműhely biztonsági útmutatásait és előírásait.**

### 3.1 Alapvető biztonság



#### **VESZÉLY! Áramütés miatti veszély**

- > Soha ne fogjon meg puszta kézzel csupasz vezetékeket.
- > Annak érdekében, hogy a készüléket veszély esetén gyorsan el lehessen választani a váltakozó áramú hálózatról, a dugaszolóaljzatnak a készülék közelében és könnyen hozzáférhetőnek kell lennie.



#### **FIGYELMEZTETÉS! Áramütés miatti veszély**

- > A készülék beszerelését és eltávolítását csak szakképzett személyzet végezheti.
- > Ha a készüléken vagy csatlakozókábelén sérülések láthatók, akkor a készüléket nem szabad üzembe helyezni.
- > Ha a készülék tápkábele megsérült, akkor a biztonsági kockázatok elkerülése érdekében ki kell cserélni ezt.
- > Javításokat csak szakemberek végezhetnek a készüléken. A helytelen javítások jelentős veszélyeket okozhatnak.
- > Kizárólag a gyártó által engedélyezett tartozékokat használja.
- > Semmilyen módon nem módosítsa, vagy ne változtassa meg egyik komponenst sem.
- > Ne oldjon le kábeleket, ha a készülék még üzemel.
- > Válassza le a készüléket az áramellátásról:
  - minden használat után
  - Minden tisztítás és ápolás előtt
  - biztosítékcseré előtt



#### **FIGYELMEZTETÉS! Tűzveszély/gyúlékony anyagok**

Tűz esetén elektromos készülékek oltására alkalmas tűzoltó készüléket használjon.



#### **FIGYELMEZTETÉS! Fulladásveszély**

A készülék kábele a vezérlőegysége a nem megfelelő elrendezés esetén beakadás, fojtás, elbotlás vagy elbotlás veszélyét okozhatja. Gondoskodjon róla, hogy a felesleges kötegelők és tápkábelek elrendezése biztonságos legyen.



#### **FIGYELMEZTETÉS! Egészségkárosodás veszélye**

- > A készüléket 8 év feletti gyermekek, valamint korlátozott fizikai, érzékszervi és mentális képességű, illetve megfelelő tapasztalattal és tudással nem rendelkező személyek csak felügyelet mellett, illetve a készülék biztonságos használatát és az abból eredő veszélyeket megértve használhatják.
- > **Az elektromos berendezések nem játékszerek.** Úgy tárolja és használja a készüléket, hogy a kisgyermek ne férhessenek hozzá.
- > A gyermekeket felügyelni kell annak érdekében, hogy ne játsszanak a készülékkel.
- > A tisztítást és a felhasználói karbantartást felügyelet nélküli gyermekek nem végezhetik.



#### **FIGYELEM! Károsodás veszélye**

- > Üzembe helyezés előtt hasonlítsa össze a feszültségadatokat az adattáblán a meglévő energiaellátással.
- > Ügyeljen arra, hogy más tárgyak **ne** okozhassanak rövidzárlatot a készülék érintkezőinél.
- > Ügyeljen arra, hogy a negatív és pozitív pólusok **soha ne** érintkezzenek egymással.
- > Ne húzza a csatlakozókábeleket és ne használja azokat fogantyúként.
- > A készüléket ne tegye ki eső, nedvesség hatásának. Száraz helyen tárolja.

### **3.2 A készülék biztonságos telepítése**



#### **VESZÉLY! Robbanásveszély**

- > A készüléket kizárólag zárt, jól szellőztetett helyiségekben szerelje fel és működtesse.
- > Az alábbi körülmények között **ne** üzemeltesse a készüléket:
  - sótartalmú, nedves vagy vizes környezetben
  - korrozív hatású gőzök közelében
  - éghető anyagok közelében
  - hőforrások közelében (fűtés, erős napsugárzás, gázkazán stb.)
  - Olyan területeken, ahol gáz-, vagy porrobbanás történhet.



#### **FIGYELMEZTETÉS! Sérülés kockázata**

- > Ügyeljen arra, hogy a készülék stabilan álljon. A készüléket úgy kell biztonságosan felállítani, hogy ne borulhasson fel és ne eshessen le.
- > A készülék pozicionálásakor az elbotlásveszély minden formájának elkerülése érdekében gondoskodjon a kábelek megfelelő rögzítéséről.



#### **FIGYELEM! Károsodás veszélye**

- > A készüléket száraz és fröccsenő víztől védett területen helyezze el.
- > Csak földelt és érintésvédelmi relével biztosított dugaszolóaljzatokat használjon

### **3.3 Biztonság a készülék elektromos csatlakoztatása során**



#### **VESZÉLY! Áramütés miatti veszély**

Ha elektromos berendezéseken dolgozik, biztosítsa, hogy legyen valaki a közelben, aki vészhelyzetben segítséget nyújthat.



#### **FIGYELMEZTETÉS! Áramütés miatti veszély**

- > Tartsa be az ajánlott kábelkeresztmetszeteket.
- > A vezetékeket úgy vezesse, hogy azokat ajtók vagy motorháztető ne sérthessék meg. Becsípődött kábelek életveszélyes sérüléseket okozhatnak.



#### **FIGYELEM! Károsodás veszélye**

- > Ha vezetékeket lemezburkolatokon vagy más éles peremű falakon kell átvezetnie, akkor használjon csöveket vagy átvezetőket.
- > **Ne** vezesse ugyanabban a csőben a 230 V elektromos hálózati kábelt és a 12 V egyenáramú kábelt.
- > **Ne** vezesse a kábeleket nagy ráhagyással vagy élesen megtörve.
- > A vezetékeket biztonságosan rögzítse.

### 3.4 Biztonság az akkumulátorok kezelésénél



#### FIGYELMEZTETÉS! Sérülés kockázata

- > Az akkumulátorok agresszív és maró savakat tartalmaznak. Kerülje az akkumulátorfolyadékkal történő bármilyen testi kontaktust. Az akkumulátorfolyadék bőrre kerülése esetén bő vízzel alaposan mossa le a bőrt. Savak által okozott sérülések esetén feltétlenül menjen orvoshoz.
- > Az akkumulátorokkal végzendő munkák során ne viseljen fém tárgyakat, például órát vagy gyűrűt. Az ólomsavas akkumulátorok súlyos égést okozó rövidzárlati áramokat generálhatnak.
- > Csak szigetelt szerszámokat használjon.
- > Ne helyezzen fém alkatrészeket az akkumulátorra, és ügyeljen rá, nehogy bármilyen fém alkatrész ráessen az akkumulátorra. Ez szikrát generálhat, vagy az akkumulátort és más elektromos készülékeket rövidre zárhat.
- > Akkumulátorokon végzett munkák során használjon védőszemüveget és viseljen védőruházatot. Akkumulátoroknál végzett munkák során ne érintse meg a szemét.
- > Kizárólag újratölthető akkumulátorokat használjon.
- > Ne használjon meghibásodott akkumulátorokat.



#### VIGYÁZAT! Robbanásveszély

- > Fagyott vagy meghibásodott akkumulátort nem próbáljon meg feltölteni. Ilyen esetben az akkumulátort fagymentes helyen helyezze el, és várjon addig, amíg az akkumulátor át nem vette a környezeti hőmérsékletet. Ezt követően indítsa el a töltési műveletet.
- > Ne dohányozzon, ne használjon nyílt lángot, és ne okozzon szikrát a motor vagy az akkumulátor közelében.
- > Az akkumulátort tartsa távol hőforrásoktól.



#### FIGYELEM! Károsodás veszélye

- > A csatlakoztatásnál vegye figyelembe a megfelelő polaritást:
- > Kövesse az akkumulátorgyártó és az akkumulátort használó berendezés vagy jármű gyártójának útmutatásait.
- > Ha az akkumulátort el kell távolítani, először válassza le a földelőcsatlakozást. Mielőtt kiserelné az akkumulátort, válassza le róla az összes csatlakozást és az összes fogyasztót.
- > Csak teljesen feltöltött akkumulátorokat tároljon. Rendszeresen töltse fel a tárolt akkumulátorokat.
- > Ne hordozza az akkumulátort a pólusainál fogva.

### 3.5 Biztonság a készülék üzemeltetése során



#### FIGYELMEZTETÉS! Áramütés miatti veszély

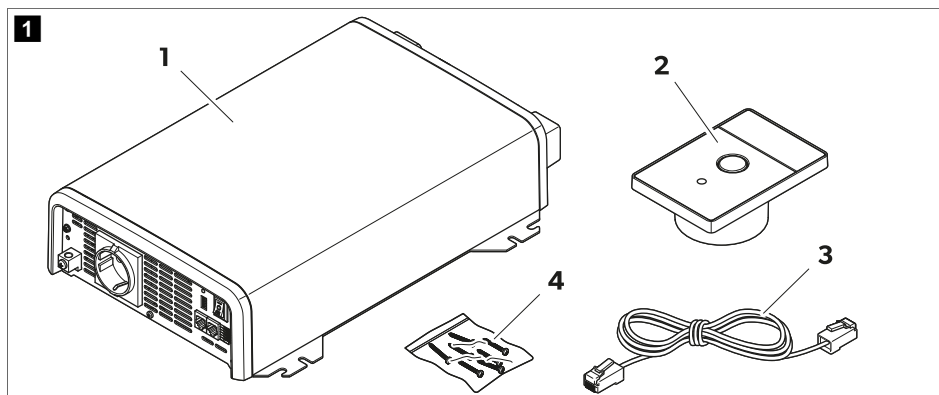
- > Ne használja a készüléket nedves körülmények között, és ne merítse bele semmilyen folyadékba.
- > A készülék beindítása előtt biztosítsa, hogy a tápkábel és a dugasz száraz legyen, ne legyen rozsdás és ne legyenek rajta szennyeződések.
- > Vegye figyelembe, hogy a készülék alkatrészei még a biztosíték kioldása esetén is feszültség alatt állhatnak.




#### FIGYELEM! Károsodás veszélye

- > Ügyeljen arra, hogy a készülék levegőbevezető és kivezető nyílásai ne legyenek elfedve.
- > Gondoskodjon a megfelelő szellőzésről.

## 4 A csomag tartalma



Sz. lásd:  ábra <b>1</b> <b>288. oldal</b>	Megnevezés	Mennyiség
1	Színuszos inverter	1
2	Távírányító	1
3	Távvezérlési csatlakozókábel	1
4	Rögzítőcsavarok	6
-	Szerelési és használati útmutató	1

## 5 Tartozékok

Megnevezés	Cikksz.
DPSI-RC távírányító	9620018306
TD283 érintőkijelző	9620013272

## 6 Rendeltetészerű használat

Az inverter az egyenáramot tiszta szinuszhullámos, 230 V $\sim$ -os váltakozó feszültséggé (AC) alakítja a rákapcsolt 230 V-os fogyasztók működtetése és stabil áramellátása érdekében.

Az inverter a következőkhöz való csatlakoztatásra szolgál:

- DPSI612, DPSI1012, DPSI1512, DPSI2012: 12 V $\text{---}$
- DPSI624, DPSI1024, DPSI1524, DPSI2024: 24 V $\text{---}$

Az inverter a következőkre alkalmas:

- Beépítés lakóautóba (RV), haszongépjárműbe vagy motoros és vitorlás jachtokba
- Helyhez kötött vagy mobil használat
- Beltéri használat

Az inverter a következőkre **nem** alkalmas:



- Kültéri használatra

Ez a termék az itt leírt utasításoknak megfelelő rendeltetésszerű használatra alkalmas.

Ez a kézikönyv olyan információkat nyújt, amelyek a termék szakszerű telepítéséhez és/vagy üzemeltetéséhez szükségesek. A hibás telepítés és/vagy a szakszerűtlen üzemeltetés vagy karbantartás elégtelen teljesítményhez és potenciálisan meghibásodáshoz vezethet.

A gyártó nem vállal felelősséget a termék olyan károsodásáért, vagy sérülésekért, amelyek a következőkre vezethetők vissza:

- Hibás beszerelés, összeszerelés vagy csatlakoztatás, ideértve a túlfeszültséget is
- Helytelen karbantartás, vagy a gyártó által szállított eredeti cserealkatrészekből eltérő cserealkatrészek használata
- A termék kifejezett gyártói engedély nélküli módosítása
- Az útmutatóban leírt céloktól eltérő felhasználás

A Dometic fenntartja a termék megjelenésének és specifikációjának módosítására vonatkozó jogát.

## 7 Műszaki leírás

### 7.1 Általános leírás

Az inverter egy DC–AC szinuszos inverter

Az inverter a következő hálózati rendszerekben üzemeltethető:

- TN hálózat
- IT hálózat

A hálózati rendszer beállítása az inverteren lévő csavarral történik.

Az inverter a következő védelmi mechanizmusokkal rendelkezik:

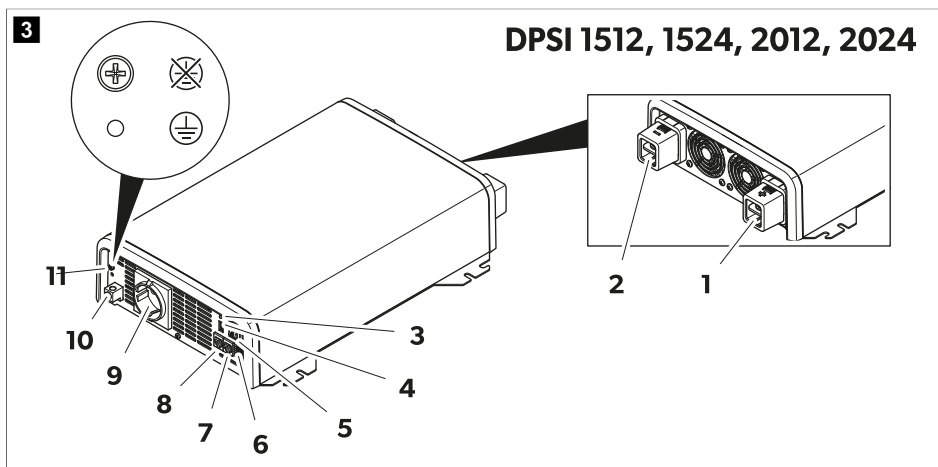
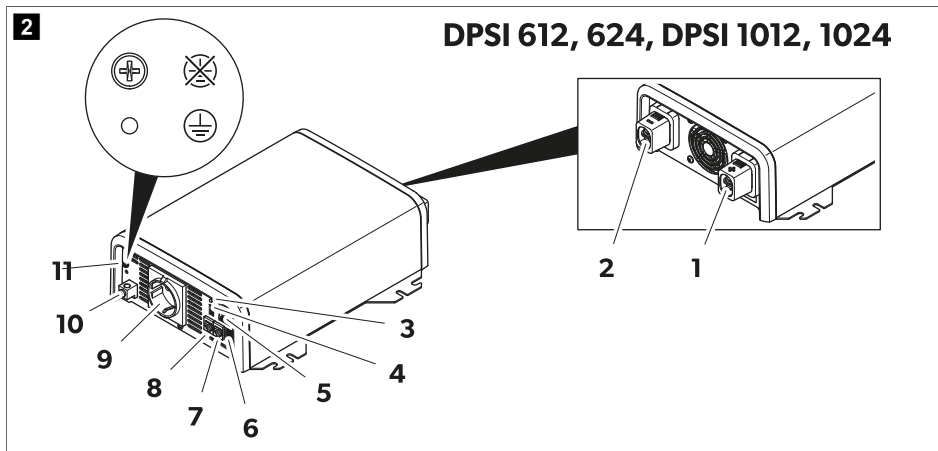
- **Túlfeszültség-védelem:** Az inverter kikapcsol, ha a feszültségérték a kikapcsolási érték fölé emelkedik. Az inverter automatikusan újraindul, amikor a feszültség az újraindulási értékre csökken.
- **Feszültségcsökkenés-védelem:** Az inverter kikapcsol, ha a feszültségérték a kikapcsolási érték alá süllyed. Az inverter automatikusan újraindul, amikor a feszültség az újraindulási érték fölé nő.
- **Túlmelegedés-védelem:** Ha a belső hőmérséklete a kikapcsolási érték fölé emelkedik, akkor az inverter kikapcsol. Az inverter automatikusan újraindul, amikor a belső hőmérséklete az újraindulási értékre csökken.
- **Nagy kimeneti árammal szembeni védelem:** Az inverter kikapcsol, ha túl sok terhelést kapcsolnak rá.
- **Rövidzárlat elleni védelem:** Az inverter rövidzárlat esetén kikapcsol. Az inverter pár másodperc elteltével magától újraindul. Ha öt egymást követő alkalommal rövidzárlatot észlel, az inverter nem indul újra automatikusan, ekkor kézi újraindításra van szükség.

Az inverter N-BUS- és CI-BUS-kompatibilis az adatok és funkciók megjelenítéséhez az érintőkijelzőn (tartozékok) és a mobilalkalmazáson.

Az inverter távvezérlővel rendelkezik, amellyel az inverter be- vagy kikapcsolható.

Az inverter az üresjáratú fogyasztás csökkentése és az akkumulátor terhelésének minimalizálása érdekében energiatakarékos üzemmódban kapcsolható. Ez egy DIP-kapcsolóval tehető meg.

## 7.2 Kezelőszervek és csatlakozók

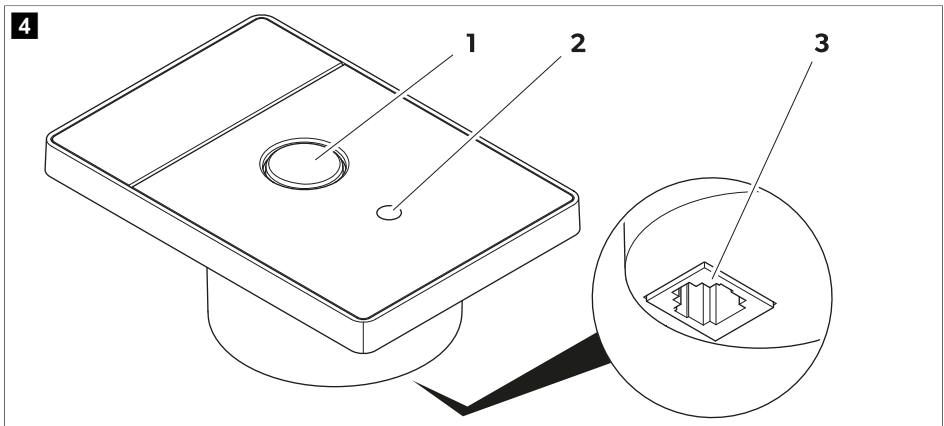


**MEGJEGYZÉS** Az ábrákon az Európa kontinentális részének országai számára készült változatok láthatók

Sz.	Megnevezés
1	(+) csatlakozó, csatlakozás a házi akkumulátor pozitív pólusához
2	(-) csatlakozó, csatlakozás a házi akkumulátor negatív pólusához
3	Állapotjelző LED
4	DIP-kapcsoló
5	Be- / kikapcsoló

Sz.	Megnevezés
6	Csatlakozó külső vezérléshez
7	CI BUS/N busz/távírányító csatlakozó (LINB)
8	CI BUS/N busz/távírányító csatlakozó (LINA)
9	Váltakozó áramú kimenet
10	Földelő csatlakozás
11	Csavar az IT/TN hálózat beállításához

### 7.3 Távírányító



Sz. lásd: 

Megnevezés

ábra **4** 291. oldal

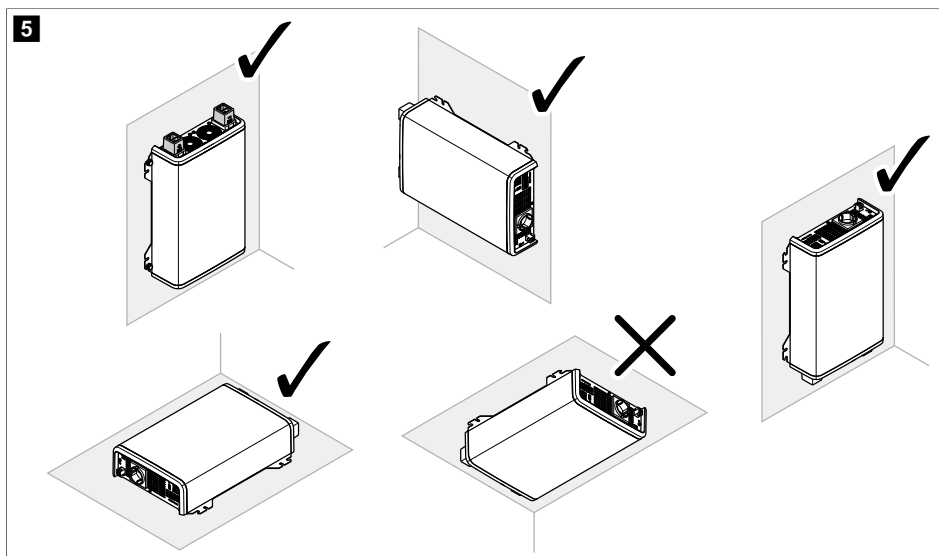
1	Be-/kikapcsoló gomb
2	Állapotjelző LED
3	A távvezérlő csatlakozása

### 7.4 Állapotjelző LED

Állapot	Leírás
Green	Az inverter üzemel
Orange	Figyelmeztetés: Váltakozó áramú kimenet üzemel, túlfeszültség, feszültséghiány vagy áramkimaradás kockázata
Red	Hiba: Nincs jelen váltakozó áramú bemenet, az inverter inaktív állapotban van (lásd a következő fejezetet: Hibakeresés 300. oldal)

## 8 Szerelés

### 8.1 Szerelési hely



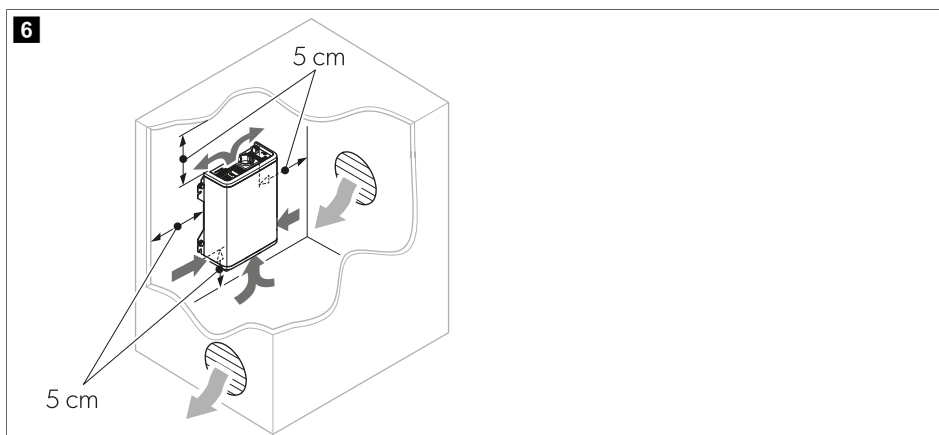
**FIGYELEM! Károsodás veszélye**

Furatok készítése előtt ellenőrizze, hogy a fúrás, fűrészelés vagy reszelés nem okozza-e a jármű elektromos kábeleinek vagy más alkatrészeinek sérülését.




**MEGJEGYZÉS**

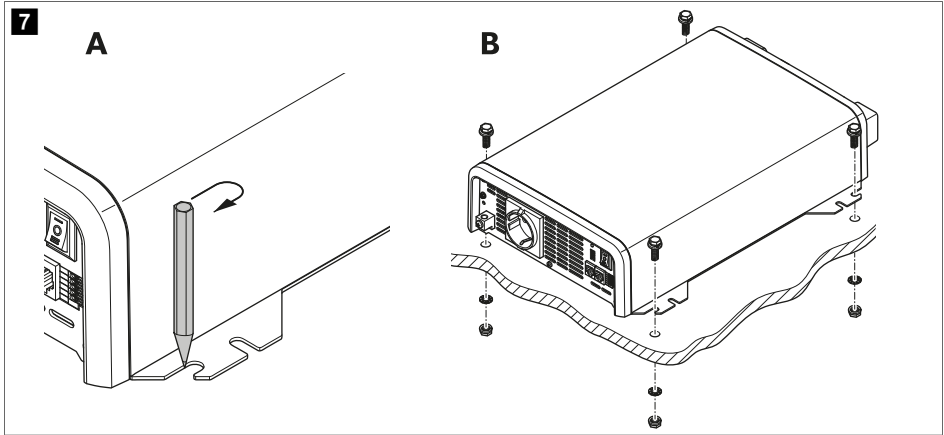
Az inverter rögzíthető ültetve és függesztve (  ábra **5** 292. oldal ).




A felszerelés helyét az útmutatások figyelembevételével válassza meg:

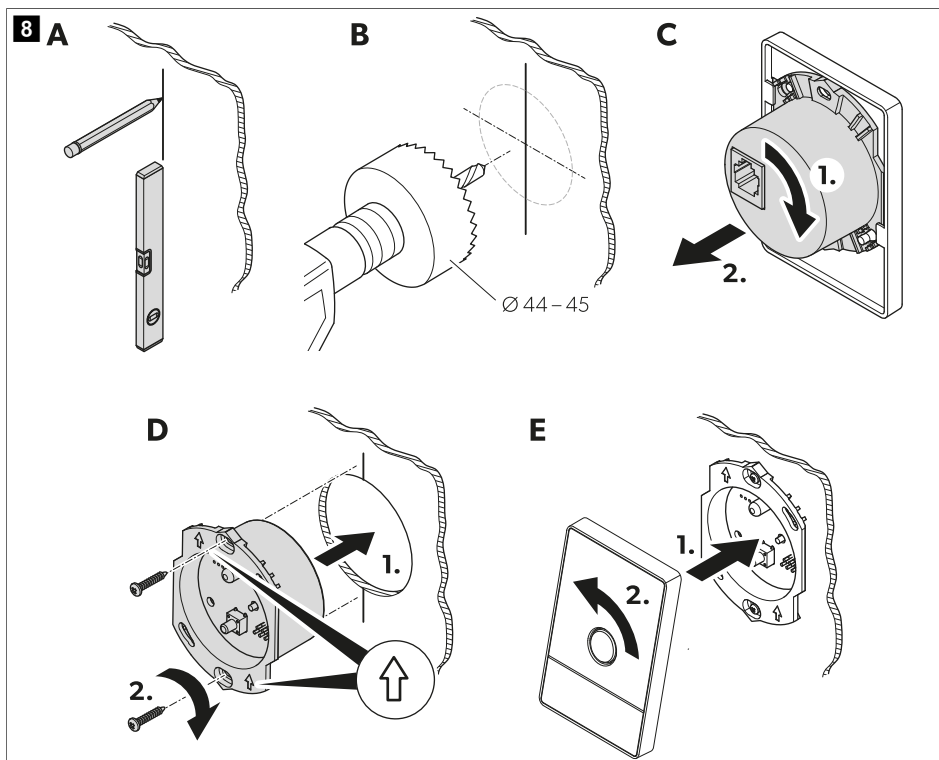
- Biztosítsa, hogy a szerelési felület stabil és sík legyen.
- A megfelelő szellőzés érdekében tartsa be a távolsági előírásokat (  . ábra **6** 292. oldal ).





## 8.2 Az inverter felszerelése



1. Válassza ki a megfelelő rögzítőfuratokat a kiválasztott rögzítési típustól függően (ülő vagy függő), és jelölje be a furatok helyét (  . ábra **7** 293. oldal , **A**).
2. Készítse el a rögzítőfuratokat.
3. Rögzítse az invertert a csavarokkal (  . ábra **7** 293. oldal , **B**).


### 8.3 A távirányító felszerelése



1. Jelölje meg a rögzítési felületet (  . ábra **8** 294. oldal , **A**).
2. Fúrjon egy 44 mm ... 45 mm átmérőjű furatot például lyukfúróval (  . ábra **8** 294. oldal , **B**).
3. Távolítsa el a csatlakozódobozt a vezérlőpanelről (  . ábra **8** 294. oldal , **C**).
4. Illessze be a csatlakozódobozt a furatba, és csavarozza a csatlakozódobozt a helyére (  . ábra **8** 294. oldal , **D**).



**MEGJEGYZÉS** Győződjön meg a helyes függőleges tájolásról a csatlakozódobozon lévő nyilak segítségével.

5. Csatlakoztassa a vezérlőpanelt a csatlakozódobozhoz (  . ábra **8** 294. oldal , **E**).
6. Távolítsa el a védőfóliát.

## 8.4 Az inverter csatlakoztatása



A készülék elektromos beszerelését és beállítását csak olyan képzett villanyszerelő végezheti, aki bizonyítottan rendelkezik elektromos berendezések és szerelvények felépítésével és működtetésével kapcsolatos készségekkel és ismeretekkel, és aki ismeri annak az országnak a vonatkozó előírásait, amelyben a berendezést beszerelik és/vagy használják, valamint a veszélyek azonosítása és elkerülése érdekében biztonsági képzésben részesült.

Minden egyéb műveletet nem szakképzett felhasználók is elvégezhetnek.



### FIGYELMEZTETÉS! Áramütés miatti veszély

Tartsa be az ajánlott kábelkeresztmetszeteket, kábelhosszúságokat és biztosíték méretezéseket.



### VIGYÁZAT! Tűzveszély

A biztosítékokat az akkumulátorok közelében helyezze el, ezáltal megvédheti a kábelt a rövidzárlattól és az esetleges elégtől.



### FIGYELEM! Károsodás veszélye

- > Ügyeljen arra, hogy a polaritás ne legyen felcserélve.
- > A csavarokat vagy anyákat max. 15 Nm nyomatékkal húzza meg. A laza csatlakozás túlmelegedést okozhat.

Az inverter bekötésekor tartsa be a következő utasításokat:

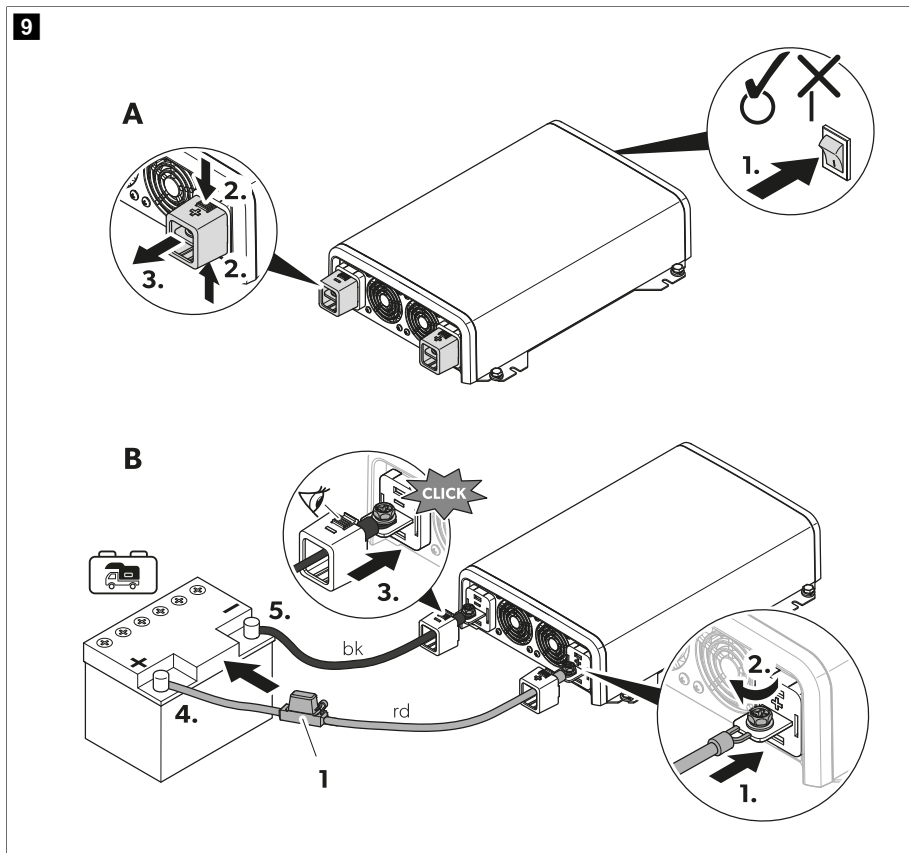
- A konnektoros áramkör (elektromos hálózati rendszer) kialakításakor tartsa be a vonatkozó előírásokat.
- Vegye az egyenáramú kábelek hosszát (csatlakozás az akkumulátor kapcsaihoz) a lehető legrövidebbre  $\leq 1$  m).
- Csatlakoztatás **TN hálózathoz**: Szereljen fel érintésvédelmi relét (RCD).
- Csatlakoztatás **IT hálózathoz**: Szereljen fel szigetelésfelügyeleti eszközt (IMD), ha egynél több terhelés van csatlakoztatva. **Tartsa be az állami előírásokat.**

1. A kábelkeresztmetszetek és biztosíték méretek megállapítása:

	Kábelkeresztmetszet	Kábelbiztosíték
DPSI612	25 mm <sup>2</sup>	150 A
DPSI624	25 mm <sup>2</sup>	150 A
DPSI1012	35 mm <sup>2</sup>	200 A
DPSI1024	25 mm <sup>2</sup>	150 A
DPSI1512	50 mm <sup>2</sup>	250 A
DPSI1524	25 mm <sup>2</sup>	150 A
DPSI2012	70 mm <sup>2</sup>	300 A
DPSI2024	35 mm <sup>2</sup>	200 A

2. Győződjön meg arról, hogy a készülék ki van kapcsolva (  . ábra 9 296. oldal , 1).


9




3. Válassza le a csatlakozók védőburkolatát (  . ábra **9** 296. oldal , **2-3**).

4. Csatlakoztassa a (+) kábelt a házi akkumulátor pozitív kivezetésére (piros (rd) csatlakozókábel,  . ábra **9** 296. oldal , **4**).



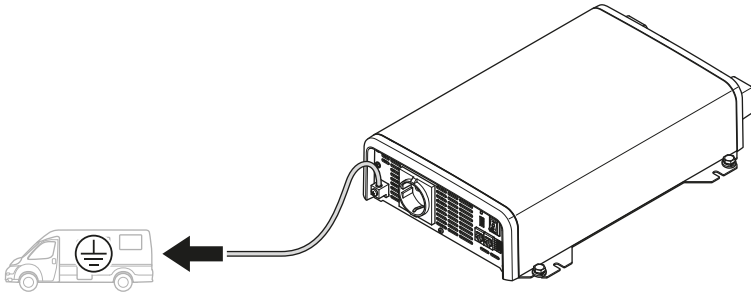
**MEGJEGYZÉS** Lásza el a ház akkumulátorának a pozitív kábelét biztosítékkal (  . ábra **9** 296. oldal , **1**).

5. Csatlakoztassa a (-) kábelt a házi akkumulátor negatív kivezetésére (fekete (bk) csatlakozókábel (  . ábra **9** 296. oldal , **5**).

6. Csatlakoztassa a földelővezetékét a földeléshez (karosszéria) (  . ábra **10** 297. oldal ).



10



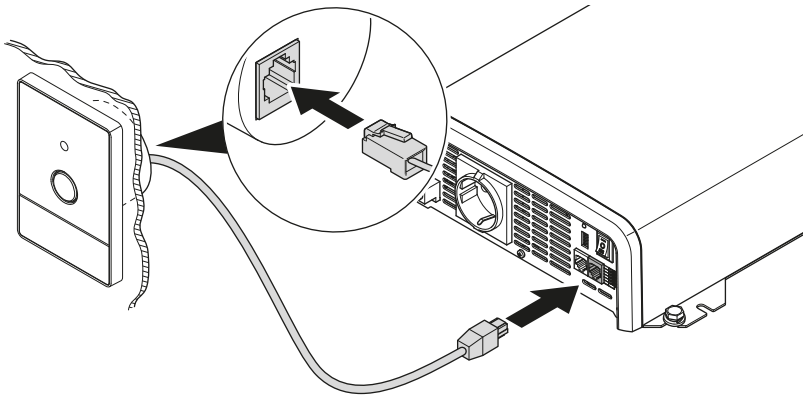
## 8.5 A távirányító csatlakoztatása



**MEGJEGYZÉS** A távirányító és az N-BUS-/CI-BUS-hálózat nem csatlakoztatható egyidejűleg.

- > Csatlakoztassa a távirányítót a távvezérlési csatlakozáshoz a távirányító csatlakozókábelével.

11

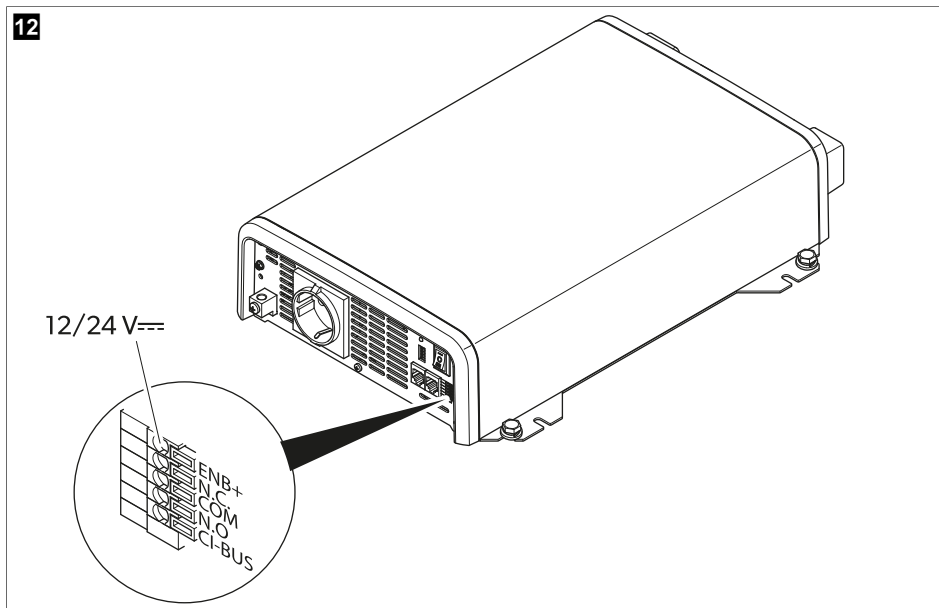


## 8.6 Az ENB+ érintkező csatlakoztatása



**MEGJEGYZÉS** Ha az ENB+ érintkező csatlakoztatva van, az energiatakarékos üzemmód állapota nem módosítható.

12



1. Állítsa a főkapcsolót **0** helyzetbe.
2. Az ENB+ érintkezőt az alábbiak szerint használja:
  - Az inverter bekapcsolásához csatlakoztassa az ENB+ érintkezőt a házi akkumulátor pozitív pólusához egy megfelelő elektromos kábellel.
  - Az inverter kikapcsolásához válassza le az ENB+ érintkezőt a házi akkumulátorról.

## 9 A hálózati rendszer konfigurálása



A készülék elektromos beszerelését és beállítását csak olyan képzett villanyszerelő végezheti, aki bizonyítottan rendelkezik elektromos berendezések és szerelvények felépítésével és működtetésével kapcsolatos készségekkel és ismeretekkel, és aki ismeri annak az országnak a vonatkozó előírásait, amelyben a berendezést beszerelik és/vagy használják, valamint a veszélyek azonosítása és elkerülése érdekében biztonsági képzésben részesült.

Minden egyéb műveletet nem szakképzett felhasználók is elvégezhetnek.

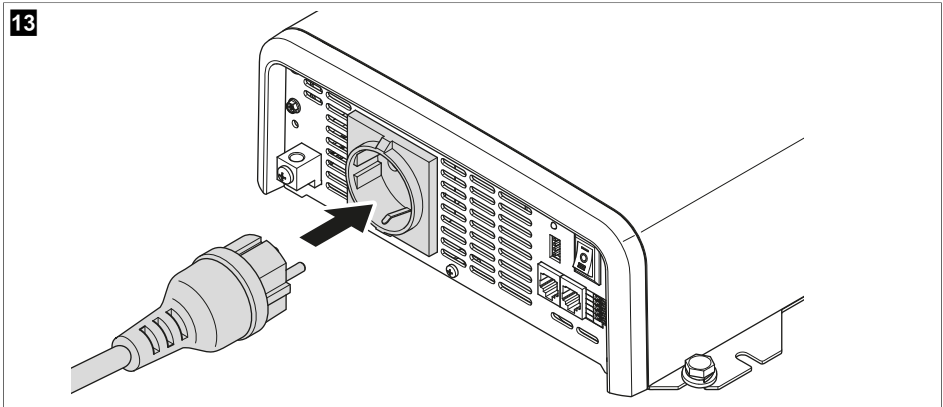


### VESZÉLY! Áramütés miatti veszély

- > Csak addig távolítsa el a DIP-kapcsolók védősapkáját, amíg a beállítás zajlik.
  - > A DIP-kapcsoló véletlen elállításának megakadályozása érdekében helyezze vissza a védősapkát.
  - > Beállítás **TN hálózathoz**: Legyen felszerelve érintésvédelmi relé (RCD).
  - > Beállítás **IT hálózathoz**: Csak egy terhelést működtessen, vagy szerelje fel szigetelés-felügyeleti eszközt (IMD). Tartsa be az állami előírásokat.
- > Helyezze a csavart a(z) ⊕ pozícióba a **TN hálózat** beállításához.
  - > Helyezze a csavart a(z) ⊗ pozícióba az **IT hálózat** beállításához.

## 10 Üzemeltetés

### 10.1 230 V-os eszközök üzemeltetése



#### MEGJEGYZÉS

Csak olyan készülékeket csatlakoztasson, amelyek a teljes terhelése nem haladja meg az itt szereplő értékeket: Műszaki adatok 302. oldal .

- > Csatlakoztassa a 230 V-os eszközöket az inverter váltakozó áramú kimenetéhez (  . ábra **13** 299. oldal ).

### 10.2 Az inverter be-/kikapcsolása



#### MEGJEGYZÉS

- > Ha az invertert a távirányítóval kívánja vezérelni, a főkapcsolóját **II** helyzetbe kell állítani.
- > Ha az invertert az ENB+ érintkezőn keresztül kívánja vezérelni, a főkapcsolóját **0** helyzetbe kell állítani.
- > Az inverter bekapcsolásához állítsa a főkapcsolóját **I** helyzetbe.
- > Az inverter kikapcsolásához állítsa a főkapcsolóját **0** helyzetbe.
- > A távirányító vagy az ENB+ érintkező használatával be- és kikapcsolható az inverter.

### 10.3 Az energiatakarékos üzemmód beállítása



#### MEGJEGYZÉS

- Ha az S2 DIP-kapcsoló **OFF** állásba van állítva, az inverter automatikusan normál üzemre vált egy  $\geq 45$  W-os fogyasztó csatlakoztatása esetén.
- Ha az S2 DIP-kapcsoló **ON** állásba van állítva, az inverter automatikusan normál üzemre vált egy  $\geq 80$  W-os fogyasztó csatlakoztatása esetén.
- Az energiatakarékos üzemmód állapota nem módosítható, ha a távirányító vagy az ENB+ érintkező használatban van; a módosításra csak egy teljes be-/kikapcsolási ciklus elvégzése után van lehetőség

#### Az energiatakarékos üzemmód aktiválása

1. Szükség esetén kapcsolja ki az invertert.

2. Csúsztassa **ON** állásba az S1 DIP-kapcsolót.
- ✓ Az energiatakarékos üzemmód aktív.

### Az energiatakarékos üzemmód kikapcsolása

1. Kapcsolja ki az invertert.
  2. Csúsztassa **OFF** állásba az S1 DIP-kapcsolót.
- ✓ Az energiatakarékos üzemmód inaktív.

## 11 Tisztítás és karbantartás



### FIGYELMEZTETÉS! Áramütés miatti veszély

Tisztítás és karbantartás előtt húzza ki a készüléket az aljzatból.



### FIGYELEM! Károsodás veszélye

- > Soha ne tisztítsa a készüléket csapvíz alatt vagy mosogatóvízben.
  - > A tisztításhoz ne használjon éles vagy kemény tárgyakat, dörzsölő hatású tisztítószeret, vagy fehérítőt mert ezek károsíthatják a készüléket.
  - > Biztosítsa, hogy a készülék szellőzőnyílásai por- és szennyeződésmentesek legyenek, így a belül keletkező hő távozhathat.
- > Alkalmanként tisztítsa meg a készüléket nedves, puha kendővel.
  - > Rendszeresen ellenőrizze a feszültség alatt álló kábelek vagy vezetékek szigetelési hibáit, töréseit vagy kilazult csatlakozásait.

## 12 Hibakeresés

Hiba	Lehetséges ok	Megoldási javaslat
Az inverter nem működik. Az állapotjelző LED nem világít.	Rövidzárlat öt egymást követő alkalommal.	> Ha túláram miatt létrejött ez a hibatípus, akkor hivatalos szervizzel cseréltesse ki a készülék biztosítékát.
	Szigetelési hibák, szakadások vagy kilazult csatlakozások a feszültség alatt lévő kábeleken.	> Ellenőrizze a feszültség alatt álló kábelek szigetelési hibáit, töréseit vagy kilazult csatlakozásait. Ha nem találja a hibát, forduljon egy hivatalos szervizhez.
Az inverter nem működik. Az állapotjelző LED pirosan világít.	Nagy kimeneti áramerősséggel szembeni védelem.	Csökkentse a csatlakoztatott terhelést.
	Túlmelegedés miatti kikapcsolás.	<ol style="list-style-type: none"> <li>1. Kapcsolja ki az invertert és a fogyasztókat.</li> <li>2. Ellenőrizze, hogy a levegő be- és kimeneti nyílások nincsenek-e letakarva vagy elzáródva.</li> <li>3. Hagyja lehűlni az invertert.</li> </ol>
	Rövidzárlat keletkezett.	Ha túláram miatt létrejött ez a hibatípus, akkor hivatalos szervizzel cseréltesse ki a készülék biztosítékát.

Hiba	Lehetséges ok	Megoldási javaslat
	Túlfeszültség miatti kikapcsolás. Akkumulátorfeszültség túl magas.	<ul style="list-style-type: none"> <li>&gt; Csökkentse a csatlakoztatott feszültséget. Az inverter automatikusan újraindul, amikor a feszültség az újraindulási értékre csökken (lásd: Túlfeszültségvédelem 303. oldal).</li> <li>&gt; Ha a hiba nem szűnik meg: Növelje a kábelkeresztmetszeteket. Csökkentse a kábelek hosszát.</li> </ul>
	Alacsony feszültséggel szembeni védelem. Az akkumulátorfeszültség túl alacsony.	<ul style="list-style-type: none"> <li>&gt; Hagyja az akkumulátort lassan feltöltődni. Az inverter automatikusan újraindul, amikor a feszültség az újraindulási érték fölé nő (lásd: Feszültséghiányvédelem 303. oldal).</li> </ul>

## 13 Garancia

A termékre a törvény szerinti garancia-időszak érvényes. Amennyiben a termék meghibásodott, lépjen kapcsolatba a gyártó helyi képviselőjével (lásd: [dometic.com/dealer](http://dometic.com/dealer)) vagy a kereskedővel.

A javításhoz, illetve a garancia-adminisztrációhoz a következő dokumentumokat kell mellékelnie a termék beküldésekor:

- A számla vásárlási dátummal rendelkező másolatát
- A reklamáció okát vagy a hibát tartalmazó leírást

Vegye figyelembe, hogy az önkezü javítás vagy a nem szakszerű javítás biztonsági következményekkel járhat, és érvénytelenítheti a garanciát.

## 14 Ártalmatlanítás

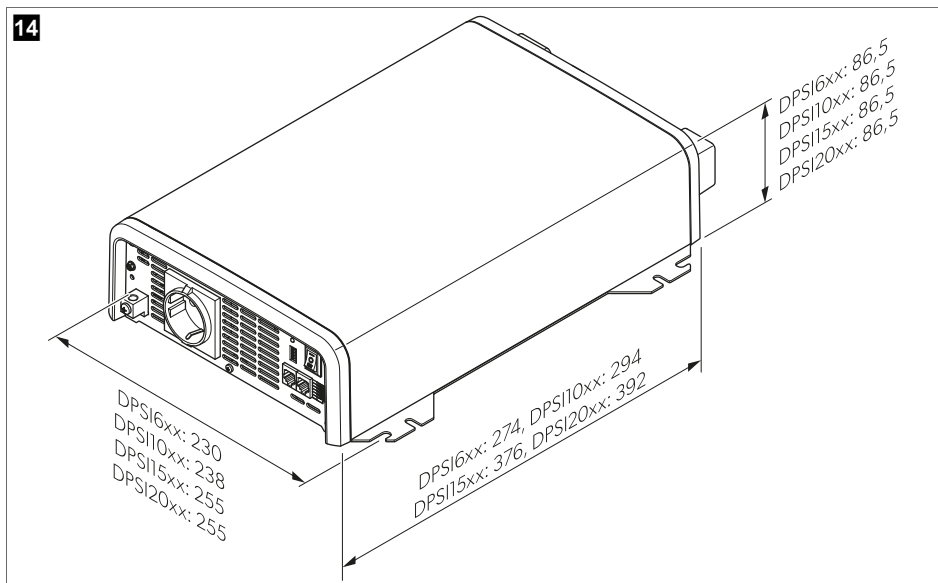



A csomagolóanyagot lehetőleg a megfelelő újrahasznosítható hulladékokhoz tegye.

A termékre vonatkozó ártalmatlanítási előírásokról tájékozódjon a legközelebbi újrahasznosító központban, vagy szakkereskedőjénél.


A termék ingyenesen ártalmatlanítható.

## 15 Műszaki adatok





	612. DPSI	1012. DPSI	624. DPSI	1024. DPSI
Névleges bemeneti feszültség	12 V $\overline{=}$		24 V $\overline{=}$	
Bemeneti feszültségtartomány	10,5 ... 16,5 V $\overline{=}$		21 ... 33 V $\overline{=}$	
Folyamatos kimenőteljesítmény, P <sub>nom</sub>	600 W	1000 W	600 W	1000 W
Legnagyobb kimenőteljesítmény (1 min)	690 W	1150 W	690 W	1150 W
Lökészerű maximális teljesítmény (1 s) P <sub>surge</sub>	1200 W	2000 W	1200 W	2000 W
Üresjáráti áramfogyasztás	≤ 1 A	≤ 1,1 A	≤ 0,6 A	≤ 0,6 A
Áramfelvétel készenléti üzemmódban	≤ 0,3 A	≤ 0,35 A	≤ 0,2 A	≤ 0,2 A
Méretek	 . ábra <b>14</b> 302. oldal			
Súly	1,1 kg	1,2 kg	1,1 kg	1,2 kg

	1512. DPSI	2012. DPSI	1524. DPSI	2024. DPSI
Névleges bemeneti feszültség	12 V $\overline{=}$		24 V $\overline{=}$	
Bemeneti feszültségtartomány	10,5 ... 16,5 V $\overline{=}$		21 ... 33 V $\overline{=}$	
Folyamatos kimenőteljesítmény, P <sub>nom</sub>	1500 W	2000 W	1500 W	2000 W
Legnagyobb kimenőteljesítmény (1 min)	1725 W	2300 W	1725 W	2300 W
Lökészerű maximális teljesítmény (1 s) P <sub>surge</sub>	3000 W	4000 W	3000 W	4000 W
Üresjáráti áramfogyasztás	≤ 1,2 A	≤ 1,5 A	≤ 0,7 A	≤ 0,8 A

	1512. DPSI	2012. DPSI	1524. DPSI	2024. DPSI
Áramfelvétel készenléti üzemmódban	≤ 0,4 A	≤ 0,5 A	≤ 0,25 A	≤ 0,3 A
Méreték	 . ábra 14 302. oldal			
Súly	1,1 kg	1,2 kg	1,1 kg	1,2 kg

## 15.1 Általános műszaki adatok

Kimeneti feszültségtartomány	230 V $\sim$ ± 10 %
Kimeneti frekvencia	50 Hz ± 1 %
Kimeneti hullámalak	Tiszta szinuszhullám
Csúcs hatékonyság	90 %
Környezeti hőmérséklet, üzem	0 ... 50 °C
Környezeti hőmérséklet, tárolás során	- 30 °C ... 70 °C
Környezeti páratartalom	0 ... 95 %, non-condensing
Vizsgálat/tanúsítvány	 

## 15.2 Feszültséghiány-védelem

	Kikapcsolási érték	Újraindulási érték
DPSI <sub>xx</sub> 12	10,3 V	11,8 V
DPSI <sub>xx</sub> 24	20,6 V	23,6 V

## 15.3 Túlfeszültség-védelem

	Kikapcsolási érték	Újraindulási érték
DPSI <sub>xx</sub> 12	16,5 V	15,5 V
DPSI <sub>xx</sub> 24	33 V	31 V

## Hrvatski

1	Važne napomene.....	304
2	Objašnjenje simbola.....	304
3	Sigurnosne upute.....	305
4	Opseg isporuke.....	308
5	Pribor.....	308
6	Namjena.....	308
7	Tehnički opis.....	309
8	Instalacija.....	312
9	Konfiguriranje mrežnog sustava.....	318
10	Rad.....	319
11	Čišćenje i održavanje.....	320
12	Uklanjanje smetnji.....	320
13	Jamstvo.....	321
14	Odlaganje u otpad.....	321
15	Tehnički podaci.....	322

## 1 Važne napomene

Pažljivo pročitajte ove upute i poštuju te sve upute, smjernice i upozorenja sadržane u ovim uputama kako biste u svakom trenutku osigurali pravilnu instalaciju, uporabu i održavanje proizvoda. Ove upute MORAJU ostati u blizini ovog proizvoda.

Uporabom proizvoda potvrđujete da ste pažljivo pročitali sve upute, smjernice i upozorenja te da razumijete i pristajete poštovati ovdje navedene uvjete i odredbe. Pristajete koristiti se ovim proizvodom samo za predviđenu svrhu i namjenu te u skladu s uputama, smjernicama i upozorenjima navedenima u ovom priručniku za proizvod, kao i u skladu sa svim važećim zakonima i propisima. Ako ne pročitate i ne poštuju te ovdje navedene upute i upozorenja, tada to može dovesti do ozljeđivanja vas i drugih osoba, do oštećenja proizvoda ili druge imovine u blizini. Ovaj priručnik za proizvod, uključujući i upute, smjernice i upozorenja, te povezanu dokumentaciju može biti podložan promjenama i ažuriranjima. Za najnovije podatke o proizvodu posjetite [documents.dometic.com](http://documents.dometic.com).

## 2 Objasñenje simbola

Signalna riječ opisuje poruke o sigurnosti i oštećenju imovine, kao i stupanj ili razinu težine potencijalne opasnosti.



### OPASNOST!

Naznačuje opasnu situaciju, koja će, ako se ne izbjegne, rezultirati smrću ili teškim ozljedama.



### UPOZORENJE!

Naznačuje opasnu situaciju, koja bi, ako se ne izbjegne, mogla rezultirati smrću ili teškim ozljedama.



### OPREZ!

Naznačuje opasnu situaciju, koja bi, ako se ne izbjegne, mogla rezultirati lakšim ili umjerenim ozljedama.



### POZOR!

Naznačuje situaciju, koja, ako se ne izbjegne, može rezultirati materijalnom štetom.



**UPUTA** Dodatne informacije za rukovanje proizvodom.



## 3 Sigurnosne upute

Također se pridržavajte sigurnosnih uputa i odredaba proizvođača vozila i ovlaštenih servisa.

### 3.1 Opća sigurnost



#### **OPASNOST! Opasnost od strujnog udara**

- > Golim rukama ne dodirujte izložene kabele.
- > Kako biste uređaj mogli brzo iskopčati iz izvora izmjenične struje, utičnica mora biti u blizini uređaja i lako dostupna.



#### **UPOZORENJE! Opasnost od strujnog udara**

- > Montažu i demontažu uređaja smije provoditi samo kvalificirano osoblje.
- > Nemojte koristiti uređaj ako na samom uređaju ili priključnim vodovima ima znakova oštećenja.
- > Ako je kabel za napajanje uređaja oštećen, potrebno ga je zamijeniti kako ne bi došlo do ugrožavanja sigurnosti.
- > Popravke na ovom uređaju smiju provoditi samo stručnjaci. Nepropisno izvedeni popravci mogu značajno povećati opasnosti.
- > Koristite samo onaj dodatni pribor koji preporučuje proizvođač.
- > Nemojte modificirati ili prilagođavati nijednu komponentu na bilo koji način.
- > Nemojte razdvajati kabele dok je uređaj još uvijek u uporabi.
- > Razdvojite uređaj od napajanja:
  - Nakon upotrebe
  - Prije svakog čišćenja i održavanja
  - Prije zamjene osigurača



#### **UPOZORENJE! Opasnost od požara/zapaljivi materijali**

U slučaju požara koristite aparat za gašenje požara prikladan za električni uređaje.



#### **UPOZORENJE! Opasnost od gušenja**

Ako nisu pravilno postavljeni, kabel i upravljačka jedinica uređaja mogu predstavljati opasnost od saplitanja, gušenja, spoticanja ili gaženja. Dodatne veze i kabeli za napajanje moraju biti postavljeni tako da ne predstavljaju opasnost.



#### **UPOZORENJE! Opasnost za zdravlje**

- > Ovaj uređaj smiju koristiti djeca od 8 godina i starija te osobe sa smanjenim fizičkim, senzornim ili mentalnim sposobnostima ili osobe s nedovoljnim iskustvom i znanjem ako su pod nadzorom ili ako su dobili upute o sigurnoj uporabi uređaja te ako razumiju opasnosti koje se pri tome javljaju.
- > **Električni uređaji nisu igračke.** Uvijek čuvajte uređaj izvan dohvata male djece.
- > Djeca moraju biti pod nadzorom kako bi se osiguralo da se neće igrati s uređajem.
- > Djeca ne smiju provoditi čišćenje i korisničko održavanje bez nadzora.

**POZOR! Opasnost od oštećenja**

- > Prije prvog puštanja u rad provjerite odgovara li specificirani napon na tipskoj pločici naponu navedenom na izvoru napajanja.
- > Uvjerite se da drugi predmeti **ne mogu** uzrokovati kratki spoj na kontaktima uređaja.
- > Pobrinite se za to da negativni i pozitivni polovi **nikada** ne dođu u kontakt.
- > Nemojte povlačiti priključne kabele ili ih koristiti kao ručku.
- > Uređaj ne smije biti izložen kiši ni vlazi. Čuvajte na suhom mjestu.

**3.2 Sigurnost pri montaži uređaja****OPASNOST! Opasnost od eksplozije**

- > Uređaj koristite i montirajte samo u zatvorenim prostorima s dobrom ventilacijom.
- > **Nemojte** montirati niti upotrebljavati uređaj u sljedećim uvjetima:
  - U slanoj, mokroj ili vlažnoj okolini
  - U blizini korozivnih isparavanja
  - U blizini zapaljivih materijala
  - U blizini izvora topline (grijalice, izravna sunčeva svjetlost, plinske pećnice itd.)
  - U područjima gdje prijeti opasnost od eksplozija plina ili prašine

**UPOZORENJE! Opasnost od ozljeda**

- > Uvjerite se da je uređaj stabilan. Uređaj se mora postaviti i pričvrstiti tako da se ne može prevrnuti ili pasti.
- > Prilikom pozicioniranja uređaja uvjerite se da su svi kabele odgovarajuće osigurani kako bi se izbjegla bilo kakva opasnost od spoticanja.

**POZOR! Opasnost od oštećenja**

- > Uređaj postavite na suho mjesto gdje će biti zaštićen od prskanja vode.
- > Uvijek koristite utičnice koje su uzemljene i osigurane automatskom zaštitnom sklopkom

**3.3 Sigurnost pri električnom priključivanju uređaja****OPASNOST! Opasnost od strujnog udara**

Ako radite na električnim sustavima, uvjerite se da u blizini bude netko, tko Vam može pomoći u slučaju nužde.

**UPOZORENJE! Opasnost od strujnog udara**

- > Pridržavajte se preporučenih presjeka kabela.
- > Položite kabele tako da ih vrata ili poklopac prostora motora ne mogu oštetiti. Prignječeni kabele mogu dovesti do teške ozljede.

**POZOR! Opasnost od oštećenja**

- > Koristite razvod kanala ili kabelaške kanale ako je potrebno polagati kabele kroz metalne ili druge oplate s oštrim rubovima.
- > Kabel glavnog napajanja od 230 V i istosmjerni od 12 V **nemojte** postavljati u istu kanalicu.
- > **Nemojte** polagati kabel tako da bude labav ili jako svinut.
- > Sigurno pričvrstite kabele.

### 3.4 Mjere sigurnosti prilikom rukovanja akumulatorima



#### **UPOZORENJE! Opasnost od ozljeda**

- > Akumulatori sadrže agresivne i nagrizajuće kiseline. Pazite da tekućina akumulatora ne dođe u kontakt s Vašim tijelom. Ako koža dođe u kontakt s tekućinom akumulatora, temeljito operite taj dio tijela vodom. Ako se ozlijedite kiselinama, odmah se obratite liječniku.
- > Prilikom radova na akumulatorima nemojte nositi metalne predmete, primjerice satove ili prstenje. Olovno kiselinski akumulatori mogu uzrokovati kratke spojeve koji mogu dovesti do teških ozljeda.
- > Koristite samo izolirane alate.
- > Na akumulator nemojte stavljati metalne predmete i pazite da metalni predmeti ne padnu na akumulator. To bi moglo prouzročiti iskre ili kratke spojeve akumulatora i drugih električnih uređaja.
- > Tijekom radova na akumulatorima nosite zaštitne naočale i zaštitnu odjeću. Nemojte dirati oči dok radite na akumulatorima.
- > Koristite samo punjive akumulateore.
- > Nemojte koristiti neispravne akumulateore.



#### **OPREZ! Opasnost od eksplozije**

- > Nikada nemojte pokušavati puniti smrznuti ili neispravni akumulator. Smjestite akumulator u područje, u kojem ne može doći do smrzavanja i pričekajte da se aklimatizira na okolnu temperaturu. Nakon toga pokrenite postupak punjenja.
- > Nemojte pušiti, koristiti otvoreni plamen ili uzrokovati iskrenje blizu motora ili akumulatora.
- > Držite akumulator dalje od izvora topline.



#### **POZOR! Opasnost od oštećenja**

- > Prilikom priključivanja akumulatora uvjerite se da je polaritet ispravan.
- > Slijedite upute proizvođača akumulatora i one proizvođača sustava ili vozila u kojem se akumulator koristi.
- > Ako se akumulator treba demontirati, prvo razdvojite priključak uzemljenja. Razdvojite sve priključke i sva trošila od akumulatora prije demontaže.
- > Skladištite samo potpuno napunjene akumulateore. Redovito punite uskladištene akumulateore.
- > Nemojte prenositi akumulator držeći ga za stezaljke.

### 3.5 Sigurnost pri radu uređaja



#### **UPOZORENJE! Opasnost od strujnog udara**

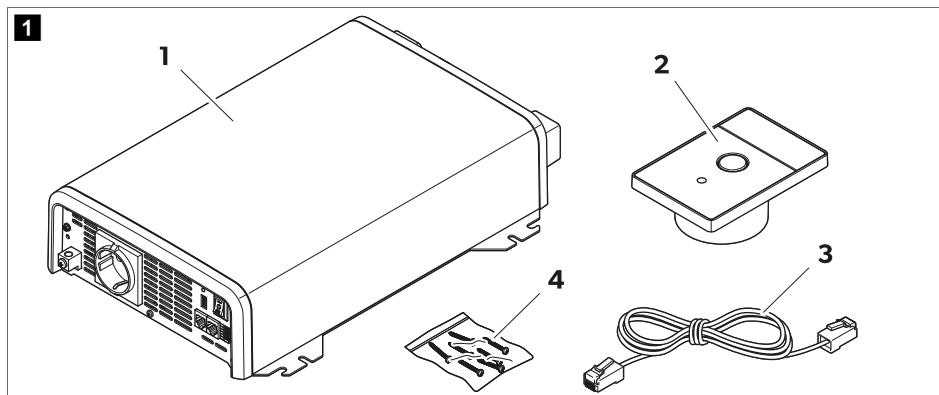
- > Nemojte koristiti uređaj u mokrim uvjetima ili ga uranjati u bilo kakvu tekućinu.
- > Prije pokretanja uređaja uvjerite se da su priključni kabel i utikač suhi te da na njima nema hrđe ili nečistoće.
- > Vodite računa da dijelovi uređaja i dalje mogu biti pod naponom čak i ako je osigurač pregorio.



#### **POZOR! Opasnost od oštećenja**

- > Uvjerite se da ulazi i izlazi zraka uređaja nisu pokriveni.
- > Pobrinite se za dobru ventilaciju.

## 4 Opseg isporuke



Br. u na stranici 308	sl. 1 Naziv	Količina
1	Inverter sa sinusnim valom	1
2	Daljinski upravljač	1
3	Priključni kabel za daljinski upravljač	1
4	Vijci za fiksiranje	6
-	Upute za montažu i rukovanje	1

## 5 Pribor

Naziv	Br. art.
Daljinski upravljač DPSI-RC	9620018306
Dodirni zaslon TD283	9620013272

## 6 Namjena

Inverter je namijenjen pretvaranju izravne struje u izmjenični napon čistog sinusnog vala (AC) od 230 V~ za rad i stabilno napajanje potrošača priključenih na 230 V.

Inverter je namijenjen za priključivanje na:

- DPSI612, DPSI1012, DPSI1512, DPSI2012: 12 V $\Rightarrow$
- DPSI624, DPSI1024, DPSI1524, DPSI2024: 24 V $\Rightarrow$

Inverter je prikladan za sljedeće:

- Montaža u rekreacijskim vozilima (RV-jevima), komercijalnim vozilima ili motorima i jedrilicama
- Stacionarna ili mobilna uporaba
- Uporaba u zatvorenom

Inverter **nije** prikladan za sljedeće:

- Vanjska uporaba

Ovaj je proizvod prikladan samo za predviđenu namjenu i primjenu u skladu s ovim uputama.

Ove upute donose informacije neophodne za pravilnu instalaciju i/ili rad proizvoda. Loša instalacija i/ili nepravilan rad ili održavanje rezultirat će nezadovoljavajućom uspješnošću i mogućim kvarom.

Proizvođač ne preuzima nikakvu odgovornost za bilo kakve ozljede ili oštećenja proizvoda koje nastanu kao rezultat:

- nepravilnog sklapanja, montaže ili priključivanja, uključujući i previsok napon
- nepravilnog održavanja ili uporabe nekih drugih rezervnih dijelova osim originalnih rezervnih dijelova koje isporučuje proizvođač
- izmjena na proizvodu bez izričitog dopuštenja proizvođača
- uporabe u svrhe koje nisu opisane u ovim uputama

Dometic pridržava pravo na izmjene izgleda i specifikacija proizvoda.

## 7 Tehnički opis

### 7.1 Opći opis

Inverter je istosmjerne struje na izmjeničnu sa sinusnim valom.

Inverterom je moguće upravljati u sljedećim mrežnim konfiguracijama:

- TN mreža
- IT mreža

Mrežni sustavi postavljeni su vijkom na inverteru.

Inverter ima sljedeće zaštitne mehanizme:

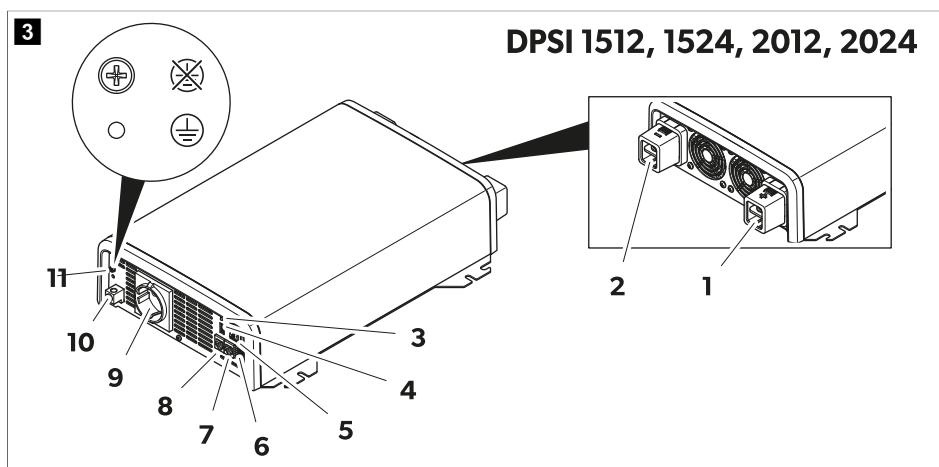
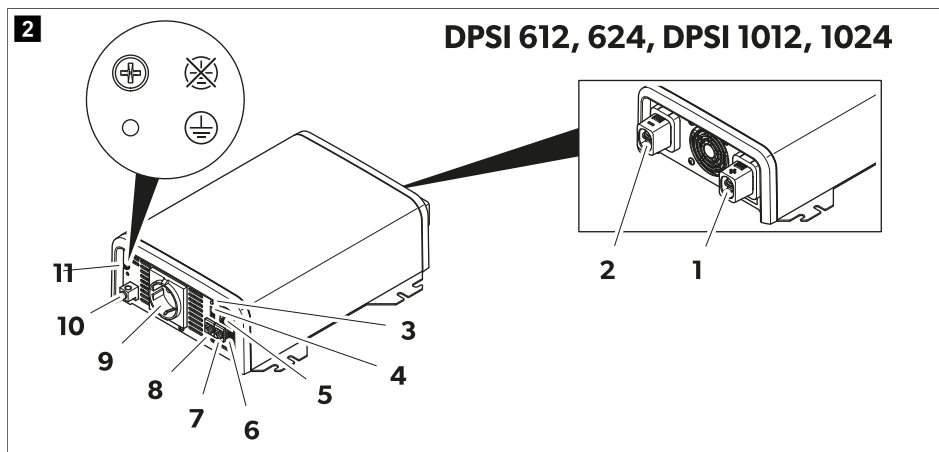
- **Isključivanje u slučaju prenapona:** inverter se isključuje kada napon premaši vrijednost za isključivanje. Inverter se automatski ponovno pokreće kada se napon padne na vrijednost za ponovno pokretanje.
- **Isključivanje u slučaju podnapona:** inverter se isključuje kada napon padne ispod vrijednosti za isključivanje. Inverter se automatski ponovno pokreće kada se napon premaši vrijednost za ponovno pokretanje.
- **Isključivanje u slučaju visoke temperature:** inverter se isključuje se kada unutarnja temperatura uređaja premaši vrijednost za isključivanje. Inverter se automatski ponovno pokreće kada unutarnja temperatura padne na vrijednost ponovnog pokretanja.
- **Zaštita od velike izlazne struje:** inverter se isključuje kada je priključeno previše opterećenja.
- **Zaštita od kratkog spoja:** Inverter se isključuje kada se generira kratki spoj. Nakon nekoliko sekundi inverter će se automatski ponovno pokrenuti. Ako se pet puta zaredom otkrije kratki spoj, inverter se neće automatski ponovno pokrenuti i potrebno je ručno ponovno pokretanje.

Inverter podržava N-BUS i CI-BUS za prikaz podataka i funkcija kojima je moguće upravljati na dodirnom zaslonu (dodatna oprema) i u mobilnoj aplikaciji.

Inverter je opremljen daljinskim upravljačem za uključivanje ili isključivanje invertera.

Inverter možete postaviti u način rada za uštedu energije kako biste smanjili potrošnju u praznom hoda i smanjili opterećenje na akumulatoru. To možete učiniti pomoću DIP sklopke ili

## 7.2 Upravljački elementi i priključci

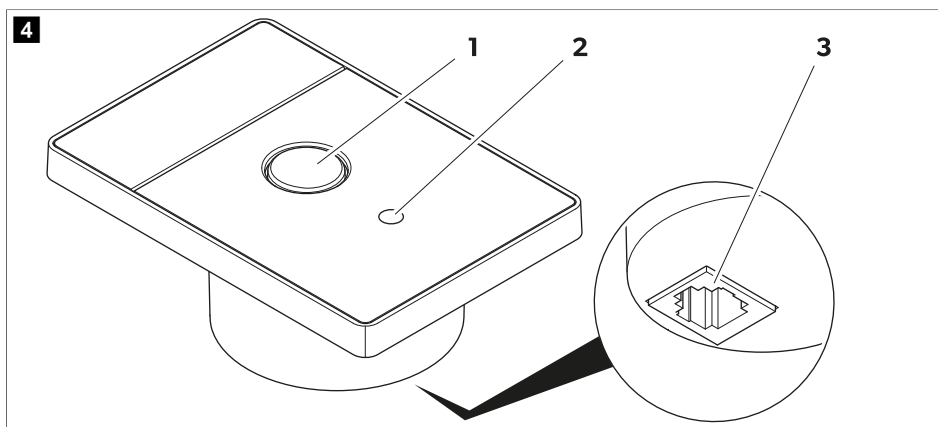


**UPUTA** Slike prikazuju verzije za kontinentalnu Europu.

Br.	Naziv
1	(+) pol, priključak na pozitivni pol servisnog akumulatora
2	(-) pol, priključak na negativni pol servisnog akumulatora
3	LED indikator statusa
4	DIP sklopka
5	Sklopka za uključivanje/isključivanje

Br.	Naziv
6	Terminal za vanjski upravljač
7	Priključak za CI BUS / N Bus / daljinski upravljač (LINB)
8	Priključak za CI BUS / N Bus / daljinski upravljač (LINA)
9	Utičnica za izmjeničnu struju
10	Priključak uzemljenja
11	Vijak za postavku IT/TN mreže

### 7.3 Daljinski upravljač



Br. u  sl. 4  
na stranici 311

Naziv

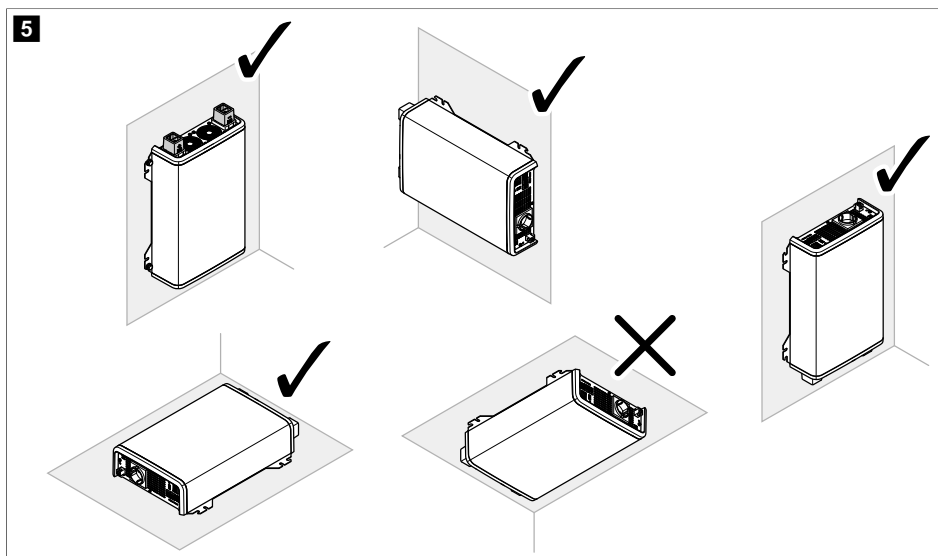
1	Tipka za uključivanje/isključivanje
2	LED indikator statusa
3	Priključak za daljinski upravljač

### 7.4 LED indikator statusa

Stanje	Opis
Green	Rad invertera
Orange	Upozorenje: prisutan je izlaz izmjenične struje, rizik od nadnapona, podnapona ili nestanka struje
Red	Pogreška: nema ulaza izmjenične struje, inverter je deaktiviran (pogledajte poglavlje Uklanjanje smetnji na stranici 320)

## 8 Instalacija

### 8.1 Mjesto montaže



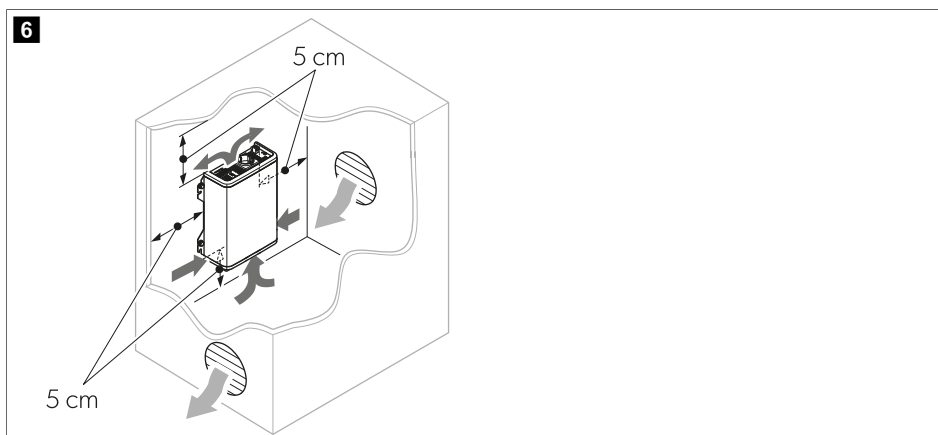
#### **POZOR! Opasnost od oštećenja**

Prije bušenja rupa uvjerite se da se bušenjem, piljenjem i turpijanjem ne mogu oštetiti električni kabeli ili drugi dijelovi vozila.




#### **UPUTA**

Inverter možete postaviti tako da stoji ili visi (  sl. **5** na stranici 312).

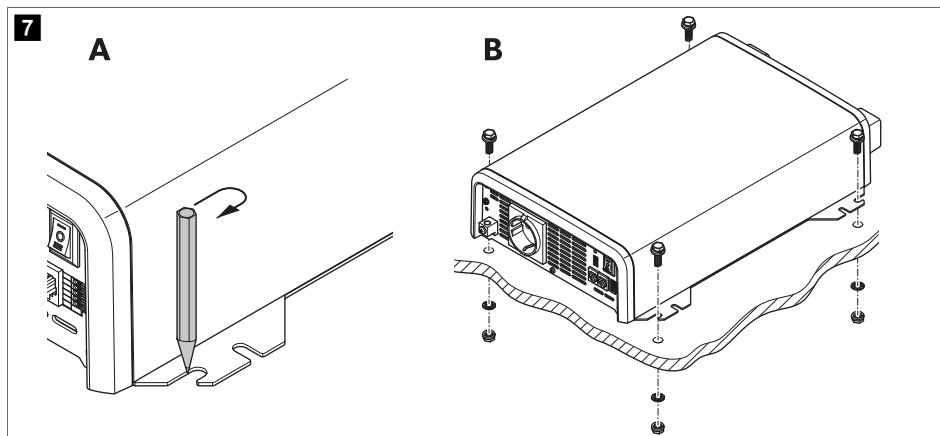






Prilikom odabira mjesta montaže pridržavajte se sljedećih uputa:

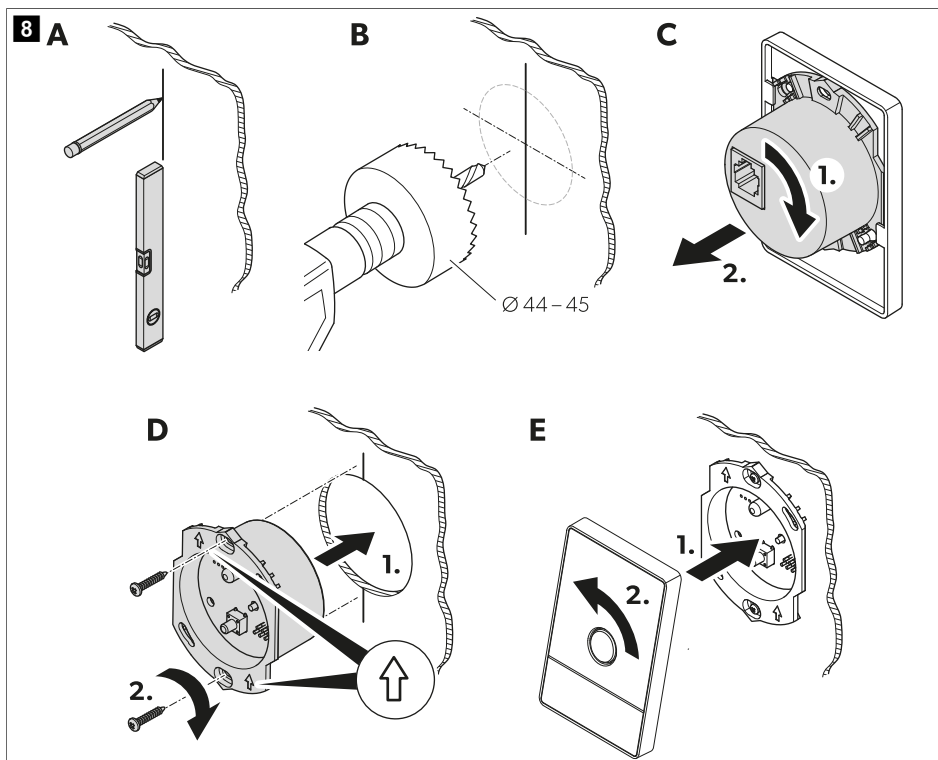
- Uvjerite se da je montažna površina čvrsta i vodoravna.
- Pridržavajte se specifikacija razmaka za dostatnu ventilaciju (  sl. **6** na stranici 312).





## 8.2 Montaža invertera



1. Odaberite odgovarajuće rupe za montažu ovisno o odabranoj vrsti montaže (stojeće ili viseće) i označite rupe za bušenje (  sl. **7** na stranici 313, **A**).
2. Unaprijed izbušite rupe za montažu.
3. Vijcima postavite inverter na mjesto (  sl. **7** na stranici 313, **B**).


### 8.3 Montaža daljinskog upravljača



1. Označite površinu za montažu (  sl. 8 na stranici 314, **A**).
2. Izbušite rupu promjera 44 mm ... 45 mm, npr. ubodnom pilom (  sl. 8 na stranici 314, **B**).
3. Skinite razvodnu kutiju s upravljačke ploče (  sl. 8 na stranici 314, **C**).
4. Umetnite razvodnu kutiju u rupu i učvrstite razvodnu kutiju na mjesto vijcima (  sl. 8 na stranici 314, **D**).



**UPUTA** Pazite na ispravno okomito poravnavanje kako je naznačeno strelicama na razvodnoj kutiji.

5. Pričvrstite upravljačku ploču na razvodnu kutiju (  sl. 8 na stranici 314, **E**).
6. Skinite zaštitni sloj.

## 8.4 Povezivanje invertera



Električnu montažu te postavljanje uređaja smije provoditi samo kvalificirani električar koji je pokazao vještinu i znanje vezano za konstrukciju i rad električne opreme i izvođenje instalacija, koji dobro poznaje važeće propise države u kojoj se oprema treba instalirati i/ili koristiti i koji je prošao obuku o sigurnosti koja mu omogućava da prepozna i izbjegne opasnosti koje se pri tome javljaju.

Sve ostale radnje namijenjene su također za neprofesionalne korisnike.



### **UPOZORENJE! Opasnost od strujnog udara**

Pridržavajte se preporuka o osiguračima te poprečnim presjecima i duljinama kabela.



### **OPREZ! Opasnost od požara**

Postavite osigurače blizu akumulatora kako biste zaštitili kabel od kratkih spojeva i mogućeg pregaranja.



### **POZOR! Opasnost od oštećenja**

- > Nemojte obrtati polaritet.
- > Pritegnite matice i vijke maksimalnim momentom pritezanja od 15 Nm. Labavi spojevi mogu dovesti do pregrijavanja.

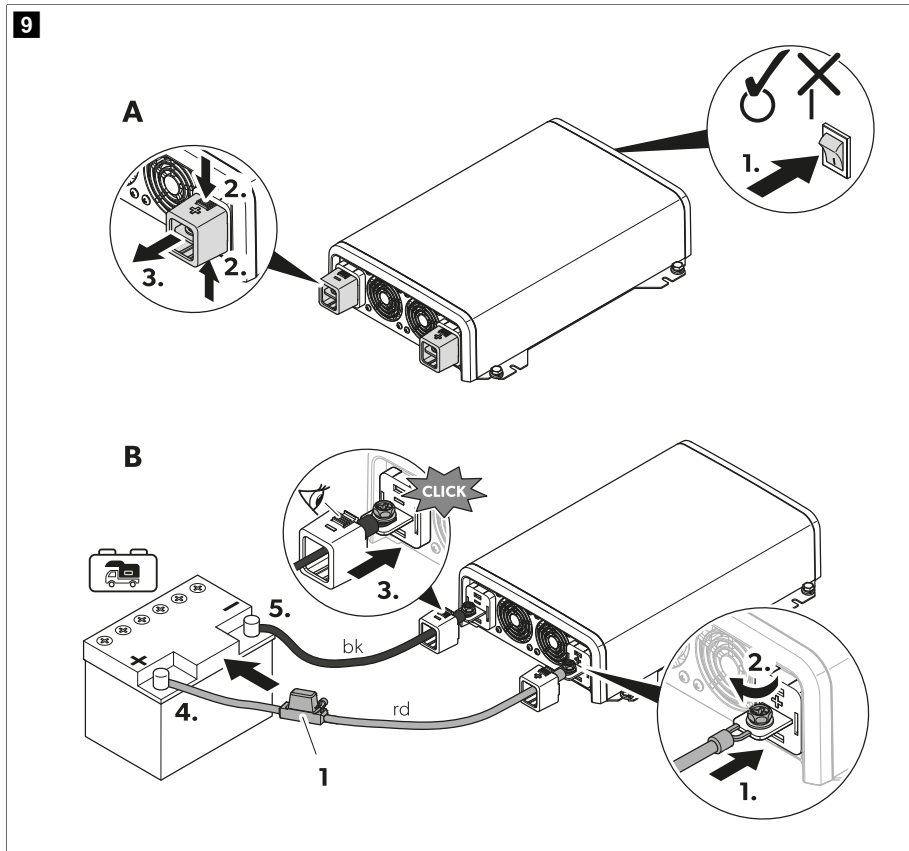
Pridržavajte se sljedećih uputa prilikom priključivanja invertera:

- Prilikom postavljanja razvodnog kruga utičnice (montaža na električnu mrežu) pridržavajte se važećih propisa.
- Odaberite duljinu kabela za istosmjernu struju (spajanje na polove akumulatora) što je moguće kraće  $\leq 1$  m).
- Priključak za **TN mrežu**: montirajte zaštitni uređaj za struju kvara (RCD).
- Priključak za **IT mrežu**: ako je priključeno više opterećenja, ugradite uređaj za nadzor izolacije (IMD). **Primjenjuju se nacionalne norme.**

1. Odredite presjeke kabela i osigurač:

	Presjek kabela	Osigurač kabela
DPSI612	25 mm <sup>2</sup>	150 A
DPSI624	25 mm <sup>2</sup>	150 A
DPSI1012	35 mm <sup>2</sup>	200 A
DPSI1024	25 mm <sup>2</sup>	150 A
DPSI1512	50 mm <sup>2</sup>	250 A
DPSI1524	25 mm <sup>2</sup>	150 A
DPSI2012	70 mm <sup>2</sup>	300 A
DPSI2024	35 mm <sup>2</sup>	200 A

2. Provjerite je li uređaj isključen ( sl. 9 na stranici 316, 1).

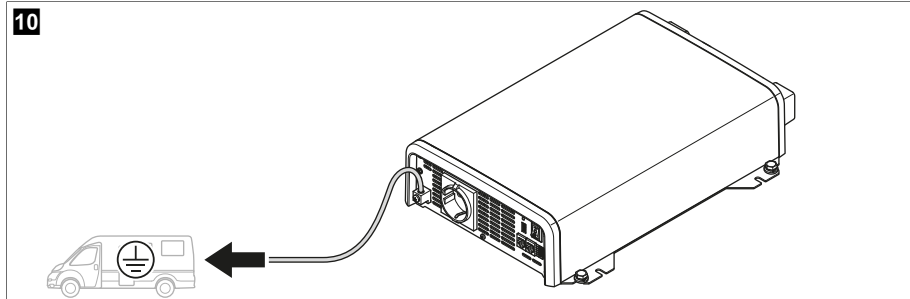


3. Skinite poklopce s polova ( sl. **9** na stranici 316, **2 – 3**).
4. Spojite (+) na pozitivni pol servisnog akumulatora (crveni (rd) priključni kabel, sl. **9** na stranici 316, **4**).



**UPUTA** Zaštitite pozitivni kabel servisnog akumulatora osiguračem ( sl. **9** na stranici 316, **1**).

5. Spojite (-) na negativni pol servisnog akumulatora (crni (bk) priključni kabel ( sl. **9** na stranici 316, **5**).
6. Priključak uzemljenja priključite na uzemljenje (šasija) ( sl. **10** na stranici 317).

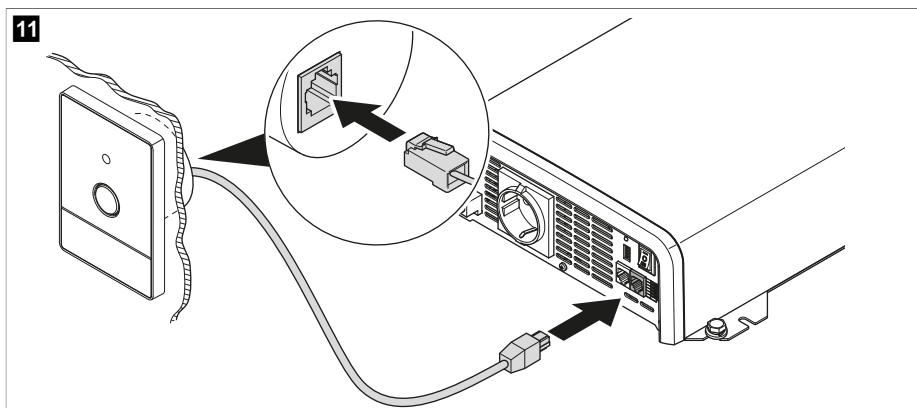


## 8.5 Priključivanje daljinskog upravljanja



**UPUTA** Daljinski upravljač i N-BUS/CI-BUS mreža ne mogu se istovremeno povezati.

- > Povežite daljinski upravljač na priključak za daljinski upravljač pomoću priključnog kabela daljinskog upravljača.

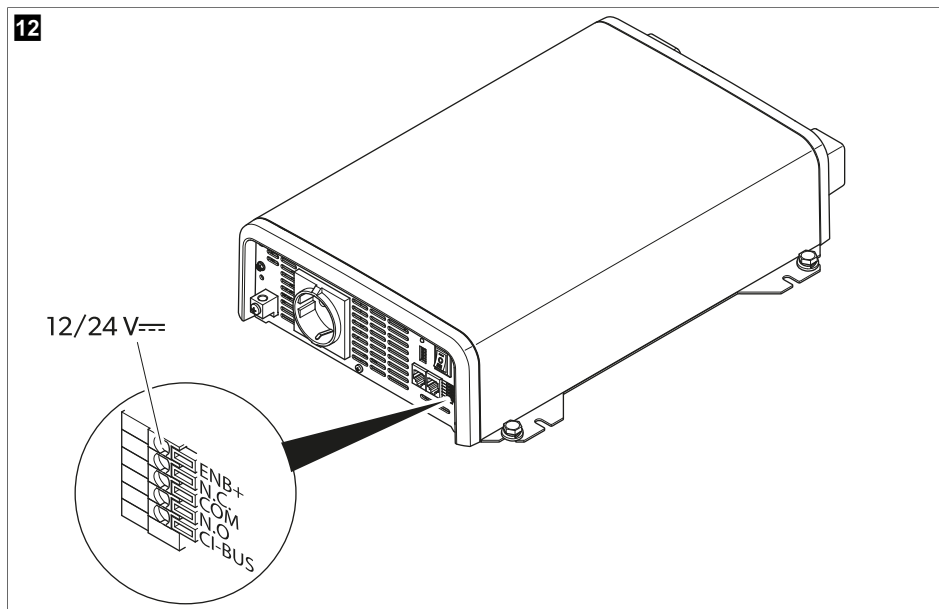


## 8.6 Priključivanje ENB+ pina



**UPUTA** Ako je priključen ENB+ pin, status načina rada za uštedu energije ne može se promijeniti.

12



1. Sklopku za uključivanje/isključivanje postavite u položaj **0**.
2. Upotrijebite ENB+ pin na sljedeći način:
  - Kako biste uključili inverter, spojite ENB+ pin na pozitivni pol servisnog akumulatora pomoću odgovarajućeg električnog kabela.
  - Kako biste isključili inverter, odvojite ENB+ pin od servisnog akumulatora.

## 9 Konfiguriranje mrežnog sustava



Električnu montažu te postavljanje uređaja smije provoditi samo kvalificirani električar koji je pokazao vještinu i znanje vezano za konstrukciju i rad električne opreme i izvođenje instalacija, koji dobro poznaje važeće propise države u kojoj se oprema treba instalirati i/ili koristiti i koji je prošao obuku o sigurnosti koja mu omogućava da prepozna i izbjegne opasnosti koje se pri tome javljaju.

Sve ostale radnje namijenjene su također za neprofesionalne korisnike.

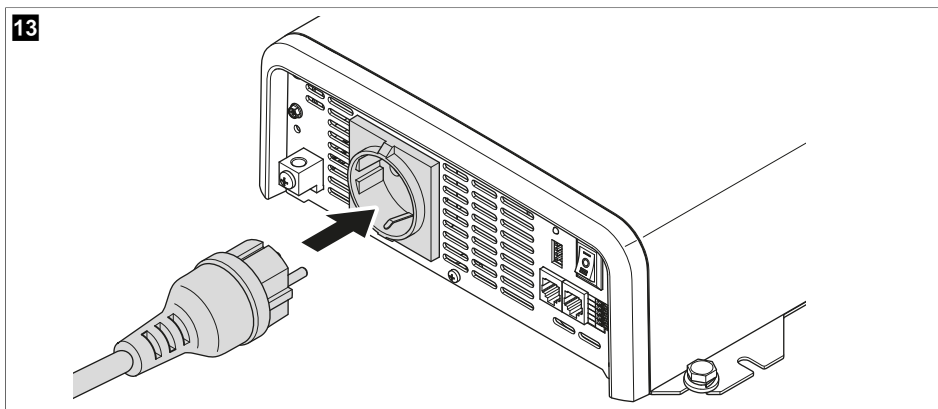


### **OPASNOST! Opasnost od strujnog udara**

- > Zaštitni poklopac skidajte s DIP sklopke samo radi konfiguracije.
  - > Zamijenite zaštitni poklopac kako biste spriječili slučajno podešavanje DIP sklopke.
  - > Za konfiguraciju **TN mreže**: provjerite je li instaliran zaštitni uređaj za struju kvara (RCD).
  - > Za konfiguraciju **IT mreže**: Upravljajte samo jednim opterećenjem ili ugradite uređaj za nadzor izolacije (IMD). Pridržavajte se nacionalnih normi.
- > Umetnite vijak u položaj za ⊕ postavljanje **TN mreže**.
  - > Umetnite vijak u položaj za ⊗ postavljanje **IT mreže**.

## 10 Rad

### 10.1 Upotreba uređaja koji rade na 230 V



#### UPUTA

Spajajte samo uređaje čije ukupno opterećenje ne premašuje vrijednosti navedene u Tehnički podaci na stranici 322.

- > Priključite 230 V uređaje na AC utičnicu invertera (  sl. **13** na stranici 319).

### 10.2 Uključivanje i isključivanje invertera



#### UPUTA

- > Ako inverterom treba upravljati daljinskim upravljačem, prekidač za uključivanje/isključivanje mora biti postavljen u položaj **II**.
  - > Ako inverterom treba kontrolirati pomoću ENB+ pina, prekidač za uključivanje/isključivanje mora biti postavljen u položaj **0**.
- > Da biste uključili inverter, prekidač za uključivanje/isključivanje postavite na položaj **I**.
  - > Da biste isključili inverter, prekidač za uključivanje/isključivanje postavite na položaj **0**.
  - > Inverter možete uključivati i isključivati daljinskim upravljačem ili ENB+ pinom.

### 10.3 Postavljanje načina rada za uštedu energije



#### UPUTA

- Ako je DIP sklopka S2 postavljena u položaj **OFF**, inverter se automatski prebacuje na normalan način rada kada je priključeno opterećenje  $\geq 45$  W.
- Ako je DIP sklopka S2 postavljena u položaj **ON**, inverter se automatski prebacuje na normalan način rada kada je priključeno opterećenje  $\geq 80$  W.
- Status načina rada za uštedu energije ne može se promijeniti ako se koristi daljinski upravljač ili ENB+ pin, osim ako se ne dovrši cijeli ciklus uključivanja/isključivanja

### Aktiviranje načina rada za uštedu energije

1. Ako je potrebno, isključite inverter.
  2. Postavite DIP sklopku S1 u položaj **ON**.
- ✓ Način rada za uštedu energije sada je aktiviran.

### Deaktiviranje načina rada za uštedu energije

1. Isključite inverter.
  2. Postavite DIP sklopku S1 u položaj **OFF**.
- ✓ Način rada za uštedu energije sada je deaktiviran.

## 11 Čišćenje i održavanje



### UPOZORENJE! Opasnost od strujnog udara

Razdvojite uređaj od napajanja prije čišćenja i održavanja.



### POZOR! Opasnost od oštećenja

- > Nikad ne perite uređaj pod mlazom tekuće vode ni u vodi pripremljenoj za pranje posuđa.
  - > Za čišćenje nemojte upotrebljavati oštre ni tvrde predmete, abrazivna sredstva za čišćenje ni izbjeljivač jer oni mogu oštetiti uređaj.
  - > Provjerite da na otvorima za dovod i odvod zraka na uređaju nema prašine i prljavštine kako bi se toplina mogla odvoditi.
- > Po potrebi očistite uređaj mekanom i vlažnom krpom.
- > Redovito provjeravajte ima li na kabelima ili vodovima pod naponom oštećenja izolacije, prekida ili labavih spojeva.

## 12 Uklanjanje smetnji

Smetnja	Mogući uzrok	Rješenje
Inverter ne funkcionira. LED indikator statusa je isključen.	Kratki spoj pet puta zaredom.	> Nakon što je proradio zbog previsoke struje, osigurač uređaja mora zamijeniti ovlašteni servis.
	Oštećenja izolacije, prekidi ili labavi spojevi na kabelima pod naponom.	> Provjerite ima li na kabelima pod naponom oštećenja izolacije, prekida ili labavih spojeva. Ako ne možete pronaći grešku, obratite se ovlaštenom servisu.
Inverter ne funkcionira. LED indikator statusa zasvijetlit će crveno.	Zaštita od velike izlazne struje.	Smanjite priključena opterećenja.
	Isključivanje zbog visoke temperature.	1. Isključite inverter i priključena opterećenja. 2. Provjerite nisu li ulazi i izlazi za zrak prekriveni ili začepljeni. 3. Pričekajte da se inverter ohladi.
	Generiran je kratki spoj.	Nakon što je proradio zbog previsoke struje, osigurač uređaja mora zamijeniti ovlašteni servis.



Smetnja	Mogući uzrok	Rješenje
	Isključivanje zbog prenapona. Napon akumulatora je previsok.	<ul style="list-style-type: none"> <li>&gt; Smanjite priključene napone.</li> </ul> <p>Inverter se automatski ponovno pokreće kada napon padne na vrijednost za ponovno pokretanje (pogledajte poglavlje Isključivanje u slučaju prenapona na stranici 323).</p> <ul style="list-style-type: none"> <li>&gt; Ako se pogreška i dalje javlja: povećajte presjeka kabela. Smanjite dužinu kabela.</li> </ul>
	Isključivanje zbog podnapona. Napon akumulatora previše je nizak.	<ul style="list-style-type: none"> <li>&gt; Pričekajte da se akumulator polako napuni.</li> </ul> <p>Inverter se automatski ponovno pokreće kada napon premaši vrijednost za ponovno pokretanje (pogledajte poglavlje Isključivanje u slučaju podnapona na stranici 323).</p>

## 13 Jamstvo

Primjenjuje se zakonom propisano jamstveno razdoblje. Ako je proizvod neispravan, obratite se podružnici proizvođača u svojoj državi (pogledajte [dometic.com/dealer](http://dometic.com/dealer)) ili svojem trgovcu na malo.

Za potrebe popravaka i obrade jamstva pri slanju uređaja priložite sljedeće dokumente:

- presliku računa s datumom kupnje
- razlog reklamacije ili opis kvara

Obratite pozornost da samostalni ili nestručni popravak može imati negativne posljedice na sigurnost i uzrokovati gubitak jamstva.

## 14 Odlaganje u otpad

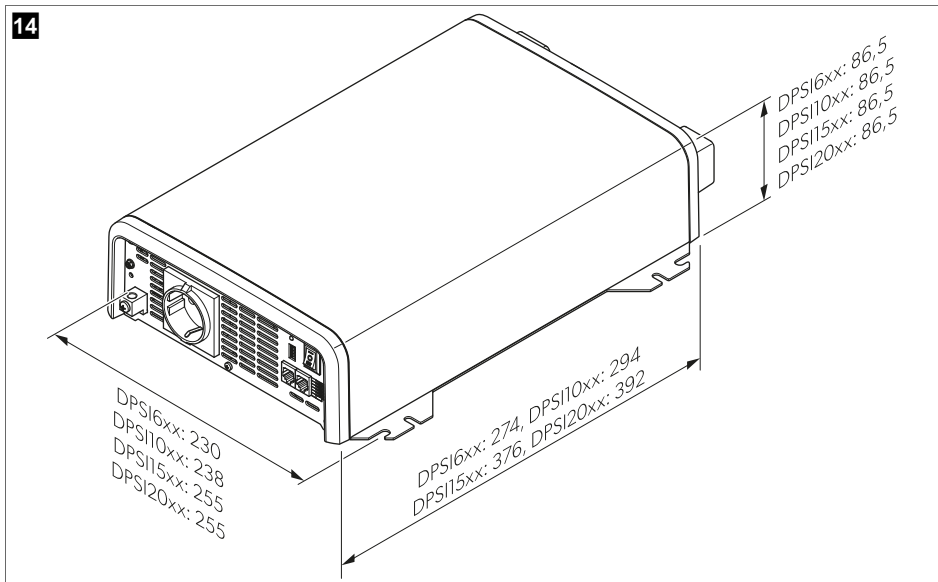


Odložite ambalažu u odgovarajuće kante za reciklažu otpada gdje god je to moguće.

Za detalje o odlaganju proizvoda u otpad, zatražite od svog lokalnog centra za recikliranje ili specijaliziranog trgovca pojednosti o tomu kako to učiniti u skladu s važećim propisima o odlaganju u otpada.


Proizvod se može besplatno odložiti u otpad.

## 15 Tehnički podaci



	<b>DPSI 612</b>	<b>DPSI 1012</b>	<b>DPSI 624</b>	<b>DPSI 1024</b>
Nominalni ulazni napon	12 V $\overline{\text{=}}$		24 V $\overline{\text{=}}$	
Raspon ulaznog napona	10,5 ... 16,5 V $\overline{\text{=}}$		21 ... 33 V $\overline{\text{=}}$	
Kontinuirana izlazna snaga $P_{\text{nom}}$	600 W	1000 W	600 W	1000 W
Maksimalna izlazna snaga (1 min)	690 W	1150 W	690 W	1150 W
Maksimalna snaga prenapona $1\text{ sP}(\text{I})$	1200 W	2000 W	1200 W	2000 W
Potrošnja struje u stanju mirovanja	$\leq 1\text{ A}$	$\leq 1,1\text{ A}$	$\leq 0,6\text{ A}$	$\leq 0,6\text{ A}$
Potrošnja struje u stanju pripravnosti	$\leq 0,3\text{ A}$	$\leq 0,35\text{ A}$	$\leq 0,2\text{ A}$	$\leq 0,2\text{ A}$
Dimenzije	sl. 14 na stranici 322			
Težina	1,1 kg	1,2 kg	1,1 kg	1,2 kg

	<b>DPSI 1512</b>	<b>DPSI 2012</b>	<b>DPSI 1524</b>	<b>DPSI 2024</b>
Nominalni ulazni napon	12 V $\overline{\text{=}}$		24 V $\overline{\text{=}}$	
Raspon ulaznog napona	10,5 ... 16,5 V $\overline{\text{=}}$		21 ... 33 V $\overline{\text{=}}$	
Kontinuirana izlazna snaga $P_{\text{nom}}$	1500 W	2000 W	1500 W	2000 W
Maksimalna izlazna snaga (1 min)	1725 W	2300 W	1725 W	2300 W
Maksimalna snaga prenapona $1\text{ sP}(\text{I})$	3000 W	4000 W	3000 W	4000 W
Potrošnja struje u stanju mirovanja	$\leq 1,2\text{ A}$	$\leq 1,5\text{ A}$	$\leq 0,7\text{ A}$	$\leq 0,8\text{ A}$
Potrošnja struje u stanju pripravnosti	$\leq 0,4\text{ A}$	$\leq 0,5\text{ A}$	$\leq 0,25\text{ A}$	$\leq 0,3\text{ A}$

	DPSI 1512	DPSI 2012	DPSI 1524	DPSI 2024
Dimenzije		 sl. 14 na stranici 322		
Težina	1,1 kg	1,2 kg	1,1 kg	1,2 kg

### 15.1 Opći tehnički podaci

Raspon izlaznog napona	230 V $\sim$ $\pm$ 10 %
Izlazna frekvencija	50 Hz $\pm$ 1 %
Izlazni valni oblik	Čisti sinusni val
Vršna učinkovitost	90 %
Okolna temperatura za rad	0 ... 50 °C
Okolna temperatura za skladištenje	-30 °C ... 70 °C
Okolna vlaga	0 ... 95 %, non-condensing
Ispitivanje/certifikacija	



### 15.2 Isključivanje u slučaju podnapona

	Vrijednost za isključivanje	Vrijednost za ponovno pokretanje
DPSI <sub>xx</sub> 12	10,3 V	11,8 V
DPSI <sub>xx</sub> 24	20,6 V	23,6 V

### 15.3 Isključivanje u slučaju prenapona

	Vrijednost za isključivanje	Vrijednost za ponovno pokretanje
DPSI <sub>xx</sub> 12	16,5 V	15,5 V
DPSI <sub>xx</sub> 24	33 V	31 V

## Türkçe

1	Önemli notlar.....	324
2	Sembollerin açıklanması.....	324
3	Güvenlik uyarıları.....	325
4	Teslimat kapsamı.....	328
5	Aksesuar.....	328
6	Amacına Uygun Kullanım.....	328
7	Teknik açıklama.....	329
8	Montaj.....	332
9	Şebeke sisteminin yapılandırılması.....	338
10	Kullanım.....	339
11	Temizlik ve bakım.....	340
12	Arızaların Giderilmesi.....	340
13	Garanti.....	341
14	Atık İmhası.....	341
15	Teknik Bilgiler.....	342

## 1 Önemli notlar

Bu ürünü doğru monte ettiğinizden ve ürünün daima kullanıma hazır olduğundan emin olmak için, lütfen tüm talimatları ve bu ürün kılavuzunda verilen kılavuzları ve uyarıları dikkatlice okuyunuz. Bu talimatlar bu ürün ile birlikte SAKLANMALIDIR.

Bu ürünü kullandığınızda tüm talimatları, kılavuzları ve uyarıları dikkatlice okuduğunuzu ve anladığınızı ve hükümlere ve koşullara bu sözleşmede yer alıyormuş gibi uyaçağınızı onay verirsiniz. Bu ürünü sadece amacına ve uygulamaya uygun ve talimatlara, kılavuzlara ve uyarılara uygun bu ürün kılavuzu ile geçerli yasalara ve yönetmeliklere uygun olarak kullanacağınızı kabul ediyorsunuz. Talimatların ve uyarıların burada verildiği gibi okunmaması veya bunlara uyulmaması sonucu kendiniz ve diğer insanlar yaralanabilir veya ürününüz veya yakınında bulunan diğer mallar hasar görebilir. Talimatlar, kılavuzlar ve uyarılar da dahil, bu ürün kılavuzu ve buna ait olan dokümanlarda değişiklikler ve güncellemeler yapılabilir. Güncel ürün bilgileri için lütfen [documents.dometic.com](http://documents.dometic.com) adresini ziyaret edin.

## 2 Sembollerin açıklanması

Bir sinyal sözcüğü, güvenlik ve maddi hasar mesajlarını tanımlar ve ayrıca tehlikenin ciddiyet derecesini veya seviyesini gösterir.



### TEHLİKE!

Ölenmediğinde, can kaybı veya ağır bir yaralanmaya neden olan tehlikeli bir durumu gösterir.



### UYARI!

Ölenmediğinde, can kaybı veya ağır bir yaralanmaya neden olabilecek tehlikeli bir durumu gösterir.



### DİKKAT!

Ölenmediğinde, hafif veya orta derecede bir yaralanmaya neden olabilecek tehlikeli bir durumu gösterir.



### İKAZ!

Ölenmediğinde, maddi hasara neden olabilecek bir durumu gösterir.



**NOT** Ürünün kullanılması ile ilgili ek bilgiler.

## 3 Güvenlik uyarıları

Ayrıca araç üreticisinin ve servis atölyelerinin öngördüğü güvenlik uyarılarına ve koşullara uyun.

### 3.1 Genel güvenlik



#### **TEHLİKE! Elektrik çarpması tehlikesi**

- > Açıktaki kablolara çıplak elle dokunmayın.
- > Cihazın AC güç kaynağıyla bağlantısını hızlı bir şekilde kesebilmek için, prizini cihaza yakın ve kolayca erişilebilir olması gerekir.



#### **UYARI! Elektrik çarpması tehlikesi**

- > Cihazın montajı ve sökülmesi sadece kalifiye personel tarafından gerçekleştirilmelidir.
- > Cihazın kendisi veya bağlantı kablosu gözle görülür şekilde hasar görmüşse cihazı çalıştırmayın.
- > Bu cihazın güç kablosu hasarlı ise, güvenlik tehlikelerinin önlenmesi için güç kablosu derhal değiştirilmelidir.
- > Bu cihazda sadece usta elemanlar tarafından onarım yapılmalıdır. Doğru yapılmayan onarımlar mühim tehlikelere sebep olabilir.
- > Yalnızca üretici tarafından tavsiye edilen aksesuarları kullanın.
- > Bileşenlerin hiçbirinde hiçbir şekilde değişiklik veya uyarılama yapmayın.
- > Cihaz kullanılırken hiçbir kabloyu bağlantısından ayırmayın.
- > Cihazı güç kaynağından ayırın:
  - Kullanım sonrası
  - Her temizlik ve bakımdan önce
  - Sigorta değiştirmeden önce



#### **UYARI! Yangın tehlikesi/Yanııcı Maddeler**

Yangın çıkması durumunda, elektrikli cihazlar için uygun bir yangın söndürücü kullanın.



#### **UYARI! Oksijensiz kalma rizikosü**

Cihazın kablosu ve kontrol ünitesi doğru şekilde düzenlenmediği takdirde, ezilme, dolanma, boğulma ve takılma risklerine yol açabilir. Fazla kablo bağlarının ve güç kablolarının güvenli bir şekilde düzenlendiğinden emin olun.



#### **UYARI! Sağlık için tehlike**

- > Bu cihaz, gözetim altında olmaları veya cihazın güvenli bir şekilde kullanımıyla ilgili talimatların verilmesi ve tehlikeleri anlamaları halinde, 8 yaş ve üzeri çocuklar ve fiziksel, duyuşsal veya zihinsel yetenekleri kısıtlı veya deneyim ve bilgi eksikliği olan kişiler tarafından kullanılabilir.
- > **Elektronik cihazlar çocuk oyuncuğı değildir!** Cihazı, küçük çocukların erişemeyeceğı bir yerde saklayın ve kullanın.
- > Bu cihazla oynamadıklarından emin olmak için, çocuklar daima gözetlenmelidir.
- > Temizlik ve kullanıcı bakımı gözetimsiz olarak çocuklar tarafından yapılmamalıdır.



### İKAZ! Hasar tehlikesi

- > Başlatmadan önce, veri plakasındaki voltaj ile güç kaynağının voltajının aynı olup olmadığını kontrol edin.
- > Diğer nesnelerin cihazın kontaklarında bir kısa devreye sebep **olmayacağından** emin olun.
- > Eksi ve artı kutupların birbirine **asla** temas etmemesine dikkat edin.
- > Bağlantı kablolarını çekmeyin veya kabloları tutamak olarak kullanmayın.
- > Cihaz yağmura veya neme maruz kalmamalıdır. Kuru bir yerde saklayın.

## 3.2 Cihazın güvenli bir şekilde monte edilmesi



### TEHLİKE! Patlama tehlikesi

- > Cihazı yalnızca kapalı ve iyi havalandırılan yerlere monte edin ve işletin.
- > Cihazı aşağıdaki koşullarda **monte etmeyin veya işletmeyin**:
  - Tuzlu, ıslak veya nemli ortamlarda
  - Aşındırıcı dumanların yakınında
  - Yanıcı maddelerin yakınında
  - Isı kaynaklarının yakınında (ısıtıcılar, doğrudan güneş ışığı, gazlı fırınlar, vb.)
  - Gaz veya toz patlaması riski olan alanlarda



### UYARI! Yaralanma riski

- > Cihazın güvenli bir şekilde durduğundan emin olun. Cihazın devrilmesini ve düşmesini önleyecek şekilde güvenli bir şekilde yerleştirilmesi ve sabitlenmesi gerekmektedir.
- > Cihazı konumlandırırken, herhangi bir takılarak düşme tehlikesini önlemek için tüm kabloların uygun şekilde sabitlendiğinden emin olun.



### İKAZ! Hasar tehlikesi

- > Cihazı, su sıçramasına karşı korunan kuru bir yere yerleştirin.
- > Her zaman topraklanmış ve kaçak akım devre kesicileri ile emniyete alınmış prizler kullanın

## 3.3 Cihazın elektrik bağlantılarını yaparken güvenlik



### TEHLİKE! Elektrik çarpması tehlikesi

Elektrik sistemleri üzerinde çalışıyorsanız, acil durumlarda size yardımcı olabilecek birinin yakınızdaki olduğundan emin olun.



### UYARI! Elektrik çarpması tehlikesi

- > Tavsiye edilen kablo kesitlerine uyun.
- > Kabloları, kapılar veya kaporta nedeniyle zarar görmeyecek şekilde döşeyin. Ezilmiş kablolar ciddi yaralanmalara neden olabilir.



### İKAZ! Hasar tehlikesi

- > Kabloları, metal paneller veya keskin kenarlı diğer panellerin arasına döşemek gerekiyorsa kanal sistemi veya kablo kanalları kullanın.
- > 230 V şebeke kablosu ile 12 V DC kablosunu aynı kanala **döşemeyin**.
- > Kabloları gevşek veya çok bükülmüş olacak şekilde **döşemeyin**.
- > Kabloları güvenli bir şekilde sabitleyin.

### 3.4 Aküler üzerinde çalışma yaparken alınacak güvenlik önlemleri



#### UYARI! Yaralanma riski

- > Aküler agresif ve yakıcı asitler içerir. Akü sıvısının vücudunuzla temas etmesini önleyin. Cildiniz akü sıvısıyla temas ederse, vücudunuzun o kısmını su kullanarak iyice yıkayın. Asitlerden dolayı herhangi bir yaralanma yaşarsanız, derhal bir doktora başvurun.
- > Akü ile çalışırken saat veya yüzük gibi metal nesnelere takmayın. Kurşun asitli aküler, ciddi yaralanmalara neden olabilecek kısa devrelere neden olabilir.
- > Yalnızca yalıtımlı aletler kullanın.
- > Akünün üzerine herhangi bir metal parça koymayın ve metal parçaların akünün üzerine düşmesini önleyin. Bu, kıvılcıklara veya akü ve diğer elektrikli parçalarda kısa devrelere neden olabilir.
- > Akülerle çalışırken koruyucu gözlük ve koruyucu giysi kullanın. Akülerle çalışırken gözlerinize dokunmayın.
- > Yalnızca şarj edilebilir aküler kullanın.
- > Hasarlı aküleri kullanmayın.



#### DİKKAT! Patlama tehlikesi

- > Asla donmuş veya hasarlı bir aküyü şarj etmeye çalışmayın. Aküyü buzlanma olmayan bir alana yerleştirin ve akü ortam sıcaklığına alışana kadar bekleyin. Ardından şarj işlemini başlatın.
- > Motorun veya akünün yakınında sigara içmeyin, açık alev kullanmayın veya kıvılcım oluşmasına neden olmayın.
- > Aküyü ısı kaynaklarından uzak tutun.



#### İKAZ! Hasar tehlikesi

- > Aküyü bağlarken kutupların doğru olduğundan emin olun.
- > Akü üreticisinin ve akünün kullanıldığı sistemin veya aracın üreticisinin talimatlarına uyun.
- > Akünün çıkarılması gerekiyorsa, önce toprak bağlantısını kesin. Aküyü çıkarmadan önce tüm bağlantıları ve tüm tüketicileri aküden ayırın.
- > Aküleri yalnızca tamamen şarj olmuş halde depolayın. Depolanan aküleri düzenli olarak şarj edin.
- > Aküyü bağlantı uçlarından tutarak taşımayın.

### 3.5 Cihazı çalıştırırken güvenlik



#### UYARI! Elektrik çarpması tehlikesi

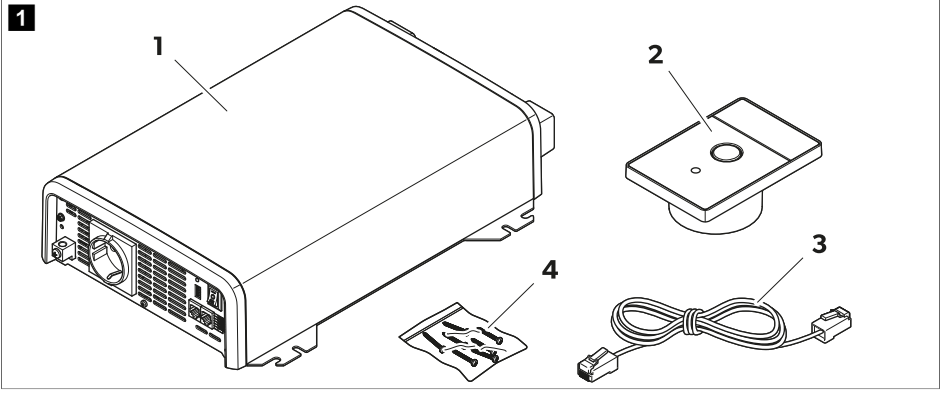
- > Cihazı ıslak koşullarda kullanmayın veya herhangi bir sıvıya daldırmayın.
- > Cihazı çalıştırmadan önce, güç kaynağı hattının ve fişin kuru olduğundan, fişte pas veya kir bulunmadığından emin olun.
- > Sigorta atmış olsa bile cihazın parçalarının gerilim iletebileceğini unutmayın.



#### İKAZ! Hasar tehlikesi

- > Cihazın hava giriş ve çıkışlarının kapalı olmadığından emin olun.
- > İyi bir havalandırma sağlayın.

## 4 Teslimat kapsamı



Numara	Gösterim	Miktar
1	Sinüs dalga invertör	1
2	Uzaktan kumanda	1
3	Uzaktan kumanda bağlantı kablosu	1
4	Sabitleme vidaları	6
-	Kurulum ve kullanım kılavuzu	1

## 5 Aksesuar

Gösterim	Parça No.
DPSI-RC uzaktan kumanda	9620018306
TD283 dokunmatik ekran	9620013272

## 6 Amacına Uygun Kullanım

İnvertör, bağlı 230 V tüketicilerin çalıştırılması ve istikrarlı bir şekilde beslenmesi için doğru akımı 230 V~ saf sinüs dalgalı alternatif gerilime (AC) dönüştürmek üzere tasarlanmıştır.

İnvertör aşağıdaki bağlantılar için tasarlanmıştır:

- DPSI612, DPSI1012, DPSI1512, DPSI2012: 12 V<sub>DC</sub>
- DPSI624, DPSI1024, DPSI1524, DPSI2024: 24 V<sub>DC</sub>

İnvertör aşağıdakiler için uygundur:

- Eğlence ve dinlenme araçlarına (RV), ticari araçlara veya motorlu ve yelkenli yatlarla montaj
- Sabit veya mobil kullanım
- İç mekan kullanımı

İnvertör şunlar için uygun **değildir**:



- Dış mekan kullanımı

Bu ürün sadece amacına uygun ve bu talimata göre kullanılmalıdır.

Bu kılavuzda ürünün doğru olarak monte edilmesi ve/veya kullanılması için gerekli bilgiler verilmektedir. Doğru yapılmayan montaj ve/veya yanlış işletim ya da bakım, performansın yetersiz olmasına ve olası bir arızaya neden olabilir.

Üretici, aşağıdaki durumların neden olduğu yaralanmalardan veya ürün hasarlarından sorumlu değildir:

- Aşırı voltaj da dahil olmak üzere hatalı kurulum, montaj veya bağlantı
- Yanlış bakım veya üretici tarafından sağlanan orijinal yedek parçalardan başka yedek parçalar kullanılması
- Üreticisinden açıkça izin almadan cihazda değişiklikler yapılması
- Bu kılavuzda tanımlananların dışında bir amaçlar için kullanıldığına

Dometic ürünün görünümünde ve ürün özelliklerinde değişiklik yapma hakkını saklı tutar.

## 7 Teknik açıklama

### 7.1 Genel açıklama

İnvertör, DC'den AC'ye sinüs dalgalı bir invertördür.

İnvertör aşağıdaki şebeke sistemlerinde çalıştırılabilir:

- TN şebeke
- IT şebeke

Şebeke sistemleri invertör üzerindeki bir vida aracılığıyla ayarlanır.

İnvertör aşağıdaki koruyucu sistemlere sahiptir:

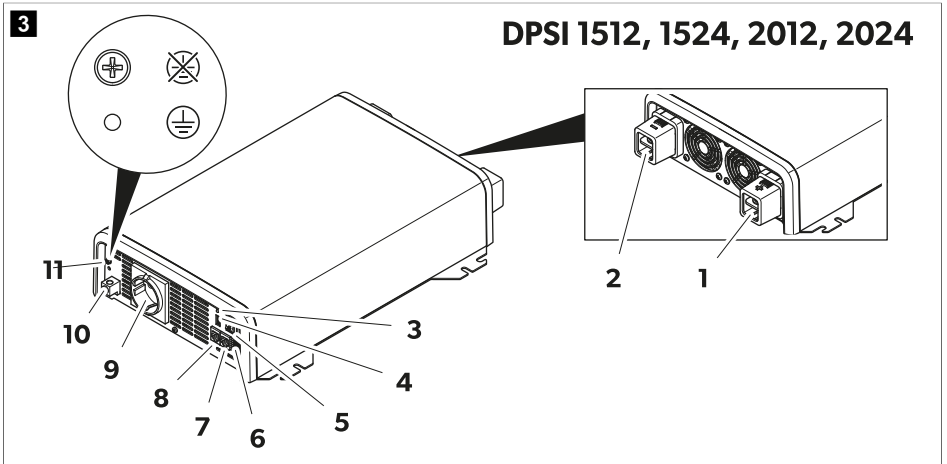
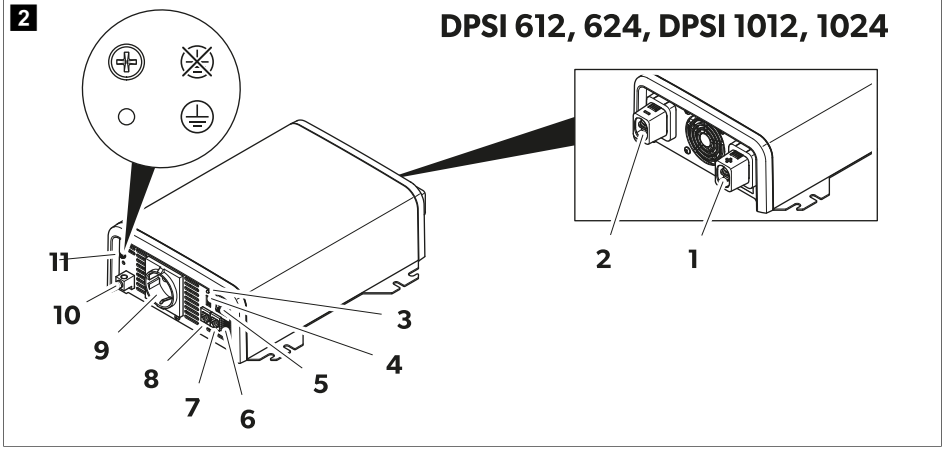
- **Aşırı gerilimde kapanma:** Gerilim, kesme değerini aştığında invertör kapanır. Gerilim, yeniden başlatma değerine düştüğünde invertör otomatik olarak yeniden başlatılır.
- **Düşük gerilimde kapanma:** Gerilim, kesme değerinin altına düştüğünde invertör kapanır. Gerilim yeniden başlatma değerini aştığında invertör otomatik olarak yeniden başlatılır.
- **Yüksek sıcaklıkta kapanma:** Cihazın iç sıcaklığı kesme değerini aştığında invertör kapanır. Dahili sıcaklık yeniden başlatma değerine düştüğünde invertör otomatik olarak yeniden başlatılır.
- **Yüksek çıkış akımı koruması:** Çok fazla yük bağlandığında invertör kapanır.
- **Kısa devre koruması:** Bir kısa devre oluştuğunda invertör kapanır. İnvertör birkaç saniye sonra otomatik olarak yeniden başlatılır. Art arda beş kez kısa devre algılanırsa, invertör otomatik olarak yeniden başlamaz ve manuel yeniden başlatma gerekir.

İnvertör, veri ve fonksiyon için N-BUS ve CI-BUS uyumludur, her ikisi de dokunmatik ekran (aksesuarlar) ve mobil uygulama üzerinden kontrol edilebilir.

İnvertör, invertörü açmak veya kapatmak için bir uzaktan kumanda ile donatılmıştır.

İnvertör, boşa çalışma tüketimini azaltmak ve akü üzerindeki yükü en aza indirmek için enerji tasarrufu moduna geçirebilir. Bu işlem DIP anahtar veya şunlarla yapılabilir

## 7.2 Kontrol elemanları ve bağlantılar

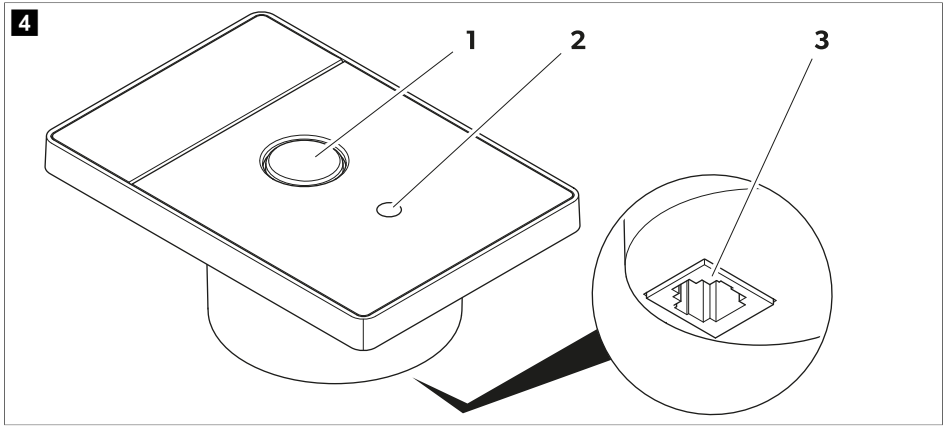


**NOT** Şekiller Avrupa kıtası için olan versiyonları göstermektedir.

No.	Gösterim
1	(+) bağlantı noktası, araç içi akünün artı kutbuna bağlantı
2	(-) bağlantı noktası, araç içi akünün eksi kutbuna bağlantı
3	Durum gösterge LED'i
4	Dip anahtar
5	Açma/Kapatma anahtarı

No.	Gösterim
6	Harici kontrol için bağlantı noktası
7	CI BUS/N Bus/uzaktan kumanda bağlantısı (LINB)
8	CI BUS/N Bus/uzaktan kumanda bağlantısı (LINA)
9	AC çıkışı
10	Topraklama bağlantısı
11	IT/TN şebeke ayarı için vida

### 7.3 Uzaktan kumanda



Numara  şe-  
kil **4** sayfa 331

Gösterim

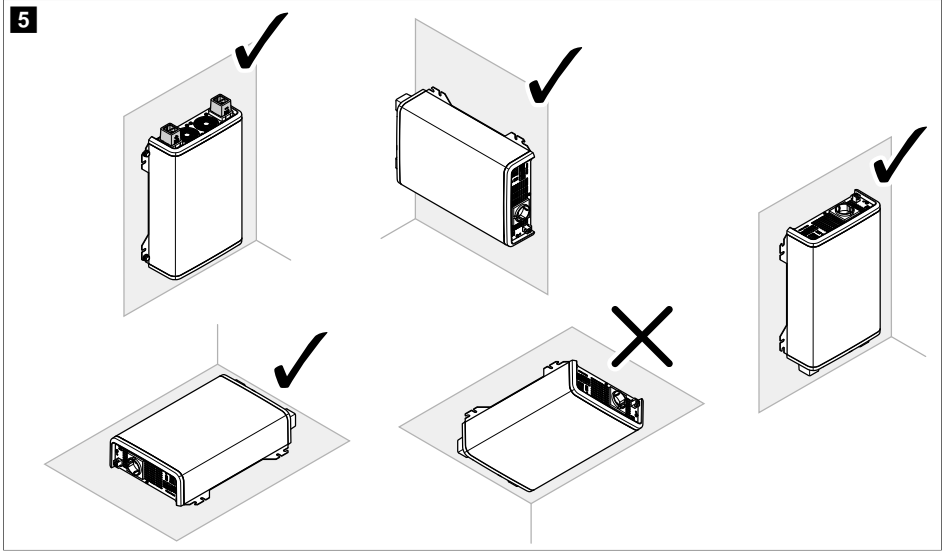
1	Açma/kapatma düğmesi
2	Durum gösterge LED'i
3	Uzaktan kumanda bağlantısı

### 7.4 Durum gösterge LED'i

Durum	Adı
Green	İnvertör işletimde
Orange	Dikkat: AC çıkışı mevcut, aşırı gerilim, düşük gerilim veya güç arızası riski
Red	Hata: AC girişi yok, invertör devre dışı (bkz. Arızaların Giderilmesi sayfa 340 bölümü)

## 8 Montaj

### 8.1 Montaj yeri




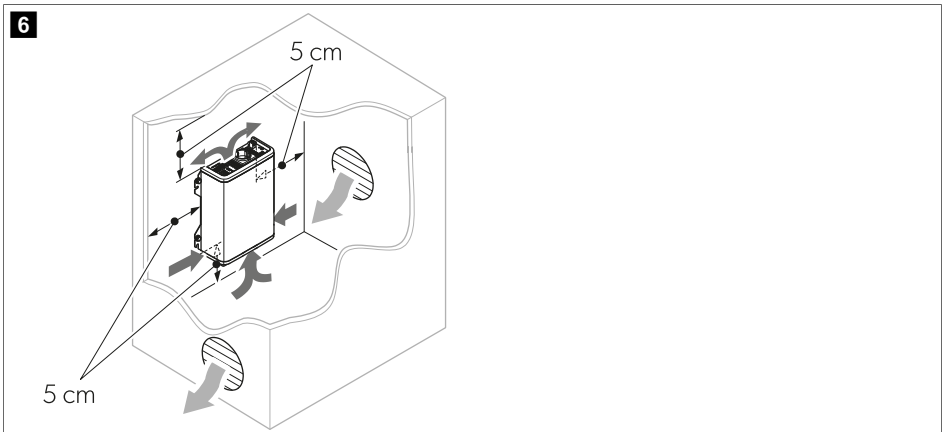
#### **İKAZ! Hasar tehlikesi**

Herhangi bir delik delmeden önce, elektrik kablolarının veya aracın diğer parçalarının delme, kesme ve eğeleme nedeniyle zarar görmeyeceğinden emin olun.




#### **NOT**

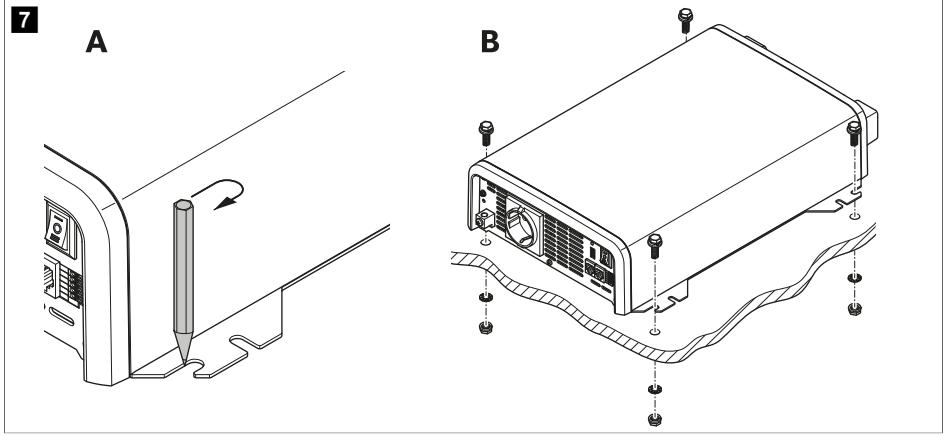
İnvertör zemine oturtularak veya asılı olarak monte edilebilir (  şekil **5** sayfa 332).





Montaj yeri seçerken aşağıdaki talimatlara uyun:

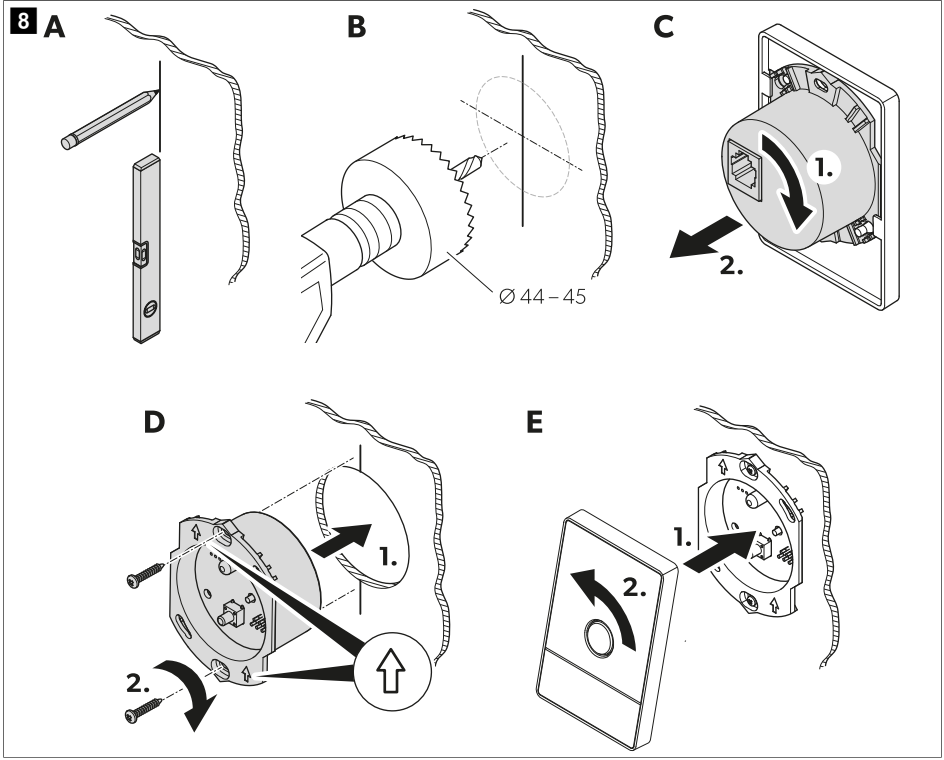
- Montaj yüzeyinin düz ve sağlam olduğundan emin olun.
- Yeterli havalandırma için mesafe spesifikasyonlarına uyun (  şekil **6** sayfa 332).





## 8.2 İnvörtörün montajı



1. Seçilen montaj tipine (zemine oturtularak veya asma) bağlı olarak uygun montaj deliklerini seçin ve delikleri işaretleyin (  şekil **7** sayfa 333, **A**).
2. Montaj deliklerini önceden delin.
3. İnvörtörü yerine vidalayın (  şekil **7** sayfa 333, **B**).


### 8.3 Uzaktan kumandanın montajı



1. Montaj yüzeyini işaretleyin (  şekil **8** sayfa 334, **A**).
2. Örneğin bir delik açma testeresi ile 44 mm ... 45 mm çapında bir delik açın (  şekil **8** sayfa 334, **B**).
3. Bağlantı kutusunu kontrol panelinden çıkartın (  şekil **8** sayfa 334, **C**).
4. Bağlantı kutusunu deliğe yerleştirin ve vidalayın (  şekil **8** sayfa 334, **D**).



**NOT** Bağlantı kutusu üzerindeki oklarla gösterildiği gibi doğru dikey hizalamayı sağlayın.

5. Kontrol panelini bağlantı kutusuna takın (  şekil **8** sayfa 334, **E**).
6. Koruyucu filmi çıkarın.

## 8.4 İnvvertörün bağlanması



Cihazın elektrik montajı ve devreye alınması, elektrikli ekipmanların yapısı, çalıştırılması ve montajı konusunda bilgi ve beceriye sahip, ekipmanın montajının yapılacağı ve/veya kullanılacağı ülkenin geçerli düzenlemelerine aşına olan, ilgili tehlikeleri belirlemek ve bunlardan kaçınmak için güvenlik eğitimi almış kalifiye bir teknisyen tarafından yapılmalıdır.

Diğer tüm işlemler, profesyonel olmayan kullanıcılar tarafından yapılacak şekilde tasarlanmıştır.



### UYARI! Elektrik çarpması tehlikesi

Önerilen kablo kesitlerine, kablo uzunluklarına ve sigorta değerine uyun.



### DİKKAT! Yangın tehlikesi

Kabloyu kısa devrelerden ve olası yanmalardan korumak için sigortaları akülerin yakınına yerleştirin.



### İKAZ! Hasar tehlikesi

- > Polariteyi tersine çevirmeyin.
- > Vidaları ve somunları maksimum 15 Nm torkla sıkın. Gevşek bağlantılar aşırı ısınmaya yol açabilir.

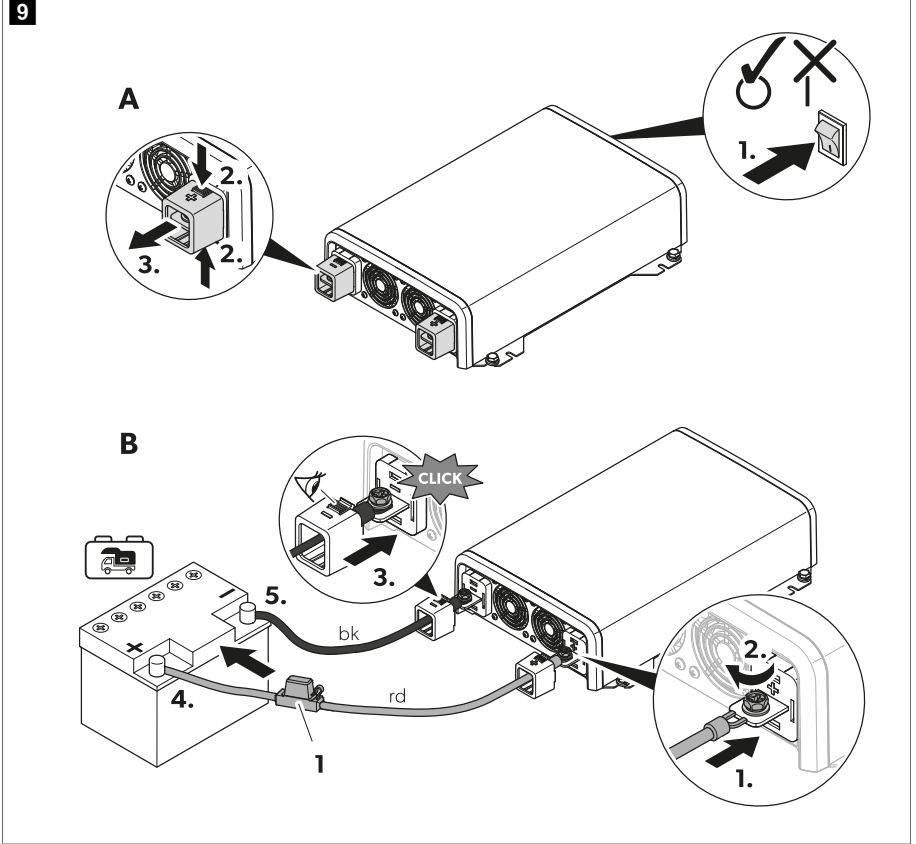
İnvvertörü bağlarken aşağıdaki talimatlara uyun:

- Bir priz çıkış dağıtım devresi (şebeke kurulumu) kurarken geçerli yönetmeliklere uyun.
- DC kablolarının kablo uzunluğunu (akü kutup başlarına bağlantı)  $\leq 1$  m olacak şekilde mümkün olduğunca kısa seçin.
- **TN şebeke** bağlantısı için: Kaçak akım rölesi (RCD) bağlayın.
- **IT şebeke** bağlantısı için: Birden fazla yük bağlıysa bir yalıtım izleme cihazı (IMD) takın. **Ulusal standartlar uygulanır.**

1. Kablo kesitlerini ve sigortayı belirleyin:

	Kablo kesiti	Kablo sigortası
DPSI612	25 mm <sup>2</sup>	150 A
DPSI624	25 mm <sup>2</sup>	150 A
DPSI1012	35 mm <sup>2</sup>	200 A
DPSI1024	25 mm <sup>2</sup>	150 A
DPSI1512	50 mm <sup>2</sup>	250 A
DPSI1524	25 mm <sup>2</sup>	150 A
DPSI2012	70 mm <sup>2</sup>	300 A
DPSI2024	35 mm <sup>2</sup>	200 A

2. Cihazın kapalı olduğunu kontrol edin (  şekil 9 sayfa 336, 1).



3. Kapakları bağlantı noktalarından ayırın ( şekil **9** sayfa 336, **2-3**).
4. (+)'yı araç içi akünün artı kutup başına bağlayın (kırmızı (rd) bağlantı kablosu, şekil **9** sayfa 336, **4**).

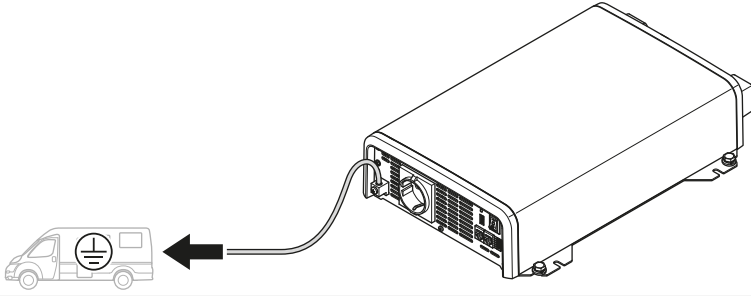


**NOT** Araç içi akünün artı kablosunu bir sigorta ile koruyun ( şekil **9** sayfa 336, **1**).

5. (-)'yi araç içi akünün eksi kutup başına bağlayın (siyah (bk) bağlantı kablosu ( şekil **9** sayfa 336, **5**).
6. Toprak bağlantısını toprağa (şaseye) bağlayın ( şekil **10** sayfa 337).



10



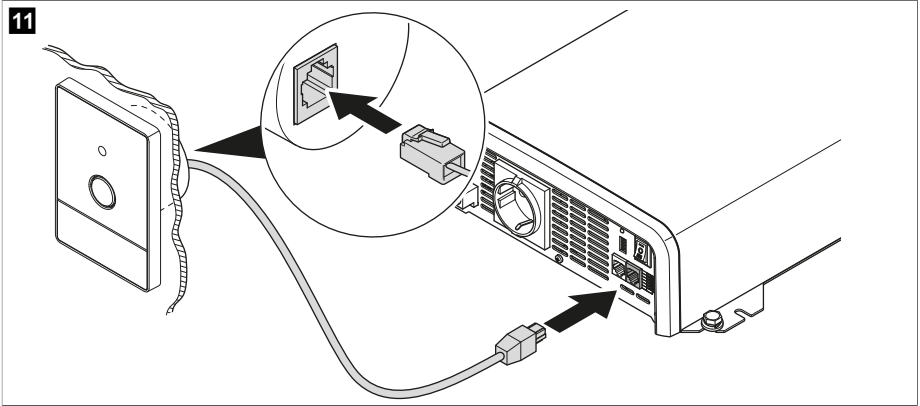
## 8.5 Uzaktan kumandanın bağlanması



**NOT** Uzaktan kumanda ve N-BUS/CI-BUS ağı aynı anda bağlanamaz.

- > Uzaktan kumandayı, uzaktan kumanda bağlantı kablosunu kullanarak uzaktan kumanda bağlantısına bağlayın.

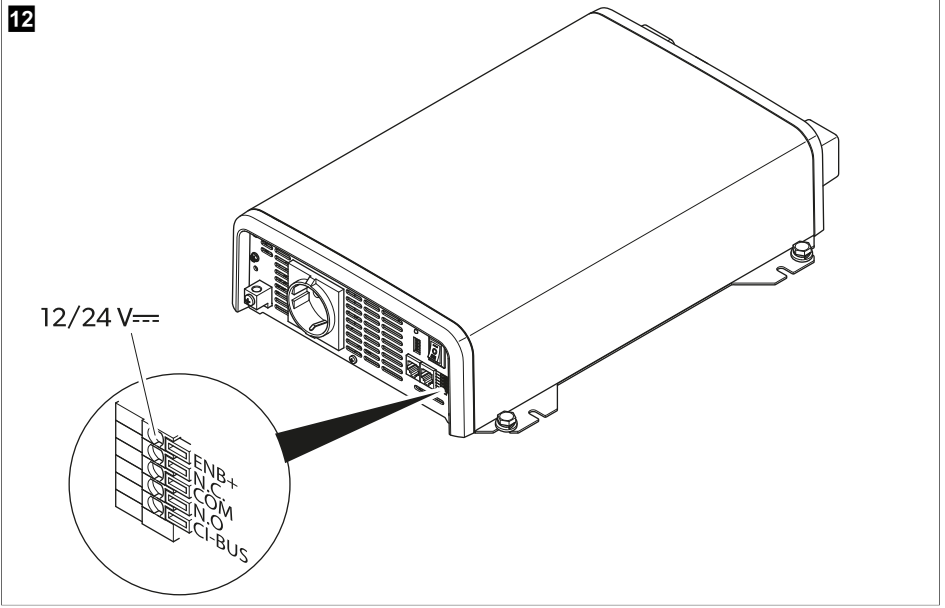
11



## 8.6 ENB+ pininin bağlanması



**NOT** ENB+ pini bağlıysa, enerji tasarrufu modunun durumu değiştirilemez.



1. Açma/kapama anahtarını 0 konumuna getirin.
2. ENB+ pinini aşağıdaki gibi kullanın:
  - İnvörtörü açmak için ENB+ pinini uygun bir elektrik kablosuyla araç içi akünün artı kutbuna bağlayın.
  - İnvörtörü kapatmak için ENB+ pinini araç içi aküden ayırın.

## 9 Şebeke sisteminin yapılandırılması



Cihazın elektrik montajı ve devreye alınması, elektrikli ekipmanların yapısı, çalıştırılması ve montajı konusunda bilgi ve beceriye sahip, ekipmanın montajının yapılacağı ve/veya kullanılacağı ülkenin geçerli düzenlemelerine aşına olan, ilgili tehlikeleri belirlemek ve bunlardan kaçınmak için güvenlik eğitimi almış kalifiye bir teknisyen tarafından yapılmalıdır.

Diğer tüm işlemler, profesyonel olmayan kullanıcılar tarafından yapılacak şekilde tasarlanmıştır.



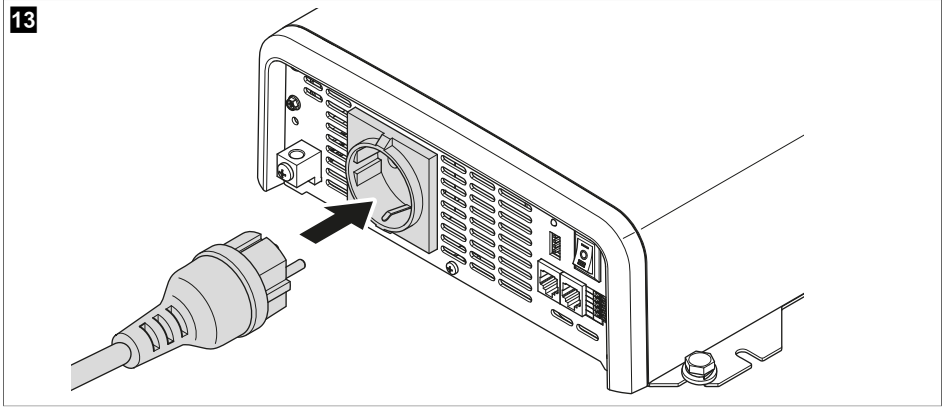
### TEHLİKE! Elektrik çarpması tehlikesi

- > Yapılandırma için yalnızca DIP anahtarındaki koruyucu kapağı çıkartın.
- > DIP anahtarın yanlışlıkla ayarlanmasını önlemek için koruyucu kapağı yerine takın.
- > **TN şebeke** yapılandırması için: Bir kaçak akım rölesinin (RCD) bağlı olduğundan emin olun.
- > **IT şebeke** yapılandırması için: Sadece bir yükü çalıştırın veya bir yalıtım izleme cihazı (IMD) bağlayın. Ulusal standartlara uyun.

- > **TN şebekesini** ayarlamak için vidayı ⊕ konumuna takın.
- > **IT şebekesini** ayarlamak için vidayı ⊗ konumuna takın.

## 10 Kullanım

### 10.1 230 V cihazların çalıştırılması



#### NOT

Yalnızca toplam yükü Teknik Bilgiler sayfa 342 içeriğinde listelenen değerleri aşmayan cihazları bağlayın.

- > 230 V cihazları invertörün AC çıkışına bağlayın (  şekil **13** sayfa 339).

### 10.2 İnvörtörün açılması ve kapatılması



#### NOT

- > İnvörtör uzaktan kumanda ile kontrol edilecekse, açma/kapama anahtarı **II** konumuna ayarlanmalıdır.
- > İnvörtör ENB+ pini üzerinden kontrol edilecekse, açma/kapama anahtarı **0** konumuna ayarlanmalıdır.

- > İnvörtörü açmak için açma/kapama anahtarını **I** konumuna getirin.
- > İnvörtörü kapatmak için açma/kapama anahtarını **0** konumuna getirin.
- > İnvörtörü açmak ve kapatmak için uzaktan kumandayı veya ENB+ pinini kullanın.

### 10.3 Enerji tasarrufu modunun ayarlanması



#### NOT

- S2 DIP anahtarı **OFF** konumuna getirilirse,  $\geq 45$  W yük bağlandığında invertör otomatik olarak normal çalışmaya geçer.
- S2 DIP anahtarı **ON** konumuna getirilirse,  $\geq 80$  W yük bağlandığında invertör otomatik olarak normal çalışmaya geçer.
- Uzaktan kumanda veya ENB+ pini kullanıldığında, tam bir açma-kapama çevrimi yapılmadığı sürece enerji tasarrufu modunun durumu değiştirilemez

#### Enerji tasarrufu modunun etkinleştirilmesi

1. Gerekirse invertörü kapatın.

2. S1 DIP anahtarını **ON** konumuna kaydırın.
- ✓ Enerji tasarrufu modu etkinleştirilir.

### Enerji tasarrufu modunun devre dışı bırakılması

1. İnvörtörü kapatın.
  2. S1 DIP anahtarını **OFF** konumuna kaydırın.
- ✓ Enerji tasarrufu modu artık devre dışıdır.

## 11 Temizlik ve bakım



### UYARI! Elektrik çarpması tehlikesi

Cihazı temizlemeden ve bakımını yapmadan önce daima güç kaynağından bağlantısını ayırın.



### İKAZ! Hasar tehlikesi

- > Cihazı kesinlikle akan su altında veya bulaşık suyu ile yıkamayın.
  - > Cihaza zarar verebileceği için, temizlik sırasında keskin ya da sert nesnelere, aşındırıcı temizlik maddeleri veya çamaşır suyu kullanmayın.
  - > Isının dağılabilmesi için cihazın hava giriş ve çıkış deliklerinin toz ve kirden arındırılmış olduğundan emin olun.
- > Cihazı ara sıra yumuşak, nemli bir bezle temizleyin.
  - > Akım taşıyan kabloları veya hatları düzenli olarak yalıtım hataları, kopmalar veya gevşek bağlantılar bakımından kontrol edin.

## 12 Arızaların Giderilmesi

Sorun	Neden	Çare
İnvörtör çalışmıyor. Durum gösterge LED'i yanmıyor.	Art arda beş kez kısa devre.	> Cihaz sigortası, aşırı akım nedeniyle attıktan sonra yetkili servis tarafından değiştirilmelidir.
	Akım taşıyan kablolarda yalıtım arızaları, kopukluklar veya gevşek bağlantılar.	> Akım taşıyan kablolarda yalıtım arızaları, kopmalar veya gevşek bağlantılar olup olmadığını kontrol edin. Bir hata bulamazsanız, yetkili servis personeliyle iletişime geçin.
İnvörtör çalışmıyor. Durum gösterge LED'i kırmızı yanıyor.	Yüksek çıkış akımı koruması.	Bağlı olan yükleri azaltın.
	Yüksek sıcaklıkta kapanma.	1. İnvörtörü ve bağlı olan yükleri kapatın. 2. Hava giriş ve çıkışlarının kapalı veya tıkalı olmadığını kontrol edin. 3. İnvörtörün soğumasına izin verin.
	Kısa devre oluştu.	Cihaz sigortası, aşırı akım nedeniyle attıktan sonra yetkili servis tarafından değiştirilmelidir.

Sorun	Neden	Çare
	Aşırı gerilimde kapanma. Akü gerilimleri çok yüksek.	<ul style="list-style-type: none"> <li>&gt; Bağlı olan gerilimleri düşürün.</li> </ul> <p>Gerilim yeniden başlatma değerine düştüğünde invertör otomatik olarak yeniden başlatılır (bkz. Aşırı gerilimde kapanma sayfa 343 bölümü).</p> <ul style="list-style-type: none"> <li>&gt; Hata hala devam ediyorsa: Kablo kesitlerini artırın. Kablo uzunluğunu azaltın.</li> </ul>
	Düşük gerilimde kapanma. Akü gerilimleri çok düşük.	<ul style="list-style-type: none"> <li>&gt; Akünün yavaşça şarj olmasına izin verin.</li> </ul> <p>Gerilim yeniden başlatma değerini aştığında invertör otomatik olarak yeniden başlatılır (bkz. Düşük gerilimde kapanma sayfa 343 bölümü).</p>

## 13 Garanti

Yasal garanti süresi geçerlidir. Üründe hasar varsa üreticinin ülkenizdeki şubesi (bkz. [dometic.com/dealer](http://dometic.com/dealer)) veya satıcınızla iletişime geçin.

Onarım ve garanti işlemleri için, cihazı aşağıdaki dokümanlarla birlikte gönderin:

- Satın alma tarihini içeren faturanın bir kopyası
- Talebinizin nedeni veya hatanın açıklanması

Kendi kendine onarımın veya profesyonel olmayan onarımın güvenlikle ilgili sonuçları olabileceğini ve garantiyi geçersiz kılabileceğini unutmayın.

## 14 Atık İmhası



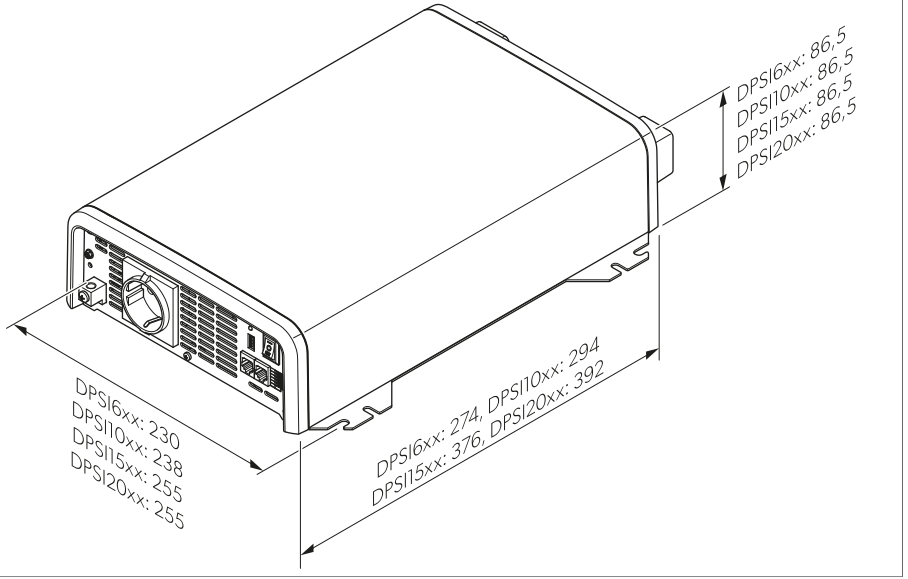
Ambalaj malzemesini mümkünse ilgili geri dönüşüm atık sistemine kazandırın.


Ürünün yürürlükteki imha yönetmeliklerine göre nasıl imha edileceğine ilişkin ayrıntılar için yerel bir geri dönüşüm merkezine veya uzman satıcıya danışın.

Ürün ücretsiz olarak imha edilebilir.

## 15 Teknik Bilgiler

14




	<b>DPSI 612</b>	<b>DPSI 1012</b>	<b>DPSI 624</b>	<b>DPSI 1024</b>
Nominal giriş gerilimi	12 V <sup>===</sup>		24 V <sup>===</sup>	
Giriş voltajı aralığı	10,5 ... 16,5 V <sup>===</sup>		21 ... 33 V <sup>===</sup>	
Süreklili çıkış gücü P <sub>nom</sub>	600 W	1000 W	600 W	1000 W
Maksimum çıkış gücü (1 min)	690 W	1150 W	690 W	1150 W
Maksimum aşırı gerilim gücü (1 s) P <sub>surge</sub>	1200 W	2000 W	1200 W	2000 W
Boşta çalışma modunda akım tüketimi	≤ 1 A	≤ 1,1 A	≤ 0,6 A	≤ 0,6 A
Bekleme modunda akım tüketimi	≤ 0,3 A	≤ 0,35 A	≤ 0,2 A	≤ 0,2 A
Boyutlar	 <b>şekil 14</b> sayfa 342			
Ağırlık	1,1 kg	1,2 kg	1,1 kg	1,2 kg

	<b>DPSI 1512</b>	<b>DPSI 2012</b>	<b>DPSI 1524</b>	<b>DPSI 2024</b>
Nominal giriş gerilimi	12 V <sup>===</sup>		24 V <sup>===</sup>	
Giriş voltajı aralığı	10,5 ... 16,5 V <sup>===</sup>		21 ... 33 V <sup>===</sup>	
Süreklili çıkış gücü P <sub>nom</sub>	1500 W	2000 W	1500 W	2000 W
Maksimum çıkış gücü (1 min)	1725 W	2300 W	1725 W	2300 W
Maksimum aşırı gerilim gücü (1 s) P <sub>surge</sub>	3000 W	4000 W	3000 W	4000 W
Boşta çalışma modunda akım tüketimi	≤ 1,2 A	≤ 1,5 A	≤ 0,7 A	≤ 0,8 A
Bekleme modunda akım tüketimi	≤ 0,4 A	≤ 0,5 A	≤ 0,25 A	≤ 0,3 A

	DPSI 1512	DPSI 2012	DPSI 1524	DPSI 2024
Boyutlar			☐ şekil 14 sayfa 342	
Ağırlık	1,1 kg	1,2 kg	1,1 kg	1,2 kg

### 15.1 Genel teknik veriler

Çıkış gerilimi aralığı	230 V $\sim$ $\pm$ 10 %
Çıkış frekansı	50 Hz $\pm$ 1 %
Çıkış dalga biçimi	Saf sinüs dalgası
Maksimum verimlilik	90 %
İşletim için ortam sıcaklığı	0 ... 50 °C
Saklama için ortam sıcaklığı	- 30 °C ... 70 °C
Ortam nemi	0 ... 95 %, non-condensing
Denetleme/sertifika	

### 15.2 Düşük gerilimde kapanma

	Kesme değeri	Yeniden başlama değeri
DPSI <sub>xx</sub> 12	10,3 V	11,8 V
DPSI <sub>xx</sub> 24	20,6 V	23,6 V

### 15.3 Aşırı gerilimde kapanma

	Kesme değeri	Yeniden başlama değeri
DPSI <sub>xx</sub> 12	16,5 V	15,5 V
DPSI <sub>xx</sub> 24	33 V	31 V

## Slovenščina

1	Pomembna obvestila.....	344
2	Razlaga simbolov.....	344
3	Varnostni napotki.....	345
4	Obseg dobave.....	348
5	Dodatna oprema.....	348
6	Predvidena uporaba.....	348
7	Tehnični opis.....	349
8	Namestitev.....	352
9	Konfiguriranje sistema omrežja.....	358
10	Uporaba.....	359
11	Čiščenje in vzdrževanje.....	360
12	Odpravljanje težav.....	360
13	Garancija.....	361
14	Odstranjevanje.....	361
15	Tehnični podatki.....	362

## 1 Pomembna obvestila

Pozorno preberite in upoštevajte vsa navodila, smernice in opozorila iz tega priročnika, da zagotovite pravilno vgradnjo, uporabo in vzdrževanje izdelka. Ta navodila MORATE hraniti skupaj z izdelkom.

Z uporabo izdelka potrjujete, da ste pozorno prebrali vsa navodila, smernice in opozorila ter razumete in upoštevate vsa določila ter pogoje v tem dokumentu. Strinjate se, da boste izdelek uporabljali samo za predvideni namen uporabe in v skladu z navodili, smernicami in opozorili in tem priročniku ter v skladu z vsemi veljavnimi zakoni in predpisi. Če navodil in opozoril v nadaljevanju ne preberete in ne upoštevate, boste morda poškodovali izdelek ali povzročili materialno škodo v bližini. Pridržujemo si pravico do sprememb in posodobitev priročnika, vključno z navodili, smernicami in opozorili ter povezano dokumentacijo. Za najnovejše informacije o izdelku obiščite [documents.dometic.com](http://documents.dometic.com).

## 2 Razlaga simbolov

Signalna beseda označuje varnostna sporočila in sporočila o materialni škodi ter stopnjo ali raven nevarnosti.



### NEVARNOST!

Označuje nevarno situacijo, ki povzroči smrt ali hude poškodbe, če ni preprečena.



### OPOZORILO!

Označuje nevarno situacijo, ki lahko povzroči smrt ali hude poškodbe, če ni preprečena.



### POZOR!

Označuje nevarno situacijo, ki lahko povzroči lažje ali zmerne poškodbe, če ni preprečena.



### OBVESTILO!

Označuje nevarno situacijo, ki lahko povzroči materialno škodo, če ni preprečena.



**NASVET** Dodatne informacije za upravljanje izdelka.



## 3 Varnostni napotki

Upoštevajte tudi varnostne napotke in zahteve proizvajalca vozila ter servisnih delavnic.

### 3.1 Osnovna varnost



#### **NEVARNOST! Nevarnost električnega udara**

- > Nezaščitenih električnih vodnikov se ne dotikajte z golimi rokami.
- > Da bi napravo lahko hitro odklopili od napajanja na izmenični tok, mora biti vtičnica v bližini naprave in mora biti dobro dostopna.



#### **OPOZORILO! Nevarnost električnega udara**

- > Vgradnjo in odstranitev naprave sme opraviti samo ustrezno usposobljeno osebe.
- > Naprave ne uporabljajte, če je sama naprava ali priključni kabel vidno poškodovan.
- > Če je napajalni kabel naprave poškodovan, ga je treba zamenjati, da preprečite varnostna tveganja.
- > Vsa popravila na tej napravi naj izvaja samo ustrezno usposobljeno osebe. Nepravilna popravila lahko povzročijo velika tveganja.
- > Uporabljajte samo dodatke, ki jih priporoča proizvajalec.
- > Na noben način ne spreminjajte ali prilagajajte nobene komponente.
- > Ne odklapljajte kablov, ko je naprava še v uporabi.
- > Napravo odklopite iz napajanja:
  - po uporabi,
  - pred vsakim čiščenjem in vzdrževanjem,
  - pred zamenjavo varovalke.



#### **OPOZORILO! Nevarnost požara/gorljivi materiali**

Za gašenje požara uporabite gasilni aparat, ki je primeren za električne naprave.



#### **OPOZORILO! Nevarnost zadušitve**

Če kabel in upravljalna enota nista pravilno nameščena, obstaja nevarnost, da se vanju zapletete, se z njima zadavite, se spotaknete ali ju pohodite. Zagotovite, da bodo odvečne vezice in napajalni kabli varno nameščeni.



#### **OPOZORILO! Nevarnost za zdravje**

- > To napravo smejo uporabljati otroci, ki so starejši od 8 let in osebe z zmanjšanimi fizičnimi, zaznavnimi ali duševnimi sposobnostmi ali s pomanjkljivimi izkušnjami in znanjem, če so nadzorovani ali so prejeli navodila glede varne uporabe naprave in razumejo s tem povezana tveganja.
- > **Električne naprave niso otroške igrače.** Napravo zato uporabljajte in shranjujte izven dosega otrok.
- > Otroke je treba nadzorovati in tako zagotoviti, da se z napravo ne bodo igrali.
- > Otroci ne smejo brez nadzora izvajati čiščenja in vzdrževalnih del.

**OBVESTILO! Nevarnost poškodb**

- > Pred zagonom preverite, ali se podatki o napetosti na podatkovni ploščici ujemajo s podatki na napajanju.
- > Zagotovite, da drugi predmeti **ne** morejo povzročiti kratkega stika na kontaktih naprave.
- > Negativni in pozitivni pol se **ne smeta** nikoli stikati.
- > Ne vlecite za priključne kable in jih ne uporabljajte namesto ročaja.
- > Naprava ne sme biti izpostavljena dežju ali vlagi. Hranite na suhem mestu.

**3.2 Varna namestitvev naprave****NEVARNOST! Nevarnost eksplozije**

- > Napravo namestite in uporabljajte samo v zaprtih, dobro prezračenih prostorih.
- > Naprave **ne** namestite ali uporabljajte v naslednjih pogojih:
  - v slanih, mokrih ali vlažnih okoljih,
  - v bližini korozivnih hlapov,
  - v bližini vnetljivih materialov,
  - v bližini toplotnih virov (grelcev, neposredne sončne svetlobe, plinskih peči itd.),
  - na območjih, kjer obstaja nevarnost eksplozije plina ali prahu.

**OPOZORILO! Nevarnost poškodb**

- > Prepričajte se, da naprava trdno stoji. Naprava mora biti postavljena in pritrjena tako, da se ne more prevrniti ali pasti.
- > Pri nameščanju naprave se prepričajte, da so vsi kablei ustrezno pritrjeni, da preprečite kakršnokoli nevarnost spotikanja.

**OBVESTILO! Nevarnost poškodb**

- > Napravo namestite v suhem prostoru, kjer je zaščitena pred škropljenjem vode.
- > Vedno uporabljajte vtičnice, ki so ozemljene in zavarovane z odklopniki na diferencialni tok.

**3.3 Varnost ob električni priključitvi naprave****NEVARNOST! Nevarnost električnega udara**

Ko delate na električnih sistemih, mora biti v bližini vedno nekdo, ki vam lahko pomaga v nujnih primerih.

**OPOZORILO! Nevarnost električnega udara**

- > Upoštevajte priporočene preseke kablov.
- > Kable položite tako, da se ne morejo poškodovati zaradi vrat ali pokrova. Zaradi stisnjenih kablov lahko pride do hudih poškodb.

**OBVESTILO! Nevarnost poškodb**

- > Uporabite vode ali kabelske kanale, če je treba kable položiti skozi kovinske plošče ali druge plošče z ostrimi robovi.
- > **Ne** napeljite 230 V električnega kabla in 12 V kabla za enosmerni tok v istem kanalu.
- > Kabel mora biti speljan tako, da **ne** visi ali ni močno upognjen.
- > Varno pritrdite kable.

### 3.4 Varnostni ukrepi pri delu z baterijami



#### **OPOZORILO! Nevarnost poškodb**

- > Baterije vsebujejo agresivne in jedke kisline. Baterijska tekočina ne sme priti v stik s telesom. Če pride vaša koža v stik z baterijsko tekočino, ta del telesa temeljito sperite z vodo. Če utrpite poškodbe zaradi kislin, takoj obiščite zdravnika.
- > Pri delu z baterijami ne nosite kovinskih predmetov, kot so ure ali prstani. Svinčeve baterije lahko povzročijo kratke stike, ki lahko povzročijo resne poškodbe.
- > Uporabljajte samo izolirana orodja.
- > Na baterijo ne odlagajte kovinskih delov in preprečite, da bi kovinski deli nanjo lahko padli. To lahko povzroči iskre ali kratki stik baterije in drugih električnih delov.
- > Pri delu z baterijami nosite zaščitna očala in zaščitno obleko. Pri delu z baterijami se ne dotikajte oči.
- > Uporabljajte samo polnilne baterije.
- > Ne uporabljajte poškodovanih baterij.



#### **POZOR! Nevarnost eksplozije**

- > Nikoli ne skušajte polniti zamrznjene ali poškodovane baterije. Baterijo odložite v območje brez zmrzovanja in počakajte, da se ogreje na prostorsko temperaturo. Nato začnite polnjenje.
- > V bližini motorja ali baterije je prepovedano kaditi, uporabljati odprt ogenj ali povzročati iskenje.
- > Baterije ne približujte virom toplote.



#### **OBVESTILO! Nevarnost poškodb**

- > Ob priklopu baterije preverite pravilno polariteto.
- > Sledite navodilom proizvajalca baterije in proizvajalca sistema oziroma vozila, v katerem bo baterija uporabljena.
- > Če je treba baterijo odstraniti, najprej odklopite ozemljitveni priključek. Preden baterijo odstranite, z nje odklopite vse priključke in vse porabnike.
- > Shranite samo do konca napolnjene baterije. Shranjene baterije redno polnite.
- > Baterije ne nosite za priključka.

### 3.5 Varnost pri delovanju naprave



#### **OPOZORILO! Nevarnost električnega udara**

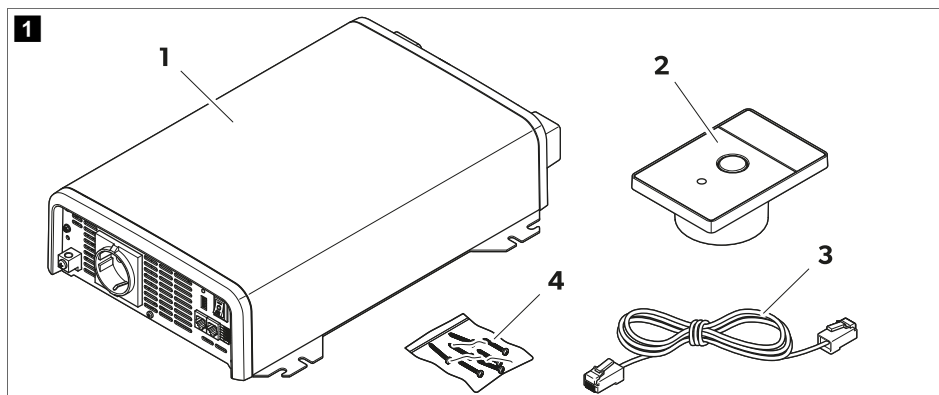
- > Naprave ne uporabljajte v mokrih pogojih ali je ne potapljajte v tekočine.
- > Pred zagonom naprave preverite, ali sta napajalni kabel in vtič suha ter na vtiču ni rje ali umazanije.
- > Upoštevajte, da so deli naprave lahko še vedno pod napetostjo, čeprav je varovalka pregorela.



#### **OBVESTILO! Nevarnost poškodb**

- > Zagotovite, da dovodi in izpusti za zrak na napravi ne bodo zakriti.
- > Zagotovite dobro prezačevanje.

## 4 Obseg dobave



Št. na na strani 348	Oznaka	Količina
1	Sinusni razsmernik	1
2	Daljinski upravljalnik	1
3	Priključni kabel za daljinski upravljalnik	1
4	Pritrdilni vijaki	6
-	Navodila za montažo in uporabo	1

## 5 Dodatna oprema

Oznaka	Št. izdelka
Daljinski upravljalnik DPSI-RC	9620018306
Zaslon na dotik TD283	9620013272

## 6 Predvidena uporaba

Razsmernik je namenjen za pretvorbo enosmernega toka v izmenično napetost (AC) popolne sinusne valovne oblike 230 V~ za uporabo in stabilno napajanje priključenih porabnikov 230 V.

Razsmernik je predviden za priključitev na:

- DPSI612, DPSI1012, DPSI1512, DPSI2012: 12 V $\overline{=}$
- DPSI624, DPSI1024, DPSI1524, DPSI2024: 24 V $\overline{=}$

Razsmernik je primeren za:

- namestitve v avtodome, gospodarska vozila ali motorje in v jadrnice,
- stacionarno ali mobilno uporabo,
- uporabo v notranjih prostorih.

Razsmernik **ni** primeren za:

- uporabo na prostem.

Ta izdelek je primeren samo za predvideni namen in uporabo v skladu s temi navodili.

V tem priročniku so navedene informacije, ki jih je treba upoštevati za pravilno vgradnjo in/ali delovanje izdelka. Aparat zaradi slabe vgradnje in/ali nepravilne uporabe oziroma vzdrževanja ne bo dobro deloval in se lahko pokvari.

Proizvajalec ne sprejema nobene odgovornosti za telesne poškodbe ali poškodbe izdelka, do katerih pride zaradi:

- napačne namestitve, sestave ali priklopa, vključno s previsoko napetostjo;
- neustreznih vzdrževalnih del ali uporabe neoriginalnih nadomestnih delov, ki jih ni dobavil proizvajalec;
- sprememb izdelka brez izrecnega dovoljenja proizvajalca;
- uporabe za namene, ki niso opisani v navodilih.

Družba Dometic si pridržuje pravico do spremembe videza in specifikacij izdelka.

## 7 Tehnični opis

### 7.1 Splošni opis

Razsmernik je pretvornik enosmerne napetosti v izmenično napetost sinusne valovne oblike.

Razsmernik je mogoče uporabljati v naslednjih omrežnih sistemih:

- Omrežje TN
- Omrežje IT

Za nastavitev omrežnih sistemov je na voljo vijak na razsmerniku.

Razsmernik ima naslednje varnostne mehanizme:

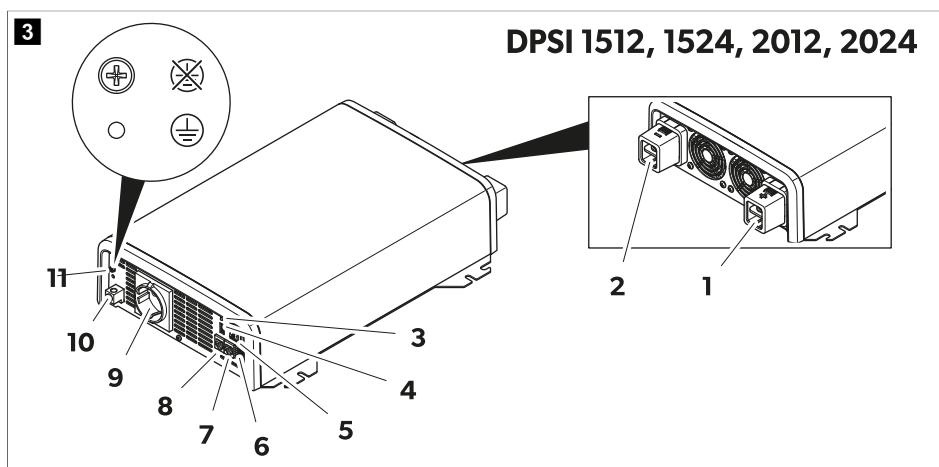
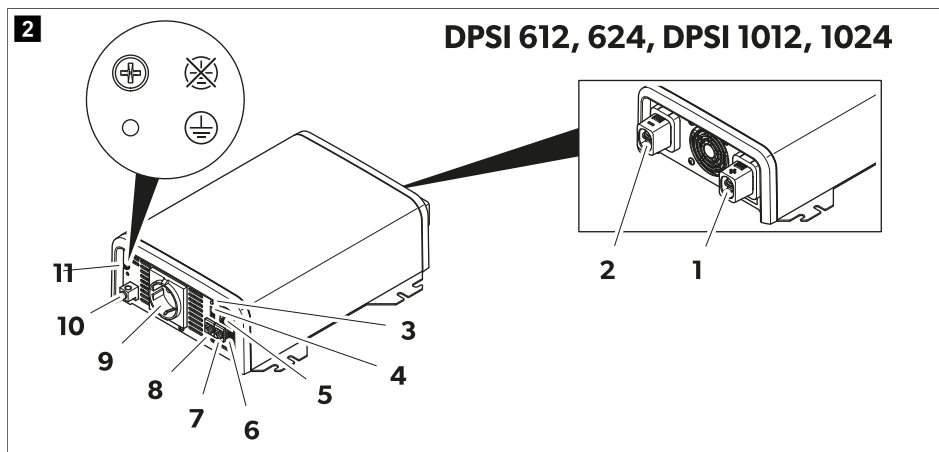
- **Izklop zaradi prenapetosti:** Razsmernik se izklopi, ko napetost preseže izklopno vrednost. Samodejno se znova zažene, ko se napetost zniža na vrednost za ponovni zagon.
- **Izklop zaradi prenizke napetosti:** Razsmernik se izklopi, ko napetost pade pod izklopno vrednost. Samodejno se znova zažene, ko napetost preseže vrednost za ponovni zagon.
- **Izklop zaradi previsoke temperature:** Razsmernik se izklopi, ko njegova notranja temperatura preseže izklopno vrednost. Samodejno se znova zažene, ko se notranja temperatura zniža na vrednost za ponovni zagon.
- **Zaščita pred premočnim izhodnim tokom:** Razsmernik se izklopi, ko je priklopljenih preveč porabnikov.
- **zaščita pred kratkim stikom:** Razsmernik se izklopi ob nastanku kratkega stika. Samodejno se znova zažene po nekaj sekundah. Če razsmernik zazna kratki stik petkrat zapored, se ne zažene več samodejno, zato ga je treba ponovno zagnati ročno.

Razsmernik omogoča uporabo vodil N-BUS in CI-BUS za podatke in funkcije. Obe vodili je mogoče upravljati na zaslonu na dotik (dodatna oprema) in s telefonsko aplikacijo.

Razsmernik je opremljen s daljinskim upravljalnikom za vklop in izklop.

Razsmernik je mogoče preklopiti v način varčevanja energije, s čimer se zmanjša poraba v stanju nedelovanja in obremenitev baterije. To je mogoče storiti z DIP-stikalom ali

## 7.2 Upravljalni elementi in priključki

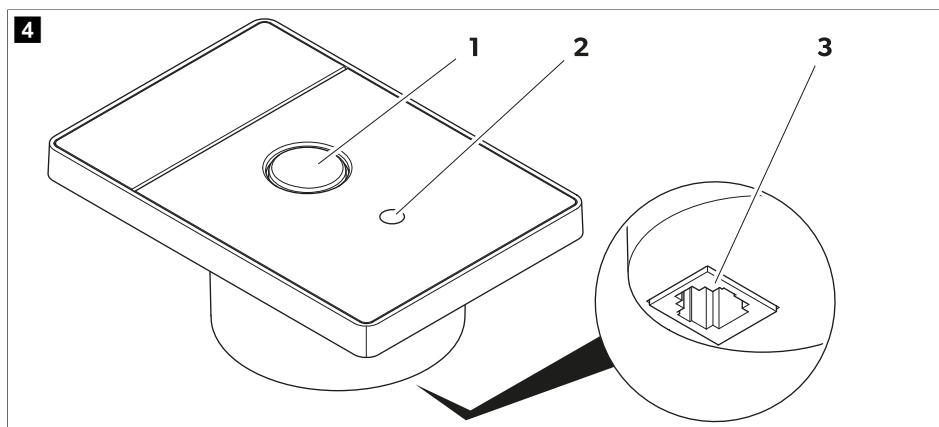


**NASVET** Številke pomenijo različice za kontinentalno Evropo.

Št.	Oznaka
1	Priključek (+) za pozitivni pol bivalne baterije
2	Priključek (-) za negativni pol bivalne baterije
3	Indikator LED stanja
4	DIP-stikalo
5	Stikalo za vklop/izklop

Št.	Oznaka
6	Priključek za zunanje upravljanje
7	Vodilo CI BUS/N Bus/priključek za daljinsko upravljanje (LINB)
8	Vodilo CI BUS/N Bus/priključek za daljinsko upravljanje (LINA)
9	Vtičnica na izmenični tok
10	Ozemljitveni priključek
11	Vijak za nastavitev omrežja IT/TN

### 7.3 Daljinski upravljalnik



Št. na  sl. 4  
na strani 351

Oznaka

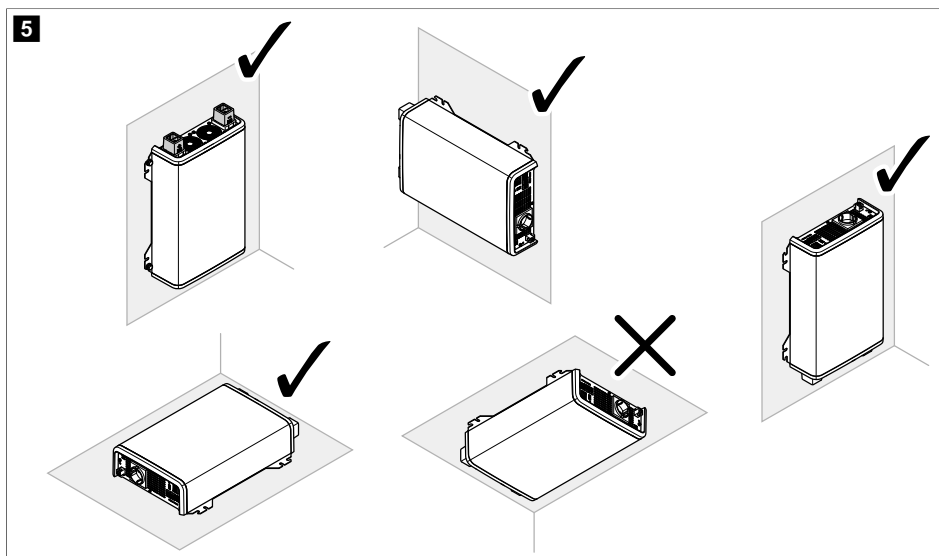
1	Gumb za vklop/izklop
2	Indikator LED stanja
3	Priključek za daljinski upravljalnik

### 7.4 Indikator LED stanja

Stanje	Opis
Green	Razsmernik je vključen
Orange	Opozorilo: prisotna je izmenična izhodna napetost, obstaja nevarnost prenapetosti, prenizke napetosti ali izpada električne energije
Red	Napaka: Ni vhodne izmenične napetosti (AC), razsmernik je izključen (glejte poglavje Odpravljanje težav na strani 360)

## 8 Namestitev

### 8.1 Mesto namestitve




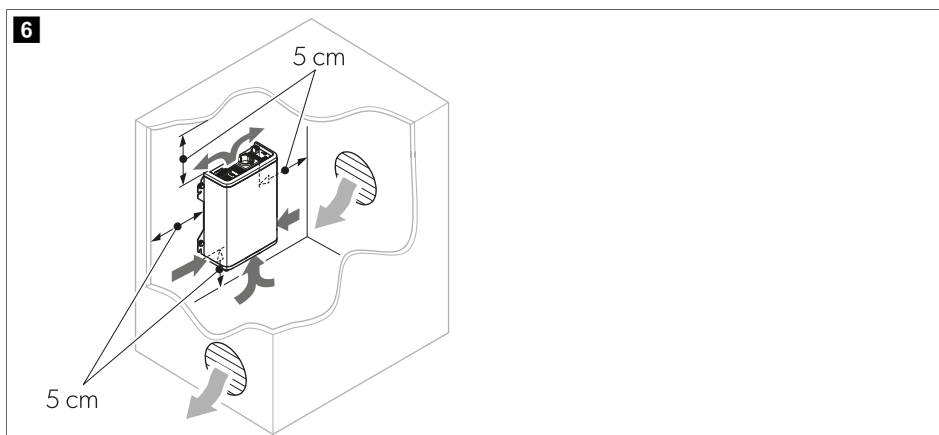
**OBVESTILO! Nevarnost poškodb**

Pred vrtanjem lukenj se prepričajte, da z vrtanjem, žaganjem in piljenjem ne morete poškodovati električnih kablov ali drugih delov vozila.




**NASVET**

Razsmerik je mogoče namestiti v ležečem ali visečem položaju (  sl. **5** na strani 352).

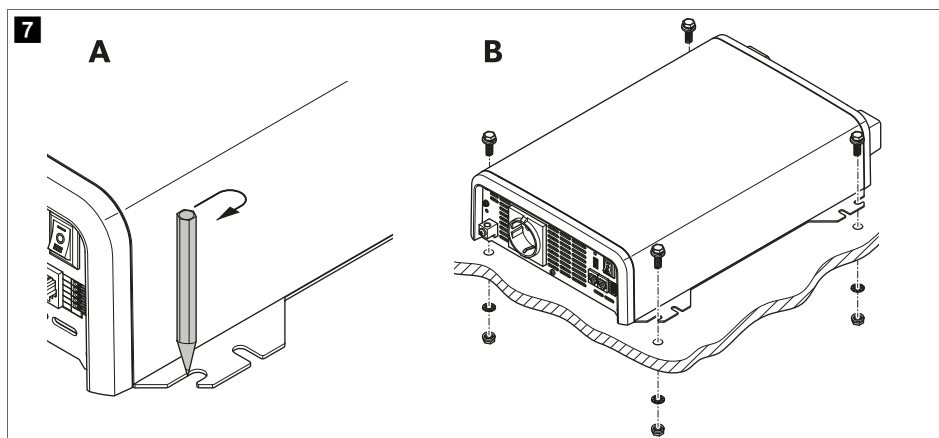






Pri izbiranju mesta namestitve upoštevajte naslednja navodila:

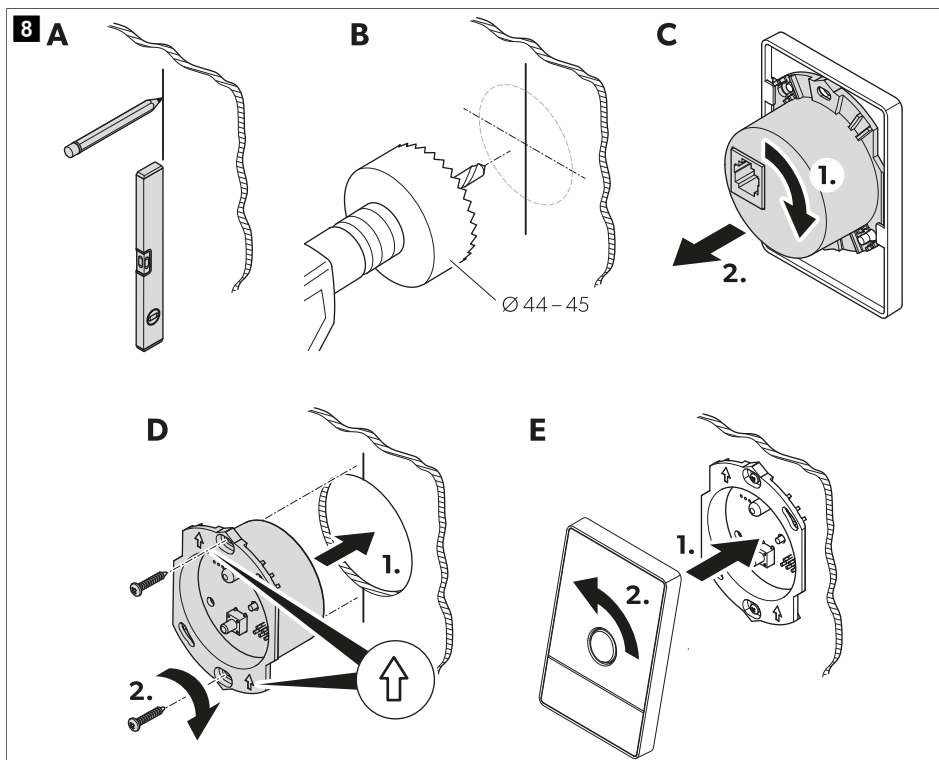
- Montažna površina mora biti trdna in ravna.
- Upoštevajte navedeno oddaljenost za ustrezno prezračevanje (  sl. **6** na strani 352).





## 8.2 Montaža razsmernika



1. Izberite ustrezne odprtine za namestitev glede na izbrano vrsto namestitve (ležečo ali visečo) in označite mesta, kjer boste izvrtali odprtine (  sl. **7** na strani 353, **A**).
2. Izvrtajte odprtine za namestitev.
3. Privijačite razsmernik na mesto (  sl. **7** na strani 353, **B**).

### 8.3 Montaža daljinskega upravljalnika



1. Označite površino za namestitev (  sl. **8** na strani 354, **A**).
2. Izvrtajte odprtino s premerom 44 mm ... 45 mm, npr. s kronsko žago (  sl. **8** na strani 354, **B**).
3. Odstranite priključno dozo s kontrolne plošče (  sl. **8** na strani 354, **C**).
4. Vstavite priključno dozo v odprtino in jo z vijaki privijte (  sl. **8** na strani 354, **D**).



**NASVET** Pazite, da je pravilno obrnjena navzgor, kot je označeno s puščicami na njej.

5. Na priključno dozo namestite kontrolno ploščo (  sl. **8** na strani 354, **E**).
6. Odstranite zaščitni film.

## 8.4 Priklučitev razsmernika



Električno namestitev in nastavitev naprave mora izvesti usposobljeni električar, ki je dokazal spretnosti in znanje glede sestave in delovanja električne opreme in inštalacij, ki je seznanjen z veljavnimi predpisi, ki veljajo v državi, v kateri bo oprema vgrajena, ter je opravil varnostno usposabljanje za prepoznavanje in preprečevanje nevarnosti.

Vsa druga dela lahko izvajajo tudi neprofesionalni uporabniki.



### **OPOZORILO! Nevarnost električnega udara**

Upoštevajte priporočene preseke in dolžine kablov ter varovalke.



### **POZOR! Nevarnost požara**

Varovalke namestite v bližino baterij, da zaščitite kabel pred kratkimi stiki in morebitnimi vžigi.



### **OBVESTILO! Nevarnost poškodb**

- > Polaritete ne smete zamenjati.
- > Vijake in matice pritegnite z navorom največ 15 Nm. Popuščeni spoji lahko povzročijo pregrevanje.

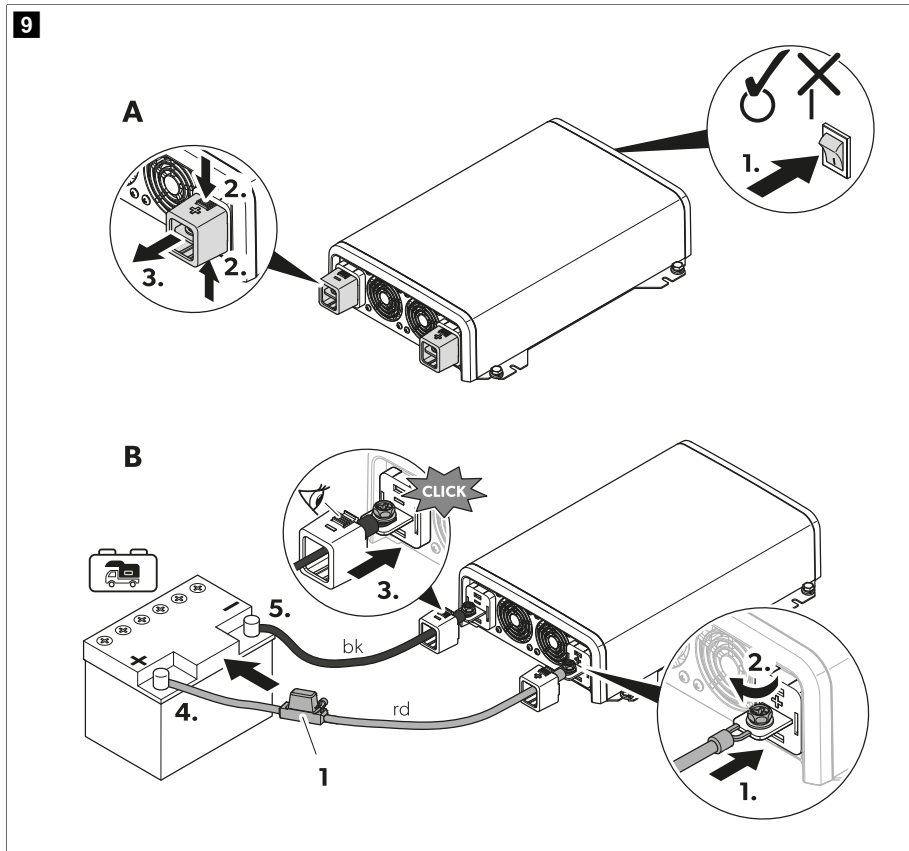
Pri priklučitvi razsmernika upoštevajte naslednja navodila:

- pri nameščanju distribucijske napeljave za vtičnice (namestitev električnega omrežja) upoštevajte veljavne predpise.
- Izberite čim krajše kable za enosmerno napetost (DC) (za povezavo s poli baterije)  $\leq 1$  m).
- Za priklop **omrežja TN**: namestite odklopnik na diferenčni tok (RCD).
- Za priklop **omrežja IT**: namestite napravo za nadzor izolacije (IMD), če je priklopljena več kot ena obremenitev (porabnik). **Upoštevajte nacionalne standarde.**

1. Določite preseke kablov in varovalke:

	Presek kabla	Kabelska varovalka
DPSI612	25 mm <sup>2</sup>	150 A
DPSI624	25 mm <sup>2</sup>	150 A
DPSI1012	35 mm <sup>2</sup>	200 A
DPSI1024	25 mm <sup>2</sup>	150 A
DPSI1512	50 mm <sup>2</sup>	250 A
DPSI1524	25 mm <sup>2</sup>	150 A
DPSI2012	70 mm <sup>2</sup>	300 A
DPSI2024	35 mm <sup>2</sup>	200 A

2. Prepričajte se, da je naprava izklopljena (  sl. 9 na strani 356, 1).




3. S priključkov snemite pokrovčke (  sl. **9** na strani 356, **2 – 3**).

4. Priklopite (+) na pozitivni pol bivalne baterije (rdeči (rd) priključni kabel,  sl. **9** na strani 356, **4**).

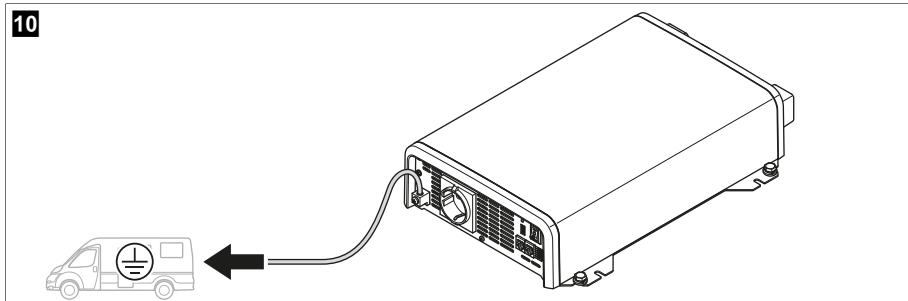


**NASVET** Pozitivni kabel bivalne baterije zaščitite z varovalko (  sl. **9** na strani 356, **1**).

5. Priklopite (-) na negativni pol bivalne baterije (črni (bk) priključni kabel (  sl. **9** na strani 356, **5**).

6. Ozemljitveni priključek povežite z ozemljitvijo (šasijo vozila) (  sl. **10** na strani 357).

10



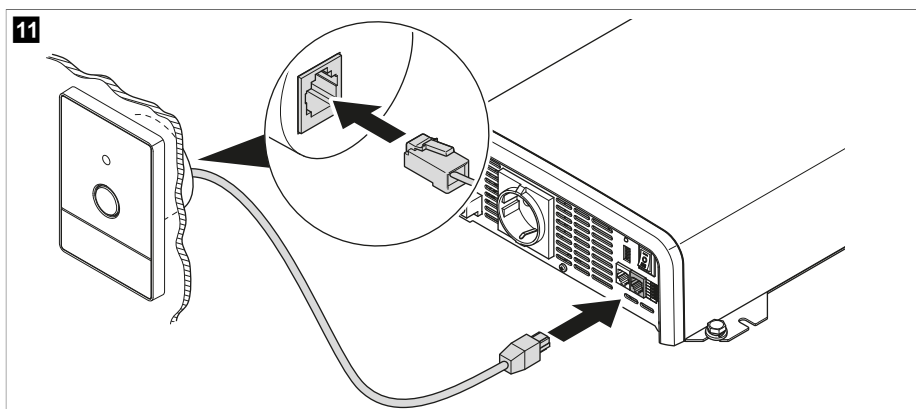
## 8.5 Priključitev daljinskega upravljalnika



**NASVET** Daljinskega upravljalnika in omrežja vodil N-BUS/CI-BUS ni mogoče uporabljati hkrati.

- > Daljinski upravljalnik priključite v namenski priključek s kablom za priključitev daljinskega upravljalnika.

11

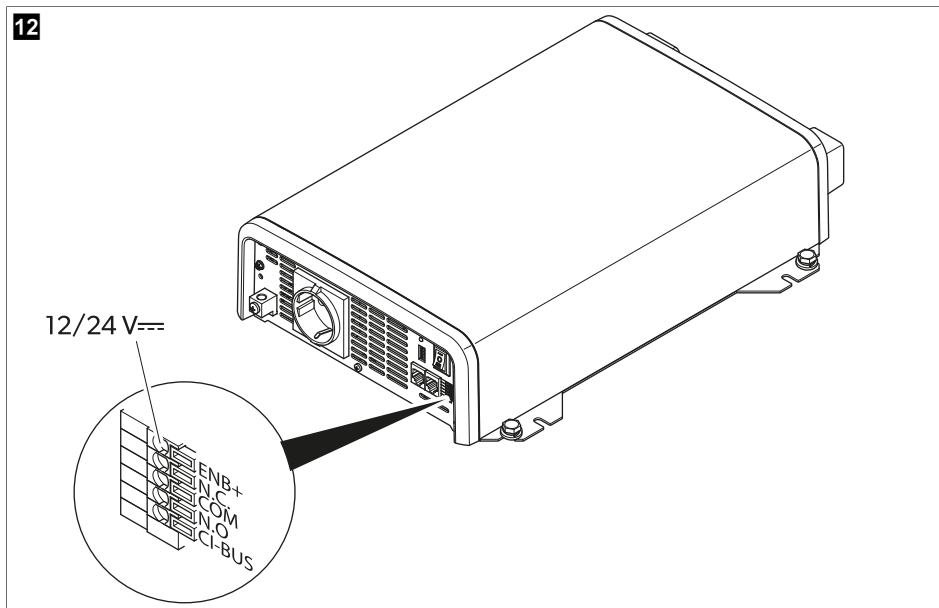


## 8.6 Priključitev pina ENB+



**NASVET** Če priključite pin ENB+, stanja načina varčevanja energije ni mogoče spremeniti.

12



1. Stikalo za vklop/izklop nastavite v položaj **0**.
2. Pin ENB+ uporabljajte na naslednji način:
  - Za vklop razsmernika povežite pin ENB+ s pozitivnim polom bivalne baterije z ustreznim električnim kablom.
  - Za izklop razsmernika odklopite pin ENB+ z bivalne baterije.

## 9 Konfiguriranje sistema omrežja



Električno namestitev in nastavitve naprave mora izvesti usposobljeni električar, ki je dokazal spretnosti in znanje glede sestave in delovanja električne opreme in inštalacij, ki je seznanjen z veljavnimi predpisi, ki veljajo v državi, v kateri bo oprema vgrajena, ter je opravil varnostno usposabljanje za prepoznavanje in preprečevanje nevarnosti.

Vsa druga dela lahko izvajajo tudi neprofesionalni uporabniki.

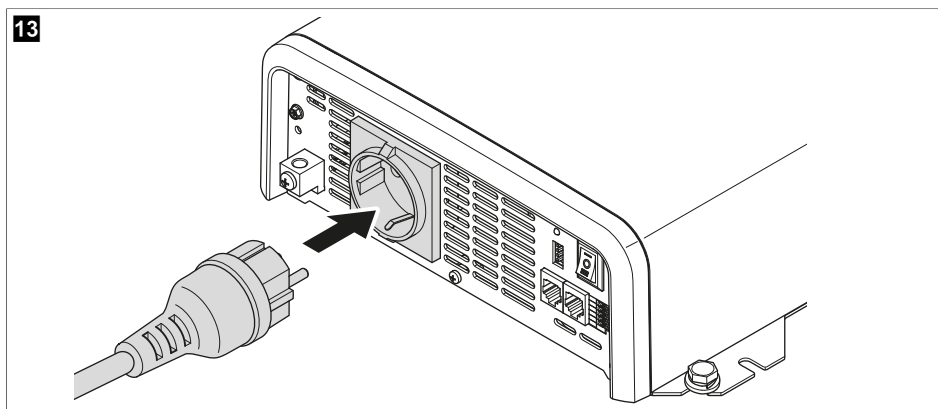


### **NEVARNOST! Nevarnost električnega udara**

- > Odstranite zaščitni pokrovček samo z DIP-stikala za konfiguracijo.
  - > Zaščitni pokrovček ponovno namestite zaradi preprečitve nenamerne spremembe DIP-stikala.
  - > Za konfiguracijo **omrežja TN**: Poskrbite za namestitev odklopnika na diferenčni tok (RCD).
  - > Za konfiguracijo **omrežja IT**: Uporabljajte samo eno obremenitev (porabnika) ali namestite napravo za nadzor izolacije (IMD). Upoštevajte nacionalne standarde.
- > Vijak nastavitve v položaj  $\oplus$ , če želite nastaviti **omrežje TN**.
- > Vijak nastavitve v položaj  $\otimes$ , če želite nastaviti **omrežje IT**.

## 10 Uporaba

### 10.1 Uporaba 230 V naprav



#### NASVET

Priklopite samo naprave, katerih skupna obremenitev ne presega vrednosti, navedenih v Tehnični podatki na strani 362.

- > Priklopite naprave 230 V v izhod AC razsmernika (  sl. 13 na strani 359).

### 10.2 Vklp in izklp razsmernika



#### NASVET

- > Če nameravate razsmernik upravljati z daljinskim upravljalnikom, mora biti stikalo za vklop/izklp nastavljeno v položaj **II**.
  - > Če nameravate razsmernik upravljati prek pina ENB+, mora biti stikalo za vklop/izklp nastavljeno v položaj **0**.
- > Za vklop razsmernika nastavite stikalo za vklop/izklp v položaj **I**.
  - > Za izklp razsmernika nastavite stikalo za vklop/izklp v položaj **0**.
  - > Razsmernik vklopite in izklopite z daljinskim upravljalnikom ali pinom ENB+.

### 10.3 Nastavitev načina varčevanja energije



#### NASVET

- Če je DIP-stikalo S2 nastavljeno v položaj **OFF**, razsmernik samodejno preklopi v normalno delovanje, ko je priključen porabnik  $\geq 45$  W.
- Če je DIP-stikalo S2 nastavljeno v položaj **ON**, razsmernik samodejno preklopi v normalno delovanje, ko je priključen porabnik  $\geq 80$  W.
- Stanja načina varčevanja energije ni mogoče spremeniti, ko uporabljate daljinski upravljalnik ali pin ENB+, razen če opravite celotni cikel izklopa in ponovnega vklopa.

### Vklop načina varčevanja energije

1. Razsmernik po potrebi izklopite.
  2. DIP-stikalo S1 potisnite v položaj **ON**.
- ✓ Način varčevanja energije je vklopljen.

### Izklop načina varčevanja energije

1. Izklopite razsmernik.
  2. DIP-stikalo S1 potisnite v položaj **OFF**.
- ✓ Način varčevanja energije je izklopljen.

## 11 Čiščenje in vzdrževanje



### OPOZORILO! Nevarnost električnega udara

Pred čiščenjem in vzdrževanjem izklopite napravo iz napajanja.



### OBVESTILO! Nevarnost poškodb

- > Naprave ne čistite pod tekočo vodo ali v vodi za pomivanje posode.
  - > Za čiščenje ne uporabljajte trdih predmetov, grobih čistilnih sredstev ali belila, saj lahko poškodujete napravo.
  - > Prepričajte se, da vstopne in izstopne odprtine za prezračevanje niso prekrite s prahom in umazanijo, da se lahko toplota odvaja.
- > Napravo občasno očistite z mehko, vlažno krpo.
- > Redno preverjajte kable ali napeljave pod napetostjo glede napak na izolaciji, zlomov ali ohlapnih povezav.

## 12 Odpravljanje težav

Motnja	Možni vzrok	Rešitev
Razsmernik ne deluje. LED-indikator stanja je izklopljen.	Nastanek kratkega stika petkrat zaporedoma.	> Varovalko naprave mora zamenjati pooblaščen serviser, ko jo je sprožil previsok tok.
	Napake na izolaciji, zlomi ali ohlapne povezave kablov pod napetostjo.	> Preverite kable pod napetostjo glede napak na izolaciji, zlomov ali ohlapnih povezav.  Če ne morete najti težave, se obrnite na pooblaščenega serviserja.
Razsmernik ne deluje. LED-indikator stanja zasveti rdeče.	Zaščita pred premočnim izhodnim tokom.	Zmanjšajte obremenitve priključenih porabnikov.
	Izklop zaradi previsoke temperature.	<ol style="list-style-type: none"> <li>1. Izklopite razsmernik in priključene porabnike.</li> <li>2. Preverite, da niso odprtine za dovod zraka pokrite ali zamašene.</li> <li>3. Počakajte, da se razsmernik ohladi.</li> </ol>



Motnja	Možni vzrok	Rešitev
	Nastal je kratek stik.	Varovalko naprave mora zamenjati pooblaščen serviser, ko jo je sprožil previsok tok.
	Izklop zaradi prenapetosti. Napetost baterij je prevelika.	<ul style="list-style-type: none"> <li>&gt; Zmanjšajte priključene napetosti. Razsmernik se samodejno znova zažene, ko se napetost zniža na vrednost za ponovni zagon (glejte poglavje Izklop zaradi prenapetosti na strani 363).</li> <li>&gt; Če se napaka še vedno pojavlja: uporabite kabel z večjim presekom. Skrajšajte kabel.</li> </ul>
	Izklop zaradi prenizke napetosti. Napetost baterij je prenizka.	<ul style="list-style-type: none"> <li>&gt; Počakajte, da se baterija počasi napolni. Razsmernik se samodejno znova zažene, ko napetost preseže vrednost za ponovni zagon (glejte poglavje Izklop zaradi prenizke napetosti na strani 363).</li> </ul>

## 13 Garancija

Velja zakonsko določen garancijski rok. Če je izdelek pokvarjen, se obrnite na podružnico proizvajalca v svoji državi (glejte [dometic.com/dealer](http://dometic.com/dealer)) ali na prodajalca.

Za obravnavanje zahtevkov popravil oz. garancijskih zahtevkov morate skupaj z aparatom poslati naslednjo dokumentacijo:

- kopijo računa z datumom nakupa,
- razlog za reklamacijo ali opis napake.

Upoštevajte, da lahko imajo lastnoročna ali neprofesionalna popravila varnostne posledice in lahko razveljavijo garancijo.

## 14 Odstranjevanje

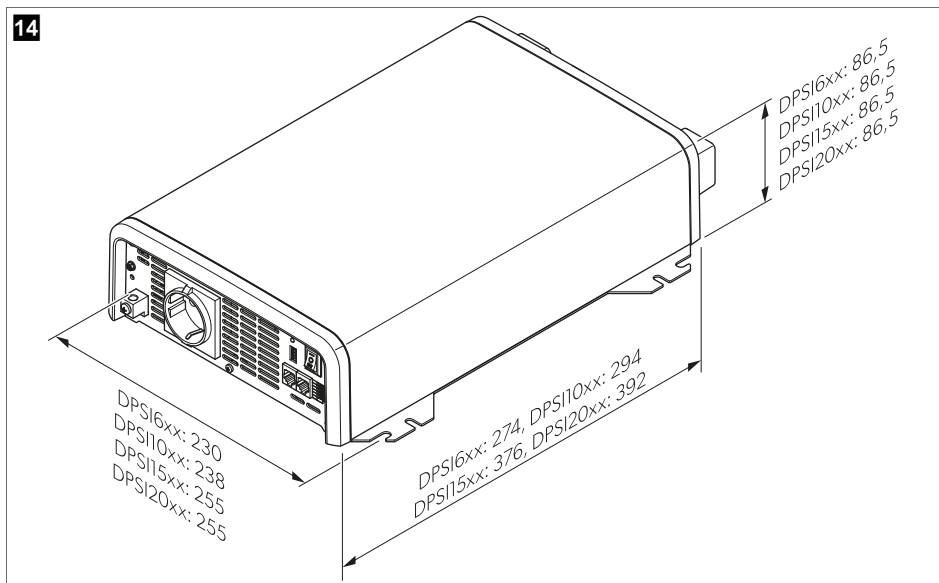



Embalažni material odstranite v primerne zabojnike za recikliranje odpadkov, če je to mogoče.

Pri lokalnem centru za zbiranje odpadkov ali specializiranem prodajalcu se pozanimajte glede odstranjevanja izdelka v skladu z veljavnimi predpisi.


Izdelek je mogoče brezplačno odstraniti.

## 15 Tehnični podatki





	<b>DPSI 612</b>	<b>DPSI 1012</b>	<b>DPSI 624</b>	<b>DPSI 1024</b>
Nazivna vhodna napetost	12 V <sup>===</sup>		24 V <sup>===</sup>	
Območje vhodne napetosti	10,5 ... 16,5 V <sup>===</sup>		21 ... 33 V <sup>===</sup>	
Neprekinjena izhodna moč P <sub>nom</sub>	600 W	1000 W	600 W	1000 W
Največja izhodna moč (1 min)	690 W	1150 W	690 W	1150 W
Največji napetostni sunek (1 s) P <sub>surge</sub>	1200 W	2000 W	1200 W	2000 W
Poraba toka v nedejavnem načinu	≤ 1 A	≤ 1,1 A	≤ 0,6 A	≤ 0,6 A
Poraba toka v stanju pripravljenosti	≤ 0,3 A	≤ 0,35 A	≤ 0,2 A	≤ 0,2 A
Dimenzije	 sl. 14 na strani 362			
Masa	1,1 kg	1,2 kg	1,1 kg	1,2 kg

	<b>DPSI 1512</b>	<b>DPSI 2012</b>	<b>DPSI 1524</b>	<b>DPSI 2024</b>
Nazivna vhodna napetost	12 V <sup>===</sup>		24 V <sup>===</sup>	
Območje vhodne napetosti	10,5 ... 16,5 V <sup>===</sup>		21 ... 33 V <sup>===</sup>	
Neprekinjena izhodna moč P <sub>nom</sub>	1500 W	2000 W	1500 W	2000 W
Največja izhodna moč (1 min)	1725 W	2300 W	1725 W	2300 W
Največji napetostni sunek (1 s) P <sub>surge</sub>	3000 W	4000 W	3000 W	4000 W
Poraba toka v nedejavnem načinu	≤ 1,2 A	≤ 1,5 A	≤ 0,7 A	≤ 0,8 A
Poraba toka v stanju pripravljenosti	≤ 0,4 A	≤ 0,5 A	≤ 0,25 A	≤ 0,3 A

	DPSI 1512	DPSI 2012	DPSI 1524	DPSI 2024
Dimenzije		 sl. 14 na strani 362		
Masa	1,1 kg	1,2 kg	1,1 kg	1,2 kg

## 15.1 Splošni tehnični podatki

Razpon izhodne napetosti	230 V $\sim$ $\pm$ 10 %
Izhodna frekvenca	50 Hz $\pm$ 1 %
Izhodna valovna oblika	Popolna sinusna valovna oblika
Konična učinkovitost	90 %
Temperatura okolice za delovanje	0 ... 50 °C
Temperatura okolice za shranjevanje	- 30 °C ... 70 °C
Vlažnost okolice	0 ... 95 %, non-condensing
Pregled/certifikat	 

## 15.2 Izklop zaradi prenizke napetosti

	Izklopna vrednost	Vrednost ponovnega zagona
DPSI <sub>xx</sub> 12	10,3 V	11,8 V
DPSI <sub>xx</sub> 24	20,6 V	23,6 V

## 15.3 Izklop zaradi prenapetosti

	Izklopna vrednost	Vrednost ponovnega zagona
DPSI <sub>xx</sub> 12	16,5 V	15,5 V
DPSI <sub>xx</sub> 24	33 V	31 V

## Română

1	Observații importante.....	364
2	Explicația simbolurilor.....	364
3	Instrucțiuni de siguranță.....	365
4	Domeniul de livrare.....	368
5	Accesorii.....	368
6	Domeniul de utilizare.....	368
7	Descriere tehnică.....	369
8	Instalare.....	372
9	Configurarea sistemului de rețea.....	378
10	Utilizarea.....	379
11	Curățarea și întreținerea.....	380
12	Remediarea defecțiunilor.....	380
13	Garanție.....	381
14	Eliminarea.....	381
15	Date tehnice.....	382

## 1 Observații importante

Citiți cu atenție și respectați toate instrucțiunile, indicațiile și avertismentele incluse în acest manual de produs pentru a vă asigura că instalați, utilizați și întrețineți produsul în permanență. Aceste instrucțiuni TREBUIE păstrate cu acest produs.

Prin utilizarea produsului, confirmați că ați citit cu atenție toate instrucțiunile, indicațiile și avertismentele și că înțelegeți și sunteți de acord să respectați termenii și condițiile stabilite. Sunteți de acord să utilizați acest produs numai pentru scopul și aplicația prevăzute și în conformitate cu instrucțiunile, indicațiile și avertismentele prezentate în acest manual de produs, precum și în conformitate cu toate legile și reglementările aplicabile. Nerespectarea instrucțiunilor și avertismentelor prezentate aici poate duce la vătămarea personală a utilizatorului sau a altora, la deteriorarea produsului sau a altor bunuri din apropiere. Acest manual al produsului, inclusiv instrucțiunile, indicațiile și avertismentele și documentația aferentă pot fi supuse modificărilor și actualizărilor. Pentru informații actualizate despre produs, vă rugăm să vizitați [documents.dometic.com](http://documents.dometic.com).

## 2 Explicația simbolurilor

Un cuvânt de semnalizare identifică mesajele de siguranță și mesajele privind daunele materiale și, de asemenea, indică gradul sau nivelul de gravitate a pericolului.



### PERICOL!

Indică o situație periculoasă care, dacă nu este evitată, va provoca moartea sau răni grave.



### AVERTIZARE!

Indică o situație periculoasă care, dacă nu este evitată, poate provoca moartea sau răni grave.



### PRECAUȚIE!

Indică o situație periculoasă care, dacă nu este evitată, poate provoca răni minore sau medii.



### ATENȚIE!

Indică o situație care, dacă nu este evitată, poate duce la pagube materiale.



**INDICAȚIE** Informații complementare privind operarea produsului.

## 3 Instrucțiuni de siguranță

De asemenea, respectați instrucțiunile de siguranță și specificațiile producătorului vehiculului și ale atelierelor autorizate.

### 3.1 Informații generale de siguranță



#### **PERICOL! Pericol de electrocutare**

- > Nu atingeți cablurile expuse cu mâinile goale.
- > Pentru a putea deconecta rapid dispozitivul de la sursa de alimentare c.a., priza trebuie să se afle în apropierea dispozitivului și să fie ușor accesibilă.



#### **AVERTIZARE! Pericol de electrocutare**

- > Instalarea și demontarea pot fi efectuate numai de către personal calificat.
- > Nu utilizați dispozitivul în cazul în care acesta sau cablurile de conectare prezintă deteriorări vizibile.
- > În cazul în care cablul de alimentare al acestui dispozitiv este deteriorat, acesta trebuie înlocuit pentru a preveni problemele de siguranță.
- > Lucrările de reparație la nivelul acestui aparat pot fi efectuate exclusiv de către specialiști. Reparațiile necorespunzătoare pot duce la riscuri considerabile.
- > Folosiți doar accesorii care au fost recomandate de producător.
- > Nu modificați sau adaptați nicio componentă în niciun fel.
- > Nu deconectați niciun cablu atunci când dispozitivul este încă în uz.
- > Deconectați dispozitivul de la sursa de alimentare:
  - După folosire
  - înainte de fiecare curățare și întreținere
  - înainte de a schimba o siguranță



#### **AVERTIZARE! Pericol de incendiu/Materiale inflamabile**

În caz de incendiu, folosiți un stingător de incendii adecvat pentru dispozitive electrice.



#### **AVERTIZARE! Risc de asfixiere**

Cablul și unitatea de comandă ale dispozitivului pot prezenta risc de încurcare, strangulare, împiedicare sau călcare, dacă nu sunt dispuse corect. Asigurați-vă că dispuneți în mod sigur colierele de cablu și cablurile de alimentare.



#### **AVERTIZARE! Pericol pentru sănătate**

- > Acest dispozitiv poate fi utilizat de copiii cu vârsta de 8 ani și mai mari și de către persoane cu capacități fizice, senzoriale sau mentale reduse sau de către persoane lipsite de experiență și cunoștințe, dacă acestea au fost supravegheate și instruite cu privire la utilizarea dispozitivului în condiții de siguranță și înțeleg riscurile pe care le implică.
- > **Aparatele electrice nu reprezintă jucării pentru copii!** Păstrați și folosiți întotdeauna dispozitivul la distanță de copii mici.
- > Copiii trebuie supravegheați pentru a nu se juca cu aparatul.
- > Curățarea și operațiunile de întreținere nu trebuie efectuate de copii fără supraveghere.

**ATENȚIE! Pericol de defectare**

- > Înainte de pornire, asigurați-vă că indicația tensiunii de pe eticheta de tip coincide cu cea a sursei de alimentare.
- > Asigurați-vă că alte obiecte **nu pot** provoca un scurtcircuit la contactele dispozitivului.
- > Asigurați-vă că polii negativi și pozitivi nu intră **niciodată** în contact.
- > Nu trageți de cablurile de conectare și nu folosiți cablurile ca mâner.
- > Dispozitivul nu trebuie expus ploii sau umezelii. A se depozita într-un loc uscat.

**3.2 Instalarea în siguranță a dispozitivului****PERICOL! Pericol de explozie**

- > Instalați și folosiți dispozitivul doar în încăperi închise, bine aerisite.
- > **Nu** instalați sau folosiți dispozitivul în următoarele condiții:
  - în medii sărate, ude sau umede
  - în apropierea aburilor corozivi
  - în apropierea materialelor combustibile
  - în apropierea surselor de căldură (încălzitoare, lumina directă a soarelui, cuptoare cu gaz etc.)
  - în zone în care există risc de explozie de gaze sau pulberi

**AVERTIZARE! Risc de vătămare**

- > Asigurați-vă că dispozitivul este stabil. Dispozitivul trebuie instalat și fixat astfel încât să nu se poată răsturna și să nu poată cădea.
- > Când amplasați dispozitivul, asigurați-vă că toate cablurile sunt fixate corespunzător pentru a evita orice formă de pericol de împiedicare.

**ATENȚIE! Pericol de defectare**

- > Amplasați dispozitivul într-un loc uscat, unde este protejat împotriva stropilor de apă.
- > Utilizați întotdeauna prize care sunt împământate și securizate prin disjunctoare de curent rezidual

**3.3 Siguranța la conectarea electrică a dispozitivului****PERICOL! Pericol de electrocutare**

Dacă lucrați la sisteme electrice, asigurați-vă că există cineva în apropiere care vă poate ajuta în caz de urgență.

**AVERTIZARE! Pericol de electrocutare**

- > Respectați secțiunile transversale de cablu recomandate.
- > Dispuneți cablurile astfel încât să nu poată fi deteriorate de uși sau capotă. Cablurile strivite pot duce la vătămări corporale grave.

**ATENȚIE! Pericol de defectare**

- > Folosiți canale sau tuburi de cablu dacă este necesar, pentru a traversa panouri metalice sau alte panouri cu margini ascuțite.
- > **Nu** dispuneți cablul de rețea electrică de 230 V și cablul c.c. de 12 V în aceeași conductă.
- > **Nu** dispuneți cablul astfel încât să fie slăbit sau puternic îndoit.
- > Prindeți bine cablurile.

### 3.4 Măsurile de siguranță la manipularea bateriilor



#### **AVERTIZARE! Risc de vătămare**

- > Bateriile conțin acizi agresivi și caustici. Evitați contactul lichidului de baterie cu corpul dvs. Dacă pielea dvs. intră în contact cu lichidul de baterie, spălați temeinic cu apă acea parte a corpului. Dacă suferiți răni de la acizi, contactați imediat un medic.
- > Când lucrați la baterii, nu purtați niciun obiect metalic, cum ar fi ceasurile sau inelele. Bateriile cu plumb-acid pot provoca scurtcircuite, care pot provoca vătămări corporale grave.
- > Folosiți doar unelte izolate.
- > Nu așezați piese metalice pe baterie și nu lăsați piese metalice să cadă pe baterie. Acest lucru poate provoca scântei sau poate scurtcircuita bateria și alte dispozitive electrice.
- > Purtați ochelari și îmbrăcăminte de protecție atunci când lucrați la baterii. Nu vă atingeți ochii când lucrați la baterii.
- > Folosiți doar baterii reîncărcabile.
- > Nu folosiți baterii defecte.



#### **PRECAUȚIE! Pericol de explozie**

- > Nu încercați niciodată să încărcați o baterie înghețată sau defectă. Amplasați bateria într-o zonă fără îngheț și așteptați până când bateria s-a aclimatizat la temperatura ambiantă. Apoi începeți procesul de încărcare.
- > Nu fumați, nu folosiți o flăcără deschisă și nu provocați scântei în apropierea motorului sau a unei baterii.
- > Țineți bateria la distanță de surse de căldură.



#### **ATENȚIE! Pericol de defectare**

- > Asigurați-vă că polaritatea este corectă atunci când conectați bateria.
- > Respectați instrucțiunile producătorului bateriei și pe cele ale producătorului sistemului sau vehiculului în care este folosită bateria.
- > Dacă bateria trebuie scoasă, deconectați mai întâi legătura la masă. Deconectați toate conexiunile și toți consumatorii de la baterie înainte de a o scoate.
- > Depozitați doar baterii încărcate complet. Reîncărcați regulat bateriile depozitate.
- > Nu transportați bateria susținând-o de borne.

### 3.5 Securitatea la exploatarea aparatului



#### **AVERTIZARE! Pericol de electrocutare**

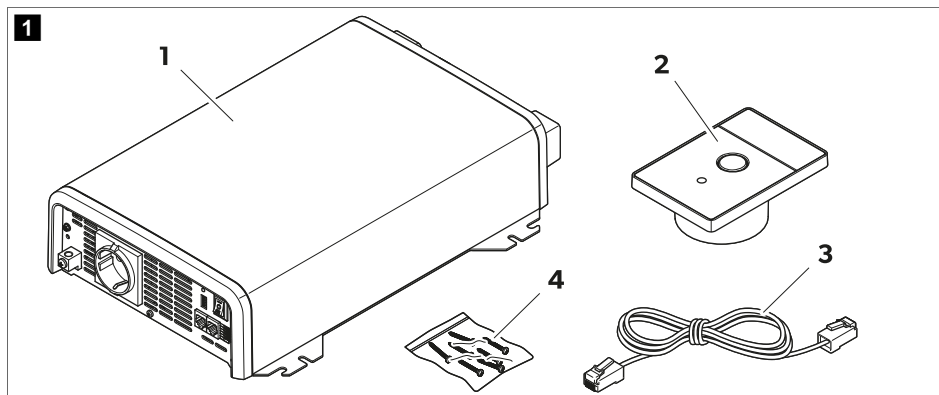
- > Nu folosiți dispozitivul în condiții de umezeală și nu îl scufundați în niciun lichid.
- > Înainte de a porni dispozitivul, asigurați-vă că linia de alimentare și fișa sunt uscate și fișa nu prezintă rugină sau murdărie.
- > Rețineți că unele părți ale dispozitivului pot conduce în continuare tensiunea, chiar dacă siguranța s-a ars.




#### **ATENȚIE! Pericol de defectare**

- > Asigurați-vă că admisiile și evacuările de aer ale dispozitivului nu sunt acoperite.
- > Asigurați o bună aerisire.

## 4 Domeniul de livrare



Nr. în  fig. 1 pagina 368	Denumire	Numărul
1	Invertor cu undă sinusoidă	1
2	Telecomanda	1
3	Cablu de conectare telecomandă	1
4	Șuruburi de fixare	6
-	Manual de instalare și de utilizare	1

## 5 Accesorii

Denumire	Nr. art.
Telecomandă DPSI-RC	9620018306
Afișaj tactil TD283	9620013272

## 6 Domeniul de utilizare

Invertorul este prevăzut să transforme curentul continuu într-o tensiune alternativă (c.a.) cu undă sinusoidă pură de 230 V~ pentru acționarea și alimentarea stabilă a consumatorilor de 230 V conectați.

Invertorul este prevăzut pentru conectare la:

- DPSI612, DPSI1012, DPSI1512, DPSI2012: 12 V $\overline{=}$
- DPSI624, DPSI1024, DPSI1524, DPSI2024: 24 V $\overline{=}$

Invertorul este adecvat pentru:

- Instalare în vehicule de agrement (RV), vehicule comerciale sau iahturi cu motor și iahturi cu vele
- folosire staționară sau mobilă
- Folosire la interior

Invertorul **nu** este adecvat pentru:



- Folosire la exterior

Acest produs este potrivit numai pentru scopul și utilizarea prevăzute în conformitate cu aceste instrucțiuni.

Acest manual oferă informații necesare pentru instalarea și/sau utilizarea corectă a produsului. Instalarea defectuoasă și/sau utilizarea sau întreținerea necorespunzătoare vor avea ca rezultat performanțe nesatisfăcătoare și o posibilă defecare.

Producătorul nu își asumă nicio răspundere pentru orice vătămare sau deteriorare a produsului - rezultate din:

- Instalarea, asamblarea sau conectarea incorectă, inclusiv supratensiunea
- Întreținerea sau utilizarea incorectă a pieselor de schimb, altele decât piesele de schimb originale furnizate de producător
- Modificări aduse produsului fără aprobarea explicită din partea producătorului
- Utilizarea în alte scopuri decât cele descrise în manual

Dometic își rezervă dreptul de a modifica aspectul și specificațiile produsului.

## 7 Descriere tehnică

### 7.1 Descriere generală

Invertorul este un inverter c.c.-c.a. cu undă sinusoidală.

Invertorul poate fi folosit în următoarele sisteme de rețea:

- Rețea TN
- Rețea IT

Sistemele de rețea sunt setate printr-un șurub de pe inverter.

Invertorul dispune de următoarele mecanisme de protecție:

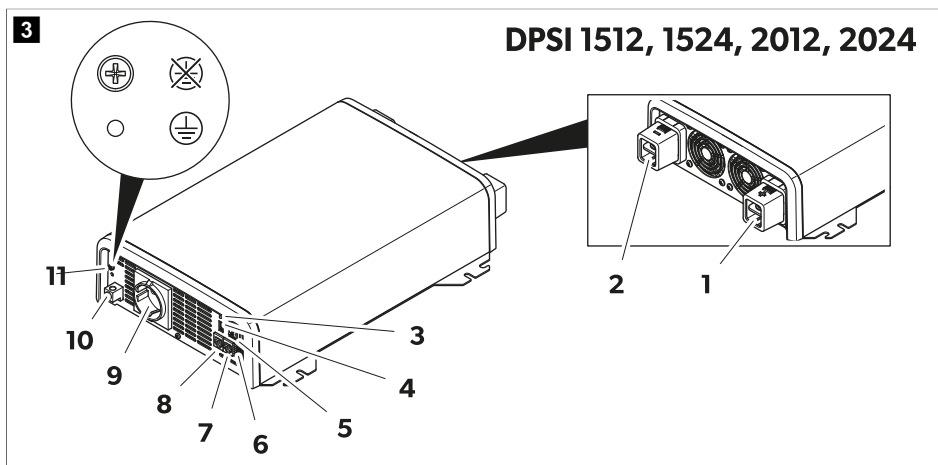
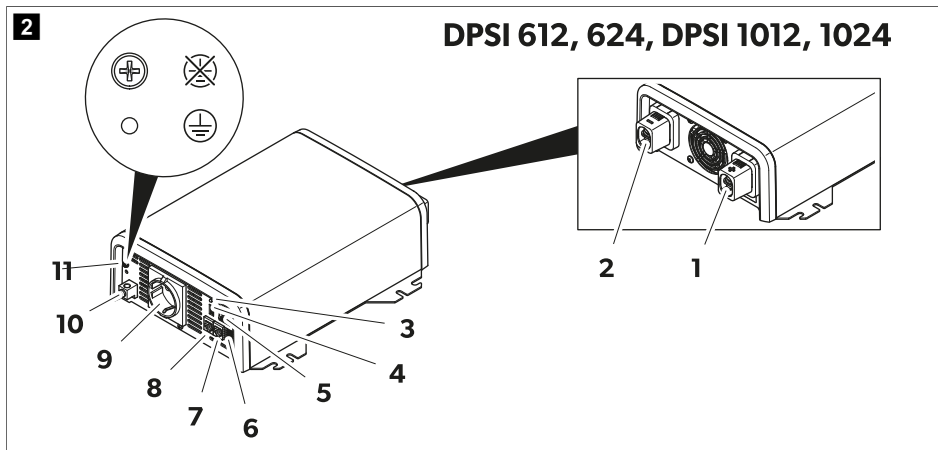
- **Oprire la supratensiune:** Invertorul se oprește atunci când tensiunea depășește valoarea de întrerupere. Invertorul repornește automat atunci când tensiunea scade la valoarea de repornire.
- **Oprire la subtensiune:** Invertorul se oprește atunci când tensiunea scade sub valoarea de întrerupere. Invertorul repornește automat atunci când tensiunea depășește valoarea de repornire.
- **Oprire la temperatură ridicată:** Invertorul se oprește atunci când temperatura internă a dispozitivului depășește valoarea de întrerupere. Invertorul repornește automat atunci când temperatura internă scade la valoarea de repornire.
- **Protecție la curent de ieșire mare:** Invertorul se oprește atunci când sunt conectați prea mulți consumatori.
- **Protecție împotriva scurtcircuitului:** Invertorul se oprește atunci când a fost generat un scurtcircuit. Invertorul repornește automat după câteva secunde. Dacă este detectat un scurtcircuit de cinci ori consecutiv, inverterul nu repornește automat și este necesară o repornire manuală.

Invertorul este compatibil cu N-BUS și CI-BUS pentru date și a funcții, ambele controlabile pe un afișaj tactil (accesorii) și în aplicația pentru mobil.

Invertorul este prevăzut cu o telecomandă pentru pornirea sau oprirea inverterului.

Invertorul poate fi comutat în modul de economisire a energiei, pentru a reduce consumul la inactivitate și pentru a minimiza solicitarea bateriei. Acest lucru se poate face printr-un comutator DIP sau

## 7.2 Elemente de control și conexiuni

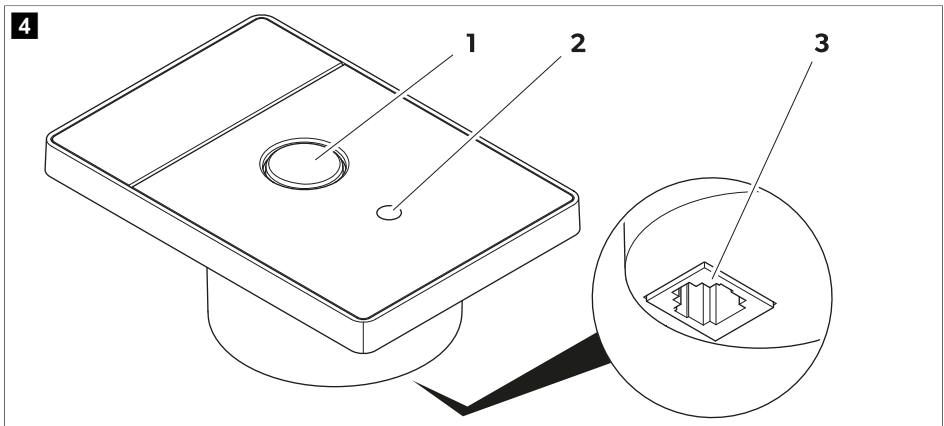


**INDICAȚIE** Figurile ilustrează versiunile pentru Europa continentală.

Poz.	Denumire
1	Bornă (+), conexiune la polul pozitiv al bateriei staționare
2	Bornă (-), conexiune la polul negativ al bateriei staționare
3	LED de indicare a stării
4	Comutator DIP
5	Comutator de pornire/oprire

Poz.	Denumire
6	Bornă pentru comandă externă
7	Conexiune CI-BUS/N-BUS/telecomandă (LINB)
8	Conexiune CI-BUS/N-BUS/telecomandă (LINA)
9	Priză c.a.
10	Legătură la masă
11	Șurub pentru setarea rețelei IT/TN

### 7.3 Telecomanda



Nr. în  fig. 4  
pagină 371

Denumire

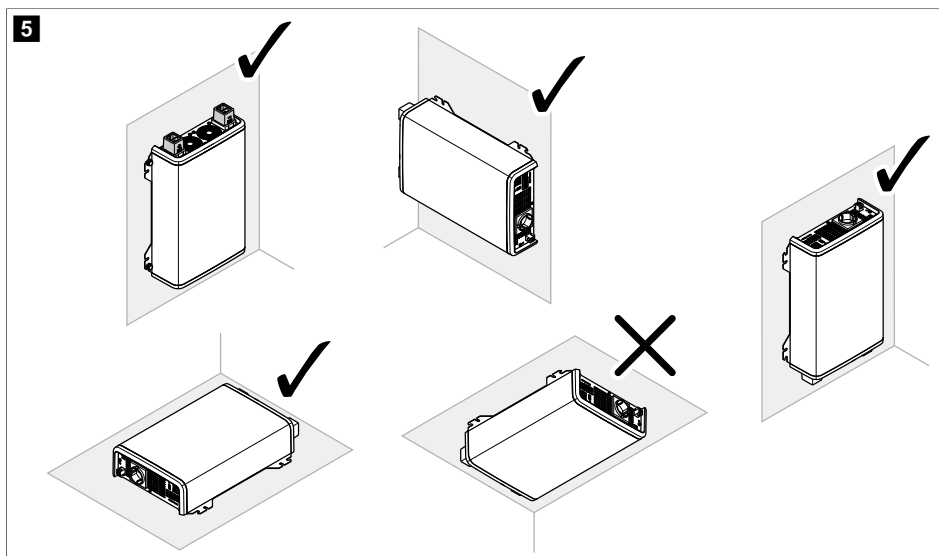
1	Buton de pornire/oprire
2	LED de indicare a stării
3	Conexiune telecomandă

### 7.4 LED de indicare a stării

Stare	Denumire
Green	Invertorul funcționează
Orange	Avertizare: ieșire c.a. prezentă, risc de supratensiune, subtensiune sau întreruperi de curent
Red	Eroare: lipsă intrare c.a., invertorul este dezactivat (consultați capitolul Remedierea defecțiunilor pagină 380)

## 8 Instalare

### 8.1 Locul de instalare




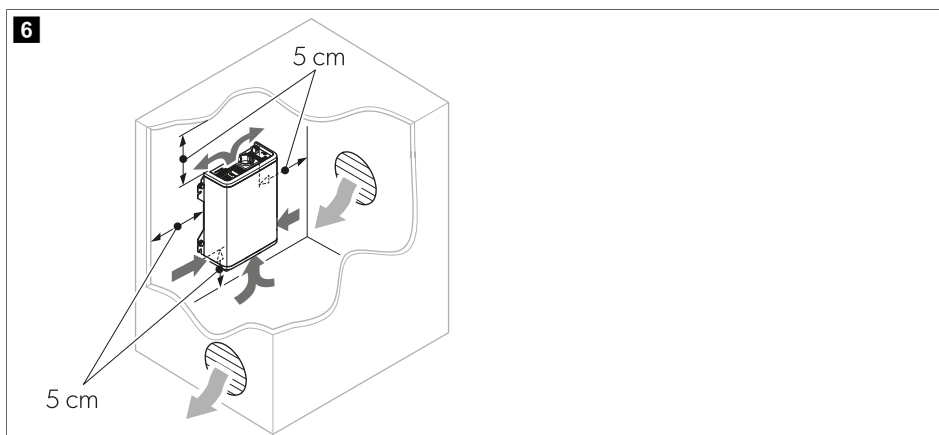
#### ATENȚIE! Pericol de defectare

Înainte de a executa găuri, asigurați-vă că nu pot fi deteriorate cabluri sau alte piese ale vehiculului prin găurire, debitare și pilire.




#### INDICAȚIE

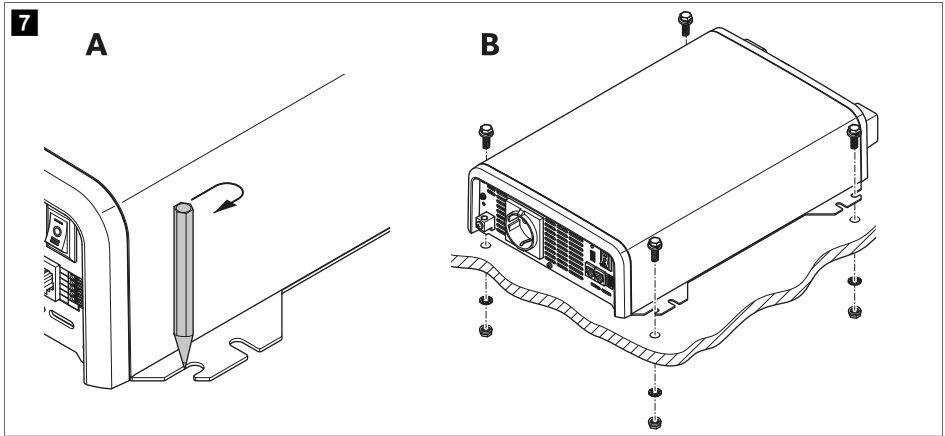
Invertorul poate fi montat așezat sau suspendat (  fig. 5 pagină 372).





La alegerea unui loc de instalare, respectați următoarele instrucțiuni:

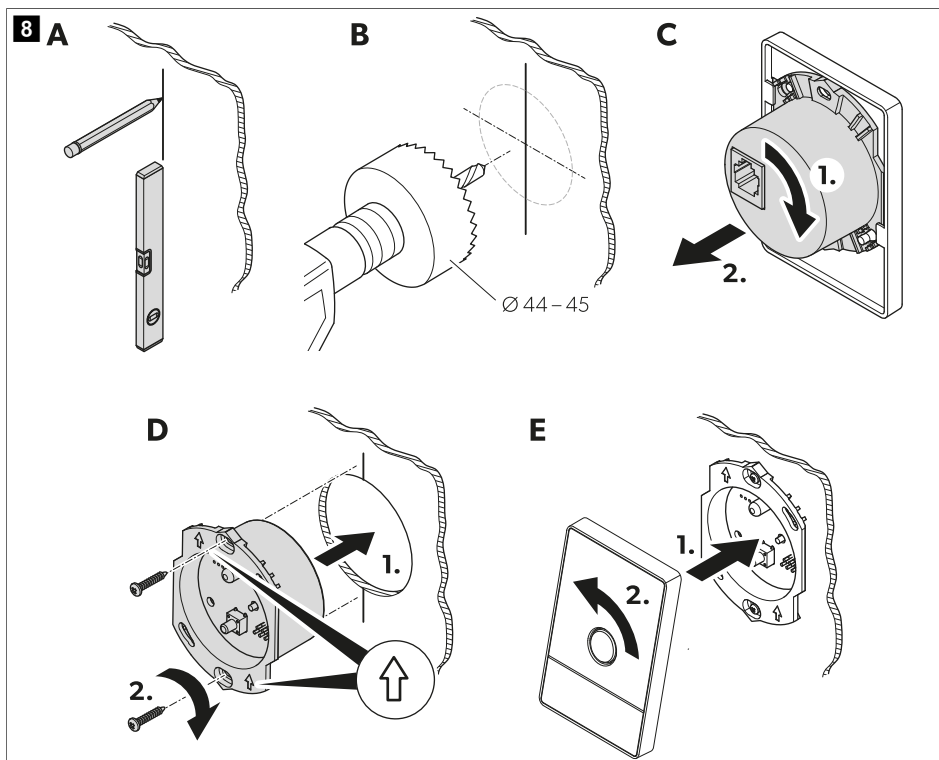
- Asigurați-vă că suprafața de montare este stabilă și plană.
- Respectați specificațiile privind distanța pentru o aerisire suficientă (  fig. 6 pagină 372).



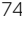

## 8.2 Montarea invertorului



1. Selectați orificiile de montare adecvate în funcție de tipul de montare selectat (așezat sau suspendat) și marcați găurile de executat (  fig. 7 pagină 373, **A**).
2. Pre-găuriți orificiile de montare.
3. Înșurubați invertorul pe poziție (  fig. 7 pagină 373, **B**).


### 8.3 Montarea telecomenzii



1. Marcați suprafața de montare (  fig. 8 pagină 374, **A**).
2. Executați o gaură cu un diametru de 44 mm ... 45 mm, de ex., cu o carotă (  fig. 8 pagină 374, **B**).
3. Scoateți doza de derivație de pe panoul de comandă (  fig. 8 pagină 374, **C**).
4. Introduceți doza de derivație în orificiu și înșurubați doza de derivație pe poziție (  fig. 8 pagină 374, **D**).



**INDICAȚIE** Asigurați alinierea verticală corectă, după cum este indicat de săgețile de pe doza de derivație.

5. Atașați panoul de comandă la doza de derivație (  fig. 8 pagină 374, **E**).
6. Scoateți folia de protecție.

## 8.4 Conectarea invertorului



Instalarea și configurarea electrică a dispozitivului trebuie efectuată de către un electrician calificat cu abilități și cunoștințe dovedite cu privire la structura și funcționarea echipamentelor și instalațiilor electrice și care este familiarizat cu reglementările aplicabile ale țării în care echipamentul urmează a fi instalat și/ sau folosit și a beneficiat de formare în domeniul siguranței, pentru identificarea și evitarea pericolelor asociate.

Toate celelalte acțiuni sunt destinate și utilizatorilor neprofesioniști.



### AVERTIZARE! Pericol de electrocutare

Respectați secțiunile transversale de cabluri, lungimile de cablu și siguranța recomandate.



### PRECAUȚIE! Pericol de incendiu

Amplasați siguranțele în apropiere de baterii, pentru a proteja cablul de scurtcircuit și posibile arderi.



### ATENȚIE! Pericol de defectare

- > Nu inversați polaritatea.
- > Strângeți piulițele și șuruburile la un cuplu maxim de 15 Nm. Conexiunile slăbite pot duce la supraîncălzire.

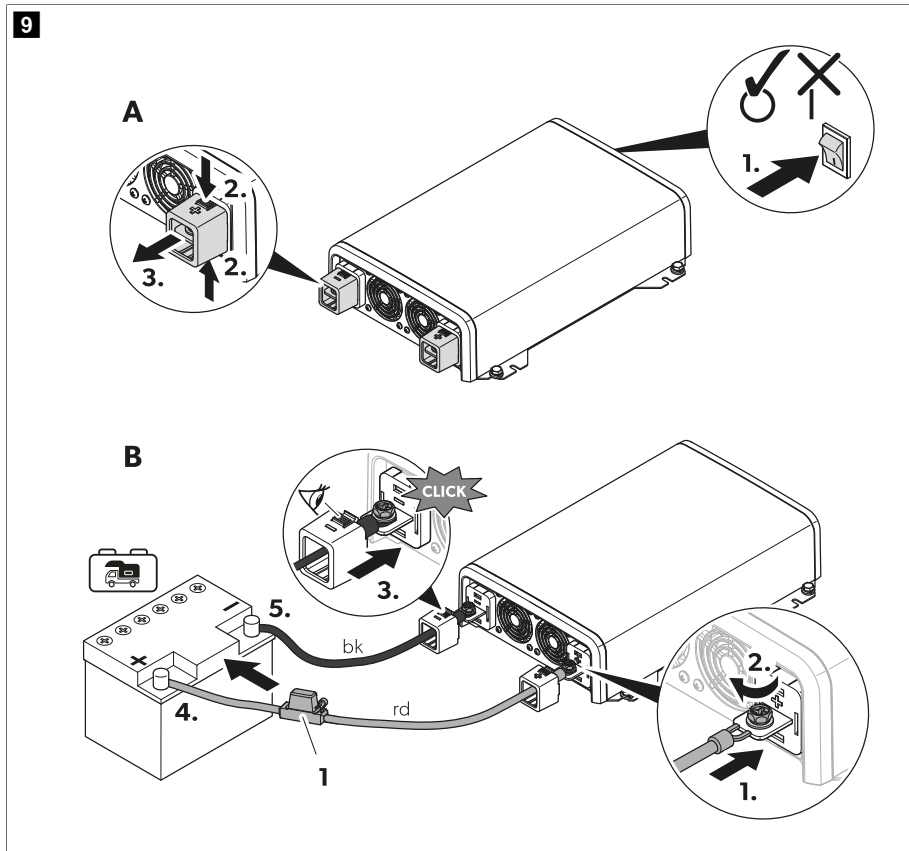
Respectați următoarele instrucțiuni atunci când conectați invertorul:



- Respectați reglementările aplicabile atunci când instalați un circuit de distribuție pentru prize (instalare la rețea).
- Selectați lungimea cablurilor c.c. (conexiune la bornele bateriei) cât mai scurtă posibil ( $\leq 1$  m).
- Pentru conexiune **Rețea TN**: Instalați un dispozitiv de curent rezidual (RCD).
- Pentru conexiune **Rețea IT**: Instalați un dispozitiv de monitorizare a izolației (IMD), dacă sunt conectate mai mulți consumatori. **Se aplică standardele naționale.**

1. Stabiliți secțiunile transversale de cablu și siguranța:

	Secțiunea transversală a cablului	Siguranță de cablu
DPSI612	25 mm <sup>2</sup>	150 A
DPSI624	25 mm <sup>2</sup>	150 A
DPSI1012	35 mm <sup>2</sup>	200 A
DPSI1024	25 mm <sup>2</sup>	150 A
DPSI1512	50 mm <sup>2</sup>	250 A
DPSI1524	25 mm <sup>2</sup>	150 A
DPSI2012	70 mm <sup>2</sup>	300 A
DPSI2024	35 mm <sup>2</sup>	200 A



2. Asigurați-vă că dispozitivul este oprit (  fig. **9** pagină 376, **1**).



3. Detașați capacele bornelor (  fig. **9** pagină 376, **2 – 3**).
4. Conectați (+) la borna pozitivă a bateriei staționare (cablul de conectare roșu (rd),  fig. **9** pagină 376, **4**).

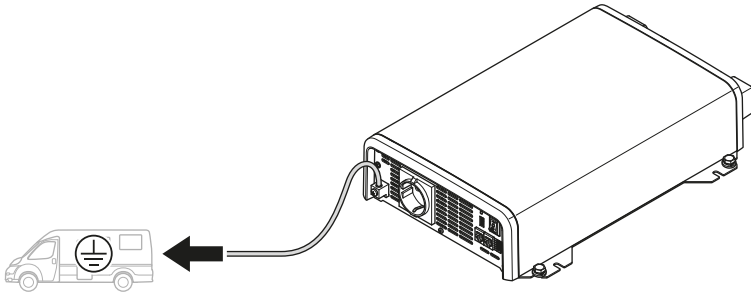


**INDICAȚIE** Protejați cablul pozitiv al bateriei staționare cu o siguranță (  fig. **9** pagină 376, **1**).

5. Conectați (-) la borna negativă a bateriei staționare (cablul de conectare negru (bk),  fig. **9** pagină 376, **5**).
6. Conectați legătura la masă la împământare (șasiu) (  fig. **10** pagină 377).



10



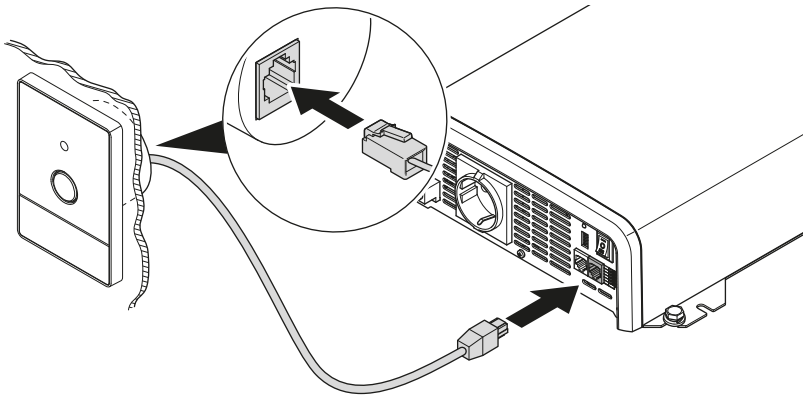
## 8.5 Conectarea telecomenzii



**INDICAȚIE** Telecomanda și rețeaua N-BUS/CI-BUS nu pot fi conectate simultan.

- > Conectați telecomanda la conexiunea de telecomandă folosind cablul de conectare a telecomenzii.

11

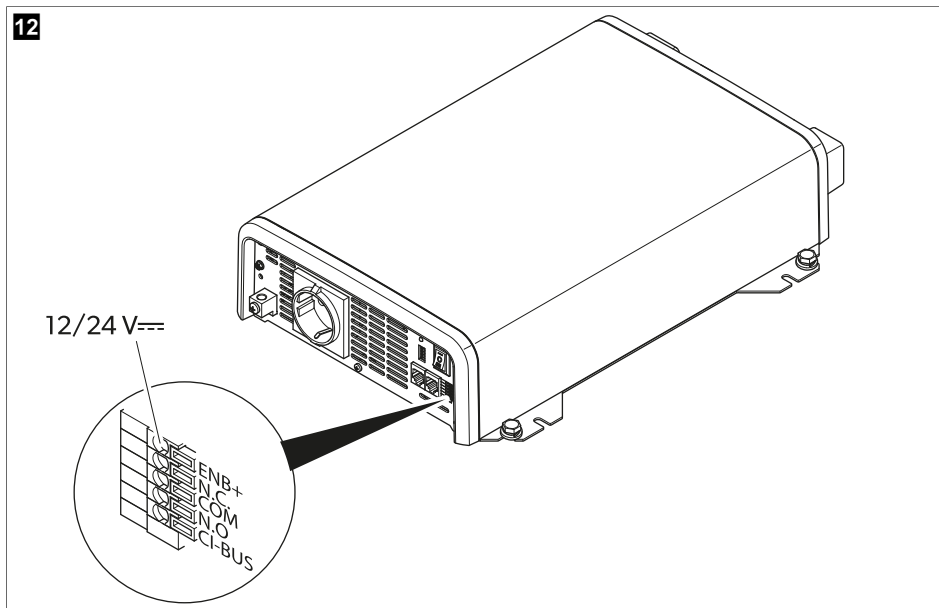


## 8.6 Conectarea pinului ENB+



**INDICAȚIE** Dacă este conectat pinul ENB+, starea modului de economisire a energiei nu poate fi schimbată.

12



1. Setezi comutatorul pornire/oprire la poziția **0**.
2. Utilizați pinul ENB+ după cum urmează:
  - Pentru a porni invertorul, conectați pinul ENB+ la polul pozitiv al bateriei staționare printr-un cablu electric adecvat.
  - Pentru a opri invertorul, detașați pinul ENB+ de la bateria staționară.

## 9 Configurarea sistemului de rețea



Instalarea și configurarea electrică a dispozitivului trebuie efectuată de către un electrician calificat cu abilități și cunoștințe dovedite cu privire la structura și funcționarea echipamentelor și instalațiilor electrice și care este familiarizat cu reglementările aplicabile ale țării în care echipamentul urmează a fi instalat și/ sau folosit și a beneficiat de formare în domeniul siguranței, pentru identificarea și evitarea pericolelor asociate.

Toate celelalte acțiuni sunt destinate și utilizatorilor neprofesioniști.

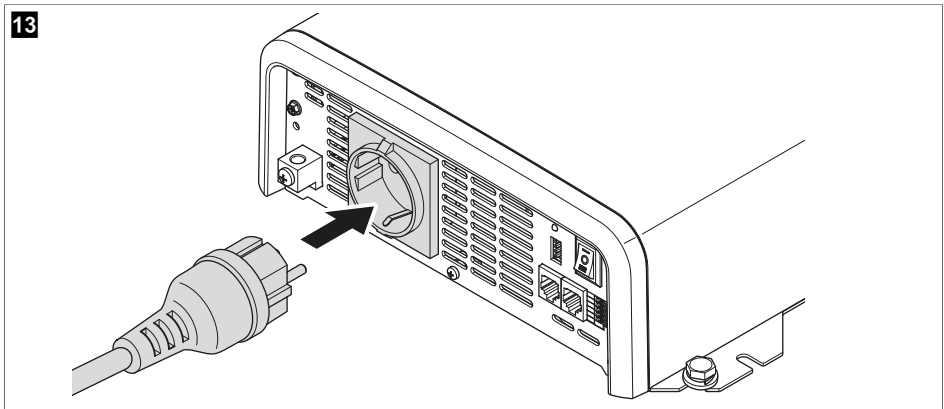


### PERICOLI Pericol de electrocutare

- > Scoateți capacul de protecție de la comutatorul DIP doar pentru configurare.
  - > Puneți la loc capacul de protecție pentru a preveni reglarea accidentală a comutatorului DIP.
  - > Pentru configurația **Rețea TN**: Asigurați-vă că este instalat un dispozitiv de curent rezidual (RCD).
  - > Pentru configurația **Rețea IT**: Utilizați un singur consumator sau instalați un dispozitiv de monitorizare a izolației (IMD). Respectați standardele naționale.
- 
- > Introduceți șurubul în poziția  $\oplus$  pentru a seta **Rețea TN**.
  - > Introduceți șurubul în poziția  $\otimes$  pentru a seta **Rețea IT**.


## 10 Utilizarea

### 10.1 Acționarea dispozitivelor de 230 V



#### INDICAȚIE

Conectați numai dispozitive a căror sarcină totală nu depășește valorile enumerate în Date tehnice pagină 382.

- > Conectați dispozitivele de 230 V la priza c.a. a inverterului (  fig. 13 pagină 379).

### 10.2 Pornirea și oprirea inverterului



#### INDICAȚIE

- > Dacă inverterul urmează să fie controlat prin intermediul telecomenzii, comutatorul de pornire/oprire trebuie să fie setat la poziția **II**.
  - > Dacă inverterul urmează să fie controlat prin intermediul pinului ENB+, comutatorul de pornire/oprire trebuie setat la poziția **0**.
- > Pentru a porni inverterul, puneți comutatorul de pornire/oprire la poziția **I**.
  - > Pentru a opri inverterul, puneți comutatorul de pornire/oprire la poziția **0**.
  - > Folosiți telecomanda sau pinul ENB+ pentru a porni și opri inverterul.

### 10.3 Setarea modului de economisire a energiei



#### INDICAȚIE

- În cazul în care comutatorul DIP S2 este setat la poziția **OFF**, inverterul trece automat la funcționarea normală atunci când este conectat un consumator de  $\geq 45$  W.
- În cazul în care comutatorul DIP S2 este setat la poziția **ON**, inverterul trece automat la funcționarea normală atunci când este conectat un consumator de  $\geq 80$  W.
- Starea modului de economisire a energiei nu poate fi schimbată când se utilizează telecomanda sau pinul ENB+, decât dacă se efectuează un ciclu complet de pornire-oprire

### Activarea modului de economisire a energiei

1. Dacă este necesar, opriți invertorul.
  2. Glisați comutatorul DIP S1 la poziția **ON**.
- ✓ Modul de economisire a energiei este activat.

### Dezactivarea modului de economisire a energiei

1. Opriți invertorul.
  2. Glisați comutatorul DIP S1 la poziția **OFF**.
- ✓ Modul de economisire a energiei este dezactivat.

## 11 Curățarea și întreținerea



### AVERTIZARE! Pericol de electrocutare

Deconectați dispozitivul de la sursa de alimentare înainte de curățare și întreținere.



### ATENȚIE! Pericol de defectare

- > Nu curățați niciodată dispozitivul sub apă de la robinet sau în mașina de spălat vase.
  - > La curățare, nu utilizați obiecte ascuțite sau dure, agenți de curățare abrazivi sau înălbitor, deoarece acestea pot deteriora dispozitivul.
  - > Asigurați-vă că aerisirile de admisie și evacuare a aerului de pe dispozitiv nu prezintă praf și murdărie, astfel încât căldura să poată fi disipată.
- > Curățați ocazional dispozitivul cu o cârpă moale umedă.
- > Verificați regulat cablurile sau liniile sub tensiune pentru a detecta deficiențe de izolare, fisuri sau conexiuni slăbite.

## 12 Remedierea defecțiunilor

Avarie	Cauză posibilă	Soluție
Invertorul nu funcționează. LED-ul de indicare a stării este stins.	Scurtcircuit de cinci ori consecutiv.	> Siguranța dispozitivului trebuie înlocuită de un agent de service autorizat după ce a fost declanșată de un exces de curent.
	Deficiențe de izolare, întreruperi sau conexiuni slăbite la cablurile sub tensiune.	> Verificați cablurile sub tensiune pentru a detecta deficiențe de izolare, întreruperi sau conexiuni slăbite.  Dacă nu descoperiți nicio problemă, contactați un agent de service autorizat.
Invertorul nu funcționează. LED-ul de indicare a stării luminează roșu.	Protecție la curent de ieșire mare.	Reduceți consumatorii conectați.
	Oprire la temperatură ridicată.	<ol style="list-style-type: none"> <li>1. Opriți invertorul și consumatorii conectați.</li> <li>2. Verificați ca admisile și evacuările de aer să nu fie acoperite sau obturate.</li> <li>3. Lăsați invertorul să se răcească.</li> </ol>

Avarie	Cauză posibilă	Soluție
	A fost generat un scurtcircuit.	Siguranța dispozitivului trebuie înlocuită de un agent de service autorizat după ce a fost declanșată de un exces de curent.
	Oprire la supratensiune. Tensiunea bateriei este prea mare.	<ul style="list-style-type: none"> <li>&gt; Reduceți tensiunile conectate. Invertorul repornește automat când tensiunea scade la valoarea de repornire (consultați capitolul Oprire la supratensiune pagină 383).</li> <li>&gt; Dacă eroarea apare în continuare: Creșteți secțiunea transversală a cablurilor. Reduceți lungimea cablurilor.</li> </ul>
	Oprire la subtenșiune. Tensiunea bateriei este prea mică.	<ul style="list-style-type: none"> <li>&gt; Lăsați bateria să se reîncarce lent. Invertorul repornește automat când tensiunea depășește valoarea de repornire (consultați capitolul Oprire la subtenșiune pagină 383).</li> </ul>

## 13 Garanție

Se aplică termenul de garanție legal. În cazul în care produsul este defect, contactați reprezentanța producătorului din țara dvs. (consultați [dometic.com/dealer](http://dometic.com/dealer)) sau comerciantul.

Pentru operații de reparație și în baza garanției, trebuie să trimiteți și următoarele documente:

- O copie a facturii cu data cumpărării
- Un motiv de reclamație sau o descriere a defecțiunii.

Rețineți că repararea prin mijloace proprii sau reparațiile neprofesionale pot avea consecințe asupra securității și pot anula garanția.

## 14 Eliminarea

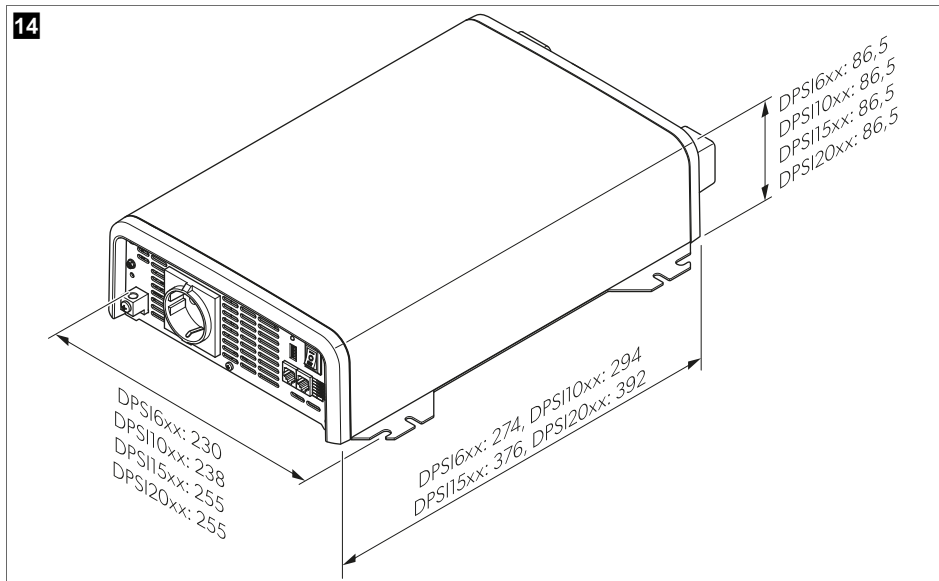



Depuneți materialul de ambalare pe cât posibil în containerele corespunzătoare de reciclare.

Consultați un centru local de reciclare sau un reprezentant specializat pentru detalii despre detalii cu privire la eliminarea produsului în conformitate cu reglementările aplicabile privind eliminarea.


Produsul poate fi eliminat gratuit.

## 15 Date tehnice





	<b>DPSI 612</b>	<b>DPSI 1012</b>	<b>DPSI 624</b>	<b>DPSI 1024</b>
Tensiune de intrare nominală	12 V <sup>---</sup>		24 V <sup>---</sup>	
Domeniul tensiunii de intrare	10,5 ... 16,5 V <sup>---</sup>		21 ... 33 V <sup>---</sup>	
Putere de ieșire continuă P <sub>nom</sub>	600 W	1000 W	600 W	1000 W
Putere de ieșire maximă (1 min)	690 W	1150 W	690 W	1150 W
Vârf de putere maxim (1 s) P <sub>val</sub>	1200 W	2000 W	1200 W	2000 W
Consum de curent în mod inactiv	≤ 1 A	≤ 1,1 A	≤ 0,6 A	≤ 0,6 A
Consum de curent în mod standby	≤ 0,3 A	≤ 0,35 A	≤ 0,2 A	≤ 0,2 A
Dimensiuni	 fig. 14 pagină 382			
Greutate	1,1 kg	1,2 kg	1,1 kg	1,2 kg

	<b>DPSI 1512</b>	<b>DPSI 2012</b>	<b>DPSI 1524</b>	<b>DPSI 2024</b>
Tensiune de intrare nominală	12 V <sup>---</sup>		24 V <sup>---</sup>	
Domeniul tensiunii de intrare	10,5 ... 16,5 V <sup>---</sup>		21 ... 33 V <sup>---</sup>	
Putere de ieșire continuă P <sub>nom</sub>	1500 W	2000 W	1500 W	2000 W
Putere de ieșire maximă (1 min)	1725 W	2300 W	1725 W	2300 W
Vârf de putere maxim (1 s) P <sub>val</sub>	3000 W	4000 W	3000 W	4000 W
Consum de curent în mod inactiv	≤ 1,2 A	≤ 1,5 A	≤ 0,7 A	≤ 0,8 A
Consum de curent în mod standby	≤ 0,4 A	≤ 0,5 A	≤ 0,25 A	≤ 0,3 A

	DPSI 1512	DPSI 2012	DPSI 1524	DPSI 2024
Dimensiuni	 fig. 14 pagină 382			
Greutate	1,1 kg	1,2 kg	1,1 kg	1,2 kg

### 15.1 Date tehnice generale

Domeniul tensiunii de ieșire	230 V $\sim$ $\pm$ 10 %
Frecvență de ieșire	50 Hz $\pm$ 1 %
Formă de undă de ieșire	Undă sinusoidă pură
Eficiență de vârf	90 %
Temperatura ambiantă pentru funcționare	0 ... 50 °C
Temperatura ambiantă pentru depozitare	-30 °C ... 70 °C
Umiditate ambiantă	0 ... 95 %, non-condensing
Inspecție/certificare	 

### 15.2 Oprire la subtensiune

	Valoare de întrerupere	Valoare de repornire
DPSlxx12	10,3 V	11,8 V
DPSlxx24	20,6 V	23,6 V

### 15.3 Oprire la supratensiune

	Valoare de întrerupere	Valoare de repornire
DPSlxx12	16,5 V	15,5 V
DPSlxx24	33 V	31 V

## Български език

1	Важни бележки.....	384
2	Обяснение на символите.....	384
3	Инструкции за безопасност.....	385
4	Обхват на доставката.....	388
5	Принадлежности.....	388
6	Използване по предназначение.....	388
7	Техническо описание.....	389
8	Инсталиране.....	392
9	Конфигуриране на мрежовата система.....	398
10	Работа.....	399
11	Почистване и поддръжка.....	400
12	Отстраняване на неизправности.....	400
13	Гаранция.....	401
14	Изхвърляне.....	401
15	Технически данни.....	402

## 1 Важни бележки

Моля, прочетете внимателно тези инструкции и спазвайте всички указания, напътствия и предупреждения, включени в настоящото ръководство, за да сте сигурни, че монтирате, използвате и поддържате правилно този продукт. Тези инструкции ТРЯБВА да се съхраняват с продукта.

Като използвате продукта, Вие потвърждавате, че сте прочели внимателно всички указания, напътствия и предупреждения и че разбирате и приемате да спазвате сроковете и условията, съдържащи се в тях. Вие се съгласявате да използвате този продукт само по предназначение и в съответствие с указанията, инструкциите и предупрежденията, описани в ръководството на продукта, както и в съответствие с всички приложими закони и разпоредби. Ако не прочетете и не спазвате инструкциите и предупрежденията, това може да доведе до наранявания за вас или за други хора, щети по продукта или щети по други предмети в близост до него. Това ръководство на продукта, включително указанията, инструкциите и предупрежденията и другата документация, подлежи на промяна и обновяване. За актуална информация за продукта, моля, посетете [documents.dometic.com](http://documents.dometic.com).

## 2 Обяснение на символите

Сигналната дума идентифицира съобщенията за безопасност и за материални щети, както и степента или нивото на сериозност на опасността.



### ОПАСНОСТ!

Показва опасна ситуация която, ако не бъде избегната, ще доведе до смърт или тежко нараняване.



### ПРЕДУПРЕЖДЕНИЕ!

Показва опасна ситуация която, ако не бъде избегната, може да доведе до смърт или тежко нараняване.



### ВНИМАНИЕ!

Показва опасна ситуация която, ако не бъде избегната, може да доведе до леко или средно нараняване.



### ВНИМАНИЕ!

Показва ситуация която, ако не бъде избегната, ще доведе до щети по имуществото.





**УКАЗАНИЕ** Допълнителна информация за боравенето с продукта.

## 3 Инструкции за безопасност

Също така спазвайте инструкциите за безопасност и предписанията, издадени от производителя на превозното средство и упълномощените сервизи.

### 3.1 Обща безопасност



#### **ОПАСНОСТ! Опасност от електрически удар**

- > Не пипайте открити кабели с голи ръце.
- > За да можете бързо да изключите устройството от променливотоковото захранването, гнездото трябва да е близо до устройството и да е лесно достъпно.



#### **ПРЕДУПРЕЖДЕНИЕ! Опасност от електрически удар**

- > Монтирането и отстраняването на устройството може да се извършва само от квалифициран персонал.
- > Не работете с устройството, ако самото устройство или свързващият кабел са видимо повредени.
- > Ако захранващият кабел на това устройство е повреден, той трябва да бъде сменен, за да се предотврати евентуална опасност.
- > Това устройство може да бъде ремонтирано само от квалифициран персонал. Неправилни ремонти могат да доведат до значителни опасности.
- > Използвайте само аксесоари, препоръчани от производителя.
- > Не модифицирайте и не адаптирайте никой от компонентите по какъвто и да е начин.
- > Не разкачвайте кабели, когато устройството все още се използва.
- > Изключете устройството от захранването:
  - След употреба
  - Преди всяко почистване и поддръжка
  - Преди смяна на предпазител



#### **ПРЕДУПРЕЖДЕНИЕ! Опасност от пожар/Запалими материали**

В случай на пожар използвайте пожарогасител, който е подходящ за електрически устройства.



#### **ПРЕДУПРЕЖДЕНИЕ! Риск от задушаване**

Кабелът и контролният модул на продукта могат да предизвикат риск от объркване, задушаване или препъване, ако не са поставени правилно. Уверете се, че излишните връзки и захранващи кабели са подредени по безопасен начин.



#### **ПРЕДУПРЕЖДЕНИЕ! Опасност за здравето**

- > Този уред може да се използва от деца на възраст 8 и повече години и лица с намалени физически, сензорни или умствени способности, или с липса на знания и опит, ако получават надзор или инструкции относно използването на устройството по безопасен начин и разбират свързаните с него опасности.
- > **Електрическите уреди не са детска играчка!** Винаги съхранявайте и използвайте устройството далеч от досега на много малки деца.
- > Деца трябва да са под наблюдение, за да е сигурно, че не си играят с уреда.
- > Почистване и поддръжка не трябва да се извършва от деца без наблюдение.

**ВНИМАНИЕ! Опасност от повреда**

- > Преди стартиране проверете дали спецификацията на напрежението на табелката с данни е същата като тази на захранването.
- > Уверете се, че други обекти **не могат** да причинят късо съединение при контактите на устройството.
- > Уверете се, че отрицателните и положителните полюси **никога** не влизат в контакт.
- > Не дърпайте свързващите кабели и не използвайте кабелите като дръжка.
- > Устройството не трябва да се излага на дъжд или влага. Съхранявайте на сухо място.

**3.2 Безопасно инсталиране на устройството****ОПАСНОСТ! Опасност от експлозия**

- > Монтирайте и работете с устройството само в затворени, добре вентилирани помещения.
- > **Не** монтирайте и не работете с устройството при следните условия:
  - В солена, мокра или влажна среда
  - В близост до корозивни изпарения
  - В близост до запалими материали
  - Близко до източници на топлина (печки за отопление, пряка сплъччева светлина, газови фурни и т.н.)
  - На места, където има опасност от експлозия на газ или прах

**ПРЕДУПРЕЖДЕНИЕ! Риск от нараняване**

- > Уверете се, че устройството стои здраво. Устройството трябва да бъде настроено и закрепено по такъв начин, че да не може да се преобърне или да падне.
- > При позициониране на устройството се уверете, че всички кабели са подходящо обезопасени, за да се избегне всякаква форма на опасност от преместване.

**ВНИМАНИЕ! Опасност от повреда**

- > Поставете устройството на сухо място, където е защитено от пръски вода.
- > Винаги използвайте гнезда, които са заземени и закрепени с прекъсвачи за остатъчен ток

**3.3 Безопасност при електрическо свързване на устройството****ОПАСНОСТ! Опасност от електрически удар**

Ако работите по електрически системи, уверете се, че има някой наблизо, който може да ви помогне в извънредни ситуации.

**ПРЕДУПРЕЖДЕНИЕ! Опасност от електрически удар**

- > Спазвайте препоръчаните напречни сечения на кабелите.
- > Поставете кабелите така, че да не могат да бъдат повредени от вратите или капака. Смачкан кабел може да доведе до сериозно нараняване.

**ВНИМАНИЕ! Опасност от повреда**

- > Използвайте тръбни или кабелни канали, ако е необходимо да поставите кабели през метални панели или други панели с остри ръбове.
- > **Не** полагайте 230 V мрежовия кабел и 12 V кабела за постоянен ток в един и същи канал.
- > **Не** поставяте кабела така, че да е хлабав или силно усукан.
- > Закрепете здраво кабелите.

### 3.4 Предпазни мерки при работа с акумулатори



#### **ПРЕДУПРЕЖДЕНИЕ! Риск от нараняване**

- > Батериите съдържат агресивни и каустични киселини. Избягвайте контакт на акумулаторна течност с тялото си. Ако кожата ви влезе в контакт с акумулаторна течност, измийте добре тази част от тялото си с вода. Ако имате някакви наранявания от киселини, незабавно се свържете с лекар.
- > Когато работите с акумулатори, не носете метални предмети, като часовници или пръстени. Оповно-киселинните батерии могат да доведат до къси съединения, които могат да причинят сериозни наранявания.
- > Използвайте само изолирани инструменти.
- > Не поставяйте метални части върху акумулатора и предотвратете падането на метални части върху акумулатора. Това може да предизвика искри или къси съединения на акумулатора и други електрически устройства.
- > Носете очила и защитно облекло, когато работите с акумулатори. Не докосвайте очите си, когато работите с акумулатори.
- > Използвайте само презареждаеми акумулаторни батерии.
- > Не използвайте дефектни акумулатори.



#### **ВНИМАНИЕ! Опасност от експлозия**

- > Никога не се опитвайте да заредите замразен или дефектен акумулатор. Поставете акумулатора в зона без замръзване и изчакайте, докато акумулаторът се аклиматизира към околната температура. След това започнете процеса на зареждане.
- > Не пушете, не използвайте открит пламък или не предизвиквайте искри в близост до двигателя или акумулатора.
- > Дръжте акумулатора далеч от източници на топлина.



#### **ВНИМАНИЕ! Опасност от повреда**

- > Уверете се, че полярността е правилна при свързване на акумулатора.
- > Следвайте инструкциите на производителя на акумулатора и тези на производителя на системата или превозното средство, в които се използва акумулаторът.
- > Ако акумулаторът трябва да бъде изваден, първо откачете заземването. Разкачете всички връзки и всички консуматори от акумулатора, преди да го свалите.
- > Съхранявайте само напълно заредени акумулатори. Зареждайте редовно съхраняваните акумулатори.
- > Не пренасяте акумулатора за клемите му.

### 3.5 Безопасност при работа на уреда



#### **ПРЕДУПРЕЖДЕНИЕ! Опасност от електрически удар**

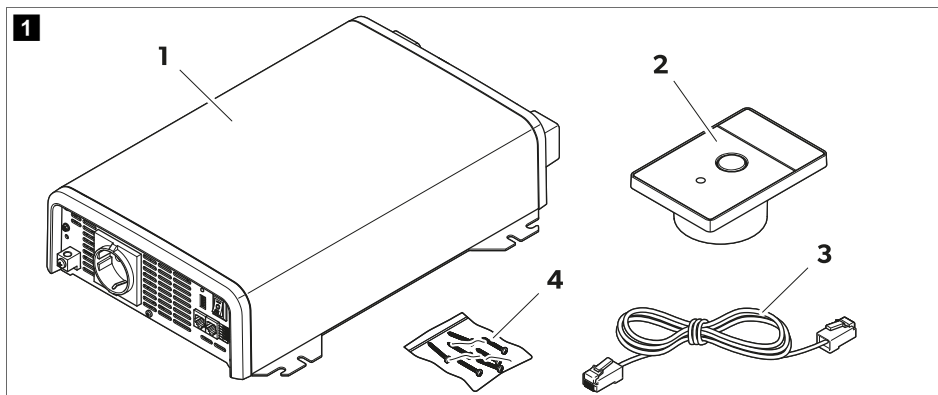
- > Не използвайте устройството при мокри условия и не го потапяйте в течност.
- > Преди да стартирате устройството, уверете се, че захранващата линия и шепселът са сухи и шепселът не е ръждясал или замърсен.
- > Обърнете внимание, че части от устройството все още могат да провеждат напрежение дори ако предпазителят е изгорял.




#### **ВНИМАНИЕ! Опасност от повреда**

- > Уверете се, че входните и изходните отвори за въздух на устройството не са покрити.
- > Осигурете добра вентилация.

## 4 Обхват на доставката



№ във  фиг. 1 на страница 388	Обозначение	Количество
1	Инвертор със синусоидална вълна	1
2	Дистанционно управление	1
3	Кабел за връзка за дистанционно управление	1
4	Фиксиращи винтове	6
-	Ръководство за инсталиране и експлоатация	1

## 5 Принадлежности

Обозначение	Инд. №
Дистанционно управление DPSI-RC	9620018306
Сензорен дисплей TD283	9620013272

## 6 Използване по предназначение

Инверторът е предназначен за преобразуване на постоянен ток в чисто синусоидално променливо напрежение (AC) от 230 V~ за работа и стабилно захранване на свързани 230 V консуматори.

Инверторът е предназначен за свързване към:

- DPSI612, DPSI1012, DPSI1512, DPSI2012: 12 V $\leftarrow$
- DPSI624, DPSI1024, DPSI1524, DPSI2024: 24 V $\leftarrow$

Продуктът е подходящ за:

- Монтаж в превозни средства за отдих (RV), търговски превозни средства или моторни и ветроходни яхти
- Стационарна или мобилна употреба
- Употреба на закрито

Инверторът **не е** подходящ за:

- Употреба на открито

Този продукт е подходящ само за предвидената цел и приложение съгласно настоящите инструкции.

Това ръководство предоставя информация, необходима за правилната инсталация и/или експлоатация на продукта. Лошо инсталиране и/или неправилна употреба и поддръжка ще доведат до незадоволителна работа и евентуално до повреди.

Производителят не носи отговорност за наранявания и повреди по продукта, причинени от:

- Неправилен монтаж, сплобяване или свързване, включително твърде високо напрежение
- Неправилна поддръжка или използване на резервни части, различни от оригиналните, предоставяни от производителя
- Изменения на продукта без изрично разрешение от производителя
- Използване за цели, различни от описаните в това ръководство

Dometic си запазва правото да променя външния вид и спецификациите на продукта.

## 7 Техническо описание

### 7.1 Общо описание

Инверторът е инвертор за преобразуване на постоянен ток в променлив ток със синусоидална вълна.

Инверторът може да работи в следните мрежови системи:

- TN мрежа
- IT мрежа

Мрежовите системи се настройват чрез винт на инвертора.

Инверторът има следните защитни механизми:

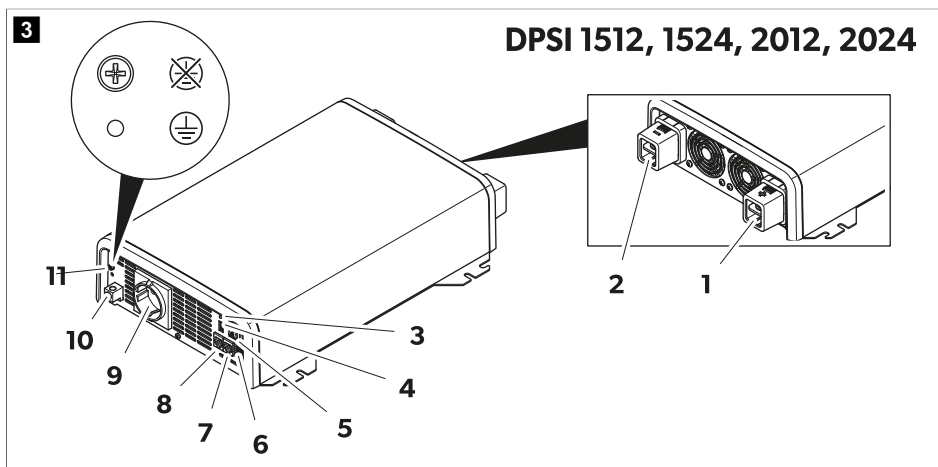
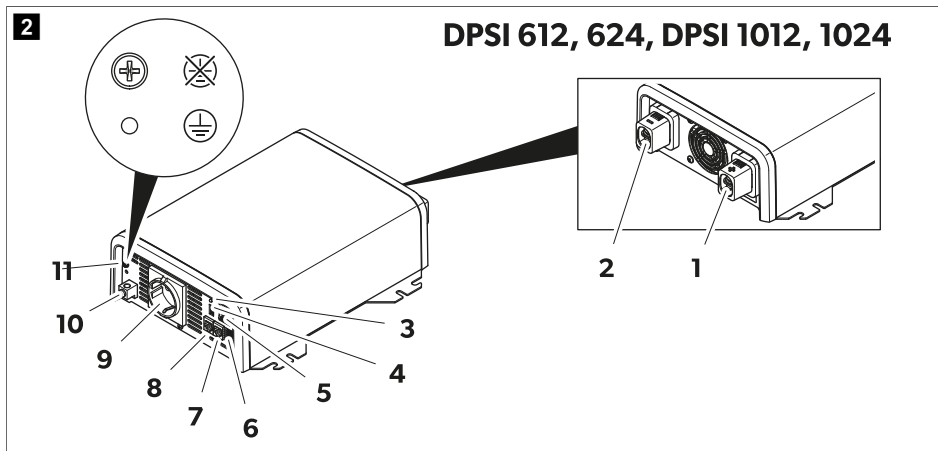
- **Изключване при свръхнапрежение:** Инверторът се изключва, когато напрежението надвиши стойността на изключване. Инверторът се рестартира автоматично, когато напрежението спадне до стойността за рестартиране.
- **Изключване при висока температура:** Инверторът се изключва, когато вътрешната температура на устройството надвиши стойността на изключване. Инверторът се рестартира автоматично, когато вътрешната температура спадне до стойността за рестартиране.
- **Защита от висок изходен ток:** Инверторът се изключва, когато са свързани твърде много натоварвания.
- **Защита срещу късо съединение:** Инверторът се изключва, когато се генерира късо съединение. Инверторът се рестартира автоматично след няколко секунди. Ако бъде открита късо съединение пет последователни пъти, инверторът не се рестартира автоматично и е необходимо ръчно рестартиране.

Инверторът е съвместим с N-BUS и CI-BUS за данни и функции, като управлението се осъществява чрез сензорен дисплей (аксесоари) и мобилно приложение.

Инверторът е оборудван с дистанционно управление за включване или изключване на инвертора.

Инверторът може да бъде превключен в енергоспестяващ режим, за да се намали консумацията в покой и да се сведе до минимум натоварването на акумулатора. Това може да стане чрез превключвател DIP или

## 7.2 Контролни елементи и връзки

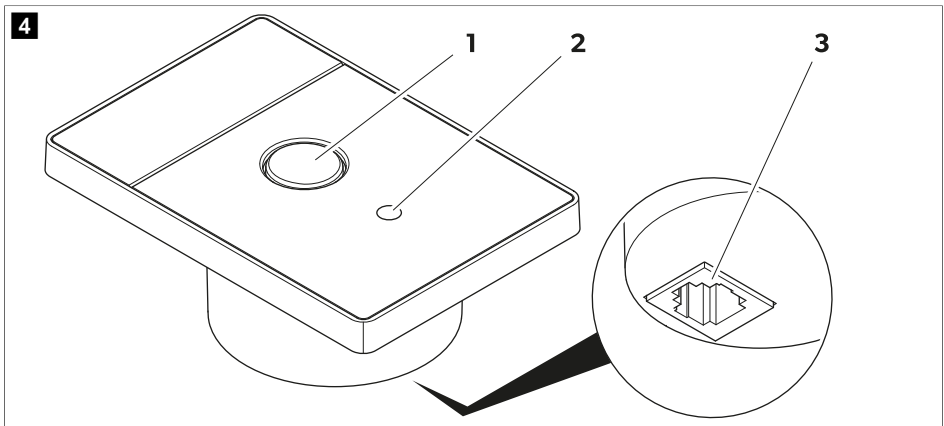


**УКАЗАНИЕ** Фигурите показват версиите за континентална Европа.

№	Обозначение
1	(+) клемма, свързване към отрицателния полюс на домашния акумулатор
2	(-) клемма, свързване към отрицателния полюс на домашния акумулатор
3	Светодиод за индикация на състоянието
4	Превключвател
5	Превключвател On/off (Вкл./изкл.)

№	Обозначение
6	Терминал за външно управление
7	Свързване на CI BUS/N Bus/ дистанционно управление (LINB)
8	Свързване на CI BUS/N Bus/ дистанционно управление (LINA)
9	Изход за променлив ток
10	Заземяваща връзка
11	Винт за настройка на IT/TN мрежа

### 7.3 Дистанционно управление



№ във  фиг. 4  
на страница 391

#### Обозначение

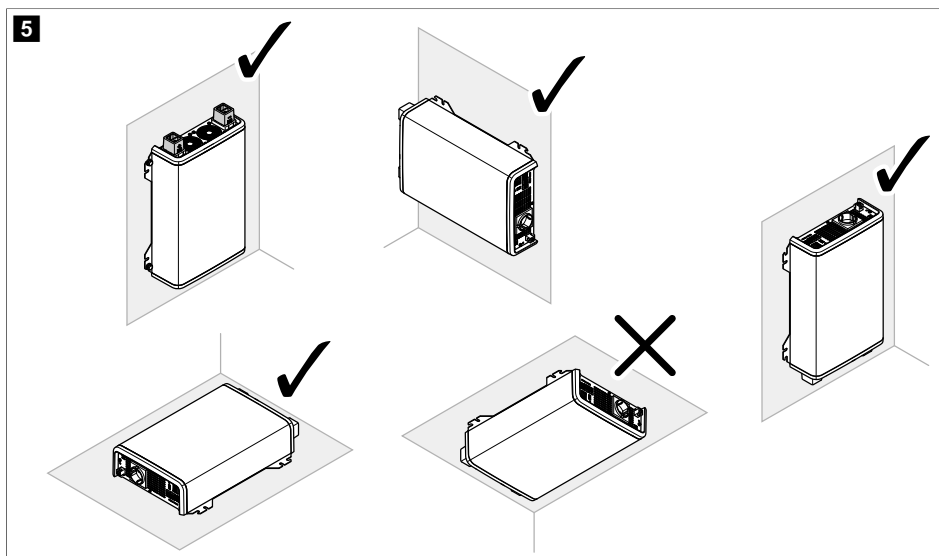
1	Бутон за вкл./изкл.
2	Светодиод за индикация на състоянието
3	Връзка за дистанционно управление

### 7.4 Светодиод за индикация на състоянието

Състояние	Описание
Green	Работа на инвертора
Orange	Предупреждение: Наличен изход за променлив ток, риск от пренапрежение, недостатъчно напрежение или прекъсвания на захранването
Red	Грешка: Няма вход за променлив ток, инверторът е деактивиран (вижте главата Отстраняване на неизправности на страница 400)

## 8 Инсталиране

### 8.1 Местоположение на инсталацията



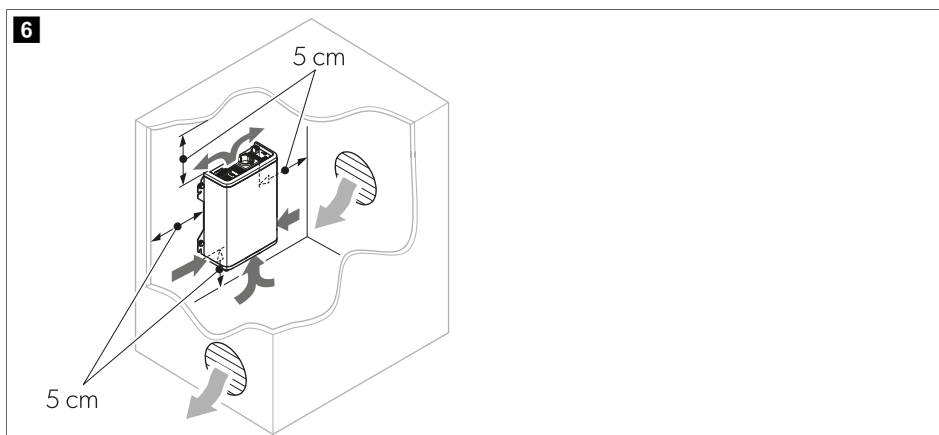
#### **ВНИМАНИЕ! Опасност от повреда**

Преди пробиване на отвори се уверете, че електрическите кабели или други части на автомобила не могат да бъдат повредени чрез пробиване, рязане и изпилване.




#### **УКАЗАНИЕ**

Инверторът може да се монтира в седящо или висящо положение (  фиг. **5** на страница 392).

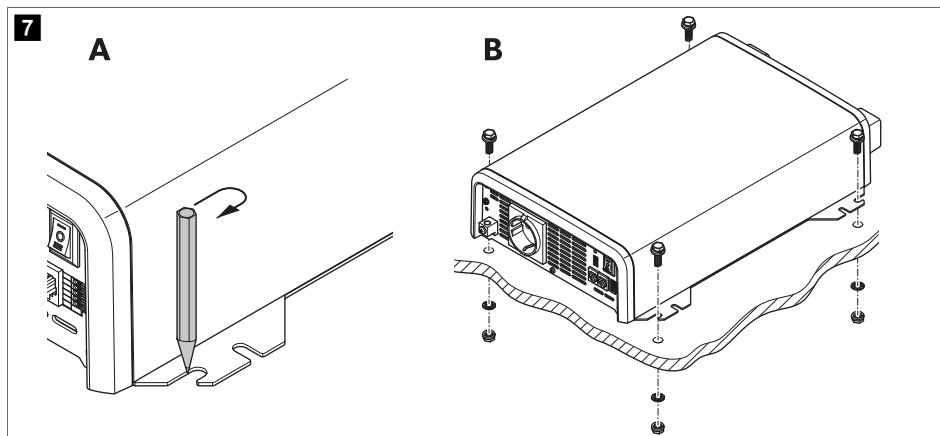






Спазвайте следните инструкции при избора на място за инсталиране:

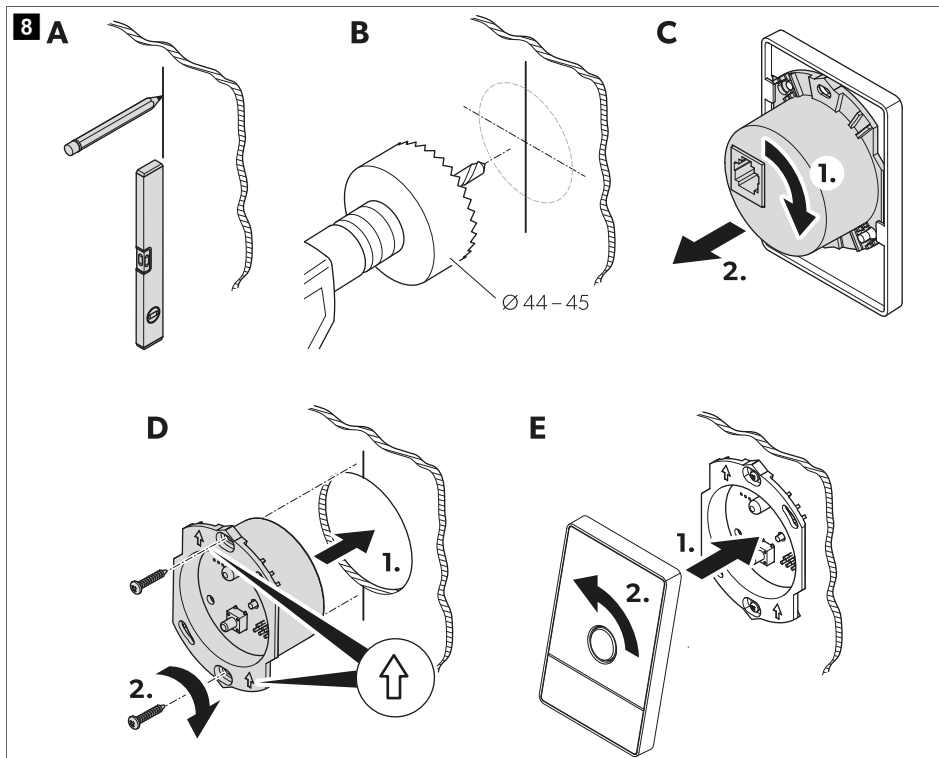
- Уверете се, че монтажната повърхност е твърда и равна.
- Спазвайте спецификациите за разстояние за достатъчна вентилация (  фиг. 6 на страница 392).





## 8.2 Монтиране на инвертора



1. Изберете подходящите монтажни отвори в зависимост от избора тип монтаж (седащ или висещ) и маркирайте отворите за пробиване (  фиг. 7 на страница 393, **A**).
2. Предварително пробийте монтажните отвори.
3. Завийте инвертора на място (  фиг. 7 на страница 393, **B**).


### 8.3 Монтиране на дистанционното управление



1. Маркирайте монтажната повърхност (  фиг. 8 на страница 394, **A**).
2. Пробийте отвор с диаметър от 44 mm ... 45 mm, напр. с боркорона (  фиг. 8 на страница 394, **B**).
3. Извадете разпределителната кутия от таблото за управление (  фиг. 8 на страница 394, **C**).
4. Поставете разпределителната кутия в отвора и я завийте на място (  фиг. 8 на страница 394, **D**).



**УКАЗАНИЕ** Осигурете правилно вертикално подравняване, както е посочено от стрелките на разпределителната кутия.

5. Прикрепете таблото за управление към разпределителната кутия (  фиг. 8 на страница 394, **E**).
6. Отстранете защитния филм.

## 8.4 Свързване на инвертора



Електрическият монтаж и настройка на устройството трябва да се извършват от квалифициран електротехник с умения и знания, свързани с изграждането и експлоатацията на електрооборудване и инсталации, и който е запознат с приложимите разпоредби на страната, в която оборудването трябва да бъде инсталирано и/или използвано, и е преминало обучение по безопасност, за да идентифицира и избегне свързаните с това опасности.

Всички други действия са предназначени и за непрофесионални потребители.



### **ПРЕДУПРЕЖДЕНИЕ! Опасност от електрически удар**

Спазвайте препоръчаните напречни сечения на кабелите, дължини на кабелите и предпазител.



### **ВНИМАНИЕ! Опасност от пожар**

Поставете предпазителите близо до акумулаторите, за да предпазите кабела от късо съединение и възможно изгаряне.



### **ВНИМАНИЕ! Опасност от повреда**

- > Не обръщайте поляриността.
- > Затегнете винтовете и гайките до максимален въртящ момент от 15 Nm. Разхлабените връзки могат да доведат до прегряване.

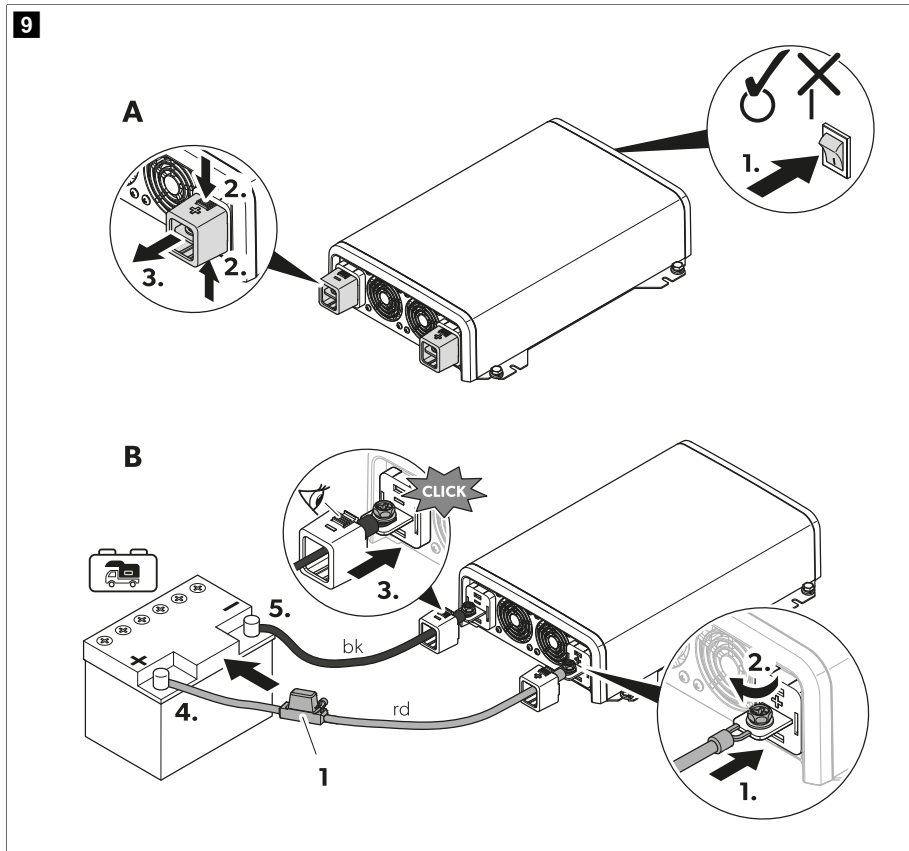
Спазвайте следните инструкции при свързване на инвертора:



- Спазвайте приложимите разпоредби при създаването на разпределителна верига за контакти (мрежова инсталация).
- Изберете възможно най-късата  $\leq 1$  m дължина на кабелите за постоянен ток (връзка с клемите на акумулатора).
- За връзка на **TN мрежа**: Монтирайте устройство с остатъчен ток (RCD).
- За връзка на **IT мрежа**: Монтирайте устройство за наблюдение на изолацията (IMD), ако е свързано повече от едно натоварване. **Приложими са националните стандарти.**



1. Определете напречните сечения на кабелите и предпазителите:



	Напречно сечение на кабела	Кабелен предпазител
DPSI612	25 mm <sup>2</sup>	150 A
DPSI624	25 mm <sup>2</sup>	150 A
DPSI1012	35 mm <sup>2</sup>	200 A
DPSI1024	25 mm <sup>2</sup>	150 A
DPSI1512	50 mm <sup>2</sup>	250 A
DPSI1524	25 mm <sup>2</sup>	150 A
DPSI2012	70 mm <sup>2</sup>	300 A
DPSI2024	35 mm <sup>2</sup>	200 A

2. Проверете дали устройството е изключено (  фиг. 9 на страница 396, 1).

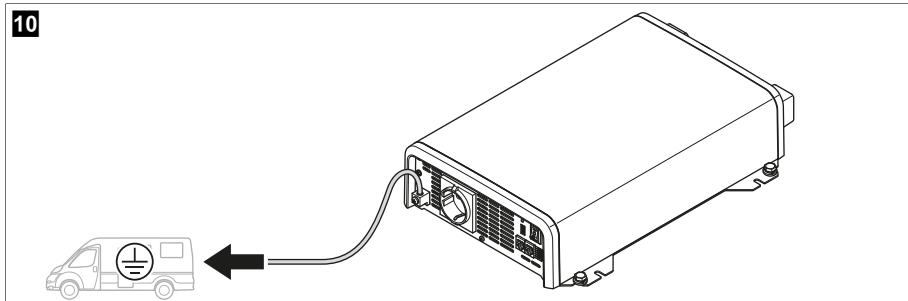


3. Откачете капачите от клемите (  фиг. **9** на страница 396, **2–3**).
4. Свържете (+) към положителната клема на кабела за връзка (червен (rd) на домашния акумулатор,  фиг. **9** на страница 396, **4**).

 **УКАЗАНИЕ** Защитете положителния кабел на домашния акумулатор с предпазител (  фиг. **9** на страница 396, **1**).

5. Свържете (-) към отрицателната клема на кабела за връзка (черен (bk) на домашния акумулатор, (  фиг. **9** на страница 396, **5**).
6. Свържете заземяващата връзка към земята (шасито)  фиг. **10** на страница 397.

10



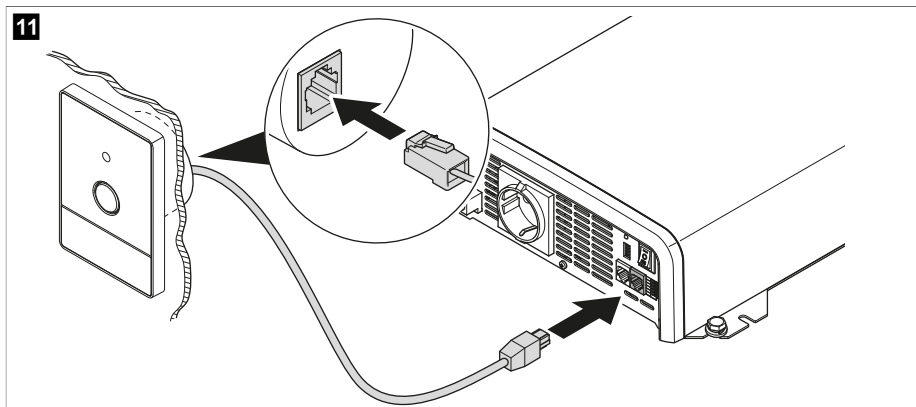
## 8.5 Свързване на дистанционното управление



**УКАЗАНИЕ** Дистанционното управление и мрежата N-BUS/CI-BUS не могат да бъдат свързани едновременно.

- > Свържете дистанционното управление към връзката за дистанционно управление с помощта на кабел за връзка на дистанционното управление.

11

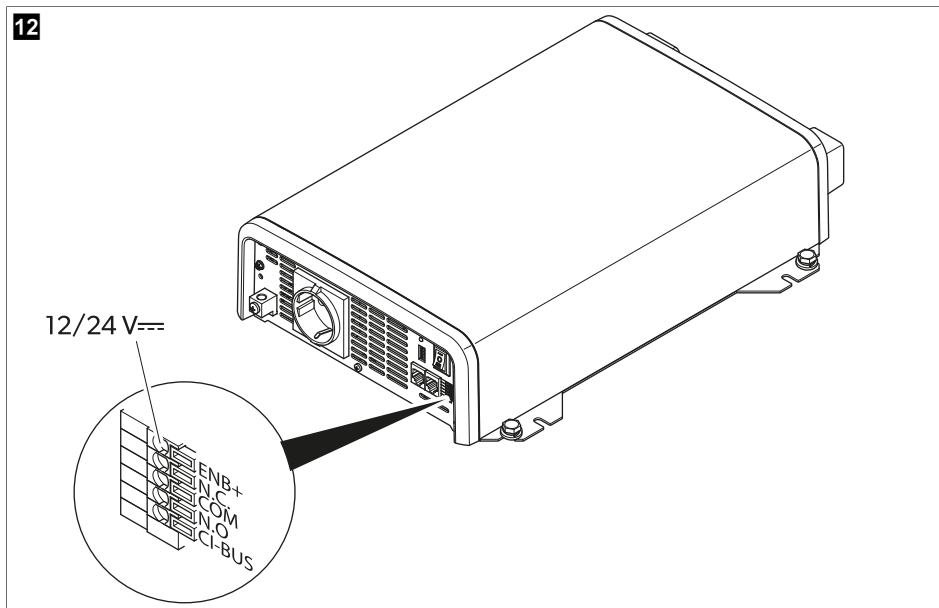


## 8.6 Свързване на щифта ENB+



**УКАЗАНИЕ** Ако щифтът ENB+ е свързан, състоянието на енергоспестяващия режим не може да се променя.

12



1. Настройте превключвателя за включване/изключване на положение **0**.
2. Използвайте щифта ENB+ по следния начин:
  - За да включите инвертора, свържете щифта ENB+ към положителния полюс на домашния акумулатор чрез подходящ електрически кабел.
  - За да изключите инвертора, разкачете щифта ENB+ от домашния акумулатор.

## 9 Конфигуриране на мрежовата система





Електрическият монтаж и настройка на устройството трябва да се извършват от квалифициран електротехник с умения и знания, свързани с изграждането и експлоатацията на електрооборудване и инсталации, и който е запознат с приложимите разпоредби на страната, в която оборудването трябва да бъде инсталирано и/или използвано, и е преминал обучение по безопасност, за да идентифицира и избегне свързаните с това опасности.

Всички други действия са предназначени и за непрофесионални потребители.

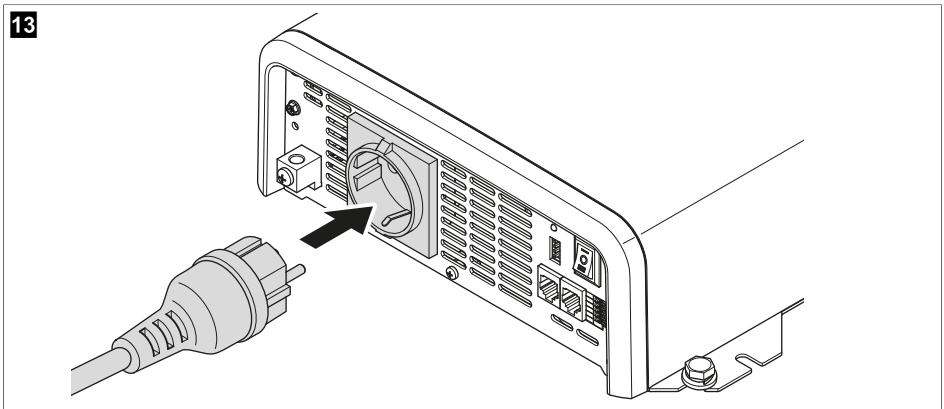


### **ОПАСНОСТ! Опасност от електрически удар**

- > Отстранете защитната капачка от DIP превключвателя само за конфигуриране.
  - > Поставете защитната капачка, за да предотвратите случайна настройка на DIP превключвателя.
  - > За конфигурация на **TN мрежа**: Уверете се, че е монтирано устройство с остатъчен ток (RCD).
  - > За конфигурация на **IT мрежа**: Работете само с едно натоварване или монтирайте устройство за наблюдение на изолацията (IMD). Съблюдавайте националните стандарти.
- > Поставете винта в позиция  за да зададете **TN мрежата**.
  - > Поставете винта в позиция  за да зададете **IT мрежата**.

## 10 Работа

### 10.1 Зареждане на 230 V устройства



#### УКАЗАНИЕ

Свържете устройства, чието общо натоварване не надвишава стойностите, изброени в Технически данни на страница 402.

- > Свържете 230 V устройствата към изхода за променлив ток на инвертора (  фиг. 13 на страница 399).

### 10.2 Включване и изключване на инвертора



#### УКАЗАНИЕ

- > Ако инверторът трябва да се управлява чрез дистанционното управление, превключвателят за включване/изключване трябва да се постави в положение **II**.
  - > Ако инверторът трябва да се управлява чрез шифта ENB+, превключвателят за включване/изключване трябва да се постави в положение **0**.
- > За да включите инвертора, поставете превключвателя за включване/изключване в положение **I**.
  - > За да изключите инвертора, поставете превключвателя за включване/изключване в положение **0**.
  - > Използвайте дистанционното управление или шифта ENB+, за да включите и изключите инвертора.

### 10.3 Задаване на енергоспестяващия режим



#### УКАЗАНИЕ

- Ако превключвателят DIP S2 е настроен на положение **OFF**, инверторът автоматично превключва към нормална работа, когато е свързано натоварване  $\geq 45$  W.
- Ако превключвателят DIP S2 е настроен на положение **ON**, инверторът автоматично превключва към нормална работа, когато е свързано натоварване  $\geq 80$  W.
- Състоянието на енергоспестяващия режим не може да се промени, ако се използва дистанционното управление или шифта ENB+, освен ако не е завършен цикъл на включване и изключване

### Активиране на енергоспестяващия режим

1. Ако е необходимо, изключете инвертора.
  2. Плъзнете превключвателя за DIP S1 в положение **ON**.
- ✓ Енергоспестяващият режим е активиран.

### Деактивиране на енергоспестяващия режим

1. Изключете инвертора.
  2. Плъзнете превключвателя за DIP S1 в положение **OFF**.
- ✓ Енергоспестяващият режим е деактивиран.

## 11 Почистване и поддръжка



### **ПРЕДУПРЕЖДЕНИЕ! Опасност от електрически удар**

Изключете устройството от захранването преди почистване и поддръжка.



### **ВНИМАНИЕ! Опасност от повреда**

- > Никога не почиствайте устройството под течаща вода или в съд с вода.
  - > Не използвайте остри или твърди предмети, абразивни почистващи препарати или белина по време на почистване, тъй като те могат да повредят устройството.
  - > Убедете се, че по входните и изходните вентилационни отвори на устройството няма прах и мръсотия, за да може топлината да се отвежда.
- > Периодично почиствайте устройството с мека, влажна кърпа.
- > Редовно проверявайте кабелите или линиите на живо за повреди в изолацията, прекъсвания или разхлабени връзки.

## 12 Отстраняване на неизправности

проблем	причина	Решение
Инверторът не работи. Светодиодният индикатор за състоянието е изключен.	Късо съединение за пет последователни пъти.	> Предпазителят на устройството трябва да бъде заменен от упълномощен сервизен агент, след като е бил задействан от прекомерен ток.
	Неизправности в изолацията, прекъсвания или разхлабени връзки при кабелите под напрежение.	> Проверявайте кабелите или линиите под напрежение за повреди в изолацията, прекъсвания или разхлабени връзки.  Ако не можете да намерите грешка, свържете се с оторизиран сервизен агент.
Инверторът не работи. Светодиодът за индикация на състоянието светва в червено.	Зашита от висок изходен ток.	Намапете свързаните натоварвания.
	Изключване при висока температура.	1. Изключете инвертора и свързаните натоварвания.  2. Проверете дали входните и изходните отвори за въздух не са покрити или запушени.



проблем	причина	Решение
		3. Оставете инвертора да се охлади.
	Генерира се късо съединение.	Предпазителят на устройството трябва да бъде заменен от упълномощен сервизен агент, след като е бил задействан от прекомерен ток.
	Изключване при свръхнапрежение. Напрежението на акумулатора е твърде високо.	<ul style="list-style-type: none"> <li>&gt; Намалете свързаните напрежения.</li> </ul> <p>Инверторът се рестартира автоматично, когато напрежението спадне до стойността за рестартиране (вижте главата Изключване при свръхнапрежение на страница 403).</p> <ul style="list-style-type: none"> <li>&gt; Ако грешката пак се появява: Увеличете напречните сечения на кабела. Намалете дължината на кабела.</li> </ul>
	Изключване при по-ниско напрежение. Напрежението на акумулатора е твърде ниско.	<ul style="list-style-type: none"> <li>&gt; Оставете акумулатора да се зареди бавно.</li> </ul> <p>Инверторът се рестартира автоматично, когато напрежението надвиши стойността за рестартиране (вижте главата Изключване при по-ниско напрежение на страница 403).</p>

## 13 Гаранция

Важи гаранционният срок, определен от закона. Ако продуктът е дефектен, моля, свържете се с клона на производителя във вашата страна (вижте [dometic.com/dealer](http://dometic.com/dealer)) или с вашия търговец на дребно.

За обработка на гаранцията и ремонта, моля приложете следните документи при изпращането на уреда:

- Копие от фактурата с дата на покупката
- Причина за претенцията или описание на дефекта

Отбележете, че саморъчен или непрофесионален ремонт може има последствия за безопасността и да анулира гаранцията.

## 14 Изхвърляне

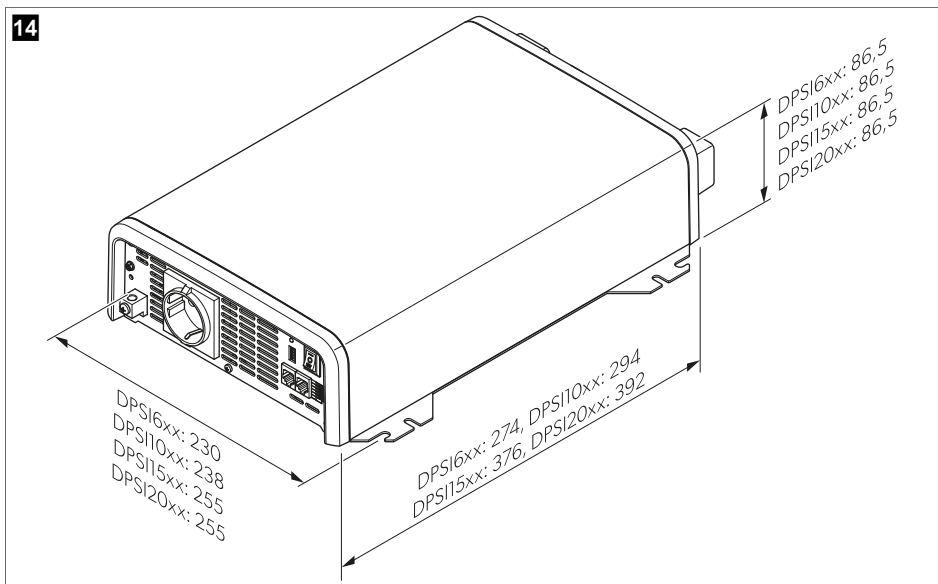


По възможност предайте опаковката за рециклиране.

Консултирайте се с местен център за рециклиране или с продавача за правилното изхвърляне на продукта в съответствие с действащите предписания.


Продуктът може да бъде изхвърлен безплатно.

## 15 Технически данни





	<b>DPSI 612</b>	<b>DPSI 1012</b>	<b>DPSI 624</b>	<b>DPSI 1024</b>
Номинално входно напрежение	12 V <sub>DC</sub>		24 V <sub>DC</sub>	
Диапазон на входно напрежение	10,5 ... 16,5 V <sub>DC</sub>		21 ... 33 V <sub>DC</sub>	
Непрекъсната изходна мощност P <sub>nom</sub>	600 W	1000 W	600 W	1000 W
Максимална изходна мощност (1 min)	690 W	1150 W	690 W	1150 W
Максимална пикова мощност (1 s) P <sub>surge</sub>	1200 W	2000 W	1200 W	2000 W
Консумация на ток в режим на покой	≤ 1 A	≤ 1,1 A	≤ 0,6 A	≤ 0,6 A
Консумация на ток в режим на готовност	≤ 0,3 A	≤ 0,35 A	≤ 0,2 A	≤ 0,2 A
Размери	📐 фиг. 14 на страница 402			
Тегло	1,1 kg	1,2 kg	1,1 kg	1,2 kg

	<b>DPSI 1512</b>	<b>DPSI 2012</b>	<b>DPSI 1524</b>	<b>DPSI 2024</b>
Номинално входно напрежение	12 V <sub>DC</sub>		24 V <sub>DC</sub>	
Диапазон на входно напрежение	10,5 ... 16,5 V <sub>DC</sub>		21 ... 33 V <sub>DC</sub>	
Непрекъсната изходна мощност P <sub>nom</sub>	1500 W	2000 W	1500 W	2000 W
Максимална изходна мощност (1 min)	1725 W	2300 W	1725 W	2300 W
Максимална пикова мощност (1 s) P <sub>surge</sub>	3000 W	4000 W	3000 W	4000 W
Консумация на ток в режим на покой	≤ 1,2 A	≤ 1,5 A	≤ 0,7 A	≤ 0,8 A

	DPSI 1512	DPSI 2012	DPSI 1524	DPSI 2024
Консумация на ток в режим на готовност	≤ 0,4 A	≤ 0,5 A	≤ 0,25 A	≤ 0,3 A
Размери	 фиг. 14 на страница 402			
Тегло	1,1 kg	1,2 kg	1,1 kg	1,2 kg

## 15.1 Общи технически данни

Диапазон на изходното напрежение	230 V~ ± 10 %
Изходна честота	50 Hz ± 1 %
Изходна форма на вълната	Чиста синусоидална вълна
Пикова ефективност	90 %
Околна температура за работа	0 ... 50 °C
Околна температура за съхранение	-30 °C ... 70 °C
Влажност на околната среда	0 ... 95 %, non-condensing
Инспекция/сертифициране	 

## 15.2 Изключване при по-ниско напрежение

	Стойност на изключване	Стойност на рестартиране
DPSIxx12	10,3 V	11,8 V
DPSIxx24	20,6 V	23,6 V

## 15.3 Изключване при свръхнапрежение

	Стойност на изключване	Стойност на рестартиране
DPSIxx12	16,5 V	15,5 V
DPSIxx24	33 V	31 V

## Eesti keel

1	Olulised märkused.....	404
2	Sümbolite selgitus.....	404
3	Ohutusjuhised.....	405
4	Tarnekomplekt.....	408
5	Lisatarvikud.....	408
6	Kasutusotstarve.....	408
7	Tehniline kirjeldus.....	409
8	Paigaldamine.....	412
9	Võrgusüsteemi konfigureerimine.....	418
10	Kasutamine.....	419
11	Puhastamine ja hooldamine.....	420
12	Tõrkeotsing.....	420
13	Garantii.....	421
14	Kõrvaldamine.....	421
15	Tehnilised andmed.....	422

## 1 Olulised märkused

Lugege see juhend tähelepanelikult läbi ja järgige kõiki selles esitatud juhiseid, suuniseid ja hoiatusi, et tagada alati toote õigesti paigaldamine, kasutamine ning hooldamine. See juhend PEAB jääma selle toote juurde.

Toote kasutamisega kinnitate, et olete kõik juhised, suunised ja hoiatused tähelepanelikult läbi lugenud ning mõistate ja nõustute järgima nendes sätestatud tingimusi. Nõustute kasutama seda toodet üksnes ettenähtud eesmärgil ja otstarbel ning kooskõlas kasutusjuhendis sätestatud juhiste, suuniste ja hoiatustega, samuti kooskõlas kõigi kohaldatavate õigusaktide ja eeskirjadega. Siin sätestatud juhiste ja hoiatuste lugemise ja järgimise eiramine võib põhjustada vigastusi teile ja kolmandatele isikutele, kahjustada teie toodet või läheduses asuvat muud vara. Toote kasutusjuhendit, sh juhiseid, suuniseid ja hoiatusi, ning seotud dokumente võidakse muuta ja uuendada. Värskema tooteteabe leiate veebisaidilt [documents.dometic.com](http://documents.dometic.com).

## 2 Sümbolite selgitus

Signaalsõna tähistab ohutusteateid ja varalise kahju teateid ning näitab ka ohu raskusastet või taset.



### OHT!

viitab ohtlikule olukorrale, mis eiramise korral lõpeb surma või raske vigastusega.



### HOIATUS!

viitab ohtlikule olukorrale, mis eiramise korral võib lõppeda surma või raske vigastusega.



### ETTEVAATUST!

viitab ohtlikule olukorrale, mis eiramise korral võib lõppeda kerge või keskmise vigastusega.



### TÄHELEPANU!

Viitab ohtlikule olukorrale, mis eiramise korral võib lõppeda varalise kahjuga.



**MÄRKUS** Lisateave toote käitamiseks.

## 3 Ohutusjuhised

Järgige ka sõiduki tootja ning volitatud töökodade esitatud ohutusjuhiseid ja erinõudeid.

### 3.1 Üldine ohutus



#### OHT! Elektrilöögi oht

- > Ärge puudutage katmata kaableid paljaste kätega.
- > Selleks et seadme saaks vahelduvvoolutoitest kiiresti lahutada, peab pistikupesa olema seadme lähedal ja hästi ligipääsetav.



#### HOIATUS! Elektrilöögi oht

- > Seadme paigaldamise ja eemaldamisega tohivad tegeleda ainult kvalifitseeritud töötajad.
- > Ärge kasutage seadet, kui seade ise või ühenduskaabel on nähtavalt kahjustatud.
- > Kui selle seadme toitekaabel on katki, tuleb see ohutuse tagamiseks välja vahetada.
- > Seda seadet võivad remontida ainult spetsialistid. Valesti tehtud parandused võivad seadme kasutamise ohtlikuks muuta.
- > Kasutage ainult tootja soovitatud tarvikuid.
- > Ärge muutke ega kohandage ühtki komponenti mis tahes viisil.
- > Ärge lahutage ühtki kaablit, kui seade on veel kasutusel.
- > Lahutage seade toiteallikast.
  - Pärast kasutamist
  - Alati enne puhastamist ja hooldamist
  - Enne kaitsme vahetamist



#### HOIATUS! Tuleoht / tuleohtlikud materjalid

Tulekahju korral kasutage elektriseadmete jaoks sobivat tulekustutit.



#### HOIATUS! Lämpumisoht

Kui need pole õigesti paigutatud, võivad seadme kaabel ja juhtplokk põhjustada takerdumise, pitsumuse, vabastamise või tallamise ohtu. Veenduge, et liigsed kaablivitsad ja toitekaablid oleksid õigesti paigutatud.



#### HOIATUS! Terviseoht

- > Seda seadet võivad kasutada alates 8-aastased lapsed ning piiratud füüsiliste, sensorsete või vaimsete võimetega või vajalike kogemuste ja teadmisteta isikud järelevalve all või pärast seda, kui neid on õpetatud seadet ohutult kasutama ja nad mõistavad seadme kasutamisega kaasnevat ohte.
- > **Elektriseadmed ei ole mänguasjad.** Alati hoidke seade väikelaste käeulatuses eemal.
- > Lapsi tuleb valvata, et oleks kindel, et nad seadmega ei mängi.
- > Lapsed ei tohi seadet ilma järelevalveta puhastada ega hooldada.



#### TÄHELEPANU! Kahjustuste oht

- > Enne käivitamist kontrollige, kas andmeplaadile märgitud pingenäitajad kattuvad toiteallika andmetega.
- > Veenduge, et teised esemed **ei saaks** seadme kontaktidel lühist põhjustada.
- > Veenduge, et miinus- ja plusspoolus **kunagi** kokku ei puutuks.
- > Ärge tõmmake ühenduskaablitest ega kasutage kaableid käepidemena.
- > Seade ei tohi puutuda kokku vihma ega niiskusega. Hoidke seadet kuivas kohas.

### 3.2 Seadme ohutu paigaldamine



#### OHT! Plahvatusoht

- > Paigaldage seade ja kasutage seda ainult hästi ventileeritavates ruumides.
- > **Ärge** paigaldage ega kasutage seadet järgmistes tingimustes.
  - Soolases, märjas või niiskes keskkonnas
  - Korrosiivse auru läheduses
  - Tuleohtlike materjalide läheduses
  - Soojusallikate (radiaator, otsene päikesekiirgus, gaasiahvi jne) läheduses
  - Piirkondades, kus on gaasi- või tolmuplahvatusoht



#### HOIATUS! Vigastusoht

- > Veenduge, et seade seisaks kindlalt. Seade tuleb seadistada ja kinnitada nii, et see ei saaks ümber minna ega maha kukkuda.
- > Seadme paigutamisel tuleb komistusohu vältimiseks jälgida, et kõik kaablid oleks sobivalt kinnitatud.



#### TÄHELEPANU! Kahjustuste oht

- > Pange seade kuiva kohta, kus see on veepritsmete eest kaitstud.
- > Kasutage alati maandatud ja rikkevoolukaitseülilülitega kaitstud pistikupesasid

### 3.3 Ohutus seadme elektriühenduse loomisel



#### OHT! Elektrilöögi oht

Elektrisüsteemide kallal töötamisel veenduge, et läheduses oleks keegi, kes saaks teid hädaolukorras aidata.



#### HOIATUS! Elektrilöögi oht

- > Pidage kinni soovitatavatest kaablite ristlõigetest.
- > Paigutage kaablid nii, et ukсед ega luuk ei saaks neid kahjustada. Muljutud kaablid võivad raskeid vigastusi põhjustada.



#### TÄHELEPANU! Kahjustuste oht

- > Kui kaableid on vaja vedada läbi metallpaneelide või muude paneelide, millel on teravad servad, kasutage selleks kanalüsteemi või kaablikanaleid.
- > **Ärge** pange 230 V elektrikaablit ja 12 V alalisvoolukaablit samasse kanalisse.
- > **Ärge** paigutage kaablit nii, et need jääksid lahtiselt ette või oleksid tugevalt kokku murdud.
- > Kinnitage kaablid kindlalt.

### 3.4 Ettevaatusabinõud akude käsitsemisel



#### HOIATUS! Vigastusoht

- > Akud sisaldavad agressiivseid ja söövitavaid happeid. Vältige akuedeliku sattumist nahale. Kui akuedelik satub nahale, loputage seda kehaosa veega põhjalikult. Kui hape põhjustab mis tahes kehavigastusi, võtke viivitamatult ühendust arstiga.
- > Ärge kandke akude kallal töötades metallist esemeid, näiteks käekella ega sõrmuseid. Pliihappeakud võivad põhjustada lühise, mis võib tõsiseid vigastusi tekitada.
- > Kasutage ainult isoleeritud tööriistu.
- > Ärge asetage aku peale metallist esemeid ja vältige mis tahes metallist esemete aku peale kukkumist. See võib põhjustada sädemeid või lühiseid akus ja muudes elektriseadmetes.
- > Kandke akude kallal töötades kaitseprille ja kaitserõivastust. Ärge akude kallal töötamise ajal silmi puudutage.
- > Kasutage ainult laetavaid akusid.
- > Ärge kasutage defektseid akusid.



#### ETTEVAATUST! Plahvatusoht

- > Ärge püüdke laadida külmunud või defektset akut. Pange aku külmumiskindlasse kohta ja oodake, kuni aku temperatuur on ümbritseva temperatuuriga ühtlustunud. Seejärel käivitage laadimine.
- > Aku ega mootori lähedal ei tohi suitsetada, lahtist leeki kasutada ega sädemeid tekitada.
- > Hoidke aku soojusallikatest eemal.



#### TÄHELEPANU! Kahjustuste oht

- > Aku ühendamisel veenduge, et poolused ühendataks õigesti.
- > Järgige aku tootja ning süsteemi või sõiduki, kus te akut kasutate, juhiseid.
- > Aku eemaldamisel lahutage esmalt maandusühendus. Enne aku eemaldamist lahutage sellelt kõik ühendused ja tarbijad.
- > Hoiustage ainult täis laetud akusid. Laadige hoiustatavaid akusid regulaarselt.
- > Ärge hoidke akut kandes selle klemmidest kinni.

### 3.5 Seadme ohutu käitamine



#### HOIATUS! Elektrilöögi oht

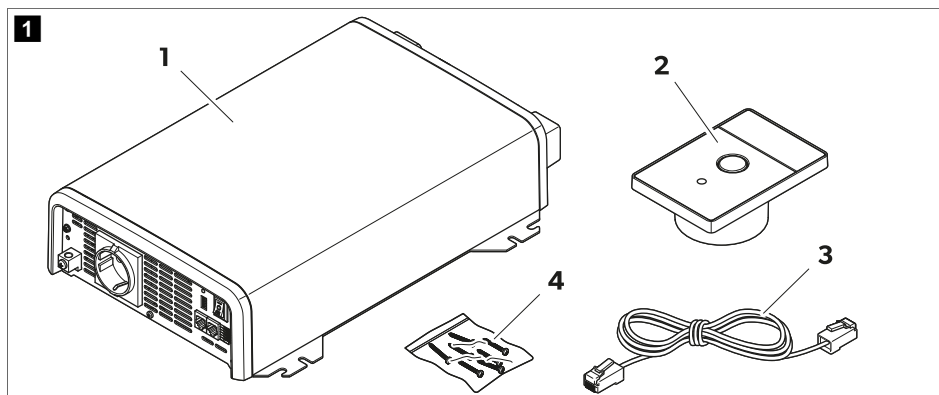
- > Ärge kasutage seadet märgadest tingimustes ega kastke seda mis tahes vedelikku.
- > Enne seadme käivitamist veenduge, et toitejuhe ja pistik on kuivad ning pistik ei ole roostes ega must.
- > Pidage meeles, et seadme osad võivad endiselt pingele olla, kuigi kaitse on läbi põlenud.



#### TÄHELEPANU! Kahjustuste oht

- > Veenduge, et seadme õhu sisse- ja väljalaskeavad poleks kaetud.
- > Tagage hea ventilatsioon.

## 4 Tarnekomplekt



Nr	joon. 1 leheküljel 408	Nimetus	Kogus
1		Siinuslaine inverter	1
2		Kaugjuhtimispuult	1
3		Kaugjuhtimispuldi ühenduskaabel	1
4		Kinnituskruvid	6
-		Paigaldus- ja kasutusjuhend	1

## 5 Lisatarvikud

Nimetus	Tootenr
Kaugjuhtimispuult DPSI-RC	9620018306
Puuteekraan TD283	9620013272

## 6 Kasutusotstarve

Inverter on mõeldud alalisvoolu muundamiseks puhta siinuslainega 230 V~ vahelduvvooluks (VV), mis on ette nähtud ühendatud 230 V tarbivate seadmetega ühendamiseks ja stabiilseks toitega varustamiseks.

Inverter on mõeldud ühendamiseks järgnevatega:

- DPSI612, DPSI1012, DPSI1512, DPSI2012: 12 V $\Rightarrow$
- DPSI624, DPSI1024, DPSI1524, DPSI2024: 24 V $\Rightarrow$

Inverter sobib järgnevate jaoks:

- vabaajasõidukitesse (RV), kommertssõidukitele või mootorsõidukitele ja purjejahtidele paigaldamine;
- statsionaarne või mobiilne kasutus;
- kasutus siseruumides.

Inverter **ei** sobi järgnevaks:



- välistingimustes kasutamine.

See toode sobib kasutamiseks üksnes ettenähtud otstarbel ja käesolevas kasutusjuhendis toodud valdkonnas.

Käesolev juhend sisaldab teavet, mis on vajalik toote korrektseks paigaldamiseks ja/või kasutamiseks. Halva paigalduse ja/või valesti kasutamise või hooldamise korral halvenevad tööomadused ja võib tekkida rike.

Tootja ei võta vastutust mis tahes kahju või tootekahjustuse eest, mis on tingitud mõnest järgmisest asjaolust:

- valesti paigaldamine, kokkupanek või ühendamine, sh liigpinge;
- valesti hooldamine või tootja poolt ette nähtud originaalvaruosadest erinevate varuosade kasutamine;
- tootel ilma tootja selge loata tehtud muudatused;
- kasutamine otstarbel, mida ei ole kasutusjuhendis kirjeldatud.

Dometic jätab endale õiguse muuta toote välimust ja tehnilisi näitajaid.

## 7 Tehniline kirjeldus

### 7.1 Üldine kirjeldus

Inverter on alalisvoolu vahelduvvooluks muundamise siinuslaine inverter.

Inverterit võib kasutada järgmiste võrgusüsteemidega:

- TN-võrk
- IT-võrk

Võrgusüsteeme seadistatakse inverteril oleva kruviga.

Inverteril on järgmised kaitsemehhanismid.

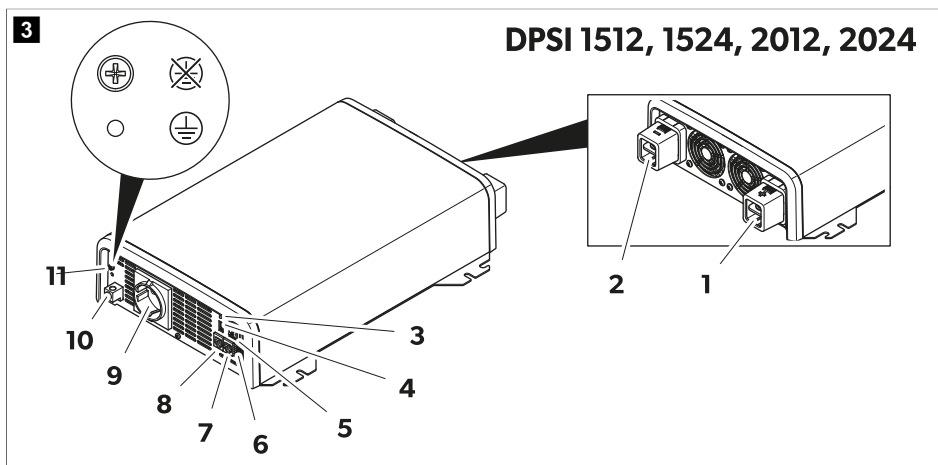
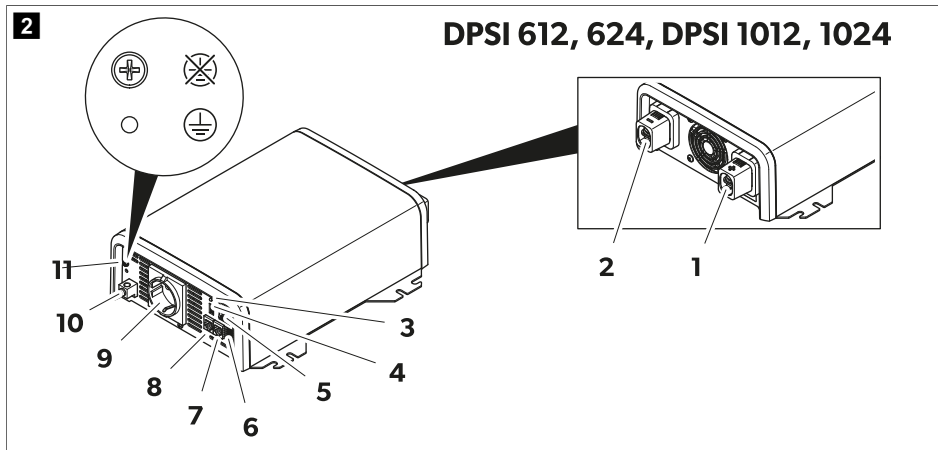
- **Liigpinge korral väljalülitumine:** inverter lülitub välja, kui pinge ületab piirväärtuse. Inverter taaskäivitub uuesti, kui pinge langeb taaskäivitamise väärtusele.
- **Alapinge korral väljalülitumine:** inverter lülitub välja, kui pinge langeb piirväärtusest allapoole. Inverter taaskäivitub uuesti, kui pinge ületab taaskäivitamise väärtuse.
- **Väljalülitamine kõrge temperatuuri korral:** inverter lülitub välja, kui seadme sisemine temperatuur ületab piirväärtuse. Inverter taaskäivitub uuesti, kui sisetemperatuur langeb taaskäivitamise väärtusele.
- **Kõrge väljundvoolu kaitse:** inverter lülitub välja, kui ühendatud on liiga palju koormusi.
- **Kaitse lühise eest:** inverter lülitub lühise tekkimisel välja. Inverter taaskäivitub mõne sekundi pärast automaatselt. Kui lühis tuvastatakse viis korda, ei taaskäivitu inverter automaatselt ja see on vaja käsitsi taaskäivitada.

Inverter ühtib andmete ja funktsioonide osas N-siini ja Cl-siiniga, mõlemat saab juhtida puutekraanil (tarvikud) ja mobiilirakenduses.

Inverter on varustatud kaugjuhtimispluldiga inverteri sisse- või väljalülitamiseks.

Inverteri saab lülitada energiasäästurežiimile, et vähendada tarbimist jõudeolekus ja minimeerida aku koormust. Seda saab teha kiiplülitiga või

## 7.2 Juhtelemendid ja ühendused

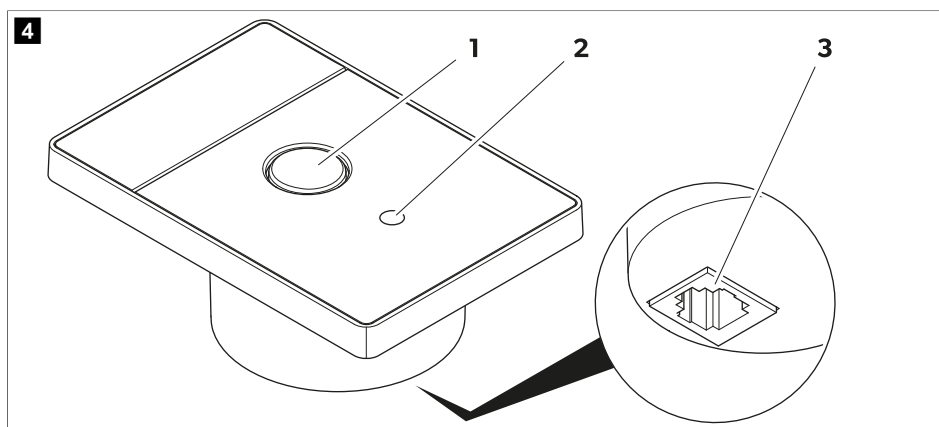


**MÄRKUS** Arvud näitavad Mandri-Euroopa versioone.

Nr	Nimetus
1	(+) klemm, ühendus majaaku plusspoolusega
2	(-) klemm, ühendus majaaku miinuspoolusega
3	Olekunäidu LED-tuli
4	Kiipüliti
5	Sisse-/väljalülitamise lüliti

Nr	Nimetus
6	Välise juhtseadme klemm
7	CI-siin / N-siin / kaugjuhtimisplüdi ühendus (LINB)
8	CI-siin / N-siin / kaugjuhtimisplüdi ühendus (LINA)
9	Vahelduwoolupesa
10	Maanduse ühendus
11	IT/TN-võrgu seadistuse kruvi

### 7.3 Kaugjuhtimisplü



Nr joon. 4  
leheküljel 411

#### Nimetus

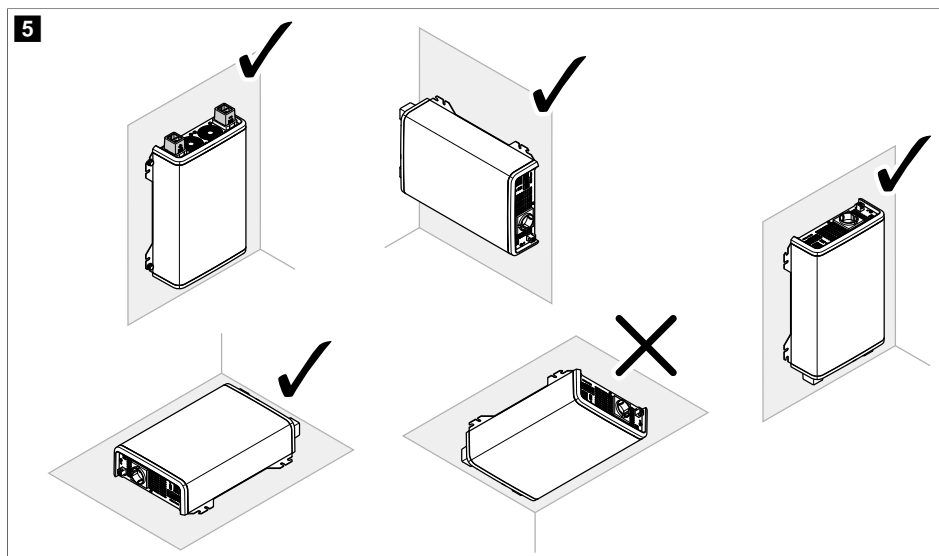
1	Sisse-/väljalülitamise nupp
2	Olekunäidu LED-tuli
3	Kaugjuhtimisplüdi ühendus

### 7.4 Olekunäidu LED-tuli

Olek	Kirjeldus
Green	Inverteri kasutamine
Orange	Hoiatus! Olemas on vahelduwoolu väljund, ülepinge, alapinge või elektrikarkestuste oht
Red	Viga. Vahelduwoolu sisend puudub, inverter on välja lülitatud (vt peatükki Tõrkeotsing leheküljel 420)

## 8 Paigaldamine

### 8.1 Paigalduskoht



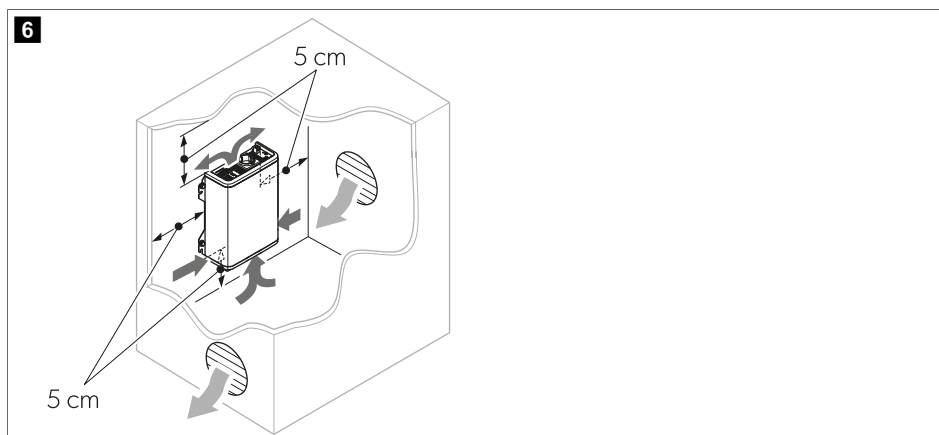
#### TÄHELEPANU! Kahjustuste oht

Enne mis tahes aukude puurimist veenduge, et ükski elektrikaabel ega sõiduki muu osa ei saaks puurimise, saagimise ega viilimise tõttu kahjustada.




#### MÄRKUS

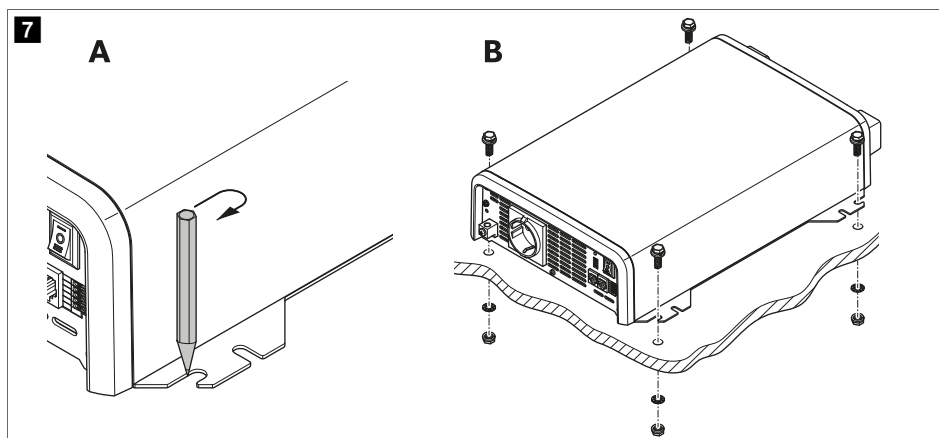
Inverteri saab paigaldada kas toetades või riputades (  joon. 5 leheküljel 412).





Paigalduskoha valimisel pidage silmas järgmisi juhiseid.

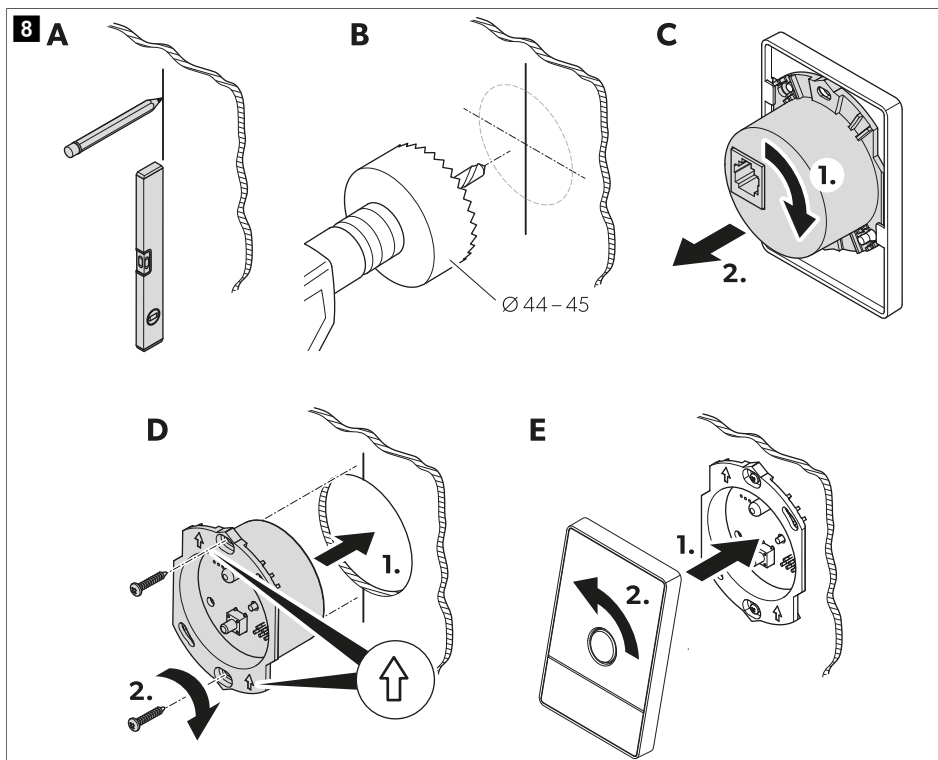
- Veenduge, et paigalduspind oleks tugev ja horisontaalne.
- Piisava ventilatsiooni tagamiseks järgige kauguse spetsifikatsioone (  joon. 6 leheküljel 412).





## 8.2 Inverteri paigaldamine



1. Valige sobivad paigaldusavad sõltuvalt valitud paigaldamise tüübist (toetamine või riputamine) ja märgistage puurimisavad (  joon. 7 leheküljel 413, **A**).
2. Puurige kinnitusavad eelnevalt.
3. Kruvige inverter oma kohale (  joon. 7 leheküljel 413, **B**).


### 8.3 Kaugjuhtimispuldi paigaldamine



1. Märgistage paigalduspind (  joon. 8 leheküljel 414, **A**).
2. Puurige ava läbimõõduga 44 mm ... 45 mm, nt silindersaega (  joon. 8 leheküljel 414, **B**).
3. Eemaldage ühenduskarp juhtpaneelilt (  joon. 8 leheküljel 414, **C**).
4. Sisestage ühenduskarp avasse ja kinnitage ühenduskarp kruvidega oma kohale (  joon. 8 leheküljel 414, **D**).



**MÄRKUS** Veenduge, et ühenduskarbil oleks nooltega näidatud õige vertikaalne joendus.

5. Kinnitage juhtpaneel ühenduskarbi külge (  joon. 8 leheküljel 414, **E**).
6. Eemaldage kaitsekile.

## 8.4 Inverteri ühendamine



Elektrilise paigaldusega peab tegelema ning seadme peab seadistama kvalifitseeritud elektrik, kes on tõestanud oma oskusi ja teadmisi sõidukite ülesehituse ja töö ning paigaldamise osas ja kes tunneb seadme paigaldus- ja/või kasutusriigis kehtivaid määrusi ning kes on läbinud ohutusalase koolituse, et tuvastada ja vältida vastavaid ohtusid.

Kõiki muid toiminguid tohivad teha ka kasutajad, kes ei ole spetsialistid.



### HOIATUS! Elektrilöögi oht

Järgige kaabli ristlõike, kaabli pikkuste ja kaitsme soovitusi.



### ETTEVAATUST! Tuleoht

Paigutage kaitsmed akude lähedale, et kaitsta kaablit lühise ja võimaliku kõrbemise eest.



### TÄHELEPANU! Kahjustuste oht

- > Ärge pooluseid segamini ajage.
- > Pingutage kruvisid ja mutreid maksimaalse jõuga 15 Nm. Lahtised ühendused võivad põhjustada ülekuumenemist.

Inverteri ühendamisel järgige järgmisi juhiseid.

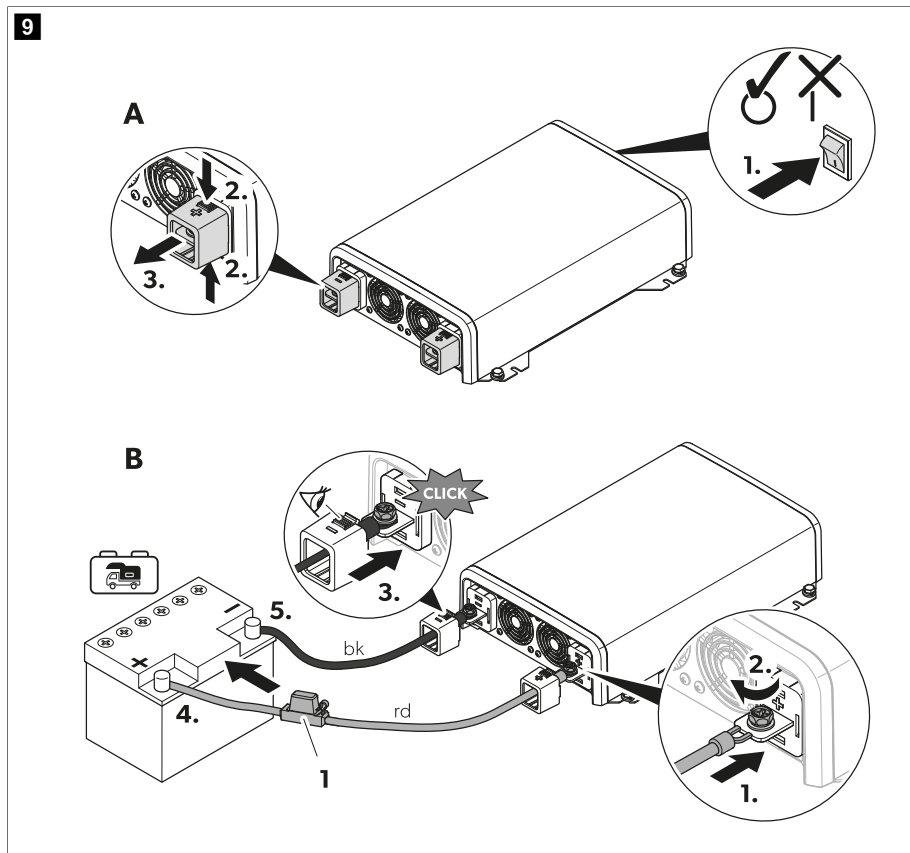
- Järgige pistikupesa jaotusahela (toitevõrgu) seadistamisel kohaldatavaid eeskirju.
- Valige alalisvoolukaablite jaoks (ühendus akuklemmidega) võimalikult pikkus  $\leq 1$  m.
- **TN-võrgu** ühenduse jaoks. Paigaldage jääkvooluseade (RCD).
- **IT-võrgu** ühenduse jaoks. Kui ühendatud on rohkem kui üks koormus, paigaldage isolatsiooni jälgimisseade (IMD). **Kehtivad riiklikud standardid.**



1. Tehke kindlaks kaabli ristlõige ja kaitse.

	Kaabli ristlõige	Kaabli kaitse
DPSI612	25 mm <sup>2</sup>	150 A
DPSI624	25 mm <sup>2</sup>	150 A
DPSI1012	35 mm <sup>2</sup>	200 A
DPSI1024	25 mm <sup>2</sup>	150 A
DPSI1512	50 mm <sup>2</sup>	250 A
DPSI1524	25 mm <sup>2</sup>	150 A
DPSI2012	70 mm <sup>2</sup>	300 A
DPSI2024	35 mm <sup>2</sup>	200 A

2. Kontrollige, kas seade on välja lülitatud (  joon. **9** leheküljel 416, **1**).



9



3. Eemaldage klemmidelt katted (  joon. 9 leheküljel 416, 2 – 3).
4. Ühendage majaaku (+) positiivse klemmiga (punane (rd) ühenduskaabel,  joon. 9 leheküljel 416, 4).

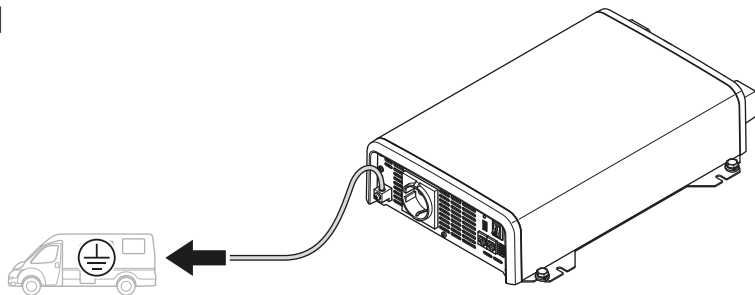


**MÄRKUS** Kaitske majaaku positiivset kaablit kaitsmega (  joon. 9 leheküljel 416, 1).

5. Ühendage majaaku (-) negatiivse klemmiga (must (bk) ühenduskaabel (  joon. 9 leheküljel 416, 5).
6. Ühendage maanduse ühendus maandusega (šassii) (  joon. 10 leheküljel 417).



10



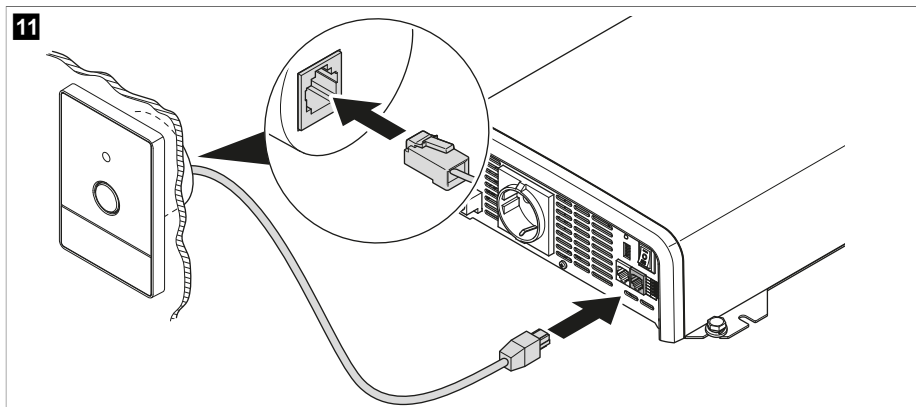
## 8.5 Kaugjuhtimispuldi ühendamine



**MÄRKUS** Kaugjuhtimispulti ja N-siini/CI-siini võrku ei saa samaaegselt ühendada.

- > Ühendage kaugjuhtimispult kaugjuhtimispuldi ühenduskaabli abil kaugjuhtimispuldi ühendusega.

11

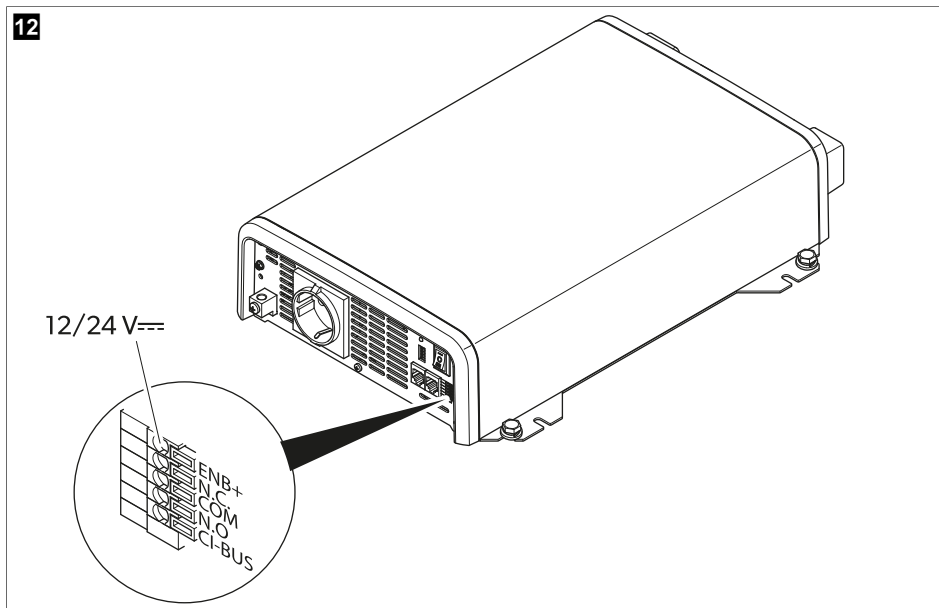


## 8.6 ENB+ klemmi ühendamine



**MÄRKUS** Kui ENB+ klemm on ühendatud, ei saa energiasäästurežiimi olekut muuta.

12



1. Seadke sisse-/väljalülitamise lüliti asendisse 0.
2. Kasutage ENB+ klemmi järgmiselt.
  - Inverteri sisselülitamiseks ühendage ENB+ klemm sobiva elektrikaabli abil maja aku positiivse poolusega.
  - Inverteri väljalülitamiseks eemaldage ENB+ klemm maja aku küljest.

## 9 Võrgusüsteemi konfigureerimine



Elektrilise paigaldusega peab tegelema ning seadme peab seadistama kvalifitseeritud elektrik, kes on tõestanud oma oskusi ja teadmisi sõidukite ülesehituse ja töö ning paigaldamise osas ja kes tunneb seadme paigaldus- ja/või kasutusriigis kehtivaid määrusi ning kes on läbinud ohutuslase koolituse, et tuvastada ja vältida vastavaid ohtusid.

Kõiki muid toiminguid tohivad teha ka kasutajad, kes ei ole spetsialistid.

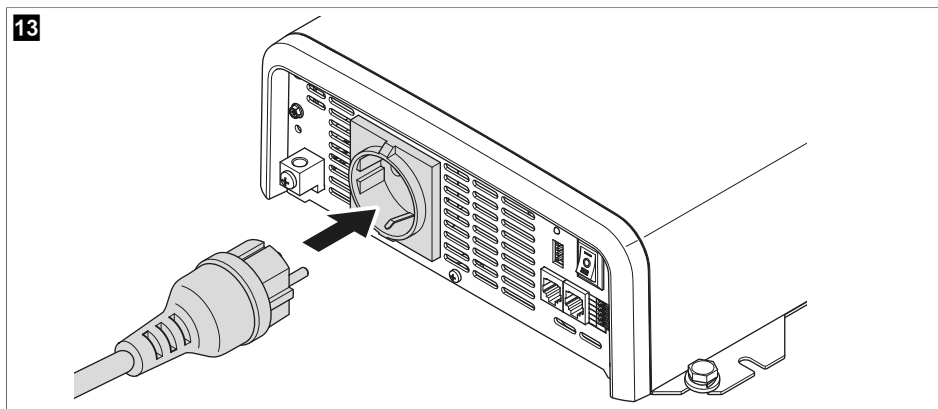


### OHT! Elektrilöögi oht

- > Eemaldage kiiplüliti kaitsekate ainult konfigureerimiseks.
  - > Pange kaitsekork tagasi, et vältida kiiplüliti kogemata reguleerimist.
  - > **TN-võrgu** konfigureerimiseks. Veenduge, et paigaldatud oleks jääkvooluseade (RCD).
  - > **IT-võrgu** konfigureerimiseks. Kasutage ainult ühte koormust või paigaldage isolatsiooni jälgimiseseade (IMD). Järgige riiklikke standardeid.
- > **TN-võrgu** seadistamiseks sisestage kruvi asendisse ⊕.
  - > **IT-võrgu** seadistamiseks sisestage kruvi asendisse ⊗.

## 10 Kasutamine

### 10.1 230 V seadmete kasutamine



#### MÄRKUS

Ühendage ainult seadmed, mille kogukoormus ei ületa väärtusi jaotises Tehnilised andmed leheküljel 422.

- > Ühendage 230 V seadmed inverteri vahelduvvoolupessa (  joon. 13 leheküljel 419).

### 10.2 Inverteri sisse- ja väljalülitamine



#### MÄRKUS

- > Kui inverterit juhitakse kaugjuhtimispuldi abil, peab sisse-/väljalülitamise lüliti olema seatud asendisse **II**.
- > Kui inverterit juhitakse ENB+ klemmi abil, peab sisse-/väljalülitamise lüliti olema seatud asendisse **0**.
- > Inverteri sisselülitamiseks sisse-/väljalülitamise lüliti asendisse **I**.
- > Inverteri väljalülitamiseks sisse-/väljalülitamise lüliti asendisse **0**.
- > Kasutage inverteri sisse- ja väljalülitamiseks kaugjuhtimispulti või ENB+ klemmi.

### 10.3 Energiasäästurežiimi seadistamine



#### MÄRKUS

- Kui kiiplüliti S2 on seatud asendisse **OFF**, lülitub inverter koormuse  $\geq 45$  W ühendamisel automaatselt normaalsele tavapärasesse töörežiimi.
- Kui kiiplüliti S2 on seatud asendisse **ON**, lülitub inverter koormuse  $\geq 80$  W ühendamisel automaatselt normaalsele tavapärasesse töörežiimi.
- Energiasäästurežiimi olekut ei saa muuta, kui kasutatakse kaugjuhtimispulti või ENB+ klemmi, kui pole tehtud täielikku sisse-/väljalülitamise tsükli

### Energiasäästurežiimi aktiveerimine

1. Vajaduse korral lülitage inverter välja.
  2. Libistage kiipüliti S1 asendisse **ON**.
- ✓ Energiasäästurežiim on aktiveeritud.

### Energiasäästurežiimi inaktiveerimine

1. Lülitage inverter välja.
  2. Libistage kiipüliti S1 asendisse **OFF**.
- ✓ Energiasäästurežiim on inaktiveeritud.

## 11 Puhastamine ja hooldamine



### HOIATUS! Elektrilöögi oht

Enne puhastamist ja hooldamist lahutage seadme toiteühendus.



### TÄHELEPANU! Kahjustuste oht

- > Ärge kunagi puhastage seadet voolava vee all või seebivees.
  - > Ärge kasutage puhastamiseks teravaid ega kõvu esemeid, abrasiivseid puhastusvahendeid ega pleegitusvahendit, sest need võivad seadet kahjustada.
  - > Veenduge, et seadme õhu sisse- ja väljalaskeavadel poleks tolmu ega mustust, et soojus oleks võimalik vabastada.
- > Aeg-ajalt puhastage seadet pehme, niiske lapiga.
- > Kontrollige elektrikaableid ja -juhtmeid regulaarselt isolatsioonidefektide, katkiste kohtade või lahtiste ühenduste tuvastamiseks.

## 12 Törkeotsing

Probleem	Põhjus	Abinõu
Inverter ei tööta. Olekunäidu LED-tuli on väljas.	Lühis viiel järjestikusel korral.	<ul style="list-style-type: none"> <li>&gt; Seadme kaitse tuleb lasta vahetada volitatud hooldustehnikul, kui see on liigvoolu tõttu aktiveerunud.</li> </ul>
	Elektrikaablite isolatsioonidefektid, katkemine või lahtised ühendused.	<ul style="list-style-type: none"> <li>&gt; Kontrollige elektrikaableid isolatsioonidefektide, katkiste kohtade või lahtiste ühenduste tuvastamiseks.</li> <li>Kui te viga ei leia, võtke ühendust volitatud hooldustehnikuga.</li> </ul>
Inverter ei tööta. Olekunäidiku LED-tuli süttib punaselt.	Kõrge väljundvoolu kaitse.	Vähendage ühendatud koormusi.
	Väljalülitamine kõrge temperatuuri korral.	<ol style="list-style-type: none"> <li>1. Lülitage inverter ja ühendatud koormused välja.</li> <li>2. Kontrollige, et õhu sisselaske- ja väljalaskeavad poleks kaetud ega takistatud.</li> <li>3. Laske inverteril jahtuda.</li> </ol>

Probleem	Põhjus	Abinõu
	Tekitati lühis.	Seadme kaitse tuleb lasta vahetada volitatud hooldustehnikul, kui see on liigvoolu tõttu aktiveerunud.
	Liigpinge korral väljalülitumine. Aku pinged on kõrged.	<ul style="list-style-type: none"> <li>&gt; Vähendage ühendatud pingeid. Inverter taaskäivitub uuesti, kui pinge langeb taaskäivitamise väärtusele (vt peatükki Liigpinge korral väljalülitumine leheküljel 423).</li> <li>&gt; Kui tõrge ilmub endiselt. Suurendage kaabli ristlõikeid. Vähendage kaabli pikkust.</li> </ul>
	Väljalülitumine alapinge korral. Aku pinged on liiga madala.	<ul style="list-style-type: none"> <li>&gt; Laske akul aeglaselt laadida. Inverter taaskäivitub uuesti, kui pinge ületab taaskäivitamise väärtust (vt peatükki Alapinge korral väljalülitumine leheküljel 423).</li> </ul>

## 13 Garantii

Kehtib seadusega ettenähtud garantii. Kui toode on defektne, võtke ühendust tootja kohaliku filiaaliga (vt [dometic.com/dealer](http://dometic.com/dealer)) või edasimüüjaga.

Remondi- ja garantiitööde töötlemiseks lisage palun alljärgnevad dokumendid, kui seadme meile saadate:

- ostukuupäevaga arve koopia;
- kaebuse põhjus või vea kirjeldus.

Pange tähele, et kui parandate ise või lasete mittekuutselisel parandajal seda teha, võib see ohutust mõjutada ja garantii kehtetuks muuta.

## 14 Kõrvaldamine

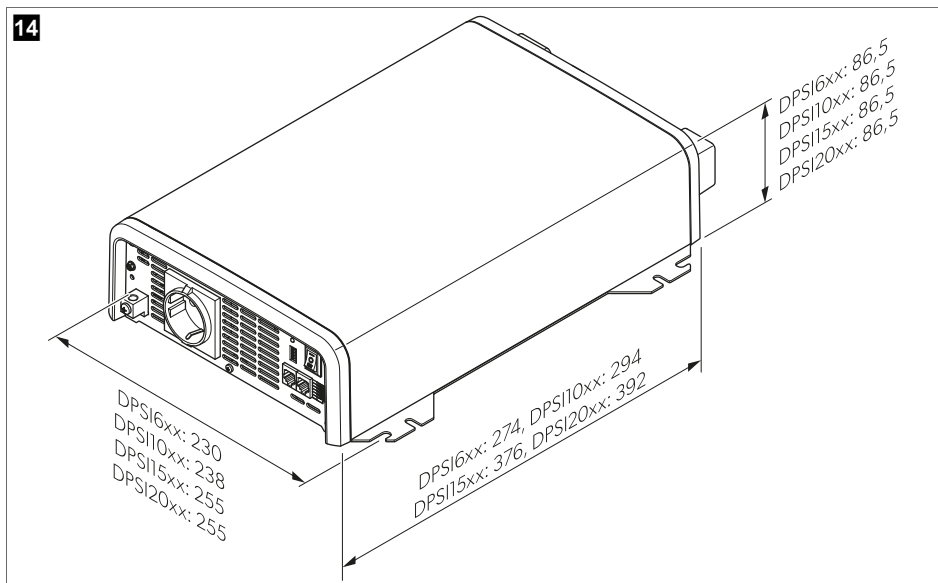



Kui võimalik, pange pakkematerjal vastavasse ringlussevõetava prügi kasti.

Küsige nõu kohalikust ringlussevõetukeskusest või edasimüüjalt, kuidas anda toode kehtivate jäätmekäitlusnõuetega kooskõlas jäätmekäitlusse.


Toote saab jäätmekäitlusse anda tasuta.

## 15 Tehnilised andmed



	<b>DPSI 612</b>	<b>DPSI 1012</b>	<b>DPSI 624</b>	<b>DPSI 1024</b>
Nimi-sisendpinge	12 V <sup>---</sup>		24 V <sup>---</sup>	
Sisendpingevahemik	10,5 ... 16,5 V <sup>---</sup>		21 ... 33 V <sup>---</sup>	
Pidev väljundvõimsus $P_{nom}$	600 W	1000 W	600 W	1000 W
Maksimaalne väljundvõimsus (1 min)	690 W	1150 W	690 W	1150 W
Maksimaalne ülepinge(1 s) $P_{impulss}$	1200 W	2000 W	1200 W	2000 W
Voolutarve jõuderežiimis	≤ 1 A	≤ 1,1 A	≤ 0,6 A	≤ 0,6 A
Voolutarve ooterežiimis	≤ 0,3 A	≤ 0,35 A	≤ 0,2 A	≤ 0,2 A
Mõõdud	 joon. 14 leheküljel 422			
Kaal	1,1 kg	1,2 kg	1,1 kg	1,2 kg

	<b>DPSI 1512</b>	<b>DPSI 2012</b>	<b>DPSI 1524</b>	<b>DPSI 2024</b>
Nimi-sisendpinge	12 V <sup>---</sup>		24 V <sup>---</sup>	
Sisendpingevahemik	10,5 ... 16,5 V <sup>---</sup>		21 ... 33 V <sup>---</sup>	
Pidev väljundvõimsus $P_{nom}$	1500 W	2000 W	1500 W	2000 W
Maksimaalne väljundvõimsus (1 min)	1725 W	2300 W	1725 W	2300 W
Maksimaalne ülepinge(1 s) $P_{impulss}$	3000 W	4000 W	3000 W	4000 W
Voolutarve jõuderežiimis	≤ 1,2 A	≤ 1,5 A	≤ 0,7 A	≤ 0,8 A
Voolutarve ooterežiimis	≤ 0,4 A	≤ 0,5 A	≤ 0,25 A	≤ 0,3 A

	DPSI 1512	DPSI 2012	DPSI 1524	DPSI 2024
Möödud		 joon. 14 leheküljel 422		
Kaal	1,1 kg	1,2 kg	1,1 kg	1,2 kg

## 15.1 Üldised tehnilised andmed

Väljundpingevahemik	230 V $\sim$ $\pm$ 10 %
Väljundsagedus	50 Hz $\pm$ 1 %
Väljundi lainekuju	Puhas siinuslaine
Tipptõhusus	90 %
Ümbritsev temperatuur töötamisel	0 ... 50 °C
Ümbritsev temperatuur hoiustamisel	- 30 °C ... 70 °C
Ümbritsev niiskus	0 ... 95 %, non-condensing
Ülevaatus/sertifikaat	



## 15.2 Alapinge korral väljalülitumine

	Piirväärtus	Taaskäivituse väärtus
DPSI <sub>xx</sub> 12	10,3 V	11,8 V
DPSI <sub>xx</sub> 24	20,6 V	23,6 V

## 15.3 Liigpinge korral väljalülitumine

	Piirväärtus	Taaskäivituse väärtus
DPSI <sub>xx</sub> 12	16,5 V	15,5 V
DPSI <sub>xx</sub> 24	33 V	31 V

## Ελληνικά

1	Σημαντικές σημειώσεις.....	424
2	Επεξήγηση των συμβόλων.....	424
3	Υποδείξεις ασφαλείας.....	425
4	Περιεχόμενα συσκευασίας.....	428
5	Πρόσθετος εξοπλισμός.....	429
6	Προβλεπόμενη χρήση.....	429
7	Τεχνική περιγραφή.....	430
8	Εγκατάσταση.....	433
9	Διαμόρφωση του συστήματος δικτύου.....	439
10	Λειτουργία.....	440
11	Καθαρισμός και φροντίδα.....	441
12	Αντιμετώπιση βλαβών.....	442
13	Εγγύηση.....	443
14	Απόρριψη.....	443
15	Τεχνικά χαρακτηριστικά.....	443

## 1 Σημαντικές σημειώσεις

Παρακαλούμε να διαβάσετε προσεκτικά αυτές τις οδηγίες και να ακολουθήσετε όλες τις οδηγίες, τους κανονισμούς και τις προειδοποιήσεις που περιλαμβάνονται στο εγχειρίδιο αυτού του προϊόντος, έτσι ώστε να διασφαλίζεται πάντοτε η σωστή εγκατάσταση, χρήση και συντήρηση του προϊόντος. Αυτές οι οδηγίες ΠΡΕΠΕΙ πάντοτε να συνοδεύουν το προϊόν.

Με τη χρήση του προϊόντος επιβεβαιώνετε δια του παρόντος ότι έχετε διαβάσει προσεκτικά όλες τις οδηγίες, τους κανονισμούς και τις προειδοποιήσεις καθώς και ότι έχετε κατανοήσει και συμφωνείτε να τηρήσετε τους όρους και τις προϋποθέσεις που ορίζονται στο παρόν έγγραφο. Συμφωνείτε να χρησιμοποιείτε αυτό το προϊόν μόνο για τον προβλεπόμενο σκοπό και την προβλεπόμενη χρήση, πάντοτε σύμφωνα με τις οδηγίες, τους κανονισμούς και τις προειδοποιήσεις που ορίζονται στο παρόν εγχειρίδιο προϊόντος καθώς και σύμφωνα με όλους τους ισχύοντες νόμους και κανονισμούς. Σε περίπτωση μη ανάνηψης και τήρησης των οδηγιών και των προειδοποιήσεων που ορίζονται στο παρόν έγγραφο, ενδέχεται να προκληθούν τραυματισμοί σε εσάς τον ίδιο και σε τρίτους, ζημιά στο προϊόν σας ή υλικές ζημιές σε άλλες ιδιοκτησίες στο άμεσο περιβάλλον. Αυτό το εγχειρίδιο προϊόντος, συμπεριλαμβανομένων των οδηγιών, των κανονισμών, των προειδοποιήσεων και των σχετικών εγγράφων, ενδέχεται να υποβληθεί σε τροποποιήσεις και ενημερώσεις. Για ενημερωμένες πληροφορίες για το προϊόν, επισκεφθείτε την ηλεκτρονική διεύθυνση [documents.dometic.com](http://documents.dometic.com).

## 2 Επεξήγηση των συμβόλων

Μια λέξη σήμανσης επιτρέπει την αναγνώριση μηνυμάτων για την ασφάλεια και μηνυμάτων για υλικές ζημιές και υποδεικνύει τον βαθμό ή το επίπεδο σοβαρότητας του κινδύνου.



### ΚΙΝΔΥΝΟΣ!

Καταδεικνύει μια επικίνδυνη κατάσταση, η οποία εάν δεν αποτραπεί, θα προκληθεί θανατηφόρο ατύχημα ή σοβαρός τραυματισμός.



### ΠΡΟΕΙΔΟΠΟΙΗΣΗ!

Καταδεικνύει μια επικίνδυνη κατάσταση, η οποία εάν δεν αποτραπεί, μπορεί να προκληθεί θανατηφόρο ατύχημα ή σοβαρός τραυματισμός.



### ΠΡΟΦΥΛΑΞΗ!

Καταδεικνύει μια επικίνδυνη κατάσταση, η οποία εάν δεν αποτραπεί, μπορεί να προκληθεί μικρής ή μέτριας σοβαρότητας τραυματισμός.



### ΠΡΟΣΟΧΗ!

Καταδεικνύει μια κατάσταση, η οποία εάν δεν αποτραπεί, μπορεί να προκληθούν υλικές ζημιές.





**ΥΠΟΔΕΙΞΗ** Συμπληρωματικά στοιχεία για τον χειρισμό του προϊόντος.

## 3 Υποδείξεις ασφαλείας

Τηρείτε επίσης τις οδηγίες και τις προϋποθέσεις ασφαλείας, που ορίζονται από τον κατασκευαστή του οχήματος και τα εξουσιοδοτημένα συνεργεία.

### 3.1 Βασική ασφάλεια



#### **ΚΙΝΔΥΝΟΣ! Κίνδυνος ηλεκτροπληξίας**

- > Μην πιάνετε τυχόν εκτεθειμένα καλώδια με γυμνά χέρια.
- > Για να είναι δυνατή η γρήγορη αποσύνδεση της συσκευής από την τροφοδοσία εναλλασσόμενου ρεύματος AC, η πρίζα πρέπει να είναι κοντά στη συσκευή καθώς και να είναι εύκολα προσβάσιμη.



#### **ΠΡΟΕΙΔΟΠΟΙΗΣΗ! Κίνδυνος ηλεκτροπληξίας**

- > Η τοποθέτηση και η αφαίρεση της συσκευής επιτρέπεται να πραγματοποιούνται μόνο από ειδικευμένο προσωπικό.
- > Μην χρησιμοποιείτε τη συσκευή, εάν η ίδια η συσκευή ή το καλώδιο σύνδεσης έχει υποστεί ορατή ζημιά.
- > Εάν προκληθεί ζημιά στο καλώδιο τροφοδοσίας αυτής της συσκευής, το καλώδιο τροφοδοσίας πρέπει να αντικατασταθεί, για να αποφευχθούν τυχόν κίνδυνοι ασφαλείας.
- > Η επισκευή αυτής της συσκευής επιτρέπεται να πραγματοποιείται μόνο από εξειδικευμένο τεχνικό προσωπικό. Σε περίπτωση μη ενδεδειγμένων επισκευών ενδέχεται να προκύψουν σοβαροί κίνδυνοι.
- > Χρησιμοποιήστε μόνο πρόσθετο εξοπλισμό που συνιστάται από τον κατασκευαστή.
- > Μην τροποποιείτε ή προσαρμόζετε κανένα επιμέρους εξάρτημα με οποιονδήποτε τρόπο.
- > Μην αποσυνδέετε κανένα καλώδιο, όταν η συσκευή είναι σε λειτουργία.
- > Αποσυνδέστε τη συσκευή από την τροφοδοσία ηλεκτρικού ρεύματος:
  - μετά από κάθε χρήση
  - Πριν από κάθε καθαρισμό και συντήρηση
  - Πριν από την αλλαγή μιας ασφάλειας τήξης



#### **ΠΡΟΕΙΔΟΠΟΙΗΣΗ! Κίνδυνος πυρκαγιάς / Εύφλεκτα υλικά**

Σε περίπτωση πυρκαγιάς, χρησιμοποιήστε έναν πυροσβεστήρα, ο οποίος είναι κατάλληλος για ηλεκτρικές συσκευές.



#### **ΠΡΟΕΙΔΟΠΟΙΗΣΗ! Κίνδυνος ασφυξίας**

Αν δεν τοποθετήσετε σωστά το καλώδιο και τη μονάδα ελέγχου της συσκευής, υπάρχει κίνδυνος εμπλοκής, στραγγαλισμού, σκοντάμματος ή παραπατήματος. Φροντίστε να τακτοποιήσετε με ασφάλεια τα δεματικά και τα καλώδια τροφοδοσίας που περισσεύουν.

**ΠΡΟΕΙΔΟΠΟΙΗΣΗ! Κίνδυνος για την υγεία**

- > Αυτή η συσκευή μπορεί να χρησιμοποιηθεί από παιδιά ηλικίας 8 ετών και επάνω καθώς και άτομα με μειωμένες φυσικές, αισθητηριακές ή πνευματικές ικανότητες ή με έλλειψη εμπειρίας και γνώσεων, εάν επιτηρούνται ή τους έχουν δοθεί οδηγίες σχετικά με τη χρήση της συσκευής με ασφαλή τρόπο και κατανοούν τους σχετικούς κινδύνους.
- > **Οι ηλεκτρικές συσκευές δεν είναι παιχνίδια.** Η συσκευή πρέπει πάντοτε να φυλάσσεται και να χρησιμοποιείται μακριά από παιδιά πολύ μικρής ηλικίας.
- > Τα παιδιά πρέπει να επιτηρούνται, για να διασφαλίζεται ότι δεν παίζουν με τη συσκευή.
- > Ο καθαρισμός και η συντήρηση χρήστη δεν επιτρέπεται να πραγματοποιούνται από παιδιά χωρίς επιτήρηση.

**ΠΡΟΣΟΧΗ! Κίνδυνος πρόκλησης ζημιάς**

- > Πριν από τη θέση σε λειτουργία, βεβαιωθείτε ότι η προδιαγραφή τάσης στην πινακίδα τύπου είναι ίδια με την υπάρχουσα τροφοδοσία ηλεκτρικού ρεύματος.
- > Βεβαιωθείτε ότι **δεν μπορεί** να προκληθεί βραχυκύκλωμα στις επαφές της συσκευής από άλλα αντικείμενα.
- > Βεβαιωθείτε ότι οι αρνητικοί και οι θετικοί πόλοι δεν έρχονται **ποτέ** σε επαφή μεταξύ τους.
- > Μην τραβάτε τα καλώδια σύνδεσης και μην χρησιμοποιείτε τα καλώδια ως λαβή.
- > Η συσκευή δεν πρέπει να εκτίθεται στη βροχή ή υγρασία. Αποθηκεύστε την σε χώρους χωρίς υγρασία.

**3.2 Ασφαλής εγκατάσταση της συσκευής****ΚΙΝΔΥΝΟΣ! Κίνδυνος έκρηξης**

- > Εγκαθιστάτε και χρησιμοποιείτε τη συσκευή μόνο σε κλειστούς και καλά αεριζόμενους χώρους.
- > **Μην** εγκαθιστάτε ή χρησιμοποιείτε τη συσκευή στις παρακάτω συνθήκες:
  - Σε αλμυρά ή υγρά περιβάλλοντα καθώς και σε περιβάλλοντα με αυξημένη υγρασία
  - Κοντά σε διαβρωτικές αναθυμιάσεις
  - Κοντά σε εύφλεκτα υλικά
  - Κοντά σε πηγές θερμότητας (θερμάστρες, άμεση ηλιακή ακτινοβολία, φούρνους αερίου κ.λπ.)
  - Σε περιοχές που υπάρχει κίνδυνος έκρηξης λόγω αερίων ή σκόνης

**ΠΡΟΕΙΔΟΠΟΙΗΣΗ! Κίνδυνος τραυματισμού**

- > Βεβαιωθείτε ότι η συσκευή είναι στερεωμένη σωστά. Η συσκευή πρέπει να τοποθετείται και να στερεώνεται κατά τέτοιο τρόπο, ώστε να μην είναι δυνατόν να ανατραπεί ή να πέσει κάτω.
- > Κατά την τοποθέτηση της συσκευής, βεβαιωθείτε ότι όλα τα καλώδια έχουν ασφαλιστεί με τον κατάλληλο τρόπο, ώστε να μην υπάρχει κανένας κίνδυνος να σκοντάψει κανείς σε αυτά.

**ΠΡΟΣΟΧΗ! Κίνδυνος πρόκλησης ζημιάς**

- > Τοποθετήστε τη συσκευή σε ένα στεγνό σημείο, όπου θα είναι προστατευμένη από εκτινάξεις νερού.
- > Χρησιμοποιείτε πάντα πρίζες που είναι γειωμένες και ασφαλισμένες με διακόπτες κυκλώματος υπολειπόμενου ρεύματος

### 3.3 Ασφάλεια κατά την ηλεκτρική σύνδεση της συσκευής



#### **ΚΙΝΔΥΝΟΣ! Κίνδυνος ηλεκτροπληξίας**

Εάν πραγματοποιείτε εργασίες σε ηλεκτρικά συστήματα, βεβαιωθείτε ότι υπάρχει κάποιος κοντά σας, που μπορεί να σας βοηθήσει σε καταστάσεις έκτακτης ανάγκης.



#### **ΠΡΟΕΙΔΟΠΟΙΗΣΗ! Κίνδυνος ηλεκτροπληξίας**

- > Τηρήστε τις συνιστώμενες διατομές καλωδίων.
- > Τακτοποιήστε τα καλώδια κατά τέτοιο τρόπο, ώστε να μην υπάρχει κίνδυνος να τους προκληθεί ζημιά από πόρτες ή καπό. Τα καλώδια που έχουν υποστεί σύνθλιψη μπορεί να αποτελέσουν αιτία σοβαρών τραυματισμών.



#### **ΠΡΟΣΟΧΗ! Κίνδυνος πρόκλησης ζημιάς**

- > Χρησιμοποιήστε σύστημα αγωγών ή κανάλια καλωδίων, εάν πρέπει να περαστούν καλώδια μέσα από μεταλλικά πάνελ ή άλλου είδους πάνελ με αιχμηρές ακμές.
- > **Μην** τοποθετείτε το καλώδιο τροφοδοσίας 230 V και το καλώδιο συνεχούς ρεύματος (DC) 12 V μέσα στο ίδιο κανάλι.
- > **Μην** τοποθετείτε το καλώδιο κατά τέτοιο τρόπο, ώστε να είναι χαλαρό ή να παρουσιάζει έντονη στρέβλωση.
- > Στερεώστε τα καλώδια με ασφάλεια.

### 3.4 Προληπτικά μέτρα ασφαλείας κατά το χειρισμό μπαταριών



#### **ΠΡΟΕΙΔΟΠΟΙΗΣΗ! Κίνδυνος τραυματισμού**

- > Οι μπαταρίες περιέχουν δραστικά και καυστικά οξέα. Αποφύγετε την επαφή του υγρού μπαταρίας με το σώμα σας. Εάν το δέρμα σας έρθει σε επαφή με υγρό μπαταρίας, πλύνετε αυτό το μέρος του σώματός σας σχολαστικά με άφθονο νερό. Εάν υποστείτε τραυματισμούς από οξέα, επικοινωνήστε αμέσως με έναν γιατρό.
- > Κατά την πραγματοποίηση εργασιών σε μπαταρίες, μη φοράτε μεταλλικά αντικείμενα, όπως ρολόγια ή δαχτυλίδια. Οι μπαταρίες μολύβδου-οξέος μπορεί να προκαλέσουν βραχυκυκλώματα, με συνέπεια την πρόκληση σοβαρών τραυματισμών.
- > Χρησιμοποιήστε μόνο μονωμένα εργαλεία.
- > Μην ακουμπάτε μεταλλικά εξαρτήματα επάνω στην μπαταρία και αποκλείστε το ενδεχόμενο να πέσουν μεταλλικά εξαρτήματα επάνω στην μπαταρία. Σε μια τέτοια περίπτωση θα μπορούσαν να προκληθούν σπινθήρες ή βραχυκυκλώματα της μπαταρίας και άλλων ηλεκτρικών εξαρτημάτων.
- > Φορέστε προστατευτικά γυαλιά και προστατευτικό ρουχισμό, όταν πραγματοποιείτε εργασίες σε μπαταρίες. Μην ακουμπάτε τα μάτια σας, όταν πραγματοποιείτε εργασίες σε μπαταρίες.
- > Χρησιμοποιήστε αποκλειστικά επαναφορτιζόμενες μπαταρίες.
- > Μη χρησιμοποιείτε ελαττωματικές μπαταρίες.



#### **ΠΡΟΦΥΛΑΞΗ! Κίνδυνος έκρηξης**

- > Μην επιχειρείτε ποτέ να φορτίσετε μια παγωμένη ή ελαττωματική μπαταρία. Τοποθετήστε την μπαταρία σε μια περιοχή χωρίς παγετό και περιμένετε, μέχρις ότου η μπαταρία εγκλιματιστεί στη θερμοκρασία του περιβάλλοντος. Στη συνέχεια, ξεκινήστε τη διαδικασία φόρτισης.
- > Μην καπνίζετε, χρησιμοποιείτε γυμνή φλόγα ή προκαλείτε σπινθήρες κοντά στον κινητήρα ή σε μια μπαταρία.
- > Διατηρήστε την μπαταρία μακριά από πηγές θερμότητας.



### ΠΡΟΣΟΧΗ! Κίνδυνος πρόκλησης ζημιάς

- > Όταν συνδέετε την μπαταρία, βεβαιωθείτε ότι η πολικότητα είναι σωστή.
- > Ακολουθήστε τις οδηγίες του κατασκευαστή της μπαταρίας και τις οδηγίες του κατασκευαστή του συστήματος του οχήματος, στο οποίο χρησιμοποιείται η μπαταρία.
- > Εάν η μπαταρία πρέπει να αφαιρεθεί, αποσυνδέστε πρώτα τη σύνδεση γείωσης. Αποσυνδέστε όλες τις συνδέσεις και όλους τους ηλεκτρικούς καταναλωτές από την μπαταρία, πριν την αφαιρέσετε.
- > Αποθηκεύστε μόνο πλήρως φορτισμένες μπαταρίες. Επαναφορτίστε τις αποθηκευμένες μπαταρίες ανά τακτά χρονικά διαστήματα.
- > Μη μεταφέρετε την μπαταρία κρατώντας την από τους πόλους της.

## 3.5 Ασφαλής λειτουργία της συσκευής



### ΠΡΕΙΔΟΠΟΙΗΣΗ! Κίνδυνος ηλεκτροπληξίας

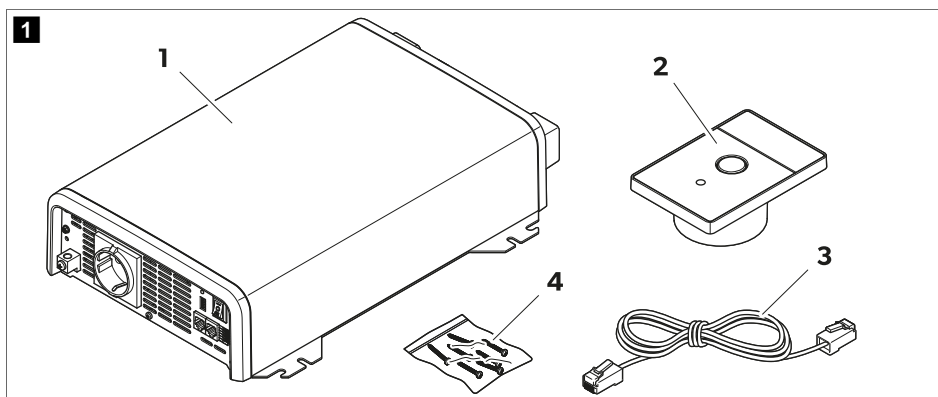
- > Μη χρησιμοποιείτε τη συσκευή σε υγρές συνθήκες και μην την βυθίζετε σε υγρά.
- > Πριν από την έναρξη λειτουργίας της συσκευής, βεβαιωθείτε ότι το καλώδιο τροφοδοσίας και το φις είναι στεγνά καθώς και ότι το φις είναι καθαρό από σκουριά ή ρύπους.
- > Λάβετε υπόψη ότι ορισμένα μέρη της συσκευής ενδέχεται να συνεχίζουν να μεταδίδουν τάση, ακόμη και εάν η ασφάλεια τήξης έχει καεί.




### ΠΡΟΣΟΧΗ! Κίνδυνος πρόκλησης ζημιάς

- > Βεβαιωθείτε ότι οι είσοδοι και έξοδοι αέρα της συσκευής δεν είναι καλυμμένες.
- > Διασφαλίστε τον καλό εξαερισμό.

## 4 Περιεχόμενα συσκευασίας



Αρ. στο  σχ. 1 στη σελίδα 428	Όνομασία	Ποσότητα
1	Μετατροπέας inverter ημιτονοειδούς κύματος	1
2	Τηλεχειριστήριο	1
3	Καλώδιο σύνδεσης τηλεχειριστηρίου	1
4	Βίδες στερέωσης	6

## 5 Πρόσθετος εξοπλισμός

Όνομασία	Κωδικός
Τηλεχειριστήριο DPSI-RC	9620018306
Οθόνη αφής TD283	9620013272

## 6 Προβλεπόμενη χρήση

Ο μετατροπέας inverter προορίζεται για μετατροπή του συνεχούς ρεύματος σε τάση εναλλασσόμενου ρεύματος (AC) 230 V~ με μορφή καθαρού ημιτονοειδούς κύματος για τη λειτουργία και τη σταθερή ηλεκτρική τροφοδοσία των συνδεδεμένων καταναλώσεων 230 V.

Ο μετατροπέας inverter προορίζεται για σύνδεση σε:

- DPSI612, DPSI1012, DPSI1512, DPSI2012: 12 V $\Rightarrow$
- DPSI624, DPSI1024, DPSI1524, DPSI2024: 24 V $\Rightarrow$

Ο μετατροπέας inverter είναι κατάλληλος για:

- Εγκατάσταση σε οχήματα αναψυχής (RV), επαγγελματικά οχήματα ή μηχανοκίνητα και ιστιοπλοϊκά γιοτ
- Σταθερή ή κινητή χρήση
- Χρήση σε εσωτερικό χώρο

Ο μετατροπέας inverter **δεν** είναι κατάλληλος για:

- Χρήση σε εξωτερικό χώρο

Αυτό το προϊόν είναι κατάλληλο μόνο για τον προβλεπόμενο σκοπό και την προβλεπόμενη χρήση σύμφωνα με αυτές τις οδηγίες.

Αυτό το εγχειρίδιο παρέχει πληροφορίες που είναι απαραίτητες για τη σωστή εγκατάσταση και χρήση του προϊόντος. Σε περίπτωση λανθασμένης εγκατάστασης ή/και χρήσης ή συντήρησης, θα προκύψει μη ικανοποιητική απόδοση και, πιθανώς, βλάβη.

Ο κατασκευαστής δεν αποδέχεται καμία ευθύνη για τυχόν τραυματισμούς ή ζημιές στο προϊόν, που οφείλονται σε:

- Λανθασμένη τοποθέτηση, συναρμολόγηση ή σύνδεση, συμπεριλαμβανομένης της υπερβολικά υψηλής τάσης
- Λανθασμένη συντήρηση ή χρήση μη αυθεντικών ανταλλακτικών εξαρτημάτων, που δεν προέρχονται από τον κατασκευαστή
- Μετατροπές στο προϊόν χωρίς τη ρητή άδεια του κατασκευαστή
- Χρήση για σκοπούς διαφορετικούς από αυτούς που περιγράφονται σε αυτό το εγχειρίδιο

Η Dometic διατηρεί το δικαίωμα αλλαγής της εμφάνισης και των προδιαγραφών του προϊόντος.

## 7 Τεχνική περιγραφή

### 7.1 Γενική περιγραφή

Ο μετατροπέας inverter είναι ένας μετατροπέας ρεύματος DC σε AC ημιτονοειδούς κυματομορφής.

Ο μετατροπέας inverter μπορεί να χρησιμοποιηθεί στα παρακάτω συστήματα δικτύου:

- Δίκτυο TN
- Δίκτυο IT

Τα συστήματα δικτύου ρυθμίζονται μέσω μιας βίδας στον μετατροπέα inverter.

Ο μετατροπέας inverter διαθέτει τους παρακάτω μηχανισμούς προστασίας:

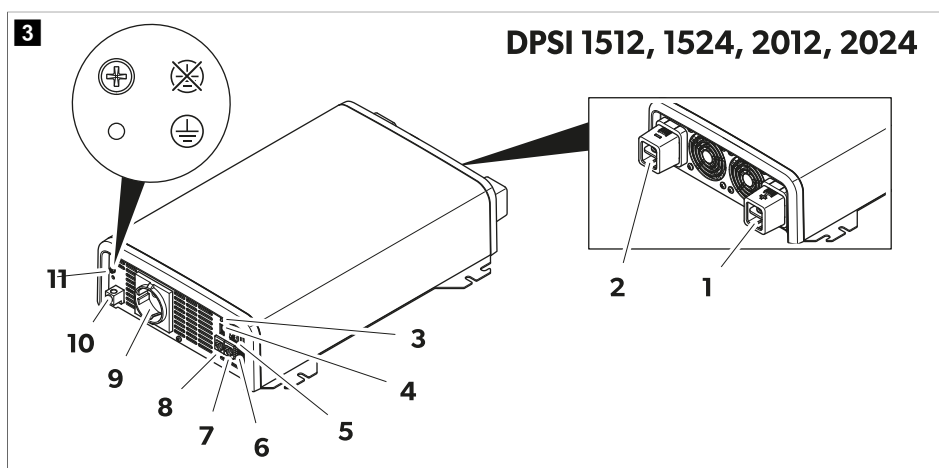
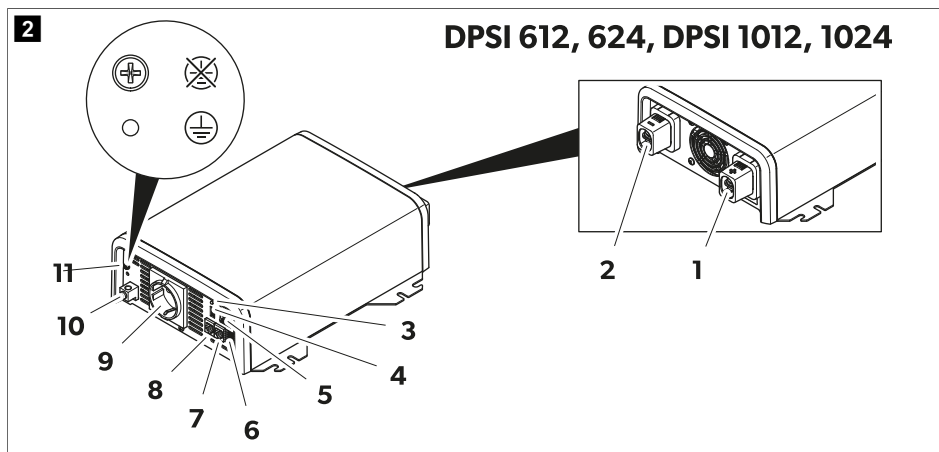
- **Τερματισμός λειτουργίας λόγω υπέρτασης:** Ο μετατροπέας inverter απενεργοποιείται, όταν η τάση υπερβεί την τιμή διακοπής. Ο μετατροπέας inverter επανεκκινείται αυτόματα, όταν η τάση μειωθεί μέχρι την τιμή επανεκκίνησης.
- **Τερματισμός λειτουργίας λόγω πολύ χαμηλής τάσης:** Ο μετατροπέας inverter απενεργοποιείται, όταν η τάση μειωθεί κάτω από την τιμή διακοπής. Ο μετατροπέας inverter επανεκκινείται, όταν η τάση υπερβεί την τιμή επανεκκίνησης.
- **Τερματισμός λειτουργίας υψηλής θερμοκρασίας:** Ο μετατροπέας inverter απενεργοποιείται, όταν η θερμοκρασία στο εσωτερικό της συσκευής υπερβεί την τιμή διακοπής. Ο μετατροπέας inverter επανεκκινείται αυτόματα, όταν η εσωτερική θερμοκρασία μειωθεί μέχρι την τιμή επανεκκίνησης.
- **Προστασία από υψηλή ένταση ρεύματος εξόδου:** Ο μετατροπέας inverter απενεργοποιείται όταν συνδέονται πάρα πολλά φορτία.
- **Προστασία έναντι βραχυκυκλώματος:** Ο μετατροπέας inverter απενεργοποιείται σε περίπτωση βραχυκυκλώματος. Ο μετατροπέας inverter επανεκκινείται αυτόματα μετά από μερικά δευτερόλεπτα. Εάν εντοπιστεί βραχυκύκλωμα πέντε συνεχόμενες φορές, ο μετατροπέας inverter δεν επανεκκινείται αυτόματα και απαιτείται χειροκίνητη επανεκκίνηση.

Ο μετατροπέας inverter συμμορφώνεται με τα πρότυπα N-BUS και CI-BUS για τα δεδομένα και τις λειτουργίες και ο έλεγχός τους γίνεται μέσω μιας οθόνης αφής (παρελκόμενα) και μέσω της εφαρμογής για κινητά.

Ο μετατροπέας inverter διαθέτει τηλεχειριστήριο για την ενεργοποίηση και απενεργοποίησή του.

Ο μετατροπέας inverter μπορεί να τεθεί σε λειτουργία εξοικονόμησης ενέργειας προκειμένου να μειώνεται η κατανάλωση σε κατάσταση αδράνειας και να ελαχιστοποιείται το φορτίο που λαμβάνεται από την μπαταρία. Αυτό μπορεί να γίνει μέσω ενός διακόπτη DIP ή

## 7.2 Στοιχεία ελέγχου και συνδέσεις

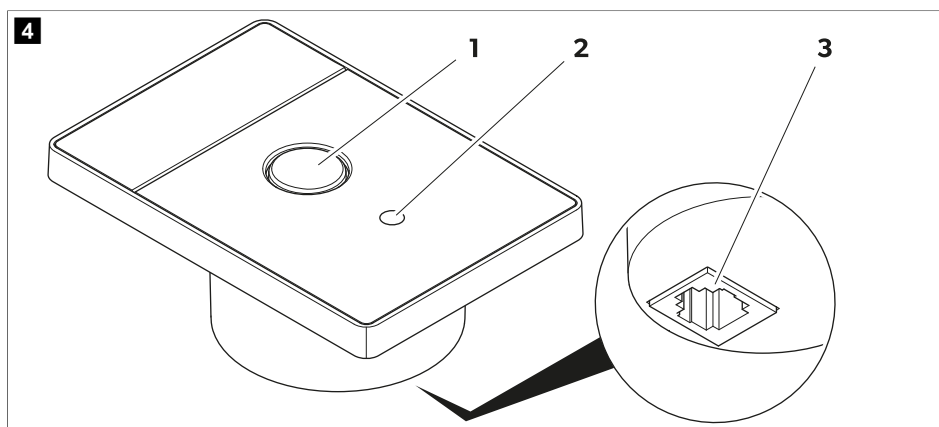


**ΥΠΟΔΕΙΞΗ** Οι αριθμητικές τιμές υποδεικνύουν τις εκδόσεις για την ηπειρωτική Ευρώπη.

Αρ.	Ονομασία
1	(+) ακροδέκτης, σύνδεση με τον θετικό πόλο της μπαταρίας οικιακής χρήσης
2	(-) ακροδέκτης, σύνδεση με τον αρνητικό πόλο της μπαταρίας οικιακής χρήσης
3	Ενδεικτική λυχνία LED κατάσταση
4	Διακόπτης DIP
5	Διακόπτης On/Off

Αρ.	Ονομασία
6	Οι αριθμητικές τιμές υποδεικνύουν τις εκδόσεις για την ηπειρωτική Ευρώπη.
7	Σύνδεση CI BUS/N Bus/τηλεχειριστηρίου (LINB)
8	Σύνδεση CI BUS/N Bus/τηλεχειριστηρίου (LINA)
9	Έξοδος AC
10	Σύνδεση γείωσης
11	Βίδα για ρύθμιση δικτύου IT/TN

### 7.3 Τηλεχειριστήριο



Αρ. στο  σελ. 4  
στη σελίδα 432

Ονομασία

1	Πλήκτρο On/Off
2	Ενδεικτική λυχνία LED κατάστασης
3	Σύνδεση τηλεχειριστηρίου

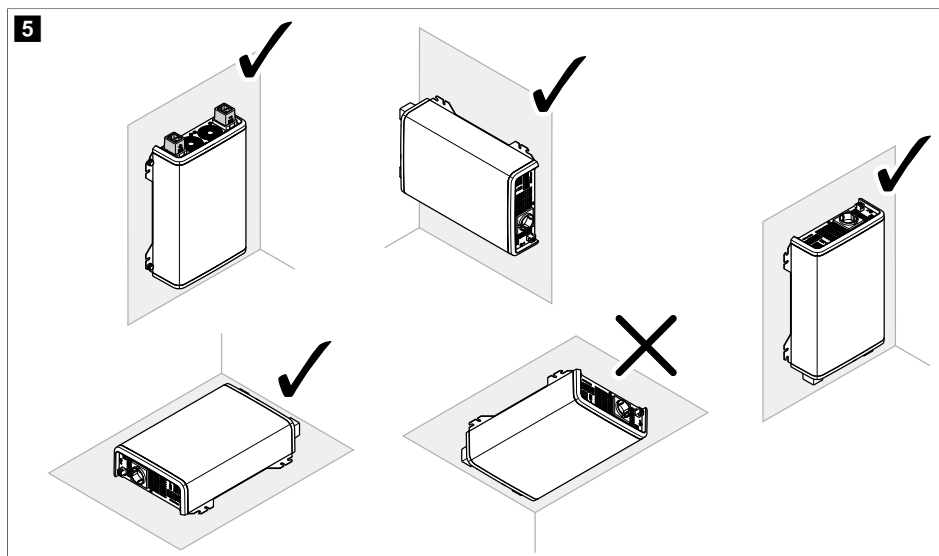
### 7.4 Ενδεικτική λυχνία LED κατάστασης

Κατάσταση	Περιγραφή
Green	Λειτουργία μετατροπέα inverter
Orange	Προειδοποίηση: Υπάρχει έξοδος ρεύματος AC, κίνδυνος υπέρτασης, υπότασης ή διακοπών ρεύματος
Red	Σφάλμα: Δεν υπάρχει ρεύμα εισόδου AC, ο μετατροπέας inverter είναι απενεργοποιημένος (βλ. κεφάλαιο Αντιμετώπιση βλαβών στη σελίδα 442)



## 8 Εγκατάσταση

### 8.1 Θέση τοποθέτησης



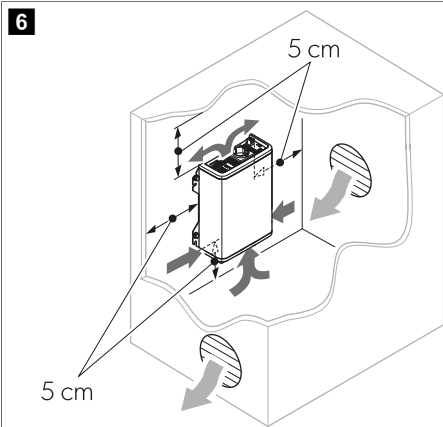
#### **ΠΡΟΣΟΧΗ! Κίνδυνος πρόκλησης ζημιάς**

Πριν από τη διάνοιξη σπών, βεβαιωθείτε ότι δεν υπάρχει περίπτωση να προκληθούν ζημιές σε ηλεκτρικά καλώδια ή άλλα εξαρτήματα του οχήματος από τη διάτρηση, το πριόνισμα ή τη λείανση.




#### **ΥΠΟΔΕΙΞΗ**

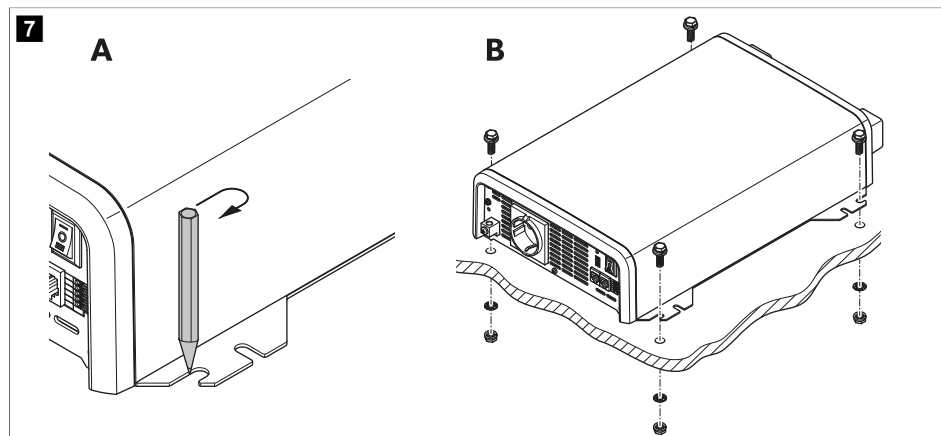
Ο μετατροπέας inverter μπορεί να τοποθετηθεί είτε σε καθιστή είτε σε αναρτημένη θέση (βλ. σχ. **5** στη σελίδα 433).





Τηρήστε τις παρακάτω οδηγίες, όταν επιλέγετε ένα σημείο τοποθέτησης:

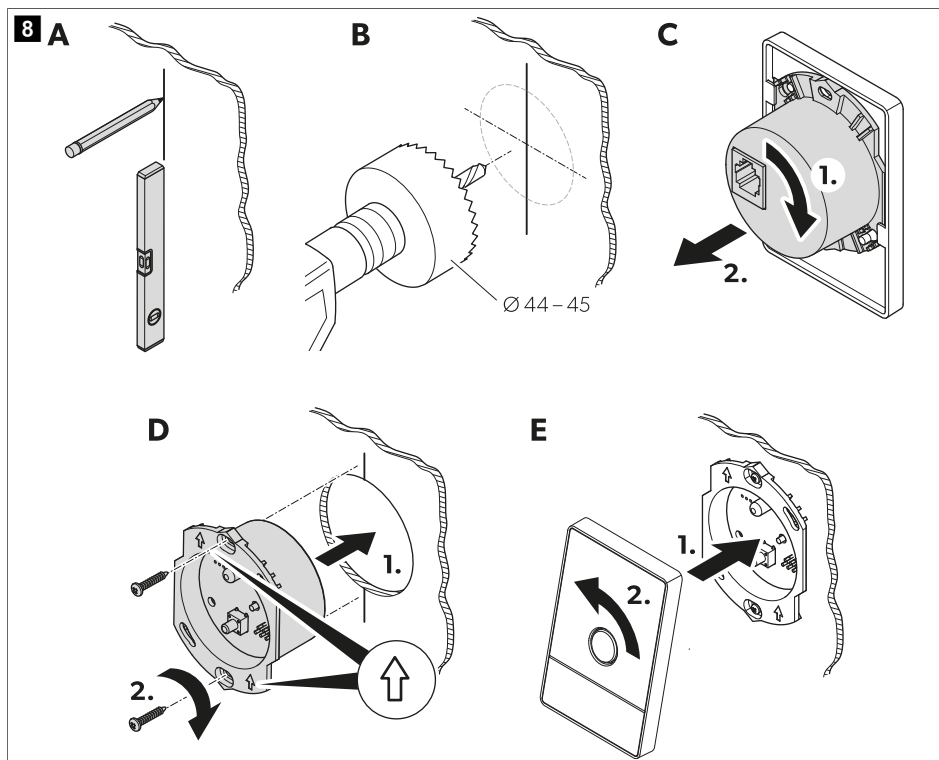
- Βεβαιωθείτε ότι η επιφάνεια τοποθέτησης είναι σταθερή και επίπεδη.
- Τηρείτε τις προδιαγραφές απόστασης για επαρκή αερισμό (  σχ. **6** στη σελίδα 434).

## 8.2 Στερέωση του μετατροπέα inverter



1. Επιλέξτε τις κατάλληλες οπές στερέωσης ανάλογα με τον επιλεγμένο τύπο στερέωσης (σε καθαστή ή αναρτημένη θέση) και σημειώστε τις οπές διάνοιξης (  σχ. **7** στη σελίδα 434, **A**).
2. Διανοίξτε εκ των προτέρων τις οπές στερέωσης.
3. Βιδώστε τον μετατροπέα inverter στη θέση του (  σχ. **7** στη σελίδα 434, **B**).

### 8.3 Στερέωση του τηλεχειριστηρίου



1. Σημαδέψτε την επιφάνεια τοποθέτησης ( σχ. 8 στη σελίδα 435, **A**).
2. Ανοίξετε μια οπή με διάμετρο 44 mm ... 45 mm, π.χ. με ποτηροτρύπανο ( σχ. 8 στη σελίδα 435, **B**).
3. Αφαιρέστε το κουτί διακλάδωσης από τον πίνακα ελέγχου ( σχ. 8 στη σελίδα 435, **C**).
4. Τοποθετήστε το κουτί διακλάδωσης μέσα στην οπή και βιδώστε το στη θέση του ( σχ. 8 στη σελίδα 435, **D**).



**ΥΠΟΔΕΙΞΗ** Βεβαιωθείτε ότι η κατακόρυφη ευθυγράμμιση είναι σωστή, όπως υποδεικνύεται από τα βέλη πάνω στο κουτί διακλάδωσης.

5. Συνδέστε τον πίνακα ελέγχου στο κουτί διακλάδωσης ( σχ. 8 στη σελίδα 435, **E**).
6. Αφαιρέστε το προστατευτικό φιλμ.

## 8.4 Σύνδεση του μετατροπέα inverter



Η ηλεκτρολογική εγκατάσταση καθώς και η ρύθμιση της συσκευής πρέπει να πραγματοποιούνται από έναν εξειδικευμένο ηλεκτρολόγο, ο οποίος διαθέτει αντίστοιχη κατάρτιση και επαρκείς γνώσεις σχετικά με την κατασκευή και τη λειτουργία ηλεκτρικού εξοπλισμού και ηλεκτρικών εγκαταστάσεων, είναι εξοικειωμένος με τους σχετικούς κανονισμούς της χώρας, στην οποία πρόκειται να εγκατασταθεί ή/και να χρησιμοποιηθεί ο εξοπλισμός και έχει λάβει εκπαίδευση ασφαλείας για την αναγνώριση και την αποφυγή των σχετικών κινδύνων.

Όλες οι άλλες ενέργειες μπορούν επίσης να πραγματοποιηθούν από μη επαγγελματίες χρήστες.



### ΠΡΟΕΙΔΟΠΟΙΗΣΗ! Κίνδυνος ηλεκτροπληξίας

Τηρήστε τις συνιστώμενες τιμές διατομής καλωδίων, μήκους καλωδίων και ασφαλειών.



### ΠΡΟΦΥΛΑΞΗ! Κίνδυνος πυρκαγιάς

Τοποθετήστε τις ασφάλειες κοντά στις μπαταρίες, για να προστατέψετε τα καλώδια από τυχόν βραχυκυκλώματα και καψίματα.



### ΠΡΟΣΟΧΗ! Κίνδυνος πρόκλησης ζημιάς

- > Μην αντιστρέψετε την πολικότητα.
- > Σφίξτε τα παξιμάδια και τις βίδες με μέγιστη ροπή σύσφιξης 15 Nm. Οι χαλαρές συνδέσεις μπορεί να οδηγήσουν σε υπερθέρμανση.

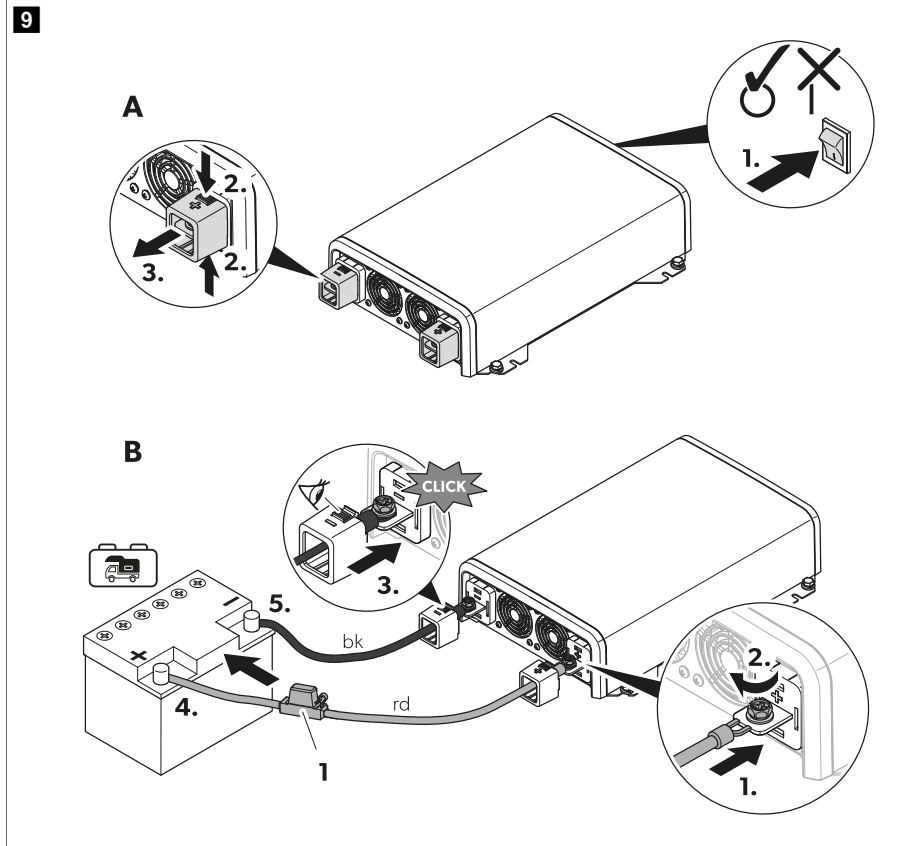
Τηρήστε τις παρακάτω οδηγίες κατά τη σύνδεση του μετατροπέα inverter:



- Τηρείτε τους ισχύοντες κανονισμούς, όταν ρυθμίζετε ένα κύκλωμα διανομής πρίζας (εγκατάσταση ηλεκτρικού δικτύου).
- Επιλέξτε όσο το δυνατόν πιο κοντό μήκος καλωδίου των καλωδίων DC (σύνδεση με τους ακροδέκτες της μπαταρίας)  $\leq 1$  m).
- Για σύνδεση του **δικτύου TN**: Εγκαταστήστε μια συσκευή υπολειπόμενου ρεύματος (RCD).
- Για σύνδεση του **δικτύου IT**: Εγκαταστήστε μια συσκευή παρακολούθησης μόνωσης (IMD), εάν είναι συνδεδεμένα περισσότερα από ένα φορτία. **Ισχύουν τα εθνικά πρότυπα.**

1. Προσδιορίστε τις διατομές καλωδίων και ασφαλείας:


	Διατομή καλωδίου	Ασφάλεια καλωδίου
DPSI612	25 mm <sup>2</sup>	150 A
DPSI624	25 mm <sup>2</sup>	150 A
DPSI1012	35 mm <sup>2</sup>	200 A
DPSI1024	25 mm <sup>2</sup>	150 A
DPSI1512	50 mm <sup>2</sup>	250 A
DPSI1524	25 mm <sup>2</sup>	150 A
DPSI2012	70 mm <sup>2</sup>	300 A
DPSI2024	35 mm <sup>2</sup>	200 A



2. Για απενεργοποίηση του μετατροπέα inverter, αποσυνδέστε την ακίδα ENB+ από τη δευτερεύουσα μπαταρία οχήματος/σκάφους.

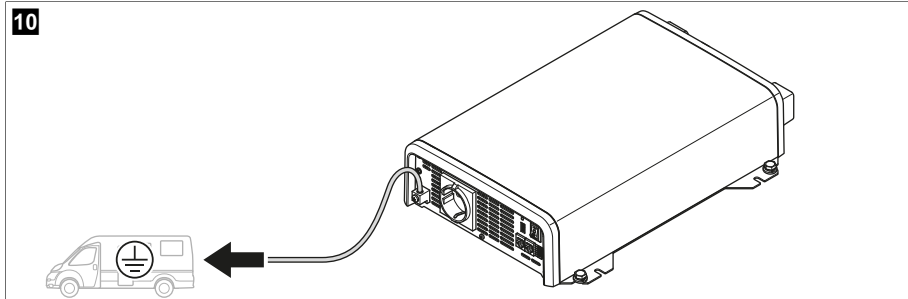


3. Αποσπάστε τα καλύμματα από τους ακροδέκτες (  σχ. **9** στη σελίδα 437, **2-3**).
4. Συνδέστε το (+) στον θετικό πόλο της δευτερεύουσας μπαταρίας οχήματος/σκάφους (κόκκινο (rd) καλώδιο σύνδεσης,  σχ. **9** στη σελίδα 437, **4**).



**ΥΠΟΔΕΙΞΗ** Προστατέψτε το θετικό καλώδιο της μπαταρίας οικιακής χρήσης με ασφάλεια (  σχ. **9** στη σελίδα 437, **1**).

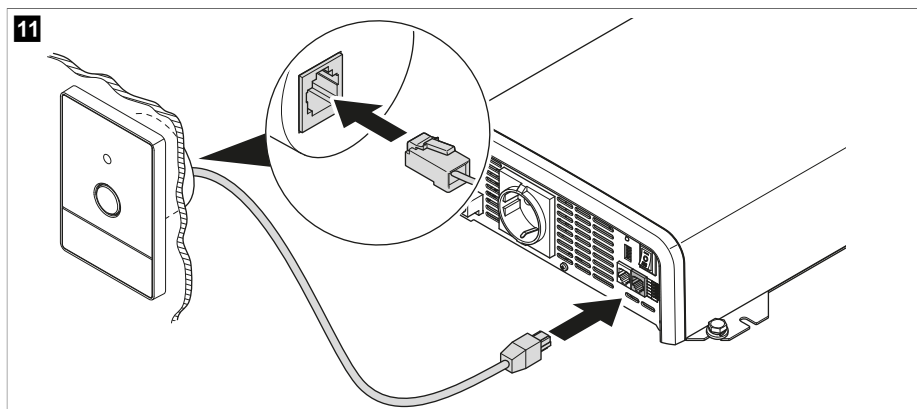
5. Συνδέστε το (-) στον αρνητικό πόλο της δευτερεύουσας μπαταρίας οχήματος/σκάφους (μαύρο (bk) καλώδιο σύνδεσης) (  σχ. **9** στη σελίδα 437, **5**).
6. Συνδέστε τη σύνδεση γείωσης στη γείωση (στο σασί) (  σχ. **10** στη σελίδα 438).



## 8.5 Σύνδεση του τηλεχειριστηρίου

**i** **ΥΠΟΔΕΙΞΗ** Το τηλεχειριστήριο και το δίκτυο N-BUS/CI-BUS δεν μπορούν να είναι συνδεδεμένα ταυτόχρονα.

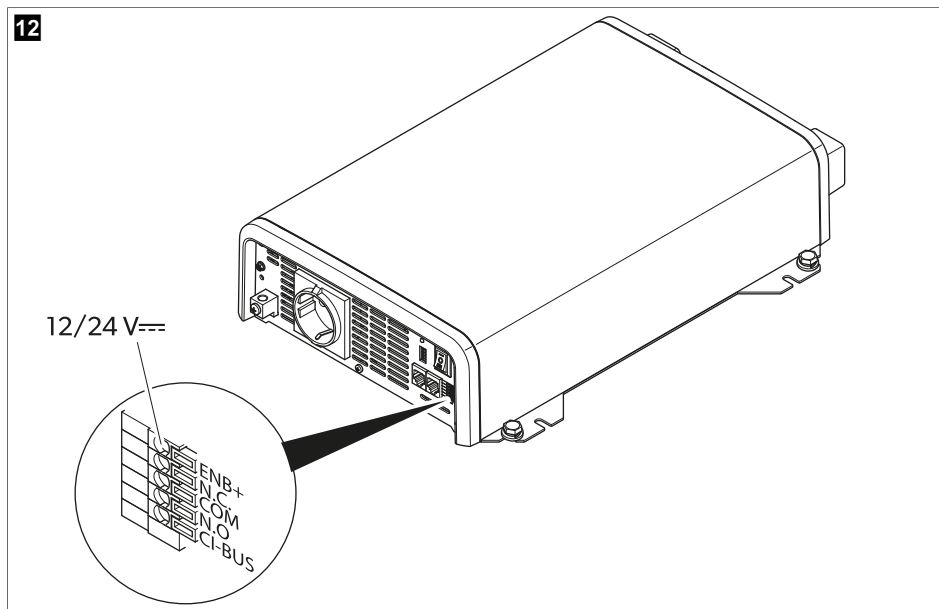
- > Συνδέστε το τηλεχειριστήριο στη σύνδεση τηλεχειριστηρίου χρησιμοποιώντας το καλώδιο σύνδεσης του τηλεχειριστηρίου.



## 8.6 Σύνδεση της ακίδας ENB+

**i** **ΥΠΟΔΕΙΞΗ** Εάν συνδεθεί η ακίδα ENB+, η κατάσταση της λειτουργίας εξοικονόμησης ενέργειας δεν μπορεί να αλλάξει.

12



1. Ρυθμίστε τον διακόπτη ενεργοποίησης/απενεργοποίησης στη θέση 0.
2. Χρησιμοποιήστε την ακίδα ENB+ ως εξής:
  - Για ενεργοποίηση του μετατροπέα inverter, συνδέστε την ακίδα ENB+ στον θετικό πόλο της δευτερεύουσας μπαταρίας οχήματος/σκάφους μέσω κατάλληλου καλωδίου.
  - Για απενεργοποίηση του μετατροπέα inverter, αποσυνδέστε την ακίδα ENB+ από τη δευτερεύουσα μπαταρία οχήματος/σκάφους.

## 9 Διαμόρφωση του συστήματος δικτύου





Η ηλεκτρολογική εγκατάσταση καθώς και η ρύθμιση της συσκευής πρέπει να πραγματοποιούνται από έναν εξειδικευμένο ηλεκτρολόγο, ο οποίος διαθέτει αντίστοιχη κατάρτιση και επαρκείς γνώσεις σχετικά με την κατασκευή και τη λειτουργία ηλεκτρικού εξοπλισμού και ηλεκτρικών εγκαταστάσεων, είναι εξοικειωμένος με τους σχετικούς κανονισμούς της χώρας, στην οποία πρόκειται να εγκατασταθεί ή/και να χρησιμοποιηθεί ο εξοπλισμός και έχει λάβει εκπαίδευση ασφαλείας για την αναγνώριση και την αποφυγή των σχετικών κινδύνων.

Όλες οι άλλες ενέργειες μπορούν επίσης να πραγματοποιηθούν από μη επαγγελματίες χρήστες.

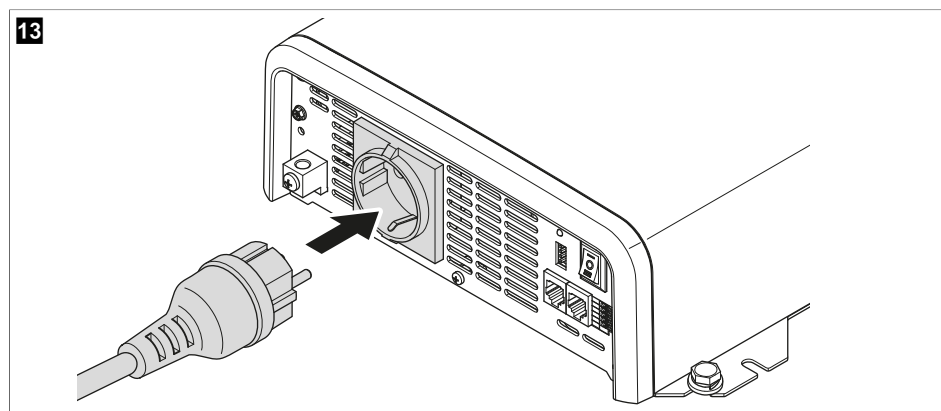


### ΚΙΝΔΥΝΟΣ! Κίνδυνος ηλεκτροπληξίας

- > Αφαιρέστε μόνο το προστατευτικό καπάκι από τον διακόπτη DIP για διαμόρφωση.
  - > Επανατοποθετήστε το προστατευτικό καπάκι, για να αποτρέψετε την τυχαία ρύθμιση του διακόπτη DIP.
  - > Για διαμόρφωση του **δικτύου TN**: Βεβαιωθείτε ότι έχει εγκατασταθεί μια συσκευή υπολειπόμενου ρεύματος (RCD).
  - > Για διαμόρφωση του **δικτύου IT**: Λειτουργήστε μόνο ένα φορτίο ή εγκαταστήστε μια συσκευή παρακολούθησης μόνωσης (IMD). Τηρήστε τα εθνικά πρότυπα.
- > Τοποθετήστε τη βίδα στη θέση  για να ρυθμίσετε το **δίκτυο TN**.
  - > Τοποθετήστε τη βίδα στη θέση  για να ρυθμίσετε το **δίκτυο IT**.

## 10 Λειτουργία

### 10.1 Λειτουργία συσκευών 230 V



#### ΥΠΟΔΕΙΞΗ

Συνδέστε μόνο συσκευές, των οποίων το συνολικό φορτίο δεν υπερβαίνει τις τιμές που αναφέρονται στην ενότητα Τεχνικά χαρακτηριστικά στη σελίδα 443.

- > Συνδέστε τις συσκευές 230 V στην έξοδο ρεύματος AC του μετατροπέα inverter (  σχ. **13** στη σελίδα 440).

### 10.2 Ενεργοποίηση και απενεργοποίηση του μετατροπέα inverter



#### ΥΠΟΔΕΙΞΗ

- > Εάν ο μετατροπέας inverter πρόκειται να ελεγχθεί μέσω του τηλεχειριστηρίου, ο διακόπτης ενεργοποίησης/απενεργοποίησης πρέπει να τεθεί στη θέση **II**.
  - > Η λειτουργία εξοικονόμησης ενέργειας απενεργοποιείται.
- > Για να ενεργοποιήσετε τον μετατροπέα inverter, θέστε τον διακόπτη ενεργοποίησης/απενεργοποίησης στη θέση **I**.



- > Για να απενεργοποιήσετε τον μετατροπέα inverter, θέστε τον διακόπτη ενεργοποίησης/ απενεργοποίησης στη θέση **0**.
- > Χρησιμοποιήστε το τηλεχειριστήριο ή την ακίδα ENB+ για την ενεργοποίηση και την απενεργοποίηση του μετατροπέα inverter.

### 10.3 Ρύθμιση της λειτουργίας εξοικονόμησης ενέργειας



#### ΥΠΟΔΕΙΞΗ

- Αν ο διακόπτης DIP S2 είναι ρυθμισμένος στη θέση **OFF**, ο μετατροπέας inverter μεταβαίνει αυτόματα στην κανονική λειτουργία όταν συνδέεται ένα φορτίο  $\geq 45$  W.
- Αν ο διακόπτης DIP S2 είναι ρυθμισμένος στη θέση **ON**, ο μετατροπέας inverter μεταβαίνει αυτόματα στην κανονική λειτουργία όταν συνδέεται ένα φορτίο  $\geq 80$  W.
- Η κατάσταση της λειτουργίας εξοικονόμησης ενέργειας δεν μπορεί να αλλάξει αν χρησιμοποιείται το τηλεχειριστήριο ή η ακίδα ENB+, εκτός αν εκτελεστεί ένας πλήρης κύκλος ενεργοποίησης-απενεργοποίησης

**Η κατάσταση της λειτουργίας εξοικονόμησης ενέργειας δεν μπορεί να αλλάξει αν χρησιμοποιείται το τηλεχειριστήριο ή η ακίδα ENB+, εκτός αν εκτελεστεί ένας πλήρης κύκλος ενεργοποίησης-απενεργοποίησης**

1. Εάν απαιτείται, απενεργοποιήστε τον μετατροπέα inverter.
  2. Σύρετε τον διακόπτη DIP S1 στη θέση **ON**.
- ✓ Η λειτουργία εξοικονόμησης ενέργειας ενεργοποιείται.

#### Απενεργοποίηση της λειτουργίας εξοικονόμησης ενέργειας

1. Απενεργοποιήστε τον μετατροπέα inverter.
  2. Σύρετε τον διακόπτη DIP S1 στη θέση **OFF**.
- ✓ Η λειτουργία εξοικονόμησης ενέργειας απενεργοποιείται.

## 11 Καθαρισμός και φροντίδα



#### ΠΡΟΕΙΔΟΠΟΙΗΣΗ! Κίνδυνος ηλεκτροπληξίας

Αποσυνδέστε τη συσκευή από την τροφοδοσία ηλεκτρικού ρεύματος πριν από τον καθαρισμό και τη συντήρηση.



#### ΠΡΟΣΟΧΗ! Κίνδυνος πρόκλησης ζημιάς

- > Μην καθαρίζετε ποτέ τη συσκευή κάτω από τρεχούμενο νερό ή μέσα σε σαμπουάδα.
  - > Για τον καθαρισμό, μη χρησιμοποιείτε αιχμηρά ή σκληρά αντικείμενα, τριβικά καθαριστικά μέσα ή λευκαντικά, διότι ενδέχεται να προκαλέσουν ζημιές στη συσκευή.
  - > Βεβαιωθείτε ότι τα ανοίγματα αερισμού και εξαερισμού της συσκευής είναι καθαρά από σκόνη και ρύπους, ώστε να μπορεί να απαχθεί η θερμότητα.
- > Καθαρίστε περιστασιακά τη συσκευή με ένα μαλακό, υγρό πανί.
  - > Ελέγχετε τακτικά τα ρευματοφόρα καλώδια ή τις ρευματοφόρες γραμμές για βλάβες μόνωσης, σημεία θραύσης ή λασκαρισμένες συνδέσεις.

## 12 Αντιμετώπιση βλαβών

πρόβλημα	Αιτία	Προτεινόμενη θεραπεία
Ο μετατροπέας inverter δεν λειτουργεί. Η ενδεικτική λυχνία LED κατάστασης είναι σβηστή.	Βραχυκύκλωμα πέντε φορές διαδοχικά.	<ul style="list-style-type: none"> <li>&gt; Η ασφάλεια τήξης της συσκευής πρέπει να αντικαθίσταται από έναν εξουσιοδοτημένο τεχνικό του τμήματος εξυπηρέτησης πελατών, όταν έχει καεί λόγω υπερβολικά υψηλής έντασης ρεύματος.</li> </ul>
	Βλάβες μόνωσης, σημεία θραύσης ή λασκαρισμένες συνδέσεις στα ρευματοφόρα καλώδια.	<ul style="list-style-type: none"> <li>&gt; Ελέγξτε τα ρευματοφόρα καλώδια για βλάβες μόνωσης, σημεία θραύσης ή λασκαρισμένες συνδέσεις.</li> </ul> <p>Εάν δεν μπορείτε να εντοπίσετε κάποιο πρόβλημα, επικοινωνήστε με έναν εξουσιοδοτημένο τεχνικό του τμήματος εξυπηρέτησης πελατών.</p>
Ο μετατροπέας inverter δεν λειτουργεί. Η λυχνία LED κατάστασης ανάβει με κόκκινο χρώμα.	Προστασία από υψηλή ένταση ρεύματος εξόδου.	Μειώστε τα συνδεδεμένα φορτία.
	Τερματισμός λειτουργίας υψηλής θερμοκρασίας.	<ol style="list-style-type: none"> <li>1. Απενεργοποιήστε τον μετατροπέα inverter και τα συνδεδεμένα φορτία.</li> <li>2. Ελέγξτε ότι οι εισοδοί και οι εξοδοί αέρα δεν είναι καλυμμένες ή φραγμένες.</li> <li>3. Αφήστε τον μετατροπέα inverter να κρυώσει.</li> </ol>
	Έχει προκληθεί βραχυκύκλωμα.	Η ασφάλεια τήξης της συσκευής πρέπει να αντικαθίσταται από έναν εξουσιοδοτημένο τεχνικό του τμήματος εξυπηρέτησης πελατών, όταν έχει καεί λόγω υπερβολικά υψηλής έντασης ρεύματος.
	Τερματισμός λειτουργίας λόγω υπέρτασης. Πολύ υψηλή τάση μπαταρίας.	<ul style="list-style-type: none"> <li>&gt; Μειώστε τη συνδεδεμένη τάση. Ο μετατροπέας inverter επανεκκινείται αυτόματα, όταν η τάση μειωθεί μέχρι την τιμή επανεκκίνησης (βλ. κεφάλαιο Τερματισμός λειτουργίας λόγω υπέρτασης στη σελίδα 445).</li> <li>&gt; Εάν το σφάλμα παραμένει: Αυξήστε τις διατομές καλωδίων. Μειώστε το μήκος καλωδίου.</li> </ul>
Τερματίστε τη λειτουργία λόγω πολύ χαμηλής τάσης. Η τάση της μπαταρίας είναι πάρα πολύ χαμηλή.	<ul style="list-style-type: none"> <li>&gt; Αφήστε την μπαταρία να επαναφορτιστεί αργά. Ο μετατροπέας inverter επανεκκινείται αυτόματα, όταν η τάση υπερβεί την τιμή επανεκκίνησης (βλ. κεφάλαιο Τερματισμός λειτουργίας λόγω πολύ χαμηλής τάσης στη σελίδα 445).</li> </ul>	

## 13 Εγγύηση

Ισχύει η νόμιμη διάρκεια εγγύησης. Εάν το προϊόν είναι ελαττωματικό, επικοινωνήστε με τον αντιπρόσωπο του κατασκευαστή στη χώρα σας (βλ. [dometic.com/dealer](http://dometic.com/dealer)) ή στο κατάστημα αγοράς.

Για τυχόν επισκευή ή αξίωση κάλυψης από την εγγύηση, παρακαλούμε να αποστείλετε επίσης τα παρακάτω έγγραφα μαζί με τη συσκευή:

- Ένα αντίγραφο της απόδειξης αγοράς με την ημερομηνία αγοράς
- Τον λόγο για την αξίωση κάλυψης από την εγγύηση ή μια περιγραφή του σφάλματος

Λάβετε υπόψη ότι τυχόν επισκευή από εσάς τον ίδιο ή μη επαγγελματική επισκευή ενδέχεται να έχει συνέπειες ασφαλείας καθώς και να αποτελέσει αιτία ακύρωσης της εγγύησης.

## 14 Απόρριψη

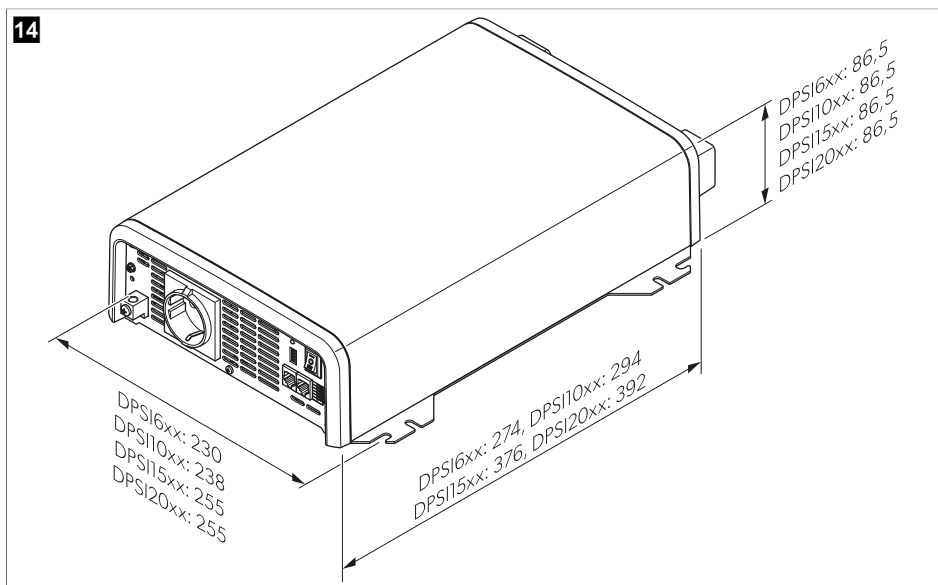


Εάν είναι εφικτό, απορρίψτε τα υλικά συσκευασίας στους αντίστοιχους κάδους ανακύκλωσης.

Συμβουλευθείτε ένα τοπικό κέντρο ανακύκλωσης ή έναν εξειδικευμένο αντιπρόσωπο για λεπτομέρειες σχετικά με τον τρόπο απόρριψης του προϊόντος σύμφωνα με τους ισχύοντες κανονισμούς διάθεσης απορριμμάτων.

Το προϊόν μπορεί να απορριφθεί δωρεάν.

## 15 Τεχνικά χαρακτηριστικά



DPSI 612


DPSI 1012


DPSI 624

DPSI 1024

Όνομαστική τάση εισόδου

12 V<sub>DC</sub>24 V<sub>DC</sub>

	DPSI 612	DPSI 1012	DPSI 624	DPSI 1024
Περιοχή τάσης εισόδου	10,5 ... 16,5 V <sub>~</sub>		21 ... 33 V <sub>~</sub>	
Συνεχής ισχύς εξόδου P <sub>ονομ.</sub>	600 W	1000 W	600 W	1000 W
Μέγιστη ισχύς εξόδου (1 min)	690 W	1150 W	690 W	1150 W
Μέγιστη ισχύς υπέρτασης (1 s) P <sub>υπέρ-τάσης</sub>	1200 W	2000 W	1200 W	2000 W
Κατανάλωση έντασης ρεύματος σε λειτουργία αδράνειας	≤ 1 A	≤ 1,1 A	≤ 0,6 A	≤ 0,6 A
Κατανάλωση έντασης ρεύματος σε λειτουργία αναμονής	≤ 0,3 A	≤ 0,35 A	≤ 0,2 A	≤ 0,2 A
Διαστάσεις	 σχ. 14 στη σελίδα 443			
Βάρος	1,1 kg	1,2 kg	1,1 kg	1,2 kg

	DPSI 1512	DPSI 2012	DPSI 1524	DPSI 2024
Ονομαστική τάση εισόδου	12 V <sub>~</sub>		24 V <sub>~</sub>	
Περιοχή τάσης εισόδου	10,5 ... 16,5 V <sub>~</sub>		21 ... 33 V <sub>~</sub>	
Συνεχής ισχύς εξόδου P <sub>ονομ.</sub>	1500 W	2000 W	1500 W	2000 W
Μέγιστη ισχύς εξόδου (1 min)	1725 W	2300 W	1725 W	2300 W
Μέγιστη ισχύς υπέρτασης (1 s) P <sub>υπέρ-τάσης</sub>	3000 W	4000 W	3000 W	4000 W
Κατανάλωση έντασης ρεύματος σε λειτουργία αδράνειας	≤ 1,2 A	≤ 1,5 A	≤ 0,7 A	≤ 0,8 A
Κατανάλωση έντασης ρεύματος σε λειτουργία αναμονής	≤ 0,4 A	≤ 0,5 A	≤ 0,25 A	≤ 0,3 A
Διαστάσεις	 σχ. 14 στη σελίδα 443			
Βάρος	1,1 kg	1,2 kg	1,1 kg	1,2 kg

## 15.1 Γενικά τεχνικά στοιχεία

Εύρος τάσεων εξόδου	230 V <sub>~</sub> ± 10 %
Συχνότητα εξόδου	50 Hz ± 1 %
Κυματομορφή εξόδου	Καθαρό ημιτονοειδές κύμα
Μέγιστη απόδοση	90 %
Θερμοκρασία περιβάλλοντος για τη λειτουργία	0 ... 50 °C
Θερμοκρασία περιβάλλοντος για την αποθήκευση	- 30 °C ... 70 °C
Υγρασία περιβάλλοντος	0 ... 95 %, non-condensing

Έλεγχος / πιστοποίηση



## 15.2 Τερματισμός λειτουργίας λόγω πολύ χαμηλής τάσης

	Τιμή διακοπής	Τιμή επανεκκίνησης
DPSlxx12	10,3 V	11,8 V
DPSlxx24	20,6 V	23,6 V

## 15.3 Τερματισμός λειτουργίας λόγω υπέρτασης

	Τιμή διακοπής	Τιμή επανεκκίνησης
DPSlxx12	16,5 V	15,5 V
DPSlxx24	33 V	31 V

## Lietuvių k.

1	Svarbios pastabos.....	446
2	Simbolių paaiškinimas.....	446
3	Saugos instrukcijos.....	447
4	Pristatoma komplektacija.....	450
5	Priedai.....	450
6	Paskirtis.....	450
7	Techninis aprašymas.....	451
8	Montavimas.....	454
9	Tinklo sistemos konfigūravimas.....	460
10	Naudojimas.....	461
11	Valymas ir priežiūra.....	462
12	Gedimų nustatymas ir šalinimas.....	462
13	Garantija.....	463
14	Utilizavimas.....	463
15	Techniniai duomenys.....	464

## 1 Svarbios pastabos

Atidžiai perskaitykite šią instrukciją ir sekite visas instrukcijas, nurodymus ir perspėjimus, pateiktus šiame gaminio vadove, ir griežtai jų laikykitės, kad užtikrintumėte, jog šis gaminys visada bus įrengtas, naudojamas ir prižiūrimas tinkamai. Ši instrukcija PRIVALO likti šalia šio gaminio.

Naudodamiesi šiuo gaminiu patvirtinate, kad atidžiai perskaitėte visas instrukcijas, nurodymus ir perspėjimus ir suprantate dokumente išdėstytas sąlygas bei sutinkate jų laikytis. Šį gaminį sutinkate naudoti tik pagal numatytąją paskirtį ir taip, kaip nurodo šioje gaminio instrukcijoje pateiktos instrukcijos, nurodymai ir perspėjimai, taip pat laikydamiesi taikomų teisinių ir teisės aktų. Nesusipažinus su šioje instrukcijoje pateiktomis instrukcijomis ir perspėjimais ir jų nesilaikius galite susižaloti patys ir sužaloti kitus asmenis, pažeisti gaminį arba pridaryti žalos kitai netoliese esančiai nuosavybei. Ši gaminio instrukcija, taip pat ir instrukcijos, nurodymai, perspėjimai ir kiti susiję dokumentai, gali būti keičiami ir atnaujinami. Norėdami gauti naujausios informacijos apie gaminį, apsilankykite adresu [documents.domestic.com](http://documents.domestic.com).

## 2 Simbolių paaiškinimas

Signalinių žodžių pažymima informacija apie saugą ir turtinę žalą, taip pat nurodomas pavojaus rimtumo laipsnis ar lygis.



### **PAVOJUS!**

nurodo pavojingą situaciją, kurios neišvengus gresia mirtinas arba sunkus sužalojimas.



### **ĮSPĖJIMAS!**

nurodo pavojingą situaciją, kurios neišvengus gali grėsti mirtinas arba sunkus sužalojimas.



### **PERSPĖJIMAS!**

nurodo pavojingą situaciją, kurios neišvengus gali grėsti lengvas arba vidutinio sunkumo sužalojimas.



### **PRANEŠIMAS!**

Nurodo situaciją, kurios neišvengus, gresia materialinė žala.



**PASTABA** Papildoma informacija apie gaminio eksploatavimą.

## 3 Saugos instrukcijos

Taip pat laikykitės transporto priemonės gamintojo ir įgaliotų remonto dirbtuvių išduotų saugos instrukcijų ir nurodymų.

### 3.1 Bendroji sauga



#### **PAVOJUS! Elektros srovės pavojus**

- > Nelieskite laidų plikomis rankomis.
- > Kad būtų galima greitai atjungti prietaisą nuo kintamosios srovės tinklo, lizdas turi būti netoli prietaiso ir lengvai pasiekiamas.



#### **ĮSPĖJIMAS! Elektros srovės pavojus**

- > Prietaisą montuoti ir atjungti gali tik kvalifikuoti darbuotojai.
- > Nenaudokite prietaiso, jei pats prietaisas arba jungiamasis kabelis yra akivaizdžiai pažeisti.
- > Jeigu šio prietaiso laidas pažeistas, reikia pakeisti maitinimo laidą, siekiant užkirsti kelią pavojui dėl saugos.
- > Šį prietaisą gali taisyti tik kvalifikuotas personalas. Netinkamai remontuojant gali kilti rimtas pavojus.
- > Naudokite tik gamintojo rekomenduojamus priedus.
- > Jokiu būdu nemodifikuokite ir nepadapduokite jokių komponentų.
- > Kol naudojate prietaisą, neatjunkite jokių kabelių.
- > Atjunkite prietaisą nuo maitinimo šaltinio:
  - Po naudojimo
  - Prieš kiekvieną valymą ir techninę priežiūrą
  - Prieš keičiant saugiklius



#### **ĮSPĖJIMAS! Gaisro pavojus / degios medžiagos**

Kilus gaisrui, naudokite elektros prietaisams gesinti tinkamą gesintuvą.



#### **ĮSPĖJIMAS! Uždusimo pavojus**

Netinkamai išdėsčius, prietaiso kabelis ir valdymo blokas gali kelti riziką įsipainioti, pasismaugti, užkliūti ar užminti. Pasirūpinkite, kad per ilgi dirželiai ir maitinimo kabeliai būtų tiesiami saugiai.



#### **ĮSPĖJIMAS! Pavojus sveikatai**

- > Šį prietaisą gali naudoti vaikai nuo 8 metų amžiaus ir fizinių, sensorinių arba psichikos sutrikimų turintys arba stokojančys patirties ir žinių asmenys, jeigu jie yra prižiūrimi arba instruktuojami dėl šio prietaiso naudojimo saugiai ir suvokia jo keliamus pavojus.
- > **Elektros prietaisai nėra žaislai.** Visada laikykite ir naudokite prietaisą mažiems vaikams nepasiekiamoje vietoje.
- > Vaikus reikia prižiūrėti, kad jie nežaistų su prietaisu.
- > Vaikams draudžiama šį prietaisą valyti ir atlikti jo techninę priežiūrą be suaugusiųjų priežiūros.

**PRANEŠIMAS! Žalos pavojus**

- > Prieš paleisdami įsitikinkite, kad tipo etiketėje nurodyta įtampa sutampa su jūsų maitinimo šaltinio įtampa.
- > Įsitikinkite, kad kiti objektai **negalėtų** sukelti prietaiso kontaktų trumpojo jungimo.
- > Užtikrinkite, kad neigiami ir teigiami poliai **niekada** nesusiliestų.
- > Netraukite už jungiamųjų kabelių ir nenaudokite jų kaip rankenos.
- > Saugokite prietaisą nuo lietaus ir drėgmės. Laikykite sausoje vietoje.

**3.2 Saugus prietaiso montavimas****PAVOJUS! Sprogimo pavojus**

- > Montuokite ir naudokite prietaisą tik uždarose ir gerai ventiliuojamose patalpose.
- > **Draudžiama** montuoti ar naudoti prietaisą toliau nurodytomis sąlygomis:
  - Sūrioje, šlapioje ar drėgnoje aplinkoje
  - šalia išsūjančių dūmų;
  - šalia degių medžiagų;
  - šalia šilumos šaltinių (šildytuvų, tiesioginės saulės šviesos, dujinių orkaitių ir pan.);
  - srityse, kuriose kyla dujų ar dulkių sprogo pavojus.

**ĮSPĖJIMAS! Sužalojimų rizika**

- > Užtikrinkite, kad prietaisas stovi tvirtai. Prietaisas turi būti pastatytas ir pritvirtintas taip, kad negalėtų apvirtti ar nukristi.
- > Statydami prietaisą į vietą, įsitikinkite, kad visi kabeliai tinkamai pritvirtinti, kad būtų išvengta bet kokio apvirtimo pavojaus.

**PRANEŠIMAS! Žalos pavojus**

- > Dėkite prietaisą sausoje vietoje, kurioje jis bus apsaugotas nuo taškomo vandens.
- > Naudokite tik įžemintus ir liekamosios srovės jungtuvais apsaugotus lizdus

**3.3 Sauga jungiant prietaisą elektriniu būdu****PAVOJUS! Elektros srovės pavojus**

Jei dirbate su elektros sistemomis, pasirūpinkite, kad šalia jūsų būtų asmuo, kuris kritiniais atvejais galėtų padėti.

**ĮSPĖJIMAS! Elektros srovės pavojus**

- > Atsižvelkite į rekomenduojamus kabelių skerspjūvius.
- > Kabelius išdėstykite taip, kad jų negalėtų pažeisti durys arba gaubtas. Sutraiškyti kabeliai gali sukelti rimtų sužalojimų.

**PRANEŠIMAS! Žalos pavojus**

- > Naudokite ortakius ar kabelių kanalus, jei reikia kloti kabelius per metalines plokštes ar kitas plokštes su aštriais kraštais.
- > **Negalima** tiesti 230 V maitinimo iš elektros tinklo kabelio ir 12 V nuolatinės srovės kabelio tame pačiame kanale.
- > **Negalima** tiesti kabelio taip, kad jis būtų laisvas ar stipriai sulenktas.
- > Patikimai priveržkite kabelius.



### 3.4 Saugos atsargumo priemonės tvarkant akumulatorius



#### **ĮSPĖJIMAS! Sužalojimų rizika**

- > Akumulatoriuose yra agresyvių ir edžiųjų rūgščių. Neleiskite akumulatoriaus skysčiui patekti ant kūno. Jei visgi ant odos patenka akumulatoriaus skysčio, tą kūno vietą gerai nuplaukite vandeniu. Dėl rūgšties patyrę sužalojimų nedelsiant kreipkitės į gydytoją.
- > Dirbdami su akumulatoriais, nedėvėkite metalinių daiktų, pvz., laikrodžių arba žiedų. Rūgštiniai švino akumulatoriai gali sukelti trumpąjį jungimąsi ir rimtai sužaloti.
- > Naudokite tik izoliuotus įrankius.
- > Nedėkite ant akumulatoriaus jokių metalinių dalių ir saugokitės, kad jos nenukristų ant akumulatoriaus. Tai gali sukelti kibirkštis arba trumpąjį akumulatoriaus ir kitų elektrinių prietaisų jungimą.
- > Dirbdami su akumulatoriais dėvėkite apsauginius akinius ir apsauginius drabužius. Dirbdami su akumulatoriais nelieskite akių.
- > Naudokite tik įkraunamus akumulatorius.
- > Nenaudokite sugedusių akumuliatorių.



#### **PERSPĖJIMAS! Sprogimo pavojus**

- > Niekada nebandykite įkrauti sušalusio arba sugedusio akumulatoriaus. Akumuliatorių laikykite neužšalancioje vietoje ir palaukite, kol jis taps prisitaikys prie aplinkos temperatūros. Tada pradėkite įkrauti.
- > Šalia variklio arba akumulatoriaus nerūkykite, nenaudokite atviros liepsnos ir nekelkite kibirkščių.
- > Akumuliatorių laikykite atokiai nuo šilumos šaltinių.



#### **PRANEŠIMAS! Žalos pavojus**

- > Prijungdami akumuliatorių įsitinkinkite, kad poliškumas teisingas.
- > Vadovaukitės akumulatoriaus gamintojo nurodymais, taip pat sistemos arba transporto priemonės, kurioje akumulatorius naudojamas, gamintojo nurodymais.
- > Jei akumuliatorių reikia išimti, pirmiausia atjunkite įžeminimo jungtį. Prieš išimdami akumuliatorių atjunkite visus jungtis ir elektros energiją vartojančius prietaisus.
- > Laikyti padėkite tik visiškai įkrautus akumulatorius. Laikomus akumulatorius reguliariai įkraukite.
- > Neneškite akumulatoriaus už gnybtų.

### 3.5 Saugos prietaiso naudojimas



#### **ĮSPĖJIMAS! Elektros srovės pavojus**

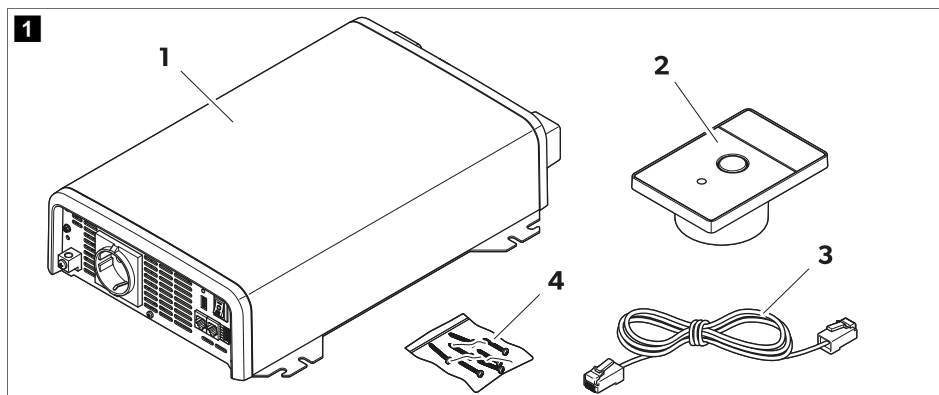
- > Nenaudokite prietaiso drėgnomis sąlygomis ir nepamerkite į jokių skystį.
- > Prieš įjungdami prietaisą, įsitinkinkite, kad maitinimo laidas ir kištukas yra sausi ir ant kištuko nėra rūdžių ar dulkių.
- > Atkreipkite dėmesį į tai, kad prietaiso dalys vis tiek gali praleisti įtampą, net jei saugiklis perdegė.




#### **PRANEŠIMAS! Žalos pavojus**

- > Įsitinkinkite, kad prietaiso įsiurbiamo ir išleidžiamo oro angos neuždengtos.
- > Užtikrinkite gerą vėdinimą.

## 4 Pristatoma komplektacija



Nr. pateikti	Pavadinimas	Kiekis
 pav. 1 puslapyje 450		
1	Sinusinių bangų inverteris	1
2	Nuotolinio valdymo pultas	1
3	Nuotolinio valdymo pulto prijungimo kabelis	1
4	Fiksuojamieji varžtai	6
-	Montavimo ir naudojimo vadovas	1

## 5 Priedai

Pavadinimas	Nuor. nr.
Nuotolinio valdymo pultas DPSI-RC	9620018306
Jutiklinis ekranas TD283	9620013272

## 6 Paskirtis

Inverterio paskirtis – konvertuoti nuolatinę srovę į nenumuliuojamą sinusinių bangų 230 V~ kintamąją įtampą (AC) ir taip užtikrinti prijungtų 230 V energiją vartojančių prietaisų veikimą bei stabilų maitinimą.

Inverteris skirtas prijungti prie:

- DPSI612, DPSI1012, DPSI1512, DPSI2012: 12 V $\leftarrow$
- DPSI624, DPSI1024, DPSI1524, DPSI2024: 24 V $\leftarrow$

Inverteris yra tinkamas:

- Įrengti poilsinėse transporto priemonėse (RV), komercinėse transporto priemonėse ir motorinėse bei burinėse jachtose
- Kaip stacionarus ar kilnojamas prietaisas
- Naudoti patalpose

Inverteris **nėra** tinkamas:

- Naudoti lauke

Šis gaminį galima naudoti tik pagal numatytą paskirtį ir vadovaujantis šiomis instrukcijomis.

Šiame vadove pateikiama informacija, reikalinga tinkamam gaminio įrengimui ir (arba) naudojimui. Dėl prasto įrengimo ir (arba) netinkamo naudojimo ar techninės priežiūros gaminys gali veikti netinkamai ir sugesti.

Gamintojas neprisiims atsakomybės už patirtus sužeidimus ar žalą gaminiui, atsiradusią dėl šių priežasčių:

- Netinkamas montavimas, surinkimas ar prijungimas, įskaitant per aukštą įtampą
- Netinkamos techninės priežiūros arba jeigu buvo naudotos neoriginalios, gamintojo nepateiktos atsarginės dalys
- Gaminio pakeitimai be aiškaus gamintojo leidimo
- Naudojimas kitais tikslais, nei nurodyta šiame vadove

„Dometic“ pasilieka teisę keisti gaminio išvaizdą ir specifikacijas.

## 7 Techninis aprašymas

### 7.1 Bendrasis aprašymas

Šis inverteris – tai DC–AC sinusinių bangų inverteris.

Galima naudoti inverterį šiose tinklo sistemose:

- TN tinklas
- IT tinklas

Tinklo sistemos nustatomos ant inverterio esančiu varžtu.

Inverteryje yra šie apsauginiai mechanizmai:

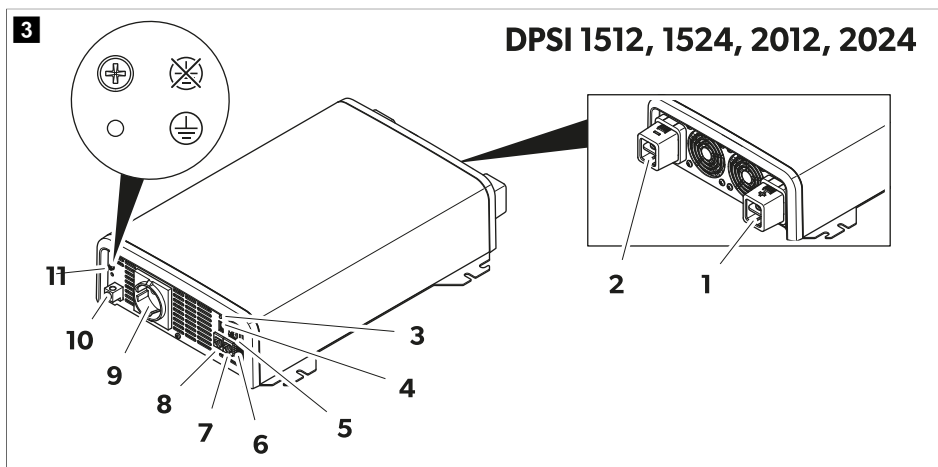
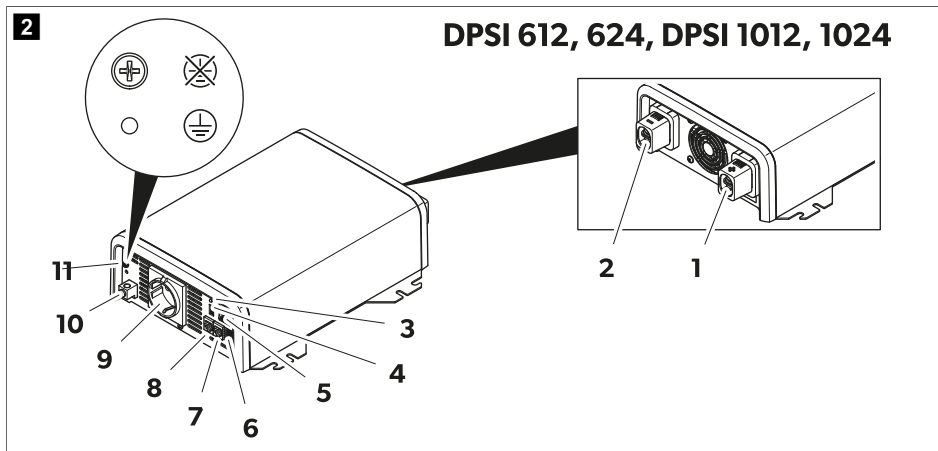
- **Išjungimas dėl viršįtampio:** inverteris išsijungia, kai įtampa viršija atjungimo vertę. Jis automatiškai paleidžiamas iš naujo, kai įtampa nukrenta iki paleidimo iš naujo vertės.
- **Išjungimas dėl per mažos įtampos:** inverteris išsijungia, kai įtampa tampa mažesnė už atjungimo vertę. Jis automatiškai paleidžiamas iš naujo, kai įtampa viršija paleidimo iš naujo vertę.
- **Išjungimas esant aukštai temperatūrai:** inverteris išsijungia, kai įrenginio vidinė temperatūra viršija atjungimo vertę. Jis automatiškai paleidžiamas iš naujo, kai temperatūra nukrenta iki paleidimo iš naujo vertės.
- **Apsauga nuo stiprios išėjimo srovės:** inverteris išsijungia, jei prijungiama per daug apkrovų.
- **Apsauga nuo trumpojo jungimo:** Inverteris išsijungia, kai susidaro trumpasis jungimas. Po kelių sekundžių jis automatiškai pasileidžia iš naujo. Jei trumpasis jungimas aptinkamas penkis kartus iš eilės, inverteris nebeprisileidžia automatiškai ir reikės paleisti jį iš naujo rankiniu būdu.

Inverteris suderinamas su N-BUS ir CI-BUS, todėl duomenis ir funkcijas galima valdyti jutikliniame ekrane (priedas) ir mobiliojoje programėlėje.

Inverteris turi nuotolinio valdymo pultą, kuriuo galima įjungti ir išjungti inverterį.

Galima perjungti inverterį į energijos taupymo režimą siekiant sumažinti sąnaudas neveikos režimu bei apkrovą akumuliatoriui. Tai galima padaryti naudojant DIP jungiklį arba

## 7.2 Valdymo elementai ir jungtys

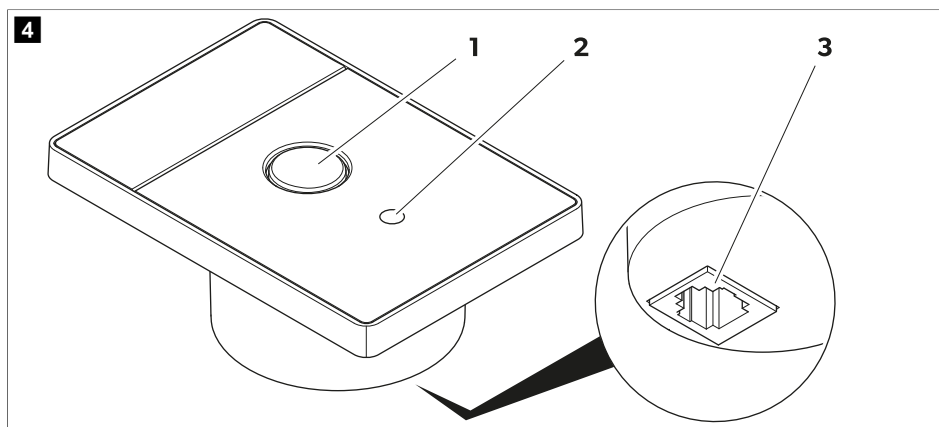


**PASTABA** Paveikslėliuose parodytos žemyninei Europai skirtos versijos.

Nr.	Pavadinimas
1	(+) gnybtas, prijungimas prie namelio akumulatoriaus teigiamo poliaus
2	(-) gnybtas, prijungimas prie namelio akumulatoriaus neigiamo poliaus
3	Būsenos indikacijos šviesos diodas
4	Perjungiklis
5	Ijungimo / išjungimo jungiklis

Nr.	Pavadinimas
6	Išorinio valdymo pulto gnybtas
7	CI BUS / N Bus / nuotolinio valdymo pulto jungtis (LINB)
8	CI BUS / N Bus / nuotolinio valdymo pulto jungtis (LINA)
9	Kintamosios srovės lizdas
10	Įžeminimo jungtis
11	IT / TN tinklo nustatymo varžtas

### 7.3 Nuotolinio valdymo pultas



Nr. pateikti

Pavadinimas

 pav. 4 puslapyje 453

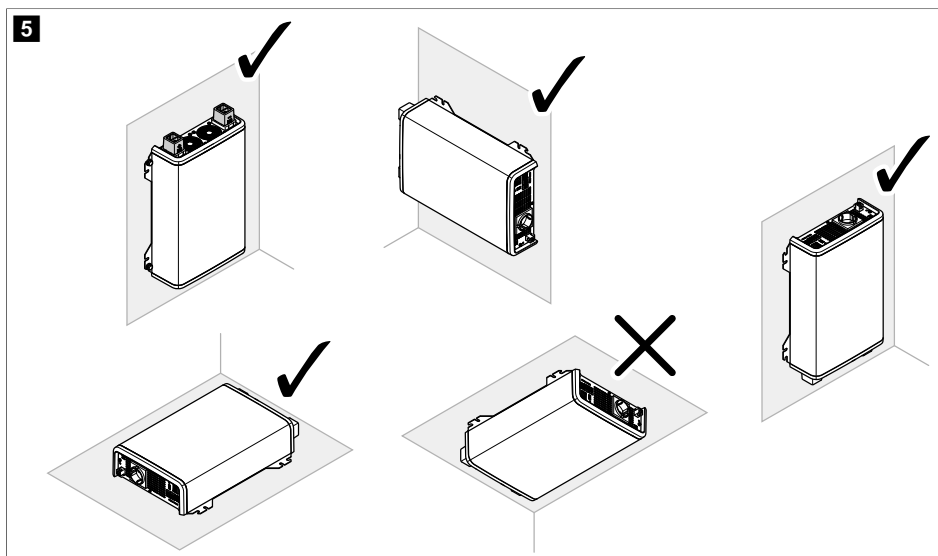
1	Įjungimo / išjungimo mygtukas
2	Būsenos indikacijos šviesos diodas
3	Nuotolinio valdymo pulto jungtis

### 7.4 Būsenos indikacijos šviesos diodas

Būseną	Aprašymas
Green	Inverteris veikia
Orange	Įspėjimas: yra kintamosios srovės išėjimas, kyla viršįtampio, per žemos įtamos ar maitinimo trikdžių rizika
Red	Klaida: nėra kintamosios srovės įėjimo, inverteris išjungtas (žr. skyrių Gedimų nustatymas ir šalinimas puslapyje 462)

## 8 Montavimas

### 8.1 Montavimo vieta



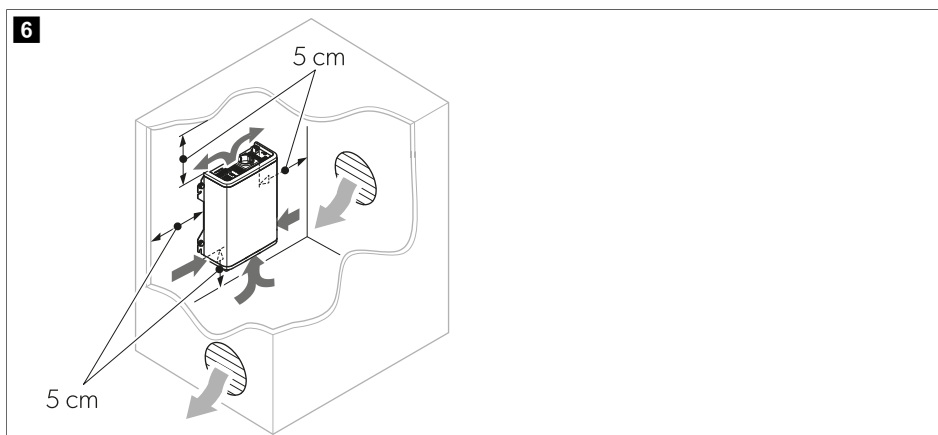
#### **PRANEŠIMAS! Žalos pavojus**

Prieš gręždami bet kokias skylės, įsitikinkite, kad jokie elektros kabeliai ar kitos transporto priemonės dalys nebus pažeistos gręžiant, pjaunant ir šlifuojant.




#### **PASTABA**

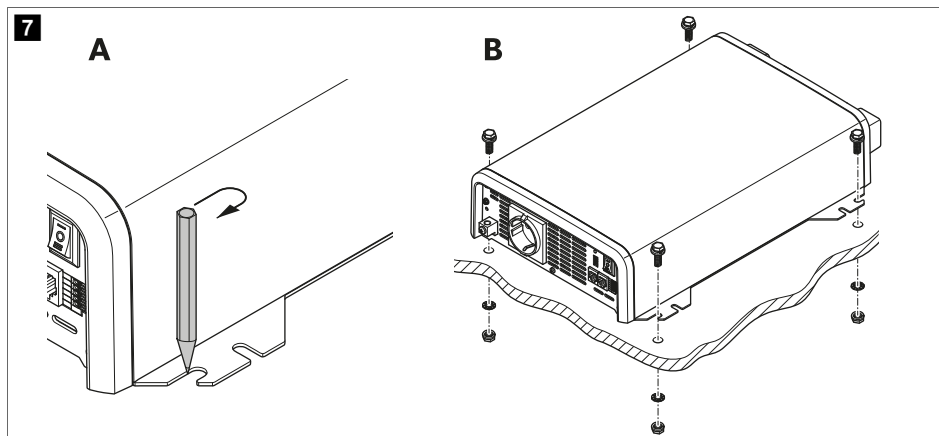
Galima montuoti inverterį ant horizontalaus paviršiaus arba ant sienos (  pav. **5** puslapyje 454).





Pasirinkdami montavimo vietą laikykitės šių instrukcijų:

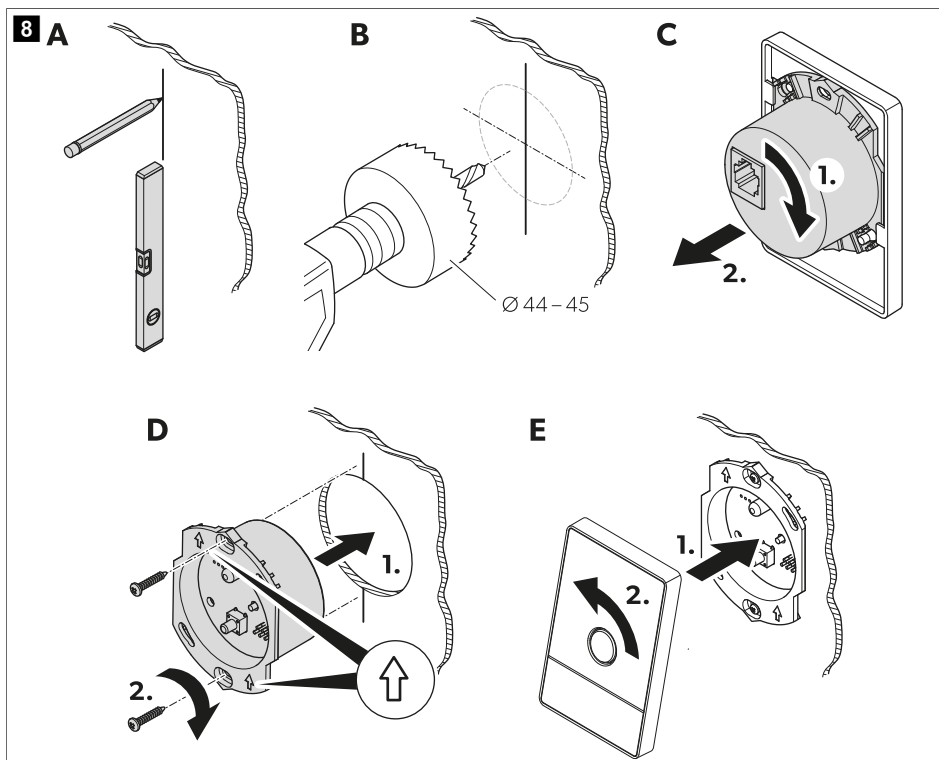
- Įsitikinkite, kad montavimo paviršius tvirtas ir lygus.
- Laikykitės atstumo specifikacijų, kad būtų užtikrinta pakankama ventilacija (  pav. **6** puslapyje 454).


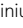


## 8.2 Inverterio montavimas



1. Pasirinkite reikiamas montavimo angas pagal pasirinktą montavimo tipą (ant horizontalaus paviršiaus arba ant sienos) ir pažymėkite gręžimo angas (  pav. **7** puslapyje 455, **A**).
2. Išgręžkite montavimo angas.
3. Prisukite inverterį jo vietoje (  pav. **7** puslapyje 455, **B**).


### 8.3 Nuotolinio valdymo pulto montavimas



1. Pažymėkite montavimo paviršių (  pav. **8** puslapyje 456, **A**).
2. Gręžkite 44 mm ... 45 mm skersmens angą, pvz., žiediniu pjūkle (  pav. **8** puslapyje 456, **B**).
3. Išimkite jungčių dėžutę iš valdymo pulto (  pav. **8** puslapyje 456, **C**).
4. Įstatykite jungčių dėžutę į angą ir prisukite (  pav. **8** puslapyje 456, **D**).



**PASTABA** Pasirūpinkite tinkamu vertikaliu lygiavimu, kaip parodyta rodyklėmis ant jungčių dėžutės.

5. Tvirtinkite valdymo pultą prie jungčių dėžutės (  pav. **8** puslapyje 456, **E**).
6. Nuimkite apsauginę plėvelę.



## 8.4 Inverterio prijungimas



Prietaiso elektros instaliaciją ir nustatymą turi atlikti kvalifikuotas elektrikas, turintis elektros įrangos montavimo ir eksploataavimo praktinių įgūdžių bei žinių ir baigęs saugos mokymo kursą apie tai, kaip atpažinti darbe kylančius pavojus ir nuo jų apsaugoti. Be to, šis asmuo turi būti susipažinęs su šalyje, kurioje montuojama ir (arba) naudojama įranga, taikomomis taisyklėmis ir dalyvavęs saugos mokymuose, kad galėtų nustatyti ir išvengti susijusių pavojų.

Visi kiti veiksmai numatyti ir neprofesionaliems naudotojams.



### ĮSPĖJIMAS! Elektros srovės pavojus

Laikykitės rekomenduojamų kabelio skerspjūvių ir ilgių, įrenkite rekomenduojamą saugiklį.



### PERSPĖJIMAS! Gaisro pavojus

Saugiklius dėkite šalia akumuliatorių, kad apsaugotumėte kabelį nuo trumpojo jungimo ir galimo nudegimo.



### PRANEŠIMAS! Žalos pavojus

- > Nekeiskite poliškumo.
- > Priveržkite varžtus ir veržles maks. 15 Nm sukimo momentu. Jei jungtys bus laisvos, kils perkaitimo pavojus.

Prijungdami inverterį laikykitės toliau pateiktų instrukcijų:

- Nustatydami lizdo paskirstymo grandinę (maitinimo tinklo instaliacija) vadovaukitės taikomomis taisyklėmis.
- DC kabelių (jungties su akumuliatoriaus gnybtais) ilgis turi būti kuo mažesnis  $\leq 1$  m).
- **TN tinklo** prijungimas: montuokite liekamosios srovės įrenginį (RCD).
- **IT tinklo** prijungimas: jei prijungta daugiau nei viena apkrova, montuokite izoliacijos stebėjimo įrenginį (IMD).

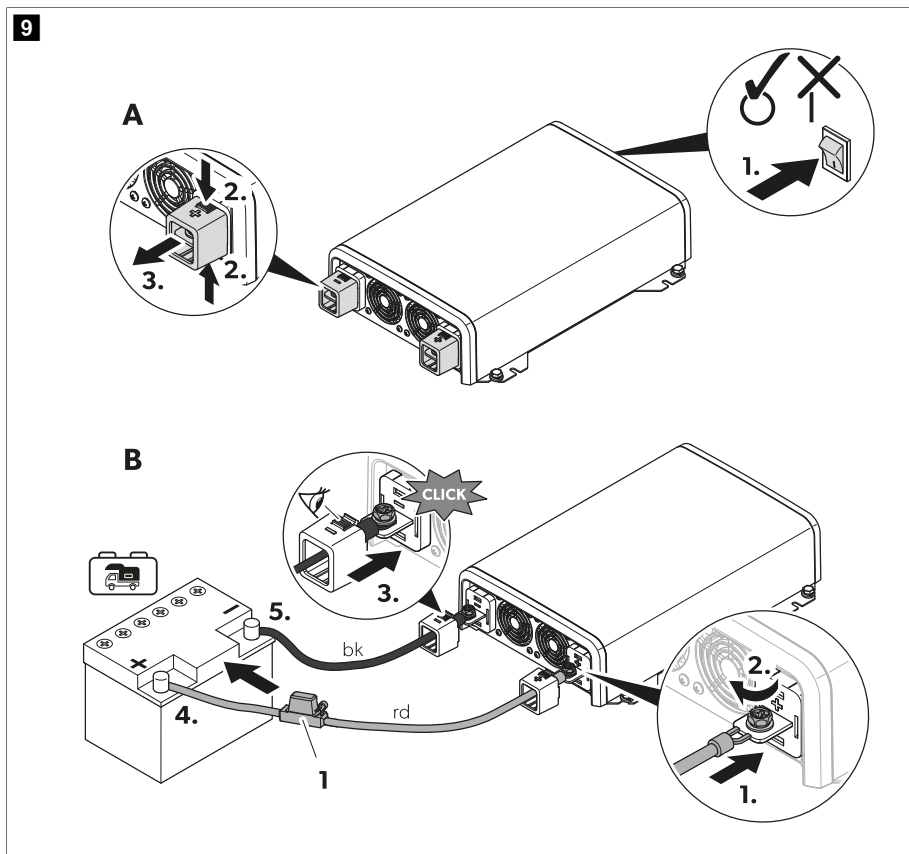
#### Taikomi nacionaliniai standartai.



1. Pasirinkite tinkamą kabelio skerspjūvį ir saugiklį:

	Kabelio skerspjūvis	Kabelio saugiklis
DPSI612	25 mm <sup>2</sup>	150 A
DPSI624	25 mm <sup>2</sup>	150 A
DPSI1012	35 mm <sup>2</sup>	200 A
DPSI1024	25 mm <sup>2</sup>	150 A
DPSI1512	50 mm <sup>2</sup>	250 A
DPSI1524	25 mm <sup>2</sup>	150 A
DPSI2012	70 mm <sup>2</sup>	300 A
DPSI2024	35 mm <sup>2</sup>	200 A


2. Patikrinkite, ar prietaisas išjungtas (  pav. 9 puslapyje 458, 1).



9

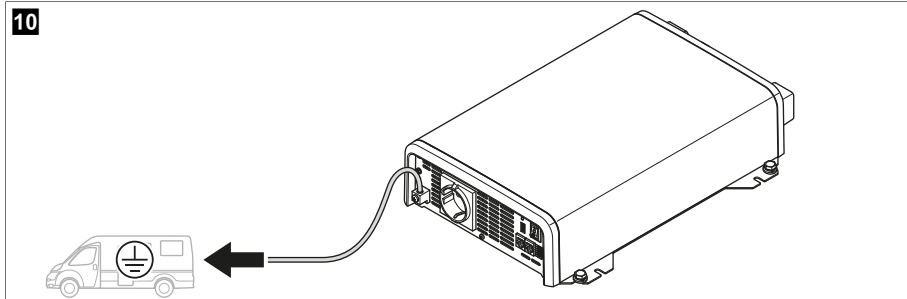


3. Nuimkite dangtelius nuo gnybtų (  pav. **9** puslapyje 458, **2–3**).
4. Prijunkite (+) prie namelio akumuliatoriaus teigiamo gnybto (raudonas (rd) jungiamasis kabelis,  pav. **9** puslapyje 458, **4**).



**PASTABA** Apsaugokite teigiamą namelio akumuliatoriaus kabelį saugikliu (  pav. **9** puslapyje 458, **1**).

5. Prijunkite (-) prie namelio akumuliatoriaus neigiamo gnybto (juodas (bk) jungiamasis kabelis (  pav. **9** puslapyje 458, **5**).
6. Prijunkite įžeminimo jungtį prie įžeminimo (važiuoklės) (  pav. **10** puslapyje 459).

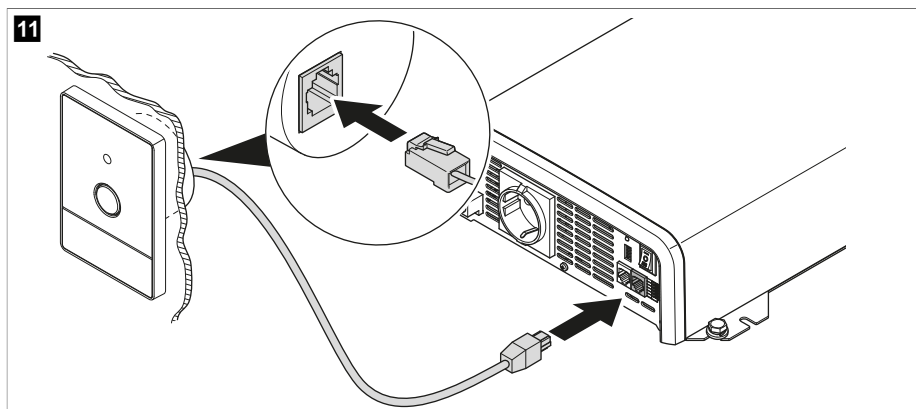


## 8.5 Nuotolinio valdymo pulto prijungimas



**PASTABA** Nuotolinio valdymo pulto ir N-BUS / CI-BUS tinklo negalima prijungti vienu metu.

- > Prijunkite nuotolinį valdymo pultą prie nuotolinio valdymo pulto jungties naudodami nuotolinio valdymo pulto prijungimo kabelį.

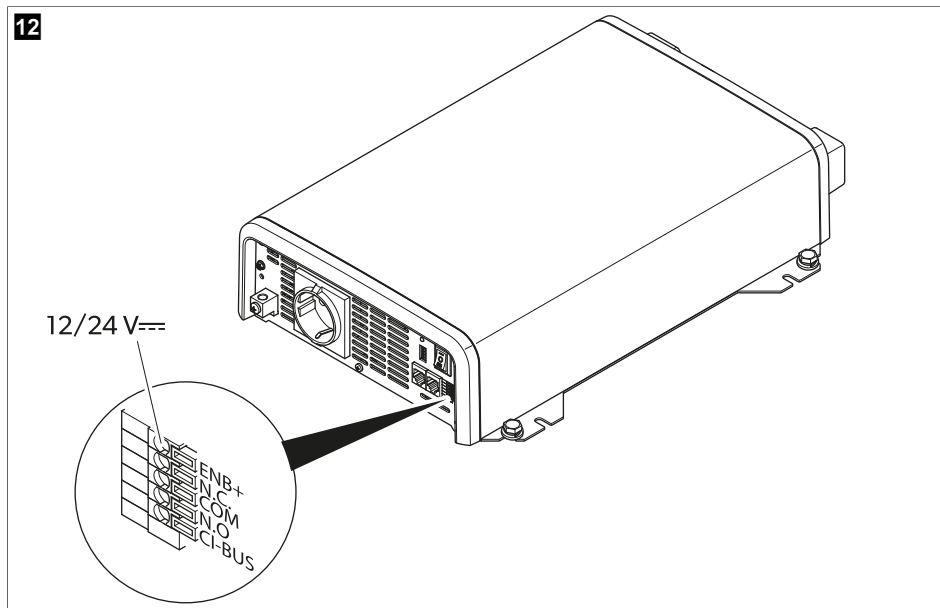


## 8.6 ENB+ kontakto prijungimas



**PASTABA** Jei prijungtas ENB+ kontaktas, energijos taupymo režimo būsenos keisti negalima.

12



1. Nustatykite įjungimo / išjungimo jungiklį į padėtį **0**.
2. Naudokite ENB+ kontaktą, kaip aprašyta toliau:
  - Norėdami įjungti inverterį, prijunkite ENB+ kontaktą prie namelio akumuliatoriaus teigiamo poliaus tinkamu elektros kabeliu.
  - Norėdami išjungti inverterį, atjunkite ENB+ kontaktą nuo namelio akumuliatoriaus.

## 9 Tinklo sistemos konfigūravimas





Prietaiso elektros instaliaciją ir nustatymą turi atlikti kvalifikuotas elektrikas, turintis elektros įrangos montavimo ir eksploatavimo praktinių įgūdžių bei žinių ir baigęs saugos mokymo kursą apie tai, kaip atpažinti darbe kylančius pavojus ir nuo jų apsaugoti. Be to, šis asmuo turi būti susipažinęs su šalyje, kurioje montuojama ir (arba) naudojama įranga, taikomomis taisyklėmis ir dalyvavęs saugos mokymuose, kad galėtų nustatyti ir išvengti susijusių pavojų.

Visi kiti veiksmai numatyti ir neprofesionaliems naudotojams.

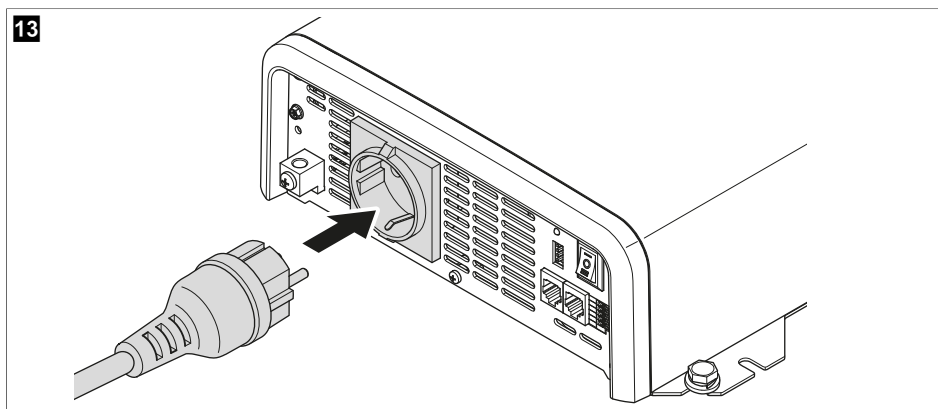


### PAVOJUS! Elektros srovės pavojus

- > Nuimkite DIP jungiklio apsauginį dangtelį tik norėdami konfigūruoti.
  - > Uždėkite apsauginį dangtelį atgal, kad išvengtumėte netyčinio DIP jungiklio reguliavimo.
  - > **TN tinklo** konfigūravimas: įsitikinkite, kad įrengtas liekamosios srovės įrenginys (RCD).
  - > **IT tinklo** konfigūravimas: naudokite tik vieną apkrovą arba įrenkite izoliacijos stebėjimo įrenginį (IMD). Laikykites nacionalinių standartų.
- > Įstatykite varžtą į padėtį , jei norite nustatyti **TN tinklą**.
  - > Įstatykite varžtą į padėtį , jei norite nustatyti **IT tinklą**.


## 10 Naudojimas

### 10.1 230 V prietaisų naudojimas



#### PASTABA

Prijunkite tik prietaisus, kurių bendroji apkrova neviršija Techniniai duomenys puslapyje 464 nurodytų verčių.

- > Prijunkite 230 V prietaisus prie inverterio kintamosios srovės lizdo (  pav. 13 puslapyje 461).

### 10.2 Inverterio įjungimas ir išjungimas



#### PASTABA

- > Jei inverteris bus valdomas nuotolinio valdymo pultu, reikia nustatyti įjungimo / išjungimo jungiklį į padėtį **II**.
- > Jei inverteris bus valdomas per ENB+ kontaktą, reikia nustatyti įjungimo / išjungimo jungiklį į padėtį **0**.

- > Norėdami įjungti inverterį, nustatykite įjungimo / išjungimo jungiklį į padėtį **I**.
- > Norėdami išjungti inverterį, nustatykite įjungimo / išjungimo jungiklį į padėtį **0**.
- > Galima įjungti ir išjungti inverterį naudojantis nuotolinio valdymo pultu arba ENB+ kontaktu.

### 10.3 Energijos taupymo režimo nustatymas



#### PASTABA

- Jei DIP jungiklis S2 nustatytas į padėtį **OFF**, inverteris automatiškai persijungia į įprastą veikimą, kai prijungiama  $\geq 45$  W apkrova.
- Jei DIP jungiklis S2 nustatytas į padėtį **ON**, inverteris automatiškai persijungia į įprastą veikimą, kai prijungiama  $\geq 80$  W apkrova.
- Negalima pakeisti energijos taupymo režimo būsenos, jei naudojamas nuotolinio valdymo pultas arba ENB+ kontaktas, nebent atliekamas visas įjungimo ir išjungimo ciklas

### Energijos taupymo režimo įjungimas

1. Prireikus išjunkite inverterį.
  2. Pastumkite DIP jungiklį S1 į padėtį **ON**.
- ✓ Energijos taupymo režimas įjungiamas.

### Energijos taupymo režimo išjungimas

1. Išjunkite inverterį.
  2. Pastumkite DIP jungiklį S1 į padėtį **OFF**.
- ✓ Energijos taupymo režimas išjungiamas.

## 11 Valymas ir priežiūra



### ĮSPĖJIMAS! Elektros srovės pavojus

Prieš valydami ir atlikdami techninę priežiūrą, atjunkite prietaisą nuo maitinimo tinklo.



### PRANEŠIMAS! Žalos pavojus

- > Niekada nevalykite prietaiso po tekančiu arba nešvari vandeniu.
  - > Valydami nenaudokite aštrių arba kietų daiktų, abrazyvinių valymo priemonių arba baliklio, nes jie gali pažeisti prietaisą.
  - > Įsitinkinkite, kad oro įleidimo ir išleidimo angose nėra dulkių ir nešvarumų ir šiluma galės išeiti.
- > Retkarčiais nuvalykite prietaisą minkšta drėgna šluoste.
- > Reguliariai tikrinkite įtampingus kabelius ar linijas, ar nėra izoliacijos pažeidimų, lūžių arba atsilaisvusių jungčių.

## 12 Gedimų nustatymas ir šalinimas

Problema	Priežastis	Priemonė
Inverteris neveikia. Būsenos indikacijos šviesos diodas nešvyti.	Trumpasis jungimas penkis kartus iš eilės.	> Prietaiso saugiklį, paveiktą per didelės srovės, turi pakeisti įgaliotasis techninės priežiūros atstovas.
	Įtampingų kabelių izoliacijos pažeidimas, lūžiai arba atsilaisvintos jungtys.	> Įsitinkinkite, kad tiesioginės srovės kabeliai neturėtų izoliacijos pažeidimų, pertrūkių arba atsilaisvintų jungčių.  Jeigu negalite rasti pažeidimo, susisieki su įgaliotuoju techninės priežiūros atstovu.
Inverteris neveikia. Būsenos indikacijos šviesos diodas užsidega raudona spalva.	Apsauga nuo stiprios išėjimo srovės.	Sumažinkite prijungtas apkrovas.
	Išjungimas dėl aukštos temperatūros.	1. Išjunkite inverterį ir prijungtas apkrovas. 2. Patikrinkite, ar neuždengtos ir neužsikimšo oro įleidimo bei išleidimo angos. 3. Palaukite, kol inverteris atauš.

Problema	Priežastis	Priemonė
	Atsirado trumpasis jungimas.	Prietaiso saugiklį, paveiktą per didelės srovės, turi pakeisti įgaliotasis techninės priežiūros atstovas.
	Išjungimas dėl viršįtampio. Per aukšta akumulatoriaus įtampa.	<ul style="list-style-type: none"> <li>&gt; Sumažinkite prijungtas įtampas.</li> </ul> Inverteris automatiškai paleidžiamas iš naujo, kai įtampa nukrenta iki paleidimo iš naujo vertės (žr. skyrių Išjungimas dėl viršįtampio puslapyje 465). <ul style="list-style-type: none"> <li>&gt; Jei klaida vis tiek įvyksta: padidinkite kabelių skerspjūvius. Sumažinkite kabelio ilgį.</li> </ul>
	Išjungimas dėl per mažos įtampos. Akumulatoriaus įtampa per žema.	<ul style="list-style-type: none"> <li>&gt; Palaukite, kol akumulatorius lėtai įsikraus.</li> </ul> Inverteris automatiškai paleidžiamas iš naujo, kai įtampa viršija paleidimo iš naujo vertę (žr. skyrių Išjungimas dėl per mažos įtampos puslapyje 465).

## 13 Garantija

Taikomas įstatymų nustatytas garantinis laikotarpis. Jei gaminys pažeistas, susisiekite su jūsų šalyje veikiančiu gamintojo filialu (žr. [dometic.com/dealer](http://dometic.com/dealer)) arba prekiautoju.

Jei reikalingas remontas ir garantinis aptarnavimas, pristatydami prietaisą pateikite šiuos dokumentus:

- Kvito kopiją su nurodyta pirkimo data
- Pretenzijos priežastį arba gedimo aprašymą

Atminkite, kad savarankiškas arba neprofesionalus remontas gali turėti pasekmių saugai ir anuliuoti garantiją.

## 14 Utilizavimas

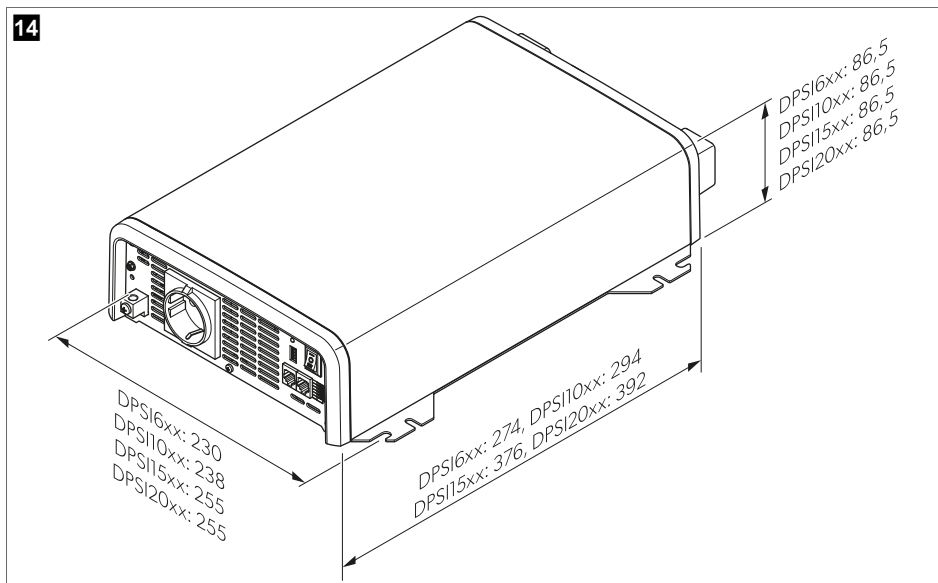



Jei įmanoma, pakavimo medžiagą sudėkite į atitinkamas perdirbimo šiukšliadėžes.

Išsamios informacijos apie tai, kaip gaminį pašalinti pagal galiojančias atliekų šalinimo taisykles, teiraukitės vietiniame perdirbimo centre arba specializuoto prekybos atstovo.

Produktą galima utilizuoti nemokamai.


## 15 Techniniai duomenys





	<b>DPSI 612</b>	<b>DPSI 1012</b>	<b>DPSI 624</b>	<b>DPSI 1024</b>
Vardinė įėjimo įtampa	12 V <sup>nom</sup>		24 V <sup>nom</sup>	
Įvesties įtampos diapazonas	10,5 ... 16,5 V <sup>nom</sup>		21 ... 33 V <sup>nom</sup>	
Nuolatinė išėjimo galia P <sub>nom</sub>	600 W	1000 W	600 W	1000 W
Maksimali išėjimo galia (1 min)	690 W	1150 W	690 W	1150 W
Maksimali viršįtampio galia (1 s) P <sub>viršįtampis</sub>	1200 W	2000 W	1200 W	2000 W
Srovės sąnaudos neveikos režimu	≤ 1 A	≤ 1,1 A	≤ 0,6 A	≤ 0,6 A
Srovės sąnaudos budėjimo režimu	≤ 0,3 A	≤ 0,35 A	≤ 0,2 A	≤ 0,2 A
Matmenys	 pav. 14 puslapyje 464			
Svoris	1,1 kg	1,2 kg	1,1 kg	1,2 kg

	<b>DPSI 1512</b>	<b>DPSI 2012</b>	<b>DPSI 1524</b>	<b>DPSI 2024</b>
Vardinė įėjimo įtampa	12 V <sup>nom</sup>		24 V <sup>nom</sup>	
Įvesties įtampos diapazonas	10,5 ... 16,5 V <sup>nom</sup>		21 ... 33 V <sup>nom</sup>	
Nuolatinė išėjimo galia P <sub>nom</sub>	1500 W	2000 W	1500 W	2000 W
Maksimali išėjimo galia (1 min)	1725 W	2300 W	1725 W	2300 W
Maksimali viršįtampio galia (1 s) P <sub>viršįtampis</sub>	3000 W	4000 W	3000 W	4000 W
Srovės sąnaudos neveikos režimu	≤ 1,2 A	≤ 1,5 A	≤ 0,7 A	≤ 0,8 A
Srovės sąnaudos budėjimo režimu	≤ 0,4 A	≤ 0,5 A	≤ 0,25 A	≤ 0,3 A



	DPSI 1512	DPSI 2012	DPSI 1524	DPSI 2024
Matmenys		 pav. 14 puslapyje 464		
Svoris	1,1 kg	1,2 kg	1,1 kg	1,2 kg

### 15.1 Bendrieji techniniai duomenys

Išėjimo įtampos diapazonas	230 V ~ ± 10 %
Išėjimo dažnis	50 Hz ± 1 %
Išėjimo bangos forma	Nemoduliuojama sinusinė banga
Didžiausias efektyvumas	90 %
Darbinė aplinkos temperatūra	0 ... 50 °C
Sandėliavimo aplinkos temperatūra	- 30 °C ... 70 °C
Aplinkos drėgmė	0 ... 95 %, non-condensing
Patikra / sertifikavimas	 

### 15.2 Išjungimas dėl per mažos įtampos

	Atjungimo vertė	Paleidimo iš naujo vertė
DPSI <sub>xx</sub> 12	10,3 V	11,8 V
DPSI <sub>xx</sub> 24	20,6 V	23,6 V

### 15.3 Išjungimas dėl viršįtampio

	Atjungimo vertė	Paleidimo iš naujo vertė
DPSI <sub>xx</sub> 12	16,5 V	15,5 V
DPSI <sub>xx</sub> 24	33 V	31 V

## Latviešu

1	Svarīgas piezīmes.....	466
2	Simbolu skaidrojums.....	466
3	Drošības norādes.....	467
4	Komplektācija.....	470
5	Papildu piederumi.....	470
6	Paredzētais izmantošanas mērķis.....	470
7	Tehniskais apraksts.....	471
8	Uzstādīšana.....	474
9	Tikla sistēmas konfigurēšana.....	480
10	Ekspluatācija.....	481
11	Tīrīšana un apkope.....	482
12	Problēmu novēršana.....	482
13	Garantija.....	483
14	Atkritumu pārstrāde.....	483
15	Tehniskie dati.....	484

## 1 Svarīgas piezīmes

Lūdzam rūpīgi izlasīt un ņemt vērā visus produkta rokasgrāmatā iekļautos norādījumus, vadlīnijas un brīdinājumus, lai nodrošinātu, ka jūs šo produktu vienmēr uzstādāt, lietojat un apkopjat atbilstoši. Šie norādījumi ir OBLIGĀTI jāsaģlabā kopā ar šo produktu.

Lietojot šo produktu, jūs apstiprināt, ka esat rūpīgi izlasījuši visus norādījumus, vadlīnijas un brīdinājumus, un jūs saprotat un piekrītat ievērot šeit izklāstītos noteikumus un nosacījumus. Jūs piekrītat lietot šo produktu tikai tā paredzētajam mērķim un lietojumam saskaņā ar norādījumiem, vadlīnijām un brīdinājumiem, kas izklāstīti šī produkta rokasgrāmatā, kā arī ievērojot visus piemērojamos normatīvos aktus. Šeit izklāstīto norādījumu un brīdinājumu neizlasīšana un neievērošana var izraisīt traumas sev un citiem, vai radīt bojājumus pašam produktam vai apkārt esošām īpašumam. Informācija šajā produkta rokasgrāmatā, tajā skaitā norādījumi, vadlīnijas, brīdinājumi un saistītā dokumentācija, var tikt mainīta un papildināta. Lai iegūtu jaunāko informāciju par produktu, apmeklējiet vietni [documents.dometic.com](http://documents.dometic.com).

## 2 Simbolu skaidrojums

Signālvārds identificē drošības ziņojumus un ziņojumus par īpašuma bojājumu, kā arī norāda bīstamības smaguma pakāpi vai līmeni.



### **BĪSTAMI!**

Apzīmē bīstamu situāciju, kas izraisīs nāvējošus vai nopietnus savainojumus, ja netiks novērsta.



### **BRĪDINĀJUMS!**

Apzīmē bīstamu situāciju, kas var izraisīt nāvējošus vai nopietnus savainojumus, ja netiks novērsta.



### **ESIET PIESARDZĪGI!**

Apzīmē bīstamu situāciju, kas var izraisīt vieglus vai vidēji smagus savainojumus, ja netiks novērsta.



### **NEMIET VĒRĀ!**

Apzīmē bīstamu situāciju, kas var izraisīt materiālu kaitējumu, ja netiks novērsta.



**PIEZĪME** Papildu informācija produkta lietošanai.

## 3 Drošības norādes

**Nemiet vērā arī transportlīdzekļa ražotāja un pilnvaroto remontdarbniecu sniegtās drošības instrukcijas un prasības.**

### 3.1 Vispārīga drošība



#### **BĪSTAMI! Nāvējoša elektrošoka risks**

- > Nepieskarieties vaļējiem vadiem ar kailām rokām.
- > Lai būtu iespējams ierīci ātri atvienot no maiņstrāvas barošanas avota, kontaktligzdai jāatrodas ierīces tuvumā un jābūt viegli pieejamai.



#### **BRĪDINĀJUMS! Nāvējoša elektrošoka risks**

- > Ierīci atļauts uzstādīt vai noņemt tikai kvalificētiem speciālistiem.
- > Nedarbiniet ierīci, ja redzami ierīces vai savienojuma kabeļa bojājumi.
- > Ja šīs ierīces elektrības vads ir bojāts, tas ir jānomaina, lai izvairītos no drošības apdraudējuma.
- > Šīs ierīces remontu drīkst veikt tikai kvalificēts speciālists. Nepareizs remonts var izraisīt nopietnu apdraudējumu.
- > Izmantojiet tikai ražotāja apstiprinātus piederumus.
- > Aizliegts jebkāda veidā modificēt vai pielāgot jebkuras no daļām.
- > Neatvienojiet vadus, kamēr ierīce tiek izmantota.
- > Atvienojiet ierīci no barošanas avota:
  - pēc lietošanas;
  - pirms tīrīšanas un apkopes;
  - pirms drošinātāja maiņas.



#### **BRĪDINĀJUMS! Ugunsbīstamība / Viegli uzliesmojoši materiāli**

Ugunsgrēka gadījumā izmantojiet elektroierīcēm piemērotu ugunsdzēsības aparātu.



#### **BRĪDINĀJUMS! Nosmakšanas risks**

Nepareiza novietojuma gadījumā šīs ierīces kabelis un vadības bloks var radīt sapišanās, nožņaugšanas, pakļupšanas vai uzķāpšanas risku. Parūpējieties, lai papildu saites un barošanas kabeli ir novietoti drošā veidā.



#### **BRĪDINĀJUMS! Apdraudējums veselībai**

- > Bērni, kas sasnieguši 8 gadu vecumu, un personas ar ierobežotām fiziskām, uztveres vai garīgām spējām vai bez pieredzes un zināšanām šo ierīci drīkst lietot tikai tad, ja šādas personas tiek uzraudzītas vai ir saņēmušas norādījumus par ierīces drošu lietošanu, un ir izpratušas iespējamus riskus.
- > **Elektroierīces nav rotaļlietas!** Vienmēr glabājiet un izmantojiet ierīci maziem bērniem nepieejamā vietā.
- > Bērni jāuzrauga, lai nepieļautu, ka tie spēlējas ar ierīci.
- > Bērni drīkst tīrīt ierīci un veikt tās apkopi tikai pieaugušo uzraudzībā.

**ŅEMIET VĒRĀ! Bojājumu risks**

- > Pirms iedarbināšanas pārliedzinieties, ka barošanas avota spriegums atbilst datu plāksnītē norādītajam.
- > Nodrošiniet, ka citi priekšmeti ierīces savienojuma vietā **nevar** izraisīt īssavienojumu.
- > Negatīvie un pozitīvie poli **nekad** nedrīkst saskarties.
- > Nevelciet aiz savienojuma kabeliem un neizmantojiet kabelus kā rokturi.
- > Sargājiet ierīci no lietus un mitruma. Glabājiet sausā vietā.

**3.2 Uzstādiet ierīci droši****BĪSTAMI! Sprādzienbīstamība**

- > Ierīci drīkst uzstādīt un izmantot tikai slēgtās un labi vēdinātās telpās.
- > Ierīci **nedrīkst** uzstādīt vai izmantot tālāk aprakstītajos apstākļos.
  - Slapjā, mitrā vai sājā vidē
  - Kodīgu tvaiku tuvumā
  - Uzliesmojošu vielu tuvumā
  - Nenovietojiet siltuma avotu (sildītāju, tiešu saules staru, gāzes plīšu utt.) tuvumā.
  - Vietās, kur pastāv gāzes un putekļu izraisītu sprādzienu risks

**BRĪDINĀJUMS! Traumu risks**

- > Raugieties, lai ierīce būtu stabili novietota. Ierīce ir jāuzstāda un jānostiprina tā, lai tā nevarētu apgāzties vai nokrist.
- > Novietojiet ierīci tā, lai visi vadi būtu pareizi nostiprināti un aiz tiem nevarētu aizķerties.

**ŅEMIET VĒRĀ! Bojājumu risks**

- > Uzstādiet ierīci kādā sausā vietā, kur uz tās nevar uzšakstīties ūdens.
- > Vienmēr izmantojiet kontaktlīdždas, kas ir iezemētas un kurām ir paliekošas strāvas noplūdes aizsargslēdži

**3.3 Drošība, veidojot ierīces elektriskos savienojumus****BĪSTAMI! Nāvējoša elektrošoka risks**

Ja veicat ar elektrību saistītus darbus, raugieties, lai tuvumā būtu kāds, kurš ārkārtas gadījumā varētu jums palīdzēt.

**BRĪDINĀJUMS! Nāvējoša elektrošoka risks**

- > Raugieties, lai vadi atbilstu šķērs griezuma prasībām.
- > Novietojiet vadus tā, lai durvis vai transportlīdzekļa pārsegs nevarētu tos sabojāt. Saspiesti vadi var izraisīt nopietnas traumas.

**ŅEMIET VĒRĀ! Bojājumu risks**

- > Izmantojiet cauruļvadus vai kabeļu kanālus, ja nepieciešams izvilkat vadus cauri metāla paneļiem vai citiem paneļiem ar asām malām.
- > **Neizvietojiet** 230 V barošanas vadu un 12 V līdzstrāvas vadu vienā kanālā.
- > Vadi **nedrīkst** būt pārlietu vaļīgi vai izteikti savērpušies.
- > Droši nostipriniet vadus.

### 3.4 Piesardzības pasākumi, kas jāņem vērā darbā ar akumulatoriem



#### **BRĪDINĀJUMS! Traumu risks**

- > Akumulatori satur agresīvas un kodīgas skābes. Nepieļaujiet, ka šķidrums no akumulatora nonāk saskarē ar jūsu ķermeni. Ja uz jūsu ādas tomēr nonāk akumulatora šķidrums, rūpīgi nomazgājiet to ar ūdeni. Ja no skābes gūti jebkādi savainojumi, nekavējoties sazinieties ar ārstu.
- > Veicot darbu ar akumulatoriem, nevalkājiēt metāla priekšmetus, piemēram, rokas pulksteņus vai gredzenus. Svina-skābes akumulatori var izraisīt īssavienojumus, kas var radīt nopietnus savainojumus.
- > Izmantojiet tikai izolētus instrumentus.
- > Nenovietojiet nekādas metāla daļas uz akumulatora un novērsiet jebkādu metāla daļu uzkrišanu uz akumulatora. Tas var izraisīt akumulatora un citu elektroierīču dzirksteļošanu vai īsslēgumus.
- > Veicot darbu ar akumulatoriem, lietojiet aizsargbrilles un aizsargapģērbu. Veicot darbu ar akumulatoriem, nepieskarieties acīm.
- > Izmantojiet tikai atkārtoti uzlādējamus akumulatorus.
- > Nelietojiet bojātus akumulatorus.



#### **ESIET PIESARDZĪGI! Sprādzienbīstamība**

- > Nekad nemēģiniet uzlādēt sasalušu vai bojātu akumulatoru. Novietojiet akumulatoru vietā, kas nav pakļauta salam, un gaidiet, kamēr akumulators ir uzsilis līdz apkārtējai temperatūrai. Pēc tam sāciet uzlādes procesu.
- > Nesmēķējiet, neizmantojiet atklātu liesmu un neradiet dzirksteles dzinēja vai akumulatora tuvumā.
- > Nenovietojiet akumulatoru siltuma avotu tuvumā.



#### **ŅEMĪET VĒRĀ! Bojājumu risks**

- > Pievienojot akumulatoru, pārliecinieties, ka polaritāte ir pareiza.
- > Ievērojiet akumulatora ražotāja instrukcijas, kā arī tās sistēmas vai transportlīdzekļa ražotāja instrukcijas, kurā akumulators tiek izmantots.
- > Ja akumulatoru nepieciešams izņemt, vispirms atvienojiet zemējumu. Pirms akumulatora izņemšanas, atvienojiet no tā visus savienojumus un patērētājus.
- > Uzglabājiet tikai pilnībā uzlādētus akumulatorus. Regulāri uzlādējiet glabāšanā novietotos akumulatorus.
- > Nepārvietojiet akumulatoru, turot to aiz spailēm.

### 3.5 Droša iekārtas lietošana



#### **BRĪDINĀJUMS! Nāvējoša elektrošoka risks**

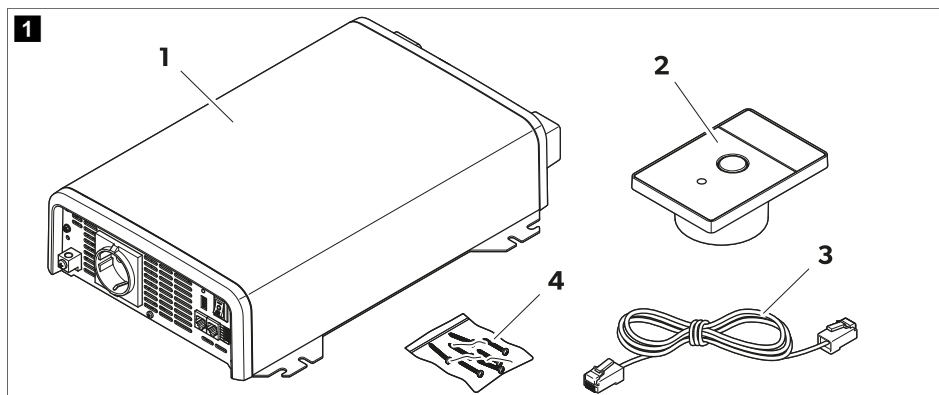
- > Neizmantojiet ierīci mitrā vidē un negremdējiet to nekāda veida šķidrumā.
- > Pirms ierīces ieslēgšanas pārliecinieties, ka elektrības vads un kontaktdakša ir sausi un ka uz kontaktdakšas nav netīrumu vai rūsas.
- > Atcerieties, ka dažās ierīces daļās joprojām var būt spriegums arī pēc drošinātāja pārdegšanas.



#### **ŅEMĪET VĒRĀ! Bojājumu risks**

- > Ierīces gaisa ieplūdes un izplūdes atveres nedrīkst būt aizsegta.
- > Nodrošiniet piemērotu ventilāciju.

## 4 Komplektācija



Nr.	att. <b>1</b> Ipp. 470	Nosaukums	Daudzums
1		Sinusoidālā viļņa strāvas pārveidotājs	1
2		Tālvadības pults	1
3		Tālvadības pults savienojuma kabelis	1
4		Nostiprināšanas skrūves	6
-		Uzstādīšanas un lietošanas rokasgrāmata	1

## 5 Papildu piederumi

Nosaukums	Atsauces numurs
Tālvadības pults DPSI-RC	9620018306
Skāriendisplejs TD283	9620013272

## 6 Paredzētais izmantošanas mērķis

Strāvas pārveidotājs ir paredzēts tam, lai pārvērstu līdzstrāvu tīrā sinusoidālā viļņa 230 V~ maiņspriegumā (AC), nodrošinot pievienoto 230 V patērētāju darbību un stabilu barošanas avotu.

Strāvas pārveidotājs ir paredzēts savienošanai ar:

- DPSI612, DPSI1012, DPSI1512, DPSI2012: 12 V $\overline{=}$
- DPSI624, DPSI1024, DPSI1524, DPSI2024: 24 V $\overline{=}$

Strāvas pārveidotājs ir piemērots tālāk norādītajiem izmantošanas veidiem.

- Uzstādīšana atpūtas transportlīdzekļos (RV), komerctransportlīdzekļos vai mehāniskajos transportlīdzekļos un buru jahtās
- Stacionāram vai mobilam lietojumam
- Lietošanai telpās

Šis strāvas pārveidotājs **nav** piemērots tālāk norādītajiem izmantošanas veidiem.

- Lietošanai ārpus telpām

Šis produkts ir piemērots tikai paredzētajam mērķim un lietojumam saskaņā ar šo instrukciju.

Šajā rokasgrāmatā ir sniegta informācija, kas nepieciešama pareizai produkta uzstādīšanai un/vai lietošanai. Nekvalitatīva uzstādīšana un/vai nepareiza lietošana vai apkope izraisīs neatbilstošu darbību un iespējamu atteici.

Ražotājs neuzņemas atbildību par savainojumiem vai produkta bojājumiem, kas radušies šādu iemeslu dēļ:

- nepareiza uzstādīšana, montāža vai pievienošana, tostarp pārmērīgs spriegums;
- nepareiza apkope vai tādu neoriģinālo rezerves daļu, kuras nav piegādājis ražotājs, lietošana;
- produkta modifikācijas, kuras ražotājs nav nepārprotami apstiprinājis;
- lietošana citiem mērķiem, kas nav aprakstīti šajā rokasgrāmatā.

Dometic patur tiesības mainīt produkta ārējo izskatu un specifikācijas.

## 7 Tehniskais apraksts

### 7.1 Vispārīgs apraksts

Šis strāvas pārveidotājs ir līdzstrāvas-mainīstrāvas sinusoidālā viļņa invertors.

Strāvas pārveidotāju var izmantot tālāk norādītajās tīkla sistēmās.

- TN tīkls
- IT tīkls

Tīkla sistēmas tiek iestatītas, izmantojot skrūvi uz strāvas pārveidotāja.

Strāvas pārveidotājam ir tālāk norādītie aizsargmehānismi.

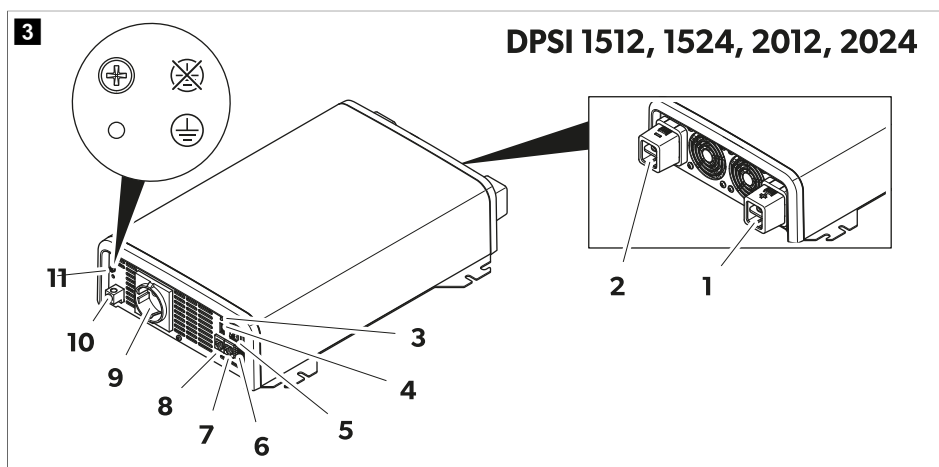
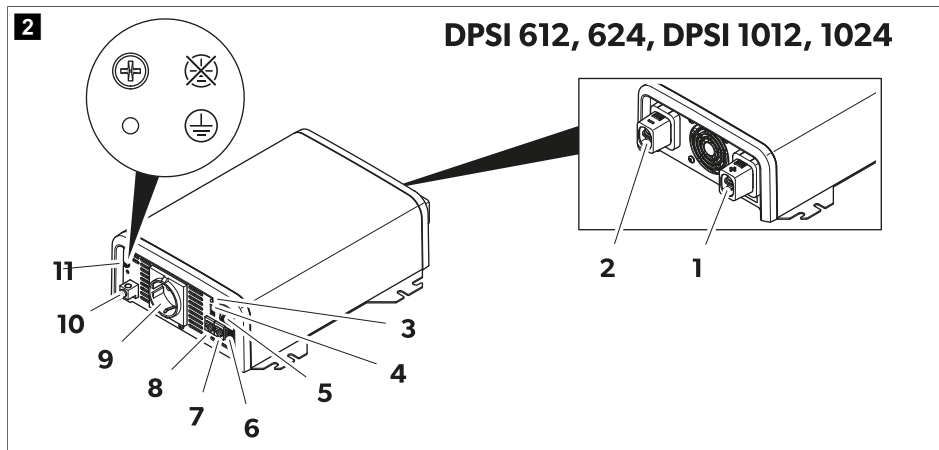
- **Pārsprieguma izslēgšanās.** Strāvas pārveidotājs izslēdzas, kad spriegums pārsniedz noteikto izslēgšanās vērtību. Strāvas pārveidotājs tiek automātiski restartēts, kad spriegums samazinās līdz restartēšanās vērtībai.
- **Nepilnsprrieguma izslēgšanās.** Strāvas pārveidotājs izslēdzas, kad spriegums kļūst zemāks par izslēgšanās vērtību. Strāvas pārveidotājs automātiski restartējas, kad spriegums pārsniedz restartēšanās vērtību.
- **Izslēgšanās augstas temperatūras gadījumā** Strāvas pārveidotājs izslēdzas, kad ierīces iekšējā temperatūra pārsniedz izslēgšanās vērtību. Strāvas pārveidotājs automātiski restartējas, kad iekšējā temperatūra samazinās līdz restartēšanās vērtībai.
- **Augsta izejas strāvas aizsardzība:** Strāvas pārveidotājs izslēdzas, kad ir pievienotas pārāk daudzas slodzes.
- **Aizsardzība pret īssavienojumiem** Strāvas pārveidotājs izslēdzas, kad ir radies īssavienojums. Pēc dažām sekundēm strāvas pārveidotājs tiek automātiski restartēts. Ja īssavienojums tiek konstatēts piecas reizes pēc kārtas, strāvas pārveidotājs netiek automātiski restartēts un nepieciešama manuāla restartēšana.

Strāvas pārveidotājs ir piemērots N-BUS un CI-BUS datu un funkciju pārvaldībai, un to var kontrolēt gan ar skārienjutīgo displeju (piederumi), gan mobilajā lietotnē.

Strāvas pārveidotājam ir tālvadības pults tā ieslēgšanai vai izslēgšanai.

Strāvas pārveidotāju var pārlēgt uz enerģijas taupīšanas režīmu, lai samazinātu patēriņu dīkstāves laikā un samazinātu akumulatora slodzi. To var izdarīt, izmantojot DIP slēdzi vai

## 7.2 Vadības elementi un savienojumi



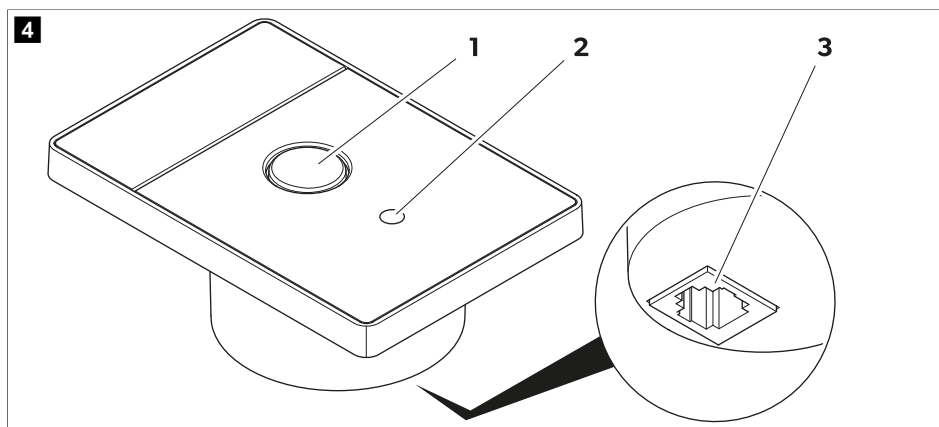
**PIEZĪME** Attēlos ir parādītas kontinentālajai Eiropai paredzētas versijas.

Nr.	Nosaukums
1	(+) spāile, savienojums ar dzīvojamās zonas akumulatora pozitīvo polu
2	(-) spāile, savienojums ar dzīvojamās zonas akumulatora negatīvo polu
3	Statusa indikatora LED
4	DIP slēdzis
5	Ieslēgšanas/izslēgšanas slēdzis



Nr.	Nosaukums
6	Pieslēgvieta ārējai vadībai
7	CI BUS/N Bus/tālvadības pults savienojums (LINB)
8	CI BUS/N Bus/tālvadības pults savienojums (LINA)
9	Mainstrāvas kontaktligzda
10	Zemējuma savienojums
11	IT/TN tīkla iestatīšanas skrūve

### 7.3 Tālvadības pults



Nr.  att. 4  
lpp. 473

Nosaukums

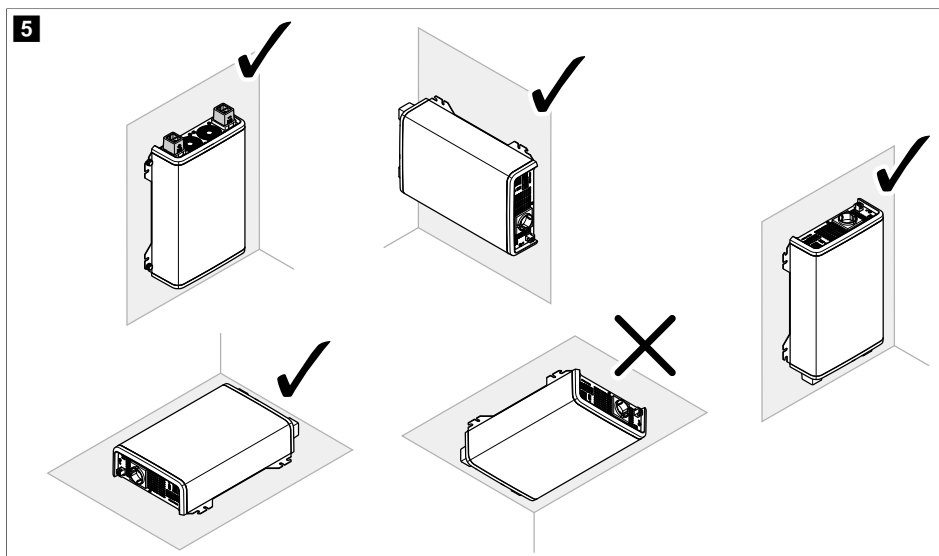
1	iesl./izsl. poga
2	Statusa indikatora LED
3	Tālvadības pults savienojums

### 7.4 Statusa indikatora LED

Statuss	Apraksts
Green	Strāvas pārveidotāja darbība
Orange	Bīdīnājums! Notiek mainstrāvas izvade, pārsprieguma risks, nepietiekams spriegums vai strāvas padeves traucējumi
Red	Kļūda: Ja nav mainstrāvas ievades, strāvas pārveidotājs tiek deaktivizēts (sk. nodaļu Problēmu novēršana lpp. 482)

## 8 Uzstādīšana

### 8.1 Uzstādīšanas vieta



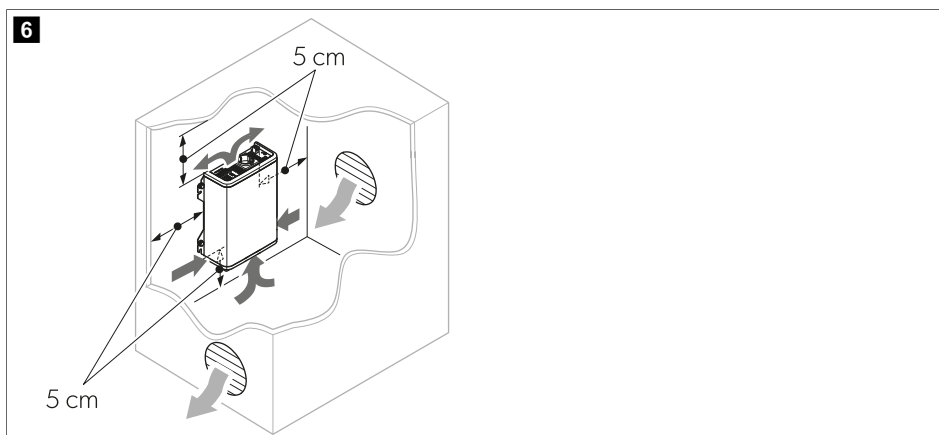
#### **ŅEMĪT VĒRĀ! Bojājumu risks**

Pirms jebkādu caurumu urbšanas pārliecinieties, ka urbjot, zāģējot un vilējot netiks bojāti elektriskie vadi vai citi transportlīdzekļa elementi.




#### **PIEZĪME**

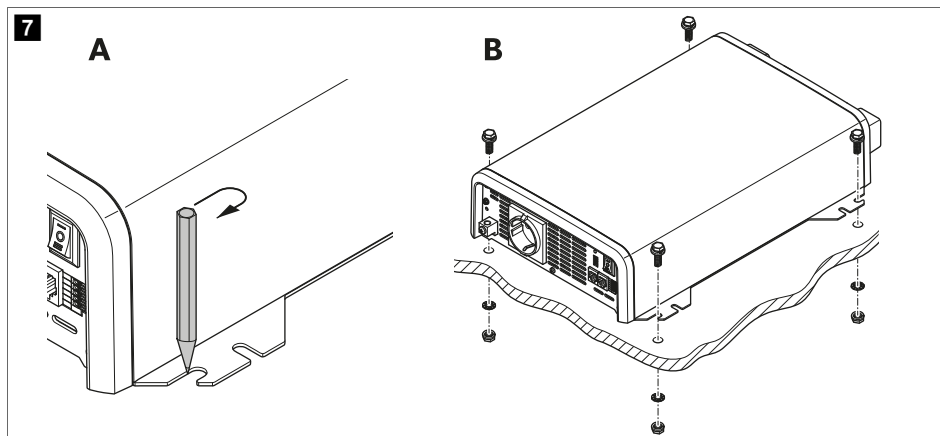
Strāvas pārveidotāju var uzstādīt vai nu novietojot uz virsmas, vai piekarinot ( att. **5** lpp. 474).





Izvēloties vietu uzstādīšanai, ņemiet vērā tālāk sniegtās norādes.

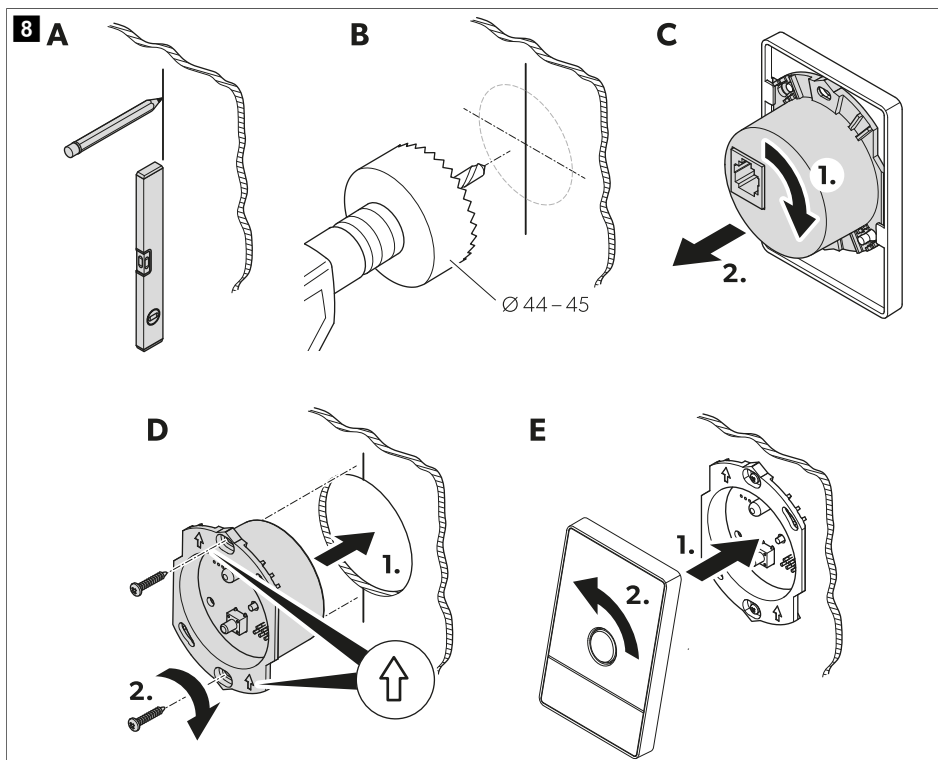
- Uzstādīšanas virsmai jābūt stingrai un līdzenai.
- Ievērojiet norādīto attālumu, lai būtu pietiekama ventilācija (  att. **6** lpp. 474).


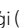


## 8.2 Strāvas pārveidotāja nostiprināšana



1. Atkarībā no izvēlētā montāžas (novietojot uz virsmas vai piekarinot) veida izvēlieties piemērotus montāžas caurumus un atzīmējiet urbuma vietas (  att. **7** lpp. 475, **A**).
2. Vīspirms izurbiet montāžas caurumus.
3. Ieskrūvējiet strāvas pārveidotāju vietā (  att. **7** lpp. 475, **B**).


### 8.3 Tālvadības pults nostiprināšana



1. Atzīmējiet montāžas virsmu (  att. **8** lpp. 476, **A**).
2. Izurbiet caurumu ar 44 mm ... 45 mm diametru, piem., ar cilindrisko zāģi (  att. **8** lpp. 476, **B**).
3. Noņemiet savienojumu kārbu no vadības paneļa (  att. **8** lpp. 476, **C**).
4. Ievietojiet savienojumu kārbu caurumā un ieskrūvējiet savienojumu kārbu vietā (  att. **8** lpp. 476, **D**).



**PIEZĪME** Nodrošiniet pareizu vertikālo izlīdzināšanu, kā norādīts ar bultiņām uz savienojumu kārbas.

5. Pievienojiet vadības paneli savienojumu kārbai (  att. **8** lpp. 476, **E**).
6. Noņemiet aizsargplēvi.

## 8.4 Strāvas pārveidotāja pieslēgšana



Elektroinstalāciju un konfigurāciju drīkst veikt tikai kvalificēts elektriķis, kuram ir pārbaudītas prasmes un zināšanas par elektroaprīkojuma un elektroinstalāciju uzbūvi un lietošanu, kurš pārzina spēkā esošos noteikumus attiecīgajā valstī, kurā šī ierīce tiek uzstādīta un/vai lietota, un, kurš ir apguvis drošības instruktažu iespējamo risku noteikšanai un novēršanai.

Visas pārējās darbības var veikt arī neprofesionāli lietotāji.



### BRĪDINĀJUMS! Nāvējoša elektrošoka risks

Izmantojiet ieteikumiem atbilstošus kabeļu šķērsgriezumus, vadu garumus un drošinātāju.



### ESIET PIESARDZĪGĪ! Ugunsdrošības apdraudējums

Uzstādiet drošinātājus netālu no akumulatoriem, lai pasargātu vadus no issavienojumiem un iespējamās aizdegšanās.



### ŅEMĪET VĒRĀ! Bojājumu risks


- > Raugieties, lai tiktu ievērotas pareizās polaritātes.
- > Pievelkot skrūves un uzgriežņus, nepārsniedziet maksimālo 15 Nm griezes momentu. Vaļīgi savienojumi var izraisīt pārkaršanu.

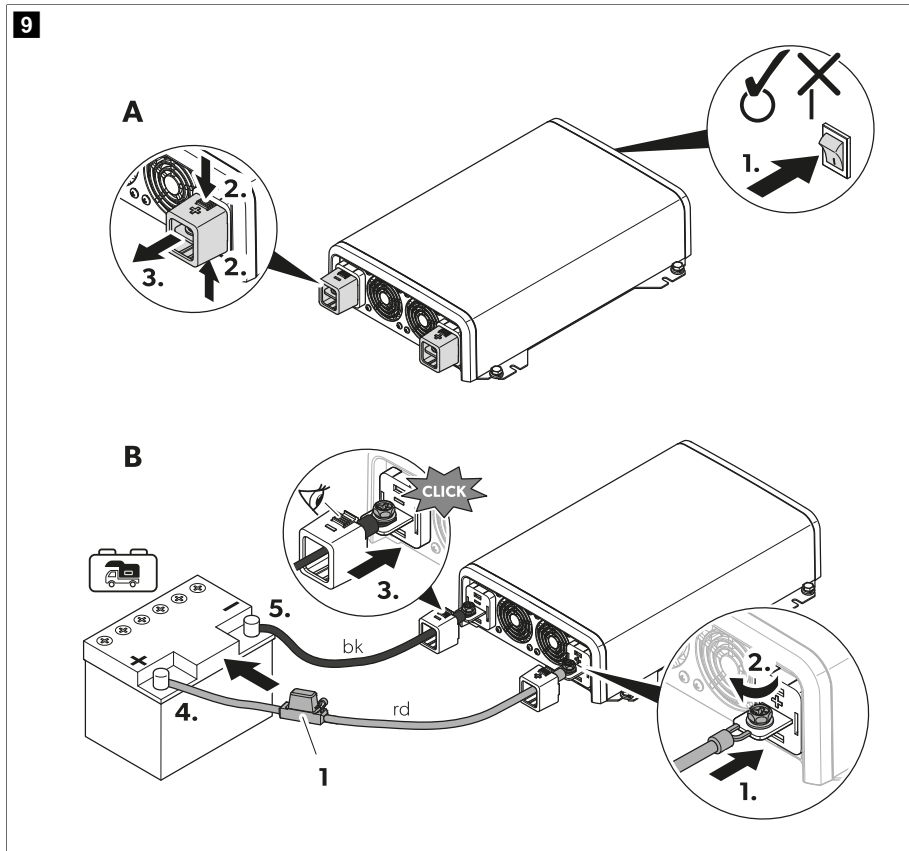
Pievienojot strāvas pārveidotāju, ņemiet vērā tālāk sniegtās norādes.

- Izveidojot kontaktlīdzdas sadales shēmu (uzstādīšanu elektrotīklā), ievērojiet piemērojamus noteikumus.
- Izvēlieties pēc iespējas mazāku līdzstrāvas kabeļu garumu (savienojumam ar akumulatora spaiļēm)  $\leq 1$  m).
- **TN tīkla** pieslēgumam: Uzstādiet paliekošās strāvās aizsargierīci (RCD).
- **IT tīkla** pieslēgumam: Ja ir pievienota vairāk nekā viena slodze, uzstādiet izolācijas uzraudzības ierīci (IMD). **Ievērojiet valsts standartus.**

1. Nosakiet kabeļa šķērsgriezumus un drošinātāju:

	vada šķērsgriezums	Drošinātājs uz vada
DPSI612	25 mm <sup>2</sup>	150 A
DPSI624	25 mm <sup>2</sup>	150 A
DPSI1012	35 mm <sup>2</sup>	200 A
DPSI1024	25 mm <sup>2</sup>	150 A
DPSI1512	50 mm <sup>2</sup>	250 A
DPSI1524	25 mm <sup>2</sup>	150 A
DPSI2012	70 mm <sup>2</sup>	300 A
DPSI2024	35 mm <sup>2</sup>	200 A

2. Pārbaudiet, vai ierīce ir izslēgta (  att. **9** lpp. 478, **1**).



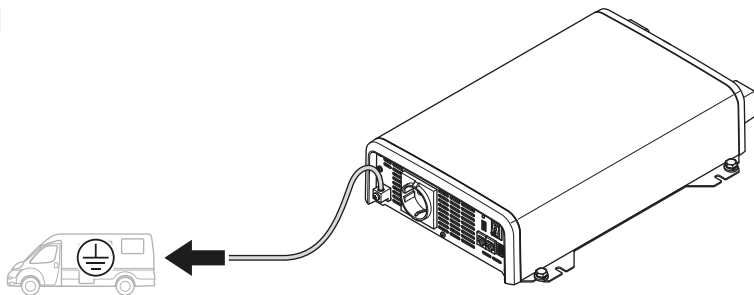
3. Noņemiet vāciņus no spailēm ( att. **9** lpp. 478, **2 – 3**).
4. Savienojiet (+) ar dzīvojamās zonas akumulatora pozitīvo spaili (sarkano (rd) savienojuma kabeli, att. **9** lpp. 478, **4**).



**PIEZĪME** Aizsargājiet dzīvojamās zonas akumulatora pozitīvo kabeli ar drošinātāju ( att. **9** lpp. 478, **1**).

5. Savienojiet (-) ar dzīvojamās zonas akumulatora negatīvo spaili (melno (bk) savienojuma kabeli ( att. **9** lpp. 478, **5**).
6. Savienojiet zemējuma savienojumu ar zemi (šasiju) ( att. **10** lpp. 479).

10



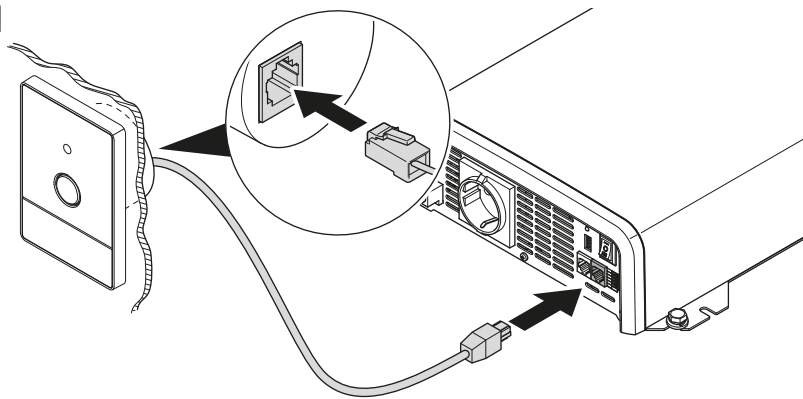
## 8.5 Tālvadības pults pievienošana



**PIEZĪME** Tālvadības pulti un N-BUS/CI-BUS tīklu nevar savienot vienlaicīgi.

- > Savienojiet tālvadības pulti ar tālvadības pults savienojumu, izmantojot tālvadības pults savienojuma kabeli.

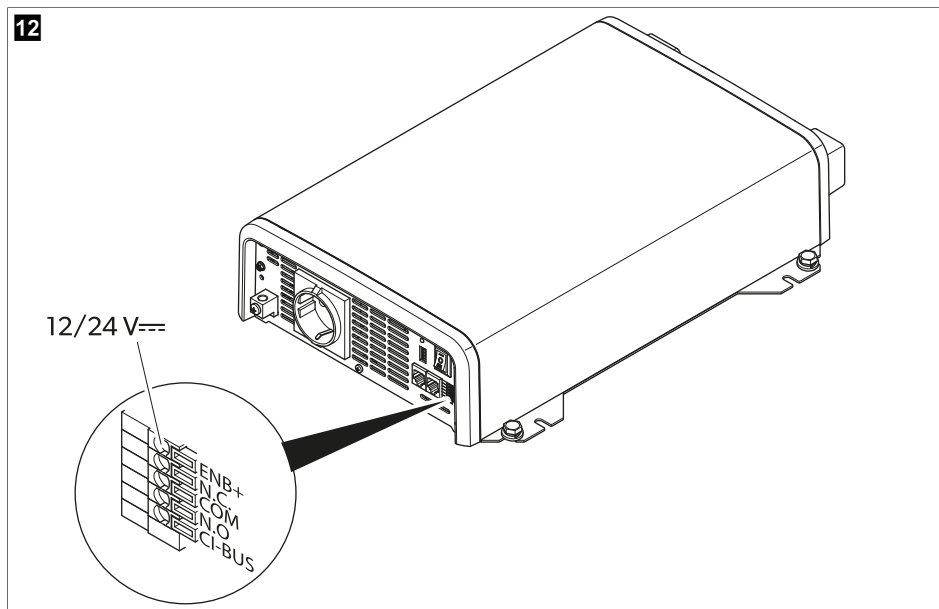
11



## 8.6 ENB+ tapas pievienošana



**PIEZĪME** Ja ir pievienota ENB+ kontaktapa, enerģijas taupīšanas režīma statusu nevar mainīt.



1. Iestatiet ieslēgšanas/izslēgšanas slēdzi pozīcijā **0**.
2. Izmantojiet ENB+ kontakttapu šādi:
  - Lai ieslēgtu strāvas pārvēidotāju, pievienojiet ENB+ kontakttapu dzīvojamās zonas akumulatora pozitīvajam polam, izmantojot piemērotu elektrības kabeli.
  - Lai izslēgtu strāvas pārvēidotāju, atvienojiet ENB+ kontakttapu no dzīvojamās zonas akumulatora.

## 9 Tīkla sistēmas konfigurēšana





Elektroinstalāciju un konfigurāciju drīkst veikt tikai kvalificēts elektriķis, kuram ir pārbaudītas prasmes un zināšanas par elektroaprīkojuma un elektroinstalāciju uzbūvi un lietošanu, kurš pārzina spēkā esošos noteikumus attiecīgajā valstī, kurā šī ierīce tiek uzstādīta un/vai lietota, un, kurš ir apguvis drošības instrukctāžu iespējamo risku noteikšanai un novēršanai.

Visas pārējās darbības var veikt arī neprofesionāli lietotāji.



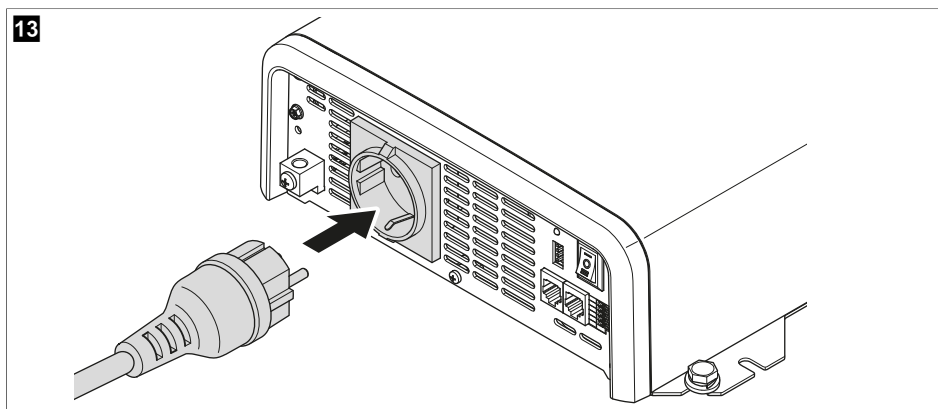
### **BĪSTAMI! Nāvējoša elektrošoka risks**

- > Noņemiet aizsargvāciņu no DIP slēdža tikai konfigurācijas veikšanai.
  - > Uzlieciet atpakaļ aizsargvāciņu, lai novērstu nejaušu DIP slēdža konfigurācijas maiņīšanu.
  - > **TN tīkla** konfigurācijai: Pārliecinieties, vai ir uzstādīta paliekošās strāvas ierīce (RCD).
  - > **IT tīkla** konfigurācijai: Izmantojiet tikai vienu slodzi vai uzstādiat izolācijas uzraudzības ierīci (IMD). Ievērojiet valsts standartus.
- > Ievietojiet skrūvi pozīcijā , lai iestatītu **TN tīklu**.
  - > Ievietojiet skrūvi pozīcijā , lai iestatītu **IT tīklu**.



## 10 Eksploatācija

### 10.1 230 V ierīču izmantošana



#### PIEZĪME

Pievienojiet tikai ierīces, kuru kopējā slodze nepārsniedz vērtības, kas norādītas sadaļā Tehniskie dati lpp. 484.

- > Savienojiet 230 V ierīces ar strāvas pārveidotāja maiņstrāvas izeju (  att. 13 lpp. 481).

### 10.2 Strāvas pārveidotāja ieslēgšana un izslēgšana



#### PIEZĪME

- > Ja strāvas pārveidotāju ir paredzēts kontrolēt ar tālvadības pulti, tad ieslēgšanas/izslēgšanas slēdzis jāiestata pozīcijā **II**.
- > Ja strāvas pārveidotājs jākontrolē ar ENB+ kontakttapu, tad ieslēgšanas/izslēgšanas slēdzis jāiestata pozīcijā **0**.
- > Lai ieslēgtu strāvas pārveidotāju, iestatiet ieslēgšanas/izslēgšanas slēdzi pozīcijā **I**.
- > Lai izslēgtu strāvas pārveidotāju, iestatiet ieslēgšanas/izslēgšanas slēdzi pozīcijā **0**.
- > Strāvas pārveidotāja ieslēgšanai un izslēgšanai izmantojiet tālvadības pulti vai ENB+ kontakttapu.

### 10.3 Enerģijas taupīšanas režīma iestatīšana



#### PIEZĪME

- Ja DIP slēdzis S2 ir iestatīts pozīcijā **OFF**, strāvas pārveidotājs automātiski pārslēdzas uz normālu darbību, kad ir pievienota  $\geq 45$  W slodze.
- Ja DIP slēdzis S2 ir iestatīts pozīcijā **ON**, strāvas pārveidotājs automātiski pārslēdzas uz normālu darbību, kad ir pievienota  $\geq 80$  W slodze.
- Kamēr nav veikts pilns ieslēgšanas un izslēgšanas cikls, enerģijas taupīšanas režīma statusu nevar mainīt, ja tiek izmantota tālvadības pults vai ENB+ kontakttapa

### Enerģijas taupīšanas režīma aktivizēšana

1. Ja nepieciešams, izslēdziet strāvas pārveidotāju.
  2. Pabīdīet DIP slēdzi S1 pozīcijā **ON**.
- ✓ Enerģijas taupīšanas režīms ir aktivizēts.

### Enerģijas taupīšanas režīma deaktivizēšana

1. Izslēdziet strāvas pārveidotāju.
  2. Pabīdīet DIP slēdzi S1 pozīcijā **OFF**.
- ✓ Enerģijas taupīšanas režīms ir deaktivizēts.

## 11 Tīrīšana un apkope



### BRĪDINĀJUMS! Nāvējoša elektrošoka risks

Pirms tīrīšanas un apkopes atvienojiet ierīci no barošanas avota.



### NEMIET VĒRĀ! Bojājumu risks

- > Ierīci nedrīkst tīrīt tekošā ūdenī vai trauku mazgāšanas mašīnā.
  - > Tīrīšanai neizmantojiet asus vai cietus priekšmetus, abrazīvus tīrīšanas līdzekļus vai balinātājšķīdumus, jo tie var sabojāt ierīci.
  - > Nodrošiniet, lai ierīces gaisa ieplūdes un izplūdes atveres būtu bez putekļiem un netīrumiem, lai varētu izplūst siltums.
- > Regulāri tīriet ierīci ar mikstu, mitru drānu.
- > Regulāri pārbaudiet elektroinstalāciju, lai pārliecinātos, ka tai nav izolācijas defektu, pārrāvumu vai vaļīgu savienojumu.

## 12 Problēmu novēršana

Problēma	Cēlonis	Līdzeklis
Strāvas pārveidotājs nedarbojas. Statu- sa indikatora LED nedeg.	Īssavienojums piecas reizes pēc kārtas.	> Ja ierīces drošinātājs ir nostrādājis, jo tikusi pievadīta strāva, kas pārsniedz pieļaujamo līmeni, tas ir jā-nomaina pilnvarotam servisa pārstā- vim.
	Vadiem, kuros plūst strāva, ir bojāta iz- olācija, pārrāvumi vai vaļīgi savienoj- umi.	> Pārbaudiet, vai vadiem, kuros plūst strāva, nav izolācijas defektu, pārrā- vumu vai vaļīgu savienojumu.  Ja neizdodas atrast problēmas cēlo- ni, sazinieties ar pilnvarotu servisa pārstāvi.
Strāvas pārveidotājs nedarbojas. Statu- sa indikatora LED iedegas sarkanā krā- sā.	Augstas izejas strāvas aizsardzība.	Samaziniet pieslēgtās slodzes.
	Izslēgšanās augstas temperatūras dēļ.	1. Izslēdziet strāvas pārveidotāju un pieslēgtās slodzes.  2. Pārbaudiet, vai gaisa ieplūdes at- veres un izplūdes atveres nav aiz- segtas vai aizsprostotas.

Problēma	Cēlonis	Līdzeklis
		3. Ļaujiet strāvas pārveidotājam atdzist.
	Radies īssavienojums.	Ja ierīces drošinātājs ir nostrādājis, jo tikusi pievadīta strāva, kas pārsniedz pieļaujamo lielumu, tas ir jānomaina pilnvarotam servisa pārstāvim.
	Izslēgšanās pārsprieguma dēļ. Akumulatora spriegumi ir pārāk augsti.	<ul style="list-style-type: none"> <li>&gt; Samaziniet pievienotos spriegumus.</li> </ul> <p>Strāvas pārveidotājs automātiski restartējas, kad notiek sprieguma kritums līdz restartēšanās vērtībai (sk. nodaļu Pārsprieguma izslēgšanās lpp. 485).</p> <ul style="list-style-type: none"> <li>&gt; Ja kļūda vēl arvien notiek: Palieliniet kabeļa šķērsgriezumus. Samaziniet kabeļa garumu.</li> </ul>
	Izslēgšanās minimālsprieguma dēļ. Akumulatora spriegumi ir pārāk zemi.	<ul style="list-style-type: none"> <li>&gt; Ļaujiet akumulatoram lēni uzlādēties.</li> </ul> <p>Sprieguma pārveidotājs automātiski restartējas, kad spriegums pārsniedz restartēšanās vērtību (sk. nodaļu Nepilnsprieguma izslēgšanās lpp. 485).</p>

## 13 Garantija

Ir spēkā likumā noteiktais garantijas periods. Produkta bojājumu gadījumā sazinieties ar ražotāja filiāli savā valstī (skatiet [dometic.com/dealer](http://dometic.com/dealer)) vai tirgotāju.

Nosūtot ierīci remontam garantijas ietvaros, pievienojiet šādus dokumentus:

- čeka kopiju, kurā norādīts iegādes datums;
- pretenzijas iesniegšanas iemeslu vai bojājuma aprakstu.

Nemiet vērā, ka pašrocīgi vai neprofesionāli veikts remonts var radīt drošības riskus, un garantija var tikt anulēta.

## 14 Atkritumu pārstrāde

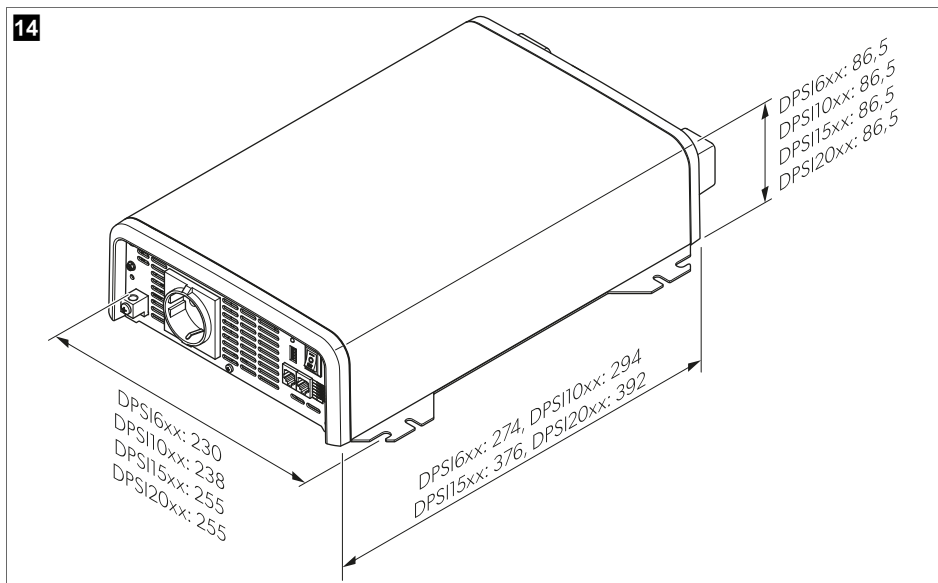


Ja iespējams, iepakojuma materiālus izmetiet atbilstošos atkritumu šķirošanas konteineros.


Informāciju par produkta utilizāciju, ievērojot spēkā esošos atkritumu apsaimniekošanas noteikumus, konsultējieties ar vietējo atkritumu pārstrādes centru vai specializēto izplatītāju.

Produktu iespējams utilizēt bez maksas.



## 15 Tehniskie dati



	<b>DPSI 612</b>	<b>DPSI 1012</b>	<b>DPSI 624</b>	<b>DPSI 1024</b>
Nominālais ieejas spriegums	12 V <sup>---</sup>		24 V <sup>---</sup>	
ieejas sprieguma diapazons	10,5 ... 16,5 V <sup>---</sup>		21 ... 33 V <sup>---</sup>	
Nepārtraukta izejas jauda P <sub>nom</sub>	600 W	1000 W	600 W	1000 W
Maksimālā izejas jauda (1 min)	690 W	1150 W	690 W	1150 W
Maksimālā pārsprieguma jauda (1 s) P <sub>pārs-</sub>	1200 W	2000 W	1200 W	2000 W
priegums				
Strāvas patēriņš dikstāves režīmā	≤ 1 A	≤ 1,1 A	≤ 0,6 A	≤ 0,6 A
Strāvas patēriņš gaidstāves režīmā	≤ 0,3 A	≤ 0,35 A	≤ 0,2 A	≤ 0,2 A
Izmēri	att. 14 lpp. 484			
Svars	1,1 kg	1,2 kg	1,1 kg	1,2 kg
	<b>DPSI 1512</b>	<b>DPSI 2012</b>	<b>DPSI 1524</b>	<b>DPSI 2024</b>
Nominālais ieejas spriegums	12 V <sup>---</sup>		24 V <sup>---</sup>	
ieejas sprieguma diapazons	10,5 ... 16,5 V <sup>---</sup>		21 ... 33 V <sup>---</sup>	
Nepārtraukta izejas jauda P <sub>nom</sub>	1500 W	2000 W	1500 W	2000 W
Maksimālā izejas jauda (1 min)	1725 W	2300 W	1725 W	2300 W
Maksimālā pārsprieguma jauda (1 s) P <sub>pārs-</sub>	3000 W	4000 W	3000 W	4000 W
priegums				

	DPSI 1512	DPSI 2012	DPSI 1524	DPSI 2024
Strāvas patēriņš dikstāves režīmā	≤ 1,2 A	≤ 1,5 A	≤ 0,7 A	≤ 0,8 A
Strāvas patēriņš gaidstāves režīmā	≤ 0,4 A	≤ 0,5 A	≤ 0,25 A	≤ 0,3 A
Izmēri	 att. 14 lpp. 484			
Svars	1,1 kg	1,2 kg	1,1 kg	1,2 kg

## 15.1 Vispārīgi tehniskie dati

Izejas sprieguma diapazons	230 V $\sim$ ± 10 %
Izejas frekvence	50 Hz ± 1 %
Izejas viļņu forma	Tīrs sinusoidāls vilnis
Maksimālā efektivitāte	90 %
Darbībai nepieciešamais apkārtējās temperatūras diapazons	0 ... 50 °C
Uzglabāšanai nepieciešamais apkārtējās temperatūras diapazons	- 30 °C ... 70 °C
Apkārtējais relatīvais mitrums	0 ... 95 %, non-condensing
Pārbaude/sertifikācija	 

## 15.2 Nepilnsprieguma izslēgšanās

	Izslēgšanās vērtība	Restartēšanās vērtība
DPSI <sub>xx</sub> 12	10,3 V	11,8 V
DPSI <sub>xx</sub> 24	20,6 V	23,6 V

## 15.3 Pārsprieguma izslēgšanās

	Izslēgšanās vērtība	Restartēšanās vērtība
DPSI <sub>xx</sub> 12	16,5 V	15,5 V
DPSI <sub>xx</sub> 24	33 V	31 V







[dometic.com](https://dometic.com)

---

## **YOUR LOCAL DEALER**

[dometic.com/dealer](https://dometic.com/dealer)

## **YOUR LOCAL SUPPORT**

[dometic.com/contact](https://dometic.com/contact)

## **YOUR LOCAL SALES OFFICE**

[dometic.com/sales-offices](https://dometic.com/sales-offices)

---