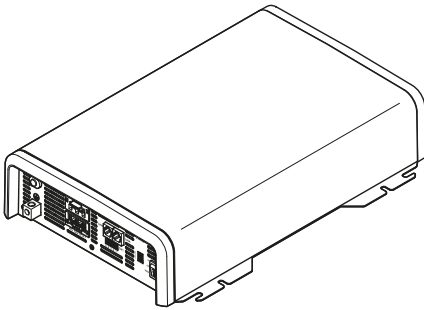




MOBILE POWER SOLUTIONS

DPSI



SinePower DPSI1812 iTS, DPSI1824 iTS

EN	Sinewave inverter Installation and Operating Manual..... 3	SK	Sinusový menič napätia Návod na montáž a uvedenie do prevádzky..... 245
DE	Sinuswellen-Wechselrichter Montage- und Bedienungsanleitung..... 23	CS	Měníč se sinusovým průběhem Návod k montáži a obsluze..... 265
FR	Onduleur sinusoïdal Instructions de montage et de service..... 44	HU	Színusz hullámos inverter Szerezési és használati útmutató..... 285
ES	Inversor de onda sinusoidal Instrucciones de montaje y de uso..... 64	HR	Sinusni inverter Upute za montažu i rukovanje..... 305
PT	Inversor de onda sinusoidal Instruções de montagem e manual de instruções..... 84	TR	Sinüs dalgali invertör Montaj ve Kullanım Kılavuzu..... 325
IT	Inverter a onda sinusoidale Istruzioni di montaggio e d'uso..... 104	SL	Sinusni razsmernik Navodila za montažo in uporabo..... 345
NL	Sinusomvormer Montagehandleiding en gebruiksaanwijzing..... 124	RO	Invertor sinusoid Manual de instalare și de utilizare..... 365
DA	Sinusbølgeinverter Monterings- og betjeningsvejledning..... 144	BG	Синусоидален инвертор Ръководство за инсталация и работа..... 385
SV	Sinusväxelriktare Monterings- och bruksanvisning..... 164	ET	Sinuslaine inverter Paigaldus- ja kasutusjuhend..... 406
NO	Sinusvekselretter Monterings- og bruksanvisning..... 184	EL	Μετατροπέας inverter ημιτονικού σήματος Ευχειρίδιο τοποθέτησης και χρήσης..... 426
FI	Sini-vaihtosuuntaaja Asennus- ja käyttöohje..... 204	LT	Sinusinių bangų inverteris Montavimo ir naudojimo vadovas..... 448
PL	Przetwornica sinusoidalna Instrukcja montażu i obsługi..... 224	LV	Sinewave strāvas pārveidotājs Uzstādīšanas un lietošanas rokasgrāmata..... 468

Copyright

© 2024 Dometic Group. The visual appearance of the contents of this manual is protected by copyright and design law. The underlying technical design and the products contained herein may be protected by design, patent or pending patent. The trademarks mentioned in this manual belong to Dometic Sweden AB. All rights are reserved.

English

1	Important notes.....	3
2	Explanation of symbols.....	3
3	Safety instructions.....	4
4	Scope of delivery.....	7
5	Accessories.....	7
6	Intended use.....	7
7	Technical description.....	8
8	Installation.....	10
9	Configuring the inverter.....	16
10	Operation.....	19
11	Cleaning and maintenance.....	19
12	Troubleshooting.....	20
13	Warranty.....	20
14	Disposal.....	21
15	Technical data.....	21

1 Important notes

Please read these instructions carefully and follow all instructions, guidelines, and warnings included in this product manual in order to ensure that you install, use, and maintain the product properly at all times. These instructions **MUST** stay with this product.

By using the product, you hereby confirm that you have read all instructions, guidelines, and warnings carefully and that you understand and agree to abide by the terms and conditions as set forth herein. You agree to use this product only for the intended purpose and application and in accordance with the instructions, guidelines, and warnings as set forth in this product manual as well as in accordance with all applicable laws and regulations. A failure to read and follow the instructions and warnings set forth herein may result in an injury to yourself and others, damage to your product or damage to other property in the vicinity. This product manual, including the instructions, guidelines, and warnings, and related documentation, may be subject to changes and updates. For up-to-date product information, please visit documents.dometic.com.

2 Explanation of symbols

A signal word will identify safety messages and property damage messages, and also will indicate the degree or level of hazard seriousness.



DANGER!

Indicates a hazardous situation that, if not avoided, will result in death or serious injury.



WARNING!

Indicates a hazardous situation that, if not avoided, could result in death or serious injury.



CAUTION!

Indicates a hazardous situation that, if not avoided, could result in minor or moderate injury.



NOTICE!

Indicates a situation that, if not avoided, can result in property damage.



NOTE Supplementary information for operating the product.

3 Safety instructions

Also observe the safety instructions and stipulations issued by the vehicle manufacturer and authorized workshops.

3.1 General safety



DANGER! Electrocutation hazard

- > Do not touch exposed cables with your bare hands.
- > To be able to disconnect the device quickly from the AC power supply, the socket must be close to the device and be easily accessible.



WARNING! Electrocutation hazard

- > Installation and removal of the device may only be carried out by qualified personnel.
- > Do not operate the device if the device itself or the connection cable is visibly damaged.
- > If this device's power cable is damaged, the power cable must be replaced in order to prevent safety hazards.
- > This device may only be repaired by qualified personnel. Improper repairs can lead to considerable hazards.
- > Only use accessories that are recommended by the manufacturer.
- > Do not modify or adapt any of the components in any way.
- > Do not disconnect any cables when the device is still in use.
- > Disconnect the device from the power supply:
 - After use
 - Before each cleaning and maintenance
 - Before changing a fuse



WARNING! Fire hazard/Flammable materials

In event of fire, use a fire extinguisher which is suitable for electrical devices.



WARNING! Risk of asphyxiation

The cable and control unit of the device can give rise to risks of entanglement, strangulation, tripping or treading if not correctly arranged. Ensure that excess ties and power cables shall be arranged in a safe way.



WARNING! Health hazard

- > This device can be used by children aged from 8 years and above and persons with reduced physical, sensory or mental capabilities or lack of experience and knowledge if they have been given supervision or instruction concerning use of the device in a safe way and understand the hazards involved.
- > **Electrical devices are not toys.** Always keep and use the device out of the reach of very young children.
- > Children must be supervised to ensure that they do not play with the device.
- > Cleaning and user maintenance shall not be made by children without supervision.



NOTICE! Damage hazard

- > Before start-up, check that the voltage specification on the data plate is the same as that of the power supply.
- > Ensure that other objects **cannot** cause a short circuit at the contacts of the device.
- > Ensure that the negative and positive poles **never** come into contact.

- > Do not pull on the connection cables or use the cables as a handle.
- > The device must not be exposed to rain or moisture. Store in a dry place.

3.2 Installing the device safely



DANGER! Explosion hazard

- > Only install and operate the device in closed, well-ventilated rooms.
- > Do **not** install or operate the device under the following conditions:
 - In salty, wet or damp environments
 - In the vicinity of corrosive fumes
 - In the vicinity of combustible materials
 - In the vicinity of heat sources (heaters, direct sunlight, gas ovens, etc.)
 - In areas where there is a risk of gas or dust explosion



WARNING! Risk of injury

- > Ensure that the device is standing firmly. The device must be set up and fastened in such a way that it cannot tip over or fall down.
- > When positioning the device, ensure that all cables are suitably secured to avoid any form of trip hazard.



NOTICE! Damage hazard

- > Place the device in a dry location where it is protected against splashing water.
- > Always use sockets which are grounded and secured by residual current circuit breakers

3.3 Safety when connecting the device electrically



DANGER! Electrocutation hazard

If you are working on electrical systems, ensure that there is somebody close at hand who can help you in emergencies.



WARNING! Electrocutation hazard

- > Observe the recommended cable cross-sections.
- > Lay the cables so that they cannot be damaged by the doors or the hood. Crushed cables can lead to serious injury.



NOTICE! Damage hazard

- > Use ductwork or cable ducts if it is necessary to lay cables through metal panels or other panels with sharp edges.
- > Do **not** lay the 230 V mains cable and the 12 V DC cable in the same duct.
- > Do **not** lay the cable so that it is loose or heavily kinked.
- > Fasten the cables securely.

3.4 Safety precautions when handling batteries



WARNING! Risk of injury

- > Batteries contain aggressive and caustic acids. Avoid battery fluid coming into contact with your body. If your skin does come into contact with battery fluid, wash that part of your body thoroughly with water. If you sustain any injuries from acids, contact a doctor immediately.

- > When working on batteries, do not wear any metal objects such as watches or rings. Lead acid batteries can cause short circuits which can cause serious injuries.
- > Only use insulated tools.
- > Do not place any metal parts on the battery and prevent any metal parts from falling on the battery. This can cause sparks or short-circuits the battery and other electrical devices.
- > Wear goggles and protective clothing when working on batteries. Do not touch your eyes when working on batteries.
- > Only use rechargeable batteries.
- > Do not use defective batteries.



CAUTION! Explosion hazard

- > Never attempt to charge a frozen or defective battery. Place the battery in a frost-free area and wait until the battery has acclimatised to the ambient temperature. Then start the charging process.
- > Do not smoke, use an open flame, or cause sparking near the engine or a battery.
- > Keep the battery away from heat sources.



NOTICE! Damage hazard

- > Ensure that the polarity is correct when connecting the battery.
- > Follow the instructions of the battery manufacturer and those of the manufacturer of the system or vehicle in which the battery is used.
- > If the battery has to be removed, first disconnect the ground connection. Disconnect all connections and all consumers from the battery before removing it.
- > Only store fully charged batteries. Recharge stored batteries regularly.
- > Do not carry the battery by its terminals.

3.5 Operating the device safely



WARNING! Electrocuting hazard

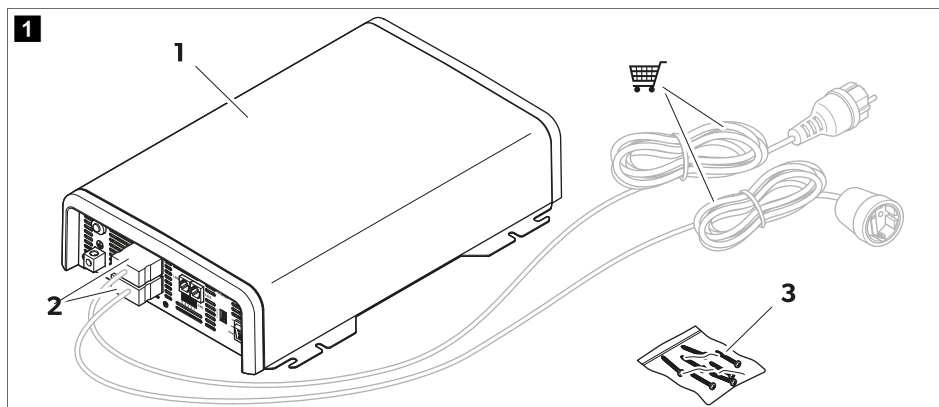
- > Do not use the device in wet conditions or submerge in any liquid.
- > Before starting the device, ensure that the power supply line and the plug are dry and the plug is free from rust or dirt.
- > Observe that parts of the device may still conduct voltage even if the fuse has blown.




NOTICE! Damage hazard

- > Ensure that the air inlets and outlets of the device are not covered.
- > Ensure a good ventilation.

4 Scope of delivery



No. in  Fig. 1 on page 7	Designation	Quantity
1	Sine wave inverter	1
2	WAGO connector Connection cable with safety coupling (for 230 V~ output)	2
3	Fixing screws	6
-	Installation and operating manual	1

5 Accessories

Designation	Ref.no.
Remote control DSP-RCT	9600002564
Control monitor DSP-EM	9600002565
Touch display TD283	9620013272

6 Intended use

The inverter is intended to convert direct current into a pure sine wave alternating voltage (AC) of 230~ ... 240 V~ for operation and stable power supply of connected consumers.

The inverter is intended for connection to:

- DPSI1812iTS: 12 V $\overline{\text{DC}}$
- DPSI1824iTS: 24 V $\overline{\text{DC}}$

The inverter is suitable for:

- Installation in recreational vehicles (RV), trucks, commercial vehicles or motor, and sailing yachts
- Stationary or mobile use
- Indoor use

The inverter is **not** suitable for:

- Outdoor use

This product is only suitable for the intended purpose and application in accordance with these instructions.

This manual provides information that is necessary for proper installation and/or operation of the product. Poor installation and/or improper operation or maintenance will result in unsatisfactory performance and a possible failure.

The manufacturer accepts no liability for any injury or damage to the product resulting from:

- Incorrect installation, assembly or connection, including excess voltage
- Incorrect maintenance or use of spare parts other than original spare parts provided by the manufacturer
- Alterations to the product without express permission from the manufacturer
- Use for purposes other than those described in this manual

Dometic reserves the right to change product appearance and product specifications.

7 Technical description

7.1 General description

The inverter is a DC-to-AC pure sine wave inverter.

The inverter is fitted with a priority circuit. If 230 V~ mains is available, this external power source is used to supply the sockets in the recreational vehicle. If no 230 V~ mains is available, the inverter converts the battery's direct current into alternating current, thus ensuring the power supply for the connected consumers.

The inverter can be operated in the following network systems:

- TN network
- IT network

The network systems are set via a screw on the inverter.

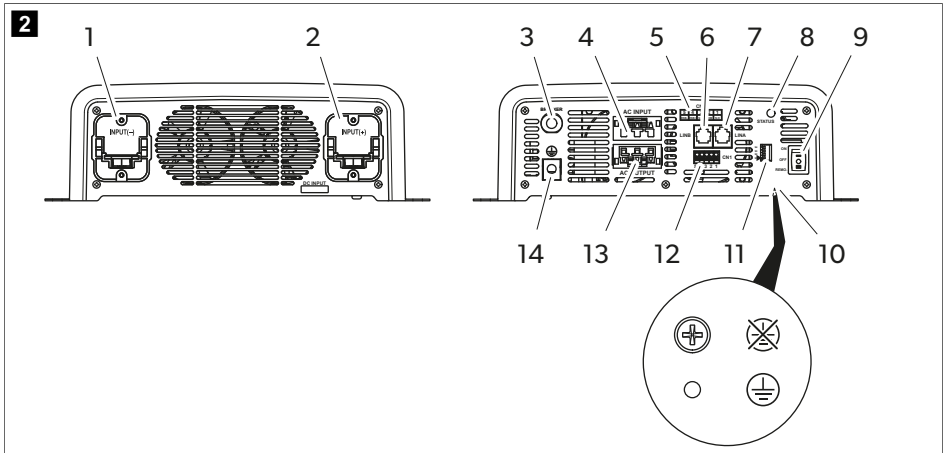
The inverter can be switched to energy-saving mode, in order to reduce idle consumption and minimize the load on the battery.

The inverter has the following protective mechanisms:

- **Overvoltage shutdown:** The inverter switches off when the voltage exceeds the cut-off value. The inverter restarts automatically when the voltage drops to the restart value.
- **Undervoltage shutdown:** The inverter switches off when the voltage falls below the cut-off value. The inverter restarts automatically when the voltage exceeds the restart value.
- **High temperature shutdown:** The inverter switches off when the internal temperature of the device exceeds the cut-off value. The inverter restarts automatically when the internal temperature drops to the restart value.
- **High output current protection:** The inverter switches off when too many loads are connected.
- **Protection against short circuit:** The inverter switches off when a short circuit has been generated. The inverter restarts automatically after a few seconds. If a short circuit is detected for five consecutive times, the inverter does not restart automatically and a manual restart is needed.

The inverter is N-BUS and CI-BUS-capable for data and function display on touch display (accessories) and the mobile app.

7.2 Control elements and connections



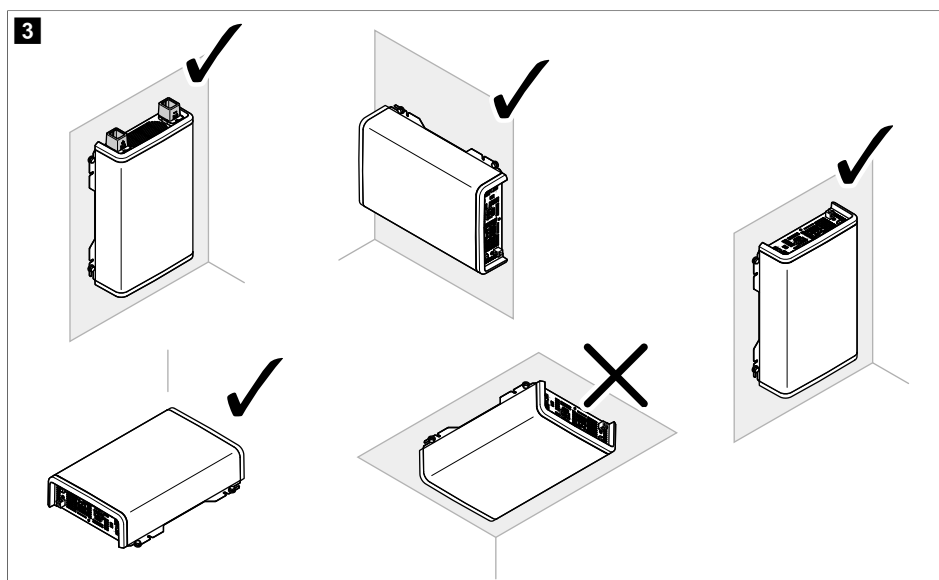
No.	Designation
1	(-) terminal, connection to the negative pole of the house battery
2	(+) terminal, connection to the positive pole of the house battery
3	Fuse for the external input
4	AC input
5	CN1 terminal
6	CI BUS/N Bus/remote control connection (LINB)
7	CI BUS/N Bus/remote control connection (LINA)
8	Status indication LED
9	On/off switch
10	Screw for IT/TN network setting
11	Dip switch
12	Dip switch, connection for external switch and alarm relay
13	AC output
14	Ground connection

7.3 Status indication LED

Status	Description
On	Inverter operation
Flashing	Error (see chapter Troubleshooting on page 20)
Off	No AC input present, inverter deactivated


8 Installation

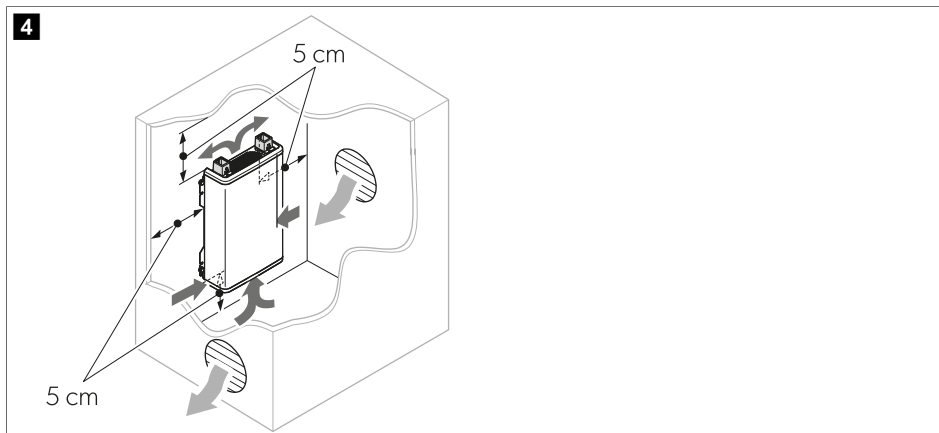
8.1 Installation location

**NOTICE! Damage hazard**


Before drilling any holes, ensure that no electrical cables or other parts of the vehicle can be damaged by drilling, sawing and filing.

**NOTE**

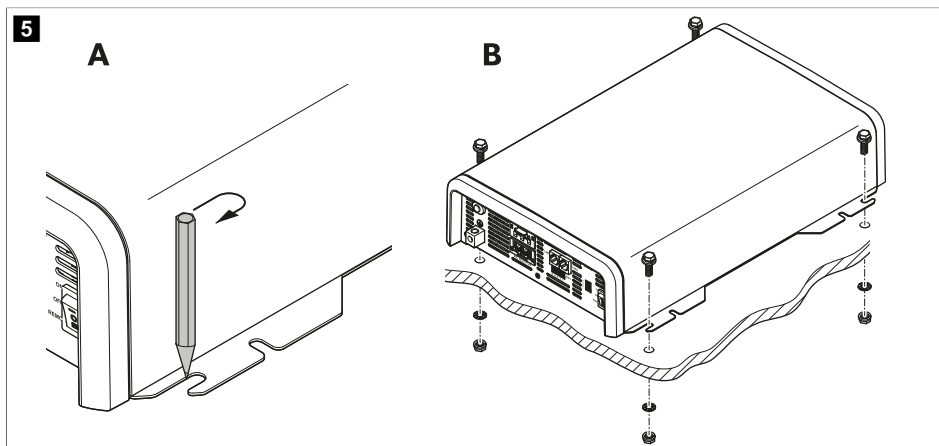
The inverter can be mounted either sitting or hanging ( Fig. **3** on page 10).





Observe the following instructions when selecting an installation location:

- Ensure that the mounting surface is solid and level.
- Observe the distance specifications for sufficient ventilation ( Fig. 4 on page 11).

8.2 Mounting the inverter



1. Select the appropriate mounting holes depending on the selected mounting type (sitting or hanging) and mark the drilling holes ( Fig. 5 on page 11, **A**).
2. Pre-drill the mounting holes.
3. Screw the inverter in place ( Fig. 5 on page 11, **B**).

8.3 Connecting the inverter



The electrical installation and setup of the device must be performed by a qualified electrician who has demonstrated skill and knowledge related to the construction and operation of electrical equipment and installations, and who is familiar with the applicable regulations of the country in which the equipment is to be installed and/or used, and has received safety training to identify and avoid the hazards involved.

All other actions are intended also for non-professional users.



WARNING! Electrocution hazard

Observe the recommended cable cross-sections, cable lengths and fuse.



CAUTION! Fire hazard

Place the fuses near the batteries to protect the cable from short circuits and possible burning.



NOTICE! Damage hazard

- > Do not reverse the polarity.
- > Tighten the screws and nuts to a maximum torque of 15 Nm. Loose connections can lead to overheating.

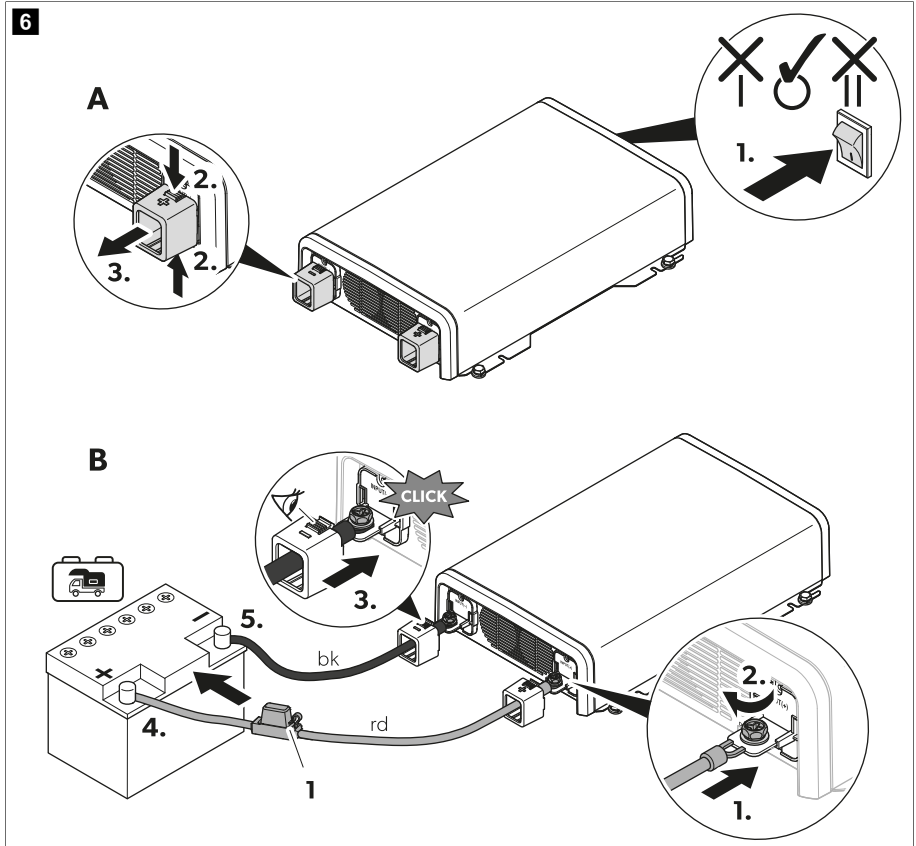
Observe the following instructions when connecting the inverter:

- Observe the applicable regulations when setting up a socket outlet distribution circuit (mains installation).
 - Select the cable length of the DC cables (connection to battery terminals) as short as possible ≤ 1 m).
 - For **TN network** connection: Install a residual current device (RCD).
 - For **IT network** connection: Install an insulation monitoring device (IMD) if more than one load is connected.
- National standards apply.**


1. Determine the cable cross-sections and fuse:

	Cable cross-section	Cable fuse
DPSI1812iTS	50 mm ²	250 A
DPSI1824iTS	25 mm ²	150 A


2. Check that the device is switched off ( Fig. 6 on page 13, **A: 1**).






3. Detach the covers from the terminals ( Fig. 6 on page 13, **A:2 – 3**).


4.  **NOTICE! Damage hazard**
To avoid short-circuiting the device always first connect the black cable (negative terminal).

Connect the black (bk) connection cable to the (-) terminal.

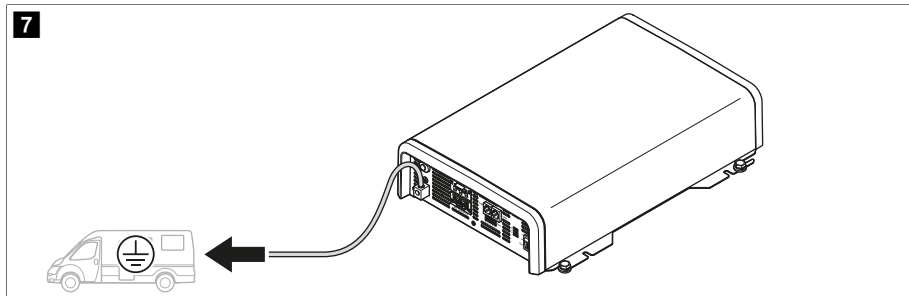
5. Connect the red (rd) connection cable to the (+) terminal ( Fig. 6 on page 13, **B: 1 – 2**).

6. Connect (+) to the positive terminal of the house battery ( Fig. 6 on page 13, **B: 4**).

 **NOTE** Protect the positive cable of the house battery with a fuse ( Fig. 6 on page 13, **1**).

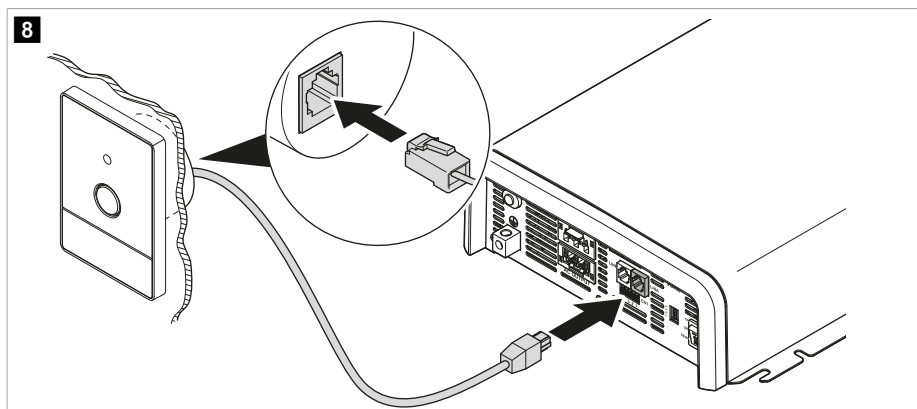
7. Connect (-) to the negative terminal of the house battery ( Fig. 6 on page 13, **B: 5**).

8. Connect the ground connection to ground (chassis)  Fig. 7 on page 14.



8.4 Connecting the remote control

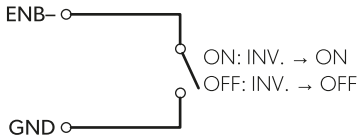
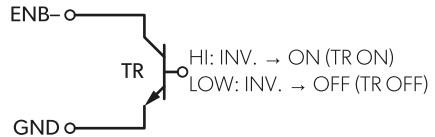
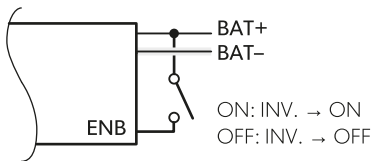
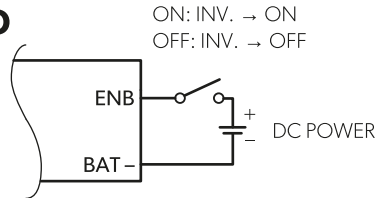
- > Connect the remote control to the remote control connection (LINA or LINB).







8.5 Connecting an external switch



NOTE If an external switch is connected, the status of the energy-saving mode cannot be changed.

9 A**B****C****D****NOTE**

- > Ensure that the remote control connection is not occupied.
- > Select one of the following suitable external switches:
 -  Fig. 9 on page 15, **A**: External switch with power supply from the inverter
 -  Fig. 9 on page 15, **B**: Control unit with relay or transistor circuit (TR)
 -  Fig. 9 on page 15, **C**: External switch with power supply from the battery (BAT) of the vehicle
 -  Fig. 9 on page 15, **D**: External switch with its own power supply (DC POWER) e.g. from the ignition



NOTE Ensure that the remote control connection is not occupied.

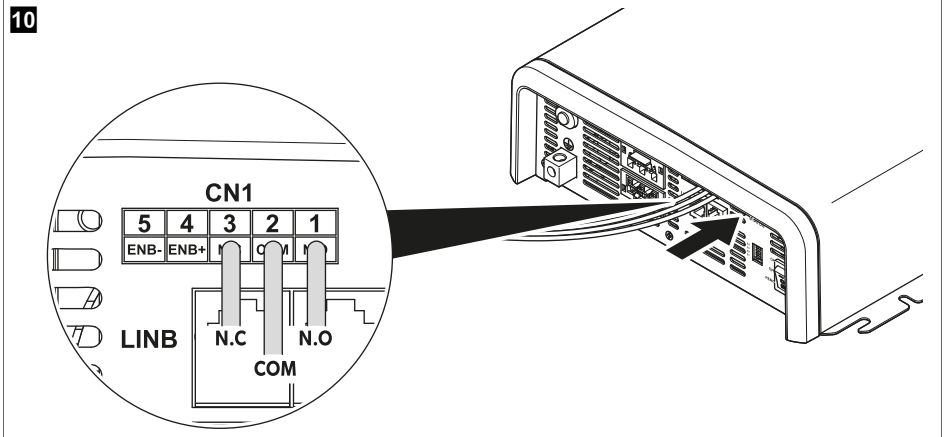
1. Set the on/off switch to **OFF**.
2. Set the on/off switch to **REMO**.
3. Connect the external switch to the CN1 terminal.

8.6 Connecting an alarm relay

The alarm relay is activated as soon as the AC power supply is available and the AC transfer switch is closed. The alarm relay can be used to:

- Generate an AC power supply detection signal in the vehicle control panel.
- Switch on and off less critical loads (e.g., absorber refrigerator, electrical heating systems) that should only be operated in connection with AC power supply.

10



> Connect an alarm relay to the CN1 terminal (Fig. 10 on page 16).

9 Configuring the inverter



The electrical installation and setup of the device must be performed by a qualified electrician who has demonstrated skill and knowledge related to the construction and operation of electrical equipment and installations, and who is familiar with the applicable regulations of the country in which the equipment is to be installed and/or used, and has received safety training to identify and avoid the hazards involved.

All other actions are intended also for non-professional users.



DANGER! Electrocutation hazard

- > Only remove the protective cap from the DIP switch for configuration.
- > Replace the protective cap to prevent accidental adjustment of the DIP switch.
- > For **TN network** configuration: Ensure that a residual current device (RCD) is installed.
- > For **IT network** configuration: Operate one load only or install an insulation monitoring device (IMD). Observe the national standards.



NOTE



Use a small screwdriver to carefully move the DIP switches to the required position.

Settings on the inverter can be made via the DIP switches or via the connection of a CI-BUS-capable remote control.

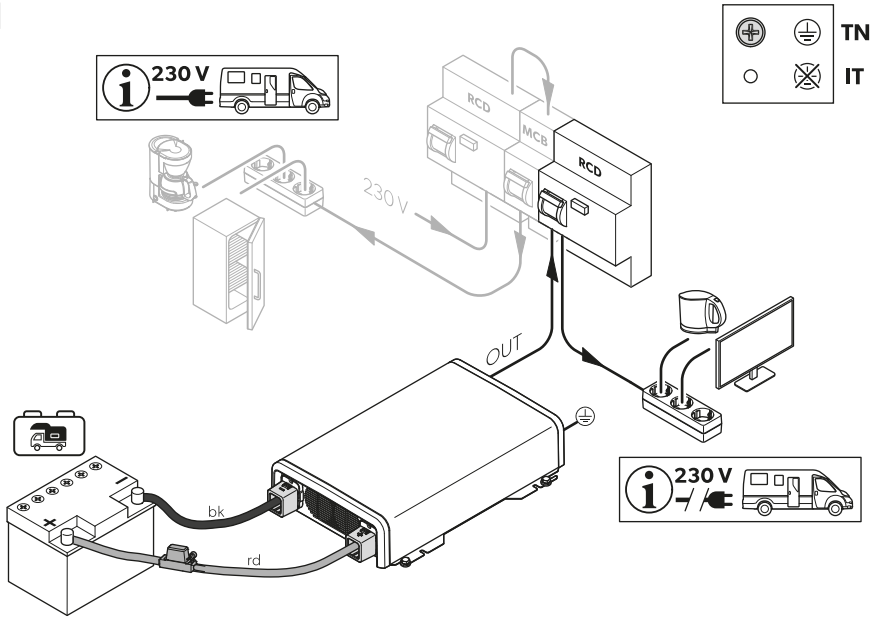
The device initially uses the factory configuration. If required, move the DIP switches to adjust the configuration.

- > Slide the DIP switch **S1** to **On** for **local** setting via DIP switches.
- > Slide the DIP switch **S1** to **OFF** for **external** setting via remote control.

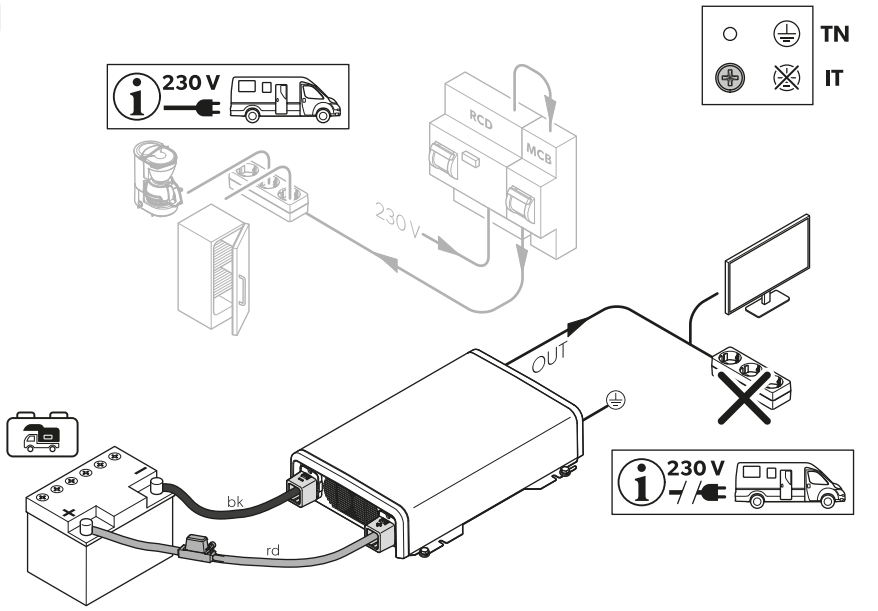
9.1 DIP switch settings

Configuration		DIP switch position				
		S1	S2	S3	S4	S5
Settings	Local setting via DIP switch	On	-	-	-	-
	External setting via remote control	Off	-	-	-	-
Mains voltage	240 V/60 Hz	-	On	-	-	-
	230 V/50 Hz	-	Off	-	-	-
Energy-saving mode	Energy-saving mode is activated when the load is ≤ 45 W Inverter switches to normal operation when the load is ≥ 45 W	-	-	On	On	-
	Energy-saving mode is activated when the load is ≤ 45 W Inverter switches to normal operation when the load is ≥ 45 W	-	-	On	Off	-
	Energy-saving mode is activated when the load is ≤ 1 W Inverter switches to normal operation when the load is ≥ 1 W	-	-	Off	Off	-
	Energy-saving mode is activated when the load is ≤ 1 W Inverter switches to normal operation when the load is ≥ 1 W Inverter switches off automatically after 20 minutes of operation in energy-saving mode	-	-	Off	On	-
	Energy-saving mode is activated when the load is ≤ 1 W Inverter switches to normal operation when the load is ≥ 1 W	-	-	Off	On	-
	Energy-saving mode is activated when the load is ≤ 1 W Inverter switches to normal operation when the load is ≥ 1 W Inverter switches off automatically after 20 minutes of operation in energy-saving mode	-	-	Off	On	-
Net system	IT network ( Fig. 12 on page 18)	-	-	-	-	On
	TN network ( Fig. 11 on page 18)	-	-	-	-	Off

11

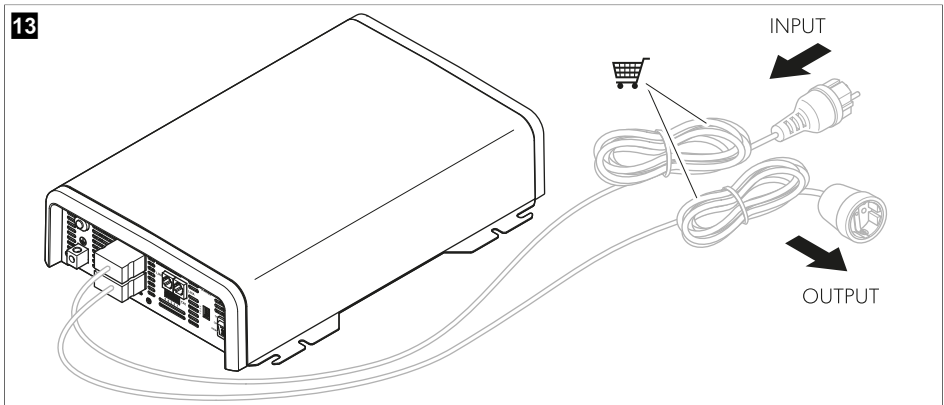


12




10 Operation

10.1 Operating 230 V devices



NOTE

Only connect devices whose total load does not exceed the values listed in Technical data on page 21.

- > Connect 230 V devices as shown ( Fig. 13 on page 19).

10.2 Switching the inverter on and off



NOTE

- If the inverter is to be controlled via the remote control, the on/off switch must be set to position **II**.
- If the inverter is to be controlled via the external switch, the on/off switch must be set to position **0**.

- > To switch on the inverter, set the on/off switch to position **I**.
- > To switch off the inverter, set the on/off switch to position **0**.
- > Use the remote control or the external switch to switch the inverter on and off.

11 Cleaning and maintenance



WARNING! Electrocuting hazard

Unplug the device from the power supply before cleaning and maintenance.



NOTICE! Damage hazard

- > Never clean the device under running water or in dish water.
- > Do not use sharp or hard objects, abrasive cleaning agents or bleach during cleaning as these can damage the device.
- > Ensure that the air inlet and outlet vents of the device are free of dust and dirt so that the heat can be released.

- > Occasionally clean the device with a soft, damp cloth.
- > Regularly check live cables or lines for insulation faults, breaks or loose connections.

12 Troubleshooting

Problem	Possible cause	Suggested remedy
The inverter does not work. The status indication LED is off.	Short circuit has been generated.	> The device fuse must be replaced by an authorized service agent after it has been triggered by excess current.
	Insulation faults, breaks or loose connections at the live cables.	> Check live cables for insulation faults, breaks or loose connections. If you cannot find an error, contact an authorized service agent.
The inverter does not work. The status indication LED flashes slowly.	High input current protection.	Reduce the connected loads.
	High temperature shutdown.	1. Switch off the inverter and the connected loads. 2. Check that the air inlets and outlets are not covered or obstructed. 3. Allow the inverter to cool down.
	Short circuit has been generated.	The device fuse must be replaced by an authorized service agent after it has been triggered by excess current.
The inverter does not work. The status indication LED flashes quickly.	Overvoltage shutdown. Battery voltages too high.	> Reduce the connected voltages. The inverter restarts automatically when the voltage drops to the restart value (see chapter Overvoltage shutdown on page 22). > If the error still occurs: Increase the cable cross-sections. Reduce the cable length.
	Undervoltage shutdown. Battery voltages too low.	> Allow the battery to recharge slowly. The inverter restarts automatically when the voltage exceeds the restart value (see chapter Undervoltage shutdown on page 22).

13 Warranty

The statutory warranty period applies. If the product is defective, please contact the manufacturer's branch in your country (see dometic.com/dealer) or your retailer.

For repair and warranty processing, please include the following documents when you send in the device:

- A copy of the receipt with purchasing date
- A reason for the claim or description of the fault

Note that self-repair or nonprofessional repair can have safety consequences and might void the warranty.

14 Disposal

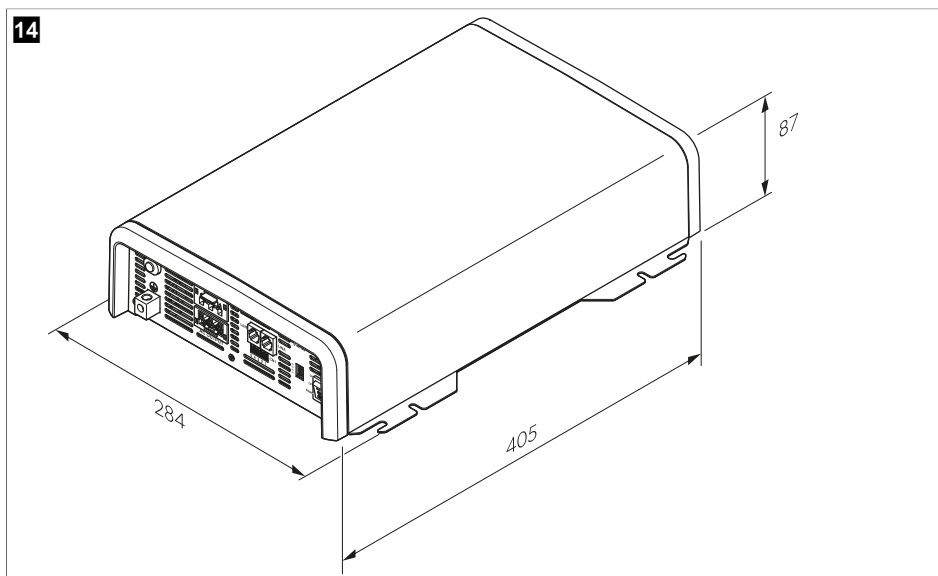


Place the packaging material in the appropriate recycling waste bins wherever possible.

Consult a local recycling center or specialist dealer for details about how to dispose of the product in accordance with the applicable disposal regulations.

The product can be disposed free of charge.

15 Technical data



	DPSI 1812	DPSI 1824
Nominal input voltage	12 V _{DC}	24 V _{DC}
Input voltage range	10 ... 16.5 V _{DC}	20 ... 33 V _{DC}
Continuous output power P _{nom}	1800 W	1800 W
Maximum output power (10 min)	1800 W	1800 W
Maximum output power (3 min)	2070 W	2070 W
Maximum surge power (2 s) P _{surge}	3600 W	3600 W
Current consumption in idle mode	≤ 2.5 A	≤ 1.3 A
Current consumption in standby mode	≤ 0.2 A	≤ 0.1 A
Dimensions	Fig. 14 on page 21	
Weight	5.5 kg	5.5 kg

15.1 General technical data

Output voltage range	230/ 240 V \sim \pm 3%
Output frequency	50/60 Hz \pm 0.3 Hz
Output waveform	Pure sine wave
Distortion THD	THD \leq 3% at P _{nom} (Resistive load)
Peak efficiency	90%
Ambient temperature for operation	-20 ... 60°C
Ambient temperature for storage	-30°C ... 70°C
Ambient humidity	0 ... 95%, non-condensing
Inspection/certification	



15.2 Undervoltage shutdown

	Cut-off value	Restart value
DPSI1812	10 V	12 V
DPSI1824	20 V	24 V

15.3 Overvoltage shutdown

	Cut-off value	Restart value
DPSI1812	16.5 V	15.5 V
DPSI1824	33 V	31 V

Deutsch

1	Wichtige Hinweise.....	23
2	Erklärung der Symbole.....	23
3	Sicherheitshinweise.....	24
4	Lieferumfang.....	27
5	Zubehör.....	27
6	Bestimmungsgemäßer Gebrauch.....	27
7	Technische Beschreibung.....	28
8	Installation.....	30
9	Wechselrichter einstellen.....	36
10	Betrieb.....	39
11	Reinigung und Pflege.....	39
12	Fehlersuche und Fehlerbehebung.....	40
13	Garantie.....	41
14	Entsorgung.....	41
15	Technische Daten.....	42

1 Wichtige Hinweise

Lesen und befolgen Sie bitte alle Anweisungen, Richtlinien und Warnhinweise in diesem Produkthandbuch sorgfältig, um sicherzustellen, dass Sie das Produkt ordnungsgemäß installieren und stets ordnungsgemäß betreiben und warten. Diese Anleitung MUSS bei dem Produkt verbleiben.

Durch die Verwendung des Produktes bestätigen Sie hiermit, dass Sie alle Anweisungen, Richtlinien und Warnhinweise sorgfältig gelesen haben und dass Sie die hierin dargelegten Bestimmungen verstanden haben und ihnen zustimmen. Sie erklären sich damit einverstanden, dieses Produkt nur für den angegebenen Verwendungszweck und gemäß den Anweisungen, Richtlinien und Warnhinweisen dieses Produkthandbuchs sowie gemäß allen geltenden Gesetzen und Vorschriften zu verwenden. Eine Nichtbeachtung der hierin enthaltenen Anweisungen und Warnhinweise kann zu einer Verletzung Ihrer selbst und anderer Personen, zu Schäden an Ihrem Produkt oder zu Schäden an anderem Eigentum in der Umgebung führen. Dieses Produkthandbuch, einschließlich der Anweisungen, Richtlinien und Warnhinweise, sowie die zugehörige Dokumentation können Änderungen und Aktualisierungen unterliegen. Aktuelle Produktinformationen finden Sie unter documents.dometic.com.

2 Erklärung der Symbole

Ein Signalwort kennzeichnet Sicherheits- und Sachschadensmeldungen und gibt zudem den Grad oder das Ausmaß der Gefährdung an.



GEFAHR!

Kennzeichnet eine Gefahrensituation, die zum Tod oder schwerer Verletzung führt, wenn die jeweiligen Anweisungen nicht befolgt werden.



WARNUNG!

Kennzeichnet eine Gefahrensituation, die zum Tod oder schwerer Verletzung führen könnte, wenn die jeweiligen Anweisungen nicht befolgt werden.



VORSICHT!

Kennzeichnet eine Gefahrensituation, die zu geringer oder mittelschwerer Verletzung führen könnte, wenn die jeweiligen Anweisungen nicht befolgt werden.



ACHTUNG!

Kennzeichnet eine Situation, die zu Sachschäden führen kann, wenn die jeweiligen Anweisungen nicht befolgt werden.



HINWEIS Ergänzende Informationen zur Bedienung des Produktes.

3 Sicherheitshinweise

Beachten Sie die vom Fahrzeughersteller und vom Kfz-Handwerk herausgegebenen Sicherheitshinweise und Auflagen.

3.1 Grundlegende Sicherheit



GEFAHR! Gefahr durch Stromschlag

- > Fassen Sie nie mit bloßen Händen an blanke Kabel.
- > Um das Gerät schnell vom Wechselstromnetz trennen zu können, muss sich die Steckdose in der Nähe des Gerätes befinden und leicht zugänglich sein.



WARNUNG! Gefahr durch Stromschlag

- > Montage und Demontage des Geräts dürfen nur durch qualifiziertes Fachpersonal erfolgen.
- > Wenn das Gerät selbst oder das Anschlusskabel sichtbare Beschädigungen aufweist, dürfen Sie das Gerät nicht in Betrieb nehmen.
- > Wenn das Netzkabel dieses Geräts beschädigt ist, muss es ausgetauscht werden, um Sicherheitsrisiken zu vermeiden.
- > Reparaturen an diesem Gerät dürfen nur von Fachkräften durchgeführt werden. Durch unsachgemäße Reparaturen können erhebliche Gefahren entstehen.
- > Verwenden Sie nur vom Hersteller empfohlenes Zubehör.
- > Führen Sie keine Änderungen bzw. Anpassungen an Komponenten durch.
- > Lösen Sie keine Kabel, wenn das Gerät noch in Betrieb ist.
- > Trennen Sie das Gerät von der Stromversorgung:
 - nach jedem Gebrauch
 - vor jeder Reinigung und Pflege
 - vor einem Sicherungswechsel



WARNUNG! Brandgefahr/brennbare Materialien

Verwenden im Falle eines Feuers einen Feuerlöscher, der für elektrische Geräte geeignet ist.



WARNUNG! Erstickungsgefahr

Wenn das Kabel und die Steuereinheit des Geräts nicht ordnungsgemäß verlegt bzw. platziert wird, besteht die Gefahr, sich zu verheddern, zu strangulieren oder zu verfangen bzw. darauf zu treten. Stellen Sie sicher, dass überstehende Kabelbinder und Stromkabel auf sichere Weise verstaut sind.



WARNUNG! Gesundheitsgefahr

- > Dieses Gerät kann von Kindern ab 8 Jahren und von Personen mit verringerten physischen, sensorischen oder mentalen Fähigkeiten oder Mangel an Erfahrung und/oder Wissen verwendet werden, wenn diese Personen beaufsichtigt werden oder im sicheren Gebrauch des Geräts unterwiesen wurden und die daraus resultierenden Gefahren verstanden haben.
- > **Elektrogeräte sind kein Kinderspielzeug!** Verwahren und benutzen Sie das Gerät außerhalb der Reichweite kleiner Kinder.
- > Kinder sollten beaufsichtigt werden, um sicherzustellen, dass sie nicht mit dem Gerät spielen.
- > Reinigung und Benutzerwartung dürfen nicht durch unbeaufsichtigte Kinder durchgeführt werden.



ACHTUNG! Beschädigungsgefahr

- > Prüfen Sie vor der Inbetriebnahme, ob die Spannungsangabe auf dem Typenschild mit der vorhandenen Netzspannung übereinstimmt.
- > Achten Sie darauf, dass andere Gegenstände **keinen** Kurzschluss an den Kontakten des Gerätes verursachen können.
- > Stellen Sie sicher, dass die Plus- und Minusanschlüsse **niemals** miteinander in Kontakt kommen.
- > Ziehen Sie nicht an den Anschlusskabeln und verwenden Sie sie nicht als Griffe.
- > Das Gerät darf nicht Regen oder Feuchtigkeit ausgesetzt werden. Lagern Sie das Gerät an einem trockenen Ort.

3.2 Sichere Installation des Geräts



GEFAHR! Explosionsgefahr

- > Installieren und betreiben Sie das Gerät ausschließlich in geschlossenen, gut belüfteten Räumen.
- > Installieren und betreiben Sie das Gerät **nicht** unter den folgenden Bedingungen:
 - in salzhaltiger, feuchter oder nasser Umgebung
 - in der Nähe von aggressiven Dämpfen
 - in der Nähe brennbarer Materialien
 - in der Nähe von Wärmequellen (Heizungen, direkte Sonneneinstrahlung, Gasöfen usw.)
 - in Bereichen, in denen die Gefahr einer Gas- oder Staubexplosion besteht



WARNUNG! Verletzungsgefahr

- > Achten Sie auf einen sicheren Stand. Das Gerät muss so sicher aufgestellt und befestigt werden, dass es nicht umstürzen oder herabfallen kann.
- > Stellen Sie beim Aufstellen des Geräts sicher, dass alle Kabel korrekt gesichert sind und keine Stolpergefahr besteht.



ACHTUNG! Beschädigungsgefahr

- > Platzieren Sie das Gerät an einem trockenen und gegen Spritzwasser geschützten Ort.
- > Verwenden Sie stets geerdete und durch FI-Schutzschalter gesicherte Steckdosen.

3.3 Sicherheit beim elektrischen Anschluss des Geräts



GEFAHR! Gefahr durch Stromschlag

Wenn Sie an elektrischen Anlagen arbeiten, stellen Sie sicher, dass jemand in der Nähe ist, um Ihnen im Notfall helfen zu können.



WARNUNG! Gefahr durch Stromschlag

- > Beachten Sie die empfohlenen Kabelquerschnitte.
- > Verlegen Sie die Kabel so, dass sie nicht durch die Türen oder die Motorhaube beschädigt werden können. Eingequetschte Kabel können zu lebensgefährlichen Verletzungen führen.



ACHTUNG! Beschädigungsgefahr

- > Benutzen Sie Leerrohre oder Kabeldurchführungen, wenn Kabel durch Blechwände oder andere scharfkantige Wände geführt werden müssen.
- > Verlegen Sie das 230 V-Anschlusskabel und das 12 V-Kabel **nicht** in derselben Leitungsdurchführung.
- > Verlegen Sie die Kabel **nicht** lose oder scharf abgeknickt.
- > Befestigen Sie die Leitungen sicher.

3.4 Sicherheit beim Umgang mit Batterien



WARNUNG! Verletzungsgefahr

- > Batterien enthalten aggressive und ätzende Säuren. Verhindern Sie jeden Körperkontakt mit der Batterieflüssigkeit. Sollte Ihre Haut mit Batterieflüssigkeit in Berührung kommen, so spülen Sie das entsprechende Körperteil gründlich mit Wasser ab. Suchen Sie bei Verletzungen durch Säure unbedingt einen Arzt auf.
- > Tragen Sie während der Arbeit an Batterien keine Metallgegenstände wie Uhren oder Ringe. Bleisäurebatterien können Kurzschlussströme erzeugen, die zu schweren Verletzungen führen können.
- > Verwenden Sie ausschließlich isolierte Werkzeuge.
- > Legen Sie keine Metallteile auf die Batterie und verhindern Sie, dass Metallteile auf die Batterie fallen. Das kann Funken erzeugen oder die Batterie und andere elektrische Geräte kurzschließen.
- > Tragen Sie während Arbeiten an Batterien eine Schutzbrille und Schutzkleidung. Berühren Sie während Arbeiten an Batterien nicht Ihre Augen.
- > Verwenden Sie ausschließlich wiederaufladbare Batterien.
- > Verwenden Sie keine defekten Batterien.



VORSICHT! Explosionsgefahr

- > Versuchen Sie nie, eine eingefrorene oder defekte Batterie zu laden. Stellen Sie die Batterie in diesem Fall an einen frostfreien Ort und warten Sie, bis sich die Batterie der Umgebungstemperatur angepasst hat. Beginnen Sie erst dann mit dem Ladevorgang.
- > Rauchen Sie in der Nähe des Motors oder einer Batterie nicht, verwenden Sie keine offenen Flammen und verursachen Sie keine Funken.
- > Halten Sie die Batterie von Wärmequellen fern.



ACHTUNG! Beschädigungsgefahr

- > Beachten Sie beim Anschluss der Batterie die korrekte Polarität.
- > Beachten Sie die Anleitungen des Batterieherstellers und des Herstellers der Anlage oder des Fahrzeugs, in denen die Batterie verwendet wird.
- > Wenn die Batterie entfernt werden muss, trennen Sie zuerst die Masseverbindung. Trennen Sie alle Verbindungen und alle Verbraucher von der Batterie, bevor Sie diese ausbauen.
- > Lagern Sie nur vollständig geladene Batterien ein. Laden Sie eingelagerte Batterien regelmäßig auf.
- > Tragen Sie die Batterie nicht an ihren Polen.

3.5 Sicherheit beim Betrieb des Gerätes



WARNUNG! Gefahr durch Stromschlag

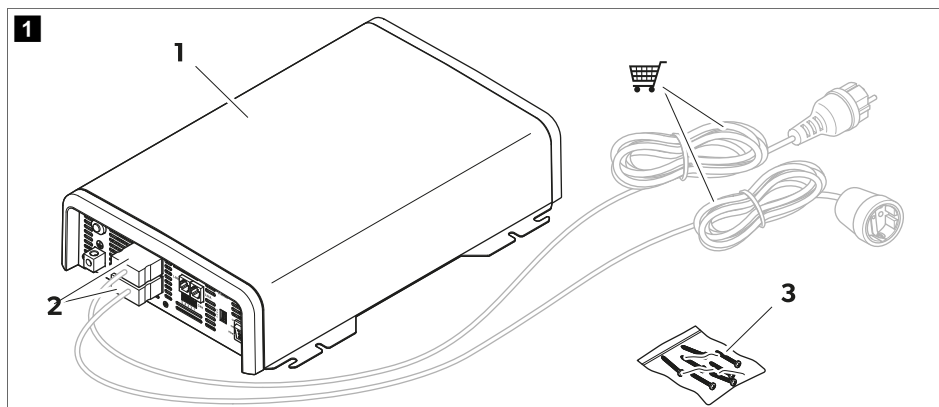
- > Verwenden Sie das Gerät nicht bei Nässe und tauchen Sie es nicht in Flüssigkeiten ein.
- > Bevor Sie das Gerät in Betrieb nehmen, vergewissern Sie sich, dass das Stromversorgungskabel und der Stecker trocken sind und der Stecker frei von Rost oder Schmutz ist.
- > Beachten Sie, dass auch nach Auslösen der Schutzeinrichtung (Sicherung) Teile des Gerätes unter Spannung bleiben können.




ACHTUNG! Beschädigungsgefahr

- > Stellen Sie sicher, dass Luftein- und -auslässe des Gerätes nicht verdeckt werden.
- > Stellen Sie eine gute Belüftung sicher.

4 Lieferumfang



Nr. in  Abb. 1 auf Seite 27	Bezeichnung	Anzahl
1	Sinus Wechselrichter	1
2	WAGO-Verbinder-Anschlusskabel mit Sicherheits-Anschlusskupplung (für 230 V~ Ausgang)	2
3	Befestigungsschrauben	6
-	Montage- und Bedienungsanleitung	1

5 Zubehör

Bezeichnung	Art.-Nr.
Fernbedienung DSP-RCT	9600002564
Steuermonitor DSP-EM	9600002565
Touch-Display TD283	9620013272

6 Bestimmungsgemäßer Gebrauch

Der Wechselrichter dient zur Umwandlung von Gleichstrom in eine reine Sinuswellen-Wechselspannung (AC) von 230~ ... 240 V~ für den Betrieb und die stabile Stromversorgung der angeschlossenen Verbraucher.

Der Wechselrichter ist vorgesehen für den Anschluss an:

- DPSI1812iTS: 12 V \Rightarrow
- DPSI1824iTS: 24 V \Rightarrow

Der Wechselrichter ist für folgende Verwendungszwecke geeignet:

- die Installation in Wohnmobilen, Lastkraftwagen, Fahrzeugen oder Motoren zur gewerblichen Verwendung und Segelyachten
- den stationären oder mobilen Einsatz
- die Verwendung in Innenräumen

Der Wechselrichter ist **nicht** für folgende Verwendungszwecke geeignet:

- den Einsatz im Freien

Dieses Produkt ist nur für den angegebenen Verwendungszweck und die Anwendung gemäß dieser Anleitung geeignet.

Dieses Handbuch enthält Informationen, die für die ordnungsgemäße Installation und/oder den ordnungsgemäßen Betrieb des Produkts erforderlich sind. Installationsfehler und/oder ein nicht ordnungsgemäßer Betrieb oder eine nicht ordnungsgemäße Wartung haben eine unzureichende Leistung und u. U. einen Ausfall des Geräts zur Folge.

Der Hersteller übernimmt keine Haftung für Verletzungen oder Schäden am Produkt, die durch Folgendes entstehen:

- Unsachgemäße Installation oder falscher Anschluss, einschließlich Überspannung
- Unsachgemäße Wartung oder Verwendung von anderen als den vom Hersteller gelieferten Original-Ersatzteilen
- Veränderungen am Produkt ohne ausdrückliche Genehmigung des Herstellers
- Verwendung für andere als die in der Anleitung beschriebenen Zwecke

Dometic behält sich das Recht vor, das Erscheinungsbild des Produkts und dessen technische Daten zu ändern.

7 Technische Beschreibung

7.1 Allgemeine Beschreibung

Der Wechselrichter ist ein Wechselrichter mit reiner Sinuswelle.

Der Wechselrichter ist mit einer Vorrangschaltung ausgestattet. Wenn ein Netzstrom mit 230 V \sim verfügbar ist, wird diese externe Stromquelle zur Versorgung der Steckdosen im Wohnmobil verwendet. Wenn kein Netzstrom mit 230 V \sim verfügbar ist, wandelt der Wechselrichter den Gleichstrom der Batterie in Wechselstrom um und stellt so die Stromversorgung für die angeschlossenen Verbraucher sicher.

Der Wechselrichter kann in folgenden Netzwerksystemen betrieben werden:

- TN-Netzwerk
- IT-Netzwerk

Die Einstellung der Netzwerksysteme erfolgt über eine Schraube am Wechselrichter.

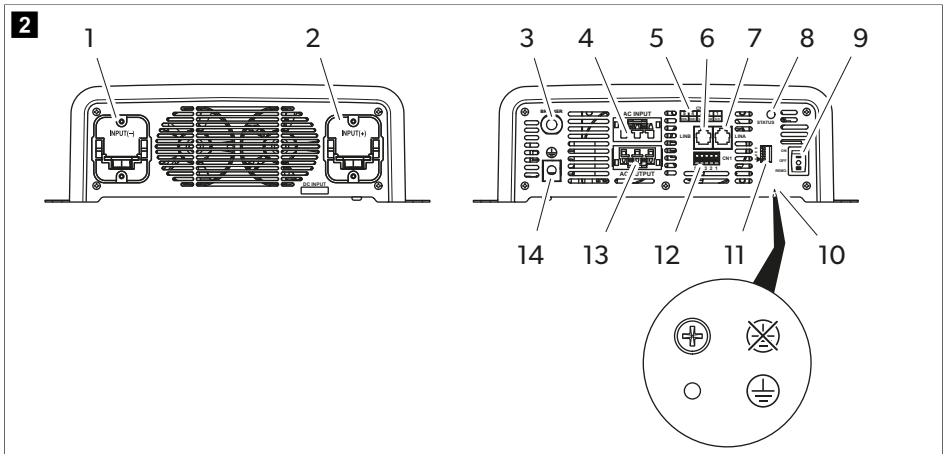
Der Wechselrichter kann in den Energiesparmodus geschaltet werden, um den Verbrauch im Leerlauf zu reduzieren und die Last an der Batterie zu minimieren.

Der Wechselrichter verfügt über folgende Schutzmechanismen:

- **Überspannungs-Schutz:** Der Wechselrichter schaltet ab, wenn die Spannung über den Abschalt-Wert steigt. Der Wechselrichter startet automatisch neu, wenn die Spannung auf den Wiederanlaufwert fällt.
- **Unterspannungs-Schutz:** Der Wechselrichter schaltet ab, wenn die Spannung unter den Abschalt-Wert fällt. Der Wechselrichter startet automatisch neu, wenn die Spannung über den Wiederanlaufwert steigt.
- **Übertemperatur-Schutz:** Der Wechselrichter schaltet ab, wenn die Innentemperatur des Gerätes über den Abschalt-Wert steigt. Der Wechselrichter startet automatisch neu, wenn die Innentemperatur auf den Wiederanlaufwert fällt.
- **Schutz vor hohem Ausgangsstrom:** Der Wechselrichter schaltet ab, wenn zu viele Lasten angeschlossen sind.
- **Schutz vor Kurzschluss:** Der Wechselrichter schaltet ab, wenn ein Kurzschluss erzeugt wurde. Der Wechselrichter startet nach einigen Sekunden automatisch neu. Wenn fünf Mal hintereinander ein Kurzschluss erkannt wird, startet der Wechselrichter nicht mehr automatisch neu, und ein manueller Neustart ist erforderlich.

Der Wechselrichter ist für die Daten- und Funktionsanzeige auf dem Touch-Display (Zubehör) und der mobilen App N-BUS- und CI-BUS-fähig.

7.2 Bedienelemente und Anschlüsse



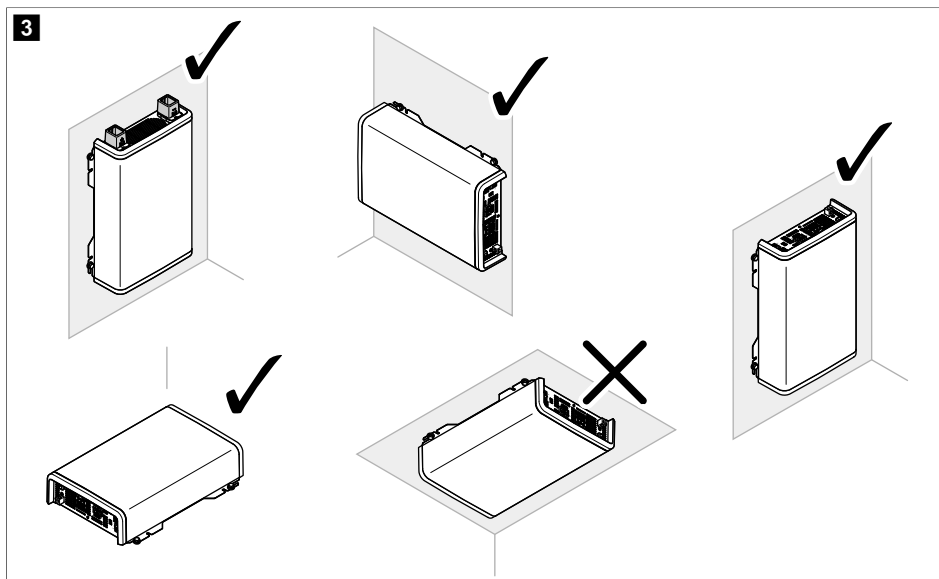
Nr.	Bezeichnung
1	(-) Pol, Anschluss an den Minuspol der Bordbatterie
2	(+) Pol, Anschluss an den Pluspol der Bordbatterie
3	Sicherung für den externen Eingang
4	Wechselstromeingang
5	CN1-Pol
6	CI-BUS/N-Bus/Fernbedienungsanschluss (LINB)
7	CI-BUS/N-Bus/Fernbedienungsanschluss (LINA)
8	LED-Statusanzeige
9	Ein/Aus-Schalter
10	Schraube für IT-/TN-Netzwerkeinstellung
11	Dip-Schalter
12	DIP-Schalter, Anschluss für externen Schalter und Alarmrelais
13	AC-Ausgang
14	Masseverbindung

7.3 LED-Statusanzeige

Status	Beschreibung
On	Wechselrichterbetrieb
Flashing	Fehler (siehe Kapitel Fehlersuche und Fehlerbehebung auf Seite 40)
Off	Kein Wechselstromeingang vorhanden, Wechselrichter deaktiviert

8 Installation

8.1 Installationsort



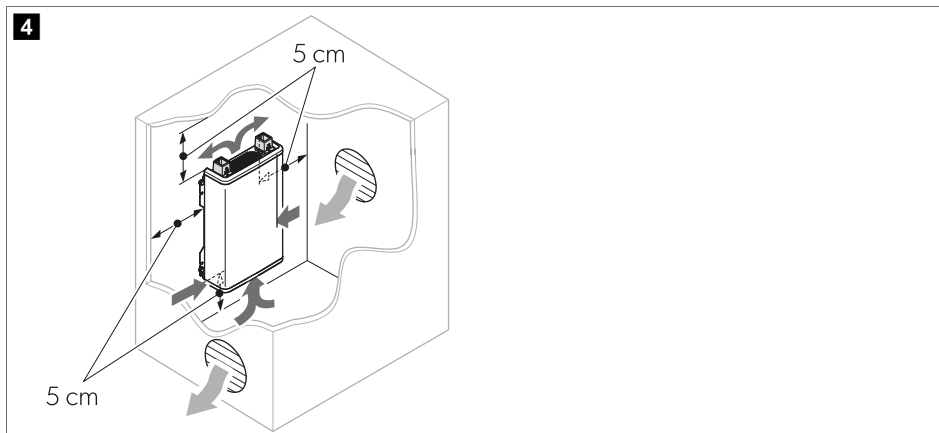
ACHTUNG! Beschädigungsgefahr

Bevor Sie irgendwelche Bohrungen vornehmen, stellen Sie sicher, dass keine elektrischen Kabel oder andere Teile des Fahrzeuges durch Bohren, Sägen und Feilen beschädigt werden.




HINWEIS

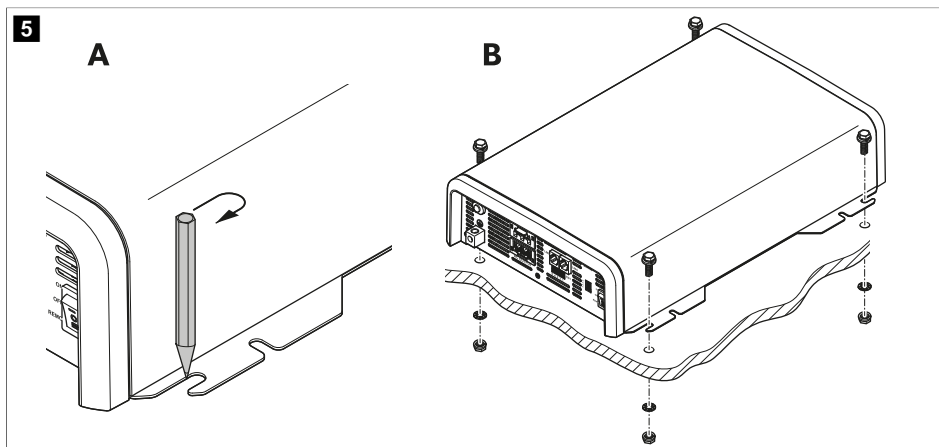
Der Wechselrichter kann aufstehend oder hängend montiert werden ( Abb. **3** auf Seite 30).





Beachten Sie bei der Wahl des Installationsortes folgende Hinweise:

- Stellen Sie sicher, dass die Montagefläche fest und eben ist.
- Beachten Sie die Abstandsvorgaben für ausreichende Belüftung ( Abb. 4 auf Seite 31).

8.2 Wechselrichter montieren



1. Wählen Sie die entsprechenden Montagebohrungen je nach gewählter Montageart (aufsetzend oder hängend) aus und markieren Sie die Bohrlöcher ( Abb. 5 auf Seite 31, **A**).
2. Bohren Sie die Montagebohrungen vor.
3. Schrauben Sie den Wechselrichter fest ( Abb. 5 auf Seite 31, **B**).

8.3 Wechselrichter anschließen



Die elektrische Installation und Einrichtung des Geräts müssen von einer qualifizierten Elektrofachkraft durchgeführt werden, die ihre Fähigkeiten und Kenntnisse im Zusammenhang mit dem Aufbau und der Bedienung von elektrischen Geräten und Installationen unter Beweis gestellt hat und die mit den geltenden Vorschriften des Landes, in dem das Gerät installiert und/oder verwendet werden soll, vertraut ist und eine Sicherheitsschulung erhalten hat, um die damit verbundenen Gefahren zu erkennen und zu vermeiden.

Alle anderen Maßnahmen richten sich auch an nicht-professionelle Benutzer.



WARNUNG! Gefahr durch Stromschlag

Beachten Sie die empfohlenen Kabelquerschnitte, Kabellängen und Sicherungen.



VORSICHT! Brandgefahr

Platzieren Sie die Sicherungen in der Nähe der Batterien, um das Kabel vor Kurzschlüssen und möglichem Brand zu schützen.



ACHTUNG! Beschädigungsgefahr

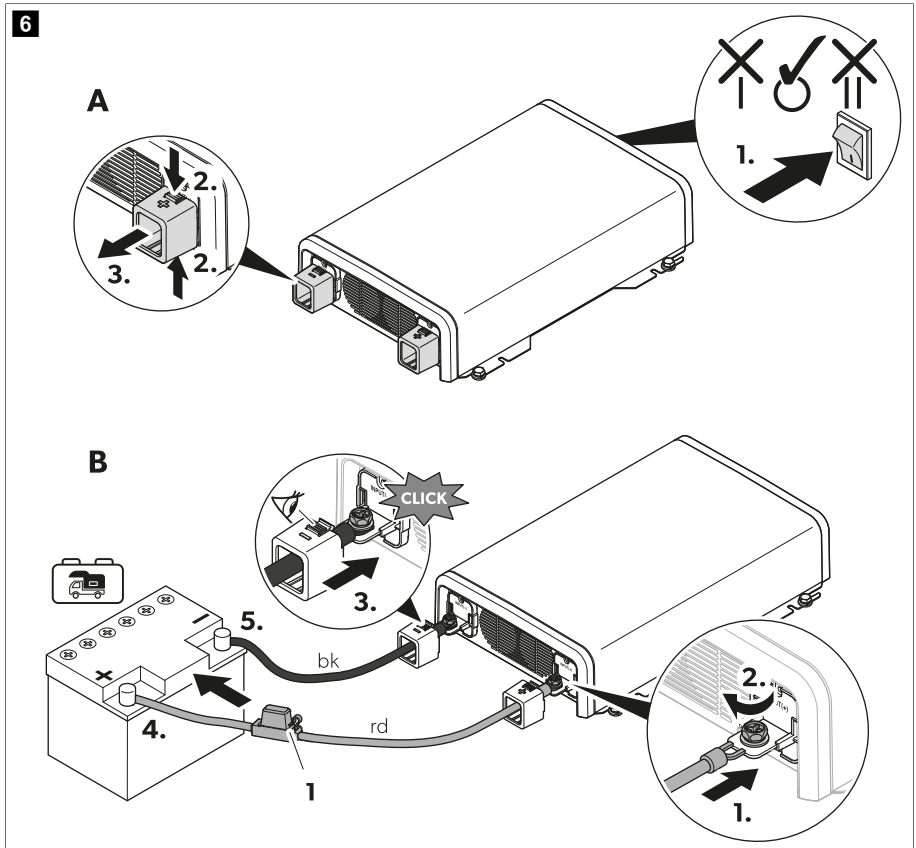
- > Achten Sie darauf, dass die Polarität nicht vertauscht wird.
- > Ziehen Sie die Schrauben und Muttern mit einem Drehmoment von max. 15 Nm fest. Lockere Anschlüsse können zu Überhitzung führen.

Beachten Sie beim Anschluss des Wechselrichters folgende Hinweise:


- Beachten Sie bei der Installation eines Steckdosenverteilerkreises (Netzstrominstallation) die geltenden Vorschriften.
 - Wählen Sie die Kabellänge der DC-Kabel (Anschluss an Batteriepole) so kurz wie möglich aus (≤ 1 m).
 - Zur **TN-Netzwerkverbindung**: Bauen Sie einen Fehlerstromschutzschalter (RCD) ein.
 - Zur **IT-Netzwerkverbindung**: Bauen Sie ein Isolationsüberwachungsgerät (IMD) ein, wenn mehr als eine Last angeschlossen ist. **Es gelten die nationalen Normen.**
1. Kabelquerschnitte und Sicherungen bestimmen:

	Kabelquerschnitt	Kabelsicherung
DPSI1812iTS	50 mm ²	250 A
DPSI1824iTS	25 mm ²	150 A


2. Stellen Sie sicher, dass das Gerät ausgeschaltet ist ( Abb. 6 auf Seite 33, **A: 1**).



3. Lösen Sie die Abdeckungen von den Polen ( Abb. **6** auf Seite 33, **A: 2 – 3**).

4.  **ACHTUNG! Beschädigungsgefahr**
Schließen Sie zur Vermeidung von Kurzschlüssen das schwarze Kabel (Minuspol) immer zuerst an.

Verbinden Sie das schwarze Anschlusskabel (bk) mit dem (-) Pol.

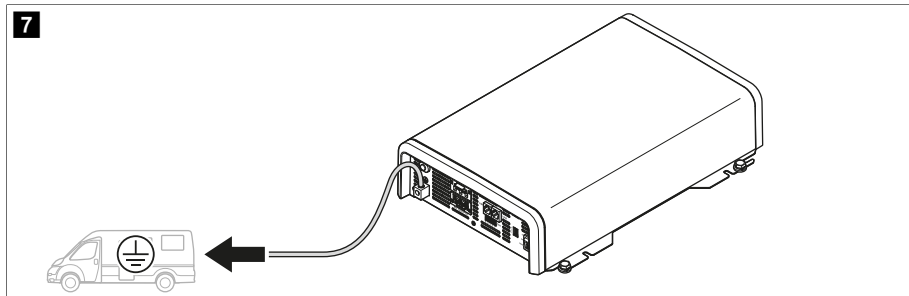
5. Verbinden Sie das rote Anschlusskabel (rd) mit dem (+) Pol ( Abb. **6** auf Seite 33, **B: 1 – 2**).

6. Schließen Sie (+) an den Pluspol der Bordbatterie an ( Abb. **6** auf Seite 33, **B: 4**).

 **HINWEIS** Sichern Sie das Pluskabel der Bordbatterie mit einer Sicherung ab ( Abb. **6** auf Seite 33, **1**).

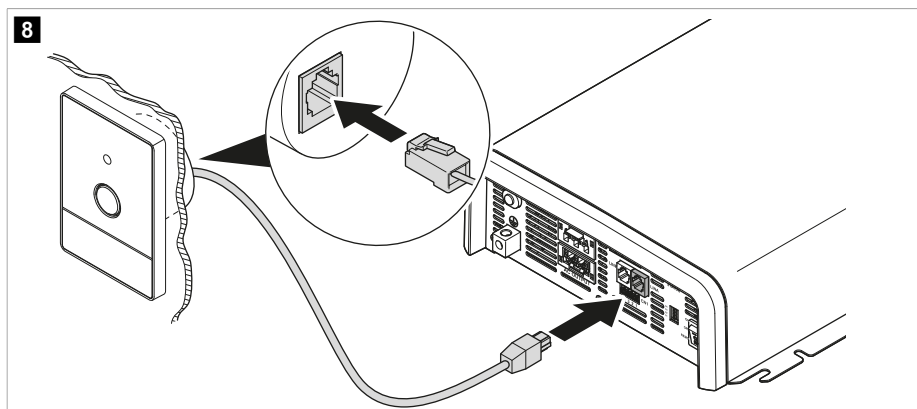
7. Schließen Sie (-) an den Minuspol der Bordbatterie an ( Abb. **6** auf Seite 33, **B: 5**).

8. Schließen Sie die Masseverbindung an Masse (Chassis) an ( Abb. **7** auf Seite 34).



8.4 Fernbedienung anschließen

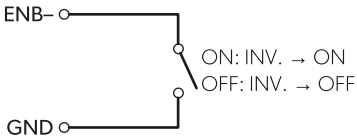
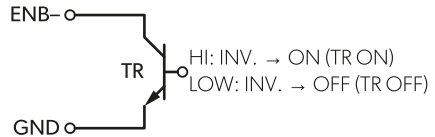
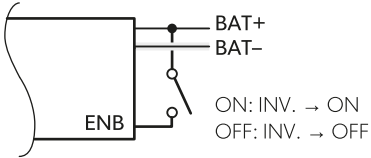
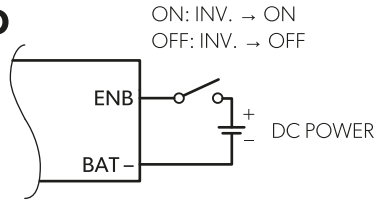
- > Verbinden Sie die Fernbedienung mit dem Fernbedienungsanschluss (LINA oder LINB).



8.5 Externen Schalter anschließen



HINWEIS Wenn ein externer Schalter angeschlossen ist, kann der Status des Energiesparmodus nicht geändert werden.

9 A**B****C****D****HINWEIS**

- > Stellen Sie sicher, dass der Fernbedienungsanschluss nicht belegt ist.
- > Wählen Sie einen der folgenden geeigneten externen Schalter:
 - Abb. 9 auf Seite 35, **A**: Externer Schalter mit Stromversorgung über den Wechselrichter
 - Abb. 9 auf Seite 35, **B**: Steuereinheit mit Relais- oder Transistorbeschaltung (TR)
 - Abb. 9 auf Seite 35, **C**: Externer Schalter mit Stromversorgung über die Batterie (BAT) des Fahrzeuges
 - Abb. 9 auf Seite 35, **D**: Externer Schalter mit eigener Stromversorgung (DC POWER), z. B. von der Zündung



HINWEIS Stellen Sie sicher, dass der Fernbedienungsanschluss nicht belegt ist.

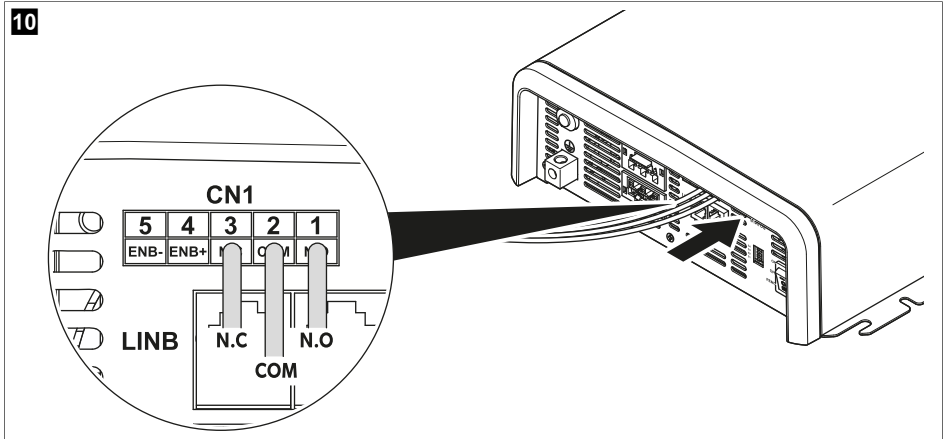
1. Stellen Sie den Ein/Aus-Schalter auf **OFF**.
2. Stellen Sie den Ein/Aus-Schalter auf **REMO**.
3. Schließen Sie den externen Schalter an den CN1-Pol an.

8.6 Alarmrelais anschließen

Das Alarmrelais wird aktiviert, sobald die Wechselstromversorgung verfügbar ist und der Wechselstromumschalter geschlossen ist. Das Alarmrelais kann für Folgendes verwendet werden:

- Erzeugen eines Erkennungssignals für die Wechselstromversorgung im Fahrzeugbedienfeld.
- Ein- und Ausschalten weniger kritischer Lasten (z. B. Absorberkühlschrank, elektrische Heizsysteme), die nur in Verbindung mit einer Wechselstromversorgung betrieben werden sollten.

10



> Schließen Sie ein Alarmrelais an den CN1-Pol ( Abb. 10 auf Seite 36) an.

9 Wechselrichter einstellen



Die elektrische Installation und Einrichtung des Geräts müssen von einer qualifizierten Elektrofachkraft durchgeführt werden, die ihre Fähigkeiten und Kenntnisse im Zusammenhang mit dem Aufbau und der Bedienung von elektrischen Geräten und Installationen unter Beweis gestellt hat und die mit den geltenden Vorschriften des Landes, in dem das Gerät installiert und/oder verwendet werden soll, vertraut ist und eine Sicherheitsschulung erhalten hat, um die damit verbundenen Gefahren zu erkennen und zu vermeiden.

Alle anderen Maßnahmen richten sich auch an nicht-professionelle Benutzer.



GEFAHR! Gefahr durch Stromschlag

- > Entfernen Sie die Schutzkappe nur zur Einstellung vom DIP-Schalter.
- > Tauschen Sie die Schutzkappe aus, um eine versehentliche Einstellung des DIP-Schalters zu verhindern.
- > Zur **TN-Netzwerkeinstellung**: Stellen Sie sicher, dass ein Fehlerstromschutzschalter (RCD) installiert ist.
- > Zur **IT-Netzwerkeinstellung**: Betreiben Sie nur eine Last oder installieren Sie ein Isolationsüberwachungsgerät (IMD). Beachten Sie die nationalen Normen.



HINWEIS



Bewegen Sie die DIP-Schalter vorsichtig mit einem kleinen Schraubendreher in die gewünschte Position.

Einstellungen am Wechselrichter können über die DIP-Schalter oder über den Anschluss einer CI-BUS-fähigen Fernbedienung vorgenommen werden.

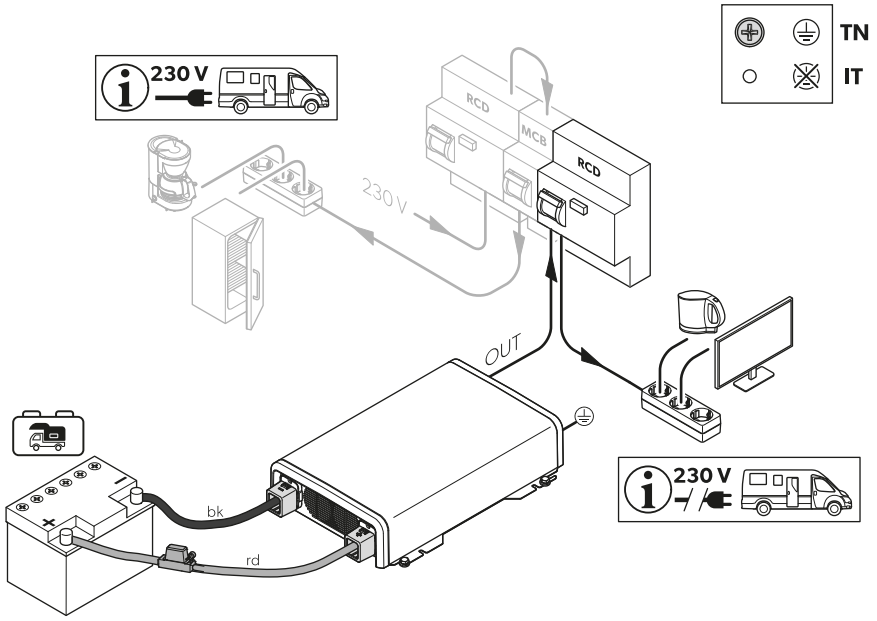
Das Gerät verwendet zunächst die Werkseinstellungen. Verstellen Sie bei Bedarf die DIP-Schalter, um die Einstellung anzupassen.

- > Stellen Sie den DIP-Schalter **S1** für die **lokale** Einstellung über DIP-Schalter auf **On**.
- > Stellen Sie den DIP-Schalter **S1** für die **externe Einstellung** über Fernbedienung auf **Off**.

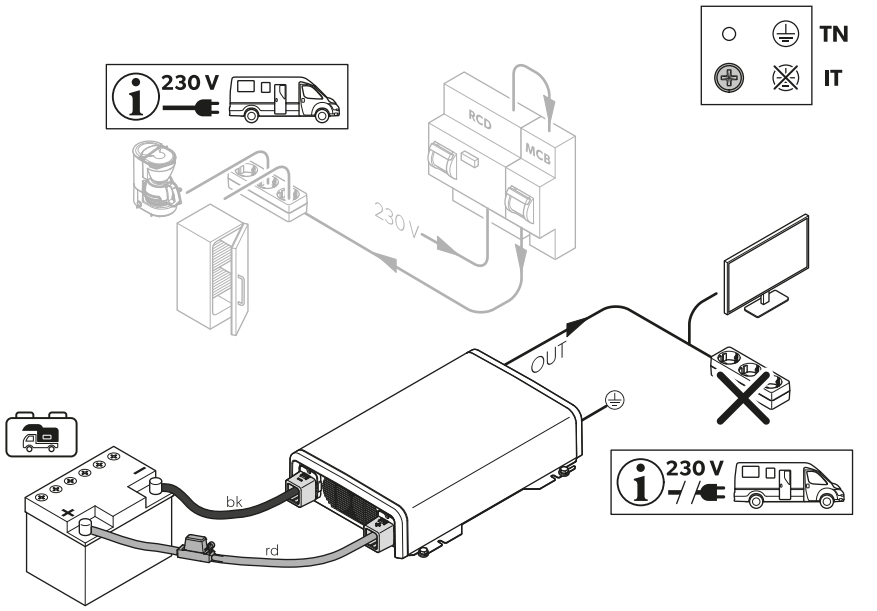
9.1 DIP-Schaltereinstellungen

Einstellung		DIP-Schalter-Position				
		S1	S2	S3	S4	S5
Einstellungen	Lokale Einstellung über DIP-Schalter	Ein	-	-	-	-
	Externe Einstellung über Fernbedienung	Aus	-	-	-	-
Netzspannung	240 V/60 Hz	-	Ein	-	-	-
	230 V/50 Hz	-	Aus	-	-	-
Energiesparmodus	Energy-saving mode is activated when the load is ≤ 45 W Inverter switches to normal operation when the load is ≥ 45 W	-	-	Ein	Ein	-
	Energiesparmodus wird aktiviert, wenn die Last ≤ 45 W beträgt Wechselrichter wechselt in den Normalbetrieb, wenn die Last ≥ 45 W beträgt	-	-	Ein	Aus	-
	Wechselrichter schaltet sich nach 20 Minuten im Energiesparmodus automatisch ab					
	Energiesparmodus wird aktiviert, wenn die Last ≤ 1 W beträgt Wechselrichter wechselt in den Normalbetrieb, wenn die Last ≥ 1 W beträgt	-	-	Aus	Aus	-
	Energiesparmodus wird aktiviert, wenn die Last ≤ 1 W beträgt Wechselrichter wechselt in den Normalbetrieb, wenn die Last ≥ 1 W beträgt	-	-	Aus	Ein	-
	Wechselrichter schaltet sich nach 20 Minuten im Energiesparmodus automatisch ab					
Netzsystem	IT-Netzwerk ( Abb. 12 auf Seite 38)	-	-	-	-	Ein
	TN-Netzwerk ( Abb. 11 auf Seite 38)	-	-	-	-	Aus

11

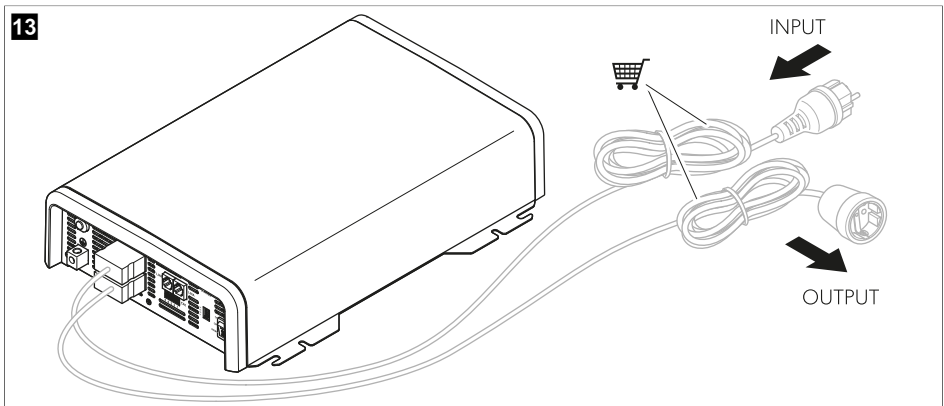


12




10 Betrieb

10.1 230 V-Geräte betreiben



HINWEIS

Schließen Sie nur Geräte an, deren Gesamtlast die unter Technische Daten auf Seite 42 aufgeführten Werte nicht überschreitet.

- > Schließen Sie Geräte mit 230 V wie gezeigt an ( Abb. 13 auf Seite 39).

10.2 Wechselrichter ein- und ausschalten



HINWEIS

- Wenn der Wechselrichter über die Fernbedienung gesteuert werden soll, muss der Ein-/Aus-Schalter auf die Position **II** gestellt werden.
- Wenn der Wechselrichter über den externen Schalter gesteuert werden soll, muss der Ein-/Aus-Schalter auf die Position **0** gestellt werden.

- > Zum Einschalten des Wechselrichters stellen Sie den Ein-/Aus-Schalter auf die Position **I**.
- > Zum Ausschalten des Wechselrichters stellen Sie den Ein-/Aus-Schalter auf die Position **0**.
- > Verwenden Sie die Fernbedienung oder den externen Schalter, um den Wechselrichter ein- und auszuschalten.

11 Reinigung und Pflege



WARNUNG! Gefahr durch Stromschlag

Ziehen Sie den Stecker des Geräts vor Reinigungs- und Wartungsarbeiten aus der Steckdose.



ACHTUNG! Beschädigungsgefahr

- > Reinigen Sie das Gerät niemals unter fließendem Wasser oder gar im Spülwasser.
- > Verwenden Sie zur Reinigung keine scharfen oder harten Gegenstände, scheuernden Reinigungsmittel oder Bleichmittel, da diese das Gerät beschädigen können.

- > Stellen Sie sicher, dass die Lufteinlass- und Entlüftungsöffnungen am Gerät frei von Staub und Verunreinigungen sind, damit die Wärme nach außen geleitet werden kann.
- > Reinigen Sie das Gerät gelegentlich mit einem weichen, feuchten Tuch.
- > Prüfen Sie stromführende Kabel regelmäßig auf Isolationsmängel, Brüche oder lose Verbindungen.

12 Fehlersuche und Fehlerbehebung

Problem	Mögliche Ursache	Lösungsvorschlag
Der Wechselrichter funktioniert nicht. Die LED-Statusanzeige ist aus.	Es wurde ein Kurzschluss erzeugt.	> Die Gerätesicherung muss durch einen zugelassenen Kundendienstbetrieb ausgetauscht werden, wenn sie bei Überstrom ausgelöst hat.
	Isolationsmängel, Brüche oder lose Verbindungen an den stromführenden Kabeln.	> Prüfen Sie stromführende Kabel auf Isolationsmängel, Brüche oder lose Verbindungen. Wenn Sie keinen Fehler finden können, wenden Sie sich an einen autorisierten Kundendienst.
Der Wechselrichter funktioniert nicht. Die LED-Statusanzeige blinkt langsam.	Schutz vor hohem Eingangsstrom.	Reduzieren Sie die Anzahl an angeschlossenen Lasten.
	Schutz vor Übertemperatur.	<ol style="list-style-type: none"> 1. Schalten Sie den Wechselrichter und die angeschlossenen Lasten aus. 2. Vergewissern Sie sich, dass die Luftein- und -auslässe nicht verdeckt oder verstopft sind. 3. Lassen Sie den Wechselrichter abkühlen.
	Es wurde ein Kurzschluss erzeugt.	Die Gerätesicherung muss durch einen zugelassenen Kundendienstbetrieb ausgetauscht werden, wenn sie bei Überstrom ausgelöst hat.
Der Wechselrichter funktioniert nicht. Die LED-Statusanzeige blinkt schnell.	Überspannungs-Schutz. Batteriespannungen zu hoch.	<ul style="list-style-type: none"> > Reduzieren Sie die angeschlossenen Spannungen. Der Wechselrichter startet automatisch neu, wenn die Spannung auf den Wiederanlaufwert fällt (siehe Kapitel Überspannungs-Schutz auf Seite 43). > Wenn der Fehler weiterhin auftritt: Vergrößern Sie die Kabelquerschnitte. Reduzieren Sie die Kabellänge.

Problem	Mögliche Ursache	Lösungsvorschlag
	Unterspannungs-Schutz. Batteriespannungen zu gering.	<p>> Lassen Sie die Batterie langsam wieder aufladen.</p> <p>Der Wechselrichter startet automatisch neu, wenn die Spannung über den Wiederanlaufwert steigt (siehe Kapitel Unterspannungs-Schutz auf Seite 43).</p>

13 Garantie

Es gilt die gesetzliche Gewährleistungsfrist. Sollte das Produkt defekt sein, wenden Sie sich bitte an die Niederlassung des Herstellers in Ihrem Land (siehe dometic.com/dealer) oder an Ihren Fachhändler.

Bitte senden Sie bei einem Reparatur- bzw. Garantieantrag folgende Unterlagen mit dem Gerät ein:

- eine Kopie der Rechnung mit Kaufdatum
- einen Reklamationsgrund oder eine Fehlerbeschreibung

Bitte beachten Sie, dass eigenständig oder nicht fachgerecht durchgeführte Reparaturen die Sicherheit gefährden und zum Erlöschen der Garantie führen können.

14 Entsorgung



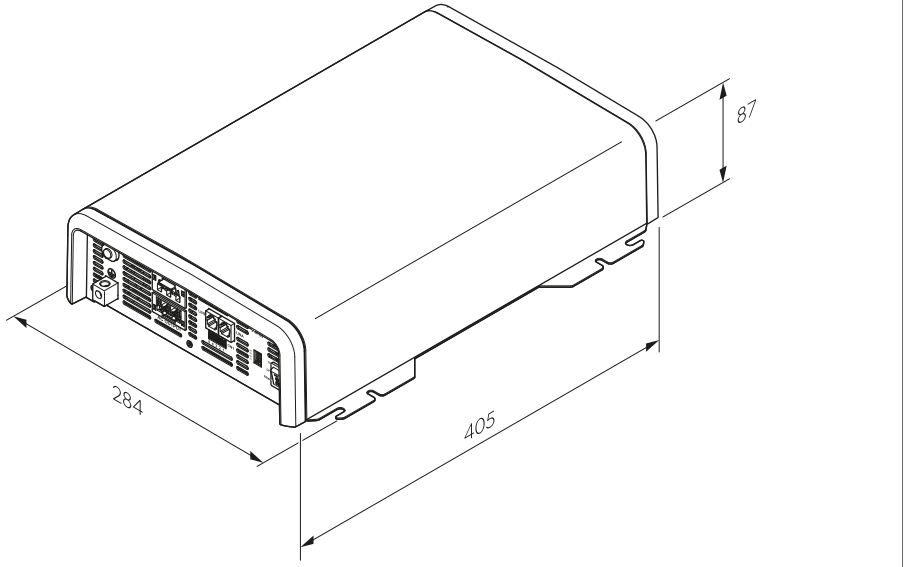
Geben Sie das Verpackungsmaterial möglichst in den entsprechenden Recycling-Müll.


Wenden Sie sich an ein örtliches Recyclingzentrum oder einen Fachhändler, um zu erfahren, wie Sie das Produkt gemäß den geltenden Entsorgungsvorschriften entsorgen können.

Das Produkt kann kostenlos entsorgt werden.

15 Technische Daten

14



	DPSI 1812	DPSI 1824
Nenneingangsspannung	12 V $\overline{\text{=}}$	24 V $\overline{\text{=}}$
Eingang – Spannungsbereich	10 ... 16,5 V $\overline{\text{=}}$	20 ... 33 V $\overline{\text{=}}$
Dauerausgangsleistung P_{nom}	1800 W	1800 W
Maximale Ausgangsleistung (10 min)	1800 W	1800 W
Maximale Ausgangsleistung (3 min)	2070 W	2070 W
Maximale Spitzenleistung (2 s) P_{surge}	3600 W	3600 W
Stromaufnahme im Leerlaufzustand	$\leq 2,5$ A	$\leq 1,3$ A
Stromaufnahme im Bereitschaftszustand	$\leq 0,2$ A	$\leq 0,1$ A
Abmessungen	 Abb. 14 auf Seite 42	
Gewicht	5,5 kg	5,5 kg

15.1 Allgemeine technische Daten

Ausgangsspannungsbereich	230/ 240 V \sim \pm 3 %
Ausgangsfrequenz	50/60 Hz \pm 0,3 Hz
Ausgangswellenform	Reine Sinuswelle
Verzerrung THD	THD \leq 3 % bei P_{nom} (ohmsche Last)
Spitzeneffizienz	90 %
Umgebungstemperatur Betrieb	-20 ... 60 °C

Umgebungstemperatur Lagerung

- 30 °C ... 70 °C

Umgebungsfeuchtigkeit

0 ... 95 %, non-condensing

Prüfung/Zertifikat



15.2 Unterspannungs-Schutz

	Abschalt-Wert	Wiederanlaufwert
DPSI1812	10 V	12 V
DPSI1824	20 V	24 V

15.3 Überspannungs-Schutz

	Abschalt-Wert	Wiederanlaufwert
DPSI1812	16,5 V	15,5 V
DPSI1824	33 V	31 V

Français

1	Remarques importantes.....	44
2	Signification des symboles.....	44
3	Consignes de sécurité.....	45
4	Contenu de la livraison.....	48
5	Accessoires.....	48
6	Usage conforme.....	48
7	Description technique.....	49
8	Installation.....	51
9	Réglage de l'onduleur.....	57
10	Utilisation.....	60
11	Nettoyage et entretien.....	60
12	Dépannage.....	61
13	Garantie.....	62
14	Mise au rebut.....	62
15	Caractéristiques techniques.....	62

1 Remarques importantes

Veuillez lire et suivre attentivement l'ensemble des instructions, directives et avertissements figurant dans ce manuel afin d'installer, d'utiliser et d'entretenir le produit correctement à tout moment. Ces instructions DOIVENT rester avec le produit.

En utilisant ce produit, vous confirmez expressément avoir lu attentivement l'ensemble des instructions, directives et avertissements et que vous comprenez et acceptez de respecter les modalités et conditions énoncées dans le présent document. Vous acceptez d'utiliser ce produit uniquement pour l'usage et l'application prévus et conformément aux instructions, directives et avertissements figurant dans le présent manuel, ainsi qu'à toutes les lois et réglementations applicables. En cas de non-respect des instructions et avertissements figurant dans ce manuel, vous risquez de vous blesser ou de blesser d'autres personnes, d'endommager votre produit ou d'endommager d'autres biens à proximité. Le présent manuel produit, y compris les instructions, directives et avertissements, ainsi que la documentation associée peuvent faire l'objet de modifications et de mises à jour. Pour obtenir des informations actualisées sur le produit, consulter le site documents.dometic.com.

2 Signification des symboles

Un mot de signalement identifie les messages relatifs à la sécurité et aux dégâts matériels en indiquant le degré ou le niveau de gravité du danger.



DANGER !

Indique une situation dangereuse qui, si elle n'est pas évitée, entraînera des blessures graves, voire mortelles.



AVERTISSEMENT !

Indique une situation dangereuse qui, si elle n'est pas évitée, est susceptible d'entraîner des blessures graves, voire mortelles.



ATTENTION !

Indique une situation dangereuse qui, si elle n'est pas évitée, est susceptible d'entraîner des blessures légères ou de gravité modérée.



AVIS !

Indique une situation dangereuse qui, si elle n'est pas évitée, peut entraîner des dommages matériels.



REMARQUE Informations complémentaires sur l'utilisation de ce produit.

3 Consignes de sécurité

Respectez également les consignes de sécurité et autres prescriptions fournies par le fabricant du véhicule et par les ateliers agréés.

3.1 Sécurité générale



DANGER ! Risque d'électrocution

- > Ne touchez pas les câbles dénudés à mains nues.
- > Afin de pouvoir couper rapidement l'alimentation CA de l'appareil, la prise doit se trouver à proximité de celui-ci et être facilement accessible.



AVERTISSEMENT ! Risque d'électrocution

- > L'installation et le retrait de l'appareil doivent uniquement être réalisés par un opérateur qualifié.
- > N'utilisez pas l'appareil si celui-ci ou le câble de raccordement présente des dommages apparents.
- > Si le câble d'alimentation de cet appareil est endommagé, il doit être remplacé afin d'éviter tout risque pour la sécurité.
- > Seul un personnel qualifié est habilité à effectuer des réparations sur ce dispositif. Des réparations inadéquates peuvent engendrer des risques considérables.
- > Utilisez uniquement les accessoires recommandés par le fabricant.
- > Ne modifiez pas et n'adaptez pas les composants de quelque manière que ce soit.
- > Ne débranchez pas de câbles pendant le fonctionnement de l'appareil.
- > Coupez l'alimentation en courant de l'appareil :
 - après chaque utilisation
 - Avant toute opération de nettoyage et d'entretien
 - avant le changement d'un fusible



AVERTISSEMENT ! Risque d'incendie/matériaux inflammables

En cas d'incendie, utilisez un extincteur adapté aux appareils électriques.



AVERTISSEMENT ! Risque d'asphyxie

Le câble et l'unité de commande de l'appareil peuvent présenter un risque d'étranglement, de strangulation, de chute ou de piétinement s'ils ne sont pas correctement installés. Assurez-vous que les fixations saillantes et les câbles d'alimentation sont installés de manière sécurisée.



AVERTISSEMENT ! Risque pour la santé

- > Cet appareil peut être utilisé par des enfants âgés de 8 ans et plus et des personnes ayant des capacités physiques, sensorielles ou mentales réduites ou un manque d'expérience et de connaissances, s'ils sont sous surveillance ou ont reçu des instructions sur l'utilisation de l'appareil en toute sécurité et comprennent les risques impliqués.
- > **Les appareils électriques ne sont pas des jouets pour enfants.** Placez et utilisez l'appareil hors de portée des jeunes enfants.
- > Les enfants doivent être surveillés pour s'assurer qu'ils ne jouent pas avec l'appareil.
- > Le nettoyage et l'entretien ne doivent pas être effectués par des enfants sans surveillance.

**AVIS ! Risque d'endommagement**

- > Avant la mise en service, vérifiez que la tension indiquée sur la plaque signalétique correspond à l'alimentation électrique dont vous disposez.
- > Veillez à ce que d'autres objets ne puissent **pas** provoquer de court-circuit au niveau des contacts de l'appareil.
- > Assurez-vous que les pôles négatifs et positifs n'entrent **jamais** en contact.
- > Ne tirez pas sur les câbles de connexion et ne les utilisez pas comme poignée.
- > L'appareil ne doit pas être exposé à la pluie ou à l'humidité. Stockez l'appareil dans un endroit sec.

3.2 Installation de l'appareil en toute sécurité**DANGER ! Risque d'explosion**

- > Installez et utilisez uniquement l'appareil dans des pièces fermées et bien aérées.
- > N'installez ou n'utilisez **pas** l'appareil dans les conditions suivantes :
 - en milieu humide, à forte teneur en sel,
 - à proximité de vapeurs agressives,
 - à proximité de matériaux inflammables,
 - à proximité de sources de chaleur (radiateurs, rayons directs du soleil, fours à gaz, etc.)
 - dans les zones présentant un risque d'explosion de gaz ou de poussières

**AVERTISSEMENT ! Risque de blessure**

- > Veillez à un positionnement stable du produit ! Veillez à installer et fixer l'appareil de manière à ce qu'il ne puisse ni se renverser ni tomber.
- > Lors du positionnement de l'appareil, assurez-vous que tous les câbles sont installés de manière sécurisée, afin d'éviter tout risque de chute.

**AVIS ! Risque d'endommagement**

- > Placez l'appareil dans un endroit sec et à l'abri des éclaboussures d'eau.
- > Utilisez uniquement des prises de courant mises à la terre protégées par un disjoncteur différentiel.

3.3 Consignes de sécurité relatives au raccordement électrique de l'appareil**DANGER ! Risque d'électrocution**

Lorsque vous effectuez des travaux sur des installations électriques, assurez-vous qu'une personne pouvant vous apporter assistance en cas d'urgence se trouve à proximité.

**AVERTISSEMENT ! Risque d'électrocution**

- > Utilisez uniquement les sections de câble recommandées.
- > Posez les câbles de manière à ce qu'ils ne puissent pas être endommagés par les portières ou par le capot. Des câbles compressés peuvent entraîner des blessures mortelles.

**AVIS ! Risque d'endommagement**

- > Si des lignes électriques doivent traverser des cloisons en tôle ou autres murs à arêtes vives, utilisez des tubes vides ou des conduits pour câbles.
- > Ne placez **pas** le câble secteur 230 V et le câble 12 V CC dans la même conduite.
- > Ne posez **pas** le câble sans le fixer ou en le pliant fortement.
- > Fixez les câbles solidement.

3.4 Précautions appropriées lors de la manipulation des piles



AVERTISSEMENT ! Risque de blessure

- > Les batteries peuvent contenir des acides agressifs et corrosifs. Évitez tout contact avec le liquide qui contient la batterie. En cas de contact cutané avec le liquide de la batterie, lavez soigneusement la zone affectée avec de l'eau. Si vous subissez des blessures causées par des acides, contactez immédiatement un médecin.
- > Lorsque vous travaillez sur des batteries, ne portez pas d'objets métalliques tels que des montres ou des bagues. Les batteries au plomb peuvent provoquer des courts-circuits pouvant causer des blessures graves.
- > Utilisez uniquement des outils isolés.
- > Ne placez aucune pièce métallique sur la batterie. Évitez qu'une pièce métallique ne tombe sur la batterie. Cela peut provoquer des étincelles ou court-circuiter la batterie et d'autres appareils électriques.
- > Portez des lunettes et des vêtements de protection lorsque vous travaillez sur les batteries. Ne touchez pas vos yeux lorsque vous travaillez sur les batteries.
- > Utilisez exclusivement des batteries rechargeables.
- > N'utilisez pas de batteries défectueuses.



ATTENTION ! Risque d'explosion

- > N'essayez jamais de charger une batterie gelée ou défectueuse. Placez la batterie dans une zone sans gel et attendez que la batterie se soit acclimatée à la température ambiante. Démarrez ensuite le processus de chargement.
- > Ne fumez pas, n'utilisez pas de flamme nue et ne provoquez pas d'étincelles à proximité du moteur ou d'une batterie.
- > Tenez la batterie à l'écart des sources de chaleur.



AVIS ! Risque d'endommagement

- > Lors du raccordement de l'accumulateur, s'assurer de la bonne polarité des connexions.
- > Suivre les instructions du fabricant de l'accumulateur et celles du fabricant du système ou du véhicule dans lequel il est utilisé.
- > Si la batterie doit être déposée, débranchez d'abord la connexion à la masse. Débranchez tous les raccordements et tous les consommateurs de la batterie avant de la retirer.
- > Stockez uniquement les batteries complètement chargées. Rechargez régulièrement les batteries stockées.
- > Ne portez pas la batterie en la tenant par ses bornes.

3.5 Consignes de sécurité concernant le fonctionnement de l'appareil



AVERTISSEMENT ! Risque d'électrocution

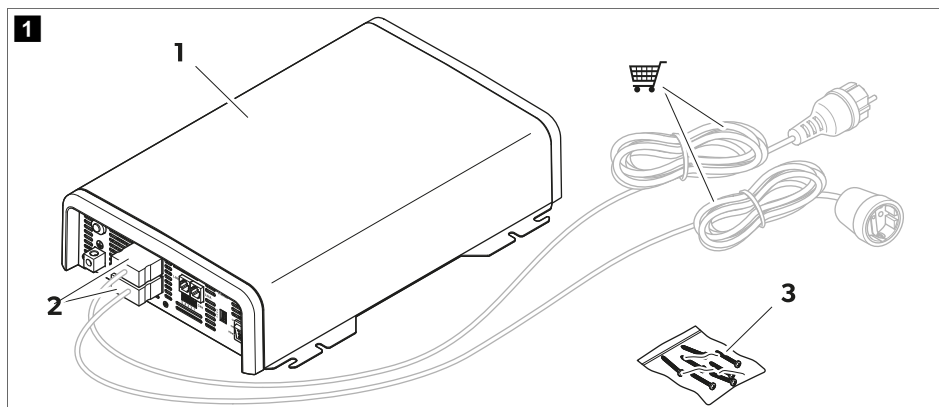
- > N'utilisez pas l'appareil dans des conditions humides et ne le plongez pas dans un liquide.
- > Avant d'allumer l'appareil, assurez-vous que le câble d'alimentation et la prise sont secs et que la prise est exempte de rouille ou de saletés.
- > Notez que même après déclenchement du fusible, il est possible que certaines pièces de l'appareil restent sous tension.




AVIS ! Risque d'endommagement

- > Assurez-vous que les entrées et les sorties d'air de l'appareil ne sont pas couvertes.
- > Assurez une ventilation suffisante.

4 Contenu de la livraison



N° sur la  fig. 1 à la page 48	Désignation	Quantité
1	Onduleur sinusoïdal	1
2	Connecteur WAGO Câble de raccordement avec accouplement de sécurité (pour sortie 230 V~)	2
3	Vis de fixation	6
-	Instructions de montage et d'utilisation	1

5 Accessoires

Désignation	N° d'article
Télécommande DSP-RCT	9600002564
Moniteur de contrôle DSP-EM	9600002565
Écran tactile TD283	9620013272

6 Usage conforme

L'onduleur est destiné à convertir le courant continu en une tension alternative sinusoïdale pure (CA) 230~ ... 240 V~ pour le fonctionnement et l'alimentation stable des appareils connectés.

L'onduleur est destiné à être connecté à :

- DPSI1812iTS : 12 V $\overline{\text{cc}}$
- DPSI1824iTS : 24 V $\overline{\text{cc}}$

L'onduleur convient aux applications suivantes :

- Installation dans les véhicules récréatifs (VR), camions, véhicules utilitaires ou à moteur, et yachts à voile.
- Utilisation stationnaire ou mobile
- Utilisation à l'intérieur

L'onduleur n'est **pas** adapté aux utilisations suivantes :

- Utilisation en extérieur

Ce produit convient uniquement à l'usage et à l'application prévus, conformément au présent manuel d'instructions.

Ce manuel fournit les informations nécessaires à l'installation et/ou à l'utilisation correcte du produit. Une installation, une utilisation ou un entretien inappropriés entraînera des performances insatisfaisantes et une éventuelle défaillance.

Le fabricant décline toute responsabilité en cas de blessure ou de dommage résultant :

- d'une installation, d'un montage ou d'un raccordement incorrect, y compris d'une surtension
- d'un entretien inadapté ou de l'utilisation de pièces de rechange autres que les pièces de rechange d'origine fournies par le fabricant
- de modifications apportées au produit sans autorisation explicite du fabricant
- d'usages différents de ceux décrits dans ce manuel

Dometic se réserve le droit de modifier l'apparence et les spécifications produit.

7 Description technique

7.1 Description générale

L'appareil est un onduleur CC-CA à onde sinusoïdale pure.

L'onduleur est équipé d'un circuit de priorité. Si une alimentation secteur 230 V~ est disponible, cette source d'énergie externe est utilisée pour alimenter les prises du véhicule récréatif. Si aucune alimentation secteur 230 V~ n'est disponible, l'onduleur convertit le courant continu de la batterie en courant alternatif, assurant ainsi l'alimentation des consommateurs connectés.

L'onduleur peut être utilisé dans les systèmes de réseau suivants :

- Réseau TN
- Réseau IT

Les systèmes de réseau sont réglés à l'aide d'une vis située sur l'onduleur.

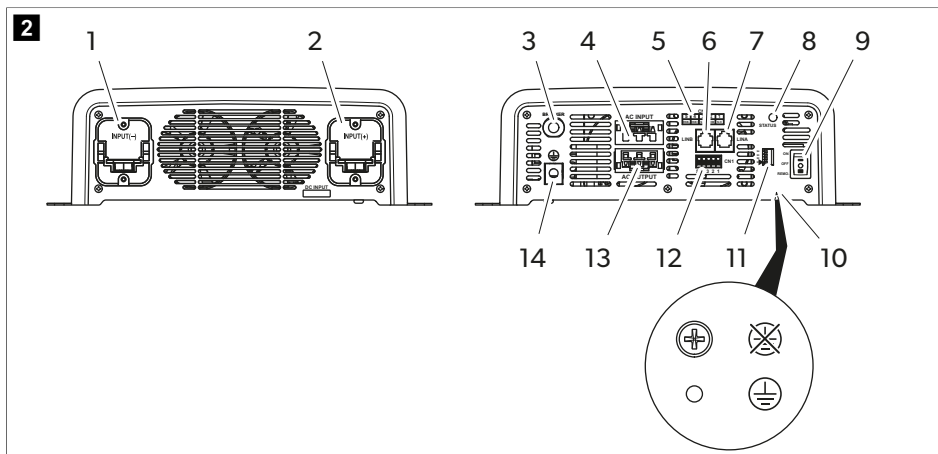
L'onduleur peut être mis en mode d'économie d'énergie afin de réduire la consommation au ralenti et de minimiser la charge sur la batterie.

L'onduleur est doté des mécanismes de protection suivants :

- **Protection de surtension :** L'onduleur s'éteint lorsque la valeur de tension passe au-dessus du seuil d'arrêt. L'onduleur redémarre automatiquement lorsque la tension chute à la valeur de redémarrage.
- **Protection de sous-tension :** L'onduleur s'éteint lorsque la valeur de tension passe en dessous du seuil d'arrêt. L'onduleur redémarre automatiquement lorsque la tension dépasse la valeur de redémarrage.
- **Protection de surtempérature :** L'onduleur s'éteint lorsque la température interne de l'appareil dépasse le seuil d'arrêt. L'onduleur redémarre automatiquement lorsque la température interne descend à la valeur de redémarrage.
- **Protection contre les courants de sortie élevés :** L'onduleur s'éteint lorsque trop de charges sont connectées.
- **Protection contre les courts-circuits :** L'onduleur s'éteint lorsqu'un court-circuit est généré. L'onduleur redémarre automatiquement après quelques secondes. Si un court-circuit est détecté cinq fois de suite, l'onduleur ne redémarre pas automatiquement : un redémarrage manuel sera nécessaire.

L'onduleur est compatible N-BUS et CI-BUS pour l'affichage des données et des fonctions sur l'écran tactile (accessoires) et l'application mobile.

7.2 Éléments de commande et connexions



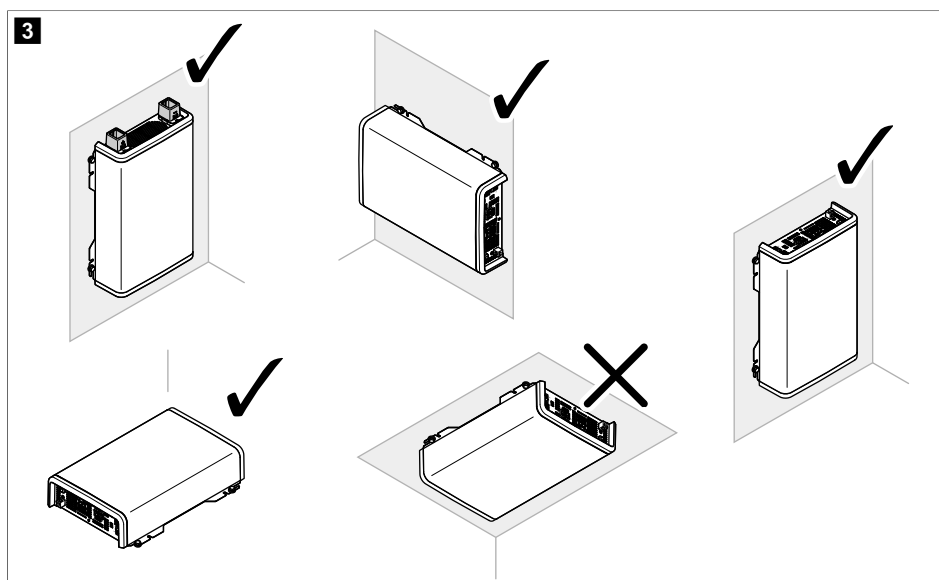
N°	Désignation
1	Borne (-), connexion au pôle négatif de la batterie domestique
2	Borne (+), connexion au pôle positif de la batterie domestique
3	Fusible pour l'entrée externe
4	Entrée CA
5	Borne CN1
6	Connexion BUS CI/Bus N/télécommande (LINB)
7	Connexion BUS CI/Bus N/télécommande (LINA)
8	LED d'état
9	Interrupteur de marche/arrêt
10	Vis pour le réglage du réseau IT/TN
11	Commutateur DIP
12	Commutateur DIP, connexion pour interrupteur externe et relais d'alarme
13	AC Output
14	Raccordement à la masse

7.3 LED d'état

État	Description
On	Fonctionnement de l'onduleur
Flashing	Erreur (voir le chapitre Dépannage à la page 61)
Off	Pas d'entrée CA présente, onduleur désactivé

8 Installation

8.1 Emplacement de montage




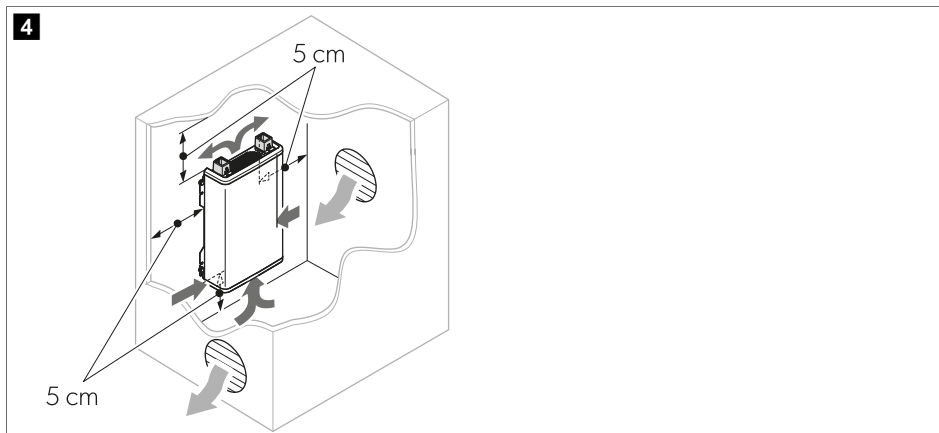
AVIS ! Risque d'endommagement

Avant de commencer à percer, assurez-vous qu'aucun câble électrique ou autre élément du véhicule ne risque d'être endommagé par le perçage, le sciage ou le limage.




REMARQUE

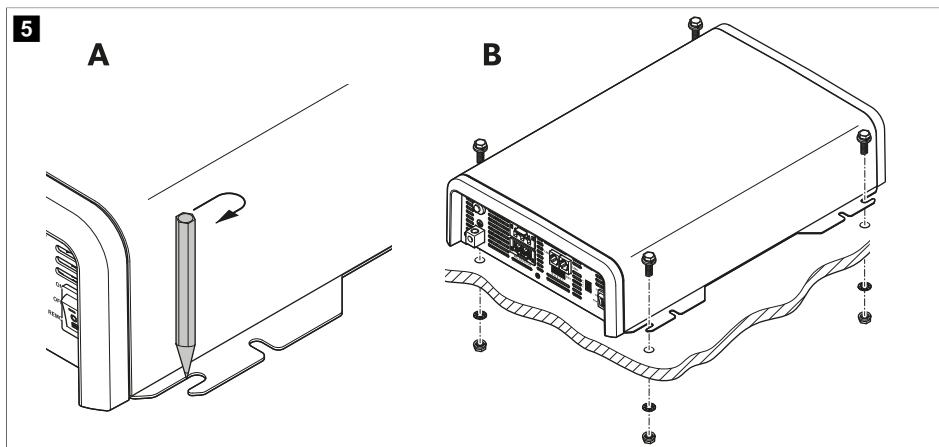
L'onduleur peut être monté assis ou suspendu ( fig. **3** à la page 51).





Respectez les instructions suivantes lors de la sélection d'un emplacement d'installation :

- Assurez-vous que la surface de montage est plane et solide.
- Respectez les distances prescrites pour une ventilation suffisante ( fig. 4 à la page 52).

8.2 Montage de l'onduleur



1. Sélectionnez les trous de montage appropriés en fonction du type de montage choisi (assis ou suspendu) et marquez les trous de perçage ( fig. 5 à la page 52 , **A**).
2. Prépercez les trous de montage.
3. Vissez l'onduleur ( fig. 5 à la page 52 , **B**).

8.3 Raccordement de l'onduleur



L'installation et la configuration électriques de l'appareil doivent être réalisées par un électricien agréé disposant des compétences et connaissances structurelles et fonctionnelles requises en matière d'équipements et d'installations électriques, au fait des réglementations en vigueur dans le pays dans lequel l'équipement doit être installé et/ou utilisé, et ayant suivi une formation de sécurité pour identifier et éviter les dangers impliqués.

Toutes les autres opérations sont également destinées aux utilisateurs non professionnels.



AVERTISSEMENT ! Risque d'électrocution

Utilisez les sections de câble, les longueurs de câble et les fusibles recommandés.



ATTENTION ! Risque d'incendie

Placez les fusibles à proximité des batteries pour protéger le câble des courts-circuits et des risques de brûlure.



AVIS ! Risque d'endommagement


- > Assurez-vous que la polarité n'est pas inversée.
- > Serrez les vis et les écrous avec un couple maximum de 15 Nm. Des connexions mal serrées peuvent entraîner une surchauffe.

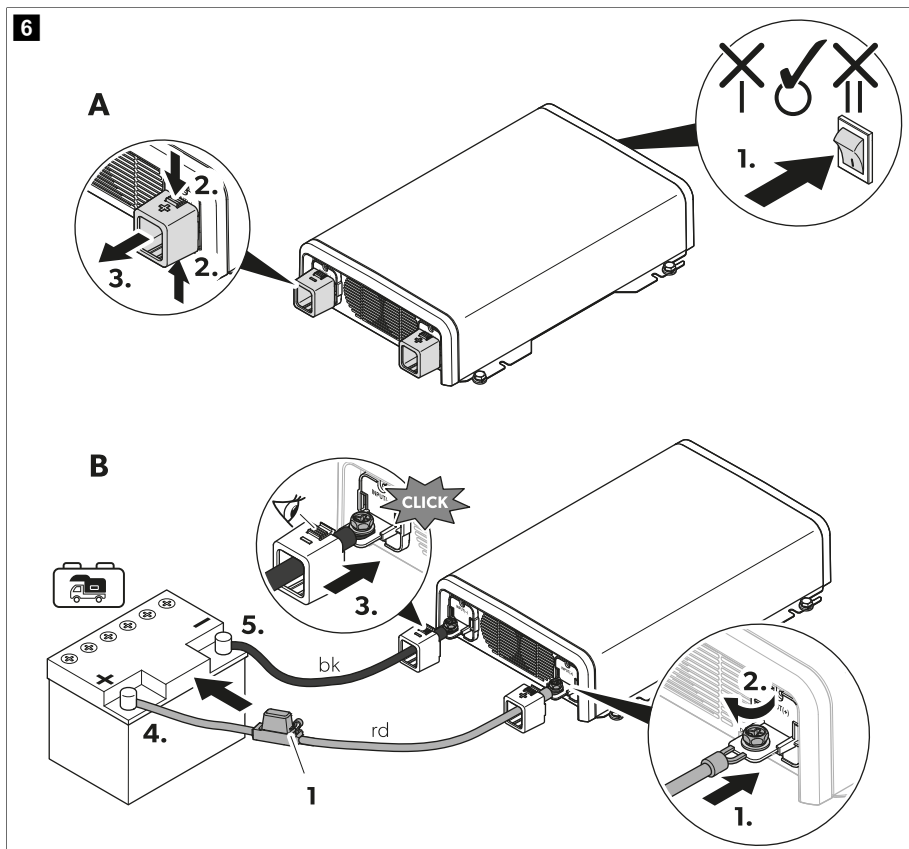
Lors du raccordement de l'onduleur, respectez les consignes suivantes :

- Lorsque vous mettez en place un circuit de distribution de prises de courant (installation sur le réseau), assurez-vous de respecter les réglementations en vigueur.
- La longueur des câbles CC (connexion aux bornes de la batterie) doit être la plus courte possible ≤ 1 m).
- Pour une connexion **réseau TN** : Installer un disjoncteur différentiel (RCD).
- Pour une connexion **réseau IT** : Si plusieurs charges sont connectées, installez un dispositif de contrôle de l'isolement (IMD). **Les normes nationales s'appliquent.**

1. Déterminez la section des câbles et les fusibles :

	Section du câble	Fusible de ligne
DPSI1812ITS	50 mm ²	250 A
DPSI1824ITS	25 mm ²	150 A


2. Vérifiez que l'appareil est éteint ( fig. 6 à la page 54 , **A : 1**).




3. Détachez les couvercles des bornes ( fig. 6 à la page 54 , **A** : 2 – 3).


4.  **AVIS ! Risque d'endommagement**
Pour éviter de court-circuiter l'appareil, branchez toujours d'abord le câble noir (borne négative).

Connectez le câble de connexion noir (bk) à la borne (-).

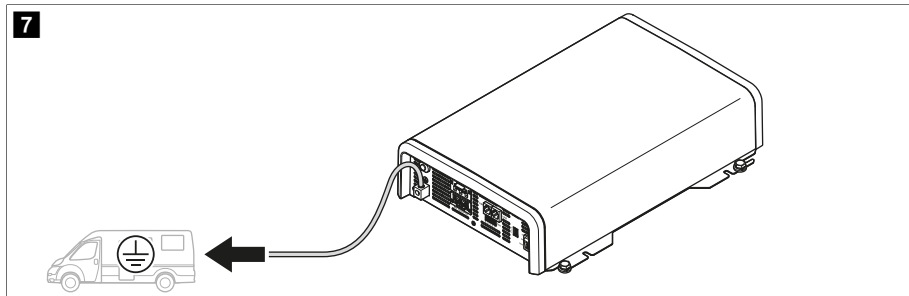
5. Connectez le câble de connexion (rd) rouge à la borne (+) ( fig. 6 à la page 54 , **B** : 1 – 2).

6. Connectez (+) à la borne positive de la batterie interne ( fig. 6 à la page 54 , **B** : 4).

 **REMARQUE** Protégez le câble positif de la batterie interne avec un fusible ( fig. 6 à la page 54, 1).

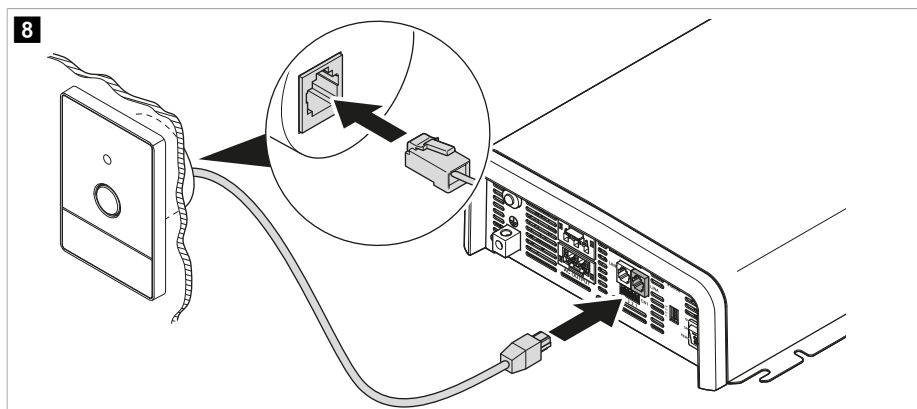
7. Connecter (-) à la borne négative de la batterie interne ( fig. 6 à la page 54 , **B** : 5).

8. Raccordez la connexion de mise à la terre à la terre (châssis)  fig. 7 à la page 55 .



8.4 Raccordement de la télécommande

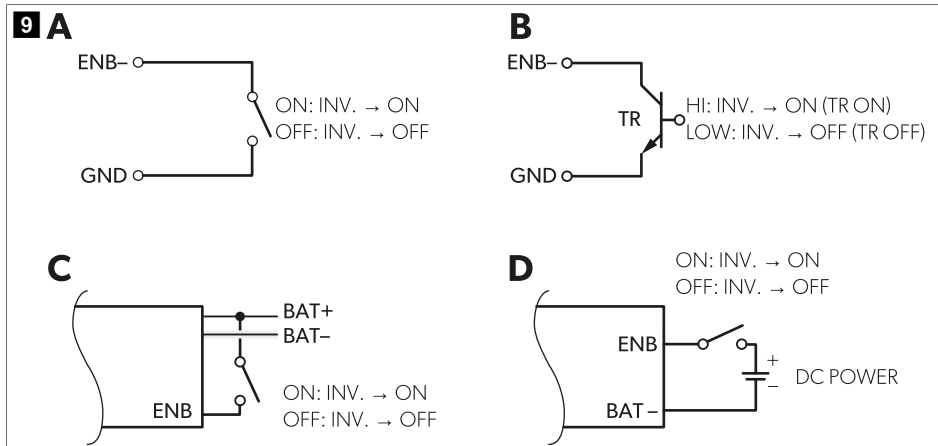
- > Connectez la télécommande à la connexion de la télécommande (LINA ou LINB).



8.5 Raccordement d'un interrupteur externe



REMARQUE Si un interrupteur externe est connecté, l'état du mode d'économie d'énergie ne peut pas être modifié.



REMARQUE

- > Assurez-vous que la connexion de la télécommande n'est pas occupée.
- > Sélectionnez l'un des interrupteurs externes appropriés suivants :
 - fig. 9 à la page 56, **A** : Interrupteur externe alimenté par l'onduleur
 - fig. 9 à la page 56, **B** : Unité de commande avec relais ou circuit à transistor (TR)
 - fig. 9 à la page 56, **C** : Interrupteur externe alimenté par la batterie (BAT) du véhicule
 - fig. 9 à la page 56, **D** : Interrupteur externe avec sa propre alimentation (DC POWER), par exemple à partir de l'allumage.



REMARQUE Assurez-vous que la connexion de la télécommande n'est pas occupée.

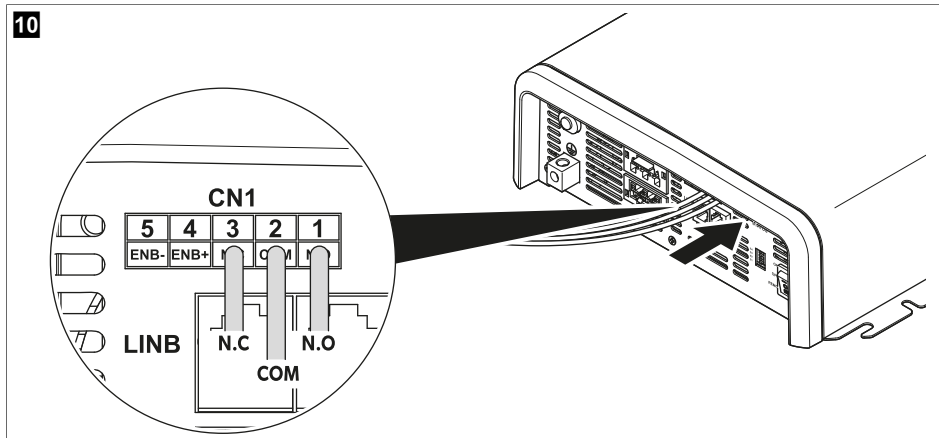
1. Mettez l'interrupteur marche/arrêt sur **OFF**.
2. Mettez l'interrupteur marche/arrêt sur **REMO**.
3. Connectez l'interrupteur externe à la borne CN1.


8.6 Connexion d'un relais d'alarme

Le relais d'alarme est activé dès que l'alimentation CA est disponible et que le commutateur de transfert CA est fermé. Le relais d'alarme peut être utilisé pour :

- Générer un signal de détection d'alimentation CA dans le panneau de commande du véhicule.
- Activer et désactiver les charges moins critiques (p. ex. réfrigérateur à absorption, systèmes de chauffage électrique) qui ne doivent être utilisées que lors du raccordement à l'alimentation CA.

10



> Connecter un relais d'alarme à la borne CN1 ( fig. 10 à la page 57).

9 Réglage de l'onduleur



L'installation et la configuration électriques de l'appareil doivent être réalisées par un électricien agréé disposant des compétences et connaissances structurelles et fonctionnelles requises en matière d'équipements et d'installations électriques, au fait des réglementations en vigueur dans le pays dans lequel l'équipement doit être installé et/ou utilisé, et ayant suivi une formation de sécurité pour identifier et éviter les dangers impliqués.

Toutes les autres opérations sont également destinées aux utilisateurs non professionnels.



DANGER ! Risque d'électrocution

- > Ne retirez le capuchon de protection du commutateur DIP que pour la configuration.
- > Remettez le capuchon de protection en place pour éviter tout réglage accidentel du commutateur DIP.
- > Pour la configuration **réseau TN** : Assurez-vous qu'un disjoncteur différentiel est installé.
- > Pour la configuration **réseau IT** : Ne faites fonctionner qu'une seule charge ou installez un dispositif de contrôle de l'isolement (IMD). Respectez les normes nationales.



REMARQUE



Utilisez un petit tournevis pour placer avec précaution les commutateurs DIP dans la position requise.

Les réglages de l'onduleur peuvent être effectués à l'aide des commutateurs DIP ou par le connexion d'une télécommande compatible CI-BUS.

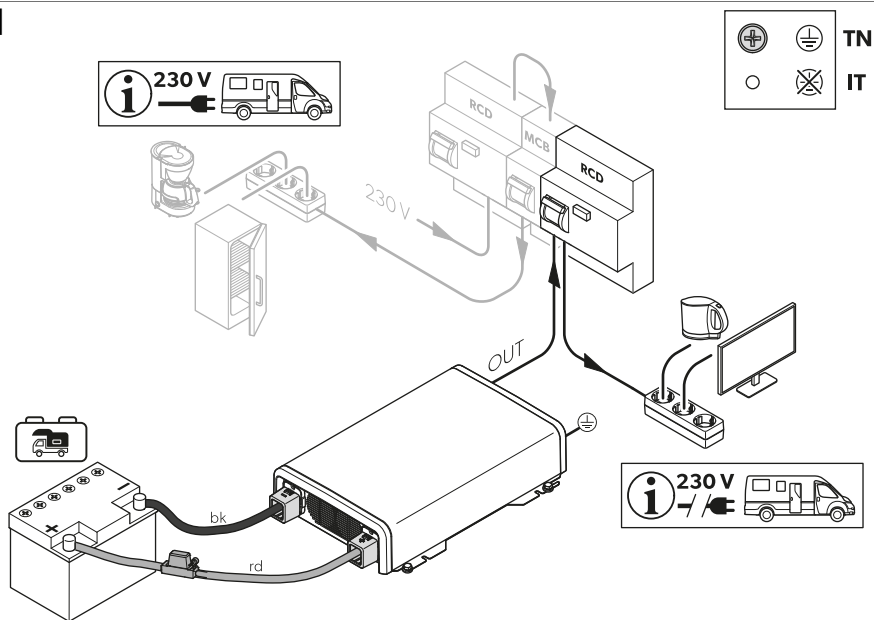
L'appareil utilise initialement la configuration d'usine. Si nécessaire, déplacez les commutateurs DIP pour ajuster la configuration.

- > Faites glisser le commutateur DIP **S1** sur **On** pour un réglage **local** via les commutateurs DIP.
- > Faites glisser le commutateur DIP **S1** sur **Off** pour un réglage **externe** via la télécommande.

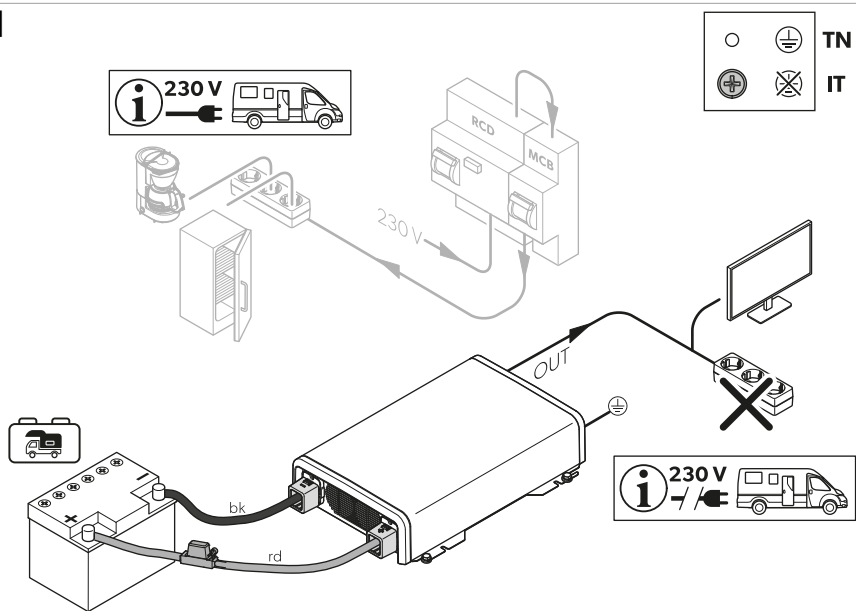
9.1 Réglages des commutateurs DIP

	Configuration	Position du commutateur DIP				
		S1	S2	S3	S4	S5
Réglages	Réglage local par commutateur DIP	Marche	-	-	-	-
	Réglage externe via la télécommande	Arrêt	-	-	-	-
Tension du secteur	240 V/60 Hz	-	Marche	-	-	-
	230 V/50 Hz	-	Arrêt	-	-	-
Mode économie d'énergie	Energy-saving mode is activated when the load is ≤ 45 W	-	-	Marche	Marche	-
	Inverter switches to normal operation when the load is ≥ 45 W					
	Le mode économie d'énergie est activé lorsque la charge est de ≤ 45 W	-	-	Marche	Arrêt	-
	L'onduleur passe en mode de fonctionnement normal lorsque la charge est de ≥ 45 W					
	L'onduleur s'éteint automatiquement après 20 minutes de fonctionnement en mode économie d'énergie.					
	Le mode économie d'énergie est activé lorsque la charge est de ≤ 1 W	-	-	Arrêt	Arrêt	-
L'onduleur passe en mode de fonctionnement normal lorsque la charge est de ≥ 1 W						
Système de filet	Réseau IT ( fig. 12 à la page 59)	-	-	-	-	Marche
	Réseau TN ( fig. 11 à la page 59)	-	-	-	-	Arrêt

11

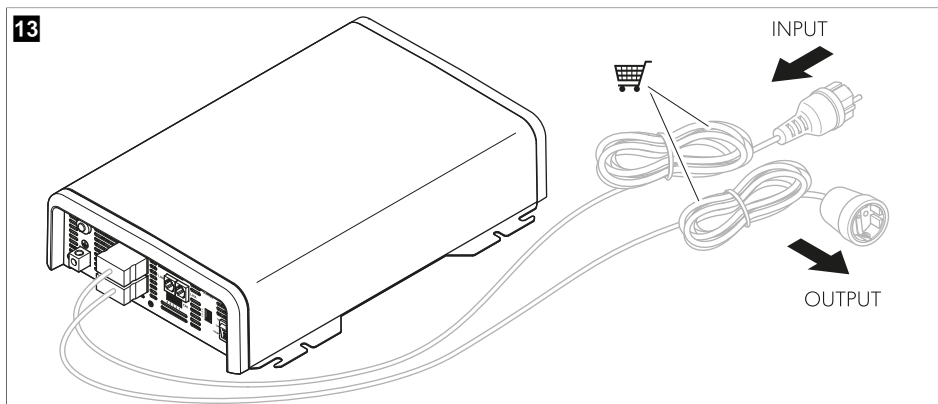


12




10 Utilisation

10.1 Utilisation des appareils 230 V



REMARQUE

Connectez uniquement les appareils dont la charge totale ne dépasse pas les valeurs répertoriées dans Caractéristiques techniques à la page 62.

- > Connectez les appareils 230 V comme indiqué ( fig. 13 à la page 60).

10.2 Mise en marche et arrêt de l'onduleur



REMARQUE

- Si vous souhaitez contrôler l'onduleur à l'aide de la télécommande, l'interrupteur marche/arrêt doit être placé en position **II** .
- Si vous souhaitez contrôler l'onduleur à l'aide d'un interrupteur externe, l'interrupteur marche/arrêt doit être placé en position **0** .

- > Pour allumer l'onduleur, placez l'interrupteur marche/arrêt en position **I** .
- > Pour éteindre l'onduleur, placez l'interrupteur marche/arrêt en position **0** .
- > Utilisez la télécommande ou l'interrupteur externe pour allumer et éteindre l'onduleur.

11 Nettoyage et entretien



AVERTISSEMENT ! Risque d'électrocution

Débranchez l'appareil de l'alimentation avant toute opération de nettoyage et d'entretien.



AVIS ! Risque d'endommagement

- > Ne nettoyez jamais l'appareil à l'eau courante et ne le plongez pas non plus dans l'eau.
- > N'utilisez aucun objet coupant ou dur, de détergents abrasifs ou d'eau de javel pour le nettoyage, car cela pourrait endommager l'appareil.

- > Veillez à ce que les orifices d'entrée et de sortie d'air de l'appareil soient exempts de poussière et de saleté afin que la chaleur puisse être évacuée.
- > Nettoyez régulièrement l'appareil à l'aide d'un chiffon humide.
- > Vérifiez régulièrement que les câbles ou les lignes sous tension ne présentent pas de défauts d'isolation, de coupures ou de connexions desserrées.

12 Dépannage

Panne	Cause possible	Solution proposée
L'onduleur ne fonctionne pas. La LED d'état est éteinte.	Un court-circuit s'est produit.	> Le fusible de l'appareil doit être remplacé par un agent de service agréé suite à son déclenchement par un courant excessif.
	Défauts d'isolation, coupures ou connexions desserrées au niveau des câbles sous tension.	> Vérifiez que les câbles sous tension ne présentent pas de défauts d'isolation, de coupures ou de connexions desserrées. Si vous ne trouvez pas d'erreur, contactez un agent de service agréé.
L'onduleur ne fonctionne pas. La LED d'état clignote lentement.	Protection contre les courants d'entrée élevés.	Réduisez le nombre de charges connectées.
	Protection contre les températures élevées.	1. Mettez l'onduleur et les charges connectées hors tension. 2. Vérifiez que les entrées et sorties d'air ne sont pas couvertes ou obstruées. 3. Laissez l'onduleur refroidir.
	Un court-circuit s'est produit.	Le fusible de l'appareil doit être remplacé par un agent de service agréé suite à son déclenchement par un courant excessif.
L'onduleur ne fonctionne pas. La LED d'état clignote rapidement.	Arrêt en cas de surtension. Tension de la batterie trop élevée.	> Réduisez les tensions connectées. L'onduleur redémarre automatiquement lorsque la tension descend à la valeur de redémarrage (voir le chapitre Protection de surtension à la page 63). > Si l'erreur persiste : Augmentez la taille des sections de câble. Réduisez la longueur du câble.
	Arrêt en cas de sous-tension. Tension de la batterie trop faible.	> Laissez la batterie se recharger lentement. L'onduleur redémarre automatiquement lorsque la tension dépasse la valeur de redémarrage (voir le chapitre Protection de sous-tension à la page 63).

13 Garantie

La période de garantie légale s'applique. Si le produit s'avérait défectueux, contactez la succursale du fabricant située dans votre pays (voir dometic.com/dealer) ou votre revendeur.

Pour toutes réparations ou autres prestations de garantie, veuillez joindre à l'appareil les documents suivants :

- une copie de la facture avec la date d'achat
- un motif de réclamation ou une description du dysfonctionnement

Notez que toute réparation effectuée par une personne non agréée peut présenter un risque de sécurité et annuler la garantie.

14 Mise au rebut

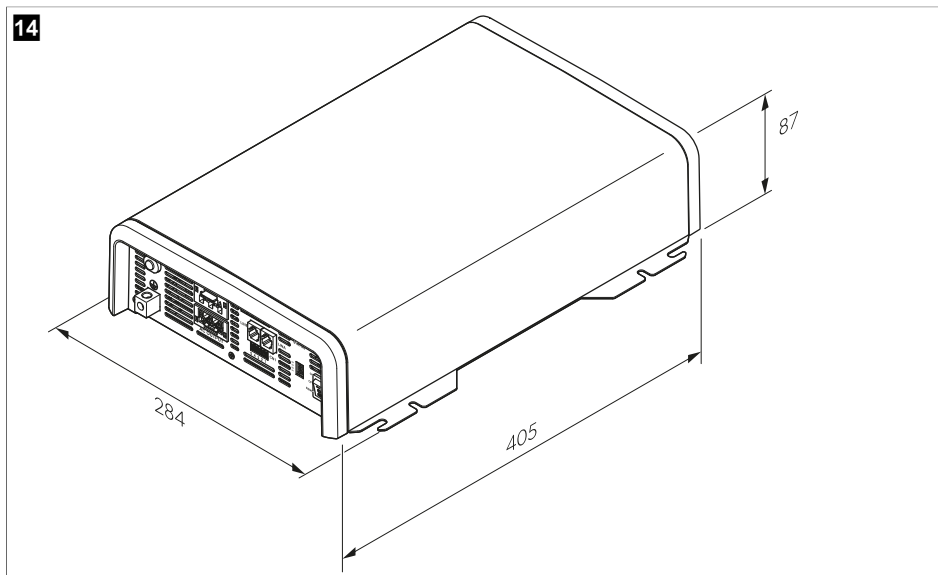


Dans la mesure du possible, veuillez éliminer les emballages dans les conteneurs de déchets recyclables prévus à cet effet.


Pour éliminer définitivement le produit, contacter le centre de recyclage le plus proche ou votre revendeur spécialisé afin de vous informer sur les dispositions relatives au retraitement des déchets.

Le produit peut être mis au rebut gratuitement.

15 Caractéristiques techniques



	DPSI 1812	DPSI 1824
Tension d'entrée nominale	12 V $\overline{\text{---}}$	24 V $\overline{\text{---}}$
Plage de tensions d'entrée	10 ... 16,5 V $\overline{\text{---}}$	20 ... 33 V $\overline{\text{---}}$

	DPSI 1812	DPSI 1824
Puissance de sortie continue P_{nom}	1800 W	1800 W
Puissance de sortie maximale (10 min)	1800 W	1800 W
Puissance de sortie maximale (3 min)	2070 W	2070 W
Puissance de surtension maximale (2 s) P_{surge}	3600 W	3600 W
Consommation de courant en mode inactif	$\leq 2,5$ A	$\leq 1,3$ A
Consommation de courant en mode de Veille	$\leq 0,2$ A	$\leq 0,1$ A
Dimensions	 fig. 14 à la page 62	
Poids	5,5 kg	5,5 kg

15.1 Caractéristiques techniques générales

Plage de tensions de sortie	230/ 240 V \sim \pm 3 %
Fréquence de sortie	50/60 Hz \pm 0,3 Hz
Forme d'onde de sortie	Onde sinusoïdale pure
Distorsion - THD	THD \leq 3 % à P_{nom} (charge résistive)
Efficacité maximale	90 %
Température ambiante de fonctionnement	-20 ... 60 °C
Température ambiante pour le stockage	-30 °C ... 70 °C
Humidité ambiante	0 ... 95 %, non-condensing
Contrôle/certification	



15.2 Protection de sous-tension

	Seuil d'arrêt	Valeur de redémarrage
DPSI1812	10 V	12 V
DPSI1824	20 V	24 V

15.3 Protection de surtension

	Seuil d'arrêt	Valeur de redémarrage
DPSI1812	16,5 V	15,5 V
DPSI1824	33 V	31 V

Español

1	Notas importantes.....	64
2	Explicación de los símbolos.....	64
3	Indicaciones de seguridad.....	65
4	Volumen de entrega.....	68
5	Accesorios.....	68
6	Uso previsto.....	68
7	Descripción técnica.....	69
8	Instalación.....	71
9	Ajuste del inversor.....	77
10	Funcionamiento.....	80
11	Limpieza y mantenimiento.....	80
12	Solución de problemas.....	81
13	Garantía.....	82
14	Eliminación.....	82
15	Datos técnicos.....	82

1 Notas importantes

Lea atentamente estas instrucciones y siga las indicaciones, directrices y advertencias incluidas en este manual para asegurarse de que instala, utiliza y mantiene correctamente el producto en todo momento. Estas instrucciones DEBEN conservarse junto con este producto.

A utilizar el producto, usted confirma que ha leído cuidadosamente todas las instrucciones, directrices y advertencias, y que entiende y acepta cumplir los términos y condiciones aquí establecidos. Usted se compromete a utilizar este producto solo para el propósito y la aplicación previstos y de acuerdo con las instrucciones, directrices y advertencias establecidas en este manual del producto, así como de acuerdo con todas las leyes y reglamentos aplicables. La no lectura y observación de las instrucciones y advertencias aquí expuestas puede causarle lesiones a usted o a terceros, daños en el producto o daños en otras propiedades cercanas. Este manual del producto, incluyendo las instrucciones, directrices y advertencias, y la documentación relacionada, pueden estar sujetos a cambios y actualizaciones. Para obtener información actualizada sobre el producto, visite documents.dometic.com.

2 Explicación de los símbolos

Una palabra de advertencia señalará los mensajes de seguridad y de daño material, y también indicará el grado o nivel de gravedad del riesgo.



¡PELIGRO!

Indica una situación peligrosa que, de no evitarse, ocasionará la muerte o lesiones graves.



¡ADVERTENCIA!

Indica una situación peligrosa que, de no evitarse, puede ocasionar la muerte o lesiones graves.



¡ATENCIÓN!

Indica una situación peligrosa que, de no evitarse, puede ocasionar lesiones moderadas o leves.



¡AVISO!

Indica una situación peligrosa que, de no evitarse, puede provocar daños materiales.



NOTA Información complementaria para el manejo del producto.

3 Indicaciones de seguridad

Tenga en cuenta las indicaciones de seguridad y las condiciones estipuladas por el fabricante del vehículo y los talleres autorizados.

3.1 Seguridad general



¡PELIGRO! Riesgo de electrocución

- > No toque los cables sin aislamiento directamente con las manos.
- > Para, en caso de peligro, poder desconectar rápidamente el aparato de la red de corriente alterna, el enchufe de conexión debe estar cerca del aparato y ser fácilmente accesible.



¡ADVERTENCIA! Riesgo de electrocución

- > Únicamente el personal cualificado podrá ejecutar la instalación y la retirada del aparato.
- > No utilice el dispositivo si este o el cable de conexión presentan daños visibles.
- > Si el cable de alimentación de este aparato está dañado, habrá que sustituirlo para evitar riesgos de seguridad.
- > Solo el personal cualificado puede realizar reparaciones en el dispositivo. Las reparaciones inadecuadas pueden conllevar peligros considerables.
- > Utilice únicamente los accesorios recomendados por el fabricante.
- > No modifique ni adapte ninguno de los componentes de ninguna manera.
- > No desconecte ningún cable mientras el aparato aún se encuentre en funcionamiento.
- > Desconecte el aparato del suministro de energía eléctrica:
 - después de cada uso
 - antes de realizar cualquier tarea de limpieza o mantenimiento
 - antes de cambiar un fusible



¡ADVERTENCIA! Peligro de incendio / materiales inflamables

En caso de incendio, utilice un extintor adecuado para aparatos eléctricos.



¡ADVERTENCIA! Riesgo de asfixia

Si el cable y la unidad de control del aparato no están correctamente dispuestos, pueden ocasionarse riesgos de enredo, estrangulamiento, tropiezos o pisadas. Asegúrese de que el exceso de empalmes y cables de alimentación se dispongan de forma segura.



¡ADVERTENCIA! Riesgo para la salud

- > Este aparato puede ser utilizado por menores a partir de 8 años y personas con capacidad física, sensorial o mental reducida, o con falta de experiencia y conocimientos, siempre que lo hagan bajo supervisión o hayan recibido instrucciones relativas al uso del mismo de manera segura y entendiendo los riesgos asociados.
- > **Los aparatos eléctricos no son juguetes.** Mantenga y utilice el aparato fuera del alcance de los niños pequeños.
- > Controle a los niños para asegurarse de que no jueguen con el aparato.
- > Los menores no deberán limpiar ni realizar el mantenimiento de usuario sin la debida supervisión.



¡AVISO! Peligro de daños

- > Antes poner el aparato en funcionamiento, compruebe que el valor de tensión indicado en la placa de características coincide con el de la fuente de alimentación.
- > Asegúrese de que **ningún** otro objeto pueda causar un cortocircuito en los contactos del aparato.
- > Asegúrese de que los polos positivo y negativo **nunca** entren en contacto.
- > No tire de los cables de conexión ni los utilice como asa.
- > El dispositivo no debe quedar expuesto a la lluvia o la humedad. Guárdela en un lugar seco.

3.2 Instalación segura del aparato



¡PELIGRO! Peligro de explosión

- > Instale y utilice el dispositivo únicamente en recintos cerrados y bien ventilados.
- > **No** instale ni utilice el dispositivo bajo las siguientes condiciones:
 - en entornos salinos, húmedos o mojados
 - cerca de gases corrosivos
 - cerca de materiales combustibles
 - cerca de fuentes de calor (calentadores, radiación directa del sol, hornos de gas, etc.)
 - en zonas donde exista riesgo de explosión de gas o polvo



¡ADVERTENCIA! Peligro de lesiones

- > ¡Procure mantenerlo en una posición segura! Instale y fije el aparato de forma segura, de manera que no pueda caerse ni volcarse.
- > Cuando ubique el aparato, asegúrese de que todos los cables estén bien sujetos para evitar cualquier tipo de tropiezo.



¡AVISO! Peligro de daños

- > Coloque el aparato en un lugar seco y protegido contra posibles salpicaduras de agua.
- > Utilice siempre cajas de enchufe con puesta a tierra y protegidas mediante interruptor de protección FI.

3.3 Seguridad durante la conexión eléctrica del aparato



¡PELIGRO! Riesgo de electrocución

Al trabajar en instalaciones eléctricas asegúrese de que haya alguien en las cercanías para que le pueda ayudar en caso de emergencia.



¡ADVERTENCIA! Riesgo de electrocución

- > Tenga en cuenta las secciones transversales recomendadas para los cables.
- > Tienda los cables de forma que las puertas o el capó del motor no los puedan dañar. Los cables aplastados pueden provocar lesiones que pongan en peligro la vida.



¡AVISO! Peligro de daños

- > Use tubos corrugados o guías de cables cuando los cables se tengan que pasar a través de paredes chapa u otras paredes afiladas.
- > **No** tienda el cable de red de 230 V y el cable de CC de 12 V dentro del mismo conducto.
- > **No** tienda el cable de forma que quede suelto o muy doblado.
- > Sujete los cables de manera segura.

3.4 Precauciones de seguridad durante la manipulación de las baterías



¡ADVERTENCIA! Peligro de lesiones

- > Las baterías pueden contener ácidos agresivos y cáusticos. Evite que el líquido de la batería entre en contacto con su cuerpo. Si el líquido de batería entra en contacto con la piel, lave con agua la zona del cuerpo afectada. Si sufre alguna lesión a causa de ácidos, póngase inmediatamente en contacto con un médico.
- > Cuando trabaje con baterías, no lleve puesto ningún objeto de metal como por ejemplo relojes o anillos. Las baterías de plomo-ácido pueden producir corrientes de cortocircuito que podrían provocar graves quemaduras.
- > Utilice únicamente herramientas aisladas.
- > No coloque ninguna pieza metálica sobre la batería y evite que caigan piezas de metal sobre la batería. Esto podría provocar chispas o cortocircuitos en la batería y otros dispositivos eléctricos.
- > Utilice gafas y ropa de protección cuando trabaje con baterías. No se toque los ojos cuando trabaje con baterías.
- > Utilice únicamente baterías recargables.
- > No utilice baterías defectuosas.



¡ATENCIÓN! Peligro de explosión

- > Nunca intente cargar una batería congelada o averiada. Coloque la batería en un lugar donde no se congele y espere a que adopte la temperatura ambiente. A continuación inicie el proceso de carga.
- > No fume, no encienda fuego ni provoque ninguna chispa cerca del motor o de la batería.
- > Mantenga la batería alejada de fuentes de calor.



¡AVISO! Peligro de daños

- > Asegúrese de que la polaridad sea correcta al conectar la batería.
- > Siga las instrucciones del fabricante de la batería y las del fabricante del sistema o vehículo en el que se usa la batería.
- > Si es necesario extraer la batería, desconecte primero la conexión a tierra. Desconecte todas las conexiones y todos los aparatos conectados de la batería antes de quitarla.
- > Las baterías deben ser almacenadas completamente cargadas. Recargue periódicamente las baterías almacenadas.
- > No transporte la batería por sus bornes.

3.5 Uso seguro del aparato



¡ADVERTENCIA! Riesgo de electrocución

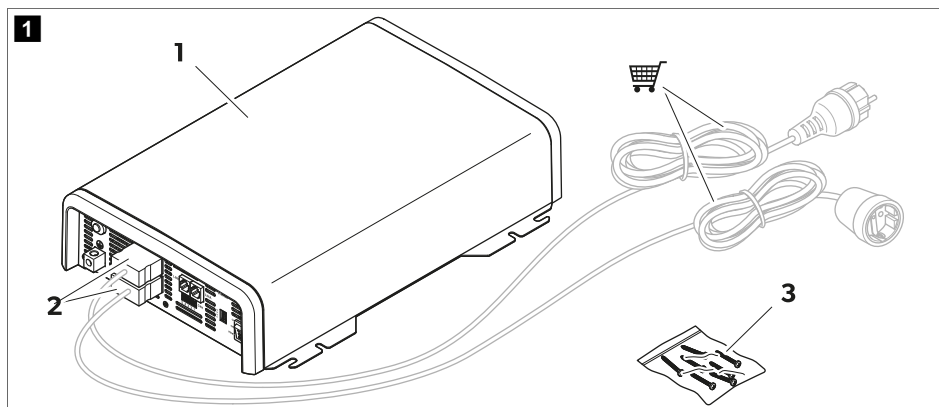
- > No use el dispositivo estando mojado ni lo sumerja en ningún líquido.
- > Antes de poner en marcha el aparato, asegúrese de que el cable de alimentación y el enchufe estén secos y de que el enchufe no presente óxido ni suciedad.
- > Observe que el aparato puede seguir bajo tensión incluso si ha saltado el fusible.




¡AVISO! Peligro de daños

- > Asegúrese de que las entradas y salidas de aire del aparato no estén obstruidas.
- > Garantice una buena ventilación.

4 Volumen de entrega



N.º en  fig. 1 en la página 68	Denominación	Cantidad
1	Inversor de onda sinusoidal	1
2	Conector WAGO. Cable de conexión con acoplamiento de seguridad (para salida de 230 V~)	2
3	Tornillos de fijación	6
-	Instrucciones de montaje y uso	1

5 Accesorios

Denominación	N.º de art.
Control remoto DSP-RCT	9600002564
Pantalla de control DSP-EM	9600002565
Pantalla táctil TD283	9620013272

6 Uso previsto

El inversor está diseñado para convertir la corriente continua en una onda sinusoidal pura de corriente alterna (CA) de 230~ ... 240 V~ para el funcionamiento y la alimentación estable de los consumidores conectados.

El inversor está diseñado para conectarse a:

- DPSI1812iTS: 12 V $\overline{\text{DC}}$
- DPSI1824iTS: 24 V $\overline{\text{DC}}$

El inversor es apto para:

- Instalación en vehículos de recreo (RV), camiones, vehículos comerciales o yates a motor o vela
- Uso estacionario o móvil
- Uso en interiores

El inversor **no** es apto para:

- Uso en exteriores

Este producto solo es apto para el uso previsto y la aplicación de acuerdo con estas instrucciones.

Este manual proporciona la información necesaria para la correcta instalación y/o funcionamiento del producto. Una instalación deficiente o un uso y mantenimiento inadecuados conllevan un rendimiento insatisfactorio y posibles fallos.

El fabricante no se hace responsable de ninguna lesión o daño en el producto ocasionados por:

- Una instalación, un montaje o una conexión incorrectos, incluido un exceso de tensión
- Un mantenimiento incorrecto o el uso de piezas de repuesto distintas de las originales proporcionadas por el fabricante
- Modificaciones realizadas en el producto sin el expreso consentimiento del fabricante
- Uso con una finalidad distinta de la descrita en las instrucciones

Dometic se reserva el derecho de cambiar la apariencia y las especificaciones del producto.

7 Descripción técnica

7.1 Descripción general

Se trata de un inversor de onda sinusoidal pura de CC a CA.

El inversor está equipado con una conexión de prioridad. Si hay una red de 230 V~ disponible, esta fuente de alimentación externa se utiliza para alimentar las tomas del vehículo de recreo. Si no hay ninguna red de 230 V~ disponible, el inversor convierte la corriente continua de la batería en corriente alterna, garantizando así el suministro de energía a los consumidores conectados.

El inversor se puede utilizar en los siguientes sistemas de red:

- Red TN
- Red TI

Los sistemas de red se establecen mediante un tornillo en el inversor.

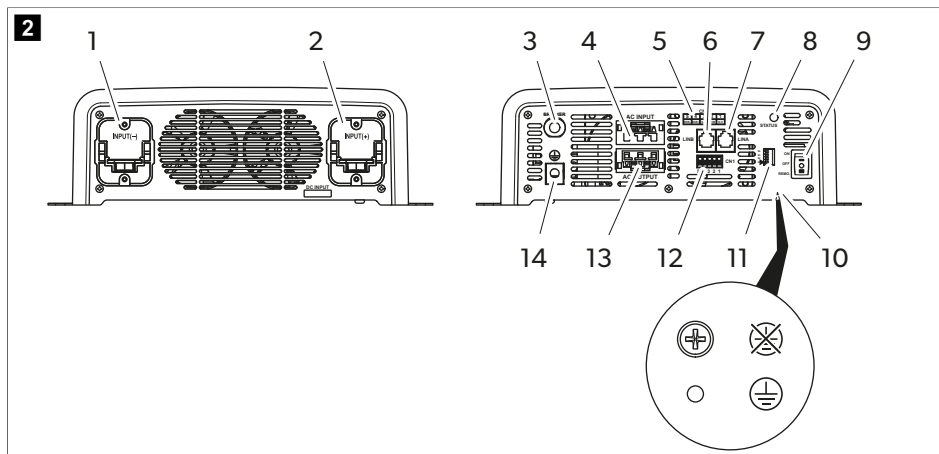
El inversor se puede cambiar al modo de ahorro de energía para reducir el consumo en reposo y minimizar la carga de la batería.

El inversor tiene los siguientes mecanismos de protección:

- **Protección contra la sobretensión:** El inversor se desconecta cuando el valor de tensión asciende por encima del valor de desconexión. El inversor se reconecta automáticamente cuando el valor de tensión desciende hasta el valor de reconexión.
- **Protección contra la subtensión:** El inversor se desconecta cuando el valor de tensión desciende por debajo del valor de desconexión. El inversor se reconecta automáticamente cuando el valor de tensión supera el valor de reconexión.
- **Protección contra el sobrecalentamiento:** El inversor se desconecta cuando la temperatura en el interior del dispositivo supera el valor de desconexión. El inversor se reconecta automáticamente cuando la temperatura interna desciende hasta el valor de reconexión.
- **Protección contra corriente de salida alta:** El inversor se desconecta cuando hay demasiadas cargas conectadas.
- **Protección contra cortocircuitos:** El inversor se desconecta cuando se produce un cortocircuito. El inversor se reconecta automáticamente después de unos segundos. Si se detecta un cortocircuito cinco veces consecutivas, el inversor no se reconecta automáticamente y es necesario hacerlo de forma manual.

El inversor es compatible con N-BUS y CI-BUS para la visualización de datos y funciones en la pantalla táctil (accesorios) y la aplicación móvil.

7.2 Elementos de control y conexiones



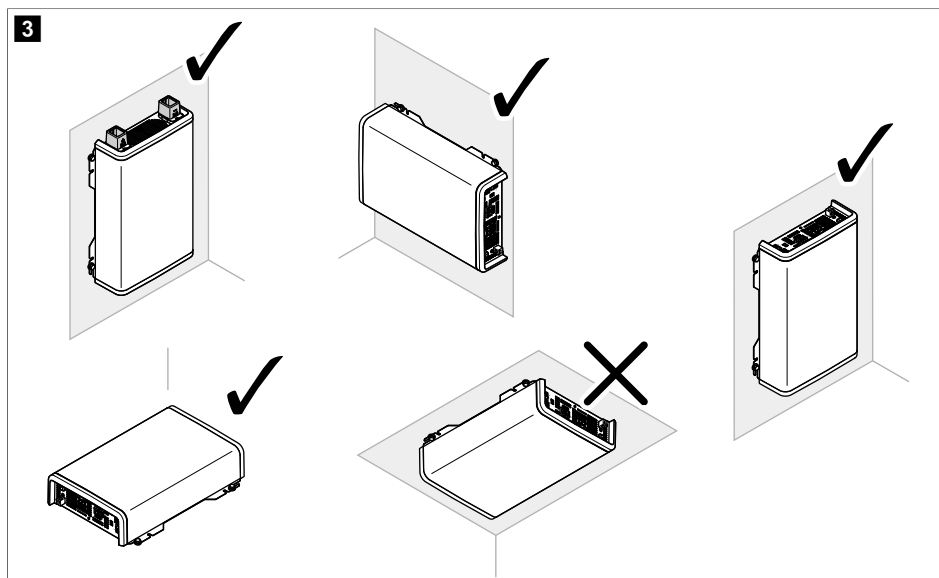
Núm.	Denominación
1	Terminal (-), conexión al polo negativo de la batería doméstica
2	Terminal (+), conexión al polo positivo de la batería doméstica
3	Fusible para la entrada externa
4	AC INPUT
5	Terminal CN1
6	CI-BUS/N-Bus/conexión de control remoto (LINB)
7	CI-BUS/N-Bus/conexión de control remoto (LINA)
8	LED de estado
9	Interruptor de encendido/apagado
10	Tornillo para el ajuste de red TI/TN
11	Interruptor DIP
12	Interruptor DIP, conexión para interruptor externo y relé de alarma
13	AC OUTPUT
14	Conexión a masa

7.3 LED de estado

Estado	Descripción
On	Inversor en funcionamiento
Flashing	Error (consulte el capítulo Solución de problemas en la página 81)
Off	No hay entrada de CA, inversor desactivado

8 Instalación

8.1 Lugar de montaje




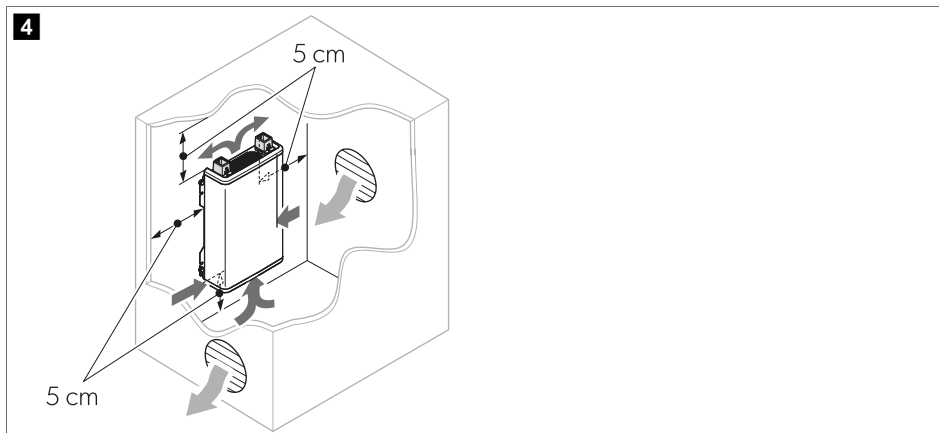
¡AVISO! Peligro de daños

Antes de realizar cualquier perforación, asegúrese de que ningún cable eléctrico ni ninguna otra pieza del vehículo puedan resultar dañados al taladrar, serrar o limar.



NOTA

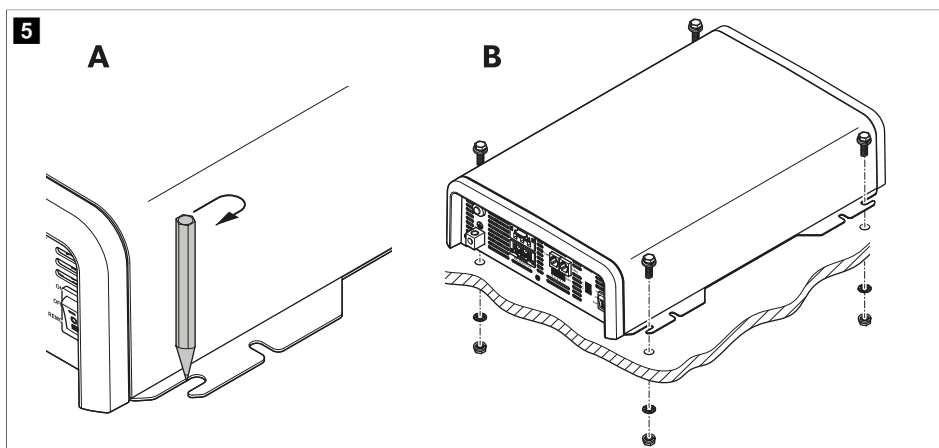
El inversor se puede montar apoyado o suspendido ( fig. 3 en la página 71).



Tenga en cuenta las siguientes instrucciones al seleccionar un lugar de montaje:

- Asegúrese de que la superficie de montaje sea resistente y nivelada.
- Respete las especificaciones de distancia para garantizar una ventilación suficiente (véase fig. 4 en la página 72).

8.2 Instalación del inversor



1. Seleccione los orificios de montaje adecuados en función del tipo de montaje seleccionado (apoyado o suspendido) y marque los orificios de perforación (véase fig. 5 en la página 72, A).
2. Taladre previamente los orificios de montaje.
3. Atornille el inversor en su sitio (véase fig. 5 en la página 72, B).

8.3 Conexión del inversor



La instalación eléctrica y configuración del aparato debe ser realizada por un electricista cualificado que haya demostrado sus habilidades y conocimientos relacionados con la construcción y el funcionamiento de equipos e instalaciones eléctricas, y que esté familiarizado con las normativas aplicables del país en el que se va a instalar y/o utilizar el equipo, y que haya recibido formación sobre seguridad para identificar y evitar los peligros implicados.

El resto de acciones pueden ser realizadas por usuarios no profesionales.



¡ADVERTENCIA! Riesgo de electrocución

Respete las secciones transversales y las longitudes de los cables y el fusible recomendados.



¡ATENCIÓN! Peligro de incendio

Coloque los fusibles cerca de las baterías para proteger el cable contra cortocircuitos y posibles quemaduras.



¡AVISO! Peligro de daños

- > Asegúrese de no invertir la polaridad.
- > Apriete los tornillos y tuercas a un par máximo de 15 Nm. Las conexiones flojas pueden provocar un sobrecalentamiento.

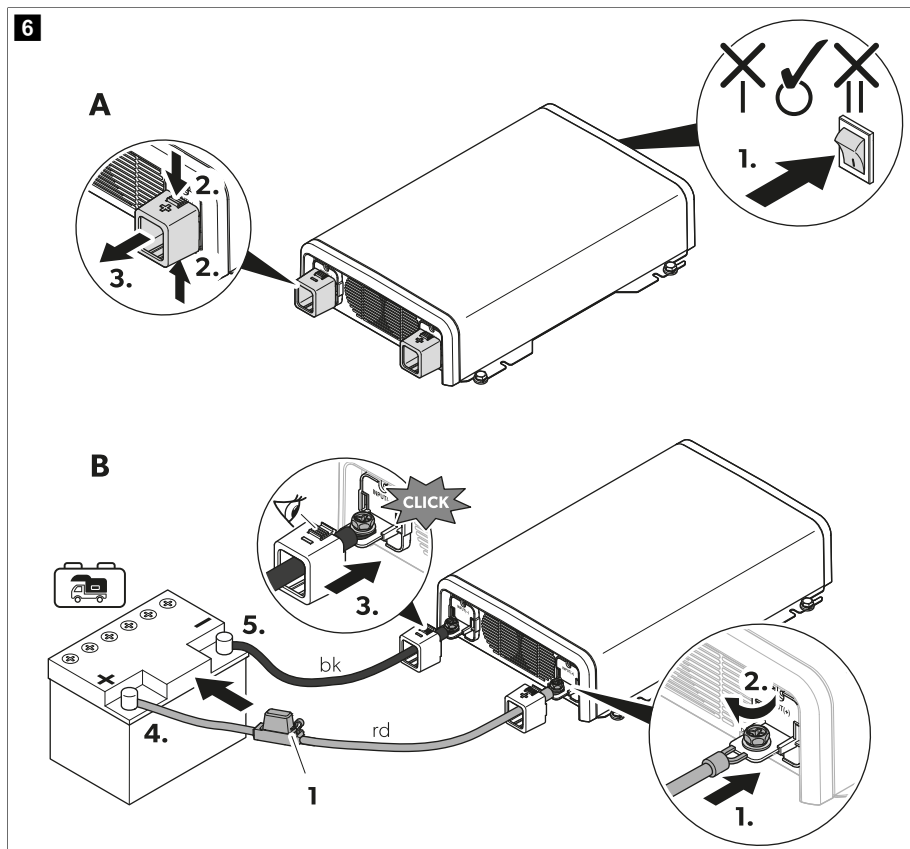
Tenga en cuenta las siguientes indicaciones al conectar el inversor:

- Respete las normativas aplicables al configurar un circuito de distribución de cajas de enchufe (instalación de red eléctrica).
- Seleccione la menor longitud posible para los cables de CC (conexión a los terminales de la batería) ≤ 1 m).
- Para la conexión de **red TN**: Instale un disyuntor de corriente residual (RCD).
- Para la conexión de **red TI**: Instale un dispositivo de control del aislamiento (IMD) si hay más de una carga conectada. **Se aplican las normas nacionales.**


1. Determine las secciones transversales de los cables y el fusible:

	Sección de cable	Fusible del cable
DPSI1812i- TS	50 mm ²	250 A
DPSI1824i- TS	25 mm ²	150 A

2. Compruebe que el dispositivo está apagado ( fig. **6** en la página 74, **A: 1**).






3. Separe las cubiertas de los terminales ( fig. 6 en la página 74, **A: 2 – 3**).

4.  **¡AVISO! Peligro de daños**
Para evitar cortocircuitos en el dispositivo, conecte siempre primero el cable negro (terminal negativo).

Conecte el cable de conexión negro (bk) al terminal (-).

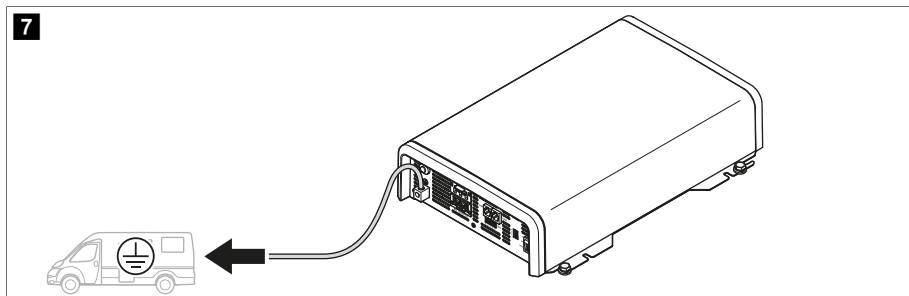
5. Conecte el cable de conexión rojo (rd) al terminal (+) ( fig. 6 en la página 74, **B: 1 – 2**).

6. Conecte (+) al terminal positivo de la batería doméstica ( fig. 6 en la página 74, **B: 4**).

 **NOTA** Proteja el cable positivo de la batería con un fusible ( fig. 6 en la página 74, **1**).

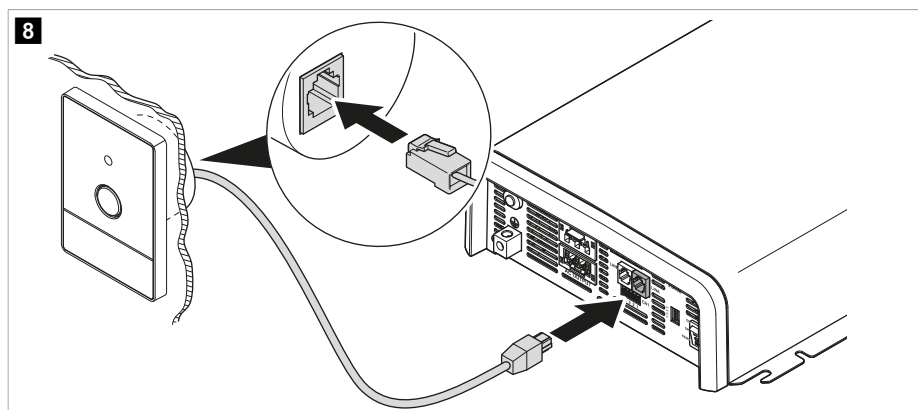
7. Conecte (-) al terminal negativo de la batería doméstica ( fig. 6 en la página 74, **B: 5**).

8. Conecte la conexión a tierra (chasis)  fig. 7 en la página 75.



8.4 Conexión del control remoto

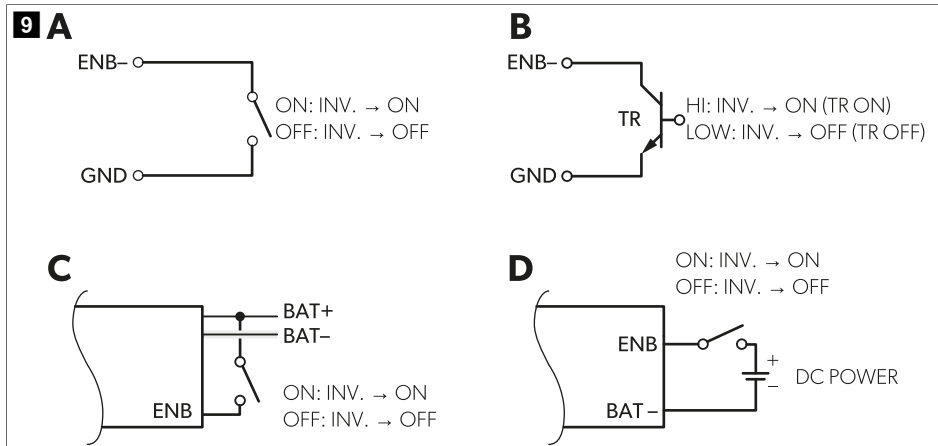
- > Conecte el control remoto a la conexión del control remoto (LINA o LINB).







8.5 Conexión de un interruptor externo



NOTA Si se conecta un interruptor externo, el estado del modo de ahorro de energía no se puede cambiar.

**NOTA**

- > Asegúrese de que la conexión del control remoto no esté ocupada.
- > Seleccione uno de los siguientes interruptores externos adecuados:
 -  fig. 9 en la página 76, **A**: Interruptor externo con fuente de alimentación del inversor
 -  fig. 9 en la página 76, **B**: Unidad de control con circuito de relé o de transistor (TR)
 -  fig. 9 en la página 76, **C**: Interruptor externo con fuente de alimentación de la batería (BAT) del vehículo
 -  fig. 9 en la página 76, **D**: Interruptor externo con fuente de alimentación propia (DC POWER), p.ej., del encendido



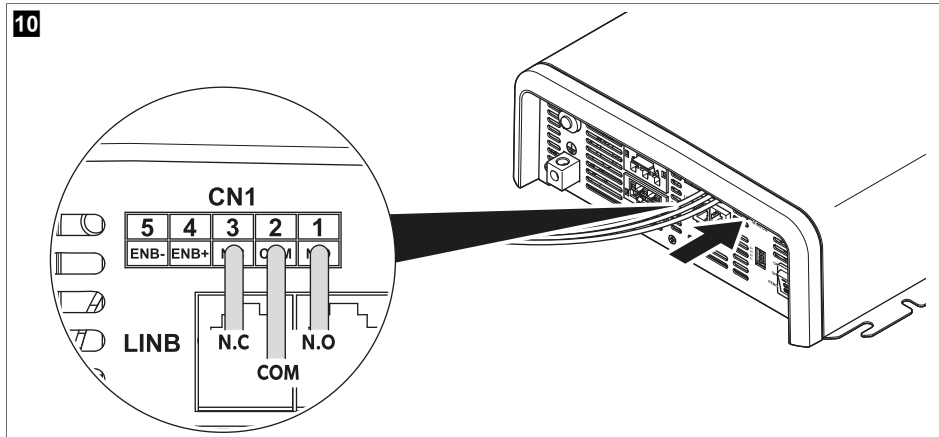
NOTA Asegúrese de que la conexión del control remoto no esté ocupada.

1. Coloque el interruptor de encendido/apagado en la posición **OFF**.
2. Coloque el interruptor de encendido/apagado en la posición **REMO**.
3. Conecte el interruptor externo al terminal CN1.

8.6 Conexión de un relé de alarma

El relé de alarma se activa tan pronto como la fuente de alimentación de CA está disponible y el interruptor de transferencia de CA está cerrado. El relé de alarma se puede utilizar para:

- Generar una señal de detección de fuente de alimentación de CA en el panel de control del vehículo.
- Encienda y apague las cargas menos críticas (p. ej., nevera con extractor, sistemas de calefacción eléctrica) que solo deben funcionar conectadas a una fuente de alimentación de CA.



> Conecte un relé de alarma al terminal CN1 ( fig. 10 en la página 77).

9 Ajuste del inversor



La instalación eléctrica y configuración del aparato debe ser realizada por un electricista cualificado que haya demostrado sus habilidades y conocimientos relacionados con la construcción y el funcionamiento de equipos e instalaciones eléctricas, y que esté familiarizado con las normativas aplicables del país en el que se va a instalar y/o utilizar el equipo, y que haya recibido formación sobre seguridad para identificar y evitar los peligros implicados.

El resto de acciones pueden ser realizadas por usuarios no profesionales.



¡PELIGRO! Riesgo de electrocución

- > Retire únicamente la tapa protectora del interruptor DIP para la configuración.
- > Vuelva a colocar la tapa protectora para evitar un reajuste accidental del interruptor DIP.
- > Para la configuración de **red TN**: Asegúrese de que haya instalado un disyuntor de corriente residual (RCD).
- > Para la configuración de **red TI**: Haga funcionar una sola carga o instale un dispositivo de control del aislamiento (IMD). Respete las normas nacionales.



NOTA



Utilice un destornillador pequeño para mover con cuidado los interruptores DIP a la posición deseada.

Los ajustes del inversor se pueden realizar a través de los interruptores DIP o mediante la conexión de un control remoto compatible con CI-BUS.

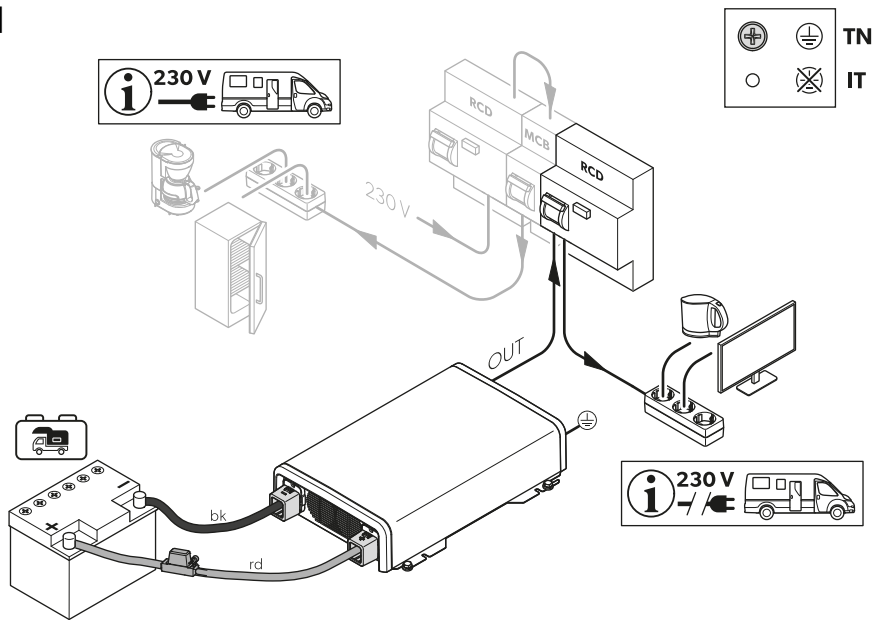
El dispositivo utiliza inicialmente la configuración de fábrica. Si es necesario, mueva los interruptores DIP para ajustar la configuración.

- > Deslice el interruptor DIP **S1a On** para realizar un ajuste **local** a través de los interruptores DIP.
- > Deslice el interruptor DIP **S1a Off** para realizar un ajuste **externo** a través del control remoto.

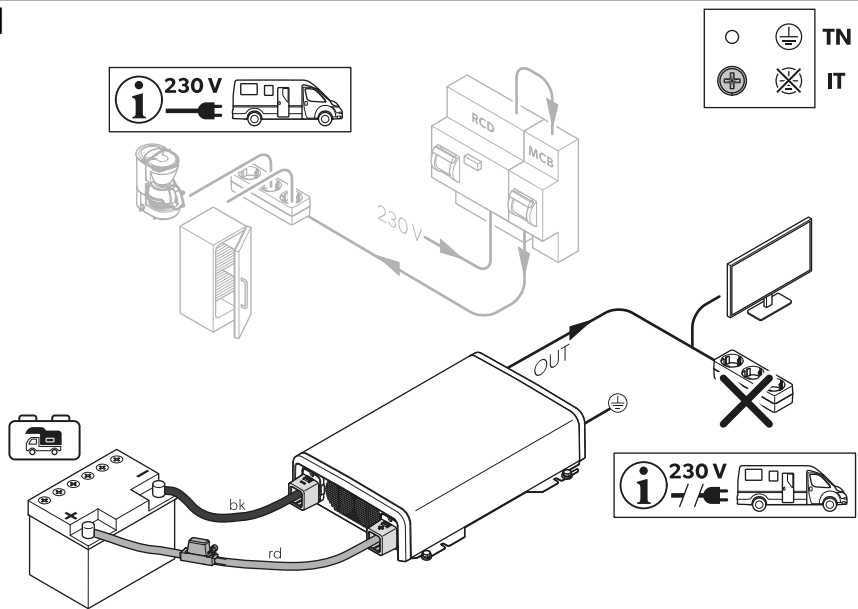
9.1 Ajustes del interruptor DIP

Configuración		Posición del interruptor DIP				
		S1	S2	S3	S4	S5
Ajustes	Ajuste local a través de interruptor DIP	Encendido	-	-	-	-
	Ajuste externo a través de control remoto	Apagado	-	-	-	-
Tensión de red	240 V/60 Hz	-	Encendido	-	-	-
	230 V/50 Hz	-	Apagado	-	-	-
Modo de ahorro de energía	Energy-saving mode is activated when the load is ≤ 45 W Inverter switches to normal operation when the load is ≥ 45 W	-	-	Encendido	Encendido	-
	El modo de ahorro de energía se activa cuando la carga es de ≤ 45 W El inversor pasa a funcionamiento normal cuando la carga es de ≥ 45 W	-	-	Encendido	Apagado	-
	El inversor se apaga automáticamente después de 20 minutos de funcionamiento en el modo de ahorro de energía	-	-	Apagado	Apagado	-
	El modo de ahorro de energía se activa cuando la carga es de ≤ 1 W El inversor pasa a funcionamiento normal cuando la carga es de ≥ 1 W	-	-	Apagado	Encendido	-
	El modo de ahorro de energía se activa cuando la carga es de ≤ 1 W El inversor pasa a funcionamiento normal cuando la carga es de ≥ 1 W	-	-	Apagado	Encendido	-
	El modo de ahorro de energía se activa cuando la carga es de ≤ 1 W El inversor se apaga automáticamente después de 20 minutos de funcionamiento en el modo de ahorro de energía	-	-	Apagado	Encendido	-
	Red TI ( fig. 12 en la página 79)	-	-	-	-	Encendido
	Red TN ( fig. 11 en la página 79)	-	-	-	-	Apagado

11

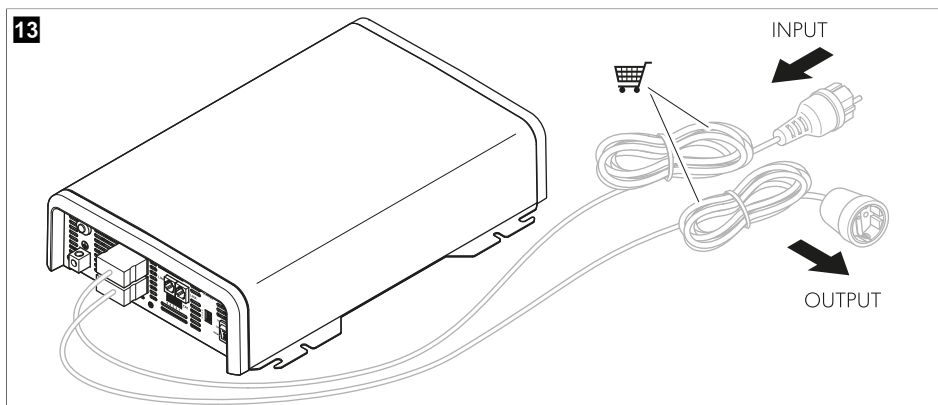


12



10 Funcionamiento

10.1 Funcionamiento de dispositivos de 230 V



NOTA

Conecte únicamente dispositivos cuya carga total no supere los valores indicados en Datos técnicos en la página 82.

- > Conecte dispositivos de 230 V tal y como se muestra ( fig. 13 en la página 80).

10.2 Encendido y apagado del inversor



NOTA

- Si el inversor se va a controlar a través del control remoto, el interruptor de encendido/apagado debe estar en la posición **II**.
- Si el inversor se va a controlar a través del interruptor externo, el interruptor de encendido/apagado debe estar en la posición **0**.

- > Para encender el inversor, coloque el interruptor de encendido/apagado en la posición **I**.
- > Para apagar el inversor, coloque el interruptor de encendido/apagado en la posición **0**.
- > Utilice el control remoto o el interruptor externo para encender y apagar el inversor.

11 Limpieza y mantenimiento



¡ADVERTENCIA! Riesgo de electrocución

Desenchufe el aparato de la toma de corriente antes de proceder a su limpieza y mantenimiento.



¡AVISO! Peligro de daños

- > Nunca limpie el aparato bajo un chorro de agua corriente ni inmerso en agua jabonosa.
- > No utilice objetos duros o afilados, productos de limpieza abrasivos ni lejía para limpiar el aparato, ya que podrían dañarlo.

- > Asegúrese de que los orificios de ventilación del dispositivo estén limpios de polvo y suciedad para que el calor pueda salir.

- > Limpie de vez en cuando el aparato con un paño suave y húmedo.
- > Compruebe periódicamente si hay fallos de aislamiento, roturas o conexiones sueltas en los cables con tensión y el resto de líneas.

12 Solución de problemas

Fallo	Posible causa	Propuesta de solución
El inversor no funciona. El LED de estado está apagado.	Se ha generado un cortocircuito.	> El fusible del aparato debe ser reemplazado por un técnico de mantenimiento autorizado después de que haya saltado por sobrecorriente.
	Los cables con tensión tienen fallos de aislamiento, roturas o malas conexiones.	> Compruebe si hay fallos de aislamiento, roturas o conexiones sueltas en los cables con tensión y el resto de líneas. Si no encuentra ningún fallo, póngase en contacto con un técnico de mantenimiento autorizado.
El inversor no funciona. El LED de estado parpadea lentamente.	Protección contra corriente de entrada alta.	Reduce las cargas conectadas.
	Protección contra el sobrecalentamiento.	<ol style="list-style-type: none"> 1. Desconecte el inversor y las cargas conectadas. 2. Compruebe que las entradas y salidas de aire no están tapadas ni obstruidas. 3. Deje que se enfríe el inversor.
	Se ha generado un cortocircuito.	El fusible del aparato debe ser reemplazado por un técnico de mantenimiento autorizado después de que haya saltado por sobrecorriente.
El inversor no funciona. El LED de estado parpadea rápidamente.	Protección contra la sobretensión. Tensiones de la batería demasiado altas.	<ul style="list-style-type: none"> > Reduzca las tensiones conectadas. El inversor se reconecta automáticamente cuando el valor de tensión desciende hasta el valor de reconexión (consulte el capítulo Protección contra la sobretensión en la página 83). > Si el error persiste: Aumente las secciones transversales de los cables. Reduzca la longitud del cable.
	Protección contra la subtensión. Tensiones de la batería demasiado bajas.	<ul style="list-style-type: none"> > Deje que la batería se recargue lentamente. El inversor se reconecta automáticamente cuando el valor de tensión supera el valor de reconexión (consulte el capítulo Protección contra la subtensión en la página 83).

13 Garantía

Se aplica el período de garantía estipulado por la ley. Si el producto es defectuoso, póngase en contacto con la sucursal del fabricante de su país (consulte dometic.com/dealer) o con su punto de venta.

Para tramitar la reparación y la garantía, incluya los siguientes documentos cuando envíe el aparato:

- Una copia de la factura con fecha de compra
- El motivo de la reclamación o una descripción de la avería

Tenga en cuenta que una reparación por medios propios o no profesionales puede tener consecuencias de seguridad y suponer la anulación de la garantía.

14 Eliminación

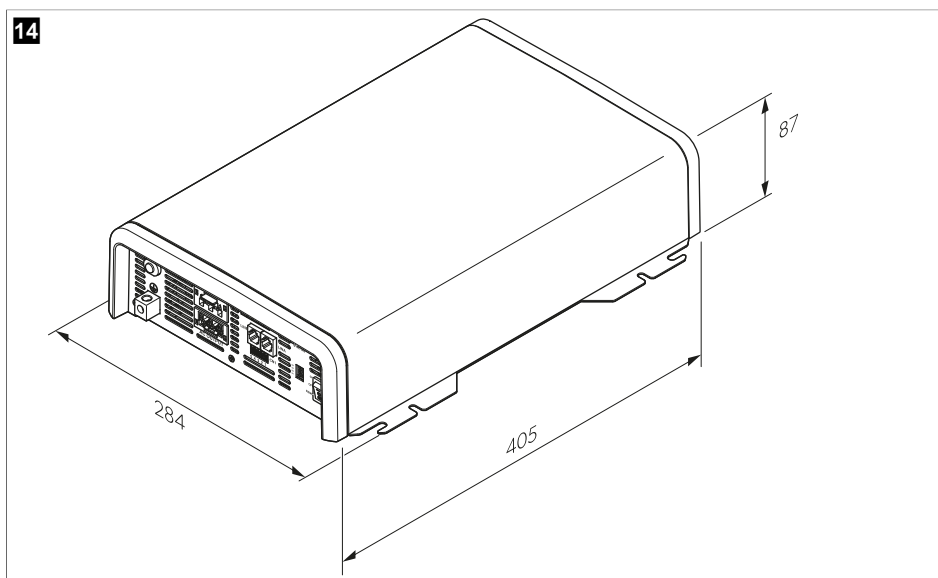


Si es posible, deseche el material de embalaje en el contenedor de reciclaje adecuado.


Consulte con un punto limpio o con un distribuidor especializado para obtener más información sobre cómo eliminar el producto de acuerdo con las normativas aplicables de eliminación.

El producto podrá desecharse gratuitamente.

15 Datos técnicos



	DPSI 1812	DPSI 1824
Tensión de entrada nominal	12 V ^{DC}	24 V ^{DC}
Rango de tensión de entrada	10 ... 16,5 V ^{DC}	20 ... 33 V ^{DC}
Potencia continua de salida P _{nom}	1800 W	1800 W

	DPSI 1812	DPSI 1824
Potencia máxima de salida (10 min)	1800 W	1800 W
Potencia máxima de salida (3 min)	2070 W	2070 W
Potencia máxima de sobretensión (2 s) P_{surge}	3600 W	3600 W
Consumo de corriente en modo inactivo	$\leq 2,5$ A	$\leq 1,3$ A
Consumo de corriente en modo preparado	$\leq 0,2$ A	$\leq 0,1$ A
Dimensiones	 fig. 14 en la página 82	
Peso	5,5 kg	5,5 kg

15.1 Datos técnicos generales

Rango de tensión de salida	230/ 240 V \sim \pm 3 %
Frecuencia de salida	50/60 Hz \pm 0,3 Hz
Forma de onda de salida	Onda sinusoidal pura
Distorsión THD	THD \leq 3 % a P_{nom} (carga resistiva)
Eficiencia máxima	90 %
Temperatura ambiente para el funcionamiento	- 20 ... 60 °C
Temperatura ambiente para el almacenamiento	- 30 °C ... 70 °C
Humedad ambiental	0 ... 95 %, non-condensing
Inspección/certificación	



15.2 Protección contra la subtensión

	Valor de desconexión	Valor de reconexión
DPSI1812	10 V	12 V
DPSI1824	20 V	24 V

15.3 Protección contra la sobretensión

	Valor de desconexión	Valor de reconexión
DPSI1812	16,5 V	15,5 V
DPSI1824	33 V	31 V

Português

1	Notas importantes.....	84
2	Explicação dos símbolos.....	84
3	Indicações de segurança.....	85
4	Material fornecido.....	88
5	Acessórios.....	88
6	Utilização adequada.....	88
7	Descrição técnica.....	89
8	Instalação.....	91
9	Configurar o inversor.....	97
10	Operação.....	100
11	Limpeza e manutenção.....	100
12	Resolução de falhas.....	101
13	Garantia.....	102
14	Eliminação.....	102
15	Dados técnicos.....	102

1 Notas importantes

Leia atentamente as presentes instruções e siga todas as instruções, orientações e avisos incluídos neste manual, de modo a garantir a correta instalação, utilização e manutenção do produto. É OBRIGATÓRIO manter estas instruções junto com o produto.

Ao utilizar o produto, está a confirmar que leu atentamente todas as instruções, orientações e avisos, e que compreende e aceita cumprir os termos e condições estabelecidos no presente manual. Aceita utilizar este produto exclusivamente para o fim e a aplicação a que se destina e de acordo com as instruções, orientações e avisos estabelecidos neste manual, assim como de acordo com todas as leis e regulamentos aplicáveis. Caso não leia nem siga as instruções e os avisos aqui estabelecidos, poderá sofrer ferimentos pessoais ou causar ferimentos a terceiros e o produto ou outros materiais nas proximidades poderão ficar danificados. Este manual do produto, incluindo as instruções, orientações e avisos, bem como a documentação relacionada, podem estar sujeitos a alterações e atualizações. Para consultar as informações atualizadas do produto, visite documents.dometic.com.

2 Explicação dos símbolos

As palavras de advertência identificam mensagens de segurança e mensagens de danos à propriedade, assim como o grau ou nível de seriedade do perigo.



PERIGO!

Indica uma situação perigosa que, se não for evitada, resultará em morte ou ferimentos graves.



AVISO!

Indica uma situação perigosa que, se não for evitada, pode causar a morte ou ferimentos graves.



PRECAUÇÃO!

Indica uma situação perigosa que, se não for evitada, pode causar ferimentos ligeiros ou moderados.



NOTA!

Indica uma situação que, se não for evitada, pode causar danos materiais.



OBSERVAÇÃO Informações complementares para a utilização do produto.

3 Indicações de segurança

Tenha também em atenção as indicações de segurança e as estipulações definidas pelo fabricante do veículo e pelas oficinas autorizadas.

3.1 Princípios básicos de segurança



PERIGO! Risco de eletrocussão

- > Nunca toque em cabos não blindados com as mãos desprotegidas.
- > Para poder desligar rapidamente o aparelho da fonte de alimentação de corrente alternada, a tomada deve encontrar-se nas proximidades do aparelho e ser de fácil acesso.



AVISO! Risco de eletrocussão

- > Apenas técnicos qualificados podem executar a montagem e a remoção do aparelho.
- > Não utilize o aparelho se este ou o cabo de ligação apresentarem danos visíveis.
- > Se o cabo de alimentação deste aparelho estiver danificado, o cabo de alimentação terá de ser substituído de modo a evitar perigos.
- > As reparações neste aparelho apenas podem ser realizadas por técnicos qualificados. Reparções inadequadas podem dar origem a perigos consideráveis.
- > Utilize apenas os acessórios recomendados pelo fabricante.
- > Não altere nem adapte nenhum dos componentes, seja de que modo for.
- > Não desligue nenhum cabo enquanto o aparelho estiver em funcionamento.
- > Desligue o aparelho da fonte de alimentação:
 - Após cada utilização
 - Antes de cada limpeza e manutenção
 - Antes de trocar um fusível



AVISO! Perigo de incêndio/materiais inflamáveis

Em caso de incêndio, utilize um extintor que seja adequado para aparelhos elétricos.



AVISO! Risco de asfixia

O cabo e a unidade de comando do aparelho podem dar origem a riscos de emaranhamento, estrangulamento, queda ou esmagamento com os pés. Garanta que as braçadeiras e os cabos de alimentação em excesso estão arrumados em segurança.



AVISO! Risco para a saúde

- > Este aparelho pode ser utilizado por crianças a partir dos 8 anos e pessoas com capacidades físicas, sensoriais ou mentais reduzidas ou sem experiência e conhecimento se forem supervisionadas ou receberem instruções sobre a utilização do aparelho de forma segura e compreenderem os perigos implicados.
- > **Os aparelhos elétricos não são brinquedos.** Guarde e utilize sempre o aparelho fora do alcance de crianças muito pequenas.
- > As crianças têm de ser supervisionadas, por forma a garantir que não brincam com o aparelho.
- > A limpeza e a manutenção não podem ser efetuadas por crianças sem supervisão.



NOTA! Risco de danos

- > Antes da colocação em funcionamento, verifique se a especificação de tensão na placa de características coincide com a da fonte de alimentação.
- > Certifique-se de que está **excluída** a possibilidade de outros objetos causarem curto-circuitos nos contactos do aparelho.
- > Garanta que os polos negativo e positivo **nunca** entram em contacto um com o outro.
- > Não puxe os cabos de ligação nem utilize os cabos como pega.
- > O aparelho não pode ser exposto à chuva ou humidade. Armazene-a num local seco.

3.2 Instalação segura do aparelho



PERIGO! Perigo de explosão

- > Instale e utilize o aparelho apenas em divisões fechadas e bem ventiladas.
- > **Não** instale nem utilize o aparelho nas seguintes condições:
 - Em ambientes salíferos, húmidos ou molhados
 - Nas proximidades de vapores corrosivos
 - Nas proximidades de materiais inflamáveis
 - Na proximidade de fontes de calor (aquecedores, luz solar direta, fornos a gás, etc.).
 - Em áreas nas quais existe perigo de explosão de gás ou de poeiras



AVISO! Perigo de ferimentos

- > Certifique-se de que o aparelho está posicionado de forma estável. O aparelho tem de ser instalado e fixado de modo a que não possa tombar ou cair.
- > Ao posicionar o aparelho, assegure-se de que todos os cabos estão fixados de modo adequado para evitar risco de tropeçar.



NOTA! Risco de danos

- > Coloque o aparelho num lugar seco e protegido contra salpicos de água.
- > Utilize sempre tomadas elétricas com ligação à terra e protegidas por disjuntores de corrente residual

3.3 Segurança durante a conexão elétrica do aparelho



PERIGO! Risco de eletrocussão

Ao trabalhar em sistemas elétricos, certifique-se de que tem alguém por perto que o possa ajudar em caso de emergência.



AVISO! Risco de eletrocussão

- > Tenha em atenção as secções transversais recomendadas dos cabos.
- > Coloque os cabos de forma que não possam ser danificados pelas portas ou pelo capô. Cabos esmagados podem originar ferimentos graves.



NOTA! Risco de danos

- > Utilize tubos vazios ou condutas de cabos se for necessário passar os cabos por painéis de metal ou por outros painéis com arestas afiadas.
- > **Não** instale o cabo de alimentação de 230 V e o cabo de corrente contínua de 12 V na mesma conduta.
- > **Não** instale os cabos soltos ou muito dobrados.
- > Fixe os cabos de modo seguro.

3.4 Medidas de segurança ao manusear as baterias



AVISO! Perigo de ferimentos

- > As baterias podem conter ácidos agressivos e cáusticos. Evite qualquer tipo de contacto do corpo com o líquido das baterias. Se a sua pele entrar em contacto com o líquido da bateria, lave bem essa zona do corpo com água abundante. Em caso de ferimentos resultantes de ácidos, consulte um médico imediatamente.
- > Não use quaisquer objetos metálicos como relógios ou anéis ao trabalhar nas baterias. Baterias de chumbo-ácido podem gerar curtos-circuitos que podem provocar ferimentos graves.
- > Utilize apenas ferramentas com isolamento.
- > Não coloque quaisquer peças metálicas sobre a bateria e evite a queda de quaisquer peças metálicas sobre a mesma. Isto pode causar faíscas ou curtos-circuitos na bateria ou noutros aparelhos elétricos.
- > Utilize óculos e vestuário de proteção ao trabalhar em baterias. Não toque nos olhos ao trabalhar em baterias.
- > Utilize exclusivamente baterias recarregáveis.
- > Não utilize baterias com defeito.



PRECAUÇÃO! Perigo de explosão

- > Nunca tente carregar uma bateria congelada ou com defeito. Neste caso guarde a bateria num local onde não ocorra congelação e aguarde até a bateria estar adaptada à temperatura ambiente. Inicie então o processo de carregamento.
- > Não fume, não utilize chama aberta nem provoque faíscas nas proximidades do motor ou da bateria.
- > Mantenha a bateria afastada de fontes de calor.



NOTA! Risco de danos

- > Certifique-se de que a polaridade está correta durante a ligação da bateria.
- > Siga as instruções do fabricante da bateria e do fabricante do sistema ou do veículo no qual a bateria é usada.
- > Se a bateria tiver de ser retirada, desligue primeiro a ligação à terra. Desligue todas as ligações e todos os consumidores da bateria antes de a remover.
- > Armazene apenas baterias completamente carregadas. Recarregue regularmente as baterias armazenadas.
- > Não transporte a bateria pelos terminais.

3.5 Utilização segura do aparelho



AVISO! Risco de eletrocussão

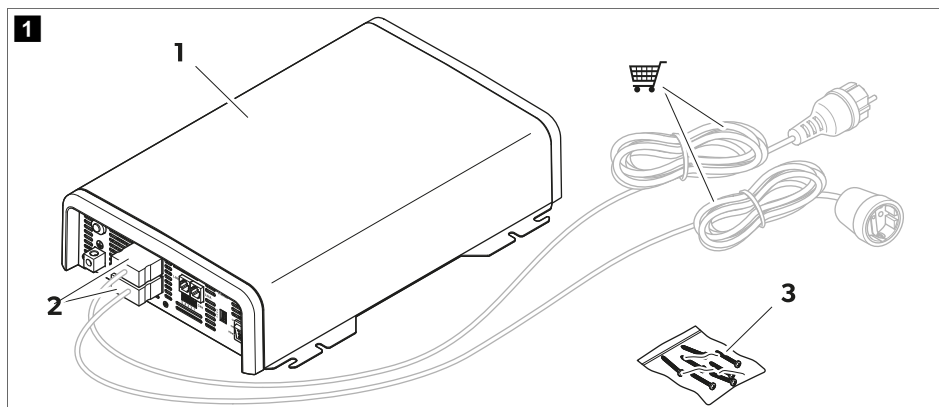
- > Não use o aparelho em condições de humidade nem o submerja em qualquer líquido.
- > Antes de ligar o aparelho, garanta que a linha da fonte de alimentação e a ficha estão secas e que a ficha não apresenta ferrugem ou sujidade.
- > Tenha em atenção que, mesmo que o fusível queime, há peças do aparelho que podem permanecer sob tensão.




NOTA! Risco de danos

- > Certifique-se de que as entradas e saídas de ar do aparelho não estão tapadas.
- > Garanta uma boa ventilação.

4 Material fornecido



N.º na  fig. 1 na página 88	Designação	Quantidade
1	Inversor de onda sinusoidal	1
2	Cabo de ligação do conector WAGO com acoplamento de segurança (para saída de 230 V~)	2
3	Parafusos de fixação	6
-	Manual de montagem e operação	1

5 Acessórios

Designação	N.º art.
Controlo remoto DSP-RCT	9600002564
Monitor de controlo DSP-EM	9600002565
Ecrã tátil TD283	9620013272

6 Utilização adequada

O inversor destina-se a converter corrente contínua numa tensão alternada de onda sinusoidal pura (CA) de 230~ ... 240 V~ para funcionamento e alimentação estável de consumidores ligados.

O inversor destina-se a ligação a:

- DPS11812iTS: 12 V^{DC}
- DPS11824iTS: 24 V^{DC}

O inversor é adequado para:

- Instalação em veículos de recreio (RV), camiões, veículos comerciais ou embarcações a motor e a vela
- Utilização fixa ou móvel
- Utilização em interiores

O inversor **não** é adequado para:

- Utilização exterior

Este produto destina-se exclusivamente à aplicação e aos fins pretendidos com base nestas instruções.

Este manual fornece informações necessárias para proceder a uma instalação e/ou a uma operação adequadas do produto. Uma instalação e/ou uma operação ou manutenção incorretas causarão um desempenho insatisfatório e uma possível avaria.

O fabricante não aceita qualquer responsabilidade por danos ou prejuízos no produto resultantes de:

- Instalação, montagem ou ligação incorretas, incluindo sobretensões
- Manutenção incorreta ou utilização de peças sobressalentes não originais fornecidas pelo fabricante
- Alterações ao produto sem autorização expressa do fabricante
- Utilização para outras finalidades que não as descritas no presente manual

A Dometic reserva-se o direito de alterar o design e as especificações do produto.

7 Descrição técnica

7.1 Descrição geral

O inversor é um inversor de onda sinusoidal pura de DC para AC.

O inversor está equipado com um circuito prioritário. Se estiver disponível uma fonte de alimentação de 230 V~, esta fonte de alimentação externa é utilizada para alimentar as tomadas do veículo de recreio. Se não estiver disponível uma fonte de alimentação de 230 V~, o inversor converte a corrente contínua da bateria em corrente alternada, garantindo assim a alimentação dos consumidores ligados.

O inversor pode ser operado nos seguintes sistemas de rede:

- Rede TN
- Rede IT

Os sistemas de rede são definidos através de um parafuso no inversor.

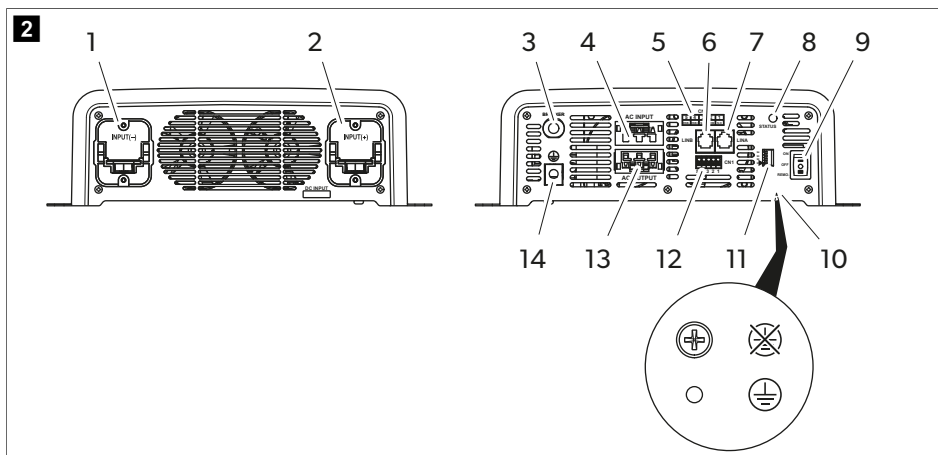
O inversor pode ser colocado no modo de poupança de energia, para reduzir o consumo sem carga e minimizar a carga da bateria.

O inversor possui os seguintes mecanismos de proteção:

- **Proteção contra sobretensão:** o inversor desliga-se quando a tensão excede o valor de desativação. O inversor reinicia automaticamente quando a tensão desce para o valor de reinício.
- **Proteção contra subtensão:** o inversor desliga-se quando a tensão desce abaixo do valor de desativação. O inversor reinicia automaticamente quando a tensão excede o valor de reinício.
- **Proteção contra sobreaquecimento:** o inversor desliga-se quando a temperatura interna do aparelho excede o valor de desativação. O inversor reinicia automaticamente quando a temperatura interna desce para o valor de reinício.
- **Proteção contra corrente de saída elevada:** o inversor desliga-se quando estão ligadas demasiadas cargas.
- **Proteção contra curto-circuito:** o inversor desliga-se quando é gerado um curto-circuito. O inversor reinicia automaticamente após alguns segundos. Se for detetado um curto-circuito cinco vezes consecutivas, o inversor não reinicia automaticamente e é necessário reiniciar manualmente.

O inversor é compatível com N-BUS e CI-BUS para apresentação de dados e funções no ecrã tátil (acessórios) e na aplicação móvel.

7.2 Elementos de comando e ligações



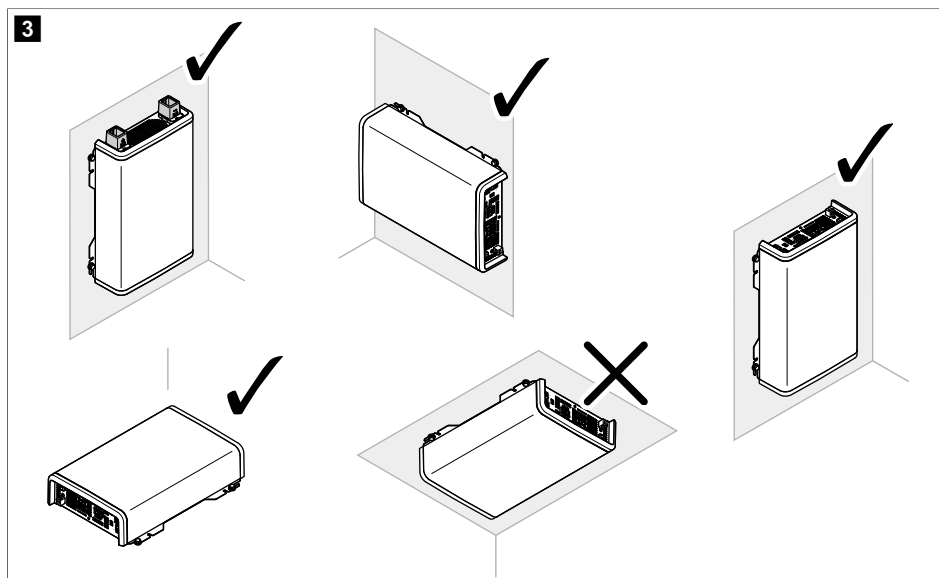
N.º	Designação
1	Terminal (-), ligação ao polo negativo da bateria de bordo
2	Terminal (+), ligação ao polo positivo da bateria de bordo
3	Fusível para a entrada externa
4	Entrada de corrente alternada
5	Terminal CN1
6	Ligação CI-BUS/N-BUS/de controlo remoto (LINB)
7	Ligação CI-BUS/N-BUS/de controlo remoto (LINA)
8	LED de indicação de estado
9	Interruptor de ligar/desligar
10	Parafuso para definição de rede de TI/TN
11	Interruptor DIP
12	Interruptor DIP, ligação para interruptor externo e relé de alarme
13	Saída AC
14	Ligação à terra

7.3 LED de indicação de estado

Estado	Descrição
On	Funcionamento do inversor
Flashing	Erro (ver capítulo Resolução de falhas na página 101)
Off	Nenhuma entrada de CA presente, inversor desativado


8 Instalação

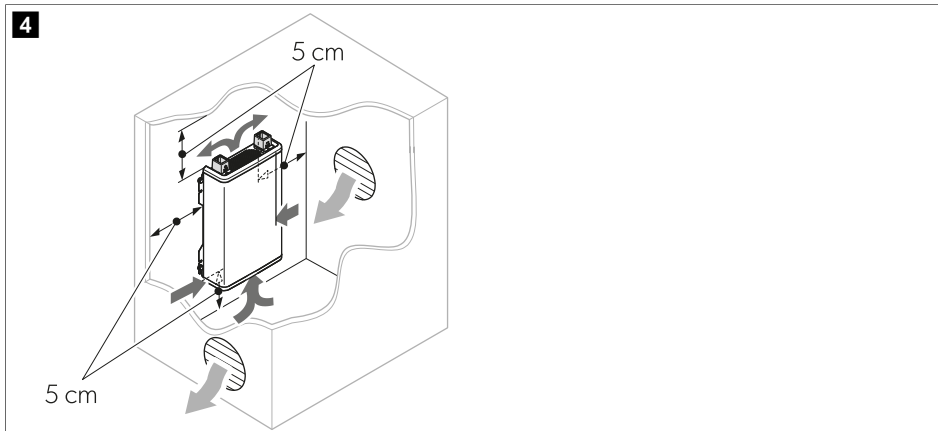
8.1 Local de montagem

**NOTA! Risco de danos**


Antes de efetuar quaisquer perfurações, certifique-se de que não são danificados cabos elétricos ou outras peças do veículo devido a trabalhos de perfuração, corte ou lixamento.

**OBSERVAÇÃO**

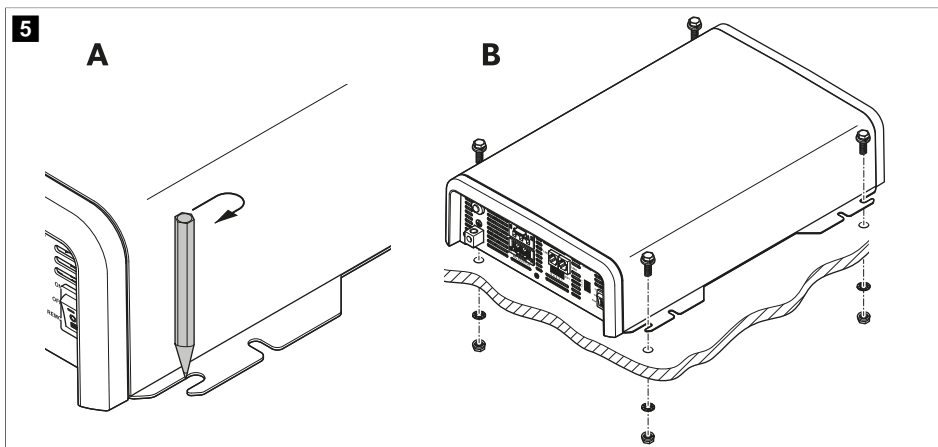
O inversor pode ser montado no chão ou pendurado ( fig. **3** na página 91).





Ao seleccionar o local, cumpra as instruções seguintes:

- Assegure-se de que a superfície de montagem é sólida e plana.
- Respeite as especificações de distância para ventilação suficiente ( fig. 4 na página 92).

8.2 Montar o inversor



1. Selecione os orifícios de montagem adequados, consoante o tipo de montagem selecionado (no chão ou pendurado), e marque os orifícios de perfuração ( fig. 5 na página 92, **A**).
2. Faça previamente os orifícios de montagem.
3. Aparafuse o inversor no devido lugar ( fig. 5 na página 92, **B**).

8.3 Ligar o inversor



A instalação elétrica e a configuração do aparelho têm de ser efetuadas por um electricista qualificado com capacidades e conhecimentos comprovados relacionados com a construção e operação de equipamento e instalações elétricas e que esteja familiarizado com as normas aplicáveis no país em que o equipamento será instalado e/ou utilizado. Além disso, este técnico deve ter concluído formação em segurança para identificar e evitar os perigos envolvidos.

Todas as outras ações também se destinam a utilizadores não profissionais.



AVISO! Risco de eletrocussão

Respeite as secções transversais recomendadas do cabo, assim como os comprimentos recomendados do cabo e do fusível.



PRECAUÇÃO! Perigo de incêndio

Coloque os fusíveis junto das baterias para proteger o cabo contra curto-circuitos e eventuais queimaduras.



NOTA! Risco de danos

- > Não troque a polaridade.
- > Aperte os parafusos e as porcas com um binário máximo de 15 Nm. As ligações soltas podem provocar sobreaquecimento.

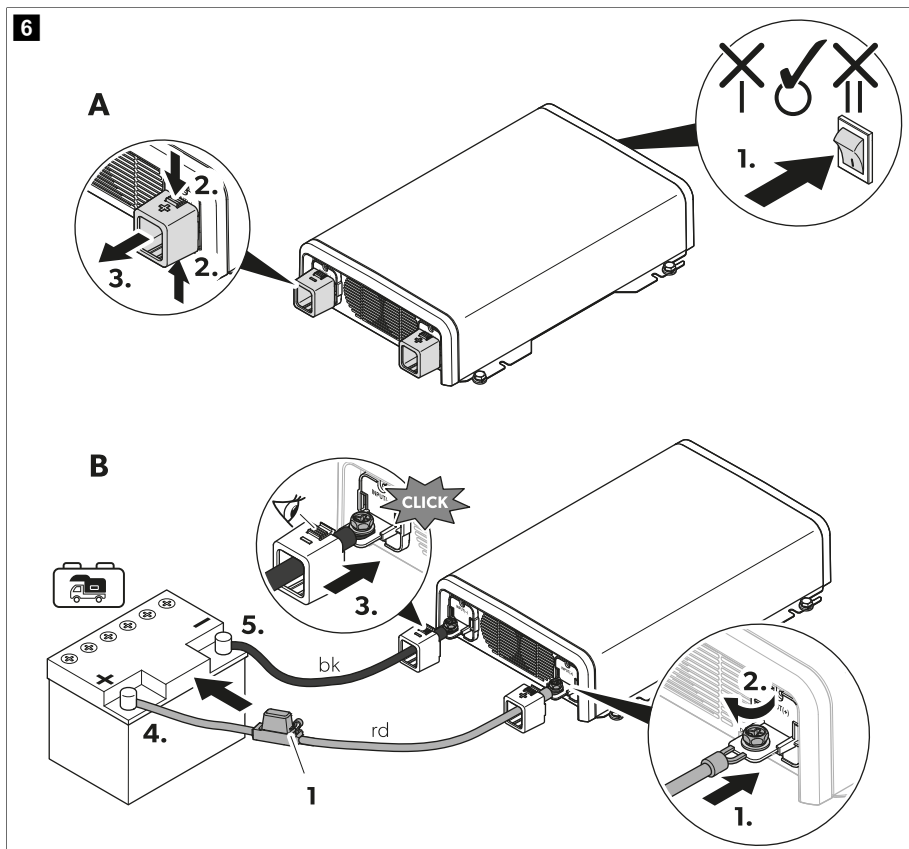
Respeite as seguintes instruções ao ligar o inversor:

- Respeite os regulamentos aplicáveis ao configurar um circuito de distribuição da tomada (instalação elétrica).
- Selecione o comprimento mais curto possível para os cabos CC (ligação aos terminais da bateria) ≤ 1 m).
- Para uma ligação de **rede TN**: instale um dispositivo de corrente residual (RCD).
- Para uma ligação de **rede IT**: instale um dispositivo de monitorização do isolamento (IMD) se estiver ligada mais do que uma carga. **Aplicam-se as normas nacionais.**


1. Determine as secções transversais do cabo e dos fusíveis:

	Secção transversal do cabo	Fusível
DPSI1812iTS	50 mm ²	250 A
DPSI1824iTS	25 mm ²	150 A


2. Verifique se o dispositivo está desligado ( fig. **6** na página 94, **A: 1**).





3. Separe as tampas dos terminais ( fig. 6 na página 94, **A: 2-3**).

4.  **NOTA! Risco de danos**
Para evitar um curto-circuito, ligue sempre primeiro o cabo preto (terminal negativo).


Ligue o cabo de ligação preto (bk) ao terminal (-).

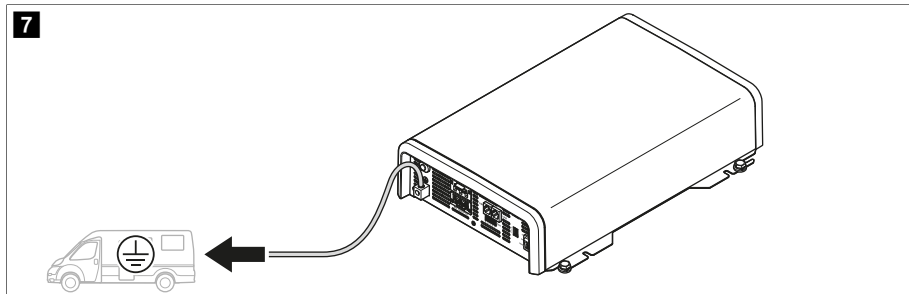
5. Ligue o cabo de ligação vermelho (rd) ao terminal (+) ( fig. 6 na página 94, **B: 1-2**).

6. Ligue (+) ao terminal positivo da bateria de bordo ( fig. 6 na página 94, **B: 4**).

 **OBSERVAÇÃO** proteja o cabo positivo da bateria de bordo com um fusível ( fig. 6 na página 94, **1**).

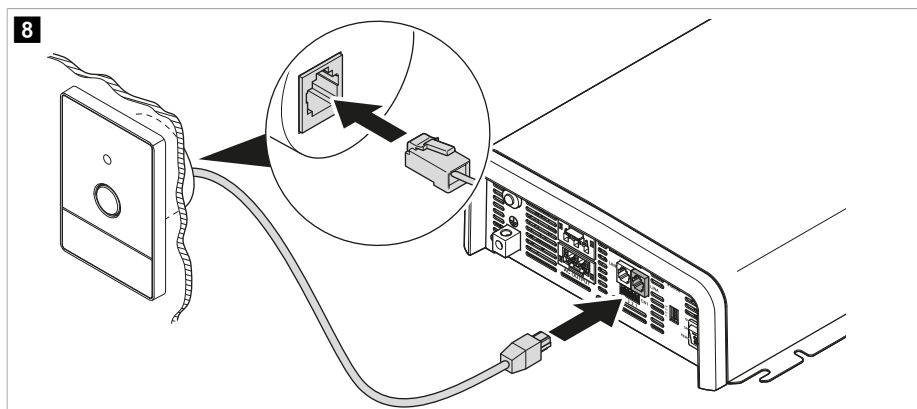
7. Ligue (-) ao terminal negativo da bateria de bordo ( fig. 6 na página 94, **B: 5**).

8. Ligue a ligação de terra à terra (chassis) ( fig. 7 na página 95).



8.4 Conectar o controlo remoto

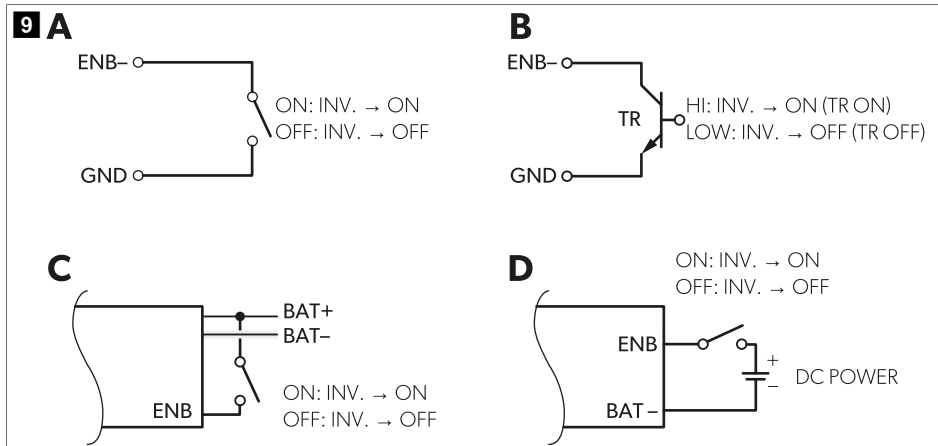
- > Ligue o controlo remoto à ligação para controlo remoto (LINA ou LINB).



8.5 Ligar um interruptor externo



OBSERVAÇÃO Se estiver ligado um interruptor externo, o estado do modo de poupança de energia não pode ser alterado.



OBSERVAÇÃO

- > Certifique-se de que a ligação para controlo remoto não está ocupada.
- > Seleccione um dos seguintes interruptores externos adequados:
 - fig. 9 na página 96, **A**: interruptor externo com alimentação a partir do inversor
 - fig. 9 na página 96, **B**: unidade de controlo com circuito de relé ou transístor (TR)
 - fig. 9 na página 96, **C**: interruptor externo com alimentação a partir da bateria (BAT) do veículo
 - fig. 9 na página 96, **D**: interruptor externo com alimentação própria (DC POWER), p. ex. da ignição



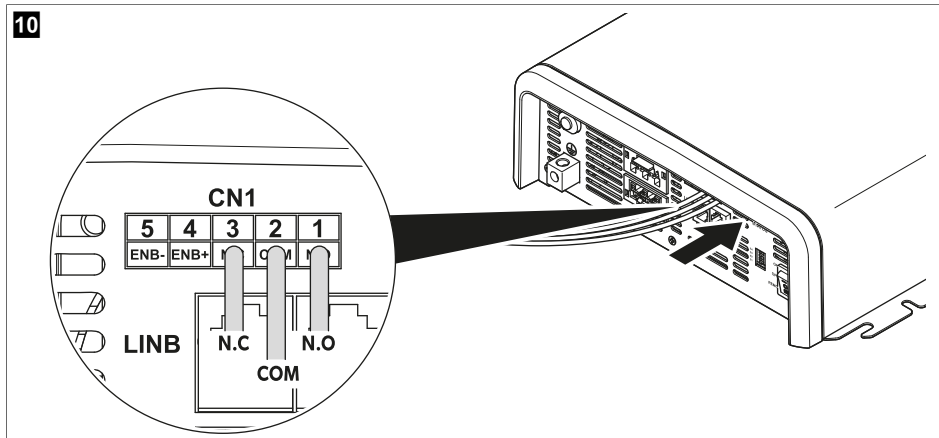
OBSERVAÇÃO Certifique-se de que a ligação para controlo remoto não está ocupada.

1. Coloque o interruptor de ligar/desligar na posição **OFF**.
2. Coloque o interruptor de ligar/desligar na posição **REMO**.
3. Ligue o interruptor externo ao terminal CN1.

8.6 Ligar um relé de alarme

O relé de alarme é ativado assim que a fonte de alimentação CA estiver disponível e o interruptor de transferência de CA estiver fechado. O relé de alarme pode ser utilizado para:

- Gerar um sinal de deteção da fonte de alimentação CA no painel de controlo do veículo.
- Ligar e desligar cargas menos importantes (por exemplo, frigorífico de absorção, sistemas de aquecimento elétrico) que só devem ser utilizadas em ligação com a fonte de alimentação CA.



- > Ligue um relé de alarme ao terminal CN1 ( fig. 10 na página 97).

9 Configurar o inversor



A instalação elétrica e a configuração do aparelho têm de ser efetuadas por um electricista qualificado com capacidades e conhecimentos comprovados relacionados com a construção e operação de equipamento e instalações elétricas e que esteja familiarizado com as normas aplicáveis no país em que o equipamento será instalado e/ou utilizado. Além disso, este técnico deve ter concluído formação em segurança para identificar e evitar os perigos envolvidos.

Todas as outras ações também se destinam a utilizadores não profissionais.



PERIGO! Risco de eletrocussão

- > Remova a tampa de proteção do interruptor DIP apenas para configuração.
- > Volte a colocar a tampa de proteção para evitar o ajuste acidental do interruptor DIP.
- > Para configuração da **rede TN**: certifique-se de que está instalado um dispositivo de corrente residual (RCD).
- > Para configuração da **rede IT**: utilize apenas uma carga ou instale um dispositivo de monitorização do isolamento (IMD). Cumpra as normas nacionais aplicáveis.



OBSERVAÇÃO



Utilize uma pequena chave de parafusos para deslocar, com cuidado, os interruptores DIP para a posição exigida.

As definições no inversor podem ser efetuadas através dos interruptores DIP ou através da ligação de um controlo remoto compatível com CI-BUS.

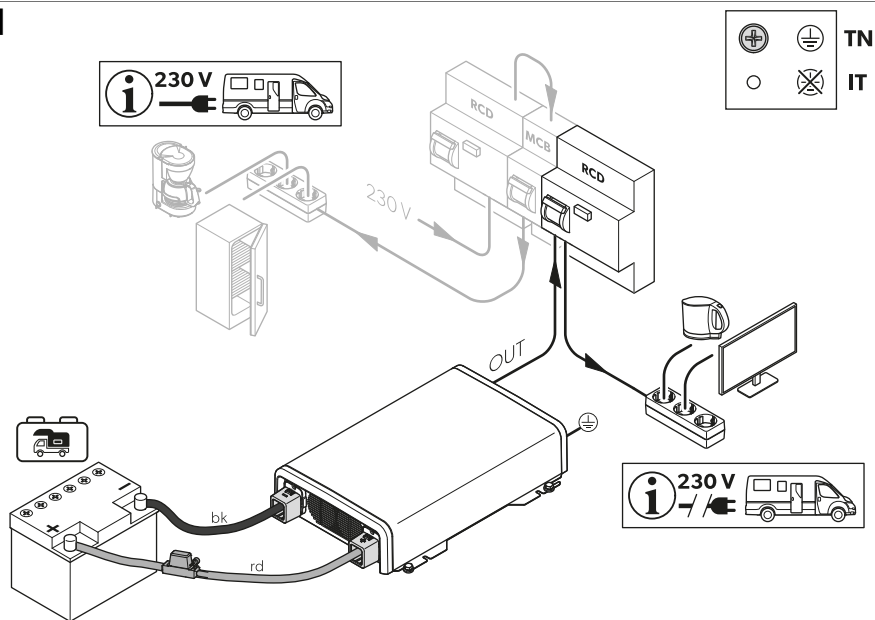
O dispositivo utiliza inicialmente a configuração de fábrica. Se necessário, mova os interruptores DIP para ajustar a configuração.

- > Deslize o interruptor DIP **S1** para **On** para a definição **local** através de interruptores DIP.
- > Deslize o interruptor DIP **S1** para **Off** para a definição **externa** através de controlo remoto.

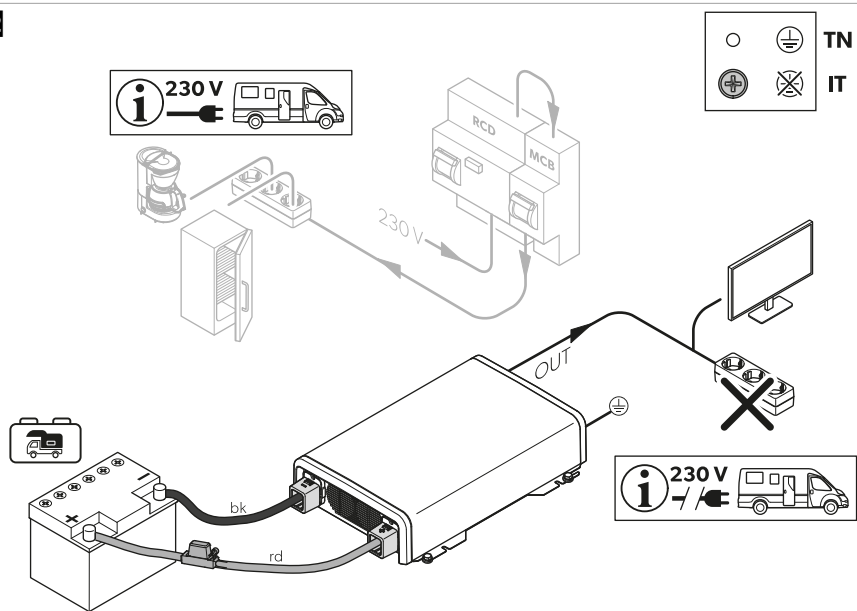
9.1 Definições do interruptor DIP

	Configuração	Posição do interruptor DIP				
		S1	S2	S3	S4	S5
Settings	Definição local através do interruptor DIP	On	-	-	-	-
	Definição externa através de controlo remoto	Apa- gado	-	-	-	-
Tensão de alimentação	240 V/60 Hz	-	On	-	-	-
	230 V/50 Hz	-	Apa- gado	-	-	-
Modo de poupança de energia	Energy-saving mode is activated when the load is ≤ 45 W	-	-	On	On	-
	Inverter switches to normal operation when the load is ≥ 45 W					
	O modo de poupança de energia é ativado quando a carga é ≤ 45 W	-	-	On	Apa- gado	-
	O inversor muda para o funcionamento normal quando a carga é ≥ 45 W					
	O inversor desliga-se automaticamente após 20 minutos de funcionamento no modo de poupança de energia					
	O modo de poupança de energia é ativado quando a carga é ≤ 1 W	-	-	Apa- gado	Apa- gado	-
O inversor muda para o funcionamento normal quando a carga é ≥ 1 W						
Sistema de rede	Rede IT ( fig. 12 na página 99)	-	-	-	-	On
	Rede TN ( fig. 11 na página 99)	-	-	-	-	Apa- gado

11

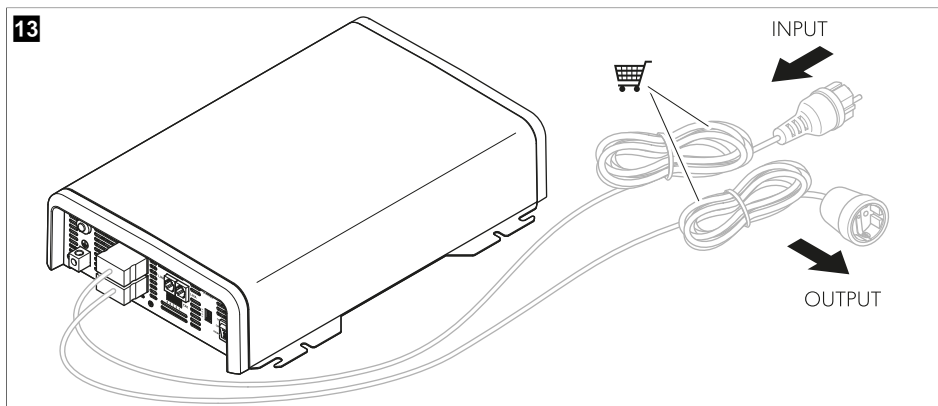


12




10 Operação

10.1 Operar aparelhos de 230 V



OBSERVAÇÃO

Ligue apenas dispositivos cuja carga total não exceda os valores indicados em Dados técnicos na página 102.

- > Ligue aparelhos de 230 V conforme ilustrado ( fig. 13 na página 100).

10.2 Ligar e desligar o inversor



OBSERVAÇÃO

- Se o inversor for controlado através do controlo remoto, o interruptor de ligar/desligar tem de ser colocado na posição **II**.
- Se o inversor for controlado através do interruptor externo, o interruptor de ligar/desligar tem de ser colocado na posição **0**.

- > Para ligar o inversor, coloque o interruptor de ligar/desligar na posição **I**.
- > Para desligar o inversor, coloque o interruptor de ligar/desligar na posição **0**.
- > Utilize o controlo remoto ou o interruptor externo para ligar ou desligar o inversor.

11 Limpeza e manutenção



AVISO! Risco de eletrocussão

Desligue o aparelho da fonte de alimentação antes de efetuar quaisquer trabalhos de limpeza e manutenção.



NOTA! Risco de danos

- > Nunca limpe o aparelho sob água corrente nem em água de lavagem suja.
- > Ao limpar, não utilize objetos afiados ou duros, nem produtos de limpeza abrasivos ou lixívia, uma vez que estes podem danificar o aparelho.

- > Certifique-se de que as aberturas de entrada e saída de ar do aparelho estão livres de pó e sujidade para que, durante o funcionamento, o calor possa ser libertado.

- > Limpe o aparelho ocasionalmente com um pano macio e húmido.
- > Verifique regularmente os cabos ou linhas sob tensão quanto a danos no isolamento, ruturas ou ligações soltas.

12 Resolução de falhas

Falha	Possível causa	Sugestão de solução
O inversor não funciona. O LED de indicação de estado está apagado.	Gerou-se um curto-circuito.	> Depois de ter sido acionado por uma corrente excessiva, o fusível do aparelho tem de ser substituído por um agente de assistência técnica autorizado.
	Danos no isolamento, ruturas ou ligações soltas nos cabos sob tensão.	> Verifique os cabos sob tensão quanto a danos no isolamento, ruturas ou ligações soltas. Se não encontrar erros, contacte um agente de assistência técnica autorizado.
O inversor não funciona. O LED de indicação de estado pisca lentamente.	Proteção contra corrente de entrada elevada.	Reduza as cargas ligadas.
	Proteção contra sobreaquecimento.	1. Desligue o inversor e as cargas ligadas. 2. Verifique se as entradas e saídas de ar não estão cobertas ou obstruídas. 3. Deixe o inversor arrefecer.
	Gerou-se um curto-circuito.	Depois de ter sido acionado por uma corrente excessiva, o fusível do aparelho tem de ser substituído por um agente de assistência técnica autorizado.
O inversor não funciona. O LED de indicação de estado pisca rapidamente.	Desativação por sobretensão. Tensão da bateria demasiado elevada.	> Reduza a carga ligada. O inversor reinicia automaticamente quando a tensão desce para o valor de reinício (consulte o capítulo Desativação por sobretensão na página 103). > Se o erro persistir: aumente as secções transversais do cabo. Reduza o comprimento do cabo.
	Desativação por subtensão. Tensão da bateria demasiado baixa.	> Deixe a bateria recarregar lentamente. O inversor reinicia automaticamente quando a tensão excede o valor de reinício (consulte o capítulo Desativação por subtensão na página 103).

13 Garantia

Aplica-se o prazo de garantia legal. Se o produto apresentar defeitos, contacte a filial do fabricante no seu país (consulte dometic.com/dealer) ou o seu revendedor.

Para fins de reparação ou de garantia, terá de enviar também os seguintes documentos:

- Uma cópia da fatura com a data de aquisição
- Um motivo de reclamação ou uma descrição da falha

Tenha em atenção que as reparações feitas por si ou por não profissionais podem ter consequências sobre a segurança e anular a garantia.

14 Eliminação

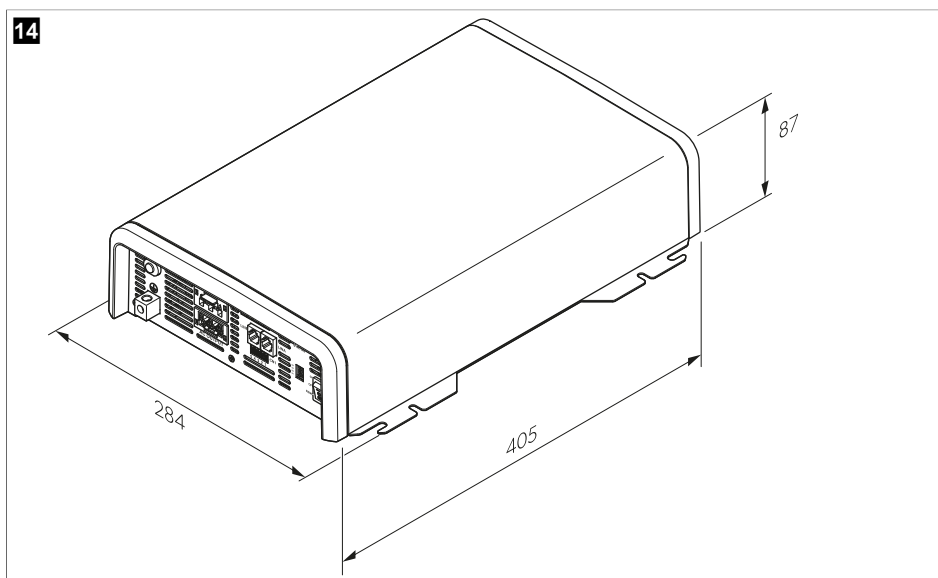


Sempre que possível, coloque o material de embalagem no respetivo contentor de reciclagem.


Informe-se junto do centro de reciclagem ou revendedor mais próximo sobre como eliminar este produto de acordo com as disposições de eliminação aplicáveis.

O produto pode ser eliminado gratuitamente.

15 Dados técnicos



	DPSI 1812	DPSI 1824
Tensão de entrada nominal	12 V _{DC}	24 V _{DC}
Gama de tensão de entrada	10 ... 16,5 V _{DC}	20 ... 33 V _{DC}
Potência de saída contínua P _{nom}	1800 W	1800 W

	DPSI 1812	DPSI 1824
Potência de saída máxima (10 min)	1800 W	1800 W
Potência de saída máxima (3 min)	2070 W	2070 W
Potência de pico máxima (2 s) P_{pico}	3600 W	3600 W
Consumo de corrente no modo inativo	$\leq 2,5$ A	$\leq 1,3$ A
Consumo de corrente no modo de espera	$\leq 0,2$ A	$\leq 0,1$ A
Dimensões	 fig. 14 na página 102	
Peso	5,5 kg	5,5 kg

15.1 Dados técnicos gerais

Intervalo de tensão de saída	230/ 240 V \sim \pm 3 %
Frequência de saída	50/60 Hz \pm 0,3 Hz
Forma de onda de saída	Onda sinusoidal pura
Distorção THD	THD \leq 3 % em P_{nom} (carga resistiva)
Eficiência máxima	90 %
Temperatura ambiente do funcionamento	- 20 ... 60 °C
Temperatura ambiente de armazenamento	- 30 °C ... 70 °C
Humidade do ar ambiente	0 ... 95 %, non-condensing
Inspeção/certificação	



15.2 Desativação por subtensão

	Valor de desativação	Valor de reinício
DPSI1812	10 V	12 V
DPSI1824	20 V	24 V

15.3 Desativação por sobretensão

	Valor de desativação	Valor de reinício
DPSI1812	16,5 V	15,5 V
DPSI1824	33 V	31 V

Italiano

1	Note importanti.....	104
2	Spiegazione dei simboli.....	104
3	Istruzioni per la sicurezza.....	105
4	Dotazione.....	108
5	Accessori.....	108
6	Destinazione d'uso.....	108
7	Descrizione delle caratteristiche tecniche.....	109
8	Installazione.....	111
9	Configurazione dell'inverter.....	117
10	Funzionamento.....	120
11	Pulizia e manutenzione.....	120
12	Risoluzione dei problemi.....	121
13	Garanzia.....	122
14	Smaltimento.....	122
15	Specifiche tecniche.....	122

1 Note importanti

Si prega di leggere attentamente e di seguire tutte le istruzioni, le linee guida e le avvertenze incluse in questo manuale del prodotto, al fine di garantire che il prodotto venga sempre installato, utilizzato e mantenuto nel modo corretto. Queste istruzioni DEVONO essere conservate insieme al prodotto.

Utilizzando il prodotto, l'utente conferma di aver letto attentamente tutte le istruzioni, le linee guida e le avvertenze e di aver compreso e accettato di rispettare i termini e le condizioni qui espressamente indicati. L'utente accetta di utilizzare questo prodotto solo per lo scopo e l'applicazione previsti e in conformità alle istruzioni, le linee guida e le avvertenze indicate nel presente manuale del prodotto, nonché in conformità alle leggi e i regolamenti applicabili. La mancata lettura e osservanza delle istruzioni e delle avvertenze qui espressamente indicate può causare lesioni personali e a terzi, danni al prodotto o ad altre proprietà nelle vicinanze. Il presente manuale del prodotto, comprese le istruzioni, le linee guida e le avvertenze e la relativa documentazione possono essere soggetti a modifiche e aggiornamenti. Per informazioni aggiornate sul prodotto, visitare documents.dometic.com.

2 Spiegazione dei simboli

Il termine presente nella segnalazione identifica i messaggi di sicurezza e quelli relativi al danneggiamento della proprietà, oltre a indicare il grado o livello di gravità del rischio.



PERICOLO!

indica una situazione di pericolo che, se non evitata, provoca lesioni gravi o mortali.



AVVERTENZA!

indica una situazione di pericolo che, se non evitata, potrebbe provocare lesioni gravi o mortali.



ATTENZIONE!

indica una situazione di pericolo che, se non evitata, potrebbe provocare lesioni di entità lieve o moderata.



AVVISO!

Indica una situazione di pericolo che, se non evitata, può provocare danni alle cose.



NOTA Informazioni supplementari relative all'esercizio del prodotto.

3 Istruzioni per la sicurezza

Osservare anche le indicazioni di sicurezza e le condizioni previste dal fabbricante del veicolo e dalle officine autorizzate.

3.1 Sicurezza generale



PERICOLO! Pericolo di scosse elettriche

- > Non toccare mai i cavi esposti a mani nude.
- > Per essere in grado di staccare velocemente il dispositivo dall'alimentazione in corrente alternata, è necessario che la presa si trovi nelle vicinanze del dispositivo e che sia facilmente accessibile.



AVVERTENZA! Pericolo di scosse elettriche

- > L'installazione e la rimozione dell'apparecchio possono essere eseguite soltanto da personale qualificato.
- > Se il cavo di collegamento o l'apparecchio presentano danni visibili, non mettere in funzione l'apparecchio.
- > Se il cavo di alimentazione dell'apparecchio è danneggiato, è necessario sostituirlo per prevenire rischi per la sicurezza.
- > Questo apparecchio può essere riparato solo da personale qualificato. Riparazioni eseguite non correttamente possono creare considerevoli rischi.
- > Utilizzare esclusivamente gli accessori consigliati dal produttore.
- > Non modificare o adattare alcun componente in alcun modo.
- > Non staccare nessun cavo se il dispositivo è ancora in funzione.
- > Scollegare l'apparecchio dall'alimentazione:
 - dopo ogni utilizzo
 - prima di effettuare operazioni di pulizia e manutenzione
 - prima di sostituire un fusibile



AVVERTENZA! Pericolo di incendio/materiali infiammabili

In caso di incendio usare un estintore per apparecchi elettrici.



AVVERTENZA! Rischio di asfissia

Se non sono disposti correttamente, il cavo e l'unità di comando dell'apparecchio possono provocare il rischio di impigliamento, strangolamento, inciampo o calpestamento. Accertarsi che le fascette e i cavi di alimentazione siano posati in modo sicuro.



AVVERTENZA! Pericolo per la salute

- > Questo apparecchio può essere utilizzato da bambini di età superiore a 8 anni, da persone con ridotte capacità fisiche, sensoriali o mentali o da persone inesperte o prive di conoscenze specifiche solo se sorvegliate o preventivamente istruite sull'impiego dell'apparecchio in sicurezza e se informate dei pericoli legati al prodotto stesso.
- > **I dispositivi elettrici non sono giocattoli.** Conservare e utilizzare l'apparecchio lontano dalla portata dei bambini molto piccoli.
- > Controllare che i bambini non giochino con questo apparecchio.

- > La pulizia e la manutenzione non devono essere eseguite da bambini senza la presenza di un adulto.



AVVISO! Rischio di danni

- > Prima della messa in funzione, confrontare i dati della tensione riportati sulla targhetta con quelli dell'alimentazione.
- > Assicurarsi che altri oggetti **non possano** causare un cortocircuito sui contatti dell'apparecchio.
- > Assicurarsi che i poli negativi e positivi non entrino **mai** in contatto.
- > Non tirare i cavi di collegamento né utilizzare i cavi come maniglie.
- > Non esporre l'apparecchio alla pioggia o all'umidità. Conservare in un luogo asciutto.

3.2 Installazione del dispositivo in sicurezza



PERICOLO! Pericolo di esplosione

- > Installare e utilizzare l'apparecchio esclusivamente in ambienti chiusi ben aerati.
- > **Non** installare o utilizzare l'apparecchio nelle condizioni seguenti:
 - in ambienti salini, umidi o bagnati
 - in prossimità di vapori aggressivi
 - in prossimità di materiali infiammabili
 - in prossimità di fonti di calore (riscaldamento, luce solare diretta, forni a gas ecc.)
 - In aree a rischio di esplosione di gas o polvere



AVVERTENZA! Rischio di lesioni

- > Accertarsi che la base di appoggio sia sicura! Posizionare e fissare l'apparecchio in modo sicuro per impedire che possa rovesciarsi o cadere.
- > Quando si posiziona l'apparecchio, assicurarsi che tutti i cavi siano adeguatamente fissati per evitare qualsiasi forma di rischio di inciampo.



AVVISO! Rischio di danni

- > Posizionare l'apparecchio in un luogo asciutto e protetto da eventuali spruzzi d'acqua.
- > Utilizzare sempre prese collegate a terra e protette da un interruttore differenziale di protezione

3.3 Sicurezza durante il collegamento elettrico dell'apparecchio



PERICOLO! Pericolo di scosse elettriche

Quando si eseguono lavori agli impianti elettrici, assicurarsi che nelle vicinanze si trovi qualcuno in grado di intervenire in caso di necessità.



AVVERTENZA! Pericolo di scosse elettriche

- > Rispettare le sezioni dei cavi consigliate.
- > Posare i cavi in modo che non possano essere danneggiati da porte o cofani. Cavi schiacciati possono causare lesioni gravi.



AVVISO! Rischio di danni

- > Utilizzare tubi vuoti o canaline per cavi qualora i cavi debbano passare attraverso pannelli in lamiera oppure pannelli con spigoli vivi.
- > **Non** posare il cavo dell'alimentazione 230 V e il cavo CC da 12 V nello stesso condotto.
- > **Non** posare il cavo lasciandolo penzolare o creando strozzature.
- > Fissare i cavi in modo saldo.

3.4 Precauzioni per la sicurezza durante la manipolazione delle batterie



AVVERTENZA! Rischio di lesioni

- > Le batterie contengono acidi aggressivi e corrosivi. Evitare che il liquido delle batterie venga a contatto con la pelle. In caso di contatto della pelle con il liquido della batteria, lavare accuratamente la parte del corpo interessata con acqua. Qualora si verificano ferite dovute all'acido, consultare immediatamente un medico.
- > Quando si opera sulle batterie non indossare oggetti metallici come orologi o anelli. Le batterie al piombo acido possono creare correnti di cortocircuito che possono causare gravi ustioni.
- > Utilizzare esclusivamente attrezzi isolati.
- > Non collocare parti metalliche sulla batteria ed evitare che le parti metalliche cadano sulla batteria. Ciò potrebbe causare la formazione di scintille o mandare in cortocircuito la batteria e altri apparecchi elettrici.
- > Indossare occhiali e abbigliamento di protezione quando si opera sulle batterie. Quando si opera sulle batterie, evitare di toccarsi gli occhi.
- > Utilizzare esclusivamente batterie ricaricabili.
- > Non utilizzare batterie difettose.



ATTENZIONE! Pericolo di esplosione

- > Non tentare mai di caricare una batteria congelata o difettosa. Collocare la batteria in un'area non soggetta a congelamento e attendere che la batteria si sia acclimatata alla temperatura ambiente. Avviare quindi la fase di carica.
- > Non fumare, utilizzare fiamme libere o scintille in prossimità del motore o della batteria.
- > Tenere la batteria lontano da fonti di calore.



AVVISO! Rischio di danni

- > Assicurarsi che la polarità sia corretta prima di collegare la batteria.
- > Attenersi alle indicazioni fornite dal produttore della batteria e dal produttore dell'impianto o del veicolo in cui la batteria viene utilizzata.
- > Se è necessario rimuovere la batteria, scollegare prima il collegamento a massa. Prima di smontarla, staccare tutti i relativi collegamenti e tutte le utenze dalla batteria.
- > Immagazzinare le batterie solo completamente cariche. Ricaricare regolarmente le batterie immagazzinate.
- > Non trasportare la batteria tenendola per i poli.

3.5 Sicurezza durante l'utilizzo del dispositivo



AVVERTENZA! Pericolo di scosse elettriche

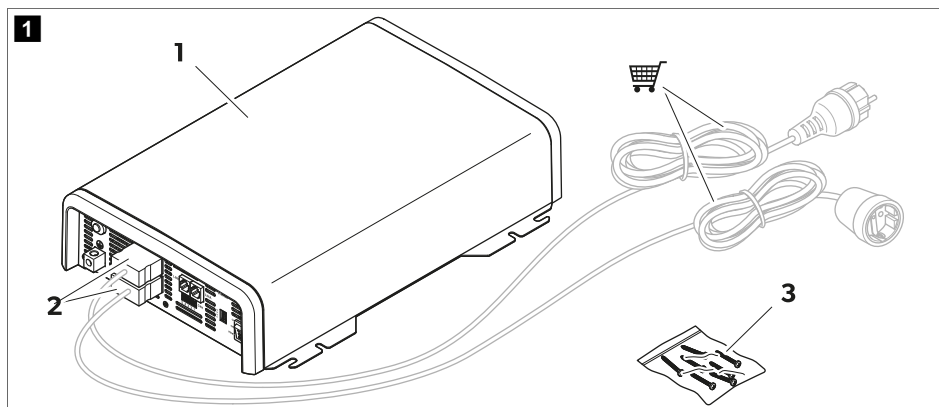
- > Non utilizzare il dispositivo in ambienti bagnati né immergerlo in sostanze liquide.
- > Prima di avviare il dispositivo, assicurarsi che il cavo di alimentazione e la spina siano asciutti e che la spina sia priva di ruggine o corpi estranei.
- > Tenere presente che, anche se il fusibile è bruciato, alcuni componenti del dispositivo possono rimanere sotto tensione.



AVVISO! Rischio di danni

- > Assicurarsi che gli ingressi e le uscite dell'aria del dispositivo non siano coperte.
- > Garantire una buona ventilazione.

4 Dotazione



N. nella fig. 1 alla pagina 108	Denominazione	Quantità
1	Inverter a onda sinusoidale	1
2	Connettore WAGO per cavo di collegamento con accoppiamento di sicurezza (per uscita a 230 V~)	2
3	Viti di fissaggio	6
-	Istruzioni di montaggio e d'uso	1

5 Accessori

Denominazione	N. art.
Telecomando DSP-RCT	9600002564
Monitor di controllo DSP-EM	9600002565
Display touch TD283	9620013272

6 Destinazione d'uso

L'inverter è progettato per convertire la corrente continua in una tensione alternata (CA) sinusoidale pura di 230~ ... 240 V~ per il funzionamento e l'alimentazione stabile delle utenze collegate.

L'inverter è progettato per il collegamento a:

- DPSI1812iTS: 12 V $\overline{=}$
- DPSI1824iTS: 24 V $\overline{=}$

L'inverter è adatto per:

- installazione su veicoli ricreazionali (RV), autocarri, veicoli commerciali o motori e yacht a vela
- uso fisso o mobile
- uso interno

L'inverter **non** è adatto per:

- uso all'aperto

Questo prodotto è adatto solo per l'uso e l'applicazione previsti in conformità alle presenti istruzioni.

Il presente manuale fornisce le informazioni necessarie per la corretta installazione e/o il funzionamento del prodotto. Un'installazione errata e/o un utilizzo o una manutenzione impropri comporteranno prestazioni insoddisfacenti e un possibile guasto.

Il produttore non si assume alcuna responsabilità per eventuali lesioni o danni al prodotto che derivino da:

- installazione, montaggio o collegamento errati, compresa la sovratensione
- manutenzione non corretta o uso di ricambi diversi da quelli originali forniti dal produttore
- modifiche al prodotto senza esplicita autorizzazione del produttore
- impiego per scopi diversi da quelli descritti nel presente manuale.

Dometic si riserva il diritto di modificare l'aspetto e le specifiche del prodotto.

7 Descrizione delle caratteristiche tecniche

7.1 Descrizione generale

L'inverter è un inverter a onda sinusoidale pura da CC a CA.

L'inverter è dotato di un circuito prioritario. Se è disponibile un'alimentazione di rete a 230 V~, questa fonte di alimentazione esterna viene utilizzata per alimentare le prese del veicolo ricreazionale. Se non è disponibile un'alimentazione di rete a 230 V~, l'inverter converte la corrente continua della batteria in corrente alternata, garantendo così l'alimentazione alle utenze collegate.

L'inverter può essere azionato nei seguenti sistemi di rete:

- Rete TN
- Rete IT

I sistemi di rete vengono impostati tramite una vite sull'inverter.

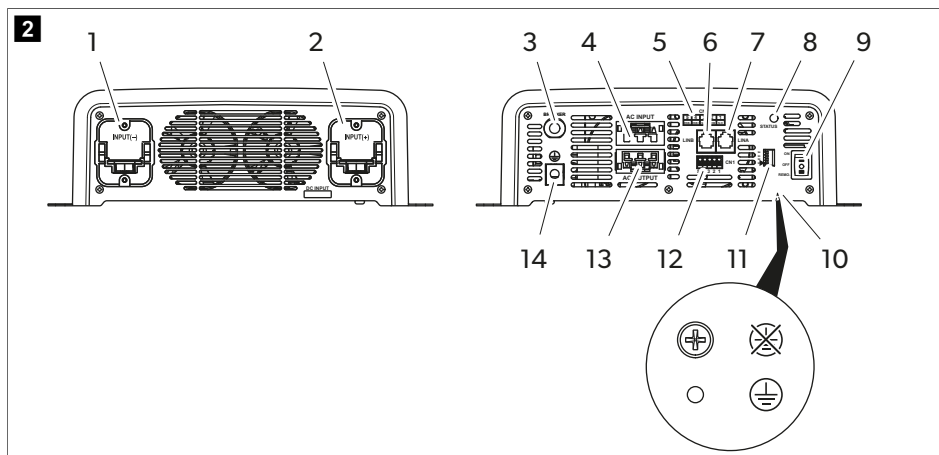
L'inverter può essere commutato nella modalità a basso consumo energetico per ridurre il consumo a vuoto e il carico sulla batteria.

L'inverter è dotato dei seguenti meccanismi di protezione:

- **Protezione da sovratensione:** l'inverter si spegne quando la tensione supera il valore di disinserimento. L'inverter si riavvia automaticamente quando la tensione scende al valore di riavvio.
- **Protezione da sottotensione:** l'inverter si spegne quando la tensione scende sotto il valore di disinserimento. L'inverter si riavvia automaticamente quando la tensione supera il valore di riavvio.
- **Protezione da sovratemperatura:** l'inverter si spegne quando la temperatura all'interno dell'apparecchio supera il valore di disinserimento. L'inverter si riavvia automaticamente quando la temperatura interna scende al valore di riavvio.
- **Protezione contro una corrente in uscita elevata:** l'inverter si spegne quando sono collegati troppi carichi.
- **Protezione contro i cortocircuiti:** l'inverter si spegne quando si genera un cortocircuito. L'inverter si riavvia automaticamente dopo alcuni secondi. Se viene rilevato un cortocircuito per cinque volte consecutive, l'inverter non si riavvia automaticamente ed è necessario un riavvio manuale.

L'inverter è compatibile con N-BUS e CI-BUS per la visualizzazione di dati e funzioni sul display touch (accessori) e sull'app mobile.

7.2 Elementi di comando e collegamenti



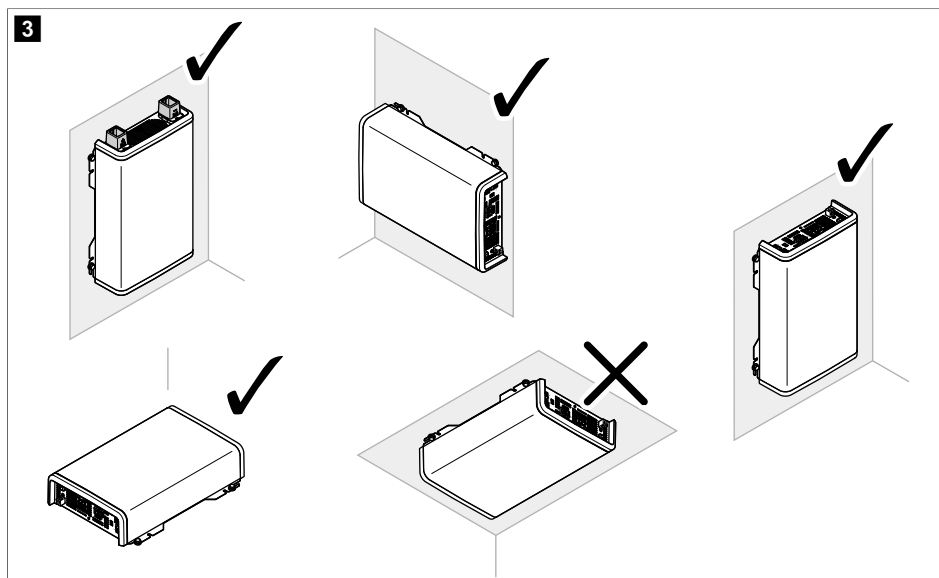
Pos.	Denominazione
1	Morsetto (-), collegamento al polo negativo della batteria di bordo
2	Morsetto (+), collegamento al polo positivo della batteria di bordo
3	Fusibile per l'ingresso esterno
4	Ingresso CA
5	Morsetto CN1
6	Collegamento CI BUS/N Bus/telecomando (LINB)
7	Collegamento CI BUS/N Bus/telecomando (LINA)
8	LED di indicazione di stato
9	Interruttore On/Off
10	Vite per l'impostazione della rete IT/TN
11	Interruttore di regolazione
12	Interruttore di regolazione, collegamento per interruttore esterno e relè di allarme
13	Output AC
14	Collegamento a massa

7.3 LED di indicazione di stato

Stato	Descrizione
On	Funzionamento a inverter
Flashing	Errore (vedere capitolo Risoluzione dei problemi alla pagina 121)
Off	Nessun ingresso CA presente, inverter disattivato

8 Installazione

8.1 Punto di montaggio




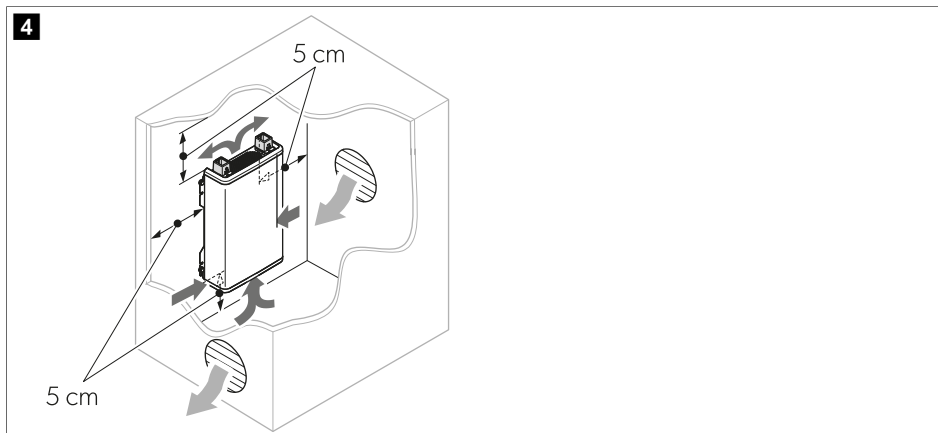
AVVISO! Rischio di danni

Prima di effettuare qualsiasi tipo di foro, assicurarsi che nessun cavo elettrico o altri componenti del veicolo vengano danneggiati durante l'uso di trapani, seghe e lime.




NOTA

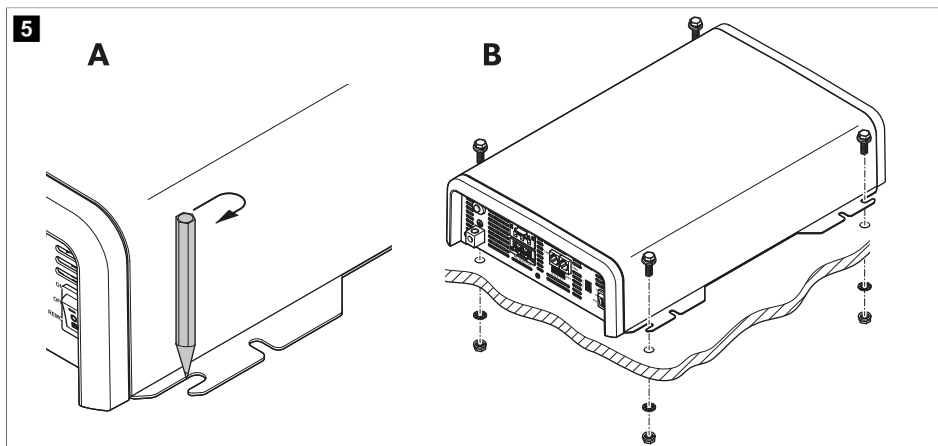
L'inverter può essere montato sia in posizione orizzontale sia sospeso ( fig. 3 alla pagina 111).





Osservare le seguenti istruzioni quando si sceglie il luogo di montaggio:

- Assicurarsi che la superficie di montaggio sia stabile e piana.
- Rispettare le specifiche della distanza per una ventilazione sufficiente ( fig. 4 alla pagina 112).

8.2 Montaggio dell'inverter



1. Selezionare i fori di montaggio adatti a seconda del tipo di montaggio selezionato (posizione orizzontale o sospesa) e contrassegnare i fori da realizzare ( fig. 5 alla pagina 112, **A**).
2. Preforare i fori di montaggio.
3. Avvitare l'inverter in posizione ( fig. 5 alla pagina 112, **B**).

8.3 Collegamento dell'inverter



L'installazione elettrica e la configurazione dell'apparecchio devono essere eseguite da un elettricista qualificato che abbia dimostrato competenze e conoscenze relative alla costruzione e al funzionamento delle apparecchiature elettriche e alle installazioni, e che conosca le normative vigenti nel Paese in cui l'apparecchiatura deve essere installata e/o utilizzata e abbia ricevuto una formazione sulla sicurezza per identificare ed evitare i pericoli coinvolti.

Tutte le altre azioni sono destinate anche agli utenti non professionali.



AVVERTENZA! Pericolo di scosse elettriche

Rispettare le sezioni e le lunghezze dei cavi e il fusibile consigliati.



ATTENZIONE! Pericolo di incendio

Posizionare i fusibili vicino alle batterie per proteggere il cavo da cortocircuiti e possibili bruciature.



AVVISO! Rischio di danni


- > Non invertire la polarità.
- > Serrare le viti o i dadi a una coppia massima di 15 Nm. I collegamenti allentati possono causare il surriscaldamento.

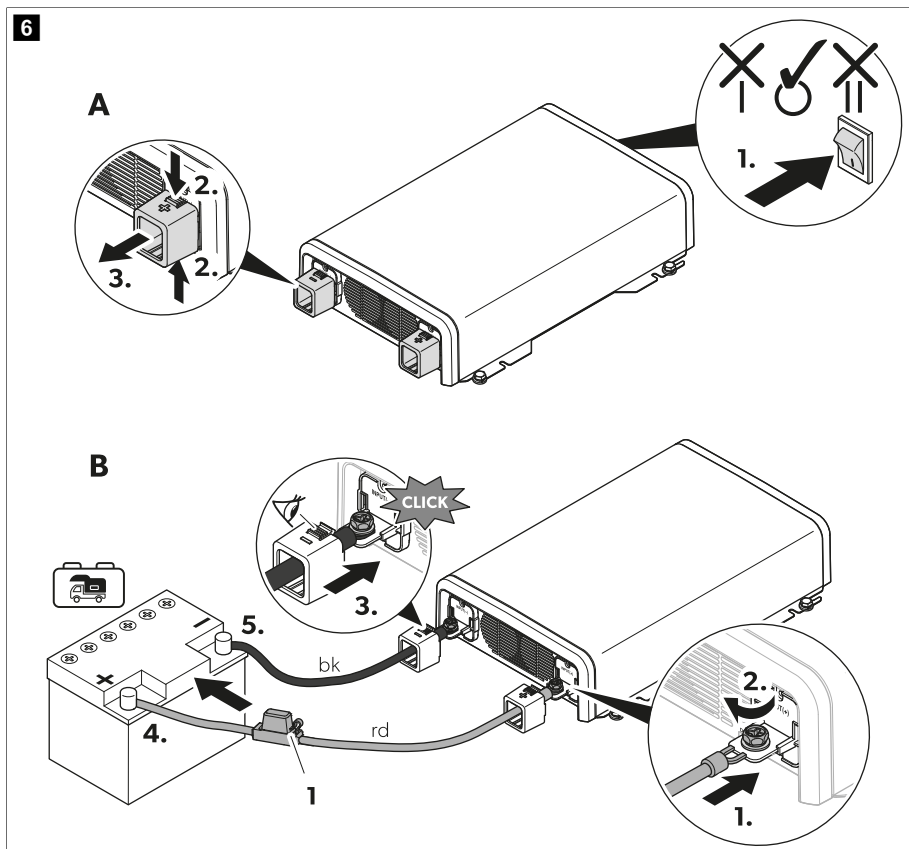
Attenersi alle seguenti istruzioni per collegare l'inverter:

- Rispettare le normative applicabili durante la configurazione di un circuito di distribuzione prese (installazione di rete).
- Selezionare la lunghezza dei cavi CC (collegamento ai morsetti della batteria) più corta possibile (≤ 1 m).
- Per il collegamento alla **rete TN**: installare un interruttore differenziale (RCD).
- Per il collegamento alla **rete IT**: installare un dispositivo di monitoraggio dell'isolamento (IMD) se è collegato più di un carico. **Si applicano le norme nazionali.**

1. Definire le sezioni dei cavi e i fusibili:

	Sezione cavo	Fusibile per cavi
DPSI1812i-TS	50 mm ²	250 A
DPSI1824i-TS	25 mm ²	150 A


2. Controllare che l'apparecchio sia spento ( fig. **6** alla pagina 114, **A: 1**).



3. Staccare i coperchi dai morsetti ( fig. 6 alla pagina 114, **A: 2-3**).

4.  **AVVISO! Rischio di danni**
Per evitare il cortocircuito dell'apparecchio, collegare sempre prima il cavo nero (morsetto negativo).


Collegare il cavo di collegamento nero (bk) al morsetto (-).

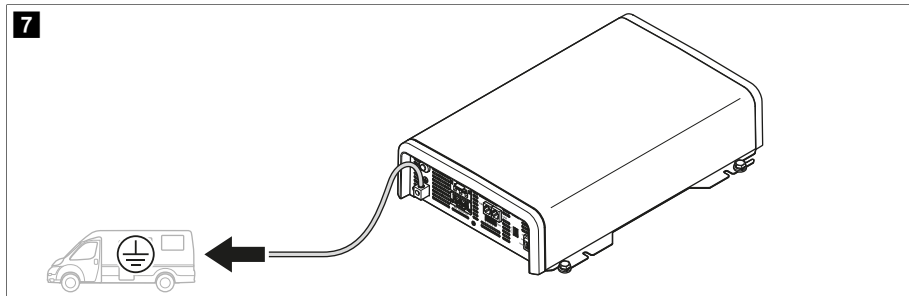
5. Collegare il cavo di collegamento rosso (rd) al morsetto (+) ( fig. 6 alla pagina 114, **B: 1-2**).

6. Collegare (+) al morsetto positivo della batteria di bordo ( fig. 6 alla pagina 114, **B: 4**).

 **NOTA** proteggere il cavo positivo della batteria di bordo con un fusibile ( fig. 6 alla pagina 114, **1**).

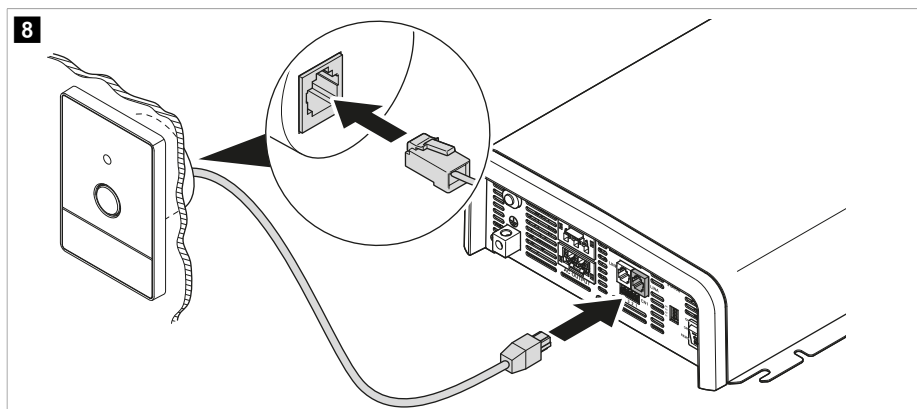
7. Collegare (-) al morsetto negativo della batteria di bordo ( fig. 6 alla pagina 114, **B: 5**).

8. Collegare il collegamento a massa alla massa (telaio) ( fig. 7 alla pagina 115).



8.4 Collegamento del controllo remoto

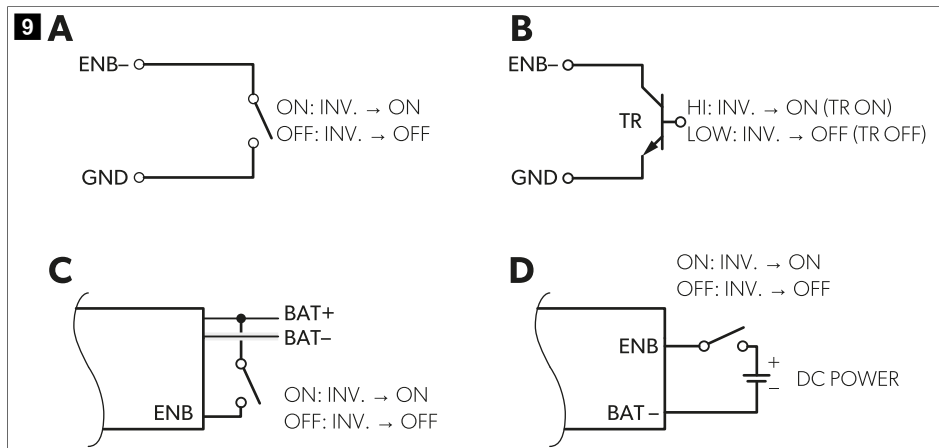
- > Collegare il telecomando al collegamento per telecomando (LINA o LINB).



8.5 Collegamento a un interruttore esterno



NOTA Se è collegato un interruttore esterno, lo stato della modalità a basso consumo energetico non può essere modificato.

**NOTA**

- > Assicurarsi che il collegamento del telecomando non sia occupato.
- > Selezionare uno dei seguenti interruttori esterni compatibili:
 - fig. 9 alla pagina 116, **A**: interruttore esterno con alimentazione di tensione dall'inverter
 - fig. 9 alla pagina 116, **B**: centralina con commutazione a relè o a transistor (TR)
 - fig. 9 alla pagina 116, **C**: interruttore esterno con alimentazione di tensione mediante la batteria (BAT) del veicolo
 - fig. 9 alla pagina 116, **D**: interruttore esterno con alimentazione di tensione autonoma (ALIMENTAZIONE CC), ad es. dell'accensione



NOTA Assicurarsi che il collegamento del telecomando non sia occupato.

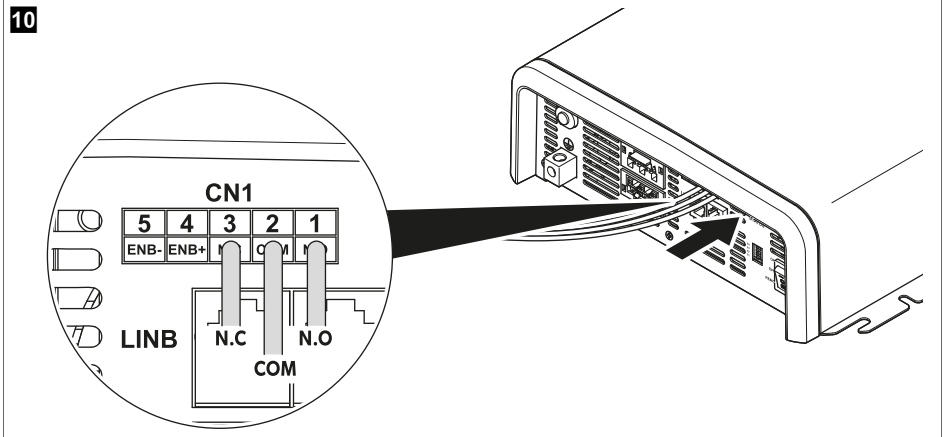
1. Posizionare l'interruttore On/Off su **OFF**.
2. Posizionare l'interruttore On/Off su **REMO**.
3. Collegare l'interruttore esterno al morsetto CN1.

8.6 Collegamento di un relè di allarme

Il relè di allarme viene attivato non appena l'alimentazione CA è disponibile e l'interruttore di trasferimento CA è chiuso. Il relè di allarme può essere utilizzato per:

- Generare un segnale di rilevamento dell'alimentazione CA nel pannello di controllo del veicolo.
- Attivare e disattivare i carichi meno critici (ad es. frigorifero ad assorbimento, sistemi di riscaldamento elettrici) che devono essere utilizzati solo con l'alimentazione CA.

10



> Collegare un relè di allarme al morsetto CN1 ( fig. 10 alla pagina 117).

9 Configurazione dell'inverter



L'installazione elettrica e la configurazione dell'apparecchio devono essere eseguite da un elettricista qualificato che abbia dimostrato competenze e conoscenze relative alla costruzione e al funzionamento delle apparecchiature elettriche e alle installazioni, e che conosca le normative vigenti nel Paese in cui l'apparecchiatura deve essere installata e/o utilizzata e abbia ricevuto una formazione sulla sicurezza per identificare ed evitare i pericoli coinvolti.

Tutte le altre azioni sono destinate anche agli utenti non professionali.



PERICOLO! Pericolo di scosse elettriche

- > Rimuovere il cappuccio di protezione dall'interruttore di regolazione solo a fini della configurazione.
- > Sostituire il cappuccio di protezione per evitare una regolazione accidentale dell'interruttore di regolazione.
- > Per la configurazione della **rete TN**: assicurarsi che sia installato un interruttore differenziale (RCD).
- > Per la configurazione della **rete IT**: azionare un solo carico o installare un dispositivo di monitoraggio dell'isolamento (IMD). Rispettare le norme nazionali.



NOTA



Utilizzare un piccolo cacciavite per spingere con cautela gli interruttori di regolazione nella posizione richiesta.

Le impostazioni sull'inverter possono essere effettuate tramite gli interruttori di regolazione o tramite il collegamento di un telecomando compatibile con CI-BUS.

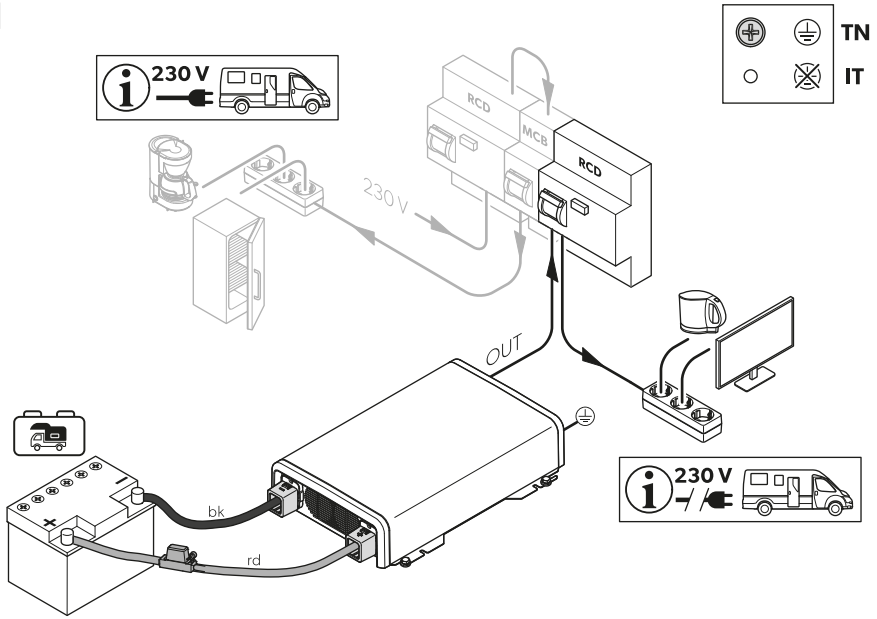
Inizialmente l'apparecchio utilizza la configurazione di fabbrica. Se necessario, spostare gli interruttori di regolazione per modificare la configurazione.

- > Spostare l'interruttore di regolazione **S1** su **On** per **l'impostazione locale** tramite interruttori di regolazione.
- > Spostare l'interruttore di regolazione **S1** su **Off** per **l'impostazione esterna** tramite telecomando.

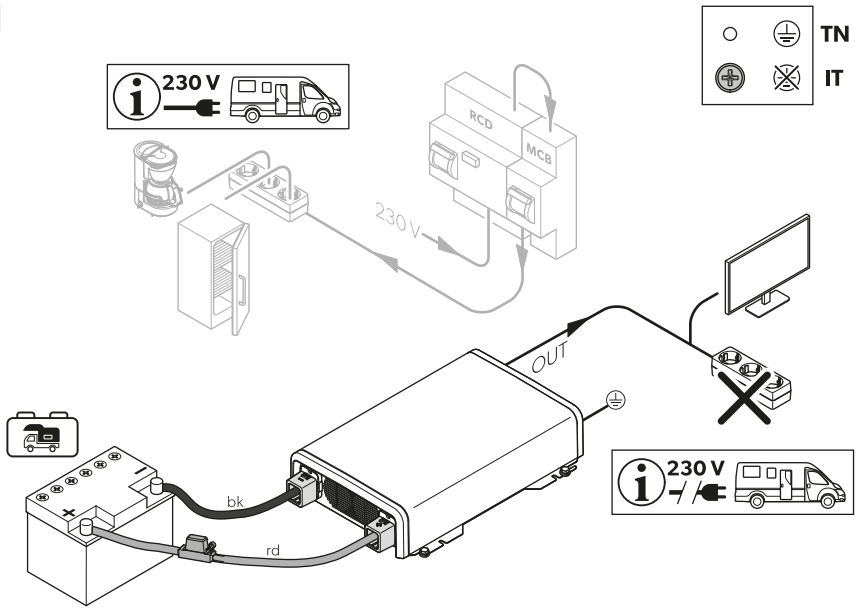
9.1 Impostazioni degli interruttori di regolazione

Configurazione		Posizione dell'interruttore DIP				
		S1	S2	S3	S4	S5
Impostazioni	Configurazione locale tramite interruttore di regolazione	On	-	-	-	-
	Impostazione esterna tramite telecomando	Off	-	-	-	-
Tensione di rete	240 V/60 Hz	-	On	-	-	-
	230 V/50 Hz	-	Off	-	-	-
Modalità a basso consumo energetico	Energy-saving mode is activated when the load is ≤ 45 W Inverter switches to normal operation when the load is ≥ 45 W	-	-	On	On	-
	La modalità a basso consumo energetico viene attivata quando il carico è pari a ≤ 45 W L'inverter passa al funzionamento normale quando il carico è pari a ≥ 45 W	-	-	On	Off	-
	L'inverter si spegne automaticamente dopo 20 minuti di funzionamento in modalità a basso consumo energetico	-	-	Off	Off	-
	La modalità a basso consumo energetico viene attivata quando il carico è pari a ≤ 1 W L'inverter passa al funzionamento normale quando il carico è pari a ≥ 1 W	-	-	Off	On	-
	La modalità a basso consumo energetico viene attivata quando il carico è pari a ≤ 1 W L'inverter passa al funzionamento normale quando il carico è pari a ≥ 1 W	-	-	Off	On	-
	L'inverter si spegne automaticamente dopo 20 minuti di funzionamento in modalità a basso consumo energetico	-	-	Off	On	-
Sistema di rete	Rete IT ( fig. 12 alla pagina 119)	-	-	-	-	On
	Rete TN ( fig. 11 alla pagina 119)	-	-	-	-	Off

11

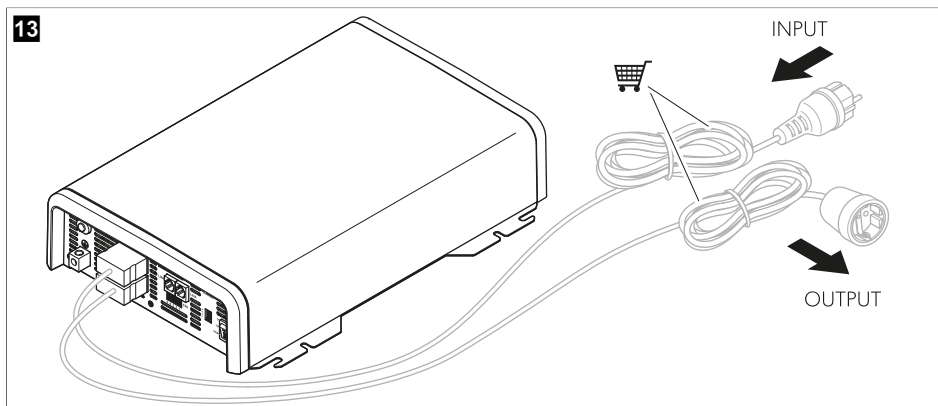


12




10 Funzionamento

10.1 Utilizzo di dispositivi a 230 V



NOTA

Collegare solo apparecchi il cui carico totale non supera i valori elencati in Specifiche tecniche alla pagina 122.

- > Collegare gli apparecchi a 230 V come raffigurato ( fig. 13 alla pagina 120).

10.2 Attivazione e disattivazione dell'inverter



NOTA

- Se l'inverter deve essere controllato tramite il telecomando, l'interruttore On/Off deve essere impostato sulla posizione **II**.
- Se l'inverter deve essere controllato tramite l'interruttore esterno, l'interruttore On/Off deve essere impostato sulla posizione **0**.

- > Per accendere l'inverter, impostare l'interruttore On/Off sulla posizione **I**.
- > Per spegnere l'inverter, impostare l'interruttore On/Off sulla posizione **0**.
- > Il controllo remoto o l'interruttore esterno può essere usato per accendere e spegnere l'inverter.

11 Pulizia e manutenzione



AVVERTENZA! Pericolo di scosse elettriche

Scollegare l'apparecchio dall'alimentazione elettrica prima di eseguire la pulizia e la manutenzione.



AVVISO! Rischio di danni

- > Non lavare mai l'apparecchio sotto acqua corrente e non immergerlo in acqua per risciaccarlo.
- > Per la pulizia non impiegare oggetti appuntiti o duri, detersivi abrasivi o candeggina, perché potrebbero danneggiare il dispositivo.

- > Assicurarsi che le aperture di aerazione e disaerazione dell'apparecchio siano prive di polvere e sporcizia, in modo da permettere al calore di fuoriuscire.
- > Pulire l'apparecchio di tanto in tanto con un panno umido morbido.
- > Controllare regolarmente che i cavi sotto tensione non presentino difetti di isolamento, rotture o collegamenti allentati.

12 Risoluzione dei problemi

Guasto	Possibile causa	Rimedio
L'inverter non funziona. Il LED di indicazione di stato è spento.	È stato generato un cortocircuito.	> Se è scattato a causa di sovracorrente, il fusibile del dispositivo deve essere sostituito dal servizio di assistenza autorizzato.
	Difetti di isolamento, rotture o collegamenti allentati in corrispondenza dei cavi sotto tensione.	> Controllare che i cavi sotto tensione non presentino difetti di isolamento, rotture o collegamenti allentati. Se non si riesce a trovare un errore, contattare il servizio di assistenza autorizzato.
L'inverter non funziona. Il LED di indicazione di stato lampeggia lentamente.	Protezione contro una corrente di ingresso elevata.	Ridurre i carichi collegati.
	Spegnimento per alta temperatura.	<ol style="list-style-type: none"> 1. Spegnerne l'inverter e i carichi collegati. 2. Verificare che le prese d'aria non siano coperte od ostruite. 3. Lasciare raffreddare l'inverter.
	È stato generato un cortocircuito.	Se è scattato a causa di sovracorrente, il fusibile del dispositivo deve essere sostituito dal servizio di assistenza autorizzato.
L'inverter non funziona. Il LED di indicazione di stato lampeggia rapidamente.	Spegnimento per sovratensione. Tensioni della batteria troppo alte.	<ul style="list-style-type: none"> > Ridurre le tensioni connesse. L'inverter si riavvia automaticamente quando la tensione scende al valore di riavvio (vedere il capitolo Protezione da sovratensione alla pagina 123). > Se l'errore persiste: Aumentare la sezione dei cavi. Ridurre la lunghezza dei cavi.
	Spegnimento per sottotensione. Tensioni della batteria insufficienti.	<ul style="list-style-type: none"> > Attendere che la batteria si ricarichi lentamente. L'inverter si riavvia automaticamente quando la tensione supera il valore di riavvio (vedere il capitolo Protezione da sottotensione alla pagina 123).

13 Garanzia

Vale il termine di garanzia previsto dalla legge. Se il prodotto è difettoso, contattare la filiale del produttore nel proprio Paese (vedere dometic.com/dealer) o il rivenditore di riferimento.

Per attivare la garanzia e predisporre eventuali interventi di riparazione, è necessario inviare la seguente documentazione insieme al prodotto:

- una copia della ricevuta con la data di acquisto,
- il motivo della richiesta o la descrizione del guasto.

Tenere presente che le riparazioni eseguite in autonomia o da personale non professionista possono avere conseguenze sulla sicurezza e invalidare la garanzia.

14 Smaltimento

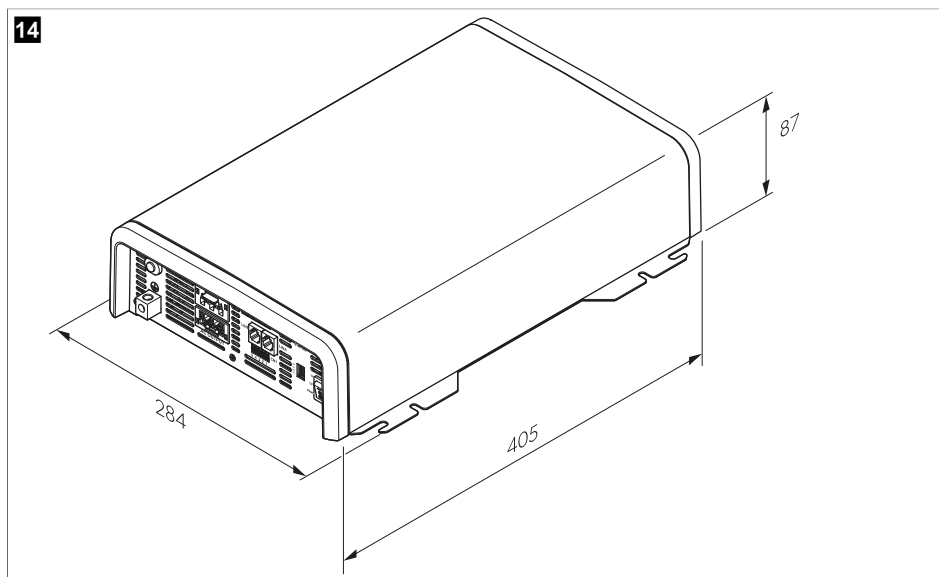


Smaltire il materiale da imballaggio negli appositi contenitori di riciclaggio, dove possibile.


Consultare il centro locale di riciclaggio o il rivenditore specializzato per informazioni su come smaltire il prodotto secondo le norme sullo smaltimento applicabili.

È possibile smaltire il prodotto gratuitamente.

15 Specifiche tecniche



	DPSI 1812	DPSI 1824
Tensione nominale di ingresso	12 V $\overline{=}$	24 V $\overline{=}$
Tolleranza della tensione di ingresso	10 ... 16,5 V $\overline{=}$	20 ... 33 V $\overline{=}$

	DPSI 1812	DPSI 1824
Potenza di uscita continua P_{nom}	1800 W	1800 W
Potenza di uscita massima (10 min)	1800 W	1800 W
Potenza di uscita massima (3 min)	2070 W	2070 W
Potenza di picco massima (2 s) P_{surge}	3600 W	3600 W
Corrente assorbita in modo stand-by	$\leq 2,5$ A	$\leq 1,3$ A
Corrente assorbita in modo stand-by	$\leq 0,2$ A	$\leq 0,1$ A
Dimensioni	 fig. 14 alla pagina 122	
Peso	5,5 kg	5,5 kg

15.1 Specifiche tecniche generali

Intervallo della tensione di uscita	230/ 240 V \sim \pm 3 %
Frequenza di uscita	50/60 Hz \pm 0,3 Hz
Forma d'onda in uscita	Onda sinusoidale pura
Distorsione THD	THD \leq 3 % a P_{nom} (carico resistivo)
Efficienza di picco	90 %
Temperatura ambiente per il funzionamento	-20 ... 60 °C
Temperatura ambiente per stoccaggio	-30 °C ... 70 °C
Umidità ambientale:	0 ... 95 %, non-condensing
Ispezione/certificazione	



15.2 Protezione da sottotensione

	Valore di disinserimento	Valore di riavvio
DPSI1812	10 V	12 V
DPSI1824	20 V	24 V

15.3 Protezione da sovratensione

	Valore di disinserimento	Valore di riavvio
DPSI1812	16,5 V	15,5 V
DPSI1824	33 V	31 V

Nederlands

1	Belangrijke opmerkingen.....	124
2	Verklaring van de symbolen.....	124
3	Veiligheidsaanwijzingen.....	125
4	Omvang van de levering.....	128
5	Accessoires.....	128
6	Beoogd gebruik.....	128
7	Technische beschrijving.....	129
8	Installatie.....	131
9	Omvormer configureren.....	137
10	Gebruik.....	140
11	Reiniging en onderhoud.....	140
12	Problemen oplossen.....	141
13	Garantie.....	142
14	Verwijdering.....	142
15	Technische gegevens.....	142

1 Belangrijke opmerkingen

Lees deze gebruiksaanwijzing zorgvuldig door en volg alle instructies, richtlijnen en waarschuwingen in deze handleiding op om ervoor te zorgen dat u het product te allen tijde op de juiste manier installeert, gebruikt en onderhoudt. Deze gebruiksaanwijzing MOET bij dit product worden bewaard.

Door het product te gebruiken, bevestigt u hierbij dat u alle instructies, richtlijnen en waarschuwingen zorgvuldig hebt gelezen en dat u de voorwaarden zoals hierin beschreven begrijpt en accepteert. U gaat ermee akkoord dit product alleen te gebruiken voor het beoogde doel en de beoogde toepassing en in overeenstemming met de instructies, richtlijnen en waarschuwingen zoals beschreven in deze gebruiksaanwijzing en in overeenstemming met de geldende wet- en regelgeving. Het niet lezen en opvolgen van de hierin beschreven instructies en waarschuwingen kan leiden tot letsel voor uzelf en anderen, schade aan uw product of schade aan andere eigendommen in de omgeving. Deze gebruiksaanwijzing, met inbegrip van de instructies, richtlijnen en waarschuwingen, en de bijbehorende documentatie kan onderhevig zijn aan wijzigingen en updates. Voor de recentste productinformatie, bezoek documents.dometic.com.

2 Verklaring van de symbolen

Een signaalwoord geeft informatie over veiligheid en eigendomsschade en geeft de mate of ernst van het gevaar aan.



GEVAAR!

Duidt op een gevaarlijke situatie die, indien deze niet wordt voorkomen, ernstig letsel of de dood tot gevolg heeft.



WAARSCHUWING!

Duidt op een gevaarlijke situatie die, indien deze niet wordt voorkomen, ernstig letsel of de dood tot gevolg kan hebben.



VOORZICHTIG!

Duidt op een gevaarlijke situatie die, indien deze niet wordt voorkomen, licht of matig letsel tot gevolg kan hebben.



LET OP!

Duidt op een situatie die, indien deze niet wordt voorkomen, kan leiden tot materiële schade.



INSTRUCTIE Aanvullende informatie voor het gebruik van het product.

3 Veiligheidsaanwijzingen

Neem ook de veiligheidsaanwijzingen en voorschriften van de voertuigfabrikant en erkende werkplaatsen in acht.

3.1 Algemene veiligheid



GEVAAR! Gevaar voor elektrische schokken

- > Raak blanke leidingen nooit met blote handen aan.
- > Om bij gevaar het toestel snel van het wisselstroomnet te kunnen loskoppelen, moet het stopcontact zich in de buurt van het toestel bevinden en gemakkelijk toegankelijk zijn.



WAARSCHUWING! Gevaar voor elektrische schokken

- > Montage en demontage van het toestel mogen alleen door gekwalificeerd personeel worden uitgevoerd.
- > Gebruik het toestel niet als het toestel zelf of de aansluitkabel zichtbaar beschadigd is.
- > Als het netsnoer van dit toestel beschadigd is, moet het netsnoer worden vervangen om gevaren te voorkomen.
- > Dit toestel mag uitsluitend worden gerepareerd door bevoegd personeel. Ondeskundige reparaties kunnen leiden tot aanzienlijke gevaren.
- > Gebruik uitsluitend door de fabrikant aanbevolen accessoires.
- > Bewerk de componenten niet zelf en maak geen aanpassingen.
- > Maak geen kabels los als het toestel nog in gebruik is.
- > Ontkoppel het toestel van de stroomvoorziening:
 - Na elk gebruik
 - Voor elke reiniging en elk onderhoud
 - Voor het vervangen van een zekering



WAARSCHUWING! Brandgevaar/ontvlambare materialen

Gebruik in geval van brand een brandblusser die geschikt is voor elektrische toestellen.



WAARSCHUWING! Verstikkingsgevaar

De kabel en bedieningseenheid van het toestel kunnen een gevaar voor verstikking, wurging, struikelen etc. vormen indien ze niet correct worden gebruikt. Zorg ervoor dat extra aansluitingen en stroomkabels op een veilige manier worden gelegd.



WAARSCHUWING! Gevaar voor de gezondheid

- > Dit toestel mag worden gebruikt door kinderen vanaf 8 jaar en ouder evenals door personen met verminderd fysiek, zintuiglijk of mentaal vermogen of gebrek aan kennis en ervaring, mits zij onder toezicht staan of zijn geïnstrueerd in het veilig gebruik van het toestel en zij inzicht hebben in de gevaren die het gebruik ervan met zich meebrengt.
- > **Elektrische toestellen zijn geen speelgoed.** Houd en gebruik het toestel buiten het bereik van zeer jonge kinderen.
- > Kinderen moeten onder toezicht staan om te garanderen dat ze niet met het toestel spelen.
- > Reiniging en gebruikersonderhoud mogen niet door kinderen zonder toezicht worden uitgevoerd.



LET OP! Gevaar voor schade

- > Controleer voor de ingebruikname of de spanning op het typeplaatje overeenkomt met de aanwezige stroomvoorziening.
- > Let erop dat andere voorwerpen **geen** kortsluiting bij de contacten van het toestel kunnen veroorzaken.
- > Let op dat de min- en pluspolen **nooit** in contact komen.
- > Trek niet aan de aansluitkabels en gebruik de kabels niet als handgreep.
- > Het toestel mag niet aan regen of vocht worden blootgesteld. Berg het toestel op op een droge plaats.

3.2 Het toestel veilig monteren



GEVAAR! Explosiegevaar

- > Monteer en gebruik het toestel in gesloten, goed geventileerde ruimtes.
- > Monteer en gebruik het toestel **niet** onder de volgende omstandigheden:
 - in een zouthoudende, vochtige of natte omgeving
 - in de buurt van agressieve dampen
 - in de buurt van brandbare materialen
 - In de buurt van warmtebronnen (verwarmingen, direct zonlicht, gasovens, enz.)
 - in zones waar gevaar voor gas- of stofexplosies heerst



WAARSCHUWING! Gevaar voor letsel

- > Let op een stabiele stand. Het toestel moet zo veilig opgesteld en bevestigd worden, dat het niet kan omvallen of naar beneden kan vallen.
- > Zorg er bij het opstellen van het toestel voor dat alle kabels veilig zijn bevestigd, om struikelen te voorkomen.



LET OP! Gevaar voor schade

- > Plaats het toestel op een droge locatie waar het is beschermd tegen spatwater.
- > Gebruik altijd gearde en door aardlekschakelaars beveiligde contactdozen.

3.3 Veiligheid bij de elektrische aansluiting van het toestel



GEVAAR! Gevaar voor elektrische schokken

Als u aan elektrische installaties werkt, zorg er dan voor dat er iemand in de buurt is die u in geval van nood kan helpen.



WAARSCHUWING! Gevaar voor elektrische schokken

- > Neem de aanbevolen kabeldoorsneden in acht.
- > Leg de kabels zodanig dat deze niet beschadigd kunnen raken door de deuren of de motorkap. Geplette kabels kunnen tot levensgevaarlijke verwondingen leiden.



LET OP! Gevaar voor schade

- > Gebruik holle buizen of leidingdoorvoeren, als leidingen door plaatwanden of andere wanden met scherpe randen geleid moeten worden.
- > Leg het 230 V- netsnoer en de 12 V-gelijkstroomkabel **niet** samen in dezelfde kabelgoot.
- > Leg de kabel **niet** los of scherp geknikt.
- > Bevestig de kabels op een veilige wijze.

3.4 Veiligheid bij de omgang met accu's



WAARSCHUWING! Gevaar voor letsel

- > Accu's kunnen agressieve en bijtende zuren bevatten. Vermijd elk lichamelijk contact met de accuvloeistof. Indien uw huid in aanraking komt met accuvloeistof, was dan het desbetreffende lichaamsdeel grondig met water. Consulteer bij verwondingen door zuren in ieder geval een arts.
- > Draag bij het werken met accu's geen metalen voorwerpen zoals horloges of ringen. Loodzuuraccu's kunnen kortsluitstromen veroorzaken, die tot ernstige verbrandingen kunnen leiden.
- > Gebruik uitsluitend geïsoleerd gereedschap.
- > Plaats geen metalen onderdelen op de accu en voorkom dat metalen onderdelen op de accu vallen. Dit kan vonken of kortsluiting veroorzaken in de accu en andere elektrische apparaten.
- > Draag een veiligheidsbril en veiligheidskleding wanneer u aan accu's werkt. Raak uw ogen niet aan wanneer u aan accu's werkt.
- > Gebruik uitsluitend herlaadbare accu's.
- > Gebruik geen defecte accu's.



VOORZICHTIG! Explosiegevaar

- > Probeer geen bevroren of defecte accu op te laden. Plaats de accu in een vorstvrije ruimte en wacht tot de accu op omgevingstemperatuur is. Start dan pas de laadprocedure.
- > Rook niet, gebruik geen open vuur of veroorzaak geen vonken in de buurt van de motor of een accu.
- > Houd de accu uit de buurt van warmtebronnen.



LET OP! Gevaar voor schade

- > Let bij het aansluiten van de accu op de juiste polariteit.
- > Neem de handleidingen in acht van de accufabrikant en van de fabrikant van de installatie of het voertuig waarin de accu wordt gebruikt.
- > Als de accu moet worden verwijderd, koppel dan eerst de aardverbinding los. Verbreek alle verbindingen en maak alle verbruikers van de accu los, voordat u deze verwijdert.
- > Bewaar uitsluitend volledig opgeladen accu's. Laad opgeslagen accu's regelmatig op.
- > Draag de accu niet aan de polen.

3.5 Veiligheid bij het gebruik van het toestel



WAARSCHUWING! Gevaar voor elektrische schokken

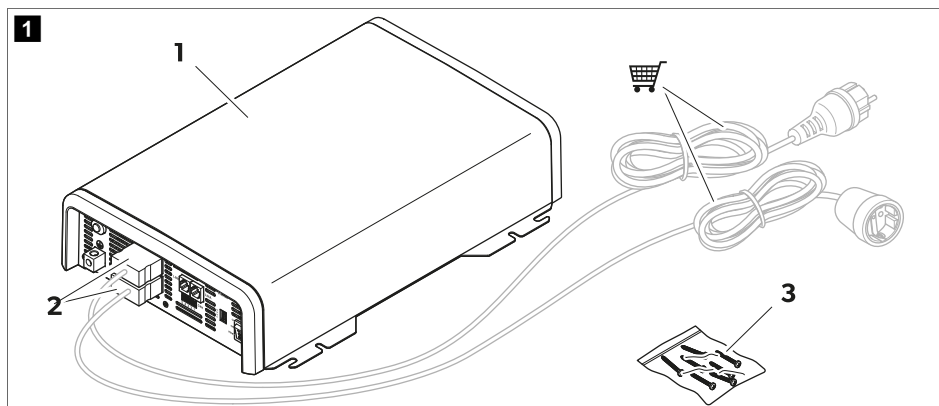
- > Gebruik het toestel niet onder vochtige omstandigheden en dompel het niet onder in een vloeistof.
- > Voordat u het toestel start, moet u ervoor zorgen dat het netsnoer en de stekker droog zijn en de stekker vrij is van roest of vuil.
- > Houd er rekening mee dat onderdelen van het toestel nog onder spanning kunnen staan, zelfs als de zekering is gesprongen.




LET OP! Gevaar voor schade

- > Zorg ervoor dat de luchtinlaten en -uitlaten van het toestel niet afgedekt zijn.
- > Zorg voor goede ventilatie.

4 Omvang van de levering



Nr. in  afb. 1 op pagina 128	Aanduiding	Aantal
1	Sinusomvormer	1
2	WAGO-connector-aansluitkabel met veiligheidskoppeling (voor 230 V~ uitgang)	2
3	Bevestigingsschroeven	6
-	Montagehandleiding en gebruiksaanwijzing	1

5 Accessoires

Aanduiding	Artikelnr.
Afstandsbediening DSP-RCT	9600002564
Bedieningsmonitor DSP-EM	9600002565
Touchscreen TD283	9620013272

6 Beoogd gebruik

De omvormer is bedoeld om gelijkstroom om te zetten in een zuivere sinusgolf-wisselspanning (AC) van 230V~ ... 240V~ voor de werking en stabiele voeding van aangesloten verbruikers.

De omvormer is bedoeld voor aansluiting op:

- DPSI1812iTS: 12 V \Rightarrow
- DPSI1824iTS: 24 V \Rightarrow

De omvormer is geschikt voor:

- Installatie in recreatieve voertuigen (RV), vrachtwagens, bedrijfsvoertuigen of motor, en zeiljachten
- Stationair of mobiel gebruik
- Gebruik binnenshuis

De omvormer is **niet** geschikt voor:

- Gebruik buiten

Dit product is alleen geschikt voor het beoogde gebruik en de toepassing in overeenstemming met deze gebruiksaanwijzing.

Deze handleiding geeft informatie die nodig is voor een correcte installatie en/of correct gebruik van het product. Een slechte installatie en/of onjuist gebruik of onderhoud leidt tot onvoldoende prestaties en mogelijke storingen.

De fabrikant aanvaardt geen aansprakelijkheid voor letsel of schade aan het product die het gevolg is van:

- Onjuiste installatie, montage of aansluiting, inclusief te hoge spanning
- Onjuist onderhoud of gebruik van andere dan door de fabrikant geleverde originele reserveonderdelen
- Wijzigingen aan het product zonder uitdrukkelijke toestemming van de fabrikant
- Gebruik voor andere doeleinden dan beschreven in deze handleiding

Dometic behoudt zich het recht voor om het uiterlijk en de specificaties van het product te wijzigen.

7 Technische beschrijving

7.1 Algemene beschrijving

De omvormer is een gelijkstroom-naar-wisselstroom zuivere sinusgolf-omvormer.

De omvormer is uitgerust met een prioriteitscircuit. Als 230 V~ netspanning beschikbaar is, wordt deze externe voedingsbron gebruikt om de contactdozen in het recreatieve voertuig van stroom te voorzien. Als er geen 230 V~ netspanning beschikbaar is, zet de omvormer de gelijkstroom van de accu om in wisselstroom, zodat de voeding van de aangesloten verbruikers wordt gegarandeerd.

De omvormer kan in de volgende netwerksystemen worden gebruikt:

- TN-netwerk
- IT-netwerk

De netwerksystemen worden ingesteld met een schroef op de omvormer.

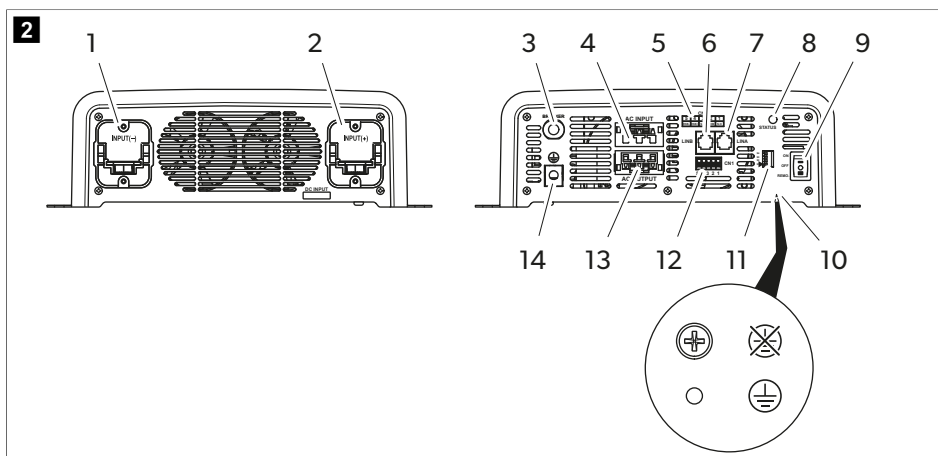
De omvormer kan in de energiebesparende modus worden gezet om het verbruik bij stationair draaien te verlagen en de belasting van de accu te minimaliseren.

De omvormer heeft de volgende beschermingsmechanismen:

- **Overspanningsuitschakeling:** De omvormer schakelt uit, als de spanning boven de uitschakelwaarde stijgt. De omvormer start automatisch opnieuw op wanneer de spanning daalt tot de herstartwaarde.
- **Onderspanningsuitschakeling:** De omvormer schakelt uit, als de spanning onder de uitschakelwaarde daalt. De omvormer start automatisch opnieuw op wanneer de spanning de herstartwaarde overschrijdt.
- **Oververhittingsbeveiliging:** De omvormer schakelt uit, als de interne temperatuur van het toestel de uitschakelwaarde overschrijdt. De omvormer start automatisch opnieuw op wanneer de interne temperatuur daalt tot de herstartwaarde.
- **Bescherming tegen hoge uitgangsstroom:** De omvormer schakelt uit wanneer er te veel belastingen zijn aangesloten.
- **Beveiliging tegen kortsluiting:** De omvormer schakelt uit wanneer er een kortsluiting is gegenereerd. De omvormer start na enkele seconden automatisch opnieuw op. Als er vijf keer achter elkaar een kortsluiting wordt gedetecteerd, start de omvormer niet automatisch opnieuw op en moet de omvormer handmatig opnieuw worden gestart.

De omvormer is geschikt voor N-BUS en CI-BUS voor weergave van gegevens en functies op het touchscreen (accessoires) en de mobiele app.

7.2 Bedieningselementen en aansluitingen



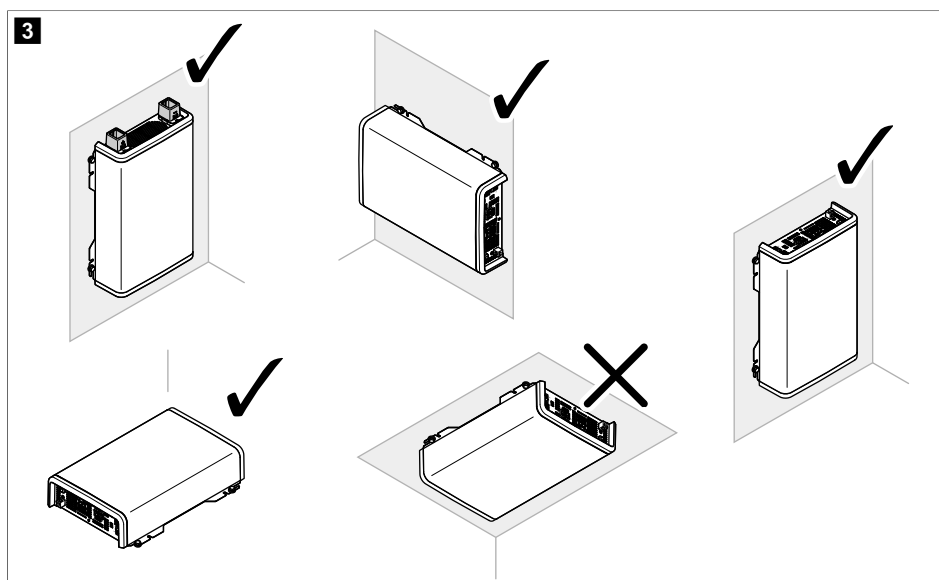
Nr.	Aanduiding
1	(-) aansluiting, aansluiting op de minpool van de huishoudaccu
2	(+) aansluiting, aansluiting op de pluspool van de huishoudaccu
3	Zekering voor de externe ingang
4	AC-ingang
5	CN1 aansluiting
6	CI BUS/N Bus/afstandsbediening-aansluiting (LINB)
7	CI BUS/N Bus/afstandsbediening-aansluiting (LINA)
8	Statusindicatielampje
9	Aan/uit-schakelaar
10	Schroef voor IT/TN-netwerkinstelling
11	DIP-schakelaar
12	DIP-schakelaar, aansluiting voor externe schakelaar en alarmrelais
13	AC-uitgang
14	Massa-aansluiting

7.3 Statusindicatielampje

Status	Beschrijving
On	Omvormermodus
Flashing	Fout (zie hoofdstuk Problemen oplossen op pagina 141)
Off	Geen AC-ingang aanwezig, omvormer gedeactiveerd

8 Installatie

8.1 Montageplaats




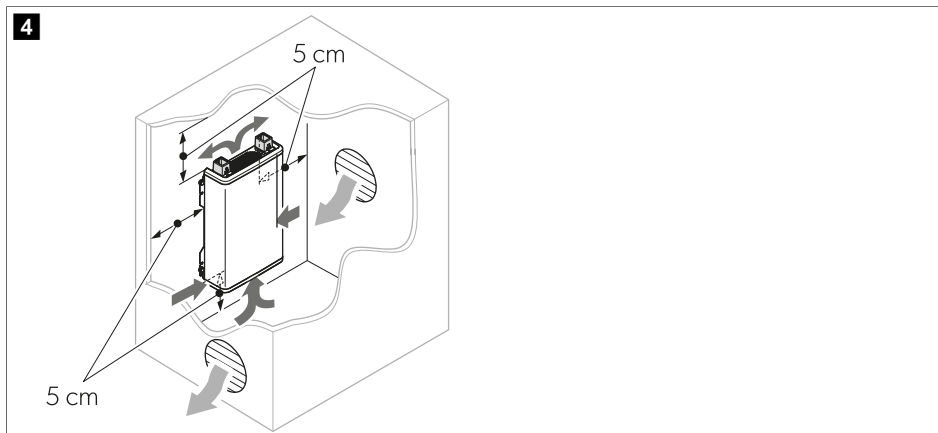
LET OP! Gevaar voor schade

Controleer voor het boren of er geen elektrische kabels of andere delen van het voertuig door boren, zagen en vijlen beschadigd kunnen raken.




INSTRUCTIE

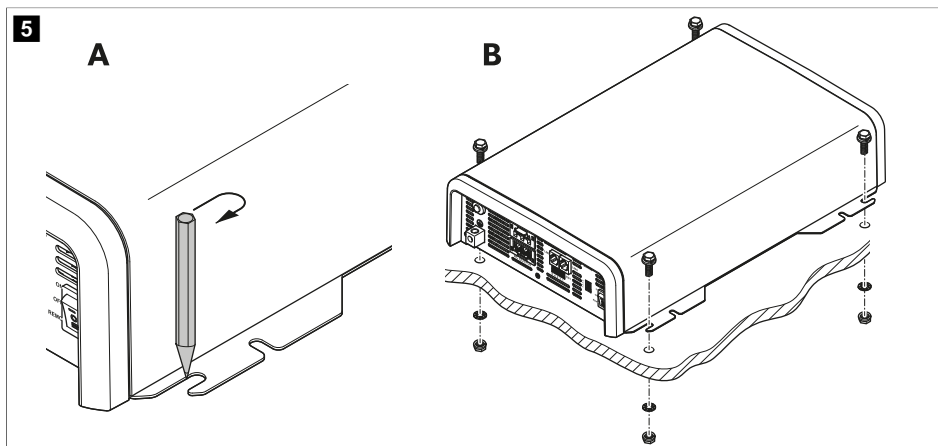
Den omvormer kan zowel zittend als hangend worden gemonteerd ( afb. **3** op pagina 131).





Neem de volgende instructies in acht bij de keuze van de montageplaats:

- Zorg ervoor dat het montageoppervlak vlak en stevig is.
- Houd u aan de afstandsspecificaties voor voldoende ventilatie ( afb. 4 op pagina 132).

8.2 Omvormer monteren



1. Selecteer de juiste montagegaten afhankelijk van het geselecteerde type montage (zittend of hangend) en markeer de boorgaten ( afb. 5 op pagina 132, **A**).
2. Boor de bevestigingsgaten.
3. Schroef de omvormer op zijn plaats ( afb. 5 op pagina 132, **B**).

8.3 Omvormer aansluiten



De elektrische installatie en instelling van het apparaat moeten worden uitgevoerd door een bevoegde elektricien die zijn vaardigheden en kennis heeft laten zien met betrekking tot de constructie en werking van elektrische apparatuur en installaties en die vertrouwd is met de toepasselijke regelgeving van het land waarin de apparatuur moet worden geïnstalleerd en/of gebruikt en die een veiligheidstraining heeft gevolgd om de gevaren te identificeren en te vermijden.

Alle andere acties zijn ook bedoeld voor niet-professionele gebruikers.



WAARSCHUWING! Gevaar voor elektrische schokken

Neem de aanbevolen kabeldoorsneden, kabellengtes en zekering in acht.



VOORZICHTIG! Brandgevaar

Breng de zekeringen in de buurt van de accu's aan om de kabel te beschermen tegen kortsluiting en mogelijk verschroeien.



LET OP! Gevaar voor schade

- > Zorg ervoor dat de polariteit niet wordt verwisseld.
- > Draai de schroeven of moeren vast met een aanhaalmoment van max. 15 Nm. Losse aansluitingen kunnen leiden tot oververhitting.

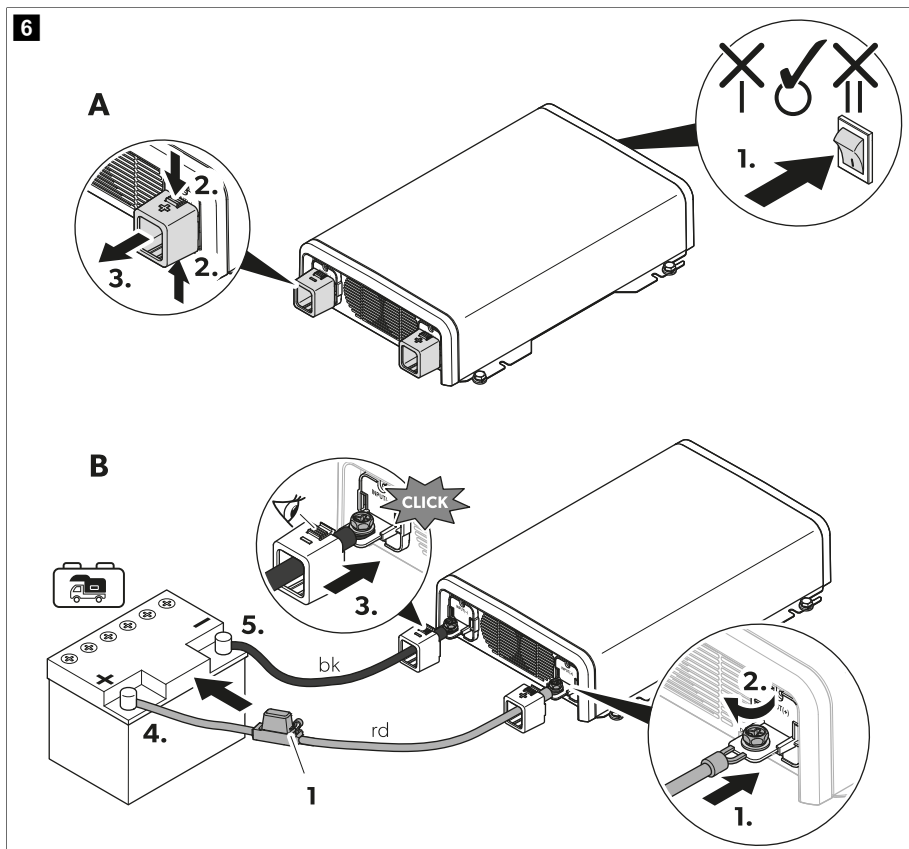
Neem de volgende aanwijzingen in acht bij het aansluiten van de omvormer:


- Neem de van toepassing zijnde voorschriften bij het instellen van een verdeelcircuit voor contactdozen (netspanningsinstallatie) in acht.
- Selecteer de kabellengte van de gelijkstroomkabels (aansluiting op de accu-aansluitingen) zo kort mogelijk ≤ 1 m).
- Voor **TN-netwerk**-aansluiting: Installeer een aardlekschakelaar (ALS).
- Voor **IT-netwerk**-aansluiting: Installeer een isolatiebewakingsapparaat (IMD) als er meer dan één belasting is aangesloten. **Nationale normen zijn van toepassing.**


1. De kabeldoorsneden en zekering bepalen:

	Kabeldoorsnede	Kabelzekering
DPSI1812ITS	50 mm ²	250 A
DPSI1824ITS	25 mm ²	150 A


2. Controleer of het toestel is uitgeschakeld ( afb. **6** op pagina 134, **A: 1**).



3. Maak de afdekkingen los van de aansluitingen ( afb. **6** op pagina 134, **A: 2-3**).

4.  **LET OP! Gevaar voor schade**
Sluit altijd eerst de zwarte kabel (negatieve aansluiting) aan om kortsluiting van het toestel te voorkomen.

Sluit de zwarte (bk) aansluitkabel aan op de (-) aansluiting.


5. Sluit de rode (rd) aansluitkabel aan op de (+) aansluiting ( afb. **6** op pagina 134, **B: 1-2**).

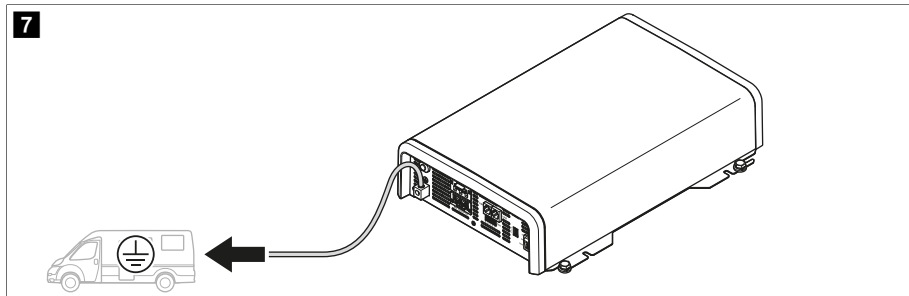
6. Sluit (+) aan op de positieve aansluiting van de huishoudaccu ( afb. **6** op pagina 134, **B: 4**).



INSTRUCTIE Bescherm de positieve kabel van de huishoudaccu met een zekering ( afb. **6** op pagina 134, **1**).

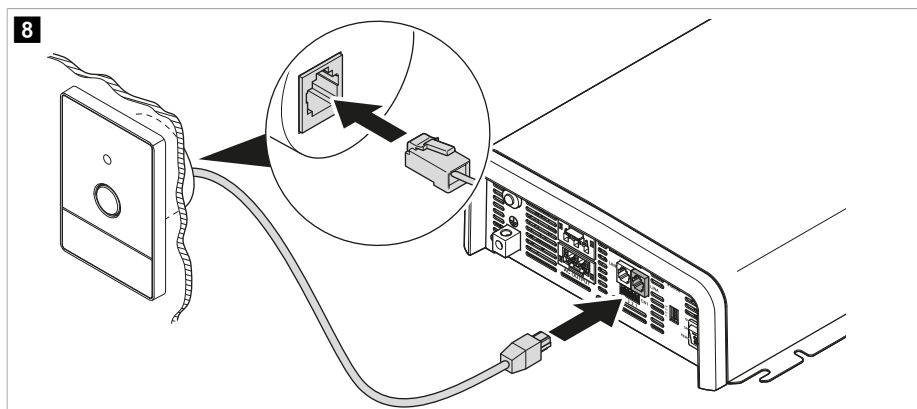
7. Sluit (-) aan op de negatieve aansluiting van de huishoudaccu ( afb. **6** op pagina 134, **B: 5**).

8. Sluit de massa-aansluiting aan op de massa (chassis  afb. **7** op pagina 135).



8.4 Afstandsbediening aansluiten

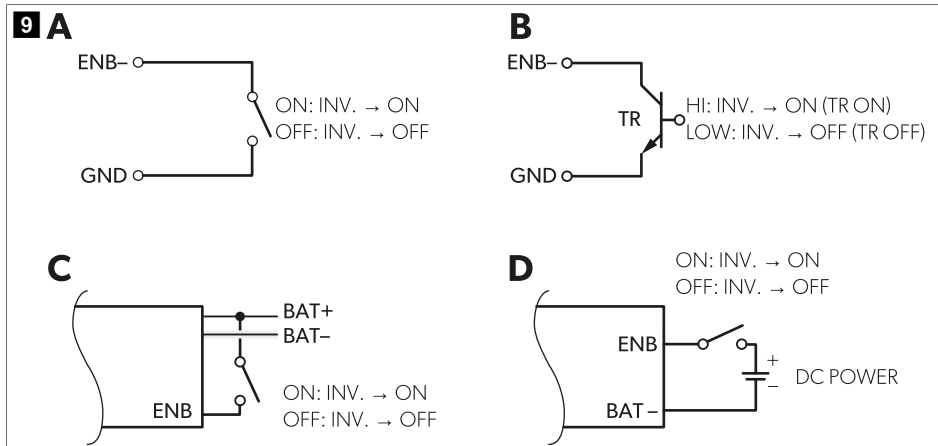
- > Sluit de afstandsbediening aan op de aansluiting voor de afstandsbediening (LINA of LINB).







8.5 Een externe schakelaar aansluiten



INSTRUCTIE Als er een externe schakelaar is aangesloten, kan de status van de energiebesparende modus niet worden gewijzigd.



INSTRUCTIE

- > Zorg ervoor dat de aansluiting van de afstandsbediening niet bezet is.
- > Selecteer een van de volgende geschikte externe schakelaars:
 -  afb. **9** op pagina 136, **A**: Externe schakelaar, voeding van de omvormer
 -  afb. **9** op pagina 136, **B**: Stuur eenheid met relais- of transistorcircuit (TR)
 -  afb. **9** op pagina 136, **C**: Externe schakelaar met voeding via de accu (BAT) van het voertuig
 -  afb. **9** op pagina 136, **D**: Externe schakelaar met eigen voeding (DC POWER), bijv. door de ontsteking



INSTRUCTIE Zorg ervoor dat de aansluiting van de afstandsbediening niet bezet is.

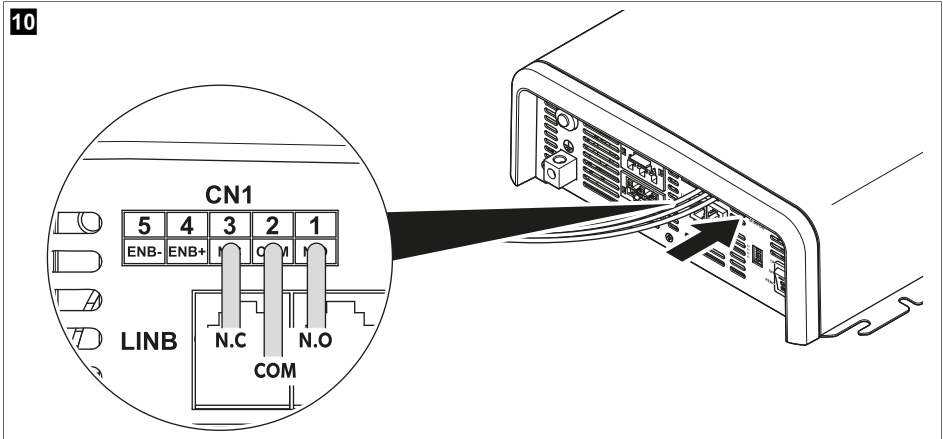
1. Zet de aan/uit-schakelaar op **OFF**.
2. Zet de aan/uit-schakelaar op **REMO**.
3. Sluit de externe schakelaar aan op de CN1-aansluiting.

8.6 Een alarmrelais aansluiten

Het alarmrelais wordt geactiveerd zodra de AC-stroomvoorziening beschikbaar is en de wisselstroomomschakelaar gesloten is. Het alarmrelais kan worden gebruikt om:

- Een detectiesignaal voor de AC-stroomvoorziening op het bedieningspaneel van het voertuig te genereren.
- Minder kritieke belastingen (bijv. absorptiekoelkast, elektrische verwarming) in- en uitschakelen, die alleen mogen worden gebruikt in combinatie met een wisselstroomvoeding.

10



> Sluit een alarmrelais aan op de CN1-aansluiting ( afb. 10 op pagina 137).

9 Omvormer configureren



De elektrische installatie en instelling van het apparaat moeten worden uitgevoerd door een bevoegde elektricien die zijn vaardigheden en kennis heeft laten zien met betrekking tot de constructie en werking van elektrische apparatuur en installaties en die vertrouwd is met de toepasselijke regelgeving van het land waarin de apparatuur moet worden geïnstalleerd en/of gebruikt en die een veiligheidstraining heeft gevolgd om de gevaren te identificeren en te vermijden.

Alle andere acties zijn ook bedoeld voor niet-professionele gebruikers.



GEVAAR! Gevaar voor elektrische schokken

- > Verwijder alleen de beschermkap van de DIP-schakelaar voor configuratie.
- > Plaats de beschermkap terug om te voorkomen dat de DIP-schakelaar per ongeluk wordt afgesteld.
- > Voor **TN-netwerk**-configuratie: Zorg ervoor dat er een aardlekschakelaar (ALS) is geïnstalleerd.
- > Voor **IT-netwerk**-configuratie: Bedien slechts één belasting of installeer een isolatiebewakingsapparaat (IMD). Neem de nationale normen in acht.



INSTRUCTIE



Gebruik een kleine schroevendraaier om de DIP-schakelaars voorzichtig in de vereiste stand te zetten.

Instellingen op de omvormer kunnen worden aangebracht via de DIP-schakelaars of via de aansluiting CI-BUS-compatibele afstandsbediening.

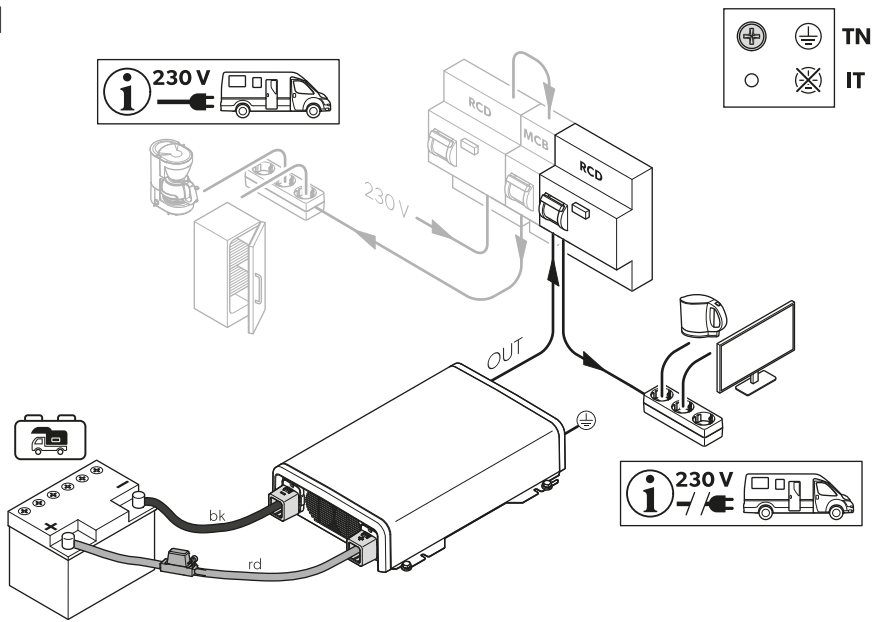
Het toestel gebruikt in eerste instantie de fabrieksconfiguratie. Verschuif de DIP-schakelaars indien nodig om de configuratie aan te passen.

- > Schuif de DIP-schakelaar **S1** naar **On** voor **lokale** instelling via DIP-schakelaars.
- > Schuif de DIP-schakelaar **S1** naar **Off** voor **externe** instelling via de afstandsbediening.

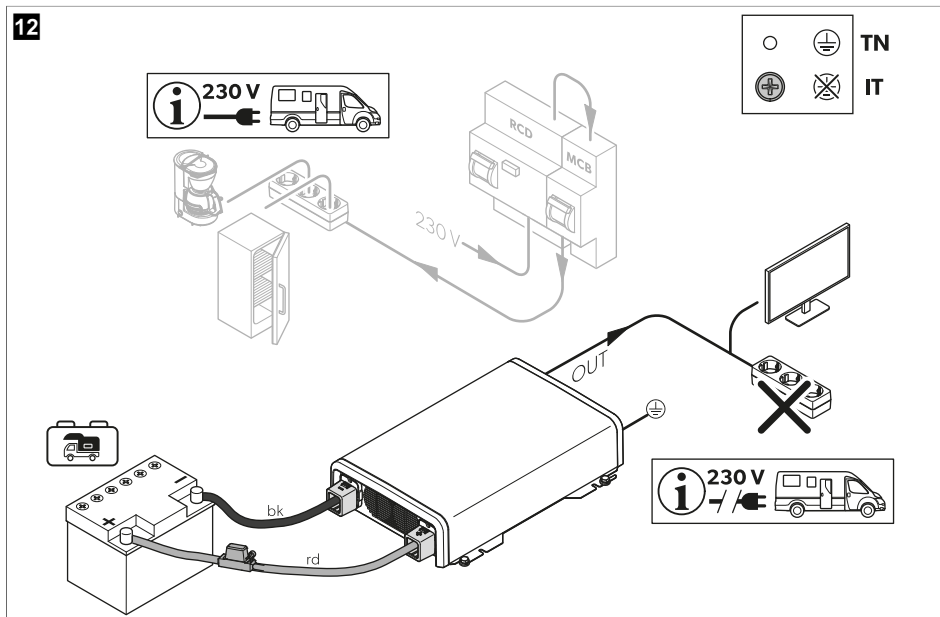
9.1 Instellingen DIP-schakelaar

	Configuratie	DIP-schakelaarpositie				
		S1	S2	S3	S4	S5
Instellingen	Lokale configuratie via DIP-schakelaar	Aan	-	-	-	-
	Externe instelling via afstandsbediening	Uit	-	-	-	-
Netspanning	240 V/60 Hz	-	Aan	-	-	-
	230 V/50 Hz	-	Uit	-	-	-
Energiespaarmodus	Energy-saving mode is activated when the load is ≤ 45 W Inverter switches to normal operation when the load is ≥ 45 W	-	-	Aan	Aan	-
	De energiebesparende modus wordt geactiveerd wanneer de belasting ≤ 45 W is	-	-	Aan	Uit	-
	De omvormer schakelt over naar normaal bedrijf wanneer de belasting ≥ 45 W is					
	De omvormer wordt na 20 minuten bedrijf in de energiebesparende modus automatisch uitgeschakeld					
	De energiebesparende modus wordt geactiveerd wanneer de belasting ≤ 1 W is	-	-	Uit	Uit	-
	De omvormer schakelt over naar normaal bedrijf wanneer de belasting ≥ 1 W is					
	De energiebesparende modus wordt geactiveerd wanneer de belasting ≤ 1 W is De omvormer schakelt over naar normaal bedrijf wanneer de belasting ≥ 1 W is De omvormer wordt na 20 minuten bedrijf in de energiebesparende modus automatisch uitgeschakeld	-	-	Uit	Aan	-
Netwerksysteem	IT-netwerk ( afb. 12 op pagina 139)	-	-	-	-	Aan
	TN-netwerk ( afb. 11 op pagina 139)	-	-	-	-	Uit

11

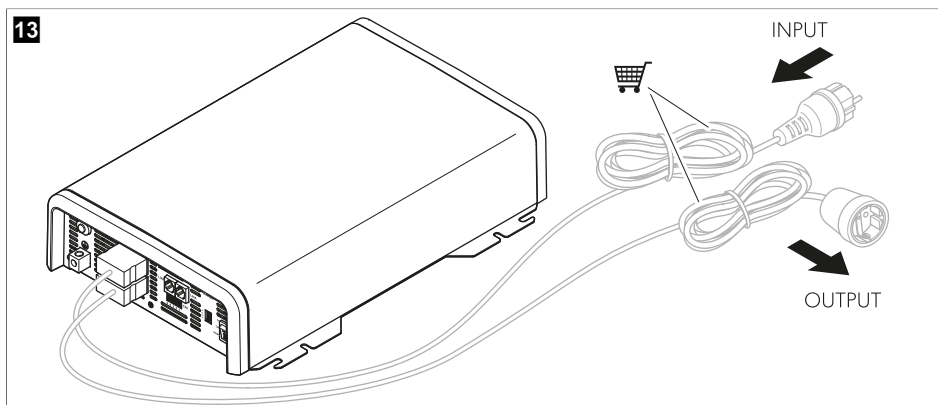


12



10 Gebruik

10.1 Bedienen van 230 V-toestellen



INSTRUCTIE

Sluit alleen toestellen aan waarvan de totale belasting de waarden in Technische gegevens op pagina 142 niet overschrijdt.

- > Sluit 230 V toestellen aan zoals weergegeven ( afb. **13** op pagina 140).

10.2 De omvormer in- en uitschakelen



INSTRUCTIE

- Als de omvormer via de afstandsbediening moet worden bediend, moet de aan/uit-schakelaar in de stand **II** worden gezet.
- Als de omvormer via de externe schakelaar moet worden bediend, moet de aan/uit-schakelaar in de stand **0** worden gezet.

- > Om de omvormer in te schakelen, zet u de aan/uit-schakelaar in de stand **I**.
- > Om de omvormer uit te schakelen, zet u de aan/uit-schakelaar in de stand **0**.
- > De afstandsbediening of de externe schakelaar kan worden gebruikt om de omvormer in en uit te schakelen.

11 Reiniging en onderhoud



WAARSCHUWING! Gevaar voor elektrische schokken

Trek de stekker van het toestel voor reiniging en onderhoud uit het stopcontact.



LET OP! Gevaar voor schade

- > Reinig het toestel nooit onder stromend water of in afwaswater.
- > Gebruik geen scherpe of harde voorwerpen, schurende reinigingsmiddelen of bleekmiddel bij het reinigen. Daardoor kan het toestel beschadigd raken.

- > Zorg ervoor dat de ventilatieopeningen van het toestel vrij zijn van stof en vuil, zodat de warmte kan worden afgevoerd.
- > Reinig het toestel geregeld met een zachte, vochtige doek.
- > Controleer onder spanning staande kabels regelmatig op beschadigde isolatie, kabelbreuk of losse contacten.

12 Problemen oplossen

Fout	Mogelijke oorzaak	Voorstel tot oplossing
De omvormer werkt niet. Het statusindicatielampje is uit.	Er is kortsluiting ontstaan.	<ul style="list-style-type: none"> > Als de zekering van het toestel is geactiveerd door overstroom, moet deze worden vervangen door een bevoegde klantenservice.
	Beschadigde isolatie, kabelbreuk of losse contacten van onder spanning staande kabels.	<ul style="list-style-type: none"> > Controleer onder spanning staande kabels op beschadigde isolatie, kabelbreuk of losse contacten. Neem contact op met een erkende klantenservice als u geen fout kunt vinden.
De omvormer werkt niet. Het statusindicatielampje knippert langzaam.	Bescherming tegen hoge ingangsstroom.	Verminder de aangesloten verbruikers.
	Uitschakeling vanwege hoge temperatuur.	<ol style="list-style-type: none"> 1. Schakel de omvormer en de aangesloten belastingen uit. 2. Zorg ervoor dat de luchtinlaten en -uitlaten niet zijn afgedekt of geblokkeerd. 3. Laat de omvormer afkoelen.
	Er is kortsluiting ontstaan.	Als de zekering van het toestel is geactiveerd door overstroom, moet deze worden vervangen door een bevoegde klantenservice.
De omvormer werkt niet. Het statusindicatielampje knippert snel.	Overspanningsuitschakeling. Accu- spanningen te hoog.	<ul style="list-style-type: none"> > Verlaag de aangesloten spanningen. De omvormer start automatisch opnieuw op wanneer de spanning daalt tot de herstartwaarde (zie hoofdstuk Overspanningsuitschakeling op pagina 143). > Als de fout nog steeds optreedt: Vergroot de kabeldoorsneden. Verminder de kabellengte.
	Onderspanningsuitschakeling. Accu- spanningen te gering.	<ul style="list-style-type: none"> > Laat de accu langzaam opladen. De omvormer start automatisch opnieuw op wanneer de spanning de herstartwaarde overschrijdt (zie hoofdstuk Onderspanningsuitschakeling op pagina 143).

13 Garantie

De wettelijke garantieperiode is van toepassing. Als het product defect is, neem dan contact op met de vestiging van de fabrikant in uw land (zie dometic.com/dealer) of uw verkoper.

Stuur voor de afhandeling van reparaties of garantie volgende documenten mee:

- Een kopie van de factuur met datum van aankoop
- De reden voor de claim of een beschrijving van de fout

Houd er rekening mee dat eigenmachtige of niet-professionele reparatie gevolgen voor de veiligheid kan hebben en dat de garantie hierdoor kan komen te vervallen.

14 Verwijdering

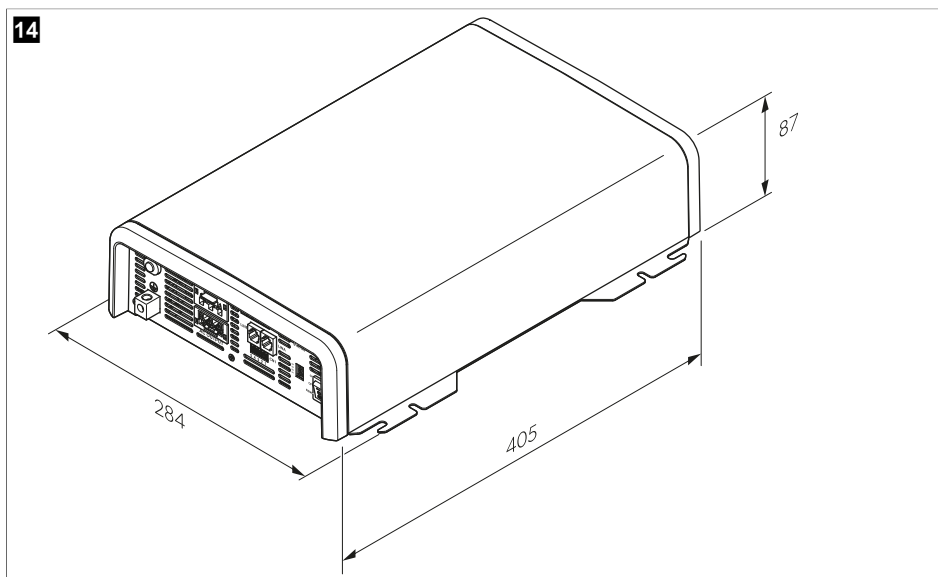


Gooi het verpakkingsmateriaal indien mogelijk altijd in recyclingafvalbakken.


Vraag het dichtstbijzijnde recyclingcentrum of uw dealer naar informatie over hoe het product kan worden weggegooid in overeenstemming met alle van toepassing zijnde nationale en lokale regelgeving.

Het product kan gratis worden afgevoerd.

15 Technische gegevens



	DPSI 1812	DPSI 1824
Nominale ingangsspanning	12 V ^{DC}	24 V ^{DC}
Ingangsspanningsbereik	10 ... 16,5 V ^{DC}	20 ... 33 V ^{DC}
Nominaal uitgangsvermogen P _{nom}	1800 W	1800 W

	DPSI 1812	DPSI 1824
Maximaal uitgangsvermogen (10 min)	1800 W	1800 W
Maximaal uitgangsvermogen (3 min)	2070 W	2070 W
Maximaal piekvermogen (2 s) P_{surge}	3600 W	3600 W
Stroomverbruik in stationaire stand	$\leq 2,5$ A	$\leq 1,3$ A
Stroomverbruik in stand-bystand	$\leq 0,2$ A	$\leq 0,1$ A
Afmetingen	 afb. 14 op pagina 142	
Gewicht	5,5 kg	5,5 kg

15.1 Algemene technische gegevens

Uitgangsspanningsbereik	230/ 240 V \sim \pm 3 %
Uitgangsfrequentie	50/60 Hz \pm 0,3 Hz
Uitgangsgolfvorm	Zuivere sinusgolf
Vervorming THD	THD \leq 3 % bij P_{nom} (weerstandbelasting)
Piefficiëntie	90 %
Omgevingstemperatuur voor bedrijf	- 20 ... 60 °C
Omgevingstemperatuur voor opslag	- 30 °C ... 70 °C
Omgevingsvochtigheid	0 ... 95 %, non-condensing
Inspectie/certificering	



15.2 Onderspanningsuitschakeling

	Uitschakelwaarde	Herstartwaarde
DPSI1812	10 V	12 V
DPSI1824	20 V	24 V

15.3 Overspanningsuitschakeling

	Uitschakelwaarde	Herstartwaarde
DPSI1812	16,5 V	15,5 V
DPSI1824	33 V	31 V

Dansk

1	Vigtige henvisninger.....	144
2	Forklaring af symboler.....	144
3	Sikkerhedshenvisninger.....	145
4	Leveringsomfang.....	148
5	Tilbehør.....	148
6	Korrekt brug.....	148
7	Teknisk beskrivelse.....	149
8	Montering.....	151
9	Konfiguration af inverteren.....	157
10	Betjening.....	160
11	Rengøring og vedligeholdelse.....	160
12	Udbedring af fejl.....	161
13	Garanti.....	161
14	Bortskaffelse.....	162
15	Tekniske data.....	162

1 Vigtige henvisninger

Læs og følg alle disse anvisninger, retningslinjer og advarsler i denne produktvejledning grundigt for at sikre, at du altid installerer, bruger og vedligeholder produktet korrekt. Disse anvisninger SKÅL opbevares sammen med dette produkt.

Ved at benytte produktet bekræfter du hermed, at du har læst alle anvisninger, retningslinjer og advarsler grundigt, og at du forstår og er indforstået med de vilkår og betingelser, der er fastlagt heri. Du er indforstået med kun at bruge dette produkt til det beregnede formål og anvendelse i overensstemmelse med anvisningerne, retningslinjerne og advarslerne i denne produktvejledning samt i overensstemmelse med alle de gældende love og forskrifter. Manglende læsning og ignorering af disse anvisninger og advarsler kan medføre kvæstelser på dig selv og andre, skade på dit produkt eller skade på anden ejendom i nærheden. Der tages forbehold for eventuelle ændringer og opdateringer af denne produktvejledning samt anvisningerne, retningslinjerne og advarslerne samt den tilhørende dokumentation. Se documents.dometic.com for de nyeste produktinformationer.

2 Forklaring af symboler

Et signalord vil identificere sikkerhedsmeddelelser og meddelelser om skade på ejendom og vil også angive graden eller niveauet af farens alvor.



FARE!

Angiver en farlig situation, som medfører dødsfald eller alvorlig kvæstelse, såfremt den ikke undgås.



ADVARSEL!

Angiver en farlig situation, som kan medføre dødsfald eller alvorlig kvæstelse, såfremt den ikke undgås.



FORSIGTIG!

Angiver en farlig situation, som kan medføre mindre eller lette kvæstelser, såfremt den ikke undgås.



VIGTIGT!

Angiver en situation, som kan medføre materielle skader, såfremt den ikke undgås.



BEMÆRK Supplerende informationer om betjening af produktet.

3 Sikkerhedshenvisninger

Overhold også sikkerhedshenvisningerne og bestemmelser, der er udstedt af køretøjsproducenten og autoriserede værksteder.

3.1 Grundlæggende sikkerhed



FARE! Fare for elektrisk stød

- > Tag aldrig fat i uisolerede ledninger med bare hænder.
- > For hurtigt at kunne afbryde apparatet fra vekselstrømsforsyningen ved farer skal stikdåsen befinde sig i nærheden af apparatet og være nem at nå.



ADVARSEL! Fare for elektrisk stød

- > Installation og fjernelse af apparatet må kun udføres af fagfolk.
- > Anvend ikke apparatet, hvis selve apparatet eller dets tilslutningskabel er synligt beskadiget.
- > Hvis dette apparats strømkabel er beskadiget, skal det udskiftes for at undgå sikkerhedsfarer.
- > Reparationer på dette apparat må kun foretages af fagfolk. Ukorrekte reparationer kan medføre betydelige farer.
- > Anvend kun tilbehør, der anbefales af producenten.
- > Ingen af komponenterne må på nogen måde ændres eller tilpasses.
- > Løs ikke kabler, når apparatet stadig er i brug.
- > Afbryd apparatet fra strømforsyningen:
 - efter brug
 - Før hver rengøring og vedligeholdelse
 - før et sikringssskift



ADVARSEL! Brandfare/brændbare materialer

Anvend i tilfælde af brand en ildslukker, der er egnet til elektriske apparater.



ADVARSEL! Risiko for kvælning

Apparatets kabel og betjeningsenhed kan udgøre en risiko for indvikling, strangulering, samt for at snuble over eller træde på dem, hvis de ikke placeres korrekt. Sørg for, at overskydende bånd og strømkabler placeres på en sikker måde.



ADVARSEL! Sundhedsfare

- > Dette apparat kan anvendes af børn over 8 år og personer med nedsatte fysiske, sensoriske eller mentale evner eller manglende erfaring eller viden, hvis de er under opsyn eller er blevet instrueret i sikker brug af apparatet og forstår de involverede farer.
- > **Ei-apparater er ikke legetøj!** Opbevar og anvend apparatet uden for meget unge børns rækkevidde.
- > Børn skal overvåges for at sikre, at de ikke leger med apparatet.
- > Rengøring og vedligeholdelse må ikke udføres af børn uden opsyn.



VIGTIGT! Fare for beskadigelse

- > Sammenlign spændingsspecifikationen på datapladen med den effektforsyning, der er til rådighed, før ibrugtagningen.
- > Sørg for, at andre genstande **ikke kan** forårsage en kortslutning i apparatets kontakter.
- > Kontrollér, at de negative og positive poler **aldrig** kommer i kontakt med hinanden.
- > Træk ikke i tilslutningskablerne, og brug ikke kablerne som håndtag.
- > Apparatet må ikke udsættes for regn eller fugt. Skal opbevares et tørt sted.

3.2 Sikker installation af apparatet



FARE! Eksplosionsfare

- > Installer og anvend udelukkende apparatet i lukkede, godt ventilerede rum.
- > Du må **ikke** installere eller anvende apparatet under følgende betingelser:
 - i saltholdige, fugtige eller våde omgivelser
 - i nærheden af aggressive dampe
 - i nærheden af brændbare materialer
 - i nærheden af varmekilder (varmeapparater, direkte sollys, gasovne, osv.)
 - i områder med gas- eller støvekspllosion.



ADVARSEL! Fare for kvæstelser

- > Sørg for, at apparatet står sikkert! Apparatet skal opstilles og fastgøres sikkert, så det ikke kan vælte eller falde ned.
- > Når apparatet placeres, skal man sørge for, at alle kabler er fastgjort forsvarligt for at forhindre fare for at snuble.



VIGTIGT! Fare for beskadigelse

- > Stil apparatet et tørt sted, der er beskyttet mod stænkvand.
- > Anvend altid jordede stikdåser, der er sikret med et fejlstrømsrelæ.

3.3 Sikkerhed under elektrisk tilslutning af apparatet



FARE! Fare for elektrisk stød

Når der arbejdes på elektriske anlæg, skal det kontrolleres, at der er nogen i nærheden, som kan hjælpe i et nødstilfælde.



ADVARSEL! Fare for elektrisk stød

- > Overhold de anbefalede kabeltværsnit.
- > Føjr kablerne, så de ikke kan blive beskadiget af døre eller hjelmen. Klemte ledninger kan føre til livsfarlige kvæstelser.



VIGTIGT! Fare for beskadigelse

- > Anvend tomme rør eller ledningsgennemføringer, når ledninger skal føres gennem pladevægge eller andre vægge med skarpe kanter.
- > Du må **ikke** føre 230 V netkablet og 12 V-kablet i den samme kabelkanal.
- > Føjr **ikke** ledningerne løst eller med skarpe knæk.
- > Fastgøjr kablerne sikkert.

3.4 Sikkerhedsforanstaltninger ved håndtering af batterier



ADVARSEL! Fare for kvæstelser

- > Batterier indeholder aggressive og ætsende syrer. Undgå, at batterivæske kommer i kontakt med din krop. Skyl den pågældende del af kroppen grundigt med vand, hvis din hud kommer i kontakt med batterivæske. Kontakt straks en læge, hvis du får kvæstelser på grund af syrer.
- > Bær ikke metalgenstande som f.eks. ure eller ringe, når du arbejder på batterier. Blysyre-batterier kan frembringe kortslutningsstrøm, der kan medføre alvorlige forbrændinger.
- > Brug kun isoleret værktøj.
- > Undlad at placere metaldele på batteriet og undgå, at der falder nogen former for metaldele ned på batteriet. Det kan forårsage gnister eller kortslutning af batteriet og andre elektriske enheder.
- > Bær beskyttelsesbriller og beskyttelsestøj, når der arbejdes på batterier. Berør ikke dine øjne, når du arbejder på batterier.
- > Anvend udelukkende genopladelige batterier.
- > Brug ikke defekte batterier.



FORSIGTIG! Eksplosionsfare

- > Forsøg aldrig at oplade et frosset eller defekt batteri. Stil batteriet på et frostfrit område, og vent, indtil batteriet har akklimatiseret sig til udenomstemperaturen. Start derefter opladningsprocessen.
- > Rygning, brug af åben flamme eller gnistdannelse i nærheden af motoren eller et batteri er forbudt.
- > Hold batteriet væk fra varmekilder.



VIGTIGT! Fare for beskadigelse

- > Kontrollér, at polerne vender korrekt, når batteriet tilsluttes.
- > Følg anvisningerne fra batteriproducenten og dem fra producenten af systemet eller køretøjet, som batteriet anvendes i.
- > Hvis batteriet skal fjernes, skal du først afbryde stelforbindelsen. Afbryd alle tilslutninger og alle forbrugere fra batteriet, før det fjernes.
- > Opbevar kun fuldt opladede batterier. Genoplad opbevarede batterier regelmæssigt.
- > Du må ikke bære batteriet på dets klemmer.

3.5 Sikkerhed under anvendelse af apparatet



ADVARSEL! Fare for elektrisk stød

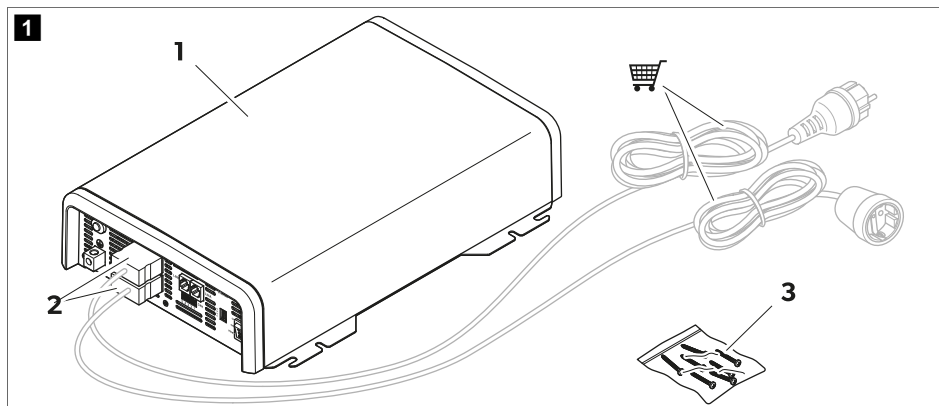
- > Apparatet må ikke bruges under våde forhold eller nedsænkes i væske.
- > Inden du starter apparatet, skal du kontrollere, at effektforsyningsledningen og stikket er tørre, og at stikket er fri for rust eller snavs.
- > Vær opmærksom på, at dele af apparatet stadig kan være spændingsførende, når sikringen har udløst.




VIGTIGT! Fare for beskadigelse

- > Kontrollér, at apparatets luftind- og -udgange ikke er tildækkede.
- > Sørg for en god ventilation.

4 Leveringsomfang



Nr. på  fig. 1 på side 148	Betegnelse	Antal
1	Sinusbølgeinverter	1
2	WAGO-stik, forbindelseskabel med sikkerhedskobling (til 230 V~ output)	2
3	Fastgørelsesskruer	6
-	Monterings- og betjeningsvejledning	1

5 Tilbehør

Betegnelse	Art.nr.
Fjernbetjening DSP-RCT	9600002564
Kontrolskærm DSP-EM	9600002565
Touchdisplay TD283	9620013272

6 Korrekt brug

Inverteren er beregnet til at konvertere jævnstrøm til vekselspænding (AC) på 230~ ... 240 V~ med en ren sinusbølge til drift og stabil strømforsyning af tilsluttede forbrugere.

Inverteren er beregnet til tilslutning til:

- DPSI1812iTS: 12 V \Rightarrow
- DPSI1824iTS: 24 V \Rightarrow

Inverteren er egnet til:

- Montering i fritidskøretøjer (RV), lastbiler, erhvervs køretøjer eller motor- og sejlbåde
- Stationær eller mobil brug
- Indendørs brug

Inverteren er **ikke** egnet til:

- Udendørs brug

Dette produkt er kun egnet til dets beregnede formål og anvendelse i overensstemmelse med disse anvisninger.

Denne vejledning giver dig oplysninger om, hvad der er nødvendigt med henblik på en korrekt montering og/eller drift af produktet. Dårlig montering og/eller ukorrekt drift eller vedligeholdelse medfører utilstrækkelig ydeevne og mulige fejl.

Producenten påtager sig intet ansvar for kvæstelser eller skader i forbindelse med produktet, der skyldes:

- ukorrekt montering eller forbindelse inklusive for høj spænding
- ukorrekt vedligeholdelse eller brug af uoriginale reservedele, der ikke stammer fra producenten
- ændringer på produktet uden udtrykkelig tilladelse fra producenten
- brug til andre formål end dem, der er beskrevet i vejledningen.

Dometic forbeholder sig ret til at ændre produktets udseende og produktspecifikationer.

7 Teknisk beskrivelse

7.1 Generel beskrivelse

Inverteren er en jævnstrøm til vekselstrøm-sinusinverter med rene sinusbølger.

Inverteren har et prioritetskredsløb. Hvis det er muligt at tilslutte til 230 V~ netspænding, bruges denne eksterne strømkilde til at forsyne stikkene i fritidskøretøjet. Hvis det ikke er muligt at tilslutte til 230 V~ netspænding, konverterer inverteren batteriets jævnstrøm til vekselstrøm, hvilket sikrer strømforsyningen til de tilsluttede forbrugere.

Inverteren kan bruges i følgende netværkssystemer:

- TN-netværk
- IT-netværk

Netværkssystemerne indstilles ved hjælp af en skrue på inverteren.

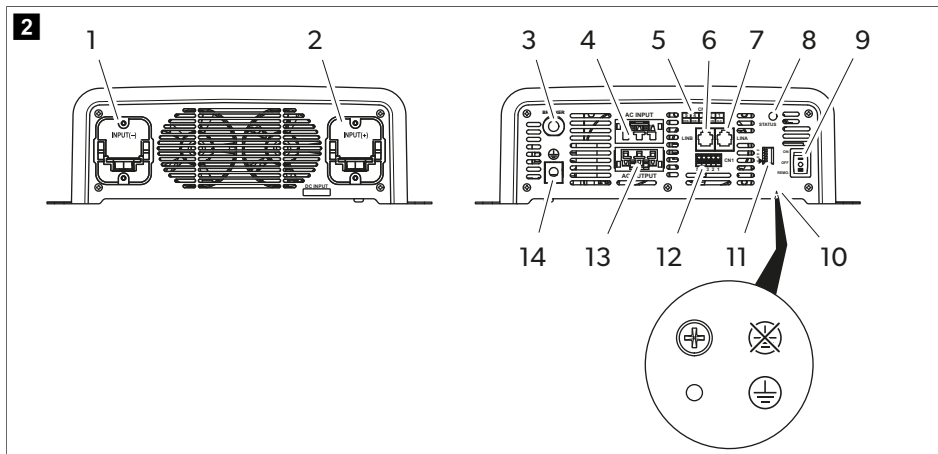
Inverteren kan skiftes til energibesparende tilstand for at reducere tomgangsforbruget og minimere belastningen af batteriet.

Inverteren har følgende beskyttelsesmekanismer:

- **Overspændingsfrakobling:** Inverteren frakobles, hvis spændingen stiger til over frakoblingsværdien. Inverteren genstarter automatisk, når spændingen falder til genstartsværdien.
- **Underspændingsfrakobling:** Inverteren frakobles, hvis spændingen falder til under frakoblingsværdien. Inverteren genstarter automatisk, når spændingen overstiger genstartsværdien.
- **Overtemperaturbeskyttelse:** Inverteren frakobles, når apparatets indvendige temperatur overskrider frakoblingsværdien. Inverteren genstarter automatisk, når den indvendige temperatur falder til genstartsværdien.
- **Beskyttelse mod høj udgangsstrøm:** Inverteren frakobles, når der er tilsluttet for mange belastninger.
- **Beskyttelse mod kortslutning:** Inverteren frakobles, når der er opstået en kortslutning. Inverteren genstarter automatisk efter et par sekunder. Hvis der registreres en kortslutning fem på hinanden følgende gange, genstarter inverteren ikke automatisk, og en manuel genstart er nødvendig.

Inverteren er N-BUS- og CI-BUS-kompatibel til data- og funktionsvisning på touchdisplayet (tilbehør) og i mobilappen.

7.2 Betjeningslementer og tilslutninger



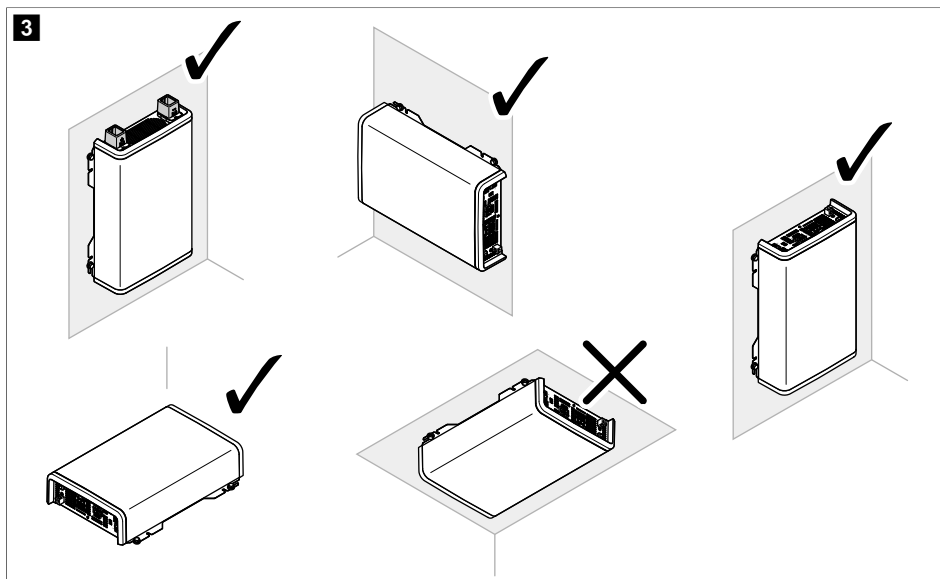
Nr.	Betegnelse
1	(-) terminal, tilslutning til forsyningsbatteriets negative pol
2	(+) terminal, tilslutning til forsyningsbatteriets positive pol
3	Sikring til ekstern indgang
4	Vekselstrømsindgang
5	CN1-terminal
6	CI-BUS/N-BUS/fjernbetjenings tilslutning (LINB)
7	CI-BUS/N-BUS/fjernbetjenings tilslutning (LINA)
8	Status-LED
9	Til/fra-kontakt
10	Skrue til IT/TN-netværksindstilling
11	DIP-omskifter
12	DIP-omskifter, tilslutning til ekstern kontakt og alarmrelæ
13	AC Output
14	Jordforbindelse

7.3 Status-LED

Status	Beskrivelse
On	Inverterdrift
Flashing	Fejl (se kapitlet Udbedring af fejl på side 161)
Off	Ingen AC-indgangsstrøm til stede, inverter deaktiveret

8 Montering

8.1 Monteringssted




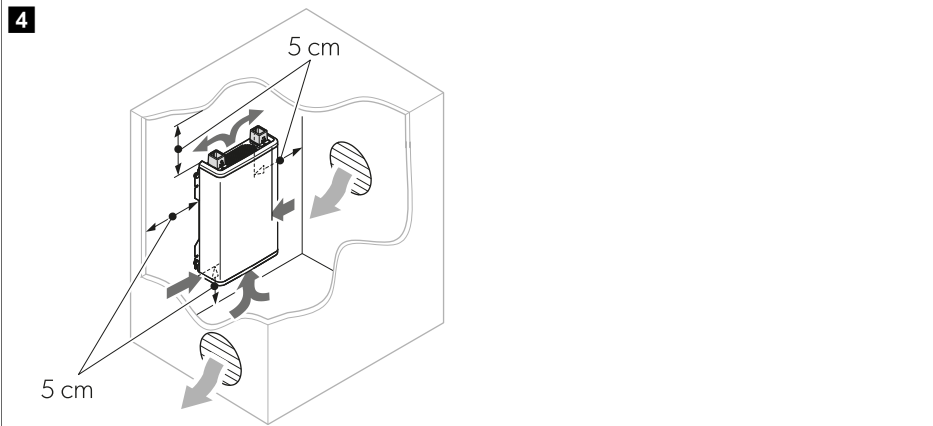
VIGTIGT! Fare for beskadigelse

Før du borer, skal du kontrollere, at elektriske kabler eller andre dele på køretøjet ikke beskadiges, når der bores, saves eller files.




BEMÆRK

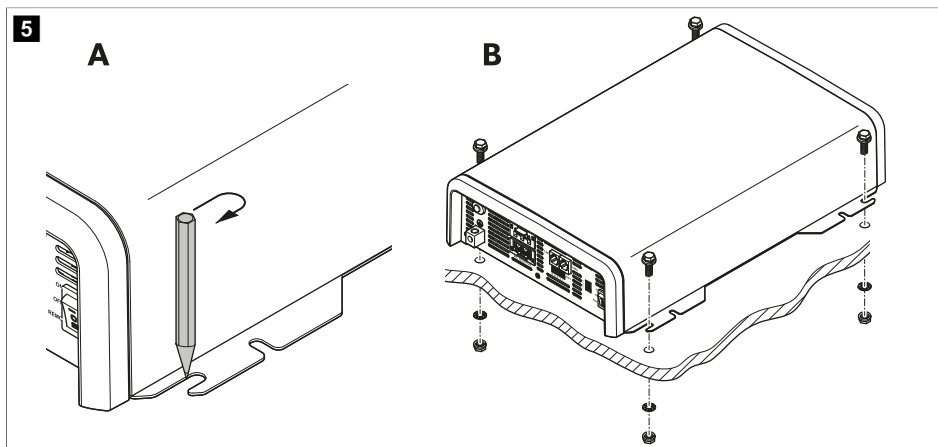
Inverteren kan monteret stående eller hængende ( fig. 3 på side 151).





Overhold følgende anvisninger, når du vælger installationsstedet:

- Kontrollér, at monteringsoverfladen er fast og vandret.
- Overhold afstandsspecifikationerne for tilstrækkelig ventilation ( fig. 4 på side 152).

8.2 Montering af inverteren



1. Vælg de relevante monteringshuller afhængigt af den valgte monteringsstype (stående eller hængende), og mærkér borehullerne ( fig. 5 på side 152, **A**).
2. Forbor monteringshullerne.
3. Skru inverteren på plads ( fig. 5 på side 152, **B**).

8.3 Tilslutning af inverteren



Den elektriske installation og opsætning af apparatet skal udføres af en kvalificeret elektriker, som har godtgjort sine evner og sit kendskab med henblik på konstruktion og betjening af elektrisk udstyr og installationer, og som er bekendt med de gældende nationale forskrifter, hvor udstyret skal installeres og/eller anvendes, og som har modtaget sikkerhedsuddannelse med henblik på at kunne identificere og undgå de involverede farer.

Alle andre handlinger er også beregnet til ikke-professionelle brugere.



ADVARSEL! Fare for elektrisk stød

Overhold de anbefalede kabeltværsnit, kabellængder og sikringer.



FORSIGTIG! Brandfare

Anbring sikringen i nærheden af batterierne for at beskytte kablet mod kortslutning og mulig brand.



VIGTIGT! Fare for beskadigelse

- > Polerne må ikke byttes om.
- > Spænd møtrikkerne eller skrueerne med et maks. drejningsmoment på 15 Nm. Løse forbindelser kan medføre overophedning.

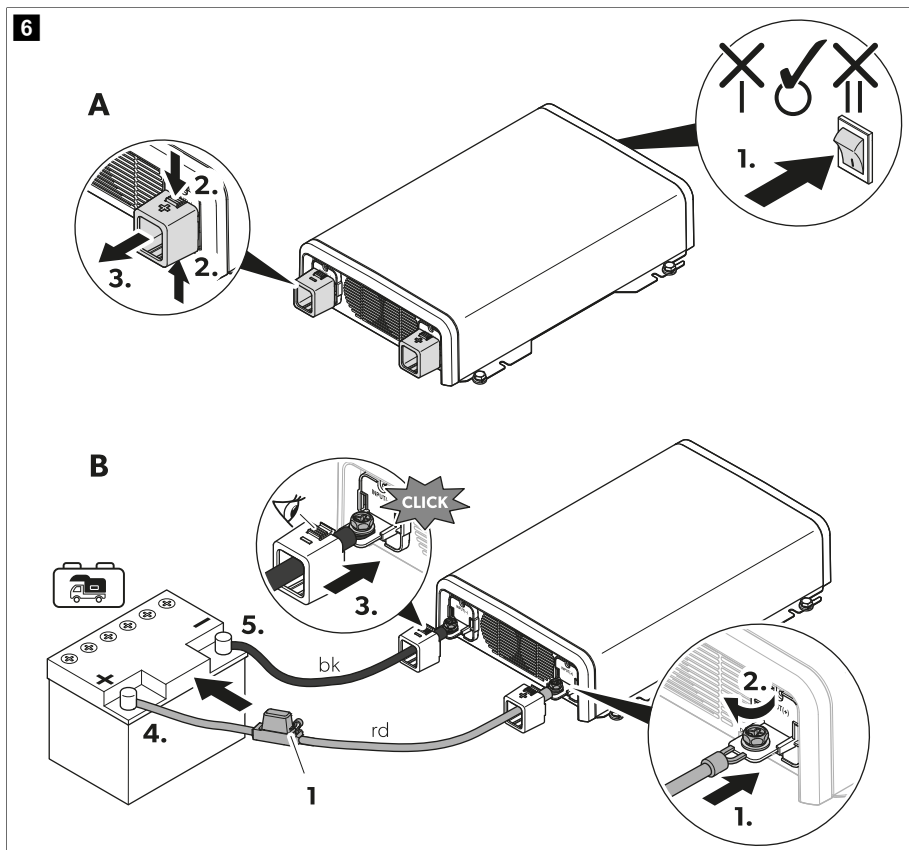
Overhold følgende anvisninger, når du tilslutter inverteren:

- Overhold de gældende bestemmelser ved opsætning af et strømforsyningskredsløb (lysnetsinstallation).
- Kabellængden for jævnstrømskablerne (tilslutning til batteriklemmer) skal være så kort som muligt ≤ 1 m.
- Ved **TN-netværksforbindelse**: Monter et fejlstrømsrelæ (RCD).
- Ved **IT-netværksforbindelse**: Montér en isoleringsovervågningsenhed (IMD), hvis der er tilsluttet mere end én belastning. **Nationale standarder gælder.**


1. Bestemmelse af kabeltværsnit og sikring:

	Kabeltværsnit	Kabelsikring
DPSI1812iTS	50 mm ²	250 A
DPSI1824iTS	25 mm ²	150 A


2. Kontrollér, at apparatet er slukket ( fig. 6 på side 154, **A: 1**).



3. Fjern afdækningen fra terminalerne ( fig. 6 på side 154, **A: 2 – 3**).

4.  **VIGTIGT! Fare for beskadigelse**
For at undgå kortslutning af apparatet skal du altid først tilslutte det sorte kabel (negativ terminal).

Tilslut det sorte (bk) tilslutningskabel til (-) terminalen.

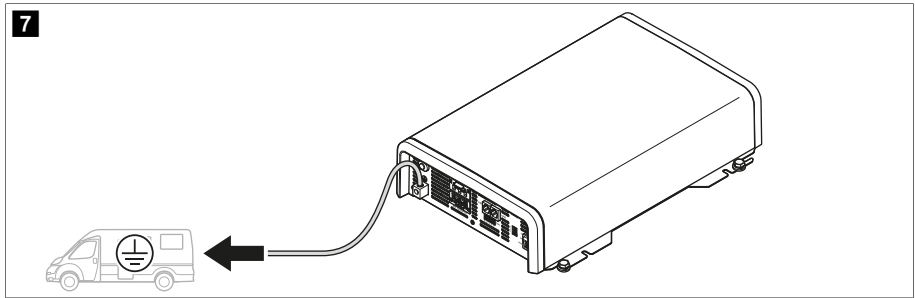
5. Tilslut det røde (rd) tilslutningskabel til (+) terminalen ( fig. 6 på side 154, **B: 1 – 2**).

6. Tilslut (+) til forsyningsbatteriets positive klemme ( fig. 6 på side 154, **B: 4**).

 **BEMÆRK** Beskyt det positive kabel på forsyningsbatteriet med en sikring ( fig. 6 på side 154, **1**).

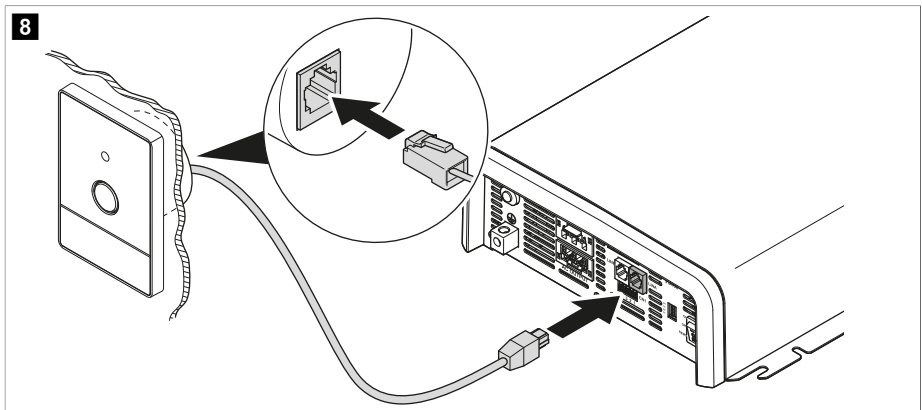
7. Tilslut (-) til forsyningsbatteriets negative terminal ( fig. 6 på side 154, **B: 5**).

8. Tilslut stelforbindelsen til stel (chassis)  fig. 7 på side 155.



8.4 Tilslutning af fjernbetjeningen

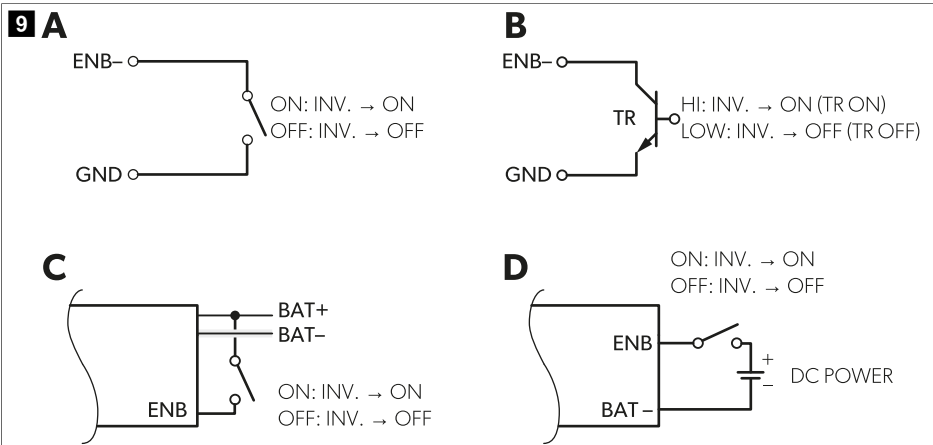
- > Tilslut fjernbetjeningen til fjernbetjeningstilslutningen (LINA eller LINB).



8.5 Tilslutning af en ekstern kontakt



BEMÆRK Hvis der er tilsluttet en ekstern kontakt, kan status for energisparetilstand ikke ændres.

**BEMÆRK**

- > Sørg for, at fjernbetjeningstilslutningen ikke er optaget.
- > Vælg en af følgende egnede eksterne omskiftere:
 - fig. 9 på side 156, **A**: Ekstern omskifter med strømforsyning fra inverteren
 - fig. 9 på side 156, **B**: Styreenhed med relæ- eller transistorkobling (TR)
 - fig. 9 på side 156, **C**: Ekstern kontakt med strømforsyning via køretøjets batteri (BAT)
 - fig. 9 på side 156, **D**: Ekstern kontakt med egen strømforsyning (DC POWER), f.eks. fra tændingen



BEMÆRK Sørg for, at fjernbetjeningstilslutningen ikke er optaget.

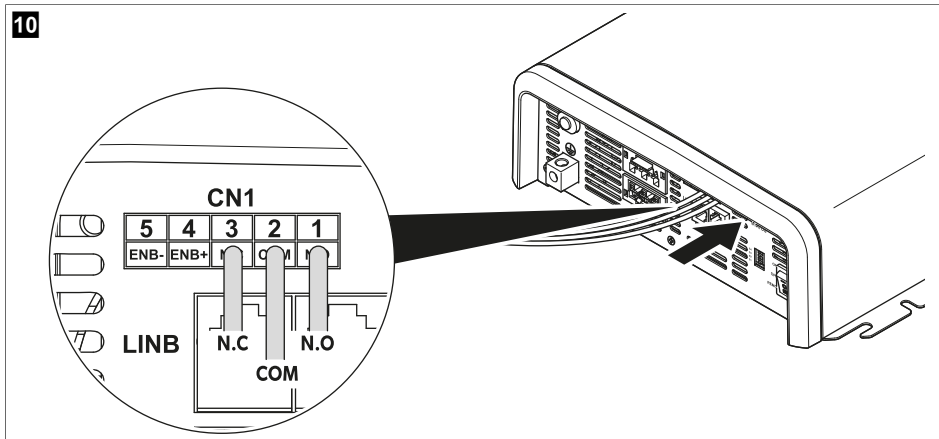
1. Sæt tænd/sluk-kontakten til **OFF**til.
2. Sæt tænd/sluk-kontakten til **REMO**til.
3. Tilslut den eksterne kontakt til CN1-terminalen.

8.6 Tilslutning af et alarmrelæ

Alarmrelæet aktiveres, så snart vekselstrømforsyningen er tilgængelig, og vekselstrømsomkobleren er lukket. Alarmrelæet kan bruges til at:

- generere et signal til registrering af vekselstrøm på køretøjets kontrolpanel.
- tænde og slukke for mindre kritiske belastninger (f.eks. absorptionskøleskab, elektriske varmesystemer), som kun bør drives med vekselstrømforsyning.

10



> Tilslut et alarmrelæ til CN1-terminalen ( fig. 10 på side 157).

9 Konfiguration af inverteren



Den elektriske installation og opsætning af apparatet skal udføres af en kvalificeret elektriker, som har godtgjort sine evner og sit kendskab med henblik på konstruktion og betjening af elektrisk udstyr og installationer, og som er bekendt med de gældende nationale forskrifter, hvor udstyret skal installeres og/eller anvendes, og som har modtaget sikkerhedsuddannelse med henblik på at kunne identificere og undgå de involverede farer.

Alle andre handlinger er også beregnet til ikke-professionelle brugere.



FARE! Fare for elektrisk stød

- > Fjern kun beskyttelseshætten fra DIP-omskifteren for konfiguration.
- > Sæt beskyttelseshætten på igen for at undgå utilsigtet justering af DIP-omskifteren.
- > Ved **TN-netværkskonfiguration**: Sørg for, at der er installeret et fejlstrømsrelæ (RCD).
- > Ved **IT-netværkskonfiguration**: Betjen kun én belastning, eller monter en isoleringsovervågningsenhed (IMD). Overhold de nationale standarder.



BEMÆRK



Brug en lille skruetrækker til forsigtigt at flytte DIP-omskifterne til den krævede position.

Indstillinger på inverteren kan foretages via DIP-omskiftere eller via tilslutning af en CI-BUS-kompatibel fjernbetjening.

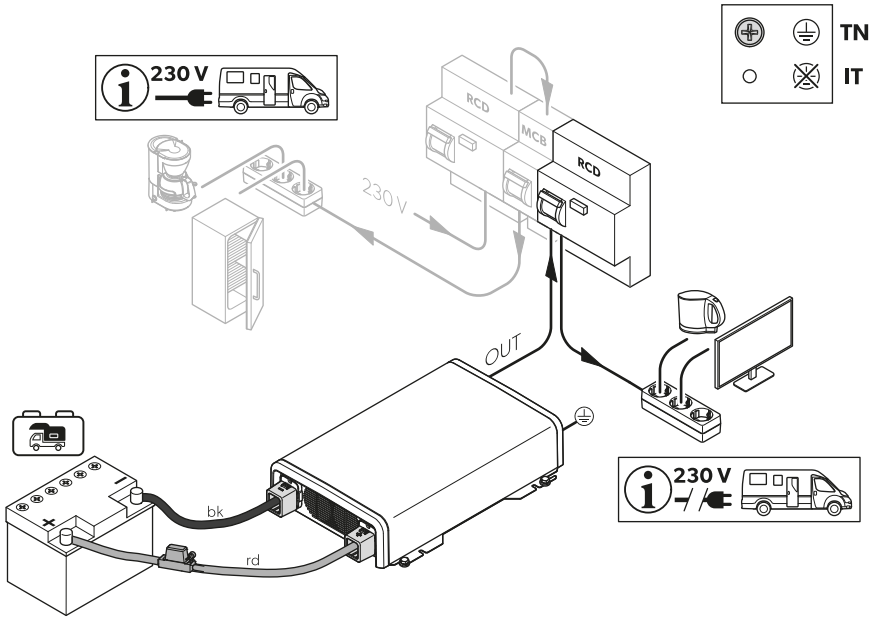
Apparatet anvender til at begynde med fabrikskonfigurationen. Flyt om nødvendigt DIP-omskifterne for at justere konfigurationen.

- > Skub DIP-omskifteren **S1** til **On** for **lokal** indstilling via DIP-omskiftere.
- > Skub DIP-kontakten **S1** til **OFF** for **fjern** indstilling via fjernbetjeningen.

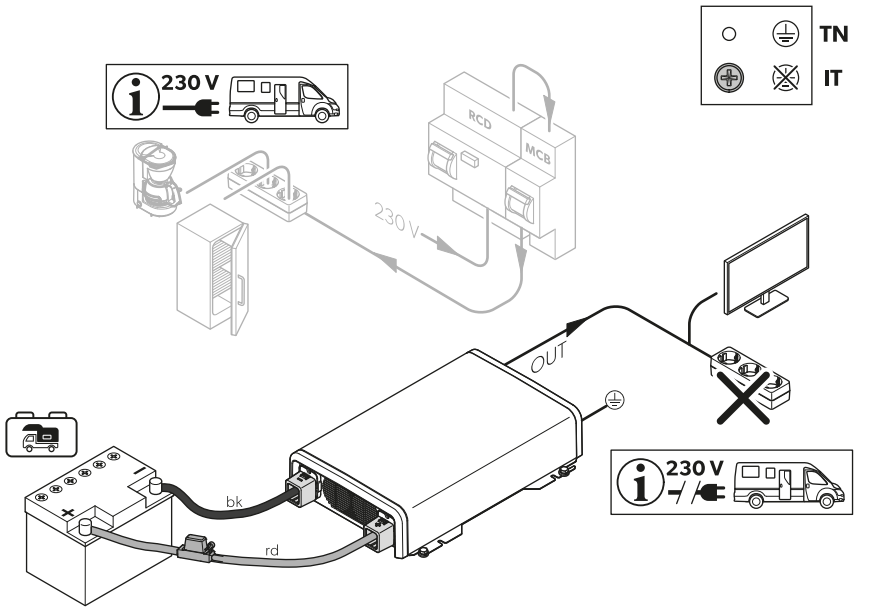
9.1 Indstillinger for DIP-omskiftere

	Konfiguration	Position for DIP-omskifter				
		S1	S2	S3	S4	S5
Settings	Lokal konfiguration via DIP-omskifter	Til	-	-	-	-
	Fjernindstilling via fjernbetjening	Slukket	-	-	-	-
Netspænding	240 V/60 Hz	-	Til	-	-	-
	230 V/50 Hz	-	Slukket	-	-	-
Energibesparende tilstand	Energy-saving mode is activated when the load is ≤ 45 W	-	-	Til	Til	-
	Inverter switches to normal operation when the load is ≥ 45 W					
	Den energibesparende tilstand aktiveres, når belastningen er ≤ 45 W	-	-	Til	Slukket	-
	Inverteren skifter til normal drift, når belastningen er ≥ 45 W					
	Inverteren slukker automatisk efter 20 minutters drift i energibesparende tilstand					
	Den energibesparende tilstand aktiveres, når belastningen er ≤ 1 W	-	-	Slukket	Slukket	-
Inverteren skifter til normal drift, når belastningen er ≥ 1 W						
Den energibesparende tilstand aktiveres, når belastningen er ≤ 1 W	Den energibesparende tilstand aktiveres, når belastningen er ≤ 1 W	-	-	Slukket	Til	-
	Inverteren skifter til normal drift, når belastningen er ≥ 1 W					
	Inverteren slukker automatisk efter 20 minutters drift i energibesparende tilstand					
Netsystem	IT-netværk ( fig. 12 på side 159)	-	-	-	-	Til
	TN-netværk ( fig. 11 på side 159)	-	-	-	-	Slukket

11

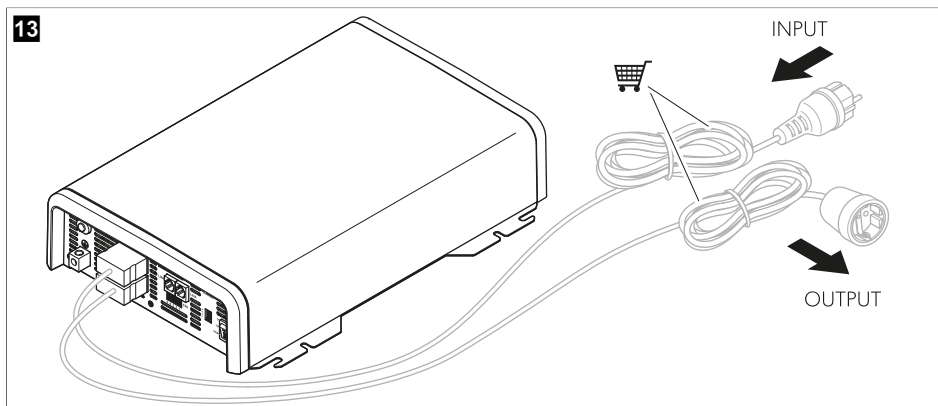


12




10 Betjening

10.1 Brug af 230 V apparater



BEMÆRK

Tilslut kun apparater, hvis samlede belastning ikke overstiger de værdier, der er angivet i Tekniske data på side 162.

- > Tilslut 230 V apparater som vist i ( fig. 13 på side 160).

10.2 Sådan tændes og slukkes inverteren



BEMÆRK

- Hvis inverteren skal styres via fjernbetjeningen, skal tænd/sluk-kontakten indstilles til positionen **II**.
- Hvis inverteren skal styres via den eksterne kontakt, skal tænd/sluk-kontakten indstilles til positionen **0**.

- > Tænd for inverteren ved at sætte tænd/sluk-kontakten i positionen **I**.
- > For at slukke for inverteren skal du sætte tænd/sluk-kontakten i positionen **0**.
- > Brug fjernbetjeningen eller den eksterne kontakt til at tænde og slukke inverteren.

11 Rengøring og vedligeholdelse



ADVARSEL! Fare for elektrisk stød

Træk apparatet ud af strømforsyningen før rengøring og vedligeholdelse.



VIGTIGT! Fare for beskadigelse

- > Rengør aldrig apparatet under rindende vand eller i opvaskevand.
- > Anvend ikke skarpe eller hårde genstande, skurende rengøringsmidler eller blegemiddel ved rengøringen, da de kan beskadige apparatet.
- > Kontrollér, at apparatets ventilations- og udluftningsåbninger er fri for støv og urenheder, så varmen kan ledes bort.

- > Rengør apparatet af og til med en fugtig klud.
- > Kontrollér spændingsførende kabler regelmæssigt med henblik på isoleringsfejl, brud eller løse forbindelser.

12 Udbedring af fejl

Fejl	Mulig årsag	Løsningsforslag
Inverteren virker ikke. Status-LED'en er slukket.	Der er opstået en kortslutning.	> Apparats sikring skal udskiftes af en autoriseret servicerepræsentant, efter den er blevet udløst af overstrøm.
	Isoleringsfejl, brud eller løse forbindelser på de spændingsførende kabler.	> Kontrollér spændingsførende kabler med henblik på isoleringsfejl, brud eller løse forbindelser. Hvis du ikke kan finde fejlen, så kontakt en autoriseret servicerepræsentant.
Inverteren virker ikke. Status-LED'en blinker langsomt.	Beskyttelse mod høj indgangsstrøm.	Reducér den tilsluttede belastning.
	Overtemperaturfrakobling.	1. Sluk inverteren og de tilsluttede belastninger. 2. Kontrollér, at alle luftindgange og -udgange ikke er dækket til eller hindret. 3. Lad inverteren køle af.
	Der er opstået en kortslutning.	Apparats sikring skal udskiftes af en autoriseret servicerepræsentant, efter den er blevet udløst af overstrøm.
Inverteren virker ikke. Status-LED'en blinker hurtigt.	Overspændingsfrakobling. For høj batterispænding.	> Reducér tilslutningsspændingerne. Inverteren genstarter automatisk, når spændingen falder til genstartsværdien (se kapitlet Overspændingsfrakobling på side 163). > Hvis fejlen stadig forekommer: Øg kabeltværsnittene. Reducer kabel-længden.
	Underspændingsfrakobling. For lav batterispænding.	> Lad batteriet genoplade langsomt. Inverteren genstarter automatisk, når spændingen når over genstartsværdien (se kapitlet Underspændingsfrakobling på side 163).

13 Garanti

Den lovbestemte garantiperiode gælder. Hvis produktet er defekt, skal du kontakte producentens afdeling i dit land (se dometic.com/dealer) eller din forhandler.

Ved reparation eller krav om garanti skal du medsende følgende bilag:

- en kopi af regningen med købsdato
- en reklameringsgrund eller en fejlbeskrivelse.

Vær opmærksom på, at egne eller uprofessionelle reparationer kan få sikkerhedsmæssige konsekvenser og kan gøre garantien ugyldig.

14 Bortskaffelse

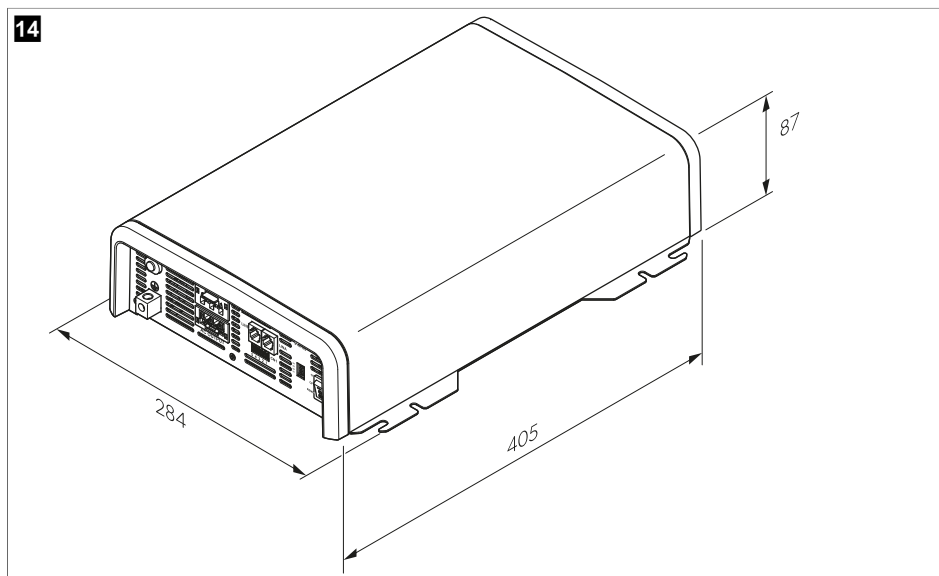



Bortskaf så vidt muligt emballagen i affaldscontainerne til den pågældende type genbrugsaffald.

Kontakt en lokal genbrugsstation eller din faghandel for at få de pågældende forskrifter om, hvordan du bortskaffer produktet i overensstemmelse med disse gældende forskrifter for bortskaffelse.

Produktet kan bortskaffes uden gebyr.

15 Tekniske data



	DPSI 1812	DPSI 1824
Nominel indgangsspænding	12 V _{DC}	24 V _{DC}
Indgangsspændingsområde	10 ... 16,5 V _{DC}	20 ... 33 V _{DC}
Kontinuerlig udgangseffekt P _{nom}	1800 W	1800 W
Maks. udgangseffekt (10 min)	1800 W	1800 W
Maks. udgangseffekt (3 min)	2070 W	2070 W
Maks. overspændingsstrøm (2 s) P _{overspænding}	3600 W	3600 W
Strømforbrug i tomgangstilstand	≤ 2,5 A	≤ 1,3 A
Strømforbrug i standbytilstand	≤ 0,2 A	≤ 0,1 A
Mål	 fig. 14 på side 162	

	DPSI 1812	DPSI 1824
Vægt	5,5 kg	5,5 kg

15.1 Generelle tekniske data

Udgangsspændingsområde	230/ 240 V \sim \pm 3 %
Udgangsfrekvens	50/60 Hz \pm 0,3 Hz
Udgangsbølgeform	Ren sinusbølge
Forvrængning THD	THD \leq 3 % ved P _{nom} (resistiv belastning)
Maksimal effektivitet	90 %
Omgivelsestemperatur for drift	-20 ... 60 °C
Omgivelsestemperatur for opbevaring	-30 °C ... 70 °C
Udenomsfugtighed	0 ... 95 %, non-condensing
Inspektion/certificering	



15.2 Underspændingsfrakobling

	Frakoblingsværdi	Genstartsværdi
DPSI1812	10 V	12 V
DPSI1824	20 V	24 V

15.3 Overspændingsfrakobling

	Frakoblingsværdi	Genstartsværdi
DPSI1812	16,5 V	15,5 V
DPSI1824	33 V	31 V

Svenska

1	Observera.....	164
2	Förklaring av symboler.....	164
3	Säkerhetsanvisningar.....	165
4	Leveransomfattning.....	168
5	Tillbehör.....	168
6	Avsedd användning.....	168
7	Teknisk beskrivning.....	169
8	Installation.....	171
9	Ställa in växelriktaren.....	177
10	Användning.....	180
11	Rengöring och skötsel.....	180
12	Felsökning.....	181
13	Garanti.....	181
14	Kassering.....	182
15	Tekniska data.....	182

1 Observera

Läs och följ noggrant alla instruktioner, direktiv och varningar i den här produkthandboken för att säkerställa att du alltid installerar, använder och underhåller produkten på rätt sätt. Dessa instruktioner **MÅSTE** förvaras tillsammans med produkten.

Genom att använda produkten bekräftar du härmed att du noggrant har läst alla instruktioner, direktiv och varningar och att du förstår och är införstådd med att följa de villkor som anges här. Du är införstådd med att endast använda denna produkt i avsett syfte och i enlighet med instruktionerna, direktiven och varningarna som anges i denna produkthandbok samt i enlighet med alla gällande lagar och bestämmelser. Om du inte läser och följer instruktionerna och varningarna som anges här kan det leda till personskador på dig eller andra, på produkten eller annan egendom i närheten. Denna produkthandbok, inklusive instruktionerna, direktiven och varningarna samt relaterad information, kan ändras och uppdateras. Aktuell produktinformation finns på documents.dometic.com.

2 Förklaring av symboler

Ett signalord identifierar säkerhetsmeddelanden och meddelanden om egendomsskada och indikerar även farans allvarlighetsgrad.



FARA!

Anger en farlig situation som, om den inte kan undvikas, leder till döden eller allvarlig personskada.



WARNING!

Anger en farlig situation som, om den inte kan undvikas, kan leda till döden eller allvarlig personskada.



AKTA!

Anger en farlig situation som, om den inte kan undvikas, leder till lindrig eller måttlig personskada.



OBSERVERA!

Anger en situation som, om den inte kan undvikas, kan leda till materiell skada.



ANVISNING Kompletterande information om användning av produkten.

3 Säkerhetsanvisningar

Beakta även säkerhetsanvisningarna och riktlinjerna från fordonstillverkaren och auktoriserade verkstäder.

3.1 Allmänna säkerhetsanvisningar



FARA! Risk för dödsfall på grund av elektricitet

- > Ta inte tag i avskalade ledningar med händerna.
- > För att apparaten snabbt ska kunna kopplas bort från växelströmsnätet måste uttaget sitta i närheten av apparaten och vara lätt att nå.



VARNING! Risk för dödsfall på grund av elektricitet

- > Apparaten får endast installeras och tas bort av härför utbildad personal.
- > Om själva apparaten eller anslutningskablar uppvisar synliga skador får apparaten ej tas i drift.
- > Om strömförsörjningskabeln till enheten skadas måste den bytas för att förhindra säkerhetsrisker.
- > Denna apparat får endast repareras av härför utbildad personal. Om man utför reparationer på fel sätt kan man utsättas för avsevärda risker.
- > Använd endast tillbehör som rekommenderas av tillverkaren.
- > Ändra eller anpassa inte komponenterna på något sätt.
- > Lossa inga kablar när apparaten används.
- > Koppla bort apparaten från strömförsörjningen:
 - Efter varje användning
 - före varje rengörings- och underhållstillfälle
 - före byte av säkring



VARNING! Brandrisk/brännbara material

Vid brand får endast brandsläckare användas som är avsedda för elektriska apparater.



VARNING! Kvävningrisk

Apparatens kabel- och styrenhet kan innebära risk för att trassla in sig, strypas av, snubbla över eller trampa på kablarna om den inte utformas rätt. Säkerställ att kabeländar och spänningskablar placeras på ett säkert sätt.



VARNING! Hälsorisk

- > Barn från åtta års ålder, personer med nedsatt fysisk, sensorisk eller mental förmåga, eller personer med bristande erfarenhet och kunskaper får använda den här apparaten förutsatt att de hålls under uppsikt eller om de har fått anvisningar om hur man använder den här apparaten på ett säkert sätt och känner till vilka risker som är förknippade med användningen.
- > **Elapparater är inga leksaker.** Förvara och använd apparaten utom räckhåll för små barn.
- > Barn måste hållas under uppsikt så att de inte leker med apparaten.
- > Utan uppsikt får barn inte utföra rengörings- eller underhållsarbeten.



OBSERVERA! Risk för skada

- > Jämför spänningsuppgifterna på typetiketten med spänningen i ditt uttag innan apparaten tas i drift.
- > Kontrollera att det **inte** är möjligt för andra föremål att orsaka kortslutning vid apparatens kontakter.
- > Säkerställ att negativa och positiva poler **aldrig** kommer i kontakt med varandra.
- > Dra inte i anslutningskablar och använd inte kablarna som handtag.

- > Apparaten får inte utsättas för regn eller fukt. Förvaras torrt.

3.2 Säkerhet vid installering av apparaten



FARA! Explosionsrisk

- > Installera och använd apparaten endast i slutna och väl ventilerade utrymmen.
- > Installera och använd **inte** apparaten i dessa förhållanden:
 - i salthaltiga, fuktiga eller blöta omgivningar
 - i närheten av aggressiva ångor
 - i närheten av brännbara material
 - i närheten av värmekällor (element, direkt solljus, gasspisar osv.).
 - i områden där det finns risk för gas- eller dammexplosioner.



VARNING! Risk för personskada

- > Se till att apparaten står säkert och stabilt. Produkten måste ställas upp och fästas så att den inte kan välta eller falla ner.
- > Se till att alla kablar är säkrade på lämpligt sätt för att undvika snubblingsrisk i samband med att apparaten sätts på plats.



OBSERVERA! Risk för skada

- > Ställ apparaten i ett torrt utrymme där den är skyddad mot vattenstänk.
- > Använd alltid jordade uttag med FI-jordfelsbrytare

3.3 Säkerhet vid elektrisk anslutning av apparaten



FARA! Risk för dödsfall på grund av elektricitet

Vid alla arbeten på den elektriska installationen: se till att det finns en annan person i närheten som kan ingripa vid ev. nödfall.



VARNING! Risk för dödsfall på grund av elektricitet

- > Beakta de nödvändiga kabelareorna.
- > Dra kablarna så att de inte kan skadas av dörrar eller motorhuv. Klämda kablar kan orsaka personsador med dödlig utgång.



OBSERVERA! Risk för skada

- > Använd tomma rör eller kabelkanaler om kablarna dras genom plåtväggar eller andra väggar med vassa kanter.
- > Lägg **inte** 230 V-nätanslutningskabeln och 12 V-likströmskabeln i samma kanal.
- > Lägg **inte** kabeln löst eller vikt.
- > Sätt fast kablarna så att de sitter säkert.

3.4 Säkerhet vid hantering av batterier



VARNING! Risk för personskada

- > Batterier innehåller aggressiva och frätande syror. Undvik kontakt med batterivätskan. Om huden kommer i kontakt med batterivätska ska stället på kroppen rengöras noggrant med vatten. Uppsök alltid läkare vid kroppsskador orsakade av syra.

- > Bär inte metallsmücken el. dyl., till exempel klocka eller ringar, när du hanterar batterier. Blysyrbatterier kan bilda kortslutningsström, som kan orsaka svåra brännskador.
- > Använd endast isolerade verktyg.
- > Lägg inga metalldelar på batteriet och förhindra att metalldelar faller ned på batteriet. Det kan orsaka gnistor eller kortsluta batteriet och andra elektriska apparater.
- > Använd skyddsglasögon och skyddsklädsel när du arbetar med batteriet. Vidrör inte ögonen när du arbetar med batterier.
- > Använd endast laddningsbara batterier.
- > Använd inte defekta batterier.



AKTA! Explosionsrisk

- > Försök aldrig ladda ett fryst eller trasigt batteri. Ställ batteriet i ett frostfritt utrymme och vänta tills batteriet har samma temperatur som omgivningen. Starta sedan laddningen.
- > Rök inte, använd inte öppna flammor och orsaka inga gnistor i närheten av motorn eller ett batteri.
- > Håll batteriet borta från värmekällor.



OBSERVERA! Risk för skada

- > Vid anslutning av batteriet, säkerställ att batteriets poler är korrekt anslutna.
- > Beakta anvisningarna från batteritillverkaren och från tillverkaren av fordonet/anläggningen där batteriet används.
- > Börja med att lossa jordanslutningen ifall batteriet måste tas bort. Koppla bort alla anslutningar och förbrukare från batteriet innan det demonteras.
- > Lagra endast fulladdade batterier. Ladda lagrade batterier regelbundet.
- > Bär inte batteriet i polerna.

3.5 Säkerhet vid användning av apparaten



VARNING! Risk för dödsfall på grund av elektricitet

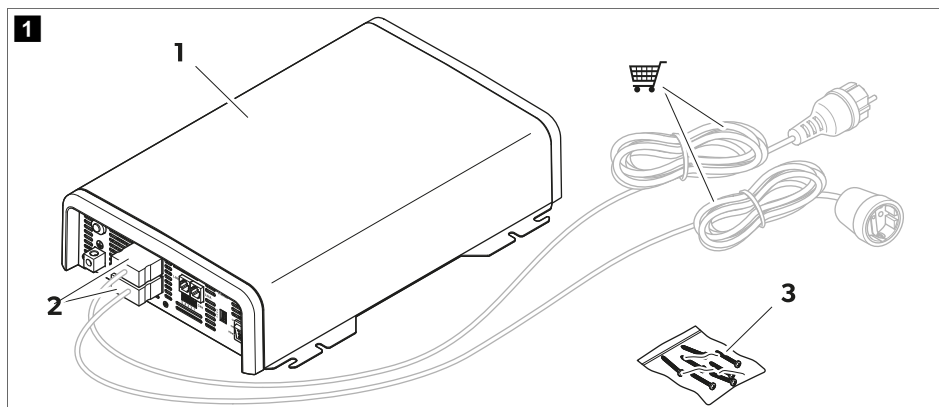
- > Använd inte enheten i våta förhållanden eller om den är nedsänkt i någon typ av vätska.
- > Innan apparaten startas måste du se till att elkabeln och elkontakten är torra och att elkontakten är fri från rost och smuts.
- > Observera att vissa av apparatens komponenter fortfarande är under spänning när säkringen har löst ut.



OBSERVERA! Risk för skada

- > Säkerställ att apparatens luftintag och luftutlopp inte är övertäckta.
- > Säkerställ en god ventilation.

4 Leveransomfattning



Nr på bild 1 sida 168	Beteckning	Mängd
1	Sinusväxelriktare	1
2	WAGO-anlutningskabel med jordad koppling (för 230 V~-utgång)	2
3	Fästsruvar	6
-	Monterings- och bruksanvisning	1

5 Tillbehör

Beteckning	Art.nr
Fjärrkontroll DSP-RCT	9600002564
Kontrollskärm DSP-EM	9600002565
Pekskärm TD283	9620013272

6 Avsedd användning

Växelriktaren är avsedd att omvandla likström till en ren sinusvåg med växelspanning (AC) på 230~ ... 240 V~ för drift och stabil strömförsörjning av anslutna förbrukare.

Växelriktaren är avsedd för anslutning till:

- DPSI1812iTS: 12 V \Rightarrow
- DPSI1824iTS: 24 V \Rightarrow

Växelriktaren är avsedd för följande:

- Installation i fritidsfordon (RV), lastbilar, kommersiella fordon eller motor- och segelbåtar
- Stationär eller mobil användning
- Inomhusbruk

Växelriktaren är **inte** avsedd för följande:

- Utomhusbruk

Den här produkten lämpar sig endast för avsedd användning i enlighet med denna bruksanvisning.

Den här manualen informerar om vad som krävs för att installera och/eller använda produkten på rätt sätt. Felaktig installation eller användning eller felaktigt underhåll kommer leda till att produkten inte fungerar optimalt och riskerar gå sönder.

Tillverkaren åtar sig inget ansvar för personskador eller materiella skador på produkten som uppstår till följd av:

- Felaktig installation, montering eller anslutning, inklusive för hög spänning
- Felaktigt underhåll eller användning av reservdelar som inte är originaldelar från tillverkaren
- Ändringar som utförts utan uttryckligt medgivande från tillverkaren
- Användning för andra ändamål än de som beskrivs i denna bruksanvisning

Dometic förbehåller sig rätten att ändra produktens utseende och specifikationer.

7 Teknisk beskrivning

7.1 Allmän beskrivning

Växelriktaren är en ren sinusväxelriktare för likström till växelström.

Växelriktaren är utrustad med en prioritetskoppling. Om 230 V~-nätanslutning är tillgänglig används den här externa strömkällan för strömförsörjning till uttag i fritidsfordonet. Om 230 V~-nätanslutning inte är tillgänglig omvandlar växelriktaren batteriets likspänning till växelspänning och säkerställer på det sättet strömförsörjningen till de anslutna förbrukarna.

Växelriktaren kan användas i följande nätverkssystem:

- TN-nätverk
- IT-nätverk

Nätverkssystemen ställs in via en skruv på växelriktaren.

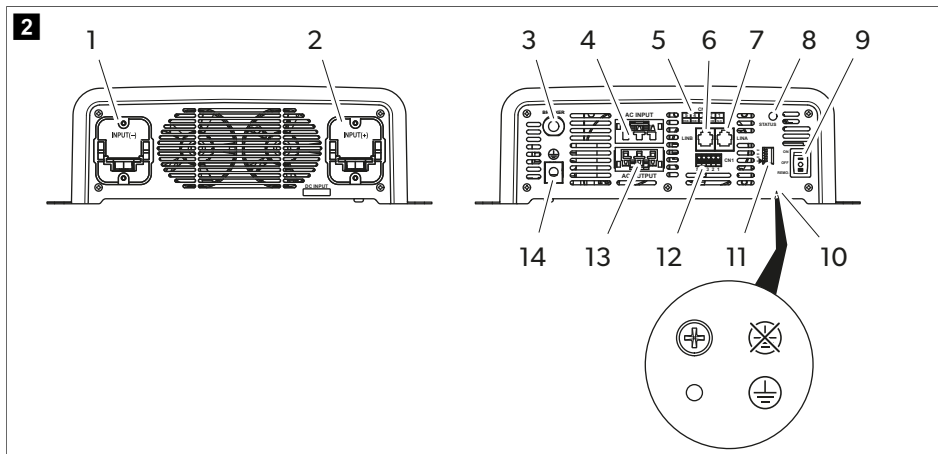
Växelriktaren kan växla till energisparläge för att minska förbrukningen i viloläge och minimera belastningen på batteriet.

Växelriktaren har följande skyddsmekanismer:

- **Överspänningsskydd:** Växelriktaren stängs av när spänningsvärdet stiger över frånkopplingsvärdet. Växelriktaren startar om automatiskt när spänningen sjunker till omstartvärdet.
- **Underspänningsskydd:** Växelriktaren stängs av när spänningsvärdet sjunker under frånkopplingsvärdet. Växelriktaren startar om automatiskt när spänningen stiger över omstartvärdet.
- **Övertemperaturskydd:** Växelriktaren stängs av när apparatens interna temperatur stiger över frånkopplingsvärdet. Växelriktaren startar om automatiskt när den interna temperaturen sjunker till omstartvärdet.
- **Skydd mot hög utgångsspänning:** Växelriktaren stängs av när för många belastningar är anslutna.
- **Kortslutningsskydd:** Växelriktaren stängs av när en kortslutning har genererats. Växelriktaren startar om automatiskt efter några sekunder. Om en kortslutning upptäcks fem gånger i följd startar inte växelriktaren automatiskt om igen utan kräver en manuell omstart.

Växelriktaren är N-BUS- och CI-BUS-kompatibla för visning av data och funktioner på pekskärmen (tillbehör) och i mobilappen.

7.2 Reglage och anslutningar



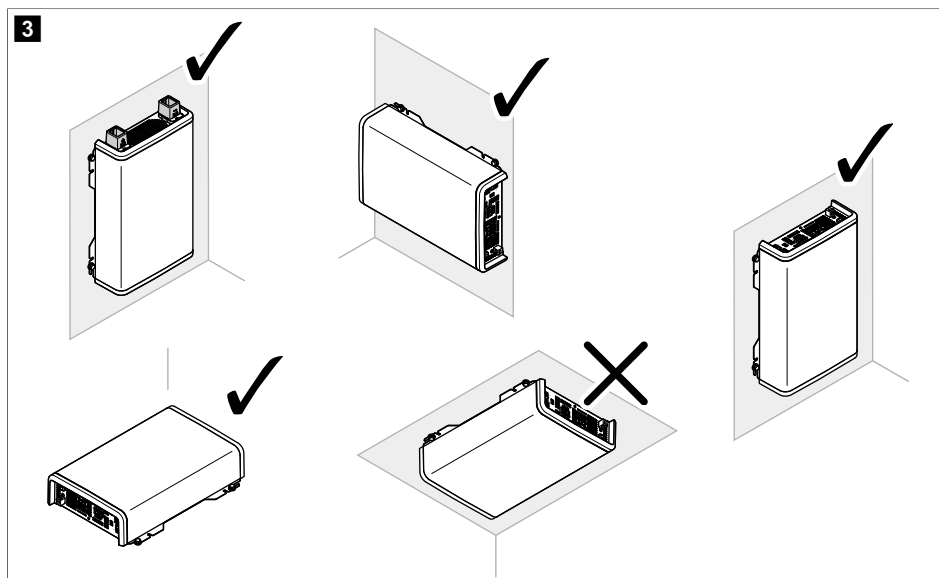
Pos.	Beteckning
1	(-)pol, anslutning till minuspolen på fritidsbatteriet
2	(+)pol, anslutning till pluspolen på fritidsbatteriet
3	Säkring för extern ingång
4	AC-ingång
5	CN1-plint
6	CI-BUS/N-Bus/fjärrkontrollanslutning (LINB)
7	CI-BUS/N-Bus/fjärrkontrollanslutning (LINA)
8	LED-statusindikering
9	På/av-knapp
10	Skruv för inställning av IT/TN-nätverk
11	DIP-switch
12	DIP-switch, anslutning för extern brytare och larmrelä
13	AC Output
14	Jordanslutning

7.3 LED-statusindikering

Status	Beskrivning
On	Växelriktardrift
Flashing	Fel (se kapitlet Felsökning sida 181)
Off	Ingen AC-ingång, växelriktaren är avaktiverad

8 Installation

8.1 Plats för installation



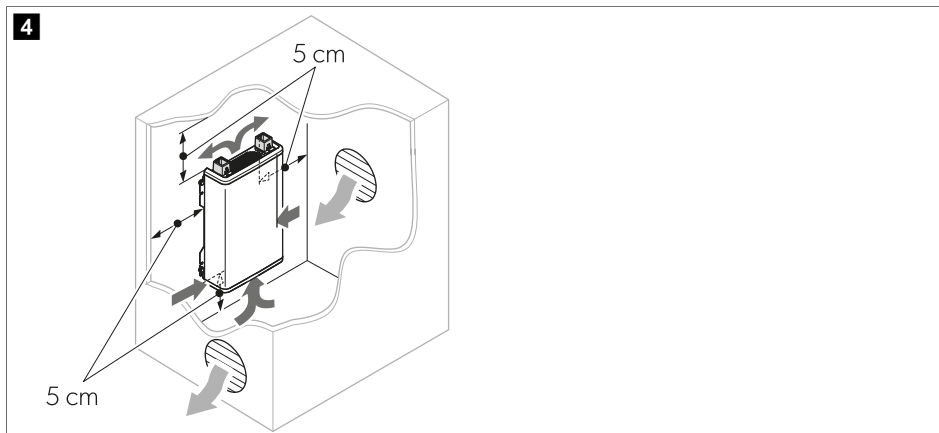
OBSERVERA! Risk för skada

Innan borringar görs: Kontrollera att inga elkablar eller andra delar kan skadas genom borring, sågning eller filning.




ANVISNING

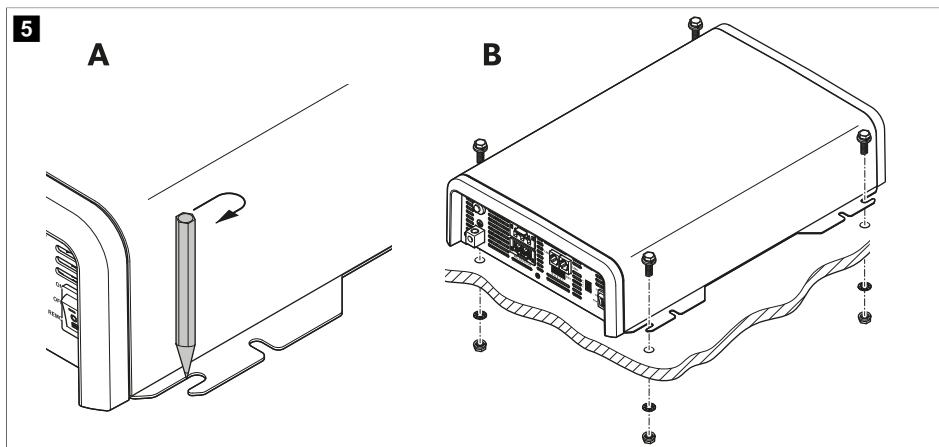
Växelriktaren kan monteras stående eller hängande ( bild. **3** sida 171).





Beakta följande anvisningar vid val av installationsplats:

- Se till att monteringsytan är fast och jämn.
- Beakta de angivna avstånden för tillräcklig ventilation ( bild. **4** sida 172).

8.2 Montera växelriktaren



1. Välj lämpliga monteringshål beroende på monteringstypen (stående eller hängande) och markera borrhålen ( bild. **5** sida 172, **A**).
2. Förborra monteringshålen.
3. Skruva fast växelriktaren ( bild. **5** sida 172, **B**).

8.3 Ansluta växelriktaren



Elinstallationen och inställningen av apparaten måste utföras av en kvalificerad elektriker som har bevisat sina färdigheter och kunskaper inom konstruktion och drift av elutrustning och elinstallationer och som känner till gällande bestämmelser i landet där utrustningen installeras eller används och har fått säkerhetsutbildning för att kunna upptäcka och undvika de faror som kan uppstå.

Alla andra åtgärder som beskrivs är avsedda även för icke-professionella användare.



VARNING! Risk för dödsfall på grund av elektricitet

Beakta de rekommenderade kabeltvärsnittsareorna, kabellängderna och säkringarna.



AKTA! Brandrisk

Placera säkringarna nära batteriet för att förhindra kortslutningar i kabeln och möjliga bränder.



OBSERVERA! Risk för skada

- > Se till att polerna ansluts rätt.
- > Dra åt skruvarna eller muttrarna med ett åtdragningsmoment på max. 15 Nm. Lösa anslutningar kan leda till överhettning.

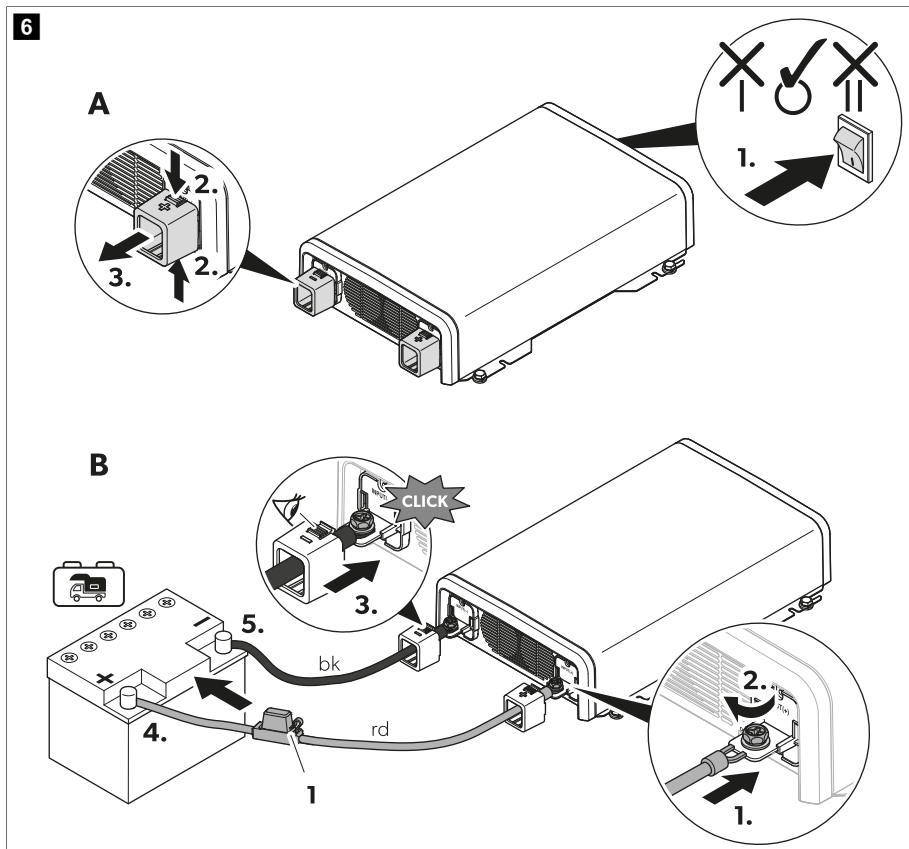
Observera följande anvisningar vid anslutning av växelriktaren:


- Följ gällande bestämmelser när du installerar en förgreningskrets för utlopp (installation av elnätsanslutning).
 - Välj så kort kabellängd som möjligt för likströmskablar (anslutning till batteripolerna) ≤ 1 m).
 - För **TN**-nätverksanslutning: Installera en jordfelsbrytare (RCD).
 - För **IT**-nätverksanslutning: Installera en enhet för isoleringsövervakning (IMD) om mer än en belastning är ansluten.
- Nationella standarder gäller.**

1. Bestäm kabelareor och säkringar:

	Kabelarea	Kabelsäkring
DPSI1812i- TS	50 mm ²	250 A
DPSI1824i- TS	25 mm ²	150 A


2. Kontrollera att apparaten är avstängd ( bild. **6** sida 174, **A: 1**).




3. Ta bort skydden från polerna ( bild. **6** sida 174, **A: 2 – 3**).


4.  **OBSERVERA! Risk för skada**
För att undvika kortslutning ska apparaten alltid anslutas till den svarta kabeln (minuspolen).

Anslut den svarta (bk) anslutningskabeln till (-)-polen.

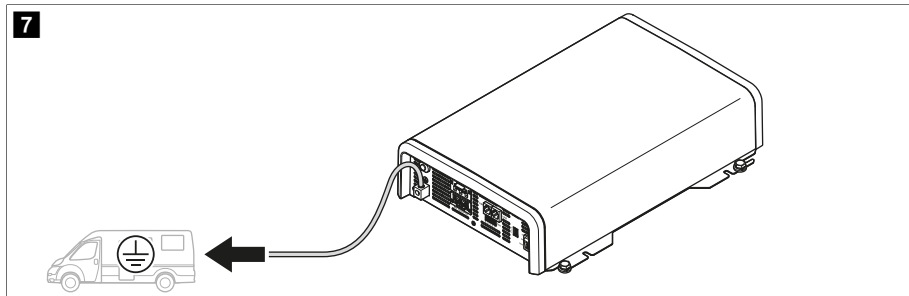
5. Anslut den röda (rd) anslutningskabeln till (+)-polen ( bild. **6** sida 174, **B: 1 – 2**).

6. Anslut (+) till fritidsbatteriets pluspol ( bild. **6** sida 174, **B: 4**).

 **ANVISNING** Skydda fritidsbatteriets pluskabel med en säkring ( bild. **6** sida 174, **1**).

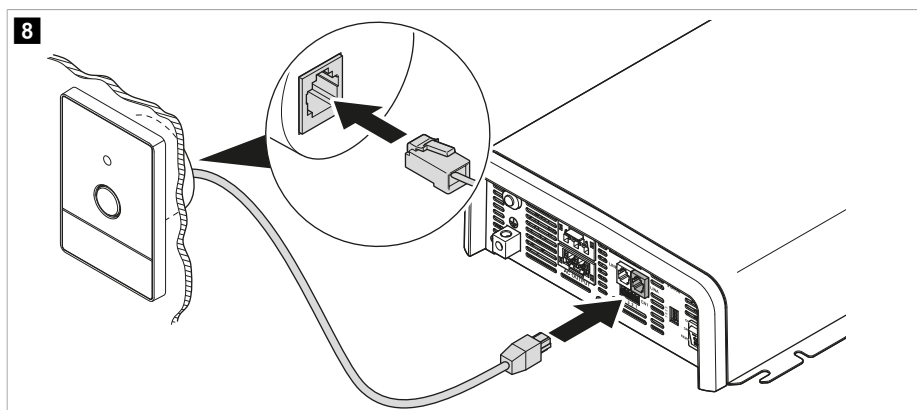
7. Anslut (-) till fritidsbatteriets minuspol ( bild. **6** sida 174, **B: 5**).

8. Anslut jordanslutningen till jorden (chassit)  bild. **7** sida 175.



8.4 Ansluta fjärrkontrollen

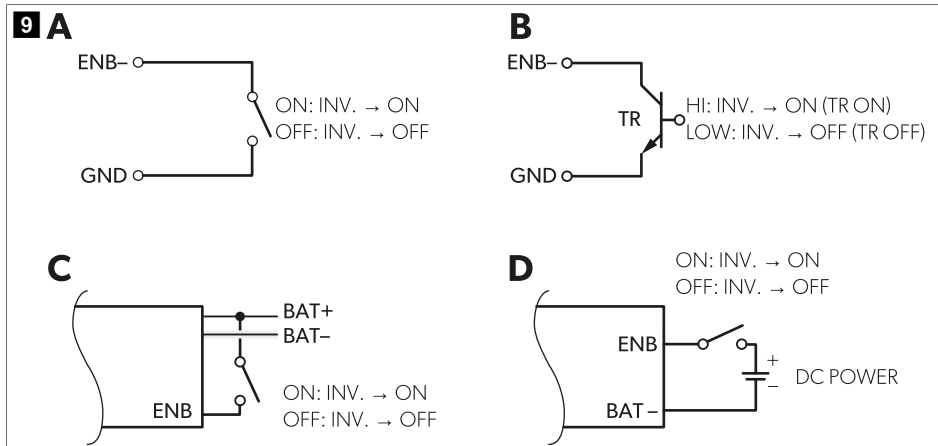
- > Anslut fjärrkontrollen till fjärrkontrollanslutningen (LINA eller LINB).



8.5 Ansluta en extern brytare



ANVISNING Om en extern brytare är ansluten kan statusen för energisparläget inte ändras.



ANVISNING

- > Kontrollera att fjärrkontrollanslutningen inte är i bruk.
- > Välj någon av följande lämpliga externa brytare:
 - bild. 9 sida 176, **A**: Extern brytare med strömförsörjning från växelriktaren
 - bild. 9 sida 176, **B**: Styrenhet med relä- eller transistorkoppling (TR)
 - bild. 9 sida 176, **C**: Extern brytare med strömförsörjning via fordonets batteri (BAT)
 - bild. 9 sida 176, **D**: Extern brytare med egen strömförsörjning (DC POWER), t.ex. via tändningen



ANVISNING Kontrollera att fjärrkontrollanslutningen inte är i bruk.

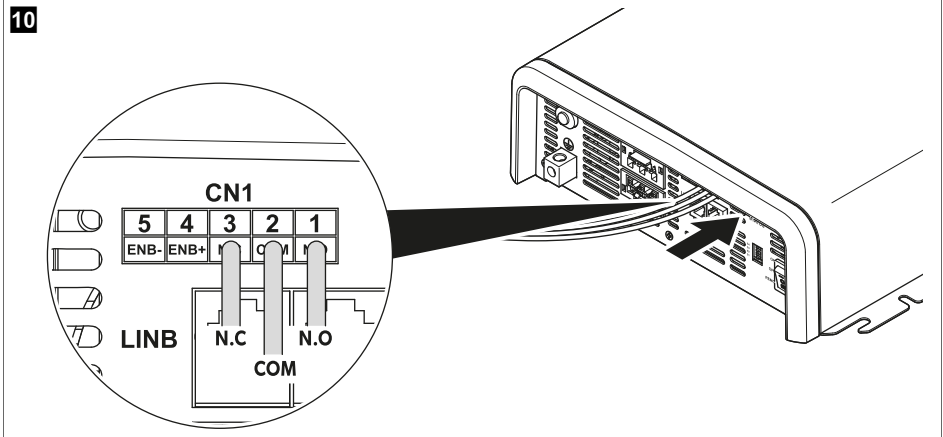
1. Ställ in på/av-brytaren på **OFF**.
2. Ställ in på/av-brytaren på **REMO**.
3. Anslut den externa brytaren till CN1-plinten.


8.6 Ansluta ett larmrelä

Larmreläet aktiveras så snart växelspanningsnätet är tillgängligt och överföringsomkopplaren för växelström är stängd. Larmreläet kan användas för följande:

- Generera en detekteringssignal för växelspanningsnätet på fordonets kontrollpanel.
- Slå på och av mindre viktiga laster (t.ex. absorptionskylskåp och elektriska värmesystem) som endast ska användas vid anslutning till växelspanningsnätet.

10



> Anslut ett larmrelä till CN1-plinten ( bild. 10 sida 177).

9 Ställa in växelriktaren



Elinstallationen och inställningen av apparaten måste utföras av en kvalificerad elektriker som har bevisat sina färdigheter och kunskaper inom konstruktion och drift av elutrustning och elinstallationer och som känner till gällande bestämmelser i landet där utrustningen installeras eller används och har fått säkerhetsutbildning för att kunna upptäcka och undvika de faror som kan uppstå.

Alla andra åtgärder som beskrivs är avsedda även för icke-professionella användare.



FARA! Risk för dödsfall på grund av elektricitet

- > Ta endast bort skyddslocket från DIP-switchen vid konfiguration.
- > Byt ut skyddslocket för att förhindra oavsiktlig justering av DIP-switchen.
- > För **TN**-nätverkskonfiguration: Se till att en jordfelsbrytare (RCD) är installerad.
- > För **IT**-nätverkskonfiguration: Använd endast en belastning eller installera en apparat för isoleringsövervakning (IMD). Beakta de nationella standarderna.



ANVISNING



Använd en liten skruvmejsel för att trycka DIP-switcharna till önskad position.

Inställningar på växelriktaren kan göras via DIP-switcharna eller via anslutning till en CI-BUS-kompatibel fjärrkontroll.

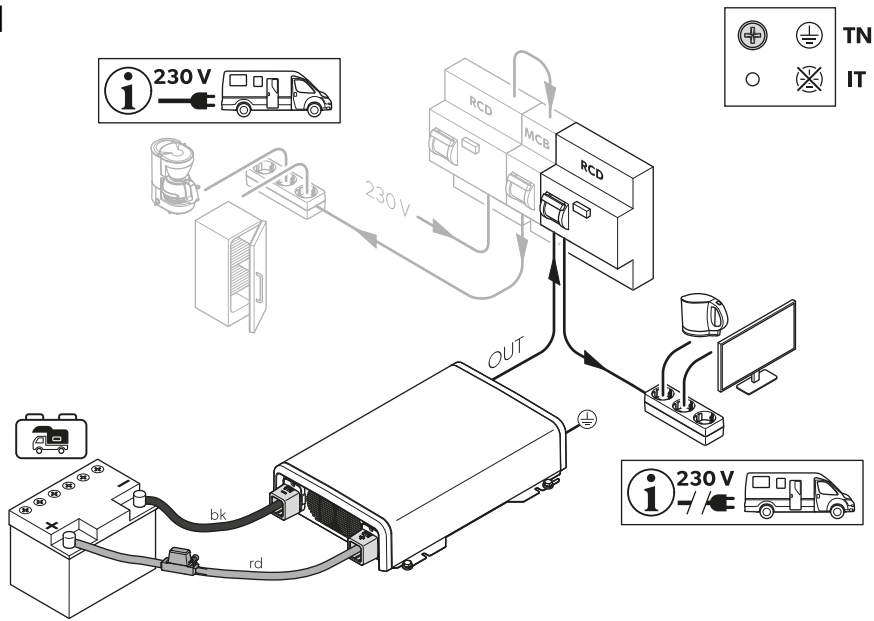
Apparaten använder initialt fabrikskonfiguration. Flytta vid behov DIP-switcharna för att justera konfigurationen.

- > Skjut DIP-switchen **S1** till **On** för **lokala** inställningar via DIP-switcharna.
- > Skjut DIP-switchen **S1** till **Off** för **externa** inställningar via fjärrkontrollen.

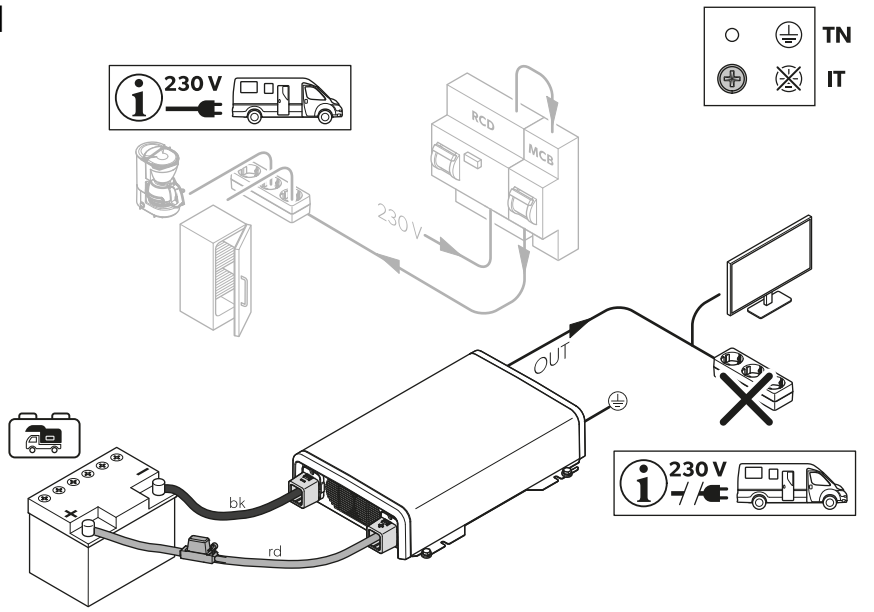
9.1 Inställningar DIP-switch

Konfiguration		DIP-switch position				
		S1	S2	S3	S4	S5
Inställningar	Lokal inställning via DIP-switch	På	-	-	-	-
	Extern inställning via fjärrkontroll	Av	-	-	-	-
Nätspänning	240 V/60 Hz	-	På	-	-	-
	230 V/50 Hz	-	Av	-	-	-
Energisparläge	Energy-saving mode is activated when the load is ≤ 45 W Inverter switches to normal operation when the load is ≥ 45 W	-	-	På	På	-
	Energisparläget är aktiverat när belastningen är ≤ 45 W Växelriktaren växlar till normal drift när belastningen är ≥ 45 W	-	-	På	Av	-
	Växelriktaren stängs av automatiskt efter 20 minuters drift i energisparläge	-	-	Av	Av	-
	Energisparläget är aktiverat när belastningen är ≤ 1 W Växelriktaren växlar till normal drift när belastningen är ≥ 1 W	-	-	Av	På	-
	Energisparläget är aktiverat när belastningen är ≤ 1 W Växelriktaren växlar till normal drift när belastningen är ≥ 1 W	-	-	Av	På	-
	Växelriktaren stängs av automatiskt efter 20 minuters drift i energisparläge	-	-	Av	På	-
Nätssystem	IT-nätverk ( bild. 12 sida 179)	-	-	-	-	På
	TN-nätverk ( bild. 11 sida 179)	-	-	-	-	Av

11

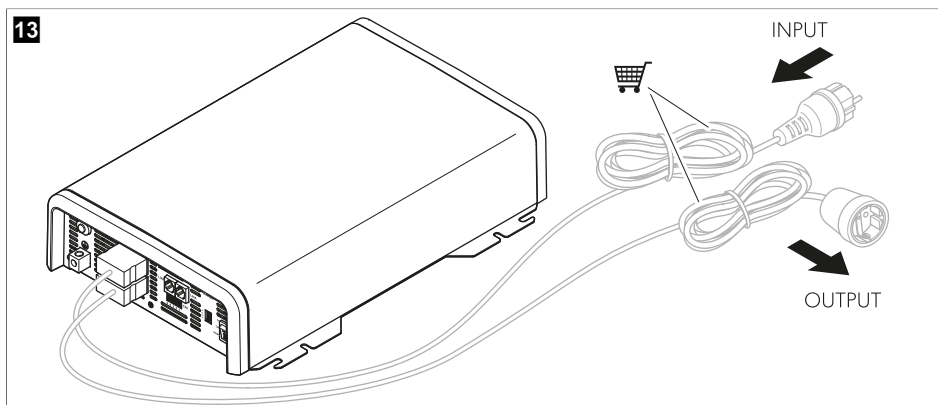


12



10 Användning

10.1 Använda 230 V-enheter



ANVISNING

Anslut endast apparater vars totala belastning inte överskrider värdena som anges i Tekniska data sida 182.

- > Anslut 230 V-apparaterna enligt ( bild. **13** sida 180).

10.2 Slå på och av växelriktaren



ANVISNING

- Om växelriktaren ska styras via fjärrkontrollen måste på/av-brytaren sättas i läge **II**.
- Om växelriktaren ska styras via den externa brytaren måste på/av-brytaren sättas i läge **0**.

- > Slå på växelriktaren genom att sätta på/av-brytaren i läge **I**.
- > Stäng av växelriktaren genom att sätta på/av-brytaren i läge **0**.
- > Använd fjärrkontrollen eller den externa brytaren för att slå på och stänga av växelriktaren.

11 Rengöring och skötsel



WARNING! Risk för dödsfall på grund av elektricitet

Bryt strömmen till apparaten före rengöring och underhåll.



OBSERVERA! Risk för skada

- > Rengör aldrig apparaten under rinnande vatten eller i diskvatten.
- > Använd inga vassa eller hårda föremål, starka rengöringsmedel eller blekmedel vid rengöringen, eftersom det kan skada apparaten.
- > Se till att luftintaget och ventilationsöppningarna på apparaten är rena från damm och smuts så att värmen kan avledas.

- > Rengör apparaten då och då med en mjuk, fuktig trasa.
- > Kontrollera regelbundet de spänningsförande kablarna avseende isoleringsfel, brott eller lösa anslutningar.

12 Felsökning

Fel	Möjlig orsak	Lösning
Växelriktaren fungerar inte. LED-status-indikeringen är avstängd.	En kortslutning har inträffat.	> Apparatsens säkring måste bytas av en auktoriserad servicerepresentant om den aktiveras av överström.
	Fel på isolering, brott eller lösa anslutningar på spänningsförande kablar.	> Kontrollera de spänningsförande kablarna avseende isoleringsfel, brott eller lösa anslutningar. Om du inte kan hitta något fel, kontakta en auktoriserad servicerepresentant.
Växelriktaren fungerar inte. LED-status-indikeringen blinkar långsamt.	Skydd mot hög ingångsspänning.	Reducera de anslutna lasterna.
	Övertemperaturskydd.	1. Stäng av växelriktaren och de anslutna lasterna. 2. Kontrollera att luftintaget och luftutsläppen inte är övertäckta eller blockerade. 3. Låt växelriktaren svalna.
	En kortslutning har inträffat.	Apparatsens säkring måste bytas av en auktoriserad servicerepresentant om den aktiveras av överström.
Växelriktaren fungerar inte. LED-status-indikeringen blinkar snabbt.	Överspänningskydd. Batterispänningarna är för höga.	> Reducera de anslutna spänningarna. Växelriktaren startar om automatiskt när spänningen sjunker till omstartvärdet (se kapitlet Överspänningskydd sida 183). > Om felet kvarstår: Öka kabelarean: Minska kabellängden.
	Underspänningskydd. Batterispänningarna är för låga.	> Låt batteriet laddas långsamt. Växelriktaren startar om automatiskt när spänningen stiger över omstartvärdet (se kapitlet Underspänningskydd sida 183).

13 Garanti

Den lagstadgade garantitiden gäller. Kontakta tillverkarens filial i ditt land (se dometic.com/dealer) eller din återförsäljare om produkten är defekt.

För reparations- och garantibehandling skickar du med följande dokument när du returnerar produkten:

- En kopia på fakturan med inköpsdatum
- En reklamationsbeskrivning eller felbeskrivning

Observera att självständiga eller icke professionella reparationer kan påverka säkerheten och leda till att garantin blir ogiltig.

14 Kassering

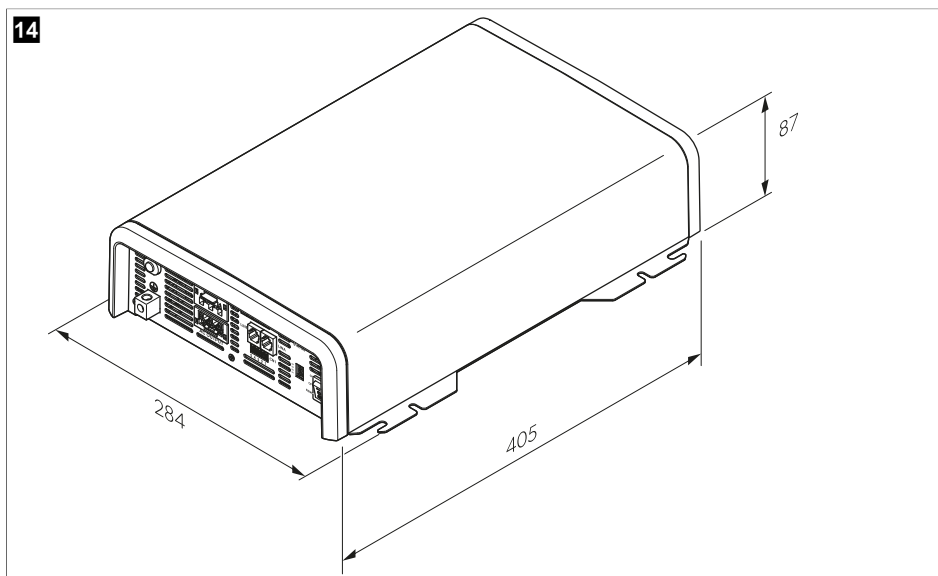



Lämna om möjligt förpackningsmaterialet till återvinning.

Kontakta ett lokalt återvinningscenter eller specialiserad återförsäljare för information om hur man kasserar produkten i enlighet med gällande bestämmelser.

Produkten kan kasseras utan avgift.

15 Tekniska data



	DPSI 1812	DPSI 1824
Nominell inspänning	12 V _{DC}	24 V _{DC}
Område ingångsspänning	10 ... 16,5 V _{DC}	20 ... 33 V _{DC}
Kontinuerlig uteffekt P _{nom}	1800 W	1800 W
Max. utgångseffekt (10 min)	1800 W	1800 W
Max. utgångseffekt (3 min)	2070 W	2070 W
Maximal överspanningsström (2 s) P _{surge}	3600 W	3600 W
Strömförbrukning i viloläge	≤ 2,5 A	≤ 1,3 A
Strömförbrukning i standby-läge	≤ 0,2 A	≤ 0,1 A
Dimensioner	 bild. 14 sida 182	
Vikt	5,5 kg	5,5 kg

15.1 Allmänna tekniska data

Utspanningsområde	230/ 240 V \sim \pm 3 %
Utgångsfrekvens	50/60 Hz \pm 0,3 Hz
Utsignalens vågform	Ren sinusvåg
Distorsion THD	THD \leq 3 % vid P _{nom} (resistiv belastning)
Maximal effektivitet	90 %
Omgivningstemperatur för drift	-20 ... 60 °C
Omgivningstemperatur för förvaring	-30 °C ... 70 °C
Luffuktighet omgivning	0 ... 95 %, non-condensing
Besiktning/certifiering	



15.2 Underspänningskydd

	Frånkopplingsvärde	Omstartvärde
DPSI1812	10 V	12 V
DPSI1824	20 V	24 V

15.3 Överspänningskydd

	Frånkopplingsvärde	Omstartvärde
DPSI1812	16,5 V	15,5 V
DPSI1824	33 V	31 V

Norsk

1	Viktige merknader.....	184
2	Symbolforklaring.....	184
3	Sikkerhetsinstruksjoner.....	185
4	Leveringsomfang.....	188
5	Tilbehør.....	188
6	Forskriftsmessig bruk.....	188
7	Teknisk beskrivelse.....	189
8	Installasjon.....	191
9	Konfigurere veksleretteren.....	197
10	Betjening.....	200
11	Rengjøring og vedlikehold.....	200
12	Feilretting.....	201
13	Garanti.....	201
14	Avfallshåndtering.....	202
15	Tekniske spesifikasjoner.....	202

1 Viktige merknader

Vennligst les disse instruksjonene nøye og følg alle anvisninger, retningslinjer og advarsler i denne produktveiledningen for å sikre at du installerer, bruker og vedlikeholder produktet ordentlig til enhver tid. Disse instruksjonene MÅ alltid følge med produktet.

Ved å bruke dette produktet bekrefter du at du har lest alle anvisninger, retningslinjer og advarsler grundig, og at du forstår og samtykker i å overholde vilkårene slik de er presentert her. Du godtar å bruke dette produktet kun til tiltenkt formål og bruksområder, og i samsvar med anvisningene, retningslinjene og advarslene slik de er presentert i denne produktveiledningen, så vel som i samsvar med alle gjeldende lovbestemmelser og forskrifter. Hvis anvisningene og advarslene som er presentert her, ikke blir lest og fulgt, kan det føre til personskader hos deg selv eller andre, skader på produktet eller skader på annen eiendom i nærheten. Denne produktveiledningen med sine anvisninger, retningslinjer og advarsler, samt relatert dokumentasjon, kan være underlagt endringer og oppdateringer. For oppdatert produktinformasjon, se documents.domestic.com.

2 Symbolforklaring

Et signalord identifiserer sikkerhetsmeldinger og meldinger om mulige skader på eiendom, og indikerer også alvorlighetsgraden av faren.



FARE!

Kjennetegner en farlig situasjon som, dersom den ikke unngås, vil føre til alvorlige personskader, eventuelt med døden til følge.



ADVARSEL!

Kjennetegner en farlig situasjon som - dersom den ikke unngås - kan resultere i alvorlige personskader, eventuelt med døden til følge.



FORSIKTIG!

Kjennetegner en farlig situasjon som - dersom den ikke unngås - kan resultere i mindre til moderate personskader.



PASS PÅ!

Kjennetegner en situasjon som - dersom den ikke unngås - kan resultere i materielle skader.



MERK Ytterligere informasjon om betjening av produktet.

3 Sikkerhetsinstruksjoner

Følg også sikkerhetsregler og vilkår fra kjøretøyproduzent og autorisert verksted.

3.1 Grunnleggende sikkerhet



FARE! Fare for elektrisk støt

- > Ikke berør blanke ledninger med bare hender.
- > For å kunne skille apparatet raskt fra vekselspenningsnettet når det oppstår en fare, må stikkkontakten være i nærheten av apparatet og lett tilgjengelig.



ADVARSEL! Fare for elektrisk støt

- > Montasje og demontering av apparatet må kun utføres av kvalifiserte fagfolk.
- > Hvis apparatet eller tilkoblingskablene har synlige skader, må ikke apparatet brukes.
- > Hvis apparatets strømkabel er skadet, må den byttes ut for unngå risiko.
- > Reparasjoner på dette apparatet må kun utføres av kvalifiserte fagfolk. Utilstrekkelige reparasjoner kan medføre betydelige farer.
- > Bruk kun tilbehør som er anbefalt av produsenten.
- > Ikke modifier eller tilpass komponenter på noen måte.
- > Ikke løsne kabler mens apparatet fortsatt er i drift.
- > Koble apparatet fra strømforsyningen:
 - Etter bruk
 - Før rengjøring og vedlikehold
 - Før skifte av sikring



ADVARSEL! Brannfare / brennbare materialer

Ved branntilfeller må det brukes et brannslukningsapparat som er egnet for elektriske apparater.



ADVARSEL! Kvelningsfare

Kabelen og styreenheten til puten kan innebære en risiko for å vikle seg fast, kveles, snuble eller trække på det, dersom det ikke er plassert korrekt. Sørg for at overfløydige strips og strømkabler tas hånd om på en sikker måte.



ADVARSEL! Helsefare

- > Dette apparatet kan brukes av barn fra 8 år og oppover og personer med reduserte fysiske, sensoriske eller mentale evner eller som mangler erfaring og kunnskap, hvis de er under oppsyn eller har fått veiledning i hvordan apparatet brukes på en forsvarlig måte og forstår hvilke farer det innebærer.
- > **Elektriske apparater er ikke leketøy.** Oppbevar og bruk apparatet utenfor barns rekkevidde.
- > Barn skal være under tilsyn for å sikre at de ikke leker med apparatet.
- > Rengjøring og vedlikehold skal ikke utføres av barn uten at de er under oppsyn.



PASS PÅ! Fare for skader

- > Før apparatet tas i bruk må du sammenlikne spenningsspesifikasjonene på typeskiltet med den tilgjengelige strømtilførselen.
- > Påse at andre gjenstander **ikke kan** forårsake kortslutning på kontaktene til apparatet.

- > Pass på at negative og positive poler **aldri** kommer i kontakt med hverandre.
- > Ikke dra i tilkoblingskabler eller bruk kablene som bærehåndtak.
- > Apparatet må ikke utsettes for regn eller fuktighet. Må oppbevares på en tørr plass.

3.2 Montere apparatet sikkert



FARE! Eksplosjonsfare

- > Monter og bruk apparatet kun i lukkede, godt ventilerte rom.
- > **Ikke** monter eller bruk apparatet under følgende forhold:
 - i saltholdige, fuktige eller våte omgivelser
 - I nærheten av aggressive damper
 - I nærheten av brennbare materialer
 - I nærheten av varmekilder (varmeapparater, direkte sollys, gassovner osv.)
 - på steder det er fare for gass- eller støveksplisjon



ADVARSEL! Fare for personskader

- > Pass på at apparatet står stødig. Apparatet må stå stødig og festes slik at det ikke kan velte eller falle ned.
- > Når apparatet settes opp, må du påse at alle kabler/ledninger er festet på en slik måte at de ikke utgjør noen form for fallfare.



PASS PÅ! Fare for skader

- > Plasser apparatet på et tørt sted som er beskyttet mot vannsprut.
- > Bruk alltid jordede stikkontakter og stikkontakter som er sikret med jordfeilbryter.

3.3 Sikkerhet ved elektrisk tilkobling av apparatet



FARE! Fare for elektrisk støt

Når du arbeider på elektriske anlegg, forsikre deg om at det er noen i nærheten som kan hjelpe deg i et nødstilfelle.



ADVARSEL! Fare for elektrisk støt

- > Bruk de anbefalte kabeldiameterne.
- > Legg kablene slik at de ikke skades av dører eller panser. Kabler i klem kan føre til livsfarlige skader.



PASS PÅ! Fare for skader

- > Bruk tomme rør eller ledningsgjennomføringer når ledninger må føres gjennom platevegger eller andre vegger med skarpe kanter.
- > Du må **ikke** legge 230 V-nettkabelen og 12 V-likestrømkabelen i samme kabelrør.
- > **Ikke** legg ledningene løst eller med skarpe bøyer.
- > Fest kablene sikkert.

3.4 Sikkerhetsregler ved håndtering av batterier



ADVARSEL! Fare for personskader

- > Batterier inneholder aggressive og etsende syrer. Unngå at batterivæske kommer i kontakt med kroppen. Hvis huden kommer i kontakt med batterivæske, må den delen av kroppen vaskes grundig med vann. Hvis du blir skadet av syre, kontakt lege umiddelbart.

- > Når du arbeider med batterier, ikke bruk metallobjekter som klokker eller ringe. Blysyrebatterier kan forårsake kortslutningsstrømmer som kan føre til alvorlige forbrenninger.
- > Bruk kun isolert verktøy.
- > Ikke legg metalleder på batteriet, og unngå at metalleder faller ned på batteriet. Det kan føre til gnister eller kortslutte batteriet og andre elektriske apparater.
- > Bruk vernebriller og verneklær når du arbeider med batterier. Unngå å berøre øynene når du arbeider med batterier.
- > Bruk kun oppladbare batterier.
- > Ikke bruk defekte batterier.



FORSIKTIG! Eksplosjonsfare

- > Forsøk aldri å lade et frossent eller defekt batteri. Plasser i dette tilfellet batteriet i et frostfritt område og vent til batteriet har tilpasset seg til omgivelsestemperatur. Start deretter ladeprosessen.
- > Ikke røyk, bruk åpen flamme eller forårsak gnister i nærheten av motoren eller et batteri.
- > Hold batteriet unna varmekilder.



PASS PÅ! Fare for skader

- > Påse at polariteten er korrekt ved tilkobling av batteriet.
- > Følg instruksjonene fra batteriproducenten og de fra produsenten av systemet eller kjøretøyet som batteriet brukes i.
- > Koble først fra jordforbindelsen dersom batteriet må fjernes. Koble fra alle tilkoblinger og alle forbrukere før du tar det ut.
- > Lagre kun fulladede batterier. Lagrede batterier må lades opp igjen jevnlig.
- > Ikke bær batteriet etter terminalene.

3.5 Sikkerhet ved bruk av apparatet



ADVARSEL! Fare for elektrisk støt

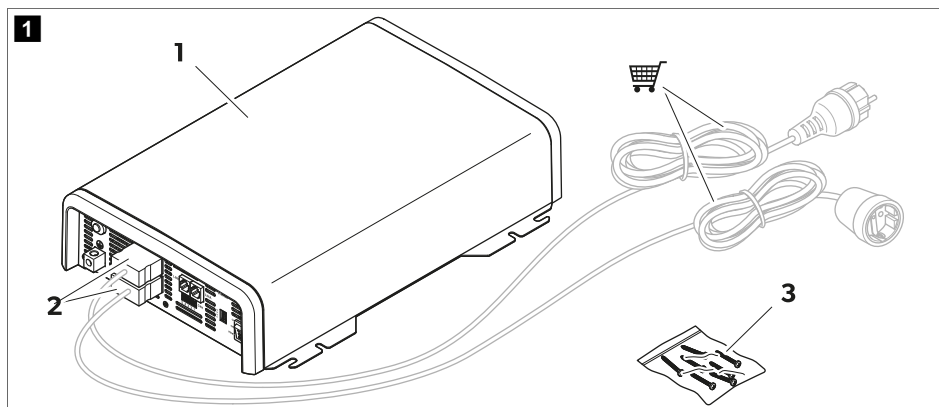
- > Ikke bruk apparatet under våte forhold eller senk det ned i væske.
- > Før du starter enheten må du kontrollere at strømkabelen og pluggen er tørre, og at pluggen er fri for rust eller smuss.
- > Vær oppmerksom på at deler av apparatet fortsatt er under spenning også etter at sikringen er utløst.




PASS PÅ! Fare for skader

- > Pass på at luftenåpningene på apparatet ikke tildekkes.
- > Sikre god ventilasjon.

4 Leveringsomfang



Nr. i  fig. 1 på side 188	Betegnelse	Antall
1	Sinus-vekselretter	1
2	WAGO-tilkobling, tilkoblingskabel med sikkerhetskobling (for utgangseffekt på 230 V~)	2
3	Festeskruer	6
-	Monterings- og bruksanvisning	1

5 Tilbehør

Betegnelse	Art.nr.
Fjernkontroll DSP-RCT	9600002564
Betjeningsskjerm DSP-EM	9600002565
Berøringsskjerm TD283	9620013272

6 Forskriftsmessig bruk

Vekselretteren skal konvertere likestrøm til en ren vekselstrøm (AC) med sinusbølge på 230~ ... 240 V~ for drift og stabil strømforsyning til tilkoblede forbrukere.

Vekselretteren skal brukes for tilkobling til:

- DPSI1812iTS: 12 V \Rightarrow
- DPSI1824iTS: 24 V \Rightarrow

Vekselretteren er egnet til følgende:

- Montering i bobil, lastebiler, nyttekjøretøy eller motorer, og seilbåter
- Stasjonær eller mobil bruk
- Innendørs bruk

Vekselretteren er **ikke** egnet for:

- Utendørs bruk

Dette produktet er kun egnet for det tiltenkte formålet og bruksområdet i samsvar med disse instruksjonene.

Denne veiledningen gir informasjon som er nødvendig for korrekt installasjon og/eller bruk av produktet. Feilaktig installasjon og/eller ukorrekt bruk eller vedlikehold fører til utilfredsstillende ytelse og mulig svikt.

Produsenten fraskriver seg ethvert ansvar for personskader eller materielle skader på produktet som følge av:

- feilaktig installasjon, montering eller tilkobling, inkludert for høy spenning
- Ukorrekt vedlikehold eller bruk av andre reservedeler enn originale reservedeler levert av produsenten
- Modifisering av produktet uten at det er gitt uttrykkelig godkjenning av produsenten
- Bruk til andre formål enn beskrevet i denne veiledningen

Dometic forbeholder seg rettigheten til å endre produktet ytre og produktspesifikasjoner.

7 Teknisk beskrivelse

7.1 Generell beskrivelse

Vekselretteren er en ren sinusvekselretter for likestrøm til vekselstrøm.

Vekselretteren har en prioriteringskobling. Hvis strømnett på 230 V~ er tilgjengelig, brukes denne eksterne kilden til å forsyne stikkontaktene i bobilen. Hvis strømnett på 230 V~ ikke er tilgjengelig, vil vekselretteren konvertere batteriets direktestrøm til vekselstrøm, og på den måten sørge for strømforsyning til tilkoblede forbrukere.

Vekselretteren kan driftes med følgende nettverkssystemer:

- TN-nettverk
- IT-nettverk

Nettverkssystemet velges ved hjelp av en skrue på vekselretteren.

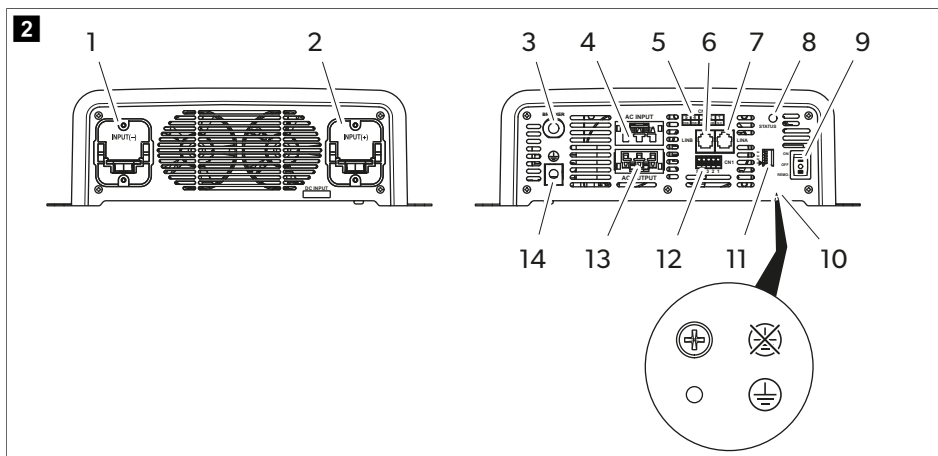
Vekselretteren kan stilles inn til energisparemodus for å redusere forbruket når den ikke er i bruk, og minimere belastningen på batteriet.

Vekselretteren har følgende beskyttelsesmekanismer:

- **Overspenningsvern:** Vekselretteren kobles ut når spenningsverdien stiger over utkoblingsverdien. Vekselretteren starter automatisk på nytt dersom spenningen synker til omstartverdien.
- **Underspenningsvern:** Vekselretteren kobles ut når spenningsverdien synker under utkoblingsverdien. Vekselretteren starter automatisk på nytt dersom spenningen stiger over omstartverdien.
- **Overtemperaturvern:** Vekselretteren slås av når temperaturen inne i enheten overskrider utkoblingsverdien. Vekselretteren starter automatisk på nytt dersom den innvendige temperaturen synker til omstartverdien.
- **Overspenningsvern i utgangsstrøm:** Vekselretteren slås av når det er koblet til for mange laster.
- **Beskyttelse mot kortslutning:** Vekselretteren slås av når det oppstår en kortslutning. Vekselretteren starter automatisk på nytt etter noen sekunder. Hvis det oppdages en kortslutning fem ganger på rad, starter ikke vekselretteren opp automatisk, og den må startes på nytt manuelt.

Vekselretteren er N-BUS- og CI-BUS-klargjort for data- og funksjonsvisning på berøringsskjermen (ekstrautstyr) samt mobilappen.

7.2 Styrelementer og tilkoblinger



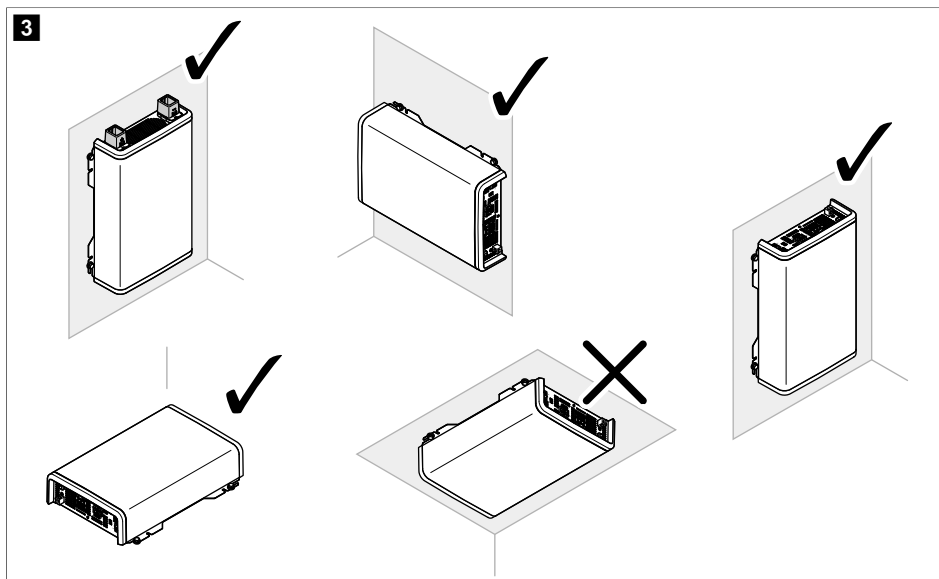
Nr.	Betegnelse
1	(-)pol, tilkobling til minuspol på forbruksbatteri
2	(+)pol, tilkobling til plusspol på forbruksbatteri
3	Sikring for ekstern inngang
4	AC-inngang
5	CN1-terminal
6	CI BUS- / N Bus- / fjernkontrolltilkobling (LINB)
7	CI BUS- / N Bus- / fjernkontrolltilkobling (LINA)
8	Indikator-LED-lampe
9	På/av-bryter
10	Skrue for innstilling av IT-/TN-nettverk
11	Dip-bryter
12	Dip-bryter, tilkobling for ekstern bryter og alarmrelé
13	AC-utgang
14	Jordforbindelse

7.3 Indikator-LED-lampe

Status	Beskrivelse
On	Vekselretterdrift
Flashing	Feil (se kapittel Feilretting på side 201)
Off	Ingen AC-inngang til stede, vekselretteren er deaktivert

8 Installasjon

8.1 Montasjested



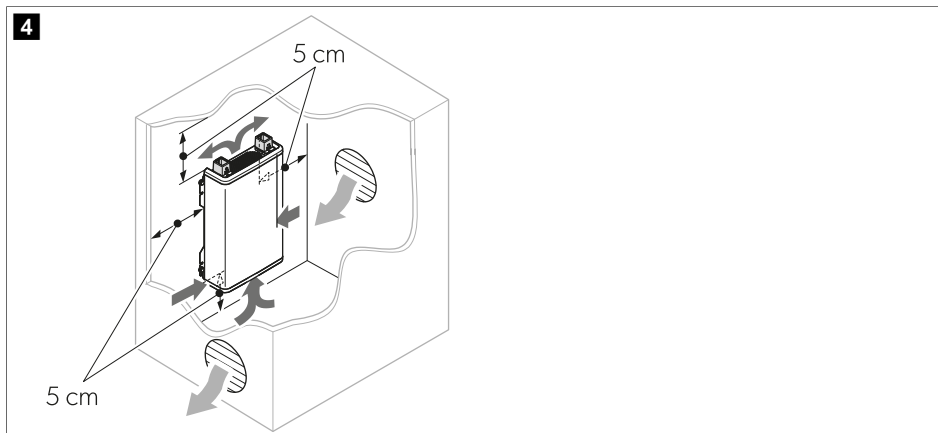
PASS PÅ! Fare for skader

Før du borer noe som helst, må du forsikre deg om at ingen elektriske kabler eller andre deler på kjøretøyet kan skades av boring, saging og filing.



MERK

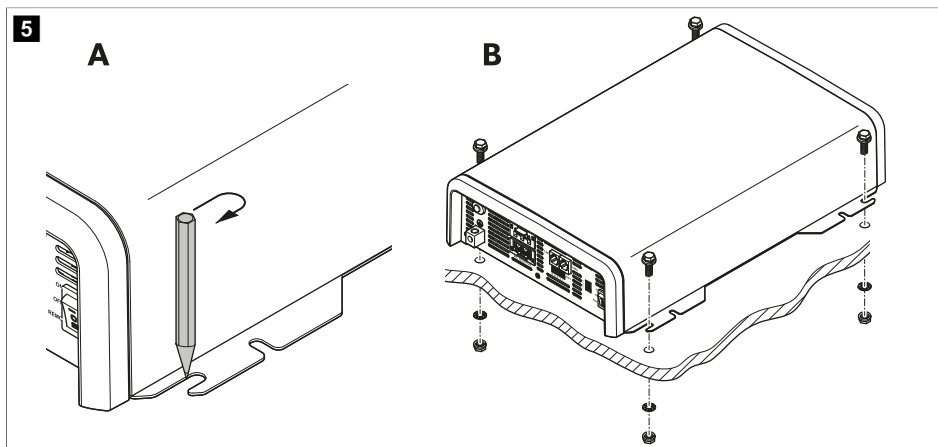
Vekselretteren kan monteres sittende eller hengende ( fig. 3 på side 191).





Vær oppmerksom på følgende instruksjoner ved valg av montasjested:

- Forsikre deg om at montasjeflaten er solid og vannrett.
- Overhold avstanden som trengs for tilstrekkelig ventilasjon ( fig. 4 på side 192).

8.2 Montering av vekselretteren



1. Velg riktig monteringshull basert på den valgte monteringsstypen (sittende eller hengende), og merk borhullene ( fig. 5 på side 192, **A**).
2. Bor monteringshullene først.
3. Skru vekselretteren fast ( fig. 5 på side 192, **B**).

8.3 Koble til vekselretteren



Den elektriske installasjonen og oppsettet av apparatet må utføres av en kvalifisert elektriker som har vist ferdigheter og kunnskaper relatert til konstruksjon og drift av elektrisk utstyr og installasjoner, og som er kjent med gjeldende forskrifter i det landet hvor utstyret skal installeres og/eller brukes, og har mottatt sikkerhetsopplæring for å kunne identifisere og unngå farene som er forbundet med arbeidet.

Alle andre handlinger er også ment for ikke-profesjonelle brukere.



ADVARSEL! Fare for elektrisk støt

Bruk anbefalte kabeldiameter, kabellengder og sikring.



FORSIKTIG! Brannfare

Plasser sikringene nær batteriene for å beskytte kabelen mot kortslutning og mulig forbrenning.



PASS PÅ! Fare for skader

- > Pass på at du ikke bytter polaritet.
- > Trekk til skruene eller mutrene med et dreiemoment på maks 15 Nm. Løse forbindelser kan føre til overoppheting.

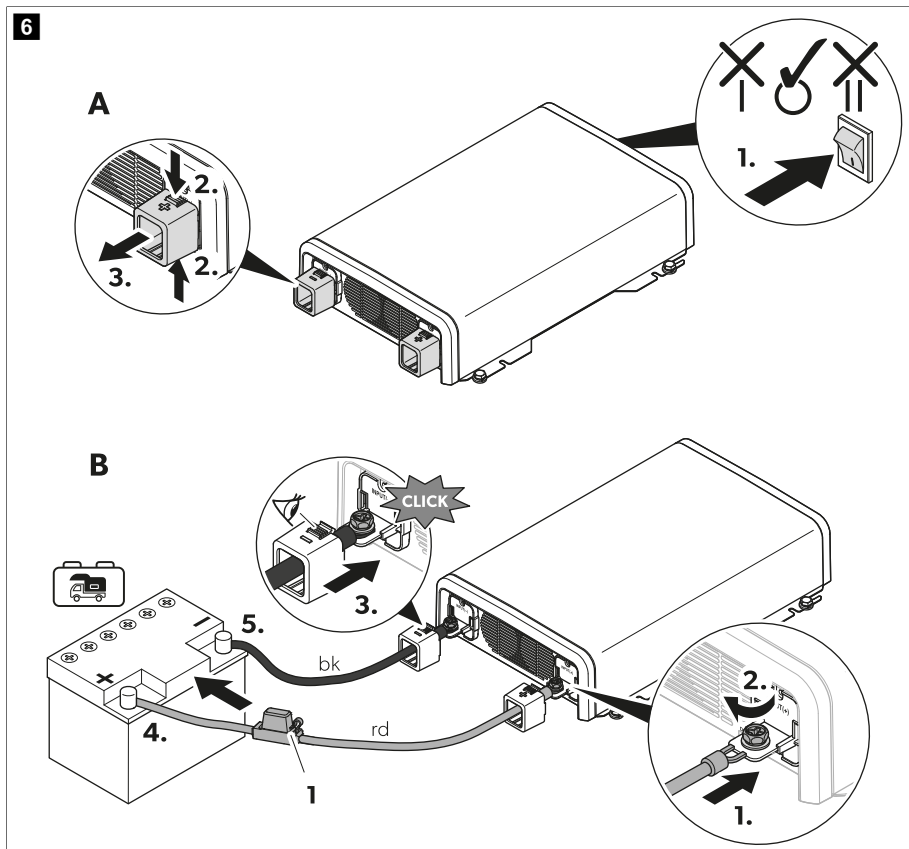
Overhold følgende anvisninger ved tilkobling av vekselretteren:

- Overhold gjeldende lowerk når du konfigurerer stikkontaktens distribusjonskrets (montering av strømnett).
- Velg en kabellengde til likestrømkablene (tilkobling til batteripolene) som er så kort som mulig ≤ 1 m).
- For tilkobling til **TN-nettverk**: Monter en jordfeilbryter.
- For tilkobling til **IT-nettverk**: Monter en enhet for isolasjonsovervåking (IMD) hvis det kobles til mer enn én last. **Nasjonale standarder gjelder.**


1. Fastslå kabeltvernsnitt og sikring:

	Kabeltvernsnitt	Kabelsikring
DPSI1812i-TS	50 mm ²	250 A
DPSI1824i-TS	25 mm ²	150 A


2. Kontroller at apparatet er slått av ( fig. **6** på side 194, **A: 1**).





3. Ta av hettene fra polene ( fig. 6 på side 194, **A: 2 – 3**).


4.  **PASS PÅ! Fare for skader**
For å unngå at apparatet kortsluttes må den sorte kabelen kobles til først (minuspol).

Koble den sorte (bk) ledningen til (-)-polen.

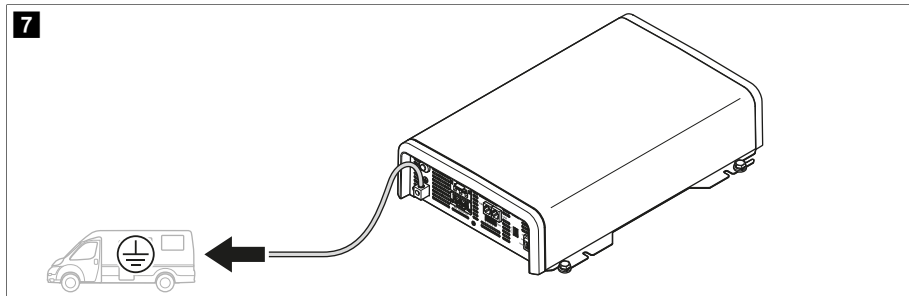
5. Koble den røde (rd) ledningen to (+)-polen ( fig. 6 på side 194, **B: 1 – 2**).

6. Koble (+) til plusspolen på forbruksbatteriet ( fig. 6 på side 194, **B: 4**).

 **MERK** Beskytt plusskabelen til forbruksbatteriet med en sikring ( fig. 6 på side 194, **1**).

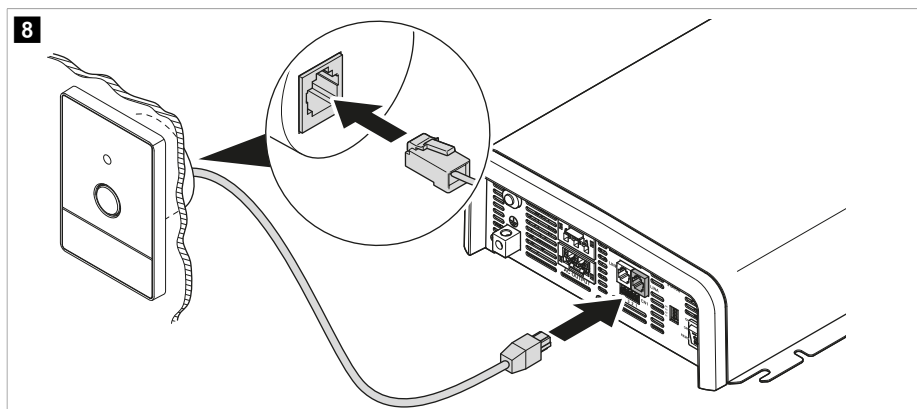
7. Koble (-) til minuspolen til forbruksbatteriet ( fig. 6 på side 194, **B: 5**).

8. Koble jordforbindelsen til jord (chassis)  fig. 7 på side 195.



8.4 Koble til fjernkontrollen

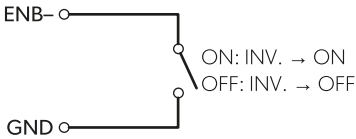
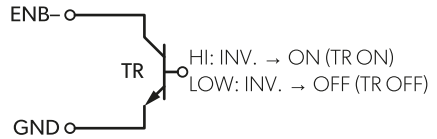
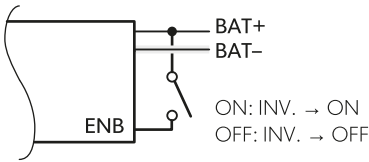
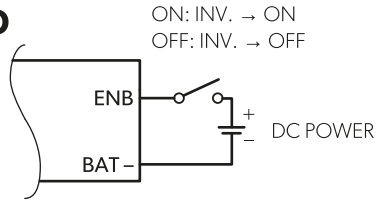
- > Koble fjernkontrollen til fjernkontrollens tilkobling (LINA eller LINB).







8.5 Koble til en ekstern bryter



MERK Hvis en ekstern bryter er koblet til, kan ikke statusen til energisparemodusen endres.

9 A**B****C****D****MERK**

- > Sørg for at fjernkontrollens tilkobling ikke er opptatt.
- > Velg én av de følgende egnede eksterne bryterne:
 -  fig. 9 på side 196, **A**: Ekstern bryter med strømforsyning fra vekselretteren
 -  fig. 9 på side 196, **B**: Styreenhet med relé- eller transistorkobling (TR)
 -  fig. 9 på side 196, **C**: Ekstern bryter med strømforsyning fra batteriet (BAT) til kjøretøyet
 -  fig. 9 på side 196, **D**: Ekstern bryter med egen strømforsyning (DC POWER), f.eks. fra tenningen



MERK Sørg for at fjernkontrollens tilkobling ikke er opptatt.

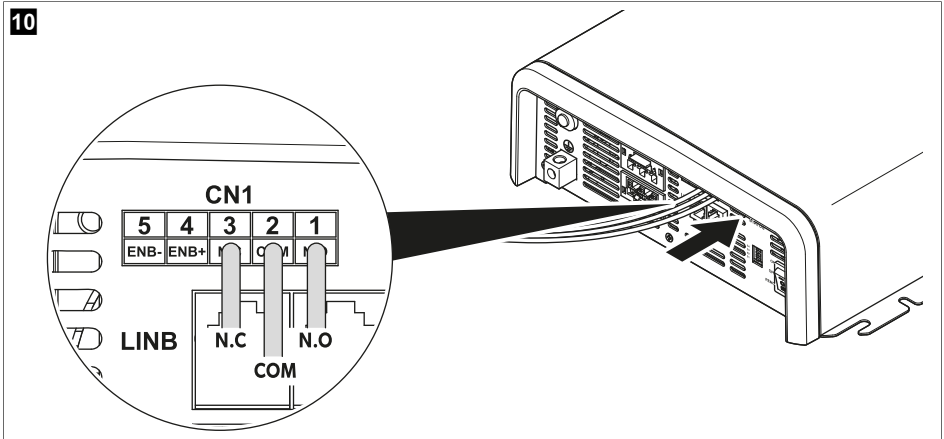
1. Sett av/på-bryteren til **OFF**.
2. Sett av/på-bryteren til **REMO**.
3. Koble den eksterne bryteren til CN1-terminalen.


8.6 Koble til en alarmrelé

Alarmreléen aktiveres så snart som forsyningen av vekselstrøm er tilgjengelig og vekselstrømoverføringsbryteren er lukket. Alarmreléen kan brukes til følgende:

- Opprette et signal i kontrollpanelet til kjøretøyet når det oppdages vekselstrømforsyning.
- Slå av og på mindre viktige belastninger (f.eks. absorbasjons-kjøleskap, elektriske varmeanlegg) som abre skal kjøres tilkoblet til vekselstrømforsyning.

10



- > Koble en alarmrelé til CN1-terminalen ( fig. 10 på side 197).

9 Konfigurere vekselretteren



Den elektriske installasjonen og oppsettet av apparatet må utføres av en kvalifisert elektriker som har vist ferdigheter og kunnskaper relatert til konstruksjon og drift av elektrisk utstyr og installasjoner, og som er kjent med gjeldende forskrifter i det landet hvor utstyret skal installeres og/eller brukes, og har mottatt sikkerhetsopplæring for å kunne identifisere og unngå farene som er forbundet med arbeidet.

Alle andre handlinger er også ment for ikke-profesjonelle brukere.



FARE! Fare for elektrisk støt

- > Kun ta av klemmebeskyttelseshetten fra DIP-bryteren ved konfigurering.
- > Sett klemmebeskyttelseshetten på igjen for å hindre at DIP-bryteren trykkes inn utilsiktet.
- > For konfigurering for **TN-nettverk**: Påse at en jordfeilbryter er montert.
- > For konfigurering av **IT-nettverk**: Betjen kun én last, eller monter en enhet for isolasjonsovervåking (IMD). Overhold nasjonale standarder.



MERK



Bruk en liten skrutrekker for å flytte DIP-bryterne forsiktig til ønsket posisjon.

Du kan stille inn vekselretteren ved hjelp av DIP-bryterne eller via tilkoblingen til en CI-BUS-klargjort fjernkontroll.

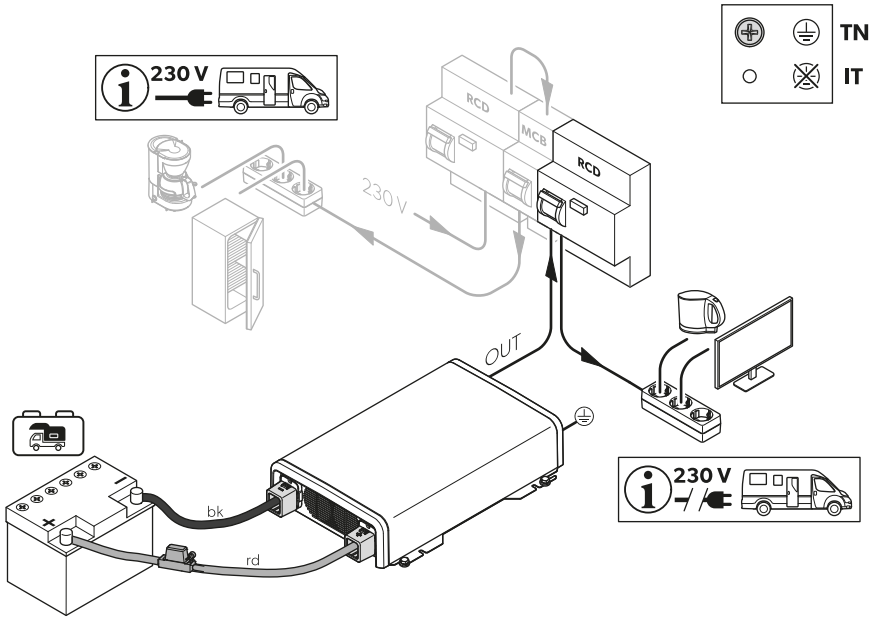
Apparatet vil først bruke fabrikkkonfigurasjonen. Ved behov kan du flytte DIP-bryterne for å justere konfigurasjonen.

- > Skyv DIP-bryteren **S1** til **On** for **lokal** innstilling via DIP-bryterne.
- > Skyv DIP-bryteren **S1** til **OFF** for **ekstern** innstilling via fjernkontrollen.

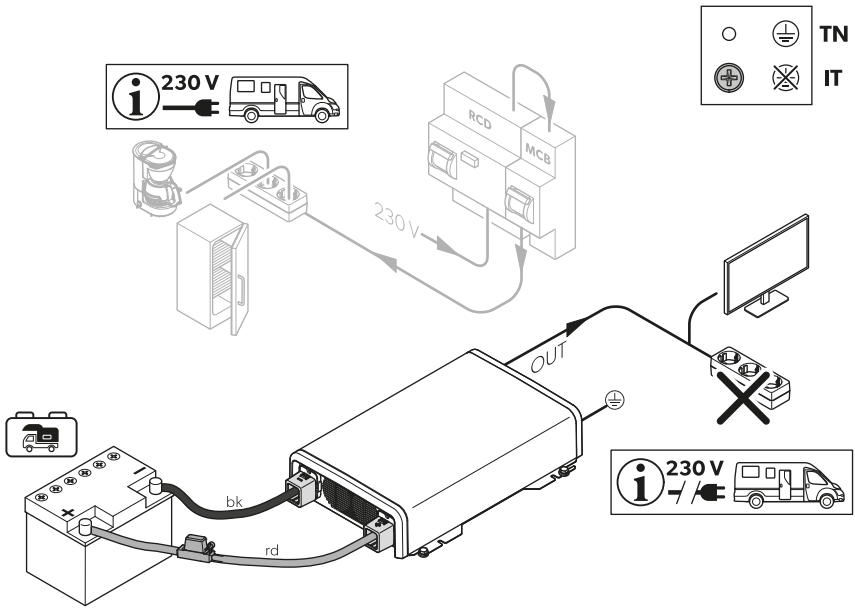
9.1 DIP-bryterinnstillinger

Konfigurasjon		DIP-bryterposisjon				
		S1	S2	S3	S4	S5
Innstillinger	Lokal innstilling via DIP-bryter	På	-	-	-	-
	Ekstern innstilling via fjernkontroll	Av	-	-	-	-
Nettspenning	240 V/60 Hz	-	På	-	-	-
	230 V/50 Hz	-	Av	-	-	-
Energisparemodus	Energy-saving mode is activated when the load is ≤ 45 W	-	-	På	På	-
	Inverter switches to normal operation when the load is ≥ 45 W					
	Energisparemodus er aktivert selv når lasten er ≤ 45 W	-	-	På	Av	-
	Vekselretteren går over til normal drift når lasten er ≥ 45 W					
	Vekselretteren slås av automatisk etter 20 minutter i drift i energisparemodus					
	Energisparemodus er aktivert selv når lasten er ≤ 1 W	-	-	Av	Av	-
Vekselretteren går over til normal drift når lasten er ≥ 1 W						
Energisparemodus	Energisparemodus er aktivert selv når lasten er ≤ 1 W	-	-	Av	På	-
	Vekselretteren går over til normal drift når lasten er ≥ 1 W					
	Vekselretteren slås av automatisk etter 20 minutter i drift i energisparemodus					
Nettsystem	IT-nettverk ( fig. 12 på side 199)	-	-	-	-	På
	TN-nettverk ( fig. 11 på side 199)	-	-	-	-	Av

11

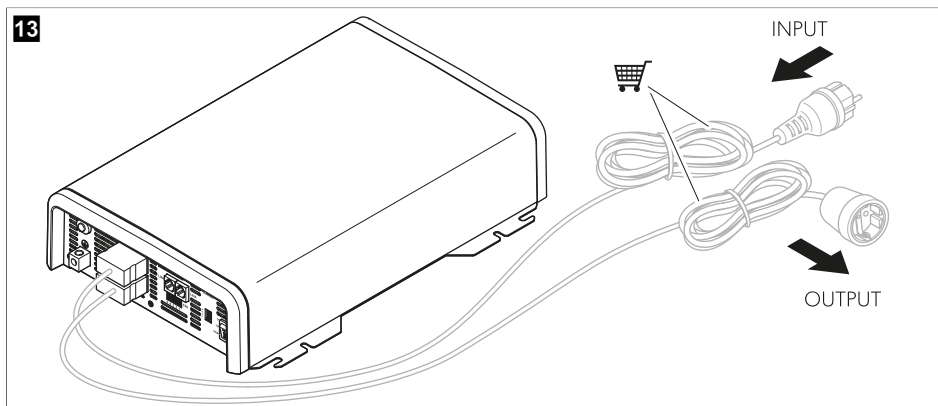


12



10 Betjening

10.1 Betjening av 230 V-apparater



MERK

Du må kun koble til enheter med en totalbelastning som ikke overskrider verdiene oppført under Tekniske spesifikasjoner på side 202.

- > Koble til 230 V-enheter som vist ( fig. 13 på side 200).

10.2 Slå veksleretteren av og på



MERK

- Hvis veksleretteren skal styres via fjernkontrollen, må av/på-bryteren være satt til **I**.
- Hvis veksleretteren skal styres ved hjelp av en ekstern bryter, må av/på-bryteren settes til **0**.

- > For å slå på veksleretteren setter du av/på-bryteren til **I**.
- > For å slå av veksleretteren setter du av/på-bryteren til **0**.
- > Bruk fjernkontrollen eller den eksterne bryteren til å slå veksleretteren av og på.

11 Rengjøring og vedlikehold



ADVARSEL! Fare for elektrisk støt

Koble apparatet fra strømforsyningen før rengjøring og vedlikehold.



PASS PÅ! Fare for skader

- > Apparatet må aldri rengjøres under rennende vann eller spyles.
 - > Bruk ikke skarpe eller harde gjenstander, skurende vaskemidler eller blekemidler under rengjøring, da disse kan skade apparatet.
 - > Sikre deg at apparatets ventiler for inntak og uttak av luft er fri for støv og smuss, slik at varme slipper ut.
- > Rengjør apparatet regelmessig med en myk, fuktig klut.

- > Sjekk strømførende kabler eller ledninger regelmessig for feil på isoleringen, brudd eller vakkellkontakter.

12 Feilretting

Problem	Mulig årsak	Løsningsforslag
Vekselretteren fungerer ikke. Indikator-LED-lampen er av.	Det har oppstått en kortslutning.	> Apparatets sikring må skiftes av et autorisert serviceverksted etter at den er blitt utløst av overstrøm.
	Isoleringsfeil, brudd eller vakkellkontakter på strømførende kabler.	> Sjekk strømførende kabler for feil på isoleringen, brudd eller vakkellkontakter. Hvis du ikke kan finne noen feil, tar du kontakt med et autorisert serviceverksted.
Vekselretteren fungerer ikke. Indikator-LED-lampen blinker sakte.	Overspenningsvern i inngangsstrøm.	Reduser tilkoblet belastning.
	Overtemperaturvern.	1. Slå av vekselretteren og tilkoblede laster. 2. Kontroller at luftinntakene og utløpene ikke er tildekket eller blokkert. 3. La vekselretteren kjøles ned.
	Det har oppstått en kortslutning.	Apparatets sikring må skiftes av et autorisert serviceverksted etter at den er blitt utløst av overstrøm.
Vekselretteren fungerer ikke. Indikator-LED-lampen blinker raskt.	Overspenningsvern. For høy batterispenning.	> Reduser tilkoblede spenninger. Vekselretteren starter automatisk på nytt dersom spenningen synker til omstartverdien (se kapittel Overspenningsvern på side 203). > Hvis feilen vedvarer: Øk kabelvernsnittene. Reduser kabellengden.
	Underspenningsvern. For lav batterispenning.	> La batteriet bli ladet sakte. Vekselretteren starter automatisk på nytt dersom spenningen overskrider omstartverdien (se kapittel Underspenningsvern på side 203).

13 Garanti

Lovmessig garantitid gjelder. Hvis produktet er defekt: Ta kontakt med produsentens filial (se dometic.com/dealer) eller forhandler i ditt land.

Ved henvendelser vedrørende reparasjon eller garanti, må du sende med følgende dokumentasjon:

- Kopi av kvitteringen med kjøpsdato
- Årsak til reklamasjonen eller beskrivelse av feilen

Vær oppmerksom på at reparasjoner som utføres selv, eller som ikke utføres på en profesjonell måte, kan gå ut over sikkerheten og føre til at garantien blir ugyldig.

14 Avfallshåndtering

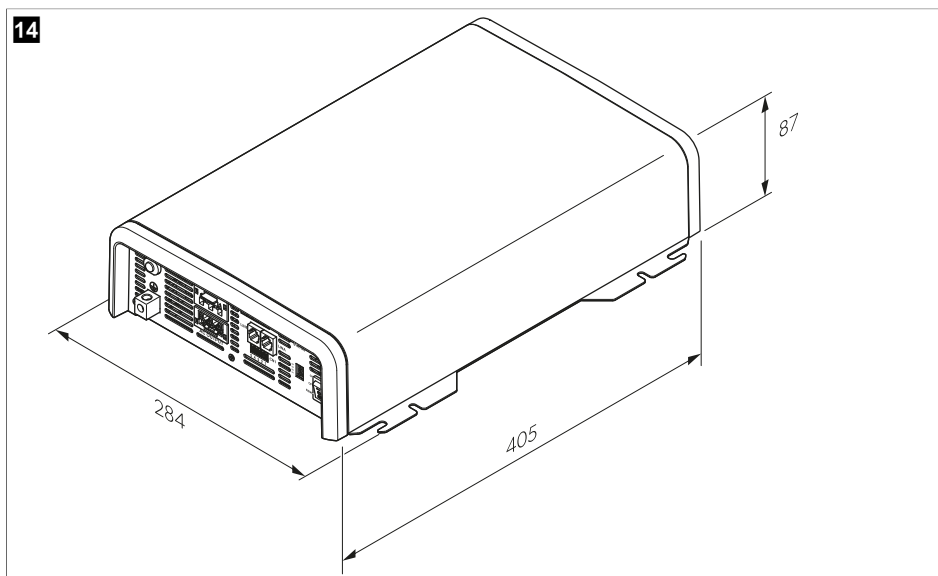



Lever emballasje til resirkulering så langt det er mulig.

For å kaste produktet endelig ta kontakt med det lokale resirkuleringssenteret eller faghandler om hvordan du kan gjøre dette i overensstemmelse med gjeldende avfallshåndteringsforskrifter.

Produktet kan avhendes gratis.

15 Tekniske spesifikasjoner



	DPSI 1812	DPSI 1824
Nominell inngangsspenning	12 V _{DC}	24 V _{DC}
Inngangsspenningsområde	10 ... 16,5 V _{DC}	20 ... 33 V _{DC}
Kontinuerlig utgangseffekt P _{nom}	1800 W	1800 W
Maksimal utgangseffekt (10 min)	1800 W	1800 W
Maksimal utgangseffekt (3 min)	2070 W	2070 W
Maksimal strømeffekt (2 s) P _{surge}	3600 W	3600 W
Strømforbruk i hvilemodus	≤ 2,5 A	≤ 1,3 A
Strømforbruk i standby-modus	≤ 0,2 A	≤ 0,1 A
Mål	 fig. 14 på side 202	
Vekt	5,5 kg	5,5 kg

15.1 Generelle tekniske spesifikasjoner

Spenningsområde	230/ 240 V \sim \pm 3 %
Utgangsfrekvens	50/60 Hz \pm 0,3 Hz
Utgangsbølgeform	Ren sinusbølge
THD-forvrenging	THD \leq 3 % ved P _{nom} (resistiv last)
Maks effektivitet	90 %
Omgivelsestemperatur for drift	-20 ... 60 °C
Omgivelsestemperatur for lagring	-30 °C ... 70 °C
Relativ luftfuktighet	0 ... 95 %, non-condensing
Inspeksjon/sertifisering	



15.2 Underspenningsvern

	Utkoblingsverdi	Omstartsverdi
DPSI1812	10 V	12 V
DPSI1824	20 V	24 V

15.3 Overspenningsvern

	Utkoblingsverdi	Omstartsverdi
DPSI1812	16,5 V	15,5 V
DPSI1824	33 V	31 V

Suomi

1	Tärkeitä huomautuksia.....	204
2	Symbolien selitykset.....	204
3	Turvallisuusohjeet.....	205
4	Toimituskokonaisuus.....	208
5	Lisävarusteet.....	208
6	Käyttötarkoitus.....	208
7	Tekninen kuvaus.....	209
8	Asennus.....	211
9	Vaihtosuuntaajan säätäminen.....	217
10	Käyttö.....	220
11	Puhdistus ja hoito.....	220
12	Vianetsintä.....	221
13	Takuu.....	221
14	Hävittäminen.....	222
15	Tekniset tiedot.....	222

1 Tärkeitä huomautuksia

Lue nämä ohjeet huolellisesti ja noudata kaikkia tämän tuotteen käyttöohjeissa annettuja ohjeita, määräyksiä ja varoituksia. Näin varmistat, että tuotteen asennus, käyttö ja huolto sujuu aina oikein. Näiden ohjeiden TÄYTYY jäädä tuotteen yhteyteen.

Käyttämällä tuotetta vahvistat lukeneesi kaikki ohjeet, määräykset ja varoitukset huolellisesti ja että ymmärrät ja hyväksyt tässä annetut ehdot. Sitoudut käyttämään tuotetta ainoastaan sen käyttötarkoitukseen ja ilmoitetuissa käyttökohteissa ja noudattaen tässä tuotteen käyttöohjeessa annettuja ohjeita, määräyksiä ja varoituksia sekä voimassa olevia lakeja ja määräyksiä. Tässä annettujen ohjeiden ja varoitusten lukematta ja noudattamatta jättäminen voi johtaa omaan tai muiden loukkaantumiseen, tuotteen vaurioitumiseen tai muun ympärillä olevan omaisuuden vaurioitumiseen. Tähän tuotteen käyttöohjeeseen, ohjeisiin, määräyksiin ja varoituksiin sekä ohjeidokumentteihin voidaan tehdä muutoksia ja niitä voidaan päivittää. Katso ajantasaiset tuotetiedot osoitteesta documents.dometic.com.

2 Symbolien selitykset

Merkkisana tunnistaa turvallisuusviestejä ja omaisuusvahinkoihin liittyviä viestejä ja osoittaa lisäksi vaaratekijän vakavuusasteen.



VAARA!

Viittaa vaaralliseen tilanteeseen, joka johtaa kuolemaan tai vakavaan loukkaantumiseen, jos sitä ei vältetä.



VAROITUS!

viittaavat vaaralliseen tilanteeseen, joka voi johtaa kuolemaan tai vakavaan loukkaantumiseen, jos ohjeita ei noudateta.



HUOMIO!

viittaavat vaaralliseen tilanteeseen, joka voi johtaa lievään tai kohtalaiseen loukkaantumiseen, jos ohjeita ei noudateta.



HUOMAUTUS!

viittaavat tilanteeseen, joka voi johtaa esinevahinkoon, jos ohjeita ei noudateta.



OHJE Tuotteen käyttöä koskevia lisätietoja.

3 Turvallisuusohjeet

Noudata myös ajoneuvovalmistajan ja valtuutettujen huoltoliikkeiden antamia turvallisuusohjeita ja vaatimuksia.

3.1 Perusturvallisuus



VAARA! Sähköiskun vaara

- > Älä kosketa avojohtimia koskaan paljain käsin.
- > Jotta laite voidaan irrottaa nopeasti vaihtovirtaverkosta, pistorasian täytyy olla lähellä laitetta ja siihen täytyy päästä helposti käsiksi.



VAROITUS! Sähköiskun vaara

- > Laitteen saavat asentaa tai irrottaa ainoastaan tehtävään pätevät henkilöt.
- > Älä käytä laitetta, jos laitteessa tai liitäntäjohdossa on näkyviä vaurioita.
- > Jos tämän laitteen virtajohto on vioittunut, se täytyy vaihtaa vaarojen välttämiseksi.
- > Ainoastaan pätevät ammattilaiset saavat korjata tätä laitetta. Väärin tehdyistä korjauksista voi aiheutua vakavia vaaroja.
- > Käytä ainoastaan valmistajan suosittelemia lisävarusteita.
- > Älä tee mihinkään osaan minkäänlaisia muutoksia.
- > Älä irrota mitään johtoja, kun laite on vielä toiminnassa.
- > Irrota laite virtalähteestä:
 - käytön jälkeen
 - Aina ennen puhdistusta tai huoltoa
 - ennen sulakkeen vaihtamista



VAROITUS! Palovaara / palavia materiaaleja

Käytä tulipalon sattuessa palonsammutinta, joka sopii sähkölaitteiden sammuttamiseen.



VAROITUS! Tukehtumisvaara

Laitteen johto ja ohjauksikkö voivat lisätä kietoutumis-, kuristumis-, kompastumis- tai päälleastumisvaaraa, mikäli niitä ei asetella asianmukaisesti. Varmista, että ylipitkät hihnat ja johdot asetellaan turvallisesti.



VAROITUS! Terveysvaara

- > Tätä laitetta voivat käyttää valvonnan alaisuudessa myös vähintään 8-vuotiaat lapset samoin kuin henkilöt, joiden fyysiset, aistinvaraiset tai henkiset kyvyt ovat rajoittuneet tai joilta puuttuu laitteen käytön vaatima kokemus tai tietämys, mikäli edellä mainittuja henkilöitä on opastettu käyttämään laitetta turvallisesti ja mikäli henkilöt ymmärtävät laitteen käyttöön liittyvät riskit.
- > **Sähkölaitteet eivät ole leikkikaluja.** Säilytä ja käytä laitetta hyvin pienten lasten ulottumattomissa.
- > Lapsia tulee valvoa sen varmistamiseksi, etteivät he leiki laitteella.
- > Lapset eivät saa ilman valvontaa puhdistaa laitetta eivätkä ryhtyä käyttäjälle sallittuihin kunnossapitotöihin.



HUOMAUTUS! Vahingonvaara

- > Vertaa tyyppietiketin jännitetietoja käytettävissä olevaan energiansyöttöön ennen käyttöön ottamista.

- > Varmista, että muut esineet **eivät voi** aiheuttaa laitteen koskettimiin oikosulkuja.
- > Huolehdi siitä, että plus- ja miinusnavat **eivät koskaan** ole kosketuksissa toisiinsa.
- > Älä vedä liitäntäjohtoja äläkä käytä niitä kahvana.
- > Laitetta ei saa altistaa sateelle tai kosteudelle. Säilytä sitä kuivassa paikassa.

3.2 Laitteen turvallinen asennus



VAARA! Räjähdyksivaara

- > Asenna ja käytä laitetta ainoastaan suljetuissa, hyvin tuuletetuissa tiloissa.
- > **Älä** asenna tai käytä laitetta seuraavissa olosuhteissa:
 - suolapitoisessa, kosteassa tai määrässä ympäristössä
 - syövyttävien höyryjen lähellä
 - palavien materiaalien lähellä
 - lämmönlähteiden (lämmittimet, suora auringonvalo, kaasuuunit jne.) lähellä
 - alueilla, joilla on olemassa kaasu- tai pölyräjähdysten vaara



VAROITUS! Loukkaantumiswaara

- > Varmista, että laite on tukevasti paikallaan. Laite täytyy sijoittaa ja kiinnittää niin vakaasti, että se ei voi kaatua tai pudota.
- > Kun sijoitat laitetta, varmista, että kaikki johdot on kiinnitetty sopivalla tavalla kaikenlaisten kompastumisvaarojen välttämiseksi.



HUOMAUTUS! Vahingonvaara

- > Asenna laite kuivaan ja roiskevedeltä suojattuun paikkaan.
- > Käytä aina maadoitettuja ja vikavirtasuojakytkimellä varmistettuja pistorasioita

3.3 Turvallisuus laitteen sähköliitettäessä



VAARA! Sähköiskun vaara

Kun työskentelet sähköisten laitteiden kanssa, varmista, että joku on avuntarpeen tullen lähellä.



VAROITUS! Sähköiskun vaara

- > Huomaa johdon poikkipinta-alaa koskevat suositukset.
- > Vedä johdot siten, että ovet tai konepelti eivät voi vahingoittaa niitä. Rusentuneet johdot voivat johtaa hengenvaarallisiin vammoihin.



HUOMAUTUS! Vahingonvaara

- > Käytä putkia tai läpivientiholkkeja, jos johtimia täytyy vetää peltiseinien tai muiden terävereunaisten seinien läpi.
- > **Älä** sijoita 230 V:n verkkosähköjohtoa ja 12 V:n tasavirtajohtoa samaan johtokanavaan.
- > Johtoja **ei** saa jättää löysälle eikä vetää niin, että muodostuu teräviä taitteita.
- > Kiinnitä johdot asianmukaisesti.

3.4 Turvatoimet akkuja käsiteltäessä



VAROITUS! Loukkaantumiswaara

- > Akut sisältävät vahvoja, syövyttäviä happoja. Vältä ihokosketusta akkunesteiden kanssa. Jos akkunestettä on päässyt iholle, huuhtelee kyseinen alue huolellisesti vedellä. Jos happo on aiheuttanut sinulle vamman, hakeudu välittömästi lääkäriin.
- > Älä käytä mitään metallisia esineitä kuten kelloa tai sormuksia, kun käsittelet akkuja. Lyijyakut voivat aiheuttaa oikosulkuvirtoja, jotka voivat johtaa palovammaan.
- > Käytä vain eristettyjä työkaluja.
- > Älä laita metalliosia akun päälle ja estä metalliosien putoaminen akun päälle. Tämä voi aiheuttaa kipinöintiä tai akun ja muiden sähkölaitteiden oikosulun.
- > Käytä suojalaseja ja suojavaatetusta, kun työskentelet akun parissa. Älä kosketa silmiäsi, kun työskentelet akun parissa.
- > Käytä ainoastaan uudelleen ladattavia akkuja.
- > Älä käytä viallista akkua.



HUOMIO! Räjähdyksivaara

- > Älä koskaan yritä ladata jäätynyttä tai viallista akkua. Sijoita jäänyt akku tilaan, jossa ei ole pakkasta. Odota tämän jälkeen, että akku on mukautunut ympäristön lämpötilaan. Aloita lataaminen vasta sitten.
- > Älä tupakoi, sytytä avoliekkiä äläkä aiheuta kipinöitä moottorin tai akun lähistöllä.
- > Pidä laite loitolla lämpölähteistä.



HUOMAUTUS! Vahingonvaara

- > Varmista oikea napaisuus, kun liität akkua.
- > Noudata akun valmistajan ohjeita sekä sen järjestelmän tai ajoneuvon valmistajan ohjeita, jossa akkua käytetään.
- > Jos akku täytyy irrottaa, irrota ensin maadoitusliitäntä. Irrota kaikki liitännät ja kaikki sähkölaitteet akusta ennen akun ottamista pois.
- > Akkua saa säilyttää varastossa vain täysin ladattuna. Lataa akkua säännöllisesti varastossa säilytyksen aikana.
- > Älä kannaa akkua sen navoista kiinni pitäen.

3.5 Laitteen käyttöturvallisuus



VAROITUS! Sähköiskun vaara

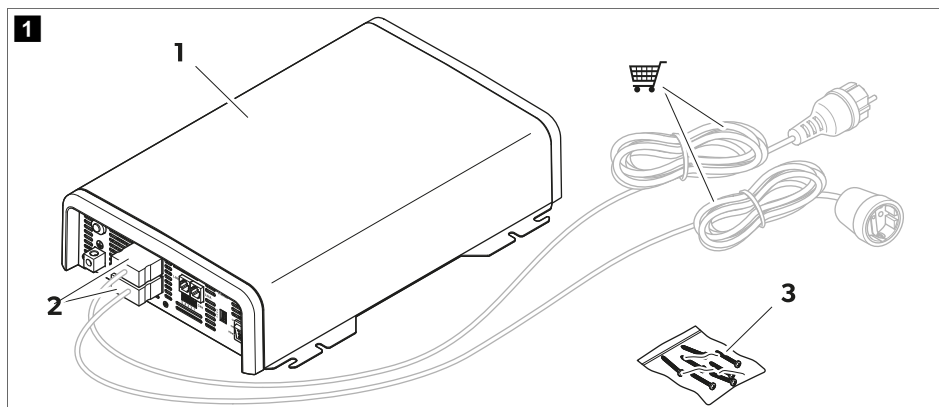
- > Älä käytä tätä laitetta märissä olosuhteissa äläkä upota sitä mihinkään nesteeseen.
- > Ennen laitteen käynnistämistä on varmistettava, että virtajohto ja pistoke ovat kuivat ja että pistokkeessa ei ole ruostetta eikä likaa.
- > Huomaa, että osa laitteesta voi jäädä jännitteiseksi myös sulakkeen laukeamisen jälkeen.




HUOMAUTUS! Vahingonvaara

- > Varmista, että laitteen ilmanotto- ja ilmanpoistoaukkoja ei ole peitetty.
- > Varmista hyvä ilmanvaihto.

4 Toimituskokonaisuus



Nro	 kuva. 1	Kuvaus	Määrä
	sivulla 208		
1		Sini-vaihtosuuntaaja	1
2		WAGO-liitin Liitäntäjohto suojapistorasiassa (230 V~ lähtöä varten)	2
3		Kiinnitysruuvit	6
-		Asennus- ja käyttöohje	1

5 Lisävarusteet

Kuvaus	Tuotenro
Kaukosäädin DSP-RCT	9600002564
Ohjausmonitori DSP-EM	9600002565
Kosketusnäyttö TD283	9620013272

6 Käyttötarkoitus

Vaihtosuuntaaja on tarkoitettu muuntamaan tasavirta puhtaan siniaallon vaihtojännitteeksi (AC) 230~ ... 240 V~, ja tarjoamaan vakaan virransaannin siihen liitetyille laitteille.

Vaihtosuuntaaja on tarkoitettu liitettäväksi seuraaviin:

- DPSI1812iTS: 12 V \Rightarrow
- DPSI1824iTS: 24 V \Rightarrow

Vaihtosuuntaaja sopii seuraaviin:

- Asennus vapaa-ajan ajoneuvoihin, kuorma-autoihin, hyötyajoneuvoihin tai moottori- ja purjeverseisiin
- Kiinteä asennus ja mobiilikäyttö
- Sisäkäyttö

Vaihtosuuntaaja **ei** sovellu seuraaviin:

- Ulkokäyttö

Tämä tuote soveltuu ainoastaan näissä ohjeissa ilmoitettuun käyttötarkoitukseen ja käyttökohteeseen.

Näistä ohjeista saat tuotteen asianmukaiseen asennukseen ja/tai käyttöön tarvittavat tiedot. Väärin tehdyn asennuksen ja/tai väärin käyttötavan tai väärinlaisen huollon seurauksena laite ei toimi tyydyttävästi, ja se saattaa mennä epäkuuntoon.

Valmistaja ei ota vastuuta tapaturmista tai tuotevaurioista, jotka johtuvat seuraavista:

- Väärin tehty asennus tai liitäntä, ylijännite mukaan lukien
- Väärin tehty huolto tai muiden kuin valmistajalta saatavien alkuperäisten varaosien käyttö
- Tuotteeseen ilman valmistajan nimenomaista lupaa tehdyt muutokset
- Käyttö muuhun kuin tässä ohjeessa ilmoitettuun tarkoitukseen

Dometic pidättää itsellään oikeuden muutoksiin tuotteen ulkonäössä ja spesifikaatioissa.

7 Tekninen kuvaus

7.1 Yleiskuvaus

Vaihtosuuntaaja tuottaa DC/AC puhdasta siniaaltoa.

Vaihtosuuntaaja on varustettu ensisijaiskytkennällä. Jos 230 V~ verkkosähköä on saatavilla, tätä ulkoista virtalähdettä käytetään vapaa-ajan ajoneuvojen pistokkeiden lähteenä. Jos 230 V~ verkkosähköä ei ole saatavilla, vaihtosuuntaaja muuntaa akun tasavirran vaihtovirraksi, mikä takaa virransyötön siihen yhdistetyille laitteille.

Vaihtosuuntaajaa voidaan käyttää seuraavissa verkkojärjestelmissä:

- TN-verkko
- IT-verkko

Verkkojärjestelmät asetetaan vaihtosuuntaajassa olevan ruuvien kautta.

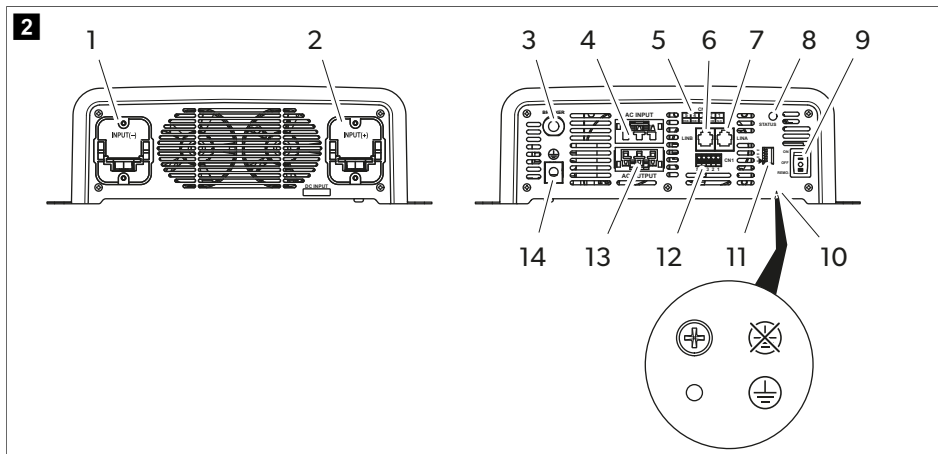
Vaihtosuuntaaja voidaan asettaa energiansäästötilaan, jolla voidaan vähentää lepotilan kulutusta ja minimoida akun kuormitus.

Vaihtosuuntaajassa on seuraavat suojaominaisuudet:

- **Ylijännitesuoja:** Vaihtosuuntaaja kytkeytyy pois päältä, jos jännitearvo kohoaa katkaisuarvoa suuremmaksi. Vaihtosuuntaaja käynnistyy uudelleen automaattisesti, kun jännitearvo laskee uudelleenkäynnistysarvoon.
- **Alijännitesuoja:** Vaihtosuuntaaja kytkeytyy pois päältä, jos jännitearvo laskee katkaisuarvoa pienemmäksi. Vaihtosuuntaaja käynnistyy uudelleen automaattisesti, kun jännitearvo kohoaa uudelleenkäynnistysarvoa suuremmaksi.
- **Ylikuumentamissuoja:** Vaihtosuuntaaja kytkeytyy pois päältä, kun laitteen sisäinen lämpötila ylittää katkaisuarvon. Vaihtosuuntaaja käynnistyy uudelleen automaattisesti, kun sisäinen lämpötila laskee uudelleenkäynnistysarvoon.
- **Korkean lähtövirran suoja:** Vaihtosuuntaaja sammuu, jos siihen on liitetty liian monta kuormaa.
- **Suojaaminen oikosululta:** Vaihtosuuntaaja sammuu, kun on muodostunut oikosulku. Vaihtosuuntaaja käynnistyy uudelleen automaattisesti muutaman sekunnin kuluttua. Jos oikosulku havaitaan viisi kertaa peräkkäin, vaihtosuuntaaja ei käynnisty uudelleen automaattisesti, vaan tarvitaan manuaalinen uudelleenkäynnistys.

Vaihtosuuntaaja on yhteensopiva N-väylän ja CI-väylän tietojen ja toimintojen näyttämistä varten kosketusnäytöllä (lisävaruste) ja mobiilisovelluksessa.

7.2 Käyttölaitteet ja liitännät



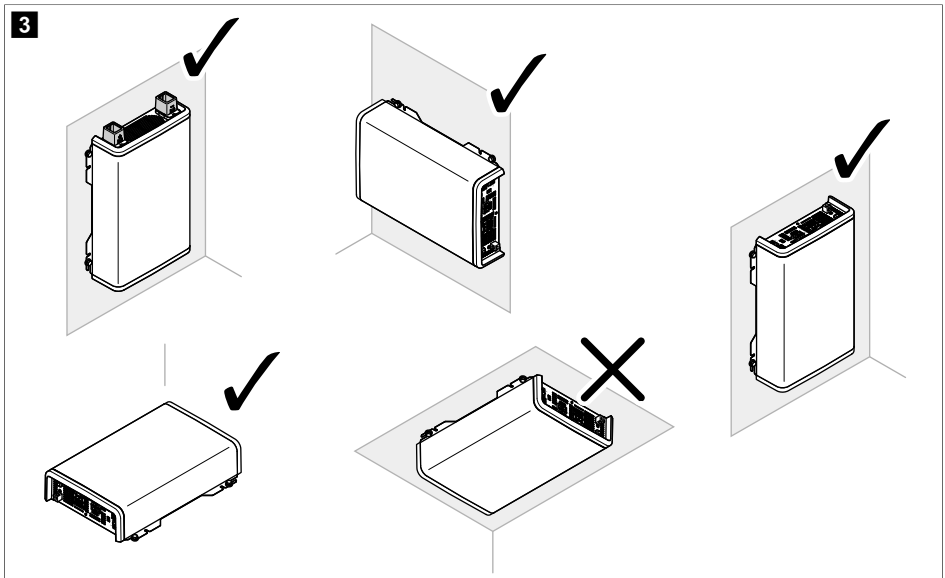
Nro	Kuvaus
1	(-) napa, yhteys rakennuksen akun miinusnapaan
2	(+) napa, yhteys rakennuksen akun plusnapaan
3	Sulake ulkoista syötettä varten
4	Vaihtovirtaliitintä
5	Liitin CN1
6	CI-väylä/N-väylä/kaukosäätimen liitintä (LINB)
7	CI-väylä/N-väylä/kaukosäätimen liitintä (LINA)
8	LED-tilanilmaisin
9	Virtakytkin
10	Ruuvi IT-/TN-verkon asettamiseen
11	Dip-kytkin
12	Dip-kytkin, liitintä ulkoiselle kytkimelle ja hälytysrele
13	AC Output
14	Maadoitusliitintä

7.3 LED-tilanilmaisin

Tila	Kuvaus
On	Vaihtosuuntaajan käyttäminen
Flashing	Virhe (katso kappale Vianetsintä sivulla 221)
Off	Ei vaihtovirtaa, vaihtosuuntaaja deaktivoitu

8 Asennus

8.1 Asennuspaikka



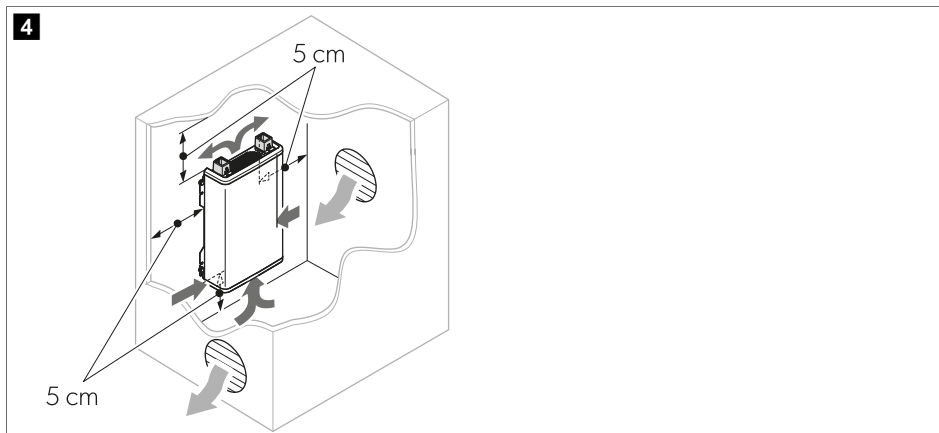
HUOMAUTUS! Vahingonvaara

Ennen kuin teet mitään reikiä, varmista, että poraaminen, sahaaminen tai viilaaminen ei vahingoita sähköjohtoja tai ajoneuvon muita osia.




OHJE

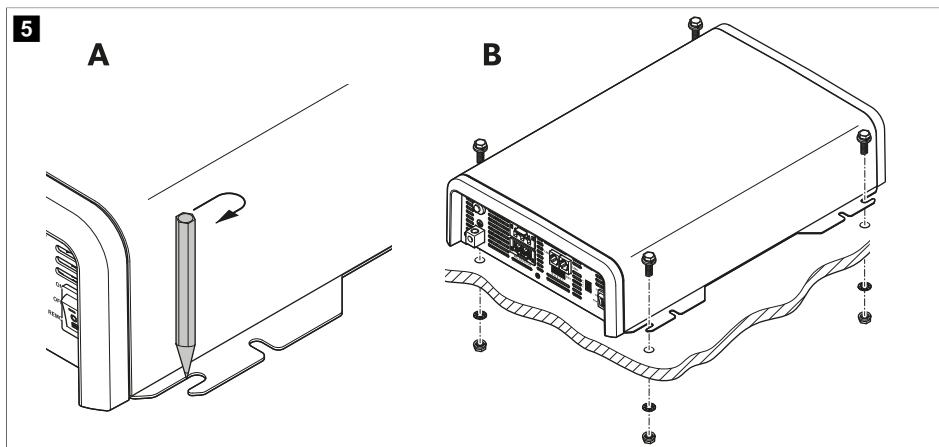
Vaihtosuuntaaja voidaan kiinnittää joko seisomaan tai riippumaan ( kuva. **3** sivulla 211).





Kun valitset asennuspaikkaa, ota huomioon seuraavat ohjeet:

- Varmista, että asennuspinta on tukeva ja suora.
- Noudata vaatimuksia etäisyydestä varmistaaksesi riittävän ilmanvaihdon ( kuva. **4** sivulla 212).

8.2 Vaihtosuuntaajan asentaminen



1. Valitse sopivat kiinnitysreiät valitun kiinnitystyyppin mukaan (seisova tai riippuva) ja merkitse porausreiät ( kuva. **5** sivulla 212, **A**).
2. Tee esiporaus kiinnitysrei'ille.
3. Ruuvaa vaihtosuuntaaja paikalleen ( kuva. **5** sivulla 212, **B**).

8.3 Invertterin liittäminen



Laitteen sähköasennus ja asetusten tekeminen täytyy antaa pätevän sähköasentajan tehtäväksi. Sähköasentajan täytyy pystyä osoittamaan sähkövarusteiden rakenteeseen ja käyttöön sekä asennukseen liittyvät tietonsa ja taitonsa, ja hänen täytyy tuntea asiaa koskevat määräykset, jotka ovat voimassa siinä maassa, jossa varuste on määrä asentaa ja/tai jossa sitä on määrä käyttää. Lisäksi hänellä täytyy olla suoritettuna turvallisuuskoulutus, jonka ansiosta hän pystyy tunnistamaan asiaan liittyvät vaarat ja välttämään ne.

Kaikki muut toimet ovat sallittuja muillekin kuin ammattilaisille.



VAROITUS! Sähköiskun vaara

Huomaa suositeltu johdon poikkipinta-ala, johdon pituus ja sulakkeen mitoitus.



HUOMIO! Palovaara

Johdon oikosulun ja mahdollisen palamisen välttämiseksi sulakkeet täytyy sijoittaa lähelle akkuja.



HUOMAUTUS! Vahingonvaara


- > Huolehdi siitä, että napaisuus ei mene ristiin.
- > Kiristä ruuvit ja mutterit enintään 15 Nm kiristysmomentilla. Löysät liitännät voivat johtaa ylikuumentumiseen.

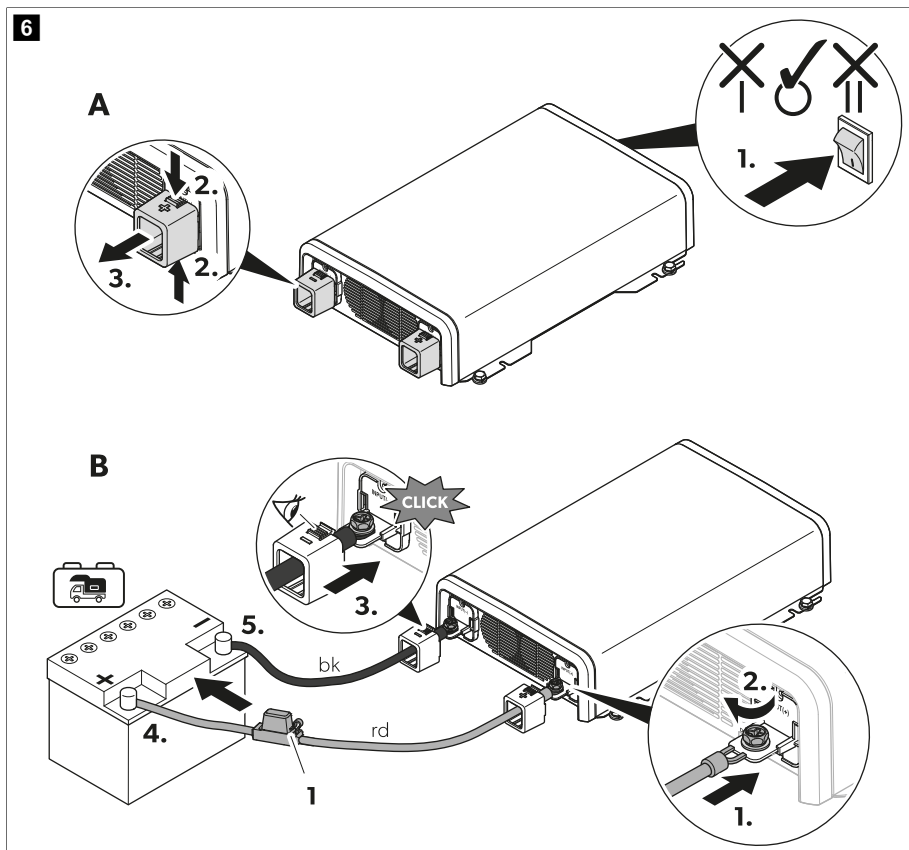
Noudata seuraavia ohjeita, kun liität vaihtosuuntaajan:

- Noudata soveltuvia määräyksiä, kun asennat pistorasiaverkon (verkon asennus).
- Valitse mahdollisimman lyhyet tasavirtajohdot (liitäntä akun liittimiin) ≤ 1 m).
- **TN-verkon** liittäminen: Asenna vikavirtasuojakytkin (RCD).
- **IT-verkon** liittäminen: Asenna eristystilan valvontalaite (IMD), jos useampi kuin yksi kuorma on kytketty. **Kansallisia standardeja sovelletaan.**


1. Määritä johdon poikkipinta-ala ja sulake:

	Johdon poikkipinta-ala	Johtosulake
DPSI1812iTS	50 mm ²	250 A
DPSI1824iTS	25 mm ²	150 A

2. Tarkista, että laite on kytketty pois päältä ( kuva. **6** sivulla 214, **A: 1**).




3. Irrota liittimien suojukset ( kuva. **6** sivulla 214, **A: 2–3**).

4.  **HUOMAUTUS! Vahingonvaara**
Laitteen oikosulun välttämiseksi liitä aina ensin musta kaapeli (miinusnapa).


Kytke musta (bk) liitäntäjohto (–) -napaan.

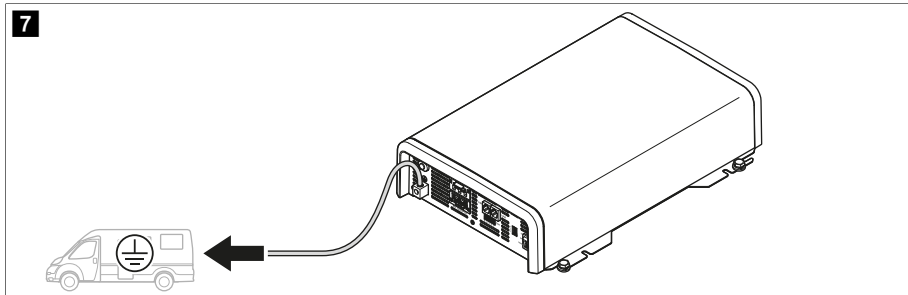
5. Kytke punainen (rd) liitäntäjohto (+) -napaan ( kuva. **6** sivulla 214, **B: 1–2**).

6. Liitä (+) rakennuksen akun plusnapaan ( kuva. **6** sivulla 214, **B: 4**).

 **OHJE** Suojaa rakennuksen akun plusjohto sulakkeella ( kuva. **6** sivulla 214, **1**).

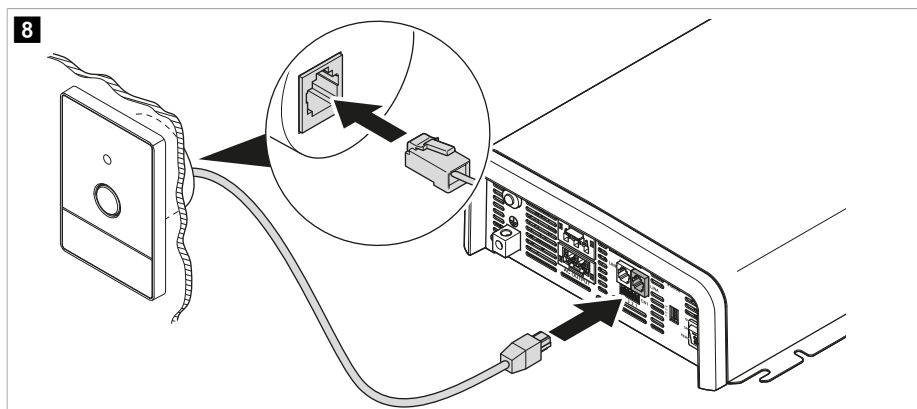
7. Liitä (–) rakennuksen akun miinusnapaan ( kuva. **6** sivulla 214, **B: 5**).

8. Liitä maadoitusliitäntä maahan (alusta)  kuva. **7** sivulla 215.



8.4 Kaukosäätimen liittäminen

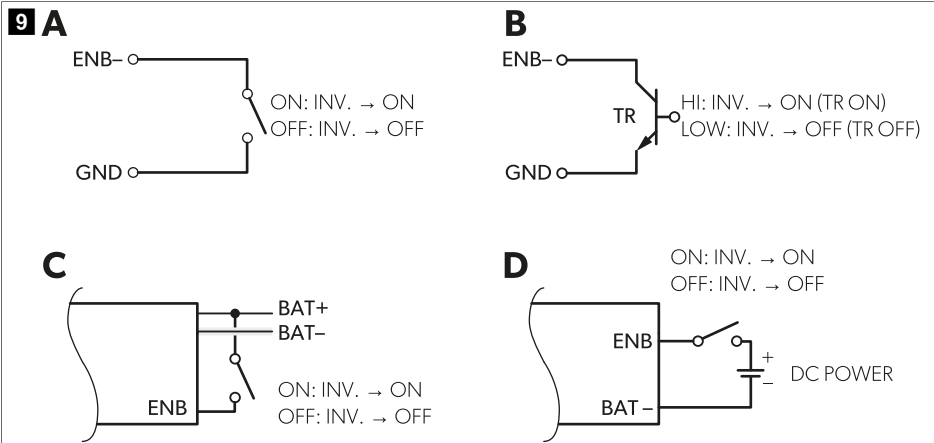
- > Liitä kaukosäädin kaukosäätimen liitäntään (LINA tai LINB).







8.5 Ulkoisen kytkimen liittäminen



OHJE Jos ulkoinen kytkin on liitetty, energiansäästötilan toimintatila ei voida muuttaa.



OHJE

- > Varmista, että kaukosäätimen liitäntä ei ole käytössä.
- > Valitse jokin seuraavista sopivista ulkoisista kytkimistä:
 -  kuva. 9 sivulla 216, **A**: Ulkoinen kytkin, virransyöttö vaihtosuuntaajasta
 -  kuva. 9 sivulla 216, **B**: Ohjausyksikkö rele- ja transistorikytkennällä (TR)
 -  kuva. 9 sivulla 216, **C**: Ulkoinen kytkin virransyötöllä ajoneuvon akun (BAT) kautta
 -  kuva. 9 sivulla 216, **D**: Ulkoinen kytkin omalla virransyötöllä (DC POWER), esim. virtalukosta



OHJE Varmista, että kaukosäätimen liitäntä ei ole käytössä.

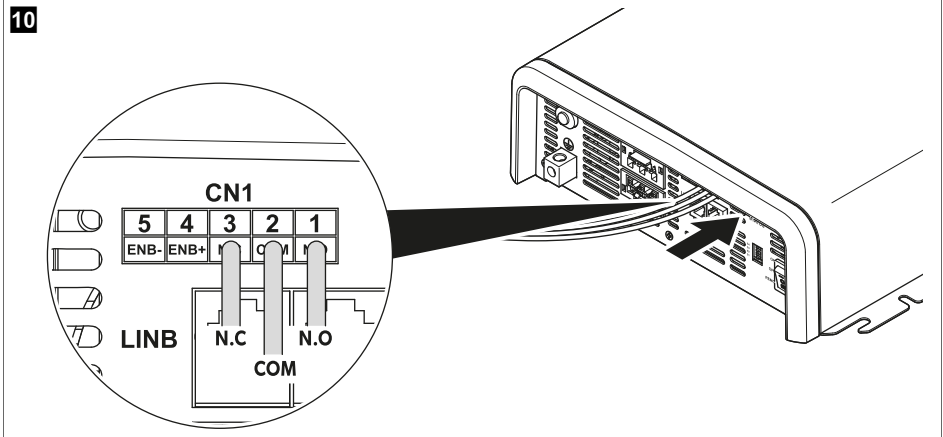
1. Aseta on/off-kytkin **OFF**-asentoon.
2. Aseta on/off-kytkin **REMO**-asentoon.
3. Kytke ulkoinen kytkin CN1-liittimeen.

8.6 Hälytysreleen liittäminen

Hälytysrele aktivoituu heti, kun vaihtovirtalähde on käytettävissä ja vaihtovirran siirtokytkin on suljettu. Hälytysrelettä voidaan käyttää:

- Luomaan signaali ajoneuvon ohjauspaneeliin vaihtovirtalähteen havaitsemisesta.
- Kytkemään päälle ja pois vähemmän tärkeitä kuormia (esim. absorptiojääkaappi, sähkölämmitysjärjestelmät), joita olisi käytettävä vain vaihtovirtalähteen kanssa.

10



> Liitä hälytysrele CN1-liittimeen (kuva. 10 sivulla 217).

9 Vaihtosuuntaajan säätäminen



Laitteen sähköasennus ja asetusten tekeminen täytyy antaa pätevän sähköasentajan tehtäväksi. Sähköasentajan täytyy pystyä osoittamaan sähkövarusteiden rakenteeseen ja käyttöön sekä asennukseen liittyvät tietonsa ja taitonsa, ja hänen täytyy tuntea asiaa koskevat määräykset, jotka ovat voimassa siinä maassa, jossa varuste on määrä asentaa ja/tai jossa sitä on määrä käyttää. Lisäksi hänellä täytyy olla suoritettuna turvallisuuskoulutus, jonka ansiosta hän pystyy tunnistamaan asiaan liittyvät vaarat ja välttämään ne.

Kaikki muut toimet ovat sallittuja muillekin kuin ammattilaisille.



VAARA! Sähköiskun vaara

- > Poista DIP-kytkimen suojakansi vain säätämistä varten.
- > Aseta suojakansi takaisin paikalleen, jotta DIP-kytkintä ei säädetä vahingossa.
- > **TN-verkon** säätäminen: Varmista, että vikavirtasuojakytkin (RCD) on asennettu.
- > **IT-verkon** säätäminen: Käytä vain yhtä kuormaa tai asenna eristystilan valvontalaite (IMD). Noudata kansallisia standardeja.



OHJE



Siirrä DIP-kytkimet tarvittaviin asentoihin varovasti pienen ruuvitaltan avulla.

Vaihtosuuntaajan asetukset voidaan tehdä DIP-kytkimillä tai CI-väylän kanssa yhteensopivan kaukosäätimen liitännän kautta.

Laitteessa käytetään aluksi tehdasasetuksia. Siirrä tarvittaessa DIP-kytkimiä säätääksesi asetuksia.

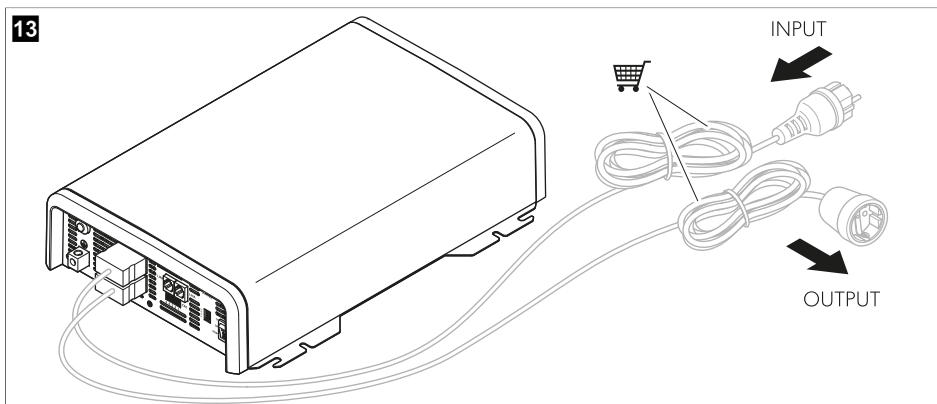
- > Liu'uta DIP-kytkintä **S1 on**-asentoon käyttääksesi **paikallista** asetusta DIP-kytkimillä.
- > Liu'uta DIP-kytkintä **S1 off**-asentoon käyttääksesi **ulkoista** asetusta kaukosäätimellä.

9.1 DIP-kytkimen asetukset

	Kokoonpano	DIP-kytkimen asento				
		S1	S2	S3	S4	S5
Asetukset	Paikallinen asetus DIP-kytkimellä	palaa	-	-	-	-
	Ulkoinen asetus kaukosäätimellä	Pois	-	-	-	-
Verkköjännite	240 V/60 Hz	-	palaa	-	-	-
	230 V/50 Hz	-	Pois	-	-	-
Energiansäästötila	Energy-saving mode is activated when the load is ≤ 45 W Inverter switches to normal operation when the load is ≥ 45 W	-	-	palaa	palaa	-
	Energiansäästötila otetaan käyttöön, kun kuormitus on ≤ 45 W Vaihtosuuntaaja vaihtaa normaaliin toimintaan, kun kuormitus on ≥ 45 W	-	-	palaa	Pois	-
	Vaihtosuuntaaja sammuu automaattisesti 20 minuutin käytön jälkeen energiansäästötilassa	-	-	Pois	Pois	-
	Energiansäästötila otetaan käyttöön, kun kuormitus on ≤ 1 W Vaihtosuuntaaja vaihtaa normaaliin toimintaan, kun kuormitus on ≥ 1 W	-	-	Pois	palaa	-
	Energiansäästötila otetaan käyttöön, kun kuormitus on ≤ 1 W Vaihtosuuntaaja vaihtaa normaaliin toimintaan, kun kuormitus on ≥ 1 W	-	-	Pois	palaa	-
	Vaihtosuuntaaja sammuu automaattisesti 20 minuutin käytön jälkeen energiansäästötilassa	-	-	-	-	-
Verkköjärjestelmä	IT-verkko ( kuva. 12 sivulla 219)	-	-	-	-	palaa
	TN-verkko ( kuva. 11 sivulla 219)	-	-	-	-	Pois

10 Käyttö

10.1 230 V:n laitteen käyttö



OHJE

Liitä vain laitteita, joiden kokonaiskuormitus ei ylitä kohdassa Tekniset tiedot sivulla 222 listattuja arvoja.

- > Liitä 230 V laitteet kuvan osoittamalla tavalla ( kuva. **13** sivulla 220).

10.2 Vaihtosuuntaajan kytkeminen päälle ja pois



OHJE

- Jos vaihtosuuntaajaa on tarkoitus ohjata kaukosäätimellä, on/off-kytkin on asetettava asentoon **II**.
- Jos vaihtosuuntaajaa on tarkoitus ohjata ulkoisella kytkimellä, on/off-kytkin on asetettava asentoon **0**.

- > Laita vaihtosuuntaaja päälle asettamalla on/off-kytkin asentoon **I**.
- > Laita vaihtosuuntaaja pois päältä asettamalla on/off-kytkin asentoon **0**.
- > Kytke vaihtosuuntaaja päälle ja pois kaukosäätimellä tai ulkoisella kytkimellä.

11 Puhdistus ja hoito



VAROITUS! Sähköiskun vaara

Irrota laite virransyötöstä ennen puhdistus- ja huoltotoimia.



HUOMAUTUS! Vahingonvaara

- > Älä puhdista laitetta koskaan juoksevan veden alla tai tiskivedessä.
- > Älä käytä puhdistukseen teräviä tai kovia esineitä äläkä hankaus- tai valkaisuaineita, koska ne voivat vahingoittaa laitetta.
- > Varmista, että laitteen ilmanotto- ja ilmanpoistoaukoissa ei ole pölyä tai likaa, jotta lämpö pääsee poistumaan.

- > Puhdista laite ajoittain pehmeällä kostealla liinalla.
- > Tarkasta jännitteenalaiset johdot ja johtimet säännöllisesti eristevikojen, katkosten ja liitäntöjen löystymisen varalta.

12 Vianetsintä

Häiriö	Mahdollinen syy	Ratkaisuehdotus
Vaihtosuuntaaja ei toimi. LED-tilanilmaisain ei pala.	On muodostunut oikosulku.	> Laitteen sulake täytyy vaihdattaa valtuutetulla huoltoliikkeellä, kun liian suuri virta on saanut sen laukeamaan.
	Jännitteenalaisen johdon eriste on vaurioitunut, johto on murtunut tai pistoke ei ole tiukasti paikallaan.	> Tarkasta, onko jännitteenalaisen johdon eristeessä vikaa, onko johto murtunut ja onko pistoke tiukasti paikallaan. Jos et löydä vikaa, ota yhteyttä valtuutettuun huoltopalveluun.
Vaihtosuuntaaja ei toimi. LED-tilanilmaisain vilkkuu hitaasti.	Korkean tulovirran suoja.	Vähennä liitetyjä kuormia.
	Ylikuumenemissuoja.	1. Kytke vaihtosuuntaaja ja liitetyt kuormat pois päältä. 2. Tarkasta, että ilmanottoaukot ja ilmanpoistoaukot eivät ole peittyneet tai tukkeutuneet. 3. Anna vaihtosuuntaajan jäähtyä.
	On muodostunut oikosulku.	Laitteen sulake täytyy vaihdattaa valtuutetulla huoltoliikkeellä, kun liian suuri virta on saanut sen laukeamaan.
Vaihtosuuntaaja ei toimi. LED-tilanilmaisain vilkkuu nopeasti.	Ylijännitesuoja. Akkujännitteet liian suuret.	> Vähennä liitettyä jännitettä. Vaihtosuuntaaja käynnistyy uudelleen automaattisesti, kun jännitearvo laskee uudelleenkäynnistysarvoon (katso kappale Ylijännitesuoja sivulla 223). > Jos virhe ilmenee edelleen: Lisää johdon poikkipinta-aloja. Lyhennä johtoa.
	Alijännitesuoja. Akkujännitteet liian pienet.	> Anna akun latautua hitaasti. Vaihtosuuntaaja käynnistyy uudelleen automaattisesti, kun jännitearvo ylittää uudelleenkäynnistysarvon (katso kappale Alijännitesuoja sivulla 223).

13 Takuu

Tuotetta koskee lakisääteinen tuotevastuu-aika. Jos tuote on viallinen, ota yhteyttä valmistajan toimipisteeseen omassa maassasi (ks. dometic.com/dealer) tai jälleenmyyjään.

Jos lähetät tuotteen korjattavaksi, liitä korjaus- ja takuukäsittelyä varten mukaan seuraavat asiakirjat:

- Kopio kuitista, jossa näkyy ostopäivä
- Valitusperuste tai vikakuvaus

Huomaa, että itse tai väärin tehty korjaus voi vaarantaa turvallisuuden ja johtaa takuun raukeamiseen.

14 Hävittäminen

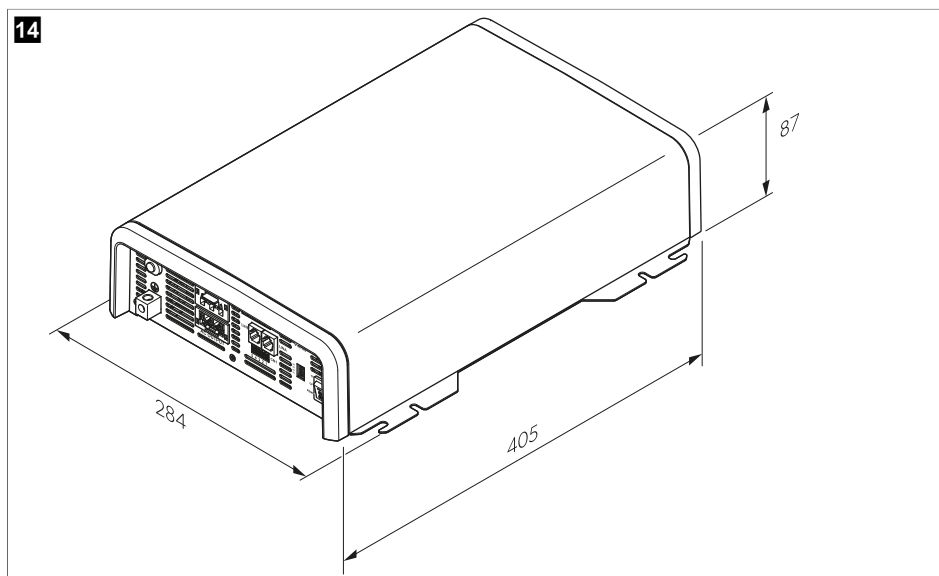



Vie pakkausmateriaalit mahdollisuuksien mukaan niille tarkoitettuihin kierrätysjäteastioihin.

Tiedustele lähimmästä kierrätyskeskuksesta tai erikoisliikkeestä tuotetta koskevia yksityiskohtaisia hävittämistä koskevia ohjeita.

Tuotteen voi hävittää veloitusetta.

15 Tekniset tiedot



	DPSI 1812	DPSI 1824
Nimellistulojännite	12 V _{DC}	24 V _{DC}
Tulojännitteen alue	10 ... 16,5 V _{DC}	20 ... 33 V _{DC}
Jatkuva lähtöteho P _{nom}	1800 W	1800 W
Maksimilähtöteho (10 min)	1800 W	1800 W
Maksimilähtöteho (3 min)	2070 W	2070 W
Huippuvirta (2 s) P _{surge}	3600 W	3600 W
Virrankulutus lepotilassa	≤ 2,5 A	≤ 1,3 A
Virrankulutus valmistilassa	≤ 0,2 A	≤ 0,1 A
Mitat	 kuva. 14 sivulla 222	
Paino	5,5 kg	5,5 kg

15.1 Yleiset tekniset tiedot

Lähtöjännitealue	230/ 240 V \sim \pm 3 %
Lähtötaajuus	50/60 Hz \pm 0,3 Hz
Lähdön aaltomuoto	Puhdas siniaalto
Särö THD	THD \leq 3 % @ P _{nom} (Resistiivinen kuorma)
Huipputeho	90 %
Ympäristön lämpötila, käyttö	-20 ... 60 °C
Ympäristön lämpötila varastoitaessa	-30 °C ... 70 °C
Ympäristön ilmankosteus	0 ... 95 %, non-condensing
Tarkastus/sertifikaatti	



15.2 Alijännitesuoja

	Katkaisuarvo	Uudelleenkäynnistysarvo
DPSI1812	10 V	12 V
DPSI1824	20 V	24 V

15.3 Ylijännitesuoja

	Katkaisuarvo	Uudelleenkäynnistysarvo
DPSI1812	16,5 V	15,5 V
DPSI1824	33 V	31 V

Polski

1	Ważne wskazówki.....	224
2	Objaśnienie symboli.....	224
3	Wskazówki bezpieczeństwa.....	225
4	W zestawie.....	228
5	Akcesoria.....	228
6	Użytkowanie zgodne z przeznaczeniem.....	228
7	Opis techniczny.....	229
8	Montaż.....	231
9	Konfiguracja przetwornicy.....	237
10	Eksploatacja.....	240
11	Czyszczenie i konserwacja.....	240
12	Usuwanie usterek.....	241
13	Gwarancja.....	242
14	Utylizacja.....	242
15	Dane techniczne.....	243

1 Ważne wskazówki

Prosimy o uważne przeczytanie niniejszej instrukcji obsługi produktu i przestrzeganie wszystkich zaleceń, wskazówek oraz ostrzeżeń w niej zawartych w celu zapewnienia prawidłowego montażu, użytkowania oraz konserwacji produktu w każdej sytuacji. Niniejsza instrukcja MUSI przez cały czas pozostawać przy produkcie.

Korzystając z produktu, użytkownik potwierdza uważne przeczytanie wszelkich instrukcji, wskazówek i ostrzeżeń, ich zrozumienie oraz zobowiązuje się przestrzegać zawartych w nich warunków. Użytkownik zobowiązuje się wykorzystywać niniejszy produkt wyłącznie zgodnie z jego przeznaczeniem i zamierzonym zastosowaniem oraz z instrukcjami, wskazówkami i ostrzeżeniami wyszczególnionymi w niniejszej instrukcji produktu, jak również ze wszystkimi mającymi zastosowanie przepisami i regulacjami prawnymi. Nieprzestrzeganie zawartych tu instrukcji i ostrzeżeń może skutkować obrażeniami u użytkownika oraz osób trzecich, uszkodzeniem produktu lub też uszkodzeniem mienia w sąsiedztwie produktu. Zastrzega się możliwość wprowadzania zmian i aktualizacji niniejszej instrukcji produktu, wraz z instrukcjami, wskazówkami i ostrzeżeniami oraz powiązaną dokumentacją. Aktualne informacje dotyczące produktu można zawsze znaleźć na stronie documents.dometic.com.

2 Objąsnienie symboli

Słowo sygnałowe pozwala rozpoznać komunikaty dotyczące bezpieczeństwa i komunikaty dotyczące uszkodzeń mienia, a także wskazuje stopień lub poziom zagrożenia.



NIEBEZPIECZEŃSTWO!

Wskazuje niebezpieczną sytuację, która – jeśli się jej nie uniknie – prowadzi do śmierci lub poważnych obrażeń.



OSTRZEŻENIE!

Wskazuje niebezpieczną sytuację, która – jeśli się jej nie uniknie – może prowadzić do śmierci lub poważnych obrażeń.



OSTROŻNIE!

Wskazuje niebezpieczną sytuację, która – jeśli się jej nie uniknie – może prowadzić do lekkich lub umiarkowanych obrażeń.



UWAGA!

Wskazuje sytuację, która – jeśli się jej nie uniknie – może prowadzić do powstania szkód materialnych.



WSKAZÓWKA Dodatkowe informacje dotyczące obsługi produktu.

3 Wskazówki bezpieczeństwa

Należy stosować się również do wskazówek bezpieczeństwa i zaleceń wydanych przez producenta pojazdu i autoryzowane warsztaty.

3.1 Podstawowe zasady bezpieczeństwa



NIEBEZPIECZEŃSTWO! Ryzyko porażenia prądem

- > Nigdy nie chwytać gołymi rękami nieosłoniętych przewodów.
- > Aby w razie niebezpieczeństwa można było szybko odłączyć urządzenie od sieci, gniazdo prądu przemiennego musi znajdować się w pobliżu urządzenia i być łatwo dostępne.



OSTRZEŻENIE! Ryzyko porażenia prądem

- > Montażu i demontażu urządzenia dokonywać może wyłącznie wykwalifikowany personel.
- > Jeżeli urządzenie lub przewód przyłączeniowy są w widoczny sposób uszkodzone, nie wolno używać urządzenia.
- > Jeśli przewód zasilający urządzenia ulegnie uszkodzeniu, należy go ze względów bezpieczeństwa wymienić.
- > Napraw mogą dokonywać tylko odpowiednio wykwalifikowane osoby. Nieodpowiednio wykonane naprawy mogą być przyczyną znacznych zagrożeń.
- > Używać wyłącznie akcesoriów zalecanych przez producenta.
- > Nie dokonywać jakichkolwiek modyfikacji ani nie dostosowywać żadnych elementów.
- > Nie należy odłączać żadnych przewodów w trakcie pracy urządzenia.
- > Odłączyć urządzenie od zasilania:
 - po każdym użyciu,
 - za każdym razem przed czyszczeniem i konserwacją,
 - przed wymianą bezpiecznika,



OSTRZEŻENIE! Ryzyko pożaru / materiały łatwopalne

W przypadku pożaru należy użyć gaśnicy odpowiedniej do gaszenia urządzeń elektrycznych.



OSTRZEŻENIE! Ryzyko uduszenia

Kabel i jednostka sterująca urządzenia mogą stwarzać ryzyko zaplątania się, uduszenia, potknięcia się lub nadeptnięcia, jeśli nie są one prawidłowo ułożone. Należy zadbać o bezpieczne ułożenie nadmiaru mocowań i przewodów.



OSTRZEŻENIE! Zagrożenie zdrowia

- > Dzieci od 8 lat i osoby o ograniczonych możliwościach fizycznych, sensorycznych lub intelektualnych oraz osoby niedysponujące stosowną wiedzą i doświadczeniem mogą używać tego urządzenia jedynie pod nadzorem innej osoby bądź pod warunkiem uzyskania informacji dotyczących bezpiecznego użytkowania urządzenia i zrozumienia wynikających z tego zagrożeń.
- > **Urządzenia elektryczne nie są zabawkami.** Urządzenie powinno zawsze znajdować się i być użytkowane poza zasięgiem bardzo małych dzieci.
- > Należy dopilnować, aby dzieci nie bawiły się urządzeniem.
- > Dzieci nie mogą czyścić i konserwować urządzenia bez nadzoru.



UWAGA! Ryzyko uszkodzenia

- > Przed uruchomieniem należy porównać dane dotyczące napięcia na tabliczce znamionowej z dostępnym źródłem zasilania.
- > Należy zwrócić uwagę na to, aby inne przedmioty **nie** mogły spowodować zwarcia przy stykach urządzenia.
- > **Nigdy** nie dopuszczają do zetknięcia się ze sobą ujemnego i dodatniego bieguna.
- > Nie ciągnąć za przewody przyłączeniowe ani nie używać ich jako uchwytu.
- > Nie wolno narażać urządzenia na działanie deszczu lub wilgoci. Przechowywać w suchym miejscu.

3.2 Bezpieczeństwo podczas montażu urządzenia



NIEBEZPIECZEŃSTWO! Ryzyko wybuchu

- > Urządzenie należy instalować i użytkować wyłącznie w zamkniętych, dobrze wentylowanych pomieszczeniach.
- > **Nie** należy instalować ani użytkować urządzenia w następujących warunkach:
 - w słonym, wilgotnym lub mokrym otoczeniu,
 - w sąsiedztwie żrących oparów,
 - w pobliżu materiałów palnych,
 - w pobliżu źródła ciepła (ogrzewania, bezpośredniego promieniowania słonecznego, kuchenek gazowych itp.),
 - w obszarach, w których występuje ryzyko wybuchu gazu lub pyłu.



OSTRZEŻENIE! Ryzyko obrażeń

- > Należy zwrócić uwagę na stabilne ustawienie. Urządzenie musi być bezpiecznie ustawione i zamocowane tak, aby nie mogło przewrócić się lub spaść.
- > Podczas ustawiania urządzenia zwraca uwagę na odpowiednie zabezpieczenie wszystkich kabli, aby uniknąć ryzyka potknięcia się.



UWAGA! Ryzyko uszkodzenia

- > Urządzenie należy umieścić w suchym miejscu, zabezpieczonym przed bryzgami wody.
- > Należy zawsze używać uziemionych gniazd sieciowych, zabezpieczonych bezpiecznikiem różnicowoprądowym.

3.3 Bezpieczeństwo podczas elektrycznego podłączania urządzenia



NIEBEZPIECZEŃSTWO! Ryzyko porażenia prądem

Przed przystąpieniem do prac przy układach elektrycznych należy upewnić się, że w pobliżu znajduje się osoba, która może w nagłym wypadku udzielić pomocy.



OSTRZEŻENIE! Ryzyko porażenia prądem

- > Stosować przewody o zalecanych przekrojach.
- > Przewody należy układać tak, by uniknąć ich uszkodzenia przez drzwi lub maskę silnika. Zmiażdżone przewody mogą spowodować poważne obrażenia ciała.



UWAGA! Ryzyko uszkodzenia

- > Jeżeli przewody muszą zostać przeprowadzone przez blaszane ściany lub inne ściany o ostrych krawędziach, należy użyć pustych rurek lub przepustów przewodów.
- > **Nie** należy układać przewodów zasilania sieciowego 230 V i przewodów przewodzących napięcie 12 V DC w tym samym kanale.

- > **Nie** należy układać luźnych albo mocno zgiętych przewodów.
- > Przewody należy mocno przymocować.

3.4 Bezpieczeństwo użytkowania akumulatorów



OSTRZEŻENIE! Ryzyko obrażeń

- > Akumulatory zawierają agresywne oraz żrące kwasy. Należy unikać wszelkiego kontaktu ciała z cieczą znajdującą się w akumulatorze. W przypadku dojścia do kontaktu cieczy znajdującej się w akumulatorze ze skórą, daną część ciała należy dokładnie umyć wodą. W razie obrażeń ciała spowodowanych kwasem należy bezwzględnie udać się do lekarza.
- > Przy kontakcie z akumulatorami nie należy nosić na sobie żadnych przedmiotów metalowych, na przykład zegarków lub pierścionków. Akumulatory ołowiowo-kwasowe mogą powodować zwarcia, których skutkiem mogą być ciężkie obrażenia.
- > Stosować wyłącznie izolowane narzędzia.
- > Nie należy umieszczać żadnych metalowych części na akumulatorze i nie dopuścić do upadku metalowych części na akumulator. Mogłoby to spowodować iskrzenie oraz zwarcie akumulatora i innych urządzeń elektrycznych.
- > Podczas pracy z akumulatorami nosić okulary ochronne oraz odzież ochronną. Podczas pracy z akumulatorami nie dotykać oczu.
- > Należy używać akumulatorów wielokrotnego użytku.
- > Nie używać uszkodzonych akumulatorów.



OSTROŻNIE! Ryzyko wybuchu

- > Nigdy nie należy podejmować próby ładowania zamrożonego lub wadliwego akumulatora. W takim przypadku należy umieścić akumulator w miejscu zabezpieczonym przed mrozem i poczekać, aż dostosuje on swoją temperaturę do temperatury otoczenia. Następnie należy rozpocząć proces ładowania.
- > Nie palić, nie używać otwartego ognia ani nie powodować powstawania iskier w pobliżu silnika lub akumulatora.
- > Trzymać akumulator z dala od źródeł ciepła.



UWAGA! Ryzyko uszkodzenia

- > Przy podłączaniu akumulatora należy zwrócić uwagę na prawidłowe przyłączenie biegunów.
- > Należy stosować się do instrukcji obsługi producenta akumulatora oraz producenta urządzenia bądź pojazdu, w którym dany akumulator ma zostać użyty.
- > W razie konieczności demontażu akumulatora w pierwszej kolejności odłączyć połączenie masowe. Przed demontażem akumulatora należy najpierw odłączyć wszystkie połączenia oraz wszystkie odbiorniki.
- > Akumulatory przechowywać tylko w stanie całkowicie naładowanym. Regularnie doładowywać przechowywane akumulatory.
- > Nie przenosić akumulatora za zaciski.

3.5 Bezpieczeństwo podczas eksploatacji urządzenia



OSTRZEŻENIE! Ryzyko porażenia prądem

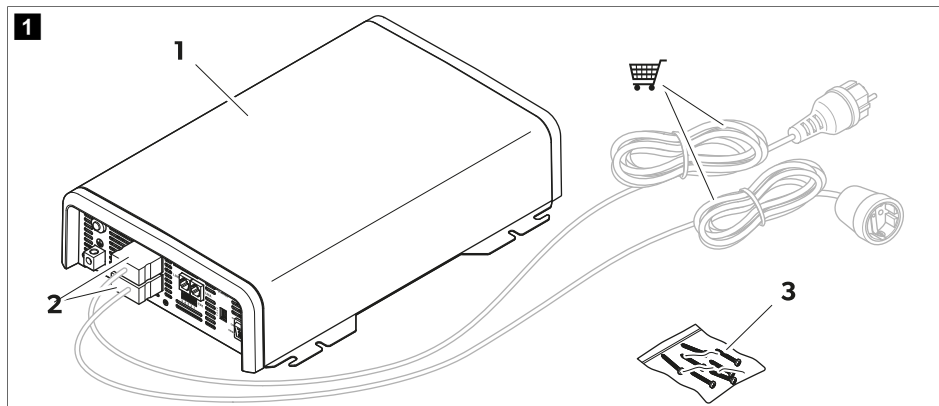
- > Nie używać urządzenia w wilgotnych warunkach ani nie zanurzać go w jakiegokolwiek cieczy.
- > Przed uruchomieniem urządzenia upewnić się, że przewód zasilający i wtyk są suche, a wtyk jest wolny od rdzy i zanieczyszczeń.
- > Po zadziałaniu bezpiecznika części urządzenia mogą pozostawać pod napięciem.



UWAGA! Ryzyko uszkodzenia

- > Należy uważać, aby nie zasłaniać wlotów i wylotów powietrza urządzenia.
- > Zapewnić dobrą wentylację.

4 W zestawie



Poz. na rys. 1 na stronie 228	Oznaczenie	Liczba
1	Przetwornica sinusoidalna	1
2	Przewód przyłączeniowy WAGO ze złączem z zestykiem ochronnym (do wyjścia 230 V~)	2
3	Śruby mocujące	6
-	Instrukcja montażu i obsługi	1

5 Akcesoria

Oznaczenie	Nr. kat.
Pilot DSP-RCT	9600002564
Monitor obsługi DSP-EM	9600002565
Wyświetlacz dotykowy TD283	9620013272

6 Użytkowanie zgodne z przeznaczeniem

Przetwornica służy do przekształcania prądu stałego w czyste sinusoidalne napięcie przemienne (AC) 230~ ... 240 V~ do obsługi i stabilnego zasilania podłączonych odbiorników.

Przetwornica jest przeznaczona do podłączenia do:

- DPSI1812iTS: 12 V^{DC}
- DPSI1824iTS: 24 V^{DC}

Przetwornica jest przeznaczona do:

- Montażu w pojazdach kempingowych, ciężarowych, użytkowych oraz w jachtach wyposażonych w silniki bądź żagle
- Zastosowań stacjonarnych lub mobilnych
- Wykorzystywania wewnątrz pomieszczeń

Przetwornica **nie** jest przeznaczona do:

- Wykorzystywania na wolnym powietrzu

Niniejszy produkt jest przystosowany wyłącznie do wykorzystywania zgodnie z jego przeznaczeniem oraz zamierzonym zastosowaniem według niniejszej instrukcji.

Niniejsza instrukcja zawiera informacje, które są niezbędne do prawidłowego montażu i/lub obsługi produktu. Nieprawidłowy montaż i/lub niewłaściwa obsługa lub konserwacja powodują niezadawalające działanie i mogą prowadzić do uszkodzeń.

Producent nie ponosi żadnej odpowiedzialności za ewentualne obrażenia lub uszkodzenia produktu wynikłe z następujących przyczyn:

- Nieprawidłowy montaż, złożenie lub podłączenie, w tym zbyt wysokie napięcie
- Niewłaściwa konserwacja lub użycie innych części zamiennych niż oryginalne części zamienne dostarczone przez producenta
- Wprowadzanie zmian w produkcie bez wyraźnej zgody producenta
- Użytkowanie w celach innych niż opisane w niniejszej instrukcji obsługi

Firma Dometic zastrzega sobie prawo do zmiany wyglądu i specyfikacji produktu.

7 Opis techniczny

7.1 Opis ogólny

Przetwornica wytwarza czystą falę sinusoidalną DC-AC.

Przetwornica jest wyposażona w układ wyboru priorytetu. Jeśli dostępna jest sieć 230 V~, to zewnętrzne źródło zasilania jest używane do zasilania gniazd w pojeździe kempingowym. Jeśli sieć 230 V~ nie jest dostępna, przetwornica przekształca prąd stały akumulatora w prąd przemienny, zapewniając w ten sposób zasilanie podłączonych odbiorników.

Przetwornicę można użytkować w następujących systemach sieciowych:

- Sieć TN
- Sieć IT

System sieciowy można ustawić za pomocą śruby na przetwornicy.

Przetwornicę można przełączyć w tryb oszczędzania energii w celu zmniejszenia zużycia energii w trybie beczynności i zminimalizowania obciążenia akumulatora.

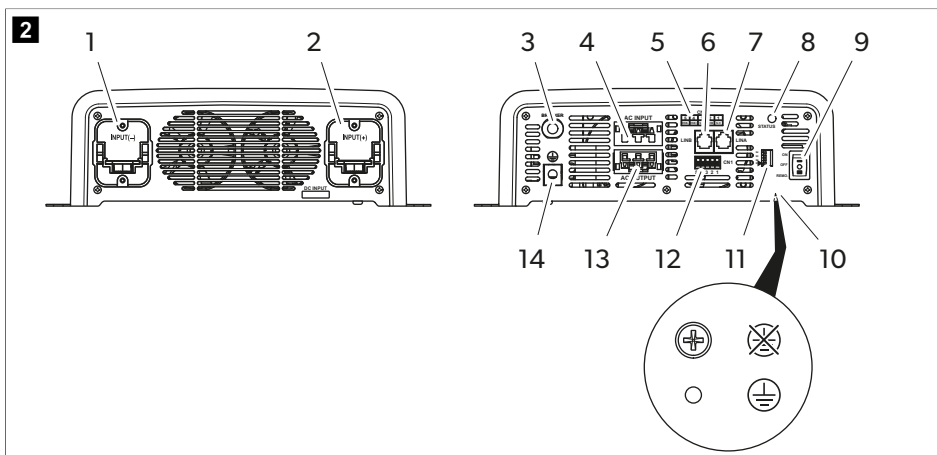
Przetwornica jest wyposażona w następujące zabezpieczenia:

- **Ochrona przed przepięciem:** Przetwornica wyłączy się, gdy wartość napięcia przekroczy wartość wyłączenia. Przetwornica uruchomi się automatycznie, gdy wartość napięcia spadnie do wartości ponownego uruchomienia.
- **Ochrona przed podnapięciem:** Przetwornica wyłączy się, gdy wartość napięcia spadnie poniżej wartości wyłączenia. Przetwornica uruchomi się automatycznie, gdy wartość napięcia przekroczy wartość ponownego uruchomienia.

- **Ochrona przed zbyt wysoką temperaturą:** Przetwornica wyłączy się, gdy wartość wewnętrznej temperatury urządzenia przekroczy wartość wyłączenia. Przetwornica uruchomi się automatycznie, gdy wartość wewnętrznej temperatury urządzenia spadnie do wartości ponownego uruchomienia.
- **Ochrona przed wysokim prądem wyjściowym:** Przetwornica wyłączy się w przypadku podłączenia zbyt wielu odbiorników.
- **Ochrona przed zwarcie:** Przetwornica wyłączy się w przypadku zwarcia. Przetwornica uruchomi się automatycznie po kilku sekundach. Jeśli zwarcie zostanie wykryte pięć razy z rzędu, przetwornica nie uruchomi się automatycznie i konieczny będzie ręczny restart.

Przetwornica jest kompatybilna z magistralą N-BUS i CI-BUS w celu wyświetlania danych i funkcji na wyświetlaczu dotykowym (akcesoria) oraz w aplikacji mobilnej.

7.2 Elementy obsługowe i połączenia



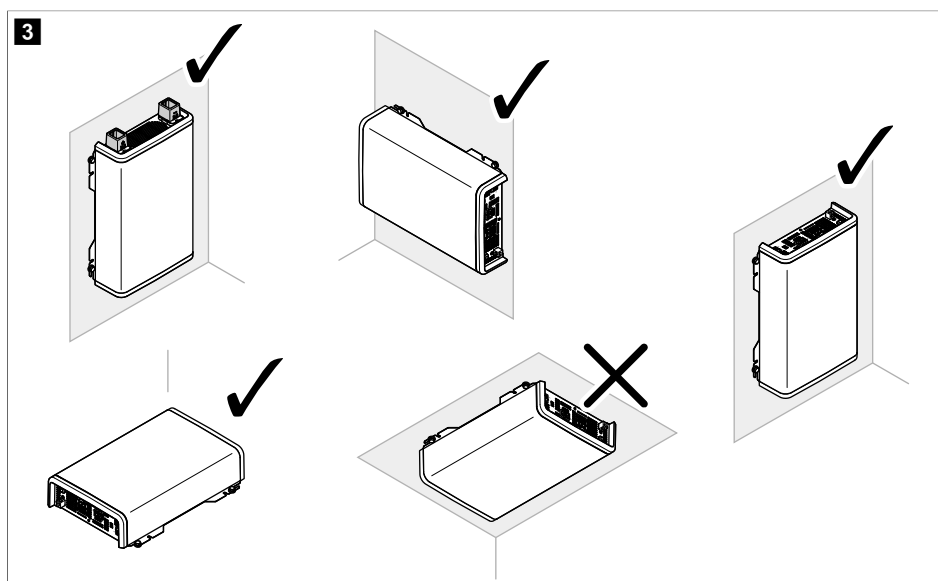
Poz.	Oznaczenie
1	Zacisk (-), złącze ujemnego bieguna akumulatora pokładowego
2	Zacisk (+), złącze dodatniego bieguna akumulatora pokładowego
3	Bezpiecznik wejścia zewnętrznego
4	Przyłącze wejściowe prądu przemiennego
5	Zacisk CN1
6	Złącze CI BUS/N BUS/pilota (LINB)
7	Złącze CI BUS/N BUS/pilota (LINA)
8	Wskaźnik LED stanu
9	Włącznik/wyłącznik
10	Śruba wyboru sieci IT/TN
11	Przetłacznik DIP
12	Przetłacznik DIP, przyłącze do przetłacznika zewnętrznego i przekaźnika alarmu
13	AC Output
14	Podłączenie masy

7.3 Wskaźnik LED stanu

Stan	Opis
On	Przetwornica pracuje
Flashing	Błąd (patrz rozdział Usuwanie usterek na stronie 241)
Off	Brak wejścia AC, przetwornica wyłączona

8 Montaż

8.1 Miejsce montażu



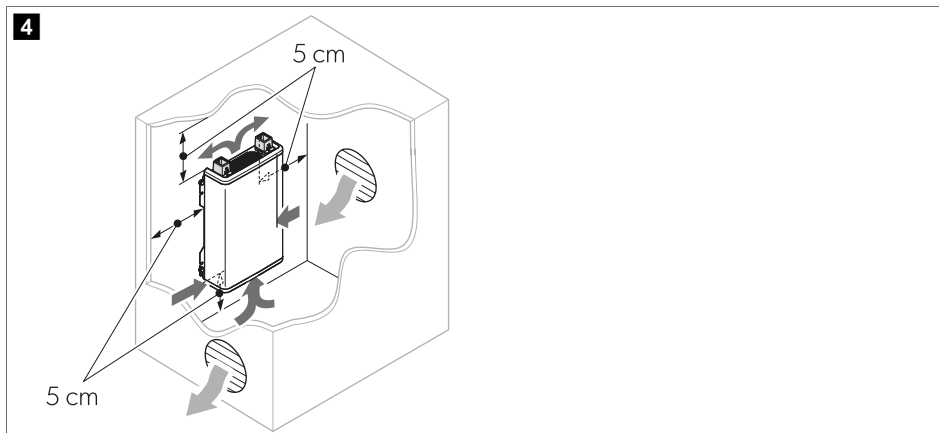
UWAGA! Ryzyko uszkodzenia

Przed wykonaniem jakichkolwiek nawierceń należy się upewnić, że kable elektryczne ani inne części samochodu nie zostaną uszkodzone w wyniku wiercenia i piłowania.




WSKAZÓWKA

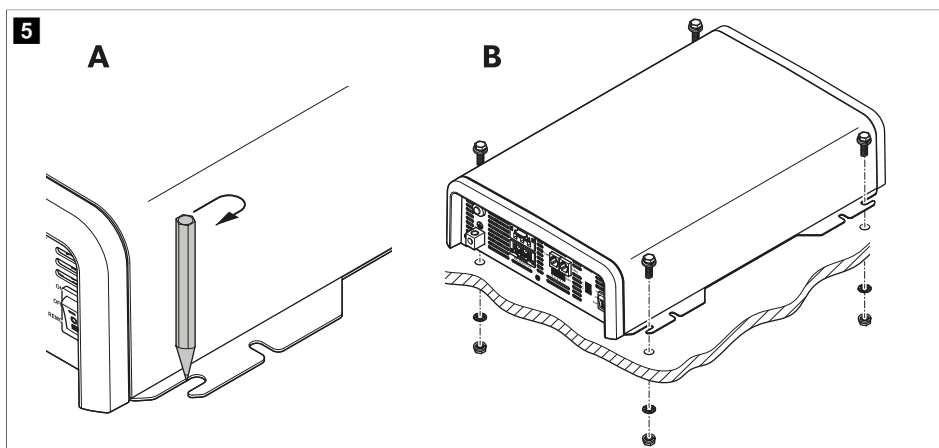
Przetwornicę można zamontować w położeniu stojącym lub wiszącym (rys. 3 na stronie 231).





Przy wyborze miejsca montażu należy uwzględnić poniższe zalecenia:

- Powierzchnia montażowa musi być wystarczająco wytrzymała i równa.
- Przestrzegać zaleceń dotyczących zachowania odległości w celu zapewnienia odpowiedniej wentylacji ( rys. **4** na stronie 232).

8.2 Montaż przetwornicy



1. Wybrać odpowiednie otwory montażowe w zależności od wybranego sposobu montażu (położenie stojące lub wiszące) i zaznaczyć otwory do wywiercenia ( rys. **5** na stronie 232, **A**).
2. Wywiercić otwory montażowe.
3. Przykręcić przetwornicę ( rys. **5** na stronie 232, **B**).

8.3 Podłączanie przetwornicy



Instalacji elektrycznej urządzenia oraz jego konfiguracji musi dokonać wykwalifikowany elektryk, posiadający poświadczone kompetencje i wiedzę w zakresie budowy i sposobu działania urządzeń oraz instalacji elektrycznych, znający przepisy obowiązujące w kraju, w którym urządzenie ma być zainstalowane i/lub wykorzystywane, oraz posiadający ukończone szkolenie w zakresie bezpieczeństwa, pozwalające na rozpoznawanie i unikanie występujących zagrożeń.

Wszelkie inne czynności mogą być wykonywane również przez użytkowników bez specjalistycznych kwalifikacji.



OSTRZEŻENIE! Ryzyko porażenia prądem

Przestrzegać zaleceń w zakresie wymaganych przekrojów przewodów, ich długości oraz bezpieczników.



OSTROŻNIE! Ryzyko pożaru

Umieścić bezpieczniki w pobliżu akumulatorów, aby zabezpieczyć kabel przed zwarciami i ew. zapaleniem się.



UWAGA! Ryzyko uszkodzenia

- > Uważać, aby nie zamienić ze sobą biegunów.
- > Dokręcić śruby i nakrętki maksymalnym momentem obrotowym 15 Nm. Luźne połączenia mogą doprowadzić do przegrzania.

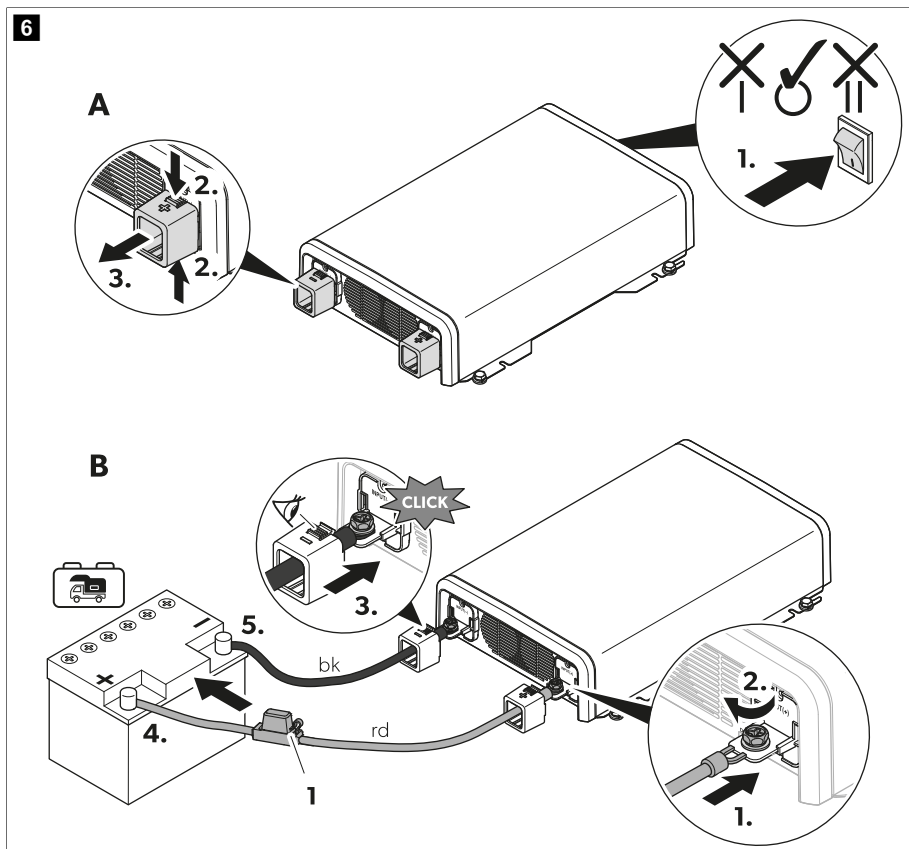
Podczas podłączania przetwornicy należy stosować się do następujących instrukcji:

- Należy przestrzegać obowiązujących przepisów podczas konfigurowania obwodu rozdzielającego napięcie do gniazdek elektrycznych (instalacja sieciowa).
- Przewody DC (podłączone do zacisków akumulatora) powinny być jak najkrótsze ≤ 1 m).
- W przypadku połączenia z **siecią TN**: zainstalować wyłącznik różnicowoprądowy (RCD).
- W przypadku połączenia z **siecią IT**: zainstalować przełącznik kontroli izolacji (IMD), jeśli podłączony jest więcej niż jeden odbiornik. **Obowiązują normy krajowe.**


1. Dobrać przekroje przewodów i parametry bezpieczników:

	Przekrój przewodu	Bezpiecznik przewodu
DPSI1812i-TS	50 mm ²	250 A
DPSI1824i-TS	25 mm ²	150 A


2. Sprawdzić, czy urządzenie jest wyłączone ( rys. **6** na stronie 234, **A: 1**).




3. Odłączyć osłony zacisków ( rys. **6** na stronie 234, **A: 2-3**).

4.  **UWAGA! Ryzyko uszkodzenia**
Aby uniknąć zwarcia, należy zawsze najpierw podłączyć czarny przewód (zacisk ujemny).

Podłączyć czarny przewód przyłączeniowy (bk) do zacisku (-).

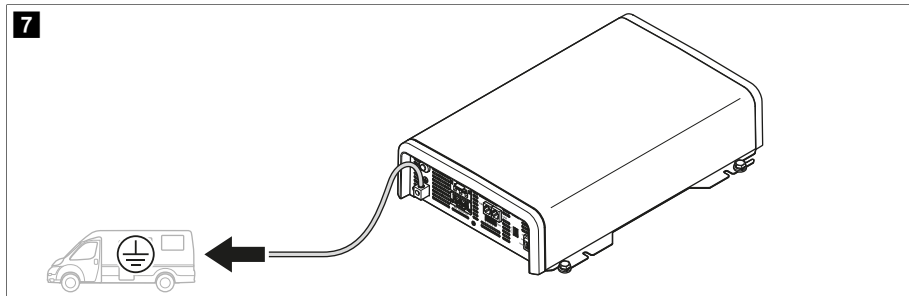
5. Podłączyć czerwony (rd) przewód przyłączeniowy do zacisku (+) ( rys. **6** na stronie 234, **B: 1-2**).

6. Podłączyć (+) do zacisku dodatniego akumulatora pokładowego ( rys. **6** na stronie 234, **B: 4**).

 **WSKAZÓWKA** Zabezpieczyć przewód dodatni akumulatora pokładowego za pomocą bezpiecznika ( rys. **6** na stronie 234, **1**).

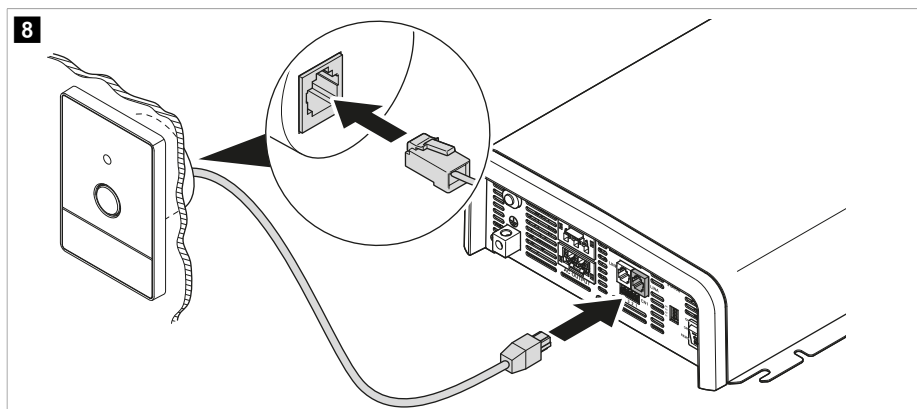
7. Podłączyć (-) do zacisku ujemnego akumulatora pokładowego ( rys. **6** na stronie 234, **B: 5**).

8. Podłączyć uziemienie do masy (podwozia)  rys. **7** na stronie 235.



8.4 Podłączenie panelu zdalnego sterowania

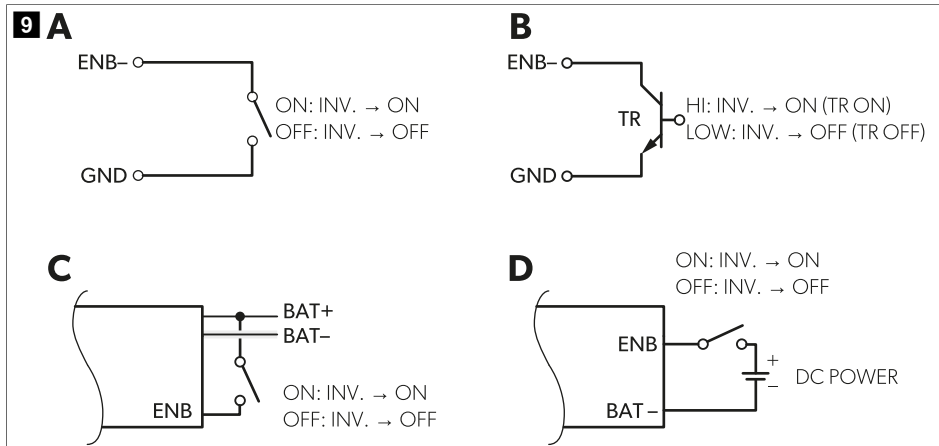
- > Podłączyć pilota do złącza pilota (LINA lub LINB).







8.5 Podłączenie przełącznika zewnętrznego



WSKAZÓWKA Jeśli podłączony jest przełącznik zewnętrzny, nie można zmienić stanu trybu oszczędzania energii.



WSKAZÓWKA

- > Upewnnić się, że złącze pilota nie jest zajęte.
- > Wybrać jeden z następujących odpowiednich przełączników zewnętrznych:
 -  rys. 9 na stronie 236, **A**: przełącznik zewnętrzny zasilany z przetwornicy
 -  rys. 9 na stronie 236, **B**: jednostka sterująca z okablowaniem przekaźnika lub tranzystora (TR)
 -  rys. 9 na stronie 236, **C**: przełącznik zewnętrzny zasilany z akumulatora (BAT) pojazdu
 -  rys. 9 na stronie 236, **D**: przełącznik wewnętrzny z własnym zasilaniem (DC POWER), np. z zapłonu



WSKAZÓWKA Upewnnić się, że złącze pilota nie jest zajęte.

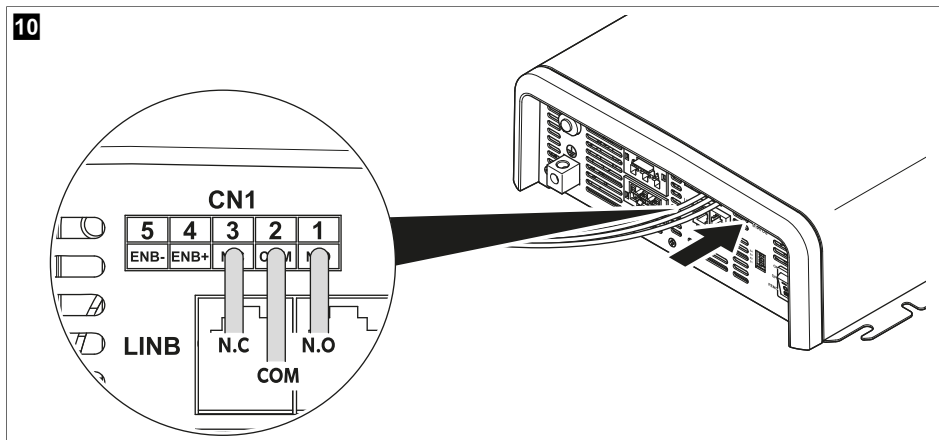
1. Przesłać włącznik/wyłącznik w położenie **OFF**.
2. Przesłać włącznik/wyłącznik w położenie **REMO**.
3. Podłączyć przełącznik zewnętrzny do zacisku CN1.

8.6 Podłączanie przekaźnika alarmu

Przekaźnik alarmu włącza się, gdy tylko dostępne jest zasilanie AC, a przełącznik transferu AC jest zamknięty. Przekaźnik alarmu może być używany do:

- Generowania sygnału wykrycia zasilania AC na panelu sterowania pojazdu.
- Włączania i wyłączania mniej krytycznych odbiorników (np. lodówki absorpcyjnej, elektrycznych systemów grzewczych), które powinny być użytkowane wyłącznie po podłączeniu do zasilania AC.

10



- > Podłączyć przełącznik alarmu do zacisku CN1 (rys. 10 na stronie 237).

9 Konfiguracja przetwornicy



Instalacji elektrycznej urządzenia oraz jego konfiguracji musi dokonać wykwalifikowany elektryk, posiadający poświadczone kompetencje i wiedzę w zakresie budowy i sposobu działania urządzeń oraz instalacji elektrycznych, znający przepisy obowiązujące w kraju, w którym urządzenie ma być zainstalowane i/lub wykorzystywane, oraz posiadający ukończone szkolenie w zakresie bezpieczeństwa, pozwalające na rozpoznawanie i unikanie występujących zagrożeń.

Wszelkie inne czynności mogą być wykonywane również przez użytkowników bez specjalistycznych kwalifikacji.



NIEBEZPIECZEŃSTWO! Ryzyko porażenia prądem

- > Pokrywą zabezpieczającą przełącznik DIP należy zdejmować wyłącznie na czas przeprowadzania konfiguracji.
- > Po przeprowadzeniu konfiguracji założyć pokrywą zabezpieczającą, aby zapobiec przypadkowej regulacji przełącznika DIP.
- > W przypadku konfiguracji **sieci TN**: upewnić się, że zainstalowano wyłącznik różnicowoprądowy (RCD).
- > W przypadku konfiguracji **sieci IT**: uruchomić tylko jeden odbiornik lub zainstalować przełącznik kontroli izolacji (IMD). Przestrzegać krajowych norm.



WSKAZÓWKA

Do umieszczania przełączników DIP w odpowiednim położeniu postępuj zgodnie z instrukcją.



Ustawienia przetwornicy można wprowadzać za pomocą przełączników DIP lub za pomocą pilota obsługującego magistralę CI-BUS.

Urządzenie początkowo korzysta z konfiguracji fabrycznej. W razie potrzeby można zmienić konfigurację za pomocą przełączników DIP.

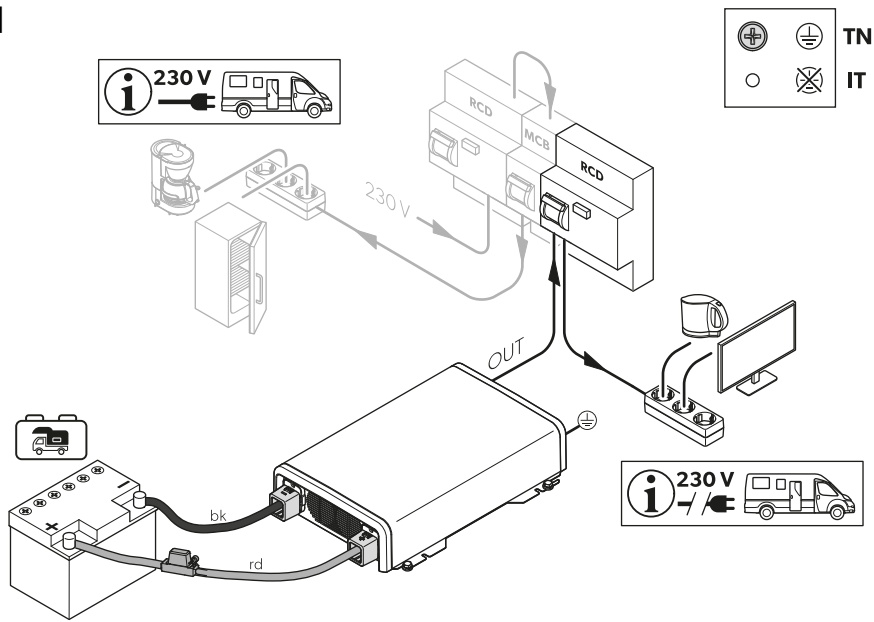
- > Przesunąć przełącznik DIP **S1** w położenie **On**, aby wybrać programowanie **lokalne** za pomocą przełączników DIP.

> Przesunąć przełącznik DIP **S1** w położenie **OFF**, aby wybrać programowanie **zewnętrzne** za pomocą pilota.

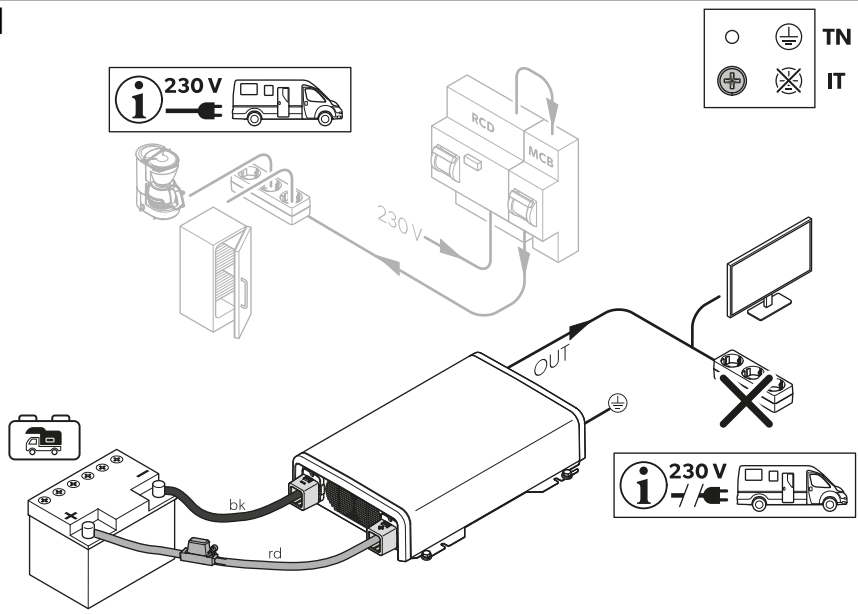
9.1 Ustawienia przełącznika DIP

	Konfiguracja	Położenie przełącznika DIP				
		S1	S2	S3	S4	S5
Settings	Programowanie lokalne za pomocą przełącznika DIP	Wł.	-	-	-	-
	Programowanie zewnętrzne za pomocą pilota	Wył.	-	-	-	-
Napięcie sieciowe	240 V/60 Hz	-	Wł.	-	-	-
	230 V/50 Hz	-	Wył.	-	-	-
Tryb oszczędzania energii	Energy-saving mode is activated when the load is ≤ 45 W Inverter switches to normal operation when the load is ≥ 45 W	-	-	Wł.	Wł.	-
	Tryb oszczędzania energii jest aktywowany, gdy obciążenie wynosi ≤ 45 W Przetwornica przełącza się na normalny tryb pracę, gdy obciążenie wynosi ≥ 45 W	-	-	Wł.	Wył.	-
	Przetwornica wyłączy się automatycznie po 20 minutach pracy w trybie oszczędzania energii	-	-	Wł.	Wył.	-
	Tryb oszczędzania energii jest aktywowany, gdy obciążenie wynosi ≤ 1 W Przetwornica przełącza się na normalny tryb pracę, gdy obciążenie wynosi ≥ 1 W	-	-	Wł.	Wł.	-
	Tryb oszczędzania energii jest aktywowany, gdy obciążenie wynosi ≤ 1 W Przetwornica przełącza się na normalny tryb pracę, gdy obciążenie wynosi ≥ 1 W	-	-	Wł.	Wł.	-
	Przetwornica wyłączy się automatycznie po 20 minutach pracy w trybie oszczędzania energii	-	-	Wł.	Wł.	-
System sieciowy	Sieć IT ( rys. 12 na stronie 239)	-	-	-	-	Wł.
	Sieć TN ( rys. 11 na stronie 239)	-	-	-	-	Wył.

11

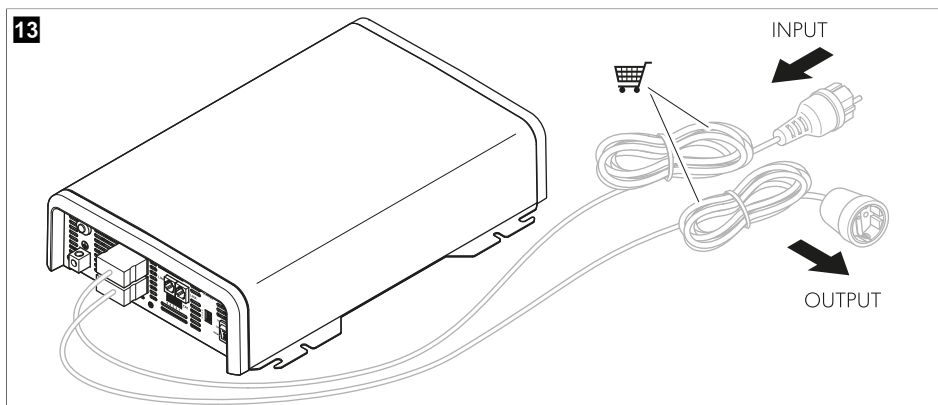


12



10 Eksploatacja

10.1 Zasilanie urządzeń 230 V



WSKAZÓWKA

Podłączać tylko urządzenia, których całkowite obciążenie nie przekracza wartości podanych w sekcji Dane techniczne na stronie 243.

- > Urządzenia 230 V należy podłączyć w zilustrowany sposób ( rys. 13 na stronie 240).

10.2 Włączanie i wyłączanie przetwornicy



WSKAZÓWKA

- Jeśli przetwornica ma być sterowana za pomocą pilota, włącznik/wyłącznik musi być ustawiony w położeniu **II**.
- Jeśli przetwornica ma być sterowana za pomocą przełącznika zewnętrznego, włącznik/wyłącznik musi być ustawiony w położeniu **0**.

- > Aby włączyć przetwornicę, należy ustawić włącznik/wyłącznik w położenie **I**.
- > Aby wyłączyć przetwornicę, należy ustawić włącznik/wyłącznik w położenie **0**.
- > Do włączania i wyłączania przetwornicy należy używać pilota lub przełącznika zewnętrznego.

11 Czyszczenie i konserwacja



OSTRZEŻENIE! Ryzyko porażenia prądem

Przed czyszczeniem i konserwacją odłączyć urządzenie od zasilania.



UWAGA! Ryzyko uszkodzenia

- > Urządzenia nie wolno nigdy czyścić pod bieżącą wodą ani zamaczać w wodzie.
- > Do czyszczenia nie używać ostrych ani twardych przedmiotów, ściernych środków czyszczących ani wybielacza, gdyż mogą one uszkodzić urządzenie.

- > Upewnić się, że otwory wlotowe i wylotowe powietrza urządzenia nie są zabrudzone ani zakurzone, aby umożliwić odprowadzanie ciepła.
- > Od czasu do czasu czyścić urządzenie miękką, wilgotną ściereczką.
- > Regularnie sprawdzać kable i przewody elektryczne pod kątem uszkodzeń izolacji, przerwania oraz poluzowanych przyłączy.

12 Usuwanie usterek

Usterka	Możliwa przyczyna	Proponowane rozwiązanie
Przetwornica nie działa. Wskaźnik LED stanu jest wyłączony.	Doszło do zwarcia.	<ul style="list-style-type: none"> > Po zadziałaniu pod wpływem zbyt wysokiego prądu bezpiecznik urządzenia musi zostać wymieniony przez centrum serwisowe.
	Uszkodzenia izolacji, przerwania lub poluzowane przyłącza przewodów zasilających.	<ul style="list-style-type: none"> > Sprawdzić przewody zasilające pod kątem uszkodzeń izolacji, przerwania oraz poluzowanych przyłączy. <p>Jeśli nie można znaleźć usterki, skontaktować się z autoryzowanym centrum serwisowym.</p>
Przetwornica nie działa. Wskaźnik LED stanu miga powoli.	Ochrona przed wysokim prądem wejściowym.	Zmniejszyć moc podłączonych odbiorników.
	Ochrona przed zbyt wysoką temperaturą.	<ol style="list-style-type: none"> 1. Wyłączyć przetwornicę i podłączone odbiorniki. 2. Sprawdzić, czy wloty i wyloty powietrza nie są zasłonięte lub zablokowane. 3. Odczekać, aż przetwornica ostygnie.
	Doszło do zwarcia.	Po zadziałaniu pod wpływem zbyt wysokiego prądu bezpiecznik urządzenia musi zostać wymieniony przez centrum serwisowe.
Przetwornica nie działa. Wskaźnik LED stanu miga szybko.	Wyłączenie spowodowane przepięciem. Za wysokie napięcie akumulatora.	<ul style="list-style-type: none"> > Ograniczyć podłączone napięcia. Przetwornica uruchomi się automatycznie, gdy wartość napięcia spadnie do wartości ponownego uruchomienia (patrz rozdział Ochrona przed przepięciem na stronie 244). > Jeśli błąd nadal występuje: Zastosować przewody o większych przekrojach. Zmniejszyć długość przewodu.

Usterka	Możliwa przyczyna	Proponowane rozwiązanie
	Wylączenie spowodowane pod napięciem. Za niskie napięcie akumulatora.	> Pozwolić, aby akumulator powoli się naładował. Przetwornica uruchomi się automatycznie, gdy wartość napięcia przekroczy wartość ponownego uruchomienia (patrz rozdział Ochrona przed pod napięciem na stronie 244).

13 Gwarancja

Obowiązuje ustawowy okres gwarancji. W przypadku stwierdzenia uszkodzenia produktu należy zwrócić się do oddziału producenta w danym kraju (patrz dometic.com/dealer) lub do sprzedawcy produktu.

W celu naprawy lub rozpatrzenia gwarancji konieczne jest przesłanie następujących dokumentów:

- Kopii rachunku z datą zakupu
- Informacji o przyczynie reklamacji lub opisu wady

Uwaga: Samodzielne lub nieprofesjonalne wykonywanie napraw może negatywnie wpływać na bezpieczeństwo i prowadzić do utraty gwarancji.

14 Utylizacja

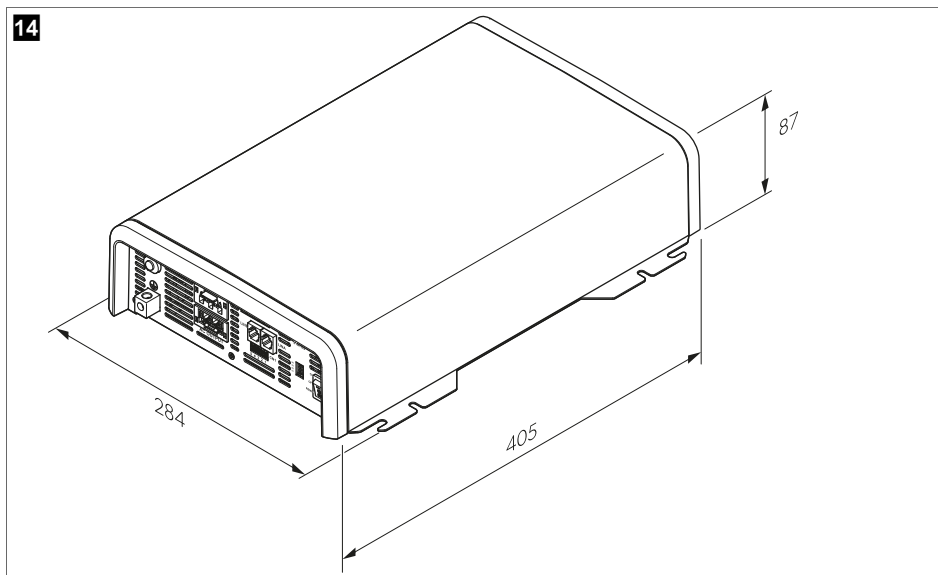



Opakowanie należy wyrzucić do odpowiedniego pojemnika na odpady do recyklingu.

Szczegółowe informacje na temat utylizacji produktu zgodnie z obowiązującymi przepisami można uzyskać w lokalnym zakładzie recyklingu lub u specjalistycznego dystrybutora.

Produkt można zutylizować nieodpłatnie.

15 Dane techniczne



	DPSI 1812	DPSI 1824
Nominalne napięcie wejściowe	12 V _{DC}	24 V _{DC}
Zakres napięcia wejściowego	10 ... 16,5 V _{DC}	20 ... 33 V _{DC}
Ciągła moc wyjściowa P _{nom}	1800 W	1800 W
Maks. moc wyjściowa (10 min)	1800 W	1800 W
Maks. moc wyjściowa (3 min)	2070 W	2070 W
Maksymalna moc przepięcia (2 s) P _{surge}	3600 W	3600 W
Pobór prądu w trybie bezczynności	≤ 2,5 A	≤ 1,3 A
Pobór prądu w trybie czuwania	≤ 0,2 A	≤ 0,1 A
Wymiary	 rys. 14 na stronie 243	
Masa	5,5 kg	5,5 kg

15.1 Ogólne dane techniczne

Zakres napięcia wyjściowego	230/ 240 V _{AC} ± 3 %
Częstotliwość wyjściowa	50/60 Hz ± 0,3 Hz
Przebieg wyjściowy	Czysta fala sinusoidalna
Zniekształcenia THD	THD ≤ 3 % przy P _{nom} (obciążenie rezystancyjne)
Szczytowa wydajność	90 %
Temperatura otoczenia przy pracy	-20 ... 60 °C

Temperatura otoczenia przy składowaniu

-30 °C ... 70 °C

Wilgotność powietrza

0 ... 95 %, non-condensing

Kontrole/certyfikaty



15.2 Ochrona przed pod napięciem

	Wartość wyłączenia	Wartość ponownego uruchomienia
DPSI1812	10 V	12 V
DPSI1824	20 V	24 V

15.3 Ochrona przed przepięciem

	Wartość wyłączenia	Wartość ponownego uruchomienia
DPSI1812	16,5 V	15,5 V
DPSI1824	33 V	31 V

Slovensky

1	Dôležité oznámenia.....	245
2	Vysvetlenie symbolov.....	245
3	Bezpečnostné pokyny.....	246
4	Rozsah dodávky.....	249
5	Príslušenstvo.....	249
6	Používanie v súlade s určením.....	249
7	Technický opis.....	250
8	Montáž.....	252
9	Nastavenie konfigurácie meniča napätia.....	258
10	Obsluha.....	261
11	Čistenie a údržba.....	261
12	Odstraňovanie porúch.....	262
13	Záruka.....	262
14	Likvidácia.....	263
15	Technické údaje.....	263

1 Dôležité oznámenia

Dôkladne si prečítajte tento návod a dodržiavajte všetky pokyny, usmernenia a varovania uvedené v tomto návode k výrobku, aby bolo zaručené, že výrobok bude vždy správne nainštalovaný, používaný a udržiavaný. Tento návod **MUSÍ** zostať priložený k výrobku.

Použitím tohto výrobku týmto potvrdzujete, že ste si dôkladne prečítali všetky pokyny, usmernenia a varovania a že rozumiete a súhlasíte s dodržiavaním všetkých uvedených podmienok. Súhlasíte, že tento výrobok budete používať iba v súlade so zamýšľaným použitím a v súlade s pokynmi, usmerneniami a varovaniami uvedenými v tomto návode k výrobku, ako aj v súlade so všetkými platnými zákonmi a nariadeniami. V prípade, že si neprečítate a nebudete sa riadiť pokynmi a varovaniami uvedenými v tomto návode, môže mať za následok vaše poranenie alebo poranenie iných osôb, poškodenie vášho výrobku alebo poškodenie majetku v jeho blízkosti. Tento návod na obsluhu výrobku vrátane pokynov, usmernení a varovaní, a súvisiaca dokumentácia môže podliehať zmenám a aktualizáciám. Najaktuálnejšie informácie o výrobku nájdete na adrese documents.dometic.com.

2 Vysvetlenie symbolov

Signálne slovo identifikuje bezpečnostné správy a správy o škodách na majetku a tiež označuje stupeň alebo úroveň závažnosti nebezpečenstva.



NEBZPEČENSTVO!

Označuje nebezpečnú situáciu, ktorej následkom je smrť alebo vážne zranenie, ak sa jej nezabráni.



VÝSTRAHA!

Označuje nebezpečnú situáciu, ktorej následkom môže byť smrť alebo vážne zranenie, ak sa jej nezabráni.



UPOZORNENIE!

Označuje nebezpečnú situáciu, ktorej následkom môže byť malé alebo stredne ťažké zranenie, ak sa jej nezabráni.



POZOR!

Označuje situáciu, ktorej následkom môže byť poškodenie majetku, ak sa jej nezabráni.



POZNÁMKA Dopĺňujúce informácie týkajúce sa obsluhy produktu.

3 Bezpečnostné pokyny

Rešpektujte tiež bezpečnostné pokyny a nariadenia vydané výrobcem vozidla a autorizovanými servismi.

3.1 Základy bezpečnosti



NEBZPEČENSTVO! Nebezpečenstvo úrazu elektrickým prúdom

- > Nikdy sa nedotýkajte holými rukami obnažených vodičov.
- > Aby sa zariadenie v prípade nebezpečenstva dalo rýchlo odpojiť od elektrickej siete striedavého prúdu, musí sa elektrická zásuvka nachádzať v blízkosti zariadenia a musí byť ľahko prístupná.



VÝSTRAHA! Nebezpečenstvo úrazu elektrickým prúdom

- > Montáž a demontáž zariadenia smú vykonávať len kvalifikovaní pracovníci.
- > Zariadenie, ktoré je poškodené alebo má poškodený pripájací kábel, nepoužívajte.
- > Ak je napájací kábel tohto zariadenia poškodený, musí sa vymeniť, aby sa zabránilo bezpečnostným rizikám.
- > Opravy na tomto zariadení smie vykonávať len spôsobilý personál. Nesprávne opravy môžu zapríčiniť vážne riziká.
- > Používajte výlučne príslušenstvo odporúčané výrobcom.
- > Žiadnym spôsobom neupravujte ani neprispôbujte žiadne komponenty.
- > Neodpájajte žiadne káble, pokiaľ je zariadenie ešte v prevádzke.
- > Zariadenie odpojte od zdroja napätia:
 - po každom použití,
 - pred každým čistením a údržbou,
 - po výmene poistky,



VÝSTRAHA! Nebezpečenstvo požiaru/horľavé materiály

V prípade požiaru použite hasiaci prístroj, ktorý je vhodný na hasenie požiarov elektrických zariadení.



VÝSTRAHA! Nebezpečenstvo udusenía

Ak kábel a ovládacia jednotka zariadenia nie sú správne uložené, hrozí zvýšené riziko zamotania sa, uskrtenia, zakopnutia alebo pošliapania. Postarajte sa, aby nadbytočné kábové viazače a elektrické káble boli bezpečne uložené.



VÝSTRAHA! Nebezpečenstvo ohrozenia zdravia

- > Toto zariadenie smú používať deti od 8 rokov a osoby so zníženými psychickými, zmyslovými alebo mentálnymi schopnosťami a vedomosťami, keď sú pod dozorom alebo keď boli poučené o bezpečnom používaní zariadenia a chápu, aké riziká z toho vyplývajú.
- > **Elektrické zariadenia nie sú detské hračky.** Zariadenie vždy uchovávajte a používajte mimo dosahu veľmi malých detí.
- > Dohliadnite na to, aby sa deti nehrali so zariadením.
- > Čistenie a bežnú údržbu nesmú vykonávať deti bez dozoru.

**POZOR! Nebezpečenstvo poškodenia**

- > Pred uvedením do prevádzky porovnajte, či sa údaje o napätí na typovom štítku zhodujú s existujúcim zdrojom napätia.
- > Zabezpečte, aby ostatné objekty **nemohli** spôsobiť skrat na kontaktoch zariadenia.
- > Zabezpečte, aby sa červená a čierna svorka **nikdy** vzájomne nedotkli.
- > Neťahajte za pripájacie káble a nepoužívajte káble ako rukoväť.
- > Zariadenie nesmie byť vystavené dažďu ani vlhkosti. Skladujte ho na suchom mieste.

3.2 Bezpečná inštalácia zariadenia**NEBZPEČENSTVO! Nebezpečenstvo výbuchu**

- > Zariadenie inštalujte a používajte len v uzavretých, dobre vetraných miestnostiach.
- > Zariadenie **neinštalujte** v nasledujúcich podmienkach:
 - v slanom, vlhkom alebo mokrom prostredí
 - v blízkosti agresívnych výparov
 - v prostredí so horľavými materiálmi
 - v blízkosti zdrojov tepla (ohrievače, priame slnečné svetlo, plynové rúry atď.),
 - v priestoroch, v ktorých hrozí nebezpečenstvo výbuchu plynu alebo prachu

**VÝSTRAHA! Nebezpečenstvo poranenia**

- > Dbajte na bezpečné postavenie! Zariadenie musí byť nainštalované a upevnené takým spôsobom, aby sa neprevrátilo alebo nespadlo.
- > Pri umiestňovaní zariadenia sa ubezpečte, že všetky káble sú dostatočne zabezpečené, aby sa predišlo akémukoľvek nebezpečenstvu zakopnutia.

**POZOR! Nebezpečenstvo poškodenia**

- > Zariadenie umiestnite na suchom mieste, ktoré je chránené pred striekajúcou vodou.
- > Vždy používajte zásuvky, ktoré sú uzemnené a zabezpečené prúdovými chráničmi.

3.3 Bezpečnosť elektrického pripojenia zariadenia**NEBZPEČENSTVO! Nebezpečenstvo úrazu elektrickým prúdom**

Keď pracujete na elektrických zariadeniach, uistite sa, že sa niekto nachádza v blízkosti, aby vám v prípade núdze mohol pomôcť.

**VÝSTRAHA! Nebezpečenstvo úrazu elektrickým prúdom**

- > Dodržte požadované prierezy káblov.
- > Káble uložte tak, aby sa nepoškodili dverami alebo kapotou motora. Privreté káble môžu byť príčinou životu nebezpečných poranení.

**POZOR! Nebezpečenstvo poškodenia**

- > Keď sa vodiče musia viesť cez plechové steny alebo iné steny s ostrými hranami, použite prázdne rúčky alebo káblové priechodky.
- > **Neklad'te** 230 V elektrický sieťový kábel a 12 V kábel do rovnakého kanála.
- > Kábel **neuložte** voľne alebo príliš ostro zalomený.
- > Káble bezpečne zaistite.

3.4 Bezpečnosť pri manipulácii s batériami



VÝSTRAHA! Nebezpečenstvo poranenia

- > Batérie môžu obsahovať agresívne alebo žieravé kyseliny. Zabráňte akémukoľvek kontaktu tela s kvapalinou batérií. Ak sa vaša pokožka dostane do kontaktu s kyselinou batérie, zasiahnutú časť tela dôkladne umyte vodou. Pri zraneniach spôsobených kyselinou bezpodmienečne vyhľadajte lekára.
- > Počas práce s batériami nenoste žiadne kovové predmety, ako hodinky alebo prstene. Olovené akumulátory môžu vytvárať skratové prúdy, ktoré môžu viesť k ťažkým popáleninám.
- > Používajte iba izolované náradie.
- > Na batériu neumiestňujte žiadne kovové časti a zabráňte pádu akýchkoľvek kovových častí na batériu. Môže to vytvoriť iskry alebo spôsobiť skrat batérie alebo iných elektrických zariadení.
- > Pri práci s batériami noste ochranné okuliare a ochranný odev. Počas práce s batériami sa nedotýkajte očí.
- > Používajte výlučne dobíjateľné batérie.
- > Nepoužívajte poškodené batérie.



UPOZORNENIE! Nebezpečenstvo výbuchu

- > Nikdy sa nepokúšajte nabíjať zamrznuté alebo poškodené akumulátory. Postavte batériu v tomto prípade na nemrznúce miesto a počkajte, kým sa batéria prispôsobí teplote okolia. Potom začnite s nabíjaním.
- > Nefajčite, nepoužívajte otvorený plameň ani nevytvárajte iskry v blízkosti motora alebo batérie.
- > Batériu uschovajte mimo zdrojov tepla.



POZOR! Nebezpečenstvo poškodenia

- > Pri pripájaní batérie dbajte na správnu polaritu.
- > Dodržiavajte pokyny v návodoch od výrobcov batérií a od výrobcu zariadenia alebo vozidla, v ktorom sa batéria bude používať.
- > Ak je batériu nutné odobrať, najprv odpojte uzemnenie. Pred vymontovaním batérie odpojte všetky spojenia a všetky spotrebiče.
- > Skladujte iba plne nabitú batériu. Uskladnené batérie pravidelne dobíjajte.
- > Neprenášajte batériu za svorky.

3.5 Bezpečnosť pri prevádzke zariadenia



VÝSTRAHA! Nebezpečenstvo úrazu elektrickým prúdom

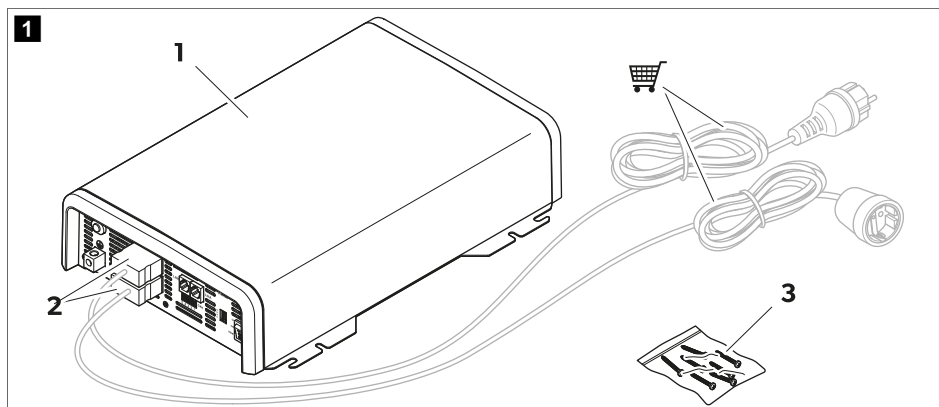
- > Zariadenie nepoužívajte vo vlhkých podmienkach ani ho neponárajte do žiadnych kvapalín.
- > Pred spustením zariadenia sa uistite, že napájací kábel a zástrčka sú suché a na zástrčke nie sú viditeľné známky korózie alebo nečistoty.
- > Aj po prehorení poistky môžu zostať časti zariadenia pod napätím.



POZOR! Nebezpečenstvo poškodenia

- > Zabezpečte, aby vstupy a výstupy vzduchu zariadenia neboli zakryté.
- > Zabezpečte dobré vetranie.

4 Rozsah dodávky



Č. na obr. 1 na strane 249	Označenie	Počet
1	Sínusový menič napätia	1
2	Konektor WAGO Pripájací kábel s bezpečnostnou spojkou (pre výstup 230 V~)	2
3	Upevňovacie skrutky	6
-	Návod na montáž a uvedenie do prevádzky	1

5 Príslušenstvo

Označenie	Č. výr.
Diaľkové ovládanie DSP-RCT	9600002564
Ovládací monitor DSP-EM	9600002565
Dotykový displej TD283	9620013272

6 Používanie v súlade s určením

Menič napätia je určený na premenu jednosmerného prúdu na čistú sínusovú vlnu striedavého prúdu (AC) 230V~ ... 240V~ na prevádzku a stabilné napájanie pripojených spotrebičov.

Menič napätia je určený na pripojenie k:

- DPSI1812iTS: 12 V \Rightarrow
- DPSI1824iTS: 24 V \Rightarrow

Menič napätia je vhodný na:

- inštaláciu do rekreačných vozidiel (RV), nákladných vozidiel, úžitkových vozidiel alebo motorových jacht a plachetníc,
- stacionárne alebo mobilné použitie
- použitie v interiéri.

Menič napätia **nie je** vhodný na:

- použitie v exteriéri

Tento výrobok je vhodný iba na určené použitie a použitie v súlade s týmto návodom.

Tento návod obsahuje informácie, ktoré sú nevyhnutné pre správnu inštaláciu a/alebo obsluhu výrobku. Chybná inštalácia a/alebo nesprávna obsluha či údržba bude mať za následok neuspokojivý výkon a možnú poruchu.

Výrobca nenesie žiadnu zodpovednosť za akékoľvek poranenia či škody na výrobku spôsobené:

- nesprávnu inštaláciou alebo pripojením vrátane nadmerného napätia
- nesprávnu údržbou alebo použitím iných ako originálnych náhradných dielov poskytnutých výrobcom
- Zmeny produktu bez výslovného povolenia výrobcu
- Použitie na iné účely než na účely opísané v návode

Firma Dometic si vyhradzuje právo na zmenu vzhľadu a technických parametrov výrobku.

7 Technický opis

7.1 Všeobecný opis

Menič napätia je menič jednosmerného prúdu na striedavý prúd s čistou sínusovou vlnou.

Menič napätia je vybavený prioritným obvodom. Ak je k dispozícii sieť 230 V~, tento externý zdroj napájania sa používa na napájanie zásuviek v rekreačnom vozidle. Ak sieť 230 V~ nie je k dispozícii, menič napätia premieňa jednosmerný prúd z batérie na striedavý, čím zabezpečuje napájanie pripojených spotrebičov.

Menič napätia je možné prevádzkovať v nasledujúcich sieťových systémoch:

- Sieť TN
- Sieť IT

Sieťové systémy sa nastavujú pomocou skrutky na meniči napätia.

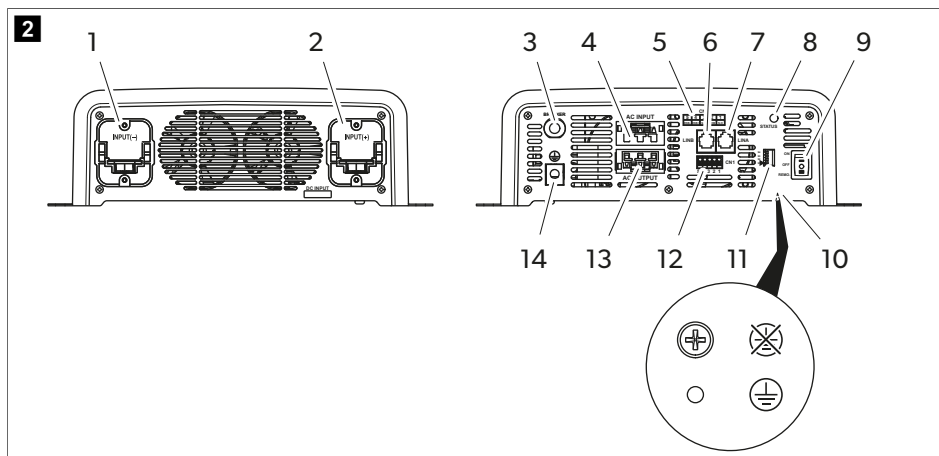
Menič napätia je možné prepnúť do energetickejšieho režimu, aby sa znížila spotreba pri nečinnosti a minimalizovalo zaťaženie batérie.

Menič napätia je vybavený nasledujúcimi ochrannými mechanizmami:

- **Prepätová ochrana:** menič napätia sa vypne, keď hodnota napätia prekročí hodnotu vypnutia. Menič napätia sa automaticky reštartuje, keď napätie klesne na hodnotu reštartovania.
- **Ochrana v prípade podpätia:** menič napätia sa vypne, keď hodnota napätia klesne pod hodnotu vypnutia. Menič napätia sa automaticky reštartuje, keď napätie prekročí hodnotu reštartovania.
- **Ochrana v prípade nadmernej teploty:** menič napätia sa vypne, keď teplota vo vnútri zariadenia prekročí hodnotu vypnutia. Menič napätia sa automaticky reštartuje, keď teplota vo vnútri zariadenia klesne na hodnotu reštartovania.
- **Ochrana proti vysokému výstupnému prúdu:** menič napätia sa vypne, keď je pripojených príliš veľa záťaží.
- **Ochrana proti skratu:** keď dôjde ku skratu, menič napätia sa vypne. Po niekoľkých sekundách sa menič napätia automaticky reštartuje. Ak sa skrat zistí päťkrát po sebe, menič napätia sa automaticky nereštartuje a je potrebné ho reštartovať ručne.

Menič napätia je vybavený zbernicou N-BUS a CI-BUS na zobrazenie údajov a funkcií na dotykovom displeji (príslušenstvo) a v mobilnej aplikácii.

7.2 Ovládacie prvky a pripojenia



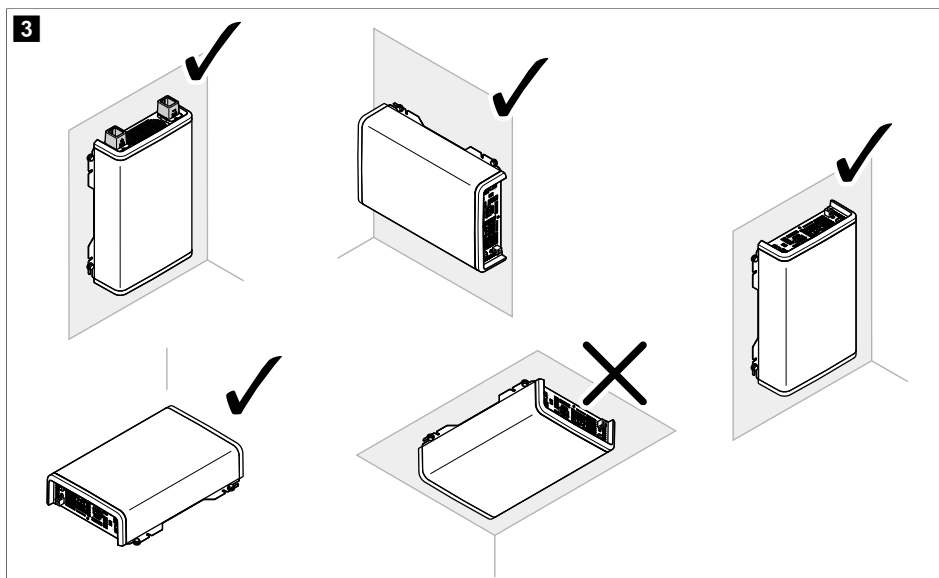
Č.	Označenie
1	Svorka (-), pripojenie k zápornému pólu domovej batérie
2	Svorka (+), pripojenie ku kladnému pólu domovej batérie
3	Poistka pre externý vstup
4	Vstup striedavého prúdu
5	Svorka CN1
6	CI BUS/N Bus/pripojenie diaľkového ovládania (LINB)
7	CI BUS/N Bus/pripojenie diaľkového ovládania (LINA)
8	LED indikácie stavu
9	Vypínač
10	Skrutka na nastavenie siete IT/TN
11	DIP spínač
12	Dip spínač, pripojenie externého spínača a relé alarmu
13	AC Output
14	Uzemnenie

7.3 LED indikácie stavu

Stav	Opis
On	Menič napätia je v prevádzke
Flashing	Chyba (pozri kapitolu Odstraňovanie porúch na strane 262)
Off	Bez vstupu striedavého prúdu, menič napätia vypnutý

8 Montáž

8.1 Miesto montáže




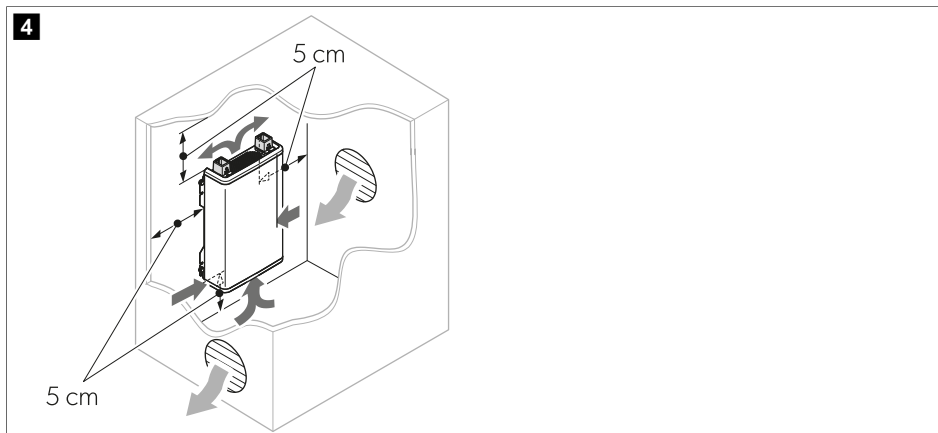
POZOR! Nebezpečenstvo poškodenia

Pred vytvorením otvorov zabezpečte, aby sa nepoškodili elektrické káble alebo iné časti vozidla vŕtaním, pílením alebo pilovaním.




POZNÁMKA

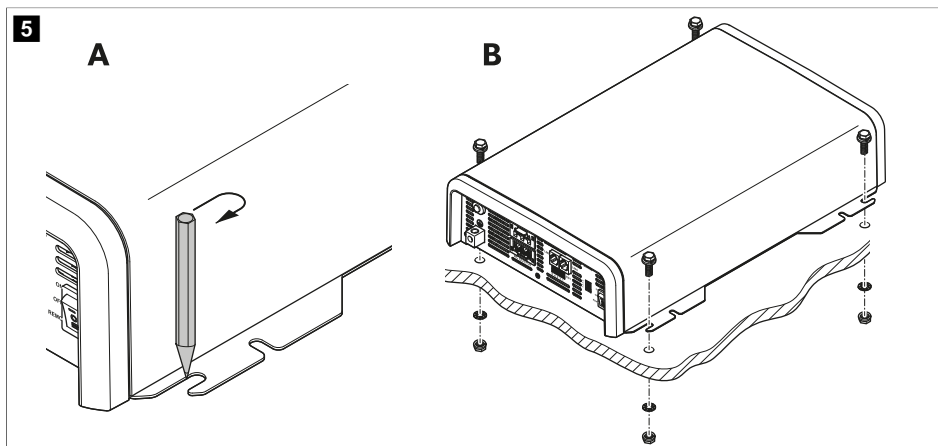
Menič napätia sa môže montovať na plochu alebo zavesený ( obr. 3 na strane 252).





Pri výbere miesta montáže dodržte nasledujúce pokyny:

- Ubezpečte sa, že montážny povrch je pevný a rovný.
- Dodržiavajte určené vzdialenosti, aby sa zabezpečilo dostatočné vetranie ( obr. 4 na strane 253).

8.2 Montáž meniča napätia



1. Vyberte vhodné montážne otvory v závislosti od zvoleného typu montáže (montáž na ploche alebo závesná montáž) a označte otvory na vŕtanie ( obr. 5 na strane 253, **A**).
2. Predvŕtajte montážne otvory.
3. Priskrutkujte menič napätia na miesto ( obr. 5 na strane 253, **B**).

8.3 Pripojenie striedača



Elektrickú inštaláciu a nastavenie zariadenia musí vykonať kvalifikovaný elektrikár, ktorý preukázal zručnosti a znalosti týkajúce sa konštrukcie a prevádzky elektrického vybavenia a inštalácií, a ktorý je oboznámený s platnými predpismi krajiny, v ktorej sa zariadenie bude inštalovať a/alebo používať, a absolvoval bezpečnostné školenie zamerané na identifikáciu konkrétnych nebezpečenstiev a ich predchádzaniu.

Všetky ostatné kroky sú určené tiež pre neprofesionálnych používateľov.



VÝSTRAHA! Nebezpečenstvo úrazu elektrickým prúdom

Dodržiavajte odporúčané prierezy káblov, dĺžky káblov a poistiek.



UPOZORNENIE! Nebezpečenstvo požiaru

Umiestnite poistky blízko batérií pre ochranu kábla proti skratom a možnému zhoreniu.



POZOR! Nebezpečenstvo poškodenia

- > Dbajte na to, aby sa nezamenila polarita.
- > Uťahnite skrutky alebo matice uťahovacím momentom 15 Nm. Neutiahnuté pripojenia môžu viesť k prehrievaniu.

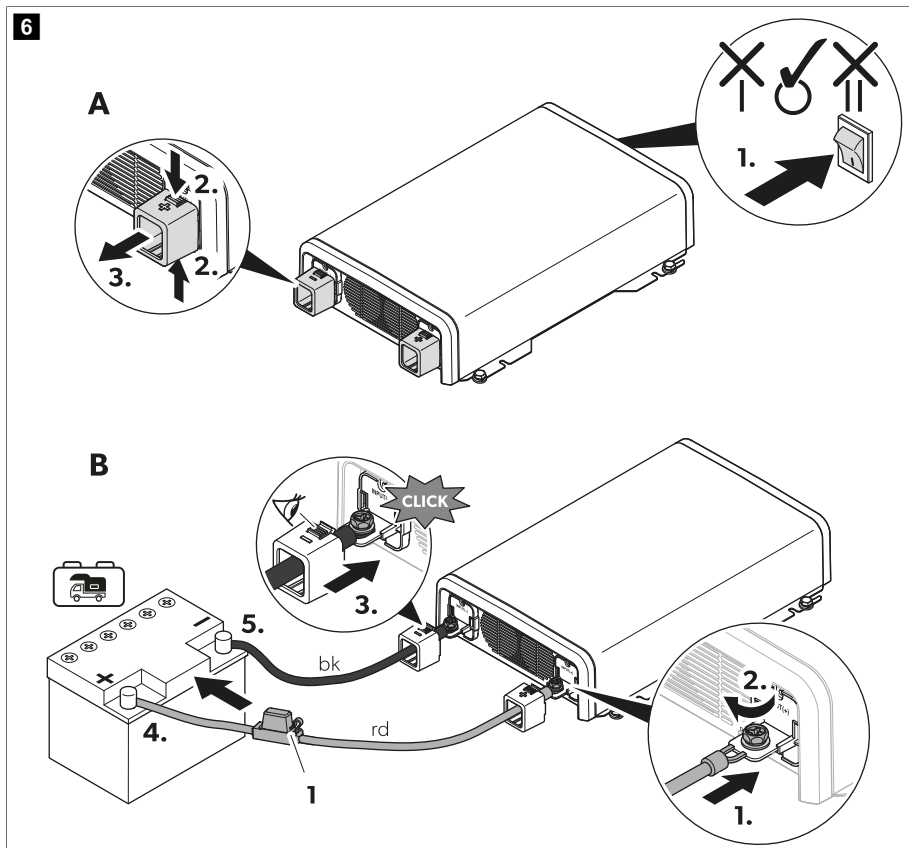
Pri pripájaní meniča napätia dodržiavajte nasledujúce pokyny:

- Pri nastavovaní zásuvkového rozvodu (sieťová inštalácia) dodržiavajte platné predpisy.
- Použite čo najkratšie káble jednosmerného prúdu (pripojenie k svorkám batérie) ≤ 1 m).
- Pripojenie **siete TN**: inštalujte prúdový chránič (RCD).
- Pripojenie **siete IT**: ak je pripojených viac ako jedna záťaž, inštalujte sledovač izolačného stavu (IMD). **Platia národné normy.**

1. Určenie prierezov káblov a poistiek:

	Prierez kábla	Káblová poistka
DPSI1812i- TS	50 mm ²	250 A
DPSI1824i- TS	25 mm ²	150 A


2. Skontrolujte, či je zariadenie vypnuté ( obr. **6** na strane 255, **A: 1**).



3. Vyberte kryty zo svoriek ( obr. 6 na strane 255, **A: 2 – 3**).

4.  **POZOR! Nebezpečenstvo poškodenia**
Vždy najprv zapojte čierny kábel (záporná svorka), aby sa predišlo skratovaniu zariadenia.

Čierny pripojovací kábel (bk) zapojte do svorky (-).


5. Červený pripojovací kábel (rd) zapojte do svorky (+) ( obr. 6 na strane 255, **B: 1 – 2**).

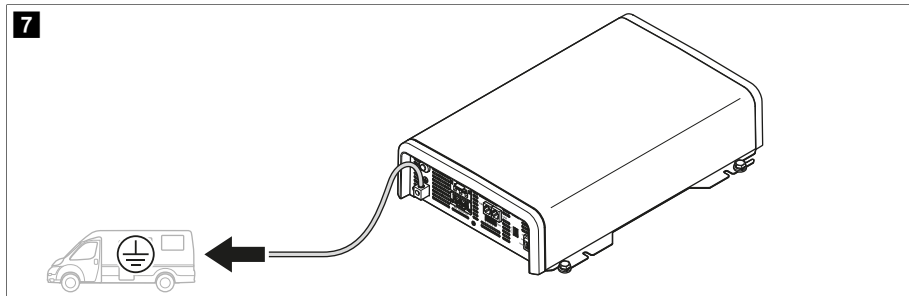
6. Zapojte (+) do kladnej svorky domovej batérie ( obr. 6 na strane 255, **B: 4**).



POZNÁMKA Kladný kábel domovej batérie zabezpečte poistkou ( obr. 6 na strane 255, **1**).

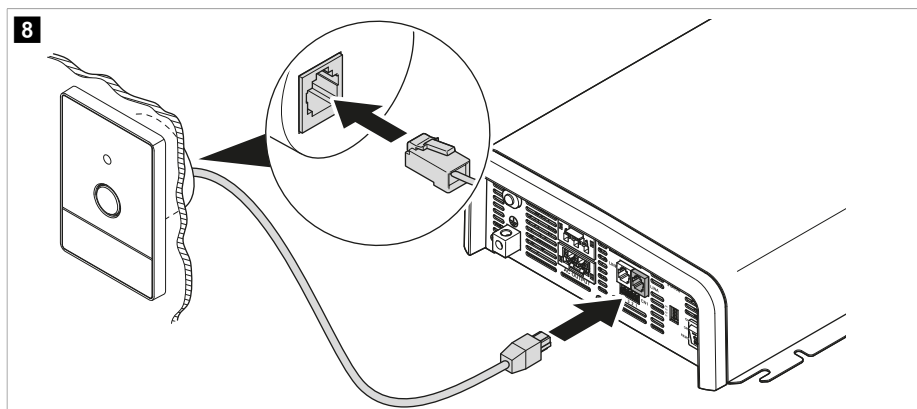
7. Zapojte (-) do zápornej svorky domovej batérie ( obr. 6 na strane 255, **B: 5**).

8. Uzemňovacie pripojenie zapojte do uzemnenia (kostra)  obr. 7 na strane 256.



8.4 Pripojenie diaľkového ovládania

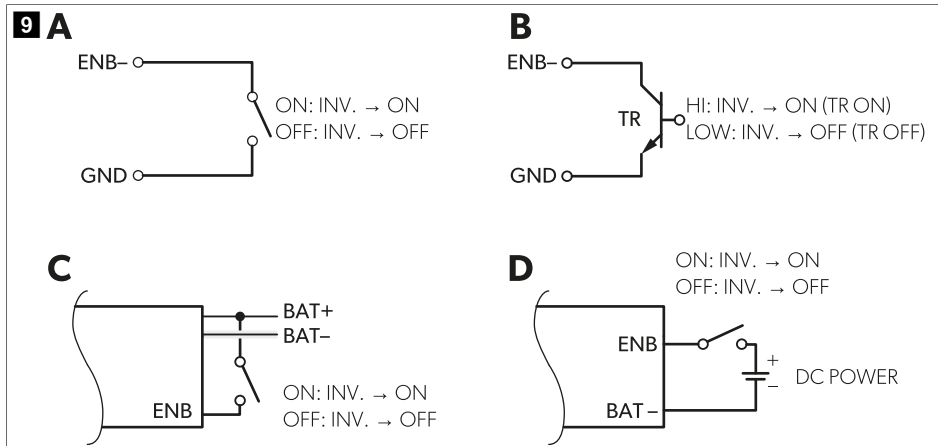
- > Pripojte diaľkové ovládanie k prípojke diaľkového ovládania (LINA alebo LINB).







8.5 Pripojenie externého spínača



POZNÁMKA Ak je pripojený externý spínač, stav úsporného režimu nie je možné zmeniť.



POZNÁMKA

- > Skontrolujte, či pripojenie diaľkového ovládania nie je obsadené.
- > Vyberte jeden z nasledujúcich vhodných externých spínačov:
 -  obr. 9 na strane 257, **A**: externý spínač s napájaním z meniča napätia
 -  obr. 9 na strane 257, **B**: riadiaca jednotka s relé alebo tranzistorovým obvodom (TR)
 -  obr. 9 na strane 257, **C**: externý spínač s napájaním z batérie (BAT) vozidla
 -  obr. 9 na strane 257, **D**: externý spínač s vlastným napájaním (DC POWER), napr. zo zapaľovania



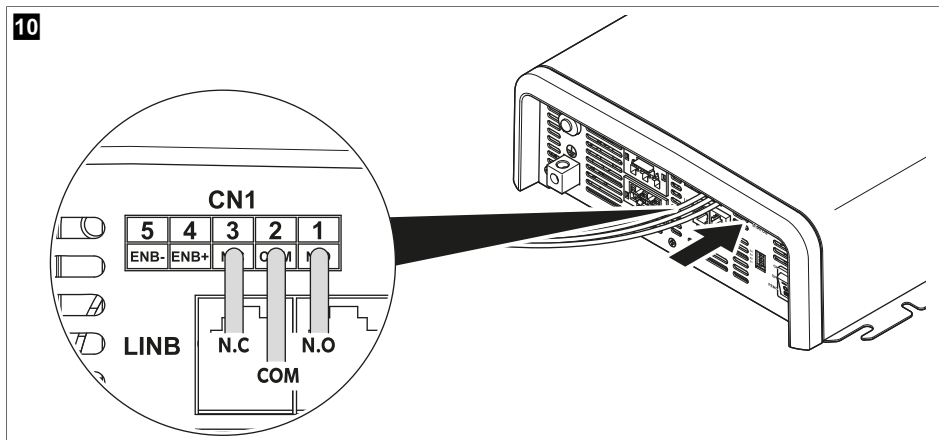
POZNÁMKA Skontrolujte, či pripojenie diaľkového ovládania nie je obsadené.

1. Vypínač prepnite do polohy **OFF**.
2. Vypínač prepnite do polohy **REMO**.
3. Zapojte externý spínač do svorky CNT

8.6 Pripojenie relé alarmu

Relé alarmu sa aktivuje hneď, ako je k dispozícii napájanie striedavým prúdom a prepínač striedavého prúdu je zopnutý. Relé alarmu sa môže používať na:

- generovanie signálu detekcie napájania striedavým prúdom na ovládacom paneli vozidla,
- zapínanie a vypínanie menej kritickej záťaže (napr. absorpčnej chladničky, elektrických vykurovacích systémov), ktoré by sa mali prevádzkovať len v spojení s napájaním striedavým prúdom.



- > Relé alarmu pripojte ku svorke CN1 ( obr. 10 na strane 258).

9 Nastavenie konfigurácie meniča napätia



Elektrickú inštaláciu a nastavenie zariadenia musí vykonať kvalifikovaný elektrikár, ktorý preukázal zručnosti a znalosti týkajúce sa konštrukcie a prevádzky elektrického vybavenia a inštalácií, a ktorý je oboznámený s platnými predpismi krajiny, v ktorej sa zariadenie bude inštalovať a/alebo používať, a absolvoval bezpečnostné školenie zamerané na identifikáciu konkrétnych nebezpečenstiev a ich predchádzaniu.

Všetky ostatné kroky sú určené tiež pre neprofesionálnych používateľov.



NEBEZPEČENSTVO! Nebezpečenstvo úrazu elektrickým prúdom

- > Ochranný kryt DIP spínačov odstraňujte len pri nastavovaní konfigurácie.
- > Ochranný kryt nasadte naspäť, aby sa zabránilo náhodnému nastaveniu DIP spínača.
- > Konfigurácia pre **sieťTN**: skontrolujte, či je inštalovaný prúdový chránič (RCD).
- > Konfigurácia pre **sieťIT**: pripojte len jednu záťaž alebo nainštalujte sledovač izolačného stavu (IMD). Dodržujte normy platné vo vašej krajine.



POZNÁMKA



Použite malý skrutkovač a opatrne prepnite DIP spínače do požadovanej polohy.

Menič napätia sa nastavuje pomocou DIP spínačov alebo pripojením diaľkového ovládača s podporou CI-BUS.

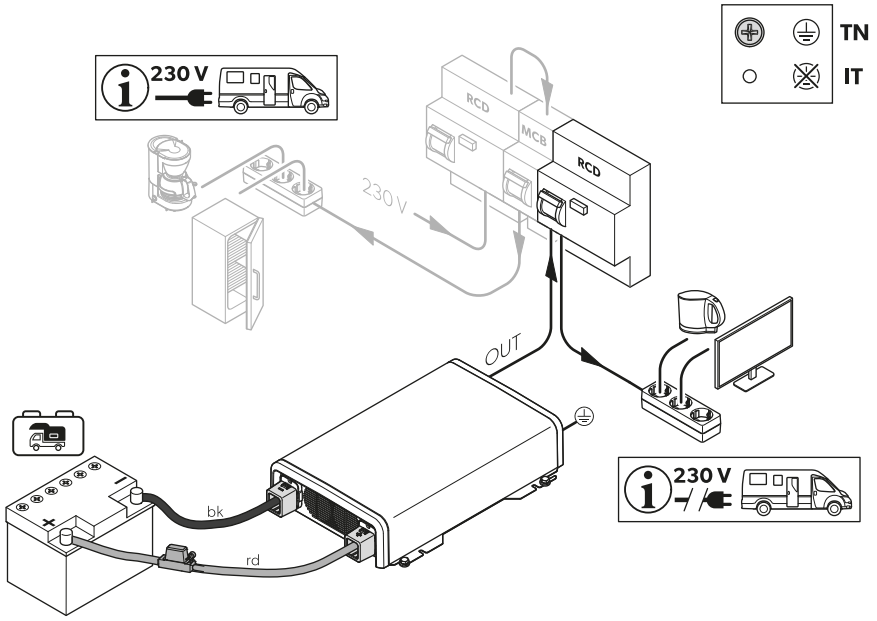
Zariadenie na začiatku používa konfiguráciu z výroby. V prípade potreby posunutím DIP spínačov upravte konfiguráciu.

- > Posunutím DIP spínača **S1** do polohy **on** sa nastaví možnosť **lokálne** prostredníctvom DIP spínačov.
- > Posunutím DIP spínača **S1** do polohy **off** sa nastaví možnosť **externe** prostredníctvom DIP spínačov.

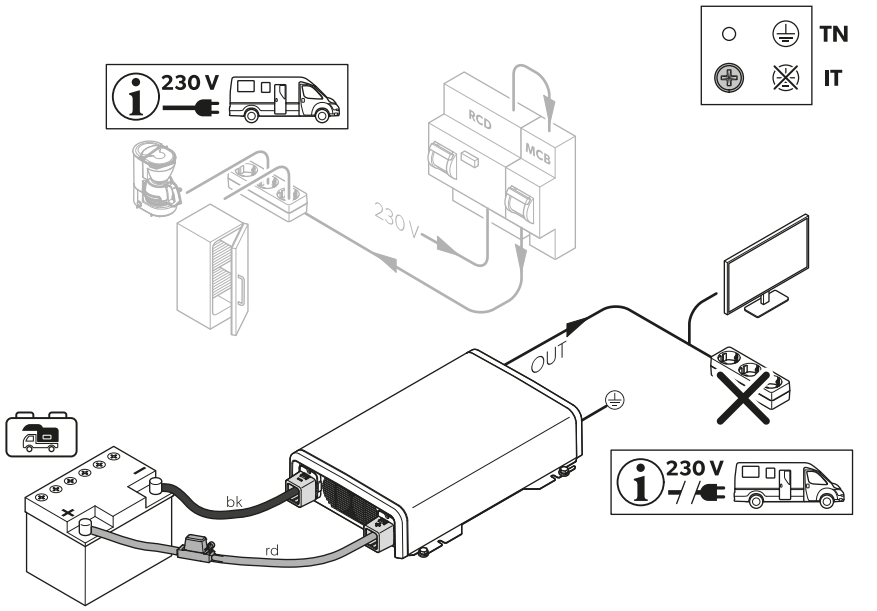
9.1 Nastavenie DIP spínačov

Konfigurácia		Poloha DIP spínačov				
		S1	S2	S3	S4	S5
Settings	Lokálne nastavenie prostredníctvom DIP spínačov	Zap	-	-	-	-
	Externé nastavenie prostredníctvom diaľkového ovládania	Vyp	-	-	-	-
Sieťové napätie	240 V/60 Hz	-	Zap	-	-	-
	230 V/50 Hz	-	Vyp	-	-	-
Energeticky úsporný režim	Energy-saving mode is activated when the load is ≤ 45 W Inverter switches to normal operation when the load is ≥ 45 W	-	-	Zap	Zap	-
	Režim úspory energie sa aktivuje, keď je záťaž ≤ 45 W Menič napätia sa prepne do normálnej prevádzky, keď je záťaž ≥ 45 W	-	-	Zap	Vyp	-
	Menič napätia sa prepne do normálnej prevádzky, keď je záťaž ≥ 45 W Menič napätia sa automaticky vypne po 20 minútach prevádzky v úspornom režime	-	-	Zap	Zap	-
	Režim úspory energie sa aktivuje, keď je záťaž ≤ 1 W Menič napätia sa prepne do normálnej prevádzky, keď je záťaž ≥ 1 W	-	-	Vyp	Vyp	-
	Režim úspory energie sa aktivuje, keď je záťaž ≤ 1 W Menič napätia sa prepne do normálnej prevádzky, keď je záťaž ≥ 1 W	-	-	Vyp	Zap	-
	Menič napätia sa prepne do normálnej prevádzky, keď je záťaž ≥ 1 W Menič napätia sa automaticky vypne po 20 minútach prevádzky v úspornom režime	-	-	Vyp	Zap	-
Sieťový systém	Sieť IT ( obr. 12 na strane 260)	-	-	-	-	Zap
	Sieť TN ( obr. 11 na strane 260)	-	-	-	-	Vyp

11

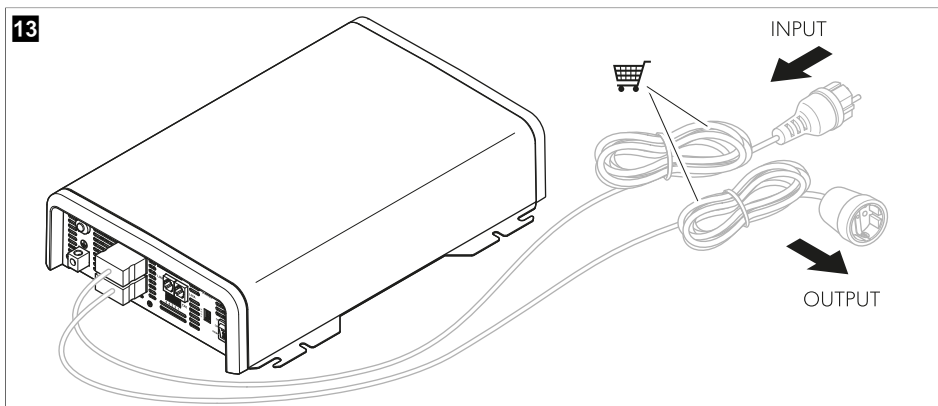


12




10 Obsluha

10.1 Prevádzka 230 V zariadení



POZNÁMKA

Pripojte iba zariadenia, ktorých celkové zaťaženie nepresahuje hodnoty uvedené v Technické údaje na strane 263.

- > 230 V zariadenia pripojte podľa obrázka ( obr. 13 na strane 261).

10.2 Zapnutie a vypnutie meniča napätia



POZNÁMKA

- Ak sa má menič ovládať pomocou diaľkového ovládania, vypínač musí byť nastavený do polohy **I**.
- Ak sa má menič ovládať pomocou externého spínača, vypínač musí byť nastavený do polohy **0**.

- > Ak chcete menič napätia zapnúť, vypínač prepnete do polohy **I**.
- > Ak chcete menič napätia vypnúť, vypínač prepnete do polohy **0**.
- > Na zapnutie a vypnutie meniča napätia použite diaľkové ovládanie alebo externý spínač.

11 Čistenie a údržba



VÝSTRAHA! Nebezpečenstvo úrazu elektrickým prúdom

Pred čistením a údržbou odpojte zariadenie od zdroja napájania.



POZOR! Nebezpečenstvo poškodenia

- > Zariadenie nikdy nečistite pod tečúcou vodou alebo dokonca vo vode.
- > Na čistenie nepoužívajte ostré alebo tvrdé predmety, abrazívne čistiace prostriedky alebo bielicidlo, pretože by mohli poškodiť zariadenie.
- > Zabezpečte, aby vetracie príruby a vývody boli bez prachu a nečistôt, aby sa mohlo odvádzať teplo.

- > Kameru príležitostne vyčistite mäkkou, navlhčenou utierkou.

> Pravidelne kontrolujte živé káble alebo vedenia na porušenú izoláciu, zlomenia alebo uvoľnené spoje.

12 Odstraňovanie porúch

Porucha	Možná príčina	Návrh riešenia
Menič napätia nefunguje. LED indikácie stavu nesvieti.	Došlo ku skratu.	> Ak poistka zariadenia zareagovala v dôsledku nadmerného prúdu, musí ju vymeniť autorizovaný servisný technik.
	Porušená izolácia, zlomy alebo uvoľnené spoje na živých kábloch.	> Skontrolujte živé káble na porušenú izoláciu, zlomenia alebo uvoľnené spoje. Ak nevíete nájsť chybu, obráťte sa na autorizovaného servisného technika.
Menič napätia nefunguje. LED indikácie stavu pomaly bliká.	Ochrana proti vysokému vstupnému prúdu.	Znížte pripojenú záťaž.
	Vypnutie v prípade nadmernej teploty.	1. Vypnite menič napätia a pripojenú záťaž. 2. Skontrolujte, či privody a vývody vzduchu nie sú zakryté alebo zablokované. 3. Nechajte menič napätia vychladnúť.
	Došlo ku skratu.	Ak poistka zariadenia zareagovala v dôsledku nadmerného prúdu, musí ju vymeniť autorizovaný servisný technik.
Menič napätia nefunguje. LED indikácie stavu rýchlo bliká.	Vypnutie v prípade prepätia. Napätie batérie je príliš vysoké.	> Znížte pripojenú napäťovú záťaž. Menič napätia sa automaticky reštartuje, keď napätie klesne na hodnotu reštartovania (pozrite si kapitolu Prepäťová ochrana na strane 264). > Ak chyba pretrváva: použite kábel s väčším prierezom. Použite kratší kábel.
	Vypnutie v prípade podpätia. Napätie batérie je príliš nízke.	> Nechajte batériu pomaly nabíjať. Menič napätia sa automaticky reštartuje, keď napätie prekročí hodnotu reštartovania (pozrite si kapitolu Podpätová ochrana na strane 264).

13 Záruka

Platí zákonom stanovená záručná lehota. Ak je výrobok poškodený, obráťte sa na pobočku výrobcu vo vašej krajine (pozrite si stránku dometic.com/dealer) alebo na predajcu.

Ak žiadate o vybavenie opravy alebo nárokov vyplývajúcich zo záruky, musíte priložiť nasledovné podklady:

- kópiu faktúry s dátumom kúpy,

- dôvod reklamácie alebo opis chyby.

Upozorňujeme Vás, že samooprava alebo neodborná oprava môže mať za následok ohrozenie bezpečnosti a zánik záruky.

14 Likvidácia

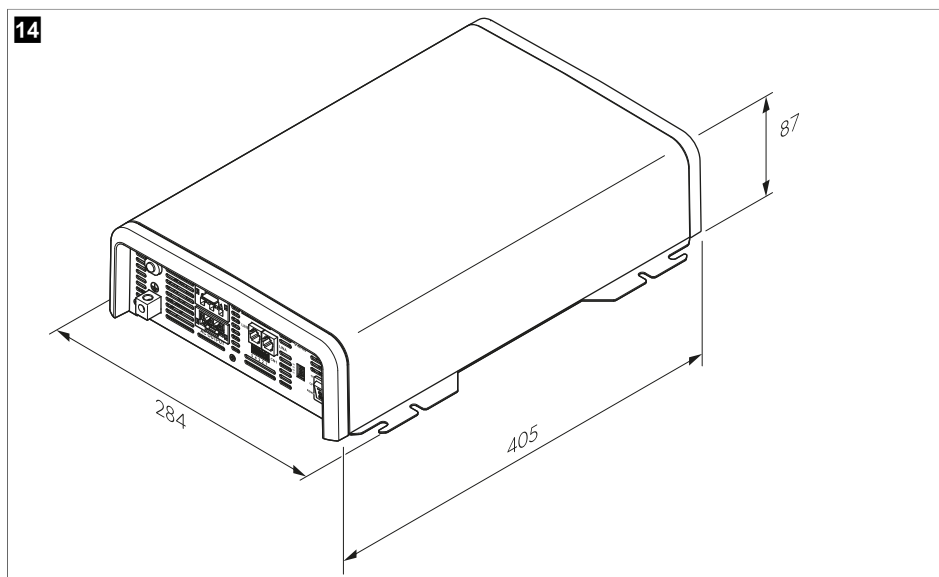


Obalový materiál dávajte podľa možnosti do príslušného recyklovateľného odpadu.


Informujte sa v najbližšom recyklačnom stredisku alebo u vášho špecializovaného predajcu o likvidácii výrobku v súlade s príslušnými predpismi týkajúcimi sa likvidácie.

Výrobok je možné bezplatne zlikvidovať.


15 Technické údaje



	DPSI 1812	DPSI 1824
Menovité vstupné napätie	12 V _~	24 V _~
Rozsah vstupného napätia	10 ... 16,5 V _~	20 ... 33 V _~
Kontinuálny výstupný výkon P_{nom}	1800 W	1800 W
Maximálny výstupný výkon (10 min)	1800 W	1800 W
Maximálny výstupný výkon (3 min)	2070 W	2070 W
Maximálny nárazový výkon (2 s) P_{surge}	3600 W	3600 W
Spotreba prúdu v režime nečinnosti	≤ 2,5 A	≤ 1,3 A
Spotreba prúdu v pohotovostnom režime	≤ 0,2 A	≤ 0,1 A

	DPSI 1812	DPSI 1824
Rožmery	 obr. 14 na strane 263	
Hmotnosť	5,5 kg	5,5 kg

15.1 Všeobecné technické údaje

Rozsah výstupného napätia	230/ 240 V \sim \pm 3 %
Výstupná frekvencia	50/60 Hz \pm 0,3 Hz
Výstupná vlna	Čistá sínusová vlna
Skreslenie THD	THD \leq 3 % pri P _{nom} (ohmické zaťaženie)
Špičková účinnosť	90 %
Teplota okolia pri prevádzke	-20 ... 60 °C
Teplota okolia pri skladovaní	-30 °C ... 70 °C
Vlhkosť vzduchu	0 ... 95 %, non-condensing
Skúška/certifikát	

15.2 Podpätová ochrana

	Hodnota vypnutia	Hodnota reštartovania
DPSI1812	10 V	12 V
DPSI1824	20 V	24 V

15.3 Prepätová ochrana

	Hodnota vypnutia	Hodnota reštartovania
DPSI1812	16,5 V	15,5 V
DPSI1824	33 V	31 V

Čeština

1	Důležité poznámky.....	265
2	Vysvětlení symbolů.....	265
3	Bezpečnostní pokyny.....	266
4	Obsah dodávky.....	269
5	Příslušenství.....	269
6	Určené použití.....	269
7	Technický popis.....	270
8	Instalace.....	272
9	Konfigurace měniče.....	278
10	Použití.....	281
11	Čištění a péče.....	281
12	Řešení problémů.....	282
13	Záruka.....	282
14	Likvidace.....	283
15	Technické údaje.....	283

1 Důležité poznámky

Pečlivě si prosím přečtěte a dodržujte všechny pokyny, směrnice a varování obsažené v tomto návodu k výrobku, abyste měli jistotu, že výrobek budete vždy správně instalovat, používat a udržovat. Tyto pokyny MUSÍ být uschovány v blízkosti výrobku.

Používáním výrobku tímto potvrzujete, že jste si pečlivě přečetli všechny pokyny, směrnice a varování a že rozumíte podmínkám uvedeným v tomto dokumentu a souhlasíte s nimi. Souhlasíte s používáním tohoto výrobku pouze k určenému účelu a použití a v souladu s pokyny, směrnicemi a varováními uvedenými v tomto návodu k výrobku a v souladu se všemi příslušnými zákony a předpisy. Pokud si nepřečtete a nebudete dodržovat zde uvedené pokyny a varování, může to vést ke zranění vás i ostatních, poškození vašeho výrobku nebo poškození jiného majetku v okolí. Tento návod k výrobku, včetně pokynů, směrnic a varování a související dokumentace může být předmětem změn a aktualizací. Aktuální informace o výrobku naleznete na adrese documents.dometic.com.

2 Vysvětlení symbolů

Signální slovo označuje bezpečnostní zprávy a zprávy o škodách na majetku a také označuje stupeň nebo úroveň závažnosti nebezpečí.



NEBEZPEČÍ!

Označuje nebezpečnou situaci, která, pokud se jí nezabrání, bude mít za následek smrt nebo vážné zranění.



VÝSTRAHA!

Označuje nebezpečnou situaci, která, pokud se jí nezabrání, může mít za následek smrt nebo vážné zranění.



UPOZORNĚNÍ!

Označuje nebezpečnou situaci, která, pokud se jí nezabrání, může mít za následek lehké nebo středně těžké zranění.



POZOR!

Označuje nebezpečnou situaci, která, pokud se jí nezabrání, může mít za následek majetkové škody.



POZNÁMKA Doplnující informace týkající se obsluhy výrobku.

3 Bezpečnostní pokyny

Dodržujte také bezpečnostní pokyny a předpisy vydané výrobcem vozidla a autorizovanými servis.

3.1 Základní bezpečnost



NEBEZPEČÍ! Nebezpečí usmrcení elektrickým proudem

- > Nikdy se nedotýkejte odizolovaných vodičů.
- > K tomu, abyste mohli přístroj v případě nebezpečí rychle odpojit od napájecího zdroje střídavého proudu, se musí příslušná zásuvka nacházet v blízkosti přístroje a být snadno dostupná.



VÝSTRAHA! Nebezpečí usmrcení elektrickým proudem

- > Instalaci a odstranění přístroje směř provádět pouze kvalifikovaní pracovníci.
- > Pokud je přístroj nebo připojovací kabel viditelně poškozen, pak přístroj nepoužívejte.
- > Pokud je přírodní kabel tohoto zařízení poškozen, musí být vyměněn, aby se předešlo nebezpečí.
- > Opravy tohoto zařízení směř provádět pouze kvalifikovaní pracovníci. Nesprávné opravy mohou způsobit značné nebezpečí.
- > Používejte pouze výrobcem doporučené příslušenství.
- > Nijak neupravujte ani nepřizpůsobujte žádnou ze součástí.
- > Neodpojujte žádné kabely, dokud je přístroj ještě v provozu.
- > Odpojte přístroj od elektrického napájení:
 - po každém použití,
 - před každým čištěním a údržbou,
 - před výměnou pojistek.



VÝSTRAHA! Nebezpečí požáru / hořlavé materiály

V případě požáru použijte hasicí přístroj, který je vhodný k hašení elektrických zařízení.



VÝSTRAHA! Riziko udušení

Kabel a ovládací jednotka zařízení mohou být při nesprávném uspořádání příčinou nebezpečí zamotání, uškrcení, zakopnutí nebo zašlápnutí. Zajistěte bezpečné uspořádání doplňkových upínacích prvků a napájecích kabelů.



VÝSTRAHA! Nebezpečí ohrožení zdraví

- > Tento přístroj mohou používat děti od 8 let a osoby se sníženými fyzickými, smyslovými nebo duševními schopnostmi nebo s nedostatečnými zkušenostmi a znalostmi, pokud jsou pod dohledem nebo obdržely pokyny týkající se používání přístroje bezpečným způsobem a porozuměly souvisejícím nebezpečím.
- > **Elektrické přístroje nejsou hračky pro děti!** Výrobek vždy ukládejte a používejte mimo dosah velmi malých dětí.
- > Děti musejí být pod dohledem tak, aby si se zařízením nehrály.
- > Čištění a běžnou údržbu nesmějí provádět děti bez dozoru.



POZOR! Nebezpečí poškození

- > Před uvedením do provozu porovnejte údaj o napětí na typovém štítku se stávajícím zdrojem napájení.

- > Zajistěte, aby jiné předměty **nemohly** způsobit zkrat kontaktů přístroje.
- > Dávejte pozor, aby **nikdy** nedošlo ke vzájemnému kontaktu záporného a kladného pólu.
- > Netahejte za přípojovací kabely a nepoužívejte je jako rukojeť.
- > Přístroj nesmí být vystaven dešti ani vlhku. Uchovávejte na suchém místě.

3.2 Bezpečná instalace spotřebiče



NEBEZPEČÍ! Nebezpečí výbuchu

- > Přístroj instalujte a provozujte pouze v uzavřených a dobře větraných místnostech.
- > Přístroj **neinstalujte a nepoužívejte** za následujících podmínek:
 - slané, vlhké nebo mokré prostředí,
 - blízkost agresivních výparů,
 - blízkost hořlavých materiálů,
 - blízkost zdrojů tepla (topná tělesa, přímé sluneční záření, plynové sporáky apod.),
 - prostředí s nebezpečím výbuchu plynu nebo prachu.



VÝSTRAHA! Riziko zranění

- > Pamatujte na bezpečnou stabilitu přístroje. Přístroj musí být umístěn a upevněn tak, aby se nemohl převážít nebo spadnout.
- > Při umísťování přístroje se ujistěte, že všechny kabely jsou řádně zajištěny, aby se předešlo jakémukoli nebezpečí zakopnutí.



POZOR! Nebezpečí poškození

- > Přístroj umístěte na suché místo, chráněné před stříkající vodou.
- > Vždy používejte uzemněné zásuvky jištěné proudovými chrániči.

3.3 Bezpečnost při elektrickém připojování přístroje



NEBEZPEČÍ! Nebezpečí usmrcení elektrickým proudem

Pokud pracujete na elektrických zařízeních zajistěte, aby byla na blízkou další osoba, která vám může v nouzovém případě pomoci.



VÝSTRAHA! Nebezpečí usmrcení elektrickým proudem

- > Dodržujte doporučené průřezy kabelů.
- > Kabely položte tak, aby nemohly být poškozeny dveřmi nebo kapotou. Přivřené kabely mohou mít za následek životu nebezpečné úrazy.



POZOR! Nebezpečí poškození

- > Používejte trubky nebo průchodky kabelů, pokud musíte vést kabely plechovými stěnami nebo jinými stěnami s ostrými hranami.
- > **Nepokládejte** 230 V elektrický napájecí kabel a 12 V DC kabel do stejné trubky.
- > **Nepokládejte** kabely volně nebo ostře zalomené.
- > Upevněte kabely bezpečně.

3.4 Bezpečnost při manipulaci s bateriemi



VÝSTRAHA! Riziko zranění

- > Baterie mohou obsahovat agresivní a leptavé kyseliny. Zabraňte jakémukoliv tělesnému kontaktu s kapalinou z baterie. Potřísníte-li si kůži kapalinou z baterie, příslušnou část těla si důkladně omyjte vodou. Při úrazu způsobeném kyselinou ihned vyhledejte lékaře.
- > Při práci s bateriemi na sobě nesmíte mít žádné kovové předměty, jako jsou hodinky nebo prsteny. Olověné baterie mohou generovat zkratové proudy, které mohou způsobit závažné popáleniny.
- > Používejte pouze izolované nářadí.
- > Na baterii nepokládejte žádné kovové části a zabraňte pádu kovových částí na baterii. Mohlo by dojít k jiskření nebo ke zkratování baterie a jiných elektrických zařízení.
- > Při práci s bateriemi používejte ochranné brýle a ochranný oděv. Při práci s bateriemi se nedotýkejte očí.
- > Používejte výhradně dobíjecí baterie.
- > Nepoužívejte vadné baterie.



UPOZORNĚNÍ! Nebezpečí výbuchu

- > Nikdy se nepokoušejte nabíjet zmrzlou nebo vadnou baterii. V tomto případě umístěte baterii na místo chráněné před mrazem a vyčkejte, dokud se baterie nepřizpůsobí okolní teplotě. Potom spusťte proces nabíjení.
- > V blízkosti motoru nebo baterie nekuřte, nepoužívejte otevřený oheň ani nezpůsobujte jiskření.
- > Uchovávejte baterie mimo dosah zdrojů tepla.



POZOR! Nebezpečí poškození

- > Při připojování baterie dbejte na správnou polaritu.
- > Dodržujte návody výrobce baterie a výrobce zařízení, nebo výrobce vozidla, ve kterém jsou baterie používány.
- > Pokud je nutné baterii vyjmout, nejprve odpojte zemnicí přípojku. Odpojte od baterie všechny přípojky a všechny spotřebiče dříve, než baterii vyjmete.
- > Skladujte jen plně nabitě baterie. Uložené baterie pravidelně dobíjejte.
- > Nepřenášejte baterii za její svorky.

3.5 Bezpečné použití spotřebiče



VÝSTRAHA! Nebezpečí usmrcení elektrickým proudem

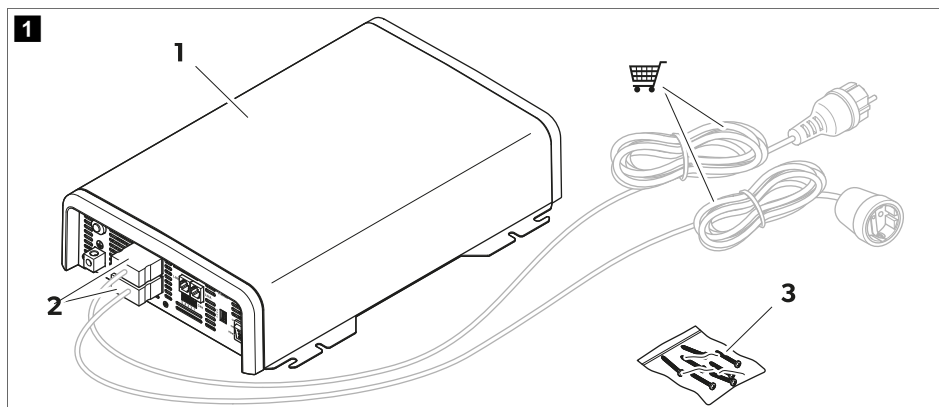
- > Přístroj nepoužívejte ve vlhkém prostředí ani jej neponořujte do žádné kapaliny.
- > Před spuštěním zařízení se ujistěte, že napájecí vedení a zástrčka jsou suché a zástrčka není zrezivělá nebo znečištěná.
- > Pamatujte, že části zařízení mohou vést napětí, i když je pojistka spálená.



POZOR! Nebezpečí poškození

- > Dbejte na to, aby nedošlo k zakrytí vstupů a výstupů vzduchu přístroje.
- > Zajistěte dobrou ventilaci.

4 Obsah dodávky



Č. na obr. 1 na stránce 269	Označení	Množství
1	Vlnový měnič	1
2	Připojovací kabel s konektorem WAGO a bezpečnostní spojkou (pro výstup 230 V~)	2
3	Upevňovací šrouby	6
-	Návod k montáži a obsluze	1

5 Příslušenství

Označení	Č. výr.
Dálkový ovladač DSP-RCT	9600002564
Ovládací monitor DSP-EM	9600002565
Dotykový displej TD283	9620013272

6 Určené použití

Měnič je určen k přeměně stejnosměrného proudu na střídavý proud (AC) 230~ ... 240 V~ s čistě sinusovým průběhem k zajištění provozu a stabilního napájení připojených spotřebičů.

Měnič je určen pro připojení k napětí:

- DPS11812iTS: 12 V $\overline{=}$
- DPS11824iTS: 24 V $\overline{=}$

Měnič je vhodný pro:

- Instalaci do obytných vozidel (RV), nákladních automobilů, užitkových vozidel nebo motorových a plachetních jacht
- Stacionární nebo mobilní použití
- Použití v interiéru

Měníč **není** vhodný pro:

- Venkovní použití

Tento výrobek je vhodný pouze k určenému účelu a použití v souladu s těmito pokyny.

Tento návod obsahuje informace, které jsou nezbytné k řádné instalaci a/nebo použití výrobku. Nesprávná instalace a/nebo nevhodné použití či údržba povedou k neuspokojivému výkonu a možné závadě.

Výrobce nepřijímá žádnou odpovědnost za jakékoli zranění nebo poškození výrobku vyplývající z následujících:

- Nesprávné instalace, sestavení nebo připojení včetně nadměrného napětí
- Nesprávná údržba nebo použití jiných náhradních dílů než originálních dílů dodaných výrobcem
- Úpravy výrobku bez výslovného souhlasu výrobce
- Použití k jiným účelům, než jsou popsány v tomto návodu

Společnost Dometic si vyhrazuje právo změnit vzhled a specifikace výrobku.

7 Technický popis

7.1 Obecný popis

Tento měnič převádí stejnosměrný proud na střídavý proud s čistým sinusovým průběhem.

Měníč je vybaven prioritním obvodem. Pokud je k dispozici síť s napětím 230 V~, je tento externí zdroj energie použit k napájení zásuvek v obytném vozidle. Pokud síť s napětím 230 V~ k dispozici není, měnič převádí stejnosměrný proud z baterie na střídavý proud, a zajišťuje tak napájení připojených spotřebičů.

Měníč lze používat v následujících síťových systémech:

- Síť TN
- Síť IT

Síťové systémy lze nastavit pomocí šroubu na měniči.

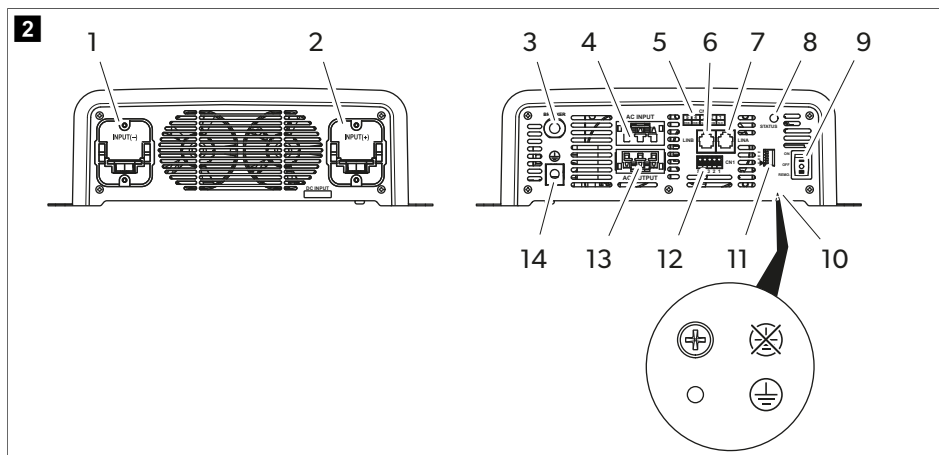
Měníč lze přepnout do režimu úspory energie, který snižuje spotřebu při nečinnosti a minimalizuje zatížení baterie.

Měníč je vybaven následujícími ochrannými mechanismy:

- **Přepětová ochrana:** Měníč se vypne, pokud napětí překročí mezní hodnotu. Když napětí klesne na restartovací hodnotu, měnič se znovu automaticky spustí.
- **Podpětová ochrana:** Měníč se vypne, pokud napětí klesne pod mezní hodnotu. Když napětí překročí restartovací hodnotu, měnič se znovu automaticky spustí.
- **Ochrana proti přehřívání:** Měníč se vypne, pokud vnitřní teplota přístroje překročí mezní hodnotu. Když vnitřní teplota klesne na restartovací hodnotu, měnič se znovu automaticky spustí.
- **Ochrana proti vysokému výstupnímu proudu:** Pokud je připojeno příliš mnoho zátěží, měnič se vypne.
- **Ochrana proti zkratu:** Pokud dojde ke zkratu, měnič se vypne. Po několika sekundách se měnič znovu automaticky spustí. Pokud je zkrat detekován pětkrát po sobě, měnič se již znovu automaticky nespustí a bude nutné spustit jej ručně.

Měníč podporuje sběrnice N-BUS a CI-BUS pro zobrazování údajů a funkcí na dotykovém displeji (příslušenství) nebo v mobilní aplikaci.

7.2 Ovládací prvky a konektory



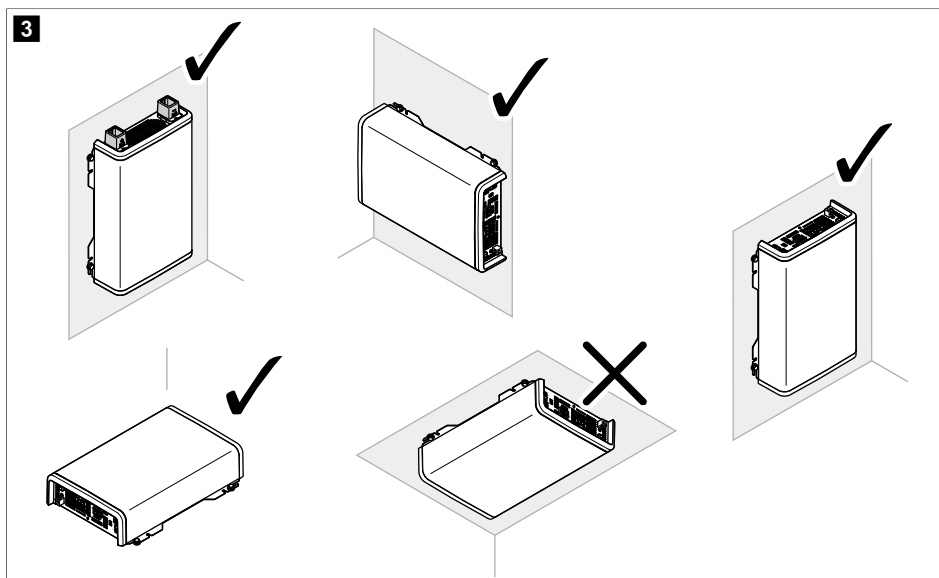
Č.	Označení
1	Svorka (-), připojení k zápornému pólu domovní baterie
2	Svorka (+), připojení ke kladnému pólu domovní baterie
3	Pojistka pro externí vstup
4	Vstup pro střídavý proud
5	Svorka CN1
6	Konektor CI BUS / N Bus / dálkový ovladač (LINB)
7	Konektor CI BUS / N Bus / dálkový ovladač (LINA)
8	Kontrolka LED indikace stavu
9	Vypínač
10	Šroub pro nastavení sítě IT/TN
11	Přepínač DIP
12	Přepínač DIP, připojení pro externí spínač a alarmové relé
13	Výstup AC
14	Zemnicí přípojka

7.3 Kontrolka LED indikace stavu

Stav	Popis
On	Měníč je v provozu
Flashing	Chyba (viz kapitolu Řešení problémů na stránce 282.)
Off	Na vstupu není střídavý proud, měnič je deaktivován

8 Instalace

8.1 Místo montáže




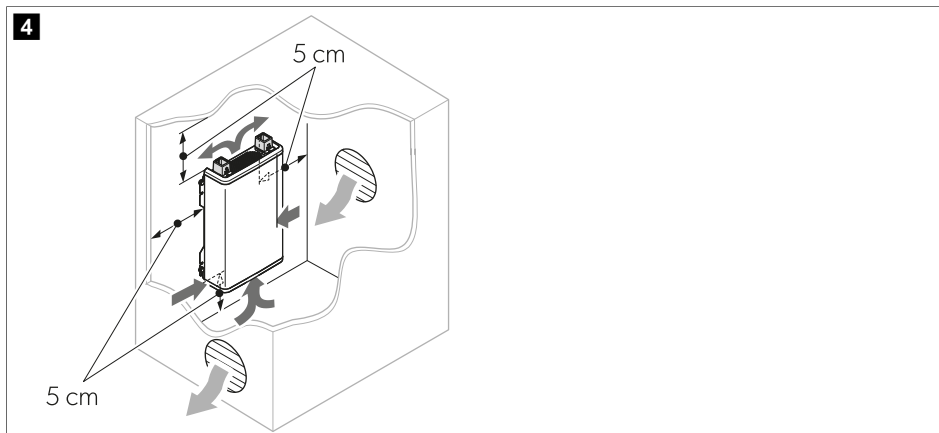
POZOR! Nebezpečí poškození

Dříve než provedete jakékoliv otvory zkontrolujte, zda nebudou vrtáním, řezáním a pilováním poškozeny elektrické kabely nebo jiné součásti vozidla.




POZNÁMKA

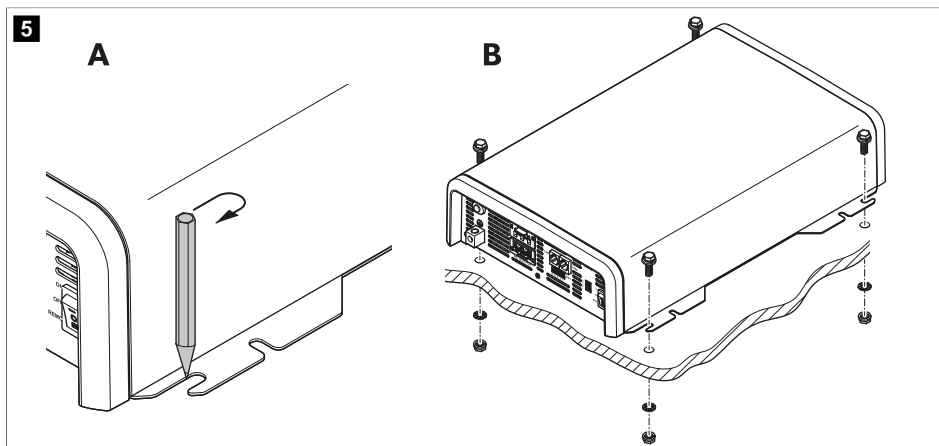
Měnič lze instalovat buď ve vodorovné poloze, nebo zavěšený ( obr. **3** na stránce 272).





Při výběru místa instalace dodržujte následující pokyny:

- Ujistěte se, že je montážní plocha pevná a rovná.
- Dodržte vzdálenosti pro dostatečné větrání uvedené v technických údajích ( obr. 4 na stránce 273).

8.2 Montáž měniče



1. Vyberte příslušné montážní otvory v závislosti na zvoleném typu montáže (vodorovná nebo závěsná) a vyznačte je ( obr. 5 na stránce 273, **A**).
2. Předvrtejte montážní otvory.
3. Přešroubujte měnič na místo ( obr. 5 na stránce 273, **B**).

8.3 Připojení měniče



Elektrickou instalaci přístroje musí provést kvalifikovaný elektrikář, který disponuje potřebnými dovednostmi a znalostmi týkajícími se konstrukce, instalace a provozu elektrických zřízení, který zná platné předpisy v zemi instalace nebo používání tohoto zařízení a který absolvoval bezpečnostní školení, aby byl schopen rozpoznat související nebezpečí a předejít jim.

Všechny ostatní kroky mohou provést i běžní uživatelé.



VÝSTRAHA! Nebezpečí usmrcení elektrickým proudem

Dodržujte doporučené průřezy kabelů, délky kabelů a hodnotu pojistky.



UPOZORNĚNÍ! Nebezpečí požáru

Umístěte pojistky do blízkosti baterií, abyste kabel ochránili před zkratem a možným spálením.



POZOR! Nebezpečí poškození

- > Dávejte pozor, abyste nezaměnili polaritu.
- > Utáhněte šrouby a matice maximálním utahovacím momentem 15 Nm. Volné spoje mohou vést k přehřátí.


Při připojování měniče dodržujte následující pokyny:

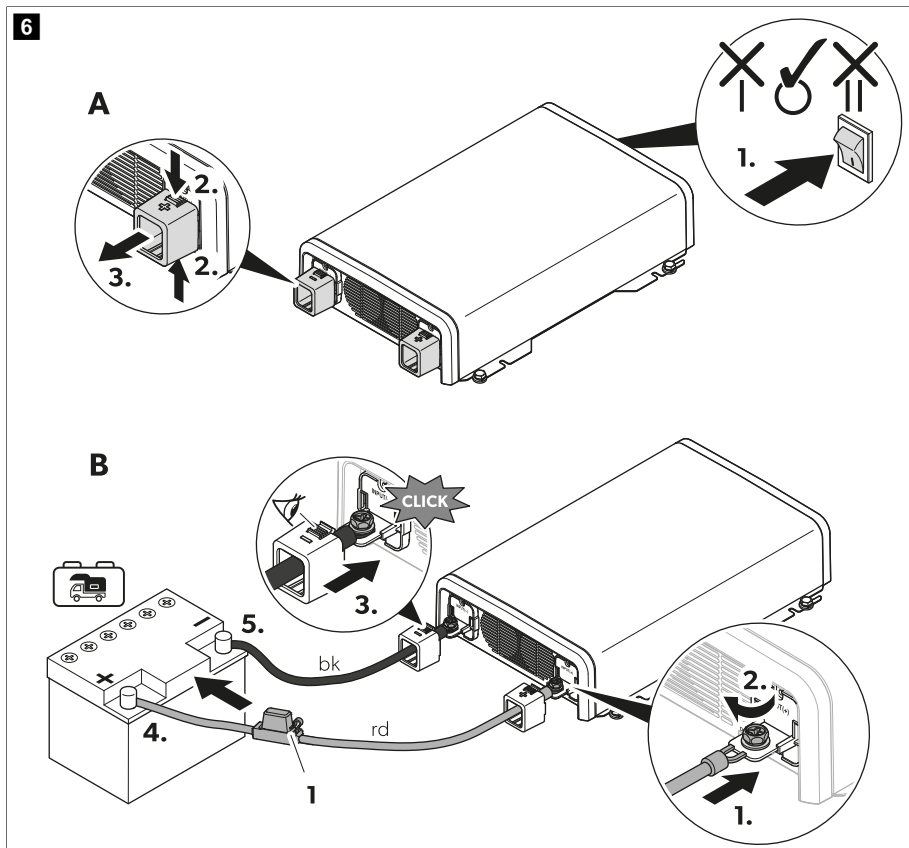
- Při zřizování rozvodu se zásuvkami (síťové instalace) dodržujte platné předpisy.
- Pro přívod stejnosměrného proudu (připojení ke svorkám baterie) použijte co nejkratší kabely (≤ 1 m).
- Pro připojení k síti **TN**: Nainstalujte proudový chránič (RCD).
- Pro připojení k síti **IT**: Pokud je připojena více než jedna zátěž, nainstalujte zařízení pro sledování izolace (IMD).

Dodržujte národní normy.

1. Určete vhodné průřezy kabelů a hodnotu pojistky:

	Průřez kabelu	Jištění kabelu
DPSI1812iTS	50 mm ²	250 A
DPSI1824iTS	25 mm ²	150 A


2. Zkontrolujte, zda je přístroj vypnutý ( obr. 6 na stránce 275, **A: 1**).



3. Odstraňte kryty ze svorek ( obr. 6 na stránce 275, **A: 2 – 3**).


4.  **POZOR! Nebezpečí poškození**
Vždy nejprve připojte černý kabel (k záporné svorce), aby nedošlo ke zkratu přístroje.

Připojte černý (bk) připojovací kabel ke svorce (-) měniče.

5. Připojte červený (rd) připojovací kabel ke svorce (+) měniče ( obr. 6 na stránce 275, **B: 1 – 2**).

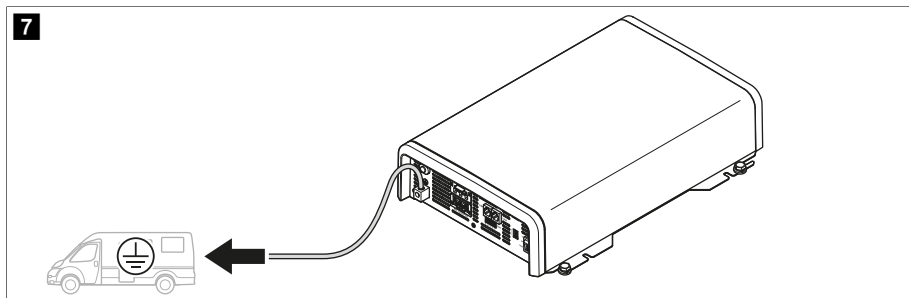
6. Připojte kabel (+) ke kladnému pólu domovní baterie ( obr. 6 na stránce 275, **B: 4**).



POZNÁMKA Kladný kabel od domovní baterie chraňte pojistkou ( obr. 6 na stránce 275, **1**).

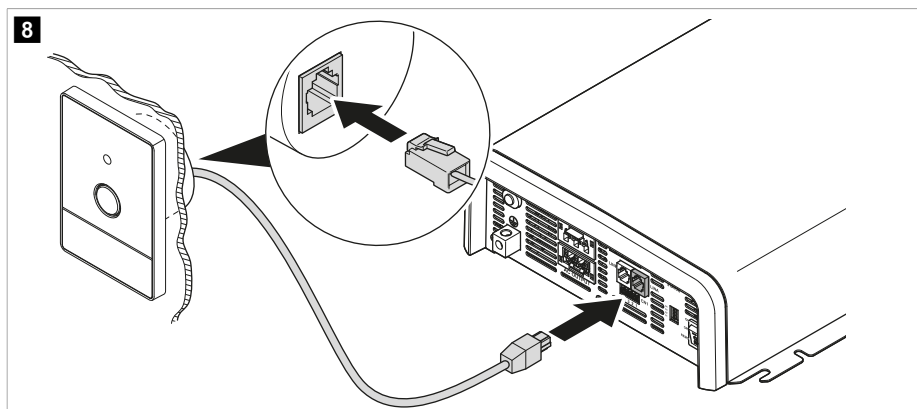
7. Připojte kabel (-) k zápornému pólu domovní baterie ( obr. 6 na stránce 275, **B: 5**).

8. Připojte zemnicí přípojku k uzemnění (kostře)  obr. 7 na stránce 276.



8.4 Připojení dálkového ovladače

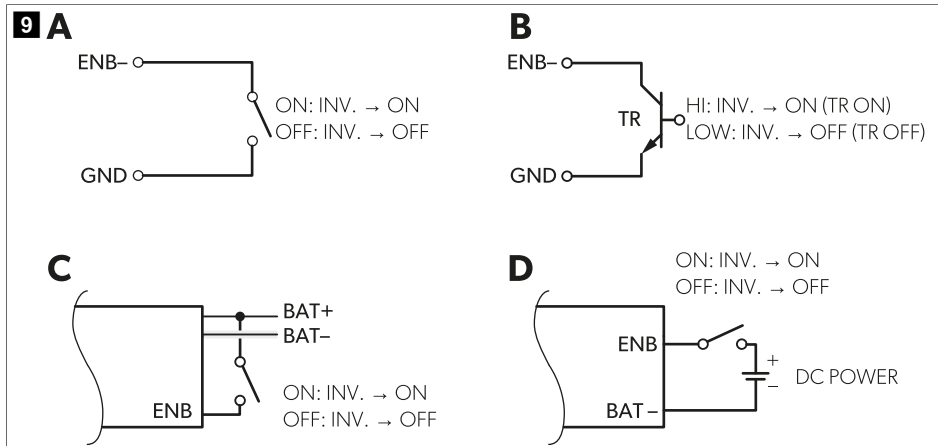
- > Připojte dálkový ovladač ke konektoru pro dálkový ovladač (LINA nebo LINB).



8.5 Připojení externího spínače



POZNÁMKA Pokud je připojen externí spínač, nelze změnit stav režimu úspory energie.



POZNÁMKA

- > Ujistěte se, že konektor pro připojení dálkového ovladače není obsazen.
- > Zvolte jeden z následujících vhodných externích spínačů:
 - obr. 9 na stránce 277, **A**: Externí spínač s napájením z měniče
 - obr. 9 na stránce 277, **B**: Řídící jednotka s reléovým nebo tranzistorovým zapojením (TR)
 - obr. 9 na stránce 277, **C**: Externí spínač s napájením z baterie (BAT) vozidla
 - obr. 9 na stránce 277, **D**: Externí spínač s vlastním napájením (DC POWER), např. ze zapalování



POZNÁMKA Ujistěte se, že konektor pro připojení dálkového ovladače není obsazen.

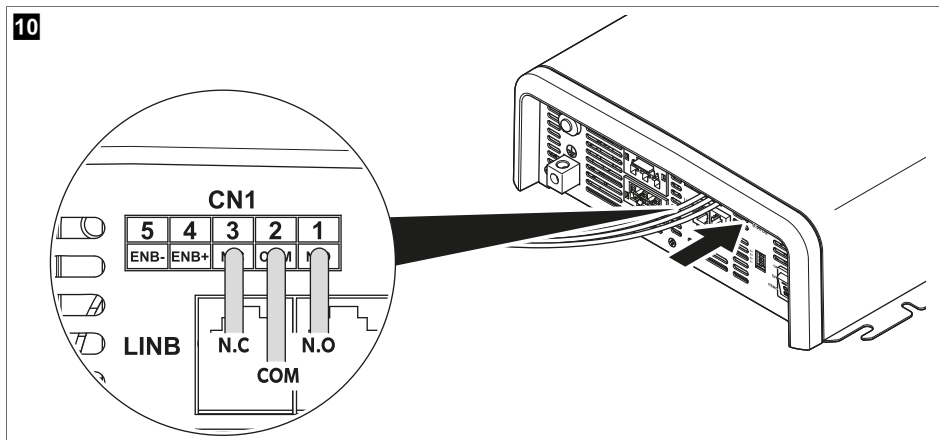
1. Nastavte vypínač do polohy **OFF**.
2. Nastavte vypínač do polohy **REMO**.
3. Připojte externí spínač ke svorce CN1.

8.6 Připojení alarmového relé

Alarmové relé je aktivováno v případě, že je dostupné napájení střídavým proudem a přepojovač střídavého proudu je sepnutý. Alarmové relé umožňuje:

- Generovat signál detekce napájení střídavým proudem na ovládacím panelu vozidla.
- Zapínat a vypínat méně kritické zátěže (např. absorpční chladničku, elektrické topné systémy), které by měly být provozovány pouze při napájení střídavým proudem.

10



> Připojte alarmové relé ke svorce CN1 ( obr. 10 na stránce 278).

9 Konfigurace měniče



Elektrickou instalaci přístroje musí provést kvalifikovaný elektrikář, který disponuje potřebnými dovednostmi a znalostmi týkajícími se konstrukce, instalace a provozu elektrických zřízení, který zná platné předpisy v zemi instalace nebo používání tohoto zařízení a který absolvoval bezpečnostní školení, aby byl schopen rozpoznat související nebezpečí a předejít jim.

Všechny ostatní kroky mohou provést i běžní uživatelé.



NEBEZPEČÍ! Nebezpečí usmrcení elektrickým proudem

- > K provedení konfigurace stačí pouze odstranit ochrannou krytku z přepínačů DIP.
- > Ochrannou krytku nasadte zpět, abyste zabránili náhodné změně nastavení přepínačů DIP.
- > Při konfiguraci **sítě TN**: Ujistěte se, že je nainstalován proudový chránič (RCD).
- > Při konfiguraci **sítě IT**: Použijte pouze jednu zátěž nebo nainstalujte zařízení pro sledování izolace (IMD). Dodržujte národní normy.



POZNÁMKA



Pomocí malého šroubováku opatrně nastavte přepínače DIP do požadované polohy.

Nastavení měniče lze provádět pomocí přepínačů DIP nebo připojením dálkového ovládače podporujícího sběrnici CI-BUS.

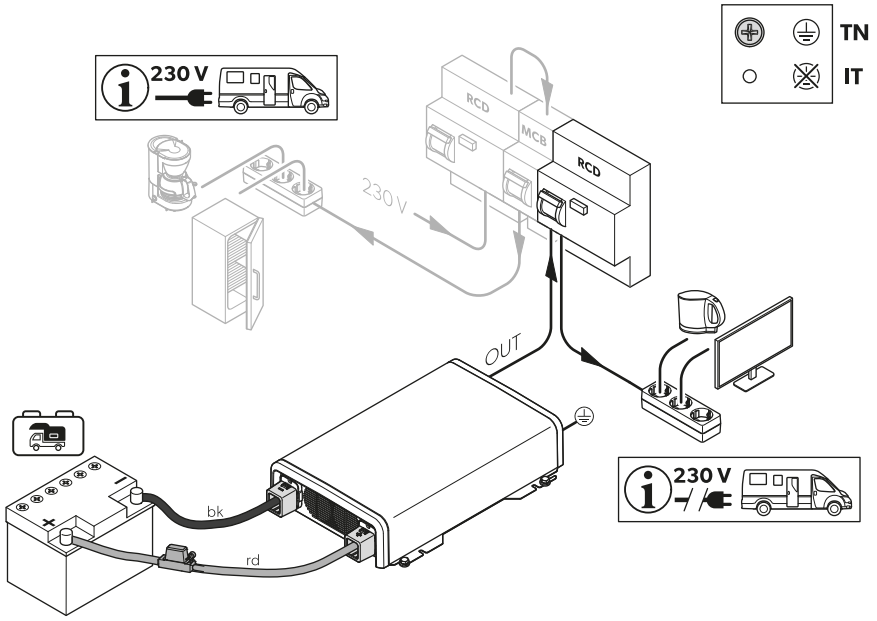
Přístroj počátku používá konfiguraci z výroby. V případě potřeby upravte konfiguraci přesunutím přepínačů DIP.

- > Přesuňte přepínač DIP **S1** do polohy **On**, chcete-li provést **místní** nastavení prostřednictvím přepínačů DIP.
- > Přesuňte přepínač DIP **S1** do polohy **Off**, chcete-li provést **externí** nastavení prostřednictvím dálkového ovládače.

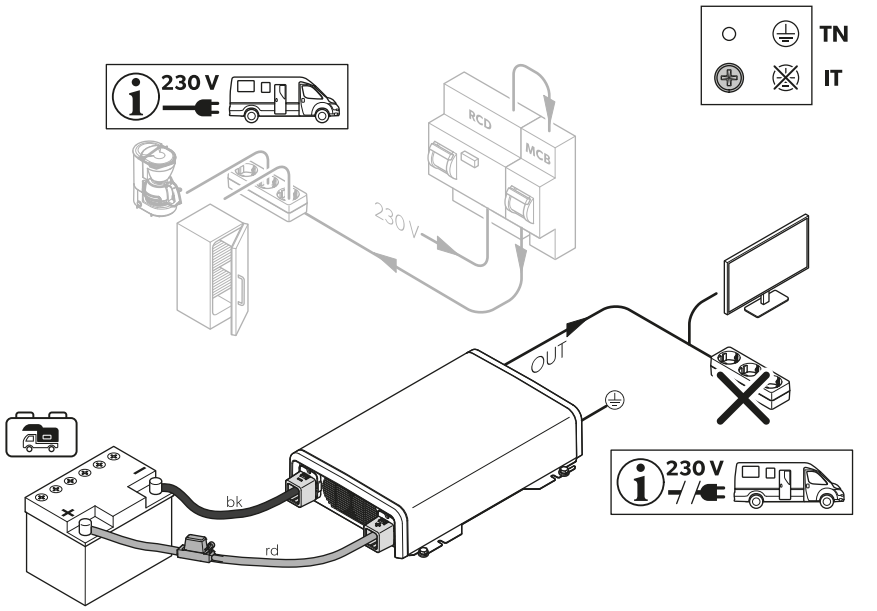
9.1 Nastavení přepínačů DIP

Konfigurace		Pozice přepínače DIP				
		S1	S2	S3	S4	S5
Settings	Místní nastavení prostřednictvím přepínače DIP	Zapnu- to	-	-	-	-
	Externí nastavení prostřednictvím dálkového ovladače	Vypnu- to	-	-	-	-
Síťové napětí	240 V/60 Hz	-	Zapnu- to	-	-	-
	230 V/50 Hz	-	Vypnu- to	-	-	-
Režim úspory energie	Energy-saving mode is activated when the load is ≤ 45 W Inverter switches to normal operation when the load is ≥ 45 W	-	-	Zapnu- to	Zapnu- to	-
	Při zatížení ≤ 45 W je aktivován režim úspory energie. Při zatížení ≥ 45 W se měnič přepne do normálního provozního režimu. Po 20 minutách provozu v režimu úspory energie se měnič automaticky vypne.	-	-	Zapnu- to	Vypnu- to	-
	Při zatížení ≤ 1 W je aktivován režim úspory energie. Při zatížení ≥ 1 W se měnič přepne do normálního provozního režimu.	-	-	Vypnu- to	Vypnu- to	-
	Při zatížení ≤ 1 W je aktivován režim úspory energie. Při zatížení ≥ 1 W se měnič přepne do normálního provozního režimu. Po 20 minutách provozu v režimu úspory energie se měnič automaticky vypne.	-	-	Vypnu- to	Zapnu- to	-
Síťový systém	Síť IT ( obr. 12 na stránce 280)	-	-	-	-	Zapnu- to
	Síť TN ( obr. 11 na stránce 280)	-	-	-	-	Vypnu- to

11

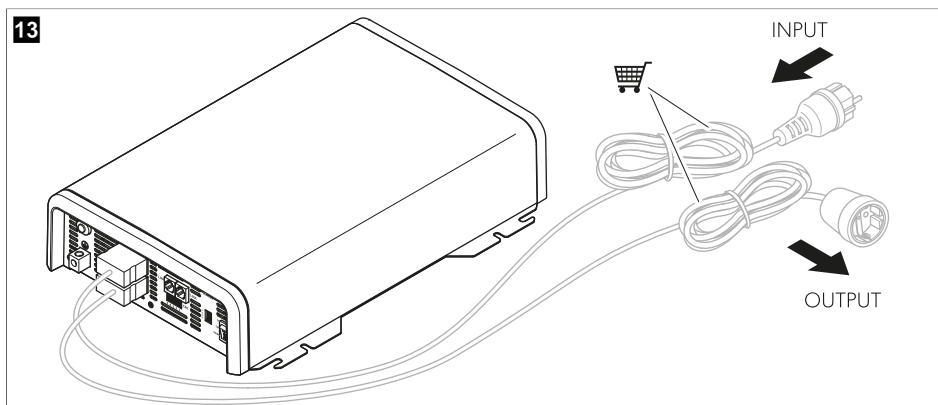


12



10 Použití

10.1 Provoz 230 V zařízení



POZNÁMKA

Připojte pouze zařízení, jejichž celkové zatížení nepřesáhne hodnoty uvedené v části Technické údaje na stránce 283.

- > Zařízení s napájecím napětím 230 V připojte podle obrázku ( obr. 13 na stránce 281).

10.2 Zapínání a vypínání měniče



POZNÁMKA

- Při ovládání měniče pomocí dálkového ovladače musí být vypínač nastaven do polohy **II**.
- Při ovládání měniče pomocí externího spínače musí být vypínač nastaven do polohy **0**.

- > Chcete-li měnič zapnout, nastavte vypínač do polohy **I**.
- > Chcete-li měnič vypnout, nastavte vypínač do polohy **0**.
- > K zapínání a vypínání měniče používejte dálkový ovladač nebo externí spínač.

11 Čištění a péče



VÝSTRAHA! Nebezpečí usmrcení elektrickým proudem

Před každým čištěním a údržbou odpojte přístroj od elektrického napájení.



POZOR! Nebezpečí poškození

- > Nikdy nečistěte přístroj pod tekoucí vodou nebo ve vodní lázni.
- > K čištění nepoužívejte žádné ostré nebo tvrdé předměty, čisticí pisky nebo bělidlo, protože mohou přístroj poškodit.
- > Dbejte na to, aby vstupní a výstupní větrací otvory přístroje byly zbaveny prachu a nečistot, a mohlo tak přes ně unikat teplo.

- > Příležitostně přístroj vyčistěte měkkou zvlhčenou utěrkou.
- > Pravidelně kontrolujte kabely nebo vodiče pod napětím, zda na nich není patrné poškození izolace, nejsou nalomené nebo se neuvolnilo jejich připojení.

12 Řešení problémů

Porucha	Možná příčina	Návrh řešení
Měnič nefunguje. Kontrolka LED indikace stavu nesvítí.	Byl vytvořen zkrat.	> Pojistka zařízení musí být vyměněna autorizovaným servisem poté, co byla spuštěna nadměrným proudem.
	Vadná izolace, přerušené nebo uvolněné připojení kabelů pod napětím.	> Pravidelně kontrolujte kabely pod napětím, zda na nich není patrné poškození izolace, zda nejsou nalomené nebo se neuvolnilo jejich připojení. Pokud nemůžete chybu najít, obraťte se na autorizovaného servisního zástupce.
Měnič nefunguje. Kontrolka LED indikace stavu pomalu bliká.	Ochrana proti vysokému vstupnímu proudu.	Snižte množství připojených zátěží.
	Ochrana proti přehřívání.	1. Vypněte měnič a připojené zátěže. 2. Zkontrolujte, zda nejsou zakryty nebo zablokovány vstupy a výstupy vzduchu. 3. Umožněte měniči vychladnout.
	Byl vytvořen zkrat.	Pojistka zařízení musí být vyměněna autorizovaným servisem poté, co byla spuštěna nadměrným proudem.
Měnič nefunguje. Kontrolka LED indikace stavu rychle bliká.	Přepětová ochrana. Příliš vysoké napětí baterie.	> Snižte připojená napětí. Když napětí klesne na restartovací hodnotu, měnič se znovu automaticky spustí (viz kapitola Přepětová ochrana na stránce 284). > Pokud k chybě dochází i nadále: Použijte kabely s většími průřezy. Použijte kratší kabely.
	Podpětová ochrana. Příliš nízké napětí baterie.	> Nechte baterii pomalu dobít. Když napětí překročí restartovací hodnotu, měnič se znovu automaticky spustí (viz kapitola Podpětová ochrana na stránce 284).

13 Záruka

Na výrobek je poskytována záruka v souladu s platnými zákony. Pokud je výrobek vadný, kontaktujte pobočku výrobce ve vaší zemi nebo svého prodejce (viz dometic.com/dealer).

K vyřízení opravy nebo záruky nezapomeňte odeslat následující dokumenty:

- kopii účtenky s datem zakoupení,
- uvedení důvodu reklamace nebo popis vady.

Upozorňujeme, že oprava svépomocí nebo neodborná oprava může ohrozit bezpečnost a vést ke ztrátě záruky.

14 Likvidace

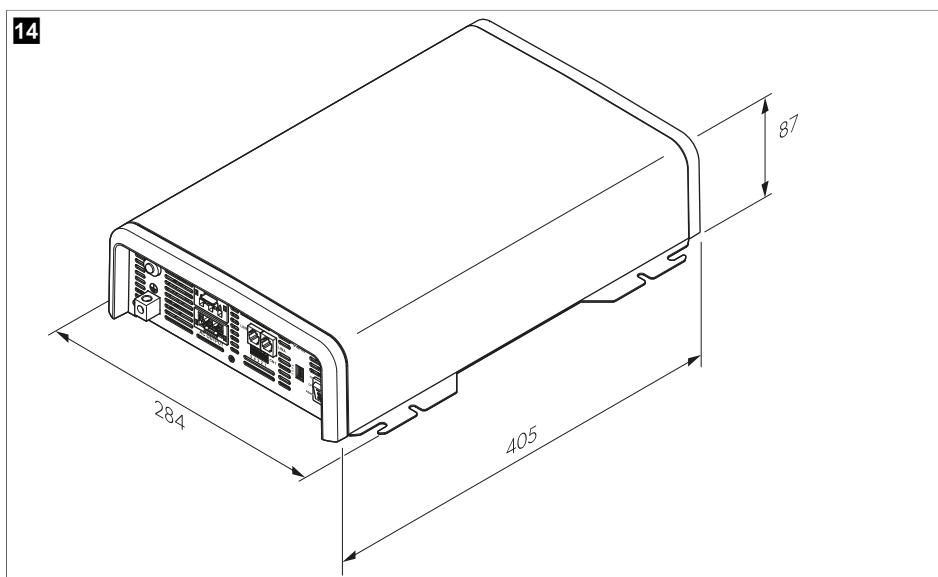


Kdekoli je to možné, třídte obalový materiál do příslušných kontejnerů.


Informace o likvidaci výrobku v souladu s platnými předpisy pro likvidaci vám sdělí místní recyklační středisko nebo specializovaný prodejce.

Výrobek lze zlikvidovat bezplatně.


15 Technické údaje



	DPSI 1812	DPSI 1824
Jmenovité vstupní napětí	12 V $\overline{\text{---}}$	24 V $\overline{\text{---}}$
Rozsah vstupního napětí	10 ... 16,5 V $\overline{\text{---}}$	20 ... 33 V $\overline{\text{---}}$
Trvalý výstupní výkon P_{jm}	1800 W	1800 W
Maximální výstupní výkon (10 min)	1800 W	1800 W
Maximální výstupní výkon (3 min)	2070 W	2070 W
Maximální přepětový výkon (2 s) $P_{přep.}$	3600 W	3600 W
Odběr proudu v režimu bez zatížení	$\leq 2,5$ A	$\leq 1,3$ A
Odběr proudu v pohotovostním režimu	$\leq 0,2$ A	$\leq 0,1$ A

	DPSI 1812	DPSI 1824
Rozměry	 obr. 14 na stránce 283	
Hmotnost	5,5 kg	5,5 kg

15.1 Všeobecné technické údaje

Rozsah výstupního napětí	230/ 240 V \sim \pm 3 %
Výstupní frekvence	50/60 Hz \pm 0,3 Hz
Výstupní průběh	Čistá sinusová vlna
THD zkreslení	THD \leq 3 % při P_{jm} (odporová zátěž)
Špičková účinnost	90 %
Okolní teplota za provozu	-20 ... 60 °C
Okolní teplota při skladování	-30 °C ... 70 °C
Okolní vlhkost	0 ... 95 %, non-condensing
Zkouška/certifikát	

15.2 Podpětová ochrana

	Mezní hodnota	Restartovací hodnota
DPSI1812	10 V	12 V
DPSI1824	20 V	24 V

15.3 Přepětová ochrana

	Mezní hodnota	Restartovací hodnota
DPSI1812	16,5 V	15,5 V
DPSI1824	33 V	31 V

Magyar

1	Fontos információk.....	285
2	Szimbólumok magyarázata.....	285
3	Biztonsági útmutatások.....	286
4	A csomag tartalma.....	289
5	Tartozékok.....	289
6	Rendeltetésszerű használat.....	289
7	Műszaki leírás.....	290
8	Szerelés.....	292
9	Az inverter beállítása.....	298
10	Üzemeltetés.....	301
11	Tisztítás és karbantartás.....	301
12	Hibakeresés.....	302
13	Garancia.....	302
14	Ártalmatlanítás.....	303
15	Műszaki adatok.....	303

1 Fontos információk

A termék mindenkoriszakszerű telepítése, használata és karbantartása érdekében kérjük figyelmesen olvassa el az ebben a termék kézikönyvben található utasításokat, irányelveket és figyelmeztetéseket, valamint mindig tartsa be ezeket. Ezt az útmutatót a termék közelében KELL tartani.

A termék használatba vételével Ön kijelenti hogy figyelmesen elolvasta az összes utasítást, irányelvet és figyelmeztetést, valamint megértette és elfogadja az itt leírt szerződési feltételeket. Ön elfogadja, hogy kizárólag a rendeltetésének megfelelő célra és a jelen termék kézikönyvben leírt útmutatásoknak, irányelveknek és figyelmeztetéseknek, valamint a hatályos törvényeknek és szabályozásoknak megfelelően használja ezt a terméket. Az itt leírt utasítások és figyelmeztetések elolvasásának és betartásának elmulasztása saját és mások sérüléséhez, a termék vagy a közelben található más anyagi javak károsodásához vezethet. Ez a termék kézikönyv és a benne található utasítások, irányelvek és figyelmeztetések, valamint a kapcsolódó dokumentációk módosulhatnak és frissülhetnek. Naprakész termékinformációkért látogasson el a következő honlapra: documents.dometic.com.

2 Szimbólumok magyarázata

A figyelmeztető szavak a biztonsági utasítások, valamint a vagyoni károk elkerülésére szolgáló utasítások jelzésére szolgálnak, továbbá a veszély súlyosságát is jelzik.



VESZÉLY!

Veszélyes helyzetet jelöl, amely súlyos sérülést vagy halált okoz, ha nem kerülik el.



FIGYELMEZTETÉS!

Veszélyes helyzetet jelöl, amely súlyos sérülést vagy halált okozhat, ha nem kerülik el.



VIGYÁZAT!

Veszélyes helyzetet jelöl, amely könnyű vagy mérsékelt sérülést okozhat, ha nem kerülik el.



FIGYELEM!

Olyan helyzetet jelöl, amely vagyoni kárt okozhat, ha nem kerülik el.



MEGJEGYZÉS A termék kezelésére vonatkozó kiegészítő információk.

3 Biztonsági útmutatások

Vegye figyelembe a járműgyártó és a hivatalos szakműhely biztonsági útmutatásait és előírásait.

3.1 Alapvető biztonság



VESZÉLY! Áramütés miatti veszély

- > Soha ne fogjon meg puszta kézzel csupasz vezetékeket.
- > Annak érdekében, hogy a készüléket veszély esetén gyorsan el lehessen választani a váltakozó áramú hálózatról, a dugaszolóaljzatnak a készülék közelében és könnyen hozzáférhetőnek kell lennie.



FIGYELMEZTETÉS! Áramütés miatti veszély

- > A készülék beszerelését és eltávolítását csak szakképzett személyzet végezheti.
- > Ha a készüléken vagy csatlakozókábelén sérülések láthatók, akkor a készüléket nem szabad üzembe helyezni.
- > Ha a készülék tápkábele megsérült, akkor a biztonsági kockázatok elkerülése érdekében ki kell cserélni ezt.
- > Javításokat csak szakemberek végezhetnek a készüléken. A helytelen javítások jelentős veszélyeket okozhatnak.
- > Kizárólag a gyártó által engedélyezett tartozékokat használja.
- > Semmilyen módon nem módosítsa, vagy ne változtassa meg egyik komponenst sem.
- > Ne oldjon le kábeleket, ha a készülék még üzemel.
- > Válassza le a készüléket az áramellátásról:
 - minden használat után
 - Minden tisztítás és ápolás előtt
 - biztosítékcseré előtt



FIGYELMEZTETÉS! Tűzveszély/gyúlékony anyagok

Tűz esetén elektromos készülékek oltására alkalmas tűzoltó készüléket használjon.



FIGYELMEZTETÉS! Fulladásveszély

A készülék kábele a vezérlőegysége a nem megfelelő elrendezés esetén beakadás, fojtás, elbotlás vagy elbotlás veszélyét okozhatja. Gondoskodjon róla, hogy a felesleges kötegelők és tápkábelek elrendezése biztonságos legyen.



FIGYELMEZTETÉS! Egészségkárosodás veszélye

- > A készüléket 8 év feletti gyermekek, valamint korlátozott fizikai, érzékszervi és mentális képességű, illetve megfelelő tapasztalattal és tudással nem rendelkező személyek csak felügyelet mellett, illetve a készülék biztonságos használatát és az abból eredő veszélyeket megértve használhatják.
- > **Az elektromos berendezések nem játékszerek.** Úgy tárolja és használja a készüléket, hogy a kisgyermek ne férhessenek hozzá.
- > A gyermekeket felügyelni kell annak érdekében, hogy ne játsszanak a készülékkel.
- > A tisztítást és a felhasználói karbantartást felügyelet nélküli gyermekek nem végezhetik.

**FIGYELEM! Károsodás veszélye**

- > Üzembe helyezés előtt hasonlítsa össze a feszültségadatokat az adattáblán a meglévő energiaellátással.
- > Ügyeljen arra, hogy más tárgyak **ne** okozhassanak rövidzárlatot a készülék érintkezőinél.
- > Ügyeljen arra, hogy a negatív és pozitív pólusok **soha ne** érintkezzenek egymással.
- > Ne húzza a csatlakozókábeleket és ne használja azokat fogantyúként.
- > A készüléket ne tegye ki eső, nedvesség hatásának. Száraz helyen tárolja.

3.2 A készülék biztonságos telepítése**VESZÉLY! Robbanásveszély**

- > A készüléket kizárólag zárt, jól szellőztetett helyiségekben szerelje fel és működtesse.
- > Az alábbi körülmények között **ne** üzemeltesse a készüléket:
 - sótartalmú, nedves vagy vizes környezetben
 - korrozív hatású gőzök közelében
 - éghető anyagok közelében
 - hőforrások közelében (fűtés, erős napsugárzás, gázkazán stb.)
 - Olyan területeken, ahol gáz-, vagy porrobbanás történhet.

**FIGYELMEZTETÉS! Sérülés kockázata**

- > Ügyeljen arra, hogy a készülék stabilan álljon. A készüléket úgy kell biztonságosan felállítani, hogy ne borulhasson fel és ne eshessen le.
- > A készülék pozicionálásakor az elbotlásveszély minden formájának elkerülése érdekében gondoskodjon a kábelek megfelelő rögzítéséről.

**FIGYELEM! Károsodás veszélye**

- > A készüléket száraz és fröccsenő víztől védett területen helyezze el.
- > Csak földelt és érintésvédelmi relével biztosított dugaszolóaljzatokat használjon

3.3 Biztonság a készülék elektromos csatlakoztatása során**VESZÉLY! Áramütés miatti veszély**

Ha elektromos berendezéseken dolgozik, biztosítsa, hogy legyen valaki a közelben, aki vészhelyzetben segítséget nyújthat.

**FIGYELMEZTETÉS! Áramütés miatti veszély**

- > Tartsa be az ajánlott kábelkeresztmetszeteket.
- > A vezetékeket úgy vezesse, hogy azokat ajtók vagy motorháztető ne sérthessék meg. Becsípődött kábelek életveszélyes sérüléseket okozhatnak.

**FIGYELEM! Károsodás veszélye**

- > Ha vezetékeket lemezburkolatokon vagy más éles peremű falakon kell átvezetnie, akkor használjon csöveket vagy átvezetőket.
- > **Ne** vezesse ugyanabban a csőben a 230 V elektromos hálózati kábelt és a 12 V egyenáramú kábelt.
- > **Ne** vezesse a kábeleket nagy ráhagyással vagy élesen megtörve.
- > A vezetékeket biztonságosan rögzítse.

3.4 Biztonság az akkumulátorok kezelésénél



FIGYELMEZTETÉS! Sérülés kockázata

- > Az akkumulátorok agresszív és maró savakat tartalmaznak. Kerülje az akkumulátorfolyadékkal történő bármilyen testi kontaktust. Az akkumulátorfolyadék bőre kerülése esetén bő vízzel alaposan mossa le a bőrt. Savak által okozott sérülések esetén feltétlenül menjen orvoshoz.
- > Az akkumulátorokkal végzendő munkák során ne viseljen fém tárgyakat, például órát vagy gyűrűt. Az ólomsavas akkumulátorok súlyos égést okozó rövidzárlati áramokat generálhatnak.
- > Csak szigetelt szerszámokat használjon.
- > Ne helyezzen fém alkatrészeket az akkumulátorra, és ügyeljen rá, nehogy bármilyen fém alkatrész ráessen az akkumulátorra. Ez szikrát generálhat, vagy az akkumulátort és más elektromos készülékeket rövidre zárhat.
- > Akkumulátorokon végzett munkák során használjon védőszemüveget és viseljen védőruházatot. Akkumulátoroknál végzett munkák során ne érintse meg a szemét.
- > Kizárólag újratölthető akkumulátorokat használjon.
- > Ne használjon meghibásodott akkumulátorokat.



VIGYÁZAT! Robbanásveszély

- > Fagyott vagy meghibásodott akkumulátort nem próbáljon meg feltölteni. Ilyen esetben az akkumulátort fagymentes helyen helyezze el, és várjon addig, amíg az akkumulátor át nem vette a környezeti hőmérsékletet. Ezt követően indítsa el a töltési műveletet.
- > Ne dohányozzon, ne használjon nyílt lángot, és ne okozzon szikrát a motor vagy az akkumulátor közelében.
- > Az akkumulátort tartsa távol hőforrásoktól.



FIGYELEM! Károsodás veszélye

- > A csatlakoztatásnál vegye figyelembe a megfelelő polaritást:
- > Kövesse az akkumulátorgyártó és az akkumulátort használó berendezés vagy jármű gyártójának útmutatásait.
- > Ha az akkumulátort el kell távolítani, először válassza le a földelőcsatlakozást. Mielőtt kiserelné az akkumulátort, válassza le róla az összes csatlakozást és az összes fogyasztót.
- > Csak teljesen feltöltött akkumulátorokat tároljon. Rendszeresen töltsse fel a tárolt akkumulátorokat.
- > Ne hordozza az akkumulátort a pólusainál fogva.

3.5 Biztonság a készülék üzemeltetése során



FIGYELMEZTETÉS! Áramütés miatti veszély

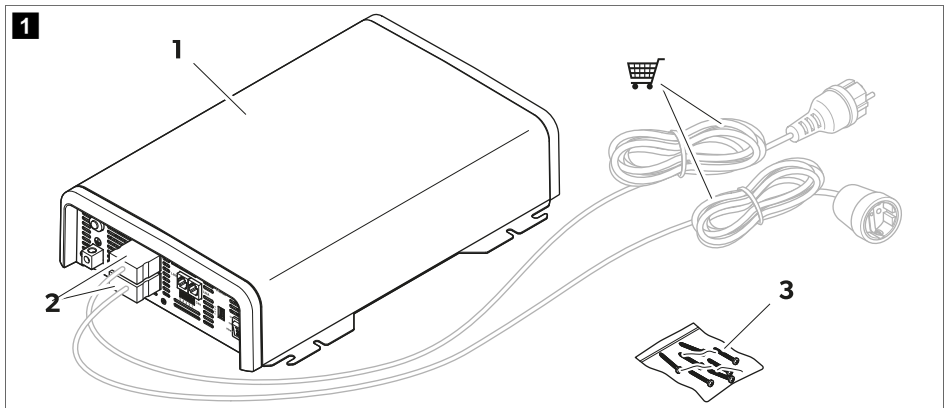
- > Ne használja a készüléket nedves körülmények között, és ne merítse bele semmilyen folyadékba.
- > A készülék beindítása előtt biztosítsa, hogy a tápkábel és a dugasz száraz legyen, ne legyen rozsdás és ne legyenek rajta szennyeződések.
- > Vegye figyelembe, hogy a készülék alkatrészei még a biztosíték kioldása esetén is feszültség alatt állhatnak.




FIGYELEM! Károsodás veszélye

- > Ügyeljen arra, hogy a készülék levegőbevezető és kivezető nyílásai ne legyenek elfedve.
- > Gondoskodjon a megfelelő szellőzésről.

4 A csomag tartalma



Sz. lásd:  ábra 1 289. oldal	Megnevezés	Mennyiség
1	Színuszos inverter	1
2	WAGO csatlakozós összekötőkábel biztonsági csatlakozóval (230 V~ kimenethez)	2
3	Rögzítőcsavarok	6
-	Szerelési és használati útmutató	1

5 Tartozékok

Megnevezés	Cikksz.
DSP-RCT távirányító	9600002564
DSP-EM ellenőrző monitor	9600002565
TD283 érintőkijelző	9620013272

6 Rendeltetészerű használat

Az inverter az egyenáramot tiszta szinuszhullámos, 230~ ... 240 V~ váltakozó feszültséggé alakítja a rákapcsolt fogyasztók működtetése és stabil áramellátása érdekében.

Az inverter a következőkhöz való csatlakoztatásra szolgál:

- DPSI1812iTS: 12 V_{DC}
- DPSI1824iTS: 24 V_{DC}

Az inverter a következőkre alkalmas:

- Beépítés lakóautóba (RV), kamionba, haszongépjárműbe vagy motoros és vitorlás jachtokba
- Helyhez kötött vagy mobil használat
- Beltéri használat

Az inverter a következőkre **nem** alkalmas:

- Kültéri használatra

Ez a termék az itt leírt utasításoknak megfelelő rendeltetésszerű használatra alkalmas.

Ez a kézikönyv olyan információkat nyújt, amelyek a termék szakszerű telepítéséhez és/vagy üzemeltetéséhez szükségesek. A hibás telepítés és/vagy a szakszerűtlen üzemeltetés vagy karbantartás elégtelen teljesítményhez és potenciálisan meghibásodáshoz vezethet.

A gyártó nem vállal felelősséget a termék olyan károsodásáért, vagy sérülésekért, amelyek a következőkre vezethetők vissza:

- Hibás beszerelés, összeszerelés vagy csatlakoztatás, ideértve a túlfeszültséget is
- Helytelen karbantartás, vagy a gyártó által szállított eredeti cserealkatrészekről eltérő cserealkatrészek használata
- A termék kifejezett gyártói engedély nélküli módosítása
- Az útmutatóban leírt céloktól eltérő felhasználás

A Dometic fenntartja a termék megjelenésének és specifikációjának módosítására vonatkozó jogát.

7 Műszaki leírás

7.1 Általános leírás

Az inverter egy DC-AC tiszta szinusz hullámú inverter.

Az inverter elsősorban áramkörrrel rendelkezik. Ha van 230 V~ feszültségű elektromos hálózat, ez a külső áramforrás a lakóautó aljzatainak ellátására szolgál. Ha nem áll rendelkezésre 230 V~ feszültségű elektromos hálózat, az inverter az akkumulátor egyenáramát váltakozó árammá alakítja, így biztosítva a csatlakoztatott fogyasztók áramellátását.

Az inverter a következő hálózati rendszerekben üzemeltethető:

- TN hálózat
- IT hálózat

A hálózati rendszer beállítása az inverteren lévő csavarral történik.

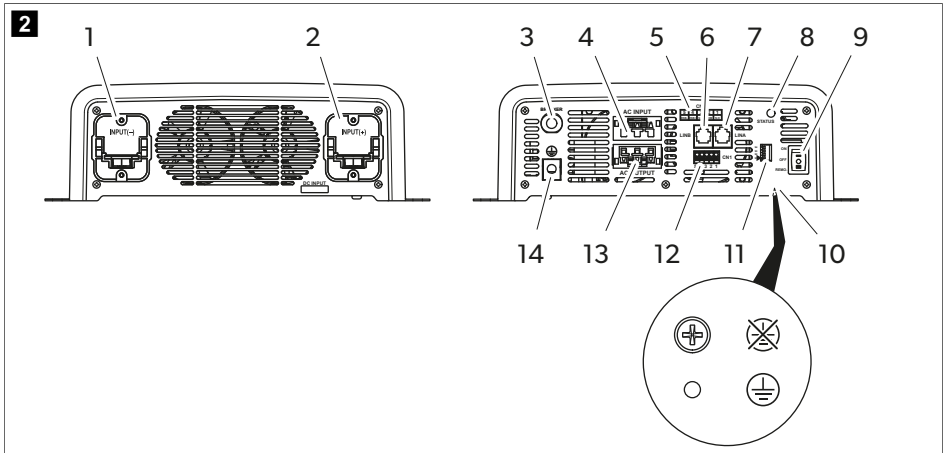
Az inverter az üresjáratú fogyasztás csökkentése és az akkumulátor terhelésének minimalizálása érdekében energiatakarékos üzemmódba kapcsolható.

Az inverter a következő védelmi mechanizmusokkal rendelkezik:

- **Túlfeszültség-védelem:** Az inverter kikapcsol, ha a feszültségérték a kikapcsolási érték fölé emelkedik. Az inverter automatikusan újraindul, amikor a feszültség az újraindulási értékre csökken.
- **Feszültségcsökkenés-védelem:** Az inverter kikapcsol, ha a feszültségérték a kikapcsolási érték alá süllyed. Az inverter automatikusan újraindul, amikor a feszültség az újraindulási érték fölé nő.
- **Túlmelegedés-védelem:** Ha a belső hőmérséklete a kikapcsolási érték fölé emelkedik, akkor az inverter kikapcsol. Az inverter automatikusan újraindul, amikor a belső hőmérséklete az újraindulási értékre csökken.
- **Nagy kimeneti árammal szembeni védelem:** Az inverter kikapcsol, ha túl sok terhelést kapcsolnak rá.
- **Rövidzárlat elleni védelem:** Az inverter rövidzárlat esetén kikapcsol. Az inverter pár másodperc elteltével magától újraindul. Ha öt egymást követő alkalommal rövidzárlatot észlel, az inverter nem indul újra automatikusan, ekkor kézi újraindításra van szükség.

Az inverter N-BUS és CI-BUS rendszerű kapcsolódásra is alkalmas az adatok és funkciók megjelenítéséhez az érintőkijelzőn (tartozékok) és a mobilalkalmazáson.

7.2 Kezelőszervek és csatlakozók



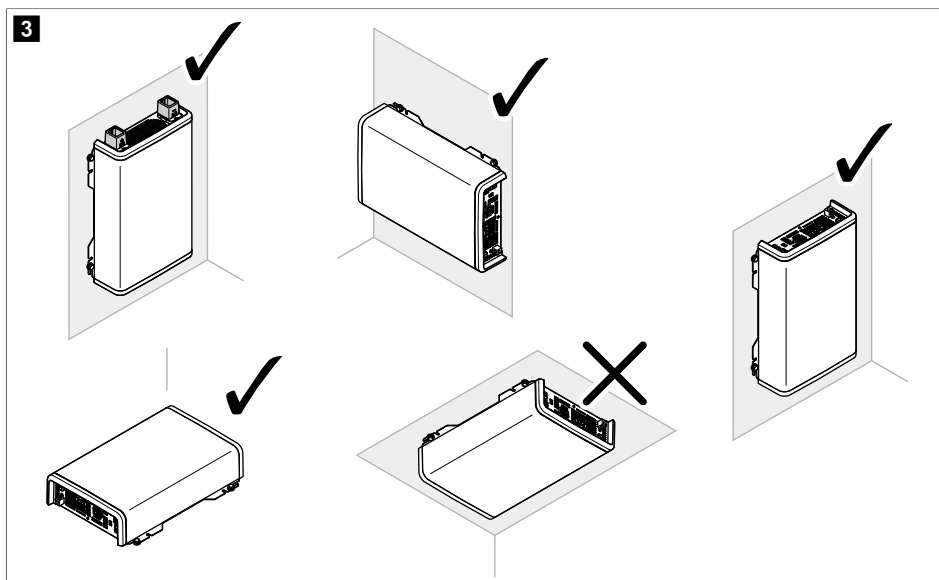
Sz.	Megnevezés
1	(-) csatlakozó, csatlakozás a házi akkumulátor negatív pólusához
2	(+) csatlakozó, csatlakozás a házi akkumulátor pozitív pólusához
3	Külső bemenet biztosítéka
4	Váltakozó áramú bemenet
5	CN1 kapocs
6	CI BUS/N busz/távírányító csatlakozó (LINB)
7	CI BUS/N busz/távírányító csatlakozó (LINA)
8	Állapotjelző LED
9	Be- / kikapcsoló
10	Csavar az IT/TN hálózat beállításához
11	DIP-kapcsoló
12	DIP-kapcsoló, külső kapcsoló és riasztási relé csatlakoztatása
13	Váltakozó áramú kimenet
14	Földelő csatlakozás

7.3 Állapotjelző LED

Állapot	Leírás
On	Az inverter üzemel
Flashing	Hiba (lásd a következő fejezetben: Hibakeresés 302. oldal)
Off	Nincs váltóáramú tápellátás, az inverter kikapcsolt

8 Szerelés

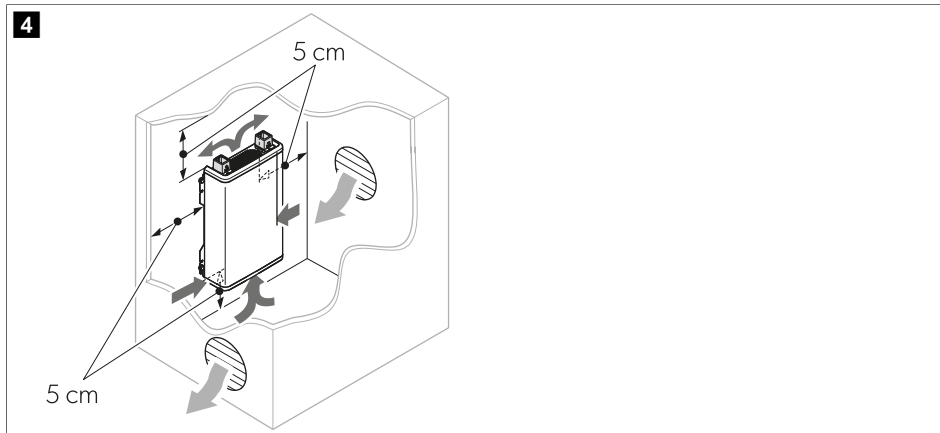
8.1 Szerelési hely

**FIGYELEM! Károsodás veszélye**


Furatok készítése előtt ellenőrizze, hogy a fúrás, fűrészelés vagy reszelés nem okozza-e a jármű elektromos kábeleinek vagy más alkatrészeinek sérülését.

**MEGJEGYZÉS**

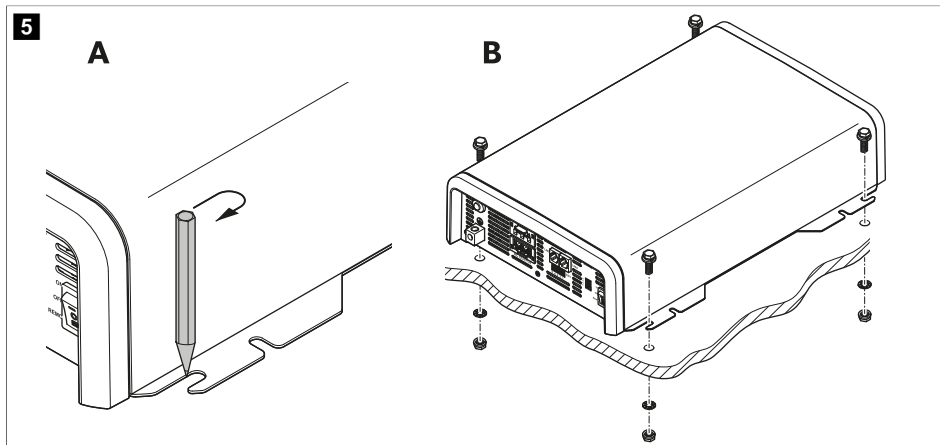
Az inverter rögzíthető ültetve és függesztve ( . ábra **3** 292. oldal).




A felszerelés helyét az útmutatások figyelembevételével válassza meg:

- Biztosítsa, hogy a szerelési felület stabil és sík legyen.
- A megfelelő szellőzés érdekében tartsa be a távolsági előírásokat ( . ábra **4** 293. oldal).

8.2 Az inverter felszerelése



1. Válassza ki a megfelelő rögzítőfuratokat a kiválasztott rögzítési típustól függően (ülő vagy függő), és jelölje be a furatok helyét ( . ábra **5** 293. oldal , **A**).
2. Készítse el a rögzítőfuratokat.
3. Rögzítse az invertert a csavarokkal ( . ábra **5** 293. oldal , **B**).

8.3 Az inverter csatlakoztatása



A készülék elektromos beszerelését és beállítását csak olyan képzett villanszerelő végezheti, aki bizonyítottan rendelkezik elektromos berendezések és szerelvények felépítésével és működtetésével kapcsolatos készségekkel és ismeretekkel, és aki ismeri annak az országnak a vonatkozó előírásait, amelyben a berendezést beszerelik és/vagy használják, valamint a veszélyek azonosítása és elkerülése érdekében biztonsági képzésben részesült.

Minden egyéb műveletet nem szakképzett felhasználók is elvégezhetnek.



FIGYELMEZTETÉS! Áramütés miatti veszély

Tartsa be az ajánlott kábelkeresztmetszeteket, kábelhosszúságokat és biztosíték méretezéseket.



VIGYÁZAT! Tűzveszély

A biztosítékokat az akkumulátorok közelében helyezze el, ezáltal megvédheti a kábelt a rövidzárlattól és az esetleges elégtétől.



FIGYELEM! Károsodás veszélye

- > Ügyeljen arra, hogy a polaritás ne legyen felcserélve.
- > A csavarokat vagy anyákat max. 15 Nm nyomatékkal húzza meg. A laza csatlakozás túlmelegedést okozhat.

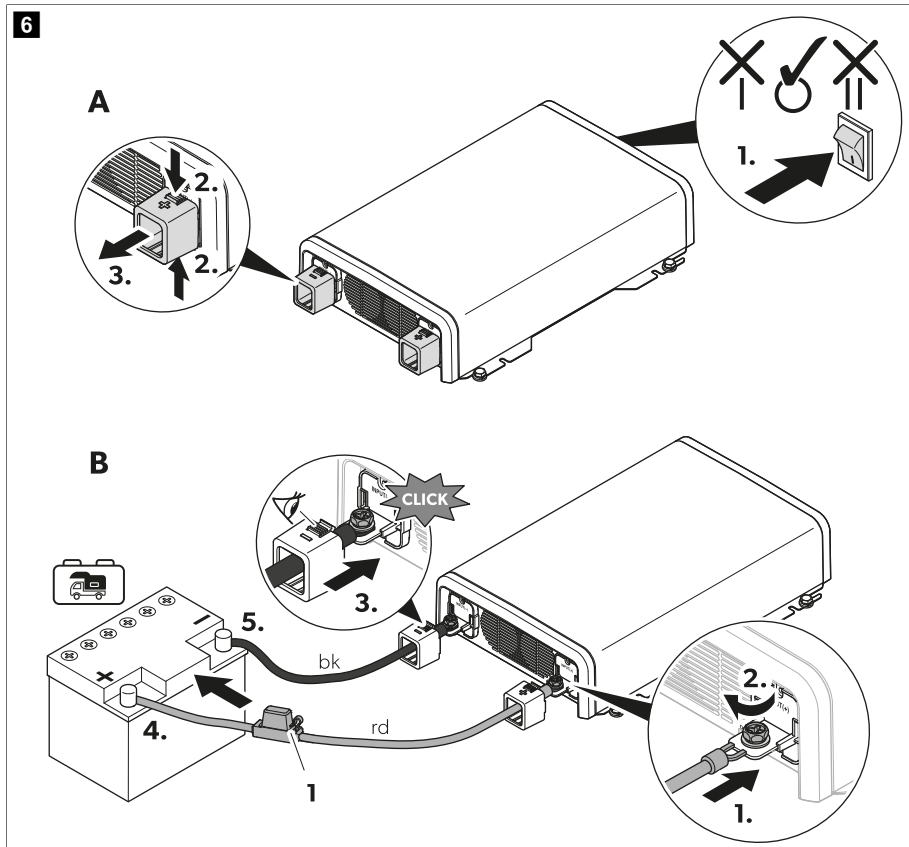
Az inverter bekötésekor tartsa be a következő utasításokat:

- A konnektoros áramkör (elektromos hálózati rendszer) kialakításakor tartsa be a vonatkozó előírásokat.
- Vegye az egyenáramú kábelek hosszát (csatlakozás az akkumulátor kapcsaihoz) a lehető legrövidebbre ≤ 1 m).
- Csatlakoztatás **TN hálózathoz**: Szereljen fel érintésvédelmi relét (RCD).
- Csatlakoztatás **IT hálózathoz**: Szereljen fel szigetelésfelügyeleti eszközt (IMD), ha egynél több terhelés van csatlakoztatva. **Tartsa be az állami előírásokat.**

1. A kábelkeresztmetszetek és biztosíték méretek megállapítása:

	Kábelkeresztmetszet	Kábelbiztosíték
DPSI1812ITS	50 mm ²	250 A
DPSI1824ITS	25 mm ²	150 A

2. A készülék legyen kikapcsolva (ábra **6** 295. oldal , **A: 1**).






3. Válassza le a kapcsok védőburkolatát ( . ábra **6** 295. oldal , **A: 2–3**).


4.  **FIGYELEM! Károsodás veszélye**
A készülék rövidzárlatának elkerülése érdekében először a fekete kábelt (negatív csatlakozó) kösse be.

Csatlakoztassa a fekete (bk) kábelt a (-) pólusra.

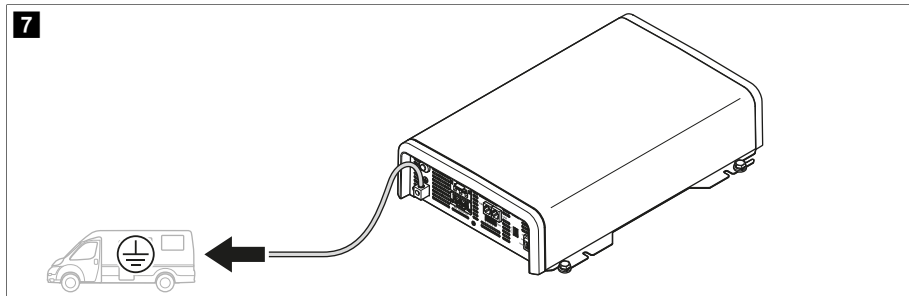
5. Csatlakoztassa a piros (rd) kábelt a (+) pólusra ( . ábra **6** 295. oldal , **B: 1–2**).

6. Csatlakoztassa a (+) kábelt a ház akkumulátorának a pozitív kivezetésére ( . ábra **6** 295. oldal , **B: 4**).

 **MEGJEGYZÉS** Lásza el a ház akkumulátorának a pozitív kábelét biztosítékkal ( . ábra **6** 295. oldal , **1**).

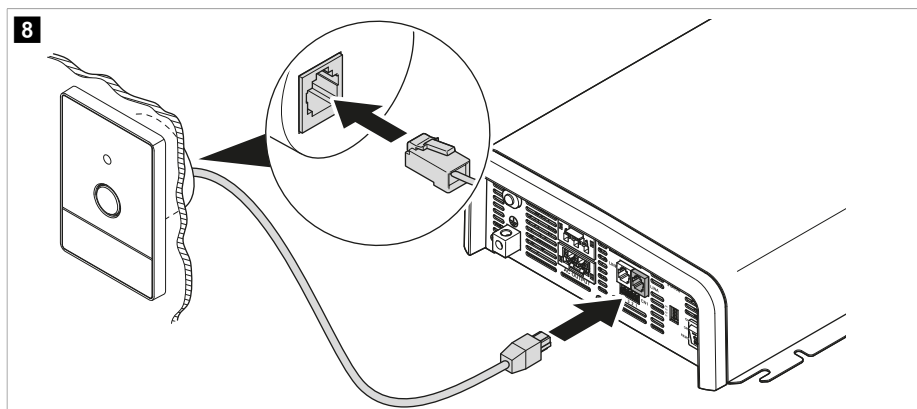
7. Csatlakoztassa a (-) kábelt a ház akkumulátorának a negatív kivezetésére ( . ábra **6** 295. oldal , **B: 5**).

8. Csatlakoztassa a testvezetékét a testeléshez (karosszéria)  . ábra **7** 296. oldal .



8.4 A távirányító csatlakoztatása

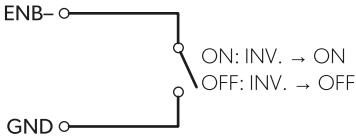
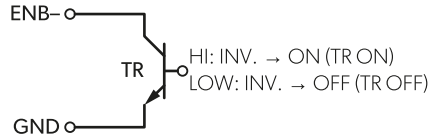
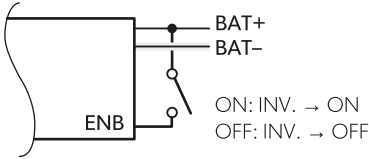
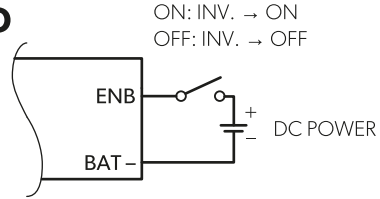
- > Csatlakoztassa a távirányítót a távirányító csatlakozóhoz (LINA vagy LINB).







8.5 Külső kapcsoló csatlakoztatása



MEGJEGYZÉS Ha külső kapcsoló van csatlakoztatva, az energiatakarékos üzemmód állapota nem módosítható.

9 A**B****C****D****MEGJEGYZÉS**

- > Gondoskodjon róla, hogy a távirányító csatlakozója szabad legyen.
- > Válassza ki a következő megfelelő külső kapcsolók egyikét:
 -  . ábra **9** 297. oldal, **A**: Külső kapcsoló, melynél a tápellátást az inverter biztosítja
 -  . ábra **9** 297. oldal, **B**: Vezérlőegység relés vagy tranzistoros áramkörrel (TR)
 -  . ábra **9** 297. oldal, **C**: Külső kapcsoló, melynél a tápellátást a jármű akkumulátora (BAT) biztosítja
 -  . ábra **9** 297. oldal, **D**: Külső kapcsoló saját tápellátással (DC POWER), például a gyújtásról



MEGJEGYZÉS Gondoskodjon róla, hogy a távirányító csatlakozója szabad legyen.

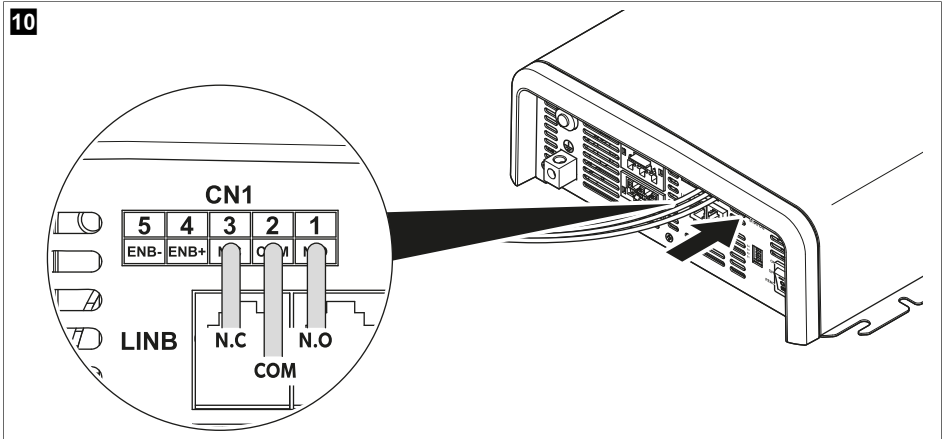
1. Állítsa a főkapcsolót **OFF** (Ki) helyzetbe.
2. Állítsa a főkapcsolót **REMO** (Ki) helyzetbe.
3. Kösse a külső kapcsolót a CN1 kapocsra.


8.6 Riasztási relé csatlakoztatása

A riasztási relé akkor aktiválódik, amint a váltakozó áramú tápellátás rendelkezésre áll és a váltakozó áramú átváltó kapcsoló zárt helyzetbe került. A riasztási relé az alábbiakra használható:

- Váltakozó áramú tápellátás érzékelési jel generálására a jármű vezérlőpanelén.
- Azon kevésbé kritikus fogyasztók (pl. abszorpciós hűtőszekrény, elektromos fűtési rendszer) be- és kikapcsolására, amelyek csak a hálózati tápellátásról működhetnek.

10



> Kösse a riasztási relét a CN1 kapocsra ( ábra 10 298. oldal).

9 Az inverter beállítása



A készülék elektromos beszerelését és beállítását csak olyan képzett villanyszerelő végezheti, aki bizonyítottan rendelkezik elektromos berendezések és szerelvények felépítésével és működtetésével kapcsolatos készségekkel és ismeretekkel, és aki ismeri annak az országnak a vonatkozó előírásait, amelyben a berendezést beszerelik és/vagy használják, valamint a veszélyek azonosítása és elkerülése érdekében biztonsági képzésben részesült.

Minden egyéb műveletet nem szakképzett felhasználók is elvégezhetnek.



VESZÉLY! Áramütés miatti veszély

- > Csak addig távolítsa el a DIP-kapcsolók védősapkáját, amíg a beállítás zajlik.
- > A DIP-kapcsoló véletlen elállításának megakadályozása érdekében helyezze vissza a védősapkát.
- > Beállítás **TN hálózathoz**: Legyen felszerelve érintésvédelmi relé (RCD).
- > Beállítás **IT hálózathoz**: Csak egy terhelést működtessen, vagy szerelje fel szigetelés-felügyeleti eszközt (IMD). Tartsa be az állami előírásokat.



MEGJEGYZÉS



Egy kis csavarhúzóval óvatosan állítsa a DIP-kapcsolókat a kívánt pozícióba.

Az inverter beállításai a DIP-kapcsolókkal vagy egy CI-BUS-képes távirányító csatlakoztatásával végezhetők el.

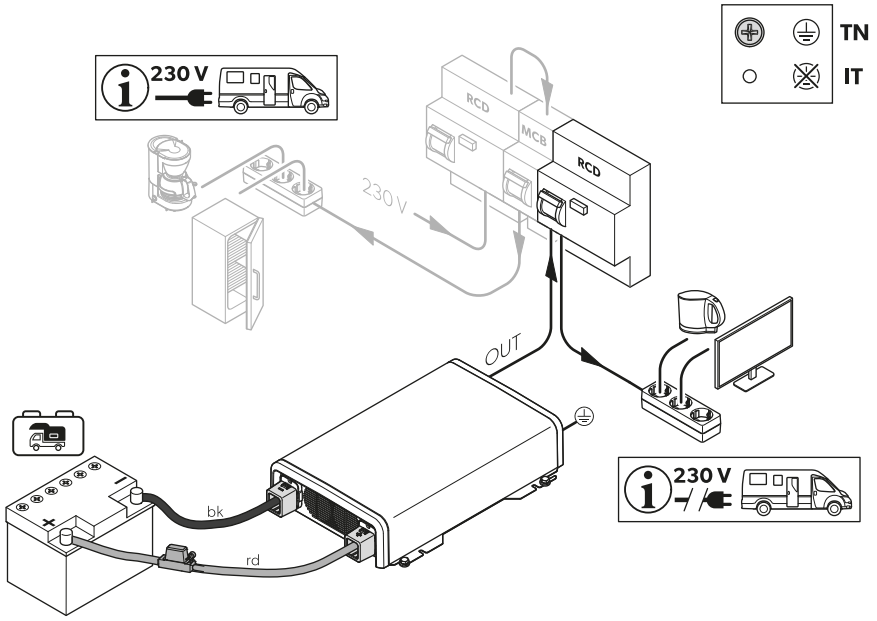
A készülék kezdetben a gyári konfigurációt használja. Szükség esetén a DIP-kapcsolókat átállítva módosítsa a beállítást.

- > Csúsztassa el az **S1** DIP-kapcsolót **On** (Be) helyzetbe a DIP-kapcsolóval történő **helyi** beállításhoz.
- > Csúsztassa el az **S1** DIP-kapcsolót **Off** (Ki) helyzetbe a távirányítóval történő **külső** beállításhoz.

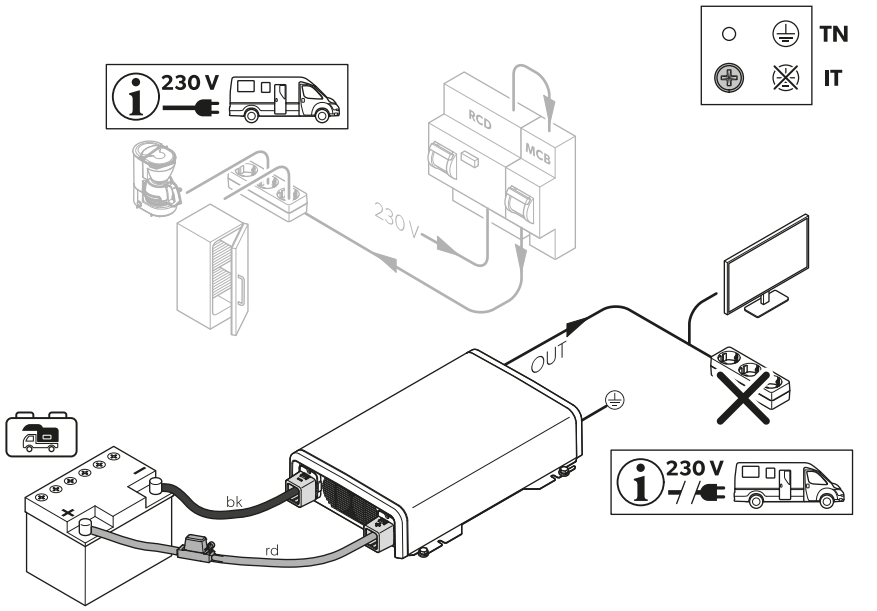
9.1 DIP-kapcsoló beállítások

Konfiguráció		DIP-kapcsoló helyzete				
		S1	S2	S3	S4	S5
Beállítások	Helyi beállítás DIP-kapcsolóval	Világít	-	-	-	-
	Külső beállítás távirányítóval	Nem világít	-	-	-	-
Hálózati feszültség	240 V/60 Hz	-	Világít	-	-	-
	230 V/50 Hz	-	Nem világít	-	-	-
Energiatakarékos üzemmód	Energy-saving mode is activated when the load is ≤ 45 W	-	-	Világít	Világít	-
	Inverter switches to normal operation when the load is ≥ 45 W					
	Az energiatakarékos üzemmód akkor kapcsol be, ha a terhelés ≤ 45 W	-	-	Világít	Nem világít	-
	Az inverter akkor vált normál működésre, ha a terhelés ≥ 45 W					
	Az inverter energiatakarékos üzemmódban 20 perc működés után automatikusan kikapcsol					
	Az energiatakarékos üzemmód akkor kapcsol be, ha a terhelés ≤ 1 W	-	-	Nem világít	Nem világít	-
Az inverter akkor vált normál működésre, ha a terhelés ≥ 1 W						
Az energiatakarékos üzemmód akkor kapcsol be, ha a terhelés ≤ 1 W	-	-	Nem világít	Világít	-	
Az inverter akkor vált normál működésre, ha a terhelés ≥ 1 W						
Az inverter energiatakarékos üzemmódban 20 perc működés után automatikusan kikapcsol						
Hálózati rendszer	IT hálózat ( . ábra 12 300. oldal)	-	-	-	-	Világít
	TN hálózat ( . ábra 11 300. oldal)	-	-	-	-	Nem világít

11

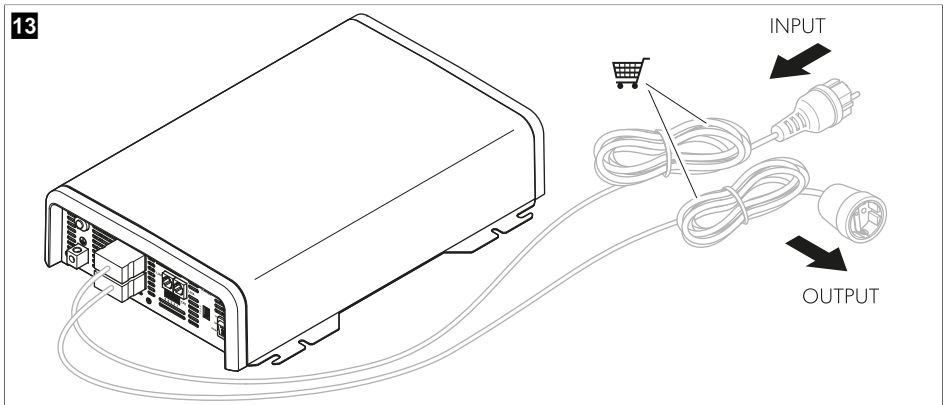


12




10 Üzemeltetés

10.1 230 V-os eszközök üzemeltetése



MEGJEGYZÉS

Csak olyan készülékeket csatlakoztasson, amelyek a teljes terhelése nem haladja meg az itt szereplő értékeket: Műszaki adatok 303. oldal .

- > Csatlakoztassa a 230 V tápellátású készüléket az ábrán látható módon ( . ábra **13** 301. oldal).

10.2 Az inverter be-/kikapcsolása



MEGJEGYZÉS

- Ha az invertert a távirányítóval kívánja vezérelni, a főkapcsolóját **II** helyzetbe kell állítani.
- Ha az invertert a külső kapcsolóval kívánja vezérelni, a főkapcsolóját **0** helyzetbe kell állítani.

- > Az inverter bekapcsolásához állítsa a főkapcsolóját **I** helyzetbe.
- > Az inverter kikapcsolásához állítsa a főkapcsolóját **0** helyzetbe.
- > A távirányító használatával be- és kikapcsolható az inverter.

11 Tisztítás és karbantartás



FIGYELMEZTETÉS! Áramütés miatti veszély

Tisztítás és karbantartás előtt húzza ki a készüléket az aljzatból.



FIGYELEM! Károsodás veszélye

- > Soha ne tisztítsa a készüléket csapvíz alatt vagy mosogatóvízben.
- > A tisztításhoz ne használjon éles vagy kemény tárgyakat, dörzsölő hatású tisztítószeret, vagy fehérítőt mert ezek károsíthatják a készüléket.
- > Biztosítsa, hogy a készülék szellőzőnyílásai por- és szennyeződésmentesek legyenek, így a belüli keletkező hő távozhat.

- > Alkalmanként tisztítsa meg a készüléket nedves, puha kendővel.
- > Rendszeresen ellenőrizze a feszültség alatt álló kábelek vagy vezetékek szigetelési hibáit, töréseit vagy kilazult csatlakozásait.

12 Hibakeresés

Hiba	Lehetséges ok	Megoldási javaslat
Az inverter nem működik. Az állapotjelző LED nem világít.	Rövidzárlat keletkezett.	> Ha túláram miatt létrejött ez a hibatípus, akkor hivatalos szervizzel cseréltesse ki a készülék biztosítékát.
	Szigetelési hibák, szakadások vagy kilazult csatlakozások a feszültség alatt lévő kábeleken.	> Ellenőrizze a feszültség alatt álló kábelek szigetelési hibáit, töréseit vagy kilazult csatlakozásait. Ha nem találja a hibát, forduljon egy hivatalos szervizhez.
Az inverter nem működik. Az állapotjelző LED lassan villog.	Nagy bemeneti árammal szembeni védelem.	Csökkentse a csatlakoztatott terhelést.
	Túlmelegedés miatti kikapcsolás.	<ol style="list-style-type: none"> 1. Kapcsolja ki az invertert és a fogyasztókat. 2. Ellenőrizze, hogy a levegő be- és kimeneti nyílások nincsenek-e letakarva vagy elzáródva. 3. Hagyja lehűlni az invertert.
	Rövidzárlat keletkezett.	Ha túláram miatt létrejött ez a hibatípus, akkor hivatalos szervizzel cseréltesse ki a készülék biztosítékát.
Az inverter nem működik. Az állapotjelző LED szaporán villog.	Túlfeszültség miatti kikapcsolás. Akkumulátorfeszültség túl magas.	<ul style="list-style-type: none"> > Csökkentse a csatlakoztatott feszültséget. Az inverter automatikusan újraindul, amikor a feszültség az újraindulási értékre csökken (lásd: Túlfeszültségvédelem 304. oldal). > Ha a hiba nem szűnik meg: Növelje a kábelkeresztmetszeteket. Csökkentse a kábelek hosszát.
	Alacsony feszültséggel szembeni védelem. Az akkumulátorfeszültség túl alacsony.	<ul style="list-style-type: none"> > Hagyja az akkumulátort lassan feltöltődni. Az inverter automatikusan újraindul, amikor a feszültség az újraindulási érték fölé nő (lásd: Feszültséghiányvédelem 304. oldal).

13 Garancia

A termékre a törvény szerinti garancia-időszak érvényes. Amennyiben a termék meghibásodott, lépjen kapcsolatba a gyártó helyi képviseletével (lásd: dometic.com/dealer) vagy a kereskedővel.

A javításhoz, illetve a garancia-adminisztrációhoz a következő dokumentumokat kell mellékelnie a termék beküldésekor:

- A számla vásárlási dátummal rendelkező másolatát
- A reklamáció okát vagy a hibát tartalmazó leírást

Vegye figyelembe, hogy az önkezü javítás vagy a nem szakszerű javítás biztonsági következményekkel járhat, és érvénytelenítheti a garanciát.

14 Ártalmatlanítás

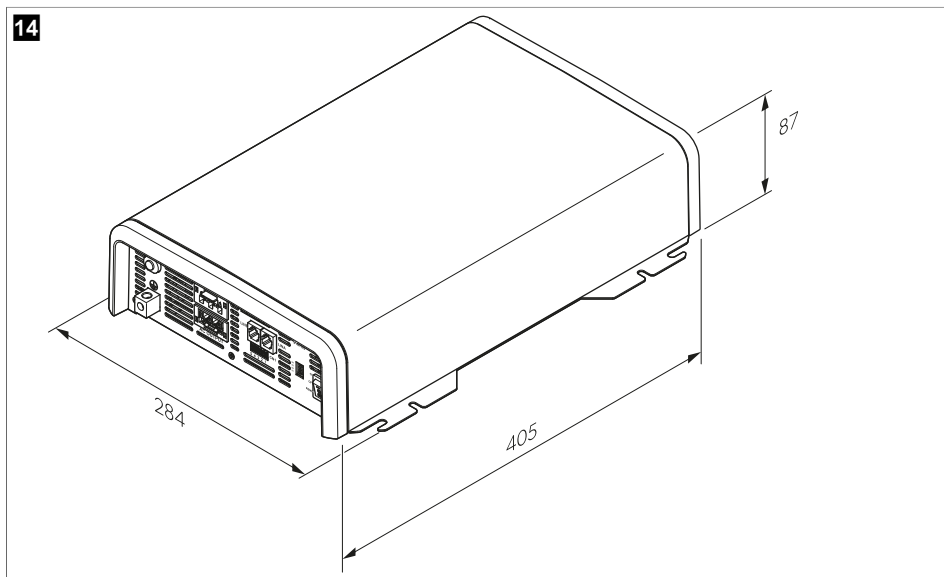


A csomagolóanyagot lehetőleg a megfelelő újrahasznosítható hulladékokhoz tegye.


A termékre vonatkozó ártalmatlanítási előírásokról tájékozódjon a legközelebbi újrahasznosító központban, vagy szakkereskedőjénél.

A termék ingyenesen ártalmatlanítható.



15 Műszaki adatok



	1812. DPSI	1824. DPSI
Névleges bemeneti feszültség	12 V _{DC}	24 V _{DC}
Bemeneti feszültségtartomány	10 ... 16,5 V _{DC}	20 ... 33 V _{DC}
Folyamatos kimenőteljesítmény, P _{nom}	1800 W	1800 W
Legnagyobb kimenőteljesítmény (10 min)	1800 W	1800 W
Legnagyobb kimenőteljesítmény (3 min)	2070 W	2070 W
Lökészerű maximális teljesítmény (2 s) P _{surge}	3600 W	3600 W
Üresjáratú áramfogyasztás	≤ 2,5 A	≤ 1,3 A

	1812. DPSI	1824. DPSI
Áramfelvétel készenléti üzemmódban	$\leq 0,2$ A	$\leq 0,1$ A
Méretetek	 . ábra 14 303. oldal	
Súly	5,5 kg	5,5 kg

15.1 Általános műszaki adatok

Kimeneti feszültségtartomány	230/ 240 V $\sim \pm 3$ %
Kimeneti frekvencia	50/60 Hz $\pm 0,3$ Hz
Kimeneti hullámalak	Tiszta szinusz hullám
THD torzítás	THD ≤ 3 % P _{nom} (rezisztív terhelés) mellett
Csúcs hatékonyság	90 %
Környezeti hőmérséklet, üzem	- 20 ... 60 °C
Környezeti hőmérséklet, tárolás során	- 30 °C ... 70 °C
Környezeti páratartalom	0 ... 95 %, non-condensing
Vizsgálat/tanúsítvány	 

15.2 Feszültséghiány-védelem

	Kikapcsolási érték	Újraindulási érték
DPSI1812	10 V	12 V
DPSI1824	20 V	24 V

15.3 Túlfeszültség-védelem

	Kikapcsolási érték	Újraindulási érték
DPSI1812	16,5 V	15,5 V
DPSI1824	33 V	31 V

Hrvatski

1	Važne napomene.....	305
2	Objašnjenje simbola.....	305
3	Sigurnosne upute.....	306
4	Opseg isporuke.....	309
5	Pribor.....	309
6	Namjena.....	309
7	Tehnički opis.....	310
8	Instalacija.....	312
9	Konfiguriranje invertera.....	318
10	Rad.....	321
11	Čišćenje i održavanje.....	321
12	Uklanjanje smetnji.....	322
13	Jamstvo.....	322
14	Odlaganje u otpad.....	323
15	Tehnički podaci.....	323

1 Važne napomene

Pažljivo pročitajte ove upute i poštuje sve upute, smjernice i upozorenja sadržane u ovim uputama kako biste u svakom trenutku osigurali pravilnu instalaciju, uporabu i održavanje proizvoda. Ove upute MORAJU ostati u blizini ovog proizvoda.

Uporabom proizvoda potvrđujete da ste pažljivo pročitali sve upute, smjernice i upozorenja te da razumijete i pristajete poštovati ovdje navedene uvjete i odredbe. Pristajete koristiti se ovim proizvodom samo za predviđenu svrhu i namjenu te u skladu s uputama, smjernicama i upozorenjima navedenima u ovom priručniku za proizvod, kao i u skladu sa svim važećim zakonima i propisima. Ako ne pročitate i ne poštujete ovdje navedene upute i upozorenja, tada to može dovesti do ozljeđivanja vas i drugih osoba, do oštećenja proizvoda ili druge imovine u blizini. Ovaj priručnik za proizvod, uključujući i upute, smjernice i upozorenja, te povezanu dokumentaciju može biti podložan promjenama i ažuriranjima. Za najnovije podatke o proizvodu posjetite documents.dometic.com.

2 Objasňenje simbola

Signalna riječ opisuje poruke o sigurnosti i oštećenju imovine, kao i stupanj ili razinu težine potencijalne opasnosti.



OPASNOST!

Naznačuje opasnu situaciju, koja će, ako se ne izbjegne, rezultirati smrću ili teškim ozljedama.



UPOZORENJE!

Naznačuje opasnu situaciju, koja bi, ako se ne izbjegne, mogla rezultirati smrću ili teškim ozljedama.



OPREZ!

Naznačuje opasnu situaciju, koja bi, ako se ne izbjegne, mogla rezultirati lakšim ili umjerenim ozljedama.



POZOR!

Naznačuje situaciju, koja, ako se ne izbjegne, može rezultirati materijalnom štetom.



UPUTA Dodatne informacije za rukovanje proizvodom.

3 Sigurnosne upute

Također se pridržavajte sigurnosnih uputa i odredaba proizvođača vozila i ovlaštenih servisa.

3.1 Opća sigurnost



OPASNOST! Opasnost od strujnog udara

- > Golim rukama ne dodirujte izložene kabele.
- > Kako biste uređaj mogli brzo iskopčati iz izvora izmjenične struje, utičnica mora biti u blizini uređaja i lako dostupna.



UPOZORENJE! Opasnost od strujnog udara

- > Montažu i demontažu uređaja smije provoditi samo kvalificirano osoblje.
- > Nemojte koristiti uređaj ako na samom uređaju ili priključnim vodovima ima znakova oštećenja.
- > Ako je kabel za napajanje uređaja oštećen, potrebno ga je zamijeniti kako ne bi došlo do ugrožavanja sigurnosti.
- > Popravke na ovom uređaju smiju provoditi samo stručnjaci. Nepropisno izvedeni popravci mogu značajno povećati opasnosti.
- > Koristite samo onaj dodatni pribor koji preporučuje proizvođač.
- > Nemojte modificirati ili prilagođavati nijednu komponentu na bilo koji način.
- > Nemojte razdvajati kabele dok je uređaj još uvijek u uporabi.
- > Razdvojite uređaj od napajanja:
 - Nakon upotrebe
 - Prije svakog čišćenja i održavanja
 - Prije zamjene osigurača



UPOZORENJE! Opasnost od požara/zapaljivi materijali

U slučaju požara koristite aparat za gašenje požara prikladan za električni uređaje.



UPOZORENJE! Opasnost od gušenja

Ako nisu pravilno postavljeni, kabel i upravljačka jedinica uređaja mogu predstavljati opasnost od saplitanja, gušenja, spoticanja ili gaženja. Dodatne veze i kabeli za napajanje moraju biti postavljeni tako da ne predstavljaju opasnost.



UPOZORENJE! Opasnost za zdravlje

- > Ovaj uređaj smiju koristiti djeca od 8 godina i starija te osobe sa smanjenim fizičkim, senzornim ili mentalnim sposobnostima ili osobe s nedovoljnim iskustvom i znanjem ako su pod nadzorom ili ako su dobili upute o sigurnoj uporabi uređaja te ako razumiju opasnosti koje se pri tome javljaju.
- > **Električni uređaji nisu igrčke.** Uvijek čuvajte uređaj izvan dohvata male djece.
- > Djeca moraju biti pod nadzorom kako bi se osiguralo da se neće igrati s uređajem.
- > Djeca ne smiju provoditi čišćenje i korisničko održavanje bez nadzora.



POZOR! Opasnost od oštećenja

- > Prije prvog puštanja u rad provjerite odgovara li specificirani napon na tipskoj pločici naponu navedenom na izvoru napajanja.
- > Uvjerite se da drugi predmeti **ne mogu** uzrokovati kratki spoj na kontaktima uređaja.
- > Pobrinite se za to da negativni i pozitivni polovi **nikada** ne dođu u kontakt.
- > Nemojte povlačiti priključne kabele ili ih koristiti kao ručku.

- > Uređaj ne smije biti izložen kiši ni vlazi. Čuvajte na suhom mjestu.

3.2 Sigurnost pri montaži uređaja



OPASNOST! Opasnost od eksplozije

- > Uređaj koristite i montirajte samo u zatvorenim prostorima s dobrom ventilacijom.
- > **Nemojte** montirati niti upotrebljavati uređaj u sljedećim uvjetima:
 - U slanoj, mokroj ili vlažnoj okolini
 - U blizini korozivnih isparavanja
 - U blizini zapaljivih materijala
 - U blizini izvora topline (grijalice, izravna sunčeva svjetlost, plinske pećnice itd.)
 - U područjima gdje prijeti opasnost od eksplozija plina ili prašine



UPOZORENJE! Opasnost od ozljeda

- > Uvjerite se da je uređaj stabilan. Uređaj se mora postaviti i pričvrstiti tako da se ne može prevrnuti ili pasti.
- > Prilikom pozicioniranja uređaja uvjerite se da su svi kabeli odgovarajuće osigurani kako bi se izbjegla bilo kakva opasnost od spoticanja.



POZOR! Opasnost od oštećenja

- > Uređaj postavite na suho mjesto gdje će biti zaštićen od prskanja vode.
- > Uvijek koristite utičnice koje su uzemljene i osigurane automatskom zaštitnom sklopkom

3.3 Sigurnost pri električnom priključivanju uređaja



OPASNOST! Opasnost od strujnog udara

Ako radite na električnim sustavima, uvjerite se da u blizini bude netko, tko Vam može pomoći u slučaju nužde.



UPOZORENJE! Opasnost od strujnog udara

- > Pridržavajte se preporučenih presjeka kabela.
- > Položite kabele tako da ih vrata ili poklopac prostora motora ne mogu oštetiti. Prignječeni kabeli mogu dovesti do teške ozljede.



POZOR! Opasnost od oštećenja

- > Koristite razvod kanala ili kabelaške kanale ako je potrebno polagati kabele kroz metalne ili druge oplate s oštrim rubovima.
- > Kabel glavnog napajanja od 230 V i istosmjerni od 12 V **nemojte** postavljati u istu kanalicu.
- > **Nemojte** polagati kabel tako da bude labav ili jako svinut.
- > Sigurno pričvrstite kabele.

3.4 Mjere sigurnosti prilikom rukovanja akumulatorima



UPOZORENJE! Opasnost od ozljeda

- > Akumulatori sadrže agresivne i nagrizajuće kiseline. Pazite da tekućina akumulatora ne dođe u kontakt s Vašim tijelom. Ako koža dođe u kontakt s tekućinom akumulatora, temeljito operite taj dio tijela vodom. Ako se ozlijedite kiselinama, odmah se obratite liječniku.

- > Prilikom radova na akumulatorima nemojte nositi metalne predmete, primjerice satove ili prstenje. Olovno kiselinjski akumulatori mogu uzrokovati kratke spojeve koji mogu dovesti do teških ozljeda.
- > Koristite samo izolirane alate.
- > Na akumulator nemojte stavljati metalne predmete i pazite da metalni predmeti ne padnu na akumulator. To bi moglo prouzročiti iskre ili kratke spojeve akumulatora i drugih električnih uređaja.
- > Tijekom radova na akumulatorima nosite zaštitne naočale i zaštitnu odjeću. Nemojte dirati oči dok radite na akumulatorima.
- > Koristite samo punjive akumulateore.
- > Nemojte koristiti neispravne akumulateore.



OPREZI Opasnost od eksplozije

- > Nikada nemojte pokušavati puniti smrznuti ili neispravni akumulator. Smjestite akumulator u područje, u kojem ne može doći do smrzavanja i pričekajte da se aklimatizira na okolnu temperaturu. Nakon toga pokrenite postupak punjenja.
- > Nemojte pušiti, koristiti otvoreni plamen ili uzrokovati iskrenje blizu motora ili akumulatora.
- > Držite akumulator dalje od izvora topline.



POZOR! Opasnost od oštećenja

- > Prilikom priključivanja akumulatora uvjerite se da je polaritet ispravan.
- > Slijedite upute proizvođača akumulatora i one proizvođača sustava ili vozila u kojem se akumulator koristi.
- > Ako se akumulator treba demontirati, prvo razdvojite priključak uzemljenja. Razdvojite sve priključke i sva trošila od akumulatora prije demontaže.
- > Skladištite samo potpuno napunjene akumulateore. Redovito punite uskladištene akumulateore.
- > Nemojte prenositi akumulator držeći ga za stezaljke.

3.5 Sigurnost pri radu uređaja



UPOZORENJE! Opasnost od strujnog udara

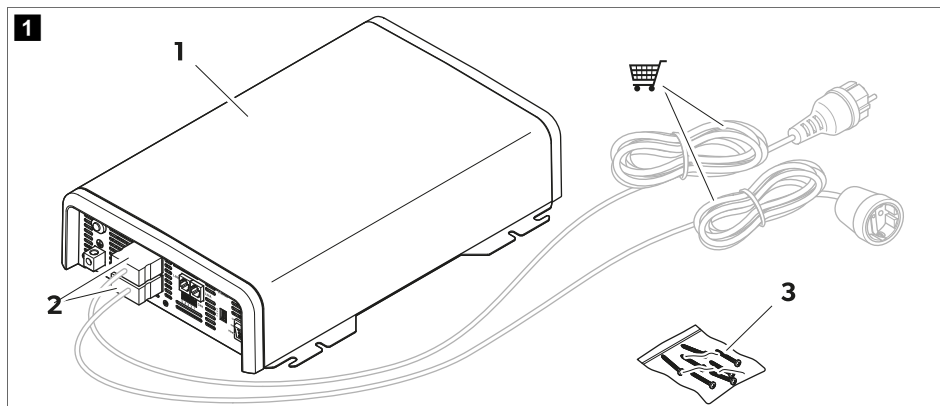
- > Nemojte koristiti uređaj u mokrim uvjetima ili ga uranjati u bilo kakvu tekućinu.
- > Prije pokretanja uređaja uvjerite se da su priključni kabel i utikač suhi te da na njima nema hrđe ili nečistoće.
- > Vodite računa da dijelovi uređaja i dalje mogu biti pod naponom čak i ako je osigurač pregorio.



POZOR! Opasnost od oštećenja

- > Uvjerite se da ulazi i izlazi zraka uređaja nisu pokriveni.
- > Pobrinite se za dobru ventilaciju.

4 Opseg isporuke



Br. u na stranici 309	Naziv	Količina
1	Inverter sa sinusnim valom	1
2	WAGO priključak i priključni kabel sa sigurnosnom spojinicom (s izlaznim naponom 230 V~)	2
3	Vijci za fiksiranje	6
-	Upute za montažu i rukovanje	1

5 Pribor

Naziv	Br. art.
Daljinski upravljač DSP-RCT	9600002564
Upravljački zaslon DSP-EM	9600002565
Dodirni zaslon TD283	9620013272

6 Namjena

Inverter je namijenjen pretvaranju izravne struje u izmjenični napon čistog sinusnog vala (AC) od 230~ ... 240 V~ za rad i stabilno napajanje priključenih potrošača.

Inverter je namijenjen za priključivanje na:

- DPSI1812iTS: 12 V \Rightarrow
- DPSI1824iTS: 24 V \Rightarrow

Inverter je prikladan za sljedeće:

- Montaža u rekreacijskim vozilima (RV), kamionima, komercijalnim vozilima ili motorima i jedrilicama
- Stacionarna ili mobilna uporaba
- Uporaba u zatvorenom

Inverter **nije** prikladan za sljedeće:

- Vanjska uporaba

Ovaj je proizvod prikladan samo za predviđenu namjenu i primjenu u skladu s ovim uputama.

Ove upute donose informacije neophodne za pravilnu instalaciju i/ili rad proizvoda. Loša instalacija i/ili nepravilan rad ili održavanje rezultirat će nezadovoljavajućom uspješnošću i mogućim kvarom.

Proizvođač ne preuzima nikakvu odgovornost za bilo kakve ozljede ili oštećenja proizvoda koje nastanu kao rezultat:

- nepravilnog sklopanja, montaže ili priključivanja, uključujući i previsok napon
- nepravilnog održavanja ili uporabe nekih drugih rezervnih dijelova osim originalnih rezervnih dijelova koje isporučuje proizvođač
- izmjena na proizvodu bez izričitog dopuštenja proizvođača
- uporabe u svrhe koje nisu opisane u ovim uputama

Dometic pridržava pravo na izmjene izgleda i specifikacija proizvoda.

7 Tehnički opis

7.1 Opći opis

Inverter je inverter DC-na-AC čistog sinusnog vala.

Inverter je opremljen prioritarnim strujnim krugom. Ako 230 V~ je dostupno mrežno napajanje, vanjski izvor napajanja koristi se za napajanje utičnica u rekreacijskom vozilu. Ako 230 V~ mrežno napajanje nije dostupno, inverter pretvara izravnu struju akumulatora u izmjeničnu struju i tako osigurava napajanje povezanih potrošača.

Inverterom je moguće upravljati u sljedećim mrežnim konfiguracijama:

- TN mreža
- IT mreža

Mrežni sustavi postavljeni su vijkom na inverteru.

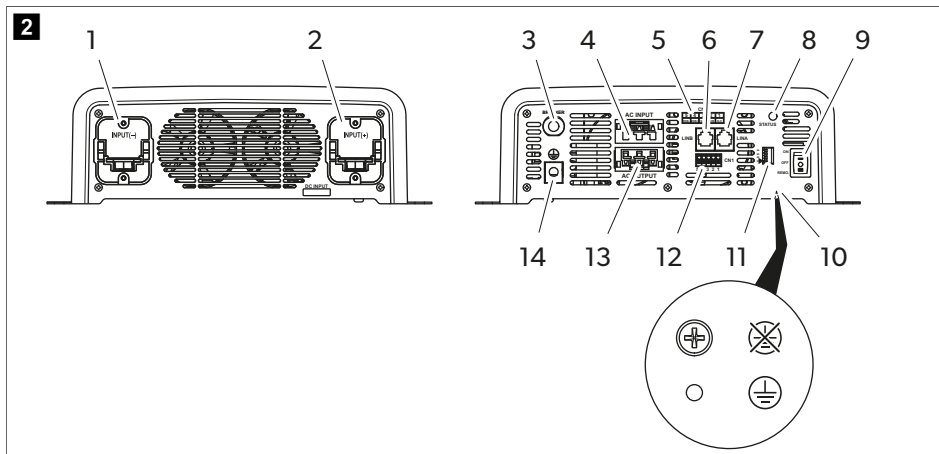
Inverter možete postaviti u način rada za uštedu energije kako biste smanjili potrošnju u praznom hoda i smanjili opterećenje na akumulatoru.

Inverter ima sljedeće zaštitne mehanizme:

- **Isključivanje u slučaju prenapona:** inverter se isključuje kada napon premaši vrijednost za isključivanje. Inverter se automatski ponovno pokreće kada se napon padne na vrijednost za ponovno pokretanje.
- **Isključivanje u slučaju podnapona:** inverter se isključuje kada napon padne ispod vrijednosti za isključivanje. Inverter se automatski ponovno pokreće kada se napon premaši vrijednost za ponovno pokretanje.
- **Isključivanje u slučaju visoke temperature:** inverter se isključuje se kada unutarnja temperatura uređaja premaši vrijednost za isključivanje. Inverter se automatski ponovno pokreće kada unutarnja temperatura padne na vrijednost ponovnog pokretanja.
- **Zaštita od velike izlazne struje:** inverter se isključuje kada je priključeno previše opterećenja.
- **Zaštita od kratkog spoja:** inverter se isključuje kada se generira kratki spoj. Nakon nekoliko sekundi inverter će se automatski ponovno pokrenuti. Ako se pet puta zaredom otkrije kratki spoj, inverter se neće automatski ponovno pokrenuti i potrebno je ručno ponovno pokretanje.

Inverter podržava N-BUS i CI-BUS za prikaz podataka i funkcija na dodirnom zaslonu (dodatna oprema) i u mobilnoj aplikaciji.

7.2 Upravljački elementi i priključci



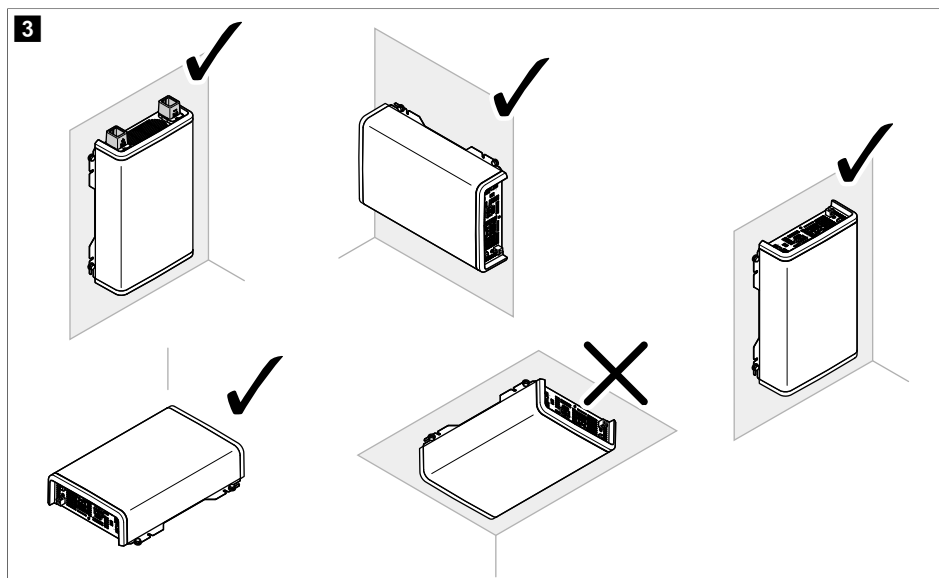
Br.	Naziv
1	(-) pol, priključak na negativni pol servisnog akumulatora
2	(+) pol, priključak na pozitivni pol servisnog akumulatora
3	Osigurač za vanjski ulaz
4	AC ulaz
5	CN1 pol
6	Priključak za CI BUS / N Bus / daljinski upravljač (LINB)
7	Priključak za CI BUS / N Bus / daljinski upravljač (LINA)
8	LED indikator statusa
9	Sklopka za uključivanje/isključivanje
10	Vijak za postavku IT/TN mreže
11	DIP sklopka
12	DIP sklopka, priključak za vanjski prekidač i relej alarma
13	AC izlaz
14	Priključak uzemljenja

7.3 LED indikator statusa

Stanje	Opis
On	Rad invertera
Flashing	Pogreška (pogledajte odjeljak Uklanjanje smetnji na stranici 322)
Off	Nema AC ulaza, inverter je deaktiviran

8 Instalacija

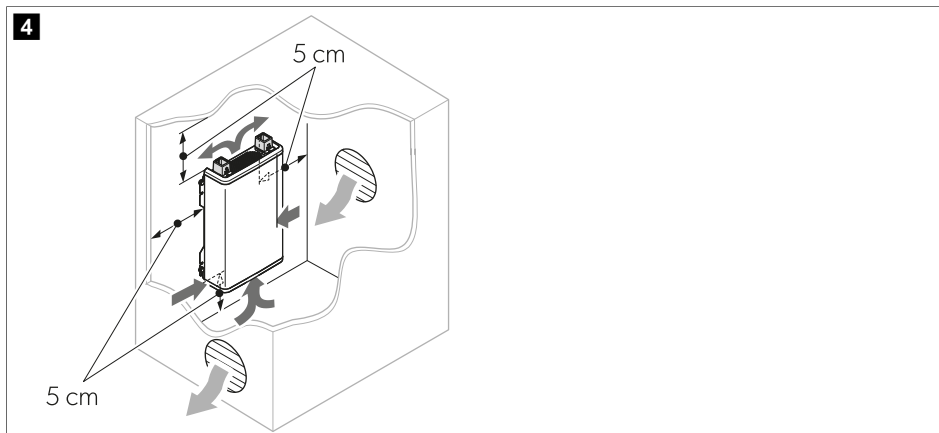
8.1 Mjesto montaže

**POZOR! Opasnost od oštećenja**


Prije bušenja rupa uvjerite se da se bušenjem, piljenjem i turpijanem ne mogu oštetiti električni kabeli ili drugi dijelovi vozila.

**UPUTA**

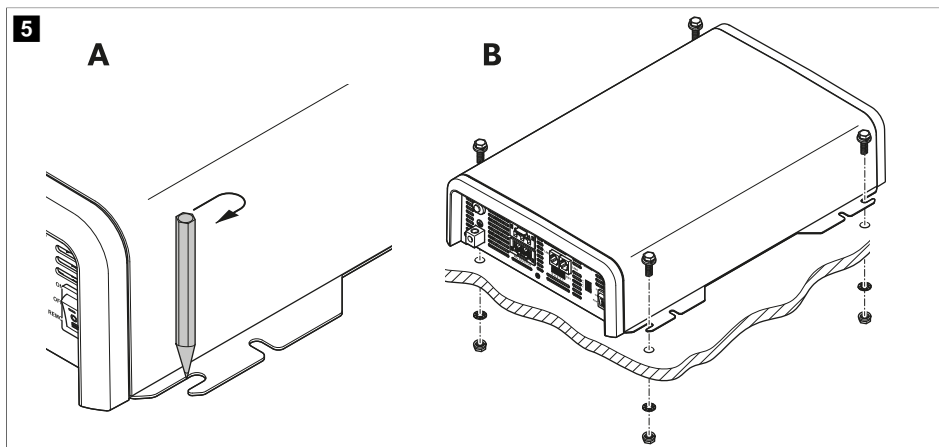
Inverter možete postaviti tako da stoji ili visi ( sl. **3** na stranici 312).





Prilikom odabira mjesta montaže pridržavajte se sljedećih uputa:

- Uvjerite se da je montažna površina čvrsta i vodoravna.
- Pridržavajte se specifikacija razmaka za dostatnu ventilaciju ( sl. **4** na stranici 313).

8.2 Montaža invertera



1. Odaberite odgovarajuće rupe za montažu ovisno o odabranoj vrsti montaže (stojeće ili viseće) i označite rupe za bušenje ( sl. **5** na stranici 313, **A**).
2. Unaprijed izbušite rupe za montažu.
3. Vjercima postavite inverter na mjesto ( sl. **5** na stranici 313, **B**).

8.3 Povezivanje invertera



Električnu montažu te postavljanje uređaja smije provoditi samo kvalificirani električar koji je pokazao vještinu i znanje vezano za konstrukciju i rad električne opreme i izvođenje instalacija, koji dobro poznaje važeće propise države u kojoj se oprema treba instalirati i/ili koristiti i koji je prošao obuku o sigurnosti koja mu omogućava da prepozna i izbjegne opasnosti koje se pri tome javljaju.

Sve ostale radnje namijenjene su također za neprofesionalne korisnike.



UPOZORENJE! Opasnost od strujnog udara

Pridržavajte se preporuka o osiguračima te poprečnim presjecima i duljinama kabela.



OPREZ! Opasnost od požara

Postavite osigurače blizu akumulatora kako biste zaštitili kabel od kratkih spojeva i mogućeg pregaranja.



POZOR! Opasnost od oštećenja

- > Nemojte obrtati polaritet.
- > Pritegnite matice i vijke maksimalnim momentom pritezanja od 15 Nm. Labavi spojevi mogu dovesti do pregrijavanja.

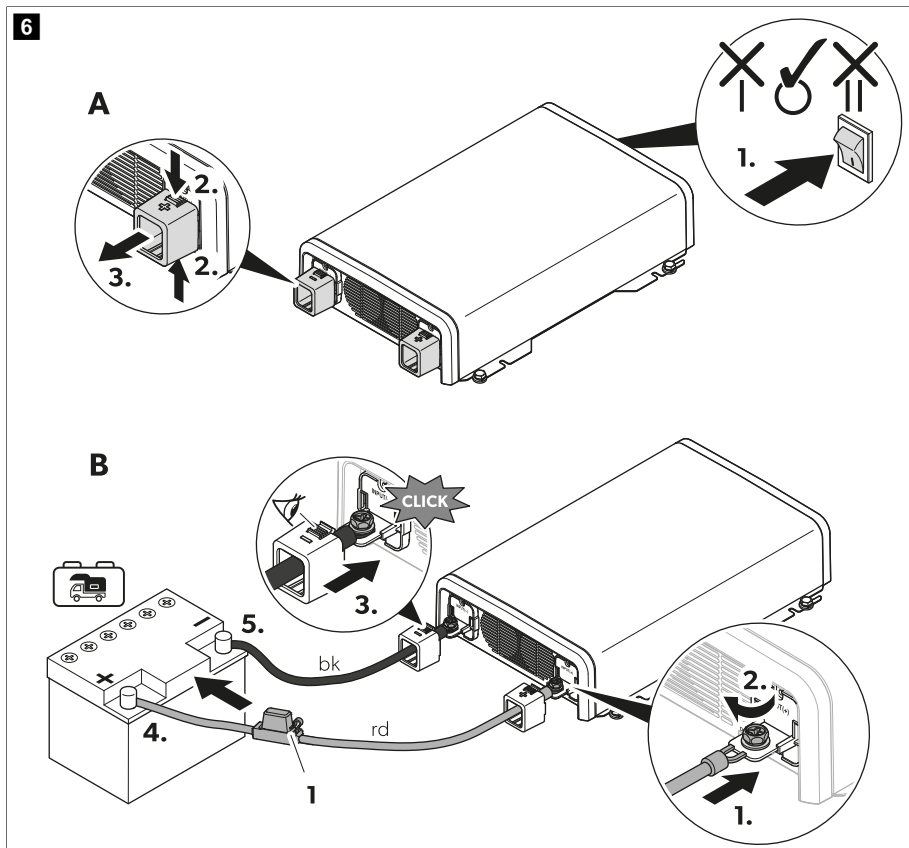
Pridržavajte se sljedećih uputa prilikom priključivanja invertera:

- Prilikom postavljanja razvodnog kruga utičnice (montaža na električnu mrežu) pridržavajte se važećih propisa.
- Odaberite duljinu kabela za istosmjernu struju (spajanje na polove akumulatora) što je moguće kraće ≤ 1 m).
- Priključak za **TN mrežu**: montirajte zaštitni uređaj za struju kvara (RCD).
- Priključak za **IT mrežu**: ako je priključeno više opterećenja, ugradite uređaj za nadzor izolacije (IMD). **Primjenjuju se nacionalne norme.**

1. Odredite presjeka kabela i osigurač:

	Presjek kabela	Osigurač kabela
DPSI1812iTS	50 mm ²	250 A
DPSI1824iTS	25 mm ²	150 A

2. Provjerite je li uređaj isključen ( sl. 6 na stranici 315, **A: 1**).



3. Skinite poklopce s polova (sl. **6** na stranici 315, **A: 2 – 3**).

4. **POZOR! Opasnost od oštećenja**
Kako biste izbjegli kratki spoj, na uređaj uvijek najprije priključite crni kabel (negativni pol).

Priključite crni (bk) priključni kabel na (-) pol.

5. Priključite crveni (rd) priključni kabel na (+) pol (sl. **6** na stranici 315, **B: 1 – 2**).

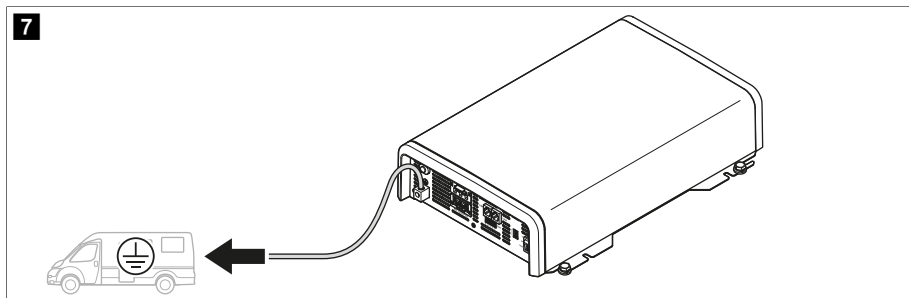
6. Spojite (+) na pozitivni pol servisnog akumulatora (sl. **6** na stranici 315, **B: 4**).



UPUTA Zaštitite pozitivni kabel servisnog akumulatora osiguračem (sl. **6** na stranici 315, **1**).

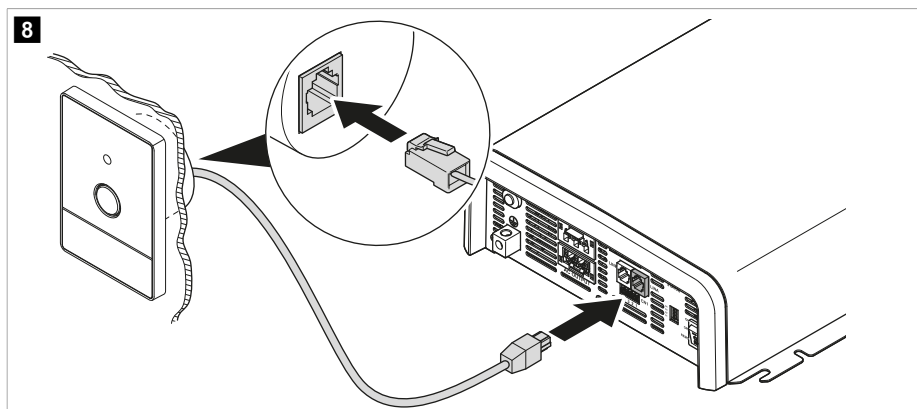
7. Spojite (-) s negativnim polom servisnog akumulatora (sl. **6** na stranici 315, **B: 5**).

8. Priključak uzemljenja priključite na uzemljenje (šasija) sl. **7** na stranici 316.



8.4 Priklučivanje daljinskog upravljanja

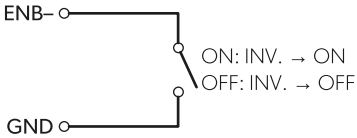
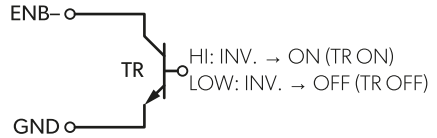
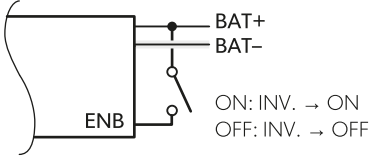
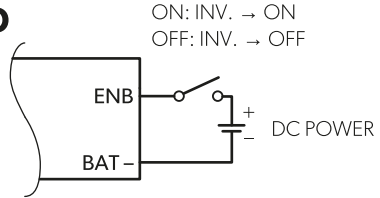
- > Povežite daljinski upravljač s priključkom za daljinski upravljač (LINA ili LINB).







8.5 Priklučivanje vanjske sklopke



UPUTA Ako je priključena vanjska sklopka, status načina rada za uštedu energije ne može se promijeniti.

9 A**B****C****D****UPUTA**

- > Provjerite nije li priključak za daljinski upravljač zauzet.
- > Odaberite jednu od sljedećih odgovarajućih vanjskih sklopki:
 -  sl. **9** na stranici 317, **A**: Vanjska sklopka s napajanjem iz invertera
 -  sl. **9** na stranici 317, **B**: Kontrolna jedinica s relejom ili tranzistorskim krugom (TR)
 -  sl. **9** na stranici 317, **C**: Vanjska sklopka s napajanjem iz akumulatora (BAT) vozila
 -  sl. **9** na stranici 317, **D**: Vanjska sklopka s vlastitim napajanjem (istosmjerno napajanje), npr. od paljenja



UPUTA Provjerite nije li priključak za daljinski upravljač zauzet.

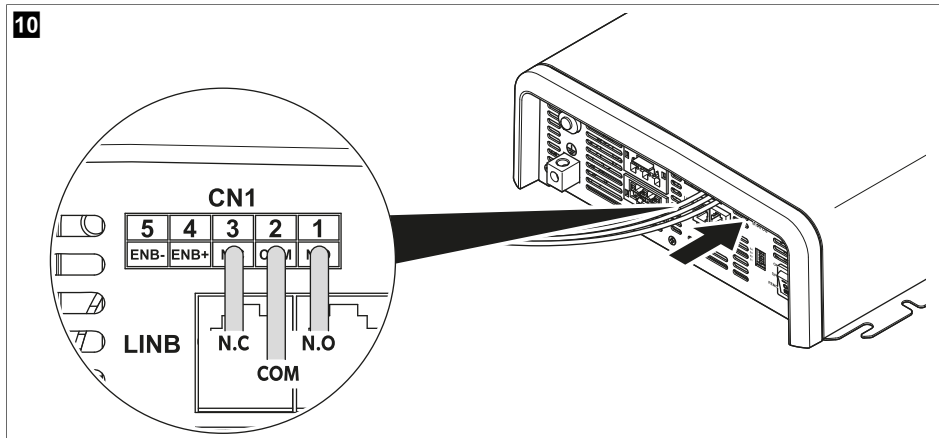
1. Sklopku za uključivanje/isključivanje postavite na **OFF**.
2. Sklopku za uključivanje/isključivanje postavite na **REMO**.
3. Priključite vanjsku sklopku na terminal CN1.

8.6 Priključivanje releja alarma

Relej alarma aktivira se čim napajanje izmjeničnom strujom postane dostupno, a sklopka za prijenos izmjenične struje se zatvori. Relej alarma može se koristiti za sljedeće:

- Na upravljačkoj ploči vozila generirajte signal za otkrivanje izmjeničnog napajanja.
- Uključite i isključite manje kritična opterećenja (npr. apsorpcijski hladnjak, električne sustave grijanja) koja bi se trebala koristiti samo u kombinaciji s napajanjem izmjeničnom strujom.

10



> Priključite relej alarma na pol CN1 ( sl. 10 na stranici 318).

9 Konfiguriranje invertera



Električnu montažu te postavljanje uređaja smije provoditi samo kvalificirani električar koji je pokazao vještinu i znanje vezano za konstrukciju i rad električne opreme i izvođenje instalacija, koji dobro poznaje važeće propise države u kojoj se oprema treba instalirati i/li koristiti i koji je prošao obuku o sigurnosti koja mu omogućava da prepozna i izbjegne opasnosti koje se pri tome javljaju.

Sve ostale radnje namijenjene su također za neprofesionalne korisnike.



OPASNOST! Opasnost od strujnog udara

- > Zaštitni poklopac skidajte s DIP sklopke samo radi konfiguracije.
- > Zamijenite zaštitni poklopac kako biste spriječili slučajno podešavanje DIP sklopke.
- > Za konfiguraciju **TN mreže**: provjerite je li instaliran zaštitni uređaj za struju kvara (RCD).
- > Za konfiguraciju **IT mreže**: Upravljajte samo jednim opterećenjem ili ugradite uređaj za nadzor izolacije (IMD). Pridržavajte se nacionalnih normi.



UPUTA



Koristite mali odvijač kako biste pažljivo pomakli DIP sklopke u željeni položaj.

Postavke na inverteru mogu se podesiti putem DIP sklopki ili priključivanjem daljinskog upravljača koji podržava CI-BUS.

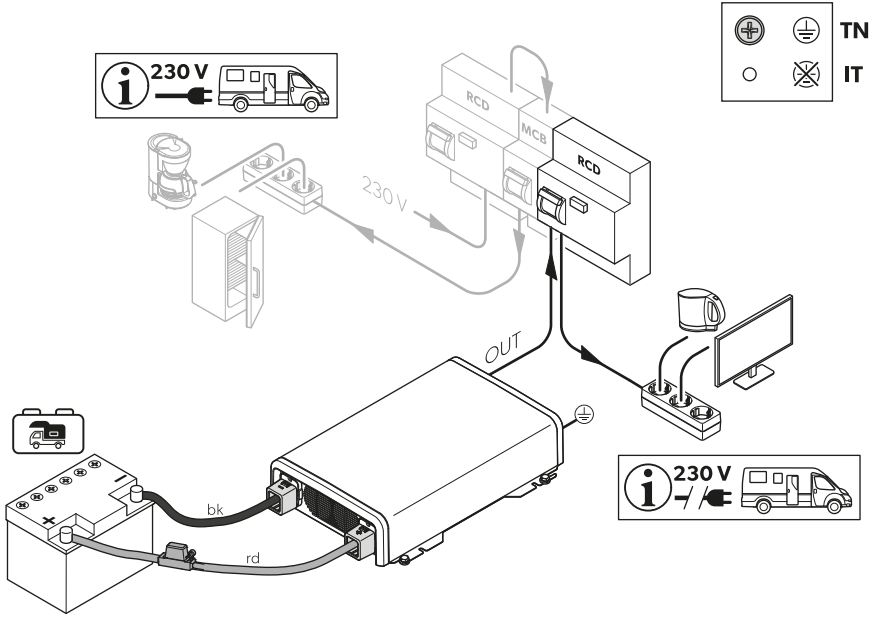
Uređaj na početku koristi tvorničku konfiguraciju. Ako je potrebno, pomaknite DIP sklopke kako biste prilagodili konfiguraciju.

- > DIP sklopku **S1** pomaknite na **On** za **lokalne** postavke pomoću DIP sklopki.
- > Pomaknite DIP prekidač **S1** na **Off** za **vanjsku** postavku pomoću daljinskog upravljača.

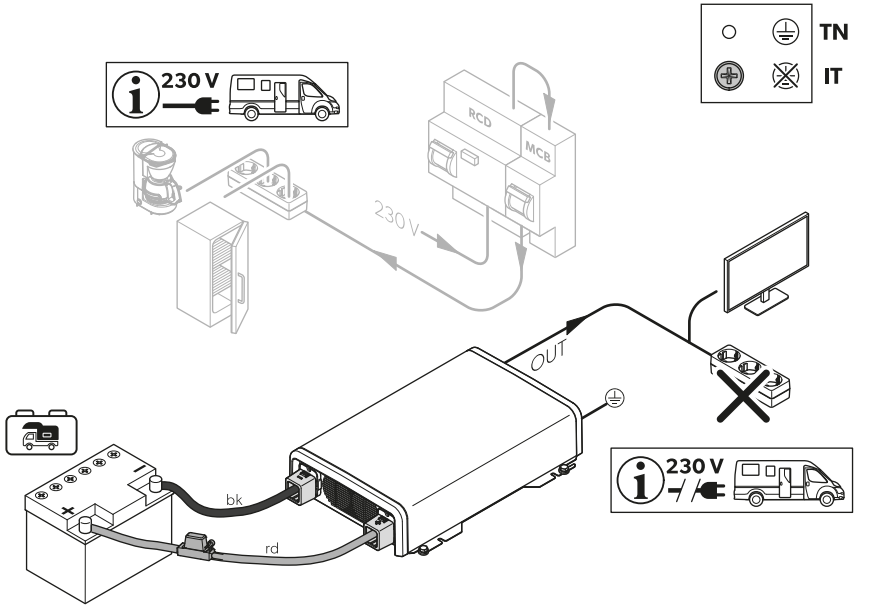
9.1 Postavke DIP sklopke

Konfiguracija		Položaj DIP sklopke				
		S1	S2	S3	S4	S5
Settings	Lokalne postavke s pomoću DIP sklopke	uklju- čuje	-	-	-	-
	Vanjska postavka s pomoću daljinskog upravljača	Isklj.	-	-	-	-
Napon električne mreže	240 V/60 Hz	-	uklju- čuje	-	-	-
	230 V/50 Hz	-	Isklj.	-	-	-
Način rada za uštedu energije	Energy-saving mode is activated when the load is ≤ 45 W	-	-	uklju- čuje	uklju- čuje	-
	Inverter switches to normal operation when the load is ≥ 45 W					
	Način rada za uštedu energije aktivira se kada je opterećenje ≤ 45 W	-	-	uklju- čuje	Isklj.	-
	Inverter se prebacuje na normalan rad kada je opterećenje ≥ 45 W					
	Inverter se automatski isključuje nakon 20 minuta rada u načinu rada za uštedu energije					
	Način rada za uštedu energije aktivira se kada je opterećenje ≤ 1 W	-	-	Isklj.	Isklj.	-
Inverter se prebacuje na normalan rad kada je opterećenje ≥ 1 W						
Mrežni sustav	Način rada za uštedu energije aktivira se kada je opterećenje ≤ 1 W	-	-	Isklj.	uklju- čuje	-
	Inverter se prebacuje na normalan rad kada je opterećenje ≥ 1 W					
	Inverter se automatski isključuje nakon 20 minuta rada u načinu rada za uštedu energije					
	IT mreža ( sl. 12 na stranici 320)	-	-	-	-	uklju- čuje
	TN mreža ( sl. 11 na stranici 320)	-	-	-	-	Isklj.

11

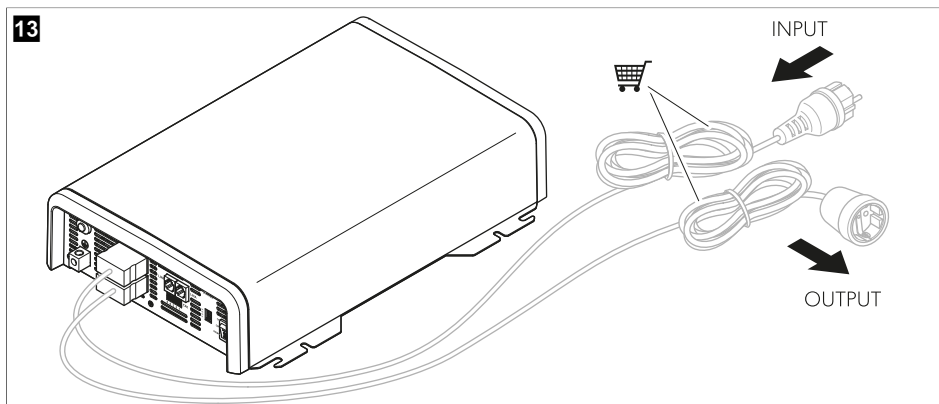


12



10 Rad

10.1 Upotreba uređaja koji rade na 230 V



UPUTA

Spajajte samo uređaje čije ukupno opterećenje ne premašuje vrijednosti navedene u Tehnički podaci na stranici 323.

- > Priključite 230 V uređaje kako je prikazano (sl. 13 na stranici 321).

10.2 Uključivanje i isključivanje invertera



UPUTA

- Ako inverterom treba upravljati daljinskim upravljačem, prekidač za uključivanje/isključivanje mora biti postavljen u položaj **II**.
- Ako inverterom treba kontrolirati pomoću vanjske sklopke, prekidač za uključivanje/isključivanje mora biti postavljen u položaj **0**.

- > Da biste uključili inverter, prekidač za uključivanje/isključivanje postavite na položaj **I**.
- > Da biste isključili inverter, prekidač za uključivanje/isključivanje postavite na položaj **0**.
- > Inverter možete uključivati i isključivati daljinskim upravljačem ili vanjskom sklopkom.

11 Čišćenje i održavanje



UPOZORENJE! Opasnost od strujnog udara

Razdvojite uređaj od napajanja prije čišćenja i održavanja.



POZOR! Opasnost od oštećenja

- > Nikad ne perite uređaj pod mlazom tekuće vode ni u vodi pripremljenoj za pranje posuđa.
- > Za čišćenje nemojte upotrebljavati oštre ni tvrde predmete, abrazivna sredstva za čišćenje ni izbjeljivač jer oni mogu oštetiti uređaj.

- > Provjerite da na otvorima za dovod i odvod zraka na uređaju nema prašine i prljavštine kako bi se toplina mogla odvoditi.
- > Po potrebi očistite uređaj mekanom i vlažnom krpom.
- > Redovito provjeravajte ima li na kabelima ili vodovima pod naponom oštećenja izolacije, prekida ili labavih spojeva.

12 Uklanjanje smetnji

Smetnja	Mogući uzrok	Rješenje
Inverter ne funkcionira. LED indikator statusa je isključen.	Generiran je kratki spoj.	<ul style="list-style-type: none"> > Nakon što je proradio zbog previsoke struje, osigurač uređaja mora zamijeniti ovlašteni servis.
	Oštećenja izolacije, prekidi ili labavi spojevi na kabelima pod naponom.	<ul style="list-style-type: none"> > Provjerite ima li na kabelima pod naponom oštećenja izolacije, prekida ili labavih spojeva. Ako ne možete pronaći grešku, obratite se ovlaštenom servisu.
Inverter ne funkcionira. LED indikator statusa sporo bljeska.	Zaštita od velike ulazne struje.	Smanjite priključena opterećenja.
	Isključivanje zbog visoke temperature.	<ol style="list-style-type: none"> 1. Isključite inverter i priključena opterećenja. 2. Provjerite nisu li ulazi i izlazi za zrak prekriveni ili začepljeni. 3. Pričekajte da se inverter ohladi.
	Generiran je kratki spoj.	Nakon što je proradio zbog previsoke struje, osigurač uređaja mora zamijeniti ovlašteni servis.
Inverter ne funkcionira. LED indikator statusa brzo bljeska.	Isključivanje zbog prenapona. Napon akumulatora je previsok.	<ul style="list-style-type: none"> > Smanjite priključene napone. Inverter se automatski ponovno pokreće kada napon padne na vrijednost za ponovno pokretanje (pogledajte poglavlje Isključivanje u slučaju prenapona na stranici 324). > Ako se pogreška i dalje javlja: povećajte presjeka kabela. Smanjite duljinu kabela.
	Isključivanje zbog podnapona. Napon akumulatora previše je nizak.	<ul style="list-style-type: none"> > Pričekajte da se akumulator polako napuni. Inverter se automatski ponovno pokreće kada napon premaši vrijednost za ponovno pokretanje (pogledajte poglavlje Isključivanje u slučaju podnapona na stranici 324).

13 Jamstvo

Primjenjuje se zakonom propisano jamstveno razdoblje. Ako je proizvod neispravan, obratite se podružnici proizvođača u svojoj državi (pogledajte dometic.com/dealer) ili svojem trgovcu na malo.

Za potrebe popravaka i obrade jamstva pri slanju uređaja priložite sljedeće dokumente:

- presliku računa s datumom kupnje
- razlog reklamacije ili opis kvara

Obratite pozornost da samostalni ili nestručni popravak može imati negativne posljedice na sigurnost i uzrokovati gubitak jamstva.

14 Odlaganje u otpad

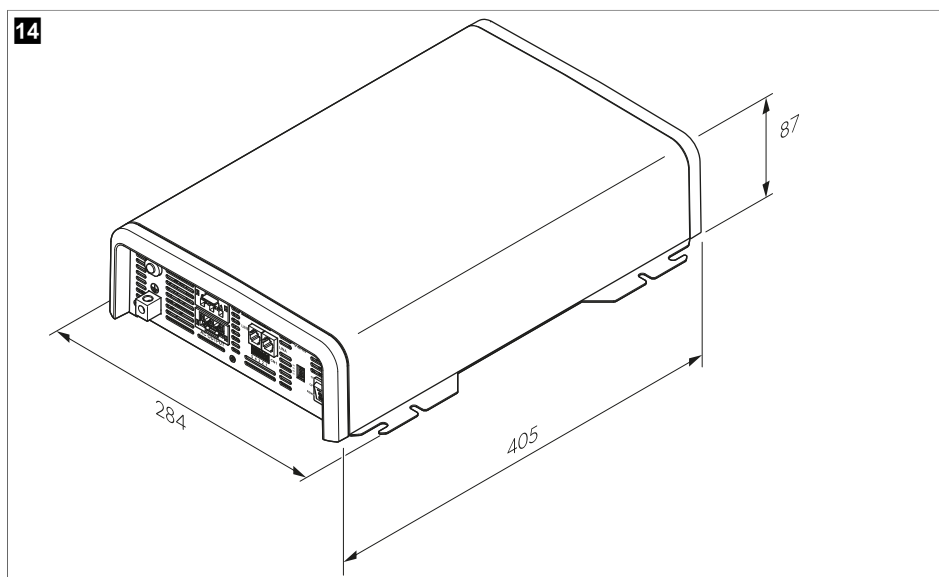


Odložite ambalažu u odgovarajuće kante za reciklažu otpada gdje god je to moguće.


Za detalje o odlaganju proizvoda u otpad, zatražite od svog lokalnog centra za recikliranje ili specijaliziranog trgovca pojediniosti o tomu kako to učiniti u skladu s važećim propisima o odlaganju u otpada.

Proizvod se može besplatno odložiti u otpad.

15 Tehnički podaci



	DPSI 1812	DPSI 1824
Nominalni ulazni napon	12 V _{DC}	24 V _{DC}
Raspon ulaznog napona	10 ... 16,5 V _{DC}	20 ... 33 V _{DC}
Kontinuirana izlazna snaga P _{nom}	1800 W	1800 W
Maksimalna izlazna snaga (10 min)	1800 W	1800 W
Maksimalna izlazna snaga (3 min)	2070 W	2070 W
Maksimalna snaga prenapona ² sP ()	3600 W	3600 W

	DPSI 1812	DPSI 1824
Potrošnja struje u stanju mirovanja	$\leq 2,5 \text{ A}$	$\leq 1,3 \text{ A}$
Potrošnja struje u stanju pripravnosti	$\leq 0,2 \text{ A}$	$\leq 0,1 \text{ A}$
Dimenzije	 sl. 14 na stranici 323	
Težina	5,5 kg	5,5 kg

15.1 Opći tehnički podaci

Raspon izlaznog napona	230/ 240 V $\sim \pm 3 \%$
Izlazna frekvencija	50/60 Hz $\pm 0,3$ Hz
Izlazni valni oblik	Čisti sinusni val
Izobličenje THD	THD $\leq 3 \%$ pri P_{nom} (otporsko opterećenje)
Vršna učinkovitost	90 %
Okolna temperatura za rad	$-20 \dots 60 \text{ }^\circ\text{C}$
Okolna temperatura za skladištenje	$-30 \text{ }^\circ\text{C} \dots 70 \text{ }^\circ\text{C}$
Okolna vlaga	0 ... 95 %, non-condensing
Ispitivanje/certifikacija	



15.2 Isključivanje u slučaju podnapona

	Vrijednost za isključivanje	Vrijednost za ponovno pokretanje
DPSI1812	10 V	12 V
DPSI1824	20 V	24 V

15.3 Isključivanje u slučaju prenapona

	Vrijednost za isključivanje	Vrijednost za ponovno pokretanje
DPSI1812	16,5 V	15,5 V
DPSI1824	33 V	31 V

Türkçe

1	Önemli notlar.....	325
2	Sembollerin açıklanması.....	325
3	Güvenlik uyarıları.....	326
4	Teslimat kapsamı.....	329
5	Aksesuar.....	329
6	Amacına Uygun Kullanım.....	329
7	Teknik açıklama.....	330
8	Montaj.....	332
9	İnvertörün yapılandırılması.....	338
10	Kullanım.....	341
11	Temizlik ve bakım.....	341
12	Arızaların Giderilmesi.....	342
13	Garanti.....	342
14	Atık İmhası.....	343
15	Teknik Bilgiler.....	343

1 Önemli notlar

Bu ürünü doğru monte ettiğinizden ve ürünün daima kullanıma hazır olduğundan emin olmak için, lütfen tüm talimatları ve bu ürün kılavuzunda verilen kılavuzları ve uyarıları dikkatlice okuyunuz. Bu talimatlar bu ürün ile birlikte SAKLANMALIDIR.

Bu ürünü kullandığınızda tüm talimatları, kılavuzları ve uyarıları dikkatlice okuduğunuzu ve anladığınızı ve hükümlere ve koşullara bu sözleşmede yer alıyormuş gibi uyaçağınıza onay verirsiniz. Bu ürünü sadece amacına ve uygulamaya uygun ve talimatlara, kılavuzlara ve uyarılara uygun bu ürün kılavuzu ile geçerli yasalara ve yönetmeliklere uygun olarak kullanacağınızı kabul ediyorsunuz. Talimatların ve uyarıların burada verildiği gibi okunmaması veya bunlara uyulmaması sonucu kendiniz ve diğer insanlar yaralanabilir veya ürününüz veya yakınında bulunan diğer mallar hasar görebilir. Talimatlar, kılavuzlar ve uyarılar da dahil, bu ürün kılavuzu ve buna ait olan dokümanlarda değişiklikler ve güncellemeler yapılabilir. Güncel ürün bilgileri için lütfen documents.domestic.com adresini ziyaret edin.

2 Sembollerin açıklanması

Bir sinyal sözcüğü, güvenlik ve maddi hasar mesajlarını tanımlar ve ayrıca tehlikenin ciddiyet derecesini veya seviyesini gösterir.



TEHLİKE!

Ölenmediğinde, can kaybı veya ağır bir yaralanmaya neden olan tehlikeli bir durumu gösterir.



UYARI!

Ölenmediğinde, can kaybı veya ağır bir yaralanmaya neden olabilecek tehlikeli bir durumu gösterir.



DİKKAT!

Ölenmediğinde, hafif veya orta derecede bir yaralanmaya neden olabilecek tehlikeli bir durumu gösterir.



İKAZ!

Ölenmediğinde, maddi hasara neden olabilecek bir durumu gösterir.



NOT Ürünün kullanılması ile ilgili ek bilgiler.

3 Güvenlik uyarıları

Ayrıca araç üreticisinin ve servis atölyelerinin öngördüğü güvenlik uyarılarına ve koşullara uyun.

3.1 Genel güvenlik



TEHLİKE! Elektrik çarpması tehlikesi

- > Açıktaki kablolarla çıplak elle dokunmayın.
- > Cihazın AC güç kaynağıyla bağlantısını hızlı bir şekilde kesebilmek için, prizden cihaza yakın ve kolayca erişilebilir olması gerekir.



UYARI! Elektrik çarpması tehlikesi

- > Cihazın montajı ve sökülmesi sadece kalifiye personel tarafından gerçekleştirilmelidir.
- > Cihazın kendisi veya bağlantı kablosu gözle görülür şekilde hasar görmüşse cihazı çalıştırmayın.
- > Bu cihazın güç kablosu hasarlı ise, güvenlik tehlikelerinin önlenmesi için güç kablosu derhal değiştirilmelidir.
- > Bu cihazda sadece usta elemanlar tarafından onarım yapılmalıdır. Doğru yapılmayan onarımlar mühim tehlikelere sebep olabilir.
- > Yalnızca üretici tarafından tavsiye edilen aksesuarları kullanın.
- > Bileşenlerin hiçbirinde hiçbir şekilde değişiklik veya uyarlama yapmayın.
- > Cihaz kullanılırken hiçbir kabloyu bağlantısından ayırmayın.
- > Cihazı güç kaynağından ayırın:
 - Kullanım sonrası
 - Her temizlik ve bakımdan önce
 - Sigorta değiştirmeden önce



UYARI! Yangın tehlikesi/Yanııcı Maddeler

Yangın çıkması durumunda, elektrikli cihazlar için uygun bir yangın söndürücü kullanın.



UYARI! Oksijensiz kalma rizikosü

Cihazın kablosu ve kontrol ünitesi doğru şekilde düzenlenmediği takdirde, ezilme, dolanma, boğulma ve takılma risklerine yol açabilir. Fazla kablo bağlarının ve güç kablolarının güvenli bir şekilde düzenlendiğinden emin olun.



UYARI! Sağlık için tehlike

- > Bu cihaz, gözetim altında olmaları veya cihazın güvenli bir şekilde kullanımıyla ilgili talimatların verilmesi ve tehlikeleri anlamaları halinde, 8 yaş ve üzeri çocuklar ve fiziksel, duyuşsal veya zihinsel yetenekleri kısıtlı veya deneyim ve bilgi eksikliği olan kişiler tarafından kullanılabilir.
- > **Elektronik cihazlar çocuk oyuncuğı değildir!** Cihazı, küçük çocukların erişemeyeceğı bir yerde saklayın ve kullanın.
- > Bu cihazla oynamadıklarından emin olmak için, çocuklar daima gözetilmelidir.
- > Temizlik ve kullanıcı bakımı gözetimsiz olarak çocuklar tarafından yapılmamalıdır.



İKAZ! Hasar tehlikesi

- > Başlatmadan önce, veri plakasındaki voltaj ile güç kaynağının voltajının aynı olup olmadığını kontrol edin.
- > Diğer nesnelere cihazın kontaklarında bir kısa devreye sebep **olmayacağından** emin olun.
- > Eksi ve artı kutupların birbirine **asla** temas etmemesine dikkat edin.

- > Bağlantı kablolarını çekmeyin veya kabloları tutamak olarak kullanmayın.
- > Cihaz yağmura veya neme maruz kalmamalıdır. Kuru bir yerde saklayın.

3.2 Cihazın güvenli bir şekilde monte edilmesi



TEHLİKE! Patlama tehlikesi

- > Cihazı yalnızca kapalı ve iyi havalandırılan yerlere monte edin ve işletin.
- > Cihazı aşağıdaki koşullarda **monte etmeyin veya işletmeyin**:
 - Tuzlu, ıslak veya nemli ortamlarda
 - Aşındırıcı dumanların yakınında
 - Yanıcı maddelerin yakınında
 - Isı kaynaklarının yakınında (ısıtıcılar, doğrudan güneş ışığı, gazlı fırınlar, vb.)
 - Gaz veya toz patlaması riski olan alanlarda



UYARI! Yaralanma riski

- > Cihazın güvenli bir şekilde durduğundan emin olun. Cihazın devrilmesini ve düşmesini önleyecek şekilde güvenli bir şekilde yerleştirilmesi ve sabitlenmesi gerekmektedir.
- > Cihazı konumlandırırken, herhangi bir takılarak düşme tehlikesini önlemek için tüm kabloların uygun şekilde sabitlendiğinden emin olun.



İKAZ! Hasar tehlikesi

- > Cihazı, su sıçramasına karşı korunan kuru bir yere yerleştirin.
- > Her zaman topraklanmış ve kaçak akım devre kesicileri ile emniyete alınmış prizler kullanın

3.3 Cihazın elektrik bağlantılarını yaparken güvenlik



TEHLİKE! Elektrik çarpması tehlikesi

Elektrik sistemleri üzerinde çalışıyorsanız, acil durumlarda size yardımcı olabilecek birinin yakınızdaki olduğundan emin olun.



UYARI! Elektrik çarpması tehlikesi

- > Tavsiye edilen kablo kesitlerine uyun.
- > Kabloları, kapılar veya kaporta nedeniyle zarar görmeyecek şekilde döşeyin. Ezilmiş kablolar ciddi yaralanmalara neden olabilir.



İKAZ! Hasar tehlikesi

- > Kabloları, metal paneller veya keskin kenarlı diğer panellerin arasına döşemek gerekiyorsa kanal sistemi veya kablo kanalları kullanın.
- > 230 V şebeke kablosu ile 12 V DC kablosunu aynı kanala **döşemeyin**.
- > Kabloları gevşek veya çok bükülmüş olacak şekilde **döşemeyin**.
- > Kabloları güvenli bir şekilde sabitleyin.

3.4 Aküler üzerinde çalışma yaparken alınacak güvenlik önlemleri



UYARI! Yaralanma riski

- > Aküler agresif ve yakıcı asitler içerir. Akü sıvısının vücudunuzla temas etmesini önleyin. Cildiniz akü sıvısıyla temas ederse, vücudunuzun o kısmını su kullanılarak iyice yıkayın. Asitlerden dolayı herhangi bir yaralanma yaşarsanız, derhal bir doktora başvurun.

- > Akü ile çalışırken saat veya yüzük gibi metal nesnelere takmayın. Kurşun asitli aküler, ciddi yaralanmalara neden olabilecek kısa devrelere neden olabilir.
- > Yalnızca yalıtımlı aletler kullanın.
- > Akünün üzerine herhangi bir metal parça koymayın ve metal parçaların akünün üzerine düşmesini önleyin. Bu, kıvılcımlara veya akü ve diğer elektrikli parçalarda kısa devrelere neden olabilir.
- > Akülerle çalışırken koruyucu gözlük ve koruyucu giysi kullanın. Akülerle çalışırken gözlerinize dokunmayın.
- > Yalnızca şarj edilebilir aküler kullanın.
- > Hasarlı aküleri kullanmayın.



DİKKAT! Patlama tehlikesi

- > Asla donmuş veya hasarlı bir aküyü şarj etmeye çalışmayın. Aküyü buzlanma olmayan bir alana yerleştirin ve akü ortam sıcaklığına alışana kadar bekleyin. Ardından şarj işlemini başlatın.
- > Motorun veya akünün yakınında sigara içmeyin, açık alev kullanmayın veya kıvılcım oluşmasına neden olmayın.
- > Aküyü ısı kaynaklarından uzak tutun.



İKAZ! Hasar tehlikesi

- > Aküyü bağlarken kutupların doğru olduğundan emin olun.
- > Akü üreticisinin ve akünün kullanıldığı sistemin veya aracın üreticisinin talimatlarına uyun.
- > Akünün çıkarılması gerekiyorsa, önce toprak bağlantısını kesin. Aküyü çıkarmadan önce tüm bağlantıları ve tüm tüketicileri aküden ayırın.
- > Aküleri yalnızca tamamen şarj olmuş halde depolayın. Depolanmış aküleri düzenli olarak şarj edin.
- > Aküyü bağlantı uçlarından tutarak taşımayın.

3.5 Cihazı çalıştırırken güvenlik



UYARI! Elektrik çarpması tehlikesi

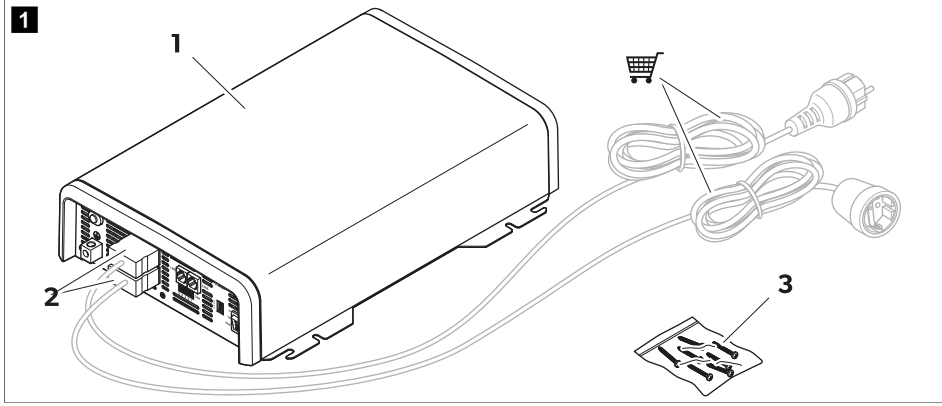
- > Cihazı ıslak koşullarda kullanmayın veya herhangi bir sıvıya daldırmayın.
- > Cihazı çalıştırmadan önce, güç kaynağı hattının ve fişin kuru olduğundan, fişte pas veya kir bulunmadığından emin olun.
- > Sigorta atmış olsa bile cihazın parçalarının gerilim iletebileceğini unutmayın.



İKAZ! Hasar tehlikesi

- > Cihazın hava giriş ve çıkışlarının kapalı olmadığından emin olun.
- > İyi bir havalandırma sağlayın.

4 Teslimat kapsamı



Numara	Gösterim	Miktar
1	Sinüs dalga invertör	1
2	WAGO konnektör, emniyetli kenetlemeye sahip bağlantı kablosu (230 V~ çıkış için)	2
3	Sabitleme vidaları	6
-	Kurulum ve kullanım kılavuzu	1

5 Aksesuar

Gösterim	Parça No.
DSP-RCT uzaktan kumanda	9600002564
DSP-EM kontrol ünitesi	9600002565
TD283 dokunmatik ekran	9620013272

6 Amacına Uygun Kullanım

İnvertör, bağlı tüketicilerin çalışması ve istikrarlı bir şekilde beslenmesi için doğru akımı 230~ ... 240 V~ saf sinüs dalgalı alternatif gerilime (AC) dönüştürmek üzere tasarlanmıştır.

İnvertör aşağıdaki bağlantılar için tasarlanmıştır:

- DPSI1812iTS: 12 V_{DC}
- DPSI1824iTS: 24 V_{DC}

İnvertör aşağıdakiler için uygundur:

- Eğlence ve dinlenme araçlarına (RV), kamyonlara, ticari araçlara veya motorlu ve yelkenli yatlarla montaj
- Sabit veya mobil kullanım
- İç mekan kullanımı

İnvertör şunlar için uygun **değildir**:

- Dış mekan kullanımı

Bu ürün sadece amacına uygun ve bu talimata göre kullanılmalıdır.

Bu kılavuzda ürünün doğru olarak monte edilmesi ve/veya kullanılması için gerekli bilgiler verilmektedir. Doğru yapılmayan montaj ve/veya yanlış işletim ya da bakım, performansın yetersiz olmasına ve olası bir arızaya neden olabilir.

Üretici, aşağıdaki durumların neden olduğu yaralanmalardan veya ürün hasarlarından sorumlu değildir:

- Aşırı voltaj da dahil olmak üzere hatalı kurulum, montaj veya bağlantı
- Yanlış bakım veya üretici tarafından sağlanan orijinal yedek parçalardan başka yedek parçalar kullanılması
- Üreticisinden açıkça izin almadan cihazda değişiklikler yapılması
- Bu kılavuzda tanımlananların dışında bir amaçlar için kullanıldığında

Dometic ürünün görünümünde ve ürün özelliklerinde değişiklik yapma hakkını saklı tutar.

7 Teknik açıklama

7.1 Genel açıklama

İnvertör, DC'den AC'ye saf sinüs dalgalı bir invertördür.

İnvertör bir öncelik devresi ile donatılmıştır. 230 V~ şebeke mevcutsa, bu harici besleme, eğlence ve dinlenme araçındaki prizleri beslemek için kullanılır. 230 V~ şebeke beslemesi yoksa, invertör akünün doğru akımını alternatif akıma dönüştürür ve bağlı tüketiciler için besleme sağlar.

İnvertör aşağıdaki şebeke sistemlerinde çalıştırılabilir:

- TN şebeke
- IT şebeke

Şebeke sistemleri invertör üzerindeki bir vida aracılığıyla ayarlanır.

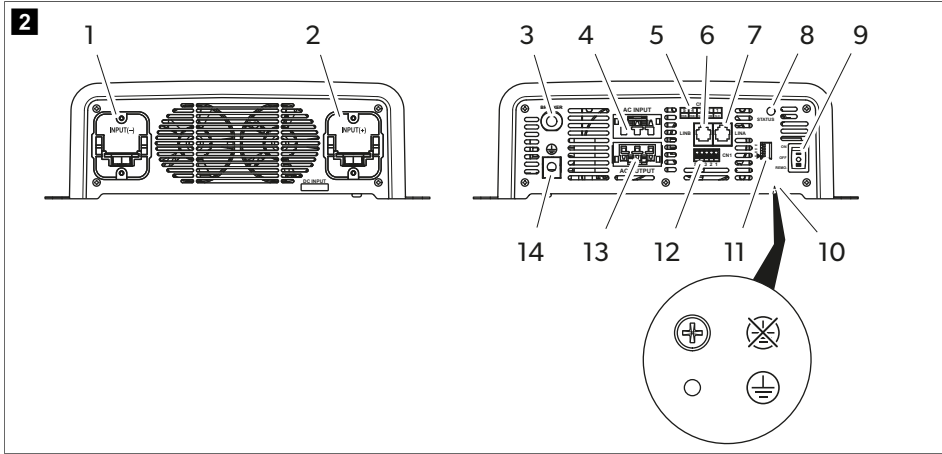
İnvertör, boşta çalışma tüketimini azaltmak ve akü üzerindeki yükü en aza indirmek için enerji tasarrufu moduna geçirilebilir.

İnvertör aşağıdaki koruyucu sistemlere sahiptir:

- **Aşırı gerilimde kapanma:** Gerilim, kesme değerini aştığında invertör kapanır. Gerilim, yeniden başlatma değerine düştüğünde invertör otomatik olarak yeniden başlatılır.
- **Düşük gerilimde kapanma:** Gerilim, kesme değerinin altına düştüğünde invertör kapanır. Gerilim yeniden başlatma değerini aştığında invertör otomatik olarak yeniden başlatılır.
- **Yüksek sıcaklıkta kapanma:** Cihazın iç sıcaklığı kesme değerini aştığında invertör kapanır. Dahili sıcaklık yeniden başlatma değerine düştüğünde invertör otomatik olarak yeniden başlatılır.
- **Yüksek çıkış akımı koruması:** Çok fazla yük bağlandığında invertör kapanır.
- **Kısa devreye karşı koruma:** Bir kısa devre oluştuğunda invertör kapanır. İnvertör birkaç saniye sonra otomatik olarak yeniden başlatılır. Art arda beş kez kısa devre algılanırsa, invertör otomatik olarak yeniden başlamaz ve manuel yeniden başlatma gerekir.

İnvertör, dokunmatik ekranda (aksesuarlar) ve mobil uygulamada veri ve fonksiyon gösterimi için N-BUS ve CI-BUS özelliklerine sahiptir.

7.2 Kontrol elemanları ve bağlantılar



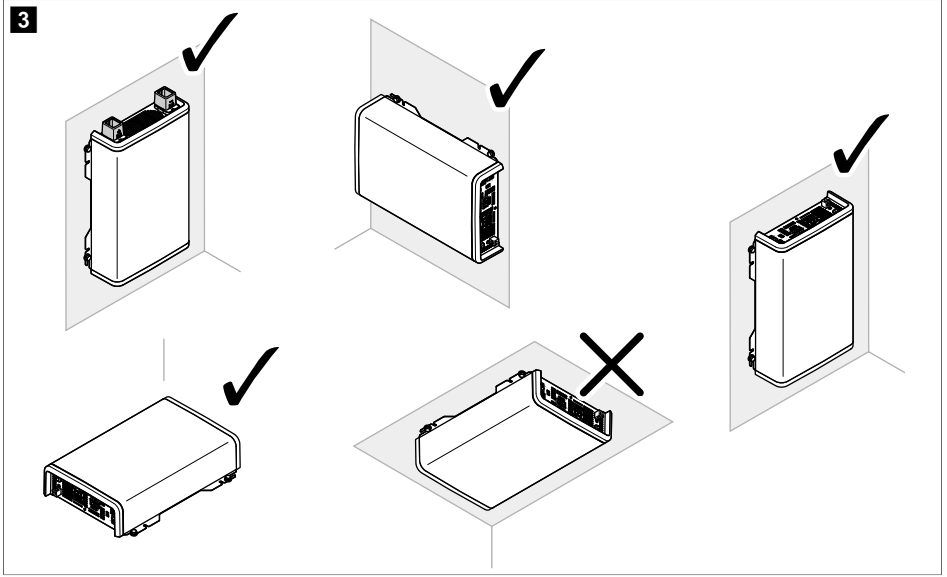
No.	Gösterim
1	(-) bağlantı noktası, araç içi akünün eksi kutbuna bağlantı
2	(+) bağlantı noktası, araç içi akünün artı kutbuna bağlantı
3	Harici giriş için sigorta
4	AC girişi
5	CN1 bağlantı noktası
6	CI BUS/N Bus/uzaktan kumanda bağlantısı (LINB)
7	CI BUS/N Bus/uzaktan kumanda bağlantısı (LINA)
8	Durum gösterge LED'i
9	Açma/Kapatma anahtarı
10	IT/TN şebeke ayarı için vida
11	Dip anahtar
12	Dip anahtar, harici anahtar ve alarm rölesi için bağlantı
13	AC çıkışı
14	Topraklama bağlantısı

7.3 Durum gösterge LED'i

Durum	Adı
On	İnvertör işletimde
Flashing	Hata (bkz. Arızaların Giderilmesi sayfa 342 bölümü)
Off	AC girişi yok, invertör devre dışı

8 Montaj

8.1 Montaj yeri



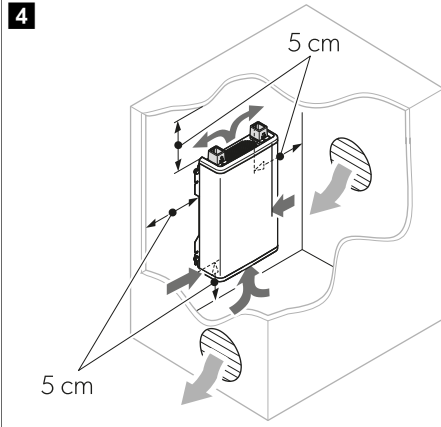
İKAZ! Hasar tehlikesi

Herhangi bir delik delmeden önce, elektrik kablolarının veya aracın diğer parçalarının delme, kesme ve eğileme nedeniyle zarar görmeyeceğinden emin olun.




NOT

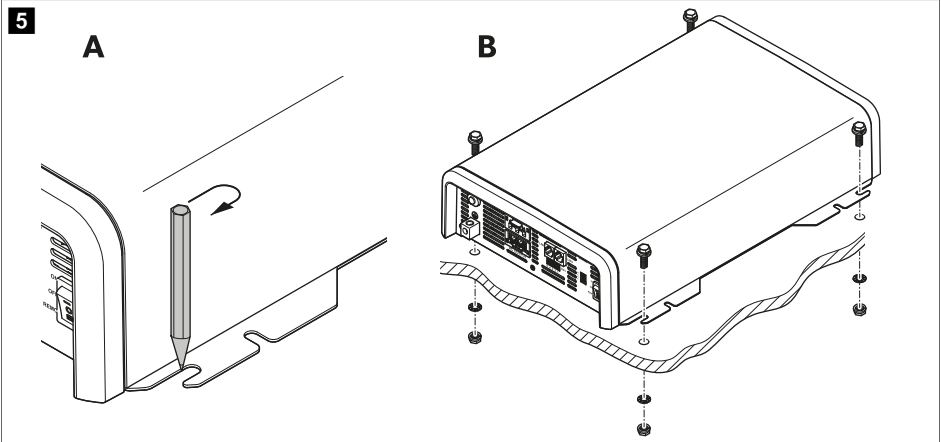
İnvertör zemine oturtularak veya asılı olarak monte edilebilir ( şekil **3** sayfa 332).





Montaj yeri seçerken aşağıdaki talimatlara uyun:

- Montaj yüzeyinin düz ve sağlam olduğundan emin olun.
- Yeterli havalandırma için mesafe spesifikasyonlarına uyun ( şekil **4** sayfa 333).

8.2 İnvörtörün montajı



1. Seçilen montaj tipine (zemine oturtularak veya asma) bağlı olarak uygun montaj deliklerini seçin ve delikleri işaretleyin ( şekil **5** sayfa 333, **A**).
2. Montaj deliklerini önceden delin.
3. İnvörtörü yerine vidalayın ( şekil **5** sayfa 333, **B**).

8.3 İnvvertörün bağlanması



Cihazın elektrik montajı ve devreye alınması, elektrikli ekipmanların yapısı, çalıştırılması ve montajı konusunda bilgi ve beceriye sahip, ekipmanın montajının yapılacağı ve/veya kullanılacağı ülkenin geçerli düzenlemelerine aşına olan, ilgili tehlikeleri belirlemek ve bunlardan kaçınmak için güvenlik eğitimi almış kalifiye bir teknisyen tarafından yapılmalıdır.

Diğer tüm işlemler, profesyonel olmayan kullanıcılar tarafından yapılacak şekilde tasarlanmıştır.



UYARI! Elektrik çarpması tehlikesi

Önerilen kablo kesitlerine, kablo uzunluklarına ve sigorta değerine uyun.



DİKKAT! Yangın tehlikesi

Kabloyu kısa devrelerden ve olası yanmalardan korumak için sigortaları akülerin yakınına yerleştirin.



İKAZ! Hasar tehlikesi

- > Polariteyi tersine çevirmeyin.
- > Vidaları ve somunları maksimum 15 Nm torkla sıkın. Gevşek bağlantılar aşırı ısınmaya yol açabilir.

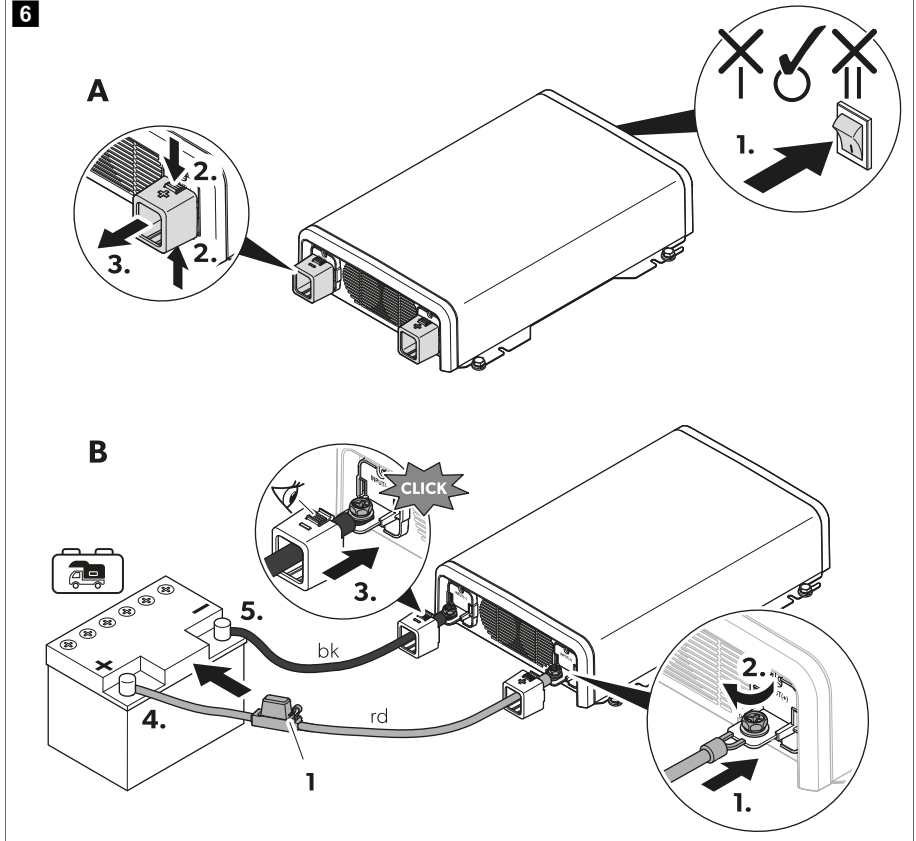
İnvvertörü bağlarken aşağıdaki talimatlara uyun:

- Bir priz çıkış dağıtım devresi (şebeke kurulumu) kurarken geçerli yönetmeliklere uyun.
- DC kablolarının kablo uzunluğunu (akü kutup başlarına bağlantı) ≤ 1 m olacak şekilde mümkün olduğunca kısa seçin.
- **TN şebeke** bağlantısı için: Kaçak akım rölesi (RCD) bağlayın.
- **IT şebeke** bağlantısı için: Birden fazla yük bağlıysa bir yalıtım izleme cihazı (IMD) takın. **Ulusal standartlar uygulanır.**

1. Kablo kesitlerini ve sigortayı belirleyin:

	Kablo kesiti	Kablo sigortası
DPSI1812i- TS	50 mm ²	250 A
DPSI1824i- TS	25 mm ²	150 A

2. Cihazın kapalı olduğunu kontrol edin ( şekil **6** sayfa 335, **A: 1**).



3. Kapakları bağlantı noktalarından ayırın (şekil **6** sayfa 335, **A: 2 – 3**).

4. **İKAZ! Hasar tehlikesi**
Cihazın kısa devre yapmasını önlemek için her zaman önce siyah kabloyu (negatif bağlantı noktası) bağlayın.

Siyah (bk) bağlantı kablosunu (-) bağlantı noktasına bağlayın.

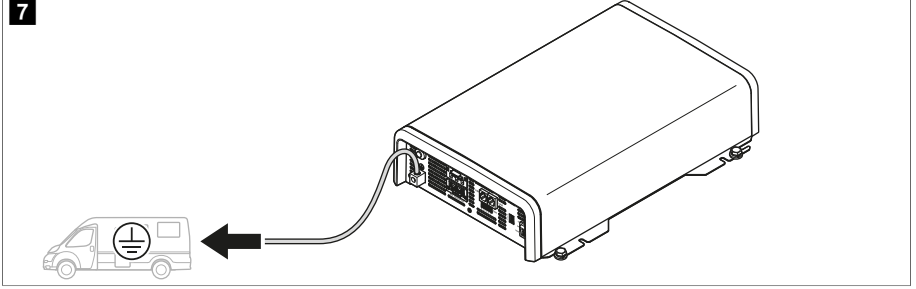
5. Kırmızı (rd) bağlantı kablosunu (+) bağlantı noktasına bağlayın (şekil **6** sayfa 335, **B: 1 – 2**).

6. (+)'yı araç içi akünün artı kutup başına bağlayın (şekil **6** sayfa 335, **B: 4**).

NOT Araç içi akünün artı kablosunu bir sigorta ile koruyun (şekil **6** sayfa 335, **1**).

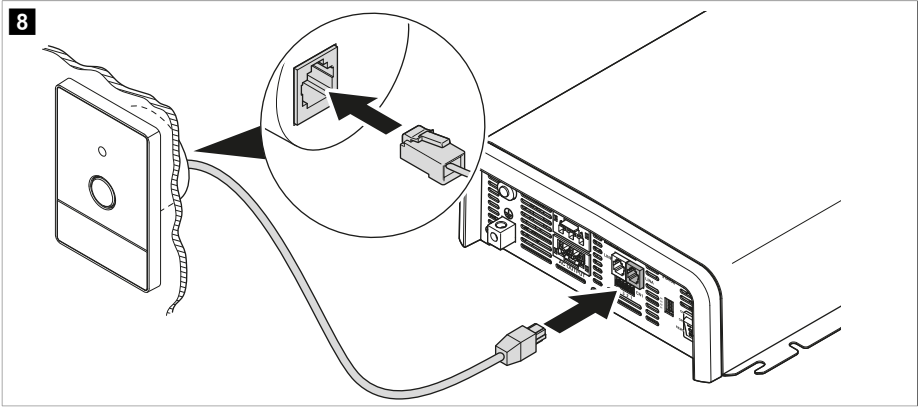
7. (-)'yi araç içi akünün eksi kutup başına bağlayın (şekil **6** sayfa 335, **B: 5**).

8. Toprak bağlantısını toprağa (şasiye) bağlayın şekil **7** sayfa 336.



8.4 Uzaktan kumandanın bağlanması

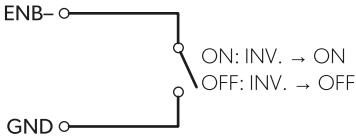
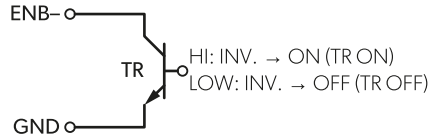
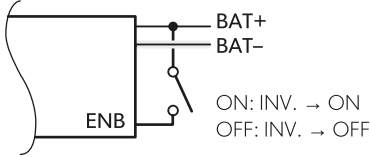
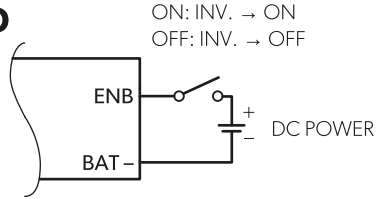
- > Uzaktan kumandayı uzaktan kumanda bağlantısına (LINA veya LINB) bağlayın.







8.5 Harici bir anahtarın bağlanması



NOT Harici bir anahtar bağlıysa, enerji tasarrufu modunun durumu değiştirilemez.

9 A**B****C****D****NOT**

- > Uzaktan kumanda bağlantısının kullanılmadığından emin olun.
- > Aşağıdaki uygun harici anahtarlardan birini seçin:
 -  **şekil 9** sayfa 337, **A**: İnvörtörden beslemeli harici anahtar
 -  **şekil 9** sayfa 337, **B**: Röle veya transistör devresine sahip kontrol ünitesi (TR)
 -  **şekil 9** sayfa 337, **C**: Aracın aküsünden (BAT) beslemeli harici anahtar
 -  **şekil 9** sayfa 337, **D**: Kendi beslemesine (DC POWER) sahip harici anahtar, örn. kontakten

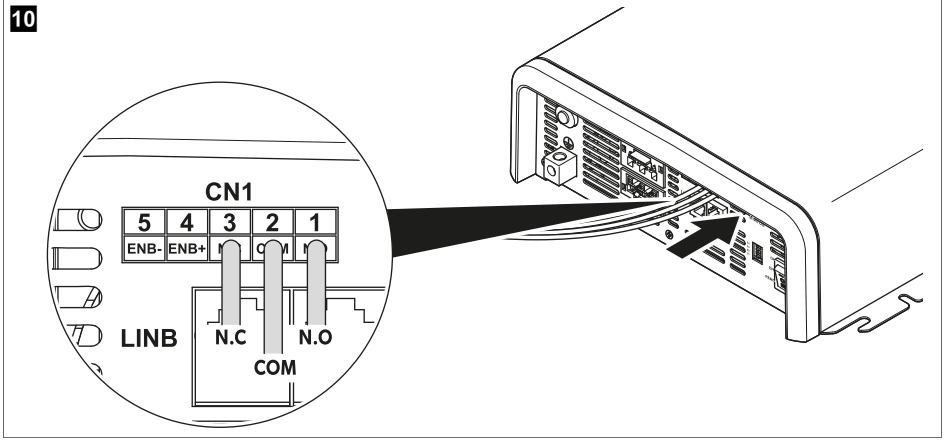
**NOT** Uzaktan kumanda bağlantısının kullanılmadığından emin olun.

1. Açma/kapama anahtarını **OFF** olarak ayarlayın.
2. Açma/kapama anahtarını **REMO** olarak ayarlayın.
3. Harici anahtarı CN1 bağlantı noktasına bağlayın.

8.6 Bir alarm rölesinin bağlanması

AC besleme mevcut olduğunda ve AC transfer anahtarı kapatıldığında alarm rölesi etkinleştirilir. Alarm rölesi şu amaçlar için kullanılabilir:

- Araç kontrol panelinde AC besleme algılama sinyali oluşturmak.
- Sadece AC besleme ile bağlantılı olarak çalıştırılması gereken daha az kritik yükleri (örn. absorpsiyonlu buzdolabı, elektrikli ısıtma sistemleri) açmak ve kapatmak.



- > CN1 bağlantı noktasına bir alarm rölesi bağlayın ( şekil 10 sayfa 338).

9 İnvörtörün yapılandırılması



Cihazın elektrik montajı ve devreye alınması, elektrikli ekipmanların yapısı, çalıştırılması ve montajı konusunda bilgi ve beceriye sahip, ekipmanın montajının yapılacağı ve/veya kullanılacağı ülkenin geçerli düzenlemelerine aşına olan, ilgili tehlikeleri belirlemek ve bunlardan kaçınmak için güvenlik eğitimi almış kalifiye bir teknisyen tarafından yapılmalıdır.

Diğer tüm işlemler, profesyonel olmayan kullanıcılar tarafından yapılacak şekilde tasarlanmıştır.



TEHLİKE! Elektrik çarpması tehlikesi

- > Yapılandırma için yalnızca DIP anahtarındaki koruyucu kapağı çıkartın.
- > DIP anahtarın yanlışlıkla ayarlanmasını önlemek için koruyucu kapağı yerine takın.
- > **TN şebeke** yapılandırması için: Bir kaçak akım rölesinin (RCD) bağlı olduğundan emin olun.
- > **IT şebeke** yapılandırması için: Sadece bir yükü çalıştırın veya bir yalıtım izleme cihazı (IMD) bağlayın. Ulusal standartlara uyun.



NOT



DIP anahtarlarını dikkatli bir şekilde gerekli konuma getirmek için küçük bir tornavida kullanın.

İnvörtör üzerindeki ayarlar DIP anahtarlar veya CI-BUS özellikli bir uzaktan kumanda bağlantısı üzerinden yapılabilir.

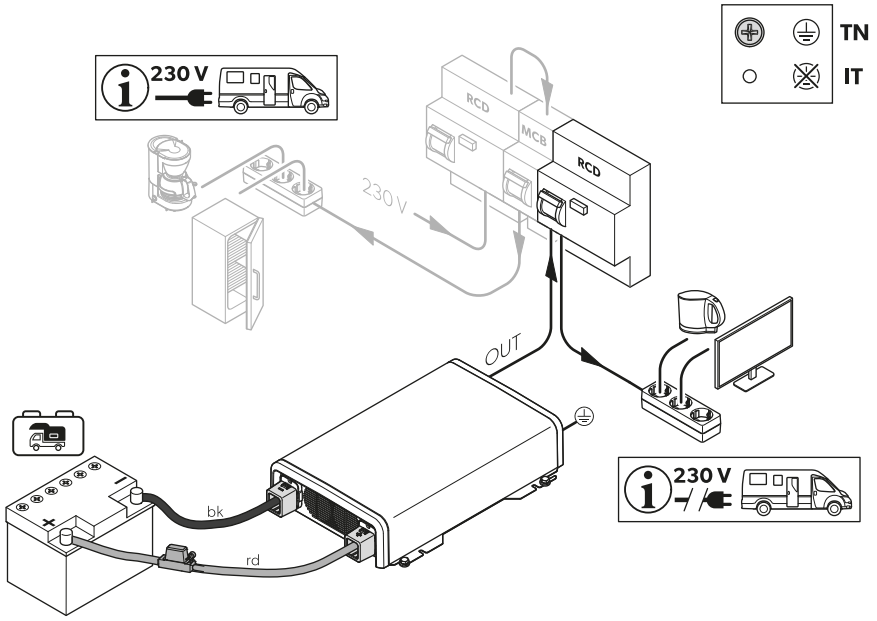
Cihaz başlangıçta fabrika yapılandırmasını kullanır. Gerekirse, yapılandırmayı ayarlamak için DIP anahtarları hareket ettirin.

- > DIP anahtarlar üzerinden **dahili** ayar için **S1** DIP anahtarını **On** konumuna kaydırın.
- > Uzaktan kumanda ile **harici** ayar için **S1** DIP anahtarını **Off** konumuna kaydırın.

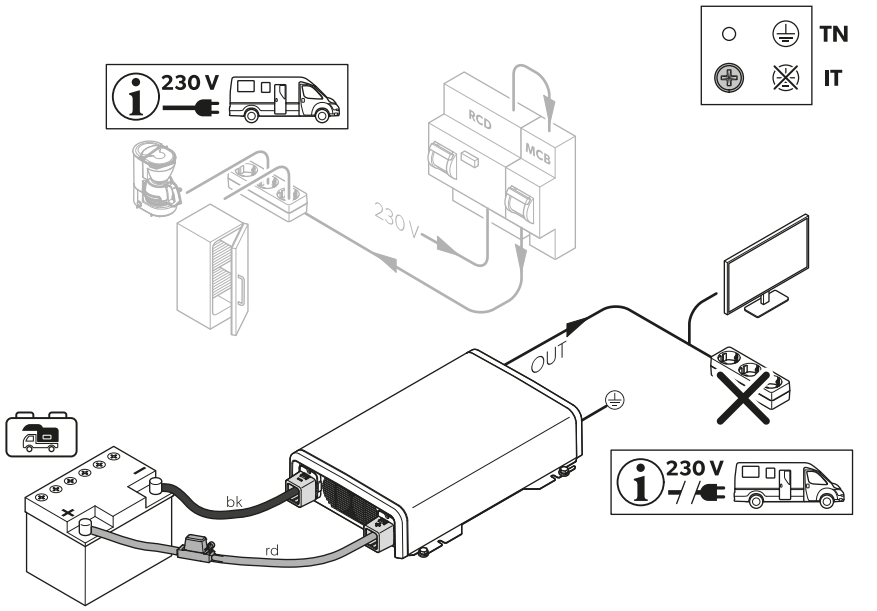
9.1 DIP anahtar ayarları

Yapılandırma		DIP anahtar konumu				
		S1	S2	S3	S4	S5
Settings	DIP anahtar ile dahili ayar	Açık	-	-	-	-
	Uzaktan kumanda ile harici ayar	Kapalı	-	-	-	-
Şebeke gerilimi	240 V/60 Hz	-	Açık	-	-	-
	230 V/50 Hz	-	Kapalı	-	-	-
Enerji tasarrufu modu	Energy-saving mode is activated when the load is ≤ 45 W	-	-	Açık	Açık	-
	Inverter switches to normal operation when the load is ≥ 45 W					
	Yük ≤ 45 W olduğunda enerji tasarrufu modu etkinleştirilir	-	-	Açık	Kapalı	-
	Yük ≥ 45 W olduğunda invertör normal işleme geçer					
	İnvertör, enerji tasarrufu modunda 20 dakika çalıştıktan sonra otomatik olarak kapanır					
	Yük ≤ 1 W olduğunda enerji tasarrufu modu etkinleştirilir	-	-	Kapalı	Kapalı	-
Yük ≥ 1 W olduğunda invertör normal işleme geçer						
Şebeke sistemi	IT şebeke ( şekil 12 sayfa 340)	-	-	-	-	Açık
	TN şebeke ( şekil 11 sayfa 340)	-	-	-	-	Kapalı

11

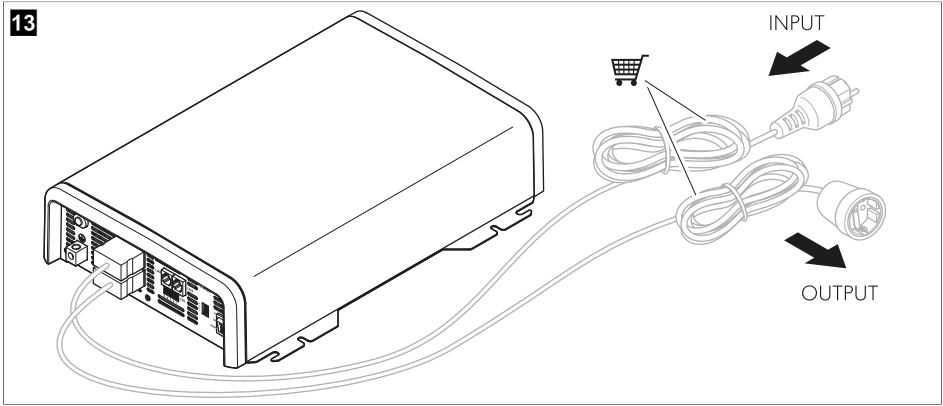


12




10 Kullanım

10.1 230 V cihazların çalıştırılması



NOT

Yalnızca toplam yükü Teknik Bilgiler sayfa 343 içeriğinde listelenen değerleri aşmayan cihazları bağlayın.

- > 230 V cihazları gösterildiği gibi bağlayın ( şekil 13 sayfa 341).

10.2 İnvertörün açılması ve kapatılması



NOT

- İnvertör uzaktan kumanda ile kontrol edilecekse, açma/kapama anahtarı **II** konumuna ayarlanmalıdır.
- İnvertör harici anahtar üzerinden kontrol edilecekse, açma/kapama anahtarı **0** konumuna ayarlanmalıdır.

- > İnvertörü açmak için açma/kapama anahtarını **I** konumuna getirin.
- > İnvertörü kapatmak için açma/kapama anahtarını **0** konumuna getirin.
- > İnvertörü açmak ve kapatmak için uzaktan kumandayı veya harici anahtarı kullanın.

11 Temizlik ve bakım



UYARI! Elektrik çarpması tehlikesi

Cihazı temizlemeden ve bakımını yapmadan önce daima güç kaynağından bağlantısını ayırın.



İKAZ! Hasar tehlikesi

- > Cihazı kesinlikle akan su altında veya bulaşık suyu ile yıkamayın.
- > Cihaza zarar verebileceği için, temizlik sırasında keskin ya da sert nesnelere, aşındırıcı temizlik maddeleri veya çamaşır suyu kullanmayın.
- > Sıvının dağılılabilmesi için cihazın hava girişi ve çıkışı deliklerinin toz ve kirden arındırılmış olduğundan emin olun.

- > Cihazı ara sıra yumuşak, nemli bir bezle temizleyin.
- > Akım taşıyan kabloları veya hatları düzenli olarak yalıtım hataları, kopmalar veya gevşek bağlantılar bakımından kontrol edin.

12 Arızaların Giderilmesi

Sorun	Neden	Çare
İnvertör çalışmıyor. Durum gösterge LED'i yanmıyor.	Kısa devre oluştu.	> Cihaz sigortası, aşırı akım nedeniyle attıktan sonra yetkili servis tarafından değiştirilmelidir.
	Akım taşıyan kablolarda yalıtım arızaları, kopukluklar veya gevşek bağlantılar.	> Akım taşıyan kablolarda yalıtım arızaları, kopmalar veya gevşek bağlantılar olup olmadığını kontrol edin. Bir hata bulamazsanız, yetkili servis personeliyle iletişime geçin.
İnvertör çalışmıyor. Durum gösterge LED'i yavaşça yanıp sönüyor.	Yüksek giriş akımı koruması.	Bağlı olan yükleri azaltın.
	Yüksek sıcaklıkta kapanma.	1. İnvertörü ve bağlı olan yükleri kapatın. 2. Hava giriş ve çıkışlarının kapalı veya tıkalı olmadığını kontrol edin. 3. İnvertörün soğumasına izin verin.
	Kısa devre oluştu.	Cihaz sigortası, aşırı akım nedeniyle attıktan sonra yetkili servis tarafından değiştirilmelidir.
İnvertör çalışmıyor. Durum gösterge LED'i hızlı bir şekilde yanıp sönüyor.	Aşırı gerilimde kapanma. Akü gerilimleri çok yüksek.	> Bağlı olan gerilimleri düşürün. Gerilim yeniden başlatma değerine düştüğünde invertör otomatik olarak yeniden başlatılır (bkz. Aşırı gerilimde kapanma sayfa 344 bölümü). > Hata hala devam ediyorsa: Kablo kesitlerini artırın. Kablo uzunluğunu azaltın.
	Düşük gerilimde kapanma. Akü gerilimleri çok düşük.	> Akünün yavaşça şarj olmasına izin verin. Gerilim yeniden başlatma değerini aştığında invertör otomatik olarak yeniden başlatılır (bkz. Düşük gerilimde kapanma sayfa 344 bölümü).

13 Garanti

Yasal garanti süresi geçerlidir. Üründe hasar varsa üreticinin ülkenizdeki şubesi (bkz. dometic.com/dealer) veya satıcınızla iletişime geçin.

Onarım ve garanti işlemleri için, cihazı aşağıdaki dokümanlarla birlikte gönderin:

- Satın alma tarihini içeren faturanın bir kopyası
- Talebinizin nedeni veya hatanın açıklanması

Kendi kendine onarımın veya profesyonel olmayan onarımın güvenle ilgili sonuçları olabileceğini ve garantiyi geçersiz kılabileceğini unutmayın.

14 Atık İmhası

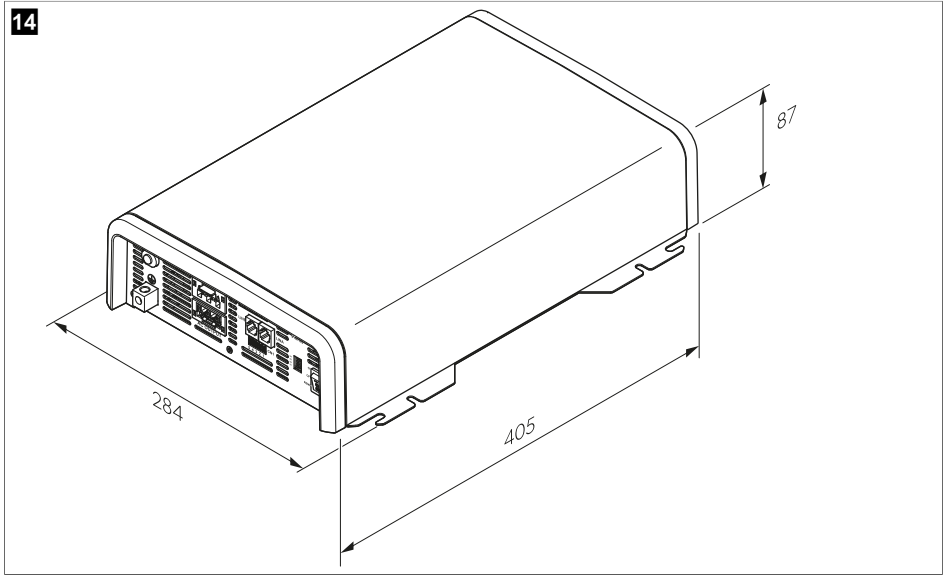


Ambalaj malzemesini mümkünse ilgili geri dönüşüm atık sistemine kazandırın.

Ürünün yürürlükteki imha yönetmeliklerine göre nasıl imha edileceğine ilişkin ayrıntılar için yerel bir geri dönüşüm merkezine veya uzman satıcıya danışın.

Ürün ücretsiz olarak imha edilebilir.


15 Teknik Bilgiler



	DPSI 1812	DPSI 1824
Nominal giriş gerilimi	12 V _{DC}	24 V _{DC}
Giriş voltajı aralığı	10 ... 16,5 V _{DC}	20 ... 33 V _{DC}
Sürekli çıkış gücü P _{nom}	1800 W	1800 W
Maksimum çıkış gücü (10 min)	1800 W	1800 W
Maksimum çıkış gücü (3 min)	2070 W	2070 W
Maksimum aşırı gerilim gücü (2 s) P _{surge}	3600 W	3600 W
Boşta çalışma modunda akım tüketimi	≤ 2,5 A	≤ 1,3 A
Bekleme modunda akım tüketimi	≤ 0,2 A	≤ 0,1 A
Boyutlar	şekil 14 sayfa 343	

	DPSI 1812	DPSI 1824
Ağırlık	5,5 kg	5,5 kg

15.1 Genel teknik veriler

Çıkış gerilimi aralığı	230/ 240 V \sim \pm 3 %
Çıkış frekansı	50/60 Hz \pm 0,3 Hz
Çıkış dalga biçimi	Saf sinüs dalgası
Bozulma THD	P_{nom} 'de THD \leq 3 % (Rezistif yük)
Maksimum verimlilik	90 %
İşletim için ortam sıcaklığı	-20 ... 60 °C
Saklama için ortam sıcaklığı	-30 °C ... 70 °C
Ortam nemi	0 ... 95 %, non-condensing
Denetleme/sertifika	

15.2 Düşük gerilimde kapanma

	Kesme değeri	Yeniden başlama değeri
DPSI1812	10 V	12 V
DPSI1824	20 V	24 V

15.3 Aşırı gerilimde kapanma

	Kesme değeri	Yeniden başlama değeri
DPSI1812	16,5 V	15,5 V
DPSI1824	33 V	31 V

Slovenščina

1	Pomembna obvestila.....	345
2	Razlaga simbolov.....	345
3	Varnostni napotki.....	346
4	Obseg dobave.....	349
5	Dodatna oprema.....	349
6	Predvidena uporaba.....	349
7	Tehnični opis.....	350
8	Namestitev.....	352
9	Konfiguriranje razsmernika.....	358
10	Uporaba.....	361
11	Čiščenje in vzdrževanje.....	361
12	Odpravljanje težav.....	362
13	Garancija.....	362
14	Odstranjevanje.....	363
15	Tehnični podatki.....	363

1 Pomembna obvestila

Pozorno preberite in upoštevajte vsa navodila, smernice in opozorila iz tega priročnika, da zagotovite pravilno vgradnjo, uporabo in vzdrževanje izdelka. Ta navodila MORATE hraniti skupaj z izdelkom.

Z uporabo izdelka potrjujete, da ste pozorno prebrali vsa navodila, smernice in opozorila ter razumete in upoštevate vsa določila ter pogoje v tem dokumentu. Strinjate se, da boste izdelek uporabljali samo za predvideni namen uporabe in v skladu z navodili, smernicami in opozorili in v skladu z vsemi veljavnimi zakoni in predpisi. Če navodil in opozoril v nadaljevanju ne preberete in ne upoštevate, boste morda poškodovali izdelek ali povzročili materialno škodo v bližini. Pridržujemo si pravico do sprememb in posodobitev priročnika, vključno z navodili, smernicami in opozorili ter povezano dokumentacijo. Za najnovejšo informacije o izdelku obiščite documents.dometic.com.

2 Razlaga simbolov

Signalna beseda označuje varnostna sporočila in sporočila o materialni škodi ter stopnjo ali raven nevarnosti.



NEVARNOST!

Označuje nevarno situacijo, ki povzroči smrt ali hude poškodbe, če ni preprečena.



OPOZORILO!

Označuje nevarno situacijo, ki lahko povzroči smrt ali hude poškodbe, če ni preprečena.



POZOR!

Označuje nevarno situacijo, ki lahko povzroči lažje ali zmerne poškodbe, če ni preprečena.



OBVESTILO!

Označuje nevarno situacijo, ki lahko povzroči materialno škodo, če ni preprečena.



NASVET Dodatne informacije za upravljanje izdelka.

3 Varnostni napotki

Upoštevajte tudi varnostne napotke in zahteve proizvajalca vozila ter servisnih delavnic.

3.1 Osnovna varnost



NEVARNOST! Nevarnost električnega udara

- > Nezaščitene električne vodnike se ne dotikajte z golimi rokami.
- > Da bi napravo lahko hitro odklopili od napajanja na izmenični tok, mora biti vtičnica v bližini naprave in mora biti dobro dostopna.



OPOZORILO! Nevarnost električnega udara

- > Vgradnjo in odstranitev naprave sme opraviti samo ustrezno usposobljeno osebe.
- > Naprave ne uporabljajte, če je sama naprava ali priključni kabel vidno poškodovan.
- > Če je napajalni kabel naprave poškodovan, ga je treba zamenjati, da preprečite varnostna tveganja.
- > Vsa popravila na tej napravi naj izvaja samo ustrezno usposobljeno osebe. Nepravilna popravila lahko povzročijo velika tveganja.
- > Uporabljajte samo dodatke, ki jih priporoča proizvajalec.
- > Na noben način ne spreminjajte ali prilagajajte nobene komponente.
- > Ne odklapljajte kablov, ko je naprava še v uporabi.
- > Napravo odklopite iz napajanja:
 - Po uporabi
 - pred vsakim čiščenjem in vzdrževanjem,
 - pred zamenjavo varovalke.



OPOZORILO! Nevarnost požara/gorljivi materiali

Za gašenje požara uporabite gasilni aparat, ki je primeren za električne naprave.



OPOZORILO! Nevarnost zadušitve

Če kabel in upravljalna enota nista pravilno nameščena, obstaja nevarnost, da se vanju zapletete, se z njima zadavite, se spotaknete ali ju pohodite. Zagotovite, da bodo odvečne vezice in napajalni kabli varno nameščeni.



OPOZORILO! Nevarnost za zdravje

- > To napravo smejo uporabljati otroci, ki so starejši od 8 let in osebe z zmanjšanimi fizičnimi, zaznavnimi ali duševnimi sposobnostmi ali s pomanjkljivimi izkušnjami in znanjem, če so nadzorovani ali so prejeli navodila glede varne uporabe naprave in razumejo s tem povezana tveganja.
- > **Električne naprave niso otroške igrače.** Napravo zato uporabljajte in shranjujte izven dosega otrok.
- > Otroke je treba nadzorovati in tako zagotoviti, da se z napravo ne bodo igrali.
- > Otroci ne smejo brez nadzora izvajati čiščenja in vzdrževalnih del.



OBVESTILO! Nevarnost poškodb

- > Pred zagonom preverite, ali se podatki o napetosti na podatkovni ploščici ujemajo s podatki na napajanju.
- > Zagotovite, da drugi predmeti **ne** morejo povzročiti kratkega stika na kontaktih naprave.
- > Negativni in pozitivni pol se **ne smeta** nikoli stikati.
- > Ne vlecite za priključne kable in jih ne uporabljajte namesto ročaja.

- > Naprava ne sme biti izpostavljena dežju ali vlagi. Hranite na suhem mestu.

3.2 Varna namestitvev naprave



NEVARNOST! Nevarnost eksplozije

- > Napravo namestite in uporabljajte samo v zaprtih, dobro prezračenih prostorih.
- > Naprave **ne** namestite ali uporabljajte v naslednjih pogojih:
 - v slanih, mokrih ali vlažnih okoljih,
 - v bližini korozivnih hlapov,
 - v bližini vnetljivih materialov,
 - v bližini toplotnih virov (grelcev, neposredne sončne svetlobe, plinskih peči itd.),
 - na območjih, kjer obstaja nevarnost eksplozije plina ali prahu.



OPOZORILO! Nevarnost poškodb

- > Prepričajte se, da naprava trdno stoji. Naprava mora biti postavljena in pritrjena tako, da se ne more prevrniti ali pasti.
- > Pri nameščanju naprave se prepričajte, da so vsi kabli ustrezno pritrjeni, da preprečite kakršnokoli nevarnost spotikanja.



OBVESTILO! Nevarnost poškodb

- > Napravo namestite v suhem prostoru, kjer je zaščiten pred škropljenjem vode.
- > Vedno uporabljajte vtičnice, ki so ozemljene in zavarovane z odklopniki na diferenčni tok.

3.3 Varnost ob električni priključitvi naprave



NEVARNOST! Nevarnost električnega udara

Ko delate na električnih sistemih, mora biti v bližini vedno nekdo, ki vam lahko pomaga v nujnih primerih.



OPOZORILO! Nevarnost električnega udara

- > Upoštevajte priporočene preseke kablov.
- > Kable položite tako, da se ne morejo poškodovati zaradi vrat ali pokrova. Zaradi stisnjenih kablov lahko pride do hudih poškodb.



OBVESTILO! Nevarnost poškodb

- > Uporabite vode ali kabselske kanale, če je treba kable položiti skozi kovinske plošče ali druge plošče z ostrimi robovi.
- > **Ne** napeljte 230 V električnega kabla in 12 V kabla za enosmerni tok v istem kanalu.
- > Kabel mora biti speljan tako, da **ne** visi ali ni močno upognjen.
- > Varno pritrdite kable.

3.4 Varnostni ukrepi pri delu z baterijami



OPOZORILO! Nevarnost poškodb

- > Baterije vsebujejo agresivne in jedke kisline. Baterijska tekočina ne sme priti v stik s telesom. Če pride vaša koža v stik z baterijsko tekočino, ta del telesa temeljito sperite z vodo. Če utrpíte poškodbe zaradi kislin, takoj obiščite zdravnika.
- > Pri delu z baterijami ne nosite kovinskih predmetov, kot so ure ali prstani. Svinčeve baterije lahko povzročijo kratke stike, ki lahko povzročijo resne poškodbe.

- > Uporabljajte samo izolirana orodja.
- > Na baterijo ne odlagajte kovinskih delov in preprečite, da bi kovinski deli nanjo lahko padli. To lahko povzroči iskre ali kratki stik baterije in drugih električnih delov.
- > Pri delu z baterijami nosite zaščitna očala in zaščitno obleko. Pri delu z baterijami se ne dotikajte oči.
- > Uporabljajte samo polnilne baterije.
- > Ne uporabljajte poškodovanih baterij.



POZOR! Nevarnost eksplozije

- > Nikoli ne skušajte polniti zamrznjene ali poškodovane baterije. Baterijo odložite v območje brez zmrzovanja in počakajte, da se ogreje na prostorsko temperaturo. Nato začnite polnjenje.
- > V bližini motorja ali baterije je prepovedano kaditi, uporabljati odprt ogenj ali povzročati iskenje.
- > Baterije ne približujte virom toplote.



OBVESTILO! Nevarnost poškodb

- > Ob priklopu baterije preverite pravilno polariteto.
- > Sledite navodilom proizvajalca baterije in proizvajalca sistema oziroma vozila, v katerem bo baterija uporabljena.
- > Če je treba baterijo odstraniti, najprej odklopite ozemljitveni priključek. Preden baterijo odstranite, z nje odklopite vse priključke in vse porabnike.
- > Shranite samo do konca napolnjene baterije. Shranjene baterije redno polnite.
- > Baterije ne nosite za priključka.

3.5 Varnost pri delovanju naprave



OPOZORILO! Nevarnost električnega udara

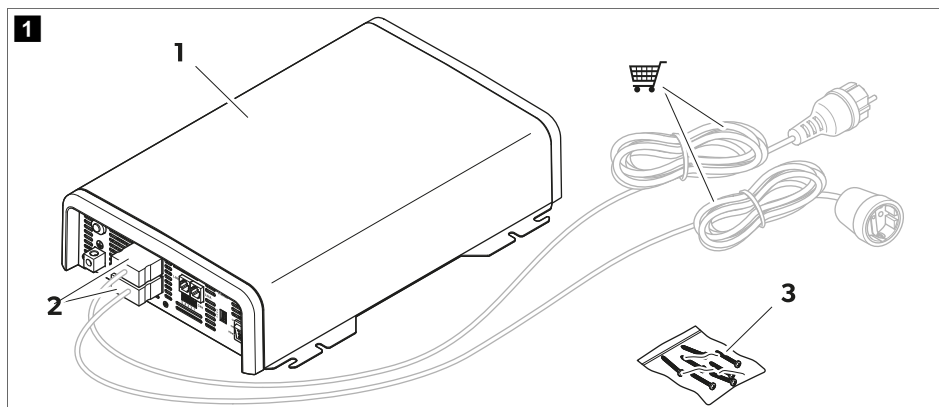
- > Naprave ne uporabljajte v mokrih pogojih ali je ne potaplajte v tekočine.
- > Pred zagonom naprave preverite, ali sta napajalni kabel in vtič suha ter na vtiču ni rje ali umazanije.
- > Upoštevajte, da so deli naprave lahko še vedno pod napetostjo, čeprav je varovalka pregorela.




OBVESTILO! Nevarnost poškodb

- > Zagotovite, da dovodi in izpusti za zrak na napravi ne bodo zakriti.
- > Zagotovite dobro prezračevanje.

4 Obseg dobave



Št. na  sl. 1 na strani 349	Oznaka	Količina
1	Sinusni razsmernik	1
2	Priključni kabel s priključkom WAGO in varnostno spojko (za izhod 230 V~)	2
3	Pritrdilni vijaki	6
-	Navodila za montažo in uporabo	1

5 Dodatna oprema

Oznaka	Št. izdelka
Daljsinski upravljalnik DSP-RCT	9600002564
Nadzorni monitor DSP-EM	9600002565
Zaslon na dotik TD283	9620013272

6 Predvidena uporaba

Razsmernik je namenjen za pretvorbo enosmernega toka v izmenično napetost (AC) popolne sinusne valovne oblike 230V ... 240 V~ za uporabo in stabilno napajanje priključenih porabnikov.

Razsmernik je predviden za prikllop na:

- DPSI1812iTS: 12 V $\overline{=}$
- DPSI1824iTS: 24 V $\overline{=}$

Razsmernik je primeren za:

- namestitve v avtodome, tovornjake, gospodarska vozila ali motorje in v jadrnice
- stacionarno ali mobilno uporabo
- uporabo v notranjih prostorih.

Razsmernik **ni** primeren za:

- uporabo na prostem.

Ta izdelek je primeren samo za predvideni namen in uporabo v skladu s temi navodili.

V tem priročniku so navedene informacije, ki jih je treba upoštevati za pravilno vgradnjo in/ali delovanje izdelka. Aparat zaradi slabe vgradnje in/ali nepravilne uporabe oziroma vzdrževanja ne bo dobro deloval in se lahko pokvari.

Proizvajalec ne sprejema nobene odgovornosti za telesne poškodbe ali poškodbe izdelka, do katerih pride zaradi:

- napačne namestitve, sestave ali priklopa, vključno s previsoko napetostjo;
- neustreznih vzdrževalnih del ali uporabe neoriginalnih nadomestnih delov, ki jih ni dobavil proizvajalec;
- sprememb izdelka brez izrecnega dovoljenja proizvajalca;
- uporabe za namene, ki niso opisani v navodilih.

Družba Dometic si pridržuje pravico do spremembe videza in specifikacij izdelka.

7 Tehnični opis

7.1 Splošni opis

Razsmernik je pretvornik enosmerne napetosti v izmenično napetost popolne sinusne valovne oblike.

V razsmernik je nameščeno prednostno vezje. Če je na voljo električno omrežje 230 V~, se vtičnice v avtodomu napaja z njim. Če električno omrežje 230 V~ ni na voljo, razsmernik pretvarja enosmerno napetost iz baterije v izmenično napetost, s čimer zagotavlja napajanje priključenih porabnikov.

Razsmernik je mogoče uporabljati v naslednjih omrežnih sistemih:

- Omrežje TN
- Omrežje IT

Za nastavitve omrežnih sistemov je na voljo vijak na razsmerniku.

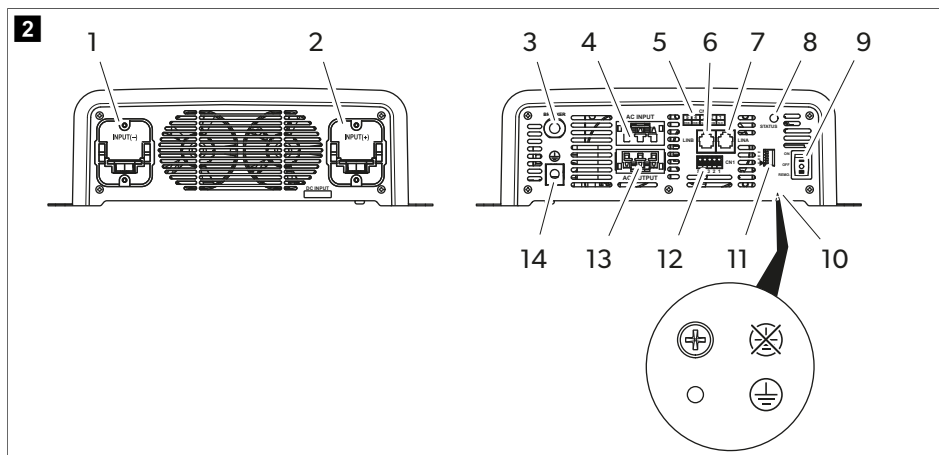
Razsmernik je mogoče preklopiti v način za varčevanje energije, s čimer se zmanjša poraba v stanju nedelovanja in obremenitev baterije.

Razsmernik ima naslednje varnostne mehanizme:

- **Izklop zaradi prenapetosti:** Razsmernik se izklopi, ko napetost preseže izklopno vrednost. Samodejno se znova zažene, ko se napetost zniža na vrednost za ponovni zagon.
- **Izklop zaradi prenizke napetosti:** Razsmernik se izklopi, ko napetost pade pod izklopno vrednost. Samodejno se znova zažene, ko napetost preseže vrednost za ponovni zagon.
- **Izklop zaradi previsoke temperature:** Razsmernik se izklopi, ko njegova notranja temperatura preseže izklopno vrednost. Samodejno se znova zažene, ko se notranja temperatura zniža na vrednost za ponovni zagon.
- **Zaščita pred premočnim izhodnim tokom:** Razsmernik se izklopi, ko je priklopljenih preveč porabnikov.
- **Zaščita pred kratkim stikom:** razsmernik se izklopi ob nastanku kratkega stika. Samodejno se znova zažene po nekaj sekundah. Če razsmernik zazna kratki stik petkrat zapored, se ne zažene več samodejno, zato ga je treba ponovno zagnati ročno.

Razsmernik omogoča uporabo vodil N-BUS in CI-BUS za prikaz podatkov in funkcij na zaslonu na dotik (dodatna oprema) in v telefonski aplikaciji.

7.2 Upravljalni elementi in priključki



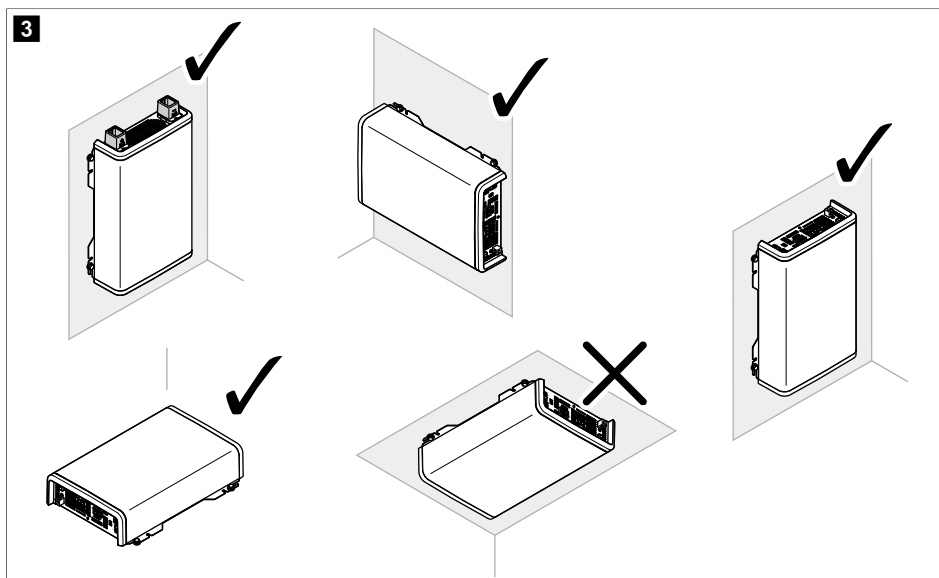
Št.	Oznaka
1	Priključek (-) za negativni pol bivalne baterije
2	Priključek (+) za pozitivni pol bivalne baterije
3	Varovalka za zunanji vhod
4	Vhod za izmenični tok
5	Priključek CN1
6	Vodilo CI BUS/N Bus/priključek za daljinsko upravljanje (LINB)
7	Vodilo CI BUS/N Bus/priključek za daljinsko upravljanje (LINA)
8	Indikator LED stanja
9	Stikalo za vklop/izklop
10	Vijak za nastavitev omrežja IT/TN
11	DIP-stikalo
12	DIP-stikalo, priključek za zunanje stikalo in rele alarma
13	AC izhod
14	Ozemljitveni priključek

7.3 Indikator LED stanja

Stanje	Opis
On	Razsmernik je vključen
Flashing	Napaka (glejte poglavje Odpravljanje težav na strani 362)
Off	Ni vhoda izmenične napetosti (AC), razsmernik je izključen

8 Namestitvev

8.1 Mesto namestitve




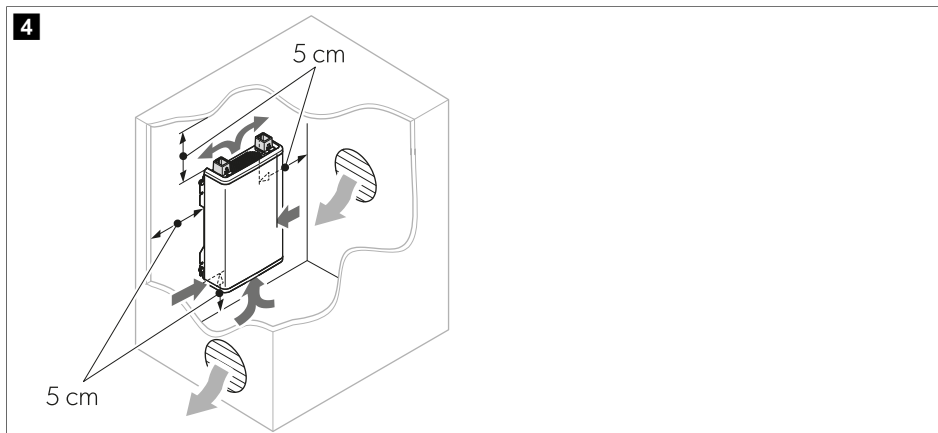
OBVESTILO! Nevarnost poškodb

Pred vrtanjem lukenj se prepričajte, da z vrtanjem, žaganjem in piljenjem ne morete poškodovati električnih kablov ali drugih delov vozila.




NASVET

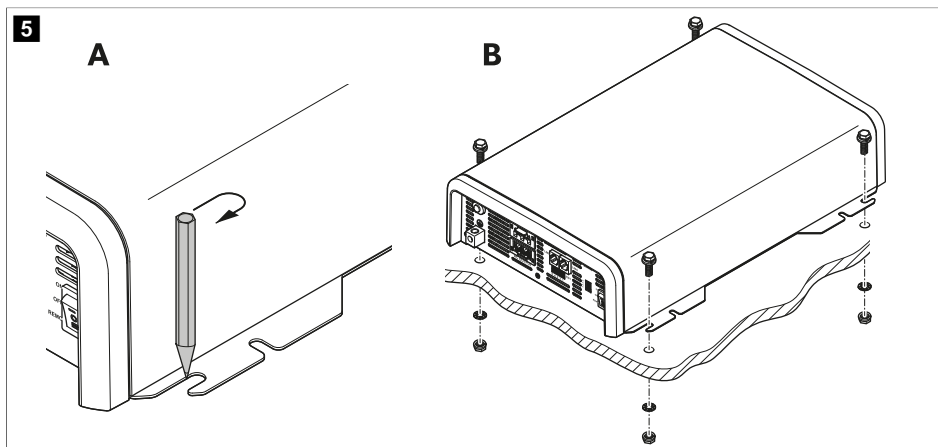
Razsmernik je mogoče namestiti v ležečem ali visečem položaju ( sl. **3** na strani 352).

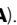



Pri izbiranju mesta namestitve upoštevajte naslednja navodila:

- Montažna površina mora biti trdna in ravna.
- Upoštevajte navedeno oddaljenost za ustrezno prezračevanje ( sl. 4 na strani 353).

8.2 Montaža razsmernika



1. Izberite ustrezne odprtine za namestitev glede na izbrano vrsto namestitve (ležečo ali visečo) in označite mesta, kjer boste izvrtali odprtine ( sl. 5 na strani 353, **A**).
2. Izvrtajte odprtine za namestitev.
3. Privijajte razsmernik na mesto ( sl. 5 na strani 353, **B**).

8.3 Priklučitev razsmernika



Električno namestitev in nastavitve naprave mora izvesti usposobljeni električar, ki je dokazal spretnosti in znanje glede sestave in delovanja električne opreme in inštalacij, ki je seznanjen z veljavnimi predpisi, ki veljajo v državi, v kateri bo oprema vgrajena, ter je opravil varnostno usposabljanje za prepoznavanje in preprečevanje nevarnosti.

Vsa druga dela lahko izvajajo tudi neprofesionalni uporabniki.



OPOZORILO! Nevarnost električnega udara

Upoštevajte priporočene preseke in dolžine kablov ter varovalke.



POZOR! Nevarnost požara

Varovalke namestite v bližino baterij, da zaščitite kabel pred kratkimi stiki in morebitnimi vžigi.



OBVESTILO! Nevarnost poškodb

- > Polaritete ne smete zamenjati.
- > Vijake in matice pritegnite z navorom največ 15 Nm. Popuščeni spoji lahko povzročijo pregrevanje.

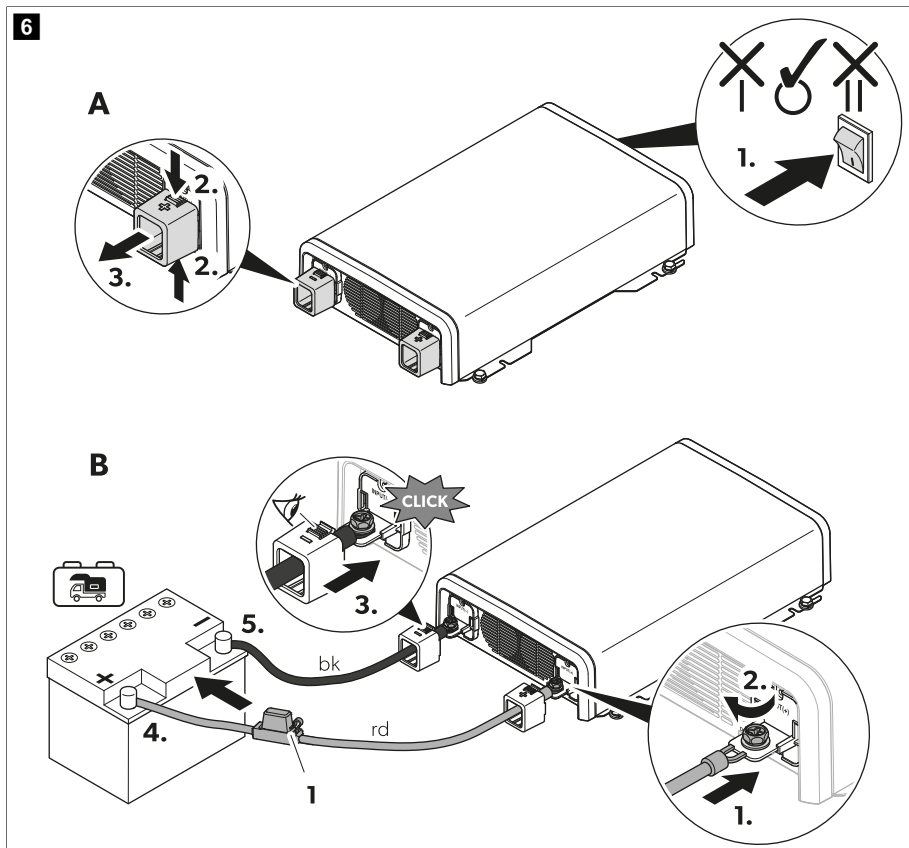
Pri priklučitvi razsmernika upoštevajte naslednja navodila:

- pri nameščanju distribucijske napeljave za vtičnice (namestitev električnega omrežja) upoštevajte veljavne predpise.
- Izberite čim krajše kable za enosmerno napetost (DC) (za povezavo s poli baterije) ≤ 1 m).
- Za priklop **omrežja TN**: namestite odklopnik na diferenčni tok (RCD).
- Za priklop **omrežja IT**: namestite napravo za nadzor izolacije (IMD), če je priklopljena več kot ena obremenitev (porabnik). **Upoštevajte nacionalne standarde.**


1. Določite preseke kablov in varovalke:

	Presek kabla	Kabelska varovalka
DPSI1812i- TS	50 mm ²	250 A
DPSI1824i- TS	25 mm ²	150 A

2. Prepričajte se, da je naprava izklopljena (sl. 6 na strani 355, **A: 1**).

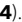




3. S priključkov snemite pokrovčke ( sl. **6** na strani 355, **A: 2–3**).


4.  **OBVESTILO! Nevarnost poškodb**
Da v napravi ne bi povzročili kratkega stika, vedno najprej priključite črni kabel (negativni pol).

Črni priključni kabel (bk) priključite na priključek (-).

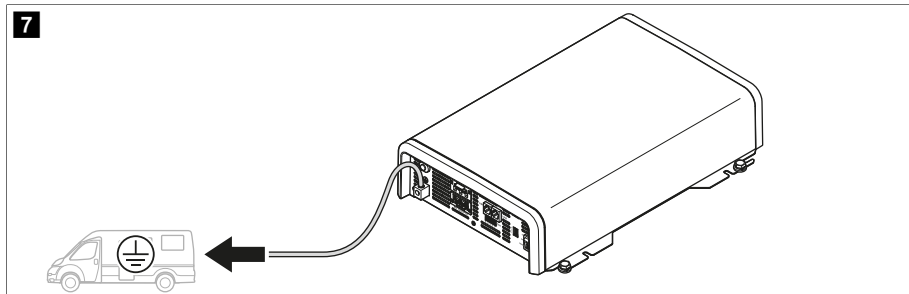
5. Rdeči (rd) priključni kabel priključite na priključek (+) ( sl. **6** na strani 355, **B: 1–2**).

6. Priključite (+) na pozitivni pol bivalne baterije ( sl. **6** na strani 355, **B: 4**).

 **NASVET** Pozitivni kabel bivalne baterije zaščitite z varovalko ( sl. **6** na strani 355, **1**).

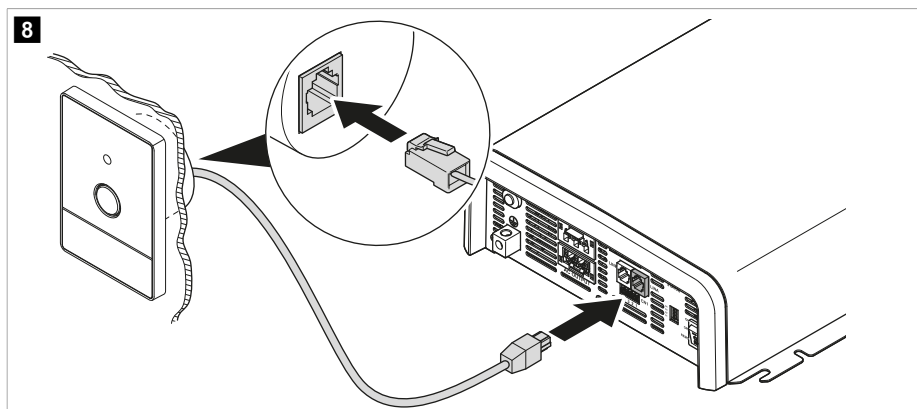
7. Priključite (-) na negativni pol bivalne baterije ( sl. **6** na strani 355, **B: 5**).

8. Ozemljitveni priključek povežite z ozemljitvijo (šasijo vozila)  sl. **7** na strani 356.



8.4 Priključitev daljinskega upravljalnika

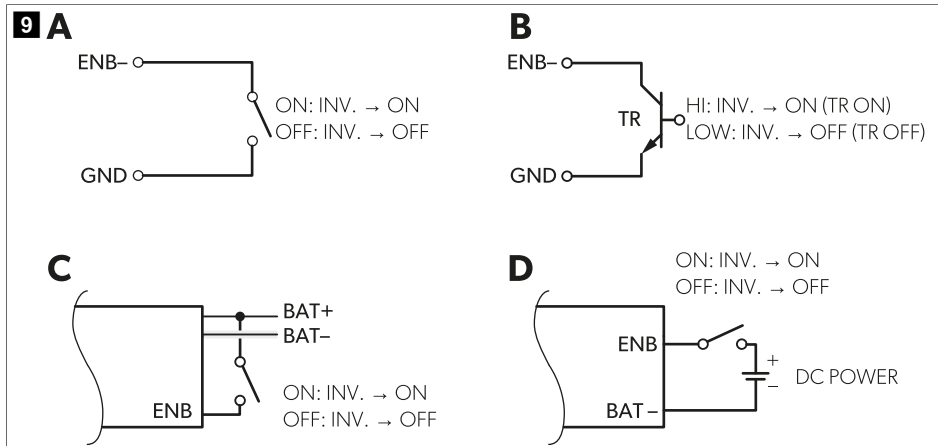
- > Priključite daljinski upravljalnik v priključek za daljinsko upravljanje (LINA ali LINB).



8.5 Prikllop zunanjega stikala



NASVET Če priključite zunanje stikalo, stanja načina za varčevanje energije ni mogoče spremeniti.

**NASVET**

- > Prepričajte se, da priključek za daljinski upravljalnik ni zaseden.
- > Izberite enega od naslednjih primernih zunanjih stikal:
 - sl. 9 na strani 357, **A**: zunanje stikalo z napajanjem iz razsmernika
 - sl. 9 na strani 357, **B**: krmilna enota z relejem ali tranzistorskim vezjem (TR)
 - sl. 9 na strani 357, **C**: zunanje stikalo z napajanjem iz baterije (BAT) vozila
 - sl. 9 na strani 357, **D**: zunanje napajanje z lastnim napajanjem (enosmerni (DC) tok), npr. iz vžiga



NASVET Prepričajte se, da priključek za daljinski upravljalnik ni zaseden.

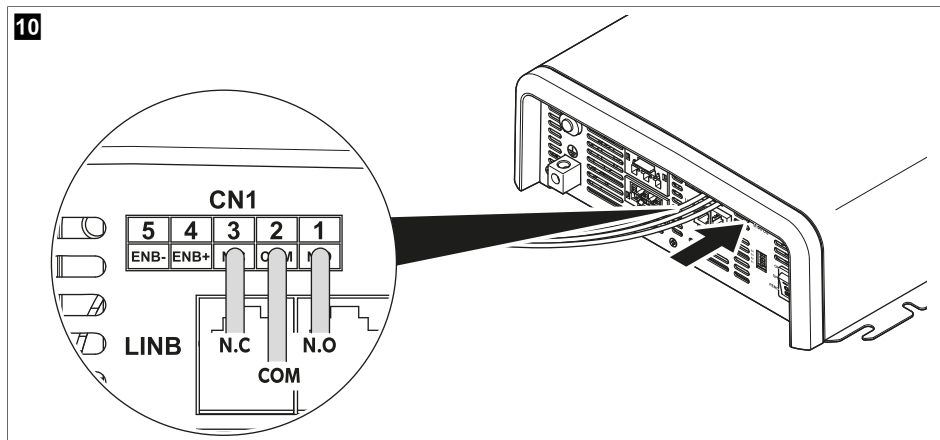
1. Stikalo za vklop/izklop nastavite v položaj **OFF**.
2. Stikalo za vklop/izklop nastavite v položaj **REMO**.
3. Zunanje stikalo priključite v priključek CN1.

8.6 Priklp releja za alarm

Rele alarma se aktivira takoj, ko je na voljo napajanje z izmeničnim tokom (AC) in je stikalo za prenos izmeničnega toka sklenjeno. Rele za alarm je mogoče uporabljati za:

- generiranje signala za zaznavanje napajanja z izmeničnim tokom (AC) na kontrolni plošči vozila.
- vklapljanje in izklapljanje manj pomembnih obremenitev (npr. absorpcijskega hladilnika, električnih sistemov za ogrevanje), ki so namenjena uporabi samo z napajanjem iz električnega omrežja.

10



> Rele alarma priklopite na priključek CN1 ( sl. 10 na strani 358).

9 Konfiguriranje razsmernika



Električno namestitev in nastavitve naprave mora izvesti usposobljeni električar, ki je dokazal spretnosti in znanje glede sestave in delovanja električne opreme in inštalacij, ki je seznanjen z veljavnimi predpisi, ki veljajo v državi, v kateri bo oprema vgrajena, ter je opravil varnostno usposabljanje za prepoznavanje in preprečevanje nevarnosti.

Vsa druga dela lahko izvajajo tudi neprofesionalni uporabniki.



NEVARNOST! Nevarnost električnega udara

- > Odstranite zaščitni pokrovček samo z DIP-stikala za konfiguracijo.
- > Zaščitni pokrovček ponovno namestite zaradi preprečitve nenamerne spremembe DIP-stikala.
- > Za konfiguracijo **omrežja TN**: Poskrbite za namestitev odklopnika na diferenčni tok (RCD).
- > Za konfiguracijo **omrežja IT**: Uporabljajte samo eno obremenitev (porabnika) ali namestite napravo za nadzor izolacije (IMD). Upoštevajte nacionalne standarde.



NASVET



Z malim izvijačem previdno premaknite DIP-stikala v potreben položaj.

Nastavitve razsmernika je mogoče izvesti z DIP-stikali ali z daljinskim upravljalnikom, prikljupljenim prek voda CI-BUS.

Naprava sprva uporablja tovarniško konfiguracijo. Po potrebi konfiguracijo prilagodite s premikanjem DIP-stikal.

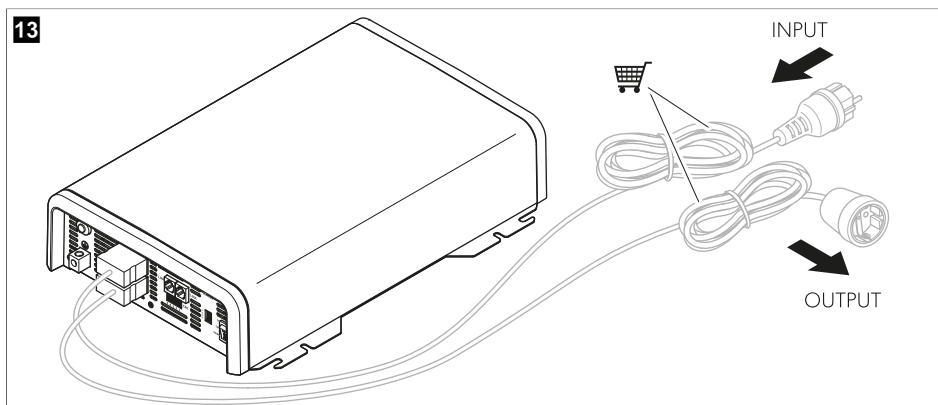
- > DIP-stikalo **S1** potisnite v položaj **On**, če želite **lokalno** nastavitve z DIP-stikali.
- > DIP-stikalo **S1** potisnite v položaj **Off**, če želite **zunanjo** nastavitve z daljinskim upravljalnikom.

9.1 Nastavitve DIP-stikal

	Konfiguracija	Položaj DIP-stikala				
		S1	S2	S3	S4	S5
Nastavitve	Lokalna nastavitve z DIP-stikalom	Vklop	-	-	-	-
	Zunanja nastavitve z daljinskim upravljalnikom	Izklop	-	-	-	-
Napetost električnega omrežja	240 V/60 Hz	-	Vklop	-	-	-
	230 V/50 Hz	-	Izklop	-	-	-
Način varčevanja z energijo	Energy-saving mode is activated when the load is ≤ 45 W Inverter switches to normal operation when the load is ≥ 45 W	-	-	Vklop	Vklop	-
	Aktiviranje načina varčevanja z energijo ko je obremenitev ≤ 45 W Preklop razsmernika na normalno delovanje, ko je obremenitev ≥ 45 W Samodejni izklop razsmernika po 20 minutah delovanja v načinu varčevanja z energijo	-	-	Vklop	Izklop	-
	Aktiviranje načina varčevanja z energijo ko je obremenitev ≤ 1 W Preklop razsmernika na normalno delovanje, ko je obremenitev ≥ 1 W	-	-	Izklop	Izklop	-
	Aktiviranje načina varčevanja z energijo ko je obremenitev ≤ 1 W Preklop razsmernika na normalno delovanje, ko je obremenitev ≥ 1 W Samodejni izklop razsmernika po 20 minutah delovanja v načinu varčevanja z energijo	-	-	Izklop	Vklop	-
Sistem omrežja	Omrežje IT ( sl. 12 na strani 360)	-	-	-	-	Vklop
	Omrežje TN ( sl. 11 na strani 360)	-	-	-	-	Izklop

10 Uporaba

10.1 Napajanje 230 V-naprav



NASVET

Priklopite samo naprave, katerih skupna obremenitev ne presega vrednosti, navedenih v Tehnični podatki na strani 363.

- > Naprave 230 V priklopite, kot je prikazano ( sl. 13 na strani 361).

10.2 Vklon in izklon razsmernika



NASVET

- Če nameravate razsmernik upravljati z daljinskim upravljalnikom, mora biti stikalo za vklop/izklon nastavljeno v položaj **II**.
- Če nameravate razsmernik upravljati z zunanjim stikalom, mora biti stikalo za vklop/izklon nastavljeno v položaj **0**.

- > Za vklop razsmernika nastavite stikalo za vklop/izklon v položaj **I**.
- > Za izklon razsmernika nastavite stikalo za vklop/izklon v položaj **0**.
- > Razsmernik vklopite in izklopite z daljinskim upravljalnikom ali zunanjim stikalom.

11 Čiščenje in vzdrževanje



OPOZORILO! Nevarnost električnega udara

Pred čiščenjem in vzdrževanjem izklopite napravo iz napajanja.



OBVESTILO! Nevarnost poškodb

- > Naprave ne čistite pod tekočo vodo ali v vodi za pomivanje posode.
- > Za čiščenje ne uporabljajte trdih predmetov, grobih čistilnih sredstev ali belila, saj lahko poškodujete napravo.

- > Prepričajte se, da vstopne in izstopne odprtine za prezračevanje niso prekrite s prahom in umazanijo, da se lahko toplota odvaja.

- > Napravo občasno očistite z mehko, vlažno krpo.
- > Redno preverjajte kable ali napeljave pod napetostjo glede napak na izolaciji, zlomov ali ohlapnih povezav.

12 Odpravljanje težav

Motnja	Možni vzrok	Rešitev
Razsmernik ne deluje. LED-indikator stanja je izklopljen.	Nastal je kratek stik.	<ul style="list-style-type: none"> > Varovalko naprave mora zamenjati pooblaščen serviser, ko jo je sprožil previsok tok.
	Napake na izolaciji, zlomi ali ohlapne povezave kablov pod napetostjo.	<ul style="list-style-type: none"> > Preverite kable pod napetostjo glede napak na izolaciji, zlomov ali ohlapnih povezav. Če ne morete najti težave, se obrnite na pooblaščenega serviserja.
Razsmernik ne deluje. LED-indikator stanja počasi utripa.	Zaščita pred premočnim vhodnim tokom.	Zmanjšajte obremenitve priklapljenih porabnikov.
	Izklop zaradi previsoke temperature.	<ol style="list-style-type: none"> 1. Izklopite razsmernik in priključene porabnike. 2. Preverite, da niso odprtine za dovod zraka pokrite ali zamašene. 3. Počakajte, da se razsmernik ohladi.
	Nastal je kratek stik.	Varovalko naprave mora zamenjati pooblaščen serviser, ko jo je sprožil previsok tok.
Razsmernik ne deluje. LED-indikator stanja hitro utripa.	Izklop zaradi prenapetosti. Napetost baterij je prevelika.	<ul style="list-style-type: none"> > Zmanjšajte priključene napetosti. Razsmernik se samodejno znova zažene, ko se napetost zniža na vrednost za ponovni zagon (glejte poglavje Izklop zaradi prenapetosti na strani 364). > Če se napaka še vedno pojavlja: uporabite kabel z večjim presekom. Skrajšajte kabel.
	Izklop zaradi prenizke napetosti. Napetost baterij je prenizka.	<ul style="list-style-type: none"> > Počakajte, da se baterija počasi napolni. Razsmernik se samodejno znova zažene, ko napetost preseže vrednost za ponovni zagon (glejte poglavje Izklop zaradi prenizke napetosti na strani 364).

13 Garancija

Velja zakonsko določen garancijski rok. Če je izdelek pokvarjen, se obrnite na podružnico proizvajalca v svoji državi (glejte dometic.com/dealer) ali na prodajalca.

Za obravnavanje zahtevkov popravil oz. garancijskih zahtevkov morate skupaj z aparatom poslati naslednjo dokumentacijo:

- kopijo računa z datumom nakupa,
- razlog za reklamacijo ali opis napake.

Upoštevajte, da lahko imajo lastnoročna ali neprofesionalna popravila varnostne posledice in lahko razveljavijo garancijo.

14 Odstranjevanje

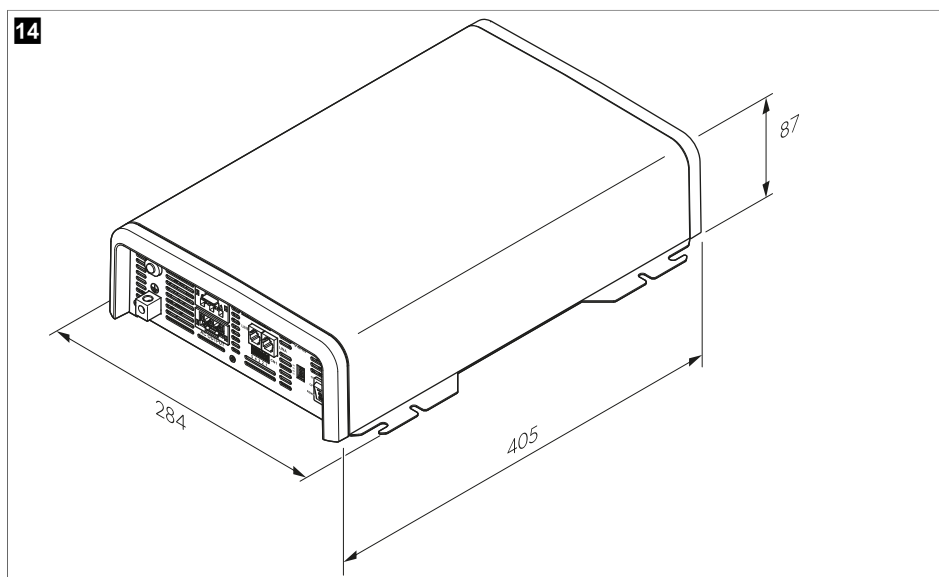


Emblažni material odstranite v primerne zabojnike za recikliranje odpadkov, če je to mogoče.


Pri lokalnem centru za zbiranje odpadkov ali specializiranem prodajalcu se pozanimajte glede odstranjevanja izdelka v skladu z veljavnimi predpisi.

Izdelek je mogoče brezplačno odstraniti.

15 Tehnični podatki



	DPSI 1812	DPSI 1824
Nazivna vhodna napetost	12 V _{DC}	24 V _{DC}
Območje vhodne napetosti	10 ... 16,5 V _{DC}	20 ... 33 V _{DC}
Neprekinjena izhodna moč P_{nom}	1800 W	1800 W
Največja izhodna moč (10 min)	1800 W	1800 W
Največja izhodna moč (3 min)	2070 W	2070 W

	DPSI 1812	DPSI 1824
Največji napetostni sunek (2 s) P_{surge}	3600 W	3600 W
Poraba toka v nedejavnem načinu	$\leq 2,5$ A	$\leq 1,3$ A
Poraba toka v stanju pripravljenosti	$\leq 0,2$ A	$\leq 0,1$ A
Dimenzije	 sl. 14 na strani 363	
Masa	5,5 kg	5,5 kg

15.1 Splošni tehnični podatki

Razpon izhodne napetosti	230/ 240 V \sim \pm 3 %
Izhodna frekvenca	50/60 Hz \pm 0,3 Hz
Izhodna valovna oblika	Popolna sinusna valovna oblika
Skupno harmonično popačenje (THD)	THD \leq 3 % pri P_{nom} (uporovna obremenitev)
Konična učinkovitost	90 %
Temperatura okolice za delovanje	-20 ... 60 °C
Temperatura okolice za shranjevanje	-30 °C ... 70 °C
Vlažnost okolice	0 ... 95 %, non-condensing
Pregled/certifikat	



15.2 Izklop zaradi prenizke napetosti

	Izklopna vrednost	Vrednost ponovnega zagona
DPSI1812	10 V	12 V
DPSI1824	20 V	24 V

15.3 Izklop zaradi prenapetosti

	Izklopna vrednost	Vrednost ponovnega zagona
DPSI1812	16,5 V	15,5 V
DPSI1824	33 V	31 V

Română

1	Observații importante.....	365
2	Explicația simbolurilor.....	365
3	Instrucțiuni de siguranță.....	366
4	Domeniul de livrare.....	369
5	Accesorii.....	369
6	Domeniul de utilizare.....	369
7	Descriere tehnică.....	370
8	Instalare.....	372
9	Configurarea invertorului.....	378
10	Utilizarea.....	381
11	Curățarea și întreținerea.....	381
12	Remediarea defecțiunilor.....	382
13	Garanție.....	382
14	Eliminarea.....	383
15	Date tehnice.....	383

1 Observații importante

Citiți cu atenție și respectați toate instrucțiunile, indicațiile și avertismentele incluse în acest manual de produs pentru a vă asigura că instalați, utilizați și întrețineți produsul în permanență. Aceste instrucțiuni TREBUIE păstrate cu acest produs.

Prin utilizarea produsului, confirmați că ați citit cu atenție toate instrucțiunile, indicațiile și avertismentele și că înțelegeți și sunteți de acord să respectați termenii și condițiile stabilite. Sunteți de acord să utilizați acest produs numai pentru scopul și aplicația prevăzute și în conformitate cu instrucțiunile, indicațiile și avertismentele prezentate în acest manual de produs, precum și în conformitate cu toate legile și reglementările aplicabile. Nerespectarea instrucțiunilor și avertismentelor prezentate aici poate duce la vătămarea personală a utilizatorului sau a altora, la deteriorarea produsului sau a altor bunuri din apropiere. Acest manual al produsului, inclusiv instrucțiunile, indicațiile și avertismentele și documentația aferentă pot fi supuse modificărilor și actualizărilor. Pentru informații actualizate despre produs, vă rugăm să vizitați documents.dometic.com.

2 Explicația simbolurilor

Un cuvânt de semnalizare identifică mesajele de siguranță și mesajele privind daunele materiale și, de asemenea, indică gradul sau nivelul de gravitate a pericolului.



PERICOL!

Indică o situație periculoasă care, dacă nu este evitată, va provoca moartea sau răni grave.



AVERTIZARE!

Indică o situație periculoasă care, dacă nu este evitată, poate provoca moartea sau răni grave.



PRECAUȚIE!

Indică o situație periculoasă care, dacă nu este evitată, poate provoca răni minore sau medii.



ATENȚIE!

Indică o situație care, dacă nu este evitată, poate duce la pagube materiale.



INDICAȚIE Informații complementare privind operarea produsului.

3 Instrucțiuni de siguranță

De asemenea, respectați instrucțiunile de siguranță și specificațiile producătorului vehiculului și ale atelierelor autorizate.

3.1 Informații generale de siguranță



PERICOL! Pericol de electrocutare

- > Nu atingeți cablurile expuse cu mâinile goale.
- > Pentru a putea deconecta rapid dispozitivul de la sursa de alimentare c.a., priza trebuie să se afle în apropierea dispozitivului și să fie ușor accesibilă.



AVERTIZARE! Pericol de electrocutare

- > Instalarea și demontarea pot fi efectuate numai de către personal calificat.
- > Nu utilizați dispozitivul în cazul în care acesta sau cablurile de conectare prezintă deteriorări vizibile.
- > În cazul în care cablul de alimentare al acestui dispozitiv este deteriorat, acesta trebuie înlocuit pentru a preveni problemele de siguranță.
- > Lucrările de reparație la nivelul acestui aparat pot fi efectuate exclusiv de către specialiști. Reparațiile necorespunzătoare pot duce la riscuri considerabile.
- > Folosiți doar accesorii care au fost recomandate de producător.
- > Nu modificați sau adaptați nicio componentă în niciun fel.
- > Nu deconectați niciun cablu atunci când dispozitivul este încă în uz.
- > Deconectați dispozitivul de la sursa de alimentare:
 - După folosire
 - înainte de fiecare curățare și întreținere
 - înainte de a schimba o siguranță



AVERTIZARE! Pericol de incendiu/Materiale inflamabile

În caz de incendiu, folosiți un stingător de incendii adecvat pentru dispozitive electrice.



AVERTIZARE! Risc de asfixiere

Cablul și unitatea de comandă ale dispozitivului pot prezenta risc de încurcare, strangulare, împiedicare sau călcare, dacă nu sunt dispuse corect. Asigurați-vă că dispuneți în mod sigur colierele de cablu și cablurile de alimentare.



AVERTIZARE! Pericol pentru sănătate

- > Acest dispozitiv poate fi utilizat de copiii cu vârsta de 8 ani și mai mari și de către persoane cu capacități fizice, senzoriale sau mentale reduse sau de către persoane lipsite de experiență și cunoștințe, dacă acestea au fost supravegheate și instruite cu privire la utilizarea dispozitivului în condiții de siguranță și înțeleg riscurile pe care le implică.
- > **Aparatele electrice nu reprezintă jucării pentru copii!** Păstrați și folosiți întotdeauna dispozitivul la distanță de copii mici.
- > Copiii trebuie supravegheați pentru a nu se juca cu aparatul.
- > Curățarea și operațiunile de întreținere nu trebuie efectuate de copii fără supraveghere.



ATENȚIE! Pericol de defectare

- > Înainte de pornire, asigurați-vă că indicația tensiunii de pe eticheta de tip coincide cu cea a sursei de alimentare.
- > Asigurați-vă că alte obiecte **nu pot** provoca un scurtcircuit la contactele dispozitivului.

- > Asigurați-vă că polii negativi și pozitivi nu intră **niciodată** în contact.
- > Nu trageți de cablurile de conectare și nu folosiți cablurile ca mâner.
- > Dispozitivul nu trebuie expus ploii sau umezelii. A se depozita într-un loc uscat.

3.2 Instalarea în siguranță a dispozitivului



PERICOLI! Pericol de explozie

- > Instalați și folosiți dispozitivul doar în încăperi închise, bine aerisite.
- > **Nu** instalați sau folosiți dispozitivul în următoarele condiții:
 - în medii sărate, ude sau umede
 - în apropierea aburilor corozivi
 - în apropierea materialelor combustibile
 - în apropierea surselor de căldură (încălzitoare, lumina directă a soarelui, cuptoare cu gaz etc.)
 - în zone în care există risc de explozie de gaze sau pulberi



AVERTIZARE! Risc de vătămare

- > Asigurați-vă că dispozitivul este stabil. Dispozitivul trebuie instalat și fixat astfel încât să nu se poată răsturna și să nu poată cădea.
- > Când amplasați dispozitivul, asigurați-vă că toate cablurile sunt fixate corespunzător pentru a evita orice formă de pericol de împiedicare.



ATENȚIE! Pericol de defectare

- > Amplasați dispozitivul într-un loc uscat, unde este protejat împotriva stropilor de apă.
- > Utilizați întotdeauna prize care sunt împământate și securizate prin disjunctoare de curent rezidual

3.3 Siguranța la conectarea electrică a dispozitivului



PERICOLI! Pericol de electrocutare

Dacă lucrați la sisteme electrice, asigurați-vă că există cineva în apropiere care vă poate ajuta în caz de urgență.



AVERTIZARE! Pericol de electrocutare

- > Respectați secțiunile transversale de cablu recomandate.
- > Dispuneți cablurile astfel încât să nu poată fi deteriorate de uși sau capotă. Cablurile strivite pot duce la vătămări corporale grave.



ATENȚIE! Pericol de defectare

- > Folosiți canale sau tuburi de cablu dacă este necesar, pentru a traversa panouri metalice sau alte panouri cu margini ascuțite.
- > **Nu** dispuneți cablul de rețea electrică de 230 V și cablul c.c. de 12 V în aceeași conductă.
- > **Nu** dispuneți cablul astfel încât să fie slăbit sau puternic îndoit.
- > Prindeți bine cablurile.

3.4 Măsuri de siguranță la manipularea bateriilor



AVERTIZARE! Risc de vătămare

- > Bateriile conțin acizi agresivi și caustici. Evitați contactul lichidului de baterie cu corpul dvs. Dacă pielea dvs. intră în contact cu lichidul de baterie, spălați temeinic cu apă acea parte a corpului. Dacă suferiți răni de la acizi, contactați imediat un medic.
- > Când lucrați la baterii, nu purtați niciun obiect metalic, cum ar fi ceasurile sau inelele. Bateriile cu plumb-acid pot provoca scurtcircuite, care pot provoca vătămări corporale grave.
- > Folosiți doar unelte izolate.
- > Nu așezați piese metalice pe baterie și nu lăsați piese metalice să cadă pe baterie. Acest lucru poate provoca scântei sau poate scurtcircuita bateria și alte dispozitive electrice.
- > Purtați ochelari și îmbrăcăminte de protecție atunci când lucrați la baterii. Nu vă atingeți ochii când lucrați la baterii.
- > Folosiți doar baterii reîncărcabile.
- > Nu folosiți baterii defecte.



PRECAUȚIE! Pericol de explozie

- > Nu încercați niciodată să încărcați o baterie înghețată sau defectă. Amplasați bateria într-o zonă fără îngheț și așteptați până când bateria s-a acclimatizat la temperatura ambiantă. Apoi începeți procesul de încărcare.
- > Nu fumați, nu folosiți o flacără deschisă și nu provocați scântei în apropierea motorului sau a unei baterii.
- > Țineți bateria la distanță de surse de căldură.



ATENȚIE! Pericol de defectare

- > Asigurați-vă că polaritatea este corectă atunci când conectați bateria.
- > Respectați instrucțiunile producătorului bateriei și pe cele ale producătorului sistemului sau vehiculului în care este folosită bateria.
- > Dacă bateria trebuie scoasă, deconectați mai întâi legătura la masă. Deconectați toate conexiunile și toți consumatorii de la baterie înainte de a o scoate.
- > Depozitați doar baterii încărcate complet. Reîncărcați regulat bateriile depozitate.
- > Nu transportați bateria susținând-o de borne.

3.5 Securitatea la exploatarea aparatului



AVERTIZARE! Pericol de electrocutare

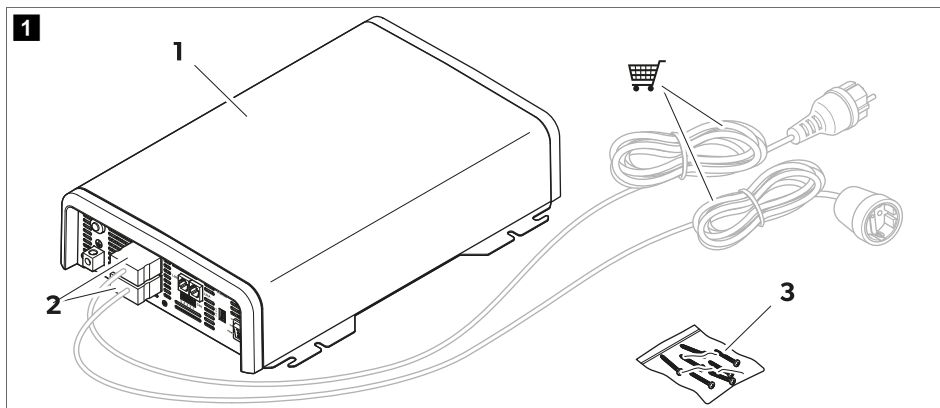
- > Nu folosiți dispozitivul în condiții de umezeală și nu îl scufundați în niciun lichid.
- > Înainte de a porni dispozitivul, asigurați-vă că linia de alimentare și fișa sunt uscate și fișa nu prezintă rugină sau murdărie.
- > Rețineți că unele părți ale dispozitivului pot conduce în continuare tensiunea, chiar dacă siguranța s-a ars.




ATENȚIE! Pericol de defectare

- > Asigurați-vă că admisiile și evacuările de aer ale dispozitivului nu sunt acoperite.
- > Asigurați o bună aerisire.

4 Domeniul de livrare



Nr. în  fig. 1 pagina 369	Denumire	Numărul
1	Invertor cu undă sinusoidă	1
2	Conector WAGO pentru cablu de conectare cu cuplaj de siguranță (pentru ieșire de 230 V~)	2
3	Șuruburi de fixare	6
-	Manual de instalare și de utilizare	1

5 Accesorii

Denumire	Nr. art.
Telecomandă DSP-RCT	9600002564
Monitor de control DSP-EM	9600002565
Afișaj tactil TD283	9620013272

6 Domeniul de utilizare

Invertorul este prevăzut să transforme curentul continuu într-o tensiune alternativă (c.a.) cu undă sinusoidă pură de 230~ ... 240 V~ pentru acționarea și alimentarea stabilă a consumatorilor conectați.

Invertorul este prevăzut pentru conectare la:

- DPSI1812iTS: 12 V \Rightarrow
- DPSI1824iTS: 24 V \Rightarrow

Invertorul este adecvat pentru:

- Instalare în vehicule de agrement (RV), camioane, vehicule comerciale sau iahturi cu motor și iahturi cu vele
- folosire staționară sau mobilă
- Folosire la interior

Invertorul **nu** este adecvat pentru:

- Folosire la exterior

Acest produs este potrivit numai pentru scopul și utilizarea prevăzute în conformitate cu aceste instrucțiuni.

Acest manual oferă informații necesare pentru instalarea și/sau utilizarea corectă a produsului. Instalarea defectuoasă și/sau utilizarea sau întreținerea necorespunzătoare vor avea ca rezultat performanțe nesatisfăcătoare și o posibilă defectare.

Producătorul nu își asumă nicio răspundere pentru orice vătămare sau deteriorare a produsului - rezultate din:

- Instalarea, asamblarea sau conectarea incorectă, inclusiv supratensiunea
- Întreținerea sau utilizarea incorectă a pieselor de schimb, altele decât piesele de schimb originale furnizate de producător
- Modificări aduse produsului fără aprobarea explicită din partea producătorului
- Utilizarea în alte scopuri decât cele descrise în manual

Dometic își rezervă dreptul de a modifica aspectul și specificațiile produsului.

7 Descriere tehnică

7.1 Descriere generală

Invertorul este un inverter c.c.-c.a. cu undă sinusoidă pură.

Invertorul este echipat cu un circuit prioritar. Dacă este disponibilă o rețea de 230 V~, această sursă de alimentare externă este utilizată pentru alimentarea prizelor din vehiculul de agrement. Dacă nu este disponibilă o rețea de 230 V~, invertorul transformă curentul continuu al bateriei în curent alternativ, asigurând astfel alimentarea cu energie pentru consumatorii conectați.

Invertorul poate fi folosit în următoarele sisteme de rețea:

- Rețea TN
- Rețea IT

Sistemele de rețea sunt setate printr-un șurub de pe inverter.

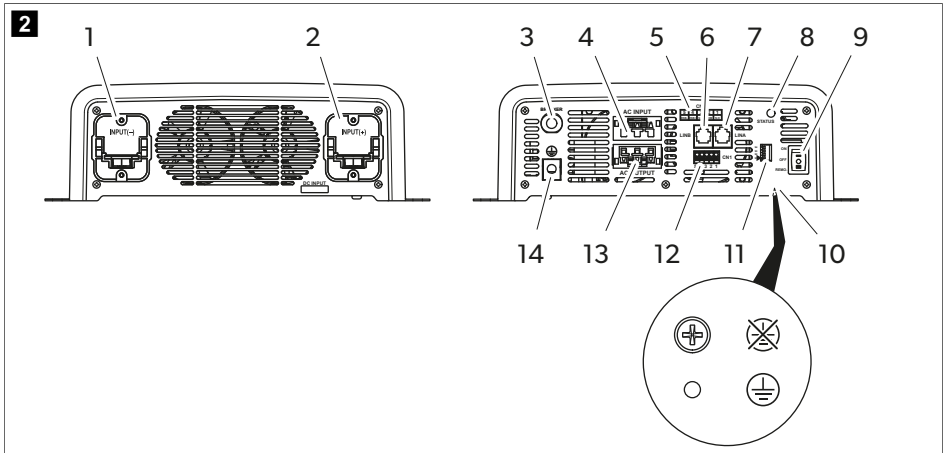
Invertorul poate fi comutat în modul de economisire a energiei, pentru a reduce consumul la inactivitate și pentru a minimiza solicitarea bateriei.

Invertorul dispune de următoarele mecanisme de protecție:

- **Oprire la supratensiune:** Invertorul se oprește atunci când tensiunea depășește valoarea de întrerupere. Invertorul repornește automat atunci când tensiunea scade la valoarea de repornire.
- **Oprire la subtensiune:** Invertorul se oprește atunci când tensiunea scade sub valoarea de întrerupere. Invertorul repornește automat atunci când tensiunea depășește valoarea de repornire.
- **Oprire la temperatură ridicată:** Invertorul se oprește atunci când temperatura internă a dispozitivului depășește valoarea de întrerupere. Invertorul repornește automat atunci când temperatura internă scade la valoarea de repornire.
- **Protecție la curent de ieșire mare:** Invertorul se oprește atunci când sunt conectați prea mulți consumatori.
- **Protecție împotriva scurtcircuitului:** Invertorul se oprește atunci când a fost generat un scurtcircuit. Invertorul repornește automat după câteva secunde. Dacă este detectat un scurtcircuit de cinci ori consecutiv, invertorul nu repornește automat și este necesară o repornire manuală.

Invertorul este compatibil cu N-BUS și CI-BUS pentru afișarea datelor și a funcțiilor pe afișajul tactil (accesorii) și în aplicația pentru mobil.

7.2 Elemente de control și conexiuni



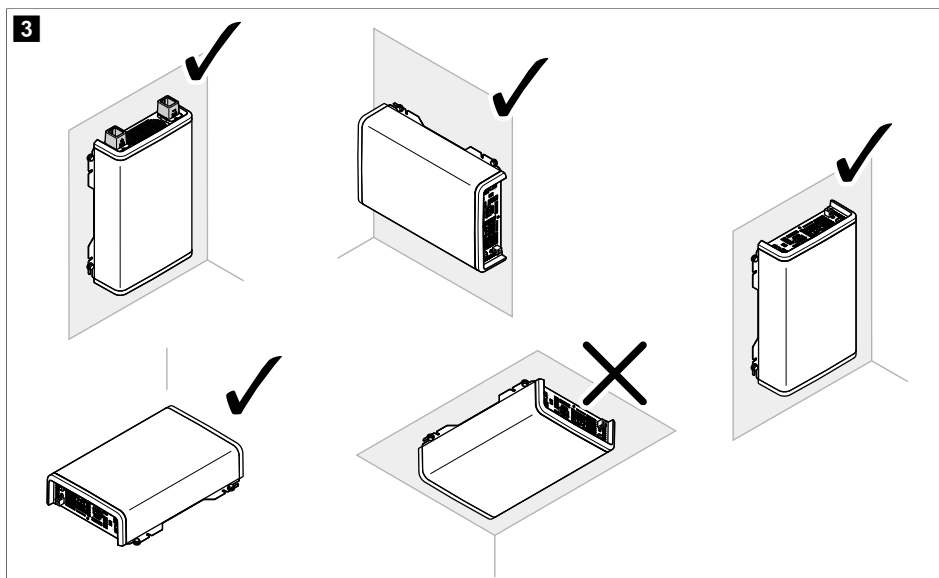
Poz.	Denumire
1	Bornă (-), conexiune la polul negativ al bateriei staționare
2	Bornă (+), conexiune la polul pozitiv al bateriei staționare
3	Siguranță pentru intrare externă
4	Intrare AC
5	Bornă CN1
6	Conexiune CI-BUS/N-BUS/telecomandă (LINB)
7	Conexiune CI-BUS/N-BUS/telecomandă (LINA)
8	LED de indicare a stării
9	Comutator de pornire/oprire
10	Șurub pentru setarea rețelei IT/TN
11	Comutator DIP
12	Comutator DIP, conexiune pentru comutator extern și releu de alarmă
13	Ieșire AC
14	Legătură la masă

7.3 LED de indicare a stării

Stare	Denumire
On	Invertorul funcționează
Flashing	Eroare (consultați capitolul Remedierea defecțiunilor pagină 382)
Off	Lipsă intrare c.a., invertorul este dezactivat


8 Instalare

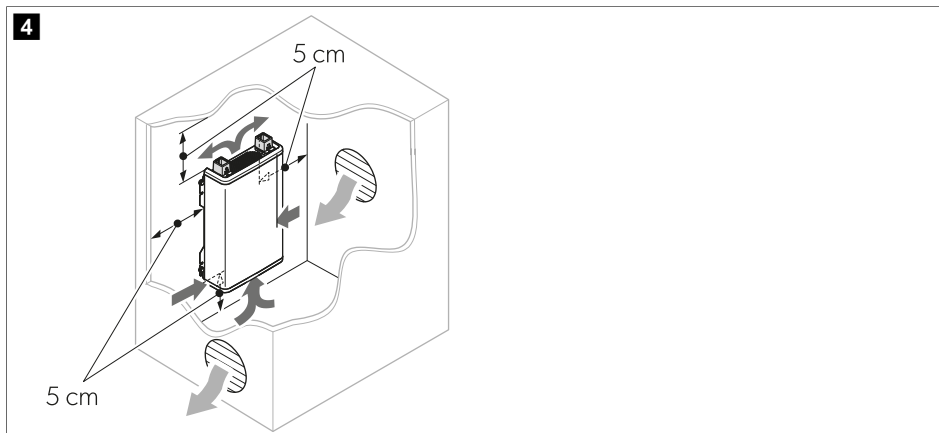
8.1 Locul de instalare

**ATENȚIE! Pericol de defectare**


Înainte de a executa găuri, asigurați-vă că nu pot fi deteriorate cabluri sau alte piese ale vehiculului prin găurire, debitare și pilire.

**INDICAȚIE**

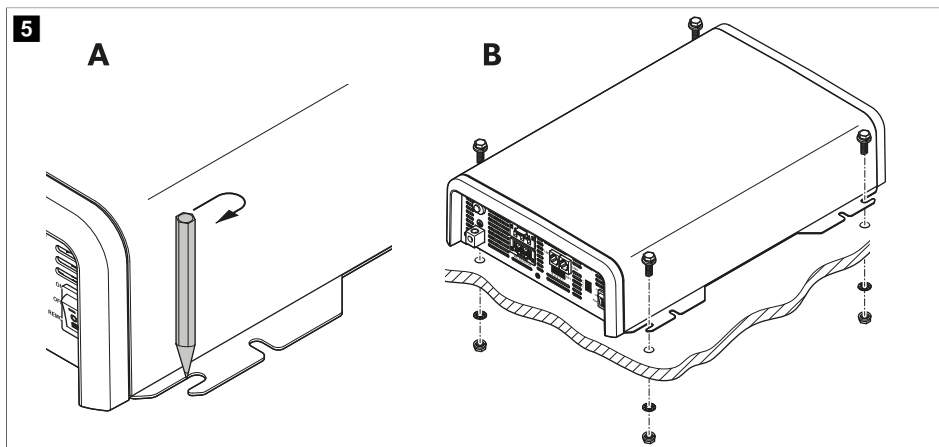
Invertorul poate fi montat așezat sau suspendat ( fig. 3 pagină 372).





La alegerea unui loc de instalare, respectați următoarele instrucțiuni:

- Asigurați-vă că suprafața de montare este stabilă și plană.
- Respectați specificațiile privind distanța pentru o aerisire suficientă ( fig. 4 pagină 373).

8.2 Montarea invertorului



1. Selectați orificiile de montare adecvate în funcție de tipul de montare selectat (așezat sau suspendat) și marcați găurile de executat ( fig. 5 pagină 373, **A**).
2. Pre-găuriți orificiile de montare.
3. Înșurubați invertorul pe poziție ( fig. 5 pagină 373, **B**).

8.3 Conectarea invertorului



Instalarea și configurarea electrică a dispozitivului trebuie efectuată de către un electrician calificat cu abilități și cunoștințe dovedite cu privire la structura și funcționarea echipamentelor și instalațiilor electrice și care este familiarizat cu reglementările aplicabile ale țării în care echipamentul urmează a fi instalat și/sau folosit și a beneficiat de formare în domeniul siguranței, pentru identificarea și evitarea pericolelor asociate.

Toate celelalte acțiuni sunt destinate și utilizatorilor neprofesioniști.



AVERTIZARE! Pericol de electrocutare

Respectați secțiunile transversale de cabluri, lungimile de cablu și siguranța recomandate.



PRECAUȚIE! Pericol de incendiu

Amplasați siguranțele în apropiere de baterii, pentru a proteja cablul de scurtcircuit și posibile arderi.



ATENȚIE! Pericol de defectare


- > Nu inversați polaritatea.
- > Strângeți piulițele și șuruburile la un cuplu maxim de 15 Nm. Conexiunile slăbite pot duce la supraîncălzire.

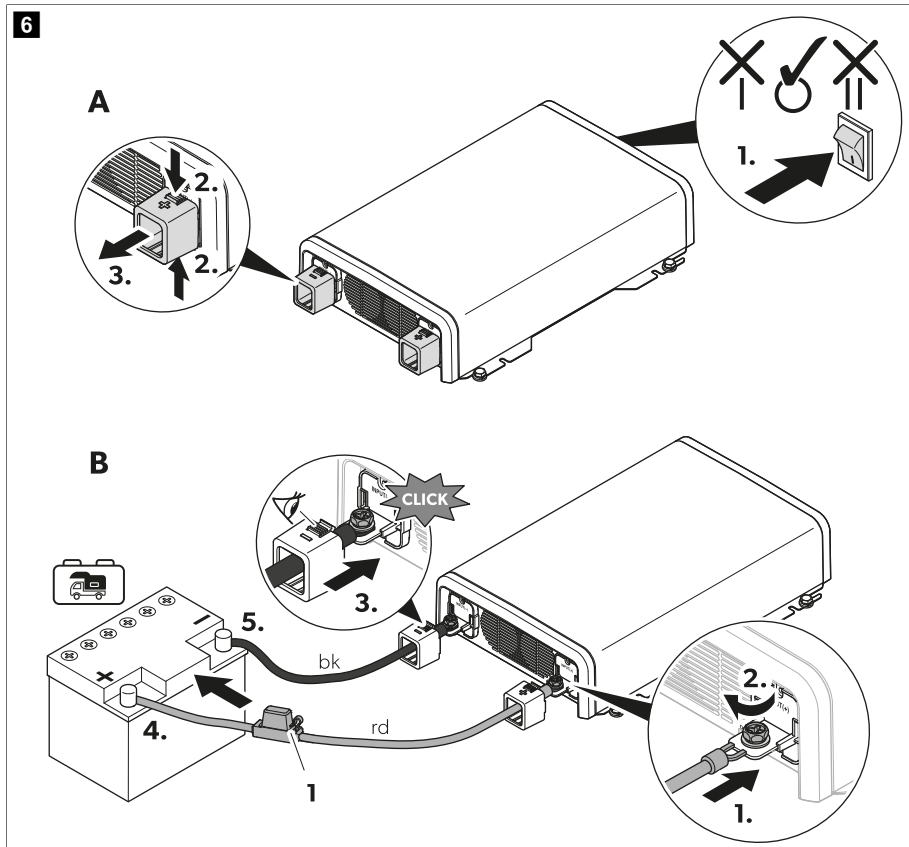
Respectați următoarele instrucțiuni atunci când conectați invertorul:

- Respectați reglementările aplicabile atunci când instalați un circuit de distribuție pentru prize (instalare la rețea).
- Selectați lungimea cablurilor c.c. (conexiune la bornele bateriei) cât mai scurtă posibil (≤ 1 m).
- Pentru conexiune **Rețea TN**: Instalați un dispozitiv de curent rezidual (RCD).
- Pentru conexiune **Rețea IT**: Instalați un dispozitiv de monitorizare a izolației (IMD), dacă sunt conectate mai mulți consumatori. **Se aplică standardele naționale.**


1. Stabiliți secțiunile transversale de cablu și siguranța:

	Secțiunea transversală a cablului	Siguranță de cablu
DPS1812i-TS	50 mm ²	250 A
DPS1824i-TS	25 mm ²	150 A


2. Asigurați-vă că dispozitivul este oprit ( fig. 6 pagină 375, **A: 1**).



3. Detașați capacele bornelor ( fig. 6 pagină 375, **A: 2 – 3**).

4.  **ATENȚIE! Pericol de defectare**
 Pentru a evita scurtcircuitarea dispozitivului, conectați întotdeauna mai întâi cablul negru (borna negativă).

Conectați cablul de conectare negru (bk) la borna (-).

5. Conectați cablul de conectare roșu (rd) la borna (+) ( fig. 6 pagină 375, **B: 1 – 2**).

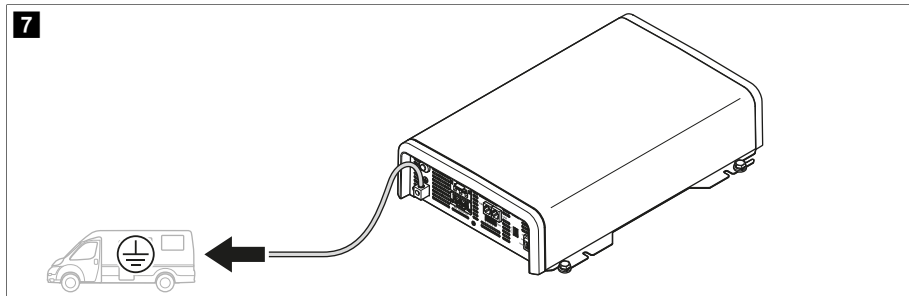
6. Conectați (+) la borna pozitivă a bateriei staționare ( fig. 6 pagină 375, **B: 4**).



INDICAȚIE Protejați cablul pozitiv al bateriei staționare cu o siguranță ( fig. 6 pagină 375, **1**).

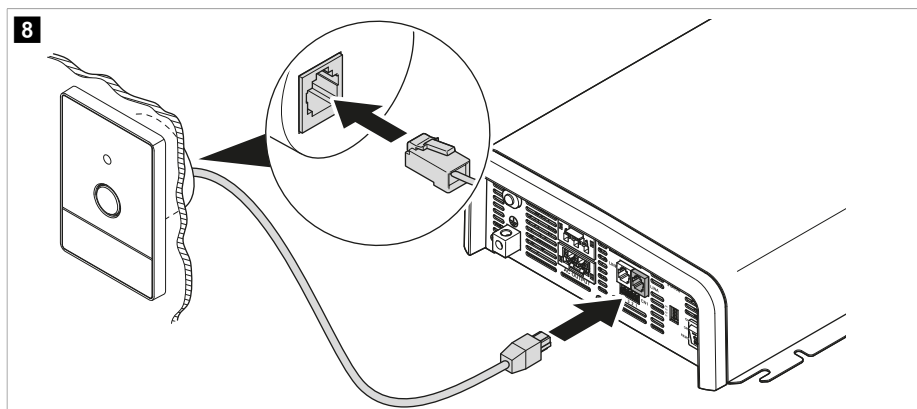
7. Conectați (-) la borna negativă a bateriei staționare ( fig. 6 pagină 375, **B: 5**).

8. Conectați legătura la masă la împământare (șasiu)  fig. 7 pagină 376.



8.4 Conectarea telecomenzii

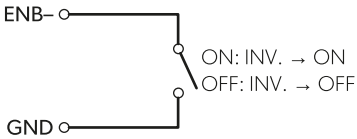
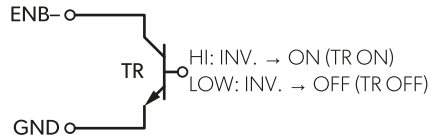
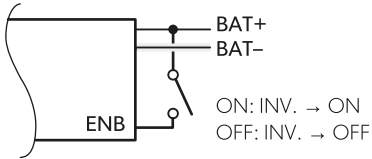
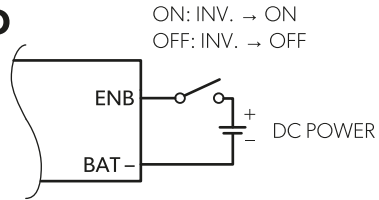
- > Conectați telecomanda la conexiunea pentru telecomandă (LINA sau LINB).







8.5 Conectarea unui întrerupător extern



INDICAȚIE Dacă este conectat un comutator extern, starea modului de economisire a energiei nu poate fi schimbată.

9 A**B****C****D****INDICAȚIE**

- > Asigurați-vă că nu este ocupată conexiunea pentru telecomandă.
- > Selectați unul dintre următoarele comutatoare externe adecvate:
 -  fig. 9 pagină 377, **A**: comutator extern cu alimentare de la inverter
 -  fig. 9 pagină 377, **B**: unitate de comandă cu releu sau circuit tranzistor (TR)
 -  fig. 9 pagină 377, **C**: comutator extern cu alimentare de la bateria (BAT) vehiculului
 -  fig. 9 pagină 377, **D**: comutator extern cu alimentare proprie (DC POWER), de ex., de la aprindere



INDICAȚIE Asigurați-vă că nu este ocupată conexiunea pentru telecomandă.

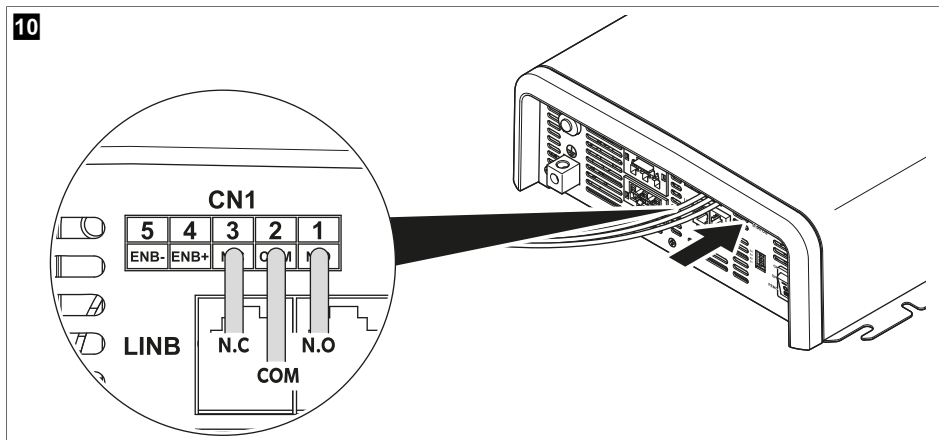
1. Setează comutatorul pornire/oprire la **OFF**.
2. Setează comutatorul pornire/oprire la **REMO**.
3. Conectați comutatorul extern la borna CN1.


8.6 Conectarea unui releu de alarmă

Releu de alarmă este activat de îndată ce sursa de alimentare c.a. este disponibilă și comutatorul de transfer c.a. este închis. Releu de alarmă poate fi utilizat pentru:

- Generarea unui semnal de detectare a sursei de alimentare c.a. pe panoul de comandă al vehiculului.
- Pornirea și oprirea consumatorilor mai puțin vitali (de ex., frigider cu absorbție, sisteme electrice de încălzire) care ar trebui să fie acționate numai în combinație cu sursa de curent alternativ.

10



> Conectați un releu de alarmă la borna CN1 ( fig. 10 pagină 378).

9 Configurarea inverterului



Instalarea și configurarea electrică a dispozitivului trebuie efectuată de către un electrician calificat cu abilități și cunoștințe dovedite cu privire la structura și funcționarea echipamentelor și instalațiilor electrice și care este familiarizat cu reglementările aplicabile ale țării în care echipamentul urmează a fi instalat și/ sau folosit și a beneficiat de formare în domeniul siguranței, pentru identificarea și evitarea pericolelor asociate.

Toate celelalte acțiuni sunt destinate și utilizatorilor neprofesioniști.



PERICOL! Pericol de electrocutare

- > Scoateți capacul de protecție de la comutatorul DIP doar pentru configurare.
- > Puneți la loc capacul de protecție pentru a preveni reglarea accidentală a comutatorului DIP.
- > Pentru configurația **Rețea TN**: Asigurați-vă că este instalat un dispozitiv de curent rezidual (RCD).
- > Pentru configurația **Rețea IT**: Utilizați un singur consumator sau instalați un dispozitiv de monitorizare a izolației (IMD). Respectați standardele naționale.



INDICAȚIE



Folosiți o șurubelniță mică pentru a comuta cu atenție comutatoarele DIP la poziția necesară.

Setările pe inverter pot fi efectuate prin comutatoarele DIP sau prin conectarea unei telecomenzi compatibile cu CIBUS.

Dispozitivul folosește inițial configurația din fabrică. Dacă este necesar, deplasați comutatoarele DIP pentru a regla configurația.

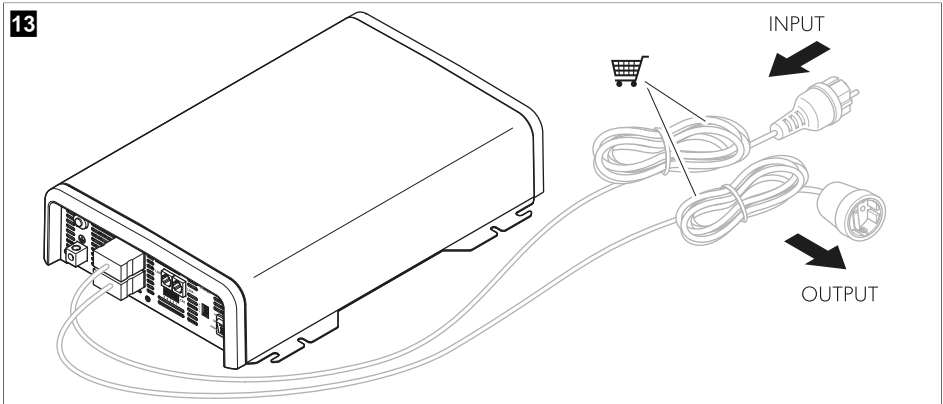
- > Glisați comutatorul DIP **S1** la **On** pentru setare **locală** prin comutatoare DIP.
- > Glisați comutatorul DIP **S1** la **Off** pentru setare **externă** prin telecomandă.

9.1 Setări comutatoare DIP

Configurație		Poziție comutatoare DIP				
		S1	S2	S3	S4	S5
Settings	Setare locală prin comutator DIP	Pornit	-	-	-	-
	Setare externă prin telecomandă	Oprit	-	-	-	-
Tensiune de rețea	240 V/60 Hz	-	Pornit	-	-	-
	230 V/50 Hz	-	Oprit	-	-	-
Modul de economisire a energiei	Energy-saving mode is activated when the load is ≤ 45 W Inverter switches to normal operation when the load is ≥ 45 W	-	-	Pornit	Pornit	-
	Modul de economisire a energiei este activat când sarcina este ≤ 45 W Inverterul trece la funcționare normală când sarcina este ≥ 45 W	-	-	Pornit	Oprit	-
	Inverterul se oprește automat după 20 de minute de funcționare în modul de economisire a energiei	-	-	Oprit	Oprit	-
	Modul de economisire a energiei este activat când sarcina este ≤ 1 W Inverterul trece la funcționare normală când sarcina este ≥ 1 W	-	-	Oprit	Pornit	-
	Modul de economisire a energiei este activat când sarcina este ≤ 1 W Inverterul trece la funcționare normală când sarcina este ≥ 1 W	-	-	Oprit	Pornit	-
	Inverterul se oprește automat după 20 de minute de funcționare în modul de economisire a energiei	-	-	-	-	-
Sistem rețea	Rețea IT ( fig. 12 pagină 380)	-	-	-	-	Pornit
	Rețea TN ( fig. 11 pagină 380)	-	-	-	-	Oprit


10 Utilizarea

10.1 Acționarea dispozitivelor de 230 V



INDICAȚIE

Conectați numai dispozitive a căror sarcină totală nu depășește valorile enumerate în Date tehnice pagină 383.

- > Conectați dispozitive de 230 V după cum este indicat ( fig. 13 pagină 381).

10.2 Pornirea și oprirea invertorului



INDICAȚIE

- Dacă invertorul urmează să fie controlat prin intermediul telecomenzii, comutatorul de pornire/oprire trebuie să fie setat la poziția **II**.
- Dacă invertorul urmează să fie controlat prin intermediul comutatorului extern, comutatorul de pornire/oprire trebuie să fie setat la poziția **0**.

- > Pentru a porni invertorul, puneți comutatorul de pornire/oprire la poziția **I**.
- > Pentru a opri invertorul, puneți comutatorul de pornire/oprire la poziția **0**.
- > Folosiți telecomanda sau comutatorul extern pentru a porni și opri invertorul.

11 Curățarea și întreținerea



AVERTIZARE! Pericol de electrocutare

Deconectați dispozitivul de la sursa de alimentare înainte de curățare și întreținere.



ATENȚIE! Pericol de defectare

- > Nu curățați niciodată dispozitivul sub apă de la robinet sau în mașina de spălat vase.
- > La curățare, nu utilizați obiecte ascuțite sau dure, agenți de curățare abrazivi sau înălbitor, deoarece acestea pot deteriora dispozitivul.

- > Asigurați-vă că aerisirile de admisie și evacuare a aerului de pe dispozitiv nu prezintă praf și murdărie, astfel încât căldura să poată fi disipată.
- > Curățați ocazional dispozitivul cu o cârpă moale umedă.
- > Verificați regulat cablurile sau liniile sub tensiune pentru a detecta deficiențe de izolare, fisuri sau conexiuni slăbite.

12 Remedierea defecțiunilor

Avarie	Cauză posibilă	Soluție
Invertorul nu funcționează. LED-ul de indicare a stării este stins.	A fost generat un scurtcircuit.	> Siguranța dispozitivului trebuie înlocuită de un agent de service autorizat după ce a fost declanșată de un exces de curent.
	Deficiențe de izolare, întreruperi sau conexiuni slăbite la cablurile sub tensiune.	> Verificați cablurile sub tensiune pentru a detecta deficiențe de izolare, întreruperi sau conexiuni slăbite. Dacă nu descoperiți nicio problemă, contactați un agent de service autorizat.
Invertorul nu funcționează. LED-ul de indicare a stării clipește lent.	Protecție la curent de intrare ridicat.	Reduceți consumatorii conectați.
	Oprire la temperatură ridicată.	1. Opriti invertorul și consumatorii conectați. 2. Verificați ca admisile și evacuările de aer să nu fie acoperite sau obturate. 3. Lăsați invertorul să se răcească.
	A fost generat un scurtcircuit.	Siguranța dispozitivului trebuie înlocuită de un agent de service autorizat după ce a fost declanșată de un exces de curent.
Invertorul nu funcționează. LED-ul de indicare a stării clipește rapid.	Oprire la supratensiune. Tensiunea bateriei este prea mare.	> Reduceți tensiunile conectate. Invertorul repornește automat când tensiunea scade la valoarea de repornire (consultați capitolul Oprire la supratensiune pagină 384). > Dacă eroarea apare în continuare: Creșteți secțiunea transversală a cablurilor. Reduceți lungimea cablurilor.
	Oprire la subtensiune. Tensiunea bateriei este prea mică.	> Lăsați bateria să se reîncarce lent. Invertorul repornește automat când tensiunea depășește valoarea de repornire (consultați capitolul Oprire la subtensiune pagină 384).

13 Garanție

Se aplică termenul de garanție legal. În cazul în care produsul este defect, contactați reprezentanța producătorului din țara dvs. (consultați dometic.com/dealer) sau comerciantul.

Pentru operații de reparație și în baza garanției, trebuie să trimiteți și următoarele documente:

- O copie a facturii cu data cumpărării
- Un motiv de reclamație sau o descriere a defecțiunii.

Rețineți că repararea prin mijloace proprii sau reparațiile neprofesionale pot avea consecințe asupra securității și pot anula garanția.

14 Eliminarea

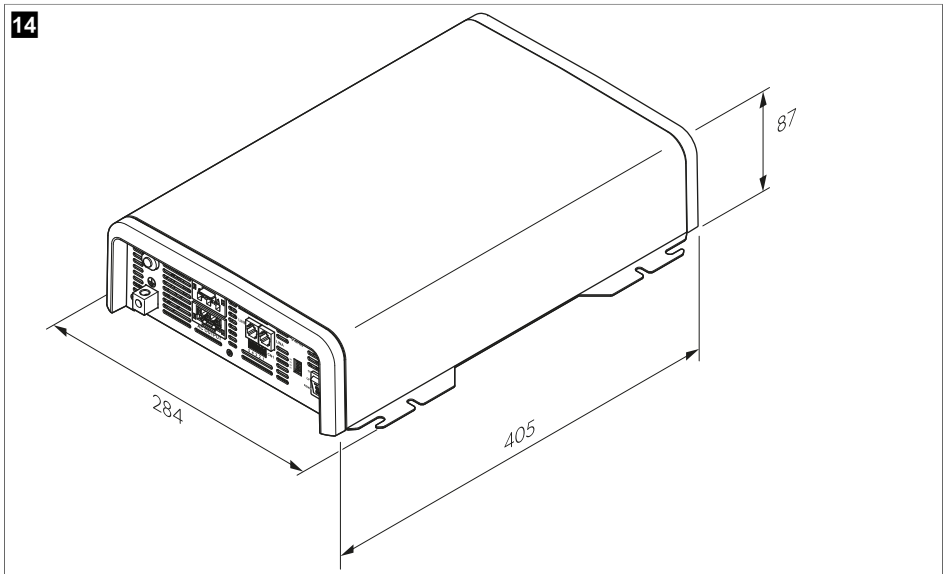


Depuneți materialul de ambalare pe cât posibil în containerele corespunzătoare de reciclare.


Consultați un centru local de reciclare sau un reprezentant specializat pentru detalii despre detalii cu privire la eliminarea produsului în conformitate cu reglementările aplicabile privind eliminarea.

Produsul poate fi eliminat gratuit.



15 Date tehnice



	DPSI 1812	DPSI 1824
Tensiune de intrare nominală	12 V \overline{DC}	24 V \overline{DC}
Domeniul tensiunii de intrare	10 ... 16,5 V \overline{DC}	20 ... 33 V \overline{DC}
Putere de ieșire continuă P _{nom}	1800 W	1800 W
Putere de ieșire maximă (10 min)	1800 W	1800 W
Putere de ieșire maximă (3 min)	2070 W	2070 W
Vârf de putere maxim (2 s) P _{val}	3600 W	3600 W

	DPSI 1812	DPSI 1824
Consum de curent în mod inactiv	$\leq 2,5$ A	$\leq 1,3$ A
Consum de curent în mod standby	$\leq 0,2$ A	$\leq 0,1$ A
Dimensiuni	 fig. 14 pagină 383	
Greutate	5,5 kg	5,5 kg

15.1 Date tehnice generale

Domeniul tensiunii de ieșire	230/ 240 V \sim \pm 3 %
Frecvență de ieșire	50/60 Hz \pm 0,3 Hz
Formă de undă de ieșire	Undă sinusoidă pură
THD distorsiune	THD \leq 3 % la P_{nom} (sarcină rezistivă)
Eficiență de vârf	90 %
Temperatura ambiantă pentru funcționare	-20 ... 60 °C
Temperatura ambiantă pentru depozitare	-30 °C ... 70 °C
Umiditate ambiantă	0 ... 95 %, non-condensing
Inspecție/certificare	 

15.2 Oprește la subțensiune

	Valoare de întrerupere	Valoare de repornire
DPSI1812	10 V	12 V
DPSI1824	20 V	24 V

15.3 Oprește la supratensiune

	Valoare de întrerupere	Valoare de repornire
DPSI1812	16,5 V	15,5 V
DPSI1824	33 V	31 V

Български език

1	Важни бележки.....	385
2	Обяснение на символите.....	385
3	Инструкции за безопасност.....	386
4	Обхват на доставката.....	389
5	Принадлежности.....	389
6	Използване по предназначение.....	389
7	Техническо описание.....	390
8	Инсталиране.....	392
9	Конфигуриране на инвертора.....	398
10	Работа.....	401
11	Почистване и поддръжка.....	401
12	Отстраняване на неизправности.....	402
13	Гаранция.....	403
14	Изхвърляне.....	403
15	Технически данни.....	404

1 Важни бележки

Моля, прочетете внимателно тези инструкции и спазвайте всички указания, напътствия и предупреждения, включени в настоящото ръководство, за да сте сигурни, че монтирате, използвате и поддържате правилно този продукт. Тези инструкции ТРЯБВА да се съхраняват с продукта.

Като използвате продукта, Вие потвърждавате, че сте прочели внимателно всички указания, напътствия и предупреждения и че разбирате и приемате да спазвате сроковете и условията, съдържащи се в тях. Вие се съгласявате да използвате този продукт само по предназначение и в съответствие с указанията, инструкциите и предупрежденията, описани в ръководството на продукта, както и в съответствие с всички приложими закони и разпоредби. Ако не прочетете и не спазвате инструкциите и предупрежденията, това може да доведе до наранявания за вас или за други хора, щети по продукта или щети по други предмети в близост до него. Това ръководство на продукта, включително указанията, инструкциите и предупрежденията и другата документация, подлежи на промяна и обновяване. За актуална информация за продукта, моля, посетете documents.dometic.com.

2 Обяснение на символите

Сигналната дума идентифицира съобщенията за безопасност и за материални щети, както и степента или нивото на сериозност на опасността.



ОПАСНОСТ!

Показва опасна ситуация която, ако не бъде избегната, ще доведе до смърт или тежко нараняване.



ПРЕДУПРЕЖДЕНИЕ!

Показва опасна ситуация която, ако не бъде избегната, може да доведе до смърт или тежко нараняване.



ВНИМАНИЕ!

Показва опасна ситуация която, ако не бъде избегната, може да доведе до леко или средно нараняване.



ВНИМАНИЕ!

Показва ситуация която, ако не бъде избегната, ще доведе до щети по имуществото.



УКАЗАНИЕ Допълнителна информация за боравенето с продукта.

3 Инструкции за безопасност

Също така спазвайте инструкциите за безопасност и предписанията, издадени от производителя на превозното средство и упълномощените сервизи.

3.1 Обща безопасност



ОПАСНОСТ! Опасност от електрически удар

- > Не пипайте открити кабели с голи ръце.
- > За да можете бързо да изключите устройството от променливотоковото захранването, гнездото трябва да е близо до устройството и да е лесно достъпно.



ПРЕДУПРЕЖДЕНИЕ! Опасност от електрически удар

- > Монтирането и отстраняването на устройството може да се извършва само от квалифициран персонал.
- > Не работете с устройството, ако самото устройство или свързващият кабел са видимо повредени.
- > Ако захранващият кабел на това устройство е повреден, той трябва да бъде сменен, за да се предотврати евентуална опасност.
- > Това устройство може да бъде ремонтирано само от квалифициран персонал. Неправилни ремонти могат да доведат до значителни опасности.
- > Използвайте само аксесоари, препоръчани от производителя.
- > Не модифицирайте и не адаптирайте никой от компонентите по какъвто и да е начин.
- > Не разкачвайте кабели, когато устройството все още се използва.
- > Изключете устройството от захранването:
 - След употреба
 - Преди всяко почистване и поддръжка
 - Преди смяна на предпазител



ПРЕДУПРЕЖДЕНИЕ! Опасност от пожар/Запалими материали

В случай на пожар използвайте пожарогасител, който е подходящ за електрически устройства.



ПРЕДУПРЕЖДЕНИЕ! Риск от задушаване

Кабелът и контролният модул на продукта могат да предизвикат риск от объркване, задушаване или препъване, ако не са поставени правилно. Уверете се, че излишните връзки и захранващи кабели са подредени по безопасен начин.



ПРЕДУПРЕЖДЕНИЕ! Опасност за здравето

- > Този уред може да се използва от деца на възраст 8 и повече години и лица с намалени физически, сензорни или умствени способности, или с липса на знания и опит, ако получават надзор или инструкции относно използването на устройството по безопасен начин и разбират свързаните с него опасности.
- > **Електрическите уреди не са детска играчка!** Винаги съхранявайте и използвайте устройството далеч от досега на много малки деца.
- > Деца трябва да са под наблюдение, за да е сигурно, че не си играят с уреда.
- > Почистване и поддръжка не трябва да се извършва от деца без наблюдение.



ВНИМАНИЕ! Опасност от повреда

- > Преди стартиране проверете дали спецификацията на напрежението на табелката с данни е същата като тази на захранването.
- > Уверете се, че други обекти **не могат** да причинят късо съединение при контактите на устройството.
- > Уверете се, че отрицателните и положителните полюси **никога** не влизат в контакт.
- > Не дърпайте свързващите кабели и не използвайте кабелите като дръжка.
- > Устройството не трябва да се излага на дъжд или влага. Съхранявайте на сухо място.

3.2 Безопасно инсталиране на устройството



ОПАСНОСТ! Опасност от експлозия

- > Монтирайте и работете с устройството само в затворени, добре вентилирани помещения.
- > **Не** монтирайте и не работете с устройството при следните условия:
 - В солена, мокра или влажна среда
 - В близост до корозивни изпарения
 - В близост до запалими материали
 - Близко до източници на топлина (печки за отопление, пряка сплъччева светлина, газови фурни и т.н.)
 - На места, където има опасност от експлозия на газ или прах



ПРЕДУПРЕЖДЕНИЕ! Риск от нараняване

- > Уверете се, че устройството стои здраво. Устройството трябва да бъде настроено и закрепено по такъв начин, че да не може да се преобърне или да падне.
- > При позициониране на устройството се уверете, че всички кабели са подходящо обезопасени, за да се избегне всякаква форма на опасност от преместване.



ВНИМАНИЕ! Опасност от повреда

- > Поставете устройството на сухо място, където е защитено от пръски вода.
- > Винаги използвайте гнезда, които са заземени и закрепени с прекъсвачи за остатъчен ток

3.3 Безопасност при електрическо свързване на устройството



ОПАСНОСТ! Опасност от електрически удар

Ако работите по електрически системи, уверете се, че има някой наблизо, който може да ви помогне в извънредни ситуации.



ПРЕДУПРЕЖДЕНИЕ! Опасност от електрически удар

- > Спазвайте препоръчаните напречни сечения на кабелите.
- > Поставете кабелите така, че да не могат да бъдат повредени от вратите или капака. Смачкан кабел може да доведе до сериозно нараняване.



ВНИМАНИЕ! Опасност от повреда

- > Използвайте тръбни или кабелни канали, ако е необходимо да поставите кабели през метални панели или други панели с остри ръбове.
- > **Не** полагайте 230 V мрежовия кабел и 12 V кабела за постоянен ток в един и същи канал.
- > **Не** поставяте кабела така, че да е хлабав или силно усукан.
- > Закрепете здраво кабелите.

3.4 Предпазни мерки при работа с акумулатори



ПРЕДУПРЕЖДЕНИЕ! Риск от нараняване

- > Батериите съдържат агресивни и каустични киселини. Избягвайте контакт на акумулаторна течност с тялото си. Ако кожата ви влезе в контакт с акумулаторна течност, измийте добре тази част от тялото си с вода. Ако имате някакви наранявания от киселини, незабавно се свържете с лекар.
- > Когато работите с акумулатори, не носете метални предмети, като часовници или пръстени. Оповно-киселинните батерии могат да доведат до къси съединения, които могат да причинят сериозни наранявания.
- > Използвайте само изолирани инструменти.
- > Не поставяйте метални части върху акумулатора и предотвратете падането на метални части върху акумулатора. Това може да предизвика искри или къси съединения на акумулатора и други електрически устройства.
- > Носете очила и защитно облекло, когато работите с акумулатори. Не докосвайте очите си, когато работите с акумулатори.
- > Използвайте само презареждаеми акумулаторни батерии.
- > Не използвайте дефектни акумулатори.



ВНИМАНИЕ! Опасност от експлозия

- > Никога не се опитвайте да заредите замразен или дефектен акумулатор. Поставете акумулатора в зона без замръзване и изчакайте, докато акумулаторът се аклиматизира към околната температура. След това започнете процеса на зареждане.
- > Не пушете, не използвайте открит пламък или не предизвиквайте искри в близост до двигателя или акумулатора.
- > Дръжте акумулатора далеч от източници на топлина.



ВНИМАНИЕ! Опасност от повреда

- > Уверете се, че полярността е правилна при свързване на акумулатора.
- > Следвайте инструкциите на производителя на акумулатора и тези на производителя на системата или превозното средство, в които се използва акумулаторът.
- > Ако акумулаторът трябва да бъде изваден, първо откачете заземването. Разкачете всички връзки и всички консуматори от акумулатора, преди да го свалите.
- > Съхранявайте само напълно заредени акумулатори. Зареждайте редовно съхраняваните акумулатори.
- > Не пренасяте акумулатора за клемите му.

3.5 Безопасност при работа на уреда



ПРЕДУПРЕЖДЕНИЕ! Опасност от електрически удар

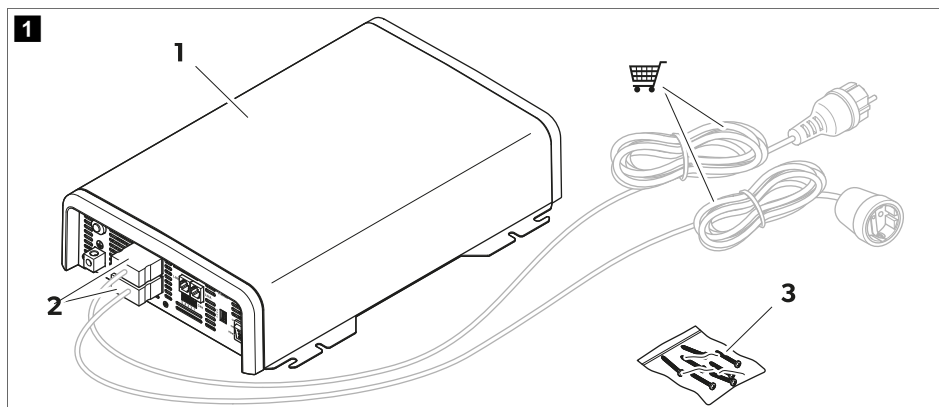
- > Не използвайте устройството при мокри условия и не го потапяйте в течност.
- > Преди да стартирате устройството, уверете се, че захранващата линия и шепселът са сухи и шепселът не е ръждясал или замърсен.
- > Обърнете внимание, че части от устройството все още могат да провеждат напрежение дори ако предпазителят е изгорял.



ВНИМАНИЕ! Опасност от повреда

- > Уверете се, че входните и изходните отвори за въздух на устройството не са покрити.
- > Осигурете добра вентилация.

4 Обхват на доставката



№ във на страница 389	фиг. 1 Обозначение	Количество
1	Инвертор със синусоидална вълна	1
2	Конектор WAGO за свързване кабел с предпазен куплунг (за 230 V~ изход)	2
3	Фиксиращи винтове	6
-	Ръководство за инсталиране и експлоатация	1

5 Принадлежности

Обозначение	Инв. №
Дистанционно управление DSP-RCT	9600002564
Монитор за управление DSP-EM	9600002565
Сензорен дисплей TD283	9620013272

6 Използване по предназначение

Инверторът е предназначен за преобразуване на постоянен ток в чисто синусоидално променливо напрежение (AC) от 230V ~ ... 240V ~ за работа и стабилно захранване на свързани консуматори.

Инверторът е предназначен за свързване към:

- DPS11812iTS: 12 V^{DC}
- DPS11824iTS: 24 V^{DC}

Продуктът е подходящ за:

- Монтаж в превозни средства за отдих (RV), камиони, търговски превозни средства или моторни и ветроходни яhti
- Стационарна или мобилна употреба
- Употреба на закрито

Инверторът **не е** подходящ за:

- Употреба на открито

Този продукт е подходящ само за предвидената цел и приложение съгласно настоящите инструкции.

Това ръководство предоставя информация, необходима за правилната инсталация и/или експлоатация на продукта. Лошо инсталиране и/или неправилна употреба и поддръжка ще доведат до незадоволителна работа и евентуално до повреди.

Производителят не носи отговорност за наранявания и повреди по продукта, причинени от:

- Неправилен монтаж, спобяване или свързване, включително твърде високо напрежение
- Неправилна поддръжка или използване на резервни части, различни от оригиналните, предоставяни от производителя
- Изменения на продукта без изрично разрешение от производителя
- Използване за цели, различни от описаните в това ръководство

Dometic си запазва правото да променя външния вид и спецификациите на продукта.

7 Техническо описание

7.1 Общо описание

Инверторът е инвертор за преобразуване на постоянен ток в променлив ток с чиста синусоидална вълна.

Инверторът е снабден с приоритетна верига. Ако е налична 230 V~ електрическа мрежа, този външен източник на захранване се използва за захранване на контактите в превозното средство за отиди. Ако няма налична 230 V~ електрическа мрежа, инверторът преобразува постоянния ток от акумулатора в променлив, като по този начин осигурява захранването на свързаните консуматори.

Инверторът може да работи в следните мрежови системи:

- TN мрежа
- IT мрежа

Мрежовите системи се настройват чрез винт на инвертора.

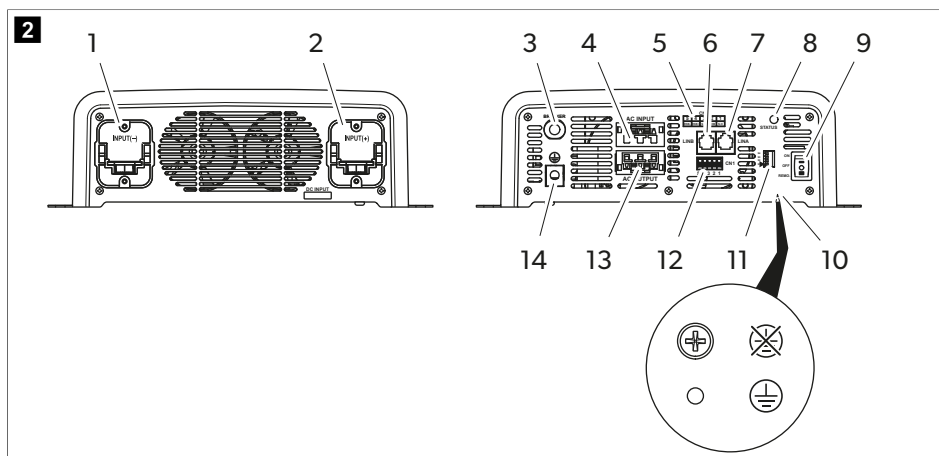
Инверторът може да бъде превключен в енергоспестяващ режим, за да се намали консумацията в покой и да се сведе до минимум натоварването на акумулатора.

Инверторът има следните защитни механизми:

- **Изключване при свръхнапрежение:** Инверторът се изключва, когато напрежението надвиши стойността на изключване. Инверторът се рестартира автоматично, когато напрежението спадне до стойността за рестартиране.
- **Изключване при по-ниско напрежение:** Инверторът се изключва, когато напрежението спадне под стойността на изключване. Инверторът се рестартира автоматично, когато напрежението надвиши стойността за рестартиране.
- **Изключване при висока температура:** Инверторът се изключва, когато вътрешната температура на устройството надвиши стойността на изключване. Инверторът се рестартира автоматично, когато вътрешната температура спадне до стойността за рестартиране.
- **Защита от висок изходен ток:** Инверторът се изключва, когато са свързани твърде много натоварвания.
- **Защита срещу късо съединение:** инверторът се изключва, когато се генерира късо съединение. Инверторът се рестартира автоматично след няколко секунди. Ако бъде открита късо съединение пет последователни пъти, инверторът не се рестартира автоматично и е необходимо ръчно рестартиране.

Инверторът е съвместим с N-BUS и CI-BUS за показване на данни и функции на сензорния дисплей (аксесоари) и мобилното приложение.

7.2 Контролни елементи и връзки



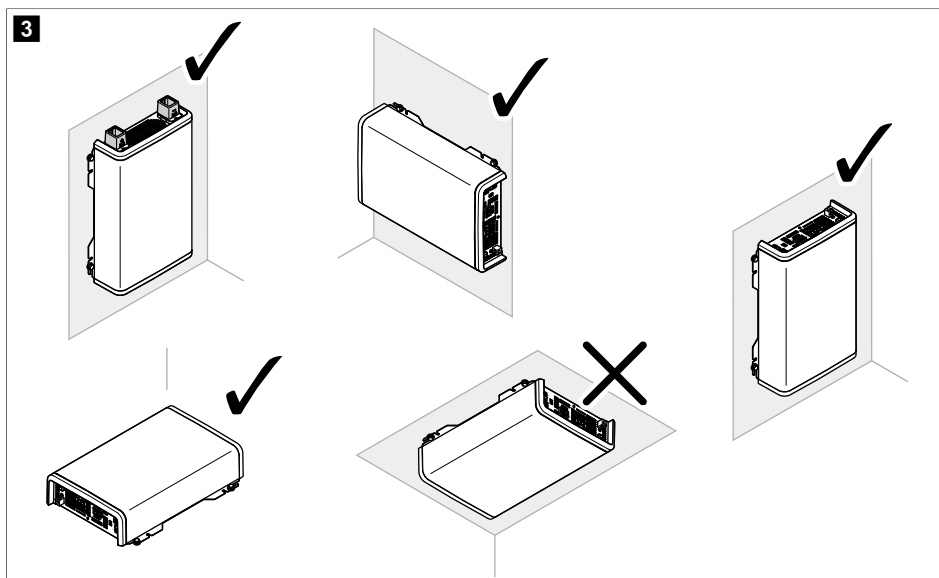
№	Обозначение
1	(-) клема, свързване към отрицателния полюс на домашния акумулатор
2	(+) клема, свързване към отрицателния полюс на домашния акумулатор
3	Предпазител за външния вход
4	АС вход
5	Клема CN1
6	Свързване на CI BUS/N Bus/дистанционно управление (LINB)
7	Свързване на CI BUS/N Bus/дистанционно управление (LINA)
8	Светодиод за индикация на състоянието
9	Превключвател On/off (Вкл./изкл.)
10	Винт за настройка на IT/TN мрежа
11	Превключвател
12	DIP превключвател, връзка за външен превключвател и реле за аларма
13	АС изход
14	Заземяваща връзка

7.3 Светодиод за индикация на състоянието

Състояние	Описание
On	Работа на инвертора
Flashing	Грешка (вижте глава Отстраняване на неизправности на страница 402)
Off	Няма вход за променлив ток, инверторът е дезактивиран

8 Инсталиране

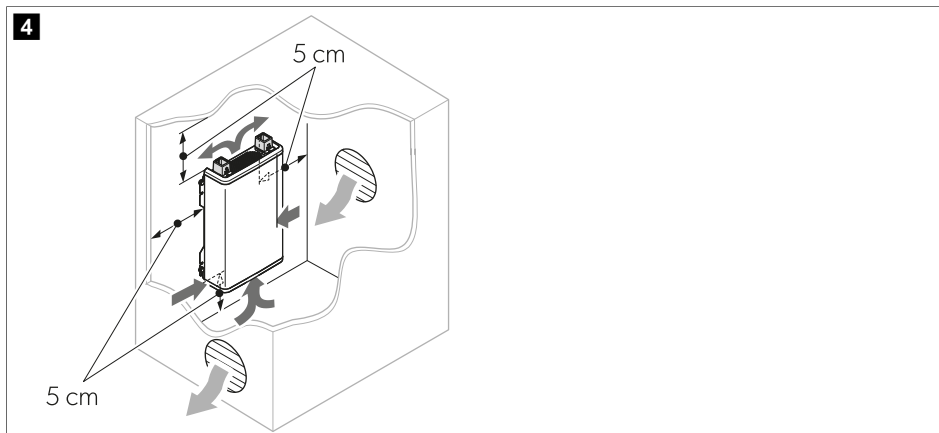
8.1 Местоположение на инсталацията

**ВНИМАНИЕ! Опасност от повреда**


Преди пробиване на отвори се уверете, че електрическите кабели или други части на автомобила не могат да бъдат повредени чрез пробиване, рязане и изпиляване.

**УКАЗАНИЕ**

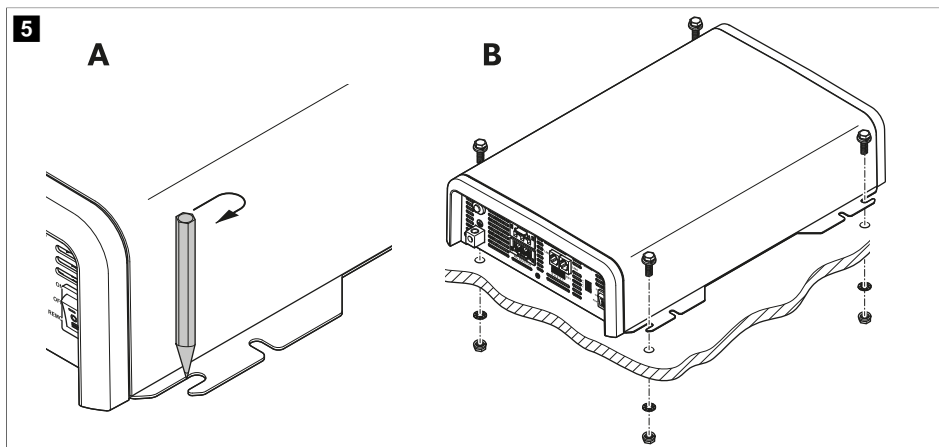
Инверторът може да се монтира в седящо или висящо положение ( фиг. **3** на страница 392).





Спазвайте следните инструкции при избора на място за инсталиране:

- Уверете се, че монтажната повърхност е твърда и равна.
- Спазвайте спецификациите за разстояние за достатъчна вентилация ( фиг. 4 на страница 393).

8.2 Монтиране на инвертора



1. Изберете подходящите монтажни отвори в зависимост от избрания тип монтаж (седащ или висящ) и маркирайте отворите за пробиване ( фиг. 5 на страница 393, **A**).
2. Предварително пробийте монтажните отвори.
3. Завийте инвертора на място ( фиг. 5 на страница 393, **B**).

8.3 Свързване на инвертора



Електрическият монтаж и настройка на устройството трябва да се извършват от квалифициран електротехник с умения и знания, свързани с изграждането и експлоатацията на електрооборудване и инсталации, и който е запознат с приложимите разпоредби на страната, в която оборудването трябва да бъде инсталирано и/или използвано, и е преминал обучение по безопасност, за да идентифицира и избегне свързаните с това опасности.

Всички други действия са предназначени и за непрофесионални потребители.



ПРЕДУПРЕЖДЕНИЕ! Опасност от електрически удар

Спазвайте препоръчаните напречни сечения на кабелите, дължини на кабелите и предпазител.



ВНИМАНИЕ! Опасност от пожар

Поставете предпазителите близо до акумулаторите, за да предпазите кабела от късо съединение и възможно изгаряне.



ВНИМАНИЕ! Опасност от повреда

- > Не обръщайте полярността.
- > Затегнете винтовете и гайките до максимален въртящ момент от 15 Nm. Разхлабените връзки могат да доведат до прегряване.

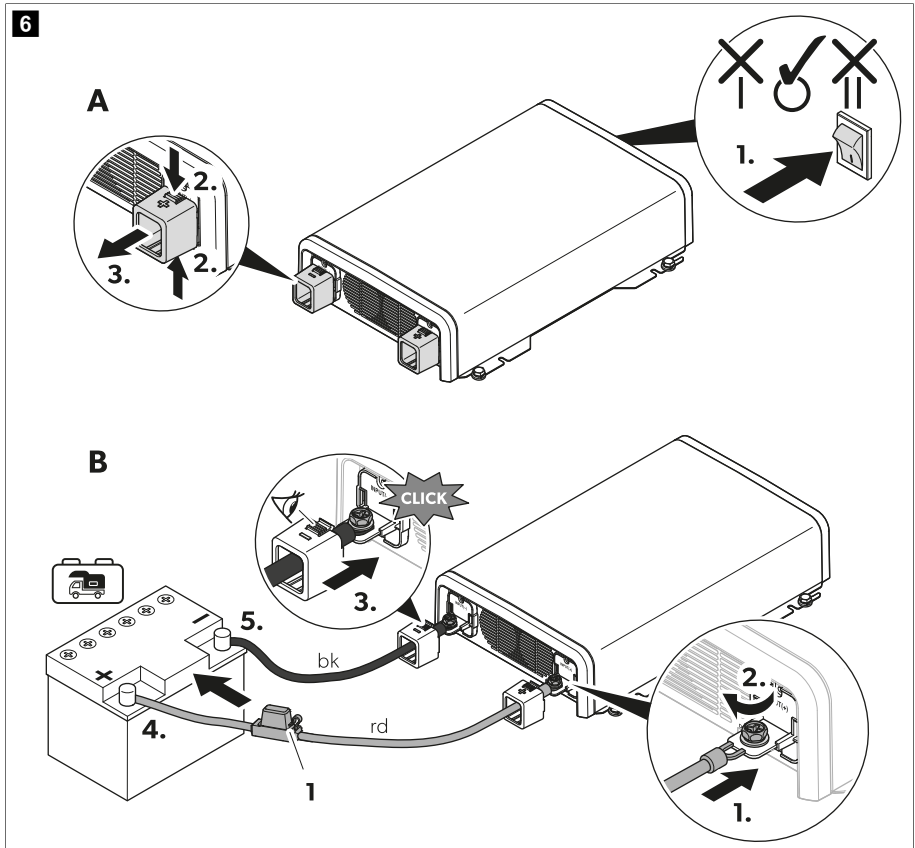
Спазвайте следните инструкции при свързване на инвертора:

- Спазвайте приложимите разпоредби при създаването на разпределителна верига за контакти (мрежова инсталация).
- Изберете възможно най-късата ≤ 1 m дължина на кабелите за постоянен ток (връзка с клемите на акумулатора).
- За връзка на **TN мрежа**: Монтирайте устройство с остатъчен ток (RCD).
- За връзка на **IT мрежа**: Монтирайте устройство за наблюдение на изолацията (IMD), ако е свързано повече от едно натоварване. **Приложими са националните стандарти.**


1. Определете напречните сечения на кабелите и предпазителите:

	Напречно сечение на кабела	Кабелен предпазител
DPSI1812iTS	50 mm ²	250 A
DPSI1824iTS	25 mm ²	150 A


2. Проверете дали устройството е изключено ( фиг. 6 на страница 395, **A: 1**).






3. Откачете капачите от клемите ( фиг. 6 на страница 395, **A: 2 – 3**).

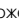
4.  **ВНИМАНИЕ! Опасност от повреда**
За да избегнете късо съединение на устройството, винаги първо свързвайте черния кабел (отрицателна клема).

Свържете черния (bk) свързващ кабел към (-) клемата.

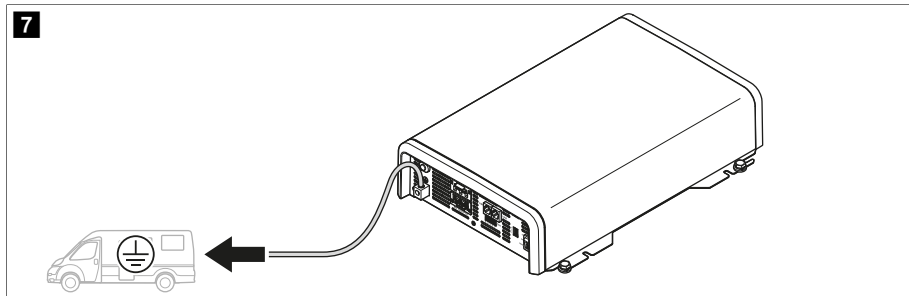
5. Свържете червения (rd) свързващ кабел към (+) клемата ( фиг. 6 на страница 395, **B: 1 – 2**).

6. Свържете (+) към положителната клемата на домашния акумулатор ( фиг. 6 на страница 395, **B: 4**).

 **УКАЗАНИЕ** Защитете положителния кабел на домашния акумулатор с предпазител ( фиг. 6 на страница 395, **1**).

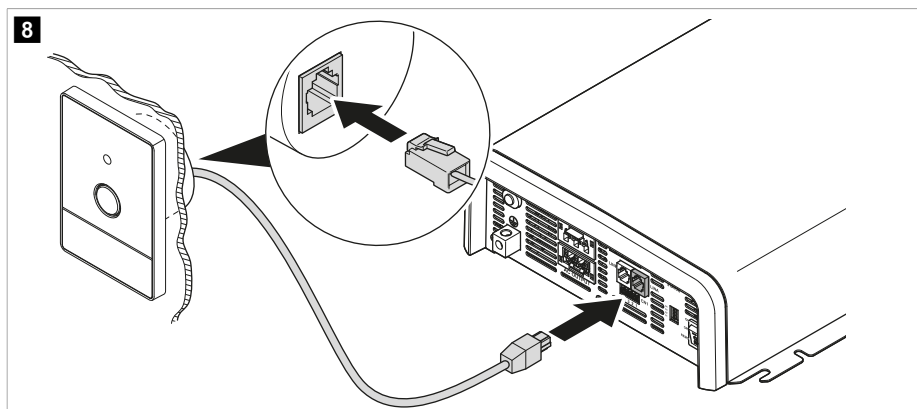
7. Свържете (-) към положителната клемата на домашния акумулатор ( фиг. 6 на страница 395, **B: 5**).

8. Свържете заземяващата връзка към земята (шасито)  фиг. 7 на страница 396.



8.4 Свързване на дистанционното управление

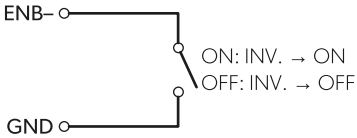
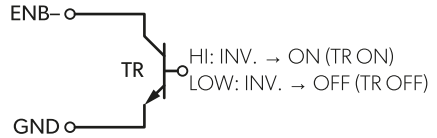
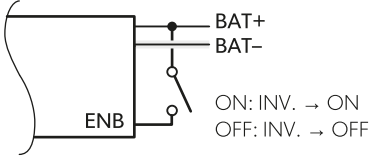
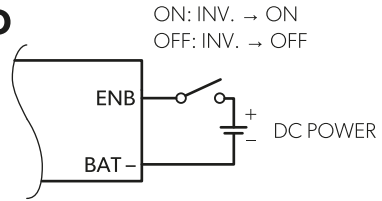
- > Свържете дистанционното управление към връзката за дистанционно управление (LINA или LINB).







8.5 Свързване на външен превключвател



УКАЗАНИЕ Ако е свързан външен превключвател, състоянието на енергоспестяващия режим не може да се променя.

9 A**B****C****D****УКАЗАНИЕ**

- > Уверете се, че връзката на дистанционното управление не е заета.
- > Изберете един от следните подходящи външни превключватели:
 -  фиг. 9 на страница 397, **A**: Външен превключвател със захранване от инвертора
 -  фиг. 9 на страница 397, **B**: Блок за управление с релейна или транзисторна верига (TR)
 -  фиг. 9 на страница 397, **C**: Външен превключвател със захранване от акумулатора (BAT) на превозното средство
 -  фиг. 9 на страница 397, **D**: Външен превключвател със собствено захранване (ПОСТОЯННОТОКОВО ЗАХРАНВАНЕ), напр. от запалването



УКАЗАНИЕ Уверете се, че връзката на дистанционното управление не е заета.

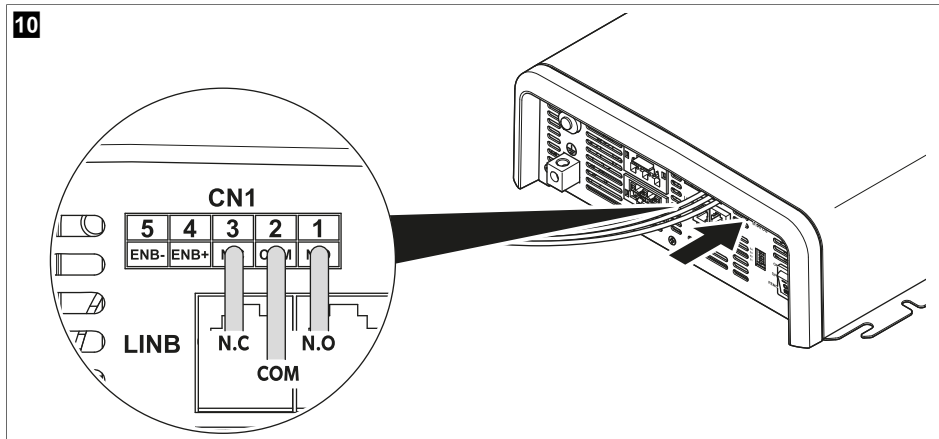
1. Настройте превключвателя за включване/изключване на **OFF**.
2. Настройте превключвателя за включване/изключване на **РЕМО**.
3. Свържете външния превключвател към клемата CN1.

8.6 Свързване на реле за аларма

Релето за аларма се активира веднага след като е налично променливотоковото захранване и превключвателят за променливотоково прехвърляне е затворен. Релето за аларма може да се използва за:

- Генериране на сигнал за откриване на променливотоково захранване в таблото за управление на превозното средство.
- Включете и изключете по-малко критични натоварвания (напр. абсорбиращ хладилник, електрически отоплителни системи), които трябва да се управляват само във връзка с променливотоково захранване.

10



> Свържете реле за аларма към клемата CN1 ( фиг. 10 на страница 398).

9 Конфигуриране на инвертора



Електрическият монтаж и настройка на устройството трябва да се извършват от квалифициран електротехник с умения и знания, свързани с изграждането и експлоатацията на електрооборудване и инсталации, и който е запознат с приложимите разпоредби на страната, в която оборудването трябва да бъде инсталирано и/или използвано, и е преминало обучение по безопасност, за да идентифицира и избегне свързаните с това опасности.

Всички други действия са предназначени и за непрофесионални потребители.



ОПАСНОСТ! Опасност от електрически удар

- > Отстранете защитната капачка от DIP превключвателя само за конфигуриране.
- > Поставете защитната капачка, за да предотвратите случайна настройка на DIP превключвателя.
- > За конфигурация на **TN мрежа**: Уверете се, че е монтирано устройство с остатъчен ток (RCD).
- > За конфигурация на **IT мрежа**: Работете само с едно натоварване или монтирайте устройство за наблюдение на изолацията (IMD). Съблюдавайте националните стандарти.



УКАЗАНИЕ



Използвайте малка отвертка, за да преместите внимателно превключвателите в необходимото положение.

Настройките на инвертора могат да се извършват чрез DIP превключвателите или чрез свързване на дистанционно управление, поддържащо CI-BUS.

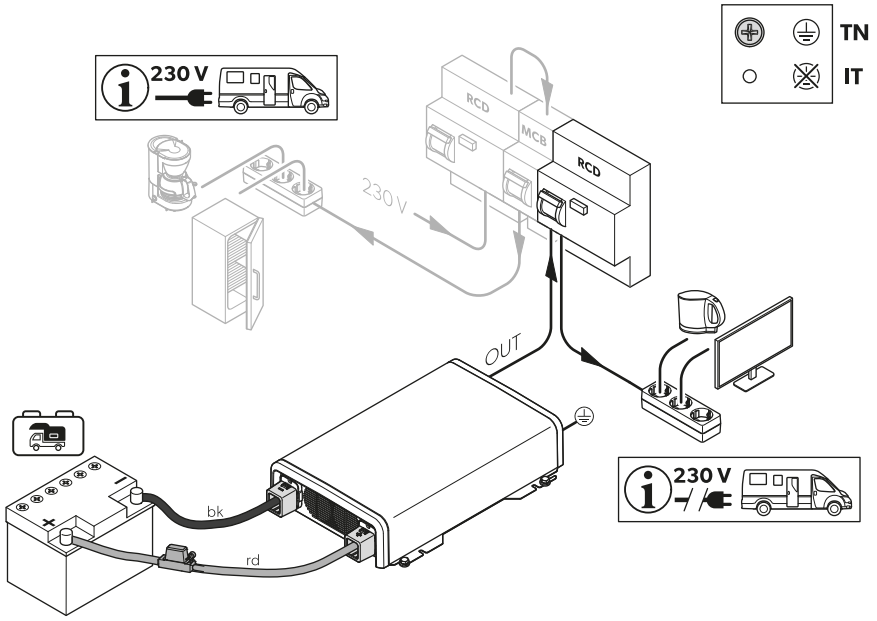
Устройството първоначално използва фабричната конфигурация. Ако е необходимо, преместете DIP превключвателите, за да регулирате конфигурацията.

- > Плъзнете DIP превключвателя **S1** на **On** за **локална** настройка чрез DIP превключвателите.
- > Плъзнете DIP превключвателя **S1** на **Off** за **външна** настройка чрез дистанционното управление.

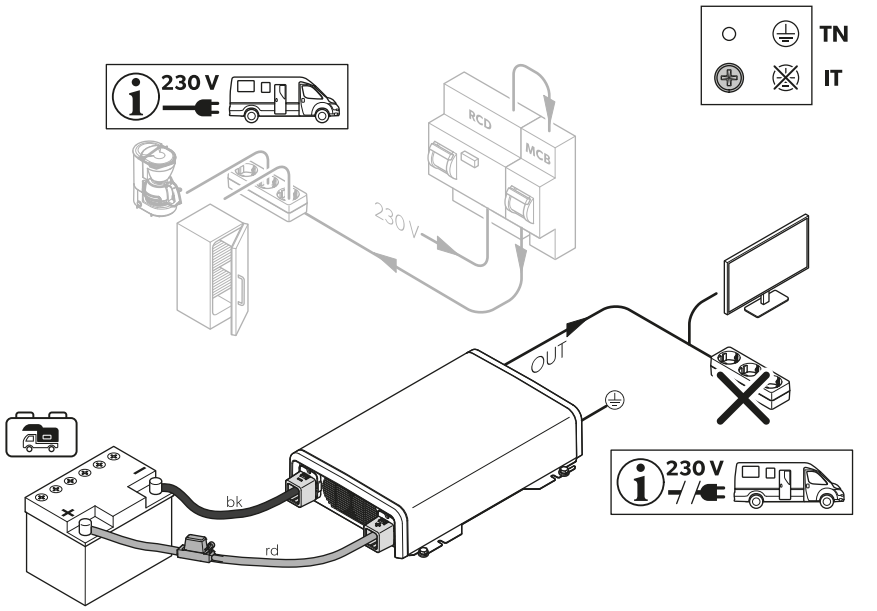
9.1 Настройки на DIP превключвателя

	Конфигурация	Положение на DIP превключвателя				
		S1	S2	S3	S4	S5
Настройки	Локална настройка чрез DIP превключвателя	Вкл	-	-	-	-
	Външна настройка чрез дистанционно управление	Изкл	-	-	-	-
Мрежово напрежение	240 V/60 Hz	-	Вкл	-	-	-
	230 V/50 Hz	-	Изкл	-	-	-
Енергоспестяващ режим	Energy-saving mode is activated when the load is ≤ 45 W Inverter switches to normal operation when the load is ≥ 45 W	-	-	Вкл	Вкл	-
	Енергоспестяващ режим се активира, когато натоварването е ≤ 45 W Инверторът превключва към нормална работа, когато натоварването е ≥ 45 W	-	-	Вкл	Изкл	-
	Инверторът се изключва автоматично след 20 минути работа в енергоспестяващ режим	-	-	Изкл	Изкл	-
	Енергоспестяващ режим се активира, когато натоварването е ≤ 1 W Инверторът превключва към нормална работа, когато натоварването е ≥ 1 W	-	-	Изкл	Изкл	-
	Енергоспестяващ режим се активира, когато натоварването е ≤ 1 W Инверторът превключва към нормална работа, когато натоварването е ≥ 1 W	-	-	Изкл	Вкл	-
	Инверторът се изключва автоматично след 20 минути работа в енергоспестяващ режим	-	-	Изкл	Вкл	-
Мрежова система	IT мрежа ( фиг. 12 на страница 400)	-	-	-	-	Вкл
	TN мрежа ( фиг. 11 на страница 400)	-	-	-	-	Изкл

11

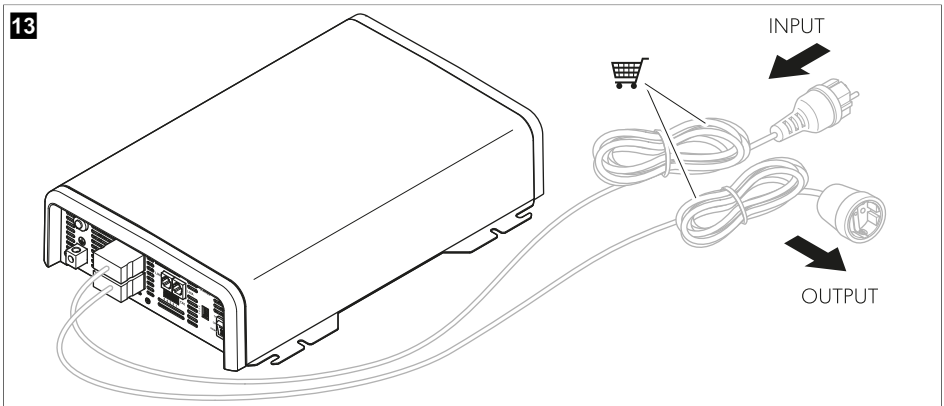


12




10 Работа

10.1 Работа с 230 V устройства



УКАЗАНИЕ

Свържете устройства, чието общо натоварване не надвишава стойностите, изброени в Технически данни на страница 404.

- > Свържете 230 V устройства, както е показано ( фиг. 13 на страница 401).

10.2 Включване и изключване на инвертора



УКАЗАНИЕ

- Ако инверторът трябва да се управлява чрез дистанционното управление, превключателят за включване/изключване трябва да се постави в положение **II**.
- Ако инверторът трябва да се управлява чрез външния превключател, превключателят за включване/изключване трябва да се постави в положение **0**.

- > За да включите инвертора, поставете превключателя за включване/изключване в положение **I**.
- > За да изключите инвертора, поставете превключателя за включване/изключване в положение **0**.
- > Използвайте дистанционното управление или външния превключател, за да включите и изключите инвертора.

11 Почистване и поддръжка



ПРЕДУПРЕЖДЕНИЕ! Опасност от електрически удар

Изключете устройството от захранването преди почистване и поддръжка.



ВНИМАНИЕ! Опасност от повреда

- > Никога не почиствайте устройството под течаща вода или в съд с вода.
- > Не използвайте остри или твърди предмети, абразивни почистващи препарати или белина по време на почистване, тъй като те могат да повредят устройството.

- > Убедете се, че по входните и изходните вентилационни отвори на устройството няма прах и мръсотия, за да може топлината да се отвежда.

- > Периодично почиствайте устройството с мека, влажна кърпа.
- > Редовно проверявайте кабелите или линиите на живо за повреди в изолацията, прекъсвания или разхлабени връзки.

12 Отстраняване на неизправности

проблем	причина	Решение
Инверторът не работи. Светодиодният индикатор за състоянието е изключен.	Генерира се късо съединение.	<ul style="list-style-type: none"> > Предпазителят на устройството трябва да бъде заменен от упълномощен сервизен агент, след като е бил задействан от прекомерен ток.
	Неизправности в изолацията, прекъсвания или разхлабени връзки при кабелите под напрежение.	<ul style="list-style-type: none"> > Проверявайте кабелите или пините под напрежение за повреди в изолацията, прекъсвания или разхлабени връзки. Ако не можете да намерите грешка, свържете се с оторизиран сервизен агент.
Инверторът не работи. Светодиодният индикатор за състоянието мига бавно.	Зашита от вход на висок ток.	Намапете свързаните натоварвания.
	Изключване при висока температура.	<ol style="list-style-type: none"> 1. Изключете инвертора и свързаните натоварвания. 2. Проверете дали входните и изходните отвори за въздух не са покрити или запушени. 3. Оставете инвертора да се охлади.
	Генерира се късо съединение.	Предпазителят на устройството трябва да бъде заменен от упълномощен сервизен агент, след като е бил задействан от прекомерен ток.
Инверторът не работи. Светодиодният индикатор за състоянието мига бързо.	Изключване при свръхнапрежение. Напрежението на акумулатора е твърде високо.	<ul style="list-style-type: none"> > Намапете свързаните напрежения. Инверторът се рестартира автоматично, когато напрежението спадне до стойността за рестартиране (вижте главата Изключване при свръхнапрежение на страница 405). > Ако грешката пак се появява: Увеличете напречните сечения на кабела. Намапете дължината на кабела.

проблем	причина	Решение
	Изключване при по-ниско напрежение. Напрежението на акумулатора е твърде ниско.	<ul style="list-style-type: none"> > Оставете акумулатора да се зарежда бавно. <p>Инверторът се рестартира автоматично, когато напрежението надвиши стойността за рестартиране (вижте главата Изключване при по-ниско напрежение на страница 405).</p>

13 Гаранция

Важи гаранционният срок, определен от закона. Ако продуктът е дефектен, моля, свържете се с клона на производителя във вашата страна (вижте dometic.com/dealer) или с вашия търговец на дребно.

За обработка на гаранцията и ремонта, моля приложете следните документи при изпращането на уреда:

- Копие от фактурата с дата на покупката
- Причина за претенцията или описание на дефекта

Отбележете, че саморъчен или непрофесионален ремонт може има последствия за безопасността и да анулира гаранцията.

14 Изхвърляне

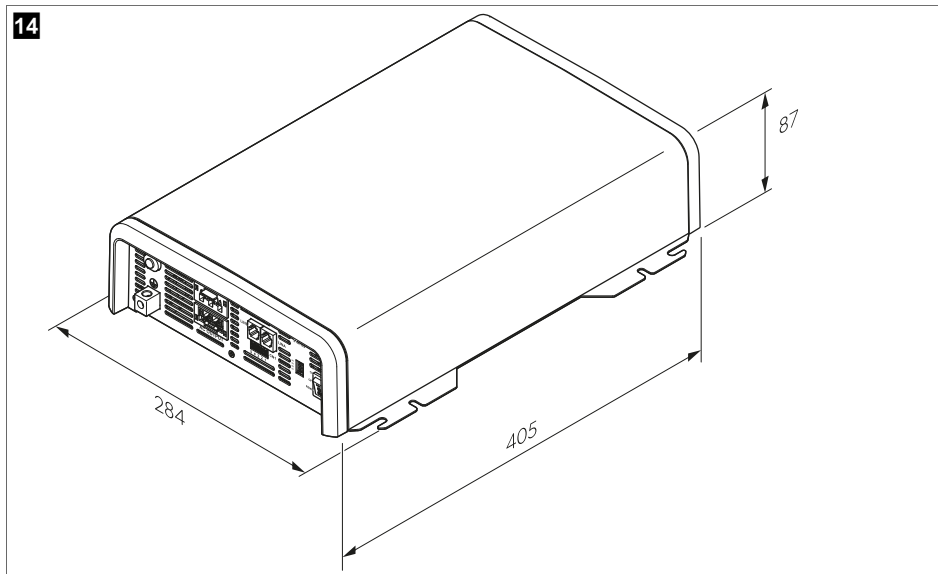



По възможност предайте опаковката за рециклиране.

Консултирайте се с местен център за рециклиране или с продавача за правилното изхвърляне на продукта в съответствие с действащите предписания.

Продуктът може да бъде изхвърлен безплатно.

15 Технически данни



	DPSI 1812	DPSI 1824
Номинално входно напрежение	12 V _{DC}	24 V _{DC}
Диапазон на входно напрежение	10 ... 16,5 V _{DC}	20 ... 33 V _{DC}
Непрекъсната изходна мощност P _{nom}	1800 W	1800 W
Максимална изходна мощност (10 min)	1800 W	1800 W
Максимална изходна мощност (3 min)	2070 W	2070 W
Максимална пикова мощност (2 s) P _{surge}	3600 W	3600 W
Консумация на ток в режим на покой	≤ 2,5 A	≤ 1,3 A
Консумация на ток в режим на готовност	≤ 0,2 A	≤ 0,1 A
Размери	 фиг. 14 на страница 404	
Тегло	5,5 kg	5,5 kg

15.1 Общи технически данни

Диапазон на изходното напрежение	230/ 240 V _{AC} ± 3 %
Изходна честота	50/60 Hz ± 0,3 Hz
Изходна форма на вълната	Чиста синусоидална вълна
Изкривяване THD (Коефициент на не-линейни изкривявания)	THD ≤ 3 % при P _{nom} (съпротивително натоварване)
Пикова ефективност	90 %

Околна температура за работа	-20 ... 60 °C
Околна температура за съхранение	-30 °C ... 70 °C
Влажност на околната среда	0 ... 95 %, non-condensing
Инспекция/сертифициране	



15.2 Изключване при по-ниско напрежение

	Стойност на изключване	Стойност на рестартиране
DPSI1812	10 V	12 V
DPSI1824	20 V	24 V

15.3 Изключване при свръхнапрежение

	Стойност на изключване	Стойност на рестартиране
DPSI1812	16,5 V	15,5 V
DPSI1824	33 V	31 V

Eesti keel

1	Olulised märkused.....	406
2	Sümbolite selgitus.....	406
3	Ohutusjuhised.....	407
4	Tarnekomplekt.....	410
5	Lisatarvikud.....	410
6	Kasutusotstarve.....	410
7	Tehniline kirjeldus.....	411
8	Paigaldamine.....	413
9	Inverteri konfigureerimine.....	419
10	Kasutamine.....	422
11	Puhastamine ja hooldamine.....	422
12	Tõrkeotsing.....	423
13	Garantii.....	423
14	Kõrvaldamine.....	424
15	Tehnilised andmed.....	424

1 Olulised märkused

Lugege see juhend tähelepanelikult läbi ja järgige kõiki selles esitatud juhiseid, suuniseid ja hoiatusi, et tagada alati toote õigesti paigaldamine, kasutamine ning hooldamine. See juhend PEAB jääma selle toote juurde.

Toote kasutamisega kinnitate, et olete kõik juhised, suunised ja hoiatused tähelepanelikult läbi lugenud ning mõistate ja nõustute järgima nendes sätestatud tingimusi. Nõustute kasutama seda toodet üksnes ettenähtud eesmärgil ja otstarbel ning kooskõlas kasutusjuhendis sätestatud juhiste, suuniste ja hoiatustega, samuti kooskõlas kõigi kohaldatavate õigusaktide ja eeskirjadega. Siin sätestatud juhiste ja hoiatuste lugemise ja järgimise eiramine võib põhjustada vigastusi teile ja kolmandatele isikutele, kahjustada teie toodet või läheduses asuvat muud vara. Toote kasutusjuhendit, sh juhiseid, suuniseid ja hoiatusi, ning seotud dokumente võidakse muuta ja uuendada. Värskema tooteteabe leiate veebisaidilt documents.dometic.com.

2 Sümbolite selgitus

Signaalsõna tähistab ohutusteateid ja varalise kahju teateid ning näitab ka ohu raskusastet või taset.



OHT!

viitab ohtlikule olukorrale, mis eiramise korral lõpeb surma või raske vigastusega.



HOIATUS!

viitab ohtlikule olukorrale, mis eiramise korral võib lõppeda surma või raske vigastusega.



ETTEVAATUST!

viitab ohtlikule olukorrale, mis eiramise korral võib lõppeda kerge või keskmise vigastusega.



TÄHELEPANU!

Viitab ohtlikule olukorrale, mis eiramise korral võib lõppeda varalise kahjuga.



MÄRKUS Lisateave toote käitamiseks.

3 Ohutusjuhised

Järgige ka sõiduki tootja ning volitatud töökodade esitatud ohutusjuhiseid ja erinõudeid.

3.1 Üldine ohutus



OHT! Elektrilöögi oht

- > Ärge puudutage katmata kaableid paljaste kätega.
- > Selleks et seadme saaks vahelduvvoolutoitest kiiresti lahutada, peab pistikupesa olema seadme lähedal ja hästi ligipääsetav.



HOIATUS! Elektrilöögi oht

- > Seadme paigaldamise ja eemaldamisega tohivad tegeleda ainult kvalifitseeritud töötajad.
- > Ärge kasutage seadet, kui seade ise või ühenduskaabel on nähtavalt kahjustatud.
- > Kui selle seadme toitekaabel on katki, tuleb see ohutuse tagamiseks välja vahetada.
- > Seda seadet võivad remontida ainult spetsialistid. Valesti tehtud parandused võivad seadme kasutamise ohtlikuks muuta.
- > Kasutage ainult tootja soovitatud tarvikuid.
- > Ärge muutke ega kohandage ühtki komponenti mis tahes viisil.
- > Ärge lahutage ühtki kaablit, kui seade on veel kasutusel.
- > Lahutage seade toiteallikast.
 - Pärast kasutamist
 - Alati enne puhastamist ja hooldamist
 - Enne kaitsme vahetamist



HOIATUS! Tuleoht / tuleohtlikud materjalid

Tulekahju korral kasutage elektriseadmete jaoks sobivat tulekustutit.



HOIATUS! Lämpumisoht

Kui need pole õigesti paigutatud, võivad seadme kaabel ja juhtplokk põhjustada takerdumise, pitsumuse, vabastamise või tallamise ohtu. Veenduge, et liigsed kaablivitsad ja toitekaablid oleksid õigesti paigutatud.



HOIATUS! Terviseoht

- > Seda seadet võivad kasutada alates 8-aastased lapsed ning piiratud füüsiliste, sensorsete või vaimsete võimetega või vajalike kogemuste ja teadmisteta isikud järelevalve all või pärast seda, kui neid on õpetatud seadet ohutult kasutama ja nad mõistavad seadme kasutamisega kaasnevat ohte.
- > **Elektriseadmed ei ole mänguasjad.** Alati hoidke seade väikelaste käeulatuses eemal.
- > Lapsi tuleb valvata, et oleks kindel, et nad seadmega ei mängi.
- > Lapsed ei tohi seadet ilma järelevalveta puhastada ega hooldada.



TÄHELEPANU! Kahjustuste oht

- > Enne käivitamist kontrollige, kas andmeplaadile märgitud pingenäitajad kattuvad toiteallika andmetega.
- > Veenduge, et teised esemed **ei saaks** seadme kontaktidel lühist põhjustada.
- > Veenduge, et miinus- ja plusspoolus **kunagi** kokku ei puutuks.
- > Ärge tõmmake ühenduskaablitest ega kasutage kaableid käepidemena.
- > Seade ei tohi puutuda kokku vihma ega niiskusega. Hoidke seadet kuivas kohas.

3.2 Seadme ohutu paigaldamine



OHT! Plahvatusoht

- > Paigaldage seade ja kasutage seda ainult hästi ventileeritavates ruumides.
- > **Ärge** paigaldage ega kasutage seadet järgmistes tingimustes.
 - Soolases, märjas või niiskes keskkonnas
 - Korrosiivse auru läheduses
 - Tuleohtlike materjalide läheduses
 - Soojusallikate (radiaator, otsene päikesekiirgus, gaasiahni jne) läheduses
 - Piirkondades, kus on gaasi- või tolmuplahvatusoht



HOIATUS! Vigastusoht

- > Veenduge, et seade seisaks kindlalt. Seade tuleb seadistada ja kinnitada nii, et see ei saaks ümber minna ega maha kukkuda.
- > Seadme paigutamisel tuleb komistusohu vältimiseks jälgida, et kõik kaablid oleks sobivalt kinnitatud.



TÄHELEPANU! Kahjustuste oht

- > Pange seade kuiva kohta, kus see on veepritsmete eest kaitstud.
- > Kasutage alati maandatud ja rikkevoolukaitseülilitega kaitstud pistikupesasid

3.3 Ohutus seadme elektriühenduse loomisel



OHT! Elektrilöögi oht

Elektrisüsteemide kallal töötamisel veenduge, et läheduses oleks keegi, kes saaks teid hädaolukorras aidata.



HOIATUS! Elektrilöögi oht

- > Pidage kinni soovitatavatest kaablite ristlõigetest.
- > Paigutage kaablid nii, et ukсед ega luuk ei saaks neid kahjustada. Muljutud kaablid võivad raskeid vigastusi põhjustada.



TÄHELEPANU! Kahjustuste oht

- > Kui kaableid on vaja vedada läbi metallpaneelide või muude paneelide, millel on teravad servad, kasutage selleks kanalisüsteemi või kaablikanaleid.
- > **Ärge** pange 230 V elektri kaablit ja 12 V alalisvoolukaablit samasse kanalisse.
- > **Ärge** paigutage kaablit nii, et need jääksid lahtiselt ette või oleksid tugevalt kokku murdud.
- > Kinnitage kaablid kindlalt.

3.4 Ettevaatusabinõud akude käsitlemisel



HOIATUS! Vigastusoht

- > Akud sisaldavad agressiivseid ja söövitavaid happeid. Vältige akuvedeliku sattumist nahale. Kui akuvedelik satub nahale, loputage seda kehaosa veega põhjalikult. Kui hape põhjustab mis tahes kehavigastusi, võtke viivitamatult ühendust arstiga.
- > Ärge kandke akude kallal töötades metallist esemeid, näiteks käekella ega sõrmuseid. Pliihappeakud võivad põhjustada lühise, mis võib tõsiselt vigastusi tekitada.
- > Kasutage ainult isoleeritud tööriistu.

- > Ärge asetage aku peale metallist esemeid ja vältige mis tahes metallist esemete aku peale kukkumist. See võib põhjustada sädemeid või lühiseid akus ja muudes elektriseadmetes.
- > Kandke akude kallal töötades kaitseprille ja kaitserõivastust. Ärge akude kallal töötamise ajal silmi puudutage.
- > Kasutage ainult laetavaid akusid.
- > Ärge kasutage defektseid akusid.



ETTEVAATUST! Plahvatusoht

- > Ärge püüdke laadida külmunud või defektset akut. Pange aku külmumiskindlasse kohta ja oodake, kuni aku temperatuur on ümbritseva temperatuuriga ühtlustunud. Seejärel käivitage laadimine.
- > Aku ega mootori lähedal ei tohi suitsetada, lahtist leeki kasutada ega sädemeid tekitada.
- > Hoidke aku soojusallikatest eemal.



TÄHELEPANU! Kahjustuste oht

- > Aku ühendamisel veenduge, et poolused ühendataks õigesti.
- > Järgige aku tootja ning süsteemi või sõiduki, kus te akut kasutate, juhiseid.
- > Aku eemaldamisel lahutage esmalt maandusühendus. Enne aku eemaldamist lahutage sellelt kõik ühendused ja tarbijad.
- > Hoiustage ainult täis laetud akusid. Laadige hoiustatavaid akusid regulaarselt.
- > Ärge hoidke akut kandes selle klemmidest kinni.

3.5 Seadme ohutu käitamine



HOIATUS! Elektrilöögi oht

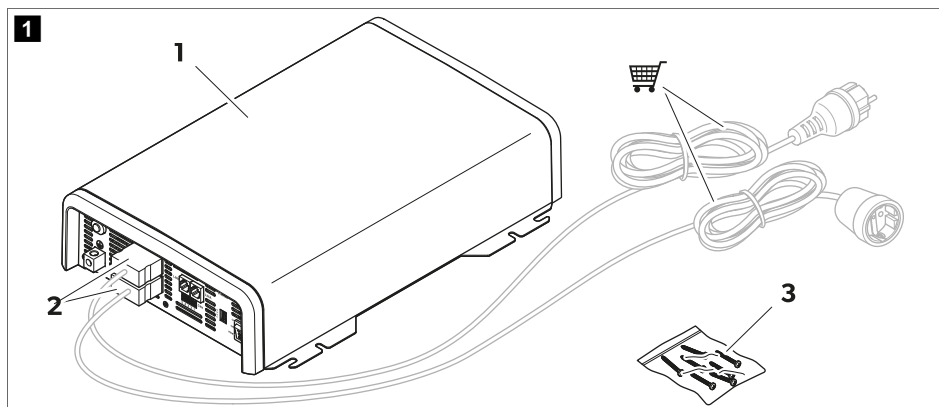
- > Ärge kasutage seadet märgadest tingimustes ega kastke seda mis tahes vedelikku.
- > Enne seadme käivitamist veenduge, et toitejuhe ja pistik on kuivad ning pistik ei ole roostes ega must.
- > Pidage meeles, et seadme osad võivad endiselt pinges all olla, kuigi kaitse on läbi põlenud.




TÄHELEPANU! Kahjustuste oht

- > Veenduge, et seadme õhu sisse- ja väljalaskeavad poleks kaetud.
- > Tagage hea ventilatsioon.

4 Tarnekomplekt



Nr  joon. 1 leheküljel 410	Nimetus	Kogus
1	Siinuslainne inverter	1
2	WAGO-konnektor, ühenduskaabel koos ohutusliitmikuga (230 V~ väljundi jaoks)	2
3	Kinnituskruvid	6
-	Paigaldus- ja kasutusjuhend	1

5 Lisatarvikud

Nimetus	Tootenr
Kaugjuhtimispuult DSP-RCT	9600002564
Juhtmonitor DSP-EM	9600002565
Puuteekraan TD283	9620013272

6 Kasutusotstarve

Inverter on mõeldud alalisvoolu muundamiseks puhta siinuslainega 230V ... 240 V~ vahelduvvooluks (VV), mis on ette nähtud ühendatud tarbivate seadmetega ühendamiseks ja stabiilseks toiteva varustamiseks.

Inverter on mõeldud ühendamiseks järgnevatega:

- DPSI1812iTS: 12 V^{DC}
- DPSI1824iTS: 24 V^{DC}

Inverter sobib järgnevate jaoks:

- vabaajasõidukitesse (RV), veoautodele, kommertssõidukitele või mootorsõidukitele ja purjejahtidele paigaldamine;
- statsionaarne või mobiilne kasutus;
- kasutus siseruumides.

Inverter **ei** sobi järgnevaks:

- välistingimustes kasutamine.

See toode sobib kasutamiseks üksnes ettenähtud otstarbel ja käesolevas kasutusjuhendis toodud valdkonnas.

Käesolev juhend sisaldab teavet, mis on vajalik toote korrektseks paigaldamiseks ja/või kasutamiseks. Halva paigalduse ja/või valesti kasutamise või hooldamise korral halvenevad töomadused ja võib tekkida rike.

Tootja ei võta vastutust mis tahes kahju või tootekahjustuse eest, mis on tingitud mõnest järgmisest asjaolust:

- valesti paigaldamine, kokkupanek või ühendamine, sh liigpinge;
- valesti hooldamine või tootja poolt ette nähtud originaalvaruosadest erinevate varuosade kasutamine;
- tootel ilma tootja selge loata tehtud muudatused;
- kasutamine otstarbel, mida ei ole kasutusjuhendis kirjeldatud.

Dometic jätab endale õiguse muuta toote välimust ja tehnilisi näitajaid.

7 Tehniline kirjeldus

7.1 Üldine kirjeldus

Inverter on alalisvoolu vahelduvvooluks muundamise puhta siinuslaine inverter.

Inverter on varustatud prioriteetse vooluringiga. Kui saadaval on 230 V~ võrgutoide, kasutatakse vabaajasõiduki pistikupesade toiteks seda välist toiteallikat. Kui 230 V~ võrgutoidet pole, muundab inverter aku alalisvoolu vahelduvvooluks, tagades sellega ühendatud tarbijate toitega varustamise.

Inverterit võib kasutada järgmiste võrgusüsteemidega:

- TN-võrk
- IT-võrk

Võrgusüsteeme seadistatakse inverteril oleva kruviga.

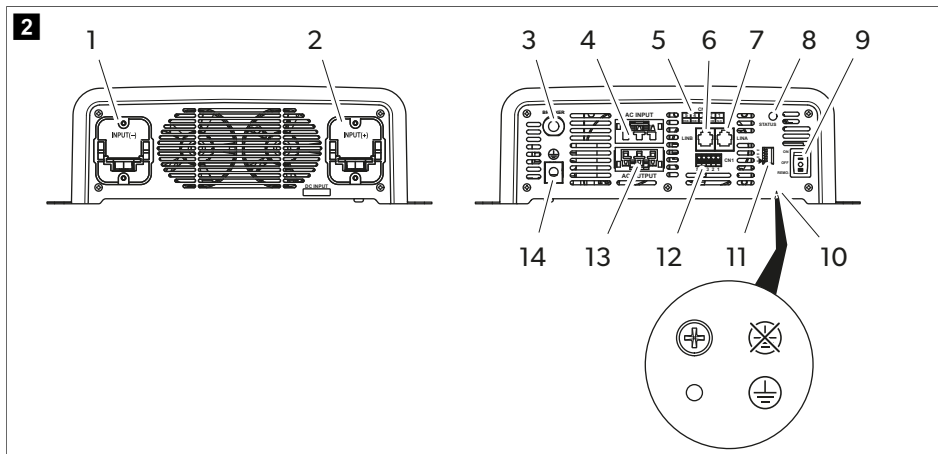
Inverteri saab lülitada energiasäästurežiimile, et vähendada tarbimist jõudeolekus ja minimeerida aku koormust.

Inverteril on järgmised kaitsemehhanismid.

- **Ligpinge korral väljalülitumine:** inverter lülitub välja, kui pinge ületab piirväärtuse. Inverter taaskäivitub uuesti, kui pinge langeb taaskäivitamise väärtusele.
- **Alapinge korral väljalülitumine:** inverter lülitub välja, kui pinge langeb piirväärtusest allapoole. Inverter taaskäivitub uuesti, kui pinge ületab taaskäivitamise väärtuse.
- **Väljalülitamine kõrge temperatuuri korral:** inverter lülitub välja, kui seadme sisemine temperatuur ületab piirväärtuse. Inverter taaskäivitub uuesti, kui sisetemperatuur langeb taaskäivitamise väärtusele.
- **Kõrge väljundvoolu kaitse:** inverter lülitub välja, kui ühendatud on liiga palju koormusi.
- **Kaitse lühise eest:** inverter lülitub lühise tekkimisel välja. Inverter taaskäivitub mõne sekundi pärast automaatselt. Kui lühis tuvastatakse viis korda, ei taaskäivitu inverter automaatselt ja see on vaja käsitsi taaskäivitada.

Inverteril on N-siini ja Ci-siini võimekus andmete ja funktsioonide kuvamiseks puutekraanil (tarvikud) ja mobiilirakenduses.

7.2 Juhtelemendid ja ühendused



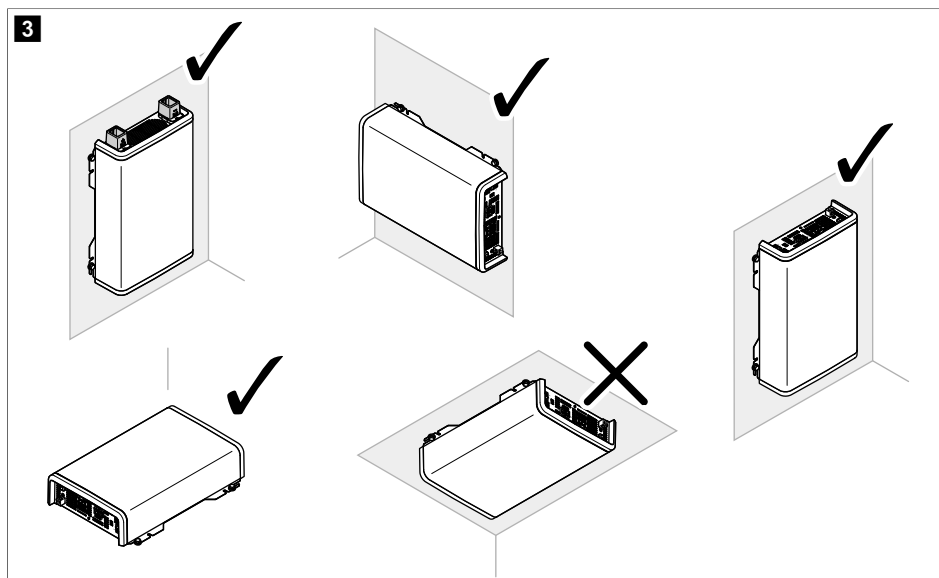
Nr	Nimetus
1	(-) klemm, ühendus majaaku miinuspoolusega
2	(+) klemm, ühendus majaaku plusspoolusega
3	Välise sisendi kaitse
4	AC-sisend
5	Klemm CN1
6	CI-siin / N-siin / kaugjuhtimispuldi ühendus (LINB)
7	CI-siin / N-siin / kaugjuhtimispuldi ühendus (LINA)
8	Olekunäidu LED-tuli
9	Sisse-/väljalülitamise lüliti
10	IT/TN-võrgu seadistuse kruvi
11	Kiiplüüti
12	Kiiplüüti, ühendus välise lüliti ja alarmi relee jaoks
13	AC-väljund
14	Maanduse ühendus

7.3 Olekunäidu LED-tuli

Olek	Kirjeldus
On	Inverteri kasutamine
Flashing	Viga (vt peatükk Tõrkeotsing leheküljel 423)
Off	Vahelduvvoolu sisend puudub, inverter on välja lüülitatud

8 Paigaldamine

8.1 Paigalduskoht




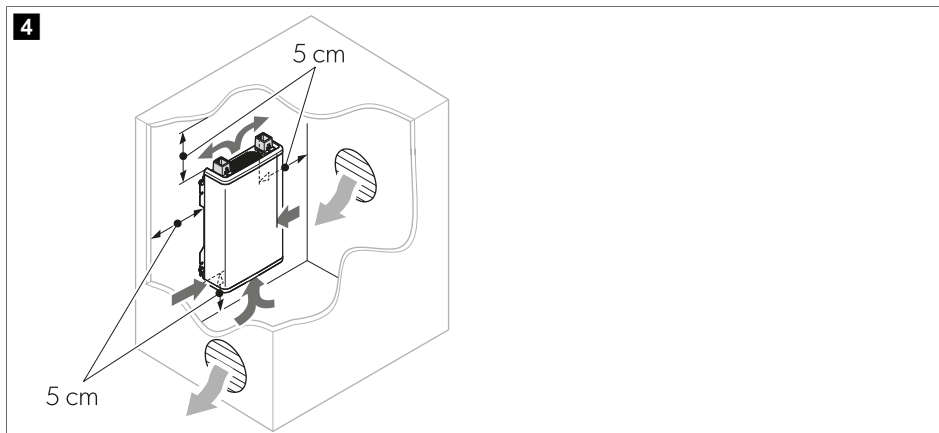
TÄHELEPANU! Kahjustuste oht

Enne mis tahes aukude puurimist veenduge, et ükski elektrikaabel ega sõiduki muu osa ei saaks puurimise, saagimise ega viilimise tõttu kahjustada.




MÄRKUS

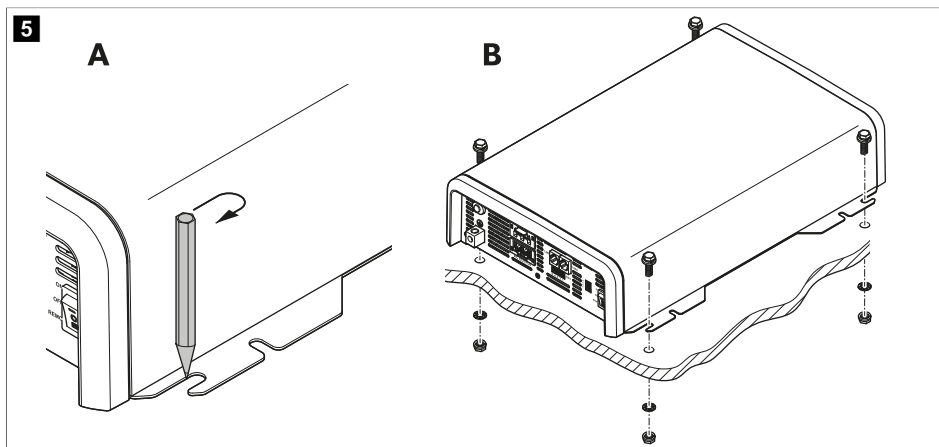
Inverteri saab paigaldada kas toetades või riputades ( joon. **3** leheküljel 413).





Paigalduskoha valimisel pidage silmas järgmisi juhiseid.

- Veenduge, et paigalduspind oleks tugev ja horisontaalne.
- Piisava ventilatsiooni tagamiseks järgige kauguse spetsifikatsioone ( joon. 4 leheküljel 414).

8.2 Inverteri paigaldamine



1. Valige sobivad paigaldusavad sõltuvalt valitud paigaldamise tüübist (toetamine või riputamine) ja märgistage puurimisavad ( joon. 5 leheküljel 414, **A**).
2. Puurige kinnitusavad eelnevalt.
3. Kruvige inverter oma kohale ( joon. 5 leheküljel 414, **B**).

8.3 Inverteri ühendamine



Elektrilise paigaldusega peab tegelema ning seadme peab seadistama kvalifitseeritud elektrik, kes on tõestanud oma oskusi ja teadmisi sõidukite ülesehituse ja töö ning paigaldamise osas ja kes tunneb seadme paigaldus- ja/või kasutusriigis kehtivaid määrusi ning kes on läbinud ohutuslase koolituse, et tuvastada ja vältida vastavaid ohtusid.

Kõiki muid toiminguid tohivad teha ka kasutajad, kes ei ole spetsialistid.



HOIATUS! Elektrilöögi oht

Järgige kaabli ristlõike, kaabli pikkuste ja kaitsme soovitusi.



ETTEVAATUST! Tuleoht

Paigutage kaitsmed akude lähedale, et kaitsta kaablit lühise ja võimaliku kõrbemise eest.



TÄHELEPANU! Kahjustuste oht

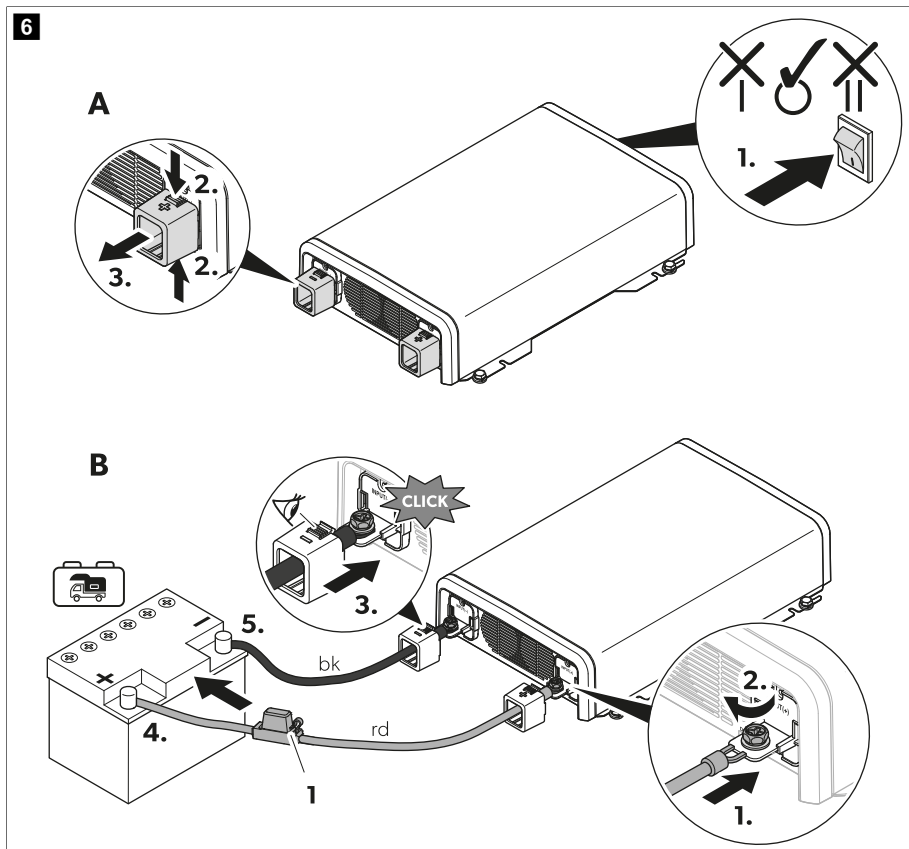
- > Ärge pooluseid segamini ajage.
- > Pingutage kruvisid ja mutreid maksimaalse jõuga 15 Nm. Lahtised ühendused võivad põhjustada ülekuumenemist.

Inverteri ühendamisel järgige järgmisi juhiseid.

- Järgige pistikupesa jaotusahela (toitevõrgu) seadistamisel kohaldatavaid eeskirju.
 - Valige alalisvoolukaablite jaoks (ühendus akuklemmidega) võimalikult pikkus ≤ 1 m.
 - **TN-võrgu** ühenduse jaoks. Paigaldage jääkvooluseade (RCD).
 - **IT-võrgu** ühenduse jaoks. Kui ühendatud on rohkem kui üks koormus, paigaldage isolatsiooni jälgimisseade (IMD). **Kehtivad riiklikud standardid.**
1. Tehke kindlaks kaabli ristlõige ja kaitse.

	Kaabli ristlõige	Kaabli kaitse
DPSI1812iTS	50 mm ²	250 A
DPSI1824iTS	25 mm ²	150 A

2. Kontrollige, kas seade on välja lülitatud ( joon. 6 leheküljel 416, **A: 1**).





3. Eemaldage klemmidelt katted ( joon. **6** leheküljel 416, **A: 2–3**).

4.  **TÄHELEPANU! Kahjustuste oht**
Seadme lühise vältimiseks ühendage esmalt must kaabel (miinusklemm).

Ühendage must (bk) ühenduskaabel (–) klemmiga.

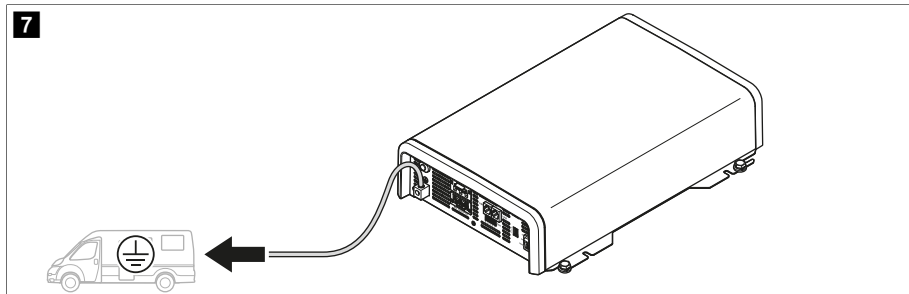
5. Ühendage punane (rd) ühenduskaabel (+) klemmiga ( joon. **6** leheküljel 416, **B: 1–2**).

6. Ühendage (+) majaaku positiivse klemmiga ( joon. **6** leheküljel 416, **B: 4**).

 **MÄRKUS** Kaitske majaaku positiivset kaablit kaitsmega ( joon. **6** leheküljel 416, **1**).

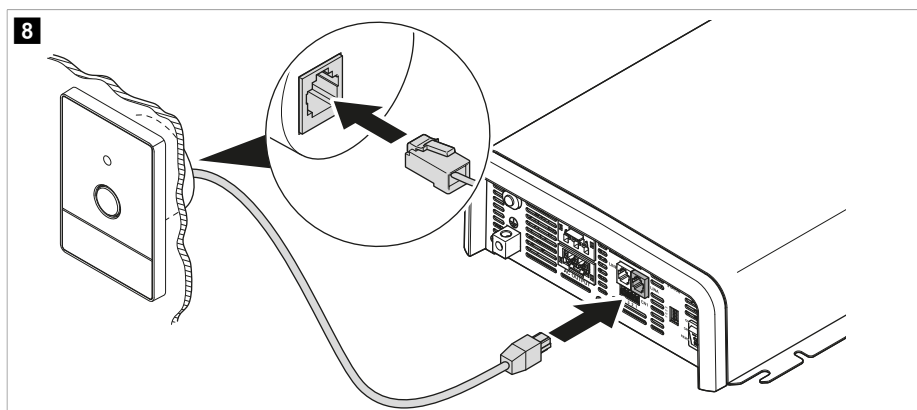
7. Ühendage (–) majaaku negatiivse klemmiga ( joon. **6** leheküljel 416, **B: 5**).

8. Ühendage maanduse ühendus maandusega (šassii)  joon. **7** leheküljel 417.



8.4 Kaugjuhtimispuldi ühendamine

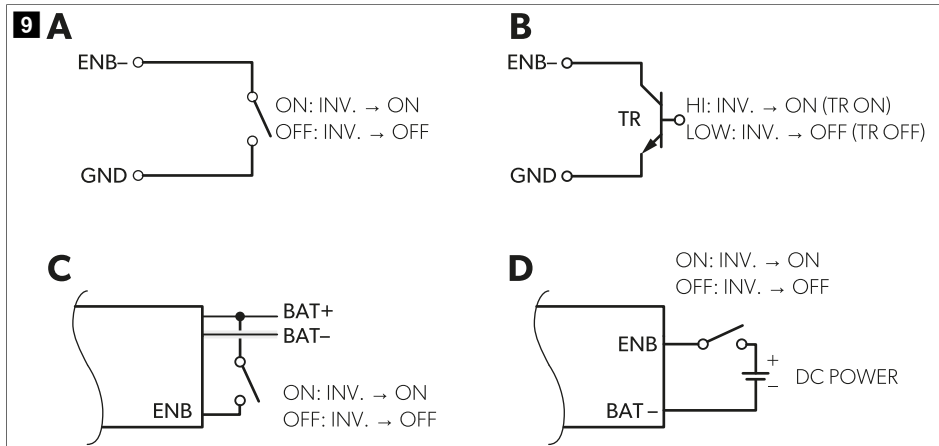
> Ühendage kaugjuhtimispult kaugjuhtimispuldi ühendusega (LINA või LINB).







8.5 Väliste lüliti ühendamine



MÄRKUS Kui väline lüliti on ühendatud, ei saa energiasäästurežiimi olekut muuta.



MÄRKUS

- > Veenduge, et kaugjuhtimispuldi ühendus poleks kasutuses.
- > Valige üks järgmistest sobivatest välistest lülititest.
 -  joon. 9 leheküljel 418, **A**: inverterist tuleva toiteallikaga väline lülit
 -  joon. 9 leheküljel 418, **B**: juhtplokk rele'e või transistori vooluahelaga (TR)
 -  joon. 9 leheküljel 418, **C**: väline lülit toiteallikaga sõiduki akult (BAT)
 -  joon. 9 leheküljel 418, **D**: väline lülit, millel on oma toiteallikas (alalisvool), nt süütest



MÄRKUS Veenduge, et kaugjuhtimispuldi ühendus poleks kasutuses.

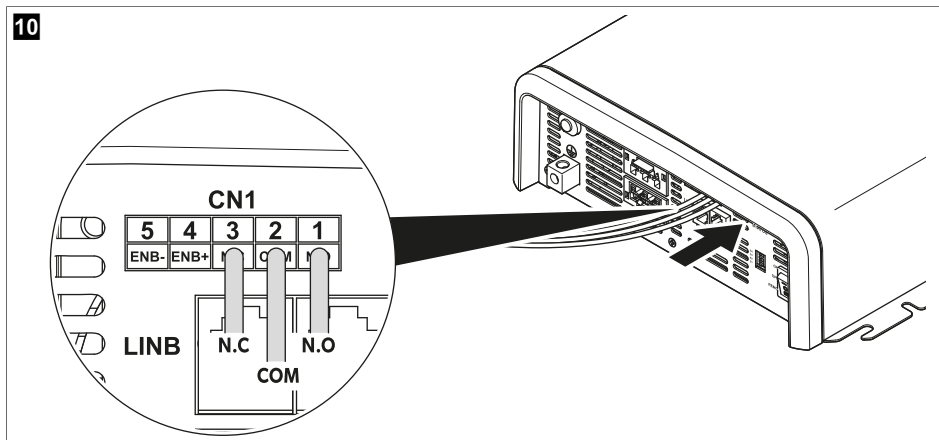
1. Seadke sisse-/väljalülitamise lülit asendisse **OFF**.
2. Seadke sisse-/väljalülitamise lülit asendisse **REMO**.
3. Ühendage väline lülit klemmiga CN1.

8.6 Alarmi rele'e ühendamise

Alarmi rele'e aktiveerub niipea, kui vahelduvvoolu toide on saadaval ja vahelduvvoolu edastamise lülit on suletud. Alarmi rele'e saab kasutada järgneva jaoks.

- Sõiduki juhtpaneelil vahelduvvoolu toite tuvastussignaali genereerimine.
- Vähem kriitiliste koormuste (nt absorberi jahuti, elektrilised küttesüsteemid) sisse ja välja lülitamiseks, mida tohib kasutada ainult vahelduvvoolutoitega.

10



> Ühendage alarmi releed klemmiga CN1 ( joon. 10 leheküljel 419).

9 Inverteri konfigureerimine



Elektrilise paigaldusega peab tegelema ning seadme peab seadistama kvalifitseeritud elektrik, kes on töestanud oma oskusi ja teadmisi sõidukite ülesehituse ja töö ning paigaldamise osas ja kes tunneb seadme paigaldus- ja/või kasutusriigis kehtivaid määrusi ning kes on läbinud ohutusosalase koolituse, et tuvastada ja vältida vastavaid ohtusid.

Kõiki muid toiminguid tohivad teha ka kasutajad, kes ei ole spetsialistid.



OHT! Elektrilöögi oht

- > Eemaldage kiiplüliti kaitsekate ainult konfigureerimiseks.
- > Pange kaitsekork tagasi, et vältida kiiplüliti kogemata reguleerimist.
- > **TN-võrgu** konfigureerimiseks. Veenduge, et paigaldatud oleks jääkvooluseade (RCD).
- > **IT-võrgu** konfigureerimiseks. Kasutage ainult ühte koormust või paigaldage isolatsiooni jälgimisseade (IMD). Järgige riiklikke standardeid.



MÄRKUS



Seadke kiiplülidid vajalikku asendisse ettevaatlikult väikese kruvikeeraja abil.

Inverteri seadistusi saab teha kiiplülite kaudu või CI-siiniga võimekusega kaugjuhtimispuldi ühenduse kaudu.

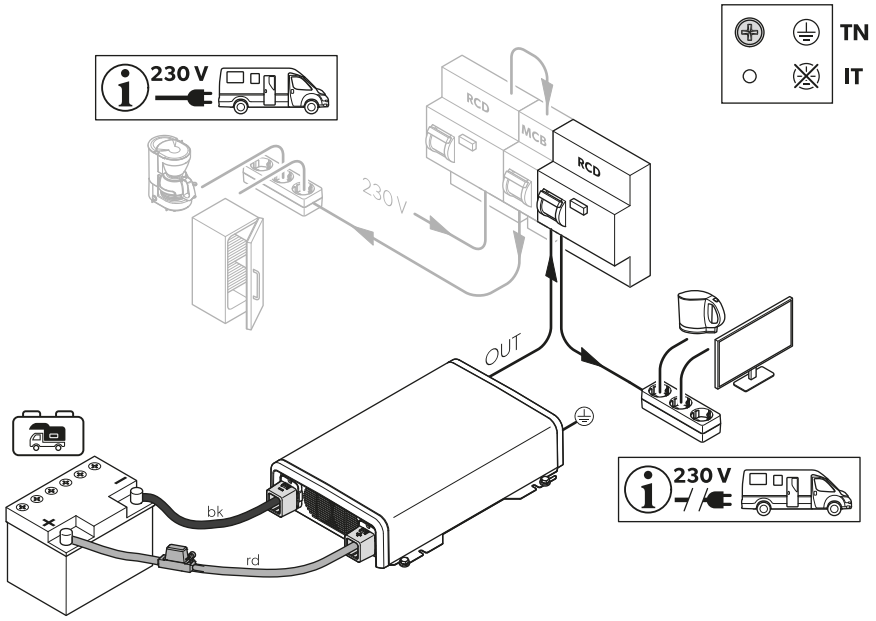
Seade kasutab algselt tehase konfiguratsiooni. Vajaduse korral liigutage konfiguratsiooni reguleerimiseks kiiplüliteid.

- > Libistage kiiplüliti **S1** asendisse **On kohaliku** seadistamise jaoks kiiplülititega.
- > Libistage kiiplüliti **S1** asendisse **Off välise** seadistamise jaoks kaugjuhtimispuldiga.

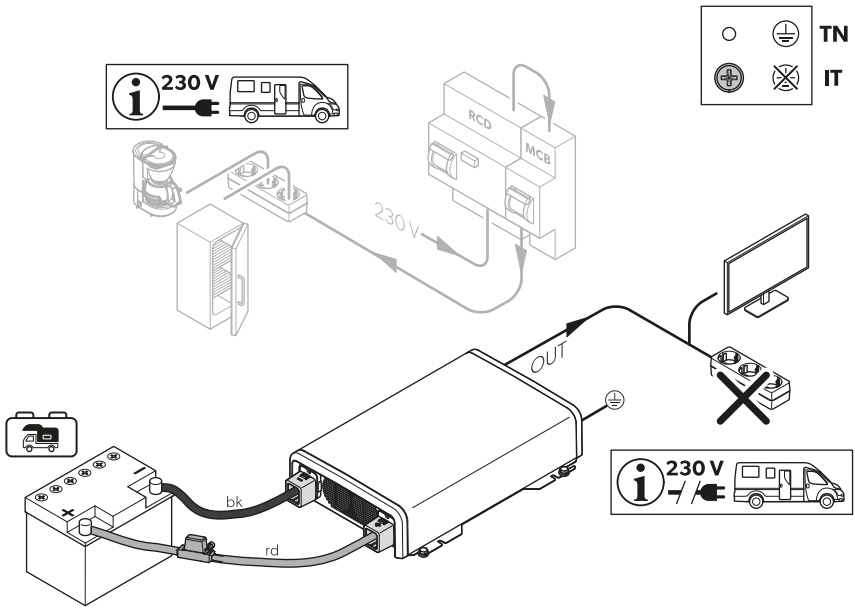
9.1 Kiiplüli seaded

Konfiguratsioon		Kiiplüli asend				
		S1	S2	S3	S4	S5
Settings	Lokaalne seadistus kiiplülitiga	Sees	-	-	-	-
	Väline seadistus kaugjuhtimispuldiga	Väljas	-	-	-	-
Toitepinge	240 V/60 Hz	-	Sees	-	-	-
	230 V/50 Hz	-	Väljas	-	-	-
Energiasäästurežiim	Energy-saving mode is activated when the load is ≤ 45 W Inverter switches to normal operation when the load is ≥ 45 W	-	-	Sees	Sees	-
	Energiasäästurežiim aktiveeritakse, kui koormus on ≤ 45 W Inverter lülitub tavapärasele tööle, kui koormus on ≥ 45 W	-	-	Sees	Väljas	-
	Pärast 20 minutit energiasäästurežiimis töötamist lülitub inverter automaatselt välja	-	-	Väljas	Väljas	-
	Energiasäästurežiim aktiveeritakse, kui koormus on ≤ 1 W Inverter lülitub tavapärasele tööle, kui koormus on ≥ 1 W	-	-	Väljas	Sees	-
	Energiasäästurežiim aktiveeritakse, kui koormus on ≤ 1 W Inverter lülitub tavapärasele tööle, kui koormus on ≥ 1 W	-	-	Väljas	Sees	-
	Pärast 20 minutit energiasäästurežiimis töötamist lülitub inverter automaatselt välja	-	-	Väljas	Sees	-
Võrgu süsteem	IT-võrk ( joon. 12 leheküljel 421)	-	-	-	-	Sees
	TN-võrk ( joon. 11 leheküljel 421)	-	-	-	-	Väljas

11

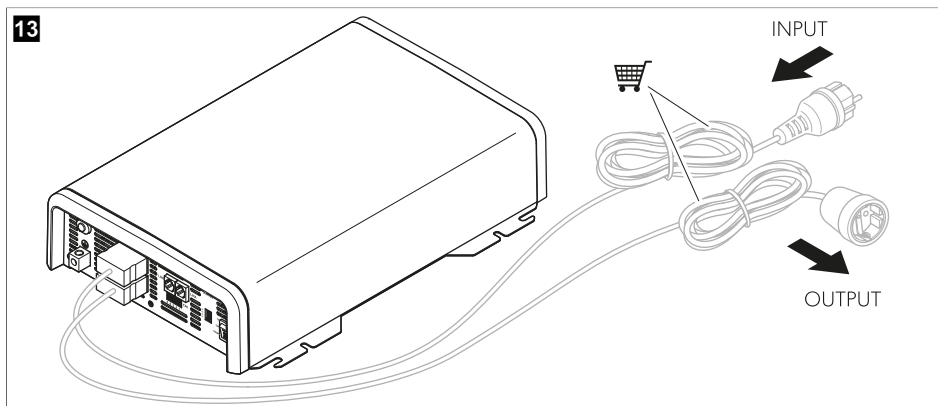


12



10 Kasutamine

10.1 230 V seadmete kasutamine



MÄRKUS

Ühendage ainult seadmed, mille kogukoormus ei ületa väärtusi jaotises Tehnilised andmed leheküljel 424.

- > Ühendage 230 V seadmed, nagu on näidatud ( joon. 13 leheküljel 422).

10.2 Inverteri sisse- ja väljalülitamine



MÄRKUS

- Kui inverterit juhitakse kaugjuhtimispuldi abil, peab sisse-/väljalülitamise lüliti olema seatud asendisse **I**.
- Kui inverterit juhitakse välise lüliti abil, peab sisse-/väljalülitamise lüliti olema seatud asendisse **0**.

- > Inverteri sisselülitamiseks sisse-/väljalülitamise lüliti asendisse **I**.
- > Inverteri väljalülitamiseks sisse-/väljalülitamise lüliti asendisse **0**.
- > Kasutage inverteri sisse- ja väljalülitamiseks kaugjuhtimispulti või välist lülitit.

11 Puhastamine ja hooldamine



HOIATUS! Elektrilöögi oht

Enne puhastamist ja hooldamist lahutage seadme toiteühendus.



TÄHELEPANU! Kahjustuste oht

- > Ärge kunagi puhastage seadet voolava vee all või seebivees.
- > Ärge kasutage puhastamiseks teravaid ega kõvu esemeid, abrasiivseid puhastusvahendeid ega pleegitusvahendit, sest need võivad seadet kahjustada.
- > Veenduge, et seadme õhu sisse- ja väljalaskevadel poleks tolmu ega mustust, et soojus oleks võimalik vabastada.

- > Aeg-ajalt puhastage seadet pehme, niiske lapiga.
- > Kontrollige elektri kaableid ja -juhtmeid regulaarselt isolatsioonidefektide, katkiste kohtade või lahtiste ühenduste tuvastamiseks.

12 Törkeotsing

Probleem	Põhjus	Abinõu
Inverter ei tööta. Olekunäidu LED-tuli on väljas.	Tekitati lühis.	> Seadme kaitse tuleb lasta vahetada volitatud hooldustehnikul, kui see on liigvoolu tõttu aktiveerunud.
	Elektrikaablite isolatsioonidefektid, katkemine või lahtised ühendused.	> Kontrollige elektrikaableid isolatsioonidefektide, katkiste kohtade või lahtiste ühenduste tuvastamiseks. Kui te viga ei leia, võtke ühendust volitatud hooldustehnikuga.
Inverter ei tööta. Olekunäidu LED-tuli on vilgub aeglaselt.	Kõrge sisendvoolu kaitse.	Vähendage ühendatud koormusi.
	Väljalülitamine kõrge temperatuuri korral.	1. Lülitage inverter ja ühendatud koormused välja. 2. Kontrollige, et õhu sisselaske- ja väljalaskeavad poleks kaetud ega takistatud. 3. Laske inverteril jahtuda.
	Tekitati lühis.	Seadme kaitse tuleb lasta vahetada volitatud hooldustehnikul, kui see on liigvoolu tõttu aktiveerunud.
Inverter ei tööta. Olekunäidu LED-tuli on vilgub kiiresti.	Liigpinge korral väljalülitumine. Aku pinged on kõrged.	> Vähendage ühendatud pingeid. Inverter taaskäivitub uuesti, kui pinge langeb taaskäivitamise väärtusele (vt peatükki Liigpinge korral väljalülitumine leheküljel 425). > Kui tõrge ilmub endiselt. Suurendage kaabli ristlõikeid. Vähendage kaabli pikkust.
	Väljalülitumine alapinge korral. Aku pinged on liiga madala.	> Laske akul aeglaselt laadida. Inverter taaskäivitub uuesti, kui pinge ületab taaskäivitamise väärtust (vt peatükki Alapinge korral väljalülitumine leheküljel 425).

13 Garantii

Kehtib seadusega ettenähtud garantii. Kui toode on defektne, võtke ühendust tootja kohaliku filiaaliga (vt dometic.com/dealer) või edasimüüjaga.

Remondi- ja garantiitööde töötlemiseks lisage palun alljärgnevad dokumendid, kui seadme meile saadate:

- ostukuupäevaga arve koopia;
- kaebuse põhjus või vea kirjeldus.

Pange tähele, et kui parandate ise või lasete mittekuulselisel parandajal seda teha, võib see ohutust mõjutada ja garantii kehtetuks muuta.

14 Kõrvaldamine

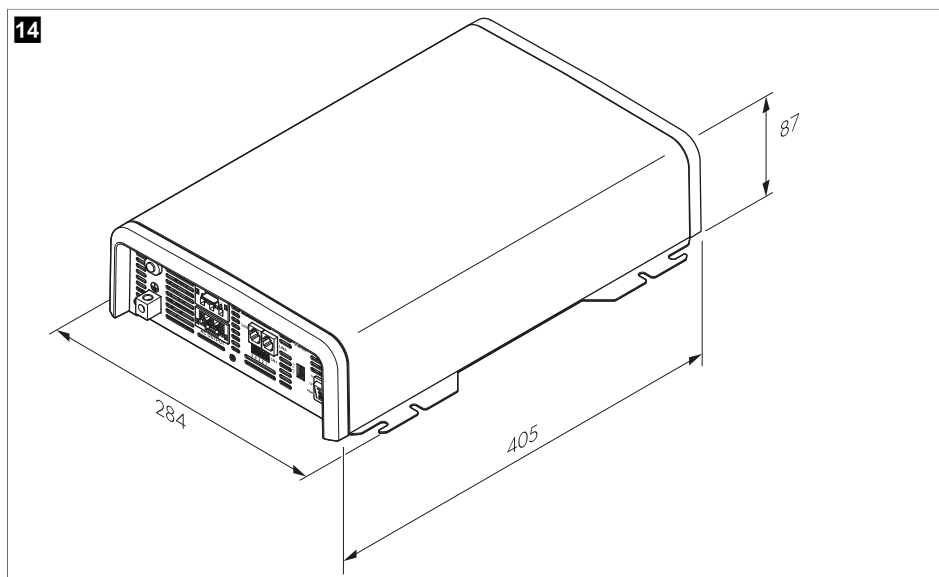



Kui võimalik, pange pakkematerjal vastavasse ringlussevõetava prügi kasti.

Küsige nõu kohalikust ringlussevõetukeskusest või edasimüüjalt, kuidas anda toode kehtivate jäätmekäitlusnõuetega kooskõlas jäätmekäitlusse.

Toote saab jäätmekäitlusse anda tasuta.

15 Tehnilised andmed



	DPSI 1812	DPSI 1824
Nimi-sisendpinge	12 V ⁻⁻⁻	24 V ⁻⁻⁻
Sisendpingevahemik	10 ... 16,5 V ⁻⁻⁻	20 ... 33 V ⁻⁻⁻
Pidev väljundvõimsus P _{nom}	1800 W	1800 W
Maksimaalne väljundvõimsus (10 min)	1800 W	1800 W
Maksimaalne väljundvõimsus (3 min)	2070 W	2070 W
Maksimaalne ülepinge(2 s) P _{impulss}	3600 W	3600 W
Voolutarve jõuderežiimis	≤ 2,5 A	≤ 1,3 A
Voolutarve ooterežiimis	≤ 0,2 A	≤ 0,1 A
Mõõdud	 joon. 14 leheküljel 424	

	DPSI 1812	DPSI 1824
Kaal	5,5 kg	5,5 kg

15.1 Üldised tehnilised andmed

Väljundpingevahemik	230/ 240 V \sim \pm 3 %
Väljundsagedus	50/60 Hz \pm 0,3 Hz
Väljundi lainekuju	Puhas siinuslaine
Moonutuse THD	THD \leq 3 % P _{nom} juures (aktiivkoormus)
Tipptõhusus	90 %
Ümbritsev temperatuur töötamisel	-20 ... 60 °C
Ümbritsev temperatuur hoiustamisel	-30 °C ... 70 °C
Ümbritsev niiskus	0 ... 95 %, non-condensing
Ülevaatus/sertifikaat	



15.2 Alapinge korral väljalülitumine

	Piirväärtus	Taaskäivituse väärtus
DPSI1812	10 V	12 V
DPSI1824	20 V	24 V

15.3 Liigpinge korral väljalülitumine

	Piirväärtus	Taaskäivituse väärtus
DPSI1812	16,5 V	15,5 V
DPSI1824	33 V	31 V

Ελληνικά

1	Σημαντικές σημειώσεις.....	426
2	Επεξήγηση των συμβόλων.....	426
3	Υποδείξεις ασφαλείας.....	427
4	Περιεχόμενα συσκευασίας.....	430
5	Πρόσθετος εξοπλισμός.....	431
6	Προβλεπόμενη χρήση.....	431
7	Τεχνική περιγραφή.....	431
8	Εγκατάσταση.....	434
9	Διαμόρφωση του μετατροπέα inverter.....	440
10	Λειτουργία.....	443
11	Καθαρισμός και φροντίδα.....	443
12	Αντιμετώπιση βλαβών.....	444
13	Εγγύηση.....	445
14	Απόρριψη.....	445
15	Τεχνικά χαρακτηριστικά.....	446

1 Σημαντικές σημειώσεις

Παρακαλούμε να διαβάσετε προσεκτικά αυτές τις οδηγίες και να ακολουθήσετε όλες τις οδηγίες, τους κανονισμούς και τις προειδοίσεις που περιλαμβάνονται στο εγχειρίδιο αυτού του προϊόντος, έτσι ώστε να διασφαλίζεται πάντοτε η σωστή εγκατάσταση, χρήση και συντήρηση του προϊόντος. Αυτές οι οδηγίες ΠΡΕΠΕΙ πάντοτε να συνοδεύουν το προϊόν.

Με τη χρήση του προϊόντος επιβεβαιώνετε δια του παρόντος ότι έχετε διαβάσει προσεκτικά όλες τις οδηγίες, τους κανονισμούς και τις προειδοίσεις καθώς και ότι έχετε κατανοήσει και συμφωνείτε να τηρήσετε τους όρους και τις προϋποθέσεις που ορίζονται στο παρόν έγγραφο. Συμφωνείτε να χρησιμοποιείτε αυτό το προϊόν μόνο για τον προβλεπόμενο σκοπό και την προβλεπόμενη χρήση, πάντοτε σύμφωνα με τις οδηγίες, τους κανονισμούς και τις προειδοίσεις που ορίζονται στο παρόν εγχειρίδιο προϊόντος καθώς και σύμφωνα με όλους τους ισχύοντες νόμους και κανονισμούς. Σε περίπτωση μη ανάλυσης και τήρησης των οδηγιών και των προειδοίσεων που ορίζονται στο παρόν έγγραφο, ενδέχεται να προκληθούν τραυματισμοί σε εσάς τον ίδιο και σε τρίτους, ζημιά στο προϊόν σας ή υλικές ζημιές σε άλλες ιδιοκτησίες στο άμεσο περιβάλλον. Αυτό το εγχειρίδιο προϊόντος, συμπεριλαμβανομένων των οδηγιών, των κανονισμών, των προειδοίσεων και των σχετικών εγγράφων, ενδέχεται να υποβληθεί σε τροποποιήσεις και ενημερώσεις. Για ενημερωμένες πληροφορίες για το προϊόν, επισκεφθείτε την ηλεκτρονική διεύθυνση documents.dometic.com.

2 Επεξήγηση των συμβόλων

Μια λέξη σήμανσης επιτρέπει την αναγνώριση μηνυμάτων για την ασφάλεια και μηνυμάτων για υλικές ζημιές και υποδεικνύει τον βαθμό ή το επίπεδο σοβαρότητας του κινδύνου.



ΚΙΝΔΥΝΟΣ!

Καταδεικνύει μια επικίνδυνη κατάσταση, η οποία εάν δεν αποτραπεί, θα προκληθεί θανατηφόρο ατύχημα ή σοβαρός τραυματισμός.



ΠΡΟΕΙΔΟΠΟΙΗΣΗ!

Καταδεικνύει μια επικίνδυνη κατάσταση, η οποία εάν δεν αποτραπεί, μπορεί να προκληθεί θανατηφόρο ατύχημα ή σοβαρός τραυματισμός.



ΠΡΟΦΥΛΑΞΗ!

Καταδεικνύει μια επικίνδυνη κατάσταση, η οποία εάν δεν αποτραπεί, μπορεί να προκληθεί μικρής ή μέτριας σοβαρότητας τραυματισμός.



ΠΡΟΣΟΧΗ!

Καταδεικνύει μια κατάσταση, η οποία εάν δεν αποτραπεί, μπορεί να προκληθούν υλικές ζημιές.



ΥΠΟΔΕΙΞΗ Συμπληρωματικά στοιχεία για τον χειρισμό του προϊόντος.

3 Υποδείξεις ασφαλείας

Τηρείτε επίσης τις οδηγίες και τις προϋποθέσεις ασφαλείας, που ορίζονται από τον κατασκευαστή του οχήματος και τα εξουσιοδοτημένα συνεργεία.

3.1 Βασική ασφάλεια



ΚΙΝΔΥΝΟΣ! Κίνδυνος ηλεκτροπληξίας

- > Μην πιάνετε τυχόν εκτεθειμένα καλώδια με γυμνά χέρια.
- > Για να είναι δυνατή η γρήγορη αποσύνδεση της συσκευής από την τροφοδοσία εναλλασσόμενου ρεύματος AC, η πρίζα πρέπει να είναι κοντά στη συσκευή καθώς και να είναι εύκολα προσβάσιμη.



ΠΡΟΕΙΔΟΠΟΙΗΣΗ! Κίνδυνος ηλεκτροπληξίας

- > Η τοποθέτηση και η αφαίρεση της συσκευής επιτρέπεται να πραγματοποιούνται μόνο από ειδικευμένο προσωπικό.
- > Μην χρησιμοποιείτε τη συσκευή, εάν η ίδια η συσκευή ή το καλώδιο σύνδεσης έχει υποστεί ορατή ζημιά.
- > Εάν προκληθεί ζημιά στο καλώδιο τροφοδοσίας αυτής της συσκευής, το καλώδιο τροφοδοσίας πρέπει να αντικατασταθεί, για να αποφευχθούν τυχόν κίνδυνοι ασφαλείας.
- > Η επισκευή αυτής της συσκευής επιτρέπεται να πραγματοποιείται μόνο από εξειδικευμένο τεχνικό προσωπικό. Σε περίπτωση μη ενδεδειγμένων επισκευών ενδέχεται να προκύψουν σοβαροί κίνδυνοι.
- > Χρησιμοποιήστε μόνο πρόσθετο εξοπλισμό που συνιστάται από τον κατασκευαστή.
- > Μην τροποποιείτε ή προσαρμόζετε κανένα επιμέρους εξάρτημα με οποιονδήποτε τρόπο.
- > Μην αποσυνδέετε κανένα καλώδιο, όταν η συσκευή είναι σε λειτουργία.
- > Αποσυνδέστε τη συσκευή από την τροφοδοσία ηλεκτρικού ρεύματος:
 - μετά από κάθε χρήση
 - Πριν από κάθε καθαρισμό και συντήρηση
 - Πριν από την αλλαγή μιας ασφάλειας τήξης



ΠΡΟΕΙΔΟΠΟΙΗΣΗ! Κίνδυνος πυρκαγιάς / Εύφλεκτα υλικά

Σε περίπτωση πυρκαγιάς, χρησιμοποιήστε έναν πυροσβεστήρα, ο οποίος είναι κατάλληλος για ηλεκτρικές συσκευές.



ΠΡΟΕΙΔΟΠΟΙΗΣΗ! Κίνδυνος ασφυξίας

Αν δεν τοποθετήσετε σωστά το καλώδιο και τη μονάδα ελέγχου της συσκευής, υπάρχει κίνδυνος εμπλοκής, στραγγαλισμού, σκοτάμματος ή παραπατήματος. Φροντίστε να τακτοποιήσετε με ασφάλεια τα δεματικά και τα καλώδια τροφοδοσίας που περισσεύουν.



ΠΡΟΕΙΔΟΠΟΙΗΣΗ! Κίνδυνος για την υγεία

- > Αυτή η συσκευή μπορεί να χρησιμοποιηθεί από παιδιά ηλικίας 8 ετών και επάνω καθώς και άτομα με μειωμένες φυσικές, αισθητηριακές ή πνευματικές ικανότητες ή με έλλειψη εμπειρίας και γνώσεων, εάν επιτηρούνται ή τους έχουν δοθεί οδηγίες σχετικά με τη χρήση της συσκευής με ασφαλή τρόπο και κατανοούν τους σχετικούς κινδύνους.

- > **Οι ηλεκτρικές συσκευές δεν είναι παιχνίδια.** Η συσκευή πρέπει πάντοτε να φυλάσσεται και να χρησιμοποιείται μακριά από παιδιά πολύ μικρής ηλικίας.
- > Τα παιδιά πρέπει να επιτηρούνται, για να διασφαλίζεται ότι δεν παίζουν με τη συσκευή.
- > Ο καθαρισμός και η συντήρηση χρήστη δεν επιτρέπεται να πραγματοποιούνται από παιδιά χωρίς επιτήρηση.



ΠΡΟΣΟΧΗ! Κίνδυνος πρόκλησης ζημιάς

- > Πριν από τη θέση σε λειτουργία, βεβαιωθείτε ότι η προδιαγραφή τάσης στην πινακίδα τύπου είναι ίδια με την υπάρχουσα τροφοδοσία ηλεκτρικού ρεύματος.
- > Βεβαιωθείτε ότι **δεν μπορεί** να προκληθεί βραχυκύκλωμα στις επαφές της συσκευής από άλλα αντικείμενα.
- > Βεβαιωθείτε ότι οι αρνητικοί και οι θετικοί πόλοι δεν έρχονται **ποτέ** σε επαφή μεταξύ τους.
- > Μην τραβάτε τα καλώδια σύνδεσης και μην χρησιμοποιείτε τα καλώδια ως λαβή.
- > Η συσκευή δεν πρέπει να εκτίθεται στη βροχή ή υγρασία. Αποθηκεύστε την σε χώρους χωρίς υγρασία.

3.2 Ασφαλής εγκατάσταση της συσκευής



ΚΙΝΔΥΝΟΣ! Κίνδυνος έκρηξης

- > Εγκαθιστάτε και χρησιμοποιείτε τη συσκευή μόνο σε κλειστούς και καλά αεριζόμενους χώρους.
- > **Μην** εγκαθιστάτε ή χρησιμοποιείτε τη συσκευή στις παρακάτω συνθήκες:
 - Σε αλμυρά ή υγρά περιβάλλοντα καθώς και σε περιβάλλοντα με αυξημένη υγρασία
 - Κοντά σε διαβρωτικές αναθυμιάσεις
 - Κοντά σε εύφλεκτα υλικά
 - Κοντά σε πηγές θερμότητας (θερμάστρες, άμεση ηλιακή ακτινοβολία, φούρνους αερίου κ.λπ.)
 - Σε περιοχές που υπάρχει κίνδυνος έκρηξης λόγω αερίων ή σκόνης



ΠΡΟΕΙΔΟΠΟΙΗΣΗ! Κίνδυνος τραυματισμού

- > Βεβαιωθείτε ότι η συσκευή είναι στερεωμένη σωστά. Η συσκευή πρέπει να τοποθετείται και να στερεώνεται κατά τέτοιο τρόπο, ώστε να μην είναι δυνατόν να ανατραπεί ή να πέσει κάτω.
- > Κατά την τοποθέτηση της συσκευής, βεβαιωθείτε ότι όλα τα καλώδια έχουν ασφαλιστεί με τον κατάλληλο τρόπο, ώστε να μην υπάρχει κανένας κίνδυνος να σκοντάψει κανείς σε αυτά.



ΠΡΟΣΟΧΗ! Κίνδυνος πρόκλησης ζημιάς

- > Τοποθετήστε τη συσκευή σε ένα στεγνό σημείο, όπου θα είναι προστατευμένη από εκτινάξεις νερού.
- > Χρησιμοποιείτε πάντα πρίζες που είναι γειωμένες και ασφαλισμένες με διακόπτες κυκλώματος υπολειπόμενου ρεύματος

3.3 Ασφάλεια κατά την ηλεκτρική σύνδεση της συσκευής



ΚΙΝΔΥΝΟΣ! Κίνδυνος ηλεκτροπληξίας

Εάν πραγματοποιείτε εργασίες σε ηλεκτρικά συστήματα, βεβαιωθείτε ότι υπάρχει κάποιος κοντά σας, που μπορεί να σας βοηθήσει σε καταστάσεις έκτακτης ανάγκης.

**ΠΡΟΕΙΔΟΠΟΙΗΣΗ! Κίνδυνος ηλεκτροπληξίας**

- > Τηρήστε τις συνιστώμενες διατομές καλωδίων.
- > Τακτοποιήστε τα καλώδια κατά τέτοιο τρόπο, ώστε να μην υπάρχει κίνδυνος να τους προκληθεί ζημιά από πόρτες ή καπό. Τα καλώδια που έχουν υποστεί σύνθλιψη μπορεί να αποτελέσουν αιτία σοβαρών τραυματισμών.

**ΠΡΟΣΟΧΗ! Κίνδυνος πρόκλησης ζημιάς**

- > Χρησιμοποιήστε σύστημα αγωγών ή κανάλια καλωδίων, εάν πρέπει να περαστούν καλώδια μέσα από μεταλλικά πάνελ ή άλλου είδους πάνελ με αιχμηρές ακμές.
- > **Μην** τοποθετείτε το καλώδιο τροφοδοσίας 230 V και το καλώδιο συνεχούς ρεύματος (DC) 12 V μέσα στο ίδιο κανάλι.
- > **Μην** τοποθετείτε το καλώδιο κατά τέτοιο τρόπο, ώστε να είναι χαλαρό ή να παρουσιάζει έντονη στρέβλωση.
- > Στερεώστε τα καλώδια με ασφάλεια.

3.4 Προληπτικά μέτρα ασφαλείας κατά το χειρισμό μπαταριών

**ΠΡΟΕΙΔΟΠΟΙΗΣΗ! Κίνδυνος τραυματισμού**

- > Οι μπαταρίες περιέχουν δραστικά και καυστικά οξέα. Αποφύγετε την επαφή του υγρού μπαταρίας με το σώμα σας. Εάν το δέρμα σας έρθει σε επαφή με υγρό μπαταρίας, πλύνετε αυτό το μέρος του σώματός σας σχολαστικά με άφθονο νερό. Εάν υποστείτε τραυματισμούς από οξέα, επικοινωνήστε αμέσως με έναν γιατρό.
- > Κατά την πραγματοποίηση εργασιών σε μπαταρίες, μη φοράτε μεταλλικά αντικείμενα, όπως ρολόγια ή δαχτυλίδια. Οι μπαταρίες μολύβδου-οξέος μπορεί να προκαλέσουν βραχυκυκλώματα, με συνέπεια την πρόκληση σοβαρών τραυματισμών.
- > Χρησιμοποιήστε μόνο μονωμένα εργαλεία.
- > Μην ακουμπάτε μεταλλικά εξαρτήματα επάνω στην μπαταρία και αποκλείστε το ενδεχόμενο να πέσουν μεταλλικά εξαρτήματα επάνω στην μπαταρία. Σε μια τέτοια περίπτωση θα μπορούσαν να προκληθούν σπινθήρες ή βραχυκυκλώματα της μπαταρίας και άλλων ηλεκτρικών εξαρτημάτων.
- > Φορέστε προστατευτικά γυαλιά και προστατευτικό ρουχισμό, όταν πραγματοποιείτε εργασίες σε μπαταρίες. Μην ακουμπάτε τα μάτια σας, όταν πραγματοποιείτε εργασίες σε μπαταρίες.
- > Χρησιμοποιήστε αποκλειστικά επαναφορτιζόμενες μπαταρίες.
- > Μη χρησιμοποιείτε ελαττωματικές μπαταρίες.

**ΠΡΟΦΥΛΑΞΗ! Κίνδυνος έκρηξης**

- > Μην επιχειρείτε ποτέ να φορτίσετε μια παγωμένη ή ελαττωματική μπαταρία. Τοποθετήστε την μπαταρία σε μια περιοχή χωρίς παγετό και περιμένετε, μέχρις ότου η μπαταρία εγκλιματιστεί στη θερμοκρασία του περιβάλλοντος. Στη συνέχεια, ξεκινήστε τη διαδικασία φόρτισης.
- > Μην καπνίζετε, χρησιμοποιείτε γυμνή φλόγα ή προκαλείτε σπινθήρες κοντά στον κινητήρα ή σε μια μπαταρία.
- > Διατηρήστε την μπαταρία μακριά από πηγές θερμότητας.

**ΠΡΟΣΟΧΗ! Κίνδυνος πρόκλησης ζημιάς**

- > Όταν συνδέετε την μπαταρία, βεβαιωθείτε ότι η πολικότητα είναι σωστή.
- > Ακολουθήστε τις οδηγίες του κατασκευαστή της μπαταρίας και τις οδηγίες του κατασκευαστή του συστήματος του οχήματος, στο οποίο χρησιμοποιείται η μπαταρία.

- > Εάν η μπαταρία πρέπει να αφαιρεθεί, αποσυνδέστε πρώτα τη σύνδεση γείωσης. Αποσυνδέστε όλες τις συνδέσεις και όλους τους ηλεκτρικούς καταναλωτές από την μπαταρία, πριν την αφαιρέσετε.
- > Αποθηκεύστε μόνο πλήρως φορτισμένες μπαταρίες. Επαναφορτίστε τις αποθηκευμένες μπαταρίες ανά τακτά χρονικά διαστήματα.
- > Μη μεταφέρετε την μπαταρία κρατώντας την από τους πόλους της.

3.5 Ασφαλής λειτουργία της συσκευής



ΠΡΟΕΙΔΟΠΟΙΗΣΗ! Κίνδυνος ηλεκτροπληξίας

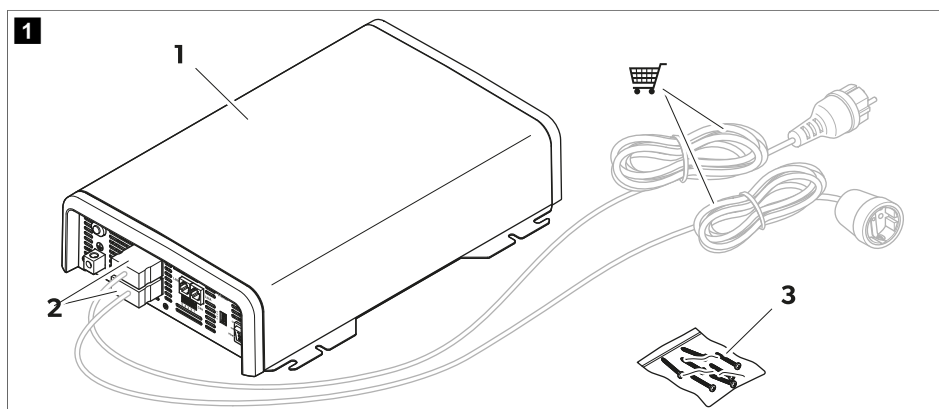
- > Μη χρησιμοποιείτε τη συσκευή σε υγρές συνθήκες και μην την βυθίζετε σε υγρά.
- > Πριν από την έναρξη λειτουργίας της συσκευής, βεβαιωθείτε ότι το καλώδιο τροφοδοσίας και το φις είναι στεγνά καθώς και ότι το φις είναι καθαρό από σκουριά ή ρύπους.
- > Λάβετε υπόψη ότι ορισμένα μέρη της συσκευής ενδέχεται να συνεχίζουν να μεταδίδουν τάση, ακόμη και εάν η ασφάλεια τήξης έχει καεί.




ΠΡΟΣΟΧΗ! Κίνδυνος πρόκλησης ζημιάς

- > Βεβαιωθείτε ότι οι είσοδοι και έξοδοι αέρα της συσκευής δεν είναι καλυμμένες.
- > Διασφαλίστε τον καλό εξαερισμό.

4 Περιεχόμενα συσκευασίας



Αρ. στο  σελ. 1 στη σελίδα 430	Όνομασία	Ποσότητα
1	Μετατροπέας inverter ημιτονοειδούς κύματος	1
2	Καλώδιο σύνδεσης συνδετήρα WAGO με ζεύξη ασφαλείας (για έξοδο 230 V~)	2
3	Βίδες στερέωσης	6
-	Εγχειρίδιο τοποθέτησης και χρήσης	1

5 Πρόσθετος εξοπλισμός

Όνομασία	Κωδικός
Τηλεχειριστήριο DSP-RCT	9600002564
Οθόνη ελέγχου DSP-EM	9600002565
Οθόνη αφής TD283	9620013272

6 Προβλεπόμενη χρήση

Ο μετατροπέας inverter προορίζεται για τη μετατροπή του συνεχούς ρεύματος σε τάση εναλλασσόμενου ρεύματος (AC) καθαρού ημιτονοειδούς κύματος 230~ ... 240 V~ για λειτουργία και σταθερή τροφοδοσία των συνδεδεμένων καταναλωτών.

Ο μετατροπέας inverter προορίζεται για σύνδεση σε:

- DPSI1812iTS: 12 V_{nom}
- DPSI1824iTS: 24 V_{nom}

Ο μετατροπέας inverter είναι κατάλληλος για:

- Εγκατάσταση σε οχήματα αναψυχής (RV), φορτηγά, επαγγελματικά οχήματα ή μηχανοκίνητα και ιστιοπλοϊκά γιοτ
- Σταθερή ή κινητή χρήση
- Χρήση σε εσωτερικό χώρο

Ο μετατροπέας inverter **δεν** είναι κατάλληλος για:

- Χρήση σε εξωτερικό χώρο

Αυτό το προϊόν είναι κατάλληλο μόνο για τον προβλεπόμενο σκοπό και την προβλεπόμενη χρήση σύμφωνα με αυτές τις οδηγίες.

Αυτό το εγχειρίδιο παρέχει πληροφορίες που είναι απαραίτητες για τη σωστή εγκατάσταση και χρήση του προϊόντος. Σε περίπτωση λανθασμένης εγκατάστασης ή/και χρήσης ή συντήρησης, θα προκύψει μη ικανοποιητική απόδοση και, πιθανώς, βλάβη.

Ο κατασκευαστής δεν αποδέχεται καμία ευθύνη για τυχόν τραυματισμούς ή ζημιές στο προϊόν, που οφείλονται σε:

- Λανθασμένη τοποθέτηση, συναρμολόγηση ή σύνδεση, συμπεριλαμβανομένης της υπερβολικά υψηλής τάσης
- Λανθασμένη συντήρηση ή χρήση μη αυθεντικών ανταλλακτικών εξαρτημάτων, που δεν προέρχονται από τον κατασκευαστή
- Μετατροπές στο προϊόν χωρίς τη ρητή άδεια του κατασκευαστή
- Χρήση για σκοπούς διαφορετικούς από αυτούς που περιγράφονται σε αυτό το εγχειρίδιο

H Dometic διατηρεί το δικαίωμα αλλαγής της εμφάνισης και των προδιαγραφών του προϊόντος.

7 Τεχνική περιγραφή

7.1 Γενική περιγραφή

Ο μετατροπέας inverter είναι ένα καθαρό ημιτονοειδές κύμα DC προς AC.

Ο μετατροπέας inverter είναι εξοπλισμένος με κύκλωμα προτεραιότητας. Εάν διατίθεται δίκτυο 230 V~, αυτή η εξωτερική πηγή ισχύος χρησιμοποιείται για την τροφοδοσία των πριζών στο όχημα αναψυχής. Εάν δεν διατίθεται δίκτυο 230 V~, ο μετατροπέας inverter μετατρέπει το συνεχές ρεύμα της μπαταρίας σε εναλλασσόμενο ρεύμα, εξασφαλίζοντας έτσι την τροφοδοσία των συνδεδεμένων καταναλωτών.

Ο μετατροπέας inverter μπορεί να χρησιμοποιηθεί στα παρακάτω συστήματα δικτύου:

- Δίκτυο TN
- Δίκτυο IT

Τα συστήματα δικτύου ρυθμίζονται μέσω μιας βίδας στον μετατροπέα inverter.

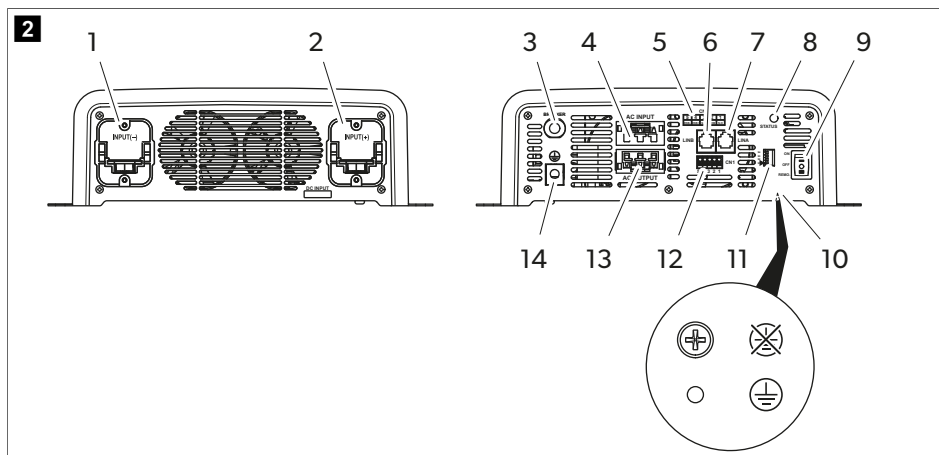
Ο μετατροπέας inverter μπορεί να τεθεί σε λειτουργία εξοικονόμησης ενέργειας, προκειμένου να μειωθεί η κατανάλωση σε κατάσταση αδράνειας και να ελαχιστοποιηθεί το φορτίο της μπαταρίας.

Ο μετατροπέας inverter διαθέτει τους παρακάτω μηχανισμούς προστασίας:

- **Τερματισμός λειτουργίας λόγω υπέρτασης:** Ο μετατροπέας inverter απενεργοποιείται, όταν η τάση υπερβεί την τιμή διακοπής. Ο μετατροπέας inverter επανεκκινείται αυτόματα, όταν η τάση μειωθεί μέχρι την τιμή επανεκκίνησης.
- **Τερματισμός λειτουργίας λόγω πολύ χαμηλής τάσης:** Ο μετατροπέας inverter απενεργοποιείται, όταν η τάση μειωθεί κάτω από την τιμή διακοπής. Ο μετατροπέας inverter επανεκκινείται, όταν η τάση υπερβεί την τιμή επανεκκίνησης.
- **Τερματισμός λειτουργίας υψηλής θερμοκρασίας:** Ο μετατροπέας inverter απενεργοποιείται, όταν η θερμοκρασία στο εσωτερικό της συσκευής υπερβεί την τιμή διακοπής. Ο μετατροπέας inverter επανεκκινείται αυτόματα, όταν η εσωτερική θερμοκρασία μειωθεί μέχρι την τιμή επανεκκίνησης.
- **Προστασία από υψηλή ένταση ρεύματος εξόδου:** Ο μετατροπέας inverter απενεργοποιείται όταν συνδέονται πάρα πολλά φορτία.
- **Προστασία από βραχυκύκλωμα:** Ο μετατροπέας inverter απενεργοποιείται όταν έχει δημιουργηθεί βραχυκύκλωμα. Ο μετατροπέας inverter επανεκκινείται αυτόματα μετά από μερικά δευτερόλεπτα. Εάν εντοπιστεί βραχυκύκλωμα πέντε συνεχόμενες φορές, ο μετατροπέας inverter δεν επανεκκινείται αυτόματα και απαιτείται χειροκίνητη επανεκκίνηση.

Ο μετατροπέας inverter έχει δυνατότητα N-BUS και CI-BUS για εμφάνιση δεδομένων και λειτουργιών στην οθόνη αφής (αξεσουάρ) και στην εφαρμογή για κινητά.

7.2 Στοιχεία ελέγχου και συνδέσεις



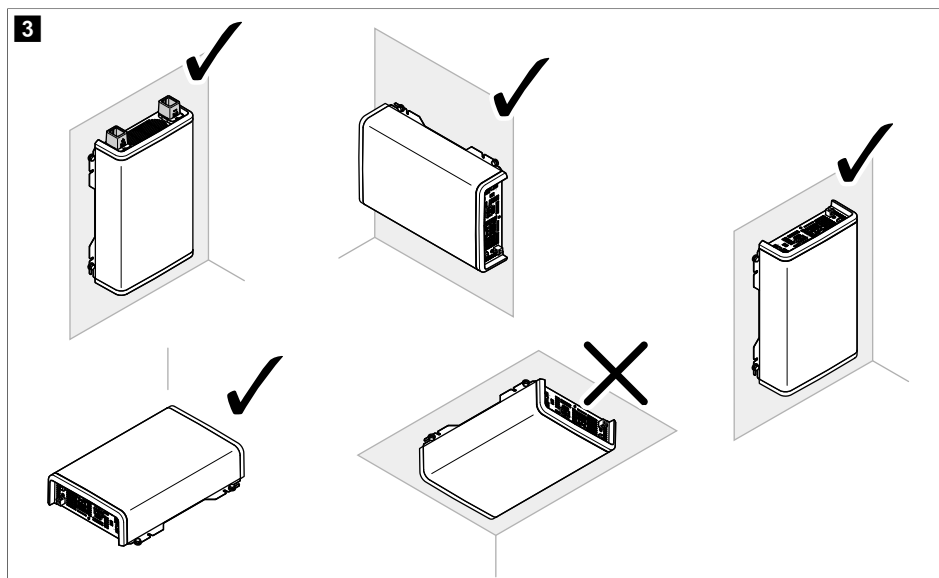
Αρ.	Ονομασία
1	(-) ακροδέκτης, σύνδεση με τον αρνητικό πόλο της μπαταρίας οικιακής χρήσης
2	(+) ακροδέκτης, σύνδεση με τον θετικό πόλο της μπαταρίας οικιακής χρήσης
3	Ασφάλεια για την εξωτερική είσοδο
4	Είσοδος εναλλασσομένου ρεύματος
5	Ακροδέκτης CN1
6	Σύνδεση CI BUS/N Bus/τηλεχειριστηρίου (LINB)
7	Σύνδεση CI BUS/N Bus/τηλεχειριστηρίου (LINA)
8	Ενδεικτική λυχνία LED κατάστασης
9	Διακόπτης On/Off
10	Βίδα για ρύθμιση δικτύου IT/TN
11	Διακόπτης DIP
12	Διακόπτης Dip, σύνδεση για εξωτερικό διακόπτη και ρελέ συναγερμού
13	Έξοδος AC
14	Σύνδεση γείωσης

7.3 Ενδεικτική λυχνία LED κατάστασης

Κατάσταση	Περιγραφή
On	Λειτουργία μετατροπέα inverter
Flashing	Σφάλμα (βλ. κεφάλαιο Αντιμετώπιση βλαβών στη σελίδα 444)
Off	Δεν υπάρχει είσοδος AC, ο μετατροπέας inverter είναι απενεργοποιημένος

8 Εγκατάσταση

8.1 Θέση τοποθέτησης




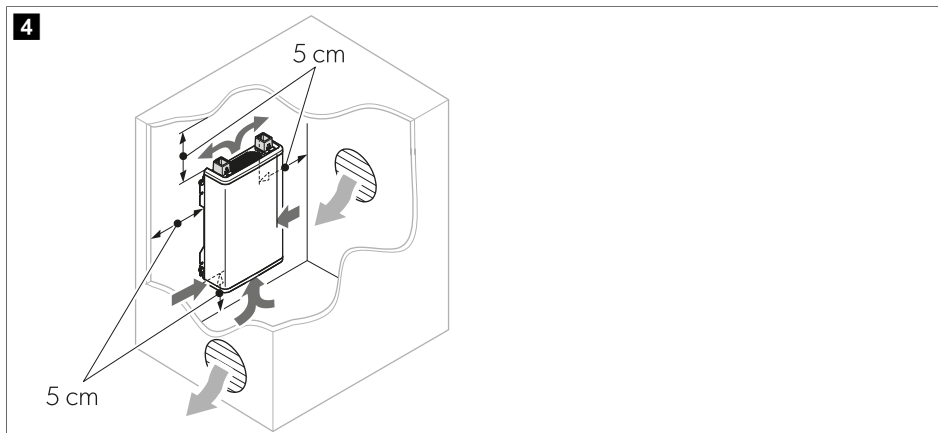
ΠΡΟΣΟΧΗ! Κίνδυνος πρόκλησης ζημιάς

Πριν από τη διάνοιξη οπών, βεβαιωθείτε ότι δεν υπάρχει περίπτωση να προκληθούν ζημιές σε ηλεκτρικά καλώδια ή άλλα εξαρτήματα του οχήματος από τη διάτρηση, το πριόνισμα ή τη λείανση.




ΥΠΟΔΕΙΞΗ

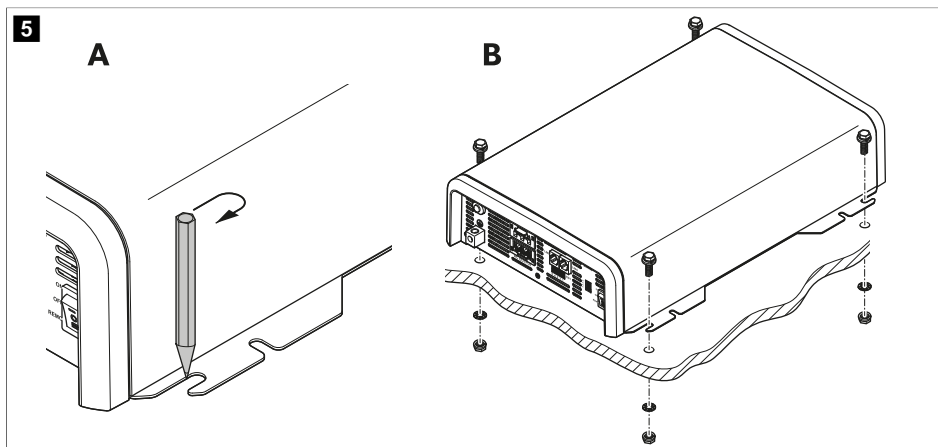
Ο μετατροπέας inverter μπορεί να τοποθετηθεί είτε σε καθιστή είτε σε αναρτημένη θέση ( σχ. 3 στη σελίδα 434).





Τηρήστε τις παρακάτω οδηγίες, όταν επιλέγετε ένα σημείο τοποθέτησης:

- Βεβαιωθείτε ότι η επιφάνεια τοποθέτησης είναι σταθερή και επίπεδη.
- Τηρείτε τις προδιαγραφές απόστασης για επαρκή αερισμό ( σχ. 4 στη σελίδα 435).

8.2 Στερέωση του μετατροπέα inverter



1. Επιλέξτε τις κατάλληλες οπές στερέωσης ανάλογα με τον επιλεγμένο τύπο στερέωσης (σε καθιστή ή αναρτημένη θέση) και σημειώστε τις οπές διάνοιξης ( σχ. 5 στη σελίδα 435, **A**).
2. Διανοίξτε εκ των προτέρων τις οπές στερέωσης.
3. Βιδώστε τον μετατροπέα inverter στη θέση του ( σχ. 5 στη σελίδα 435, **B**).

8.3 Σύνδεση του μετατροπέα inverter



Η ηλεκτρολογική εγκατάσταση καθώς και η ρύθμιση της συσκευής πρέπει να πραγματοποιούνται από έναν εξειδικευμένο ηλεκτρολόγο, ο οποίος διαθέτει αντίστοιχη κατάρτιση και επαρκείς γνώσεις σχετικά με την κατασκευή και τη λειτουργία ηλεκτρικού εξοπλισμού και ηλεκτρικών εγκαταστάσεων, είναι εξοικειωμένος με τους σχετικούς κανονισμούς της χώρας, στην οποία πρόκειται να εγκατασταθεί ή/και να χρησιμοποιηθεί ο εξοπλισμός και έχει λάβει εκπαίδευση ασφαλείας για την αναγνώριση και την αποφυγή των σχετικών κινδύνων.

Όλες οι άλλες ενέργειες μπορούν επίσης να πραγματοποιηθούν από μη επαγγελματίες χρήστες.



ΠΡΟΕΙΔΟΠΟΙΗΣΗ! Κίνδυνος ηλεκτροπληξίας

Τηρήστε τις συνιστώμενες τιμές διατομής καλωδίων, μήκους καλωδίων και ασφαλειών.



ΠΡΟΦΥΛΑΞΗ! Κίνδυνος πυρκαγιάς

Τοποθετήστε τις ασφάλειες κοντά στις μπαταρίες, για να προστατέψετε τα καλώδια από τυχόν βραχυκυκλώματα και καψίματα.



ΠΡΟΣΟΧΗ! Κίνδυνος πρόκλησης ζημιάς

- > Μην αντιστρέψετε την πολικότητα.
- > Σφίξτε τα παξιμάδια και τις βίδες με μέγιστη ροπή σύσφιξης 15 Nm. Οι χαλαρές συνδέσεις μπορεί να οδηγήσουν σε υπερθέρμανση.

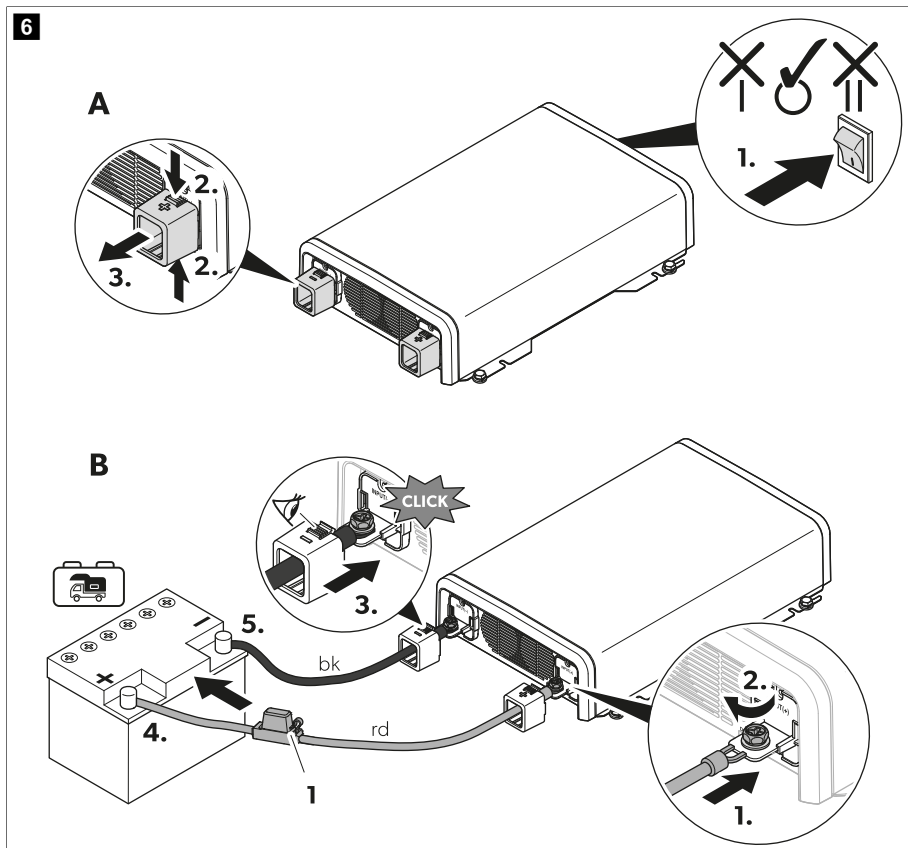
Τηρήστε τις παρακάτω οδηγίες κατά τη σύνδεση του μετατροπέα inverter:








- Τηρείτε τους ισχύοντες κανονισμούς, όταν ρυθμίζετε ένα κύκλωμα διανομής πρίζας (εγκατάσταση ηλεκτρικού δικτύου).
- Επιλέξτε όσο το δυνατόν πιο κοντό μήκος καλωδίου των καλωδίων DC (σύνδεση με τους ακροδέκτες της μπαταρίας) ≤ 1 m).
- Για σύνδεση του **δικτύου TN**: Εγκαταστήστε μια συσκευή υπολειπόμενου ρεύματος (RCD).
- Για σύνδεση του **δικτύου IT**: Εγκαταστήστε μια συσκευή παρακολούθησης μόνωσης (IMD), εάν είναι συνδεδεμένα περισσότερα από ένα φορτία. **Ισχύουν τα εθνικά πρότυπα.**

1. Προσδιορίστε τις διατομές καλωδίων και ασφαλείας:

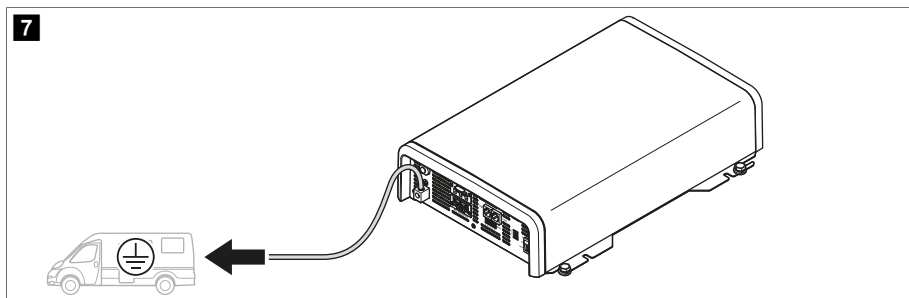
	Διατομή καλωδίου	Ασφάλεια καλωδίου
DPSI1812iTS	50 mm ²	250 A
DPSI1824iTS	25 mm ²	150 A

2. Ελέγξτε ότι η συσκευή είναι απενεργοποιημένη ( σχ. 6 στη σελίδα 437, **A: 1**).



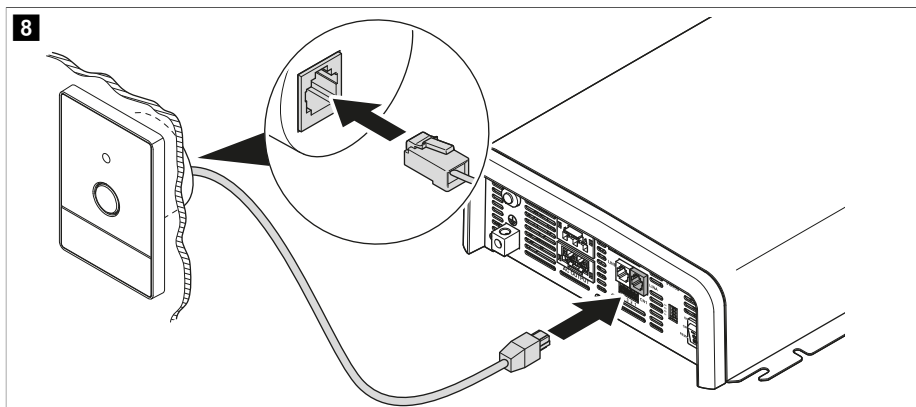
3. Αποσπάστε τα καλύμματα από τους ακροδέκτες ( σχ. **6** στη σελίδα 437, **A: 2 – 3**).
4.  **ΠΡΟΣΟΧΗ! Κίνδυνος πρόκλησης ζημιάς**
Για να αποφύγετε βραχυκύκλωση της συσκευής, συνδέετε πάντα πρώτα το μαύρο καλώδιο (αρνητικός ακροδέκτης).
- Συνδέστε το μαύρο καλώδιο σύνδεσης (bk) στον ακροδέκτη (-).
5. Συνδέστε το κόκκινο καλώδιο σύνδεσης (rd) στον ακροδέκτη (+) ( σχ. **6** στη σελίδα 437, **B: 1 – 2**).
6. Συνδέστε το (+) στον θετικό ακροδέκτη της μπαταρίας οικιακής χρήσης ( σχ. **6** στη σελίδα 437, **B: 4**).
-  **ΥΠΟΔΕΙΞΗ** Προστατέψτε το θετικό καλώδιο της μπαταρίας οικιακής χρήσης με ασφάλεια ( σχ. **6** στη σελίδα 437, **1**).
7. Συνδέστε το (-) στον αρνητικό ακροδέκτη της μπαταρίας οικιακής χρήσης ( σχ. **6** στη σελίδα 437, **B: 5**).

8. Συνδέστε τη σύνδεση γείωσης στη γείωση (σασί)  σχ. 7 στη σελίδα 438.



8.4 Σύνδεση του τηλεχειριστηρίου

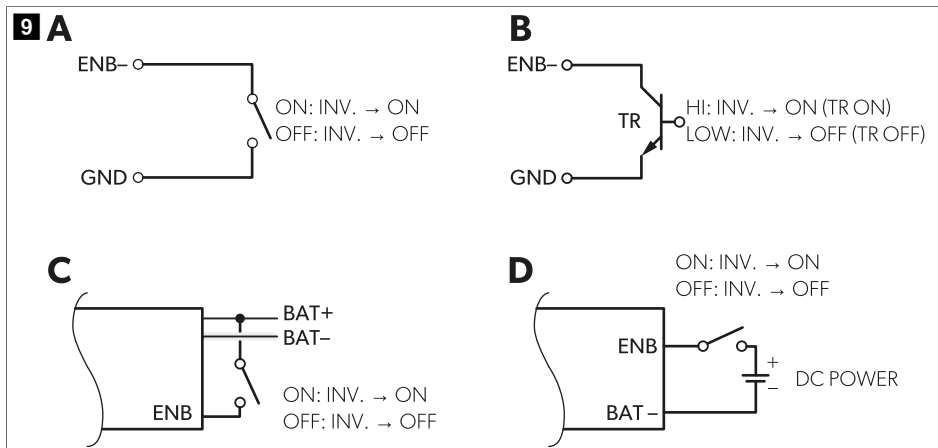
- > Συνδέστε το τηλεχειριστήριο στη σύνδεση του τηλεχειριστηρίου (LINA ή LINB).



8.5 Σύνδεση εξωτερικού διακόπτη



ΥΠΟΔΕΙΞΗ Εάν είναι συνδεδεμένος ένας εξωτερικός διακόπτης, η κατάσταση της λειτουργίας εξοικονόμησης ενέργειας δεν μπορεί να αλλάξει.



ΥΠΟΔΕΙΞΗ

- > Βεβαιωθείτε ότι η σύνδεση τηλεχειριστηρίου δεν είναι κατελιγμένη.
- > Επιλέξτε έναν από τους παρακάτω κατάλληλους εξωτερικούς διακόπτες:
 - σχ. 9 στη σελίδα 439, **A**: Εξωτερικός διακόπτης με τροφοδοσία από τον μετατροπέα inverter
 - σχ. 9 στη σελίδα 439, **B**: Μονάδα ελέγχου με κύκλωμα ρελέ ή τρανζίστορ (TR)
 - σχ. 9 στη σελίδα 439, **C**: Εξωτερικός διακόπτης με τροφοδοσία από την μπαταρία (BAT) του οχήματος
 - σχ. 9 στη σελίδα 439, **D**: Εξωτερικός διακόπτης με δικό του τροφοδοτικό (DC POWER) π.χ. από την ανάφλεξη



ΥΠΟΔΕΙΞΗ Βεβαιωθείτε ότι η σύνδεση τηλεχειριστηρίου δεν είναι κατελιγμένη.

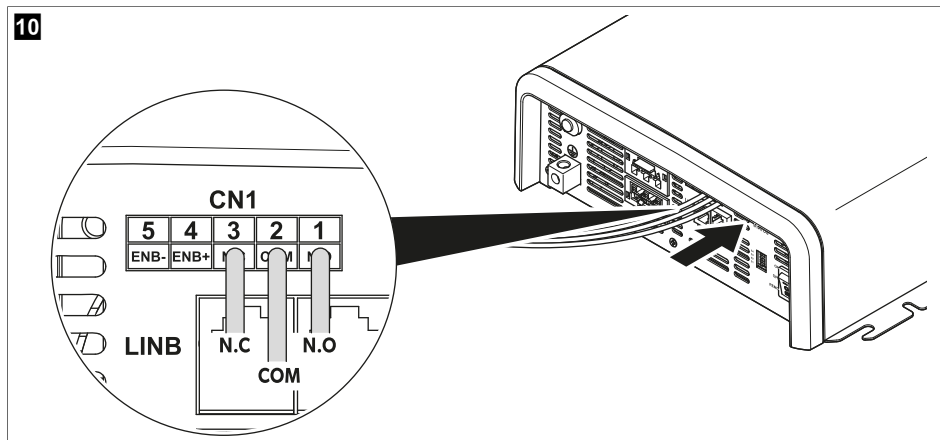
1. Θέστε τον διακόπτη ενεργοποίησης/απενεργοποίησης στη θέση **OFF**.
2. Θέστε τον διακόπτη ενεργοποίησης/απενεργοποίησης στη θέση **REMO**.
3. Συνδέστε τον εξωτερικό διακόπτη στον ακροδέκτη CN1.

8.6 Σύνδεση ρελέ συναγερμού

Το ρελέ συναγερμού ενεργοποιείται μόλις καταστεί διαθέσιμο το τροφοδοτικό AC και κλείσει ο διακόπτης μεταφοράς AC. Το ρελέ συναγερμού μπορεί να χρησιμοποιηθεί για:

- Δημιουργία ενός σήματος ανίχνευσης τροφοδοσίας AC στον πίνακα ελέγχου του οχήματος.
- Ενεργοποίηση και απενεργοποίηση λιγότερο κρίσιμων φορτίων (π.χ. ψυγείο απορροφητή, ηλεκτρικά συστήματα θέρμανσης), που θα πρέπει να λειτουργούν μόνο σε συνδυασμό με τροφοδοσία AC.

10



> Συνδέστε ένα ρελέ συναγερμού στον ακροδέκτη CN1 ( σχ. 10 στη σελίδα 440).

9 Διαμόρφωση του μετατροπέα inverter



Η ηλεκτρολογική εγκατάσταση καθώς και η ρύθμιση της συσκευής πρέπει να πραγματοποιούνται από έναν εξειδικευμένο ηλεκτρολόγο, ο οποίος διαθέτει αντίστοιχη κατάρτιση και επαρκείς γνώσεις σχετικά με την κατασκευή και τη λειτουργία ηλεκτρικού εξοπλισμού και ηλεκτρικών εγκαταστάσεων, είναι εξοικειωμένος με τους σχετικούς κανονισμούς της χώρας, στην οποία πρόκειται να εγκατασταθεί ή/και να χρησιμοποιηθεί ο εξοπλισμός και έχει λάβει εκπαίδευση ασφαλείας για την αναγνώριση και την αποφυγή των σχετικών κινδύνων.

Όλες οι άλλες ενέργειες μπορούν επίσης να πραγματοποιηθούν από μη επαγγελματίες χρήστες.



ΚΙΝΔΥΝΟΣ! Κίνδυνος ηλεκτροπληξίας

- > Αφαιρέστε μόνο το προστατευτικό καπάκι από τον διακόπτη DIP για διαμόρφωση.
- > Επανατοποθετήστε το προστατευτικό καπάκι, για να αποτρέψετε την τυχαία ρύθμιση του διακόπτη DIP.
- > Για διαμόρφωση του **δικτύου TN**: Βεβαιωθείτε ότι έχει εγκατασταθεί μια συσκευή υπολειπόμενου ρεύματος (RCD).
- > Για διαμόρφωση του **δικτύου IT**: Λειτουργήστε μόνο ένα φορτίο ή εγκαταστήστε μια συσκευή παρακολούθησης μόνωσης (IMD). Τηρήστε τα εθνικά πρότυπα.



ΥΠΟΔΕΙΞΗ



Χρησιμοποιήστε ένα μικρό κατσαβίδι, για να μετακινήσετε προσεκτικά τους διακόπτες DIP στην απαιτούμενη θέση.

Οι ρυθμίσεις στον μετατροπέα inverter μπορούν να γίνουν μέσω των διακόπτων DIP ή μέσω της σύνδεσης ενός τηλεχειριστηρίου με δυνατότητα CI-BUS.

Η συσκευή χρησιμοποιεί αρχικά την εργοστασιακή διαμόρφωση. Εάν απαιτείται, μετακινήστε τους διακόπτες DIP για να προσαρμόσετε τη διαμόρφωση.

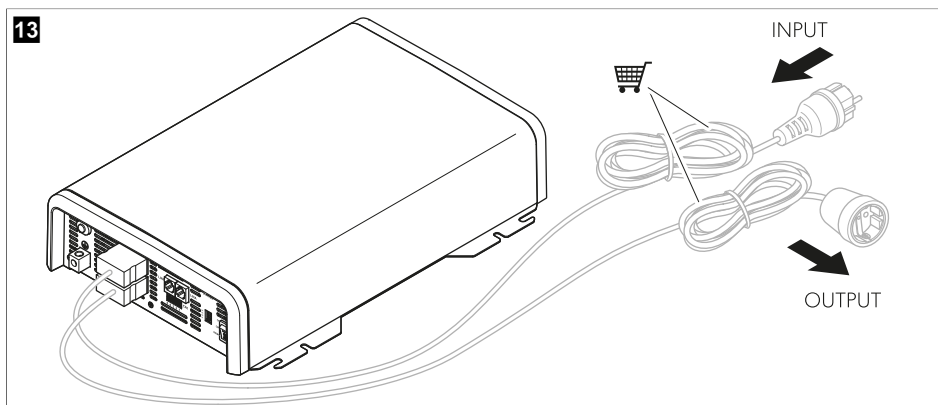
- > Σύρτετε τον διακόπτη DIP **S1** στη θέση **on** για **τοπική** ρύθμιση μέσω διακοπών DIP.
- > Σύρτετε τον διακόπτη DIP **S1** στη θέση **off** για **εξωτερική** ρύθμιση μέσω τηλεχειριστηρίου.

9.1 Ρυθμίσεις διακόπτη DIP

	Διαμόρφωση	Θέση διακόπτη DIP				
		S1	S2	S3	S4	S5
Settings	Τοπική ρύθμιση μέσω διακόπτη DIP	On	-	-	-	-
	Εξωτερική ρύθμιση μέσω τηλεχειριστηρίου	Off	-	-	-	-
Τάση δικτύου	240 V/60 Hz	-	On	-	-	-
	230 V/50 Hz	-	Off	-	-	-
Λειτουργία εξοικονόμησης ενέργειας	Energy-saving mode is activated when the load is ≤ 45 W Inverter switches to normal operation when the load is ≥ 45 W	-	-	On	On	-
	Η λειτουργία εξοικονόμησης ενέργειας ενεργοποιείται όταν το φορτίο είναι ≤ 45 W Ο μετατροπέας inverter μεταβαίνει σε κανονική λειτουργία όταν το φορτίο είναι ≥ 45 W	-	-	On	Off	-
	Ο μετατροπέας inverter απενεργοποιείται αυτόματα μετά από 20 λεπτά λειτουργίας σε κατάσταση εξοικονόμησης ενέργειας	-	-	Off	Off	-
	Η λειτουργία εξοικονόμησης ενέργειας ενεργοποιείται όταν το φορτίο είναι ≤ 1 W Ο μετατροπέας inverter μεταβαίνει σε κανονική λειτουργία όταν το φορτίο είναι ≥ 1 W	-	-	Off	On	-
	Η λειτουργία εξοικονόμησης ενέργειας ενεργοποιείται όταν το φορτίο είναι ≤ 1 W Ο μετατροπέας inverter μεταβαίνει σε κανονική λειτουργία όταν το φορτίο είναι ≥ 1 W	-	-	Off	On	-
	Ο μετατροπέας inverter απενεργοποιείται αυτόματα μετά από 20 λεπτά λειτουργίας σε κατάσταση εξοικονόμησης ενέργειας	-	-	Off	On	-
Σύστημα δικτύου	Δίκτυο IT ( σχ. 12 στη σελίδα 442)	-	-	-	-	On
	Δίκτυο TN ( σχ. 11 στη σελίδα 442)	-	-	-	-	Off

10 Λειτουργία

10.1 Λειτουργία συσκευών 230 V



ΥΠΟΔΕΙΞΗ

Συνδέστε μόνο συσκευές, των οποίων το συνολικό φορτίο δεν υπερβαίνει τις τιμές που αναφέρονται στην ενότητα Τεχνικά χαρακτηριστικά στη σελίδα 446.

- > Συνδέστε συσκευές 230 V όπως υποδεικνύεται ( σχ. 13 στη σελίδα 443).

10.2 Ενεργοποίηση και απενεργοποίηση του μετατροπέα inverter



ΥΠΟΔΕΙΞΗ

- Εάν ο μετατροπέας inverter πρόκειται να ελεγχθεί μέσω του τηλεχειριστηρίου, ο διακόπτης ενεργοποίησης/απενεργοποίησης πρέπει να τεθεί στη θέση **II**.
- Εάν ο μετατροπέας inverter πρόκειται να ελεγχθεί μέσω του εξωτερικού διακόπτη, ο διακόπτης ενεργοποίησης/απενεργοποίησης πρέπει να τεθεί στη θέση **0**.

- > Για να ενεργοποιήσετε τον μετατροπέα inverter, θέστε τον διακόπτη ενεργοποίησης/απενεργοποίησης στη θέση **I**.
- > Για να απενεργοποιήσετε τον μετατροπέα inverter, θέστε τον διακόπτη ενεργοποίησης/απενεργοποίησης στη θέση **0**.
- > Χρησιμοποιήστε το τηλεχειριστήριο ή τον εξωτερικό διακόπτη για την ενεργοποίηση και την απενεργοποίηση του μετατροπέα inverter.

11 Καθαρισμός και φροντίδα



ΠΡΟΕΙΔΟΠΟΙΗΣΗ! Κίνδυνος ηλεκτροπληξίας

Αποσυνδέστε τη συσκευή από την τροφοδοσία ηλεκτρικού ρεύματος πριν από τον καθαρισμό και τη συντήρηση.



ΠΡΟΣΟΧΗ! Κίνδυνος πρόκλησης ζημιάς

- > Μην καθαρίζετε ποτέ τη συσκευή κάτω από τρεχούμενο νερό ή μέσα σε σαπουνάδα.
 - > Για τον καθαρισμό, μη χρησιμοποιείτε αιχμηρά ή σκληρά αντικείμενα, τριβικά καθαριστικά μέσα ή λευκαντικά, διότι ενδέχεται να προκαλέσουν ζημιές στη συσκευή.
 - > Βεβαιωθείτε ότι τα ανοίγματα αερισμού και εξαερισμού της συσκευής είναι καθαρά από σκόνη και ρύπους, ώστε να μπορεί να απαχθεί η θερμότητα.
- > Καθαρίστε περιστασιακά τη συσκευή με ένα μαλακό, υγρό πανί.
 - > Ελέγχετε τακτικά τα ρευματοφόρα καλώδια ή τις ρευματοφόρες γραμμές για βλάβες μόνωσης, σημεία θραύσης ή λασκαρισμένες συνδέσεις.

12 Αντιμετώπιση βλαβών

πρόβλημα	Αιτία	Προτεινόμενη θεραπεία
Ο μετατροπέας inverter δεν λειτουργεί. Η ενδεικτική λυχνία LED κατάστασης είναι σβηστή.	Έχει προκληθεί βραχυκύκλωμα.	<ul style="list-style-type: none"> > Η ασφάλεια τήξης της συσκευής πρέπει να αντικαθίσταται από έναν εξουσιοδοτημένο τεχνικό του τμήματος εξυπηρέτησης πελατών, όταν έχει καεί λόγω υπερβολικά υψηλής έντασης ρεύματος.
	Βλάβες μόνωσης, σημεία θραύσης ή λασκαρισμένες συνδέσεις στα ρευματοφόρα καλώδια.	<ul style="list-style-type: none"> > Ελέγξτε τα ρευματοφόρα καλώδια για βλάβες μόνωσης, σημεία θραύσης ή λασκαρισμένες συνδέσεις. <p>Εάν δεν μπορείτε να εντοπίσετε κάποιο πρόβλημα, επικοινωνήστε με έναν εξουσιοδοτημένο τεχνικό του τμήματος εξυπηρέτησης πελατών.</p>
Ο μετατροπέας inverter δεν λειτουργεί. Η ενδεικτική λυχνία LED κατάστασης αναβοσβήνει αργά.	Προστασία από υψηλή ένταση ρεύματος εισόδου.	Μειώστε τα συνδεδεμένα φορτία.
	Τερματισμός λειτουργίας υψηλής θερμοκρασίας.	<ol style="list-style-type: none"> 1. Απενεργοποιήστε τον μετατροπέα inverter και τα συνδεδεμένα φορτία. 2. Ελέγξτε ότι οι εισοδοί και οι έξοδοι αέρα δεν είναι καλυμμένες ή φραγμένες. 3. Αφήστε τον μετατροπέα inverter να κρυώσει.
	Έχει προκληθεί βραχυκύκλωμα.	<p>Η ασφάλεια τήξης της συσκευής πρέπει να αντικαθίσταται από έναν εξουσιοδοτημένο τεχνικό του τμήματος εξυπηρέτησης πελατών, όταν έχει καεί λόγω υπερβολικά υψηλής έντασης ρεύματος.</p>

πρόβλημα	Αιτία	Προτεινόμενη θεραπεία
Ο μετατροπέας inverter δεν λειτουργεί. Η ενδεικτική λυχνία LED κατάστασης αναβοσβήνει γρήγορα.	Τερματισμός λειτουργίας λόγω υπέρτασης. Πολύ υψηλή τάση μπαταρίας.	<ul style="list-style-type: none"> > Μειώστε τη συνδεδεμένη τάση. Ο μετατροπέας inverter επανεκκινείται αυτόματα, όταν η τάση μειωθεί μέχρι την τιμή επανεκκίνησης (βλ. κεφάλαιο Τερματισμός λειτουργίας λόγω υπέρτασης στη σελίδα 447). > Εάν το σφάλμα παραμένει: Αυξήστε τις διατομές καλωδίων. Μειώστε το μήκος καλωδίου.
	Τερματίστε τη λειτουργία λόγω πολύ χαμηλής τάσης. Η τάση της μπαταρίας είναι πάρα πολύ χαμηλή.	<ul style="list-style-type: none"> > Αφήστε την μπαταρία να επαναφορτιστεί αργά. Ο μετατροπέας inverter επανεκκινείται αυτόματα, όταν η τάση υπερβεί την τιμή επανεκκίνησης (βλ. κεφάλαιο Τερματισμός λειτουργίας λόγω πολύ χαμηλής τάσης στη σελίδα 447).

13 Εγγύηση

Ισχύει η νόμιμη διάρκεια εγγύησης. Εάν το προϊόν είναι ελαττωματικό, επικοινωνήστε με τον αντιπρόσωπο του κατασκευαστή στη χώρα σας (βλ. dometic.com/dealer) ή στο κατάστημα αγοράς.

Για τυχόν επισκευή ή αξίωση κάλυψης από την εγγύηση, παρακαλούμε να αποστείλετε επίσης τα παρακάτω έγγραφα μαζί με τη συσκευή:

- Ένα αντίγραφο της απόδειξης αγοράς με την ημερομηνία αγοράς
- Τον λόγο για την αξίωση κάλυψης από την εγγύηση ή μια περιγραφή του σφάλματος

Λάβετε υπόψη ότι τυχόν επισκευή από εσάς τον ίδιο ή μη επαγγελματική επισκευή ενδέχεται να έχει συνέπειες ασφαλείας καθώς και να αποτελέσει αιτία ακύρωσης της εγγύησης.

14 Απόρριψη

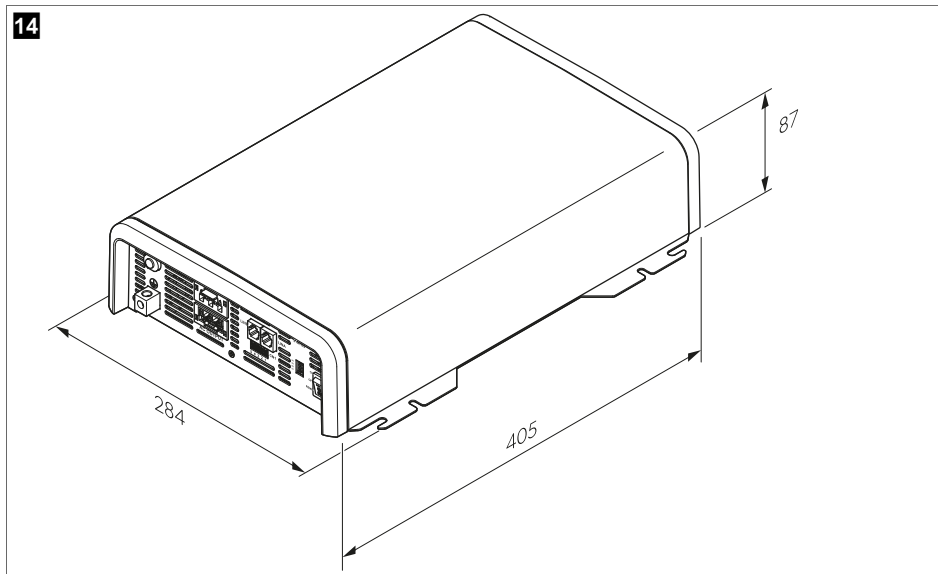



Εάν είναι εφικτό, απορρίψτε τα υλικά συσκευασίας στους αντίστοιχους κάδους ανακύκλωσης.

Συμβουλευθείτε ένα τοπικό κέντρο ανακύκλωσης ή έναν εξειδικευμένο αντιπρόσωπο για λεπτομέρειες σχετικά με τον τρόπο απόρριψης του προϊόντος σύμφωνα με τους ισχύοντες κανονισμούς διάθεσης απορριμμάτων.

Το προϊόν μπορεί να απορριφθεί δωρεάν.

15 Τεχνικά χαρακτηριστικά



	DPSI 1812	DPSI 1824
Ονομαστική τάση εισόδου	12 V ---	24 V ---
Περιοχή τάσης εισόδου	10 ... 16,5 V ---	20 ... 33 V ---
Συνεχής ισχύς εξόδου P _{ονομ.}	1800 W	1800 W
Μέγιστη ισχύς εξόδου (10 min)	1800 W	1800 W
Μέγιστη ισχύς εξόδου (3 min)	2070 W	2070 W
Μέγιστη ισχύς υπέρτασης (2 s) P _{υπέρτασης}	3600 W	3600 W
Κατανάλωση έντασης ρεύματος σε λειτουργία αδράνειας	≤ 2,5 A	≤ 1,3 A
Κατανάλωση έντασης ρεύματος σε λειτουργία αναμονής	≤ 0,2 A	≤ 0,1 A
Διαστάσεις	 σχ. 14 στη σελίδα 446	
Βάρος	5,5 kg	5,5 kg

15.1 Γενικά τεχνικά στοιχεία

Εύρος τάσεων εξόδου	230/ 240 V \sim ± 3 %
Συχνότητα εξόδου	50/60 Hz ± 0,3 Hz
Κυματομορφή εξόδου	Καθαρό ημιτονοειδές κύμα
THD παραμόρφωσης	THD ≤ 3 % σε P _{ονομ.} (ωμικό φορτίο)
Μέγιστη απόδοση	90 %

Θερμοκρασία περιβάλλοντος για τη λειτουργία	-20 ... 60 °C
Θερμοκρασία περιβάλλοντος για την αποθήκευση	-30 °C ... 70 °C
Υγρασία περιβάλλοντος	0 ... 95 %, non-condensing
Έλεγχος / πιστοποίηση	



15.2 Τερματισμός λειτουργίας λόγω πολύ χαμηλής τάσης

	Τιμή διακοπής	Τιμή επανεκκίνησης
DPS11812	10 V	12 V
DPS11824	20 V	24 V

15.3 Τερματισμός λειτουργίας λόγω υπέρτασης

	Τιμή διακοπής	Τιμή επανεκκίνησης
DPS11812	16,5 V	15,5 V
DPS11824	33 V	31 V

Lietuvių k.

1	Svarbios pastabos.....	448
2	Simbolių paaiškinimas.....	448
3	Saugos instrukcijos.....	449
4	Pristatoma komplektacija.....	452
5	Priedai.....	452
6	Paskirtis.....	452
7	Techninis aprašymas.....	453
8	Montavimas.....	455
9	Inverterio konfigūravimas.....	461
10	Naudojimas.....	464
11	Valymas ir priežiūra.....	464
12	Gedimų nustatymas ir šalinimas.....	465
13	Garantija.....	465
14	Utilizavimas.....	466
15	Techniniai duomenys.....	466

1 Svarbios pastabos

Atidžiai perskaitykite šią instrukciją ir sekite visas instrukcijas, nurodymus ir perspėjimus, pateiktus šiame gaminio vadove, ir griežtai jų laikykitės, kad užtikrintumėte, jog šis gaminys visada bus įrengtas, naudojamas ir prižiūrimas tinkamai. Ši instrukcija PRIVALO likti šalia šio gaminio.

Naudodamiesi šiuo gaminio patvirtinate, kad atidžiai perskaitėte visas instrukcijas, nurodymus ir perspėjimus ir suprantate dokumente išdėstytas sąlygas bei sutinkate jų laikytis. Šį gaminį sutinkate naudoti tik pagal numatytąją paskirtį ir taip, kaip nurodo šioje gaminio instrukcijoje pateiktos instrukcijos, nurodymai ir perspėjimai, taip pat laikydamiesi taikomų teisinių ir teisės aktų. Nesusipažinus su šioje instrukcijoje pateiktomis instrukcijomis ir perspėjimais ir jų nesilaikius galite susižaloti patys ir sužaloti kitus asmenis, pažeisti gaminį arba pridaryti žalos kitai netoliese esančiai nuosavybei. Ši gaminio instrukcija, taip pat ir instrukcijos, nurodymai, perspėjimai ir kiti susiję dokumentai, gali būti keičiami ir atnaujinami. Norėdami gauti naujausias informacijas apie gaminį, apsilankykite adresu documents.dometic.com.

2 Simbolių paaiškinimas

Signalinių žodžių pažymima informacija apie saugą ir turtinę žalą, taip pat nurodomas pavojaus rimtumo laipsnis ar lygis.



PAVOJUS!

nurodo pavojingą situaciją, kurios neišvengus gresia mirtinas arba sunkus sužalojimas.



ĮSPĖJIMAS!

nurodo pavojingą situaciją, kurios neišvengus gali grėsti mirtinas arba sunkus sužalojimas.



PERSPĖJIMAS!

nurodo pavojingą situaciją, kurios neišvengus gali grėsti lengvas arba vidutinio sunkumo sužalojimas.



PRANEŠIMAS!

Nurodo situaciją, kurios neišvengus, gresia materialinė žala.



PASTABA Papildoma informacija apie gaminio eksploatavimą.

3 Saugos instrukcijos

Taip pat laikykitės transporto priemonės gamintojo ir įgaliotų remonto dirbtuvių išduotų saugos instrukcijų ir nurodymų.

3.1 Bendroji sauga



PAVOJUS! Elektros srovės pavojus

- > Nelieskite laidų plikomis rankomis.
- > Kad būtų galima greitai atjungti prietaisą nuo kintamosios srovės tinklo, lizdas turi būti netoli prietaiso ir lengvai pasiekiamas.



ĮSPĖJIMAS! Elektros srovės pavojus

- > Prietaisą montuoti ir atjungti gali tik kvalifikuoti darbuotojai.
- > Nenaudokite prietaiso, jei pats prietaisas arba jungiamasis kabelis yra akivaizdžiai pažeisti.
- > Jeigu šio prietaiso laidas pažeistas, reikia pakeisti maitinimo laidą, siekiant užkirsti kelią pavojui dėl saugos.
- > Šį prietaisą gali taisyti tik kvalifikuotas personalas. Netinkamai remontuojant gali kilti rimtas pavojus.
- > Naudokite tik gamintojo rekomenduojamus priedus.
- > Jokiu būdu nemodifikuokite ir nepadukite jokių komponentų.
- > Kol naudojate prietaisą, neatjunkite jokių kabelių.
- > Atjunkite prietaisą nuo maitinimo šaltinio:
 - Po naudojimo
 - Prieš kiekvieną valymą ir techninę priežiūrą
 - Prieš keičiant saugiklius



ĮSPĖJIMAS! Gaisro pavojus / degios medžiagos

Kilus gaisrui, naudokite elektros prietaisams gesinti tinkamą gesintuvą.



ĮSPĖJIMAS! Uždusimo pavojus

Netinkamai išdėsčius, prietaiso kabelis ir valdymo blokas gali kelti riziką įsispainioti, pasismaugti, užkliūti ar užminti. Pasirūpinkite, kad per ilgi dirželiai ir maitinimo kabeliai būtų tiesiami saugiai.



ĮSPĖJIMAS! Pavojus sveikatai

- > Šį prietaisą gali naudoti vaikai nuo 8 metų amžiaus ir fizinių, sensorinių arba psichikos sutrikimų turintys arba stokojantys patirties ir žinių asmenys, jeigu jie yra prižiūrimi arba instruktuojami dėl šio prietaiso naudojimo saugiai ir suvokia jo keliamus pavojus.
- > **Elektros prietaisai nėra žaislai.** Visada laikykitė ir naudokite prietaisą mažiems vaikams nepasiekiamoje vietoje.
- > Vaikus reikia prižiūrėti, kad jie nežaistų su prietaisu.
- > Vaikams draudžiama šį prietaisą valyti ir atlikti jo techninę priežiūrą be suaugusiųjų priežiūros.



PRANEŠIMAS! Žalos pavojus

- > Prieš paleisdami įsitinkinkite, kad tipo etiketėje nurodyta įtampa sutampa su jūsų maitinimo šaltinio įtampa.
- > Įsitinkinkite, kad kiti objektai **negalėtų** sukelti prietaiso kontaktų trumpojo jungimo.
- > Užtikrinkite, kad neigiami ir teigiami poliai **niekada** nesusiliestų.
- > Netraukite už jungiamųjų kabelių ir nenaudokite jų kaip rankenos.

- > Saugokite prietaisą nuo lietaus ir drėgmės. Laikykite sausoje vietoje.

3.2 Saugos prietaiso montavimas



PAVOJUS! Sprogimo pavojus

- > Montuokite ir naudokite prietaisą tik uždaroje ir gerai ventiliuojamose patalpose.
- > **Draudžiama** montuoti ar naudoti prietaisą toliau nurodytomis sąlygomis:
 - Sūrioje, šlapioje ar drėgnoje aplinkoje
 - šalia išsūdančių dūmų;
 - šalia degių medžiagų;
 - šalia šilumos šaltinių (šildytuvų, tiesioginės saulės šviesos, dujinių orkaitių ir pan.);
 - srityse, kuriose kyla dujų ar dulkių sprogimo pavojus.



ĮSPĖJIMAS! Sužalojimų rizika

- > Užtikrinkite, kad prietaisas stovi tvirtai. Prietaisas turi būti pastatytas ir pritvirtintas taip, kad negalėtų apvirsti ar nukristi.
- > Statydami prietaisą į vietą, įsitinkinkite, kad visi kabeliai tinkamai pritvirtinti, kad būtų išvengta bet kokio apvirmimo pavojaus.



PRANEŠIMAS! Žalos pavojus

- > Dėkite prietaisą sausoje vietoje, kurioje jis bus apsaugotas nuo taškomo vandens.
- > Naudokite tik žemintus ir liekamosios srovės jungtuvais apsaugotus lizdus

3.3 Sauga jungiant prietaisą elektriniu būdu



PAVOJUS! Elektros srovės pavojus

Jei dirbate su elektros sistemomis, pasirūpinkite, kad šalia jūsų būtų asmuo, kuris kritiniais atvejais galėtų padėti.



ĮSPĖJIMAS! Elektros srovės pavojus

- > Atsižvelkite į rekomenduojamus kabelių skerspjūvius.
- > Kabelius išdėstykite taip, kad jų negalėtų pažeisti durys arba gaubtas. Sutraiškyti kabeliai gali sukelti rimtų sužalojimų.



PRANEŠIMAS! Žalos pavojus

- > Naudokite ortakius ar kabelių kanalus, jei reikia kloti kabelius per metalines plokštes ar kitas plokštes su aštriais kraštais.
- > **Negalima** tiesti 230 V maitinimo iš elektros tinklo kabelio ir 12 V nuolatinės srovės kabelio tame pačiame kanale.
- > **Negalima** tiesti kabelio taip, kad jis būtų laisvas ar stipriai sulenktas.
- > Patikimai priveržkite kabelius.

3.4 Saugos atsargumo priemonės tvarkant akumulatorius



ĮSPĖJIMAS! Sužalojimų rizika

- > Akumulatoriuose yra agresyvių ir edžiųjų rūgščių. Neleiskite akumulatoriaus skysčiui patekti ant kūno. Jei visgi ant odos patenka akumulatoriaus skysčio, tą kūno vietą gerai nuplaukite vandeniu. Dėl rūgšties patyrę sužalojimų nedelsiant kreipkitės į gydytoją.

- > Dirbdami su akumulatoriais, nedėvėkite metalinių daiktų, pvz., laikrodžių arba žiedų. Rūgštiniai švino akumulatoriai gali sukelti trumpąjį jungimąsi ir rimtai sužaloti.
- > Naudokite tik izoliuotus įrankius.
- > Nedėkite ant akumulatoriaus jokių metalinių dalių ir saugokitės, kad jos nenukristų ant akumulatoriaus. Tai gali sukelti kibirkštis arba trumpąjį akumulatoriaus ir kitų elektrinių prietaisų jungimą.
- > Dirbdami su akumulatoriais dėvėkite apsauginius akinius ir apsauginius drabužius. Dirbdami su akumulatoriais nelieskite akių.
- > Naudokite tik įkraunamus akumulatorius.
- > Nenaudokite sugedusių akumulatorių.



PERSPĖJIMAS! Sprogimo pavojus

- > Niekada nebandykite įkrauti sušalusio arba sugedusio akumulatoriaus. Akumuliatorių laikykite neužšalancioje vietoje ir palaukite, kol jis taps prisitaikys prie aplinkos temperatūros. Tada pradėkite įkrauti.
- > Šalia variklio arba akumulatoriaus nerūkykite, nenaudokite atviros liepsnos ir nekelkite kibirkščių.
- > Akumuliatorių laikykite atokiai nuo šilumos šaltinių.



PRANEŠIMAS! Žalos pavojus

- > Prijungdami akumuliatorių įsitikinkite, kad poliškumas teisingas.
- > Vadovaukitės akumulatoriaus gamintojo nurodymais, taip pat sistemos arba transporto priemonės, kurioje akumulatorius naudojamas, gamintojo nurodymais.
- > Jei akumuliatorių reikia išimti, pirmiausia atjunkite žeminimo jungtį. Prieš išimdami akumuliatorių atjunkite visas jungtis ir elektros energiją vartojančius prietaisus.
- > Laikyti padėkite tik visiškai įkrautus akumulatorius. Laikomus akumulatorius reguliariai įkraukite.
- > Neneškite akumulatoriaus už gnybtų.

3.5 Saugus prietaiso naudojimas



ĮSPĖJIMAS! Elektros srovės pavojus

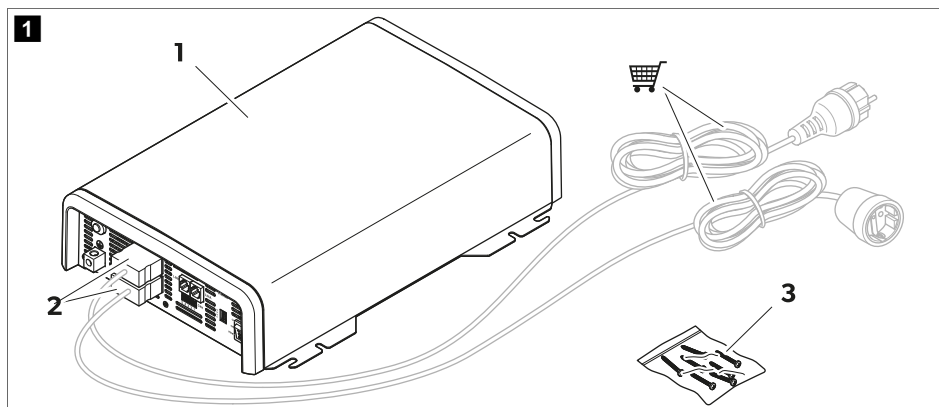
- > Nenaudokite prietaiso drėgnomis sąlygomis ir nepamerkite į jokių skystį.
- > Prieš įjungdami prietaisą, įsitikinkite, kad maitinimo laidas ir kištukas yra sausi ir ant kištuko nėra rūdžių ar dulkių.
- > Atkreipkite dėmesį į tai, kad prietaiso dalys vis tiek gali praleisti įtampą, net jei saugiklis perdegė.




PRANEŠIMAS! Žalos pavojus

- > Įsitikinkite, kad prietaiso įsiurbiamo ir išleidžiamo oro angos neuždengtos.
- > Užtikrinkite gerą vėdinimą.

4 Pristatoma komplektacija



Nr. pateikti	Pavadinimas	Kiekis
 pav. 1 puslapyje 452		
1	Sinusinių bangų inverteris	1
2	WAGO jungties jungiamasis kabelis su apsaugine mova (230 V~ išėjimui)	2
3	Fiksuojamieji varžtai	6
-	Montavimo ir naudojimo vadovas	1

5 Priedai

Pavadinimas	Nuor. nr.
Nuotolinio valdymo pultas DSP-RCT	9600002564
Valdymo monitorius DSP-EM	9600002565
Jutiklinis ekranas TD283	9620013272

6 Paskirtis

Inverterio paskirtis – konvertuoti nuolatinę srovę į nedomuliuojamų sinusinių bangų 230~ ... 240 V~ kintamąją įtampą (AC) ir taip užtikrinti prijungtų energiją vartojančių prietaisų veikimą bei stabilų maitinimą.

Inverteris skirtas prijungti prie:

- DPSI1812iTS: 12 V \Rightarrow
- DPSI1824iTS: 24 V \Rightarrow

Inverter yra tinkamas:

- Įrengti poilsinėse transporto priemonėse (RV), sunkvežimiuose, komercinėse transporto priemonėse ir motorinėse bei burinėse jachtose
- Kaip stacionarus ar kilnojamas prietaisas
- Naudoti patalpose

Inverteris **nėra** tinkamas:

- Naudoti lauke

Šis gaminį galima naudoti tik pagal numatytą paskirtį ir vadovaujantis šiomis instrukcijomis.

Šiame vadove pateikiama informacija, reikalinga tinkamam gaminio įrengimui ir (arba) naudojimui. Dėl prasto įrengimo ir (arba) netinkamo naudojimo ar techninės priežiūros gaminys gali veikti netinkamai ir sugesti.

Gamintojas neprisiims atsakomybės už patirtus sužeidimus ar žalą gaminiui, atsiradusią dėl šių priežasčių:

- Netinkamas montavimas, surinkimas ar prijungimas, įskaitant per aukštą įtampą
- Netinkamos techninės priežiūros arba jeigu buvo naudotos neoriginalios, gamintojo nepateiktos atsarginės dalys
- Gaminio pakeitimai be aiškaus gamintojo leidimo
- Naudojimas kitais tikslais, nei nurodyta šiame vadove

„Dometic“ pasilieka teisę keisti gaminio išvaizdą ir specifikacijas.

7 Techninis aprašymas

7.1 Bendrasis aprašymas

Šis inverteris – tai DC–AC nemoduliuojamų sinusinių bangų inverteris.

Inverteryje įrengta prioritėtinė grandinė. Jei pasiekiamas 230 V~ maitinimo tinklas, šis išorinis maitinimo šaltinis naudojamas tiekti energijai į lizdus poilsinėje transporto priemonėje. Jei 230 V~ maitinimo tinklas nepasiekiamas, inverteris konvertuoja akumuliatoriaus nuolatinę srovę į kintamąją srovę ir taip užtikrina prijungtų energiją vartojančių prietaisų maitinimą.

Galima naudoti inverterį šiose tinklo sistemose:

- TN tinklas
- IT tinklas

Tinklo sistemos nustatomos ant inverterio esančiu varžtu.

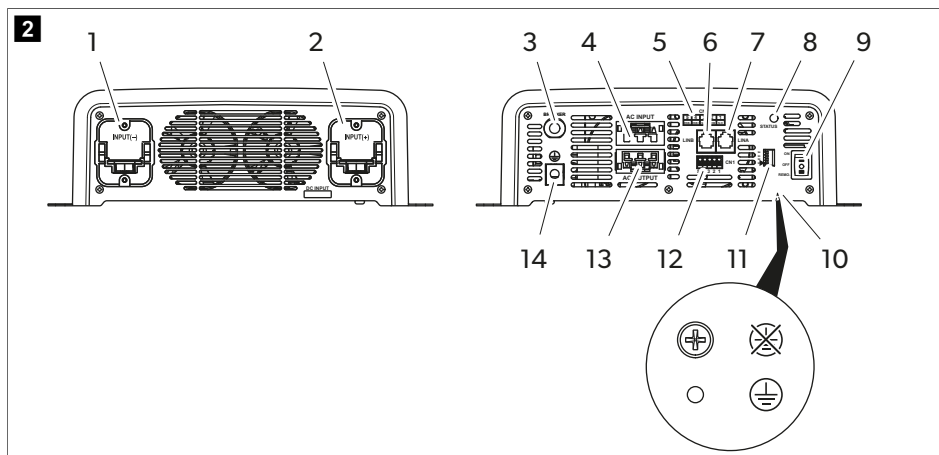
Galima perjungti inverterį į energijos taupymo režimą siekiant sumažinti sąnaudas neveikos režimu bei apkrovą akumuliatoriui.

Inverteryje yra šie apsauginiai mechanizmai:

- **Išjungimas dėl viršįtampio:** inverteris išsijungia, kai įtampa viršija atjungimo vertę. Jis automatiškai paleidžiamas iš naujo, kai įtampa nukrenta iki paleidimo iš naujo vertės.
- **Išjungimas dėl per mažos įtampos:** inverteris išsijungia, kai įtampa tampa mažesnė už atjungimo vertę. Jis automatiškai paleidžiamas iš naujo, kai įtampa viršija paleidimo iš naujo vertę.
- **Išjungimas esant aukštai temperatūrai:** inverteris išsijungia, kai įrenginio vidinė temperatūra viršija atjungimo vertę. Jis automatiškai paleidžiamas iš naujo, kai temperatūra nukrenta iki paleidimo iš naujo vertės.
- **Apsauga nuo stiprios išėjimo srovės:** inverteris išsijungia, jei prijungiama per daug apkrovų.
- **Apsauga nuo trumpojo jungimo:** inverteris išsijungia, kai susidaro trumpasis jungimas. Po kelių sekundžių jis automatiškai pasileidžia iš naujo. Jei trumpasis jungimas aptinkamas penkis kartus iš eilės, inverteris nebeleidžia automatiškai ir reikės paleisti jį iš naujo rankiniu būdu.

Inverteris suderinamas su N-BUS ir CI-BUS, todėl duomenys ir funkcijos gali būti rodomi jutikliniame ekrane (priedas) ir mobiliojoje programėlėje.

7.2 Valdymo elementai ir jungtys



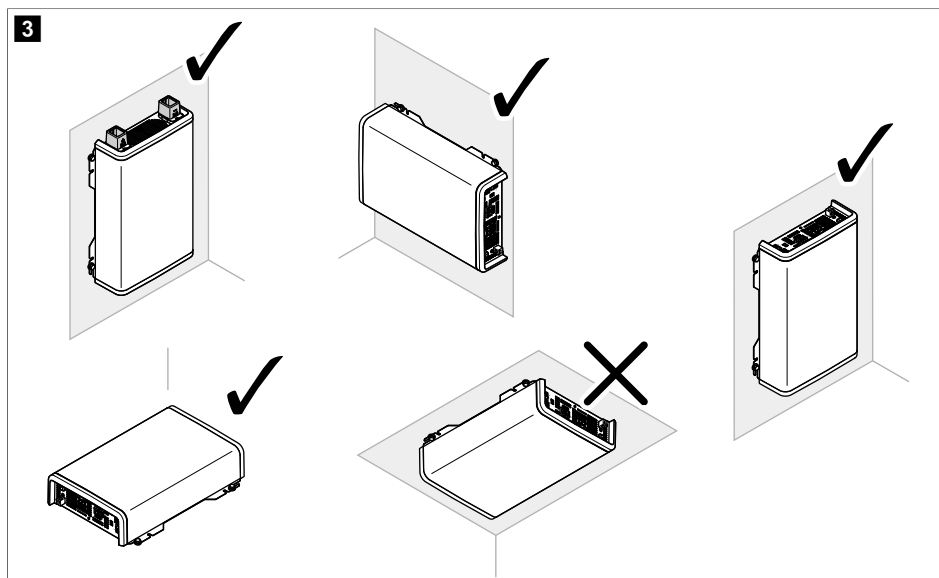
Nr.	Pavadinimas
1	(-) gnybtas, prijungimas prie namelio akumuliatoriaus neigiamo poliaus
2	(+) gnybtas, prijungimas prie namelio akumuliatoriaus teigiamo poliaus
3	Išorinio jėgimo saugiklis
4	AC įvestis
5	CN1 gnybtas
6	CI BUS / N Bus / nuotolinio valdymo pulto jungtis (LINB)
7	CI BUS / N Bus / nuotolinio valdymo pulto jungtis (LINA)
8	Būsenos indikacijos šviesos diodas
9	Įjungimo / išjungimo jungiklis
10	IT / TN tinklo nustatymo varžtas
11	Perjungiklis
12	DIP perjungiklis, išorinio jungiklio ir signalų relės jungtis
13	AC išvestis
14	Įžeminimo jungtis

7.3 Būsenos indikacijos šviesos diodas

Būseną	Aprašymas
On	Inverteris veikia
Flashing	Klaida (žr. skyrių Gedimų nustatymas ir šalinimas puslapyje 465)
Off	Nėra kintamosios srovės jėgimo, inverteris išjungtas

8 Montavimas

8.1 Montavimo vieta



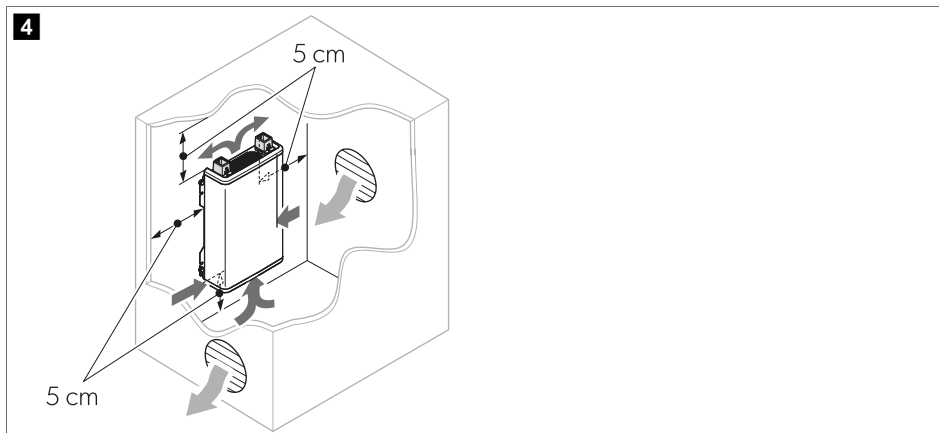
PRANEŠIMAS! Žalos pavojus

Prieš gręždami bet kokias skylės, įsitikinkite, kad jokie elektros kabeliai ar kitos transporto priemonės dalys nebus pažeistos gręžiant, pjaunant ir šlifuojant.




PASTABA

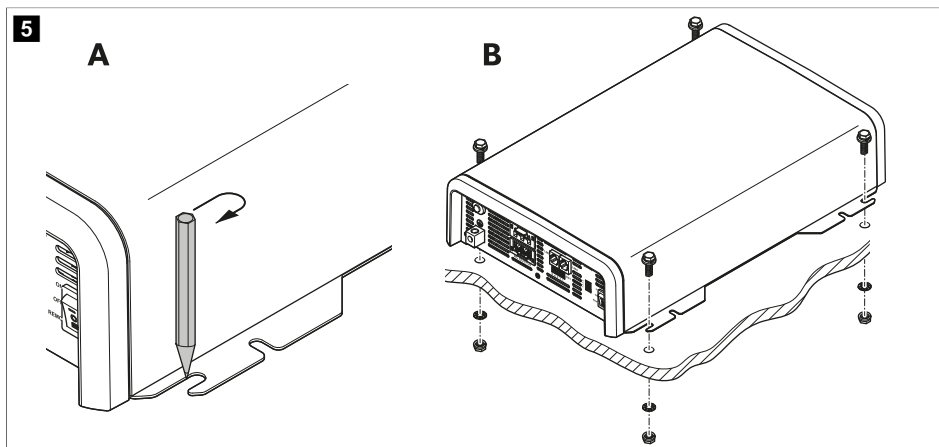
Galima montuoti inverterį ant horizontalaus paviršiaus arba ant sienos ( pav. 3 puslapyje 455).





Pasirinkdami montavimo vietą laikykitės šių instrukcijų:

- Įsitikinkite, kad montavimo paviršius tvirtas ir lygus.
- Laikykitės atstumo specifikacijų, kad būtų užtikrinta pakankama ventiliacija ( pav. 4 puslapyje 456).

8.2 Inverterio montavimas



1. Pasirinkite reikiamas montavimo angas pagal pasirinktą montavimo tipą (ant horizontalaus paviršiaus arba ant sienos) ir pažymėkite gręžimo angas ( pav. 5 puslapyje 456, **A**).
2. Išgręžkite montavimo angas.
3. Prisukite inverterį jo vietoje ( pav. 5 puslapyje 456, **B**).

8.3 Inverterio prijungimas



Prietaiso elektros instaliaciją ir nustatymą turi atlikti kvalifikuotas elektrikas, turintis elektros įrangos montavimo ir eksploatavimo praktinių įgūdžių bei žinių ir baigęs saugos mokymo kursą apie tai, kaip atpažinti darbe kylančius pavojus ir nuo jų apsaugoti. Be to, šis asmuo turi būti susipažinęs su šalyje, kurioje montuojama ir (arba) naudojama įranga, taikomomis taisyklėmis ir dalyvavęs saugos mokymuose, kad galėtų nustatyti ir išvengti susijusių pavojų.

Visi kiti veiksmai numatyti ir neprofesionaliems naudotojams.



ĮSPĖJIMAS! Elektros srovės pavojus

Laikykitės rekomenduojamų kabelio skerspjūvių ir ilgių, įrenkite rekomenduojamą saugiklį.



PERSPĖJIMAS! Gaisro pavojus

Saugiklius dėkite šalia akumuliatorių, kad apsaugotumėte kabelį nuo trumpojo jungimo ir galimo nudegimo.



PRANEŠIMAS! Žalos pavojus

- > Nekeiskite poliškumo.
- > Priveržkite varžtus ir veržles maks. 15 Nm sukimo momentu. Jei jungtys bus laisvos, kils perkaitimo pavojus.


Prijungdami inverterį laikykitės toliau pateiktų instrukcijų:

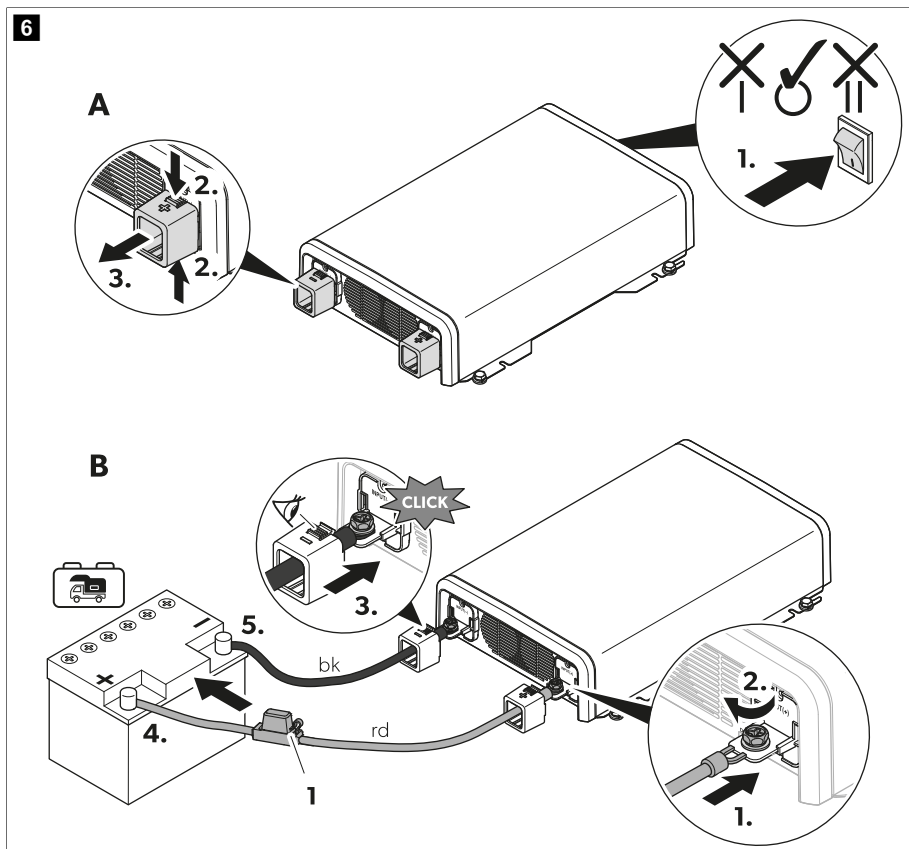
- Nustatydami lizdo paskirstymo grandinę (maitinimo tinklo instaliacija) vadovaukitės taikomomis taisyklėmis.
- DC kabelių (jungties su akumuliatoriaus gnybtais) ilgis turi būti kuo mažesnis ≤ 1 m).
- **TN tinklo** prijungimas: montuokite liekamosios srovės įrenginį (RCD).
- **IT tinklo** prijungimas: jei prijungta daugiau nei viena apkrova, montuokite izoliacijos stebėjimo įrenginį (IMD).

Taikomi nacionaliniai standartai.

1. Pasirinkite tinkamą kabelio skerspjūvį ir saugiklį:

	Kabelio skerspjūvis	Kabelio saugiklis
DPSI1812i-TS	50 mm ²	250 A
DPSI1824i-TS	25 mm ²	150 A


2. Patikrinkite, ar prietaisas išjungtas ( pav. 6 puslapyje 458, **A: 1**).



3. Nuimkite dangtelius nuo gnybtų ( pav. **6** puslapyje 458, **A: 2 – 3**).


4.  **PRANEŠIMAS! Žalos pavojus**
Kad išvengtumėte trumpojo jungimo, visada pirmiausia prijunkite juodą kabelį (neigiamas gnybtas).

Prijunkite juodą (bk) jungiamąjį kabelį prie (-) gnybto.

5. Prijunkite raudoną (rd) jungiamąjį kabelį prie (+) gnybto ( pav. **6** puslapyje 458, **B: 1 – 2**).

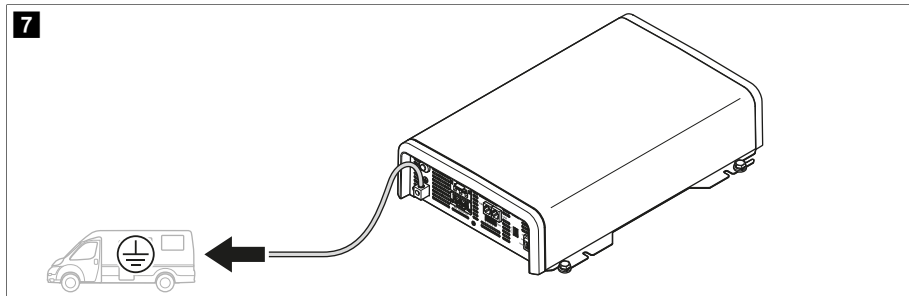
6. Prijunkite (+) prie teigiamo namelio akumulatoriaus gnybto ( pav. **6** puslapyje 458, **B: 4**).



PASTABA Apsaugokite teigiamą namelio akumulatoriaus kabelį saugikliu ( pav. **6** puslapyje 458, **1**).

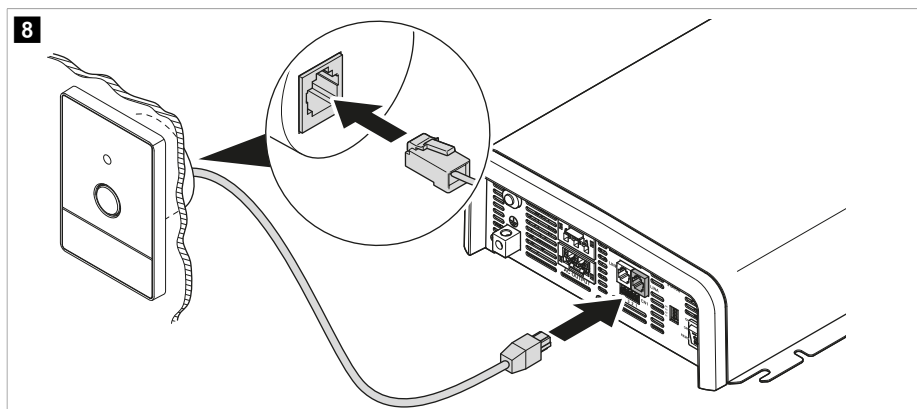
7. Prijunkite (-) prie neigiamo namelio akumulatoriaus gnybto ( pav. **6** puslapyje 458, **B: 5**).

8. Prijunkite įžeminimo jungtį prie įžeminimo (važiuoklės)  pav. **7** puslapyje 459.



8.4 Nuotolinio valdymo pulto prijungimas

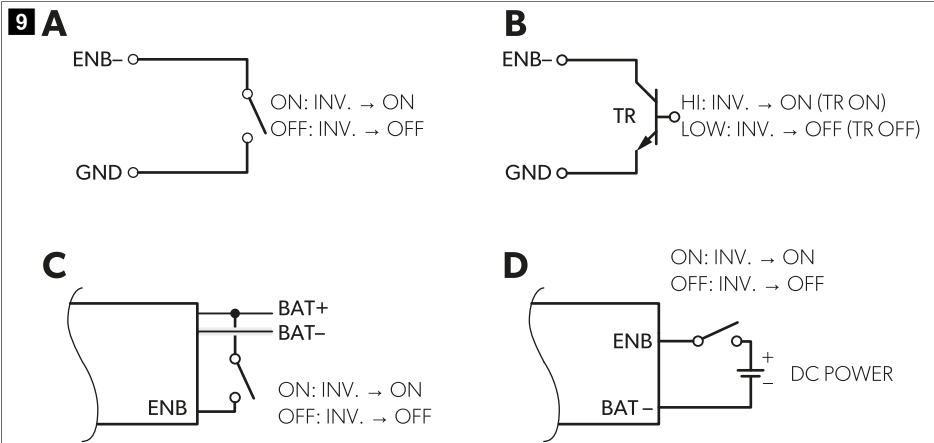
- > Prijunkite nuotolinio valdymo pultą prie nuotolinio valdymo pulto jungties (LINA arba LINB).







8.5 Išorinio jungiklio prijungimas



PASTABA Jei prijungtas išorinis jungiklis, energijos taupymo režimo būsenos keisti negalima.

**PASTABA**

- > Įsitinkinkite, kad nuotolinio valdymo pulto jungtis neužimta.
- > Pasirinkite vieną iš šių tinkamų išorinių jungiklių:
 -  pav. 9 puslapyje 460, **A**: išorinis jungiklis su maitinimu iš inverterio
 -  pav. 9 puslapyje 460, **B**: valdymo blokas su rele arba tranzistoriaus grandine (TR)
 -  pav. 9 puslapyje 460, **C**: išorinis jungiklis su maitinimu iš transporto priemonės akumuliatoriaus (BAT)
 -  pav. 9 puslapyje 460, **D**: išorinis jungiklis su nuosavu maitinimu (DC POWER), pvz., iš uždegimo sistemos



PASTABA Įsitinkinkite, kad nuotolinio valdymo pulto jungtis neužimta.

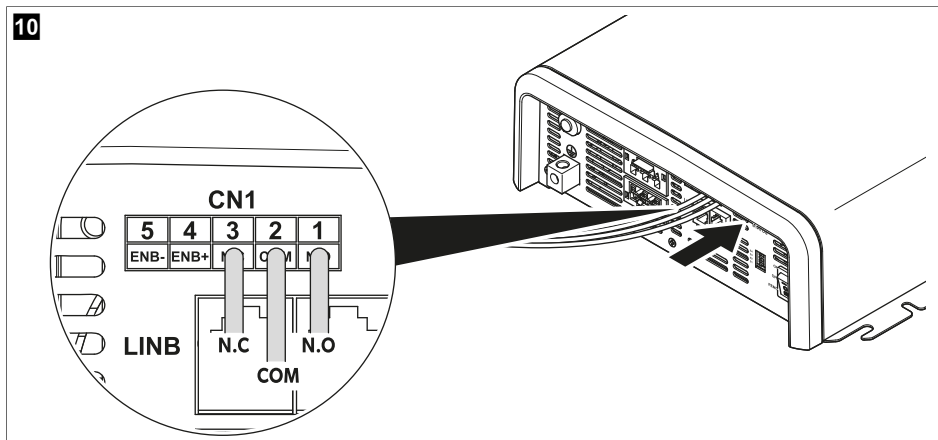
1. Nustatykite įjungimo / išjungimo jungiklį į padėtį **OFF**.
2. Nustatykite įjungimo / išjungimo jungiklį į padėtį **REMO**.
3. Prijunkite išorinį jungiklį prie CN1 gnybto.


8.6 Signalų relės prijungimas

Signalų relė suaktyvinama iš karto, kai AC maitinimo šaltinis yra pasiekiamas, o AC perdavimo jungiklis uždarytas. Naudojant signalų relę galima:

- Generuoti AC maitinimo šaltinio aptikimo signalą transporto priemonės valdymo skydelyje.
- Įjungti ir išjungti mažesnės svarbos apkrovas (pvz., absorbcinį šaldytuvą, elektrinio šildymo sistemas), kurias reikėtų naudoti tik su AC maitinimo šaltiniu.

10



> Prijunkite signalų relę prie CN1 gnybto ( pav. 10 puslapyje 461).

9 Inverterio konfigūravimas



Prietaiso elektros instaliaciją ir nustatymą turi atlikti kvalifikuotas elektrikas, turintis elektros įrangos montavimo ir eksploatavimo praktinių įgūdžių bei žinių ir baigęs saugos mokymo kursą apie tai, kaip atpažinti darbe kylančius pavojus ir nuo jų apsaugoti. Be to, šis asmuo turi būti susipažinęs su šalyje, kurioje montuojama ir (arba) naudojama įranga, taikomomis taisyklėmis ir dalyvavęs saugos mokymuose, kad galėtų nustatyti ir išvengti susijusių pavojų.

Visi kiti veiksmai numatyti ir neprofesionaliems naudotojams.



PAVOJUS! Elektros srovės pavojus

- > Nuimkite DIP jungiklio apsauginį dangtelį tik norėdami konfigūruoti.
- > Uždėkite apsauginį dangtelį atgal, kad išvengtumėte netyčinio DIP jungiklio reguliavimo.
- > **TN tinklo** konfigūravimas: įsitinkite, kad įrengtas liekamosios srovės įrenginys (RCD).
- > **IT tinklo** konfigūravimas: naudokite tik vieną apkrovą arba įrenkite izoliacijos stebėjimo įrenginį (IMD). Laikykitės nacionalinių standartų.



PASTABA



Norėdami DIP jungiklius perkelti į reikiamą padėtį, naudokite mažą atsuktuvą.

Galite keisti inverterio nustatymus naudodamiesi DIP jungikliais arba prijungę su CI-BUS suderinamą nuotolinio valdymo pultą.

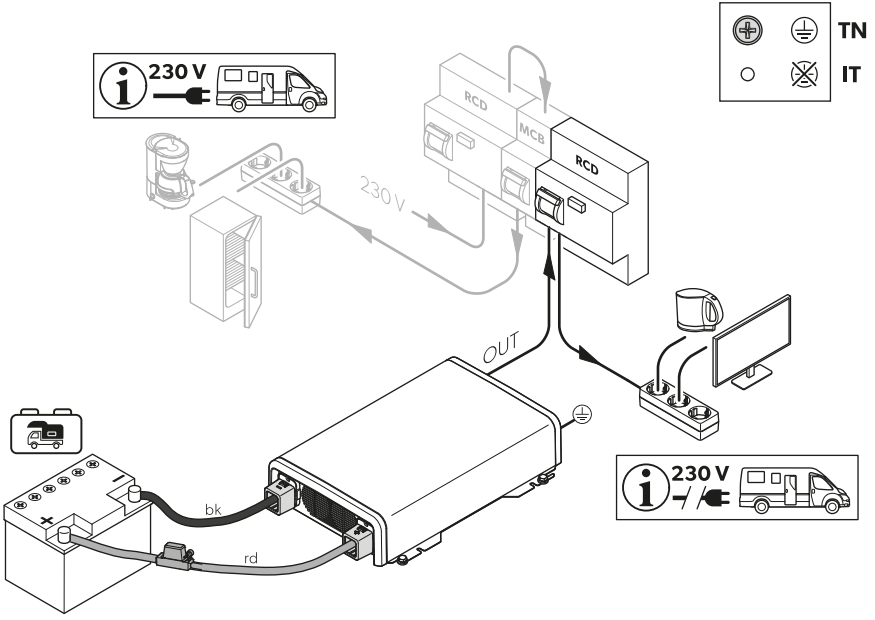
Iš pradžių įrenginys naudoja gamyklinę konfigūraciją. Jei reikia, koreguokite konfigūraciją perjungdami DIP jungiklius.

- > Perjunkite DIP jungiklį **S1** į padėtį **On**, jei norite nustatyti **vietoje**, naudodami DIP jungiklius.
- > Perjunkite DIP jungiklį **S1** į padėtį **Off**, jei norite nustatyti **išoriniu būdu**, naudodami nuotolinio valdymo pultą.

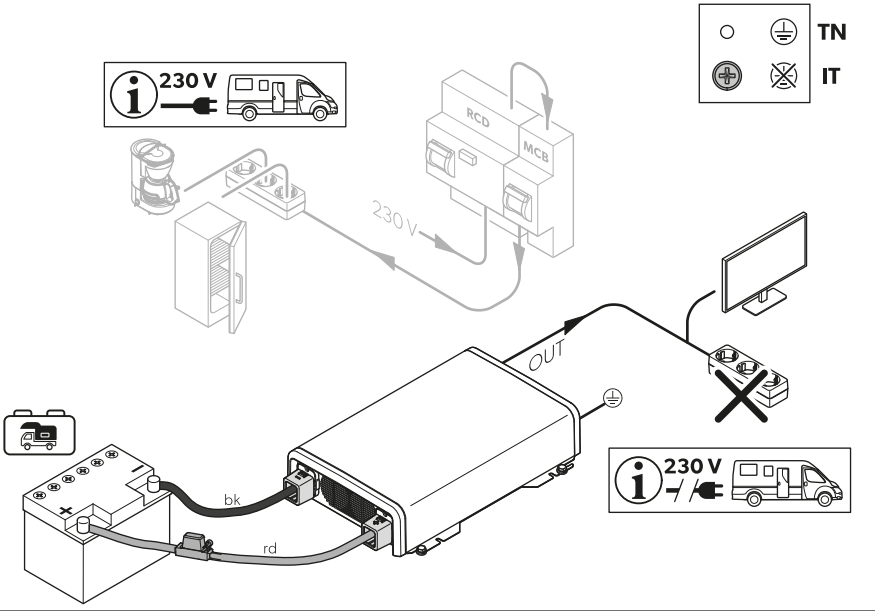
9.1 DIP jungiklio nustatymai

Konfigūracija		DIP jungiklio padėtis				
		S1	S2	S3	S4	S5
Nustatymai	Vietinis nustatymas DIP jungikliu	Švyti	-	-	-	-
	Išorinis nustatymas nuotolinio valdymo pultu	Išjungta	-	-	-	-
Maitinimo tinklo įtampa	240 V/60 Hz	-	Švyti	-	-	-
	230 V/50 Hz	-	Išjungta	-	-	-
Energijos taupymo režimas	Energy-saving mode is activated when the load is ≤ 45 W	-	-	Švyti	Švyti	-
	Inverter switches to normal operation when the load is ≥ 45 W					
	Energijos taupymo režimas įjungiamas, kai apkrova yra ≤ 45 W	-	-	Švyti	Išjungta	-
	Inverteris vėl veikia įprastai, kai apkrova yra ≥ 45 W					
	Inverteris automatiškai išsijungia po 20 minučių veikimo energijos taupymo režimu					
	Energijos taupymo režimas įjungiamas, kai apkrova yra ≤ 1 W	-	-	Išjungta	Išjungta	-
Inverteris vėl veikia įprastai, kai apkrova yra ≥ 1 W						
Energijos taupymo režimas įjungiamas, kai apkrova yra ≤ 1 W	-	-	Išjungta	Švyti	-	
Inverteris vėl veikia įprastai, kai apkrova yra ≥ 1 W						
Inverteris automatiškai išsijungia po 20 minučių veikimo energijos taupymo režimu						
Tinklo sistema	IT tinklas ( pav. 12 puslapyje 463)	-	-	-	-	Švyti
	TN tinklas ( pav. 11 puslapyje 463)	-	-	-	-	Išjungta

11

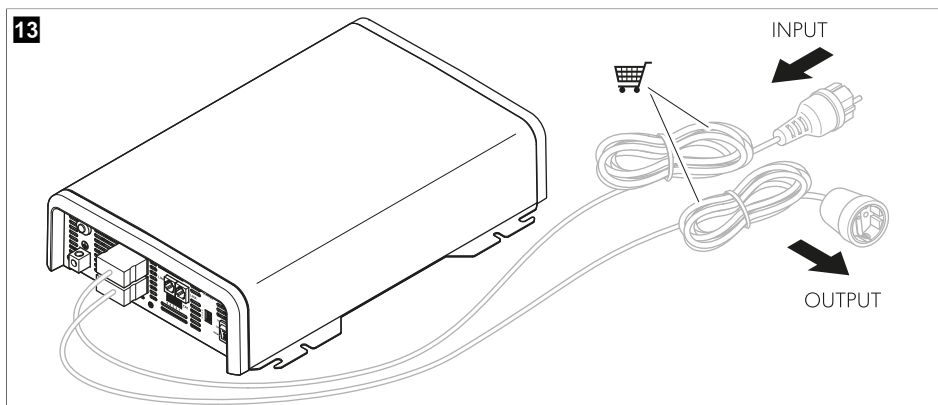


12




10 Naudojimas

10.1 230 V prietaisų naudojimas



PASTABA

Prijunkite tik prietaisus, kurių bendroji apkrova neviršija Techniniai duomenys puslapyje 466 nurodytų verčių.

- > Prijunkite 230 V prietaisus, kaip parodyta ( pav. 13 puslapyje 464).

10.2 Inverterio įjungimas ir išjungimas



PASTABA

- Jei inverteris bus valdomas nuotolinio valdymo pultu, reikia nustatyti įjungimo / išjungimo jungiklį į padėtį **II**.
- Jei inverteris bus valdomas išoriniu jungikliu, reikia nustatyti įjungimo / išjungimo jungiklį į padėtį **0**.

- > Norėdami įjungti inverterį, nustatykite įjungimo / išjungimo jungiklį į padėtį **I**.
- > Norėdami išjungti inverterį, nustatykite įjungimo / išjungimo jungiklį į padėtį **0**.
- > Galima įjungti ir išjungti inverterį naudojantis nuotolinio valdymo pultu arba išoriniu jungikliu.

11 Valymas ir priežiūra



ĮSPĖJIMAS! Elektros srovės pavojus

Prieš valydami ir atlikdami techninę priežiūrą, atjunkite prietaisą nuo maitinimo tinklo.



PRANEŠIMAS! Žalos pavojus

- > Niekada nevalykite prietaiso po tekančiu arba nešvariu vandeniu.
- > Valydami nenaudokite aštrių arba kietų daiktų, abrazyvinių valymo priemonių arba baliklio, nes jie gali pažeisti prietaisą.
- > Įsitinkinkite, kad oro įleidimo ir išleidimo angose nėra dulkių ir nešvarumų ir šiluma galės išeiti.

- > Retkarčiais nuvalykite prietaisą minkšta drėgna šluoste.
- > Reguliariai tikrinkite įtampingus kabelius ar linijas, ar nėra izoliacijos pažeidimų, lūžių arba atsilaisvintųjų jungčių.

12 Gedimų nustatymas ir šalinimas

Problema	Priežastis	Priemonė
Inverteris neveikia. Būsenos indikacijos šviesos diodas nešvyti.	Atsirado trumpasis jungimas.	> Prietaiso saugiklį, paveiktą per didelės srovės, turi pakeisti įgaliotasis techninės priežiūros atstovas.
	Įtampingų kabelių izoliacijos pažeidimas, lūžiai arba atsilaisvintus jungtys.	> Įsitikinkite, kad tiesioginės srovės kabeliai neturėtų izoliacijos pažeidimų, pertrūkių arba atsilaisvintųjų jungčių. Jeigu negalite rasti pažeidimo, susisieki su įgaliotuoju techninės priežiūros atstovu.
Inverteris neveikia. Būsenos indikacijos šviesos diodas lėtai mirksi.	Apsauga nuo stiprios jėgimo srovės.	Sumažinkite prijungtas apkrovas.
	Išjungimas dėl aukštos temperatūros.	1. Išjunkite inverterį ir prijungtas apkrovas. 2. Patikrinkite, ar neuždengtos ir neušikimšo oro įleidimo bei išleidimo angos. 3. Palaukite, kol inverteris atauš.
	Atsirado trumpasis jungimas.	Prietaiso saugiklį, paveiktą per didelės srovės, turi pakeisti įgaliotasis techninės priežiūros atstovas.
Inverteris neveikia. Būsenos indikacijos šviesos diodas greitai mirksi.	Išjungimas dėl viršįtampio. Per aukšta akumulatoriaus įtampa.	> Sumažinkite prijungtas įtampas. Inverteris automatiškai paleidžiamas iš naujo, kai įtampa nukrenta iki paleidimo iš naujo vertės (žr. skyrių Išjungimas dėl viršįtampio puslapyje 467). > Jei klaida vis tiek įvyksta: padidinkite kabelių skerspjūvius. Sumažinkite kabelio ilgį.
	Išjungimas dėl per mažos įtampos. Akumulatoriaus įtampa per žema.	> Palaukite, kol akumulatorius lėtai įsikraus. Inverteris automatiškai paleidžiamas iš naujo, kai įtampa viršija paleidimo iš naujo vertę (žr. skyrių Išjungimas dėl per mažos įtampos puslapyje 467).

13 Garantija

Taikomas įstatymų nustatytas garantinis laikotarpis. Jei gaminys pažeistas, susisieki su jūsų šalyje veikiančiu gamintojo filialu (žr. dometic.com/dealer) arba prekiautoju.

Jei reikalingas remontas ir garantinis aptarnavimas, pristatydami prietaisą pateikite šiuos dokumentus:

- Kvito kopiją su nurodyta pirkimo data

- Pretenzijos priežastį arba gedimo aprašymą

Atminkite, kad savarankiškas arba neprofesionalus remontas gali turėti pasekmių saugai ir anuliuoti garantiją.

14 Utilizavimas

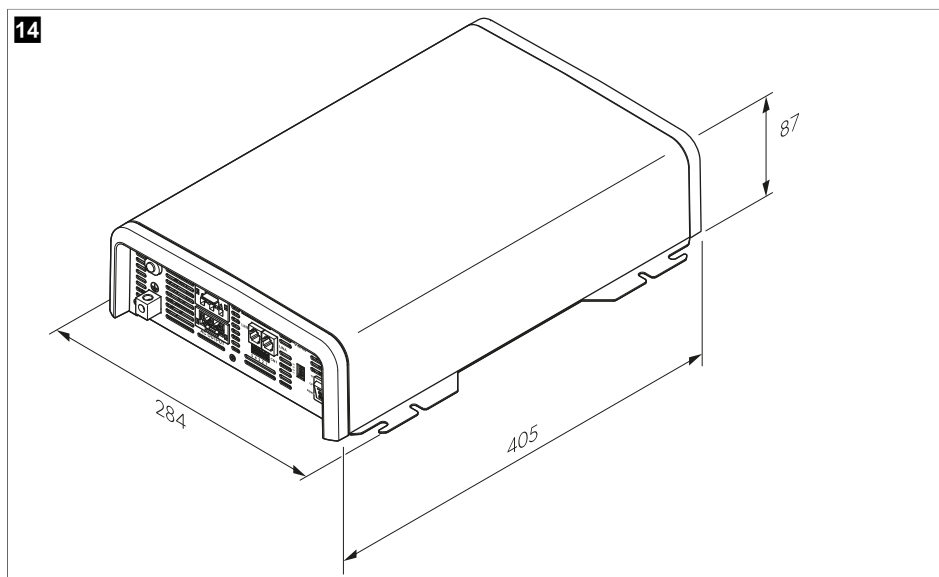



Jei įmanoma, pakavimo medžiagą sudėkite į atitinkamas perdirbimo šiukšliadėžes.

Išsamios informacijos apie tai, kaip gaminį pašalinti pagal galiojančias atliekų šalinimo taisykles, teiraukitės vietiniame perdirbimo centre arba specializuoto prekybos atstovo.

Produktą galima utilizuoti nemokamai.

15 Techniniai duomenys



	DPSI 1812	DPSI 1824
Vardinė įėjimo įtampa	12 V _{DC}	24 V _{DC}
Įvesties įtampos diapazonas	10 ... 16,5 V _{DC}	20 ... 33 V _{DC}
Nuolatinė išėjimo galia P _{nom}	1800 W	1800 W
Maksimali išėjimo galia (10 min)	1800 W	1800 W
Maksimali išėjimo galia (3 min)	2070 W	2070 W
Maksimali viršįtampio galia (2 s) P _{viršįtampis}	3600 W	3600 W
Srovės sąnaudos neveikos režimu	≤ 2,5 A	≤ 1,3 A
Srovės sąnaudos budėjimo režimu	≤ 0,2 A	≤ 0,1 A
Matmenys	 pav. 14 puslapyje 466	

	DPSI 1812	DPSI 1824
Svoris	5,5 kg	5,5 kg

15.1 Bendrieji techniniai duomenys

Išėjimo įtampos diapazonas	230/ 240 V \sim \pm 3 %
Išėjimo dažnis	50/60 Hz \pm 0,3 Hz
Išėjimo bangos forma	Nemoduliuojama sinusinė banga
Iškreipiai (visuminiai netiesiniai iškreipiai, THD)	THD \leq 3 % esant P _{nom} (varžinė apkrova)
Didžiausias efektyvumas	90 %
Darbinė aplinkos temperatūra	-20 ... 60 °C
Sandėliavimo aplinkos temperatūra	-30 °C ... 70 °C
Aplinkos drėgmė	0 ... 95 %, non-condensing
Patikra / sertifikavimas	



15.2 Išjungimas dėl per mažos įtampos

	Atjungimo vertė	Paleidimo iš naujo vertė
DPSI1812	10 V	12 V
DPSI1824	20 V	24 V

15.3 Išjungimas dėl viršįtampio

	Atjungimo vertė	Paleidimo iš naujo vertė
DPSI1812	16,5 V	15,5 V
DPSI1824	33 V	31 V

Latviešu

1	Svarīgas piezīmes.....	468
2	Simbolu skaidrojums.....	468
3	Drošības norādes.....	469
4	Komplektācija.....	472
5	Papildu piederumi.....	472
6	Paredzētais izmantošanas mērķis.....	472
7	Tehniskais apraksts.....	473
8	Uzstādīšana.....	475
9	Strāvas pārveidotāja konfigurēšana.....	481
10	Ekspluatācija.....	484
11	Tīrīšana un apkope.....	484
12	Problēmu novēršana.....	485
13	Garantija.....	486
14	Atkritumu pārstrāde.....	486
15	Tehniskie dati.....	486

1 Svarīgas piezīmes

Lūdzam rūpīgi izlasīt un ņemt vērā visus produkta rokasgrāmatā iekļautos norādījumus, vadlīnijas un brīdinājumus, lai nodrošinātu, ka jūs šo produktu vienmēr uzstādāt, lietojat un apkopjat atbilstoši. Šie norādījumi ir OBLIGĀTI jāsauglabā kopā ar šo produktu.

Lietojot šo produktu, jūs apstiprināt, ka esat rūpīgi izlasījuši visus norādījumus, vadlīnijas un brīdinājumus, un jūs saprotat un piekristat ievērot šeit izklāstītos noteikumus un nosacījumus. Jūs piekristat lietot šo produktu tikai tā paredzētajam mērķim un lietojumam saskaņā ar norādījumiem, vadlīnijām un brīdinājumiem, kas izklāstīti šī produkta rokasgrāmatā, kā arī ievērojot visus piemērojamos normatīvos aktus. Šeit izklāstīto norādījumu un brīdinājumu neizlasīšana un neievērošana var izraisīt traumas sev un citiem, vai radīt bojājumus pašam produktam vai apkārt esošam īpašumam. Informācija šajā produkta rokasgrāmatā, tajā skaitā norādījumi, vadlīnijas, brīdinājumi un saistītā dokumentācija, var tikt mainīta un papildināta. Lai iegūtu jaunāko informāciju par produktu, apmeklējiet vietni documents.dometic.com.

2 Simbolu skaidrojums

Signālvārds identificē drošības ziņojumus un ziņojumus par īpašuma bojājumu, kā arī norāda bīstamības smaguma pakāpi vai līmeni.



BĪSTAMI!

Apzīmē bīstamu situāciju, kas izraisīs nāvējošus vai nopietnus savainojumus, ja netiks novērsta.



BRĪDINĀJUMS!

Apzīmē bīstamu situāciju, kas var izraisīt nāvējošus vai nopietnus savainojumus, ja netiks novērsta.



ESIET PIESARDZĪGI!

Apzīmē bīstamu situāciju, kas var izraisīt vieglus vai vidēji smagus savainojumus, ja netiks novērsta.



NEMIET VĒRĀ!

Apzīmē bīstamu situāciju, kas var izraisīt materiālu kaitējumu, ja netiks novērsta.



PIEZĪME Papildu informācija produkta lietošanai.

3 Drošības norādes

Nemiet vērā arī transportlīdzekļa ražotāja un pilnvaroto remontdarbniecu sniegtās drošības instrukcijas un prasības.

3.1 Vispārīga drošība



BĪSTAMI! Nāvējoša elektrošoka risks

- > Nepieskarieties vaļējiem vadiem ar kailām rokām.
- > Lai būtu iespējams ierīci ātri atvienot no maiņstrāvas barošanas avota, kontaktligzdai jāatrodas ierīces tuvumā un jābūt viegli pieejamai.



BRĪDINĀJUMS! Nāvējoša elektrošoka risks

- > Ierīci atļauts uzstādīt vai noņemt tikai kvalificētiem speciālistiem.
- > Nedarbiniet ierīci, ja redzami ierīces vai savienojuma kabeļa bojājumi.
- > Ja šīs ierīces elektrības vads ir bojāts, tas ir jānomaina, lai izvairītos no drošības apdraudējuma.
- > Šīs ierīces remontu drīkst veikt tikai kvalificēts speciālists. Nepareizs remonts var izraisīt nopietnu apdraudējumu.
- > Izmantojiet tikai ražotāja apstiprinātus piederumus.
- > Aizliegts jebkāda veidā modificēt vai pielāgot jebkuras no daļām.
- > Neatvienojiet vadus, kamēr ierīce tiek izmantota.
- > Atvienojiet ierīci no barošanas avota:
 - pēc lietošanas;
 - pirms tīrīšanas un apkopes;
 - pirms drošinātāja maiņas.



BRĪDINĀJUMS! Ugunsbīstamība / Viegli uzliesmojoši materiāli

Ugunsgrēka gadījumā izmantojiet elektroierīcēm piemērotu ugunsdzēsības aparātu.



BRĪDINĀJUMS! Nosmakšanas risks

Nepareiza novietojuma gadījumā šīs ierīces kabelis un vadības bloks var radīt sapišanās, nožņaugšanas, pakļupšanas vai uzķāpšanas risku. Parūpējieties, lai papildu saites un barošanas kabeli ir novietoti drošā veidā.



BRĪDINĀJUMS! Apdraudējums veselībai

- > Bērni, kas sasnieguši 8 gadu vecumu, un personas ar ierobežotām fiziskām, uztveres vai garīgām spējām vai bez pieredzes un zināšanām šo ierīci drīkst lietot tikai tad, ja šādas personas tiek uzraudzītas vai ir saņēmušas norādījumus par ierīces drošu lietošanu, un ir izpratušas iespējamus riskus.
- > **Elektroierīces nav rotaļlietas!** Vienmēr glabājiet un izmantojiet ierīci maziem bērniem nepieejamā vietā.
- > Bērni jāuzrauga, lai nepieļautu, ka tie spēlējas ar ierīci.
- > Bērni drīkst tīrīt ierīci un veikt tās apkopi tikai pieaugušo uzraudzībā.



ŅEMĪET VĒRĀ! Bojājumu risks

- > Pirms iedarbināšanas pārliecinieties, ka barošanas avota spriegums atbilst datu plāksnītē norādītajam.
- > Nodrošiniet, ka citi priekšmeti ierīces savienojuma vietā **nevar** izraisīt īssavienojumu.
- > Negatīvie un pozitīvie poli **nekad** nedrīkst saskarties.
- > Nevelciet aiz savienojuma kabeliem un neizmantojiet kabelus kā rokturi.

- > Sargājiet ierīci no lietus un mitruma. Glabājiet sausā vietā.

3.2 Uzstādiet ierīci droši



BĪSTAMI! Sprādzienbīstamība

- > Ierīci drīkst uzstādīt un izmantot tikai slēgtās un labi vēdinātās telpās.
- > Ierīci **nedrīkst** uzstādīt vai izmantot tālāk aprakstītajos apstākļos.
 - Slapjā, mitrā vai sājā vidē
 - Kodīgu tvaiku tuvumā
 - Uzliesmojošu vielu tuvumā
 - Nenovietojiet siltuma avotu (sildītāju, tiešu saules staru, gāzes plīšu utt.) tuvumā.
 - Vietās, kur pastāv gāzes un putekļu izraisītu sprādzienu risks



BRĪDINĀJUMS! Traumu risks

- > Raugieties, lai ierīce būtu stabili novietota. Ierīce ir jāuzstāda un jānostiprina tā, lai tā nevarētu apgāzties vai nokrist.
- > Novietojiet ierīci tā, lai visi vadi būtu pareizi nostiprināti un aiz tiem nevarētu aizķerties.



NEMIET VĒRĀ! Bojājumu risks

- > Uzstādiet ierīci kādā sausā vietā, kur uz tās nevar uzšakstīties ūdens.
- > Vienmēr izmantojiet kontaktligzdas, kas ir iezemētas un kurām ir paliekošās strāvas noplūdes aizsargslēdži

3.3 Drošība, veidojot ierīces elektriskos savienojumus



BĪSTAMI! Nāvējoša elektrošoka risks

Ja veicat ar elektrību saistītus darbus, raugieties, lai tuvumā būtu kāds, kurš ārkārtas gadījumā varētu jums palīdzēt.



BRĪDINĀJUMS! Nāvējoša elektrošoka risks

- > Raugieties, lai vadi atbilstu šķērs griezuma prasībām.
- > Novietojiet vadus tā, lai durvis vai transportlīdzekļa pārsegs nevarētu tos sabojāt. Saspiesti vadi var izraisīt nopietnas traumas.



NEMIET VĒRĀ! Bojājumu risks

- > Izmantojiet cauruļvadus vai kabeļu kanālus, ja nepieciešams izvilkta vadus cauri metāla paneļiem vai citiem paneļiem ar asām malām.
- > **Neizvietojiet** 230 V barošanas vadu un 12 V līdzstrāvas vadu vienā kanālā.
- > Vadi **nedrīkst** būt pārlietu vaļīgi vai izteikti savērpušies.
- > Droši nostipriniet vadus.

3.4 Piesardzības pasākumi, kas jāņem vērā darbā ar akumulatoriem



BRĪDINĀJUMS! Traumu risks

- > Akumulatori satur agresīvas un kodīgas skābes. Nepieļaujiet, ka šķidrums no akumulatora nonāk saskarē ar jūsu ķermeni. Ja uz jūsu ādas tomēr nonāk akumulatora šķidrums, rūpīgi nomazgājiet to ar ūdeni. Ja no skābes gūti jebkādi savainojumi, nekavējoties sazinieties ar ārstu.

- > Veicot darbu ar akumulatoriem, nevalkājiēt metāla priekšmetus, piemēram, rokas pulksteņus vai gredzenus. Svina-skābes akumulatori var izraisīt īssavienojumus, kas var radīt nopietnus savainojumus.
- > Izmantojiet tikai izolētus instrumentus.
- > Nenovietojiet nekādas metāla daļas uz akumulatora un novērsiet jebkādu metāla daļu uzkrišanu uz akumulatora. Tas var izraisīt akumulatora un citu elektroierīču dzirksteļošanu vai īsslēgumus.
- > Veicot darbu ar akumulatoriem, lietojiet aizsargbrilles un aizsargapģērbu. Veicot darbu ar akumulatoriem, nepieskarieties acīm.
- > Izmantojiet tikai atkārtoti uzlādējamus akumulatorus.
- > Nelietojiet bojātus akumulatorus.



ESIET PIESARDZĪGI! Sprādzienbīstamība

- > Nekad nemēģiniet uzlādēt sasalušu vai bojātu akumulatoru. Novietojiet akumulatoru vietā, kas nav pakļauta salam, un gaidiet, kamēr akumulators ir uzsīlis līdz apkārtējai temperatūrai. Pēc tam sāciet uzlādes procesu.
- > Nesmēķējiet, neizmantojiet atklātu liesmu un neradiet dzirksteles dzinēja vai akumulatora tuvumā.
- > Nenovietojiet akumulatoru siltuma avotu tuvumā.



ŅEMĪET VĒRĀ! Bojājumu risks

- > Pievienojot akumulatoru, pārlicinieties, ka polaritāte ir pareiza.
- > Ievērojiet akumulatora ražotāja instrukcijas, kā arī tās sistēmas vai transportlīdzekļa ražotāja instrukcijas, kurā akumulators tiek izmantots.
- > Ja akumulatoru nepieciešams izņemt, vispirms atvienojiet zemējumu. Pirms akumulatora izņemšanas, atvienojiet no tā visus savienojumus un patērētājus.
- > Uzglabājiet tikai pilnībā uzlādētus akumulatorus. Regulāri uzlādējiet glabāšanā novietotos akumulatorus.
- > Nepārvietojiet akumulatoru, turot to aiz spailēm.

3.5 Droša iekārtas lietošana



BRĪDINĀJUMS! Nāvējoša elektrošoka risks

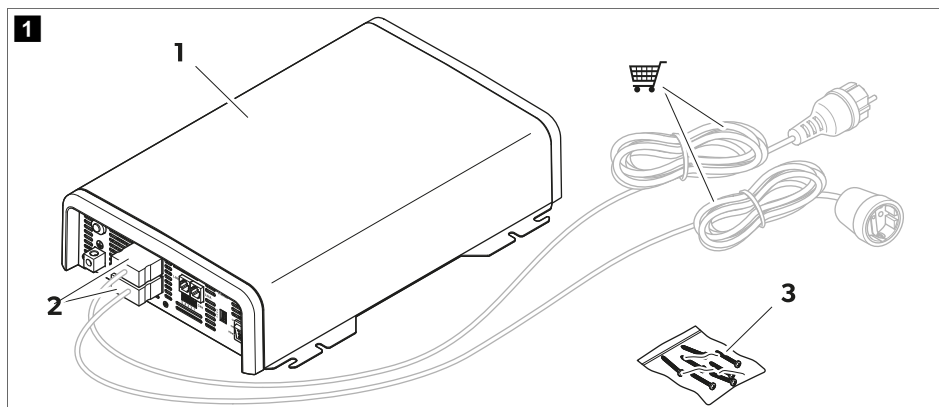
- > Neizmantojiet ierīci mitrā vidē un negremdējiet to nekāda veida šķidrumā.
- > Pirms ierīces ieslēgšanas pārlicinieties, ka elektrības vads un kontaktdakša ir sausi un ka uz kontaktdakšas nav netīrumu vai rūsas.
- > Atcerieties, ka dažās ierīces daļās joprojām var būt spriegums arī pēc drošinātāja pārdegšanas.



ŅEMĪET VĒRĀ! Bojājumu risks

- > Ierīces gaisa ieplūdes un izplūdes atveres nedrīkst būtu aizsegta.
- > Nodrošiniet piemērotu ventilāciju.

4 Komplektācija



Nr. att. 1 Ipp. 472	Nosaukums	Daudzums
1	Sinusoidālā viļņa strāvas pārveidotājs	1
2	WAGO savienotāja savienojuma kabelis ar drošības savienojumu (230 V~ izvadei)	2
3	Nostiprināšanas skrūves	6
-	Uzstādīšanas un lietošanas rokasgrāmata	1

5 Papildu piederumi

Nosaukums	Atsauces numurs
Tālvadības pults DSP-RCT	9600002564
Vadības monitors DSP-EM	9600002565
Skāriendisplejs TD283	9620013272

6 Paredzētais izmantošanas mērķis

Strāvas pārveidotājs ir paredzēts tam, lai pārvērstu līdzstrāvu tīrā sinusoidālā viļņa maiņspriegumā (AC), nodrošinot pievienoto 230V~ ... 240 V~ patērētāju darbību un stabilu barošanas avotu.

Strāvas pārveidotājs ir paredzēts savienošanai ar:

- DPS11812iTS: 12 V \Rightarrow
- DPS11824iTS: 24 V \Rightarrow

Strāvas pārveidotājs ir piemērots tālāk norādītajiem izmantošanas veidiem.

- Uzstādīšana atpūtas transportlīdzekļos (RV), kravas automašīnās, komerctransportlīdzekļos vai mehāniskajos transportlīdzekļos un buru jahtās
- Stacionāram vai mobilam lietojumam
- Lietošanai telpās

Šis strāvas pārveidotājs **nav** piemērots tālāk norādītajiem izmantošanas veidiem.

- Lietošanai ārpus telpām

Šis produkts ir piemērots tikai paredzētajam mērķim un lietojumam saskaņā ar šo instrukciju.

Šajā rokasgrāmatā ir sniegta informācija, kas nepieciešama pareizai produkta uzstādīšanai un/vai lietošanai. Nekvalitatīva uzstādīšana un/vai nepareiza lietošana vai apkope izraisīs neatbilstošu darbību un iespējamu atteici.

Ražotājs neuzņemas atbildību par savainojumiem vai produkta bojājumiem, kas radušies šādu iemeslu dēļ:

- nepareiza uzstādīšana, montāža vai pievienošana, tostarp pārmērīgs spriegums;
- nepareiza apkope vai tādu neoriģinālo rezerves daļu, kuras nav piegādājis ražotājs, lietošana;
- produkta modifikācijas, kuras ražotājs nav nepārprotami apstiprinājis;
- lietošana citiem mērķiem, kas nav aprakstīti šajā rokasgrāmatā.

Dometic patur tiesības mainīt produkta ārējo izskatu un specifiskāciju.

7 Tehniskais apraksts

7.1 Vispārīgs apraksts

Šis strāvas pārveidotājs ir līdzstrāvas-maiņstrāvas tīrā sinusoidālā viļņa invertors.

Šim strāvas savienotājam ir prioritāra ķēde. Ja ir pieejama 230 V~ elektroapgāde, šo ārējo barošanas avotu izmanto atpūtas transportlīdzekļa kontaktligzdām. Ja nav pieejama 230 V~ elektroapgāde, strāvas savienotājs pārveido akumulatora līdzstrāvu par maiņstrāvu, tādējādi nodrošinot elektroapgādi pievienotajiem patērētājiem.

Strāvas pārveidotāju var izmantot tālāk norādītajās tīkla sistēmās.

- TN tīkls
- IT tīkls

Tīkla sistēmas tiek iestatītas, izmantojot skrūvi uz strāvas pārveidotāja.

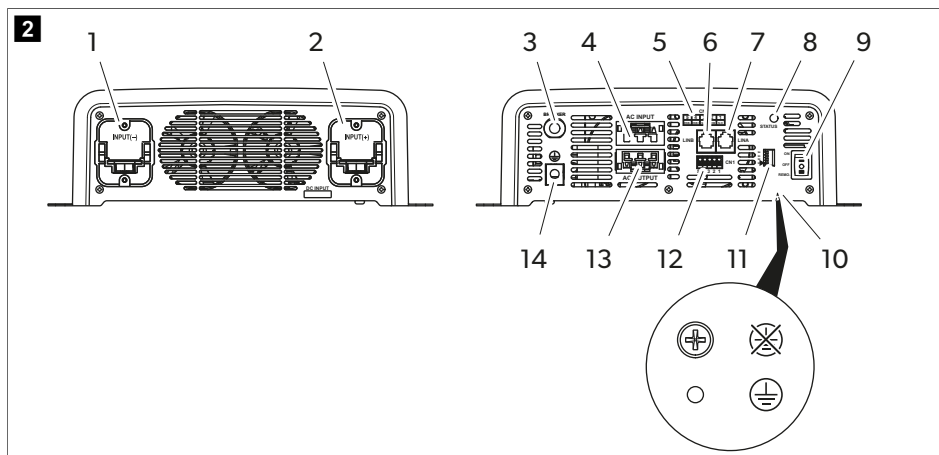
Strāvas pārveidotāju var pārlēgt uz enerģijas taupīšanas režīmu, lai samazinātu patēriņu dikstāves laikā un samazinātu akumulatora slodzi.

Strāvas pārveidotājam ir tālāk norādītie aizsargmehānismi.

- **Pārsprieguma izslēgšanās.** Strāvas pārveidotājs izslēdzas, kad spriegums pārsniedz noteikto izslēgšanās vērtību. Strāvas pārveidotājs tiek automātiski restartēts, kad spriegums samazinās līdz restartēšanās vērtībai.
- **Nepilnsrieguma izslēgšanās.** Strāvas pārveidotājs izslēdzas, kad spriegums kļūst zemāks par izslēgšanās vērtību. Strāvas pārveidotājs automātiski restartējas, kad spriegums pārsniedz restartēšanās vērtību.
- **Izslēgšanās augstas temperatūras gadījumā** Strāvas pārveidotājs izslēdzas, kad ierīces iekšējā temperatūra pārsniedz izslēgšanās vērtību. Strāvas pārveidotājs automātiski restartējas, kad iekšējā temperatūra samazinās līdz restartēšanās vērtībai.
- **Augsta izejas strāvas aizsardzība:** Strāvas pārveidotājs izslēdzas, kad ir pievienotas pārāk daudzas slodzes.
- **Aizsardzība pret īssavienojumu:** Strāvas pārveidotājs izslēdzas, kad ir radies īssavienojums. Pēc dažām sekundēm strāvas pārveidotājs tiek automātiski restartēts. Ja īssavienojums tiek konstatēts piecas reizes pēc kārtas, strāvas pārveidotājs netiek automātiski restartēts un nepieciešama manuāla restartēšana.

Strāvas pārveidotājs spēj parādīt N-BUS un CI-BUS datus un funkcijas skārienjutīgā displejā (piederumi) un mobilajā lietotnē.

7.2 Vadības elementi un savienojumi



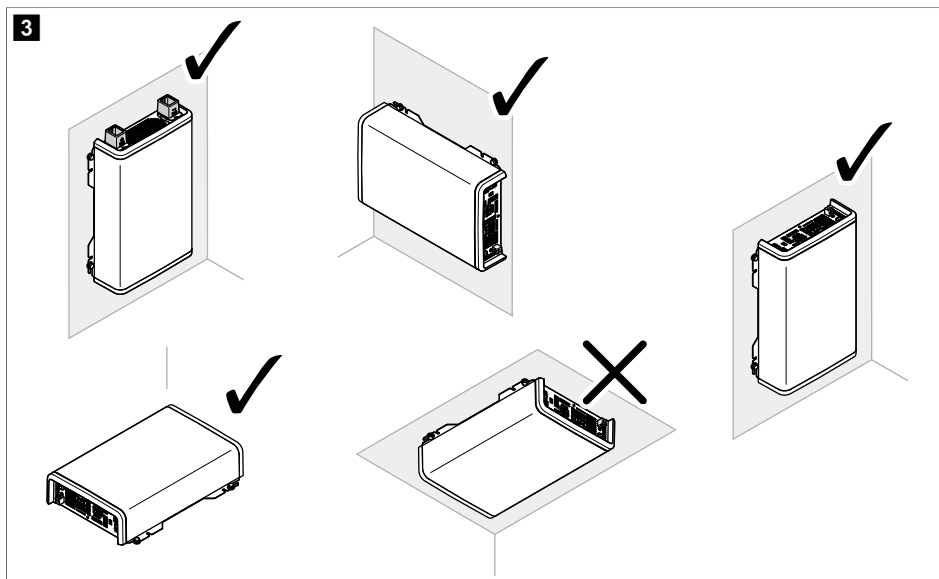
Nr.	Nosaukums
1	(-) spaiļe, savienojums ar dzīvojamās zonas akumulatora negatīvo polu
2	(+) spaiļe, savienojums ar dzīvojamās zonas akumulatora pozitīvo polu
3	Drošinātājs ārējai ieejai
4	AC ieejas līgzda
5	CN1 spaiļe
6	CI BUS/N Bus/tālvadības pults savienojums (LINB)
7	CI BUS/N Bus/tālvadības pults savienojums (LINA)
8	Statusa indikatora LED
9	Ieslēgšanas/izslēgšanas slēdzis
10	IT/TN tīkla iestatīšanas skrūve
11	DIP slēdzis
12	DIP slēdzis, savienojums ar ārējo slēdzi un signāltreju
13	AC izeja
14	Zemējuma savienojums

7.3 Statusa indikatora LED

Statuss	Apraksts
On	Strāvas pārveidotāja darbība
Flashing	Kļūda (skatiet nodaļu Problēmu novēršana lpp. 485)
Off	Ja nav maiņstrāvas ievades, strāvas pārveidotājs tiek deaktivizēts

8 Uzstādīšana

8.1 Uzstādīšanas vieta



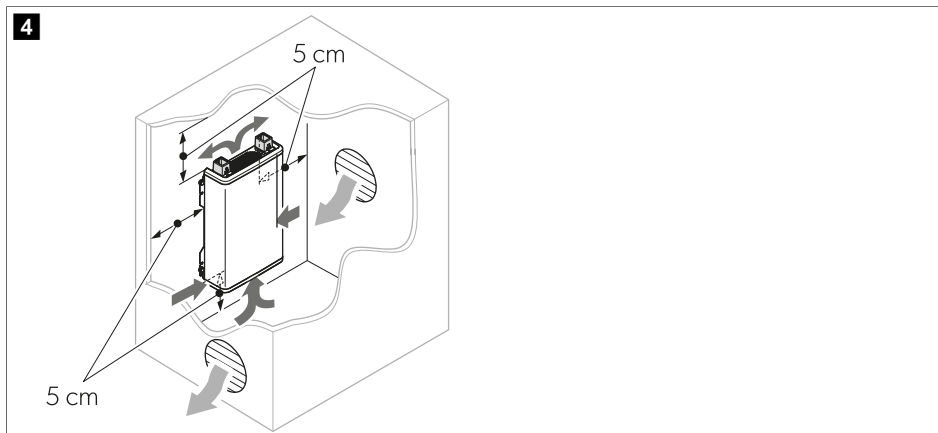
ŅEMĪT VĒRĀ! Bojājumu risks

Pirms jebkādu caurumu urbšanas pārlicinieties, ka urbjot, zāģējot un vilējot netiks bojāti elektriskie vadi vai citi transportlīdzekļa elementi.




PIEZĪME

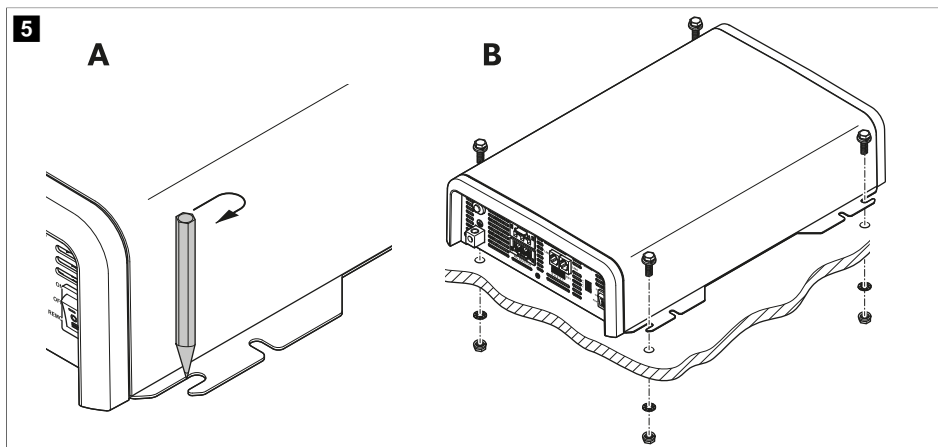
Strāvas pārveidotāju var uzstādīt vai nu novietojot uz virsmas, vai piekarinot (att. **3** lpp. 475).





Izvēloties vietu uzstādīšanai, ņemiet vērā tālāk sniegtās norādes.

- Uzstādīšanas virsmai jābūt stingrai un līdzenai.
- Ievērojiet norādīto attālumu, lai būtu pietiekama ventilācija ( att. 4 lpp. 476).

8.2 Strāvas pārveidotāja nostiprināšana



1. Atkarībā no izvēlētajā montāžas (novietojot uz virsmas vai piekarinot) veida izvēlieties piemērotus montāžas caurumus un atzīmējiet urbuma vietas ( att. 5 lpp. 476, **A**).
2. Vispirms izurbiet montāžas caurumus.
3. Ieskrūvējiet strāvas pārveidotāju vietā ( att. 5 lpp. 476, **B**).

8.3 Strāvas pārveidotāja pieslēgšana



Elektroinstalāciju un konfigurāciju drīkst veikt tikai kvalificēts elektriķis, kuram ir pārbaudītas prasmes un zināšanas par elektroaprīkojuma un elektroinstalāciju uzbūvi un lietošanu, kurš pārzina spēkā esošos noteikumus attiecīgajā valstī, kurā šī ierīce tiek uzstādīta un/vai lietota, un, kurš ir apguvis drošības instruktažu iespējamo risku noteikšanai un novēršanai.

Visas pārējās darbības var veikt arī neprofesionāli lietotāji.



BRĪDINĀJUMS! Nāvējoša elektrošoka risks

Izmantojiet ieteikumiem atbilstošus kabeļu šķērsgriezumus, vadu garumus un drošinātāju.



ESIET PIESARDZĪGĪ! Ugunsdrošības apdraudējums

Uzstādi drošinātājus netālu no akumulatoriem, lai pasargātu vadus no issavienojumiem un iespējamās aizdegšanās.



ŅEMĪET VĒRĀ! Bojājumu risks

- > Raugieties, lai tiktu ievērotas pareizās polaritātes.
- > Pievelkot skrūves un uzgriežņus, nepārsniedziet maksimālo 15 Nm griezes momentu. Valīgi savienojumi var izraisīt pārkaršanu.

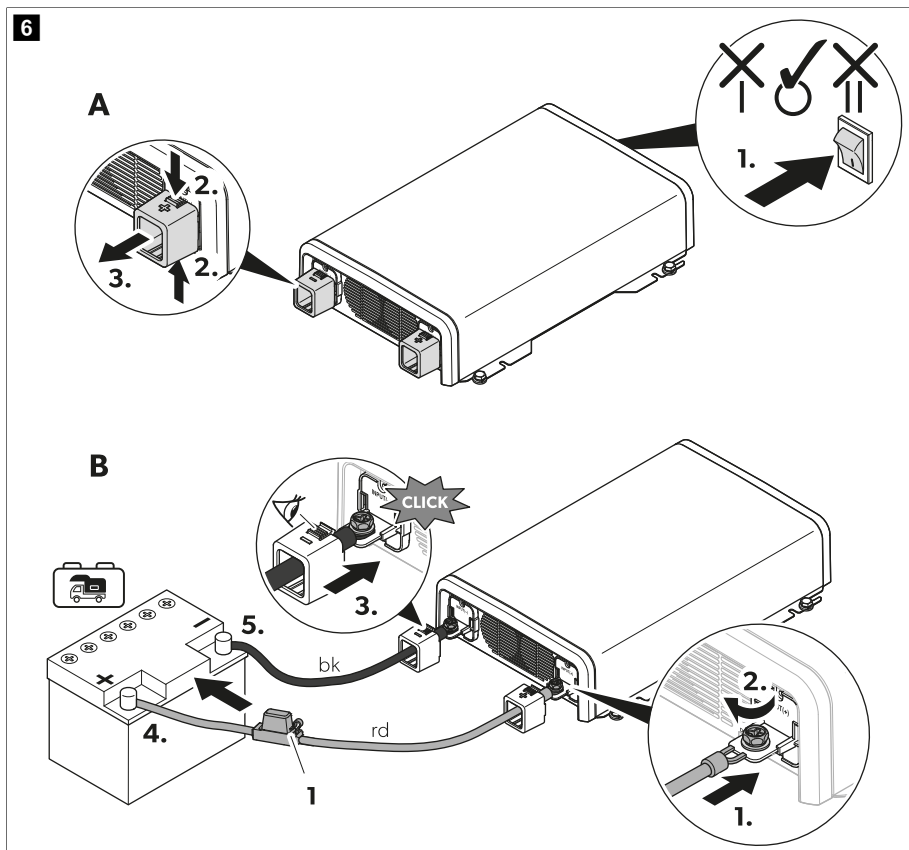
Pievienojot strāvas pārveidotāju, ņemiet vērā tālāk sniegtās norādes.


- Izveidojot kontaktlīdzdas sadales shēmu (uzstādīšanu elektrotīklā), ievērojiet piemērojamus noteikumus.
- Izvēlieties pēc iespējas mazāku līdzstrāvas kabeļu garumu (savienojumam ar akumulatora spaiļēm) ≤ 1 m).
- **TN tīkla** pieslēgumam: Uzstādi paliekošās strāvas aizsargierīci (RCD).
- **IT tīkla** pieslēgumam: Ja ir pievienota vairāk nekā viena slodze, uzstādi izolācijas uzraudzības ierīci (IMD). **Ievērojiet valsts standartus.**

1. Nosakiet kabeļa šķērsgriezumus un drošinātāju:

	vada šķērsgriezums	Drošinātājs uz vada
DPSI1812ITS	50 mm ²	250 A
DPSI1824ITS	25 mm ²	150 A

2. Pārbaudiet, vai ierīce ir izslēgta ( att. **6** lpp. 478, **A: 1**).



3. Noņemiet vāciņus no spailēm ( att. **6** lpp. 478, **A: 2 – 3**).




ŅEMĪET VĒRĀ! Bojājumu risks


Lai izvairītos no īssavienojuma, ierīce vienmēr vispirms jāpievieno pie melnā kabeļa (negatīvā spaiļe).

Pievienojiet melno (bk) savienojuma kabeli (-) spaiļei.


5. Pievienojiet sarkano (rd) savienojuma kabeli (+) spaiļei ( att. **6** lpp. 478, **B: 1 – 2**).

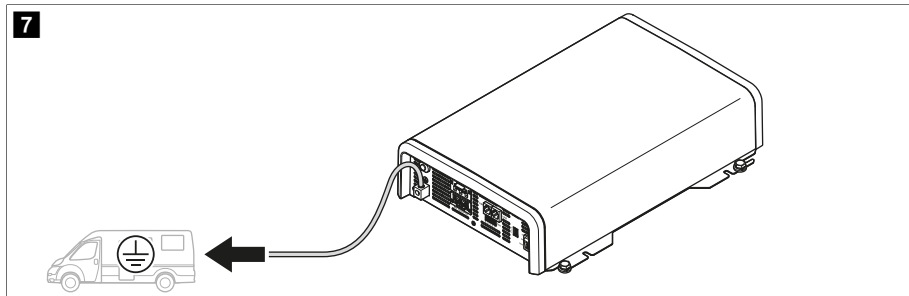
6. Savienojiet (+) ar dzīvojamās zonas akumulatora pozitīvo spaili ( att. **6** lpp. 478, **B: 4**).



PIEZĪME Aizsargājiet dzīvojamās zonas akumulatora pozitīvo kabeli ar drošinātāju ( att. **6** lpp. 478, **1**).

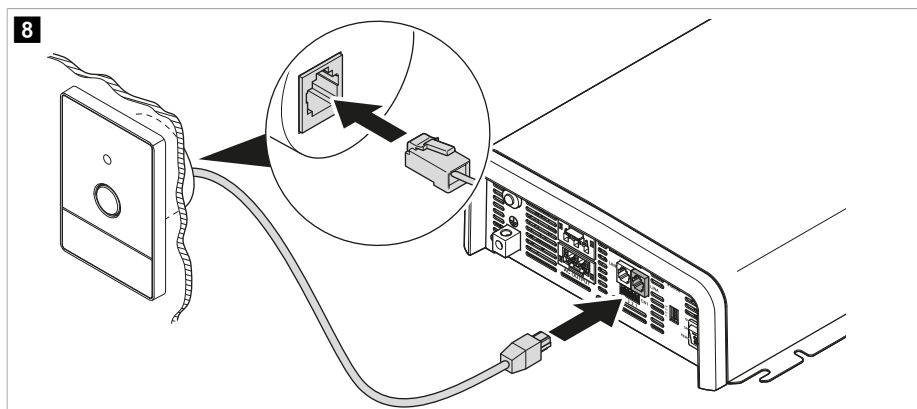
7. Savienojiet (-) ar dzīvojamās zonas akumulatora negatīvo spaili ( att. **6** lpp. 478, **B: 5**).

8. Savienojiet zemējuma savienojumu ar zemi (šasiju)  att. **7** lpp. 479.



8.4 Tālvadības pults pievienošana

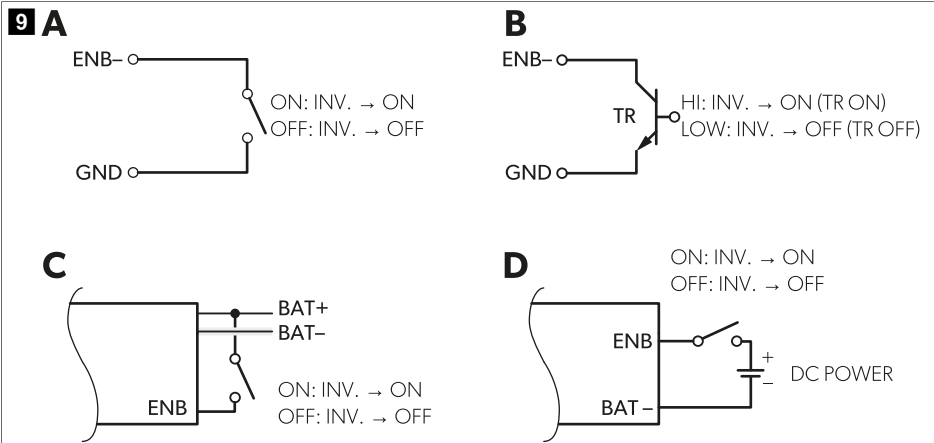
- > Savienojiet tālvadības pulti ar tālvadības pults savienojumu (LINA vai LINB).



8.5 Ārējā slēdža pievienošana



PIEZĪME Ja ir pievienots ārējais slēdzis, enerģijas taupīšanas režīma statusu nevar mainīt.

**PIEZĪME**

- > Pārliedzieties, vai tālvadības pults savienojums nav aizņemts.
- > Izvēlieties vienu no šiem piemērotajiem ārējiem slēdžiem:
 - att. 9 lpp. 480, **A**: Ārējais slēdzis ar strāvas padevi no strāvas pārveidotāja
 - att. 9 lpp. 480, **B**: Vadības bloks ar releja vai tranzistora ķēdi (TR)
 - att. 9 lpp. 480, **C**: Ārējais slēdzis ar strāvas padevi no transportlīdzekļa akumulatora (BAT)
 - att. 9 lpp. 480, **D**: Ārējais slēdzis ar savu barošanas avotu (DC POWER), piemēram, no aizdedzes



PIEZĪME Pārliedzieties, vai tālvadības pults savienojums nav aizņemts.

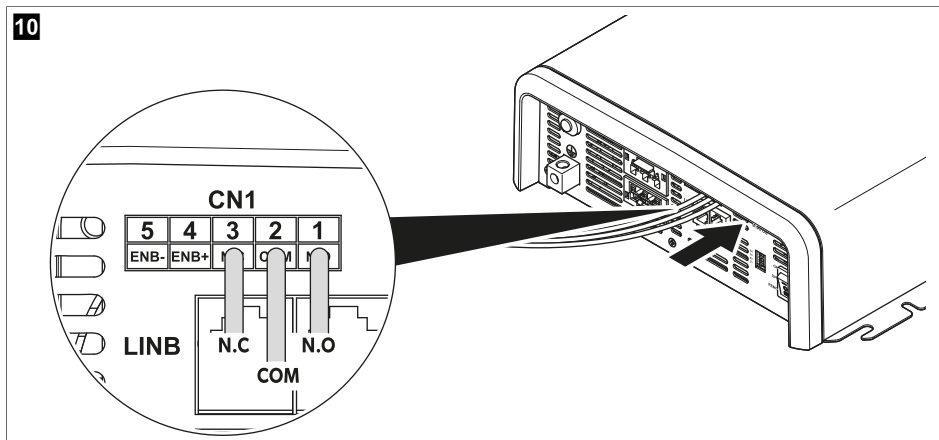
1. Iestatiet ieslēgšanas/izslēgšanas slēdži pozīcijā **OFF**.
2. Iestatiet ieslēgšanas/izslēgšanas slēdži pozīcijā **REMO**.
3. Pievienojiet ārējo slēdži CN1 spaiļi.

8.6 Signāltreļa pievienošana

Signāltreļis tiek aktivizēts, tiklīdz ir pieejams maiņstrāvas barošanas avots un maiņstrāvas pārslēgšanas slēdzis ir aizvērts. Signāltreļu var izmantot šādām vajadzībām:

- Ģenerēt maiņstrāvas barošanas avota noteikšanas signālu transportlīdzekļa vadības panelī.
- Ieslēgt un izslēgt mazāk kritiskās slodzes (piemēram, absorbcijas ledusskapi, elektriskās apsildes sistēmas), kuras vajadzētu izmantot tikai saistībā ar maiņstrāvas barošanas avotu.

10



> Pievienojiet signāltreju CN1 spaiļei (att. 10 lpp. 481).

9 Strāvas pārveidotāja konfigurēšana



Elektroinstalāciju un konfigurāciju drīkst veikt tikai kvalificēts elektriķis, kuram ir pārbaudītas prasmes un zināšanas par elektroaprīkojuma un elektroinstalāciju uzbūvi un lietošanu, kurš pārzina spēkā esošos noteikumus attiecīgajā valstī, kurā šī ierīce tiek uzstādīta un/vai lietota, un, kurš ir apguvis drošības instrukciju iespējamo risku noteikšanai un novēršanai.

Visas pārējās darbības var veikt arī neprofesionāli lietotāji.



BĪSTAMI! Nāvējoša elektrošoka risks

- > Noņemiet aizsargvāciņu no DIP slēdža tikai konfigurācijas veikšanai.
- > Uzlieciet atpakaļ aizsargvāciņu, lai novērstu nejaušu DIP slēdža konfigurācijas mainīšanu.
- > **TN tīkla** konfigurācijai: Pārliedzinieties, vai ir uzstādīta paliekošās strāvas ierīce (RCD).
- > **IT tīkla** konfigurācijai: Izmantojiet tikai vienu slodzi vai uzstādiat izolācijas uzraudzības ierīci (IMD). Ievērojiet valsts standartus.



PIEZĪME



Ar nelielu skrūvgriezi uzmanīgi pavirziet DIP slēdžus vajadzīgajā pozīcijā.

Strāvas pārveidotāja iestatījumus var veikt, izmantojot DIP slēdžus vai izmantojot ar CI-BUS lietojamu tālvadības pulti.

Ierīce sākotnēji izmanto rūpnīcas konfigurāciju. Ja nepieciešams, pārvietojiet DIP slēdžus, lai pielāgotu konfigurāciju.

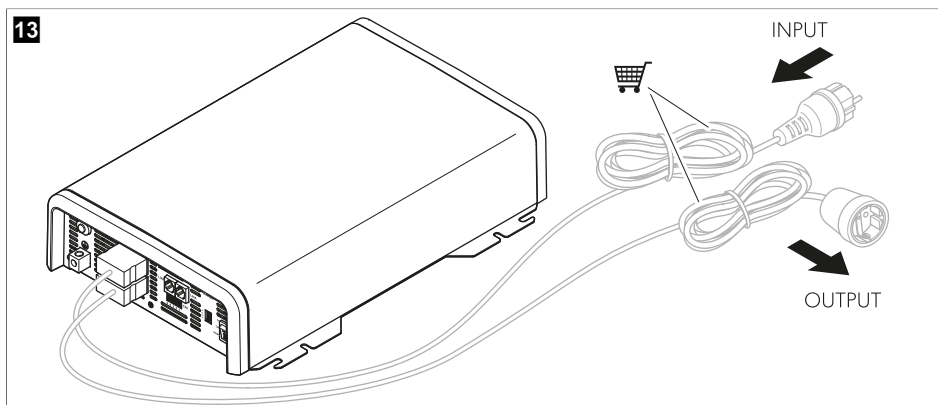
- > Pārbīdi DIP slēdži **S1** līdz **On**, lai veiktu **lokālo** iestatīšanu, izmantojot DIP slēdžus.
- > Pārbīdi DIP slēdži **S1** līdz **Off**, lai veiktu **ārējo** iestatīšanu, izmantojot tālvadības pulti.

9.1 DIP slēdža iestatījumi

	Konfigurēšana	DIP slēdža pozīcija				
		S1	S2	S3	S4	S5
Iestatījumi	Lokālā iestatīšana ar DIP slēdži	lesl.	-	-	-	-
	Ārējā iestatīšana ar tālruna pultī	Izsl.	-	-	-	-
Tīkla spriegums	240 V/60 Hz	-	lesl.	-	-	-
	230 V/50 Hz	-	Izsl.	-	-	-
Enerģijas taupīšanas režīms	Energy-saving mode is activated when the load is ≤ 45 W Inverter switches to normal operation when the load is ≥ 45 W	-	-	lesl.	lesl.	-
	Enerģijas taupīšanas režīms tiek aktivizēts, kad slodze ir ≤ 45 W Strāvas pārveidotājs pārslēdzas uz normālu darbību, kad slodze ir ≥ 45 W	-	-	lesl.	Izsl.	-
	Enerģijas taupīšanas režīms tiek aktivizēts, kad slodze ir ≤ 1 W Strāvas pārveidotājs pārslēdzas uz normālu darbību, kad slodze ir ≥ 1 W	-	-	Izsl.	Izsl.	-
	Enerģijas taupīšanas režīms tiek aktivizēts, kad slodze ir ≤ 1 W Strāvas pārveidotājs pārslēdzas uz normālu darbību, kad slodze ir ≥ 1 W	-	-	Izsl.	lesl.	-
	Enerģijas taupīšanas režīms tiek aktivizēts, kad slodze ir ≤ 1 W Strāvas pārveidotājs pārslēdzas uz normālu darbību, kad slodze ir ≥ 1 W	-	-	Izsl.	lesl.	-
	Enerģijas taupīšanas režīms tiek aktivizēts, kad slodze ir ≤ 1 W Strāvas pārveidotājs pārslēdzas uz normālu darbību, kad slodze ir ≥ 1 W	-	-	Izsl.	lesl.	-
Tīkla sistēma	IT tīkls ( att. 12 lpp. 483)	-	-	-	-	lesl.
	TN tīkls ( att. 11 lpp. 483)	-	-	-	-	Izsl.


10 Eksploatācija

10.1 Ierīču 230 V izmantošana



PIEZĪME

Pievienojiet tikai ierīces, kuru kopējā slodze nepārsniedz vērtības, kas norādītas sadaļā Tehniskie dati lpp. 486.

- > Pievienojiet 230 V ierīces, kā parādīts ( att. **13** lpp. 484).

10.2 Strāvas pārveidotāja ieslēgšana un izslēgšana



PIEZĪME

- Ja strāvas pārveidotāju ir paredzēts kontrolēt ar tālvadības pultī, tad ieslēgšanas/izslēgšanas slēdzis jāiestata pozīcijā **II**.
- Ja strāvas pārveidotāju ir paredzēts kontrolēt ar ārējo slēdzi, tad ieslēgšanas/izslēgšanas slēdzis jāiestata pozīcijā **0**.

- > Lai ieslēgtu strāvas pārveidotāju, iestatiet ieslēgšanas/izslēgšanas slēdzi pozīcijā **I**.
- > Lai izslēgtu strāvas pārveidotāju, iestatiet ieslēgšanas/izslēgšanas slēdzi pozīcijā **0**.
- > Strāvas pārveidotāja ieslēgšanai un izslēgšanai izmantojiet tālvadības pultī vai ārējo slēdzi.

11 Tīrīšana un apkope



BRĪDINĀJUMS! Nāvējoša elektrošoka risks

Pirms tīrīšanas un apkopes atvienojiet ierīci no barošanas avota.



NEMIET VĒRĀ! Bojājumu risks

- > Ierīci nedrīkst tīrīt ar tīrīšanas šķidrību vai trauku mazgāšanas mašīnā.
- > Tīrīšanai neizmantojiet asus vai cietus priekšmetus, abrazīvus tīrīšanas līdzekļus vai balinātājšķīdumus, jo tie var sabojāt ierīci.

- > Nodrošiniet, lai ierīces gaisa ieplūdes un izplūdes atveres būtu bez putekļiem un netīrumiem, lai varētu izplūst siltums.

- > Regulāri tīriet ierīci ar mikstu, mitru drānu.
- > Regulāri pārbaudiet elektroinstalāciju, lai pārliecinātos, ka tai nav izolācijas defektu, pārrāvumu vai vaļīgu savienojumu.

12 Problēmu novēršana

Problēma	Cēlonis	Līdzeklis
Strāvas pārveidotājs nedarbojas. Statu- sa indikatora LED nedeg.	Radies īssavienojums.	<ul style="list-style-type: none"> > Ja ierīces drošinātājs ir nostrādājis, jo tikusi pievadīta strāva, kas pārsniedz pieļaujamo lielumu, tas ir jā-nomaina pilnvarotam servisa pārstā- vim.
	Vadiem, kuros plūst strāva, ir bojāta iz- olācija, pārrāvumi vai vaļīgi savienoju- mi.	<ul style="list-style-type: none"> > Pārbaudiet, vai vadiem, kuros plūst strāva, nav izolācijas defektu, pārrā- vumu vai vaļīgu savienojumu. Ja neizdodas atrast problēmas cēlo- ni, sazinieties ar pilnvarotu servisa pārstāvi.
Strāvas pārveidotājs nedarbojas. Statu- sa indikatora LED lēni mirgo.	Aizsardzība pret augstu ieejas strāvu.	Samaziniet pieslēgtās slodzes.
	Izslēgšanās augstas temperatūras dēļ.	<ol style="list-style-type: none"> 1. Izslēdziet strāvas pārveidotāju un pieslēgtās slodzes. 2. Pārbaudiet, vai gaisa ieplūdes at- veres un izplūdes atveres nav aiz- segtas vai aizsprostotas. 3. Ļaujiet strāvas pārveidotājam at- dzist.
	Radies īssavienojums.	Ja ierīces drošinātājs ir nostrādājis, jo tikusi pievadīta strāva, kas pārsniedz pieļaujamo lielumu, tas ir jānomaina pilnvarotam servisa pārstāvim.
Strāvas pārveidotājs nedarbojas. Statu- sa indikatora LED ātri mirgo.	Izslēgšanās pārsprieguma dēļ. Akumu- lators spriegumi ir pārāk augsti.	<ul style="list-style-type: none"> > Samaziniet pievienotos spriegu- mus. Strāvas pārveidotājs automātiski restartējas, kad notiek sprieguma kritums līdz restartēšanās vērtībai (sk. nodaļu Pārsprieguma izslēgšā- nās lpp. 487). > Ja kļūda vēl arvien notiek: Palieliniet kabeļa šķērsgriezumus. Samaziniet kabeļa garumu.
	Izslēgšanās minimālsprieguma dēļ. Akumulatora spriegumi ir pārāk zemi.	<ul style="list-style-type: none"> > Ļaujiet akumulatoram lēni uzlādē- ties. Sprieguma pārveidotājs automātis- ki restartējas, kad spriegums pārs- niedz restartēšanās vērtību (sk. no- daļu Nepilnsprieguma izslēgšanās lpp. 487).

13 Garantija

Ir spēkā likumā noteiktais garantijas periods. Produkta bojājumu gadījumā sazinieties ar ražotāja filiāli savā valstī (skatiet dometic.com/dealer) vai tirgotāju.

Nosūtiet ierīci remontam garantijas ietvaros, pievienojiet šādus dokumentus:

- čeka kopiju, kurā norādīts iegādes datums;
- pretenzijas iesniegšanas iemeslu vai bojājuma aprakstu.

Nemiet vērā, ka pašrocīgi vai neprofesionāli veikts remonts var radīt drošības riskus, un garantija var tikt anulēta.

14 Atkritumu pārstrāde

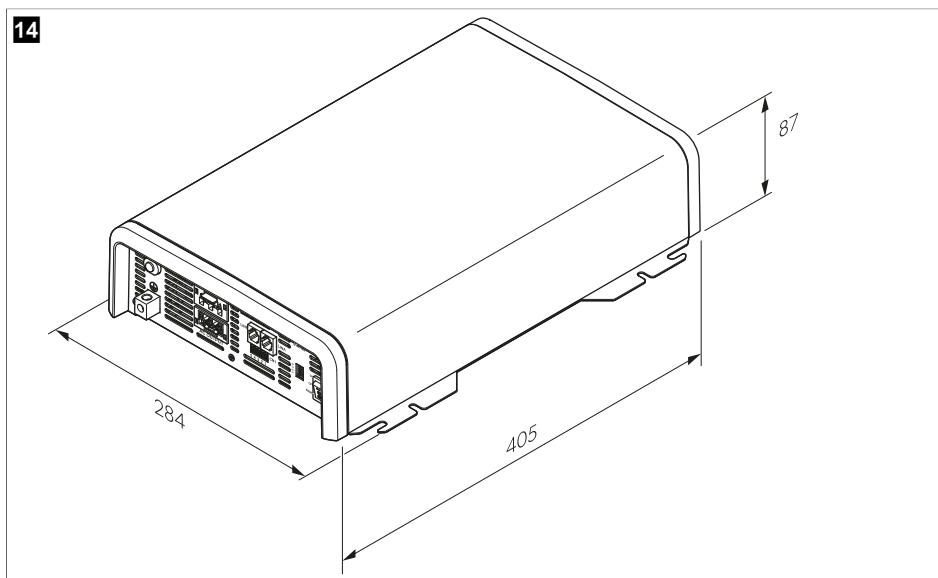


Ja iespējams, iepakojuma materiālus izmetiet atbilstošos atkritumu šķirošanas konteineros.


Informāciju par produkta utilizāciju, ievērojot spēkā esošos atkritumu apsaimniekošanas noteikumus, konsultējieties ar vietējo atkritumu pārstrādes centru vai specializēto izplatītāju.

Produktu iespējams utilizēt bez maksas.

15 Tehniskie dati



	DPSI 1812	DPSI 1824
Nominālais ieejas spriegums	12 V $\overline{\text{DC}}$	24 V $\overline{\text{DC}}$
Ieejas sprieguma diapazons	10 ... 16,5 V $\overline{\text{DC}}$	20 ... 33 V $\overline{\text{DC}}$
Nepārtraukta izejas jauda P_{nom}	1800 W	1800 W
Maksimālā izejas jauda (10 min)	1800 W	1800 W

	DPSI 1812	DPSI 1824
Maksimālā izejas jauda (3 min)	2070 W	2070 W
Maksimālā pārsprieguma jauda (2 s) $P_{\text{pārspriegums}}$	3600 W	3600 W
Strāvas patēriņš dīkstāves režīmā	$\leq 2,5$ A	$\leq 1,3$ A
Strāvas patēriņš gaidstāves režīmā	$\leq 0,2$ A	$\leq 0,1$ A
Izmēri	 att. 14 lpp. 486	
Svars	5,5 kg	5,5 kg

15.1 Vispārīgi tehniskie dati

Izejas sprieguma diapazons	230/ 240 V $\sim \pm 3$ %
Izejas frekvence	50/60 Hz $\pm 0,3$ Hz
Izejas viļņu forma	Tīrs sinusoidāls vilnis
THD izkropļojumi	THD ≤ 3 % pie P_{nom} (pretestības slodze)
Maksimālā efektivitāte	90 %
Darbībai nepieciešamais apkārtējās temperatūras diapazons	- 20 ... 60 °C
Uzglabāšanai nepieciešamais apkārtējās temperatūras diapazons	- 30 °C ... 70 °C
Apkārtējais relatīvais mitrums	0 ... 95 %, non-condensing
Pārbaude/sertifikācija	



15.2 Nepilnsprieguma izslēgšanās

	Izslēgšanās vērtība	Restartēšanās vērtība
DPSI1812	10 V	12 V
DPSI1824	20 V	24 V

15.3 Pārsprieguma izslēgšanās

	Izslēgšanās vērtība	Restartēšanās vērtība
DPSI1812	16,5 V	15,5 V
DPSI1824	33 V	31 V



dometic.com

YOUR LOCAL DEALER

dometic.com/dealer

YOUR LOCAL SUPPORT

dometic.com/contact

YOUR LOCAL SALES OFFICE

dometic.com/sales-offices
