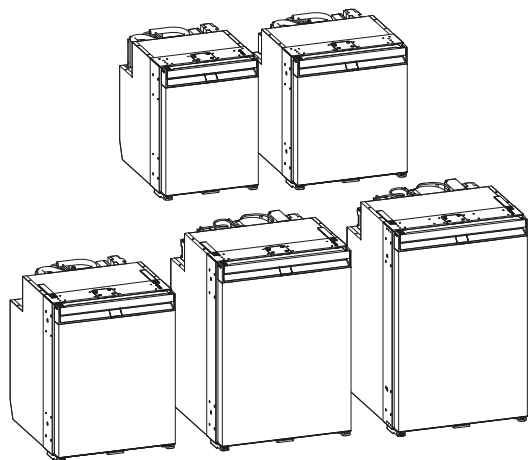


↗ DOMETIC

REFRIGERATION

NRX



NRX1050,1060,1080,1115,1130 (C/S), NRX0050,0060,0080,0115,0130 (E),
NRX0050, 0080, 0115 (C)

EN	Compressor refrigerator Operating Manual.....3	KO	컴프레서 냉장고 사용 설명서..... 55
JA	コンプレッサー冷蔵庫 取扱説明書..... 29	ZH	冰箱压缩机 使用说明书..... 81

Copyright

© 2025 Dometic Group. The visual appearance of the contents of this manual is protected by copyright and design law. The underlying technical design and the products contained herein may be protected by design, patent or pending patent. The trademarks mentioned in this manual belong to Dometic Sweden AB. All rights are reserved.

English

1	Important notes.....	3
2	Explanation of symbols.....	3
3	Safety instructions.....	4
4	Scope of delivery.....	6
5	Accessories.....	6
6	Intended use.....	8
7	Technical description.....	9
8	Operation.....	11
9	Cleaning and maintenance.....	20
10	Troubleshooting.....	22
11	Warranty.....	25
12	Disposal.....	26
13	Technical data.....	26

1 Important notes

Please read these instructions carefully and follow all instructions, guidelines, and warnings included in this product manual in order to ensure that you install, use, and maintain the product properly at all times. These instructions **MUST** stay with this product.

By using the product, you hereby confirm that you have read all instructions, guidelines, and warnings carefully and that you understand and agree to abide by the terms and conditions as set forth herein. You agree to use this product only for the intended purpose and application and in accordance with the instructions, guidelines, and warnings as set forth in this product manual as well as in accordance with all applicable laws and regulations. A failure to read and follow the instructions and warnings set forth herein may result in an injury to yourself and others, damage to your product or damage to other property in the vicinity. This product manual, including the instructions, guidelines, and warnings, and related documentation, may be subject to changes and updates. For up-to-date product information, please visit documents.domestic.com.

2 Explanation of symbols

A signal word will identify safety messages and property damage messages, and also will indicate the degree or level of hazard seriousness.



WARNING!

Indicates a hazardous situation that, if not avoided, could result in death or serious injury.



CAUTION!

Indicates a hazardous situation that, if not avoided, could result in minor or moderate injury.



NOTICE!

Indicates a situation that, if not avoided, can result in property damage.



NOTE Supplementary information for operating the product.

3 Safety instructions

General safety



WARNING! Electrocutation hazard

- > Installation and removal of the refrigerator may only be carried out by qualified personnel.
- > Installation in washrooms and areas exposed to water must be performed by a qualified technician.
- > If installing the refrigerator under a canopy or similar environment, ensure that the refrigerator is protected from rain and splashing water.
- > Do not operate the refrigerator if it is visibly damaged.
- > This refrigerator may only be repaired by qualified personnel. Improper repairs can result in considerable danger or damage to the refrigerator.
- > If the power cable for this refrigerator is damaged, it must be replaced by the manufacturer, customer service or a similarly qualified person in order to prevent safety hazards.
- > When positioning the refrigerator, ensure the supply cord is not trapped or damaged.
- > Do not locate multiple portable socket-outlets or portable power supplies at the rear of the refrigerator.
- > Do not touch exposed cables with your bare hands.
- > Plug the device to sockets that ensure proper connection especially when the device needs to be grounded.
- > If the device is powered by the mains, ensure that the power supply has a residual current circuit breaker (RCCB) or a ground fault circuit interrupter (GFCI). The installation must be carried out in accordance with all applicable regulations, especially in potentially damp areas.



WARNING! Fire hazard

- > The refrigeration circuit contains a small quantity of an environmentally friendly refrigerant. It does not damage the ozone layer and does not increase the greenhouse effect. Any leaking refrigerant may ignite.
- > Do not use or store the refrigerator in confined spaces with none or minimal air flow.
- > Keep the installation recess for the refrigerator free of any electrical components and light sources which during normal or abnormal operation produce sparks or arcs (i.e., relays or fuse boxes).
- > The insulation of the refrigerator contains flammable cyclopentane and requires special disposal procedures. Deliver the refrigerator at the end of its life-cycle to an appropriate recycling center.



WARNING! Explosion hazard

Do not store any explosive substances, such as aerosol cans with propellants, in the refrigerator.



WARNING! Health hazard

- > This refrigerator is not intended for use by persons (including children) with reduced physical, sensory or mental capabilities, or lack of experience and knowledge, unless they have been given supervision or instruction concerning use of the refrigerator by a person responsible for their safety.
- > Children aged from 3 to 8 years are allowed to load and unload the refrigerator.
- > Cleaning and user maintenance shall not be made by children without supervision.
- > Children must be supervised to ensure that they do not play with the refrigerator.



WARNING! Risk of child entrapment

- > Ensure that the shelves are mounted and secured so that children cannot lock themselves in the refrigerator.
- > Before disposing of your old refrigerator:
 - Dismantle the drawers.

- Leave the shelves in the refrigerator so that children cannot climb inside.
- > Take off the doors.



CAUTION! Health hazard

- > To avoid a hazard due to instability of the refrigerator, it must be fixed in accordance with the installation instructions.
- > Keep ventilation openings, on the refrigerator and in its enclosure or in the built-in structure, clear of obstruction.
- > Do not use mechanical devices or other means to accelerate the defrosting process, other than those recommended by the manufacturer.
- > Do not open or damage the refrigerant circuit under any circumstances.
- > Do not use electrical devices inside the refrigerator unless they are recommended by the manufacturer for that purpose.



CAUTION! Risk of injury

- > DO NOT USE OR STORE FLAMMABLE MATERIALS IN OR NEAR THIS REFRIGERATOR.
- > DO NOT PLACE ARTICLES ON OR AGAINST THIS REFRIGERATOR.
- > DO NOT MODIFY THIS REFRIGERATOR.



NOTICE! Damage hazard

- > Only select operation with DC power supply if the vehicle engine is running and providing sufficient voltage, or if you are using a battery monitor.
- > If present, keep the condensate drain clean at all times.
- > If the refrigerator has ventilation grilles, do not use a high-pressure cleaner near the ventilation grille when cleaning the vehicle.
- > The refrigerator shall not be exposed to rain.
- > Never pull the plug out of the socket by the connection cable.

Operating the refrigerator safely



DANGER! Electrocutation hazard

Before starting the refrigerator, ensure that the power supply line and the plug are dry.



CAUTION! Health hazard

- > Ensure to put only items in the refrigerator which may be chilled at the selected temperature.
- > Clean regularly surfaces that can come in contact with food and accessible drainage systems.
- > Store raw meat and fish in suitable containers in the refrigerator, so that it is not in contact with and cannot drip onto other food.
- > Opening the door for long periods can cause a significant increase of the temperature in the compartments of the refrigerator. If the refrigerator is left empty for long periods:
 - Switch off the refrigerator.
 - Defrost the refrigerator.
 - Clean and dry the refrigerator.
 - Leave the door open to prevent mold developing within the refrigerator. If available, put the refrigerator door and the freezer door into the winter position.



CAUTION! Risk of injury

- > Do not put your fingers into the hinge.

- > Close and latch the refrigerator door before beginning a journey.
- > The cooling system at the back of the refrigerator becomes very hot during operation. If the refrigerator is equipped with ventilation grilles, protect yourself from contact with hot parts when removing the ventilation grilles.
- > The device door or the freezer door can completely detach from the device if used incorrectly. Push the doors closed until you hear a clear click at the top and bottom.



NOTICE! Damage hazard

- > Do not lean on the open refrigerator door.
- > Store heavy objects such as bottles or cans only in the refrigerator door, in the vegetable compartment or on the bottom shelf.
- > If the refrigerator has a double-sided door and the door is not locked correctly on the opposite side, push on that side at the top and the bottom until it locks in place.
- > **Danger of overheating!** Always ensure sufficient ventilation so that the heat generated during operation can dissipate. Ensure that the refrigerator is sufficiently far away from walls and other objects so that the air can circulate.
- > Do not fill the interior with ice or fluid.
- > Protect the refrigerator and the cable against heat and moisture.
- > Never pull the plug out of the socket by the connection cable.



NOTE

- > If the battery management system of your vehicle shuts down the refrigerator to protect the battery, contact your vehicle manufacturer.
- > For ambient temperatures of 15 °C ... 25 °C select the average temperature setting.
- > If the door is not locked correctly on the opposite side, push on that side at the top and the bottom until it locks in place.
- > To avoid food waste, note the following:
 - Keep temperature fluctuation as low as possible. Only open the freezer as often and for as long as necessary. Store the foodstuff in such a way that the air can still circulate well.
 - Ensure to put only items in the refrigerator which may be chilled at the selected temperature.
 - Store the different foodstuff types as shown in the figures.
 - If the temperature can be adjusted: Adjust the temperature to the quantity and type of the foodstuff.
 - Foodstuff can easily absorb or release odor or taste. Always store foodstuff covered or in closed containers/bottles.

4 Scope of delivery

Quantity	Description
1	Compressor refrigerator
1	Drain elbow
1	Short operating manual
1	Operating manual (online only)
1	Installation manual

5 Accessories

Available as accessories (not included in the scope of delivery):

Description	Ref. no.
Sliding hinge	9620012939
Fastening frame including bottom frame <ul style="list-style-type: none"> <li data-bbox="90 245 792 277">• NRX1050, NRX0050 <li data-bbox="90 293 792 325">• NRX1060, NRX0060 <li data-bbox="90 341 792 373">• NRX1080, NRX0080 <li data-bbox="90 389 792 421">• NRX1115, NRX0115 <li data-bbox="90 437 792 469">• NRX1130, NRX0130 	9620012877 9620012881 9620012882 9620012878 9620012876
Fastening frame including bottom frame (black) <ul style="list-style-type: none"> <li data-bbox="90 552 792 584">• NRX1050, NRX0050 <li data-bbox="90 600 792 632">• NRX1060, NRX0060 <li data-bbox="90 647 792 679">• NRX1080, NRX0080 <li data-bbox="90 695 792 727">• NRX1115, NRX0115 <li data-bbox="90 743 792 775">• NRX1130, NRX0130 	9620012874 9620012875 9620012880 9620012879 9620012883
Shelf replacement for removed frozen compartment <ul style="list-style-type: none"> <li data-bbox="90 858 792 890">• NRX1050, NRX0050 <li data-bbox="90 906 792 938">• NRX1060, NRX0060 <li data-bbox="90 954 792 986">• NRX1080, NRX0080 <li data-bbox="90 1002 792 1034">• NRX1115, NRX0115, NRX1130, NRX0130 	9620012933 9620012938 9620012935 9620012932
Frozen compartment <ul style="list-style-type: none"> <li data-bbox="90 1104 792 1136">• NRX1050, NRX0050 <li data-bbox="90 1152 792 1184">• NRX1060, NRX0060 <li data-bbox="90 1200 792 1232">• NRX1080, NRX0080 <li data-bbox="90 1248 792 1279">• NRX1115, NRX0115, NRX1130, NRX0130 	9620012931 9620012936 9620012934 9620012937
Ventilation frame (RS1650L, white) (NRX1050, NRX0050, NRX1060, NRX0060, NRX1080, NRX0080 only)	9105702379

Description	Ref. no.
Ventilation frame (RS1650L, black) (NRX1050, NRX0050, NRX1060, NRX0060, NRX1080, NRX0080 only)	9105707393
Ventilation grille (AS1635L, white) (NRX1050, NRX0050, NRX1060, NRX0060, NRX1080, NRX0080 only)	9500000949
Ventilation grille (AS1635L, black) (NRX1050, NRX0050, NRX1060, NRX0060, NRX1080, NRX0080 only)	9500000951
Ventilation frame + grille (LS 300 white) (NRX1115, NRX0115, NRX1130, NRX0130 only)	9600003033
Ventilation frame + grille (LS 300-B black) (NRX1115, NRX0115, NRX1130, NRX0130 only)	9600003022

6 Intended use

The refrigerator is intended for:

- Installation in caravans, motor homes, boats, and trucks
- Cooling and storing food
- **NRX1050–1130(C/S), NRX0050, 0080, 0115(C) only:** Storing prefrozen food
- Indoor use

This refrigerator is not intended for commercial, retail or household applications.

The refrigerator is **not** suitable for:

- Storing medications
- Storing corrosive substances or substances that contain solvents
- Quick-freezing food
- Outdoor use

When used on boats, the device shall be installed in a dayroom area and not open deck.

The frozen compartment is suitable for storing pre-frozen food, storing or making ice cream and making ice cubes. It is not suitable for freezing previously unfrozen food.

The refrigerator is intended for installation in a piece of cabinetry or an installation niche.

Optimum cooling performance is provided at ambient temperatures between 16 °C ... 43 °C and at a maximum humidity of 90 % .

This product is only suitable for the intended purpose and application in accordance with these instructions.

This manual provides information that is necessary for proper installation and/or operation of the product. Poor installation and/or improper operation or maintenance will result in unsatisfactory performance and a possible failure.

The manufacturer accepts no liability for any injury or damage to the product resulting from:

- Incorrect installation, assembly or connection, including excess voltage
- Incorrect maintenance or use of spare parts other than original spare parts provided by the manufacturer

- Alterations to the product without express permission from the manufacturer
- Use for purposes other than those described in this manual

Dometic reserves the right to change product appearance and product specifications.

7 Technical description

The refrigerator is a compressor refrigerator.

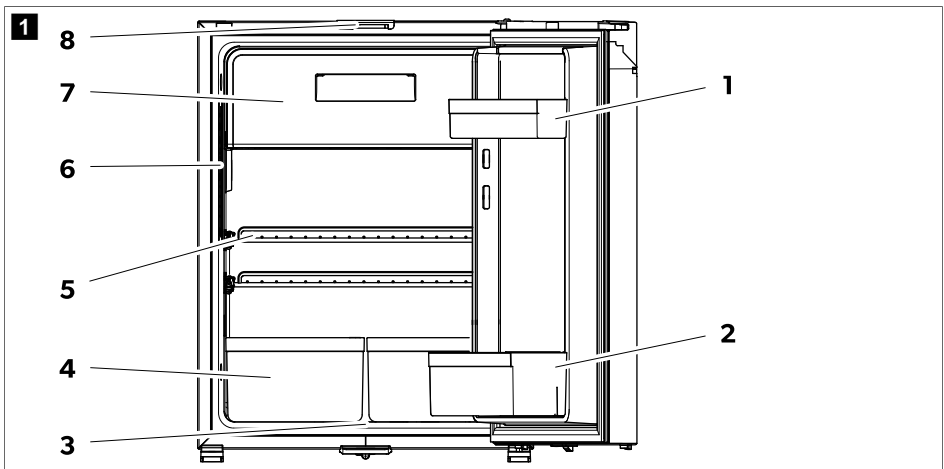
NRX0050–0130(C/S): The refrigerator is designed to operate with different types of power and can be run either on a DC or AC power supply.

NRX1050–1130(C/S), NRX0050/0080/0115(C): The model is factory fitted with a frozen compartment, which can be removed and reinstalled.

The refrigerator door has a latching mechanism to protect it during transport.

All materials used in the refrigerator are compatible for use with foodstuffs.

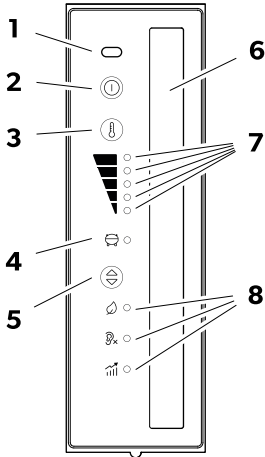
Description of the device



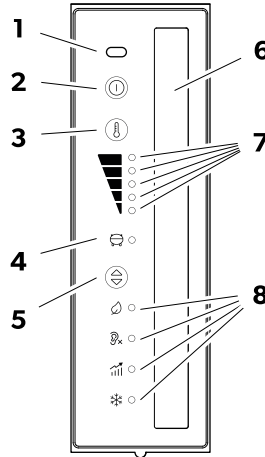
No.	Explanation
1	Door shelf
2	Bottle shelf
3	Condensate drain
4	Crisper
5	Cabinet shelf
6	Control panel with display
7	Frozen compartment
8	Door latch for ventilation






Control and display elements

NRX0050 – 0130 (E)



**NRX1050 – 1130 (C/S)
NRX0050, 0080, 0115 (C)**



No.	Explanation
1	IR door opening sensor
2	Ⓞ ON/OFF button
3	Ⓛ Cooling level setting button
4	Compressor and error indicator LED
5	Ⓢ Operation mode button
6	Interior lighting
7	Cooling level indicator LEDs
	 Cooling Level 5
	 Cooling level 4
	 Cooling level 3
	 Cooling level 2
 Cooling level 1	
8	Operation mode indicator LEDs

Compressor and error indicator LED





The compressor and error indicator LED displays the operating status of the compressor or indicates an error:

Color	Description
White	Compressor on
Orange	Compressor off

Color	Description
Orange (flashing)	Error (see chapter Error indication on page 25)

Operation mode indicator LEDs

The operation mode indicator LEDs display the following setting options:

Symbol	Description
	ECO mode: Operation with reduced energy -consumption. Cooling level 1 – 3
	QUIET mode: Operation with reduced noise level. Cooling level 1 – 4
	PERFORMANCE mode: Cooling level 1 – 5
	FREEZER mode (NRX1050–1130[C/S], NRX0050/0080/0115[C] only): Operation with frozen compartment removed. Cools down the complete interior of the refrigerator to –6 °C . WINTER mode (NRX1115–1130[C/S] only): To ensure adequate cooling of the frozen compartment at low ambient temperatures.

8 Operation

8.1 Before first use

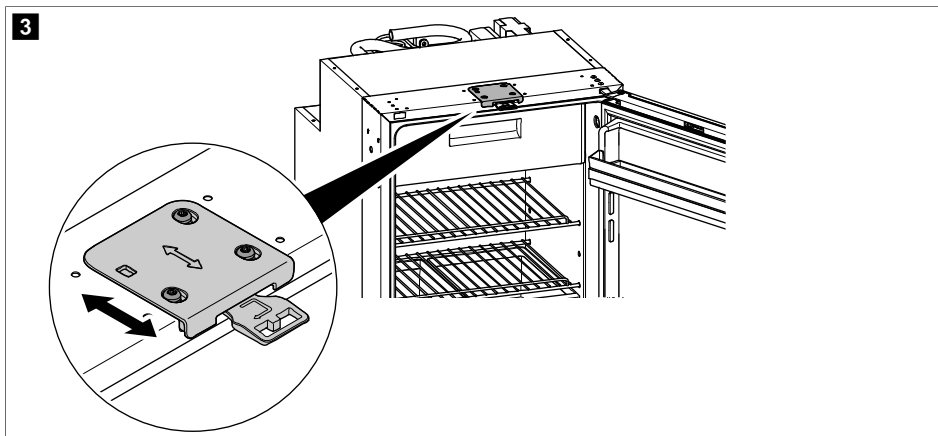


NOTE

- > Do not store goods in the refrigerator for the first 4 hours after start-up.
- > When using the refrigerator for the first time, there may be a mild odor which will disappear after a few hours. Air out the living space well.
- > The cooling capacity can be affected by:
 - The ambient temperature (e.g. when the vehicle is exposed to direct sunlight)
 - The amount of food to be refrigerated
 - How often the door is opened
- > Clean the inside of the refrigerator for hygienic reasons (see [Cleaning and maintenance](#) on page 20).
- > Park the vehicle so that it is level, especially when starting up and filling the refrigerator before setting off on a journey.

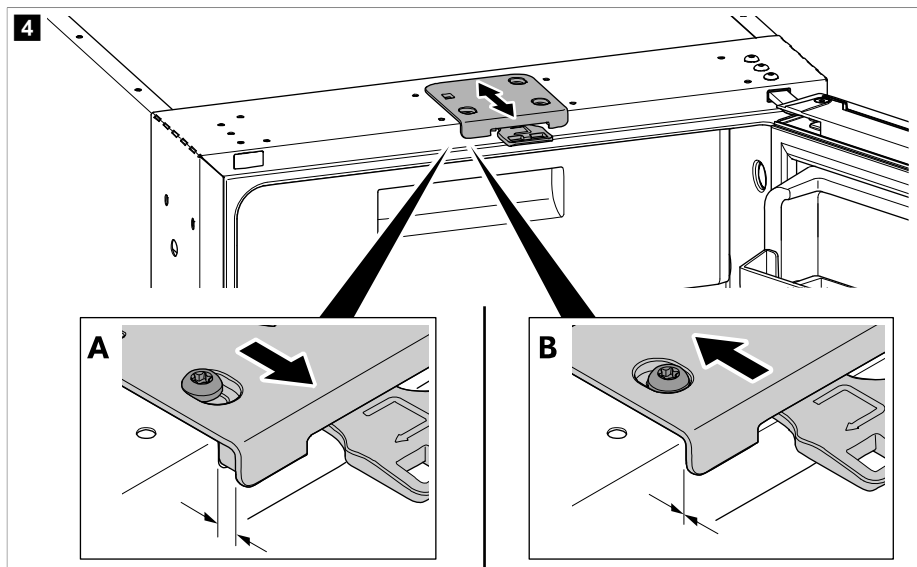
8.1.1 Adjusting the door latch

The door latch on the top of the refrigerator can be adjusted to regulate the closing width of the door.



i **NOTE** Check whether the adjustable door latch is installed. If necessary, order the adjustable door latch (dometic.com) and replace the fixed door latch with the adjustable door latch.

> The door latch is set to position **A** at the factory. Move the door latch to position **B**.



i **NOTE** If the door latch is in position **B**, ensure that the door latches properly when closing (see chapter Closing and securing the refrigerator door on page 14).

8.2 Information on storing food



CAUTION! Health hazard

If the refrigerator is exposed to an ambient temperature below 10 °C for an extended period of time, regulation of the frozen compartment temperature can no longer be guaranteed. That may cause the temperature of the frozen compartment to increase and the stored goods to be defrosted.

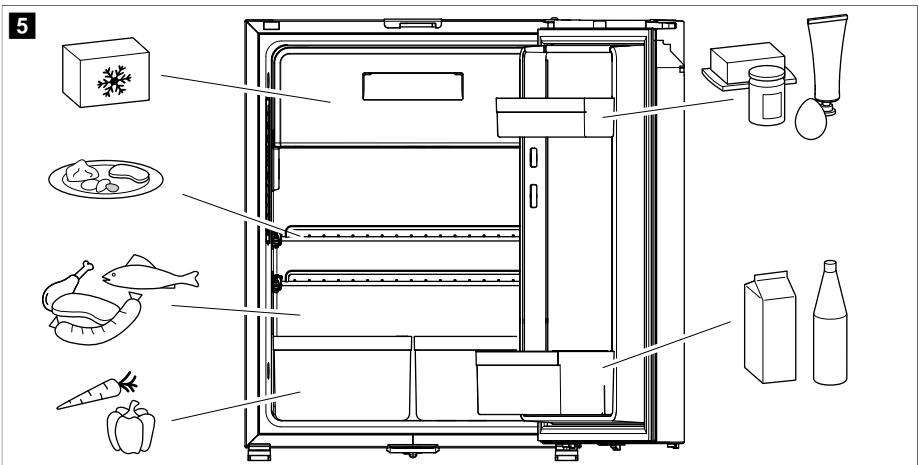


NOTICE! Damage hazard

- > Observe the maximum load per door shelf and door when filling the refrigerator (see Technical data on page 26).
- > Do not keep carbonated drinks in the frozen compartment.

To avoid food waste, note the following:

- Keep temperature fluctuation as low as possible. Only open the refrigerator as often and for as long as necessary. Store the foodstuff in such a way that the air can still circulate well.
 - Adjust the temperature to the quantity and type of the foodstuff.
 - Store the different foodstuff types as shown in the figures.
 - Foodstuff can easily absorb or release odor or taste. Always store foodstuff covered or in closed containers/bottles.
- > Store food as shown.



8.3 Saving energy

- Only open the refrigerator as often and for as long as necessary.
- Allow warm food to cool down first before placing it in the device to keep cool.
- Defrost your refrigerator as soon as a layer of ice forms.
- Avoid unnecessarily low temperature settings.
- For optimal energy consumption, position the shelves and drawers according to their position on delivery.
- On a regular basis, ensure the door seal still fits properly.
- Clean dust and dirt from the condenser at regular intervals.

8.4 Using the refrigerator door



CAUTION! Risk of injury

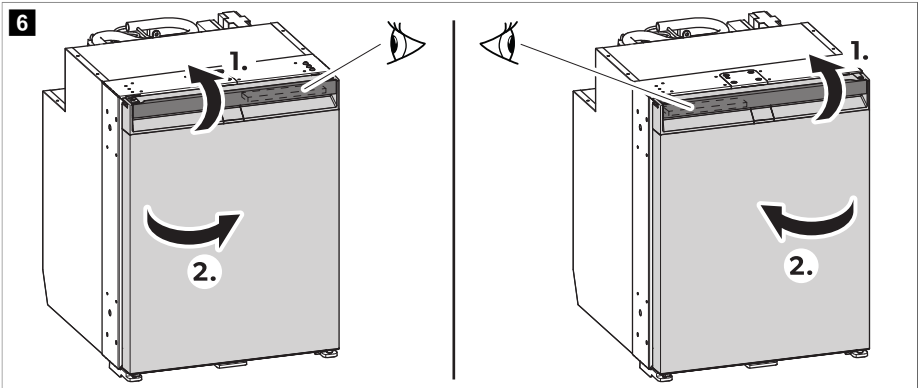
The refrigerator door and the frozen compartment door can completely detach from the device if used incorrectly.

8.4.1 Opening the refrigerator door



NOTE Ensure to pull the handle on the opposite side to the door stop. Note the respective position of the slider. Refer to the associated installation manual.

> To open the refrigerator door proceed as shown.



8.4.2 Closing and securing the refrigerator door



CAUTION! Risk of injury

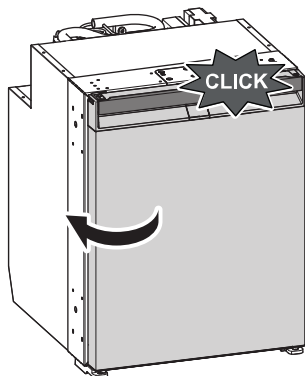
If the door is not secured correctly, carefully push on the top and bottom of the door until it is secured in place.



NOTE The refrigerator door has a latching mechanism which is also used to protect it during transport.

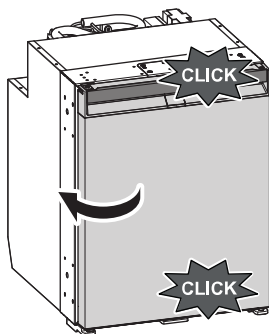
- > NRX0050-0130(E): Press the door shut until you clearly hear it click at the top.

7 NRX0050 – 0130 (E)



- > NRX1050-1130(C/S), NRX0050/0080/0115(C): Press the door shut until you clearly hear it click at the top and bottom.

8 NRX1050 – 1130 (C/S) NRX0050, 0080, 0115 (C)





- ✓ The door is now closed and secured.

8.5 Switching on and off



NOTE Always switch off the refrigerator if it will not be used for a prolonged period of time.

- > To switch on, press and hold the  button once for at least 2 s .
- ✓ The refrigerator switches on with the last selected cooling level setting and operation mode.
- > To switch off, press and hold the  button for at least 2 s .

8.6 Setting the operation modes



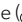
NOTE When using the ECO, PERFORMANCE, FREEZER, or WINTER mode the system stays in this mode until further changes.

- > To set the operation mode, press the  button repeatedly until the operation mode indicator LED for the desired operation mode lights up.

The following operation modes are available:

Using the ECO mode

With the ECO mode activated the refrigerator operates with reduced energy consumption at cooling levels 1 – 3.

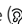
- ✓ The operation mode indicator LED for the ECO mode () and the selected cooling level indicator LED light up.

Using the QUIET mode

With the QUIET mode activated the refrigerator operates with reduced noise level at cooling levels 1 – 4.



NOTE

- > The QUIET mode is not available if the refrigerator is running in FREEZER mode.
- > When using the QUIET mode the refrigerator will stay in this mode for 8 h and then return to the previously selected mode (ECO or PERFORMANCE mode).
- ✓ The operation mode indicator LED for the QUIET mode () and the selected cooling level indicator LED light up.

Using the PERFORMANCE mode

With the PERFORMANCE mode activated the refrigerator operates in standard mode at cooling levels 1 – 5.


- ✓ The operation mode indicator LED for the PERFORMANCE mode () and the selected cooling level indicator LED light up.

Using the FREEZER mode

With the FREEZER mode activated the complete interior of the refrigerator is cooled to -6°C .



NOTE

- > Remove the frozen compartment to use the FREEZER mode.
- > The FREEZER mode is not available if the refrigerator is running in the WINTER mode.
- ✓ The operation mode indicator LED for the FREEZER mode () and all cooling level indicator LEDs light up continuously.

Using the WINTER mode for operation at low ambient temperatures (only NRX1115–1130)



NOTE

- > Cold air can impact the performance of the cooling unit. Activate the WINTER mode if a loss of cooling capacity is noticed in the frozen compartment.
- > Deactivate the WINTER mode as soon as the ambient temperature rises to 16°C to avoid higher power consumption.
- > The WINTER mode is not available if the refrigerator is running in the FREEZER mode.

- > To activate or deactivate the WINTER mode proceed as shown.



- ✓ The operation mode indicator LED for the FREEZER mode (❄️) lights up green and the selected cooling level indicator LED remains on.

8.7 Setting the cooling level

- > To set the cooling level, press the (🌡️) button repeatedly until the desired cooling level is reached.

8.8 Repositioning the shelves



WARNING! Risk of child entrapment

NRX1060-1130(C/S), NRX0080/0115(C), NRX0060-0130(E): All shelves are fixed in place to prevent children from climbing into the refrigerator.

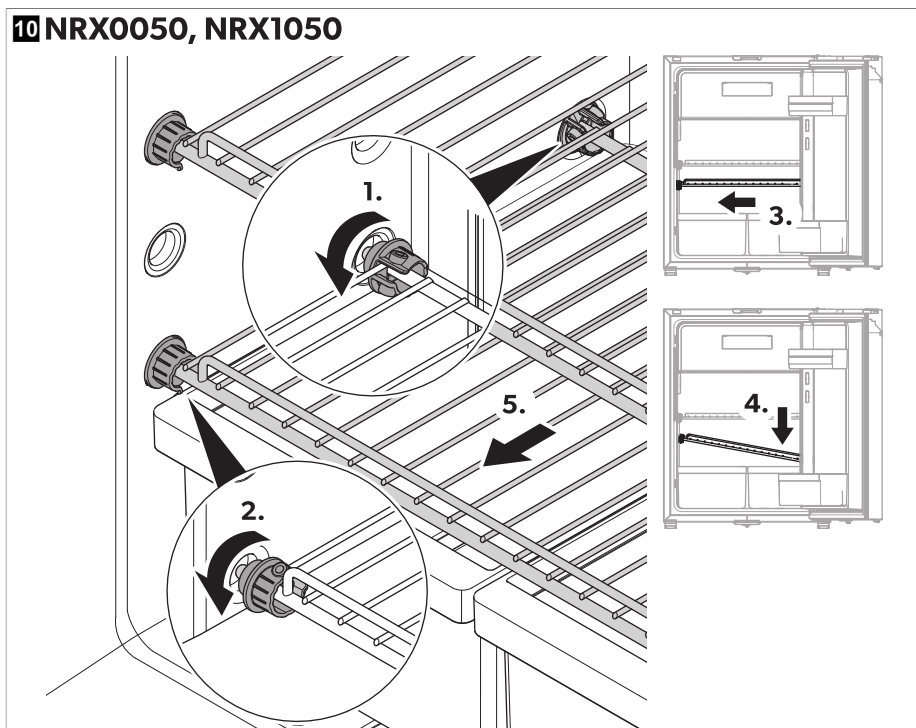
- > Only remove the shelves for cleaning purposes.
- > Refit the shelves and secure them in place.



NOTE Remove the frozen compartment before repositioning the shelves for easier access to the rear shelf knobs.

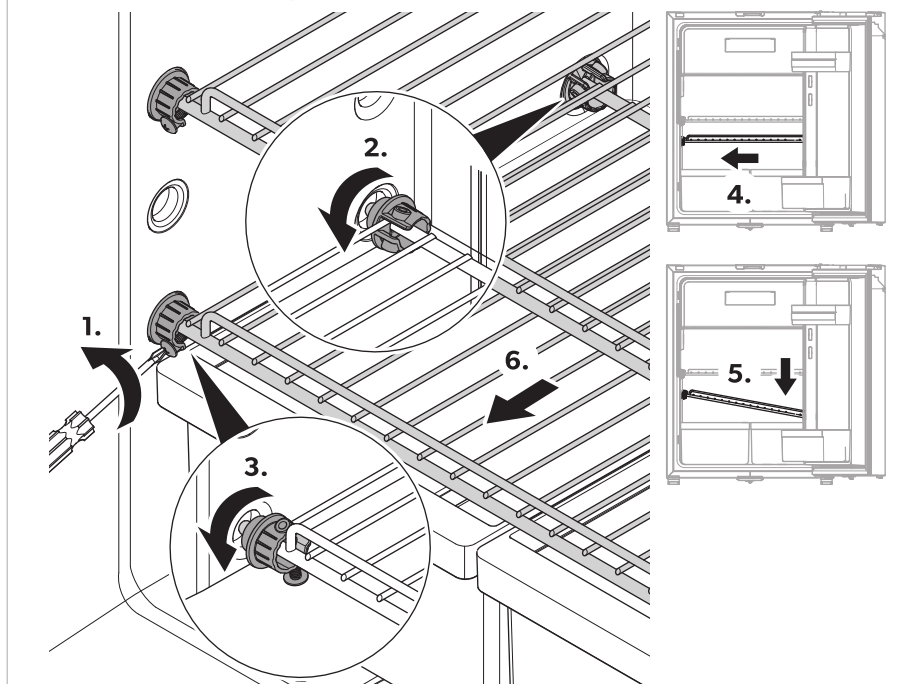
> **NRX0035-0050:**To reposition the shelves as desired proceed as shown.

10 NRX0050, NRX1050



- > **NRX0035-0050:** To reposition the shelves as desired proceed as shown.

11 NRX0060 – 0130, NRX1060 – 1130



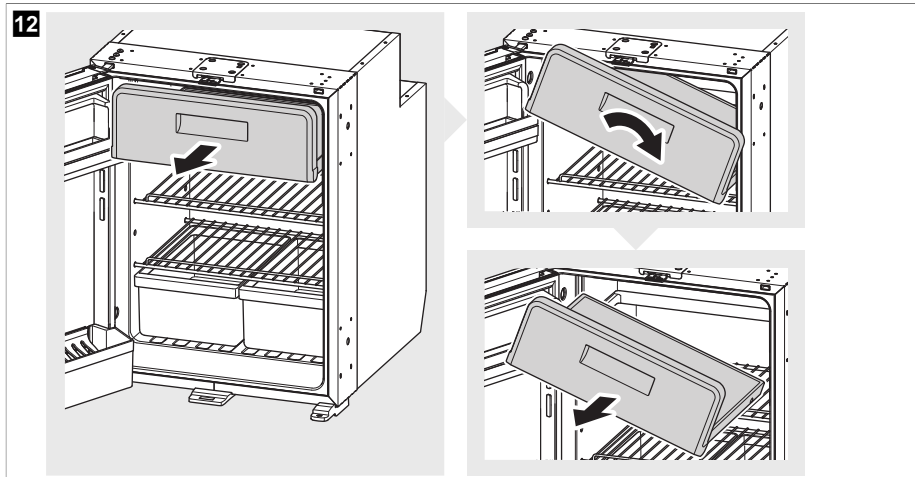
8.9 Removing the frozen compartment



NOTICE! Damage hazard

- > Close the frozen compartment door to remove the frozen compartment.
- > Grasp the frozen compartment by the bottom. Do not pull on the frozen compartment door.
- > Store the frozen compartment in a dry and safe place.

- > To remove the frozen compartment proceed as shown.



9 Cleaning and maintenance



WARNING! Electrocutation hazard

Always disconnect the refrigerator from the energy supply before cleaning and maintenance.



NOTICE! Damage hazard

- > Do not use abrasive cleaning agents or hard objects during cleaning.
- > Never use hard or sharp tools to remove ice or to free frozen objects.
- > Ensure that no water drips into the seals. This can damage the electronics.



NOTICE! Damage hazard

The light source can only be replaced by the manufacturer, a service agent or similarly qualified person to avoid hazard.

- > Clean the interior and exterior of the refrigerator regularly with a damp cloth and as soon as it becomes dirty. Wipe the refrigerator dry with a cloth after cleaning.
- > Check the condensate drain regularly.
Clean the condensate drain when necessary. If it is blocked, the condensate collects on the bottom of the refrigerator.
- > Clean dust and dirt from the condenser regularly with a damp cloth.

Refrigerant circuit

The refrigerant circuit is maintenance-free.

Defrosting the refrigerator



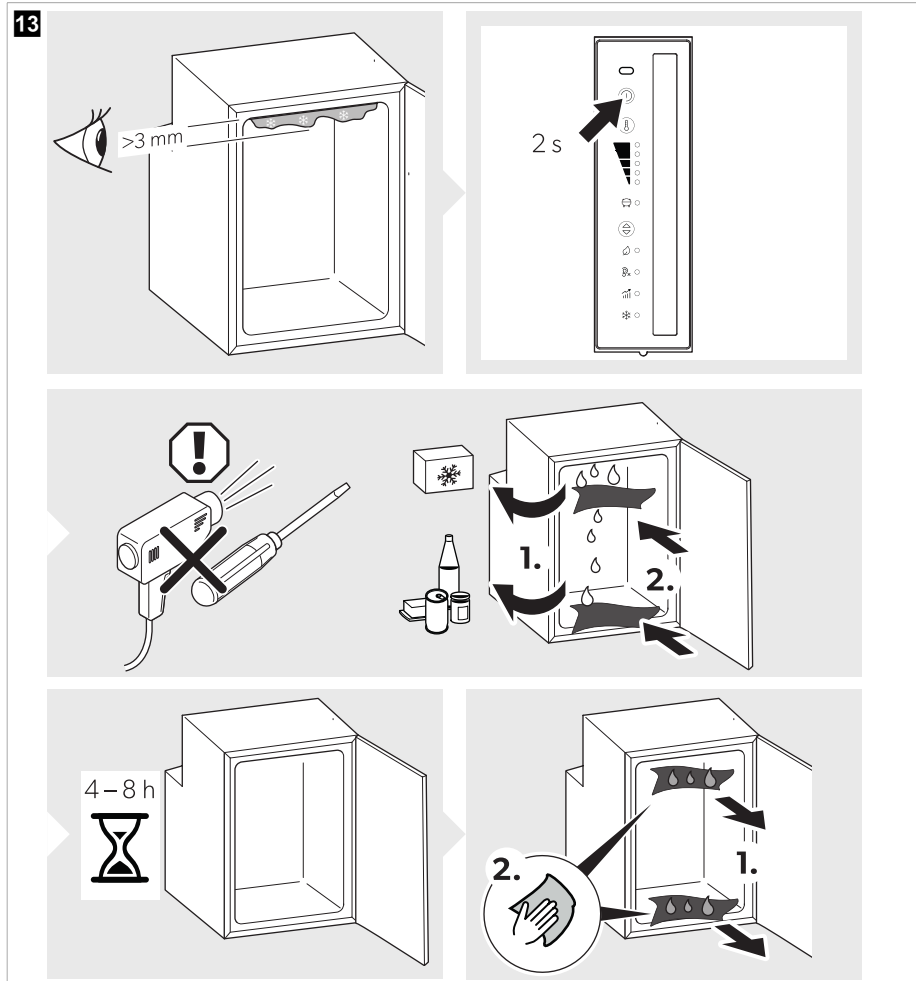
NOTICE! Damage hazard

Do not use any mechanical tools or any other tools to speed up the defrosting process.



NOTE Over time, frost builds up on the back wall inside the refrigerator. If this layer of frost is about 3 mm thick, defrost the refrigerator.

> To defrost the refrigerator proceed as shown.



Positioning the refrigerator door into storage position



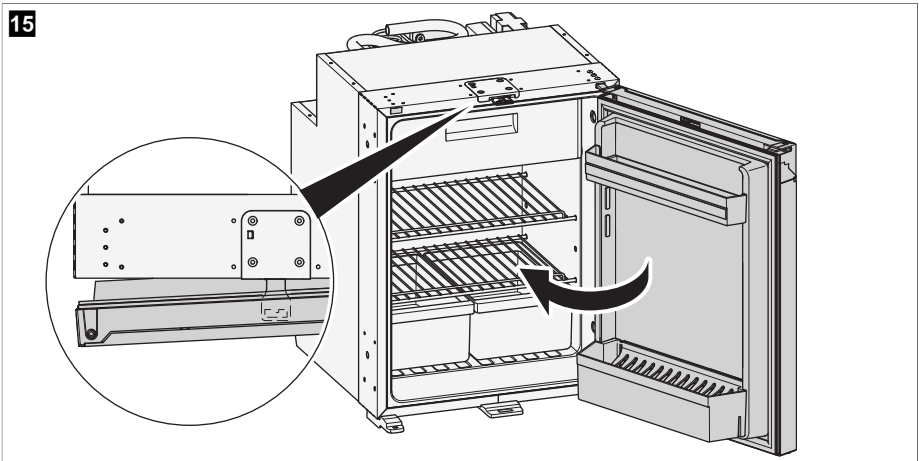
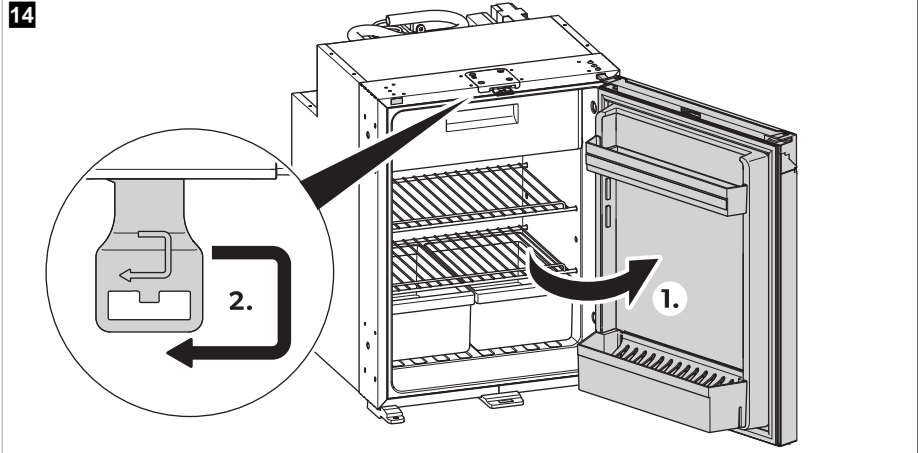
CAUTION! Risk of injury

The storage position may not be used while driving.



NOTE Put the refrigerator door into the storage position if you are not going to use the device for a longer period of time. This prevents mold from forming.

- > Defrost the refrigerator (see Defrosting the refrigerator on page 20).
- > Put the refrigerator door into storage position as shown.

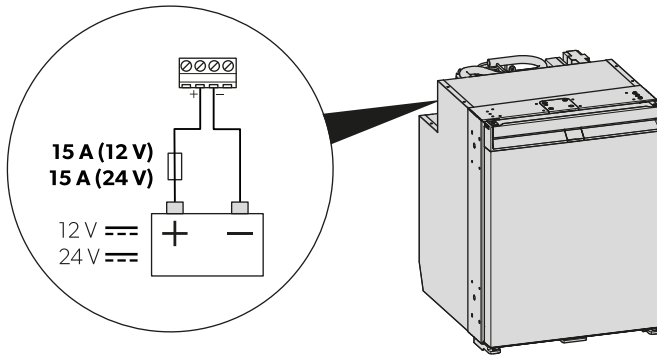



10 Troubleshooting



NOTE To safely operate 12 V consumer units in the caravan while driving, it must be ensured that the towing vehicle provides sufficient voltage. On some vehicles, the battery management system may automatically switch off the consumer units to protect the battery. Ask your vehicle manufacturer for more information.

16



Problem	Possible cause	Suggested remedy
The refrigerator does not work.	The fuse in the DC cable is defective.	> Replace the fuse ( Fig. 16 on page 23).
	The vehicle fuse has blown.	> Replace the vehicle fuse. Refer to the operating manual of your vehicle.
	The vehicle battery is discharged.	> Test the battery and charge it.
	The ignition is not switched on.	> Switch on the ignition.
	The temperature at the compressor is too low ($< 0^{\circ}\text{C}$).	> Close/cover all external ventilation grilles completely with insulation material.
	The refrigerator switches off automatically if the voltage is insufficient. (Cut-off voltage: 10.4 V \Rightarrow)	> Load the battery. The refrigerator will start again automatically. (Cut-in voltage: 11.7 V \Rightarrow)
Poor cooling, increase in interior temperature. Compressor runs continuously.	The ventilation around the cooling unit is not sufficient.	> Check that the ventilation grille is not obstructed. > Move the refrigerator to another location.
	The interior walls are iced up.	> Check whether the refrigerator door closes properly. > Ensure that the refrigerator seal fits correctly and is not damaged. > Defrost the refrigerator (see Defrosting the refrigerator on page 20).
	The temperature is set too high.	> Set a lower temperature.
	The ambient temperature is too high.	> Remove the ventilation grille for a while so that warm air can escape quicker.
	Too much food was placed in the refrigerator at the same time.	> Remove some of the food.

Problem	Possible cause	Suggested remedy
	Too much warm food was placed in the refrigerator at the same time.	> Remove the warm food and leave it to cool down before putting it in again.
	The refrigerator has not been operating for very long.	> Check the temperature again after 4 h / 5 h .
	The condenser is dirty.	> Clean the condenser (see chapter Cleaning and maintenance on page 20).
	The fan is defective.	> Contact an authorized service agent.
Poor cooling, increase in interior temperature. The compressor does not run often.	The battery capacity is exhausted.	> Charge the battery.
Poor cooling, increase in interior temperature. The compressor does not run (battery connection).	There is an interruption in the battery electronics connection.	> Establish a connection.
	The main switch is defective (if installed).	> Replace the main switch.
	The additional supply line fuse has blown (if installed).	> Replace the supply line fuse.
	The battery voltage is too low.	> Charge the battery.
	The battery capacity too low.	> Replace the battery.
	The cables are loose. The contact is poor (corrosion).	> Establish a connection.
	The cable cross section is too small.	> Replace the cable.
The compressor is defective.	> Contact an authorized service agent.	
Poor cooling, increase in interior temperature. The compressor does not run (connection to AC supply).	The connection supply line is interrupted.	> Establish a connection.
	The main switch is defective (if installed).	> Replace the main switch.
	The additional supply line fuse has blown (if installed).	> Replace the supply line fuse.
	The compressor is defective.	> Contact an authorized service agent.
Unusual noises.	A component of the refrigerant circuit cannot move freely (touching the wall).	> Bend the component carefully away from the obstruction.
	There is a foreign object stuck between the cooling unit and the wall.	> Remove the foreign object.
	Fan noise.	> Contact an authorized service agent.
The door opens unintentionally when moving (e.g. while driving).	The door latch is set to position A (see chapter Adjusting the door latch on page 11).	> Set the door latch to position B .

Problem	Possible cause	Suggested remedy
The door does not close properly.	The door latch is set to position A (see chapter Adjusting the door latch on page 11).	> Set the door latch to position B .
	The door latch is set to position B (see chapter Adjusting the door latch on page 11) but the door is not properly latched.	> Ensure that the door latches properly when closing.

Error indication



NOTE

- > All errors are indicated by the error indicator LED flashing red (see Control and display elements on page 10). The number of flashes depends on the type of fault. Each flash lasts for one quarter of a second. After the sequence of flashes a pause follows. The sequence for the fault is repeated every four seconds.
- > In ECO, PERFORMANCE, and FREEZER mode an additional beep sounds.

Flashing frequency	Error	Possible cause
1	Under or over voltage	The supply voltage is outside of the set range.
2	Excessive fan current	The fan load on the electronics unit is more than 1 A .
3	The motor does not start	The rotor is jammed.
		The pressure difference in the cooling system is too high.
4	Speed too low	If the cooling system is overloaded, the minimum speed of the motor cannot be maintained.
5	Overheating of the electronics unit	If the cooling system is loaded too heavily or the temperature is set too high, the electronics can overheat.
Constantly	Temperature sensor errors	Temperature sensor is defective.

11 Warranty

For repair and warranty processing, please include the following documents when you send in the device:

- A copy of the receipt with purchasing date
- A reason for the claim or description of the fault

Note that self-repair or nonprofessional repair can have safety consequences and might void the warranty.

Australia only

Our goods come with guarantees that cannot be excluded under the Australian Consumer Law. You are entitled to a replacement or refund for a major failure and for compensation for any other reasonably foreseeable loss or damage. You are also entitled to have the goods repaired or replaced if the goods fail to be of acceptable quality and the failure does not amount to a major failure.

New Zealand only

This warranty policy is subject to the conditions and guarantees which are mandatory as implied by the Consumer Guarantees Act 1993(NZ).

Local support

Please find local support at the following link address: dometic.com/dealer

12 Disposal



NOTICE! Damage hazard

The insulation of the cooling device contains flammable cyclopentane and requires special disposal procedures. Deliver the cooling device at the end of its life-cycle to an appropriate recycling center.




Place the packaging material in the appropriate recycling waste bins wherever possible. Consult a local recycling center or specialist dealer for details about how to dispose of the product in accordance with the applicable disposal regulations. Europe: The product can be disposed free of charge.

13 Technical data


This device complies with UN ECE Regulation R10.

	NRX1050(C/S), NRX0050(C/E)	NRX1060(C/S), NRX0060E
Capacity		
• Refrigerator compartment (only NRX1050-1130[C/S], NRX0050/0080/0115[C])	39.6 L	48.9 L
• Frozen compartment (only NRX1050-1130[C/S], NRX0050/0080/0115[C])	4.4 L	6.1 L
• Total capacity	44 L	55 L
• Total capacity (frozen compartment removed)	46 L	58 L
Connection voltage		
• NRX1050-1060(C/S)		12 / 24 V ⁼⁼ 100 ... 240 V [~]
• NRX0050-0060(C/E)		12 / 24 V ⁼⁼
Supply battery protection (12 V)		
• Cut-off voltage		10.4 V
• Cut-in voltage		11.7 V
Supply battery protection (24 V)		
• Cut-off voltage		22.8 V
• Cut-in voltage		24.2 V
Climate class		T
Storage temperature range		

	NRX1050(C/S), NRX0050(C/E)	NRX1060(C/S), NRX0060E
<ul style="list-style-type: none"> Refrigerator Frozen compartment (NRX1050–1130[C/S], NRX0060/0050/0115[C] only) Freezer mode (NRX1050–1130[C/S], NRX0060/0080/0115[C] only) 	0 °C ... 12 °C –15 °C ... –5 °C –6 °C	
Intended ambient temperature use	16 °C ... 43 °C	
Refrigerant	R134a	
Refrigerant quantity	26 g	30 g
CO ₂ equivalent	0.037 t	0.043 t
Global warming potential (GWP)	1430	
Noise emission (EN 60704)	40 ... 45 dB(A)	
Dimensions H x W x D (in mm)	525 × 380 × 510 mm	525 × 448 × 537 mm
Net weight	C, S: 18 kg E: 14.5 kg	C, S: 18 kg E: 16 kg
Maximum load		
<ul style="list-style-type: none"> Per door shelf Per door 	4 kg 8 kg	5 kg 10 kg
Inspection/certification:		

	NRX1080(C/S), NRX0080C, NRX 0080E	NRX1115(C/S), NRX0115C, NRX0115E	NRX1130(C/S), NRX0130E
Capacity			
<ul style="list-style-type: none"> Refrigerator compartment (NRX1050–1130[C/S], NRX0060/0080/0115[C] only) 	68.4 L	104.5 L	118 L
<ul style="list-style-type: none"> Frozen compartment (NRX1050–1130[C/S], NRX0060/0080/0115[C] only) 	6.6 L	8.2 L	8.2 L
• Total capacity	75 L	113 L	126 L
• Total capacity (frozen compartment removed)	78 L	116 L	130 L
Connection voltage			
• NRX1080–1130(C/S)	12/ 24 V== 100 ... 240 V~		
• NRX0080–0130(C/E)	12/ 24 V==		

EN NRX50-130

	NRX1080(C/S), NRX0080C, NRX 0080E	NRX1115(C/S), NRX0115C, NRX0115E	NRX1130(C/S), NRX0130E
Supply battery protection (12 V)			
• Cut-off voltage	10.4 V		
• Cut-in voltage	11.7 V		
Supply battery protection (24 V)			
• Cut-off voltage	22.8 V		
• Cut-in voltage	24.2 V		
Climate class	T		
Storage temperature range			
• Refrigerator	0 °C ... 12 °C		
• Frozen compartment (NRX1050-1130[C/S], NRX0060/0080/0115[C] only)	-15 °C ... -5 °C		
• Freezer mode (NRX1050-1130C/S, NRX0060/0080/0115[C] only)	-6 °C		
Intended ambient temperature use	16 °C ... 43 °C		
Refrigerant	R134a		
Refrigerant quantity	32 g	40 g	40 g
CO2 equivalent	0.046 t	0.057 t	0.057 t
Global warming potential (GWP)	1430		
Noise emission (EN 60704)	40 ... 45 dB(A)		
Dimensions H x W x D	625 × 475 × 537 mm	745 × 525 × 568 mm	812 × 525 × 568 mm
Net weight	C, S: 21 kg E: 18 kg	C, S: 27 kg E: 25 kg	C, S: 28 kg E: 26 kg
Maximum load			
• Per door shelf	5 kg	6 kg	6 kg
• Per door	10 kg	18 kg	18 kg
Inspection/certification:			

日本

1	重要注意事項.....	29
2	記号の説明.....	29
3	安全に関する注意事項.....	30
4	同梱品について.....	32
5	オプション.....	32
6	使用目的.....	34
7	技術説明書.....	35
8	使用方法.....	37
9	お手入れと保管について.....	46
10	困ったときは.....	49
11	保証.....	51
12	廃棄.....	52
13	テクニカルデータ.....	52

1 重要注意事項

本製品の設置、使用、メンテナンスを常に適切に行うために、この説明書をよく読み、本製品の説明書に含まれるすべての指示、ガイドライン、警告に従ってください。これらの説明書は、必ず本製品と一緒に保管してください。

本製品を使用するにあたり、すべての指示、ガイドラインおよび警告を熟読した上で本製品の使用条件を理解し、同意するものとします。お客様は、本製品を意図された目的や用途にのみ使用し、本製品の取扱説明書に記載されている指示、ガイドライン、警告、および適用されるすべての法律や規制に従うことに同意するものとします。ここに記載されている指示や警告を従わない場合、お客様自身または他の人が負傷したり、本製品の損傷、または他の物的損害を与える可能性があります。説明書、ガイドライン、警告、および関連文書を含む本製品マニュアルは、変更および更新される場合があります。最新の製品情報については、documents.domestic.comをご覧ください。

2 記号の説明

注意喚起語は、安全に関する注意や物的損害に関する注意、および危険の深刻度を表しています。



警告!

回避しない場合、死亡または重傷を負う恐れのある危険な状況を示します。



注意!

回避しない場合、軽傷または中程度の怪我を負う恐れのある危険な状況を示します。



注意!

回避しない場合、物的損害が発生する恐れがある状況を示します。



注意事項 本製品に関する補足情報を示します。

3 安全に関する注意事項

一般安全事項



警告! 感電の危険

- ＞ 冷蔵庫の設置や取り外しは、有資格者のみが行うものとします。
- ＞ 洗面所および水がかかる場所への設置は、資格を持った技術者が行う必要があります。
- ＞ キャンピアーや類似の環境に冷蔵庫を設置する場合は、冷蔵庫に雨や水しぶきがかからないようにしてください。
- ＞ 製品に明らかな損傷がある場合、その製品はご使用になれません。
- ＞ この製品の修理は、電気技師のみが行うことができます。不適切な修理は、著しい危険を発生させる、または製品を損傷させることがあります。
- ＞ 製品の電源コードに傷がある場合には、危険を回避するために、メーカー、カスタマーサービスまたは専門技士が電源コードを交換する必要があります。
- ＞ 冷蔵庫を配置するときは、電源コードが引っかかったり損傷したりしていないことを確認してください。
- ＞ 冷蔵庫の背面に複数のポータブルソケットコンセントまたはポータブル電源を配置しないでください。
- ＞ 露出したケーブルに素手で触れないでください。
- ＞ 特に接地が必要な装置については、適切に接続できるソケットに装置を接続してください。
- ＞ 本機の電源が主電源である場合は、電源に残留電流サーキットブレーカー（RCCB）または漏電遮断器（GFCI）が装備されていることを確認してください。湿気の多い場所では特に、設置の際に適用されるすべての規則に従う必要があります。



警告! 火災の危険

- ＞ 冷却回路には、環境に優しいとはいえ、冷媒が少量使われています。この冷媒はオゾン層を破壊することなく、また、温室効果を促すものでもありません。冷媒が漏れている場合発火の危険となることがあります。
- ＞ 冷蔵庫を通気がない、または通気が不十分な狭い場所で使用または保管しないでください。
- ＞ 通常動作時または異常動作時に火花やアークを発生させる電気部品や光源（リレーやヒューズボックスなど）を、冷蔵庫の設置凹部に近づけないでください。
- ＞ 冷蔵庫の断熱材には可燃性シクロペンタンが含まれており、特別な廃棄処理が必要です。ライフサイクルが終了する時点で冷蔵庫を適切なリサイクルセンターに送ってください。



警告! 爆発の危険

- 噴出剤が入ったスプレー缶などの爆発物を庫内に保管しないでください。



警告! 健康への危険

- ＞ 本製品は、安全管理責任者が使用における監督または指示を与えない限り、身体的、知覚的または精神的な能力が低下している、または経験や知識が不足している人（子供を含む）によって取り扱われないものとします。
- ＞ 3歳以上8歳未満のお子様でも、この冷蔵庫で食品の出し入れをすることができます。
- ＞ 保護者がいない場合、お子様がお手入れやメンテナンスを行うことはできません。
- ＞ お子様製品で遊ばないように気をつけてください。



警告! 子供の閉じ込めの危険

- ＞ 子供が冷蔵庫に閉じ込められることのないよう、棚が確実に取り付けられ固定されていることを確認してください。
- ＞ 古い冷蔵庫を廃棄する前に：

- 引き出しを取り外します。
 - シェルフは冷蔵庫に残し、子供が中に入れないようにします。
- > ドアを離します。



注意! 健康への危険

- > 冷蔵庫が不安定になる危険を防ぐために、設置指示に従い固定しなければなりません。
- > 冷蔵庫、設置箇所、またはビルトイン構造において、障害物がそれぞれの換気口を塞いでいないことを確認してください。
- > 霜取りを早めるために製造元が推奨していない機械装置またはその他の手段を使用しないでください。
- > いかなる場合でも冷媒回路を開いたり傷つけたりしないでください。
- > 製造元が推奨する場合を除き、庫内で電気器具を使用しないでください。



注意! 怪我の危険

- > この冷蔵庫の庫内や付近で可燃物を使用したり、保管したりしないでください。
- > この冷蔵庫の上に物を置いたり、寄りかからせないでください。
- > この冷蔵庫を改造しないでください。



注意! 破損する恐れ

- > DC電源での使用は、車のエンジンが動いており十分な電圧が供給されている場合、またはバッテリーモニターを使用している場合のみ選択してください。
- > 結露排水口がある場合は、結露排水口を常に清潔な状態に保ってください。
- > 冷蔵庫に換気グリルがある場合は、車内清掃の際に換気グリル付近で高圧洗浄機を使用しないでください。
- > 冷蔵庫を雨にさらしてはいけません。
- > 電源プラグをコンセントから抜くときに、絶対にコードを引っ張らないでください。

製品使用上の安全



危険! 感電の危険

本製品を起動する前に、電源とプラグが濡れていないか確認してください。



注意! 健康への危険

- > 選択した温度で冷却できる品物のみを本製品に入れるようにしてください。
- > 食品や排水路全体に接触する可能性がある表面を定期的に清掃してください。
- > 生肉や魚が他の食品と接触したり、他の食品に滴下したりしないよう、庫内ではそれらを適切な容器に入れて保管してください。
- > ドアを長時間開いたままにすると、庫内の温度が大幅に上昇することがあります。本冷蔵庫を長期間空のままにする場合：
 - 本冷蔵庫の電源を切ります。
 - 冷蔵庫を除霜します。
 - 本冷蔵庫を清掃し、乾かします。
 - 冷蔵庫内でカビが発生しないよう、ドアは開けたままにしてください。利用可能な場合は、冷蔵庫のドアと冷凍庫のドアを冬位置にセットします。



注意! 怪我の危険

- > ヒンジに指を入れないでください。

- > 出発前には冷蔵庫のドアを閉め、ラッチを掛けてください。
- > 冷蔵庫の背面にある冷却装置は、運転中に非常に高温になります。冷蔵庫に換気グリルが装備されている場合は、換気グリルを取り外すときに高温部に触れないように注意してください。
- > 誤った使い方をする、装置のドアまたは冷凍庫のドアが装置から完全に外れる可能性があります。上下でカチッと合まる音がはっきりと聞こえるまでドアを押し、閉めます。



注意! 破損する恐れ

- > 開いている冷蔵庫のドアに寄りかからないでください。
- > ボトルや缶などの重い物は、冷蔵庫のドア、野菜室または一番下の棚に保管してください。
- > 冷蔵庫のドアが両面開きで、反対側のドアを正しくロックできない場合は、ロックされるまでその側の上部と下部を押してください。
- > **過熱の危険!** 稼働中に発生する熱が消散するよう、換気が十分であることを常に確認してください。空気が循環できるように、本製品が壁や他の物体から十分に離れていることを確認してください。
- > 庫内に氷や液体を入れしないでください。
- > 本製品とケーブルを熱や湿気から保護してください。
- > 電源プラグをコンセントから抜くときに、絶対にコードを引っ張らないでください。



注意事項

- > 車両のバッテリーマネジメントシステムがバッテリー保護のために冷蔵庫の作動を停止させる場合は、自動車メーカーにお問い合わせください。
- > 周囲温度が15℃ ... 25℃の場合は、平均温度設定を選択します。
- > ドアの反対側を正しくロックできない場合は、ロックされるまでその側の上部と下部を押してください。
- > 食品を無駄にしないために、次の点に注意してください：
 - 温度変化をできるだけ少なくしてください。冷凍庫の開閉は必要最小限に留めてください。食品は、室内の空気が循環できるように保管してください。
 - 選択した温度で冷却できる品物のみを本製品に入れるようにしてください。
 - 食材は図のように種類別に収納します。
 - 温度調節をできる場合：食品の量と種類に合わせて温度を調整します。
 - 食材は臭いや味を吸着/放出し易いものです。食材は必ず覆うか、密閉できる容器・ボトルに入れて保管してください。

4 同梱品について

数量	名称
1	コンプレッサー冷蔵庫
1	エルボ排管
1	取扱いに関するクイックマニュアル
1	取扱説明書（オンラインのみ）
1	設置説明書

5 オプション

オプションとして提供（製品には含まれていません）：

名称	商品番号：
スライディングヒンジ	9620012939
底面フレームを含む固定フレーム	
• NRX1050、NRX0050	9620012877
• NRX1060、NRX0060	9620012881
• NRX1080、NRX0080	9620012882
• NRX1115、NRX0115	9620012878
• NRX1130、NRX0130	9620012876
底面フレームを含む固定フレーム（ブラック）	
• NRX1050、NRX0050	9620012874
• NRX1060、NRX0060	9620012875
• NRX1080、NRX0080	9620012880
• NRX1115、NRX0115	9620012879
• NRX1130、NRX0130	9620012883
冷凍室が取り外された位置への代替シェルフ	
• NRX1050、NRX0050	9620012933
• NRX1060、NRX0060	9620012938
• NRX1080、NRX0080	9620012935
• NRX1115、NRX0115、NRX1130、NRX0130	9620012932
冷凍室	
• NRX1050、NRX0050	9620012931
• NRX1060、NRX0060	9620012936
• NRX1080、NRX0080	9620012934
• NRX1115、NRX0115、NRX1130、NRX0130	9620012937
換気フレーム（RS1650L、ホワイト） （NRX1050、NRX0050、NRX1060、NRX0060、NRX1080、NRX0080のみ）	9105702379

名称	商品番号：
換気フレーム (RS1650L、ブラック) (NRX1050、NRX0050、NRX1060、NRX0060、NRX1080、NRX0080のみ)	9105707393
換気グリル (AS1635L、ホワイト) (NRX1050、NRX0050、NRX1060、NRX0060、NRX1080、NRX0080のみ)	9500000949
換気グリル (AS1635L、ブラック) (NRX1050、NRX0050、NRX1060、NRX0060、NRX1080、NRX0080のみ)	9500000951
換気フレーム+グリル (LS 300ホワイト) (NRX1115、NRX0115、NRX1130、NRX0130のみ)	9600003033
換気フレーム+グリル (LS 300-Bブラック) (NRX1115、NRX0115、NRX1130、NRX0130のみ)	9600003022

6 使用目的

本製品使用目的：

- キャンピングトレーラー、キャンピングカー、ボート、トラックへの設置
- 食品冷蔵保存
- **NRX1050-1130 (C/S)、NRX0050、0080、0115 (C) のみ**：冷凍食品の保存
- 屋内での使用

この冷蔵庫は商用、小売用、住宅用としてはご利用いただけません。

この冷蔵庫は、次の用途には**適しません**。

- 医薬品の保管
- 腐食性物質や溶剤を含有した物質の保管
- 食品の急速冷凍
- 屋外での使用

ボートで使用する場合、本製品はオープンデッキではなく、デイルームエリアに設置する必要があります。

冷凍室は、あらかじめ冷凍されている食品の保存、また、アイスクリーム作りやその保存、角氷の製氷に適しています。あらかじめ冷凍されていない食品を冷凍する目的には適していません。

この冷蔵庫はキャビネットまたは適切な場所への設置を対象としています。

最適な冷却性能は、周囲温度が16℃ ... 43℃、最高湿度が90%の条件下で得られます。

本製品は、これら指示に従った目的と用途にのみ適しています。

このマニュアルには、本製品の適切な設置および/または操作に必要な情報が記載されています。設置や操作、またはメンテナンスが不適切な場合、満足のいく性能を発揮できず、故障の原因となる可能性があります。

メーカーは、以下に起因する怪我や本製品の損傷について一切の責任を負いません：

- 誤った取り付け、組み立てまたは接続（過電圧を含む）

- メーカーが提供する純正スペアパーツ以外のスペアパーツを誤ってメンテナンスしたり、使用した場合
- メーカーの明示的な許可なしに本製品を改造した場合
- このマニュアルに記載されている以外の目的で使用した場合

Dometicは、製品の外観および製品の仕様を変更する権利を留保します。

7 技術説明書

本冷蔵庫はコンプレッサー式冷蔵庫です。

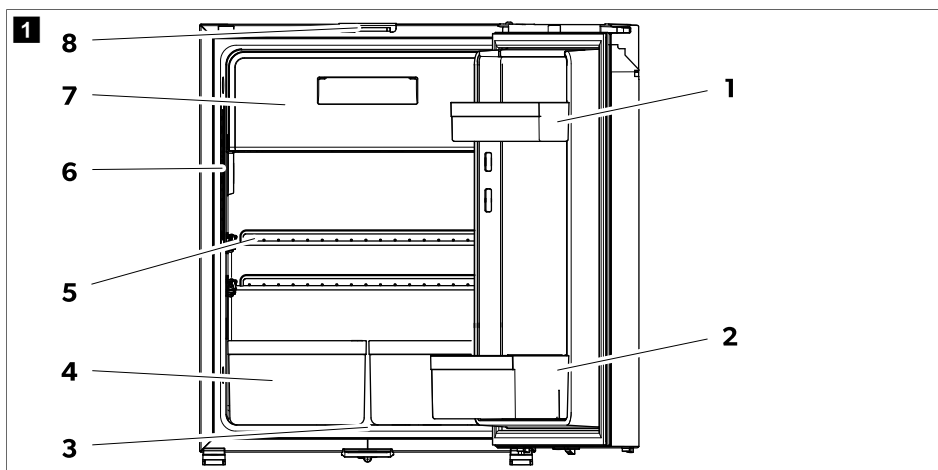
NRX0050-0130 (C/S) : 本冷蔵庫は異なる種類の電源で動作するように設計されており、DCまたはAC電源のどちらでも使用することができます。

NRX1050-1130 (C/S) 、NRX0050/0080/0115 (C) : このモデルには、工場出荷時に冷凍室が装着されています。この冷凍室は取り外すことも、再び装着することも可能です。

本冷蔵庫のドアは輸送時の保護を目的にラッチ機構を備えています。

使用されているすべての材質は、食料品への使用に適しています。

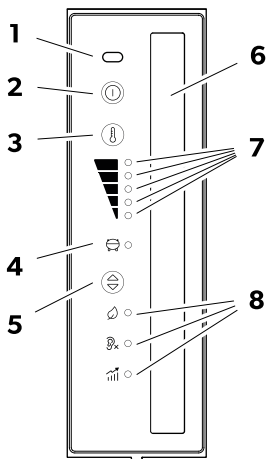
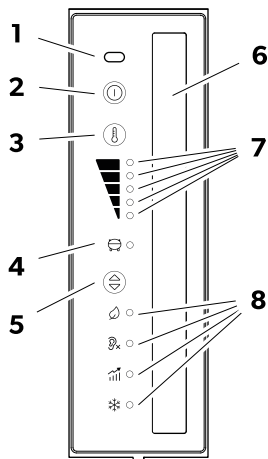
装置の説明



番号	説明
1	ドアシェルフ
2	ボトルシェルフ
3	結露排水口
4	野菜室
5	キャビネットシェルフ
6	ディスプレイ付きコントロールパネル
7	冷凍室
8	通気用ドアラッチ

操作および表示内容

■ NRX0050 - 0130 (E)

NRX1050 - 1130 (C/S)
NRX0050, 0080, 0115 (C)

番号	説明
1	ドア開閉IRセンサー
2	Ⓞ オン/オフボタン
3	④ 冷却レベル設定ボタン
4	コンプレッサー&エラー表示LED
5	Ⓢ 作動モードボタン
6	室内灯
7	冷却レベル表示LED  <ul style="list-style-type: none"> ■ 冷却レベル5 ■ 冷却レベル4 ■ 冷却レベル3 ■ 冷却レベル2 ■ 冷却レベル1
8	作動モード表示LED

コンプレッサー&エラー表示LED





コンプレッサー&エラー表示LEDはコンプレッサーの動作状態やエラーを表示します。

色	名称
ホワイト	コンプレッサー オン
オレンジ	コンプレッサー オフ

色	名称
オレンジ（点滅）	エラー（エラー表示（51ページ）章を参照）


作動モード表示LED

作動モード表示LEDは以下の設定オプションを表示します。

図記号	名称
	ECOモード： 省電力での作動。 冷却レベル1～3
	QUIETモード： 静音での作動。 冷却レベル1～4
	PERFORMANCEモード： 冷却レベル1～5
	FREEZERモード（NRX1050-1130[C/S]、NRX0050/0080/0115[C]のみ）： 冷凍室を取り外した状態での作動。 冷蔵庫内全体を-6℃まで冷却。 WINTERモード（NRX1115-1130[C/S]のみ）： 周囲温度が低い状態でも冷凍室を適切に冷却。

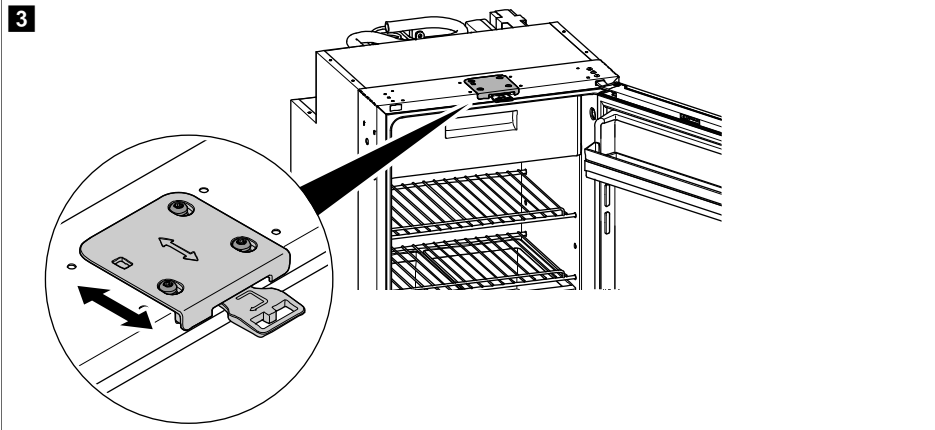
8 使用方法

8.1 初めてご使用になる前に

-  **注意事項**
- > 起動後4時間は冷蔵庫に食品を保管しないでください。
 - > 冷蔵庫初回使用の際に少しにおいがすることがあります。この臭いは数時間で消えます。設置された部屋の室内も十分換気してください。
 - > 冷却性能に影響を及ぼす要因：
 - 周囲の温度（自動車が直射日光に当たっているなど）
 - 保存される食品の量
 - ドアを開く頻度
- > 冷蔵庫内は衛生のために清掃してください（お手入れと保管について（46ページ）を参照）。
- > 特に冷蔵庫起動時や出発前に冷蔵庫内にもものを入れるときには車両は水平な状態で駐車してください。

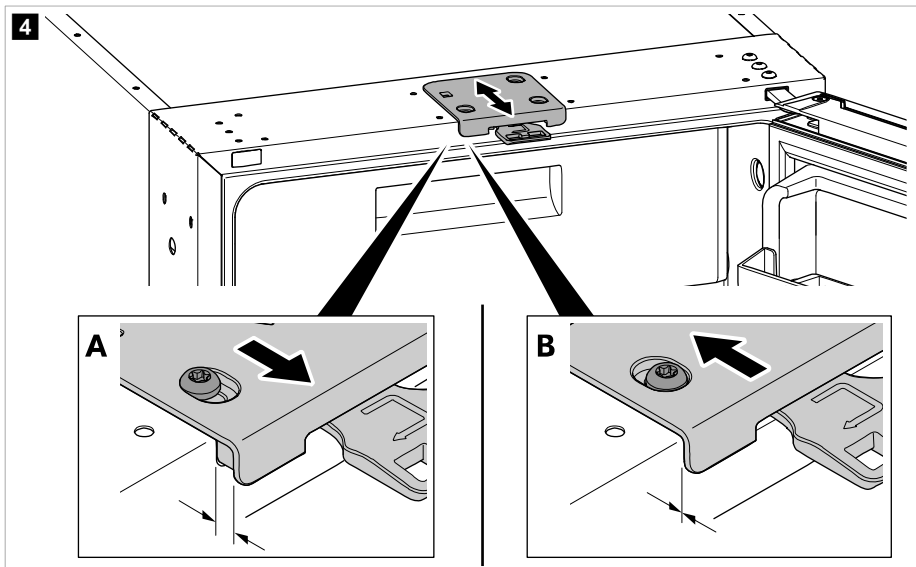
8.1.1 ドアラッチを調整する

冷蔵庫の上部にあるドアラッチを調整することで、ドアの閉まり幅を調節することができます。



注意事項 調整式ドアラッチが取り付けられているか確認します。必要に応じて、調整式ドアラッチ (documents.dometic.com) を注文し、固定式ドアラッチを調整式ドアラッチに交換します。

> 工場出荷時は、ドアラッチは位置Aに設定されています。ドアラッチを位置Bに移動します。



注意事項 ドアラッチが位置Bにある場合、ドアを閉じる際にドアラッチが正しいことを確認してください (冷蔵庫のドアを閉め固定する (40ページ) の章を参照)。

8.2 食品の保管に関する情報



注意! 健康への危険

冷蔵庫が10℃以下の周囲温度で長時間使用された場合、冷凍室の温度制御を保証することができなくなります。これにより冷凍室の温度が上昇し、室内の食品が解凍してしまうことがあります。

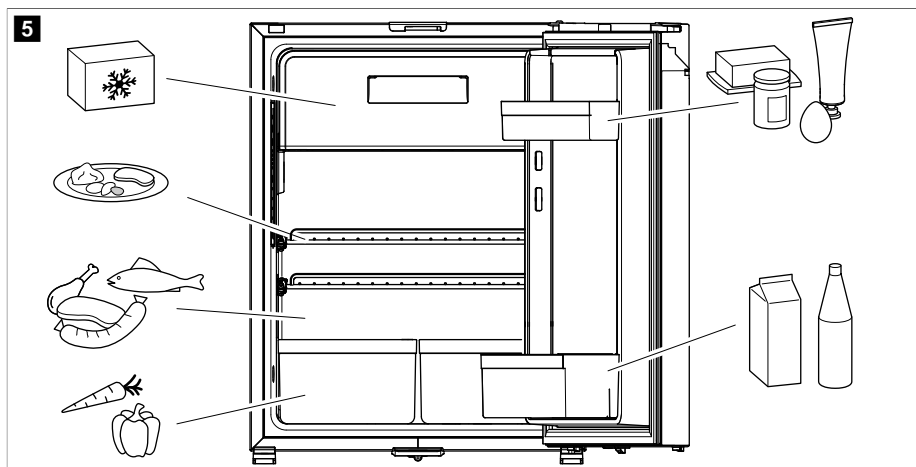


注意! 破損する恐れ

- > 冷蔵庫にものを入れるときは、ドアシェルフおよびドアの耐荷重を守ってください（テクニカルデータ（52ページ）参照）。
- > 炭酸飲料は冷凍室に入れないでください。

食品を無駄にしないために、次の点に注意してください：

- 温度変化をできるだけ少なくしてください。冷蔵庫は必要な回数、必要な時間だけ開けるようにしてください。食品は、室内の空気が循環できるように保管してください。
 - 食品の量と種類に合わせて温度を調整します。
 - 食材は図のように種類別に収納します。
 - 食材は臭いや味を吸着/放出し易いものです。食材は必ず覆うか、密閉できる容器・ボトルに入れて保管してください。
- > 食品は以下に示されている位置に入れてください。



8.3 省エネルギー

- 冷蔵庫は必要な回数、必要な時間だけ開けるようにしてください。
- 温かい食べ物は冷ましてから、庫内に入れて冷やしてください。
- 氷の層を見つけたらすぐに霜取りを行ってください。
- 不必要な低温設定は行わないでください。
- エネルギー消費を最適化するために、納品時と同じ位置にシェルフと引き出しを配置してください。
- ドアシールが適切に取り付けられていることを定期的を確認してください。
- コンデンサーのほこりや汚れを定期的に取り除きます。

8.4 冷蔵庫のドアを使用する



注意! 怪我の危険

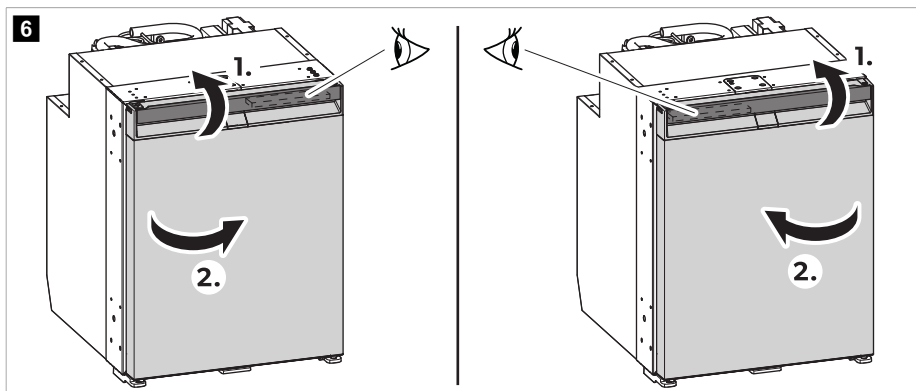
誤った使い方をする、冷蔵庫のドアや冷凍庫のドアが装置から完全に外れる可能性があります。

8.4.1 冷蔵庫のドアを開く



注意事項 反対側にあるハンドルをドアストッパーに確実に引いてください。スライダーのそれぞれの位置を確認してください。該当する設置説明書を確認してください。

> 以下に示されている手順で冷蔵庫のドアを開けます。



8.4.2 冷蔵庫のドアを閉め固定する



注意! 怪我の危険

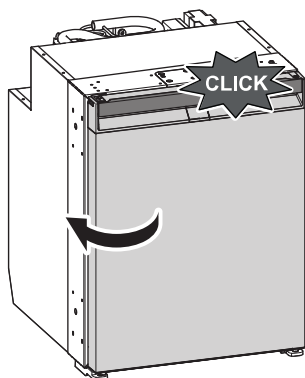
ドアが正しく固定されていない場合は、きちんと閉まるまでドアの上部および下部を慎重に押してください。



注意事項 冷蔵庫のドアにはラッチ機構を搭載されています。これは輸送時の保護にも使用することができます。

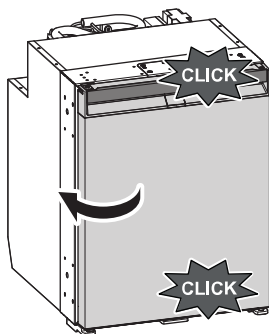
- > NRX0050-0130 (E) : 上部でカチっとはまる音がはっきりと聞こえるまでドアを押し、閉めます。

7 NRX0050-0130 (E)



- > NRX1050-1130 (C/S)、NRX0050/0080/0115 (C) : 上下でカチっとはまる音がはっきりと聞こえるまでドアを押し、閉めます。

8 NRX1050-1130 (C/S) NRX0050, 0080, 0115 (C)



- ✓ これでドアは閉じられ、固定されました。

8.5 スイッチのオン/オフ



注意事項 冷蔵庫を長時間使用しない場合、電源を切ってください。

- > 電源を入れるには、Ⓞボタンを1回、2s以上長押しします。
- ✓ 前回選択した冷却レベルと作動モードの設定で冷蔵庫の電源が入ります。
- > 電源を切るには、Ⓞボタンを2s以上長押しします。

8.6 作動モードの設定



注意事項 ECOモード、PERFORMANCEモード、FREEZERモード、またはWINTERモードを使用している場合、変更するまでそのモードが維持されます。

- 作動モードを設定するには、設定したい作動モードの表示LEDが点灯するまで \odot ボタンを繰り返し押しします。

以下の作動モードをご利用いただけます：

ECOモードの使用

ECOモードを有効にすると、冷蔵庫は冷却レベル1～3の省電力で作動します。

- ECOモード (\odot) の作動モード表示LEDと選択された冷却レベル表示LEDが点灯します。

QUIETモードの使用

QUIETモードを有効にすると、冷蔵庫は冷却レベル1～4で静音作動します。



注意事項

- 冷蔵庫がFREEZERモードで作動している場合、QUIETモードを使用することはできません。
- QUIETモードを使用すると、冷蔵庫は8hこのモードで稼働し、その後その前に選択されていたモード（ECOモードまたはPERFORMANCEモード）に戻ります。

- QUIETモード (\odot) の作動モード表示LEDと選択された冷却レベル表示LEDが点灯します。

PERFORMANCEモードの使用

PERFORMANCEモードを有効にすると、冷蔵庫は冷却レベル1～5の標準モードで作動します。

- PERFORMANCEモード (\odot) の作動モード表示LEDと選択された冷却レベル表示LEDが点灯します。

FREEZERモードの使用

FREEZERモードが作動すると、冷蔵庫の内部全体が -6°C に冷却されます。



注意事項

- FREEZERモードを使用するには冷凍室を取り外してください。
- 冷蔵庫がWINTERモードで作動している場合、FREEZERモードを使用することはできません。

- FREEZERモード (\odot) の作動モード表示LEDとすべての冷却レベル表示LEDが点灯します。

周囲温度が低い場合のWINTERモードの使用（NRX1115-1130のみ）



注意事項

- 冷たい空気は冷却ユニットの性能に影響を与えます。冷凍室の冷却能力の喪失が認められる場合は、WINTERモードを有効にします。
- 消費電力を抑えるために、WINTERモードは周囲温度が 16°C 以上になったら解除してください。
- 冷蔵庫がFREEZERモードで作動している場合、WINTERモードを使用することはできません。

- WINTERモードを有効化または解除する手順は以下に示されています。



- FREEZERモード（★）の作動モード表示LEDが緑色に点灯し、選択された冷却レベル表示LEDが点灯したままになります。

8.7 冷却レベルの設定

- 冷却レベルを設定するには、目的の冷却レベルに達するまで④ボタンを繰り返し押します。

8.8 棚板位置の変更



警告! 子供の閉じ込めの危険

NRX1060-1130 (C/S)、NRX0080/0115 (C)、NRX0060-0130 (E) : お子様が冷蔵庫に入ってしまうことがないように、棚板は全て固定されています。

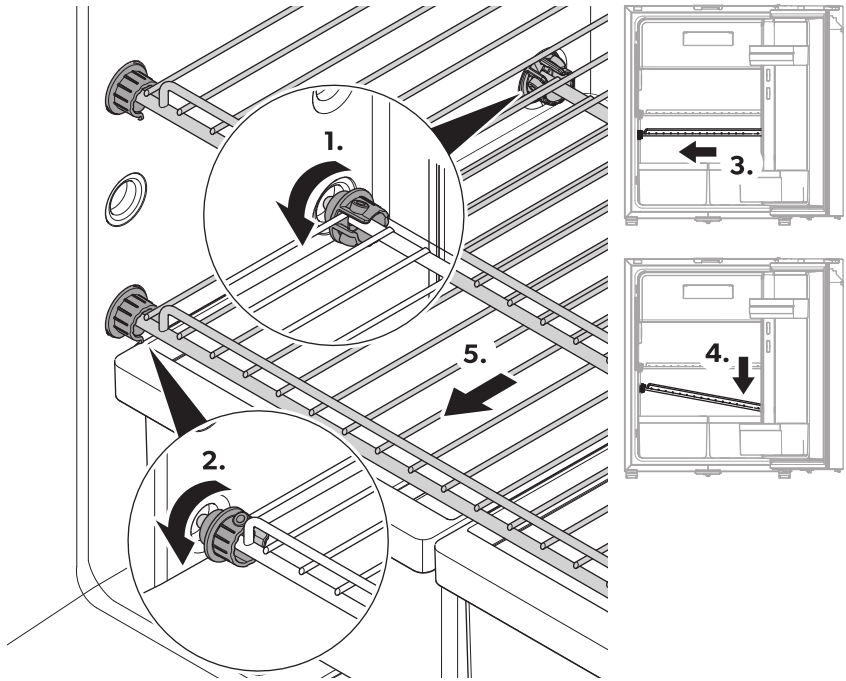
- 棚板は清掃の目的でのみ取り外してください。
- 棚板を再び取り付ける際には必ず固定してください。



注意事項 後部の棚板のつまみにアクセスしやすいように、棚板を戻す前に冷凍室を取り外してください。

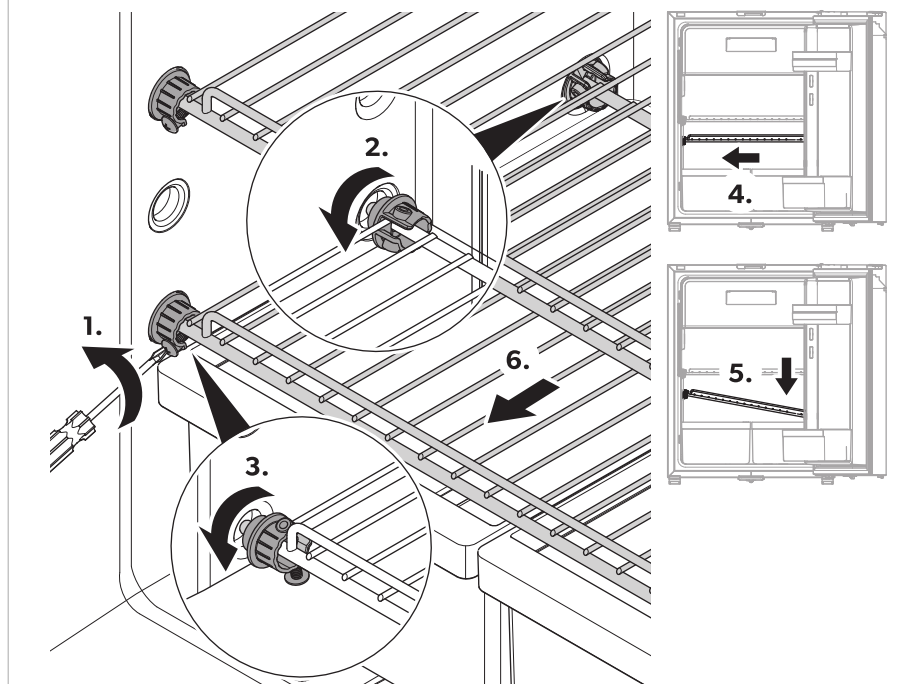
> NRX0035-0050 : 棚板の位置を変更する手順は以下に示されています。

10 NRX0050, NRX1050



> NRX0035-0050：棚板の位置を変更する手順は以下に示されています。

11 NRX0060 - 0130, NRX1060 - 1130



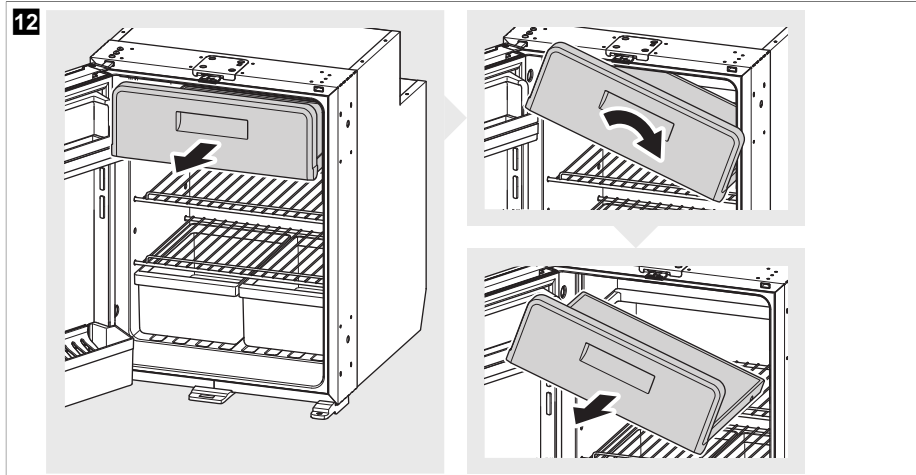
8.9 冷凍室の取り外し



注意! 破損する恐れ

- > 冷凍室を取り出すにはまず冷凍室のドアを閉めます。
- > 冷凍庫の底面を支えます。冷凍室のドアを掴んで引っ張らないでください。
- > 冷凍室は乾燥した安全な場所に保管してください。

> 冷凍室を取り外す手順は以下に示されています。



9 お手入れと保管について



警告! 感電の危険

冷蔵庫の清掃およびメンテナンスの前には、必ず電源を切ってください。



注意! 破損する恐れ

- > 清掃の際、研磨剤の入った洗剤や鋭利な道具は使用しないでください。
- > 固い道具や鋭利な道具を使って氷や凍結物を取り除こうとしないでください。
- > シール部に水が入らないように注意してください。これによって電子機器が損傷する可能性があります。



注意! 破損する恐れ

危険を避けるため、照明の交換はメーカー、サービス代理店、または同様の資格を持った担当スタッフのみが作業することができます。

- > 冷蔵庫の庫内および表面を湿った布で定期的に清掃してください。また、汚れはすぐに取り除いてください。清掃後は冷蔵庫を布で吹いて乾かしてください。
- > ドレン水を定期的に確認してください。
必要に応じて、ドレン水を清掃してください。詰まりが発生すると、ドレン水が冷蔵庫の底部に溜まってしまいます。
- > コンデンサーのほこりや汚れを湿った布で定期的に清掃してください。

冷媒回路

冷媒回路はメンテナンスの必要がありません。

冷蔵庫の霜取り



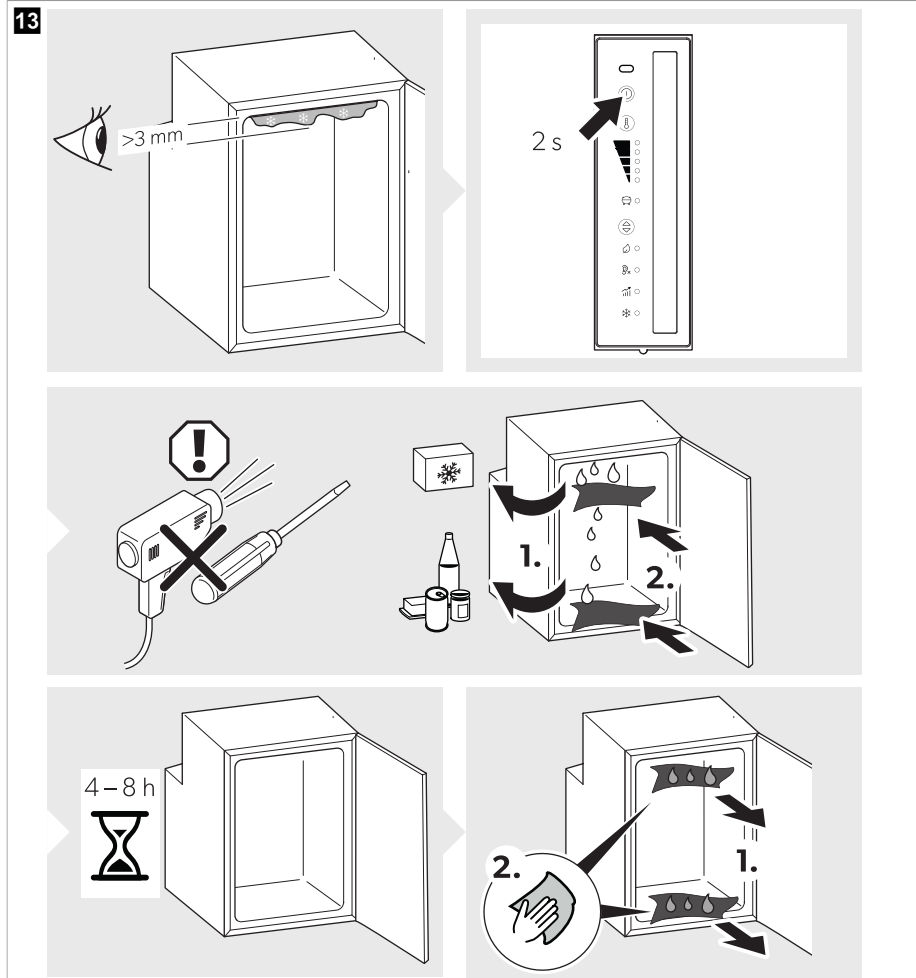
注意! 破損する恐れ

霜取りのスピードを上げるために、機械工具やその他の工具を使用しないでください。



注意事項 時間の経過に伴い、冷蔵庫内の背面に霜が付着します。この霜の層が3 mm 程度の厚さになったら、霜取りを行ってください。

> 霜取りの手順は以下に示されています。



冷蔵庫のドアを保管位置にセットする

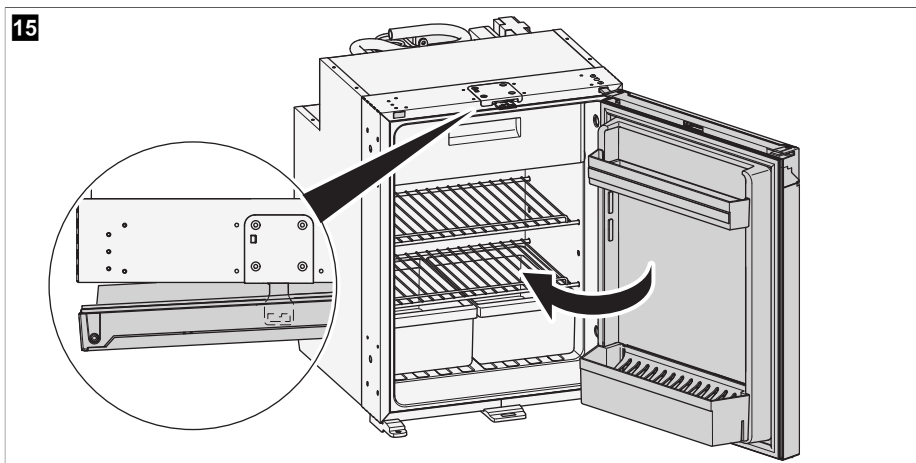
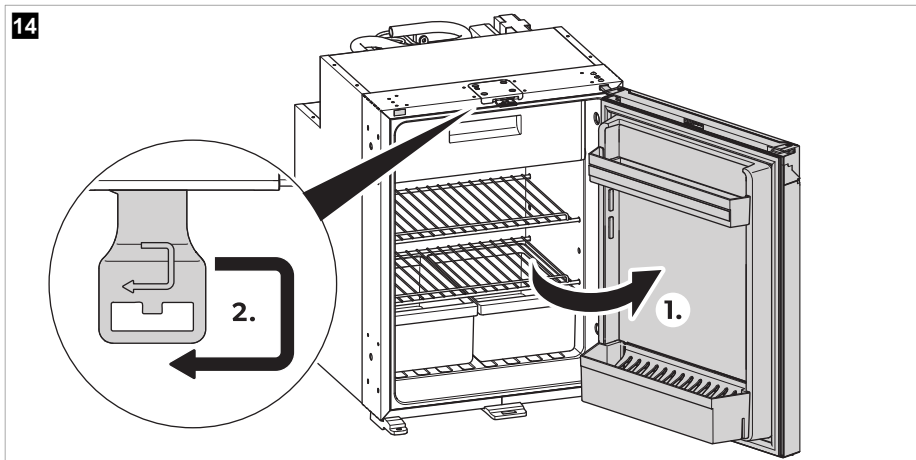
**注意! 怪我の危険**

走行中には冷蔵庫を保管位置にセットしないでください。



注意事項 長時間使用しない場合は、冷蔵庫のドアを保管位置にセットしてください。これにより、カビの発生を防ぐことができます。

- > 冷蔵庫の霜取り（冷蔵庫の霜取り（47ページ）参照）。
- > 冷蔵庫のドアを保管位置にセットする手順は以下に示されています。

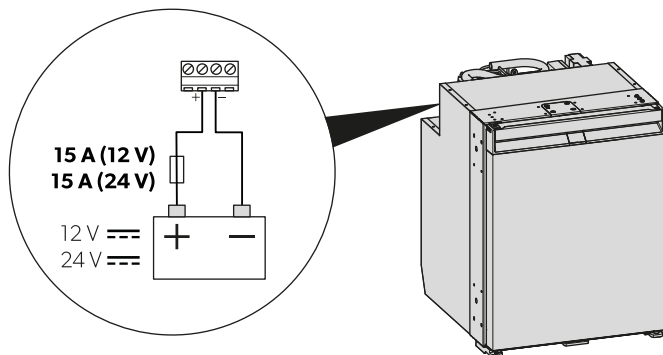



10 困ったときは



注意事項 走行中にキャンピングトレーラー内の12Vユニットを安全に作動するには、牽引する車から十分な電圧が供給されていなければなりません。一部の車両では、バッテリー保護のためにバッテリーマネージメントシステムがユニットを自動でオフにしてしまうことがあります。詳しくは自動車メーカーにお問い合わせください。

16



問題	原因	療法
冷蔵庫が作動しない。	DCケーブルのヒューズが故障している。	<ul style="list-style-type: none"> ヒューズを交換します（形16（49ページ））。
	車両のヒューズが切れている。	<ul style="list-style-type: none"> 車両ヒューズを交換してください。車両の取扱説明書をご参照ください。
	車両のバッテリーが放電している。	<ul style="list-style-type: none"> バッテリーをテストし、充電します。
	イグニッションがONになっていない。	<ul style="list-style-type: none"> イグニッションをONにします。
	コンプレッサーの温度が低過ぎる（0℃未満）。	<ul style="list-style-type: none"> 全ての外部通気グリルを断熱材で完全にカバーします。
	電圧不足が発生すると冷蔵庫の電源は自動的にオフになります。（カットオフ電圧：10.4V⇒）	<ul style="list-style-type: none"> バッテリーを充電します。冷蔵庫は自動的に再起動します。（カットイン電圧：11.7V⇒）
冷却が弱い、庫内温度の上昇。コンプレッサーの作動が止まらない。	冷却ユニット周辺の換気が不十分である。	<ul style="list-style-type: none"> 換気グリルがふさがれていないかを点検します。 冷蔵庫を別の場所に移動します。
	内壁に氷結がある。	<ul style="list-style-type: none"> 冷蔵庫のドアが正しく閉まるかを確認します。 冷蔵庫のシールが正しく装着されており、破損などが無いことを確認します。 冷蔵庫の霜取り（冷蔵庫の霜取り（47ページ）参照）。

問題	原因	療法
	温度設定が高すぎる。	➢ 温度を低く設定します。
	周囲温度が高すぎる。	➢ 暖気を素早く取り除けるよう換気グリルをしばらく外しておきます。
	冷蔵庫に食品が入り過ぎている。	➢ 一部の食品を庫外に出します。
	冷蔵庫に温かい食品を入れ過ぎた。	➢ 温かい食品を取り出し、冷ましてから再び入れます。
	冷蔵庫がまだ十分な時間稼働していない。	➢ 4h / 5h後にもう一度温度を確認します。
	コンデンサーが汚れている。	➢ コンデンサーを清掃します（「お手入れと保管について（46ページ）」章を参照）。
	ファンに不具合がある。	➢ 指定のサービス代理店へご相談ください。
冷却が弱い、庫内温度の上昇。 コンプレッサーが頻繁に作動しない。	バッテリー容量不足。	➢ バッテリーを充電します。
冷却が弱い、庫内温度の上昇。 コンプレッサーが作動しない（バッテリー接続時）。	バッテリーと機器が接続されていない。	➢ 接続を確認します。
	メインスイッチの不具合（ある場合）。	➢ メインスイッチを交換します。
	追加電源ラインのヒューズが切れている（ある場合）。	➢ 電源ラインのヒューズを交換します。
	バッテリーの電圧が低過ぎる。	➢ バッテリーを充電します。
	バッテリー容量が低過ぎる。	➢ バッテリーを交換します。
	ケーブルが外れている。 接触不良（腐食）。	➢ 接続を確認します。
	ケーブルの断面積が小さすぎる。	➢ ケーブルを交換します。
コンプレッサーに不具合がある。	➢ 指定のサービス代理店へご相談ください。	
冷却が弱い、庫内温度の上昇。 コンプレッサーが作動しない（AC電源への接続時）。	電源ラインの接続に問題がある。	➢ 接続を確認します。
	メインスイッチの不具合（ある場合）。	➢ メインスイッチを交換します。
	追加電源ラインのヒューズが切れている（ある場合）。	➢ 電源ラインのヒューズを交換します。
	コンプレッサーに不具合がある。	➢ 指定のサービス代理店へご相談ください。
異音がする。	冷媒回路の部品が引っ掛かっている（壁にあたっている）。	➢ 部品を慎重に曲げあたっていているものから離します。
	冷却ユニットと壁の間に異物が挟まっている。	➢ 異物を取り除きます。
	ファンのノイズ。	➢ 指定のサービス代理店へご相談ください。

問題	原因	療法
走行中など、移動中に意図せずドアが開く。	ドアラッチが位置Aにセットされている（ドアラッチを調整する（37ページ）の章を参照）。	<ul style="list-style-type: none"> ドアラッチを位置Bにセットします。
ドアが正しく閉じない。	ドアラッチが位置Aにセットされている（ドアラッチを調整する（37ページ）の章を参照）。	<ul style="list-style-type: none"> ドアラッチを位置Bにセットします。
	ドアラッチが位置B（ドアラッチを調整する（37ページ）の章を参照）にセットされているが、ドアラッチが正しく掛からない。	<ul style="list-style-type: none"> ドアを閉じるときに、ドアラッチが正しく掛かっていることを確認します。

エラー表示



注意事項

- すべてのエラーは、エラーインジケータLEDが赤く点滅して表示されます（操作および表示内容（36ページ）参照）。点滅の回数は故障の種類により異なります。1回のフラッシュは1/4秒間です。一連の点滅の後、休止します。故障時のシーケンスは4秒ごとに繰り返されます。
- ECO、PERFORMANCE、FREEZERモードでは、さらにピープ音が鳴ります。

点滅頻度	エラー	考えられる原因
1	電圧不足または過電圧	供給される電圧が設定範囲外。
2	ファン電流が過剰	電子ユニットのファンの負荷が1Aを超えている。
3	モーターが始動しない	ローターに詰まりがある。 冷却システムの圧力差が大きすぎる。
4	速度が低過ぎる	冷却システムに負荷がかかり過ぎ、モーターの最低回転数が維持できなくなっている。
5	電子ユニットのオーバーヒート	冷却システムに負荷がかかり過ぎていたり、温度設定が高すぎると、電子系統が過熱することがあります。
継続	温度センサーエラー	温度センサーに問題がある。

11 保証

適用される保証期間は1年です。製品に欠陥がある場合は、販売店またはお住まいの国の製造元の支店（dometic.com/dealer参照）にお問い合わせください。

修理および保証に関する作業には以下の書類を同封して製品を送付してください：

- 購買日が記載された請求書のコピー
- クレーム内容もしくは不具合の詳細

お客様自らによる修理や専門業者以外が行う修理は、安全性に影響を及ぼす可能性があり、保証失効の理由となります。

現地でのサポート

現地サポートは以下のリンクで検索することができます。: dometic.com/dealer

12 廃棄



注意! 破損する恐れ

冷却装置の断熱材には可燃性シクロペンタンが含まれており、特別な廃棄手順が必要です。ライフサイクルが終了する時点で冷却装置を適切なりサイクルセンターに送ります。





梱包材は可能な限り適切なりサイクル用ゴミ箱に入れてください。該当する処分規則に従い本製品を処分する方法の詳細については、最寄りのリサイクルセンターまたは専門業者に問い合わせてください。ヨーロッパ：.

13 テクニカルデータ

本機は、UN ECE Regulation R10に適合しています。

	NRX1050 (C/S) 、NRX0050 (C/E)	NRX1060 (C/S) 、NRX0060E
容量		
• 冷蔵室 (NRX1050-1130[C/S]、NRX0050/0080/0115[C]のみ)	39.6 L	48.9 L
• 冷凍室 (NRX1050-1130[C/S]、NRX0050/0080/0115[C]のみ)	4.4 L	6.1 L
• 総容量	44 L	55 L
• 総容量 (冷凍室を取り外した状態)	46 L	58 L
接続電圧		
• NRX1050-1060 (C/S)		12 / 24V== 100 ... 240 V~
• NRX0050-0060 (C/E)		12 / 24V==
バッテリー保護機能 (12V)		
• カットオフ電圧		10.4 V
• カットイン電圧		11.7 V
バッテリー保護機能 (24V)		
• カットオフ電圧		22.8 V
• カットイン電圧		24.2 V
気候クラス		T
保存温度範囲		
• 冷蔵庫		0 °C ... 12 °C
• 冷凍室 (NRX1050-1130[C/S]、NRX0060/0050/0115[C]のみ)		-15 °C ... -5 °C
• FREEZERモード (NRX1050-1130[C/S]、NRX0060/0080/0115[C]のみ)		-6 °C
定格周囲温度		16 °C ... 43 °C

	NRX1050 (C/S) 、NRX0050 (C/E)	NRX1060 (C/S) 、NRX0060E
冷媒	R134a	
冷媒量	26 g	30 g
二酸化炭素換算	0.037 t	0.043 t
地球温暖化係数 (GWP)	1430	
運転音 (EN 60704)	40 ... 45 dB(A)	
寸法 (幅×高さ×奥行、単位：mm)	525 × 380 × 510 mm	525 × 448 × 537 mm
正味重量	C, S: 18 kg E: 14.5 kg	C, S: 18 kg E: 16 kg
耐荷重	4 kg 8 kg	5 kg 10 kg
検査/認証：	 	

	NRX1080 (C/S) 、 NRX0080C、NRX 0080E	NRX1115 (C/S) 、 NRX0115C、NRX0115E	NRX1130 (C/ S) 、NRX0130E
容量			
<ul style="list-style-type: none"> 冷蔵室 (NRX1050-1130[C/S]、NRX0060/0080/0115[C]のみ) 	68.4 L	104.5 L	118 L
<ul style="list-style-type: none"> 冷凍室 (NRX1050-1130[C/S]、NRX0060/0080/0115[C]のみ) 	6.6 L	8.2 L	8.2 L
<ul style="list-style-type: none"> 総容量 	75 L	113 L	126 L
<ul style="list-style-type: none"> 総容量 (冷凍室を取り外した状態) 	78 L	116 L	130 L
接続電圧			
<ul style="list-style-type: none"> NRX1080-1130 (C/S) 	12 / 24 V=== 100 ... 240 V~		
<ul style="list-style-type: none"> NRX0080-0130 (C/E) 	12 / 24 V===		
バッテリー保護機能 (12 V)			
<ul style="list-style-type: none"> カットオフ電圧 	10.4 V		
<ul style="list-style-type: none"> カットイン電圧 	11.7 V		
バッテリー保護機能 (24 V)			

	NRX1080 (C/S) 、 NRX0080C、NRX 0080E	NRX1115 (C/S) 、 NRX0115C、NRX0115E	NRX1130 (C/ S) 、NRX0130E
<ul style="list-style-type: none"> カットオフ電圧 カットイン電圧 	22.8V 24.2V		
気候クラス	T		
保存温度範囲	0°C ... 12°C		
<ul style="list-style-type: none"> 冷蔵庫 冷凍室 (NRX1050-1130[C/S]、NRX0060/0080/0115[C]のみ) FREEZERモード (NRX1050-1130C/S、NRX0060/0080/0115[C]のみ) 	-15°C ... -5°C -6°C		
定格周囲温度	16°C ... 43°C		
冷媒	R134a		
冷媒量	32 g	40 g	40 g
二酸化炭素換算	0.046 t	0.057 t	0.057 t
地球温暖化係数 (GWP)	1430		
運転音 (EN 60704)	40 ... 45 dB(A)		
寸法 (幅×高さ×奥行)	625 × 475 × 537 mm	745 × 525 × 568 mm	812 × 525 × 568 mm
正味重量	C、S： 21 kg E： 18 kg	C、S： 27 kg E： 25 kg	C、S： 28 kg E： 26 kg
耐荷重	<ul style="list-style-type: none"> ドアシエルフ1個あたり ドア1枚あたり 		
	5 kg	6 kg	6 kg
	10 kg	18 kg	18 kg
検査/認証：	 		

한국어

1	중요 사항.....	55
2	아이콘 설명.....	55
3	안전 지시사항.....	55
4	배송 내용물.....	58
5	액세서리.....	58
6	사용 용도.....	60
7	기술 설명.....	60
8	조작.....	63
9	청소 및 유지보수.....	72
10	문제 해결.....	74
11	보증.....	77
12	폐기.....	77
13	기술 데이터.....	77

1 중요 사항

본 제품을 항상 올바르게 설치하고 사용하고 유지보수하려면, 본 사용 설명서를 주의 깊게 읽고 본 사용 설명서에 포함된 모든 지시사항, 지침, 경고에 따르세요. 본 사용 설명서는 반드시 본 제품과 함께 보관해야 합니다.

본 제품을 사용하기 시작하면, 모든 지시사항, 지침, 경고를 주의 깊게 읽었으며 여기에 명시된 약관을 이해하고 준수하는 데 동의하는 것으로 간주합니다. 본 제품을 정해진 용도로만 사용하고 본 사용 설명서에 명시된 지시사항, 지침, 경고에 따르는 데 동의하는 것으로 봅니다. 여기에 명시된 지시사항 및 경고를 읽고 따르지 않는 경우, 본인과 타인이 부상을 당할 수 있으며 제품이나 주변의 다른 재산이 손상될 수 있습니다. 본 사용 설명서 및 이에 포함된 지시사항, 지침, 경고, 관련 문서는 변경되고 업데이트될 수 있습니다. 최신 제품 정보는 documents.dometic.com에서 확인할 수 있습니다.

2 아이콘 설명

표시어가 안전 관련 메시지 및 기기 손상 메시지를 표시하고 위험의 심각도를 알려줄 것입니다.



경고!

예방하지 않을 경우 사망 또는 중상으로 이어질 수 있는 위험한 상황을 나타냅니다.



주의!

예방하지 않을 경우 경상 또는 중간 정도의 부상으로 이어질 수 있는 위험한 상황을 나타냅니다.



유의!

예방하지 않을 경우 물적 손상으로 이어질 수 있는 상황을 나타냅니다.



참고 제품 조작에 대한 추가 정보.

3 안전 지시사항

일반 안전



경고! 감전 위험

> 본 냉장고의 설치 및 철거는 자격을 갖춘 기술자만 수행할 수 있습니다.

- > 화장실 및 물에 노출된 구역에 설치할 경우 반드시 자격을 갖춘 기술자가 설치 작업을 수행해야 합니다.
- > 천막 아래 또는 이와 유사한 환경에서 본 냉장고를 설치할 경우, 비와 튀기는 물로부터 냉장고를 보호하십시오.
- > 냉장고가 눈에 띄게 손상된 경우 작동하지 마십시오.
- > 본 냉장고는 자격을 갖춘 기술자만 수리할 수 있습니다. 부적절한 수리는 냉장고에 상당한 위험이나 손상을 초래할 수 있습니다.
- > 본 냉장고의 전원 케이블이 손상된 경우, 안전 위험을 방지하기 위해 제조사, 고객 서비스 팀, 또는 자격을 갖춘 기술자가 교체해야 합니다.
- > 냉장고를 배치할 때 전원 코드가 끼이거나 손상되지 않았는지 확인하십시오.
- > 냉장고 뒤에 휴대용 멀티탭 또는 휴대용 전원 공급 장치를 두지 마십시오.
- > 노출된 케이블을 맨손으로 만지지 마십시오.
- > 특히 기기를 접지해야 하는 경우 적절한 연결을 보장하는 소켓에만 기기의 플러그를 꽂으십시오.
- > 기기에 주전원에서 전원이 공급되는 경우, 전원에 잔류 전류 회로 차단기(RCCB) 또는 누전 차단기(GFCI)가 있는지 확인하십시오. 모든 해당 규정에 따라 설치를 수행해야 하며 특히 습기가 생길 수 있는 곳에서는 더욱 엄격하게 규정을 따라야 합니다.



경고! 화재 위험

- > 냉매 회로에 환경친화적이지만 인 냉매가 소량 포함되어 있습니다. 이 냉매는 오존층을 손상시키지 않으며 온실 효과를 증가시키지 않습니다. 냉매가 누출되면 발화할 수 있습니다.
- > 공기 흐름이 없거나 원활하지 않은 폐쇄 공간에서 냉장고를 사용하거나 보관하지 마십시오.
- > 정상 또는 비정상 작동 중에 스파크나 아크 방전을 일으키는 전기 부품 및 광원(즉, 계전기나 퓨즈 박스)이 냉장고 설치 장소에 없도록 하십시오.
- > 냉장고의 절연체에는 인화성 사이클로펜탄이 함유되어 있으므로 특별한 폐기 절차가 필요합니다. 사용 수명이 다한 냉장고는 해당 재활용 센터로 보내주십시오.



경고! 폭발 위험

압축가스가 담긴 에어로졸 캔 등의 폭발성 물질을 냉장고에 보관하지 마십시오.



경고! 건강 위험

- > 본 냉장고는 신체적 감각적 정신적 능력이 제한되거나 경험 및 지식이 부족한 사람(어린이 포함)이 사용하기에 적합하지 않습니다. 이러한 사람이 본 냉장고를 사용하려면 이들의 안전 책임자가 냉장고 사용을 감독하거나 냉장고 사용에 관해 지시를 내려야 합니다.
- > 3~8세의 어린이가 냉장고를 채우거나 비우는 것은 허용됩니다.
- > 어린이가 감독을 받지 않고 청소나 유지보수를 하면 안 됩니다.
- > 어린이가 냉장고를 가지고 놀지 않도록 감독해야 합니다.



경고! 어린이 감힐 위험

- > 선반을 장착하고 고정할 때 어린이가 감힐 위험이 없도록 배열하십시오.
- > 오래된 냉장고를 폐기하기 전에:
 - 서랍을 해체하십시오.
 - 냉장고에 선반을 남겨두어 어린이가 안으로 들어가지 못하게 하십시오.
- > 도어를 제거하십시오.



주의! 건강 위험

- > 냉장고의 불안정한 설치로 인한 위험을 방지하기 위해, 설치 설명서에 따라 고정해야 합니다.
- > 냉장고와 냉장고 캐비닛이나 빌트인 구조물의 환기구에 장애물이 없도록 하십시오.
- > 성에 제거 속도를 높이기 위해 제조사에서 권장하는 것 이외의 기계 장치나 기타 수단을 사용하지 마십시오.
- > 냉매 회로를 절대 열거나 손상시키지 마십시오.

- > 제조사에서 권장하지 않는 한 냉장고 내부에서 전자 기기를 사용하지 마십시오.



주의! 부상 위험

- > 본 냉장고 내부나 근처에서 인화성 물질을 사용하거나 보관하지 마십시오.
- > 본 냉장고에 물건을 올려놓거나 기대어 놓지 마십시오.
- > 본 냉장고를 개조하지 마십시오.



유의! 손상 위험

- > 차량 엔진이 작동 중이고 충분한 전압을 제공하는 경우나, 배터리 모니터를 사용하는 경우에만, 'DC 전원으로 작동'을 선택하십시오.
- > 응축수 배수관이 있는 경우 항상 깨끗한 상태로 유지하십시오.
- > 냉장고에 환기 그릴이 있는 경우, 차량 청소 시 환기 그릴 근처에서 고압 세척기를 사용하지 마십시오.
- > 냉장고는 비를 맞으면 안 됩니다.
- > 연결 케이블을 잡고 소켓에서 플러그를 뽑지 마십시오.

냉장고의 안전한 작동



위험! 감전 위험

냉장고를 작동하기 전에 전원 케이블과 플러그가 건조한지 확인하십시오.



주의! 건강 위험

- > 선택한 온도에서 냉장할 수 있는 품목만 냉장고에 넣도록 하십시오.
- > 식품과 접촉할 수 있는 표면과 손이 미치는 배수 시스템 부위를 정기적으로 청소하십시오.
- > 날고기와 생선은 다른 식품과 접촉하여 냄새나 맛이 배어들지 않도록 적절한 용기에 담아 냉장고에 보관하십시오.
- > 오랫동안 도어를 열어 두면 냉장고의 냉장칸 온도가 크게 상승할 수 있습니다. 냉장고를 오랫동안 비워 두어야 하는 경우:
 - 냉장고의 전원을 끄십시오.
 - 냉장고의 성예를 제거하십시오.
 - 냉장고를 세척하고 건조시키십시오.
 - 냉장고 안에 곰팡이가 생기지 않도록 도어를 열어 두십시오. 가능한 경우, 냉장고 도어와 냉동고 도어를 겨울 배치에 두십시오.



주의! 부상 위험

- > 경첩에 손가락을 넣지 마십시오.
- > 여행을 시작하기 전에 냉장고 도어를 닫고 잠그십시오.
- > 냉장고 뒷면의 냉각 시스템은 작동 중에 매우 뜨거워집니다. 냉장고에 환기 그릴이 장착된 경우, 환기 그릴을 제거할 때 뜨거운 부분에 닿지 않도록 주의하십시오.
- > 잘못 사용할 경우 기기의 문 또는 냉동고 문이 기기에서 완전히 분리될 수 있습니다. 상단과 하단에서 딸깍 소리가 분명히 들릴 때까지 문을 밀어서 닫으십시오.



유의! 손상 위험

- > 열린 냉장고 도어에 기대지 마십시오.
- > 병이나 캔 등의 무거운 물건은 냉장고 도어나 야채칸이나 하단 선반에만 보관하십시오.
- > 냉장고가 2도어형이고 한쪽 도어가 올바르게 잠기지 않았으면, 해당 도어의 위아래를 밀어 제대로 잠기게 하십시오.
- > **과열 위험** 항상 충분한 환기를 유지하여 작동 중 발생한 열이 발산되도록 하십시오. 벽 및 기타 물체에서 충분히 떨어진 곳에 냉장고를 설치하여 공기가 잘 순환되도록 하십시오.

- > 내부에 얼음이나 액체를 채우지 마십시오.
- > 냉장고와 케이블을 열고 습기에서 보호하십시오.
- > 연결 케이블을 잡고 소켓에서 플러그를 뽑지 마십시오.



참고

- > 차량의 배터리 관리 시스템이 배터리 보호를 위해 냉장고를 정지시키면, 차량 제조사에 문의하십시오.
- > 주변 온도가 15 °C ~ 25 °C 인 경우 상온 설정을 선택하십시오.
- > 반대쪽 도어가 올바르게 잠기지 않았으면, 해당 도어의 위아래를 밀어 제대로 잠기게 하십시오.
- > 음식물 쓰레기를 줄이기 위해, 다음 사항에 유의하십시오:
 - 온도 변동을 가능한 한 적게 하십시오. 꼭 필요할 때만 잠깐씩 냉동실을 여십시오. 식품을 보관할 때 공기가 잘 순환되도록 배열하십시오.
 - 선택한 온도에서 냉장할 수 있는 품목만 냉장고에 넣도록 하십시오.
 - 그림과 같이 다양한 식품 종류를 보관하십시오.
 - 온도를 조정할 수 있는 경우: 식품의 수량과 종류에 따라 온도를 조정하십시오.
 - 식품은 냄새나 맛을 쉽게 흡수하거나 방출할 수 있습니다. 항상 덮거나 닫은 용기/병에 식품을 보관하십시오.

4 배송 내용물

수량	설명
1	컴프레서 냉장고
1	배관 열보
1	짧은 사용 설명서
1	사용 설명서(온라인 전용)
1	설치 매뉴얼

5 액세서리

액세서리로 제공됨 (배송 내용물에 포함되지 않음):

설명	참조 번호
슬라이딩 힌지	9620012939
하단 프레임 포함 고정 프레임	
• NRX1050, NRX0050	9620012877
• NRX1060, NRX0060	9620012881
• NRX1080, NRX0080	9620012882
• NRX1115, NRX0115	9620012878
• NRX1130, NRX0130	9620012876
하단 프레임 포함 고정 프레임(검은색)	
• NRX1050, NRX0050	9620012874

설명	참조 번호
<ul style="list-style-type: none"> NRX1060, NRX0060 	9620012875
<ul style="list-style-type: none"> NRX1080, NRX0080 	9620012880
<ul style="list-style-type: none"> NRX1115, NRX0115 	9620012879
<ul style="list-style-type: none"> NRX1130, NRX0130 	9620012883
냉동칸이 제거된 경우 선반 교체	
<ul style="list-style-type: none"> NRX1050, NRX0050 	9620012933
<ul style="list-style-type: none"> NRX1060, NRX0060 	9620012938
<ul style="list-style-type: none"> NRX1080, NRX0080 	9620012935
<ul style="list-style-type: none"> NRX1115, NRX0115, NRX1130, NRX0130 	9620012932
냉동칸	
<ul style="list-style-type: none"> NRX1050, NRX0050 	9620012931
<ul style="list-style-type: none"> NRX1060, NRX0060 	9620012936
<ul style="list-style-type: none"> NRX1080, NRX0080 	9620012934
<ul style="list-style-type: none"> NRX1115, NRX0115, NRX1130, NRX0130 	9620012937
환기 프레임(RS1650L, 흰색) (NRX1050, NRX0050, NRX1060, NRX0060, NRX1080, NRX0080만 해당)	9105702379
환기 프레임(RS1650L, 검은색) (NRX1050, NRX0050, NRX1060, NRX0060, NRX1080, NRX0080만 해당)	9105707393
환기 그릴(AS1635L, 흰색) (NRX1050, NRX0050, NRX1060, NRX0060, NRX1080, NRX0080만 해당)	9500000949
환기 그릴(AS1635L, 검은색) (NRX1050, NRX0050, NRX1060, NRX0060, NRX1080, NRX0080만 해당)	9500000951
환기 프레임 + 그릴(LS 300 흰색) (NRX1115, NRX0115, NRX1130, NRX0130만 해당)	9600003033
환기 프레임 + 그릴(LS 300-B 검은색) (NRX1115, NRX0115, NRX1130, NRX0130만 해당)	9600003022

6 사용 용도

본 냉장고는 아래 용도로 사용됩니다.

- 캐러밴, 캠핑카, 보트, 트럭에 설치
- 식품 냉장 및 보관
- **NRX1050-1130(C/S), NRX0050, 0080, 0115(C)만 해당:** 냉동식품 보관
- 실내 사용

본 냉장고는 상업용, 소매용, 가정용이 아닙니다.

본 냉장고는 아래 용도에 적합하지 **않습니다**.

- 약품 보관
- 부식성 물질이나 용제 함유 물질의 보관
- 식품의 급속 냉동
- 실외 사용

선박에서 사용할 경우 본 기기는 야외 갑판이 아니라 휴게실에 설치해야 합니다.

냉동실은 냉동식품 보관, 아이스크림 보관 및 제조, 제빙에 적합합니다. 해동한 식품을 다시 냉동하는 데는 적합하지 않습니다.

본 냉장고는 캐비닛 안이나 설치용 틈새에 설치하기 위한 것입니다.

16°C ~ 43°C 사이의 주변 온도와 최대 90%의 습도에서 최적의 냉각 성능을 달성할 수 있습니다.

본 제품은 정해진 용도로 해당 지시사항에 따라 사용하는 데만 적합합니다.

본 설명서는 본 제품의 적절한 설치 및/또는 작동에 필요한 정보를 제공합니다. 잘못된 설치 및/또는 부적절한 작동이나 유지보수는 불충분한 성능과 고장의 원인이 됩니다.

제조사는 아래로 인해 발생하는 부상 또는 제품 손상에 대해 책임지지 않습니다:

- 잘못된 설치, 조립 또는 전원 연결(과전압 포함)
- 잘못된 유지보수 또는 제조사가 제공하는 순정 부품 이외의 부품 사용
- 제조사의 명시적 허가 없이 제품 변경
- 본 설명서에 설명된 것 이외의 용도로 사용

Dometic은 제품 외관 및 제품 사양을 변경할 권리가 있습니다.

7 기술 설명

본 냉장고는 컴프레서 냉장고입니다.

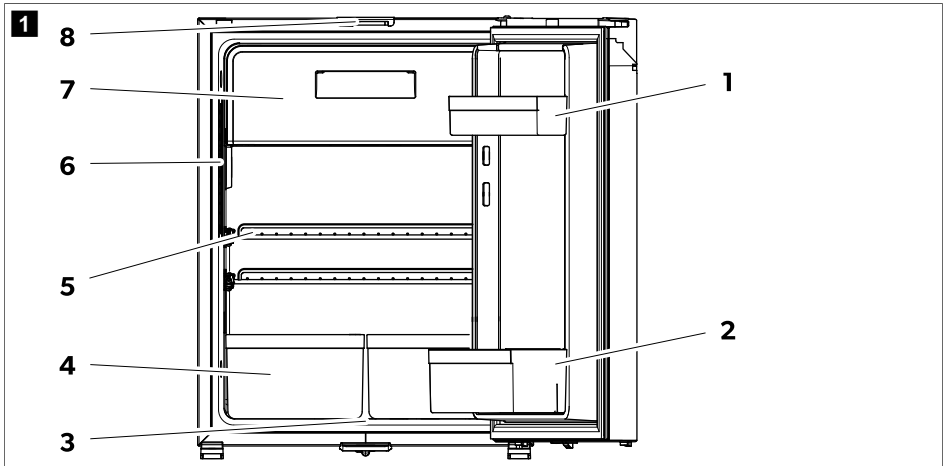
NRX0050-0130(C/S): 본 냉장고는 여러 유형의 전원으로 동작되도록 설계되었으며, DC 또는 AC 전원 장치로 작동할 수 있습니다.

NRX1050-1130(C/S), NRX0050/0080/0115(C): 이 모델은 냉동칸이 포함된 상태로 출고되며, 냉동칸은 탈착 및 재설치가 가능합니다.

냉장고 도어에는 이동 시 안전을 위해 잠금장치가 있습니다.

냉장고에 사용된 모든 재료는 식품과 함께 사용할 수 있습니다.

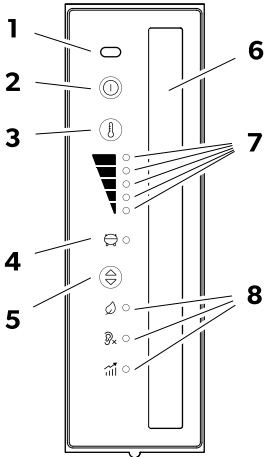
기기 설명



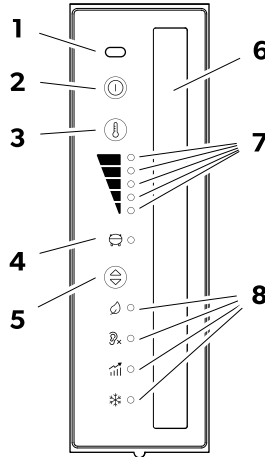
번호	설명
1	도어 선반
2	병 선반
3	응축수 배관
4	야채 보관실
5	캐비닛 선반
6	디스플레이가 있는 제어판
7	냉동칸
8	환기를 위한 문 걸쇠

제어 및 디스플레이 요소

NRX0050 - 0130 (E)



**NRX1050 - 1130 (C/S)
NRX0050, 0080, 0115 (C)**



번호	설명
1	IR 도어 열림 센서
2	Ⓞ 전원 버튼
3	Ⓛ 냉각 레벨 설정 버튼
4	컴프레서 및 오류 표시등 LED
5	Ⓢ 작동 모드 버튼
6	내부 조명
7	냉각 레벨 표시등 LED
	■ 냉각 레벨 5
	■ 냉각 레벨 4
	■ 냉각 레벨 3
	■ 냉각 레벨 2
8	■ 냉각 레벨 1
	작동 모드 표시등 LED

컴프레서 및 오류 표시등 LED





컴프레서 및 오류 표시등 LED는 컴프레서의 작동 상태나 오류를 보여줍니다.

색상	설명
흰색	컴프레서 켜짐
주황색	컴프레서가 꺼짐

색상	설명
주황색(깜박임)	오류(오류 표시77 페이지장 참조)

작동 모드 표시등 LED

작동 모드 표시등은 다음과 같은 설정을 보여줍니다.

아이콘	설명
	에코 모드: 에너지 소비를 줄이고 작동. 냉각 레벨 1~3
	조용한 모드: 소음 수준을 줄이고 작동. 냉각 레벨 1~4
	퍼포먼스 모드: 냉각 레벨 1~5
	냉동고 모드 (NRX1050-1130[C/S], NRX0050/0080/0115[C]만 해당): 냉동칸을 없애는 작동. 냉장고 내부 전체를 -6 °C 도로 냉각합니다. 겨울 모드(NRX1115-1130[C/S]만 해당): 낮은 주변 온도에 맞추어 냉동칸을 적절하게 냉각합니다.

8 조작

8.1 처음 사용하기 전에



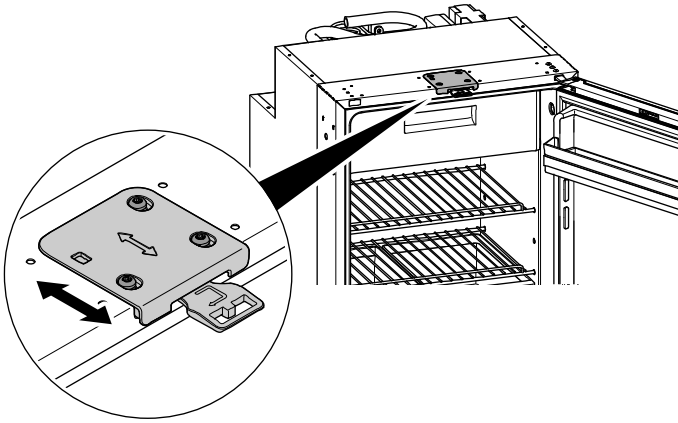
참고

- > 작동을 시작한 뒤 처음 4시간 동안은 냉장고 안에 물건을 보관하지 마십시오.
- > 냉장고를 처음 사용할 경우, 약하게 냄새가 날 수 있으며, 이는 몇 시간 뒤에 사라집니다. 생활 공간을 잘 환기해 주십시오.
- > 냉각 성능은 다음과 같은 요소에 영향을 받을 수 있습니다.
 - 주변 온도(예를 들어 차량이 직사광선에 노출되었을 경우)
 - 냉각시키는 음식의 양
 - 도어를 여는 빈도
- > 위생 상태를 판단해서 냉장고 내부를 청소하십시오(청소 및 유지보수72 페이지 참조).
- > 차량을 평평한 곳에 주차하십시오. 특히 여행을 떠나기 전에 냉장고를 켜고 물건을 채울 때 평평한 곳에 주차해 주십시오.

8.1.1 도어 걸쇠 조정

냉장고 상단에 있는 도어 걸쇠를 조절하면 도어가 닫히는 폭을 조정할 수 있습니다.

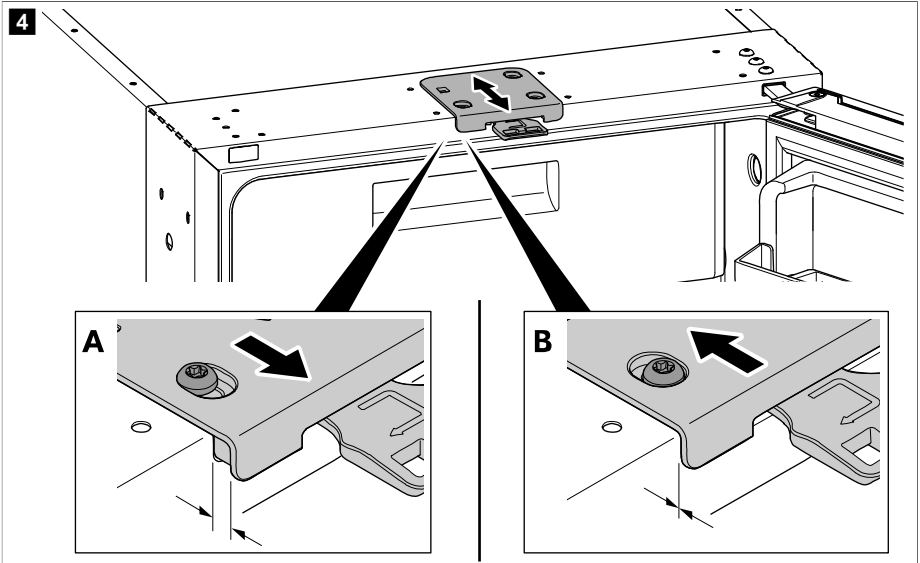
3



참고 조절식 도어 걸쇠가 설치되어 있는지 확인하십시오. 필요하면 조절식 도어 걸쇠(dometic.com)를 주문하여 고정식 도어 걸쇠를 조절식 도어 걸쇠로 교체합니다.

> 출고 시 도어의 걸쇠는 **A** 위치에 있습니다. 도어의 걸쇠를 **B** 위치로 옮깁니다.

4



참고 도어 걸쇠가 **B** 위치에 있으면 닫을 때 도어의 걸쇠가 제대로 잠기는지 확인하십시오(냉장고 도어 닫기 및 잠금66 페이지 장 참조).

8.2 식품 보관 정보



주의! 건강 위험

냉장고가 10 °C 미만의 주변 온도에 장시간 노출되는 경우, 냉동칸의 온도 조절을 보장할 수 없습니다. 이런 경우에 냉동칸 온도가 올라가서 보관된 물건에 성애가 질 수 있습니다.

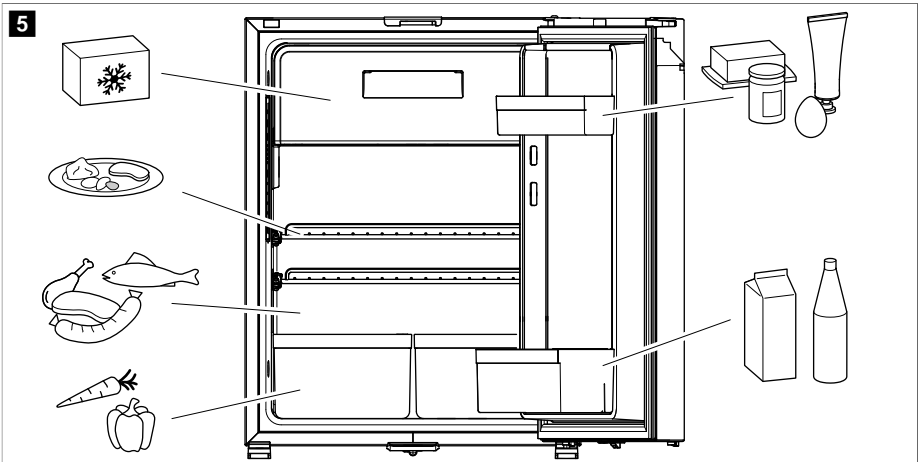


유의! 손상 위험

- > 냉장고를 채울 때 도어 선반과 도어의 최대 적재량을 준수하십시오(기술 데이터77 페이지를 참고).
- > 냉동칸에 탄산음료를 넣지 마십시오.

음식물 쓰레기를 줄이기 위해, 다음 사항에 유의하십시오:

- 온도 변동을 가능한 한 적게 하십시오. 꼭 필요할 때만 잠깐씩 냉장고를 여십시오. 식품을 보관할 때 공기가 잘 순환되도록 배열하십시오.
- 식품의 수량과 종류에 따라 온도를 조정하십시오.
- 그림과 같이 다양한 식품 종류를 보관하십시오.
- 식품은 냄새나 맛을 쉽게 흡수하거나 방출할 수 있습니다. 항상 덮거나 닫은 용기/병에 식품을 보관하십시오.
- > 보이는 것처럼 식품을 보관하십시오.



8.3 에너지 절약

- 꼭 필요할 때만 잠깐씩 냉장고를 여십시오.
- 따뜻한 음식은 꼭 식힌 다음 냉장 기기에 넣어 차게 보관하십시오.
- 얼음층이 생기는 즉시 냉장고의 성애를 제거하십시오.
- 불필요하게 낮은 온도 설정을 피하십시오.
- 최적의 에너지 소비를 위해 선반과 서랍을 납품 시 위치대로 배치하십시오.
- 정기적으로 도어 씰이 제대로 맞는지 확인하십시오.
- 정기적으로 응축기의 먼지와 때를 청소하십시오.

8.4 냉장고 도어 사용



주의! 부상 위험

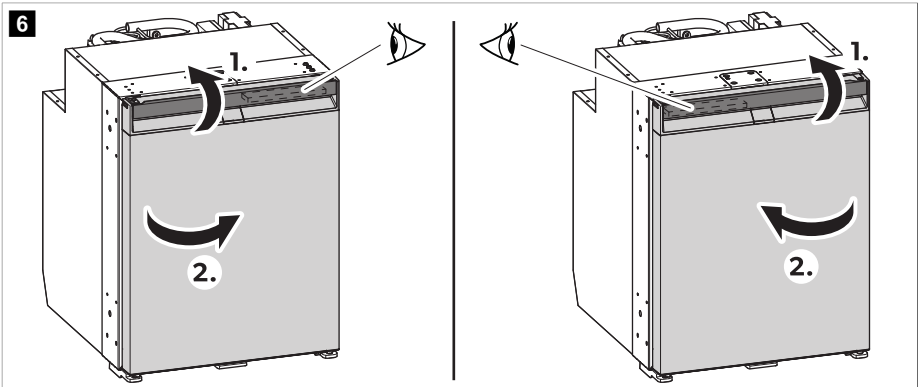
잘못 사용할 경우 냉장고의 문 또는 냉동칸 문이 기기에서 완전히 분리될 수 있습니다.

8.4.1 냉장고 도어 열기



참고 도어 스톱 반대쪽에 있는 손잡이를 당기도록 하십시오. 각 슬라이더의 위치에 주의하십시오. 포함된 설치 매뉴얼을 참조하십시오.

> 냉장고 도어를 열려면 보이는 것처럼 진행하십시오.



8.4.2 냉장고 도어 닫기 및 잠금



주의! 부상 위험

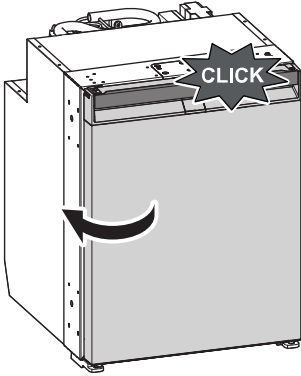
도어가 제대로 닫히지 않았다면, 제대로 닫힐 때까지 조심스럽게 도어의 상단과 하단을 미십시오.



참고 냉장고 도어에는 이동 시 안전을 위해서도 사용되는 잠금장치가 있습니다.

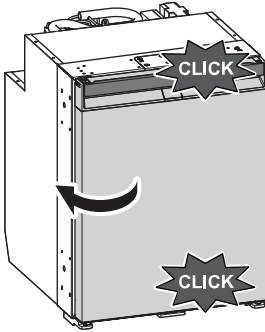
- > NRX0050-0130(E): 상단에서 딸깍 소리가 날 때까지 도어를 밀어서 닫으십시오.

7 NRX0050 - 0130 (E)



- > NRX1050-1130(C/S), NRX0050/0080/0115(C): 상단 및 하단에서 딸깍 소리가 날 때까지 도어를 닫으십시오.

8 NRX1050 - 1130 (C/S) NRX0050, 0080, 0115 (C)



- ✓ 도어가 이제 단단하게 잠겼습니다.

8.5 전원 켜기 및 끄기



참고 장기간 냉장고를 사용하지 않을 때는 항상 전원을 끄십시오.

- > 전원을 켜려면 **Ⓞ** 버튼을 최소 2 초 초 이상 누르십시오.
- ✓ 냉장고는 최근에 선택한 냉각 레벨 설정과 작동 모드로 켜집니다.
- > 전원을 끄려면 **Ⓞ** 버튼을 최소 2 초 초 이상 누르십시오.

8.6 작동 모드 설정



참고 에코, 퍼포먼스, 냉동고 또는 겨울 모드를 사용할 경우 시스템은 추가 변경 작업이 있을 때까지 이 모드로 유지됩니다.

- ▶ 작동 모드를 설정하려면 원하는 작동 모드의 작동 모드 표시등 LED가 켜질 때까지 버튼을 반복적으로 누르십시오.

다음과 같은 작동 모드가 가능합니다.

에코 모드 사용

에코 모드가 가동되면 냉장고는 냉각 레벨 1~3에서 에너지 소비를 줄인 상태로 작동합니다.

- ✓ 에코 모드의 작동 모드 표시등 LED() 및 선택된 냉각 레벨 표시등 LED가 켜집니다.

조용한 모드 사용

조용한 모드가 가동되면 냉장고는 냉각 레벨 1~4에서 소음 수준을 줄이고 작동합니다.



참고

- ▶ 냉장고가 냉동고 모드로 작동하는 경우에는 저소음 모드를 사용할 수 없습니다.
- ▶ 조용한 모드를 사용하는 경우, 냉장고는 이 모드를 8h 시간 동안 유지한 다음 이전에 선택한 모드 (에코 또는 퍼포먼스 모드)로 돌아갑니다.

- ✓ 조용한 모드의 작동 모드 표시등 LED() 및 선택된 냉각 레벨 표시등 LED가 켜집니다.

퍼포먼스 모드 사용

퍼포먼스 모드가 가동되면 냉장고는 냉각 레벨 1~5에서 일반 모드로 작동합니다.

- ✓ 퍼포먼스 모드의 작동 모드 표시등 LED() 및 선택된 냉각 레벨 표시등 LED가 켜집니다.

냉동고 모드 사용

냉동고 모드를 사용하면 냉장고 내부 전체를 -6 °C 도로 냉각합니다.



참고

- ▶ 냉동고 모드를 사용하려면 냉동칸을 제거하십시오.
- ▶ 냉장고가 겨울 모드로 작동하는 경우에는 냉동고 모드를 사용할 수 없습니다.

- ✓ 냉동고 모드의 작동 모드 표시등 LED() 및 모든 냉각 레벨 표시등 LED가 계속 켜져 있습니다.

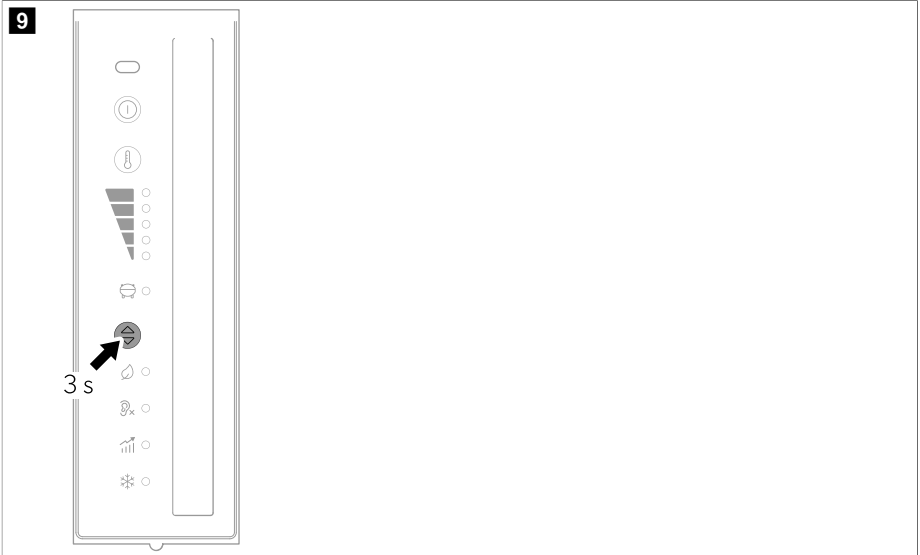
낮은 주변 온도에서 작동하기 위한 WINTER 모드(NRX1115-1130만 해당)



참고

- ▶ 차가운 공기는 냉각 장치의 성능에 영향을 줄 수 있습니다. 겨울 모드가 가동되면 냉동칸에서 냉각 역량 손실을 확인할 수 있습니다.
- ▶ 더 많은 전력 소모를 피하기 위해, 주변 온도가 16 °C 도로 상승하는 경우 즉시 겨울 모드를 해제하십시오.
- ▶ 냉장고가 냉동고 모드로 작동하는 경우에는 겨울 모드를 사용할 수 없습니다.

- > 겨울 모드를 가동 또는 해제하려면 보이는 것처럼 진행하십시오.



- ✓ 냉동고 모드의 작동 모드 표시등 LED(*)가 녹색으로 켜지고 선택된 냉각 레벨 표시등 LED가 켜진 상태로 유지됩니다.

8.7 냉각 레벨 설정

- > 냉각 레벨을 설정하려면, 원하는 냉각 레벨에 도달할 때까지 ① 버튼을 반복해서 누르십시오.

8.8 선반 재배치



경고! 어린이 갇힘 위험

NRX1060-1130(C/S), NRX0080/0115(C), NRX0060-0130(E): 모든 선반은 어린이가 냉장고에 올라가는 걸 막기 위해 제자리에 고정되어 있습니다.

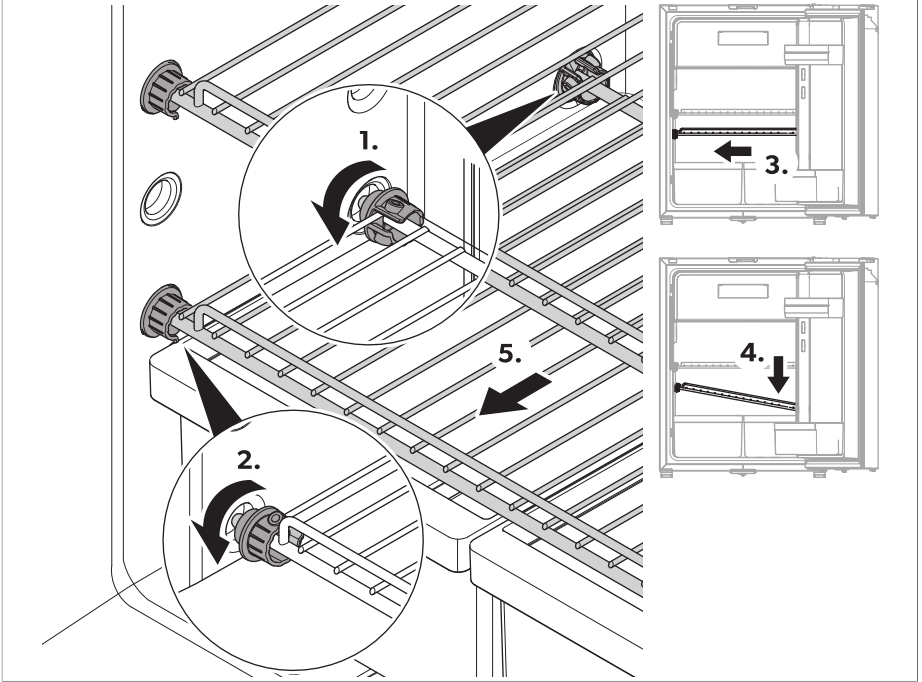
- > 청소할 때만 선반을 제거하십시오.
- > 선반을 다시 맞추고 제자리에 고정하십시오.



참고 선반의 위치를 바꾸기 전에, 후면 선반 노브에 쉽게 접근할 수 있도록 냉동칸을 제거하십시오.

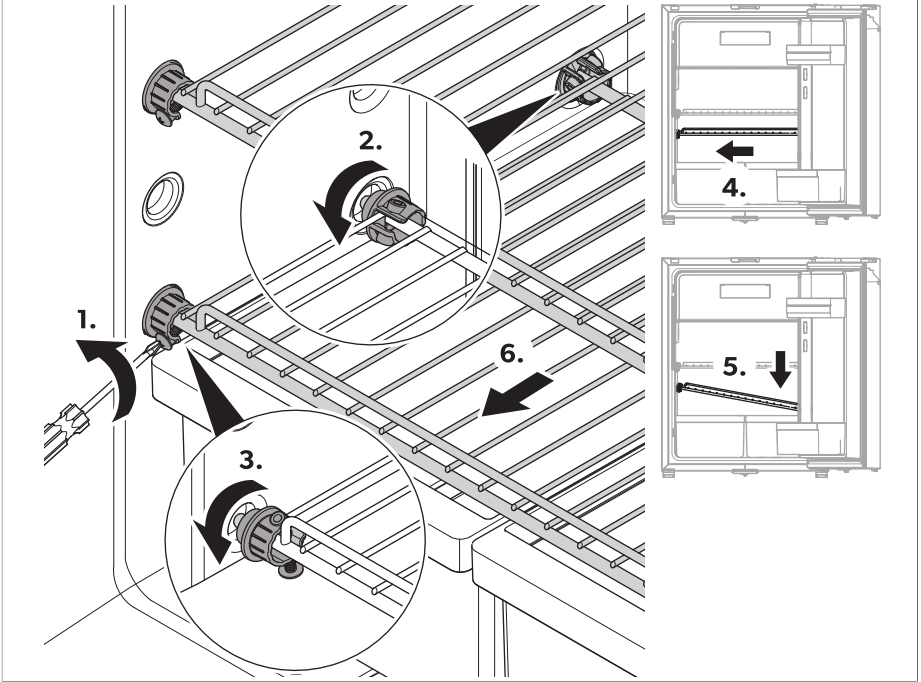
> NRX0035-0050: 선반의 위치를 바꾸려면 보이는 것 중에서 원하는 방법으로 진행하십시오.

10 NRX0050, NRX1050



- > NRX0035-0050: 선반의 위치를 바꾸려면 보이는 것 중에서 원하는 방법으로 진행하십시오.

11 NRX0060 - 0130, NRX1060 - 1130



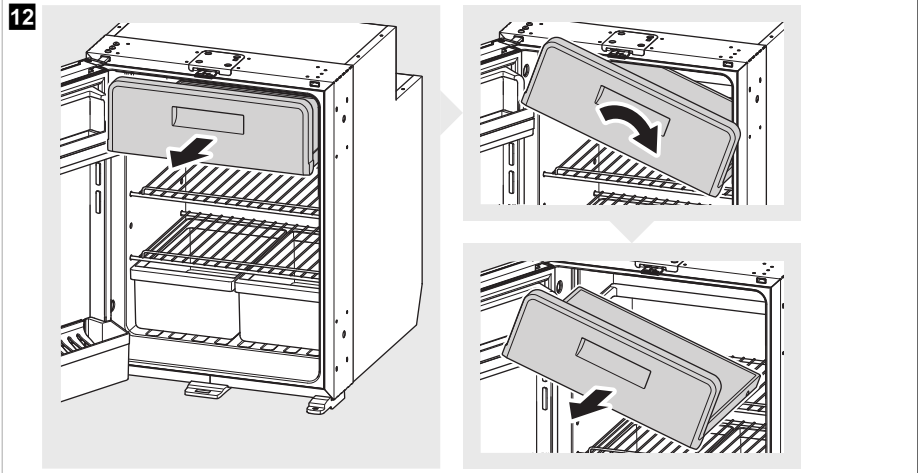
8.9 냉동칸 제거



유의! 손상 위험

- > 냉동칸을 제거하려면 냉동칸 도어를 닫으십시오.
- > 냉동칸의 바닥을 잡으십시오. 냉동칸 도어를 당기지 마십시오.
- > 냉동칸을 건조하고 안전한 곳에 보관하십시오.

- > 냉동칸을 제거하려면 표시된 것처럼 진행하십시오.



9 청소 및 유지보수



경고! 감전 위험

기기를 청소하고 유지보수하기 전에 항상 기기를 전원에서 분리하십시오.



유의! 손상 위험

- > 청소할 때 연마용 세제나 단단한 물건을 사용하지 마십시오.
- > 절대로 얼음이나 얼어붙은 물체를 떼어내기 위해 딱딱하거나 날카로운 도구를 사용하지 마십시오.
- > 썰에 물이 떨어지지 않게 하십시오. 전자 장치가 손상될 수 있습니다.



유의! 손상 위험

위험을 방지하기 위해 제조사, 서비스 대행사, 또는 자격을 갖춘 기사만 광원을 교체할 수 있습니다.

- > 냉장고가 더러워질 때마다 내부와 외부로 젖은 천으로 자주 청소하십시오. 청소 후에 냉장고를 천으로 닦아 건조하십시오.
- > 정기적으로 응축수 배관을 점검하십시오.
필요한 경우 응축수 배관을 청소하십시오. 응축수 배관이 막히면, 냉장고 바닥에 응축수가 고입니다.
- > 정기적으로 응축기의 먼지와 이물질을 젖은 천으로 청소하십시오.

냉매 회로

냉매 회로는 유지보수가 필요 없습니다.

냉장고 성에 제거



유의! 손상 위험

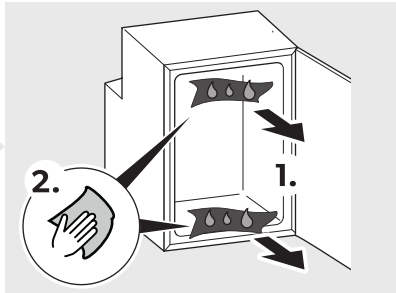
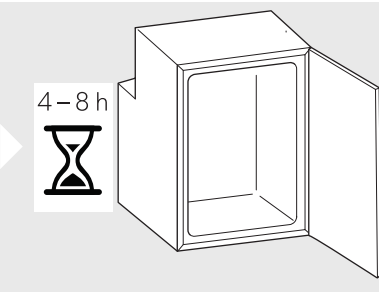
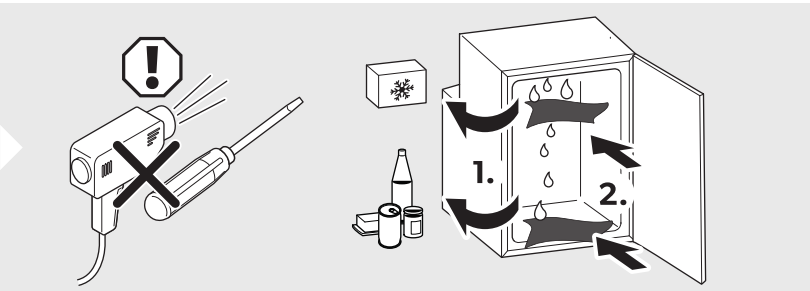
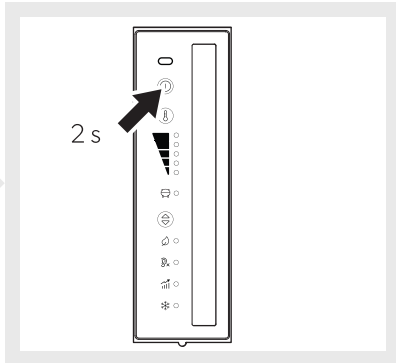
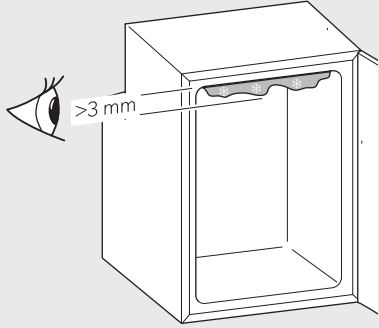
성에 제거 속도를 높이기 위해 기계 도구나 기타 도구를 사용하지 마십시오.



참고 시간이 지나면, 냉장고 내부의 뒷벽에 성애가 생깁니다. 성애 두께가 약 3 mm 정도라면 냉장고의 성애를 제거하십시오.

> 냉장고의 성애를 제거하려면 표시된 것처럼 진행하십시오.

13



보관 모드로 냉장고 도어 배치



주의! 부상 위험

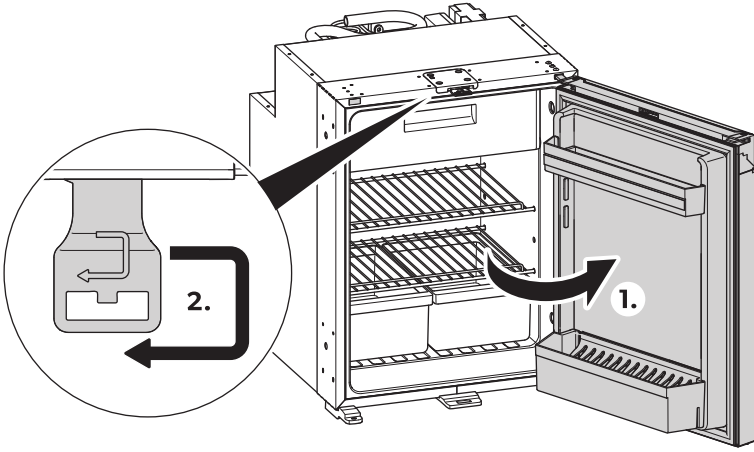
운전하는 동안에는 보관 모드를 사용하면 안 됩니다.



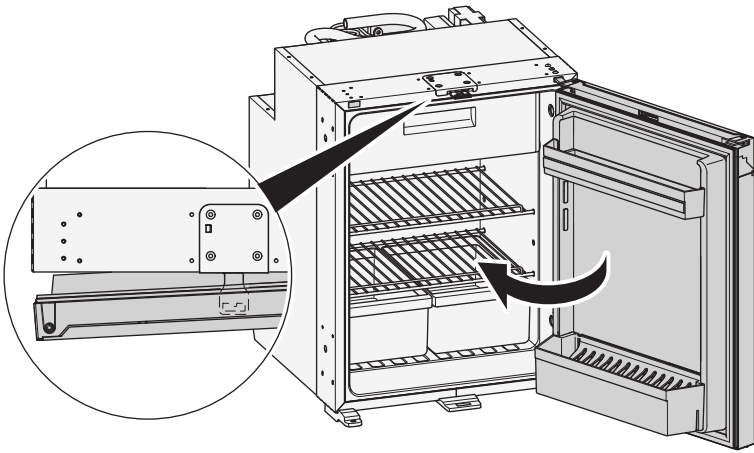
참고 오랜 기간 기기를 사용하지 않는다면 냉장고 도어를 보관 모드로 두십시오. 그래야 곰팡이가 생기지 않습니다.

- > 냉장고 성에 제거(냉장고 성에 제거72 페이지 참고).
- > 표시된 것처럼 냉장고 도어를 보관 모드로 두십시오.

14



15

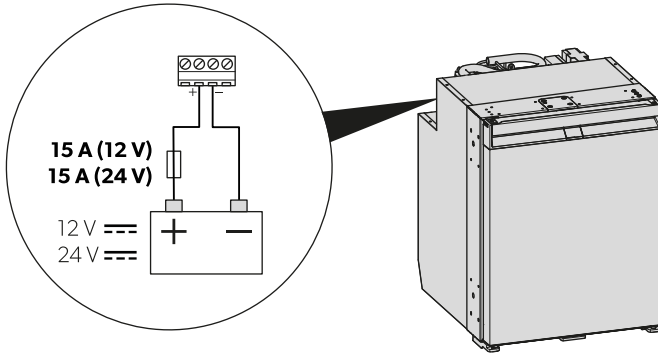


10 문제 해결



참고 운전하는 동안 캐러밴 안에 있는 12V 소비 장치를 안전하게 작동하려면, 반드시 견인하는 차량에 충분한 전압을 공급해야 합니다. 일부 차량에서는 배터리를 보호하기 위해 배터리 관리 시스템이 소비 장치를 자동으로 끌 수도 있습니다. 더 많은 정보가 필요하다면 차량 제조사에 문의하십시오.

16



문제	원인	제한된 해결 방법
냉장고가 작동하지 않습니다.	DC 케이블 안의 퓨즈에 결함이 있습니다.	> 퓨즈를 교체하십시오 (그림 16 75 페이지).
	차량 퓨즈가 끊어짐.	> 차량 퓨즈를 교체하십시오. 차량의 사용 설명서를 참고하십시오.
	차량 배터리가 방전되었습니다.	> 배터리를 테스트하고 충전하십시오.
	시동이 켜지지 않았습니다.	> 시동을 켜십시오.
	컴프레서 온도가 너무 낮습니다(< 0°C).	> 단열 재료가 있는 모든 외부 환기 그릴을 닫거나 덮으십시오.
	전압이 충분하지 않으면 냉장고는 자동으로 꺼집니다. (컷오프 전압: 10.4V≡)	> 배터리를 넣으십시오. 냉장고의 전원이 자동으로 다시 켜질 겁니다. (컷인 전압: 11.7V≡)
냉각 불량, 내부 온도 상승이 있습니다. 컴프레서가 계속해서 돌아갑니다.	냉각 장치 주변의 환기가 충분하지 않습니다.	> 환기 그릴이 막히지 않았는지 확인하십시오. > 냉장고를 다른 위치로 이동하십시오.
	내부 벽에 얼음이 끼었습니다.	> 냉장고 도어가 제대로 닫혔는지 확인하십시오. > 냉장고 썰이 제대로 붙어 있고 손상이 가지 않았는지 확인하십시오. > 냉장고 성에 제거(냉장고 성에 제거 72 페이지 참고).
	온도가 너무 높게 설정되었습니다.	> 더 낮은 온도를 설정하십시오.
	주변 온도가 너무 높습니다.	> 잠시 환기 그릴을 제거해서 따뜻한 공기가 더 빨리 빠져나갈 수 있게 하십시오.
	한 번에 냉장고에 너무 많은 음식을 넣었습니다.	> 일부 음식을 제거하십시오.
	한 번에 냉장고에 따뜻한 음식을 너무 많이 넣었습니다.	> 따뜻한 음식을 제거하고 다시 냉기 전에 차갑게 식히십시오.

문제	원인	제안된 해결 방법
	너무 오랫동안 냉장고를 작동하지 않았습니다.	> 4 h / 5 h 후에 다시 온도를 확인하십시오.
	냉각기가 더럽습니다.	> 응축기를 청소하십시오(청소 및 유지보수72 페이지 장 참조).
	팬에 결함이 있음	> 공인 서비스 대행사에 문의하십시오.
냉각 불량, 내부 온도 상승이 있습니다. 컴프레서가 자주 작동하지 않습니다.	배터리 용량이 다 떨어졌습니다.	> 배터리를 충전하십시오.
냉각 불량, 내부 온도 상승이 있습니다. 컴프레서가 작동하지 않습니다 (배터리 연결).	배터리와 전자 장치 연결에 간섭이 있습니다.	> 연결을 확고하게 합니다.
	메인 스위치에 결함이 있습니다 (설치된 경우).	> 메인 스위치를 교체하십시오.
	추가 공급 라인 퓨즈가 끊겼습니다 (장착된 경우).	> 공급 라인 퓨즈를 교체하십시오.
	배터리 전압이 너무 낮습니다.	> 배터리를 충전하십시오.
	배터리 용량이 너무 낮습니다.	> 배터리를 교체하십시오.
	케이블이 느슨합니다. 연결이 잘 되지 않습니다(부식).	> 연결을 확고하게 합니다.
	케이블이 교체하는 부분이 너무 작습니다.	> 케이블을 교체하십시오.
컴프레서에 결함이 있습니다.	> 공인 서비스 대행사에 문의하십시오.	
냉각 불량, 내부 온도 상승이 있습니다. 컴프레서가 작동하지 않습니다(AC 전원 연결).	전원 장치 연결에 간섭이 있습니다.	> 연결을 확고하게 합니다.
	메인 스위치에 결함이 있습니다 (설치된 경우).	> 메인 스위치를 교체하십시오.
	추가 공급 라인 퓨즈가 끊겼습니다 (장착된 경우).	> 공급 라인 퓨즈를 교체하십시오.
	컴프레서에 결함이 있습니다.	> 공인 서비스 대행사에 문의하십시오.
이상한 소음.	냉매 회로의 부품이 자유롭게 이동하지 못합니다(벽에 닿은 경우).	> 방해물에서 부품을 조심스럽게 구부립니다.
	냉각 장치와 벽 사이에 이물질이 끼었습니다.	> 이물질을 제거하십시오.
	팬 소음.	> 공인 서비스 대행사에 문의하십시오.
이동 중(예: 운전 중)에 의도치 않게 도어가 열립니다.	도어의 결쇠가 A 위치(도어 결쇠 조정63 페이지 장 참조)에 있습니다.	> 도어의 결쇠를 B 위치로 놓습니다.
도어가 제대로 닫히지 않습니다.	도어의 결쇠가 A 위치(도어 결쇠 조정63 페이지 장 참조)에 있습니다.	> 도어의 결쇠를 B 위치로 놓습니다.
	도어의 결쇠가 B 위치(도어 결쇠 조정63 페이지 장 참조)에 있지만 도어가 제대로 잠기지 않습니다.	> 닫을 때 도어의 결쇠가 제대로 잠기는지 확인하십시오.

오류 표시



참고

- > 모든 오류는 오류 표시등 LED가 붉게 반짝이는 것으로 표시됩니다(제어 및 디스플레이 요소62 페이지 참고). 불량 유형에 따라 깜박이는 숫자가 달라집니다. 한 번 깜박이는 간격은 4분의 1초입니다. 몇 번 깜박인 후 깜박임이 잠시 멈춥니다. 오류에 따른 일련의 깜박임은 4초마다 반복됩니다.
- > 예코, 퍼포먼스, 그리고 냉동고 모드에서는 추가로 삐 소리가 납니다.

깜박임 빈도	오류	가능한 원인
1	전압이 낮거나 높음	전원 전압이 정해진 범위를 벗어났습니다.
2	과도한 팬 전류	전자 장치의 팬 용량은 1 A 이상입니다.
3	모터가 시작되지 않습니다.	회전자가 걸렸습니다. 냉각 시스템의 압력 차이가 너무 높습니다.
4	속도가 너무 느립니다	냉각 시스템에 과부하가 걸리면, 모터의 최소 속도를 유지할 수 없습니다.
5	전자 장치의 과열	냉각 시스템이 부하가 너무 많이 걸리거나 온도가 너무 높게 설정되면 전자 장치가 과열될 수 있습니다.
계속 깜박임	온도 센서 오류	온도 센서에 결함이 있습니다.

11 보증

제품에 결함이 있는 경우 구매처 또는 설치/제조 지점에 문의하십시오 (dometic.com/dealer 참조).

제품의 설치일로부터 1년의 보증기간이 적용됩니다.

무상수리기간 내에도 비전문가 또는 고객님께서 제품 내부를 임의로 개봉/분해한 경우, 무상보증기간은 무효화되며, 유상으로 처리 혹은 A/S가 불가할 수 있습니다.

제품의 수리 및 보증 처리를 위해서는 다음 문서의 확인이 필요합니다.

- 제품 구매처, 구매일 또는 설치일이 기재된 영수증 사본
- 청구 이유 또는 결함에 대한 설명
- 제품 내부에 부착된 라벨 사진 및 시리얼 넘버

12 폐기

환경 보호와 자원 재활용을 위해 폐 전자 제품은 아래와 같이 폐기해야 합니다.



- 지역 주민 센터에 연락하여 지시에 따르십시오.
- 지역 주민 센터에 폐 전자 제품을 신고하고 수수료를 지불하십시오.
- 발급된 스티커를 부착하여 지정된 장소에 폐기하십시오.

13 기술 데이터

이 기기는 UN ECE 규제 R10을 준수합니다.


	NRX1050(C/S), NRX0050(C/E)	NRX1060(C/S), NRX0060E
용량		

	NRX1050(C/S), NRX0050(C/E)	NRX1060(C/S), NRX0060E
<ul style="list-style-type: none"> 냉장칸(NRX1050-1130[C/S], NRX0050/0080/0115[C]만 해당) 냉동칸(NRX1050-1130[C/S], NRX0050/0080/0115[C]만 해당) 총용량 총 용량(냉동칸 제외) 	<p>39.6 L</p> <p>4.4 L</p> <p>44 L</p> <p>46 L</p>	<p>48.9 L</p> <p>6.1 L</p> <p>55 L</p> <p>58 L</p>
연결 전압 <ul style="list-style-type: none"> NRX1050-1060(C/S) NRX0050-0060(C/E) 	<p>12 / 24 V⁼⁼</p> <p>100 ~ 240 V[~]</p> <p>12 / 24 V⁼⁼</p>	
전원 배터리 보호(12 V) <ul style="list-style-type: none"> 컷오프 전압 컷인 전압 	<p>10.4 V</p> <p>11.7 V</p>	
전원 배터리 보호(24 V) <ul style="list-style-type: none"> 컷오프 전압 컷인 전압 	<p>22.8 V</p> <p>24.2 V</p>	
기후 등급	T	
적정 보관 온도 <ul style="list-style-type: none"> 냉장고 냉동칸(NRX1050-1130[C/S], NRX0060/0050/0115[C]만 해당) 냉동고 모드(NRX1050-1130[C/S], NRX0060/0080/0115[C]만 해당) 	<p>0 °C ~ 12 °C</p> <p>- 15 °C ~ - 5 °C</p> <p>- 6 °C</p>	
의도한 주변 온도에서 사용	16 °C ~ 43 °C	
냉매	R134a	
냉매량	26 g	30 g
CO2 환산량	0.037 t	0.043 t
지구 온난화 지수(GWP)	1430	
소음 방출(EN 60704)	40 ~ 45 dB(A)	
크기 H x W x D (mm)	525 × 380 × 510 mm	525 × 448 × 537 mm
순중량	C, S: 18 kg E: 14.5 kg	C, S: 18 kg E: 16 kg
최대 하중 <ul style="list-style-type: none"> 도어 선반당 도어당 	<p>4 kg</p> <p>8 kg</p>	<p>5 kg</p> <p>10 kg</p>

	NRX1050(C/S), NRX0050(C/E)	NRX1060(C/S), NRX0060E	
검사/인증	 		

	NRX1080(C/S), NRX0080C, NRX 0080E	NRX1115(C/S), NRX0115C, NRX0115E	NRX1130(C/ S), NRX0130E
용량			
• 냉장칸(NRX1050-1130[C/S], NRX0060/0080/0115[C]만 해당)	68.4 L	104.5 L	118 L
• 냉동칸(NRX1050-1130[C/S], NRX0060/0080/0115[C]만 해당)	6.6 L	8.2 L	8.2 L
• 총용량	75 L	113 L	126 L
• 총 용량(냉동칸 제외)	78 L	116 L	130 L
연결 전압			
• NRX1080-1130(C/S)		12 / 24 V ⁼⁼⁼ 100 ~ 240 V [~]	
• NRX0080-0130(C/E)		12 / 24 V ⁼⁼⁼	
전원 배터리 보호(12 V)			
• 컷오프 전압		10.4 V	
• 컷인 전압		11.7 V	
전원 배터리 보호(24 V)			
• 컷오프 전압		22.8 V	
• 컷인 전압		24.2 V	
기후 등급		T	
적정 보관 온도			
• 냉장고		0 °C ~ 12 °C	
• 냉동칸(NRX1050-1130[C/S], NRX0060/0080/0115[C]만 해당)		-15 °C ~ -5 °C	
• 냉동고 모드(NRX1050-1130C/S, NRX0060/0080/0115[C]만 해당)		-6 °C	
의도한 주변 온도에서 사용		16 °C ~ 43 °C	
냉매		R134a	
냉매량	32 g	40 g	40 g
CO2 환산량	0.046 t	0.057 t	0.057 t

KO NRX50-130

	NRX1080(C/S), NRX0080C, NRX 0080E	NRX1115(C/S), NRX0115C, NRX0115E	NRX1130(C/ S), NRX0130E
지구 온난화 지수(GWP)	1430		
소음 방출(EN 60704)	40 ~ 45 dB(A)		
치수 H x W x D	625 × 475 × 537 mm	745 × 525 × 568 mm	812 × 525 × 568 mm
순중량	C, S: 21 kg E: 18 kg	C, S: 27 kg E: 25 kg	C, S: 28 kg E: 26 kg
최대 하중			
• 도어 선반당	5 kg	6 kg	6 kg
• 도어당	10 kg	18 kg	18 kg
검사/인증			

简体中文

1	重要提示.....	81
2	标志说明.....	81
3	安全须知.....	81
4	供货范围.....	84
5	配件.....	84
6	预期用途.....	85
7	技术说明.....	86
8	操作.....	89
9	清洗和保养.....	98
10	故障排除.....	100
11	保修单.....	103
12	废弃处置.....	103
13	技术数据.....	103

1 重要提示

请仔细阅读说明，并按照本产品手册中提供的所有说明、指南和警告进行操作，以确保您始终正确地安装、使用和维护本产品。这些说明必须与本产品保存在一处。

使用本产品，即表示您确认已仔细阅读所有说明、指南和警告，并且您理解并同意遵守本产品手册所述的条款和条件。您同意仅将本产品用于预期用途和应用，并将按照本产品手册所述的说明、指南和警告以及所有适用法律法规使用本产品。如未仔细阅读及遵守本产品手册所述的说明和警告，可能会导致您和他人受伤、产品损坏或附近财产损失。本产品手册（包括说明、指南和警告以及相关文档）可能随时更改和更新。如需获取最新产品信息，请访问 documents.dometic.com。

2 标志说明

信号标志用于标示安全信息和财产损害信息，还将指明危险严重程度或级别。



警告!

表示如不可避免可能导致人员死亡或重伤的危险情况。



小心!

表示如不可避免可能导致轻度或中度伤害的危险情况。



注意!

表示如不可避免可能导致财产损失的情况。



提示 产品操作补充信息

3 安全须知

一般安全信息



警告! 触电危险

> 冰箱的安装和拆卸只能由合格人员进行。

- > 在洗手间以及接触水的区域安装冰箱必须由合格的技术人员进行。
- > 若要将冰箱安装在雨棚或类似的环境下，请确保冰箱不会受雨水和飞溅水的影响。
- > 如出现明显损坏，请勿使用冰箱。
- > 本冰箱只能由合格人员进行维修。维修不当可能会导致相当大的危险或对冰箱造成损坏。
- > 如果本冰箱的电源线损坏，则必须由制造商、客服部门或类似的合格人员进行更换，以防出现安全隐患。
- > 在放置冰箱时，请确保电源线未出现缠绕或损坏情况。
- > 请勿将多个便携式插座或便携式电源放置在冰箱后部。
- > 请勿徒手触摸裸露的电缆。
- > 将设备插入插座，以确保正确接线，特别是在设备需要接地时。
- > 如果设备由主电源供电，请确保电源具有剩余电流断路器 (RCCB) 或接地故障断路器 (GFCI)。安装必须按照所有适用的规定进行，特别是在可能潮湿的区域。



警告！火灾危险

- > 制冷回路中含有少量环保的制冷剂。它不会破坏臭氧层，也不会增加温室效应。任何泄漏的制冷剂都可能被点燃。
- > 请勿在无空气流动或空气流动极少的密闭空间内使用或存放冰箱。
- > 确保冰箱的安装位置无任何在正常或异常工作期间会产生火花或电弧的电气部件和光源（如继电器或保险丝盒）。
- > 冰箱的隔热材料中含有易燃环戊烷，需要执行特殊处理程序。冰箱无法使用时，应将其送至适当的回收中心。



警告！爆炸危险

请勿在冰箱中存放任何易爆品，例如带有推进剂的喷雾罐。



警告！健康危险

- > 本冰箱不适合身体、感官或精神能力衰退或缺乏相关经验和知识的人士（包括儿童）使用，除非有负责其安全的人员监督或指导他们使用本冰箱。
- > 3-8 岁儿童可在冰箱中取放物品。
- > 在无人监督的情况下，不得由儿童进行清洁和维护。
- > 请务必对儿童进行监督，以确保他们不会将本冰箱当作玩具。



警告！儿童被困的风险

- > 确保安装并固定搁板，以免儿童将自己锁在冰箱内。
- > 在处置旧冰箱之前：
 - 拆下抽屉。
 - 将搁板留在冰箱内，以免儿童爬入其中。
- > 拆下冰箱门。



小心！健康危险

- > 为了避免因冰箱不稳定而造成的危险，必须按照安装说明进行固定。
- > 保持冰箱及其外壳或内置结构上的通风口畅通无阻。
- > 除了制造商推荐的方法之外，请勿使用机械设备或其他方式加速除霜过程。
- > 在任何情况下，均不得打开或损坏制冷剂回路。
- > 除非制造商建议，否则请勿在冰箱内使用电子设备。



小心！受伤风险

- > 请勿在本冰箱内或附近使用或存放易燃物。

- › 请勿在本冰箱上或倚靠本冰箱放置物品。
- › 请勿改装本冰箱。



注意！损坏危险

- › 仅当汽车发动机正在运转且提供足够的电压或者正使用蓄电池监测器时，才选择使用直流电源进行操作。
- › 始终保持冷凝液排出管（如有）清洁。
- › 如果冰箱配有通风格栅，请勿在通风格栅附近使用高压清洗机清洗汽车。
- › 本冰箱不得暴露在雨中。
- › 切勿将插头从连接线的插槽上拔出。

安全使用冰箱



危险！触电危险

启动冰箱前，请确保电源线和插头干燥。



小心！健康危险

- › 确保仅将可在选定温度下冷藏的物品放入冰箱。
- › 定期清洁可能与食品接触的表面以及可触及的排污系统。
- › 将生肉和鱼储存在冰箱的适当容器中，使其不与其他食物接触，也不会滴落到其他食物上。
- › 长时间打开冰箱门可能会导致隔层温度明显升高。如果冰箱长时间空置：
 - 关闭冰箱。
 - 为冰箱除霜。
 - 清洁冰箱并保持干燥。
 - 将冰箱门打开，以防止霉菌滋生。如果可以，将冰箱门和冷冻室门置于冬季位置。



小心！受伤风险

- › 请勿将手指伸入铰链。
- › 在开始旅程之前，请关闭并锁好冰箱门。
- › 冰箱后部的冷却系统在运行期间会变得非常热。如果冰箱配有通风格栅，拆卸通风格栅时，请勿触碰到发热部件。
- › 如果使用不当，冰箱门或冷冻室门可能会完全从冰箱上脱离。把门按下将其关闭，直到清楚地听到门顶部和底部发出咔嗒声。



注意！损坏危险

- › 请勿倚靠在打开的冰箱门上。
- › 仅将瓶罐等重物储存在冰箱门内、蔬菜隔层中或底部搁板上。
- › 如果冰箱有双面门，而门的另一面未正确锁上，请从顶部和底部推动该面，直至其锁定到位。
- › **过热危险！** 请务必确保通风充足，以便在运行期间产生的热量可以散去。确保冰箱与墙壁和其他物体保持足够的距离，以便空气能够流通。
- › 请勿在冰箱内部装满冰块或液体。
- › 避免冰箱及电线暴露于热源和湿气。
- › 切勿将插头从连接线的插槽上拔出。



提示

- › 如果汽车的电池管理系统为保护电池而切断了冰箱电源，请联系您的汽车制造商。
- › 当环境温度介于 15 °C … 25 °C 之间时，请选择平均温度设置。

- › 如果冰箱门的另一面未正确锁上，请从顶部和底部推动该面，直至其锁定到位。
- › 为避免食物浪费，请注意以下几点：
 - 尽量避免温度波动。仅在必要时才打开冷冻室。储存食品时，应保证空气流通良好。
 - 确保仅将可在选定温度下冷藏的物品放入冰箱。
 - 如图所示储存不同的食品种类。
 - 如果可以调节温度：根据食品数量和种类调节温度。
 - 食品很容易吸收或释放气味或味道。始终将食品盖好或储存在密闭的容器/瓶子中。

4 供货范围

数量	名称
1	冰箱压缩机
1	排放弯管
1	简明使用说明书
1	使用说明书（仅提供在线版本）
1	安装说明

5 配件

配件需购买（不在供货范围内）：

名称	参考编号
滑动铰链	9620012939
含底部框架的紧固框架	
• NRX1050, NRX0050	9620012877
• NRX1060, NRX0060	9620012881
• NRX1080, NRX0080	9620012882
• NRX1115, NRX0115	9620012878
• NRX1130, NRX0130	9620012876
含底部框架的紧固框架（黑色）	
• NRX1050, NRX0050	9620012874
• NRX1060, NRX0060	9620012875
• NRX1080, NRX0080	9620012880
• NRX1115, NRX0115	9620012879
• NRX1130, NRX0130	9620012883
更换已拆下的冷冻室的搁板	

名称	参考编号
• NRX1050, NRX0050	9620012933
• NRX1060, NRX0060	9620012938
• NRX1080, NRX0080	9620012935
• NRX1115、NRX0115、NRX1130、NRX0130	9620012932
冷冻室	
• NRX1050, NRX0050	9620012931
• NRX1060, NRX0060	9620012936
• NRX1080, NRX0080	9620012934
• NRX1115、NRX0115、NRX1130、NRX0130	9620012937
通风口安装框架 (RS1650L, 白色) (仅适用于 NRX1050、NRX0050、NRX1060、NRX0060、NRX1080、NRX0080)	9105702379
通风口安装框架 (RS1650L, 黑色) (仅适用于 NRX1050、NRX0050、NRX1060、NRX0060、NRX1080、NRX0080)	9105707393
通风格栅 (AS1635L, 白色) (仅适用于 NRX1050、NRX0050、NRX1060、NRX0060、NRX1080、NRX0080)	9500000949
通风格栅 (AS1635L, 黑色) (仅适用于 NRX1050、NRX0050、NRX1060、NRX0060、NRX1080、NRX0080)	9500000951
通风口安装框架 + 格栅 (LS 300, 白色) (仅适用于 NRX1115、NRX0115、NRX1130、NRX0130)	9600003033
通风口安装框架 + 格栅 (LS 300-B, 黑色) (仅适用于 NRX1115、NRX0115、NRX1130、NRX0130)	9600003022

6 预期用途

本冰箱适合于：

- 安装在房式拖车、房车、船只和卡车上
- 冷却和储存食品
- **NRX1050-1130(C/S)、NRX0050、0080、0115(C) 仅适合：** 储存预冻食品
- 室内使用

本冰箱不适合于商业、零售或家庭应用。

本冰箱不适合于：

- 储存药物

- 储存腐蚀性物质或含有溶剂的物质
- 速冻食品
- 室外使用

在船上使用时，应将此设备安装在休息室区域内，不要安装在露天甲板上。

冷冻室适合于储存预冻食品、储存或制作冰淇淋以及制作冰块。其不适合冷冻之前未冷冻的食品。

本冰箱适合安装在橱柜或安装壁龛内。

环境温度介于 16 °C … 43 °C 之间且最大湿度为 90 % 时，制冷性能最佳。

本产品仅适用于符合这些说明的预期用途和应用。

本手册提供了正确安装和/或操作本产品的必要信息。如果安装和/或使用或维护不当，将导致产品性能不理想，或者可能出现故障。

如果下述原因导致用户受伤或产品损坏，制造商不承担任何责任：

- 错误安装、装配或连接，包括电压过高
- 维护不当或错误地使用制造商提供的原装备件以外的备件
- 在未经制造商明确许可的情况下对产品进行改装
- 用于非本手册所述用途

Dometic 保留更改产品外观和产品规格的权利。

7 技术说明

本冰箱为压缩机式冰箱。

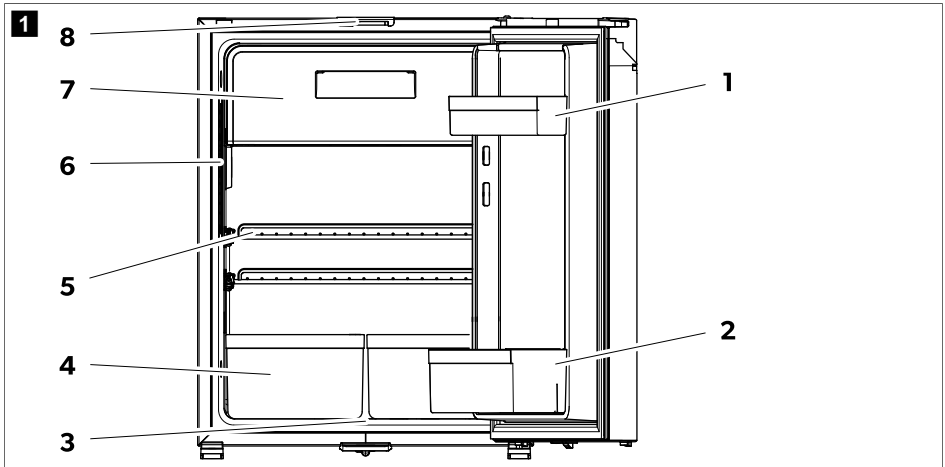
NRX0050-0130(C/S)： 本冰箱设计为使用不同类型的电源运行，可以使用直流电源或交流电源运行。

NRX1050-1130(C/S)、NRX0050/0080/0115(C)： 该型号出厂时安装了一个可拆卸和重新安装的冷冻室。

冰箱门有一个门锁机构，可在运输过程中对其进行保护。

冰箱中使用的所有材料均可用于食品。

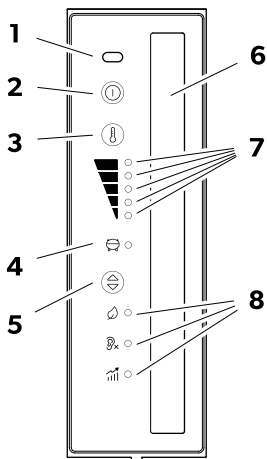
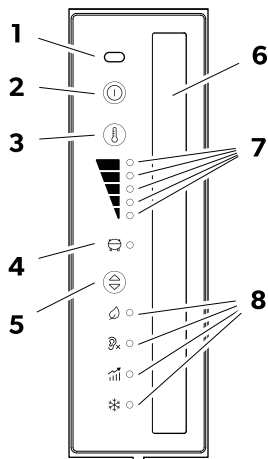
设备说明



编号	说明
1	门架
2	瓶架
3	冷凝液排出管
4	保鲜储藏格
5	柜架
6	带显示屏的操作面板
7	冷冻室
8	用于通风的门门锁

操作和显示元件

NRX0050 - 0130 (E)

NRX1050 - 1130 (C/S)
NRX0050, 0080, 0115 (C)

编号	说明
1	IR 开门传感器
2	Ⓞ 打开/关闭按钮
3	Ⓢ 制冷等级设置按钮
4	压缩机和错误 LED 指示灯
5	Ⓧ 工作模式按钮
6	内部照明
7	制冷等级 LED 指示灯  <ul style="list-style-type: none">  制冷等级 5  制冷等级 4  制冷等级 3  制冷等级 2  制冷等级 1
8	工作模式 LED 指示灯

压缩机和错误 LED 指示灯





压缩机和错误 LED 指示灯显示压缩机的运行状态或指示错误:

颜色	名称
白色	压缩机打开
橙色	压缩机关闭

颜色	名称
橙色 (闪烁)	错误 (请参见“错误指示 页 102”一章)

工作模式 LED 指示灯

工作模式 LED 指示灯显示以下设置选项：

符号	名称
	ECO (节能) 模式： 以更低的能耗工作。 制冷等级 1 - 3
	QUIET (节能) 模式： 以更低的噪声级工作： 制冷等级 1 - 4
	PERFORMANCE (性能) 模式： 制冷等级 1 - 5
	FREEZER (冷冻室) 模式 (仅适用于 NRX1050-1130[C/S]、NRX0050/0080/0115[C])： 在拆下冷冻室的状态下工作。将冰箱的整个内部制冷至 -6°C 。 WINTER (冬季) 模式 (仅适用于 NRX1115-1130[C/S])： 确保冷冻室在低环境温度下得到充分冷却。

8 操作

8.1 首次使用前

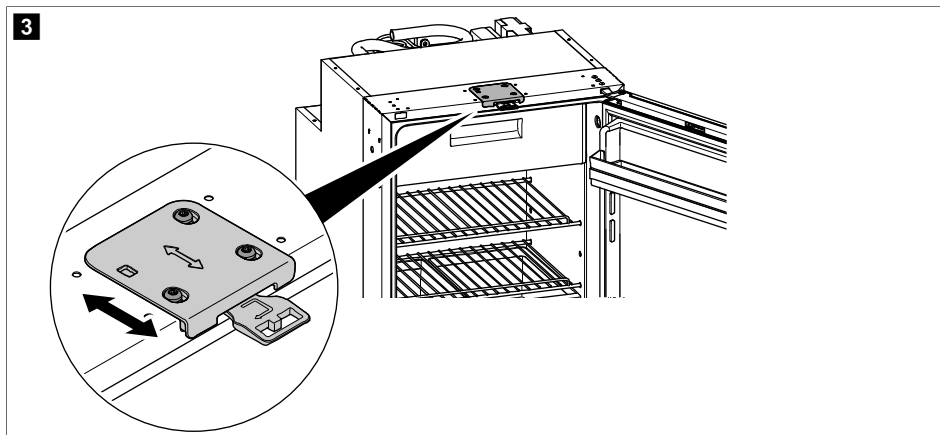


提示

- > 在冰箱启动后的前 4 小时内，请勿存放物品。
- > 首次使用冰箱时，可能会有轻微气味，几小时后就会消失。让生活空间保持良好通风。
- > 制冷量可能受到以下因素影响：
 - 环境温度 (例如，当车辆暴露在阳光直射下时)
 - 需要冷藏的食物数量
 - 打开冰箱门的次数
- > 出于卫生考虑，请清洁冰箱内部 (请参阅“清洗和保养 页 98”一章)。
- > 以水平状态停驻车辆，尤其是在出发前启动并装满冰箱时。

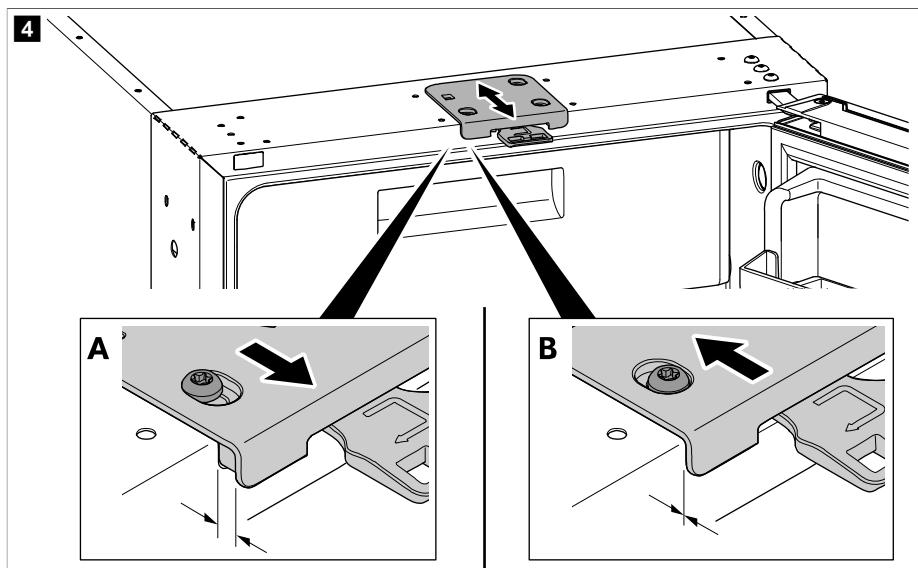
8.1.1 调节冰箱门门锁

可通过调节冰箱顶部的门门锁来控制冰箱门关闭时的间隙。



i **提示** 检查冰箱上是否安装了可调式门门锁。必要时订购一个可调式门门锁 (dometic.com), 并将原有的固定式门门锁替换成可调式门门锁。

> 冰箱门门锁出厂时已设到 **A** 位置。将冰箱门门锁移到 **B** 位置。



i **提示** 如果冰箱门门锁位于 **B** 位置, 请确保关闭冰箱门时门锁锁定到位 (请参阅“关闭和固定冰箱门页 92”一章)。

8.2 有关储存食品的信息



小心！健康危险

如果冰箱长时间暴露在低于 10°C 的环境温度下，将无法保证冷冻室温度的调节。这可能导致冷冻室温度升高，并且储存的物品被解冻。

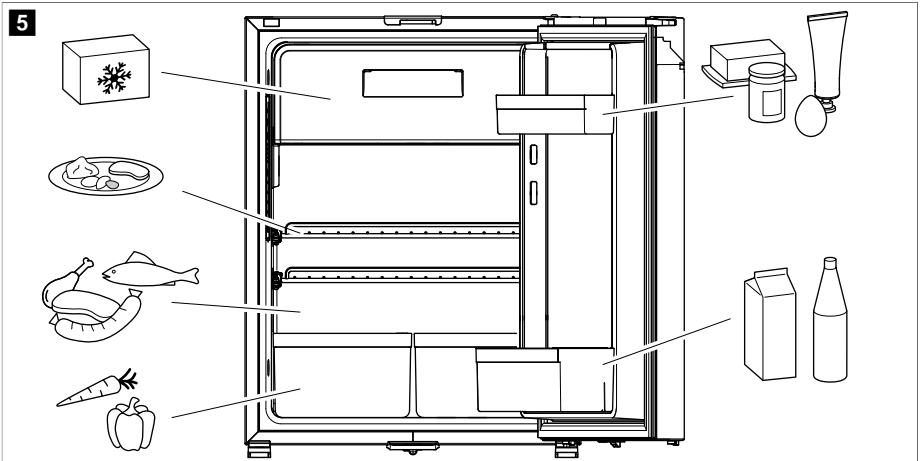


注意！损坏危险

- > 装满冰箱时，请注意每个门架和门的最大负载（请参阅技术数据 页 103）。
- > 请勿将碳酸饮料放在冷冻室里。

为避免食物浪费，请注意以下几点：

- 尽量避免温度波动。仅在必要时才打开冰箱。储存食品时，应保证空气流通良好。
 - 根据食品数量和种类调节温度。
 - 如图所示储存不同的食品种类。
 - 食品很容易吸收或释放气味或味道。始终将食品盖好或储存在密闭的容器/瓶子里。
- > 按图示存放食物。



8.3 节能

- 仅在必要时才打开冰箱。
- 首先等热食冷却，然后再将其放入迷你吧中冷藏。
- 一旦形成冰层，就需要马上对冰箱除霜。
- 避免不必要的低温设置。
- 为达到最佳能耗，请将搁板和抽屉按照交付时位置放置。
- 定期检查门封，确保密封得当。
- 定期清洁冷凝器上的灰尘和污垢。

8.4 冰箱门的使用



小心！受伤风险

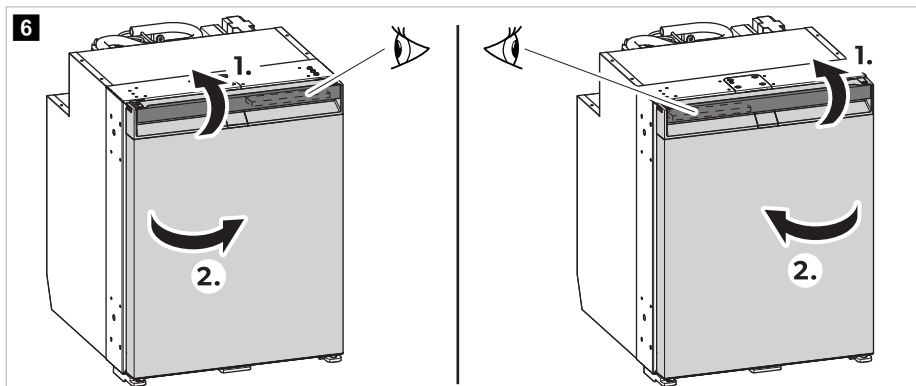
如果使用不当，冰箱门和冷冻室门可能会从冰箱上完全脱落。

8.4.1 打开冰箱门



提示 务必拉动门挡对面的把手。注意滑块的相应位置。请参阅相关的安装说明。

➢ 要打开冰箱门，请按图示进行操作。



8.4.2 关闭和固定冰箱门



小心！受伤风险

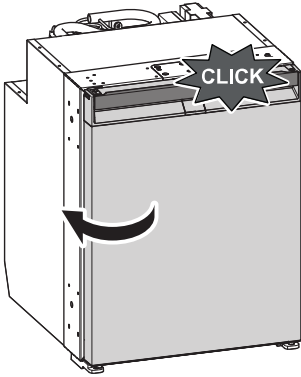
如果门固定不当，请小心地推动门的顶部和底部，直到其固定到位。



提示 冰箱门有一个门锁机构，也可在运输过程中对其进行保护。

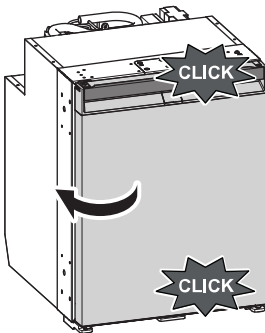
- > NRX0050-0130(E): 把门按下将其关闭, 直到清楚地听到门顶部发出咔嗒声。

7 NRX0050-0130 (E)



- > NRX1050-1130(C/S)、NRX0050/0080/0115(C): 把门按下将其关闭, 直到清楚地听到门顶部和底部发出咔嗒声。

8 NRX1050-1130 (C/S) NRX0050, 0080, 0115 (C)





- √ 门现在已关闭并紧固好。

8.5 打开和关闭



提示 当长时间不使用冰箱时, 务必要关掉冰箱。

- > 要打开冰箱, 请按住  按钮至少 2s 秒钟。
- √ 冰箱在最后选择的制冷等级设置和工作模式下打开。
- > 要关闭冰箱, 请按住  按钮至少 2s 秒钟。

8.6 设置工作模式



提示 当使用 ECO (节能)、PERFORMANCE (性能)、FREEZER (冷冻室) 或 WINTER (冬季) 模式时, 系统将一直保持在该模式下, 直至您进行进一步的更改。

› 要设置工作模式, 请反复按下 按钮, 直到所需工作模式对应的 LED 指示灯亮起。

有以下工作模式可用:

使用 ECO (节能) 模式

在 ECO (节能) 模式激活的情况下, 冰箱在 1 – 3 制冷等级时的能耗降低。

✓ ECO (节能) 模式 的工作模式 LED 指示灯和选定的制冷等级 LED 指示灯亮起。

使用 QUIET (静音) 模式

在 QUIET (静音) 模式激活的情况下, 冰箱在 1 – 4 制冷等级时的噪声级降低。



提示

- › 如果冰箱在 FREEZER (冷冻室) 模式下运行, 则 QUIET (静音) 模式不可用。
- › 使用 QUIET (静音) 模式时, 冰箱将停留在此模式下 8 h 小时, 然后返回到先前选择的模式, 即 ECO (节能) 或 PERFORMANCE (性能) 模式。

✓ QUIET (静音) 模式 的工作模式 LED 指示灯和选定的制冷等级 LED 指示灯亮起。

使用 PERFORMANCE (性能) 模式

在 PERFORMANCE (性能) 模式激活的情况下, 冰箱在 1 – 5 制冷等级下以标准模式工作。

✓ PERFORMANCE (性能) 模式 的工作模式 LED 指示灯和选定的制冷等级 LED 指示灯亮起。

使用 FREEZER (冷冻室) 模式

FREEZER (冷冻室) 模式激活的情况下, 整个冰箱内部会制冷至 -6°C 。



提示

- › 拆除冷冻室才能使用 FREEZER (冷冻室) 模式。
- › 如果冰箱在 WINTER (冬季) 模式下运行, 则 FREEZER (冷冻室) 模式不可用。

✓ FREEZER (冷冻室) 模式 的工作模式 LED 指示灯和所有制冷等级 LED 指示灯持续亮起。

在低环境温度下以 WINTER (冬季) 模式运行 (仅适用于 NRX1115–1130) :



提示

- › 冷却空气可能影响冷却装置的性能。如果发现冷冻室内的制冷能力下降, 请激活 WINTER (冬季) 模式。
- › 一旦环境温度上升到 16°C , 请立即停用 WINTER (冬季) 模式, 以避免功耗加大。
- › 如果冰箱在 FREEZER (冷冻室) 模式下运行, 则 WINTER (冬季) 模式不可用。

- > 要激活或停用 WINTER（冬季）模式，请按图示操作。



- ✓ FREEZER（冷冻室）模式 (❄️) 的工作模式 LED 指示灯呈绿色亮起且所选制冷等级 LED 指示灯持续亮起。

8.7 设置制冷等级

- > 要设置制冷等级，请反复按下 ① 按钮，直至达到所需制冷等级。

8.8 重新布置搁板



警告！儿童被困的风险

NRX1060-1130(C/S)、NRX0080/0115(C)、NRX0060-0130(E)：将所有隔板都固定到位，防止孩子爬进冰箱。

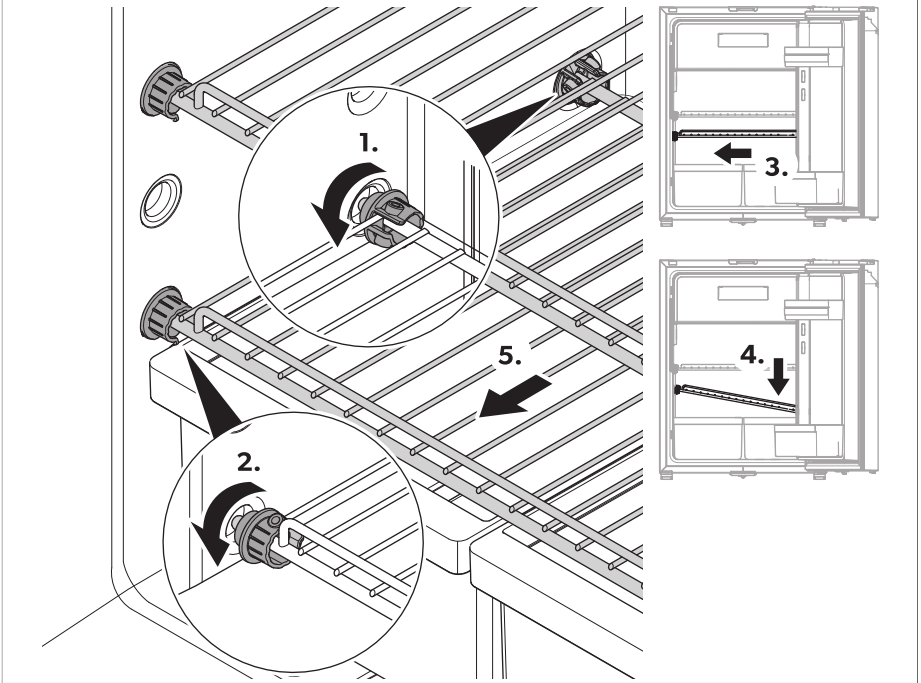
- > 只能出于清洁目的拆下搁板。
- > 重新安装搁板并将其固定到位。



提示 在重新布置搁板之前，先拆除冷冻室，以便更容易触及后搁板旋钮。

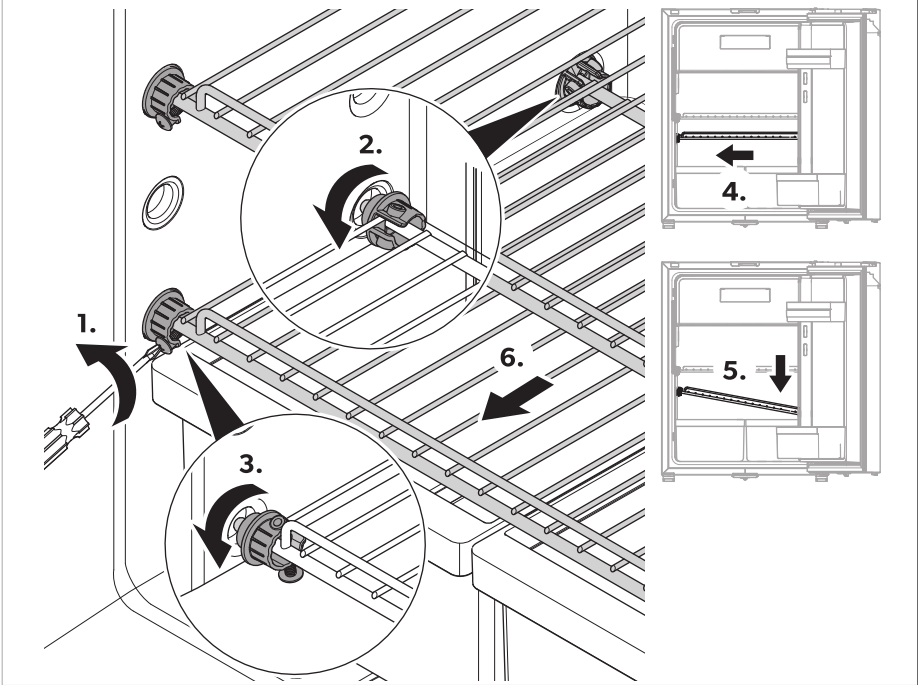
> NRX0035-0050: 要根据需要重新布置隔板, 请按图示进行操作。

10 NRX0050, NRX1050



- > NRX0035-0050: 要根据需要重新布置隔板, 请按图示进行操作。

11 NRX0060 - 0130, NRX1060 - 1130



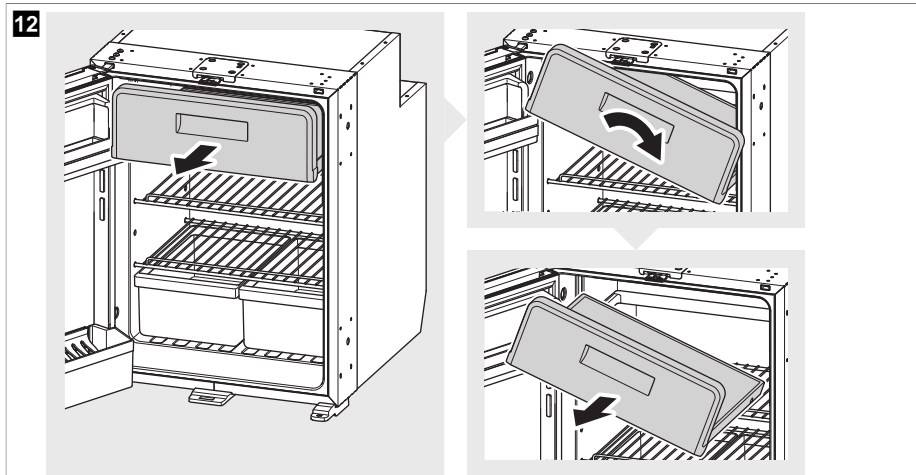
8.9 拆除冷冻室



注意! 损坏危险

- > 关闭冷冻室门以拆除冷冻室。
- > 在底部抓住冷冻室。请勿在冷冻室门上拉动。
- > 请将冷冻室存放在干燥且安全的地方。

- › 要拆除冷冻室，请按图示操作。



9 清洗和保养



警告！触电危险

进行清洁和维护之前，务必断开冰箱的电源。



注意！损坏危险

- › 清洁过程中请勿使用研磨性清洁剂或坚硬物体。
- › 切勿使用坚硬或锋利的工具除冰或将冻结的物品取出。
- › 确保无水滴入密封件。这会损坏电子元件。



注意！损坏危险

为避免危险发生，只能由制造商、服务代理或具有类似资质的人员更换光源。

- › 定期用湿布清洁冰箱内部和外部，并在冰箱变脏时立即清洁。清洁后，用棉布擦干冰箱。
- › 请定期检查冷凝液排出管。
请在必要时清洁冷凝液排出管。如果堵塞，冷凝液会在冰箱底部形成积水。
- › 定期用湿布清洁冷凝器上的灰尘和污垢。

制冷剂回路

制冷剂回路无需维护。

为冰箱除霜



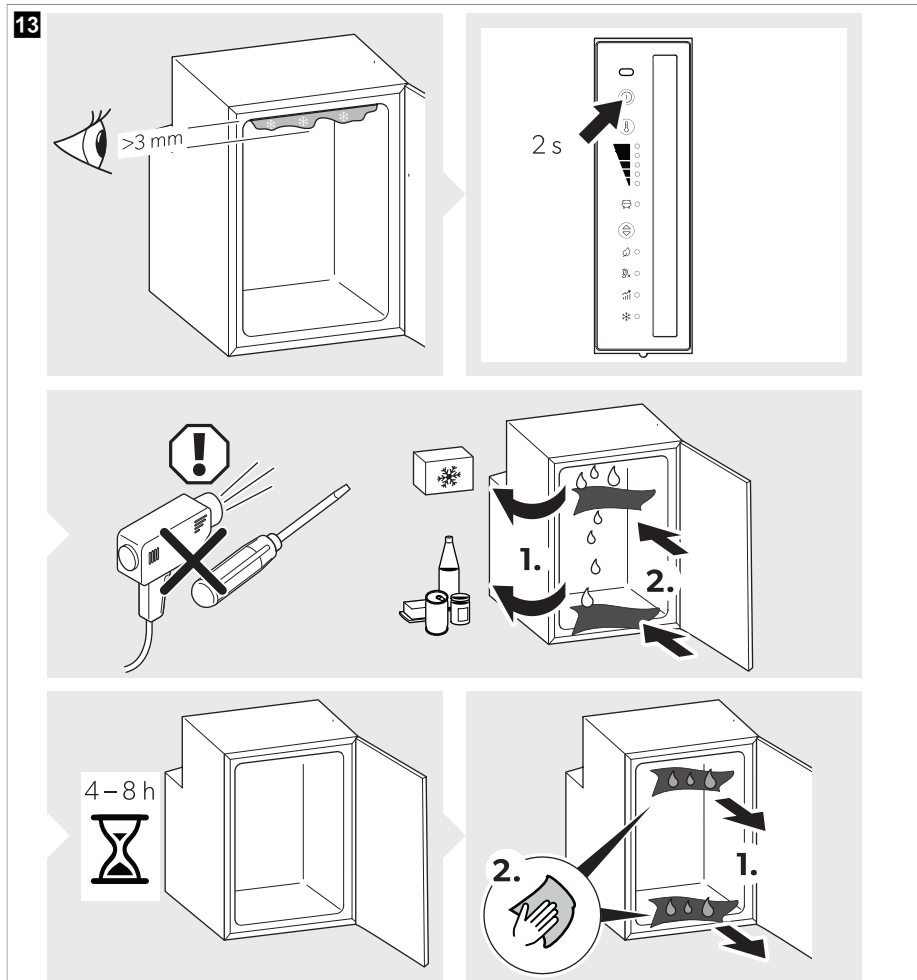
注意！损坏危险

请勿使用任何机械工具或任何其他工具来加快除霜速度。



提示 随着时间推移，冰箱的后壁会结霜。如果这层霜厚度大约达到 3 mm，就需要给冰箱除霜。

> 要对冰箱除霜，请按图示步骤进行操作。



将冰箱门置于存放位置



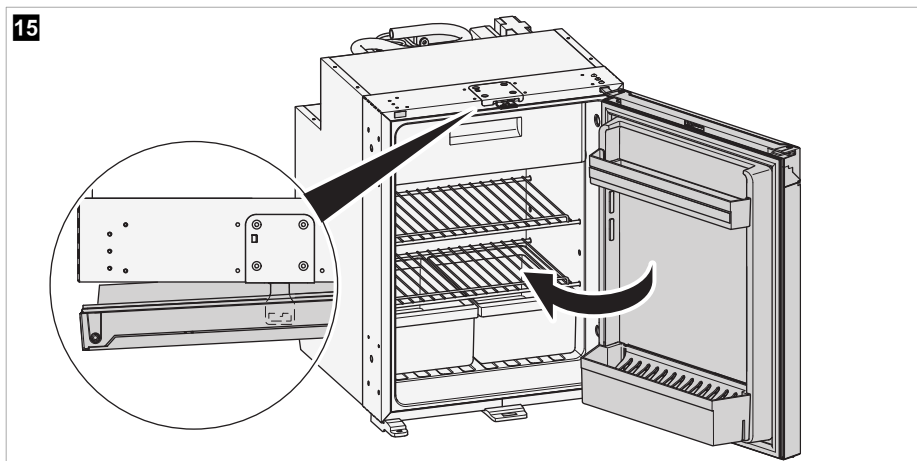
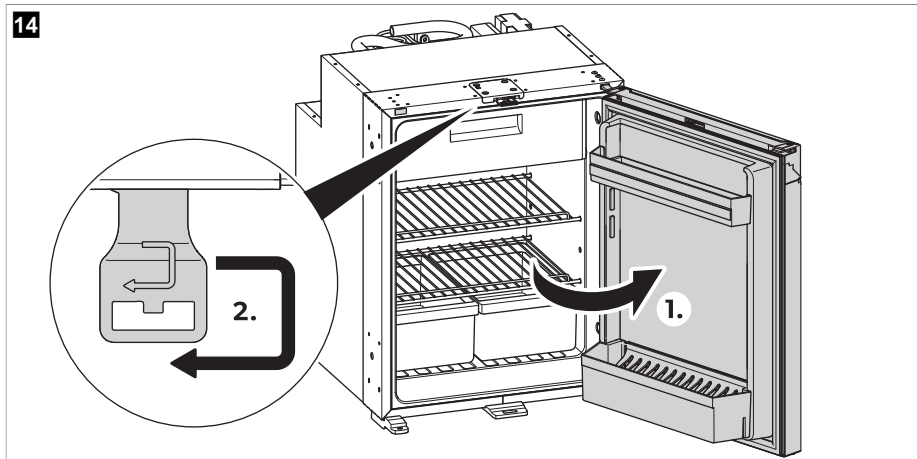
小心！受伤风险

在车辆行驶时不得使用存放位置。



提示 长时间不使用本冰箱时，请将冰箱门置于存放位置。这可以防止霉菌滋生。

- › 为冰箱除霜（请参阅为冰箱除霜 页 98）。
- › 按图示将冰箱门置于存放位置。

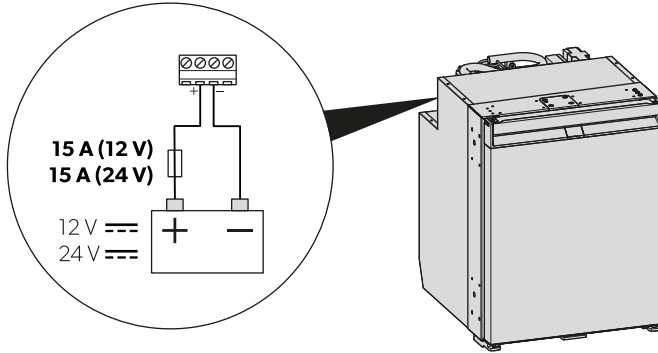


10 故障排除



提示 要在车辆行驶时安全操作房车中的 12V 耗电设备，必须确保牵引车提供足够的电压。在一些车辆上，电池管理系统可能会自动关闭耗电装置以保护电池。有关更多信息，请咨询您的车辆制造商。

16



问题	原因	补救
冰箱不工作。	DC 电缆中的保险丝故障。	> 更换保险丝 ( 如图 16 页 101) 。
	车辆保险丝已熔断。	> 请更换车辆保险丝。 请参考车辆的使用说明书。
	车辆电池已放电。	> 测试电池并对其充电。
	点火装置未打开。	> 接通点火装置。
	压缩机上的温度过低 (<0 °C)。	> 用绝缘材料闭合/覆盖所有外部通风格栅。
	如果电压不足, 冰箱会自动关闭。 (切断电压: 10.4 V )	> 装载电池。冰箱将再次自动启动。 (开启电压: 11.7 V )
制冷不良, 内部温度升高。压缩机持续运行。	冷却装置周围通风不足。	> 检查通风格栅是否堵塞。 > 将冰箱移动至另一位置。
	内壁结冰。	> 检查冰箱门是否正确关闭。 > 确保冰箱密封件正确安装并且没有损坏。 > 为冰箱除霜 (请参阅为冰箱除霜页 98) 。
	设定的温度过高。	> 请设定较低的温度。
	环境温度过高	> 暂时拆除通风格栅, 从而暖空气可以更快逸出。
	冰箱内同时放置了过多食物。	> 请取出一些食物。
	冰箱内同时放置了过多温热食物。	> 请取出温热食物, 等待其完全冷却之后再放入冰箱。
	冰箱已长时间没有工作。	> 在 4 h / 5 h 后, 请再次检查温度。
	冷凝器脏污。	> 清洁冷凝器 (请参见“清洗和保养页 98”一章) 。
	风扇发生故障。	> 请联系授权服务代理。

问题	原因	补救
制冷不良，内部温度升高。 压缩机很少工作。	电池电量已耗尽。	> 请对电池进行充电。
制冷不良，内部温度升高。 压缩机不工作（连接电池）。	电池与电子组件的连接中断。	> 请建立连接。
	主开关故障（如果已安装）。	> 请更换主开关。
	附加供电线路保险丝已熔断（如果已安装）。	> 请更换供电线路保险丝。
	电池电压过低。	> 请对电池进行充电。
	电池电量过低。	> 请更换电池。
	电缆松动。 接触不良（腐蚀）。	> 请建立连接。
	电缆横截面过小。	> 请更换电缆。
制冷不良，内部温度升高。 压缩机不工作（连接 AC 电源）。	压缩机故障。	> 请联系授权服务代理。
	供电线路连接断开。	> 请建立连接。
	主开关故障（如果已安装）。	> 请更换主开关。
	附加供电线路保险丝已熔断（如果已安装）。	> 请更换供电线路保险丝。
异常噪音。	压缩机故障。	> 请联系授权服务代理。
	制冷剂回路的部件不能自由移动（接触壁）。	> 请小心弯曲部件，使其离开障碍物。
	有异物卡在冷却装置和壁之间。	> 清除异物。
移动过程中（例如车辆行驶时）， 冰箱门可能会意外打开。	风扇有噪音。	> 请联系授权服务代理。
移动过程中（例如车辆行驶时）， 冰箱门可能会意外打开。	冰箱门门锁已设到 A 位置（请参阅“调节冰箱门门锁 页 89”一章）。	> 将冰箱门门锁设到 B 位置。
	冰箱门未正确关闭。	冰箱门门锁已设到 A 位置（请参阅“调节冰箱门门锁 页 89”一章）。
冰箱门未正确关闭。	冰箱门门锁已设到 B 位置（请参阅“调节冰箱门门锁 页 89”一章），但冰箱门未锁定到位。	> 确保关闭冰箱门时门锁锁定到位。

错误指示



提示

- > 所有错误都会以闪烁的红色 LED 指示灯来指示（请参阅操作和显示元件 页 88）。闪烁次数取决于故障类型。每次闪烁持续四分之一秒。在连续闪烁后将会暂停。故障顺序每 4 秒钟重复一次。
- > 在 ECO（节能）、PERFORMANCE（性能）和 FREEZER（冷冻室）模式下，发出额外蜂鸣声。

闪烁频率	错误	可能的原因
1	欠压或过压	电源电压超出设定范围。
2	风扇电流过大	电子组件上的风扇负载超过 1 A。

闪烁频率	错误	可能的原因
3	电机不起动	转子堵塞。 冷却系统中的压差过高。
4	速度过低	如果冷却系统过载，将无法维持电机的最小速度。
5	电子组件过热	如果冷却系统负载过大或温度设置过高，电子器件可能会过热。
持续	温度传感器错误	温度传感器故障。

11 保修单

将设备送修和进行质保处理时请将下列文件一并附上：

- 带有购买日期的收据复印件
- 故障原因或描述

请注意，自行维修或非专业人员维修可能会引发安全事故，并可能导致保修失效。

本地支持

请通过以下链接地址获得本地支持：dometic.com/dealer

12 废弃处置



注意！损坏危险

冷藏设备的隔热材料中含有易燃环戊烷，需要执行特殊处理程序。冷藏设备无法使用时，应将其送至适当的回收中心。





将包装材料尽可能的放到对应的回收垃圾桶内。有关如何根据适用废弃物处置规定处置产品的详细信息，请咨询当地的回收中心或专业经销商。欧洲：本产品可以免费回收。

13 技术数据

本设备符合 UN ECE 法规 R10。

	NRX1050(C/S)、NRX0050(C/E)	NRX1060(C/S)、NRX0060E
容量		
· 冷藏室 (仅适用于 NRX1050-1130[C/S]、NRX0050/0080/0115[C])	39.6 L	48.9 L
· 冷冻室 (仅适用于 NRX1050-1130[C/S]、NRX0050/0080/0115[C])	4.4 L	6.1 L
· 总容量	44 L	55 L
· 总容量 (拆下冷冻室后)	46 L	58 L
连接电压		



ZH NRX50-130

	NRX1050(C/S)、NRX0050(C/E)	NRX1060(C/S)、NRX0060E
<ul style="list-style-type: none"> NRX1050-1060(C/S) 	12 / 24 V ⁼⁼ 100 … 240 V [~]	
<ul style="list-style-type: none"> NRX0050-0060(C/E) 	12 / 24 V ⁼⁼	
电源电池保护 (12 V)		
<ul style="list-style-type: none"> 切断电压 开启电压 	10.4 V 11.7 V	
电源电池保护 (24 V)		
<ul style="list-style-type: none"> 切断电压 开启电压 	22.8 V 24.2 V	
温度类型	T	
储存温度范围		
<ul style="list-style-type: none"> 制冷剂 冷冻室 (仅适用于 NRX1050-1130[C/S]、NRX0060/0050/0115[C]) Freezer (冷冻室) 模式 (仅适用于 NRX1050-1130[C/S]、NRX0060/0080/0115[C]) 	0 °C … 12 °C -15 °C … -5 °C -6 °C	
预期的环境温度范围	16 °C … 43 °C	
制冷剂	R134a	
制冷剂存量	26 g	30 g
二氧化碳当量	0.037 t	0.043 t
全球变暖潜能值 (GWP)	1430	
噪音排放 (EN 60704)	40 … 45 dB(A)	
尺寸 (高 x 宽 x 深) (以 mm 为单位)	525 × 380 × 510 mm	525 × 448 × 537 mm
净重	C, S: 18 kg E: 14.5 kg	C, S: 18 kg E: 16 kg
最大负载		
<ul style="list-style-type: none"> 每个门架 每扇门 	4 kg 8 kg	5 kg 10 kg
检验/认证:	 	

	NRX1080(C/S)、NRX0080C、NRX 0080E	NRX1115(C/S)、NRX0115C、NRX0115E	NRX1130(C/S)、NRX0130E
容量			

	NRX1080(C/S)、 NRX0080C、NRX 0080E	NRX1115(C/S)、 NRX0115C、NRX0115E	NRX1130(C/ S)、NRX0130E
• 冷藏室 (仅适用于 NRX1050-1130[C/S]、 NRX0060/0080/0115[C])	68.4 L	104.5 L	118 L
• 冷冻室 (仅适用于 NRX1050-1130[C/S]、 NRX0060/0080/0115[C])	6.6 L	8.2 L	8.2 L
• 总容量	75 L	113 L	126 L
• 总容量 (拆下冷冻室 后)	78 L	116 L	130 L
连接电压			
• NRX1080-1130(C/S)	12 / 24 V ⁻⁻⁻ 100 ... 240 V [~]		
• NRX0080-0130(C/E)	12 / 24 V ⁻⁻⁻		
电源电池保护 (12 V)			
• 切断电压	10.4 V		
• 开启电压	11.7 V		
电源电池保护 (24 V)			
• 切断电压	22.8 V		
• 开启电压	24.2 V		
温度类型	T		
储存温度范围			
• 制冷剂	0 °C ... 12 °C		
• 冷冻室 (仅适用于 NRX1050-1130[C/S]、 NRX0060/0080/0115[C])	-15 °C ... -5 °C		
• Freezer (冷冻室) 模式 (仅适用于 NRX1050-1130C/S、 NRX0060/0080/0115[C])	-6 °C		
预期的环境温度范围	16 °C ... 43 °C		
制冷剂	R134a		
制冷剂存量	32 g	40 g	40 g
二氧化碳当量	0.046 t	0.057 t	0.057 t
全球变暖潜能值 (GWP)	1430		
噪音排放 (EN 60704)	40 ... 45 dB(A)		
尺寸 (高 x 宽 x 深)	625 × 475 × 537 mm	745 × 525 × 568 mm	812 × 525 × 568 mm
净重	C、S: 21 kg E: 18 kg	C、S: 27 kg E: 25 kg	C、S: 28 kg E: 26 kg

ZH NRX50-130

	NRX1080(C/S)、 NRX0080C、NRX 0080E	NRX1115(C/S)、 NRX0115C、NRX0115E	NRX1130(C/ S)、NRX0130E
最大负载			
• 每个门架	5 kg	6 kg	6 kg
• 每扇门	10 kg	18 kg	18 kg
检验/认证:	 		

dometic.com

**YOUR LOCAL
DEALER**

dometic.com/dealer

**YOUR LOCAL
SUPPORT**

dometic.com/contact

**YOUR LOCAL
SALES OFFICE**

dometic.com/sales-offices
