

HYGIENE & SANITATION

8600 SERIES MASTERFLUSH TOILETS

Dometic MasterFlush 8600 Series toilets provide an abundance of features to satisfy diverse owner preferences and meet virtually any boatbuilder requirement. Two low-flush settings conserve water while delivering outstanding bowl-clearing performance.

POWERFUL FLUSH
MACERATES WASTE

VERSATILITY
SMALL FOOTPRINT

TWO FLUSH OPTIONS
NORMAL & LOW

FLAT BACK
PERFECT FIT



12/24 V

Mobile living made easy.

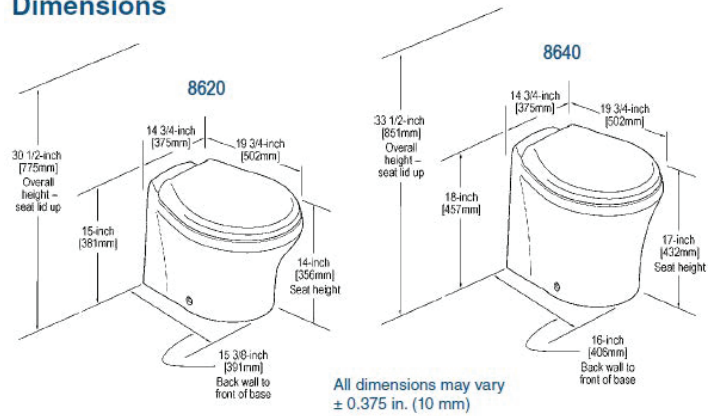
 **DOMETIC**

UPSCALE ELEGANCE & COMFORT

Key Benefits

- Powerful macerator flush
- Small footprint - fits in most any head compartment
- Standard and low-profile heights
- Through the floor and through the wall discharge fittings
- Vertical "flat back" to fit up against a straight wall
- "Soft-close" seat prevents slamming

Dimensions



Model	8620	8640
Description¹	Low-profile macerator toilet with touchpad flush control	Standard height macerator toilet with touchpad flush control
Circuit Breaker/Fuse	20 amps @ 12 V DC; 15 amps @ 24 V DC	
Wiring	12 ga. (up to 20 ft/6.1 m total circuit)	
Water Supply ID Fitting (in/mm)	0.5/13 NPT	
Min. Water Flow Rate (gpm/lpm)	2.0/7.6	
Discharge ID Fitting (in/mm)	1.5/38 or 1.0/25	
Max. Discharge Horizontal Run (ft/m)²	98/30	
Max. Discharge Vertical Run (ft/m)²	9.8/3	
Min Height-Seat Down (in/mm)³	15/381	18/457
Max. Height-Seat Up (in/mm)³	30.5/775	33.5/851
Width (in/mm)³	14.75/375	
Depth-Wall to Front of Bowl(in/mm)³	19.75/502	
Depth-Wall to Front of Base (in/mm)³	15.375/391	16/406
Depth-Wall to Center of Base (in/mm)³	N/A	

¹Toilets available in white or bone colors. Toilet/bidet combos and manual bidets available in white only. Optional DFS or DFP flush switch must be ordered separately.

²Horizontal and vertical run distances are not cumulative. Check for adequate discharge flow if installation nears one of these limits.

³Dimensions may vary ± 0.375 in/10mm.



1. HEIGHT OPTIONS

Low-profile (shown) and standard



2. ELECTRONIC FLUSH

Flush activation by Dometic DFTP Flush Touchpad (not shown) or an optional DFS flush switch (shown)



3. FLAT BACK WALL

Installs against a vertical flat wall perfectly