



CLIMATE CONTROL ACCESSORIES

3314998.000

EN

Heater Kit

Installation Manual.2

 **WARNING**

Cancer and Reproductive Harm
www.P65Warnings.ca.gov

Service center & dealer locations

Visit: www.dometic.com

Please read these instructions carefully and follow all instructions, guidelines, and warnings included in this product manual in order to ensure that you install, use, and maintain the product properly at all times. These instructions **MUST** stay with this product.

By using the product, you hereby confirm that you have read all instructions, guidelines, and warnings carefully and that you understand and agree to abide by the terms and conditions as set forth herein. You agree to use this product only for the intended purpose and application and in accordance with the instructions, guidelines, and warnings as set forth in this product manual as well as in accordance with all applicable laws and regulations. A failure to read and follow the instructions and warnings set forth herein may result in an injury to yourself and others, damage to your product, or damage to other property in the vicinity. This product manual, including the instructions, guidelines, and warnings, and related documentation, may be subject to changes and updates. For up-to-date product information, please visit www.dometic.com.

Contents

- 1 Related documents 2**
- 2 Explanation of symbols and safety instructions 2**
 - 2.1 Recognize safety information 2
 - 2.2 Understand signal words 2
 - 2.3 Supplemental directives 3
 - 2.4 General safety messages. 3
- 3 Intended use 3**
- 4 General information 3**
 - 4.1 Tools and materials 3
 - 4.2 Compatibility 3
- 5 Preinstallation 4**
 - 5.1 Removing the ADB 4
 - 5.2 Installing the air conditioner 4
- 6 Installation 5**
 - 6.1 Configuring the CCC 2 Electronic Controls. . 6
 - 6.2 Completing the installation. 6
- 7 Disposal 7**
- Limited ONE-Year Warranty. 7**

1 Related documents



Find the installation manual on-line in French at <http://qr.dometic.com/beGoTI>



Find the installation manual on-line in Spanish at <http://qr.dometic.com/beGoVO>

2 Explanation of symbols and safety instructions

This manual has safety information and instructions to help you eliminate or reduce the risk of accidents and injuries.

2.1 Recognize safety information

⚠ This is the safety alert symbol. It is used to alert you to potential physical injury hazards. Obey all safety messages that follow this symbol to avoid possible injury or death.

2.2 Understand signal words

A signal word will identify safety messages and property damage messages, and also will indicate the degree or level of hazard seriousness.

⚠ WARNING
Indicates a hazardous situation that, if **not** avoided, could result in death or serious injury.

NOTICE: Used to address practices **not** related to physical injury.

i Indicates additional information that is not related to physical injury.

2.3 Supplemental directives

To reduce the risk of accidents and injuries, please observe the following directives before proceeding to install this appliance:

- Read and follow all safety information and instructions.
- Read and understand these instructions before installing this product.
- The installation must comply with all applicable local or national codes, including the latest edition of the following standards:

U.S.A.

ANSI/NFPA70, National Electrical Code (NEC)

ANSI/NFPA1192, Recreational Vehicles Code

Canada

CSA C22.1, Parts I & II, Canadian Electrical Code

2.4 General safety messages

⚠ WARNING: Electrical shock hazard. Failure to obey the following warnings could result in death or serious injury:

- Use only Dometic replacement parts and components that are specifically approved for use with the appliance.
- Avoid improper installation, adjustment, alterations, service, or maintenance of the appliance. Service and maintenance **must** be done by a qualified service person only.
- Do **not** modify this product in any way. Modification can be extremely hazardous.

3 Intended use

The heater kit (hereinafter referred to as heater) is designed for and may only be installed on recreation vehicles (RV) equipped with a compatible air conditioners and air distribution box (ADB). See "Compatibility" on page 3. The heater is not designed for and can not be installed on an air conditioner with integral electronic control boards.

This heater is only suitable for the intended purpose and application in accordance with these instructions.

This manual provides information that is necessary for proper installation of the heater. Poor installation and/or improper operating or maintenance will result in unsatisfactory performance and a possible failure. The manufacturer accepts no liability for any injury or damage to the product resulting from:

- Incorrect assembly or connection, including excess voltage
- Incorrect maintenance or use of spare parts other than original spare parts provided by the manufacturer
- Alterations to the product without express permission from the manufacturer
- Use for purposes other than those described in this manual

Dometic reserves the right to change product appearance and product specifications.

4 General information

This section contains information on tools, included parts, and compatible equipment.

i The images used in this document are for reference purposes only. Components and component locations may vary according to specific product models. Measurements may vary ± 0.38 in. (10 mm).

4.1 Tools and materials

Dometic recommends that the following tools and materials be used while installing the appliance.

| Included parts | Quantity |
|-------------------|----------|
| Electric heater | 1 |
| S10-16 x .5 Screw | 4 |

| Recommended tools | |
|-----------------------------|---------------|
| #2 Phillips screwdriver/bit | Utility knife |

4.2 Compatibility

This product is compatible with the following equipment.

| ADB | Air conditioner | Relay box | Thermostat type |
|-------------|-----------------|----------------------------|-----------------|
| 3314850.000 | 457915 | 3312020.000 | CCC 2 |
| | 459516 | | |
| | 540315 | | |
| | 540316 | | |
| | 640312 | 3313189.049 3313189.056 | SZLCD |
| | 640315 | | |
| | B57915 | | |
| B59516 | | | |
| 3314851.000 | 457915 | N/A | Mechanical |
| | 459516 | | |
| | 540315 | | |
| | 540316 | | |
| | FJX3473M | | |
| | FJX3573M | | |
| | 640312 | | |
| | 640315 | | |
| | B57915 | | |
| | B59516 | | |

5 Preinstallation

⚠ WARNING: Electrical shock hazard.

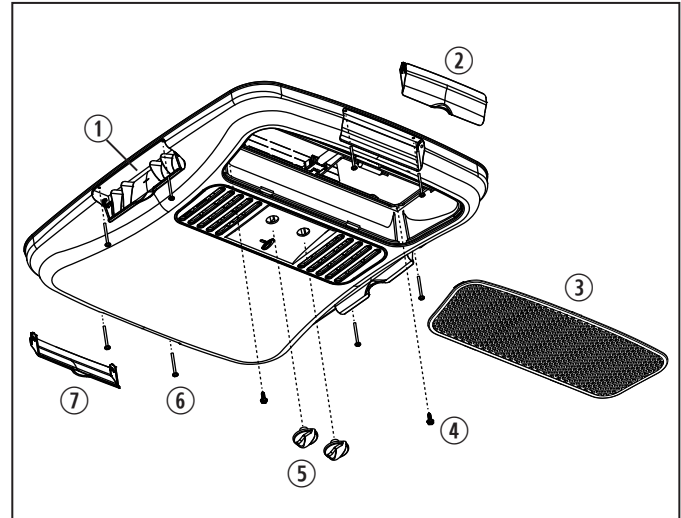
Disconnect the 120 VAC power from the RV. Failure to obey this warning could result in death or serious injury.

NOTICE: Disconnect the positive (+) 12 VDC terminal from the supply battery.

This section describes the steps to take prior to installing the heater.

1. Disconnect the 120 VAC and 12 VDC power supplies.
2. The heater can be installed before or after the air conditioner is installed.
 - If the air conditioner is installed, the ADB will need to be removed. Go to “Removing the ADB” on page 4.
 - If the air conditioner is not yet installed, go to “Installing the air conditioner” on page 4.

5.1 Removing the ADB



1 Removing the ADB

- | | |
|-------------------------|------------------|
| ① Side vent door | ⑤ Control knobs |
| ② Front vent door | ⑥ Mounting screw |
| ③ Return air vent grill | ⑦ Rear vent door |
| ④ Sheet metal screw | |

1. Disengage the control knobs (mechanical control models only) from the switch and thermostat shafts.
2. Open both side vent doors to access the mounting screws.
3. Remove the front and rear vent doors to access the mounting screws.
4. Remove the return air vent grille.
5. Remove the 8 mounting screws.
6. While holding the ADB, remove the two sheet metal screws that secure the ADB to the ceiling template.
7. Continue with “Installation” on page 5.

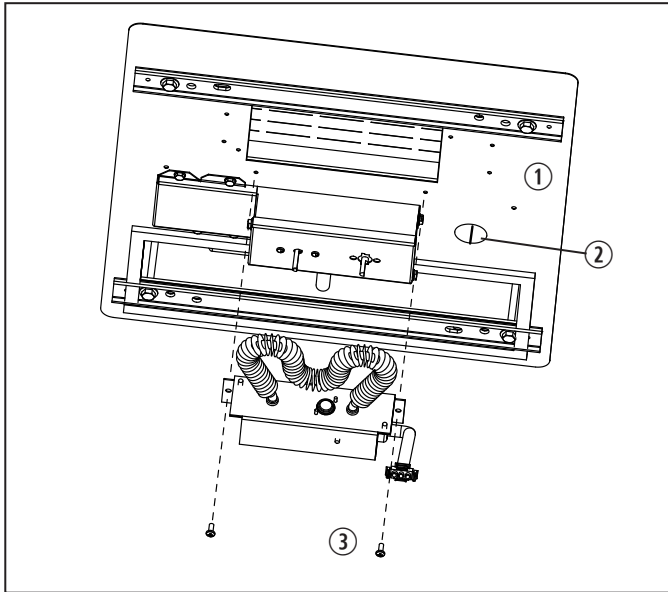
5.2 Installing the air conditioner

1. Follow the instructions in the air conditioner’s installation manual, but stop when you reach the steps to install the ADB.
2. Continue with “Installation” on page 5.

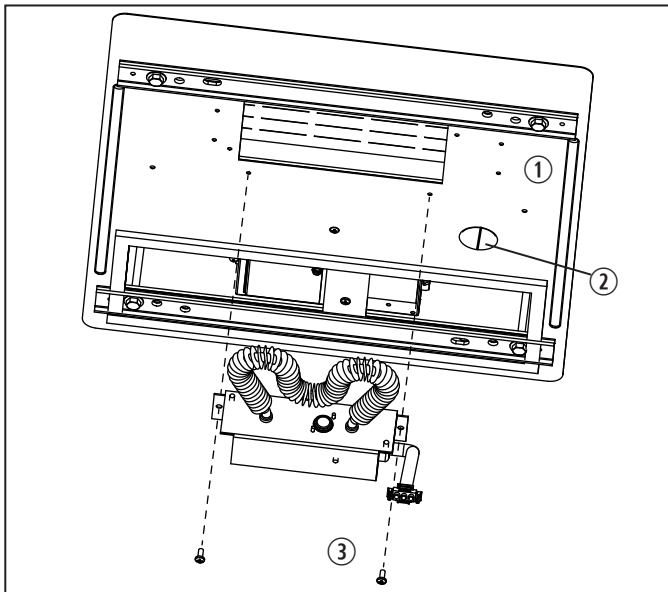
6 Installation

i The heater mounts directly to the ceiling template from below.

This section describes how to install the heater on a mechanical or electronic ceiling template.



2 Mechanical ceiling template

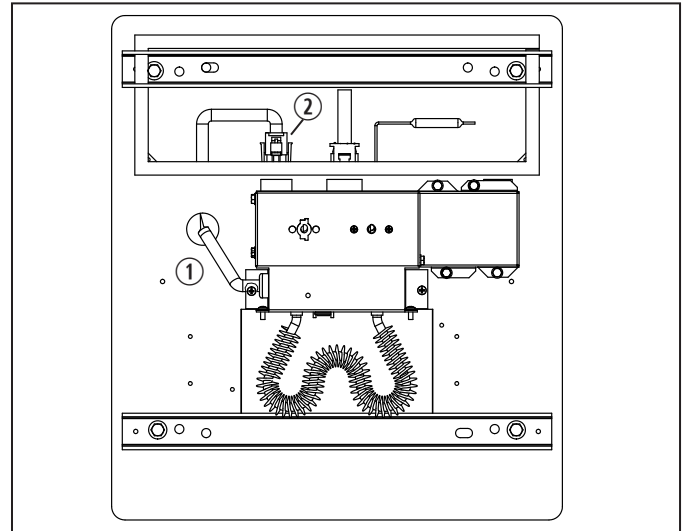


3 Electronic ceiling template

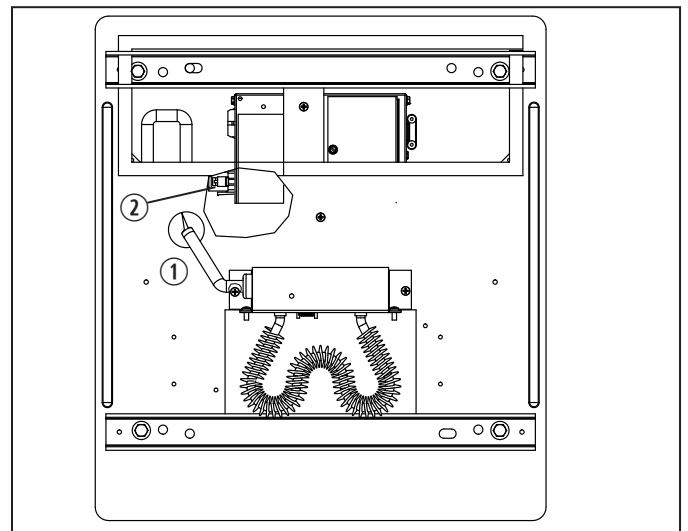
- ① Insulation
- ② Slot
- ③ S 10-16 x .50 screw

1. Secure the heater to the ceiling template using two S 10-16 x .50 screws.

2. Cut a slot through the insulation for the heater cable.



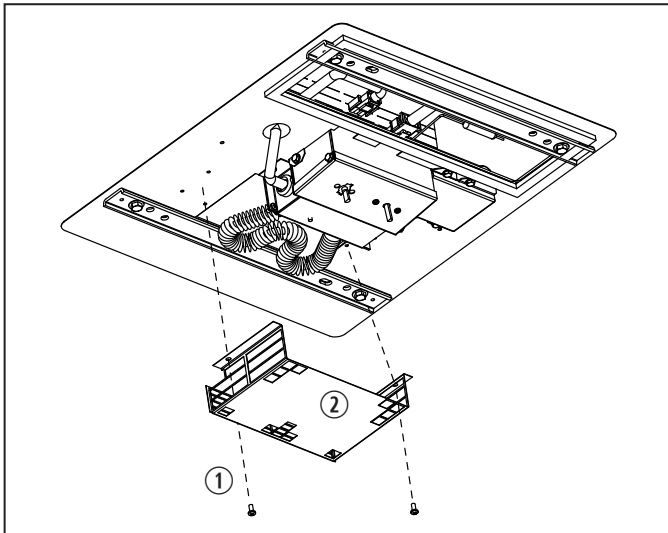
4 Mechanical control box



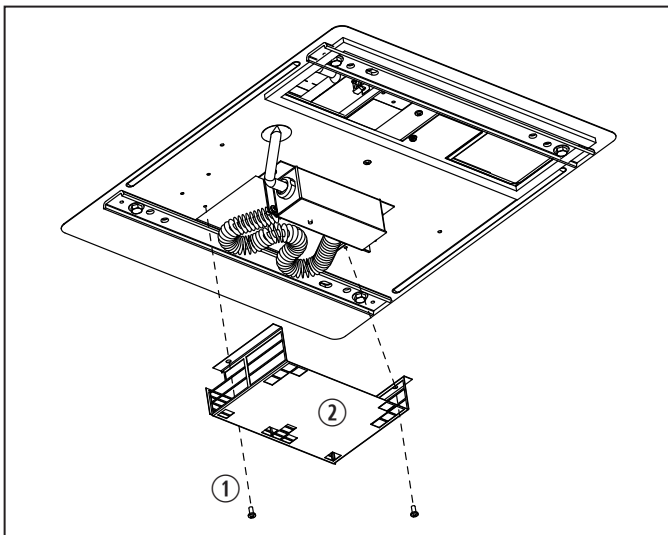
5 Electronic control box

- ① 3-pin electrical cable
- ② Connector

3. Route the 3-pin electrical cable from the heater through the slot in the insulation and plug it into the connector in the control box.



6 Mechanical ceiling template

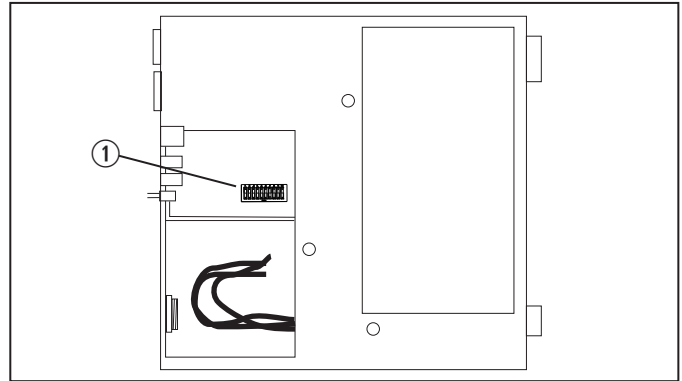


7 Electronic ceiling template

- ① S 10-16 x .50 screw
- ② Heater guard

4. Secure the heater guard to the ceiling template S 10-16 x .50 screws.
5. Perform one of the following steps:
 - If the air conditioner is not installed, return to the installation manual to complete the installation.
 - If the thermostat is a CCC 2, go to “Configuring the CCC 2 Electronic Controls” on page 6.
 - If you removed the ADB during preinstallation, go to “Completing the installation” on page 6.

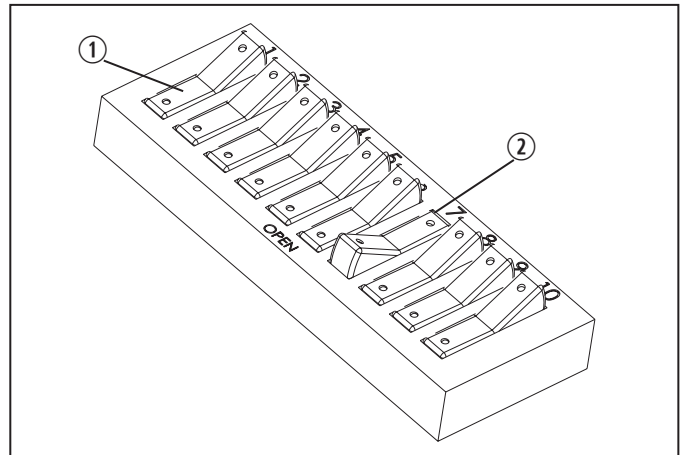
6.1 Configuring the CCC 2 Electronic Controls



8 Electrical control box

- ① Dip switches

1. Remove the electrical control box cover.



9 Dip switch position

- ① Off
- ② On

2. Place dip switch 6 in the on position.
3. Replace the electrical control box cover.
4. Continue with “Completing the installation” on page 6.

6.2 Completing the installation

1. Follow the steps to remove the ADB in reverse order.
2. Reconnect the 120 VAC and 12 VDC power supplies.
3. If the thermostat is a CCC 2 reset the system.

- i** When a dip switch is turned on after initial configuration, a system reset needs to be done before the CCC 2 thermostat will recognize the updated selection.
- a. Make sure the thermostat is in the **Off** mode.
 - b. Simultaneously press the **Mode** and **Zone** buttons. The LCD will display IniT and all available zones.
 - c. Release the **Mode** and **Zone** buttons.
 - d. Press the **On/Off** button to exit system setup.
4. Refer to the the user's guide or operating instructions for your air conditioner and verify that all features of the installed system work. If they do not, disconnect the 120 VAC and 12 VDC power supplies and verify that all the wiring is correct.

7 Disposal



Place the packaging material in the appropriate recycling waste bins, whenever possible. Consult a local recycling center or specialist dealer for details about how to dispose of the product in accordance with all applicable national and local regulations.

LIMITED ONE-YEAR WARRANTY

LIMITED ONE-YEAR WARRANTY AVAILABLE AT [DOMETIC.COM/EN-US/TERMS-AND-CONDITIONS-CONSUMER/WARRANTY](https://www.dometic.com/en-us/terms-and-conditions-consumer/warranty).

IF YOU HAVE QUESTIONS, OR TO OBTAIN A COPY OF THE LIMITED WARRANTY FREE OF CHARGE, CONTACT:

DOMETIC CORPORATION
 CUSTOMER SUPPORT CENTER
 5155 VERDANT DRIVE
 ELKHART, INDIANA 46516
 1-800-544-4881

Copyright

© 2023 Dometic Group. The visual appearance of the contents of this manual is protected by copyright and design law. The underlying technical design and the products contained herein may be protected by design, patent or be patent pending. The trademarks mentioned in this manual belong to Dometic Sweden AB. All rights are reserved.



dometic.com

**YOUR LOCAL
DEALER**

dometic.com/dealer

**YOUR LOCAL
SUPPORT**

dometic.com/contact

**YOUR LOCAL
SALES OFFICE**

dometic.com/sales-offices
