

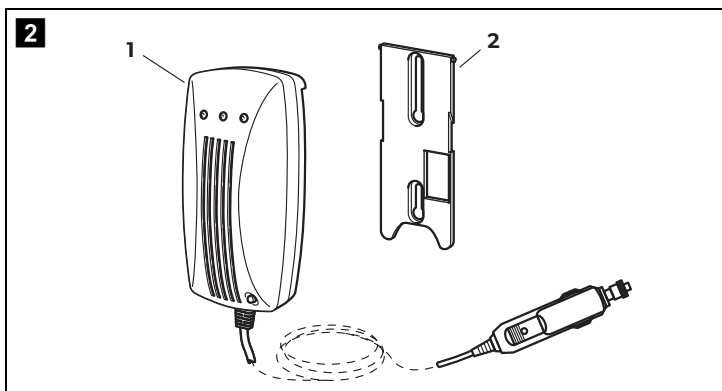
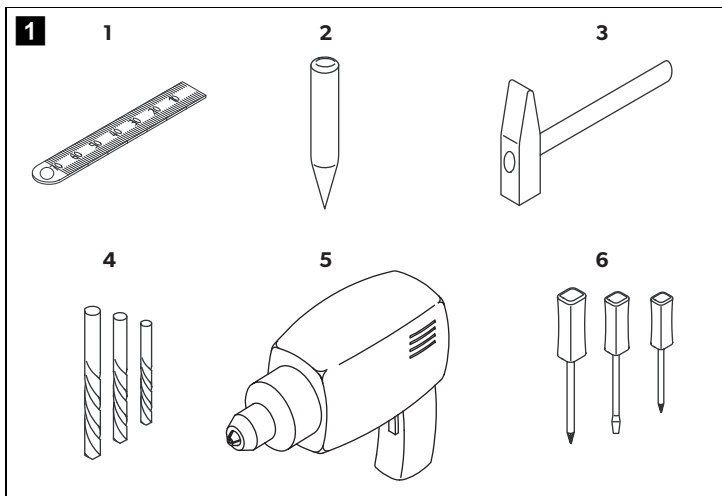
COMPLEMENTARY PRODUCTS

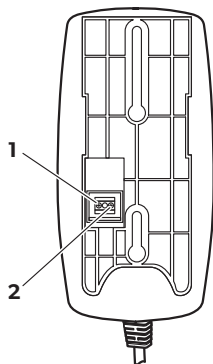
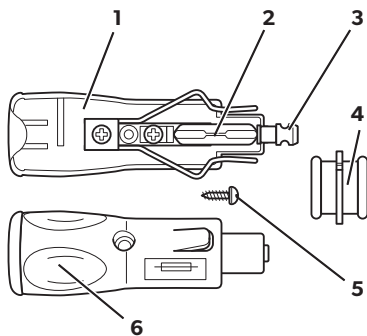
ALARM SYSTEMS



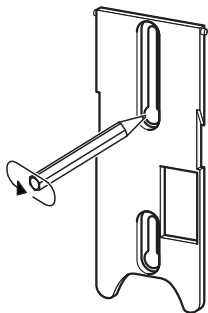
MSG150

EN	Gas detector Installation and Operating Manual	20	FI	Kaasuhälytin Asennus- ja käyttöohje	126
DE	Gasmelder Montage- und Bedienungsanleitung	21	RU	Сигнализатор газа Инструкция по монтажу и эксплуатации	137
FR	Détecteur de gaz Instructions de montage et de service	33	PL	Detektor gazu Instrukcja montażu i obsługi	149
ES	Alarma de gas Instrucciones de montaje y de uso	45	SK	Plynový alarm Návod na montáž a uvedenie do prevádzky	161
PT	Dispositivo de deteção de gás Instruções de montagem e manual de instruções	57	CS	Hlásič plynu Návod k montáži a obsluze	172
IT	Rilevatore di gas Istruzioni di montaggio e d'uso	69	HU	Gázjelző Szerelési és használati útmutató	183
NL	Gasalarm Montagehandleiding en gebruiksaanwijzing	81			
DA	Gasalarm Monterings- og betjeningsvejledning	93			
SV	Gasvarnare Monterings- och bruksanvisning	104			
NO	Gassalarm Monterings- og bruksanvisning	115			

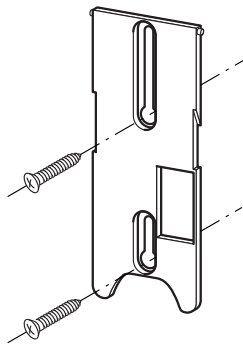


3**4**

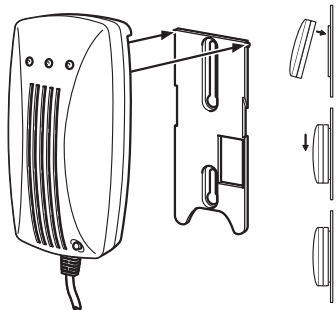
5



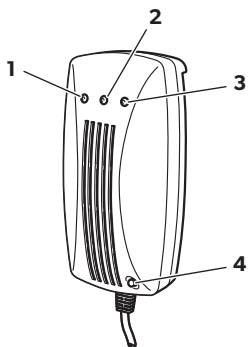
6



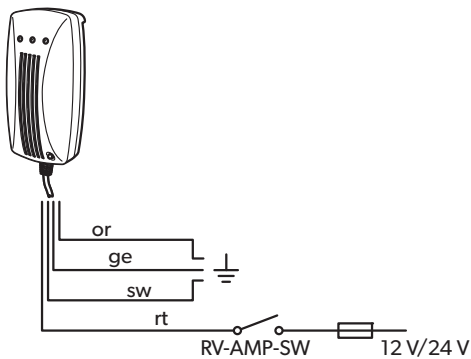
7



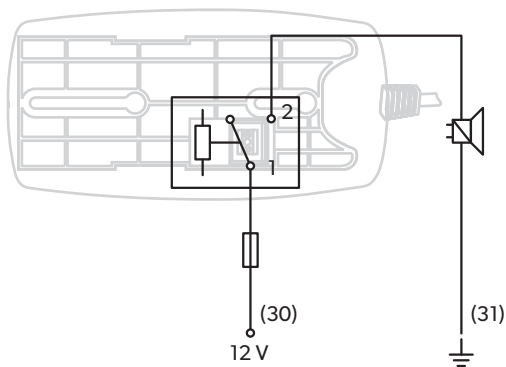
8



9

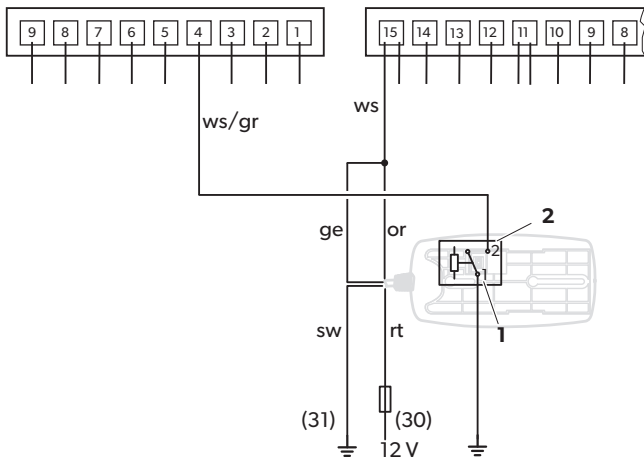


10

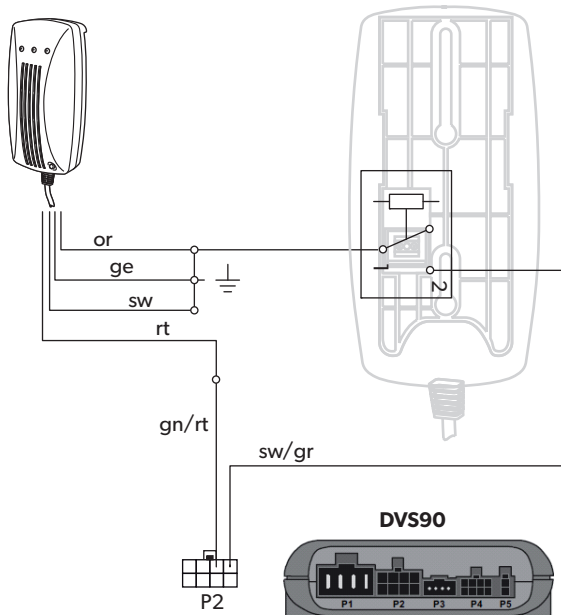


11

MS660



12



	ge	gn	gr	or	rt	sw	ws
DE	Gelb	Grün	Grau	Orange	Rot	Schwarz	Weiß
EN	Yellow	Green	Grey	Orange	Red	Black	White
FR	Jaune	Vert	Gris	Orange	Rouge	Noir	Blanc
ES	Amarillo	Verde	Gris	Naranja	Rojo	Negro	Blanco
IT	Giallo	Verde	Grigio	Arancione	Rosso	Nero	Bianco
NL	Geel	Groen	Grijs	Oranje	Rood	Zwart	Wit
DA	Gul	Grøn	Grå	Orange	Rød	Sort	Hvid
SV	Gul	Grön	Grå	Orange	Röd	Svart	Vit
NO	Gul	Grønn	Grå	Oransje	Rød	Svart	Hvit
FI	Keltainen	Vihreä	Harmaa	Oranssi	Punainen	Musta	Valkoinen
PT	Amarelo	Verde	Cinzento	Cor de laranja	Vermelho	Preto	Branco
RU	Желтый	Зеленый	Серый	Оранжевый	Красный	Черный	Белый
PL	Żółty	Zielony	Szary	Pomarańczowy	Czerwony	Czarny	Biały
CS	Žlutá	Zelená	Šedá	Oranžová	Červená	Černá	Bílá
SK	Žltá	Zelená	Sivá	Oranžová	Červená	Čierna	Biela
HU	Sárga	Zöld	Szürke	Narancs	Piros	Fekete	Fehér

Please read this instruction manual carefully before installation and first use, and store it in a safe place. If you pass on the product to another person, hand over this instruction manual along with it.

Table of contents

1	Explanation of symbols	11
2	Safety and installation instructions	11
3	Scope of delivery	12
4	Accessories/expansions	13
5	Intended use	13
6	Technical description	13
7	Mounting the MagicSafe MSG150	14
8	Connecting the gas detector	14
9	Operating the MagicSafe MSG150	17
10	Alarm	18
11	Troubleshooting	19
12	Maintaining and cleaning the gas detector	19
13	Warranty	20
14	Disposal	20
15	Technical data	20

1 Explanation of symbols

**WARNING!**

Safety instruction: Failure to observe this instruction can cause fatal or serious injury.

**CAUTION!**

Safety instruction: Failure to observe this instruction can lead to injury.

**NOTICE!**

Failure to observe this instruction can cause material damage and impair the function of the product.

**NOTE**

Supplementary information for operating the product.

2 Safety and installation instructions

The manufacturer accepts no liability for damage in the following cases:

- Damage to the product resulting from mechanical influences and excess voltage
- Alterations to the product without express permission from the manufacturer
- Use for purposes other than those described in the operating manual

2.1 General safety

**WARNING!**

- Only use the device as intended.
- Disconnect the device from the mains:
 - Before cleaning and maintenance
 - After use
 - Before changing a fuse
- The device may not be used if the device itself or the connection cable are visibly damaged.
- If the power cable for this device is damaged, it must be replaced by the manufacturer, customer service or a similarly qualified person in order to prevent safety hazards.
- This device may only be repaired by qualified personnel. Inadequate repairs may cause serious hazards.
- This device can be used by children aged 8 years or over, as well as by persons with diminished physical, sensory or mental capacities or a lack of experience and knowledge, providing they are supervised, or have been taught how to use the device safely and are aware of the resulting risks.

- **Electrical appliances are not toys.**
Always keep and use the device out of the reach of children.
- Children must be supervised to ensure that they do not play with the device.

**NOTICE!**

- Before start-up, check that the voltage specification on the type plate is the same as that of the power supply.
- Never pull the plug out of the socket by the connection cable.
- Store the device in a dry and cool place.

2.2 Operating the device safely

- Only operate the appliance in vehicles when the engine is switched off.
- Do **not** operate the device outdoors.
- Once a month and after longer periods of disuse, test the function of the device by pressing the (fig. 8 4, page 5) pushbutton.

3 Scope of delivery

No. in fig. 2, page 3	Quantity	Description	Ref. no.
1	1	Gas detector	9600000368
2	1	Installation panel	
-	1	Fastening material	

4 Accessories/expansions

Description	Ref. no.
External siren	9101600008
Additional switch	RV-AMP-SW

5 Intended use

MagicSafe MSG150 (ref. no. 9600000368) is a gas detector which detects noxious gases before they can take effect. MSG150 has been designed for use in vehicles to detect noxious gases which have an ether, chloroform, butane, ethane or trichloroethane basis.



NOTE

With a voltage range of 10 to 32 V $\overline{=}$, the gas detector is suitable for use in both cars and trucks.

6 Technical description

The MSG150 gas detector can be used as a warning device in many areas to detect gases with a narcotic effect before they can take effect.

The gas detector contains a sensor and an acoustic signal generator and is connected to a 12/24 V $\overline{=}$ voltage supply, e.g. the cigarette lighter in a vehicle.

In addition to this, the gas detector contains an internal relay. An external siren of signal lamp can be connected to this.

The connection terminal for the relay connection can be found on the back of the gas detector (fig. **3**, page 4).

No. in fig. 3 , page 4	Description
1	Relay contact 1
2	Relay contact 2

You can operate the gas detector in three ways:

- As single device
- In combination with the external siren (ref. no. 9101600008)
- In combination with the MagicSafe alarm system MS660 or DVS90

7 Mounting the MagicSafe MSG150

7.1 Tools required

For **mounting** you will require the following tools:

- Measuring ruler (fig. **1** 1, page 3)
- Centre punch (fig. **1** 2, page 3)
- Hammer (fig. **1** 3, page 3)
- Drill bit set (fig. **1** 4, page 3)
- Electric drill (fig. **1** 5, page 3)
- Screwdriver (fig. **1** 6, page 3)

7.2 Mounting the gas detector

Note the following when selecting a place to fit the gas detector:

- Note the length of the cable.
 - The gas detector should be mounted in the vicinity of the sleeping area at the height of the mattress.
- Select a suitable installation location.



NOTICE!

Before making any drill holes, ensure that no electrical cables or other parts can be damaged by drilling.

- Hold the mounting panel on the chosen location and mark the two drill holes (fig. **5**, page 5).
- Screw the mounting panel tight with the two self-tapping screws (fig. **6**, page 5).
- Insert the gas detector on the mounting panel (fig. **7**, page 5).
- Insert the plug of the gas detector in the socket of your 12/24 V \equiv voltage supply.
- ✓ The green LED on the gas detector (fig. **8** 1, page 5) flashes for approx. 10 min. The sensor is then brought to the operating temperature.
When the green LED glows constantly, the gas detector is ready for operation.

8 Connecting the gas detector

8.1 As a single device

If you use the gas detector as a single device, you can either

- Switch it on with the 12/24 V \equiv plug
- Switch it on with the RV-AMP-SW additional switch (accessory), if there is no 12/24 V \equiv socket in the sleeping area.

Connecting the gas detector using the 12/24 V⁼⁼⁼ plug

- ▶ Insert the 12/24 V⁼⁼⁼ plug into a socket with a constant 12/24 V⁼⁼⁼ supply. This socket should be connected with the vehicle battery.
- ✓ An acoustic signal sounds and the green LED (fig. **8** 1, page 5) flashes for approx. 10 minutes. During this time the gas detector conducts a system test and the sensor is brought to operating temperature.

Connecting the gas detector so that it is hardwired

If you wish to give the gas detector a permanently wired connection and switch it on with the RV-AMP-SW additional switch, please use the circuit diagram fig. **9**, page 6.

- ▶ Disconnect the 12/24 V⁼⁼⁼ plug from the cable.
- ▶ Remove around 10 cm of the outer insulation on the end of the cable.
- ▶ Connect the black, yellow and orange cable to the bodywork earth (terminal 31).
- ▶ Connect the red cable to the output of the RV-AMP-SW additional switch.
- ▶ Connect the input of the switch with a 1 A fuse to the positive battery pole.

8.2 In combination with the external siren (ref. no. 9101600008)

If you wish to connect the gas detector with the external siren, please use the circuit diagram fig. **10**, page 6.

Mounting the external siren

The external siren can be mounted in the engine compartment.

When mounting it, ensure that the installation location is

- **Not** in an area exposed to splashing water
 - **Not** near the exhaust system
 - **Cannot** be accessed from underneath the vehicle, to ensure that it cannot be sabotaged.
- ▶ Mount the external siren with the acoustic horn facing downwards.

Connecting the alarm siren



NOTE

If your vehicle does not have a 12 V⁼⁼⁼ continuous positive cable in the mounting area, you can also connect the input to the vehicle battery using a 1 A fuse.

- ▶ Connect the black cable of the siren to the bodywork earth (terminal 31).
- ▶ Connect the red cable of the siren to the relay contact 2 (fig. **3** 2, page 4).
- ▶ Connect the relay contact 1 (fig. **3** 1, page 4) to the 12 V⁼⁼⁼ continuous positive. The cable must be fused with at least a 1 A fuse.

8.3 In combination with an MS660 or DVS90 alarm system

If you wish to use the gas detector in combination with

- the MS660 alarm system, please use the circuit diagram fig. **11**, page 7
- the DVS90 alarm system, please use the circuit diagram fig. **12**, page 8



NOTICE!

If you are combining the MagicSafe MSG150 with the DVS90 alarm system, you need to configure the alarm system as follows:

- Set output 2.6 to "Status-Armed" and input 2.5 to "Trigger".

Gas detector with MS660

- Disconnect the 12 V $\overline{=}$ plug from the cable.
- Remove around 10 cm of the outer insulation on the end of the cable.
- Connect the black cable to the bodywork earth (terminal 31).
- Connect the yellow and orange cable (fig. **11**, page 7) with the white cable of the alarm system (pin 15, 15-pin plug).
- Connect the red cable with 12 V $\overline{=}$ continuous positive.
The cable must be fused with at least a 1 A fuse.
- If the gas detector is to be switched as the main alarm on the MS660 external alarm system, connect
 - relay contact 1 (fig. **11**, page 7) to the bodywork earth (terminal 31) and
 - relay contact 2 (fig. **11**, page 7) to the grey/white cable (pin 4, 9-pin plug) of the alarm system.

Gas detector with DVS90

- Disconnect the 12/24 V $\overline{=}$ plug from the cable.
- Remove around 10 cm of the outer insulation on the end of the cable.
- Connect the black, yellow and orange cable to the bodywork earth (terminal 31).
- Connect the red cable with the green/red cable (P2, pin 6 (fig. **12**, page 8).
The cable must be fused with at least a 1 A fuse.
- If the gas detector is to be switched as the main alarm on the DVS90 external alarm system, connect
 - relay contact 1 (fig. **12**, page 8) to the bodywork earth (terminal 31) and
 - relay contact 2 (fig. **12**, page 8) to the black/grey cable (P2, pin 5) of the alarm system.

9 Operating the MagicSafe MSG150

To avoid false alarms caused by cooking, using deodorants, heavy smoking and alcohol consumption, the vehicle should be ventilated thoroughly before retiring to bed and then the gas detector should be switched on.

No. in fig. 8, page 5	description
1	<p>Green LED</p> <p>The green LED flashes for approx. 10 minutes after the gas detector has been connected to a voltage supply or switched on with the RV-AMP-SW auxiliary switch. While the LED is flashing, the sensor is brought to the operating temperature.</p> <p>When the green LED glows constantly, the gas detector is ready for operation.</p>
2	<p>Orange LED:</p> <p>The orange LED glows if a fault occurs.</p>
3	<p>Red LED (alarm)</p> <p>The red LED flashes if an alarm has been triggered.</p> <p>In addition to this, a siren sounds an alarm signal.</p> <p>(See also chapter "Alarm" on page 18.)</p>
4	<p>Pushbutton</p> <p>This pushbutton is a test button and also mutes the system.</p> <p>Test pushbutton</p> <ul style="list-style-type: none"> ➤ Press this pushbutton once a month or after extended periods of disuse to check the system is functioning. ✓ The orange and red LEDs flash and a siren sounds. <p>Mute switch</p> <ul style="list-style-type: none"> ➤ Press this pushbutton if you wish to switch off the sound during an alarm. ✓ The red LED continues flashing and a brief signal sounds every 45 seconds. Then the system is armed again.

Switching on the MSG150 as a single device or in combination with the external siren (ref. no. 9101600008)

- Insert the 12/24 V $\overline{=}$ plug in a socket or switch on the gas detector with the RV-AMP-SW auxiliary switch.
- ✓ An acoustic signal sounds and the green LED (fig. 8 1, page 5) flashes for approx. 10 minutes. During this time the gas detector conducts a system test and the sensor is brought to operating temperature.

If an alarm occurs, an acoustic signal sounds over the internal siren and the red LED (fig. 8 3, page 5) glows. If the external siren is connected, an additional acoustic signal sounds over the external siren.

- To interrupt the internal alarm, press the pushbutton (fig. 8 4, page 5).

Switching on the MSG150 in combination with the MS660 or DVS90

- Switch the MS660 or DVS90 alarm system on as usual:
 - On the remote control of the respective device, press
 - the lower button (MS660)
 - the NO button of the vehicle or additional hand transmitter (DVS90).
- ✓ An acoustic signal sounds and the green LED (fig. 8 1, page 5) flashes for approx. 10 minutes. During this time the gas detector conducts a system test and the sensor is brought to operating temperature.

If an alarm occurs, an acoustic signal sounds over the internal siren and the red LED (fig. 8 3, page 5) glows. The internal relay sends an earth signal to the alarm input of the external alarm system. The external alarm system immediately triggers an external alarm using the vehicle indicators and the vehicle horn or siren.

- To interrupt the internal alarm, press the pushbutton (fig. 8 4, page 5).
- To deactivate the external alarm, press the following on the remote control of the respective device:
 - The top button (MS660)
 - The NC button of the vehicle or additional hand transmitter (DVS90).

10 Alarm

If an alarm is signalled, proceed as follows:

- Determine the cause of the alarm **immediately**.
- Instruct children and anybody still asleep to leave the vehicle or boat.
- Open all doors and windows as quickly as possible.
- Avoid striking matches or any naked flames and turn off any sources of combustion immediately.
- Turn off all gas-powered devices.
- Avoid causing sparks (do not use any electrical switches).
- Rectify the cause or leave the vehicle or the boat.

False alarm

For your safety, the gas detector is set to be very sensitive. For this reason the sensor also reacts to other gaseous media. Using aerosols (e.g. propellants in spray cans) or thick tobacco smoke, heavy alcohol fumes or steam arising from cooking can trigger an alarm even though no gas or anaesthetic gas is present.

11 Troubleshooting

If the device is not ready for operation (the green LED does not glow), proceed as follows:

- ▶ Make sure the power supply is 12 or 24 V $\overline{=}$.
If the voltage is less than this, or the voltage supply has been interrupted, the gas detector does not function.
- ▶ Check the fuse in the plug, if the gas detector is connected using a 12 V $\overline{=}$ plug.

Checking the fuse in the 12/24 V $\overline{=}$ plug

In the tip of the plug, there is a fuse to protect the gas detector.

If the thin metal connection in the middle between the two metal caps is broken, the fuse is defective and must be replaced.



NOTICE!

Make sure that you only use the same fuse type in the plug. Damage to the device resulting from using inappropriate fuse types is excluded from guarantee claims under the terms of the warranty.

To replace the fuse, proceed as follows:

- ▶ Pull the adapter sleeve (fig. 4 4, page 4) off of the plug.
- ▶ Unscrew the screw (fig. 4 5, page 4) out of the upper half of the housing (fig. 4 1, page 4).
- ▶ Carefully lift the upper half of the housing off the lower half (fig. 4 6, page 4).
- ▶ Take out the contact pin (fig. 4 3, page 4).
- ▶ Replace the defective fuse (fig. 4 2, page 4) with a new fuse that has the same rating.
- ▶ Re-assemble the plug in the reverse order.

12 Maintaining and cleaning the gas detector



NOTICE!

Do not use sharp or hard objects or cleaning agents for cleaning as these may damage the product.

- ▶ Occasionally clean the product with a damp cloth.

13 Warranty

The statutory warranty period applies. If the product is defective, please contact the manufacturer's branch in your country (see the back of the instruction manual for the addresses) or your retailer.

For repair and guarantee processing, please include the following documents when you send in the device:

- A copy of the receipt with purchasing date
- A reason for the claim or description of the fault

14 Disposal

► Place the packaging material in the appropriate recycling waste bins wherever possible.



If you wish to finally dispose of the product, ask your local recycling centre or specialist dealer for details about how to do this in accordance with the applicable disposal regulations.

15 Technical data

MagicSafe MSG150	
Ref. no.:	9600000368
Dimensions (W x H x D):	80 x 156 x 51 mm
Input voltage range:	10 V $\overline{\text{---}}$ to 32 V $\overline{\text{---}}$
Power consumption:	1.3 W
Operating temperature:	0 °C to +40 °C
Signal volume:	Approx. 85 dB at a distance of 3 m
Protection class:	IP 20

Approvals



Bitte lesen Sie diese Anleitung vor Einbau und Inbetriebnahme sorgfältig durch und bewahren Sie sie auf. Geben Sie sie im Falle einer Weitergabe des Produktes an den Nutzer weiter.

Inhaltsverzeichnis

1	Erklärung der Symbole	22
2	Sicherheits- und Einbauhinweise	22
3	Lieferumfang	23
4	Zubehör/Erweiterungen	23
5	Bestimmungsgemäßer Gebrauch	24
6	Technische Beschreibung	24
7	MagicSafe MSG150 montieren	25
8	Gasmelder anschließen	26
9	MagicSafe MSG150 bedienen	28
10	Alarm	30
11	Fehler suchen	30
12	Gasmelder pflegen und reinigen	31
13	Gewährleistung	31
14	Entsorgung	32
15	Technische Daten	32

1 Erklärung der Symbole

**WARNUNG!**

Sicherheitshinweis: Nichtbeachtung kann zu Tod oder schwerer Verletzung führen.

**VORSICHT!**

Sicherheitshinweis: Nichtbeachtung kann zu Verletzungen führen.

**ACHTUNG!**

Nichtbeachtung kann zu Materialschäden führen und die Funktion des Produktes beeinträchtigen.

**HINWEIS**

Ergänzende Informationen zur Bedienung des Produktes.

2 Sicherheits- und Einbauhinweise

Der Hersteller übernimmt in folgenden Fällen keine Haftung für Schäden:

- Beschädigungen am Produkt durch mechanische Einflüsse und Überspannungen
- Veränderungen am Produkt ohne ausdrückliche Genehmigung vom Hersteller
- Verwendung für andere als die in der Anleitung beschriebenen Zwecke

2.1 Grundlegende Sicherheit

**WARNUNG!**

- Benutzen Sie das Gerät nur zu seinem bestimmungsgemäßen Gebrauch.
- Trennen Sie das Gerät vom Netz
 - vor jeder Reinigung und Pflege
 - nach jedem Gebrauch
 - vor einem Sicherungswechsel
- Wenn das Gerät oder das Anschlusskabel sichtbare Beschädigungen aufweisen, dürfen Sie das Gerät nicht in Betrieb nehmen.
- Wenn das Anschlusskabel dieses Gerätes beschädigt wird, muss es durch den Hersteller, seinen Kundendienst oder eine ähnlich qualifizierte Person ersetzt werden, um Gefährdungen zu vermeiden.
- Reparaturen an diesem Gerät dürfen nur von Fachkräften durchgeführt werden. Durch unsachgemäße Reparaturen können erhebliche Gefahren entstehen.

- Dieses Gerät kann von Kindern ab 8 Jahren und darüber sowie von Personen mit verringerten physischen, sensorischen oder mentalen Fähigkeiten oder Mangel an Erfahrung und Wissen benutzt werden, wenn sie beaufsichtigt oder bezüglich des sicheren Gebrauchs des Gerätes unterwiesen wurden und die daraus resultierenden Gefahren verstehen.
- **Elektrogeräte sind kein Kinderspielzeug!**
Verwahren und benutzen Sie das Gerät außerhalb der Reichweite von Kindern.
- Kinder sollten beaufsichtigt werden, um sicherzustellen, dass sie nicht mit dem Gerät spielen.



ACHTUNG!

- Vergleichen Sie vor der Inbetriebnahme die Spannungsangabe auf dem Typenschild mit der vorhandenen Energieversorgung.
- Ziehen Sie den Stecker nie am Anschlusskabel aus der Steckdose.
- Lagern Sie das Gerät an einem trockenen und kühlen Ort.

2.2 Sicherheit beim Betrieb des Gerätes

- Betreiben Sie das Gerät in Fahrzeugen ausschließlich bei abgestelltem Motor.
- Betreiben Sie das Gerät **nicht** im Freien.
- Testen Sie einmal im Monat und nach längeren Ruhezeiten die Funktion des Gerätes durch Drücken des Tasters (Abb. **8** 4, Seite 5).

3 Lieferumfang

Nr. in Abb. 2 , Seite 3	Menge	Bezeichnung	Artikel-Nr.
1	1	Gasmelder	9600000368
2	1	Montageplatte	
-	1	Befestigungsmaterial	

4 Zubehör/Erweiterungen

Bezeichnung	Artikel-Nr.
Außensirene	9101600008
Zusatzschalter	RV-AMP-SW

5 Bestimmungsgemäßer Gebrauch

MagicSafe MSG150 (Art.-Nr. 9600000368) ist ein Gasmelder, der narkotisch wirkende Gase erkennt, bevor sie ihre Wirkung erreichen. MSG150 ist konzipiert für die Verwendung in Fahrzeugen, um narkotisch wirkende Gase zu erkennen, die auf Äther, Chloroform, Butan, Ethan und Triclorethene basieren.



HINWEIS

Durch einen Spannungsbereich von 10 bis 32 V $\overline{=}$ ist der Gasmelder sowohl für den Einsatz in Pkw als auch in Lkw geeignet.

6 Technische Beschreibung

Der Gasmelder MSG150 kann vielseitig als Warngerät eingesetzt werden, um narkotisch wirkende Gase zu erkennen, bevor sie ihre Wirkung erreichen.

Der Gasmelder enthält einen Sensor sowie einen akustischen Signalgeber und wird an eine 12/24-V $\overline{=}$ -Spannungsquelle angeschlossen, z. B. an den Zigarettenanzünder in Fahrzeugen.

Außerdem enthält der Gasmelder ein internes Relais, an das z. B. eine Außensirene oder eine Signallampe angeschlossen werden kann.

Die Anschlussklemme für den Relaisanschluss befindet sich auf der Rückseite des Gasmelders (Abb. **3**, Seite 4).

Nr. in Abb. 3 , Seite 4	Bezeichnung
1	Relaiskontakt 1
2	Relaiskontakt 2

Sie können Gasmelder auf drei Arten verwenden:

- als Einzelgerät
- in Kombination mit der Außensirene (Art.-Nr. 9101600008)
- in Kombination mit der MagicSafe Alarmanlage MS660 oder DVS90

7 MagicSafe MSG150 montieren

7.1 Benötigtes Werkzeug

Für die **Montage** benötigen Sie folgende Werkzeuge:

- Maßstab (Abb. **1** 1, Seite 3)
- Körner (Abb. **1** 2, Seite 3)
- Hammer (Abb. **1** 3, Seite 3)
- Satz Bohrer (Abb. **1** 4, Seite 3)
- Bohrmaschine (Abb. **1** 5, Seite 3)
- Schraubendreher (Abb. **1** 6, Seite 3)

7.2 Gasmelder montieren


Berücksichtigen Sie folgende Hinweise bei der Auswahl des Montageortes für den Gasmelder:

- Beachten Sie die Länge des Kabels.
 - Der Gasmelder sollte in der Nähe des Schlafbereiches montiert werden und in der Höhe der Matratze.
- Wählen Sie einen geeigneten Montageort.



ACHTUNG!

Bevor Sie Bohrungen vornehmen, stellen Sie sicher, dass keine elektrischen Kabel oder andere Teile durch Bohren beschädigt werden.

- Halten Sie die Montageplatte an den gewählten Montageort und markieren Sie die beiden Bohrpunkte (Abb. **5**, Seite 5).
- Schrauben Sie die Montageplatte mit den beiden Blechschrauben fest (Abb. **6**, Seite 5).
- Stecken Sie den Gasmelder auf die Montageplatte (Abb. **7**, Seite 5).
- Stecken Sie den Stecker des Gasmelders in die Buchse Ihrer 12/24-V--Spannungsversorgung.
- ✓ Die grüne LED am Gasmelder (Abb. **8** 1, Seite 5) blinkt etwa 10 min lang. Der Sensor wird auf Betriebstemperatur gebracht.
Wenn die grüne LED dauernd leuchtet, ist der Gasmelder betriebsbereit.

8 Gasmelder anschließen

8.1 Als Einzelgerät

Wenn Sie den Gasmelder als Einzelgerät benutzen, können Sie ihn entweder

- über den 12/24-V-Stecker einschalten
- über den als Zubehör erhältlichen Zusatzschalter RV-AMP-SW (Zubehör) einschalten, wenn keine 12/24-V-Steckdose im Schlafbereich vorhanden ist.

Gasmelder über den 12/24-V-Stecker anschließen

- Stecken Sie den 12/24-V-Stecker in eine Steckdose, die 12/24-V-Dauerplus führt. Diese Steckdose sollte mit der Fahrzeugbatterie verbunden sein.
- ✓ Ein akustisches Signal ertönt, und die grüne LED (Abb. **8** 1, Seite 5) blinkt für etwa zehn Minuten. Während dieser Zeit führt der Gasmelder einen Systemtest durch, und der Sensor wird auf Betriebstemperatur gebracht.

Gasmelder fest verdrahtet anschließen

Wenn Sie den Gasmelder fest verdrahtet anschließen und über den Zusatzschalter RV-AMP-SW einschalten möchten, verwenden Sie den Schaltplan Abb. **9**, Seite 6.

- Trennen Sie den 12/24-V-Stecker vom Kabel.
- Entfernen Sie etwa 10 cm der Außenisolierung am Ende des Kabels.
- Verbinden Sie jeweils das schwarze, gelbe und orangene Kabel mit der Karosseriemasse (Klemme 31).
- Verbinden Sie die rote Leitung mit dem Ausgang des Zusatzschalters RV-AMP-SW.
- Verbinden Sie den Eingang des Schalters über eine 1-A-Sicherung mit dem Pluspol der Batterie.

8.2 In Kombination mit der Außensirene (Art.-Nr. 9101600008)

Wenn Sie den Gasmelder in Kombination mit der Außensirene anschließen möchten, verwenden Sie den Schaltplan Abb. **10**, Seite 6.

Außensirene montieren

Die Außensirene kann im Motorraum montieren werden.

Achten Sie bei der Montage darauf, dass der Montageort

- **nicht** im Spritzwasserbereich liegt
- **nicht** in der Nähe der Auspuffanlage liegt
- **nicht** von der Unterseite zugänglich ist, um Sabotage von außen zu verhindern
- Montieren Sie die Außensirene mit dem Schalltrichter nach unten.

Alarmsirene anschließen



HINWEIS

Falls Ihr Fahrzeug im Montagebereich keine 12-V-Dauerplusleitung hat, können Sie den Eingang auch über eine 1-A-Sicherung an die Fahrzeugbatterie anschließen.

- Verbinden das schwarze Kabel der Sirene mit der Karosseriemasse (Klemme 31).
- Verbinden Sie das rote Kabel der Sirene mit dem Relaiskontakt 2 (Abb. **3** 2, Seite 4).
- Verbinden Sie den Relaiskontakt 1 (Abb. **3** 1, Seite 4) mit 12-V-Dauerplus. Die Leitung muss mit einer 1-A-Sicherung abgesichert sein.

8.3 In Kombination mit einer Alarmanlage MS660 oder DVS90

Wenn Sie den Gasmelder in Kombination mit

- der Alarmanlage MS660 anschließen möchten, verwenden Sie den Schaltplan Abb. **11**, Seite 7
- der Alarmanlage DVS90 anschließen möchten, verwenden Sie den Schaltplan Abb. **12**, Seite 8



ACHTUNG!

Wenn Sie MagicSafe MSG150 mit der Alarmanlage DVS90 kombinieren, müssen Sie die Software der Alarmanlage wie folgt konfigurieren:

- Setzen Sie den Ausgang 2.6 auf „Status-Scharf“ und den Eingang 2.5 auf „Auslöser“.

Gasmelder mit MS660

- Trennen Sie den 12-V-Stecker vom Kabel.
- Entfernen Sie etwa 10 cm der Außenisolierung am Ende des Kabels.
- Verbinden Sie die schwarze Leitung mit der Karosseriemasse (Klemme 31).
- Verbinden Sie die gelbe und die orangefarbene Leitung (Abb. **11**, Seite 7) mit der weißen Leitung der Alarmanlage (Pin 15, 15-poliger Stecker).
- Verbinden Sie die rote Leitung mit 12-V-Dauerplus. Die Leitung muss mit einer 1-A-Sicherung abgesichert sein.
- Wenn der Gasmelder auch als Hauptalarm auf die externe Alarmanlage MS660 geschaltet werden soll, schließen Sie
 - den Relaiskontakt 1 (Abb. **11**, Seite 7) an die Karosseriemasse (Klemme 31) an und
 - den Relaiskontakt 2 (Abb. **11**, Seite 7) an die grau/weiße Leitung (Pin 4, 9-poliger Stecker) der Alarmanlage an.

Gasmelder mit DVS90

- Trennen Sie den 12/24-V-Stecker vom Kabel.
- Entfernen Sie etwa 10 cm der Außenisolierung am Ende des Kabels.
- Verbinden Sie die schwarze, gelbe und orangefarbene Leitung mit der Karosseriemasse (Klemme 31).
- Verbinden Sie die rote Leitung mit der grün/roten Leitung (P2, Pin 6) (Abb. 12, Seite 8). Die Leitung muss mit einer 1-A-Sicherung abgesichert sein.
- Wenn der Gasmelder auch als Hauptalarm auf die externe Alarmanlage DVS90 geschaltet werden soll, schließen Sie
 - den Relaiskontakt 1 (Abb. 12, Seite 8) an die Karosseriemasse (Klemme 31) an und
 - den Relaiskontakt 2 (Abb. 12, Seite 8) an die schwarz/grau Leitung (P2, Pin 5) der Alarmanlage an.

9 MagicSafe MSG150 bedienen

Um Fehlalarme durch Kochen, Verwendung von Deos, starken Tabak- oder Alkoholgenuss zu vermeiden, sollte das Fahrzeug vor dem Schlafengehen erst gut durchlüftet werden und der Gasmelder danach eingeschaltet werden.

Nr. in Abb. 8, Seite 5	Bezeichnung
1	Grüne LED Die grüne LED blinkt etwa 10 min lang, nachdem der Gasmelder an Spannung angeschlossen oder über den Zusatzschalter RV-AMP-SW eingeschaltet wurde. Während die LED blinkt, wird der Sensor auf Betriebstemperatur gebracht. Wenn die grüne LED dauernd leuchtet, ist der Gasmelder betriebsbereit.
2	Orangene LED Die orangene LED leuchtet, wenn eine Störung auftritt.
3	Rote LED (Alarm) Die rote LED blinkt, wenn ein Alarm ausgelöst wird. Zusätzlich ertönt ein Sirenenton als akustisches Alarmsignal. (Siehe auch Kapitel „Alarm“ auf Seite 30.)

**Nr. in
Abb. 8,
Seite 5**

Bezeichnung

4

Taster

Dieser Taster dient als Testtaster und als Stummschalter.

Testtaster

- Drücken Sie diesen Taster einmal im Monat oder nach längeren Ruhezeiten, um die Funktion zu prüfen.
- ✓ Die orangene und die rote LED blinken, und ein Sirenenton ertönt.

Stummschalter

- Drücken Sie den Taster, wenn Sie den Signalton während eines Alarms abstellen möchten.
- ✓ Die rote LED blinkt weiterhin, und nach 45 s ertönt ein kurzer Signalton. Anschließend schaltet sich die Anlage wieder scharf.

MSG150 als Einzelgerät oder in Kombination mit der Außensirene (Art.-Nr. 9101600008) einschalten

- Stecken Sie den 12/24-V-Stecker in eine Steckdose oder schalten Sie den Gasmelder über den Zusatzschalter RV-AMP-SW ein.
- ✓ Ein akustisches Signal ertönt, und die grüne LED (Abb. 8 1, Seite 5) blinkt für etwa zehn Minuten.
Während dieser Zeit führt der Gasmelder einen Systemtest durch, und der Sensor wird auf Betriebstemperatur gebracht.

Wenn ein Alarm auftritt, ertönt ein akustisches Signal über die interne Sirene und die rote LED (Abb. 8 3, Seite 5) leuchtet auf. Falls die Außensirene angeschlossen ist, ertönt zusätzlich ein akustischer Alarm über die Außensirene.

- Um den internen Alarm zu unterbrechen, drücken Sie den Taster (Abb. 8 4, Seite 5).

MSG150 in Kombination mit MS660 oder DVS90 einschalten

- Schalten Sie die Alarmanlage MS660 oder DVS90 wie gewohnt ein:
Betätigen Sie an deren Fernbedienung
 - die untere Taste (MS660)
 - die Schließer-Taste vom Fahrzeug- bzw. Zusatzhandsender (DVS90).
- ✓ Ein akustisches Signal ertönt, und die grüne LED (Abb. 8 1, Seite 5) blinkt für etwa zehn Minuten.
Während dieser Zeit führt der Gasmelder einen Systemtest durch, und der Sensor wird auf Betriebstemperatur gebracht.

Wenn ein Alarm auftritt, ertönt ein akustisches Signal über die interne Sirene und die rote LED (Abb. 8 3, Seite 5) leuchtet auf. Das interne Relais schaltet ein Massesignal auf den Alarmeingang der externen Alarmanlage. Die externe Alarmanlage löst unmittelbar einen Außenalarm über die Fahrzeugblinker und die Fahrzeughupe oder die Sirene aus.

- Um den internen Alarm zu unterbrechen, drücken Sie den Taster (Abb. 8 4, Seite 5).

- ▶ Zur Deaktivierung der externen Alarmanlage betätigen Sie an deren Fernbedienung
 - die obere Taste (MS660)
 - die Öffner-Taste vom Fahrzeug- bzw. Zusatzhandsender (DVS90).

10 Alarm

Gehen Sie wie folgt vor, wenn ein Alarm signalisiert wird:

- ▶ Stellen Sie **sofort** die Ursache des Alarms fest.
- ▶ Veranlassen Sie Kinder und schlafende Personen zum Verlassen des Fahrzeugs oder des Bootes.
- ▶ Öffnen Sie unverzüglich alle Fenster und Türen.
- ▶ Vermeiden Sie offenes Feuer und stellen Sie offene Brennstellen sofort ab.
- ▶ Stellen Sie alle gasbetriebenen Geräte ab.
- ▶ Vermeiden Sie Funkenbildung (betätigen Sie keine elektrischen Schalter).
- ▶ Beheben Sie die Ursache oder verlassen Sie das Fahrzeug oder das Boot.

Fehlalarm

Der Gasmelder ist für Ihre Sicherheit sehr empfindlich eingestellt. Deshalb spricht der Sensor auch auf andere gasförmige Medien an. Der Gebrauch von Aerosolen (z. B. Treibgas in Sprays), aber auch starker Tabakqualm, starke Alkoholausdünstungen oder Dampf beim Kochen können einen Alarm auslösen, obwohl kein Gas oder Betäubungsgas vorhanden ist.

11 Fehler suchen

Wenn das Gerät nicht betriebsbereit ist (grüne LED leuchtet nicht), gehen Sie wie folgt vor:

- ▶ Stellen Sie sicher, dass die Versorgungsspannung 12 oder 24 V $\overline{=}$ beträgt.
Wenn die Spannung geringer ist oder die Spannungszufuhr unterbrochen wurde, funktioniert der Gasmelder nicht.
- ▶ Prüfen Sie die Sicherung im Stecker, falls der Gasmelder über den 12/24-V $\overline{=}$ -Stecker angeschlossen ist.

Sicherung im 12/24-V-Stecker überprüfen

In der Spitze des Steckers befindet sich zum Schutz des Gasmelders eine Schmelzsicherung.

Wenn die dünne Metallverbindung in der Mitte zwischen den beiden Metallkappen unterbrochen ist, dann ist die Sicherung defekt und muss ersetzt werden.



ACHTUNG!

Achten Sie darauf, dass Sie ausschließlich den gleichen Sicherungstyp in den Stecker einsetzen. Geräteschäden, die durch das Einsetzen von falschen Sicherungswerten entstehen, sind von jeglicher Gewährleistung und Ersatzleistung ausgeschlossen.

Zum Austausch der Sicherung gehen Sie wie folgt vor:

- Ziehen Sie die Ausgleichshülse (Abb. 4 4, Seite 4) vom Stecker ab.
- Drehen Sie die Schraube (Abb. 4 5, Seite 4) aus der oberen Gehäusahälfte (Abb. 4 1, Seite 4) heraus.
- Heben Sie vorsichtig die obere Gehäusahälfte von der unteren (Abb. 4 6, Seite 4) ab.
- Nehmen Sie den Kontaktstift (Abb. 4 3, Seite 4) heraus.
- Tauschen Sie die defekte Sicherung (Abb. 4 2, Seite 4) gegen eine neue Sicherung mit demselben Wert aus.
- Setzen Sie den Stecker in umgekehrter Reihenfolge wieder zusammen.

12 Gasmelder pflegen und reinigen



ACHTUNG!

Keine scharfen oder harten Gegenstände oder Reinigungsmittel zur Reinigung verwenden, da dies zu einer Beschädigung des Produktes führen kann.

- Reinigen Sie das Produkt gelegentlich mit einem feuchten Tuch.

13 Gewährleistung

Es gilt die gesetzliche Gewährleistungsfrist. Sollte das Produkt defekt sein, wenden Sie sich bitte an die Niederlassung des Herstellers in Ihrem Land (Adressen siehe Rückseite der Anleitung) oder an Ihren Fachhändler.

Zur Reparatur- bzw. Gewährleistungsbearbeitung müssen Sie folgende Unterlagen mitschicken:

- eine Kopie der Rechnung mit Kaufdatum,
- einen Reklamationsgrund oder eine Fehlerbeschreibung.

14 Entsorgung

- Geben Sie das Verpackungsmaterial möglichst in den entsprechenden Recycling-Müll.



Wenn Sie das Produkt endgültig außer Betrieb nehmen, informieren Sie sich bitte beim nächsten Recyclingcenter oder bei Ihrem Fachhändler über die zutreffenden Entsorgungsvorschriften.

15 Technische Daten

MagicSafe MSG150	
Artikelnummer:	9600000368
Maße (B x H x T):	80 x 156 x 51 mm
Eingangsspannungsbereich:	10 V _~ bis 32 V _~
Leistungsaufnahme:	1,3 W
Betriebstemperatur:	0 °C bis +40 °C
Signallautstärke:	ca. 85 dB in einem Abstand von 3 m
Schutzklasse:	IP 20

Zulassungen



Veillez lire attentivement cette notice avant le montage et la mise en service. Veillez ensuite la conserver. En cas de passer le produit, veuillez le transmettre au nouvel acquéreur.

Sommaire

1	Symboles.....	34
2	Consignes de sécurité et instructions de montage.....	34
3	Contenu de la livraison.....	35
4	Accessoires/Extensions.....	35
5	Usage conforme.....	36
6	Description technique.....	36
7	Montage du MagicSafe MSG150.....	37
8	Raccordement du détecteur de gaz.....	38
9	Utilisation du MagicSafe MSG150.....	40
10	Alarme.....	42
11	Recherche de pannes.....	42
12	Entretien et nettoyage du détecteur de gaz.....	43
13	Garantie.....	43
14	Retraitement.....	44
15	Caractéristiques techniques.....	44

1 Symboles



AVERTISSEMENT !

Consigne de sécurité : le non-respect de ces consignes peut entraîner la mort ou de graves blessures.



ATTENTION !

Consigne de sécurité : le non-respect de ces consignes peut entraîner des blessures.



AVIS !

Le non-respect de ces consignes peut entraîner des dommages matériels et des dysfonctionnements du produit.



REMARQUE

Informations complémentaires sur l'utilisation du produit.

2 Consignes de sécurité et instructions de montage

Le fabricant décline toute responsabilité pour des dommages dans les cas suivants :

- des influences mécaniques et des surtensions ayant endommagé le matériel
- des modifications apportées au produit sans autorisation explicite de la part du fabricant
- une utilisation différente de celle décrite dans la notice

2.1 Consignes générales de sécurité



AVERTISSEMENT !

- Utilisez l'appareil conformément à l'usage pour lequel il a été conçu.
- Débranchez l'appareil du secteur
 - avant tout nettoyage et entretien
 - après chaque utilisation
 - avant le changement d'un fusible
- Si l'appareil ou le câble de raccordement présentent des dommages visibles, il est interdit de mettre l'appareil en service.
- Si le câble de raccordement de l'appareil est endommagé, il doit être remplacé par le fabricant, son service après-vente ou une personne de qualification similaire, afin d'éviter tout danger.
- Seul un personnel qualifié est habilité à effectuer des réparations sur l'appareil. Toute réparation mal effectuée risquerait d'entraîner de graves dangers.

- Les enfants âgés de 8 ans et plus ainsi que les personnes ayant des déficiences physiques, sensorielles ou mentales ou un manque d'expérience ou de connaissances peuvent utiliser ce produit à condition d'être sous surveillance ou d'avoir reçu des instructions concernant l'utilisation de l'appareil en toute sécurité et de comprendre les dangers qui en résultent.
- **Les appareils électriques ne sont pas des jouets pour enfants !**
Placez et utilisez l'appareil hors de leur portée.
- Les enfants doivent être surveillés pour s'assurer qu'ils ne jouent pas avec l'appareil.



AVIS !

- Avant la mise en service, vérifiez que la tension indiquée sur la plaque signalétique correspond à l'alimentation électrique dont vous disposez.
- Ne tirez jamais sur le câble de raccordement pour sortir la fiche de la prise.
- Stockez l'appareil dans un endroit frais et sec.

2.2 Consignes de sécurité concernant le fonctionnement de l'appareil

- Faites fonctionner l'appareil dans les véhicules uniquement lorsque le moteur est arrêté.
- N'utilisez **pas** l'appareil en plein air.
- Procédez à un test de fonctionnement une fois par mois et après des périodes prolongées d'inutilisation sur l'appareil en appuyant sur la touche (fig. **8** 4, page 5).

3 Contenu de la livraison

N° dans fig. 2 , page 3	Quantité	Désignation	N° d'article
1	1	Détecteur de gaz	9600000368
2	1	Plaque de montage	
-	1	Matériel de fixation	

4 Accessoires/Extensions

Désignation	N° d'article
Sirène extérieure	9101600008
Interrupteur supplémentaire	RV-AMP-SW

5 Usage conforme

Le MagicSafe MSG150 (n° de produit 9600000368) est un détecteur de gaz décelant des gaz aux propriétés narcotiques avant que ceux-ci n'agissent. Le MSG150 est conçu pour être utilisé dans des véhicules et pour la détection de gaz aux propriétés narcotiques à base d'éther, de chloroforme, de butane, d'éthane et de trichloréthylène.



REMARQUE

Grâce à sa plage de tension comprise entre 10 et 32 V $\overline{\text{=}}$, le détecteur de gaz convient pour les voitures aussi bien que les poids lourds.

6 Description technique

Le détecteur de gaz MSG150 peut être utilisé comme appareil de prévention polyvalent dans le but de détecter des gaz aux propriétés narcotiques avant que ceux-ci n'agissent.

Le détecteur de gaz contient un capteur ainsi qu'un avertisseur acoustique et est raccordé à une source de tension de 12/24 V $\overline{\text{=}}$, p. ex. à l'allume-cigares d'un véhicule.

En outre, le détecteur de gaz comporte un relais interne auquel peut être raccordée p. ex. une sirène extérieure ou une lampe de signalisation.

Le câble servant au raccordement du relais se trouve à l'arrière du détecteur de gaz (fig. **3**, page 4).

N° dans fig. 3 , page 4	Désignation
1	Contact relais 1
2	Contact relais 2

Vous pouvez utiliser le détecteur de gaz de trois manières différentes :

- appareil seul
- en conjonction avec la sirène extérieure (n° de produit 9101600008)
- en conjonction avec le système d'alarme MagicSafe MS660 ou DVS90

7 Montage du MagicSafe MSG150

7.1 Outils nécessaires

Pour le **montage**, vous devez disposer des outils suivants :

- Règle graduée (fig. **1** 1, page 3)
- Pointeau (fig. **1** 2, page 3)
- Marteau (fig. **1** 3, page 3)
- Jeu de mèches (fig. **1** 4, page 3)
- Perceuse (fig. **1** 5, page 3)
- Tournevis (fig. **1** 6, page 3)

7.2 Montage du détecteur de gaz

Respectez les consignes suivantes lors du choix de l'emplacement de montage pour le détecteur de gaz :

- Tenez compte de la longueur du câble.
- Le détecteur de gaz doit être installé à proximité de l'espace de sommeil et à la hauteur du matelas.

► Choisissez un lieu d'installation adéquat.



AVIS !

Avant de procéder à des perçages, assurez-vous qu'aucun câble électrique ou autre composant ne risque d'être endommagé par le perçage.

- Placez la plaque de montage sur l'emplacement de montage choisi et inscrivez les deux points de montage (fig. **5**, page 5).
- Serrez la plaque de montage à l'aide des deux vis à tôle (fig. **6**, page 5).
- Placez le détecteur de gaz sur la plaque de montage (fig. **7**, page 5).
- Enfoncez la fiche du détecteur de gaz dans la douille de votre source d'alimentation électrique 12/24 V $\overline{\text{---}}$.
- ✓ La LED verte sur le détecteur de gaz (fig. **8** 1, page 5) clignote pendant environ 10 minutes. Le détecteur atteint la température de fonctionnement. Lorsque la LED verte est allumée en permanence, cela indique que le détecteur de gaz est prêt à l'emploi.

8 Raccordement du détecteur de gaz

8.1 Appareil seul

Si vous souhaitez utiliser le détecteur de gaz seul, vous pouvez

- le mettre en marche sur la prise 12/24 V \equiv
- le mettre en marche au moyen de l'interrupteur supplémentaire RV-AMP-SW (disponible en accessoire), au cas où il n'y aurait aucune prise 12/24 V \equiv disponible dans l'espace de sommeil.

Raccordement sur la prise 12/24 V \equiv

- Branchez la fiche 12/24 V \equiv sur une prise alimentée en 12/24 V \equiv positif permanent. Cette prise doit être reliée à la batterie du véhicule.
- ✓ Un signal acoustique retentit et la LED verte (fig. **8** 1, page 5) clignote pendant environ dix minutes.
Pendant ce temps, le détecteur de gaz procède à un test du système et le capteur est porté à la température de fonctionnement.

Raccordement fixe du détecteur de gaz

Si vous effectuez le raccordement fixe du détecteur de gaz et que vous souhaitez le mettre en marche par l'interrupteur supplémentaire RV-AMP-SW, reportez-vous au schéma du circuit fig. **9**, page 6.

- Retirez le connecteur 12/24 V \equiv du câble.
- Dénudez l'extrémité du câble sur 10 cm environ.
- Raccordez respectivement les câbles noir, jaune et orange à la masse de la carrosserie (borne 31).
- Connectez le câble rouge à la sortie de l'interrupteur supplémentaire RV-AMP-SW.
- Connectez l'entrée de l'interrupteur au pôle positif de la batterie à l'aide d'un fusible 1 A.

8.2 En conjonction avec la sirène extérieure (n° de produit 9101600008)

Si vous souhaitez raccorder le détecteur de gaz à la sirène extérieure, reportez-vous au schéma du circuit fig. **10**, page 6.

Installation de la sirène extérieure

La sirène extérieure peut être installée dans le compartiment du moteur.

Lors de l'installation, veillez à ce que le lieu d'installation ne se trouve

- **pas** dans une zone exposée à des projections d'eau,
 - **pas** près du système d'échappement,
 - **pas** accessible par la partie inférieure du véhicule, afin d'éviter tout sabotage de l'extérieur.
- Installez la sirène extérieure de manière à ce que le diffuseur soit dirigé vers le bas.

Raccordement de la sirène d'alarme



REMARQUE

Si votre véhicule ne dispose d'aucune ligne positive permanente 12 V \equiv , vous pouvez également raccorder l'entrée à la batterie du véhicule au moyen d'un fusible de 1 A.

- Raccordez le câble noir de la sirène à la masse de la carrosserie (borne 31).
- Raccordez le câble rouge de la sirène au contact de relais 2 (fig. **3** 2, page 4).
- Raccordez le contact de relais 1 (fig. **3** 1, page 4) au pôle positif permanent 12 V \equiv . Le câble doit être sécurisé avec un fusible 1 A.

8.3 En conjonction avec un système d'alarme MS660 ou DVS90

Si vous souhaitez raccorder le détecteur de gaz au

- système d'alarme MS660, reportez-vous au schéma du circuit fig. **11**, page 7
- système d'alarme DVS90, reportez-vous au schéma du circuit fig. **12**, page 8



AVIS !

Si vous combinez le MagicSafe MSG150 au système d'alarme DVS90, vous devez configurer le logiciel du système d'alarme comme suit :

- Placez la sortie 2.6 sur « Statut activé » et l'entrée 2.5 sur « Déclencheur ».

Détecteur de gaz avec MS660

- Retirez le connecteur 12 V \equiv du câble.
- Dénudez l'extrémité du câble sur 10 cm environ.
- Raccordez la ligne noire à la masse de la carrosserie (borne 31).
- Raccordez les lignes jaune et orange (fig. **11**, page 7) à la ligne blanche du système d'alarme (broche 15, connecteur à 15 pôles).
- Raccordez la ligne rouge au pôle positif permanent 12 V \equiv . Le câble doit être sécurisé avec un fusible 1 A.
- Si le détecteur de gaz doit également être activé sur le système d'alarme extérieur MS660 comme alarme principale, raccordez
 - le contact de relais 1 (fig. **11**, page 7) à la masse de carrosserie (borne 31) et
 - le contact de relais 2 (fig. **11**, page 7) à la ligne grise/blanche (broche 4, connecteur à 9 pôles) du système d'alarme.

Détecteur de gaz avec DVS90

- Retirez le connecteur 12/24 V $\overline{=}$ du câble.
- Dénudez l'extrémité du câble sur 10 cm environ.
- Raccordez les lignes noire, jaune et orange à la masse de la carrosserie (borne 31).
- Raccordez la ligne rouge à la ligne verte/rouge (P2, broche 6) (fig. 12, page 8).
Le câble doit être sécurisé avec un fusible 1 A.
- Si le détecteur de gaz doit également être activé sur le système d'alarme extérieur DVS90 comme alarme principale, raccordez
 - le contact de relais 1 (fig. 12, page 8) à la masse de carrosserie (borne 31) et
 - le contact de relais 2 (fig. 12, page 8) à la ligne noire/grise (P2, broche 5) du système d'alarme.

9 Utilisation du MagicSafe MSG150

Afin de prévenir tout signal d'alarme erroné lors de la cuisson, de l'utilisation de déodorants, de forte consommation de tabac ou d'alcool, il convient de bien aérer le véhicule avant d'aller vous coucher et d'activer le détecteur de gaz seulement après.

N° dans fig. 8, page 5	Désignation
1	<p>LED verte</p> <p>La LED verte clignote pendant environ 10 min après le raccordement du détecteur de gaz à la tension ou après l'activation de celui-ci par l'interrupteur supplémentaire RV-AMP-SW. Pendant que la LED clignote, le capteur est porté à la température de fonctionnement.</p> <p>Lorsque la LED verte est allumée en permanence, cela indique que le détecteur de gaz est prêt à l'emploi.</p>
2	<p>LED orange</p> <p>La LED orange s'allume lorsqu'une panne survient.</p>
3	<p>LED rouge (alarme)</p> <p>La LED rouge clignote lorsqu'une alarme est déclenchée.</p> <p>De plus, un son de sirène retentit, faisant office de signal d'alarme acoustique.</p> <p>(Voir également chapitre « Alarme », page 42.)</p>

N° dans fig. 8, page 5	Désignation
4	<p>Touches Cette touche sert de touche de test et de sourdine.</p> <p>Touche de test</p> <ul style="list-style-type: none"> ➤ Appuyez sur cette touche une fois par mois ou suite à de longues périodes d'inutilisation afin de contrôler le fonctionnement. ✓ Les LED orange et rouge clignotent et un son de sirène retentit. <p>Sourdine</p> <ul style="list-style-type: none"> ➤ Appuyez sur cette touche si vous souhaitez désactiver le signal sonore pendant une alarme. ✓ La LED rouge continue de clignoter et un bref signal sonore retentit au bout de 45 s. Le système se réactive ensuite.

Mise en marche du MSG150 seul ou en conjonction avec la sirène extérieure (n° de produit 9101600008)

- Branchez le connecteur 12/24 V $\overline{=}$ sur une prise ou allumez le détecteur de gaz par l'interrupteur supplémentaire RV-AMP-SW.
- ✓ Un signal acoustique retentit et la LED verte (fig. 8 1, page 5) clignote pendant environ dix minutes.
Pendant ce temps, le détecteur de gaz procède à un test du système et le capteur est porté à la température de fonctionnement.

Lorsqu'une alarme est déclenchée, un signal acoustique retentit par la sirène interne et la LED rouge (fig. 8 3, page 5) s'allume. Si la sirène extérieure est raccordée, une alarme acoustique retentit en outre par la sirène extérieure.

- Pour interrompre l'alarme interne, appuyez sur la touche (fig. 8 4, page 5).

Mise en marche du MSG150 en conjonction avec le MS660 ou le DVS90

- Mettez en marche le système d'alarme MS660 ou DVS90 comme à l'accoutumée : actionnez sur leur télécommande
 - la touche inférieure (MS660)
 - la touche de fermeture de l'émetteur manuel du véhicule ou de l'émetteur manuel supplémentaire (DVS90).
- ✓ Un signal acoustique retentit et la LED verte (fig. 8 1, page 5) clignote pendant environ dix minutes.
Pendant ce temps, le détecteur de gaz procède à un test du système et le capteur est porté à la température de fonctionnement.

Lorsqu'une alarme est déclenchée, un signal acoustique retentit par la sirène interne et la LED rouge (fig. 8 3, page 5) s'allume. Le relais interne déclenche un signal de masse sur l'entrée de l'alarme du système d'alarme externe. Le système d'alarme externe déclenche immédiatement une alarme externe par les clignotants et le klaxon du véhicule ou la sirène.

- Pour interrompre l'alarme interne, appuyez sur la touche (fig. 8 4, page 5).

- Pour désactiver le système d'alarme externe, utilisez, sur la télécommande,
 - la touche supérieure (MS 660)
 - la touche d'ouverture de l'émetteur manuel du véhicule ou de l'émetteur manuel supplémentaire (DVS90).

10 Alarme

Procédez de la manière suivante lorsqu'une alarme est signalisée :

- Constatez **immédiatement** la cause de l'alarme.
- Enjoignez les enfants et les personnes endormies de quitter le véhicule ou le bateau.
- Ouvrez sans tarder toutes les portes et fenêtres.
- Évitez les flammes et éteignez toutes les sources de flammes directes.
- Éteignez tous les appareils fonctionnant au gaz.
- Évitez toute source d'étincelle (n'actionnez aucun appareil électrique).
- Maîtrisez la cause de l'incendie ou quittez le véhicule ou le bateau.

Signal d'alarme erroné

Afin d'assurer votre sécurité, le détecteur de gaz est réglé pour réagir de manière très sensible. C'est pourquoi le capteur réagit également à d'autres substances à base de gaz. L'utilisation d'aérosols (p. ex. agent propulseur dans les aérosols), mais aussi la fumée provoquée par le tabac en grande quantité, de fortes vapeurs d'alcool ou de la vapeur d'eau provoquée par la cuisson peuvent déclencher une alarme, même si aucun gaz ou gaz soporifique n'est détecté.

11 Recherche de pannes

Si l'appareil n'est pas prêt à l'emploi (la LED verte n'est pas allumée), procédez comme suit :

- Assurez-vous que la tension d'alimentation est bien de 12 ou 24 V $\overline{=}$.
Lorsque la tension est tombée ou que l'alimentation en tension a été interrompue, le détecteur de gaz ne fonctionne pas.
- Dans le cas où le détecteur de gaz est raccordé à une prise 12/24 V $\overline{=}$, vérifiez le fusible dans le connecteur.

Vérification du fusible dans le connecteur 12/24 V==

Un fusible coupe-circuit servant à la protection du détecteur de gaz se trouve à l'extrémité du connecteur.

Si la fine jonction métallique située au centre des deux clapets métalliques est sectionnée, cela signifie que le fusible est défectueux et qu'il doit être remplacé.



AVIS !

Veillez à utiliser exclusivement le même type de fusible dans le connecteur. Les dommages sur l'appareil découlant de l'installation d'un fusible à valeur incorrecte ne peuvent faire l'objet d'un droit à la garantie ou d'un dédommagement.

Pour remplacer le fusible, procédez comme suit :

- Retirez le compensateur (fig. 4 4, page 4) du connecteur.
- Retirez le vis (fig. 4 5, page 4) de la partie supérieure du boîtier (fig. 4 1, page 4).
- Soulevez avec précaution la partie supérieure du boîtier de la partie inférieure (fig. 4 6, page 4).
- Retirez la fiche de contact (fig. 4 3, page 4).
- Remplacez le fusible défectueux (fig. 4 2, page 4) par un nouveau fusible de même valeur.
- Remontez le connecteur en effectuant les opérations dans l'ordre inverse.

12 Entretien et nettoyage du détecteur de gaz



AVIS !

N'utilisez aucun objet coupant ou dur, ni de détergents pour le nettoyage. Cela pourrait endommager le produit.

- Nettoyez le produit avec un tissu humide.

13 Garantie

Le délai légal de garantie s'applique. Si le produit s'avérait défectueux, veuillez vous adresser à la filiale du fabricant située dans votre pays (voir adresses au verso du présent manuel) ou à votre revendeur spécialisé.

Veillez y joindre les documents suivants pour la gestion des réparations et de la garantie :

- une copie de la facture avec la date d'achat,
- le motif de la réclamation ou une description du dysfonctionnement.

14 Retraitement

- Jetez les emballages dans les conteneurs de déchets recyclables prévus à cet effet.



Lorsque vous mettez votre produit définitivement hors service, informez-vous auprès du centre de recyclage le plus proche ou auprès de votre revendeur spécialisé sur les prescriptions relatives au retraitement des déchets.

15 Caractéristiques techniques

	MagicSafe MSG150
Numéro de produit :	9600000368
Dimensions (l x h x p) :	80 x 156 x 51 mm
Plage de tension d'entrée :	10 V $\overline{\text{---}}$ à 32 V $\overline{\text{---}}$
Puissance absorbée :	1,3 W
Température de fonctionnement :	de 0 °C à +40 °C
Volume sonore du signal :	env. 85 dB à 3 m de distance
Type de protection :	IP 20

Certifications



Lea detenidamente estas instrucciones antes de llevar a cabo la instalación y puesta en funcionamiento, y consérvelas en un lugar seguro. En caso de vender o entregar el producto a otra persona, entregue también estas instrucciones.

Índice

1	Explicación de los símbolos	46
2	Indicaciones de seguridad y montaje	46
3	Volumen de entrega	47
4	Accesorios / ampliaciones	47
5	Uso adecuado	48
6	Descripción técnica	48
7	Montaje del MagicSafe MSG150	49
8	Conexión del detector de gas	50
9	Manejo del MagicSafe MSG150	52
10	Alarma	54
11	Localización de averías	55
12	Mantenimiento y limpieza del detector de gas	55
13	Garantía legal	56
14	Gestión de residuos	56
15	Datos técnicos	56

1 Explicación de los símbolos



¡ADVERTENCIA!

Indicación de seguridad: su incumplimiento puede acarrear la muerte o graves lesiones.



¡ATENCIÓN!

Indicación de seguridad: su incumplimiento puede acarrear lesiones.



¡AVISO!

Su incumplimiento puede acarrear daños materiales y perjudicar el correcto funcionamiento del producto.



NOTA

Información adicional para el manejo del producto.

2 Indicaciones de seguridad y montaje

El fabricante declina toda responsabilidad ante daños ocurridos en los siguientes casos:

- daños en el producto debido a influencias mecánicas y sobretensiones
- modificaciones realizadas en el producto sin el expreso consentimiento del fabricante
- utilización del aparato para fines distintos a los descritos en las instrucciones

2.1 Seguridad básica



¡ADVERTENCIA!

- Utilice el aparato solo conforme a su uso adecuado.
- Desconecte el aparato de la red
 - antes de realizar cualquier tarea de limpieza o mantenimiento
 - después de cada uso.
 - antes de cambiar un fusible.
- Si el aparato o el cable de conexión presentan daños visibles, no se debe poner en marcha el aparato.
- Si se daña el cable de conexión del aparato, el fabricante, su servicio de atención al cliente o una persona cualificada debe reemplazarlo para evitar así posibles peligros.
- Solo personal especializado puede realizar reparaciones en el aparato. Una reparación incorrecta entraña riesgos considerables.
- Los niños mayores de 8 años y las personas de capacidad física, sensorial o mental disminuida, así como aquellas personas con falta de experiencia y conocimientos suficientes solo podrán utilizar este aparato bajo vigilancia o si han sido instruidos respecto al uso seguro del aparato y a los posibles peligros que pueden emanar de él.

- **Los aparatos eléctricos no son juguetes.**
Mantenga y utilice el aparato fuera del alcance de los niños.
- Se debe vigilar a los niños para asegurarse de que no jueguen con el aparato.



¡AVISO!

- Antes de la puesta en funcionamiento, compare el valor de tensión indicado en la placa de características con el suministro de energía existente.
- No desenchufe nunca el cable de conexión tirando de él.
- Almacene el aparato en un lugar seco y fresco.

2.2 Seguridad durante el funcionamiento del aparato

- El aparato únicamente se puede poner en funcionamiento en vehículos cuando el motor está parado.
- **No** use este aparato al aire libre.
- Después de periodos prolongados sin utilizar, así como una vez al mes, compruebe si el aparato funciona correctamente pulsando la tecla (fig. 8 4, página 5).

3 Volumen de entrega

N.º en fig. 2, página 3	Cantidad	Denominación	N.º de artículo
1	1	Detector de gas	9600000368
2	1	Placa de montaje	
-	1	Material de fijación	

4 Accesorios / ampliaciones

Denominación	N.º de artículo
Sirena externa	9101600008
Interruptor adicional	RV-AMP-SW

5 Uso adecuado

MagicSafe MSG150 (n.º de art. 9600000368) es un detector de gas que detecta gases narcotizantes antes de que hagan efecto. MSG150 está concebido para su uso en vehículos a fin de detectar gases narcotizantes compuestos a base de éter, cloroformo, butano, etano y tricloretileno.



NOTA

Con un rango de tensión entre 10 y 32 V $\overline{=}$, el detector de gas se puede utilizar tanto en turismos como en camiones.

6 Descripción técnica

El detector de gas MSG150 se puede emplear como dispositivo de aviso para alertar de gases narcotizantes antes de que hagan efecto.

El detector de gas consta de un sensor y de un emisor de señal acústica, y se conecta a una fuente de tensión de 12/24 V $\overline{=}$ como, por ejemplo, el mechero del vehículo.

Además, el detector de gas está equipado con un relé interno que se puede conectar, por ejemplo, a una sirena externa o a una lámpara indicadora.

El terminal para la conexión del relé se encuentra en la parte posterior del detector de gas (fig. **3**, página 4).

N.º en fig. 3 , página 4	Denominación
1	Contacto de relé 1
2	Contacto de relé 2

Los detectores de gas se pueden utilizar de tres maneras distintas:

- como unidad independiente
- en combinación con la sirena externa (n.º de art. 9101600008)
- en combinación con el sistema de alarma MagicSafe MS660 o DVS90

7 Montaje del MagicSafe MSG150

7.1 Herramientas necesarias

Para realizar la **el montaje** son necesarias las siguientes herramientas:

- Regla graduada (fig. **1** 1, página 3)
- Punzón para marcar (fig. **1** 2, página 3)
- Martillo (fig. **1** 3, página 3)
- Juego de brocas (fig. **1** 4, página 3)
- Taladradora (fig. **1** 5, página 3)
- Destornillador (fig. **1** 6, página 3)

7.2 Montaje del detector de gas

Tenga en cuenta las siguientes indicaciones para la elección del lugar de montaje del detector de gas.

- Tenga en cuenta la longitud del cable.
 - Conviene montar el detector de gas cerca del lugar para dormir y a la altura del colchón.
- Elija un lugar de montaje adecuado.



¡AVISO!

Antes de realizar cualquier perforación, asegúrese de que ningún cable eléctrico ni otras piezas del vehículo puedan resultar dañados al taladrar.

- Mantenga la placa de montaje en el lugar de montaje seleccionado y marque los dos puntos de perforación (fig. **5**, página 5).
- Atornille la placa de montaje con los dos tornillos para chapa (fig. **6**, página 5).
- Introduzca el detector de gas en la placa de montaje (fig. **7**, página 5).
- Inserte el enchufe del detector de gas en el conector de la fuente de tensión de 12/24 V $\overline{=}$.
- ✓ El LED verde del detector de gas (fig. **8** 1, página 5) parpadea durante unos 10 minutos. El sensor se pone a la temperatura de funcionamiento.
Cuando el LED verde permanece encendido, el detector de gas está listo para el funcionamiento.

8 Conexión del detector de gas

8.1 Como unidad independiente

Si utiliza el detector de gas como unidad independiente, puede

- encenderlo mediante el enchufe de 12/24 V \equiv
- encenderlo a través del interruptor adicional RV-AMP-SW (accesorio) si en el dormitorio no hay ninguna toma de 12/24 V \equiv .

Conexión a través del enchufe de 12/24 V \equiv

- Introduzca el enchufe de 12/24 \equiv en una toma positiva permanente de 12/24 V \equiv . Esta toma debe estar conectada a la batería del vehículo.
- ✓ Suena una señal acústica y el LED verde (fig. 8 1, página 5) parpadea durante unos 10 minutos.
Durante estos 10 minutos, el detector de gas realiza una prueba del sistema y el sensor alcanza la temperatura de funcionamiento.

Conexión del detector de gas con cableado fijo

Si conecta el detector de gas por cableado fijo y lo desea en-SW, consulte el esquema de conexiones fig. 9, página 6.

- Separe el enchufe 12/24 V \equiv del cable.
- Pele unos 10 cm del aislamiento externo del extremo del cable.
- Conecte el cable negro, el amarillo y el naranja con el cable a masa de la carrocería (terminal 31).
- Conecte el cable rojo con la salida del interruptor adicional RV-AMP-SW.
- Conecte la entrada del interruptor a través de un fusible de 1 A con el polo positivo de la batería.

8.2 En combinación con la sirena externa (n.º de art. 9101600008)

Cuando desee conectar el detector de gas en combinación con la sirena externa, consulte el esquema de conexiones fig. 10, página 6.

Montaje de la sirena exterior

Puede montar la sirena exterior en el compartimento del motor.

Durante el montaje, preste atención a que el lugar elegido para el montaje

- **no** esté dentro del ámbito que recibe salpicaduras de agua
 - **no** esté cerca del sistema de escape de humos
 - **no** quede accesible desde la parte inferior del vehículo, para evitar una manipulación externa
- Monte la sirena externa con la parte de la bocina hacia abajo.

Conexión de la sirena



NOTA

Si en su vehículo no se dispone de un cable positivo permanente de 12 V \equiv en el área de montaje, puede entonces conectar la entrada a la batería del vehículo a través de un fusible de 1 A.

- Conecte el cable negro de la sirena con el cable a masa de la carrocería (terminal 31).
- Conecte el cable rojo de la sirena con el contacto de relé 2 (fig. 3 2página 4).
- Conecte el contacto de relé 1 (fig. 3 1, página 4) con el cable positivo permanente de 12 V \equiv .
La línea debe estar asegurada con un fusible de 1 A.

8.3 En combinación con el sistema de alarma MS660 o DVS90

Si desea conectar el detector de gas en combinación con

- el sistema de alarma MS660, consulte el esquema de conexiones fig. 11, página 7
- el sistema de alarma DVS90, consulte el esquema de conexiones fig. 12, página 8



¡AVISO!

Si desea combinar MagicSafe MSG150 con el sistema de alarma DVS90, deberá configurar el software del sistema de alarma de la siguiente manera:

- Configure la salida 2.6 a "Estado activado" y la entrada 2.5 a "Disparador".

Detector de gas con MS660

- Separe el enchufe 12 V \equiv del cable.
- Pele unos 10 cm del aislamiento externo del extremo del cable.
- Conecte el cable negro al cable a masa de la carrocería (terminal 31).
- Conecte el cable amarillo y el naranja (fig. 11, página 7) con el cable blanco del sistema de alarma (pin 15, enchufe de 15 polos).
- Conecte el cable rojo con el cable positivo permanente de 12 V \equiv .
La línea debe estar asegurada con un fusible de 1 A.
- Si desea que el detector de gas esté conectado también como alarma principal MS660 al sistema de alarma externa conecte
 - el contacto del relé 1 (fig. 11, página 7) al cable a masa de la carrocería (terminal 31) y
 - el contacto de relé 2 (fig. 11, página 7) al cable gris/blanco (pin 4, de 9 polos) del sistema de alarma.

Detector de gas con DVS90

- Separe el enchufe 12/24 V $\overline{=}$ del cable.
- Pele unos 10 cm del aislamiento externo del extremo del cable.
- Conecte el cable negro, el amarillo y el naranja con el cable a masa de la carrocería (terminal 31).
- Conecte el cable rojo al cable verde/rojo (P2, pin 6) (fig. 12, página 8). La línea debe estar asegurada con un fusible de 1 A.
- Si desea que el detector de gas esté conectado también como alarma principal DVS90 al sistema de alarma externa conecte
 - el contacto del relé 1 (fig. 12, página 8) al cable a masa de la carrocería (terminal 31) y
 - el contacto de relé 2 (fig. 12, página 8) al cable negro/gris (P2, pin 5) del sistema de alarma.

9 Manejo del MagicSafe MSG150

Para evitar que la alarma salte debido a causas como cocinar, uso de desodorante o un consumo elevado de tabaco y alcohol, debe ventilar suficientemente el vehículo antes de acostarse y seguidamente encender el detector de gas.

N.º en fig. 8, página 5	Denominación
1	<p>LED verde</p> <p>El LED verde parpadea durante unos 10 minutos después de haber conectado el detector de gas a la tensión o de haber encendido el interruptor adicional RV-AMP-SW. Mientras que el LED parpadea, se lleva el sensor a la temperatura de funcionamiento.</p> <p>Cuando el LED verde permanece encendido, el detector de gas está listo para el funcionamiento.</p>
2	<p>LED naranja:</p> <p>El LED naranja se ilumina cuando hay una avería.</p>
3	<p>LED rojo (alarma)</p> <p>El LED rojo se ilumina cuando se activa la alarma.</p> <p>Adicionalmente, se oye el tono de la sirena como señal acústica.</p> <p>(Véase también capítulo "Alarma" en la página 54)</p>

N.º en fig. 8, página 5	Denominación
4	<p>Pulsador Esta tecla funciona como tecla de prueba y tecla de desconexión de sonido.</p> <p>Tecla de prueba</p> <ul style="list-style-type: none"> ▶ Pulse esta tecla una vez al mes o después de haber permanecido la alarma sin usar durante mucho tiempo, para comprobar el funcionamiento. ✓ El LED naranja y rojo parpadean y se oye el tono de la sirena. <p>Desconexión del sonido</p> <ul style="list-style-type: none"> ▶ Pulse la tecla cuando quiera desconectar la señal de sonido al haberse activado la alarma. ✓ El LED rojo continúa parpadeando y después de 45 seg. se oye una señal breve. Seguidamente, el sistema se vuelve a activar.

Conexión de MSG 150 como unidad independiente o en combinación con la sirena externa (n.º de art. 9101600008)

- ▶ Introduzca el enchufe de 12/24 V $\overline{=}$ en la toma de enchufe o encienda el detector de gas con el interruptor adicional RV-AMP-SW.
- ✓ Suena una señal acústica y el LED verde (fig. 8 1, página 5) parpadea durante unos 10 minutos.
Durante estos 10 minutos, el detector de gas realiza una prueba del sistema y el sensor alcanza la temperatura de funcionamiento.

Cuando se produce una alarma, se oye una señal acústica a través de la sirena interna y el LED rojo (fig. 8 3, página 5) se enciende. Si la sirena externa está conectada, se oye una alarma acústica a través de la sirena externa.

- ▶ Para interrumpir la alarma interna, pulse la tecla (fig. 8 4, página 5).

Conectar el MSG 150 en combinación con MS 660 o DVS 90

- Encienda el sistema de alarma MS660 o DVS90 como siempre:
 - Pulse en el control remoto
 - la tecla inferior (MS660)
 - la tecla de cierre del vehículo o el emisor manual adicional (DVS90)
- ✓ Suena una señal acústica y el LED verde (fig. 8 1, página 5) parpadea durante unos 10 minutos.
Durante estos 10 minutos, el detector de gas realiza una prueba del sistema y el sensor alcanza la temperatura de funcionamiento.

Cuando se produce una alarma, se oye una señal acústica a través de la sirena interna y el LED rojo (fig. 8 3, página 5) se enciende. El relé interno envía una señal a masa a la entrada de alarma del sistema de alarma externo. El sistema de alarma externo activa inmediatamente una alarma externa a través de los intermitentes del vehículo, de la bocina o de la sirena.

- Para interrumpir la alarma interna, pulse la tecla (fig. 8 4, página 5).
- Para desactivar el sistema de alarma externa accione en el mando a distancia
 - la tecla superior (MS 660)
 - la tecla de apertura del vehículo o el emisor manual adicional (DVS90).

10 Alarma

Proceda de la siguiente manera cuando se dispare la alarma:

- Determine **inmediatamente** la causa de la alarma.
- Haga que los niños y las personas que están durmiendo abandonen el vehículo o embarcación.
- Abra inmediatamente todas las ventanas y las puertas.
- Evite las llamas vivas y apague inmediatamente todos los focos con fuego.
- Apague los aparatos que funcionen con gas.
- Evite que se formen chispas (no accione ningún interruptor eléctrico).
- Solucione el problema o abandone el vehículo o la embarcación.

Falsa alarma

Para garantizar su seguridad, el detector de gas tiene un ajuste de gran sensibilidad. Por esa razón, el sensor reacciona a otros medios gaseosos. El uso de aerosoles (por ejemplo, el gas que contiene los sprays), pero también la concentración de humo de cigarrillos, de efluvios alcohólicos o el vapor de cocinar pueden accionar la alarma, aunque no contengan gas o gas narcotizante.

11 Localización de averías

Cuando el aparato no esté listo para funcionar (el LED verde no se enciende), proceda de la siguiente manera:

- ▶ Asegúrese de que la tensión de alimentación sea de 12 o 24 V $\overline{=}$.
Si la tensión es inferior o no hay alimentación de tensión, el detector de gas no funciona.
- ▶ Compruebe el fusible del enchufe, si la alarma de gas está conectada a través del enchufe de 12/24 V $\overline{=}$.

Comprobar el fusible del enchufe de 12/24 V $\overline{=}$

En la punta del enchufe universal hay un cortacircuitos fusible para proteger el detector de gas.

Cuando la fina unión de metal en el centro entre ambas cubiertas de metal está rota, el fusible está averiado y deberá sustituirse.



¡AVISO!

Asegúrese de utilizar exclusivamente el mismo tipo de fusible en el enchufe. Los daños causados por utilizar fusible incorrectos no están contemplados en los derechos de garantía y sustitución.

Para reemplazar el fusible, proceda como se indica a continuación:

- ▶ Saque el casquillo de compensación (fig. 4 4, página 4) del enchufe.
- ▶ Desatornille el tornillo (fig. 4 5, página 4) de la mitad superior de la carcasa (fig. 4 1, página 4).
- ▶ Levante con cuidado la mitad superior de la carcasa separándola de la mitad inferior (fig. 4 6, página 4).
- ▶ Extraiga la clavija de contacto (fig. 4 3, página 4).
- ▶ Cambie el fusible averiado (fig. 4 2, página 4) por otro nuevo del mismo valor.
- ▶ Vuelva a montar el enchufe procediendo en el orden inverso.

12 Mantenimiento y limpieza del detector de gas



¡AVISO!

No utilice ningún objeto o producto de limpieza corrosivo o duro en la limpieza, ya que podría dañar el producto.

- ▶ Limpie de vez en cuando el producto con un paño húmedo.

13 Garantía legal

Rige el plazo de garantía legal. Si el producto presenta algún defecto, diríjase a la sucursal del fabricante de su país (ver direcciones en el dorso de estas instrucciones) o a su establecimiento especializado.

Para la tramitación de la reparación y de la garantía debe enviar también los siguientes documentos:

- una copia de la factura con fecha de compra,
- el motivo de la reclamación o una descripción de la avería.

14 Gestión de residuos

► Deseche el material de embalaje en el contenedor de reciclaje correspondiente.



Cuando vaya a desechar definitivamente el producto, infórmese en el centro de reciclaje más cercano o en un comercio especializado sobre las normas pertinentes de eliminación de materiales.

15 Datos técnicos

MagicSafe MSG150	
Número de artículo:	9600000368
Dimensiones (A x H x P):	80 x 156 x 51 mm
Rango de tensión de entrada:	de 10 V $\overline{\text{---}}$ a 32 V $\overline{\text{---}}$
Consumo de potencia:	1,3 W
Temperatura de funcionamiento:	de 0 °C a 40 °C
Volumen de la señal:	unos 85 dB a una distancia de 3 m
Clase de protección:	IP 20

Homologaciones



Por favor, leia atentamente este manual antes da montagem e colocação em funcionamento do aparelho e guarde-o em local seguro. Em caso de transmissão do produto, entregue o manual ao novo utilizador.

Índice

1	Explicação dos símbolos	58
2	Indicações de segurança e de montagem	58
3	Material fornecido	59
4	Acessórios/extensões	59
5	Utilização adequada	60
6	Descrição técnica	60
7	Montar o dispositivo de deteção de gás MagicSafe MSG150	61
8	Conetar o dispositivo de deteção de gás	62
9	Operar o dispositivo de deteção de gás MagicSafe MSG150	64
10	Alarme	66
11	Resolução de problemas	66
12	Conservar e limpar o dispositivo de deteção de gás	67
13	Garantia	67
14	Eliminação	68
15	Dados técnicos	68

1 Explicação dos símbolos

**AVISO!**

Indicação de segurança: o incumprimento pode provocar a morte ou ferimentos graves.

**PRECAUÇÃO!**

Indicação de segurança: o incumprimento pode provocar ferimentos.

**NOTA!**

O incumprimento pode causar danos materiais e pode prejudicar o funcionamento do produto.

**OBSERVAÇÃO**

Informações suplementares sobre a operação do produto.

2 Indicações de segurança e de montagem

O fabricante não se responsabiliza por danos nos seguintes casos:

- Danos no produto resultantes de influências mecânicas e sobretensões
- Alterações ao produto sem autorização expressa do fabricante
- Utilização para outras finalidades que não as descritas no manual de instruções

2.1 Princípios básicos de segurança

**AVISO!**

- Utilize o aparelho apenas para o fim previsto.
- Separe o aparelho da rede elétrica
 - antes de cada limpeza e conservação
 - após cada utilização
 - antes da mudança de fusíveis
- Se o aparelho ou o cabo de conexão apresentar danos visíveis, o mesmo não deve ser colocado em funcionamento.
- Se danificar o cabo de conexão deste aparelho, o mesmo tem de ser substituído pelo fabricante, pela sua assistência técnica ou por uma pessoa com qualificações equivalentes para evitar perigos.
- As reparações neste aparelho apenas devem ser realizadas por técnicos devidamente qualificados. As reparações inadequadas podem levar a perigos graves.

- Este aparelho pode ser utilizado por crianças a partir dos 8 anos, assim como por pessoas com capacidades físicas, sensoriais ou mentais reduzidas ou com insuficiente experiência e conhecimento, quando supervisionadas ou quando tenham recebido informação acerca da utilização segura do aparelho e compreendam os perigos dele resultantes.
- **Os aparelhos elétricos não são brinquedos!**
Guarde e utilize o aparelho fora do alcance das crianças.
- As crianças devem ser supervisionadas para assegurar que não brincam com o aparelho.

**NOTA!**

- Antes da colocação em funcionamento, compare a indicação da tensão na placa de características com a alimentação de energia existente.
- Nunca retire a ficha da tomada elétrica puxando pelo cabo de conexão.
- Guarde o aparelho num local seco e fresco.

2.2 Segurança durante a utilização do aparelho

- Opere o aparelho em veículos exclusivamente com o motor desligado.
- **Não** utilize o aparelho no exterior.
- Teste a função do aparelho uma vez por mês, pressionando o botão (fig. **8** 4, página 5).

3 Material fornecido

N.º na fig. 2 , página 3	Quantidade	Designação	N.º de artigo
1	1	Dispositivo de deteção de gás	9600000368
2	1	Placa de montagem	
-	1	Material de fixação	

4 Acessórios/extensões

Designação	N.º de artigo
Sirene exterior	9101600008
Interruptor adicional	RV-AMP-SW

5 Utilização adequada

MagicSafe MSG150 (n.º art. 9600000368) é um dispositivo de deteção de gás que deteta gases de efeito narcótico antes destes alcançarem o seu efeito. MSG150 foi concebido para a utilização em veículos para detetar gases de efeito narcótico que se baseiam em éter, clorofórmio, butano, etano e tricloroetileno.



OBSERVAÇÃO

Graças a uma gama de tensões de 10 a 32 V $\overline{=}$, o dispositivo de deteção de gás é adequado para a utilização no automóvel, assim como no camião.

6 Descrição técnica

O dispositivo de deteção de gás MSG150 pode ser utilizado como dispositivo de alerta para detetar gases de efeito narcótico antes destes alcançarem o seu efeito.

O dispositivo de deteção de gás contém um sensor, assim como um gerador de sinal acústico e é conetado a uma fonte de tensão de 12/24 V $\overline{=}$, p.ex., ao isqueiro em veículos.

Além disso, o dispositivo de deteção de gás contém um relé interno ao qual pode ser conetada, p.ex., uma sirene exterior ou uma lâmpada de sinalização.

O terminal de conexão para a conexão do relé está localizado na parte traseira do dispositivo de deteção de gás (fig. 3, página 4).

N.º na fig. 3, página 4	Designação
1	Contato do relé 1
2	Contato do relé 2

Poderá utilizar o dispositivo de deteção de gás das seguintes três formas:

- como aparelho individual
- em combinação com a sirene exterior (n.º art. 9101600008)
- em combinação com o sistema de alarme MagicSafe MS660 ou DVS90

7 Montar o dispositivo de deteção de gás MagicSafe MSG150

7.1 Ferramentas necessárias

Para a **montagem** são necessárias as seguintes ferramentas:

- Régua (fig. **1** 1, página 3)
- Punções (fig. **1** 2, página 3)
- Martelo (fig. **1** 3, página 3)
- Conjunto de brocas (fig. **1** 4, página 3)
- Berbequim (fig. **1** 5, página 3)
- Chave de parafusos (fig. **1** 6, página 3)

7.2 Montar o dispositivo de deteção de gás

Respeite as seguintes indicações aquando da escolha do local de montagem do dispositivo de deteção de gás:

- Tenha em atenção o tamanho do cabo.
 - O dispositivo de deteção de gás deve ser montado na proximidade da zona de descanso e à altura do colchão.
- Escolha um local de montagem apropriado.



NOTA!

Antes de efetuar perfurações, certifique-se de que não são danificados cabos elétricos ou outras peças devido a trabalhos de perfuração.

- Segure a placa de montagem no local de montagem selecionado e marque ambos os pontos de perfuração (fig. **5**, página 5).
- Aparafuse a placa de montagem com ambos os parafusos auto-roscantes (fig. **6**, página 5).
- Encaixe o dispositivo de deteção de gás na placa de montagem (fig. **7**, página 5).
- Insira a ficha do dispositivo de deteção de gás na tomada da sua alimentação de tensão de 12/24-V $\overline{=}$.
- ✓ O LED verde no dispositivo de deteção de gás (fig. **8** 1, página 5) pisca durante aprox. 10 min. O sensor é regulado à temperatura de funcionamento. Quando o LED verde acender de forma permanente, o dispositivo de deteção de gás está operacional.

8 Conetar o dispositivo de deteção de gás

8.1 Como aparelho individual

Se utilizar o dispositivo de deteção de gás como aparelho individual, poderá ligá-lo

- através da ficha de 12/24-V \equiv
- através do interruptor adicional RV-AMP-SW (acessório) disponível como acessório quando não existe qualquer tomada de 12/24 V \equiv na zona de descanso.

Conetar o dispositivo de deteção de gás através da ficha 12/24 V \equiv

- Insira a ficha de 12/24 V \equiv na tomada que conduz ao positivo permanente de 12/24 V \equiv . Esta tomada deve estar conetada à bateria do veículo.
- ✓ Soa um sinal acústico e pisca o LED verde (fig. **8** 1, página 5) durante aprox. dez minutos. Durante este intervalo de tempo, o dispositivo de deteção de gás realiza o teste do sistema e o sensor é regulado à temperatura de funcionamento.

Conetar o dispositivo de deteção de gás de modo fixo

Se conetar o dispositivo de deteção de gás de modo fixo e o pretender ligar através do interruptor adicional RV-AMP-SW, utilize o esquema de ligações fig. **9**, página 6.

- Separe a ficha de 12/24 V \equiv do cabo.
- Remova o isolamento exterior de aprox. 10 cm na extremidade do cabo.
- Conete respetivamente os cabos preto, amarelo, e cor de laranja à terra da carroçaria (borne 31).
- Conete o cabo vermelho à saída do interruptor adicional RV-AMP-SW.
- Conete a entrada do interruptor através de um fusível de 1 A ao polo positivo da bateria.

8.2 Em combinação com a sirene exterior (n.º art. 9101600008)

Quando pretender conetar o dispositivo de deteção de gás em combinação com a sirene exterior, utilize o esquema de ligações fig. **10**, página 6.

Montar a sirene exterior

A sirene exterior pode ser montada no cárter do motor.

Aquando da montagem, preste atenção para que o local de montagem

- **não** se encontre na proximidade dos salpicos de água.
 - **não** se encontre na proximidade do sistema de escape.
 - **não** possa ser acedido a partir da parte inferior a fim de evitar uma sabotagem do exterior.
- Monte a sirene exterior com o sonofletor virado para baixo.

Conetar a sirene de alarme



OBSERVAÇÃO

Se o seu veículo não possuir um cabo com positivo permanente de 12 V \equiv , também poderá conetar a entrada à bateria do veículo, utilizando um fusível de 1 A.

- ▶ Conete o cabo preto da sirene à terra da carroçaria (borne 31).
- ▶ Conete o cabo vermelho da sirene com o contato do relé 2 (fig. **3** 2, página 4).
- ▶ Conete o contato do relé 1 (fig. **3** 1, página 4) ao polo permanente de 12 V \equiv .
O cabo tem de estar protegido com um fusível de 1 A.

8.3 Em combinação com o sistema de alarme MS660 ou DVS90

Quando pretender conetar o dispositivo de deteção de gás em combinação com

- o sistema de alarme MS660, utilize o esquema de ligações fig. **11**, página 7
- o sistema de alarme DVS90, utilize o esquema de ligações fig. **12**, página 8



NOTA!

Quando combinar o dispositivo de deteção de gás MSG150 com o sistema de alarme DVS90, terá de configurar o software do sistema de alarme da seguinte forma:

- Configure a saída 2.6 no estado "Estado Forte" e a entrada 2.5 no estado "Acionador".

Dispositivo de deteção de gás com sistema de alarme MS660

- ▶ Separe a ficha de 12 V \equiv do cabo.
- ▶ Remova o isolamento exterior de aprox. 10 cm na extremidade do cabo.
- ▶ Conete o cabo preto à terra da carroçaria (borne 31).
- ▶ Conete os cabos amarelo e cor de laranja (fig. **11**, página 7) ao cabo branco do sistema de alarme (pino 15, ficha de 15 polos).
- ▶ Conete o cabo vermelho ao polo permanente de 12 V \equiv .
O cabo tem de estar protegido com um fusível de 1 A.
- ▶ Quando o dispositivo de deteção de gás também tiver de ser comutado como alarme principal no sistema de alarme MS660, conete
 - o contato do relé 1 (fig. **11**, página 7) à terra da carroçaria (borne 31) e
 - o contato do relé 2 (fig. **11**, página 7) ao cabo cinzento/branco (pino 4, ficha de 9 polos) do sistema de alarme.

Dispositivo de deteção de gás com sistema de alarme DVS90

- Separe a ficha de 12/24 V== do cabo.
- Remova o isolamento exterior de aprox. 10 cm na extremidade do cabo.
- Conete os cabos preto, amarelo e cor de laranja à terra da carroçaria (borne 31).
- Conete o cabo vermelho ao cabo verde/vermelho (P2, pino 6) (fig. 12, página 8). O cabo tem de estar protegido com um fusível de 1 A.
- Quando o dispositivo de deteção de gás também tiver de ser comutado como alarme principal no sistema de alarme DVS90, conete
 - o contato do relé 1 (fig. 12, página 8) à terra da carroçaria (borne 31) e
 - o contato do relé 2 (fig. 12, página 8) ao cabo preto/cinza (P2, pino 5) do sistema de alarme.

9 Operar o dispositivo de deteção de gás MagicSafe MSG150

Para evitar falsos alarmes causados por fumos de cozinha, utilização de desodorizantes ou outras situações associadas a forte fumo de tabaco ou de álcool, o veículo deverá ser primeiramente bem arejado antes da hora de dormir e o dispositivo de deteção de gás deverá ser ligado depois.

N.º na fig. 8, página 5	Designação
1	LED verde O LED verde pisca aprox. durante 10 minutos depois do dispositivo de deteção de gás ter sido conetado à tensão ou através do interruptor adicional RV-AMP-SW. Enquanto o LED estiver a piscar, o sensor é regulado à temperatura de funcionamento. Quando o LED verde acender de forma permanente, o dispositivo de deteção de gás está operacional.
2	LED cor de laranja O LED cor de laranja acende quando ocorre uma falha.
3	LED vermelho (alarme) O LED vermelho LED pisca quando é disparado um alarme. Adicionalmente soa um som de sirene como sinal de alarme acústico. (Ver também capítulo "Alarme" na página 66.)

N.º na fig. 8, página 5	Designação
4	<p>Botão Este botão serve como botão de teste e como supressor do som.</p> <p>Botão de teste</p> <ul style="list-style-type: none"> ▶ Prima este botão uma vez por mês ou após tempos de espera mais demorados e verifique a função. ✓ Os LED's cor de laranja e vermelho piscam e soa um som de sirene. <p>Supressor de som</p> <ul style="list-style-type: none"> ▶ Prima o botão se pretender desativar o som de sinal durante a ocorrência de um alarme. ✓ O LED vermelho continua a piscar e após 45 seg. soa um breve som de sinal. Em seguida, o sistema volta a ser ativado.

Ligar o dispositivo de deteção de gás MSG 150 como dispositivo individual ou em combinação com a sirene exterior (n.º art. 9101600008)

- ▶ Insira a ficha de 12/24 V em uma tomada ou ligue o dispositivo de deteção de gás através do interruptor adicional RV-AMP-SW.
- ✓ Soa um sinal acústico e pisca o LED verde (fig. 8 1, página 5) durante aprox. dez minutos. Durante este intervalo de tempo, o dispositivo de deteção de gás realiza o teste do sistema e o sensor é regulado à temperatura de funcionamento.

Quando ocorrer um alarme, soa um sinal acústico através da sirene interna e o LED vermelho (fig. 8 3, página 5) acende. Caso a sirene exterior estiver conetada, soa adicionalmente um sinal acústico através da sirene exterior.

- ▶ Para interromper o alarme interno, prima o botão (fig. 8 4, página 5).

Ligar o dispositivo de deteção de gás MSG 150 com sistema de alarme MS660 ou DVS90

- ▶ Ligue o sistema de alarme MS660 ou DVS90 como de costume:
 - No respetivo controlo remoto, acione
 - o botão inferior (MS660)
 - o botão do contato NA do emissor do veículo ou do emissor manual adicional (DVS90).
- ✓ Soa um sinal acústico e pisca o LED verde (fig. 8 1, página 5) durante aprox. dez minutos. Durante este intervalo de tempo, o dispositivo de deteção de gás realiza o teste do sistema e o sensor é regulado à temperatura de funcionamento.

Quando ocorrer um alarme, soa um sinal acústico através da sirene interna e o LED vermelho (fig. 8 3, página 5) acende. O relé interno emite um sinal de terra na entrada de alarme do sistema de alarme externo. O sistema de alarme externo ativa um alarme exterior imediato através dos piscas-piscas do veículo, da buzina do veículo ou da sirene.

- ▶ Para interromper o alarme interno, prima o botão (fig. 8 4, página 5).

- ▶ Com vista a desativar o sistema de alarme externo, no respetivo controlo remoto, acione
 - o botão superior (MS660)
 - o botão do contato NF do emissor do veículo ou do emissor manual adicional (DVS90).

10 Alarme

Proceda da seguinte forma quando for sinalizado um alarme:

- ▶ Apure **de imediato** a causa do alarme.
- ▶ Providencie que as crianças e as pessoas adormecidas abandonem o veículo ou o barco.
- ▶ Abra imediatamente todas as janelas e portas.
- ▶ Evite chamas abertas e apague imediatamente qualquer foco de incêndio.
- ▶ Desligue todos os aparelhos operados a gás.
- ▶ Evite a formação de fálhas (não acione quaisquer interruptores elétricos).
- ▶ Elimine a causa ou abandone o veículo ou o barco.

Alarme de erro

O dispositivo de deteção de gás foi configurado com a máxima sensibilidade a fim de preservar a sua segurança. Por isso, o sensor reage também a outros meios gasosos. A utilização de aerossóis (p.ex. gás carburante em sprays), assim como o forte fumo de tabaco, outras situações associadas a forte fumo de tabaco ou de álcool ou vapores de cozinha poderão provocar um alarme apesar de não haver a existência de qualquer gás nem de gás paralelizante.

11 Resolução de problemas

Se o aparelho não estiver operacional (o LED verde não acende), proceda da seguinte forma:

- ▶ Certifique-se de que a tensão de alimentação é inferior a 12 ou 24 V $\overline{=}$.
Quando a tensão é inferior ou a alimentação de tensão tiver sido interrompida, o dispositivo de deteção de gás não funciona.
- ▶ Se o dispositivo de deteção de gás estiver conetado através da ficha de 12/24 V $\overline{=}$, verifique o fusível na ficha.

Verificar o fusível na ficha de 12/24 V==

Na ponta da ficha encontra-se um fusível lento para a proteção do dispositivo de deteção de gás. Quando a ligação metálica fina estiver interrompida no centro entre ambas as tampas metálicas, o fusível está queimado e tem de ser substituído.



NOTA!

Preste atenção para que utilize o mesmo tipo de fusível na ficha. Os danos do aparelho provocados pela utilização de valores de fusíveis incorretos estão excluídos do direito de garantia e substituição.

Para substituir o fusível, proceda da seguinte forma:

- Retire a bucha compensadora (fig. 4 4, página 4) da ficha.
- Desaperte o parafuso (fig. 4 5, página 4) da metade superior da caixa (fig. 4 1, página 4).
- Afaste cuidadosamente a metade superior da caixa da metade inferior (fig. 4 6, página 4).
- Retire o pino de contato (fig. 4 3, página 4).
- Substitua o fusível queimado (fig. 4 2, página 4) por um fusível novo com as mesmas características.
- Volte a montar a ficha na sequência inversa.

12 Conservar e limpar o dispositivo de deteção de gás



NOTA!

Não utilizar objectos afiados ou duros ou agentes de limpeza para a limpeza, uma vez que podem ser causados danos no produto.

- De vez em quando, limpe o aparelho com um pano húmido.

13 Garantia

É válido o prazo de garantia legal. Se o produto estiver com defeito, por favor, dirija-se à representação do fabricante no seu país (endereços, ver verso do manual) ou ao seu revendedor.

Para fins de reparação ou de garantia, terá de enviar os seguintes documentos em conjunto:

- uma cópia da factura com a data de aquisição,
- um motivo de reclamação ou uma descrição da falha.

14 Eliminação

- Sempre que possível, coloque o material de embalagem no respectivo contentor de reciclagem.



Para colocar o aparelho definitivamente fora de funcionamento, por favor, informe-se junto do centro de reciclagem mais próximo ou revendedor sobre as disposições de eliminação aplicáveis.

15 Dados técnicos

	MagicSafe MSG150
Número de artigo:	9600000368
Dimensões (L x A x P):	80 x 156 x 51 mm
Gama da tensão de entrada:	10 V _~ até 32 V _~
Consumo:	1,3 W
Temperatura de funcionamento:	0 °C a +40 °C
Volume do sinal:	aprox. 85 dB numa distância de 3 m
Classe de proteção:	IP 20

Certificações



Prima di effettuare il montaggio e la messa in funzione leggere accuratamente questo manuale di istruzioni, conservarlo e in caso di trasmissione del prodotto, consegnarlo all'utente successivo.

Indice

1	Spiegazione dei simboli	70
2	Indicazioni di sicurezza e di montaggio	70
3	Dotazione	71
4	Accessori/estensioni	71
5	Uso conforme alla destinazione	72
6	Descrizione tecnica	72
7	Montaggio di MagicSafe MSG150	73
8	Collegamento del rilevatore di gas	74
9	Utilizzo di MagicSafe MSG150	76
10	Allarme	78
11	Ricerca dei guasti	79
12	Cura e pulizia del rilevatore di gas	79
13	Garanzia	79
14	Smaltimento	80
15	Specifiche tecniche	80

1 Spiegazione dei simboli

**AVVERTENZA!**

Avviso di sicurezza: la mancata osservanza di questo avviso può causare ferite gravi anche mortali.

**ATTENZIONE!**

Avviso di sicurezza: la mancata osservanza di questo avviso può essere causa di lesioni.

**AVVISO!**

La mancata osservanza di questa nota può causare danni materiali e compromettere il funzionamento del prodotto.

**NOTA**

Informazioni integranti relative all'impiego del prodotto.

2 Indicazioni di sicurezza e di montaggio

Il produttore non si assume nessuna responsabilità per danni nei seguenti casi:

- danni al prodotto dovuti a influenze meccaniche o a sovratensioni
- modifiche al prodotto senza esplicita autorizzazione del produttore
- impiego per altri fini rispetto a quelli descritti nel manuale di istruzioni

2.1 Sicurezza di base

**AVVERTENZA!**

- Utilizzare il dispositivo solo in conformità all'uso previsto.
- Scollegare il dispositivo dalla rete
 - prima di effettuare la pulizia e la cura
 - dopo ogni utilizzo
 - prima di sostituire un fusibile
- Se il dispositivo o il cavo di collegamento presentano danni visibili, non mettere in funzione il dispositivo.
- Se il cavo di collegamento di questo dispositivo viene danneggiato, esso deve essere sostituito dal produttore, dal suo servizio assistenza clienti o da personale ugualmente qualificato, al fine di evitare pericoli.
- Questo dispositivo può essere riparato solo da personale specializzato. Le riparazioni effettuate in modo scorretto possono causare rischi enormi.

- Il presente dispositivo può essere usato sia da bambini dagli 8 anni in su, sia da persone con ridotte capacità fisiche, sensoriali o mentali o con poca esperienza o conoscenze, se non lasciati soli o se istruiti sull'utilizzo sicuro dell'apparecchio e in grado di capire i pericoli che possono sorgere.
- **Gli elettrodomestici non sono giocattoli!**
Conservare e utilizzare il dispositivo lontano dalla portata dei bambini.
- Sorvegliare i bambini per evitare che giochino con il dispositivo.



AVVISO!

- Prima della messa in funzione, confrontare i dati della tensione riportati sulla targhetta con quelli delle prese e degli attacchi disponibili.
- Non estrarre mai la spina dalla presa tirando il cavo di collegamento.
- Immagazzinare il dispositivo in un luogo fresco e asciutto.

2.2 Sicurezza durante l'impiego del dispositivo

- Azionare il dispositivo all'interno di veicoli esclusivamente a motore spento.
- **Non** utilizzare il dispositivo all'aperto.
- Controllare una volta al mese e dopo un periodo di inattività prolungato il funzionamento del dispositivo premendo il pulsante (fig. **8** 4, pagina 5).

3 Dotazione

N. in fig. 2 , pagina 3	Quantità	Denominazione	N. articolo
1	1	Avisatori di presenza gas	9600000368
2	1	Piastra di montaggio	
-	1	Materiale di fissaggio	

4 Accessori/estensioni

Denominazione	N. articolo
Sirena esterna	9101600008
Interruttore supplementare	RV-AMP-SW

5 Uso conforme alla destinazione

MagicSafe MSG150 (N. art. 9600000368) è un rilevatore di gas in grado di individuare la presenza di gas narcotizzanti prima che possano esercitare il loro effetto. MSG150 è concepito per essere utilizzato all'interno di veicoli, per rilevare la presenza di gas narcotizzanti composti da etere, cloroformio, butano, etano e tricloroetilene.



NOTA

Grazie a una gamma di tensione da 10 a 32 V $\overline{\text{=}}$, questo dispositivo è adatto per l'uso sia su automobili che su autocarri.

6 Descrizione tecnica

Il rilevatore di gas MSG150 può essere utilizzato in vari modi come dispositivo d'allarme, per rilevare la presenza di gas narcotizzanti prima che essi possano esercitare il loro effetto.

Esso dispone di un sensore e di un avvisatore acustico e viene allacciato a un alimentatore da 12/24 V $\overline{\text{=}}$, ad es. all'accendisigari di un veicolo.

Il rilevatore di gas dispone inoltre di un relais interno, al quale può essere allacciata, ad es. una sirena esterna o una lampada di segnalazione.

Il morsetto per il collegamento del relais si trova sul lato posteriore del rilevatore di gas (fig. **3**, pagina 4).

N. in fig. 3 , pagina 4	Denominazione
1	Contatto del relais 1
2	Contatto del relais 2

Il rilevatore di gas può essere impiegato in tre modi diversi:

- come apparecchio singolo
- in combinazione con la sirena esterna (N. art. 9101600008)
- in combinazione con il sistema di allarme MagicSafe MS660 o DVS90

7 Montaggio di MagicSafe MSG150

7.1 Attrezzi necessari

Per il **montaggio** sono necessari i seguenti attrezzi:

- metro (fig. **1** 1, pagina 3)
- punzone (fig. **1** 2, pagina 3)
- martello (fig. **1** 3, pagina 3)
- set di punte da trapano (fig. **1** 4, pagina 3)
- trapano (fig. **1** 5, pagina 3)
- cacciaviti (fig. **1** 6, pagina 3)

7.2 Montaggio del rilevatore di gas

Quando si sceglie il luogo di montaggio per il rilevatore, tenere presente le seguenti indicazioni:

- Fare attenzione alla lunghezza del cavo.
 - Il rilevatore di gas deve essere montato in prossimità della zona notte e all'altezza del materasso.
- Scegliere un luogo di montaggio idoneo.



AVVISO!

Prima di eseguire i fori, assicurarsi che nessun cavo elettrico o altri componenti vengano danneggiati durante l'uso del trapano.

- Tenere la piastra di montaggio sul luogo di montaggio prescelto e contrassegnare i due punti per la trapanatura (fig. **5**, pagina 5).
- Serrare la piastra di montaggio con le due viti per lamiera (fig. **6**, pagina 5).
- Applicare il rilevatore di gas sulla piastra di montaggio (fig. **7**, pagina 5).
- Inserire la spina del rilevatore di gas nella boccola dell'alimentazione di tensione da 12/24 V $\overline{=}$.
- ✓ Il LED verde sul rilevatore di gas (fig. **8** 1, pagina 5) lampeggia per circa 10 min. Il sensore viene portato alla temperatura di esercizio. Quando il LED verde è acceso con luce continua, il rilevatore di gas è pronto per il funzionamento.

8 Collegamento del rilevatore di gas

8.1 Come apparecchio singolo

Se si vuole utilizzare il rilevatore di gas come apparecchio singolo, è possibile

- ▶ accenderlo mediante la spina da 12/24 V \equiv
- ▶ accenderlo mediante l'interruttore supplementare RV-AMP-SW (accessorio), se non è disponibile una presa di corrente da 12/24 V \equiv nella zona notte.

Collegamento del rilevatore di gas tramite presa da 12/24 V \equiv

- ▶ Inserire la spina da 12/24 V \equiv in una presa di corrente che conduce positivo permanente da 12/24 V \equiv .
Si consiglia di collegare questa presa alla batteria del veicolo.
- ✓ Viene emesso un segnale acustico e il LED verde (fig. **8** 1, pagina 5) lampeggia per circa dieci minuti durante i quali il dispositivo esegue un test del sistema e il sensore viene portato alla temperatura di esercizio.

Collegamento permanente del rilevatore di gas

Se si desidera allacciare il rilevatore di gas con un cablaggio permanente e accenderlo tramite l'interruttore supplementare RV-AMP-SW, utilizzare lo schema elettrico fig. **9**, pagina 6.

- ▶ Staccare la spina da 12/24 V \equiv dal cavo.
- ▶ Rimuovere circa 10 cm dell'isolamento esterno all'estremità del cavo.
- ▶ Collegare il cavo nero, giallo e arancione alla massa della carrozzeria (morsetto 31).
- ▶ Collegare il cavo rosso all'uscita dell'interruttore supplementare RV-AMP-SW.
- ▶ Collegare l'ingresso dell'interruttore al polo positivo della batteria tramite un fusibile da 1 A.

8.2 In combinazione con la sirena esterna (N. art. 9101600008)

Se si desidera allacciare il rilevatore di gas in combinazione con la sirena esterna, utilizzare lo schema elettrico fig. **10**, pagina 6.

Montaggio della sirena esterna

La sirena esterna può essere montata nel vano motore.

Durante il montaggio assicurarsi che il luogo di installazione

- **non** si trovi nelle vicinanze di spruzzi d'acqua
 - **non** si trovi nelle vicinanze di un impianto di scarico
 - **non** sia accessibile dal lato inferiore per evitare atti di sabotaggio dall'esterno
- ▶ Montare la sirena esterna con il megafono rivolto verso il basso.

Collegamento alla sirena d'allarme



NOTA

Se il veicolo non dispone di un conduttore positivo permanente da 12 V \equiv nell'area d'installazione, è possibile allacciare l'ingresso alla batteria del veicolo tramite un fusibile da 1 A.

- Collegare il cavo nero della sirena alla massa della carrozzeria (morsetto 31).
- Collegare il cavo rosso della sirena al contatto del relais 2 (fig. **3** 2, pagina 4).
- Collegare il contatto del relais 1 (fig. **3** 1, pagina 4) al positivo permanente da 12 V \equiv . La linea deve essere protetta da un fusibile da 1 A.

8.3 In combinazione con il sistema di allarme MS660 o DVS90

Se si desidera allacciare il rilevatore di gas in combinazione con

- il sistema di allarme MS660, utilizzare lo schema elettrico fig. **11**, pagina 7
- il sistema di allarme DVS90, utilizzare lo schema elettrico fig. **12**, pagina 8



AVVISO!

Se si combina MagicSafe MSG150 con il sistema di allarme DVS90, è necessario configurare il software del sistema di allarme in questo modo:

- impostare l'uscita 2.6 su "Stato attivo" e l'ingresso 2.5 su "Scatto".

Rilevatore di gas con MS660

- Staccare la spina da 12 V \equiv dal cavo.
- Rimuovere circa 10 cm dell'isolamento esterno all'estremità del cavo.
- Collegare il cavo nero alla massa della carrozzeria (morsetto 31).
- Collegare il cavo giallo e quello arancione (fig. **11**, pagina 7) al cavo bianco del sistema di allarme (pin 15, spina da 15 poli).
- Collegare il cavo rosso al positivo permanente da 12 V \equiv . La linea deve essere protetta da un fusibile da 1 A.
- Se il rilevatore di gas deve essere collegato al sistema di allarme esterno MS660 anche come allarme principale, allacciare
 - il contatto del relais 1 (fig. **11**, pagina 7) alla massa della carrozzeria (morsetto 31) e
 - il contatto del relais 2 (fig. **11**, pagina 7) al cavo grigio/bianco (pin 4, spina a 9 poli) del sistema di allarme.

Rilevatore di gas con DVS90

- Staccare la spina da 12/24 V $\overline{=}$ dal cavo.
- Rimuovere circa 10 cm dell'isolamento esterno all'estremità del cavo.
- Collegare i cavi nero, giallo e arancione alla massa della carrozzeria (morsetto 31).
- Collegare il cavo rosso al cavo verde/rosso (P2, pin 6) (fig. 12, pagina 8).
La linea deve essere protetta da un fusibile da 1 A.
- Se il rilevatore di gas deve essere collegato al sistema di allarme esterno DVS90 anche come allarme principale, allacciare
 - il contatto del relais 1 (fig. 12, pagina 8) alla massa della carrozzeria (morsetto 31) e
 - il contatto del relais 2 (fig. 12, pagina 8) al cavo nero/verde (P2, pin 5) del sistema di allarme.

9 Utilizzo di MagicSafe MSG150

Per evitare falsi allarmi dovuti ai fumi della cucina, all'utilizzo di deodoranti e alla forte presenza di fumo o alcol, prima di andare a dormire, aerare bene il veicolo e attivare poi il rilevatore di gas.

N. in fig. 8, pagina 5	Denominazione
1	<p>LED verde</p> <p>Il LED verde lampeggia per circa 10 min, dopo che il rilevatore di gas è stato allacciato alla tensione o acceso tramite l'interruttore supplementare RV-AMP-SW. Quando il LED lampeggia, il sensore viene portato alla temperatura di esercizio.</p> <p>Quando il LED verde è acceso con luce continua, il rilevatore di gas è pronto per il funzionamento.</p>
2	<p>LED arancione</p> <p>Il LED arancione è acceso quando si verifica un guasto.</p>
3	<p>LED rosso (allarme)</p> <p>Il LED rosso lampeggia quando scatta l'allarme.</p> <p>Inoltre, la sirena emette un segnale acustico di allarme.</p> <p>(Vedi anche capitolo "Allarme" a pagina 78.)</p>

N. in fig. 8, pagina 5	Denominazione
4	<p>Tasto Questo tasto serve come tasto di prova e come interruttore Mute.</p> <p>Tasto di prova</p> <ul style="list-style-type: none"> ➤ Premere questo tasto una volta al mese o in seguito a un periodo d'inattività prolungato per verificarne il funzionamento. ✓ Il LED arancione e il LED rosso lampeggiano e la sirena emette un segnale acustico. <p>Interruttore Mute</p> <ul style="list-style-type: none"> ➤ Premere questo tasto se si desidera disattivare il segnale acustico quando l'allarme è in funzione. ✓ Il LED rosso continua a lampeggiare e dopo 45 secondi viene emesso un breve segnale acustico. Di seguito il sistema di riattiva.

Accensione del rilevatore di gas MSG150 come dispositivo singolo o in combinazione con la sirena esterna (N. art. 9101600008)

- Inserire la spina da 12/24 V $\overline{=}$ in una presa di corrente o accendere il rilevatore di gas tramite l'interruttore supplementare RV-AMP-SW.
- ✓ Viene emesso un segnale acustico e il LED verde (fig. 8 1, pagina 5) lampeggia per circa dieci minuti durante i quali il dispositivo esegue un test del sistema e il sensore viene portato alla temperatura di esercizio.

Quando scatta l'allarme, viene emesso un segnale acustico tramite la sirena interna e il LED rosso (fig. 8 3, pagina 5) si accende. Se la sirena esterna è collegata, viene emesso un allarme acustico anche tramite essa.

- Per interrompere l'allarme interno, premere il tasto (fig. 8 4, pagina 5).

Accensione di MS 150 in combinazione con MS660 o DVS90

- Accendere il sistema di allarme MS660 o DVS90 come sempre:
 - premere nel telecomando
 - il tasto inferiore (MS660)
 - il tasto di chiusura del trasmettitore manuale del veicolo o quello supplementare (DVS90).
- ✓ Viene emesso un segnale acustico e il LED verde (fig. 8 1, pagina 5) lampeggia per circa dieci minuti durante i quali il dispositivo esegue un test del sistema e il sensore viene portato alla temperatura di esercizio.

Quando scatta l'allarme, viene emesso un segnale acustico tramite la sirena interna e il LED rosso (fig. 8 3, pagina 5) si accende. Il relè interno attiva un segnale di massa sull'ingresso del sistema di allarme esterno. Il sistema di allarme esterno fa scattare immediatamente un allarme tramite i lampeggiatori e il clacson del veicolo o tramite la sirena.

- Per interrompere l'allarme interno, premere il tasto (fig. 8 4, pagina 5).
- Per disattivare il sistema di allarme esterno premere sul telecomando
 - il tasto superiore (MS660)
 - il tasto di apertura del trasmettitore manuale del veicolo o quello supplementare (DVS90).

10 Allarme

Quando viene segnalato l'allarme, procedere come segue:

- Stabilire **subito** la causa dell'allarme.
- Permettere ai bambini o alle persone che stanno dormendo di abbandonare il veicolo o la barca.
- Aprire immediatamente tutte le finestre e le porte.
- Evitare fiamme libere e spegnere immediatamente eventuali fonti di combustione accese.
- Spegnere tutti agli apparecchi alimentati a gas.
- Evitare la formazione di scintille (non premere nessun interruttore elettrico).
- Eliminare la causa scatenante oppure abbandonare il veicolo o la barca.

Falso allarme

Il rilevatore di gas è dotato di un'elevata sensibilità per garantire la massima sicurezza. Pertanto, il sensore scatta anche in presenza di altre sostanze gassose. L'impiego di aerosol (ad es. gas propellente in bombolette spray), ma anche una forte presenza di fumo di tabacco, di forti vapori dell'alcol o di quelli generati dalla cucina possono fare scattare l'allarme, anche senza la presenza di un gas qualunque o di un gas anestetizzante.

11 Ricerca dei guasti

Se l'apparecchio non è pronto per il funzionamento (il LED verde non è acceso), procedere come segue:

- ▶ assicurarsi che la tensione di alimentazione sia di 12 o 24 V $\overline{=}$.
Se la tensione è più bassa o l'alimentazione della tensione viene interrotta, il rilevatore di gas non funziona.
- ▶ Controllare il fusibile nella spina nel caso in cui il rilevatore di gas sia collegato alla spina da 12/24 V $\overline{=}$.

Controllo del fusibile nella spina da 12/24 V $\overline{=}$

Sulla parte superiore della spina si trova una valvola a fusibile a protezione del rilevatore di gas.

Se il collegamento in metallo sottile al centro tra i due tappi in metallo è interrotto, significa che il fusibile è guasto e deve essere sostituito.



AVVISO!

Assicurarsi che nella spina venga inserito esclusivamente lo stesso tipo di fusibile. Sono esclusi dalla garanzia e dal risarcimento i danni a dispositivi provocati dall'impiego di fusibili con valori errati.

Per sostituire il fusibile, procedere come segue:

- ▶ Estrarre il manicotto di compensazione (fig. 4 4, pagina 4) dalla spina.
- ▶ Svitare la vite (fig. 4 5, pagina 4) dalla metà superiore dell'alloggiamento (fig. 4 1, pagina 4).
- ▶ Sollevare con cautela la metà superiore dell'alloggiamento da quella inferiore (fig. 4 6, pagina 4).
- ▶ Estrarre il piedino di contatto (fig. 4 3, pagina 4).
- ▶ Sostituire il fusibile difettoso (fig. 4 2, pagina 4) con un nuovo fusibile dello stesso amperaggio.
- ▶ Riasssemblare la spina nell'ordine inverso.

12 Cura e pulizia del rilevatore di gas



AVVISO!

Per la pulizia non impiegare oggetti ruvidi o appuntiti, oppure detergenti perché potrebbero danneggiare il prodotto.

- ▶ Pulire il prodotto di tanto in tanto con un panno umido.

13 Garanzia

Vale il termine di garanzia previsto dalla legge. Qualora il prodotto risultasse difettoso, La preghiamo di rivolgersi alla filiale del produttore del suo Paese (l'indirizzo si trova sul retro del manuale di istruzioni), oppure al rivenditore specializzato di riferimento.

Per la riparazione e per il disbrigo delle condizioni di garanzia è necessario inviare la seguente documentazione:

- una copia della fattura con la data di acquisto del prodotto,
- un motivo su cui fondare il reclamo, oppure una descrizione del guasto.

14 Smaltimento

► Raccogliere il materiale di imballaggio possibilmente negli appositi contenitori di riciclaggio.



Quando il prodotto viene messo fuori servizio definitivamente, informarsi al centro di riciclaggio più vicino, oppure presso il proprio rivenditore specializzato, sulle prescrizioni adeguate concernenti lo smaltimento.

15 Specifiche tecniche

	MagicSafe MSG150
Numero articolo:	9600000368
Dimensioni (LxAxP):	80 x 156 x 51 mm
Campo di tensione di ingresso:	da 10 V _~ a 32 V _~
Potenza assorbita:	1,3 W
Temperatura di esercizio:	da 0 °C a + 40 °C
Volume del segnale:	ca. 85 dB a una distanza di 3 m
Classe di protezione:	IP 20

Omologazioni



Lees deze handleiding voor de montage en de ingebruikname zorgvuldig door en bewaar hem. Geef de handleiding bij het doorgeven van het product aan de gebruiker.

Inhoudsopgave

1	Verklaring van de symbolen	82
2	Veiligheids- en montage-instructies	82
3	Omvang van de levering	83
4	Toebehoren/uitbreidingen	83
5	Gebruik volgens de voorschriften	84
6	Technische beschrijving	84
7	MagicSafe MSG150 monteren	85
8	Gasmelder aansluiten	86
9	MagicSafe MSG150 bedienen	88
10	Alarm	89
11	Storingen zoeken	90
12	Gasmelder verzorgen en onderhouden	91
13	Garantie	91
14	Afvoer	91
15	Technische gegevens	92

1 Verklaring van de symbolen

**WAARSCHUWING!**

Veiligheidsaanwijzing: Het niet naleven kan leiden tot overlijden of ernstig letsel.

**VOORZICHTIG!**

Veiligheidsaanwijzing: Het niet naleven kan leiden tot letsel.

**LET OP!**

Het niet naleven ervan kan leiden tot materiële schade en de werking van het product beperken.

**INSTRUCTIE**

Aanvullende informatie voor het bedienen van het product.

2 Veiligheids- en montage-instructies

De fabrikant kan in de volgende gevallen niet aansprakelijk worden gesteld voor schade:

- beschadiging van het product door mechanische invloeden en overspanningen
- veranderingen aan het product zonder uitdrukkelijke toestemming van de fabrikant
- gebruik voor andere dan de in de handleiding beschreven toepassingen

2.1 Algemene veiligheid

**WAARSCHUWING!**

- Gebruik het toestel alleen volgens de voorschriften.
- Scheid het toestel van het net
 - voor iedere reiniging en ieder onderhoud
 - na elk gebruik
 - voor het vervangen van een zekering
- Als het toestel of de aansluitkabel zichtbaar beschadigd zijn, mag u het toestel niet in gebruik nemen.
- Als de aansluitkabel van dit toestel wordt beschadigd, moet deze, om gevaren te vermijden, door de fabrikant, de betreffende klantenservice of een gelijkwaardig gekwalificeerde persoon vervangen worden.
- Reparaties aan dit toestel mogen uitsluitend door vakmonteurs worden uitgevoerd. Door onvakkundige reparaties kunnen grote gevaren ontstaan.

- Dit toestel kan door kinderen vanaf 8 jaar en ouder evenals door personen met verminderde fysieke, zintuiglijke of geestelijke vermogens of tekortschietende ervaring en kennis gebruikt worden, als ze worden begeleid of hun is uitgelegd hoe ze het toestel veilig kunnen gebruiken. Ook dienen ze inzicht te hebben in de gevaren die het gebruik van het toestel met zich meebrengt.
- **Elektrische toestellen zijn geen speelgoed!**
Bewaar en gebruik het toestel buiten het bereik van kinderen.
- Er moet toezicht worden gehouden op kinderen om te voorkomen dat ze met het toestel spelen.



LET OP!

- Vergelijk voor de ingebruikneming de spanning op het typeplaatje met de aanwezige energievoorziening.
- Trek de stekker nooit aan de aansluitkabel uit het stopcontact.
- Bewaar het toestel op een droge en koele plaats.

2.2 Veiligheid tijdens gebruik van het toestel

- Gebruik het toestel in voertuigen uitsluitend als de motor uitgezet is.
- Gebruik het toestel **niet** buiten.
- Test één keer per maand en na langere rustperioden de werking van het toestel door indrukken van de toets (afb. **8** 4, pagina 5).

3 Omvang van de levering

Nr. in afb. 2 , pagina 3	Aantal	Omschrijving	Artikelnr.
1	1	Gasmelder	9600000368
2	1	Montageplaat	
-	1	Bevestigingsmateriaal	

4 Toebehoren/uitbreidingen

Omschrijving	Artikelnr.
Buitensirene	9101600008
Extra schakelaar	RV-AMP-SW

5 Gebruik volgens de voorschriften

MagicSafe MSG150 (artikelnr. 9600000368) is een gasmelder die narcotisch werkende gassen herkent voordat ze beginnen te werken. MSG150 is geconstrueerd voor het gebruik in voertuigen om narcotisch werkende gassen te herkennen, die op ether, chloroform, butaan, ethaan en trichlooretheen gebaseerd zijn.



INSTRUCTIE

Door een spanningsbereik van 10 tot 32 V $\overline{=}$ is de gasmelder zowel geschikt voor gebruik in personenauto's als in vrachtwagens.

6 Technische beschrijving

De gasmelder MSG150 kan op verschillende manieren worden gebruikt om narcotisch werkende gassen te herkennen voordat ze beginnen te werken.

De gasmelder bevat een sensor en een akoestische signaalgever en wordt op een 12/24-V $\overline{=}$ -spanningsbron aangesloten, bijv. op de sigarettenaansteker in voertuigen.

Bovendien bevat de gasmelder een intern relais, waarop bijv. een buitensirene of een signaallamp kan worden aangesloten.

De aansluitklem voor de relaisaansluiting bevindt zich op de achterkant van de gasmelder (afb. **3**, pagina 4).

Nr. in afb. 3 , pagina 4	Omschrijving
1	Relaiscontact 1
2	Relaiscontact 2

U kunt gasmelders op drie manieren gebruiken:

- als afzonderlijk toestel
- in combinatie met de buitensirene (artikelnr. 9101600008)
- in combinatie met de MagicSafe alarminstallatie MS660 of DVS90

7 MagicSafe MSG150 monteren

7.1 Benodigd gereedschap

Voor de **montage** heeft u de volgende gereedschappen nodig:

- rolmaat (afb. **1** 1, pagina 3)
- center (afb. **1** 2, pagina 3)
- hamer (afb. **1** 3, pagina 3)
- set boren (afb. **1** 4, pagina 3)
- boormachine (afb. **1** 5, pagina 3)
- schroevendraaier (afb. **1** 6, pagina 3)

7.2 Gasmelder monteren

Neem de volgende instructies in acht bij de keuze van een montageplaats voor de gasmelder:

- Let op de lengte van de kabel.
 - De gasmelder moet in de buurt van de slaapplek worden gemonteerd en op de hoogte van de matras.
- Kies een geschikte montageplaats.



LET OP!

Zorg er voordat u gaat boren voor dat er geen elektrische kabels of andere onderdelen door het boren beschadigd worden.

- Houd de montageplaat op de gekozen montageplaats en markeer de beide boorpunten (afb. **5**, pagina 5).
- Schroef de montageplaat met de beide plaatschroeven vast (afb. **6**, pagina 5).
- Steek de gasmelder op de montageplaat (afb. **7**, pagina 5).
- Steek de stekker van de gasmelder in de bus van uw 12/24-V---spanningsvoorziening.
- ✓ De groene led op de gasmelder (afb. **8** 1, pagina 5) knippert ongeveer 10 min. De sensor wordt op bedrijfstemperatuur gebracht.
Als de groene led continu brandt, is de gasmelder bedrijfsklaar.

8 Gasmelder aansluiten

8.1 Als afzonderlijk toestel

Als u de gasmelder als afzonderlijk toestel gebruikt, kunt u het ofwel

- via de 12/24-V---stekker inschakelen
- via de als toebehoren verkrijgbare extra schakelaar RV-AMP-SW (toebehoren) inschakelen, als er geen 12/24-V---stopcontact in de buurt van de slaappleaats aanwezig is.

Gasmelder via de 12/24-V---stekker aansluiten

- Steek de 12/24-V---stekker in een stopcontact dat geschikt is voor 12/24-V---continuplus. Dit stopcontact moet met de voertuigaccu verbonden zijn.
- ✓ Er klinkt een akoestisch signaal en de groene led (afb. **8** 1, pagina 5) knippert ongeveer tien minuten.
Ondertussen voert de gasmelder een systeemtest uit en wordt de sensor op bedrijfs-temperatuur gebracht.

Gasmelder met vaste bedrading aansluiten

Als u de gasmelder met vaste bedrading wilt aansluiten en via de extra schakelaar RV-AMP-SW wilt inschakelen, gebruik dan het schakelschema afb. **9**, pagina 6.

- Scheid de 12/24-V---stekker van de kabel.
- Verwijder ongeveer 10 cm van de buitenisolatie aan het einde van de kabel.
- Verbind de zwarte, gele en oranje kabel steeds met de carrosseriemassa (klem 31).
- Verbind de rode leiding met de uitgang van de extra schakelaar RV-AMP-SW.
- Verbind de ingang van de schakelaar via een 1-A-zekering met de pluspool van de accu.

8.2 In combinatie met de buitensirene (artikelnr. 9101600008)

Als u de gasmelder in combinatie met de buitensirene wilt aansluiten, gebruik dan het schakelschema afb. **10**, pagina 6.

Buitensirene monteren

De buitensirene kan in de motorruimte gemonteerd worden.

Let er bij de montage op dat de montageplaats

- **niet** binnen spatwaterbereik ligt
 - **niet** in de buurt van de uitlaat ligt
 - **niet** vanaf de onderkant toegankelijk is om sabotage van buiten te verhinderen
- Monteer de buitensirene met de geluidstrechter naar onderen.

Alarmsirene aansluiten



INSTRUCTIE

Indien uw voertuig in het montagebereik geen 12-V===-continuplusleiding heeft, kunt u de ingang ook via een 1-A-zekering aan de extra accu aansluiten.

- Verbind de zwarte kabel van de sirene met de carrosseriemassa (klem 31).
- Verbind de rode kabel van de sirene met het relaiscontact 2 (afb. **3** 2, pagina 4).
- Verbind het relaiscontact 1 (afb. **3** 1, pagina 4) met 12-V===-continuplus. De leiding moet met een 1-A-zekering zijn beveiligd.

8.3 In combinatie met een alarminstallatie MS660 of DVS90

Als u de gasmelder in combinatie met

- de alarminstallatie MS660 wilt aansluiten, gebruik dan het schakelschema afb. **11**, pagina 7
- de alarminstallatie DVS90 wilt aansluiten, gebruik dan het schakelschema afb. **12**, pagina 8



LET OP!

Als u MagicSafe MSG150 met de alarminstallatie DVS90 combineert, moet u de software van de alarminstallatie als volgt configureren:

- Stel de uitgang 2.6 in op „Status-scherp” en de ingang 2.5 op „Activeer”.

Gasmelder met MS660

- Scheid de 12-V===-stekker van de kabel.
- Verwijder ongeveer 10 cm van de buitenisolatie aan het einde van de kabel.
- Verbind de zwarte kabel met de carrosseriemassa (klem 31).
- Verbind de gele en de oranje kabel (afb. **11**, pagina 7) met de witte kabel van de alarminstallatie (klem 15, 15-polige stekker).
- Verbind de rode kabel met 12-V===-continuplus. De kabel moet met een 1-A-zekering zijn beveiligd.
- Als de gasmelder ook als hoofdalarm op het externe alarmsysteem MS660 moet worden geschakeld, sluit u
 - het relaiscontact 1 (afb. **11**, pagina 7) op carrosseriemassa (klem 31) aan en
 - het relaiscontact 2 (afb. **11**, pagina 7) op de grijs/witte leiding (klem 4, 9-polige stekker) van de alarminstallatie aan.

Gasmelder met DVS90



- Scheid de 12/24-V---stekker van de kabel.
- Verwijder ongeveer 10 cm van de buitenisolatie aan het einde van de kabel.
- Verbind de zwarte, gele en oranje kabel met de carrosseriemassa (klem 31).
- Verbind de rode kabel met de groen/gele kabel (P2, klem 6) (afb. 12, pagina 8). De kabel moet met een 1-A-zekering zijn beveiligd.
- Als de gasmelder ook als hoofdalarm op het externe alarmsysteem DVS90 moet worden geschakeld, sluit u
 - het relaiscontact 1 (afb. 12, pagina 8) op carrosseriemassa (klem 31) aan en
 - het relaiscontact 2 (afb. 12, pagina 8) op de zwart/grijze kabel (P2, klem 5) van de alarminstallatie aan.


9 MagicSafe MSG150 bedienen


Om valse alarmen door koken, gebruik van deodorants, sterke tabak- of alcoholconsumptie te vermijden, moet het voertuig voor het slapen eerst goed geventileerd worden en de gasmelder daarna ingeschakeld worden.

Nr. in afb. 8, pagina 5	Omschrijving
1	Groene LED De groene led knippert 10 min. lang, nadat de gasmelder op spanning is aangesloten of via de extra schakelaar RV-AMP-SW is ingeschakeld. Terwijl de LED knippert, wordt de sensor op bedrijfstemperatuur gebracht. Als de groene led continu brandt, is de gasmelder bedrijfsklaar.
2	Oranje LED De oranje LED brandt, als er een storing optreedt.
3	Rode LED (alarm) De rode LED knippert, als er een alarm is geactiveerd. Bovendien klinkt er een sirenetoon als akoestisch alarmsignaal. (zie ook hoofdstuk „Alarm” op pagina 89.)
4	Toets Deze toets dient als testtoets en als mute-schakelaar. Testtoets <ul style="list-style-type: none"> ➤ Druk deze toets één keer per maand in of na langere rustperiodes om de werking te controleren. ✓ De oranje en de rode LED knipperen en er klinkt een sirenetoon. Mute-schakelaar <ul style="list-style-type: none"> ➤ Druk de toets in als u de signaaltoon tijdens een alarm wilt uitzetten. ✓ De rode led blijft knipperen en om de 45 sec klinkt een korte signaaltoon. Vervolgens wordt de installatie weer scherp geschakeld.


MSG 150 als afzonderlijk toestel of in combinatie met de buitensirene (artikelnr. 9101600008) inschakelen


- ▶ Steek de 12/24-V--stekker in een stopcontact of schakel de gasmelder via de extra schakelaar RV-AMP-SW in.
- ✓ Er klinkt een akoestisch signaal en de groene led (afb.  1, pagina 5) knippert ongeveer tien minuten.
Ondertussen voert de gasmelder een systeemtest uit en wordt de sensor op bedrijfs-temperatuur gebracht.


Als er een alarm optreedt, klinkt er een akoestisch signaal via de interne sirene en gaat de rode led (afb.  3, pagina 5) branden. Indien de buitensirene is aangesloten, klinkt er bovendien een akoestisch alarm via de buitensirene.

- ▶ Om het interne alarm te onderbreken, drukt u op de toets (afb.  4, pagina 5).

MSG 150 in combinatie met MS660 of DVS90 inschakelen

- ▶ Schakel de alarminstallatie MS660 of DVS90 zoals gebruikelijk in:
Bedien op de afstandsbediening
 - de onderste toets (MS660)
 - de sluitertoets van het voertuig- resp. extra handzender (DVS90).
- ✓ Er klinkt een akoestisch signaal en de groene led (afb.  1, pagina 5) knippert ongeveer tien minuten.
Ondertussen voert de gasmelder een systeemtest uit en wordt de sensor op bedrijfs-temperatuur gebracht.

Als er een alarm optreedt, klinkt er een akoestisch signaal via de interne sirene en gaat de rode led (afb.  3, pagina 5) branden. Het interne relais schakelt een massasignaal naar de alarmingang van het externe alarmsysteem. Het externe alarmsysteem activeert onmiddellijk een buitenalarm via de knipperlichten en de claxon van het voertuig of de sirene.

- ▶ Om het interne alarm te onderbreken, drukt u op de toets (afb.  4, pagina 5).
- ▶ Om het externe alarmsysteem te deactiveren, drukt u op de afstandsbediening
 - op de bovenste toets (MS660)
 - de openertoets van het voertuig- resp. extra handzender (DVS90).

10 Alarm

Ga als volgt te werk als er een alarm gesignaleerd wordt:

- ▶ Stel **onmiddellijk** de oorzaak van het alarm vast.
- ▶ Zorg ervoor dat kinderen en slapende personen het voertuig of de boot verlaten.
- ▶ Open onmiddellijk alle ramen en deuren.
- ▶ Vermijd open vuur en zet toestellen met open vuur onmiddellijk uit.
- ▶ Zet alle toestellen die op gas werken uit.
- ▶ Vermijd vonkvorming (bedien geen elektrische schakelaars).
- ▶ Verhelp de oorzaak of verlaat het voertuig of de boot.

Vals alarm

De gasmelder is terwille van uw veiligheid zeer gevoelig ingesteld. Daarom reageert de sensor ook op andere gasvormige media. Het gebruik van aërosolen (bijv. drijfgas in sprays), maar ook sterke sigarettenrook, sterke alcohol dampen of damp bij het koken kunnen een alarm activeren, hoewel er geen gas of narcosegas aanwezig is.

11 Storingen zoeken

Als het toestel niet bedrijfsklaar is (groene LED brandt niet), ga dan als volgt te werk:

- ▶ Zorg ervoor dat de voedingsspanning 12 of 24 V=== bedraagt.
Als de spanning lager is of de spanningtoevoer onderbroken was, functioneert de gasmelder niet.
- ▶ Controleer de zekering in de stekker, indien de gasmelder via de 12/24-V===stekker is aangesloten.

Zekering in de 12/24-V===stekker controleren

In de punt van de stekker bevindt zich ter beveiliging van de gasmelder een smeltzekering.

Als de dunne, metalen verbinding in het midden tussen de beide metalen kappen onderbroken is, dan is de zekering defect en moet deze worden vervangen.



LET OP!

Plaats uitsluitend hetzelfde zekeringstype in de stekker. Bij toestelschade, die door het aanbrengen van verkeerde zekeringwaarden ontstaat, is elke aanspraak op garantie en vervanging uitgesloten.

Voor het vervangen van de zekering gaat u als volgt te werk:

- ▶ Trek de adapter (afb. **4** 4, pagina 4) van de stekker.
- ▶ Draai de schroef (afb. **4** 5, pagina 4) uit het bovenste deel van de behuizing (afb. **4** 1, pagina 4).
- ▶ Til voorzichtig het bovenste deel van de behuizing van het onderste deel (afb. **4** 6, pagina 4).
- ▶ Neem de contactpen (afb. **4** 3, pagina 4) eruit.
- ▶ Vervang de defecte zekering (afb. **4** 2, pagina 4) door een nieuwe zekering met dezelfde waarde.
- ▶ Zet de stekker in omgekeerde volgorde weer in elkaar.

12 Gasmelder verzorgen en onderhouden

**LET OP!**

Geen scherpe of harde voorwerpen of reinigingsmiddelen bij het reinigen gebruiken. Dit kan het product beschadigen.

- Reinig het product af en toe met een vochtige doek.

13 Garantie

De wettelijke garantieperiode is van toepassing. Als het product defect is, wendt u zich tot het filiaal van de fabrikant in uw land (adressen zie achterkant van de handleiding) of tot uw speciaalzaak.

Voor de afhandeling van de reparatie of garantie dient u de volgende documenten mee te sturen:

- een kopie van de factuur met datum van aankoop,
- reden van de klacht of een beschrijving van de storing.

14 Afvoer

- Laat het verpakkingsmateriaal indien mogelijk recyclen.



Als u het product definitief buiten bedrijf stelt, informeer dan bij het dichtstbijzijnde recyclingcentrum of uw speciaalzaak naar de betreffende afvoervoorschriften.

15 Technische gegevens

	MagicSafe MSG 150
Artikelnummer:	9600000368
Afmetingen (b x h x d):	80 x 156 x 51 mm
Ingangsspanningsbereik:	10 V $\overline{=}$ tot 32 V $\overline{=}$
Opgenomen vermogen:	1,3 W
Bedrijfstemperatuur:	0 °C tot + 40 °C
Volume signaal:	ca. 85 dB op een afstand van 3 m
Beschermklasse:	IP 20

Certificaties



Læs denne vejledning omhyggeligt igennem før installation og ibrugtagning, og opbevar den. Giv den til brugeren, hvis du giver produktet videre.

Indholdsfortegnelse

1	Forklaring af symbolerne	94
2	Sikkerheds- og monteringshenvisninger	94
3	Leveringsomfang	95
4	Tilbehør/udvidelser	95
5	Korrekt brug	96
6	Teknisk beskrivelse	96
7	Montering af MagicSafe MSG150	97
8	Tilslutning af gasmelderen	97
9	Betjening af MagicSafe MSG150	100
10	Alarm	101
11	Fejlsøgning	101
12	Vedligeholdelse og rengøring af gasmelderen	102
13	Garanti	102
14	Bortskaffelse	102
15	Tekniske data	103

1 Forklaring af symbolerne

**ADVARSEL!**

Sikkerhedshenvisning: Manglende overholdelse kan medføre død eller alvorlig kvæstelse.

**FORSIGTIG!**

Sikkerhedshenvisning: Manglende overholdelse kan medføre kvæstelser.

**VIGTIGT!**

Manglende overholdelse kan medføre materielle skader og begrænse produktets funktion.

**BEMÆRK**

Supplerende informationer om betjening af produktet.

2 Sikkerheds- og monteringshenvisninger

Producenten påtager sig intet ansvar for skader i følgende tilfælde:

- Beskadigelser på produktet på grund af mekanisk påvirkning og overspænding
- Ændringer på produktet uden udtrykkelig tilladelse fra producenten
- Anvendelse til andre formål end dem, der er beskrevet i vejledningen

2.1 Grundlæggende sikkerhed

**ADVARSEL!**

- Anvend kun apparatet til det formål, som det er bestemt til.
- Afbryd apparatet fra nettet
 - før rengøring og vedligeholdelse
 - efter brug
 - før et sikrings-skift
- Hvis apparatet eller tilslutningskablet har synlige beskadigelser, må apparatet ikke tages i brug.
- Hvis dette apparats tilslutningskabel beskadiges, skal det udskiftes af producenten, dennes kundeservice eller en lignende kvalificeret person for at undgå farer.
- Reparationer på dette apparat må kun foretages af fagfolk. Ved ukorrekte reparationer kan der opstå betydelige farer.
- Dette apparat kan anvendes af børn over 8 år og derudover af personer med begrænsede fysiske, sans- eller mentale evner eller uden erfaring eller viden, hvis de er under opsyn eller blev instrueret i sikker brug af apparatet og forstår farene, der følger heraf.

- **El-apparater er ikke legetøj!**
Opbevar og anvend apparatet uden for børns rækkevidde.
- Børn bør være under opsyn for at sikre, at de ikke leger med apparatet.



VIGTIGT!

- Sammenlign forud for ibrugtagning spændingsangivelsen på typeskiltet med energiforsyningen, der er til rådighed.
- Træk aldrig stikket ud af stikdåsen med tilslutningskablet.
- Opbevar apparatet på et tørt og køligt sted.

2.2 Sikkerhed under anvendelse af apparatet

- Apparatet må kun anvendes i køretøjer, hvis motoren er standset.
- Anvend **ikke** apparatet i det fri.
- Test apparatets funktion en gang om måneden og efter længere tid uden anvendelse ved at trykke på tasten (fig. 8 4, side 5).

3 Leveringsomfang

Nr. på fig. 2, side 3	Mængde	Betegnelse	Artikel-nr.
1	1	Gasmelder	9600000368
2	1	Monteringsplade	
-	1	Fastgørelsesmateriale	

4 Tilbehør/udvidelser

Betegnelse	Artikel-nr.
Udvendig sirene	9101600008
Ekstra kontakt	RV-AMP-SW

5 Korrekt brug

MagicSafe MSG150 (art.nr. 9600000368) er en gasmelder, der registrerer gasser, der virker bedøvende, før de når at virke. MSG150 er beregnet til anvendelse i køretøjer til at registrere bedøvende gasser, der er baseret på æter, kloroform, butan, ethan og triclorethen.



BEMÆRK

På grund af et spændingsområde fra 10 til 32 V $\overline{=}$ kan gasmeldereren anvendes i både personbiler og lastbiler.

6 Teknisk beskrivelse

Gasmeldereren MSG150 kan anvendes på mange måder som advarselsudstyr til at registrere gasser, der virker bedøvende, før de når at virke.

Gasmeldereren indeholder en sensor samt en akustisk signalgiver og tilsluttes til en 12/24 V $\overline{=}$ -spændingskilde, f.eks. til cigarettænderen i køretøjer.

Derudover indeholder gasmeldereren et internt relæ, som f.eks. en udvendig sirene, eller der kan tilsluttes en signallampe.

Tilslutningsklemmen til relætilslutningen befinder sig på bagsiden af gasmeldereren (fig. **3**, side 4).

Nr. på fig. 3 , side 4	Betegnelse
1	Relækontakt 1
2	Relækontakt 2

Du kan anvende gasmeldereren på tre måder:

- Som separat apparat
- I kombination med den udvendige sirene (art.nr. 9101600008)
- I kombination med MagicSafe-alarmanlægget MS660 eller DVS90

7 Montering af MagicSafe MSG 150

7.1 Nødvendigt værktøj

Til **monteringen** har du brug for følgende værktøj:

- Målestok (fig. **1** 1, side 3)
- Kørner (fig. **1** 2, side 3)
- Hammer (fig. **1** 3, side 3)
- Sæt bor (fig. **1** 4, side 3)
- Boremaskine (fig. **1** 5, side 3)
- Skruetrækker (fig. **1** 6, side 3)

7.2 Montering af gasmeldereren

Tag højde for følgende henvisninger ved valg af monteringsstedet til gasmeldereren:

- Vær opmærksom på kablets længde.
- Gasmeldereren skal monteres i nærheden af soveområdet og i højde med madrassen.

► Vælg et egnet monteringssted.



VIGTIGT!

Før du borer, skal du kontrollere, at elektriske kabler eller andre dele ikke beskadiges, når der bores.

- Hold monteringspladen på det valgte monteringssted, og markér de to borepunkter (fig. **5**, side 5).
- Skru monteringspladen fast med de to pladeskruer (fig. **6**, side 5).
- Sæt gasmeldereren på monteringspladen (fig. **7**, side 5).
- Sæt gasmelderens stik i 12/24 V---spændingsforsynings bøsning.
- ✓ Den grønne lysdiode på gasmeldereren (fig. **8** 1, side 5) blinker i ca. 10 min. Sensoren indstilles på driftstemperaturen.
Når den grønne lysdiode lyser konstant, er gasmeldereren driftsklar.

8 Tilslutning af gasmeldereren

8.1 Som separat apparat

Hvis du anvender gasmeldereren som separat apparat, kan du enten

- tilslutte den med 12/24 V---stikket
- tilslutte den med den ekstra kontakt RV-AMP-SW (tilbehør), hvis der ikke er en 12/24 V---stik-dåse i soveområdet.

Tilslutning af gasmeldereren med 12/24 V---stikket

- Sæt 12/24 V---stikket i en stikdåse, som har 12/24 V--- konstant plus. Denne stikdåse bør være forbundet med køretøjets batteri.
- ✓ Der lyder et akustisk signal, og den grønne lysdiode (fig. **8** 1, side 5) blinker i ca. ti minutter. I dette tidsrum foretager gasmeldereren en systemtest, og sensoren indstilles på driftstemperaturen.

Tilslutning af gasmeldereren med en fast forbindelse

Hvis du vil tilslutte gasmeldereren med en fast forbindelse og tænde den med den ekstra kontakt RV-AMP-SW, skal du anvende strømskemaet fig. **9**, side 6.

- Afbryd 12/24 V---stikket fra kablet.
- Fjern ca. 10 cm af den udvendige isolering på kablets ende.
- Forbind det sorte, gule og orange kabel med karosseristel (klemme 31).
- Forbind den røde ledning med udgangen på den ekstra kontakt RV-AMP-SW.
- Forbind indgangen på kontakten med batteriets pluspol via en 1 A-sikring.

8.2 I kombination med den udvendige sirene (art.nr. 9101600008)

Hvis du vil tilslutte gasmeldereren i kombination med den udvendige sirene MS-620SI, skal du anvende strømskemaet fig. **10**, side 6.

Montering af den udvendige sirene

Den udvendige sirene kan monteres i motorrummet.

Vær ved monteringen opmærksom på, at monteringsstedet

- **ikke** ligger, hvor der forekommer stænkvand
- **ikke** ligger i nærheden af udstødningssystemet
- **ikke** kan nås fra undersiden for at undgå ødelæggelse udefra

- Montér den udvendige sirene med hornet nedad.

Tilslutning af alarmsirenen



BEMÆRK

Hvis køretøjet ikke har en ledning med 12 V--- konstant plus i monteringsområdet, kan indgangen også tilsluttes til køretøjets batteri via en 1 A-sikring.

- Forbind sirenens sorte kabel med karosseristel (klemme 31).
- Forbind det røde kabel på sirenen med relækontakt 2 (fig. **3** 2, side 4).
- Forbind relækontakt 1 (fig. **3** 1, side 4) med 12 V--- konstant plus. Ledningen skal være sikret med en 1 A-sikring.

8.3 I kombination med et alarmanlæg MS660 eller DVS90

Hvis du vil tilslutte gasmeldereren i kombination med

- alarmanlægget MS660, skal du anvende strømskemaet fig. **11**, side 7
- alarmanlægget DVS90, skal du anvende strømskemaet fig. **12**, side 8



VIGTIGT!

Hvis du kombinerer MagicSafe MSG150 med alarmanlægget DVS90, skal du konfigurere alarmanlæggets software på følgende måde:

- Indstil udgangen 2.6 på „status aktiveret“ og indgangen 2.5 på „udløser“.

Gasmelder med MS660

- Afbryd 12 V \equiv -stikket fra kablet.
- Fjern ca. 10 cm af den udvendige isolering på kablets ende.
- Tilslut den sorte ledning til karosseristel (klemme 31).
- Tilslut den gule og den orangefarvede ledning (fig. **11**, side 7) til den hvide ledning på alarmanlægget (stikben 15, stik med 15 ledere).
- Tilslut den røde ledning til 12 V \equiv konstant plus. Ledningen skal være sikret med en 1 A-sikring.
- Hvis gasmeldereren også skal tilkobles som hovedalarm til det eksterne alarmanlæg MS660, skal du tilslutte
 - relækontakt 1 (fig. **11**, side 7) til karosseristel (klemme 31) og
 - relækontakt 2 (fig. **11**, side 7) til den grå/hvide ledning (stikben 4, stik med 9 ledere) på alarmanlægget.

Gasmelder med DVS90

- Afbryd 12/24 V \equiv -stikket fra kablet.
- Fjern ca. 10 cm af den udvendige isolering på kablets ende.
- Tilslut den sorte, gule og orangefarvede ledning til karosseristel (klemme 31).
- Tilslut den røde ledning til den grønne/røde ledning (P2, stikben 6) (fig. **12**, side 8). Ledningen skal være sikret med en 1 A-sikring.
- Hvis gasmeldereren også skal tilkobles som hovedalarm til det eksterne alarmanlæg DVS90, skal du tilslutte
 - relækontakt 1 (fig. **12**, side 8) til karosseristel (klemme 31) og
 - relækontakt 2 (fig. **12**, side 8) til den sorte/grå ledning (P2, stikben 5) på alarmanlægget.

9 Betjening af MagicSafe MSG150

For at undgå falsk alarm ved madlavning, anvendelse af deodoranter, kraftig tobaksrøg eller alkohol skal køretøjet udluftes grundigt, før du går i seng, og gasmelderer derefter tilkobles.

Nr. på fig. 8, side 5	Betegnelse
1	<p>Grøn lysdiode</p> <p>Den grønne lysdiode blinker i ca. 10 min, efter at gasmelderer er blevet tilsluttet til spænding eller tændt med den ekstra kontakt RV-AMP-SW. Mens lysdioden blinker, indstilles sensoren på driftstemperaturen. Når den grønne lysdiode lyser konstant, er gasmelderer driftsklar.</p>
2	<p>Orange lysdiode</p> <p>Den orange lysdiode lyser, hvis der forekommer en fejl.</p>
3	<p>Rød lysdiode (alarm)</p> <p>Den røde lysdiode blinker, hvis der udløses en alarm. Derudover lyder der en sirenetone som akustisk alarmsignal. (Se også kapitlet „Alarm“ på side 101.)</p>
4	<p>Tast</p> <p>Denne tast anvendes som testtast og til mutefunktionen.</p> <p>Testtast</p> <ul style="list-style-type: none"> ➤ Tryk på denne tast en gang om måneden eller efter længere tid uden anvendelse for at kontrollere funktionen. ✓ Den orange og den røde lysdiode blinker, og der lyder en sirenetone. <p>Mutefunktion</p> <ul style="list-style-type: none"> ➤ Tryk på tasten, hvis signaltonen skal frakobles under en alarm. ✓ Den røde lysdiode blinker fortsat, og efter 45 sek. lyder der en kort signaltone. Derefter aktiveres anlægget igen.

Tilkobling af MSG150 som separat apparat eller i kombination med den udvendige sirene (art.nr. 9101600008)

- Sæt 12/24 V---stikket i en stikdåse, eller tænd gasmelderer med den ekstra kontakt RV-AMP-SW.
- ✓ Der lyder et akustisk signal, og den grønne lysdiode (fig. 8 1, side 5) blinker i ca. ti minutter. I dette tidsrum foretager gasmelderer en systemtest, og sensoren indstilles på driftstemperaturen.

Hvis der forekommer en alarm, lyder der et akustisk signal fra den interne sirene, og den røde lysdiode (fig. 8 3, side 5) lyser. Hvis den udvendige sirene er tilsluttet, lyder der derudover en akustisk alarm fra den udvendige sirene.

- Tryk på tasten (fig. 8 4, side 5) for at afbryde den interne alarm.

Tilkobling af MSG150 i kombination med MS660 eller DVS90

- Tænd alarmanlægget MS660 eller DVS90 som sædvanligt:
 - Tryk på fjernbetjeningen på
 - den nederste tast (MS660)
 - sluttekontakten på køretøjets eller den ekstra håndsender (DVS90).
- ✓ Der lyder et akustisk signal, og den grønne lysdiode (fig. 8 1, side 5) blinker i ca. ti minutter. I dette tidsrum foretager gasmeldereren en systemtest, og sensoren indstilles på driftstemperaturen.

Hvis der forekommer en alarm, lyder der et akustisk signal fra den interne sirene, og den røde lysdiode (fig. 8 3, side 5) lyser. Det interne relæ kobler et stelsignal på det eksterne alarmanlægs alarmindgang. Det eksterne alarmanlæg udløser umiddelbart en udvendig alarm med køretøjets blinklys og køretøjets horn eller sirenen.

- Tryk på tasten (fig. 8 4, side 5) for at afbryde den interne alarm.
- For at deaktivere det eksterne alarmanlæg skal du på fjernbetjeningen trykke på
 - den øverste tast (MS660)
 - hvilekontakten på køretøjets eller den ekstra håndsender (DVS90).

10 Alarm

Gå frem på følgende måde, hvis der signaleres en alarm:

- Konstatér **straks** årsagen til alarmeren.
- Sørg for, at børn og sovende personer forlader køretøjet eller båden.
- Åbn alle vinduer og døre med det samme.
- Undgå åben ild, og sluk straks åbne stikkontakter.
- Sluk alle gasdrevne apparater.
- Undgå gnistdannelse (tryk ikke på elektriske kontakter).
- Sørg for at udbedre årsagen, eller forlad køretøjet eller båden.

Falsk alarm

Gasmeldereren er af hensyn til din sikkerhed indstillet meget følsomt. Derfor reagerer sensorer også på andre medier i gasform. Brug af aerosoler (f.eks. drivgas i sprays), men også kraftig tobaksrøg, kraftige alkoholdampe eller damp ved madlavning kan udløse en alarm, selv om der ikke er en gas eller bedøvelsesgas.

11 Fejlsøgning

Hvis apparatet ikke er driftsklar (grøn lysdiode lyser ikke), skal du gå frem på følgende måde:

- Kontrollér, at forsyningsspændingen er på 12 eller 24 V $\overline{=}$.
Hvis spændingen er mindre, eller spændingsforsyningen blev afbrudt, fungerer gasmeldereren ikke.
- Kontrollér sikringen i stikket, hvis gasmeldereren er tilsluttet med 12/24 V $\overline{=}$ -stikket.

Kontrol af sikringen i 12/24 V---stikket

I stikkets spids findes en smeltesikring til at beskytte gasmeldereren.

Hvis den tynde metalforbindelse i midten mellem de to metalkapper er afbrudt, er sikringen defekt og skal udskiftes.

**VIGTIGT!**

Sørg for, at der udelukkende sættes den samme sikringstype i stikket. Skader på apparatet, som opstår, fordi der sættes forkerte sikringsværdier i, er udelukket fra enhver form for garantiydelse og erstatning.

Ved udskiftning af sikringen skal du gå frem på følgende måde:

- Træk udligningsmuffen (fig. 4 4, side 4) af stikket.
- Skru skruen (fig. 4 5, side 4) ud af den øverste halvdel af huset (fig. 4 1, side 4).
- Løft forsigtigt den øverste halvdel af huset af den nederste (fig. 4 6, side 4).
- Tag kontaktstiften (fig. 4 3, side 4) ud.
- Udskift den defekte sikring (fig. 4 2, side 4) med en ny sikring med den samme værdi.
- Sæt stikket sammen igen i omvendt rækkefølge.

12 Vedligeholdelse og rengøring af gasmeldereren**VIGTIGT!**

Anvend ikke skarpe eller hårde genstande eller rengøringsmidler til rengøring, da det kan beskadige produktet.

- Rengør af og til produktet med en fugtig klud.

13 Garanti

Den lovbestemte garantiperiode gælder. Hvis produktet er defekt, skal du kontakte producentens afdeling i dit land (adresser, se vejledningens bagside) eller din forhandler.

Ved reparation eller krav om garanti skal du medsende følgende bilag:

- En kopi af regningen med købsdato
- En reklameringsgrund eller en fejlbeskrivelse

14 Bortskaffelse

- Bortskaf så vidt muligt emballagen sammen med det tilsvarende genbrugsaffald.



Hvis du tager produktet endegyldigt ud af drift, skal du kontakte det nærmeste recyclingcenter eller din faghandel for at få de pågældende forskrifter om bortskaffelse.

15 Tekniske data

	MagicSafe MSG150
Artikelnummer:	9600000368
Mål (B x H x D):	80 x 156 x 51 mm
Indgangsspændingsområde:	10 V $\overline{=}$ til 32 V $\overline{=}$
Effektforbrug:	1,3 W
Driftstemperatur:	0 °C til +40 °C
Signallydstyrke:	ca. 85 dB ved en afstand på 3 m
Kapslingsklasse:	IP 20

Godkendelser



Läs igenom anvisningarna noga innan produkten monteras och används. Spara monterings- och bruksanvisningen för senare bruk. Överlämna bruksanvisningen till den nya ägaren vid ev. vidareförsäljning.

Innehållsförteckning

1	Förklaring till symboler	105
2	Säkerhets- och monteringsanvisningar	105
3	Leveransomfattning	106
4	Tillbehör/kompletteringar	106
5	Ändamålsenlig användning	107
6	Teknisk beskrivning	107
7	Montering av MagicSafe MSG150	108
8	Anslutning av gasvarnaren	108
9	Använda MagicSafe MSG150	111
10	Lam	112
11	Felsökning	113
12	Skötsel och rengöring av gasvarnaren	113
13	Garanti	114
14	Avfallshantering	114
15	Tekniska data	114

1 Förklaring till symboler

**VARNING!**

Observera: Beaktas anvisningen ej kan det leda till dödsfara eller svåra skador.

**AKTA!**

Observera: Beaktas anvisningen ej kan det leda till kroppsskador.

**OBSERVERA!**

Om anvisningarna inte beaktas kan det leda till materialskador och produktens funktion kan påverkas negativt.

**ANVISNING**

Kompletterande information om användning av produkten.

2 Säkerhets- och monteringsanvisningar

Tillverkaren övertar inget ansvar för skador i följande fall:

- skador på produkten, orsakade av mekanisk påverkan eller överspänning
- ändringar som utförts utan uttryckligt medgivande från tillverkaren
- ej ändamålsenlig användning

2.1 Allmän säkerhet

**VARNING!**

- Använd endast produkten för avsett ändamål.
- Koppla bort apparaten från elnätet
 - före rengöring och underhåll
 - efter varje användning
 - före byte av säkring
- Om apparaten eller anslutningskabeln uppvisar synliga skador får apparaten ej tas i drift.
- Om apparatens anslutningskabel skadas måste den bytas ut av tillverkarens kundtjänst eller andra personer som är kvalificerade för liknande arbeten, för att onödiga risker ska undvikas.
- Denna apparat får endast repareras av härför utbildad personal. Icke fackmässiga reparationer kan medföra allvarliga risker.

- Denna apparat kan användas av barn från 8 år samt av personer med fysiska, sensoriska eller mentala funktionshinder och personer som saknar erfarenhet och kunskap under förutsättning att de använder den under uppsikt eller har undervisats om hur apparaten används på ett säkert sätt och känner till ev. risker i samband med användningen.
- **Elapparater är inga leksaker!**
Förvara och använd apparaten utom räckhåll för barn.
- Barn bör hållas under uppsikt, så att de inte leker med apparaten.



OBSERVERA!

- Jämför spänningsinformationen på typskylten med spänningen på ditt uttag innan apparaten tas i drift.
- Dra aldrig ut stickkontakten ur uttaget genom att dra i anslutningskabeln.
- Förvara apparaten på en torr och sval plats.

2.2 Säkerhet vid användning av apparaten

- Användning i fordon: använd endast apparaten när fordonets motor är avstängd.
- Använd **inte** apparaten utomhus.
- Testa apparatens funktion en gång i månaden, resp. efter längre användningsuppehåll, genom att trycka på knappen (bild **8** 4, sida 5).

3 Leveransomfattning

Nr på bild 2 , sida 3	Mängd	Beteckning	Artikelnr
1	1	Gasvarnare	9600000368
2	1	Monteringsplatta	
-	1	Fastsättningsmaterial	

4 Tillbehör/kompletteringar

Beteckning	Artikelnr
Utomhussiren	9101600008
Extra brytare	RV-AMP-SW

5 Ändamålsenlig användning

MagicSafe MSG150 (art.nr 9600000368) är en gasvarnare som detekterar sömngas innan den börjar verka. MSG150 är avsedd för användning i fordon; den detekterar sömngas med bas av eter, kloroform, butan, etan eller trikloreten.



ANVISNING

Med ett spänningsområde mellan 10 till 32 V $\overline{=}$ kan gasvarnaren användas både i personbil och lastbilar.

6 Teknisk beskrivning

Gasvarnaren MSG150 är en flexibel varnare som detekterar sömngaser innan de börjar verka.

Gasvarnaren har en sensor och en akustisk signalgivare, den ansluts till 12/24 V $\overline{=}$, t.ex. till fordonets cigarettuttag.

Gasvarnaren har även ett inbyggt relä, till vilket t.ex. en utomhussiren eller en signallampa kan anslutas.

Anslutningen för reläet finns på gasvarnarens baksida (bild **3**, sida 4).

Nr på bild 3 , sida 4	Beteckning
1	Reläkontakt 1
2	Reläkontakt 2

Gasvarnaren kan användas på tre sätt:

- som oberoende enhet
- i kombination med utomhussiren (art.nr 9101600008)
- i kombination med MagicSafe larmsystem MS660 eller DVS90

7 Montering av MagicSafe MSG150

7.1 Verktyg

För **monteringen** krävs följande verktyg:

- Måttsticka (bild **1** 1, sida 3)
- Körnare (bild **1** 2, sida 3)
- Hammare (bild **1** 3, sida 3)
- Borrsets (bild **1** 4, sida 3)
- Borrmaskin (bild **1** 5, sida 3)
- Skruvmejsel (bild **1** 6, sida 3)

7.2 Montera gasvarnaren

Beakta följande anvisningar vid monteringen av gasvarnaren:

- Beakta kabelns längd.
- Gasvarnaren bör monteras i närheten av sovalkoven, på samma höjd som madrasserna.

► Välj en lämplig monteringsplats.



OBSERVERA!

Innan borringar görs: kontrollera att inga elkablar eller andra delar kan skadas genom borrhningen.

- Håll monteringsplattan på valt ställe och markera sedan de två borrhålen (bild **5**, sida 5).
- Skruva fast monteringsplattan med de två plåtskruvarna (bild **6**, sida 5).
- Sätt fast gasvarnaren på monteringsplattan (bild **7**, sida 5).
- Anslut gasvarnarens kontakt till 12/24 V===-uttaget .
- ✓ Den gröna lysdioden på gasvarnaren (bild **8** 1, sida 5) blinkar ung. 10 minuter. Sensorns drifttemperatur nås.
Gasvarnaren är driftklar när den gröna lysdioden lyser konstant.

8 Anslutning av gasvarnaren

8.1 Som oberoende enhet

Om gasvarnaren används som oberoende enhet kan den

- slås på via 12/24 V===-kontakten
- eller med den extra brytaren RV-AMP-SW (tillbehör), om det inte finns något 12/24 V===-uttag i sovalkoven.

Ansluta gasvarnaren via 12/24 V---kontakten

- Anslut 12/24 V---kontakten till ett uttag med 12/24 V---konstant plus. Uttaget bör vara kopplat till fordonsbatteriet.
- ✓ En akustisk signal ljuder och den gröna lysdioden (bild **8** 1, sida 5) blinkar i ung. tio minuter. Under denna tid genomför gasvarnaren en systemtest och sensorn når drifttemperatur.

Fast anslutning av gasvarnaren

För fast anslutning av gasvarnaren och påslagning med extrabrytaren RV-AMP-SW, se kopplings-schemat bild **9**, sida 6.

- Tag bort 12/24 V---kontakten från kabeln.
- Tag bort ca 10 cm av kabelns isolering (på kabeländan).
- Anslut den svarta, gula och orange ledningen till jord (karosseri) (plint 31).
- Anslut den röda ledningen till utgången till extrabrytaren RV-AMP-SW.
- Anslut brytarens ingång till batteriets positiva pol över en 1 A-säkring.

8.2 I kombination med utomhussiren (art.nr 9101600008)

För anslutning av gasvarnaren i kombination med utomhussirenen, se kopplings-schemat bild **10**, sida 6.

Montera utomhussirenen

Utomhussirenen kan monteras i motorrummet.

Se till att monteringsplatsen

- **inte** befinner sig inom stänkvattenområdet,
- **inte** befinner sig i närheten av avgassystemet,
- **inte** kan komma åt från fordonets undersida (risk för manipulation utifrån).

- Montera utomhussirenen med tratten neråt.

Ansluta larmsirenen



ANVISNING

Om det inte finns någon kabel med 12 V--- konstant plus i närheten av monterings-platsen kan ingången anslutas till fordonsbatteriet över en 1 A-säkring.

- Anslut sirenens svarta ledning till jord (karosseri) (plint 31).
- Koppla samman sirenens röda ledning med reläkontakten 2 (bild **3** 2, sida 4).
- Anslut reläkontakten 1 (bild **3** 1, sida 4) till 12 V--- konstant plus. Kabeln måste säkras med en 1 A-säkring.

8.3 I kombination med larmsystem MS660 eller DVS90

Om gasvarnaren ska anslutas i kombination med

- larmsystem MS660, se kopplingsschemat bild **11**, sida 7
- larmsystem DVS90, se kopplingsschemat bild **12**, sida 8



OBSERVERA!

När MagicSafe MSG150 kombineras med larmsystemet DVS90, ska larmsystemets programvara konfigureras enligt följande:

- Ställ in utgång 2.6 på "status-aktiverad" och ingång 2.5 på "utlösare".

Gasvarnare med MS660

- Tag bort 12 V---kontakten från kabeln.
- Tag bort ca 10 cm av kabelns isolering (på kabeländan).
- Anslut den svarta ledningen till jord (plint 31).
- Anslut den gula och den orange ledningen (bild **11**, sida 7) till larmsystemets vita ledning (pin 15, 15-polig kontakt).
- Anslut den röda ledningen till 12 V=== konstant plus.
Kabeln måste säkras med en 1 A-säkring.
- Om gasvarnaren ska kopplas som huvudlarm till det externa larmsystemet MS660, anslut
 - reläkontakten 1 (bild **11**, sida 7) till jord (karosseri) (plint 31) och
 - reläkontakten 2 (bild **11**, sida 7) till larmsystemets grå/vita ledning (pin 4, 9-polig kontakt).

Gasvarnare med DVS90

- Tag bort 12/24 V---kontakten från kabeln.
- Tag bort ca 10 cm av kabelns isolering (på kabeländan).
- Anslut den svarta, gula och orange ledningen till jord (karosseri) (plint 31).
- Anslut den röda ledningen till den grön/röda ledningen (P2, pin 6) (bild **12**, sida 8).
Kabeln måste säkras med en 1 A-säkring.
- Om gasvarnaren ska kopplas som huvudlarm till det externa larmsystemet DVS90, anslut
 - reläkontakten 1 (bild **12**, sida 8) till jord (karosseri) (plint 31) och
 - reläkontakten 2 (bild **12**, sida 8) till larmsystemets svart/grå ledning (P2, pin 5).

9 Använda MagicSafe MSG150

För att utesluta falskt alarm p.g.a matlagning, deodoranter, stark tobaksrök eller alkoholångor, bör fordonet alltid vädras ordentligt innan man går och lägger sig. Slå på gasvarnaren efter vädringen.

Nr på bild 8 , sida 5	Beteckning
1	<p>Grön lysdiod</p> <p>Den gröna lysdioden blinkar i ung 10 minuter efter anslutning av gasvarnaren till elnätet, resp. när den har slagits på med extrabrytaren RV-AMP-SW. Medan lysdioden blinkar når sensorn drifttemperatur. Gasvarnaren är driftklar när den gröna lysdioden lyser konstant.</p>
2	<p>Orange lysdiod</p> <p>Den orange lysdioden lyser om det uppstår ett fel/en störning.</p>
3	<p>Röd lysdiod (larm)</p> <p>Den röda lysdioden blinkar när ett larm har utlöst. Dessutom ljuder en akustisk larmsignal (siren). (Se även kapitel "Larm" på sidan 112)</p>
4	<p>Knapp</p> <p>Testknapp och avstängningsknapp.</p> <p>Testknapp</p> <ul style="list-style-type: none"> ➤ Tryck på knappen en gång i månaden, resp. efter längre användningsuppehåll, för att testa funktionen. ✓ Den orange och den röda lysdioden blinkar och en siren ljuder. <p>Avstängningsknapp</p> <ul style="list-style-type: none"> ➤ Tryck på knappen för att stänga av den akustiska signalen. ✓ Den röda lysdioden fortsätter att blinka, en kort akustisk signal ljuder efter 45 sekunder. Därefter aktiveras larmsystemet igen.

Slå på MSG 150, som oberoende enhet eller i kombination med utomhussirenen (art.nr 9101600008)

- Anslut 12/24 V===-kontakten till ett uttag eller slå på gasvarnaren med extrabrytaren RV-AMP-SW.
- ✓ En akustisk signal ljuder och den gröna lysdioden (bild **8** 1, sida 5) blinkar i ung. tio minuter. Under denna tid genomför gasvarnaren en systemtest och sensorn når drifttemperatur.

När ett larm utlöses ljuder en akustisk signal (intern siren) och den röda lysdioden (bild **8** 3, sida 5) tänds. Om utomhussirenen är ansluten ljuder även denna siren.

- Tryck på knappen (bild **8** 4, sida 5) för att avbryta den interna sirenen.

Slå på MSG 150 i kombination med MS660 eller DVS90

- Slå på larmsystemet MS 660 eller DVS90 som vanligt:
 - Tryck, på tillhörande fjärrkontroll,
 - på den nedre knappen (MS660)
 - fordonets resp. den extra handsändarens stängningsknapp (DVS90).
- ✓ En akustisk signal ljuder och den gröna lysdioden (bild **8** 1, sida 5) blinkar i ung. tio minuter. Under denna tid genomför gasvarnaren en systemtest och sensorn når drifttemperatur.

När ett larm utlöses ljuder en akustisk signal (intern siren) och den röda lysdioden (bild **8** 3, sida 5) tänds. Det inbyggda reläet avger en jordsignal till det externa larmsystemets larmingång. Det externa larmsystemet utlöser genast ett larm över fordonets blinkers och signalhorn eller sirenen.

- Tryck på knappen (bild **8** 4, sida 5) för att avbryta den interna sirenen.
- För avaktivering av det externa larmsystemet: tryck, på resp. fjärrkontroll,
 - på den övre knappen (MS660)
 - fordonets resp. den extra handsändarens öppningsknapp (DVS90).

10 Larm

Tillvägagångssätt vid larm:

- Sök **genast** orsaken till larmet.
- Väck sovande personer och se till att alla lämnar fordonet/båten.
- Öppna genast alla dörrar och fönster.
- Undvik öppna lågor, stäng genast av gasapparater el.dyl med öppna lågor.
- Stäng av alla gasdrivna apparater.
- Undvik gnistbildning (manövrera inga elektriska brytare/kontakter).
- Åtgärda orsaken eller lämna fordonet/båten.

Falskt alarm

För att höja säkerheten är gasvarnaren mycket känslig. Sensorn reagerar därför även på andra gasformiga ämnen. Aerosoler (t.ex. som drivgas i sprayflaskor), tät tobaksrök, stark alkoholånga eller matlagningssos kan utlösa larmet trots att det inte finns gas/sömnngas i luften.

11 Felsökning

Om apparaten inte är driftklar (den gröna lysdioden lyser inte):

- Kontrollera att försörjningsspänningen är 12 eller 24 V $\overline{=}$.
Vid strömavbrott eller om spänningen är för låg fungerar inte gasvarnaren.
- Kontrollera säkringen i kontakten om gasvarnaren har anslutits med 12/24 V $\overline{=}$ -kontakten.

Kontrollera säkringen i 12/24 V $\overline{=}$ -kontakten

Som skydd för gasvarnaren finns det en smältsäkring i kontaktens spets.

Om den tunna metalldelen mitt emellan de två metallkåporna har gått av är säkringen trasig och måste bytas ut.



OBSERVERA!

Sätt endast in en säkring av samma typ i kontakten. Garantin gäller inte för skador på apparaten som orsakas av felaktiga säkringar.

Byta säkring:

- Dra bort utjämningsshylsan (bild **4** 4, sida 4) från kontakten.
- Skruva ut skruven (bild **4** 5, sida 4) ur den övre kontakthalvan (bild **4** 1, sida 4).
- Lossa försiktigt den övre kontakthalvan från den undre kontakthalvan (bild **4** 6, sida 4).
- Ta ut kontaktstiftet (bild **4** 3, sida 4).
- Byt ut den trasiga säkringen (bild **4** 2, sida 4) mot en ny säkring med samma värde.
- Sätt ihop kontakten i omvänd ordningsföljd igen.

12 Skötsel och rengöring av gasvarnaren



OBSERVERA!

Använd inga vassa eller hårda föremål för rengöring, använd inga skarpa rengöringsmedel; produkten kan skadas.

- Rengör produkten då och då med en fuktig trasa.

13 Garanti

Den lagstadgade garantitiden gäller. Om produkten är defekt: kontakta tillverkarens kontor i ditt land (adresser, se bruksanvisningens baksida) eller återförsäljaren.

Vid reparations- resp. garantiärenden ska följande skickas med:

- en kopia på fakturan med inköpsdatum,
- en reklameringsbeskrivning/felbeskrivning.

14 Avfallshantering

► Lämna om möjligt förpackningsmaterialet till återvinning.



När produkten slutgiltigt tas ur bruk: informera dig om gällande bestämmelser hos närmaste återvinningscentral eller hos återförsäljaren.

15 Tekniska data

	MagicSafe MSG150
Artikelnummer:	9600000368
Mått (B x H x D):	80 x 156 x 51 mm
Inspänningsområde:	10 V $\overline{=}$ bis 32 V $\overline{=}$
Effektbehov:	1,3 W
Drifttemperatur:	0 °C till +40 °C
Signal, ljudstyrka:	ca 85 dB över 3 m
Skyddsklass:	IP 20

Godkännanden



Les bruksanvisningen nøye før du monterer og tar apparatet i bruk, og ta vare på den. Hvis produktet selges videre, må du sørge for å gi bruksanvisningen videre også.

Innholdsfortegnelse

1	Symbolforklaring	116
2	Råd om sikkerhet og montering	116
3	Leveringsomfang	117
4	Tilbehør/Utvidelser	117
5	Tiltenkt bruk	118
6	Teknisk beskrivelse	118
7	Montering av MagicSafe MSG150	119
8	Koble til gassdetektoren	120
9	Betjene MagicSafe MSG150	122
10	Alarm	123
11	Feilsøking	124
12	Stell og rengjøring av gassdetektoren	124
13	Garanti	125
14	Avfallshåndtering	125
15	Tekniske spesifikasjoner	125

1 Symbolforklaring

**ADVARSEL!**

Sikkerhetsregel: Hvis man ikke overholder denne regelen, kan det føre til død eller alvorlig skade.

**FORSIKTIG!**

Sikkerhetsregel: Hvis man ikke overholder denne regelen, kan det føre til personskader.

**PASS PÅ!**

Hvis man ikke overholder denne regelen, kan det føre til materielle skader og skade funksjonen til produktet.

**MERK**

Utfyllende informasjon om bruk av produktet.

2 Råd om sikkerhet og montering

Produsenten tar i følgende tilfeller intet ansvar for skader:

- Skader på produktet på grunn av mekanisk påvirkning og overspenninger
- Endringer på produktet uten at det er gitt uttrykkelig godkjenning av produsenten
- Bruk til andre formål enn det som er beskrevet i veiledningen

2.1 Grunnleggende sikkerhet

**ADVARSEL!**

- Bruk apparatet kun til det det er beregnet for.
- Koble apparatet fra strømmettet.
 - før rengjøring og stell
 - hver gang etter bruk
 - før bytting av sikring
- Hvis apparatet eller tilkoblingskabelen har synlige skader, må det ikke brukes.
- Hvis tilkoblingskabelen på dette apparatet blir skadet, må den erstattes av produsent, kundeservice eller annen kvalifisert person for å unngå farlige situasjoner.
- Reparasjoner på dette apparatet må kun utføres av fagfolk. Feil reparasjoner kan føre til betydelige skader.
- Dette apparatet kan brukes av barn fra 8 år og oppover, og av personer med nedsatte fysiske, sensoriske eller mentale evner eller manglende erfaring og kunnskap, når de er under oppsikt eller har fått opplæring i sikker bruk av apparatet og hvilke farer som er forbundet med det.

- **Elektriske apparater er ikke beregnet for barn!**
Oppbevar og bruk apparatet utenfor barns rekkevidde.
- Barn skal være under tilsyn for å sikre at de ikke leker med apparatet.



PASS PÅ!

- Før igangsetting må du sammenligne spenningsspesifikasjonene på merkeskiltet med tilgjengelig strømtilførsel.
- Trekk aldri støpslet ut av stikkontakten etter ledningen.
- Lagre apparatet på et tørt og kjølig sted.

2.2 Sikkerhet ved bruk av apparatet

- Bruk apparatet i kjøretøy kun når motoren er avslått.
- Bruk **ikke** apparatet ute i det fri.
- Én gang i måneden og når det er lenge siden apparatet har vært i bruk, må du kontrollere at det fungerer ved å trykke på tasten (fig. 8 4, side 5).

3 Leveringsomfang

Nr. i fig. 2, side 3	Antall	Betegnelse	Artikkelnr.
1	1	Gassmelder	9600000368
2	1	Montasjeplate	
-	1	Festemateriell	

4 Tilbehør/Utvidelser

Betegnelse	Artikkelnr.
Utesirene	9101600008
Tilleggsfilter	RV-AMP-SW

5 Tiltent bruk

MagicSafe MSG150 (Art.-Nr. 9600000368) er en gassdetektor som registrerer bedøvelsesgasser før de begynner å virke. MSG150 er beregnet for bruk i kjøretøy for å registrere bedøvelsesgasser som er basert på eter, kloroform, butan, etan og trikloretylen.



MERK

Takket være spenningsområdet fra 10 til 32 V $\overline{=}$ kan gassdetektoren brukes i både personbiler og lastebiler.

6 Teknisk beskrivelse

Gassalarmen MSG150 kan brukes allsidig som varslingsapparat for å registrere bedøvelsesgasser før de begynner å virke.

Gassdetektoren inneholder en sensor samt en lydgirer og blir koblet til en 12/24-V $\overline{=}$ -spenningskilde, f.eks. sigarettenneren i kjøretøy.

Dessuten inneholder gassdetektoren et internt relé, hvor f.eks. en utesirene eller en signallampe kan tilkobles.

Tilkoblingsklemmen for relétilkoblingen sitter på baksiden av gassdetektoren (fig. **3**, side 4).

Nr. i fig. 3 , side 4	Betegnelse
1	Relékontakt 1
2	Relékontakt 2

Du kan bruke gassdetektoren på tre forskjellige måter:

- Som frittstående apparat
- I kombinasjon med utesirenen (art. nr. 9101600008)
- I kombinasjon med MagicSafe alarmanlegget MS660 eller DVS90

7 Montering av MagicSafe MSG150

7.1 Nødvendig verktøy

Til **monteringen** trenger du følgende verktøy:

- Målestav (fig. **1** 1, side 3)
- Kjørner (fig. **1** 2, side 3)
- Hammer (fig. **1** 3, side 3)
- Borsett (fig. **1** 4, side 3)
- Bormaskin (fig. **1** 5, side 3)
- Skrutrekker (fig. **1** 6, side 3)

7.2 Montere gassdetektoren

Følg disse rådene ved valg av montasjested for gassdetektoren:

- Ta hensyn til lengden på kabelen.
- Gassdetektoren må monteres i nærheten av soveområdet og i madrasshøyde.

► Velg et egnet montasjested.



PASS PÅ!

Før du borer noe som helst, må du forsikre deg om at ingen elektriske kabler eller andre deler kan skades av boring.

- Hold montasjeplaten på det valgte montasjestedet og marker begge borepunktene (fig. **5**, side 5).
- Skru fast montasjeplaten med begge selvgjengende skruene (fig. **6**, side 5).
- Plugg gassdetektoren på montasjeplaten (fig. **7**, side 5).
- Plugg støpslet til gassdetektoren inn i kontakten på 12/24-V---spenningsforsyningen.
- ✓ Den grønne LED-en på gassdetektoren (fig. **8** 1, side 5) blinker i ca. 10 minutter. Føleren blir brakt til driftstemperatur.
Når den grønne LED-en lyser permanent er gassdetektoren klar til drift.

8 Koble til gassdetektoren

8.1 Som frittstående apparat

Når du bruker gassdetektoren som enkeltstående apparat, kan du slå den på enten

- med 12/24-V---støpslet
- med ekstrabryteren RV-AMP/SW (tilbehør) når det ikke finnes noen 12/24-V---stikkontakt i soveområdet.

Koble til gassdetektor med 12/24-V---støpslet

- Plugg 12/24-V---støpslet inn i en stikkontakt som leder 12/24-V--- fast pluss. Denne stikkontakten skal være koblet til bilbatteriet.
- ✓ Et lydsignal høres, og den grønne LED-en (fig. 8 1, side 5) blinker i omtrent ti minutter. I løpet av denne tiden foretar gassdetektoren en systemtest, og føleren bringes til driftstemperatur.

Koble til gassdetektoren med faste ledninger

Når du kobler til gassdetektoren fast, og du ønsker å slå den på med RV-AMP/SW tilleggsbryteren, benytter du koblingsskjemaet fig. 9, side 6.

- Skill 12/24-V---støpslet fra kabelen.
- Fjern omlag 10 cm av ytterisoleringen på enden av kabelen.
- Koble den svarte, gule og oransje kabelen til karosserijord (klemme 31).
- Koble den røde ledningen til utgangen på tilleggsbryteren RV-AMP/SW.
- Koble inngangen på bryteren via en 1-A-sikring til plusspolen på batteriet.

8.2 I kombinasjon med utesirenen (art. nr. 9101600008)

Når du ønsker å koble gassdetektoren til utesirenen, benytter du koblingsskjemaet fig. 10, side 6.

Montere utesirene

Utesirenen kan monteres i motorrommet.

Ved montasjen må du passe på at montasjestedet

- **ikke** ligger der det sprutes vann
 - **ikke** ligger i nærheten av eksosanlegget
 - **ikke** er tilgjengelig fra undersiden, dette for å hindre sabotasje utenfra
- Monter utesirenen med lydtrakten nedover.

Koble til alarmsirene



MERK

Hvis kjøretøyet ditt ikke har noen 12-V=== fast plussledning i montasjeområdet, kan du også koble til inngangen via en 1-A-sikring til bilbatteriet.

- Koble den svarte kabelen på sirenen til karosserijord (klemme 31).
- Koble den røde kabelen på sirenen til relékontakten 2 (fig. 3 2, side 4).
- Koble relékontakten 1 (fig. 3 1, side 4) til 12 V=== fast pluss.
Ledningen må være sikret med en 1-A-sikring.

8.3 I kombinasjon med alarmanlegget MS660 eller DVS90

Når du ønsker å koble gassdetektoren i kombinasjon med

- alarmanlegget MS660, bruker du koblingsskjema fig. 11, side 7
- alarmanlegget DVS90, bruker du koblingsskjema fig. 12, side 8



PASS PÅ!

Hvis du kombinerer MagicSafe MSG150 med alarmanlegget DVS90 må du konfigurere programvaren til alarmanlegget som følger.

- Sett utgang 2.6 til «Status armert» og inngang 2.5 til «Utløser».

Gassdetektor med MS660

- Skill 12-V===-støpslet fra kabelen.
- Fjern omlag 10 cm av ytterisoleringen på enden av kabelen.
- Koble den svarte ledningen til karosserijord (klemme 31).
- Koble den gule og oransje ledningen (fig. 11, side 7) til den hvite ledningen til alarmanlegget (pin 15, 15-pols plugg).
- Koble den røde ledningen til 12 V=== fast pluss.
Ledningen må være sikret med en 1-A-sikring.
- Når gassdetektoren også skal kobles som hovedalarm på det eksterne alarmanlegget MS660, kobler du
 - relékontakt 1 (fig. 11, side 7) til karosserijord (klemme 31) og
 - relékontakt 2 (fig. 11, side 7) til den grå/hvite ledningen (pin 4, 9-pols plugg) på alarmanlegget.

Gassdetektor med DVS90

- Skill 12/24-V==-støpslet fra kabelen.
- Fjern omlag 10 cm av ytterisoleringen på enden av kabelen.
- Koble den svarte, gule og oransje ledningen til karosserijord (klemme 31).
- Koble den røde ledningen til den grønn/røde ledningen (P2, pin 6) (fig. 12, side 8). Ledningen må være sikret med en 1-A-sikring.
- Når gassdetektoren også skal kobles som hovedalarm på det eksterne alarmanlegget DVS90, kobler du
 - relékontakt 1 (fig. 12, side 8) til karosserijord (klemme 31) og
 - relékontakt 2 (fig. 12, side 8) til den svart/grå ledningen (P2, pin 5) på alarmanlegget.

9 Betjene MagicSafe MSG150

For å unngå feilalarmer når du koker, bruker deodoranter, nyter tobakk eller alkohol, må kjøretøyet gjennomluftes godt før du legger seg. Slå først deretter på gassdetektoren.

Nr. i fig. 8, side 5	Betegnelse
1	<p>Grønn LED</p> <p>Den grønne LED-en blinker i omlag 10 min, etter at gassdetektoren er koblet til spenning eller er slått på med ekstrabryteren RV-AMP/SW. Mens lysdioden blinker, når føleren driftstemperatur.</p> <p>Når den grønne LED-en lyser permanent er gassdetektoren klar til drift.</p>
2	<p>Oransje lysdiode</p> <p>Den oransje lysdioden lyser når det oppstår en feil.</p>
3	<p>Rød LED (alarm)</p> <p>Den røde lysdioden blinker når det utløses alarm. I tillegg høres en sirenelyd som lydalarmsignal. (se også kapittel «Alarm» på side 123.)</p>
4	<p>Tast, knapp</p> <p>Denne tasten fungerer som testtast og utkobling.</p> <p>Testtast</p> <ul style="list-style-type: none"> ➤ Trykk på denne tasten én gang i måneden eller når den ikke har vært brukt på lenge for å teste funksjonen. ✓ Den oransje og røde lysdioden blinker og man hører en sirenelyd. <p>Utkobling</p> <ul style="list-style-type: none"> ➤ Trykk på tasten når du ønsker å avstille signallyden under en alarm. ✓ Den røde LED-en fortsetter å blinke, og hvert 45 s høres et kort signal. Deretter armerer anlegget seg selv igjen.

Slå på MSG 150 som frittstående apparat eller i kombinasjon med utesirenen (art. nr. 9101600008)

- ▶ Plugg 12/24-V---støpslet inn i en stikkontakt eller slå på gassdetektoren med ekstrabryteren RV-AMP-SW.
- ✓ Et lydsignal høres, og den grønne LED-en (fig. 8 1, side 5) blinker i omtrent ti minutter. I løpet av denne tiden foretar gassdetektoren en systemtest, og føleren bringes til driftstemperatur.

Når det inntreffer en alarm, høres et lydsignal fra den interne sirenen og den røde LED-en (fig. 8 3, side 5) tennes. Hvis utesirenen er koblet til høres i tillegg en lydalarm fra utesirenen.

- ▶ For å avbryte den interne alarmen, trykker du på tasten (fig. 8 4, side 5).

Slå på MSG 150 i kombinasjon med MS660 eller DVS90

- ▶ Slå på alarmanlegget MS660 eller DVS90 som vanlig:
 - Trykk på fjernkontrollene deres
 - den nedre tasten (MS660)
 - lukke-tasten fra kjøretøy- hhv. tilleggssenderen (DVS90).
- ✓ Et lydsignal høres, og den grønne LED-en (fig. 8 1, side 5) blinker i omtrent ti minutter. I løpet av denne tiden foretar gassdetektoren en systemtest, og føleren bringes til driftstemperatur.

Når det inntreffer en alarm, høres et lydsignal fra den interne sirenen og den røde LED-en (fig. 8 3, side 5) tennes. Det interne releet kobler jordsignal til alarminngangen på det eksterne alarmanlegget. Det eksterne alarmanlegget utløser umiddelbart en utealarm via kjøretøyets blinklys og hornet eller sirenen.

- ▶ For å avbryte den interne alarmen, trykker du på tasten (fig. 8 4, side 5).
- ▶ For å deaktivere det eksterne alarmanlegget, trykker du på fjernkontrollen på
 - den øvre tasten (MS660)
 - åpne-tasten fra kjøretøy- hhv. tilleggssenderen (DVS90).

10 Alarm

Gå fram på følgende måte når en alarm blir signalisert:

- ▶ Fastslå **umiddelbart** årsaken til alarmen.
- ▶ Sørg for at barn og sovende personer forlater kjøretøyet eller båten.
- ▶ Åpne straks alle vinduer og dører.
- ▶ Unngå åpen ild og slukk umiddelbart åpne ildsteder.
- ▶ Slå av alle apparater som går på gass.
- ▶ Unngå gnistdannelse (ikke betjen elektriske brytere).
- ▶ Fjern årsaken og forlat kjøretøyet eller båten.

Feilalarm

Gassdetektoren er svært følsomt innstilt fordi den skal være så sikker som mulig. Derfor reagerer føleren også på andre medier i gassform. Bruk av aerosol (f.eks. drivgass i spray), men også kraftig tobakksrøyk, sterk alkoholdunst eller damp fra koking kan utløse en alarm, selv om det ikke eksisterer noen gass eller bedøvelsesgass.

11 Feilsøking

Når apparatet ikke er driftsklart (grønn lysdiode lyser ikke), går du fram på følgende måte:

- Forsikre deg om at spenningsforsyningen er 12 eller 24 V $\overline{=}$.
Hvis spenningen er lavere eller spenningstilførselen ble avbrutt, fungerer ikke gassdetektoren.
- Kontroller sikringen i støpslet hvis gassdetektoren er tilkoblet via 12/24-V $\overline{=}$ -støpslet.

Kontroller sikringen i 12/24-V $\overline{=}$ -støpslet

I spissen på pluggen sitter en smeltesikring for å beskytte gassdetektoren.

Når den tynne metallforbindelsen i midten mellom begge metallhettene er av, er sikringen defekt og må byttes.



PASS PÅ!

Pass på at du kun setter inn den samme sikringstypen i pluggen. Apparat-skader som oppstår fordi du har satt inn feil sikringsverdier, dekkes ikke av garanti og bytte-tjenesten.

Slik bytter du sikring:

- Trekk adapterhylsen (fig. 4 4, side 4) av støpslet.
- Skru skruen (fig. 4 5, side 4) ut av den øvre kapslingshalvdelen (fig. 4 1, side 4).
- Løft forsiktig den øvre kapslingshalvdelen av den nedre (fig. 4 6, side 4).
- Ta ut kontaktstiften (fig. 4 3, side 4).
- Bytt den defekte sikringen (fig. 4 2, side 4) i en ny sikring med samme størrelse.
- Sett sammen støpslet igjen i motsatt rekkefølge.

12 Stell og rengjøring av gassdetektoren



PASS PÅ!

Bruk ikke skarpe eller harde gjenstander eller rengjøringsmidler til rengjøring, da det kan skade produktet.

- Rengjør produktet regelmessig med en fuktig klut.

13 Garanti

Lovmessig garantitid gjelder. Hvis produktet skulle være defekt, kontakter du produsentens filial i ditt land (du finner adressene på baksiden av veiledningen) eller til din faghandler.

Ved henvendelser vedrørende reparasjon eller garanti, må du sende med følgende dokumentasjon:

- kopi av kvitteringen med kjøpsdato,
- årsak til reklamasjonen eller beskrivelse av feilen.

14 Avfallshåndtering

► Lever emballasje til resirkulering så langt det er mulig.



Når du tar produktet ut av drift for siste gang, må du sørge for å få informasjon om deponeringsforskrifter hos nærmeste resirkuleringsstasjon eller hos din faghandler.

15 Tekniske spesifikasjoner

MagicSafe MSG 150	
Artikkelnummer:	9600000368
Mål (B x H x D):	80 x 156 x 51 mm
Inngangsspenningsområde:	10 V $\overline{=}$ til 32 V $\overline{=}$
Effektforbruk:	1,3 W
Driftstemperatur:	0 °C til +40 °C
Lydstyrke signal:	Ca. 85 dB ved en avstand på 3 m
Kapslingsgrad:	IP 20

Godkjenninger



Lue tämä ohje huolellisesti läpi ennen asennusta ja käyttöönottoa ja säilytä ohje hyvin. Jos myyt tuotteen eteenpäin, anna ohje tällöin edelleen uudelle käyttäjälle.

Sisällysluettelo

1	Symbolien selitykset	127
2	Turvallisuus- ja kiinnitysohjeita	127
3	Toimituskokonaisuus	128
4	Lisävarusteet/laajennukset	128
5	Käyttötarkoitus	129
6	Tekninen kuvaus	129
7	Laitteen MagicSafe MSG150 asentaminen	130
8	Kaasuhälyttimen liittäminen	130
9	Laitteen MagicSafe MSG150 käyttö	133
10	Hälytys	134
11	Vianetsintä	135
12	Kaasuhälyttimen hoito ja puhdistus	135
13	Tuotevastuu	136
14	Hävittäminen	136
15	Tekniset tiedot	136

1 Symbolien selitykset



VAROITUS!

Turvallisuusohje: Huomiotta jättäminen voi aiheuttaa hengenvaaran tai vakavan loukkaantumisen.



HUOMIO!

Turvallisuusohje: Huomiotta jättäminen voi johtaa loukkaantumiseen.



HUOMAUTUS!

Huomiotta jättäminen voi johtaa materiaalivaurioihin ja haitata tuotteen toimintaa.



OHJE

Tuotteen käyttöä koskevia lisätietoja.

2 Turvallisuus- ja kiinnitysohjeita

Valmistaja ei ota mitään vastuuta vahingoista seuraavissa tapauksissa:

- tuotteeseen mekaanisen vaikutuksen tai ylijännitteiden takia syntyneet vauriot
- tuotteeseen ilman valmistajan nimenomaista lupaa tehdyt muutokset
- käyttö muuhun kuin käyttöohjeessa ilmoitettuun tarkoitukseen

2.1 Perusturvallisuus



VAROITUS!

- Käytä laitetta ainoastaan sen määräysten mukaiseen tarkoitukseen.
- Irrota laite verkosta
 - ennen jokaista puhdistusta tai huoltoa
 - jokaisen käytön jälkeen
 - ennen sulakkeen vaihtamista
- Laitetta ei saa ottaa käyttöön, jos laitteessa tai sen liitännäsjohdoissa on näkyviä vaurioita.
- Jos tämän laitteen liitännäsjohdo vaurioituu, tulee valmistajan tai valtuutetun asiakaspalvelun tai vastaavasti pätevän henkilön vaihtaa se vaaran välttämiseksi.
- Ainoastaan ammattilaiset saavat korjata tätä laitetta. Epäasianmukaisista korjauksista saattaa aiheutua huomattavia vaaroja.

- Tätä laitetta voivat käyttää valvonnan alaisuudessa myös vähintään 8-vuotiaat lapset samoin kuin henkilöt, joiden fyysiset, aistinvaraiset tai henkiset valmiudet ovat rajoittuneet tai joilta puuttuu käytön vaatima kokemus tai tietämys. Tämä koskee myös tilannetta, jossa edellä mainitut henkilöt ovat saaneet laitteen turvallista käyttöä koskevan perehdytyksen ja jotka tämän perusteella ymmärtävät laitteen käytöstä aiheutuvat vaarat.
- **Sähkölaitteet eivät ole lasten leluja!**
Säilytä ja käytä laitetta lasten ulottumattomissa.
- Lapsia tulee valvoa sen varmistamiseksi, etteivät he leiki laitteella.



HUOMAUTUS!

- Vertaa tyyppikilven jännitetietoja käytettävissä olevaan energiansyöttöön ennen käyttöön ottamista.
- Älä ota pistoketta koskaan pois pistorasiasta johdosta vetämällä.
- Säilytä laitetta kuivassa ja viileässä paikassa.

2.2 Laitteen käyttöturvallisuus

- Käytä laitetta ajoneuvoissa vain, kun moottori on sammutettuna.
- Laitetta **ei** saa käyttää ulkona.
- Testatkaa laitteen toimintakunto kerran kuukaudessa tai pidempien taukojen jälkeen painamalla painiketta (kuva **8** 4, sivulla 5).

3 Toimituskokonaisuus

Nro kuva 2 , sivulla 3	Määrä	Nimitys	Tuotenro
1	1	Kaasuhälytin	9600000368
2	1	Asennuslevy	
–	1	Kiinnitysmateriaali	

4 Lisävarusteet/laajennukset

Nimitys	Tuotenro
Ulkosireeni	9101600008
Lisäkytkin	RV-AMP-SW

5 Käyttötarkoitus

MagicSafe MSG150 (tuotenro 9600000368) on kaasuhälytintä, joka havaitsee tainnuttavat kaasut, ennen kuin kaasut alkavat vaikuttaa. MSG150 on suunniteltu ajoneuvokäyttöön. Se tunnistaa etetteriin, kloroformiin, butaaniin, etaaniin ja trikloorietyleenin pohjautuvat tainnuttavat kaasut.



OHJE

Kaasuhälytintä voi käyttää sekä henkilö- että kuorma-autoissa, sillä se toimii jännitealueella 10 – 32 V_{DC}.

6 Tekninen kuvaus

Kaasuhälytintä MSG150 voi käyttää monin eri tavoin varoittimena, joka havaitsee tainnuttavat kaasut ennen kaasujen vaikutuksen alkamista.

Hälytintä sisältää anturin ja akustisen merkinantolaitteen. Hälytintä yhdistetään jännitelähteeseen, jonka jännite on 12/24 V_{DC}, esim. ajoneuvon savukkeensytyttimeen.

Lisäksi kaasuhälytintissä on sisäinen rele, johon voidaan liittää esim. ulkosireeni tai merkkivalo.

Releliitännän liitin on kaasuhälytintimen taustapuolella (kuva **3**, sivulla 4).

Nro kuva 3 , sivulla 4	Nimitys
1	Relekosketin 1
2	Relekosketin 2

Kaasuhälytintä voi käyttää kolmella eri tavalla:

- erillislaitteena
- yhdessä ulkosireenin (tuotenro 9101600008) kanssa
- MagicSafe-hälytyslaitteiston MS660 tai DVS90 yhteydessä

7 Laitteen MagicSafe MSG 150 asentaminen

7.1 Tarvittavat työkalut

Asennuksessa tarvitaan seuraavia työkaluja:

- Mitta (kuva **1** 1, sivulla 3)
- Merkkipuikko (kuva **1** 2, sivulla 3)
- Vasara (kuva **1** 3, sivulla 3)
- Poranteräsarja (kuva **1** 4, sivulla 3)
- Porakone (kuva **1** 5, sivulla 3)
- Ruuvimeisseli (kuva **1** 6, sivulla 3)

7.2 Kaasuhälyttimen asennus

Ota huomioon seuraavat ohjeet valitessasi kaasulähettimen asennuspaikkaa:

- Huomatkaa johdon pituus.
- Kaasuhälytyn tulisi asentaa nukkumapaikan lähelle patjan korkeudelle.

► Valitse sopiva asennuspaikka.



HUOMAUTUS!

Varmista ennen reikien poraamista, että sähkökaapelit tai muut osat eivät vahingoitu poraamisen seurauksena.

- Pidä asennuslevy valitussa asennuspaikassa ja merkitse molemmat porauskohdat (kuva **5**, sivulla 5).
- Ruuvaa asennuslevy kiinni molemmilla peltiruuveilla (kuva **6**, sivulla 5).
- Työnnä kaasuhälytyn asennuslevyn päälle (kuva **7**, sivulla 5).
- Työnnä kaasuhälyttimen pistoke käyttämäsi jännitelähteen 12/24 V=== liittimeen.
- ✓ Kaasuhälyttimen vihreä LED (kuva **8** 1, sivulla 5) vilkkuu noin 10 minuutin ajan. Anturi saavuttaa tämän ajan kuluessa käyttölämpötilan. Kaasuhälytyn on toimintavalmis, kun vihreä LED palaa yhtäjaksoisesti.

8 Kaasuhälyttimen liittäminen

8.1 Erillislaitteena

Jos kaasuhälytintä käytetään erillislaitteena, laitteen voi kytkeä päälle joko

- pistokkeen 12/24 V=== avulla
- lisävarusteena saatavan lisäkytkimen RV-AMP-SW (lisävaruste) avulla, jos nukkumapaikassa ei ole pistorasiaa 12/24 V===.

Kaasuhälyttimen liittäminen pistokkeen 12/24 V⁼⁼⁼ avulla

- Yhdistä pistoke 12/24 V⁼⁼⁼ pistorasiaan, joka saa jatkuvan plusjännitteen 12/24 V⁼⁼⁼. Tämän pistorasian tulisi olla yhdistetty ajoneuvon akkuun.
 - ✓ Kuultavissa on äänimerkki. Myös vihreä LED (kuva **8** 1, sivulla 5) vilkkuu noin kymmenen sekunnin ajan.
- Tänä aikana kaasuhälytin suorittaa järjestelmätestin ja anturi lämpenee käyttölämpötilaan.

Kaasuhälyttimen liittäminen kiinteästi johdotettuna

Jos kaasuhälytin halutaan johdottaa kiinteästi ja hälytin halutaan kytkeä päälle lisäkytkimellä RV-AMP/SW, liittämisen apuna on käytettävä kytkentäkaaviota kuva **9**, sivulla 6.

- Irrota pistoke 12/24 V⁼⁼⁼ kaapelista.
- Poista eristystä kaapelin päästä noin 10 cm:n matkalta.
- Liitä musta, keltainen ja oranssi johto korin maadoitukseen (liitin 31).
- Yhdistä punainen johdin lisäkytkimen RV-AMP/SW lähtöön.
- Yhdistä kytkimen tulo 1 A:n sulakkeen kautta akun plusnapaan.

8.2 Ulkosireenin (tuotenumero 9101600008) yhteydessä

Jos kaasuhälytin halutaan liittää yhdessä ulkosireenin kanssa, liittämisen apuna on käytettävä kytkentäkaaviota kuva **10**, sivulla 6.

Ulkosireenin asentaminen

Ulkosireeni voidaan asentaa moottoritilaan.

Huolehdi asennuksessa siitä, että asennuspaikka

- **ei** ole roiskevesialueella
 - **ei** ole lähellä pakokaasulaitteistoa
 - **ei** ole tavoitettavissa alakautta, jotta se on suojassa ulkopuoliselta sabotoinnilta.
- Asenna ulkosireeni äänitorvi alaspäin.

Hälytys sireenin liittäminen



OHJE

Jos ajoneuvossa ei ole asennusalueella jatkuvan plusjännitteen 12 V⁼⁼⁼ kaapelia, tulon voi myös yhdistää 1 A:n sulakkeen välityksellä ajoneuvon akkuun.

- Yhdistä sireenin musta kaapeli korin maadoitukseen (liitin 31).
- Yhdistä sireenin punainen kaapeli releen koskettimeen 2 (kuva **3** 2sivulla 4).
- Yhdistä releen kosketin 1 (kuva **3** 1, sivulla 4) jatkuvaan plusjännitteeseen 12 V⁼⁼⁼. Johtimen tulee olla suojattu 1 A:n sulakkeella.

8.3 Hälytyslaitteiston MS660 tai DVS90 yhteydessä

Jos kaasuhälytin halutaan liittää yhdessä

- hälytyslaitteiston MS660 kanssa, liittämisen apuna on käytettävä kytkentäkaaviota kuva **11**, sivulla 7
- hälytyslaitteiston DVS90 kanssa, liittämisen apuna on käytettävä kytkentäkaaviota kuva **12**, sivulla 8



HUOMAUTUS!

Jos MagicSafe MSG150 halutaan yhdistää laitteistoon DVS90, hälytyslaitteiston ohjelmisto on konfiguroitava seuraavasti:

- Aseta lähdön 2.6 tilaksi "viritystila" ja tulon 2.5 tilaksi "liipaisin".

Kaasuhälytin laitteiston MS660 yhteydessä

- Irrota pistoke 12 V \equiv kaapelista.
- Poista eristystä kaapelin päästä noin 10 cm:n matkalta.
- Yhdistä musta johdin korin maadoitukseen (liitin 31).
- Yhdistä keltainen ja oranssi johdin (kuva **11**, sivulla 7) hälytyslaitteiston valkoiseen johtimeen (nasta 15, 15-napainen liitin).
- Yhdistä punainen johdin jatkuvaan plusjännitteeseen 12 V \equiv . Johtimen tulee olla suojattu 1 A:n sulakkeella.
- Jos kaasuhälytin halutaan kytkeä myös päähälyttimeksi ulkoiseen hälytyslaitteistoon MS660, yhdistä
 - releen kosketin 1 (kuva **11**, sivulla 7) korin maadoitukseen (liitin 31) ja
 - releen kosketin 2 (kuva **11**, sivulla 7) hälytyslaitteiston harmaa-valkoiseen johtimeen (nasta 4, 9-napainen liitin).

Kaasuhälytin laitteiston DVS90 yhteydessä

- Irrota pistoke 12/24 V \equiv kaapelista.
- Poista eristystä kaapelin päästä noin 10 cm:n matkalta.
- Yhdistä musta, keltainen ja oranssi johdin korin maadoitukseen (liitin 31).
- Yhdistä punainen johdin vihreä-punaiseen johtimeen (P2, nast 6) (kuva **12**, sivulla 8). Johtimen tulee olla suojattu 1 A:n sulakkeella.
- Jos kaasuhälytin halutaan kytkeä myös päähälyttimeksi ulkoiseen hälytyslaitteistoon DVS90, yhdistä
 - releen kosketin 1 (kuva **12**, sivulla 8) korin maadoitukseen (liitin 31) ja
 - releen kosketin 2 (kuva **12**, sivulla 8) hälytyslaitteiston musta-harmaaseen johtimeen (P2, nast 5).

9 Laitteen MagicSafe MSG150 käyttö

Jotta ruoanlaiton, deodoranttien käytön, runsaan tupakoinnin tai alkoholin käytön aiheuttamat väärät hälytykset on mahdollista välttää, ajoneuvo kannattaa tuulettaa huolellisesti ennen nukkumaanmenoa. Kaasuhälytin on syytä kytkeä päälle vasta tämän jälkeen.

Nro kuva 8 , sivulla 5	Nimitys
1	<p>Vihreä LED</p> <p>Vihreä LED vilkkuu noin 10 minuutin ajan sen jälkeen, kun kaasuhälytin on kytketty jännitteeseen tai kun hälytin on kytketty päälle lisäkytkimellä RV-AMP-SW. Anturi lämpenee käyttölämpötilaan samalla, kun LED vilkkuu. Kaasuhälytin on toimintavalmis, kun vihreä LED palaa yhtäjaksoisesti.</p>
2	<p>Oranssi LED</p> <p>Oranssi LED palaa häiriön sattuessa.</p>
3	<p>Punainen LED (hälytys)</p> <p>Punainen LED vilkkuu, kun hälytys on lauennut. Lisäksi akustisena hälytysmerkinä kuuluu sireeniääni. (Ks. myös kap. "Hälytys" sivulla 134.)</p>
4	<p>Painike</p> <p>Tämä painike toimii testipainikkeena ja mykistyspainikkeena.</p> <p>Testipainike</p> <ul style="list-style-type: none"> ➤ Tarkasta laitteen toiminta painamalla tätä painiketta kerran kuukaudessa tai pitkien lepotaukojen jälkeen. ✓ Oranssi ja punainen LED vilkkuvat ja kuuluu sireeniääni. <p>Mykistyspainike</p> <ul style="list-style-type: none"> ➤ Tätä painiketta painamalla voi mykistää merkkiäänän hälytyksen aikana. ✓ Punainen LED vilkkuu edelleen ja kuultavissa on lyhyt merkkiäänä kuuluu 45 s:n välein. Tämän jälkeen laitteisto siirtyy jälleen viritystilaan.

MSG150:n kytkeminen päälle erillislaitteena tai yhdessä ulkosireenin (tuotenro 9101600008) kanssa

- Työnnä pistoke 12/24 V== pistorasiaan tai kytke kaasuhälytin päälle lisäkytkimellä RV-AMP-SW.
- ✓ Kuultavissa on äänimerkki. Myös vihreä LED (kuva **8** 1, sivulla 5) vilkkuu noin kymmenen sekunnin ajan.
Tänä aikana kaasuhälytin suorittaa järjestelmätestin ja anturi lämpenee käyttölämpötilaan.

Hälytyksen sattuessa sisäisestä sireenistä on kuultavissa hälytysääni ja myös punainen LED (kuva **8** 3, sivulla 5) syttyy. Jos laitteeseen on liitetty ulkosireeni, myös ulkosireenistä on kuultavissa hälytysääni.

- Sisäisen hälytyksen voi keskeyttää painamalla painiketta (kuva **8** 4, sivulla 5).

MSG150:n kytkeminen päälle yhdessä laitteen MS660 tai DVS90 kanssa

- Kytke hälytyslaitteisto MS660 tai DVS90 päälle totuttuun tapaan:
 - Paina laitteiden kaukosäätimistä
 - alempaa painiketta (MS660)
 - ajoneuvon tai lisäkäsilähettimen sulkijapainiketta (DVS90).
- ✓ Kuultavissa on äänimerkki. Myös vihreä LED (kuva 8 1, sivulla 5) vilkkuu noin kymmenen sekunnin ajan.
 - Tänä aikana kaasuhälytys suorittaa järjestelmätestin ja anturi lämpenee käyttölämpötilaan.

Hälytyksen sattuessa sisäisestä sireenistä on kuultavissa hälytysääni ja myös punainen LED (kuva 8 3, sivulla 5) syttyy. Sisäinen rele kytkee ulkoisen hälytyslaitteiston hälytystuloon maasignaalin. Ulkoinen hälytyslaitteisto laukaisee välittömästi ulkoisen hälytyksen ajoneuvon vilkkujen ja äänitorven tai sireenin avulla.

- Sisäisen hälytyksen voi keskeyttää painamalla painiketta (kuva 8 4, sivulla 5).
- Ulkoisen hälytyslaitteiston voi kytkeä pois päältä painamalla laitteiston kaukosäätimen
 - ylempää painiketta (MS660)
 - ajoneuvon tai lisäkäsilähettimen avaajapainiketta (DVS90).

10 Hälytys

Menettele hälytyksen sattuessa seuraavasti:

- Selvitä **heti** hälytyksen syy.
- Huolehdi siitä, että lapset ja nukkuvat henkilöt poistuvat ajoneuvosta tai veneestä.
- Avaa heti kaikki ikkunat ja ovet.
- Ehkäise avotulen esiintyminen ja sammuta avoliekit heti.
- Kytke kaikki kaasukäyttöiset laitteet pois päältä.
- Vältä kipinöiden syntyminen (älä käytä sähköisiä kytkimiä).
- Poista hälytyksen syy tai poistu ajoneuvosta tai veneestä.

Vikahälytys

Kaasuhälytys on säädetty matkustajien turvallisuuden vuoksi toimimaan hyvin herkästi. Siksi anturi reagoi myös muihin kaasumaisiin aineisiin. Aerosolien (esim. suihkeiden sisältämät ponnekaasut) käyttö samoin kuin runsas tupakansavu, voimakkaat alkoholihöyryt tai ruoanlaiton yhteydessä syntyvä höyry voivat aiheuttaa hälytyksen, vaikka kaasuja ja erityisesti tainnuttavia kaasua ei esiinnykään.

11 Vianetsintä

Jos laite ei ole toimintavalmis (vihreä LED ei pala), menettele seuraavasti:

- Varmista, että syöttöjännite on 12 tai 24 V $\overline{=}$.
Kaasuhälytin ei toimi, jos jännite on tätä pienempi tai jännitteensyöttö on katkennut.
- Tarkasta pistokkeen sisältämä sulake, mikäli kaasuhälytin on liitetty pistokkeen 12/24 V $\overline{=}$ avulla.

Pistokkeen 12/24 V $\overline{=}$ sisältämän sulakkeen tarkastus

Pistokkeen kärjessä on kaasuhälytintä suojaava sulake.

Jos molempien metallikantojen välissä oleva ohut metallilanka on poikki, sulake on palanut ja se täytyy vaihtaa uuteen.



HUOMAUTUS!

Varmista, että asennat pistokkeeseen ainoastaan sulakkeen, jonka tyyppi vastaa alkuperäistä sulaketta. Takuu ja korvausvastuu eivät koske laitevaurioita, jotka johtuvat vääränlaisten sulakkeiden käytöstä.

Vaihda sulake seuraavien ohjeiden mukaisesti:

- Vedä tasausholkki (kuva **4** 4, sivulla 4) irti pistokkeesta.
- Kierrä ruuvi (kuva **4** 5, sivulla 4) ulos rungon ylemmästä puoliskosta (kuva **4** 1, sivulla 4).
- Nosta rungon ylempi puolisko varovasti erilleen rungon alemmasta puoliskosta (kuva **4** 6, sivulla 4).
- Poista kosketintappi (kuva **4** 3, sivulla 4).
- Vaihda viallinen sulake (kuva **4** 2, sivulla 4) uuteen sulakkeeseen, jonka arvo on sama kuin alkuperäisellä sulakkeella.
- Kokoa pistoke käänteisessä järjestyksessä kokoon.

12 Kaasuhälyttimen hoito ja puhdistus



HUOMAUTUS!

Puhdistukseen ei saa käyttää teräviä tai kovia välineitä eikä puhdistusaineita, koska tämä voi johtaa tuotteen vahingoittumiseen.

- Puhdista tuote toisinaan ulkopuolelta kostealla liinalla.

13 Tuotevastuu

Laitetta koskee lakisääteinen takuu-aika. Jos tuote sattuu olemaan viallinen, käänny maasi valmistajan toimipisteen puoleen (osoitteet käyttöohjeen takasivulla) tai ota yhteyttä omaan ammattikauppiaseesi.

Korjaus- ja takuukäsittelyä varten lähetä mukana seuraavat asiakirjat:

- kopio ostolaskusta, jossa näkyy ostopäivä,
- valitusperuste tai vikakuvaus.

14 Hävittäminen

► Vie pakkausmateriaali mahdollisuuksien mukaan vastaavan kierrätysjätteen joukkoon.



Jos poistat tuotteen lopullisesti käytöstä, pyydä tietoa sen hävittämistä koskevista määräyksistä lähimmästä kierrätyskeskuksesta tai ammattiliikkeestäsi.

15 Tekniset tiedot

MagicSafe MSG 150	
Tuotenumero:	9600000368
Mitat (l x k x s):	80 x 156 x 51 mm
Tulojännitealue:	10 V $\overline{\text{---}}$ – 32 V $\overline{\text{---}}$
Tehonkulutus:	1,3 W
Käyttölämpötila:	0 °C ... +40 °C
Signaalin äänenvoimakkuus:	noin 85 dB 3 m:n etäisyydellä
Kotelointiluokka:	IP 20

Hyväksynnät



Прочтите данную инструкцию перед монтажом и вводом в эксплуатацию и сохраните ее. В случае передачи продукта передайте инструкцию следующему пользователю.

Оглавление

1	Пояснение символов	138
2	Указания по безопасности и монтажу	138
3	Комплект поставки	139
4	Аксессуары/расширения	139
5	Использование по назначению	140
6	Техническое описание	140
7	Монтаж MagicSafe MSG150	141
8	Присоединение сигнализатора газа	142
9	Управление MagicSafe MSG150	144
10	Аварийная сигнализация	146
11	Локализация неисправностей	146
12	Уход и очистка сигнализатора газа	147
13	Гарантия	147
14	Утилизация	148
15	Технические данные	148

1 Пояснение символов



ПРЕДУПРЕЖДЕНИЕ!

Указания по технике безопасности: Несоблюдение может привести к смертельному исходу или тяжелым травмам.



ОСТОРОЖНО!

Указания по технике безопасности: Несоблюдение может привести к травмам.



ВНИМАНИЕ!

Несоблюдение может привести к повреждениям и нарушить работу продукта.



УКАЗАНИЕ

Дополнительная информация по управлению продуктом.

2 Указания по безопасности и монтажу

Изготовитель не несет никакой ответственности за ущерб в следующих случаях:

- Повреждения продукта из-за механических воздействий и перенапряжений
- Изменения в продукте, выполненные без однозначного разрешения изготовителя
- Использование в целях, отличных от указанных в данной инструкции

2.1 Основные указания по технике безопасности



ПРЕДУПРЕЖДЕНИЕ!

- Используйте прибор только по назначению.
- Отсоединяйте устройство от сети
 - перед каждой очисткой и уходом
 - после каждого использования
 - перед заменой предохранителя
- Запрещается вводить устройство в работу, если оно или соединительный кабель имеют видимые повреждения.
- В случае повреждения питающего кабеля данного устройства оно – во избежание опасностей – должно быть заменено изготовителем, сервисным центром или имеющим аналогичную квалификацию персоналом.
- Ремонт данного устройства разрешается выполнять только специалистам. Неправильно выполненный ремонт может приводить к серьезным опасностям.

- Это устройство может использоваться детьми с 8-ми лет и старше, а также лицами с ограниченными физическими, сенсорными и умственными способностями или при недостатке необходимого опыта и знаний только под присмотром или после прохождения инструктажа по безопасному использованию устройства, если они понимают опасности, которые при этом могут возникнуть.
- **Электроприборы не являются детскими игрушками!**
Поэтому храните и используйте прибор в недоступном для детей месте.
- За детьми необходимо постоянно следить, чтобы не допускать их игры с устройством.



ВНИМАНИЕ!

- Перед вводом в эксплуатацию сравните значения напряжения, указанные на заводской табличке, с характеристиками имеющегося источника питания.
- Не вытаскивайте штекер из розетки за питающий кабель.
- Храните прибор в сухом, прохладном месте.

2.2 Техника безопасности при работе прибора

- Пользуйтесь прибором в автомобиле только при выключенном двигателе.
- **Не** эксплуатируйте прибор под открытым небом.
- Раз в месяц и после длительных перерывов в работе проверяйте работу прибору нажатием кнопки (рис. **8** 4, стр. 5).

3 Комплект поставки

№ на рис. 2 , стр. 3	Кол-во	Наименование	Арт. №
1	1	Сигнализатор газа	9600000368
2	1	Монтажная плата	
–	1	Крепежный материал	

4 Аксессуары/расширения

Наименование	Арт. №
Внешняя сирена	9101600008
Дополнительный выключатель	RV-AMP-SW

5 Использование по назначению

MagicSafe MSG150 (арт. № 9600000368) представляет собой сигнализатор газа, который распознает наркотические газы прежде, чем они начнут проявлять свое действие. MSG150 рассчитан на применение в автомобилях для распознавания наркотических газов на базе эфира, хлороформа, бутана, этана и трихлорэтилена.



УКАЗАНИЕ

Благодаря диапазону напряжения от 10 до 32 В $\overline{=}$ сигнализатор газа может использоваться как в грузовых, так и в легковых автомобилях.

6 Техническое описание

Сигнализатор газа MSG150 может быть применен в качестве универсального сигнального прибора для распознавания наркотических газов прежде, чем они начнут проявлять свое действие.

Сигнализатор газа имеет датчик, а также акустический сигнализатор, и присоединяется к источнику напряжения 12/24 В $\overline{=}$, например, к прикуривателю автомобиля.

Кроме того, сигнализатор газа имеет внутреннее реле, к которому можно, например, присоединить внешнюю сирену или сигнальную лампу.

Присоединительный зажим для присоединения к реле находится на задней стороне сигнализатора газа (рис. **3**, стр. 4).

№ на рис. 3 , стр. 4	Наименование
1	Релейный контакт 1
2	Релейный контакт 2

Сигнализатор газа можно использовать тремя способами:

- в качестве отдельного устройства
- в комбинации с внешней сиреной (арт. № 9101600008)
- в комбинации с системой сигнализации MagicSafe MS660 или DVS90

7 Монтаж MagicSafe MSG150

7.1 Требуемый инструмент

Для **монтажа** требуется следующий инструмент:

- Линейка (рис. **1** 1, стр. 3)
- Кернер (рис. **1** 2, стр. 3)
- Молоток (рис. **1** 3, стр. 3)
- Комплект сверл (рис. **1** 4, стр. 3)
- Дрель (рис. **1** 5, стр. 3)
- Отвертка (рис. **1** 6, стр. 3)

7.2 Монтаж сигнализатора газа

При выборе места монтажа сигнализатора газа соблюдайте следующие указания:

- Учитывайте длину кабеля.
- Сигнализатор газа рекомендуется устанавливать вблизи спальной зоны, на высоте матраса.

➤ Выберите подходящее место монтажа.



ВНИМАНИЕ!

Прежде, чем просверлить отверстия, убедитесь в том, что электрические кабели или другие детали автомобиля не будут повреждены вследствие сверления.

- Приложите монтажную плату к выбранному месту и разметьте два отверстия (рис. **5**, стр. 5).
- Привинтите монтажную плату двумя самонарезающими винтами (рис. **6**, стр. 5).
- Наденьте сигнализатор газа на монтажную плату (рис. **7**, стр. 5).
- Вставьте штекер сигнализатора газа в гнездо источника напряжения 12/24 В==.
- ✓ Зеленый светодиод на сигнализаторе газа (рис. **8** 1, стр. 5) мигает в течение около 10 минут. Датчик доводится до рабочей температуры. Когда зеленый светодиод начинает светиться непрерывным светом, это означает, что сигнализатор газа готов к работе.

8 Присоединение сигнализатора газа

8.1 В качестве отдельного устройства

Если сигнализатор газа используется в качестве отдельного устройства, то его можно включить

- или с помощью штекера 12/24 В \equiv ,
- или с помощью дополнительного выключатель RV-AMP-SW (аксессуар), если в спальном зоне отсутствует розетка с напряжением 12/24 В \equiv .

Присоединение сигнализатора газа с помощью штекера 12/24 В \equiv

- Вставьте штекер 12/24 В \equiv в розетку, которая проводит постоянный положительный полюс 12/24 В \equiv .

Эта розетка должна быть соединена с автомобильной аккумуляторной батареей.

- ✓ Звучит акустический сигнал, и зеленый светодиод (рис. 8 1, стр. 5) мигает около десяти минут.

В течение этого времени сигнализатор газа выполняет системный тест, и датчик доводится до рабочей температуры.

Присоединение датчика со стационарной проводкой

Если Вы хотите присоединить датчик со стационарной проводкой и включать его с помощью дополнительного выключателя RV-AMP-SW, то используйте схему соединений рис. 9, стр. 6.

- Отсоедините штекер 12/24 В \equiv от кабеля.
- Снимите около 10 см наружной изоляции с конца кабеля.
- Соедините черный, желтый и оранжевый кабель на корпус (зажим 31).
- Соедините красный провод с выходом дополнительного выключателя RV-AMP-SW.
- Соедините выход выключателя через предохранитель на 1 А с положительным полюсом батареи.

8.2 В комбинации с внешней сиреной (арт. № 9101600008)

Если Вы хотите присоединить сигнализатор газа в комбинации с внешней сиреной, то используйте схему соединений рис. 10, стр. 6.

Монтаж внешней сирены

Внешнюю сирену можно установить в подкапотном пространстве.

Выберите место монтажа так, чтобы оно

- **не** находилось в зоне попадания брызг
 - **не** находилось вблизи выпускного коллектора
 - **не** было доступно с нижней стороны, чтобы предотвратить вредительство извне
- Установите внешнюю сирену раструбом вниз.

Присоединение сигнальной sireны



УКАЗАНИЕ

Если в автомобиле в зоне монтажа не имеется провода с постоянным плюсом 12 В \equiv , то можно присоединить вход через предохранитель на 1 А к автомобильной батарее.

- ▶ Соедините черный кабель sireны на корпус (зажим 31).
- ▶ Соедините красный кабель sireны с релейным контактом 2 (рис. **3** 2, стр. 4).
- ▶ Соедините релейный контакт 1 (рис. **3** 1, стр. 4) с постоянным плюсом 12 В \equiv . Провод должен быть защищен предохранителем на силу тока 1 А.

8.3 В комбинации с системой сигнализации MS660 или DVS90

Если Вы хотите присоединить сигнализатор газа в комбинации с

- системой сигнализации MS660, то используйте схему соединений рис. **11**, стр. 7
- системой сигнализации DVS90, то используйте схему соединений рис. **12**, стр. 8



ВНИМАНИЕ!

Если Вы комбинируете MagicSafe MSG150 с системой сигнализации DVS90, то необходимо выполнить конфигурацию программного обеспечения системы сигнализации следующим образом:

- Установите выход 2.6 на «Статус активирован», а выход 2.5 – на «Размыкатель».

Сигнализатор газа с MS660

- ▶ Отсоедините штекер 12 В \equiv от кабеля.
- ▶ Снимите около 10 см наружной изоляции с конца кабеля.
- ▶ Соедините черный провод на корпус (зажим 31).
- ▶ Соедините желтый и оранжевый провод (рис. **11**, стр. 7) с белым проводом системы сигнализации (контакт 15, 15-контактный штекер).
- ▶ Соедините красный провод с постоянным плюсом 12 В \equiv . Провод должен быть защищен предохранителем на силу тока 1 А.
- ▶ Если сигнализатор газа должен быть включен как основной сигнал тревоги на внешнюю систему сигнализации MS660, то соедините
 - релейный контакт 1 (рис. **11**, стр. 7) на массу (зажим 31), а
 - релейный контакт 2 (рис. **11**, стр. 7) с серо-белым проводом (контакт 4, 9-контактный штекер) системы сигнализации.

Сигнализатор газа с DVS90

- Отсоедините штекер 12/24 В \equiv от кабеля.
- Снимите около 10 см наружной изоляции с конца кабеля.
- Соедините черный, желтый и оранжевый провод на корпус (зажим 31).
- Соедините красный провод с зелено-красным проводом (P2, контакт 6) (рис. 12, стр. 8). Провод должен быть защищен предохранителем на силу тока 1 А.
- Если сигнализатор газа должен быть включен как основной сигнал тревоги на внешнюю систему сигнализации DVS90, то соедините
 - релейный контакт 1 (рис. 12, стр. 8) на массу (зажим 31), а
 - релейный контакт 2 (рис. 12, стр. 8) с черно-серым проводом (P2, контакт 5) системы сигнализации.

9 Управление MagicSafe MSG150

Во избежание ложных срабатываний вследствие приготовления пищи, использования дезодорантов, курения, употребления спиртных напитков, перед тем, как лечь спать, следует хорошо проветрить автомобиль, а после этого включить сигнализатор газа.

№ на рис. 8, стр. 5	Наименование
1	Зеленый светодиод Зеленый светодиод мигает около 10 минут, после того, как сигнализатор газа был присоединен к источнику напряжения или выключен дополнительным выключателем RV-AMP-SW. В то время, как светодиод мигает, датчик доводится до рабочей температуры. Когда зеленый светодиод начинает светиться непрерывным светом, это означает, что сигнализатор газа готов к работе.
2	Оранжевый светодиод Оранжевый светодиод загорается при возникновении неисправности.
3	Красный светодиод (сигнализация) Красный светодиод мигает при срабатывании сигнализации. Дополнительно звучит сигнал сирены. (См. также гл. «Аварийная сигнализация» на стр. 146.)

№ на
рис. **8**,
стр. 5

Наименование

4

Кнопка

Это кнопка служит кнопкой проверки и выключателем звука.

Кнопка проверки

- ▶ Нажимайте эту кнопку раз в месяц или после длительных перерывов в работе, чтобы проверить функционирование.
- ✓ Мигают оранжевый и красный светодиоды, и звучит сигнал сирены.

Выключатель звука

- ▶ Нажмите эту кнопку, если Вы хотите отключить звук во время сигнализации.
- ✓ Красный светодиод продолжает мигать, и спустя 45 секунд звучит короткий сигнал. После этого система снова активируется.

Включение MSG150 в качестве отдельного устройства или в комбинации с внешней сиреной (арт. № 9101600008)

- ▶ Вставьте штекер 12/24 В \equiv в розетку или включите сигнализатор газа дополнительным выключателем RV-AMP-SW.
- ✓ Звучит акустический сигнал, и зеленый светодиод (рис. **8** 1, стр. 5) мигает около десяти минут.
В течение этого времени сигнализатор газа выполняет системный тест, и датчик доводится до рабочей температуры.

При срабатывании сигнализации звучит акустический сигнал внутренней сирены, и загорается красный светодиод (рис. **8** 3, стр. 5). Если присоединена внешняя сирена, то дополнительно звучит акустический сигнал внешней сирены.

- ▶ Для прерывания внутренней сигнализации нажмите кнопку (рис. **8** 4, стр. 5).

Включение MSG150 в комбинации с MS660 или DVS90

- ▶ Включите систему сигнализации MS660 или DVS90 обычным образом:
Нажмите на ее пульте дистанционного управления
 - нижнюю кнопку (MS660)
 - кнопку закрытия пульта дистанционного управления автомобилем или дополнительного пульта дистанционного управления (DVS90).
- ✓ Звучит акустический сигнал, и зеленый светодиод (рис. **8** 1, стр. 5) мигает около десяти минут.
В течение этого времени сигнализатор газа выполняет системный тест, и датчик доводится до рабочей температуры.

При срабатывании сигнализации звучит акустический сигнал внутренней сирены, и загорается красный светодиод (рис. 8 3, стр. 5). Внутреннее реле включает сигнал корпуса на вход сигнала внешней системы сигнализации. Внешняя система сигнализации незамедлительно активирует внешнюю тревогу с помощью указателей поворота и звукового сигнала автомобиля или сирены.

- Для прерывания внутренней сигнализации нажмите кнопку (рис. 8 4, стр. 5).
- Для деактивирования внешней системы сигнализации нажмите на ее пульте дистанционного управления
 - верхнюю кнопку (MS660)
 - кнопку открытия пульта дистанционного управления автомобилем или дополнительного пульта дистанционного управления (DVS90).

10 Аварийная сигнализация

При включении аварийной сигнализации соблюдайте следующий порядок действий:

- **Незамедлительно** установите причину срабатывания сигнализации.
- Потребуйте от детей и спящих людей покинуть автомобиль или катер.
- Незамедлительно откройте все окна и двери.
- Избегайте открытого огня и незамедлительно отключите горелки плиты.
- Отключите все газовые приборы.
- Избегайте образования искр (не нажимайте электрические выключатели).
- Устраните причину или покиньте автомобиль или катер.

Ложное срабатывание

В целях обеспечения безопасности сигнализатор газа имеет очень чувствительную настройку. Поэтому датчик срабатывает и на другие газообразные среды. Использование аэрозолей (например, газ-вытеснитель в аэрозольной упаковке), сильный табачный дым, сильные испарения спиртных напитков или пар при приготовлении пищи могут вызывать срабатывание сигнализации, хотя газ или наркотический газ отсутствуют.

11 Локализация неисправностей

Если прибор не готов к работе (не горит зеленый светодиод), то соблюдайте следующий порядок действий:

- Убедитесь в том, что напряжение питания составляет 12 или 24 В==.
- Если напряжение меньше или электропитание было прервано, то сигнализатор газа не работает.
- Проверьте предохранитель в штекере, если сигнализатор газа присоединен штекером 12/24 В==.

Проверка предохранителя в штекере 12/24 В==

Для защиты сигнализатора газа в штекере находится плавкий предохранитель.

Если тонкая металлическая перемычка в центре между обоими металлическими наконечниками разорвана, это означает, что предохранитель неисправен и должен быть заменен.



ВНИМАНИЕ!

В штекер должен быть установлен предохранитель только аналогичного типа. Повреждения, вызванные применением неподходящих предохранителей, исключены из гарантии и возмещения ущерба.

При замене предохранителя соблюдайте следующий порядок действий:

- Снимите компенсационную втулку (рис. 4 4, стр. 4) со штекера.
- Вывинтите винт (рис. 4 5, стр. 4) из верхней половины корпуса (рис. 4 1, стр. 4).
- Осторожно снимите верхнюю половину корпуса с нижней (рис. 4 6, стр. 4).
- Вытяните контактный штырь (рис. 4 3, стр. 4).
- Замените неисправный предохранитель (рис. 4 2, стр. 4) на новый с теми же параметрами.
- Соберите штекер в обратной последовательности.

12 Уход и очистка сигнализатора газа



ВНИМАНИЕ!

Не использовать для очистки острые или твердые предметы или чистящие средства, т. к. это может привести к повреждениям продукта.

- Периодически очищайте продукт влажной тряпкой.

13 Гарантия

Действителен установленный законом срок гарантии. Если продукт неисправен, обратитесь в представительство изготовителя в Вашей стране (адреса см. на оборотной стороне инструкции) или в торговую организацию.

В целях проведения ремонта или гарантийного обслуживания Вы должны также послать следующие документы:

- копию счета с датой покупки,
- причину рекламации или описание неисправности.

14 Утилизация

- По возможности, выкидывайте упаковочный материал в мусор, подлежащий вторичной переработке.



Если Вы окончательно выводите продукт из эксплуатации, то получите информацию в ближайшем центре по вторичной переработке или в торговой сети о соответствующих предписаниях по утилизации.

15 Технические данные

	MagicSafe MSG150
Арт. №:	9600000368
Размеры (Ш x В x Г):	80 x 156 x 51 мм
Диапазон входного напряжения:	10 В $\overline{\text{---}}$ – 32 В $\overline{\text{---}}$
Потребляемая мощность:	1,3 Вт
Рабочая температура:	от 0 °С до 40 °С
Громкость сигнала:	ок. 85 дБ на расстоянии 3 м
Класс защиты:	IP 20

Допуски



Przed instalacją i uruchomieniem urządzenia należy uważnie przeczytać niniejszą instrukcję. Instrukcję należy zachować. W razie przekazywania urządzenia należy ją udostępnić kolejnemu nabywcy.

Spis treści

1	Objaśnienie symboli	150
2	Wskazówki dotyczące bezpieczeństwa i montażu	150
3	W zestawie	151
4	Osprzęt	151
5	Użytkowanie zgodne z przeznaczeniem	152
6	Opis techniczny	152
7	Montaż MagicSafe MSG150	153
8	Podłączanie detektora gazu	154
9	Obsługa MagicSafe MSG150	156
10	Alarm	157
11	Wykrywanie usterek	158
12	Czyszczenie detektora gazu	159
13	Gwarancja	159
14	Utylizacja	159
15	Dane techniczne	160

1 Objąsnienie symboli



OSTRZEŻENIE!

Wskazówka dot. bezpieczeństwa: Nieprzestrzeganie może prowadzić do śmierci lub ciężkich obrażeń ciała.



OSTROŻNIE!

Wskazówka dot. bezpieczeństwa: Nieprzestrzeganie może prowadzić do obrażeń ciała.



UWAGA!

Nieprzestrzeganie może prowadzić do powstania szkód materialnych i zakłóceń w działaniu produktu.



WSKAZÓWKA

Informacje uzupełniające dot. obsługi produktu.

2 Wskazówki dotyczące bezpieczeństwa i montażu

Producent nie odpowiada za szkody spowodowane:

- uszkodzeniem produktu w sposób mechaniczny lub spowodowany przeciążeniami elektrycznymi
- zmianami dokonanymi w produkcie bez wyraźnej zgody producenta
- użytkowaniem w celach innych niż opisane w niniejszej instrukcji

2.1 Podstawowe zasady bezpieczeństwa



OSTRZEŻENIE!

- To urządzenie należy wykorzystywać zgodnie z jego przeznaczeniem.
- Urządzenie należy odłączyć od sieci
 - przed każdym czyszczeniem i konserwacją
 - po każdym użyciu,
 - przed wymianą bezpiecznika
- Jeżeli urządzenie lub kabel przyłączeniowy są w widoczny sposób uszkodzone, nie wolno używać danego urządzenia.
- Gdy przewód przyłączeniowy ulegnie uszkodzeniu, musi zostać wymieniony przez producenta, jego serwis lub podobnie wykwalifikowaną osobę, aby uniknąć zagrożenia.
- Napraw mogą dokonywać tylko odpowiednio wykwalifikowane osoby. Niefachowe naprawy mogą spowodować poważne niebezpieczeństwo.

- Dzieci od 8. roku życia i osoby o ograniczonych możliwościach fizycznych, sensorycznych lub intelektualnych oraz osoby niedysponujące stosowną wiedzą i doświadczeniem mogą użytkować to urządzenie jedynie pod nadzorem innej osoby bądź uzyskania od niej informacji dotyczących bezpiecznego użytkowania i wynikających z tego zagrożeń.
- **Urządzenia elektryczne nie są zabawkami dla dzieci!**
Urządzenie należy stosować i przechowywać poza zasięgiem dzieci.
- Należy dopilnować, aby dzieci nie bawiły się urządzeniem.



UWAGA!

- Przed uruchomieniem należy porównać dane dotyczące napięcia na tabliczce znamionowej z dostępnym źródłem zasilania.
- Wtyczki nie wolno nigdy wyciągać z gniazdka, ciągnąc za przewód przyłączeniowy.
- Urządzenie należy przechowywać w suchym i chłodnym miejscu.

2.2 Bezpieczeństwo podczas eksploatacji urządzenia

- Urządzenia można używać w pojazdach wyłącznie przy wyłączonym silniku.
- Urządzenia **nie wolno** używać na wolnym powietrzu.
- Raz w miesiącu i po dłuższym okresie nieużywania przetestować działanie urządzenia przez naciśnięcie przycisku (rys. 8 4, strona 5).

3 W zestawie

Nr na rys. 2, strona 3	Ilość	Nazwa	Nr produktu
1	1	Detektor gazu	9600000368
2	1	Płyta montażowa	
-	1	Materiał mocujący	

4 Osprzęt

Nazwa	Nr produktu
Syrena zewnętrzna	9101600008
Dodatkowy przełącznik	RV-AMP-SW

5 Użytkowanie zgodne z przeznaczeniem

MagicSafe MSG 150 (nr art. 9600000368) to detektor gazu, który wykrywa gazy odurzające przed osiągnięciem skutku ich działania. MSG 150 został skonstruowany do stosowania w pojazdach do wykrywania gazów odurzających, bazujących na eterze, chloroformie, butanie, etanie i trójchloro-etanie.



WSKAZÓWKA

Dzięki zakresowi napięcia od 10 do 32 V $\overline{=}$ ten detektor gazu nadaje się do stosowania zarówno w pojazdach osobowych, jak i w ciężarowych.

6 Opis techniczny

Detektor gazu MSG 150 może być używany jako urządzenie ostrzegające do rozpoznawania gazów odurzających przed osiągnięciem skutku ich działania.

Ten detektor gazu jest wyposażony w czujnik oraz nadajnik sygnałów akustycznych i jest podłączany do źródła napięcia 12/24 V $\overline{=}$, np do gniazda zapalniczki w pojazdach.

Oprócz tego ten detektor gazu posiada wewnętrzny przekaźnik, do którego można podłączyć syrenę zewnętrzną lub lampę alarmową.

Zacisk przyłączeniowy dla przekaźnika znajduje się na tylnej części detektora gazu (rys. 3, strona 4).

Nr na rys. 3, strona 4	Nazwa
1	Zestyk przekaźnika 1
2	Zestyk przekaźnika 2

Ten detektor gazu można używać na trzy sposoby:

- jako urządzenie pojedyncze
- w połączeniu z syreną alarmową (nr art. 9101600008)
- w połączeniu z instalacją alarmową MagicSafe MS660 lub DVS90

7 Montaż MagicSafe MSG150

7.1 Potrzebne narzędzia

Do montażu potrzebne są następujące narzędzia:

- Przymiar (rys. **1** 1, strona 3)
- Punktak (rys. **1** 2, strona 3)
- Młotek (rys. **1** 3, strona 3)
- Zestaw wiertel (rys. **1** 4, strona 3)
- Wiertarka (rys. **1** 5, strona 3)
- Śrubokręty (rys. **1** 6, strona 3)

7.2 Montaż detektora gazu

Przy wyborze miejsca montażu detektora gazu należy uwzględnić następujące wskazówki:

- Zwrócić uwagę na długość przewodu.
- Detektor gazu należy montować w pobliżu strefy sypialnej i na wysokości materaca.

► Należy wybrać odpowiednie miejsce montażu,



UWAGA!

Przed wykonaniem nawierceń upewnij się, czy nie spowoduje to uszkodzenie kabli elektrycznych lub innych części samochodu.

- Przyłóż płytę montażową do wybranego miejsca montażu i zaznaczyc oba punkty wiercenia (rys. **5**, strona 5).
- Przykręć płytę montażową dwiema śrubami do blachy (rys. **6**, strona 5).
- Nałóż detektor gazu na płytę montażową (rys. **7**, strona 5).
- Wetkną wtyk detektora gazu w gniazdo zasilania napięciem 12/24 V==.
- ✓ Zielona dioda LED na detektorze gazu (rys. **8** 1, strona 5) miga przez około 10 minut. Czujnik zostaje podgrzany do temperatury pracy.
Gdy zielona dioda LED świeci się stale, detektor gazu jest gotowy do pracy.

8 Podłączanie detektora gazu

8.1 Jako urządzenie pojedyncze

Gdy detektor gazu jest używany jako urządzenie pojedyncze, można go włączyć

- przez wtyczkę 12/24 V \equiv
- przez dostępny jako osprzęt dodatkowy przełącznik RV-AMP-SW, gdy w strefie sypialnej nie jest dostępne gniazdo 12/24 V \equiv .

Podłączanie detektora gazu przez wtyczkę 12/24 V \equiv

- Wetknąć wtyczkę 12/24 V \equiv w gniazdo, które przewodzi stały plus 12/24 V \equiv . To gniazdo powinno być podłączone do akumulatora pojazdu.
- ✓ Rozbrzmiewa sygnał akustyczny, a zielona dioda LED (rys. **8** 1, strona 5) miga przez około dziesięć minut.
W tym czasie detektor gazu przeprowadza test systemu, a czujnik jest rozgrzewany do poziomu temperatury pracy.

Podłączanie detektora gazu na stałe

W przypadku podłączania detektora gazu na stałe i włączania go przez dodatkowy przełącznik RV-AMP-SW, należy zastosować schemat ideowy rys. **9**, strona 6.

- Odłączyć wtyczkę 12/24 V \equiv od kabla.
- Następnie usunąć ok. 10 cm izolacji zewnętrznej z końcówki kabla.
- Połączyć czarny, żółty i pomarańczowy kabel z masą nadwozia (zacisk 31).
- Czerwony przewód połączyć z wyjściem dodatkowego przełącznika RV-AMP-SW.
- Wejście przełącznika połączyć przez bezpiecznik 1 A z zaciskiem plusa akumulatora.

8.2 W połączeniu z syreną alarmową (nr art. 9101600008)

W przypadku podłączania detektora gazu z syreną zewnętrzną zastosować schemat ideowy rys. **10**, strona 6.

Montaż syreny zewnętrznej

Syrenę zewnętrzną można zamontować w komorze silnika.

Należy pamiętać o tym, aby miejsce montażu

- **nie** znalazło się w obszarze wody rozpryskowej
 - **nie** znalazło się w pobliżu układu wydechowego
 - **nie** było dostępne od spodu pojazdu (niebezpieczeństwo manipulacji od zewnątrz)
- Zamontować syrenę zewnętrzną z tubą skierowaną do dołu.

Podłączanie syreny alarmowej



WSKAZÓWKA

Jeśli dany pojazd w obszarze montażu nie posiada przewodu stałego plusa 12 V₊, można wejście podłączyć także przez bezpiecznik 1 A do akumulatora pojazdu.

- Połączyć czarny kabel syreny z masą nadwozia (zacisk 31).
- Połączyć czerwony kabel syreny z zestykiem przekaźnika 2 (rys. 3 2, strona 4).
- Połączyć zestyk przekaźnika 1 (rys. 3 1, strona 4) ze stałym plusem 12 V₊. Przewód musi być zabezpieczony bezpiecznikiem 1 A.

8.3 W połączeniu z instalacją alarmową MS660 lub DVS90

Gdy detektor gazu ma zostać podłączony razem z

- instalacją alarmową MS660, zastosować schemat ideowy rys. 11, strona 7
- instalacją alarmową DVS90, zastosować schemat ideowy rys. 12, strona 8



UWAGA!

W przypadku kombinacji MagicSafe MSG150 z instalacją alarmową DVS90, należy w następujący sposób skonfigurować oprogramowanie instalacji alarmowej:

- Ustawić wyjście 2.6 na „status uzbrojony”, a wejście 2.5 na „wyzwalacz”.

Detektor gazu z MS660

- Odłączyć wtyczkę 12 V₊ od kabla.
- Następnie usunąć ok. 10 cm izolacji zewnętrznej z końcówki kabla.
- Podłączyć czarny przewód z masą nadwozia (zacisk 31).
- Połączyć żółty i pomarańczowy przewód (rys. 11, strona 7) z białym przewodem instalacji alarmowej (styk 15, 15-stykowa wtyczka).
- Połączyć czerwony przewód ze stałym plusem 12 V₊. Przewód musi być zabezpieczony bezpiecznikiem 1 A.
- Gdy detektor gazu ma być przełączany jako alarm główny na zewnętrzną instalację alarmową MS660, podłączyć
 - zestyk przekaźnika 1 (rys. 11, strona 7) do masy nadwozia (zacisk 31), a
 - zestyk przekaźnika 2 (rys. 11, strona 7) do szaro-białego przewodu (styk 4, 9-stykowa wtyczka) instalacji alarmowej.

Detektor gazu z DVS90

- Odłączyć wtyczkę 12/24 V₊ od kabla.
- Następnie usunąć ok. 10 cm izolacji zewnętrznej z końcówki kabla.
- Podłączyć czarny, żółty i pomarańczowy przewód z masą nadwozia (zacisk 31).
- Połączyć czerwony przewód z zielono-czerwonym przewodem (P2, styk 6) (rys. 12, strona 8). Przewód musi być zabezpieczony bezpiecznikiem 1 A.

- Gdy detektor gazu ma być przełączany jako alarm główny na zewnętrzną instalację alarmową DVS90, podłączyć
- zestyk przekaźnika 1 (rys. 12, strona 8) do masy nadwozia (zacisk 31), a
 - zestyk przekaźnika 2 (rys. 12, strona 8) do czarno-szarego przewodu (P2, styk 5) instalacji alarmowej.

9 Obsługa MagicSafe MSG150

Aby uniknąć błędnych alarmów, spowodowanych gotowaniem, używaniem dezodorantów, papierosów lub alkoholu, należy dobrze przewietrzyć pojazd przed pójściem spać i włączeniem detektora gazu.

Nr na rys. 8, strona 5	Nazwa
1	<p>Zielona dioda LED</p> <p>Zielona dioda LED miga przez ok. 10 minut po podłączeniu detektora gazu do napięcia lub po włączeniu go przez dodatkowym przełącznik RV-AMP-SW. Gdy miga dioda LED, czujnik jest nagrzewany do temperatury pracy. Gdy zielona dioda LED świeci się stale, detektor gazu jest gotowy do pracy.</p>
2	<p>Pomarańczowa dioda LED</p> <p>Pomarańczowa dioda LED świeci się w przypadku usterki.</p>
3	<p>Czerwona dioda LED (alarm)</p> <p>Czerwona dioda LED miga przy wyzwolonym alarmie. Dodatkowo rozbrzmiewa dźwięk syreny jako akustyczny sygnał alarmu. (Patrz też rozdz. „Alarm” na stronie 157.)</p>
4	<p>Przycisk</p> <p>Ten przycisk służy jako przycisk do testowania i wyłącznik dźwięku syreny.</p> <p>Przycisk do testowania</p> <ul style="list-style-type: none"> ➤ Ten przycisk należy nacisnąć jeden raz w miesiącu lub po dłuższym przestoju, aby sprawdzić działanie urządzenia. ✓ Pomarańczowa i czerwona dioda LED migają i rozbrzmiewa dźwięk syreny. <p>Wyłącznik dźwięku syreny</p> <ul style="list-style-type: none"> ➤ Nacisnąć ten przycisk, aby wyłączyć dźwięk syreny podczas alarmu. ✓ Czerwona dioda LED miga, a po 45 s rozbrzmiewa krótki sygnał dźwiękowy. Następnie alarm zostaje ponownie uzbrojony.

Włączanie MSG 150 jako urządzenia pojedynczego lub w kombinacji z syreną zewnętrzną (nr art. 9101600008)

- Wetknąć wtyczkę 12/24 V== do gniazdo lub włączyć detektor gazu przełącznikiem dodatkowym RV-AMP-SW.
- ✓ Rozbrzmiewa sygnał akustyczny, a zielona dioda LED (rys. 8 1, strona 5) miga przez około dziesięć minut.
W tym czasie detektor gazu przeprowadza test systemu, a czujnik jest rozgrzewany do poziomu temperatury pracy.

Po włączeniu się alarmu, wewnętrzna syrena wydaje sygnał akustyczny i zapala się czerwona dioda LED (rys. 8 3, strona 5). Gdy jest podłączona syrena zewnętrzna, dodatkowo rozbrzmiewa alarm akustyczny poprzez syrenę zewnętrzną.

- W celu przerwania alarmu wewnętrznego, należy nacisnąć przycisk (rys. 8 4, strona 5).

Włączanie MSG 150 w kombinacji z MS660 lub DVS90

- Włączyć instalację alarmową MS660 lub DVS90 w zwykły sposób:
Na pilocie nacisnąć
 - dolny przycisk (MS660)
 - przycisk uzbrajania nadajnika pojazdu lub dodatkowego nadajnika ręcznego (DVS90).
- ✓ Rozbrzmiewa sygnał akustyczny, a zielona dioda LED (rys. 8 1, strona 5) miga przez około dziesięć minut.
W tym czasie detektor gazu przeprowadza test systemu, a czujnik jest rozgrzewany do poziomu temperatury pracy.

Po włączeniu się alarmu, wewnętrzna syrena wydaje alarm akustyczny i zapala się czerwona dioda LED (rys. 8 3, strona 5). Wewnętrzny przełącznik przełącza sygnał masy na wejście alarmu zewnętrznej instalacji alarmowej. Zewnętrzna instalacja alarmowa wyzwała bezpośrednio alarm zewnętrzny poprzez kierunkowskazy pojazdu i klakson pojazdu lub syrenę.

- W celu przerwania alarmu wewnętrznego, należy nacisnąć przycisk (rys. 8 4, strona 5).
- W celu wyłączenia zewnętrznej instalacji alarmowej, nacisnąć na pilocie
 - górny przycisk (MS660)
 - przycisk rozbrajania nadajnika pojazdu lub dodatkowego nadajnika ręcznego (DVS90).

10 Alarm

W razie alarmu wykonać następujące czynności:

- **Natychmiast** ustalić przyczynę alarmu.
- Wyprowadzić z pojazdu lub łodzi dzieci i śpiące osoby.
- Niezwłocznie otworzyć wszystkie okna i drzwi.
- Unikać stosowania otwartego ognia i natychmiast zamknąć włączone palniki/elementy grzejne.
- Wyłączyć wszystkie urządzenia zasilane gazem.
- Unikać wytwarzania iskier (nie uruchamiać żadnych przełączników elektrycznych).
- Usunąć przyczynę lub opuścić pojazd albo łódź.

Falszywy alarm

Detektor gazu dla bezpieczeństwa użytkowników został ustawiony na bardzo czułym poziomie. Dlatego czujnik reaguje także na inne gazy. Aerosole, ale także i dym tytoniowy, silne opary alkoholu lub para, powstająca podczas gotowania, mogą powodować wyzwolenie alarmu, pomimo braku gazu lub gazu odurzającego.

11 Wykrywanie usterek

Gdy urządzenie nie jest gotowe do pracy (nie świeci się zielona dioda LED), wykonać następujące czynności:

- ▶ Upewnić się, czy napięcie zasilające wynosi 12 lub 24 V $\overline{=}$.
Gdy napięcie jest mniejsze lub został przerwany dopływ napięcia, detektor gazu nie działa.
- ▶ Sprawdzić bezpiecznik we wtyczce, gdy detektor gazu jest podłączony przez wtyczkę 12/24 V $\overline{=}$.

Sprawdzanie bezpiecznika we wtyczce 12/24 V $\overline{=}$

W końcówce wtyczki znajduje się bezpiecznik topikowy, chroniący detektor gazu przed przeciążeniem.

Jeżeli wąski pasek metalowy między obydwoma kołpakami jest przerwany, oznacza to, że bezpiecznik jest uszkodzony i należy go wymienić.



UWAGA!

Zwracać uwagę, aby we wtyczce zamontować wyłącznie ten sam typ bezpiecznika. Uszkodzenia urządzenia, spowodowane zastosowaniem nieprawidłowego bezpiecznika, są wyłączone z zakresu gwarancji i wymiany części zamiennych.

W celu wymiany bezpiecznika postępować w następujący sposób:

- ▶ Zdjąć tulejkę kompensacyjną (rys. **4** 4, strona 4) z wtyczki.
- ▶ Wykręcić śrubę (rys. **4** 5, strona 4) z górnej części obudowy (rys. **4** 1, strona 4).
- ▶ Ostrożnie zdjąć górną część obudowy z dolnej (rys. **4** 6, strona 4).
- ▶ Wyjąć kołek wtykowy (rys. **4** 3, strona 4).
- ▶ Wymienić wadliwy bezpiecznik (rys. **4** 2, strona 4) na nowy o tej samej wartości.
- ▶ Złożyć wtyczkę w odwrotnej do podanej powyżej kolejności.

12 Czyszczenie detektora gazu



UWAGA!

Do czyszczenia nie należy używać ostrych i twardych środków czyszczących; mogą one uszkodzić produkt.

- ▶ Od czasu do czasu należy czyścić produkt wilgotną ściereczką.

13 Gwarancja

Warunki gwarancji zostały opisane w Karcie Gwarancyjnej dołączonej do produktu.

W celu naprawy lub rozpatrzenia gwarancji konieczne jest przesłanie:

- kopii rachunku z datą zakupu,
- informacji o przyczynie reklamacji lub opisu wady.

14 Utylizacja

- ▶ Opakowanie należy wyrzucić do odpowiedniego pojemnika na śmieci do recyklingu.



Jeżeli produkt nie będzie dłużej eksploatowany, konieczne dowiedz się w najbliższym zakładzie recyklingu lub w specjalistycznym sklepie, jakie są aktualnie obowiązujące przepisy dotyczące utylizacji.

15 Dane techniczne

	MagicSafe MSG150
Numer produktu:	9600000368
Wymiary (S x W x G):	80 x 156 x 51 mm
Zakres napięcia wejściowego:	10 V $\overline{=}$ do 32 V $\overline{=}$
Pobór mocy:	1,3 W
Temperatura robocza:	0 °C do +40 °C
Głośność sygnału:	ok. 85 dB w odległości 3 m
Stopień ochrony:	IP 20

Atesty

Pred montážou a uvedením do prevádzky si prosím pozorne prečítajte tento návod a odložte si ho. V prípade odovzdania výrobku ďalšiemu používateľovi mu odovzdajte aj tento návod.

Obsah

1	Vysvetlenie symbolov	162
2	Bezpečnostné a inštalačné pokyny	162
3	Rozsah dodávky	163
4	Príslušenstvo/rozšírenia	163
5	Použitie podľa určenia	164
6	Technický popis	164
7	MagicSafe MSG150 montáž	165
8	Pripojenie plynového alarmu	166
9	MagicSafe MSG150 obsluha	168
10	Alarm	169
11	Hľadanie chýb	170
12	Údržba a čistenie plynového alarmu	170
13	Záruka	171
14	Likvidácia	171
15	Technické údaje	171

1 Vysvetlenie symbolov



VÝSTRAHA!

Bezpečnostný pokyn: Nerešpektovanie môže viesť k smrti alebo k ťažkému zraneniu.



UPOZORNENIE!

Bezpečnostný pokyn: Nerešpektovanie môže viesť k zraneniam.



POZOR!

Nerešpektovanie môže viesť k materiálnym škodám a môže ovplyvniť funkciu zariadenia.



POZNÁMKA

Doplňujúce informácie k obsluhu výrobku.

2 Bezpečnostné a inštaláčne pokyny

Výrobca v nasledujúcich prípadoch nepreberá za škody žiadnu záruku:

- Poškodenia produktu mechanickými vplyvmi a prepätiami
- Zmeny produktu bez vyjadreného povolenia výrobcu
- Použitie na iné účely ako sú účely uvedené v návode

2.1 Základy bezpečnosti



VÝSTRAHA!

- Prístroj používajte len v súlade s jeho určeným používaním.
- Odpojte prístroj od siete
 - pred každým čistením a ošetrovaním,
 - po každom použití.
 - po výmene poistky
- Keď prístroj alebo pripojovací kábel vykazuje viditeľné poškodenia, nesmiete prístroj uvádzať do prevádzky.
- Keď je prípojný kábel tohto prístroja poškodený, musí ho vymeniť výrobca, jeho zákaznicky servis alebo iná kvalifikovaná osoba, aby sa predišlo ohrozeniam.
- Opravy na tomto prístroji smú vykonávať len odborníci. Neodbornými opravami môžu vzniknúť značné nebezpečenstvá.
- Prístroj smú používať deti od 8 rokov a osoby so zníženými psychickými, zmyslovými alebo mentálnymi schopnosťami a vedomosťami, keď sú pod dozorom alebo keď boli poučené o bezpečnom používaní prístroja a keď chápu, aké riziká z toho vyplývajú.

- **Elektrické zariadenia nie sú detské hračky!**

Prístroj používajte mimo dosahu detí.

- Dohliadnite na to, aby sa deti nehrali s prístrojom.



POZOR!

- Pred uvedením prístroja do prevádzky porovnajte údaje o napätí na typovom štítku s existujúcim zdrojom napätia.
- Zástrčku pri vyťahovaní zo zásuvky nikdy neťahajte za pripojovací kábel.
- Prístroj uskladňujte na suchom a chladnom mieste.

2.2 Bezpečnosť pri prevádzke zariadenia

- Prístroj používajte vo vozidlách výlučne pri vypnutom motore.
- Prístroj **neprevádzkujte** v exteriéri.
- Raz mesačne a po dlhšom odstavení odskúšajte funkciu prístroja stlačením tlačidla (obr. 8 4, strane 5).

3 Rozsah dodávky

Č. v obr. 2, strane 3	Množstvo	Označenie	Tov. č.
1	1	Plynový alarm	9600000368
2	1	Montážna platňa	
-	1	Upevňovací materiál	

4 Príslušenstvo/rozšírenia

Označenie	Tov. č.
Vonkajšia siréna	9101600008
Prídavný spínač	RV-AMP-SW

5 Použitie podľa určenia

MagicSafe MSG150 (tov. č. 9600000368) je plynový alarm, ktorý rozpoznáva narkoticky pôsobiacie plyny predtým, ako dosiahnu svoj účinok. MSG150 je koncipovaný na použitie vo vozidlách, aby rozpoznával narkoticky pôsobiacie plyny, ktoré sú založené na éteri, chloroforme, butáne, etáne a trichlóreténe.



POZNÁMKA

Vďaka rozsahu napätia od 10 do 32 V $\overline{=}$ je plynový alarm vhodný tak na použitie v osobných, ako aj v nákladných vozidlách.

6 Technický popis

Plynový alarm MSG150 sa dá všestranne použiť ako výstražný prístroj, ktorý rozpoznáva narkoticky pôsobiacie plyny predtým, ako dosiahnu svoj účinok.

Plynový alarm obsahuje senzor, ako aj akustický signalizátor a pripája sa na zdroj napätia 12/24 V $\overline{=}$, napr. do zapalovača cigariet vo vozidlách.

Okrem toho obsahuje plynový alarm interné relé, ku ktorému sa dá pripojiť, napr. vonkajšia siréna alebo signalizačná lampka.

Pripojovacia svorka pre pripojenie relé sa nachádza na zadnej strane plynového alarmu (obr. 3, strane 4).

Č. v obr. 3, strane 4	Označenie
1	Kontakt relé 1
2	Kontakt relé 2

Plynový alarm môžete použiť tromi spôsobmi:

- ako samostatný prístroj
- v kombinácii s vonkajšou sirénou (tov. č. 9101600008)
- v kombinácii s alarmom MagicSafe MS660 alebo DVS90

7 MagicSafe MSG150 montáž

7.1 Potrebné náradie

Pre **montáž** budete potrebovať nasledujúce nástroje:

- Meradlo (obr. **1** 1, strane 3)
- Jamkovač (obr. **1** 2, strane 3)
- Kladivo (obr. **1** 3, strane 3)
- Súprava vrtákov (obr. **1** 4, strane 3)
- Vrtáčka (obr. **1** 5, strane 3)
- Skrutkovač (obr. **1** 6, strane 3)

7.2 Montáž plynového alarmu

Pri výbere miesta montáže plynového alarmu zohľadnite nasledujúce upozornenia:

- Rešpektujte dĺžku kábla.
- Plynový alarm by sa mal montovať v blízkosti spacej časti a vo výške matracu.

► Zvoľte vhodné miesto montáže.



POZOR!

Pred navŕtaním otvorov sa uistite, že sa vŕtaním nepoškodí žiadne elektrické káble alebo iné časti.

- Montážnu dosku podržte na zvolenom mieste montáže a označte si obe miesta vŕtania (obr. **5**, strane 5).
- Priskrutkujte montážnu platňu s oboma skrutkami (obr. **6**, strane 5).
- Nasuňte plynový alarm na montážnu platňu (obr. **7**, strane 5).
- Zasuňte konektor plynového alarmu do konektora vášho napájania 12/24 V $\overline{=}$.
- ✓ Zelená LED na plynovom alarme (obr. **8** 1, strane 5) bliká približne 10 min. Senzor sa uvedie na prevádzkovú teplotu.
Keď zelená LED trvalo svieti, je plynový alarm pripravený na prevádzku.

8 Pripojenie plynového alarmu

8.1 Ako samostatný prístroj

Keď plynový alarm používate ako samostatný prístroj, môžete ho buď

- zapnúť cez konektor 12/24-V \equiv
- zapnúť cez doplnkový spínač RV-AMP-SW (príslušenstvo), ktorý je dostupný ako príslušenstvo, keď v spacej časti nie je k dispozícii žiadna zásuvka 12/24 V \equiv .

Pripojenie plynového alarmu prostredníctvom konektora 12/24 V \equiv

- Pripojte konektor 12/24 V \equiv do zásuvky, ktorá vedie 12/24 V \equiv trvalý kladný pól. Táto zásuvka by mala byť spojená s batériou vozidla.
- ✓ Zaznie akustický signál a zelená LED (obr. **8** 1, strane 5) bliká približne desať minút. Počas tohto času vykoná plynový alarm systémový test a senzor sa zohreje na prevádzkovú teplotu.

Pripojenie plynového alarmu pevným drôtovým spojením

Keď plynový alarm pripojíte pevným drôtovým spojením a budete ho chcieť zapnúť prostredníctvom prídavného spínača RV-AMP-SW, použite schému zapojenia obr. **9**, strane 6.

- Odpojte 12/24 V \equiv konektor od kábla.
- Odstráňte cca 10 cm vonkajšej izolácie na konci kábla.
- Spojte vždy čierny, žltý a oranžový kábel s kostrou karosérie (svorka 31).
- Spojte červené vedenie s výstupom prídavného spínača RV-AMP-SW.
- Spojte vstup spínača cez poistku 1 A s kladným pólom batérie.

8.2 V kombinácii s vonkajšou sirénou (tov. č. 9101600008)

Keď chcete pripojiť plynový alarm v kombinácii s vonkajšou sirénou, použite schému zapojenia obr. **10**, strane 6.

Montáž vonkajšej sirény

Vonkajšiu sirénu môžete namontovať do motorového priestoru.

Pri montáži dbajte na to, aby miesto montáže

- **neležalo** v oblasti odstrekujúcej vody
 - **neležalo** v blízkosti výfuku
 - **nebolo** dostupné z dolnej strany, aby ste zabránili sabotáži z vonkajšej strany
- Vonkajšiu sirénu montujte so zvukovým lievikom smerom nadol.

Zapojenie poplachovej sirény



POZNÁMKA

Ak vaše vozidlo nemá v montážnej oblasti žiadne 12 V \equiv trvalé vedenie kladného pólu, môžete vstup pripojiť aj cez poistku 1 A k batérii vozidla.

- Spojte čierny kábel sirény s ukostrením karosérie (svorka 31).
- Spojte červený kábel sirény s kontaktom relé 2 (obr. **3** 2, strane 4).
- Spojte kontakt relé 1 (obr. **3** 1, strane 4) s 12 V \equiv trvalým kladným pólom. Vedenie musí byť zaistené poistkou 1 A.

8.3 V kombinácii s alarmom MS660 alebo DVS90

Keď plynový alarm chcete

- pripojiť v kombinácii s alarmom MS660, použite schému zapojenia obr. **11**, strane 7
- pripojiť v kombinácii s alarmom DVS90, použite schému zapojenia obr. **12**, strane 8



POZOR!

Keď MagicSafe MSG150 skombinujete s alarmom DVS90, musíte softvér alarmu nakonfigurovať nasledovne:

- Výstup 2.6 nastavte na „Status-Scharf“ a vstup 2.5 na „Auslöser“.

Plynový alarm MS660

- Odpojte 12 V \equiv konektor od kábla.
- Odstráňte cca 10 cm vonkajšej izolácie na konci kábla.
- Spojte čierne vedenie s ukostrením karosérie (svorka 31).
- Spojte žlté a oranžové vedenie (obr. **11**, strane 7) s bielym vedením alarmu (kolík 15, 15-pólový konektor).
- Spojte červené vedenie s 12 V \equiv trvalým kladným pólom. Vedenie musí byť zaistené poistkou 1 A.
- Ak sa má plynový alarm pripojiť ako hlavný alarm na externý alarm MS660, pripojte
 - kontakt relé 1 (obr. **11**, strane 7) k ukostreniu karosérie (svorka 31) a
 - kontakt relé 2 (obr. **11**, strane 7) k šedému/bielemu vedeniu (kolík 4, 9-pólový konektor) alarmu.

Plynový alarm DVS90

- Odpojte 12/24 V \equiv konektor od kábla.
- Odstráňte cca 10 cm vonkajšej izolácie na konci kábla.
- Spojte čierne, žlté a oranžové vedenie s ukostrením karosérie (svorka 31).
- Spojte červené vedenie so zeleným/červeným vedením (P2, kolík 6) (obr. **12**, strane 8). Vedenie musí byť zaistené poistkou 1 A.
- Ak sa má plynový alarm pripojiť aj ako hlavný alarm na externý alarm DVS90, pripojte
 - kontakt relé 1 (obr. **12**, strane 8) k ukostreniu karosérie (svorka 31) a
 - kontakt relé 2 (obr. **12**, strane 8) k čiernemu/šedému vedeniu (P2, kolík 5) alarmu.

9 MagicSafe MSG150 obsluha

Aby sa predišlo falošným alarmom spôsobeným varením, silným tabakovým alebo alkoholovým zápachom, mali by ste vozidlo pred spaním dobre vyvetrať a plynový alarm zapnúť až potom.

Č. v obr. 8 , strane 5	Označenie
1	<p>Zelená LED dióda Zelená LED bliká približne 10 min. potom, ako sa plynový alarm pripojí k zdroju napätia alebo sa zapne prostredníctvom prídavného spínača RV-AMP-SW. Keď LED bliká, senzor sa zahrieva na prevádzkovú teplotu. Keď zelená LED trvalo svieti, je plynový alarm pripravený na prevádzku.</p>
2	<p>Oranžová LED Oranžová LED svieti, keď sa vyskytla chyba.</p>
3	<p>Červená LED (alarm) Červená LED bliká, keď sa aktivoval alarm. Okrem toho zaznie tón sirény ako akustický signál alarmu. (pozri aj kap. „Alarm“ na strane 169.)</p>
4	<p>Tlačidlo Toto tlačidlo slúži ako testovacie tlačidlo a ako tlačidlo stíšenia.</p> <p>Testovacie tlačidlo</p> <ul style="list-style-type: none"> ➤ Stlačte toto tlačidlo raz mesačne alebo po dlhšom čase odstavenia, aby ste skontrolovali funkciu. ✓ Oranžová a červená LED blikajú a zaznie tón sirény. <p>Tlačidlo stíšenia</p> <ul style="list-style-type: none"> ➤ Stlačte tlačidlo, keď chcete odstaviť signálny tón počas alarmu. ✓ Červená LED ďalej bliká a po 45 sekundách zaznie krátky signálny tón. Následne sa zariadenie opäť aktivuje.

Zapnutie MSG150 ako samostatného prístroja alebo v kombinácii s vonkajšou sirénou (tov. č. 9101600008)

- Pripojte 12/24 V $\overline{\text{---}}$ konektor do zásuvky alebo zapnite plynový alarm prostredníctvom prídavného spínača RV-AMP-SW.
- ✓ Zaznie akustický signál a zelená LED (obr. **8** 1, strane 5) bliká približne desať minút. Počas tohto času vykoná plynový alarm systémový test a senzor sa zohreje na prevádzkovú teplotu.

Keď sa vyskytne alarm, zaznie akustický signál cez vnútornú sirénu a červená LED (obr. **8** 3, strane 5) sa rozsvieti. Ak je vonkajšia siréna pripojená, zaznie okrem toho aj akustický alarm cez vonkajšiu sirénu.

- Aby ste interný alarm prerušili, stlačte tlačidlo (obr. **8** 4, strane 5).

Zapnutie MSG 150 v kombinácii s MS660 alebo DVS90

- ▶ Alarm MS660 alebo DVS90 zapnite ako obvykle:
Na jeho diaľkovom ovládaní stlačte
 - spodné tlačidlo (MS660)
 - tlačidlo zatvorenia na diaľkovom ovládaní vozidla, resp. doplnkovom diaľkovom ovládaní (DVS90).
- ✓ Zaznie akustický signál a zelená LED (obr. 8 1, strane 5) bliká približne desať minút.
Počas tohto času vykoná plynový alarm systémový test a senzor sa zohreje na prevádzkovú teplotu.

Keď sa vyskytne alarm, zaznie akustický signál cez vnútornú sirénu a červená LED (obr. 8 3, strane 5) sa rozsvieti. Interné relé prepne signál ukostrenia na vstup alarmu externého alarmu. Externý alarm bezprostredne aktivuje vonkajší alarm prostredníctvom smeroviek vozidla a klaksónu vozidla alebo sirény.

- ▶ Aby ste interný alarm prerušili, stlačte tlačidlo (obr. 8 4, strane 5).
- ▶ Na deaktivovanie externého alarmu stlačte na jeho diaľkovom ovládaní
 - horné tlačidlo (MS660)
 - tlačidlo otvorenia na diaľkovom ovládaní vozidla, resp. doplnkovom diaľkovom ovládaní (DVS90).

10 Alarm

V prípade signalizácie alarmu postupujte nasledovne:

- ▶ **Okamžite** zistite príčinu alarmu.
- ▶ Prikážte deťom a spiacim osobám, aby opustili vozidlo alebo loď.
- ▶ Bezodkladne otvorte všetky okná a dvere.
- ▶ Vyhýbajte sa otvorenému ohňu a miesta s otvoreným ohňom ihneď uhasťe.
- ▶ Odstavte všetky prístroje poháňané plynom.
- ▶ Vyhýbajte sa tvorbe iskier (nestláčajte žiadne elektrické spínače).
- ▶ Odstráňte príčinu alebo opustite vozidlo alebo loď.

Falošný alarm

Plynový alarm je pre vašu bezpečnosť nastavený veľmi citlivo. Preto senzor aktivuje alarm aj v prípade iných plyných médií. Použitie aerosólov (napr. hnací plyn v sprejoch), ale aj hustý tabakový dym, silné alkoholové výpary alebo výpary pri varení môžu vyvolať alarm aj v prípade, že nie je prítomný žiadny plyn alebo omračujúci plyn.

11 Hľadanie chýb

Keď prístroj nie je pripravený na prevádzku (zelená LED nesvieti), postupujte nasledovne:

- Uistite sa, že prívodné napätie činí 12 alebo 24 V $\overline{=}$.
- Keď je napätie nižšie alebo sa prívod napätia prerušil, plynový alarm nefunguje.
- Skontrolujte poistku v konektore, ak je plynový alarm pripojený cez konektor 12/24 V $\overline{=}$.

Kontrola poistky v konektore 12/24 V $\overline{=}$

V hrote konektora sa nachádza tavná poistka určená na ochranu plynového alarmu.

Keď sa tenký kovový spoj v strede medzi kovovými hlavičkami preruší, vtedy je poistka poškodená a musí sa vymeniť.



POZOR!

Dbajte na to, aby ste v konektore použili vždy rovnaký typ poistky. Poškodenia prístroja, ktoré vzniknú vložением nesprávnej poistky, sú vylúčené z akejkoľvek záruky.

Pri výmene poistky postupujte nasledovne:

- Stiahnite kompenzačnú objímku (obr. 4 4, strane 4) z konektora.
- Vyskrutkujte skrutku (obr. 4 5, strane 4) z hornej polovice telesa (obr. 4 1, strane 4).
- Opatrne zdvihnite hornú polovicu telesa od spodnej (obr. 4 6, strane 4).
- Vytiahnite kontaktný kolík (obr. 4 3, strane 4).
- Vymeňte poškodenú poistku (obr. 4 2, strane 4) za novú poistku s rovnakou hodnotou.
- Zložte konektor naspäť v opačnom poradí.

12 Údržba a čistenie plynového alarmu



POZOR!

Na čistenie nepoužívajte ostré alebo tvrdé predmety, pretože by mohli poškodiť výrobok.

- Výrobok príležitostne vyčistite mierne navlhčenou handričkou.

13 Záruka

Platí zákonom stanovená záručná lehota. Ak by bol výrobok chybný, obráťte sa na pobočku vo vašej krajine (adresy pozri na zadnej strane návodu) alebo na vášho špecializovaného predajcu.

Ak žiadate o vybavenie opravy alebo nárokov vyplývajúcich zo záruky, musíte priložiť nasledovné podklady:

- kópiu faktúry s dátumom kúpy,
- dôvod reklamácie alebo opis chyby.

14 Likvidácia

► Obalový materiál podľa možnosti odovzdajte do príslušného odpadu na recykláciu.



Keď výrobok definitívne vyradíte z prevádzky, informujte sa v najbližšom recyklačnom stredisku alebo u vášho špecializovaného predajcu o príslušných predpisoch týkajúcich sa likvidácie.

15 Technické údaje

MagicSafe MSG150	
Tovarové číslo:	9600000368
Rozmery (ŠxVxH):	80 x 156 x 51 mm
Rozsah vstupného napätia:	10 V $\overline{=}$ až 32 V $\overline{=}$
Príkon:	1,3 W
Prevádzková teplota:	0 °C až +40 °C
Síla signálu:	cca 85 dB vo vzdialenosti 3 m
Trieda ochrany:	IP 20

Povolenia



Před zahájením instalace a uvedením do provozu si pečlivě přečtěte tento návod a uschovejte jej. V případě dalšího prodeje výrobku předejte návod novému uživateli.

Obsah

1	Vysvětlení symbolů	172
2	Bezpečnostní pokyny a pokyny k instalaci	173
3	Rozsah dodávky	174
4	Příslušenství/rozšíření	174
5	Použití v souladu s určením	174
6	Technický popis	175
7	MagicSafe MSG150 montáž	175
8	Připojení plynového hlásiče	176
9	MagicSafe MSG150 obsluha	179
10	Poplach	180
11	Vyhledávání závad	181
12	Čištění a péče o plynový hlásič	181
13	Záruka	182
14	Likvidace	182
15	Technické údaje	182

1 Vysvětlení symbolů



VÝSTRAHA!

Bezpečnostní pokyny: Následkem nedodržení pokynů mohou být smrtelná nebo vážná zranění.



UPOZORNĚNÍ!

Bezpečnostní pokyny: Následkem nedodržení mohou být úrazy.



POZOR!

Nedodržení pokynů může mít za následek hmotné škody a narušení funkce výrobku.



POZNÁMKA

Doplňující informace týkající se obsluhy výrobku.

2 Bezpečnostní pokyny a pokyny k instalaci

V následujících případech nepřebírá výrobce žádné záruky za škody:

- Poškození výrobku působením mechanických vlivů a přepětí
- Změna výrobku bez výslovného souhlasu výrobce
- Použití k jiným účelům, než jsou popsány v tomto návodu

2.1 Základní bezpečnost



VÝSTRAHA!

- Používejte přístroj pouze v souladu s jeho určením.
- Přístroj odpojte od sítě:
 - Před každým čištěním a údržbou
 - Po každém použití
 - Před výměnou pojistek
- V případě, že jsou přístroj nebo přírodní kabel poškozeny, nesmíte výrobek dále používat.
- Pokud je přírodní kabel přístroje poškozen, musíte jej nechat vyměnit výrobcem, jeho servisním centrem nebo jinou kvalifikovanou osobou tak, aby nemohlo dojít k žádnému ohrožení.
- Opravy tohoto výrobku smějí provádět pouze odborníci. Nesprávně provedené opravy mohou být zdrojem značných rizik.
- Tento přístroj mohou používat děti od 8 let a osoby se sníženými fyzickými, smyslovými nebo duševními schopnostmi, nebo osoby s nedostatkem zkušeností a znalostí, pokud budou pod dozorem, nebo pokud byly poučeny o bezpečném použití přístroje a rozumějí nebezpečím, které z použití výrobku vyplývají.
- **Elektrické přístroje nejsou hračky pro děti!**
Přístroj používejte a skladujte mimo dosah dětí.
- Děti musejí být pod dohledem tak, aby si s výrobkem nehrály.



POZOR!

- Před uvedením do provozu porovnejte údaj o napětí na typovém štítku se stávajícím zdrojem napájení.
- Nikdy nevytahujte zástrčku ze zásuvky tahem za přírodní kabel.
- Přístroj skladujte na suchém a chladném místě.

2.2 Bezpečnost za provozu přístroje

- Používejte přístroj ve vozidlech pouze po vypnutí motoru.
- **Nikdy** nepoužívejte přístroj venku.
- Jednou za měsíc a po delší odstavce vyzkoušejte funkci přístroje stisknutím tlačítka (obr. **8** 4, strana 5).

3 Rozsah dodávky

Č. na obr. 2, strana 3	Množství	Název	Č. výrobku
1	1	Hlásič plynu	9600000368
2	1	Montážní deska	
-	1	Upevňovací materiál	

4 Příslušenství/rozšíření

Název	Č. výrobku
Vnější akustická signalizace	9101600008
Přídavný spínač	RV-AMP-SW

5 Použití v souladu s určením

MagicSafe MSG 150 (výr. č. 9600000368) je plynový hlásič, který rozpoznává plyny s narkotizujícími účinky dříve než dosáhnou účinné koncentrace. Zařízení MSG 150 je koncipováno k použití ve vozidlech, aby rozpoznalo plyny s narkotizujícími účinky založené na éteru, chloroformu, butanu, etanu a trichlorethylenu.



POZNÁMKA

Díky rozsahu napětí 10 až 32 V $\overline{\text{=}}$ je plynový hlásič vhodný k použití v osobních i nákladních automobilech.

6 Technický popis

Plynový hlásič MSG 150 má všestranné použití jako výstražné zařízení k identifikaci plynů s narkotizujícími účinky dříve než dosáhnou účinné koncentrace.

Plynový hlásič obsahuje snímač a akustickou signalizaci a je připojen ke zdroji napětí 12/24 V $\overline{=}$, např. k zapalovači cigaret ve vozidlech.

Kromě toho obsahuje plynový hlásič interní relé, ke kterému může být připojena např. externí akustická signalizace nebo signalizační kontrolka.

Připojovací svorka reléové přípojky je umístěna na zadní straně plynového hlásiče (obr. 3, strana 4).

Č. na obr. 3, strana 4	Název
1	Reléový kontakt 1
2	Reléový kontakt 2

Plynový hlásič můžete používat třemi způsoby:

- samostatný přístroj
- kombinace s vnější akustickou signalizací (výr. č. 9101600008)
- kombinace s poplašným zařízením MagicSafe MS660 nebo DVS90

7 MagicSafe MSG150 montáž

7.1 Potřebné nástroje

K **montáži** potřebujete následující nástroje:

- Měřidlo (obr. 1 1, strana 3)
- Důlčík (obr. 1 2, strana 3)
- Kladivo (obr. 1 3, strana 3)
- Sada vrtáků (obr. 1 4, strana 3)
- Vrtačka (obr. 1 5, strana 3)
- Šroubovák (obr. 1 6, strana 3)

7.2 Montáž plynového hlásiče

Při výběru místa montáže plynového hlásiče dodržujte následující pokyny:

- Pamatujte na délku kabelu.
 - Plynový hlásič instalujte v blízkosti prostoru na spaní a do výšky matrace.
- Vyberte vhodné místo instalace.



POZOR!

Dříve než vyvrtáte otvory zkontrolujte, zda nebudou vrtáním poškozeny elektrické kabely nebo jiné součásti.

- Přidržte montážní desku na vybraném místě montáže a označte dva body pro otvory (obr. **5**, strana 5).
- Pevně přišroubujte montážní desku dvěma šrouby do plechu (obr. **6**, strana 5).
- Nasadte plynový hlásič na montážní desku (obr. **7**, strana 5).
- Zapojte zástrčku plynového hlásiče do zdířky napájení 12/24 V \equiv .
- ✓ Zelená LED na plynovém hlásiči (obr. **8** 1, strana 5) bliká zhruba po dobu 10 min. Snímač se zahřívá na provozní teplotu.
Jakmile zelená LED svítí trvale, je plynový hlásič připraven k použití.

8 Připojení plynového hlásiče

8.1 Samostatný přístroj

Pokud budete plynový hlásič používat jako samostatný přístroj, můžete jej zapnout

- pomocí zástrčky 12/24 V \equiv
- pomocí přídavného spínače RV-AMP-SW (příslušenství), pokud není ve spacím prostoru žádná zásuvka 12/24 V \equiv .

Připojení plynového hlásiče pomocí zástrčky 12/24 V \equiv

- Zapojte zástrčku 12/24 V \equiv do zásuvky, která je napájena trvalým kladným 12/24 V \equiv . Tato zásuvka musí být připojena k baterii vozidla.
- ✓ Zazní akustický signál a po dobu zhruba desíti minut bliká zelená LED (obr. **8** 1, strana 5). Během této doby provádí plynový hlásič systémový test a snímač se zahřívá na provozní teplotu.

Pevné připojení plynového hlásiče

Pokud chcete provést pevné připojení plynového hlásiče a zapínat jej pomocí přidavného spínače RV-AMP-SW, použijte schéma zapojení obr. **9**, strana 6.

- Odpojte zástrčku 12/24 V \equiv od kabelu.
- Odstraňte asi 10 cm vnější izolace na konci kabelu.
- Připojte černý, žlutý a oranžový kabel s kostrou karoserie (svorka 31).
- Spojte červený vodič s výstupem přidavného spínače RV-AMP-SW.
- Připojte vstup spínače s použitím pojistky 1 A ke kladnému pólu baterie.

8.2 Kombinace s vnější akustickou signalizací (výr. č. 9101600008)

Pokud si přejete provést připojení plynového hlásiče v kombinaci s vnější akustickou signalizací, použijte schéma zapojení obr. **10**, strana 6.

Montáž vnější akustické signalizace

Vnější akustickou signalizaci můžete namontovat do prostoru motoru.

Místo montáže musí splňovat tyto požadavky:

- **Nesmí** být v oblasti ohrožené odstříkující vodou
 - **Nesmí** být v blízkosti výfukového systému
 - **Nesmí** být přístupné ze spodní strany tak, aby nebyla možná sabotáž zvenčí
- Namontujte vnější akustickou signalizaci amplicionem směřující dolů.

Připojení poplašné sirény



POZNÁMKA

Pokud nemá vozidlo v montážní oblasti přípojku s trvalým kladným vodičem 12 V \equiv , můžete vstup připojit také pomocí pojistky 1 A k baterii vozidla.

- Připojte černý kabel akustické signalizace s kostry karoserie (svorka 31).
- Propojte červený kabel akustické signalizace s reléovým kontaktem 2 (obr. **3** 2, strana 4).
- Propojte reléový kontakt 1 (obr. **3** 1, strana 4) s trvalým kladným pólem 12 V \equiv . Vodič musí být zajištěn pojistkou o hodnotě 1 A.

8.3 Kombinace s poplašným zařízením MagicSafe MS660 nebo DVS90

Pokud si přejete připojit plynový hlásič v kombinaci

- s poplašným zařízením MS660, použijte schéma zapojení obr. **11**, strana 7
- s poplašným zařízením DVS90, použijte schéma zapojení obr. **12**, strana 8



POZOR!

Pokud kombinujete MagicSafe MSG150 s poplašným zařízením DVS90, musíte software poplašného zařízení konfigurovat takto:

- Přepněte výstup 2.6 na „ostrý režim“ a vstup 2.5 na „spouštěč“.

Plynový hlásič se systémem MS660

- Odpojte zástrčku 12 V₌₌₌ od kabelu.
- Odstraňte asi 10 cm vnější izolace na konci kabelu.
- Připojte černý vodič ke kostře karoserie (svorka 31).
- Spojte žlutý a oranžový vodič (obr. **11**, strana 7) s bílým vodičem poplašného zařízení (kolík 15, 15pólová zástrčka).
- Propojte červený vodič s trvalým kladným pólem 12 V₌₌₌. Vodič musí být zajištěn pojistkou o hodnotě 1 A.
- Pokud má být plynový hlásič připojen i jako hlavní poplach k externímu poplašnému zařízení MS660, připojte
 - reléový kontakt 1 (obr. **11**, strana 7) ke kostře karoserie (svorka 31) a
 - reléový kontakt 2 (obr. **11**, strana 7) k šedému/bílému vodiči (kolík 4, 9pólová zástrčka) k poplašnému zařízení.

Plynový hlásič se systémem DVS90

- Odpojte zástrčku 12/24 V₌₌₌ od kabelu.
- Odstraňte asi 10 cm vnější izolace na konci kabelu.
- Připojte černý, žlutý a oranžový vodič ke kostře karoserie (svorka 31).
- Spojte červený vodič se zeleným/červeným vodičem (P2, kolík 6) (obr. **12**, strana 8). Vodič musí být zajištěn pojistkou o hodnotě 1 A.
- Pokud má být plynový hlásič připojen i jako hlavní poplach k externímu poplašnému zařízení DVS90, připojte
 - reléový kontakt 1 (obr. **12**, strana 8) ke kostře karoserie (svorka 31) a
 - reléový kontakt 2 (obr. **12**, strana 8) k černému/šedému vodiči (P2, kolík 5) poplašného zařízení.

9 MagicSafe MSG150 obsluha

K zabránění falešného poplachu následkem vaření, použití deodorantů, tabáku nebo alkoholu musíte vozidlo před spaním dobře vyvětrat a teprve potom zapnout plynový hlásič.

Č. na obr. 8, strana 5	Název
1	<p>Zelená LED Zelená LED bliká po dobu asi 10 min. po připojení plynového hlásiče k napětí nebo po zapnutí pomocí přidavného spínače RV-AMP-SW. Zatímco bliká LED, zahřívá se snímač na provozní teplotu. Jakmile zelená LED svítí trvale, je plynový hlásič připraven k použití.</p>
2	<p>Oranžová LED Oranžová LED svítí, pokud dojde k chybě.</p>
3	<p>Červená LED (poplach) Červená LED bliká, pokud dojde k poplachu. Navíc zazní akustický poplašný signál sirény (viz též kap. „Poplach“ na straně 180).</p>
4	<p>Tlačítko Toto tlačítko slouží jako testovací tlačítko a tlačítko k vypnutí akustické signalizace.</p> <p>Testovací tlačítko</p> <ul style="list-style-type: none"> ➤ Toto tlačítko stiskněte jednou za měsíc nebo po delších odstávkách ke kontrole funkce. ✓ Oranžová a červená LED blikají a zazní akustická signalizace. <p>Tlačítko vypnutí zvuku</p> <ul style="list-style-type: none"> ➤ Stiskněte tlačítko, pokud si přejete během poplachu vypnout akustickou poplašnou signalizaci. ✓ Červená LED bliká i nadále, a za 45 s zazní krátká akustická signalizace. Následně se zařízení zapne do ostrého režimu.

Zapojení MSG150 jako samostatného přístroje nebo v kombinaci s vnější akustickou signalizací (výr. č. 9101600008)

- Zapojte zástrčku 12/24 V---? do zásuvky nebo zapněte plynový hlásič pomocí přidavného spínače RV-AMP-SW.
- ✓ Zazní akustický signál a po dobu zhruba desíti minut bliká zelená LED (obr. 8 1, strana 5). Během této doby provádí plynový hlásič systémový test a snímač se zahřívá na provozní teplotu.

Pokud dojde k poplachu, zazní akustická signalizace z interní sirény a rozsvítí se červená LED (obr. 8 3, strana 5). Pokud je připojena vnější akustická signalizace, zazní navíc akustický poplach z vnější akustické signalizace.

- K přerušení interního poplachu stiskněte tlačítko (obr. 8 4, strana 5).

Zapnutí MSG150 v kombinaci s MS660 nebo DVS90

- ▶ Zapněte poplašné zařízení MS660 nebo DVS90 jako obvykle:
Na dálkovém ovladači stiskněte
 - spodní tlačítko (MS660)
 - tlačítko zamykání na ovladači od automobilu nebo na přídavném ručním ovladači (DVS90).
- ✓ Zazní akustický signál a po dobu zhruba desíti minut bliká zelená LED (obr. 8 1, strana 5). Během této doby provádí plynový hlásič systémový test a snímač se zahřívá na provozní teplotu.

Pokud dojde k poplachu, zazní akustická signalizace z interní sirény a rozsvítí se červená LED (obr. 8 3, strana 5). Interní relé přepne signál kostry na vstup poplachu externího poplašného zařízení. Externí poplašné zařízení aktivuje ihned externí poplach prostřednictvím ukazatelů změny směru jízdy na vozidle a klaksonu vozidla nebo sirény.

- ▶ K přerušení interního poplachu stiskněte tlačítko (obr. 8 4, strana 5).
- ▶ K deaktivaci externího poplašného zařízení stiskněte na dálkovém ovládání
 - horní tlačítko (MS660)
 - tlačítko odemykání na ovladači od automobilu nebo na přídavném ručním ovladači (DVS90).

10 Poplach

Při signalizaci poplachu postupujte takto:

- ▶ **Ihned** zjistěte příčinu poplachu.
- ▶ Zajistěte, aby děti a ostatní spící osoby opustily vozidlo nebo loď.
- ▶ Ihned otevřete všechna okna a dveře.
- ▶ Vyvarujte se otevřeného ohně a ihned zhasněte veškeré otevřené plameny.
- ▶ Vypněte všechny plynové přístroje.
- ▶ Zabraňte jiskření (nepoužívejte žádné elektrické spínače).
- ▶ Odstraňte příčinu nebo opustte vozidlo nebo loď.

Falešný poplach

Plynový hlásič je z důvodu vaší bezpečnosti nastaven velmi citlivě. Z tohoto důvodu snímač reaguje i na jiná plynná média. Používání aerosolů (např. hnacích plynů ve sprejích), ale i silný tabákový dým, silné alkoholové výpary nebo pára při vaření mohou spustit poplach, i když není přítomen plyn ani omamný plyn.

11 Vyhledávání závad

Pokud není přístroj připraven k provozu (nesvítí zelená LED), postupujte takto:

- ▶ Zkontrolujte, zda je dostupné napájecí napětí 12 nebo 24 V \equiv .
Pokud je napětí nižší nebo pokud bylo napájení přerušeno, plynový hlásič nefunguje.
- ▶ Zkontrolujte pojistky v zástrčce, pokud je plynový hlásič připojen pomocí zástrčky 12/24 V \equiv

Kontrola pojistek v zástrčce 12/24 V \equiv

Ve hrotu zástrčky je z důvodu ochrany plynového hlásiče umístěna tavná pojistka.

Pokud dojde k přerušení tenkého kovového spoje uprostřed mezi oběma kovovými špičkami, pak je pojistka vadná a musíte ji vyměnit.



POZOR!

Dávejte pozor, abyste použili v zástrčce stejný typ pojistek. Na poškození přístroje, ke kterému dojde následkem použití pojistek o nesprávné hodnotě, se nevztahuje jakákoliv záruka a náhradní plnění.

Při výměně pojistek postupujte takto:

- ▶ Sundejte ze zástrčky vyrovnávací pouzdro (obr. 4 4, strana 4).
- ▶ Vyšroubujte šroub (obr. 4 5, strana 4) z horní poloviny pouzdra (obr. 4 1, strana 4).
- ▶ Opatrně uvolněte horní polovinu pouzdra ze spodní (obr. 4 6, strana 4).
- ▶ Vyměňte kontaktní kolík (obr. 4 3, strana 4).
- ▶ Vyměňte vadnou pojistku (obr. 4 2, strana 4) za novou o stejné hodnotě.
- ▶ Smontujte zástrčku v opačném pořadí.

12 Čištění a péče o plynový hlásič



POZOR!

Nepoužívejte k čištění žádné tvrdé nebo ostré předměty, může dojít k poškození výrobku.

- ▶ Příležitostně vyčistěte výrobek zvlhčenou utěrkou.

13 Záruka

Na výrobek je poskytována záruka v souladu s platnými zákony. Zjistíte-li, že je výrobek vadný, zašlete jej do pobočky výrobce ve vaší zemi (adresy viz zadní strana tohoto návodu) nebo do specializovanému prodejci.

K vyřízení opravy nebo záruky nezapomeňte odeslat následující dokumenty:

- Kopii účtenky s datem zakoupení,
- Uvedení důvodu reklamace nebo popis vady.

14 Likvidace

► Obalový materiál likvidujte v odpadu určeném k recyklaci.



Jakmile výrobek zcela vyřadíte z provozu, informujte se v příslušných recyklačních centrech nebo u specializovaného prodejce o příslušných předpisech o likvidaci odpadu.

15 Technické údaje

MagicSafe MSG 150	
Číslo výrobku:	9600000368
Rozměry (š x v x h):	80 x 156 x 51 mm
Rozsah vstupního napětí:	10 V $\overline{=}$ až 32 V $\overline{=}$
Příkon:	1,3 W
Provozní teplota:	0 °C až 40 °C
Hlasitost akustického signálu:	cca 85 dB ve vzdálenosti 3 m
Krytí:	IP 20

Certifikace



Beépítés és üzembe vétel előtt gondosan olvassa el és őrizze meg ezt a használati útmutatót. Ha a terméket továbbadja, mellékelje hozzá a használati útmutatót is.

Tartalomjegyzék

1 Szimbólumok magyarázata	184
2 Biztonsági és beszerelési tudnivalók	184
3 A csomag tartalma	185
4 Tartozékok/Kiegészítők	185
5 Rendeltetésszerű használat	186
6 Műszaki leírás	186
7 MagicSafe MSG150 beszerelése	187
8 A gázjelző csatlakoztatása	188
9 MagicSafe MSG150 kezelése	190
10 Riasztás	192
11 Hibakeresés	192
12 A gázjelző ápolása és tisztítása	193
13 Szavatosság	193
14 Ártalmatlanítás	193
15 Műszaki adatok	194

1 Szimbólumok magyarázata



FIGYELMEZTETÉS!

Biztonsági tudnivaló: Az utasítás figyelmen kívül hagyása halált vagy súlyos sérülést okozhat.



VIGYÁZAT!

Biztonsági tudnivaló: Az utasítás figyelmen kívül hagyása sérüléseket okozhat.



FIGYELEM!

Ha nem veszi figyelembe az információt, az anyagkárosodást eredményezhet, és káros kihatással lehet a termék működésére.



MEGJEGYZÉS

Kiegészítő információk a termék kezelésével kapcsolatban.

2 Biztonsági és beszerelési tudnivalók

A gyártó a bekövetkező károkért a következő esetekben nem vállal felelősséget:

- a termék mechanikai behatások és túlfeszültségek miatti sérülése
- a termék kifejezett gyártói engedély nélküli módosítása
- az útmutatóban leírt céloktól eltérő felhasználás

2.1 Alapvető biztonság



FIGYELMEZTETÉS!

- A készüléket csak rendeltetésszerűen használja.
- Az alábbi esetekben mindig húzza ki a készülék csatlakozódugóját a hálózati aljzataból:
 - minden tisztítás és karbantartás előtt
 - minden használat után.
 - biztosítékcseré előtt
- Ha a készüléken vagy a csatlakozókábelen látható sérülések vannak, akkor a készüléket nem szabad üzembe helyezni.
- Ha a készülék csatlakozókábele megsérül, akkor azt – a veszélyeztetések elkerülése érdekében – a gyártóval, a vevőszolgálattal vagy egy hasonlóan képzett szakemberrel kell kicseréltetni.
- A készüléken csak szakember végezhet javításokat. A szakszerűtlen javítások jelentős veszélyeket okozhatnak.

- A készüléket 8 év feletti gyermekek, valamint korlátozott fizikai, érzékelési és mentális képességű, illetve megfelelő tapasztalattal és tudással nem rendelkező személyek csak felügyelet mellett, illetve a készülék biztonságos használatát és az abból eredő veszélyeket megértve használhatják.
- **Az elektromos berendezések nem játékszerek!**
Úgy tárolja és használja a készüléket, hogy gyermekek ne férhessenek hozzá.
- A gyermekek felügyeletével biztosítani kell, hogy ne játszhassanak a készülékkel.



FIGYELEM!

- Üzembe helyezés előtt hasonlítsa össze a feszültségadatokat a típus táblán a meglévő energiaellátással.
- Soha ne húzza ki a csatlakozódugót a csatlakozókábelnél fogva az aljzatból.
- A készüléket száraz és hűvös helyen tárolja.

2.2 Biztonság a készülék üzemeltetése során

- Kizárólag leállított motor mellett üzemeltesse a készüléket járművekben.
- A készüléket **tilos** a szabadban használni.
- Ellenőrizze havonta egyszer és hosszabb pihenőidők után a készülék működését a **(8)**. ábra 4, 5. oldal) gomb megnyomásával.

3 A csomag tartalma

Szám 2. ábra, 3. oldal	Mennyiség	Megnevezés	Cikkszám
1	1	Gázjelző	9600000368
2	1	Szerelőlap	
-	1	Rögzítőanyag	

4 Tartozékok/Kiegészítők

Megnevezés	Cikkszám
Külső sziréna	9101600008
Kiegészítő kapcsoló	RV-AMP-SW

5 Rendeltetésszerű használat

A MagicSafe MSG150 (cikkszám: 9600000368) egy gázjelző készülék, amely észleli a kábító hatású gázokat, mielőtt azok kifejthetnék hatásukat. Az MSG150 készülék járművekben való használatra szolgál, és képes észlelni az éter, kloroform, bután, etán és triklór-etén alapú kábító hatású gázokat.



MEGJEGYZÉS

A 10 és 32 V_{DC} közötti feszültségtartománynak köszönhetően a gázjelző személyautókban és teherautókban egyaránt használható.

6 Műszaki leírás

A MSG150 gázjelző sokoldalú figyelmeztető készülék, amely észleli a kábító hatású gázokat, mielőtt azok kifejthetnék hatásukat.

A gázjelző érzékelővel és akusztikus jeladóval rendelkezik, és 12/24 V_{DC}-os tápfeszültségre, pl. a járművek szivargyújtójára, csatlakoztatható.

A gázjelző ezenkívül egy belső relét is tartalmaz, amelyre pl. külső sziréna vagy jelzőlámpa csatlakoztatható.

A relécsatlakozó csatlakozókapcsa a gázjelző hátoldalán található (3. ábra, 4. oldal).

Szám	Megnevezés
3. ábra, 4. oldal	
1	1. reléérintkező
2	2. reléérintkező

A gázjelző készülékek háromféleképpen használhatók:

- önálló készülékként
- külső szirénával (cikkszám: 9101600008) együtt
- a MagicSafe MS660 vagy DVS90 riasztóberendezéssel együtt

7 MagicSafe MSG150 beszerelése

7.1 Szükséges szerszám

A **beszereléshez** a következő szerszámok szükségesek:

- Mérőszalag (1. ábra 1, 3. oldal)
- Pontozó (1. ábra 2, 3. oldal)
- Kalapács (1. ábra 3, 3. oldal)
- Fúrókészlet (1. ábra 4, 3. oldal)
- Fúrógép (1. ábra 5, 3. oldal)
- Csavarhúzó (1. ábra 6, 3. oldal)

7.2 A gázjelző beszerelése

Vegye figyelembe a következő tudnivalókat a gázjelző beszerelési helyének kiválasztásakor:

- Vegye figyelembe a kábel hosszát.
- A gázjelzőt az alvótér közelében és a matrac magasságában kell beszerelni.

➤ Válasszon megfelelő szerelési helyet.



FIGYELEM!

A furatok elkészítése előtt ellenőrizze, hogy a fúrással nem tenne-e kárt az elektromos kábelekben vagy más alkatrészekben.

- Tartsa oda a szerelőlapot a kiválasztott beszerelési helyhez és jelölje be a két fúrási pontot (5. ábra, 5. oldal).
- Csavarozza fel a szerelőlapot a két lemezcsavarral (6. ábra, 5. oldal).
- Illessze rá a gázjelzőt a szerelőlapra (7. ábra, 5. oldal).
- Dugja be a gázjelző dugóját a 12/24 V==os tápfeszültség aljzatába.
- ✓ A gázjelzőn lévő zöld LED (8. ábra 1, 5. oldal) kb. 10 percig villog. Az érzékelő beáll az üzemi hőmérsékletre.
Ha már folyamatosan világít a zöld LED, az azt jelenti, hogy a gázjelző üzemkész.

8 A gázjelző csatlakoztatása

8.1 Önálló készülékként

Ha önálló készülékként használja a gázjelzőt, akkor bekapcsolhatja

- a 12/24 V --- -os dugón keresztül vagy
- a tartozékként kapható RV-AMP-SW kiegészítő kapcsolón (tartozék) keresztül, ha nem áll rendelkezésre 12/24 V --- -os csatlakozóaljzat az alvótérben.

A gázjelző csatlakoztatása a 12/24 V --- -os dugóval

- ▶ Dugja be a 12/24 V --- -os dugót a 12/24 V --- -os állandó pozitív feszültséget vezető aljzatba. Ezt az aljzatot össze kell kötni a járműakkumulátorral.
- ✓ Megszólal egy hangjelzés és a zöld LED (8. ábra 1, 5. oldal) kb. tíz percig villog. Ez idő alatt rendszertesztet hajt végre a gázjelző, az érzékelő pedig üzemi hőmérsékletre áll.

A gázjelző fix bekötésű csatlakoztatása

Ha fixen bekötve szeretné csatlakoztatni és az RV-AMP-SW kiegészítő kapcsolóval szeretné bekapcsolni a gázjelzőt, használja a kapcsolási rajzot 9. ábra, 6. oldal.

- ▶ Válassza le a 12/24 V --- -os dugót a kábelről.
- ▶ Távolítsa el a külső szigetelés kb. 10 cm-es részét a kábel végéről.
- ▶ Kösse össze a fekete, sárga és narancssárga kábelt a karosszíriatesttel (31-es kapocs).
- ▶ Kösse össze a piros vezetékét az RV-AMP-SW kiegészítő kapcsoló kimenetével.
- ▶ Kösse össze 1 A-es biztosítékon keresztül a kapcsoló bemenetét az akkumulátor pozitív pólusával.

8.2 Külső szirénával (cikkszám: 9101600008) együtt

Ha külső szirénával együtt szeretné csatlakoztatni a gázjelzőt, használja a kapcsolási rajzot 10. ábra, 6. oldal.

A külső sziréna beszerelése

A külső sziréna a motortérben szerelhető fel.

Ügyeljen arra a szerelés során, hogy a szerelési hely

- **ne** legyen fröccsenő víz tartományában
 - **ne** legyen a kipufogóberendezés közelében
 - **ne** legyen alulról hozzáférhető, a külső szabotázsok megakadályozása érdekében
- ▶ Szerelje fel a külső szirénát a hangtölcsérral lefelé.

Riasztósziréna csatlakoztatása



MEGJEGYZÉS

Ha járműve nem rendelkezik 12 V $\overline{=}$ -os állandó pozitív vezetékkel a szerelés területén, akkor a bemenet 1 A-es biztosítékon keresztül is csatlakoztatható a járműakkumulátorra.

- Kösse össze a sziréna fekete kábelét a karosszíriatesttel (31-es kapocs).
- Kösse össze a sziréna piros kábelét a 2. reléérintkezővel (3. ábra 2, 4. oldal).
- Kösse össze az 1. reléérintkezőt (3. ábra 1, 4. oldal) a 12 V $\overline{=}$ -os állandó pozitív feszültséggel. A vezetéket 1 A-es biztosítékkal kell ellátni.

8.3 MagicSafe MS660 vagy DVS90 riasztóberendezéssel együtt

Amennyiben a gázjelzőt

- az MS660 riasztóberendezéssel szeretné csatlakoztatni, használja a kapcsolási rajzot 11. ábra, 7. oldal
- a DVS90 riasztóberendezéssel szeretné csatlakoztatni, használja a kapcsolási rajzot 12. ábra, 8. oldal



FIGYELEM!

Ha a MagicSafe MSG150-et a DVS90 riasztóberendezéssel együtt használja, akkor a riasztóberendezés szoftverét a következőképpen kell konfigurálnia:

- Állítsa a 2.6 kimenetet a „Status-Scharf” opcióra, a 2.5 bemenetet pedig az „Auslöser” opcióra.

Gázjelző MS660 riasztóval

- Válassza le a 12 V $\overline{=}$ -os dugót a kábelről.
- Távolítsa el a külső szigetelés kb. 10 cm-es részét a kábel végéről.
- Kösse össze a fekete vezetéket a karosszíriatesttel (31-es kapocs).
- Kösse össze a sárga és a narancssárga vezetéket (11. ábra, 7. oldal) a riasztóberendezés fehér vezetékével (15-ös tű, 15-pólusú dugó).
- Kösse össze a piros vezetéket a 12 V $\overline{=}$ -os állandó pozitív feszültséggel. A vezetéket 1 A-es biztosítékkal kell ellátni.
- Amennyiben a gázjelzőt fő riasztásként a külső MS660 riasztóra is rá szeretné kapcsolni, csatlakoztassa
 - az 1. reléérintkezőt (11. ábra, 7. oldal) a karosszíriatestre (31-es kapocs) és
 - a 2. reléérintkezőt (11. ábra, 7. oldal) a riasztóberendezés szürke/fehér vezetékére (4-es tű, 9-pólusú dugó).

Gázjelző DVS90 riasztóval

- ▶ Válassza le a 12/24 V==os dugót a kábelről.
- ▶ Távolítsa el a külső szigetelés kb.10 cm-es részét a kábel végéről.
- ▶ Kösse össze a fekete, sárga és narancssárga vezetéket a karosszériatesttel (31-es kapocs).
- ▶ Kösse össze a piros vezetéket a zöld/piros vezetékkel (P2, 6-os tű) (12. ábra, 8. oldal). A vezetéket 1 A-es biztosítékkal kell ellátni.
- ▶ Amennyiben a gázjelzőt fő riasztásként a külső DVS90 riasztóra is rá szeretné kapcsolni, csatlakoztassa
 - az 1. reléérintkezőt (12. ábra, 8. oldal) a karosszériatestre (31-es kapocs) és
 - a 2. reléérintkezőt (12. ábra, 8. oldal) a riasztóberendezés fekete/szürke vezetékére (P2, 5-ös tű).

9 MagicSafe MSG150 kezelése

A főzés, dezodorok és az erős cigaretta- vagy alkoholszag miatti téves riasztások elkerülése érdekében a járművet elalvás előtt alaposan ki kell szellőztetni, és a gázjelzőt csak ezt követően szabad bekapcsolni.

Szám	Megnevezés
8. ábra, 5. oldal	
1	Zöld LED A zöld LED kb. 10 percig villog, miután a gázjelzőt rácsatlakoztatta a tápfeszültségre vagy bekapcsolta az RV-AMP-SW kiegészítő kapcsolóval. Miközben a LED villog, az érzékelő felveszi az üzemi hőmérsékletet. Ha már folyamatosan világít a zöld LED, az azt jelenti, hogy a gázjelző üzemkészen.
2	Narancssárga LED A narancssárga LED hiba esetén villog.
3	Piros LED (riasztás) A piros LED riasztás esetén villog. Emellett egy szirénahang is megszólal. (Lásd még: „Riasztás” fejj., 192. oldal.)

Szám

8. ábra,
5. oldal

Megnevezés

4

Nyomógomb

Ez a gomb tesztgombként és némitó gombként szolgál.

Tesztgomb

- ▶ Nyomja meg ezt a gombot havonta egyszer vagy hosszabb pihenőidők után a működés ellenőrzéséhez.
- ✓ A narancssárga és a piros LED villog, és megszólal egy szirénahang.

Némitó gomb

- ▶ Nyomja meg a gombot, ha ki szeretné kapcsolni a jelzőhangot a riasztás közben.
- ✓ A piros LED továbbra is villogni fog, 45 másodperc után pedig megszólal egy rövid hangjelzés. A rendszer ezután újra élesre kapcsol.

Az MSG 150 bekapcsolása önálló készülékként vagy a külső szirénával (cikkszám: 9101600008) együtt

- ▶ Dugja be a 12/24 V---os dugót egy aljzatba vagy kapcsolja be a gázjelzőt az RV-AMP-SW kiegészítő kapcsolóval.
 - ✓ Megszólal egy hangjelzés és a zöld LED (8. ábra 1, 5. oldal) kb. tíz percig villog. Ez idő alatt rendszertesztet hajt végre a gázjelző, az érzékelő pedig üzemi hőmérsékletre áll.
- Riasztás esetén megszólal egy hangjelzés a belső szirénából, a piros LED (8. ábra 3, 5. oldal) pedig kigyullad. Ha csatlakoztatva van a külső sziréna, akkor riasztásként a külső sziréna is megszólal.
- ▶ A belső riasztás megszakításához nyomja meg a (8. ábra 4, 5. oldal) gombot.

MSG 150 bekapcsolása MS660 vagy DVS90 berendezéssel együtt

- ▶ Kapcsolja be a szokott módon az MS660 vagy DVS90 riasztóberendezést. Nyomja meg a távirányítón
 - az alsó gombot (MS660)
 - a bezáró gombot a járműjeladón, ill. a kiegészítő kézi jeladón (DVS90).
 - ✓ Megszólal egy hangjelzés és a zöld LED (8. ábra 1, 5. oldal) kb. tíz percig villog. Ez idő alatt rendszertesztet hajt végre a gázjelző, az érzékelő pedig üzemi hőmérsékletre áll.
- Riasztás esetén megszólal egy hangjelzés a belső szirénából, a piros LED (8. ábra 3, 5. oldal) pedig kigyullad. A belső relé testjelet kapcsol a külső riasztóberendezés riasztóbemenetére. A külső riasztóberendezés azonnal külső riasztást vált ki a jármű irányjelzőin és a jármű dudáján vagy a szirénán keresztül.
- ▶ A belső riasztás megszakításához nyomja meg a (8. ábra 4, 5. oldal) gombot.
 - ▶ A külső riasztóberendezés deaktiválásához nyomja meg a távirányítón
 - a felső gombot (MS660)
 - a nyitó gombot a járműjeladón, ill. a kiegészítő kézi jeladón (DVS90).

10 Riasztás

Riasztás esetén a következőképpen járjon el:

- ▶ Állapítsa meg **azonnal** a riasztás okát.
- ▶ Szólítsa fel a gyermekeket és az alvó személyeket a jármű vagy a hajó elhagyására.
- ▶ Nyissa ki azonnal az összes ablakot és ajtót.
- ▶ Kerülje a nyílt lángot és zárja el azonnal a tűzhelyeket.
- ▶ Zárja el az összes gázüzemű berendezést.
- ▶ Kerülje a szikraképződést (ne működtesse az elektromos kapcsolókat).
- ▶ Hárítsa el a riasztás okát vagy hagyja el a járművet vagy a hajót.

Téves riasztás

A gázjelző a biztonság érdekében nagyon érzékenyre van állítva. Az érzékelő ezért más gáznemű közegekre is reagál. Az aeroszolok (pl. hajtógázzal működő spray-k), az erős cigarettafüst, az alkoholpárolgás vagy a főzés közbeni gőzök riasztást válthatnak ki annak ellenére, hogy nincs veszélyes gáz vagy kábítógasz a levegőben.

11 Hibakeresés

Amennyiben a készülék nem üzemkés (a zöld LED nem világít), a következőképpen járjon el:

- ▶ Győződjön meg arról, hogy 12 vagy 24 V---os a tápfeszültség.
Ha alacsonyabb a feszültség vagy megszakadt az ellátás, a gázjelző nem működik.
- ▶ Ellenőrizze a dugó biztosítékát, ha a gázjelzőt a 12/24 V---os dugón keresztül csatlakoztatta.

A 12/24 V---os dugó biztosítékának ellenőrzése

A dugó végében a gázjelző védelmére szolgáló olvadóbiztosíték található.

Ha középen, a két fémkupak között a vékony fém összekötő elem megszakadt, akkor a biztosíték hibás, és ki kell cserélni.



FIGYELEM!

Ügyeljen arra, hogy kizárólag azonos típusú biztosítékot helyezzen a dugóba. A nem megfelelő biztosítékok behelyezéséből eredő károokra vonatkozóan nem érvényesíthető semminemű garancia- és csereigény.

A biztosíték kicseréléséhez a következőképpen járjon el:

- ▶ Húzza le a kiegyenlítő hüvelyt (4. ábra 4, 4. oldal) a dugóról.
- ▶ Csavarozza ki a csavart (4. ábra 5, 4. oldal) a készülékház felső részéből (4. ábra 1, 4. oldal).
- ▶ Óvatosan emelje le a készülékház felső felét az alsóról (4. ábra 6, 4. oldal).
- ▶ Vegye ki az érintkezőcsapot (4. ábra 3, 4. oldal).
- ▶ Cserélje ki a hibás biztosítékot (4. ábra 2, 4. oldal) azonos értékű új biztosítékra.
- ▶ Fordított sorrendben szerelje össze a dugócsatlakozót.

12 A gázjelző ápolása és tisztítása



FIGYELEM!

Ne használjon éles vagy kemény eszközöket vagy tisztítószerket a tisztításhoz, mivel azok a termék sérülését okozhatják.

- ▶ Alkalmanként tisztítsa meg a terméket nedves ruhával.

13 Szavatosság

A termékre a törvény szerinti szavatossági időszak érvényes. A termék meghibásodása esetén forduljon a gyártói lerakathoz (a címeket lásd jelen útmutató hátoldalán), illetve az illetékes szakkereskedőhöz.

A javításhoz, illetve a szavatossági adminisztrációhoz a következő dokumentumokat kell mellékelnie:

- a számla vásárlási dátummal rendelkező másolatát,
- a reklamáció okát vagy a hibát tartalmazó leírást.

14 Ártalmatlanítás

- ▶ A csomagolóanyagot lehetőleg a megfelelő újrahasznosítható hulladék közé tegye.



Ha a terméket véglegesen kivonja a forgalomból, kérjük, tájékozódjon a legközelebbi hulladéktálmatlanító központnál vagy a szakkereskedőjénél az idevonatkozó ártalmatlanítási előírásokkal kapcsolatban.

15 Műszaki adatok

	MagicSafe MSG150
Cikkszám:	9600000368
Méreték (sz x ma x mé):	80 x 156 x 51 mm
Bemeneti feszültségtartomány:	10 V $\overline{=}$ – 32 V $\overline{=}$
Teljesítményfelvétel:	1,3 W
Üzemi hőmérséklet:	0 °C – 40 °C
Jelzés hangereje:	kb. 85 dB 3 m-es távolságból
Védettség:	IP 20

Engedélyek

Mobile living made easy.



dometic.com

**YOUR LOCAL
DEALER**

dometic.com/dealer

**YOUR LOCAL
SUPPORT**

dometic.com/contact

**YOUR LOCAL
SALES OFFICE**

dometic.com/sales-offices

A complete list of Dometic companies, which comprise the Dometic Group, can be found in the public filings of:
DOMETIC GROUP AB • Hemvärnsgatan 15 • SE-17154 Solna • Sweden