

↗ DOMETIC REFRIGERATION HIPRO



A30, A40, C40, C60, N30, N40

EN	Minibar
	Operating manual.....3

Copyright

© 2024 Dometic Group. The visual appearance of the contents of this manual is protected by copyright and design law. The underlying technical design and the products contained herein may be protected by design, patent or pending patent. The trademarks mentioned in this manual belong to Dometic Sweden AB. All rights are reserved.

English

1	Important notes.....	3
2	Explanation of symbols.....	3
3	Safety instructions.....	4
4	Accessories.....	6
5	Intended use.....	6
6	Technical description.....	6
7	Operation.....	10
8	Cleaning.....	13
9	Troubleshooting.....	14
10	Disposal.....	16
11	Warranty.....	16
12	Technical data.....	16

1 Important notes

Please read these instructions carefully and follow all instructions, guidelines, and warnings included in this product manual in order to ensure that you install, use, and maintain the product properly at all times. These instructions **MUST** stay with this product.

By using the product, you hereby confirm that you have read all instructions, guidelines, and warnings carefully and that you understand and agree to abide by the terms and conditions as set forth herein. You agree to use this product only for the intended purpose and application and in accordance with the instructions, guidelines, and warnings as set forth in this product manual as well as in accordance with all applicable laws and regulations. A failure to read and follow the instructions and warnings set forth herein may result in an injury to yourself and others, damage to your product or damage to other property in the vicinity. This product manual, including the instructions, guidelines, and warnings, and related documentation, may be subject to changes and updates. For up-to-date product information, please visit documents.dometic.com.

2 Explanation of symbols

A signal word will identify safety messages and property damage messages, and also will indicate the degree or level of hazard seriousness.



DANGER!

Indicates a hazardous situation that, if not avoided, will result in death or serious injury.



WARNING!

Indicates a hazardous situation that, if not avoided, could result in death or serious injury.



CAUTION!

Indicates a hazardous situation that, if not avoided, could result in minor or moderate injury.



NOTICE!

Indicates a situation that, if not avoided, can result in property damage.



NOTE Supplementary information for operating the product.

3 Safety instructions

General safety



WARNING! Electrocuting hazard

- > Ensure that the minibar has been installed by a qualified technician in accordance with the Dometic installation manual.
- > Do not operate the minibar if it is visibly damaged.
- > If this minibar's power cable is damaged, it must be replaced by the manufacturer, a service agent or a similarly qualified person in order to prevent safety hazards.
- > This minibar may only be repaired by qualified personnel. Inadequate repairs may cause serious hazards.
- > When positioning the minibar, ensure the supply cord is not trapped or damaged.
- > Do not locate multiple portable socket-outlets or portable power supplies at the rear of the device.
- > Plug the device to sockets that ensure proper connection especially when the device needs to be grounded.



WARNING! Fire hazard

- > The refrigerant in the refrigerant circuit is highly flammable and in the event of a leakage combustible gases could build up if the appliance is in a small room. In the event of any damage to the refrigerant circuit:
 - Keep naked flames and potential ignition sources away from the minibar.
 - Ventilate the room well.
 - Switch off the minibar.
- > **For minibars with R600a refrigerant:**
 - The refrigeration circuit contains a small quantity of an environmentally friendly but flammable refrigerant. It does not damage the ozone layer and does not increase the greenhouse effect. Any leaking refrigerant may ignite.
 - Do not use or store the minibar in confined spaces with none or minimal air flow.
 - Keep the installation recess for the minibar free of any electrical components and light sources which during normal or abnormal operation produce sparks or arcs (i.e. relays or fuse boxes).
- > Keep the ventilation openings on the device housing or in installations free of obstructions.
- > Do not use any mechanical objects or other means to speed up the defrosting process, other than those recommended by the manufacturer.
- > Do not open or damage the refrigerant circuit.
- > Do not use electrical devices inside the minibar unless they are recommended by the manufacturer for that purpose.



WARNING! Explosion hazard

Do not store any explosive substances, such as spray cans with propellants, in the minibar.



WARNING! Health hazard

- > **For versions with absorption cooling:** Never open the absorber unit. It is under high pressure and can cause injury if it is opened.
- > This device can be used by children aged from 8 years and above and persons with reduced physical, sensory or mental capabilities or lack of experience and knowledge if they have been given supervision or instruction concerning use of the device in a safe way and understand the hazards involved.

- > This device is not intended for use by persons (including children) with reduced physical, sensory or mental capabilities, or lack of experience and knowledge, unless they have been given supervision or instruction concerning use of the device by a person responsible for their safety.
- > Children must be supervised to ensure that they do not play with the minibar.
- > Cleaning and user maintenance may not be carried out by unsupervised children.
- > Children aged from 3 to 8 years are allowed to load and unload the minibar.

**CAUTION! Risk of crushing**

Do not put your fingers into the hinge.

**CAUTION! Health hazard**

Foodstuff may only be stored in its original packaging or in suitable containers.

**NOTICE! Damage hazard**

- > Check that the voltage specification on the data plate is the same as that of the power supply.
- > Insufficient air flow results in a shortened lifespan and a reduced cooling performance. Observe the minimum spacings when installing the minibar to furniture (refer to the installation manual).
- > The insulation of the cooling device contains flammable cyclopentane and requires special disposal procedures. Deliver the cooling device at the end of its life-cycle to an appropriate recycling center.
- > Keep the condensate drain clean at all times.
- > Only carry the minibar upright.

Operating the device safely

**DANGER! Electrocutation hazard**

Do not touch exposed cables with your bare hands.

**CAUTION! Electrocutation hazard**

Before starting the minibar, ensure that the power supply line and the plug are dry.

**CAUTION! Health hazard**

- > Ensure only to put items in the minibar which may be chilled at the selected temperature.
- > Food may only be stored in its original packaging or in suitable containers.
- > Opening the door for long periods can cause significant increase of the temperature in the compartments of the minibar.
- > Clean regularly surfaces that can come in contact with food and accessible drainage systems.
- > If the minibar is left empty for long periods:
 - Switch off the minibar.
 - Defrost the minibar.
 - Clean and dry the minibar.
 - Leave the door open to prevent mold developing within the minibar.

**NOTICE! Damage hazard**

- > Do not place the minibar near naked flames or other heat sources (heaters, direct sunlight, gas ovens etc.).
- > Ensure that the ventilation vents are not covered.
- > Never immerse the minibar in water.

- > Protect the minibar and the cable against heat and moisture.
- > Ensure that foodstuffs do not touch the walls of the cooling area.

4 Accessories

Designation	Explanation
WiFi	For monitoring and controlling the minibar via WiFi using an app
Locks with keys	For lockable versions

5 Intended use

The refrigeration appliance (also referred to as minibar) is intended for cooling and storing beverages and food in closed containers.

The minibar is designed for operation on cruise liners or to be used in household and similar applications such as:

- Staff kitchens in stores, offices and other working environments
- Farmhouses
- Hotels, motels and other residential type environments
- Bed and breakfast type environments
- Catering and similar non-retail applications

The minibar is **not** designed for installation in caravans or motor homes.

The minibar is suitable either as a built-in appliance or as a freestanding refrigeration appliance. Refer to the installation instructions.

The minibar is **not** suitable for

- Storage of corrosive, caustic or solvent-containing substances
- Deep-freezing of foodstuff

This product is only suitable for the intended purpose and application in accordance with these instructions.

This manual provides information that is necessary for proper installation and/or operation of the product. Poor installation and/or improper operation or maintenance will result in unsatisfactory performance and a possible failure.

The manufacturer accepts no liability for any injury or damage to the product resulting from:

- Incorrect installation, assembly or connection, including excess voltage
- Incorrect maintenance or use of spare parts other than original spare parts provided by the manufacturer
- Alterations to the product without express permission from the manufacturer
- Use for purposes other than those described in this manual

Dometic reserves the right to change product appearance and product specifications.

6 Technical description

The minibars are available with different cooling techniques:

- Absorption cooling: A30S1, A30S2, A30P1, A30P2, A30G1, A30G2, A40S1, A40S2, A40P1, A40P2, A40G1, A40G2
- Compressor cooling: C40S1, C40S2, C40P1, C40P2, C40G1, C40G2, C60S1, C60S2, C60G1, C60G2

- Thermoelectric cooling: N30S1, N30S2, N30P1, N30P2, N30G1, N30G2, N40S1, N40S2, N40P1, N40P2, N40G1, N40G2

All materials used are compatible for use with foodstuffs. The refrigerant circuit is maintenance-free.

The minibar has depending on the version one or two shelves and one or two door racks. There is a door rack intended for bottles. A 1.5 l bottle can be stored in the door rack for bottles. If the second door rack is available it is intended for smaller bottles or snacks.

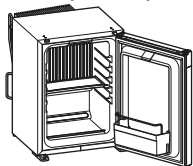
As an option, the minibar can be equipped with an integrated WiFi function hence controllable using an app.

The minibar can be featured with a lock.

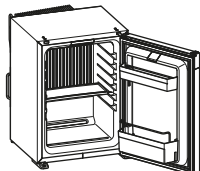
Operating elements of the minibar

1

A30S1, A30P1, A30G1

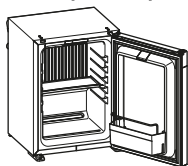


A40S1, A40P1, A40G1

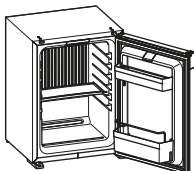


Alpha

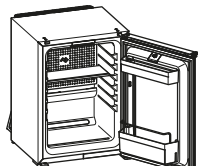
N30S1, N30P1, N30G1



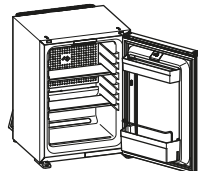
N40S1, N40P1, N40G1



C40S1, C40P1, C40G1

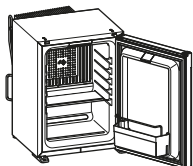


C60S1, C60G1

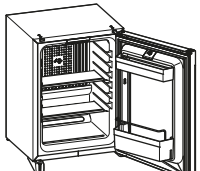


Evolution

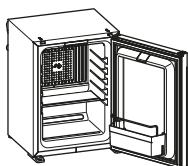
A30S2, A30P2, A30G2



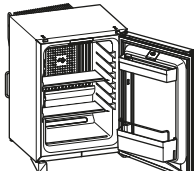
A40S2, A40P2, A40G2



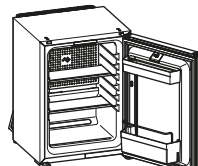
N30S2, N30P2, N30G2



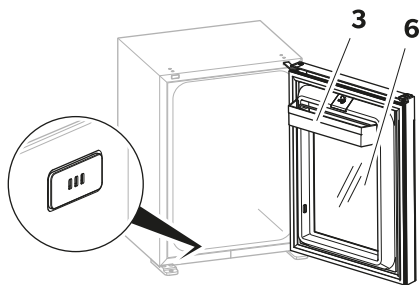
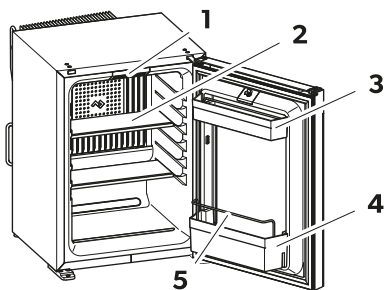
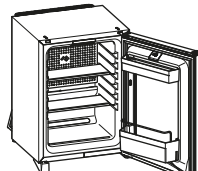
N40S2, N40P2, N40G2



C40S2, C40P2, C40G2

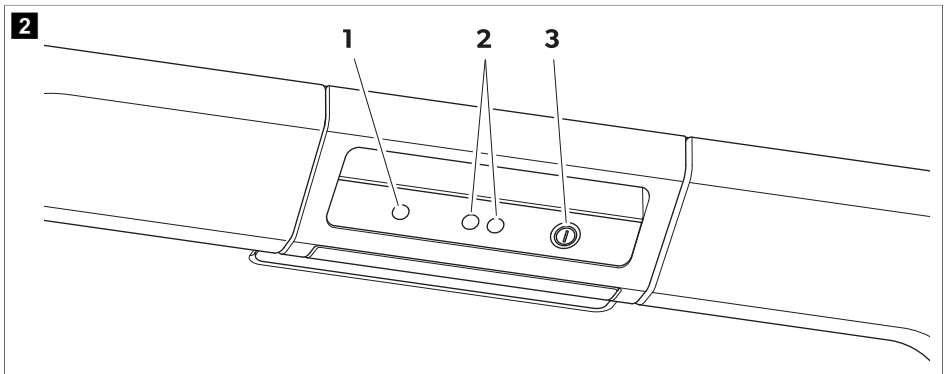


C60S2, C60G2



No. in Fig. 1 on page 8	Explanation
1	Interior light and control element
2	1 Shelf 2 Shelves (A40S2, A40P2, A40G2, C40S2, C40P2, C40G2, C60S2, C60G2, N40S2, N40P2, N40G2)
3	Upper door rack (for A40S1, A40S2, A40P1, A40P2, C40S1, C40S2, C40P1, C40P2, C60S1, C60S2, C60G1, C60G2, N40S1, N40S2, N40P1, N40P2)
4	Lower door rack
5	Bottle holder door (optional)
6	Glass door (optional)
-	Bottom interior light (optional)

Operating panel



No.	Explanation
1	Indicator LED
2	Infrared door sensor
3	Ⓜ button Switching the minibar on and off Entering the temperature setting Entering the silent mode (only for C40 and C60 with compressor cooling)

Indicator LED

Color	Status	Description
Green	On	Minibar is cooling
Orange	On	Minibar stops cooling (temperature reached or auto-defrost function active)

Color	Status	Description
	Flashing	An error occurred (see chapter Troubleshooting on page 14)
-	Off	Minibar is switched off or in silent mode

7 Operation

Before first use



NOTE Do not store goods in the device for the first 4 hours after start-up.

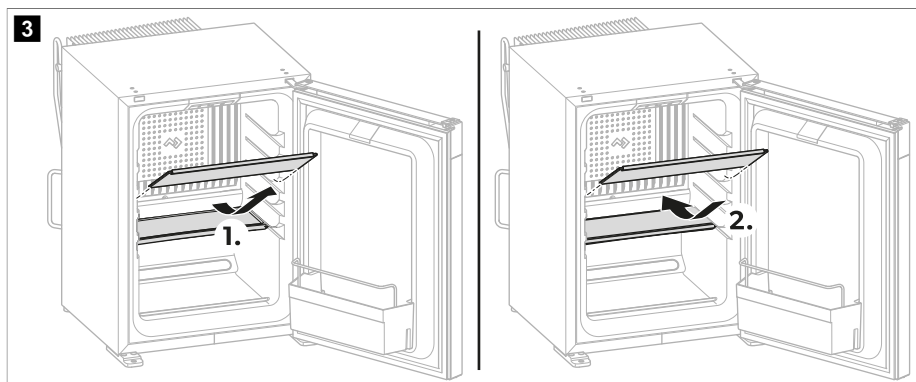
- > Clean the device inside and outside for hygienic reasons.

Saving energy

- Only open the minibar as often and for as long as necessary.
- Avoid unnecessarily low temperature settings.
- For optimal energy consumption, position the shelves and drawers according to their position on delivery.
- On a regularly basis, make sure the door seal still fits properly.
- Clean dust and dirt from the condenser at regular intervals.

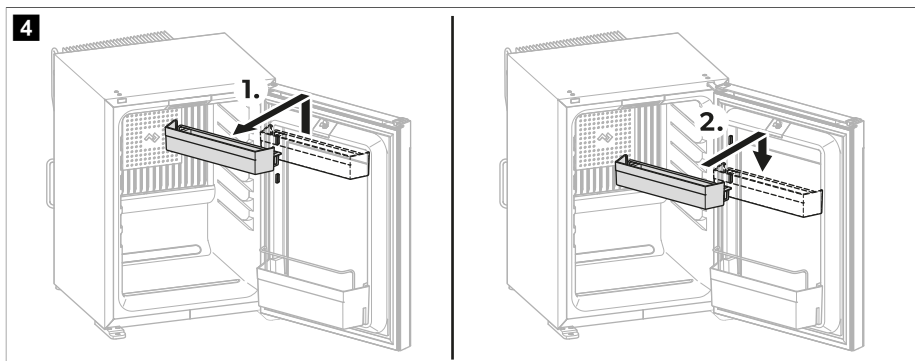
Positioning the shelves

- > To position the shelves proceed as shown in Fig. 3 on page 10.



Positioning the door rack

> To position the door rack proceed as shown in Fig. 4 on page 11.

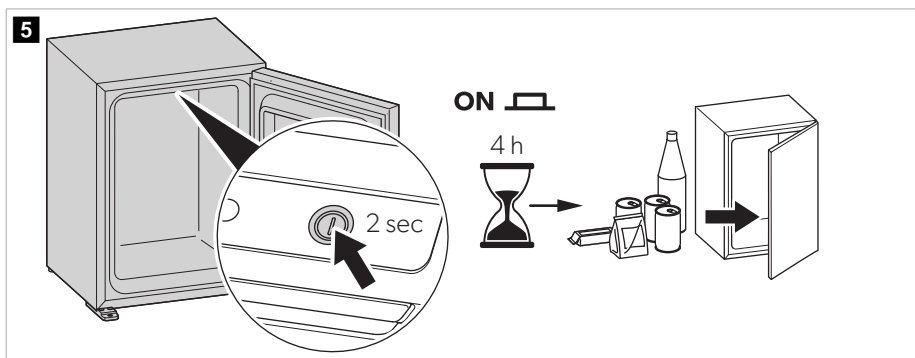


Switching on the minibar



NOTE After switching on, the minibar needs several hours to reach the set cooling temperature.

> Plug the power plug into the socket (Fig. 5 on page 11).

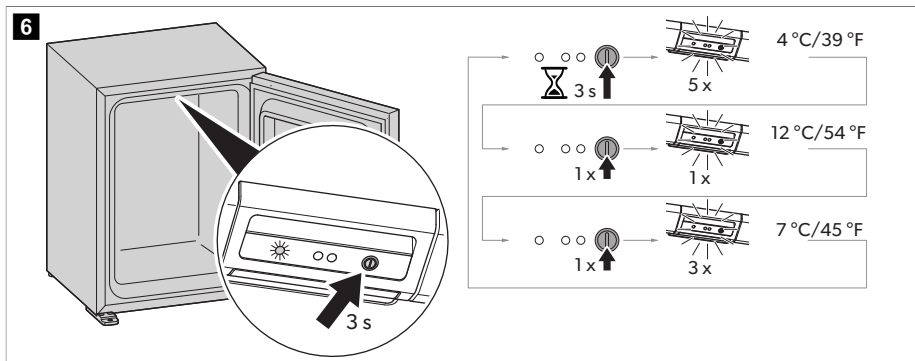


Setting the temperature

To avoid food waste, note the following:

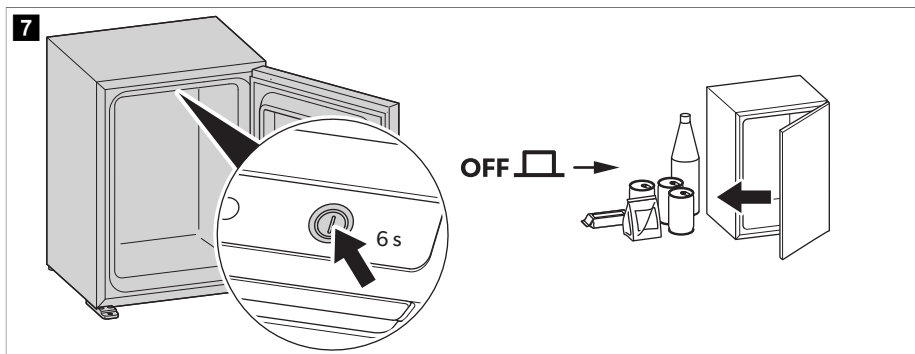
- Keep temperature fluctuation as low as possible. Only open the minibar as often and for as long as necessary. Store the foodstuff in such a way that the air can still circulate well.
- The minibar is equipped with an automatic temperature regulation function. Select the average of the possible temperature values.
- Adjust the temperature to the quantity and type of the foodstuff.

> To set the temperature proceed as shown in Fig. 6 on page 12.



Switching off the minibar

> To switch off the minibar proceed as shown in Fig. 7 on page 12.



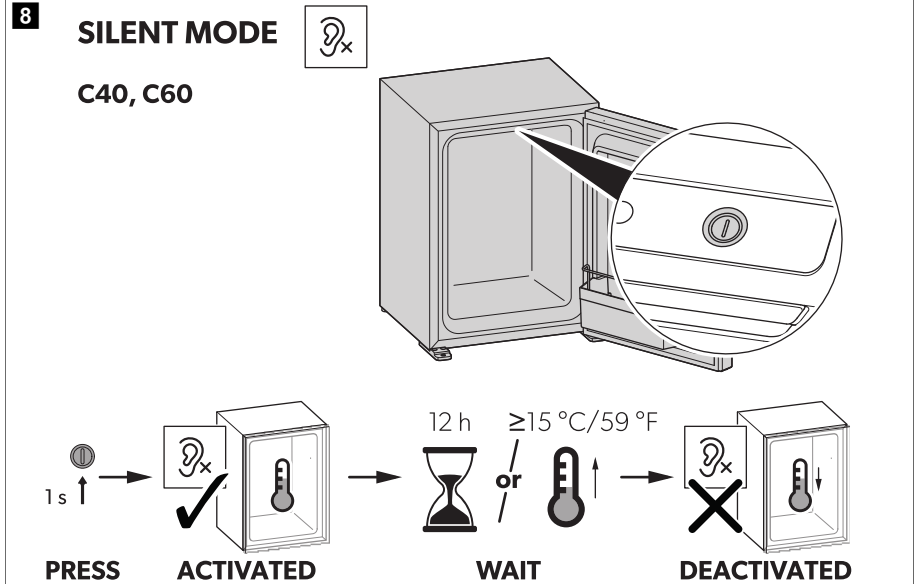
Setting the silent mode (only for compressor models)

The minibar is equipped with a silent mode.



NOTE When the silent mode is activated, the temperature setting cannot be changed.

1. Set the desired cooling temperature (see chapter Setting the temperature on page 11).
2. To set the silent mode proceed as shown in Fig. 8 on page 13.



Defrosting

The minibar is equipped with an auto-defrost function.

Storing

If the minibar is not to be used for a longer period of time, proceed as follows:

1. Pull the power plug out of the socket.
2. Clean the minibar (see chapter *Cleaning* on page 13).

8 Cleaning



WARNING! Electrocutation hazard

Always disconnect the minibar from the mains before cleaning and maintenance.



NOTICE! Damage hazard

- > Do not use abrasive cleaning agents or hard objects during cleaning as these can damage the minibar.
 - > Never use hard or sharp tools to remove ice or to free frozen objects on the minibar.
 - > Do not use any mechanical tools or any other tools to speed up the defrosting process.
 - > Ensure that no water drips into the seals to avoid damage to the electronics.
 - > The light source can only be replaced by the manufacturer, a service agent or similarly qualified person to avoid hazard.
- > Clean the minibar regularly and as soon as it becomes dirty with a damp cloth.
- > Wipe the minibar dry with a cloth after cleaning.

- > Check the condensate drain regularly.
Clean the condensate drain when necessary. If it is blocked, the condensate collects on the bottom of the minibar.
- > **For absorber versions:** Use a brush or soft cloth annually to remove dust from the absorber unit.

9 Troubleshooting

Problem	Possible cause	Suggested remedy
The minibar is not cooling. The indicator LED is off .	Power plug is not plugged in.	Insert power plug into socket.
	No voltage at the socket.	Check circuit breaker.
	The fuse of the electronics is defective.	<ul style="list-style-type: none"> > Contact an authorized service agent. > Service agent only: Replace the fuse.
The minibar is not cooling. The indicator LED is on .	For versions with absorber cooling: Heating cartridge defective	<ul style="list-style-type: none"> > Contact an authorized service agent. > Service agent only: Install new heating cartridge.
	Electronics or temperature sensors defective.	<ul style="list-style-type: none"> > Contact an authorized service agent. > Service agent only: Install new electronics or sensor.
	Cooling unit is defective.	<ul style="list-style-type: none"> > Contact an authorized service agent. > Service agent only: Replace the minibar.
	Minibar is in silent mode (C40, C60).	No action required (Setting the silent mode (only for compressor models) on page 12).
Minibar is not cooling. Indicator LED flashes orange for x times within a certain period of time.	Flashing 1x: NTC sensor is defective.	<ul style="list-style-type: none"> > Contact an authorized service agent. > Service agent only: Replace the NTC sensor.
	Flashing 3x: Heating cartridge is defective (only for versions with absorber cooling).	<ul style="list-style-type: none"> > Contact an authorized service agent. > Service agent only: Install a new heating cartridge.
	Flashing 5x: CPC (cooling performance control) error.	<ol style="list-style-type: none"> 1. Temporarily disconnect the minibar from the power supply to reset the error. 2. Count the number of flashes that occur after the reset: <ul style="list-style-type: none"> • Flashing 1x: NTC sensor is defective. • Flashing 3x: Heating cartridge is defective (only for versions with absorber cooling). • No flashing: Error is reset. 3. Flashing 1x or 3x: Contact an authorized service agent.

Problem	Possible cause	Suggested remedy
		Note: After a longer period of time without troubleshooting, the LED changes back to the interval of flashing 5x.
Minibar is not cooling. Interior light is flashing continuously.	For versions with absorber cooling: Error during self-test of the cooling unit.	<ul style="list-style-type: none"> > Check the cooling unit for leaks. > Check the ventilation grille of the cooling unit and ensure optimal performance. > Wait 24 h for the device to restart cooling. If the device does not restart within 24 h, contact an authorized service agent.
Poor cooling performance	Cooling unit is not sufficiently ventilated.	Provide sufficient ventilation (see Installation Manual).
	Minibar is exposed to direct sunlight.	Remove the minibar out of direct sunlight.
	Door of minibar is not closed with a tight seal.	Check distances (see Installation Manual). <ul style="list-style-type: none"> > Contact an authorized service agent. > Service agent only: Replace door seal
	Minibar recently filled.	Check cooling again after 5 h ... 6 h.
	For versions with absorber cooling: The input voltage is too low or too high.	Check input voltage.
	Auto-defrost function is active.	No action required (see chapter De frosting on page 13).
Frost formation in the minibar compartment	Door of minibar is not closed with a tight seal.	Check distances (see Installation Manual). <ul style="list-style-type: none"> > Contact an authorized service agent. > Service agent only: Replace door seal
	The minibar continues to cool down without interruption (cooling temperature drops below the set value).	Contact an authorized service agent.
Interior lighting is not working	Interior lighting is defective.	<ul style="list-style-type: none"> > Contact an authorized service agent. > Service agent only: Change interior lighting
	Surface of infrared door sensor is covered, e.g., by condensation.	Clean the surface of the infrared door sensor.

10 Disposal



WARNING! Fire hazard

- > The refrigerant is highly flammable. Do not open or damage the refrigerant circuit.
- > The insulation of the device contains an insulating gas (see data plate). Do not damage the insulation.



Recycling packaging material: Place the packaging material in the appropriate recycling waste bins wherever possible.






Recycling products with non-replaceable batteries, rechargeable batteries, or light sources:




- If the product contains any non-replaceable batteries, rechargeable batteries, or light sources, you don't have to remove them before disposal.
- If you wish to finally dispose of the product, ask your local recycling center or specialist dealer for details about how to do this in accordance with the applicable disposal regulations.




11 Warranty

12 Technical data

	HiPro A 30S1, A 30S2, A 30P1, A 30P2, A 30G1, A 30G2	HiPro A 40S1, A 40S2, A 40P1, A 40P2, A 40G1, A 40G2
Input voltage	220 V~ ... 240 V~ 50 / 60 Hz	
Total volume	26 L	33 L
Rated input power	60 ... 70 W	
Noise emission	0 dB(A)	
Refrigerant	R717	
Weight:		
Test/ certificates	  	

	HiPro C 40S1, C 40S2, C 40P1, C 40P2, C 40G1, C 40G2	HiPro C60S1, C60S2, C60G1, C60G2
Input voltage	220 V~ ... 240 V~ 50 / 60 Hz	
Total volume	33 L	49 L

	HiPro C 40S1, C 40S2, C 40P1, C 40P2, C 40G1, C 40G2	HiPro C60S1, C60S2, C60G1, C60G2
Rated input power	45 W	
Noise emission	33 dB(A)	38 dB(A)
Refrigerant	R600a	
Weight: Test/ certificates	  	

	HiPro N 30S1, N 30S2, N 30P1, N 30P2, N 30G1, N 30G2	HiPro N 40S1, N 40S2, N 40P1, N 40P2, N 40G1, N 40G2
Input voltage	100 V~ ... 240 V~ 50 / 60 Hz	
Total volume	26 L	33 L
Rated input power	55 W	
Noise emission	0 dB(A)	
Refrigerant	R600a	
Weight: Test/ certificates	  	



dometic.com

YOUR LOCAL DEALER

dometic.com/dealer

YOUR LOCAL SUPPORT

dometic.com/contact

YOUR LOCAL SALES OFFICE

dometic.com/sales-offices
