



CLIMATE CONTROL

TOUCH SCREEN

THERMOSTAT DISPLAY



VMD2.5 Display

EN	Marine Air Conditioner Display Installation and Operating manual.....	3
DE	Marine Air Conditioner Display Montage- und Bedienungsanleitung.....	14
FR	Marine Air Conditioner Display Instructions de montage et de service.....	25
ES	Marine Air Conditioner Display Instrucciones de montaje y de uso.....	36
IT	Marine Air Conditioner Display Istruzioni di montaggio e d'uso.....	47

⚠ WARNING
Cancer and Reproductive Harm
www.P65Warnings.ca.gov

Copyright

© 2024 Dometic Group. The visual appearance of the contents of this manual is protected by copyright and design law. The underlying technical design and the products contained herein may be protected by design, patent or pending patent. The trademarks mentioned in this manual belong to Dometic Sweden AB. All rights are reserved.

English

1	Important notes.....	3
2	Explanation of symbols.....	3
3	Intended use.....	3
4	Scope of delivery.....	3
5	Tools.....	3
6	Display dimensions.....	3
7	Compatibility.....	3
8	Available modes and features.....	3
9	Specifications.....	4
10	Pre-installation.....	4
11	Installation.....	4
12	Operation.....	4
13	Troubleshooting.....	10
14	Disposal.....	13
15	Warranty.....	13

1 Important notes

Please read these instructions carefully and follow all instructions, guidelines, and warnings included in this product manual in order to ensure that you install, use, and maintain the product properly at all times. These instructions **MUST** stay with this product.

By using the product, you hereby confirm that you have read all instructions, guidelines, and warnings carefully and that you understand and agree to abide by the terms and conditions as set forth herein. You agree to use this product only for the intended purpose and application and in accordance with the instructions, guidelines, and warnings as set forth in this product manual as well as in accordance with all applicable laws and regulations. A failure to read and follow the instructions and warnings set forth herein may result in an injury to yourself and others, damage to your product or damage to other property in the vicinity. This product manual, including the instructions, guidelines, and warnings, and related documentation, may be subject to changes and updates. For up-to-date product information, please visit documents.dometic.com.

2 Explanation of symbols

2.1 Supplemental directives

To reduce the risk of accidents and injuries, please observe the following directives before proceeding to install and/or operate this product:

- Read and follow all safety information and instructions.
- Read and understand these instructions before installing or operating this product.
- American Boat and Yacht Council (ABYC) E-11 AC And DC Electrical Systems On Boats
- ANSI/NFPA 70, National Electrical Code (NEC)

2.2 General safety messages



WARNING! ELECTRICAL SHOCK, FIRE and/or EXPLOSION HAZARD. Failure to obey this warning could result in death or serious injury.

- Use only Dometic replacement parts and components that are specifically approved for us with the product.
- Avoid improper installation, adjustment, alterations, service, or maintenance of the product. Service and maintenance **must** be done by a qualified service person only.
- Do **not** modify this product in any way. Modification can be extremely hazardous.

3 Intended use

The VMD2.5 Display (hereinafter referred to as display or product) is the control interface for operating compatible marine air conditioning systems. This display is only suitable for the intended purpose and application in accordance with these instructions.

- Incorrect assembly or connection, including excess voltage.
- Incorrect maintenance or use of spare parts other than original spare parts provided by the manufacturer.
- Alterations to the product without express permission from the manufacturer.
- Use for purposes other than those described in this manual.

4 Scope of delivery

This section describes the parts included with the display. Optional parts can be purchased separately.

Included parts	Quantity
VMD2.5 display	1
#6 x ¾ in. self-tapping screws	4
Installation and operation manual	1

Optional parts	Quantity
Bezel	1
Display cable	50.0 ft (15.24 m)



NOTE A 25.0 ft (7.62 m) display cable is included with the marine air conditioner.

5 Tools

Dometic recommends that the following tools be used when installing the display.

Screwdriver/bit	Drill
Marker	Sabre saw/multi-tool saw

6 Display dimensions

	Width	Height
Display with bezel	4.69 in (119 mm)	3.31 in (84 mm)

7 Compatibility

This display is compatible with TX-series marine air conditioners.

8 Available modes and features

This section lists the available modes, functions, and features. Refer to the Operation on page 4 section for details.

Modes	Features
<ul style="list-style-type: none"> Cool Heat Auto Fan only 	<ul style="list-style-type: none"> Eco mode Quiet mode Scheduler can run up to four programs Selectable set point differential settings Selectable fan and pump operating speeds Adjustable low and high fan speeds Auxiliary electric heater connection/control Auto power source detection/management Zone assignment Filter hour counter/notification Display units in imperial or metric measurements Screen lock out Active alarm indicator

9 Specifications

This section lists the operating specifications for the display.

Ambient operating temperature range	-0.4 °F (-18 °C) ... 179.6 °F (82 °C)
Maximum Rh conditions	99 % Non-condensing
Set point operating range	65.0 °F (18.33 °C) ... 85.0 °F (29.44 °C)
Ambient temperature display range	5 °F (-15 °C) ... 132.0 °F (55.55 °C)
Sensor accuracy	± 2 °F at 77 °F (± 38 °F (1 °C) at 77 °F (25 °C)
Supply voltage type	12 V \overline{DC}

10 Pre-installation

This section describes the actions to complete prior to installing the display.



WARNING! ELECTRICAL SHOCK, FIRE, AND/OR EXPLOSION HAZARD.

Failure to obey the following warnings could result in death or serious injury:

- Prior to cutting or drilling, disconnect the power supply.
- Verify that there are no obstacles such as wires or pipes inside the cabin's walls at the display mounting location.



NOTICE!

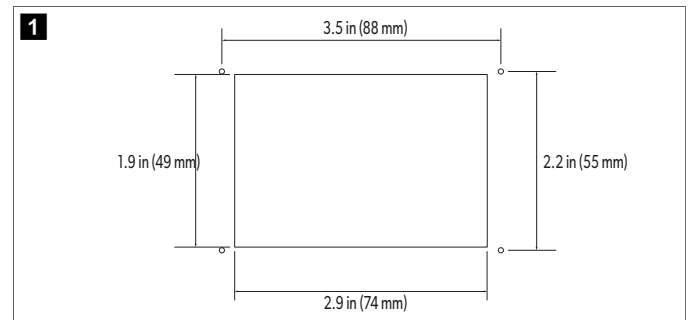
Do NOT locate the display panel in direct sunlight, near any heat-producing appliances, or in a bulkhead where temperatures radiating from behind the panel may affect performance.

10.1 Choosing the display location

- Inside wall of the cabin, out of direct sunlight
- Slightly higher than mid-height of the cabin wall
- An area with freely circulating air
- A maximum distance of 75.0 ft (22.86 m) from the air conditioner

10.2 Preparing the mounting location

- Disconnect the power supply.



- Mark the dimensions of the opening and the screw hole locations on the cabin wall.
- Cut out the opening.
- Drill four screw holes.

11 Installation



NOTICE!

Do NOT use a screw gun and do NOT overtighten the screws when mounting the display.

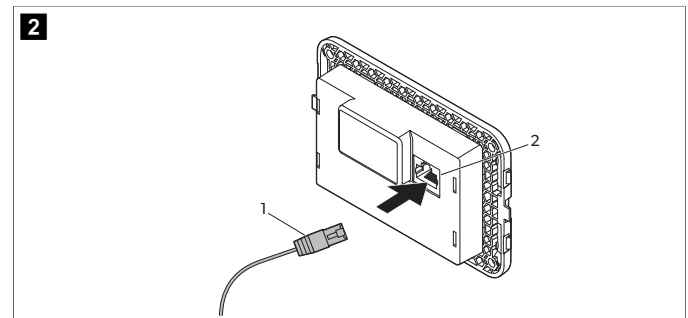


NOTICE!

Do NOT staple sensor cables during installation.

This section describes how to install the display.

- Route one end of the display cable through the electrical control box of the air conditioner and plug it into the jack on the circuit board.



1	Display cable	2	Jack
---	---------------	---	------

- Route the other end of the display cable through the wall opening and plug it into the jack on the back of the display.
- Use the screws to secure the display to the cabin wall.
- Snap the bezel (optional) onto the display.

12 Operation



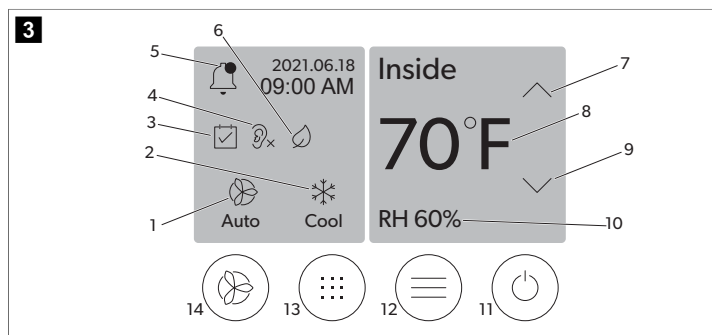
WARNING! ELECTRICAL SHOCK.

Failure to obey this warning could result in death or serious injury. The display remains powered when the power control is off. Disconnect the power supply prior to performing any maintenance on the display.

This system utilizes variable speed technology, which allows the compressor to operate for long periods instead of constantly cycling on and off. The benefits include increased reliability, reduced energy consumption, improved de-humidification, and lower operating noise levels.

12.1 Home screen

This section shows the location of the controls and status indicators on the Home screen and describes their use.



1	Fan speed indicator	8	Temperature/set point indicator
2	Mode indicator	9	Temperature down control
3	Scheduler indicator	10	Relative humidity indicator
4	Quiet mode indicator	11	Power control
5	Alarm indicator/control	12	Main menu control
6	Eco mode indicator	13	Mode control
7	Temperature up control	14	Fan speed control

Table 1: Home screen controls and status indicators

Icon	Control/indicator	Description
	Mode indicator	The mode icon shows the current operating mode. The icon is animated when the compressor is running and static when it is not running. The icon flashes when the compressor cycles off and enters a three-minute delay mode before it can cycle back on.
	Mode: Cool	The system will run a cooling cycle when the cabin temperature rises above the cooling set point by the set point differential. The default set point differential is 2 °F (1.1 °C). Refer to Parameters on page 7 to learn how to adjust the set point differential. Icon will animate when the compressor is operational.
	Mode: Heat	The system will run a heating cycle when the cabin temperature falls below the heating set point by the set point differential. The system will cycle off when the temperature set point is exceeded by 1 °F (0.6 °C). Refer to Parameters on page 7 to learn how to adjust the set point differential. Icon will animate when the compressor is operational.
	Mode: Auto	The system will automatically switch between a cooling and a reverse (heating) cycle depending on whether the cabin temperature goes above or below the set point by 4 °F (2.1 °C).
	Mode: Fan only	The system will run the fan to circulate the air continuously turning on the compressor.

Icon	Control/indicator	Description
	Fan speed indicator	The indicator shows the selected fan speed. In modes other than Fan Only, the indicator shows Auto, indicating that the fan speed is following the compressor speed. This is the ideal setting for true variable capacity performance. The icon is animated when the fan is running and static it is not running. Refer to Parameters on page 7 to learn how to adjust the low and high fan speeds. Icon will animate when the fan is operating.
	Scheduler indicator	The indicator appears when a scheduled program is active. Refer to Scheduler mode on page 6 to learn how to turn Scheduler mode on/off and set up and run programs.
	Alarm indicator/control	This indicator appears when there is an active alarm. Clearing the alarm notification does not resolve the alarm. The alarm notification will reappear on the Home screen until the problem is resolved. Refer to Troubleshooting for information on resolving alarms. <ul style="list-style-type: none"> Tap the Alarm indicator to display the current alarm. If there are more than two alarms, tap the Up Arrow and Down Arrow to navigate through the Alarm list. Tap an alarm from the list to view the details. Tap CLR to clear an individual alarm from the Alarm Details screen.
	Quiet mode indicator	The indicator appears when the function is active. Refer to Quiet mode on page 6 to learn how to turn Quiet mode on/off and adjust the set point.
	Eco mode indicator	The indicator appears when the function is active. Refer to Eco mode on page 6 to learn how to turn the mode on/off and adjust the set point.
	Up arrow	Tap to raise the temperature on the Home screen. On other screens, tap to navigate to the earlier menu and/or raise a numerical value.
	Temperature/set point indicator	The indicator displays the new temperature set point while the temperature set point is adjusted with the Up Arrow or Down Arrow, then displays the temperature in the cabin.
	Down arrow	Tap to lower the temperature on the Home screen. On other screens, tap to navigate to the next menu and/or lower a numerical value.
	Relative humidity indicator	The indicator displays the relative humidity in the cabin if a humidity sensor is installed.
	Power control	The power button turns the system on or off. When on, the system will run in the selected mode when the cabin temperature is higher (Cool mode) or lower (Heat mode) than the set point. When off, the system will not run although it will stay in communication with the network (if present). Tap and hold to toggle the power on or off.


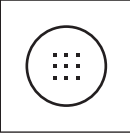







Icon	Control/indicator	Description
	Main menu control	The Main menu is used to set up, schedule, and troubleshoot the system. Tap to display the first Main menu screen, then tap the Down Arrow to display the second Main Menu screen.
	Mode control	Tap to cycle through Cool, Heat, Auto, and Fan Only.
	Fan speed control	This control is only available when the system is in Fan Only mode. Refer to Parameters on page 7 to learn how to adjust the fan speed settings. Tap to cycle through the fan speeds: Low, Medium, and High

Table 2: Additional controls

Icon	Control/indicator	Description
	Cancel	Tap to cancel an entry or to return to the earlier screen.
	Clear	Tap to clear the current entry.
	Edit	Tap to make changes in the current screen.
	OK	Tap to confirm an entry.
	Return home	Tap to return to the Home screen.
	Save	Tap to save an entry.

12.2 Eco mode



NOTE Eco mode and Quiet mode can be active at the same time. The system will operate at the set point that is the lowest. Be advised that setting the set point too low can affect the system's cooling capability.

12.2.1 Turning Eco mode on or off

1. On the Home screen, tap **Main Menu**.
 2. Tap **Function**.
 3. Tap **Eco Mode** to toggle the function on or off.
- ✓ The **Eco Mode** indicator will display on the Home screen if the mode on.

12.2.2 Adjusting the Eco mode set point

1. On the Home screen, tap **Main Menu**.
 2. Tap **Function**.
 3. Tap **Eco Mode**.
 4. Tap the down arrow.
 5. Tap **Eco Mode Set Point**.
 6. Tap the left arrow or right arrow to adjust the set point.
 7. Tap **Save**.
- ✓ The **Eco Mode** indicator will display on the Home screen if the mode on.

12.3 Quiet mode



NOTE Eco mode and Quiet mode can be active at the same time. The system will operate at the set point that is the lowest. Be advised that setting the set point too low can affect the system's cooling capability. **Quiet Mode** will automatically turn off if the temperature is more than 3 °F (1.8 °C) from the set point.

12.3.1 Turning Quiet mode on or off

1. On the Home screen, tap **Main Menu**.
 2. Tap **Function**.
 3. Tap **Quiet Mode** to toggle the function on or off.
- ✓ The Quiet Mode indicator will display on the Home screen if the mode on.

12.3.2 Adjusting the Quiet mode set point

To find the best set point, slowly decrease the set point percentage until the desired noise level is reached.

1. On the Home screen, tap **Main Menu**.
 2. Tap **Function**.
 3. Tap **Quiet Mode**.
 4. Tap the down arrow.
 5. Tap **Quiet Mode Set Point**.
 6. Tap the left arrow or right arrow to adjust the set point.
 7. Tap **Save**.
- ✓ The Quiet Mode indicator will display on the Home screen if the mode on.

12.4 Scheduler mode

Scheduler mode can automatically run up-to-four programs once they have been set up and activated. Programs can be set for desired days and times and include modes, functions, and temperatures.

12.4.1 Turning Scheduler mode on or off

Scheduler mode must be turned on to run or edit programs.

1. On the Home screen, tap **Main Menu**.
2. Tap **Scheduler Mode**.
3. Tap **Scheduler Mode** to toggle the function on or off.

12.4.2 Enabling or disabling a program

Scheduler mode must be turned on to run programs. Programs and their scheduled actions will be shown on the Program screen.

1. On the Home screen, tap **Main Menu**.

2. Tap **Scheduler Mode**.
3. Tap **Programs**.
4. Use the Up Arrow or Down Arrow to navigate to the program.
5. Tap the program menu bar to enable or disable the program.

12.4.3 Editing a program

Program options include setting the mode, functions, temperature set point, and the time and days of the week the program will run once turned on.

1. On the Home screen, tap **Main Menu**.
2. Tap **Scheduler Mode**.
3. Tap **Programs**.
4. Use the up arrow or down arrow to navigate to the desired program screen.
5. Tap **Edit**.
6. Tap **Cool**, **Heat**, **Auto**, or **Off** to select the mode, then tap the down arrow to move to the next screen.
7. Tap **Eco** and/or **Quiet** to turn these functions on or off, then tap the down arrow. These functions will not be available if the mode selected in the earlier step was "Off". Both can be set to on or off, as desired.
8. Tap the left arrow or right arrow to set the temperature, then tap the down arrow.
9. Tap the left arrow or right arrow to set the time, then tap the down arrow.
10. Tap one or more days to set which days the program will run.
11. Tap the Save icon to save the program.

12.5 Parameters

1. From the Home screen, tap Main Menu.
2. Tap Parameters, then use the Up Arrow and Down Arrow to scroll through the selections.

Selection	Description	Actions
Memorize Setting	This selection memorizes the current settings for all parameters providing a system-wide point that can be returned to when troubleshooting.	<ol style="list-style-type: none"> 1. Tap Memorize Settings. 2. Tap Yes. 3. Tap OK.
Recall Memorized	This selection returns all parameters to the last memorized settings.	<ol style="list-style-type: none"> 1. Tap Recall Memorize. 2. Tap Yes. 3. Tap OK.
Recall Factory	This selection returns all parameters to their factory settings.	<ol style="list-style-type: none"> 1. Tap Recall Factory. 2. Tap Yes. 3. Tap OK.
High Fan Speed	This selection adjusts the fan speed on the high setting reducing the air noise produced by the system.	<ol style="list-style-type: none"> 1. Tap High Fan Speed. 2. Tap the Left Arrow or Right Arrow to adjust the maximum fan speed percentage. 3. Tap Save.
Low Fan Speed	This selection adjusts the fan speed on the low setting ensuring the fan speed is high enough to overcome the static pressure in ductwork.	<ol style="list-style-type: none"> 1. Tap Low Fan Speed. 2. Tap the Left Arrow or Right Arrow to adjust the minimum fan speed percentage. 3. Tap Save.
Fan Operate Mode	Selecting Continuous keeps the fan running at slow speed when the compressor cycles off. Selecting Cycled turns the fan off and on with the compressor.	<ol style="list-style-type: none"> 1. Tap Fan Operate Mode. 2. Tap Continuous or Cycled.
Pump Operate Mode	Selecting Continuous keeps the pump running continuously when the compressor cycles off. Selecting Cycled turns the pump off and on with the compressor.	<ol style="list-style-type: none"> 1. Tap Pump Operate Mode. 2. Tap Continuous or Cycled.

Selection	Description	Actions
Inside Temp Calibrate	This selection is used to calibrate the cabin temperature reading when it is consistently different from the actual temperature.	<ol style="list-style-type: none"> 1. Tap Inside Temp Calibrate. 2. Tap the Left Arrow or Right Arrow to adjust the reading. 3. Tap Save.
Temperature Units	This selection toggles temperature readouts between °F and °C and affects all temperature screens. The default is °F.	Tap Temperature Units to toggle between °F or °C.
Pressure Units	This selection toggles pressure readouts between psi, Kpa, or bar and affects all pressure screens. The default is psi.	<ol style="list-style-type: none"> 1. Tap Pressure Units. 2. Tap the Left Arrow or Right Arrow to adjust the reading. 3. Tap Save.
Aux Electric Heat	This selection activates the auxiliary electric heater relay if one is connected. It will only work in place of the reverse heating cycle and not as a supplementary heat source. The default is off. The appropriate power rating must be selected to activate the heater.	<ol style="list-style-type: none"> 1. Tap Aux Electric Heat. 2. Tap the Left Arrow or Right Arrow to scroll through the options. 3. Tap Save and follow the prompts to confirm the selection.
Filter Hours Setting	When activated, this selection indicates when the filter is ready to be replaced as determined by the selected filter life range. The default is off.	<ol style="list-style-type: none"> 1. Tap Filter Hours Setting. 2. Tap the Left Arrow or Right Arrow to scroll through the options. 3. Tap Save.
Filter Hours Reset	This selection resets the filter life counter to zero. The filter hours should be reset when the filter is replaced or cleaned. This selection is not available when Filter Hours Setting is set to off.	<ol style="list-style-type: none"> 1. Tap Filter Hours Reset. 2. Tap Yes. 3. Tap OK.
Filter Alarm Delay	This selection sets the duration to snooze the filter alarm when Snooze is used in the Filter Alarm screen.	<ol style="list-style-type: none"> 1. Tap Filter Alarm Delay. 2. Tap the Left Arrow or Right Arrow to adjust the reading. 3. Tap Save.
Zone/Area	This selection assigns a zone name to one or more units. For networked units, this allows a command from one display to control all units assigned to that zone. The default for all units is Master Stateroom.	<ol style="list-style-type: none"> 1. Tap Zone/Area. 2. Tap the Left Arrow or Right Arrow to scroll through the list of zones/areas. 3. Tap Save.
Set Point Temp Differential	This selection adjusts the temperature differential between the set point and the cabin temperature reading which is used to decide when the system cycles on.	<ol style="list-style-type: none"> 1. Tap Set Point Temp Differential. 2. Tap the Left Arrow or Right Arrow to scroll through the list of settings. 3. Tap Save.
Discharge Pressure Calibration	This selection is used to calibrate the discharge pressure reading when it is consistently different from the actual pressure. The discharge pressure reading is used to check the health of the system. If the value exceeds the factory set limit, an alarm will display indicating the date and time of the occurrence.	<ol style="list-style-type: none"> 1. Tap Discharge Pressure Calibration. 2. Tap the Left Arrow or Right Arrow to adjust the reading. 3. Tap Save.
Suction Pressure Calibration	This selection is used to calibrate the suction pressure reading when it is consistently different from the actual pressure.	<ol style="list-style-type: none"> 1. Tap Suction Pressure Calibration. 2. Tap the Left Arrow or Right Arrow to adjust the reading. 3. Tap Save.

Selection	Description	Actions
Suction Temp Calibrate	This selection is used to calibrate the suction temperature reading when it is consistently different from the actual temperature.	<ol style="list-style-type: none"> 1. Tap Suction Temperature Calibration. 2. Tap the Left Arrow or Right Arrow to adjust the reading. 3. Tap Save.
Compressor Staging Delay	This selection adjusts the amount of time it takes for the compressor to start after a hard power cycle. Use for installations where more than one system operates from the same power source. Different staging delays allow compressors to start at different times when the power is interrupted. Stage the units at least five seconds apart.	<ol style="list-style-type: none"> 1. Tap Compressor Staging Delay. 2. Tap the Left Arrow or Right Arrow to scroll through the options. 3. Tap Save.
Low Voltage Monitor	When activated, this selection detects and indicates when the supply voltage is below the selected set point.	<ol style="list-style-type: none"> 1. Tap Low Voltage Monitor. 2. Tap the Left Arrow or Right Arrow to scroll through the options. 3. Tap Save.
Power Source Priority	This selection manages which power source type is used when both AC and DC power are available to the system. The default is AC.	Tap Power Source Priority to toggle between AC and DC.

12.6 System settings

1. From the Home screen, tap **Main Menu**.
2. Tap **System**, then use the Up Arrow and Down Arrow to scroll through the selections.

Selection	Description	Action
Display Brightness	This selection adjusts the brightness of the display.	<ol style="list-style-type: none"> 1. Tap Display Brightness. 2. Tap the Left Arrow or Right Arrow to adjust the percentage.
Sleep Mode Delay	This selection determines how long the display must remain inactive before the screen saver appears. Selecting off deactivates the screen saver.	<ol style="list-style-type: none"> 1. Tap Sleep Mode Settings. 2. Tap the Left Arrow or Right Arrow to scroll through the options. 3. Tap Save.
Language	This selection determines the language used by the display.	<ol style="list-style-type: none"> 1. Tap Language. 2. Tap the Left Arrow or Right Arrow to scroll through the options. 3. Tap Save.
Screen Saver	This selection determines which screen save appears on the Home screen after a period of inactivity: the Dometic logo (default), a simplified temperature screen, and a blank black screen. Touching the screen wakes up the display.	<ol style="list-style-type: none"> 1. Tap Screen Saver. 2. Tap the Left Arrow or Right Arrow to scroll through the options. 3. Tap Save.
Versions	This selection displays the installed versions of firmware.	Tap Versions .

12.7 Troubleshoot

1. From the Home screen, tap **Main Menu**.
2. Tap **Troubleshoot**, then use the Up Arrow and Down Arrow to scroll through the selections.

Selection	Description	Action
Fault History	This selection provides the history of any faults that have occurred in the system since the last time the fault history was reset. The fault history can only be reset by a service technician.	<ol style="list-style-type: none"> 1. Tap Fault History. 2. Tap the Up Arrow or Down Arrow to scroll through the faults.
System Status	This selection provides information on the present system status.	<ol style="list-style-type: none"> 1. Tap System Status. 2. Tap the Up Arrow or Down Arrow to scroll through the status information.

12.8 Lock setting

The **Lock Setting** menu allows you to restrict access to the **System**, **Parameter**, and **Scheduler** menus with a 4-digit PIN code.

12.8.1 Setting the lock PIN

1. From the Home screen, tap **Main Menu**.
2. Tap **Lock Setting**.
3. Tap **Yes** to confirm you want to proceed.
4. Tap the number pad to enter a 4-digit PIN.
5. Tap **OK** to save the PIN and lock the menus.

12.8.2 Changing the lock PIN

1. From the Home screen, tap **Main Menu**.
2. Tap **Lock Setting**.
3. Tap **Yes** to confirm you want to proceed.
4. Tap **Change PIN**.
5. Tap the number pad to enter a 4-digit PIN.
6. Tap **OK** to save the new PIN.

12.8.3 Remove the lock PIN

1. From the Home screen, tap **Main Menu**.
2. Tap **Lock Setting**.
3. Tap **Yes** confirm you want to proceed.
4. Tap **Remove PIN**.
5. Tap **OK** to remove the PIN and unlock the menus.

12.9 Date & time

The **Date & Time** menu allows you set the date and time in your preferred format and choose whether to display them on the Home screen.

12.9.1 Turning date & time on or off

This setting turns on or off the option to display the date and time on the Home screen.

1. From the Home screen, tap **Main Menu**.
2. Tap **Date & Time**.
3. Tap **Date & Time Display** to toggle the option on or off.

12.9.2 Setting the date format

This setting gives the option to display the date in different formats. The default is MM-DD-YYYY.

1. From the Home screen, tap **Main Menu**.
2. Tap **Date & Time**.
3. Tap **Date Format**.
4. Tap the Left Arrow or Right Arrow to scroll through the formats.
5. Tap **Save**.

12.9.3 Setting the time format

This setting gives the option to display the time in 12- or 24-hour formats. The default is 12-hour.

1. From the Home screen, tap **Main Menu**.
2. Tap **Date & Time**.
3. Tap **Time Format** to toggle between the options.

12.9.4 Setting the date & time

This setting allows you to set the date and time.

1. From the Home screen, tap **Main Menu**.
2. Tap **Date & Time**.
3. Tap **Date Time Settings**.
4. Follow the screen prompts to make the changes.
5. Tap **Save**.

13 Troubleshooting

Problem	Possible cause	Suggested remedy
The system does not power up.	The circuit breaker for the air conditioner is off.	Turn on the circuit breaker at the vessel's panel.
	The power button is off on the display.	Turn on the power button on the display.
	The voltage on the power supply cable is not high enough.	<ol style="list-style-type: none"> 1. Verify the voltage on the power supply cable. 2. Check the wiring and terminals for proper sizes and connections. Refer to the installation manual that came with the air conditioner. 3. Use a voltmeter to verify that the power is the same at the air conditioner and at the power source.
	An electrical part has failed.	Contact a qualified service technician.
The system shuts down.	The system encountered a hard fault.	<ol style="list-style-type: none"> 1. Check the fault history. Refer to Troubleshoot on page 8. 2. Follow the corresponding troubleshooting steps in this section.
	The power source has lost power.	Verify that the power source is supplying power.
	An electrical part has failed.	Contact a qualified service technician.
The system does not respond to changes entered on the display.	There is a power-related issue with the display, such as a power interruption, voltage frequency fluctuation, electromagnetic interference from other equipment, or a similar issue.	<ol style="list-style-type: none"> 1. Turn off or move any high-power electronics near the display. 2. Switch the existing display cable for a shielded cable. 3. If the problem persists, contact a qualified service technician.
	The display and the air conditioner unit are not compatible.	Verify that the display being used is compatible with the air conditioner.
The display does not show the correct room temperature.	The return air sensor is in a position that does not accurately reflect the cabin temperature.	<ol style="list-style-type: none"> 1. Reposition the return air sensor to a better location, if possible. 2. On the Parameters menu, use the Inside Temp Calibrate feature to calibrate the air sensor.
The system is not blowing cold air.	The temperature of the seawater is too high.	Seawater temperature directly affects the unit's efficiency. For optimal cooling, the water temperature must be less than 95 °F (35 °C).
	The water flow is inadequate.	Verify that there are no obstructions in the water flow.
	The system has lost refrigerant.	Contact a qualified service technician.
	The mode on the display is not set to Cool.	Change the mode to Cool.
The system is not blowing hot air.	The temperature of the seawater is too low.	Seawater temperature directly affects the unit's efficiency. For the unit to heat (if the reverse-cycle option is available), the water temperature must be 40 °F (4.44 °C) or higher.
	The reversing valve is stuck.	<ol style="list-style-type: none"> 1. Lightly press on the valve with a rubber mallet while the system is in Heat mode. 2. If the problem persists, contact a qualified service technician.
	The auxiliary electric heater is enabled but not connected.	<ol style="list-style-type: none"> 1. On the Parameters menu, set Aux Elec Heat to Off. 2. Verify that the breaker for the auxiliary heater is in the on position.
	The mode is not set to Heat on the display.	Change the mode to Heat.
	The system has lost refrigerant.	Contact a qualified service technician.
There is not enough airflow in the system.	The airflow is blocked or restricted.	<ol style="list-style-type: none"> 1. Remove any obstructions in the return air stream. 2. Clean the return air filter and grille. 3. Check for crushed or restricted ducting. The ducting must be as straight, smooth, and firmly supported as possible.
	The system is running in limit mode to pay for abnormal operating conditions caused by environmental factors such as seawater temperature, load, etc.	On the Troubleshoot menu, check System Status for the operating mode. If the system cannot resume normal operation within an hour, a Limit Mode alarm will be sent to the display until normal operation can be resumed.
The compressor is not stopping.	The variable speed compressor technology slows down, but does not stop unless the temperature set point is exceeded by 1 °F (0.6 °C).	Adjust the temperature set point or use the power button on the display to manually turn off the system.

Problem	Possible cause	Suggested remedy
	An electrical part has failed.	Contact a qualified service technician.
The fan is not blowing or does not stop blowing.	The Fan Operate mode is set for either Cycled or Continuous.	On the Parameters menu, change the Fan Operate Mode to the desired setting.
	An electrical part has failed.	Contact a qualified service technician.
The mode icon is flashing.	The compressor cycled off because the mode was changed.	The compressor will cycle back on three minutes after the mode change.
	The compressor cycled off because the target temperature was exceeded by 1 °F (0.6 °C) or more.	The compressor will cycle on once the cabin temperature no longer exceeds the set point.
The filter warning displays.	The timer setting to clean or replace the air filter has been reached.	<ol style="list-style-type: none"> 1. Clean or replace the air filter. 2. On the Parameter menu, use the Filter Hours Reset function to reset the timer.
Fault: Return Air Sensor Failure	An electrical connection or part has failed.	Contact a qualified service technician.
Fault: Suction Temp Sensor Failure	An electrical connection or part has failed.	Contact a qualified service technician.
Fault: Discharge Pressure Transducer Failure	An electrical part has failed.	Contact a qualified service technician.
Fault: High Discharge Pressure	The flow of seawater is obstructed or blocked.	<ol style="list-style-type: none"> 1. Verify that the seacock is open and water is flowing to the pump. 2. Clean the seawater strainer. 3. Check for a strong, steady flow from the overboard discharge.
	The seawater pump may be airlocked.	<ol style="list-style-type: none"> 1. Verify that the seawater plumbing is installed according to the instructions in the installation manual included with the air conditioner. 2. Remove the hose from the pump discharge to purge air from the line, then place the hose again.
	The seawater pump is not running.	<ol style="list-style-type: none"> 1. Ensure the pump is not damaged from being run dry. 2. Verify that the pump is receiving voltage. 3. Check that water is flowing strongly out of the overflow.
	The condensing coil is dirty.	Clean the condensing coil.
	The seawater temperature is too high during heating operation.	Seawater temperature directly affects the unit's efficiency. For the unit to heat (if the reverse-cycle option is available), the water temperature must be less than 65 °F (18.33 °C).
	There is insufficient return airflow.	<ol style="list-style-type: none"> 1. Remove any obstructions in the return air stream. 2. Clean the air filter and the grille. 3. Check for crushed or restricted ducting. The ducting must be as straight, smooth, and firmly supported as possible.
Fault: Low Suction Pressure	The return air pressure is too low during cooling operation.	The ambient temperature directly affects the unit's efficiency. For optimum cooling, the air temperature must be 65 °F (18.33 °C) or higher.
	The return air is restricted.	<ol style="list-style-type: none"> 1. Remove any obstructions in the return air stream. 2. Clean or replace the air filter and grille.
	The seawater temperature is too low during heating operation.	Seawater temperature directly affects the unit's efficiency. For the unit to heat (if the reverse-cycle option is available), the water temperature must be 40 °F (4.44 °C) or higher.
	The system has lost refrigerant	Contact a qualified service technician.
Fault: Compressor Start Failure	The supply voltage is too low.	<ol style="list-style-type: none"> 1. Verify the voltage is correct at the power source. 2. If the problem persists, contact a qualified service technician.
	An electrical part has failed.	Contact a qualified service technician.
Fault: Low Superheat	A blower or expansion valve has malfunctioned.	Contact a qualified service technician.
Fault: Low Suction Temperature	A blower or expansion valve has malfunctioned.	Contact a qualified service technician.
Fault: Clock Board Fault or Not Connected	An electrical part has failed.	Contact a qualified service technician.
Fault: AC Low Voltage	The supply voltage is too low.	<ol style="list-style-type: none"> 1. Verify the voltage is correct at the power source. 2. If the problem persists, contact a qualified service technician.

Problem	Possible cause	Suggested remedy
Fault: AC High Voltage	The supply voltage is too high.	<ol style="list-style-type: none"> 1. Verify the voltage is correct at the power source. 2. If the problem persists, contact a qualified service technician.
Fault: DC Low Voltage	The battery capacity is reduced.	<ol style="list-style-type: none"> 1. Charge or replace the battery bank. 2. If the problem persists, contact a qualified service technician.
Fault: DC High Voltage	The supply voltage is too high.	<ol style="list-style-type: none"> 1. Verify the voltage is correct at the power source. 2. If the problem persists, contact a qualified service technician.
Fault: Communication Loss	An electrical part has failed.	Contact a qualified service technician.
	Electrical noise interference.	Ensure communication cables and connectors are not in close proximity to power cables or large electrical equipment.
Fault: Overcurrent Alarm	An electrical part has failed.	Contact a qualified service technician.
Fault: High VFD Temperature	Airflow is restricted due an object in the airflow path.	Remove the obstruction from the heatsink cooling airflow path.
	The cooling fan is not operating correctly.	Contact a qualified service technician.
Fault: Fan Fault	An electrical part has failed.	Contact a qualified service technician.
Fault: Duplicate Zone Instance	More than one unit in a network has been assigned to the same zone ID.	Check the zone assignments on all units in the network to ensure each unit has a unique zone ID.
Fault: Low Refrigerant	A mechanical interface has failed and lost refrigerant.	Contact a qualified service technician.

14 Disposal



Place the packaging material in the appropriate recycling waste bins, wherever possible. Consult a local recycling center or specialist dealer for details about how to dispose of the product in accordance with the applicable disposal regulations.

15 Warranty

Refer to the sections below for information about warranty and warranty support in the US, Canada, Australia, New Zealand, and all other regions.

United States and Canada

LIMITED WARRANTY AVAILABLE AT DOMETIC.COM/EN-US/TERMS-AND-CONDITIONS-CONSUMER/WARRANTY.

IF YOU HAVE QUESTIONS, OR TO OBTAIN A COPY OF THE LIMITED WARRANTY FREE OF CHARGE, CONTACT:

DOMETIC CORPORATION MARINE
CUSTOMER SUPPORT CENTER
2000 NORTH ANDREWS AVENUE
POMPANO BEACH, FLORIDA, USA 33069
1-800-542-2477

Asia-Pacific (APAC) Countries

If the product does not work as it should, please contact your retailer or the manufacturer's branch in your country (see the back of this instruction manual for the web addresses to locate your region or retailer). The warranty applicable to your product is 1 year.

For repair and warranty processing, please include the following documents when you send in the device:

- A copy of the receipt with purchasing date
- A reason for the claim or description of the fault.

Our goods come with guarantees that cannot be excluded under the Australian Consumer Law. You are entitled to a replacement or refund for a major failure and for compensation for any other reasonably foreseeable loss or damage. You are also entitled to have the goods repaired or replaced if the goods fail to be of acceptable quality and the failure does not amount to a major failure.

Australia Only

Our goods come with guarantees that cannot be excluded under the Australian Consumer Law. You are entitled to a replacement or refund for a major failure and for compensation for any other reasonably foreseeable loss or damage. You are also entitled to have the goods repaired or replaced if the goods fail to be of acceptable quality and the failure does not amount to a major failure.

New Zealand Only

This warranty policy is subject to the conditions and guarantees which are mandatory as implied by the Consumer Guarantees Act 1993(NZ).

All other regions

The statutory warranty period applies. If the product is defective, please contact the manufacturer's branch in your region or your retailer (see the back of this instruction manual for the web addresses to locate your region or retailer).

For repair and guarantee processing, please include the following documents when you send in the device:

- A copy of the receipt with purchasing date
- A reason for the claim or description of the fault

Deutsch

1	Wichtige Hinweise.....	14
2	Erklärung der Symbole.....	14
3	Bestimmungsgemäßer Gebrauch.....	14
4	Lieferumfang.....	14
5	Werkzeuge.....	14
6	Display-Abmessungen.....	14
7	Kompatibilität.....	14
8	Verfügbare Betriebsarten und Funktionen.....	14
9	Technische Daten.....	15
10	Vor der Installation.....	15
11	Installation.....	15
12	Betrieb.....	15
13	Fehlersuche und Fehlerbehebung.....	21
14	Entsorgung.....	24
15	Garantie.....	24

1 Wichtige Hinweise

Lesen und befolgen Sie bitte alle Anweisungen, Richtlinien und Warnhinweise in diesem Produkthandbuch sorgfältig, um sicherzustellen, dass Sie das Produkt ordnungsgemäß installieren und stets ordnungsgemäß betreiben und warten. Diese Anleitung MUSS bei dem Produkt verbleiben.

Durch die Verwendung des Produktes bestätigen Sie hiermit, dass Sie alle Anweisungen, Richtlinien und Warnhinweise sorgfältig gelesen haben und dass Sie die hierin dargelegten Bestimmungen verstanden haben und ihnen zustimmen. Sie erklären sich damit einverstanden, dieses Produkt nur für den angegebenen Verwendungszweck und gemäß den Anweisungen, Richtlinien und Warnhinweisen dieses Produkthandbuchs sowie gemäß allen geltenden Gesetzen und Vorschriften zu verwenden. Eine Nichtbeachtung der hierin enthaltenen Anweisungen und Warnhinweise kann zu einer Verletzung Ihrer selbst und anderer Personen, zu Schäden an Ihrem Produkt oder zu Schäden an anderem Eigentum in der Umgebung führen. Dieses Produkthandbuch, einschließlich der Anweisungen, Richtlinien und Warnhinweise, sowie die zugehörige Dokumentation können Änderungen und Aktualisierungen unterliegen. Aktuelle Produktinformationen finden Sie unter documents.dometic.com.

2 Erklärung der Symbole

2.1 Ergänzende Anweisungen

Um die Gefahr von Unfällen und Verletzungen zu verringern, beachten Sie bitte die folgenden Anweisungen, bevor Sie dieses Produkt installieren und in Betrieb nehmen:

- Lesen und befolgen Sie alle Sicherheitsinformationen und -hinweise.
- Lesen und verstehen Sie diese Anleitung vor der Installation oder Inbetriebnahme dieses Produkts.
- American Boat and Yacht Council (ABYC) E-11 AC- und DC-Elektrosysteme auf Booten
- ANSI/NFPA 70, National Electrical Code (NEC)

2.2 Allgemeine Sicherheitshinweise



WARNUNG! STROMSCHLAG-, BRAND- und/oder EXPLOSIONSGEFAHR

Die Nichtbeachtung dieser Warnung kann zum Tod oder zu schweren Verletzungen führen.

- Verwenden Sie ausschließlich Ersatzteile und Komponenten von Dometic, die speziell für den Einsatz mit dem Produkt zugelassen sind.
- Vermeiden Sie unsachgemäße Installation, Einstellung, Änderung, Wartung oder Instandhaltung des Produkts. Instandhaltung und War-

tung dürfen **nur** von qualifiziertem Wartungspersonal durchgeführt werden.

- Nehmen Sie **keine** Veränderungen am Produkt vor. Veränderungen am Produkt können extrem gefährlich sein.

3 Bestimmungsgemäßer Gebrauch

Das VMD2.5-Display (im Folgenden als Display oder Produkt bezeichnet) ist die Steuerungsschnittstelle für den Betrieb kompatibler Bootsklimaanlagen. Dieses Display ist nur für den bestimmungsgemäßen Gebrauch und die entsprechende Anwendung gemäß dieser Anleitung geeignet.

- Unsachgemäße Montage oder falscher Anschluss, einschließlich Überspannung.
- Unsachgemäße Wartung oder Verwendung von anderen als den vom Hersteller gelieferten Original-Ersatzteilen.
- Veränderungen am Produkt ohne ausdrückliche Genehmigung des Herstellers.
- Verwendung für andere als die in der Anleitung beschriebenen Zwecke.

4 Lieferumfang

In diesem Abschnitt werden die im Lieferumfang des Displays enthaltenen Teile beschrieben. Optionale Teile können separat erworben werden.

Enthaltene Teile	Anzahl
VMD2.5-Display	1
Blechschraven #6 x 3/4 in.	4
Montage- und Bedienungsanleitung	1

Optionale Teile	Anzahl
Blende	1
Display-Kabel	50,0 ft (15,24 m)



HINWEIS Im Lieferumfang der Bootsklimaanlage ist ein 25,0 ft (7,62 m) Display-Kabel enthalten.

5 Werkzeuge

Dometic empfiehlt, bei der Installation des Displays die folgenden Werkzeuge zu verwenden.

Schraubendreher bzw. Schraubendrehereinsatz	Bohrmaschine
Marker	Säbelsäge/Multiwerkzeugsäge

6 Display-Abmessungen

	Breite	Höhe
Display mit Blende	4,69 in (119 mm)	3,31 in (84 mm)

7 Kompatibilität

Dieses Display ist mit Bootsklimaanlagen der TX-Serie kompatibel.

8 Verfügbare Betriebsarten und Funktionen

In diesem Abschnitt werden die verfügbaren Betriebsarten, Funktionen und Merkmale aufgeführt. Weitere Informationen finden Sie im Abschnitt Betrieb auf Seite 15.

Betriebsarten	Merkmale
<ul style="list-style-type: none"> Cool Heat Auto Fan only 	<ul style="list-style-type: none"> Eco-Betriebsart Quiet-Betriebsart Scheduler kann bis zu vier Programme ausführen Wählbare Sollwert-Differenzeinstellungen Wählbare Lüfter- und Pumpenbetriebsgeschwindigkeiten Einstellbare niedrige und hohe Lüftergeschwindigkeiten Anschluss/Steuerung einer elektrischen Zusatzheizung Automatische Erkennung/Verwaltung von Stromversorgungen Zonenzuordnung Filtern des Stundenzählers bzw. von Benachrichtigungen Anzeige der Einheiten in imperialen oder metrischen Maßeinheiten Bildschirm Sperre Anzeige für aktiven Alarm

9 Technische Daten

In diesem Abschnitt sind die Betriebsdaten für das Display aufgeführt.

Umgebungsbetriebstemperatur-Bereich	0,4 °F (-18 °C) ... 179,6 °F (82 °C)
Maximale Luftfeuchtigkeit	99 %, nicht kondensierend
Sollwert-Betriebsbereich	65,0 °F (18,33 °C) ... 85,0 °F (29,44 °C)
Display-Umgebungstemperaturbereich	5 °F (-15 °C) ... 132,0 °F (55,55 °C)
Sensorgenauigkeit	± 2 °F at 77 °F (± 38 °F (1 °C) at 77 °F (25 °C)
Versorgungsspannungstyp	12 V ⁼⁼

10 Vor der Installation

In diesem Abschnitt werden die Arbeitsschritte beschrieben, die vor der Display-Montage auszuführen sind.



WARNUNG! STROMSCHLAG-, BRAND- UND/ODER EXPLOSIONSGEFAHR.

Nichtbeachtung dieser Warnungen kann zum Tod oder schweren Verletzungen führen:

- Vor Schneid- und Bohrarbeiten muss die Stromversorgung getrennt werden.
- Stellen Sie sicher, dass sich an der Montageposition des Displays keine Hindernisse wie Kabel oder Rohre in den Kabinenwänden befinden.



ACHTUNG!

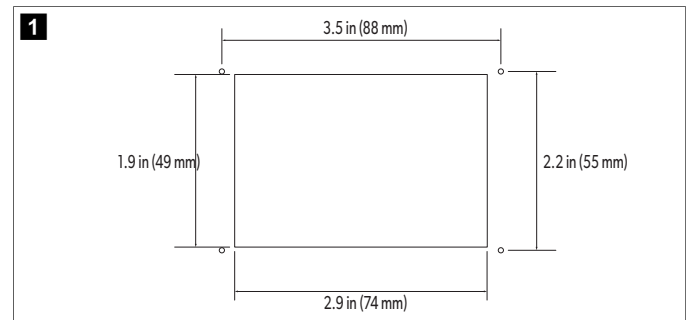
Montieren Sie die Bedienfeldanzeige NICHT in direktem Sonnenlicht, in der Nähe wärmeerzeugender Geräte oder in einem Schott, wo die Leistung des Bediendisplay durch die dahinter abgegebene Wärmestrahlung beeinträchtigt werden kann.

10.1 Auswählen des Display-Standorts

- Innenwand der Kabine, vor direktem Sonnenlicht geschützt
- Etwas höher als auf mittlerer Kabinenwandhöhe
- Ein Bereich mit frei zirkulierender Luft
- In einem maximalen Abstand von 75,0 ft (22,86 m) zur Klimaanlage

10.2 Vorbereiten des Montageorts

- Unterbrechen Sie die Spannungsversorgung.



- Markieren Sie die Abmessungen der Öffnung und die Positionen der Schraubenlöcher an der Kabinenwand.
- Schneiden Sie die Öffnung aus.
- Bohren Sie vier Schraubenlöcher.

11 Installation



ACHTUNG!

Verwenden Sie zum Anbringen des Displays KEINEN Elektroschrauber und überdrehen Sie die Schrauben NICHT.

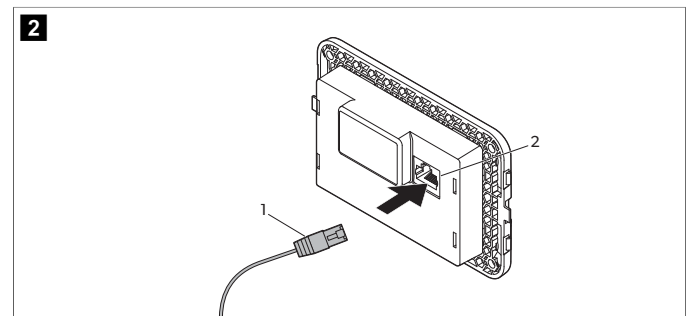


ACHTUNG!

Die Sensorkabel dürfen während der Installation NICHT getackert werden.

In diesem Abschnitt wird die Display-Montage beschrieben.

- Führen Sie ein Ende des Display-Kabels durch den elektrischen Schaltkasten der Klimaanlage und schließen Sie das Kabel an die Buchse auf der Leiterplatte an.



1	Display-Kabel	2	Buchse
---	---------------	---	--------

- Führen Sie das andere Ende des Display-Kabels durch die Wandöffnung und schließen Sie das Kabel an die Buchse auf der Display-Rückseite an.
- Verwenden Sie die Schrauben, um das Display an der Kabinenwand zu befestigen.
- Rasten Sie die Blende (optional) in das Display ein.

12 Betrieb



WARNUNG! STROMSCHLAG

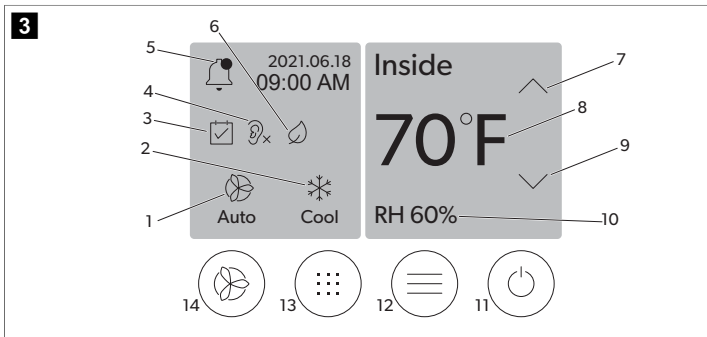
Die Nichtbeachtung dieser Warnung kann zum Tod oder zu schweren Verletzungen führen.

Wenn die Ein/Aus-Taste ausgeschaltet ist, bleibt das Display eingeschaltet. Vor der Durchführung von Wartungsarbeiten am Display muss die Stromversorgung vom Gerät getrennt werden.

Dieses System nutzt eine Technologie mit variabler Drehzahl, die eine längere Kompressorbetriebszeit ermöglicht, anstatt den Kompressor ständig ein- und auszuschalten. Zu den Vorteilen gehören höhere Zuverlässigkeit, geringerer Energieverbrauch, verbesserte Entfeuchtung und geringere Betriebsgeräusche.

12.1 Startbildschirm

In diesem Abschnitt wird die Position der Bedienelemente und Statusanzeigen auf dem Startbildschirm erläutert und deren Verwendung beschrieben.



1	Lüftergeschwindigkeitsanzeige	8	Temperatur-/Sollwertanzeige
2	Betriebsartanzeige	9	Temperaturverringern einstellen
3	Scheduler-Anzeige	10	Anzeige relative Luftfeuchtigkeit
4	Quiet-Betriebsart-Anzeige	11	Ein- und Ausschalten
5	Alarmanzeige/-steuerung	12	Hauptmenüsteuerung
6	Eco-Betriebsart-Anzeige	13	Betriebsartsteuerung
7	Temperaturerhöhung einstellen	14	Lüftergeschwindigkeitssteuerung

Tabelle 3: Bedienelemente und Statusanzeigen auf dem Startbildschirm

Symbol	Steuerung/Anzeige	Beschreibung
	Betriebsartanzeige	Das Betriebsartensymbol zeigt die aktuelle Betriebsart an. Das Symbol ist animiert, wenn der Kompressor läuft, und statisch, wenn er nicht läuft. Das Symbol blinkt, wenn der Kompressor ausgeschaltet wird. Der Kompressor wechselt dann in eine dreiminütige Verzögerungsbetriebsart, bevor er wieder eingeschaltet werden kann.
	Betriebsart: Kühlen	Das System führt einen Kühlzyklus durch, wenn die Kabinentemperatur um die Sollwertdifferenz über den Kühlungssollwert steigt. Die Standard-Sollwertdifferenz beträgt 2 °F (1.1 °C). Informationen zum Einstellen der Sollwertdifferenz finden Sie unter Parameter auf Seite 18. Das Symbol ist animiert, wenn der Kompressor in Betrieb ist.
	Betriebsart: Heizen	Das System führt einen Heizzyklus durch, wenn die Kabinentemperatur um die Sollwertdifferenz unter den Heizzollwert fällt. Das System wird ausgeschaltet, wenn der Temperatursollwert um 1 °F (0.6 °C) überschritten wird. Informationen zum Einstellen der Sollwertdifferenz finden Sie unter Parameter auf Seite 18. Das Symbol ist animiert, wenn der Kompressor in Betrieb ist.
	Betriebsart: Auto	Das System schaltet automatisch zwischen einem Kühl- und einem Wärmepumpenzyklus (Heizung) um, je nachdem, ob die Kabinentemperatur den Sollwert um 4 °F (2.1 °C) über- oder unterschreitet.
	Betriebsart: Nur Lüfter	Das System aktiviert den Lüfter, um die Luft umzuwälzen, und schaltet dabei den Kompressor durchgängig ein.

Symbol	Steuerung/Anzeige	Beschreibung
	Lüftergeschwindigkeitsanzeige	Die Anzeige zeigt die ausgewählte Lüftergeschwindigkeit an. In anderen Betriebsarten als „Nur Lüfter“ zeigt die Anzeige „Auto“ an, um darauf hinzuweisen, dass die Lüftergeschwindigkeit mit der Kompressor Drehzahl verknüpft ist. Dies ist die ideale Einstellung für eine wirklich variable Leistung. Das Symbol ist animiert, wenn der Lüfter läuft, und statisch, wenn er nicht läuft. Informationen zum Einstellen der niedrigen und hohen Lüftergeschwindigkeiten finden Sie unter Parameter auf Seite 18. Das Symbol ist animiert, wenn der Lüfter in Betrieb ist.
	Scheduler-Anzeige	Die Anzeige erscheint, wenn ein geplantes Programm aktiv ist. Unter Scheduler-Betriebsart auf Seite 18 erfahren Sie, wie Sie die Scheduler-Betriebsart ein- und ausschalten sowie Programme einrichten und ausführen.
	Alarmanzeige/-steuerung	Diese Anzeige wird angezeigt, wenn ein aktiver Alarm vorliegt. Durch Löschen der Alarmbenachrichtigung wird der Alarm nicht aufgehoben. Die Alarmbenachrichtigung wird erneut auf dem Startbildschirm angezeigt, bis das Problem behoben ist. Informationen zur Behebung von Alarmen finden Sie im Abschnitt Fehlersuche und Fehlerbehebung. <ul style="list-style-type: none"> • Tippen Sie auf die Alarmanzeige, um den aktuellen Alarm anzuzeigen. • Wenn mehr als zwei Alarme vorliegen, tippen Sie auf den Aufwärts- und Abwärts Pfeil, um durch die Alarmliste zu navigieren. • Tippen Sie auf einen Alarm in der Liste, um die Details anzuzeigen. • Tippen Sie auf CLR, um einen einzelnen Alarm aus dem Bildschirm „Alarm Details“ zu löschen.
	Quiet-Betriebsart-Anzeige	Die Anzeige erscheint, wenn die Funktion aktiv ist. Unter Quiet-Betriebsart auf Seite 17 erfahren Sie, wie Sie die Quiet-Betriebsart ein- und ausschalten sowie den Sollwert einstellen.
	Eco-Betriebsart-Anzeige	Die Anzeige erscheint, wenn die Funktion aktiv ist. Unter Eco-Betriebsart auf Seite 17 erfahren Sie, wie Sie die Eco-Betriebsart ein- und ausschalten sowie den Sollwert einstellen.
	Aufwärtspfeil	Tippen Sie hierauf, um die Temperatur auf dem Startbildschirm zu erhöhen. Tippen Sie auf einen anderen Bildschirm, um zum vorherigen Menü zu navigieren und/oder einen numerischen Wert zu erhöhen.
	Temperatur-/Sollwertanzeige	Während der Anpassung des Temperatursollwerts mit dem Aufwärts- oder Abwärtspfeil wird der neue Temperatursollwert angezeigt. Anschließend wird die Kabinentemperatur angezeigt.
	Abwärtspfeil	Tippen Sie hierauf, um die Temperatur auf dem Startbildschirm zu verringern. Tippen Sie auf einen anderen Bildschirm, um zum nächsten Menü zu navigieren und/oder einen numerischen Wert zu verringern.
	Anzeige relative Luftfeuchtigkeit	Die Anzeige zeigt die relative Luftfeuchtigkeit in der Kabine an, wenn ein Feuchtigkeitssensor installiert ist.



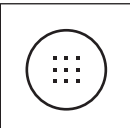







Symbol	Steuerung/Anzeige	Beschreibung
	Ein- und Ausschalten	Die Ein/Aus-Taste dient dazu, das System ein- oder auszuschalten. Im eingeschalteten Zustand läuft das System in der ausgewählten Betriebsart, wenn die Temperatur im Innenraum über dem Sollwert (Betriebsart Kühlen) oder unter dem Sollwert (Betriebsart Heizen) liegt. Im ausgeschalteten Zustand ist das System außer Betrieb, bleibt aber mit dem Netzwerk in Verbindung (falls vorhanden). Halten Sie das Symbol gedrückt, um das Gerät ein- oder auszuschalten.
	Hauptmenüsteuerung	Das Hauptmenü wird zur Einrichtung, Zeitplanung und Fehlerbehebung des Systems verwendet. Tippen Sie auf das Symbol, um den ersten Hauptmenübildschirm anzuzeigen. Tippen Sie anschließend auf den Abwärtspfeil, um den zweiten Hauptmenübildschirm anzuzeigen.
	Betriebsartsteuerung	Tippen Sie auf dieses Symbol, um zwischen den Betriebsarten „Kühlen“, „Heizen“, „Auto“ und „Nur Lüfter“ zu wechseln.
	Lüftergeschwindigkeitssteuerung	Dieses Bedienelement ist nur verfügbar, wenn sich das System in der Betriebsart „Nur Lüfter“ befindet. Informationen zum Anpassen der Lüftergeschwindigkeitseinstellungen finden Sie unter <i>Parameter</i> auf Seite 18. Tippen Sie auf dieses Symbol, um zwischen den verschiedenen Lüftergeschwindigkeiten zu wechseln: Niedrig, Mittel und Hoch

Tabelle 4: Zusätzliche Bedienelemente

Symbol	Steuerung/Anzeige	Beschreibung
	Abbrechen	Tippen Sie auf dieses Symbol, um eine Eingabe abzubrechen oder zum vorherigen Bildschirm zurückzukehren.
	Löschen	Tippen Sie auf dieses Symbol, um die aktuelle Eingabe zu löschen.
	Bearbeiten	Tippen Sie auf dieses Symbol, um Änderungen auf dem aktuellen Bildschirm vorzunehmen.
	OK	Tippen Sie auf dieses Symbol, um eine Eingabe zu bestätigen.
	Zurück zum Startbildschirm	Tippen Sie auf dieses Symbol, um zum Startbildschirm zurückzukehren.

Symbol	Steuerung/Anzeige	Beschreibung
	Speichern	Tippen Sie auf dieses Symbol, um eine Eingabe zu speichern.

12.2 Eco-Betriebsart



HINWEIS Eco-Betriebsart und Quiet-Betriebsart können gleichzeitig aktiv sein. Das System arbeitet dann mit dem jeweils niedrigsten Sollwert. Beachten Sie, dass eine zu niedrige Sollwerteneinstellung die Kühlleistung des Systems beeinträchtigen kann.

12.2.1 Ein- oder Ausschalten der Eco-Betriebsart

1. Tippen Sie auf dem Startbildschirm auf **Main Menu**.
 2. Tippen Sie auf **Function**.
 3. Tippen Sie auf **Eco Mode**, um die Funktion ein- oder auszuschalten.
- ✓ Wenn die Betriebsart aktiviert ist, wird die **Eco Mode**-Anzeige auf dem Startbildschirm angezeigt.

12.2.2 Einstellen des Sollwerts für die Eco-Betriebsart

1. Tippen Sie auf dem Startbildschirm auf **Main Menu**.
 2. Tippen Sie auf **Function**.
 3. Tippen Sie auf **Eco Mode**.
 4. Tippen Sie auf den Abwärtspfeil.
 5. Tippen Sie auf **Eco Mode Set Point**.
 6. Tippen Sie auf den Links- oder Rechtspfeil, um den Sollwert anzupassen.
 7. Tippen Sie auf **Save**.
- ✓ Wenn die Betriebsart aktiviert ist, wird die **Eco Mode**-Anzeige auf dem Startbildschirm angezeigt.

12.3 Quiet-Betriebsart



HINWEIS Eco-Betriebsart und Quiet-Betriebsart können gleichzeitig aktiv sein. Das System arbeitet dann mit dem jeweils niedrigsten Sollwert. Beachten Sie, dass eine zu niedrige Sollwerteneinstellung die Kühlleistung des Systems beeinträchtigen kann. Der **Quiet Mode** wird automatisch ausgeschaltet, wenn die Temperatur mehr als 3 °F (1,8 °C) vom Sollwert entfernt ist.

12.3.1 Ein- oder Ausschalten der Quiet-Betriebsart

1. Tippen Sie auf dem Startbildschirm auf **Main Menu**.
 2. Tippen Sie auf **Function**.
 3. Tippen Sie auf **Quiet Mode**, um die Funktion ein- oder auszuschalten.
- ✓ Wenn die Betriebsart aktiviert ist, wird die Quiet-Betriebsart-Anzeige auf dem Startbildschirm angezeigt.

12.3.2 Einstellen des Sollwerts für die Quiet-Betriebsart

Um den besten Sollwert zu finden, verringern Sie den Sollwert-Prozentsatz langsam, bis der gewünschte Geräuschpegel erreicht ist.

1. Tippen Sie auf dem Startbildschirm auf **Main Menu**.
2. Tippen Sie auf **Function**.
3. Tippen Sie auf **Quiet Mode**.
4. Tippen Sie auf den Abwärtspfeil.
5. Tippen Sie auf **Quiet Mode Set Point**.
6. Tippen Sie auf den Links- oder Rechtspfeil, um den Sollwert anzupassen.
7. Tippen Sie auf **Save**.

- ✓ Wenn die Betriebsart aktiviert ist, wird die Quiet-Betriebsart-Anzeige auf dem Startbildschirm angezeigt.

12.4 Scheduler-Betriebsart

In der Scheduler-Betriebsart können automatisch bis zu vier Programme ausgeführt werden, wenn diese eingerichtet und aktiviert worden sind. Die Programme können für die gewünschten Tage und Uhrzeiten eingestellt werden und umfassen Betriebsarten, Funktionen und Temperaturen.

12.4.1 Ein- oder Ausschalten der Scheduler-Betriebsart

Um Programme ausführen oder bearbeiten zu können, muss die Scheduler-Betriebsart aktiviert sein.

1. Tippen Sie auf dem Startbildschirm auf **Main Menu**.
2. Tippen Sie auf **Scheduler Mode**.
3. Tippen Sie auf **Scheduler Mode**, um die Funktion ein- oder auszuschalten.

12.4.2 Aktivieren oder Deaktivieren eines Programms

Um Programme ausführen zu können, muss die Scheduler-Betriebsart aktiviert sein. Programme und die zugehörigen geplanten Aktionen werden auf dem Programmbildschirm angezeigt.

1. Tippen Sie auf dem Startbildschirm auf **Main Menu**.
2. Tippen Sie auf **Scheduler Mode**.
3. Tippen Sie auf **Programms**.
4. Navigieren Sie mit dem Aufwärts- oder Abwärtspfeil zum gewünschten Programm.
5. Tippen Sie auf die Programmleiste, um das Programm zu aktivieren oder zu deaktivieren.

12.4.3 Bearbeiten eines Programms

Zu den Programmoptionen gehören die Einstellung der Betriebsart, der Funktionen, des Temperatursollwerts sowie der Uhrzeit und der Wochentage, zu denen das Programm nach der Aktivierung ausgeführt wird.

1. Tippen Sie auf dem Startbildschirm auf **Main Menu**.
2. Tippen Sie auf **Scheduler Mode**.
3. Tippen Sie auf **Programms**.
4. Navigieren Sie mit dem Aufwärts- oder Abwärtspfeil zum gewünschten Programmbildschirm.
5. Tippen Sie auf **Edit**.
6. Tippen Sie auf **Cool**, **Heat**, **Auto** oder **Off**, um die Betriebsart auszuwählen. Tippen Sie dann auf den Abwärtspfeil, um zum nächsten Bildschirm zu gelangen.
7. Tippen Sie auf **Eco** und/oder **Quiet**, um diese Funktionen ein- oder auszuschalten. Tippen Sie dann auf den Abwärtspfeil.
Diese Funktionen sind nicht verfügbar, wenn die im vorherigen Schritt ausgewählte Betriebsart „**Off**“ war. Beide können nach Wunsch ein- oder ausgeschaltet werden.
8. Tippen Sie auf den Links- oder Rechtspfeil, um die Temperatur einzustellen. Tippen Sie dann auf den Abwärtspfeil.
9. Tippen Sie auf den Links- oder Rechtspfeil, um die Uhrzeit einzustellen. Tippen Sie dann auf den Abwärtspfeil.
10. Tippen Sie auf einen oder mehrere Tage, um festzulegen, an welchen Tagen das Programm ausgeführt werden soll.
11. Tippen Sie auf das Symbol Speichern, um das Programm zu speichern.

12.5 Parameter

1. Tippen Sie auf dem Startbildschirm auf **Main Menu**.
2. Tippen Sie auf **Parameters** und verwenden Sie dann den Aufwärts- und Abwärtspfeil, um durch die Auswahl zu blättern.

Auswahl	Beschreibung	Aktionen
Memorize Setting	Diese Auswahl speichert die aktuellen Einstellungen für alle Parameter, sodass ein systemweiter Punkt zur Verfügung steht, der für die Fehlersuche und -behebung genutzt werden kann.	<ol style="list-style-type: none"> 1. Tippen Sie auf Memorize Settings. 2. Tippen Sie auf Yes. 3. Tippen Sie auf OK.
Recall Memorized	Durch diese Auswahl werden alle Parameter auf die zuletzt gespeicherten Einstellungen zurückgesetzt.	<ol style="list-style-type: none"> 1. Tippen Sie auf Recall Memorize. 2. Tippen Sie auf Yes. 3. Tippen Sie auf OK.
Recall Factory	Durch diese Auswahl werden alle Parameter auf die Werkseinstellungen zurückgesetzt.	<ol style="list-style-type: none"> 1. Tippen Sie auf Recall Factory. 2. Tippen Sie auf Yes. 3. Tippen Sie auf OK.
High Fan Speed	Durch diese Auswahl wird die Lüftergeschwindigkeit für die hohe Einstellung angepasst, sodass die vom System verursachten Luftgeräusche reduziert werden.	<ol style="list-style-type: none"> 1. Tippen Sie auf High Fan Speed. 2. Tippen Sie auf den Links- oder Rechtspfeil, um den Prozentsatz für die maximale Lüftergeschwindigkeit einzustellen. 3. Tippen Sie auf Save.
Low Fan Speed	Durch diese Auswahl wird die Lüftergeschwindigkeit für die niedrige Einstellung angepasst, um sicherzustellen, dass die Lüftergeschwindigkeit hoch genug ist, um den statischen Druck in den Rohren zu überwinden.	<ol style="list-style-type: none"> 1. Tippen Sie auf Low Fan Speed. 2. Tippen Sie auf den Links- oder Rechtspfeil, um den Prozentsatz für die minimale Lüftergeschwindigkeit einzustellen. 3. Tippen Sie auf Save.
Fan Operate Mode	Bei Auswahl von „Continuous“ läuft der Lüfter nach dem Ausschalten des Kompressors mit geringer Drehzahl weiter. Durch Auswahl von „Cycled“ wird der Lüfter zusammen mit dem Kompressor aus- und eingeschaltet.	<ol style="list-style-type: none"> 1. Tippen Sie auf Fan Operate Mode. 2. Tap Continuous or Cycled.
Pump Operate Mode	Bei Auswahl von „Continuous“ läuft die Pumpe nach dem Ausschalten des Kompressors kontinuierlich weiter. Durch Auswahl von „Cycled“ wird die Pumpe zusammen mit dem Kompressor aus- und eingeschaltet.	<ol style="list-style-type: none"> 1. Tippen Sie auf Pump Operate Mode. 2. Tippen Sie auf Continuous or Cycled.
Inside Temp Calibrate	Diese Auswahl dient zur Kalibrierung des Kabinentemperatur-Messwerts, wenn dieser sich ständig von der tatsächlichen Temperatur unterscheidet.	<ol style="list-style-type: none"> 1. Tippen Sie auf Inside Temp Calibrate. 2. Tippen Sie auf den Links- oder Rechtspfeil, um den Messwert anzupassen. 3. Tippen Sie auf Save.
Temperature Units	Diese Auswahl schaltet die Temperaturmesswerte zwischen °F und °C um und wirkt sich auf alle Temperaturbildschirme aus. Die Standardeinstellung ist °F.	Tippen Sie auf Temperature Units, um zwischen °F und °C umzuschalten.
Pressure Units	Diese Auswahl schaltet die Druckmesswerte zwischen psi, kPa und bar um und wirkt sich auf alle Druckbildschirme aus. Die Standardeinstellung ist psi.	<ol style="list-style-type: none"> 1. Tippen Sie auf Pressure Units. 2. Tippen Sie auf den Links- oder Rechtspfeil, um den Messwert anzupassen. 3. Tippen Sie auf Save.
Aux Electric Heat	Durch diese Auswahl wird das Relais der elektrischen Zusatzheizung aktiviert, sofern eine solche angeschlossen ist. Sie funktioniert nur anstelle der Wärmepumpenoption und nicht als zusätzliche Wärmequelle. Die Standardeinstellung ist „Off“. Um die Heizung zu aktivieren, muss die entsprechende Nennleistung ausgewählt werden.	<ol style="list-style-type: none"> 1. Tippen Sie auf Aux Electric Heat. 2. Tippen Sie auf den Links- oder Rechtspfeil, um durch die Optionen zu scrollen. 3. Tippen Sie auf Save und folgen Sie den Anweisungen, um die Auswahl zu bestätigen.

Auswahl	Beschreibung	Aktionen
Filter Hours Setting	Wenn diese Option aktiviert ist, zeigt sie an, wann der Filter gemäß der ausgewählten Filterlebensdauer ausgetauscht werden muss. Die Standardeinstellung ist „Off“.	<ol style="list-style-type: none"> 1. Tippen Sie auf Filter Hours Setting. 2. Tippen Sie auf den Links- oder Rechtspfeil, um durch die Optionen zu scrollen. 3. Tippen Sie auf Save.
Filter Hours Reset	Durch diese Auswahl wird der Filterlebensdauer-Zähler auf null zurückgesetzt. Die Filterstunden sollten zurückgesetzt werden, wenn der Filter ausgetauscht oder gereinigt wird. Diese Auswahl ist nicht verfügbar, wenn die „Filter Hours Setting“ auf „Off“ eingestellt ist.	<ol style="list-style-type: none"> 1. Tippen Sie auf Filter Hours Reset. 2. Tippen Sie auf Yes. 3. Tippen Sie auf OK.
Filter Alarm Delay	Diese Auswahl legt die Dauer der Schlummerfunktion des Filteralarms fest, wenn „Snooze“ im Bildschirm „Filter Alarm“ verwendet wird.	<ol style="list-style-type: none"> 1. Tippen Sie auf Filter Alarm Delay. 2. Tippen Sie auf den Links- oder Rechtspfeil, um den Messwert anzupassen. 3. Tippen Sie auf Save.
Zone/Area	Diese Auswahl weist einem oder mehreren Geräten einen Zonennamen zu. Bei vernetzten Geräten wird damit ermöglicht, dass mit einem Befehl von einem einzigen Display aus alle Geräte gesteuert werden, die dieser Zone zugewiesen sind. Die Standardeinstellung für alle Geräte ist Master Stateroom.	<ol style="list-style-type: none"> 1. Tippen Sie auf Zone/Area. 2. Tippen Sie auf den Links- oder Rechtspfeil, um durch die Liste der Zonen/Bereiche zu scrollen. 3. Tippen Sie auf Save.
Set Point Temp Differential	Mit dieser Auswahl wird die Temperaturdifferenz zwischen dem Sollwert und dem Kabinentemperaturmesswert angepasst, die verwendet wird, um zu bestimmen, wann das System eingeschaltet wird.	<ol style="list-style-type: none"> 1. Tippen Sie auf Set Point Temp Differential. 2. Tippen Sie auf den Links- oder Rechtspfeil, um durch die Liste der Einstellungen zu scrollen. 3. Tippen Sie auf Save.
Discharge Pressure Calibration	Diese Auswahl dient zur Kalibrierung des Auslassdruck-Messwerts, wenn dieser sich ständig vom tatsächlichen Druck unterscheidet. Der Auslassdruck-Messwert wird zur Überwachung des Systemzustands verwendet. Wenn der Wert den werkseitig eingestellten Grenzwert überschreitet, wird ein Alarm mit Datum und Uhrzeit des Auftretens angezeigt.	<ol style="list-style-type: none"> 1. Tippen Sie auf Discharge Pressure Calibration. 2. Tippen Sie auf den Links- oder Rechtspfeil, um den Messwert anzupassen. 3. Tippen Sie auf Save.
Suction Pressure Calibration	Diese Auswahl dient zur Kalibrierung des Saugdruck-Messwerts, wenn dieser sich ständig vom tatsächlichen Druck unterscheidet.	<ol style="list-style-type: none"> 1. Tippen Sie auf Suction Pressure Calibration. 2. Tippen Sie auf den Links- oder Rechtspfeil, um den Messwert anzupassen. 3. Tippen Sie auf Save.
Suction Temp Calibrate	Diese Auswahl dient zur Kalibrierung des Saugtemperatur-Messwerts, wenn dieser sich ständig von der tatsächlichen Temperatur unterscheidet.	<ol style="list-style-type: none"> 1. Tippen Sie auf Suction Temperature Calibration. 2. Tippen Sie auf den Links- oder Rechtspfeil, um den Messwert anzupassen. 3. Tippen Sie auf Save.

Auswahl	Beschreibung	Aktionen
Compressor Staging Delay	Mit dieser Auswahl wird die Zeit eingestellt, die der Kompressor nach einem harten Aus- und Einschalten benötigt. Für Installationen, in denen mehr als ein System von derselben Stromversorgung gespeist wird. Durch unterschiedliche Zeitverzögerungen für mehrstufige Anordnungen können die Kompressoren nach einem Stromausfall zu unterschiedlichen Zeiten gestartet werden. Stellen Sie die Einheiten so ein, dass sie in einem Abstand von mindestens fünf Sekunden gestartet werden.	<ol style="list-style-type: none"> 1. Tippen Sie auf Compressor Staging Delay. 2. Tippen Sie auf den Links- oder Rechtspfeil, um durch die Optionen zu scrollen. 3. Tippen Sie auf Save.
Unterspannungsüberwachung	Wenn diese Auswahl aktiviert ist, wird erkannt und angezeigt, wenn die Versorgungsspannung unter dem gewählten Sollwert liegt.	<ol style="list-style-type: none"> 1. Tippen Sie auf Low Voltage Monitor. 2. Tippen Sie auf den Links- oder Rechtspfeil, um durch die Optionen zu scrollen. 3. Tippen Sie auf Save.
Power Source Priority	Mit dieser Auswahl wird festgelegt, welcher Stromversorgungstyp verwendet wird, wenn sowohl Wechselstrom als auch Gleichstrom für das System verfügbar sind. Die Standardeinstellung ist AC.	Tippen Sie auf Power Source Priority , um zwischen AC und DC zu wechseln.

12.6 Systemeinstellungen

1. Tippen Sie auf dem Startbildschirm auf Main Menu.
2. Tippen Sie auf System und verwenden Sie dann den Aufwärts- und Abwärtspfeil, um durch die Auswahl zu blättern.

Auswahl	Beschreibung	Maßnahme
Display Brightness	Mit dieser Auswahl wird die Display-Helligkeit eingestellt.	<ol style="list-style-type: none"> 1. Tippen Sie auf Display Brightness. 2. Tippen Sie auf den Links- oder Rechtspfeil, um den Prozentsatz anzupassen.
Sleep Mode Delay	Mit dieser Auswahl wird festgelegt, wie lange das Display inaktiv bleiben muss, bevor der Bildschirmschoner angezeigt wird. Bei Auswahl von „Off“ wird der Bildschirmschoner deaktiviert.	<ol style="list-style-type: none"> 1. Tippen Sie auf Sleep Mode Settings. 2. Tippen Sie auf den Links- oder Rechtspfeil, um durch die Optionen zu scrollen. 3. Tippen Sie auf Save.
Language	Mit dieser Auswahl wird die Display-Sprache festgelegt.	<ol style="list-style-type: none"> 1. Tippen Sie auf Language. 2. Tippen Sie auf den Links- oder Rechtspfeil, um durch die Optionen zu scrollen. 3. Tippen Sie auf Save.
Screen Saver	Mit dieser Auswahl wird festgelegt, welcher Bildschirmschoner nach einer bestimmten Zeit der Inaktivität auf dem Startbildschirm angezeigt wird: das Dometic-Logo (Standard), ein vereinfachter Temperaturbildschirm oder ein leerer schwarzer Bildschirm. Durch Berühren des Bildschirms wird das Display wieder aktiviert.	<ol style="list-style-type: none"> 1. Tippen Sie auf Screen Saver. 2. Tippen Sie auf den Links- oder Rechtspfeil, um durch die Optionen zu scrollen. 3. Tippen Sie auf Save.
Versions	Diese Auswahl zeigt die installierten Firmware-Versionen an.	Tippen Sie auf Versions .

12.7 Fehlersuche und Fehlerbehebung

1. Tippen Sie auf dem Startbildschirm auf **Main Menu**.
2. Tippen Sie auf **Troubleshoot** und verwenden Sie dann den Aufwärts- und Abwärtspfeil, um durch die Auswahl zu blättern.

Auswahl	Beschreibung	Maßnahme
Fault History	Diese Auswahl liefert das Protokoll aller Fehler, die seit dem letzten Zurücksetzen des Fehlerprotokolls im System aufgetreten sind. Das Fehlerprotokoll kann nur von einem Servicetechniker zurückgesetzt werden.	<ol style="list-style-type: none"> 1. Tippen Sie auf Fault History. 2. Tippen Sie auf den Aufwärts- oder Abwärtspfeil, um durch die Fehler zu scrollen.
System Status	Diese Auswahl liefert Informationen über den aktuellen Systemstatus.	<ol style="list-style-type: none"> 1. Tippen Sie auf System Status. 2. Tippen Sie auf den Aufwärts- oder Abwärtspfeil, um durch die Statusinformationen zu scrollen.

12.8 Zugangsbeschränkungseinstellungen

Das Menü **Lock Setting** ermöglicht die Beschränkung des Zugangs zu den Menüs **System**, **Parameter** und **Scheduler** mit einem 4-stelligen PIN-Code.

12.8.1 Festlegen der Sperr-PIN

1. Tippen Sie auf dem Startbildschirm auf **Main Menu**.
2. Tippen Sie auf **Lock Setting**.
3. Tippen Sie auf **Yes**, um zu bestätigen, dass Sie fortfahren möchten.
4. Tippen Sie auf das Ziffernfeld und geben Sie eine 4-stellige PIN ein.
5. Tippen Sie auf **OK**, um die PIN zu speichern und die Menüs zu sperren.

12.8.2 Ändern der Sperr-PIN

1. Tippen Sie auf dem Startbildschirm auf **Main Menu**.
2. Tippen Sie auf **Lock Setting**.
3. Tippen Sie auf **Yes**, um zu bestätigen, dass Sie fortfahren möchten.
4. Tippen Sie auf **Change PIN**.
5. Tippen Sie auf das Ziffernfeld und geben Sie eine 4-stellige PIN ein.
6. Tippen Sie auf **OK**, um die neue PIN zu speichern.

12.8.3 Löschen der Sperr-PIN

1. Tippen Sie auf dem Startbildschirm auf **Main Menu**.
2. Tippen Sie auf **Lock Setting**.
3. Tippen Sie auf **Yes**, um zu bestätigen, dass Sie fortfahren möchten.
4. Tippen Sie auf **Remove PIN**.
5. Tippen Sie auf **OK**, um die PIN zu löschen und die Menüs zu entsperren.

12.9 Datum und Uhrzeit

Im Menü **Date & Time** können Sie Datum und Uhrzeit in Ihrem bevorzugten Format einstellen und auswählen, ob Datum und Uhrzeit auf dem Startbildschirm angezeigt werden sollen.

12.9.1 Ein- oder Ausschalten von Datum und Uhrzeit

Mit dieser Einstellung wird die Option zum Anzeigen von Datum und Uhrzeit auf dem Startbildschirm ein- oder ausgeschaltet.

1. Tippen Sie auf dem Startbildschirm auf **Main Menu**.
2. Tippen Sie auf **Date & Time**.
3. Tippen Sie auf **Date & Time Display**, um die Option ein- oder auszuschalten.

12.9.2 Einstellen des Datumsformats

Diese Einstellung bietet die Möglichkeit, das Datum in verschiedenen Formaten anzuzeigen. Der Standardwert ist MM-DD-YYYY.

1. Tippen Sie auf dem Startbildschirm auf **Main Menu**.

2. Tippen Sie auf **Date & Time**.
3. Tippen Sie auf **Date Format**.
4. Tippen Sie auf den Links- oder Rechtspfeil, um durch die Formate zu scrollen.
5. Tippen Sie auf **Save**.

12.9.3 Einstellen des Zeitformats

Mit dieser Einstellung können Sie die Uhrzeit im 12- oder 24-Stunden-Format anzeigen. Die Standardeinstellung ist 12 Stunden.

1. Tippen Sie auf dem Startbildschirm auf **Main Menu**.
2. Tippen Sie auf **Date & Time**.
3. Tippen Sie auf **Time Format**, um zwischen den Optionen zu wechseln.

12.9.4 Einstellen von Datum und Uhrzeit

Mit dieser Einstellung können Sie Datum und Uhrzeit einstellen.

1. Tippen Sie auf dem Startbildschirm auf **Main Menu**.
2. Tippen Sie auf **Date & Time**.
3. Tippen Sie auf **Date Time Settings**.
4. Befolgen Sie die Anweisungen auf dem Bildschirm, um die Änderungen vorzunehmen.
5. Tippen Sie auf **Save**.

13 Fehlersuche und Fehlerbehebung

Problem	Mögliche Ursache	Lösungsvorschlag
Das System lässt sich nicht einschalten.	Der Schutzschalter für die Klimaanlage ist ausgeschaltet.	Schalten Sie den Schutzschalter am Bedienfeld des Boots ein.
	Die Ein/Aus-Taste auf dem Display ist ausgeschaltet.	Schalten Sie die Ein/Aus-Taste auf dem Display ein.
	Die Netzspannung ist zu niedrig.	<ol style="list-style-type: none"> Überprüfen Sie die Netzspannung. Überprüfen Sie die Größen und Verbindungen der Kabel und Anschlüsse. Beachten Sie die im Lieferumfang der Klimaanlage enthaltene Montageanleitung. Überprüfen Sie mit einem Voltmeter, ob an der Klimaanlage dieselbe Spannung wie an der Stromversorgung anliegt.
	Ein elektrisches Teil ist ausgefallen.	Kontaktieren Sie einen qualifizierten Servicetechniker.
Das System schaltet ab.	Das System hat einen schwerwiegenden Fehler festgestellt.	<ol style="list-style-type: none"> Prüfen Sie das Fehlerprotokoll. Siehe Fehlersuche und Fehlerbehebung auf Seite 19. Befolgen Sie die entsprechenden Schritte zur Fehlersuche und -behebung in diesem Abschnitt.
	Die Stromversorgung liefert keinen Strom mehr.	Prüfen Sie, ob die Stromversorgung Strom liefert.
	Ein elektrisches Teil ist ausgefallen.	Kontaktieren Sie einen qualifizierten Servicetechniker.
Das System reagiert nicht auf Änderungen, die auf der Anzeige eingegeben wurden.	Es liegt ein Problem mit der Stromversorgung des Displays vor, z. B. eine Unterbrechung der Stromversorgung, Spannungsfrequenzschwankungen, elektromagnetische Störungen durch andere Geräte oder ein ähnliches Problem.	<ol style="list-style-type: none"> Schalten Sie alle elektronischen Geräte mit hohem Stromverbrauch in der Nähe des Displays aus oder entfernen Sie sie. Tauschen Sie das vorhandene Display-Kabel gegen ein abgeschirmtes Kabel aus. Wenn das Problem weiterhin besteht, wenden Sie sich an einen qualifizierten Servicetechniker.
	Das Display und die Klimaanlage sind nicht kompatibel.	Prüfen Sie, ob das verwendete Display mit der Klimaanlage kompatibel ist.
Das Display zeigt nicht die richtige Raumtemperatur an.	Der Abluftsensor befindet sich an einer Stelle, wo die Kabinentemperatur nicht genau gemessen werden kann.	<ol style="list-style-type: none"> Bringen Sie den Abluftsensor nach Möglichkeit an einer besser geeigneten Stelle an. Verwenden Sie im Menü „Parameters“ die Funktion „Inside Temp Calibrate“, um den Luftsensoren zu kalibrieren.
Das System liefert keine kalte Luft.	Die Meerwassertemperatur ist zu hoch.	Die Meerwassertemperatur wirkt sich direkt auf die Effizienz des Geräts aus. Für eine optimale Kühlung muss die Wassertemperatur weniger als 95 °F (35 °C) betragen.
	Der Wasserdurchfluss ist unzureichend.	Vergewissern Sie sich, dass der Wasserdurchfluss nicht behindert wird.
	Das System hat Kältemittel verloren.	Kontaktieren Sie einen qualifizierten Servicetechniker.
	Die Betriebsart auf dem Display ist nicht auf Kühlen eingestellt.	Ändern Sie die Betriebsart auf Kühlen.
Das System liefert keine heiße Luft.	Die Meerwassertemperatur ist zu gering.	Die Meerwassertemperatur wirkt sich direkt auf die Effizienz des Geräts aus. Damit das Gerät heizt (wenn die Wärmepumpenoption verfügbar ist), muss die Wassertemperatur mindestens 40 °F (4,44 °C) betragen.
	Das Umkehrventil ist blockiert.	<ol style="list-style-type: none"> Drücken Sie mit einem Gummihammer leicht auf das Ventil, während sich das System in der Betriebsart Heizen befindet. Wenn das Problem weiterhin besteht, wenden Sie sich an einen qualifizierten Servicetechniker.
	Die elektrische Zusatzheizung ist aktiviert, aber nicht angeschlossen.	<ol style="list-style-type: none"> Stellen Sie im Menü „Parameters“ die Option „Aux Elec Heat“ auf „Off“. Stellen Sie sicher, dass der Schalter für die Zusatzheizung eingeschaltet ist.
	Auf dem Display ist die Betriebsart nicht auf Heizen eingestellt.	Ändern Sie die Betriebsart auf Heizen.
	Das System hat Kältemittel verloren.	Kontaktieren Sie einen qualifizierten Servicetechniker.
	Der Luftstrom im System ist zu gering.	Der Luftstrom ist blockiert oder eingeschränkt.

Problem	Mögliche Ursache	Lösungsvorschlag
	Das System wird in der Grenzwertbetriebsart betrieben, um ungewöhnliche Betriebsbedingungen auszugleichen, die durch Umgebungsfaktoren wie Meerwassertemperatur, Belastung usw. verursacht werden.	Überprüfen Sie im Menü „Troubleshoot“ den Systemstatus für die Betriebsart. Wenn das System nicht innerhalb einer Stunde den Normalbetrieb wieder aufnehmen kann, wird ein Grenzwertbetriebsart-Alarm an das Display gesendet, bis der Normalbetrieb wieder aufgenommen werden kann.
Der Kompressor läuft ständig.	Die Drehzahl des drehzahleregelten Kompressors wird verringert, aber der Kompressor wird nicht angehalten, solange der Temperatursollwert nicht um 1 °F (0,6 °C) überschritten wird.	Passen Sie den Temperatursollwert an oder schalten Sie das System mit der Ein/Aus-Taste auf dem Display manuell aus.
	Ein elektrisches Teil ist ausgefallen.	Kontaktieren Sie einen qualifizierten Servicetechniker.
Der Lüfter läuft nicht oder hört nicht auf zu laufen.	Die Lüfterbetriebsart ist entweder auf „Cycled“ oder auf „Continuous“ eingestellt.	Ändern Sie im Menü „Parameters“ die Lüfterbetriebsart auf die gewünschte Einstellung.
	Ein elektrisches Teil ist ausgefallen.	Kontaktieren Sie einen qualifizierten Servicetechniker.
Das Betriebsartsymbol blinkt.	Der Kompressor ist ausgeschaltet worden, weil die Betriebsart geändert wurde.	Der Kompressor wird drei Minuten nach dem Betriebsartwechsel wieder eingeschaltet.
	Der Kompressor wurde abgeschaltet, weil die Zieltemperatur um 1 °F (0,6 °C) oder mehr überschritten wurde.	Der Kompressor wird eingeschaltet, sobald die Kabinentemperatur den Sollwert nicht mehr überschreitet.
Die Filterwarnung wird angezeigt.	Die Timer-Einstellung zum Reinigen oder Austauschen des Filters wurde erreicht.	<ol style="list-style-type: none"> 1. Reinigen Sie den Luftfilter oder tauschen Sie ihn aus. 2. Verwenden Sie im Menü „Parameters“ die Funktion „Filter Hours Reset“, um den Timer zurückzusetzen.
Fehler: Abluftsensorfehler	Eine elektrische Verbindung oder Komponente ist ausgefallen.	Kontaktieren Sie einen qualifizierten Servicetechniker.
Fehler: Ansaugtemperatursensor-Fehler	Eine elektrische Verbindung oder Komponente ist ausgefallen.	Kontaktieren Sie einen qualifizierten Servicetechniker.
Fehler: Auslassdruckgeber-Fehler	Ein elektrisches Teil ist ausgefallen.	Kontaktieren Sie einen qualifizierten Servicetechniker.
Fehler: Auslassdruck zu hoch	Der Meerwasserfluss ist behindert oder blockiert.	<ol style="list-style-type: none"> 1. Stellen Sie sicher, dass das Seeventil geöffnet ist und Wasser zur Pumpe fließt. 2. Reinigen Sie das Meerwassersieb. 3. Überprüfen Sie, ob aus dem Außenbord-Auslass ein steter Wasserstrahl fließt.
	Die Meerwasserpumpe ist möglicherweise durch Luftabschluss blockiert.	<ol style="list-style-type: none"> 1. Vergewissern Sie sich, dass die Meerwasserleitungen gemäß den Anweisungen in der Montageanleitung installiert sind, die der Klimaanlage beiliegt. 2. Entfernen Sie den Schlauch vom Pumpenauslass, entlüften Sie die Leitung und bringen Sie den Schlauch wieder an.
	Die Meerwasserpumpe läuft nicht.	<ol style="list-style-type: none"> 1. Stellen Sie sicher, dass die Pumpe nicht durch Trockenlaufen beschädigt ist. 2. Überprüfen Sie, ob an der Pumpe Spannung anliegt. 3. Überprüfen Sie, ob das Wasser stark aus dem Überlauf fließt.
	Die Kondensatorspule ist verschmutzt.	Reinigen Sie die Kondensatorspule.
	Die Meerwassertemperatur ist während des Heizbetriebs zu hoch.	Die Meerwassertemperatur wirkt sich direkt auf die Effizienz des Geräts aus. Damit das Gerät heizt (wenn die Wärmepumpenoption verfügbar ist), muss die Wassertemperatur weniger als 65 °F (18,33 °C) betragen.
	Der Abluftstrom ist unzureichend.	<ol style="list-style-type: none"> 1. Entfernen Sie alle Blockierungen im Abluftstrom. 2. Reinigen Sie den Luftfilter und das Schutzgitter. 3. Überprüfen Sie die Rohrleitungen auf Quetschungen und Blockierungen. <p>Die Rohrleitungen müssen so gerade, eben und fest wie möglich verlegt werden.</p>
	Der Abluftstrom ist eingeschränkt.	<ol style="list-style-type: none"> 1. Entfernen Sie alle Blockierungen im Abluftstrom. 2. Reinigen Sie den Luftfilter und das Schutzgitter oder tauschen Sie ihn/es aus.
Fehler: Ansaugdruck zu niedrig	Der Abluftdruck ist während des Kühlbetriebs zu niedrig.	Die Umgebungstemperatur wirkt sich direkt auf die Effizienz des Geräts aus. Für eine optimale Kühlung muss die Lufttemperatur mindestens 65 °F (18,33 °C) betragen.
	Der Abluftstrom ist eingeschränkt.	<ol style="list-style-type: none"> 1. Entfernen Sie alle Blockierungen im Abluftstrom. 2. Reinigen Sie den Luftfilter und das Schutzgitter oder tauschen Sie ihn/es aus.
	Die Meerwassertemperatur ist während des Heizbetriebs zu niedrig.	Die Meerwassertemperatur wirkt sich direkt auf die Effizienz des Geräts aus. Damit das Gerät heizt (wenn die Wärmepumpe

Problem	Mögliche Ursache	Lösungsvorschlag
		penoption verfügbar ist), muss die Wassertemperatur mindestens 40 °F (4,44 °C) betragen.
	Das System hat Kältemittel verloren.	Kontaktieren Sie einen qualifizierten Servicetechniker.
Fehler: Fehler beim Kompressoranlauf	Die Versorgungsspannung ist zu niedrig.	<ol style="list-style-type: none"> Überprüfen Sie, ob die Spannung an der Stromversorgung korrekt ist. Wenn das Problem weiterhin besteht, wenden Sie sich an einen qualifizierten Servicetechniker.
	Ein elektrisches Teil ist ausgefallen.	Kontaktieren Sie einen qualifizierten Servicetechniker.
Fehler: Überhitzung zu niedrig	Ein Gebläse oder Expansionsventil hat eine Fehlfunktion.	Kontaktieren Sie einen qualifizierten Servicetechniker.
Fehler: Niedrige Saugtemperatur	Ein Gebläse oder Expansionsventil hat eine Fehlfunktion.	Kontaktieren Sie einen qualifizierten Servicetechniker.
Fehler: Taktgeberplatine fehlerhaft oder nicht angeschlossen	Ein elektrisches Teil ist ausgefallen.	Kontaktieren Sie einen qualifizierten Servicetechniker.
Fehler: Wechselspannung zu niedrig	Die Versorgungsspannung ist zu niedrig.	<ol style="list-style-type: none"> Überprüfen Sie, ob die Spannung an der Stromversorgung korrekt ist. Wenn das Problem weiterhin besteht, wenden Sie sich an einen qualifizierten Servicetechniker.
Fehler: Wechselspannung zu hoch	Die Versorgungsspannung ist zu hoch.	<ol style="list-style-type: none"> Überprüfen Sie, ob die Spannung an der Stromversorgung korrekt ist. Wenn das Problem weiterhin besteht, wenden Sie sich an einen qualifizierten Servicetechniker.
Fehler: Gleichspannung zu niedrig	Die Batteriekapazität ist reduziert.	<ol style="list-style-type: none"> Laden Sie die Batteriebank oder tauschen Sie sie aus. Wenn das Problem weiterhin besteht, wenden Sie sich an einen qualifizierten Servicetechniker.
Fehler: Gleichspannung zu hoch	Die Versorgungsspannung ist zu hoch.	<ol style="list-style-type: none"> Überprüfen Sie, ob die Spannung an der Stromversorgung korrekt ist. Wenn das Problem weiterhin besteht, wenden Sie sich an einen qualifizierten Servicetechniker.
Fehler: Kommunikationsverlust	Ein elektrisches Teil ist ausgefallen.	Kontaktieren Sie einen qualifizierten Servicetechniker.
	Störungen durch elektrisches Rauschen.	Stellen Sie sicher, dass sich Kommunikationskabel und -anschlüsse nicht in unmittelbarer Nähe von Stromversorgungskabeln oder großen elektrischen Geräten befinden.
Fehler: Überstromalarm	Ein elektrisches Teil ist ausgefallen.	Kontaktieren Sie einen qualifizierten Servicetechniker.
Fehler: Hohe Frequenzumrichtertertemperatur	Der Luftstrom ist eingeschränkt, da sich ein Gegenstand im Luftstrompfad befindet.	Entfernen Sie das Hindernis aus dem Kühlkörper-Kühlluftstrompfad.
	Der Kühllüfter arbeitet nicht ordnungsgemäß.	Kontaktieren Sie einen qualifizierten Servicetechniker.
Fehler: Lüfterstörung	Ein elektrisches Teil ist ausgefallen.	Kontaktieren Sie einen qualifizierten Servicetechniker.
Fehler: Doppelte Zoneninstanz	Mehr als ein Gerät im Netzwerk wurde derselben Zonen-ID zugewiesen.	Überprüfen Sie die Zonenzuordnungen für alle Geräte im Netzwerk, um sicherzustellen, dass jedes Gerät über eine eindeutige Zonen-ID verfügt.
Fehler: Niedriger Kältemittelstand	Eine mechanische Schnittstelle ist defekt und hat Kältemittel verloren.	Kontaktieren Sie einen qualifizierten Servicetechniker.

14 Entsorgung



Geben Sie das Verpackungsmaterial möglichst in den entsprechenden Recycling-Müll. Wenden Sie sich an ein örtliches Recyclingzentrum oder einen Fachhändler, um zu erfahren, wie Sie das Produkt gemäß den geltenden Entsorgungsvorschriften entsorgen können.

- eine Kopie der Rechnung mit Kaufdatum
- einen Reklamationsgrund oder eine Fehlerbeschreibung

15 Garantie

Informationen zur Gewährleistung und zur Abwicklung von Gewährleistungsfällen in den USA, Kanada, Australien, Neuseeland und allen anderen Regionen finden Sie in den nachstehenden Abschnitten.

USA und Kanada

EINGESCHRÄNKTE GEWÄHRLEISTUNG VERFÜGBAR UNTER [DOMETIC.COM/EN-US/TERMS-AND-CONDITIONS-CONSUMER/WARRANTY](https://www.dometic.com/en-us/terms-and-conditions-consumer/warranty).

WENN SIE FRAGEN HABEN ODER EINE KOSTENLOSE KOPIE DER EINGESCHRÄNKTEN GEWÄHRLEISTUNG ERHALTEN MÖCHTEN, WENDEN SIE SICH BITTE AN:

DOMETIC CORPORATION MARINE
CUSTOMER SUPPORT CENTER
2000 NORTH ANDREWS AVENUE
POMPANO BEACH, FLORIDA, USA 33069
1-800-542-2477

Länder im Raum Asien/Pazifik (APAC)

Wenn das Produkt nicht wie vorgesehen funktioniert, wenden Sie sich bitte an Ihren Händler oder die Niederlassung des Herstellers in Ihrem Land (die Internetadressen für Ihre Region oder Ihren Händler finden Sie auf der Rückseite dieser Anleitung). Die für Ihr Produkt geltende Gewährleistungsfrist beträgt 1 Jahr.

Bitte senden Sie bei einem Reparatur- bzw. Garantieantrag folgende Unterlagen mit dem Gerät ein:

- eine Kopie der Rechnung mit Kaufdatum
- Einen Reklamationsgrund oder eine Fehlerbeschreibung.

Unsere Waren unterliegen Gewährleistungsansprüchen, die nach dem australischen Verbraucherschutzgesetz („Australian Consumer Law“) nicht ausgeschlossen werden können. Sie haben Anspruch auf Ersatz oder Rückerstattung bei einem schwerwiegenden Defekt und auf Entschädigung für alle anderen vernünftigerweise vorhersehbaren Verluste oder Schäden. Sie haben außerdem Anspruch auf Reparatur oder Ersatz der Waren, wenn die Waren nicht von akzeptabler Qualität sind und der Defekt keinen schwerwiegenden Defekt darstellt.

Nur Australien

Unsere Waren unterliegen Gewährleistungsansprüchen, die nach dem australischen Verbraucherschutzgesetz („Australian Consumer Law“) nicht ausgeschlossen werden können. Sie haben Anspruch auf Ersatz oder Rückerstattung bei einem schwerwiegenden Defekt und auf Entschädigung für alle anderen vernünftigerweise vorhersehbaren Verluste oder Schäden. Sie haben außerdem Anspruch auf Reparatur oder Ersatz der Waren, wenn die Waren nicht von akzeptabler Qualität sind und der Defekt keinen schwerwiegenden Defekt darstellt.

Nur Neuseeland

Diese Garantierichtlinie unterliegt den Bedingungen und Garantien, die gemäß dem Consumer Guarantees Act 1993(NZ) zwingend vorgeschrieben sind.

Alle anderen Regionen

Es gilt die gesetzliche Gewährleistungsfrist. Sollte das Produkt defekt sein, wenden Sie sich bitte an die Niederlassung des Herstellers in Ihrer Region oder an Ihren Händler (die Internetadressen für Ihre Region oder Ihren Händler finden Sie auf der Rückseite dieser Anleitung).

Zur Reparatur- bzw. Gewährleistungsbearbeitung müssen Sie folgende Unterlagen mit-schicken:

Français

1	Remarques importantes.....	25
2	Signification des symboles.....	25
3	Usage conforme.....	25
4	Contenu de la livraison.....	25
5	Outils.....	25
6	Dimensions de l'écran.....	25
7	Compatibilité.....	25
8	Modes et fonctions disponibles.....	25
9	Spécifications.....	26
10	Pré-installation.....	26
11	Installation.....	26
12	Utilisation.....	26
13	Dépannage.....	32
14	Mise au rebut.....	35
15	Garantie.....	35

1 Remarques importantes

Veillez lire et suivre attentivement l'ensemble des instructions, directives et avertissements figurant dans ce manuel afin d'installer, d'utiliser et d'entretenir le produit correctement à tout moment. Ces instructions DOIVENT rester avec le produit.

En utilisant ce produit, vous confirmez expressément avoir lu attentivement l'ensemble des instructions, directives et avertissements et que vous comprenez et acceptez de respecter les modalités et conditions énoncées dans le présent document. Vous acceptez d'utiliser ce produit uniquement pour l'usage et l'application prévus et conformément aux instructions, directives et avertissements figurant dans le présent manuel, ainsi qu'à toutes les lois et réglementations applicables. En cas de non-respect des instructions et avertissements figurant dans ce manuel, vous risquez de vous blesser ou de blesser d'autres personnes, d'endommager votre produit ou d'endommager d'autres biens à proximité. Le présent manuel produit, y compris les instructions, directives et avertissements, ainsi que la documentation associée peuvent faire l'objet de modifications et de mises à jour. Pour obtenir des informations actualisées sur le produit, consulter le site documents.dometic.com.

2 Signification des symboles

2.1 Directives supplémentaires

Pour réduire le risque d'accidents et de blessures, observez les directives suivantes avant de continuer à installer et/ou utiliser cet appareil :

- Lisez et respectez toutes les consignes et instructions de sécurité.
- Lisez attentivement ces instructions avant d'installer ou d'utiliser ce produit.
- American Boat and Yacht Council (ABYC) E-11, Systèmes électriques CC et CA pour navires
- ANSI/NFPA 70, National Electrical Code (NEC)

2.2 Messages de sécurité généraux



AVERTISSEMENT ! RISQUE DE CHOC ÉLECTRIQUE, D'INCENDIE et/ou D'EXPLOSION.

Le non-respect de ces mises en garde peut entraîner des blessures graves, voire mortelles.

- Utilisez uniquement des pièces et composants de rechange Dometic spécifiquement approuvés pour une utilisation avec ce produit.
- Évitez d'installer, d'ajuster, de modifier, de réparer ou d'entretenir ce produit de manière incorrecte. Les réparations et la maintenance **doivent** uniquement être réalisées par un technicien qualifié.

- Ne modifiez **pas** ce produit d'une quelconque manière. Toute modification peut présenter de graves dangers.

3 Usage conforme

Le panneau d'affichage VMD2.5 (ci-après dénommé écran ou produit) est l'interface de commande permettant d'utiliser des systèmes de climatisation pour navires compatibles. Cet écran convient uniquement à l'usage et à l'application prévus, conformément au présent manuel d'instructions.

- d'un montage ou d'un raccordement incorrect, y compris d'une surtension.
- d'un entretien inadapté ou de l'utilisation de pièces de rechange autres que les pièces de rechange d'origine fournies par le fabricant.
- de modifications apportées au produit sans autorisation explicite du fabricant.
- d'usages différents de ceux décrits dans ce manuel.

4 Contenu de la livraison

Cette section décrit les pièces incluses avec l'écran. Les pièces en option peuvent être achetées séparément.

Pièces incluses	Quantité
Écran VMD2.5	1
Vis autoforeuses #6 x 3/4 in.	4
Instructions de montage et d'utilisation	1

Pièces en option	Quantité
Cadran	1
Câble de l'écran	50,0 ft (15,24 m)



REMARQUE Un câble d'écran 25,0 ft (7,62 m) est fourni avec le climatiseur pour navires.

5 Outils

Dometic recommande l'utilisation des outils suivants pour l'installation de l'écran.

Tournevis/mèches	Perceuse
Marqueur	Scie sabre/scie multifonction

6 Dimensions de l'écran

	Largeur	Hauteur
Écran avec cadran	4,69 in (119 mm)	3,31 in (84 mm)

7 Compatibilité

Cet écran est compatible avec les climatiseurs pour navires de la série TX.

8 Modes et fonctions disponibles

Cette section répertorie les modes, fonctions et caractéristiques disponibles. Reportez-vous à la section Utilisation à la page 26 pour plus de détails.

Modes	Caractéristiques
<ul style="list-style-type: none"> Cool Heat Auto Fan only 	<ul style="list-style-type: none"> Mode Eco (économie d'énergie) Mode silencieux Le planificateur peut exécuter jusqu'à quatre programmes Réglages différentiels de point de consigne sélectionnables Vitesses de fonctionnement du ventilateur et de la pompe sélectionnables Vitesses de ventilation basse et haute réglables Connexion/commande du chauffage électrique auxiliaire Détection/gestion automatique de la source d'alimentation Affectation de zone Compteur/notification des heures de filtre Unités affichées en mesures impériales ou métriques Verrouillage de l'écran Indicateur d'activation de l'alarme

9 Spécifications

Cette section fournit les caractéristiques techniques opérationnelles pour l'écran.

Plage de températures ambiantes de fonctionnement	0,4 °F (-18 °C) ... 179,6 °F (82 °C)
Conditions Rh maximales	99 % sans condensation
Plage de fonctionnement de consigne	65,0 °F (18,33 °C) ... 85,0 °F (29,44 °C)
Plage de températures ambiantes de l'écran	5 °F (-15 °C) ... 132,0 °F (55,55 °C)
Précision du capteur	± 2 °F at 77 °F (± 38 °F (1 °C) at 77 °F (25 °C))
Type de tensions d'alimentation	12 V \overline{DC}

10 Pré-installation

Cette section décrit les actions à effectuer avant l'installation de l'écran.



AVERTISSEMENT ! RISQUE DE CHOC ÉLECTRIQUE, D'INCENDIE ET/OU D'EXPLOSION.

Le non-respect des mises en garde suivantes peut entraîner des blessures graves, voire mortelles :

- Avant de couper ou de percer, débranchez l'alimentation électrique.
- Vérifiez l'absence d'obstacles, tels que des câbles ou des tuyaux derrière les parois de la cabine à l'emplacement de montage de l'écran.



AVIS !

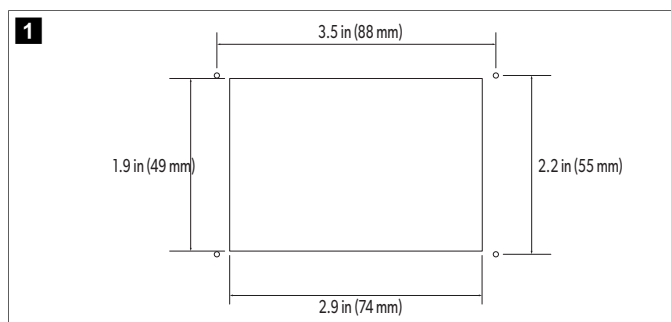
Ne placez PAS le panneau d'affichage à la lumière directe du soleil, à proximité d'appareils produisant de la chaleur ou dans une cloison où les températures rayonnant sur l'arrière du panneau peuvent avoir un effet sur les performances.

10.1 Détermination de l'emplacement de l'écran

- Paroi intérieure de la cabine, à l'abri de la lumière directe du soleil
- Légèrement plus haut que la mi-hauteur de la paroi de la cabine
- Zone où l'air circule librement
- Distance maximale de 75,0 ft (22,86 m) du climatiseur

10.2 Préparation de l'emplacement du montage

- Coupez l'alimentation en tension.



- Marquez les dimensions de l'ouverture et les emplacements des trous de vis sur la paroi de la cabine.
- Découpez l'ouverture.
- Percez quatre trous de vis.

11 Installation



AVIS !

N'utilisez PAS de visseuse et ne serrez PAS excessivement les vis lors du montage de l'écran.

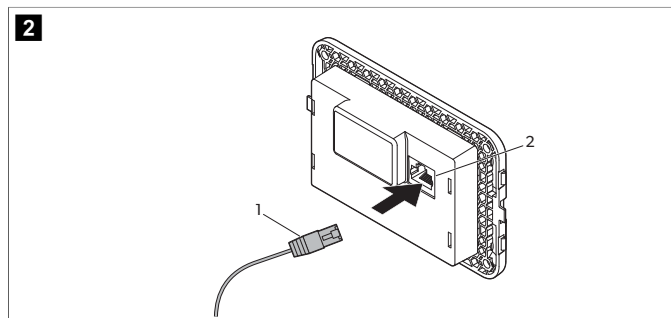


AVIS !

N'agrafez PAS les câbles du capteur pendant l'installation.

Cette section décrit comment installer l'écran.

- Acheminez une extrémité du câble de l'écran à travers le boîtier de commande électrique du climatiseur et branchez-le dans la prise de la carte de circuit imprimé.



1	Câble de l'écran	2	Prise
---	------------------	---	-------

- Acheminez l'autre extrémité du câble de l'écran par l'ouverture murale et branchez-le dans la prise située à l'arrière de l'écran.
- Fixez l'écran à la paroi de la cabine avec les vis.
- Enclenchez le cadran (en option) sur l'écran.

12 Utilisation



AVERTISSEMENT ! CHOC ÉLECTRIQUE.

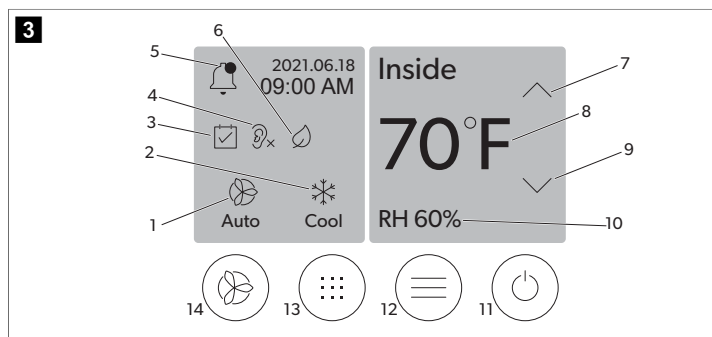
Le non-respect de ces mises en garde peut entraîner des blessures graves, voire mortelles.

L'écran reste sous tension lorsque la commande d'alimentation est désactivée. Débranchez l'alimentation électrique avant d'effectuer toute opération de maintenance sur l'écran.

Ce système utilise la technologie de vitesse variable, qui permet au compresseur de fonctionner pendant de longues périodes au lieu de se mettre en marche et de s'arrêter constamment. Les avantages incluent une fiabilité accrue, une consommation d'énergie réduite, une déshumidification améliorée et des niveaux sonores de fonctionnement réduits.

12.1 Écran d'accueil

Cette section indique l'emplacement des commandes et des indicateurs d'état sur l'écran d'accueil et décrit leur utilisation.



1	Indicateur de la vitesse de ventilation	8	Indicateur de température/point de consigne
2	Indicateur du mode de fonctionnement	9	Commande de diminution de la température
3	Indicateur du planificateur	10	Indicateur d'humidité relative
4	Indicateur du mode silencieux	11	Commande d'alimentation
5	Indicateur/commande d'alarme	12	Commande du menu principal
6	Indicateur du mode Eco	13	Commande du mode de fonctionnement
7	Commande d'augmentation de la température	14	Commande de la vitesse de ventilation

Tableau 5 : Commandes de l'écran d'accueil et indicateurs d'état

Icône	Com- mande/indi- cateur	Description
	Indicateur du mode de fonctionnement	L'icône de mode indique le mode de fonctionnement actuel. L'icône est animée lorsque le compresseur fonctionne et statique lorsqu'il ne fonctionne pas. L'icône clignote lorsque le compresseur s'arrête et passe en mode de temporisation de trois minutes avant de pouvoir redémarrer.
	Mode : Refroidir	Le système exécute un cycle de refroidissement lorsque la température de la cabine dépasse le point de consigne de refroidissement par le différentiel de point de consigne. Le différentiel de point de consigne par défaut est de 2 °F (1,1 °C). Reportez-vous à la section Paramètres à la page 29 pour savoir comment régler le différentiel de point de consigne. L'icône s'anime lorsque le compresseur est opérationnel.
	Mode : Chauffer	Le système exécute un cycle de chauffage lorsque la température de la cabine tombe en dessous du point de consigne de chauffage par le différentiel de point de consigne. Le système se désactive lorsque le point de consigne de température est dépassé de 1 °F (0,6 °C). Reportez-vous à la section Paramètres à la page 29 pour savoir comment régler le différentiel de point de consigne. L'icône s'anime lorsque le compresseur est opérationnel.
	Mode : Auto	Le système bascule automatiquement entre un cycle de refroidissement et un cycle inverse (chauffage) selon que la température de la cabine est supérieure ou inférieure au point de consigne de 4 °F (2,1 °C).
	Mode : Ventilateur uniquement	Le système activera le ventilateur pour faire circuler l'air en continu, ce qui activera le compresseur.

Icône	Com- mande/indi- cateur	Description
	Indicateur de la vitesse de ventilation	L'indicateur indique la vitesse du ventilateur sélectionnée. Dans les modes autres que Ventilateur uniquement, l'indicateur affiche Auto, indiquant que la vitesse de ventilation suit celle du compresseur. Il s'agit du paramètre idéal pour de vraies performances à capacité variable. L'icône est animée lorsque le ventilateur fonctionne et statique lorsqu'il ne fonctionne pas. Reportez-vous à la section Paramètres à la page 29 pour savoir comment régler les vitesses de ventilation basse et haute. L'icône s'anime lorsque le ventilateur est opérationnel.
	Indicateur du planificateur	L'indicateur apparaît lorsqu'un programme programmé est actif. Reportez-vous à la section Mode Planificateur à la page 29 pour savoir comment activer/désactiver le mode Planificateur et configurer et exécuter des programmes.
	Indicateur/commande d'alarme	Cet indicateur s'affiche lorsqu'une alarme est active. L'effacement de la notification d'alarme ne résout pas l'alarme. La notification d'alarme réapparaîtra sur l'écran d'accueil jusqu'à ce que le problème soit résolu. Reportez-vous à la section Dépannage pour plus d'informations sur la résolution des alarmes. <ul style="list-style-type: none"> Appuyez sur l'indicateur d'alarme pour afficher l'alarme en cours. S'il y a plus de deux alarmes, appuyez sur la flèche vers le haut ou vers le bas pour naviguer dans la liste des alarmes. Appuyez sur une alarme dans la liste pour afficher les détails. Appuyez sur CLR pour effacer une alarme individuelle de l'écran Détails de l'alarme.
	Indicateur du mode silencieux	L'indicateur apparaît lorsque la fonction est active. Reportez-vous à la section Mode silencieux à la page 28 pour savoir comment activer/désactiver le mode silencieux et régler le point de consigne.
	Indicateur du mode Eco	L'indicateur apparaît lorsque la fonction est active. Reportez-vous à la section Mode Eco (économie d'énergie) à la page 28 pour savoir comment activer/désactiver le mode et régler le point de consigne.
	Flèche vers le haut	Appuyez pour augmenter la température sur l'écran d'accueil. Sur les autres écrans, appuyez pour accéder au menu précédent et/ou augmenter une valeur numérique.
	Indicateur de température/point de consigne	L'indicateur affiche le nouveau point de consigne de température pendant que le point de consigne de température est réglé à l'aide de la flèche vers le haut ou vers le bas, puis affiche la température dans la cabine.
	Flèche vers le bas	Appuyez pour diminuer la température sur l'écran d'accueil. Sur les autres écrans, appuyez pour accéder au menu suivant et/ou réduire une valeur numérique.
	Indicateur d'humidité relative	L'indicateur affiche l'humidité relative dans la cabine si un capteur d'humidité est installé.


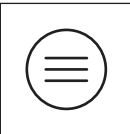
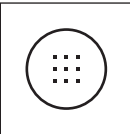







Icône	Com- mande/indi- cateur	Description
	Commande d'alimentation	Le bouton d'alimentation permet d'allumer ou d'éteindre le système. Lorsqu'il est activé, le système fonctionne dans le mode sélectionné lorsque la température de la cabine est supérieure (mode refroidissement) ou inférieure (mode chauffage) au point de consigne. Lorsqu'il est désactivé, le système ne fonctionne pas, bien qu'il reste connecté au réseau (le cas échéant). Appuyez longuement pour activer ou désactiver l'alimentation.
	Commande du menu principal	Le menu principal permet de configurer, programmer et dépanner le système. Appuyez pour afficher le premier écran du menu principal, puis appuyez sur la flèche vers le bas pour afficher le second écran du menu principal.
	Commande du mode de fonctionnement	Appuyez pour sélectionner les modes Refroidir, Chauffer, Auto et Ventilateur uniquement.
	Commande de la vitesse de ventilation	Cette commande n'est disponible que lorsque le système est en mode Ventilateur uniquement. Reportez-vous à la section Paramètres à la page 29 pour savoir comment régler les paramètres de vitesse de ventilation. Appuyez pour faire défiler les vitesses du ventilateur : basse, moyenne et haute

Tableau 6 : Commandes supplémentaires

Icône	Com- mande/indi- cateur	Description
	Annuler	Appuyez pour annuler une saisie ou revenir à l'écran précédent.
	Effacer	Appuyez pour effacer la saisie actuelle.
	Modifier	Appuyez pour apporter des modifications à l'écran actuel.
	OK	Appuyez pour confirmer une saisie.
	Retour à l'écran d'accueil	Appuyez pour revenir à l'écran d'accueil.

Icône	Com- mande/indi- cateur	Description
	Enregistrement	Appuyez pour enregistrer une saisie.

12.2 Mode Eco (économie d'énergie)



REMARQUE Les modes **Eco** et **Quiet** peuvent être actifs en même temps. Le système fonctionne au point de consigne le plus bas. Notez que le réglage du point de consigne trop bas peut avoir un effet sur la capacité de refroidissement du système.

12.2.1 Activation ou désactivation du mode Eco

1. Sur l'écran d'accueil, appuyez sur **Main Menu**.
 2. Appuyez sur **Function**.
 3. Appuyez sur **Eco Mode** pour activer ou désactiver la fonction.
- ✓ L'indicateur de **Eco Mode** s'affiche sur l'écran d'accueil si le mode est activé.

12.2.2 Réglage du point de consigne du mode Eco

1. Sur l'écran d'accueil, appuyez sur **Main Menu**.
 2. Appuyez sur **Function**.
 3. Appuyez sur **Eco Mode**.
 4. Appuyez sur la flèche vers le bas.
 5. Appuyez sur **Eco Mode Set Point**.
 6. Appuyez sur la flèche vers la gauche ou vers la droite pour régler le point de consigne.
 7. Appuyez sur **Save**.
- ✓ L'indicateur de **Eco Mode** s'affiche sur l'écran d'accueil si le mode est activé.

12.3 Mode silencieux



REMARQUE Les modes Eco et silencieux peuvent être actifs en même temps. Le système fonctionne au point de consigne le plus bas. Notez que le réglage du point de consigne trop bas peut avoir un effet sur la capacité de refroidissement du système. Le **Quiet Mode** se désactive automatiquement si la température est supérieure à 3 °F (1,8 °C) du point de consigne.

12.3.1 Activation ou désactivation du mode silencieux

1. Sur l'écran d'accueil, appuyez sur **Main Menu**.
 2. Appuyez sur **Function**.
 3. Appuyez sur **Quiet Mode** pour activer ou désactiver la fonction.
- ✓ L'indicateur de mode silencieux s'affiche sur l'écran d'accueil si le mode est activé.

12.3.2 Réglage du point de consigne du mode silencieux

Pour trouver le meilleur point de consigne, diminuez lentement le pourcentage du point de consigne jusqu'à ce que le niveau sonore souhaité soit atteint.

1. Sur l'écran d'accueil, appuyez sur **Main Menu**.
 2. Appuyez sur **Function**.
 3. Appuyez sur **Quiet Mode**.
 4. Appuyez sur la flèche vers le bas.
 5. Appuyez sur **Quiet Mode Set Point**.
 6. Appuyez sur la flèche vers la gauche ou vers la droite pour régler le point de consigne.
 7. Appuyez sur **Save**.
- ✓ L'indicateur de mode silencieux s'affiche sur l'écran d'accueil si le mode est activé.

12.4 Mode Planificateur

Le mode Planificateur peut exécuter automatiquement jusqu'à quatre programmes une fois qu'ils ont été configurés et activés. Les programmes peuvent être réglés pour les jours et les heures souhaités et comprennent des modes, des fonctions et des températures.

12.4.1 Activation ou désactivation du mode Planificateur

Le mode Planificateur doit être activé pour exécuter ou modifier des programmes.

1. Sur l'écran d'accueil, appuyez sur **Main Menu**.
2. Appuyez sur **Scheduler Mode**.
3. Appuyez sur **Scheduler Mode** pour activer ou désactiver la fonction.

12.4.2 Activation ou désactivation d'un programme

Le mode Planificateur doit être activé pour exécuter des programmes. Les programmes et leurs actions planifiées s'affichent sur l'écran Programme.

1. Sur l'écran d'accueil, appuyez sur **Main Menu**.
2. Appuyez sur **Scheduler Mode**.
3. Appuyez sur **Programs**.
4. Utilisez la flèche vers le haut ou vers le bas pour accéder au programme.
5. Appuyez sur la barre de menu du programme pour activer ou désactiver le programme.

12.4.3 Modification d'un programme

Les options du programme comprennent le réglage du mode, des fonctions, du point de consigne de la température, ainsi que l'heure et les jours de la semaine pendant lesquels le programme s'exécutera une fois allumé.

1. Sur l'écran d'accueil, appuyez sur **Main Menu**.
2. Appuyez sur **Scheduler Mode**.
3. Appuyez sur **Programs**.
4. Utilisez la flèche vers le haut ou la flèche vers le bas pour naviguer jusqu'à l'écran de programme souhaité.
5. Appuyez sur **Edit**.
6. Appuyez sur **Cool, Heat, Auto**, ou **Off** pour sélectionner le mode, puis appuyez sur la flèche vers le bas pour passer à l'écran suivant.
7. Appuyez sur le mode **Eco** et/ou **Quiet** pour activer ou désactiver ces fonctions, puis appuyez sur la flèche vers le bas.
Ces fonctions ne sont pas disponibles si le mode sélectionné à l'étape précédente était "**Off**". Activez ou désactivez les modes en fonction de vos besoins.
8. Appuyez sur la flèche vers la gauche ou vers la droite pour régler la température, puis appuyez sur la flèche vers le bas.
9. Appuyez sur la flèche vers la gauche ou vers la droite pour régler l'heure, puis appuyez sur la flèche vers le bas.
10. Appuyez sur un ou plusieurs jours pour définir les jours d'exécution du programme.
11. Appuyez sur l'icône Enregistrement pour enregistrer le programme.

12.5 Paramètres

1. Sur l'écran d'accueil, appuyez sur Menu principal.
2. Appuyez sur Paramètres, puis utilisez la flèche vers le haut ou vers le bas pour faire défiler les options.

Sélection	Description	Actions
Mémoriser les réglages	Cette option mémorise les réglages actuels pour tous les paramètres, fournissant une sauvegarde du système à laquelle vous pouvez revenir lors du dépannage.	<ol style="list-style-type: none"> 1. Appuyez sur Memorize Settings. 2. Appuyez sur Yes. 3. Appuyez sur OK.
Rappeler les réglages mémorisés	Cette option réinitialise tous les paramètres aux derniers réglages mémorisés.	<ol style="list-style-type: none"> 1. Appuyez sur Recall Memorize. 2. Appuyez sur Yes. 3. Appuyez sur OK.

Sélection	Description	Actions
Réinitialisation usine	Cette option réinitialise tous les paramètres aux réglages d'usine.	<ol style="list-style-type: none"> 1. Appuyez sur Recall Factory. 2. Appuyez sur Yes. 3. Appuyez sur OK.
Vitesse élevée du ventilateur	Cette option permet de régler la vitesse du ventilateur sur haute, réduisant ainsi le bruit de ventilation produit par le système.	<ol style="list-style-type: none"> 1. Appuyez sur High Fan Speed. 2. Appuyez sur la flèche vers la gauche ou vers la droite pour régler le pourcentage de vitesse maximale du ventilateur. 3. Appuyez sur Save.
Vitesse faible du ventilateur	Cette option permet de régler la vitesse du ventilateur sur basse, afin de s'assurer que la vitesse du ventilateur est suffisamment élevée pour surmonter la pression statique dans les conduites.	<ol style="list-style-type: none"> 1. Appuyez sur Low Fan Speed. 2. Appuyez sur la flèche vers la gauche ou vers la droite pour régler le pourcentage de vitesse minimale du ventilateur. 3. Appuyez sur Save.
Mode de fonctionnement du ventilateur	La sélection du mode Continu maintient le ventilateur en marche à vitesse lente lorsque le compresseur s'arrête. La sélection du mode Cyclique éteint et rallume le ventilateur avec le compresseur.	<ol style="list-style-type: none"> 1. Appuyez sur Fan Operate Mode. 2. Tap Continuous or Cycled.
Mode Fonctionnement de la pompe	La sélection du mode Continu permet de maintenir la pompe en fonctionnement continu lorsque le compresseur s'arrête. La sélection du mode Cyclique éteint et rallume la pompe avec le compresseur.	<ol style="list-style-type: none"> 1. Appuyez sur Pump Operate Mode. 2. Appuyez sur Continuous or Cycled.
Calibrage de la température intérieure	Cette option est utilisée pour calibrer le relevé de la température de la cabine lorsqu'il est constamment différent de la température réelle.	<ol style="list-style-type: none"> 1. Appuyez sur Inside Temp Calibrate. 2. Appuyez sur la flèche vers la gauche ou vers la droite pour régler la valeur. 3. Appuyez sur Save.
Unités de température	Cette option bascule les relevés de température entre °F et °C et affecte tous les affichages de température. Le réglage par défaut est °F.	Appuyez sur Unités de température pour basculer entre °F et °C.
Unités de pression	Cette option bascule les relevés de pression entre psi, kPa et bar et affecte tous les affichages de pression. Le réglage par défaut est psi.	<ol style="list-style-type: none"> 1. Appuyez sur Pressure Units. 2. Appuyez sur la flèche vers la gauche ou vers la droite pour régler la valeur. 3. Appuyez sur Save.
Chauffage électrique auxiliaire	Cette option active le relais de chauffage électrique auxiliaire si un relais est connecté. Il ne fonctionnera qu'à la place du cycle de chauffage inverse et non comme source de chaleur supplémentaire. Ce paramètre est désactivé par défaut. La puissance nominale appropriée doit être sélectionnée pour activer le chauffage.	<ol style="list-style-type: none"> 1. Appuyez sur Aux Electric Heat. 2. Appuyez sur la flèche vers la gauche ou vers la droite pour faire défiler les options. 3. Appuyez sur Save et suivez les messages pour confirmer la sélection.
Réglage des heures de fonctionnement du filtre	Lorsqu'elle est activée, cette option indique quand le filtre est prêt à être remplacé, selon la durée de vie du filtre sélectionnée. Ce paramètre est désactivé par défaut.	<ol style="list-style-type: none"> 1. Appuyez sur Filter Hours Setting. 2. Appuyez sur la flèche vers la gauche ou vers la droite pour faire défiler les options. 3. Appuyez sur Save.
Réinitialisation des heures de fonctionnement du filtre	Cette option remet le compteur de durée de vie du filtre à zéro. Les heures de fonctionnement du filtre doivent être réinitialisées lorsque le filtre est remplacé ou nettoyé. Cette option n'est pas disponible lorsque le paramètre Réglage des heures de filtre est désactivé.	<ol style="list-style-type: none"> 1. Appuyez sur Filter Hours Reset. 2. Appuyez sur Yes. 3. Appuyez sur OK.

Sélection	Description	Actions
Alarme de rappel du filtre	Cette option définit la durée de répétition de l'alarme de filtre lorsque la répétition est activée dans l'écran Alarme de filtre.	<ol style="list-style-type: none"> Appuyez sur Filter Alarm Delay. Appuyez sur la flèche vers la gauche ou vers la droite pour régler la valeur. Appuyez sur Save.
Zone	Cette option attribue un nom de zone à une ou plusieurs unités. Pour les unités en réseau, cela permet de contrôler depuis un seul écran toutes les unités affectées à cette zone. Le réglage par défaut pour toutes les unités est Master Stateroom.	<ol style="list-style-type: none"> Appuyez sur Zone/Area. Appuyez sur la flèche vers la gauche ou vers la droite pour faire défiler la liste des zones. Appuyez sur Save.
Différentiel de température de consigne	Cette option ajuste la différence de température entre le point de consigne et le relevé de la température de la cabine qui est utilisée pour décider le moment où le système se met en marche.	<ol style="list-style-type: none"> Appuyez sur Set Point Temp Differential. Appuyez sur la flèche vers la gauche ou vers la droite pour faire défiler la liste des paramètres. Appuyez sur Save.
Calibrage de la pression de sortie	Cette option est utilisée pour calibrer le relevé de la pression de sortie lorsqu'il est constamment différent de la pression réelle. Le relevé de la pression de sortie est utilisé pour vérifier l'état du système. Si la valeur dépasse la limite définie en usine, une alarme s'affiche pour indiquer la date et l'heure de l'événement.	<ol style="list-style-type: none"> Appuyez sur Discharge Pressure Calibration. Appuyez sur la flèche vers la gauche ou vers la droite pour régler la valeur. Appuyez sur Save.
Calibrage de la pression d'aspiration	Cette option est utilisée pour calibrer le relevé de la pression d'aspiration lorsqu'il est constamment différent de la pression réelle.	<ol style="list-style-type: none"> Appuyez sur Suction Pressure Calibration. Appuyez sur la flèche vers la gauche ou vers la droite pour régler la valeur. Appuyez sur Save.
Calibrage de la température d'aspiration	Cette option est utilisée pour calibrer le relevé de la température d'aspiration lorsqu'il est constamment différent de la température réelle.	<ol style="list-style-type: none"> Appuyez sur Suction Temperature Calibration. Appuyez sur la flèche vers la gauche ou vers la droite pour régler la valeur. Appuyez sur Save.
Temporisation des compresseurs	Cette option permet de régler la durée de démarrage du compresseur après un cycle d'alimentation brusque. Elle convient aux installations dans lesquelles plus d'un système est alimenté par la même source d'énergie. Les différents délais d'agencement permettent aux compresseurs de démarrer à différents moments lorsque l'alimentation est coupée. Laissez un délai d'au moins cinq secondes entre les unités.	<ol style="list-style-type: none"> Appuyez sur Compressor Staging Delay. Appuyez sur la flèche vers la gauche ou vers la droite pour faire défiler les options. Appuyez sur Save.
Moniteur de basse tension	Lorsqu'elle est activée, cette option détecte et indique lorsque la tension d'alimentation est inférieure au point de consigne sélectionné.	<ol style="list-style-type: none"> Appuyez sur Low Voltage Monitor. Appuyez sur la flèche vers la gauche ou vers la droite pour faire défiler les options. Appuyez sur Save.
Priorité de la source d'alimentation	Cette option permet de gérer le type de source d'alimentation utilisé lorsque le système est alimenté en courant alternatif et continu. Le réglage par défaut est CA.	Appuyez sur Power Source Priority pour basculer entre CA et CC.

12.6 Paramètres système

- Sur l'écran d'accueil, appuyez sur Menu principal.
- Appuyez sur Système, puis utilisez la flèche vers le haut ou vers le bas pour faire défiler les options.

Sélection	Description	Action
Luminosité de l'écran	Cette option permet de régler la luminosité de l'écran.	<ol style="list-style-type: none"> Appuyez sur Display Brightness. Appuyez sur la flèche vers la gauche ou vers la droite pour régler le pourcentage.
Délai d'activation du mode veille	Cette option détermine la durée pendant laquelle l'écran doit rester inactif avant que l'économiseur d'écran n'apparaisse. Si vous sélectionnez Aucun, l'économiseur d'écran est désactivé.	<ol style="list-style-type: none"> Appuyez sur Sleep Mode Settings. Appuyez sur la flèche vers la gauche ou vers la droite pour faire défiler les options. Appuyez sur Enregistrement.
Langue	Cette option détermine la langue utilisée par l'écran.	<ol style="list-style-type: none"> Appuyez sur Language. Appuyez sur la flèche vers la gauche ou vers la droite pour faire défiler les options. Appuyez sur Save.
Économiseur d'écran	Cette option détermine quel économiseur d'écran apparaît sur l'écran d'accueil après une période d'inactivité : le logo Dometic (par défaut), un écran de température simplifié et un écran noir vierge. Appuyez sur l'écran pour réactiver l'affichage.	<ol style="list-style-type: none"> Appuyez sur Screen Saver. Appuyez sur la flèche vers la gauche ou vers la droite pour faire défiler les options. Appuyez sur Save.
Versions	Cette option affiche les versions installées du micrologiciel.	Appuyez sur Versions .

12.7 Dépannage

- Sur l'écran d'accueil, appuyez sur **Main Menu**.
- Appuyez sur **Troubleshoot**, puis utilisez les flèches vers le haut ou vers le bas pour faire défiler les options.

Sélection	Description	Action
Historique des erreurs	Cette option fournit l'historique des défaillances qui se sont produites dans le système depuis la dernière réinitialisation de l'historique des erreurs. L'historique des erreurs ne peut être réinitialisé que par un technicien.	<ol style="list-style-type: none"> Appuyez sur Fault History. Appuyez sur la flèche vers le haut ou vers le bas pour faire défiler les erreurs.
État du système	Cette option fournit des informations sur l'état actuel du système.	<ol style="list-style-type: none"> Appuyez sur System Status. Appuyez sur la flèche vers le haut ou vers le bas pour faire défiler les informations sur l'état.

12.8 Paramètres de verrouillage

Le menu **Lock Setting** permet de restreindre l'accès aux menus **System**, **Parameter**, et **Scheduler** à l'aide d'un code PIN à quatre chiffres.

12.8.1 Réglage du code PIN de déverrouillage

- Sur l'écran d'accueil, appuyez sur **Main Menu**.
- Appuyez sur **Lock Setting**.
- Appuyez sur **Yes** pour confirmer que vous souhaitez continuer.
- Appuyez sur le pavé numérique pour saisir un code PIN à quatre chiffres.
- Appuyez sur **OK** pour enregistrer le code PIN et verrouiller les menus.

12.8.2 Modification du code PIN de déverrouillage

1. Sur l'écran d'accueil, appuyez sur **Main Menu**.
2. Appuyez sur **Lock Setting**.
3. Appuyez sur **Yes** pour confirmer que vous souhaitez continuer.
4. Appuyez sur **Change PIN**.
5. Appuyez sur le pavé numérique pour saisir un code PIN à quatre chiffres.
6. Appuyez sur **OK** pour enregistrer le nouveau code PIN.

12.8.3 Suppression du code PIN de déverrouillage

1. Sur l'écran d'accueil, appuyez sur **Main Menu**.
2. Appuyez sur **Lock Setting**.
3. Appuyez sur **Yes** pour confirmer que vous souhaitez continuer.
4. Appuyez sur **Remove PIN**.
5. Appuyez sur **OK** pour supprimer le code PIN et déverrouiller les menus.

12.9 Date et heure

Le menu **Date & Time** vous permet de définir la date et l'heure dans votre format préféré et de choisir si vous souhaitez les afficher sur l'écran d'accueil.

12.9.1 Activation ou désactivation de la date et de l'heure

Ce paramètre active ou désactive l'option d'affichage de la date et de l'heure sur l'écran d'accueil.

1. Sur l'écran d'accueil, appuyez sur **Main Menu**.
2. Appuyez sur **Date & Time**.
3. Appuyez sur **Date & Time Display** pour activer ou désactiver l'option.

12.9.2 Réglage du format de la date

Ce paramètre permet d'afficher la date dans différents formats. Le réglage par défaut est MM-JJ-AAAA.

1. Sur l'écran d'accueil, appuyez sur **Main Menu**.
2. Appuyez sur **Date & Time**.
3. Appuyez sur **Date Format**.
4. Appuyez sur la flèche vers la gauche ou vers la droite pour faire défiler les formats.
5. Appuyez sur **Save**.

12.9.3 Réglage du format de l'heure

Ce paramètre permet d'afficher l'heure au format à 12 ou 24 heures. Le réglage par défaut est le format à 12 heures.

1. Sur l'écran d'accueil, appuyez sur **Main Menu**.
2. Appuyez sur **Date & Time**.
3. Appuyez sur **Time Format** pour basculer entre les options.

12.9.4 Réglage de la date et de l'heure

Ce paramètre vous permet de régler la date et l'heure.

1. Sur l'écran d'accueil, appuyez sur **Main Menu**.
2. Appuyez sur **Date & Time**.
3. Appuyez sur **Date Time Settings**.
4. Suivez les messages à l'écran pour effectuer les modifications.
5. Appuyez sur **Save**.

13 Dépannage

Panne	Cause possible	Solution proposée
Le système ne s'allume pas.	Le disjoncteur du climatiseur est désactivé.	Activez le disjoncteur sur le panneau électrique du bateau.
	Le bouton d'alimentation est éteint sur l'écran.	Allumez le bouton d'alimentation de l'écran.
	La tension sur le câble d'alimentation n'est pas assez élevée.	<ol style="list-style-type: none"> Vérifiez la tension sur le câble d'alimentation. Vérifiez que le câblage et les bornes sont de bonne taille et que les connexions sont correctes. Reportez-vous au manuel d'installation fourni avec le climatiseur. Utilisez un voltmètre pour vérifier que l'alimentation est identique au niveau du climatiseur et de la source d'alimentation.
	Une pièce électrique est défectueuse.	Contactez un technicien qualifié.
Le système s'arrête.	Le système a rencontré une défaillance matérielle.	<ol style="list-style-type: none"> Vérifiez l'historique des erreurs. Reportez-vous à Dépannage à la page 30. Suivez les étapes de dépannage correspondantes dans cette section.
	La source d'alimentation a été coupée.	Vérifiez que la source d'alimentation fournit de l'énergie.
	Une pièce électrique est défectueuse.	Contactez un technicien qualifié.
Le système ne répond pas aux modifications entrées à l'écran.	Ce dysfonctionnement est lié à un problème d'alimentation de l'écran, tel qu'une coupure de courant, une fluctuation de la fréquence de tension, des interférences électromagnétiques provenant d'autres équipements ou un problème similaire.	<ol style="list-style-type: none"> Éteignez ou déplacez tout appareil électronique haute puissance à proximité de l'écran. Remplacez le câble de l'écran existant par un câble blindé. Si le problème persiste, contactez un technicien qualifié.
	L'écran et le climatiseur ne sont pas compatibles.	Vérifiez que l'écran utilisé est compatible avec le climatiseur.
L'écran n'affiche pas la température ambiante correcte.	Le capteur de retour d'air est dans une position qui ne reflète pas précisément la température de la cabine.	<ol style="list-style-type: none"> Repositionnez le capteur de retour d'air à un meilleur emplacement, si possible. Dans le menu Paramètres, utilisez la fonction de calibration de la température intérieure pour calibrer le capteur d'air.
Le système ne souffle pas d'air froid.	La température de l'eau de mer est trop élevée.	La température de l'eau de mer a un effet direct sur l'efficacité du climatiseur. Pour un refroidissement optimal, la température de l'eau doit être inférieure à 95 °F (35 °C).
	Le débit d'eau est inadapté.	Vérifiez qu'il n'y a pas d'obstruction dans le débit d'eau.
	Le système a perdu du réfrigérant.	Contactez un technicien qualifié.
	Le mode de l'écran n'est pas réglé sur Refroidir.	Réglez le mode sur Refroidir.
Le système ne souffle pas d'air chaud.	La température de l'eau de mer est trop basse.	La température de l'eau de mer a un effet direct sur l'efficacité du climatiseur. Pour que l'appareil chauffe (si l'option cycle inversé est disponible), la température de l'eau doit être de 40 °F (4,44 °C) ou plus.
	Le robinet inverseur est bloqué.	<ol style="list-style-type: none"> Appuyez légèrement sur la soupape avec un maillet en caoutchouc lorsque le système est en mode Chauffer. Si le problème persiste, contactez un technicien qualifié.
	Le chauffage électrique auxiliaire est activé, mais n'est pas connecté.	<ol style="list-style-type: none"> Dans le menu Paramètres, désactivez Chauffage électrique auxiliaire. Vérifiez que le disjoncteur du chauffage auxiliaire est activé.
	Le mode n'est pas réglé sur Chauffer.	Réglez le mode sur Chauffer.
	Le système a perdu du réfrigérant.	Contactez un technicien qualifié.
Il n'y a pas assez de débit d'air dans le système.	Le flux d'air est bloqué ou restreint.	<ol style="list-style-type: none"> Retirez toute obstruction bouchant le débit de retour d'air. Nettoyez le filtre de retour d'air et la grille. Vérifiez la présence sur les conduites d'écrasements et d'obstructions. Les conduites doivent être bien droites et fermement soutenues, autant que possible, sans blocage.
	Le système fonctionne en mode limite pour payer les conditions de fonctionnement anormales causées par des facteurs	Dans le menu Dépannage, vérifiez l'état du système pour le mode de fonctionnement. Si le système ne peut pas reprendre un fonctionnement normal dans l'heure, une alarme

Panne	Cause possible	Solution proposée
	environnementaux tels que la température de l'eau de mer, la charge, etc.	de mode limite est envoyée à l'écran jusqu'à ce que le fonctionnement normal puisse reprendre.
Le compresseur ne s'arrête pas.	La technologie de compresseur à vitesse variable ralentit, mais ne s'arrête pas tant que le point de consigne de température n'est pas dépassé de 0,6 °C (1 °F).	Réglez le point de consigne de la température ou utilisez le bouton d'alimentation de l'écran pour éteindre manuellement le système.
	Une pièce électrique est défectueuse.	Contactez un technicien qualifié.
Le ventilateur ne souffle pas ou ne cesse pas de souffler.	Le mode de fonctionnement du ventilateur est réglé sur Cyclique ou Continu.	Dans le menu Paramètres, réglez le mode de fonctionnement du ventilateur sur le réglage souhaité.
	Une pièce électrique est défectueuse.	Contactez un technicien qualifié.
L'icône de mode clignote.	Le compresseur s'est arrêté en raison d'un changement de mode.	Le compresseur se remet en marche trois minutes après le changement de mode.
	Le compresseur s'est arrêté car la température cible a été dépassée de 0,6 °C (1 °F) ou plus.	Le compresseur se met en marche une fois que la température de la cabine ne dépasse plus le point de consigne.
L'avertissement de filtre s'affiche.	Le compteur de nettoyage ou de remplacement du filtre à air est arrivé à son terme.	<ol style="list-style-type: none"> Nettoyez ou remplacez le filtre à air. Dans le menu Paramètres, utilisez la fonction Réinitialisation des heures de filtre pour réinitialiser le compteur.
Erreur : Panne du capteur de retour d'air	Une connexion ou une pièce électrique est défectueuse.	Contactez un technicien qualifié.
Erreur : défaillance du capteur de température d'aspiration	Une connexion ou une pièce électrique est défectueuse.	Contactez un technicien qualifié.
Erreur : défaillance du transducteur de pression de sortie	Une pièce électrique est défectueuse.	Contactez un technicien qualifié.
Erreur : pression de sortie élevée	Le flux d'eau de mer est obstrué ou bloqué.	<ol style="list-style-type: none"> Vérifiez que la vanne d'eau est ouverte et que l'eau s'écoule vers la pompe. Nettoyez le tamis d'eau de mer. Vérifiez que le débit de sortie hors-bord est fort et régulier.
	De l'air peut être bloqué dans la pompe à eau de mer.	<ol style="list-style-type: none"> Vérifiez que la tuyauterie d'eau de mer est installée conformément aux instructions du manuel d'installation fourni avec le climatiseur. Retirez le tuyau de refoulement de la pompe pour purger l'air de la conduite, puis replacez-le.
	La pompe à eau de mer ne fonctionne pas.	<ol style="list-style-type: none"> Assurez-vous que la pompe n'est pas endommagée par un fonctionnement à sec. Vérifiez que la pompe est sous tension. Vérifiez que l'eau s'écoule fortement du trop-plein.
	Le serpentin du condensateur est sale.	Nettoyez le serpentin du condensateur.
	La température de l'eau de mer est trop élevée pendant le chauffage.	La température de l'eau de mer a un effet direct sur l'efficacité du climatiseur. Pour que l'appareil chauffe (si l'option de cycle inverse est disponible), la température de l'eau doit être inférieure à 65 °F (18,33 °C).
	Le débit d'air de retour est insuffisant.	<ol style="list-style-type: none"> Retirez toute obstruction bouchant le débit de retour d'air. Nettoyez le filtre d'air et la grille. Vérifiez la présence sur les conduites d'écrasements et d'obstructions. <p>Les conduites doivent être bien droites et fermement soutenues, autant que possible, sans blocage.</p>
Erreur : pression d'aspiration faible	La pression de retour d'air est trop faible pendant le refroidissement.	La température ambiante a un effet direct sur l'efficacité du climatiseur. Pour un refroidissement optimal, la température de l'air doit être d'au moins 65 °F (18,33 °C).
	Le retour d'air est obstrué.	<ol style="list-style-type: none"> Retirez toute obstruction bouchant le débit de retour d'air. Nettoyez ou remplacez le filtre à air et la grille.
	La température de l'eau de mer est trop basse pendant le chauffage.	La température de l'eau de mer a un effet direct sur l'efficacité du climatiseur. Pour que l'appareil chauffe (si l'option cycle inversé est disponible), la température de l'eau doit être de 40 °F (4,44 °C) ou plus.
	Le système a perdu du réfrigérant.	Contactez un technicien qualifié.
Erreur : échec du démarrage du compresseur	La tension d'alimentation est trop faible.	<ol style="list-style-type: none"> Vérifiez que la tension est correcte au niveau de la source d'alimentation. Si le problème persiste, contactez un technicien qualifié.

Panne	Cause possible	Solution proposée
	Une pièce électrique est défectueuse.	Contactez un technicien qualifié.
Erreur : faible surchauffe	La soufflerie ou un détendeur a rencontré un dysfonctionnement.	Contactez un technicien qualifié.
Erreur : température d'aspiration faible	La soufflerie ou un détendeur a rencontré un dysfonctionnement.	Contactez un technicien qualifié.
Erreur : carte horloge défectueuse ou non connectée	Une pièce électrique est défectueuse.	Contactez un technicien qualifié.
Erreur : basse tension CA	La tension d'alimentation est trop faible.	<ol style="list-style-type: none"> Vérifiez que la tension est correcte au niveau de la source d'alimentation. Si le problème persiste, contactez un technicien qualifié.
Erreur : haute tension CA	La tension d'alimentation est trop élevée.	<ol style="list-style-type: none"> Vérifiez que la tension est correcte au niveau de la source d'alimentation. Si le problème persiste, contactez un technicien qualifié.
Erreur : basse tension CC	La capacité de la batterie diminue.	<ol style="list-style-type: none"> Chargez ou remplacez la batterie. Si le problème persiste, contactez un technicien qualifié.
Erreur : haute tension CC	La tension d'alimentation est trop élevée.	<ol style="list-style-type: none"> Vérifiez que la tension est correcte au niveau de la source d'alimentation. Si le problème persiste, contactez un technicien qualifié.
Erreur : perte de communication	Une pièce électrique est défectueuse.	Contactez un technicien qualifié.
	Interférences sonores électriques.	Assurez-vous que les câbles de communication et les connecteurs ne sont pas à proximité de câbles d'alimentation ou de gros équipements électriques.
Erreur : alarme de surintensité	Une pièce électrique est défectueuse.	Contactez un technicien qualifié.
Erreur : température élevée du variateur électronique de vitesse	Le débit d'air est limité en raison d'un objet dans le circuit d'air.	Retirez l'obstruction du circuit de ventilation du dissipateur de chaleur.
	Le ventilateur de refroidissement ne fonctionne pas correctement.	Contactez un technicien qualifié.
Erreur : panne du ventilateur	Une pièce électrique est défectueuse.	Contactez un technicien qualifié.
Erreur : instance de zone dupliquée	Plusieurs unités d'un réseau ont été affectées au même identifiant de zone.	Vérifiez les attributions de zone sur toutes les unités du réseau pour vous assurer que chaque unité possède un identifiant de zone unique.
Erreur : niveau de réfrigérant bas	Une interface mécanique est défectueuse et a perdu du réfrigérant.	Contactez un technicien qualifié.

14 Mise au rebut



Dans la mesure du possible, veuillez éliminer les emballages dans les conteneurs de déchets recyclables prévus à cet effet. Pour éliminer définitivement le produit, contacter le centre de recyclage le plus proche ou votre revendeur spécialisé afin de vous informer sur les dispositions relatives au retraitement des déchets.

- un motif de réclamation ou une description du dysfonctionnement

15 Garantie

Consultez les sections suivantes pour obtenir davantage d'informations concernant la garantie et l'assistance dans le cadre de la garantie aux États-Unis, au Canada, en Australie, en Nouvelle-Zélande et dans les autres pays.

États-Unis et Canada

GARANTIE LIMITÉE DISPONIBLE SUR LA PAGE DO
METIC.COM/EN-US/TERMS-AND-CONDITIONS-CONSUMER/WARRANTY.

POUR TOUTE QUESTION OU POUR OBTENIR UNE COPIE GRATUITE DE LA GARANTIE LIMITÉE, CONTACTEZ :

DOMETIC CORPORATION MARINE
CUSTOMER SUPPORT CENTER
2000 NORTH ANDREWS AVENUE
POMPANO BEACH, FLORIDA, USA 33069
1-800-542-2477

Pays d'Asie-Pacifique (APAC)

Si le produit ne fonctionne pas correctement, contactez votre revendeur ou la succursale du fabricant dans votre pays (consultez les adresses Web figurant au dos de ce manuel d'instructions pour localiser votre région ou votre revendeur). La garantie applicable à votre produit est de 1 an.

Pour toutes réparations ou autres prestations de garantie, veuillez joindre à l'appareil les documents suivants :

- une copie de la facture avec la date d'achat
- Un motif pour la réclamation ou une description du dysfonctionnement.

La garantie de nos produits ne peut faire l'objet d'une exclusion, conformément à l'Australian Consumer Law (loi sur la protection des consommateurs en Australie). Vous êtes éligible à un remboursement intégral en cas de panne majeure et à un dédommagement pour toute autre perte ou dommage prévisible. Vous êtes également éligible à la réparation ou au remplacement des produits s'ils n'offrent pas un niveau de qualité acceptable, mais ne présentent pas de panne majeure.

Australie uniquement

La garantie de nos produits ne peut faire l'objet d'une exclusion, conformément à l'Australian Consumer Law (loi sur la protection des consommateurs en Australie). Vous êtes éligible à un remboursement intégral en cas de panne majeure et à un dédommagement pour toute autre perte ou dommage prévisible. Vous êtes également éligible à la réparation ou au remplacement des produits s'ils n'offrent pas un niveau de qualité acceptable, mais ne présentent pas de panne majeure.

Nouvelle-Zélande uniquement

Cette politique de garantie est soumise aux conditions et garanties obligatoires, conformément aux directives du Consumer Guarantees Act 1993(NZ).

Tous les autres pays

La période de garantie légale s'applique. Si le produit est défectueux, contactez la succursale du fabricant de votre région ou votre revendeur (consultez les adresses Web figurant au dos de ce manuel d'instructions pour localiser votre région ou votre revendeur).

Pour toutes réparations ou autres prestations de garantie, veuillez joindre à l'appareil les documents suivants :

- une copie de la facture avec la date d'achat

Español

1	Notas importantes.....	36
2	Explicación de los símbolos.....	36
3	Uso previsto.....	36
4	Volumen de entrega.....	36
5	Herramientas.....	36
6	Dimensiones de la pantalla.....	36
7	Compatibilidad.....	36
8	Modos y características disponibles.....	36
9	Especificaciones.....	37
10	Antes de la instalación.....	37
11	Instalación.....	37
12	Funcionamiento.....	37
13	Solución de problemas.....	43
14	Eliminación.....	46
15	Garantía.....	46

1 Notas importantes

Lea atentamente estas instrucciones y siga las indicaciones, directrices y advertencias incluidas en este manual para asegurarse de que instala, utiliza y mantiene correctamente el producto en todo momento. Estas instrucciones DEBEN conservarse junto con este producto.

Al utilizar el producto, usted confirma que ha leído cuidadosamente todas las instrucciones, directrices y advertencias, y que entiende y acepta cumplir los términos y condiciones aquí establecidos. Usted se compromete a utilizar este producto solo para el propósito y la aplicación previstos y de acuerdo con las instrucciones, directrices y advertencias establecidas en este manual del producto, así como de acuerdo con todas las leyes y reglamentos aplicables. La no lectura y observación de las instrucciones y advertencias aquí expuestas puede causar lesiones a usted o a terceros, daños en el producto o daños en otras propiedades cercanas. Este manual del producto, incluyendo las instrucciones, directrices y advertencias, y la documentación relacionada, pueden estar sujetos a cambios y actualizaciones. Para obtener información actualizada sobre el producto, visite documents.dometic.com.

2 Explicación de los símbolos

2.1 Normativas complementarias

Para reducir el riesgo de accidentes y lesiones, tenga en cuenta las pautas siguientes antes de instalar o utilizar este producto:

- Leer y respetar toda la información y las instrucciones de seguridad.
- Leer y comprender estas instrucciones antes de instalar o poner en funcionamiento este producto.
- Consejo Americano de Barcos y Yates (ABYC) E-11, Sistemas eléctricos de CA y CC en embarcaciones
- ANSI/NFPA 70, National Electrical Code (NEC)

2.2 Mensajes generales de seguridad



¡ADVERTENCIA! PELIGRO DE DESCARGA ELÉCTRICA, INCENDIO Y/O EXPLOSIÓN.

El incumplimiento de esta advertencia puede ocasionar la muerte o lesiones graves.

- Utilice únicamente piezas de repuesto y componentes Dometic que estén específicamente aprobados para su uso con el producto.
- Evite hacer instalaciones, ajustes, modificaciones, reparaciones o mantenimientos inadecuados del producto. El servicio y el mantenimiento **deben** ser realizados únicamente por personal de servicio cualificado.

- **No** modificar ninguno de los componentes de este producto. Realizar cualquier modificación puede ser extremadamente peligroso.

3 Uso previsto

La pantalla VMD2.5 (en lo sucesivo, la "pantalla" o el "producto") es una interfaz de control que permite manejar sistemas de aire acondicionado náuticos compatibles. Esta pantalla solo es apta para el uso previsto y la aplicación de acuerdo con estas instrucciones.

- Un montaje o conexión incorrectos, incluido un exceso de tensión.
- Un mantenimiento incorrecto o el uso de piezas de repuesto distintas de las originales proporcionadas por el fabricante.
- Modificaciones de los componentes del producto sin permiso explícito del fabricante.
- Uso con una finalidad distinta a la descrita en las instrucciones.

4 Volumen de entrega

En esta sección se describen las piezas incluidas con la pantalla. Las piezas opcionales se pueden adquirir por separado.

Piezas incluidas	Cantidad
Pantalla VMD2.5	1
Tornillos autorroscantes #6 x ¾ in.	4
Instrucciones de montaje y de uso	1

Piezas opcionales	Cantidad
Embellecedor	1
Cable de la pantalla	50,0 ft (15,24 m)



NOTA Se incluye un cable de pantalla de 25,0 ft (7,62 m) con el aire acondicionado náutico.

5 Herramientas

Dometic recomienda utilizar las siguientes herramientas al instalar la pantalla.

Destornillador/punta	Taladro
Rotulador	Sierra de sable/sierra multiherramienta

6 Dimensiones de la pantalla

	Anchura	Altura
Pantalla con embellecedor	4,69 in (119 mm)	3,31 in (84 mm)

7 Compatibilidad

Esta pantalla es compatible con los sistemas de aire acondicionado náuticos de la serie TX.

8 Modos y características disponibles

En esta sección se enumeran los modos, funciones y características disponibles. Consulte la sección Funcionamiento en la página 37 para obtener más información.

Modos	Características
<ul style="list-style-type: none"> Cool Heat Auto Fan only 	<ul style="list-style-type: none"> Modo económico Modo Quiet El programador puede ejecutar hasta cuatro programas Ajustes diferenciales de punto de ajuste seleccionables Velocidades de funcionamiento seleccionables para el ventilador y la bomba Velocidad alta y baja del ventilador ajustable Conexión/control de la calefacción eléctrica auxiliar Detección/gestión automática de la fuente de alimentación Asignación de zonas Filtrar contador de horas/notificación Visualización de valores con unidades de medida del sistema métrico o imperial Bloqueo de la pantalla Indicador de alarma activa

9 Especificaciones

En esta sección se enumeran las especificaciones de funcionamiento de la pantalla.

Rango de temperaturas ambiente de funcionamiento	0,4 °F (-18 °C) ... 179,6 °F (82 °C)
Humedad relativa máxima	99 %, sin condensación
Rango operativo de punto de ajuste	65,0 °F (18,33 °C) ... 85,0 °F (29,44 °C)
Rango de visualización de temperaturas ambiente	5 °F (-15 °C) ... 132,0 °F (55,55 °C)
Precisión del sensor	± 2 °F at 77 °F (± 38 °F (1 °C) at 77 °F (25 °C)
Tipo de tensión de alimentación	12 V $\overline{=}$

10 Antes de la instalación

Esta sección describe las acciones que deben realizarse antes de instalar la pantalla.



¡ADVERTENCIA! PELIGRO DE DESCARGA ELÉCTRICA, INCENDIO Y/O EXPLOSIÓN.

El incumplimiento de las siguientes advertencias puede causar la muerte o graves lesiones:

- Antes de cortar o perforar, desconecte la fuente de alimentación.
- Compruebe que no haya obstáculos, como cables o tuberías, dentro de la pared de la cabina, en la ubicación de montaje de la pantalla.



¡AVISO!

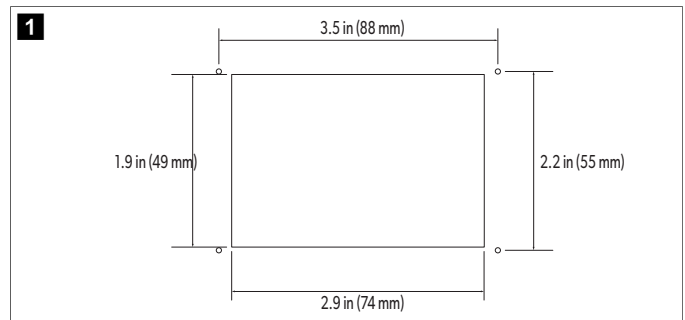
NO coloque el panel de pantalla bajo la luz directa del sol, cerca de dispositivos que generen calor ni en un mamparo donde las temperaturas irradiadas desde detrás del panel puedan afectar a su rendimiento.

10.1 Elección de la ubicación de la pantalla

- Ubicación en la pared interior de la cabina, alejada de la luz directa del sol.
- Debe situarse ligeramente por encima de la altura media de la pared de la cabina.
- Debe tratarse de un lugar en el que el aire circule libremente.
- Debe encontrarse a una distancia máxima de 75,0 ft (22,86 m) del aire acondicionado.

10.2 Preparación de la ubicación de montaje

- Interrumpa la alimentación de tensión.



- Marque las dimensiones de la abertura y la ubicación de los orificios de los tornillos en la pared de la cabina.
- Corte la abertura.
- Perfore cuatro orificios para los tornillos.

11 Instalación



¡AVISO!

NO utilice una atornilladora eléctrica NI apriete en exceso al montar la pantalla.

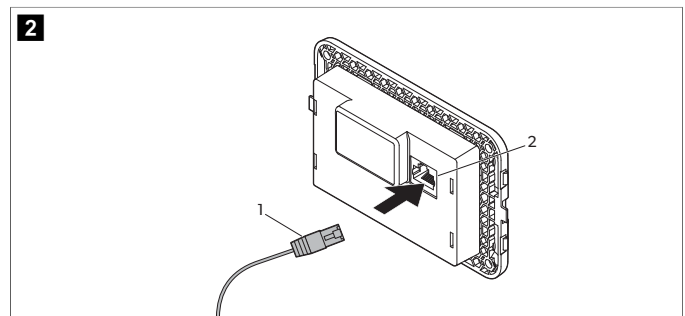


¡AVISO!

NO grape los cables del sensor durante la instalación.

En esta sección se describe cómo se instala la pantalla.

- Pase un extremo del cable de la pantalla a través de la caja de control eléctrico del aire acondicionado y enchúfelo a la toma de la placa de circuitos.



1	Cable de la pantalla	2	Toma
---	----------------------	---	------

- Pase el otro extremo del cable de la pantalla a través de la abertura de la pared y enchúfelo a la toma de la parte posterior de la pantalla.
- Utilice los tornillos para fijar la pantalla a la pared de la cabina.
- Encaje el embellecedor (opcional) en la pantalla.

12 Funcionamiento



¡ADVERTENCIA! DESCARGAS ELÉCTRICAS.

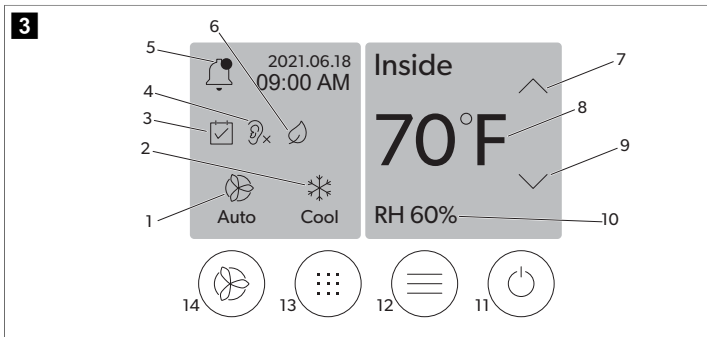
El incumplimiento de esta advertencia puede ocasionar la muerte o lesiones graves.

La pantalla permanece encendida cuando el control de potencia está apagado. Desconecte la fuente de alimentación antes de realizar cualquier tarea de mantenimiento en la pantalla.

Este sistema utiliza la tecnología de velocidad variable, que permite que el compresor funcione durante largos periodos de tiempo en lugar de encenderse y apagarse constantemente. Algunas de las ventajas que ofrece esta tecnología son una mayor fiabilidad, un menor consumo de energía, una mejor deshumidificación y menores niveles de ruido durante el funcionamiento.

12.1 Pantalla de inicio

En esta sección se muestra la ubicación de los controles y los indicadores de estado en la pantalla de inicio y se describe su uso.



1	Indicador de velocidad del ventilador	8	Indicador de temperatura/punto de ajuste
2	Indicador de modo	9	Control de reducción de temperatura
3	Indicador del programador	10	Indicador de humedad relativa
4	Indicador de modo Quiet	11	Control de potencia
5	Indicador/control de alarma	12	Control del menú principal
6	Indicador de modo Eco	13	Control de modo
7	Control de aumento de temperatura	14	Control de velocidad del ventilador

Tabla 7: Controles de la pantalla de inicio e indicadores de estado

Icono	Control/indicador	Descripción
	Indicador de modo	El icono de modo muestra el modo de funcionamiento actual. El icono aparece en movimiento cuando el compresor está en funcionamiento y estático cuando no está en funcionamiento. El icono parpadea cuando el compresor se apaga y entra en un modo de retardo de tres minutos antes de que pueda volver a encenderse.
	Modo: Refrigeración	El sistema realizará un ciclo de refrigeración cuando la temperatura de la cabina supere el punto de ajuste de refrigeración según el diferencial del punto de ajuste. El diferencial por defecto del punto de ajuste es de 2 °F (1.1 °C). Consulte Parámetros en la página 40 para obtener información sobre cómo se establece el diferencial del punto de ajuste. El icono aparecerá en movimiento cuando el compresor esté en funcionamiento.
	Modo: Calefacción	El sistema realizará un ciclo de calefacción cuando la temperatura de la cabina descienda por debajo del punto de ajuste de calefacción según el diferencial del punto de ajuste. El sistema se apagará cuando el punto de ajuste de temperatura se supere en 1 °F (0.6 °C). Consulte Parámetros en la página 40 para obtener información sobre cómo se establece el diferencial del punto de ajuste. El icono aparecerá en movimiento cuando el compresor esté en funcionamiento.
	Modo: Auto	El sistema cambiará automáticamente entre un ciclo de refrigeración y un ciclo inverso (calefacción) en función de si la temperatura de la cabina asciende o desciende 4 °F (2.1 °C) por encima o por debajo del punto de ajuste.
	Modo: Solo ventilador	El sistema activará el compresor para que el ventilador se ponga en marcha y así hacer circular el aire de forma continua.

Icono	Control/indicador	Descripción
	Indicador de velocidad del ventilador	El indicador muestra la velocidad del ventilador seleccionada. En los modos distintos a solo ventilador, el indicador muestra Auto; esto significa que la velocidad del ventilador se corresponde con la velocidad del compresor. Este es el ajuste ideal para conseguir un rendimiento óptimo en un sistema de capacidad variable. El icono aparece en movimiento cuando el ventilador está en funcionamiento y estático cuando no está en funcionamiento. Consulte Parámetros en la página 40 para obtener información sobre cómo se ajusta la velocidad alta y baja del ventilador. El icono aparecerá en movimiento cuando el ventilador esté en funcionamiento.
	Indicador del programador	El indicador aparece cuando se activa un programa configurado. Consulte Modo de programador en la página 40 para obtener información sobre cómo activar y desactivar el modo de programador, y sobre cómo configurar y ejecutar programas.
	Indicador/control de alarma	Este indicador aparece cuando hay una alarma activa. La alarma no se resuelve simplemente borrando la notificación de alarma. La notificación de alarma volverá a aparecer en la pantalla de inicio hasta que se resuelva el problema. Consulte la Solución de problemas para obtener información sobre cómo resolver las alarmas. <ul style="list-style-type: none"> • Toque el indicador de alarma para mostrar la alarma actual. • Si hay más de dos alarmas, toque la flecha hacia arriba y la flecha hacia abajo para desplazarse por la lista de alarmas. • Toque una alarma de la lista para ver los detalles. • Toque CLR para borrar una alarma individual en la pantalla Alarm Details.
	Indicador de modo Quiet	El indicador aparece cuando la función está activa. Consulte Modo Quiet en la página 39 para obtener información sobre cómo activar o desactivar el modo Quiet, y sobre cómo establecer el punto de ajuste.
	Indicador de modo Eco	El indicador aparece cuando la función está activa. Consulte Modo económico en la página 39 para obtener información sobre cómo activar o desactivar el modo, y sobre cómo establecer el punto de ajuste.
	Flecha hacia arriba	Toque para aumentar la temperatura en la pantalla de inicio. En otras pantallas, toque para desplazarse al menú anterior o para aumentar un valor numérico.
	Indicador de temperatura/punto de ajuste	El indicador muestra el nuevo punto de ajuste de temperatura mientras se establece con las flechas hacia arriba y hacia abajo; una vez que se haya establecido, se mostrará la temperatura de la cabina.
	Flecha hacia abajo	Toque para reducir la temperatura en la pantalla de inicio. En otras pantallas, toque para desplazarse al menú siguiente o para reducir un valor numérico.
	Indicador de humedad relativa	El indicador muestra la humedad relativa de la cabina si hay instalado un sensor de humedad.



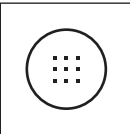

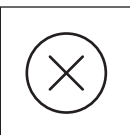




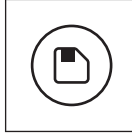
Icono	Control/indicador	Descripción
	Control de potencia	El botón de encendido enciende o apaga el sistema. Cuando está encendido, el sistema funcionará en el modo seleccionado cuando la temperatura de la cabina sea superior (modo de refrigeración) o inferior (modo de calefacción) al punto de ajuste. Cuando está apagado, el sistema no funcionará, pero sí seguirá comunicándose con la red (si está presente). Mantenga pulsado para encender o apagar el sistema.
	Control del menú principal	El menú principal permite realizar tareas de configuración, programación y solución de problemas del sistema. Toque para mostrar la primera pantalla del menú principal y, a continuación, toque la flecha hacia abajo para mostrar la segunda.
	Control de modo	Toque para alternar entre los modos de refrigeración, calefacción, automático y solo ventilador.
	Control de velocidad del ventilador	Este control solo está disponible cuando el sistema está en modo solo ventilador. Consulte Parámetros en la página 40 para obtener información sobre cómo ajustar la velocidad del ventilador. Toque para alternar entre las distintas velocidades del ventilador: baja, media y alta.

Tabla 8: Controles adicionales

Icono	Control/indicador	Descripción
	Cancelar	Toque para cancelar un valor introducido o para volver a la pantalla anterior.
	Claro	Toque para borrar el valor introducido actualmente.
	Editar	Toque para realizar cambios en la pantalla actual.
	OK	Toque para confirmar un valor introducido.
	Volver a inicio	Toque para volver a la pantalla de inicio.

Icono	Control/indicador	Descripción
	Grabar	Toque para guardar un valor introducido.

12.2 Modo económico



NOTA El modo **Eco** y el modo **Quiet** pueden activarse al mismo tiempo. El sistema aplicará el punto de ajuste más bajo. Tenga en cuenta que un valor de ajuste demasiado bajo puede afectar a la capacidad de refrigeración del sistema.

12.2.1 Activación o desactivación del modo Eco

1. En la pantalla de inicio, toque **Main Menu**.
 2. Toque **Function**.
 3. Toque **Eco Mode** para activar o desactivar la función.
- ✓ El indicador del modo **Eco Mode** se mostrará en la pantalla de inicio si el modo está activado.

12.2.2 Establecimiento del punto de ajuste del modo Eco

1. En la pantalla de inicio, toque **Main Menu**.
 2. Toque **Function**.
 3. Toque **Eco Mode**.
 4. Toque la flecha hacia abajo.
 5. Toque **Eco Mode Set Point**.
 6. Toque la flecha izquierda o la flecha derecha para establecer el punto de ajuste.
 7. Toque **Save**.
- ✓ El indicador del modo **Eco Mode** se mostrará en la pantalla de inicio si el modo está activado.

12.3 Modo Quiet



NOTA El modo **Eco** y el modo **Quiet** pueden activarse al mismo tiempo. El sistema aplicará el punto de ajuste más bajo. Tenga en cuenta que un valor de ajuste demasiado bajo puede afectar a la capacidad de refrigeración del sistema. El modo **Quiet Mode** se desactivará automáticamente si la temperatura difiere más de 3 °F (1,8 °C) del punto de ajuste.

12.3.1 Activación o desactivación del modo Quiet

1. En la pantalla de inicio, toque **Main Menu**.
 2. Toque **Function**.
 3. Toque **Quiet Mode** para activar o desactivar la función.
- ✓ El indicador de modo **Quiet** se mostrará en la pantalla de inicio si el modo está activado.

12.3.2 Establecimiento del punto de ajuste del modo Quiet

Para determinar el punto de ajuste óptimo, disminuya lentamente el porcentaje del punto de ajuste hasta alcanzar el nivel de ruido deseado.

1. En la pantalla de inicio, toque **Main Menu**.
2. Toque **Function**.
3. Toque **Quiet Mode**.
4. Toque la flecha hacia abajo.
5. Toque **Quiet Mode Set Point**.
6. Toque la flecha izquierda o la flecha derecha para establecer el punto de ajuste.
7. Toque **Save**.

- ✓ El indicador de modo Quiet se mostrará en la pantalla de inicio si el modo está activado.

12.4 Modo de programador

El modo de programador puede ejecutar automáticamente hasta cuatro programas una vez configurados y activados. Los programas se pueden configurar para una fecha y una hora concretas e incluyen modos, funciones y temperaturas.

12.4.1 Activación o desactivación del modo de programador

El modo de programador debe estar activado para poder ejecutar o editar programas.

1. En la pantalla de inicio, toque **Main Menu**.
2. Toque **Scheduler Mode**.
3. Toque **Scheduler Mode** para activar o desactivar la función.

12.4.2 Activación o desactivación de un programa

El modo de programador debe estar activado para poder ejecutar programas. Los programas y sus acciones programadas se mostrarán en la pantalla Program.

1. En la pantalla de inicio, toque **Main Menu**.
2. Toque **Scheduler Mode**.
3. Toque **Programs**.
4. Utilice la flecha hacia arriba o la flecha hacia abajo para desplazarse al programa que desee.
5. Toque la barra de menús del programa para activar o desactivar el programa.

12.4.3 Edición de un programa

Entre otras opciones, un programa permite configurar el modo, las funciones, el punto de ajuste de la temperatura y la hora y los días de la semana en que se ejecutará el programa una vez activado.

1. En la pantalla de inicio, toque **Main Menu**.
2. Toque **Scheduler Mode**.
3. Toque **Programs**.
4. Utilice la flecha hacia arriba o la flecha hacia abajo para desplazarse a la pantalla del programa deseado.
5. Toque **Edit**.
6. Toque **Cool, Heat, Auto** u **Off** para seleccionar el modo y, a continuación, toque la flecha hacia abajo para pasar a la siguiente pantalla.
7. Toque **Eco** o **Quiet** para activar o desactivar estas funciones y, a continuación, toque la flecha hacia abajo.
Estas funciones no estarán disponibles si el modo seleccionado en el paso anterior fue **Off**. Ambas funciones pueden activarse o desactivarse, según se desee.
8. Toque la flecha izquierda o la flecha derecha para ajustar la temperatura y, a continuación, toque la flecha hacia abajo.
9. Toque la flecha izquierda o la flecha derecha para ajustar la hora y, a continuación, toque la flecha hacia abajo.
10. Toque uno o varios días para establecer los días en los que se ejecutará el programa.
11. Toque el icono Save para guardar el programa.

12.5 Parámetros

1. En la pantalla de inicio, toque Main Menu.
2. Toque Parameters y, a continuación, utilice las flechas hacia arriba y hacia abajo para desplazarse por las distintas opciones.

Selección	Descripción	Acciones
Memorize Setting	Esta opción permite memorizar los ajustes actuales de todos los parámetros, lo que ofrece un punto de referencia para todo el sistema al cual se puede regresar en cualquier momento durante la solución de problemas.	<ol style="list-style-type: none"> 1. Toque Memorize Settings. 2. Toque Yes. 3. Toque OK.
Recall Memorized	Esta opción recupera los últimos ajustes memorizados de todos los parámetros.	<ol style="list-style-type: none"> 1. Toque Recall Memorize. 2. Toque Yes. 3. Toque OK.
Recall Factory	Esta opción recupera los ajustes de fábrica de todos los parámetros.	<ol style="list-style-type: none"> 1. Toque Recall Factory. 2. Toque Yes. 3. Toque OK.
High Fan Speed	Esta opción establece la velocidad del ventilador a un nivel alto, lo cual reduce el ruido del aire generado por el sistema.	<ol style="list-style-type: none"> 1. Toque High Fan Speed. 2. Toque la flecha izquierda o la flecha derecha para ajustar el porcentaje máximo de velocidad del ventilador. 3. Toque Save.
Low Fan Speed	Esta opción establece la velocidad del ventilador a un nivel bajo, pero lo suficientemente alto como para superar la presión estática de los conductos.	<ol style="list-style-type: none"> 1. Toque Low Fan Speed. 2. Toque la flecha izquierda o la flecha derecha para ajustar el porcentaje mínimo de velocidad del ventilador. 3. Toque Save.
Fan Operate Mode	Si selecciona Continuous, el ventilador sigue funcionando a baja velocidad cuando el compresor se apaga. Si selecciona Cycled, el ventilador se apaga a la vez que el compresor.	<ol style="list-style-type: none"> 1. Toque Fan Operate Mode. 2. Tap Continuous or Cycled.
Pump Operate Mode	Si selecciona Continuous, la bomba sigue funcionando cuando el compresor se apaga. Si selecciona Cycled, la bomba se apaga a la vez que el compresor.	<ol style="list-style-type: none"> 1. Toque Pump Operate Mode. 2. Toque Continuous or Cycled.
Inside Temp Calibrate	Esta opción permite calibrar la lectura de temperatura de la cabina cuando esta difiere de la temperatura real.	<ol style="list-style-type: none"> 1. Toque Inside Temp Calibrate. 2. Toque la flecha izquierda o la flecha derecha para ajustar la lectura. 3. Toque Save.
Unidades de temperatura	Esta opción permite cambiar la unidad de medida de temperatura entre °F y °C, y afecta a todas las pantallas donde se indique una temperatura. El ajuste por defecto es °F.	Toque Temperature Units para cambiar entre °F o °C.
Pressure Units	Esta opción permite cambiar la unidad de medida de presión entre psi, kPa o bar, y afecta a todas las pantallas donde se indique una presión. El ajuste por defecto es psi.	<ol style="list-style-type: none"> 1. Toque Pressure Units. 2. Toque la flecha izquierda o la flecha derecha para ajustar la lectura. 3. Toque Save.
Aux Electric Heat	Esta opción permite activar el relé de la calefacción eléctrica auxiliar en caso de que haya uno conectado. Solo funcionará en lugar del ciclo de calefacción inverso y no como fuente de calor adicional. El ajuste por defecto es desactivado. Se debe seleccionar la potencia nominal adecuada para activar la calefacción.	<ol style="list-style-type: none"> 1. Toque Aux Electric Heat. 2. Toque la flecha izquierda o la flecha derecha para desplazarse por las opciones. 3. Toque Save y siga las indicaciones para confirmar la selección.

Selección	Descripción	Acciones
Filter Hours Setting	Cuando se activa, esta opción indica cuándo debe sustituirse el filtro en función de la vida útil del filtro configurada. El ajuste por defecto es desactivado.	<ol style="list-style-type: none"> Toque Filter Hours Setting. Toque la flecha izquierda o la flecha derecha para desplazarse por las opciones. Toque Save.
Filter Hours Reset	Esta opción permite restablecer el contador de vida útil del filtro a cero. Las horas del filtro deben restablecerse cuando se sustituya o se limpie el filtro. Esta opción no está disponible si la opción Filter Hours Setting está desactivada.	<ol style="list-style-type: none"> Toque Filter Hours Reset. Toque Yes. Toque OK.
Filter Alarm Delay	Esta opción permite establecer el tiempo para repetir la alarma del filtro si se selecciona Snooze en la pantalla Filter Alarm.	<ol style="list-style-type: none"> Toque Filter Alarm Delay. Toque la flecha izquierda o la flecha derecha para ajustar la lectura. Toque Save.
Zone/Area	Esta opción permite asignar un nombre de zona a una o más unidades. En las unidades conectadas en red, esta opción permite utilizar un comando de una pantalla para controlar todas las unidades asignadas a una zona en particular. El valor por defecto para todas las unidades es Master Stateroom.	<ol style="list-style-type: none"> Toque Zone/Area. Toque la flecha izquierda o la flecha derecha para desplazarse por la lista de zonas/áreas. Toque Save.
Set Point Temp Differential	Esta opción permite ajustar el diferencial de temperatura entre el punto de ajuste y la lectura de temperatura de la cabina; este diferencial sirve para determinar cuándo se activa el sistema.	<ol style="list-style-type: none"> Toque Set Point Temp Differential. Toque la flecha izquierda o la flecha derecha para desplazarse por la lista de ajustes. Toque Save.
Discharge Pressure Calibration	Esta opción permite calibrar la lectura de presión de descarga cuando esta difiere de la presión real. La lectura de la presión de descarga sirve para comprobar el estado del sistema. Si el valor supera el límite establecido de fábrica, se mostrará una alarma que indica la fecha y la hora de la incidencia.	<ol style="list-style-type: none"> Toque Discharge Pressure Calibration. Toque la flecha izquierda o la flecha derecha para ajustar la lectura. Toque Save.
Suction Pressure Calibration	Esta opción permite calibrar la lectura de presión de succión cuando esta difiere de la presión real.	<ol style="list-style-type: none"> Toque Suction Pressure Calibration. Toque la flecha izquierda o la flecha derecha para ajustar la lectura. Toque Save.
Suction Temp Calibrate	Esta opción permite calibrar la lectura de temperatura de succión cuando esta difiere de la temperatura real.	<ol style="list-style-type: none"> Toque Suction Temperature Calibration. Toque la flecha izquierda o la flecha derecha para ajustar la lectura. Toque Save.
Compressor Staging Delay	Esta opción permite ajustar el tiempo que tarda el compresor en arrancar después de un reinicio completo. Se debe utilizar en instalaciones donde hay más de un sistema funcionando con la misma fuente de suministro de corriente. Los diferentes retardos escalonados permiten que los compresores arranquen en diferentes momentos cuando se interrumpe la alimentación. Configure el escalonamiento entre las unidades a un mínimo de cinco segundos.	<ol style="list-style-type: none"> Toque Compressor Staging Delay. Toque la flecha izquierda o la flecha derecha para desplazarse por las opciones. Toque Save.

Selección	Descripción	Acciones
Low Voltage Monitor	Cuando se activa, esta opción detecta e indica si la tensión de alimentación es inferior al punto de ajuste seleccionado.	<ol style="list-style-type: none"> Toque Low Voltage Monitor. Toque la flecha izquierda o la flecha derecha para desplazarse por las opciones. Toque Save.
Power Source Priority	Esta opción permite elegir el tipo de fuente de alimentación que debe utilizarse cuando el sistema dispone de alimentación de CA y CC. El valor por defecto es AC.	Toque Power Source Priority para alternar entre CA y CC.

12.6 Ajustes del sistema

- En la pantalla de inicio, toque Main Menu.
- Toque System y, a continuación, utilice las flechas hacia arriba y hacia abajo para desplazarse por las distintas opciones.

Selección	Descripción	Acción
Display Brightness	Esta opción permite ajustar el brillo de la pantalla.	<ol style="list-style-type: none"> Toque Display Brightness. Toque la flecha izquierda o la flecha derecha para ajustar el porcentaje.
Sleep Mode Delay	Esta opción determina cuánto tiempo debe permanecer inactiva la pantalla antes de que aparezca el protector de pantalla. Si se selecciona Off, se desactiva el protector de pantalla.	<ol style="list-style-type: none"> Toque Sleep Mode Settings. Toque la flecha izquierda o la flecha derecha para desplazarse por las opciones. Toque Save.
Idioma	Esta opción determina el idioma que se utilizará para la pantalla.	<ol style="list-style-type: none"> Toque Language. Toque la flecha izquierda o la flecha derecha para desplazarse por las opciones. Toque Save.
Screen Saver	Esta opción determina qué salvapantallas aparece en la pantalla de inicio después de un período de inactividad: el logotipo de Dometic (por defecto), una pantalla de temperatura simplificada y una pantalla en negro. La pantalla se vuelve a activar si se toca.	<ol style="list-style-type: none"> Toque Screen Saver. Toque la flecha izquierda o la flecha derecha para desplazarse por las opciones. Toque Save.
Versiones	Esta opción muestra las versiones de firmware instaladas.	Toque Versions .

12.7 Solución de problemas

- En la pantalla de inicio, toque Main Menu.
- Toque **Troubleshoot** y, a continuación, utilice las flechas hacia arriba y hacia abajo para desplazarse por las distintas opciones.

Selección	Descripción	Acción
Fault History	Esta opción permite consultar el historial de los fallos que se hayan producido en el sistema desde la última vez que se restableció el historial de fallos. El historial de fallos solo lo puede restablecer un técnico de servicio.	<ol style="list-style-type: none"> Toque Fault History. Toque la flecha hacia arriba o la flecha hacia abajo para desplazarse por los fallos.
System Status	Esta opción proporciona información sobre el estado actual del sistema.	<ol style="list-style-type: none"> Toque System Status. Toque la flecha hacia arriba o la flecha hacia abajo para desplazarse por la información de estado.

12.8 Ajuste de bloqueo

El menú **Lock Setting** le permite restringir el acceso a los menús **System Parameter** y **Scheduler** con un código PIN de 4 dígitos.

12.8.1 Ajuste del PIN de bloqueo

1. En la pantalla de inicio, toque **Main Menu**.
2. Toque **Lock Setting**.
3. Toque **Yes** para confirmar que desea continuar.
4. Toque el teclado numérico para introducir un PIN de 4 dígitos.
5. Toque **OK** para guardar el PIN y bloquear los menús.

12.8.2 Cambio del PIN de bloqueo

1. En la pantalla de inicio, toque **Main Menu**.
2. Toque **Lock Setting**.
3. Toque **Yes** para confirmar que desea continuar.
4. Toque **Change PIN**.
5. Toque el teclado numérico para introducir un PIN de 4 dígitos.
6. Toque **OK** para guardar el nuevo PIN.

12.8.3 Desactivación del PIN de bloqueo

1. En la pantalla de inicio, toque **Main Menu**.
2. Toque **Lock Setting**.
3. Toque **Yes** para confirmar que desea continuar.
4. Toque **Remove PIN**.
5. Toque **OK** para desactivar el PIN y desbloquear los menús.

12.9 Fecha y hora

El menú **Date & Time** le permite establecer la fecha y la hora en el formato que prefiera y elegir si desea mostrarlas en la pantalla de inicio.

12.9.1 Activación o desactivación de la fecha y la hora

Este ajuste permite activar o desactivar la visualización de la fecha y la hora en la pantalla de inicio.

1. En la pantalla de inicio, toque **Main Menu**.
2. Toque **Date & Time**.
3. Toque **Date & Time Display** para activar o desactivar la opción.

12.9.2 Ajuste del formato de fecha

Este ajuste ofrece la opción de mostrar la fecha en diferentes formatos. El valor por defecto es MM-DD-YYYY.

1. En la pantalla de inicio, toque **Main Menu**.
2. Toque **Date & Time**.
3. Toque **Date Format**.
4. Toque la flecha izquierda o la flecha derecha para desplazarse por los distintos formatos.
5. Toque **Save**.

12.9.3 Ajuste del formato de hora

Este ajuste ofrece la opción de mostrar la hora en formatos de 12 o 24 horas. El valor por defecto es 12-hour.

1. En la pantalla de inicio, toque **Main Menu**.
2. Toque **Date & Time**.
3. Toque **Time Format** para cambiar entre las distintas opciones.

12.9.4 Ajuste de fecha y hora

Este ajuste le permite establecer la fecha y la hora.

1. En la pantalla de inicio, toque **Main Menu**.
2. Toque **Date & Time**.
3. Toque **Date Time Settings**.
4. Siga las indicaciones de la pantalla para realizar los cambios.
5. Toque **Save**.

13 Solución de problemas

Fallo	Posible causa	Propuesta de solución
El sistema no se enciende.	El interruptor diferencial del aire acondicionado está apagado.	Encienda el interruptor diferencial en el cuadro de la embarcación.
	El botón de encendido de la pantalla está apagado.	Encienda el botón de encendido de la pantalla.
	La tensión del cable de alimentación no es lo suficientemente alta.	<ol style="list-style-type: none"> 1. Compruebe la tensión del cable de alimentación. 2. Compruebe que los cables y los terminales tienen las dimensiones y las conexiones correctas. Consulte las instrucciones de montaje incluidas con el aire acondicionado. 3. Utilice un voltímetro para verificar que la alimentación coincide en el aire acondicionado y en la fuente de alimentación.
	Ha fallado algún componente eléctrico.	Póngase en contacto con un técnico de servicio calificado.
El sistema se apaga.	El sistema ha detectado un fallo grave.	<ol style="list-style-type: none"> 1. Revise el historial de fallos. Véase Solución de problemas en la página 41. 2. Siga los pasos de solución de problemas correspondientes de esta sección.
	Se ha producido un corte de energía en la fuente de alimentación.	Compruebe que la fuente de alimentación está suministrando corriente.
	Ha fallado algún componente eléctrico.	Póngase en contacto con un técnico de servicio calificado.
El sistema no responde a los cambios introducidos en la pantalla.	Hay un problema relacionado con la alimentación de la pantalla, como un corte de energía, una fluctuación en la frecuencia de la tensión, interferencias electromagnéticas de otros equipos o un problema similar.	<ol style="list-style-type: none"> 1. Apague o cambie de sitio los aparatos electrónicos que se encuentren cerca de la pantalla. 2. Cambie el cable de la pantalla actual por un cable blindado. 3. Si el problema no se resuelve, póngase en contacto con un técnico de servicio cualificado.
	La pantalla y la unidad de aire acondicionado no son compatibles.	Compruebe que la pantalla que se está utilizando es compatible con el aire acondicionado.
La pantalla no muestra la temperatura ambiente correcta.	El sensor de aire de retorno está en una posición que no refleja con precisión la temperatura de la cabina.	<ol style="list-style-type: none"> 1. Cambie de posición el sensor de aire de retorno, si es posible. 2. En el menú Parameters, utilice la función Inside Temp Calibrate para calibrar el sensor de aire.
El sistema no expulsa aire frío.	La temperatura del agua de mar es demasiado alta.	La temperatura del agua de mar afecta directamente al rendimiento de la unidad. Para una refrigeración óptima, la temperatura del agua debe ser inferior a 95 °F (35 °C).
	El flujo de agua no es adecuado.	Compruebe que no haya obstrucciones en el flujo de agua.
	El sistema ha perdido refrigerante.	Póngase en contacto con un técnico de servicio calificado.
	La pantalla no se ha establecido en el modo de refrigeración.	Cambie al modo de refrigeración.
El sistema no expulsa aire caliente.	La temperatura del agua de mar es demasiado baja.	La temperatura del agua de mar afecta directamente al rendimiento de la unidad. Para que la unidad pueda calentar (si está disponible la opción de ciclo inverso), la temperatura del agua debe ser de 40 °F (4,44 °C) o superior.
	La válvula de inversión está atascada.	<ol style="list-style-type: none"> 1. Golpee ligeramente la válvula con un mazo de goma mientras el sistema está en modo de calefacción. 2. Si el problema no se resuelve, póngase en contacto con un técnico de servicio cualificado.
	La calefacción eléctrica auxiliar está activada, pero no está conectada.	<ol style="list-style-type: none"> 1. En el menú Parameters, establezca Aux Elec Heat en Off. 2. Compruebe que el interruptor diferencial de la calefacción auxiliar está en la posición de encendido.
	La pantalla no se encuentra en el modo de calefacción.	Cambie al modo de calefacción.
	El sistema ha perdido refrigerante.	Póngase en contacto con un técnico de servicio calificado.
El flujo de aire del sistema es insuficiente.	El flujo de aire está obstruido o restringido.	<ol style="list-style-type: none"> 1. Elimine cualquier obstrucción que dificulte el flujo del aire de retorno. 2. Limpie el filtro y la rejilla del aire de retorno. 3. Compruebe que no haya ningún conducto aplastado ni bloqueado. <p>Los conductos deben tenderse lo más rectos y lisos posible, y deben estar bien sujetos.</p>

Fallo	Posible causa	Propuesta de solución
	El sistema funciona en el modo de limitación para compensar las condiciones de funcionamiento anómalas causadas por factores ambientales como la temperatura del agua de mar, la carga, etc.	En el menú Troubleshoot, consulte el modo de funcionamiento en System Status. Si el sistema no puede reanudar el funcionamiento normal en una hora, se enviará una alarma de modo de limitación a la pantalla hasta que se pueda reanudar el funcionamiento normal.
El compresor no se detiene.	El compresor de velocidad variable se ralentiza, pero no se detiene, salvo que se alcance un valor que difiera más de 1 °F (0,6 °C) del punto de ajuste de temperatura.	Establezca el punto de ajuste de temperatura o utilice el botón de encendido de la pantalla para apagar manualmente el sistema.
	Ha fallado algún componente eléctrico.	Póngase en contacto con un técnico de servicio calificado.
El ventilador no funciona o no deja de funcionar.	El ventilador se encuentra en el modo de funcionamiento cíclico o continuo.	En el menú Parameters, cambie Fan Operate Mode al ajuste deseado.
	Ha fallado algún componente eléctrico.	Póngase en contacto con un técnico de servicio calificado.
El icono de modo parpadea.	El compresor se ha apagado porque se ha cambiado el modo.	El compresor volverá a encenderse tres minutos después del cambio de modo.
	El compresor se ha apagado porque la temperatura de referencia se ha superado 1 °F (0,6 °C) o más.	El compresor se encenderá una vez que la temperatura de la cabina deje de ser superior al punto de ajuste.
Aparece la advertencia del filtro.	Ha concluido la cuenta atrás del temporizador para limpiar o sustituir el filtro de aire.	<ol style="list-style-type: none"> 1. Limpie o sustituya el filtro de aire. 2. En el menú Parameter, utilice la función Filter Hours Reset para restablecer el temporizador.
Fallo: Fallo del sensor de aire de retorno	Hay un fallo en una pieza o en una conexión eléctrica.	Póngase en contacto con un técnico de servicio calificado.
Fallo: Fallo del sensor de temperatura de succión	Hay un fallo en una pieza o en una conexión eléctrica.	Póngase en contacto con un técnico de servicio calificado.
Fallo: Fallo del transductor de presión de descarga	Ha fallado algún componente eléctrico.	Póngase en contacto con un técnico de servicio calificado.
Fallo: Presión alta de descarga	El flujo de agua de mar está obstruido o bloqueado.	<ol style="list-style-type: none"> 1. Compruebe que la válvula Kingston esté abierta y que el agua fluya hacia la bomba. 2. Limpie el filtro del agua de mar. 3. Compruebe que el flujo de descarga al exterior sea elevado y constante.
	La bomba de agua de mar puede estar bloqueada por bolsas de aire.	<ol style="list-style-type: none"> 1. Asegúrese de que las tuberías de agua de mar se instalan de acuerdo con las directrices de las instrucciones de montaje incluidas con la unidad de aire acondicionado. 2. Retire la manguera del puerto de descarga de la bomba para purgar el aire de la línea y, a continuación, vuelva a colocarla.
	La bomba de agua de mar no funciona.	<ol style="list-style-type: none"> 1. Asegúrese de que la bomba no haya sufrido daños por haber funcionado en seco. 2. Compruebe que la bomba recibe tensión. 3. Compruebe que el agua salga con fuerza por el rebosadero.
	La bobina de condensación está sucia.	Limpie la bobina de condensación.
	La temperatura del agua de mar es demasiado alta durante el funcionamiento en modo de calefacción.	La temperatura del agua de mar afecta directamente al rendimiento de la unidad. Para que la unidad pueda calentar (si está disponible la opción de ciclo inverso), la temperatura del agua debe ser inferior a 65 °F (18,33 °C).
	El flujo de aire de retorno es insuficiente.	<ol style="list-style-type: none"> 1. Elimine cualquier obstrucción que dificulte el flujo del aire de retorno. 2. Limpie el filtro y la rejilla del aire. 3. Compruebe que no haya ningún conducto aplastado ni bloqueado. <p>Los conductos deben tenderse lo más rectos y lisos posible, y deben estar bien sujetos.</p>
Fallo: Presión de succión baja	La presión del aire de retorno es demasiado baja durante el funcionamiento en modo de refrigeración.	La temperatura ambiente afecta directamente al rendimiento de la unidad. Para un funcionamiento óptimo del modo de refrigeración, la temperatura del aire debe ser de 65 °F (18,33 °C) o superior.
	El aire de retorno está restringido.	<ol style="list-style-type: none"> 1. Elimine cualquier obstrucción que dificulte el flujo del aire de retorno. 2. Limpie o sustituya el filtro y la rejilla del aire.
	La temperatura del agua de mar es demasiado baja durante el funcionamiento en modo de calefacción.	La temperatura del agua de mar afecta directamente al rendimiento de la unidad. Para que la unidad pueda calentar (si está

Fallo	Posible causa	Propuesta de solución
		disponible la opción de ciclo inverso), la temperatura del agua debe ser de 40 °F (4,44 °C) o superior.
	El sistema ha perdido refrigerante.	Póngase en contacto con un técnico de servicio calificado.
Fallo: Fallo de arranque del compresor	La tensión de alimentación es demasiado baja.	<ol style="list-style-type: none"> 1. Compruebe que la tensión sea correcta en la fuente de alimentación. 2. Si el problema no se resuelve, póngase en contacto con un técnico de servicio cualificado.
	Ha fallado algún componente eléctrico.	Póngase en contacto con un técnico de servicio calificado.
Fallo: Sobrecalentamiento bajo	El ventilador o la válvula de expansión están averiados.	Póngase en contacto con un técnico de servicio calificado.
Fallo: Temperatura de succión baja	El ventilador o la válvula de expansión están averiados.	Póngase en contacto con un técnico de servicio calificado.
Fallo: Fallo en la placa de reloj o no está conectada	Ha fallado algún componente eléctrico.	Póngase en contacto con un técnico de servicio calificado.
Fallo: Tensión de CA baja	La tensión de alimentación es demasiado baja.	<ol style="list-style-type: none"> 1. Compruebe que la tensión sea correcta en la fuente de alimentación. 2. Si el problema no se resuelve, póngase en contacto con un técnico de servicio cualificado.
Fallo: Tensión de CA alta	La tensión de alimentación es demasiado alta.	<ol style="list-style-type: none"> 1. Compruebe que la tensión sea correcta en la fuente de alimentación. 2. Si el problema no se resuelve, póngase en contacto con un técnico de servicio cualificado.
Fallo: Tensión de CC baja	La capacidad de la batería ha disminuido.	<ol style="list-style-type: none"> 1. Cargue o sustituya el banco de baterías. 2. Si el problema no se resuelve, póngase en contacto con un técnico de servicio cualificado.
Fallo: Tensión de CC alta	La tensión de alimentación es demasiado alta.	<ol style="list-style-type: none"> 1. Compruebe que la tensión sea correcta en la fuente de alimentación. 2. Si el problema no se resuelve, póngase en contacto con un técnico de servicio cualificado.
Fallo: Pérdida de comunicación	Ha fallado algún componente eléctrico.	Póngase en contacto con un técnico de servicio calificado.
	Interferencia de ruido eléctrico.	Asegúrese de que los cables de comunicación y los conectores no están cerca de cables de alimentación ni de equipos eléctricos de gran tamaño.
Fallo: Alarma de sobrecorriente	Ha fallado algún componente eléctrico.	Póngase en contacto con un técnico de servicio calificado.
Fallo: Temperatura de VFD alta	El flujo de aire está restringido debido a la presencia de un obstáculo en la trayectoria del flujo de aire.	Elimine la obstrucción en la trayectoria del flujo de aire de refrigeración del disipador térmico.
	El ventilador de refrigeración no funciona correctamente.	Póngase en contacto con un técnico de servicio calificado.
Fallo: Avería del ventilador	Ha fallado algún componente eléctrico.	Póngase en contacto con un técnico de servicio calificado.
Fallo: Instancia de zona duplicada	Se ha asignado más de una unidad de una red al mismo ID de zona.	Compruebe las asignaciones de zona en todas las unidades de la red para asegurarse de que cada unidad tiene un ID de zona único.
Fallo: Nivel bajo de refrigerante	Una interfaz mecánica ha fallado y se ha producido una pérdida de refrigerante.	Póngase en contacto con un técnico de servicio calificado.

14 Eliminación



Si es posible, deseche el material de embalaje en los contenedores de reciclaje adecuados. Consultar con un punto limpio o con un distribuidor especializado para obtener más información sobre cómo eliminar el producto de acuerdo con las normativas aplicables de eliminación.

15 Garantía

Consultar las siguientes secciones para obtener información sobre garantía y asistencia para garantía en EE. UU., Canadá, Australia, Nueva Zelanda y el resto de regiones.

Estados Unidos y Canadá

GARANTÍA LIMITADA DISPONIBLE EN DOMETIC.COM/EN-US/TERMS-AND-CONDITIONS-CONSUMER/WARRANTY.

SI TIENE PREGUNTAS O DESEA OBTENER UNA COPIA SIN COSTO DE LA GARANTÍA LIMITADA, CONTACTE CON:

DOMETIC CORPORATION MARINE
CUSTOMER SUPPORT CENTER
2000 NORTH ANDREWS AVENUE
POMPANO BEACH, FLORIDA, USA 33069
1-800-542-2477

Países de Asia y el Pacífico (APAC)

Si el producto no funciona como debería, contacte con su distribuidor o con la sucursal del fabricante en su país (consulte en la última página de las instrucciones las direcciones web para encontrar su región o distribuidor). La garantía aplicable a su producto es de 1 año.

Para tramitar la reparación y la garantía, incluya los siguientes documentos cuando envíe el aparato:

- Una copia de la factura con fecha de compra
- El motivo de la reclamación o una descripción de la avería.

Nuestros productos tienen garantías que no pueden ser excluidas en virtud de la Ley del Consumidor de Australia. Tiene derecho a una sustitución o reembolso por una avería importante y a una indemnización por cualquier otra pérdida o daño razonablemente previsible. También tiene derecho a que se reparen o sustituyan los productos si estos no son de calidad aceptable y el fallo no representa una avería importante.

Solo en Australia

Nuestros productos tienen garantías que no pueden ser excluidas en virtud de la Ley del Consumidor de Australia. Tiene derecho a una sustitución o reembolso por una avería importante y a una indemnización por cualquier otra pérdida o daño razonablemente previsible. También tiene derecho a que se reparen o sustituyan los productos si estos no son de calidad aceptable y el fallo no representa una avería importante.

Solo en Nueva Zelanda

Esta política de garantía está sujeta a las condiciones y garantías obligatorias según lo establecido por la Ley de Garantías del Consumidor de 1993 (NZ).

Todas las demás regiones

Se aplica el período de garantía estipulado por la ley. Si el producto presenta algún defecto, contacte con la sucursal del fabricante de su zona o con su distribuidor (consulte en la última página de las instrucciones las direcciones web para encontrar su región o distribuidor).

Para la tramitación de la reparación y de la garantía debe enviar también los siguientes documentos:

- Una copia de la factura con fecha de compra
- El motivo de la reclamación o una descripción de la avería

Italiano

1	Note importanti.....	47
2	Spiegazione dei simboli.....	47
3	Destinazione d'uso.....	47
4	Dotazione.....	47
5	Strumenti.....	47
6	Dimensioni del display.....	47
7	Compatibilità.....	47
8	Modalità e caratteristiche disponibili.....	47
9	Specifiche.....	48
10	Pre-installazione.....	48
11	Installazione.....	48
12	Funzionamento.....	48
13	Risoluzione dei problemi.....	54
14	Smaltimento.....	57
15	Garanzia.....	57

1 Note importanti

Si prega di leggere attentamente e di seguire tutte le istruzioni, le linee guida e le avvertenze incluse in questo manuale del prodotto, al fine di garantire che il prodotto venga sempre installato, utilizzato e mantenuto nel modo corretto. Queste istruzioni DEVONO essere conservate insieme al prodotto.

Utilizzando il prodotto, l'utente conferma di aver letto attentamente tutte le istruzioni, le linee guida e le avvertenze e di aver compreso e accettato di rispettare i termini e le condizioni qui espressamente indicati. L'utente accetta di utilizzare questo prodotto solo per lo scopo e l'applicazione previsti e in conformità con le istruzioni, le linee guida e le avvertenze indicate nel presente manuale del prodotto, nonché in conformità con tutte le leggi e i regolamenti vigenti. La mancata lettura e osservanza delle istruzioni e delle avvertenze qui espressamente indicate può causare lesioni personali e a terzi, danni al prodotto o ad altre proprietà nelle vicinanze. Il presente manuale del prodotto, comprese le istruzioni, le linee guida e le avvertenze e la relativa documentazione possono essere soggetti a modifiche e aggiornamenti. Per informazioni aggiornate sul prodotto, visitare documents.dometic.com.

2 Spiegazione dei simboli

2.1 Direttive supplementari

Al fine di limitare il rischio di incidenti e lesioni, leggere e rispettare le seguenti direttive prima di procedere all'installazione e/o all'uso di questo prodotto:

- Leggere e seguire tutte le informazioni e le istruzioni per la sicurezza.
- Leggere e assicurarsi di avere ben compreso queste istruzioni prima di installare o usare il prodotto.
- American Boat and Yacht Council (ABYC) E-11 AC e DC Electrical Systems on Boats
- ANSI/NFPA 70, National Electrical Code (NEC)

2.2 Messaggi di sicurezza generali



AVVERTENZA! PERICOLO DI SCOSSE ELETTRICHE, INCENDIO e/o ESPLOSIONE.

La mancata osservanza di questa avvertenza potrebbe causare la morte o lesioni gravi.

- Usare solo componenti e parti di ricambio Dometic specificamente omologati per l'uso con il prodotto.
- Evitare errori di installazione e regolazione, modifiche, assistenza o manutenzione improprie del prodotto. L'assistenza e la manutenzione **devono** essere eseguite unicamente da una persona qualificata addetta all'assistenza.

- **Non** modificare il prodotto in alcun modo. Una modifica può risultare estremamente pericolosa.

3 Destinazione d'uso

Il display VMD2.5 (di seguito denominato display o prodotto) è l'interfaccia di controllo per il funzionamento dei sistemi di climatizzazione marini compatibili. Questo display è adatto solo per l'uso e l'applicazione previsti in conformità alle presenti istruzioni.

- montaggio o collegamento non corretti, compresa la sovratensione;
- manutenzione non corretta o uso di ricambi diversi da quelli originali forniti dal produttore;
- modifiche al prodotto senza l'esplicita autorizzazione del produttore;
- impiego per scopi diversi da quelli descritti nel presente manuale.

4 Dotazione

Questa sezione descrive i componenti inclusi nel display. I componenti opzionali possono essere acquistati a parte.

Componenti inclusi	Quantità
Display VMD2.5	1
Viti autofilettanti #6 x 3/4 in.	4
Istruzioni di montaggio e d'uso	1

Componenti opzionali	Quantità
Cornice	1
Cavo del display	50,0 ft (15,24 m)



NOTA Con il climatizzatore marino è incluso un cavo per display da 25,0 ft (7,62 m).

5 Strumenti

Dometic raccomanda di usare i seguenti utensili per installare il display.

Cacciavite/punta	Trapano
Marker	Sega a sciabola/multiuso

6 Dimensioni del display

	Larghezza	Altezza
Display con cornice	4,69 in (119 mm)	3,31 in (84 mm)

7 Compatibilità

Questo display è compatibile con i climatizzatori marini serie TX.

8 Modalità e caratteristiche disponibili

Questa sezione elenca le modalità, le funzioni e le caratteristiche disponibili. Consultare la sezione Funzionamento alla pagina 48 per maggiori informazioni.

Modalità	Caratteristiche
<ul style="list-style-type: none"> Cool Heat Auto Fan only 	<ul style="list-style-type: none"> Modalità Eco Modalità Quiet Lo Scheduler può eseguire fino a quattro programmi Impostazioni differenziali selezionabili del punto di regolazione Velocità di funzionamento selezionabili della ventola e della pompa Velocità bassa e alta regolabile della ventola Collegamento/controllo del riscaldatore elettrico ausiliario Rilevamento/gestione automatica della fonte di alimentazione Assegnazione zone Contatore/notifica filtro Unità di misura del display imperiali o metriche Blocco schermo Indicatore di allarme attivo

9 Specifiche

Questa sezione elenca le specifiche operative del display.

Intervallo operativo di temperatura ambiente	0,4 °F (-18 °C) ... 179,6 °F (82 °C)
Condizioni Rh massime	99 % senza condensa
Punto di regolazione per l'intervallo operativo	65,0 °F (18,33 °C) ... 85,0 °F (29,44 °C)
Intervallo di visualizzazione temperatura ambiente	5 °F (-15 °C) ... 132,0 °F (55,55 °C)
Precisione del sensore	± 2 °F at 77 °F (± 38 °F (1 °C) at 77 °F (25 °C))
Tipo di tensione di alimentazione	12 V \overline{DC}

10 Pre-installazione

Questa sezione descrive le azioni da eseguire prima di installare il display.



AVVERTENZA! PERICOLO DI SCOSSE ELETTRICHE, INCENDIO E/O ESPLOSIONE.

L'inosservanza di queste avvertenze potrebbe causare la morte o lesioni gravi:

- Prima di tagliare o forare, scollegare l'alimentazione.
- Verificare che non vi siano ostacoli come fili o tubi all'interno delle pareti della cabina nella posizione di montaggio del display.



AVVISO!

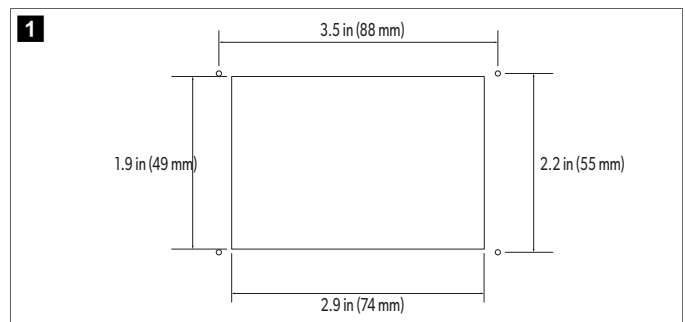
NON posizionare il display alla luce diretta del sole, vicino ad apparecchi che producono calore o su una paratia, poiché le temperature irradiate dal retro del pannello potrebbero influire sulle prestazioni.

10.1 Scelta della posizione per il display

- Parete interna della cabina, al riparo dalla luce solare diretta
- Leggermente più in alto di metà altezza della parete della cabina
- Un'area in cui l'aria circola liberamente
- Una distanza massima di 75,0 ft (22,86 m) dal climatizzatore

10.2 Preparazione della posizione di montaggio

1. Interrompere l'alimentazione di tensione.



2. Segnare le dimensioni dell'apertura e le posizioni dei fori per le viti sulla parete della cabina.
3. Ritagliare l'apertura.
4. Praticare quattro fori per le viti.

11 Installazione



AVVISO!

NON utilizzare un avvitatore e NON serrare eccessivamente le viti durante il montaggio del display.

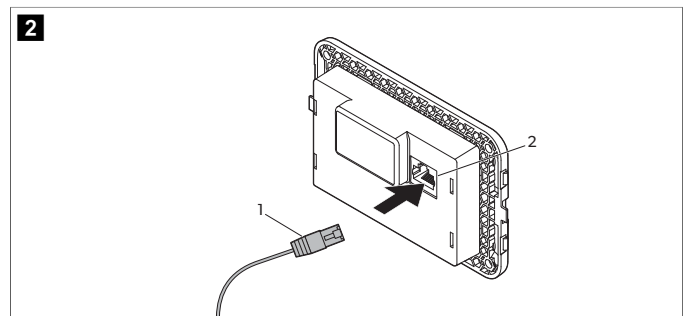


AVVISO!

NON fissare i cavi dei sensori con punti metallici durante l'installazione.

Questa sezione descrive come installare il display.

1. Far passare un'estremità del cavo del display attraverso la centralina elettrica del climatizzatore e inserirla nel jack sulla scheda elettronica.



1	Cavo del display	2	Jack
---	------------------	---	------

2. Far passare l'altra estremità del cavo del display attraverso l'apertura nella parete e inserirla nel jack sul retro del display.
3. Utilizzare le viti per fissare il display alla parete della cabina.
4. Inserire la cornice (opzionale) sul display.

12 Funzionamento



AVVERTENZA! SCOSSE ELETTRICHE.

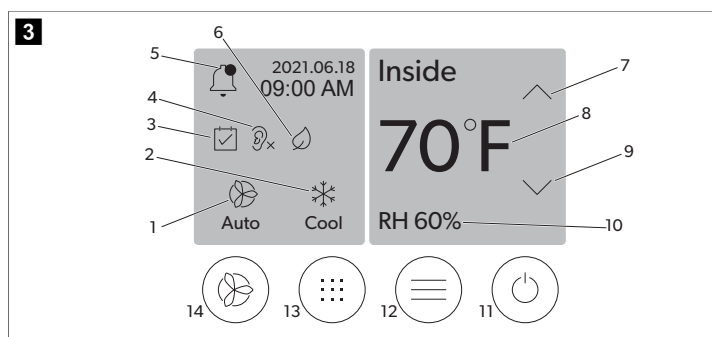
La mancata osservanza di questa avvertenza potrebbe causare la morte o lesioni gravi.

Il display rimane alimentato anche quando il comando dell'alimentazione è disinserito. Scollegare l'alimentazione prima di eseguire qualsiasi intervento di manutenzione sul display.

Questo sistema utilizza una tecnologia a velocità variabile, che consente al compressore di funzionare per lunghi periodi invece di spegnersi e riaccendersi continuamente. I vantaggi sono maggiore affidabilità, ridotto consumo di energia, migliore deumidificazione e minore rumorosità di esercizio.

12.1 Schermata iniziale

Questa sezione mostra la posizione dei comandi e degli indicatori di stato nella schermata iniziale e ne descrive l'uso.



1	Indicatore velocità ventola	8	Indicatore temperatura/punto di regolazione
2	Indicatore modalità	9	Controllo riduzione della temperatura
3	Indicatore Scheduler	10	Indicatore di umidità relativa
4	Indicatore modalità Quiet	11	Energia e controllo
5	Indicatore/comando di allarme	12	Comando menu principale
6	Indicatore modalità Eco	13	Controllo modalità
7	Controllo aumento della temperatura	14	Controllo velocità ventola

Tabella 9: Comandi e indicatori di stato della schermata iniziale

Icona	Comando/indicatore	Descrizione
	Indicatore modalità	L'icona della modalità mostra la modalità di funzionamento corrente. L'icona è animata quando il compressore è in funzione e statica quando non è in funzione. L'icona lampeggia quando il compressore si spegne ed entra in una modalità di ritardo di tre minuti prima di potersi riaccendere.
	Modalità: Cool	Il sistema esegue un ciclo di raffreddamento quando la temperatura della cabina supera il valore di riferimento del differenziale del punto di regolazione. Il differenziale del punto di regolazione predefinito è 2 °F (1.1 °C). Vedere Parametri alla pagina 51 per informazioni su come regolare il differenziale del punto di regolazione. L'icona è animata quando il compressore è in funzione.
	Modalità: Heat	Il sistema esegue un ciclo di riscaldamento quando la temperatura della cabina scende al di sotto del valore di riferimento del differenziale del punto di regolazione. Il sistema si spegne quando il punto di regolazione della temperatura viene superato di 1 °F (0.6 °C). Vedere Parametri alla pagina 51 per informazioni su come regolare il differenziale del punto di regolazione. L'icona è animata quando il compressore è in funzione.
	Modalità: Auto	Il sistema passa automaticamente da un ciclo di raffreddamento a un ciclo di inversione (riscaldamento) se la temperatura della cabina supera o scende di 4 °F (2.1 °C) al di sotto del punto di regolazione.
	Modalità: Fan Only	Il sistema aziona la ventola per far circolare l'aria attivando continuamente il compressore.

Icona	Comando/indicatore	Descrizione
	Indicatore velocità ventola	L'indicatore mostra la velocità della ventola selezionata. In modalità diverse da Fan Only, l'indicatore mostra Auto, a indicare che la velocità della ventola segue la velocità del compressore. Questa è l'impostazione ideale per prestazioni con capacità variabile reale. L'icona è animata quando la ventola è in funzione e statica quando non è in funzione. Vedere Parametri alla pagina 51 per informazioni su come regolare la velocità bassa e alta della ventola. L'icona è animata quando la ventola è in funzione.
	Indicatore Scheduler	L'indicatore appare quando è attivo un programma pianificato. Vedere Modalità Scheduler alla pagina 51 per informazioni su come attivare/disattivare la modalità Scheduler e configurare ed eseguire i programmi.
	Indicatore/comando di allarme	L'indicatore appare quando è presente un allarme attivo. La cancellazione della notifica di allarme non risolve l'allarme. La notifica di allarme riapparirà nuovamente nella schermata iniziale fin quando il problema non sarà risolto. Vedere Risoluzione dei problemi per informazioni su come risolvere gli allarmi. <ul style="list-style-type: none"> • Toccare l'indicatore di allarme per visualizzare l'allarme corrente. • Se sono presenti più di due allarmi, toccare la freccia su e la freccia giù per spostarsi nell'elenco degli allarmi. • Toccare un allarme nell'elenco per visualizzare i dettagli. • Toccare CLR per cancellare un singolo allarme dalla schermata Alarm Details.
	Indicatore modalità Quiet	L'indicatore appare quando la funzione è attiva. Vedere Modalità Quiet alla pagina 50 per informazioni su come attivare/disattivare la modalità Quiet e regolare il punto di regolazione.
	Indicatore modalità Eco	L'indicatore appare quando la funzione è attiva. Vedere Modalità Eco alla pagina 50 per informazioni su come attivare/disattivare la modalità e regolare il punto di regolazione.
	Freccia su	Toccare per aumentare la temperatura nella schermata iniziale. Nelle altre schermate, toccare per passare al menu precedente e/o aumentare un valore numerico.
	Indicatore temperatura/punto di regolazione	L'indicatore visualizza il nuovo punto di regolazione della temperatura mentre il punto di regolazione della temperatura viene regolato con la freccia su o la freccia giù, quindi visualizza la temperatura nella cabina.
	Freccia giù	Toccare per abbassare la temperatura nella schermata iniziale. Nelle altre schermate, toccare per passare al menu successivo e/o abbassare un valore numerico.
	Indicatore di umidità relativa	L'indicatore visualizza l'umidità relativa nella cabina se è installato un sensore di umidità.



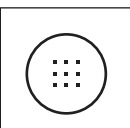
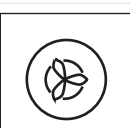
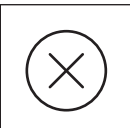


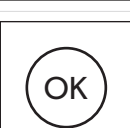


Icona	Comando/indicatore	Descrizione
	Energia e controllo	Il pulsante di accensione consente di accendere e spegnere il sistema. Quando è acceso, il sistema funziona nella modalità selezionata quando la temperatura della cabina è superiore (modalità Cool) o inferiore (modalità Heat) rispetto al punto di regolazione. Quando è spento, il sistema non funziona anche se rimane in comunicazione con la rete (se presente). Toccare e tenere premuto per attivare o disattivare l'alimentazione.
	Comando menu principale	Il menu principale è utilizzato per configurare, pianificare e risolvere eventuali problemi del sistema. Toccare per visualizzare la prima schermata Main Menu, quindi toccare la freccia giù per visualizzare la seconda schermata Main Menu.
	Controllo modalità	Toccare per scorrere tra modalità Cool, Heat, Auto e Fan Only.
	Controllo velocità ventola	Questo comando è disponibile solo quando il sistema è in modalità Fan Only. Vedere Parametri alla pagina 51 per informazioni su come regolare le impostazioni della velocità della ventola. Toccare per scorrere le velocità della ventola: bassa, media e alta

Tabella 10: Comandi aggiuntivi

Icona	Comando/indicatore	Descrizione
	Cancel	Toccare per annullare una voce o per tornare alla schermata precedente.
	Clear	Toccare per cancellare la voce corrente.
	Edit	Toccare per apportare modifiche nella schermata corrente.
	OK	Toccare per confermare una voce.
	Return home	Toccare per tornare alla schermata iniziale.

Icona	Comando/indicatore	Descrizione
	Salva	Toccare per salvare una voce.

12.2 Modalità Eco



NOTA La modalità **Eco** e la modalità **Quiet** possono essere attive contemporaneamente. Il sistema funzionerà con il punto di regolazione più basso. Tenere presente che un'impostazione troppo bassa del punto di regolazione può influire sulla capacità di raffreddamento del sistema.

12.2.1 Attivazione e disattivazione della modalità Eco

1. Nella schermata iniziale, toccare **Main Menu**.
 2. Premere **Function**.
 3. Toccare **Eco Mode** per attivare o disattivare la funzione.
- ✓ L'indicatore della **Eco Mode** è visualizzato nella schermata iniziale se la modalità è attiva.

12.2.2 Regolazione del punto di regolazione della modalità Eco

1. Nella schermata iniziale, toccare **Main Menu**.
 2. Premere **Function**.
 3. Premere **Eco Mode**.
 4. Toccare la freccia giù.
 5. Premere **Eco Mode Set Point**.
 6. Toccare la freccia sinistra o la freccia destra per regolare il punto di regolazione.
 7. Premere **Save**.
- ✓ L'indicatore della **Eco Mode** è visualizzato nella schermata iniziale se la modalità è attiva.

12.3 Modalità Quiet



NOTA La modalità **Eco** e la modalità **Quiet** possono essere attive contemporaneamente. Il sistema funzionerà con il punto di regolazione più basso. Tenere presente che un'impostazione troppo bassa del punto di regolazione può influire sulla capacità di raffreddamento del sistema. La modalità **Quiet Mode** si disattiva automaticamente se la temperatura è superiore di 3 °F (1,8 °C) rispetto al punto di regolazione.

12.3.1 Attivazione e disattivazione della modalità Quiet

1. Nella schermata iniziale, toccare **Main Menu**.
 2. Premere **Function**.
 3. Toccare **Quiet Mode** per attivare o disattivare la funzione.
- ✓ L'indicatore della modalità **Quiet** è visualizzato nella schermata iniziale se la modalità è attiva.

12.3.2 Regolazione del punto di regolazione della modalità Quiet

Per trovare il miglior punto di regolazione, diminuire lentamente la percentuale del punto di regolazione fino a raggiungere il livello di rumore desiderato.

1. Nella schermata iniziale, toccare **Main Menu**.
2. Premere **Function**.
3. Premere **Quiet Mode**.
4. Toccare la freccia giù.
5. Premere **Quiet Mode Set Point**.

6. Toccare la freccia sinistra o la freccia destra per regolare il punto di regolazione.
7. Premere **Save**.
- ✓ L'indicatore della modalità Quiet è visualizzato nella schermata iniziale se la modalità è attiva.

12.4 Modalità Scheduler

La modalità Scheduler può eseguire automaticamente fino a quattro programmi una volta che sono stati configurati e attivati. I programmi possono essere impostati per i giorni e gli orari desiderati e includono modalità, funzioni e temperature.

12.4.1 Attivazione e disattivazione della modalità Scheduler

Per eseguire o modificare programmi, è necessario attivare la modalità Scheduler.

1. Nella schermata iniziale, toccare **Main Menu**.
2. Premere **Scheduler Mode**.
3. Toccare **Scheduler Mode** per attivare o disattivare la funzione.

12.4.2 Abilitazione o disabilitazione di un programma

Per eseguire programmi è necessario attivare la modalità Scheduler. I programmi e le relative azioni pianificate vengono visualizzati nella schermata Program.

1. Nella schermata iniziale, toccare **Main Menu**.
2. Premere **Scheduler Mode**.
3. Premere **Programs**.
4. Utilizzare la freccia su o la freccia giù per selezionare il programma.
5. Toccare la barra dei menu del programma per abilitare o disabilitare il programma.

12.4.3 Modifica di un programma

Le opzioni di un programma includono l'impostazione della modalità, delle funzioni, del punto di regolazione della temperatura nonché dell'ora e dei giorni della settimana in cui il programma verrà eseguito una volta attivato.

1. Nella schermata iniziale, toccare **Main Menu**.
2. Premere **Scheduler Mode**.
3. Premere **Programs**.
4. Utilizzare la freccia su o la freccia giù per selezionare la schermata del programma desiderato.
5. Premere **Edit**.
6. Toccare **Cool**, **Heat**, **Auto** oppure **Off** per selezionare la modalità, quindi toccare la freccia giù per passare alla schermata successiva.
7. Toccare **Eco** e/o **Quiet** per attivare o disattivare queste funzioni, quindi toccare la freccia giù.
Queste due funzioni non sono disponibili se nel passaggio precedente è stato selezionato **Off**. Entrambe possono essere impostate su "On" o "Off", a seconda delle esigenze.
8. Toccare la freccia sinistra o la freccia destra per impostare la temperatura, quindi toccare la freccia giù.
9. Toccare la freccia sinistra o la freccia destra per impostare l'ora, quindi toccare la freccia giù.
10. Toccare uno o più giorni per impostare i giorni in cui verrà eseguito il programma.
11. Toccare l'icona Save per salvare il programma.

12.5 Parametri

1. Dalla schermata iniziale, toccare Main Menu.
2. Toccare Parameters, quindi utilizzare la freccia su e la freccia giù per scorrere le lezioni.

Selezione	Descrizione	Azioni
Memorize Setting	Questa selezione memorizza le impostazioni correnti per tutti i parametri, creando un punto a livello di sistema a cui fare riferimento per la risoluzione dei problemi.	<ol style="list-style-type: none"> 1. Premere Memorize Settings. 2. Premere Yes. 3. Premere OK.
Recall Memorized	Questa selezione riporta tutti i parametri alle ultime impostazioni memorizzate.	<ol style="list-style-type: none"> 1. Premere Recall Memorize. 2. Premere Yes. 3. Premere OK.
Recall Factory	Questa selezione riporta tutti i parametri alle impostazioni di fabbrica.	<ol style="list-style-type: none"> 1. Premere Recall Factory. 2. Premere Yes. 3. Premere OK.
High Fan Speed	Questa selezione consente di regolare la velocità della ventola sull'impostazione alta, riducendo il rumore dell'aria prodotto dal sistema.	<ol style="list-style-type: none"> 1. Premere High Fan Speed. 2. Toccare la freccia sinistra o la freccia destra per regolare la percentuale di velocità massima della ventola. 3. Premere Save.
Low Fan Speed	Questa selezione consente di regolare la velocità della ventola sull'impostazione bassa, pur garantendo una velocità sufficiente a superare la pressione statica nel condotto.	<ol style="list-style-type: none"> 1. Premere Low Fan Speed. 2. Toccare la freccia sinistra o la freccia destra per regolare la percentuale di velocità minima della ventola. 3. Premere Save.
Fan Operate Mode	Selezionando Continuous, la ventola funziona a bassa velocità quando il compressore si spegne. Selezionando Cycled, la ventola si spegne e si accende insieme con il compressore.	<ol style="list-style-type: none"> 1. Premere Fan Operate Mode. 2. Tap Continuous or Cycled.
Modalità di funzionamento della pompa	Selezionando Continuous, la pompa funziona in continuo quando il compressore si spegne. Selezionando Cycled, la pompa si spegne e si accende insieme con il compressore.	<ol style="list-style-type: none"> 1. Premere Pump Operate Mode. 2. Premere Continuous or Cycled.
Inside Temp Calibrate	Questa selezione serve a calibrare il valore della temperatura della cabina quando questa è costantemente diversa dalla temperatura reale.	<ol style="list-style-type: none"> 1. Premere Inside Temp Calibrate. 2. Toccare la freccia sinistra o la freccia destra per regolare il valore. 3. Premere Save.
Temperature Units	Questa selezione consente di cambiare l'unità di misura da °F a °C e viceversa, e si applica a tutte le schermate in cui viene visualizzata la temperatura. L'unità di misura predefinita è °F.	Toccare Temperature Units per passare da °F a °C e viceversa.
Pressure Units	Questa selezione consente di cambiare l'unità di misura della pressione scegliendo tra psi, kPa o bar e si applica a tutte le schermate in cui viene visualizzata la pressione. L'unità di misura predefinita è psi.	<ol style="list-style-type: none"> 1. Premere Pressure Units. 2. Toccare la freccia sinistra o la freccia destra per regolare il valore. 3. Premere Save.
Aux Electric Heat	Questa selezione attiva il relè del riscaldatore elettrico ausiliario, se collegato. Funziona solo al posto del ciclo di riscaldamento inverso e non come fonte di calore supplementare. L'impostazione predefinita è Off. Per attivare il riscaldatore, è necessario selezionare la potenza nominale corretta.	<ol style="list-style-type: none"> 1. Premere Aux Electric Heat. 2. Toccare la freccia sinistra o la freccia destra per scorrere le opzioni. 3. Toccare Save e seguire le istruzioni per confermare la selezione.
Filter Hours Setting	Se attivata, questa selezione segnala quando occorre sostituire il filtro in base all'intervallo di durata selezionato. L'impostazione predefinita è Off.	<ol style="list-style-type: none"> 1. Premere Filter Hours Setting. 2. Toccare la freccia sinistra o la freccia destra per scorrere le opzioni. 3. Premere Save.

Selezione	Descrizione	Azioni
Filter Hours Reset	Questa selezione azzererà il contatore di durata del filtro. Le ore del filtro devono essere azzerate ogni volta che il filtro viene sostituito o pulito. Questa selezione non è disponibile quando l'opzione Filter Hours Setting è impostata su Off.	<ol style="list-style-type: none"> 1. Premere Filter Hours Reset. 2. Premere Yes. 3. Premere OK.
Filter Alarm Delay	Questa selezione consente di impostare la durata di tacitazione dell'allarme filtro quando la funzione Snooze è utilizzata nella schermata Filter Alarm.	<ol style="list-style-type: none"> 1. Premere Filter Alarm Delay. 2. Toccare la freccia sinistra o la freccia destra per regolare il valore. 3. Premere Save.
Zone/Area	Questa selezione assegna un nome di zona a una o più unità. Se vi sono più unità collegate in rete, questa funzione consente di controllare tutte le unità assegnate a una determinata zona da un solo display. L'impostazione predefinita per tutte le unità è Master Stateroom.	<ol style="list-style-type: none"> 1. Premere Zone/Area. 2. Toccare la freccia sinistra o la freccia destra per scorrere l'elenco delle zone/aree. 3. Premere Save.
Set Point Temp Differential	Questa selezione consente di regolare il differenziale di temperatura tra il punto di regolazione e il valore di temperatura della cabina utilizzato per decidere quando si deve attivare il sistema.	<ol style="list-style-type: none"> 1. Premere Set Point Temp Differential. 2. Toccare la freccia sinistra o la freccia destra per scorrere l'elenco delle impostazioni. 3. Premere Save.
Discharge Pressure Calibration	Questa selezione serve a calibrare il valore della pressione di scarico quando questa è costantemente diversa dalla pressione reale. Il valore della pressione di scarico è utilizzato per monitorare lo stato di salute del sistema. Se il valore supera il limite impostato in fabbrica, viene visualizzato un allarme con l'indicazione della data e ora dell'evento.	<ol style="list-style-type: none"> 1. Premere Discharge Pressure Calibration. 2. Toccare la freccia sinistra o la freccia destra per regolare il valore. 3. Premere Save.
Suction Pressure Calibration	Questa selezione serve a calibrare il valore della pressione di aspirazione quando questa è costantemente diversa dalla pressione reale.	<ol style="list-style-type: none"> 1. Premere Suction Pressure Calibration. 2. Toccare la freccia sinistra o la freccia destra per regolare il valore. 3. Premere Save.
Suction Temp Calibrate	Questa selezione serve a calibrare il valore della temperatura di aspirazione quando questa è costantemente diversa dalla temperatura reale.	<ol style="list-style-type: none"> 1. Premere Suction Temperature Calibration. 2. Toccare la freccia sinistra o la freccia destra per regolare il valore. 3. Premere Save.
Compressor Staging Delay	Questa selezione consente di regolare il tempo necessario per l'avvio del compressore dopo un ciclo di alimentazione intenso. Utilizzare questa funzione negli impianti in cui più sistemi hanno la stessa fonte di alimentazione. Ritardi dell'avvio differenti permettono ai compressori di avviarsi in momenti diversi se l'alimentazione viene interrotta. Programmare il ritardo dell'avvio ad almeno cinque secondi di distanza.	<ol style="list-style-type: none"> 1. Premere Compressor Staging Delay. 2. Toccare la freccia sinistra o la freccia destra per scorrere le opzioni. 3. Premere Save.
Monitoraggio della bassa tensione	Se attivata, questa selezione rileva e indica quando la tensione di alimentazione è inferiore al punto di regolazione selezionato.	<ol style="list-style-type: none"> 1. Premere Low Voltage Monitor. 2. Toccare la freccia sinistra o la freccia destra per scorrere le opzioni. 3. Premere Save.
Power Source Priority	Questa selezione consente di gestire la fonte di alimentazione del sistema quando i tipi AC e DC sono entrambi disponibili. L'impostazione predefinita è AC.	Toccare Power Source Priority per passare da AC a DC e viceversa.

12.6 Impostazioni di sistema

1. Dalla schermata iniziale, toccare **Main Menu**.
2. Toccare **System**, quindi utilizzare la freccia su e la freccia giù per scorrere le selezioni.

Selezione	Descrizione	Azione
Display Brightness	Questa selezione consente di regolare la luminosità del display.	<ol style="list-style-type: none"> 1. Premere Display Brightness. 2. Toccare la freccia sinistra o la freccia destra per regolare la percentuale.
Sleep Mode Delay	Questa selezione stabilisce per quanto tempo il display deve rimanere inattivo prima che appaia il salvaschermo. Se si seleziona OFF, il salvaschermo viene disattivato.	<ol style="list-style-type: none"> 1. Premere Sleep Mode Settings. 2. Toccare la freccia sinistra o la freccia destra per scorrere le opzioni. 3. Toccare Save.
Language	Questa selezione definisce la lingua utilizzata dal display.	<ol style="list-style-type: none"> 1. Premere Language. 2. Toccare la freccia sinistra o la freccia destra per scorrere le opzioni. 3. Premere Save.
Screen Saver	Questa selezione definisce la schermata che apparirà nella schermata iniziale dopo un periodo di inattività: il logo Dometic (impostazione predefinita), una schermata semplificata della temperatura o una schermata nera vuota. Toccando lo schermo, il display si riattiva.	<ol style="list-style-type: none"> 1. Premere Screen Saver. 2. Toccare la freccia sinistra o la freccia destra per scorrere le opzioni. 3. Premere Save.
Versions	Questa selezione visualizza le versioni del firmware installate.	Premere Versions .

12.7 Troubleshoot

1. Dalla schermata iniziale, toccare **Main Menu**.
2. Toccare **Troubleshoot**, quindi utilizzare la freccia su e la freccia giù per scorrere le selezioni.

Selezione	Descrizione	Azione
Fault History	Questa selezione visualizza lo storico degli eventuali guasti verificatisi nel sistema dall'ultimo azzeramento dello storico guasti. Lo storico guasti può essere azzerato solo da un tecnico dell'assistenza.	<ol style="list-style-type: none"> 1. Premere Fault History. 2. Toccare la freccia su o la freccia giù per scorrere i guasti.
System Status	Questa selezione fornisce informazioni sullo stato attuale del sistema.	<ol style="list-style-type: none"> 1. Premere System Status. 2. Toccare la freccia su o la freccia giù per scorrere le informazioni sullo stato.

12.8 Impostazione di blocco

Il menu **Lock Setting** consente di limitare l'accesso ai menu **System**, **Parameter** e **Scheduler** con un codice PIN a 4 cifre.

12.8.1 Impostazione del PIN di blocco

1. Dalla schermata iniziale, toccare **Main Menu**.
2. Premere **Lock Setting**.
3. Toccare **Yes** per confermare di voler procedere.
4. Toccare il tastierino numerico per immettere un PIN di 4 cifre.
5. Toccare **OK** per salvare il PIN e bloccare i menu.

12.8.2 Modifica del PIN di blocco

1. Dalla schermata iniziale, toccare **Main Menu**.

2. Premere **Lock Setting**.
3. Toccare **Yes** per confermare di voler procedere.
4. Premere **Change PIN**.
5. Toccare il tastierino numerico per immettere un PIN di 4 cifre.
6. Toccare **OK** per salvare il nuovo PIN.

12.8.3 Rimozione del PIN di blocco

1. Dalla schermata iniziale, toccare **Main Menu**.
2. Premere **Lock Setting**.
3. Toccare **Yes** per confermare che si desidera procedere.
4. Premere **Remove PIN**.
5. Toccare **OK** per rimuovere il PIN e sbloccare i menu.

12.9 Date & Time

Il menu **Date & Time** consente di impostare la data e l'ora nel formato desiderato e di scegliere se visualizzarle nella schermata iniziale.

12.9.1 Attivazione e disattivazione di data e ora

Questa impostazione consente di attivare o disattivare l'opzione di visualizzazione della data e dell'ora nella schermata iniziale.

1. Dalla schermata iniziale, toccare **Main Menu**.
2. Premere **Date & Time**.
3. Toccare **Date & Time Display** per attivare o disattivare l'opzione.

12.9.2 Impostazione del formato della data

Questa impostazione consente di visualizzare la data in diversi formati. L'impostazione predefinita è MM-GG-AAAA.

1. Dalla schermata iniziale, toccare **Main Menu**.
2. Premere **Date & Time**.
3. Premere **Date Format**.
4. Toccare la freccia sinistra o la freccia destra per scorrere i formati.
5. Premere **Save**.

12.9.3 Impostazione del formato dell'ora

Questa impostazione consente di visualizzare l'ora nel formato 12 o 24 ore. L'impostazione predefinita è 12 ore.

1. Dalla schermata iniziale, toccare **Main Menu**.
2. Premere **Date & Time**.
3. Toccare **Time Format** per passare da un'opzione all'altra.

12.9.4 Impostazione della data e dell'ora

Questa impostazione consente di impostare la data e l'ora.

1. Dalla schermata iniziale, toccare **Main Menu**.
2. Premere **Date & Time**.
3. Premere **Date Time Settings**.
4. Seguire le istruzioni sullo schermo per apportare le modifiche.
5. Premere **Save**.

13 Risoluzione dei problemi

Guasto	Possibile causa	Rimedio
Il sistema non si accende.	L'interruttore automatico del climatizzatore è disinserito.	Inserire l'interruttore automatico sul pannello di controllo dell'imbarcazione.
	Il pulsante di accensione sul display è disinserito.	Inserire il pulsante di accensione sul display.
	La tensione del cavo di alimentazione non è sufficiente.	<ol style="list-style-type: none"> 1. Verificare la tensione del cavo di alimentazione. 2. Controllare che le dimensioni e i collegamenti del cablaggio e dei terminali siano corretti. Consultare il manuale di installazione fornito con il climatizzatore. 3. Utilizzare un voltmetro per verificare che l'alimentazione sia la stessa sul climatizzatore e sulla fonte di alimentazione.
	Guasto di una parte elettrica.	Contattare un tecnico dell'assistenza qualificato.
Il sistema si spegne.	Si è verificato un errore di sistema.	<ol style="list-style-type: none"> 1. Controllare lo storico guasti. Consultare il Troubleshoot alla pagina 52. 2. Seguire i passaggi per la risoluzione dei problemi in questa sezione.
	La fonte di alimentazione si è interrotta.	Verificare che la fonte di alimentazione stia erogando energia.
	Guasto di una parte elettrica.	Contattare un tecnico dell'assistenza qualificato.
Il sistema non risponde alle modifiche immesse sul display.	Il display presenta un problema come un'interruzione dell'alimentazione, una fluttuazione della frequenza di tensione, un'interferenza elettromagnetica da altre apparecchiature o un problema simile.	<ol style="list-style-type: none"> 1. Spegner o spostare eventuali componenti elettronici ad alta potenza vicino al display. 2. Cambiare il cavo del display esistente con un cavo schermato. 3. Se il problema persiste, contattare un tecnico dell'assistenza qualificato.
	Il display e il climatizzatore non sono compatibili.	Verificare che il display utilizzato sia compatibile con il climatizzatore.
Il display non indica la temperatura ambiente corretta.	Il sensore dell'aria di ritorno si trova in una posizione da cui non rileva con precisione la temperatura della cabina.	<ol style="list-style-type: none"> 1. Se possibile, collocare il sensore dell'aria di ritorno in una posizione migliore. 2. Nel menu Parameters, utilizzare la funzione Inside Temp Calibrate per calibrare il sensore dell'aria.
Il sistema non soffia aria fredda.	La temperatura dell'acqua di mare è troppo alta.	La temperatura dell'acqua di mare influisce direttamente sull'efficienza dell'unità. Per un raffreddamento ottimale, la temperatura dell'acqua deve essere inferiore a 95 °F (35 °C).
	Il flusso d'acqua è inadeguato.	Verificare che non vi siano ostruzioni nel flusso d'acqua.
	Il sistema ha perso refrigerante.	Contattare un tecnico dell'assistenza qualificato.
	La modalità sul display non è impostata su Cool.	Modificare la modalità in Cool.
Il sistema non soffia aria calda.	La temperatura dell'acqua di mare è troppo bassa.	La temperatura dell'acqua di mare influisce direttamente sull'efficienza dell'unità. Affinché l'unità generi calore (se è disponibile l'opzione a ciclo inverso), la temperatura dell'acqua deve essere di 40 °F (4,44 °C) o superiore.
	La valvola di inversione è inceppata.	<ol style="list-style-type: none"> 1. Con il sistema impostato sulla modalità Heat, premere leggermente sulla valvola con un martello di gomma. 2. Se il problema persiste, contattare un tecnico dell'assistenza qualificato.
	Il riscaldatore elettrico ausiliario è abilitato ma non collegato.	<ol style="list-style-type: none"> 1. Nel menu Parameters, impostare Aux Elec Heat su Off. 2. Verificare che l'interruttore del riscaldatore ausiliario sia in posizione On.
	Sul display la modalità non è impostata su Heat.	Modificare la modalità in Heat.
	Il sistema ha perso refrigerante.	Contattare un tecnico dell'assistenza qualificato.
	Non vi è un flusso d'aria sufficiente nel sistema.	Il flusso d'aria è bloccato o ostruito.

Guasto	Possibile causa	Rimedio
	Il sistema funziona in modalità limite per compensare le condizioni di funzionamento anomale causate da fattori ambientali quali temperatura dell'acqua di mare, carico ecc.	Nel menu Troubleshoot, controllare System Status per la modalità di funzionamento. Se il sistema non è in grado di riprendere il normale funzionamento entro un'ora, sul display apparirà un allarme della modalità limite fin quando non sarà possibile riprendere il normale funzionamento.
Il compressore non si arresta.	La tecnologia del compressore a velocità variabile rallenta, ma non si arresta a meno che il punto di regolazione della temperatura non venga superato di 1 °F (0,6 °C).	Regolare il punto di regolazione della temperatura o utilizzare il pulsante di accensione sul display per spegnere manualmente il sistema.
	Guasto di una parte elettrica.	Contattare un tecnico dell'assistenza qualificato.
La ventola non soffia o non smette di soffiare.	La modalità di funzionamento della ventola è impostata su Cycled o Continuous.	Nel menu Parameters, impostare la modalità Fan Operate sull'impostazione desiderata.
	Guasto di una parte elettrica.	Contattare un tecnico dell'assistenza qualificato.
L'icona della modalità lampeggia.	Il compressore si è spento in seguito alla modifica della modalità.	Il compressore torna in ciclo tre minuti dopo la modifica della modalità.
	Il compressore si è spento a causa di un superamento della temperatura impostata di 1 °F (0,6 °C) o più.	Il compressore si accende quando la temperatura della cabina non supera più il punto di regolazione.
Viene visualizzata l'avvertenza relativa al filtro.	È stata raggiunta la scadenza impostata per il timer di pulizia o la sostituzione del filtro dell'aria.	<ol style="list-style-type: none"> 1. Pulire o sostituire il filtro dell'aria. 2. Nel menu Parameters, utilizzare la funzione Filter Hours Reset per azzerare il timer.
Guasto: guasto del sensore dell'aria di ritorno	Si è verificato un guasto di una parte o di un collegamento elettrico.	Contattare un tecnico dell'assistenza qualificato.
Guasto: Suction Temp Sensor Failure	Si è verificato un guasto di una parte o di un collegamento elettrico.	Contattare un tecnico dell'assistenza qualificato.
Guasto: Discharge Pressure Transducer Failure	Guasto di una parte elettrica.	Contattare un tecnico dell'assistenza qualificato.
Guasto: High Discharge Pressure	Il flusso d'acqua di mare è ostruito o bloccato.	<ol style="list-style-type: none"> 1. Verificare che la valvola a mare sia aperta e che l'acqua fluisca verso la pompa. 2. Pulire il filtro dell'acqua di mare. 3. Controllare che vi sia un flusso d'acqua continuo e costante dallo scarico fuoribordo.
	Potrebbe essere presente una bolla d'aria nella pompa dell'acqua di mare.	<ol style="list-style-type: none"> 1. Verificare che le tubazioni dell'acqua di mare siano installate secondo le istruzioni riportate nel manuale di installazione fornito con il climatizzatore. 2. Rimuovere il flessibile dallo scarico della pompa per eliminare l'aria dalla tubazione, quindi reinserirlo.
	La pompa dell'acqua di mare non è in funzione.	<ol style="list-style-type: none"> 1. Assicurarsi che la pompa non sia danneggiata a causa del funzionamento a secco. 2. Verificare che la pompa riceva tensione. 3. Controllare che sia presente una forte fuoriuscita d'acqua dal troppopieno.
	La serpentina di condensazione è sporca.	Pulire la serpentina di condensazione.
	La temperatura dell'acqua di mare è troppo alta durante il riscaldamento.	La temperatura dell'acqua di mare influisce direttamente sull'efficienza dell'unità. Affinché l'unità produca calore (se è disponibile l'opzione a ciclo inverso), la temperatura dell'acqua deve essere inferiore a 65 °F (18,33 °C).
	Flusso dell'aria di ritorno insufficiente.	<ol style="list-style-type: none"> 1. Rimuovere eventuali ostruzioni nel flusso dell'aria di ritorno. 2. Pulire il filtro dell'aria e la griglia. 3. Controllare che i condotti non siano schiacciati od ostruiti. <p>I condotti devono essere posati il più possibile in linea retta e piana ed essere ben sostenuti.</p>
Guasto: Low Suction Pressure	La pressione dell'aria di ritorno è troppo bassa durante il raffreddamento.	La temperatura ambiente influisce direttamente sull'efficienza dell'unità. Per un raffreddamento ottimale, la temperatura dell'aria deve essere di 65 °F (18,33 °C) o superiore.
	L'aria di ritorno è limitata.	<ol style="list-style-type: none"> 1. Rimuovere eventuali ostruzioni nel flusso dell'aria di ritorno. 2. Pulire o sostituire il filtro dell'aria e la griglia.
	La temperatura dell'acqua di mare è troppo bassa durante il riscaldamento.	La temperatura dell'acqua di mare influisce direttamente sull'efficienza dell'unità. Affinché l'unità generi calore (se è disponibile l'opzione a ciclo inverso), la temperatura dell'acqua deve essere di 40 °F (4,44 °C) o superiore.

Guasto	Possibile causa	Rimedio
	Il sistema ha perso refrigerante	Contattare un tecnico dell'assistenza qualificato.
Guasto: Compressor Start Failure	La tensione di alimentazione è troppo bassa.	<ol style="list-style-type: none"> 1. Verificare che la tensione della fonte di alimentazione sia corretta. 2. Se il problema persiste, contattare un tecnico dell'assistenza qualificato.
	Guasto di una parte elettrica.	Contattare un tecnico dell'assistenza qualificato.
Guasto: Low Superheat	Malfunzionamento di una ventola o di una valvola di espansione.	Contattare un tecnico dell'assistenza qualificato.
Guasto: Low Suction Temperature	Malfunzionamento di una ventola o di una valvola di espansione.	Contattare un tecnico dell'assistenza qualificato.
Guasto: Clock Board Fault or Not Connected	Guasto di una parte elettrica.	Contattare un tecnico dell'assistenza qualificato.
Guasto: AC Low Voltage	La tensione di alimentazione è troppo bassa.	<ol style="list-style-type: none"> 1. Verificare che la tensione della fonte di alimentazione sia corretta. 2. Se il problema persiste, contattare un tecnico dell'assistenza qualificato.
Guasto: AC High Voltage	La tensione di alimentazione è troppo alta.	<ol style="list-style-type: none"> 1. Verificare che la tensione della fonte di alimentazione sia corretta. 2. Se il problema persiste, contattare un tecnico dell'assistenza qualificato.
Guasto: DC Low Voltage	La capacità della batteria è ridotta.	<ol style="list-style-type: none"> 1. Ricaricare o sostituire il gruppo batterie. 2. Se il problema persiste, contattare un tecnico dell'assistenza qualificato.
Guasto: DC High Voltage	La tensione di alimentazione è troppo alta.	<ol style="list-style-type: none"> 1. Verificare che la tensione della fonte di alimentazione sia corretta. 2. Se il problema persiste, contattare un tecnico dell'assistenza qualificato.
Guasto: Communication Loss	Guasto di una parte elettrica.	Contattare un tecnico dell'assistenza qualificato.
	Interferenze elettriche.	Assicurarsi che i cavi e i connettori di comunicazione non si trovino nelle immediate vicinanze di cavi di alimentazione o di grandi apparecchiature elettriche.
Guasto: Overcurrent Alarm	Guasto di una parte elettrica.	Contattare un tecnico dell'assistenza qualificato.
Guasto: High VFD Temperature	Il flusso d'aria è limitato a causa di un oggetto nel percorso del flusso d'aria.	Rimuovere l'ostruzione dal percorso del flusso d'aria di raffreddamento del dissipatore di calore.
	La ventola di raffreddamento non funziona correttamente.	Contattare un tecnico dell'assistenza qualificato.
Guasto: Fan Fault	Guasto di una parte elettrica.	Contattare un tecnico dell'assistenza qualificato.
Guasto: Duplicate Zone Instance	Più di un'unità nella rete è stata assegnata allo stesso ID zona.	Controllare le assegnazioni di zona di tutte le unità della rete per assicurarsi che ogni unità abbia un ID zona univoco.
Guasto: Low Refrigerant	Un'interfaccia meccanica è guasta e ha perso refrigerante.	Contattare un tecnico dell'assistenza qualificato.

14 Smaltimento



Raccogliere il materiale di imballaggio possibilmente negli appositi contenitori di riciclaggio. Consultare il centro locale di riciclaggio o il rivenditore specializzato per informazioni su come smaltire il prodotto secondo le norme sullo smaltimento applicabili.

15 Garanzia

Vedere le sezioni sotto per informazioni sulla garanzia e l'assistenza in garanzia negli Stati Uniti, in Canada, Australia, Nuova Zelanda e in tutte le altre regioni.

Stati Uniti e Canada

LA GARANZIA LIMITATA È DISPONIBILE PRESSO [DOMETIC.COM/EN-US/TERMS-AND-CONDITIONS-CONSUMER/WARRANTY](https://www.dometic.com/en-us/terms-and-conditions-consumer/warranty).

PER ALTRE DOMANDE O PER RICHIEDERE UNA COPIA GRATUITA DELLA DICHIARAZIONE DI GARANZIA LIMITATA, CONTATTARE:

DOMETIC CORPORATION MARINE
CUSTOMER SUPPORT CENTER
2000 NORTH ANDREWS AVENUE
POMPANO BEACH, FLORIDA, USA 33069
1-800-542-2477

Paesi dell'area Asia Pacifico (APAC)

Se il prodotto non funziona come dovrebbe, contattare il proprio rivenditore o la filiale del fabbricante del proprio Paese (per gli indirizzi consultare il retro del presente manuale di istruzioni). La garanzia applicabile al prodotto è di 1 anno.

Per attivare la garanzia e predisporre eventuali interventi di riparazione, è necessario inviare la seguente documentazione insieme al prodotto:

- una copia della ricevuta con la data di acquisto,
- il motivo della richiesta o la descrizione del guasto.

I nostri prodotti sono corredati di garanzie che non possono essere escluse ai sensi della Legge dei consumatori australiana. Avete diritto alla sostituzione o al rimborso per un guasto grave e al risarcimento per qualsiasi altra perdita o danno ragionevolmente prevedibili. Avete anche diritto alla riparazione o alla sostituzione della merce se non è di qualità accettabile e se il guasto non costituisce un guasto grave.

Solo Australia

I nostri prodotti sono corredati di garanzie che non possono essere escluse ai sensi della Legge dei consumatori australiana. Avete diritto alla sostituzione o al rimborso per un guasto grave e al risarcimento per qualsiasi altra perdita o danno ragionevolmente prevedibili. Avete anche diritto alla riparazione o alla sostituzione della merce se non è di qualità accettabile e se il guasto non costituisce un guasto grave.

Solo Nuova Zelanda

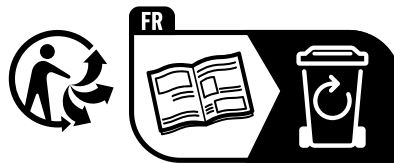
Questa politica di garanzia è soggetta alle condizioni e alle garanzie obbligatorie previste dal Consumer Guarantees Act 1993(NZ).

Tutte le altre regioni

Vale il termine di garanzia previsto dalla legge. Se il prodotto è guasto, contattare la filiale del fabbricante della propria regione o il proprio rivenditore (per gli indirizzi consultare il retro del presente manuale di istruzioni).

Per la riparazione e il disbrigo delle condizioni di garanzia è necessario inviare la seguente documentazione:

- una copia della ricevuta con la data di acquisto,
- il motivo della richiesta o la descrizione del guasto.



dometic.com

YOUR LOCAL DEALER

dometic.com/dealer

YOUR LOCAL SUPPORT

dometic.com/contact

YOUR LOCAL SALES OFFICE

dometic.com/sales-offices
