



RECORD THIS INFORMATION FOR FUTURE REFERENCE:

FRTA Model Number \_\_\_\_\_  
FRTA Serial Number \_\_\_\_\_  
Hardware Model Number \_\_\_\_\_  
Hardware Serial Number \_\_\_\_\_  
Date Purchased \_\_\_\_\_  
Retailer / Qualified Installer \_\_\_\_\_

**OPERATING  
INSTRUCTIONS**

**9100**  
**POWER CHANNEL AWNING**  
**LED TUBE AWNING**

**HARDWARE**  
**8956(X)(X)1.4(X)0(#)** BASEMENT  
**8956(X)(X)2.4(X)0(#)** STANDARD  
**8956(X)(X)3.4(X)0(#)** REDUCED PITCH

**FRTA**  
**FABRIC ROLLER TUBE ASSEMBLY**  
**601FFLL.000(#)**  
**91XFFLL.000(#)T**



Read these instructions carefully. These instructions **MUST** stay with this product.

**REVISION A**  
Form No. 3316037.000 10/16  
(French 3316038.000\_A)  
©2016 Dometic Corporation  
LaGrange, IN 46761

**USA**  
SERVICE OFFICE  
Dometic Corporation  
1120 North Main Street  
Elkhart, IN 46514

**CANADA**  
Dometic Corporation  
46 Zatonski, Unit 3  
Brantford, ON N3T 5L8  
CANADA

**SERVICE CENTER &  
DEALER LOCATIONS**  
**Please Visit:**  
[www.eDometic.com](http://www.eDometic.com)

# INTRODUCTION


This awning (hereinafter referred to as “awning,” or “product”) is designed and intended for use on RVs with straight sides. For curved sides, please see the separate Hardware List in the Dealer Service Manual for the appropriate model. Use these instructions to ensure correct operation of product.

Dometic Corporation reserves the right to modify appearances and specifications without notice.

# TABLE OF CONTENTS

INTRODUCTION.....	2
DOCUMENT SYMBOLS .....	2
IMPORTANT SAFETY INSTRUCTIONS.....	3
A. Recognize Safety Information .....	3
B. Understand Signal Words.....	3
C. Supplemental Directives.....	3
D. General Safety Messages .....	3
OPEN AWNING.....	4
SET AWNING POSITION.....	4
A. Adjust Awning Pitch (Optional) .....	4
B. Prepare Awning To Shed Water.....	5
FEATURES AND ACCESSORIES .....	6
A. Operate Tube LED Light Strip (If Equipped).....	6
B. Operate Rail LED Light Strip (If Equipped).....	6
C. Operate Power Channel (If Equipped) .....	6
D. Attach Accessories To Power Channel.....	6
E. Operate Accessories .....	7
F. Remove Accessories From Power Channel.....	7
CLOSE AWNING.....	7
A. Close Awning.....	7
B. Prepare Awning For Travel .....	8
CLOSE AWNING MANUALLY (POWER FAILURE).....	8
A. Auxiliary Power Method.....	8
B. Pull Strap Method .....	9
GENERAL CARE AND USE.....	10
A. Precautions.....	10
B. Hardware Maintenance .....	10
C. Fabric Maintenance .....	10
D. When To Get More Help.....	11

# DOCUMENT SYMBOLS

 Indicates additional information that is **NOT** related to physical injury.

 Indicates step-by-step instructions.

# IMPORTANT SAFETY INSTRUCTIONS

This manual has safety information and instructions to help you eliminate or reduce the risk of accidents and injuries.

## A. Recognize Safety Information



This is the safety alert symbol. It is used to alert you to potential physical injury hazards. Obey all safety messages that follow this symbol to avoid possible injury or death.

## B. Understand Signal Words

A signal word will identify safety messages and property damage messages, and will indicate the degree or level of hazard seriousness.

**WARNING** indicates a hazardous situation that, if **NOT** avoided, could result in death or serious injury.

**CAUTION** indicates a hazardous situation that, if **NOT** avoided, could result in minor or moderate injury.

**NOTICE** is used to address practices **NOT** related to physical injury.

## C. Supplemental Directives



Read and follow all safety information and instructions to avoid possible injury or death.

Read and understand these instructions before [installing / using / servicing / performing maintenance] on this product.

Incorrect [installation / operation / servicing / maintaining] of this product can lead to serious injury. Follow all instructions.

The installation **MUST** comply with all applicable local and national codes, including the latest edition of the following standards:

### U.S.A.

- ANSI/NFPA70, National Electrical Code (NEC)
- ANSI/NFPA 1192, Recreational Vehicles Code

### CANADA

- CSA C22.1, Parts I & II, Canadian Electrical Code
- CSA Z240 RV Series, Recreational Vehicles

## D. General Safety Messages

**WARNING** Failure to obey the following warnings could result in death or serious injury:

- This product **MUST** be [installed / serviced] by a qualified service technician.
- Do **NOT** modify this product in any way. Modification can be extremely hazardous.
- Frequently examine product for imbalance (uneven fit / sagging / loose parts); and signs of wear or damage to wiring (if applicable) and other critical parts. Do **NOT** use product if adjustments or repairs are necessary.



Critical parts may include awning fabric, cables, arm assemblies, etc.

- Disconnect product from power supply (if applicable), and do **NOT** operate product when maintenance (such as window cleaning) is being carried out in the vicinity.
- Do **NOT** allow anyone (including children) with reduced physical, sensory or mental capabilities, or lack of experience and knowledge to use this product, unless they have been given supervision or instruction (concerning use of this product) by a person responsible for their safety.
- Do **NOT** allow children to play with product or with fixed controls (if applicable). Keep remote controls (if applicable) away from children.
- **IMPACT OR CRUSH HAZARD. NEVER** leave an open awning unattended. Keep awning stowed (closed) when snow, heavy rain, wind, and severe weather conditions are expected.
- **IMPACT OR CRUSH HAZARD. Do NOT** allow water to pool, snow to accumulate, or heavy debris on awning fabric. Do **NOT** hang or place anything on awning. The awning will become unstable, and could bend or collapse.
- **FIRE HAZARD.** Keep sources of heat and fire (barbecue grills, portable heater, etc.) away from awning.

**CAUTION** **PINCH HAZARD.** Maintain a horizontal distance of at least 16" between fully open awning and any permanent object. Failure to obey this caution could result in injury.



Do **NOT** face awning toward permanent objects that may interfere with awning operation.

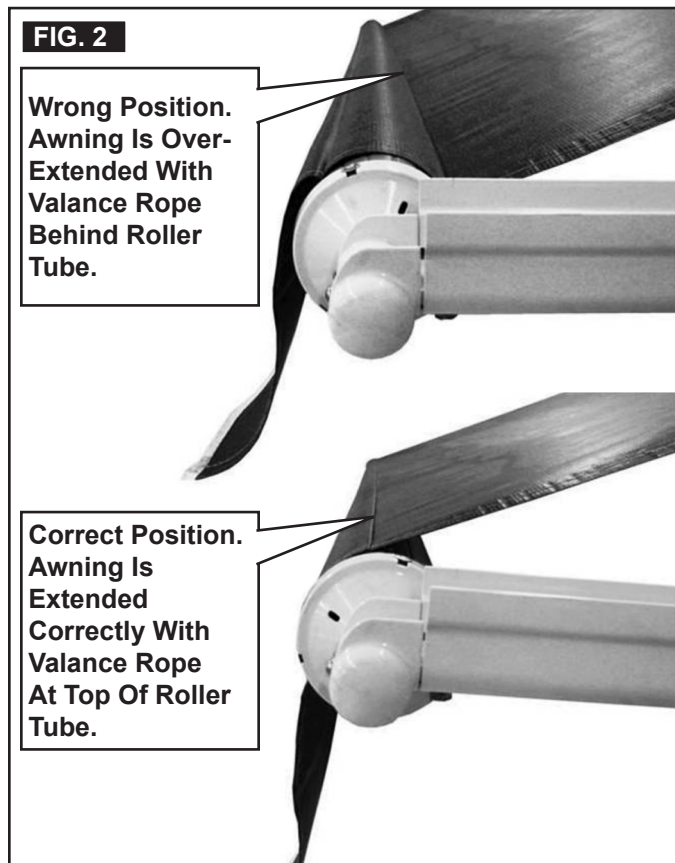
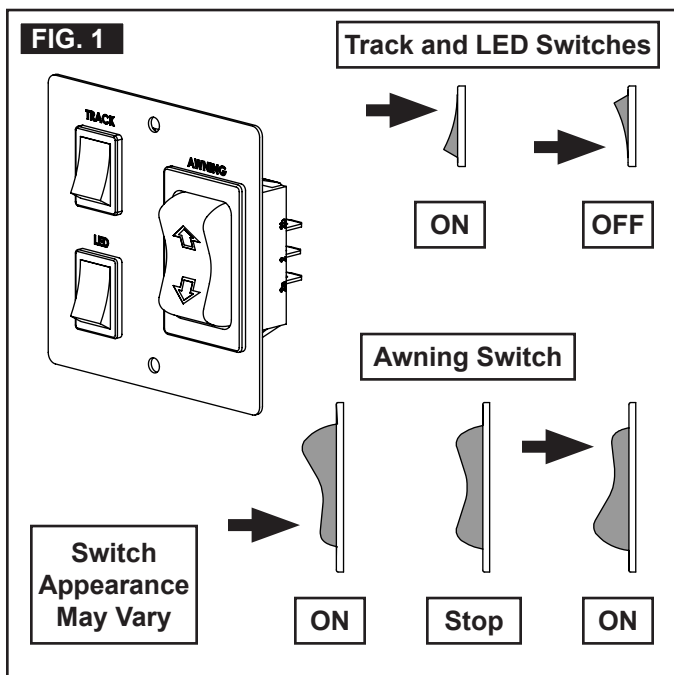
# OPEN AWNING

1. **⚠ CAUTION** PINCH HAZARD. Maintain a horizontal distance of at least 16" between fully open awning and any permanent object. Failure to obey this caution could result in injury.

Press and hold toggle up (extend) on awning switch until awning extends to its out position. See (FIG. 1).

**i** Awning will stop when button is released no matter how far awning is extended / retracted.

Verify valance is in correct position, and adjust if necessary. If awning is over-extended, press toggle down (retract) briefly on awning switch until valance is in correct position. See (FIG. 1) & (FIG. 2).



2. **⚠ WARNING** IMPACT OR CRUSH HAZARD. Do **NOT** allow awning to remain in over-extended position as this could trap heavy debris, or could cause water to pool or snow to accumulate on awning fabric. This weight will cause awning to become unstable, and bend or collapse. Failure to obey this warning could result in death or serious injury.

# SET AWNING POSITION

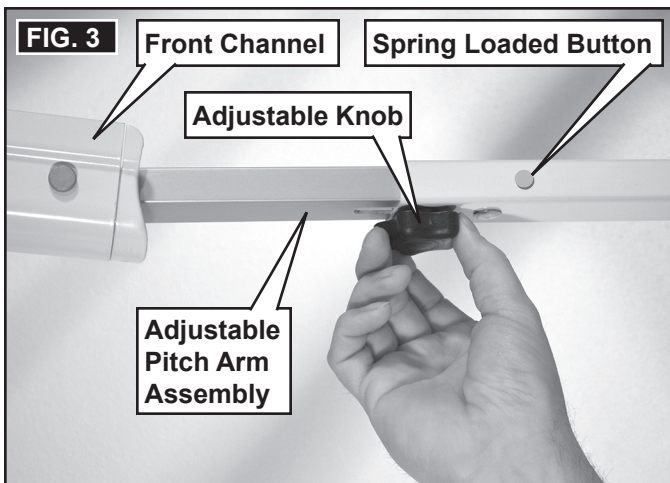
## A. Adjust Awning Pitch (Optional)

The FRTA (fabric roller tube assembly) will be lower than RV's awning rail when hardware is fully extended. This pitch (slope) will help accommodate water runoff. If a steeper pitch is desired, the FRTA must be lowered.

To lower FRTA:

1. With awning fully extended, loosen adjustable knob on adjustable pitch arm assembly (bottom arm). See (FIG. 3).
2. Press in on spring loaded button on right side of adjustable pitch arm assembly to allow adjustment. See (FIG. 3) & (FIG. 4).

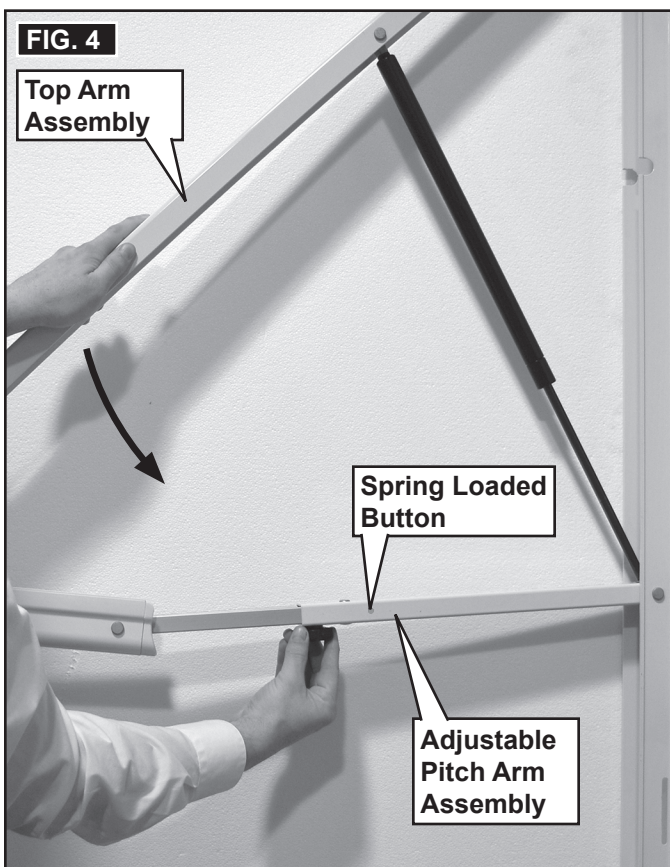
# SET AWNING POSITION



3. **CAUTION** PINCH HAZARD. Keep **CLEAR** of openings around adjustable pitch arm assembly while adjusting awning pitch (slope). Adjustable pitch arm assembly (bottom arm) will telescope. Failure to obey this caution could result in injury.

**NOTICE** Do **NOT** allow corner of entry door to contact awning fabric. Otherwise, premature wear or tearing of awning fabric could occur.

Pull top arm assembly down to lower FRTA to desired height. See (FIG. 4).



4. While holding top arm assembly in place, tighten adjustable knob to set pitch (slope). See (FIG. 3) & (FIG. 4).

5. **WARNING** IMPACT OR CRUSH HAZARD. **ALWAYS** lower one side of hardware into water shed position when adjusting awning [pitch / slope]. Otherwise, water could pool on awning fabric. Failure to obey this warning could result in death or serious injury.

Repeat steps (1) through (4) for opposite side.

**i** Make sure the top arm assembly that's farthest from entry door is lowered more than the other. See subsection, "B. Prepare Awning To Shed Water" on page (5).

## B. Prepare Awning To Shed Water

1. **WARNING** IMPACT OR CRUSH HAZARD. Do **NOT** allow water to pool or snow to accumulate on awning fabric. The awning will become unstable, and could bend or collapse. Whenever heavy rain or snow is expected, place awning in stowed (closed) position. Failure to obey this warning could result in death or serious injury.

Lowering one arm assembly into water shed position (to create a slope from other arm assembly) will allow water run-off during light rain.

1. With awning fully extended, verify top arm assembly nearest entry door is fully extended, and that adjustable knob is tightened. See (FIG. 3).

2. **WARNING** IMPACT OR CRUSH HAZARD. **NEVER** disengage adjustable knob during windy conditions, or with water pooled or snow accumulated on awning fabric. This could cause the awning to move unpredictably, become unstable, and bend or collapse. Failure to obey this warning could result in death or serious injury.

**NOTICE** Do **NOT** allow corner of entry door to contact awning fabric. Otherwise, premature wear or tearing of awning fabric could occur.

Loosen adjustable knob on adjustable pitch arm assembly (bottom arm) that's farthest from entry door. See (FIG. 3).

**i** Lowering the arm assembly that's nearest entry door could allow door to contact fabric. If awning pitch was previously adjusted lower, raising arm nearest entry door will provide more fabric clearance.

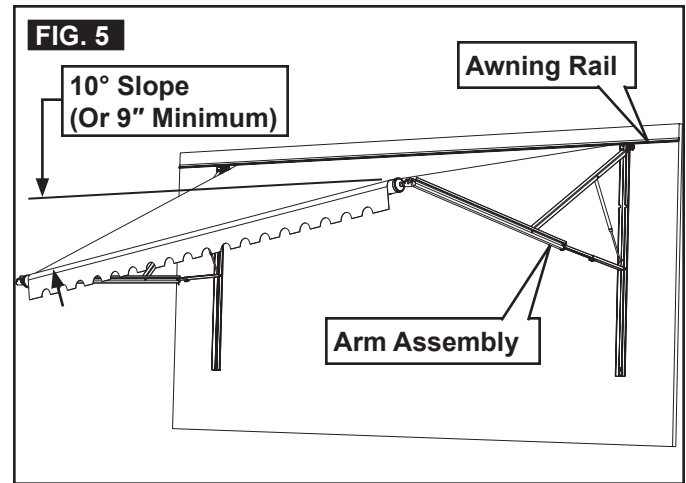
3. Press in on spring loaded button on right side of adjustable pitch arm assembly to allow adjustment. See (FIG. 3) & (FIG. 4).

## SET AWNING POSITION

- CAUTION** PINCH HAZARD. Keep **CLEAR** of openings around adjustable pitch arm assembly while adjusting awning pitch (slope). Adjustable pitch arm assembly (bottom arm) will telescope. Failure to obey this caution could result in injury.

Pull top arm assembly (farthest from entry door) down until awning slopes approximately 10°, or 9" minimum from other arm assembly. See (FIG. 4) & (FIG. 5).

**i** This slope requirement is in addition to the slope from RV's awning rail.



- While holding top arm assembly in place, tighten adjustable knob to set in place. See (FIG. 3) & (FIG. 4).

## FEATURES AND ACCESSORIES

### A. Operate Tube LED Light Strip (If Equipped)

- Turn tube LED switch to ON position to illuminate tube LED light strip. LED indicator light on switch plate will illuminate. See (FIG. 1).

**i** Do **NOT** use tube LED light strip while awning is closed.

- Turn tube LED switch to OFF position when tube LED light strip is not in use. LED indicator on switch plate will turn off.

### B. Operate Rail LED Light Strip (If Equipped)

**i** Rail LED switch operation and appearance may vary depending on application.

- Turn rail LED switch to ON position to illuminate rail LED light strip.

**i** Rail LED light strip may be used while awning is open or closed.

- Turn rail LED switch to OFF position when rail LED light strip is not in use.

### C. Operate Power Channel (If Equipped)

- Turn power channel switch to ON position to supply power to tube power channel. Power channel indicator light on switch plate will illuminate. See (FIG. 1).

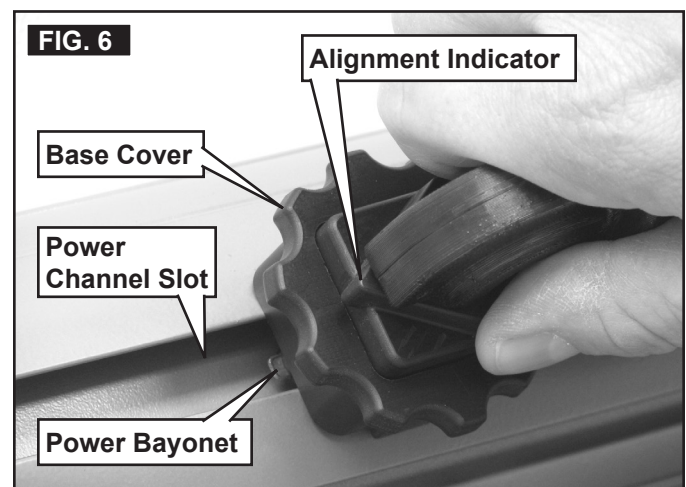
**i** Do **NOT** use tube power channel while awning is closed.

- Turn power channel switch to OFF position to disengage power from tube power channel. LED indicator on switch plate will turn off.

**i** Attached accessories will **NOT** function while switch is in OFF position.

### D. Attach Accessories To Power Channel

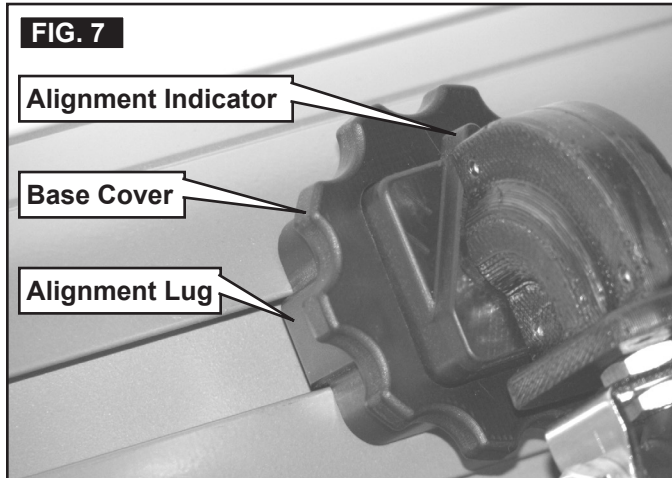
- Align power bayonet with power channel slot. See (FIG. 6).
- Insert power bayonet fully into power channel slot, pushing on accessory base (alignment indicator). See (FIG. 6).



## FEATURES AND ACCESSORIES


3. **NOTICE** Make sure alignment indicator on accessory base is pointed upward after installing into power channel. Otherwise, damage to accessory or power channel could occur.

Rotate base 90°, so longest lobe of power bayonet, and alignment indicator, are pointed upward. See (FIG. 7).




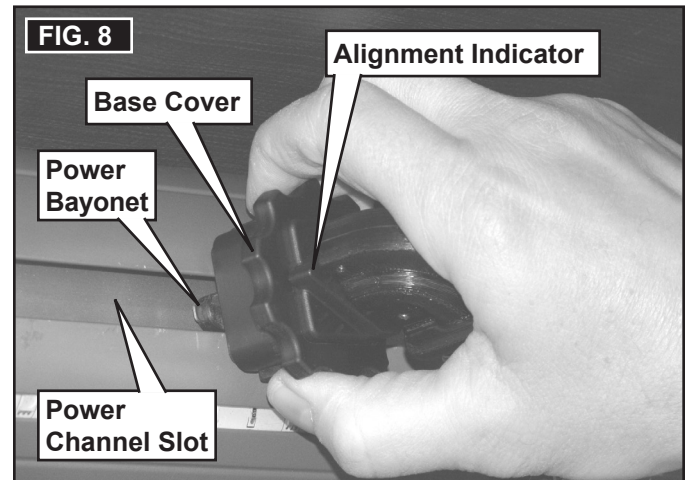
4. When accessory base is properly aligned, alignment lugs on sides of base cover will sit into power channel slot, providing a positive lock. See (FIG. 7).

### E. Operate Accessories

-  See Instructions included with power channel accessories (if applicable).

### F. Remove Accessories From Power Channel




-  1. While pulling back on spring loaded, scalloped base cover, rotate base 90° (alignment indicator in line with power channel slot). See (FIG. 8).



2. Remove accessory from power channel slot and release spring loaded base cover. See (FIG. 8).

## CLOSE AWNING


### A. Close Awning

-  1. Remove **ALL** accessories from power channel.
  -  See "F. Remove Accessories From Power Channel" on page (7).
2. Loosen adjustable knobs and ensure awning resets to original position and spring loaded button engages. Then lightly tighten knobs on both arm assemblies to help ensure rattle-free travel. See (FIG. 3).
  -  Pull top arm assembly down to verify knob is **NOT** too tight. Adjustable pitch arm assembly **MUST** still slide as normal. See (FIG. 4).

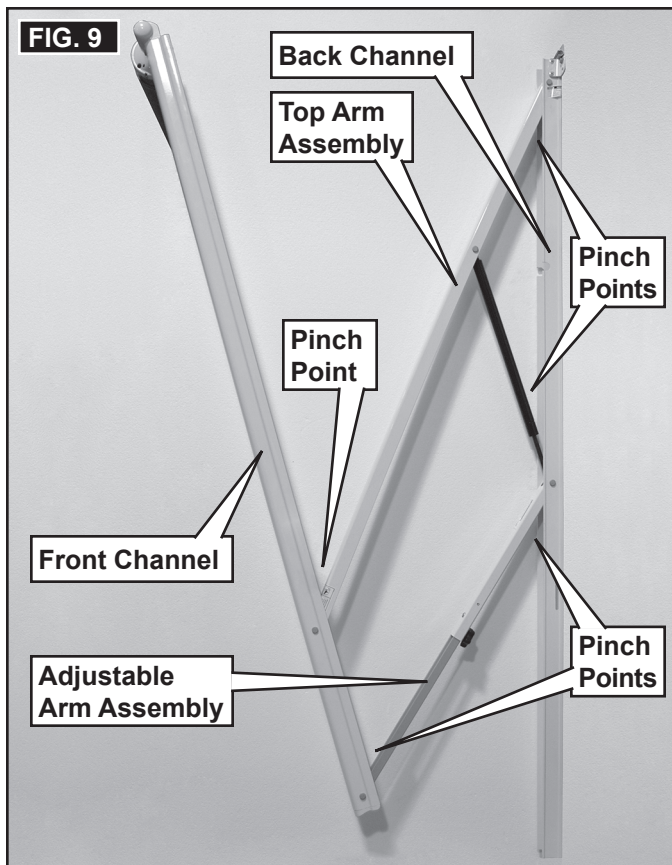
3. Ensure power channel and LED light strip switches are in the "OFF" position.

4. **WARNING** PINCH HAZARD. Keep **CLEAR** of arm assemblies while closing awning. Arm assemblies will [fold / close] against back channel. Failure to obey this warning could result in death or serious injury.


Press and hold toggle to retract (ON) position on (fixed / wired) remote awning switch until awning is fully closed. See (FIG. 1) & (FIG. 9).

-  Awning will stop when button is released no matter how far awning is extended / retracted.




## CLOSE AWNING



### B. Prepare Awning For Travel

-  **WARNING** IMPACT OR CRUSH HAZARD. Make sure ignition interlock is working correctly before traveling with RV. If awning responds to switch with ignition in **ON** position, accidental operation during transit could occur. The awning **MUST** be disabled, then serviced by a qualified service technician. Failure to obey this warning could result in death or serious injury.


With awning fully closed, Test ignition interlock system:

-  Testing of ignition interlock system is only applicable to motorhomes.
  - With vehicle ignition in **ON** position, attempt to open awning.
  - If awning does **NOT** respond (remains closed), the ignition interlock is functioning. Skip to step (3).
  - If awning responds to switch (awning opens), there is a problem with the ignition interlock system. Proceed to step (2).
- Disable awning for travel to service center:
  - Close awning and remove fuse for power source to awning.
  - Retest ignition interlock. See step (1).
  - If awning does **NOT** respond (remains closed), the awning is now disabled. Skip to step (f).
  - If awning still operates, pull motor connector from hardware connector to disconnect motor wiring. See (FIG. 10).
    -  The motor connector may be hard to reach when awning is closed. Pull wiring at RH top casting until wires disengage.
  - Repeat step (1) to verify motor is disabled.
  - Have awning repaired by a qualified service technician.
- Turn LED light strip (if equipped) OFF before travel. See "A. Operate Tube LED Light Strip (If Equipped)" on page (6).
- Verify awning is secure for travel.
  -  Look for loose parts, and any sign of instability.

## CLOSE AWNING MANUALLY (POWER FAILURE)

In case of power failure, it may be necessary to close awning manually. There are two methods to close awning manually:


Perform procedure under, "A. Auxiliary Power Method" on page (8) first. If this fails, perform procedure under, "B. Pull Strap Method" on page (9).

-  Rule out simple causes for power failure (RV disconnected from power, blown fuse, low/discharged battery, ignition interlock, etc.) before attempting to close awning manually. **After awning is closed manually, it will require service by a qualified service technician.**

The LED light strip (if equipped) is on a separate circuit from awning motor. If LED lights work, but awning motor does not, check awning motor's fuse (at fuse panel or converter) before closing awning manually.

### A. Auxiliary Power Method

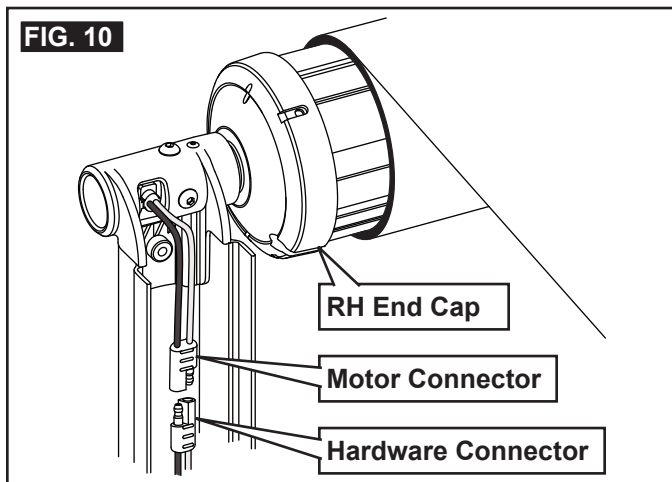
When awning is in open position and 12 Vdc power has been lost, the awning may be closed by supplying auxiliary power (from external source) to awning motor.

-  A 12 Vdc automobile battery may be used as an external power source.



# CLOSE AWNING MANUALLY (POWER FAILURE)

1. Loosen adjustable knobs to allow awning to reset to original position. Then lightly tighten knobs on both arm assemblies to help ensure rattle-free travel. See (FIG. 3).
2. **⚠ WARNING** ELECTRICAL SHOCK HAZARD. Disconnect power from product before accessing wiring connections. There may be issues mimicking a power failure with electric current still present, or power may return unexpectedly. Failure to obey this warning could result in death or serious injury.  
Disconnect 120 Vac power from RV, and 12 Vdc power to awning.
3. Unplug motor connector from hardware connector (located in upper part of RH arm assembly). See (FIG. 10).



4. Connect 16 Gauge (minimum) wire leads (user supplied) to motor connector, and tape in place (with electrical tape).

**i** Do **NOT** connect to hardware connector. Match wire lead colors to motor wire colors (black to black, red to red).

5. **NOTICE** Disconnect power **IMMEDIATELY** after awning retracts. Otherwise, damage to awning motor could occur.

Connect other end of wire leads to the 12 Vdc external power source, until awning retracts to its closed position:

- a. Connect red wire to positive (+) terminal.

**i** The lead wire connected to positive (+) terminal **MUST** have a (3 A) in-line fuse installed.

- b. Connect black wire to negative (-) terminal.
- c. Disconnect wire leads from power source once awning fully retracts.

**i** The awning will extend if wire leads are reversed (reversed polarity).

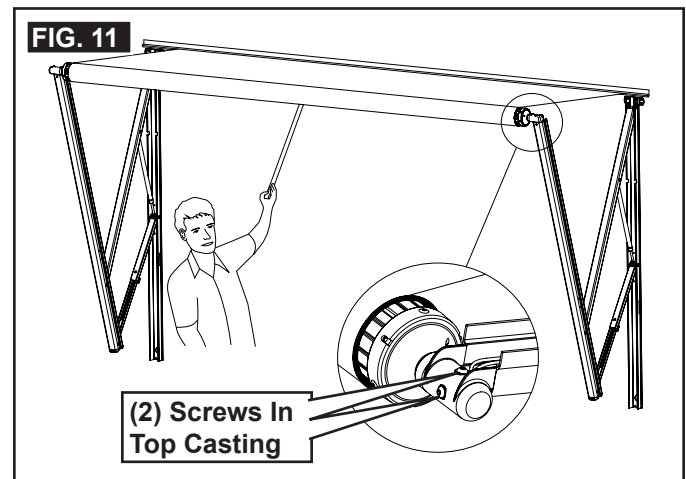
6. If awning does not move (after confirming connections and charge on external power source), the motor may be defective. Proceed to subsection, "B. Pull Strap Method" on page (9) for alternative method.

## B. Pull Strap Method

Use this procedure if prior method failed to close awning.

**i** This procedure requires a 5/32" hex key, and help from at least one other person.

1. Make sure adjustable knobs are only lightly tightened on both arm assemblies. See (FIG. 3).
2. Make sure motor connector is unplugged from hardware connector (located in upper part of RH arm assembly). See (FIG. 10).
3. Insert pull strap (provided) into utility slot of FRTA, and slide to center (of FRTA). See (FIG. 11).



4. **⚠ WARNING** IMPACT OR PINCH HAZARD. Hold pull strap firmly before removing screw(s) at top casting. The fabric roller tube is under spring tension, which will attempt to close the awning quickly and unexpectedly. Failure to obey this warning could result in death or serious injury.

While one person grasps pull strap firmly, remove the (2) screws at top and back of RH top casting. Save for reinstallation later. See (FIG. 11).

5. **⚠ WARNING** PINCH HAZARD. Keep **CLEAR** of arm assemblies while closing awning. Arm assemblies will [fold / close] against back channel. Failure to obey this warning could result in death or serious injury.

**NOTICE** Move pull strap diagonally (to left or right) as awning rolls up. Otherwise, awning fabric may crease or form a bulge, and could permanently stretch fabric.

## CLOSE AWNING MANUALLY (POWER FAILURE)

Carefully and slowly allow awning to roll up (close).

6. **⚠ WARNING** IMPACT OR CRUSH HAZARD. Reinstall screw(s) at top casting **BEFORE** transporting RV. Otherwise, awning could extend quickly and unexpectedly during transit. Failure to obey this warning could result in death or serious injury.

Align holes in RH top casting (where screws were removed), and reinstall the (2) screws to secure awning for travel.

- i** Do **NOT** reattach wiring. Awning will require service by a qualified service technician.

## GENERAL CARE AND USE

### A. Precautions

**NOTICE** Failure to obey the following notices could damage product or property:

- Do **NOT** use insecticides or other sprays near awning fabric. These could cause stains, and could adversely affect fabric's ability to repel water.
- Do **NOT** expose awning to adverse environmental conditions, corrosive agents, or other harmful conditions.
- Do **NOT** allow corner of entry door to contact awning fabric. Otherwise, premature wear or tearing of awning fabric could occur.
- **NEVER** close awning (for storage) when wet. The combination of moisture and dirt could result in mildew, discoloration, and stains.
  - i** If it is necessary to roll up awning (temporarily) while it's wet, make sure you roll it out and let it dry (as soon as conditions allow) before rolling it up again.
- Do **NOT** allow dirt, leaves, or other debris to accumulate on awning, which could cause abrasion and stains. Mildew could grow on dirt and organic debris causing permanent discoloration, stains, and odors to awning fabric.

### B. Hardware Maintenance

1. **NOTICE** Do **NOT** use strong chemicals or abrasives to clean parts, as their protective surfaces will be damaged.

Clean awning hardware (as needed) with a mild surface cleaner.
2. **NOTICE** Do **NOT** use silicone sprays near labels. Otherwise, the label's adhesive bond to product surfaces could weaken.


Apply silicone spray lubricant as needed to keep the fabric roller tube assembly's moving parts operating smoothly.
3. Lubricate all sliding surfaces of arm assemblies with silicone spray as needed.

### C. Fabric Maintenance

Vinyl fabric offers the advantage of durability and water resistance.

- i** Wrinkling is a normal characteristic of vinyl. Wrinkling may be more noticeable when retracted, and after prolonged periods of storage (rolled up). Leave awning open during warm weather to minimize the wrinkling over a period of time.

1. To clean:

- a.  Mix 1/4 cup dish soap and 1/4 cup bleach to 5 gallons of fresh water to use as cleaning solution.
- b. **NOTICE** Do **NOT** use abrasive or corrosive cleaners, mildew removers, or hard bristle brushes on awning fabric.

Liberally drench open awning fabric with cleaning solution.
- c. Close awning, let it soak for 5 minutes, then open awning again.
- d. **NOTICE** Remove solution **COMPLETELY** from awning fabric. Bleach will degrade awning fabric if **NOT** completely rinsed off.


Thoroughly hose off top and bottom of fabric with clean water.

- i** Repeat as necessary to completely remove solution.

- e. **NOTICE** **NEVER** close awning (for storage) when wet. The combination of moisture and dirt could result in mildew, discoloration, and stains.

Allow awning to dry thoroughly before stowing (rolling up).

2. To repair a pinhole, or if a spot of coating flakes off from top layer of vinyl fabric:

- a.  Apply a very small dab of VLP (Vinyl Liquid Patch) on tip of cotton swab.

- i** VLP is available from Dometic Corporation. Reference part number 3314216.000 when ordering.

## GENERAL CARE AND USE

- b. Gently roll cotton swab around pinhole. The VLP will melt the coating (on fabric) and that will quickly fill in pinhole and blend with all colored vinyls.
- c. **NOTICE** NEVER close (roll up) awning when vinyl liquid patch is wet. Otherwise, damage to other parts of awning fabric (melting through layers) will occur.  
Allow VLP to dry thoroughly before stowing (rolling up) awning.

### D. When To Get More Help

If malfunctions occur (that cannot be corrected by reviewing these instructions), contact a qualified service technician.



A slight “travel line” may appear where door roller (if installed) contacts awning fabric. This is considered normal and does **NOT** affect the integrity of awning fabric.