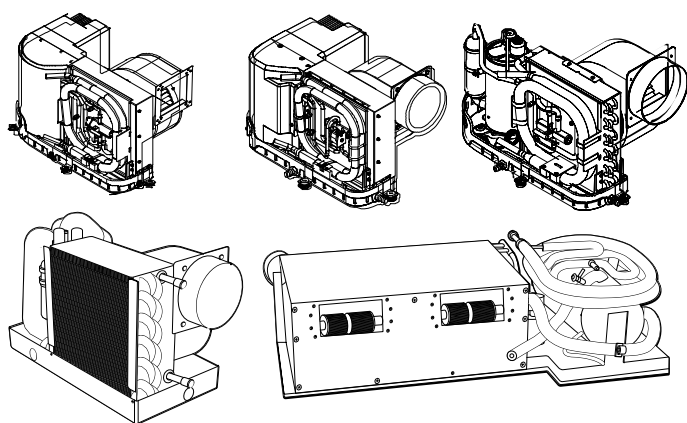


CLIMATE CONTROL

MARINE SELF-CONTAINED



⚠ WARNING

Cancer and Reproductive Harm
www.P65Warnings.ca.gov

DCU, DLU, DTG, ECD, GT, GTX, GTX-LP, GVTX, TX

EN	Self-Contained Air Conditioning System Installation Manual.....	3
DE	Self-Contained Air Conditioning System Montageanleitung.....	11
FR	Self-Contained Air Conditioning System Instructions de montage.....	20
ES	Self-Contained Air Conditioning System Instrucciones de montaje.....	29
PT	Self-Contained Air Conditioning System Instruções de montagem.....	38
IT	Self-Contained Air Conditioning System Indicazioni di montaggio.....	47
NL	Self-Contained Air Conditioning System Montagehandleiding.....	56
DA	Self-Contained Air Conditioning System Monteringsvejledning.....	65
SV	Self-Contained Air Conditioning System Monteringsanvisning.....	74
NO	Self-Contained Air Conditioning System Monteringsanvisning.....	82
FI	Self-Contained Air Conditioning System Asennusohje.....	90
PL	Self-Contained Air Conditioning System Instrukcja montażu.....	98

SK	Self-Contained Air Conditioning System Návod na montáž.....	107
CS	Self-Contained Air Conditioning System Návod k montáži.....	116
HU	Self-Contained Air Conditioning System Szerelési útmutató.....	125
HR	Self-Contained Air Conditioning System Upute za montažu.....	134
TR	Self-Contained Air Conditioning System Montaj Kilavuzu.....	142
SL	Self-Contained Air Conditioning System Navodilo za montažo.....	150
RO	Self-Contained Air Conditioning System Instrucțiuni de montaj.....	159
BG	Self-Contained Air Conditioning System Инструкция за монтаж.....	168
ET	Self-Contained Air Conditioning System Paigaldusjuhend.....	177
EL	Self-Contained Air Conditioning System Οδηγίες τοποθέτησης.....	185
LT	Self-Contained Air Conditioning System Montavimo vadovas.....	194
LV	Self-Contained Air Conditioning System Uzstādīšanas rokasgrāmata.....	202

Copyright

© 2024 Dometic Group. The visual appearance of the contents of this manual is protected by copyright and design law. The underlying technical design and the products contained herein may be protected by design, patent or pending patent. The trademarks mentioned in this manual belong to Dometic Sweden AB. All rights are reserved.

English

1	Important notes.....	3
2	Explanation of symbols.....	3
3	Target group(s).....	4
4	Intended use.....	4
5	Explanation of symbols on the device.....	4
6	Pre-installation.....	4
7	Installation.....	6
8	Disposal.....	9
9	Technical data.....	9
10	Legal.....	10
11	Warranty.....	10

1 Important notes

Please read these instructions carefully and follow all instructions, guidelines, and warnings included in this product manual in order to ensure that you install, use, and maintain the product properly at all times. These instructions **MUST** stay with this product.

By using the product, you hereby confirm that you have read all instructions, guidelines, and warnings carefully and that you understand and agree to abide by the terms and conditions as set forth herein. You agree to use this product only for the intended purpose and application and in accordance with the instructions, guidelines, and warnings as set forth in this product manual as well as in accordance with all applicable laws and regulations. A failure to read and follow the instructions and warnings set forth herein may result in an injury to yourself and others, damage to your product or damage to other property in the vicinity. This product manual, including the instructions, guidelines, and warnings, and related documentation, may be subject to changes and updates. For up-to-date product information, please visit documents.dometic.com.

2 Explanation of symbols

A signal word will identify safety messages and property damage messages, and also will indicate the degree or level of hazard seriousness.



DANGER!

Indicates a hazardous situation that, if not avoided, will result in death or serious injury.



WARNING!

Indicates a hazardous situation that, if not avoided, could result in death or serious injury.



NOTICE!

Indicates a situation that, if not avoided, can result in property damage.



NOTE Supplementary information for operating the product.

2.1 Supplemental directives

To reduce the risk of accidents and injuries, please observe the following directives before proceeding to install this appliance:

- Read and follow all safety information and instructions.
- Read and understand these instructions before installing this product.
- The installation must comply with all applicable local or national codes, including the latest edition of the following standards:
 - American Boat and Yacht Council (ABYC)
 - ANSI/NFPA 70, National Electrical Code (NEC)

2.2 Safety instructions



DANGER! Risk of fire or explosion. Some models use flammable refrigerant.

Failure to obey the following warnings will result in death or serious injury:

- > To be repaired only by trained service personnel.
- > Do not install or store in a location with continuously operating sources of ignition.
- > Maintain all required ventilation openings free from obstructions.
- > Do not puncture refrigerant tubing.
- > Refer to the product data plate for refrigerant type.



WARNING! Fire and/or explosion hazard

Failure to obey the following warnings could result in death or serious injury:

- > Do not use potential sources of ignition to detect or search for refrigerant leaks. Do not use a halide torch, or any other detector that uses a naked flame.
- > Be sure that detection equipment is suitable for the refrigerant type used in the product. Refer to the product data plate for the refrigerant type.
- > Electronic leak detectors may be used to detect refrigerant leaks, however, their sensitivity may be inadequate for flammable refrigerants and may need recalibration. Calibrate detection equipment in a refrigerant-free area.



WARNING! Carbon monoxide hazard

Failure to obey the following warnings could result in death or serious injury:

- > Do not install or operate a self-contained air conditioner in the bilge or engine room areas, or near an internal combustion engine. Ensure that the selected location is sealed from direct access to bilge and/or engine room vapors.
- > Verify the condensate drain line is properly installed and sealed. Do not end the condensate drain line within 3 ft. (0.91 m) of any outlet of an engine or generator exhaust system, in a compartment containing an engine or generator, or in a bilge, unless the drain is connected properly to a sealed condensate or shower sump pump. If the drain line is not properly installed, dangerous fumes may travel up the drain line and contaminate the living quarters.
- > Do not install the air conditioner in a location where it can circulate carbon monoxide, fuel vapors, or other noxious fumes into the boat's living spaces.



WARNING! Electrocutation hazard

The installation may only be carried out by a qualified electrician.



WARNING! Electrical shock, fire and/or explosion hazard

Failure to follow these precautions could result in death or serious injury.

This appliance is not intended for use by persons (including children) with reduced physical, sensory, or mental capabilities, or lack of experience and knowledge, unless they have been given supervision or instruction about the use of the appliance by a person responsible for their safety. Children should be supervised to ensure that they do not play with the appliance. Cleaning and user maintenance shall not be made by children without supervision. This appliance should not be accessible to the general public.



WARNING! Explosion hazard

Failure to follow these precautions could result in death or serious injury.

- > Do not install the air conditioner in a location containing gasoline engines, tanks, LPG/CPG cylinders, regulators, valves, or fuel line fittings. Unless labeled otherwise, self-contained units do not meet federal requirements for ignition protection. Failure to obey this warning could result in death or serious injury.
- > Electrical components that can arc or spark shall only be replaced with parts specified by the appliance manufacturer. Replacement with other parts may result in the ignition of refrigerant in the event of a leak.

**WARNING! Electrical shock hazard**

Failure to follow these precautions could result in death or serious injury.

- > Be sure to effectively ground the air conditioner to minimize the electrical shock hazard. Refer to the installation guidelines for further information.
- > Each air conditioner installed requires a dedicated circuit breaker. If there is only one air conditioner installed, the seawater pump does not require a dedicated circuit breaker. If two or more air conditioning units use the same seawater pump, the pump wires will be connected to a pump relay panel (PRP), which in turn has its own dedicated circuit breaker sized for the pump (20 A max). Refer to the wiring diagram furnished with the PRP. Electrical connections in the bilge and/or below the waterline should use heat shrink type butt splices.
- > Field wiring must comply with ABYC electrical codes. Power to the unit must be within the operating voltage range indicated on the data plate. Properly sized fuses or HACR circuit breakers must be installed for branch circuit protection. See the data plate for the maximum fuse/circuit breaker size (MFS) and minimum circuit capacity (MCA).

**NOTICE!**

This appliance has fluorinated greenhouse gases in hermetically sealed equipment. Refer to the condensing unit's product data plate label for the quantity of refrigerant shown in weight and GWP. The refrigerant added should be noted on the unit label.

**NOTICE!**

Do not use the copper tubing to push, pull, lift, or carry the product.

3 Target group(s)



The mechanical and electrical installation and setup of the device must be performed by a qualified technician who has demonstrated skill and knowledge related to the construction and operation of marine equipment and installations, and who is familiar with the applicable regulations of the country in which the equipment is to be installed and/or used, and has received safety training to identify and avoid the hazards involved.

4 Intended use

This manual is intended for the installation of DCU, DLU, DTG, ECD, GT, GTX, GTX-LP, GVTX, and TX self-contained air conditioning systems (hereinafter referred to as air conditioner). The air conditioner is intended for use on boats and yachts. This air conditioner is only suitable for the intended purpose and application in accordance with these instructions.

This product is only suitable for the intended purpose and application in accordance with these instructions.

This manual provides information that is necessary for proper installation and/or operation of the product. Poor installation and/or improper operation or maintenance will result in unsatisfactory performance and a possible failure.

The manufacturer accepts no liability for any injury or damage to the product resulting from:

- Incorrect installation, assembly or connection, including excess voltage
- Incorrect maintenance or use of spare parts other than original spare parts provided by the manufacturer
- Alterations to the product without express permission from the manufacturer
- Use for purposes other than those described in this manual

Dometic reserves the right to change product appearance and product specifications.

5 Explanation of symbols on the device



Warning! Risk of fire / Flammable materials



Warning! Low burning velocity material. Flammable refrigerant.



Refrigerant safety group A2L



Read operating manual.



Read service manual.

6 Pre-installation

**NOTICE!**

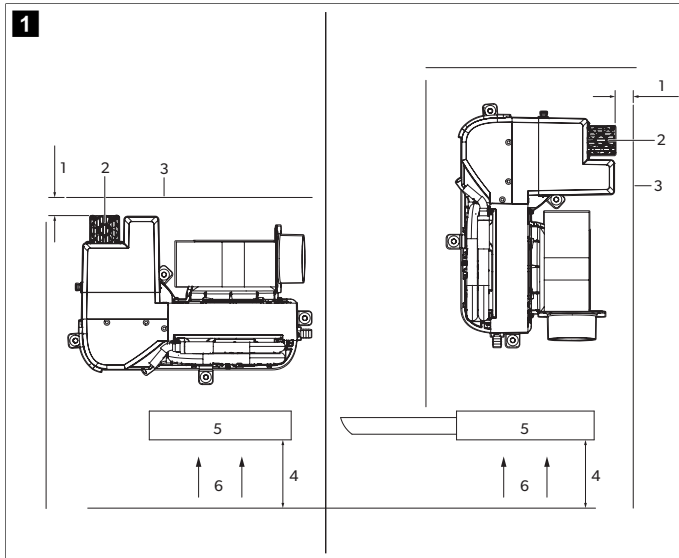
The DTG, GTX, GVTX, and TX self-contained condensate base pans are equipped with vibration isolators installed in the bottom of the pan. These isolators are designed to dampen the vibration caused by the operating air conditioner from transferring into the mounted surface. Care must be taken when moving the air conditioner across mounting surfaces as the isolators can be damaged.

**NOTICE!**

- > The air conditioner must be mounted to a low, flat, level surface, like in the bottom of a locker, under a bunk or dinette seat, or in a similar location.
- > Ensure that the cabling will not be subject to wear, corrosion, excessive pressure, vibration, sharp edges, or any other adverse environmental effects, including effects from aging or continual vibration from sources such as compressors or fans.
- > Ensure that protection devices, piping, and fittings are protected as far as possible against adverse environmental effect such as dirt and debris accumulation or water collecting and freezing in relief pipes.
- > Precautions should be taken to avoid excessive vibration or pulsation to the refrigerating piping.

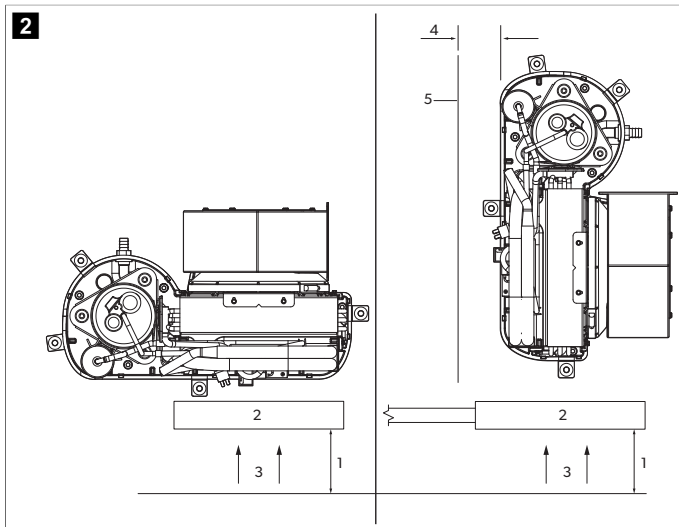
6.1 Determining the installation location

1. GVTX and TX placement relative to airflow



- | | |
|----------------------------|-----------------------------|
| 1 3.00 in (7.62 cm) | 4 4.00 in (10.16 cm) |
| 2 Heat sink | 5 Return air grille |
| 3 Bulkhead | 6 Airflow |

All other air conditioning units placement relative to airflow



- | | |
|-----------------------------|----------------------------|
| 1 4.00 in (10.16 cm) | 4 3.00 in (7.62 cm) |
| 2 Return air grille | 5 Bulkhead |
| 3 Airflow | |

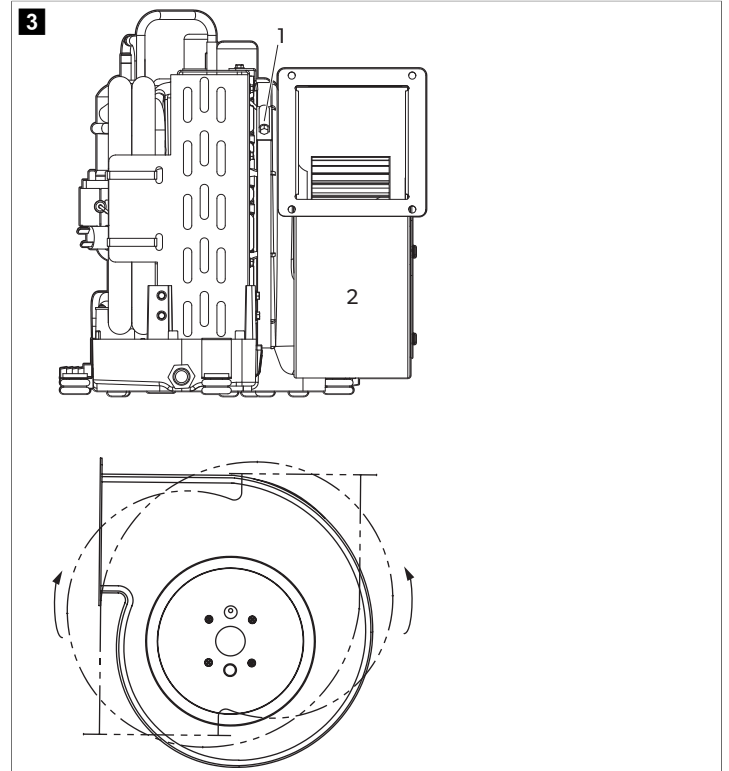
- Choose a location with enough airflow. The return air grille should have a minimum of 4.00 in (10.16 cm) of air circulation clearance in front of it, free from any obstruction.
- If the air conditioner is positioned perpendicular to the return air grille, maintain a minimum of 3.00 in (7.62 cm) air circulation clearance on the air intake side.
- GVTX and TX only:** Provide a minimum open area of 3.00 in (7.62 cm) above and below the heat sink.

6.2 Rotating the blower

This section explains how to rotate the blower for each unit type. If needed, rotate the blower to the direction that allows the most direct airflow discharge through the ducting.

6.2.1 GTX, GVTX, DTG, and TX blowers

GTX, GVTX, DTG, and TX system blower rotation

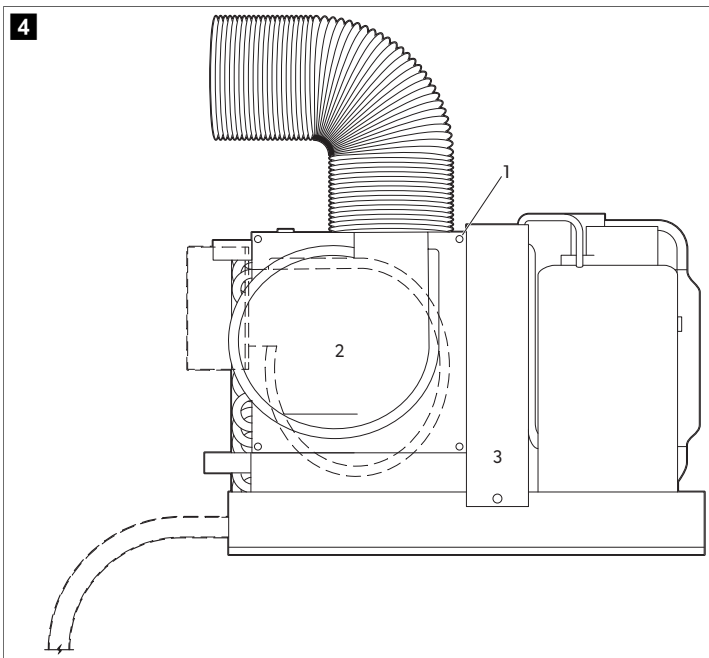


- Adjustment screw
- Blower

- Loosen the adjustment screw on the blower mount ring.
- Rotate the blower to the desired position.
- Tighten the adjustment screw.

6.2.2 MCS, ECD and GT blowers

MCS, ECD, and GT system blower rotation

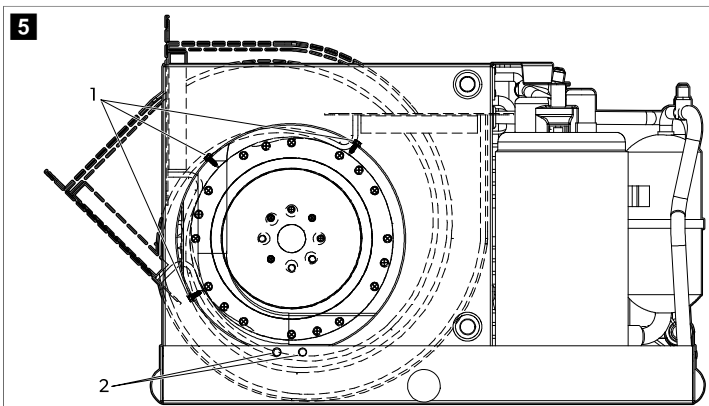


- 1 Screw
- 2 Plate
- 3 Blower

1. Remove the seven screws on the plate.
2. Rotate the blower to the desired position.
3. Secure the blower in place using self-tapping screws (not provided).

6.2.3 DCU blower

DCU system blower rotation



- 1 Screws on blower ring
- 2 Screws on drain pan or bracket

1. Remove the screws from the blower ring.
2. Remove the screws attaching the blower to the drain pan or bracket.
3. Rotate the blower to the desired position.
4. Secure the blower in place using self-tapping screws (not provided).
5. Plug any unused holes to prevent air loss.

6.3 Placing the air filters

Air filters remove airborne particles from the cabin air and keep the evaporator coil clean. Place one air filter, either on the air conditioner or in the return air grille, for each air conditioner.

6.4 Placing the grilles and transition boxes

Consider the following when placing the grilles and transition boxes:

- Install the supply air grille as high as possible in a location that will give uniform air distribution throughout the cabin. Direct the grille louvers upward.
- Install the return air grille as low and close to the air conditioner as possible to ensure airflow to the evaporator.
- Do not direct the supply air discharge towards the return air grille, as this will cause the system to short cycle.
- Allow for adequate clearance behind the supply air grille for the transition box and ducting connection. Refer to Specifications on page 10

7 Installation



WARNING! Electrocutation hazard

The installation may only be carried out by a qualified electrician.

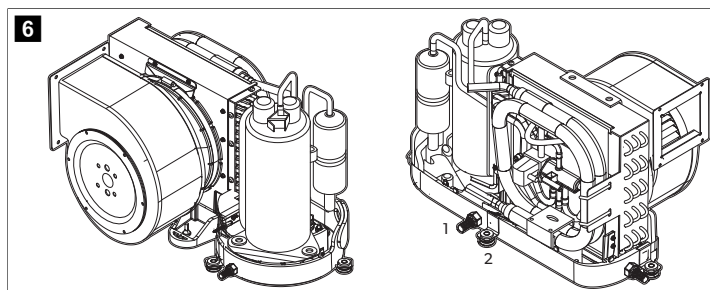
7.1 Installing the mounting brackets and condensate drain



NOTICE!

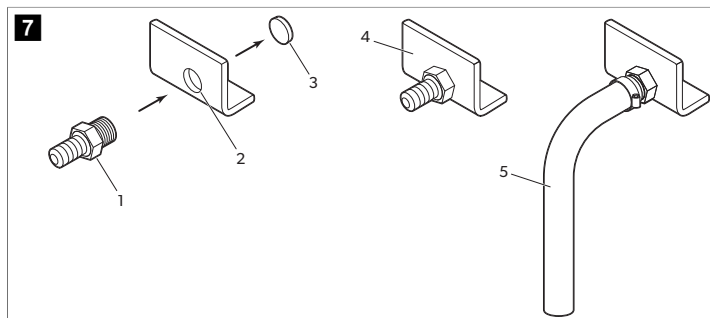
To prevent cracking the drain pan, do not use more than two layers of plumbers tape to wrap the hose barb, and do not overtighten the hose barb.

Typical placement of mounting brackets and condensate drains



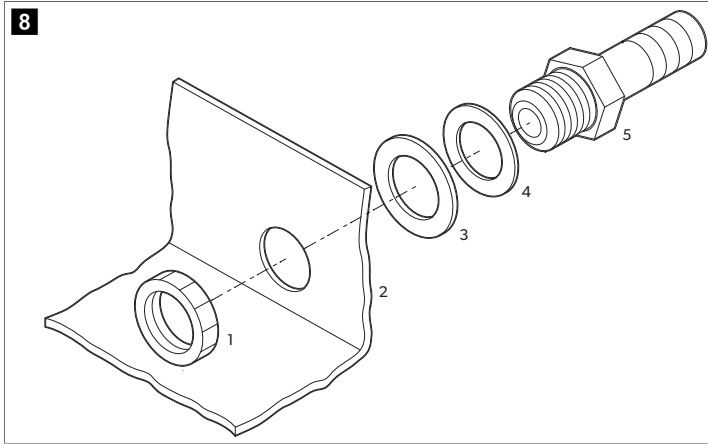
- 1 Condensate drain hose barb
- 2 Mounting bracket

Condensate drain installation for GTX, GVTX, DTG, and TX



- 1 Hose barb
- 2 Threaded drain hole
- 3 Slug knockout
- 4 Drain pan
- 5 Drain hose

Condensate drain installation for all other air conditioning units

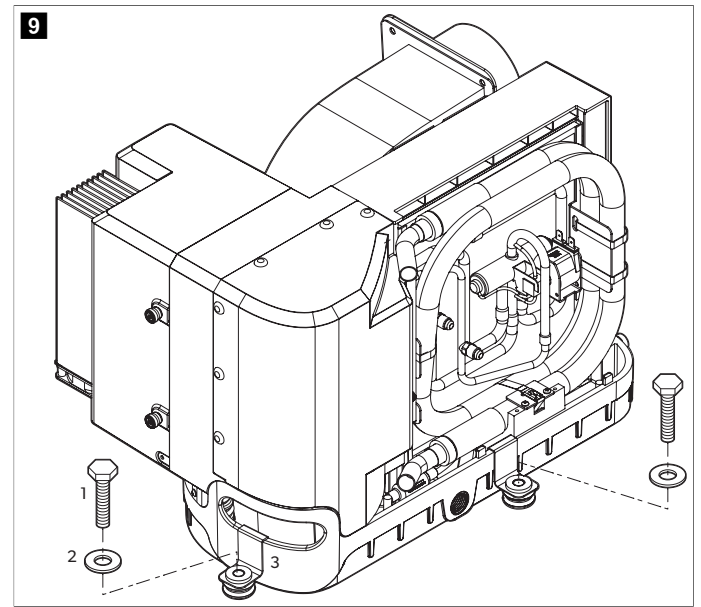


- | | |
|-----------------------------|---|
| 1 Locking nut | 4 Solid washer |
| 2 Drain pan | 5 PVC fitting 0.5 in (12.7 mm) HB x 0.5 in (12.7 mm) MPT |
| 3 Liquid-seal washer | |

1. For GTX, GVTX, DTG, and TX units:
 - a) Use the small end of the hose barb to knock out a slug from an aft-facing drain hole by applying one quick strike with a rubber mallet. Discard the slug knockout.
 - b) Wrap the threaded end of the hose barb with plumbers tape.
 - c) Screw the hose barb into the threaded drain hole and tighten securely.
2. For all other air conditioners:
 - a) Thread the hose barb through a solid washer and liquid-seal washer and insert it into the drain hole.
 - b) Secure with a locking nut.
3. Secure the drain hose to the hose barb with a stainless steel hose clamp.

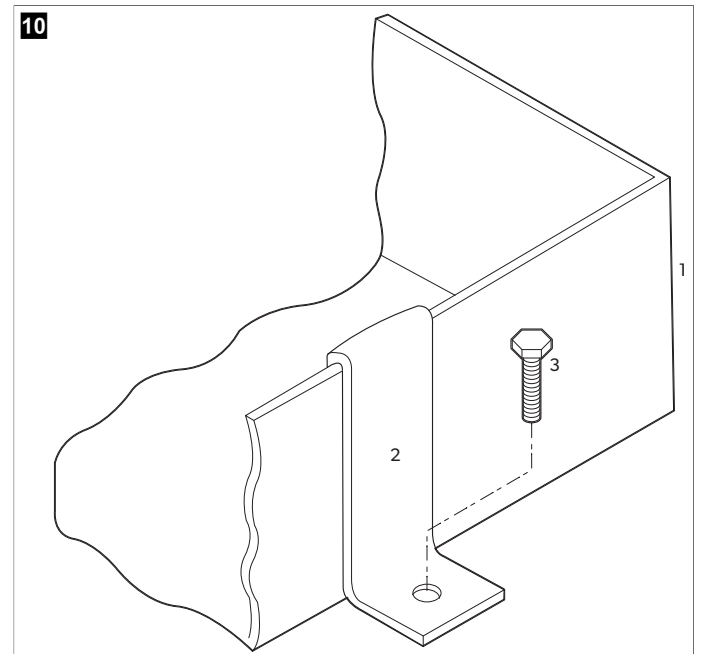
4. Route the drain hose downward to a safe and proper collection point.

Mounting bracket installation for GTX, GVTX, DTG, and TX units



- | |
|---------------------------------------|
| 1 Mounting bolt (not provided) |
| 2 Fender washer (provided) |
| 3 Mounting bracket (provided) |

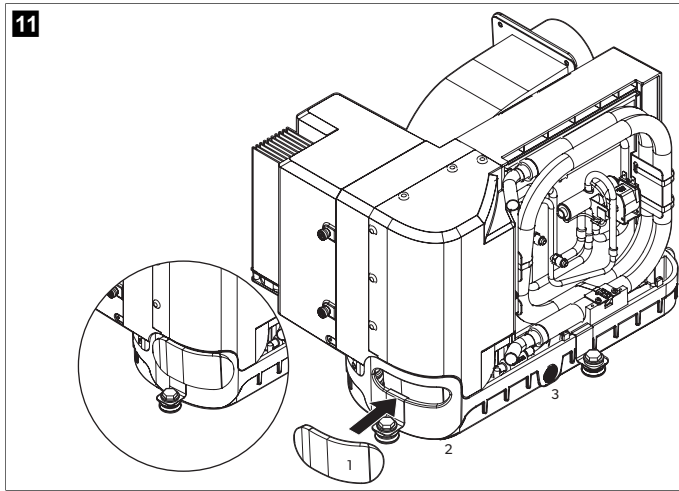
Mounting bracket installation for other air conditioning units



- | |
|---------------------------------------|
| 1 Drain pan |
| 2 Mounting bracket |
| 3 Mounting bolt (not provided) |

5. Install one mounting bracket on each side of the drain pan, evenly spaced.

Installing foam handle insulation on GVTX and TX units



- 1 Foam handle insulation
- 2 Handle opening
- 3 Drain pan

6. For GVTX and TX units:
- a) Remove the film covering the adhesive backing on the foam handle insulation.
 - b) Position the foam handle insulation to completely cover the handle opening with the adhesive side facing the drain pan.
 - c) Press around the handle opening to adhere the foam handle insulation to the drain pan.

7.2 Installing the ducting



WARNING! Risk of fire or explosion

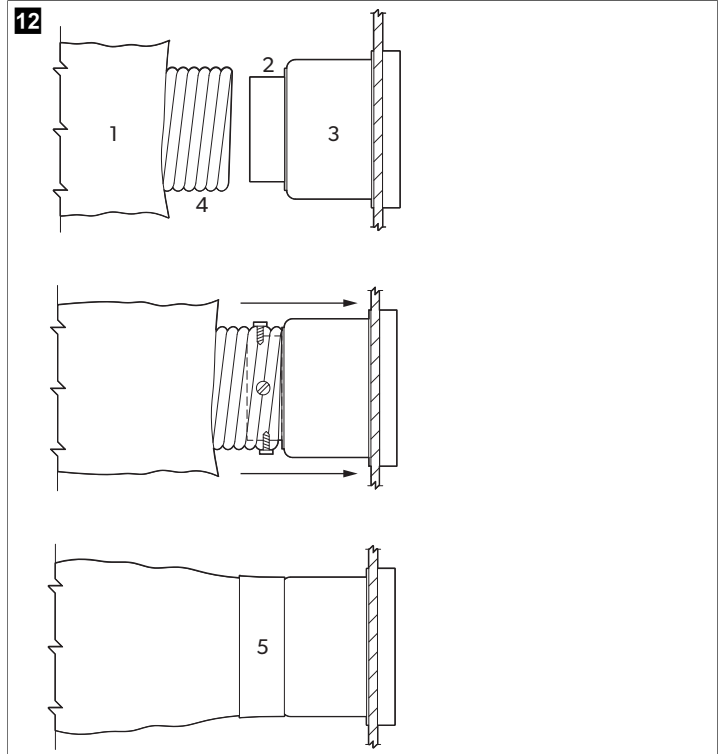
- > Auxiliary devices which may be ignition sources shall not be installed in the ductwork, other than auxiliary devices listed for use with the specific appliance.
- > For models using flammable refrigerants, which are connected via an air duct system to one or more rooms, the supply and return air shall be directly ducted to the space. Open areas such as false ceilings shall not be used as a return air duct.
- > Do not route ducting through an engine room or any area where it may be exposed to dangerous vapors or exhaust fumes.

Observe the following conditions when installing the ducting:

- Ducting must be appropriately sized for your application.
- Run ducting as straight, smooth, and taut as possible, minimizing the number of 90° bends and loops, which can reduce airflow.
- Fasten the ducting securely to prevent sagging.
- Do not allow ducting to be flattened or kinked.
- Trim excess ducting lengths following installation.
- Insulate ducting when it is located in high-heat areas.

If a transition box is used, the total area of supply air ducts going out of the box should be at least equal to the total area of the supply ducts going into the box. Refer to Specifications on page 10

Ducting connections



- 1 Fiberglass insulation
- 2 Mount ring
- 3 Transition box
- 4 Inner mylar duct hose
- 5 Duct tape

1. Slide the inner mylar duct hose around the mount ring to the transition box.
2. Screw three or four stainless steel screws through the mylar duct hose into the mount ring, capturing two or three wires with screw heads.
3. Slide the fiberglass insulation around the inner mylar duct hose to the transition box. Secure with duct tape.

7.3 Installing the seawater system



NOTICE!

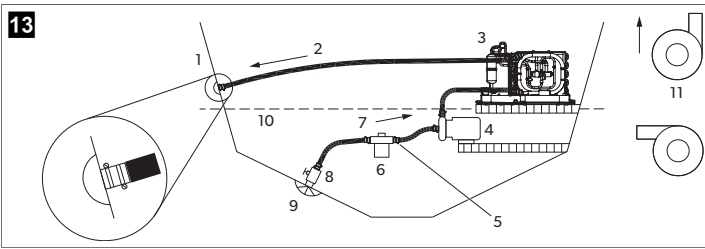
Failure to follow this procedure will void the warranty.

Observe the following considerations when setting up the seawater system:

- The strainer must be below the pump.
- Hoses must be double clamped.
- Hoses must not have kinks, loops, or high spots where air can become trapped.
- The pump and strainer must be below the water line.
- The thru-hull inlet, ball valve, hose, and strainer should be no smaller than the pump inlet.
- Install the thru-hull fitting as far below the water line as possible.
- The pump must have a dedicated thru-hull.
- Avoid 90.00 ° elbow fittings as much as possible.
- Ensure that the pump head is rotated toward the direction of water flow.
- Use plumbers tape on all threaded connections.

Refer to Specifications on page 10 for maximum and minimum water temperature and pressure values.

Seawater system



- | | |
|-------------------|--|
| 1 Seawater outlet | 7 Uphill inlet flow |
| 2 Outlet flow | 8 Ball valve |
| 3 Air conditioner | 9 Scoop thru-hull inlet |
| 4 Seawater pump | 10 Water line |
| 5 Hose clamps | 11 Correct pump head strainer orientations |
| 6 Strainer | |

1. Install a seawater scoop thru-hull inlet as close to the keel and as far below the water line as possible. Secure the scoop thru-hull inlet using a marine-grade sealant designed for underwater use.
2. Install a bronze, full-flow seacock on the seawater scoop thru-hull inlet.
3. Install a seawater strainer below the level of the pump with access to the filter.
4. Mount the pump above the strainer and at least one foot below the waterline.
5. Connect the seacock and strainer with an uphill run of reinforced marine-grade hose.
6. Connect the discharge from the pump uphill to the bottom inlet of the air conditioners condenser coil with a 5/8 in reinforced, marine-grade hose.
7. Connect the discharge from the condenser coil to the overboard discharge thru-hull fitting with a 5/8 in. reinforced marine-grade hose.
8. Avoid loops, high spots, or the use of 90° elbows with the seawater hose. Each 90° elbow is equivalent to 2.5 ft (0.76 m) of hose and a 90° elbow on the pump outlet is equivalent to 20.0 ft (6.10 m) of hose.
9. Double-clip all hose connections using two stainless steel clamps, reversing the clamps where necessary.
10. Connect all metallic parts in contact with seawater to the vessel's bonding system.

7.4 Making electrical connections



WARNING! Electrical shock hazard

- > Always turn off the air conditioning power supply breaker before opening the electrical box. Failure to obey this warning could result in death or serious injury.
- > Ensure the electrical box is located in an area that is protected from water.



NOTICE!

The air conditioner must be connected to the boat's bonding system to prevent corrosion due to stray electrical current. All pumps, metallic valves, and fittings in the seawater circuit that are isolated from the air conditioner by PVC or rubber hoses, must be individually bonded to the boat's bonding system.



NOTE Failure to properly ground and bond the system will void the warranty.

All conditioning units have a terminal strip, labeled for proper connections, inside the electric box. The wiring diagram inside the electric box supersedes ABYC standards. Use the correct size circuit breaker to protect the system as specified by the air conditioning units data plate label. A minimum of 12 AWG boat cable should be used to supply power to the air conditioner and the seawater pump. Make all connections using ring or captive fork terminals.

Observe the following when making electrical connections:

- Alternating current (AC) grounding must be connected to the ground terminal (GRND) at the AC power input terminal block.

- Connections between the vessel's AC system grounding conductor and the vessel's direct current (DC) negative or bonding system should be made as part of the vessel's wiring. When maintenance or replacing existing equipment that has a chassis-mounted ground stud, check the vessel's wiring for these connections.
- GVTX and TX air conditioners are designed to operate on AC or high voltage DC. Refer to the vessel's wiring diagram for correct placement.

Ensure that the AC ground of the air conditioner is properly connected to the AC ground of the boat. Within the boat itself, ensure that the AC ground bus is connected to the DC ground bus at exactly one place.

Check and retighten as necessary all electrical connections prior to start up.

8 Disposal



CAUTION! Fire hazard

- > This device contains flammable insulation blowing gas.
- > Only have the device removed and disposed of by a specialist.



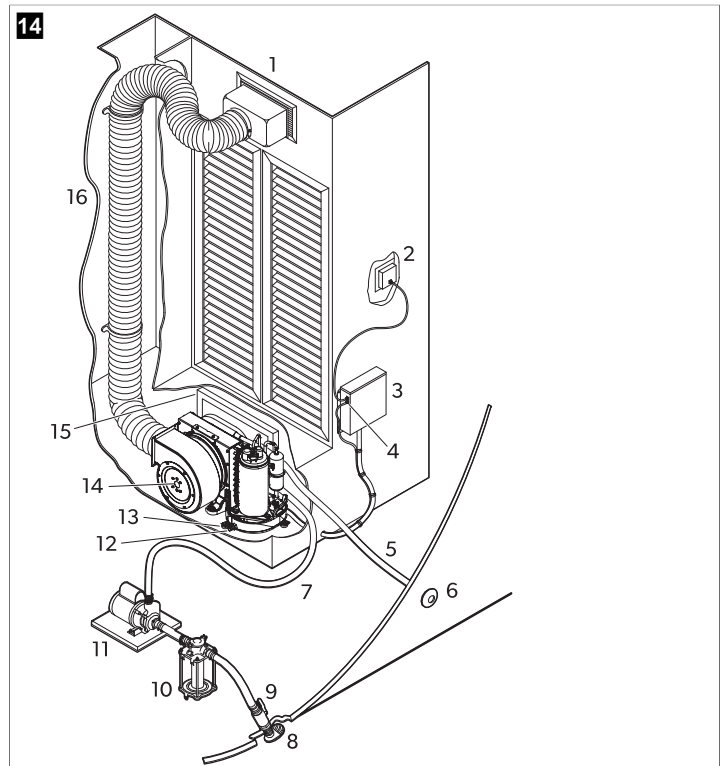
Place the packaging material in the appropriate recycling waste bins, wherever possible. Consult a local recycling center or specialist dealer for details about how to dispose of the product in accordance with the applicable disposal regulations.

9 Technical data

Read these instructions completely and then plan the connections that must be made to the air conditioner (including ducting, condensate drain line, seawater inlet and outlet hoses, electrical power connections, location of the control, and seawater pump placement), to assure easy access for routing and future maintenance.

9.1 Part locations

Air Conditioning System Component Identification



- | | |
|--|--------------------------|
| 1 Supply air grille and transition box | 9 Seacock shut-off valve |
| 2 Digital display | 10 Seawater strainer |

3	Electric box	11	Pump
4	Optional remote air sensor cable	12	Condensate drain hose barb
5	Seawater outlet hose	13	Mounting bracket
6	Overboard discharge	14	Air conditioner
7	Seawater inlet hose	15	Return air grille and filter
8	Seawater scoop thru-hull inlet	16	Insulated flexible ducting

United States and Canada

LIMITED WARRANTY AVAILABLE AT DOMETIC.COM/EN-US/TERMS-AND-CONDITIONS-CONSUMER/WARRANTY. IF YOU HAVE QUESTIONS, OR TO OBTAIN A COPY OF THE LIMITED WARRANTY FREE OF CHARGE, CONTACT:

DOMETIC CORPORATION
MARINE CUSTOMER SUPPORT CENTER
2000 NORTH ANDREWS AVENUE
POMPANO BEACH, FLORIDA, USA 33069
1-800-542-2477

Asia-Pacific(APAC) countries

If the product does not work as it should, please contact your retailer or the manufacturer's branch in your country (see dometic.com/dealer). The warranty applicable to your product is 1 year(s).

For repair and warranty processing, please include the following documents when you send in the device:

- A copy of the receipt with purchasing date
- A reason for the claim or description of the fault

Note that self-repair or nonprofessional repair can have safety consequences and might void the warranty.

Australia Only

Our goods come with guarantees that cannot be excluded under the Australian Consumer Law. You are entitled to a replacement or refund for a major failure and for compensation for any other reasonably foreseeable loss or damage. You are also entitled to have the goods repaired or replaced if the goods fail to be of acceptable quality and the failure does not amount to a major failure.

New Zealand only

This warranty policy is subject to the conditions and guarantees which are mandatory as implied by the Consumer Guarantees Act 1993(NZ).

All other regions

The statutory warranty period applies. If the product is defective, please contact the manufacturer's branch in your country (see dometic.com/dealer) or your retailer.

For repair and warranty processing, please include the following documents when you send in the device:

- A copy of the receipt with purchasing date
- A reason for the claim or description of the fault

Note that self-repair or nonprofessional repair can have safety consequences and might void the warranty.

9.2 Specifications

The refrigeration circuit contains a small quantity of an environmentally friendly but flammable refrigerant. It does not damage the ozone layer and does not increase the greenhouse effect. Any leaking refrigerant may ignite.

This product contains fluorinated greenhouse gases.

The cooling unit is hermetically sealed.

Table 1: Minimum duct and grille sizes per BTU capacity

	3.5 k BTU	6 k BTU	8 k BTU	10 k BTU
Minimum duct diameter	3.00 in (76.2 mm)	4.00 in (101.6 mm)	5.00 in (127.0 mm)	6.00 in (152.4 mm)
Minimum duct area	6.8 in ² (43.9 cm ²)	12.6 in ² (81.3 cm ²)	19.6 in ² (126.5 cm ²)	28.3 in ² (182.6 cm ²)
Minimum return air grille	48.0 in ² (309.7 cm ²)	64.0 in ² (412.9 cm ²)	80.0 in ² (516.2 cm ²)	100.0 in ² (645.2 cm ²)
Minimum supply air grille	12.0 in ² (77.4 cm ²)	32.0 in ² (206.5 cm ²)	48.0 in ² (309.7 cm ²)	60.0 in ² (387.1 cm ²)
	12 k BTU	16 k BTU	18 k BTU	27 k BTU
Minimum duct diameter	6.00 in (152.4 mm)	7.00 in (177.8 mm)	7.00 in (177.8 mm)	8.00 in (203.2 mm)
Minimum duct area	28.3 in ² (182.6 cm ²)	38.5 in ² (248.4 cm ²)	38.5 in ² (248.4 cm ²)	50.3 in ² (324.5 cm ²)
Minimum return air grille	130.0 in ² (838.8 cm ²)	160.0 in ² (1032.3 cm ²)	200.0 in ² (1290.4 cm ²)	240.0 in ² (1548.5 cm ²)
Minimum supply air grille	70.0 in ² (451.6 cm ²)	80.0 in ² (516.2 cm ²)	100.0 in ² (645.2 cm ²)	120.0 in ² (774.2 cm ²)

Table 2: Operating water temperature and pressure

Minimum operating water temperature	40.0°F (4.44°C)
Maximum operating water temperature	80.0°F (26.66°C)
Minimum operating water pressure	4.2 psi (0.29 bar) (29.00 kPa)
Maximum operating water pressure	6.00 psi (0.41 bar) (41.4 kPa)

Follow EPA use conditions.



NOTE The unit can operate outside these conditions with reduced capacity.

10 Legal

GVTX models only: To comply with IEC 60533, do not mount the product within 9.8 ft (3.00 m) of a receiving antenna.

11 Warranty

Refer to the sections below for information about warranty and warranty support in the US, Canada, and all other regions.

Deutsch

1	Wichtige Hinweise.....	11
2	Erklärung der Symbole.....	11
3	Zielgruppe(n).....	12
4	Bestimmungsgemäßer Gebrauch.....	12
5	Erklärung der Symbole am Gerät.....	12
6	Vor der Installation.....	12
7	Installation.....	14
8	Entsorgung.....	17
9	Technische Daten.....	17
10	Gesetzliche Vorschriften.....	18
11	Gewährleistung.....	18

1 Wichtige Hinweise

Lesen und befolgen Sie bitte alle Anweisungen, Richtlinien und Warnhinweise in diesem Produkthandbuch sorgfältig, um sicherzustellen, dass Sie das Produkt ordnungsgemäß installieren und stets ordnungsgemäß betreiben und warten. Diese Anleitung MUSS bei dem Produkt verbleiben.

Durch die Verwendung des Produktes bestätigen Sie hiermit, dass Sie alle Anweisungen, Richtlinien und Warnhinweise sorgfältig gelesen haben und dass Sie die hierin dargelegten Bestimmungen verstanden haben und ihnen zustimmen. Sie erklären sich damit einverstanden, dieses Produkt nur für den angegebenen Verwendungszweck und gemäß den Anweisungen, Richtlinien und Warnhinweisen dieses Produkthandbuchs sowie gemäß allen geltenden Gesetzen und Vorschriften zu verwenden. Eine Nichtbeachtung der hierin enthaltenen Anweisungen und Warnhinweise kann zu einer Verletzung Ihrer selbst und anderer Personen, zu Schäden an Ihrem Produkt oder zu Schäden an anderem Eigentum in der Umgebung führen. Dieses Produkthandbuch, einschließlich der Anweisungen, Richtlinien und Warnhinweise, sowie die zugehörige Dokumentation können Änderungen und Aktualisierungen unterliegen. Aktuelle Produktinformationen finden Sie unter documents.dometic.com.

2 Erklärung der Symbole

Ein Signalwort kennzeichnet Sicherheits- und Sachschadensmeldungen und gibt zudem den Grad oder das Ausmaß der Gefährdung an.



GEFAHR!

Kennzeichnet eine Gefahrensituation, die zum Tod oder schwerer Verletzung führt, wenn die jeweiligen Anweisungen nicht befolgt werden.



WARNUNG!

Kennzeichnet eine Gefahrensituation, die zum Tod oder schwerer Verletzung führen könnte, wenn die jeweiligen Anweisungen nicht befolgt werden.



ACHTUNG!

Kennzeichnet eine Situation, die zu Sachschäden führen kann, wenn die jeweiligen Anweisungen nicht befolgt werden.



HINWEIS Zusätzliche Informationen zur Bedienung des Produktes.

2.1 Ergänzende Anweisungen

Um die Gefahr von Unfällen und Verletzungen zu verringern, beachten Sie bitte die folgenden Anweisungen, bevor Sie mit der Installation dieses Geräts fortfahren:

- Lesen und befolgen Sie alle Sicherheitsinformationen und -hinweise.
- Lesen und verstehen Sie diese Anleitung vor der Installation dieses Produkts.
- Die Installation muss alle geltenden lokalen oder nationalen Vorschriften einhalten, einschließlich der neuesten Ausgabe der folgenden Standards:
 - American Boat and Yacht Council (ABYC)
 - ANSI/NFPA 70, National Electrical Code (NEC)

2.2 Sicherheitshinweise



GEFAHR! Brand- oder Explosionsgefahr. Für einige Modelle wird brennbares Kältemittel verwendet.

Die Nichtbeachtung dieser Warnungen hat Tod oder schwere Verletzungen zur Folge.

- > Reparaturen sind ausschließlich von geschultem Servicepersonal durchzuführen.
- > Installieren oder lagern Sie das Gerät nicht an einem Ort, an dem Zündquellen ständig in Betrieb sind.
- > Halten Sie alle erforderlichen Lüftungsöffnungen frei von Hindernissen.
- > Stechen Sie den Kältemittelschlauch nicht durch.
- > Informationen zum Kältemitteltyp finden Sie auf dem Typenschild des Produkts.



WARNUNG! Brand- und/oder Explosionsgefahr

Nichtbeachtung dieser Warnungen kann zum Tod oder schweren Verletzungen führen:

- > Verwenden Sie zum Erkennen oder Suchen von Kältemittellocks keine potenziellen Zündquellen. Verwenden Sie keine Halogenidbrenner oder andere Suchgeräte, die mit einer offenen Flamme funktionieren.
- > Stellen Sie sicher, dass das Suchgerät für den im Produkt verwendeten Kältemitteltyp geeignet ist. Informationen zum Kältemitteltyp finden Sie auf dem Typenschild des Produkts.
- > Elektronische Lecksuchgeräte können verwendet werden, um Kältemittellocks zu erkennen. Ihre Empfindlichkeit kann jedoch für brennbare Kältemittel unzureichend sein und muss möglicherweise neu kalibriert werden. Kalibrieren Sie das Suchgerät in einem kältemittelfreien Bereich.



WARNUNG! Gefahr durch Kohlenmonoxid

Nichtbeachtung dieser Warnungen kann zum Tod oder schweren Verletzungen führen:

- > Installieren oder betreiben Sie keine in sich geschlossene Klimaanlage in der Bilge oder in Motorräumen oder in der Nähe eines Verbrennungsmotors. Stellen Sie sicher, dass der gewählte Standort ausreichend abgedichtet ist, sodass Dämpfe und Abgase aus der Bilge und dem Maschinenraum nicht ungehindert eindringen können.
- > Stellen Sie sicher, dass die Kondensatablaufleitung ordnungsgemäß installiert und abgedichtet ist. Die Kondensatablaufleitung darf nicht näher als 0,91 m (3 ft) von Auslässen des Abgassystems von Motoren oder Generatoren oder in einem Maschinen- bzw. Generatorraum oder in einer Bilge enden, außer sie ist ordnungsgemäß mit einer abgedichteten Kondensatpumpe oder Pumpenanlage für den Sammelbrunnen der Dusche verbunden. Bei nicht sachgemäßer Installation der Ablaufleitung können gefährliche Dämpfe durch die Ablaufleitung in die Wohnbereiche gelangen und diese kontaminieren.
- > Installieren Sie die Klimaanlage nicht an einem Ort, an dem Kohlenmonoxid, Kraftstoffdämpfe oder andere schädliche Dämpfe in die Wohnräume des Bootes gelangen können.



WARNUNG! Gefahr durch Stromschlag

Die Installation darf nur durch eine qualifizierte Elektrofachkraft durchgeführt werden.



WARNUNG! Stromschlag-, Brand- und/oder Explosionsgefahr

Nichtbeachtung dieser Warnhinweise kann zum Tod oder schweren Verletzungen führen.

Dieses Gerät ist nicht für die Benutzung durch Personen (einschließlich Kindern) mit eingeschränkten physischen, sensorischen oder mentalen Fähigkeiten, fehlender Erfahrung und Kenntnis geeignet, es sei denn, sie werden von einer für ihre Sicherheit verantwortlichen Person beaufsichtigt oder haben von dieser Person eine entsprechende Einweisung in die Benutzung des Geräts erhalten. Kinder müssen beaufsichtigt werden um sicherzustellen, dass sie nicht mit dem Gerät spielen. Reinigung und Benutzerwartung dürfen nicht durch unbeaufsichtigte Kinder durchgeführt werden. Dieses Gerät sollte nicht für die Öffentlichkeit zugänglich sein.

**WARNUNG! Explosionsgefahr**

Nichtbeachtung dieser Warnhinweise kann zum Tod oder schweren Verletzungen führen.

- > Installieren Sie die Klimaanlage nicht in Räumen mit Benzinmotoren, Tanks, Autogas-/CNG-Zylindern, Reglern, Ventilen oder Anschlüssen für Kraftstoffleitungen. Sofern nicht anders gekennzeichnet, erfüllen in sich geschlossene Einheiten nicht die staatlichen Anforderungen an den Zündschutz. Die Nichtbeachtung dieser Warnung kann zum Tod oder zu schweren Verletzungen führen.
- > Elektrische Bauteile, die Lichtbögen oder Funken erzeugen können, dürfen nur durch vom Gerätehersteller angegebene Teile ersetzt werden. Der Ersatz durch andere Teile kann im Fall eines Lecks zur Entzündung des Kältemittels führen.

**WARNUNG! Gefährdung durch elektrischen Stromschlag**

Nichtbeachtung dieser Warnhinweise kann zum Tod oder schweren Verletzungen führen.

- > Achten Sie darauf, dass die Klimaanlage effektiv geerdet ist, um die Stromschlaggefahr zu minimieren. Weitere Informationen finden Sie in der Installationsanleitung.
- > Jede installierte Klimaanlage benötigt einen eigenen Schutzschalter. Wenn nur eine Klimaanlage installiert ist, benötigt die Meerwasserpumpe keinen eigenen Schutzschalter. Wenn zwei oder mehr Klimaanlagen dieselbe Meerwasserpumpe verwenden, werden die Pumpendrähte an die Relais-tafel der Pumpe (PRP) angeschlossen, die wiederum mit einem eigenen auf die Pumpe ausgelegten Schutzschalter ausgerüstet ist (max. 20 A). Beachten Sie den Anschlussplan, der mit der PRP geliefert wurde. Bei elektrischen Anschlüssen in der Bilge unterhalb der Wasserlinie sollten wärmeschrumpfende Kabelverbinder verwendet werden.
- > Verkabelungen müssen den elektrotechnischen Normen nach ABYC entsprechen. Die Spannung des Versorgungsstroms zu der Einheit muss sich innerhalb des auf dem Datenschild angegebenen Betriebsspannungsbereichs befinden. Ferner ist der Einbau passender Sicherungen oder von HACR-Schutzschaltern für den Nebenstromkreisschutz erforderlich. Informationen zur maximalen Größe der Sicherung/des Schutzschalters (MFS) und der Mindeststrombelastbarkeit (MCA) finden Sie auf dem Typenschild.

**ACHTUNG!**

Dieses Gerät enthält fluorierte Treibhausgase in einer hermetisch geschlossenen Einrichtung. Angaben zur Kältemittelmenge in Gewicht und Treibhauspotenzial finden Sie auf dem Produkttypenschild der Kondensatoreinheit. Das eingefüllte Kältemittel ist auf dem Geräteetikett zu vermerken.

**ACHTUNG!**

Verwenden Sie die Kupferrohre nicht zum Schieben, Ziehen, Anheben oder Tragen des Produkts.

3 Zielgruppe(n)



Die mechanische und elektrische Installation und Einrichtung des Geräts müssen von einer qualifizierten Fachkraft durchgeführt werden, die ihre Fähigkeiten und Kenntnisse im Zusammenhang mit dem Aufbau und der Bedienung von marinen Anlagen und Installationen unter Beweis gestellt hat und die mit den geltenden Vorschriften des Landes, in dem das Gerät installiert und/oder verwendet werden soll, vertraut ist und eine Sicherheitsschulung erhalten hat, um die damit verbundenen Gefahren zu erkennen und zu vermeiden.

4 Bestimmungsgemäßer Gebrauch

Dieses Handbuch ist für die Installation von den in sich geschlossenen Klimaanlagensystemen des Typs DCU, DLU, DTG, ECD, GT, GTX, GTX-LP, GVTX und TX vorgesehen (im Folgenden als „Klimaanlage“ bezeichnet). Die Klimaanlage ist für den Einsatz auf Booten und Yachten vorgesehen. Diese Klimaanlage ist nur für den angegebenen Verwendungszweck und die Anwendung gemäß dieser Anleitung geeignet.

Dieses Produkt ist nur für den angegebenen Verwendungszweck und die Anwendung gemäß dieser Anleitung geeignet.

Dieses Handbuch enthält Informationen, die für die ordnungsgemäße Installation und/oder den ordnungsgemäßen Betrieb des Produkts erforderlich sind. Installationsfehler und/oder ein nicht ordnungsgemäßer Betrieb oder eine nicht ordnungsgemäße Wartung haben eine unzureichende Leistung und u. U. einen Ausfall des Geräts zur Folge.

Der Hersteller übernimmt keine Haftung für Verletzungen oder Schäden am Produkt, die durch Folgendes entstehen:

- Unsachgemäße Installation oder falscher Anschluss, einschließlich Überspannung
- Unsachgemäße Wartung oder Verwendung von anderen als den vom Hersteller gelieferten Original-Ersatzteilen
- Veränderungen am Produkt ohne ausdrückliche Genehmigung des Herstellers
- Verwendung für andere als die in der Anleitung beschriebenen Zwecke

Dometic behält sich das Recht vor, das Erscheinungsbild des Produkts und dessen technische Daten zu ändern.

5 Erklärung der Symbole am Gerät



Warnung! Brandgefahr/entflammbare Materialien



Warnung! Material mit geringer Abbrandgeschwindigkeit. Brennbares Kältemittel.



Kältemittel Sicherheitsgruppe A2L



Lesen Sie die Bedienungsanleitung.



Lesen Sie das Servicehandbuch.

6 Vor der Installation

**ACHTUNG!**

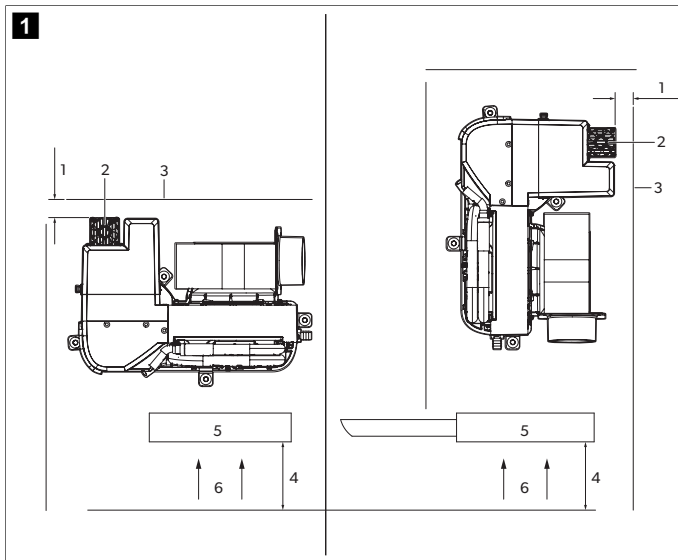
Die in sich geschlossenen Kondensatbasiswannen von DTG, GTX, GVTX und TX sind mit Schwingungsisolatoren ausgestattet, die am Boden der Wanne installiert sind. Diese Isolatoren sind dafür ausgelegt, die durch die betriebene Klimaanlage verursachten Schwingungen zu dämpfen, die auf die Montagefläche übertragen werden. Gehen Sie beim Bewegen der Klimaanlage über die Montageflächen mit höchster Sorgfalt vor, da andernfalls die Isolatoren beschädigt werden können.

**ACHTUNG!**

- > Die Klimaanlage muss an einer niedrigen, ebenen Fläche, z. B. am Boden eines Schanks, unter einer Schlafkoje, einem Sitz im Ess- oder Sitzraum oder einer ähnlichen Stelle angebracht werden.
- > Stellen Sie sicher, dass die Kabel nicht Verschleiß, Korrosion, übermäßigem Druck, Vibrationen, scharfen Kanten oder anderen schädlichen Umgebungseinflüssen ausgesetzt sind, einschließlich Einflüssen durch Alterung oder kontinuierliche Schwingungsquellen wie Kompressoren oder Lüfter.
- > Stellen Sie sicher, dass Schutzvorrichtungen, Rohrleitungen und Armaturen so weit wie möglich vor schädlichen Umgebungseinflüssen wie Ansammlungen von Schmutz, Schutt oder Wasser sowie Frost in Entlastungsrohren geschützt sind.
- > Es sollten Vorkehrungen getroffen werden, um übermäßige Vibrationen oder Schwingungen in den Kühlungsleitungen zu vermeiden.

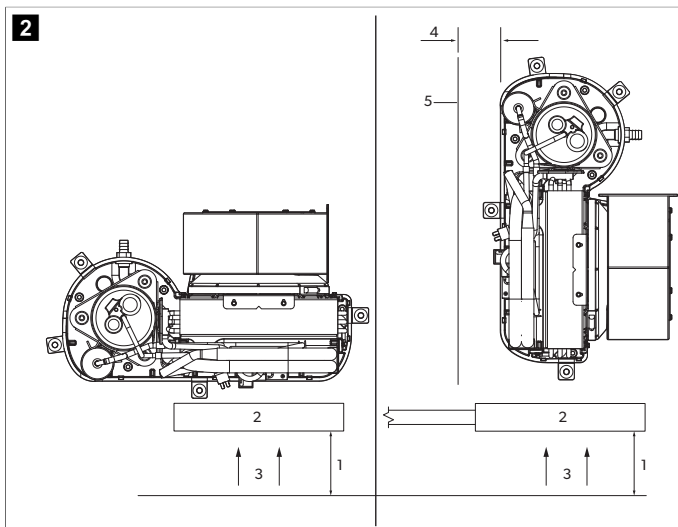
6.1 Installationsort festlegen

1. Platzierung von GVTX und TX in Relation zum Luftstrom



- | | | | |
|---|-------------------|---|--------------------|
| 1 | 3,00 in (7,62 cm) | 4 | 4,00 in (10,16 cm) |
| 2 | Kühlkörper | 5 | Abluftgitter |
| 3 | Schott | 6 | Luftströmung |

Platzierung aller anderen Klimaanlage in Relation zum Luftstrom



- | | | | |
|---|--------------------|---|-------------------|
| 1 | 4,00 in (10,16 cm) | 4 | 3,00 in (7,62 cm) |
| 2 | Abluftgitter | 5 | Schott |
| 3 | Luftströmung | | |

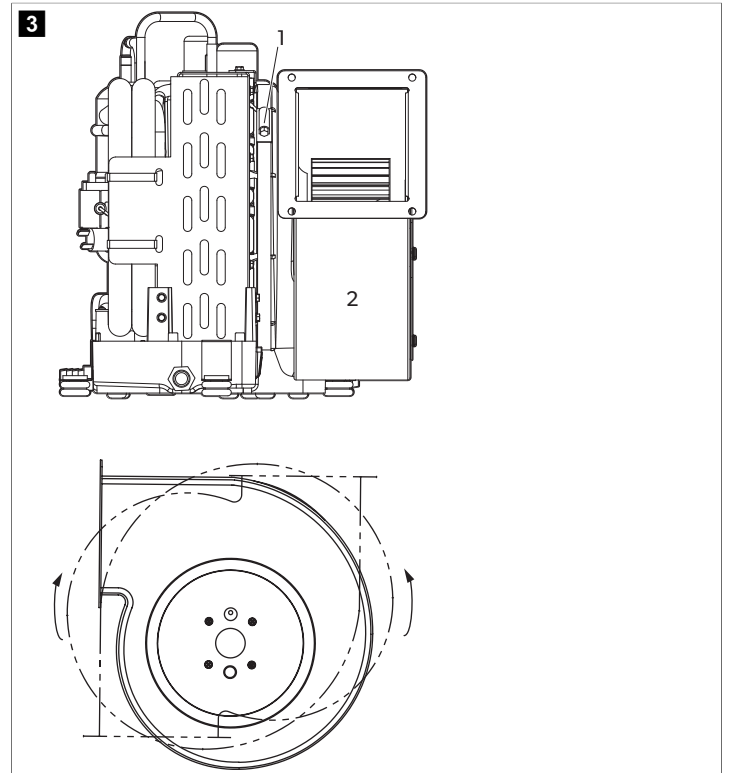
2. Wählen Sie einen Ort mit ausreichender Luftzirkulation. Vor dem Abluftgitter muss ein Luftzirkulationsabstand von mindestens 4,00 in (10,16 cm) vorhanden sein, der frei von Hindernissen ist.
3. Wenn die Klimaanlage senkrecht zum Abluftgitter positioniert ist, muss auf der Seite der Luftansaugung ein Luftzirkulationsabstand von mindestens 3,00 in (7,62 cm) eingehalten werden.
4. **Nur GVTX und TX:** Es sollte eine Mindestfreifläche von 3,00 in (7,62 cm) über und unter dem Kühlkörper vorgesehen werden.

6.2 Gebläse ausrichten

In diesem Abschnitt wird erläutert, wie das Gebläse bei den einzelnen Anlagentypen ausgerichtet wird. Drehen Sie das Gebläse bei Bedarf in eine Richtung, die den direktesten Luftaustritt durch die Rohrleitungen ermöglicht.

6.2.1 GTX-, GVTX-, DTG- und TX-Gebläse

Gebläseausrichtung der GTX-, GVTX-, DTG- und TX-Systeme

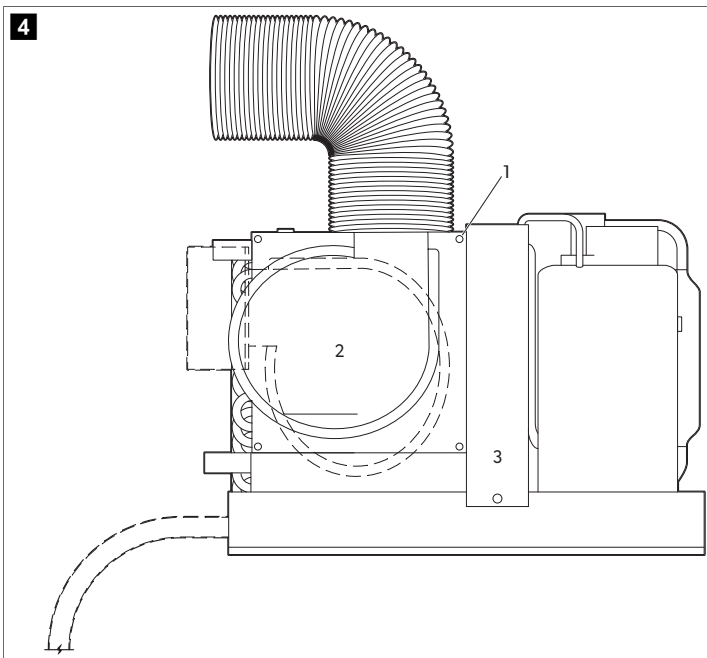


- | | |
|---|------------------|
| 1 | Adjustment screw |
| 2 | Blower |

1. Lösen Sie die Einstellschraube am Montagerring des Gebläses.
2. Richten Sie das Gebläse in der gewünschten Position aus.
3. Ziehen Sie die Einstellschraube an.

6.2.2 Gebläse bei MCS, ECD und GT

Ausrichtung des Gebläses bei Systemen des Typs MCS, ECD und GT

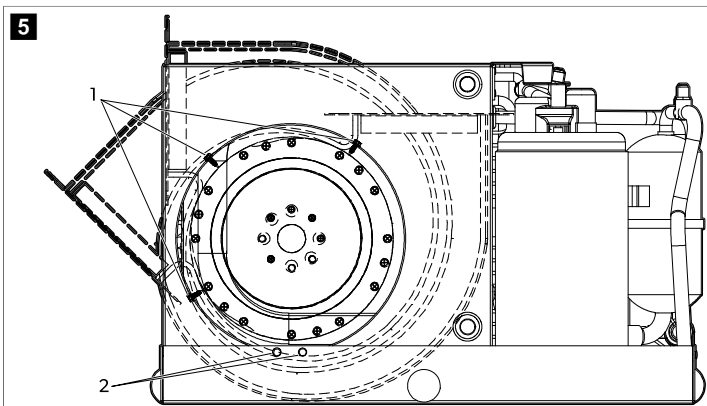


- 1 Screw
2 Lasche
3 Gebläse

- Entfernen Sie die sieben Schrauben an der Platte.
- Richten Sie das Gebläse in der gewünschten Position aus.
- Befestigen Sie das Gebläse mit Blechschrauben (nicht im Lieferumfang enthalten).

6.2.3 DCU-Gebläse

Gebläseausrichtung des DCU-Systems



- 1 Screws on blower ring
2 Screws on drain pan or bracket

- Entfernen Sie die Schrauben vom Gebläsering.
- Entfernen Sie die Schrauben, mit denen das Gebläse an der Ablaufwanne oder der Halterung befestigt ist.
- Richten Sie das Gebläse in der gewünschten Position aus.
- Befestigen Sie das Gebläse mit Blechschrauben (nicht im Lieferumfang enthalten).
- Verschließen Sie alle ungenutzten Öffnungen, um ein Austreten von Luft zu vermeiden.

6.3 Luftfilter anbringen

Luftfilter entfernen Schwebstoffpartikel aus der Kabinenluft und halten die Verdampferspule sauber. Bringen Sie pro Klimaanlage jeweils einen Luftfilter entweder an der Klimaanlage oder im Abluftgitter an.

6.4 Gitter und Übergangskästen anbringen

Beachten Sie beim Anbringen der Gitter und Übergangskästen Folgendes:

- Installieren Sie das Zuluftgitter so hoch wie möglich an einer Stelle, die eine gleichmäßige Luftverteilung in der gesamten Kabine ermöglicht. Richten Sie die Lamellen des Gitters nach oben aus.
- Installieren Sie das Abluftgitter so tief und nah wie möglich an der Klimaanlage, um den Luftstrom zum Verdampfer zu ermöglichen.
- Richten Sie den Zuluftauslass nicht auf das Abluftgitter, da sonst das System in kurzen Abständen ein- und ausgeschaltet wird.
- Lassen Sie genügend Abstand hinter dem Zuluftgitter für den Übergangskasten und den Rohranschluss. Siehe Technische Daten auf Seite 18

7 Installation



WARNUNG! Gefahr durch Stromschlag

Die Installation darf nur durch eine qualifizierte Elektrofachkraft durchgeführt werden.

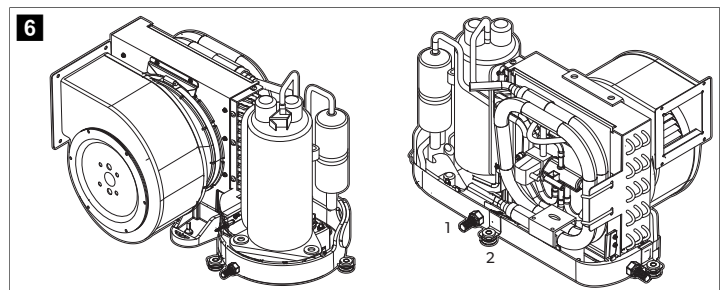
7.1 Befestigungshalterungen und Kondensatablauf installieren



ACHTUNG!

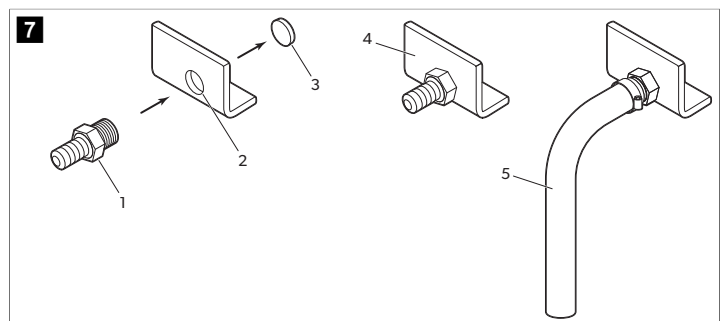
Um Risse in der Ablaufwanne zu vermeiden, verwenden Sie nicht mehr als zwei Lagen Gewindedichtband zum Umwickeln der Schlauchtülle und ziehen Sie die Schlauchtülle nicht zu fest an.

Typische Platzierung der Befestigungshalterungen und Kondensatabläufe



- 1 Schlauchtülle für Kondensatablauf
2 Montagebügel

Installation des Kondensatablaufs bei GTX, GVTX, DTG und TX

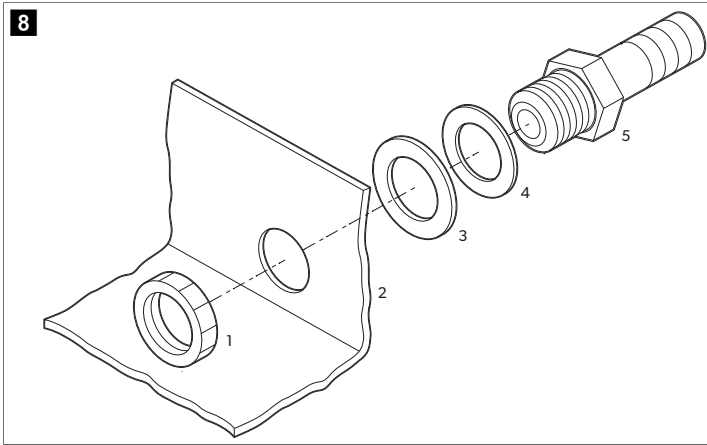


- 1 Hose barb

- 4 Drain pan

- 2 Ablauföffnung mit Gewinde 5 Abflussschlauch
3 Stanzbutzen

Installation des Kondensatablaufs bei allen anderen Klimaanlage

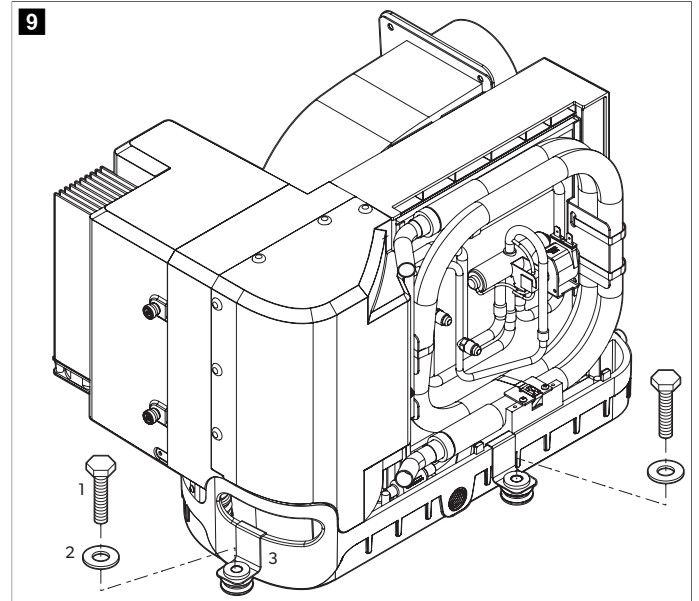


- 1 Locking nut 4 Solid washer
2 Ablaufwanne 5 PVC-Anschluss 0,5 in (12,7 mm) HB x
0,5 in (12,7 mm) MPT
3 Dichtscheibe

- Bei Einheiten des Typs GTX, GVTX, DTG und TX:
 - Schlagen Sie den Stanzbutzen mit dem schmalen Ende der Schlauchtülle aus der nach Achtern gerichteten Ablauföffnung heraus, indem Sie mit einem Gummihammer einen kurzen Schlag ausführen. Entsorgen Sie den herausgeschlagene Stanzbutzen.
 - Umwickeln Sie das Gewindeende der Schlauchtülle mit Gewindedichtband.
 - Schrauben Sie die Schlauchtülle in das Gewinde der Ablauföffnung und ziehen Sie sie fest.
- Bei allen anderen Klimaanlage:
 - Führen Sie die Schlauchtülle durch eine massive Unterlegscheibe und eine Dichtscheibe und führen Sie sie in die Ablauföffnung ein.
 - Sichern Sie sie mit einer Sicherungsmutter.
- Befestigen Sie den Abflussschlauch mit einer Schlauchschelle aus Edelstahl an der Schlauchtülle.

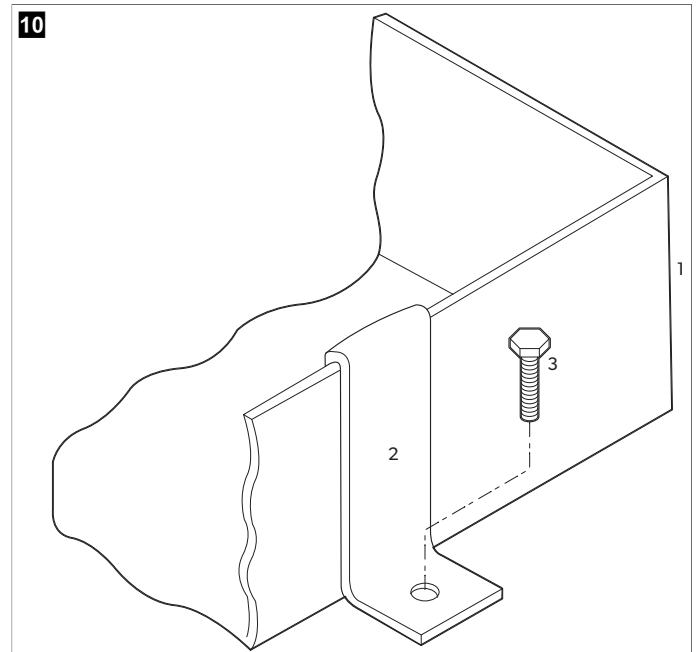
- Führen Sie den Abflussschlauch zu einer sicheren und geeigneten Sammelstelle nach unten.

Installation der Befestigungshalterung bei Einheiten des Typs GTX, GVTX, DTG und TX



- 1 Befestigungsschraube (nicht im Lieferumfang enthalten)
2 Fenderscheibe (im Lieferumfang enthalten)
3 Befestigungshalterung (im Lieferumfang enthalten)

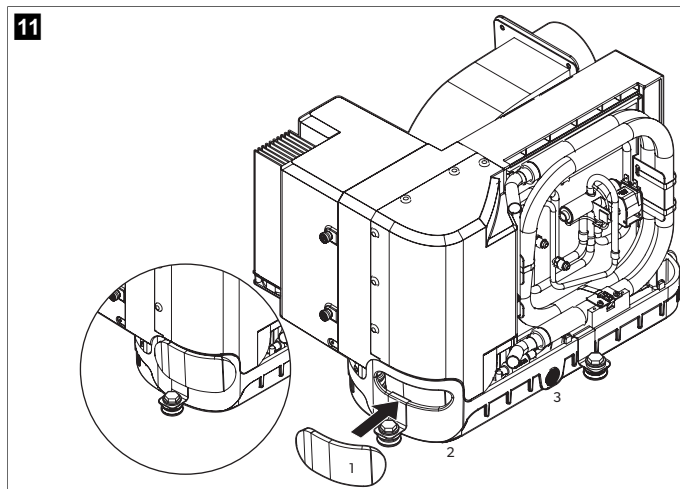
Installation der Befestigungshalterung bei anderen Klimaanlage



- 1 Ablaufwanne
2 Montagebügel
3 Befestigungsschraube (nicht im Lieferumfang enthalten)

5. Installieren Sie eine Befestigungshalterung auf jeder Seite der Ablaufwanne in gleichmäßigen Abständen.

Installation der Schaumstoffgriff-Isolierung an Einheiten des Typs GVTX und TX



- 1 Schaumstoffgriff-Isolierung
2 Grifföffnung
3 Ablaufwanne

6. Bei GVTX- und TX-Einheiten:
- Entfernen Sie die Folie von der selbstklebenden Rückseite der Schaumstoffgriff-Isolierung.
 - Positionieren Sie die Schaumstoffgriff-Isolierung so, dass die Grifföffnung vollständig abgedeckt ist, wobei die Klebeseite zur Ablaufwanne zeigt.
 - Drücken Sie um die Grifföffnung herum, um die Schaumstoffgriff-Isolierung an der Ablaufwanne zu befestigen.

7.2 Rohrleitungen installieren



WARNUNG! Brand- oder Explosionsgefahr

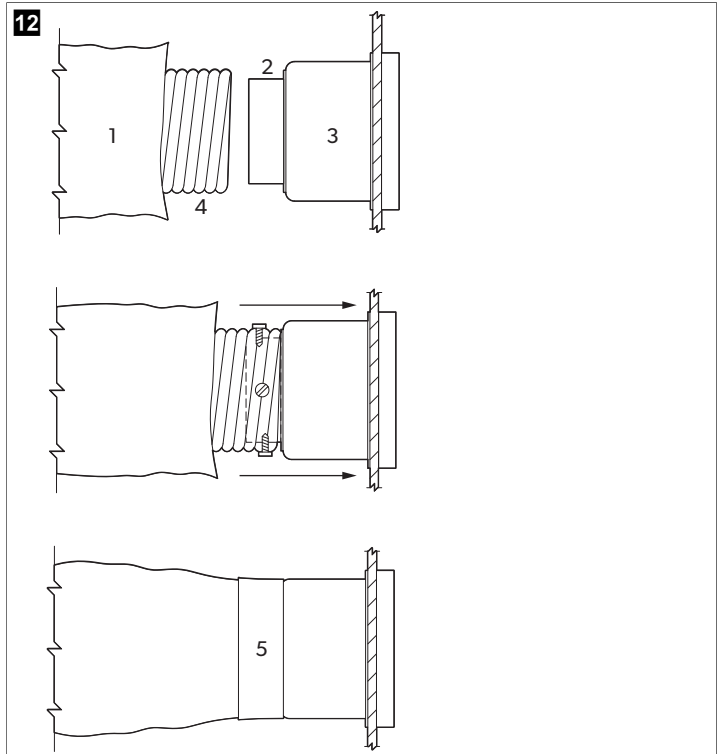
- > Hilfsgeräte, bei denen es sich um Zündquellen handeln kann, dürfen nicht in den Rohrleitungen installiert werden, außer Hilfsgeräte, die für den Einsatz mit dem jeweiligen Gerät aufgeführt sind.
- > Bei Modellen mit brennbaren Kältemitteln, die über ein Luftkanalsystem an einen oder mehrere Räume angeschlossen sind, muss die Zu- und Abluft direkt in den Raum geführt werden. Offene Bereiche wie abgehängte Decken dürfen nicht als Abluftkanal verwendet werden.
- > Führen Sie Rohrleitungen nicht durch einen Motorraum oder sonstige Bereiche, in denen sie gefährlichen Dämpfen oder Abgasen ausgesetzt sind.

Beachten Sie bei der Installation der Rohrleitungen die folgenden Hinweise:

- Die Rohrleitungen müssen eine für Ihre Anwendung geeignete Größe aufweisen.
- Verlegen Sie die Rohrleitungen so gerade, eben und straff wie möglich und minimieren Sie dabei die Anzahl von 90°-Biegungen und Schleifen, die den Luftstrom reduzieren können.
- Befestigen Sie die Rohrleitungen sicher, um ein Durchhängen zu verhindern.
- Achten Sie darauf, dass die Rohrleitungen nicht flachgedrückt oder geknickt werden.
- Kürzen Sie überschüssige Rohrleitungslängen nach der Installation.
- Isolieren Sie die Rohrleitungen, wenn sie sich in Bereichen mit hoher Temperatur befinden.

Bei der Verwendung eines Übergangskastens sollte die Gesamtfläche der Luftzuführungsleitungen, die von dem Kasten ausgehen, mindestens der Gesamtfläche der Zuluftleitungen entsprechen, die in den Kasten hineingehen. Siehe Technische Daten auf Seite 18

Rohrleitungsanschlüsse



- 1 Glasfaserisolierung
2 Montagering
3 Übergangskasten
4 Inneres Mylar-Schlauchrohr
5 Klebeband

- Schieben Sie das innere Mylar-Schlauchrohr um den Montagering zum Übergangskasten.
- Schrauben Sie drei oder vier Edelstahlschrauben durch das Mylar-Schlauchrohr in den Montagering und befestigen Sie dabei zwei oder drei Drähte an den Schraubenköpfen.
- Schieben Sie die Glasfaserisolierung um das innere Mylar-Schlauchrohr zum Übergangskasten. Befestigen Sie sie mit Klebeband.

7.3 Meerwassersystem installieren



ACHTUNG!

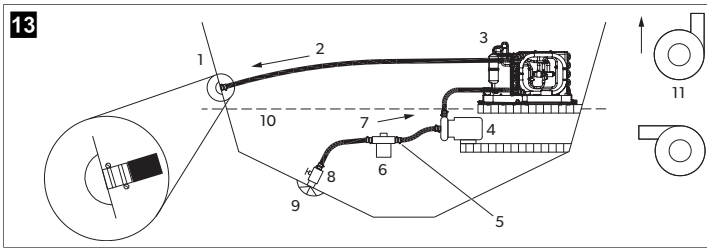
Wird dieses Verfahren nicht befolgt, erlischt der Gewährleistungsanspruch.

Beachten Sie beim Einbau des Meerwassersystems folgende Hinweise:

- Der Siebfilter muss sich unter der Pumpe befinden.
- Die Schläuche müssen mit zwei Schellen gesichert werden.
- Die Schläuche dürfen keine Knick, Schleifen oder Erhebungen aufweisen, in denen sich Luft ansammeln kann.
- Die Pumpe und der Siebfilter müssen sich unterhalb der Wasserlinie befinden.
- Der Rumpfeinlass, das Kugelventil, der Schlauch und der Siebfilter sollten nicht kleiner als der Pumpeneinlass sein.
- Installieren Sie den Rumpfanschluss so weit unter der Wasserlinie wie möglich.
- Die Pumpe muss über einen eigenen Rumpfeinlass verfügen.
- Vermeiden Sie nach Möglichkeit 90,00 °-Winkelstücke.
- Stellen Sie sicher, dass der Pumpenkopf in Richtung der Wasserströmung ausgerichtet ist.
- Sichern Sie alle Gewindeverbindungen mit Gewindedichtband.

Die maximalen und minimalen Wassertemperatur- und -druckwerte finden Sie unter Technische Daten auf Seite 18.

Meerwassersystem



- | | |
|---------------------|---|
| 1 Meerwasserauslass | 7 Nach oben verlaufender Einlassstrom |
| 2 Auslassfluss | 8 Kugelventil |
| 3 Klimaanlage | 9 Meerwasser-Scoop-Rumpfeinlass |
| 4 Meerwasserpumpe | 10 Wasserlinie |
| 5 Schlauchklemmen | 11 Ausrichtung des Pumpenkopf-Siebfilters korrigieren |
| 6 Siebfilter | |

1. Installieren Sie einen Meerwasser-Scoop-Rumpfeinlass so weit unter der Wasserlinie und so nah am Kiel wie möglich. Befestigen Sie den Scoop-Rumpfeinlass mit einem für den Einsatz unter Wasser geeigneten Dichtmittel, das für den Einsatz auf Booten ausgelegt ist.
2. Installieren Sie ein Vollstrom-Seeventil aus Bronze an dem Meerwasser-Scoop-Rumpfeinlass.
3. Installieren Sie einen Meerwassersiebfilter unterhalb der Pumpenebene mit Zugang zum Filter.
4. Montieren Sie die Meerwasserpumpe über dem Siebfilter und mindestens 0,3 m unterhalb der Wasserlinie.
5. Verbinden Sie das Seeventil und den Siebfilter mit einem nach oben verlaufenden verstärkten Schlauch, der für den Einsatz auf Booten ausgelegt ist.
6. Schließen Sie den Auslass von der Pumpe (oben) an den Einlass der Kondensatorspule der Klimaanlage (unten) mit einem verstärkten 5/8"-Schlauch an, der für den Einsatz auf Booten geeignet ist.
7. Schließen Sie den Auslass von der Kondensatorspule an den Rumpfanschluss des Außenbord-Auslasses mit einem verstärkten 16 mm (5/8") Schlauch an, der für den Einsatz auf Booten geeignet ist.
8. Vermeiden Sie beim Meerwasserschlauch Schleifen, Erhebungen und die Verwendung von 90°-Bogenstücken. Jedes -Winkelstück entspricht 2,5 ft (0,76 m) Schlauch und ein 90°-Winkelstück am Pumpenauslass entspricht 20,0 ft (6,10 m) Schlauch.
9. Sichern Sie alle Schlauchverbindungen mit zwei Edelstahlschellen doppelt und drehen Sie dabei die Schellen bei Bedarf um.
10. Schließen Sie alle Metallteile, die mit Meerwasser in Kontakt kommen, an das Potenzialausgleichssystem des Bootes an.

7.4 Elektrische Anschlüsse herstellen



WARNUNG! Gefährdung durch elektrischen Stromschlag

- > Schalten Sie vor dem Öffnen des Schaltkastens immer den Schutzschalter der Klimaanlage aus. Die Nichtbeachtung dieser Warnung kann zum Tod oder zu schweren Verletzungen führen.
- > Stellen Sie sicher, dass sich der Schaltkasten in einem wassergeschützten Bereich befindet.



ACHTUNG!

Die Klimaanlage muss an das Potenzialausgleichssystem des Bootes angeschlossen werden, um Korrosion aufgrund von elektrischen Streuströmen zu vermeiden. Alle Pumpen, Metallventile und -verschraubungen im Meerwasserkreislauf, die durch PVC- oder Gummischläuche von der Klimaanlage getrennt sind, müssen einzeln an das Potenzialausgleichssystem des Bootes angeschlossen werden.



HINWEIS Der Gewährleistungsanspruch verfällt, wenn Sie das System nicht ordnungsgemäß erden und anschließen!

Alle Klimaanlage verfügen über eine Klemmleiste im Schaltkasten, die für den korrekten Anschluss beschriftet ist. Der Anschlussplan im Schaltkasten ersetzt die ABYC-Normen. Verwenden Sie zum Schutz des Systems einen Schutzschalter der richtigen Größe entsprechend den Angaben auf dem Etikett des Typenschildes der Klimaanlage. Verwenden Sie ein Bootskabel mit einem Querschnitt von mindestens 12 AWG für die Stromversorgung der Klimaanlage und der Meerwasserpumpe. Verwenden Sie für alle Anschlüsse Ringklemmen oder unverlierbare Gabelklemmen.

Beachten Sie folgende Hinweise beim Herstellen elektrischer Anschlüsse:

- Die Wechselstromerdung muss an die Erdungsklemme (GRND) am Anschlussblock der Wechselstromversorgung angeschlossen werden.
- Verbindungen zwischen dem Erdungsleiter des Wechselstromsystems des Bootes und dem Gleichstrom-Minuspol oder Potenzialausgleichssystem des Bootes sollten als Teil der Verkabelung des Bootes vorgenommen werden. Prüfen Sie bei der Wartung oder dem Austausch vorhandener Geräte mit einem am Gehäuse montierten Massebolzen die Verkabelung des Bootes für diese Anschlüsse.
- Klimaanlagen des Typs GVTX und TX sind für den Betrieb mit Wechselstrom oder Hochspannungsgleichstrom ausgelegt. Beachten Sie den Anschlussplan des Boots für die korrekte Verlegung.

Stellen Sie sicher, dass die Wechselstromerdung der Klimaanlage ordnungsgemäß an die Wechselstromerdung des Bootes angeschlossen ist. Stellen Sie sicher, dass innerhalb des Bootes die Wechselstrom-Erdungsschiene mit der Gleichstrom-Erdungsschiene an genau einer Stelle verbunden ist.

Prüfen Sie alle elektrischen Anschlüsse vor der Inbetriebnahme und ziehen Sie diese bei Bedarf fest.

8 Entsorgung



VORSICHT! Brandgefahr

- > Dieses Gerät enthält entzündliches Treibgas zur Isolation.
- > Der Ausbau und die Entsorgung des Geräts dürfen nur durch Fachpersonal vorgenommen werden.



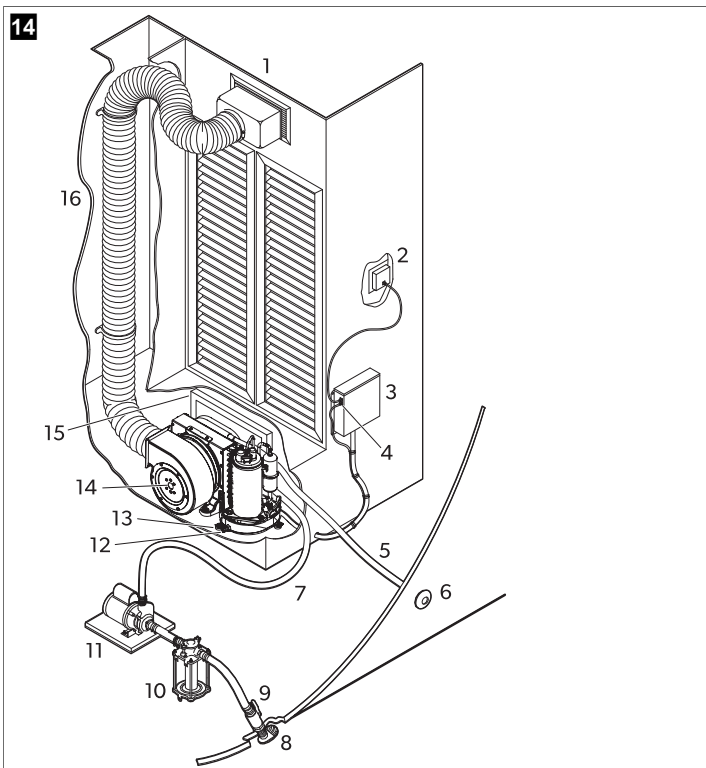
Geben Sie das Verpackungsmaterial möglichst in den entsprechenden Recycling-Müll. Wenden Sie sich an ein örtliches Recyclingzentrum oder einen Fachhändler, um zu erfahren, wie Sie das Produkt gemäß den geltenden Entsorgungsvorschriften entsorgen können.

9 Technische Daten

Lesen Sie diese Anleitung vollständig durch und planen Sie die für die Klimaanlage notwendigen Verbindungen (einschließlich Rohrleitungen, Kondensatablaufleitung, Schläuche für Meerwassereinlass und -auslass, Stromanschlüsse, Lage der Steuerung und Platzierung der Meerwasserpumpe), um den einfachen Zugang für die Verlegung der Leitungen und die spätere Wartung sicherzustellen.

9.1 Position der Komponenten

Kennzeichnung der Komponenten des Klimatisierungssystems



- | | |
|---|--------------------------------------|
| 1 Zuluftgitter und Übergangskasten | 9 Seewasser-Absperrventil |
| 2 Digitalanzeige | 10 Meerwasserfilter |
| 3 Schaltkasten | 11 Pumpe |
| 4 Kabel für optionalen Ferntemperatursensor | 12 Schlauchtülle für Kondensatablauf |
| 5 Meerwasser-Auslassschlauch | 13 Montagebügel |
| 6 Außenbord-Auslass | 14 Klimaanlage |
| 7 Meerwasser-Einlassschlauch | 15 Abluftgitter und Filter |
| 8 Meerwasser-Scoop-Rumpfeinlass | 16 Isolierte flexible Rohrleitungen |

9.2 Technische Daten

Der Kühlkreislauf enthält eine kleine Menge an umweltfreundlichem, aber brennbarem Kältemittel. Das Kältemittel schädigt nicht die Ozonschicht und trägt auch nicht zum Treibhauseffekt bei. Austretendes Kältemittel kann sich entzünden.

Dieses Produkt enthält fluorierte Treibhausgase.

Das Kühlaggregat ist hermetisch verschlossen.

Tabelle 3: Mindestgröße der Rohre und Gitter nach Kapazität in BTU

	3.5 k BTU	6 k BTU	8 k BTU	10 k BTU
Minimaler Rohrdurchmesser	3,00 in (76,2 mm)	4,00 in (101,6 mm)	5,00 in (127,0 mm)	6,00 in (152,4 mm)
Minimaler Rohrquerschnitt	6,8 in ² (43,9 cm ²)	12,6 in ² (81,3 cm ²)	19,6 in ² (126,5 cm ²)	28,3 in ² (182,6 cm ²)
Mindestgröße Abluftgitter	48,0 in ² (309,7 cm ²)	64,0 in ² (412,9 cm ²)	80,0 in ² (516,2 cm ²)	100,0 in ² (645,2 cm ²)
Mindestgröße Zuluftgitter	12,0 in ² (77,4 cm ²)	32,0 in ² (206,5 cm ²)	48,0 in ² (309,7 cm ²)	60,0 in ² (387,1 cm ²)
	12 k BTU	16 k BTU	18 k BTU	27 k BTU
Minimaler Rohrdurchmesser	6,00 in (152,4 mm)	7,00 in (177,8 mm)	7,00 in (177,8 mm)	8,00 in (203,2 mm)

	12 k BTU	16 k BTU	18 k BTU	27 k BTU
Minimaler Rohrquerschnitt	28,3 in ² (182,6 cm ²)	38,5 in ² (248,4 cm ²)	38,5 in ² (248,4 cm ²)	50,3 in ² (324,5 cm ²)
Mindestgröße Abluftgitter	130,0 in ² (838,8 cm ²)	160,0 in ² (1032,3 cm ²)	200,0 in ² (1290,4 cm ²)	240,0 in ² (1548,5 cm ²)
Mindestgröße Zuluftgitter	70,0 in ² (451,6 cm ²)	80,0 in ² (516,2 cm ²)	100,0 in ² (645,2 cm ²)	120,0 in ² (774,2 cm ²)

Tabelle 4: Betriebswassertemperatur und -druck

Minimale Betriebswassertemperatur	40,0 °F (4,44 °C)
Maximale Betriebswassertemperatur	80,0 °F (26,66 °C)
Minimaler Betriebswasserdruck	4,2 psi (0,29 bar) (29,00 kPa)
Maximaler Betriebswasserdruck	6,00 psi (0,41 bar) (41,4 kPa)

Beachten Sie die EPA-Verwendungsbedingungen.

HINWEIS Das Gerät kann außerhalb dieser Bedingungen mit reduzierter Kapazität betrieben werden.

10 Gesetzliche Vorschriften

Nur GVTX-Modelle: Zur Einhaltung der Norm IEC 60533 darf das Produkt nicht in einem Abstand von weniger als 9,8 ft (3,00 m) zu einer Empfangsantenne montiert werden.

11 Gewährleistung

Informationen zur Gewährleistung und zur Abwicklung von Gewährleistungsfällen in den USA, Kanada und allen anderen Regionen finden Sie in den nachstehenden Abschnitten.

USA und Kanada

EINGESCHRÄNKTE GEWÄHRLEISTUNG VERFÜGBAR UNTER DOMETIC.COM/EN-US/TERMS-AND-CONDITIONS-CONSUMER/WARRANTY. WENN SIE FRAGEN HABEN ODER EINE KOSTENLOSE KOPIE DER EINGESCHRÄNKTEN GEWÄHRLEISTUNG ERHALTEN MÖCHTEN, WENDEN SIE SICH BITTE AN:

DOMETIC CORPORATION
MARINE CUSTOMER SUPPORT CENTER
2000 NORTH ANDREWS AVENUE
POMPANO BEACH, FLORIDA, USA 33069
1-800-542-2477

Länder im Raum Asien/Pazifik (APAC)

Sollte das Produkt nicht ordnungsgemäß funktionieren, wenden Sie sich bitte an Ihren Fachhändler oder die Niederlassung des Herstellers in Ihrem Land (siehe dometic.com/dealer). Die für Ihr Produkt geltende Gewährleistung beträgt 1 Jahr(e).

Bitte senden Sie bei einem Reparatur- bzw. Gewährleistungsantrag folgende Unterlagen mit dem Gerät ein:

- eine Kopie der Rechnung mit Kaufdatum
- einen Reklamationsgrund oder eine Fehlerbeschreibung

Bitte beachten Sie, dass eigenständig oder nicht fachgerecht durchgeführte Reparaturen die Sicherheit gefährden und zum Erlöschen der Gewährleistung führen können.

Nur Australien

Unsere Waren unterliegen Garantieansprüchen, die nach dem australischen Verbraucherschutzgesetz („Australian Consumer Law“) nicht ausgeschlossen werden können. Sie haben Anspruch auf Ersatz oder Rückerstattung bei einem schwerwiegenden Defekt und auf Entschädigung für alle anderen vernünftigerweise vorhersehbaren Verluste oder Schäden. Sie haben außerdem Anspruch auf Reparatur

oder Ersatz der Waren, wenn die Waren nicht von akzeptabler Qualität sind und der Defekt keinen schwerwiegenden Defekt darstellt.

Nur Neuseeland

Diese Gewährleistungsrichtlinie unterliegt den Bedingungen und Garantien, die gemäß dem Consumer Guarantees Act 1993(NZ) zwingend vorgeschrieben sind.

Alle anderen Regionen

Es gilt die gesetzliche Gewährleistungsfrist. Sollte das Produkt defekt sein, wenden Sie sich bitte an die Niederlassung des Herstellers in Ihrem Land (siehe dometic.com/dealer) oder an Ihren Fachhändler.

Bitte senden Sie bei einem Reparatur- bzw. Gewährleistungsantrag folgende Unterlagen mit dem Gerät ein:

- eine Kopie der Rechnung mit Kaufdatum
- einen Reklamationsgrund oder eine Fehlerbeschreibung

Bitte beachten Sie, dass eigenständig oder nicht fachgerecht durchgeführte Reparaturen die Sicherheit gefährden und zum Erlöschen der Gewährleistung führen können.

Français

1	Remarques importantes.....	20
2	Signification des symboles.....	20
3	Groupe(s) cible(s).....	21
4	Usage conforme.....	21
5	Description des symboles de l'appareil.....	21
6	Pré-installation.....	21
7	Installation.....	23
8	Mise au rebut.....	26
9	Caractéristiques techniques.....	26
10	Mentions légales.....	27
11	Garantie.....	27

1 Remarques importantes

Veillez lire et suivre attentivement l'ensemble des instructions, directives et avertissements figurant dans ce manuel afin d'installer, d'utiliser et d'entretenir le produit correctement à tout moment. Ces instructions DOIVENT rester avec le produit.

En utilisant ce produit, vous confirmez expressément avoir lu attentivement l'ensemble des instructions, directives et avertissements et que vous comprenez et acceptez de respecter les modalités et conditions énoncées dans le présent document. Vous acceptez d'utiliser ce produit uniquement pour l'usage et l'application prévus et conformément aux instructions, directives et avertissements figurant dans le présent manuel, ainsi qu'à toutes les lois et réglementations applicables. En cas de non-respect des instructions et avertissements figurant dans ce manuel, vous risquez de vous blesser ou de blesser d'autres personnes, d'endommager votre produit ou d'endommager d'autres biens à proximité. Le présent manuel produit, y compris les instructions, directives et avertissements, ainsi que la documentation associée peuvent faire l'objet de modifications et de mises à jour. Pour obtenir des informations actualisées sur le produit, consulter le site documents.domestic.com.

2 Signification des symboles

Un mot de signallement identifie les messages relatifs à la sécurité et aux dégâts matériels en indiquant le degré ou le niveau de gravité du danger.



DANGER !

Indique une situation dangereuse qui, si elle n'est pas évitée, entraînera des blessures graves, voire mortelles.



AVERTISSEMENT !

Indique une situation dangereuse qui, si elle n'est pas évitée, est susceptible d'entraîner des blessures graves, voire mortelles.



AVIS !

Indique une situation dangereuse qui, si elle n'est pas évitée, peut entraîner des dommages matériels.



REMARQUE Informations complémentaires sur l'utilisation de ce produit.

2.1 Directives supplémentaires

Pour réduire le risque d'accidents et de blessures, respectez les consignes suivantes avant d'installer cet appareil :

- Lisez et respectez toutes les consignes et instructions de sécurité.
- Lisez attentivement ces instructions avant d'installer ce produit.
- L'installation doit être conforme à toutes les réglementations locales ou nationales applicables, y compris la dernière édition des normes suivantes :
 - American Boat and Yacht Council (ABYC)
 - ANSI/NFPA 70, National Electrical Code (NEC)

2.2 Consignes de sécurité



DANGER ! Risque d'incendie ou d'explosion. Certains modèles utilisent du réfrigérant inflammable.

Le non-respect des avertissements suivants entraîne des blessures graves, voire mortelles :

- > L'appareil doit uniquement être réparé par des personnes qualifiées.
- > L'appareil ne doit pas être installé ou stocké dans un endroit où des sources d'inflammation fonctionnent en continu.
- > Vérifiez que toutes les ouvertures de ventilation requises ne sont pas obstruées.
- > Ne percez pas le circuit de fluide frigorigène.
- > Consultez la plaque signalétique du produit pour connaître le type de réfrigérant.



AVERTISSEMENT ! Risque d'incendie et/ou d'explosion

Le non-respect des mises en garde suivantes peut entraîner des blessures graves, voire mortelles :

- > N'utilisez pas de sources d'inflammation potentielles pour détecter ou rechercher des fuites de réfrigérant. N'utilisez pas de lampes halogènes ou tout autre détecteur recourant à une flamme nue.
- > Vérifiez que l'équipement de détection est adapté au type de réfrigérant utilisé dans le produit. Reportez-vous à la plaque signalétique du produit pour connaître le type de réfrigérant utilisé.
- > Des détecteurs de fuite électroniques peuvent être utilisés pour détecter les fuites de réfrigérant. Cependant, leur sensibilité peut être inadaptée pour les réfrigérants inflammables et ils peuvent nécessiter un réétalonnage. Étalonnez l'équipement de détection dans une zone exempte de réfrigérant.



AVERTISSEMENT ! Risque d'intoxication au monoxyde de carbone

Le non-respect des mises en garde suivantes peut entraîner des blessures graves, voire mortelles :

- > N'installez ou n'utilisez pas de climatiseur autonome dans les zones de fond de cale ou les salles des moteurs, ou à proximité d'un moteur à combustion interne. Veillez à ce que l'emplacement sélectionné soit étanche aux vapeurs provenant du fond de cale et/ou de la salle des machines.
- > Vérifiez que la conduite de purge des condensats est correctement installée et étanchéifiée. Ne placez pas l'extrémité de la conduite de purge des condensats à moins de 0,91 m (3 pieds) de toute sortie d'un système d'échappement de moteur ou de générateur, dans un compartiment contenant un moteur ou un générateur, ou dans un fond de cale, à moins que la purge ne soit correctement raccordée à une pompe à condensat ou de vidange de douche étanche. Si la conduite de purge n'est pas correctement installée, des fumées dangereuses peuvent circuler au sein de celle-ci et contaminer les espaces de vie.
- > N'installez pas le climatiseur dans un endroit où il peut faire circuler du monoxyde de carbone, des vapeurs de carburant ou d'autres fumées nocives dans les espaces de vie d'un navire.



AVERTISSEMENT ! Risque d'électrocution

L'installation peut uniquement être effectuée par un électricien agréé.



AVERTISSEMENT ! Risque de choc électrique, d'incendie et/ou d'explosion

Le non-respect de ces consignes peut entraîner des blessures graves, voire mortelles.

Cet appareil ne doit pas être utilisé par des personnes (y compris les enfants) souffrant de déficiences physiques, sensorielles ou mentales ou manquant d'expérience ou de connaissances, sauf si une personne garante de leur sécurité les surveille ou leur fournit toutes les instructions adéquates sur son utilisation. Les enfants doivent être surveillés pour garantir qu'ils ne jouent pas avec l'appareil. Le nettoyage et l'entretien ne doivent pas être effectués par des enfants sans surveillance. Cet appareil ne doit pas être accessible au grand public.

**AVERTISSEMENT ! Risque d'explosion**

Le non-respect de ces consignes peut entraîner des blessures graves, voire mortelles.

- > N'installez pas le climatiseur dans un endroit contenant des moteurs à essence, des réservoirs, des bouteilles GPL/CNG, des régulateurs, des vannes, ou des raccords de conduite de carburant. Sauf indication contraire, les unités autonomes ne répondent pas aux exigences fédérales en matière de protection contre l'inflammation. Le non-respect de ces mises en garde peut entraîner des blessures graves, voire mortelles.
- > Les composants électriques susceptibles d'être à l'arc ou de produire des étincelles doivent uniquement être remplacés par des pièces spécifiées par le fabricant de l'appareil. Le remplacement par d'autres pièces peut entraîner l'inflammation du réfrigérant en cas de fuite.

**AVERTISSEMENT ! Il existe un danger d'électrocution**

Le non-respect de ces consignes peut entraîner des blessures graves, voire mortelles.

- > Veillez à relier le climatiseur à la terre de manière appropriée, afin de minimiser le risque de choc électrique. Reportez-vous aux instructions d'installation pour plus d'informations.
- > Chaque climatiseur installé nécessite son propre disjoncteur. Si un seul climatiseur est installé, la pompe à eau de mer ne nécessite pas de disjoncteur dédié. Si plusieurs climatiseurs utilisent la même pompe à eau de mer, les fils de la pompe sont connectés à un panneau de relais de pompe (PRP), lui-même raccordé à un disjoncteur dédié, dimensionné pour la pompe (20 A max.). Reportez-vous au schéma de câblage fourni avec le panneau de relais de pompe (PRP). Les connexions électriques dans le fond de cale et/ou sous la ligne de flottaison doivent disposer de prolongateurs bout à bout thermorétractables.
- > Le câblage sur site doit être conforme aux normes électriques ABYC. L'alimentation de l'unité doit être comprise dans la plage de tensions de fonctionnement indiquée sur la plaque signalétique. Des fusibles ou des disjoncteurs HACR de taille appropriée doivent être installés pour la protection des circuits de dérivation. Reportez-vous à la plaque signalétique pour connaître la taille maximale des fusibles/disjoncteurs (MFS) et la capacité minimale du circuit (MCA).

**AVIS !**

Cet appareil contient des gaz à effet de serre fluorés dans un équipement hermétique. Reportez-vous à l'étiquette figurant sur la plaque signalétique du groupe de condensation pour connaître la quantité de fluide frigorigène indiquée en poids et en PRG. Le fluide frigorigène ajouté doit être inscrit sur l'étiquette de l'unité.

**AVIS !**

N'utilisez pas le tuyau en cuivre pour pousser, tirer, soulever ou porter le produit.

3 Groupe(s) cible(s)



L'installation mécanique et électrique et la configuration de l'appareil doivent être réalisées par un technicien agréé disposant des compétences et connaissances structurelles et fonctionnelles requises en matière d'équipements et d'installations maritimes, au fait des réglementations en vigueur dans le pays dans lequel l'équipement doit être installé et/ou utilisé, et ayant suivi une formation de sécurité pour identifier et éviter les dangers impliqués.

4 Usage conforme

Ce manuel est destiné à l'installation des systèmes de climatisation autonomes DCU, DLU, DTG, ECD, GT, GTX, GTX-LP, GVTX et TX (ci-après dénommés « climatiseurs »). Le climatiseur est conçu pour être utilisé sur les bateaux et les yachts. Ce climatiseur convient uniquement à l'usage et à l'application prévus, conformément aux présentes instructions.

Ce produit convient uniquement à l'usage et à l'application prévus, conformément au présent manuel d'instructions.

Ce manuel fournit les informations nécessaires à l'installation et/ou à l'utilisation correcte du produit. Une installation, une utilisation ou un entretien inappropriés entraînera des performances insatisfaisantes et une éventuelle défaillance.

Le fabricant décline toute responsabilité en cas de blessure ou de dommage résultant :

- d'une installation, d'un montage ou d'un raccordement incorrect, y compris d'une surtension
- d'un entretien inadapté ou de l'utilisation de pièces de rechange autres que les pièces de rechange d'origine fournies par le fabricant
- de modifications apportées au produit sans autorisation explicite du fabricant
- d'usages différents de ceux décrits dans ce manuel

Dometic se réserve le droit de modifier l'apparence et les spécifications produit.

5 Description des symboles de l'appareil



Attention ! Risque d'incendie / Matériaux inflammables



Attention ! Matériau à combustion lente. Réfrigérant inflammable.



Groupe de sécurité de fluide frigorigène A2L



Consultez le manuel d'utilisation.



Consultez le manuel de service.

6 Pré-installation

**AVIS !**

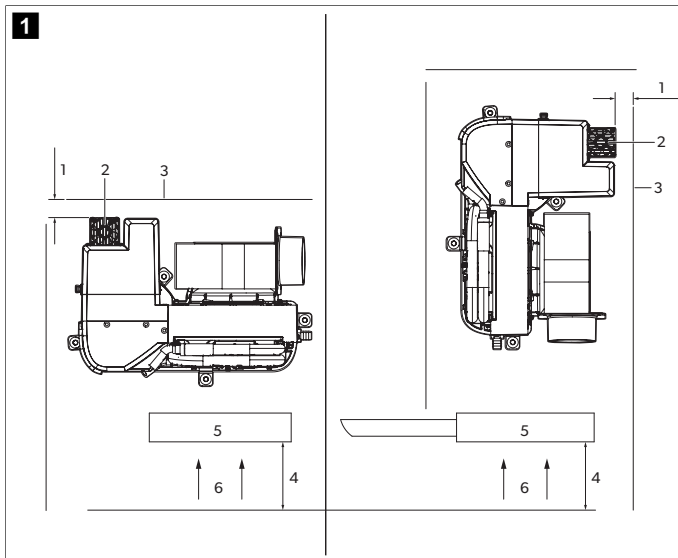
Les bacs de récupération des condensats des systèmes autonomes DTG, GTX, GVTX et TX sont équipés d'isolateurs de vibrations installés au fond du bac. Ces isolateurs sont conçus pour amortir les vibrations causées par le fonctionnement du climatiseur et empêcher leur transfert vers la surface montée. Déplacez le climatiseur avec précaution sur les surfaces de montage, car les isolateurs peuvent être endommagés.

**AVIS !**

- > Le climatiseur doit être monté sur une surface basse, plane et de niveau, telle que la partie inférieure d'un casier, sous une couchette ou une banquette, ou à un emplacement similaire.
- > Assurez-vous que le câblage ne sera pas soumis à l'usure, à la corrosion, à une pression excessive, à des vibrations, à des bords tranchants, ou à tout autre effet environnemental négatif, y compris les effets du vieillissement ou des vibrations continues provenant de sources telles que les compresseurs ou les ventilateurs.
- > Vérifiez que les dispositifs de protection, la tuyauterie et les raccords sont protégés autant que possible contre les effets néfastes sur l'environnement, tels que l'accumulation de saletés et de débris ou la collecte et le gel de l'eau dans les tuyaux de décharge.
- > Des précautions doivent être prises pour éviter des vibrations ou des pulsations excessives sur la tuyauterie de réfrigération.

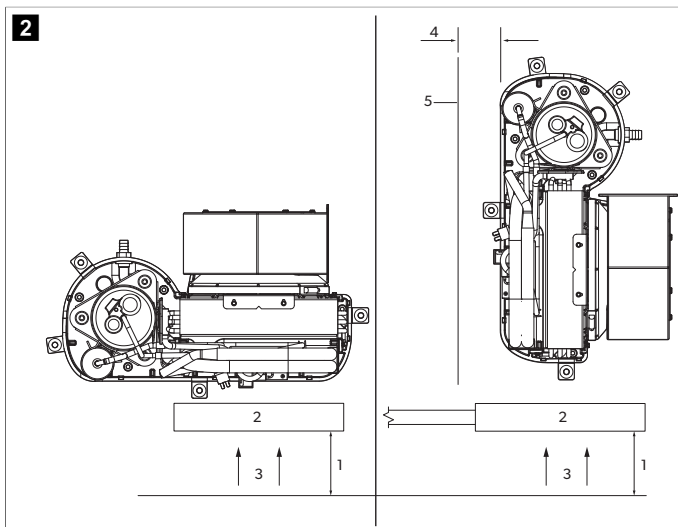
6.1 Détermination de l'emplacement d'installation

1. Positionnement de GVTX et TX par rapport au débit d'air



- | | |
|--------------------------------|---------------------------------|
| 1 3,00 in (7,62 cm) | 4 4,00 in (10,16 cm) |
| 2 Dissipateur thermique | 5 Grille de retour d'air |
| 3 Cloison | 6 Flux d'air |

Positionnement de tous les autres climatiseurs par rapport au flux d'air



- | | |
|---------------------------------|----------------------------|
| 1 4,00 in (10,16 cm) | 4 3,00 in (7,62 cm) |
| 2 Grille de retour d'air | 5 Cloison |
| 3 Flux d'air | |

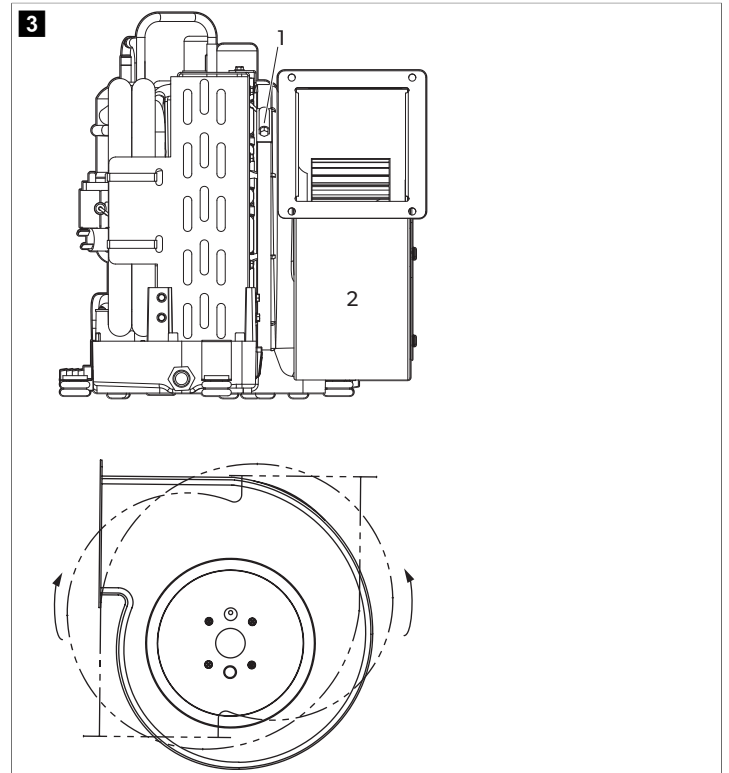
- Choisissez un emplacement avec un flux d'air suffisant. La grille de retour d'air doit avoir un dégagement avant minimum de 4,00 in (10,16 cm) pour permettre la circulation de l'air, sans obstruction.
- Si le climatiseur est positionné perpendiculairement à la grille de retour d'air, maintenez un dégagement minimum de 3,00 in (7,62 cm) pour permettre la circulation de l'air côté admission.
- GVTX et TX uniquement :** Prévoyez une surface ajourée minimale de 3,00 in (7,62 cm) au-dessus et en dessous du dissipateur de chaleur.

6.2 Rotation du ventilateur

Cette section explique comment faire pivoter le ventilateur pour chaque type d'unité. Si nécessaire, faites pivoter le ventilateur dans le sens permettant d'évacuer le plus directement le flux d'air à travers le conduit.

6.2.1 Ventilateurs GTX, GVTX, DTG et TX

Rotation du ventilateur sur les systèmes GTX, GVTX, DTG et TX

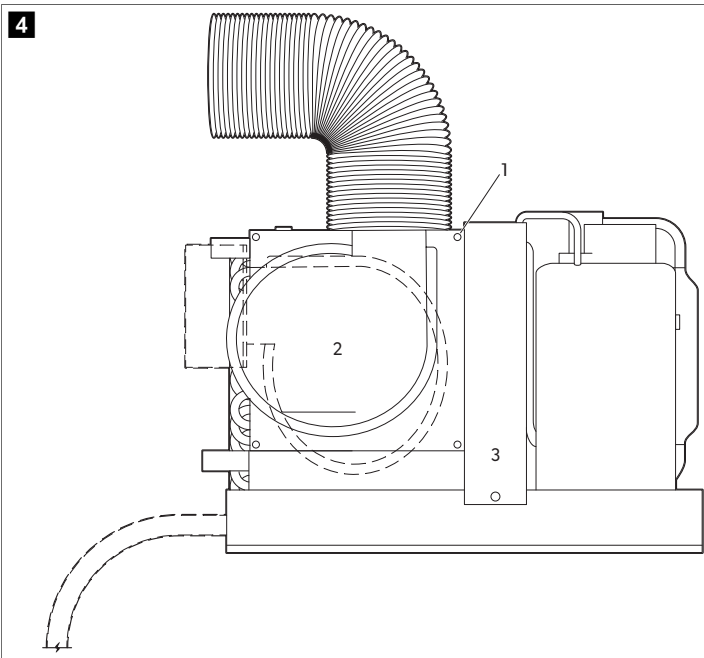


- Adjustment screw
- Blower

- Desserrez la vis de réglage de la bague de montage du ventilateur.
- Inclinez le ventilateur dans la position souhaitée.
- Serrez la vis de réglage.

6.2.2 Ventilateurs MCS, ECD et GT

Rotation du ventilateur sur les systèmes MCS, ECD, et GT

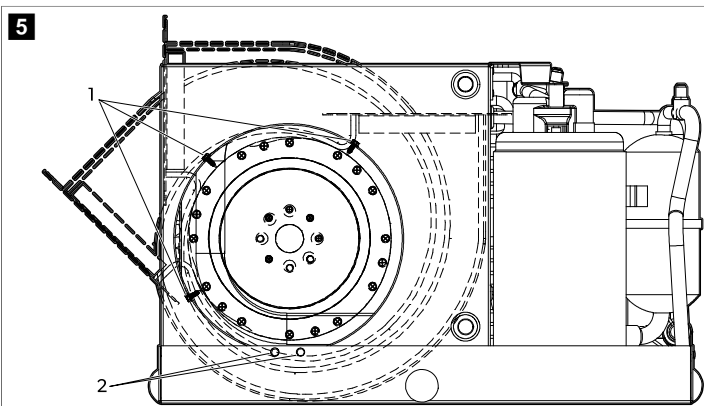


- 1 Screw
- 2 Plaque
- 3 Ventilateur

1. Déposez les sept vis de la plaque.
2. Inclinez le ventilateur dans la position souhaitée.
3. Fixez le ventilateur en place à l'aide de vis autotaraudeuses (non fournies).

6.2.3 Ventilateur DCU

Rotation du ventilateur du système DCU



- 1 Screws on blower ring
- 2 Screws on drain pan or bracket

1. Retirez les vis de la bague du ventilateur.
2. Déposez les vis fixant le ventilateur au bac de purge ou au support.
3. Inclinez le ventilateur dans la position souhaitée.
4. Fixez le ventilateur en place à l'aide de vis autotaraudeuses (non fournies).
5. Bouchez tous les trous inutilisés pour éviter toute fuite d'air.

6.3 Positionnement des filtres à air

Les filtres à air éliminent les particules en suspension dans l'air de la cabine et assurent la propreté de la bobine de l'évaporateur. Placez un filtre à air sur le climatiseur ou dans la grille de retour d'air pour chaque climatiseur.

6.4 Mise en place des grilles et des boîtes de transition

Tenez compte des points suivants lors du positionnement des grilles et des boîtes de transition :

- Installez la grille d'alimentation en air aussi haut que possible, à un emplacement permettant une distribution uniforme de l'air au sein de la cabine. Dirigez les ailettes de la grille vers le haut.
- Installez la grille de retour d'air aussi bas et près du climatiseur que possible pour assurer un flux d'air approprié vers l'évaporateur.
- Ne dirigez pas la sortie d'alimentation en air vers la grille de retour d'air, car cela pourrait placer le système en cycle court.
- Laissez un espace suffisant derrière la grille d'alimentation en air pour la boîte de transition et le raccord de conduit. Reportez-vous à la section Spécifications à la page 27

7 Installation



AVERTISSEMENT ! Risque d'électrocution

L'installation peut uniquement être effectuée par un électricien agréé.

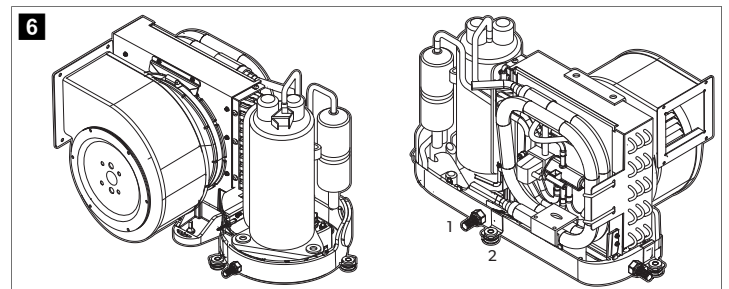
7.1 Installation des supports de montage et de la purge des condensats



AVIS !

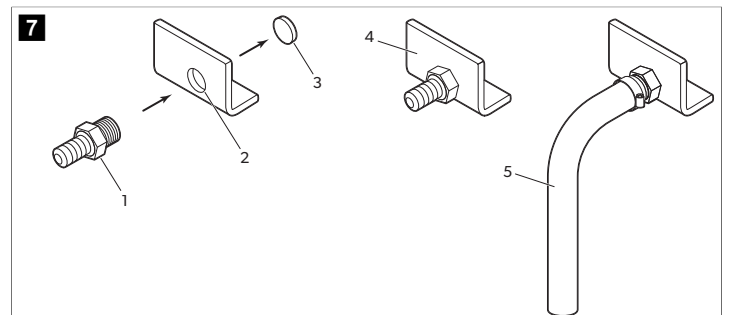
Pour éviter de fissurer le bac de purge, n'appliquez pas plus de deux couches de ruban d'étanchéité autour du raccord cannelé et ne le serrez pas trop.

Positionnement type des supports de montage et des purges des condensats



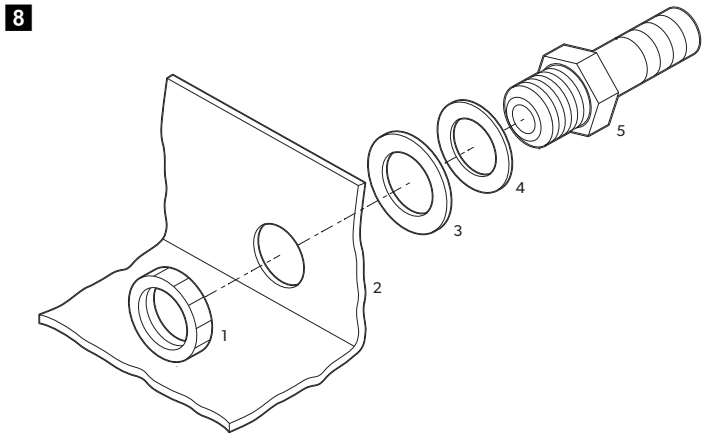
- 1 Raccord cannelé de purge des condensats
- 2 Support de montage

Installation de la purge des condensats pour GTX, GVTX, DTG et TX



- | | | | |
|---|-----------------------------|---|----------------|
| 1 | Hose barb | 4 | Drain pan |
| 2 | Orifice de purge fileté | 5 | Tuyau de purge |
| 3 | Bouchon d'entrée défonçable | | |

Installation de la purge des condensats pour tous les autres climatiseurs



- | | | | |
|---|-------------------------------|---|---|
| 1 | Locking nut | 4 | Solid washer |
| 2 | Bac de purge | 5 | Raccord en PVC 0,5 in (12,7 mm) HB x 0,5 in (12,7 mm) MPT |
| 3 | Rondelle d'étanchéité liquide | | |

1. Pour les unités GTX, GVTX, DTG et TX :

- À l'aide de la petite extrémité du raccord cannelé, chassez le bouchon d'un orifice de purge orienté vers l'arrière en appliquant un coup rapide avec un maillet en caoutchouc. Jetez le bouchon de l'entrée défonçable.
- Appliquez du ruban d'étanchéité autour de l'extrémité fileté du raccord cannelé.
- Vissez le raccord cannelé dans l'orifice de purge et serrez-le fermement.

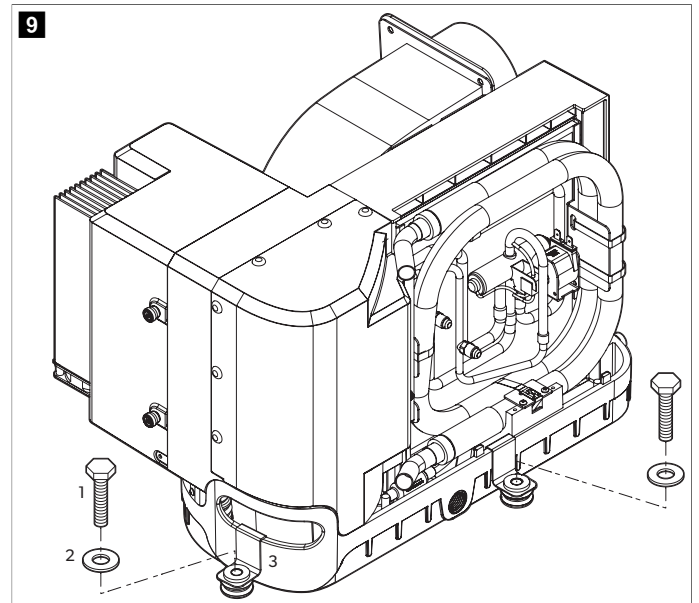
2. Pour tous les autres climatiseurs :

- Enfilez une rondelle pleine et une rondelle d'étanchéité liquide dans le raccord cannelé, puis insérez-le dans l'orifice de purge.
- Fixez le raccord à l'aide d'un écrou de blocage.

3. Fixez le tuyau de purge au raccord cannelé à l'aide d'un collier de serrage en acier inoxydable.

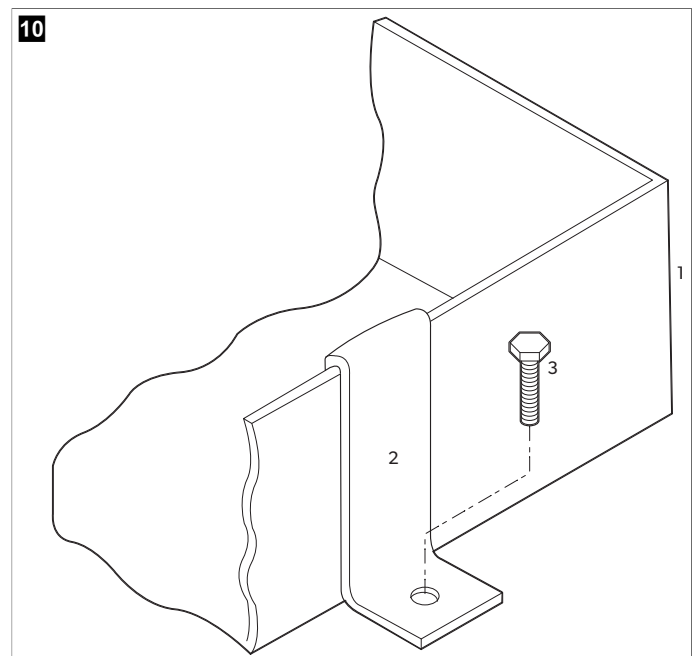
4. Acheminez le tuyau de purge vers le bas jusqu'à un point de collecte sûr et approprié.

Installation du support de montage pour les unités GTX, GVTX, DTG, et TX



- | | |
|---|---------------------------------|
| 1 | Boulon de fixation (non fourni) |
| 2 | Rondelle plate (fournie) |
| 3 | Support de montage (fourni) |

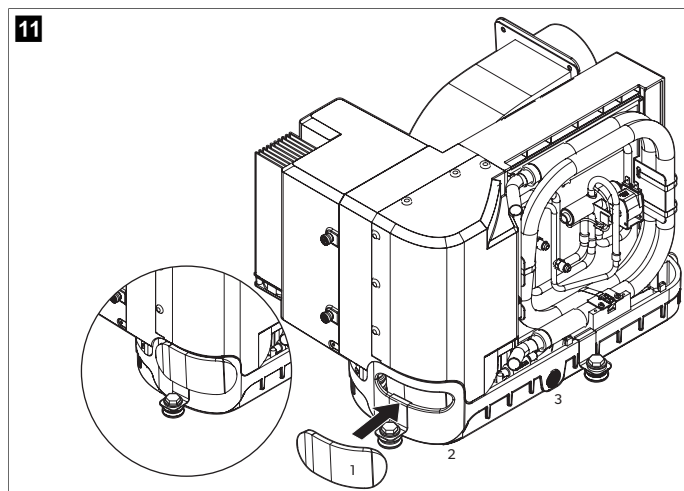
Installation du support de montage pour les autres climatiseurs



- | | |
|---|---------------------------------|
| 1 | Bac de purge |
| 2 | Support de montage |
| 3 | Boulon de fixation (non fourni) |

5. Installez un support de montage de chaque côté du bac de purge en conservant le même espacement.

Installation de l'isolant de la poignée en mousse sur les unités GVTX et TX



- 1 Isolant de poignée en mousse
2 Ouverture de la poignée
3 Bac de purge

6. Pour les unités GVTX et TX :

- Retirez le film recouvrant le support adhésif de l'isolant de poignée en mousse.
- Positionnez l'isolant de poignée en mousse de manière à recouvrir complètement l'ouverture de la poignée en orientant le côté adhésif vers le bac de purge.
- Appliquez une pression sur le contour de l'ouverture de la poignée pour coller l'isolant de poignée en mousse sur le bac de purge.

7.2 Installation des conduits



AVERTISSEMENT ! Risque d'incendie ou d'explosion

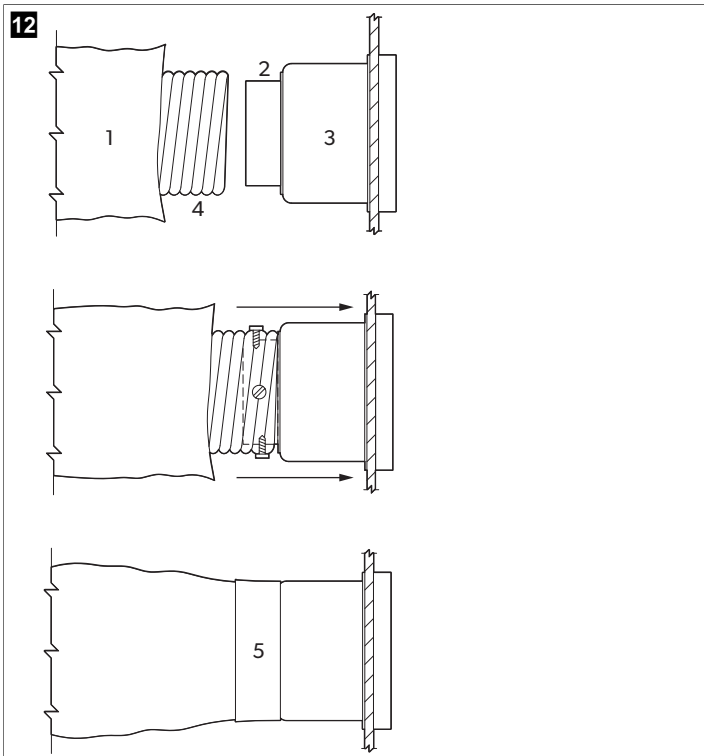
- > Les dispositifs auxiliaires pouvant être des sources d'inflammation ne doivent pas être installés dans les canalisations, à l'exception des dispositifs auxiliaires répertoriés pour une utilisation avec l'appareil spécifique.
- > Pour les modèles utilisant des réfrigérants inflammables et qui sont reliés par un système de conduit d'alimentation en air à une ou plusieurs pièces, l'air d'alimentation et de retour doit être directement acheminé vers l'espace. Les zones ouvertes telles que les faux plafonds ne doivent pas être utilisées comme conduit d'alimentation en air de retour.
- > N'acheminez pas les conduits à travers une salle des moteurs ou toute zone où ils pourraient être exposés à des vapeurs ou des gaz d'échappement dangereux.

Respectez les conditions suivantes lors de l'installation des conduits :

- Les conduits doivent être dimensionnés de manière appropriée pour votre application.
- L'acheminement des conduits doit être aussi droit, uniforme et tendu que possible, en limitant le nombre de coudes à 90° et de boucles susceptibles de réduire le flux d'air.
- Fixez solidement le conduit pour éviter qu'il ne s'affaisse.
- N'aplatissez ou ne pliez pas les conduits.
- Coupez les longueurs de conduit excédentaires après l'installation.
- Isolez les conduits lorsqu'ils sont situés dans des zones exposées à une forte chaleur.

Si une boîte de transition est utilisée, la surface totale des conduits d'alimentation en air sortant de la boîte doit être au moins égale à la surface totale des conduits d'alimentation entrant dans la boîte. Reportez-vous à la section Spécifications à la page 27

Connexion des conduits



- 1 Isolant en fibre de verre
2 Bague de montage
3 Boîte de transition
4 Tuyau interne en mylar
5 Ruban adhésif

- Faites glisser le tuyau interne en mylar autour de la bague de montage vers la boîte de transition.
- Vissez trois ou quatre vis en acier inoxydable à travers le tuyau en mylar dans la bague de montage, en capturant deux ou trois fils avec les têtes de vis.
- Faites glisser l'isolant en fibre de verre autour du tuyau interne en mylar vers la boîte de transition. Fixez le raccord avec du ruban adhésif.

7.3 Installation du système d'eau de mer



AVIS !

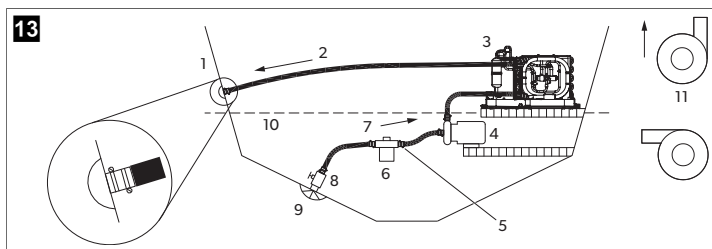
Le non-respect de cette procédure annulera la garantie.

Tenez compte des consignes suivantes lors de la configuration du système d'eau de mer :

- La crépine doit se trouver sous la pompe.
- Les tuyaux doivent être bridés deux fois.
- Les tuyaux ne doivent présenter ni plis, ni boucles, ni surélévations au niveau desquels l'air pourrait s'accumuler.
- La pompe et la crépine doivent se trouver en dessous de ligne de flottaison.
- L'entrée passe-coque, la valve à boisseau sphérique, le tuyau et la crépine ne doivent pas être plus petits que l'entrée de la pompe.
- Installez le raccord passe-coque aussi bas que possible sous la ligne de flottaison.
- La pompe doit être équipée d'un passe-coque dédié.
- Évitez autant que possible de couder les raccords à 90,00 °.
- Assurez-vous que la tête de pompe est orientée dans le sens du débit d'eau.
- Appliquez du ruban d'étanchéité sur tous les raccords filetés.

Voir Spécifications à la page 27 pour connaître les valeurs de pression et de température d'eau maximum et minimum.

Système d'eau de mer



- | | | | |
|---|----------------------|----|--|
| 1 | Sortie eau de mer | 7 | Débit d'entrée ascendant |
| 2 | Flux sortant | 8 | Valve à boule |
| 3 | Climatiseur | 9 | Entrée passe-coque (scoop) |
| 4 | Pompe à eau de mer | 10 | Ligne d'eau |
| 5 | Colliers pour tuyaux | 11 | Orientation correcte de la crépine de la tête de pompe |
| 6 | Crépine | | |

1. Installez une entrée passe-coque d'eau de mer (scoop) aussi près de la quille et aussi bas que possible sous la ligne de flottaison. Fixez l'entrée passe-coque (scoop) à l'aide d'un produit d'étanchéité de qualité maritime conçu pour une utilisation sous l'eau.
2. Installez une vanne en bronze plein débit sur l'entrée passe-coque d'eau de mer (scoop).
3. Installez une crépine d'eau de mer en dessous du niveau de la pompe avec accès au filtre.
4. Montez la pompe au-dessus de la crépine et au moins un pied en dessous de la ligne de flottaison.
5. Connectez la vanne d'eau de mer et la crépine avec un tuyau ascendant renforcé de qualité maritime.
6. Raccordez l'évacuation du flux ascendant de la pompe à l'entrée inférieure du serpentin des climatiseurs à l'aide d'un flexible renforcé de 5/8" de qualité maritime.
7. Connectez l'évacuation du serpentin au raccord passe-coque de décharge à la mer à l'aide d'un tuyau renforcé 5/8" de qualité maritime.
8. Évitez les boucles, les élévations ainsi que l'emploi de coudes à 90° avec le flexible d'eau de mer. Chaque coude à 90° correspond à 2,5 ft (0,76 m) de flexible, et un coude à 90° sur la sortie de la pompe équivaut à 20,0 ft (6,10 m) de flexible.
9. Fixez deux colliers en acier inoxydable sur chaque raccord de tuyau, en inversant les colliers si nécessaire.
10. Connectez toutes les pièces métalliques en contact avec l'eau de mer au système de liaison du navire.

7.4 Raccordements électriques



AVERTISSEMENT ! Il existe un danger d'électrocution

- > Coupez toujours le disjoncteur d'alimentation du climatiseur avant d'ouvrir le boîtier électrique. Le non-respect de ces mises en garde peut entraîner des blessures graves, voire mortelles.
- > Vérifiez que le boîtier électrique est situé dans une zone à l'abri de l'eau.



AVIS !

Le climatiseur doit être connecté au système de liaison du navire pour éviter toute corrosion due à un courant de fuite. Chaque pompe, valve métallique et raccord du circuit d'eau de mer isolé du climatiseur par des tuyaux en PVC ou en caoutchouc doit être connecté au système de liaison du navire.



REMARQUE Toute mise à la terre ou liaison incorrecte du système annulera la garantie.

Tous les climatiseurs sont dotés d'un bornier référençant les connexions correctes à l'intérieur du boîtier électrique. Le schéma de câblage situé à l'intérieur du boîtier électrique supplante les normes ABYC. Le disjoncteur doit être de taille adéquate pour protéger le système, conformément aux indications figurant sur la plaque signalétique du climatiseur. Un câble pour navire de 12 AWG minimum doit être utilisé pour alimenter

le climatiseur et la pompe à eau de mer. Effectuez toutes les connexions à l'aide de cosses à œillet ou à fourche à sertir.

Respectez les consignes suivantes lors des raccordements électriques :

- La mise à la terre en courant alternatif (CA) doit être connectée à la borne de terre (GRND) au niveau du bornier d'entrée d'alimentation CA.
- Les connexions entre le conducteur de mise à la terre du système CA et le pôle négatif du système CC ou de liaison du navire doivent être effectuées dans le cadre du câblage du navire. Lors de la maintenance ou du remplacement d'un équipement existant contenant un goujon de mise à la terre monté sur châssis, vérifiez que ces connexions sont correctes au sein du câblage du navire.
- Les climatiseurs GVTX et TX sont conçus pour fonctionner sur un courant alternatif ou un courant continu haute tension. Reportez-vous au schéma de câblage du navire pour connaître le positionnement correct.

Assurez-vous que la prise de terre CA du climatiseur est correctement connectée à la prise de terre CA du navire. Au sein du navire, assurez-vous que le bus de masse CA est connecté au bus de masse CC à un seul et même endroit.

Vérifiez et resserrez toutes les connexions électriques avant le démarrage, si nécessaire.

8 Mise au rebut



ATTENTION ! Risque d'incendie

- > Cet appareil contient des gaz volatils inflammables.
- > Cet appareil doit être enlevé et mis au rebut par un spécialiste uniquement.



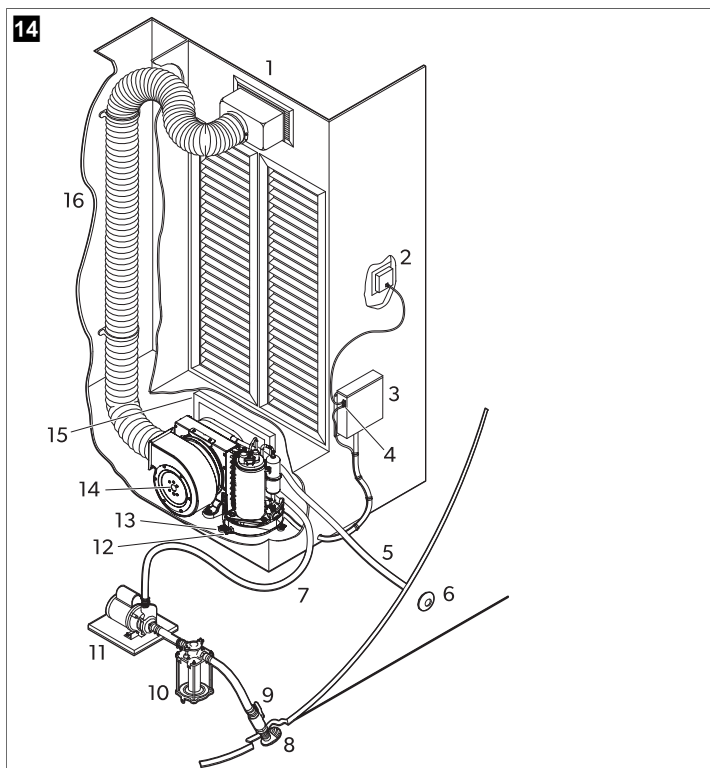
Dans la mesure du possible, veuillez éliminer les emballages dans les conteneurs de déchets recyclables prévus à cet effet. Pour éliminer définitivement le produit, contacter le centre de recyclage le plus proche ou votre revendeur spécialisé afin de vous informer sur les dispositions relatives au retraitement des déchets.

9 Caractéristiques techniques

Lisez ces instructions dans leur intégralité, puis planifiez les raccordements au climatiseur à effectuer (y compris les conduits, la conduite de purge des condensats, les tuyaux d'entrée et de sortie d'eau de mer, les connexions électriques, l'emplacement de la commande et le positionnement de la pompe à eau de mer) afin de garantir un accès facile à des fins d'acheminement et de maintenance ultérieure.

9.1 Emplacements des pièces

Identification des composants du système de climatisation



- | | | | |
|---|---|----|---|
| 1 | Grille d'alimentation en air et boîte de transition | 9 | Valve d'arrêt d'eau de mer |
| 2 | Affichage numérique | 10 | Crépine d'eau de mer |
| 3 | Armoire de commande | 11 | Pompe |
| 4 | Câble de capteur d'air à distance en option | 12 | Raccord cannelé de purge des condensats |
| 5 | Tuyau de sortie d'eau de mer | 13 | Support de montage |
| 6 | Décharge à la mer | 14 | Climatiseur |
| 7 | Tuyau d'entrée d'eau de mer | 15 | Grille et filtre de retour d'air |
| 8 | Entrée passe-coque d'eau de mer (scoop) | 16 | Conduits flexibles isolés |

9.2 Spécifications

Le circuit frigorifique contient une faible quantité de fluide frigorigène écologique, mais inflammable. Il n'affecte pas la couche d'ozone et ne contribue pas à l'effet de serre. Une fuite de fluide frigorigène peut prendre feu.

Ce produit contient des gaz à effet de serre fluorés.

L'unité de réfrigération est hermétiquement fermée.

Tableau 5 : Dimensions minimales du conduit et de la grille en fonction de la capacité en BTU

	3.5 k BTU	6 k BTU	8 k BTU	10 k BTU
Diamètre de conduit minimum	3,00 in (76,2 mm)	4,00 in (101,6 mm)	5,00 in (127,0 mm)	6,00 in (152,4 mm)
Surface de conduit minimum	6,8 in ² (43,9 cm ²)	12,6 in ² (81,3 cm ²)	19,6 in ² (126,5 cm ²)	28,3 in ² (182,6 cm ²)
Grille de retour d'air minimum	48,0 in ² (309,7 cm ²)	64,0 in ² (412,9 cm ²)	80,0 in ² (516,2 cm ²)	100,0 in ² (645,2 cm ²)
Grille d'alimentation en air minimum	12,0 in ² (77,4 cm ²)	32,0 in ² (206,5 cm ²)	48,0 in ² (309,7 cm ²)	60,0 in ² (387,1 cm ²)

	12 k BTU	16 k BTU	18 k BTU	27 k BTU
Diamètre de conduit minimum	6,00 in (152,4 mm)	7,00 in (177,8 mm)	7,00 in (177,8 mm)	8,00 in (203,2 mm)
Surface de conduit minimum	28,3 in ² (182,6 cm ²)	38,5 in ² (248,4 cm ²)	38,5 in ² (248,4 cm ²)	50,3 in ² (324,5 cm ²)
Grille de retour d'air minimum	130,0 in ² (838,8 cm ²)	160,0 in ² (1032,3 cm ²)	200,0 in ² (1290,4 cm ²)	240,0 in ² (1548,5 cm ²)
Grille d'alimentation en air minimum	70,0 in ² (451,6 cm ²)	80,0 in ² (516,2 cm ²)	100,0 in ² (645,2 cm ²)	120,0 in ² (774,2 cm ²)

Tableau 6 : Température et pression d'eau de fonctionnement

Température d'eau de fonctionnement minimale	40,0 °F (4,44 °C)
Température d'eau de fonctionnement maximale	80,0 °F (26,66 °C)
Pression d'eau de fonctionnement minimale	4,2 psi (0,29 bar) (29,00 kPa)
Pression d'eau de fonctionnement maximale	6,00 psi (0,41 bar) (41,4 kPa)

Respectez les consignes d'utilisation EPA.

REMARQUE L'unité peut fonctionner en dehors de ces conditions avec une capacité réduite.

10 Mentions légales

Modèles GVTX uniquement : pour être conforme à la norme CEI 60533, ce produit ne doit pas être monté à moins de 9,8 ft (3,00 m) d'une antenne de réception.

11 Garantie

Consultez les sections ci-dessous pour de plus amples informations relatives à la garantie et l'assistance dans le cadre de la garantie aux États-Unis, au Canada et dans toutes les autres régions.

États-Unis et Canada

GARANTIE LIMITÉE DISPONIBLE SUR LA PAGE DOMETIC.COM/EN-US/TERMS-AND-CONDITIONS-CONSUMER/WARRANTY. POUR TOUTE QUESTION OU POUR OBTENIR UNE COPIE GRATUITE DE LA GARANTIE LIMITÉE, CONTACTEZ :

DOMETIC CORPORATION
MARINE CUSTOMER SUPPORT CENTER
2000 NORTH ANDREWS AVENUE
POMPANO BEACH, FLORIDA, USA 33069
1-800-542-2477

Pays d'Asie-Pacifique (APAC)

Si le produit ne fonctionne pas correctement, contactez votre revendeur ou la succursale du fabricant dans votre pays (voir dometic.com/dealer). La garantie applicable à votre produit est de 1 an(s).

Pour toutes réparations ou autres prestations de garantie, veuillez joindre à l'appareil les documents suivants :

- une copie de la facture avec la date d'achat
- un motif de réclamation ou une description du dysfonctionnement

Notez que toute réparation effectuée par une personne non agréée peut présenter un risque de sécurité et annuler la garantie.

Australie uniquement

La garantie de nos produits ne peut faire l'objet d'une exclusion, conformément à l'Australian Consumer Law (loi sur la protection des consommateurs en Australie). Vous êtes éligible à un remboursement intégral en cas de panne majeure et à un

dédommagement pour toute autre perte ou dommage prévisible. Vous êtes également éligible à la réparation ou au remplacement des produits s'ils n'offrent pas un niveau de qualité acceptable, mais ne présentent pas de panne majeure.

Nouvelle-Zélande uniquement

Cette politique de garantie est soumise aux conditions et garanties obligatoires, conformément aux directives du Consumer Guarantees Act 1993(NZ).

Tous les autres pays

La période de garantie légale s'applique. Si le produit s'avérait défectueux, contactez la succursale du fabricant située dans votre pays (voir dometic.com/dealer) ou votre revendeur.

Pour toutes réparations ou autres prestations de garantie, veuillez joindre à l'appareil les documents suivants :

- une copie de la facture avec la date d'achat
- un motif de réclamation ou une description du dysfonctionnement

Notez que toute réparation effectuée par une personne non agréée peut présenter un risque de sécurité et annuler la garantie.

Español

1	Notas importantes.....	29
2	Explicación de los símbolos.....	29
3	Grupos objetivo.....	30
4	Uso previsto.....	30
5	Explicación de los símbolos del aparato.....	30
6	Antes de la instalación.....	30
7	Instalación.....	32
8	Eliminación.....	35
9	Datos técnicos.....	35
10	Información legal.....	36
11	Garantía.....	36

1 Notas importantes

Lea atentamente estas instrucciones y siga las indicaciones, directrices y advertencias incluidas en este manual para asegurarse de que instala, utiliza y mantiene correctamente el producto en todo momento. Estas instrucciones DEBEN conservarse junto con este producto.

Al utilizar el producto, usted confirma que ha leído cuidadosamente todas las instrucciones, directrices y advertencias, y que entiende y acepta cumplir los términos y condiciones aquí establecidos. Usted se compromete a utilizar este producto solo para el propósito y la aplicación previstos y de acuerdo con las instrucciones, directrices y advertencias establecidas en este manual del producto, así como de acuerdo con todas las leyes y reglamentos aplicables. La no lectura y observación de las instrucciones y advertencias aquí expuestas puede causar lesiones a usted o a terceros, daños en el producto o daños en otras propiedades cercanas. Este manual del producto, incluyendo las instrucciones, directrices y advertencias, y la documentación relacionada, pueden estar sujetos a cambios y actualizaciones. Para obtener información actualizada sobre el producto, visite documents.dometic.com.

2 Explicación de los símbolos

Una palabra de advertencia señalará los mensajes de seguridad y de daño material, y también indicará el grado o nivel de gravedad del riesgo.



¡PELIGRO!

Indica una situación peligrosa que, de no evitarse, ocasionará la muerte o lesiones graves.



¡ADVERTENCIA!

Indica una situación peligrosa que, de no evitarse, puede ocasionar la muerte o lesiones graves.



¡AVISO!

Indica una situación peligrosa que, de no evitarse, puede provocar daños materiales.



NOTA Información adicional para el manejo del producto.

2.1 Normativas complementarias

Para reducir el riesgo de accidentes y lesiones, se deben cumplir las siguientes directrices antes de proceder a la instalación de este aparato:

- Leer y respetar toda la información y las instrucciones de seguridad.
- Lea y comprenda estas instrucciones antes de instalar este producto.
- La instalación debe cumplir con todos los códigos locales o nacionales vigentes, incluyendo la última edición de las siguientes normas:
 - American Boat and Yacht Council (ABYC)
 - ANSI/NFPA 70, National Electrical Code (NEC)

2.2 Indicaciones de seguridad



¡PELIGRO! Riesgo de incendio o explosión. Algunos modelos utilizan refrigerante inflamable.

El incumplimiento de las siguientes advertencias causará la muerte o lesiones graves:

- > Debe ser reparada únicamente por personal de servicio capacitado.
- > No lo instale ni almacene en un lugar con presencia constante de fuentes de ignición.
- > Mantenga todas las aberturas de ventilación necesarias libres de obstáculos.
- > No perforo la tubería del refrigerante.
- > Consulte la etiqueta de tipo del producto para conocer el tipo de refrigerante.



¡ADVERTENCIA! Peligro de incendio o explosión

El incumplimiento de las siguientes advertencias puede causar la muerte o graves lesiones:

- > No utilice posibles fuentes de ignición para detectar o buscar fugas de refrigerante. No utilice una linterna de haluro ni ningún otro detector que utilice llamas vivas.
- > Asegúrese de que el equipo de detección es adecuado para el tipo de refrigerante utilizado en el producto. Consulte la etiqueta de tipo del producto para conocer el tipo de refrigerante utilizado.
- > Es posible utilizar detectores de fugas electrónicos para detectar fugas de refrigerante; sin embargo, su sensibilidad podría ser inadecuada para refrigerantes inflamables y puede que sea necesario recalibrarlos. Calibre el equipo de detección en una zona sin refrigerante.



¡ADVERTENCIA! Peligro derivado del monóxido de carbono

El incumplimiento de las siguientes advertencias puede causar la muerte o graves lesiones:

- > No instale ni haga funcionar un equipo de aire acondicionado independiente en el espacio de sentina ni en la sala de máquinas o cerca de un motor de combustión interna. Asegúrese de que la ubicación seleccionada esté cerrada herméticamente al acceso directo de vapores procedentes de la sentina o el compartimento del motor.
- > Compruebe que la línea de purga de condensado esté correctamente instalada y sellada. El conducto de purga de condensado no debe finalizar a menos de 3 pies (0,91 m) de distancia de una salida de un sistema de escape de un motor o generador, de un compartimento que contenga un motor o generador o de una sentina, a menos que el drenaje esté conectado correctamente a una bomba sellada de condensado o de sumidero de ducha. Si el conducto de drenaje no está correctamente instalado, los humos nocivos pueden ascender a través de él y contaminar los habitáculos.
- > No instale el equipo de aire acondicionado en un lugar donde pueda circular monóxido de carbono, vapores de combustible u otros humos nocivos y estos puedan entrar en los habitáculos de la embarcación.



¡ADVERTENCIA! Riesgo de electrocución

La instalación solo puede realizarla un electricista cualificado.



¡ADVERTENCIA! Peligro de descarga eléctrica, incendio o explosión

Si no se siguen estas precauciones, se pueden producir lesiones graves o incluso la muerte.

Este aparato no está diseñado para que lo usen personas (incluidos niños) con las capacidades físicas, sensitivas o mentales limitadas o sin la experiencia y los conocimientos pertinentes, a menos que haya una persona responsable de la seguridad que supervise adecuadamente o explique detalladamente su uso. Se debe vigilar que los niños no jueguen con el aparato. Los menores no deberán limpiar ni realizar el mantenimiento de usuario sin la debida supervisión. Este aparato no debe ser accesible al público en general.

**¡ADVERTENCIA! Peligro de explosión**

Si no se siguen estas precauciones, se pueden producir lesiones graves o incluso la muerte.

- > No instale el equipo de aire acondicionado en un lugar donde haya motores de gasolina, tanques, bombonas de GLP/GNC, reguladores, válvulas o accesorios de la línea de combustible. A menos que se indique lo contrario en la etiqueta, las unidades independientes no cumplen con los requisitos federales de protección antideflagrante. El incumplimiento de esta advertencia puede ocasionar la muerte o lesiones graves.
- > Los componentes eléctricos que puedan provocar arcos eléctricos o chispas solo se deben sustituir por piezas especificadas por el fabricante del aparato. La sustitución por otras piezas puede provocar la ignición del refrigerante en caso de fuga.

**¡ADVERTENCIA! Peligro de descarga eléctrica**

Si no se siguen estas precauciones, se pueden producir lesiones graves o incluso la muerte.

- > Asegúrese de que el equipo de aire acondicionado tenga una conexión a tierra para minimizar el peligro de descargas eléctricas. Consulte las directrices de instalación para obtener más información.
- > Cada equipo de aire acondicionado instalado requiere un disyuntor específico. Si solo hay un equipo de aire acondicionado instalado, la bomba de agua de mar no necesita disyuntor. Si dos o más unidades de aire acondicionado utilizan la misma bomba de agua de mar, los cables de la bomba se conectarán a un panel de relé de la bomba (PRP), que a su vez tiene su propio disyuntor específico para la bomba (20 A máximo). Consulte el diagrama de cableado suministrado con el PRP. Las conexiones eléctricas en la sentina y/o debajo de la línea de flotación deben usar empalmes a tope de tipo termorretráctil.
- > El cableado de campo debe cumplir con los códigos eléctricos ABYC. La alimentación de la unidad debe estar dentro del margen de tensión de funcionamiento indicado en la etiqueta de tipo. Se deben instalar fusibles del tamaño adecuado o interruptores automáticos HACR para la protección de los circuitos de derivación. Consulte en la etiqueta de tipo el amperaje máximo del fusible/disyuntor (MFS) y la capacidad interna mínima (MCA).

**¡AVISO!**

Este aparato contiene gases fluorados de efecto invernadero en equipos herméticamente cerrados. Consulte la etiqueta de tipo del producto de la unidad condensadora para conocer la cantidad de refrigerante indicada en peso y GWP. El refrigerante que se agrega debe ser anotado en la etiqueta de la unidad.

**¡AVISO!**

No utilice el tubo de cobre para empujar, levantar o transportar el producto, ni para tirar de él.

3 Grupos objetivo



La instalación mecánica y eléctrica y la configuración del aparato debe realizarlas un técnico cualificado que haya demostrado sus habilidades y conocimientos en relación con la construcción y el funcionamiento de instalaciones y equipos marinos, que esté familiarizado con las normativas aplicables del país en el que se va a instalar o utilizar el equipo, y que haya recibido formación de seguridad para identificar y evitar los peligros asociados.

4 Uso previsto

Este manual está destinado a la instalación de los sistemas de aire acondicionado independientes DCU, DLU, DTG, ECD, GT, GTX, GTX-LP, GVTX y TX (en lo sucesivo, "aire acondicionado"). El equipo de aire acondicionado está diseñado para su uso en embarcaciones y yates. Este equipo de aire acondicionado solo es apta para el uso y aplicación previstos de acuerdo con estas instrucciones.

Este producto solo es apto para el uso previsto y la aplicación de acuerdo con estas instrucciones.

Este manual proporciona la información necesaria para la correcta instalación y/o funcionamiento del producto. Una instalación deficiente o un uso y mantenimiento inadecuados conllevan un rendimiento insatisfactorio y posibles fallos.

El fabricante no se hace responsable de ninguna lesión o daño en el producto ocasionados por:

- Una instalación, un montaje o una conexión incorrectos, incluido un exceso de tensión
- Un mantenimiento incorrecto o el uso de piezas de recambio distintas de las originales proporcionadas por el fabricante
- Modificaciones realizadas en el producto sin el expreso consentimiento del fabricante
- Uso con una finalidad distinta de la descrita en las instrucciones

Dometic se reserva el derecho de cambiar la apariencia y las especificaciones del producto.

5 Explicación de los símbolos del aparato



¡Advertencia! Riesgo de incendio/materiales inflamables



¡Advertencia! Material de baja velocidad de combustión. Refrigerante inflamable.



Grupo A2L de seguridad del refrigerante



Lea las instrucciones de uso.



Lea el manual de servicio.

6 Antes de la instalación

**¡AVISO!**

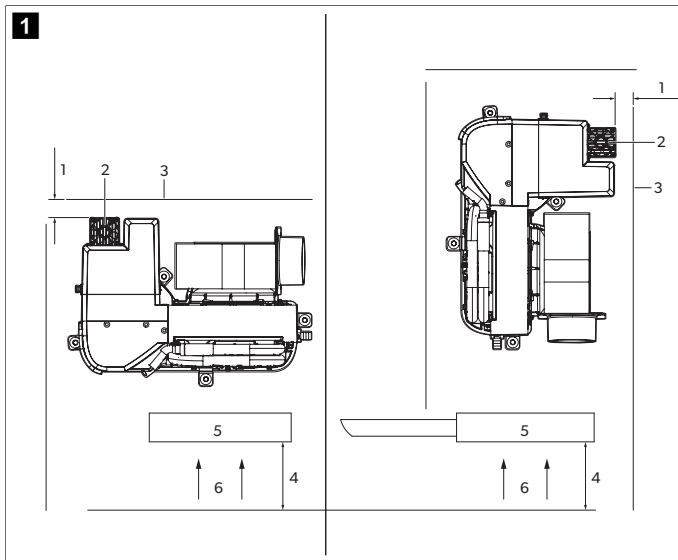
Las bandejas de base de condensado independientes de los sistemas DTG, GTX, GVTX y TX están equipadas con aisladores de vibraciones instalados en la parte inferior de la bandeja. Estos aisladores están diseñados para amortiguar la vibración causada por el equipo de aire acondicionado en funcionamiento y que no se transfiera a la superficie montada. Se debe tener cuidado al mover el equipo de aire acondicionado a través de las superficies de montaje, ya que los aisladores pueden resultar dañados.

**¡AVISO!**

- > El equipo de aire acondicionado debe montarse en una superficie baja, plana y nivelada, como en la parte inferior de un armario, debajo de una litera o asiento de una dinette, o en un lugar con características similares.
- > Asegúrese de que el cableado no se vea afectado por rozamientos, corrosión, presión excesiva, vibraciones, bordes afilados u otros efectos ambientales adversos, incluidos el envejecimiento o la vibración continua causada por compresores o ventiladores.
- > Asegúrese de que los dispositivos de protección, las tuberías y los racores están protegidos en la medida de lo posible contra los efectos ambientales adversos, la acumulación de suciedad y residuos, la acumulación de agua y la congelación en las tuberías de descarga.
- > Se deben tomar precauciones para evitar vibraciones o pulsaciones excesivas en las tuberías de refrigeración.

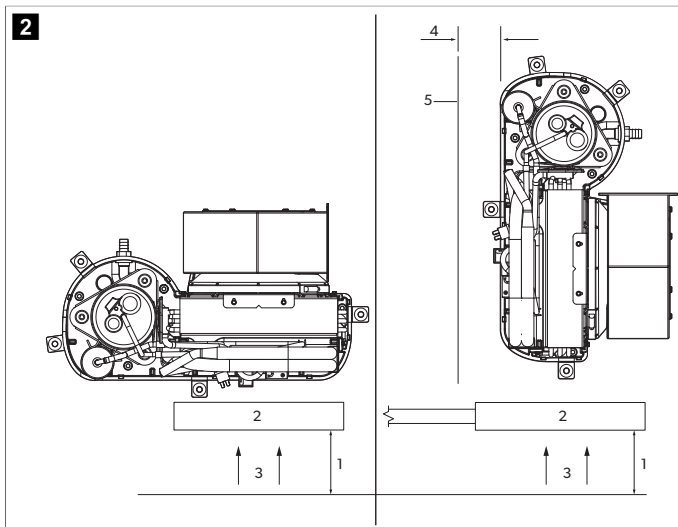
6.1 Determinación del lugar de instalación

1. Colocación de las unidades GVTX y TX en relación con el flujo de aire



- | | |
|-----------------------------|--------------------------------------|
| 1 3,00 in (7,62 cm) | 4 4,00 in (10,16 cm) |
| 2 Disipador de calor | 5 Rejilla del aire de retorno |
| 3 Mamparo | 6 Flujo de aire |

Colocación del resto de unidades de aire acondicionado con respecto al flujo de aire



- | | |
|--------------------------------------|----------------------------|
| 1 4,00 in (10,16 cm) | 4 3,00 in (7,62 cm) |
| 2 Rejilla del aire de retorno | 5 Mamparo |
| 3 Flujo de aire | |

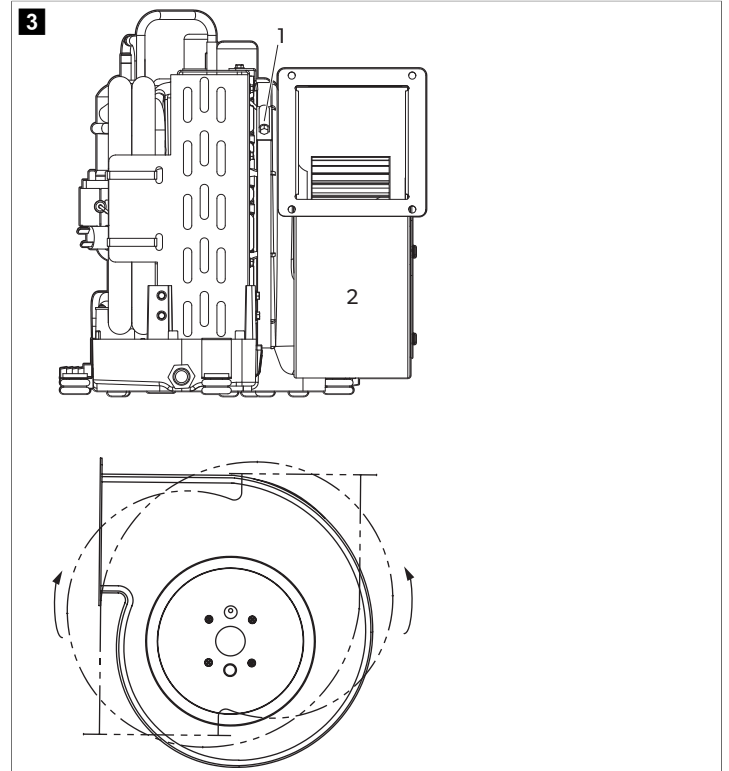
2. Elija una ubicación con suficiente flujo de aire. La rejilla del aire de retorno debe tener un mínimo de 4,00 in (10,16 cm) de separación libre de obstáculos en la parte delantera para la circulación del aire.
3. Si el equipo de aire acondicionado está situado en posición perpendicular a la rejilla del aire de retorno, mantenga un mínimo de 3,00 in (7,62 cm) de separación para la circulación del aire en el lado de la entrada.
4. **Solo GVTX y TX:** Facilite un área abierta mínima de 3,00 in (7,62 cm) por encima y por debajo del disipador de calor.

6.2 Rotación del ventilador

Esta sección explica cómo girar el ventilador para cada tipo de unidad. Si es necesario, hacer girar el ventilador en la dirección que permita la descarga más directa del flujo de aire a través del conducto.

6.2.1 Ventiladores de GTX, GVTX, DTG y TX

Rotación del ventilador del sistema GTX, GVTX, DTG y TX

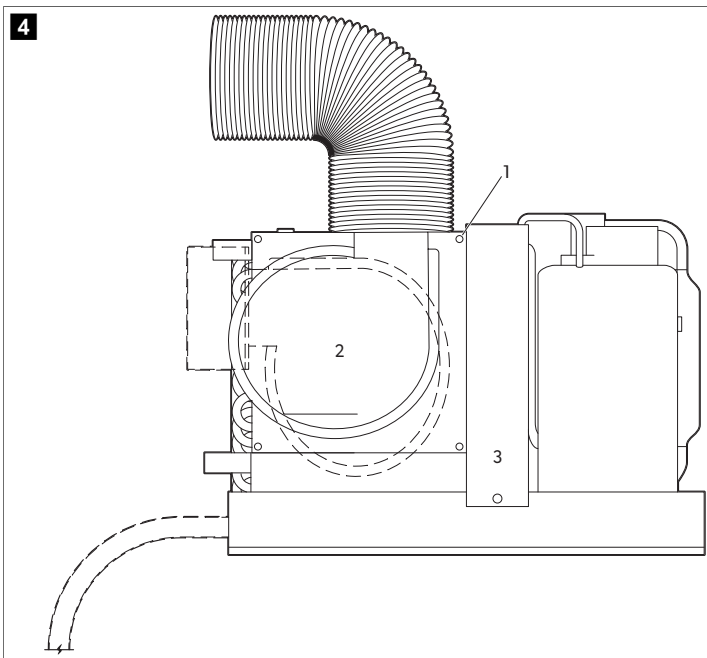


- 1** Adjustment screw
- 2** Blower

1. Afloje el tornillo de ajuste del anillo de montaje del ventilador.
2. Gire el ventilador a la posición deseada.
3. Apriete el tornillo de ajuste.

6.2.2 Ventiladores de MCS, ECD y GT

Rotación del ventilador del sistema MCS, ECD y GT

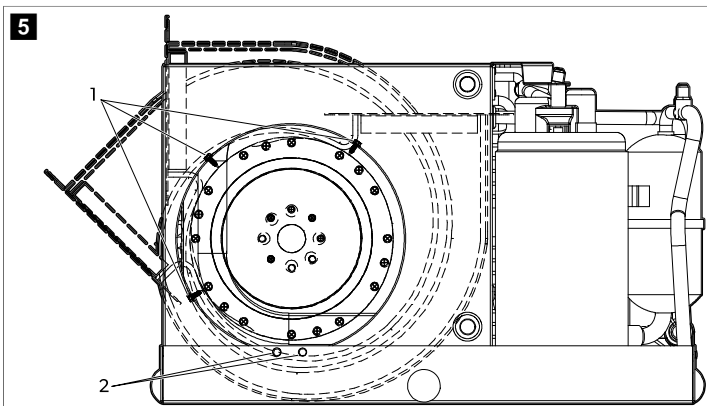


- 1 Screw
- 2 Placa
- 3 Ventilador

1. Retire los siete tornillos de la placa.
2. Gire el ventilador a la posición deseada.
3. Fije el ventilador con tornillos autorroscantes (no suministrados).

6.2.3 Ventilador de DCU

Rotación del ventilador del sistema DCU



- 1 Screws on blower ring
- 2 Screws on drain pan or bracket

1. Quite los tornillos del anillo del ventilador.
2. Quite los tornillos que fijan el ventilador a la bandeja de drenaje o al soporte.
3. Gire el ventilador a la posición deseada.
4. Fije el ventilador con tornillos autorroscantes (no suministrados).
5. Tape los orificios no utilizados para evitar pérdidas de aire.

6.3 Colocación de los filtros de aire

Los filtros de aire eliminan las partículas en suspensión del aire de la cabina y mantienen limpio el serpentín del evaporador. Coloque un filtro de aire en la rejilla del equipo

de aire acondicionado o en la rejilla del aire de retorno para cada equipo de aire acondicionado.

6.4 Colocación de las rejillas y de las cajas de transición

Tenga en cuenta lo siguiente cuando coloque las rejillas y las cajas de transición:

- Instale la rejilla de suministro de aire lo más alto posible en un lugar que proporcione una distribución uniforme del aire en toda la cabina. Oriente las aberturas de las rejillas hacia arriba.
- Instale la rejilla del aire de retorno tan baja y cerca del equipo de aire acondicionado como sea posible para asegurar el flujo de aire hacia el evaporador.
- No dirija la descarga de aire de suministro hacia la rejilla de aire de retorno, ya que esto hará que el sistema tenga un ciclo corto.
- Deje un espacio suficiente detrás de la rejilla de suministro de aire para la caja de transición y la conexión de los conductos. Véase Especificaciones en la página 36

7 Instalación



¡ADVERTENCIA! Riesgo de electrocución

La instalación solo puede realizarla un electricista cualificado.

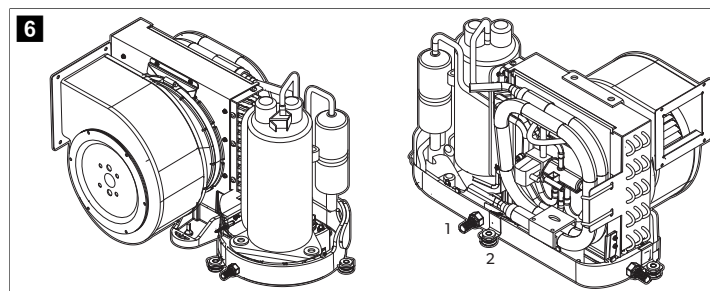
7.1 Instalación de los soportes de montaje y de la purga de condensado



¡AVISO!

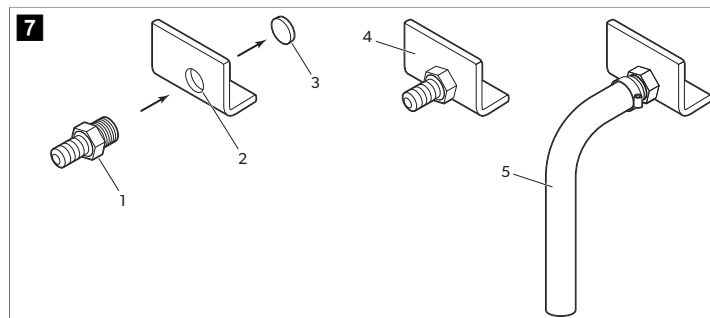
Para evitar agrietamientos en la bandeja de drenaje, no utilice más de dos capas de cinta de teflón para envolver la lengüeta de la manguera y no la apriete en exceso.

Colocación habitual de los soportes de montaje y los purgadores de condensado



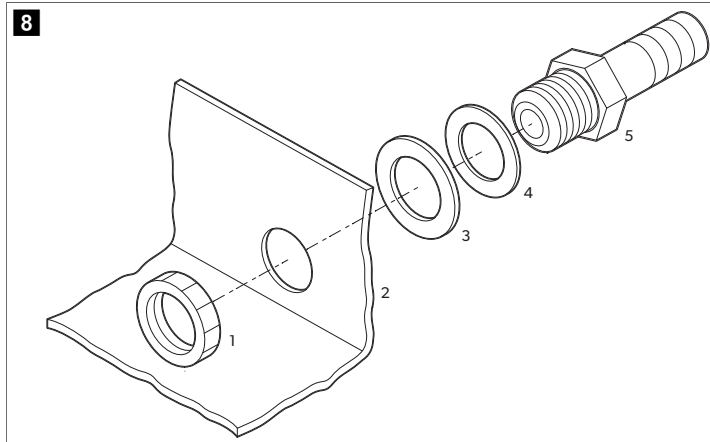
- 1 Conector de manguera de purga del condensado
- 2 Soporte de montaje

Instalación de los purgadores de condensado para GTX, GVTX, DTG y TX



- 1 Hose barb
- 2 Orificio de drenaje roscado
- 3 Desecho del agujero ciego
- 4 Drain pan
- 5 Manguera de drenaje

Instalación de los purgadores de condensado para el resto de unidades de aire acondicionado



- | | |
|-----------------------------------|---|
| 1 Locking nut | 4 Solid washer |
| 2 Bandeja de drenaje | 5 Conector de PVC 0,5 in (12,7 mm) HB x 0,5 in (12,7 mm) MPT |
| 3 Arandela de estanqueidad | |

1. Para unidades GTX, GVTX, DTG y TX:

- Dé un golpe rápido con un mazo de goma al extremo pequeño del conector de la manguera orientado hacia atrás para abrir el agujero ciego. Deseche la parte de desecho del agujero ciego.
- Envuelva el extremo roscado del conector de la manguera con cinta de teflón.
- Atornille el conector de la manguera en el orificio de purga roscado y apretar firmemente.

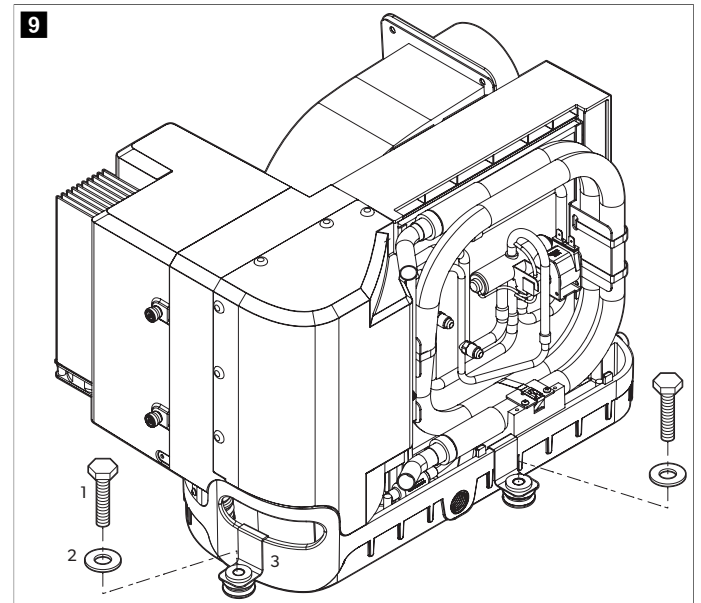
2. Para el resto de unidades de aire acondicionado:

- Enrosque el conector de la manguera a través de una arandela sólida y una arandela de estanqueidad e insertarlo en el orificio de purga.
- Fije con una tuerca de bloqueo.

3. Fije la manguera de purga al conector de la manguera con una abrazadera de acero inoxidable.

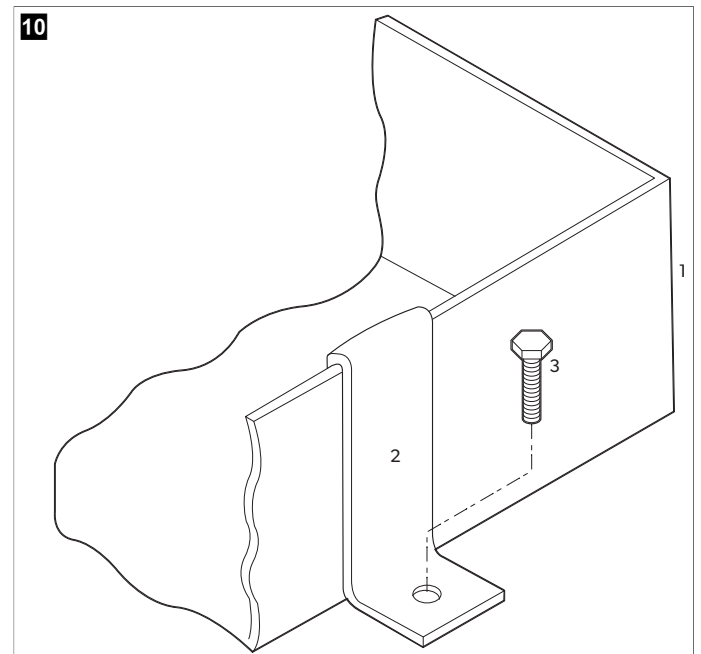
4. Oriente la manguera de purga hacia abajo, a un punto de recogida seguro y adecuado.

Instalación del soporte de montaje para unidades GTX, GVTX, DTG y TX



- Tornillo de montaje (no suministrado)
- Arandela plana ancha (suministrada)
- Soporte de montaje (suministrado)

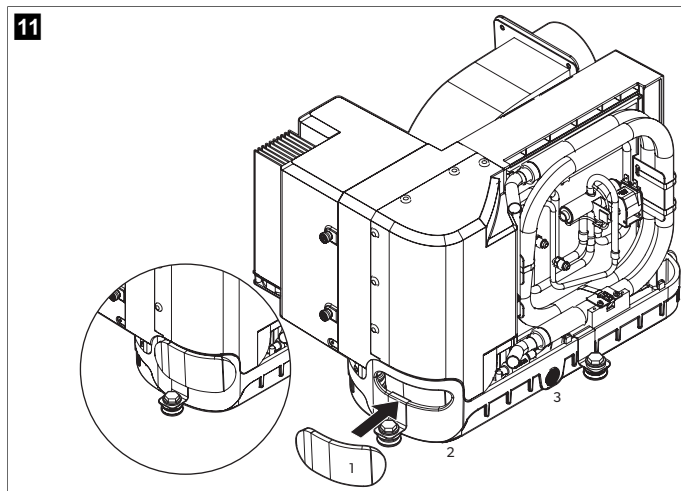
Instalación del soporte de montaje para otras unidades de aire acondicionado



- Bandeja de drenaje
- Soporte de montaje
- Tornillo de montaje (no suministrado)

- Instale un soporte de montaje a cada lado de la bandeja de drenaje, espaciados uniformemente.

Instalación del aislamiento del asa de espuma en las unidades GVTX y TX



- 1 Aislamiento del asa de espuma
- 2 Abertura del asa
- 3 Bandeja de drenaje

- Para unidades GVTX y TX:
 - Retire la película que cubre la parte posterior adhesiva del aislamiento del asa de espuma.
 - Coloque el aislamiento de espuma del asa para cubrir completamente la abertura de la misma con el lado adhesivo orientado hacia la bandeja de drenaje.
 - Presione alrededor de la abertura del asa para adherir el aislamiento de espuma del asa a la bandeja de drenaje.

7.2 Instalación de los conductos



¡ADVERTENCIA! Riesgo de incendio o explosión

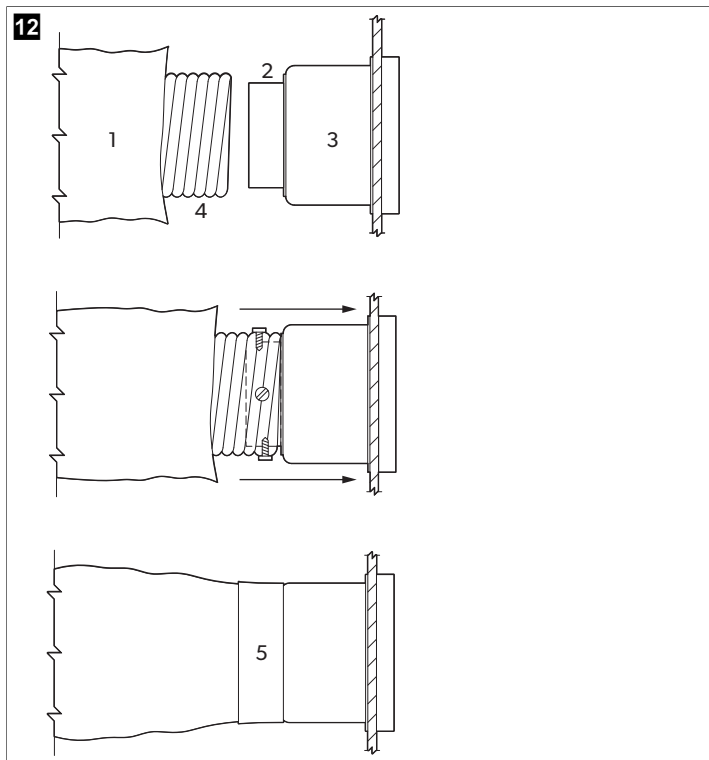
- > Los dispositivos auxiliares que puedan ser fuentes de ignición no deben instalarse en los conductos, salvo que se trate de alguno de los dispositivos auxiliares indicados para su uso con el aparato específico.
- > En el caso de los modelos que utilicen refrigerantes inflamables, conectados a través de un sistema de conductos de aire a una o más salas, el aire de suministro y de retorno se canalizará directamente al espacio. Las zonas abiertas, como los falsos techos, no deben utilizarse como conducto de aire de retorno.
- > No dirija los conductos a través de una sala de máquinas o cualquier área donde puedan estar expuestos a vapores peligrosos o gases de escape.

Al instalar los conductos, se deben tener en cuenta las siguientes condiciones:

- Los conductos deben tener el tamaño apropiado para su aplicación.
- Hacer los conductos tan rectos, suaves y tensos como sea posible, minimizando el número de curvas y bucles de 90°, lo que puede reducir el flujo de aire.
- Fije bien los conductos para evitar que se caigan.
- No permita que los conductos se aplanen o se doblen.
- Recorte el exceso de longitud de los conductos después de la instalación.
- Aísle los conductos cuando estén ubicados en áreas de alta temperatura.

Si se utiliza una caja de transición, el área total de los conductos de suministro de aire que salen de la caja debe ser al menos igual al área total de los conductos de suministro que entran en la caja. Véase Especificaciones en la página 36

Conexiones de conductos



- 1 Aislamiento de fibra de vidrio
- 2 Anillo de montaje
- 3 Caja de transición
- 4 Manguera interior de mylar del conducto
- 5 Cinta adhesiva

- Deslice la manguera interior de mylar del conducto alrededor del anillo de montaje hasta la caja de transición.
- Atornille tres o cuatro tornillos de acero inoxidable a través de la manguera de mylar del conducto en el anillo de montaje, agarrando dos o tres cables con las cabezas de los tornillos.
- Deslice el aislamiento de fibra de vidrio alrededor de la manguera interior de mylar del conducto hasta la caja de transición. Fije con cinta adhesiva para conductos.

7.3 Instalación del sistema de agua de mar



¡AVISO!

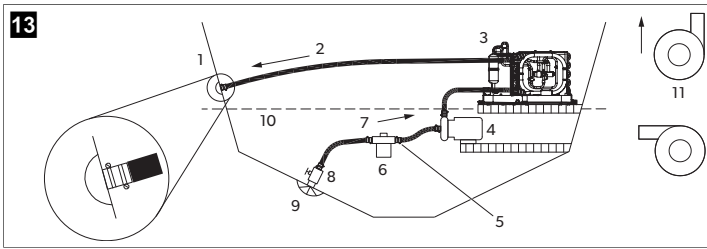
El incumplimiento de este procedimiento anulará la garantía.

Al poner en marcha el sistema de agua de mar, hay que tener en cuenta las siguientes consideraciones:

- El filtro debe estar debajo de la bomba.
- Las mangueras deben tener una doble abrazadera.
- Las mangueras no deben tener torceduras, bucles o puntos altos donde el aire pueda quedar atrapado.
- La bomba y el filtro deben estar por debajo de la línea de flotación.
- La entrada pasacascos, la válvula de bola, la manguera y el filtro no deben ser más pequeños que la entrada de la bomba.
- Instale el conector del pasacascos lo más abajo posible de la línea de flotación.
- La bomba tiene que tener un pasacascos específico.
- Evite en la medida de lo posible los conectores con un ángulo de 90,00°.
- Asegúrese de que el cabezal de la bomba esté orientado hacia la dirección del flujo de agua.
- Utilice cinta de teflón en todas las conexiones roscadas.

Consulte Especificaciones en la página 36 para conocer los valores de presión y temperatura del agua máximos y mínimos.

Sistema de agua de mar



- | | |
|--------------------------------|---|
| 1 Salida de agua de mar | 7 Flujo de entrada ascendente |
| 2 Flujo de salida | 8 Válvula de bola |
| 3 Equipo de aire acondicionado | 9 Entrada de fondo con pasacascos |
| 4 Bomba de agua de mar | 10 Línea de flotación |
| 5 Abrazaderas de manguera | 11 Corrija las orientaciones del filtro del cabezal de la bomba |
| 6 Filtro | |

1. Instale una entrada de agua de mar de fondo con pasacascos lo más cerca posible de la quilla y lo más lejos posible de la línea de flotación. Fije la entrada de fondo con pasacascos usando un sellador para aplicaciones marinas formulado para uso subacuático.
2. Instale un grifo de fondo de bronce de flujo completo en la entrada de agua de mar de fondo con pasacascos.
3. Instale un filtro de agua de mar por debajo del nivel de la bomba con acceso al filtro.
4. Monte la bomba por encima del filtro y al menos un pie por debajo de la línea de flotación.
5. Conecte el grifo de fondo y el filtro con una manguera reforzada con flujo ascendente de grado marino.
6. Conecte la descarga de la bomba en sentido ascendente a la entrada inferior del serpentín del condensador del equipo de aire acondicionado con una manguera reforzada de aplicaciones marinas de 5/8 pulgadas.
7. Conecte la descarga del serpentín del condensador al conector del pasacascos de descarga por la borda con una manguera reforzada de aplicaciones marinas de 5/8 pulgadas.
8. Evitar bucles, puntos altos y el uso de codos de 90° en la manguera de agua de mar. Cada codo de 90° equivale a 2,5 ft (0,76 m) de manguera y un codo de 90° en la salida de la bomba equivale a 20,0 ft (6,10 m) de manguera.
9. Fije con una doble abrazadera todas las conexiones de manguera utilizando dos abrazaderas de acero inoxidable, invirtiendo las abrazaderas donde sea necesario.
10. Conecte todas las partes metálicas en contacto con el agua de mar al sistema de conexión equipotencial del barco.

7.4 Realización de las conexiones eléctricas



¡ADVERTENCIA! Peligro de descarga eléctrica

- > Desconecte siempre el disyuntor de suministro eléctrico del equipo de aire acondicionado antes de abrir la caja eléctrica. El incumplimiento de esta advertencia puede ocasionar la muerte o lesiones graves.
- > Asegúrese de que la caja eléctrica está situada en una zona protegida del agua.



¡AVISO!

El equipo de aire acondicionado debe estar conectado al sistema de unión equipotencial de la embarcación para evitar la corrosión debida a una corriente eléctrica dispersa. Todas las bombas, válvulas metálicas y accesorios en el circuito de agua de mar que están aislados del equipo de aire acondicionado por medio de mangueras de PVC o de goma, deben estar unidos individualmente al sistema de unión equipotencial de la embarcación.



NOTA La falta de conexión a tierra y de unión equipotencial del sistema anulará la garantía.

Todas las unidades de acondicionamiento disponen de una regleta de bornes, etiquetada para su correcta conexión, en el interior de la caja eléctrica. El diagrama de cableado en el interior de la caja eléctrica sustituye las normas ABYC. Utilice el disyuntor correcto para proteger el sistema como se especifica en la etiqueta de tipo de la placa de características de la unidad de aire acondicionado. Se debe usar un cable de barco de 12 AWG como mínimo para suministrar energía al equipo de aire acondicionado y a la bomba de agua de mar. Realice todas las conexiones utilizando terminales redondos o de horquilla de seguridad.

Para las conexiones eléctricas, hay que tener en cuenta lo siguiente:

- La conexión a tierra de corriente alterna (CA) debe conectarse al terminal de tierra (GRND) en el bloque de terminales de entrada de alimentación de CA.
- Las conexiones entre el conductor de puesta a tierra del sistema de CA del buque y el sistema negativo o de unión equipotencial de corriente continua (CC) del buque deben realizarse como parte del cableado del buque. Al realizar el mantenimiento o sustituir un equipo existente que contenga un pasador de puesta a tierra montado en el chasis, compruebe el cableado del barco para estas conexiones.
- Los equipos de aire acondicionado GVTX y TX están diseñados para funcionar con corriente alterna o corriente continua de alta tensión. Consulte el diagrama de cableado de la embarcación para conocer su correcto emplazamiento.

Asegúrese de que la toma de tierra de CA del equipo de aire acondicionado está correctamente conectada a la toma de tierra de CA de la embarcación. Dentro del propio barco, asegúrese de que el bus de tierra de CA está conectado al bus de tierra de CC en un solo punto.

Compruebe y vuelva a apretar según sea necesario todas las conexiones eléctricas antes de la puesta en marcha.

8 Eliminación



¡ATENCIÓN! Peligro de incendio

- > El dispositivo contiene gas inflamable para expansión en aislantes.
- > Encargue solamente a un especialista la retirada y eliminación del aparato.



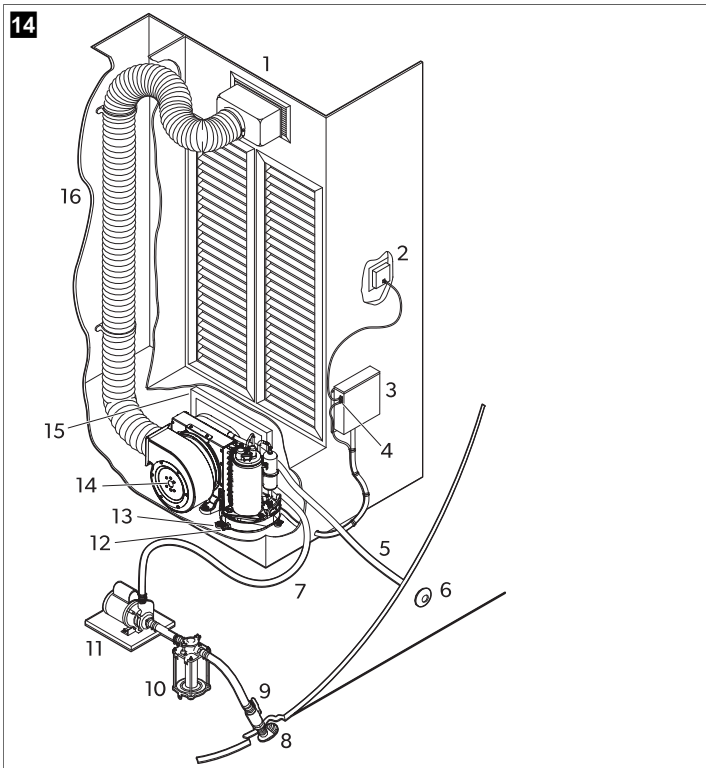
Si es posible, deseche el material de embalaje en los contenedores de reciclaje adecuados. Consulte con un punto limpio o con un distribuidor especializado para obtener más información sobre cómo eliminar el producto de acuerdo con las normativas aplicables de eliminación.

9 Datos técnicos

Lea todas las instrucciones y, a continuación, planifique las conexiones que deben realizarse con la unidad de aire acondicionado (incluidos los conductos, la línea de purga de condensado, las mangueras de entrada y salida de agua de mar, las conexiones eléctricas, la ubicación del control y la ubicación de la bomba de agua de mar), para garantizar un fácil acceso para el enrutamiento y el mantenimiento futuro.

9.1 Ubicaciones de los componentes

Identificación de componentes del sistema de aire acondicionado



- 1 Rejilla de suministro de aire y caja de transición
- 2 Pantalla digital
- 3 Caja eléctrica
- 4 Cable opcional del sensor remoto de aire
- 5 Manguera de salida de agua de mar
- 6 Descarga al mar
- 7 Manguera de entrada de agua de mar
- 8 Entrada de agua de mar de fondo con pasacascos
- 9 Válvula de cierre para agua de mar
- 10 Depurador del agua de mar
- 11 Bomba
- 12 Conector de manguera de purga del condensado
- 13 Soporte de montaje
- 14 Equipo de aire acondicionado
- 15 Rejilla del aire de retorno y filtro
- 16 Conductos flexibles aislados

9.2 Especificaciones

El circuito de refrigeración contiene una pequeña cantidad de refrigerante compatible con el medio ambiente, pero inflamable. No daña la capa de ozono ni aumenta el efecto invernadero. Toda fuga de refrigerante puede incendiarse.

Este producto contiene gases fluorados de efecto invernadero.

La unidad de refrigeración está sellada herméticamente.

Tabla 7: Dimensiones mínimas de los conductos y las rejillas para la capacidad BTU

	3.5 k BTU	6 k BTU	8 k BTU	10 k BTU
Diámetro mínimo del conducto	3,00 in (76,2 mm)	4,00 in (101,6 mm)	5,00 in (127,0 mm)	6,00 in (152,4 mm)
Área mínima del conducto	6,8 in ² (43,9 cm ²)	12,6 in ² (81,3 cm ²)	19,6 in ² (126,5 cm ²)	28,3 in ² (182,6 cm ²)
Área mínima de la rejilla del aire de retorno	48,0 in ² (309,7 cm ²)	64,0 in ² (412,9 cm ²)	80,0 in ² (516,2 cm ²)	100,0 in ² (645,2 cm ²)
Área mínima de la rejilla del aire de suministro	12,0 in ² (77,4 cm ²)	32,0 in ² (206,5 cm ²)	48,0 in ² (309,7 cm ²)	60,0 in ² (387,1 cm ²)

	12 k BTU	16 k BTU	18 k BTU	27 k BTU
Diámetro mínimo del conducto	6,00 in (152,4 mm)	7,00 in (177,8 mm)	7,00 in (177,8 mm)	8,00 in (203,2 mm)
Área mínima del conducto	28,3 in ² (182,6 cm ²)	38,5 in ² (248,4 cm ²)	38,5 in ² (248,4 cm ²)	50,3 in ² (324,5 cm ²)
Área mínima de la rejilla del aire de retorno	130,0 in ² (838,8 cm ²)	160,0 in ² (1032,3 cm ²)	200,0 in ² (1290,4 cm ²)	240,0 in ² (1548,5 cm ²)
Área mínima de la rejilla del aire de suministro	70,0 in ² (451,6 cm ²)	80,0 in ² (516,2 cm ²)	100,0 in ² (645,2 cm ²)	120,0 in ² (774,2 cm ²)

Tabla 8: Temperatura y presión del agua de servicio

Temperatura mínima del agua de servicio	40,0 °F (4,44 °C)
Temperatura máxima del agua de servicio	80,0 °F (26,66 °C)
Presión mínima del agua de servicio	4,2 psi (0,29 bar) (29,00 kPa)
Presión máxima del agua de servicio	6,00 psi (0,41 bar) (41,4 kPa)

Siga las condiciones de uso EPA.

NOTA La unidad puede funcionar fuera de estas condiciones con una capacidad reducida.

10 Información legal

Solo modelos GVTX: Para cumplir con la norma IEC 60533, asegúrese de que el producto no esté montado a menos de 9,8 ft (3,00 m) de una antena receptora.

11 Garantía

Consulte las siguientes secciones para obtener información sobre garantía y asistencia para garantía en EE. UU., Canadá y el resto de regiones.

Estados Unidos y Canadá

GARANTÍA LIMITADA DISPONIBLE EN DOMETIC.COM/EN-US/TERMS-AND-CONDITIONS-CONSUMER/WARRANTY. SI TIENE PREGUNTAS O DESEA OBTENER UNA COPIA SIN COSTO DE LA GARANTÍA LIMITADA, CONTACTE CON:

DOMETIC CORPORATION
MARINE CUSTOMER SUPPORT CENTER
2000 NORTH ANDREWS AVENUE
POMPANO BEACH, FLORIDA, USA 33069
1-800-542-2477

Países de Asia y el Pacífico (APAC)

Si el producto no funciona como debería, póngase en contacto con su punto de venta o con la sucursal del fabricante de su país (consulte dometic.com/dealer). La garantía aplicable a su producto es de 1 año(s).

Para tramitar la reparación y la garantía, incluya los siguientes documentos cuando envíe el aparato:

- Una copia de la factura con fecha de compra
- El motivo de la reclamación o una descripción de la avería

Tenga en cuenta que una reparación por medios propios o no profesionales puede tener consecuencias de seguridad y suponer la anulación de la garantía.

Solo en Australia

Nuestros productos tienen garantías que no pueden ser excluidas en virtud de la Ley del Consumidor de Australia. Tiene derecho a una sustitución o reembolso por una avería importante y a una indemnización por cualquier otra pérdida o daño razonablemente previsible. También tiene derecho a que se reparen o sustituyan los productos si estos no son de calidad aceptable y el fallo no representa una avería importante.

Solo en Nueva Zelanda

Esta política de garantía está sujeta a las condiciones y garantías obligatorias según lo establecido por la Ley de Garantías del Consumidor de 1993 (NZ).

Todas las demás regiones

Se aplica el período de garantía estipulado por la ley. Si el producto es defectuoso, póngase en contacto con la sucursal del fabricante de su país (consulte dometic.com/dealer) o con su punto de venta.

Para tramitar la reparación y la garantía, incluya los siguientes documentos cuando envíe el aparato:

- Una copia de la factura con fecha de compra
- El motivo de la reclamación o una descripción de la avería

Tenga en cuenta que una reparación por medios propios o no profesionales puede tener consecuencias de seguridad y suponer la anulación de la garantía.

Português

1	Notas importantes.....	38
2	Explicação dos símbolos.....	38
3	Grupo(s)-alvo.....	39
4	Utilização adequada.....	39
5	Explicação dos símbolos no aparelho.....	39
6	Pré-instalação.....	39
7	Instalação.....	41
8	Eliminação.....	44
9	Dados técnicos.....	44
10	Aviso legal.....	45
11	Garantia.....	45

1 Notas importantes

Leia atentamente as presentes instruções e siga todas as instruções, orientações e avisos incluídos neste manual, de modo a garantir a correta instalação, utilização e manutenção do produto. É OBRIGATORIO manter estas instruções junto com o produto.

Ao utilizar o produto, está a confirmar que leu atentamente todas as instruções, orientações e avisos, e que compreende e aceita cumprir os termos e condições estabelecidos no presente manual. Aceita utilizar este produto exclusivamente para o fim e a aplicação a que se destina e de acordo com as instruções, orientações e avisos estabelecidos neste manual, assim como de acordo com todas as leis e regulamentos aplicáveis. Caso não leia nem siga as instruções e os avisos aqui estabelecidos, poderá sofrer ferimentos pessoais ou causar ferimentos a terceiros e o produto ou outros materiais nas proximidades poderão ficar danificados. Este manual do produto, incluindo as instruções, orientações e avisos, bem como a documentação relacionada, podem estar sujeitos a alterações e atualizações. Para consultar as informações atualizadas do produto, visite documents.domestic.com.

2 Explicação dos símbolos

As palavras de advertência identificam mensagens de segurança e mensagens de danos à propriedade, assim como o grau ou nível de seriedade do perigo.



PERIGO!

Indica uma situação perigosa que, se não for evitada, resultará em morte ou ferimentos graves.



AVISO!

Indica uma situação perigosa que, se não for evitada, pode causar a morte ou ferimentos graves.



NOTA!

Indica uma situação que, se não for evitada, pode causar danos materiais.



OBSERVAÇÃO Informações complementares para a utilização do produto.

2.1 Diretivas suplementares

Para reduzir o risco de acidentes e lesões, tenha em atenção as seguintes diretrizes antes de prosseguir com a instalação deste equipamento:

- Leia e siga todas as informações e instruções de segurança.
- Leia e entenda estas instruções antes da instalação deste produto.
- A instalação deve cumprir com todos os códigos nacionais ou locais aplicáveis, incluindo as últimas edições das seguintes normas:
 - American Boat and Yacht Council (ABYC)
 - ANSI/NFPA 70, National Electrical Code (NEC)

2.2 Indicações de segurança



PERIGO! Risco de incêndio ou explosão. Alguns modelos utilizam líquido refrigerante inflamável.

O incumprimento destas advertências resultará em morte ou ferimentos graves:

- > A reparação deve ser efetuada apenas por pessoal de assistência qualificado.
- > Não instale nem armazene num local com fontes de ignição em funcionamento contínuo.
- > Mantenha todas as aberturas de ventilação necessárias desimpedidas.
- > Não perfure a tubagem do líquido refrigerante.
- > Consulte a placa de características do produto para obter informações sobre o tipo de líquido refrigerante.



AVISO! Perigo de incêndio e/ou explosão

O incumprimento destas advertências poderá resultar em morte ou ferimentos graves:

- > Não utilize potenciais fontes de ignição para detetar ou procurar fugas de líquido refrigerante. Não utilize uma tocha de halogeneto ou qualquer outro detetor que use uma chama sem proteção.
- > Certifique-se de que o equipamento de deteção é adequado para o tipo de líquido refrigerante utilizado no produto. Consulte a placa de características do produto para obter informações sobre o tipo de líquido refrigerante.
- > Os detetores eletrónicos de fugas podem ser usados para detetar fugas de líquido refrigerante. No entanto, a sua sensibilidade pode ser inadequada para líquidos refrigerantes inflamáveis e poderá ser necessária uma nova calibragem. Calibre o equipamento de deteção numa área sem líquido refrigerante.



AVISO! Risco devido a monóxido de carbono

O incumprimento destas advertências poderá resultar em morte ou ferimentos graves:

- > Não instale ou opere um ar condicionado autónomo no porão ou na casa de máquinas ou perto de um motor de combustão interna. Certifique-se de que o local selecionado está vedado de acesso direto de vapores ao porão e/ou à casa de máquinas.
- > Verifique se o tubo de saída da água de condensação está devidamente instalado e vedado. Não ligue o tubo de saída da água de condensação a menos de 0,91 m de qualquer saída de um sistema de exaustão de um motor ou gerador, num compartimento que contenha um motor ou gerador ou num porão, a não ser que a saída esteja devidamente ligada a uma bomba de água de condensação vedada ou a um sistema de bomba para os porões de recolha do duche. Se o tubo de saída da água não estiver instalado de forma adequada, fumos perigosos podem subir pela linha do tubo de saída da água e contaminar os quartos.
- > Não instale o ar condicionado num local onde possa emitir monóxido de carbono, vapores de combustível ou outros fumos nocivos nos habitáculos da embarcação.



AVISO! Risco de eletrocussão

A instalação apenas pode ser realizada por um electricista qualificado.



AVISO! Perigo de choque elétrico, incêndio e/ou explosão

O não cumprimento destas precauções pode resultar em morte ou ferimentos graves.

Este aparelho não se destina a ser utilizado por pessoas (incluindo crianças) com capacidades físicas, sensoriais ou mentais reduzidas, ou falta de experiência e conhecimento, a menos que contem com supervisão ou formação no que diz respeito à utilização do aparelho por parte de uma pessoa responsável pela sua segurança. As crianças devem ser supervisionadas, por forma a garantir que não brincam com o aparelho. A limpeza e a manutenção não podem ser efetuadas por crianças sem supervisão. Este aparelho não deve estar acessível ao público geral.

**AVISO! Perigo de explosão**

O não cumprimento destas precauções pode resultar em morte ou ferimentos graves.

- > Não instale o ar condicionado num local que contenha motores a gasolina, tanques, cilindros de LPG/CPG, reguladores, válvulas ou encaixes de linha de combustível. Salvo indicação em contrário, as unidades autónomas não cumprem os requisitos federais americanos de proteção contra ignição. O incumprimento deste aviso poderá resultar em morte ou ferimentos graves.
- > Os componentes elétricos que possam produzir arcos ou faíscas só devem ser substituídos por peças especificadas pelo fabricante do aparelho. A substituição por outras peças poderá resultar na ignição do líquido refrigerante em caso de fuga.

**AVISO! Perigo de choques elétricos**

O não cumprimento destas precauções pode resultar em morte ou ferimentos graves.

- > Certifique-se de devidamente ligar à terra o ar condicionado para minimizar o perigo de choques elétricos. Consulte as orientações de instalação para mais informações.
- > Cada ar condicionado requer um disjuntor dedicado. Se só estiver instalado um ar condicionado, a bomba de água do mar não requer um disjuntor. Se duas ou mais unidades de ar condicionado usarem a mesma bomba de água do mar, a cablagem da bomba será ligada a um painel de relé de bomba (PRP), o que, por sua vez, tem seu próprio disjuntor dedicado dimensionado para a bomba (máx. 20 A). Consulte o diagrama da cablagem fornecido com o PRP. As ligações elétricas no porão e/ou abaixo do nível da água devem utilizar ligações de cabo impermeabilizantes termorretráteis.
- > Esquemas de fiação de campo devem cumprir os códigos elétricos ABYC. A energia para a unidade deve estar dentro da faixa de voltagem de funcionamento indicada na placa de identificação de tipo. Fusíveis adequadamente dimensionados ou disjuntores HACR devem ser instalados para proteção do circuito. Consulte a placa de identificação de tipo para saber o tamanho máximo do fusível/disjuntor (MFS) e a capacidade mínima do circuito (MCA).

**NOTA!**

Este aparelho contém gases de efeito estufa fluorados em equipamento hermeticamente fechado. Consulte a placa de identificação de tipo de produto da unidade de condensação para obter a quantidade de refrigerante apresentada em peso e GWP. O refrigerante adicionado deve ser anotado no rótulo da unidade.

**NOTA!**

Não utilize a tubagem de cobre para empurrar, puxar, levantar ou transportar o produto.

3 Grupo(s)-alvo



A instalação mecânica e elétrica e a configuração do aparelho têm de ser efetuadas por um técnico qualificado com capacidades e conhecimentos comprovados relacionados com a construção e operação de equipamento e instalações marítimas e que esteja familiarizado com as normas aplicáveis no país em que o equipamento será instalado e/ou utilizado. Além disso, este técnico deve ter concluído formação em segurança para identificar e evitar os perigos envolvidos.

4 Utilização adequada

Este manual destina-se à instalação dos sistemas de ar condicionado autónomos DCU, DLU, DTG, ECD, GT, GTX, GTX-LP, GVTX e TX (doravante designados por "ar condicionado"). O ar condicionado destina-se a ser utilizado em embarcações e iates. Este ar condicionado destina-se exclusivamente à aplicação e aos fins pretendidos com base nestas instruções.

Este produto destina-se exclusivamente à aplicação e aos fins pretendidos com base nestas instruções.

Este manual fornece informações necessárias para proceder a uma instalação e/ou a uma operação adequadas do produto. Uma instalação e/ou uma operação ou manutenção incorretas causarão um desempenho insatisfatório e uma possível avaria.

O fabricante não aceita qualquer responsabilidade por danos ou prejuízos no produto resultantes de:

- Instalação, montagem ou ligação incorretas, incluindo sobretensões
- Manutenção incorreta ou utilização de peças sobressalentes não originais fornecidas pelo fabricante
- Alterações ao produto sem autorização expressa do fabricante
- Utilização para outras finalidades que não as descritas no presente manual

A Dometic reserva-se o direito de alterar o design e as especificações do produto.

5 Explicação dos símbolos no aparelho



Atenção! Risco de incêndio/materiais inflamáveis



Atenção! Material com velocidade de combustão baixa. Líquido refrigerante inflamável.



Grupo de segurança do líquido refrigerante A2L



Leia o manual de instruções.



Leia o manual de manutenção.

6 Pré-instalação

**NOTA!**

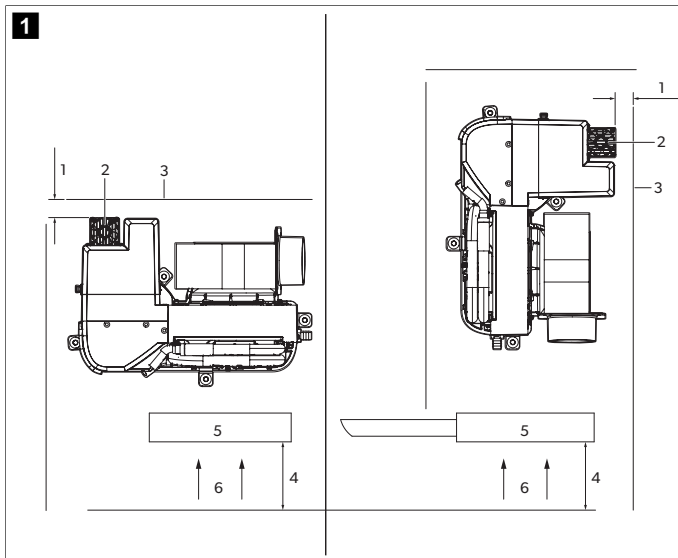
Os tabuleiros de base de condensação autónoma DTG, GTX, GVTX e TX estão equipados com isolantes de vibração instalados no fundo da base. Estes isolantes foram concebidos para atenuar as vibrações causadas pelo funcionamento do ar condicionado, impedindo a sua transferência para a superfície montada. Deve-se tomar cuidado ao mover o ar condicionado pela superfície de montagem, uma vez que os isolantes podem ser danificados.

**NOTA!**

- > O ar condicionado deve ser montado numa superfície baixa, plana e nivelada, como no fundo de um cacifo, por baixo de um beliche ou de um assento da copa, ou num local semelhante.
- > Certifique-se de que a cablagem não está sujeita a desgaste, corrosão, pressão excessiva, vibração, arestas afiadas ou outros efeitos ambientais adversos, incluindo efeitos do envelhecimento ou vibração contínua de fontes como compressores ou ventiladores.
- > Certifique-se de que os dispositivos de proteção, tubagens e encaixes estão protegidos tanto quanto possível contra efeitos ambientais adversos, tais como a acumulação de sujidade e detritos ou a acumulação de água e o congelamento nos tubos de alívio.
- > Devem ser tomadas precauções para evitar vibração ou pulsação excessivas sobre a tubagem de refrigeração.

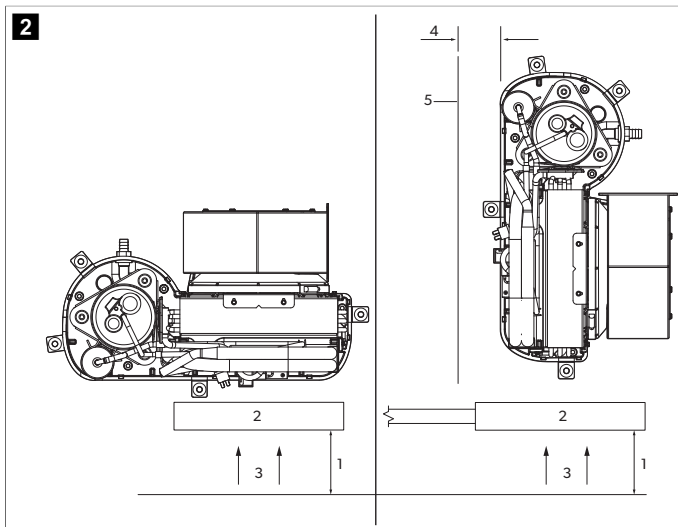
6.1 Determine o local de instalação

1. Posicionamento do GVTX e TV em relação ao fluxo de ar



- | | |
|------------------------------|---------------------------------|
| 1 3,00 in (7,62 cm) | 4 4,00 in (10,16 cm) |
| 2 Dissipador de calor | 5 Grade de ar de retorno |
| 3 Antepara | 6 Fluxo de ar |

Posicionamento de todas outras unidades de ar condicionado em relação ao fluxo de ar



- | | |
|---------------------------------|----------------------------|
| 1 4,00 in (10,16 cm) | 4 3,00 in (7,62 cm) |
| 2 Grade de ar de retorno | 5 Antepara |
| 3 Fluxo de ar | |

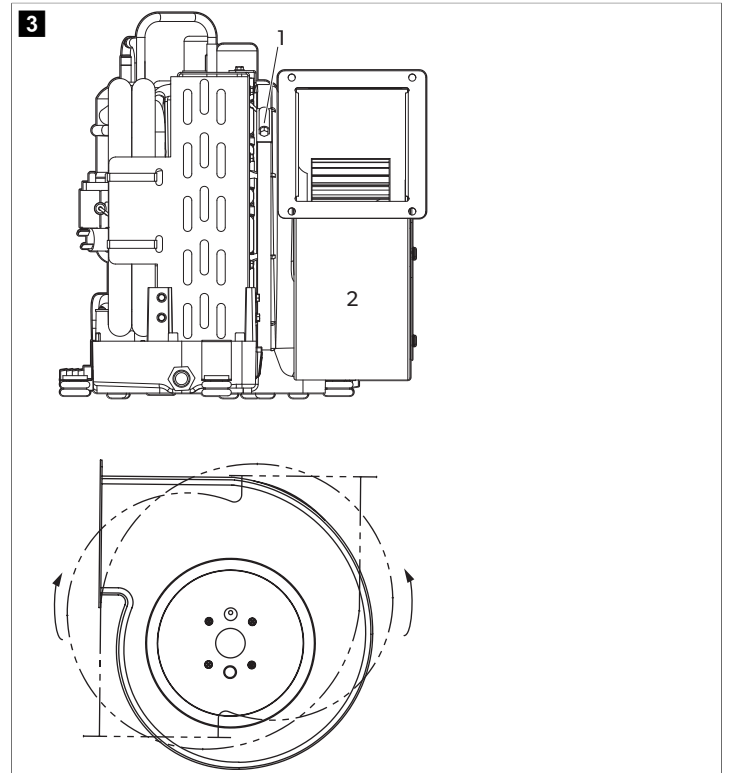
2. Escolha um local com fluxo de ar suficiente. A grade de ar de retorno deve ter um mínimo de 4,00 in (10,16 cm) de circulação de ar à sua frente, livre de obstruções.
3. Se o ar condicionado estiver posicionado perpendicularmente à grade de ar de retorno, mantenha um mínimo de 3,00 in (7,62 cm) de espaço circulação de ar no lado de entrada de ar.
4. **Apenas GVTX e TX:** Assegure uma área aberta mínima de 3,00 in (7,62 cm) acima e abaixo do dissipador de calor.

6.2 Rodar o soprador

Esta seção explica como rodar o soprador para cada tipo de unidade. Se necessário, rode o soprador para a direção que permite a descarga do fluxo de ar mais direta através da tubagem.

6.2.1 Sopradores GTX, GVTX, DTG e TX

Rotação do soprador do sistema GTX, GVTX, DTG e TX

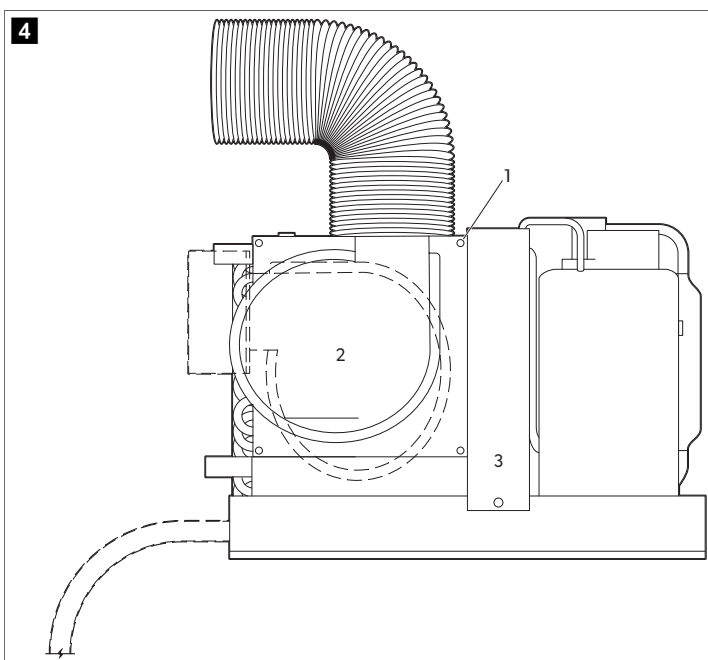


- | |
|---------------------------|
| 1 Adjustment screw |
| 2 Blower |

1. Solte os parafusos de ajuste do anel de montagem do soprador.
2. Rode o soprador até a posição pretendida.
3. Aperte os parafusos de ajuste.

6.2.2 Sopradores MCS, ECD e GT

Rotação do soprador do sistema MCS, ECD e GT

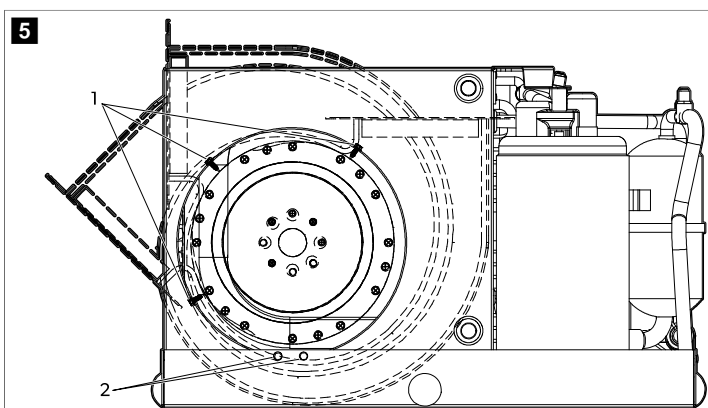


- 1 Screw
2 Matrícula
3 Ventilação

1. Remova os sete parafusos da placa.
2. Rode o soprador até a posição pretendida.
3. Prenda o soprador no lugar usando parafusos autorroscantes (não fornecidos).

6.2.3 Soprador DCU

Rotação do soprador do sistema DCU



- 1 Screws on blower ring
2 Screws on drain pan or bracket

1. Remova os parafusos do anel do soprador.
2. Remova os parafusos que prender o soprador ao tabuleiro de drenagem ou ao suporte.
3. Rode o soprador até a posição pretendida.
4. Prenda o soprador no lugar usando parafusos autorroscantes (não fornecidos).
5. Coloque tampões em todos os orifícios não usados para prevenir perda de ar.

6.3 Colocação dos filtros de ar

Os filtros de ar removem partículas suspensas do ar da cabina e mantém a bobina do evaporador limpa. Para cada ar condicionado, posicione um filtro de ar no sistema de ar condicionado ou na grade de ar de retorno.

6.4 Colocação das grades e as caixas de transição

Tenha em atenção ao seguinte ao colocar as grades e as caixas de transição:

- Instale a grade de fornecimento de ar o mais alto possível num local que distribua o ar de forma adequada por toda a cabina. Direcione as lâminas da grade para cima.
- Instale a grade de ar de retorno o mais baixo e o mais perto possível do ar condicionado para garantir fluxo de ar ao evaporador.
- Não aponte a descarga de fornecimento de ar para a grade de ar de retorno, caso contrário a unidade será ligada e desligada em intervalos curtos.
- Deixe espaço adequado atrás da grade de fornecimento de ar para a caixa de transição e a ligação da tubagem. Consulte Especificações na página 45

7 Instalação



AVISO! Risco de eletrocussão

A instalação apenas pode ser realizada por um electricista qualificado.

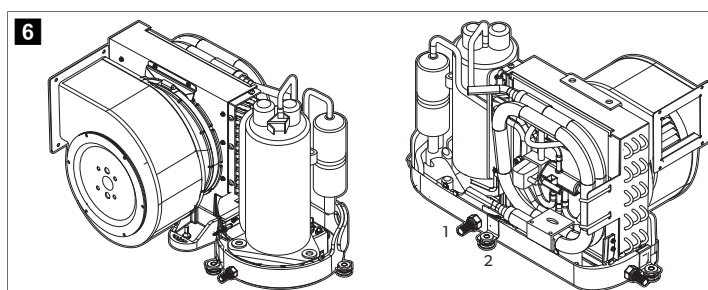
7.1 Instalar os suportes de montagem e saída de água de condensação



NOTA!

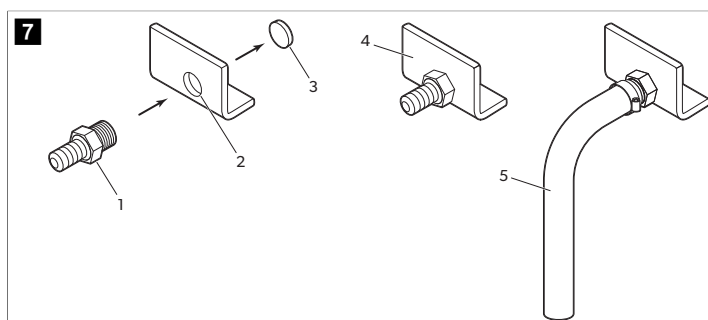
Para evitar fissuras no tabuleiro de drenagem, não utilize mais do que duas camadas de fita adesiva para enrolar a espiga da mangueira e não a aperte demasiado.

Posicionamento típico dos suportes de montagem e das saídas de água de condensação



- 1 Espiga de mangueira da saída de água de condensação
2 Suporte de montagem

Instalar o escoamento da água de condensação para GTX, GVTX, DTG e TX

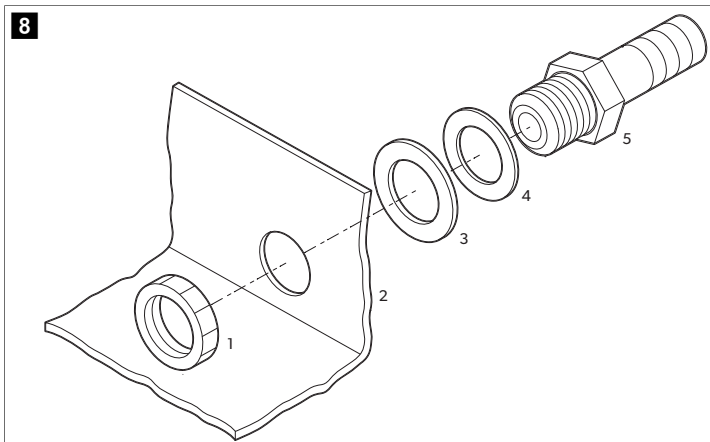


- 1 Hose barb

- 4 Drain pan

- 2 Orifício de drenagem roscado 5 Mangueira de drenagem
3 Escareador-extrator

Instalar a saída de água de condensação em todas as outras unidades de ar condicionado



- 1 Locking nut 4 Solid washer
2 Tabuleiro de drenagem 5 Encaixe de PVC de 0,5 in (12,7 mm) HB x 0,5 in (12,7 mm) MPT

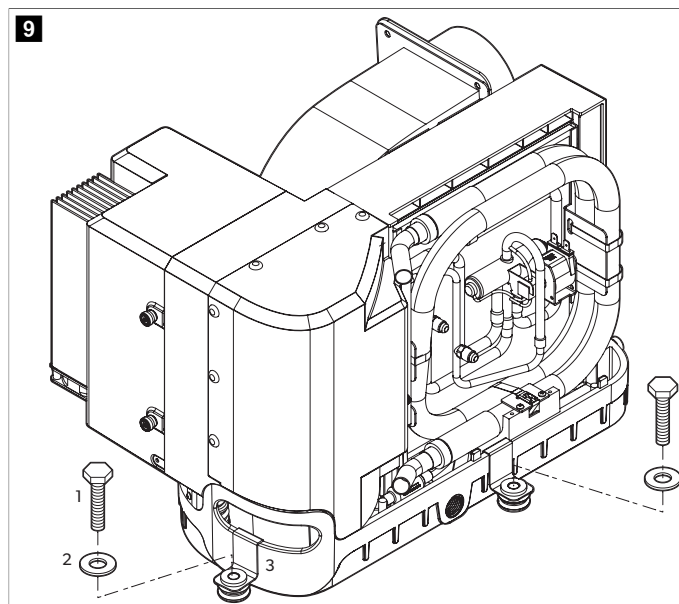
- 3 Arruela de vedação de líquido

1. Para unidades GTX, GVTX, DTG e TX:

- Utilize a extremidade pequena da espiga de mangueira para extrair um escareador de um orifício de drenagem virado para popa, aplicando um golpe rápido com um martelo de borracha. Descarte o escareador extraído.
 - Envolva a extremidade roscada da espiga de mangueira com fita adesiva.
 - Aparafuse a espiga da mangueira no orifício de drenagem roscado e aperte com firmeza.
2. Para todos os outros sistemas de ar condicionado:
- Enrosque a espiga de mangueira por uma arruela sólida e arruela de vedação de água e insira-a no orifício de drenagem.
 - Fixe com uma porca de fixação.
3. Fixe a mangueira de drenagem à espiga de mangueira com uma braçadeira de mangueira em aço inoxidável.

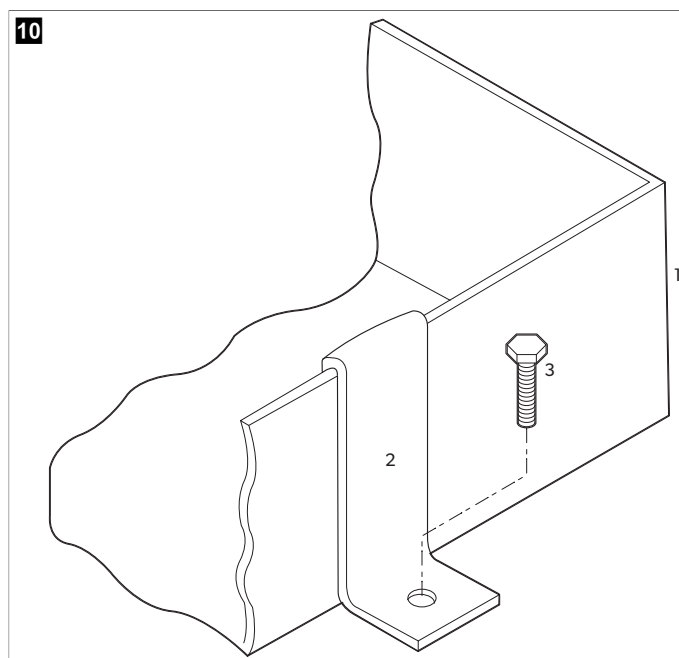
4. Encaminhe a mangueira de drenagem para um ponto de recolha adequado e seguro.

Instalar o suporte de montagem nas unidades GTX, GVTX, DTG e TX



- 1 Parafuso de montagem (não fornecido)
2 Arruela de para-lama (fornecida)
3 Suporte de montagem (fornecido)

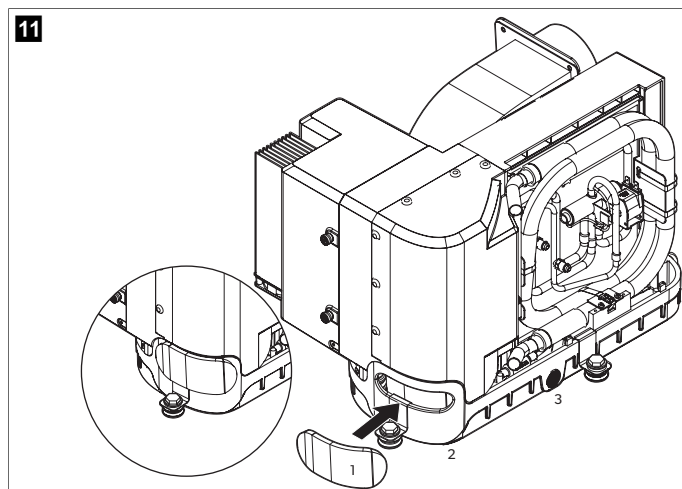
Instalar o suporte de montagem em todas as outras unidades de ar condicionado



- 1 Tabuleiro de drenagem
2 Suporte de montagem
3 Parafuso de montagem (não fornecido)

5. Instale um suporte de montagem de cada lado do tabuleiro de drenagem espaçados uniformemente.

Instalar o isolamento da pega de espuma nas unidades GVTX e TX



- 1 Isolamento da pega de espuma
2 Abertura da pega
3 Tabuleiro de drenagem

6. Para unidades GVTX e TX:

- Retire a película que cobre a película adesiva no isolamento da pega de espuma.
- Posicione o isolamento da pega de espuma para cobrir completamente a abertura da pega com o lado adesivo virado para o tabuleiro de drenagem.
- Pressione em torno da abertura da pega para aderir o isolamento da pega de espuma ao tabuleiro de drenagem.

7.2 Instalar a tubagem



AVISO! Risco de incêndio ou explosão

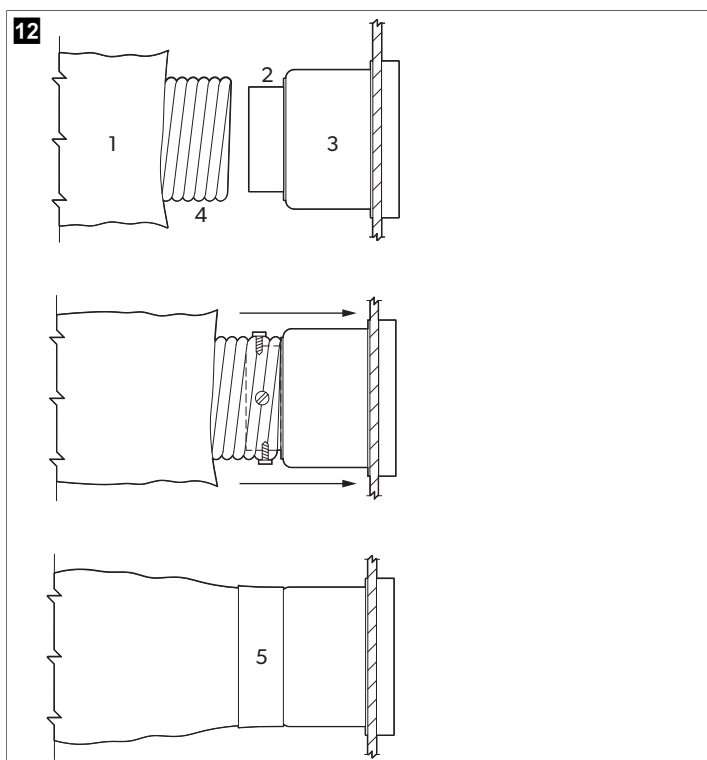
- > Os dispositivos auxiliares que possam ser fontes de ignição não devem ser instalados na rede de condutas, exceto os dispositivos auxiliares indicados para utilização com o aparelho específico.
- > Para os modelos que utilizam líquidos refrigerantes inflamáveis, que estão ligados através de um sistema de conduta de ar a uma ou mais divisões, o ar de entrada e de retorno deve ser conduzido diretamente para o espaço. As áreas abertas, tais como tetos falsos, não devem ser utilizadas como condutas de ar de retorno.
- > Não direcione a tubagem através de sala de máquinas ou qualquer área em que possa ficar exposta a vapores perigosos ou gases de escape.

Tenha atenção às condições a seguir durante a instalação da tubagem:

- A tubagem deve ser dimensionada adequadamente para sua aplicação.
- Faça a tubulação percorrer um caminho tão reto, suave e esticado quanto possível, minimizando o número de dobras de 90° e curvas, o que pode reduzir o fluxo de ar.
- Fixe a tubagem de forma segura para evitar que ceda.
- Não permita que a tubagem seja amassada ou dobrada.
- Elimine excessos de comprimento da tubagem a seguir à instalação.
- Isole a tubagem quando estiver localizada em áreas de temperaturas altas.

Se uma caixa de transição for utilizada, a área total de tubagem de fornecimento de saída de ar da caixa deve ser, pelo menos, igual à área total da tubagem de fornecimento de entrada de ar na caixa. Consulte Especificações na página 45

Ligações da tubagem



- 1 Isolamento de fibra de vidro
2 Anel de montagem
3 Caixa de transição
4 Mangueira de tubulação interna Mylar
5 Fita adesiva

- Deslize a mangueira da tubagem Mylar interna em torno do anel de montagem para a caixa de transição.
- Parafuse três ou quatro parafusos de aço inoxidável através da mangueira de tubagem Mylar para dentro do anel de montagem, capturando dois ou três fios com as cabeças dos parafusos.
- Deslize o isolamento de fibra de vidro em torno da mangueira da tubagem Mylar interna para a caixa de transição. Prenda com fita adesiva.

7.3 Instalar o sistema de água do mar



NOTA!

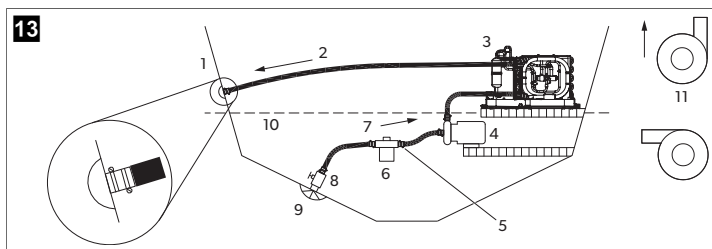
Não seguir este procedimento irá invalidar a garantia.

Tenha em atenção as seguintes considerações ao instalar o sistema de água do mar:

- O filtro deve ficar debaixo da bomba.
- Mangueiras devem ser fixas duplamente.
- As mangueiras não podem ter dobras, voltas ou pontos altos nos quais o ar podem ficar preso.
- A bomba e o filtro deve estar abaixo do nível da água.
- A entrada através do casco, a válvula esférica, a mangueira e o filtro não podem ser menores que a entrada da bomba.
- Instale o encaixe através do casco o mais abaixo do nível da água possível.
- A bomba deve ter um "através do casco" dedicado.
- Evite ao máximo encaixes em ângulo de 90,00°.
- Certifique-se de que a cabeça da bomba está rotacionada na direção do fluxo de água.
- Utilize fita adesiva em todas as ligações roscadas.

Consulte Especificações na página 45 para obter informações sobre os valores de pressão e temperatura máxima e mínima da água.

Sistema de água do mar



- | | |
|-------------------------------|--|
| 1 Saída da água do mar | 7 Entrada de fluxo ascendente |
| 2 Fluxo de saída | 8 Válvula esférica |
| 3 Ar condicionado | 9 Entrada de recolha de água através do casco |
| 4 Bomba para água do mar | 10 nível da água |
| 5 Braçadeiras para mangueiras | 11 Corretas orientações do filtro de rede da cabeça da bomba |
| 6 Filtro de rede | |

1. Instale uma entrada de recolha de água através do casco o mais próximo da quilha e o mais abaixo do nível da água possível. Prenda a entrada de recolha de água através do casco utilizando uma massa de vedação de grade marítima concebida para utilização subaquática.
2. Instale uma válvula de fluxo total, de bronze, na entrada de recolha de água do mar através do casco.
3. Instale um coador de água do mar abaixo do nível da bomba com acesso ao filtro.
4. Monte a bomba acima do coador e a pelo menos um pé abaixo do nível da água.
5. Ligue a válvula e o coador com um fluxo ascendente de mangueira reforçada da grade marítima.
6. Ligue a descarga da bomba no sentido ascendente à entrada inferior da bobina do condensador com uma mangueira reforçada de grau marítimo de 5/8 polegadas.
7. Ligue a descarga da bobina do condensador ao encaixe da descarga de excesso através do casco com uma mangueira reforçada de grade marítima de 5/8 pol.
8. Evite voltas, pontos altos ou o uso de cotovelos de 90° na mangueira de água do mar. Cada cotovelo de 90° é equivalente a 2,5 ft (0,76 m) da mangueira e um cotovelo de 90° na saída da bomba é equivalente a 20,0 ft (6,10 m) da mangueira.
9. Fixe duplamente todas as ligações de mangueira usando dois braçadeiras de aço inoxidável, revertendo as braçadeiras quando necessário.
10. Ligue todas as peças metálicas em contacto com água do mar ao sistema de ligações da embarcação.

7.4 Estabelecer ligações elétricas



AVISO! Perigo de choques elétricos

- > Desligue sempre o disjuntor do ar condicionado antes de abrir o quadro elétrico. O incumprimento deste aviso poderá resultar em morte ou ferimentos graves.
- > Certifique-se de que o quadro elétrico se encontra numa área protegida da água.



NOTA!

O ar condicionado deve ser ligado ao sistema de ligações da embarcação para evitar corrosão devido à corrente elétrica dispersa. Todas as bombas, válvulas metálicas e encaixes no circuito de água do mar que estiverem isoladas do ar condicionado por mangueiras de PVC ou de borracha devem ser ligadas individualmente ao sistema de ligações da embarcação.



OBSERVAÇÃO Se o sistema não for corretamente ligado à terra, anulará a garantia.

Todas as unidades de ar condicionado têm uma tira de terminais etiquetada para ligação adequada dentro da caixa elétrica. O diagrama de cablagem no quadro elétrico substitui os padrões ABYC. Use a medida correta do disjuntor para proteger o sistema

conforme especificado pelo rótulo da placa de identificação de tipo das unidades de ar condicionado. Deve ser utilizado um cabo de, no mínimo, 12 AWG para fornecer energia ao ar condicionado e à bomba de água do mar. Estabeleça todas as ligações usando terminais tipo anel ou garfo cativo.

Tenha em atenção ao seguinte quando estabelecer as ligações elétricas:

- A ligação à terra de corrente alternada (CA) deve ser ligada ao terminal ligado à terra (GRND) no bloco terminal de entrada de energia de CA.
- As ligações entre o condutor de ligação à terra do sistema de CA da embarcação e o negativo da corrente contínua (CC) ou sistema de ligações da embarcação deve ser feito como parte da cablagem da embarcação. Ao realizar a manutenção ou ao substituir equipamento existente que contém uma ligação à terra montada no chassis, verifique a cablagem da embarcação para essas ligações.
- Os sistemas de ar condicionado GVTX e TX foram concebidos para funcionar com corrente alternada ou corrente contínua de alta tensão. Consulte o diagrama da cablagem da embarcação para saber o posicionamento correto.

Certifique-se de que a ligação à terra de CA do ar condicionado está devidamente ligada à ligação à terra de CA da embarcação. Dentro da embarcação, certifique-se de que a barra de ligação à terra de CA está ligada à barra de ligação à terra de CC em exatamente um ponto.

Verifique e volte a apertar, conforme seja necessário, todas as ligações elétricas antes do arranque.

8 Eliminação



PRECAUÇÃO! Perigo de incêndio

- > Este aparelho contém agente de expansão isolante inflamável.
- > Apenas um especialista pode remover e eliminar o aparelho.



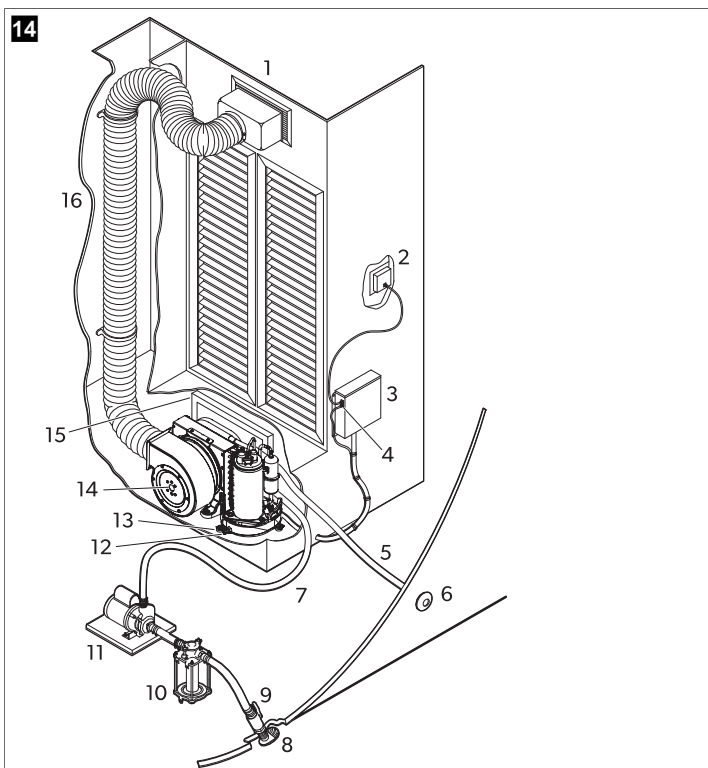
Sempre que possível, coloque o material de embalagem no respetivo contentor de reciclagem. Informe-se junto do centro de reciclagem ou revendedor mais próximo sobre como eliminar este produto de acordo com as disposições de eliminação aplicáveis.

9 Dados técnicos

Leia estas instruções na íntegra e, em seguida, planeie as ligações que devem ser feitas ao ar condicionado (incluindo a tubagem, o tubo de saída da água de condensação, as mangueiras de entrada e saída de água do mar, as ligações de energia elétrica, a localização do controlo e o posicionamento da bomba de água do mar), para garantir um acesso fácil à instalação e manutenção futura.

9.1 Localizações das peças

Identificação dos componentes do ar condicionado



- | | | | |
|---|--|----|---|
| 1 | Grade de fornecimento de ar e caixa de transição | 9 | Válvula de corte |
| 2 | Monitor digital | 10 | Filtro da água do mar |
| 3 | Quadro elétrico | 11 | Bomba |
| 4 | Cabo do sensor de ar remoto opcional | 12 | Espiga de mangueira da saída de água de condensação |
| 5 | Mangueira de saída de água do mar | 13 | Suporte de montagem |
| 6 | Descarga de excesso | 14 | Ar condicionado |
| 7 | Mangueira de entrada de água do mar | 15 | Grade e filtro de ar de retorno |
| 8 | Entrada de recolha de água do mar através do casco | 16 | Tubagem flexível isolada |

9.2 Especificações

O circuito de refrigeração contém uma pequena quantidade de um refrigerante ecológico mas inflamável. Este produto não é prejudicial para a camada de ozono e não aumenta o efeito de estufa. Qualquer refrigerante vazado pode incendiar-se.

Este produto contém gases fluorados com efeito de estufa.

A unidade de refrigeração está hermeticamente fechada.

Tabela 9: Tamanho mínimo da tubagem e grade por capacidade BTU

	3.5 k BTU	6 k BTU	8 k BTU	10 k BTU
Diâmetro mínimo da tubagem	3,00 in (76,2 mm)	4,00 in (101,6 mm)	5,00 in (127,0 mm)	6,00 in (152,4 mm)
Área mínima da tubagem	6,8 in ² (43,9 cm ²)	12,6 in ² (81,3 cm ²)	19,6 in ² (126,5 cm ²)	28,3 in ² (182,6 cm ²)
Grade de retorno mínimo de ar	48,0 in ² (309,7 cm ²)	64,0 in ² (412,9 cm ²)	80,0 in ² (516,2 cm ²)	100,0 in ² (645,2 cm ²)
Grade de fornecimento mínimo de ar	12,0 in ² (77,4 cm ²)	32,0 in ² (206,5 cm ²)	48,0 in ² (309,7 cm ²)	60,0 in ² (387,1 cm ²)

	12 k BTU	16 k BTU	18 k BTU	27 k BTU
Diâmetro mínimo da tubagem	6,00 in (152,4 mm)	7,00 in (177,8 mm)	7,00 in (177,8 mm)	8,00 in (203,2 mm)
Área mínima da tubagem	28,3 in ² (182,6 cm ²)	38,5 in ² (248,4 cm ²)	38,5 in ² (248,4 cm ²)	50,3 in ² (324,5 cm ²)
Grade de retorno mínimo de ar	130,0 in ² (838,8 cm ²)	160,0 in ² (1032,3 cm ²)	200,0 in ² (1290,4 cm ²)	240,0 in ² (1548,5 cm ²)
Grade de fornecimento mínimo de ar	70,0 in ² (451,6 cm ²)	80,0 in ² (516,2 cm ²)	100,0 in ² (645,2 cm ²)	120,0 in ² (774,2 cm ²)

Tabela 10: Temperatura e pressão de funcionamento da água

Temperatura mínima de funcionamento da água	40,0 °F (4,44 °C)
Temperatura máxima de funcionamento da água	80,0 °F (26,66 °C)
Pressão mínima de funcionamento da água	4,2 psi (0,29 bar) (29,00 kPa)
Pressão máxima de funcionamento da água	6,00 psi (0,41 bar) (41,4 kPa)

Siga as condições de utilização da EPA.

OBSERVAÇÃO A unidade pode funcionar fora dessas condições com capacidade reduzida.

10 Aviso legal

Apenas modelos GVTX: Para garantir a conformidade com a norma IEC 60533, não monte o produto a uma distância de 9,8 ft (3,00 m) de uma antena recetora.

11 Garantia

Consulte as secções que se seguem para se informar sobre a garantia e o suporte de garantia nos EUA, no Canadá e em todas as outras regiões.

Estados Unidos e Canadá

GARANTIA LIMITADA DISPONÍVEL EM DOMETIC.COM/EN-US/TERMS-AND-CONDITIONS-CONSUMER/WARRANTY. CASO TENHA DÚVIDAS, OU QUEIRA OBTER UMA CÓPIA GRATUITA DA GARANTIA LIMITADA, CONTACTE:

DOMETIC CORPORATION
MARINE CUSTOMER SUPPORT CENTER
2000 NORTH ANDREWS AVENUE
POMPANO BEACH, FLORIDA, USA 33069
1-800-542-2477

Países da região Ásia-Pacífico (APAC)

Se o produto não funcionar como previsto, contacte o seu revendedor ou a filial do fabricante no seu país (consulte dometic.com/dealer). A garantia aplicável ao seu produto é de 1 ano(s).

Para fins de reparação ou de garantia, terá de enviar também os seguintes documentos:

- Uma cópia da fatura com a data de aquisição
- Um motivo de reclamação ou uma descrição da falha

Tenha em atenção que as reparações feitas por si ou por não profissionais podem ter consequências sobre a segurança e anular a garantia.

Válido apenas para a Austrália

Os nossos produtos incluem garantias que não podem ser excluídas nos termos da Lei de Proteção dos Consumidores australiana. O consumidor tem direito a substituição ou reembolso em caso de defeito importante, bem como a indemnização em caso de outras perdas ou danos razoavelmente previsíveis. Além disso, o consumidor tem

igualmente direito a que os bens sejam reparados ou substituídos, caso estes não sejam de qualidade aceitável e o defeito não constitua um defeito importante.

Válido apenas para a Nova Zelândia

A presente política de garantia está sujeita às condições e garantias obrigatórias conforme estipulado pela Lei de Garantias dos Consumidores de 1993 (Nova Zelândia).

Todas as outras regiões

Aplica-se o prazo de garantia legal. Se o produto apresentar defeitos, contacte a filial do fabricante no seu país (consulte dometic.com/dealer) ou o seu revendedor.

Para fins de reparação ou de garantia, terá de enviar também os seguintes documentos:

- Uma cópia da fatura com a data de aquisição
- Um motivo de reclamação ou uma descrição da falha

Tenha em atenção que as reparações feitas por si ou por não profissionais podem ter consequências sobre a segurança e anular a garantia.

Italiano

1	Note importanti.....	47
2	Spiegazione dei simboli.....	47
3	Destinatari.....	48
4	Destinazione d'uso.....	48
5	Spiegazione dei simboli sull'apparecchio.....	48
6	Pre-installazione.....	48
7	Installazione.....	50
8	Smaltimento.....	53
9	Specifiche tecniche.....	53
10	Legale.....	54
11	Garanzia.....	54

1 Note importanti

Si prega di leggere attentamente e di seguire tutte le istruzioni, le linee guida e le avvertenze incluse in questo manuale del prodotto, al fine di garantire che il prodotto venga sempre installato, utilizzato e mantenuto nel modo corretto. Queste istruzioni DEVONO essere conservate insieme al prodotto.

Utilizzando il prodotto, l'utente conferma di aver letto attentamente tutte le istruzioni, le linee guida e le avvertenze e di aver compreso e accettato di rispettare i termini e le condizioni qui espressamente indicati. L'utente accetta di utilizzare questo prodotto solo per lo scopo e l'applicazione previsti e in conformità alle istruzioni, le linee guida e le avvertenze indicate nel presente manuale del prodotto, nonché in conformità alle leggi e ai regolamenti applicabili. La mancata lettura e osservanza delle istruzioni e delle avvertenze qui espressamente indicate può causare lesioni personali e a terzi, danni al prodotto o ad altre proprietà nelle vicinanze. Il presente manuale del prodotto, comprese le istruzioni, le linee guida e le avvertenze e la relativa documentazione possono essere soggetti a modifiche e aggiornamenti. Per informazioni aggiornate sul prodotto, visitare documents.domestic.com.

2 Spiegazione dei simboli

Il termine presente nella segnalazione identifica i messaggi di sicurezza e quelli relativi al danneggiamento della proprietà, oltre a indicare il grado o livello di gravità del rischio.



PERICOLO!

Indica una situazione di pericolo che, se non evitata, provoca lesioni gravi o mortali.



AVVERTENZA!

Indica una situazione di pericolo che, se non evitata, potrebbe provocare lesioni gravi o mortali.



AVVISO!

Indica una situazione di pericolo che, se non evitata, può provocare danni alle cose.



NOTA Informazioni supplementari relative al funzionamento del prodotto.

2.1 Direttive supplementari

Per ridurre il rischio di incidenti e infortuni, attenersi alle seguenti direttive prima di procedere all'installazione dell'apparecchio:

- Leggere e seguire tutte le informazioni e le istruzioni per la sicurezza.
- Leggere e assicurarsi di avere ben compreso queste istruzioni prima di installare il prodotto.
- L'installazione deve risultare conforme a tutti i codici normativi locali e nazionali applicabili, tra cui l'edizione più aggiornata delle normative riportate di seguito:
 - American Boat and Yacht Council (ABYC)
 - ANSI/NFPA 70, National Electrical Code (NEC)

2.2 Istruzioni per la sicurezza



PERICOLO! Rischio di incendio o esplosione. Alcuni modelli utilizzano refrigerante infiammabile.

L'inosservanza di queste avvertenze comporterà lesioni gravi o mortali:

- > La riparazione deve essere eseguita solo da personale qualificato addetto all'assistenza.
- > Non installare o collocare in un luogo con fonti di accensione sempre operative.
- > Mantenere libere da ostruzioni tutte le aperture di ventilazione necessarie.
- > Non forare le tubazioni del refrigerante.
- > Fare riferimento alla targhetta dati del prodotto per il tipo di refrigerante.



AVVERTENZA! Pericolo di incendio e/o di esplosione

L'inosservanza di queste avvertenze potrebbe causare la morte o lesioni gravi:

- > Non utilizzare potenziali fonti di accensione per rilevare o cercare eventuali perdite di refrigerante. Non utilizzare una torcia ad alogenuri o qualsiasi altro rilevatore che utilizzi una fiamma libera.
- > Assicurarsi che l'apparecchiatura cercafughe sia adatta al tipo di refrigerante utilizzato nel prodotto. Per il refrigerante utilizzato, fare riferimento alla targhetta dati.
- > È possibile utilizzare cercafughe elettronici per rilevare perdite di refrigerante, tuttavia la loro sensibilità potrebbe essere inadeguata per i refrigeranti infiammabili e potrebbe essere necessario ricalibrarli. Tarare l'apparecchiatura cercafughe in un'area priva di refrigerante.



AVVERTENZA! Pericolo di monossido di carbonio

L'inosservanza di queste avvertenze potrebbe causare la morte o lesioni gravi:

- > Non installare o azionare un climatizzatore autonomo nella sentina, nelle sale motore o in prossimità di un motore a combustione interna. Accertarsi che nel luogo scelto non possano penetrare vapori provenienti dalla sentina e/o dal vano motore.
- > Verificare che il tubo di scarico della condensa sia installato e sigillato correttamente. Non interrompere il tubo di scarico della condensa entro una distanza di 0,91 m (3 piedi) da qualsiasi uscita dei sistemi di scarico del motore o del generatore, né in uno scomparto che ospita un motore o un generatore, né in una sentina, a meno che lo scarico non sia collegato correttamente a una pompa di condensa o a una pompa per il pozzo di raccolta della doccia sigillate. Se il tubo di scarico non è installato correttamente, i fumi pericolosi potrebbero risalire il tubo di scarico e contaminare gli alloggi.
- > Non installare il climatizzatore in un luogo in cui può far circolare monossido di carbonio, vapori di carburante o altri fumi nocivi negli spazi abitativi dell'imbarcazione.



AVVERTENZA! Pericolo di scosse elettriche

L'installazione può essere eseguita solo da un elettricista qualificato.



AVVERTENZA! Pericolo di scosse elettriche, incendio e/o esplosione

La mancata osservanza di queste precauzioni potrebbe causare la morte o lesioni gravi.

Questo apparecchio non è adatto per essere impiegato da persone (bambini inclusi) con ridotte capacità fisiche, sensoriali o psichiche o prive di esperienza e di conoscenze specifiche, a meno che non siano sorvegliate da una persona competente o non siano state adeguatamente istruite sull'impiego dell'apparecchio da parte di una persona responsabile della loro sicurezza. Controllare che i bambini non giochino con l'apparecchio. La pulizia e la manutenzione non devono essere eseguite da bambini senza la presenza di un adulto. Questo apparecchio non deve essere accessibile al pubblico.

**AVVERTENZA! Pericolo di esplosione**

La mancata osservanza di queste precauzioni potrebbe causare la morte o lesioni gravi.

- > Non installare il climatizzatore in locali contenenti motori a benzina, serbatoi, bombole di GPL/CNG, regolatori, valvole o raccordi dei tubi del carburante. Se non diversamente indicato, le unità autonome non soddisfano i requisiti federali per la protezione in atmosfera esplosiva. La mancata osservanza di questa avvertenza potrebbe causare la morte o lesioni gravi.
- > I componenti elettrici che possono generare archi elettrici o scintille devono essere sostituiti esclusivamente con parti specificate dal fabbricante dell'apparecchio. In caso di perdite, la sostituzione con altri componenti può provocare la combustione del refrigerante.

**AVVERTENZA! Pericolo di scossa elettrica**

La mancata osservanza di queste precauzioni potrebbe causare la morte o lesioni gravi.

- > Accertarsi di mettere a terra il climatizzatore in modo efficace per ridurre al minimo il rischio di scosse elettriche. Per ulteriori informazioni fare riferimento alle linee guida per l'installazione.
- > Ciascun climatizzatore installato richiede un interruttore automatico dedicato. Se è installato un solo climatizzatore, la pompa dell'acqua di mare non richiede un interruttore automatico dedicato. Se due o più climatizzatori utilizzano la stessa pompa dell'acqua di mare, i fili della pompa saranno collegati a un pannello relè pompa (PRP), che a sua volta ha un proprio interruttore automatico dedicato dimensionato per la pompa (20 A max). Fare riferimento allo schema elettrico fornito con il PRP. I collegamenti elettrici nella sentina e/o al di sotto della linea di galleggiamento devono utilizzare giunzioni di testa termorestringenti.
- > Il cablaggio sul campo deve essere conforme ai codici elettrici ABYC. L'alimentazione dell'unità deve rientrare nell'intervallo della tensione di esercizio indicato sulla targhetta dati. Per la protezione del circuito derivato devono essere installati fusibili o interruttori automatici HACR di dimensioni adeguate. Vedere la targhetta dati per le dimensioni massime del fusibile/interruttore automatico (MFS) e la capacità minima del circuito (MCA).

**AVVISO!**

Questo apparecchio contiene gas fluorurati ad effetto serra in apparecchiature sigillate ermeticamente. Fare riferimento alla targhetta dati dell'unità di condensazione per la quantità di refrigerante indicata in peso e GWP. Il refrigerante aggiunto deve essere annotato sull'etichetta dell'unità.

**AVVISO!**

Non utilizzare il tubo in rame per spingere, tirare, sollevare o trasportare il prodotto.

3 Destinatari



L'installazione meccanica ed elettrica e la configurazione dell'apparecchio devono essere eseguite da un tecnico qualificato che abbia dimostrato competenze e conoscenze relative alla costruzione e al funzionamento delle apparecchiature marine e alle installazioni, e che conosca le normative vigenti nel Paese in cui l'apparecchiatura deve essere installata e/o utilizzata e abbia ricevuto una formazione sulla sicurezza per identificare ed evitare i pericoli coinvolti.

4 Destinazione d'uso

Questo manuale è destinato all'installazione di sistemi di climatizzazione autonomi DCU, DLU, DTG, ECD, GT, GTX, GTX-LP, GVTX e TX (di seguito denominati con la dicitura climatizzatore). Il climatizzatore è destinato all'uso su barche e yacht. Questo climatizzatore è adatto solo per l'uso e l'applicazione previsti in conformità alle presenti istruzioni.

Questo prodotto è adatto solo per l'uso e l'applicazione previsti in conformità alle presenti istruzioni.

Il presente manuale fornisce le informazioni necessarie per la corretta installazione e/o il funzionamento del prodotto. Un'installazione errata e/o un utilizzo o una manutenzione impropri comporteranno prestazioni insoddisfacenti e un possibile guasto.

Il fabbricante non si assume alcuna responsabilità per eventuali lesioni o danni al prodotto che derivino da:

- Installazione, montaggio o collegamento errati, compresa la sovratensione
- Manutenzione non corretta o uso di parti di ricambio diverse da quelle originali fornite dal fabbricante
- Modifiche al prodotto senza esplicita autorizzazione del fabbricante
- Impiego per scopi diversi da quelli descritti nel presente manuale

Dometic si riserva il diritto di modificare l'aspetto e le specifiche del prodotto.

5 Spiegazione dei simboli sull'apparecchio



Avviso! Rischio di incendio/materiali infiammabili



Avviso! Materiale a velocità di combustione lenta. Refrigerante infiammabile.



Gruppo di sicurezza refrigerante A2L



Leggere le istruzioni per l'uso.



Leggere il manuale di manutenzione.

6 Pre-installazione

**AVVISO!**

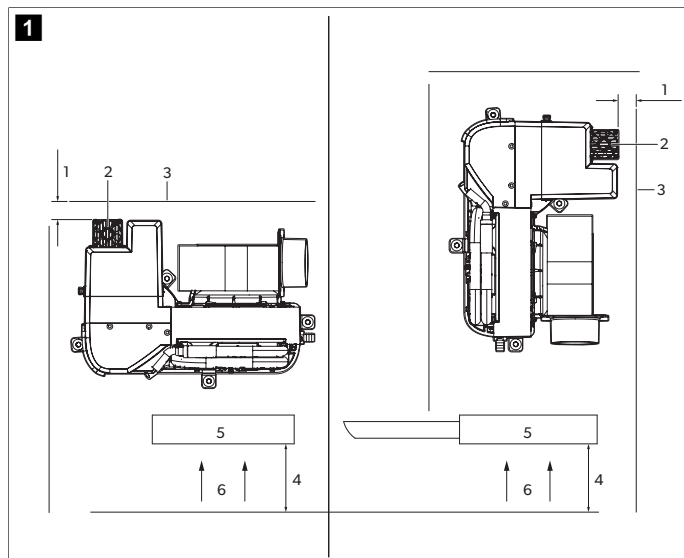
Le vasche di base della condensa delle unità autonome DTG, GTX, GVTX e TX sono dotate di isolatori di vibrazioni installati nella parte inferiore della vasca. Questi isolatori sono progettati per smorzare il trasferimento delle vibrazioni provocate dal climatizzatore in funzione alla superficie di montaggio. Prestare attenzione quando si sposta il climatizzatore sulle superfici di montaggio, poiché gli isolatori potrebbero danneggiarsi.

**AVVISO!**

- > Il climatizzatore deve essere montato su una superficie piana e bassa, come la parte inferiore di un armadietto, sotto una cuccetta o una panca o in un punto simile.
- > Assicurarsi che il cablaggio non sia soggetto a usura, corrosione, pressione eccessiva, vibrazioni, bordi affilati o altri effetti ambientali avversi, inclusi gli effetti dell'invecchiamento o delle vibrazioni continue provenienti da fonti quali compressori o ventole.
- > Assicurarsi che i dispositivi di protezione, le tubazioni e i raccordi siano protetti il più possibile da effetti ambientali avversi quali l'accumulo di sporcizia e detriti o l'accumulo e il congelamento di acqua nei tubi di scarico.
- > È necessario adottare precauzioni per evitare vibrazioni o oscillazioni eccessive delle tubazioni di refrigerazione.

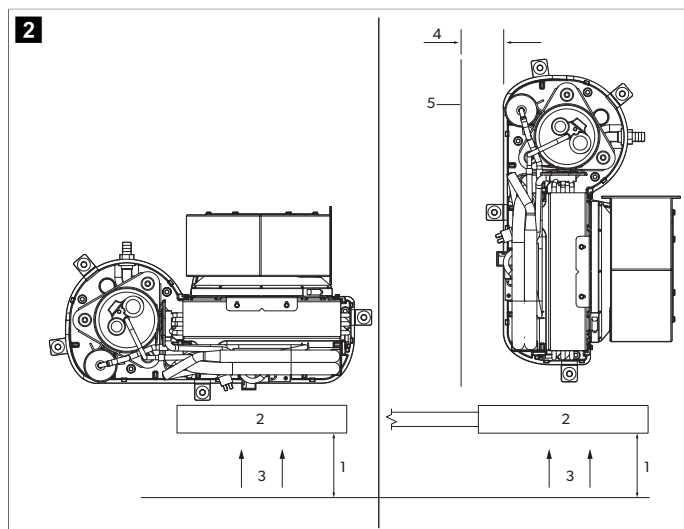
6.1 Determinazione della posizione di installazione

1. Posizionamento di GVTX e TX rispetto al flusso d'aria



- | | |
|--------------------------------|---------------------------------|
| 1 3,00 in (7,62 cm) | 4 4,00 in (10,16 cm) |
| 2 Dissipatore di calore | 5 Griglia di aspirazione |
| 3 Paratia | 6 Flusso d'aria |

Posizionamento di tutti gli altri climatizzatori rispetto al flusso d'aria



- | | |
|---------------------------------|----------------------------|
| 1 4,00 in (10,16 cm) | 4 3,00 in (7,62 cm) |
| 2 Griglia di aspirazione | 5 Paratia |
| 3 Flusso d'aria | |

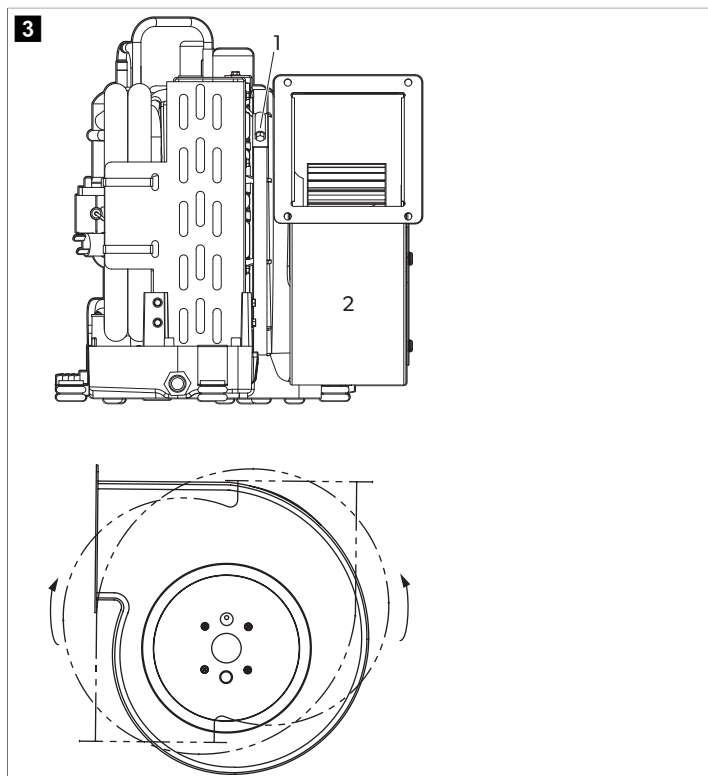
- Scegliere un luogo con un flusso d'aria sufficiente. La griglia di aspirazione deve avere un minimo di 4,00 in (10,16 cm) di spazio per la circolazione dell'aria davanti a essa, senza ostruzioni.
- Se il climatizzatore è posizionato perpendicolarmente alla griglia di aspirazione, mantenere un minimo di 3,00 in (7,62 cm) di spazio per la circolazione dell'aria sul lato di aspirazione dell'aria.
- Solo GVTX e TX:** Sopra e sotto il dissipatore di calore vi deve essere uno spazio libero di almeno 3,00 in (7,62 cm).

6.2 Rotazione della ventola

Questa sezione spiega come ruotare la ventola per ciascun tipo di unità. Se necessario, ruotare la ventola nella direzione che consente lo scarico del flusso d'aria più diretto attraverso il condotto.

6.2.1 Ventole di GTX, GVTX, DTG e TX

Rotazione della ventola del sistema GTX, GVTX, DTG e TX

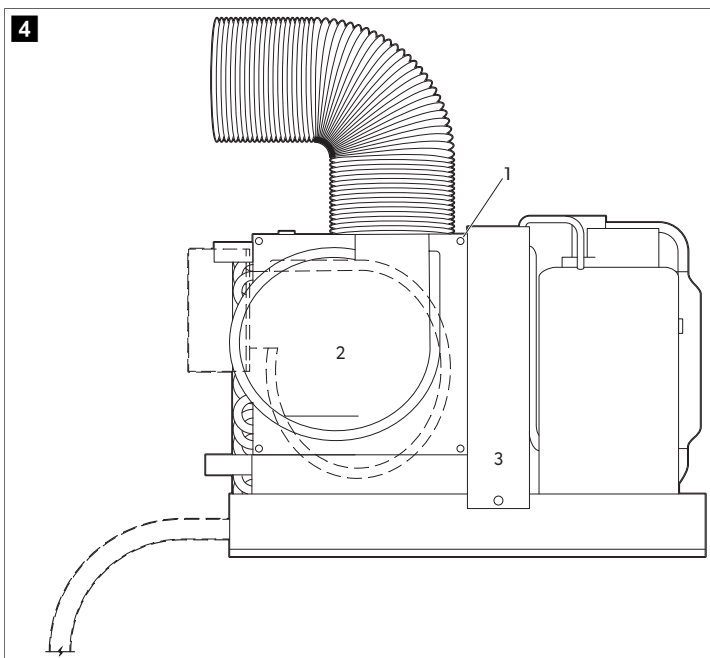


- Adjustment screw
- Blower

- Svitare la vite di regolazione sull'anello di montaggio della ventola.
- Ruotare la ventola nella posizione desiderata.
- Serrare la vite di regolazione.

6.2.2 Ventole di MCS, ECD e GT

Rotazione della ventola del sistema MCS, ECD e GT

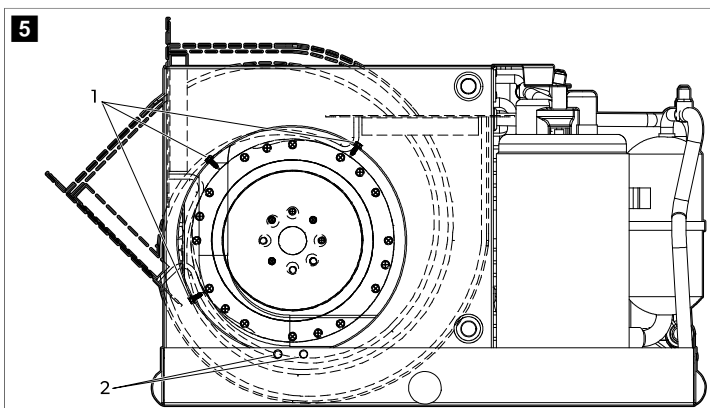


- 1 Screw
- 2 linguetta
- 3 Ventilatore

1. Rimuovere le sette viti sulla piastra.
2. Ruotare la ventola nella posizione desiderata.
3. Fissare la ventola in posizione utilizzando viti autofilettanti (non fornite).

6.2.3 Ventola di DCU

Rotazione della ventola del sistema DCU



- 1 Screws on blower ring
- 2 Screws on drain pan or bracket

1. Rimuovere le viti dall'anello della ventola.
2. Rimuovere le viti che fissano la ventola alla vaschetta di raccolta o alla staffa.
3. Ruotare la ventola nella posizione desiderata.
4. Fissare la ventola in posizione utilizzando viti autofilettanti (non fornite).
5. Tappare gli eventuali fori non utilizzati per evitare perdite di aria.

6.3 Posizionamento dei filtri dell'aria

I filtri dell'aria rimuovono le particelle presenti nell'aria della cabina e tengono pulita la bobina dell'evaporatore. Posizionare un filtro dell'aria, sul climatizzatore o nella griglia di aspirazione, per ciascun climatizzatore.

6.4 Posizionamento delle griglie e delle scatole di transizione

Quando si posizionano le griglie e le scatole di transizione, considerare quanto segue:

- Montare la griglia di mandata il più in alto possibile in un punto che garantisca una distribuzione uniforme dell'aria in tutta la cabina. Orientare le lamelle della griglia verso l'alto.
- Montare la griglia di aspirazione il più in basso possibile e vicino al climatizzatore per garantire il flusso d'aria verso l'evaporatore.
- Non dirigere lo scarico dell'aria di mandata verso la griglia di aspirazione per evitare uno spegnimento del sistema a brevi intervalli.
- Lasciare uno spazio adeguato dietro la griglia di mandata per la scatola di transizione e il collegamento del condotto. Fare riferimento a Specifiche alla pagina 54

7 Installazione



AVVERTENZA! Pericolo di scosse elettriche

L'installazione può essere eseguita solo da un elettricista qualificato.

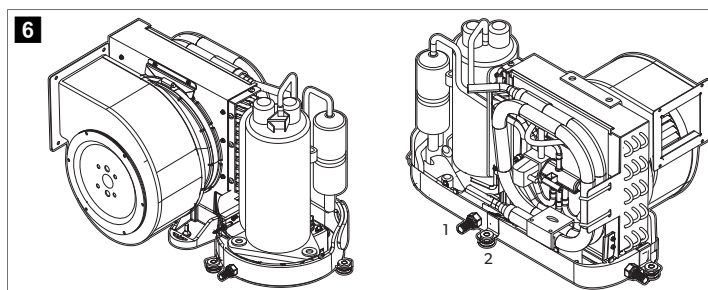
7.1 Installazione delle staffe di montaggio e dello scarico della condensa



AVVISO!

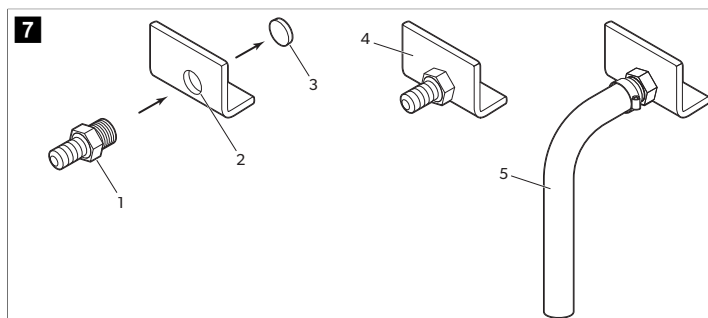
Per evitare di rompere la vaschetta di raccolta, non utilizzare più di due strati di nastro in teflon per avvolgere il raccordo a barba e non serrare eccessivamente il portagomma.

Posizionamento tipico delle staffe di montaggio e degli scarichi della condensa



- 1 Raccordo a barba del tubo flessibile di scarico della condensa
- 2 Supporto di montaggio

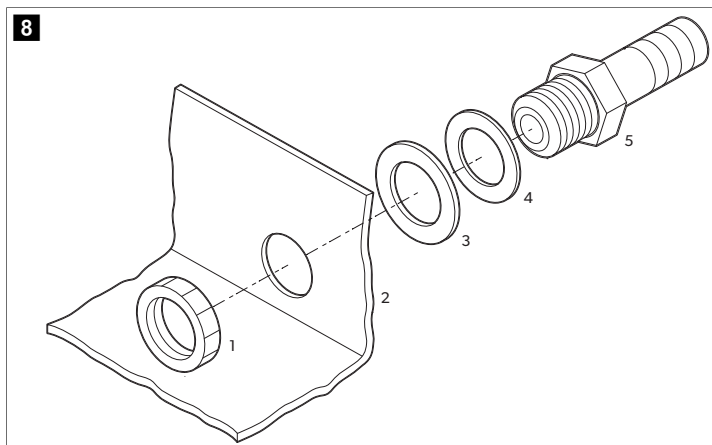
Installazione dello scarico della condensa per GTX, GVTX, DTG e TX



- 1 Hose barb
- 4 Drain pan

- 2 Foro di scarico filettato 5 Tubo flessibile di scarico
3 Espulsore tondino

Installazione dello scarico della condensa per tutti gli altri climatizzatori



- 1 Locking nut 4 Solid washer
2 Vaschetta di raccolta 5 Raccordo in PVC 0,5 in (12,7 mm) HB x 0,5 in (12,7 mm) MPT

3 Rondella di tenuta a liquido

1. Per le unità GTX, GVTX, DTG e TX:

- Utilizzare l'estremità piccola del raccordo a barba per estrarre un tondino da un foro di scarico rivolto verso la poppa dando un colpo rapido con un martello di gomma. Gettare via l'espulsore tondino.
- Avvolgere l'estremità filettata del raccordo a barba con nastro in teflon.
- Avvitare il raccordo a barba nel foro di scarico filettato e serrare saldamente.

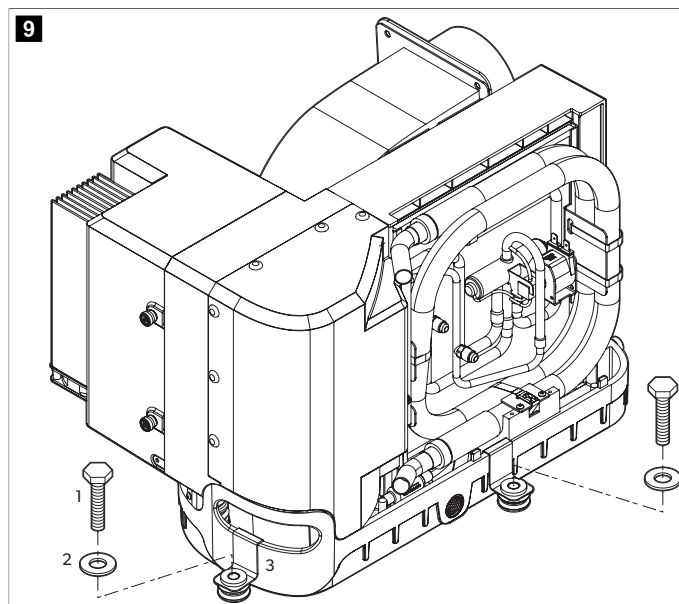
2. Per tutti gli altri climatizzatori:

- Infilare il raccordo a barba attraverso una rondella solida e una rondella di tenuta a liquido e inserirlo nel foro di scarico.
- Fissare con un dado di bloccaggio.

3. Fissare il tubo flessibile di scarico al raccordo a barba con una fascetta stringitubo in acciaio inox.

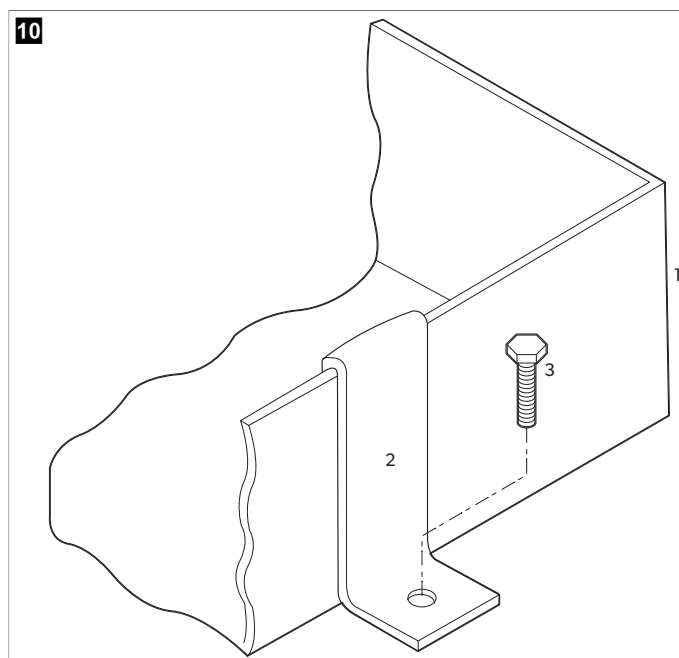
4. Posare il tubo flessibile di scarico verso il basso fino a un punto di raccolta sicuro e adatto.

Installazione della staffa di montaggio per unità GTX, GVTX, DTG e TX



- 1 Bullone di fissaggio (non fornito)
2 Rondella parafango (in dotazione)
3 Staffa di montaggio (in dotazione)

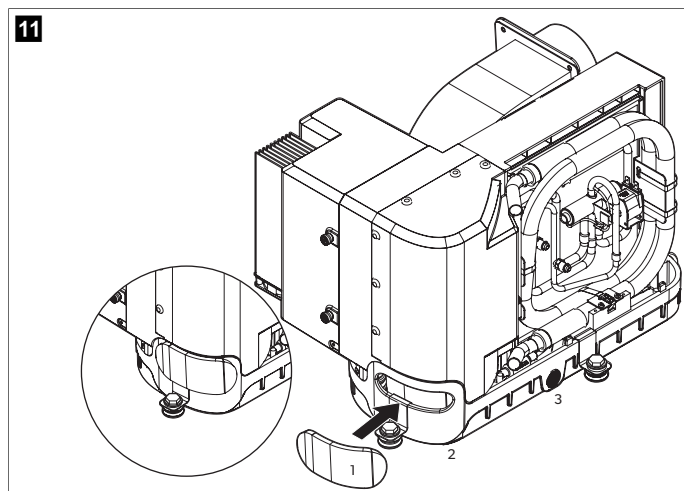
Installazione della staffa di montaggio per gli altri climatizzatori



- 1 Vaschetta di raccolta
2 Supporto di montaggio
3 Bullone di fissaggio (non fornito)

5. Montare una staffa di montaggio su ciascun lato della vaschetta di raccolta, con un distanziamento uniforme.

Installazione dell'isolamento in schiuma della maniglia sulle unità GVTX e TX



- 1 Isolamento in schiuma della maniglia
2 Apertura maniglia
3 Vaschetta di raccolta

6. Per unità GVTX e TX:

- 1 Rimuovere la pellicola che copre lo strato adesivo sull'isolamento in schiuma della maniglia.
- 2 Posizionare l'isolamento in schiuma del manico in modo da coprire completamente l'apertura del manico con il lato adesivo rivolto verso la vaschetta di raccolta.
- 3 Premere intorno all'apertura del manico per far aderire l'isolamento in schiuma del manico alla vaschetta di raccolta.

7.2 Installazione del condotto



AVVERTENZA! Rischio di incendio o esplosione

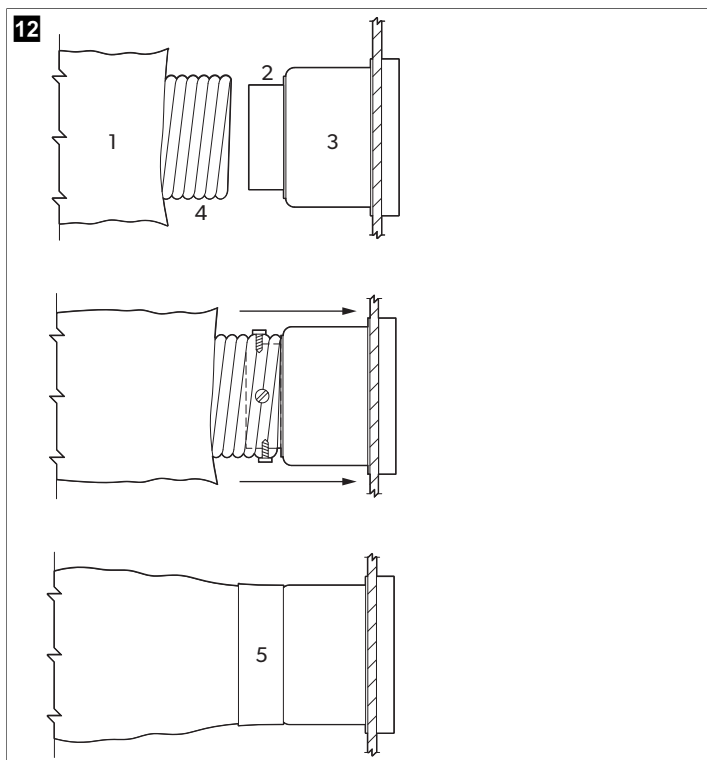
- > I dispositivi ausiliari che possono fungere da fonti di accensione non devono essere installati nelle condutture, ad eccezione di quelli elencati per l'uso con l'apparecchiatura relativa.
- > Per i modelli che utilizzano refrigeranti infiammabili, e che sono collegati tramite un sistema di condutture dell'aria a una o più stanze, l'aria di mandata e di ritorno deve essere convogliata direttamente all'interno dello spazio. Le aree aperte, come ad esempio i controsoffitti, non devono essere utilizzate come condotti dell'aria di ritorno.
- > Non far passare il condotto attraverso una sala motori o qualsiasi area in cui possa essere esposto a vapori o fumi di scarico pericolosi.

Durante l'installazione del condotto, rispettare le seguenti condizioni:

- Il condotto deve essere di dimensioni adeguate per l'applicazione.
- Posare il condotto in modo che sia più dritto, piano e teso possibile, riducendo al minimo il numero di pieghe e anse a 90° che possono ridurre il flusso d'aria.
- Fissare saldamente il condotto per evitare cedimenti.
- Non far appiattire o attorcigliare il condotto.
- Dopo l'installazione, tagliare le lunghezze del condotto in eccesso.
- Isolare il condotto quando si trova in aree ad alta temperatura.

Se si utilizza una scatola di transizione, l'area totale dei condotti di alimentazione dell'aria in uscita dalla scatola deve essere pari almeno all'area totale dei condotti di alimentazione che vanno nella scatola. Fare riferimento a Specifiche alla pagina 54

Collegamenti del condotto



- 1 Isolamento in fibra di vetro
2 Anello di montaggio
3 Scatola di transizione
4 Tubo flessibile interno in mylar del condotto
5 Nastro adesivo

1. Spingere il tubo flessibile interno in mylar del condotto sull'anello di montaggio nella scatola di transizione.
2. Avvitare tre o quattro viti in acciaio inox attraverso il tubo flessibile in mylar del condotto nell'anello di montaggio, catturando due o tre fili con le teste delle viti.
3. Far scorrere l'isolamento in fibra di vetro attorno al tubo flessibile interno in mylar del condotto verso la scatola di transizione. Fissare con nastro adesivo.

7.3 Installazione dell'impianto dell'acqua di mare



AVVISO!

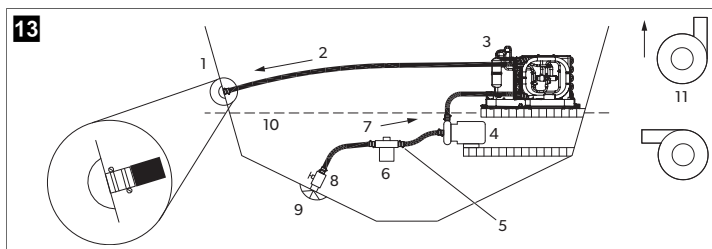
La mancata osservanza di questa procedura invaliderà la garanzia.

Durante l'installazione dell'impianto dell'acqua di mare, tenere presente quanto segue:

- Il filtro deve trovarsi sotto la pompa.
- I tubi flessibili devono essere fissati in modo doppio.
- I tubi flessibili non devono essere attorcigliati o piegati né presentare settori rialzati in cui l'aria potrebbe rimanere intrappolata.
- La pompa e il filtro devono trovarsi al di sotto della linea di galleggiamento.
- L'ingresso passascafo, la valvola a sfera, il tubo flessibile e il filtro non devono essere più piccoli dell'ingresso della pompa.
- Montare il raccordo passascafo il più possibile sotto la linea di galleggiamento.
- La pompa deve avere un passascafo dedicato.
- Evitare il più possibile raccordi a gomito a 90,00°.
- Assicurarsi che la testa della pompa sia ruotata verso la direzione del flusso dell'acqua.
- Assicurare tutti i collegamenti filettati con nastro in teflon.

Fare riferimento alle Specifiche alla pagina 54 per i valori di pressione e di temperatura dell'acqua massimi e minimi.

Impianto dell'acqua di mare



- | | | | |
|---|----------------------|----|--|
| 1 | Uscita acqua mare | 7 | Flusso di entrata ascendente |
| 2 | Flusso di uscita | 8 | Valvola a sfera |
| 3 | Climatizzatore | 9 | Ingresso passascafo presa a mare |
| 4 | Pompa acqua mare | 10 | Linea di galleggiamento |
| 5 | Fascette stringitubo | 11 | Orientamento corretto del filtro della testa della pompa |
| 6 | Filtro | | |

- Montare un ingresso passascafo presa a mare il più vicino possibile alla chiglia e il più sotto possibile la linea di galleggiamento. Fissare l'ingresso passascafo presa a mare utilizzando un mastice marino progettato per l'uso sott'acqua.
- Montare un rubinetto di presa a mare a pieno flusso di bronzo sull'ingresso passascafo presa a mare.
- Montare un filtro dell'acqua di mare sotto il livello della pompa con accesso al filtro.
- Montare la pompa sopra il filtro e almeno un piede sotto la linea di galleggiamento.
- Collegare il rubinetto di presa a mare e il filtro con un tratto ascendente di un tubo flessibile per applicazioni marine rinforzato.
- Collegare lo scarico dalla pompa a monte all'ingresso inferiore della bobina del condensatore del climatizzatore con un tubo flessibile per applicazioni marine rinforzato da 5/8 di pollice.
- Collegare lo scarico dalla bobina del condensatore al raccordo passascafo di scarico a mare con un tubo flessibile per applicazioni marine rinforzato da 5/8 di pollice.
- Evitare che il tubo flessibile dell'acqua di mare sia piegato o presenti curvature nonché l'impiego di gomiti a 90°. Ciascun gomito a 90° è equivalente a 2,5 ft (0,76 m) di tubo flessibile e un gomito a 90° sull'uscita dalla pompa è equivalente a 20,0 ft (6,10 m) di tubo flessibile.
- Fissare tutti i collegamenti dei tubi flessibili in due punti utilizzando due fascette in acciaio inox, girando le fascette ove necessario.
- Collegare tutte le parti metalliche a contatto con l'acqua di mare al sistema di collegamenti dell'imbarcazione.

7.4 Collegamenti elettrici



AVVERTENZA! Pericolo di scossa elettrica

- > Spegnere sempre l'interruttore di alimentazione del climatizzatore prima di aprire la scatola elettrica. La mancata osservanza di questa avvertenza potrebbe causare la morte o lesioni gravi.
- > Assicurarsi che la scatola elettrica si trovi in un'area protetta dall'umidità.



AVVISO!

Il climatizzatore deve essere collegato al sistema di collegamenti dell'imbarcazione per evitare la corrosione dovuta a correnti elettriche vaganti. Collegare individualmente al sistema di collegamenti dell'imbarcazione tutte le pompe, le valvole metalliche e i raccordi nel circuito dell'acqua mare che sono isolati dal climatizzatore tramite tubi flessibili in PVC o di gomma.



NOTA La mancata messa a terra e il mancato collegamento del sistema invalidano la garanzia.

Tutti i climatizzatori sono dotati di una morsettiera, etichettata con i collegamenti corretti, all'interno del quadro elettrico. Lo schema elettrico all'interno del quadro elettrico sostituisce gli standard ABYC. Utilizzare un interruttore automatico di dimensioni corrette per proteggere il sistema come specificato sulla targhetta dati

del climatizzatore. Utilizzare un cavo da barca da almeno 12 AWG per alimentare il climatizzatore e la pompa dell'acqua di mare. Eseguire tutti i collegamenti utilizzando terminali ad anello o a forcella prigioniera.

Quando si effettuano collegamenti elettrici, osservare quanto segue:

- La messa a terra della corrente alternata (CA) deve essere collegata al terminale di terra (GRND) sulla morsettiera di ingresso dell'alimentazione CA.
- I collegamenti tra il conduttore di messa a terra del sistema CA dell'imbarcazione e il sistema negativo o di collegamento in corrente continua (CC) dell'imbarcazione devono essere effettuati come parte del cablaggio dell'imbarcazione. Durante la manutenzione o la sostituzione dell'apparecchiatura esistente che contiene un perno di messa a terra montato sul telaio, controllare i collegamenti del cablaggio dell'imbarcazione.
- I climatizzatori GVTX e TX sono progettati per funzionare con corrente CA o CC ad alta tensione. Per il corretto posizionamento, fare riferimento allo schema elettrico dell'imbarcazione.

Assicurarsi che la massa CA del climatizzatore sia collegata correttamente alla massa CA dell'imbarcazione. All'interno dell'imbarcazione, assicurarsi che il bus di massa CA sia collegato al bus di massa CC esattamente in un punto (né più né meno).

Controllare e serrare nuovamente, se necessario, tutti i collegamenti elettrici prima della messa in funzione.

8 Smaltimento



ATTENZIONE! Pericolo di incendio

- > Questo apparecchio contiene gas espandente isolante infiammabile.
- > Far rimuovere e smaltire l'apparecchio soltanto da un tecnico specializzato.



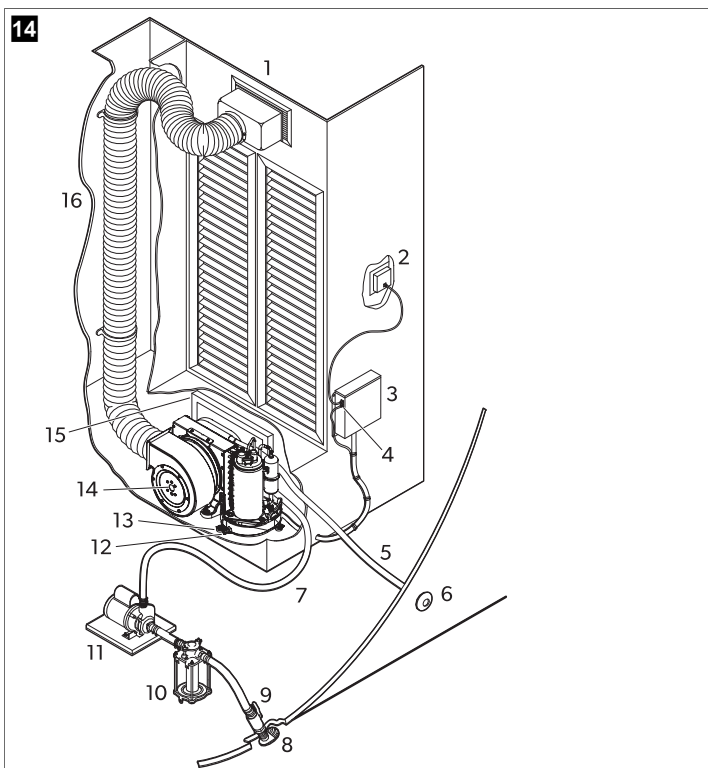
Raccogliere il materiale di imballaggio possibilmente negli appositi contenitori di riciclaggio. Consultare il centro locale di riciclaggio o il distributore specializzato per informazioni su come smaltire il prodotto secondo le norme sullo smaltimento applicabili.

9 Specifiche tecniche

Leggere completamente queste istruzioni e pianificare i collegamenti da effettuare al climatizzatore (inclusi condotto, tubo di scarico della condensa, tubi flessibili di ingresso e di uscita dell'acqua di mare, collegamenti elettrici, posizione del comando e posizionamento della pompa dell'acqua di mare) per garantire un facile accesso per la posa e la manutenzione futura.

9.1 Posizione dei componenti

Identificazione dei componenti dell'impianto di climatizzazione



- | | |
|--|---|
| 1 Griglia di mandata e scatola di transizione | 9 Valvola di intercettazione del rubinetto di presa a mare |
| 2 Display digitale | 10 Filtro acqua mare |
| 3 Centralina elettrica | 11 Pompa |
| 4 Cavo del sensore d'aria remoto opzionale | 12 Raccordo a barba del tubo flessibile di scarico della condensa |
| 5 Tubo flessibile di uscita dell'acqua di mare | 13 Supporto di montaggio |
| 6 Scarico a mare | 14 Climatizzatore |
| 7 Tubo flessibile di ingresso dell'acqua di mare | 15 Griglia di aspirazione e filtro |
| 8 Ingresso passascafo presa a mare | 16 Condotto flessibile isolato |

9.2 Specifiche

Il circuito di raffreddamento contiene una piccola quantità di un refrigerante ecologico ma infiammabile. Non danneggia lo strato di ozono e non aumenta l'effetto serra. Qualsiasi perdita di refrigerante può incendiarsi.

Questo prodotto contiene gas fluorurati ad effetto serra.

Il gruppo refrigerante è sigillato ermeticamente.

Tabella 11: Dimensioni minime di condotto e griglia in base alla capacità in BTU

	3.5 k BTU	6 k BTU	8 k BTU	10 k BTU
Diametro minimo del condotto	3,00 in (76,2 mm)	4,00 in (101,6 mm)	5,00 in (127,0 mm)	6,00 in (152,4 mm)
Area minima del condotto	6,8 in ² (43,9 cm ²)	12,6 in ² (81,3 cm ²)	19,6 in ² (126,5 cm ²)	28,3 in ² (182,6 cm ²)
Dimensione minima griglia di aspirazione	48,0 in ² (309,7 cm ²)	64,0 in ² (412,9 cm ²)	80,0 in ² (516,2 cm ²)	100,0 in ² (645,2 cm ²)
Dimensione minima griglia di mandata	12,0 in ² (77,4 cm ²)	32,0 in ² (206,5 cm ²)	48,0 in ² (309,7 cm ²)	60,0 in ² (387,1 cm ²)

	12 k BTU	16 k BTU	18 k BTU	27 k BTU
Diametro minimo del condotto	6,00 in (152,4 mm)	7,00 in (177,8 mm)	7,00 in (177,8 mm)	8,00 in (203,2 mm)
Area minima del condotto	28,3 in ² (182,6 cm ²)	38,5 in ² (248,4 cm ²)	38,5 in ² (248,4 cm ²)	50,3 in ² (324,5 cm ²)
Dimensione minima griglia di aspirazione	130,0 in ² (838,8 cm ²)	160,0 in ² (1032,3 cm ²)	200,0 in ² (1290,4 cm ²)	240,0 in ² (1548,5 cm ²)
Dimensione minima griglia di mandata	70,0 in ² (451,6 cm ²)	80,0 in ² (516,2 cm ²)	100,0 in ² (645,2 cm ²)	120,0 in ² (774,2 cm ²)

Tabella 12: Temperatura e pressione dell'acqua di esercizio

Temperatura minima dell'acqua di esercizio	40,0 °F (4,44 °C)
Temperatura massima dell'acqua di esercizio	80,0 °F (26,66 °C)
Pressione minima dell'acqua di esercizio	4,2 psi (0,29 bar) (29,00 kPa)
Pressione massima dell'acqua di esercizio	6,00 psi (0,41 bar) (41,4 kPa)

Seguire le condizioni d'uso dell'EPA.



NOTA L'unità può funzionare al di fuori di queste condizioni con capacità ridotta.

10 Legale

Solo modelli GVTX: in conformità con la normativa IEC 60533, non montare il prodotto entro 9,8 ft (3,00 m) da un'antenna ricevente.

11 Garanzia

Vedere le sezioni sotto riportate per informazioni sulla garanzia e l'assistenza in garanzia negli Stati Uniti, in Canada e in tutte le altre regioni.

Stati Uniti e Canada

LA GARANZIA LIMITATA È DISPONIBILE ALL'INDIRIZZO DOMETIC.COM/EN-US/TERMS-AND-CONDITIONS-CONSUMER/WARRANTY. PER ALTRE DOMANDE O PER RICHIEDERE UNA COPIA GRATUITA DELLA DICHIARAZIONE DI GARANZIA LIMITATA, CONTATTARE:

DOMETIC CORPORATION
MARINE CUSTOMER SUPPORT CENTER
2000 NORTH ANDREWS AVENUE
POMPANO BEACH, FLORIDA, USA 33069
1-800-542-2477

Paesi dell'Asia Pacifico (APAC)

Se il prodotto non funziona come previsto, contattare il rivenditore di fiducia o la filiale del fabbricante nel proprio Paese (vedere dometic.com/dealer). La garanzia applicabile al prodotto è di 1 anno/i.

Per attivare la garanzia e predisporre eventuali interventi di riparazione, è necessario inviare la seguente documentazione insieme al prodotto:

- una copia della ricevuta con la data di acquisto,
- il motivo della richiesta o la descrizione del guasto.

Tenere presente che le riparazioni eseguite in autonomia o da personale non professionista possono avere conseguenze sulla sicurezza e invalidare la garanzia.

Solo Australia

I nostri prodotti sono corredati di garanzie che non possono essere escluse ai sensi della Legge dei consumatori australiana. Il Cliente ha diritto alla sostituzione o al rimborso per un guasto grave e al risarcimento per qualsiasi altra perdita o danno ragionevolmente

prevedibili. Ha anche diritto alla riparazione o alla sostituzione della merce se non è di qualità accettabile e se il guasto non costituisce un guasto grave.

Solo Nuova Zelanda

Questa politica di garanzia è soggetta alle condizioni e alle garanzie obbligatorie previste dal Consumer Guarantees Act 1993(NZ).

Tutte le altre regioni

Si applica il periodo di garanzia previsto dalla legge. Se il prodotto è difettoso, contattare la filiale del fabbricante nel proprio Paese (vedere dometic.com/dealer) o il rivenditore di riferimento.

Per attivare la garanzia e predisporre eventuali interventi di riparazione, è necessario inviare la seguente documentazione insieme al prodotto:

- una copia della ricevuta con la data di acquisto,
- il motivo della richiesta o la descrizione del guasto.

Tenere presente che le riparazioni eseguite in autonomia o da personale non professionista possono avere conseguenze sulla sicurezza e invalidare la garanzia.

Nederlands

1	Belangrijke opmerkingen.....	56
2	Verklaring van de symbolen.....	56
3	Doelgroep(en).....	57
4	Beoogd gebruik.....	57
5	Verklaring van de symbolen op het toestel.....	57
6	Voorinstallatie.....	57
7	Installatie.....	59
8	Verwijdering.....	62
9	Technische gegevens.....	62
10	Wettelijk.....	63
11	Garantie.....	63

1 Belangrijke opmerkingen

Lees deze gebruiksaanwijzing zorgvuldig door en volg alle instructies, richtlijnen en waarschuwingen in deze handleiding op om ervoor te zorgen dat u het product te allen tijde op de juiste manier installeert, gebruikt en onderhoudt. Deze gebruiksaanwijzing MOET bij dit product worden bewaard.

Door het product te gebruiken, bevestigt u hierbij dat u alle instructies, richtlijnen en waarschuwingen zorgvuldig hebt gelezen en dat u de voorwaarden zoals hierin beschreven begrijpt en accepteert. U gaat ermee akkoord dit product alleen te gebruiken voor het beoogde doel en de beoogde toepassing en in overeenstemming met de instructies, richtlijnen en waarschuwingen zoals beschreven in deze gebruiksaanwijzing en in overeenstemming met de geldende wet- en regelgeving. Het niet lezen en opvolgen van de hierin beschreven instructies en waarschuwingen kan leiden tot letsel voor uzelf en anderen, schade aan uw product of schade aan andere eigendommen in de omgeving. Deze gebruiksaanwijzing, met inbegrip van de instructies, richtlijnen en waarschuwingen, en de bijbehorende documentatie kan onderhevig zijn aan wijzigingen en updates. Voor de recentste productinformatie, bezoek documents.domestic.com.

2 Verklaring van de symbolen

Een signaalwoord geeft informatie over veiligheid en eigendomsschade en geeft de mate of ernst van het gevaar aan.



GEVAAR!

Duidt op een gevaarlijke situatie die, indien deze niet wordt voorkomen, ernstig letsel of de dood tot gevolg heeft.



WAARSCHUWING!

Duidt op een gevaarlijke situatie die, indien deze niet wordt voorkomen, ernstig letsel of de dood tot gevolg kan hebben.



LET OP!

Duidt op een situatie die, indien deze niet wordt voorkomen, kan leiden tot materiële schade.



INSTRUCTIE Aanvullende informatie voor het gebruik van het product.

2.1 Aanvullende richtlijnen

Om het risico op ongevallen en verwondingen te verminderen, dient u de volgende richtlijnen in acht te nemen voordat u doorgaat met het installeren van dit apparaat:

- Lees alle veiligheidsinformatie en instructies door en volg deze.
- Lees deze instructies voorafgaand aan de installatie van dit product en zorg ervoor dat u deze geheel begrijpt.
- De installatie moet voldoen aan alle van toepassing zijnde lokale of nationale regels, waaronder de nieuwste uitgave van de volgende maatstaven:
 - American Boat and Yacht Council (ABYC)
 - ANSI/NFPA 70, National Electrical Code (NEC)

2.2 Veiligheidsaanwijzingen



GEVAAR! Brand- of explosiegevaar. Sommige modellen gebruiken brandbaar koudemiddel.

Het niet in acht nemen van de volgende waarschuwingen heeft ernstig of zelfs dodelijk letsel tot gevolg:

- > Reparaties mogen uitsluitend door opgeleid onderhoudspersoneel worden uitgevoerd.
- > Niet installeren of opslaan op een locatie met continu werkende ontstekingsbronnen.
- > Alle vereiste ventilatieopeningen vrijhouden van belemmeringen.
- > Koudemiddelbuizen niet doorboren.
- > Raadpleeg het typeplaatje van het product voor het type koudemiddel.



WAARSCHUWING! Brand- en/of explosiegevaar

Het niet in acht nemen van de volgende waarschuwingen kan leiden tot de dood of ernstig letsel:

- > Gebruik geen mogelijke ontstekingsbronnen om koudemiddellekken te detecteren of op te sporen. Gebruik geen gasontladinglamp of een andere detector met open vlam.
- > De detectieapparatuur moet geschikt zijn voor het type koudemiddel dat in het product wordt gebruikt. Raadpleeg het typeplaatje voor het gebruikte koudemiddel.
- > Elektronische lekzoekers mogen worden gebruikt om koudemiddellekken te detecteren, maar hun gevoeligheid is mogelijk onvoldoende voor brandbare koudemiddelen waardoor mogelijk een nieuwe kalibratie noodzakelijk is. Kalibreer detectieapparatuur in een ruimte zonder koudemiddel.



WAARSCHUWING! Koolmonoxidegevaar

Het niet in acht nemen van de volgende waarschuwingen kan leiden tot de dood of ernstig letsel:

- > Installeer of gebruik een onafhankelijke airconditioner niet in het onderruim of in de machinekamer, of nabij een interne verbrandingsmotor. Kies de locatie zodanig dat er geen direct contact kan zijn met dampen uit het onderruim en/of het motorhuis.
- > Controleer of de condensaatafvoerleiding correct is geïnstalleerd en afgedicht. Laat een condensaatafvoerleiding niet eindigen binnen een straal van 0,91 m (3 ft) van een uitlaatsysteem van een motor of generator, in een ruimte met een motor of generator, of in een onderruim, tenzij de afvoerleiding goed is aangesloten op een afgedichte condensaat- of douchecarterpomp. Als de afvoerleiding niet goed is geïnstalleerd, kunnen er gevaarlijke dampen in de afvoerleiding terechtkomen en de leefruimte verontreinigen.
- > Installeer de airconditioning niet op een plaats waar hij koolmonoxide, brandstofdampen of andere schadelijke dampen in de leefruimtes van het schip kan circuleren.



WAARSCHUWING! Gevaar voor elektrische schokken

De installatie mag alleen worden uitgevoerd door een bevoegde elektricien.



WAARSCHUWING! Gevaar voor elektrische schokken, brand en/of explosies

Het niet opvolgen van deze voorzorgsmaatregelen kan leiden tot ernstig letsel of de dood.

Dit apparaat mag niet worden gebruikt door personen (inclusief kinderen) met een lichamelijke, zintuiglijke of geestelijke beperking of gebrek aan ervaring of kennis, tenzij zij onder toezicht staan of zijn geïnstrueerd in het gebruik van het apparaat door een volwassene die verantwoordelijk is voor hun veiligheid. Kinderen moeten onder toezicht staan om te garanderen dat ze niet met het toestel spelen. Reiniging en gebruikersonderhoud mogen niet door kinderen zonder toezicht worden uitgevoerd. Dit apparaat mag niet publiekelijk toegankelijk zijn.

**WAARSCHUWING! Explosiegevaar**

Het niet opvolgen van deze voorzorgsmaatregelen kan leiden tot ernstig letsel of de dood.

- > Installeer de airconditioner niet op een locatie waar zich benzinemotoren, tanks, LPG/CNG-cilinders, regelaars, kleppen, of koppelingen van brandstofleidingen bevinden. Tenzij anders gelabeld, voldoen zelfregulerende apparaten niet aan de federale vereisten voor ontstekingsbeveiliging. Het niet in acht nemen van deze waarschuwing kan leiden tot ernstig letsel of de dood.
- > Elektrische componenten die vlambogen of vonken kunnen veroorzaken, mogelijk uitsluitend worden vervangen door onderdelen die door de fabrikant van het toestel worden voorgeschreven. Vervanging door andere onderdelen kan leiden tot ontbranden van het koudemiddel in het geval van lekkage.

**WAARSCHUWING! Gevaar voor elektrische schokken**

Het niet opvolgen van deze voorzorgsmaatregelen kan leiden tot ernstig letsel of de dood.

- > Zorg ervoor dat de airconditioning goed geaard is om het gevaar van elektrische schokken te minimaliseren. Raadpleeg de installatierichtlijnen voor meer informatie.
- > Voor elke geïnstalleerde airconditioning is een speciale stroomonderbreker vereist. Als er slechts één airconditioner is geïnstalleerd, is voor de zee水泵 geen speciale stroomonderbreker nodig. Als twee of meer airconditioningsapparaten gebruikmaken van dezelfde zee水泵, worden de draden van de pomp aangesloten op een pomprelaispaneel (PRP), dat op zijn beurt zijn eigen specifieke stroomonderbreker heeft voor de pomp (max. 20 A). Raadpleeg het aansluitschema dat bij het PRP is geleverd. Bij alle elektrische aansluitingen in het onderruim en/of onder de waterlijn moeten afdichtende, warmtekrimpde kabelverbinders worden gebruikt.
- > Veldbedrading moet voldoen aan de elektrische voorschriften van ABYC. De voeding naar het apparaat moet binnen het op het gegevensplaatje aangegeven bedrijfsspanningsbereik liggen. Ter beveiliging van vertakte circuits moeten zekeringen van de juiste grootte of HACR-stroomonderbrekers worden geïnstalleerd. Raadpleeg het gegevensplaatje voor de maximale grootte van de zekering/stroomonderbreker (MFS) en de minimale circuitcapaciteit (MCA).

**LET OP!**

Dit apparaat bevat gefluoreerde broeikasgassen in hermetisch afgesloten apparatuur. Raadpleeg het label op het productgegevensplaatje van de condensor voor de hoeveelheid koelmiddel in gewicht en GWP. De hoeveelheid toegevoegd koelmiddel moet worden genoteerd op het label van het apparaat.

**LET OP!**

Gebruik geen koperbuizen om het product te duwen, trekken, heffen of dragen.

3 Doelgroep(en)



De mechanische en elektrische installatie en de instelling van het toestel moeten worden uitgevoerd door een bevoegde technicus die zijn vaardigheden en kennis met betrekking tot de constructie en bediening van apparatuur en installaties in motorvoertuigen heeft bewezen en die vertrouwd is met de toepasselijke regelgeving van het land waarin de apparatuur moet worden geïnstalleerd en/of gebruikt en die een veiligheidstraining heeft gevolgd om de gevaren te herkennen en te voorkomen.

4 Beoogd gebruik

Deze handleiding is bedoeld voor de installatie van zelfregulerende airconditioningsystemen DCU, DLU, DTG, ECD, GT, GTX, GTX-LP, GVTX en TX (hierna 'airconditioner' genoemd). De airconditioning is bedoeld voor gebruik op boten en jachten. Deze airconditioning is alleen geschikt voor het beoogde gebruik en de toepassing in overeenstemming met deze gebruiksaanwijzing.

Dit product is alleen geschikt voor het beoogde gebruik en de toepassing in overeenstemming met deze gebruiksaanwijzing.

Deze handleiding geeft informatie die nodig is voor een correcte installatie en/of correct gebruik van het product. Een slechte installatie en/of onjuist gebruik of onderhoud leidt tot onvoldoende prestaties en mogelijke storingen.

De fabrikant aanvaardt geen aansprakelijkheid voor letsel of schade aan het product die het gevolg is van:

- Onjuiste installatie, montage of aansluiting, inclusief te hoge spanning
- Onjuist onderhoud of gebruik van andere dan door de fabrikant geleverde originele reserveonderdelen
- Wijzigingen aan het product zonder uitdrukkelijke toestemming van de fabrikant
- Gebruik voor andere doeleinden dan beschreven in deze handleiding

Dometic behoudt zich het recht voor om het uiterlijk en de specificaties van het product te wijzigen.

5 Verklaring van de symbolen op het toestel



Let op! Brandgevaar/ontvlambaar materiaal



Let op! Licht ontvlambaar materiaal. Brandbaar koudemiddel.



Veiligheidsklasse koudemiddel A2L



Lees de gebruiksaanwijzing.



Lees de servicehandleiding.

6 Voorinstallatie

**LET OP!**

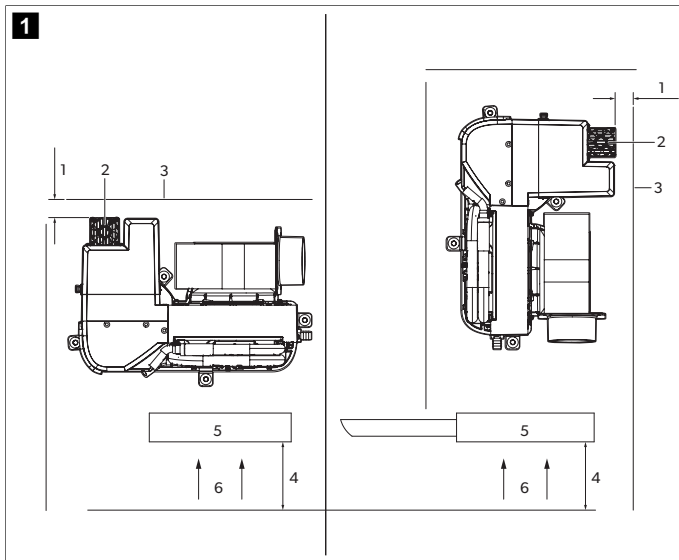
De zelfstandige condensaatvoerbakken van de DTG, GTX, GVTX en TX zijn uitgerust met trillingsisolatoren die in de bodem van de bak zijn geïnstalleerd. Deze isolatoren zijn ontworpen om de trillingen te dempen die worden veroorzaakt door de werkende airconditioning en die wordt overgebracht naar het montageoppervlak. Wees voorzichtig bij het verplaatsen van de airconditioning over montageoppervlakken, omdat de isolatoren beschadigd kunnen raken.

**LET OP!**

- > De airconditioning moet op een laag, vlak en effen oppervlak worden gemonteerd, zoals onder in een kluisje, onder een slaapkooi of kombuisstoel, of op een vergelijkbare plaats.
- > Zorg ervoor dat de bekabeling niet wordt blootgesteld aan slijtage, corrosie, buitensporige druk, trilling, scherpe randen of andere nadelige omgevingseffecten, waaronder effecten door veroudering of continue trilling veroorzaakt door bijvoorbeeld compressoren of ventilatoren.
- > Zorg ervoor dat beschermingsapparatuur, buizen en fittingen zo goed mogelijk beschermd zijn tegen nadelige omgevingseffecten zoals vuilophoping of verzameling van water en vorst in afvoerleidingen.
- > Er moeten voorzorgsmaatregelen worden getroffen om overmatige trilling of pulsatie van de koelleidingen te voorkomen.

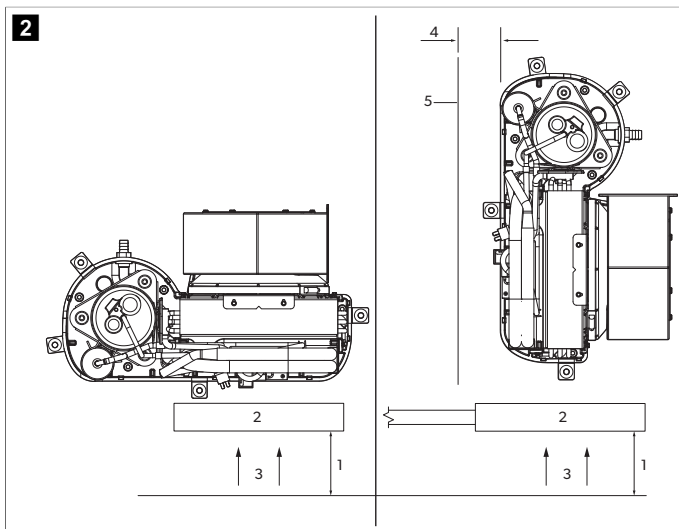
6.1 De installatielocatie bepalen

1. Plaatsing van GVTX en TX ten opzichte van luchtstroom



- | | |
|----------------------------|------------------------------|
| 1 3,00 in (7,62 cm) | 4 4,00 in (10,16 cm) |
| 2 Koellichaam | 5 Afvoerlucht-rooster |
| 3 Schutbord | 6 Luchtstroom |

Plaatsing van alle andere airconditioningsapparaten ten opzichte van de luchtstroom



- | | |
|------------------------------|----------------------------|
| 1 4,00 in (10,16 cm) | 4 3,00 in (7,62 cm) |
| 2 Afvoerlucht-rooster | 5 Schutbord |
| 3 Luchtstroom | |

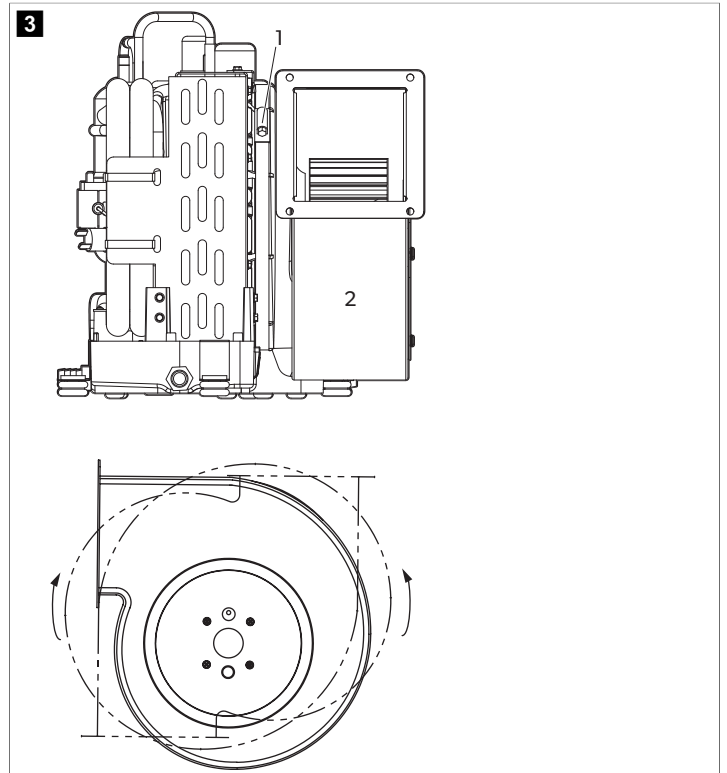
2. Kies een locatie met voldoende luchtstroom. Het afvoerluchtrooster moet aan de voorzijde ten minste 4,00 in (10,16 cm) aan vrije ruimte voor luchtcirculatie hebben, vrij van obstakels.
3. Als de airconditioning loodrecht ten opzichte van het afvoerlucht-rooster staat, zorg dan voor een minimale vrije ruimte van 3,00 in (7,62 cm) voor luchtcirculatie aan de luchtinlaatzijde.
4. **Alleen GVTX en TX:** Zorg voor een minimale vrije ruimte van 3,00 in (7,62 cm) boven en onder het koellichaam.

6.2 De aanjager draaien

In dit hoofdstuk wordt uitgelegd hoe de aanjager voor elk type apparaat moet worden gedraaid. Draai indien nodig de aanjager in de richting waarin de meest directe luchtstroom door de buisleidingen kan worden afgevoerd.

6.2.1 Aanjagers GTX, GVTX, DTG en TX

Aanjagerrotatie systeem GTX, GVTX, DTG en TX

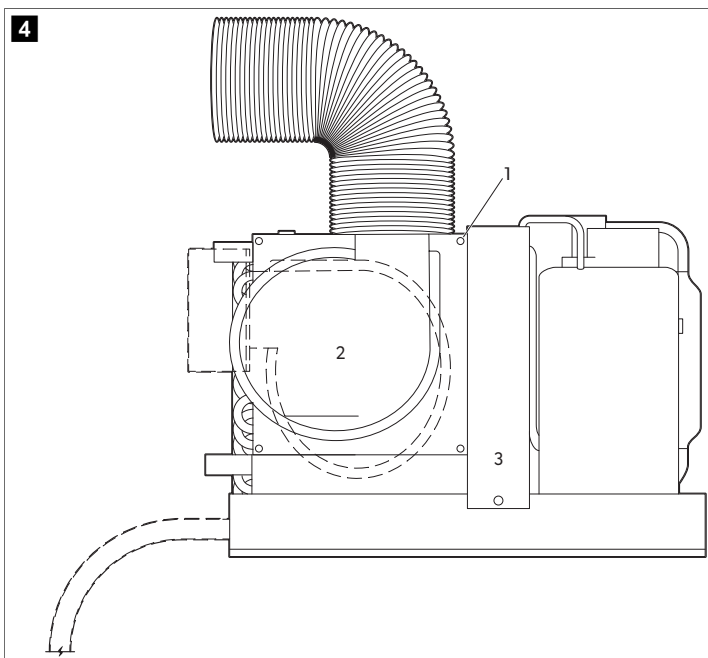


- 1** Adjustment screw
- 2** Blower

1. Draai de stelschroef op de bevestigingsring van de aanjager los.
2. Draai de aanjager in de gewenste stand.
3. Draai de stelschroef aan.

6.2.2 Aanjagers MCS, ECD en GT

Aanjagerrotatie systeem MCS, ECD en GT

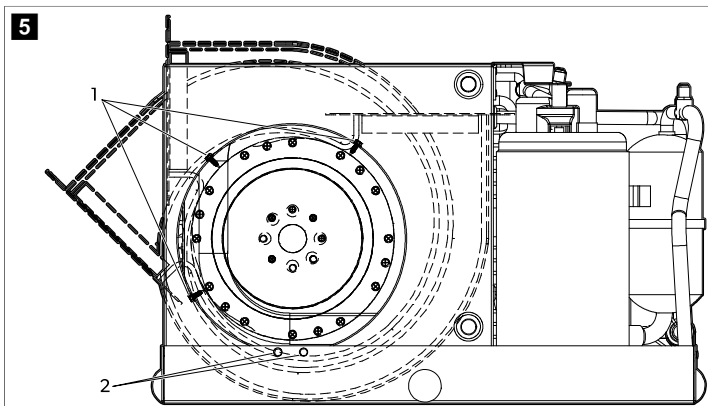


- 1 Screw
- 2 Bord
- 3 Ventilator

1. Verwijder de zeven schroeven op de plaat.
2. Draai de aanjager in de gewenste stand.
3. Zet de aanjager vast met zelftappende schroeven (niet meegeleverd).

6.2.3 DCU-aanjager

Aanjagerrotatie DCU-systeem



- 1 Screws on blower ring
- 2 Screws on drain pan or bracket

1. Verwijder de schroeven van de aanjagerring.
2. Verwijder de schroeven waarmee de ventilator aan de afvoerbak of plaat is bevestigd.
3. Draai de aanjager in de gewenste stand.
4. Zet de aanjager vast met zelftappende schroeven (niet meegeleverd).
5. Dicht alle ongebruikte gaten af om luchtverlies te voorkomen.

6.3 Luchtfilters vervangen

Luchtfilters verwijderen zwevende deeltjes uit de lucht in de cabine en houden de spoel van de verdamper schoon. Plaats voor elke airconditioning één luchtfilter, hetzij op de airconditioning, hetzij in het afvoerlucht-rooster.

6.4 Roosters en overgangsdozen plaatsen

Houd rekening met het volgende bij het plaatsen van de roosters en overgangsdozen:

- Monteer het toevoerlucht-rooster zo hoog mogelijk op een plaats waar gelijkmatige luchtverdeling in de passagiersruimte gewaarborgd is. Richt de lamellen van het luchtrooster omhoog.
- Monteer het afvoerlucht-rooster zo laag mogelijk en zo dicht mogelijk bij de airconditioning om luchtstroom naar de verdamper te garanderen.
- Richt de uitlaat van de toevoerlucht niet naar het afvoerlucht-rooster omdat het systeem anders kortsluit.
- Zorg voor voldoende ruimte achter het toevoerlucht-rooster ten behoeve van de overgangsdoozen en buisleidingen. Raadpleeg Specificaties op pagina 63

7 Installatie



WAARSCHUWING! Gevaar voor elektrische schokken

De installatie mag alleen worden uitgevoerd door een bevoegde elektricien.

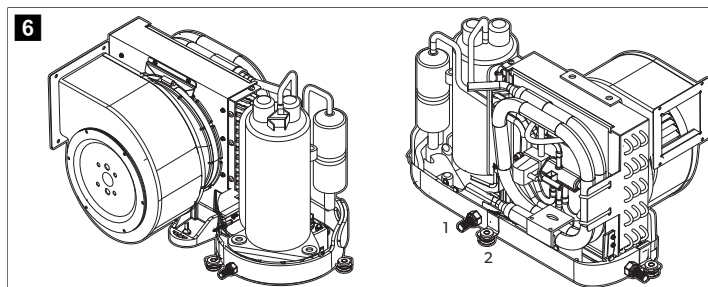
7.1 Installatie van de montagesteunen en condensataafvoer



LET OP!

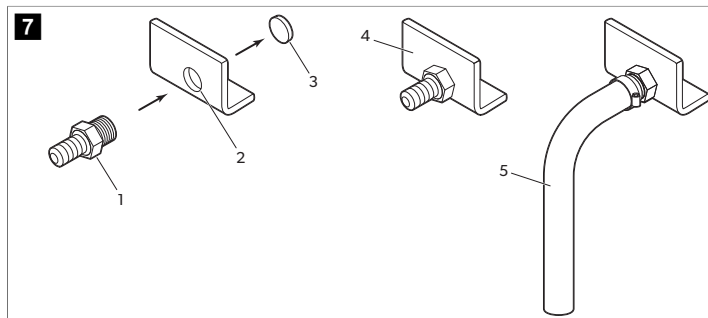
Om te voorkomen dat de afvoerbak barst, mag u niet meer dan twee lagen loodgieterstape gebruiken om de slangfitting te omwikkelen en mag u de slangfitting niet te strak aandraaien.

Typische plaatsing van montageplaten en condensatafvoeren



- 1 Aansluiting voor condensatafvoerslang
- 2 Montageplaat

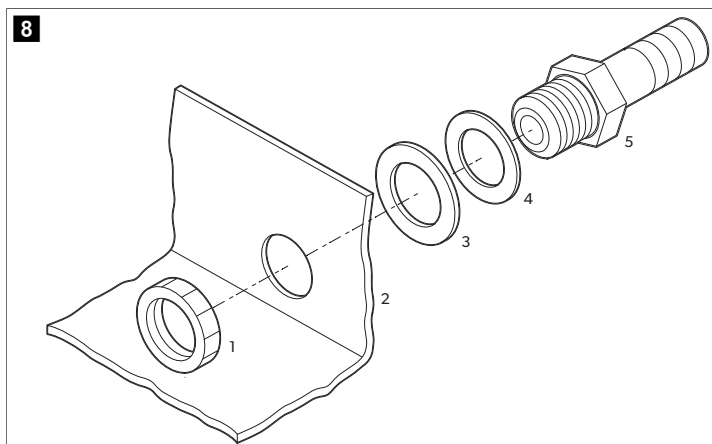
Installatie van condensatafvoer voor GTX, GVTX, DTG en TX



- 1 Hose barb
- 2 Afvoeropening met schroefdraad
- 4 Drain pan
- 5 Afvoerslang

3 Slag uitslaan

Installatie van condensaatafvoer voor alle andere airconditioningsapparaten



- | | | | |
|---|-----------------------|---|--|
| 1 | Locking nut | 4 | Solid washer |
| 2 | Afvoerbak | 5 | PVC-fitting 0,5 in (12,7 mm) HB x 0,5 in (12,7 mm) MPT |
| 3 | Vloeistof-afdichtring | | |

1. Voor units GTX, GVTX, DTG en TX units:

- Gebruik het kleine uiteinde van de slangfitting om een slak uit een naar achteren gerichte afvoeropening te slaan door er één keer snel op te slaan met een rubberen hamer. Gooi de uitgeslagen slak weg.
- Omwikkel het schroefdraaduiteinde van de slangfitting met loodgieterstape.
- Schroef de slangfitting in de afvoeropening met schroefdraad en draai fitting stevig vast.

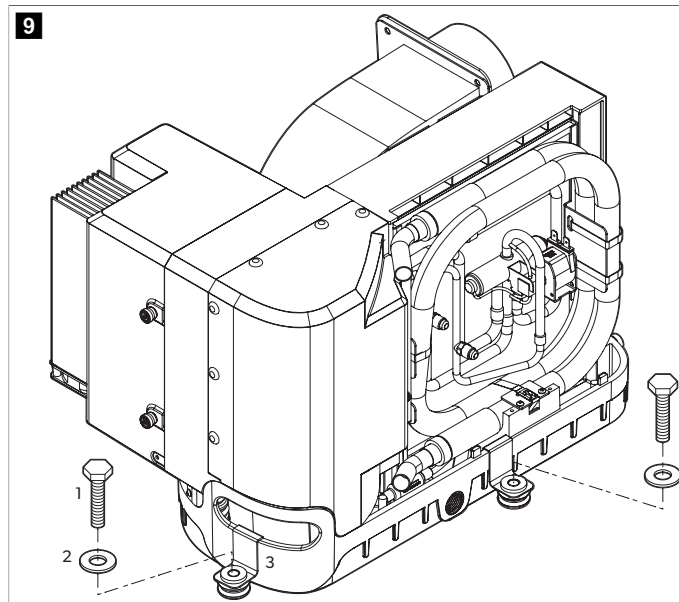
2. Voor alle andere airconditionings:

- Leid de slangfitting door een vaste afdichtring en een vloeistofdichte afdichtring en draai fitting in de afvoeropening.
- Zet vast met een borgmoer.

3. Bevestig de afvoerslang aan de slangfitting met een roestvrijstalen slangklem.

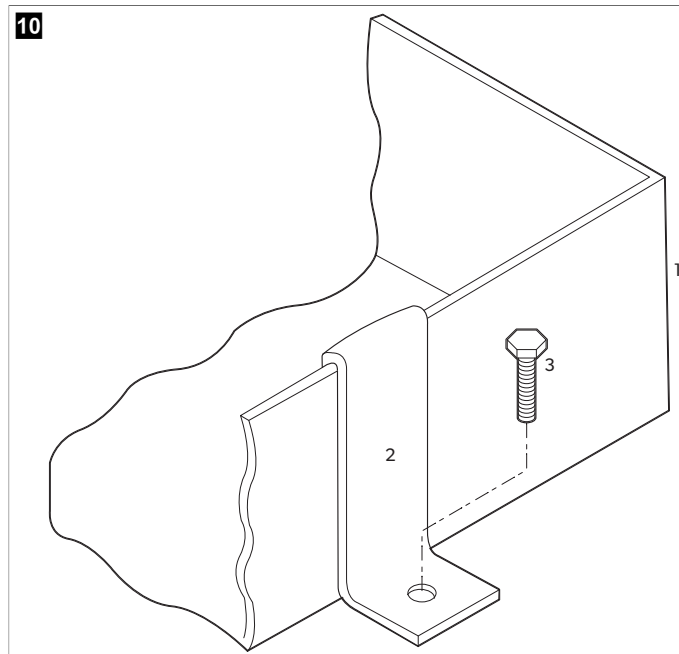
4. Leid de afvoerslang naar beneden naar een veilig en geschikt opvangpunt.

Installatie van montageplaat voor units GTX, GVTX, DTG en TX units



- Bevestigingsbout (niet meegeleverd)
- Stooring (meegeleverd)
- Montageplaat (meegeleverd)

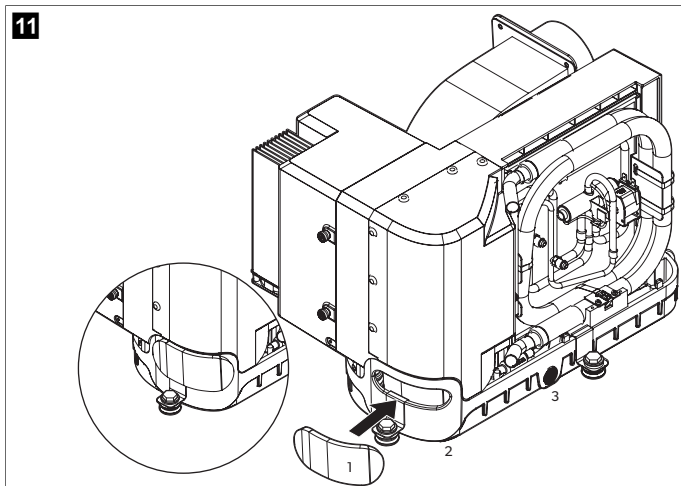
Montage van montageplaat voor andere airconditioningsapparaten



- Afvoerbak
- Montageplaat
- Bevestigingsbout (niet meegeleverd)

5. Breng één montageplaat aan weerszijden van de afvoerbak aan, op gelijke afstand.

Installatie van schuimgreepisolatie op units GVTX en TX



- 1 Schuimgreepisolatie
2 Handgreepopening
3 Afvoerbak

6. Voor units GVTX en TX:

- Verwijder de folie die de zelfklevende achterkant van de schuimgreepisolatie bedekt.
- Plaats de schuimgreepisolatie zodanig dat de opening van de handgreep volledig wordt afgedekt met de klevende zijde naar de afvoerbak gericht.
- Druk rond de opening van de handgreep om de schuimgreepisolatie aan de afvoerbak te bevestigen.

7.2 Installatie van buisleidingen



WAARSCHUWING! Brand- of explosiegevaar

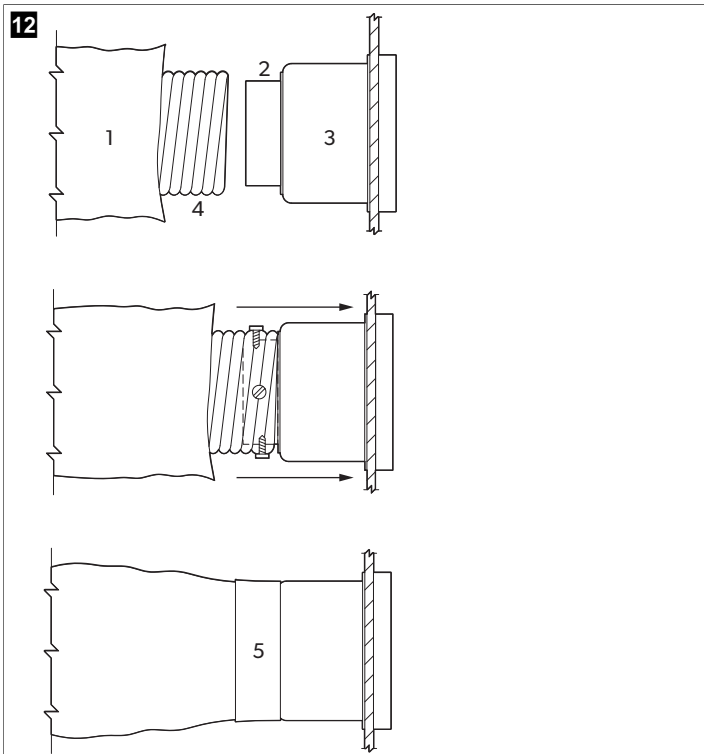
- > Externe apparatuur met mogelijke ontstekingsbronnen mogen niet in de leidingen worden geïnstalleerd, met uitzondering van apparaten die worden vermeld voor gebruik met het specifieke toestel.
- > Bij modellen die brandbare koudemiddelen gebruiken, die via een luchtkanaalsysteem worden aangesloten op een of meer ruimtes, moet de aanvoer- en retourlucht direct naar de ruimte worden geleid. Open ruimtes zoals in verlaagde plafonds mogen niet worden gebruikt voor een retourluchtkanaal.
- > Leid buisleidingen niet door een machinekamer of een gebied waar ze kunnen worden blootgesteld aan gevaarlijke dampen of uitlaatgassen.

Houd u aan de volgende voorwaarden bij het aanbrengen van de buisleidingen:

- Buisleidingen moeten de juiste afmetingen hebben voor uw toepassing.
- Laat buisleidingen zo recht, glad en strak mogelijk lopen, om het aantal bochten en lussen van 90° tot een minimum te beperken omdat bochten nadelig kunnen zijn voor de luchtstroom.
- Maak de buisleidingen stevig vast om doorzakken te voorkomen.
- Zorg ervoor dat de buisleidingen niet afgeplat of geknikt worden.
- Snijd overtollige buislengte na installatie af.
- Isoleer buisleidingen wanneer deze zich in zeer warme gebieden bevinden.

Als een overgangsdooz wordt gebruikt, moet het totale oppervlak van de toevoerluchtkanalen die de kast verlaten ten minste gelijk zijn aan het totale oppervlak van de toevoerleidingen die de kast in gaan. Raadpleeg Specificaties op pagina 63

Buisverbindingen



- 1 Glasvezelisolatie
2 Montagering
3 Overgangsdooz
4 Mylar binnenbuisslang
5 Duct tape

- Schuif de mylar binnenbuisslang rond de montagering naar de overgangsdooz.
- Schroef drie of vier roestvrijstalen schroeven door mylar buisslang in de bevestigingsring en klem daarbij twee of drie draden vast met behulp van de schroefkoppen.
- Schuif de glasvezelisolatie rond de mylar binnenbuisslang naar de overgangsdooz. Zet alles vast met duct tape.

7.3 Het zeewatersysteem installeren



LET OP!

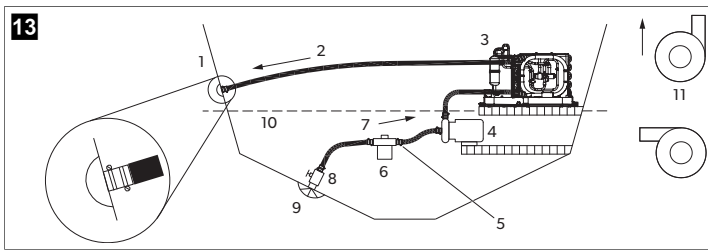
Als u deze procedure niet volgt, vervalt de garantie.

Neem de volgende overwegingen in acht bij het instellen van het zeewatersysteem:

- De zeef moet zich onder de pomp bevinden.
- Slangen moeten dubbel worden vastgeklemd.
- De slangen mogen niet knikken, lussen of hogere bereiken hebben waarin zich lucht kan verzamelen.
- De pomp en zeef moeten zich onder de waterspiegel bevinden.
- De rompinlaat, kogelklep, slang en zeef mogen niet kleiner zijn dan de pompinlaat.
- Breng de fitting van de rompinlaat zo ver mogelijk onder de waterspiegel aan.
- De pomp moet een speciale rompinlaat hebben.
- Vermijd elleboogstukken van 90,00° zo veel mogelijk.
- Zorg ervoor dat de pompkop in de richting van de waterstroming wordt gedraaid.
- Borg alle schroefdraadverbindingen met loodgieterstape.

Raadpleeg Specificaties op pagina 63 voor de maximale en minimale watertemperatuur en drukwaarden.

Zeewatersysteem



- | | |
|--------------------|--|
| 1 Zeewater-uitlaat | 7 Omhoog lopende inlaatstroom |
| 2 Uitlaatstroom | 8 Kogelklep |
| 3 Airconditioning | 9 Waterschep-rompinlaat |
| 4 Zeewaterpomp | 10 Waterspiegel |
| 5 Slangklemmen | 11 De richting van de pompkopzeef corrigeren |
| 6 Zeef | |

- Plaats een waterschep-rompinlaat voor zeewater zo dicht mogelijk bij de kiel en zo ver mogelijk onder de waterspiegel. Zet de waterschep-rompinlaat vast met een afdichtmiddel voor maritiem gebruik dat is ontworpen voor gebruik onder water.
- Breng een bronzen zeewaterkraan met volledige doorstroming aan op de waterschep-rompinlaat.
- Breng een zeewaterzeef aan onder het niveau van de pomp met toegang tot het filter.
- Monteer de pomp boven de zeef en ten minste 30 cm (1 ft) onder de waterspiegel.
- Verbind de zeewaterkraan en zeef middels een versterkte, omhooglopende slang voor maritiem gebruik.
- Sluit de afvoer van de pomp omhooglopend aan op de onderste inlaat van de condensatorspoel van de airconditioning met een versterkte slang met diameter van 5/8 inch voor maritiem gebruik.
- Sluit de afvoer van de condensatorspoel aan op de buitenboord-uitlaatfitting middels een versterkte slang met diameter van 5/8 inch voor maritiem gebruik.
- Voorkom bij de zeewaterslang schuren, verhogingen en het gebruik van 90°-bochtstukken. Elk elleboogstuk van 90° is gelijk aan 2,5 ft (0,76 m) slang en een elleboogstuk van 90° op de uitlaat van de pomp is gelijk aan 20,0 ft (6,10 m) slang.
- Borg alle slangverbindingen met dubbele klemmen van RVS. Breng de klemmen in omgekeerde richting aan waar nodig.
- Sluit alle metalen onderdelen die in contact komen met zeewater aan op het aansluitsysteem van het vaartuig.

7.4 Elektrische verbindingen maken



WAARSCHUWING! Gevaar voor elektrische schokken

- > Schakel altijd de stroomonderbreker van de airconditioning uit voordat u de elektrische kast opent. Het niet in acht nemen van deze waarschuwing kan leiden tot ernstig letsel of de dood.
- > Zorg ervoor dat de schakelkast zich op een plaats bevindt waar deze is beschermd tegen water.



LET OP!

Sluit de airconditioning aan op het aansluitsysteem van de boot om corrosie door elektrische stroom te voorkomen. Alle pompen, metalen kleppen en aansluitingen in de zeewaterkringloop die van de airco geïsoleerd zijn met PVC- of rubberslangen, moeten afzonderlijk worden gekoppeld aan het aansluitsysteem van de boot.



INSTRUCTIE Als het systeem niet correct is geaard en verbonden, vervalt de garantie.

Alle conditioningsapparaten hebben een klemmenstrook, gelabeld voor de juiste aansluitingen, in de elektrische kast. Het aansluitschema in de elektrische kast heeft voorrang op de ABYC-normen. Gebruik een stroomonderbreker van de juiste grootte om het systeem te beschermen, zoals aangegeven op het gegevensplaatje van de

airconditioning. Gebruik minimaal een bootkabel van 12 AWG om de airconditioning en de zeewaterpomp van stroom te voorzien. Breng alle verbindingen tot stand met ringvormige of borgende vorkaansluitingen.

Let op het volgende bij het maken van elektrische verbindingen:

- De aarding van de wisselstroom (AC) moet worden aangesloten op de aardaansluiting (GRND) op het aansluitblok voor de netvoeding.
- Verbindingen tussen de aardgeleider van het wisselstroomsysteem (AC) van het vaartuig en het negatieve gelijkstroomsysteem (DC) van het vaartuig moeten worden gemaakt als onderdeel van de bedrading van het vaartuig. Controleer bij onderhoud of vervanging van bestaande apparatuur met een op het chassis gemonteerde aardingsbout de bedrading van het vaartuig op deze verbindingen.
- GVTX- en TX-airconditioners zijn ontworpen om te werken op wisselstroom of hoogspannings-gelijkstroom. Raadpleeg het aansluitschema van het vaartuig voor de juiste plaatsing.

Zorg ervoor dat de gelijkstroomaarde van de airconditioning goed is aangesloten op de gelijkstroomaarde van de boot. Zorg er in de boot voor dat de gelijkstroomaardrail op exact een punt is verbonden met de wisselstroomaardrail.

Controleer vóór het opstarten alle elektrische aansluitingen en maak deze waar nodig opnieuw vast.

8 Verwijdering



VOORZICHTIG! Brandgevaar

- > Dit toestel bevat ontvlambaar isolerend blaasgas.
- > Laat het toestel alleen door een specialist verwijderen en afvoeren.



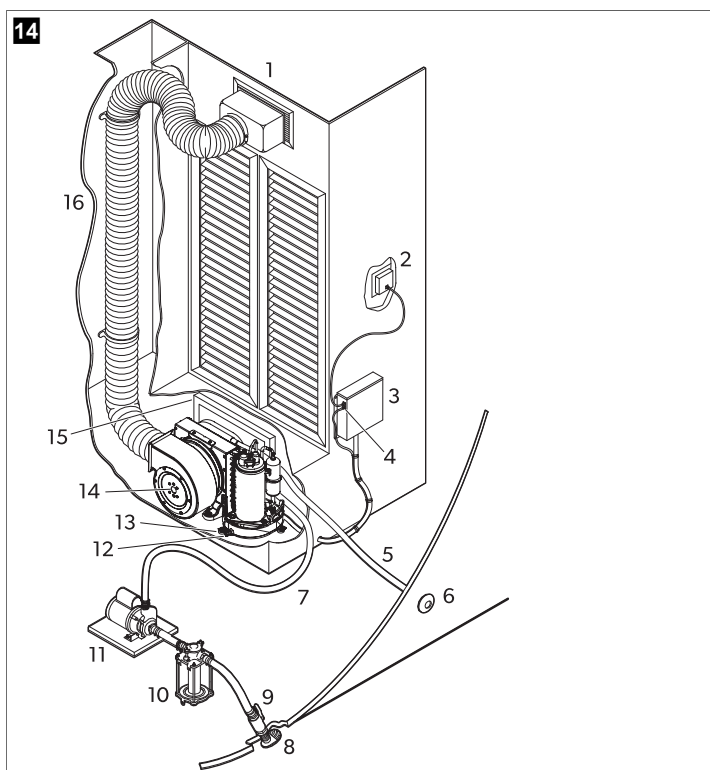
Gooi het verpakkingsmateriaal indien mogelijk altijd in recyclingafvalbakken. Vraag het dichtstbijzijnde recyclingcentrum of uw dealer naar informatie over hoe het product kan worden weggegooid in overeenstemming met alle van toepassing zijnde nationale en lokale regelgeving.

9 Technische gegevens

Lees deze instructies volledig door en plan vervolgens de aansluitingen die op de airconditioning moeten worden gemaakt (inclusief buisleidingen, condensafvoerleiding, zeewaterinlaat- en afvoerslangen, elektrische voedingsaansluitingen, plaats van de bediening en plaatsing van de zeewaterpomp), zodat deze gemakkelijk toegankelijk zijn voor geleiding en toekomstig onderhoud.

9.1 Locaties van onderdelen

Identificatie van onderdelen van het airconditioningssysteem



- | | |
|--|---|
| 1 Toevoerlucht-rooster en overgangsdoo | 9 Afsluitklep zeewaterkraan |
| 2 Digitale weergave | 10 Zeewaterzeef |
| 3 Schakelkast | 11 Pomp |
| 4 Optionele externe luchtsensorkabel | 12 Aansluiting voor condensaatafvoerslang |
| 5 Afvoerslang voor zeewater | 13 Montageplaat |
| 6 Buitenboord-uitlaat | 14 Airconditioning |
| 7 Inlaatslang voor zeewater | 15 Retourluchtrooster en -filter |
| 8 Waterschep-rompinlaat voor zeewater | 16 Geïsoleerde flexibele buisleidingen |

9.2 Specificaties

De koelkring bevat een kleine hoeveelheid milieuvriendelijk, maar ontvlambaar koelmiddel. Het schaadt de ozonlaag niet en versterkt het broeikaseffect niet. Lekkend koelmiddel kan vlam vatten.

Dit product bevat gefluoreerde broeikasgassen.

Het koelaggregaat is hermetisch afgesloten.

Tabel 13: Minimale afmetingen van kanalen en roosters per BTU-capaciteit

	3.5 k BTU	6 k BTU	8 k BTU	10 k BTU
Minimale kanaaldiameter	3,00 in (76,2 mm)	4,00 in (101,6 mm)	5,00 in (127,0 mm)	6,00 in (152,4 mm)
Minimale kanaaloppervlakte	6,8 in ² (43,9 cm ²)	12,6 in ² (81,3 cm ²)	19,6 in ² (126,5 cm ²)	28,3 in ² (182,6 cm ²)
Minimaal afvoerlucht-rooster	48,0 in ² (309,7 cm ²)	64,0 in ² (412,9 cm ²)	80,0 in ² (516,2 cm ²)	100,0 in ² (645,2 cm ²)
Minimaal toevoerlucht-rooster	12,0 in ² (77,4 cm ²)	32,0 in ² (206,5 cm ²)	48,0 in ² (309,7 cm ²)	60,0 in ² (387,1 cm ²)
	12 k BTU	16 k BTU	18 k BTU	27 k BTU
Minimale kanaaldiameter	6,00 in (152,4 mm)	7,00 in (177,8 mm)	7,00 in (177,8 mm)	8,00 in (203,2 mm)

	12 k BTU	16 k BTU	18 k BTU	27 k BTU
Minimale kanaaloppervlakte	28,3 in ² (182,6 cm ²)	38,5 in ² (248,4 cm ²)	38,5 in ² (248,4 cm ²)	50,3 in ² (324,5 cm ²)
Minimaal afvoerlucht-rooster	130,0 in ² (838,8 cm ²)	160,0 in ² (1032,3 cm ²)	200,0 in ² (1290,4 cm ²)	240,0 in ² (1548,5 cm ²)
Minimaal toevoerlucht-rooster	70,0 in ² (451,6 cm ²)	80,0 in ² (516,2 cm ²)	100,0 in ² (645,2 cm ²)	120,0 in ² (774,2 cm ²)

Tabel 14: Bedrijfstemperatuur en -druk van het water

Minimale bedrijfstemperatuur van het water	40,0 °F (4,44 °C)
Maximale bedrijfstemperatuur van het water	80,0 °F (26,66 °C)
Minimale bedrijfswaterdruk	4,2 psi (0,29 bar) (29,00 kPa)
Maximale bedrijfswaterdruk	6,00 psi (0,41 bar) (41,4 kPa)

Volg de EPA-gebruiksvoorwaarden.

i INSTRUCTIE Als niet aan deze omstandigheden wordt voldaan, werkt het apparaat mogelijk met een verminderde capaciteit.

10 Wettelijk

Alleen GVTX-modellen: Om te voldoen aan IEC 60533, mag u het product niet binnen 9,8 ft (3,00 m) van een ontvangstantenne installeren.

11 Garantie

Zie onderstaande paragrafen voor informatie over garantie en ondersteuning in de VS, Canada en alle andere regio's.

Verenigde Staten en Canada

BEPERKTE GARANTIE BESCHIKBAAR OP DOMETIC.COM/EN-US/TERMS-AND-CONDITIONS-CONSUMER/WARRANTY. MOCHT U VRAGEN HEBBEN OF EEN GRATIS KOPIE VAN DE BEPERKTE GARANTIE WILLEN VERKRIJGEN, NEEM DAN CONTACT OP MET:

DOMETIC CORPORATION
MARINE CUSTOMER SUPPORT CENTER
2000 NORTH ANDREWS AVENUE
POMPANO BEACH, FLORIDA, USA 33069
1-800-542-2477

Azië-Pacific (APAC) landen

Neem contact op met de verkoper of met de vestiging van de fabrikant in uw land (zie dometic.com/dealer) als het product niet naar behoren werkt. De garantie van toepassing op uw product bedraagt 1 jaar.

Stuur voor de afhandeling van reparaties of garantie volgende documenten mee:

- Een kopie van de factuur met datum van aankoop
- De reden voor de claim of een beschrijving van de fout

Houd er rekening mee dat eigenmachtige of niet-professionele reparatie gevolgen voor de veiligheid kan hebben en dat de garantie hierdoor kan komen te vervallen.

Alleen Australië

Onze producten worden geleverd met garanties die niet kunnen worden uitgesloten onder de Australische Consumentenwet. U hebt recht op een vervanging of vergoeding voor ernstig falen en op compensatie voor elk ander redelijkerwijs te voorzien verlies of schade. U hebt bovendien recht op reparatie of vervanging van de producten indien de producten niet van acceptabele kwaliteit zijn en de fout niet gelijk staat aan ernstig falen.

Alleen Nieuw-Zeeland

Dit garantiebeleid is onderhevig aan de voorwaarden en garanties die verplicht zijn zoals geïmpliceerd door de Wet op Consumentengaranties 1993(NZ).

Alle andere regio's

De wettelijke garantieperiode is van toepassing. Als het product defect is, neem dan contact op met de vestiging van de fabrikant in uw land (zie dometic.com/dealer) of uw verkoper.

Stuur voor de afhandeling van reparaties of garantie volgende documenten mee:

- Een kopie van de factuur met datum van aankoop
- De reden voor de claim of een beschrijving van de fout

Houd er rekening mee dat eigenmachtige of niet-professionele reparatie gevolgen voor de veiligheid kan hebben en dat de garantie hierdoor kan komen te vervallen.

Dansk

1	Vigtige henvisninger.....	65
2	Forklaring af symboler.....	65
3	Målgruppe(r).....	66
4	Korrekt brug.....	66
5	Forklaring af symbolerne på apparatet.....	66
6	Før installation.....	66
7	Montering.....	68
8	Bortskaffelse.....	71
9	Tekniske data.....	71
10	Juridiske bemærkninger.....	72
11	Garanti.....	72

1 Vigtige henvisninger

Læs og følg alle disse anvisninger, retningslinjer og advarsler i denne produktvejledning grundigt for at sikre, at du altid installerer, bruger og vedligeholder produktet korrekt. Disse anvisninger SKAL opbevares sammen med dette produkt.

Ved at benytte produktet bekræfter du hermed, at du har læst alle anvisninger, retningslinjer og advarsler grundigt, og at du forstår og er indforstået med de vilkår og betingelser, der er fastlagt heri. Du er indforstået med kun at bruge dette produkt til det beregnede formål og anvendelse i overensstemmelse med anvisningerne, retningslinjerne og advarslerne i denne produktvejledning samt i overensstemmelse med alle de gældende love og forskrifter. Manglende læsning og ignorering af disse anvisninger og advarsler kan medføre kvæstelser på dig selv og andre, skade på dit produkt eller skade på anden ejendom i nærheden. Der tages forbehold for eventuelle ændringer og opdateringer af denne produktvejledning samt anvisningerne, retningslinjerne og advarslerne samt den tilhørende dokumentation. Se documents.domestic.com for de nyeste produktinformationer.

2 Forklaring af symboler

Et signalord vil identificere sikkerhedsmeddelelser og meddelelser om skade på ejendom og vil også angive graden eller niveauet af farens alvor.



FARE!

Angiver en farlig situation, som medfører dødsfald eller alvorlig kvæstelse, såfremt den ikke undgås.



ADVARSEL!

Angiver en farlig situation, som kan medføre dødsfald eller alvorlig kvæstelse, såfremt den ikke undgås.



VIGTIGT!

Angiver en situation, som kan medføre materielle skader, såfremt den ikke undgås.



BEMÆRK Supplerende informationer om betjening af produktet.

2.1 Supplerende direktiver

For at reducere risikoen for ulykker og kvæstelser skal du overholde følgende anvisninger, før du fortsætter med at installere dette apparat:

- Læs og følg alle sikkerhedshenvisninger og instruktioner.
- Læs og forstå disse instruktioner, før du installerer dette produkt.
- Installationen skal overholde alle gældende lokale eller nationale regler, inklusive den seneste udgave af følgende standarder:
 - American Boat and Yacht Council (ABYC)
 - ANSI/NFPA 70, National Electrical Code (NEC)

2.2 Sikkerhedshenvisninger



FARE! Risiko for brand eller eksplosion. Nogle modeller anvender brændbart kølemiddel.

Manglende overholdelse af følgende advarsler vil medføre dødsfald eller alvorlige kvæstelser:

- > Må kun repareres af uddannet servicepersonale.
- > Må ikke installeres eller opbevares på et sted, hvor der konstant anvendes antændelseskilder.
- > Sørg for, at alle nødvendige ventilationsåbninger er fri for blokeringer.
- > Undgå at punktere kølemiddellangerne.
- > Se produktets typemærkat for kølemiddelttype.



ADVARSEL! Brand- og/eller eksplosionsfare

Manglende overholdelse af følgende advarsler kan medføre dødsfald eller alvorlige kvæstelser:

- > Brug ikke potentielle antændelseskilder til at påvise eller søge efter kølemiddellækager. Brug ikke en halogenlygte eller en anden detektor, der anvender åben ild.
- > Sørg for, at detektionsudstyret er egnet til den kølemiddelttype, der anvendes i produktet. Se produktets typemærkat for kølemiddelttype.
- > Elektroniske lækagedetektorer kan anvendes til at finde kølemiddellækager, men deres følsomhed kan være utilstrækkelig til brændbare kølemidler og kan kræve omkalibrering. Kalibrer detektionsudstyret et kølemiddelfrit sted.



ADVARSEL! Fare for kulliteforgiftning

Manglende overholdelse af følgende advarsler kan medføre dødsfald eller alvorlige kvæstelser:

- > Installér eller betjen ikke et uafhængigt klimaanlæg i kil- eller motorrummets område eller i nærheden af en forbrændingsmotor. Sørg for, at det valgte sted er tætnet mod direkte adgang til dampe fra kil- og/eller motorrummet.
- > Kontrollér, at kondensatafløbsforbindelsen er installeret og tætnet korrekt. Afslut ikke kondensatafløbsforbindelsen inden for 3 fod (0,91 m) fra en udgang på en motors eller generators udstødningssystem, i et rum, der indeholder en motor eller generator, eller i et kilrum, medmindre afløbet tilsluttet korrekt til en tætnet kondensatpumpe eller bruserafløbspumpe. Hvis afløbsforbindelsen ikke er installeret korrekt, kan der trænge farlige dampe op ad afløbsforbindelsen og forurene beboelsesområderne.
- > Installer ikke klimaanlægget på et sted, hvor det kan cirkulere kullite, brændstofdamp eller andre skadelige dampe ind i bådens opholdsrum.



ADVARSEL! Fare for elektrisk stød

Monteringen må kun udføres af en kvalificeret elektriker.



ADVARSEL! Fare for elektrisk stød, brand og/eller eksplosion

Hvis disse advarsler ikke overholdes, kan det medføre dødsfald eller alvorlige kvæstelser.

Dette apparat er ikke beregnet til at blive anvendt af personer (inkl. børn) med nedsatte fysiske, sensoriske eller mentale evner eller manglende erfaring eller viden, medmindre der er sørget for passende opsyn eller udførlig vejledning i brugen af apparatet fra en person, der er ansvarlig for deres sikkerhed. Børn skal overvåges for at sikre, at de ikke leger med apparatet. Rengøring og vedligeholdelse må ikke udføres af børn uden opsyn. Dette apparat bør ikke være tilgængeligt for offentligheden.



ADVARSEL! Eksplosionsfare

Hvis disse advarsler ikke overholdes, kan det medføre dødsfald eller alvorlige kvæstelser.

- > Installer ikke klimaanlægget på et sted, der indeholder forbrændingsmotorer, tanke, LPG-/CNG-cylindre, regulatorer, ventiler eller brændstofforbindelsens beslag. Medmindre andet er angivet, opfylder uafhængige enheder ikke de nationale krav til tændingsbeskyttelse. Manglende overholdelse af denne advarsel kan medføre dødelige eller alvorlige kvæstelser.
- > Elektriske komponenter, der kan danne lysbuer eller gnister, må kun udskiftes med dele, der er specificeret af producenten af apparatet. Udskiftning med andre dele kan medføre antændelse af kølemiddel i tilfælde af en lækage.

**ADVARSEL! Der er fare for elektrisk stød**

Hvis disse advarsler ikke overholdes, kan det medføre dødsfald eller alvorlige kvæstelser.

- > Sørg for at jordforbinde klimaanlægget effektivt for at minimere faren for elektrisk stød. Se installationsvejledningen for yderligere oplysninger.
- > Hvert installeret klimaanlæg skal have en dedikeret effektafbryder. Hvis der kun er installeret ét klimaanlæg, skal havvandspumpen ikke have en dedikeret effektafbryder. Hvis to eller flere klimaanlægsheder bruger den samme havvandspumpe, tilsluttes pumpeledningerne til et pumperelæpanel (PRP), som har sin egen dedikerede effektafbryder, der er dimensioneret til pumpen (maks. 20 A). Se strømskemaet, der følger med PRP. Ved elektriske tilslutninger i kilrummet og/eller under vandlinjen skal der anvendes varmekrympende kabelforbindere.
- > Ledningsføringen på stedet skal være i overensstemmelse med ABYCs standarder for elektriske installationer. Strømmen til enheden skal være inden for det driftsspændingsområde, der er angivet på typemærkatet. Der skal installeres sikringer med korrekt størrelse eller HACR-effektafbrydere for at beskytte forgreningskredsløbet. Se typemærkatet for sikringens/effektafbryderens maksimale størrelse (MFS) og den minimale kredsløbskapacitet (MCA).

**VIGTIGT!**

Dette apparat har fluorholdige drivhusgasser i hermetisk lukket udstyr. Se produktdataene på kondensatorenhedens typemærkat for mængden af kølemiddel vist i vægt og GWP. Det tilsatte kølemiddel skal noteres på enhedens skilt.

**VIGTIGT!**

Brug ikke kobberslangen til at skubbe, trække, løfte eller bære produktet.

3 Målgruppe(r)



Den mekaniske og elektriske installation og opsætning af apparatet skal udføres af en kvalificeret tekniker, som har godtgjort sine evner og sit kendskab med henblik på konstruktion og betjening af udstyr og installationer på skibe, og som er bekendt med de gældende nationale forskrifter, hvor udstyret skal installeres og/eller anvendes, og som har modtaget sikkerhedsuddannelse med henblik på at kunne identificere og undgå de involverede farer.

4 Korrekt brug

Denne vejledning er beregnet til installation af de uafhængige klimaanlæg DCU, DLU, DTG, ECD, GT, GTX, GTX-LP, GVTX og TX (i det følgende benævnt klimaanlæg). Klimaanlægget er beregnet til brug på både og yachter. Dette klimaanlæg er kun egnet til dets beregnede formål og anvendelse i overensstemmelse med disse anvisninger.

Dette produkt er kun egnet til dets beregnede formål og anvendelse i overensstemmelse med disse anvisninger.

Denne vejledning giver dig oplysninger om, hvad der er nødvendigt med henblik på en korrekt montering og/eller drift af produktet. Dårlig montering og/eller ukorrekt drift eller vedligeholdelse medfører utilstrækkelig ydeevne og mulige fejl.

Producenten påtager sig intet ansvar for kvæstelser eller skader i forbindelse med produktet, der skyldes:

- ukorrekt montering eller forbindelse inklusive for høj spænding
- ukorrekt vedligeholdelse eller brug af uoriginale reservedele, der ikke stammer fra producenten
- ændringer på produktet uden udtrykkelig tilladelse fra producenten
- brug til andre formål end dem, der er beskrevet i vejledningen

Dometic forbeholder sig ret til at ændre produktets udseende og produktspecifikationer.

5 Forklaring af symbolerne på apparatet



Advarsel! Risiko for brand/brændbare materialer



Advarsel! Materiale, der brænder langsomt. Brændbart kølemiddel.



Sikkerhedsgruppe for kølemiddel A2L



Læs betjeningsvejledningen.



Læs servicevejledningen.

6 Før installation

**VIGTIGT!**

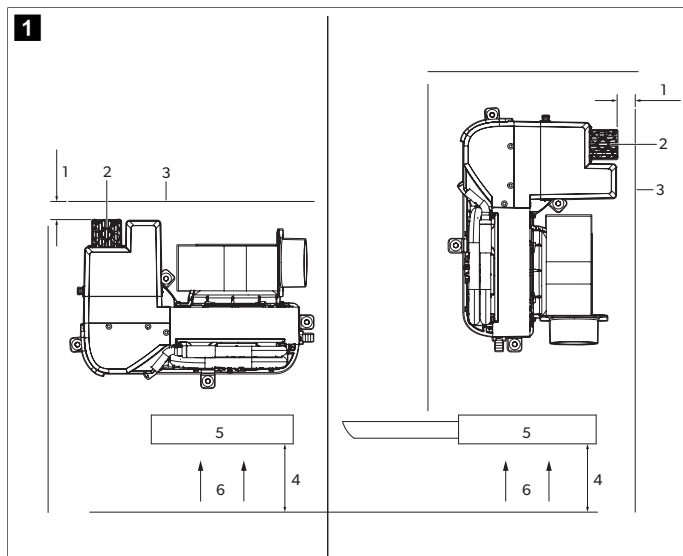
Bundpladerne på de uafhængige klimaanlæg DTG, GTX, GVTX og TX er udstyret med vibrationsisolatorer, der er installeret i bunden bakken. Disse isolatorer er beregnet til at dæmpe vibrationen, der forårsages af driften af klimaanlægget, så den ikke overføres til monteringsfladen. Vær forsigtig, når klimaanlægget flyttes hen over monteringsfladerne, da isolatorerne kan blive beskadiget.

**VIGTIGT!**

- > Klimaanlægget skal monteres på en lav, flad, plan overflade, f.eks. i bunden af et skab, under en køje eller bænk eller på et lignende sted.
- > Sørg for, at kablerne ikke udsættes for slitage, korrosion, overdrevent tryk, vibrationer, skarpe kanter, eller andre skadelige miljøpåvirkninger, herunder virkninger fra ældning eller vedvarende vibrationer fra kilder som f.eks. kompressorer eller ventilatorer.
- > Sørg for, at beskyttelsesanordninger, rør og beslag så vidt muligt er beskyttet mod skadelige miljøpåvirkninger som f.eks. ophobning af snæs eller vandophobning og -frysning i aflastningsrør.
- > Der skal tages forholdsregler for at undgå, at kølemiddelslangene udsættes for overdreven vibration eller pulsering.

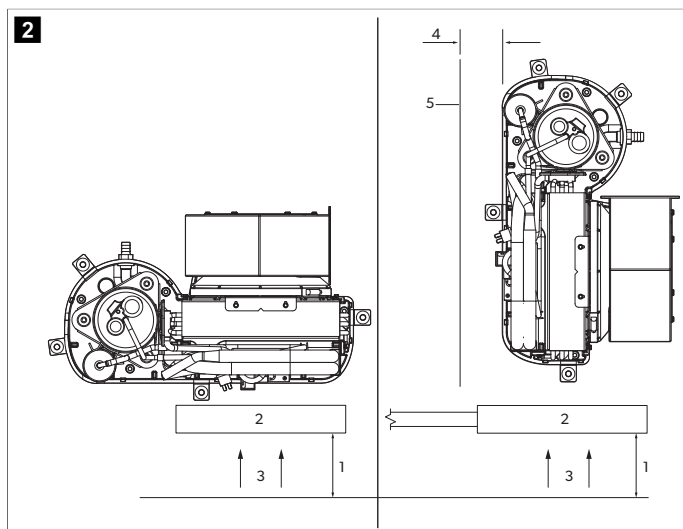
6.1 Bestemmelse af installationsstedet

1. GVTX- og TX-placering i forhold til luftstrømmen



- | | | | |
|---|-------------------|---|--------------------|
| 1 | 3,00 in (7,62 cm) | 4 | 4,00 in (10,16 cm) |
| 2 | Køleelement | 5 | Returluftgitter |
| 3 | Skot | 6 | Luftstrøm |

Alle andre klimaanlægsenheder placeret i forhold til luftstrømmen



- | | | | |
|---|--------------------|---|-------------------|
| 1 | 4,00 in (10,16 cm) | 4 | 3,00 in (7,62 cm) |
| 2 | Returluftgitter | 5 | Skot |
| 3 | Luftstrøm | | |

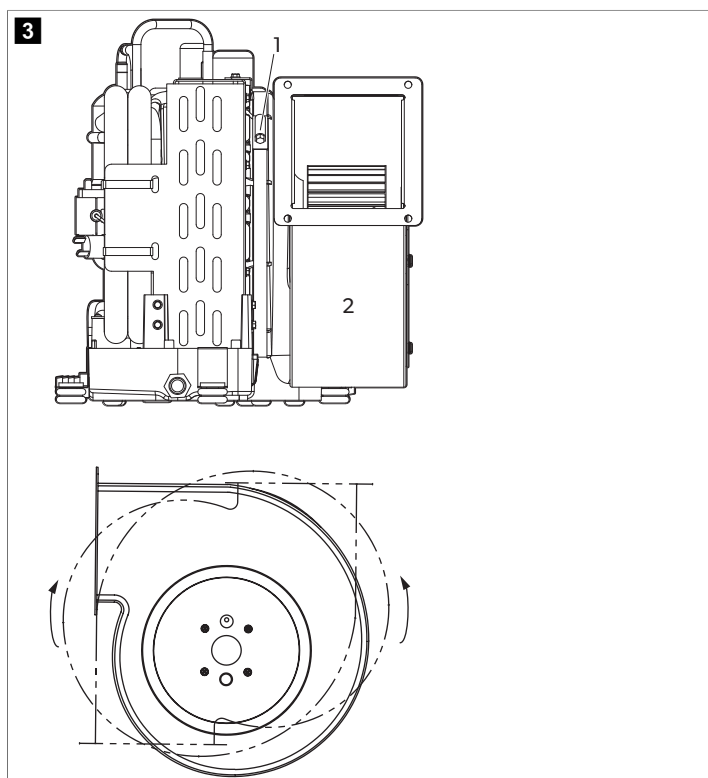
- Vælg et sted med tilstrækkelig luftstrøm. Returluftgitteret skal have en luftcirkulationsafstand på mindst 4,00 in (10,16 cm) foran det uden forhindringer.
- Hvis klimaanlægget er placeret vinkelret på returluftgitteret, skal der overholdes en luftcirkulationsafstand på mindst 3,00 in (7,62 cm) på luftindsugningssiden.
- Kun GVTX og TX:** Sørg for et åbent område på mindst 3,00 in (7,62 cm) over og under køleelementet.

6.2 Drejning af blæseren

Dette afsnit forklarer, hvordan blæseren drejes for hver enhedstype. Drej om nødvendigt blæseren i den retning, der giver den mest direkte luftstrøm gennem kanalerne.

6.2.1 GTX-, GVTX-, DTG- og TX-blæsere

GTX-, GVTX-, DTG- og TX-systemets blæserrotation

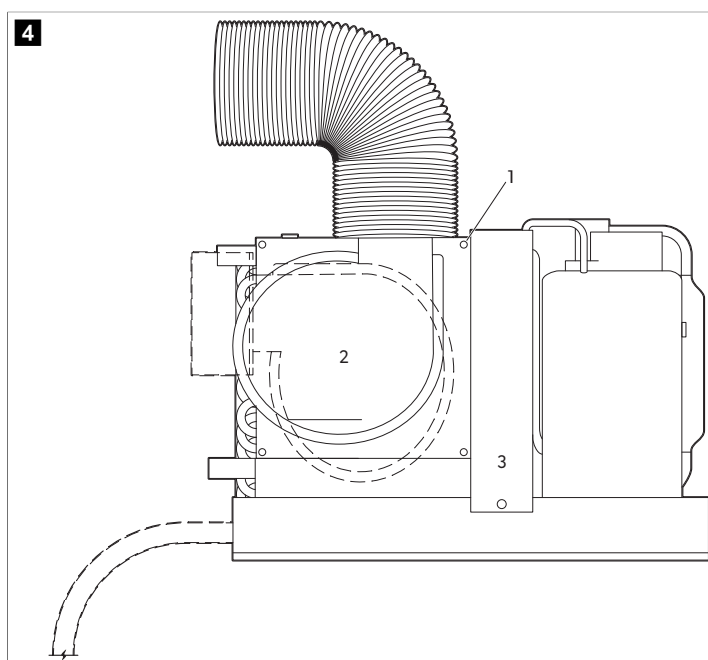


- Adjustment screw
- Blower

- Løsn indstillingsskruen på blæserens monteringsring.
- Drej blæseren til den ønskede position.
- Spænd indstillingsskruen.

6.2.2 MCS-, ECD- og GT-blæsere

MCS-, ECD- og GT-systemets blæserrotation

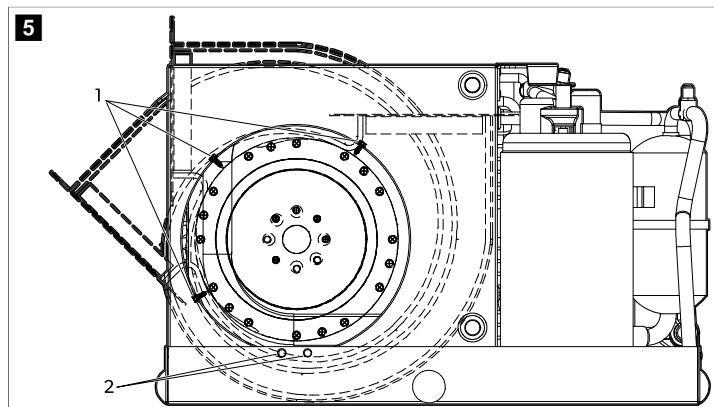


- 1 Screw
- 2 Laske
- 3 Blæser

1. Fjern de syv skruer på pladen.
2. Drej blæseren til den ønskede position.
3. Fastgør blæseren med selvskærende skruer (medfølger ikke).

6.2.3 DCU-blæser

Rotation af DCU-systemets blæser



- 1 Screws on blower ring
- 2 Screws on drain pan or bracket

1. Fjern skruerne fra blæserringen.
2. Fjern skruerne, der fastgør blæseren på aftapningsbakken eller beslaget.
3. Drej blæseren til den ønskede position.
4. Fastgør blæseren med selvskærende skruer (medfølger ikke).
5. Luk alle ubrugte huller for at undgå lufttab.

6.3 Udskiftning af luftfiltrene

Luftfiltre fjerner luftbårne partikler fra kabineluften og holder fordamperspølen ren. Placér et luftfilter på klimaanlægget eller i returluftgitteret for hvert klimaanlæg.

6.4 Placering af gitrene og overgangsboksene

Vær opmærksom på følgende ved placering af gitrene og overgangsboksene:

- Installér forsyningsluftgitteret så højt som muligt på et sted, som giver ensartet luftfordeling i hele kabinen. Ret gitterlamellerne opad.
- Installér returluftgitteret så lavt og tæt på klimaanlægget som muligt for at sikre luftstrømmen til fordamperen.
- Ret ikke forsyningsluftudgangen mod returluftgitteret, da det vil medføre, at anlægget afkorter cyklussen.
- Sørg for tilstrækkelig afstand bag forsyningsluftgitteret til overgangsboksen og kanaltilslutningen. Se Specifikationer på side 72

7 Montering



ADVARSEL! Fare for elektrisk stød

Monteringen må kun udføres af en kvalificeret elektriker.

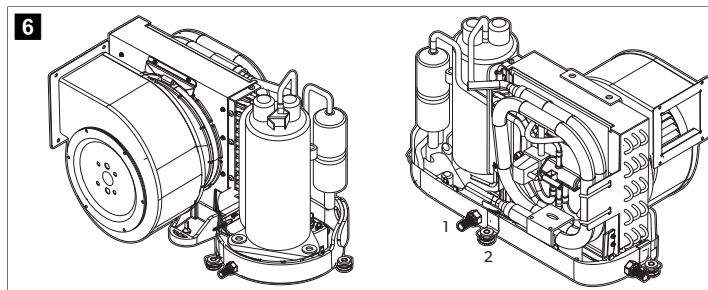
7.1 Installation af monteringsbeslagene og kondensatafløbet



VIGTIGT!

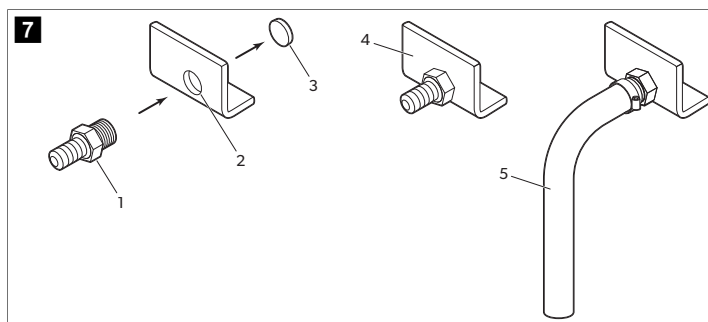
For at forhindre, at afløbsplanet revner, må der ikke bruges mere end to lag gaffatape til at vikle slangekrogen, og spænd ikke slangekrogen for kraftigt.

Typisk placering af monteringsbeslag og kondensatafløb



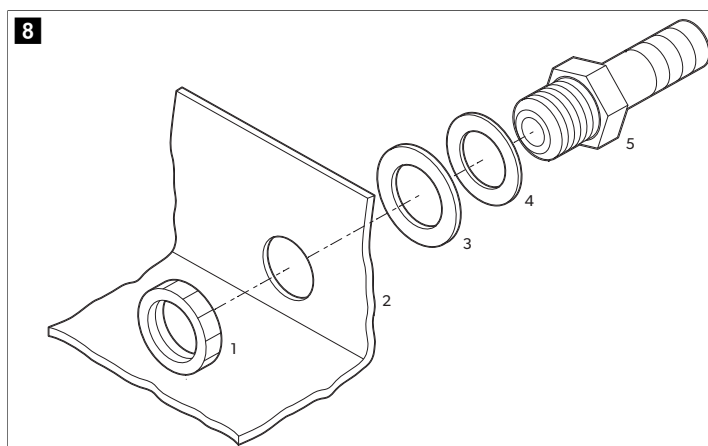
- 1 Slangekrog på kondensatafløb
- 2 Monteringsbeslag

Installation af kondensatafløb til GTX, GVTX, DTG og TX



- 1 Hose barb
- 2 Afløbshul med gevind
- 3 Udslagshul
- 4 Drain pan
- 5 Afløbsslange

Installation af kondensatafløb til alle andre klimaanlæg



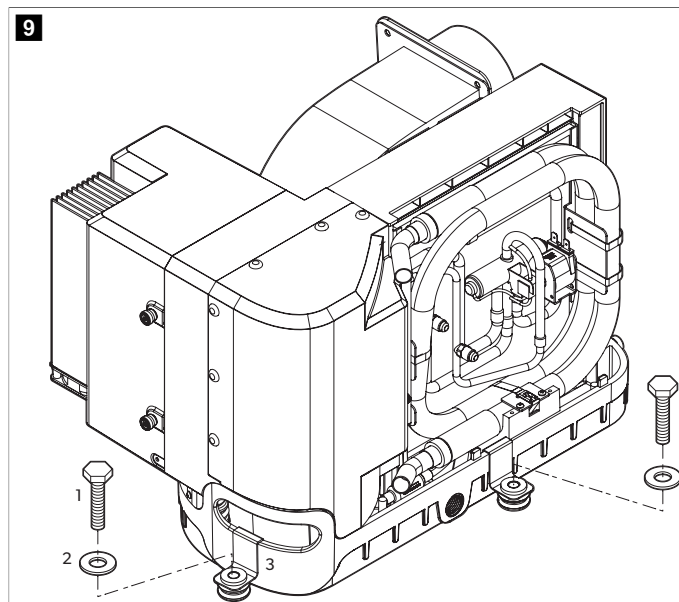
- 1 Locking nut
- 2 Aftapningsbakke
- 3 Solid washer
- 4 Solid washer
- 5 PVC-beslag 0,5 in (12,7 mm) HB x 0,5 in (12,7 mm) MPT

3 Tætningskive

1. For GTX-, GVTX-, DTG- og TX-enheder:
 - a) Brug slangekrogens lille ende til at slå en stift ud af et bagudrettet afløbshul med et hurtigt slag med en gummihammer. Bortskaf udslagshullet.
 - b) Vikl slangekrogens gevindskårne ende ind i gaffatape.
 - c) Skru slangekrogen fast i afløbshullet med gevind, og spænd sikkert.
2. For alle andre klimaanlæg:
 - a) Før slangekrogen gennem en massiv skive og en tætningskive, og sæt den i afløbshullet.
 - b) Fastgør med en låsemøtrik.
3. Fastgør afløbsslangen på slangekrogen med en slangeklemme af rustfrit stål.

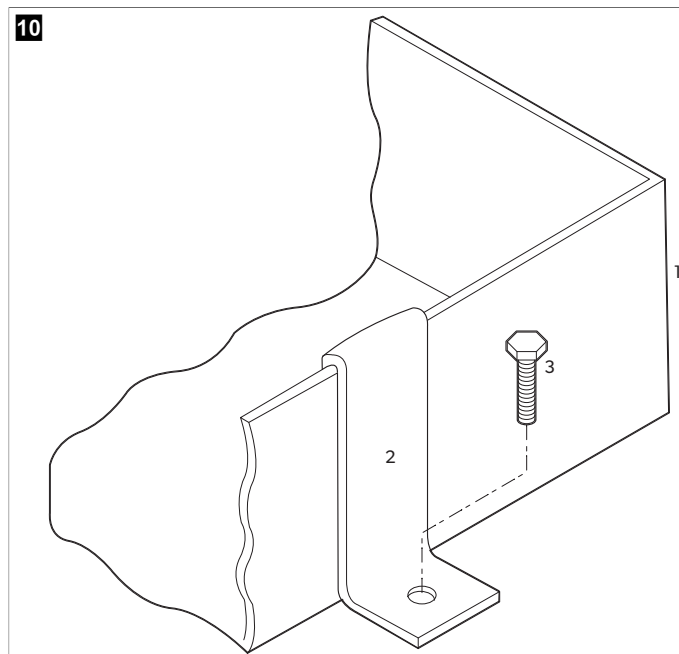
4. Før afløbsslangen nedad til et sikkert og korrekt opsamlingssted.

Montering af monteringsbeslag til GTX-, GVTX-, DTG- og TX-enheder



- 1 Monteringsbolt (medfølger ikke)
- 2 Fenderskive (medfølger)
- 3 Monteringsbeslag (medfølger)

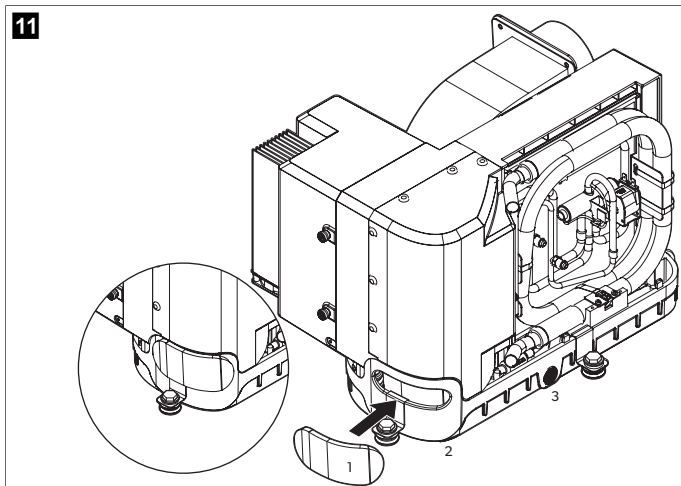
Montering af monteringsbeslag til andet klimaanlæg



- 1 Aftapningsbakke
- 2 Monteringsbeslag
- 3 Monteringsbolt (medfølger ikke)

5. Monter et monteringsbeslag på hver side af aftapningsbakken, med ens afstand.

Montering af skumhåndtagsisolering på GVTX- og TX-enheder



- 1 Skumhåndtagsisolering
2 Håndtagsåbning
3 Aftapningsbakke

6. For GVTX- og TX-enheder:

- Fjern filmen, der dækker den klæbende bagside på skumhåndtagsisoleringen.
- Anbring skumhåndtagsisoleringen, så den dækker håndtagsåbningen fuldstændigt med den klæbende side mod aftapningsbakken.
- Tryk omkring håndtagsåbningen for at klæbe skumhåndtagsisoleringen på aftapningsbakken.

7.2 Installation af kanalerne



ADVARSEL! Risiko for brand eller eksplosion

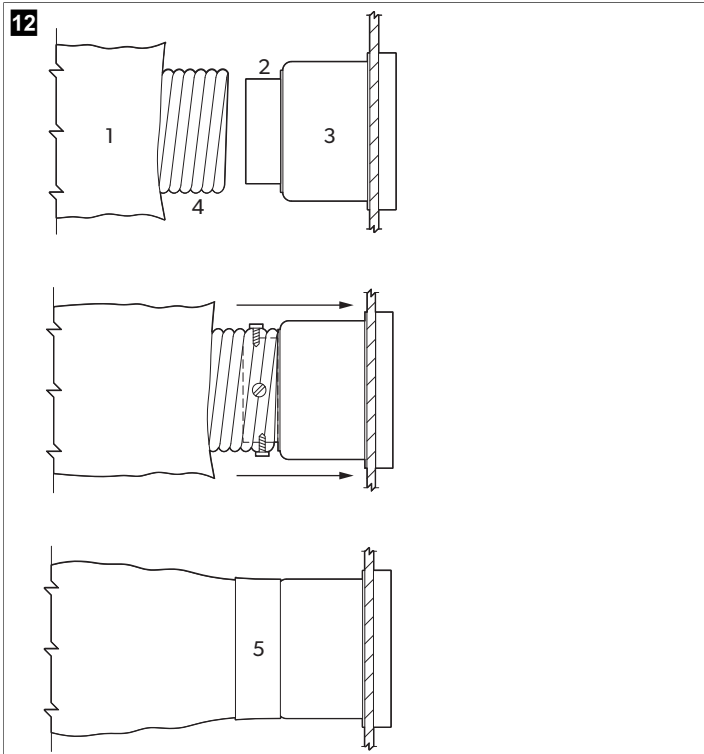
- > Hjælpeudstyr, der kan være antændelseskilder, må ikke installeres i kanalerne, bortset fra hjælpeudstyr, der er anført til brug med det specifikke apparat.
- > For modeller, der anvender brændbare kølemidler, som via et luftkanalsystem er forbundet til et eller flere rum, skal forsynings- og returluften føres direkte til rummet. Åbne områder som f.eks. sænkede lofter må ikke anvendes som en returluftkanal.
- > Før ikke kanaler gennem et motorrum eller et område, hvor de kan blive udsat for farlige dampe eller udstødningsgasser.

Vær opmærksom på følgende betingelser, når kanalerne installeres:

- Kanalerne skal have den rigtige størrelse til anvendelsen.
- Før kanalerne så lige, jævnt og stramt som muligt, og minimér antallet af 90°-bøjninger og løkker, som kan reducere luftstrømmen.
- Fastgør kanalerne omhyggeligt for at undgå, at de synker.
- Sørg for, at kanalerne ikke bliver flade eller bukkede.
- Fjern overskydende kanallængder efter installation.
- Isolér kanaler, når de er placeret i områder med kraftig varme.

Hvis der anvendes en overgangsboks, skal det samlede areal for luftforsyningskanalerne, der kommer ud af boksen, mindst svare til det samlede areal for forsyningskanaler, der kommer ind i boksen. Se Specifikationer på side 72

Kanaltilslutninger



- 1 Glasfiberisolering
2 Monteringsring
3 Overgangsboks
4 Indvendig kanalslange af mylar
5 Klæbebånd

1. Skub den indvendige kanalslange af mylar på monteringsringen til overgangsboksen.
2. Skru tre eller fire skruer af rustfrit stål gennem kanalslangen af mylar og ind i monteringsringen, så der holdes to eller tre ledninger med skruhoveder.
3. Skub glasfiberisoleringen omkring den indvendige kanalslange af mylar til overgangsboksen. Fastgør med gaffatape.

7.3 Installation af havvandsanlægget



VIGTIGT!

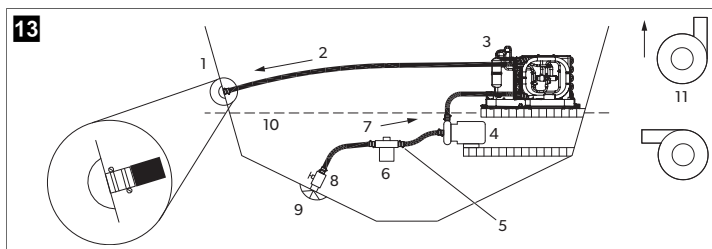
Hvis denne procedure ikke følges, bortfalder garantien.

Vær opmærksom på følgende overvejelser ved installation af havvandsanlægget:

- Filteret skal være under pumpen.
- Slangerne skal være fastgjort med to klemmer.
- Slangerne må ikke have knæk, sløjfer eller have høje områder, hvor der kan samle sig luft.
- Pumpen og filteret skal være under vandlinjen.
- Skrogindløbet, kugleventilen, slangen og filteret må ikke være mindre end pumpeindløbet.
- Installér skroggennemføringen så langt under vandlinjen som muligt.
- Pumpen skal have en dedikeret skroggennemføring.
- Undgå så vidt muligt 90,00 °-vinkelstykker.
- Sørg for, at pumpehovedet er drejet i retning af vandflowet.
- Brug gaffatape på alle gevindtilslutninger.

Se Specifikationer på side 72 for maksimale og minimale værdier for vandtemperatur og -tryk.

Havvandsanlæg



- | | |
|------------------|--|
| 1 Havvandsudgang | 7 Indgangsflow opad |
| 2 Udgangsflow | 8 Kugleventil |
| 3 Klimaanlæg | 9 Scoop-skrogindløb |
| 4 Havvandspumpe | 10 Vandlinje |
| 5 Slangeklemmer | 11 Korrekt placering af pumpehovedets filter |
| 6 Filter | |

1. Installér et scoop-skrogindløb til havvand så tæt på kølen og så langt under vandlinjen som muligt. Fastgør scoop-skrogindløbet med et tætningsmiddel i marinekvalitet, der er beregnet til undervandsbrug.
2. Installér en bronzefarvet søventil med fuld gennemstrømning på scoop-skrogindløbet til havvand.
3. Installér et havvandsfilter under pumpens niveau med adgang til filteret.
4. Montér pumpen over filteret og mindst en fod under vandlinjen.
5. Tilslut søventilen og filteret til en forstærket slange i marinekvalitet, der forløber opad.
6. Tilslut pumpens udløb opad til det nederste indløb på klimaanlæggets kondensatorspole med en forstærket 5/8"-slange i marinekvalitet.
7. Tilslut udløbet fra kondensatorspolen til udenbordsudgangens skroggennemføring med en forstærket 5/8"-slange i marinekvalitet.
8. Undgå lækker, høje steder og brug af 90°-vinkelstykker sammen med havvandslangen. Hvert 90°-vinkelstykke svarer til 2,5 ft (0,76 m) af slangen, og et 90°-vinkelstykke på pumpeudløbet svarer til 20,0 ft (6,10 m) af slangen.
9. Fastgør alle slangetilslutninger med to klemmer af rustfrit stål, vend om nødvendigt klemmerne om.
10. Tilslut alle metaldele, der er i kontakt med havvand, til fartøjets tilslutningssystem.

7.4 Udførelse af elektriske tilslutninger



ADVARSEL! Der er fare for elektrisk stød

- > Sluk altid for klimaanlæggets effektafbyrder, før elboksen åbnes. Manglende overholdelse af denne advarsel kan medføre dødelige eller alvorlige kvæstelser.
- > Sørg for, at elboksen er placeret i et område, der er beskyttet mod vand.



VIGTIGT!

Klimaanlægget skal tilsluttes til bådens tilslutningssystem for at undgå korrosion pga. vagabonderende elektriske strømme. Alle pumper, metalliske ventiler og tilslutninger i havvandskredsløbet, som er isoleret fra klimaanlægget med PVC- eller gummislanger, skal tilsluttes individuelt til bådens tilslutningssystem.



BEMÆRK Hvis systemet ikke jordforbindes og tilsluttes korrekt, bortfalder garantien.

Alle klimaanlægsenheder har en klemrække, der er mærket for de rigtige tilslutninger, i elboksen. Strømskemaet i elboksen erstatter ABYC-standarderne. Brug effektafbyrderen med den korrekte størrelse til at beskytte anlægget i henhold til dataene på klimaapparatets typemærkat. Som minimum skal der bruges et 12 AWG-bådkabel til at forsyne klimaanlægget og havvandspumpen med strøm. Foretag alle tilslutninger med ring- eller gaffelklemmer med holder.

Vær opmærksom på følgende, når der foretages elektriske tilslutninger:

- Vekselstrømsjordforbindelse (AC) skal tilsluttes til jordklemmen (GRND) på klemmeblokkens vekselstrømsindgang.
- Forbindelser mellem jordforbindelseslederen på fartøjets vekselstrømssystem og fartøjets negative jævnstrøm (DC) eller tilslutningssystem skal udføres som en del af fartøjets ledningsføring. Ved vedligeholdelse eller udskiftning af eksisterende udstyr, der har en chassismonteret jordforbindelsesstift, skal du kontrollere fartøjets ledningsnet for disse tilslutninger.
- GVTX- og TX-klimaanlæg er beregnet til tilslutning til vekselstrøm eller jævnstrøm med høj spænding. Se strømskemaet for fartøjet for korrekt placering.

Sørg for, at klimaanlæggets vekselstrømsjordforbindelse er tilsluttet korrekt til bådens vekselstrømsjordforbindelse. Kontrollér på selve båden, at vekselstrømsjordforbindelsesskinnen er tilsluttet til jævnstrømsjordforbindelsesskinnen på nøjagtigt et sted.

Kontrollér og efterspænd efter behov alle elektriske forbindelser før start.

8 Bortskaffelse



FORSIGTIG! Brandfare

- > Dette apparat indeholder brændbar isolerende drivgas.
- > Få kun apparatet fjernet og bortskaffet af en specialist.



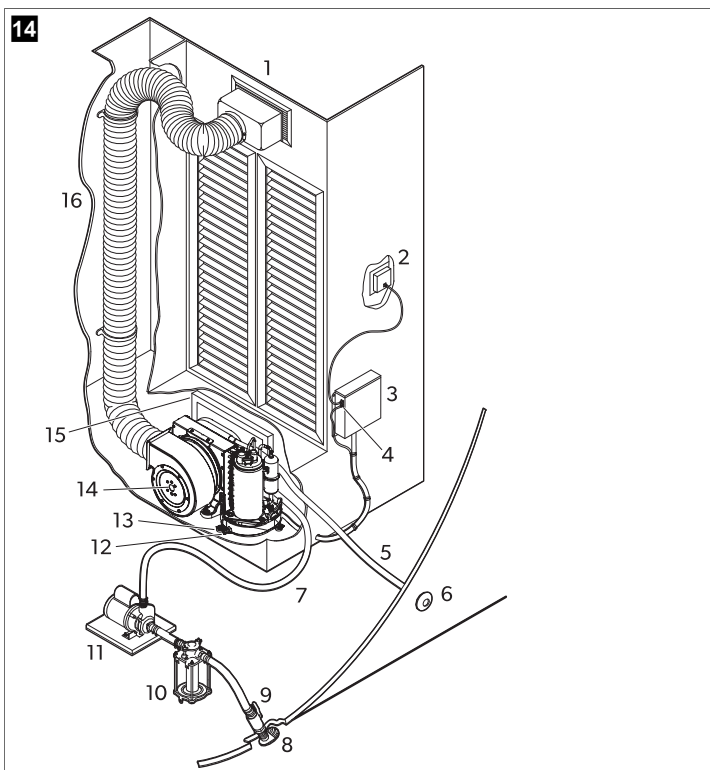
Bortskaf så vidt muligt emballagen i affaldscontainerne til den pågældende type genbrugsaffald. Kontakt en lokal genbrugsstation eller din forhandler for at få de pågældende forskrifter om, hvordan du bortskaffer produktet i overensstemmelse med disse gældende forskrifter for bortskaffelse.

9 Tekniske data

Læs hele denne vejledning, og planlæg derefter de tilslutninger, der skal foretages til klimaanlægget (herunder kanaler, kondensatafløbsforbindelser, indløbs- og udløbslanger til havvand, elektriske strømtilslutninger, placering af styreenheden og placering af havvandspumpen) for at sikre nem adgang til installation og fremtidig vedligeholdelse.

9.1 Delenes placering

Identifikation af klimaanlæggets komponenter



- | | |
|---|---------------------------------|
| 1 Luftforsyningsgitter og overgangsboks | 9 Spærreventil på søhane |
| 2 Digitalt display | 10 Havvandsfilter |
| 3 Elboks | 11 Pumpe |
| 4 Kabel til fjernluftsensor (option) | 12 Slangekrog på kondensatafløb |
| 5 Udløbsslange til havvand | 13 Monteringsbeslag |
| 6 Udenbordsudgang | 14 Klimaanlæg |
| 7 Indløbsslange til havvand | 15 Returluftgitter og -filter |
| 8 Scoop-skrogindløb til havvand | 16 Isolerede fleksibel kanaler |

9.2 Specifikationer

Kølemiddelkredsløbet indeholder en lille mængde miljøvenligt men brændbart kølemiddel. Det skader ikke ozonlaget og det bidrager ikke til at øge drivhuseffekten. Alle lække kølemidler kan antændes.

Dette produkt indeholder fluorholdige drivhusgasser.

Køleenheden er lukket hermetisk.

Tabel 15: Mindste kanal- og gitterstørrelser pr. BTU-kapacitet

	3.5 k BTU	6 k BTU	8 k BTU	10 k BTU
Mindste kanaldiameter	3,00 in (76,2 mm)	4,00 in (101,6 mm)	5,00 in (127,0 mm)	6,00 in (152,4 mm)
Mindste kanalområde	6,8 in ² (43,9 cm ²)	12,6 in ² (81,3 cm ²)	19,6 in ² (126,5 cm ²)	28,3 in ² (182,6 cm ²)
Mindste returluftgitter	48,0 in ² (309,7 cm ²)	64,0 in ² (412,9 cm ²)	80,0 in ² (516,2 cm ²)	100,0 in ² (645,2 cm ²)
Mindste forsyningsluftgitter	12,0 in ² (77,4 cm ²)	32,0 in ² (206,5 cm ²)	48,0 in ² (309,7 cm ²)	60,0 in ² (387,1 cm ²)
	12 k BTU	16 k BTU	18 k BTU	27 k BTU
Mindste kanaldiameter	6,00 in (152,4 mm)	7,00 in (177,8 mm)	7,00 in (177,8 mm)	8,00 in (203,2 mm)

	12 k BTU	16 k BTU	18 k BTU	27 k BTU
Mindste kanalområde	28,3 in ² (182,6 cm ²)	38,5 in ² (248,4 cm ²)	38,5 in ² (248,4 cm ²)	50,3 in ² (324,5 cm ²)
Mindste returluftgitter	130,0 in ² (838,8 cm ²)	160,0 in ² (1032,3 cm ²)	200,0 in ² (1290,4 cm ²)	240,0 in ² (1548,5 cm ²)
Mindste forsyningsluftgitter	70,0 in ² (451,6 cm ²)	80,0 in ² (516,2 cm ²)	100,0 in ² (645,2 cm ²)	120,0 in ² (774,2 cm ²)

Tabel 16: Driftstemperatur og -tryk for vand

Minimal driftstemperatur for vand	40,0 °F (4,44 °C)
Maksimal driftstemperatur for vand	80,0 °F (26,66 °C)
Minimalt driftstryk for vand	4,2 psi (0,29 bar) (29,00 kPa)
Maksimalt driftstryk for vand	6,00 psi (0,41 bar) (41,4 kPa)

Overhold EPA-brugsbetingelserne.



BEMÆRK Enheden kan fungere uden for disse forhold med reduceret kapacitet.

10 Juridiske bemærkninger

Kun GVTX-modeller: I henhold til IEC 60533 må du ikke montere produktet inden for 9,8 ft (3,00 m) fra en modtagerantenne.

11 Garanti

Se afsnittene nedenfor for information om garanti og garantistøtte i USA, Canada og alle andre regioner.

USA og Canada

DEN BEGRÆNSEDE GARANTI ER TILGÆNGELIG PÅ DOMETIC.COM/EN-US/TERMS-AND-CONDITIONS-CONSUMER/WARRANTY. HVIS DU HAR SPØRGSMÅL ELLER ØNSKER EN GRATIS KOPI AF DEN BEGRÆNSEDE GARANTI, SKAL DU KONTAKTE:

DOMETIC CORPORATION
MARINE CUSTOMER SUPPORT CENTER
2000 NORTH ANDREWS AVENUE
POMPANO BEACH, FLORIDA, USA 33069
1-800-542-2477

Lande i Asien og Stillehavet (APAC)

Hvis produktet ikke fungerer, som det skulle, bedes du kontakte din forhandler eller producentens afdeling i dit land (se dometic.com/dealer). Garantien på dit produkt gælder i 1 år.

Ved reparation eller krav om garanti skal du medsende følgende bilag:

- en kopi af regningen med købsdato
- en reklamationsgrund eller en fejlbeskrivelse

Vær opmærksom på, at egne eller uprofessionelle reparationer kan få sikkerhedsmæssige konsekvenser og kan gøre garantien ugyldig.

Kun for Australien

Vores varer kommer med garantier, som ikke kan udelukkes under den australske forbrugerlov. Du er berettiget til en udskiftning eller tilbagebetaling for en større fejl og for kompensation for alle andre rimeligt forudsigelige tab eller skade. Du er også berettiget til at få varen repareret eller udskiftet, hvis varen ikke har acceptabel kvalitet, og fejlen ikke anses for at være en større fejl.

Kun New Zealand

Denne garantipolitikken er underlagt betingelserne og garanterer, som er obligatoriske som indeholdt i forbrugergarantilovent 1993(NZ).

Alle andre regioner

Den lovbestemte garantiperiode gælder. Hvis produktet er defekt, skal du kontakte producentens afdeling i dit land (se dometic.com/dealer) eller din forhandler.

Ved reparation eller krav om garanti skal du medsende følgende bilag:

- en kopi af regningen med købsdato
- en reklameringsgrund eller en fejlbeskrivelse

Vær opmærksom på, at egne eller uprofessionelle reparationer kan få sikkerhedsmæssige konsekvenser og kan gøre garantien ugyldig.

Svenska

1	Observera.....	74
2	Förklaring av symboler.....	74
3	Målgrupper.....	75
4	Avsedd användning.....	75
5	Förklaring av symboler på apparaten.....	75
6	Före installationen.....	75
7	Installation.....	77
8	Kassering.....	80
9	Tekniska data.....	80
10	Juridiskt.....	81
11	Garanti.....	81

1 Observera

Läs och följ noggrant alla instruktioner, direktiv och varningar i den här produkthandboken för att säkerställa att du alltid installerar, använder och underhåller produkten på rätt sätt. Dessa instruktioner MÅSTE förvaras tillsammans med produkten.

Genom att använda produkten bekräftar du härmed att du noggrant har läst alla instruktioner, direktiv och varningar och att du förstår och är införstådd med att följa de villkor som anges här. Du är införstådd med att endast använda denna produkt i avsett syfte och i enlighet med instruktionerna, direktiven och varningarna som anges i denna produkthandbok samt i enlighet med alla gällande lagar och bestämmelser. Om du inte läser och följer instruktionerna och varningarna som anges här kan det leda till personskador på dig eller andra, på produkten eller annan egendom i närheten. Denna produkthandbok, inklusive instruktionerna, direktiven och varningarna samt relaterad information, kan ändras och uppdateras. Aktuell produktinformation finns på documents.dometic.com.

2 Förklaring av symboler

Ett signalord identifierar säkerhetsmeddelanden och meddelanden om egendomsskada och indikerar även farans allvarlighetsgrad.



FARA!

Anger en farlig situation som, om den inte kan undvikas, leder till döden eller allvarlig personskada.



VARNING!

Anger en farlig situation som, om den inte kan undvikas, kan leda till döden eller allvarlig personskada.



OBSERVERA!

Anger en situation som, om den inte kan undvikas, kan leda till materiell skada.



ANVISNING Kompletterande information om användning av produkten.

2.1 Kompletterande anvisningar

För att minska risken för olyckor och personskador, vänligen observera följande anvisningar innan du börjar installera denna produkt:

- Läs och följ alla säkerhetsanvisningar och instruktioner.
- Läs och förstå dessa anvisningar innan denna produkt installeras.
- Installationen måste överensstämma med alla tillämpliga lokala eller nationella regler, inklusive den senaste versionen av följande standarder:
 - American Boat and Yacht Council (ABYC)
 - ANSI/NFPA 70, National Electrical Code (NEC)

2.2 Säkerhetsanvisningar



FARA! Risk för brand eller explosion. Vissa modeller använder lättantändligt kylmedel.

Om man underlåter att följa följande varningar blir följden dödsfall eller allvarlig personskada:

- > Får endast repareras av utbildad servicepersonal.
- > Installera inte och förvara inte på en plats med kontinuerligt förekommande antändningskällor.
- > Se till att alla ventilationsöppningar som krävs är fria från hinder.
- > Punktera inte kylmedelsslangar.
- > Se produktens typetikett för kylmedelstyp.



VARNING! Brandrisk och explosionsrisk

Om man underlåter att följa följande varningar kan följden bli dödsfall eller allvarlig personskada:

- > Använd inte potentiella antändningskällor för att upptäcka eller söka efter kylmedelsläckage. Använd inte en gasbrännare eller någon annan detektor som använder öppen låga.
- > Se till att detekteringsutrustningen är lämplig för den kylmedelstyp som används i produkten. Se typetiketten för uppgifter om vilket kylmedel som används.
- > Elektroniska läckagesökare kan användas för att detektera kylmedelsläckor, men deras känslighet kan vara otillräcklig för lättantändliga kylmedel och det kan krävas kalibrering. Kalibrera detekteringsutrustningen i ett område fritt från kylmedel.



VARNING! Kolmonoxidrisk

Om man underlåter att följa följande varningar kan följden bli dödsfall eller allvarlig personskada:

- > Installera inte och använd inte en fristående klimatanläggning i slaget eller maskinrummet, eller i närheten av en intern förbränningsmotor. Se till att monteringsstället är tillräckligt tätt, så att inga ångor/avgaser från båtens slag eller motor-/maskinrum kan komma in.
- > Kontrollera att kondensatavloppsledningen är korrekt installerad och tätad. Kondensatavloppsledningen får inte ha sin ändpunkt inom 3 fot (0,91 m) från ett utlopp på en motors eller generators avgassystem, i ett utrymme som innehåller en motor eller generator eller i ett slag, såvida inte avloppet är korrekt anslutet till en tätad kondensatpump eller pumpanläggning till duschens samlingsbrunn. Om avloppsledningen inte är korrekt installerad kan farliga ångor åka upp i avloppsledningen och förorena boendetrymmena.
- > Installera inte klimatanläggningen på en plats där den kan cirkulera kolmonoxid, bränsleångor eller andra skadliga ångor in i båtens boendetrymmen.



VARNING! Risk för dödsfall på grund av elektricitet

Installationen får endast utföras av en kvalificerad elektriker.



VARNING! Risk för elstöt, brand eller explosion

Om man underlåter att följa de här försiktighetsåtgärderna kan följden bli dödsfall eller allvarlig personskada.

Denna apparat får inte användas av personer (inklusive barn) med nedsatt fysisk, sensorisk eller mental förmåga, eller som inte har erfarenhet eller tillräckliga kunskaper, såvida inte apparaten används under uppsikt eller med tillräcklig vägledning av en person som ansvarar för säkerheten. Barn måste hållas under uppsikt så att de inte leker med apparaten. Utan uppsikt får barn inte utföra rengörings- eller underhållsarbeten. Den här apparaten ska inte vara tillgänglig för allmänheten.

**VARNING! Explosionsrisk**

Om man underlåter att följa de här försiktighetsåtgärderna kan följden bli dödsfall eller allvarlig personskada.

- > Installera inte klimatanläggningen på en plats med bensinmotorer, tankar, gasol-/CNG-cylindrar, regulatorer, ventiler eller bränsleledningsanslutningar. Om inte annat anges på etiketten uppfyller fristående enheter inte de federala kraven för tändningsskydd. Om man underlåter att följa den här varningen kan följden bli dödsfall eller allvarlig personskada.
- > Elkomponenter som kan alstra gnistor ska endast ersättas med delar som specificeras av apparatens tillverkare. Byte mot andra delar kan leda till att kylmedlet antänds vid en läcka.

**VARNING! Risk för elstötar**

Om man underlåter att följa de här försiktighetsåtgärderna kan följden bli dödsfall eller allvarlig personskada.

- > Se till att jorda klimatanläggningen ordentligt för att minimera risken för elektriska stötar. Mer information finns i installationsanvisningarna.
- > Varje installerad klimatanläggning kräver en särskild effektbrytare. Om bara en klimatanläggning är installerad krävs ingen särskild effektbrytare för havsvattenpumpen. Om två eller flera klimatanläggningar använder samma havsvattenpump ansluts pumpledningarna till en pumpreläpanel (PRP), som i sin tur har en egen särskild effektbrytare anpassad för pumpen (max. 20 A). Se kopplingsschemat som medföljer PRP. Vid elektriska anslutningar i slaget eller under vattenlinjen bör värmekrympande kabelanslutningar användas.
- > Yttre kablar måste överensstämma med ABYC-ekoder. Strömmen till enheten måste vara inom det driftspänningsområde som anges på typetiketten. Säkringar med rätt storlek eller HACR-effektbrytare måste installeras som strömkretskydd. Den maximala storleken på säkringar/effektbrytare (MFS) och minsta kretskapacitet (MCA) står på typetiketten.

**OBSERVERA!**

Den här apparaten har fluorerade växthusgaser i hermetiskt tillsluten utrustning. Mängden kylmedel står i vikt och GWP på klimatanläggningens typetikett. Det tillsatta kylmedlet ska anges på enhetens etikett.

**OBSERVERA!**

Använd inte kopparrören för att skjuta, dra, lyfta eller bära produkten.

3 Målgrupper



Den mekaniska installationen, elinstallationen och inställningen av apparaten måste utföras av en kvalificerad tekniker som har bevisat sina färdigheter och kunskaper inom konstruktion och drift av båtutrustning och -installationer och som känner till gällande bestämmelser i landet där utrustningen installeras och/eller används och har fått säkerhetsutbildning för att kunna upptäcka och undvika de faror som kan uppstå.

4 Avsedd användning

Den här bruksanvisningen är avsedd för installation av de fristående klimatanläggningarna DCU, DLU, DTG, ECD, GT, GTX, GTX-LP, GVTX och TX (hädanefter kallat klimatanläggning). Klimatanläggningen är avsedd för användning på båtar och yachter. Klimatanläggningen är endast lämplig för det avsedda användningsområdet och enligt de här instruktionerna.

Den här produkten lämpar sig endast för avsedd användning i enlighet med denna bruksanvisning.

Den här manualen informerar om vad som krävs för att installera och/eller använda produkten på rätt sätt. Felaktig installation eller användning eller felaktigt underhåll kommer leda till att produkten inte fungerar optimalt och riskerar gå sönder.

Tillverkaren åtar sig inget ansvar för personsador eller materiella skador på produkten som uppstår till följd av:

- Felaktig installation, montering eller anslutning, inklusive för hög spänning
- Felaktigt underhåll eller användning av reservdelar som inte är originaldelar från tillverkaren
- Ändringar som utförts utan uttryckligt medgivande från tillverkaren

- Användning för andra ändamål än de som beskrivs i denna bruksanvisning

Dometic förbehåller sig rätten att ändra produktens utseende och specifikationer.

5 Förklaring av symboler på apparaten



Varning! Brandrisk/brännbara material



Varning! Material med låg förbränningshastighet. Lättantändligt kylmedel.



Kylmedelssäkerhetsgrupp A2L



Läs bruksanvisningen.



Läs servicemanualen.

6 Före installationen

**OBSERVERA!**

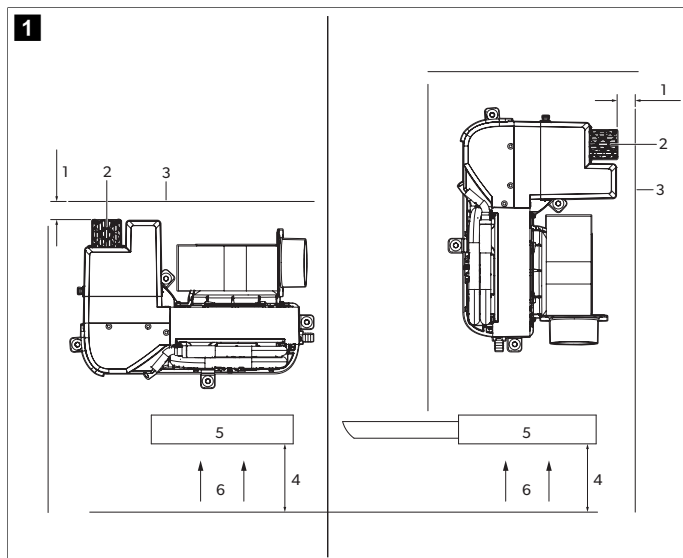
På de fristående DTG-, GTX-, GVTX- och TX-kondensatgrundtråg har vibrationsisolatorer installerats i botten av tråget. Isolatorerna är konstruerade för att dämpa vibrationerna från den aktiva klimatanläggningen till den monterade ytan. Var försiktig när du flyttar klimatanläggningen över monteringsytan eftersom isolatorerna kan skadas.

**OBSERVERA!**

- > Klimatanläggningen måste installeras på en låg, plan och jämn yta, till exempel i botten av ett skåp, under en säng eller ett säte eller på en liknande plats.
- > Se till att kablarna inte utsätts för slitage, korrosion, för högt tryck, vibrationer, vassa kanter eller andra ogynnsamma förhållande, inklusive effekter av åldrande eller ständiga vibrationer från källor som kompressorer eller fläktar.
- > Se till att skyddsanordningar, rör och anslutningar är skyddade så mycket som möjligt mot ogynnsamma förhållanden som ansamling av smuts och skräp eller vatten som samlas upp och fryser i avlastningsrör.
- > Försiktighetsåtgärder ska vidtas för att undvika kraftiga vibrationer eller pulsering i kylmedelsrören.

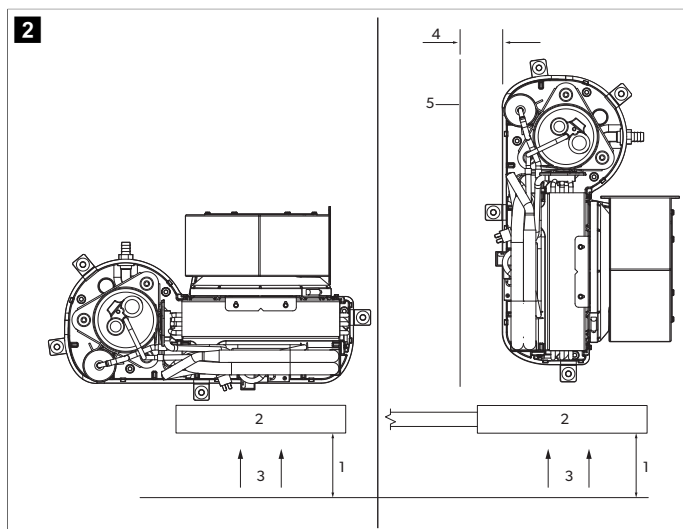
6.1 Bestämma installationsplats

1. Placering av GVTX och TX i förhållande till luftflöde



- | | | | |
|---|-------------------|---|--------------------|
| 1 | 3,00 in (7,62 cm) | 4 | 4,00 in (10,16 cm) |
| 2 | Kylare | 5 | Frånluftsgaller |
| 3 | Skott | 6 | Luftflöde |

Placering av alla andra klimatanläggningar i förhållande till luftflöde



- | | | | |
|---|--------------------|---|-------------------|
| 1 | 4,00 in (10,16 cm) | 4 | 3,00 in (7,62 cm) |
| 2 | Frånluftsgaller | 5 | Skott |
| 3 | Luftflöde | | |

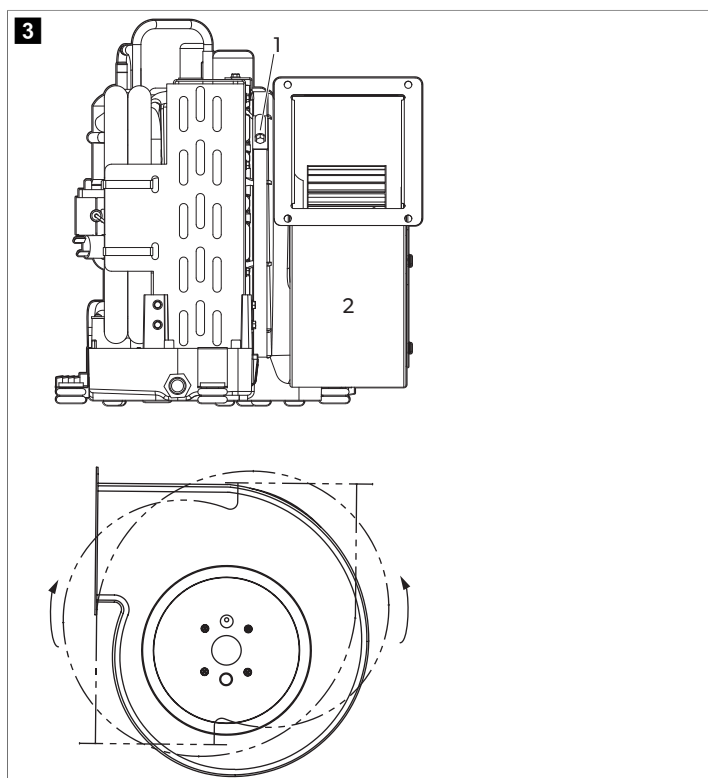
2. Välj en plats med tillräckligt luftflöde. Frånluftsgallret ska ha ett luftcirkulationsutrymme på minst 4,00 in (10,16 cm) framför sig, utan några hinder.
3. Om klimatanläggningen är placerad vinkelrätt mot frånluftsgallret ska det finnas ett luftcirkulationsutrymme på minst 3,00 in (7,62 cm) på luftintagssidan.
4. **Endast GVTX och TX:** Se till att det finns ett öppet utrymme på minst 3,00 in (7,62 cm) ovanför och under kylaren.

6.2 Roterar fläkten

I det här avsnittet beskrivs hur du roterar fläkten för varje enhetstyp. Vrid vid behov fläkten i den riktning som ger mest direkt luftflöde genom kanalerna.

6.2.1 GTX-, GVTX-, DTG- och TX-fläktar

Fläktrotation i GTX-, GVTX-, DTG- och TX-system

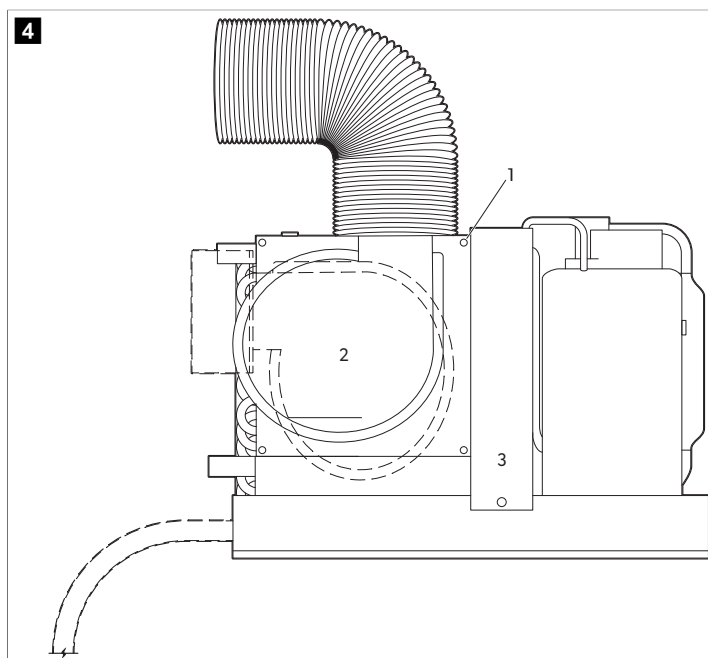


- 1 Adjustment screw
- 2 Blower

1. Lossa ställskruven på fläktens monteringsring.
2. Vrid fläkten till önskat läge.
3. Dra åt ställskruven.

6.2.2 MCS-, ECD- och GT-fläktar

Fläktrotation i MCS-, ECD- och GT-system

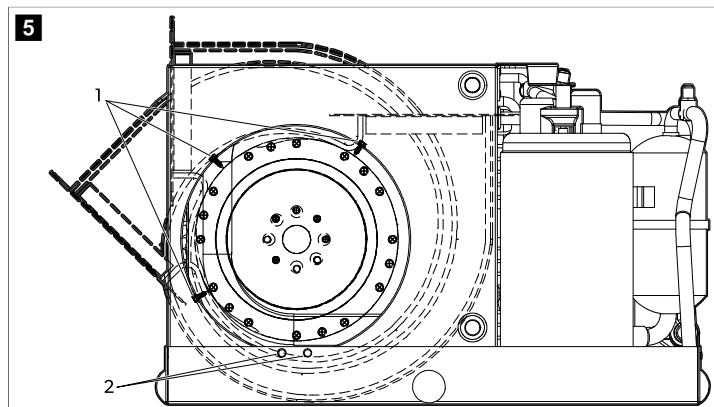


- 1 Screw
- 2 Skylt
- 3 Fläkt

1. Skruva ut de sju skruvarna på plattan.
2. Vrid fläkten till önskat läge.
3. Sätt fast fläkten med självgående skruvar (medföljer ej).

6.2.3 DCU-fläkt

Fläktrotation i DCU-system



- 1 Screws on blower ring
- 2 Screws on drain pan or bracket

1. Skruva ut skruvarna ur fläktringen.
2. Skruva ut skruvarna som fäster fläkten till avloppsbehållaren eller fästet.
3. Vrid fläkten till önskat läge.
4. Sätt fast fläkten med självgående skruvar (medföljer ej).
5. Plugga igen oanvända hål för att förhindra luftförlust.

6.3 Sätta i luftfiltren

Luftfilter tar bort luftburna partiklar från hyttluften och håller förångarspolen ren. Sätt i ett luftfilter, antingen på klimatanläggningen eller i frånluftsgallret, för varje klimatanläggning.

6.4 Sätta i gallren och övergångslådorna

Tänk på följande när du sätter i gallren och övergångslådorna:

- Installera tilluftsgallret så högt som möjligt på en plats som ger jämn luftfördelning i hela hytten. Rikta gallret med gallsidan uppåt.
- Installera frånluftsgallret så lågt och nära klimatanläggningen som möjligt för att säkerställa luftflödet till förångaren.
- Rikta inte tilluftens utlopp mot frånluftsgallret. Det orsakar snabba påslagningar och avstängningar av anläggningen.
- Se till att det finns tillräckligt med utrymme bakom tilluftsgallret för övergångslådan och kanalanslutningen. Se Specifikationer sida 81

7 Installation



VARNING! Risk för dödsfall på grund av elektricitet

Installationen får endast utföras av en kvalificerad elektriker.

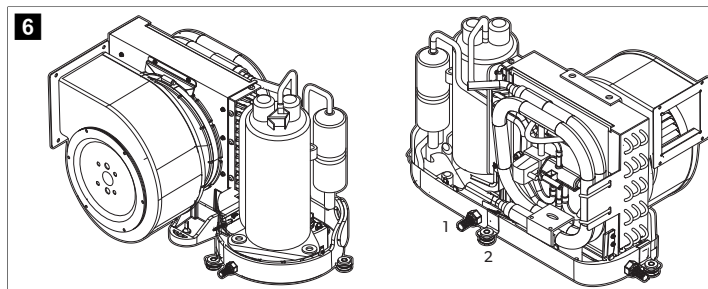
7.1 Installera monteringsfästena och kondensatavloppet



OBSERVERA!

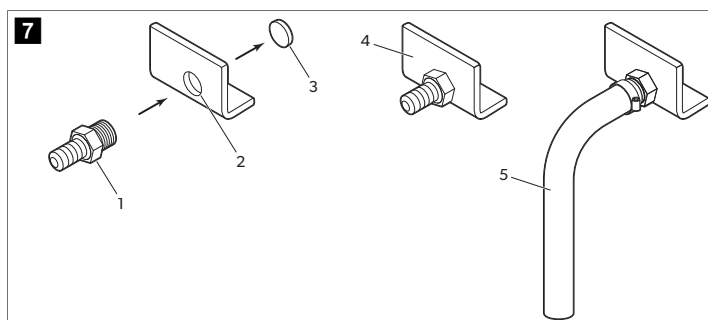
Använd inte mer än två lager gängtejp för att linda slangnippeln för att undvika sprickbildning i avloppsbehållaren, och dra inte åt slangnippeln för hårt.

Vanlig placering av monteringsfästena och kondensatavloppet



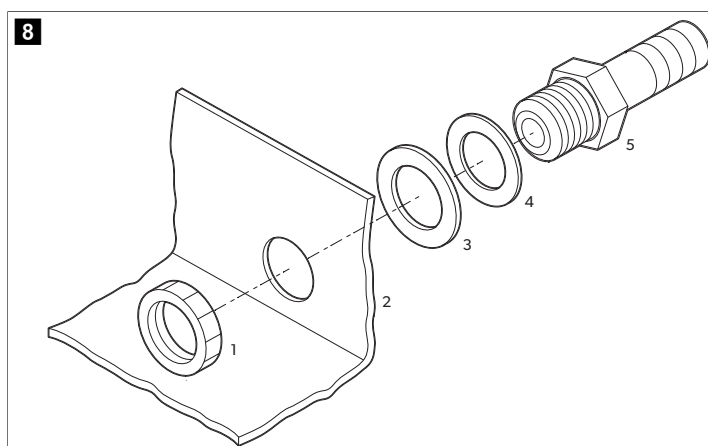
- 1 Slangnippel till kondensatavlopp
- 2 Monteringsfäste

Installation av kondensatavlopp för GTX, GVTX, DTG och TX



- 1 Hose barb
- 2 Gångat avloppshål
- 3 Utstött bit
- 4 Drain pan
- 5 Avloppsslang

Installation av kondensatavlopp för alla andra klimatanläggningar



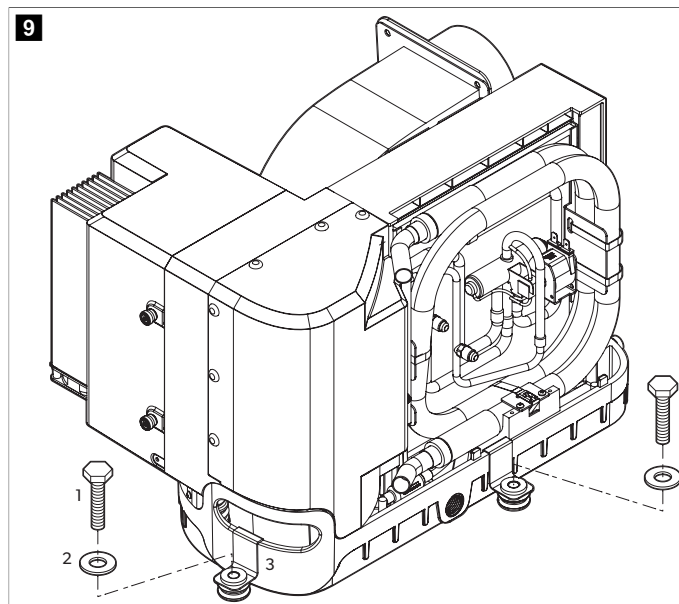
- 1 Locking nut
- 2 Avloppsbehållare
- 4 Solid washer
- 5 PVC-anslutning 0,5 in (12,7 mm) HB x 0,5 in (12,7 mm) MPT

3 Tätningsbricka

1. För GTX-, GVTX-, DTG- och TX-enheter:
 - a) Använd den lilla änden av slangnippeln för att stöta ut en bit från ett avloppshål på aktersidan genom att slå ett snabbt slag med en gummiklubba. Kassera den utstöta biten.
 - b) Linda den gängade änden av slangnippeln med gängtejp.
 - c) Skruva i slangnippeln i det gängade avloppshålet och dra åt ordentligt.
2. För alla andra klimatanläggningar:
 - a) Trä slangnippeln genom en massiv bricka och en tättningsbricka och för in den i avloppshålet.
 - b) Fäst med en låsmutter.
3. Fäst avloppsslangen på slangnippeln med en slangklämma av rostfritt stål.

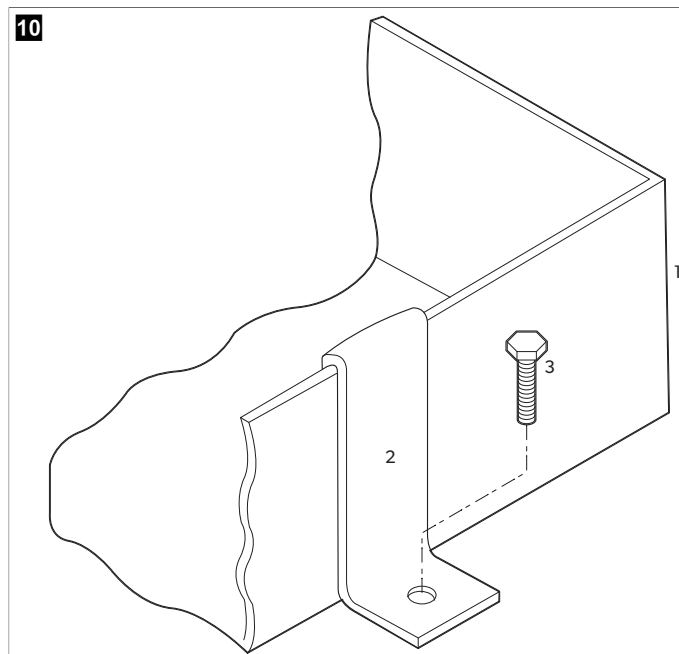
4. Dra avloppsslangen nedåt till en säker och korrekt uppsamlingsplats.

Installation av monteringsfästen för GTX-, GVTX-, DTG- och TX-enheter



- 1 Monteringsbult (medföljer ej)
- 2 Stänkskyddsbricka (medföljer)
- 3 Monteringsfäste (medföljer)

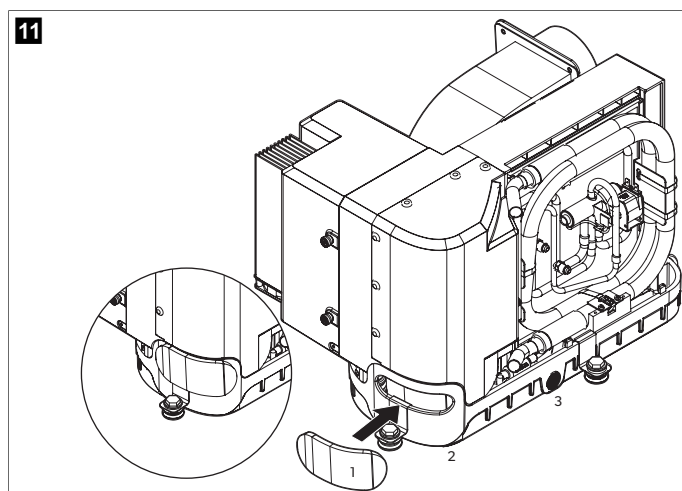
Installation av monteringsfästen för andra klimatanläggningar



- 1 Avloppsbehållare
- 2 Monteringsfäste
- 3 Monteringsbult (medföljer ej)

5. Installera ett monteringsfäste på vardera sidan av avloppsbehållaren, med lika stort avstånd.

Installation av skumhandtagsisolering på GVTX- och TX-enheter



- 1 Skumhandtagsisolering
2 Handtagets öppning
3 Avloppsbehållare

6. För GVTX- och TX-enheter:
- Ta bort filmen som täcker den självhäftande baksidan på skumhandtagsisoleringen.
 - Placera skumhandtagsisoleringen så att den helt täcker handtagets öppning med den självhäftande sidan vänd mot avloppsbehållaren.
 - Tryck runt handtagets öppning för att fästa skumhandtagsisoleringen vid avloppsbehållaren.

7.2 Installera kanalerna



VARNING! Risk för brand eller explosion

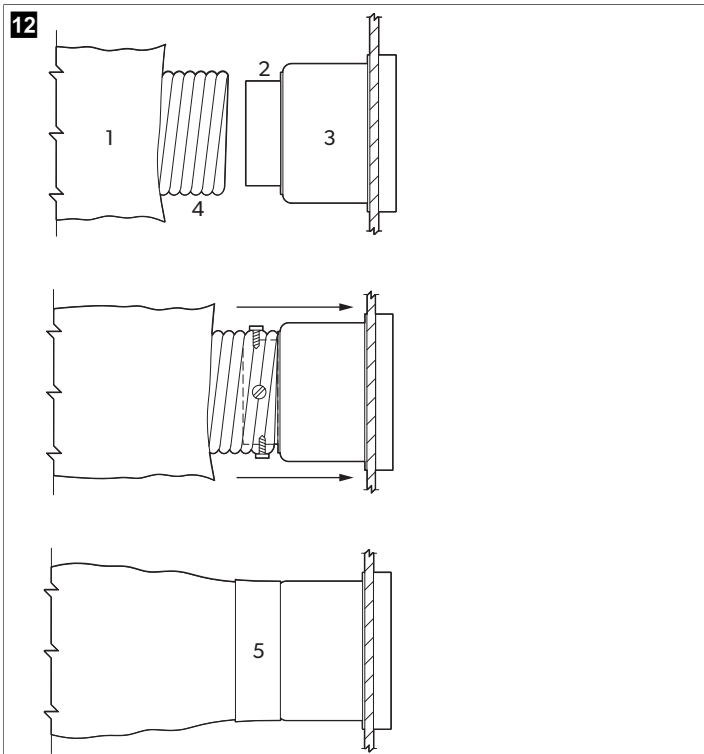
- > Hjälpenheter som kan vara antändningskällor får inte installeras i kanalsystemet, förutom de hjälpenheter som är listade för användning med den specifika apparaten.
- > För modeller som använder lättantändliga kylmedel, som ansluts via ett luftkanalsystem till ett eller flera rum, ska till- och frånluften ledas direkt till utrymmet.
- > Dra inte kanaler genom ett maskinrum eller en plats där de kan utsättas för farliga ångor eller avgaser.

Observera följande förhållanden när du installerar kanalerna:

- Kanalernas storlek måste vara lämplig för din tillämpning.
- Dra kanalerna så rakt, jämnt och spänt som möjligt för att minimera antalet 90°-böjar eftersom de kan minska luftflödet.
- Fäst kanalerna ordentligt för att förhindra att de böjnar.
- Kanalerna får inte plattas till eller vikas.
- Kapa överflödiga kanaler efter installationen.
- Isolera kanalerna när de sitter i områden med hög värme.

Om en övergångslåda används ska den totala arean på de tilluftskanaler som leder ut ur lådan vara minst lika stor som den totala arean på de tilluftskanaler som leder in i lådan. Se Specifikationer sida 81

Kanalanslutningar



- 1 Glasfiberisolering
2 Monteringsring
3 Övergångslåda
4 Inre slangrör av Mylar
5 Tejp

- Skjut på det inre slangröret av Mylar runt monteringsringen till övergångslådan.
- Skruva i tre eller fyra skruvar av rostfritt stål genom slangröret av Mylar i monteringsringen så att två eller tre trådar fästs med skruvhuvudena.
- Skjut på glasfiberisoleringen runt det inre slangröret av Mylar till övergångslådan. Fäst med tejp.

7.3 Installera havsvattensystemet



OBSERVERA!

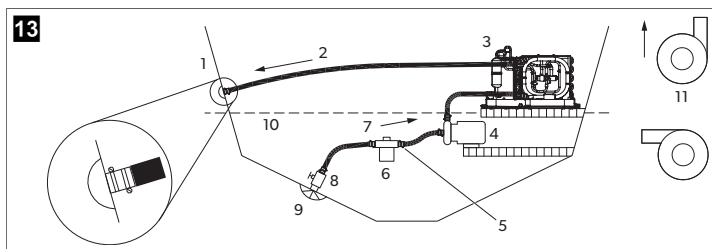
Om den här proceduren inte följs gäller inte garantin längre.

Tänk på följande när du installerar havsvattensystemet:

- Silen måste vara under pumpen.
- Slangarna måste säkras med dubbla klamrar.
- Slangarna får inte ha några veck, dras i slingor eller stå högt så att luft kan samlas.
- Pumpen och silen måste vara under vattenlinjen.
- Bordgenomföringsinloppet, kulventilen, slangen och silen får inte vara mindre än pumpinloppet.
- Installera bordgenomföringsanslutningen så långt under vattenlinjen som möjligt.
- Pumpen måste ha en särskild bordgenomföring.
- Undvik anslutningar med 90,00 °-böjar i största möjliga mån.
- Se till att pumphuvudet är vridet i flödesriktningen.
- Säkra alla skruvkopplingar med gängtejp.

Se Specifikationer sida 81 för maximi- och minimivattentemperatur och -vattentryck.

Havsvattensystem



- | | |
|--------------------|---|
| 1 Havsvattenutlopp | 7 Inloppsflöde med lutning uppåt |
| 2 Utloppsflöde | 8 Kulventil |
| 3 Klimatanläggning | 9 Bordgenomföringsinlopp |
| 4 Havsvattenpump | 10 Vattenlinje |
| 5 Slangklamrar | 11 Korrekt riktningar på pumphuvudets sil |
| 6 Sil | |

1. Installera ett bordgenomföringsinlopp för havsvatten så nära kölen och så långt under vattenlinjen som möjligt. Fäst bordgenomföringsinloppet med ett tätningssmedel av marinklass som är avsett för användning under vatten.
2. Installera en fullflödesbottenventil i brons på bordgenomföringsinloppet för havsvatten.
3. Installera en havsvattensil under pumpens nivå med åtkomst till filtret.
4. Installera pumpen ovanför silen och minst en fot under vattenlinjen.
5. Anslut bottenventilen och silen med lutning uppåt på en förstärkt slang av marinklass.
6. Anslut pumputloppet med lutning uppåt till det nedre inloppet på klimatanläggningens kondensatorspole med en 5/8 tums förstärkt slang av marinklass.
7. Anslut utloppet från kondensatorspolen till utombordsutloppets bordgenomföringsanslutning med en 5/8 tums förstärkt slang av marinklass.
8. Undvik slingor, upphöjningar och 90°-böjar på havsvattenslangen. Varje 90°-böj motsvarar 2,5 ft (0,76 m) slang och en 90°-böj på pumputloppet motsvarar 20,0 ft (6,10 m) slang.
9. Säkra alla slanganslutningar med dubbla klamrar av rostfritt stål och sätt klamrarna i motsatt riktning vid behov.
10. Anslut alla metalldelar som kommer i kontakt med havsvatten till fartygets anslutningssystem.

7.4 Elektriska anslutningar



VARNING! Risk för elstötar

- > Stäng alltid av klimatanläggningens strömförsörjning med strömbrytaren innan du öppnar kopplingskåpet. Om man underlåter att följa den här varningen kan följden bli dödsfall eller allvarlig personskada.
- > Se till att kopplingskåpet är placerat i ett område som är skyddat mot vatten.



OBSERVERA!

Klimatanläggningen måste anslutas till båtens anslutningssystem för att undvika läckströmskorrosion. Alla pumpar, metallventiler och anslutningar i havsvattensystemet som är isolerade från klimatanläggningen med PVC- eller gummislangar måste anslutas individuellt till båtens anslutningssystem.



ANVISNING Om systemet inte jordas och ansluts korrekt gäller inte garantin längre.

Alla klimatanläggningar har en anslutningsplint, märkt för korrekta anslutningar, inuti kopplingskåpet. Kopplingsschemat i kopplingskåpet ersätter ABYC-standarderna. Använd rätt storlek på effektbrytaren för att skydda klimatanläggningen enligt uppgifterna på typetiketten. En båtkabel på minst 12 AWG ska användas för att strömförsörja klimatanläggningen och havsvattenpumpen. Gör elektriska anslutningar med ring- eller gaffelterminaler.

Observera följande när du gör elektriska anslutningar:

- Växelströmmens (AC) jordning måste vara ansluten till jordanslutningen (GRND) vid plintblockets AC-strömringång.
- Anslutningar mellan fartygets jordledare för AC-systemet och fartygets negativa likströmssystem (DC) eller anslutningssystem ska göras som en del av fartygets kopplingar. Vid underhåll eller byte av befintlig utrustning som har en chassimonterad jordbult ska fartygets kopplingar för dessa anslutningar kontrolleras.
- Klimatanläggningarna GVTX och TX är utformade för att fungera med växelström eller likström med hög spänning. Se fartygets kopplingsschema för korrekt placering.

Se till att klimatanläggningens AC-jord är korrekt ansluten till båtens AC-jord. Säkerställ att AC-jordskenan är ansluten till DC-jordskenan på exakt ett ställe i båten.

Kontrollera och dra åt alla elektriska anslutningar innan start.

8 Kassering



AKTA! Brandrisk

- > Det finns lättantändlig isoleringsgas i apparaten.
- > Apparaten får endast tas undan och avfallshanteras av en fackman.



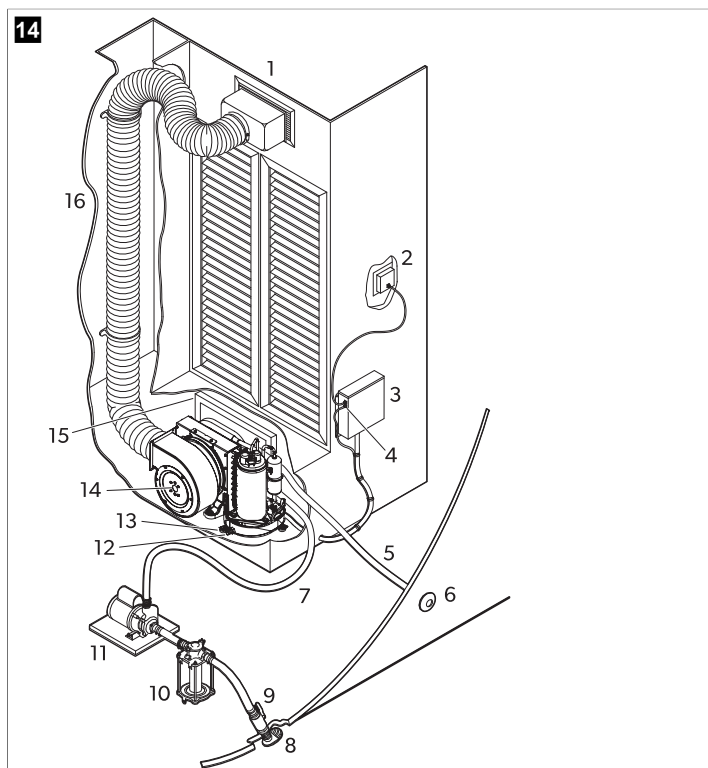
Placera förpackningsmaterialet i motsvarande återvinningsbehållare om möjligt. Kontakta ett lokalt återvinningscenter eller specialiserad återförsäljare för information om hur man kasserar produkten i enlighet med gällande bestämmelser.

9 Tekniska data

Läs igenom hela de här anvisningarna och planera sedan de anslutningar som måste göras till klimatanläggningen (inklusive kanaler, kondensatavloppsledning, inlopps- och utloppsslangar för havsvatten, elektriska anslutningar, placering av reglage och placering av havsvattenpump) för att säkerställa enkel åtkomst för dragning och framtida underhåll.

9.1 Delarnas placering

Identifiering av klimatanläggningens komponenter



1	Tilluftsgaller och övergångslåda	9	Bottenventil, avstängningsventil
2	Digital display	10	Havsvattensil
3	Kopplingskåp	11	Pump
4	Kabel till fjärrstyrd luftsensör (tillval)	12	Slangnippel till kondensatavlopp
5	Slang till havsvattenutlopp	13	Monteringsfäste
6	Utombordsutlopp	14	Klimatanläggning
7	Slang till havsvatteninlopp	15	Frånluftsgaller och filter
8	Bordgenomföringsinlopp för havsvatten	16	Isolerad, flexibel kanal

11 Garanti

Se avsnitten nedan för information om garanti och garantisupport i USA, Kanada och alla övriga regioner.

USA och Kanada

BEGRÄNSAD GARANTI FINNS PÅ DOMETIC.COM/EN-US/TERMS-AND-CONDITIONS-CONSUMER/WARRANTY. OM DU HAR NÅGRA FRÅGOR ELLER OM DU VILL HA EN GRATIS KOPIA AV DEN BEGRÄNSADE GARANTIN, KONTAKTA:

DOMETIC CORPORATION
MARINE CUSTOMER SUPPORT CENTER
2000 NORTH ANDREWS AVENUE
POMPANO BEACH, FLORIDA, USA 33069
1-800-542-2477

Länder i Asien-Stillahavsområdet (APAC)

Om produkten inte fungerar som förväntat kontaktar du återförsäljaren eller tillverkarens lokalkontor i ditt land (se dometic.com/dealer). Produktgarantin gäller i 1 år.

För reparations- och garantibehandling skickar du med följande dokument när du returnerar produkten:

- En kopia på fakturan med inköpsdatum
- En reklameringsbeskrivning eller felbeskrivning

Observera att självständiga eller icke professionella reparationer kan påverka säkerheten och leda till att garantin blir ogiltig.

Gäller endast för Australien

Enligt australiensisk lagstiftning kan våra produktgarantier inte undantas. Du har rätt till utbyte eller återbetalning vid ett omfattande fel och att få ersättning för alla övriga förluster eller skador som skulle kunna förutses. Du har också rätt att få produkterna reparerade eller utbytta om produkterna inte uppvisar en godtagbar kvalitet och felet inte utgör ett omfattande fel.

Gäller endast för Nya Zeeland

Den här garantipolicyn lyder under de obligatoriska villkoren och garantierna enligt den mening som är avsedd i Consumer Guarantees Act 1993(NZ) (ungefär: lagen om konsumentgaranti).

Alla övriga regioner

Den lagstaddade garantitiden gäller. Kontakta tillverkarens filial i ditt land (se dometic.com/dealer) eller din återförsäljare om produkten är defekt.

För reparations- och garantibehandling skickar du med följande dokument när du returnerar produkten:

- En kopia på fakturan med inköpsdatum
- En reklameringsbeskrivning eller felbeskrivning

Observera att självständiga eller icke professionella reparationer kan påverka säkerheten och leda till att garantin blir ogiltig.

9.2 Specifikationer

I kylkretsen finns en liten mängd miljövänligt, men antändningsbart köldmedium. Det skadar inte ozonlagret och ökar inte växthuseffekten. Köldmedium som läcker kan användas.

Den här produkten innehåller fluorerade växthusgaser.

Kylenheten är hermetiskt tillsluten.

Tabell 17. Minsta kanal- och gallerstorlek per BTU-kapacitet

	3.5 k BTU	6 k BTU	8 k BTU	10 k BTU
Minsta kanaldiameter	3,00 in (76,2 mm)	4,00 in (101,6 mm)	5,00 in (127,0 mm)	6,00 in (152,4 mm)
Minsta kanalarea	6,8 in ² (43,9 cm ²)	12,6 in ² (81,3 cm ²)	19,6 in ² (126,5 cm ²)	28,3 in ² (182,6 cm ²)
Minsta frånluftsgaller	48,0 in ² (309,7 cm ²)	64,0 in ² (412,9 cm ²)	80,0 in ² (516,2 cm ²)	100,0 in ² (645,2 cm ²)
Minsta tilluftsgaller	12,0 in ² (77,4 cm ²)	32,0 in ² (206,5 cm ²)	48,0 in ² (309,7 cm ²)	60,0 in ² (387,1 cm ²)
	12 k BTU	16 k BTU	18 k BTU	27 k BTU
Minsta kanaldiameter	6,00 in (152,4 mm)	7,00 in (177,8 mm)	7,00 in (177,8 mm)	8,00 in (203,2 mm)
Minsta kanalarea	28,3 in ² (182,6 cm ²)	38,5 in ² (248,4 cm ²)	38,5 in ² (248,4 cm ²)	50,3 in ² (324,5 cm ²)
Minsta frånluftsgaller	130,0 in ² (838,8 cm ²)	160,0 in ² (1032,3 cm ²)	200,0 in ² (1290,4 cm ²)	240,0 in ² (1548,5 cm ²)
Minsta tilluftsgaller	70,0 in ² (451,6 cm ²)	80,0 in ² (516,2 cm ²)	100,0 in ² (645,2 cm ²)	120,0 in ² (774,2 cm ²)

Tabell 18. Vattentemperatur och -tryck vid drift

Minimivattentemperatur vid drift	40,0 °F (4,44 °C)
Max. vattentemperatur vid drift	80,0 °F (26,66 °C)
Min. vattentryck vid drift	4,2 psi (0,29 bar) (29,00 kPa)
Max. vattentryck vid drift	6,00 psi (0,41 bar) (41,4 kPa)

Följ EPA-användningsvillkor.



ANVISNING Enheten kan användas utanför dessa förhållanden med reducerad kapacitet.

10 Juridiskt

Endast GVTX-modeller: För efterlevnad av IEC 60533 ska du inte montera produkten inom 9,8 ft (3,00 m) från en mottagarantenn.

Norsk

1	Viktige merknader.....	82
2	Symbolforklaring.....	82
3	Målgruppe(r).....	83
4	Forskriftsmessig bruk.....	83
5	Forklaring av symboler på apparatet.....	83
6	Før installasjon.....	83
7	Installasjon.....	85
8	Avfallshåndtering.....	88
9	Tekniske spesifikasjoner.....	88
10	Juridisk.....	89
11	Garanti.....	89

1 Viktige merknader

Vennligst les disse instruksjonene nøye og følg alle anvisninger, retningslinjer og advarsler i denne produktveiledningen for å sikre at du installerer, bruker og vedlikeholder produktet ordentlig til enhver tid. Disse instruksjonene MÅ alltid følge med produktet.

Ved å bruke dette produktet bekrefter du at du har lest alle anvisninger, retningslinjer og advarsler grundig, og at du forstår og samtykker i å overholde vilkårene slik de er presentert her. Du godtar å bruke dette produktet kun til tiltenkt formål og bruksområder, og i samsvar med anvisningene, retningslinjene og advarslene slik de er presentert i denne produktveiledningen, så vel som i samsvar med alle gjeldende lovbestemmelser og forskrifter. Hvis anvisningene og advarslene som er presentert her, ikke blir lest og fulgt, kan det føre til personskader hos deg selv eller andre, skader på produktet eller skader på annen eiendom i nærheten. Denne produktveiledningen med sine anvisninger, retningslinjer og advarsler, samt relatert dokumentasjon, kan være underlagt endringer og oppdateringer. For oppdatert produktinformasjon, se documents.dometic.com.

2 Symbolforklaring

Et signalord identifiserer sikkerhetsmeldinger og meldinger om mulige skader på eiendom, og indikerer også alvorlighetsgraden av faren.



FARE!

Kjennetegner en farlig situasjon som, dersom den ikke unngås, vil føre til alvorlige personskader, eventuelt med døden til følge.



ADVARSEL!

Kjennetegner en farlig situasjon som - dersom den ikke unngås - kan resultere i alvorlige personskader, eventuelt med døden til følge.



PASS PÅ!

Kjennetegner en situasjon som - dersom den ikke unngås - kan resultere i materielle skader.



MERK Ytterligere informasjon om betjening av produktet.

2.1 Tilleggsdirektiver

Følg de følgende direktivene før du fortsetter med å installere dette apparatet. Dette er for å redusere risikoen for ulykker og personskader:

- Les og følg all sikkerhetsinformasjon og instruksjonene.
- Les og forstå disse instruksjonene før du installerer dette produktet.
- Installasjonen må være i samsvar med alle gjeldende lokale eller nasjonale forskrifter, inkludert siste utgave av følgende standarder:
 - American Boat and Yacht Council (ABYC)
 - ANSI/NFPA 70, National Electrical Code (NEC)

2.2 Sikkerhetsinstruksjoner



FARE! Fare for brann eller eksplosjon. Enkelte modeller bruker antennelig kjølemiddel.

Unnlattelse av å følge de følgende advarslene vil føre til dødsfall eller alvorlig personskade:

- > Apparatet skal bare repareres av servicepersonell som har gjennomgått opplæring.
- > Ikke installer eller oppbevar apparatet på et sted der det finnes tennkilder som brukes kontinuerlig.
- > Sørg for at alle påkrevde ventilasjonsåpninger ikke er tildekket.
- > Det må ikke stikkes hull på kjølemiddelslangen.
- > Se produktets typeskilt for informasjon om kjølemiddeltype.



ADVARSEL! Brann- og/eller eksplosjonsfare

Unnlattelse av å følge de følgende advarslene kan føre til dødsfall eller alvorlig personskade:

- > Bruk ikke potensielle tennkilder til å lete etter kjølemiddellekkasjer. Bruk ikke en lekkasjedetektor med halogen, eller en annen detektor med åpen flamme.
- > Sørg for at utstyr du bruker til å lete etter lekkasjer med, er egnet for den kjølemiddeltypen som brukes i produktet. Se produktets typeskilt for informasjon om kjølemiddeltype.
- > Elektroniske lekkasjedetektorer kan brukes til å lete etter kjølemiddellekkasjer, men følsomheten deres er kanskje ikke tilstrekkelig for antenkelige kjølemidler og må muligens kalibreres på nytt. Kalibrer deteksjonsutstyr på et sted der det ikke finnes kjølemidler.



ADVARSEL! Fare pga. karbonmonoksid

Unnlattelse av å følge de følgende advarslene kan føre til dødsfall eller alvorlig personskade:

- > Ikke monter eller betjen et frittstående klimaanlegg i romområdene til kjølsvinet eller motoren eller i nærheten av en forbrenningsmotor. Pass på at det valgte stedet er tettet for direkte tilgang til damp fra kjølsvinet og/eller motorrommet.
- > Bekreft at kondensavtappingsledningen er riktig montert og tettet. Ikke avslutt kondensavtappingsledningen nærmere enn 91 cm (3 fot) fra et utløp fra en motors eller generators eksossystem, i et rom med en motor eller generator eller i et kjølsvin, med mindre avløpet er ordentlig tilkoblet en forseglede kondensat- eller dusjsumppumpe. Hvis avtappingsledningen ikke er riktig montert, kan det komme farlige gasser opp av avtappingsledningen som forurenser oppholdsrommene.
- > Ikke monter klimaanlegget på et sted der det kan sirkulere karbonmonoksid, drivstoffdamp eller andre helsefarlige gasser inn i båtenes oppholdsrom.



ADVARSEL! Fare for elektrisk støt

Installasjonen må kun utføres av en kvalifisert elektriker.



ADVARSEL! Fare for elektrisk støt, brann og/eller eksplosjon

Manglende overholdelse av disse forholdsreglene kan resultere i død eller alvorlig personskade.

Dette apparatet skal ikke brukes av personer (inkludert barn) med reduserte fysiske, sensoriske eller mentale evner, eller med manglende erfaring eller kunnskap, med mindre de er under egnet oppsyn eller har fått anvisninger om bruk av apparatet av en person som er ansvarlig for deres sikkerhet. Barn bør være under tilsyn for å sikre at de ikke leker med apparatet. Rengjøring og vedlikehold skal ikke utføres av barn uten at de er under oppsyn. Apparatet skal ikke være tilgjengelig for allmennheten.

**ADVARSEL! Eksplosjonsfare**

Manglende overholdelse av disse forholdsreglene kan resultere i død eller alvorlig personskade.

- > Ikke monter klimaanlegget på et sted med bensinmotorer, tanker, LPG/ CNG-sylindere, regulatorer, ventiler eller drivstoffgjennomføringer. Med mindre annen merking er til stede, oppfyller ikke frittstående apparater de nasjonale kravene til antenningsbeskyttelse. Manglende overholdelse av denne advarselen kan resultere i alvorlige personskader, eventuelt med døden til følge.
- > Elektriske komponenter som kan produsere lysbuer eller gnister, skal bare byttes ut med deler angitt av produktets produsent. Bruk av andre deler kan føre til at kjølemiddelet antennes hvis det oppstår en lekkasje.

**ADVARSEL! Fare for elektrisk støt**

Manglende overholdelse av disse forholdsreglene kan resultere i død eller alvorlig personskade.

- > Pass på at klimaanlegget er godt jordnet, for å redusere faren for elektrisk støt. Se installasjonsveiledningen for mer informasjon.
- > Hvert installerte klimaanlegg skal ha en egen sikring. Hvis det bare er installert ett klimaanlegg, krever ikke sjøvannpumpen en egen sikring. Hvis det er to eller flere klimaanlegg som bruker samme sjøvannpumpe, kobles pumpeledningene til et pumperelépanel (PRP), som har sin egen sikring tilpasset pumpens størrelse (20 A maks). Se koblingsskjemaet som følger med PRP. Elektriske tilkoblinger i kjølsvinet og/eller under vannlinjen må bruke varmekrympende kabelklemmer.
- > Feltkablingen må overholde ABYCs regler for elektrisitet. Strøm til enheten må være innenfor driftsspenningsområdet som er angitt på typeskiltet. Sikringer med riktig størrelse eller HACR-sikringer må installeres for beskyttelse av forgreningskoblinger. Se typeskiltet for maks størrelse på sikringen (MFS) og minimum kapasitet på kretsen (MCA).

**PASS PÅ!**

Dette apparatet har fluoriserte klimagasser i hermetisk forseglede utstyr. Se kondensenshetens typeskilt for mengden kjølemiddel i vekt og GWP. Påfylt kjølemiddel skal noteres på apparatetiketten.

**PASS PÅ!**

Ikke bruk kobberslangen til å skyve, dra, løfte eller bære produktet.

3 Målgruppe(r)



Den mekaniske og elektriske installasjonen og oppsettet av apparatet må utføres av en kvalifisert tekniker som har beviste ferdigheter og kunnskaper relatert til konstruksjon og drift av marineutstyr og -installasjoner, og som er kjent med gjeldende forskrifter i landet der utstyret skal installeres og/eller brukes, og har mottatt sikkerhetsopplæring for å kunne identifisere og unngå farene som er forbundet med arbeidet.

4 Forskriftsmessig bruk

Denne veiledningen er ment for installasjon av DCU, DLU, DTG, ECD, GT, GTX, GTX-LP, GVTX og TX frittstående klimaanleggssystemer (heretter omtalt som klimaanlegg). Klimaanlegget er beregnet på bruk på båter og yachter. Dette klimaanlegget er kun egnet for det tiltenkte formålet og bruk i samsvar med disse anvisningene.

Dette produktet er kun egnet for det tiltenkte formålet og bruksområdet i samsvar med disse instruksjonene.

Denne veiledningen gir informasjon som er nødvendig for korrekt installasjon og/eller bruk av produktet. Feilaktig montering og/eller ukorrekt bruk eller vedlikehold fører til utilfredsstillende ytelse og mulig svikt.

Produsenten fraskriver seg ethvert ansvar for personskader eller materielle skader på produktet som følge av:

- feilaktig installasjon, montering eller tilkobling, inkludert for høy spenning
- Ukorrekt vedlikehold eller bruk av andre reservedeler enn originale reservedeler levert av produsenten
- Modifisering av produktet uten at det er gitt uttrykkelig godkjenning av produsenten
- Bruk til andre formål enn beskrevet i denne veiledningen

Dometic forbeholder seg rettigheten til å endre produktet ytre og produktspesifikasjoner.

5 Forklaring av symboler på apparatet



Advarsel! Fare for brann / antenkelige materialer



Advarsel! Material med lav forbrenningshastighet. Antenkelig kjølemiddel.



Sikkerhetsgruppe A2L for kjølemiddel



Les bruksanvisningen.



Les servicehåndboken.

6 Før installasjon

**PASS PÅ!**

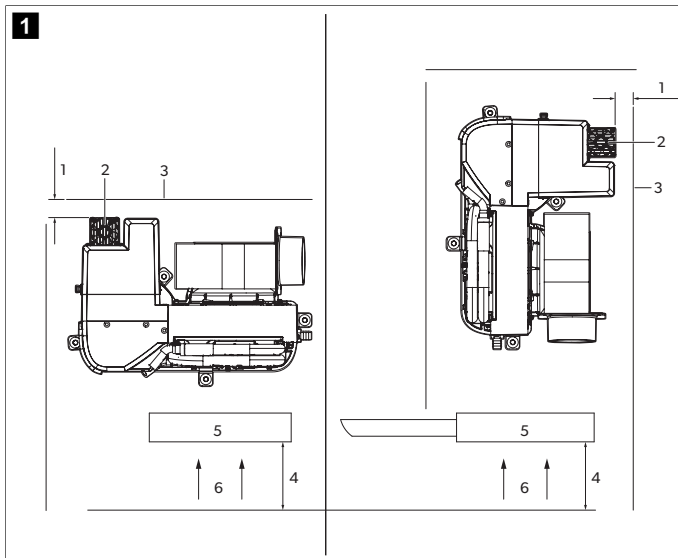
DTG, GTX, GVTX og TX frittstående kondensbrett er utstyrt med vibrasjonsisolatorer som er montert på bunnen av brettet. Disse isolatorene er designet for å dempe vibrasjonen som forårsakes av et klimaanlegg i drift, slik at dette ikke overføres til underlaget det er montert på. Vær forsiktig når du flytter klimaanlegget mellom monteringsunderlag, for isolatorene kan bli skadet.

**PASS PÅ!**

- > Klimaanlegget må monteres på en lav, flat og vaterrett overflate, for eksempel i bunnen av et skap, under en seng eller et sete eller på et lignende sted.
- > Sørg for at kablene ikke blir utsatt for slitasje, korrosjon, overdrevent trykk, vibrasjoner, skarpe kanter eller andre uheldige miljøfaktorer, inkludert følger av aldring eller kontinuerlig vibrasjon fra kilder som kompressorer eller vifter.
- > Sørg for at beskyttelsesenheter, rør og gjennomføringer så langt det er mulig er beskyttet mot miljøfaktorer som opphopning av smuss eller vann som samles og fryser i avlastningsrørene.
- > Det bør tas forholdsregler for å unngå overdreven vibrasjon eller pulsering i kjølerørene.

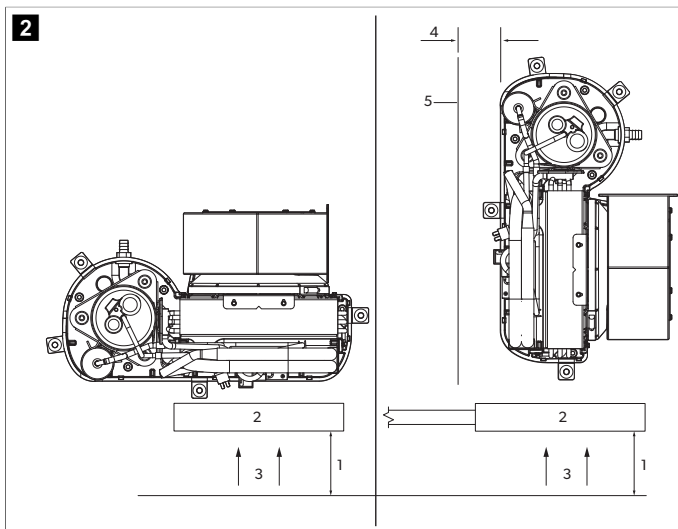
6.1 Avgjøre monteringsplassering

1. Plassering av GVTX og TX i forhold til luftstrømmen



- | | | | |
|---|-------------------|---|----------------------------|
| 1 | 3,00 in (7,62 cm) | 4 | 4,00 in (10,16 cm) |
| 2 | Kjølekomponent | 5 | Gitter for utblåsningsluft |
| 3 | Skott | 6 | Luftstrøm |

Plassering av alle andre klimaanlegg i forhold til luftstrømmen



- | | | | |
|---|----------------------------|---|-------------------|
| 1 | 4,00 in (10,16 cm) | 4 | 3,00 in (7,62 cm) |
| 2 | Gitter for utblåsningsluft | 5 | Skott |
| 3 | Luftstrøm | | |

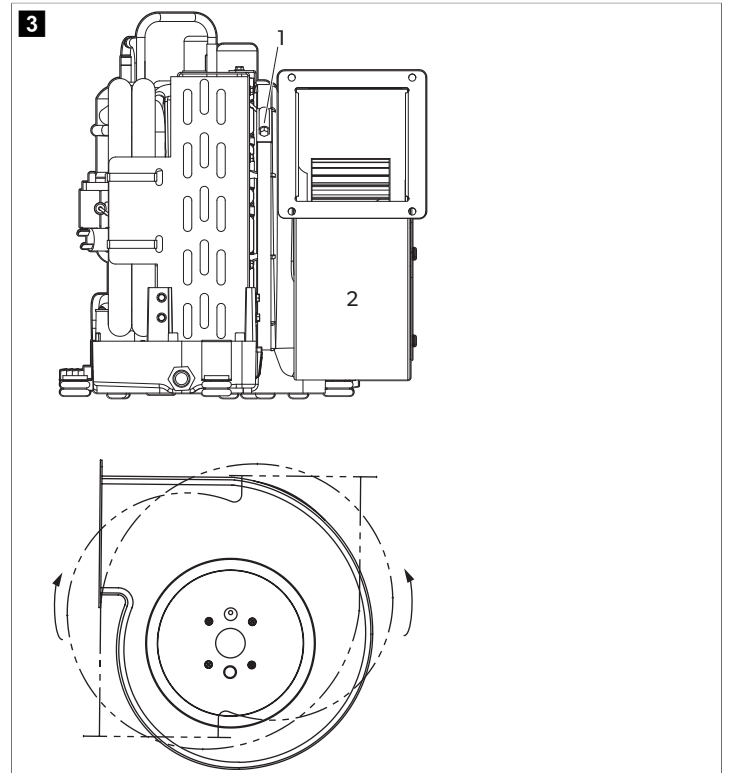
2. Velg en plassering med god nok luftstrøm. Gitteret for utblåsningsluft bør ha minimum 4,00 in (10,16 cm) klaring for luftsirkulasjon foran seg og må være uhindret.
3. Hvis klimaanlegget er plassert på linje med gitteret for utblåsningsluft, må det være en minimumsklaring på 3,00 in (7,62 cm) for luftsirkulasjon på luftinntakssiden.
4. **Gjelder kun GVTX og TX:** La det være et åpent område på minimum 3,00 in (7,62 cm) over og under kjølekomponenten.

6.2 Rotering av viften

Denne delen forklarer hvordan man roterer viften for hver enhetstype. Ved behov kan viften roteres til den retningen som gir mest direkte luftstrømsutløp gjennom rørapplegget.

6.2.1 GTX-, GVTX-, DTG- og TX-vifter

Vifterotasjon for GTX-, GVTX-, DTG- og TX-systemene

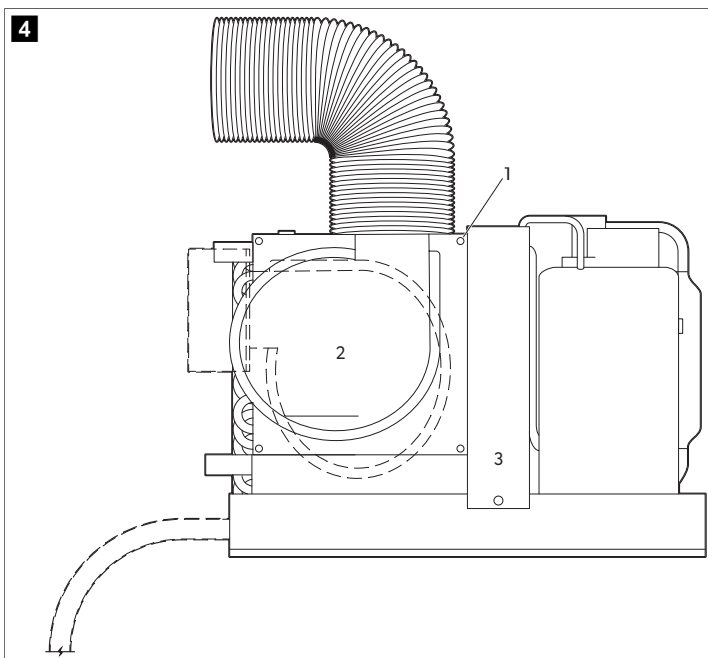


- 1 Adjustment screw
- 2 Blower

1. Løse justeringskruen på festingen.
2. Roter viften til ønsket posisjon.
3. Trekk til justeringskruen.

6.2.2 Viftene MCS, ECD og GT

Vifterotasjon i MCS-, ECD- og GT-systemene

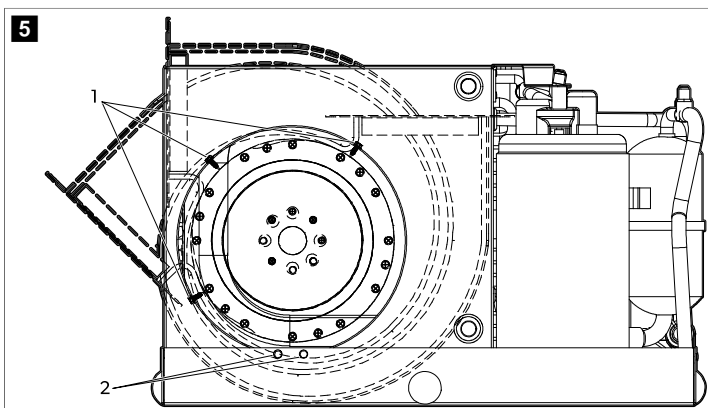


- 1 Screw
2 Klaff
3 Vifte

1. Ta ut de sju skruene på platen.
2. Roter viften til ønsket posisjon.
3. Fest viften med plateskruer (følger ikke med).

6.2.3 DCU-vifte

DCU-systemets vifterotasjon



- 1 Screws on blower ring
2 Screws on drain pan or bracket

1. Ta ut skruene fra vifteringen.
2. Ta ut skruene som fester blåseren til avtappingsbrettet eller braketten.
3. Roter viften til ønsket posisjon.
4. Fest viften med plateskruer (følger ikke med).
5. Plugg igjen ubrukte hull for å hindre lufttap.

6.3 Plassering av luftfiltrene

Luftfiltre fjerner luftbårne partikler fra kupélufte og holder fordamperspiralen ren. Bruk ett luftfilter, enten på klimaenlegget eller på gitteret for utblåsningsluft, for hvert klimaenlegg.

6.4 Plassering av gitter og inntaksskap

Tenk på det følgende ved plassering av gitter og inntaksskap:

- Monter luftinntaksgitteret så høyt som mulig på et sted som gir lik luftfordeling gjennom hele kabytten. Rett grillens ventil oppover.
- Monter gitteret for utblåsningsluft så lavt og nært klimaenlegget som mulig for å sikre luftstrømmen til fordampere.
- Ikke rett utblåsningsluften mot gitteret for utblåsningsluft, for da vil anlegget kobles inn og ut i rask rekkefølge.
- La det være nok klaring bak luftinntaksgitteret til inntaksskapet og rørkoblinger. Se Spesifikasjoner på side 89

7 Installasjon



ADVARSEL! Fare for elektrisk støt

Installasjonen må kun utføres av en kvalifisert elektriker.

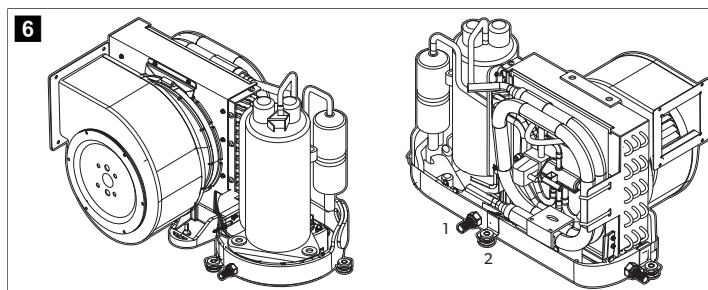
7.1 Montering av monteringsbraketter og kondensavtapping



PASS PÅ!

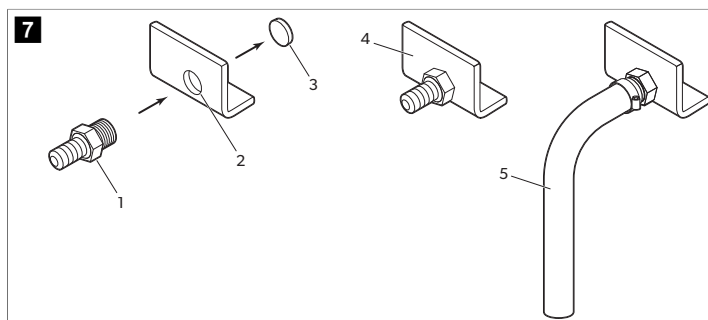
For å unngå at avtappingsbrettet sprekker, må du ikke bruke mer enn to lag med røteip rundt slangefestet og heller ikke trekke det til for hardt.

Vanlig plassering av monteringsbraketter og kondensavtapping



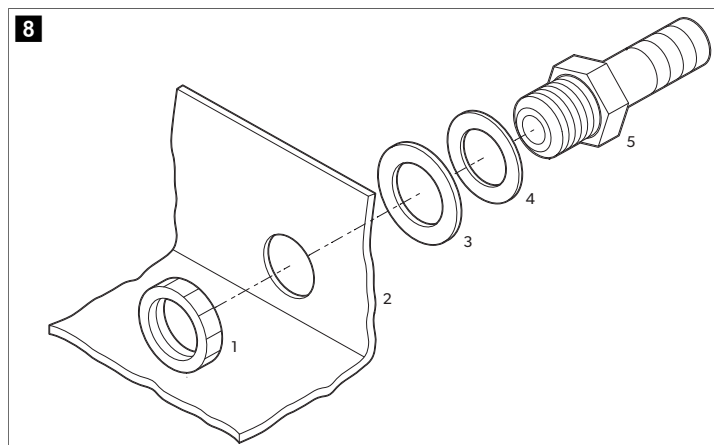
- 1 Feste for kondensavtappingsledning
2 Monteringsbrakett

Montering av konsensavtapping for GTX, GVTX, DTG og TX



- 1 Hose barb
2 Gjenget avtappingshull
3 Plugg som kan slås ut
4 Drain pan
5 Avtappingsslange

Montering av kondensavtapping for alle andre klimaanlegg



- | | |
|--------------------------------|---|
| 1 Locking nut | 4 Solid washer |
| 2 Avtappingsbrett | 5 PVC-rørdele 0,5 in (12,7 mm) HB x 0,5 in (12,7 mm) MPT |
| 3 Skive med vanntetning | |

1. For GTX-, GVTX-, DTG- og TX-enheter:

- Bruk den lille enden av slangefestet til å slå ut en plugg fra et aktervendt avtappingshull ved hjelp av ett raskt slag med en gummihammer. Kast pluggen som er slått ut.
- Vikle rørteip rundt den gjengede enden av slangefestet.
- Skruslangefestet inn i det gjengede avtappingshullet, og trekk godt til.

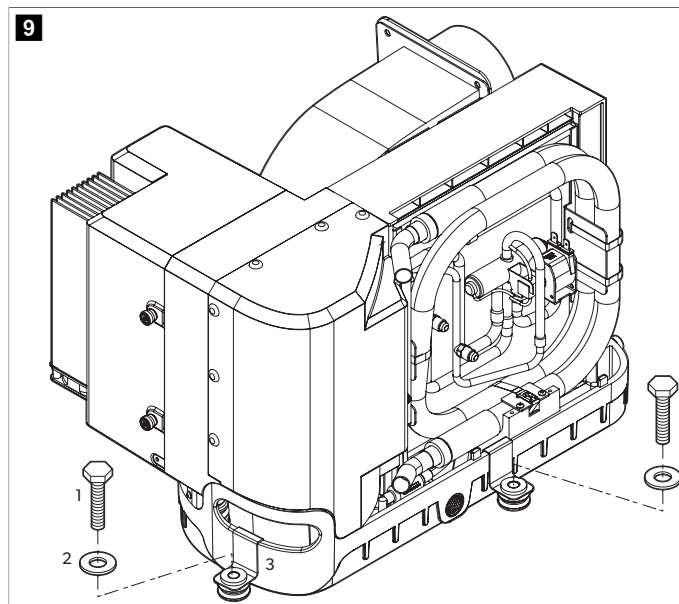
2. For alle andre klimaanlegg:

- Tre en solid skive og en skive med vanntetning gjennom slangefestet, og sett det inn i avtappingshullet.
- Fest med en låsemutter.

3. Fest avtappingsslangen til slangefestet med en slangeklemme i rustfritt stål.

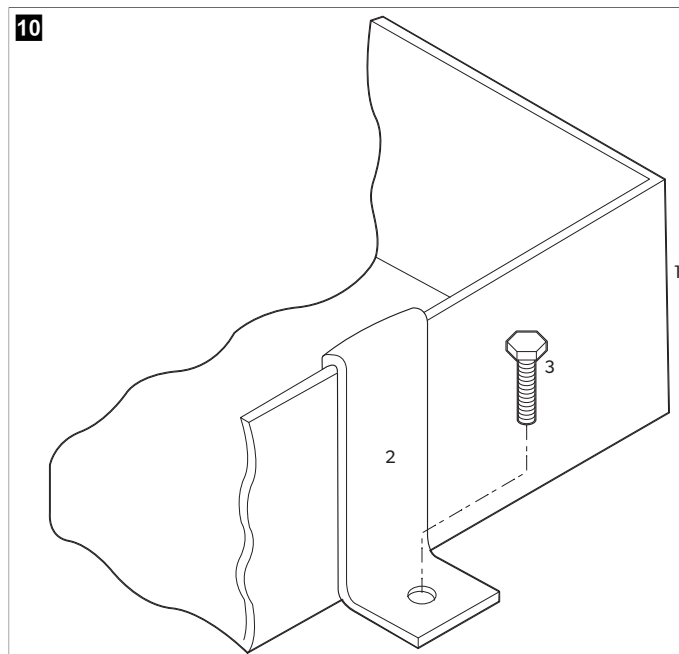
4. Før avtappingsslangen ned til et trygt og ordentlig oppsamlingssted.

Montering av monteringsbrakett for GTX-, GVTX-, DTG- og TX-enheter



- | |
|---|
| 1 Monteringsbolt (følger ikke med) |
| 2 Beskyttelsesskive (følger med) |
| 3 Monteringsbrakett (følger med) |

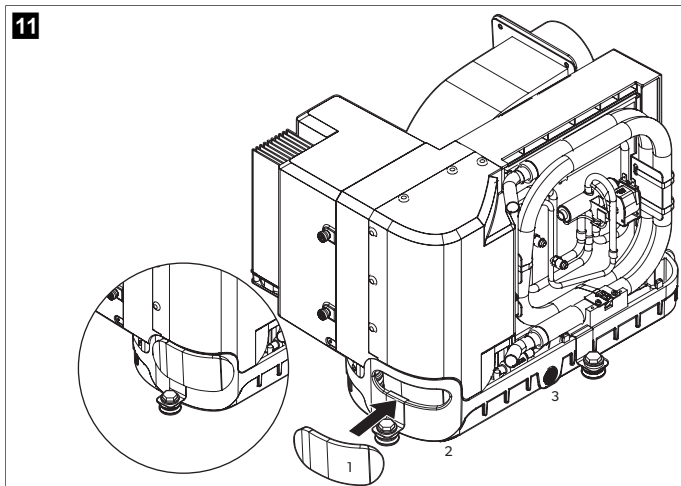
Montering av monteringsbrakett for alle andre klimaanlegg



- | |
|---|
| 1 Avtappingsbrett |
| 2 Monteringsbrakett |
| 3 Monteringsbolt (følger ikke med) |

5. Monter én monteringsbrakett på hver side av avtappingsbrettet, med lik avstand.

Installering av håndtaksisolasjonsskum på GVTX- og TX-enheter



- 1 Håndtaksisolasjonsskum
2 Håndtaksåpning
3 Avtappingsbrett

6. For GVTX- og TX-enheter:

- Fjern filmen som dekker den klebende baksiden av håndtaksisolasjonsskummet.
- Plasser håndtaksisolasjonsskummet slik at det dekker håndtaksåpningen fullstendig, med den klebende siden mot avtappingsbrettet.
- Trykk rundt håndtaksåpningen for å feste håndtaksisolasjonsskummet på avtappingsbrettet.

7.2 Rørmontering



ADVARSEL! Fare for brann eller eksplosjon

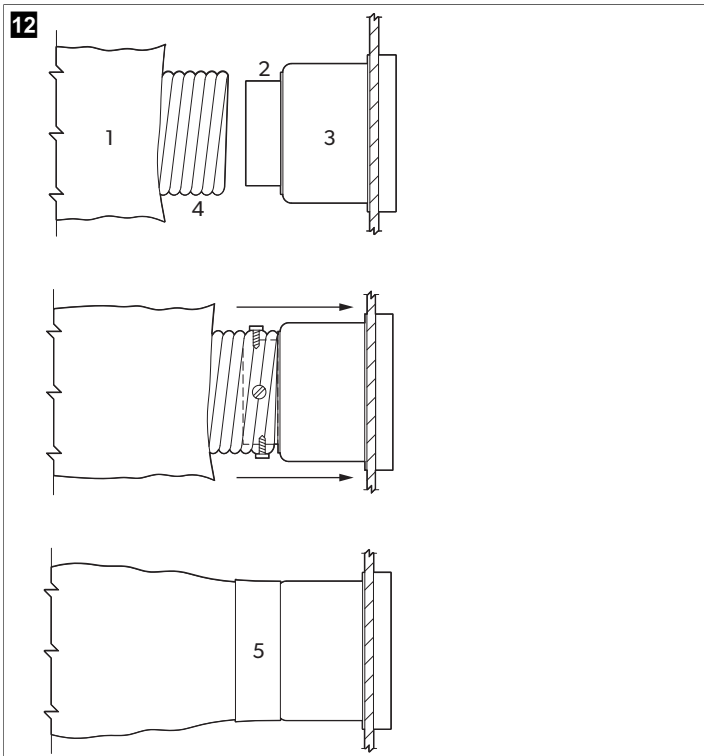
- > Ekstraenheter som kan være tennkilder, skal ikke installeres i kanalverket, med mindre det er oppført at de kan brukes sammen med det spesifikke apparatet.
- > For modeller med antennelig kjølemiddel, som er knyttet til ett eller flere rom via en luftkanal, skal forsynings- og utblåsningsluften sendes rett ut i rommet fra en kanal. Åpne områder, for eksempel et falskt tak, skal ikke brukes som en kanal for utblåsningsluft.
- > Ikke før rørene gjennom et motorrom eller et område der de kan bli utsatt for farlig damp eller eksosgass.

Følg dette ved rørmontering:

- Rørene må ha riktig størrelse til formålet.
- Før rørene så rett og stivt som mulig, og reduser antallet 90-graders retningsendringer, siden dette kan redusere luftstrømmen.
- Fest rørene godt for å unngå nedheng.
- Pass på at rørene ikke blir flate eller kan vri seg.
- Fjern ekstra rørlengder etter installasjon.
- Isoler rørene når de er i nærheten av områder med høy varme.

Hvis det brukes et inntaksskap bør det totale området med forsyningslufrør som går ut av boksen, minimum tilsvare det totale området av forsyningslufrør som går inn i boksen. Se Spesifikasjoner på side 89

Rørkoblinger



- 1 Glassfiberisolering
2 Festering
3 Inntaksskap
4 Indre mylarrørslange
5 Industritape

1. Skyv den indre mylarrørslangen rundt festeringen til inntaksskapet.
2. Skru tre eller fire skruer i rustfritt stål gjennom mylarrørslangen inn i festeringen, slik at to eller tre ledninger fanges med skruhodene.
3. Skyv glassfiberisoleringen rundt den indre mylarrørslangen til inntaksskapet. Fest med industritape.

7.3 Installere sjøvannsystemet



PASS PÅ!

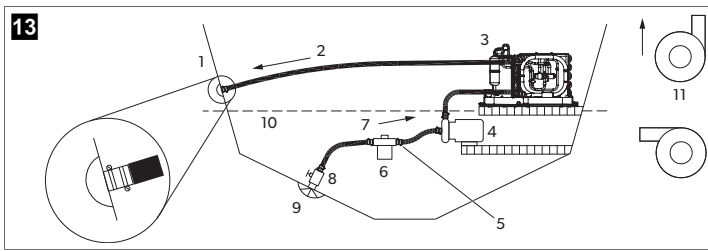
Hvis denne prosedyren ikke følges, blir garantien ugyldig.

Ta følgende hensyn ved oppsett av sjøvannsystemet:

- Filteret må være under pumpa.
- Slangene må ha to klemmer.
- Slangene må ikke være foldet, danne sløyfer eller ha høytliggende områder der det kan samles opp luft.
- Pumpa og filteret må være under vannlinjen.
- Skroggjennomføringen, kuleventilen, slangen og filteret skal ikke være mindre enn pumpeinntaket.
- Monter skroggjennomføringen så langt under vannlinjen som mulig.
- Pumpa må ha en dedikert skroggjennomføring.
- Unngå 90,00 ° vinkelrørdeler i størst mulig grad.
- Forsikre deg om at pumpehodet er rotert i samme retning som vannstrømmen.
- Bruk rørteip på alle gjengede koblinger.

Se Spesifikasjoner på side 89 for maks- og minimumsverdier for vanntemperatur og vanntrykk.

Sjøvannsystem



- | | |
|-----------------|---------------------------------------|
| 1 Sjøvannutløp | 7 Stigende inntaksstrøm |
| 2 Utløpsstrøm | 8 Kuleventil |
| 3 Klimaanlegg | 9 Skroggjennomføring for sjøvann |
| 4 Sjøvannpumpe | 10 Vannlinje |
| 5 Slangeklemmer | 11 Riktig retning for pumpehodefilter |
| 6 Grovfilter | |

1. Monter en skroggjennomføring for sjøvannssøsing så nærme kjølen og så langt under vannlinjen som mulig. Sikre skroggjennomføringen for sjøvann med et tetningsmiddel i marineklasse som er laget for undervannsbbruk.
2. Monter en sjøkran i bronse med full strøm på skroggjennomføring for sjøvannssøsing.
3. Monter et sjøvannfilter under nivået på pumpen med tilgang til filteret.
4. Monter pumpa over filteret og minst én fot under vannlinjen.
5. Koble sjøkrana og filteret med en oppstrøms forsterket slange i marineklasse.
6. Koble avløpet fra pumpa oppstrøms til nedre inntak for klimaanleggets kondensatorspiral med en 5/8 tommers forsterket slange i marineklasse.
7. Koble til utløpet fra kondensatorspiralen til skroggjennomføringen for sjøutløp med en 5/8 tommers forsterket slange i marineklasse.
8. Unngå sløyfer, forhøyninger og bruk av 90-graders buer på sjøvannslangen. Hver 90-graders vinkel tilsvarer 2,5 ft (0,76 m) med slange, og en 90-graders vinkel på pumpeuttaket tilsvarer 20,0 ft (6,10 m) med slange.
9. Sikre alle slangeforbindelser med to klemmer av rustfritt stål – plasser klemmene i omvendt rekkefølge der det er nødvendig.
10. Koble alle metalldele som er i kontakt med sjøvann, til fartøyets tilkoblingssystem.

7.4 Elektriske tilkoblinger



ADVARSEL! Fare for elektrisk støt

- > Slå alltid av sikringen til klimaanlegget før du betjener koblingsboksen. Manglende overholdelse av denne advarselen kan resultere i alvorlige personskader, eventuelt med døden til følge.
- > Sørg for at koblingsboksen er plassert på et sted der den er beskyttet mot vann.



PASS PÅ!

Klimaanlegget må kobles til tilkoblingssystemet i båten for å forhindre korrosjon fra elektrisk kryptstrøm. Alle pumper, metallventiler og tilkoblinger i sjøvannkretsløpet som er isolert fra klimaanlegget med PVC- eller gummislanger, må kobles til enkeltvis på tilkoblingssystemet i båten.



MERK Hvis systemet ikke er godt jordet og tilkoblet, gjelder ikke garantien.

Alle klimaanlegg har en terminalblokk som er merket for riktige tilkoblinger, inni koblingsboksen. Kablingsskjemaet inni koblingsboksen erstatter ABYC-standardene. Bruk sikring med riktig dimensjon for å beskytte anlegget i henhold til opplysningene på typeskiltet til klimaanlegget. Det bør brukes en båtkabel på minimum 12 AWG som strømforsyning til klimaanlegget og sjøvannpumpen. Gjør alle tilkoblinger med lukket kabelsko eller gaffelkabelsko.

Vær oppmerksom på dette ved elektriske tilkoblinger:

- Jordingen til vekselstrøm (AC) må kobles til jordingsterminalen (GRND) på AC-strøminngangen på terminalblokken.

- Tilkoblinger mellom fartøyets jordleder for AC-systemet og fartøyets likestrømsnegativ (DC) eller tilkoblingssystem bør gjøres som en del av fartøyets kabling. Ved vedlikehold eller utskifting av eksisterende utstyr som har chassismontert jordbolt, må du sjekke fartøyets koblinger.
- GVTX- og TX-klimaanlegg er laget for drift på AC eller høyspent DC. Se fartøyets kablingsskjema for riktig plassering.

Forsikre deg om at AC-jordingen til klimaanlegget er riktig koblet til båten AC-jording. På selve båten må du forsikre deg om at AC-jordingsskinnen er koblet til DC-jordingsskinnen på nøyaktig ett punkt.

Sjekk og stram om nødvendig alle elektriske tilkoblinger før oppstart.

8 Avfallshåndtering



FORSIKTIG! Brannfare

- > Dette apparatet inneholder lettantennelig isolerende drivgass.
- > Få apparatet fjernet og avfallsbehandlet kun av en spesialist.



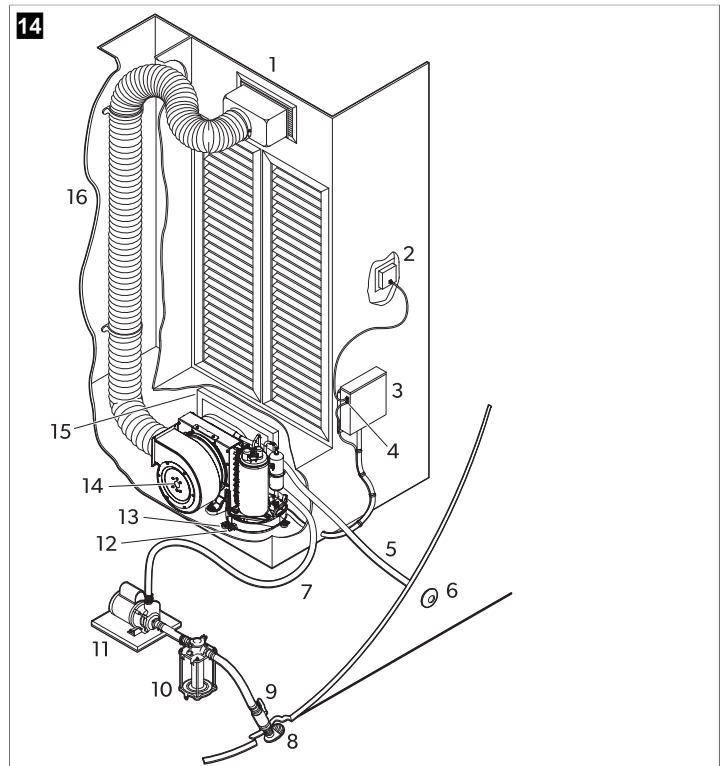
Lever emballasje til resirkulering så langt det er mulig. For å kaste produktet endelig ta kontakt med det lokale resirkulerings-senteret eller faghandler om hvordan du kan gjøre dette i overensstemmelse med gjeldende avfallshåndteringsforskrifter.

9 Tekniske spesifikasjoner

Les disse instruksjonene i sin helhet, og planlegg deretter kablingene som må gjøres på klimaanlegget (deriblant rør, kondensavtappingsledning, slanger for sjøvannsinntak og -utløp, plassering av kontrollen og plassering av sjøvannpumpen), for å sikre enkel tilgang for føring og fremtidig vedlikehold.

9.1 Plassering av deler

Identifisering av klimaanleggets komponenter



- | | |
|------------------------------------|----------------------------|
| 1 Luftinntaksgitter og inntaksskap | 9 Stengeventil for sjøkran |
| 2 Digitaldisplay | 10 Sjøvannfilter |

3	Koblingsboks	11	Pumpe
4	Sensorkabel for ekstern luft (tilleggsutstyr)	12	Feste for kondensavtappingsledning
5	Sjøvannutløpsslange	13	Monteringsbrakett
6	Sjøutløp	14	Klimaanlegg
7	Sjøvanninntaksslange	15	Gitter og filter for utblåsningsluft
8	Skroggjennomføring for sjøvannssøsing	16	Isolerte fleksible rør

11 Garanti

Se avsnittene nedenfor for informasjon om garanti og garantistøtte i USA, Canada og alle andre regioner.

USA og Canada

BEGRENSET GARANTI TILJENGELIG PÅ DOMETIC.COM/EN-US/TERMS-AND-CONDITIONS-CONSUMER/WARRANTY. HVIS DU HAR SPØRSMÅL ELLER ØNSKER EN GRATIS KOPI AV DEN BEGRENSEDE GARANTIE, KONTAKT:

DOMETIC CORPORATION
MARINE CUSTOMER SUPPORT CENTER
2000 NORTH ANDREWS AVENUE
POMPANO BEACH, FLORIDA, USA 33069
1-800-542-2477

Landene i Asia-Stillehavsregionen

Hvis produktet ikke fungerer som det skal: Ta kontakt med forhandleren eller produsentens representant i ditt land (se dometic.com/dealer). Garantien som gjelder for ditt produkt, er på 1 år.

Ved henvendelser vedrørende reparasjon eller garanti, må du sende med følgende dokumentasjon:

- Kopi av kvitteringen med kjøpsdato
- Årsak til reklamasjonen eller beskrivelse av feilen

Vær oppmerksom på at reparasjoner som utføres selv, eller som ikke utføres på en profesjonell måte, kan gå ut over sikkerheten og føre til at garantien blir ugyldig.

Gjelder kun for Australia

Våre produkter leveres med garantier som ikke kan utelukkes i henhold til australsk forbrukerlovgeving. Du har rett til å motta et erstatningsprodukt eller refundering ved større feil, samt kompensasjon for andre tap eller skader som rimeligvis kunne forutses. Du har også rett til å få reparert eller erstattet varer hvis kvaliteten ikke er av akseptabel kvalitet, også der feilen ikke er å anse som en større feil.

Gjelder kun for New Zealand

Denne garantien underliggervilkårene og garantibestemmelsene i forbrukergarantiloven Consumer Guarantees Act 1993(NZ).

Alle andre regioner

Lovmessig garantitid gjelder. Hvis produktet er defekt: Ta kontakt med produsentens filial (se dometic.com/dealer) eller forhandler i ditt land.

Ved henvendelser vedrørende reparasjon eller garanti, må du sende med følgende dokumentasjon:

- Kopi av kvitteringen med kjøpsdato
- Årsak til reklamasjonen eller beskrivelse av feilen

Vær oppmerksom på at reparasjoner som utføres selv, eller som ikke utføres på en profesjonell måte, kan gå ut over sikkerheten og føre til at garantien blir ugyldig.

9.2 Spesifikasjoner

Kjølemiddelkretsen inneholder en liten mengde miljøvennlig, men antennelig kjølemiddel. Det skader ikke ozonlaget, og øker ikke drivhuseffekten. Kjølemiddel som lekker ut, kan ta fyr.

Dette produktet inneholder fluoriserte drivhusgasser.

Kjøleenheten er hermetisk lukket.

Tabell 19: Minimumstørrelser for rør og grill per BTU-kapasitet

	3.5 k BTU	6 k BTU	8 k BTU	10 k BTU
Minimum rørdiameter	3,00 in (76,2 mm)	4,00 in (101,6 mm)	5,00 in (127,0 mm)	6,00 in (152,4 mm)
Minimum rørområde	6,8 in ² (43,9 cm ²)	12,6 in ² (81,3 cm ²)	19,6 in ² (126,5 cm ²)	28,3 in ² (182,6 cm ²)
Minimum gitter for utblåsningsluft	48,0 in ² (309,7 cm ²)	64,0 in ² (412,9 cm ²)	80,0 in ² (516,2 cm ²)	100,0 in ² (645,2 cm ²)
Minimum luftinntaksgitter	12,0 in ² (77,4 cm ²)	32,0 in ² (206,5 cm ²)	48,0 in ² (309,7 cm ²)	60,0 in ² (387,1 cm ²)
	12 k BTU	16 k BTU	18 k BTU	27 k BTU
Minimum rørdiameter	6,00 in (152,4 mm)	7,00 in (177,8 mm)	7,00 in (177,8 mm)	8,00 in (203,2 mm)
Minimum rørområde	28,3 in ² (182,6 cm ²)	38,5 in ² (248,4 cm ²)	38,5 in ² (248,4 cm ²)	50,3 in ² (324,5 cm ²)
Minimum gitter for utblåsningsluft	130,0 in ² (838,8 cm ²)	160,0 in ² (1032,3 cm ²)	200,0 in ² (1290,4 cm ²)	240,0 in ² (1548,5 cm ²)
Minimum luftinntaksgitter	70,0 in ² (451,6 cm ²)	80,0 in ² (516,2 cm ²)	100,0 in ² (645,2 cm ²)	120,0 in ² (774,2 cm ²)

Tabell 20: Vanntemperatur og -trykk for drift

Minimum vanntemperatur for drift	40,0 °F (4,44 °C)
Maks vanntemperatur for drift	80,0 °F (26,66 °C)
Minimum vanntrykk for drift	4,2 psi (0,29 bar) (29,00 kPa)
Maks vanntrykk for drift	6,00 psi (0,41 bar) (41,4 kPa)

Følg bruksbetingelsene til EPA.



MERK Apparatet kan fungere utenfor disse forholdene med redusert kapasitet.

10 Juridisk

Gjelder kun GVTX-modeller: For å overholde IEC 60533 må du ikke montere produktet innenfor 9,8 ft (3,00 m) fra en mottakerantenne.

Suomi

1	Tärkeitä huomautuksia.....	90
2	Symbolien selitykset.....	90
3	Kohderyhmä(t).....	91
4	Käyttötarkoitus.....	91
5	Laitteen symbolien selitykset.....	91
6	Esiasentaminen.....	91
7	Asennus.....	93
8	Hävittäminen.....	96
9	Tekniset tiedot.....	96
10	Lakisääteinen.....	97
11	Takuu.....	97

1 Tärkeitä huomautuksia

Lue nämä ohjeet huolellisesti ja noudata kaikkia tämän tuotteen käyttöohjeissa annettuja ohjeita, määräyksiä ja varoituksia. Näin varmistat, että tuotteen asennus, käyttö ja huolto sujuu aina oikein. Näiden ohjeiden TÄYTYÄ jäädä tuotteen yhteyteen.

Käyttämällä tuotetta vahvistat lukeneesi kaikki ohjeet, määräykset ja varoitukset huolellisesti ja että ymmärrät ja hyväksyt tässä annetut ehdot. Sitoudut käyttämään tuotetta ainoastaan sen käyttötarkoitukseen ja ilmoitetuissa käyttökohteissa ja noudattaen tässä tuotteen käyttöohjeissa annettuja ohjeita, määräyksiä ja varoituksia sekä voimassa olevia lakeja ja määräyksiä. Tässä annettujen ohjeiden ja varoitusten lukematta ja noudattamatta jättäminen voi johtaa omaan tai muiden loukkaantumiseen, tuotteen vaurioitumiseen tai muun ympärillä olevan omaisuuden vaurioitumiseen. Tähän tuotteen käyttöohjeeseen, ohjeisiin, määräyksiin ja varoituksiin sekä oheisdokumentteihin voidaan tehdä muutoksia ja niitä voidaan päivittää. Katso ajantasaiset tuotetiedot osoitteesta documents.dometic.com.

2 Symbolien selitykset

Merkkisana tunnistaa turvallisuusviestejä ja omaisuusvahinkoihin liittyviä viestejä ja osoittaa lisäksi vaaratekijän vakavuusasteen.



VAARA!

Viittaa vaaralliseen tilanteeseen, joka johtaa kuolemaan tai vakavaan loukkaantumiseen, jos sitä ei vältetä.



VAROITUS!

viittaa vaaralliseen tilanteeseen, joka voi johtaa kuolemaan tai vakavaan loukkaantumiseen, jos ohjeita ei noudateta.



HUOMAUTUS!

viittaa vaaralliseen tilanteeseen, joka voi johtaa esinevahinkoon, jos ohjeita ei noudateta.



OHJE Tuotteen käyttöä koskevia lisätietoja.

2.1 Täydentävät ohjeet

Onnettomuus- ja tapaturmariskien vähentämiseksi noudata seuraavia ohjeita ennen kuin alat asentaa laitetta:

- Lue kaikki turvallisuuteen liittyvät tiedot ja ohjeet ja noudata niitä.
- Lue nämä ohjeet huolellisesti ennen laitteen asentamista.
- Asennuksessa on noudatettava kaikkia voimassa olevia paikallisia tai kansallisia määräyksiä, mukaan lukien seuraavien standardien viimeisin painos:
 - American Boat and Yacht Council (ABYC)
 - ANSI/NFPA 70, National Electrical Code (NEC)

2.2 Turvallisuusohjeet



VAARA! Palo- tai räjähdysvaara. Joissakin malleissa käytetään syttyvää kylmäainetta.

Seuraavien varoitusten laiminlyönti johtaa kuolemaan tai vakavaan vammaan:

- > Vain koulutettu huoltohenkilöstö saa korjata.
- > Älä asenna tai varastoi paikkaan, jossa on jatkuvasti käytössä olevia sytytyslähteitä.
- > Pidä kaikki vaaditut tuuletusaukot esteettöminä.
- > Älä puhkaise kylmäaineputkea.
- > Katso kylmäaineen tyyppi tuotteen tietokilvestä.



VAROITUS! Palo- ja/tai räjähdysvaara

Seuraavien varoitusten laiminlyönti voi johtaa kuolemaan tai vakavaan vammaan:

- > Älä käytä mahdollisia sytytyslähteitä kylmäainevuotojen havaitsemiseen tai etsimiseen. Älä käytä halogeenipolttimoa tai muuta ilmaisinta, jossa käytetään avoliekkiä.
- > Varmista, että etsintälaitteet soveltuvat tuotteessa käytettävälle kylmäainetyypille. Katso kylmäaineen tyyppi tuotteen tietokilvestä.
- > Kylmäainevuotojen havaitsemiseen voidaan käyttää elektronisia vuotoilmaisimia, mutta niiden herkkyys voi olla riittämätön syttyville kylmäaineille, ja ne on ehkä kalibroitava uudelleen. Kalibroi etsintälaitteet kylmäaineettomassa tilassa.



VAROITUS! Häikävaara

Seuraavien varoitusten laiminlyönti voi johtaa kuolemaan tai vakavaan vammaan:

- > Älä asenna ilmastoilaitetta pilssiin tai konetilaan tai lähelle sisäistä polttomoottoria tai käytä laitetta näissä paikoissa. Varmista, että valittu paikka on tiivistetty, jotta pilssin ja/tai moottorin höyryt eivät pääse sinne suoraan.
- > Tarkista, että kondensaatin poistojohdin on oikein asennettu ja tiivistetty. Älä vie kondensaatin poistojohtimen päätä kolmea jalkaa (0,91 metriä) lähemmäs moottorin tai generaattorin pakojärjestelmän lähtöä, moottorin tai generaattorin tilaa tai pilssiä – paitsi siinä tapauksessa, että poisto on asianmukaisesti liitetty tiivistettyyn kondenssivesipumppuun tai tyhjennyspumppuun. Jos poistojohdinta ei ole asennettu oikein, sitä pitkin voi kulkeutua vaarallisia höyryjä, jotka voivat saastuttaa oleskelutilat.
- > Älä asenna ilmastoilaitetta paikkaan, jossa se voi kierrättää hääkää, polttoainehöyryjä tai muita haitallisia kaasuja veneen oleskelutiloihin.



VAROITUS! Sähköiskun vaara

Asennuksen saa tehdä vain pätevä sähköasentaja.



VAROITUS! Sähköiskun, tulipalon ja/tai räjähdysvaara

Näiden varoitoimien noudattamatta jättäminen voi johtaa kuolemaan tai vakavaan vammaan.

Tätä laitetta ei ole tarkoitettu sellaisten henkilöiden (mukaan lukien lapset) käyttöön, joiden fyysiset, aistinvaraiset tai henkiset kyvyt ovat rajoittuneita tai joilta puuttuu laitteen käytön vaatima kokemus tai tietämys. Poikkeuksena tästä on tilanne, jossa edellä mainittujen henkilöiden turvallisuudesta vastaava henkilö on antanut opastuksen laitteen käyttöön tai laitteen käyttö tapahtuu turvallisuudesta vastaavan henkilön valvonnassa. Lapsia tulisi valvoa sen varmistamiseksi, etteivät he leiki laitteella. Lapset eivät saa ilman valvontaa puhdistaa laitetta eivätkä ryhtyä käyttäjälle sallittuihin kunnossapitotoihin. Tämä laite ei saa olla kaikkien ulottuvilla.



VAROITUS! Räjähdysvaara

Näiden varoitoimien noudattamatta jättäminen voi johtaa kuolemaan tai vakavaan vammaan.

- > Älä asenna ilmastoilaitetta paikkaan, jossa on bensiinimoottoreita, säiliöitä, LPG/CPG-pulloja, säätimiä, venttiileitä tai polttoaineputkien liittimiä. Ellei toisin ole merkitty, laitteet eivät täytä sytytysvaarasta koskevia liittovaltion vaatimuksia. Tämän varoituksen noudattamatta jättäminen voi johtaa kuolemaan tai vakavaan vammaan.
- > Valokaaren tai kipinöitä aiheuttavat sähkökomponentit saa vaihtaa ainoastaan laitteen valmistajan määrittelemiin osiin. Vaihtaminen muihin osiin voi johtaa kylmäaineen syttymiseen vuodon sattuessa.

**VAROITUS! Sähköiskuvaara**

Näiden varotoimien noudattamatta jättäminen voi johtaa kuolemaan tai vakavaan vammaan.

- > Maadoita ilmastointilaitte tehokkaasti, jotta sähköiskujen vaara pysyy mahdollisimman pienenä. Lisätietoja on asennusohjeissa.
- > Jokaisessa asennetussa ilmastointilaitteessa on oltava oma katkaisin. Jos asennetaan vain yksi ilmastointilaitte, merivesipumppu ei edellytä omaa katkaisinta. Jos samaa merivesipumppua käyttää vähintään kaksi ilmastointilaitetta, pumpun johtimet liitetään pumpun relepaneeliin, jossa on oma pumpun koon mukainen katkaisin (enintään 20 A). Katso pumpun relepaneelin mukana toimitettu johdotuskaavio. Pilssiin ja/tai vesirajan alapuolelle tehtävissä sähköliitännöissä tulee käyttää lämpökutistetyypisiä päittäisliittimiä.
- > Kenttäjohdotuksessa täytyy noudattaa ABYC-säännöksiä. Laitteen sähkönsyötön on oltava tyyppietiketissä ilmoitetun käyttöjännitealueen rajoissa. Oikeankokoiset sulakkeet tai HACR-katkaisimet täytyy asentaa piirin suojaamiseksi. Katso sulakkeen/katkaisimen enimmäiskoko (MFS) ja piirin vähimmäisteho (MCA) tyyppietiketistä.



Varoitus! Matalan palamistason materiaali. Syttyvä kylmäaine.



Kylmäaineiden turvallisuusryhmä A2L



Lue käyttöohje.



Lue huoltokirja.

**HUOMAUTUS!**

Tämä yksikkö sisältää fluorattuja kasvihuonekaasuja ilmatiiviisti suljetussa laitteessa. Kylmäaineen paino ja GWP-arvo ilmoitetaan lauhduttimen tyyppietiketissä. Lisätyn kylmäaineen tiedot on merkittävä lauhduttimen etikettiin.

**HUOMAUTUS!**

Älä käytä kupariputkea tuotteen työntämiseen, vetämiseen, nostamiseen tai kantamiseen.

3 Kohderyhmä(t)



Laitteen mekaaninen asennus, sähköasennus ja asetusten tekeminen täytyy antaa pätevän asentajan tehtäväksi. Asentajan täytyy pystyä osoittamaan merialuksien varusteiden rakenteeseen ja käyttöön sekä asennukseen liittyvät tietonsa ja taitonsa, ja hänen täytyy tuntea asiaa koskevat määräykset, jotka ovat voimassa siinä maassa, jossa varuste on määrä asentaa ja/tai jossa sitä on määrä käyttää. Lisäksi hänellä täytyy olla suoritettuna turvallisuuskoulutus, jonka ansiosta hän pystyy tunnistamaan asiaan liittyvät vaarat ja välttämään ne.

4 Käyttötarkoitus

Tämä käyttöohje on tarkoitettu TDCU-, DLU-, DTG-, ECD-, GT-, GTX-, GTX-LP-, GVTX- ja TX-ilmastointijärjestelmien (jäljempänä ilmastointilaitte) asentamiseen. Ilmastointilaitte on tarkoitettu vene- ja jahtikäyttöön. Tämä ilmastointilaitte soveltuu ainoastaan näissä ohjeissa ilmoitettuun käyttötarkoitukseen ja käyttökohteeseen.

Tämä tuote soveltuu ainoastaan näissä ohjeissa ilmoitettuun käyttötarkoitukseen ja käyttökohteeseen.

Näistä ohjeista saat tuotteen asianmukaiseen asennukseen ja/tai käyttöön tarvittavat tiedot. Väärin tehdyn asennuksen ja/tai väärin käyttötavan tai vääränlaisen huollon seurauksena laite ei toimi tyydyttävästi, ja se saattaa mennä epäkuntoon.

Valmistaja ei ota vastuuta tapaturmista tai tuotevaurioista, jotka johtuvat seuraavista:

- Väärin tehty asennus tai liitännä, ylijännite mukaan lukien
- Väärin tehty huolto tai muiden kuin valmistajalta saatavien alkuperäisten varaosien käyttö
- Tuotteeseen ilman valmistajan nimenomaista lupaa tehdyt muutokset
- Käyttö muuhun kuin tässä ohjeessa ilmoitettuun tarkoitukseen

Dometic pidättää itsellään oikeuden muutoksiin tuotteen ulkonäössä ja spesifikaatioissa.

5 Laitteen symbolien selitykset



Varoitus! Tulipalon / syttyvien materiaalien vaara

6 Esiasentaminen

**HUOMAUTUS!**

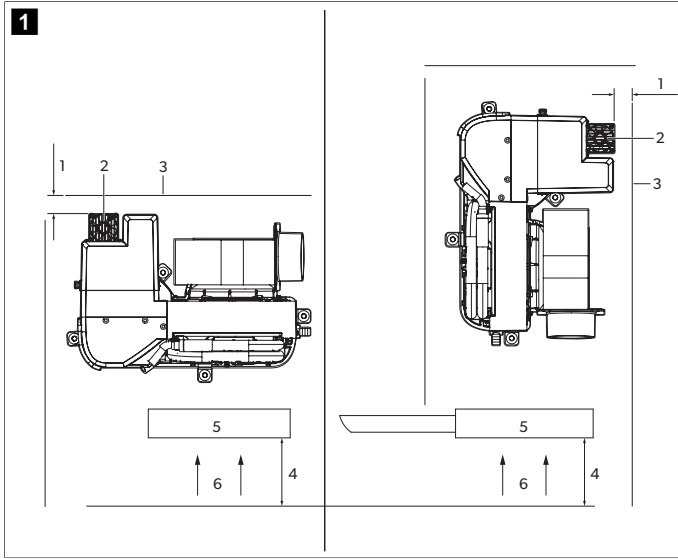
DTG-, GTX- ja GVTX- ja TX-laitteiden peruskondensaattialtaiden pohjassa on tärinävaimentimet. Vaimentimet on suunniteltu vähentämään toiminnassa olevan ilmastointilaitteen aiheuttaman tärinän siirtymistä asennuspintaan. Ilmastointilaitetta on siirrettävä varovasti asennuspinnalla, sillä vaimentimet voivat vaurioitua.

**HUOMAUTUS!**

- > Ilmastointilaitte on asennettava matalalle, tasaiselle ja vaakasuoralle pinnalle, kuten kaapin pohjalle, makuupaikan tai istuimen alle tai vastaavaan paikkaan.
- > Varmista, että kaapelit eivät ole alltiina kulumiselle, korroosiolle, liialliselle paineelle, tärinälle, teräville reunoille tai muille haitallisille ympäristövaikutuksille, mukaan lukien ikääntymisestä tai jatkuvasta tärinästä johtuvat vaikutukset, joita aiheuttavat esimerkiksi kompressorit tai tuuletinimet.
- > Varmista, että suojalaitteet, putket ja liitososat on suojattu mahdollisimman hyvin haitallisilta ympäristövaikutuksilta, kuten lian ja roskien kertymiseltä tai veden kerääntymiseltä ja jääntymiseltä ylivuotoputkiin.
- > Ryhdy varotoimenpiteisiin kylmäaineputkien liiallisen tärinän ja värähtelyn välttämiseksi.

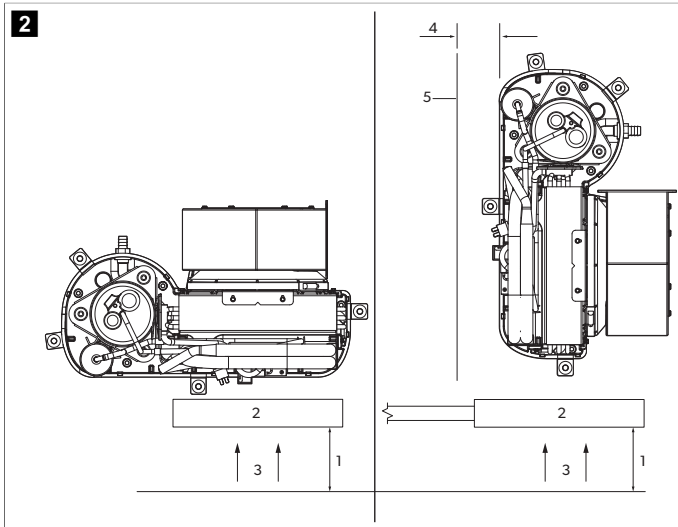
6.1 Asennuspaikan valinta

1. GVTX- ja TX-laitteiden paikka ilmavirtauksen nähden



- | | | | |
|---|-------------------|---|-------------------------|
| 1 | 3,00 in (7,62 cm) | 4 | 4,00 in (10,16 cm) |
| 2 | Jäähdytyslevy | 5 | Poistoilman suojaritilä |
| 3 | Laipio | 6 | Ilmavirtaus |

Kaikkien muiden ilmastointilaitteiden paikka ilmavirtauksen nähden



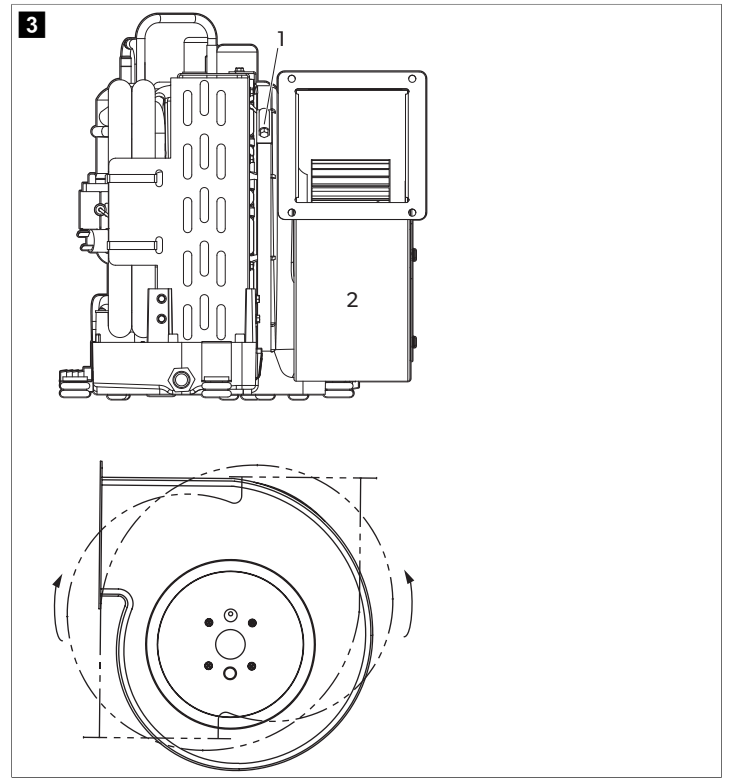
- | | | | |
|---|-------------------------|---|-------------------|
| 1 | 4,00 in (10,16 cm) | 4 | 3,00 in (7,62 cm) |
| 2 | Poistoilman suojaritilä | 5 | Laipio |
| 3 | Ilmavirtaus | | |
2. Valitse paikka, jossa on riittävä ilmavirtaus. Poistoilman suojaritilän edessä on oltava vähintään 4,00 in (10,16 cm) esteetöntä tilaa ilmankiertoa varten.
 3. Jos ilmastointilaitte asetetaan kohtisuoraan poistoilman suojaritilään nähden, jätä vähintään 3,00 in (7,62 cm) ilmankiertotilaa ilman tuloaukon puolelle.
 4. **Vain GVTX ja TX:** Jätä vähintään 3,00 in (7,62 cm) avointa tilaa jäähdytyslevyn ylä- ja alapuolelle.

6.2 Puhaltimen kääntäminen

Tässä osiossa kerrotaan, miten kunkin laitetyypin puhallin käännetään. Käännä puhallin tarvittaessa suuntaan, jossa ilmavirta poistuu suorimmin putkien kautta.

6.2.1 GTX-, GVTX-, DTG- ja TX-puhaltimet

GTX-, GVTX-, DTG- ja TX-järjestelmän puhaltimen kääntäminen

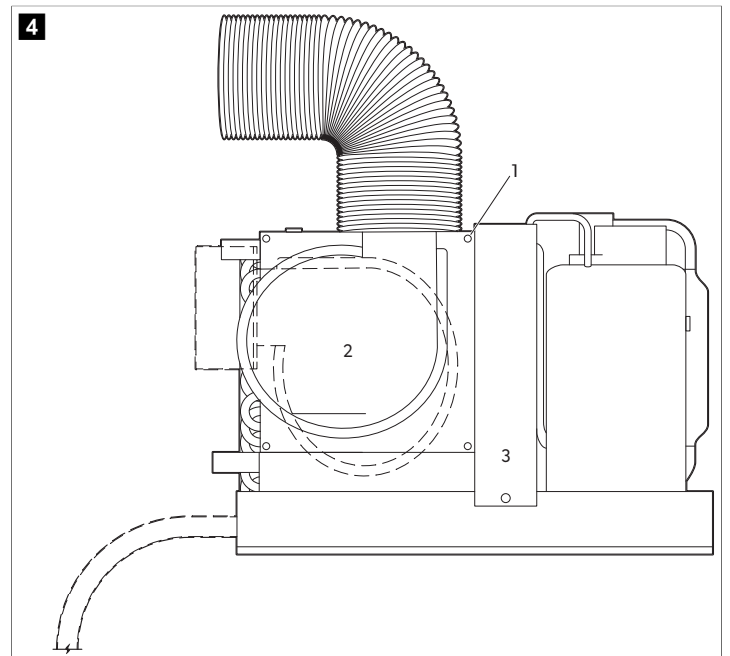


- 1 Adjustment screw
- 2 Blower

1. Löysää puhaltimen kiinnitysrenkaan säätöruuvia.
2. Käännä puhallin haluttuun asentoon.
3. Kiristä säätöruuvi.

6.2.2 MCS-, ECD- ja GT-puhaltimet

MCS-, ECD- ja GT-järjestelmän puhaltimen kääntäminen

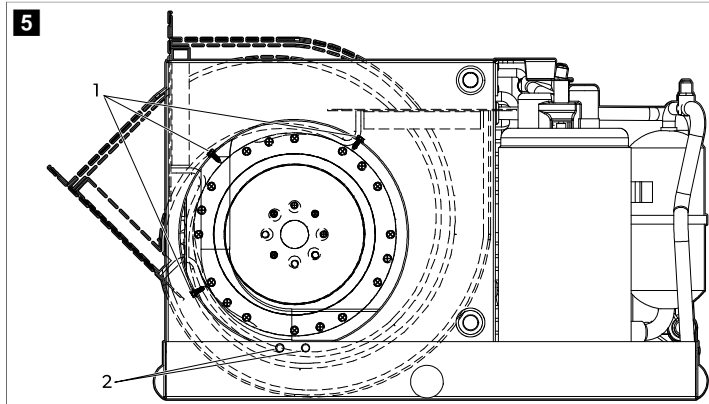


- 1 Screw
- 2 Levy
- 3 Puhallin

1. Irrota seitsemän ruuvia levystä.
2. Käännä puhallin haluttuun asentoon.
3. Kiinnitä puhallin paikalleen itseporautuvilla ruuveilla (eivät sisälly toimitukseen).

6.2.3 DCU-puhallin

DCU-järjestelmän puhaltimen kääntäminen



- 1 Screws on blower ring
- 2 Screws on drain pan or bracket

1. Irrota puhallinrenkaan ruuvit.
2. Irrota ruuvit, jotka kiinnittävät puhaltimen tyhjennysaltaaseen tai pidikkeeseen.
3. Käännä puhallin haluttuun asentoon.
4. Kiinnitä puhallin paikalleen itseporautuvilla ruuveilla (eivät sisälly toimitukseen).
5. Tulppaa käyttämättömät reiät ilmahävikin estämiseksi.

6.3 Ilmansuodattimien asettaminen

Ilmansuodattimet poistavat ilmassa olevia hiukkasia hytin ilmasta ja pitävät höyrystinkierukan puhtaana. Aseta yksi ilmansuodatin joko ilmastointilaitteeseen tai poistoilman suojaritilään kutakin ilmastointilaitetta kohti.

6.4 Ritilöiden ja kytkentäkoteloiden asettaminen

Ota seuraavat seikat huomioon asettaessasi ritilöitä ja kytkentäkotelaitteita:

- Asenna tuloilman suojaritilä mahdollisimman korkeaan paikkaan, josta ilma jakautuu tasaisesti koko hyttiin. Suuntaa ritilän säleet ylöspäin.
- Asenna poistoilman suojaritilä mahdollisimman alas ja lähelle ilmastointilaitetta, jotta ilma virtaa höyrystimeen.
- Älä suuntaa tuloilman poistoa poistoilman suojaritilää kohti, koska tällöin järjestelmä kytkeytyy lyhyin väliajoin päälle ja pois päältä.
- Jätä riittävästi tilaa tuloilman suojaritilän taakse kytkentäkotelon ja putkien liittämistä varten. Katso Tekniset tiedot sivulla 97

7 Asennus



VAROITUS! Sähköiskun vaara

Asennuksen saa tehdä vain pätevä sähköasentaja.

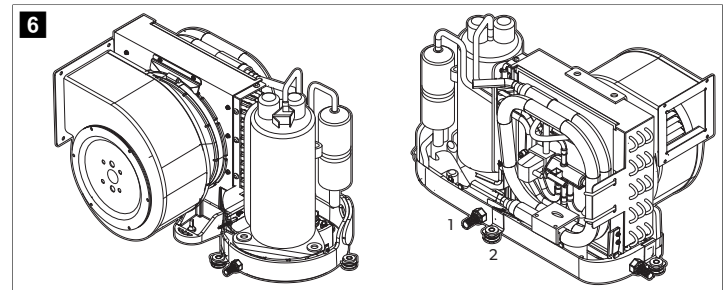
7.1 Pidikkeiden ja kondensaatin poistojohtimen asentaminen



HUOMAUTUS!

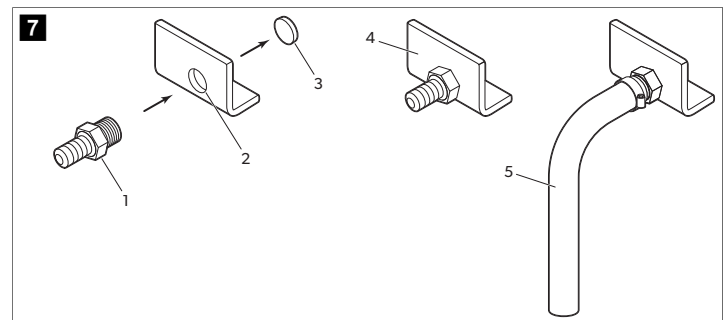
Tyhjennysaltaan halkeamisen estämiseksi kiedo enintään kaksi kerrosta putkitekippä letkukaran ympärille äläkä kiristä letkukaraa liikaa.

Pidikkeiden ja kondensaatin poistojohtimien tavallinen sijainti



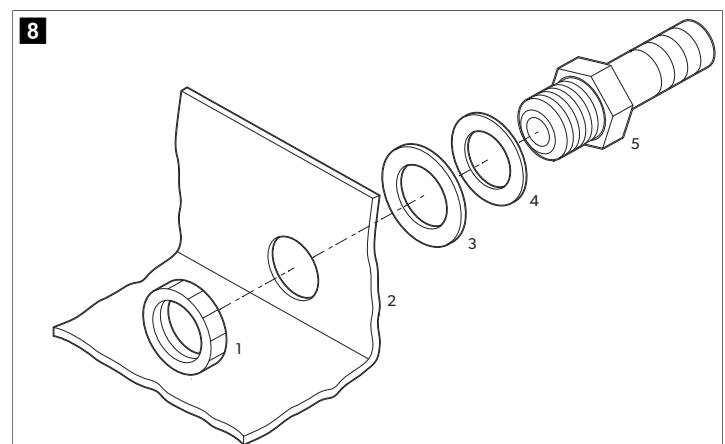
- 1 Kondensaatin poistoletkun kara
- 2 Asennuspidike

GTX-, GVTX-, DTG- ja TX-mallien kondensaatin poistojohtin



- 1 Hose barb
- 2 Kierteinen poistoreikä
- 3 Reikäaiho
- 4 Drain pan
- 5 Poistoletku

Kaikkien muiden ilmastointilaitteiden kondensaatin poistojohtimen asentaminen



- 1 Locking nut
- 2 Tyhjennysallas
- 3 Solid washer
- 4 Solid washer
- 5 PVC-liitin 0,5 in (12,7 mm) HB x 0,5 in (12,7 mm) MPT

3 Tiivistelevy

1. GTX-, GVTX-, DTG- ja TX-laitteille:

- Irrota aihio perän suuntaisesta poistoreiästä letkukaran pienen pään avulla napauttamalla kerran nopeasti kumivasaralla. Hävitä aihio.
- Kiedo letkukaran kierrepään ympärille putkiteippiä.
- Kierrä letkukara kierteiseen poistoreikään ja kiristä tiukasti.

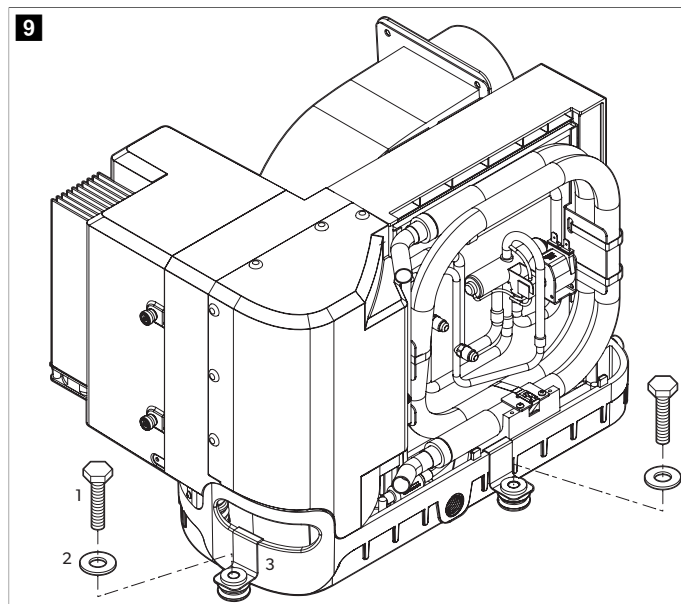
2. Kaikki muut ilmastointilaitteet:

- Kierrä letkukara kiinteän aluslevyn ja tiivistelevyn läpi ja aseta se poistoreikään.
- Kiinnitä lukitusmutterilla.

3. Kiinnitä poistoletku letkukaraan ruostumattomasta teräksestä valmistetulla letkunkiristimellä.

4. Vedä poistoletku alas turvalliseen ja asianmukaiseen keräyspisteeseen.

GTX-, GVTX-, DTG- ja TX-laitteiden pidikkeen asentaminen

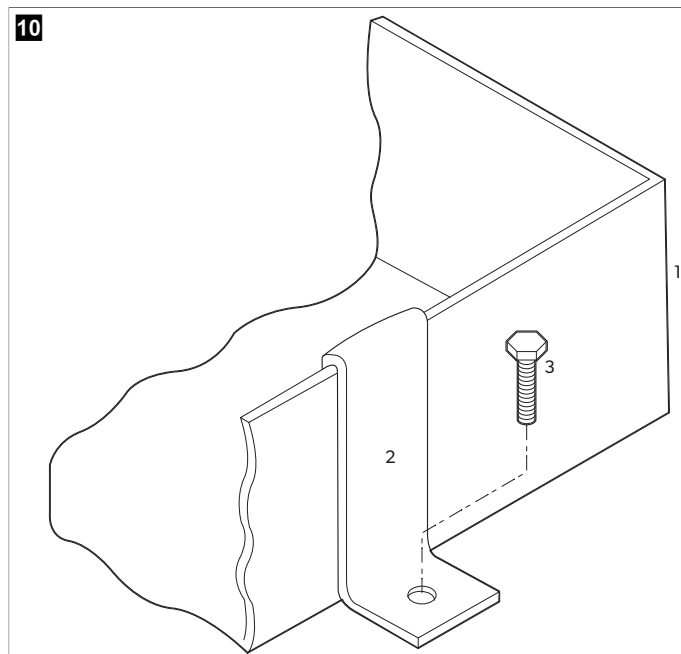


1 Kiinnityspultti (ei sisälly toimitukseen)

2 Korialuslevy (sisältyy toimitukseen)

3 Pidike (sisältyy toimitukseen)

Muiden ilmastointilaitteiden pidikkeen asentaminen



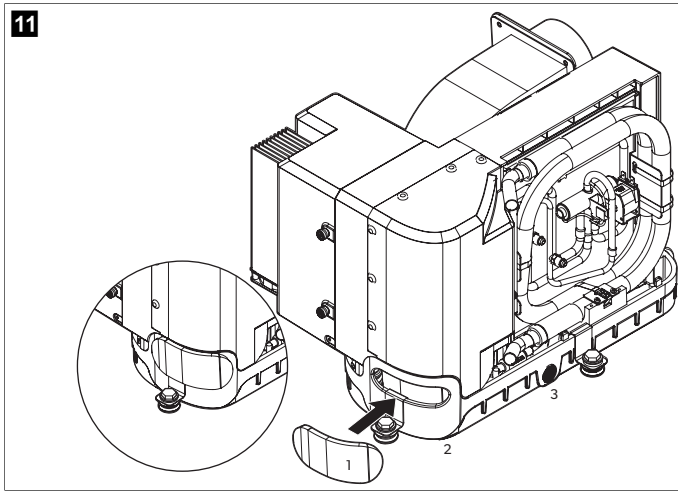
1 Tyhjennysallas

2 Asennuspidike

3 Kiinnityspultti (ei sisälly toimitukseen)

5. Asenna yksi pidike tyhjennysaltaan kummallekin puolelle tasaisin välein.

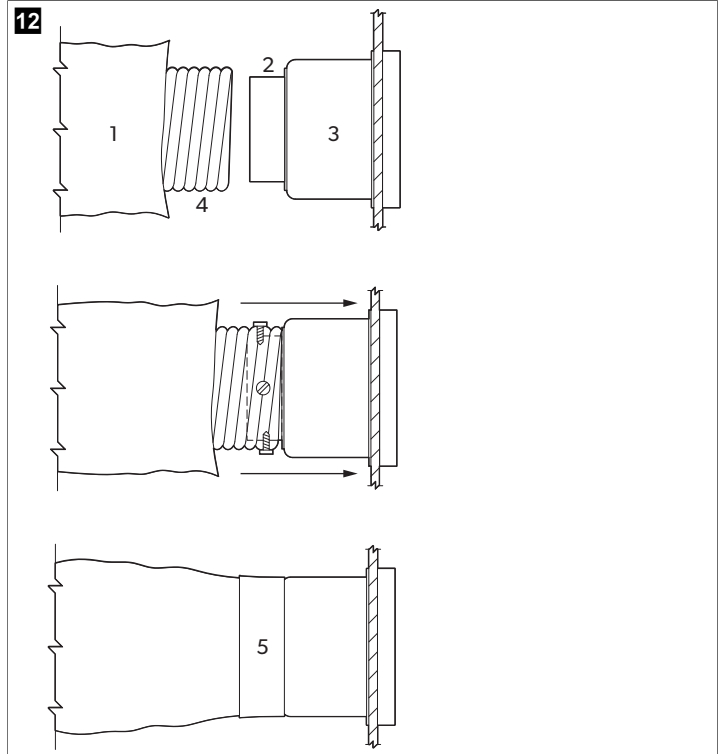
GVTX- ja TX-laitteiden vaahtomuovieristeen asentaminen



- 1 Kahvan vaahtomuovieriste
2 Kahva-aukko
3 Tyhjennysallas

6. GVTX- ja TX-laitteille:

- Irrota kahvan vaahtomuovieriste tarrapintaa peittävä kalvo.
- Aseta kahvan vaahtomuovieriste peittämään koko kahva-aukko siten, että tarrapinta on tyhjennysaltaaseen päin.
- Kiinnitä kahvan vaahtomuovieriste tyhjennysaltaaseen painelemalla sitä kahvan aukkoon.



- 1 Lasikuitueriste
2 Kiinnitysrengas
3 Kytentäkotelon
- 4 Sisempi Mylar-putki
5 Ilmastointiteippi

- Liu'uta sisäinen Mylar-putki kiinnitysrenkaan ympärille kytentäkoteloon.
- Kierrä kolme tai neljä ruostumatonta teräsruuvia Mylar-putken läpi kiinnitysrenkaaseen kiinnittämällä kaksi tai kolme johdinta ruuvien kannoilla.
- Liu'uta lasikuitueriste sisemmän Mylar-putken ympärille kytentäkoteloon. Kiinnitä ilmastointiteipillä.

7.2 Putkien asentaminen



VAROITUS! Palo- tai räjähdysvaara

- Putkiin ei saa asentaa muita kuin kyseisen laitteen kanssa käytettäviksi tarkoitettuja lisälaitteita, jotka voivat olla sytytyslähteitä.
- Syttyviä kylmäaineita käytävissä malleissa, jotka on liitetty ilmakavajärjestelmän kautta yhteen tai useampaan huoneeseen, tulo- ja paluuilma on johdettava suoraan tilaan. Avoimia alueita, kuten alakattoja, ei saa käyttää paluuilmakavavana.
- Älä vie putkia moottoritilan tai sellaisen alueen kautta, jossa ne voivat altistua vaarallisille höyryille tai pakokaasuille.

Noudata seuraavia ehtoja asentaessasi putkia:

- Putkien on oltava oikeankokoisia käyttökohteeseen.
- Aseta putket mahdollisimman suoraan, tasaisesti ja tiukalle siten, että ilmavirtausta vähentäviä 90°:n mutkia ja silmukoita on mahdollisimman vähän.
- Kiinnitä putket lujasti, jotta ne eivät roiku.
- Estä putkien litistyminen ja taittuminen.
- Katkaise ylimääräiset putkien osat asennuksen jälkeen.
- Eristä kuumissa paikoissa olevat putket.

Jos käytetään kytentäkoteloa, kotelosta lähtevien tuloilmaputkien kokonaispinta-alan tulee olla vähintään yhtä suuri kuin koteloon menevien tuloilmaputkien kokonaispinta-ala. Katso Tekniset tiedot sivulla 97

Putkiliitännät

7.3 Merivesijärjestelmän asentaminen



HUOMAUTUS!

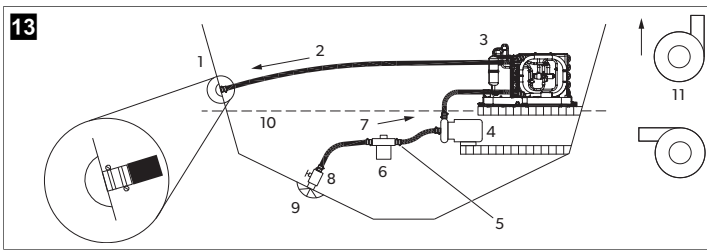
Näiden ohjeiden noudattamisen laiminlyönti johtaa takuun raukeamiseen.

Ota seuraavat seikat huomioon asentaessasi merivesijärjestelmää:

- Suodattimen on oltava pumpun alapuolella.
- Letkut on kiinnitettävä kahdella kiristimellä.
- Letkuissa ei saa olla taitteita, silmukoita tai koholla olevia kohtia, joihin ilma voi kerääntyä.
- Pumpun ja suodattimen on oltava vesirajan alapuolella.
- Läpivienti, kuulaventtiili, letku ja suodatin eivät saa olla pumpun tuloa pienempiä.
- Asenna läpivienti mahdollisimman paljon vesirajan alapuolelle.
- Pumpussa on oltava erillinen läpivienti.
- Vältä 90,00 °:n mutkia mahdollisuuksien mukaan.
- Varmista, että pumppupää on käännetty veden virtaussuuntaan.
- Käytä putkitekippä kaikissa kierrelitiännöissä.

Katso veden lämpötilan ja paineen enimmäis- ja vähimmäisarvot kohdasta Tekniset tiedot sivulla 97.

Merivesijärjestelmä



- | | |
|--------------------|--------------------------------------|
| 1 Merivesilähtö | 7 Tulovirtaus ylöspäin |
| 2 Lähtövirtaus | 8 Kuulaventtiili |
| 3 Ilmastointilaite | 9 Rungon läpivienti |
| 4 Merivesipumppu | 10 Vesiraja |
| 5 Letkuklemmit | 11 Pumpun suodattimen oikeat suunnat |
| 6 Sihtisuodatin | |

- Asenna rungon läpivienti mahdollisimman lähelle köliä ja mahdollisimman paljon vesirajan alapuolelle. Kiinnitä rungon läpivienti vedenalaiseen käyttöön tarkoitettulla meriluokan tiivisteaineella.
- Asenna rungon läpivientiin pronssinen täyden virtauksen runkoventtiili.
- Asenna merivesisuodatin pumpun linjan alapuolelle siten, että pääset suodattimeen.
- Kiinnitä pumpun suodattimen yläpuolelle ja vähintään yhden jalan verran vesirajan alapuolelle.
- Yhdistä runkoventtiili ja suodatin ylös johtavalla vahvistetulla meriluokan letkulla.
- Yhdistä pumpun lähtö ylöspäin ilmastointilaitteen lauhdutinkierukan pohjan tuloon 5/8 tuuman vahvistetulla meriluokan letkulla.
- Yhdistä lauhdutinkierukan lähtö ulkolaitälähdön läpivientiin 5/8 tuuman vahvistetulla meriluokan letkulla.
- Vältä merivesiletussa silmukoita, koholla olevia kohtia ja 90°:n mutkien käyttämistä. Jokainen 90°:n mutka vie 2,5 ft (0,76 m) letkua, ja pumpun lähden 90°:n mutka vie 20,0 ft (6,10 m) letkua.
- Kiinnitä kaikki letkuliitännät kahdella ruostumattomasta teräksestä valmistetulla kiristimellä. Aseta kiristimet tarvittaessa vastakkaisiin suuntiin.
- Liitä kaikki meriveriveden kanssa kosketuksiin joutuvat metalliosat aluksen liitäntäjärjestelmään.

7.4 Sähköliitännöiden tekeminen



VAROITUS! Sähköiskuvaara

- > Katkaise aina ilmastointilaitteen virransyöttö katkaisimesta ennen sähkörasian avaamista. Tämän varoituksen noudattamatta jättäminen voi johtaa kuolemaan tai vakavaan vammaan.
- > Varmista, että sähkörasia on sijoitettu vedeltä suojattuun paikkaan.



HUOMAUTUS!

Ilmastointilaitteeseen on yhdistettävä veneen liitäntäjärjestelmään hajavirtojen aiheuttaman korroosion ehkäisemiseksi. Kaikki merivesikierron pumput, metalliset venttiilit ja liitännät, jotka on eristetty ilmastointilaitteesta PVC- tai kumiletkuilla, on aina yhdistettävä erikseen veneen liitäntäjärjestelmään.



OHJE Järjestelmän asianmukaisen maadoituksen ja liittämisen laiminlyönti johtaa takuun raukeamiseen.

Kaikissa ilmastointilaitteissa on sähkörasian sisällä riviliitin, johon on merkitty oikeat liitännät. Sähkörasian sisällä oleva johdotuskaavio korvaa ABYC-standardit. Käytä järjestelmän suojaamiseen oikeankokoista katkaisinta ilmastointilaitteen tyyppietiketin tietoja vastaavasti. Ilmastointilaitteen ja merivesipumpun virransyöttöön on käytettävä vähintään 12 AWG:n venejohtoa. Käytä kaikissa liitännöissä rengas- tai haarukkaliittimiä.

Noudata seuraavia ohjeita tehdessäsi sähköliitännät:

- Vaihtovirran (AC) maadoitus on liitettävä vaihtovirran riviliittimen maadoitusliittimeen (GRND).

- Aluksen vaihtovirtajärjestelmän maadoitusjohtimen ja aluksen tasavirran miinusliittimen tai liitäntäjärjestelmän väliset liitännät on tehtävä osana aluksen johdotusta. Kun huollat tai vaihdat laitteen, jossa on alustaan asennettu maadoitustappi, tarkista aluksen johdotus näiden liitäntöjen osalta.
- GVTX- ja TX-ilmastointilaitteet on suunniteltu toimimaan vaihtovirralla tai korkeajännitteisellä tasavirralla. Katso oikea sijainti aluksen johdotuskaaviosta.

Varmista, että ilmastointilaitteen vaihtovirran maadoitus on liitetty oikein veneen vaihtovirran maadoitukseen. Varmista veneen sisällä, että vaihtovirran maadoituskisko on liitetty tasavirran maadoituskiskoon täsmälleen yhdestä kohdasta.

Tarkista ja kiristä tarvittaessa kaikki sähköliitännät ennen käynnistystä.

8 Hävittäminen



HUOMIO! Palovaara

- > Tämä laitteen eristys sisältää helposti syttyviä punnekaasuja.
- > Anna laitteen irrottaminen ja hävittäminen ainoastaan tehtävään erikoistuneen ammattihenkilön tehtäväksi.



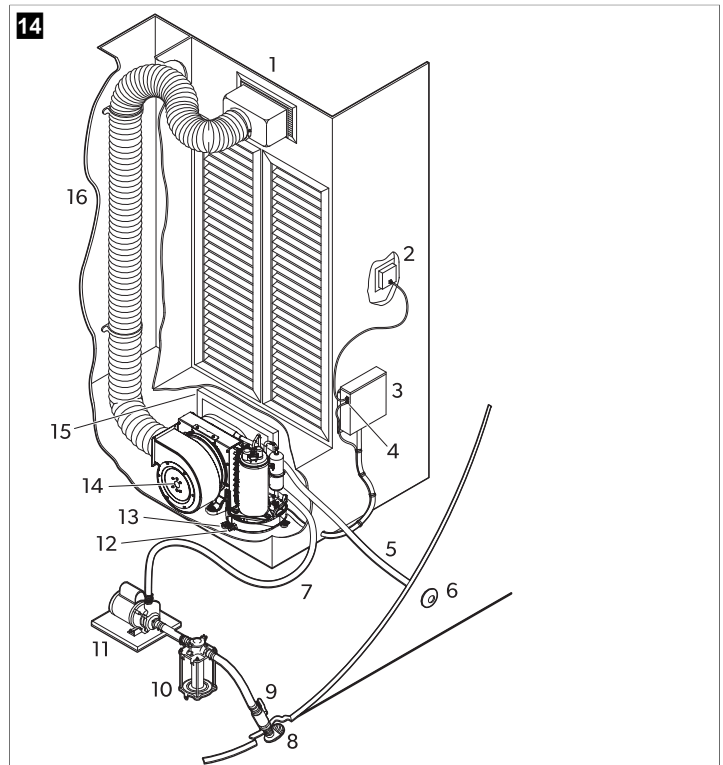
Vie pakkausmateriaali mahdollisuuksien mukaan niille tarkoitettuihin kierrätysjäteastioihin. Tiedustele lähimmästä kierrätyskeskuksesta tai erikoisliikkeestä tuotetta koskevia yksityiskohtaisia hävittämistä koskevia ohjeita.

9 Tekniset tiedot

Lue nämä ohjeet kokonaan ja suunnittele ilmastointilaitteeseen tehtävät liitännät (mukaan lukien putket, kondensaatin poistojohdin, meriveden tulo- ja poistoletkut, sähköliitännät, ohjaimen sijainti sekä merivesipumpun paikka) siten, että johtimien vetäminen ja tuleva huolto onnistuu helposti.

9.1 Osien sijainnit

Ilmastointilaitteen osien tunnistus



- | | |
|---|------------------|
| 1 Tuloilman suojaritilä ja kytkentäkotelo | 9 Runkoventtiili |
|---|------------------|

2	Digitaalinityttö	10	Merivesisuodatin
3	Sähkörasia	11	Pumppu
4	Valinnaisen etäilma-anturin johto	12	Kondensaatin poistoletkun kara
5	Meriveden lähtöletku	13	Asennuspidike
6	Ulkolaitälähtö	14	Ilmastointilaitte
7	Meriveden tuloletku	15	Poistoilman suojaritilä ja suodatin
8	Rungon läpivienti	16	Eristetyt taipuisat putket

11 Takuu

Katso Yhdysvaltojen, Kanadan ja kaikkien muiden alueiden takuuta ja takuutukea koskevat tiedot alla olevista osioista.

Yhdysvallat ja Kanada

RAJOITETTU TAKUU SAATAVANA OSOITTEESSA DOMETIC.COM/EN-US/TERMS-AND-CONDITIONS-CONSUMER/WARRANTY. JOS SINULLA ON KYSYMYKSIÄ TAI JOS HALUAT SAADA ILMAISEKSI KOPION RAJOITETUSTA TAKUUSTA, OTA YHTEYTTÄ:

DOMETIC CORPORATION
MARINE CUSTOMER SUPPORT CENTER
2000 NORTH ANDREWS AVENUE
POMPANO BEACH, FLORIDA, USA 33069
1-800-542-2477

Asian ja Tyynenmeren maat (APAC)

Jos tuote ei toimi niin kuin sen pitäisi, ota yhteyttä jälleenmyyjään tai valmistajan toimipisteeseen omassa maassasi (ks. dometic.com/dealer). Tuotetasi koskeva takuu on voimassa 1 vuoden/vuotta.

Jos lähetät tuotteen korjattavaksi, liitä korjaus- ja takuukäsittelyä varten mukaan seuraavat asiakirjat:

- Kopio kuitista, jossa näkyy ostopäivä
- Valitusperuste tai vikakuvaus

Huomaa, että itse tai väärin tehty korjaus voi vaarantaa turvallisuuden ja johtaa takuun raukeamiseen.

Vain Australia

Tuotteitamme koskevia takuita ei voida sivuuttaa Australian kuluttajalain nojalla. Sinulla on oikeus vaihtaa tai palauttaa tuote, jos siinä on merkittävä vika, ja saada korvaus muusta kohtuullisesti ennakoitavasta menetyksestä tai vauriosta. Lisäksi sinulla on oikeus korjauttaa tai vaihdattaa tuotteet, jos tuotteiden laatu ei ole hyväksyttävä eikä vika muodosta vakavaa vikaa.

Koskee vain Uutta-Seelantia

Tämä takuukäytäntö on Kuluttajatakuulaissa [Consumer Guarantees Act 1993(NZ)] säädettyjen pakollisten ehtojen ja takuiden mukainen.

Kaikki muut alueet

Tuotetta koskee lakisääteinen tuotevastuuaika. Jos tuote on viallinen, ota yhteyttä valmistajan toimipisteeseen omassa maassasi (ks. dometic.com/dealer) tai jälleenmyyjään.

Jos lähetät tuotteen korjattavaksi, liitä korjaus- ja takuukäsittelyä varten mukaan seuraavat asiakirjat:

- Kopio kuitista, jossa näkyy ostopäivä
- Valitusperuste tai vikakuvaus

Huomaa, että itse tai väärin tehty korjaus voi vaarantaa turvallisuuden ja johtaa takuun raukeamiseen.

9.2 Tekniset tiedot

Jäähdytyskierto sisältää pienen määrän ympäristöystävällistä mutta syttyvää kylmäainetta. Se ei vahingoita otsonikerrosta eikä edistä kasvihuoneilmiötä. Vuotava kylmäaine voi syttyä.

Sisältää fluorattuja kasvihuonekaasuja.

Kylmälaitteisto on hermeettisesti suljettu.

Taulu 21. Putken ja säleikön vähimmäismitat BTU-tehoa kohti

	3.5 k BTU	6 k BTU	8 k BTU	10 k BTU
Putken vähimmäishalkaisija	3,00 in (76,2 mm)	4,00 in (101,6 mm)	5,00 in (127,0 mm)	6,00 in (152,4 mm)
Putken vähimmäispinta-ala	6,8 in ² (43,9 cm ²)	12,6 in ² (81,3 cm ²)	19,6 in ² (126,5 cm ²)	28,3 in ² (182,6 cm ²)
Poistoilman suojaritilän vähimmäiskoko	48,0 in ² (309,7 cm ²)	64,0 in ² (412,9 cm ²)	80,0 in ² (516,2 cm ²)	100,0 in ² (645,2 cm ²)
Tuloilman suojaritilän vähimmäiskoko	12,0 in ² (77,4 cm ²)	32,0 in ² (206,5 cm ²)	48,0 in ² (309,7 cm ²)	60,0 in ² (387,1 cm ²)
	12 k BTU	16 k BTU	18 k BTU	27 k BTU
Putken vähimmäishalkaisija	6,00 in (152,4 mm)	7,00 in (177,8 mm)	7,00 in (177,8 mm)	8,00 in (203,2 mm)
Putken vähimmäispinta-ala	28,3 in ² (182,6 cm ²)	38,5 in ² (248,4 cm ²)	38,5 in ² (248,4 cm ²)	50,3 in ² (324,5 cm ²)
Poistoilman suojaritilän vähimmäiskoko	130,0 in ² (838,8 cm ²)	160,0 in ² (1032,3 cm ²)	200,0 in ² (1290,4 cm ²)	240,0 in ² (1548,5 cm ²)
Tuloilman suojaritilän vähimmäiskoko	70,0 in ² (451,6 cm ²)	80,0 in ² (516,2 cm ²)	100,0 in ² (645,2 cm ²)	120,0 in ² (774,2 cm ²)

Taulu 22. Käyttöveden lämpötila ja paine

Käyttöveden vähimmäislämpötila	40,0 °F (4,44 °C)
Käyttöveden enimmäislämpötila	80,0 °F (26,66 °C)
Käyttöveden vähimmäispaine	4,2 psi (0,29 bar) (29,00 kPa)
Käyttöveden enimmäispaine	6,00 psi (0,41 bar) (41,4 kPa)

Noudata EPA-käyttöehtoja.



OHJE Laite voi toimia alennetulla teholla muissa kuin näissä olosuhteissa.

10 Lakisääteinen

Vain GVTX-mallit: IEC 60533 -standardin noudattamiseksi tuotetta ei saa asentaa alle 9,8 ft (3,00 m) päähän vastaanottoantennista.

Polski

1	Ważne wskazówki.....	98
2	Objaśnienie symboli.....	98
3	Grupy docelowe.....	99
4	Użytkowanie zgodne z przeznaczeniem.....	99
5	Objaśnienie symboli na urządzeniu.....	99
6	Czynności wstępne przed montażem.....	99
7	Montaż.....	101
8	Utylizacja.....	104
9	Dane techniczne.....	104
10	Informacje prawne.....	105
11	Gwarancja.....	105

1 Ważne wskazówki

Prosimy o uważne przeczytanie niniejszej instrukcji obsługi produktu i przestrzeganie wszystkich zaleceń, wskazówek oraz ostrzeżeń w niej zawartych w celu zapewnienia prawidłowego montażu, użytkowania oraz konserwacji produktu w każdej sytuacji. Niniejsza instrukcja **MUSI** przez cały czas pozostawać przy produkcie.

Korzystając z produktu, użytkownik potwierdza uważne przeczytanie wszelkich instrukcji, wskazówek i ostrzeżeń, ich zrozumienie oraz zobowiązuje się przestrzegać zawartych w nich warunków. Użytkownik zobowiązuje się wykorzystywać niniejszy produkt wyłącznie zgodnie z jego przeznaczeniem i zamierzonym zastosowaniem oraz z instrukcjami, wskazówkami i ostrzeżeniami wyszczególnionymi w niniejszej instrukcji produktu, jak również ze wszystkimi mającymi zastosowanie przepisami i regulacjami prawnymi. Nieprzestrzeganie zawartych tu instrukcji i ostrzeżeń może skutkować obrażeniami u użytkownika oraz osób trzecich, uszkodzeniem produktu lub też uszkodzeniem mienia w sąsiedztwie produktu. Zastrzega się możliwość wprowadzania zmian i aktualizacji niniejszej instrukcji produktu, wraz z instrukcjami, wskazówkami i ostrzeżeniami oraz powiązaną dokumentacją. Aktualne informacje dotyczące produktu można zawsze znaleźć na stronie documents.domestic.com.

2 Objąsnienie symboli

Słowo sygnałowe pozwala rozpoznać komunikaty dotyczące bezpieczeństwa i komunikaty dotyczące uszkodzeń mienia, a także wskazuje stopień lub poziom zagrożenia.



NIEBEZPIECZEŃSTWO!

Wskazuje niebezpieczną sytuację, która – jeśli się jej nie uniknie – prowadzi do śmierci lub poważnych obrażeń.



OSTRZEŻENIE!

Wskazuje niebezpieczną sytuację, która – jeśli się jej nie uniknie – może prowadzić do śmierci lub poważnych obrażeń.



UWAGA!

Wskazuje sytuację, która – jeśli się jej nie uniknie – może prowadzić do powstania szkód materialnych.



WSKAZÓWKA Dodatkowe informacje dotyczące obsługi produktu.

2.1 Zalecenia uzupełniające

W celu zmniejszenia ryzyka wypadków i obrażeń przed przystąpieniem do montażu urządzenia należy przestrzegać następujących zaleceń:

- Przeczytać wszystkie informacje i instrukcje dotyczące bezpieczeństwa oraz przestrzegać ich.
- Przed zamontowaniem produktu należy przeczytać ze zrozumieniem niniejszą instrukcję.
- Instalacja musi być zgodna z obowiązującymi lokalnymi lub krajowymi przepisami, w tym z najnowszymi wersjami następujących norm:
 - American Boat and Yacht Council (ABYC)
 - ANSI/NFPA 70, National Electrical Code (NEC)

2.2 Wskazówki bezpieczeństwa



NIEBEZPIECZEŃSTWO! Ryzyko pożaru lub wybuchu. W niektórych modelach wykorzystywany jest łatwopalny czynnik chłodniczy.

Nieprzestrzeganie poniższych ostrzeżeń może prowadzić do śmierci lub ciężkich obrażeń:

- > Naprawę mogą wykonać wyłącznie przeszkoleni pracownicy serwisu.
- > Nie montować ani nie przechowywać w miejscach, w których znajdują się stale działające źródła zapłonu.
- > Nie blokować obowiązkowych otworów wentylacyjnych.
- > Nie przekłuwać przewodów obiegu czynnika chłodniczego.
- > Informacje na temat typu czynnika chłodniczego znajdują się na tabliczce znamionowej produktu.



OSTRZEŻENIE! Zagrożenie pożarem lub wybuchem

Nieprzestrzeganie poniższych ostrzeżeń może prowadzić do śmierci lub ciężkich obrażeń:

- > Nie wolno używać potencjalnych źródeł zapłonu do wykrywania lub poszukiwania wycieków czynnika chłodniczego. Nie używać palników ani żadnych innych detektorów wykorzystujących nieostonięty płomień.
- > Należy upewnić się, że urządzenie wykrywające jest odpowiednio dobrane do typu czynnika chłodniczego używanego w produkcie. Informacje na temat typu czynnika chłodniczego znajdują się na tabliczce znamionowej produktu.
- > Do wykrywania wycieków czynnika chłodniczego można użyć elektronicznych testerów nieszczelności, jednak ich czułość może być niewystarczająca w przypadku łatwopalnych czynników chłodniczych, a ponadto mogą one wymagać ponownej kalibracji. Kalibrację urządzeń wykrywających należy przeprowadzać w obszarze wolnym od czynnika chłodniczego.



OSTRZEŻENIE! Ryzyko zatrucia tlenkiem węgla

Nieprzestrzeganie poniższych ostrzeżeń może prowadzić do śmierci lub ciężkich obrażeń:

- > Nie wolno montować ani obsługiwać autonomicznego klimatyzatora w zęzach, maszynowniach ani w pobliżu silnika spalinowego. Upewnić się, że wybrane miejsce jest uszczelnione przed bezpośrednim dostępem oparów z zęzy lub maszynowni.
- > Sprawdzić, czy przewód spustowy kondensatu jest prawidłowo zamontowany i uszczelniony. Nie wolno zakańczać przewodu spustowego kondensatu w odległości mniejszej niż 0,91 m od jakiegokolwiek wylotu układu wydechowego silnika lub generatora, w komorze, w której znajduje się silnik lub generator, ani w zęzie, chyba że spust jest prawidłowo podłączony do uszczelnionej pompy do kondensatu lub do pompy zęzowej prysznicowej. Jeśli przewód spustowy nie zostanie prawidłowo zamontowany, mogą przedostać się do niego niebezpieczne opary i zanieczyścić pomieszczenia mieszkalne.
- > Nie wolno montować klimatyzatora w miejscu, w którym może on spowodować cyrkulację tlenu węgla, oparów paliwa lub innych szkodliwych oparów w przestrzeniach mieszkalnych łodzi.



OSTRZEŻENIE! Ryzyko porażenia prądem

Montażu dokonywać może wyłącznie wykwalifikowany elektryk.



OSTRZEŻENIE! Zagrożenie porażeniem prądem elektrycznym, pożarem lub wybuchem

Nieprzestrzeganie tych środków ostrożności może prowadzić do śmierci lub ciężkich obrażeń.

To urządzenie nie może być używane przez osoby (w tym dzieci) o ograniczonych zdolnościach fizycznych, sensorycznych lub umysłowych, ani przez osoby bez doświadczenia i wiedzy, chyba że zapewniono im odpowiedni nadzór lub osoba odpowiedzialna za ich bezpieczeństwo przekazała im instrukcje w zakresie korzystania z tego urządzenia. Należy dopilnować, aby dzieci nie bawiły się urządzeniem. Dzieci nie mogą czyścić i konserwować urządzenia bez nadzoru. Urządzenie to nie powinno być ogólnodostępne.

**OSTRZEŻENIE! Ryzyko wybuchu**

Nieprzestrzeżenie tych środków ostrożności może prowadzić do śmierci lub ciężkich obrażeń.

- > Nie wolno montować klimatyzatora w miejscu, w którym znajdują się silniki benzynowe, zbiorniki paliwa, butle LPG/CNG, regulatory, zawory lub złączki przewodów paliwowych. O ile nie zaznaczono inaczej na opakowaniu, urządzenia autonomiczne nie spełniają wymogów federalnych w zakresie ochrony przed zapłonem. Nieprzestrzeżenie tego ostrzeżenia może prowadzić do śmierci lub ciężkich obrażeń.
- > Elementy elektryczne, które mogą wytwarzać łuki elektryczne lub iskry, należy wymieniać wyłącznie na części wskazane przez producenta urządzenia. Wymiana na inne części może spowodować zapłon czynnika chłodniczego w przypadku wycieku.

**OSTRZEŻENIE! Niebezpieczeństwo porażenia prądem elektrycznym**

Nieprzestrzeżenie tych środków ostrożności może prowadzić do śmierci lub ciężkich obrażeń.

- > W celu zminimalizowania ryzyka porażenia prądem elektrycznym klimatyzator należy skutecznie uziemić. Więcej informacji znajduje się we wskazówkach dotyczących montażu.
- > Każdy zamontowany klimatyzator wymaga odrębnego automatycznego wyłącznika. Jeśli zamontowany jest tylko jeden klimatyzator, pompa wody morskiej nie wymaga odrębnego automatycznego wyłącznika. Jeśli co najmniej dwa klimatyzatory korzystają z tej samej pompy wody morskiej, przewody pompy zostaną podłączone do listwy przełącznikowej pompy (PRP), która jest z kolei wyposażona w swój własny odrębny wyłącznik automatyczny dopasowany wielkością do pompy (maks. 20 A). Zapoznać się ze schematem połączeń dostarczonym wraz z listwą PRP. W przypadku przyłączy elektrycznych znajdujących się w zębie lub poniżej wodnicy należy zastosować złączki termokurczliwe.
- > Przewody zewnętrzne muszą być zgodne z kodeksami elektrycznymi ABYC. Zasilanie urządzenia musi mieścić się w zakresie napięcia roboczego podanym na tabliczce znamionowej. W celu zabezpieczenia odgałęzień należy zamontować bezpieczniki o odpowiednich parametrach lub wyłączniki automatyczne HACR. Informacje na temat maksymalnego rozmiaru bezpiecznika/wyłącznika automatycznego (MFS) oraz minimalnej obciążalności prądowej obwodów (MCA) znajdują się na tabliczce znamionowej.

**UWAGA!**

Urządzenie to zawiera fluorowane gazy cieplarniane w hermetycznie zamkniętych elementach wyposażenia. Informacje na temat ilości czynnika chłodniczego, podane jako wartość masy i GWP, znajdują się na tabliczce znamionowej agregatu skraplającego. Uzupełnioną ilość czynnika chłodniczego należy odnotować na etykiecie agregatu.

**UWAGA!**

Nie wolno używać miedzianych rur do pchania, ciągnięcia, podnoszenia ani przenoszenia produktu.

3 Grupy docelowe



Mechanicznej i elektrycznej instalacji urządzenia oraz jego konfiguracji musi dokonać wykwalifikowany technik, posiadający poświadczone kompetencje i wiedzę w zakresie budowy i sposobu działania wyposażenia oraz instalacji przeznaczonych do zastosowań morskich, znający przepisy obowiązujące w kraju, w którym urządzenie ma być zainstalowane i/lub wykorzystywane, oraz posiadający ukończone szkolenie w zakresie bezpieczeństwa, pozwalające na rozpoznawanie i unikanie występujących zagrożeń.

4 Użytkowanie zgodne z przeznaczeniem

Niniejsza instrukcja przedstawia montaż autonomicznych układów klimatyzacji DCU, DLU, DTG, ECD, GT, GTX, GTX-LP, GVTX i TX (zwanymi dalej klimatyzatorami). Klimatyzator jest przeznaczony do użytku na łodziach i jachtach. Klimatyzator jest przystosowany wyłącznie do stosowania zgodnie z jego zamierzonym przeznaczeniem według niniejszej instrukcji.

Niniejszy produkt jest przystosowany wyłącznie do wykorzystywania zgodnie z jego przeznaczeniem oraz zamierzonym zastosowaniem według niniejszej instrukcji.

Niniejsza instrukcja zawiera informacje, które są niezbędne do prawidłowego montażu i/lub obsługi produktu. Nieprawidłowy montaż i/lub niewłaściwa obsługa lub konserwacja powodują niezadowolające działanie i mogą prowadzić do uszkodzeń.

Producent nie ponosi żadnej odpowiedzialności za ewentualne obrażenia lub uszkodzenia produktu wynikłe z następujących przyczyn:

- Nieprawidłowy montaż, złożenie lub podłączenie, w tym zbyt wysokie napięcie
- Niewłaściwa konserwacja lub użycie innych części zamiennych niż oryginalne części zamienne dostarczone przez producenta
- Wprowadzanie zmian w produkcie bez wyraźnej zgody producenta
- Użytkowanie w celach innych niż opisane w niniejszej instrukcji obsługi

Firma Dometic zastrzega sobie prawo do zmiany wyglądu i specyfikacji produktu.

5 Objaśnienie symboli na urządzeniu



Ostrzeżenie! Ryzyko pożaru / materiały łatwopalne



Ostrzeżenie! Materiał o niskiej prędkości spalania. Łatwopalny czynnik chłodniczy.



Grupa bezpieczeństwa czynnika chłodniczego A2L



Przeczytać instrukcję obsługi.



Przeczytać instrukcję serwisową.

6 Czynności wstępne przed montażem

**UWAGA!**

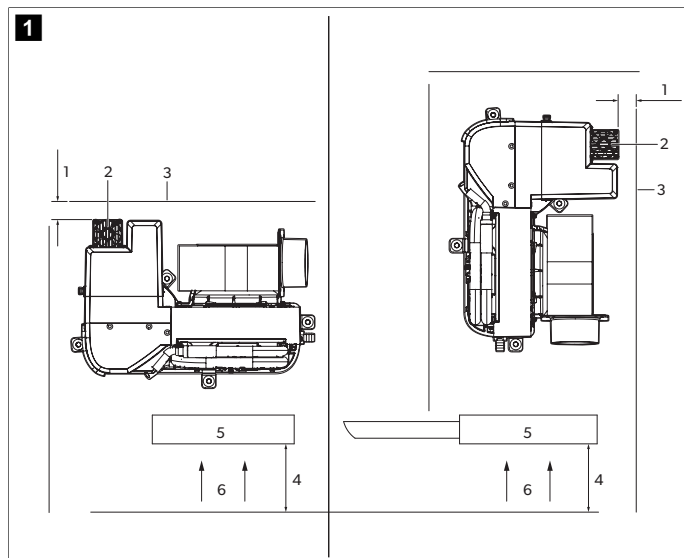
Korytka na kondensat w podstawie autonomicznych klimatyzatorów DTG, GTX, GVTX i TX są wyposażone w izolatory drgań zamontowane u dołu korytka. Zadaniem tych Izolatorów jest stłumienie drgań wywołanych działaniem klimatyzatora przed przeniesieniem na powierzchnię montażową. Podczas przemieszczania klimatyzatora po powierzchniach montażowych należy zachować ostrożność, ponieważ izolatory mogą ulec uszkodzeniu.

**UWAGA!**

- > Klimatyzator należy zamontować na niskiej, płaskiej, równej powierzchni, np. na dnie bakisty, pod leżanką albo siedziskiem jadalnianym lub w podobnym miejscu.
- > Należy upewnić się, że przewody nie są narażone na przedwczesne zużycie, korozję, nadmierny nacisk, działanie wibracji, kontakt z ostrymi krawędziami ani inne niekorzystne czynniki środowiskowe, w tym skutki starzenia się materiału oraz ciągle wibracje, pochodzące ze źródeł takich jak sprężarki czy wentylatory.
- > Należy upewnić się, że urządzenia zabezpieczające, przewody i złączki są w miarę możliwości chronione przed niekorzystnym wpływem środowiska, takim jak gromadzenie się brudu i zanieczyszczeń lub gromadzenie się i zamarzanie wody w przewodach nadmiarowych.
- > Należy podjąć środki ostrożności, aby uniknąć nadmiernych wibracji lub pulsacji na przewodach obiegu czynnika chłodniczego.

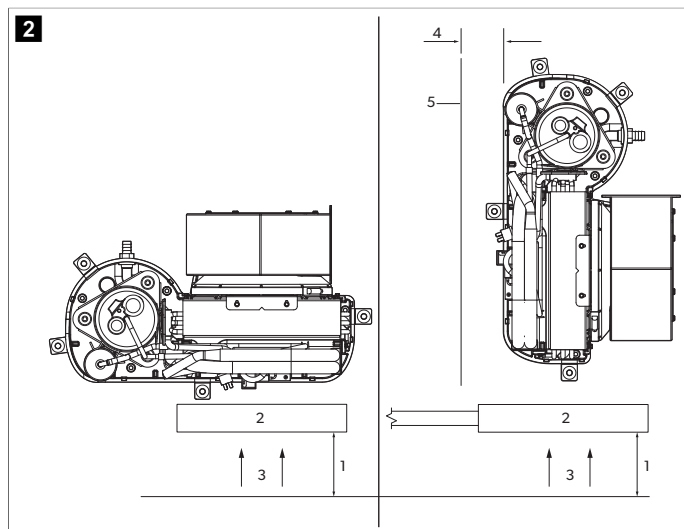
6.1 Ustalenie miejsca montażu

- Umieszczenie klimatyzatorów GVTX i TX względem przepływu powietrza



- | | |
|---------------------|----------------------------|
| 1 3,00 in (7,62 cm) | 4 4,00 in (10,16 cm) |
| 2 Radiator | 5 Kratka wywiewu powietrza |
| 3 Gródź | 6 Przepływ powietrza |

Umieszczenie wszystkich pozostałych klimatyzatorów względem przepływu powietrza



- | | |
|----------------------------|---------------------|
| 1 4,00 in (10,16 cm) | 4 3,00 in (7,62 cm) |
| 2 Kratka wywiewu powietrza | 5 Gródź |
| 3 Przepływ powietrza | |

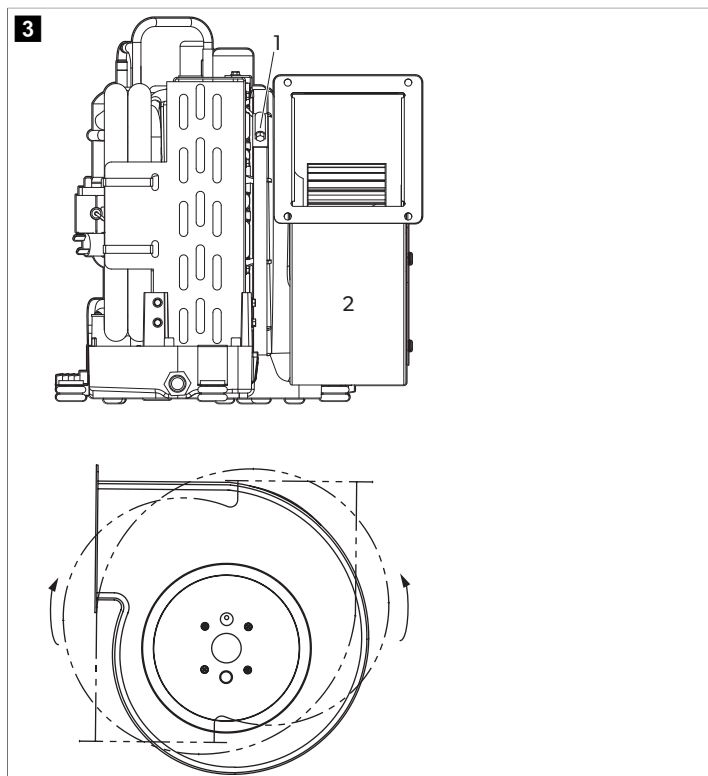
- Wybrać miejsce z dostatecznym przepływem powietrza. Przed kratką wywiewu powietrza powinien występować odstęp co najmniej 4,00 in (10,16 cm) umożliwiający cyrkulację powietrza, pozbawiony wszelkich przeszkód.
- Jeśli klimatyzator jest ustawiony prostopadłe do kratki wywiewu powietrza, należy zachować odstęp co najmniej 3,00 in (7,62 cm) umożliwiający cyrkulację powietrza po stronie wlotu powietrza.
- Tylko modele GVTX i TX:** Należy zapewnić minimalną wolną przestrzeń co najmniej 3,00 in (7,62 cm) powyżej i poniżej radiatora.

6.2 Obracanie dmuchawy

W tej części objaśniono sposób obracania dmuchawy dla każdego typu urządzenia. W razie potrzeby obrócić dmuchawę w kierunku umożliwiającym najbardziej bezpośrednie odprowadzenie przepływu powietrza przez przewody.

6.2.1 Dmuchawy GTX, GVTX, DTG i TX

Obracanie dmuchawy systemu GTX, GVTX, DTG i TX

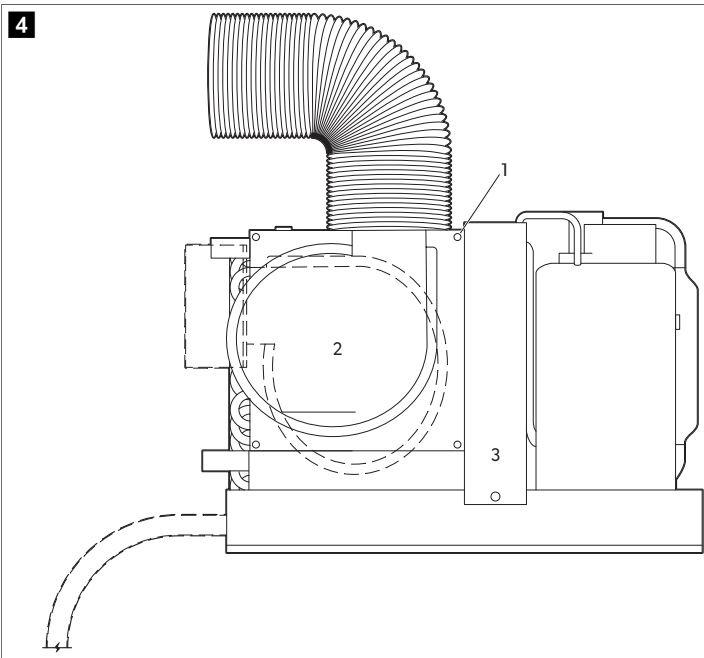


- Adjustment screw
- Blower

- Poluzować śrubę regulacyjną na pierścieniu montażowym dmuchawy.
- Obrócić dmuchawę w żądane położenie.
- Dokręcić śrubę regulacyjną.

6.2.2 Dmuchawy MCS, ECD i GT

Obracanie dmuchawy MCS, ECD i GT

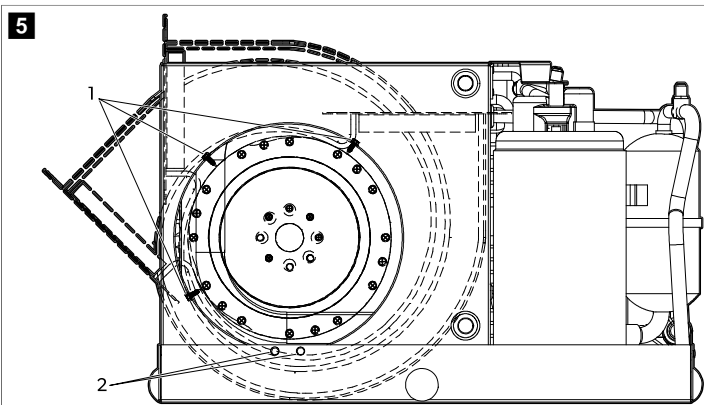


- 1 Screw
2 Nr rej.
3 Dmuchawa

- Wykręcić siedem wkrętów z płyty.
- Obrócić dmuchawę w żądane położenie.
- Zamocować dmuchawę we właściwym położeniu za pomocą wkrętów samogwintujących (brak w zestawie).

6.2.3 Dmuchawa DCU

Obracanie dmuchawy systemu DCU



- 1 Screws on blower ring
2 Screws on drain pan or bracket

- Wykręcić śruby z pierścienia dmuchawy.
- Wykręcić śruby mocujące dmuchawę do korytka spustowego lub wspornika.
- Obrócić dmuchawę w żądane położenie.
- Zamocować dmuchawę we właściwym położeniu za pomocą wkrętów samogwintujących (brak w zestawie).
- Zaślepić wszelkie nieużywane otwory, aby zapobiec utracie powietrza.

6.3 Montaż filtrów powietrza

Filtry powietrza usuwają z powietrza w kabinie unoszone w nim cząstki stałe oraz utrzymują w czystości cewkę parownika. W przypadku każdego klimatyzatora należy zamontować jeden filtr powietrza na klimatyzatorze lub w kratce wywiewu powietrza.

6.4 Montaż kratki i skrzynek przejściowych

Podczas montażu kratki i skrzynek przejściowych należy wziąć pod uwagę następujące kwestie:

- Zamontować kratkę wlotu powietrza możliwie jak najwyżej w miejscu, które zapewni równomierne rozprzodzenie powietrza w kabinie. Skierować żaluzje kratki w górę.
- Zamontować kratkę wywiewu powietrza możliwie jak najniżej i jak najbliżej klimatyzatora, aby zapewnić przepływ powietrza do parownika.
- Nie wolno kierować wylotu dopływającego powietrza w stronę kratki wywiewu, ponieważ spowoduje to częste włączanie i wyłączanie systemu.
- Zapewnić odpowiedni odstęp za kratką wlotu powietrza dla skrzynki przejściowej i połączenia przewodów. Patrz Specyfikację na stronie 105

7 Montaż



OSTRZEŻENIE! Ryzyko porażenia prądem

Montażu dokonywać może wyłącznie wykwalifikowany elektryk.

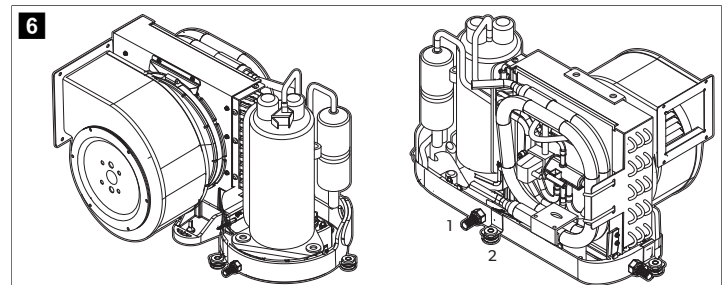
7.1 Montaż wsporników montażowych i spustu kondensatu



UWAGA!

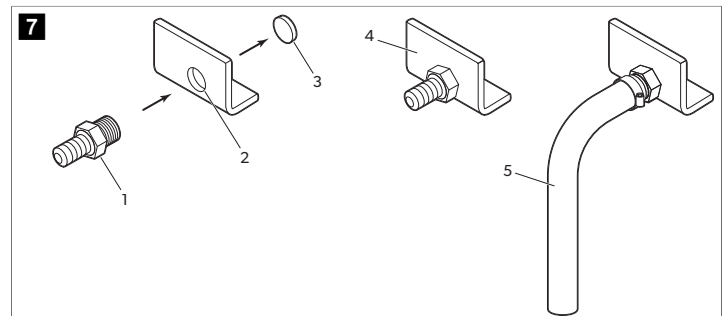
Aby zapobiec pękaniu korytka spustowego, nie należy owijać króćca węża więcej niż dwiema warstwami taśmy hydraulicznej oraz nie dokręcać zbyt mocno króćca węża.

Typowe rozmieszczenie wsporników montażowych i spustów kondensatu



- 1 Króciec węża spustowego kondensatu
2 Wspornik montażowy

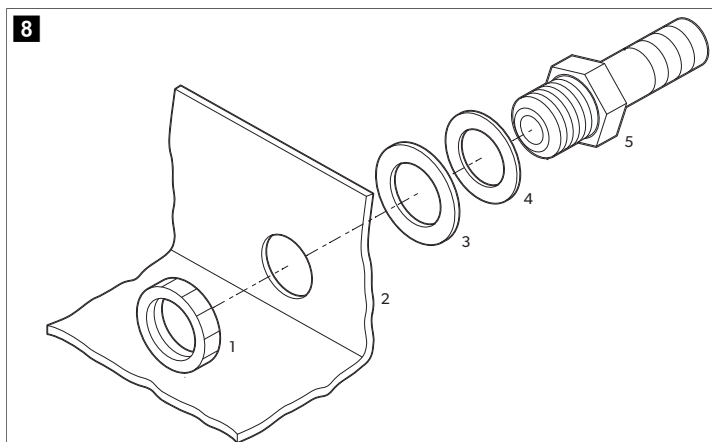
Montaż spustu kondensatu w klimatyzatorach GTX, GVTX, DTG i TX



- 1 Hose barb
2 Gwintowany otwór spustowy
4 Drain pan
5 Wąż spustowy

3 Wybiana zaślepka

Montaż spustu kondensatu we wszystkich pozostałych klimatyzatorach



- | | |
|----------------------------|--|
| 1 Locking nut | 4 Solid washer |
| 2 Korytko spustowe | 5 Złączka PCW 0,5 in (12,7 mm) HB x 0,5 in (12,7 mm) MPT |
| 3 Podkładka uszczelniająca | |

1. Urządzenia GTX, GVTX, DTG i TX:

- Za pomocą mniejszej końcówki króćca węża wybić zaślepkę z otworu odpływowego skierowanego ku rufie, wykonując jedno szybkie uderzenie gumowym młotkiem. Wyrzucić wybijaną zaślepkę.
- Owinąć gwintowaną końcówkę króćca węża taśmą hydrauliczną.
- Wkręcić króciec węża w gwintowany otwór spustowy i mocno dokręcić.

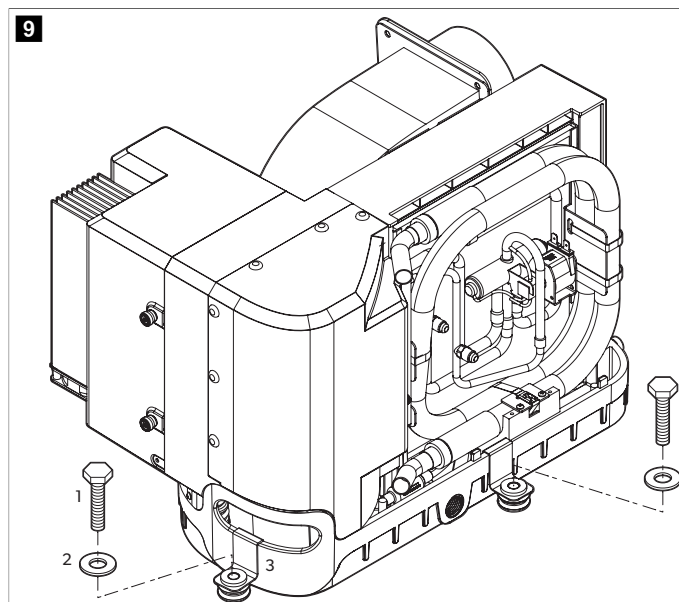
2. W przypadku wszystkich pozostałych klimatyzatorów:

- Przełożyć króciec węża przez podkładkę i podkładkę uszczelniającą, a następnie włożyć go w otwór spustowy.
- Zamocować przeciwnakrętką.

3. Zamocować wąż spustowy do króćca węża za pomocą obejmy ze stali nierdzewnej.

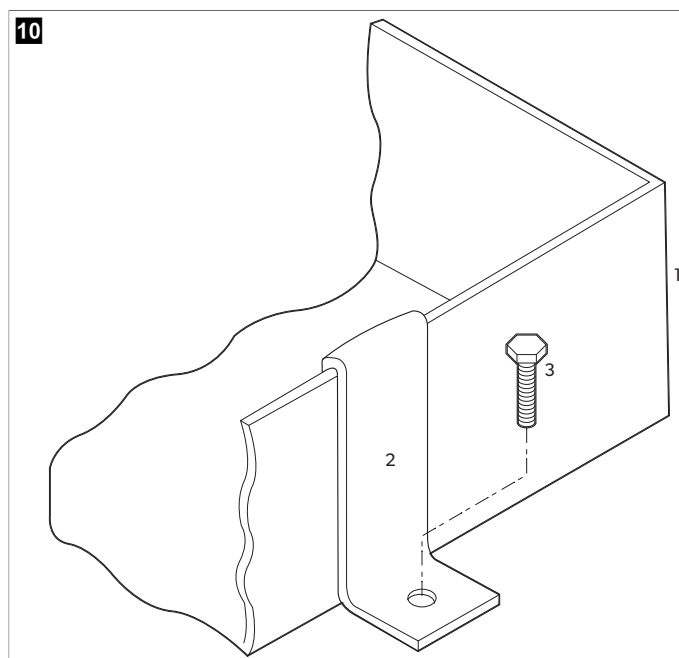
4. Poprowadzić wąż spustowy w dół do bezpiecznego i właściwego punktu zbiorczego.

Montaż wspornika montażowego w klimatyzatorach GTX, GVTX, DTG i TX



- Śruba mocująca (brak w zestawie)
- Podkładka odbojowa (w zestawie)
- Wspornik montażowy (w zestawie)

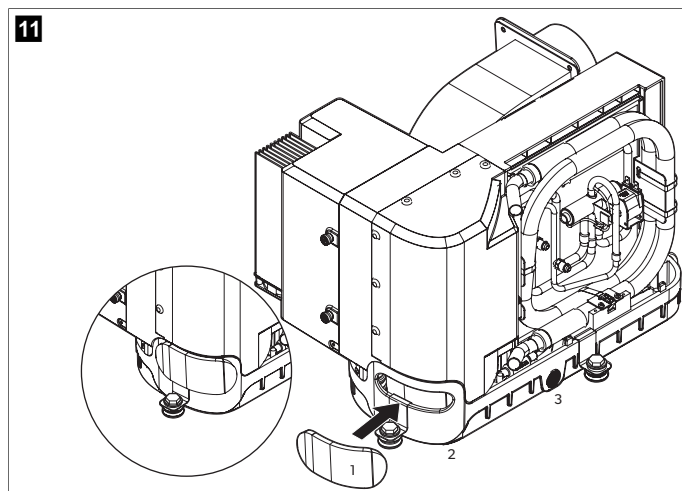
Montaż wspornika montażowego w innych klimatyzatorach



- Korytko spustowe
- Wspornik montażowy
- Śruba mocująca (brak w zestawie)

5. Zamontować jeden wspornik montażowy po obu stronach korytka spustowego w równych odstępach.

Montaż piankowej izolacji uchwyty w klimatyzatorach GVTX i TX



- 1 Piankowa izolacja uchwyty
2 Otwór uchwyty
3 Korytka spustowe

6. Urządzenia GVTX i TX:

- Zdjąć folię pokrywającą warstwę samoprzylepną na piankowej izolacji uchwyty.
- Ustawić piankową izolację uchwyty w taki sposób, aby całkowicie zakryła otwór uchwyty stroną samoprzylepną skierowaną w stronę korytka spustowego.
- Docisnąć wokół otworu uchwyty, aby przykleić piankową izolację uchwyty do korytka spustowego.

7.2 Montaż przewodów



OSTRZEŻENIE! Ryzyko pożaru lub wybuchu

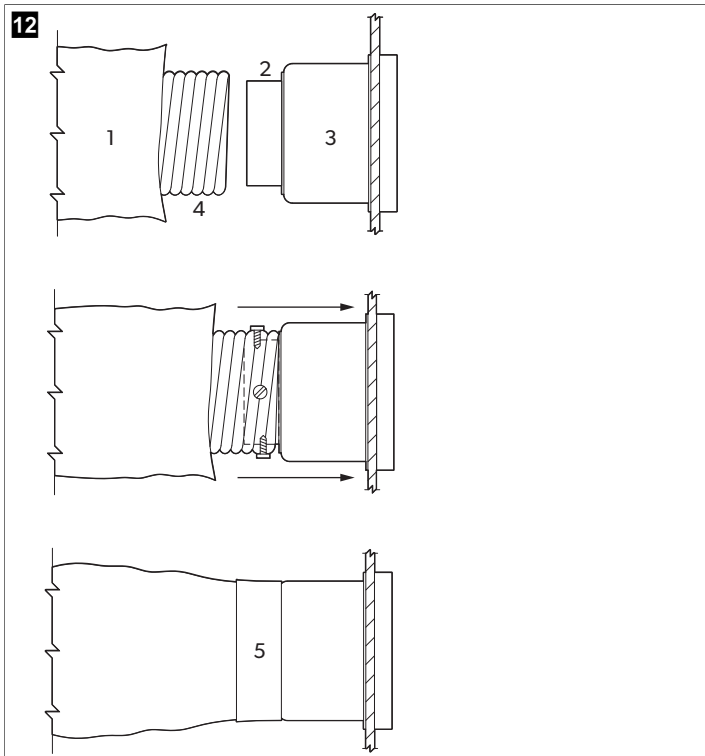
- > W przewodach nie wolno montować urządzeń pomocniczych, które mogą być źródłem zapłonu, z wyjątkiem urządzeń pomocniczych wskazanych do użytku z danym urządzeniem.
- > W przypadku modeli, w których wykorzystywane są łatwopalne czynniki chłodnicze, połączonych systemem przewodów powietrznych z co najmniej jednym pomieszczeniem, powietrze nawiewane i wywiewane powinno być kierowane bezpośrednio do pomieszczenia. Otwarte przestrzenie, takie jak sufity podwieszane, nie mogą być wykorzystywane jako kanały wywiewanego powietrza.
- > Nie prowadzić przewodów przez maszynownię ani w żadnym miejscu, w którym mogą być narażone na niebezpieczne opary lub spaliny.

Podczas montażu przewodów należy przestrzegać następujących warunków:

- Przewody muszą być odpowiednio dobrane pod względem rozmiaru do danego zastosowania.
- Poprowadzić przewody możliwie jak najbardziej prosto i regularnie w taki sposób, aby były napięte, minimalizując liczbę pętli i zagięć pod kątem 90°, które mogą ograniczyć przepływ powietrza.
- Dokładnie zamocować przewody, aby zapobiec ich zwisaniu.
- Nie dopuścić do spłaszczenia ani zagięcia przewodów.
- Po zamontowaniu przyciąć nadmiar długości przewodów.
- Zaizolować przewody w przypadku, gdy znajdują się w miejscach o wysokiej temperaturze.

W przypadku zastosowania skrzynki przejściowej łączna powierzchnia przewodów doprowadzających powietrze wychodzących ze skrzynki powinna być co najmniej równa łącznej powierzchni przewodów zasilających dochodzących do skrzynki. Patrz Specyfikacje na stronie 105

Przyłącza przewodów



- 1 Izolacja z włókna szklanego
2 Pierścień montażowy
3 Skrzynka przejściowa
4 Wewnętrzny wąż z mylaru
5 Taśma naprawcza

- Wsunąć wewnętrzny wąż z mylaru na pierścień montażowy skrzynki przejściowej.
- Wkręcić trzy lub cztery wkręty ze stali nierdzewnej przez wąż z mylaru w pierścień montażowy, blokując dwa lub trzy druciki łbami wkrętów.
- Wsunąć izolację z włókna szklanego na wewnętrzny wąż z mylaru prowadzący do skrzynki przejściowej. Zabezpieczyć taśmą naprawczą.

7.3 Montaż układu wody morskiej



UWAGA!

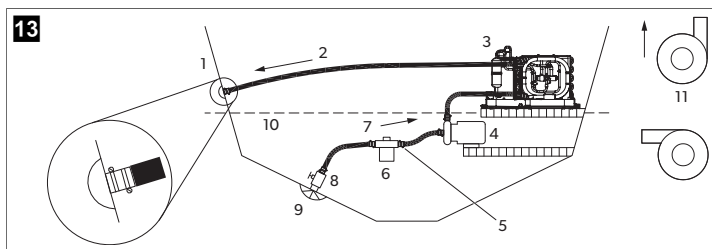
Nieprzestrzeganie tej procedury spowoduje unieważnienie gwarancji.

Podczas montażu układu wody morskiej należy przestrzegać następujących zaleceń:

- Filtr siatkowy musi znajdować się pod pompą.
- Węże należy zabezpieczyć podwójnymi obejmami.
- Węże nie mogą być zagięte, zapętlone bądź obejmować fragmentów, w których może zbierać się powietrze.
- Pompa i filtr siatkowy muszą znajdować się poniżej wodnicy.
- Wlot przepustu przez kadłub, zawór kulowy, wąż i filtr siatkowy nie powinny być mniejsze niż wlot pompy.
- Zamontować złączkę przepustu przez kadłub możliwie jak najniżej względem wodnicy.
- Pompa musi być wyposażona w specjalny przepust przez kadłub.
- Na ile to możliwe, należy unikać złązek kolankowych 90,00°.
- Upewnić się, że głowica pompy jest obrócona w kierunku przepływu wody.
- Zastosować taśmę hydrauliczną na wszystkich połączeniach gwintowanych.

Maksymalne oraz minimalne wartości temperatury i ciśnienia wody podano w części Specyfikacje na stronie 105.

Układ wody morskiej



- | | |
|-----------------------|--|
| 1 Spust wody morskiej | 7 Przepływ przez wlot w górę |
| 2 Odpływ | 8 Zawór kulowy |
| 3 Klimatyzator | 9 Wlot przepustu przez kadłub z łopatką filtrującą |
| 4 Pompa wody morskiej | 10 Linia wodna |
| 5 Zaciski węży | 11 Prawidłowe ustawienia filtra siatkowego głowicy pompy |
| 6 Filtr sitowy | |

- Zamontować wlot przepustu wody morskiej przez kadłub z łopatką filtrującą możliwie jak najbliżej kila i możliwie jak najniżej względem wodnicy. Zabezpieczyć wlot przepustu przez kadłub z łopatką filtrującą za pomocą szczelniwa przeznaczanego do użytku podwodnego w środowisku morskim.
- Zamontować na wlocie przepustu przez kadłub z łopatką filtrującą pełnoprzepływowy zawór denny z brązu.
- Zamontować filtr siatkowy wody morskiej poniżej poziomu pompy, zapewniając dostęp do filtra.
- Zamontować pompę nad filtrem siatkowym i przynajmniej jedną stopę poniżej wodnicy.
- Połączyć zawór denny i filtr siatkowy z biegnącym w górę wzmocnionym węzłem przeznaczonym do użytku w środowisku morskim.
- Podłączyć wylot z pompy w górę do dolnego wlotu cewki skraplacza klimatyzatora za pomocą wzmocnionego węży 5/8 cala przeznaczanego do użytku w środowisku morskim.
- Podłączyć wylot z cewki skraplacza do złączki przepustu przez kadłub odpływu burtowego za pomocą wzmocnionego węży 5/8 cala przeznaczanego do użytku w środowisku morskim.
- Należy unikać zapętleń i nieprzylegania węży do powierzchni oraz stosowania krzywaków rurowych 90°. Każde kolanko 90° odpowiada 2,5 ft (0,76 m) węży, natomiast kolanko 90° na wylocie pompy odpowiada 20,0 ft (6,10 m) węży.
- Wszystkie połączenia węży należy zabezpieczyć podwójnymi obejmami, odwracając obejmę, gdzie zachodzi taka konieczność.
- Podłączyć wszystkie metalowe części stykające się z wodą morską do układu połączeń wyrównawczych statku.

7.4 Wykonywanie połączeń elektrycznych



OSTRZEŻENIE! Niebezpieczeństwo porażenia prądem elektrycznym

- > Przed otwarciem skrzynki elektrycznej należy zawsze wyłączyć wyłącznik zasilania klimatyzatora. Nieprzestrzeganie tego ostrzeżenia może prowadzić do śmierci lub ciężkich obrażeń.
- > Upewnić się, że skrzynka elektryczna znajduje się w obszarze chronionym przed wodą.



UWAGA!

W celu uniknięcia korozji spowodowanej oddziaływaniem prądu błędzącego klimatyzator należy podłączyć do układu połączeń wyrównawczych łodzi. Wszystkie pompy, zawory metalowe i złączki w obiegu wody morskiej, odizolowane od klimatyzatora za pośrednictwem węży gumowych lub PCW, należy podłączyć osobno do układu połączeń wyrównawczych łodzi.



WSKAZÓWKA Nieprawidłowe uziemienie i podłączenie do systemu spowoduje unieważnienie gwarancji.

Wszystkie klimatyzatory są wyposażone w listwę zaciskową wewnątrz skrzynki elektrycznej, oznakowaną w celu zapewnienia prawidłowego podłączenia. Schemat połączeń wewnątrz skrzynki elektrycznej zastępuje standardy ABYC. W celu zapewnienia ochrony systemu zgodnie z danymi na tabliczce znamionowej klimatyzatorów należy zastosować odpowiedniej wielkości wyłącznik automatyczny. Do zasilania klimatyzatora i pompy wody morskiej należy użyć przewodu do łodzi o przekroju co najmniej 12 AWG. Wszystkie połączenia należy wykonać za pomocą zacisków pierścieniowych lub widelkowych.

Podczas wykonywania połączeń elektrycznych należy przestrzegać następujących zaleceń:

- Uziemienie instalacji prądu przemiennego (AC) należy podłączyć do zacisku masowego (GRND) w bloku zacisków wejściowych zasilania prądem przemiennym.
- Połączenia pomiędzy przewodem uziemiającym układu AC statku a jego układem ujemnego prądu stałego (DC) lub układem połączeń wyrównawczych należy wykonać w ramach okablowania statku. Konserwacja lub wymiana zamontowanego sprzętu, który jest wyposażony w kołek uziemiający montowany na korpusie, wymaga sprawdzenia takich połączeń okablowania statku.
- Klimatyzatory GVTX i TX są przeznaczone do pracy przy zasilaniu prądem przemiennym lub prądem stałym o wysokim napięciu. Prawidłowe usytuowanie pokazano na schemacie połączeń statku.

Upewnić się, że uziemienie AC klimatyzatora jest prawidłowo podłączone do uziemienia AC łodzi. Sprawdzić we wnętrzu łodzi, czy szyna uziemiająca AC jest podłączona do szyny uziemiającej DC w dokładnie jednym miejscu.

Przed uruchomieniem sprawdzić i w razie potrzeby dokręcić wszystkie przyłącza elektryczne.

8 Utylizacja



OSTROŻNIE! Ryzyko pożaru

- > Urządzenie to zawiera łatwopalny gaz izolacyjny.
- > Demontaż i utylizację urządzenia należy zlecać specjalistom.



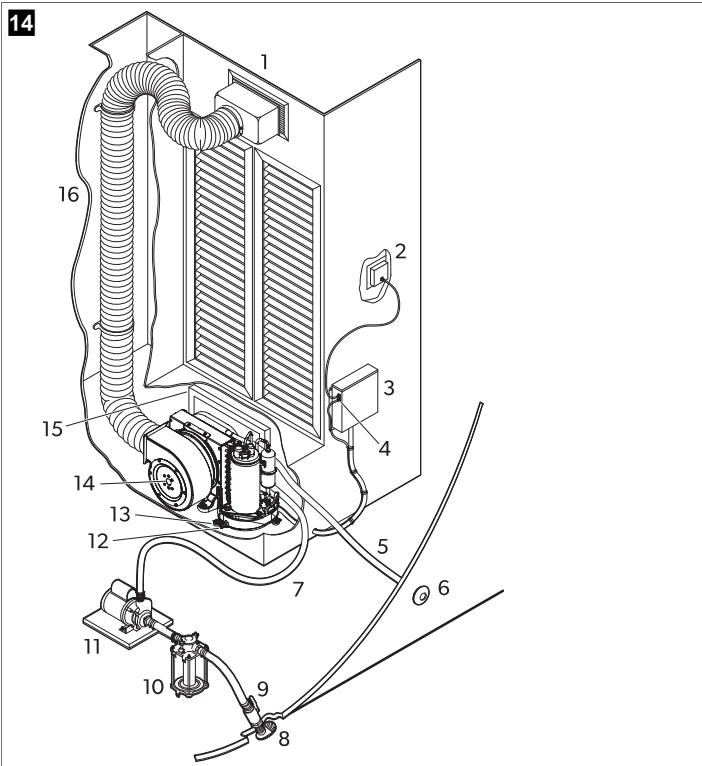
Opakowanie należy w miarę możliwości wrzucić do odpowiedniego pojemnika na odpady do recyklingu. Szczegółowe informacje na temat utylizacji produktu zgodnie z obowiązującymi przepisami można uzyskać w lokalnym zakładzie recyklingu lub u specjalistycznego dystrybutora.

9 Dane techniczne

Należy dokładnie zapoznać się z niniejszymi instrukcjami, a następnie zaplanować połączenia, które należy wykonać do klimatyzatora (w tym przewody, przewód spustowy kondensatu, węże dopływowe i odpływowe wody morskiej, przyłącza zasilania elektrycznego, umiejscowienie sterowania i umiejscowienie pompy wody morskiej), aby zapewnić łatwy dostęp na potrzeby rozprowadzenia i przyszłej konserwacji.

9.1 Umiejscowienie części

Identyfikacja podzespołów układu klimatyzacji



- | | | | |
|---|--|----|------------------------------------|
| 1 | Kratka wlotu powietrza i skrzynka przejściowa | 9 | Zawór odcinający denny |
| 2 | Wyświetlacz cyfrowy | 10 | Filtr siatkowy wody morskiej |
| 3 | Skrzynka elektryczna | 11 | Pompa |
| 4 | Przewód opcjonalnego zdalnie sterowanego czujnika powietrza | 12 | Króciec węża spustowego kondensatu |
| 5 | Wąż odpływowy wody morskiej | 13 | Wspornik montażowy |
| 6 | Odpływ burtowy | 14 | Klimatyzator |
| 7 | Wąż dopływowy wody morskiej | 15 | Kratka wywiewu powietrza z filtrem |
| 8 | Wlot przepustu wody morskiej przez kadłub z łopatką filtrującą | 16 | Przewody elastyczne z izolacją |

9.2 Specyfikacje

Obieg chłodniczy zawiera niewielką ilość przyjaznego dla środowiska, ale palnego czynnika chłodniczego. Nie uszkadza on warstwy ozonowej i nie przyczynia się do powstawania efektu cieplarnianego. Wyciekły czynnik chłodniczy może się zapalić.

Produkt zawiera fluorowane gazy cieplarniane.

Agregat chłodniczy jest hermetycznie zamknięty.

Tabela 23: Minimalne rozmiary przewodów i kratki według wydajności BTU

	3.5 k BTU	6 k BTU	8 k BTU	10 k BTU
Minimalna średnica przewodów	3,00 in (76,2 mm)	4,00 in (101,6 mm)	5,00 in (127,0 mm)	6,00 in (152,4 mm)
Minimalna powierzchnia przewodów	6,8 in ² (43,9 cm ²)	12,6 in ² (81,3 cm ²)	19,6 in ² (126,5 cm ²)	28,3 in ² (182,6 cm ²)
Minimalna kratka wywiewu powietrza	48,0 in ² (309,7 cm ²)	64,0 in ² (412,9 cm ²)	80,0 in ² (516,2 cm ²)	100,0 in ² (645,2 cm ²)
Minimalna kratka wlotu powietrza	12,0 in ² (77,4 cm ²)	32,0 in ² (206,5 cm ²)	48,0 in ² (309,7 cm ²)	60,0 in ² (387,1 cm ²)

	12 k BTU	16 k BTU	18 k BTU	27 k BTU
Minimalna średnica przewodów	6,00 in (152,4 mm)	7,00 in (177,8 mm)	7,00 in (177,8 mm)	8,00 in (203,2 mm)
Minimalna powierzchnia przewodów	28,3 in ² (182,6 cm ²)	38,5 in ² (248,4 cm ²)	38,5 in ² (248,4 cm ²)	50,3 in ² (324,5 cm ²)
Minimalna kratka wywiewu powietrza	130,0 in ² (838,8 cm ²)	160,0 in ² (1032,3 cm ²)	200,0 in ² (1290,4 cm ²)	240,0 in ² (1548,5 cm ²)
Minimalna kratka wlotu powietrza	70,0 in ² (451,6 cm ²)	80,0 in ² (516,2 cm ²)	100,0 in ² (645,2 cm ²)	120,0 in ² (774,2 cm ²)

Tabela 24: Temperatura i ciśnienie robocze wody

Minimalna temperatura robocza wody	40,0 °F (4,44 °C)
Maksymalna temperatura robocza wody	80,0 °F (26,66 °C)
Minimalne ciśnienie robocze wody	4,2 psi (0,29 bar) (29,00 kPa)
Maksymalne ciśnienie robocze wody	6,00 psi (0,41 bar) (41,4 kPa)

Przestrzegać warunków użytkowania amerykańskiej Agencji Ochrony Środowiska (EPA).



WSKAZÓWKA Poza zakresem podanych warunków urządzenie może pracować ze zmniejszoną wydajnością.

10 Informacje prawne

Tylko modele GVTX: w celu zapewnienia zgodności z normą IEC 60533 nie należy montować urządzenia w odległości mniejszej niż 9,8 ft (3,00 m) od anteny odbiorczej.

11 Gwarancja

W poniższej sekcji można znaleźć informacje o gwarancji i wsparciu gwarancyjnym w USA, Kanadzie i wszystkich innych regionach.

Stany Zjednoczone i Kanada

TREŚĆ OGRANICZONEJ GWARANCJI DOSTĘPNA NA STRONIE DOMETIC.COM/EN-US/TERMS-AND-CONDITIONS-CONSUMER/WARRANTY. W RAZIE PYTAŃ LUB W CELU BEZPŁATNEGO UZYSKANIA EGZEMPLARZA OGRANICZONEGO GWARANCJI NALEŻY SKONTAKTOWAĆ SIĘ Z:

DOMETIC CORPORATION
MARINE CUSTOMER SUPPORT CENTER
2000 NORTH ANDREWS AVENUE
POMPANO BEACH, FLORIDA, USA 33069
1-800-542-2477

Kraje Azji i Pacyfiku (APAC)

Jeśli produkt nie działa prawidłowo, należy zwrócić się do jego sprzedawcy lub oddziału producenta w danym kraju (patrz dometic.com/dealer). Produkt objęty jest 1-letnią gwarancją.

W celu naprawy lub rozpatrzenia gwarancji konieczne jest przesłanie następujących dokumentów:

- Kopii rachunku z datą zakupu
- Informacji o przyczynie reklamacji lub opisu wady

Uwaga: samodzielne lub nieprofesjonalne wykonywanie napraw może negatywnie wpływać na bezpieczeństwo i prowadzić do utraty gwarancji.

Dotyczy tylko Australii

Nasze produkty objęte są gwarancjami, których nie można wykluczyć w świetle Australijskiego prawa konsumenta. Klient jest uprawniony do wymiany produktu lub zwrotu kosztów w przypadku znacznej awarii lub otrzymania rekompensaty za wszelkie inne, racjonalnie przewidywalne straty i uszkodzenia. Klientowi przysługuje również prawo do naprawy lub wymiany produktu, jeżeli jego jakość nie jest akceptowalna, a wada ta nie stanowi poważnej awarii.

Tylko dla Nowej Zelandii

Niniejsze zasady gwarancji podlegają warunkom i gwarancjom, które są obowiązkowe w świetle Ustawy o gwarancjach dla klientów 1993(NZ).

Wszystkie inne regiony

Obowiązuje ustawowy okres gwarancji. W przypadku stwierdzenia uszkodzenia produktu należy zwrócić się do oddziału producenta w danym kraju (patrz dometic.com/dealer) lub do sprzedawcy produktu.

W celu naprawy lub rozpatrzenia gwarancji konieczne jest przesłanie następujących dokumentów:

- Kopii rachunku z datą zakupu
- Informacji o przyczynie reklamacji lub opisu wady

Uwaga: samodzielne lub nieprofesjonalne wykonywanie napraw może negatywnie wpływać na bezpieczeństwo i prowadzić do utraty gwarancji.

Slovensky

1	Dôležité oznámenia.....	107
2	Vysvetlenie symbolov.....	107
3	Cieľové skupiny.....	108
4	Používanie v súlade s určením.....	108
5	Vysvetlenie symbolov na zariadení.....	108
6	Príprava pred montážou.....	108
7	Montáž.....	110
8	Likvidácia.....	113
9	Technické údaje.....	113
10	Právne informácie.....	114
11	Záruka.....	114

1 Dôležité oznámenia

Dôkladne si prečítajte tento návod a dodržiavajte všetky pokyny, usmernenia a varovania uvedené v tomto návode k výrobku, aby bolo zaručené, že výrobok bude vždy správne nainštalovaný, používaný a udržiavaný. Tento návod MUSÍ zostať priložený k výrobku.

Použitím tohto výrobku týmto potvrdzujete, že ste si dôkladne prečítali všetky pokyny, usmernenia a varovania a že rozumiete a súhlasíte s dodržiavaním všetkých uvedených podmienok. Súhlasíte, že tento výrobok budete používať iba v súlade so zamýšľaným použitím a v súlade s pokynmi, usmerneniami a varovaniami uvedenými v tomto návode k výrobku, ako aj v súlade so všetkými platnými zákonmi a nariadeniami. V prípade, že si neprečítate a nebudete sa riadiť pokynmi a varovaniami uvedenými v tomto návode, môže to mať za následok vaše poranenie alebo poranenie iných osôb, poškodenie vášho výrobku alebo poškodenie majetku v jeho blízkosti. Tento návod na obsluhu výrobku vrátane pokynov, usmernení a varovaní, a súvisiaca dokumentácia môže podliehať zmenám a aktualizáciám. Najaktuálnejšie informácie o výrobku nájdete na adrese documents.domestic.com.

2 Vysvetlenie symbolov

Signálne slovo identifikuje bezpečnostné správy a správy o škodách na majetku a tiež označuje stupeň alebo úroveň závažnosti nebezpečenstva.



NEBZPEČENSTVO!

Označuje nebezpečnú situáciu, ktorej následkom je smrť alebo vážne poranenie, ak sa jej nezabráni.



VÝSTRAHA!

Označuje nebezpečnú situáciu, ktorej následkom môže byť smrť alebo vážne poranenie, ak sa jej nezabráni.



POZOR!

Označuje situáciu, ktorej následkom môže byť poškodenie majetku, ak sa jej nezabráni.



POZNÁMKA Dopĺňujúce informácie týkajúce sa obsluhy produktu.

2.1 Dopĺňujúce pokyny

V záujme zníženia rizika nehôd a úrazov sa predtým, ako začnete s montážou tohto výrobku, oboznáňte s nasledujúcimi pokynmi:

- Prečítajte si a dodržiavajte všetky bezpečnostné informácie a pokyny.
- Pred inštaláciou tohto výrobku si prečítajte tieto pokyny a oboznáňte sa s nimi.
- Inštalácia musí byť v súlade so všetkými platnými miestnymi alebo vnútroštátnymi predpismi vrátane najnovšieho vydania nasledujúcich noriem:
 - American Boat and Yacht Council (ABYC)
 - ANSI/NFPA 70, National Electrical Code (NEC)

2.2 Bezpečnostné pokyny



NEBZPEČENSTVO! Nebezpečenstvo požiaru alebo výbuchu. Niektoré modely používajú horľavé chladiace médium.

Nedodržanie nasledujúcich varovaní bude mať za následok smrť alebo vážne poranenie:

- > Opravu môže vykonávať iba vyškolený servisný personál.
- > Neinštalujte ani neskladujte na mieste s nepretržite fungujúcimi zdrojmi vznietenia.
- > Udržiavajte všetky požadované vetracie otvory bez prekážok.
- > Neprepichujte hadičky s chladiacim médium.
- > Typ chladiaceho média nájdete na typovom štítku produktu.



VÝSTRAHA! Nebezpečenstvo požiaru a/alebo výbuchu

Nedodržanie nasledujúcich varovaní môže mať za následok smrť alebo vážne poranenie:

- > Na zisťovanie alebo vyhľadávanie únikov chladiaceho média nepoužívajte potenciálne zdroje vznietenia. Nepoužívajte halogenidový horák ani iný detektor, ktorý používa otvorený plameň.
- > Uistite sa, že detekčné zariadenie je vhodné pre typ chladiaceho média použitého v produkte. Informácie o type chladiaceho média nájdete na štítku produktu s údajmi.
- > Elektronické detektory netesností môžu byť použité na detekciu úniku chladiaceho média, avšak ich citlivosť môže byť nedostatočná pre horľavé chladiace médiá a môže byť potrebná recalibrácia. Kalibrujte detekčné zariadenie na mieste bez chladiaceho média.



VÝSTRAHA! Nebezpečenstvo oxidu uhoľnatého

Nedodržanie nasledujúcich varovaní môže mať za následok smrť alebo vážne poranenie:

- > Neinštalujte ani neprevádzkujte autonómnú klimatizáciu v podpalubí ani v strojovni, prípadne v blízkosti spaľovacieho motora. Zabezpečte, aby bolo vybrané miesto chránené pred priamym prístupom do podpalubia a/alebo pred výparmi zo strojovne.
- > Skontrolujte, či je potrubie na odvod kondenzátu správne nainštalované a utesnené. Neukončujte potrubie na odvádzanie kondenzátu do vzdialenosti 3 stôp (0,91 m) od akéhokoľvek výstupu výfukového systému motora alebo generátora, v sekcii s motorom alebo generátorom alebo v podpalubí, pokiaľ nie je odtok správne pripojený k utesnenému čerpadlu na odvádzanie kondenzátu alebo odpadovej vody. Ak odtokové potrubie nie je správne nainštalované, nebezpečné výpary sa ním môžu šíriť a kontaminovať obytné priestory.
- > Neinštalujte klimatizáciu na miesto, kde môže cirkulovať oxid uhoľnatý, palivové výpary alebo iné škodlivé výpary do obytných priestorov lode.



VÝSTRAHA! Nebezpečenstvo zásahu elektrickým prúdom

Montáž smie vykonávať len kvalifikovaný elektrikár.



VÝSTRAHA! Nebezpečenstvo zásahu elektrickým prúdom, požiaru a/alebo výbuchu

Nedodržanie týchto opatrení môže mať za následok smrť alebo vážne poranenie.

Toto zariadenie nie je určené na používanie osobami (vrátane detí) s obmedzenými fyzickými, zmyslovými alebo duševnými schopnosťami alebo nedostatkom skúsenosti a znalostí, pokiaľ nie sú pod primeraným dohľadom alebo ich osoba, ktorá je zodpovedná za ich bezpečnosť, dôkladne nepoučí o používaní zariadenia. Dohliadnite na to, aby sa deti nehrali so zariadením. Čistenie a bežnú údržbu nesmú vykonávať deti bez dozoru. Toto zariadenie nesmie byť dostupné širokej verejnosti.

**VÝSTRAHA! Nebezpečenstvo výbuchu**

Nedodržanie týchto opatrení môže mať za následok smrť alebo vážne poranenie.

- > Klimatizáciu neinštalujte na miesto, kde sa nachádzajú benzínové motory, nádrže, fľaše na LPG/CPG, regulátory, ventily alebo armatúry palivového potrubia. Ak nie je uvedené inak, autonómne jednotky nespĺňajú federálne požiadavky na ochranu pred vznietením. Nedodržanie tohto varovania môže mať za následok smrť alebo vážne poranenie.
- > Elektrické súčiastky, ktoré môžu spôsobiť elektrický oblúk alebo iskrú, sa môžu nahradiť iba časťami špecifikovanými výrobcom spotrebiča. Výmena za iné diely môže mať za následok vznietenie chladiaceho média v prípade úniku.

**VÝSTRAHA! Nebezpečenstvo zásahu elektrickým prúdom**

Nedodržanie týchto opatrení môže mať za následok smrť alebo vážne poranenie

- > Uistite sa, že je klimatizácia účinne uzemnená, aby sa minimalizovalo riziko zásahu elektrickým prúdom. Ďalšie informácie nájdete v pokynoch na montáž.
- > Každá inštalovaná klimatizácia vyžaduje vlastný istič. Ak sa inštaluje iba jedna klimatizácia, čerpadlo morskej vody nevyžaduje vlastný spínač. Keď jedno alebo viaceré klimatizačné zariadenia používajú rovnaké čerpadlo morskej vody, pripoja sa vodiče čerpadla na platňu relé čerpadla (PRP), ktorá je vybavená vlastným ističom podľa parametrov čerpadla (max. 20 A). Pozrite si schému zapojenia z rozsahu dodávky PRP. Pri elektrických pripojeniach v podpalubí a/alebo pod úrovňou hladiny vody je potrebné použiť teplom zmršťovacie káblové spoje.
- > Lokálne zapojenie musí zodpovedať elektrickým predpisom ABYC. Napájanie zariadenia musí byť v rozsahu prevádzkového napätia uvedeného na typovom štítku. Na ochranu elektrického okruhu vetvenia sa musia nainštalovať správne dimenzované poisťky alebo ističe HACR. Maximálnu veľkosť poisťky/ističa (MFS) a minimálnu kapacitu obvodu (MCA) nájdete na typovom štítku.

**POZOR!**

Toto zariadenie obsahuje fluórované skleníkové plyny v hermeticky uzavretom systéme. Množstvo chladiaceho média uvedené v jednotkách hmotnosti a GWP nájdete na typovom štítku kondenzačnej jednotky. Pridané chladiace médium je potrebné uviesť na štítku zariadenia.

**POZOR!**

Nepoužívajte medenú hadičku na tlačenie, ťahanie, zdvíhanie alebo prenášanie produktu.

3 Cieľové skupiny



Mechanicú a elektrickú inštaláciu a nastavenie zariadenia musí vykonať kvalifikovaný technik, ktorý preukázal zručnosti a znalosti týkajúce sa konštrukcie a prevádzky námorného vybavenia a inštalácií, a ktorý je oboznámený s platnými predpismi krajiny, v ktorej sa zariadenie bude inštalovať a/alebo používať, a ktorý absolvoval bezpečnostné školenie zamerané na identifikáciu konkrétnych nebezpečenstiev a ich predchádzanie.

4 Používanie v súlade s určením

Tento návod je určený na inštaláciu autonómnych klimatizačných systémov DCU, DLU, DTG, ECD, GT, GTX, GTX-LP, GVTX a TX (ďalej len klimatizácia). Klimatizácia je určená na použitie na lodiach a jachtách. Táto klimatizácia je vhodná iba na určené použitie a použitie v súlade s týmto návodom.

Tento výrobok je vhodný iba na určené použitie a použitie v súlade s týmto návodom.

Tento návod obsahuje informácie, ktoré sú nevyhnutné pre správnu inštaláciu a/alebo obsluhu výrobku. Chybná inštalácia a/alebo nesprávna obsluha či údržba bude mať za následok neuspokojivý výkon a možnú poruchu.

Výrobca nenesie žiadnu zodpovednosť za akékoľvek poranenia či škody na výrobku spôsobené:

- nesprávnou inštaláciou alebo pripojením vrátane nadmerného napätia,

- nesprávnou údržbou alebo použitím iných ako originálnych náhradných dielov poskytnutých výrobcom,
- zmenami produktu bez výslovného povolenia výrobcu,
- použitím na iné účely než na účely opísané v návode.

Spoločnosť Dometic si vyhradzuje právo na zmenu vzhľadu a technických parametrov výrobku.

5 Vysvetlenie symbolov na zariadení



Pozor! Riziko požiaru/horľavé materiály



Pozor! Materiál s nízkou rýchlosťou horenia. Horľavé chladiace médium.



Bezpečnostná skupina chladiaceho média A2L



Prečítajte si návod na obsluhu.



Prečítajte si servisnú príručku.

6 Príprava pred montážou

**POZOR!**

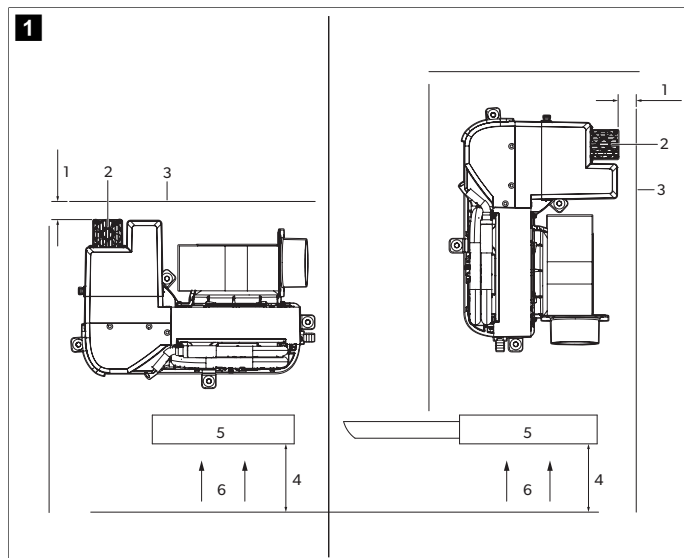
Autonómne vane na odvádzanie kondenzátu jednotiek DTG, GTX, GVTX, a TX sú vybavené tlmičmi vibrácií inštalovanými na dne vane. Tieto tlmiče sú navrhnuté tak, aby tlmiли vibrácie spôsobené prevádzkou klimatizácie pri prechode na montážny povrch. Pri presune klimatizácie cez montážne plochy je potrebné postupovať opatrne, pretože sa tlmiče môžu poškodiť.

**POZOR!**

- > Klimatizáciu je potrebné umiestniť na nízko položený, rovný a plochý povrch, napríklad do spodnej časti skrinky, pod posteľ alebo jedáleňskú lavicu alebo na podobné miesto.
- > Uistite sa, že kabeláž nebude vystavená opotrebovaniu, korózii, nadmernému tlaku, vibráciám, ostrým hranám alebo iným nepriaznivým vplyvom prostredia, vrátane účinkov starnutia alebo nepretržitých vibrácií zo zdrojov, ako sú kompresory alebo ventilátory.
- > Zabezpečte, aby boli ochranné zariadenia, potrubia a armatúry čo najviac chránené pred nepriaznivými vplyvmi prostredia, ako je hromadenie nečistôt a odpadu alebo hromadenie a zamŕzanie vody v odľahčovacích potrubíach.
- > Mali by sa prijať preventívne opatrenia, aby sa zabránilo nadmerným vibráciám alebo pulzácií v chladiacom potrubí.

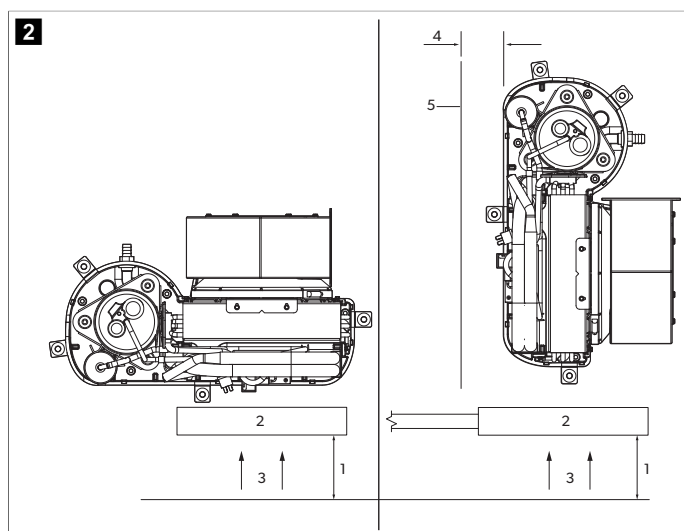
6.1 Určenie montážnej polohy

1. Umiestnenie GVTX a TX vzhľadom na prúdenie vzduchu



- | | |
|----------------------------|---|
| 1 3,00 in (7,62 cm) | 4 4,00 in (10,16 cm) |
| 2 Chladič | 5 Ochranná mriežka odvodu odpadového vzduchu |
| 3 Dutý priestor | 6 Prúd vzduchu |

Umiestnenie všetkých ostatných klimatizačných jednotiek relatívne k prúdeniu vzduchu



- | | |
|---|----------------------------|
| 1 4,00 in (10,16 cm) | 4 3,00 in (7,62 cm) |
| 2 Ochranná mriežka odvodu odpadového vzduchu | 5 Dutý priestor |
| 3 Prúd vzduchu | |

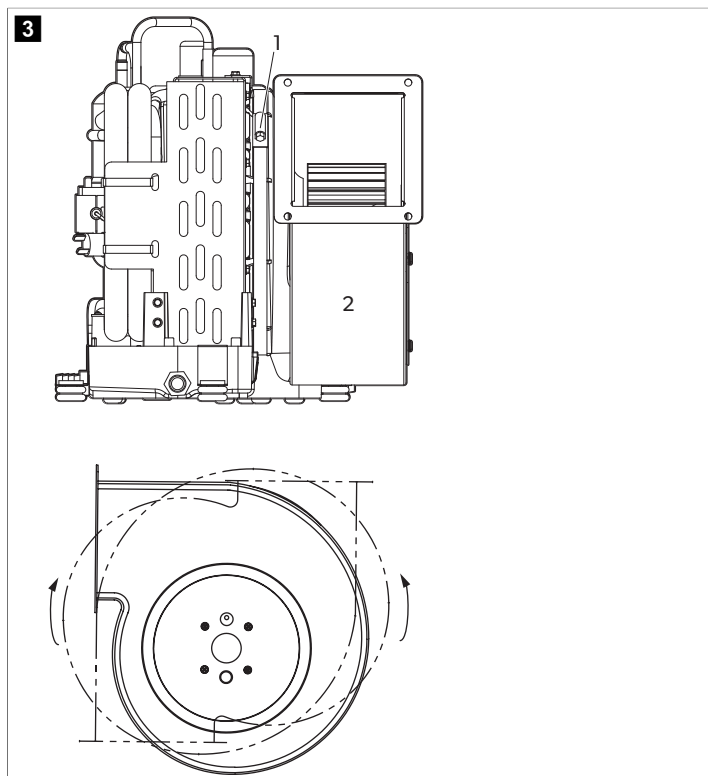
2. Vyberte miesto s dostatočným prúdením vzduchu. Ochranná mriežka odvodu odpadového vzduchu má mať pred sebou minimálne 4,00 in (10,16 cm) priestoru na zaistenie cirkulácie vzduchu bez akýchkoľvek prekážok.
3. Ak je klimatizácia umiestnená kolmo na ochrannú mriežku odvodu odpadového vzduchu, zaistite minimálne 3,00 in (7,62 cm) priestoru na cirkuláciu na strane nasávania vzduchu.
4. **Iba GVTX a TX:** Zaistite minimálne 3,00 in (7,62 cm) otvoreného priestoru nad a pod chladičom.

6.2 Otáčanie dúchadla

V tejto časti sa vysvetľuje, ako natočiť dúchadlo podľa každého typu jednotky. Ak je to potrebné, otočte dúchadlo v smere, ktorý umožňuje najpriamejšie prúdenie vzduchu potrubím.

6.2.1 Dúchadlá GTX, GVTX, DTG a TX

Systémy s otočným dúchadlom GTX, GVTX, DTG a TX

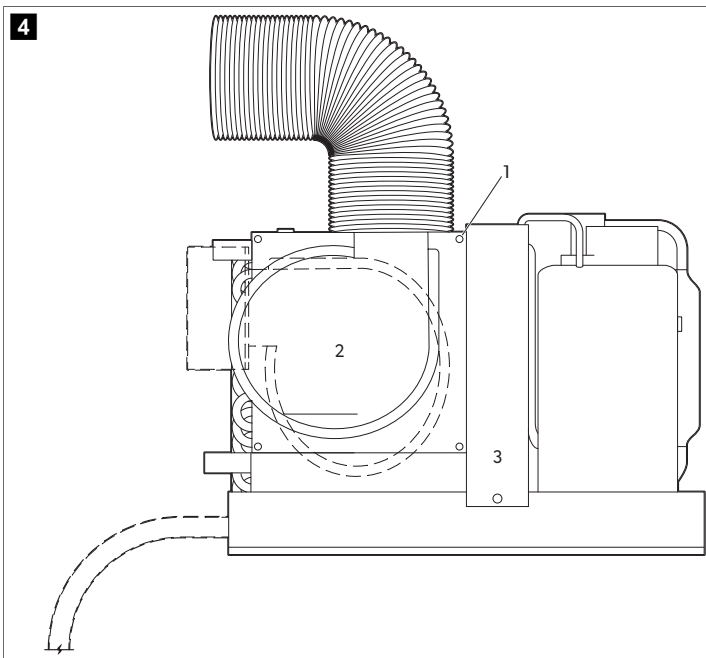


- 1** Adjustment screw
- 2** Blower

1. Uvoľnite nastavovaciu skrutku na upevňovacom krúžku dúchadla.
2. Otočte dúchadlo do požadovanej polohy.
3. Uťahnite nastavovaciu skrutku.

6.2.2 Dúchadlá MCS, ECD a GT

Systémy s otočným dúchadlom MCS, ECD a GT

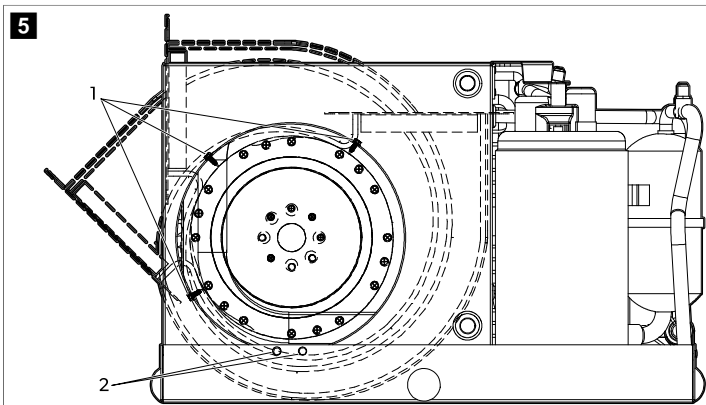


- 1 Screw
- 2 Doska
- 3 Dúchadlo

1. Demontujte sedem skrutiek na doske.
2. Otočte dúchadlo do požadovanej polohy.
3. Zaistite dúchadlo na mieste pomocou samorezných skrutiek (nie sú súčasťou dodávky).

6.2.3 Dúchadlo DCU

Systémy s otočným dúchadlom DCU



- 1 Screws on blower ring
- 2 Screws on drain pan or bracket

1. Odstráňte skrutky z krúžka dúchadla.
2. Odskrutkujte skrutky upevňujúce dúchadlo k odtokovej vane alebo konzole.
3. Otočte dúchadlo do požadovanej polohy.
4. Zaistite dúchadlo na mieste pomocou samorezných skrutiek (nie sú súčasťou dodávky).
5. Zaslepte všetky nepoužívané otvory, aby ste zabránili strate vzduchu.

6.3 Umiestnenie vzduchových filtrov

Vzduchové filtre odstraňujú vzduchom prenášané častice zo vzduchu v kabíne a udržiavajú cievku výparníka čistú. Pri každej klimatizácii umiestnite jeden vzduchový filter na klimatizáciu alebo do ochrannej mriežky odvodu odpadového vzduchu.

6.4 Umiestnenie mriežok a prechodových boxov

Pri umiestňovaní mriežok a prechodových boxov zvažte tieto okolnosti:

- Inštaláciu ochrannej mriežky prívodu vzduchu vykonajte na čo najvyššie miesto, ktoré zabezpečí rovnomernú distribúciu vzduchu v kabíne. Lamely mriežky nasmerujte nahor.
- Nainštalujte ochrannú mriežku odvodu odpadového vzduchu čo najnižšie a najbližšie ku klimatizácii, aby ste zabezpečili prúdenie vzduchu k výparníku.
- Výpusť prívodu vzduchu nesmie smerovať k ochrannej mriežke odpadového vzduchu, pretože by sa zariadenie v krátkych časových intervaloch zapínalo a vypínalo.
- Za mriežkou prívodu vzduchu ponechajte dostatočný voľný priestor na prechodový box a pripojenie potrubia. Pozrite si časť Špecifikácie na strane 114

7 Montáž



VÝSTRAHA! Nebezpečenstvo zásahu elektrickým prúdom

Montáž smie vykonávať len kvalifikovaný elektrikár.

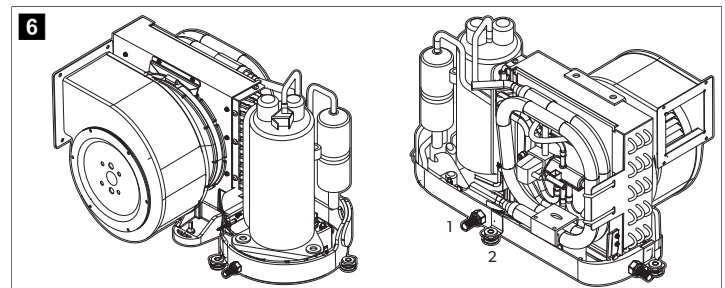
7.1 Inštalácia montážnych konzol a odvodu kondenzátu



POZOR!

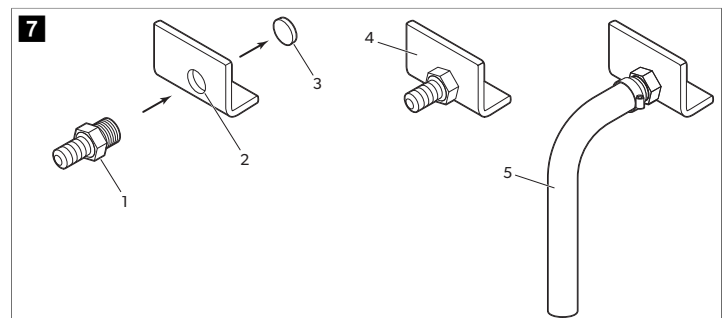
Aby ste predišli prasknutiu odtokovej vane, nepoužívajte viac než dve vrstvy montážnej pásky na obalenie hadicovej prípojky a hadicovú prípojku príliš neutahujte.

Typické umiestnenie montážnych konzol a odvodu kondenzátu



- 1 Hadicová prípojka na odvádzanie kondenzátu
- 2 Montážna konzola

Inštalácia odvodu kondenzátu pre GTX, GVTX, DTG a TX

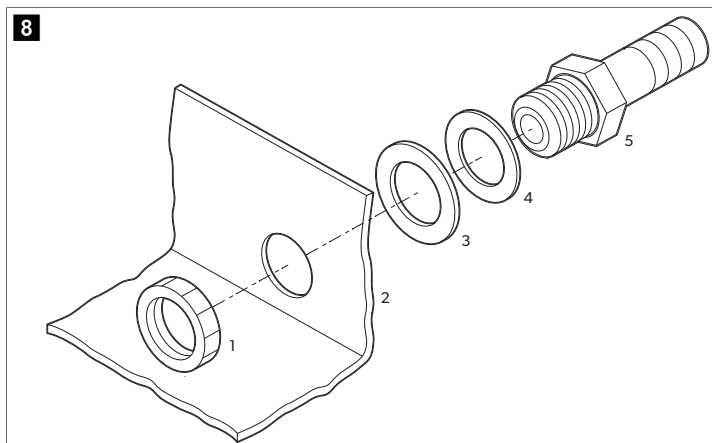


- 1 Hose barb

- 4 Drain pan

- 2 Závitový odtokový otvor
3 Otvor na vyrazenie
- 5 Odtoková hadica

Inštalácia odvodu kondenzátu pre všetky ostatné klimatizačné jednotky



- 1 Locking nut
2 Odtoková vaňa
3 Tesniaca podložka
4 Solid washer
5 PVC tvarovka 0,5 in (12,7 mm) HB × 0,5 in (12,7 mm) MPT

3 Tesniaca podložka

1. Pre jednotky GTX, GVTX, DTG a TX:

- Použite malý koniec hadicovej prípojky na vyrazenie otvoru do vypúšťacieho otvoru smerujúceho dozadu jedným rýchlym úderom gumovým kladivom. Vyrazenú časť zlikvidujte.
- Omotajte závitový koniec hadicovej prípojky inštalátorskou páskou.
- Naskrutkujte hadicovú prípojku do závitového vypúšťacieho otvoru a pevne ju utiahnite.

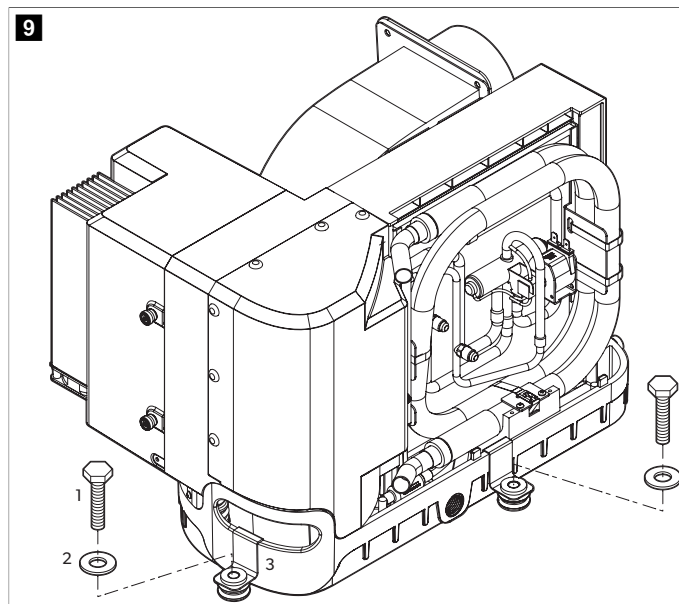
2. Pre všetky ostatné klimatizácie:

- Naskrutkujte hadicovú prípojku, pevnú podložku a tesniacu podložku a vložte ju do vypúšťacieho otvoru.
- Zaistite poistnou maticou.

3. Zaistite odtokovú hadicu k hadicovej prípojke pomocou hadicovej svorky z nehrdzavejúcej ocele.

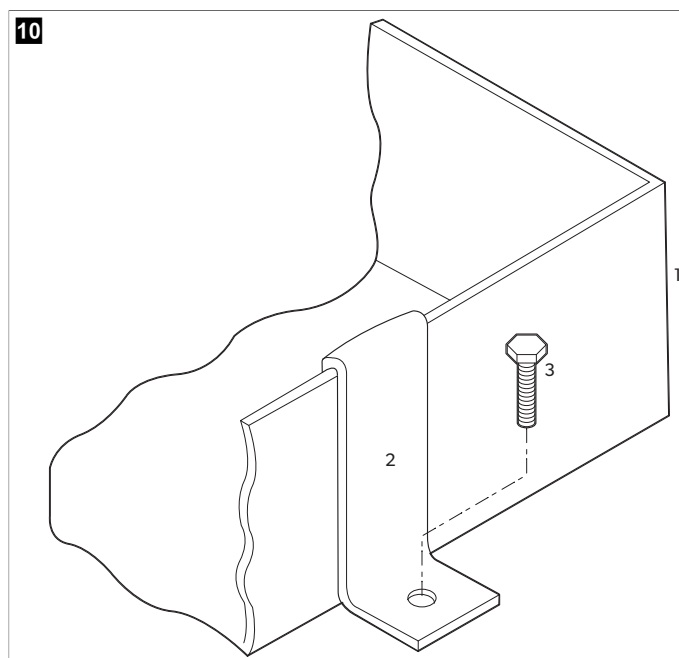
4. Odtokovú hadicu nasmerujte nadol na bezpečné a správne zberné miesto.

Inštalácia montážnej konzoly pre jednotky GTX, GVTX, DTG a TX



- 1 Montážna skrutka (nie je súčasťou dodávky)
2 Podložka blatníka (súčasť dodávky)
3 Montážna konzola (súčasť dodávky)

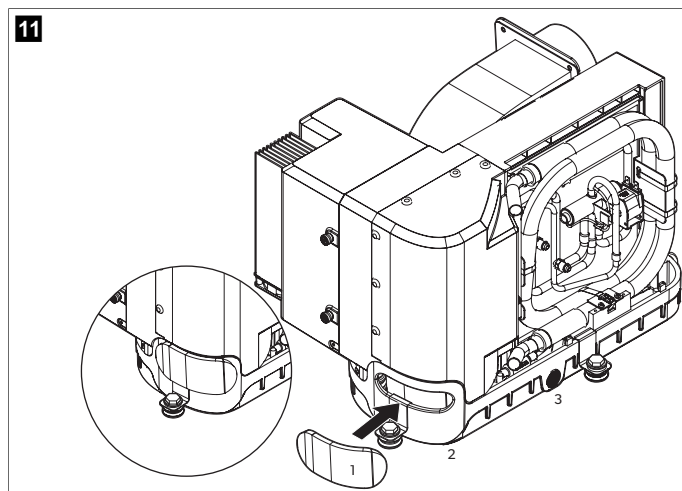
Inštalácia montážnej konzoly pre iné klimatizačné jednotky



- 1 Odtoková vaňa
2 Montážna konzola
3 Montážna skrutka (nie je súčasťou dodávky)

5. Nainštalujte jednu montážnu konzolu na každú stranu odtokovej vane, pričom ich rovnomerne rozmiestnite.

Inštalácia izolácie penovej rukoväte na jednotky GVTX a TX



- 1 Penová izolácia rukoväte
2 Otvor na rukoväť
3 Odtoková vaňa

6. Pre jednotky GVTX a TX:

- Odstráňte fóliu zakrývajúcu lepiacu podložku na penovej izolácii rukoväte.
- Penovú izoláciu rukoväte umiestnite tak, aby úplne zakryla otvor rukoväte s lepiacou stranou smerom k odtokovej vani.
- Zatlačte na okolie otvoru na rukoväť, aby sa penová izolácia rukoväti prilepila k odtokovej vani.

7.2 Inštalácia potrubia



VÝSTRAHA! Nebezpečenstvo požiaru alebo výbuchu

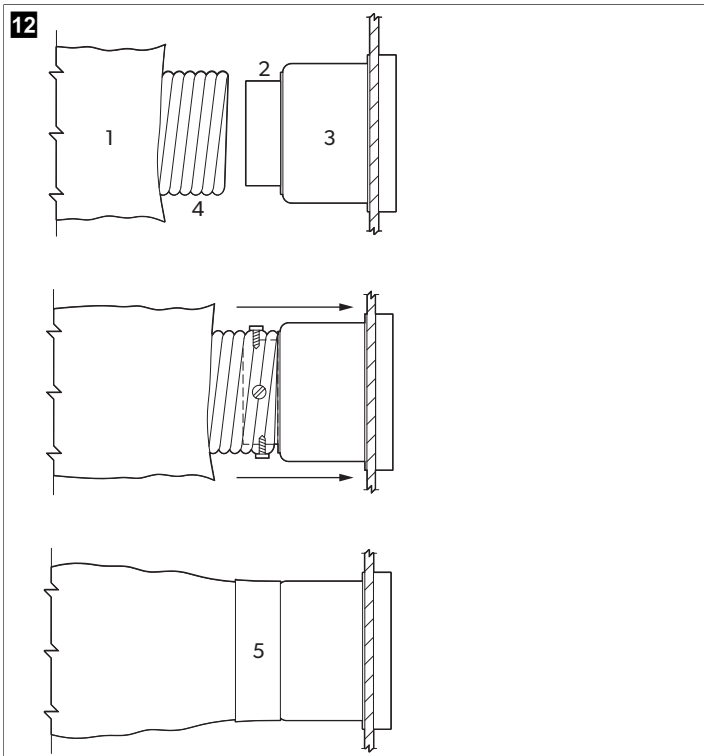
- Pomocné zariadenia, ktoré môžu byť zdrojom vznietenia, sa nesmú inštalovať v potrubí okrem pomocných zariadení uvedených na použitie s konkrétnym spotrebičom.
- Pri modeloch používajúcich horľavé chladiace médiá, ktoré sú pripojené cez systém vzduchového potrubia do jednej alebo viacerých miestností, musí byť prívodný a vratný vzduch vedený priamo do priestoru. Otvorené plochy, ako sú podhlady, sa nesmú používať ako potrubie spätného vzduchu.
- Nevedzte potrubie cez strojovňu alebo inú oblasť, kde môže byť vystavené nebezpečným výparom alebo výfukovým plynom.

Pri inštalácii potrubia dodržujte nasledujúce podmienky:

- Potrubie musí mať primerané rozmery zodpovedajúce vášmu použitiu.
- Potrubie vedte čo najrovnejšie, najplynulejšie a napnuté, minimalizujte počet ohybov a slučiek na 90°, ktoré môžu spomaliť prúdenie vzduchu.
- Bezpečne upevnite potrubie, aby ste zabránili jeho prehýbaniu.
- Nedovoľte, aby sa potrubie sploštilo alebo zalomilo.
- Po inštalácii odrežte prebytočné časti potrubia.
- Izolujte potrubie, ak sa nachádza na miestach s vysokou teplotou.

Ak sa použije prechodový box, celková plocha prívodných vzduchových potrubí vychádzajúcich z boxu by sa mala minimálne rovnať celkovej ploche prívodových vzduchových potrubí vstupujúcich do boxu. Pozrite si časť Špecifikácie na strane 114

Potrubné spoje



- 1 Izolácia zo sklených vlákien
2 Montážny krúžok
3 Prechodový box
4 Vnútrná mylarová hadica
5 Lepiaca páska

- Nasuňte vnútorné potrubie z materiálu Mylar cez montážny krúžok do prechodového boxu.
- Zaskrutkujte tri alebo štyri skrutky z nehrdzavejúcej ocele mylarovou hadicou do upevňovacieho krúžku, pričom zaistíte dva alebo tri káble hlavami skrutiek.
- Nasuňte izoláciu zo sklených vlákien okolo vnútornej mylarovej potrubnej hadice do prechodového boxu. Zaistíte lepiacou páskou.

7.3 Inštalácia systému morskej vody



POZOR!

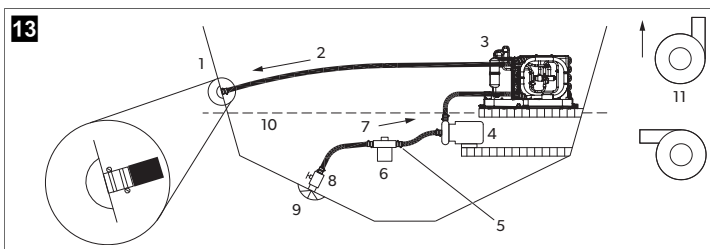
Nedodržanie tohto postupu spôsobí stratu platnosti záruky.

Pri nastavovaní systému morskej vody dbajte na tieto kroky:

- Filter sa musí nachádzať pod čerpadlom.
- Hadice musia byť upnuté dvoma svorkami.
- Hadice nesmú vykazovať žiadne zalomenia, slučky alebo vysoko uložené časti, v ktorých sa môže hromadiť vzduch.
- Čerpadlo a filter sa musia nachádzať pod čiarou ponoru.
- Vstupný prietokový ventil, guľový ventil, hadica a ani filter by nemali byť menšie než vstup čerpadla.
- Nainštalujte prietokový ventil čo najviac pod čiaru ponoru.
- Čerpadlo musí mať vyhradený prietokový ventil.
- V čo najväčšej miere sa vyhnite 90,00° kolenám.
- Zaistíte, aby bola hlava čerpadla otočená v smere toku vody.
- Zaistíte všetky závitové spoje inštalátorskou páskou.

V časti Špecifikácie na strane 114 nájdete maximálne a minimálne hodnoty teploty vody a tlaku.

Systém morskej vody



- | | | | |
|---|-----------------------|----|--|
| 1 | Výpust morskej vody | 7 | Vstupný tok nahor |
| 2 | Výpust | 8 | Guľový ventil |
| 3 | Klimatizácia | 9 | Priestor na nasávanie vody cez trup |
| 4 | Čerpadlo morskej vody | 10 | Čiara ponoru |
| 5 | Hadicové svorky | 11 | Správna poloha filtra hlavice čerpadla |
| 6 | Sitový filter | | |

- Nainštalujte priestor na nasávanie morskej vody cez trup čo najbližšie ku kýlu a čo najďalej pod čiaru ponoru. Zaisťte nasávanie cez trup pomocou tesniacej hmoty námornej kvality určenej na použitie pod vodou.
- Na driek prívodu morskej vody Speed-Scoop nainštalujte prietokový námorný ventil z bronzu.
- Nainštalujte sito morskej vody pod úroveň čerpadla s prístupom k filtru.
- Namontujte čerpadlo nad sito a aspoň jednu stopu pod čiaru ponoru.
- Pripojte morský ventil a sito pomocou vystuženej hadice na použitie na mori.
- Pripojte vývod čerpadla smerom nahor k spodnému vstupu kondenzátora klimatizácie pomocou 5/8 palcovej vystuženej hadice určenej na použitie na mori.
- Pripojte výtlak z kondenzátora k prietokovému ventilu na zaistenie výpustu pomocou 5/8 palcovej vystuženej hadice určenej na použitie na mori.
- Pri ukladaní hadice na vedenie morskej vody zabráňte vzniku slučiek, vyvýšeninám a použitiu 90° oblúkov. Každé koleno zodpovedá 2,5 ft (0,76 m) hadice a 90° koleno na vývode čerpadla zodpovedá 20,0 ft (6,10 m) hadice.
- Zaisťte všetky hadicové spojenia dvoma svorkami z nehrdzavejúcej ocele, pritom v prípade potreby otočte svorky v opačnom smere.
- Pripojte všetky kovové časti, ktoré sú v kontakte s morskou vodou, k spojovaciemu systému plavidla.

7.4 Realizácia elektrických prípojok



VÝSTRAHA! Nebezpečenstvo zásahu elektrickým prúdom

- > Pred otvorením rozvážacej skrine vždy vypnite spínač napájania klimatizácie. Nedodržanie tohto varovania môže mať za následok smrť alebo vážne poranenie.
- > Uistite sa, že rozvážacia skriňa je umiestnená v oblasti, ktorá je chránená pred vodou.



POZOR!

Klimatizácia sa musí pripojiť na pripojovací systém lode, aby ste predišli korózii z dôvodu elektrických blúdnych prúdov. Všetky čerpadlá, kovové ventily a pripojenia okruhu čerpania morskej vody, ktoré sú izolované od klimatizácie, sa musia pripevniť individuálne pomocou PVC alebo gumených hadíc k pripojovaciemu systému lode.



POZNÁMKA Nesprávne uzemnenie a pripojenie systému spôsobí stratu záruky.

Všetky klimatizačné jednotky majú vo vnútri rozvážacej skrine svorkovnicovú lištu označenú na zaistenie správneho pripojenia. Schéma zapojenia vnútri rozvážacej skrine je nadradená normám ABYC. Výkonové spínače musia mať správnu veľkosť, aby zariadenie chránili podľa údajov na typovom štítku klimatizačných zariadení. Na napájanie klimatizácie a čerpadla morskej vody je potrebné použiť lodný kábel s minimálnym prierezom 12 AWG. Všetky pripojenia vykonajte pomocou krúžkov alebo vidlicových svoriek.

Pri vykonávaní elektrických pripojení dodržujte tieto pokyny:

- Uzemnenie striedavého prúdu (AC) sa musí pripojiť k uzemňovacej svorke (GRND) na svorkovnici vstupu striedavého prúdu.
- Prepojenia medzi uzemňovacím vodičom systému striedavého prúdu plavidla a jednosmerným (DC) záporným alebo spojovacím systémom plavidla je potrebné vytvoriť ako súčasť kabeláže plavidla. Pri údržbe alebo výmene existujúceho zariadenia, ktoré má na šasi uzemňovací kolík, skontrolujte pripojenie plavidla na tieto pripojenia.
- Klimatizačné zariadenia GVTX a TX sú navrhnuté tak, aby fungovali pomocou striedavého alebo vysokonapäťového jednosmerného napájania. Správne umiestnenie nájdete v schéme zapojenia plavidla.

Zaisťte, aby bolo uzemnenie striedavého napájania klimatizácie správne pripojené k uzemneniu striedavého napájania plavidla. V rámci plavidla sa uistite, že uzemňovacia zbernica striedavého napájania je s uzemňovacou koľajnicou jednosmerného napájania prepojená na presne jednom mieste.

Pred spustením skontrolujte a podľa potreby dotiahnite všetky elektrické spojenia.

8 Likvidácia



UPOZORNENIE! Nebezpečenstvo požiaru

- > Toto zariadenie obsahuje horľavý izolovaný zapalovací plyn.
- > Zariadenie smie demontovať a zlikvidovať iba odborník.



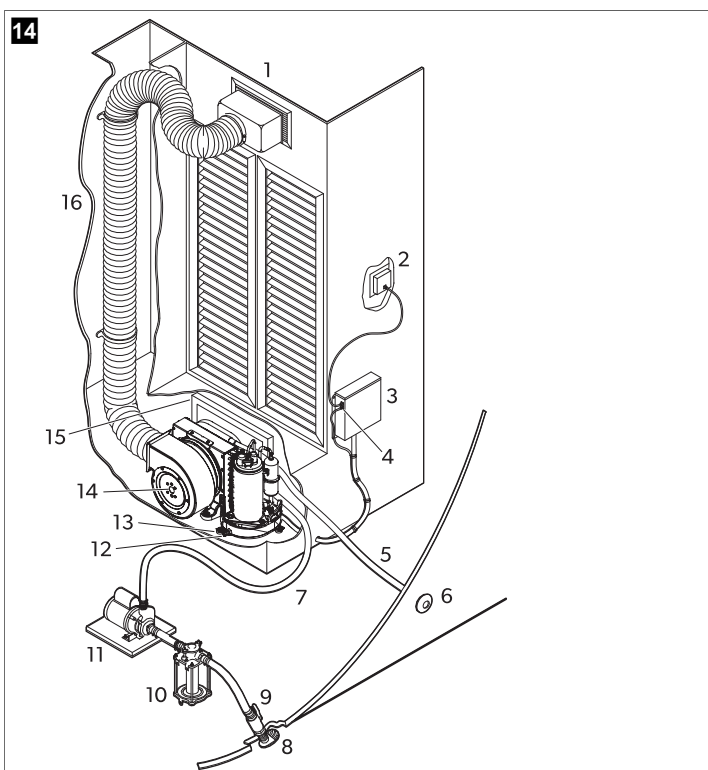
Obalový materiál dávajte podľa možnosti do príslušného recyklovateľného odpadu. Informujte sa v najbližšom recyklačnom stredisku alebo u vášho špecializovaného predajcu o likvidácii výrobku v súlade s príslušnými predpismi týkajúcimi sa likvidácie.

9 Technické údaje

Prečítajte si celé tieto pokyny a potom naplánujte pripojenia, ktoré sa vyžadujú pre klimatizačné zariadenie (vrátane potrubia, potrubia na odvádzanie kondenzátu, prírodných a výpustových hadíc morskej vody, elektrických prípojok, umiestnenia ovládača a umiestnenia čerpadla morskej vody), aby ste zabezpečili ľahký prístup pri smerovaní a budúcej údržbe.

9.1 Umiestnenia súčastí

Identifikácia komponentov klimatizačného systému



- | | |
|---|--|
| 1 Mriežka nasávaného vzduchu a prechodový box | 9 Námorný uzatvárací ventil |
| 2 Digitálny displej | 10 Filter morskej vody |
| 3 Rozvážacia skriňa | 11 Čerpadlo |
| 4 Kábel voliteľného diaľkového snímača vzduchu | 12 Hadicová prípojka na odvádzanie kondenzátu |
| 5 Hadica na výpusť morskej vody | 13 Montážna konzola |
| 6 Výpusť cez palubu | 14 Klimatizácia |
| 7 Hadica na prívod morskej vody | 15 Ochranná mriežka a filter odvodu odpadového vzduchu |
| 8 Priestor na nasávanie morskej vody prietokovým ventilom | 16 Izolované flexibilné potrubie |

9.2 Špecifikácie

Chladiaci okruh obsahuje malé množstvo ekologického, ale horľavého chladiaceho média. Nenaruša ozónovú vrstvu a neprispieva k zvyšovaniu skleníkového efektu. Uniknuté chladiace médium sa môže vznietiť.

Tento výrobok obsahuje fluórované skleníkové plyny.

Chladiaca jednotka je hermeticky uzavretá.

Tabuľka 25: Minimálne veľkosti potrubia a mriežky podľa kapacity BTU

	3,5 k BTU	6 k BTU	8 k BTU	10 k BTU
Minimálny priemer potrubia	3,00 in (76,2 mm)	4,00 in (101,6 mm)	5,00 in (127,0 mm)	6,00 in (152,4 mm)
Minimálny prierez potrubia	6,8 in ² (43,9 cm ²)	12,6 in ² (81,3 cm ²)	19,6 in ² (126,5 cm ²)	28,3 in ² (182,6 cm ²)
Minimálne rozmery ochrannej mriežky odpadového vzduchu	48,0 in ² (309,7 cm ²)	64,0 in ² (412,9 cm ²)	80,0 in ² (516,2 cm ²)	100,0 in ² (645,2 cm ²)
Minimálne rozmery ochrannej mriežky prívodu vzduchu	12,0 in ² (77,4 cm ²)	32,0 in ² (206,5 cm ²)	48,0 in ² (309,7 cm ²)	60,0 in ² (387,1 cm ²)

	12 k BTU	16 k BTU	18 k BTU	27 k BTU
Minimálny priemer potrubia	6,00 in (152,4 mm)	7,00 in (177,8 mm)	7,00 in (177,8 mm)	8,00 in (203,2 mm)
Minimálny prierez potrubia	28,3 in ² (182,6 cm ²)	38,5 in ² (248,4 cm ²)	38,5 in ² (248,4 cm ²)	50,3 in ² (324,5 cm ²)
Minimálne rozmery ochrannej mriežky odpadového vzduchu	130,0 in ² (838,8 cm ²)	160,0 in ² (1032,3 cm ²)	200,0 in ² (1290,4 cm ²)	240,0 in ² (1548,5 cm ²)
Minimálne rozmery ochrannej mriežky prívodu vzduchu	70,0 in ² (451,6 cm ²)	80,0 in ² (516,2 cm ²)	100,0 in ² (645,2 cm ²)	120,0 in ² (774,2 cm ²)

Tabuľka 26: Prevádzková teplota a tlak vody

Minimálna prevádzková teplota vody	40,0 °F (4,44 °C)
Maximálna prevádzková teplota vody	80,0 °F (26,66 °C)
Minimálny prevádzkový tlak vody	4,2 psi (0,29 bar) (29,00 kPa)
Maximálny prevádzkový tlak vody	6,00 psi (0,41 bar) (41,4 kPa)

Riadte sa podmienkami pre použitie EPA.



POZNÁMKA Zariadenie môže fungovať mimo týchto podmienok so zníženou kapacitou.

10 Právne informácie

Iba modely GVTX: Aby ste vyhovelí norme IEC 60533, nemontujte výrobok do vzdialenosti 9,8 ft (3,00 m) od prijímacej antény.

11 Záruka

Informácie o záruke a záručnej podpore v USA, Kanade a všetkých ostatných regiónoch nájdete v odsekoch nižšie.

USA a Kanada

OBMEDZENÁ ZÁRUKA JE DOSTUPNÁ NA STRÁNKE DOMETIC.COM/EN-US/TERMS-AND-CONDITIONS-CONSUMER/WARRANTY. AK MÁTE OTÁZKY ALEBO POTREBUJETE BEZPLATNÚ KÓPIU OBMEDZENEJ ZÁRUKY, KONTAKTUJTE:

DOMETIC CORPORATION
MARINE CUSTOMER SUPPORT CENTER
2000 NORTH ANDREWS AVENUE
POMPANO BEACH, FLORIDA, USA 33069
1-800-542-2477

Krajiny ázijsko-tichomorského regiónu (APAC)

Ak výrobok nefunguje podľa očakávania, obráťte sa na svojho predajcu alebo pobočku výrobcu vo svojej krajine (pozrite si stránku dometic.com/dealer). Záruka na tento výrobok platí 1 rok(ov).

Ak žiadate o vybavenie opravy alebo nárokov vyplývajúcich zo záruky, musíte priložiť nasledovné podklady:

- kópiu faktúry s dátumom kúpy,
- dôvod reklamácie alebo opis chyby.

Upozorňujeme vás, že samooprava alebo neodborná oprava môže mať za následok ohrozenie bezpečnosti a zánik záruky.

Iba Austrália

Naše výrobky sú dodávané so zárukami, ktoré nie je možné vylúčiť podľa austrálskeho zákona o spotrebiteľoch. Máte právo na náhradu alebo vrátenie peňazí pri vážnej poruche a na kompenzáciu za každú inú rozumne predvídateľnú stratu alebo poškodenie. Tiež máte právo na opravu alebo výmenu tovaru, ak tovar nemá prijateľnú kvalitu a porucha nepredstavuje vážnu poruchu.

Iba Nový Zéland

Tieto záručné podmienky podliehajú podmienkam a zárukám, ktoré sú záväzné podľa zákona o zárukách spotrebiteľov z roku 1993 (NZ).

Všetky ostatné regióny

Platí zákonom stanovená záručná doba. Ak je výrobok poškodený, obráťte sa na pobočku výrobcu vo vašej krajine (pozrite si stránku dometic.com/dealer) alebo na predajcu.

Ak žiadate o vybavenie opravy alebo nárokov vyplývajúcich zo záruky, musíte priložiť nasledovné podklady:

- kópiu faktúry s dátumom kúpy,
- dôvod reklamácie alebo opis chyby.

Upozorňujeme vás, že samooprava alebo neodborná oprava môže mať za následok ohrozenie bezpečnosti a zánik záruky.

Čeština

1	Důležité poznámky.....	116
2	Vysvětlení symbolů.....	116
3	Cílové skupiny.....	117
4	Určené použití.....	117
5	Vysvětlení symbolů na zařízení.....	117
6	Před instalací.....	117
7	Instalace.....	119
8	Likvidace.....	122
9	Technické údaje.....	122
10	Právní.....	123
11	Záruka.....	123

1 Důležité poznámky

Pečlivě si prosím přečtěte a dodržujte všechny pokyny, směrnice a varování obsažené v tomto návodu k výrobku, abyste měli jistotu, že výrobek budete vždy správně instalovat, používat a udržovat. Tyto pokyny MUSÍ být uschovány v blízkosti výrobku.

Používáním výrobku tímto potvrzujete, že jste si pečlivě přečetli všechny pokyny, směrnice a varování a že rozumíte podmínkám uvedeným v tomto dokumentu a souhlasíte s nimi. Souhlasíte s používáním tohoto výrobku pouze k určenému účelu a použití a v souladu s pokyny, směrnicemi a varováními uvedenými v tomto návodu k výrobku a v souladu se všemi příslušnými zákony a předpisy. Pokud si nepřečtete a nebudete dodržovat zde uvedené pokyny a varování, může to vést ke zranění vás i ostatních, poškození vašeho výrobku nebo poškození jiného majetku v okolí. Tento návod k výrobku, včetně pokynů, směrnic a varování a související dokumentace může být předmětem změn a aktualizací. Aktuální informace o výrobku naleznete na adrese documents.dometic.com.

2 Vysvětlení symbolů

Signální slovo označuje bezpečnostní zprávy a zprávy o škodách na majetku a také označuje stupeň nebo úroveň závažnosti nebezpečí.



NEBEZPEČÍ!

Označuje nebezpečnou situaci, která, pokud se jí nezabrání, bude mít za následek smrt nebo vážné zranění.



VÝSTRAHA!

Označuje nebezpečnou situaci, která, pokud se jí nezabrání, může mít za následek smrt nebo vážné zranění.



POZOR!

Označuje nebezpečnou situaci, která, pokud se jí nezabrání, může mít za následek majetkové škody.



POZNÁMKA Doplnující informace týkající se obsluhy výrobku.

2.1 Doplnkové pokyny

Než začnete tento spotřebič montovat, zajistěte dodržování následujících směrnic za účelem snížení rizika nehod a zranění:

- Přečtěte si všechny bezpečnostní informace a pokyny a dodržujte je.
- Před zahájením provozu nebo údržby zařízení se seznámte s těmito pokyny.
- Instalace musí být v souladu se všemi platnými místními nebo národními předpisy, včetně nejnovějšího vydání následujících norem:
 - American Boat and Yacht Council (ABYC)
 - ANSI/NFPA 70, National Electrical Code (NEC)

2.2 Bezpečnostní pokyny



NEBEZPEČÍ! Nebezpečí požáru nebo výbuchu. Některé modely využívají hořlavé chladivo.

Nedodržení těchto výstrah bude mít za následek smrt nebo vážné zranění:

- > Opravy smí provádět pouze vyškolený servisní pracovník.
- > Neinstalujte ani neskladujte na místech, kde jsou v nepřetržitém provozu zdroje vznícení.
- > Dbejte na to, aby nic neblokovalo nezbytné ventilační otvory.
- > Nepropichujte trubky chladiva.
- > Typ chladiva naleznete na typovém štítku výrobku.



VÝSTRAHA! Nebezpečí požáru a/nebo výbuchu

Nedodržení těchto výstrah může mít za následek smrt nebo vážné zranění:

- > Nevyužívejte potenciální zdroje vznícení k odhalování či vyhledávání míst úniku chladiva. Nepoužívejte halogenidový hořák ani žádný jiný detektor netěsností pracující s otevřeným plamenem.
- > Ujistěte se, že je detekční zařízení vhodné k užití s chladivem ve výrobku. Typ chladiva naleznete na typovém štítku výrobku.
- > K detekci úniku chladiva lze použít elektronické detektory netěsností, ale jejich citlivost nemusí v případě hořlavého chladiva dostačovat a mohou vyžadovat recalibraci. Detekční zařízení kalibrujte na místě bez chladiva.



VÝSTRAHA! Nebezpečí spojené s oxidem uhelnatým

Nedodržení těchto výstrah může mít za následek smrt nebo vážné zranění:

- > Neinstalujte ani neprovozujte samostatnou klimatizaci v bříše lodi nebo v motorovém prostoru ani v blízkosti spalovacího motoru. Zajistěte, aby vybrané místo bylo utěsněno proti přímému přístupu výparů z břicha lodi nebo motorového prostoru.
- > Zkontrolujte, zda je potrubí pro odvod kondenzátu řádně nainstalováno a utěsněno. Nezakončujte potrubí pro odvod kondenzátu ve vzdálenosti menší než 3 stopy (0,91 m) od jakéhokoli vývodu výfukového systému motoru nebo generátoru, v prostoru s motorem nebo generátorem nebo v bříše lodi, pokud není odtok řádně připojen k utěsněnému čerpadlu kondenzátu nebo sprchové jímký. Pokud není odtokové potrubí správně nainstalováno, mohou se nebezpečné výpary šířit odtokovým potrubím a kontaminovat obytné prostory.
- > Neinstalujte klimatizaci na místo, odkud by mohly oxid uhelnatý, výpary paliva nebo jiné škodlivé výpary cirkulovat do obytných prostor lodi.



VÝSTRAHA! Nebezpečí usmrcení elektrickým proudem

Instalaci směřj provádět pouze kvalifikovaní elektrikáři.



VÝSTRAHA! Nebezpečí úrazu elektrickým proudem, požáru nebo výbuchu

Nedodržení těchto opatření může mít za následek smrt nebo vážné zranění. Tento spotřebič není určen k používání osobami (včetně dětí) s omezenými fyzickými, senzorickými nebo duševními schopnostmi, nebo osobami s nedostatkem zkušeností a vědomostí, pokud není zajištěn přiměřený dozor nebo návod k použití spotřebiče osobou, která je odpovědná za bezpečnost těchto osob. Děti by měly být pod dohledem tak, aby si s přístrojem nehrály. Čištění a běžnou údržbu nesmějí provádět děti bez dozoru. Tento spotřebič by neměl být přístupný široké veřejnosti.



VÝSTRAHA! Nebezpečí výbuchu

Nedodržení těchto opatření může mít za následek smrt nebo vážné zranění.

- > Neinstalujte klimatizaci na místě, kde se nacházejí benzínové motory, nádrže, lahve na LPG/CNG, regulátory, ventily nebo armatury palivového potrubí. Pokud není označeno jinak, samostatné jednotky nespĺňují federální požadavky na ochranu proti vznícení. Nedodržení tohoto varování by mohlo mít za následek smrt nebo vážné zranění.
- > Elektrické součástky, které mohou jiskřit nebo tvořit elektrické oblouky, lze nahradit pouze součástkami předepsanými výrobcem spotřebiče. Výměna za jiné součástky by mohla v případě netěsnosti vyústit ve vznícení.

**VÝSTRAHA! Nebezpečí zasažení elektrickým proudem**

Nedodržení těchto opatření může mít za následek smrt nebo vážné zranění.

- > Dbejte na účinné uzemnění klimatizace, abyste minimalizovali nebezpečí úrazu elektrickým proudem. Další informace naleznete v pokynech pro instalaci.
- > Každá instalovaná klimatizace vyžaduje vyhrazený výkonový vypínač. Pokud je nainstalována pouze jedna klimatizace, čerpadlo mořské vody nevyžaduje vyhrazený výkonový vypínač. Pokud čerpadlo mořské vody využívají dvě a více klimatizace, jsou vodiče čerpadla připojeny k panelu relé čerpadla (PRP), který je vybaven vlastním výkonovým vypínačem dimenzovaným pro čerpadlo (max. 20 A). Viz schéma zapojení dodané s PRP. U elektrických přípojek v blíže lodí a/nebo pod čarou ponoru musejí být používány kabelové spoje s tepelným smršťováním.
- > Zapojení pole musí být v souladu s elektrotechnickými předpisy ABYC. Napájení jednotky musí být v rozsahu provozního napětí uvedeného na typovém štítku. Pro ochranu rozvětvených obvodů musí být nainstalovány vhodné dimenzované pojistky nebo jističe HACR. Maximální velikost pojistek/výkonových vypínačů (MFS) a minimální kapacitu obvodu (MCA) naleznete na typovém štítku.



Výstraha! Materiál s nízkou rychlostí hoření. Hořlavé chladivo.



Bezpečnostní třída chladiva A2L



Přečtěte si návod k obsluze.



Přečtěte si servisní příručku.

**POZOR!**

Tento spotřebič obsahuje fluorované skleníkové plyny v hermeticky uzavřeném zařízení. Množství chladiva uvedené v hmotnosti a GWP naleznete na typovém štítku kondenzační jednotky. Přidané chladivo by mělo být uvedeno na štítku jednotky.

**POZOR!**

Výrobek netlačte, netahejte, nezvedejte ani nenoste při úchopu za měděné trubky.

**POZOR!**

Samostatné základní vany na kondenzát DTG, GTX, GVTX a TX jsou vybaveny vibračními izolátory instalovanými ve dně vany. Izolátory jsou navrženy pro tlumení vibrací způsobené provozem klimatizace, aby se nepřenášely do namontovaného povrchu. Při přemísťování klimatizace na různé montážní plochy je třeba dbát zvýšené opatrnosti, aby nedošlo k poškození izolátorů.

**POZOR!**

- > Klimatizaci montujte na nízký, plochý a rovný povrch, například na dno skříňky, pod sedadlo palandy nebo jídelního koutu nebo na podobné místo.
- > Zajistěte, aby kabelové rozvody nebyly vystaveny opotřebení, korozi, nadměrnému tlaku, vibracím, ostrým hranám nebo jiným nepříznivým vlivům prostředí, včetně vlivů stárnutí či nepřetržitých vibrací ze zařízení, jako jsou kompresory či ventilátory.
- > Zajistěte, aby ochranná zařízení, potrubí a armatury byly co nejlépe chráněny před nepříznivými vlivy prostředí, jakými je hromadění špíny a nečistot či shromažďování a mrznutí vody v přetlakových trubkách.
- > Dejte pozor, aby chladicí potrubí nebylo vystavováno nadměrným vibracím či pulzováním.

3 Cílové skupiny



Mechanicou a elektrickou instalací přístroje musí provést kvalifikovaná osoba, která disponuje potřebnými dovednostmi a znalostmi týkajícími se konstrukce, instalace a provozu vybavení pro námořní plavidla, která zná platné předpisy v zemi instalace nebo používání tohoto zařízení a která absolvovala bezpečnostní školení, aby byla schopna rozpoznat související nebezpečí a předejít jim.

4 Určené použití

Tato příručka je určena pro instalaci samostatných klimatizačních systémů DCU, DLU, DTG, ECD, GT, GTX, GTX-LP, GVTX, a TX (dále jen klimatizace). Klimatizace je určena pro použití na lodích a jachtách. Tato klimatizace je vhodná pouze k určenému účelu a použití v souladu s těmito pokyny.

Tento výrobek je vhodný pouze k určenému účelu a použití v souladu s těmito pokyny.

Tento návod obsahuje informace, které jsou nezbytné k řádné instalaci a/nebo použití výrobku. Nesprávná instalace a/nebo nevhodné použití či údržba povedou k neuspokojivému výkonu a možné závadě.

Výrobce nepřijímá žádnou odpovědnost za jakékoli zranění nebo poškození výrobku vyplývající z následujícího:

- Nesprávné instalace, sestavení nebo připojení včetně nadměrného napětí
- Nesprávná údržba nebo použití jiných náhradních dílů než originálních dílů dodaných výrobcem
- Úpravy výrobku bez výslovného souhlasu výrobce
- Použití k jiným účelům, než jsou popsány v tomto návodu

Společnost Dometic si vyhrazuje právo změnit vzhled a specifikace výrobku.

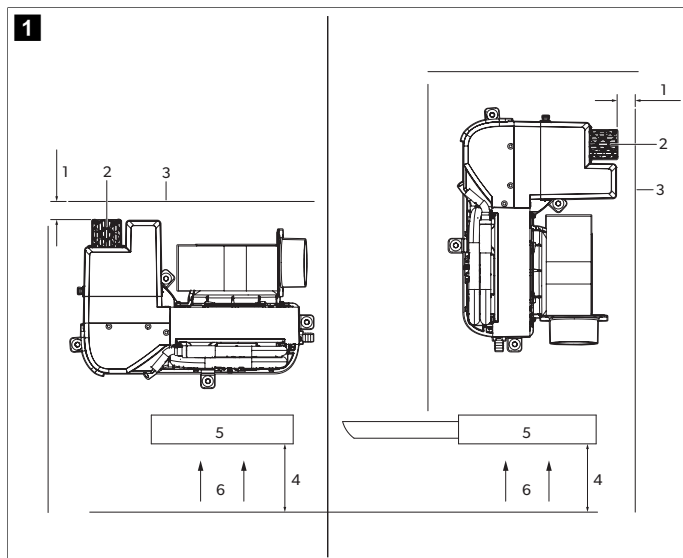
5 Vysvětlení symbolů na zařízení



Výstraha! Nebezpečí požáru / Hořlavé materiály

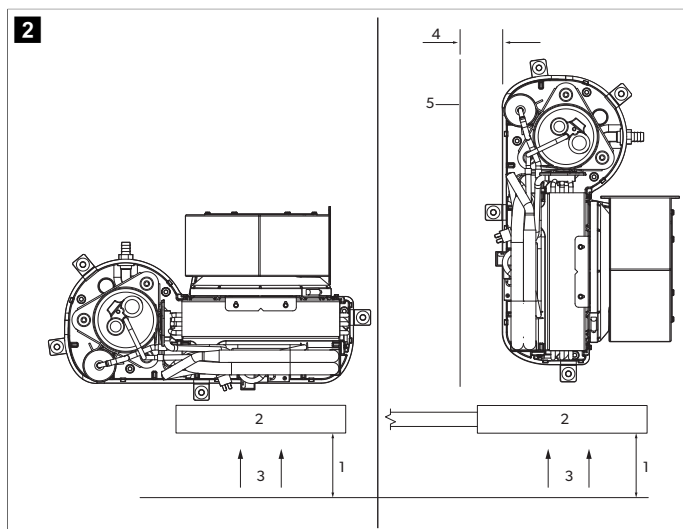
6.1 Určení místa instalace

- Umístění systémů GVTX a TX vzhledem k proudu vzduchu



- | | |
|----------------------------|----------------------------------|
| 1 3,00 in (7,62 cm) | 4 4,00 in (10,16 cm) |
| 2 Chladič | 5 Mřížka vratného vzduchu |
| 3 Přepážka | 6 Proud vzduchu |

Umístění všech ostatních klimatizačních jednotek vzhledem k proudu vzduchu



- | | |
|----------------------------------|----------------------------|
| 1 4,00 in (10,16 cm) | 4 3,00 in (7,62 cm) |
| 2 Mřížka vratného vzduchu | 5 Přepážka |
| 3 Proud vzduchu | |

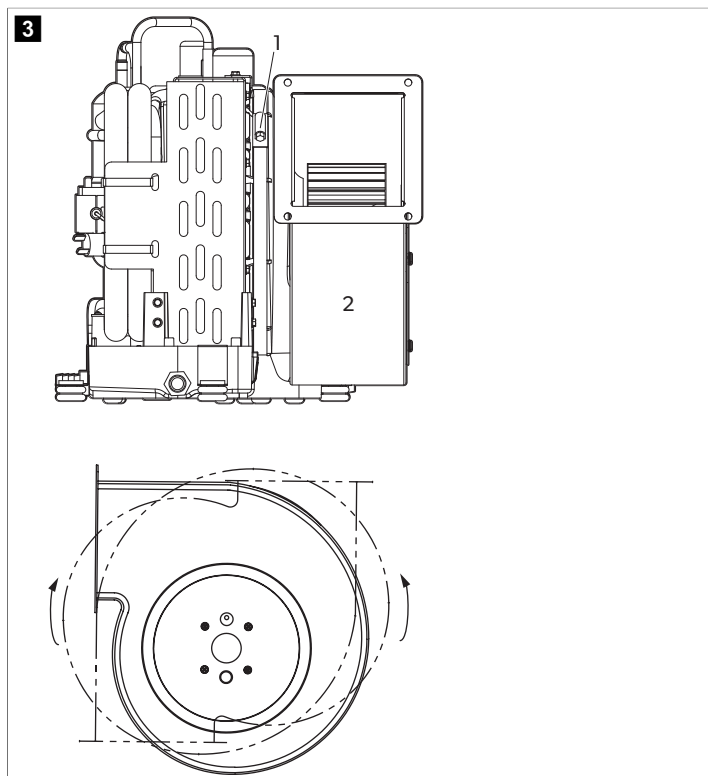
- Vyberte místo s dostatečným prouděním vzduchu. Před mřížkou vratného vzduchu by měl být volný prostor minimálně 4,00 in (10,16 cm) pro cirkulaci vzduchu bez jakýchkoli překážek.
- Pokud je klimatizace umístěna kolmo k mřížce vratného vzduchu, zachovejte na straně přívodu vzduchu minimálně 3,00 in (7,62 cm) volného prostoru pro cirkulaci vzduchu.
- Pouze pro modely GVTX a TX:** Nad chladičem a pod chladičem ponechejte minimální volný prostor 3,00 in (7,62 cm).

6.2 Otáčení ventilátoru

V této části je vysvětleno, jak otáčet ventilátor pro jednotlivé typy jednotek. V případě potřeby otočte ventilátor do směru, který umožňuje nejpřímější odvod vzduchu potrubím.

6.2.1 Ventilátory GTX, GVTX, DTG a TX

Otáčení ventilátoru systému GTX, GVTX, DTG a TX

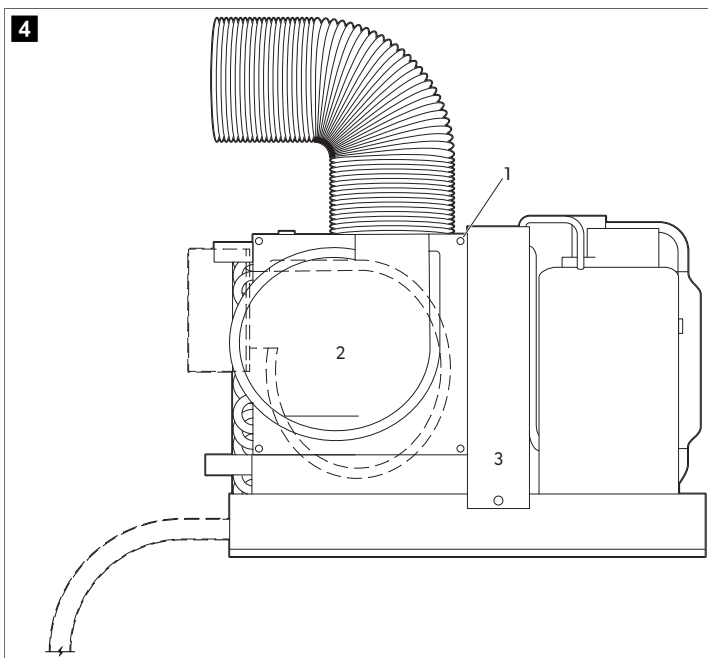


- Adjustment screw
- Blower

- Uvolněte seřizovací šroub na upevňovacím kroužku ventilátoru.
- Otočte ventilátor do požadované polohy.
- Utáhněte seřizovací šroub.

6.2.2 Ventilátory MCS, ECD a GT

Otáčení ventilátoru systému MCS, ECD a GT

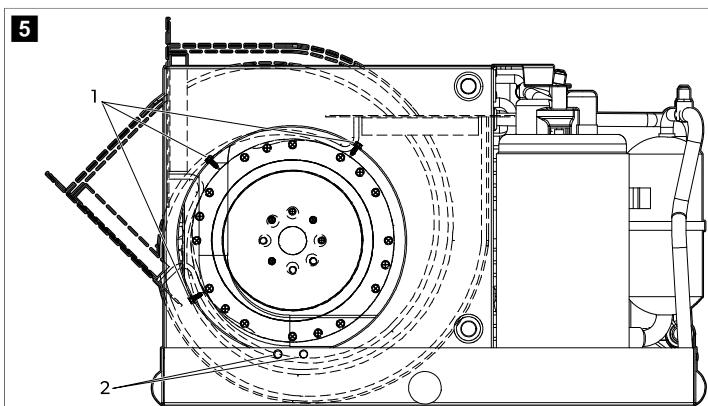


- 1 Screw
- 2 Štítek
- 3 Ventilátor

1. Odeberte sedm šroubů na desce.
2. Otočte ventilátor do požadované polohy.
3. Zajistěte ventilátor na místě pomocí samořezných šroubů (nejsou součástí dodávky).

6.2.3 Ventilátor DCU

Otáčení ventilátoru systému DCU



- 1 Screws on blower ring
- 2 Screws on drain pan or bracket

1. Odeberte šrouby z kroužku ventilátoru.
2. Odeberte šrouby připevňující ventilátor k odtokové vaně nebo konzole.
3. Otočte ventilátor do požadované polohy.
4. Zajistěte ventilátor na místě pomocí samořezných šroubů (nejsou součástí dodávky).
5. Ucpěte všechny nepoužívané otvory, abyste zabránili ztrátám vzduchu.

6.3 Vložení vzduchových filtrů

Vzduchové filtry odstraňují částice ze vzduchu v kabině a udržují čistou cívku výparníku. Pro každou klimatizaci umístěte jeden vzduchový filtr, a to buď na klimatizaci, nebo do mřížky zpětného vzduchu.

6.4 Umístění mřížek a přechodových skříňek

Při umísťování mřížek a přechodových skříňek berte v úvahu následující skutečnosti:

- Mřížku přiváděného vzduchu nainstalujte co nejvýše na místo, odkud bude zajištěna rovnoměrná distribuce vzduchu v celé kabině. Mřížkové žaluzie nasměrujte nahoru.
- Mřížku vratného vzduchu instalujte co nejnižší a co nejbližší ke klimatizaci, aby bylo zajištěno proudění vzduchu k výparníku.
- Výstup přiváděného vzduchu nesmí směřovat k mřížce vratného vzduchu. V opačném případě by docházelo k opakovanému zapínání a vypínání systému v krátkých intervalech.
- Za mřížkou přiváděného vzduchu ponechte dostatečný volný prostor pro přechodovou skříňku a přípojku potrubí. Viz Specifikace na stránce 123

7 Instalace



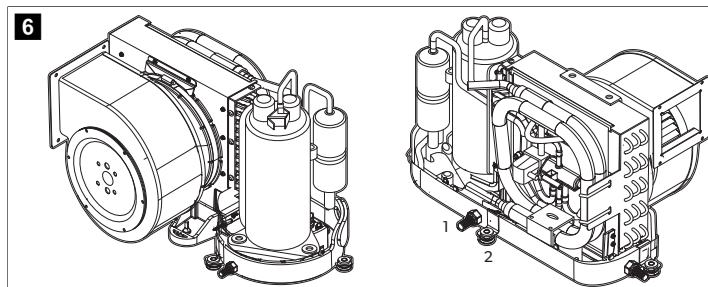
VÝSTRAHA! Nebezpečí usmrcení elektrickým proudem
Instalaci směř provádět pouze kvalifikovaní elektrikáři.

7.1 Instalace montážních konzol a odvodu kondenzátu



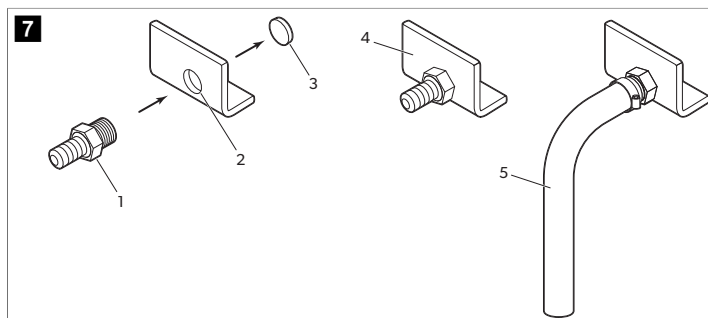
POZOR!
Abyste zabránili prasknutí odtokové vany, nepoužívejte k omotání hadicového hrotu více než dvě vrstvy instalatérské pásky a hadicový hrot příliš neutahujte.

Typické umístění montážních konzol a odtoků kondenzátu



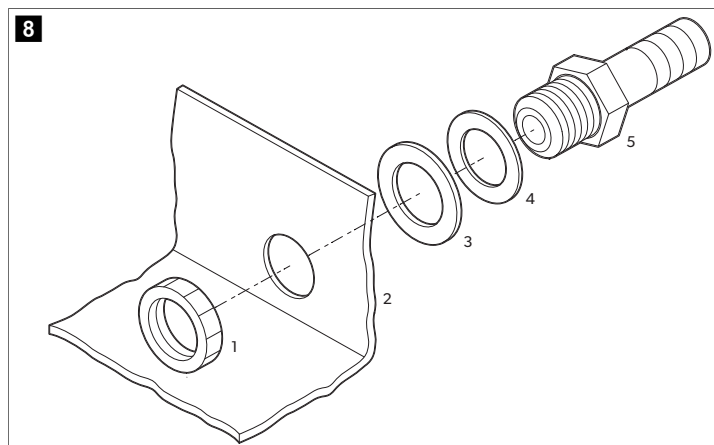
- 1 Hrot hadice na odtok kondenzátu
- 2 Montážní konzola

Instalace odtoku kondenzátu pro systémy GTX, GVTX, DTG a TX



- 1 Hose barb
- 2 Závitový otvor odtoku
- 3 Vyražení záslepky
- 4 Drain pan
- 5 Odtoková hadice

Instalace odtoku kondenzátu pro všechny ostatní klimatizační jednotky



- | | |
|--|--|
| 1 Locking nut | 4 Solid washer |
| 2 Odtoková vana | 5 PVC armatura 0,5 in (12,7 mm) HB x 0,5 in (12,7 mm) MPT |
| 3 Podložka kapalinového těsnění | |

1. Jednotky GTX, GVTX, DTG a TX:

- Veďte malý konec hadicového hrotu a vyraďte zásepku z vypouštěcího otvoru směřujícího k zádi, udělejte to jedním rychlým úderem gumové paličky. Vyraženou zásepku zlikvidujte.
- Omotejte závitový konec hadicového hrotu instalátorskou páskou.
- Našroubujte hadicový hrot do závitového otvoru odtoku a pevně jej utáhněte.

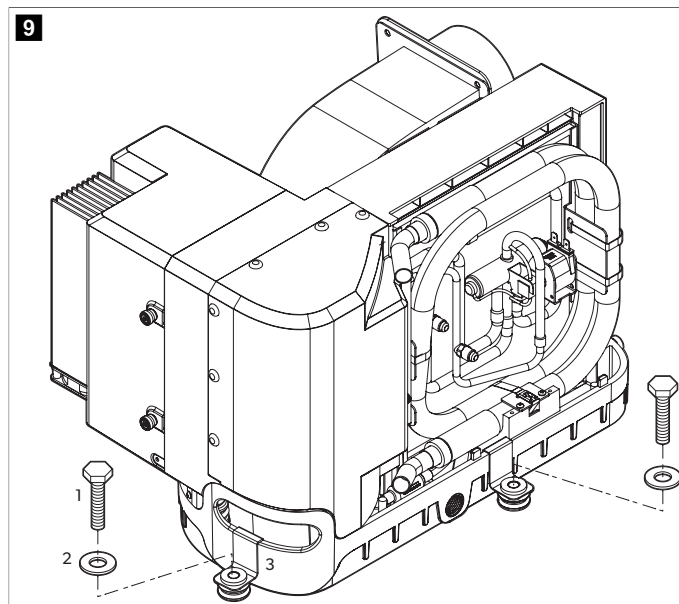
2. Pro všechny ostatní klimatizace:

- Hadicový hrot provlékněte pevnou podložkou a podložkou kapalinového těsnění a zasuňte jej do odtokového otvoru.
- Zajistěte pojistnou maticí.

3. Připevněte odtokovou hadici k hadicovému hrotu pomocí hadicové svorky z nerezové oceli.

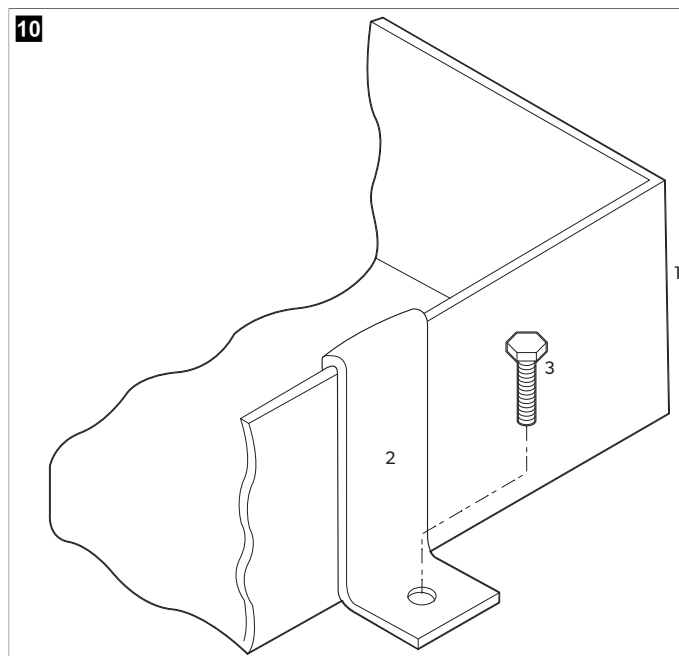
4. Odtokovou hadici ved'te směrem dolů k bezpečnému a vhodnému sběrnému místu.

Instalace montážní konzoly pro jednotky GTX, GVTX, DTG a TX



- | |
|--|
| 1 Montážní čep (není součástí dodávky) |
| 2 Podložka chrániče (je součástí dodávky) |
| 3 Montážní konzola (je součástí dodávky) |

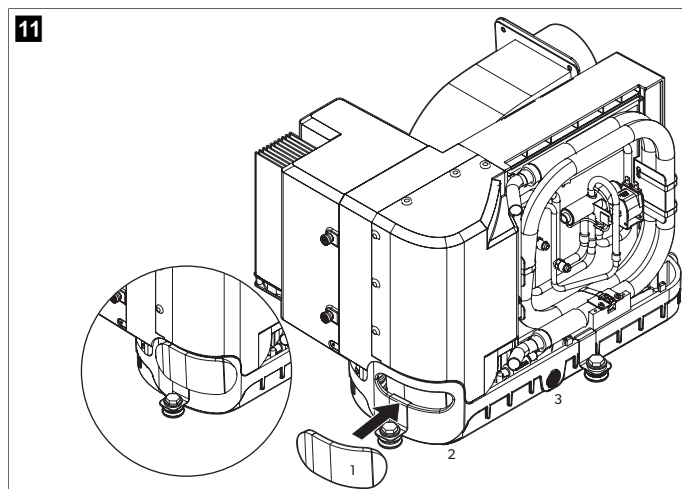
Instalace montážní konzoly pro všechny ostatní klimatizační jednotky



- | |
|---|
| 1 Odtoková vana |
| 2 Montážní konzola |
| 3 Montážní čep (není součástí dodávky) |

5. Nainstalujte jednu montážní konzolu na každou stranu odtokové vany v pravidelných vzdálenostech.

Instalace pěnové izolace rukojeti na jednotkách GVTX a TX



- 1 Pěnová izolace rukojeti
2 Otvor rukojeti
3 Odtoková vana

6. Jednotky GVTX a TX:

- Sejměte fólii, která zakrývá lepicí podložku na pěnové izolaci rukojeti.
- Umístěte pěnovou izolaci rukojeti tak, aby zcela zakrývala otvor rukojeti, a sice lepicí stranou směrem k odtokové vaně.
- Tlačte kolem otvoru rukojeti, aby pěnová izolace rukojeti přilnula k odtokové vaně.

7.2 Instalace potrubí



VÝSTRAHA! Nebezpečí požáru nebo výbuchu

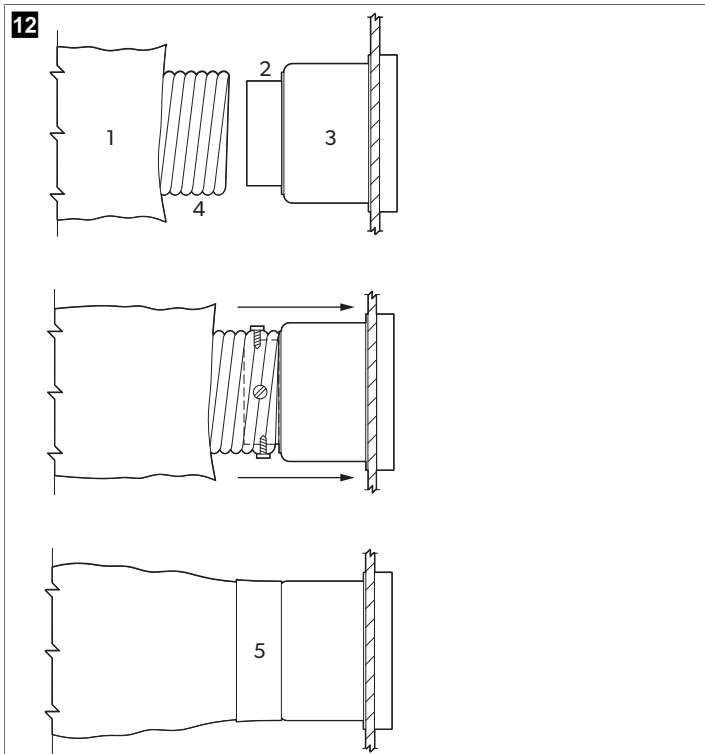
- Mimo pomocná zařízení určená k použití s konkrétním spotřebičem nelze do potrubí instalovat žádná pomocná zařízení, která by mohla být zdrojem vznícení.
- U modelů s hořlavými chladivými, které jsou prostřednictvím systému vzduchového potrubí připojeny k jedné nebo více místnostem, musí být přiváděný i vratný vzduch veden přímou cestou. Volné prostory jako stropní podhledy k vedení vzduchu používat nelze.
- Nevedte potrubí přes motorový prostor nebo jiné prostory, kde by mohlo být vystaveno nebezpečným výparům nebo výfukovým plynům.

Při instalaci potrubí dodržte následující podmínky:

- Potrubí musí být vhodně dimenzováno pro danou aplikaci.
- Vedte potrubí pokud možno rovně, hladce a dostatečně napnuté, minimalizujte počet pravouhlých ohybů a smyček, které mohou snižovat průtok vzduchu.
- Upevněte řádně potrubí, aby se neprohýbalo.
- Potrubí se nesmí zplošťovat ani zalamovat.
- Po instalaci zkratě přebytečnou délku potrubí.
- Pokud se potrubí nachází v oblastech s vysokou teplotou, izolujte je.

Pokud je použita přechodová skříňka, musí být celková plocha potrubí přiváděného vzduchu vycházejícího ze skříňky alespoň stejná jako celková plocha potrubí přiváděného vzduchu vstupujícího do skříňky. Viz Specifikace na stránce 123

Připojky potrubí



- 1 Skloláknová izolace
2 Montážní kroužek
3 Přechodová skříňka
4 Vnitřní hadice potrubí z materiálu Mylar
5 Lepicí páska

- Nasadte vnitřní hadici potrubí z materiálu Mylar na montážní kroužek do přechodové skříňky.
- Skrz hadici potrubí z materiálu Mylar našroubujte tři nebo čtyři nerezové šrouby do montážního kroužku tak, aby hlavice šroubů zachytily dva nebo tři dráty.
- Nasadte skloláknovou izolaci kolem vnitřní hadice potrubí z materiálu Mylar do přechodové skříňky. Zajistěte lepicí páskou.

7.3 Montáž systému mořské vody



POZOR!

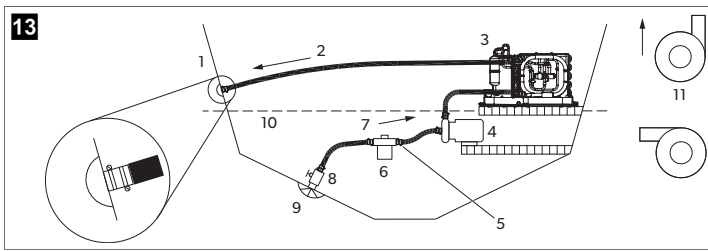
Nedodržení tohoto postupu vede ke ztrátě záruky.

Při nastavování systému mořské vody dodržujte následující pokyny:

- Sítka musí být pod úrovní čerpadla.
- Hadice musí být dvojité upnuté.
- Hadice nesmějí být zalomené, odřené nebo vypouklé tak, aby se v nich nemohl hromadit vzduch.
- Čerpadlo a sítko musí být pod čarou ponoru.
- Vstup do trupu, kulový ventil, hadice a sítko by neměly být menší než vstup do čerpadla.
- Armaturu vstupu do trupu nainstalujte co nejvíc pod čarou ponoru.
- Čerpadlo musí mít vyhrazený vstup do trupu.
- Pokud možno se vyhněte 90,00° kolenovým armaturám.
- Zajistěte, aby hlava čerpadla byla natočena ve směru proudění vody.
- Zajistěte všechny závitové spoje instalátorskou páskou.

Maximální a minimální hodnoty teploty a tlaku vody viz Specifikace na stránce 123.

Systém mořské vody



- | | |
|------------------------|---|
| 1 Výpusť mořské vody | 7 Stoupající vstupní proud |
| 2 Výtok | 8 Kulový ventil |
| 3 Klimatizace | 9 Vstup vody v trupu |
| 4 Čerpadlo mořské vody | 10 čára ponoru |
| 5 Hadicové svorky | 11 Správná orientace sítky hlavy čerpadla |
| 6 Filtrační sítko | |

- Nainstalujte vstup mořské vody v trupu co nejbližší kýlu a co nejvíc pod čáru ponoru. Zajistěte vstup vody v trupu pomocí těsnícího prostředku námořní kvality určeného pro použití pod vodou.
- Na vstup mořské vody v trupu nainstalujte proudový, bronzový mořský ventil.
- Nainstalujte sítko mořské vody pod úroveň čerpadla s přístupem k filtru.
- Čerpadlo namontujte nad sítko a nejméně jeden metr pod čáru ponoru.
- Propojte kohout mořské vody a sítko zesílenou hadicí námořní kvality pro stoupající tok.
- Připojte výpusť z čerpadla stoupajícím směrem ke spodnímu vstupu kondenzátorové cívky klimatizace pomocí vyztužené hadice námořní kvality 5/8 palce.
- Připojte výpusť z kondenzátorové cívky k armatuře palubního vypouštěcímu otvoru přes trup pomocí 5/8 palcové hadice námořní kvality.
- Zabraňte u mořské hadice tvorbě smyček, vyvýšených míst a použití kolen 90°. Každé koleno 90° odpovídá 2,5 ft (0,76 m) hadice a 90° koleno na výstupu čerpadla odpovídá 20,0 ft (6,10 m) hadici.
- Zajistěte všechny hadicové spoje pomocí dvou svorek z nerezové oceli, přitom podle potřeby uspořádejte svorky v opačném pořadí.
- Připojte všechny kovové části, které přicházejí do styku s mořskou vodou, k připojovacímu systému plavidla.

7.4 Provedení elektrických přípojek



VÝSTRAHA! Nebezpečí zasažení elektrickým proudem

- Před otevřením spínací skříňky vždy vypněte jistič napájení klimatizace. Nedodržení tohoto varování by mohlo mít za následek smrt nebo vážné zranění.
- Zajistěte, aby byla spínací skříňka umístěna na místě chráněném před vodou.



POZOR!

Klimatizace musí být připojena k systému připojení lodi, zabráníte tak korozi z důvodu rušivých elektrických proudů. Všechna čerpadla, kovové ventily a přípojky v okruhu mořské vody, které jsou izolovány od klimatizace pomocí hadic z PVC nebo z gumy, připojte jednotlivě k připojovacímu systému lodi.



POZNÁMKA Pokud systém řádně neuzemníte a nespojíte, přestává platit záruka.

Všechny klimatizační jednotky mají uvnitř spínací skříňky svorkovnici s vyznačením správných přípojek. Schéma zapojení uvnitř spínací skříňky nahrazuje standardy ABYC. Použijte výkonový vypínač správné velikosti, aby systém byl chráněn v souladu s údaji na typovém štítku klimatizační jednotky. K napájení klimatizace a čerpadla mořské vody používejte lodní kabel o minimální velikosti 12 AWG. Všechna připojení proveďte pomocí kroužkových svorek nebo vidlicových svorek.

Při provádění elektrických připojení dodržujte následující pokyny:

- Uzemnění střídavého proudu (AC) musí být připojeno k zemnicí svorce (GRND) na vstupní svorkovnici AC.
- Spojení mezi uzemňovacím vodičem systému střídavého proudu (AC) a záporným nebo vazebním systémem stejnosměrného proudu (DC) plavidla musí být provedeno jako součást elektroinstalace plavidla. Při údržbě nebo výměně stávajícího vybavení, které má zemnicí kolík namontovaný na rámu, zkontrolujte, zda jsou tyto přípojky v elektroinstalaci plavidla.
- Klimatizace GVTX a TX jsou navrženy pro provoz na střídavý proud nebo vysokonapěťový stejnosměrný proud. Správné umístění naleznete ve schématu zapojení plavidla.

Ujistěte se, že je uzemnění klimatizace na střídavý proud správně připojeno k uzemnění střídavého proudu plavidla. Na samotné lodi zajistěte, aby byla zemnicí sběrnice střídavého proudu připojena k zemnicí sběrnici stejnosměrného proudu přesně na jednom místě.

Před spuštěním zkontrolujte a v případě nutnosti znovu utáhněte všechny elektrické přípojky.

8 Likvidace



UPOZORNĚNÍ! Nebezpečí požáru

- Tento přístroj obsahuje hořlavý izolační těkavý plyn.
- Přístroj nechejte odstranit a zlikvidovat pouze odborníkem.



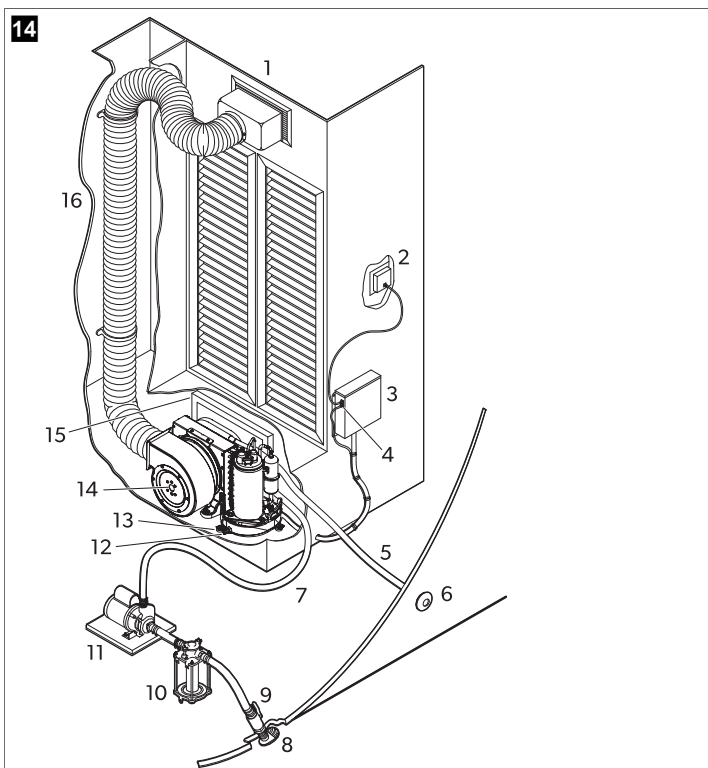
Obalový materiál pokud možno zlikvidujte do vhodných recyklačních odpadních nádob. Informace o likvidaci výrobku v souladu s platnými předpisy pro likvidaci vám sdělí místní recyklační středisko nebo specializovaný obchodník.

9 Technické údaje

Přečtěte si celé tyto pokyny a poté naplánujte přípojky, které je nutné provést ke klimatizaci (včetně potrubí, odtoku kondenzátu, hadic pro přívod a odvod mořské vody, přípojek elektrického napájení, umístění ovládání a umístění čerpadla mořské vody), aby byl zajištěn snadný přístup pro trasování a budoucí údržbu.

9.1 Umístění částí

Identifikace součástí systému klimatizace



- | | |
|--|-------------------------------------|
| 1 Mřížka přiváděného vzduchu a přechodová skříňka | 9 Uzavírací ventil pro mořskou vodu |
| 2 Digitální displej | 10 Filtr mořské vody |
| 3 Spínací skříňka | 11 Čerpadlo |
| 4 Kabel volitelného vzdáleného vzduchového senzoru | 12 Hrot hadice na odtok kondenzátu |
| 5 Hadice výpusti mořské vody | 13 Montážní konzola |
| 6 Palubní vypouštěcí otvor | 14 Klimatizace |
| 7 Hadice přívodu mořské vody | 15 Mřížka a filtr vratného vzduchu |
| 8 Vstup mořské vody v trupu | 16 Izolované ohebné potrubí |

9.2 Specifikace

Chladicí okruh obsahuje malé množství ekologického, ale hořlavého chladiva. Tím není poškozována ozonová vrstva a nezvyšuje se skleníkový efekt. Unikající chladivo se může vznítit.

Tento výrobek obsahuje fluorované skleníkové plyny.

Chladicí jednotka je hermeticky utěsněná.

Tabulka 27: Minimální velikosti potrubí a mřížky pro jednotlivé kapacity BTU

	3.5 k BTU	6 k BTU	8 k BTU	10 k BTU
Minimální průměr potrubí	3,00 in (76,2 mm)	4,00 in (101,6 mm)	5,00 in (127,0 mm)	6,00 in (152,4 mm)
Minimální plocha potrubí	6,8 in ² (43,9 cm ²)	12,6 in ² (81,3 cm ²)	19,6 in ² (126,5 cm ²)	28,3 in ² (182,6 cm ²)
Minimální mřížka vratného vzduchu	48,0 in ² (309,7 cm ²)	64,0 in ² (412,9 cm ²)	80,0 in ² (516,2 cm ²)	100,0 in ² (645,2 cm ²)
Minimální mřížka přiváděného vzduchu	12,0 in ² (77,4 cm ²)	32,0 in ² (206,5 cm ²)	48,0 in ² (309,7 cm ²)	60,0 in ² (387,1 cm ²)

	12 k BTU	16 k BTU	18 k BTU	27 k BTU
Minimální průměr potrubí	6,00 in (152,4 mm)	7,00 in (177,8 mm)	7,00 in (177,8 mm)	8,00 in (203,2 mm)
Minimální plocha potrubí	28,3 in ² (182,6 cm ²)	38,5 in ² (248,4 cm ²)	38,5 in ² (248,4 cm ²)	50,3 in ² (324,5 cm ²)
Minimální mřížka vratného vzduchu	130,0 in ² (838,8 cm ²)	160,0 in ² (1032,3 cm ²)	200,0 in ² (1290,4 cm ²)	240,0 in ² (1548,5 cm ²)
Minimální mřížka přiváděného vzduchu	70,0 in ² (451,6 cm ²)	80,0 in ² (516,2 cm ²)	100,0 in ² (645,2 cm ²)	120,0 in ² (774,2 cm ²)

Tabulka 28: Provozní teplota a tlak vody

Minimální provozní teplota vody	40,0 °F (4,44 °C)
Maximální provozní teplota vody	80,0 °F (26,66 °C)
Minimální provozní tlak vody	4,2 psi (0,29 bar) (29,00 kPa)
Maximální provozní tlak vody	6,00 psi (0,41 bar) (41,4 kPa)

Dodržujte podmínky používání EPA.



POZNÁMKA Mimo tyto podmínky může jednotka pracovat se sníženým výkonem.

10 Právní

Pouze pro modely GVTX: V souladu s normou IEC 60533 výrobek instalujte v minimální vzdálenosti 9,8 ft (3,00 m) od antén.

11 Záruka

Informace o záruce a záruční podpoře v USA, Kanadě a všech ostatních regionech jsou uvedeny v odstavcích níže.

Spojené státy a Kanada

OMEZENÁ ZÁRUKA K DISPOZICI NA DOMETIC.COM/EN-US/TERMS-AND-CONDITIONS-CONSUMER/WARRANTY. V PŘÍPADĚ DOTAZŮ NEBO POKUD CHCETE ZÍSKAT KOPII OMEZENÉ ZÁRUKY ZDARMA, KONTAKTUJTE:

DOMETIC CORPORATION
MARINE CUSTOMER SUPPORT CENTER
2000 NORTH ANDREWS AVENUE
POMPANO BEACH, FLORIDA, USA 33069
1-800-542-2477

Země Asie a Tichomoří (APAC)

Pokud výrobek nepracuje, jak by měl, kontaktujte svého specializovaného prodejce nebo pobočku výrobce ve své zemi (viz adresa dometic.com/dealer). Na váš výrobek se vztahuje záruka 1 roky (let).

K vyřízení opravy nebo záruky nezapomeňte odeslat následující dokumenty:

- kopii účtenky s datem zakoupení,
- uvedení důvodu reklamacie nebo popis vady.

Upozorňujeme, že oprava svépomocí nebo neodborná oprava může ohrozit bezpečnost a vést ke ztrátě záruky.

Jen pro Austrálii

Naše zboží přichází se zárukami, které nelze podle australského zákona o ochraně spotřebitele vyloučit. V případě závažného selhání přístroje máte nárok na výměnu nebo vrácení peněz a na odškodnění za jakoukoli přiměřeně předvídatelnou ztrátu nebo poškození. Máte také nárok na opravu zboží nebo jeho výměnu, pokud zboží nebude přijatelné kvality a porucha nepředstavuje závažnou poruchu.

Jen pro Nový Zéland

Tento záruční list podléhá podmínkám a zárukám, které jsou povinné podle novozélandského zákona o ochraně spotřebitele z roku 1993(NZ).

Všechny ostatní oblasti

Na výrobek je poskytována záruka v souladu s platnými zákony. Pokud je výrobek vadný, kontaktujte pobočku výrobce ve vaší zemi nebo svého prodejce (viz dometic.com/dealer).

K vyřízení opravy nebo záruky nezapomeňte odeslat následující dokumenty:

- kopii účtenky s datem zakoupení,
- uvedením důvodu reklamace nebo popisu vady.

Upozorňujeme, že oprava svépomocí nebo neodborná oprava může ohrozit bezpečnost a vést ke ztrátě záruky.

Magyar

1	Fontos információk.....	125
2	Szimbólumok magyarázata.....	125
3	Célcsoport(ok).....	126
4	Rendeltetészerű használat.....	126
5	A készüléken látható szimbólumok magyarázata.....	126
6	A beszerelés előtt.....	126
7	Szerelés.....	128
8	Ártalmatlanítás.....	131
9	Műszaki adatok.....	131
10	Jogi nyilatkozat.....	132
11	Garancia.....	132

1 Fontos információk

A termék mindenkor szakszerű telepítése, használata és karbantartása érdekében kérjük figyelmesen olvassa el az ebben a termék kézikönyvben található utasításokat, irányelveket és figyelmeztetéseket, valamint mindig tartsa be ezeket. Ezt az útmutatót a termék közelében KELL tartani.

A termék használatba vételével Ön kijelenti, hogy figyelmesen elolvasta az összes utasítást, irányelvet és figyelmeztetést, valamint megértette és elfogadja az itt leírt szerződési feltételeket. Ön elfogadja, hogy kizárólag a rendeltetésének megfelelő célra és a jelen termék kézikönyvben leírt útmutatásoknak, irányelveknek és figyelmeztetéseknek, valamint a hatályos törvényeknek és szabályozásoknak megfelelően használja ezt a terméket. Az itt leírt utasítások és figyelmeztetések elolvasásának és betartásának elmulasztása saját és mások sérüléséhez, a termék vagy a közelben található más anyagi javak károsodásához vezethet. Ez a termék kézikönyv és a benne található utasítások, irányelvek és figyelmeztetések, valamint a kapcsolódó dokumentációk módosulhatnak és frissülhetnek. Naprakész termékinformációkért látogasson el a következő honlapra: documents.dometic.com.

2 Szimbólumok magyarázata

A figyelmeztető szavak a biztonsági utasítások, valamint a vagyoni károk elkerülésére szolgáló utasítások jelzésére szolgálnak, továbbá a veszély súlyosságát is jelzik.



VESZÉLY!

Veszélyes helyzetet jelöl, amely súlyos sérülést vagy halált okoz, ha nem kerülik el.



FIGYELMEZTETÉS!

Veszélyes helyzetet jelöl, amely súlyos sérülést vagy halált okozhat, ha nem kerülik el.



FIGYELEM!

Olyan helyzetet jelöl, amely vagyoni kárt okozhat, ha nem kerülik el.



MEGJEGYZÉS A termék kezelésére vonatkozó kiegészítő információk.

2.1 Kiegészítő utasítások

A balesetek és sérülések kockázatának csökkentése érdekében kérjük, hogy a készülék beszerelése előtt vegye figyelembe az alábbi irányelveket:

- Olvassa el és tartsa be az összes biztonsági információt és utasítást.
- A termék telepítése előtt olvassa el és értelmezze ezeket az utasításokat.
- A telepítésnek meg kell felelnie az összes vonatkozó helyi vagy nemzeti előírásnak, beleértve a következő szabványok legújabb kiadását:
 - Amerikai Hajó és Yacht Tanács (American Boat and Yacht Council – ABYC)
 - ANSI/NFPA70, National Electrical Code (NEC)

2.2 Biztonsági útmutatások



VESZÉLY! Tűz vagy robbanás veszélye. Egyes modellek gyúlékony hűtőközeggel üzemelnek.

Az alábbi figyelmeztetések figyelmen kívül hagyása súlyos vagy halálos sérülésekhez vezethet:

- > Csak képzett szervizszakember által javítható.
- > Ne telepítse vagy tárolja olyan helyen, ahol folyamatosan üzemelő gyújtóforrások vannak jelen.
- > Tartsa az összes szükséges szellőzőnyílást akadálymentesen.
- > Ne szűrje fel a hűtőközeg tömlőjét.
- > A hűtőközeg típusára vonatkozóan tekintse meg a termék típuscímkéjét.



FIGYELMEZTETÉS! Tűz és/vagy robbanásveszély

Az alábbi figyelmeztetések figyelmen kívül hagyása súlyos vagy akár halálos sérüléshez vezethet:

- > Ne használjon potenciális gyújtóforrást a hűtőközeg szivárgásának észlelésére vagy keresésére. Ne használjon halogén keresőfényt vagy más olyan detektort, amely nyílt lánggal működik.
- > Győződjön meg arról, hogy az érzékelőberendezés megfelel a termékben használt hűtőközeg típusával való használatra. A hűtőközeg típusára vonatkozóan tekintse meg a termék típuscímkéjét.
- > Elektronikus szivárgásérzékelők használhatók a hűtőközeg szivárgásának észlelésére, azonban előfordulhat, hogy ezek érzékenysége nem elegendő a gyúlékony hűtőközegek esetében, és újrakalibrálásra lehet szükség. Kalibrálja az érzékelőberendezést egy hűtőközegtől mentes területen.



FIGYELMEZTETÉS! Szénmonoxid-veszély

Az alábbi figyelmeztetések figyelmen kívül hagyása súlyos vagy akár halálos sérüléshez vezethet:

- > Ne telepítsen vagy működtessen önálló légkondicionálót a fenéktérben vagy a motortérben, illetve belső égésű motor közelében. A kiválasztott hely legyen elzárva a fenékvíz és/vagy a motortér gőzeinek való közvetlen kitettségtől.
- > A kondenzvíz-elvezető vezeték legyen megfelelően elhelyezve és lezárva. A kondenzvíz-elvezető vezeték ne végződjön 0,91 m (3 láb) távolságon belül a motor vagy a generátor kipufogórendszerének kivezetésétől, a motort vagy generátort tartalmazó térben vagy a fenékvízgyűjtőben, kivéve ha az elvezető megfelelő módon csatlakoztatva van egy lezárt kondenzvíz-elvezető vagy zuhanykifolyó szivattyúhoz. Ha a lefolyóvezeték beszerelése nem megfelelő, veszélyes füstök áramolhatnak felfelé a lefolyóvezetéken, és szennyezhetik a lakótérket.
- > Ne szerelje a légkondicionálót olyan helyre, ahol az szén-monoxidot, üzemyanagggózt vagy más mérgező gőzöket juttathat a hajó lakóterébe.



FIGYELMEZTETÉS! Áramütés miatti veszély

A beépítést csak képzett villanyszerelő végezheti el.



FIGYELMEZTETÉS! Áramütés, tűz és/vagy robbanás veszélye

Ezeknek a figyelmeztetéseknek a figyelmen kívül hagyása súlyos, akár halálos sérüléshez is vezethet.

A készüléket korlátozott testi, szellemi, illetve érzékszervi képességgel rendelkező, illetve a készülékek használatához szükséges gyakorlat vagy tudás híján lévő személyek (a gyermekeket is beleértve) ne használják, kivéve ha egy felelős személy felügyeli a biztonságukat, illetőleg az ő útmutatása alapján használják a készüléket. A gyermekeket felügyelni kell annak érdekében, hogy ne játsszanak a készülékkel. A tisztítást és a felhasználói karbantartást felügyelet nélküli gyermekek nem végezhetik. A készüléket nem szabad hozzáférhetővé tenni a nagyközönség számára.

**FIGYELMEZTETÉS! Robbanásveszély**

Ezeknek a figyelmeztetéseknek a figyelmen kívül hagyása súlyos, akár halálos sérüléshez is vezethet.

- > Ne szerelje a légkondicionálót olyan helyre, ahol benzinmotorok, tartályok, LPG-/CNG-palackok, szabályozók, szelepek vagy üzemanyagvezeték-szerelvények találhatóak. Eltérő jelölés hiányában az önálló egységek nem felelnek meg a gyulladásvédelemre vonatkozó szövetségi követelményeknek. Ennek a figyelmeztetésnek a figyelmen kívül hagyása súlyos vagy halálos sérüléshez vezethet.
- > Az ívhúzásra vagy szikrázásra képes elektromos alkatrészeket csak a készülék gyártója által meghatározott alkatrészekre szabad cserélni. A más alkatrészekre történő csere szivárgás esetén hűtőközeg begyulladását okozhatja.

**FIGYELMEZTETÉS! Áramütésveszély veszélye!**

Ezeknek a figyelmeztetéseknek a figyelmen kívül hagyása súlyos, akár halálos sérüléshez is vezethet.

- > Ügyeljen a légkondicionáló hatékony földelésére az áramütés veszélyének minimalizálása érdekében. További tájékoztatásért olvassa el a felszerelési útmutatót.
- > Minden felszerelt légkondicionálóhoz külön megszakítóra van szükség. Ha csak egy légkondicionáló van felszerelve, a tengervízszivattyúnak nincs szüksége külön megszakítóra. Ha két vagy több légkondicionáló egység ugyanazt a tengervízszivattyút használja, a szivattyú vezetékeit szivattyúrelé panelhez (PRP) kell csatlakoztatni, amely viszont saját, a szivattyúhoz méretezett megszakítóval rendelkezik (max. 20 A). Lásd a PRP-hez mellékelt kapcsolási rajzot. A hajófenékben a vízvonaltól minden elektromos csatlakozást hőre zsugorodó kábelösszekötőkkel kell szigetelni.
- > A helyszíni kábelezésnek meg kell felelnie az ABYC elektromos előírásainak. A készülék tápellátásának az adattáblán feltüntetett üzemi feszültségtartományon belül kell lennie. A mellékáramkör védelmére megfelelő méretű biztosítékot vagy HACR megszakítót kell felszerelni. A biztosíték/megszakító maximális méretét (MFS) és a minimális áramkörü kapacitást (MCA) lásd az adattáblán.

**FIGYELEM!**

A készülék fluortartalmú üvegházhatású gázokat tartalmaz hermetikusan zárt belső térben. A hűtőközeg súlyban és GWP-ben feltüntetett mennyisége a kondenzációs egység termékadattáblájának címkéjén megtalálható. A hűtőközeg rátöltött mennyiségét fel kell tüntetni a készülék címkéjén.

**FIGYELEM!**

Ne használja a rézcsövet a termék tolasára, húzására, felemelésére vagy hordozására.

3 Célcsoport(ok)



A készülék mechanikai és elektromos beszerelését és beállítását csak olyan szakképzett szakember végezheti, aki bizonyítottan rendelkezik a tengerészeti berendezések és rendszerek felépítésével és működtetésével kapcsolatos készségekkel és ismeretekkel, és aki ismeri annak az országnak a vonatkozó előírásait, amelyben a berendezést beszerelik és/vagy használják, valamint a veszélyek azonosítása és elkerülése érdekében biztonsági képzésben részesült.

4 Rendeltetészerű használat

Ez a kézikönyv a DCU, DLU, DTG, ECD, GT, GTX, GTX-LP, GVTX és TX önálló légkondicionáló rendszerekre (a továbbiakban: légkondicionáló) vonatkozik. A légkondicionáló hajókon és jachtokon való használatra szolgál. Ez a légkondicionáló az itt leírt utasításoknak megfelelő rendeltetészerű használatra alkalmas.

Ez a termék az itt leírt utasításoknak megfelelő rendeltetészerű használatra alkalmas.

Ez a kézikönyv olyan információkat nyújt, amelyek a termék szakszerű telepítéséhez és/vagy üzemeltetéséhez szükségesek. A hibás telepítés és/vagy a szakszerűtlen üzemeltetés vagy karbantartás elégtelen teljesítményhez és potenciálisan meghibásodáshoz vezethet.

A gyártó nem vállal felelősséget a termék olyan károsodásáért, vagy sérülésekért, amelyek a következőkre vezethetők vissza:

- Hibás beszerelés, összeszerelés vagy csatlakoztatás, ideértve a túlfeszültséget is
- Helytelen karbantartás, vagy a gyártó által szállított eredeti tartalék alkatrészeket eltérő tartalék alkatrész használatával
- A termék kifejezett gyártói engedély nélküli módosítása
- Az útmutatóban leírt céloktól eltérő felhasználás

A Dometic fenntartja a termék megjelenésének és specifikációjának módosítására vonatkozó jogát.

5 A készüléken látható szimbólumok magyarázata



Figyelmeztetés! Tűzveszély/gyúlékony anyagok



Figyelmeztetés! Kis sebességgel égő anyag. Gyúlékony hűtőközeg.



Hűtőközeg-biztonsági csoport: A2L



Olvassa el a használati utasítást.



Olvassa el a szerviz kézikönyvet.

6 A beszerelés előtt

**FIGYELEM!**

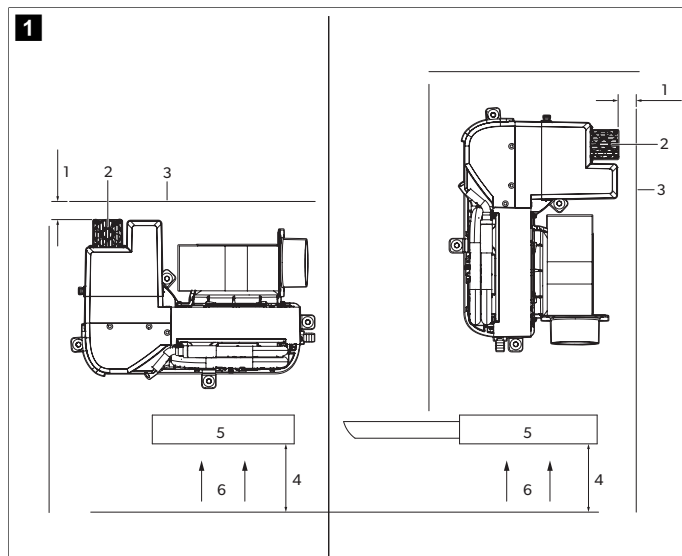
A DTG, GTX, GVTX és TX egységek alján az önálló kondenzvíz-gyűjtő edények rezgécscillapítókkal vannak felszerelve, amelyek az edény aljába vannak beépítve. Ezek a rezgécscillapítók úgy lettek kialakítva, hogy csillapítsák a működő légkondicionálónak a tartófelületre átvitt rezgését. A légkondicionálónak a tartófelületeken történő mozgásakor óvatosan kell eljárni, mert a rezgécscillapítók megsérülhetnek.

**FIGYELEM!**

- > A légkondicionálót alacsonyan elhelyezkedő sík, vízszintes felületre kell felszerelni, például szekrény aljára, az ágy, az étkezőszék alá vagy hasonló helyre.
- > Ügyeljen arra, hogy a kábelezés ne legyen kitéve kopásnak, korrózióknak, túlzott nyomásnak, rezgésnek, éles sarkoknak vagy bármilyen egyéb ártalmas környezeti hatásnak, beleértve az előregedésből származó hatásokat és az olyan rezgésforrásokból származó hatásokat, mint a kompresszorok vagy a ventilátorok.
- > Biztosítsa, hogy a védőeszközök, a csővezetékek és a szerelvények a lehető legnagyobb mértékben védve legyenek az ártalmas környezeti hatásokkal szemben, mint például a szennyeződések és a lerakódások felhalmozódása, vagy a nyomáscsökkentő csövekben felgyülemelő vagy megfagyó víz.
- > Óvintézkedéseket kell tenni a hűtőcső túlzott rezgésének vagy pulzálásának elkerülése érdekében.

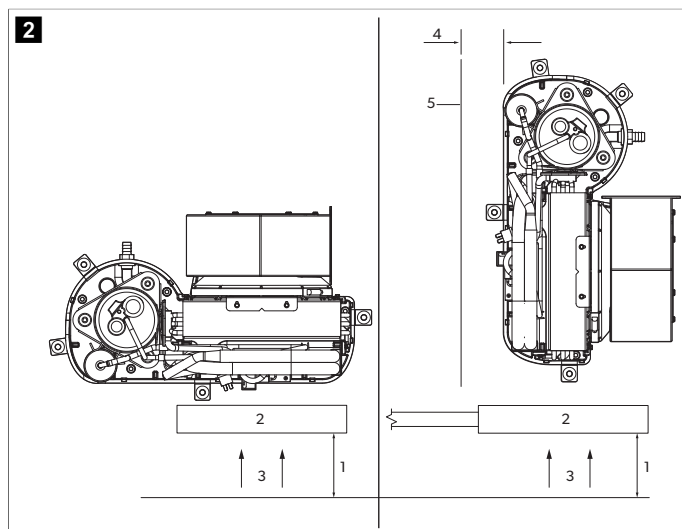
6.1 A beszerelés helyének meghatározása

1. A GVTX és TX elhelyezése a légáramhoz viszonyítva



- | | | | |
|---|-------------------|---|---------------------------|
| 1 | 3,00 in (7,62 cm) | 4 | 4,00 in (10,16 cm) |
| 2 | Hűtőegység | 5 | Kiáramló levegő védőrácsa |
| 3 | Válaszfal | 6 | Légáramlás |

Az összes többi légkondicionáló egység elhelyezése a légáramláshoz képest



- | | | | |
|---|---------------------------|---|-------------------|
| 1 | 4,00 in (10,16 cm) | 4 | 3,00 in (7,62 cm) |
| 2 | Kiáramló levegő védőrácsa | 5 | Válaszfal |
| 3 | Légáramlás | | |

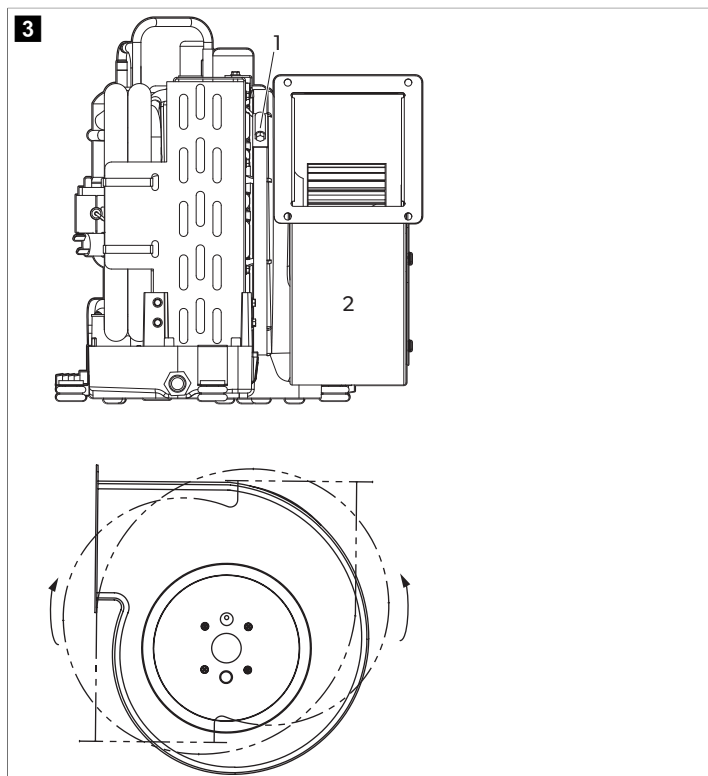
2. Válasszon olyan helyet, ahol elegendő a légáramlás. A kiáramló levegő védőrácsa előtt legyen legalább 4,00 in (10,16 cm) akadálymentes légáramlási távolság.
3. Ha a légkondicionáló a kiáramló levegő rácsához képest merőlegesen van elhelyezve, legyen legalább 3,00 in (7,62 cm) légáramlási távolság a bemeneti oldalon.
4. **Csak a GVTX és TX modellekre vonatkozóan:** Legyen minimum 3,00 in (7,62 cm) nyílt terület a hűtőegység felett és alatt.

6.2 A ventilátor fűvónyílásának az elfordítása

Ez a szakasz elmagyarázza, hogyan kell elfordítani a fűvónyílást az egyes típusoknál. Ha szükséges, fordítsa el a fűvónyílást abba az irányba, amely a legközvetlenebb légáramlást teszi lehetővé a légcsatornán keresztül.

6.2.1 A GTX, GVTX, DTG és TX modellek ventilátorai

A GTX, GVTX, DTG és TX rendszerek ventilátorának forgása

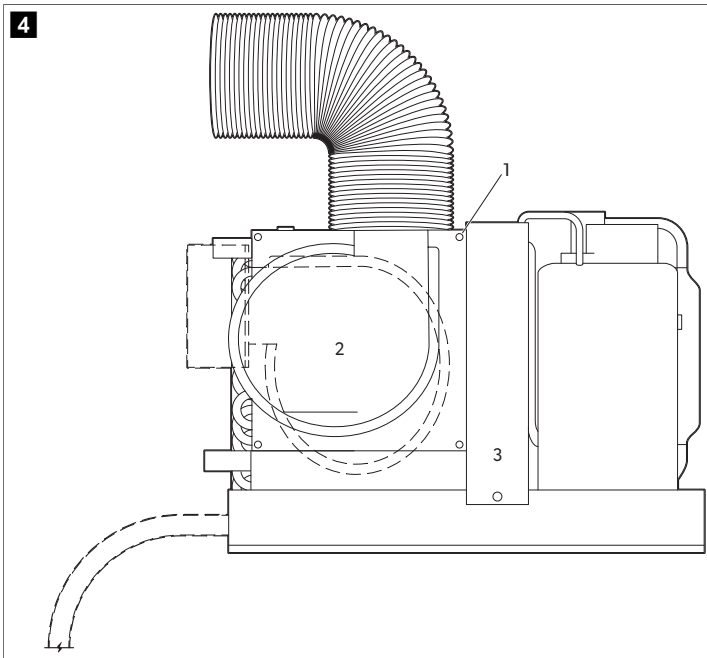


- 1 Adjustment screw
- 2 Blower

1. Lazítsa meg a fűvónyílást rögzítő gyűrűn lévő állítócsavart.
2. Fordítsa a ventilátor fűvónyílását a kívánt helyzetbe.
3. Húzza meg az állítócsavart.

6.2.2 Az MCS, ECD és GT egységek ventilátorai

Az MCS, ECD és GT rendszerek ventilátorának forgása

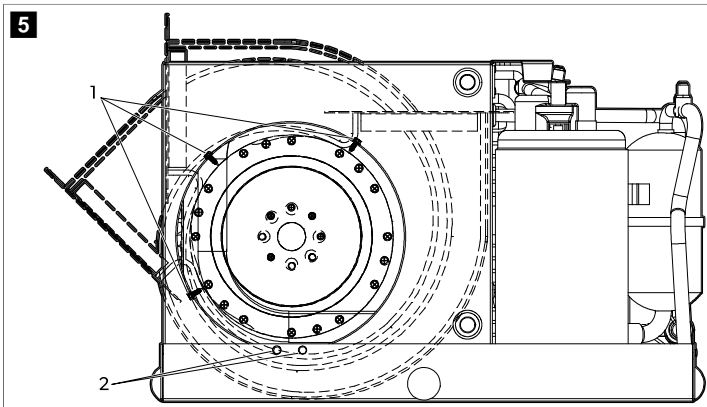


- 1 Screw
- 2 Tábla
- 3 Ventilátor

1. Távolítsa el a lemezből a hét csavart.
2. Fordítsa a ventilátor fűvónyílását a kívánt helyzetbe.
3. Rögzítse a ventilátor fűvónyílását önmetsző csavarokkal (nem tartozék).

6.2.3 DCU-ventilátor

A DCU rendszer ventilátorának forgása



- 1 Screws on blower ring
- 2 Screws on drain pan or bracket

1. Hajtsa ki a csavarokat a ventilátor gyűrűjéből.
2. Távolítsa el a ventilátor fűvónyílását a kondenzvíz-gyűjtő edényhez vagy a konzolhoz rögzítő csavarokat.
3. Fordítsa a ventilátor fűvónyílását a kívánt helyzetbe.
4. Rögzítse a ventilátor fűvónyílását önmetsző csavarokkal (nem tartozék).
5. Dugaszolja be a nem használt furatokat, hogy megakadályozza a légvesztéséget.

6.3 A levegőszűrők elhelyezése

A légszűrők eltávolítják a levegőben lévő részecskéket a kabin levegőjéből, és tisztán tartják az elpárologtatót. Minden légkondicionálónál helyezzen el légszűrőt vagy a légkondicionálóra vagy a kiáramló levegő rácsába.

6.4 A rácsok és az átalakító dobozok elhelyezése

A rácsok és az átalakító dobozok elhelyezésénél az alábbiakat kell figyelembe venni:

- A bemeneti levegő rácsát a lehető legmagasabban, olyan helyre szerelje fel, amely egyenletes levegőeloszlást biztosít az egész kabinban. A rács lamelláit irányítsa felfelé.
- A kiáramló levegő rácsát a lehető legalacsonyabban és a légkondicionáléhoz minél közelebb szerelje fel, hogy biztosítsa a levegő áramlását az elpárologtatóhoz.
- A beáramló levegő nyílása nem nézhet a kiáramló levegő rácsa felé, mivel ekkor a berendezés rövid időközönként ki-, és be kapcsolna.
- Biztosítson megfelelő szabad helyet a beáramló levegő nyílása mögött az átalakító doboz és a légszűrő csatlakoztatása számára. Lásd: Műszaki leírás 132. oldal

7 Szerelés



FIGYELMEZTETÉS! Áramütés miatti veszély

A beépítést csak képzett villanyszerelő végezheti el.

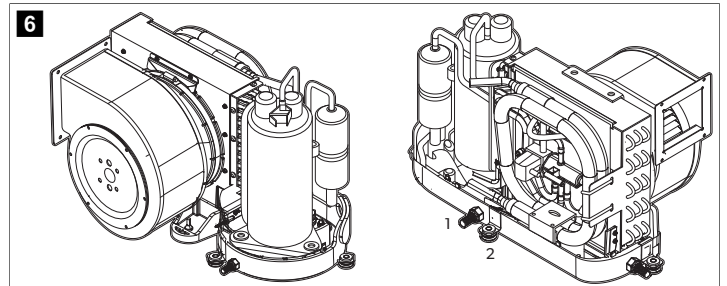
7.1 A tartókonzolok és a kondenzvíz-elvezető felszerelése



FIGYELEM!

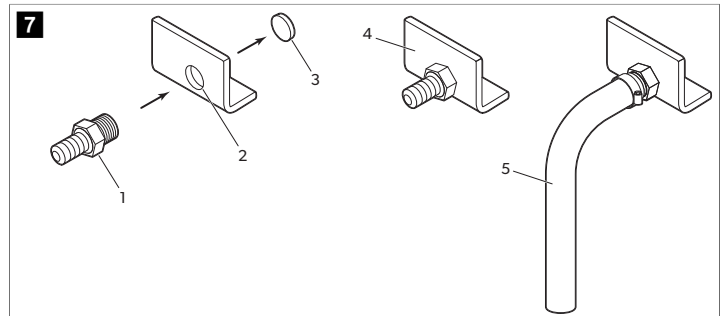
Ne használjon két rétegnél több teflonszalagot a tömlőcsonk körbetekéréséhez, és ne húzza túl a tömlőcsonkot, nehogy megrepedjen a kondenzvíz-gyűjtő edény.

A tartókonzolok és a kondenzvíz-elvezetés jellemző elhelyezése



- 1 Kondenzátum-elvezető tömlőcsonk
- 2 Tartókonzol

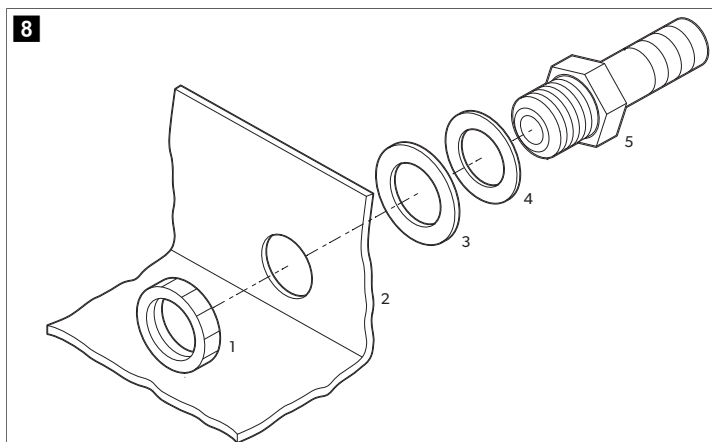
A kondenzvíz-elvezetés felszerelése a GTX, GVTX, DTG és TX modellek esetében



- 1 Hose barb
- 2 Kondenzvíz-elvezető menetes nyílás
- 4 Drain pan
- 5 Kondenzvíz-elvezető tömlő

3 Záróelem

A kondenzvíz-elvezetés felszerelése minden más légkondicionáló egység esetében

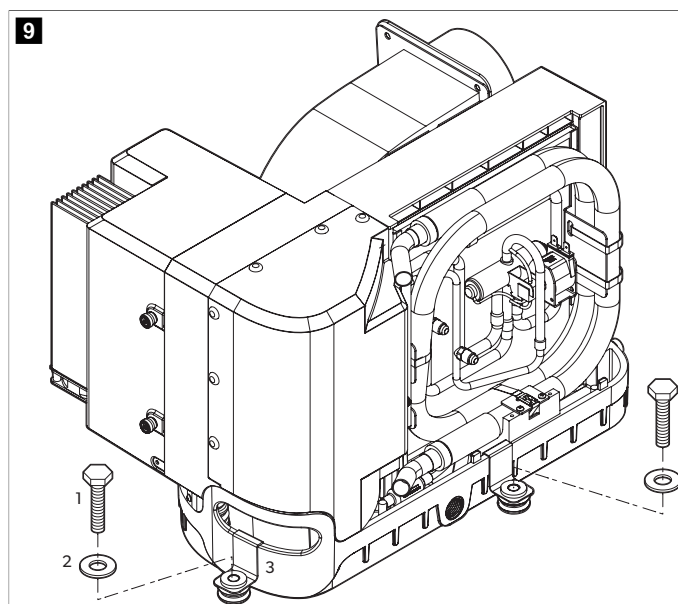


- | | |
|---------------------------|---|
| 1 Locking nut | 4 Solid washer |
| 2 Kondenzvíz-gyűjtő edény | 5 PVC szerelvény 0,5 in (12,7 mm) HB x 0,5 in (12,7 mm) MPT |
| 3 Folyadéktömítő alátét | |

- A GTX, GVTX, DTG és TX egységek esetében:
 - A tömlőcsont kisebbik végére gumikalapáccsal egy gyors ütést ráérvé üsse ki a záróelemet a hátsó elvezetőnyílásból. A kiütött záróelemet dobja ki.
 - Tekerje be a tömlőcsont menetes végét teflonszalaggal.
 - Hajtsa be a tömlőcsontot a kondenzvíz-elvezető menetes nyílásba, és húzza meg biztonságosan.
- Az összes többi légkondicionáló esetében:
 - Hajtsa be a tömlőcsontot a kondenzvíz-elvezető menetes nyílásába úgy, hogy előtte feltesz rá egy tömör alátétet, majd egy folyadéktömítő alátétet.
 - Rögzítse ellenanyával.
- Rögzítse a kondenzvíz-elvezető tömlőt a tömlőcsontokhoz rozsdamentes acél tömlőbilinccsel.

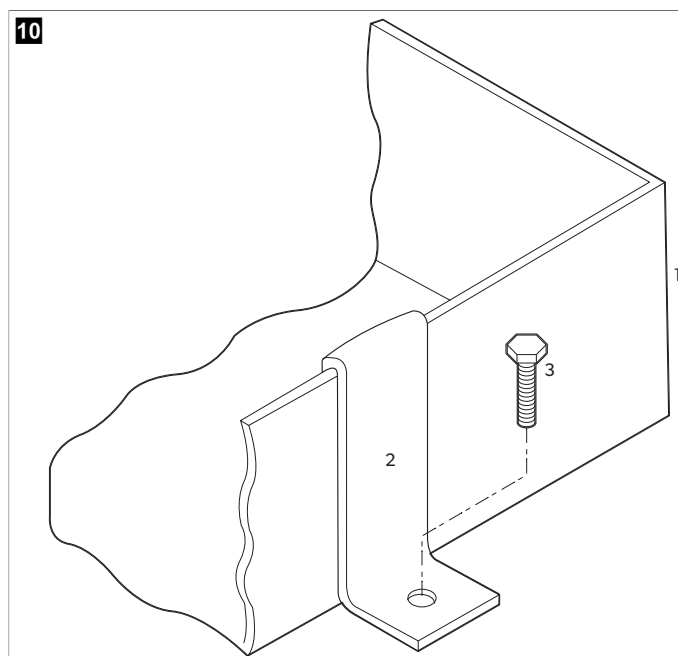
- A kondenzvíz-elvezető tömlőt vezesse el lefelé egy biztonságos és megfelelő gyűjtőhelyre.

A szerelőkonzol felszerelése a GTX, GVTX, DTG és TX egységek esetében



- | |
|--------------------------------|
| 1 Rögzítőcsavar (nem tartozék) |
| 2 Széles alátét (mellékelve) |
| 3 Tartókonzol (mellékelve) |

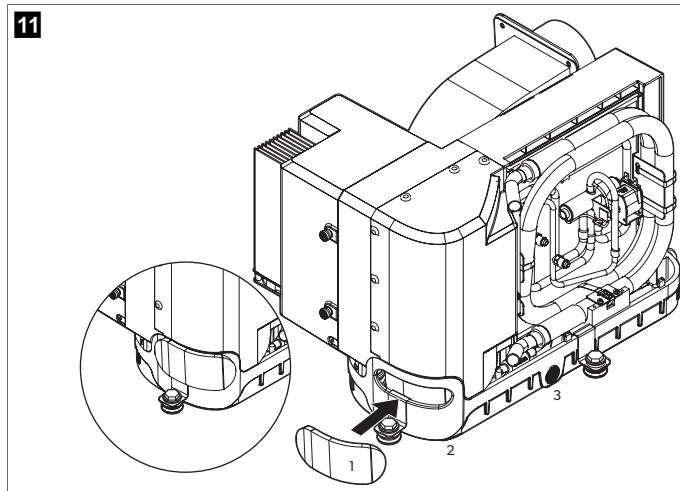
A tartókonzol felszerelése minden más légkondicionáló egység esetében



- | |
|--------------------------------|
| 1 Kondenzvíz-gyűjtő edény |
| 2 Tartókonzol |
| 3 Rögzítőcsavar (nem tartozék) |

5. Szereljen fel egy-egy tartókonzolt a kondenzvíz-gyűjtő edény minden oldalára, egyenletes távolságra egymástól.

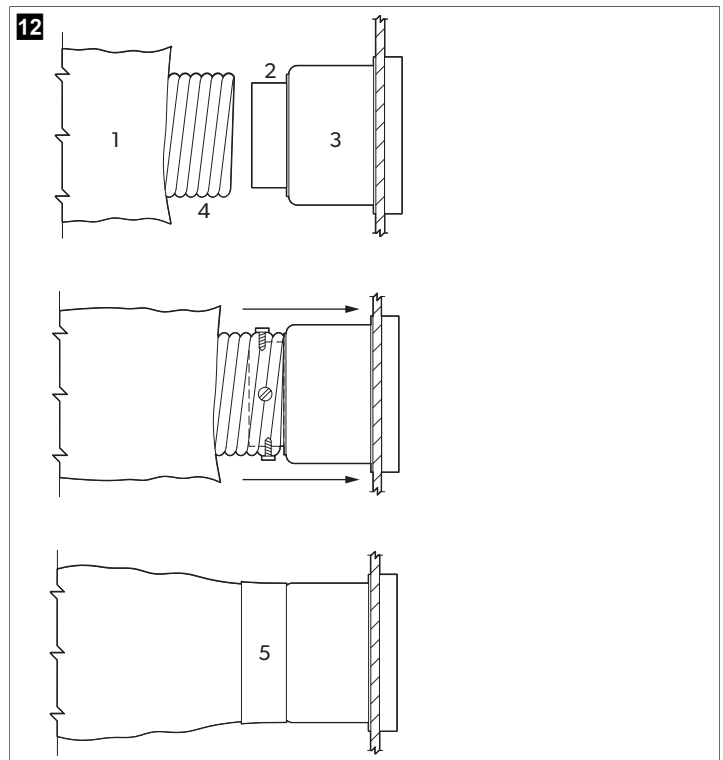
A fogantyú szigetelőszivacsának felszerelése a GVTX és TX egységek esetében



- 1 Fogantyú-szigetelőszivacs
- 2 Fogantyúnyílás
- 3 Kondenzvíz-gyűjtő edény

6. A GVTX és TX egységek esetében:

- a) Távolítsa el a fogantyú-szigetelőszivacs ragasztós hátlapját fedő fóliát.
- b) Helyezze el a fogantyú-szigetelőszivacsot úgy, hogy az teljesen befedje a fogantyúnyílást, a ragasztós oldala nézzen a kondenzvíz-gyűjtő edény felé.
- c) Nyomkodja meg a fogantyúnyílás körül, hogy a fogantyú-szigetelőszivacs jól a kondenzvíz-gyűjtő edényhez tapadjon.



- 1 Üvegszálás szigetelés
- 2 Rögzítőgyűrű
- 3 Átalakító doboz
- 4 Levegőcsatorna belső mylar-tömlője
- 5 Ragasztószalag

1. Húzza rá a levegőcsatorna belső mylar-tömlőjét az átalakító doboz rögzítőgyűrűjére.
2. Hajtson be három vagy négy rozsdamentes acélcsavart a mylar csatornatömlőn keresztül a rögzítőgyűrűbe, két vagy három vezetékét rögzítve a csavarfejekkel.
3. Húzza rá az üvegszálás szigetelést a levegőcsatorna belső mylar-tömlője köré az átalakító dobozig. Rögzítse a ragasztószalaggal.

7.2 A csatornarendszer felszerelése



FIGYELMEZTETÉS! Tűz vagy robbanás veszélye

- > A légcsatornába nem szabad olyan segédberendezéseket beszerelni, amelyek gyújtóforrások lehetnek, kivéve az adott készülékkel való használatra felsorolt segédberendezéseket.
- > A légcsatornarendszeren keresztül egy vagy több helyiséghez csatlakoztatott, gyúlékony hűtőközzel üzemelő modellek esetében a beáramló és a kiáramló levegőt közvetlenül a helyiségbe kell vezetni. Nyílt területek, például álmennyezetek nem használhatók a kiáramló levegő csatornájaként.
- > A csatornát ne vezesse át a gépházon vagy olyan területen, ahol veszélyes gőzöknek vagy kipufogógázoknak lehet kitéve.

A csatornarendszer felszerelésekor vegye figyelembe az alábbiakat:

- A csatornarendszert az alkalmazásnak megfelelően kell méretezni.
- A csatornákat a lehető legegyszerűbben, zökkenőmentesen és feszesen vezesse, minimalizálva a 90°-os könyökök és hurkok számát, amelyek lassítják a légáramlást.
- Rögzítse a csatornát biztonságosan, megelőzve a megereszkedését.
- A csatorna ne lapuljon össze és ne csavarodjon meg.
- Vágja le a csatorna felesleges részét a felszerelést követően.
- Szigetelje a csatornát, ha az magas hőmérsékletű területeken vezet át.

Ha átalakító dobozt használ, a dobozból kivezető levegőcsatornák teljes felülete legyen legalább akkora, mint a dobozba bevezető levegőcsatornák teljes felülete. Lásd: Műszaki leírás 132. oldal

Levegőcsatorna-csatlakozók

7.3 A tengervizes rendszer felszerelése



FIGYELEM!

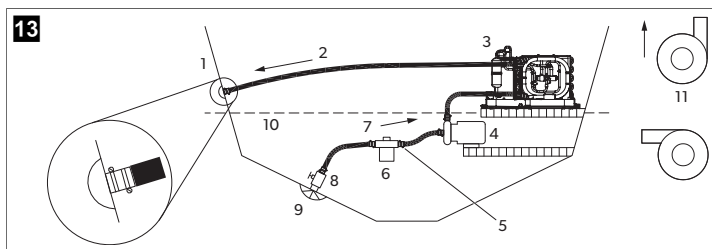
Ha nem követi ezt az eljárást, a garancia érvényét veszti.

A tengervizes rendszer felszerelésekor vegye figyelembe a következő szempontokat:

- A szűrő legyen a szivattyú alatt.
- A tömlőket dupla bilincssel kell ellátni.
- A tömlőkön nem lehetnek törések, hurkok, vagy olyan területek, ahol levegő rekedhet meg.
- A szivattyúnak és a szűrőnek a vízvonal alatt kell lennie.
- Az átvezető nyílás, a golyós szelep, a tömlő és a szűrő felülete nem lehet kisebb, mint a szivattyú bemeneti nyílásának a felülete.
- Az átvezető nyílás szerelvényét a lehető legjelentősebb kell elhelyezni a vízvonal alatt.
- A szivattyúnak legyen külön átvezető nyílása.
- A lehető leginkább kerülni kell a 90,00 °-os könyökszerelvények használatát.
- A szivattyúfej legyen a vízáramlás felé fordítva.
- Minden menetes csatlakozás legyen tömítve teflonszalaggal.

A maximális és minimális vízhőmérsékleti és nyomásértékek tekintetében lásd: Műszaki leírás 132. oldal.

Tengervizes rendszer



- | | | | |
|---|--------------------|----|--------------------------------------|
| 1 | Tengervízki folyó | 7 | Bemeneti feláramlás |
| 2 | Kiáramlás | 8 | Golyós szelep |
| 3 | Légkondicionáló | 9 | Átvezető nyílás a hajótesten |
| 4 | Tengervízszivattyú | 10 | Vízvonal |
| 5 | Tömlőbilincsek | 11 | Szivattyúfejcsűrő megfelelő tájolása |
| 6 | Szűrő | | |

- Helyezzen el egy átvezető nyílást a hajótesten a lehető legközelebb a hajógerinchez és a lehető legmesszebb a vízvonal alatt. Rögzítse az átvezető nyílás szerelvényét vízfelszín alatti használatra tervezett, tengeri minőségű tömítőanyaggal.
- Szereljen fel egy bronzból készült, teljes átfolyású elzárószelepet a tengervíz-átvezető nyílásra.
- Szereljen fel egy tengervízszűrőt a szivattyú szintje alá úgy, hogy hozzáférjen a szűrőhöz.
- Szerelje fel a szivattyút a szűrő fölé, legalább harminc centivel a vízvonal alá.
- Csatlakoztassa a tengervíz elzárószelepet és a szűrőt egy felfelé irányuló, megerősített, tengeri minőségű tömlővel.
- Csatlakoztassa a szivattyú kimeneti tömlőjét felfelé, a légkondicionáló kondenzátortekercsének alsó bemenetéhez egy 5/8 hüvelykes megerősített, tengerészeti minőségű tömlővel.
- Csatlakoztassa a kondenzátortekercs kimenetét 5/8 hüvelykes, megerősített, tengeri minőségű tömlővel a fedélzeti kivezető szerelvényhez.
- A tengervíz-tömlő esetében kerülje a hurkokat, a töréseket vagy a 90°-os könyokelemek használatát. Minden 90°-os könyök 2,5 ft (0,76 m) hosszúságú tömlővel egyenértékű, a szivattyú kimeneténél elhelyezett 90°-os könyök pedig 20,0 ft (6,10 m) tömlőhossznak felel meg.
- A tömlőcsatlakozásokat mindig két rozsdamentes acél bilincsel rögzítse, a bilincseket szükség esetén megfordítva.
- Csatlakoztasson minden tengervízzel érintkező fémalkatrészt a hajó potenciálkiegyenlítő rendszeréhez.

7.4 Elektromos bekötés



FIGYELMEZTETÉS! Áramütésveszély veszélye!

- > A kapcsolódoboz kinyitása előtt mindig kapcsolja ki a légkondicionáló áramellátásának megszakítóját. Ennek a figyelmeztetésnek a figyelmen kívül hagyása súlyos vagy halálos sérüléshez vezethet.
- > Győződjön meg arról, hogy az elektromos doboz víztől védett helyen van.



FIGYELEM!

A kóboráramok által okozott korrózió elkerülése érdekében kösse rá a légkondicionálót a hajó potenciálkiegyenlítő rendszerére. A tengervíz kör minden olyan szivattyúját, fémszelepet és szerelvényét, amely a légkondicionálótól PVC- vagy gumitömlővel van elválasztva, külön-külön kell a hajó potenciálkiegyenlítő rendszeréhez kötni.



MEGJEGYZÉS A rendszer megfelelő földelésének és potenciálkiegyenlítésének elmulasztása esetén a garancia érvényét veszti.

Minden légkondicionáló egység rendelkezzen a kapcsolódobozban a megfelelő bekötéshez felcímkézett külön sorkapoccsal. A kapcsolódobozban elhelyezett kapcsolási rajz felülbírálja az ABYC szabványokat. A megszakítót a légkondicionáló adattábláján lévő adatoknak megfelelően kell méretezni. A légkondicionáló és a tengervízszivattyú áramellátásához legalább 4 mm² (12 AWG) keresztmetszetű

hajókábelt kell használni. Minden bekötés legyen gyúrús vagy kihúzóds ellen biztosított villás érvéghüvellyel megvalósítva.

Az elektromos bekötésnél tartsa be az alábbiakat:

- A váltóáram (AC) földelését a váltóáramú bemeneti sorkapocs földelő csatlakozójához (GND) kell csatlakoztatni.
- A hajó váltóáramú rendszerének földelővezetéke és a hajó egyenáramú (DC) negatív vagy potenciálkiegyenlítő rendszere közötti összeköttetéseket a hajó kábelezésének részeként kell kialakítani. Olyan meglévő berendezés karbantartásakor vagy cseréjekor, amely rendelkezik vízra szerelt földelőcsappal, ellenőrizze a hajó kábelezését ezen csatlakozások tekintetében.
- A GVTX és TX légkondicionálók váltóárammal vagy nagyfeszültségű egyenárammal is működtethetők. A megfelelő elhelyezés kapcsán lásd a hajó kapcsolási rajzát.

Gondoskodjon róla, hogy a légkondicionáló váltóáramú földelése megfelelően csatlakozzon a hajó váltóáramú földeléséhez. Gondoskodjon róla, hogy a váltóáramú földelősín pontosan egy helyen legyen összekapcsolva a hajón belül az egyenáramú földelősínnel.

Indítás előtt ellenőrizze és szükség szerint húzza meg újra az összes elektromos csatlakozást.

8 Ártalmatlanítás



VIGYÁZAT! Tűzveszély

- > A készülék gyúlékony szigetelő gázt tartalmaz.
- > A készülék eltávolítását és ártalmatlanítását kizárólag szakemberrel végeztesse el.



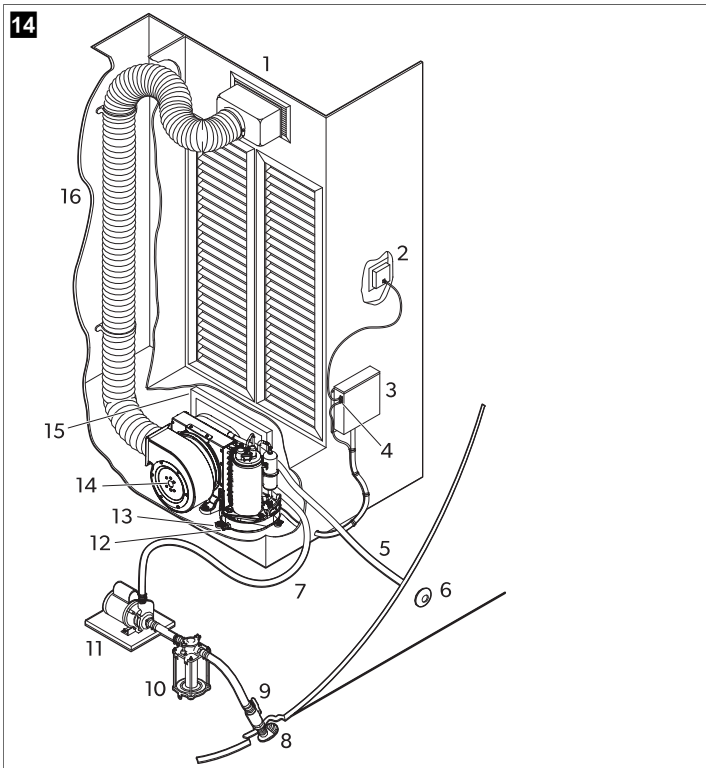
A csomagolóanyagot lehetőség szerint a megfelelő szelektív hulladékgyűjtő tartályokba kell helyezni. A termékre vonatkozó ártalmatlanítási előírásokról tájékozódjon a legközelebbi újrahasznosító központban, vagy szakkereskedőjénél.

9 Műszaki adatok

Olvassa el végig az utasítást, majd tervezze meg a légkondicionáló rendszerhez szükséges csatlakozásokat (beleértve a csővezetéseket, a kondenzvíz-elvezető vezetéseket, a tengervíz be- és kimeneti tömlőket, az elektromos tápcsatlakozásokat, a vezérlés helyét és a tengervízszivattyú elhelyezését), hogy biztosítsa a könnyű hozzáférést az elvezetéshez és a későbbi karbantartáshoz.

9.1 Az alkatrészek elhelyezkedése

A légkondicionáló rendszer részegységeinek azonosítása



- | | | | |
|---|--|----|--------------------------------------|
| 1 | Levegőbemeneti rács és átalakító doboz | 9 | Seacock elzárószelep |
| 2 | Digitális kijelző | 10 | Tengervízszűrő |
| 3 | Kapcsolódoboz | 11 | Szivattyú |
| 4 | Választható távlégérzékelő kábel | 12 | Kondenzátum-elvezető tömlőcsonk |
| 5 | Tengervízkefolyó tömlő | 13 | Tartókonzol |
| 6 | Fedélzeti kiömlőnyílás | 14 | Légkondicionáló |
| 7 | Tengervíz bemeneti tömlő | 15 | Kiáramló levegő védőrácsa és szűrője |
| 8 | Tengervíz-átvezető nyílás a hajótesten | 16 | Szigetelt hajlékony levegőcsatorna |

9.2 Műszaki leírás

A hűtőkör kis mennyiségű környezetbarát, de gyúlékony hűtőközeget tartalmaz. Nem károsítja az ózonréteget és nem növeli az üvegházhatást. A kiszivárgó hűtőközeg meggyulladhat.

Ez a termék fluortartalmú üvegházhatású gázokat tartalmaz.

A hűtőegység hermetikusan le van zárva.

táblázat 29: Minimális légcsatorna- és rácsméretek BTU-kapacitás szerint

	3.5 k BTU	6 k BTU	8 k BTU	10 k BTU
Minimális légcsatorna- átmérő	3,00 in (76,2 mm)	4,00 in (101,6 mm)	5,00 in (127,0 mm)	6,00 in (152,4 mm)
Minimális légcsatorna- keresztmetszet	6,8 in ² (43,9 cm ²)	12,6 in ² (81,3 cm ²)	19,6 in ² (126,5 cm ²)	28,3 in ² (182,6 cm ²)
Kiáramló levegő védőrácsának minimális mérete	48,0 in ² (309,7 cm ²)	64,0 in ² (412,9 cm ²)	80,0 in ² (516,2 cm ²)	100,0 in ² (645,2 cm ²)
Beáramló levegő védőrácsának minimális mérete	12,0 in ² (77,4 cm ²)	32,0 in ² (206,5 cm ²)	48,0 in ² (309,7 cm ²)	60,0 in ² (387,1 cm ²)

	12 k BTU	16 k BTU	18 k BTU	27 k BTU
Minimális légcsatorna- átmérő	6,00 in (152,4 mm)	7,00 in (177,8 mm)	7,00 in (177,8 mm)	8,00 in (203,2 mm)
Minimális légcsatorna- keresztmetszet	28,3 in ² (182,6 cm ²)	38,5 in ² (248,4 cm ²)	38,5 in ² (248,4 cm ²)	50,3 in ² (324,5 cm ²)
Kiáramló levegő védőrácsának minimális mérete	130,0 in ² (838,8 cm ²)	160,0 in ² (1032,3 cm ²)	200,0 in ² (1290,4 cm ²)	240,0 in ² (1548,5 cm ²)
Beáramló levegő védőrácsának minimális mérete	70,0 in ² (451,6 cm ²)	80,0 in ² (516,2 cm ²)	100,0 in ² (645,2 cm ²)	120,0 in ² (774,2 cm ²)

táblázat 30: Üzemi vízhőmérséklet és -nyomás

Minimális üzemi vízhőmérséklet	40,0 °F (4,44 °C)
Maximális üzemi vízhőmérséklet	80,0 °F (26,66 °C)
Minimális üzemi víznyomás	4,2 psi (0,29 bar) (29,00 kPa)
Maximális üzemi víznyomás	6,00 psi (0,41 bar) (41,4 kPa)

Tartsa be az EPA használati feltételeket.

MEGJEGYZÉS A berendezés ezeken a határértékeken kívül csökkentett teljesítménnyel működik.

10 Jogi nyilatkozat

Csak GVTX modellekre vonatkozóan: Az IEC 60533 szabványnak való megfelelés érdekében ne szerelje egy vevőantenna 9,8 ft (3,00 m)-es körzetén belülre.

11 Garancia

Az Egyesült Államokban, Kanadában és az összes többi régióban érvényes garanciáról és a garancia támogatásról az alábbi szakaszokból tájékozódhat.

Egyesült Államok és Kanada

A KORLÁTOZOTT GARANCIA A DOMETIC.COM/EN-US/TERMS-AND-CONDITIONS-CONSUMER/WARRANTY OLDALON ÉRHTŐ EL. HA KÉRDÉSEI LENNÉNEK, VAGY SZÜKSÉGE VAN A KORLÁTOZOTT GARANCIA INGYENES MÁSOLATÁRA, LÉPJEN KAPCSOLATBA VELÜNK A KÖVETKEZŐ ELÉRHETŐSÉGEN:

DOMETIC CORPORATION
MARINE CUSTOMER SUPPORT CENTER
2000 NORTH ANDREWS AVENUE
POMPANO BEACH, FLORIDA, USA 33069
1-800-542-2477

Ázsiai és csendes-óceáni (APAC) országok

Amennyiben a termék nem megfelelően működik, lépjen kapcsolatba a kereskedővel vagy a gyártó helyi képviselőjével (lásd: dometic.com/dealer). Az Ön termékére 1 év garancia vonatkozik.

A javításhoz, illetve a garancia-adminisztrációhoz a következő dokumentumokat kell mellékelnie a termék beküldésekor:

- A számla vásárlási dátummal rendelkező másolatát
- A reklamáció okát vagy a hibát tartalmazó leírást

Vegye figyelembe, hogy az önkező javítás vagy a nem szakszerű javítás biztonsági következményekkel járhat, és érvénytelenítheti a garanciát.

Csak Ausztrália

Áruink olyan garanciákkal érkeznek, amelyeket az Ausztrál Fogyasztói Jog révén nem lehet kizárni. Lényeges meghibásodás esetén Ön cserére, vagy visszatérítésre valamint minden egyéb ésszerűen előre látható veszteségének vagy kárának kompenzációjára

jogosult. Amennyiben az áru nem elfogadható minőségű és a hiba nem éri el a lényeges meghibásodás szintjét, akkor Önnek joga van megjavíttatni, vagy kicseréltetni az árut.

Csak Új-Zéland

Ez a garancia irányelv az 1993 .évi (NZ) Fogyasztói Garanciák Törvény által előírt és kötelező feltételek és garanciák hatálya alá tartozik.

Minden más régió

A termékre a törvény szerinti garancia-időszak érvényes. Amennyiben a termék meghibásodott, lépjen kapcsolatba a gyártó helyi képviselőjével (lásd: dometic.com/dealer) vagy a kereskedővel.

A javításhoz, illetve a garancia-adminisztrációhoz a következő dokumentumokat kell mellékelnie a termék beküldésekor:

- A számla vásárlási dátummal rendelkező másolatát
- A reklamáció okát vagy a hibát tartalmazó leírást

Vegye figyelembe, hogy az önkezü javítás vagy a nem szakszerű javítás biztonsági következményekkel járhat, és érvénytelenítheti a garanciát.

Hrvatski

1	Važne napomene.....	134
2	Objašnjenje simbola.....	134
3	Ciljne skupine.....	135
4	Namjena.....	135
5	Objašnjenje simbola na uređaju.....	135
6	Prije montaže.....	135
7	Instalacija.....	137
8	Odlaganje u otpad.....	140
9	Tehnički podaci.....	140
10	Pravna napomena.....	141
11	Jamstvo.....	141

1 Važne napomene

Pažljivo pročitajte ove upute i poštujte sve upute, smjernice i upozorenja sadržane u ovim uputama kako biste u svakom trenutku osigurali pravilnu instalaciju, uporabu i održavanje proizvoda. Ove upute MORAJU ostati u blizini ovog proizvoda.

Uporabom proizvoda potvrđujete da ste pažljivo pročitali sve upute, smjernice i upozorenja te da razumijete i pristajete poštovati ovdje navedene uvjete i odredbe. Pristajete koristiti se ovim proizvodom samo za predviđenu svrhu i namjenu te u skladu s uputama, smjernicama i upozorenjima navedenima u ovom priručniku za proizvod, kao i u skladu sa svim važećim zakonima i propisima. Ako ne pročitate i ne poštujete ovdje navedene upute i upozorenja, tada to može dovesti do ozljeđivanja vas i drugih osoba, do oštećenja proizvoda ili druge imovine u blizini. Ovaj priručnik za proizvod, uključujući i upute, smjernice i upozorenja, te povezanu dokumentaciju može biti podložan promjenama i ažuriranjima. Za najnovije podatke o proizvodu posjetite documents.dometic.com.

2 Objasnjenje simbola

Signalna riječ opisuje poruke o sigurnosti i oštećenju imovine, kao i stupanj ili razinu težine potencijalne opasnosti.



OPASNOST!

Naznačuje opasnu situaciju, koja će, ako se ne izbjegne, rezultirati smrću ili teškim ozljedama.



UPOZORENJE!

Naznačuje opasnu situaciju, koja bi, ako se ne izbjegne, mogla rezultirati smrću ili teškim ozljedama.



POZOR!

Naznačuje situaciju, koja, ako se ne izbjegne, može rezultirati materijalnom štetom.



UPUTA Dodatne informacije za rukovanje proizvodom.

2.1 Dodatne smjernice

Kako biste smanjili opasnost od nezgoda i ozljeđa, prije montaže ovog uređaja pridržavajte se sljedećih smjernica:

- Kada pročitate sve sigurnosne informacije i upute, obavezno ih se pridržavajte.
- Prije instalacije ovog proizvoda s razumijevanjem pročitate ove upute.
- Ugradnja mora biti u skladu sa svim primjenjivim lokalnim i državnim propisima, uključujući zadnja izdanja sljedećih normi:
 - ABYC (Američko vijeće za brodove i jahte)
 - ANSI/NFPA 70, Savezni električni kodeks (NEC)

2.2 Sigurnosne upute



OPASNOST! Rizik od požara ili eksplozije. Neki modeli koriste zapaljivo rashladno sredstvo.

Nepoštivanje sljedećih upozorenja dovest će do smrti ili teških ozljeđa:

- > Popravak mora vršiti samo obučeno servisno osoblje.
- > Nemojte montirati niti skladištiti na mjestu s izvora paljenja koji neprekidno radi.
- > Održavajte sve potrebne otvore za ventilaciju čistima.
- > Nemojte bušiti cijevi rashladnog sredstva.
- > Vrstu rashladnog sredstva potražite na tipskoj pločici proizvoda.



UPOZORENJE! Opasnost od požara i/ili eksplozije

Nepoštivanje sljedećih upozorenja moglo bi dovesti do smrti ili teških ozljeđa:

- > Za otkrivanje ili traženje curenja rashladnog sredstva nemojte koristiti potencijalne izvore zapaljenja. Nemojte koristiti baklje s halogenidima ili bilo koji drugi detektor koji koristi otvoreni plamen.
- > Oprema za detekciju mora odgovarati vrsti rashladnog sredstva koja se koristi u proizvodu. Vrstu rashladnog sredstva potražite na tipskoj pločici proizvoda.
- > Elektronički detektori curenja mogu se koristiti za otkrivanje curenja rashladnog sredstva, međutim njihova osjetljivost može biti neprikladna za zapaljiva rashladna sredstva i možda će ih biti potrebno ponovno kalibrirati. Kalibrirajte opremu za detekciju u prostoru u kojem nema rashladnog sredstva.



UPOZORENJE! Opasnost od ugljikova monoksida

Nepoštivanje sljedećih upozorenja moglo bi dovesti do smrti ili teških ozljeđa:

- > Samostalni klima-uređaj ne smijete ugrađivati ni koristiti u kaljužnim prostorima, strojarnici ni blizu motora s unutarnjim sagorijevanjem. Odabrana lokacija mora biti zabrtvljena od izravnog utjecaja isparavanja iz kaljužnog prostora i/ili strojarnice.
- > Kondenzacijski odvod mora biti pravilno postavljen i zabrtvljen. Kondenzacijski odvod ne smije završavati unutar 0,91 m (3 stope) od bilo kojeg izlaza ispušnog sustava motora ili generatora, u odjeljku u kojem se nalazi motor ili generator ni u kaljužnom prostoru ako odvod nije pravilno povezan sa zabrtvljenom pumpom za kondenzat ili pumpom sa sabirnom jamom. Ako odvod nije pravilno postavljen, u njega mogu ući opasni plinovi i kontaminirati prostorije za život.
- > Klima-uređaj ne smijete ugraditi na mjesto s kojeg bi u životne prostore na plovilu mogao cirkulirati ugljikov monoksid, ispušni plinovi ni druga štetna isparavanja.



UPOZORENJE! Opasnost od strujnog udara

Montažu smije provoditi samo kvalificirani električar.



UPOZORENJE! Opasnost od strujnog udara, požara i/ili eksplozije

Nepoštivanje ovih mjera opreza moglo bi dovesti do smrti ili teških ozljeđa.

Ovaj uređaj ne smiju upotrebljavati osobe (uključujući djecu) smanjenih tjelesnih, senzoričkih ili umnih sposobnosti ni one s nedostatkom iskustva i znanja, osim ako nisu pod nadzorom osobe odgovorne za njihovu sigurnost ili su od te osobe dobile upute u vezi s upotrebom uređaja. Djeca bi trebala biti pod nadzorom kako bi se osiguralo da se neće igrati s uređajem. Djeca ne smiju provoditi čišćenje i korisničko održavanje bez nadzora. Ovaj uređaj ne smije biti dostupan širokoj javnosti.



UPOZORENJE! Opasnost od eksplozije

Nepoštivanje ovih mjera opreza moglo bi dovesti do smrti ili teških ozljeđa.

- > Klima-uređaj ne smijete ugraditi na mjesto koje obuhvaća benzinske motore, spremnike, boce LPG/CNG plina, regulatore, ventile ni spojeve vodova s gorivom. Osim ako nije naznačeno drugačije, samostalne jedinice ne ispunjavaju savezne propise o zaštiti od zapaljenja. Nepoštivanje ovog upozorenja moglo bi dovesti do smrti ili teške ozljeđe.
- > Električne komponente koje mogu izazvati električne lukove ili iskretnje smiju se zamijeniti samo dijelovima koje je naveo proizvođač uređaja. Zamjena s drugim dijelovima može dovesti do zapaljenja rashladnog sredstva u slučaju curenja.

**UPOZORENJE! Opasnost od strujnog udara**

Nepoštivanje ovih mjera opreza moglo bi dovesti do smrti ili teških ozljeda.

- > Kako biste minimizirali opasnost od strujnog udara, klima-uređaj obavezno propisno uzemljite. Dodatne informacije potražite u smjernicama za montažu.
- > Svaki postavljeni klima-uređaj mora imati vlastiti osigurač. Ako je postavljen samo jedan klima-uređaj, pumpa za morsku vodu ne treba vlastiti osigurač. Ako dvije ili više klimatizacijskih jedinica upotrebljava istu pumpu za morsku vodu, ožičenje pumpe spaja se na ploču s relejima pumpe (PRP), koja ima vlastiti osigurač prilagođen pumpi (maks. 20 A). Pogledajte dijagram ožičenja isporučen uz PRP. Električni spojevi u kaljužnom prostoru i/ili ispod razine vode moraju imati termoskuplajuće čeonke konektore.
- > Ožičenje na lokaciji mora biti u skladu s električnim kodeksom ABYC. Napajanje jedinice mora biti unutar raspona radnog napona naznačenog na tipskoj pločici. Za zaštitu ogranaka strujnog kruga moraju biti ugrađeni osigurači ili HACR prekidači odgovarajuće snage. Na tipskoj pločici potražite maksimalnu snagu osigurača/prekidača (MFS) i minimalni kapacitet strujnog kruga (MCA).



Pažnja! Materijal s niskom brzinom gorenja. Zapaljivo rashladno sredstvo.



Sigurnosna grupa rashladnog sredstva A2L



Pročitajte upute za uporabu.



Pročitajte servisni priručnik.

**POZOR!**

Ovaj uređaj sadrži fluorirane stakleničke plinove u hermetički zatvorenoj opremi. Količina rashladnog sredstva prikazana je kao masa i GWP na naljepnici tipske pločice kondenzacijske jedinice. Dodano rashladno sredstvo potrebno je ubilježiti na naljepnicu jedinice.

**POZOR!**

Bakrene cijevi nemojte koristiti za guranje, povlačenje, podizanje ili nošenje proizvoda.

3 Ciljne skupine



Mehaničku i električnu montažu te postavljanje uređaja smije provoditi samo kvalificirani tehničar koji je pokazao vještinu i znanje vezano za konstrukciju i rad pomorske opreme i izvođenje instalacija, koji dobro poznaje važeće propise države u kojoj se oprema treba instalirati i/ili koristiti i koji je prošao obuku o sigurnosti koja mu omogućava da prepozna i izbjegne opasnosti koje se pri tome javljaju.

4 Namjena

Ovaj je priručnik namijenjen za montažu samostalnih sustava klima-uređaja DCU, DLU, DTG, ECD, GT, GTX, GTX-LP, GVTX i TX (dalje u tekstu klima-uređaj). Klima-uređaj namijenjen je upotrebi na brodovima i jahtama. Ovaj je klima-uređaj prikladan samo za predviđenu namjenu i primjenu u skladu s ovim uputama.

Ovaj je proizvod prikladan samo za predviđenu namjenu i primjenu u skladu s ovim uputama.

Ove upute donose informacije neophodne za pravilnu instalaciju i/ili rad proizvoda. Loša instalacija i/ili nepravilan rad ili održavanje rezultirat će nezadovoljavajućom uspješnošću i mogućim kvarom.

Proizvođač ne preuzima nikakvu odgovornost za bilo kakve ozljede ili oštećenja proizvoda koje nastanu kao rezultat:

- nepravilnog sklapanja, montaže ili priključivanja, uključujući i previsok napon
- nepravilnog održavanja ili uporabe nekih drugih rezervnih dijelova osim originalnih rezervnih dijelova koje isporučuje proizvođač
- izmjena na proizvodu bez izričitog dopuštenja proizvođača
- uporabe u svrhe koje nisu opisane u ovim uputama

Dometic pridržava pravo na izmjene izgleda i specifikacija proizvoda.

5 Objašnjenje simbola na uređaju



Pažnja! Opasnost od požara / zapaljivih materijala

6 Prije montaže

**POZOR!**

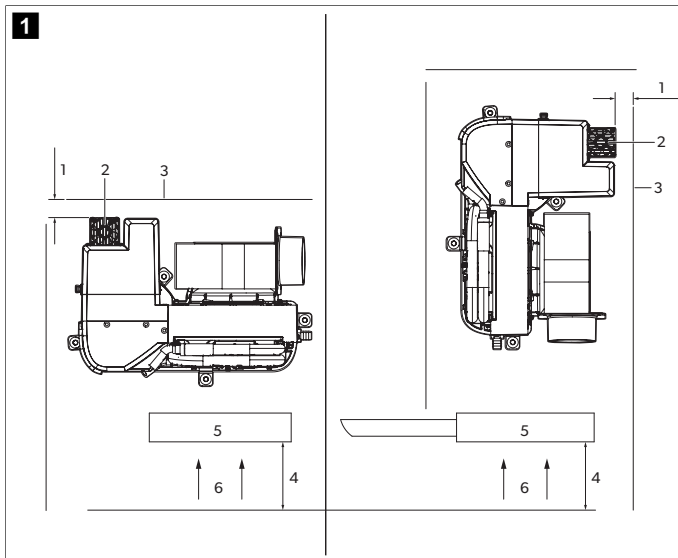
Samostalne bazne posude za kondenzat na jedinicama DTG, GTX, GVTX i TX opremljene su izolatorima vibracija koji su montirani na dno posude. Ti izolatori služe za ublažavanje prijenosa vibracija koje klima-uređaj stvara u radu na površinu na kojoj su montirani. Prilikom pomicanja klima-uređaja po površinama za montažu morate paziti kako ne biste oštetili izolatore.

**POZOR!**

- > Klima-uređaj mora biti montiran na nisku i ravnu površinu, primjerice na dno ormara, ispod ležaja ili sedala u blagovaonici ili na nekom sličnom mjestu.
- > Kabeli ne smiju biti podložni trošenju, koroziji, prekomjernom pritisku, vibracijama, oštrim rubovima ili bilo kakvim drugim štetnim učincima iz okoline, uključujući učinke starenja ili kontinuiranih vibracija iz izvora kao što su kompresori ili ventilatori.
- > Pobrinite se da su zaštitni uređaji, cijevi i okovi što je više moguće zaštićeni od štetnog utjecaja iz okoline kao što su nakupljanje prljavštine i krhotina ili skupljanje vode i zamrzavanje u cijevima za ispuštanje vode.
- > Potrebno je poduzeti mjere opreza kako bi se izbjeglo prekomjerno vibriranje ili pulsiranje cijevi s rashladnim sredstvom.

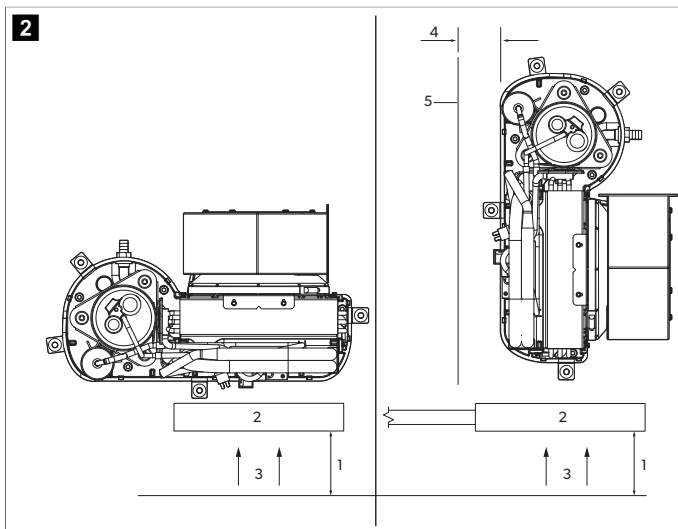
6.1 Određivanje mjesta za montažu

1. Postavljanje uređaja GVTX i TX u odnosu na protok zraka



- | | |
|----------------------------|-----------------------------------|
| 1 3,00 in (7,62 cm) | 4 4,00 in (10,16 cm) |
| 2 Odvod vrućine | 5 Rešetka za povratni zrak |
| 3 Brodska pregrada | 6 Protok zraka |

Postavljanje svih ostalih klimatizacijskih jedinica u odnosu na protok zraka



- | | |
|-----------------------------------|----------------------------|
| 1 4,00 in (10,16 cm) | 4 3,00 in (7,62 cm) |
| 2 Rešetka za povratni zrak | 5 Brodska pregrada |
| 3 Protok zraka | |

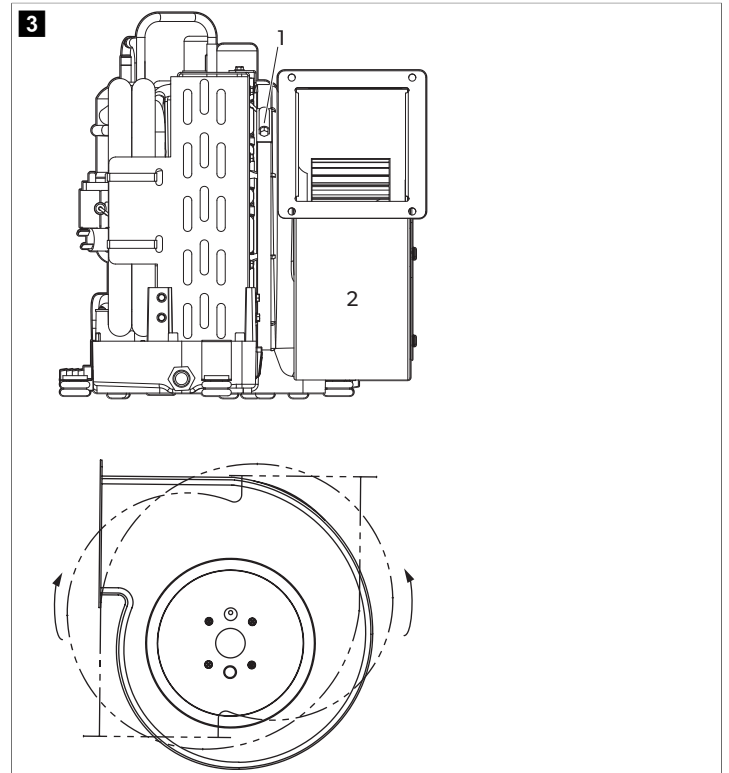
2. Odaberite mjesto s dovoljnim protokom zraka. Ispred rešetke za povratni zrak mora biti najmanje 4,00 in (10,16 cm) prostora za cirkulaciju zraka, bez ikakvih prepreka.
3. Ako je klima-uređaj postavljen okomito na rešetku za povratni zrak, na strani za ulaz zraka ostavite najmanje 3,00 in (7,62 cm) prostora za cirkulaciju zraka.
4. **Samo za GVTX i TX:** Ispod i iznad odvoda vrućine ostavite najmanje 3,00 in (7,62 cm) slobodnog prostora.

6.2 Zakretanje ventilatora

U ovom je odjeljku objašnjeno kako zakrenuti ventilator na svakom tipu jedinice. Ventilator po potrebi zakrenite u smjeru koji će omogućiti najizravniji izlazni protok zraka kroz cijev.

6.2.1 Ventilatori GTX, GVTX, DTG i TX

Rotacija ventilatora u sustavima GTX, GVTX, DTG i TX

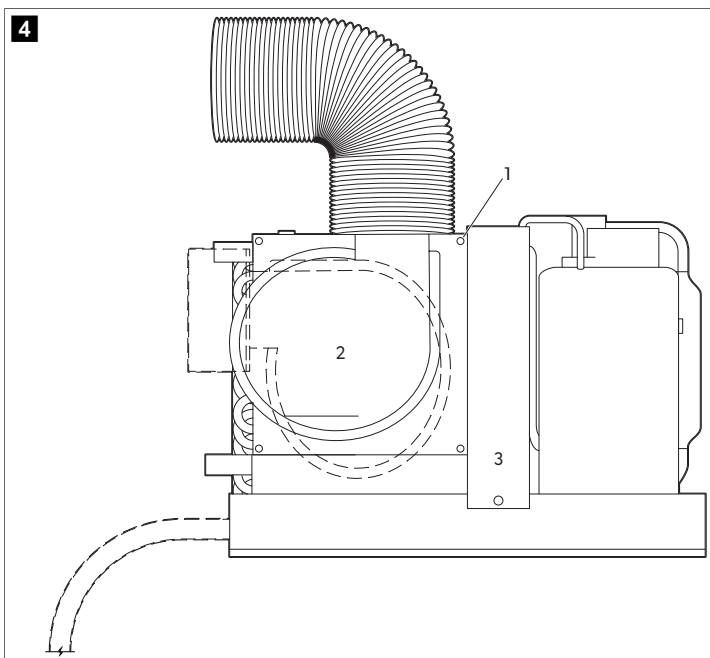


- 1** Adjustment screw
- 2** Blower

1. Otpustite vijak za podešavanje na montažnom prstenu ventilatora.
2. Okrenite ventilator u željeni položaj.
3. Zategnite vijak za podešavanje.

6.2.2 Ventilatori MCS, ECD i GT

Rotacija ventilatora u sustavima MCS, ECD i GT

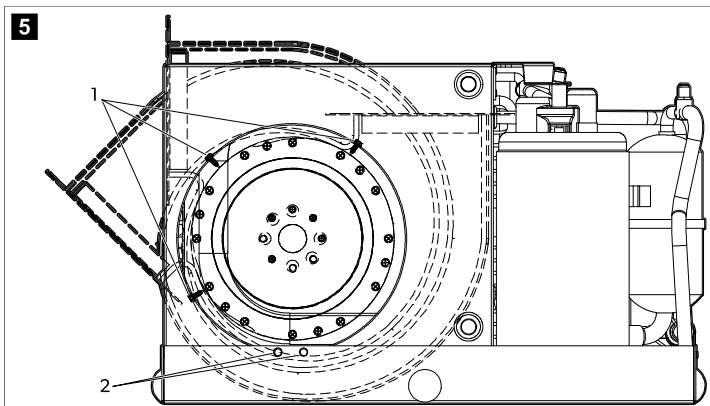


- 1 Screw
2 Pločica
3 Ventilator

1. Uklonite sedam vijaka na ploči.
2. Okrenite ventilator u željeni položaj.
3. Fiksirajte ventilator pomoću samouveznih vijaka (nisu priloženi).

6.2.3 Ventilator DCU

Rotacija ventilatora u sustavu DCU



- 1 Screws on blower ring
2 Screws on drain pan or bracket

1. Uklonite vijke s prstena ventilatora.
2. Uklonite vijke kojima je ventilator pričvršćen za posudu za odvod ili nosač.
3. Okrenite ventilator u željeni položaj.
4. Fiksirajte ventilator pomoću samouveznih vijaka (nisu priloženi).
5. Začepite otvore koji se ne koriste kako biste spriječili gubitak zraka.

6.3 Postavljanje filtera za zrak

Filtri za zrak uklanjaju lebdeće čestice iz zraka u kabini i održavaju čistoću zavojnice isparivača. Za svaki klima-uređaj postavite jedan filter za zrak, bilo na klima-uređaj ili u rešetku za povratni zrak.

6.4 Postavljanje rešetki i prijelaznih kutija

Prilikom postavljanja rešetki i prijelaznih kutija imajte na umu sljedeće:

- Rešetku za ulazni zrak postavite što više, na mjesto koje će omogućiti ravnomjernu distribuciju zraka kroz cijelu kabinu. Rebrice rešetke usmjerite prema gore.
- Rešetku za povratni zrak postavite što niže i što bliže klima-uređaju kako biste osigurali protok zraka u isparivač.
- Ispuh ulaznog zraka nemojte usmjeriti prema rešetki za povratni zrak jer će time sustav ući u kružni ciklus.
- Iza rešetke za ulazni zrak ostavite dovoljno prostora za povezivanje cijevi s prijelaznom kutijom. Pogledajte Specifikacije na stranici 141

7 Instalacija



UPOZORENJE! Opasnost od strujnog udara

Montažu smije provoditi samo kvalificirani električar.

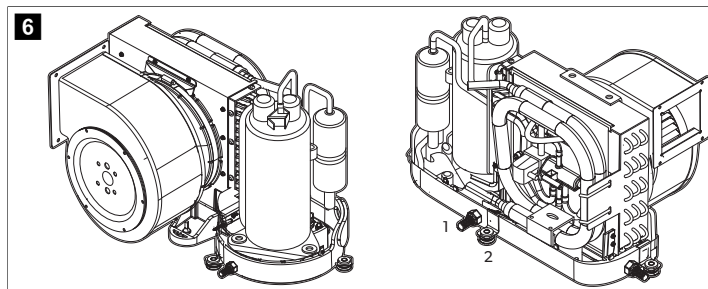
7.1 Postavljanje montažnih nosača i kondenzacijskog odvoda



POZOR!

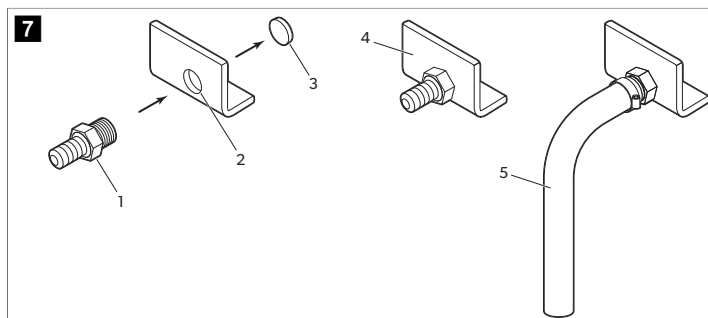
Kako posuda za odvod ne bi pukla, za zamatanje šiljka za crijevo nemojte upotrijebiti više od dva sloja vodoinstalaterske trake te šiljak za crijevo nemojte previše zategnuti.

Tipično postavljanje montažnih nosača i kondenzacijskih odvoda



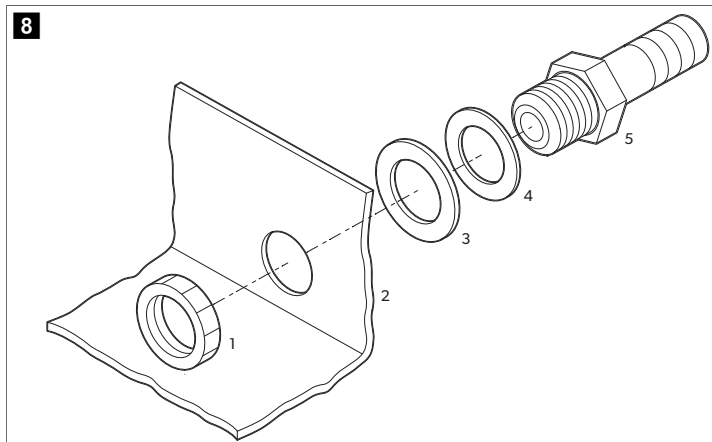
- 1 Šiljak za crijevo kondenzacijskog odvoda
2 Montažni nosač

Montaža kondenzacijskih odvoda za GTX, GVTX, DTG i TX



- 1 Hose barb
2 Navojni provrt odvoda
3 Izbijeni čep
4 Drain pan
5 Crijevo za odvod

Montaža kondenzacijskog odvoda za sve ostale klimatizacijske jedinice



- | | |
|--|--|
| 1 Locking nut | 4 Solid washer |
| 2 Posuda za odvod | 5 PVC spojnica 0,5 in (12,7 mm) HB x 0,5 in (12,7 mm) MPT |
| 3 Podloška za brtvljenje tekućine | |

1. Za jedinice GTX, GVTX, DTG i TX:

- Manjim dijelom šiljka za crijevo izbijte čep iz provrta odvoda okrenutog prema krmu tako da ga jedanput kratko udarite gumenim batom. Izbijeni čep odbacite u otpad.
- Kraj šiljka za crijevo s navojima omotajte vodoinstalaterskom trakom.
- Šiljak za crijevo zavrnite u navojni provrt odvoda i zategnite do kraja.

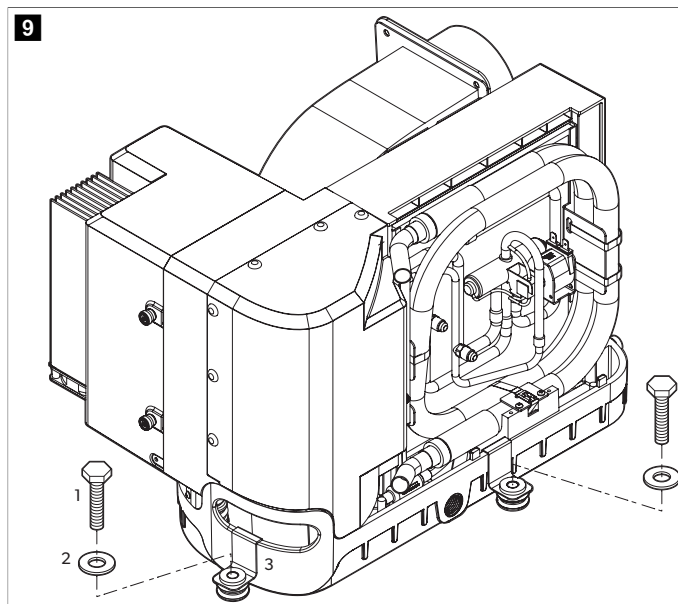
2. Za sve ostale klima-uređaje:

- Šiljak za crijevo provedite kroz krutu podlošku i podlošku za brtvljenje tekućine pa ga umetnite u provrt odvoda.
- Učvrstite ga zapornom maticom.

3. Crijevo za odvod pričvrstite na šiljak za crijevo stezaljkom crijeva od nehrđajućeg čelika.

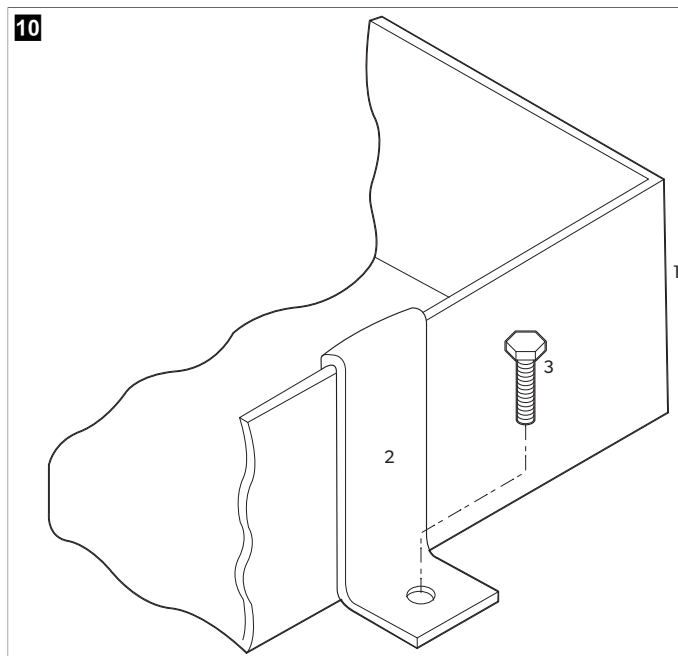
4. Crijevo za odvod usmjerite prema dolje do sigurne i propisne točke prikupljanja.

Postavljanje montažnog nosača za jedinice GTX, GVTX, DTG i TX



- Vijak za montažu (nije isporučen)
- Zaštitna podloška (isporučena)
- Montažni nosač (isporučena)

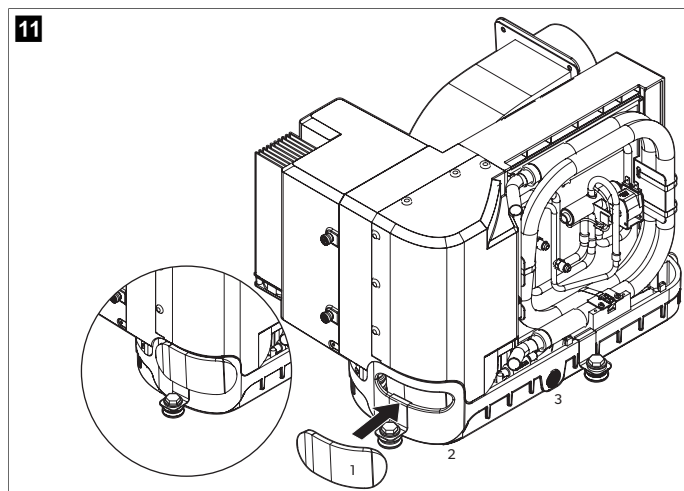
Postavljanje montažnog nosača za ostale klimatizacijske jedinice



- Posuda za odvod
- Montažni nosač
- Vijak za montažu (nije isporučen)

5. Po jedan montažni nosač postavite sa svake strane posude za odvod, na jednakoj udaljenosti.

Postavljanje izolacijske pjenaste ručice na jedinice GVTX i TX



- 1 Izolacijska pjenasta ručica
2 Otvor za ručicu
3 Posuda za odvod

6. Za jedinice GVTX i TX:

- Uklonite foliju koja prekriva ljepljivu pozadinu izolacijske pjenaste ručice.
- Izolacijsku pjenastu ručicu postavite tako da potpuno prekrije otvor za ručicu. Ljepljivu stranu okrenite prema posudi za odvod.
- Pritisnite rubove oko otvora za ručicu kako bi se izolacijska pjenasta ručica zaljepila za posudu za odvod.

7.2 Postavljanje cijevi



UPOZORENJE! Rizik od požara ili eksplozije

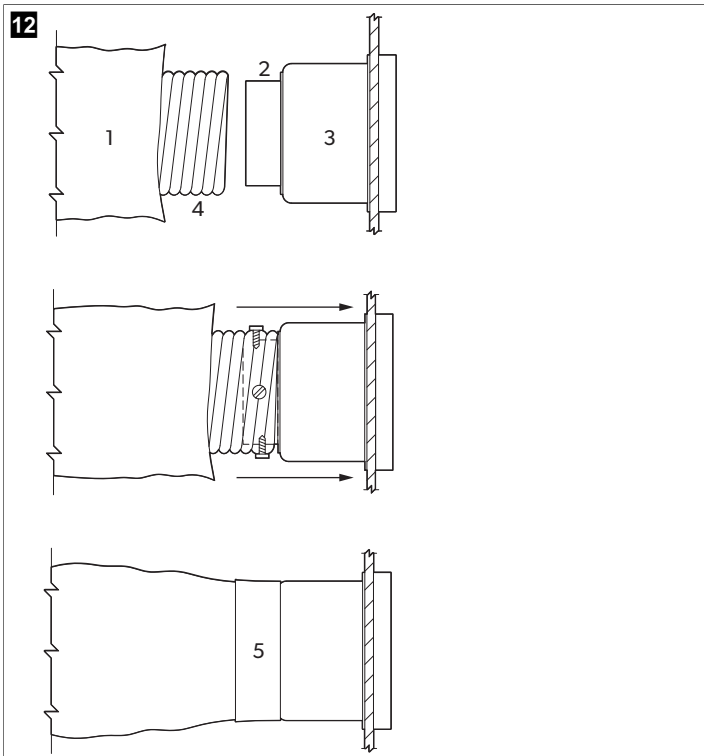
- > Pomoćni uređaji koji mogu biti izvori zapaljenja ne smiju se postavljati u cijevima osim pomoćnih uređaja navedenih za uporabu s određenim uređajem.
- > Za modele koji koriste zapaljiva rashladna sredstva, koja se priključuju putem sustava cijevi za zrak u jednu ili više prostorija, dovod i povrat zraka moraju se izravno spojiti u prostor. Otvoreni prostori poput lažnih stropova ne smiju se koristiti kao povrati za zrak.
- > Cijevi nemojte provoditi kroz strojarnicu ni prostore u kojima bi mogle biti izložene opasnim isparavanjima ili ispušnim plinovima.

Prilikom postavljanja cijevi pridržavajte se sljedećih uvjeta:

- Veličina cijevi mora odgovarati predviđenoj namjeni.
- Cijevi moraju biti što više ravne, glatke i zategnute, sa što manjim brojem savijanja od 90° jer ona mogu otežati protok zraka.
- Cijevi dobro pričvrstite kako se ne bi objesile.
- Cijevi ne smiju biti spljoštene ni uvrnute.
- Nakon postavljanja odrežite preduge dijelove cijevi.
- Izolirajte cijevi ako su postavljene u vrućim prostorima.

Ako se upotrebljava prijelazna kutija, ukupna površina cijevi za dovod zraka koje izlaze iz kutije mora biti najmanje jednaka ukupnoj površini cijevi za dovod koje ulaze u kutiju. Pogledajte Specifikacije na stranici 141

Spajanje cijevi



- 1 Izolacija od staklene vune
2 Montažni prsten
3 Prijelazna kutija
4 Unutarnje crijevo s izolacijskom folijom
5 Ljepljiva traka

- Unutarnje crijevo s izolacijskom folijom natakните na montažni prsten prijelazne kutije.
- Kroz crijevo s izolacijskom folijom u montažni prsten zavrnite tri ili četiri vijka od nehrđajućeg čelika tako da glavama vijaka zahvatite dva ili tri namotaja.
- Izolaciju od staklene vune preko unutarnjeg crijeva s izolacijskom folijom navucite do prijelazne kutije. Pričvrstite ljepljivom trakom.

7.3 Montaža sustava za morsku vodu



POZOR!

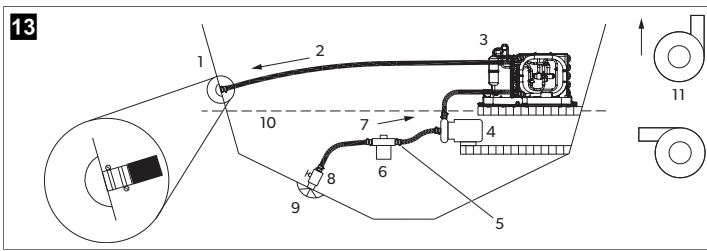
Nepridržavanje ovog postupka dovest će do gubitka jamstva.

Prilikom postavljanja sustava za morsku vodu pridržavajte se sljedećeg:

- Filtar mora biti ispod pumpe.
- Crijeva moraju biti učvršćena dvjema stezaljkama.
- Crijeva ne smiju biti previjena ni imati petlje ili visoke točke u kojima može ostati zrak.
- Pumpa i filtari moraju biti ispod razine vode.
- Ulaz kroz oplatu, kuglasti ventil, crijevo i filtari ne smiju biti manji od ulaza pumpe.
- Spoj kroz otvor u oplati postavite što je moguće niže od razine vode.
- Pumpa mora imati vlastiti prolaz kroz oplatu.
- Izbjegavajte spojeve pod kutom od 90,00° što je više moguće.
- Glava pumpe mora biti okrenuta prema smjeru protoka vode.
- Sve spojeve s navojima omotajte vodoinstalaterskom trakom.

Minimalne i maksimalne vrijednosti temperature i tlaka vode potražite u odjeljku Specifikacije na stranici 141.

Sustav za morsku vodu



- | | |
|------------------------|--|
| 1 Izlaz morske vode | 7 Ulazni protok prema gore |
| 2 Izlazni protok | 8 Kuglasti ventil |
| 3 Klima-uređaj | 9 Ulaz s hvatačem vode kroz oplatu |
| 4 Pumpa za morsku vodu | 10 Razina vode |
| 5 Stezaljke za crijeva | 11 Pravilne orijentacije filtra za glavu pumpe |
| 6 Filtar | |

- Ulaz s hvatačem morske vode kroz oplatu postavite što bliže kobilici i što je moguće niže u odnosu na razinu vode. Ulaz s hvatačem vode kroz oplatu osigurajte brtvilom pomorske kvalitete predviđenim za upotrebu ispod vode.
- Na ulaz s hvatačem morske vode kroz oplatu montirajte brončani ventil s punim protokom.
- Filtar za morsku vodu ugradite ispod razine pumpe, uz mogućnost pristupa filtru.
- Pumpu postavite iznad filtra i najmanje 30 cm ispod razine vode.
- Oplatni ventil i filtar povežite s uzlaznim ojačanim crijevom pomorske kvalitete.
- Izlaz iz pumpe spojite prema gore s donjim ulazom zavojnice kondenzatora klima-uređaja ojačanim crijevom pomorske kvalitete od 16 mm (5/8 inča).
- Izlaz iz zavojnice kondenzatora ojačanim crijevom pomorske kvalitete od 16 mm (5/8 inča) povežite s ispuštom za izlaz morske vode kroz oplatu.
- Na crijevu za morsku vodu izbjegavajte petlje, povišenja i upotrebu pregiba od 90°. Svaki pregib od 90° računa se kao 2,5 ft (0,76 m) crijeva, a pregib od 90° na izlazu iz pumpe računa se kao 20,0 ft (6,10 m) crijeva.
- Sve spojeve crijeva dvaput učvrstite pomoću dvije stezaljke od nehrđajućeg čelika. Stezaljke po potrebi okrenite nasuprotno.
- Sve metalne dijelove u dodiru s morskom vodom povežite sa spojnim sustavom plovila.

7.4 Spajanje električnih priključaka



UPOZORENJE! Opasnost od strujnog udara

- Prije otvaranja razvodne kutije uvijek isključite osigurač za napajanje klimatizacijskog sustava. Nepoštivanje ovog upozorenja moglo bi dovesti do smrti ili teške ozljede.
- Razvodna kutija mora se nalaziti u prostoru zaštićenom od vode.



POZOR!

Klima-uređaj mora biti povezan sa spojnim sustavom plovila kako bi se spriječila korozija uslijed lutajućih struja. Sve pumpe, metalni ventili i priključci u krugu morske vode koji su od klima-uređaja izolirani PVC ili gumenim crijevima moraju biti pojedinačno povezani sa spojnim sustavom plovila.



UPUTA Ako sustav nije pravilno uzemljen i povezan sa spojnim sustavom plovila, doći će do gubitka jamstva.

U razvodnoj kutiji klimatizacijske jedinice imaju niz kontakata označen za odgovarajuće priključke. Dijagram ožičenja u razvodnoj kutiji nadilazi norme ABYC. Za zaštitu sustava upotrijebite osigurač odgovarajuće snage kao što je označeno na naljepnici tipske pločice klimatizacijskih jedinica. Za napajanje klima-uređaja i pumpe za morsku vodu potreban je pomorski kabel od najmanje 12 AWG. Za sve spojeve upotrijebite prstenaste ili zahvatne viličaste kontakte.

Prilikom spajanja električnih priključaka pridržavajte se sljedećeg:

- Uzemljenje izmjenične struje (AC) mora biti povezano s kontaktom za uzemljenje (GRND) na priključnici za ulaz izmjenične struje.

- Spojevi između vodiča za uzemljenje sustava izmjenične struje i negativnog ili spojnog sustava istosmjerne struje (DC) plovila moraju se provesti u sklopu ožičenja plovila. Prilikom održavanja ili zamjene postojeće opreme koja ima klin za uzemljenje montiran u šasiju provjerite jesu li u ožičenju plovila ti spojevi provedeni.
- Klima-uređaji GVTX i TX mogu raditi na izmjeničnoj ili visokonaponskoj istosmjernoj struji. Pravilno postavljanje potražite u dijagramu ožičenja plovila.

Uzemljenje izmjenične struje klima-uređaja mora biti pravilno povezano s uzemljenjem izmjenične struje plovila. U samom plovilu uzemljena šina izmjenične struje mora biti povezana s uzemljenom šinom istosmjerne struje na točno jednom mjestu.

Prije pokretanja provjerite i ponovno zategnite sve električne spojeve.

8 Odlaganje u otpad



OPREZ! Opasnost od požara

- Ovaj uređaj sadrži zapaljivi izolacijski plin.
- Za demontažu i zbrinjavanje uređaja obavezno zatražite pomoć stručnjaka.



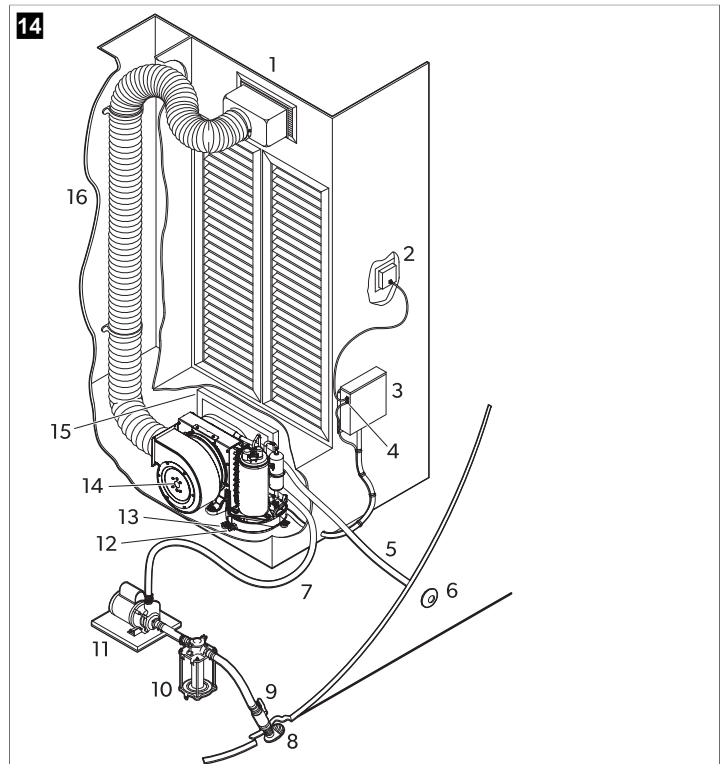
Materijal za pakiranje odložite u odgovarajuće kante za reciklažu otpada kad god je to moguće. Za detalje o odlaganju proizvoda u otpad, zatražite od svog lokalnog centra za recikliranje ili specijaliziranog trgovca pojedinosti o tomu kako to učiniti u skladu s važećim propisima o odlaganju u otpada.

9 Tehnički podaci

Do kraja pročitajte ove upute, a zatim isplanirajte spojeve koje morate priključiti na klima-uređaj (uključujući cijevi, kondenzacijski odvod, crijeva za ulaz i izlaz morske vode, priključke za električno napajanje te lokaciju za kontrolu i smještaj pumpe za morsku vodu) kako biste osigurali lak pristup za provođenje vodova i kasnije održavanje.

9.1 Smještaj dijelova

Identifikacija komponenti klimatizacijskog sustava



- | | |
|--|---|
| 1 Rešetka za ulazni zrak i prijelazna kutija | 9 Ventil za isključivanje vanjskog zapora |
| 2 Digitalni zaslon | 10 Filtar za morsku vodu |

3	Razvodna kutija	11	Pumpa
4	Kabel za opcionalni daljinski senzor zraka	12	Šiljak za crijevo kondenzacijskog odvoda
5	Crijevo za izlaz morske vode	13	Montažni nosač
6	Ispust u more	14	Klima-uređaj
7	Crijevo za ulaz morske vode	15	Rešetka i filter za povratni zrak
8	Ulaz s hvatačem morske vode kroz oplatu	16	Izolirana fleksibilna cijev

Sjedinjene Američke Države i Kanada

OGRANIČENO JAMSTVO DOSTUPNO JE NA ADRESI DOMETIC.COM/EN-US/TERMS-AND-CONDITIONS-CONSUMER/WARRANTY. AKO IMATE PITANJA ILI ŽELITE PRIBAVITI BESPLATAN PRIMJERAK OGRANIČENOG JAMSTVA, KONTAKTIRAJTE:

DOMETIC CORPORATION
MARINE CUSTOMER SUPPORT CENTER
2000 NORTH ANDREWS AVENUE
POMPANO BEACH, FLORIDA, USA 33069
1-800-542-2477

Dalekoistočne zemlje (APAC)

Ako proizvod ne radi kako bi trebao, obratite se svojem trgovcu na malo ili podružnici proizvođača u svojoj državi (pogledajte dometic.com/dealer). Jamstvo, koje se primjenjuje na Vaš proizvod, iznosi 1 godinu (godine/godina).

Za potrebe popravaka i obrade jamstva pri slanju uređaja priložite sljedeće dokumente:

- presliku računa s datumom kupnje
- razlog reklamacije ili opis kvara

Obratite pozornost da samostalni ili nestručni popravak može imati negativne posljedice na sigurnost i uzrokovati gubitak jamstva.

Samo Australija

Naši artikli dolaze s jamstvima koja se ne mogu isključiti prema Australskom zakonu o zaštiti potrošača. Imate pravo na zamjenu ili povrat novca za veliki kvar te naknadu za bilo kakav razumno predvidiv gubitak ili štetu. Također imate pravo na popravak ili zamjenu artikala ako artikli ne ispunjavaju prihvatljivu razinu kvalitete i kvar ne znači veliki kvar.

Samo Novi Zeland

Ova jamstvena politika podložna je uvjetima i jamstvima koji su obavezni kako to podrazumijeva Zakon o jamstvima za potrošače 1993(NZ).

Sve ostale regije

Primjenjuje se zakonom propisano jamstveno razdoblje. Ako je proizvod neispravan, obratite se podružnici proizvođača u svojoj državi (pogledajte dometic.com/dealer) ili svojem trgovcu na malo.

Za potrebe popravaka i obrade jamstva pri slanju uređaja priložite sljedeće dokumente:

- presliku računa s datumom kupnje
- razlog reklamacije ili opis kvara

Obratite pozornost da samostalni ili nestručni popravak može imati negativne posljedice na sigurnost i uzrokovati gubitak jamstva.

9.2 Specifikacije

Rashladni krug sadrži malu količinu ekološkog, ali zapaljivog rashladnog sredstva. Ono ne oštećuje ozonski sloj i ne povećava efekt staklenika. Svako rashladno sredstvo, koje curi, može se zapaliti.

Ovaj proizvod sadrži fluorirane stakleničke plinove.

Rashladna jedinica je hermetički zatvorena.

Tablica 31: Minimalne veličine cijevi i rešetki po kapacitetu u BTU

	3.5 k BTU	6 k BTU	8 k BTU	10 k BTU
Minimalni promjer cijevi	3,00 in (76,2 mm)	4,00 in (101,6 mm)	5,00 in (127,0 mm)	6,00 in (152,4 mm)
Minimalno područje cijevi	6,8 in ² (43,9 cm ²)	12,6 in ² (81,3 cm ²)	19,6 in ² (126,5 cm ²)	28,3 in ² (182,6 cm ²)
Minimalna rešetka za povratni zrak	48,0 in ² (309,7 cm ²)	64,0 in ² (412,9 cm ²)	80,0 in ² (516,2 cm ²)	100,0 in ² (645,2 cm ²)
Minimalna rešetka za ulazni zrak	12,0 in ² (77,4 cm ²)	32,0 in ² (206,5 cm ²)	48,0 in ² (309,7 cm ²)	60,0 in ² (387,1 cm ²)
	12 k BTU	16 k BTU	18 k BTU	27 k BTU
Minimalni promjer cijevi	6,00 in (152,4 mm)	7,00 in (177,8 mm)	7,00 in (177,8 mm)	8,00 in (203,2 mm)
Minimalno područje cijevi	28,3 in ² (182,6 cm ²)	38,5 in ² (248,4 cm ²)	38,5 in ² (248,4 cm ²)	50,3 in ² (324,5 cm ²)
Minimalna rešetka za povratni zrak	130,0 in ² (838,8 cm ²)	160,0 in ² (1032,3 cm ²)	200,0 in ² (1290,4 cm ²)	240,0 in ² (1548,5 cm ²)
Minimalna rešetka za ulazni zrak	70,0 in ² (451,6 cm ²)	80,0 in ² (516,2 cm ²)	100,0 in ² (645,2 cm ²)	120,0 in ² (774,2 cm ²)

Tablica 32: Radna temperatura i tlak vode

Minimalna radna temperatura vode	40,0 °F (4,44 °C)
Maksimalna radna temperatura vode	80,0 °F (26,66 °C)
Minimalni radni tlak vode	4,2 psi (0,29 bar) (29,00 kPa)
Maksimalni radni tlak vode	6,00 psi (0,41 bar) (41,4 kPa)

Pridržavajte se uvjeta uporabe američke Agencije za zaštitu okoliša (EPA).



UPUTA Izvan tih uvjeta jedinica može raditi uz smanjeni kapacitet.

10 Pravna napomena

Samo modeli GVTX: Radi usklađenosti sa standardom IEC 60533 nemojte montirati proizvod unutar 9,8 ft (3,00 m) od antene za prijem.

11 Jamstvo

Pročitajte donje odlomke za informacije o jamstvu i jamstvenoj podršci u SAD-u, Kanadi i svim drugim regijama.

Türkçe

1	Önemli notlar.....	142
2	Sembollerin açıklanması.....	142
3	Hedef grup(lar).....	143
4	Amacına Uygun Kullanım.....	143
5	Cihaz üzerindeki sembollerin açıklamaları.....	143
6	Ön montaj.....	143
7	Montaj.....	145
8	Atık İmhası.....	148
9	Teknik Bilgiler.....	148
10	Yasal.....	149
11	Garanti.....	149

1 Önemli notlar

Bu ürünü doğru monte ettiğinizden ve ürünün daima kullanıma hazır olduğundan emin olmak için, lütfen tüm talimatları ve bu ürün kılavuzunda verilen kılavuzları ve uyarıları dikkatlice okuyunuz. Bu talimatlar bu ürün ile birlikte SAKLANMALIDIR.

Bu ürünü kullandığınızda tüm talimatları, kılavuzları ve uyarıları dikkatlice okuduğunuzu ve anladığınızı ve hükümlere ve koşullara bu sözleşmede yer alıyormuş gibi uyacağınıza onay verirsiniz. Bu ürünü sadece amacına ve uygulamaya uygun ve talimatlara, kılavuzlara ve uyarılara uygun bu ürün kılavuzu ile geçerli yasalara ve yönetmeliklere uygun olarak kullanacağınızı kabul ediyorsunuz. Talimatların ve uyarıların burada verildiği gibi okunmaması veya bunlara uyulmaması sonucu kendiniz ve diğer insanlar yaralanabilir veya ürününüz veya yakınında bulunan diğer mallar hasar görebilir. Talimatlar, kılavuzlar ve uyarılar da dahil, bu ürün kılavuzu ve buna ait olan dokümanlarda değişiklikler ve güncellemeler yapılabilir. Güncel ürün bilgileri için lütfen documents.domestic.com adresini ziyaret edin.

2 Sembollerin açıklanması

Bir sinyal sözcüğü, güvenlik ve maddi hasar mesajlarını tanımlar ve ayrıca tehlikenin ciddiyet derecesini veya seviyesini gösterir.



TEHLİKE!

Önlenmediğinde, can kaybı veya ağır bir yaralanmaya neden olan tehlikeli bir durumu gösterir.



UYARI!

Önlenmediğinde, can kaybı veya ağır bir yaralanmaya neden olabilecek tehlikeli bir durumu gösterir.



İKAZ!

Önlenmediğinde, maddi hasara neden olabilecek bir durumu gösterir.



NOT Ürünün kullanılması ile ilgili ek bilgiler.

2.1 Tamamlayıcı direktifler

Kaza ve yaralanma riskini azaltmak için bu cihazı monte etmeye devam etmeden önce lütfen aşağıdaki direktiflere uyun:

- Tüm güvenlik bilgilerini ve talimatlarını okuyun ve uygulayın.
- Bu ürünü kurmadan önce bu talimatları okuyun ve anlayın.
- Kurulum, aşağıdaki standartların en son hali de dahil olmak üzere, geçerli tüm yerel veya ulusal kanunlara uygun olmalıdır:
 - Amerikan Tekne ve Yat Konseyi (ABYC)
 - ANSI/NFPA 70, Ulusal Elektrik Kanunu (NEC)

2.2 Güvenlik uyarıları



TEHLİKE! Yangın veya patlama riski. Bazı modellerde yanıcı soğutucu akışkan kullanılır.

Aşağıdaki uyarılara uyulmaması can kaybı veya ağır yaralanmaya sebep olabilir:

- > Yalnızca eğitimli servis personeli tarafından onarılmalıdır.
- > Sürekli çalışan ateşleme kaynaklarının bulunduğu bir yere kurmayın veya depolamayın.
- > Gerekli tüm havalandırma açıklıklarını engellerden arındırın.
- > Soğutucu akışkan borularını delmeyin.
- > Soğutucu akışkan tipi için ürün veri plakasına bakın.



UYARI! Yangın ve/veya patlama tehlikesi

Aşağıdaki uyarılara uyulmaması can kaybı veya ağır yaralanmaya sebep olabilir:

- > Soğutucu akışkan sızıntılarını tespit etmek veya aramak için potansiyel ateşleme kaynakları kullanmayın. Pürmüz veya çıplak alev kullanan başka bir dedektör kullanmayın.
- > Algılama ekipmanının üründe kullanılan soğutucu akışkan tipine uygun olduğundan emin olun. Soğutucu akışkan tipi için ürün veri plakasına bakın.
- > Elektronik sızıntı dedektörleri soğutucu akışkan sızıntılarını tespit etmek için kullanılabilir, ancak hassasiyetleri yanıcı soğutucu akışkanlar için yetersiz olabilir ve yeniden kalibre edilmeleri gerekebilir. Algılama ekipmanını soğutucu akışkan içermeyen bir alanda kalibre edin.



UYARI! Karbonmonoksit tehlikesi

Aşağıdaki uyarılara uyulmaması can kaybı veya ağır yaralanmaya sebep olabilir:

- > Bağımsız bir klimayı sintine veya motor odası alanlarına ya da içten yanmalı bir motorun yakınına monte etmeyin veya çalıştırmayın. Seçilen yerin sintine ve/veya makine dairesi buharlarına karşı sızdırmaz olduğundan emin olun.
- > Yoğuşma suyu tahliye hattının doğru şekilde monte edildiğini ve sızdırmazlığının sağlandığını doğrulayın. Yoğuşma suyu veya duş drenaj pompasına sızdırmaz bir şekilde bağlanmadıkça yoğuşma suyu tahliye hattını motor veya jeneratör egzoz sisteminin herhangi bir çıkışının 3 ft. (0,91 m) yakınında, motor veya jeneratör içeren bir bölmede veya sintinede sonlandırmayın. Tahliye hattı düzgün bir şekilde monte edilmemişse tehlikeli dumanlar tahliye hattından yukarı çıkabilir ve yaşam alanlarını kirletebilir.
- > Klimayı, karbon monoksit, yakıt buharı veya diğer zararlı dumanları teknenin yaşam alanlarına sirküle edebileceği bir yere monte etmeyin.



UYARI! Elektrik çarpması tehlikesi

Montaj sadece kalifiye bir elektrikçi tarafından gerçekleştirilmelidir.



UYARI! Elektrik çarpması, yangın ve/veya patlama tehlikesi

Bu önlemlere uyulmaması can kaybı veya ağır yaralanmaya sebep olabilir. Bu cihaz, güvenliklerinden sorumlu bir kişi tarafından cihazın kullanımıyla ilgili gözetim altında olmadan veya talimat verilmediği sürece, fiziksel, duyuşsal veya zihinsel kapasiteleri sınırlı veya deneyim ve bilgi eksikliği olan kişiler (çocuklar dahil) tarafından kullanılmak üzere tasarlanmamıştır. Alet ile oynamadıklarından emin olmak için çocuklar gözetim altında tutulmalıdır. Temizlik ve kullanıcı bakımı gözetimsiz olarak çocuklar tarafından yapılmamalıdır. Bu cihaz herkesin erişimine açık olmamalıdır.



UYARI! Patlama tehlikesi

Bu önlemlere uyulmaması can kaybı veya ağır yaralanmaya sebep olabilir.

- > Klimayı benzinli motorlar, tanklar, LPG/CNG tüpleri, regülatörler, valfler veya yakıt hattı bağlantı parçaları içeren bir yere monte etmeyin. Aksi belirtilmedikçe, bağımsız üniteler tutuşmaya karşı koruma için ulusal gereklilikleri karşılamaz. Bu uyarıya uyulmaması can kaybı veya ağır yaralanmaya sebep olabilir.
- > Ark veya kıvılcım çıkabilecek elektrikli bileşenler yalnızca cihaz üreticisi tarafından belirtilen parçalarla değiştirilmelidir. Başka parçalarla değiştirilmesi, bir sızıntı durumunda soğutucu akışkanın tutuşmasına neden olabilir.



UYARI! Elektrik çarpması tehlikesi

Bu önlemlere uyulmaması can kaybı veya ağır yaralanmaya sebep olabilir.

- > Elektrik çarpması tehlikesini en aza indirmek için klimayı etkili bir şekilde toprakladığınızdan emin olun. Daha fazla bilgi için montaj kılavuzlarına bakın.
- > Monte edilen her klima için ayrı devre kesici gerekir. Sadece bir klima monte edilmişse deniz suyu pompası için devre kesiciye ihtiyaç yoktur. İki veya daha fazla klima ünitesi aynı deniz suyu pompasını kullanıyorsa pompa kabloları bir pompa röle panosuna (PRP) bağlanmalı ve bu panonun da pompaya göre akım değeri seçilmiş kendi özel devre kesicisi olmalıdır (maksimum 20 A). PRP ile birlikte verilen kablo bağlantı şemasına bakın. Sintine ve/veya su hattının altındaki elektrik bağlantılarında ısıyla daralan tipte kablo ucu ekleri kullanılmalıdır.
- > Saha kabloları ABYC Elektrik Kanununa uygun olmalıdır. Üniteye giden besleme, veri plakasında belirtilen çalışma gerilimi aralığında olmalıdır. Branşman devre koruması için uygun akım değerine sahip sigortalar veya HACR devre kesiciler takılmalıdır. Maksimum sigorta/devre kesici akım değeri (MFS) ve minimum devre kapasitesi (MCA) için veri plakasına bakın.



Refrigerant
Safety Group
A2L



Dikkat! Düşük yanma hızına sahip malzeme. Yanıcı soğutucu akışkan.

Soğutucu akışkan güvenlik grubu A2L

Kullanma kılavuzunu okuyun.

Bakım kitapçığını okuyun.



İKAZ!

Bu cihaz, hermetik sızdırmaz ekipman içinde florlu sera gazları içerir. Ağırlık ve GWP olarak gösterilen soğutucu akışkan miktarı için yoğunlaşma ünitenin ürün veri plakasına etiketine bakın. Eklenen soğutucu akışkan ünite etiketinde belirtilmelidir.



İKAZ!

Bakır boruyu, ürünü itmek, çekmek, kaldırmak veya taşımak için kullanmayın.

3 Hedef grup(lar)



Cihazın mekanik ve elektrik montaj ve kurulumu, marin ekipmanların yapısı ve çalıştırılması ve kurulumu konusunda bilgi ve beceriye sahip, ekipmanın montajının yapılacağı ve/veya kullanılacağı ülkenin geçerli düzenlemelerine aşına olan, ilgili tehlikeleri belirlemek ve bunlardan kaçınmak için güvenlik eğitimi almış kalifiye bir teknisyen tarafından yapılmalıdır.

4 Amacına Uygun Kullanım

Bu kılavuz DCU, DLU, DTG, ECD, GT, GTX, GTX-LP, GVTX ve TX bağımsız klima sistemlerinin (bundan sonra klima olarak anılacaktır) montajı için hazırlanmıştır. Klima, teknelerde ve yatlarda kullanılmak üzere tasarlanmıştır. Klima, sadece amacına uygun ve bu talimatlara göre kullanılmalıdır.

Bu ürün sadece amacına uygun ve bu talimata göre kullanılmalıdır.

Bu kılavuzda ürünün doğru olarak monte edilmesi ve/veya kullanılması için gerekli bilgiler verilmektedir. Doğru yapılmayan montaj ve/veya yanlış işletim ya da bakım, performansın yetersiz olmasına ve olası bir arızaya neden olabilir.

Üretici, aşağıdaki durumların neden olduğu yaralanmalardan veya ürün hasarlarından sorumlu değildir:

- Aşırı voltaj da dahil olmak üzere hatalı kurulum, montaj veya bağlantı
- Yanlış bakım veya üretici tarafından sağlanan orijinal yedek parçalardan başka yedek parçalar kullanılması
- Üreticisinden açıkça izin almadan cihazda değişiklikler yapılması
- Bu kılavuzda tanımlananların dışında bir amaçlar için kullanıldığında

Dometic ürünün görünümünde ve ürün özelliklerinde değişiklik yapma hakkını saklı tutar.

5 Cihaz üzerindeki sembollerin açıklamaları



Dikkat! Yangın riski / Yanıcı malzemeler

6 Ön montaj



İKAZ!

DTG, GTX, GVTX ve TX bağımsız yoğunlaşma suyu taban tavaları, tavanın tabanına monte edilmiş titreşim izolatörleri ile donatılmıştır. Bu izolatörler, çalışan klimanın neden olduğu titreşimin monte edilen yüzeye aktarılmasını engellemek için tasarlanmıştır. Klimayı montaj yüzeyleri üzerinde hareket ettiren izolatörlerin hasar görmemesine dikkat edin.

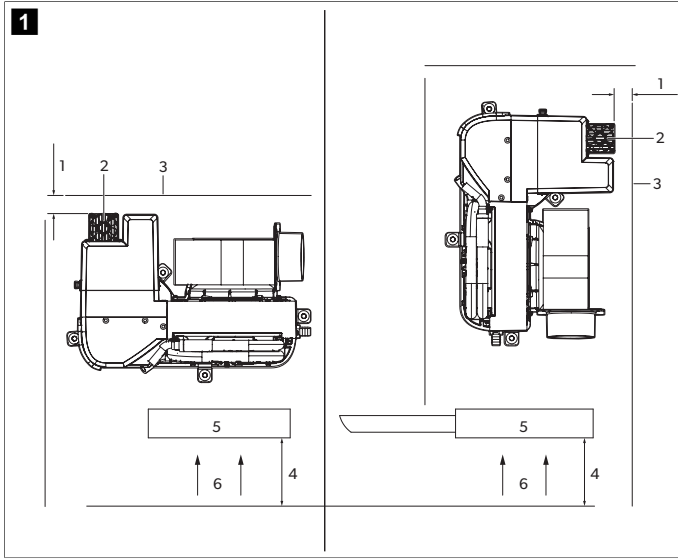


İKAZ!

- > Klima alçak, terazide, düz bir yüzeye, örneğin bir dolabın altına, bir ranzanın veya yemek sandalyesinin altına veya benzer bir yere monte edilmelidir.
- > Kabloların aşınma, korozyon, aşırı basınç, titreşim, keskin kenarlar veya kompresör ya da fan gibi kaynaklar nedeniyle yıpranmaya veya sürekli titreşim etkileri dahil olmak üzere diğer olumsuz çevresel etkilere maruz kalmayacağından emin olun.
- > Koruma cihazlarının, boruların ve bağlantı parçalarının kir ve tortu birikimi ya da tahliye borularında su toplanması ve donması gibi olumsuz çevresel etkilere karşı mümkün olduğunca korunmasını sağlayın.
- > Soğutma borularında aşırı titreşim veya sarsıntıyı önlemek için önlemler alınmalıdır.

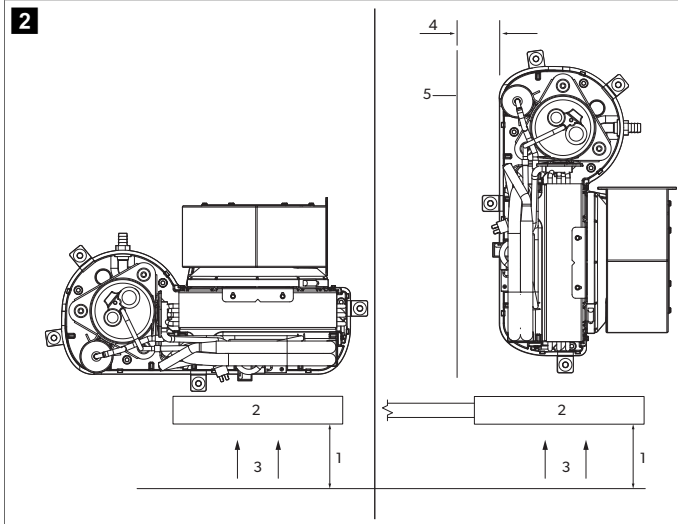
6.1 Montaj konumunun belirlenmesi

1. Hava akışına göre GVTX ve TX yerleşimi



- | | | | |
|---|-------------------|---|-----------------------|
| 1 | 3,00 in (7,62 cm) | 4 | 4,00 in (10,16 cm) |
| 2 | Isı emici | 5 | Dönüş havası ızgarası |
| 3 | Bölme | 6 | Hava akışı |

Diğer tüm klima ünitelerinin hava akışına göre yerleşimi



- | | | | |
|---|-----------------------|---|-------------------|
| 1 | 4,00 in (10,16 cm) | 4 | 3,00 in (7,62 cm) |
| 2 | Dönüş havası ızgarası | 5 | Bölme |
| 3 | Hava akışı | | |

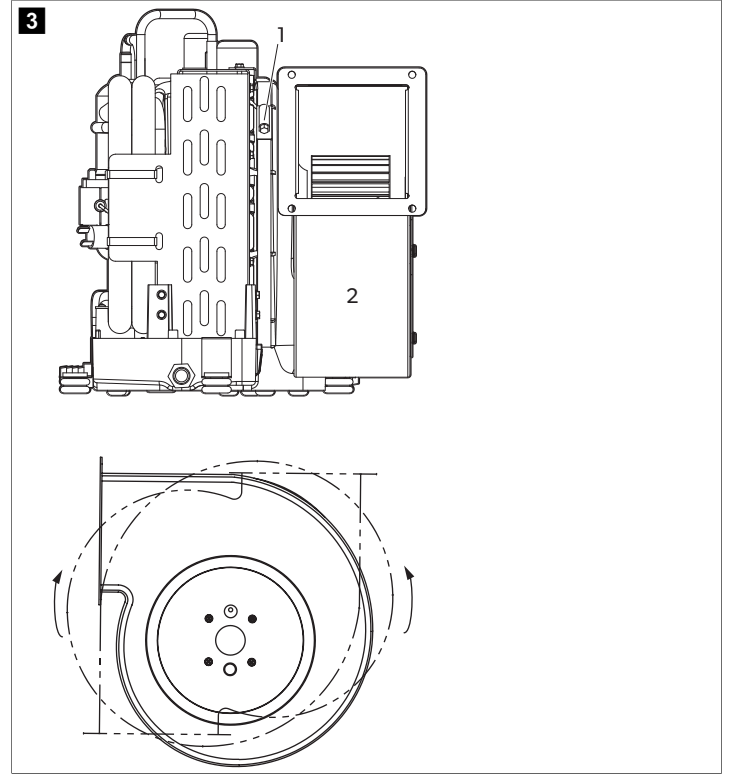
- Yeterli hava akışına sahip bir yer seçin. Dönüş havası ızgarasının önünde herhangi bir engel olmaksızın en az 4,00 in (10,16 cm) hava sirkülasyon boşluğu olmalıdır.
- Klima, dönüş havası ızgarasına dik olarak yerleştirilirse, hava giriş tarafında minimum 3,00 in (7,62 cm) hava sirkülasyon boşluğu bırakın.
- Yalnızca GVTX ve TX:** Isı emicinin üstünde ve altında minimum 3,00 in (7,62 cm) açık alan sağlayın.

6.2 Fanın çevrilmesi

Bu bölümde her bir ünite tipi için fanın nasıl döndürüleceği açıklanmaktadır. Gerekirse fanı, hava akımının kanallardan doğrudan geçebileceği bir yöne çevirin.

6.2.1 GTX, GVTX, DTG ve TX fanları

GTX, GVTX, DTG ve TX sistem fanı dönüşü

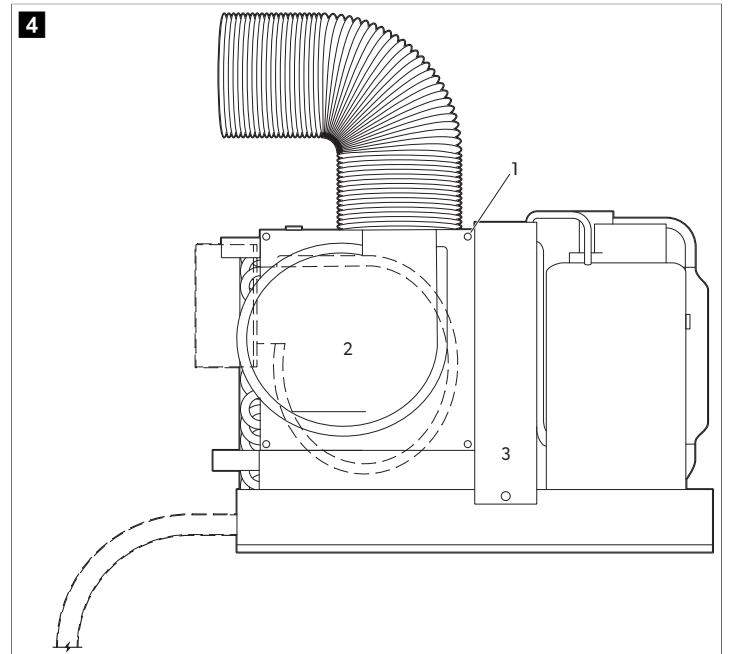


- Adjustment screw
- Blower

- Fan montaj halkası üzerindeki ayar vidasını gevşetin.
- Fanı istenen konuma döndürün.
- Ayar vidasını sıkın.

6.2.2 MCS, ECD ve GT fanlar

MCS, ECD ve GT sistem fanı dönüşü

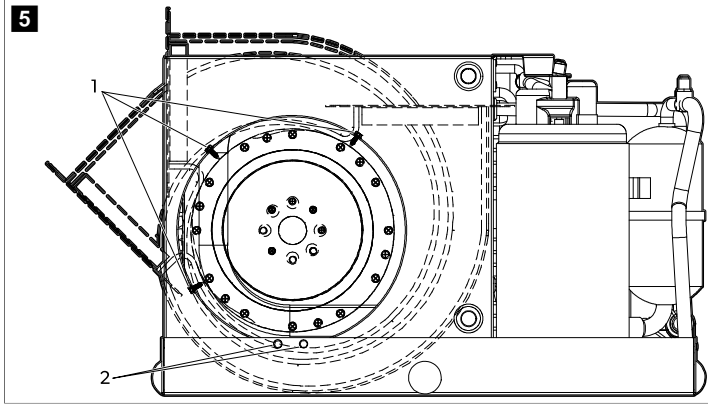


- 1 Screw
- 2 Plaka
- 3 Fan

1. Plaka üzerindeki yedi vidayı sökün.
2. Fanı istenen konuma döndürün.
3. Fanı kendinden kılavuzlu vidalar (birlikte verilmez) kullanarak yerine sabitleyin.

6.2.3 DCU fanı

DCU sistem fanı dönüşü



- 1 Screws on blower ring
- 2 Screws on drain pan or bracket

1. Fan halkasındaki vidaları sökün.
2. Fanı tahliye tavasına veya braketle bağlayan vidaları sökün.
3. Fanı istenen konuma döndürün.
4. Fanı kendinden kılavuzlu vidalar (birlikte verilmez) kullanarak yerine sabitleyin.
5. Hava kaybını önlemek için kullanılmayan delikleri kapatın.

6.3 Hava filtrelerinin yerleştirilmesi

Hava filtreleri kabin havasındaki partikülleri temizler ve evaporatör serpantinini temiz tutar. Her klima için klimanın üzerine veya dönüş havası ızgarasına bir hava filtresi yerleştirin.

6.4 Izgaraların ve geçiş kutularının yerleştirilmesi

Izgaraları ve geçiş kutularını yerleştirirken aşağıdakileri göz önünde bulundurun:

- Besleme havası ızgarasını tüm kabin içerisinde eşit hava dağılımı sağlayacak, mümkün olduğunca yüksek bir yere monte edin. Izgara kanatlarını yukarı doğru yönlendirin.
- Evaporatöre hava akışını sağlamak için dönüş havası ızgarasını mümkün olduğunca alçak ve klimate yakın bir yere monte edin.
- Sistemin kısa devre yapmasına neden olacağından, besleme havası çıkışını dönüş havası ızgarasına doğru yönlendirmeyin.
- Geçiş kutusu ve kanal bağlantısı için besleme havası ızgarasının arkasında yeterli boşluk bırakın. Bkz. Teknik özellikler sayfa 149

7 Montaj



UYARI! Elektrik çarpması tehlikesi

Montaj sadece kalifiye bir elektrikçi tarafından gerçekleştirilmelidir.

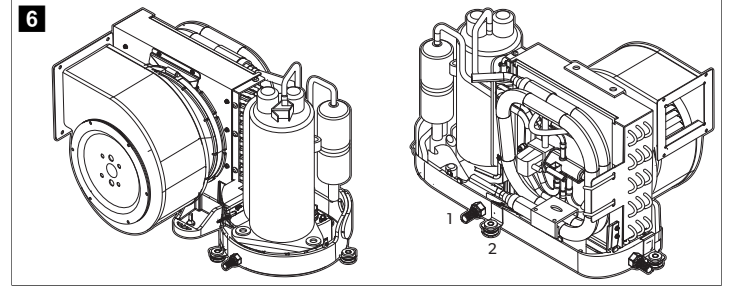
7.1 Montaj braketlerinin ve yoğuşma suyu tahliyesinin montajı



İKAZ!

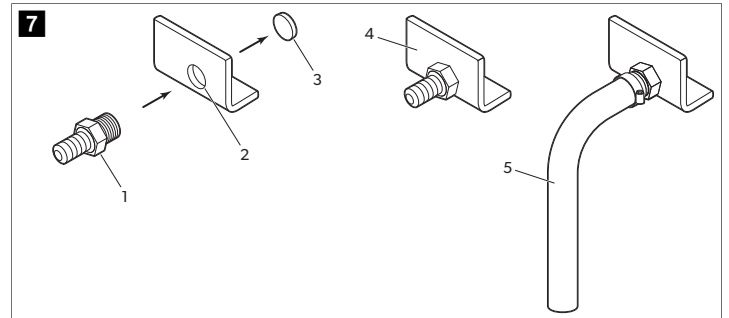
Tahliye tavasının çatlamasını önlemek amacıyla hortum rakorunu sarmak için teflon bandı iki kattan fazla sarmayın ve hortum rakorunu aşırı sıkımayın.

Montaj braketlerinin ve yoğuşma suyu tahliyelerinin tipik yerleşimi



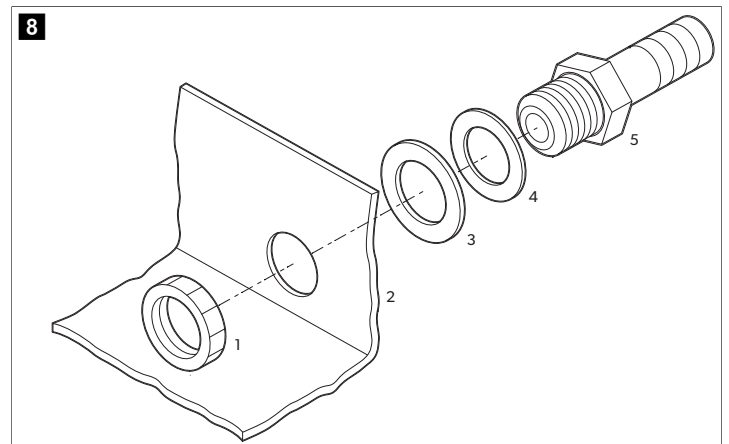
- 1 Yoğuşma suyu tahliye hortumu ucu
- 2 Montaj braketini

GTX, GVTX, DTG ve TX için yoğuşma suyu tahliye tesisatı



- 1 Hose barb
- 2 Dişli tahliye deliği
- 3 Delikten çıkan parça
- 4 Drain pan
- 5 Tahliye hortumu

Diğer tüm klima üniteleri için yoğuşma suyu tahliye tesisatı



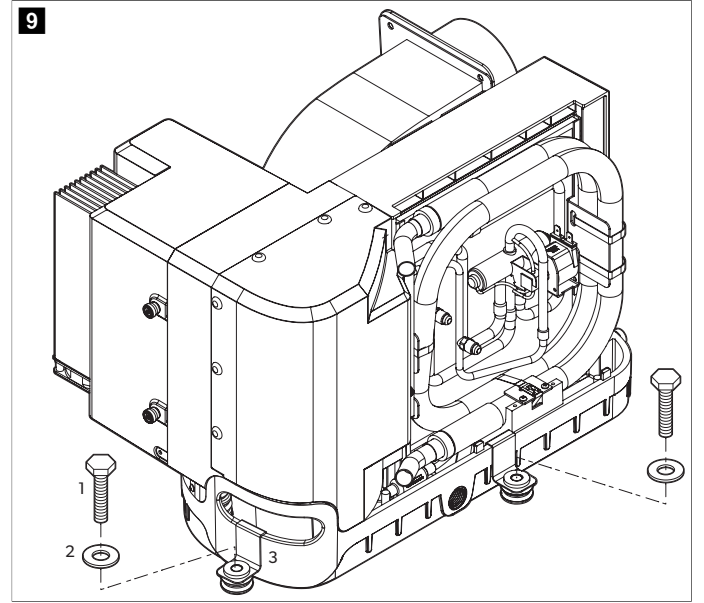
- 1 Locking nut
- 2 Tahliye tavası
- 3 Delikten çıkan parça
- 4 Solid washer
- 5 PVC boru ekleme parçası 0,5 in (12,7 mm) HB x 0,5 in (12,7 mm) MPT)

3 Sıvı sızdırmaz conta

1. GTX, GVTX, DTG ve TX üniteleri için:
 - a) Kauçuk bir tokmakla hızlı bir darbe uygulayarak arka tarafa bakan tahliye deliğini açmak için hortum rakorunun küçük ucunu kullanın. Delikten çıkan parçayı atın.
 - b) Hortum rakorunun dişli tarafına teflon bant sarın.
 - c) Hortum rakorunu dişli tahliye deliğine vidalayın ve iyice sıkın.
2. Diğer tüm klimalar için:
 - a) Hortum rakorunu sağlam bir rondela ve sızdırmaz contalı rondeladan geçirin ve tahliye deliğine yerleştirin.
 - b) Bir kilitleme somunu ile sabitleyin.
3. Tahliye hortumunu paslanmaz çelik hortum kelepçesi ile hortum rakoruna sabitleyin.

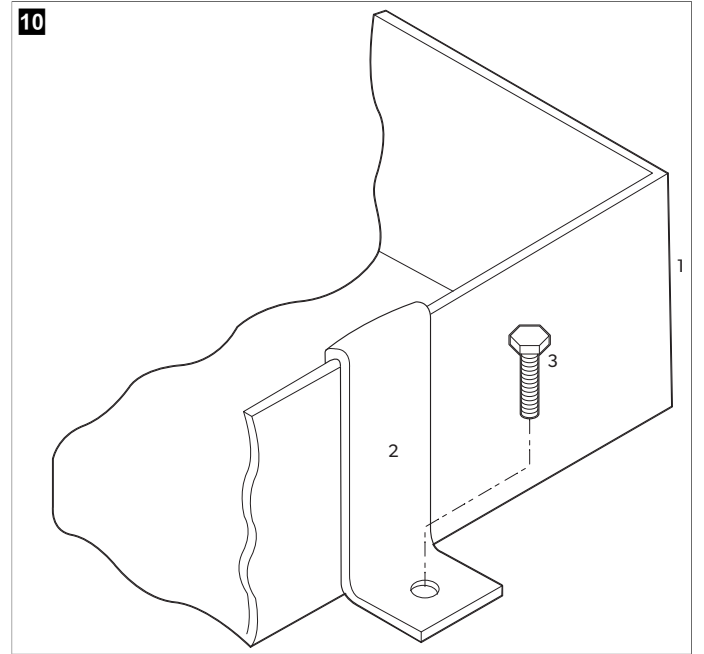
4. Tahliye hortumunu aşağıya doğru güvenli ve uygun bir toplama noktasına yönlendirin.

GTX, GVTX, DTG ve TX montaj braketi montajı



- 1 Montaj civatası (birlikte verilmez)
- 2 Çamurluk rondelası (birlikte verilir)
- 3 Montaj braketi (birlikte verilir)

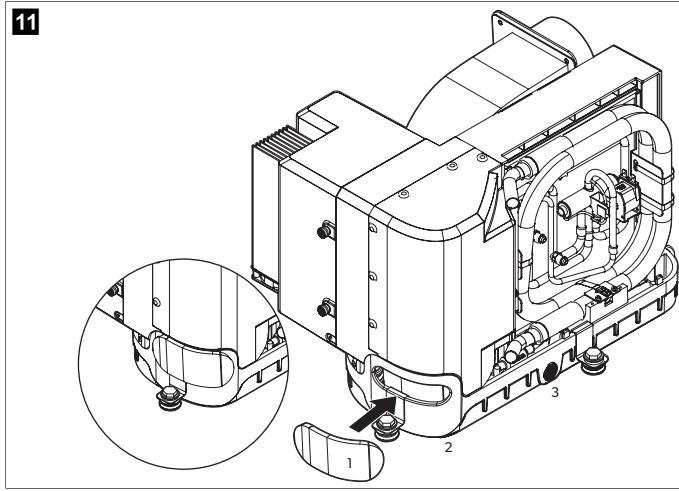
Diğer klima üniteleri için montaj braketi montajı



- 1 Tahliye tavası
- 2 Montaj braketi
- 3 Montaj civatası (birlikte verilmez)

5. Tahliye tavasının her iki tarafına eşit aralıklarla birer montaj braketi takın.

GVTX ve TX ünitelerine köpük tutamak izolasyonu montajı



- 1 Köpük tutamak izolasyonu
2 Tutamak açıklığı
3 Tahliye tavası

6. GVTX ve TX üniteleri için:

- Köpük tutamak izolasyonu üzerindeki yapışkan arkalığı kaplayan filmi çıkarın.
- Köpük tutamak izolasyonunu, yapışkan tarafı tahliye tavasına bakacak ve tutamak açıklığını tamamen kaplayacak şekilde yerleştirin.
- Köpük tutamak izolasyonunu tahliye tavasına yapıştırmak için tutamak açıklığının etrafına bastırın.

7.2 Kanalların monte edilmesi



UYARI! Yangın veya patlama riski

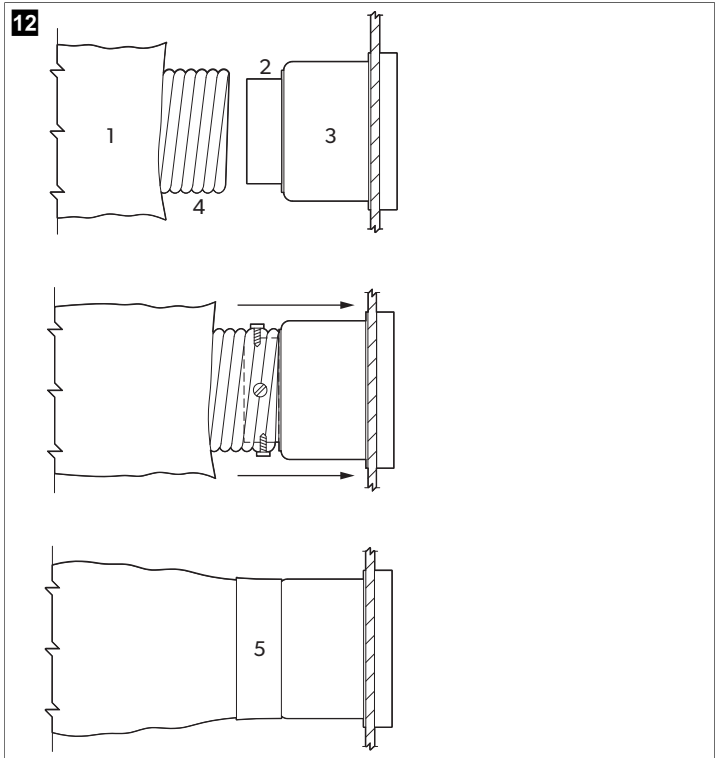
- > Belirli bir cihazla kullanılmak üzere listelenen yardımcı cihazlar dışında kalan ateşleme kaynağı olabilecek yardımcı cihazlar kanal sistemine monte edilmemelidir.
- > Hava kanalı sistemiyle bir veya daha fazla odaya bağlanan yanıcı soğutucu akışkan kullanan modellerde, besleme ve dönüş havası doğrudan mekana yönlendirilmelidir. Asma tavan gibi açık alanlar dönüş havası kanalı olarak kullanılmamalıdır.
- > Kanalları bir makine dairesinden veya tehlikeli buharlara veya egzoz dumanlarına maruz kalabileceği herhangi bir alandan geçirmeyin.

Kanalları monte ederken aşağıdaki talimatlara uyun:

- Kanallar uygulamanız için uygun şekilde boyutlandırılmalıdır.
- Hava akışını azaltabilecek 90° dönüşleri ve döngüleri en aza indirerek kanalları olabildiğince düz, pürüzsüz ve muntazam bir şekilde döşeyin.
- Sarkmayı önlemek için kanalları sıkıca sabitleyin.
- Kanalların ezilmesine veya bükülmesine izin vermeyin.
- Montajdan sonra fazla kanal uzunluklarını kesin.
- Yüksek ısılı alanlarda bulunan kanalları izole edin.

Bir geçiş kutusu kullanılıyorsa kutudan çıkan besleme havası kanallarının toplam alanı en az kutuya giren besleme kanallarının toplam alanına eşit olmalıdır. Bkz. Teknik özellikler sayfa 149

Kanal bağlantıları



- 1 Fiberglas yalıtım
2 Montaj halkası
3 Geçiş kutusu
4 İç mylar kanal hortumu
5 Bant

- İç mylar kanal hortumunu montaj halkasının etrafından geçiş kutusuna doğru kaydırın.
- Üç veya dört paslanmaz çelik vidayı mylar kanal hortumundan geçirerek montaj halkasına vidalayın ve bu esnada vida başlarıyla iki veya üç teli sıkıştırın.
- İç mylar kanal hortumunun etrafındaki fiberglas yalıtımı geçiş kutusuna kaydırın. Bantla sabitleyin.

7.3 Deniz suyu sisteminin montajı



İKAZ!

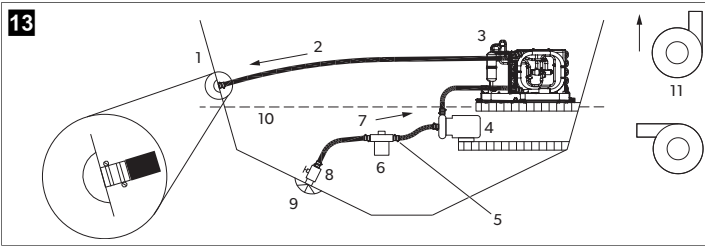
Bu prosedüre uyulmaması garantiyi geçersiz kılacaktır.

Deniz suyu sistemini kurarken aşağıdaki hususlara dikkat edin:

- Süzgeç pompanın altında olmalıdır.
- Hortumlar çift kelepçeli olmalıdır.
- Hortumlarda bükülmeler, ilmekler veya havanın sıkışabileceği yüksek noktalar olmamalıdır.
- Pompa ve süzgeç, su hattının altında olmalıdır.
- Giriş bağlantı kovanı, küresel vana, hortum ve süzgeç pompa girişinden daha küçük olmamalıdır.
- Bağlantı kovanını su hattının mümkün olduğunca altına takın.
- Pompanın özel bir bağlantı kovanına sahip olması gerekir.
- 90,00 ° dirsekli bağlantı parçalarından mümkün olduğunca kaçının.
- Pompa kafasının su akış yönünde döndüğünden emin olun.
- Tüm dişli bağlantılarda teflon bant kullanın.

Su sıcaklığı ve basınç değerlerinin maksimum ve minimum değerleri için Teknik özellikler sayfa 149 bölümüne bakın.

Deniz suyu sistemi



- | | |
|----------------------|--------------------------------------|
| 1 Deniz suyu çıkışı | 7 Eğimli giriş akışı |
| 2 Çıkış akışı | 8 Bilyeli vana |
| 3 Klima | 9 Süzgeçli giriş bağlantı kovani |
| 4 Deniz suyu pompası | 10 Su hattı |
| 5 Hortum kelepçeleri | 11 Doğru pompa kafası süzgeç yönleri |
| 6 Süzgeç | |

- Omurganın mümkün olduğunca yakınına ve su hattının mümkün olduğunca altına bir süzgeçli deniz suyu girişi bağlantı kovani takın. Su altı kullanımı için tasarlanmış denizcilik sınıfı bir sızdırmazlık maddesi kullanarak giriş bağlantı kovaniyi sabitleyin.
- Süzgeçli giriş bağlantı kovaniye tam akışı, bronz deniz tipi vana takın.
- Pompa seviyesinin altına filtreye erişimi olan bir deniz suyu süzgeci takın.
- Pompayı süzgecin üzerine ve su hattının en az bir ayak altına monte edin.
- Deniz tipi vanayı ve süzgeci güçlendirilmiş marin tipi hortumla yukarı doğru bağlayın.
- Güçlendirilmiş 5/8 inç marin tipi hortum kullanarak pompa tahliyesini yukarı doğru, klimanın kondenser serpantininin alt girişine bağlayın.
- Kondenser serpantini tahliyesini güçlendirilmiş 5/8 inç marin tipi hortumla tekneden tahliye bağlantı kovaniye bağlayın.
- Döngülerden, yüksek noktalardan veya deniz suyu hortumunda 90° dirsek kullanmaktan kaçınınız. Her bir 90° dirsek 2,5 ft (0,76 m) hortuma eşdeğerdir ve pompa çıkışındaki 90° dirsek 20,0 ft (6,10 m) hortuma eşdeğerdir.
- Tüm hortum bağlantılarını iki paslanmaz çelik kelepçe kullanarak çift kelepçeleysin, gerektiğinde kelepçeleri ters çevirin.
- Deniz suyu ile temas eden tüm metalik parçaları geminin bonding sistemine bağlayın.

7.4 Elektrik bağlantılarının yapılması



UYARI! Elektrik çarpması tehlikesi

- > Elektrik kutusunu açmadan önce daima klima güç kaynağı kesicisini kapatın. Bu uyarıya uyulmaması can kaybı veya ağır yaralanmaya sebep olabilir.
- > Elektrik kutusunun sudan korunan bir alana yerleştirildiğinden emin olun.



İKAZ!

Klima, kaçak elektrik akımından kaynaklanan korozyonu önlemek için teknenin bonding sistemine bağlanmalıdır. PVC veya kauçuk hortumlarla klimadan izole edilen deniz suyu devresindeki tüm pompalar, metalik vanalar ve bağlantı parçaları teknenin bonding (elektriksel olarak birbirine bağlı sistem) sistemine ayrı ayrı bağlanmalıdır.



NOT Sistemin topraklanmaması ve bonding sisteminin uygun şekilde yapılmaması garantiyi geçersiz kılacaktır.

Tüm klima ünitelerindeki elektrik kutusunun içinde uygun bağlantılar için etiketlenmiş klemens dizisi bulunur. Elektrik kutusunun içindeki kablo bağlantı şeması ABYC standartlarının yerine geçer. Sistemi korumak için klima ünitesi veri plakası etiketinde belirtildiği gibi doğru akım değerine sahip devre kesici kullanın. Klimaya ve deniz suyu pompasına güç sağlamak için en az 12 AWG tekne kablosu kullanılmalıdır. Tüm bağlantıları halka veya çatal kablo pabuçlar kullanarak yapın.

Elektrik bağlantılarını yaparken aşağıdakilere uyun:

- Alternatif akım (AC) topraklaması, AC güç girişi klemens bloğundaki toprak klemensine (GRND) bağlanmalıdır.

- Teknenin AC sistemi topraklama iletkeni ile teknenin doğru akım (DC) negatif veya bonding sistemi arasındaki bağlantılar teknenin kablo tesisatının bir parçası olarak yapılmalıdır. Şasiye monte edilmiş topraklama sapsaması olan mevcut ekipmanın bakımını yaparken veya değiştirirken, bu bağlantılar için teknenin kablo tesisatını kontrol edin.
- GVTX ve TX klimalar AC veya yüksek gerilimli DC ile çalışmak üzere tasarlanmıştır. Doğru yerleştirme için teknenin kablo tesisatı şemasına bakın.

Klimanın AC topraklamasının teknenin AC topraklamasına doğru şekilde bağlandığından emin olun. Teknenin içinde, AC topraklama barasının DC topraklama barasına tam olarak tek bir yerden bağlı olduğundan emin olun.

Çalıştırmadan önce tüm elektrik bağlantılarını kontrol edin ve gerekirse yeniden sıkın.

8 Atık İmhası



DİKKAT! Yangın tehlikesi

- > Cihaz yanıcı gaz içermektedir.
- > Bu gaz bir uzman tarafından cihazdan tahliye edilmeli ve imha edilmelidir.



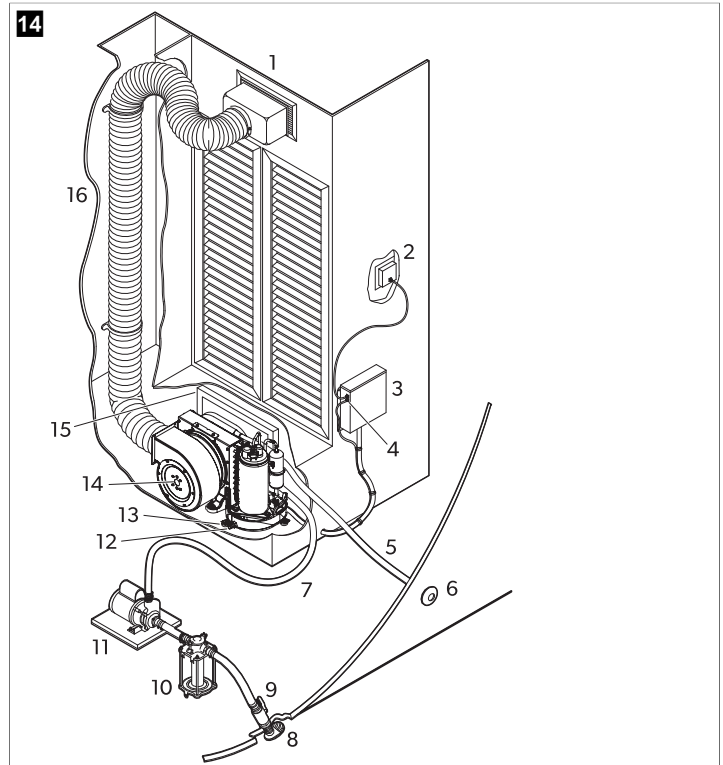
Ambalaj malzemesini mümkün olduğu durumlarda uygun geri dönüşüm atık kutularına koyun. Ürünün yürürlükteki imha yönetmeliklerine göre nasıl imha edileceğine ilişkin ayrıntılar için yerel bir geri dönüşüm merkezine veya uzman satıcıya danışın.

9 Teknik Bilgiler

Bu talimatları tamamen okuyun, ardından yönlendirme ve gelecekteki bakım için kolay erişim sağlamak amacıyla klimaya yapılması gereken bağlantıları (kanal, yoğunlaşma suyu tahliye hattı, deniz suyu giriş ve çıkış hortumları, elektrik güç bağlantıları, kumandanın konumu ve deniz suyu pompasının yerleşimi dahil) planlayın.

9.1 Parça konumları

Klima Sistemi Bileşen Tanımlaması



- | | |
|---|-----------------------------|
| 1 Besleme havası ızgarası ve geçiş kutusu | 9 Deniz tipi kapatma vanası |
|---|-----------------------------|

2	Dijital ekran	10	Deniz suyu süzgeci
3	Elektrik kutusu	11	Pompa
4	Opsiyonel uzak hava sensörü kablosu	12	Yoğuşma suyu tahliye hortumu ucu
5	Deniz suyu çıkış hortumu	13	Montaj braketi
6	Denize tahliye	14	Klima
7	Deniz suyu giriş hortumu	15	Dönüş havası ızgarası ve filtresi
8	Süzgeçli bağlantı kovani girişi	16	İzolasyonlu esnek kanallar

9.2 Teknik özellikler

Soğutucu akışkan devresi az miktarda, çevre dostu ancak yanıcı bir soğutucu akışkan içerir. Ozon tabakasına zarar vermez ve sera etkisini artırmaz. Herhangi bir soğutucu akışkan sızıntısı tutuşabilir.

Bu ürün florlu sera gazları içerir.

Soğutma ünitesi otomatik olarakyalıtılır.

Çizelge 33: BTU kapasitesi başına minimum kanal ve ızgara boyutları

	3.5 k BTU	6 k BTU	8 k BTU	10 k BTU
Minimum kanal çapı	3,00 in (76,2 mm)	4,00 in (101,6 mm)	5,00 in (127,0 mm)	6,00 in (152,4 mm)
Minimum kanal alanı	6,8 in ² (43,9 cm ²)	12,6 in ² (81,3 cm ²)	19,6 in ² (126,5 cm ²)	28,3 in ² (182,6 cm ²)
Minimum dönüş havası ızgarası	48,0 in ² (309,7 cm ²)	64,0 in ² (412,9 cm ²)	80,0 in ² (516,2 cm ²)	100,0 in ² (645,2 cm ²)
Minimum besleme havası ızgarası	12,0 in ² (77,4 cm ²)	32,0 in ² (206,5 cm ²)	48,0 in ² (309,7 cm ²)	60,0 in ² (387,1 cm ²)
	12 k BTU	16 k BTU	18 k BTU	27 k BTU
Minimum kanal çapı	6,00 in (152,4 mm)	7,00 in (177,8 mm)	7,00 in (177,8 mm)	8,00 in (203,2 mm)
Minimum kanal alanı	28,3 in ² (182,6 cm ²)	38,5 in ² (248,4 cm ²)	38,5 in ² (248,4 cm ²)	50,3 in ² (324,5 cm ²)
Minimum dönüş havası ızgarası	130,0 in ² (838,8 cm ²)	160,0 in ² (1032,3 cm ²)	200,0 in ² (1290,4 cm ²)	240,0 in ² (1548,5 cm ²)
Minimum besleme havası ızgarası	70,0 in ² (451,6 cm ²)	80,0 in ² (516,2 cm ²)	100,0 in ² (645,2 cm ²)	120,0 in ² (774,2 cm ²)

Çizelge 34: Çalışma suyu sıcaklığı ve basıncı

Minimum çalışma suyu sıcaklığı	40,0 °F (4,44 °C)
Maksimum çalışma suyu sıcaklığı	80,0 °F (26,66 °C)
Minimum çalışma suyu basıncı	4,2 psi (0,29 bar) (29,00 kPa)
Maksimum çalışma suyu basıncı	6,00 psi (0,41 bar) (41,4 kPa)

EPA (Çevre Koruma Kurumu) kullanım koşullarına uyun.



NOT Ünite bu koşullar dışında düşük kapasite ile çalışabilir.

10 Yasal

Yalnızca GVTX modelleri: IEC 60533 ile uyumlu olması için ürünü bir alıcı antenin 9,8 ft (3,00 m) mesafeden yakınına monte etmeyin.

11 Garanti

ABD, Kanada ve diğer tüm bölgelerdeki garanti ve garanti desteği bilgileri için aşağıdaki bölümlere bakınız.

Amerika Birleşik Devletleri ve Kanada

SINIRLI GARANTİ DOMETIC.COM/EN-US/TERMS-AND-CONDITIONS-CONSUMER/WARRANTY ADRESİNDE MEVCUTTUR. IF YOU HAVE QUESTIONS, OR TO OBTAIN A COPY OF THE LIMITED WARRANTY FREE OF CHARGE, CONTACT:

DOMETIC CORPORATION
MARINE CUSTOMER SUPPORT CENTER
2000 NORTH ANDREWS AVENUE
POMPANO BEACH, FLORIDA, USA 33069
1-800-542-2477

Asya-Pasifik (APAC) ülkeleri

Ürün gerektiği gibi çalışmıyorsa lütfen satıcınızla veya üreticinin ülkenizdeki şubesiyle iletişime geçin (bkz. dometic.com/dealer). Ürününüzün garanti süresi 1 yıldır.

Onarım ve garanti işlemleri için, cihazı aşağıdaki dokümanlarla birlikte gönderin:

- Satın alma tarihini içeren faturanın bir kopyası
- Talebinizin nedeni veya hatanın açıklanması

Kendi kendine onarımın veya profesyonel olmayan onarımın güvenlikle ilgili sonuçları olabileceğini ve garantiyi geçersiz kılabileceğini unutmayın.

Yalnızca Avustralya

Our goods come with guarantees that cannot be excluded under the Australian Consumer Law. You are entitled to a replacement or refund for a major failure and for compensation for any other reasonably foreseeable loss or damage. You are also entitled to have the goods repaired or replaced if the goods fail to be of acceptable quality and the failure does not amount to a major failure.

Yalnızca Yeni Zelanda

Bu garanti politikası, Consumer Guarantees Act 1993(NZ) (Tüketici Garantileri Yasası) tarafından belirtildiği üzere zorunlu olan koşullara ve garantilere tabidir.

Tüm diğer bölgeler

Yasal garanti süresi geçerlidir. Üründe hasar varsa üreticinin ülkenizdeki şubesi (bkz. dometic.com/dealer) veya satıcınızla iletişime geçin.

Onarım ve garanti işlemleri için, cihazı aşağıdaki dokümanlarla birlikte gönderin:

- Satın alma tarihini içeren faturanın bir kopyası
- Talebinizin nedeni veya hatanın açıklanması

Kendi kendine onarımın veya profesyonel olmayan onarımın güvenlikle ilgili sonuçları olabileceğini ve garantiyi geçersiz kılabileceğini unutmayın.

Slovenščina

1	Pomembna obvestila.....	150
2	Razlaga simbolov.....	150
3	Ciljne skupine.....	151
4	Predvidena uporaba.....	151
5	Razlaga simbolov na napravi.....	151
6	Predmontaža.....	151
7	Namestitev.....	153
8	Odstranjevanje.....	156
9	Tehnični podatki.....	156
10	Pravno.....	157
11	Garancija.....	157

1 Pomembna obvestila

Pozorno preberite in upoštevajte vsa navodila, smernice in opozorila iz tega priročnika, da zagotovite pravilno vgradnjo, uporabo in vzdrževanje izdelka. Ta navodila MORATE hraniti skupaj z izdelkom.

Z uporabo izdelka potrjujete, da ste pozorno prebrali vsa navodila, smernice in opozorila ter razumete in upoštevate vsa določila ter pogoje v tem dokumentu. Strinjate se, da boste izdelek uporabljali samo za predvideni namen uporabe in v skladu z navodili, smernicami in opozorili v tem priročniku ter v skladu z vsemi veljavnimi zakoni in predpisi. Če navodil in opozoril v nadaljevanju ne preberete in ne upoštevate, boste morda poškodovali izdelek ali povzročili materialno škodo v bližini. Pridržujemo si pravico do sprememb in posodobitev priročnika, vključno z navodili, smernicami in opozorili ter povezano dokumentacijo. Za najnovejšo informacije o izdelku obiščite documents.domestic.com.

2 Razlaga simbolov

Signalna beseda označuje varnostna sporočila in sporočila o materialni škodi ter stopnjo ali raven nevarnosti.



NEVARNOST!

Označuje nevarno situacijo, ki povzroči smrt ali hude poškodbe, če ni preprečena.



OPOZORILO!

Označuje nevarno situacijo, ki lahko povzroči smrt ali hude poškodbe, če ni preprečena.



OBVESTILO!

Označuje nevarno situacijo, ki lahko povzroči materialno škodo, če ni preprečena.



NASVET Dodatne informacije za upravljanje izdelka.

2.1 Dodatne smernice

Da bi zmanjšali nevarnost nesreč in poškodb, upoštevajte naslednje smernice, preden začnete montirati to napravo:

- Preberite in upoštevajte vse varnostne informacije in navodila.
- Preden začnete nameščati ta izdelek, morate prebrati in razumeti ta navodila.
- Namestitev mora biti izvedena skladna z vsemi veljavnimi lokalnimi ali nacionalnimi predpisi, vključno z zadnjo izdajo standardov v nadaljevanju:
 - American Boat and Yacht Council (ABYC)
 - ANSI/NFPA 70, National Electrical Code (NEC)

2.2 Varnostni napotki



NEVARNOST! Nevarnost požara ali eksplozije. V nekaterih modulih je vnetljivo hladilno sredstvo.

Neupoštevanje naslednjih opozoril lahko povzroči smrt ali hude telesne poškodbe:

- > Popravila lahko izvajajo samo usposobljeni serviserji.
- > Ne nameščajte ali shranjujte na mestih, kjer so neprekinjeno delujoči viri vžiga.
- > Poskrbite, da nobena od zahtevanih odprtín za prezračevanje ni zamašena.
- > Cevi s hladilnim sredstvom ne luknjajte.
- > Vrsta hladilnega sredstva je navedena na tipski tablici izdelka.



OPOZORILO! Nevarnost požara in/ali eksplozije

Neupoštevanje teh opozoril lahko povzroči smrt ali hude poškodbe:

- > Za zaznavanje in iskanje puščanja hladilnega sredstva ne uporabljajte morebitnih virov vžiga. Ne uporabljajte halogenskega gorilnika ali drugih detektorjev z odprtim ognjem.
- > Preverite, ali je oprema za zaznavanje primerna za vrsto hladilnega sredstva, ki je v izdelku. Vrsta uporabljenega hladilnega sredstva je navedena na tipski tablici izdelka.
- > Za odkrivanje puščanja hladilnega sredstva je mogoče uporabljati elektronske detektorje puščanja, vendar so lahko premalo občutljivi za zaznavanje vnetljivih hladilnih sredstev, zato jih je treba ponovno umeriti. Opremo za zaznavanje umerite na območju brez hladilnih sredstev.



OPOZORILO! Nevarnost zaradi ogljikovega monoksida

Neupoštevanje teh opozoril lahko povzroči smrt ali hude poškodbe:

- > Samostojne klimatske naprave ne montirajte ali uporabljajte v podladju ali strojnici oz. v bližini motorja na notranje zgorevanje. Izbrano mesto montaže mora biti ustrezno izolirano, da preprečuje vstop hlapom iz podladja in/ali strojnice.
- > Preverite, ali je odtočni kanal za kondenzat pravilno montiran in zatesnjen. Odtočni kanal za kondenzat se ne sme končati na razdalji manj kot 0,91 m (3 čevlje) od katerekoli odvodne odprtine izpušnega sistema motorja ali generatorja, v predelku, kjer je motor oz. generator, ali v podladju, razen če je kanal ustrezno priključen v drenažno črpalko za kondenzat ali prho. Če odtočni kanal ni pravilno montiran, lahko nevarni hlapi potujejo po odtočnem kanalu navzgor in onesnažijo bivalne prostore.
- > Klimatske naprave ne montirajte na mesto, kjer lahko v bivalne prostore plovila črpa ogljikov monoksid, hlape goriva ali druge strupene pline.



OPOZORILO! Nevarnost električnega udara

Namestitev lahko izvede samo usposobljen električar.



OPOZORILO! Nevarnost električnega udara, požara in/ali eksplozije

Neupoštevanje teh previdnostnih ukrepov lahko povzroči smrt ali hude poškodbe.

Naprave ne smejo uporabljati osebe (vključno z otroki) z zmanjšanimi fizičnimi, zaznavnimi ali duševnimi sposobnostmi ali s pomanjkanjem izkušenj in znanja, razen če jih oseba, ki je odgovorna za njihovo varnost, nadzira ali jim je dala navodila o uporabi naprave. Otroke je treba nadzorovati, da se z napravo ne bodo igrali. Otroci ne smejo brez nadzora izvajati čiščenja in vzdrževalnih del. Ta naprava ne sme biti dostopna splošni javnosti.



OPOZORILO! Nevarnost eksplozije

Neupoštevanje teh previdnostnih ukrepov lahko povzroči smrt ali hude poškodbe.

- > Klimatske naprave ne montirajte v prostor, kjer so bencinski motorji, rezervoarji, jeklenke z LPG/CNG, regulatorji, ventili ali priključki cevi za gorivo. Če ni navedeno drugače, samostojne enote ne izpolnjujejo zahteve glede zaščite pred vžigom. Neupoštevanje tega opozorila lahko povzroči smrt ali hude poškodbe.
- > Električne komponente, ki lahko sprožijo oblok ali iskre, je dovoljeno nadomestiti samo z deli, ki jih določi proizvajalec naprave. Nadomestitev z drugačnimi deli lahko povzroči vžig v primeru puščanja hladilnega sredstva.

**OPOZORILO! Nevarnost električnega udara**

Neupoštevanje teh previdnostnih ukrepov lahko povzroči smrt ali hude poškodbe.

- > Klimatsko napravo je treba pravilno ozemljiti, da zmanjšate nevarnost električnega udara. Za več informacij glejte navodila za montažo.
- > Vsaka montirana klimatska naprava mora imeti svoj odklopnik. Če je montirana le ena klimatska naprava, črpalka morske vode ne potrebuje svojega odklopnika. Če isto črpalko morske vode uporabljata dve klimatski napravi ali več, bodo kabli črpalke priključeni v relejno ploščo črpalke, ki ima svoj odklopnik, primeren z črpalko (največ 20 A). Glejte shemo električne napeljave, ki je priložen relejni plošči črpalke. Za električne priključke v podladiju in/ali pod vodno črto je treba uporabiti toplotno krčljive sočelne spoje.
- > Pri izvajanju napeljave na terenu je treba upoštevati električno kodiranje standarda ABYC. Napajanje enote mora biti v razponu delovne napetosti, navedene na ploščici s podatki. Za zaščito končnega tokokroga je treba uporabiti varovalke ustrezne velikosti ali odklopnike HACR. Največje velikosti varovalk/odklopnikov in najmanjša kapaciteta tokokroga so navedeni na ploščici s podatki.



Opozorilo! Material z nizko hitrostjo gorenja. Vnetljivo hladilno sredstvo.



Varnostna skupina hladilnega sredstva A2L



Preberite navodila za uporabo.



Preberite navodila za servisiranje.

**OBVESTILO!**

Ta naprava uporablja fluorirane toplogredne pline v hermetično zaprti opremi. Glejte ploščico s podatki o kondenzacijski enoti, kjer sta navedena količina hladilnega sredstva kot teža in GWP. Dodano hladilno sredstvo mora biti navedeno na ploščici enote.

**OBVESTILO!**

Samostojne posode za kondenzat na enotah DTG, GTX, GVTX in TX imajo izolatorje vibracij, ki so nameščeni na dnu posode. Ti izolatorji so zasnovani, da blažijo vibracije, ki nastajajo med delovanjem klimatske naprave, da se ne prenašajo na montažno površino. Pri premikanju klimatske naprave po montažnih površinah bodite previdni, da se izolatorji ne poškodujejo.

**OBVESTILO!**

Izdelka ne potiskajte, vlecite, dvigajte ali nosite za bakrene cevi.

**OBVESTILO!**

- > Klimatsko napravo je treba montirati na nizko, plosko in ravno površino, na primer na dno omarice, pod ležišče ali sedež v jedilnici oz. na drugo podobno mesto.
- > Prepričajte se, da kabli niso izpostavljeni obrabi, koroziji, prekomernemu tlaku, vibracijam, ostrim robovom in drugim škodljivimi okoljskim vplivom, med drugim vplivom staranja ali stalnega vibriranja zaradi virov, kot so kompresorji in ventilatorji.
- > Prepričajte se, da so zaščitne naprave, cevi in cevni priključki kolikor je mogoče zaščiteni pred škodljivimi vplivi okolja, kot je nabiranje umazanije in drobcev ali zastajanja in zamrzovanja vode v varnostnih odvodih.
- > Izvesti je treba varnostne ukrepe za preprečitev prekomernih vibracij ali pulziranja cevi hladilne napeljave.

3 Ciljne skupine



Mehansko in električno namestitev naprave mora izvesti usposobljeni tehnik, ki je dokazal spretnosti in znanje glede sestave in delovanja navtične opreme in inštalacij, ki je seznanjen z veljavnimi predpisi, ki veljajo v državi, v kateri bo oprema vgrajena, ter je opravil varnostno usposabljanje za prepoznavanje in preprečevanje nevarnosti.

4 Predvidena uporaba

Priročnik je namenjen za namestitev samostojnih klimatskih sistemov DCU, DLU, DTG, ECD, GT, GTX, GTX-LP, GVTX in TX (v nadaljevanju imenovanih klimatske naprave). Klimatska naprava je predvidena za uporabo na ladjah in jahtah. Klimatska naprava je primerna samo za predvideni namen in uporabo v skladu s temi navodili.

Ta izdelek je primeren samo za predvideni namen in uporabo v skladu s temi navodili.

V tem priročniku so navedene informacije, ki jih je treba upoštevati za pravilno vgradnjo in/ali delovanje izdelka. Aparat zaradi slabe vgradnje in/ali nepravilne uporabe oziroma vzdrževanja ne bo dobro deloval in se lahko pokvari.

Proizvajalec ne sprejema nobene odgovornosti za telesne poškodbe ali poškodbe izdelka, do katerih pride zaradi:

- napačne namestitve, sestave ali priklopa, vključno s previsoko napetostjo;
- neustreznih vzdrževalnih del ali uporabe neoriginalnih nadomestnih delov, ki jih ni dobavil proizvajalec;
- sprememb izdelka brez izrecnega dovoljenja proizvajalca;
- uporabe za namene, ki niso opisani v navodilih.

Družba Dometic si pridržuje pravico do spremembe videza in specifikacij izdelka.

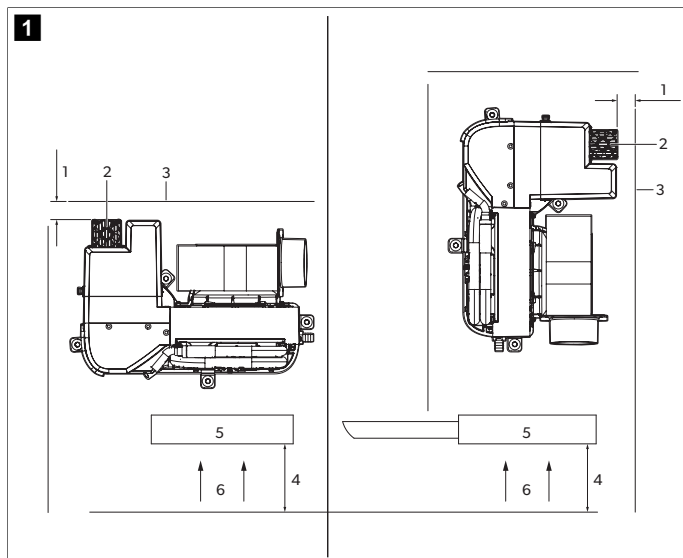
5 Razlaga simbolov na napravi



Opozorilo! Nevarnost požara/vnetljivi materiali

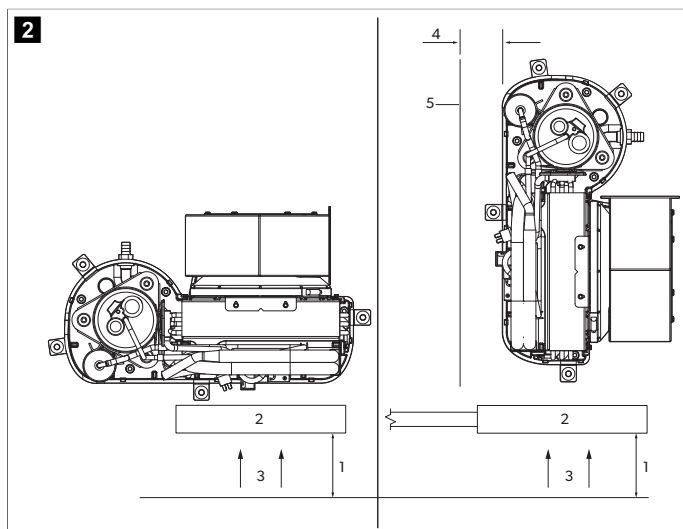
6.1 Določitev mesta montaže

1. Postavitev modelov GVTX in TX glede na smer zračnega toka



- | | |
|----------------------------|---------------------------------|
| 1 3,00 in (7,62 cm) | 4 4,00 in (10,16 cm) |
| 2 Toplotni odvod | 5 Mreža za povratni zrak |
| 3 Pregrada | 6 Zračni tok |

Postavitev vseh ostalih klimatskih naprav glede na smer zračnega toka



- | | |
|---------------------------------|----------------------------|
| 1 4,00 in (10,16 cm) | 4 3,00 in (7,62 cm) |
| 2 Mreža za povratni zrak | 5 Pregrada |
| 3 Zračni tok | |

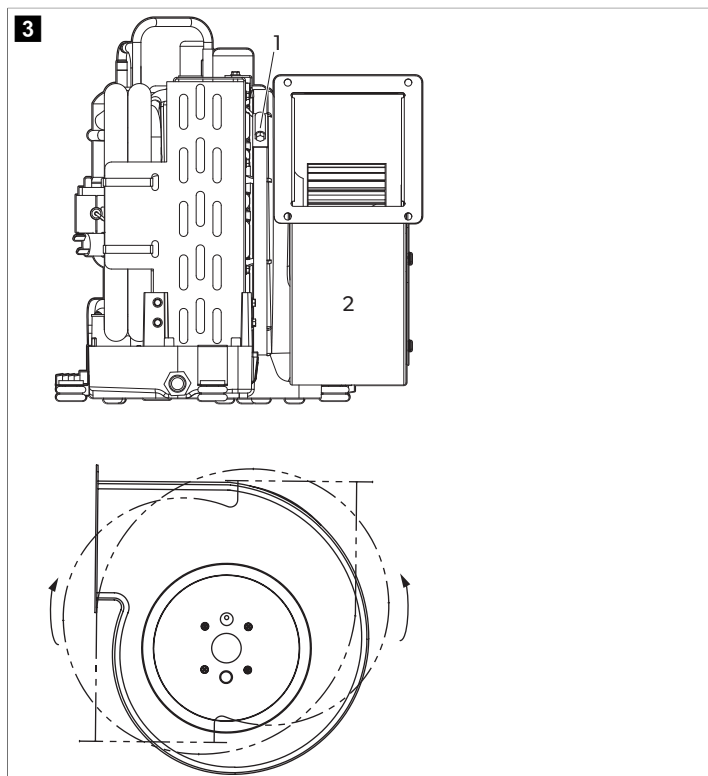
2. Postavite na mesto, kjer bo zračni tok dovolj dober. Pred mrežo za povratni zrak mora biti vsaj 4,00 in (10,16 cm) prostora za kroženje zraka in nobenih ovir.
3. Če je klimatska naprava postavljena pravokotno na mrežo za povratni zrak, naj bo na strani za dovod zraka vsaj 3,00 in (7,62 cm) prostora za kroženje zraka.
4. **Samo za modela GVTX in TX:** Nad in pod toplotnim odvodom mora biti vsaj 3,00 in (7,62 cm) prostora.

6.2 Vrtenje ventilatorja

V tem razdelku je pojasnjeno, kako zavrteti ventilator za posamezno vrsto enote. Če je treba, zavrtite ventilator v smer, ki omogoča najbolj neposreden izpust zračnega toka skozi kanal.

6.2.1 Puhala modelov GTX, GVTX, DTG in TX

Smer vrtenja ventilatorja v sistemih GTX, GVTX, DTG in TX

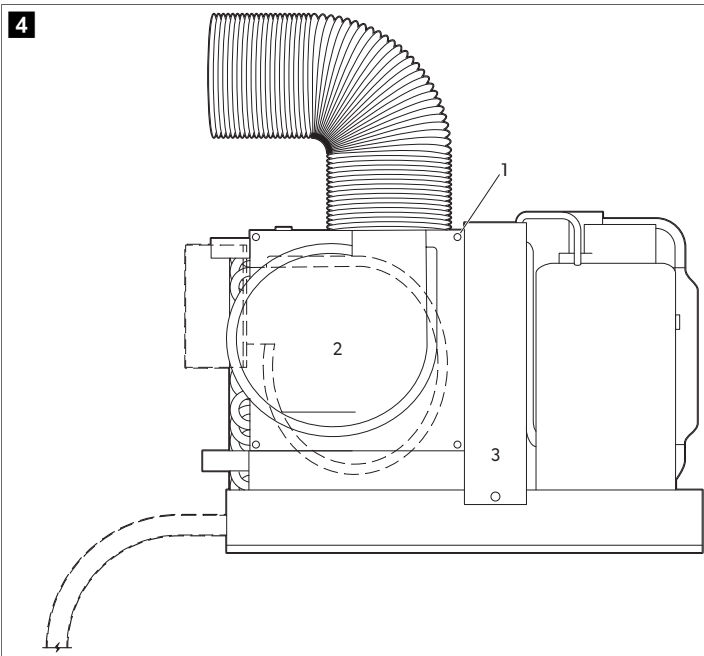


- 1** Adjustment screw
- 2** Blower

1. Odtegnite nastavitveni vijak na obroču za pritrditev ventilatorja.
2. Zavrtite ventilator v zeleni položaj.
3. Zategnite nastavitveni vijak.

6.2.2 Ventilatorji v sistemih MCS, ECD in GT

Smer vrtenja ventilatorja v sistemih MCS, ECD in GT

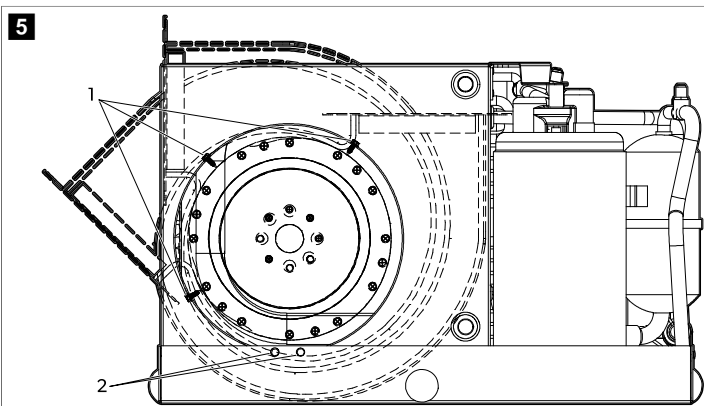


- 1 Screw
2 Plošča
3 Ventilator

1. Odstranite sedem vijakov v plošči.
2. Zavrtite ventilator v zeleni položaj.
3. Ventilator pritrдите na svoje mesto s samoreznimi vijaki (niso priloženi).

6.2.3 Puhalo sistema DCU

Smer vrtenja ventilatorja v sistemu DCU



- 1 Screws on blower ring
2 Screws on drain pan or bracket

1. Vijake odstranite iz obroča za ventilator.
2. Odstranite vijaki, s katerimi je ventilator pritrjen na izpustno posodo ali nosilec.
3. Zavrtite ventilator v zeleni položaj.
4. Ventilator pritrдите na svoje mesto s samoreznimi vijaki (niso priloženi).
5. Zatesnite luknje, ki niso v uporabi, da preprečite uhajanje zraka.

6.3 Vstavljanje zračnih filtrov

Zračni filtri odstranjujejo delce iz zraka v kabini in skrbijo, da je tujava uparjalnika čista. Za vsako klimatsko napravo namestite en zračni filter, bodisi v klimatsko napravo bodisi v mrežo za povratni zrak.

6.4 Nameščanje mrež in premostitvenih omaric

Pri nameščanju mrež in premostitvenih omaric upoštevajte naslednje:

- Mrežo za dovod zraka namestite, kolikor je mogoče visoko na mestu, kjer bo porazdelitev zraka v kabini enakomerna. Rešetke mreže usmerite navzgor.
- Mrežo za povratni zrak namestite, kolikor je mogoče nizko in blizu klimatske naprave, da se bo zračni tok lahko dovajal v uparjalnik.
- Izpust za dovod zraka naj ne bo usmerjen proti mreži za povratni zrak, saj bo to prekinilo cikel v sistemu.
- Za mrežo za dovod zraka naj bo dovolj prostora za premostitveno omarico in priključitev kanalov. Glejte razdelek Specifikacije na strani 157

7 Namestitev



OPOZORILO! Nevarnost električnega udara

Namestitev lahko izvede samo usposobljen električar.

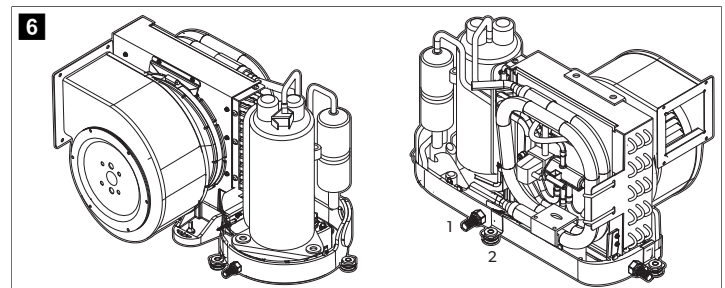
7.1 Montaža nosilcev in odtočnega kanala za kondenzat



OBVESTILO!

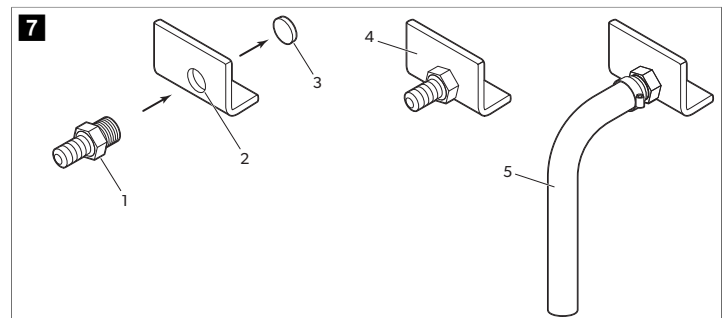
Da preprečite razpoke na izpustni posodi, več kot dve plasti traku za vodovodne cevi ovijte okrog zazobka cevi, ki ga ne zategnite premočno.

Običajna postavitev nosilcev in odtočnih kanalov za kondenzat



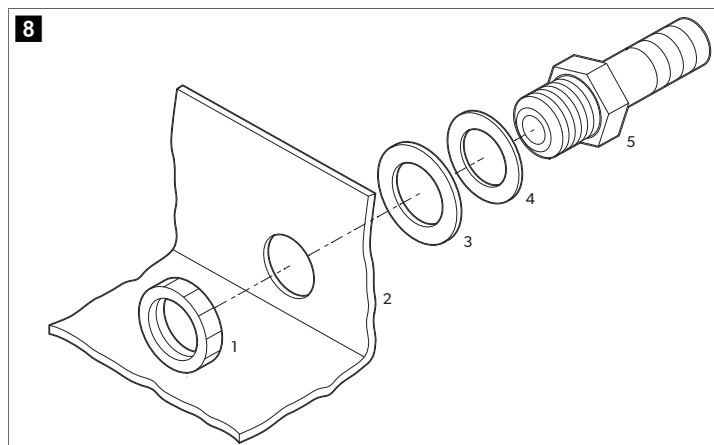
- 1 Zazobek odtočne cevi za kondenzat
2 Nosilec

Namestitev odtočnih kanalov za kondenzat pri sistemih GTX, GVTX, DTG in TX



- 1 Hose barb
2 Navojna odtočna odprtina
3 Čep za izbitje
4 Drain pan
5 Odtočna cev

Montaža odtočnega kanala za kondenzat pri vseh drugih enotah klimatskih naprav



- | | |
|----------------------------|--|
| 1 Locking nut | 4 Solid washer |
| 2 Izpustna posoda | 5 Pritrdilni element iz PVC-ja 0,5 in (12,7 mm) HB x 0,5 in (12,7 mm) MPT |
| 3 Tesnilna podložka | |

1. Pri enotah GTX, GVTX, DTG in TX:

- S tanjšim koncem spojke cevi in z enim hitrim udarcem z gumijastim kladivom iz odtočne odprtine, ki gleda proti krmu, izbijte perforirano ploščico. Izbito ploščico zavržite.
- Okrog navojnega konca zazobka cevi ovijte trak za vodovodne cevi.
- Zazobek cevi privijte v navojno odtočno odprtino in ga dobro zategnite.

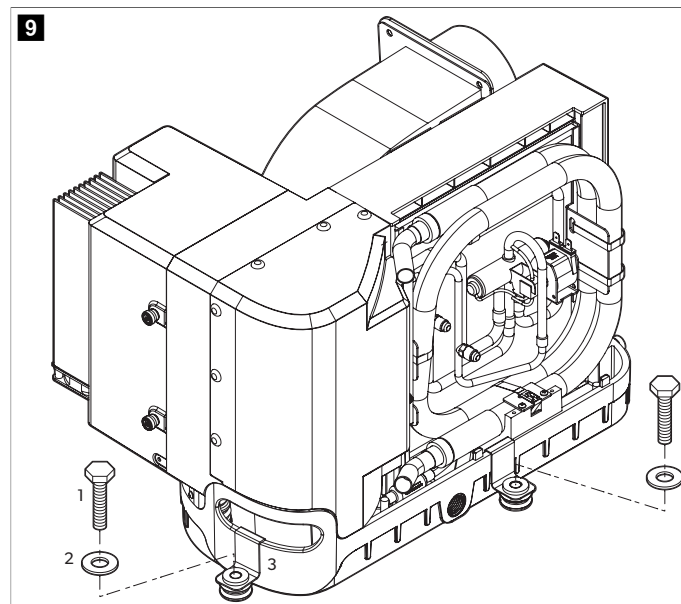
2. Za vse druge klimatske naprave:

- Zazobek cevi potisnite skozi podložko in tesnilno podložko ter ga vstavite v odtočno odprtino.
- Privijte in zategnite z zaporno matico.

3. Z objemko za cev iz nerjavnega jekla pričvrstite odtočno cev na zarobek cevi.

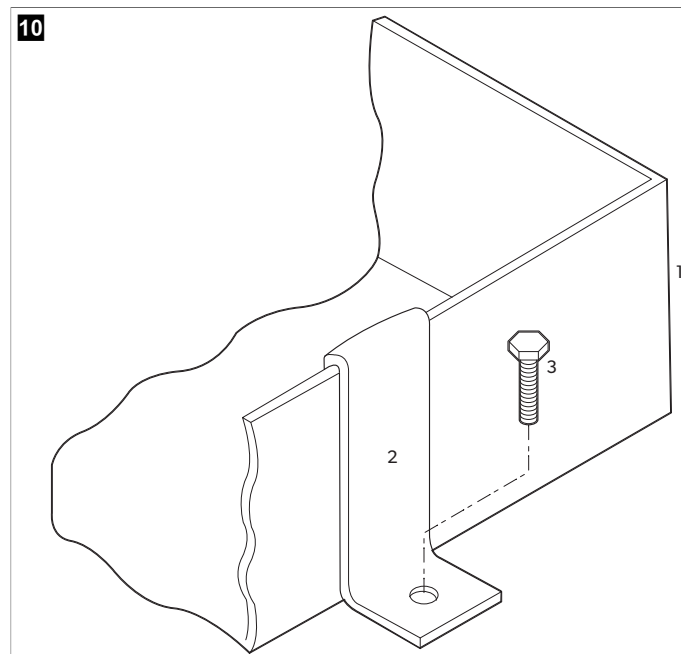
4. Odtočno cev speljite navzdol do varne in ustrezne zbirne točke.

Namestitev montažnih nosilcev na enote GTX, GVTX, DTG in TX



- Pritrdilni sornik (ni priložen)
- Podložka za odbojnik (priložena)
- Nosilec (priložen)

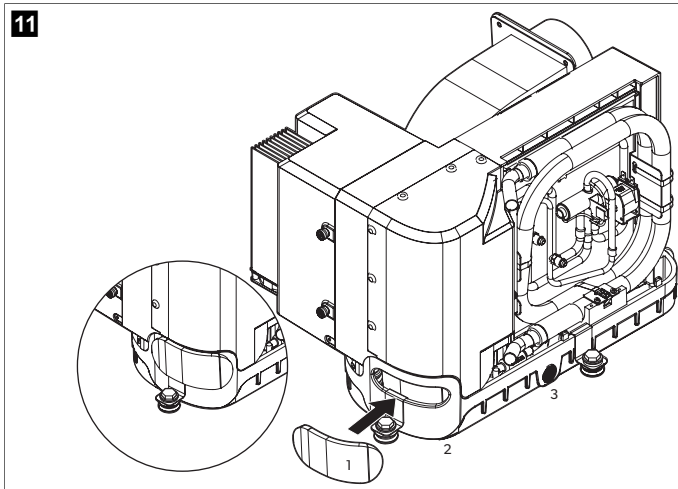
Namestitev montažnega nosilca za vse druge enote klimatskih naprav



- Izpustna posoda
- Nosilec
- Pritrdilni sornik (ni priložen)

5. Po en nosilec montirajte na vsako stran izpustne posode na enaki razdalji.

Namestitev penaste izolacije ročaja na enotah GVTX in TX



- 1 Penasta izolacija ročaja
- 2 Odprtina v ročaju
- 3 Izpustna posoda

6. Pri enotah GVTX in TX:

- a) Odstranite folijo, ki prekriva lepilno podlago na penasti izolaciji ročaja.
- b) Penasto izolacijo ročaja namestite tako, da v celoti prekrije odprtino v ročaju, tako da lepljiva stran gleda proti izpustni posodi.
- c) Pritiskajte okrog odprtine v ročaju, da se penasta izolacija ročaja prilepi na izpustno posodo.

7.2 Namestitev kanalov



OPOZORILO! Nevarnost požara ali eksplozije

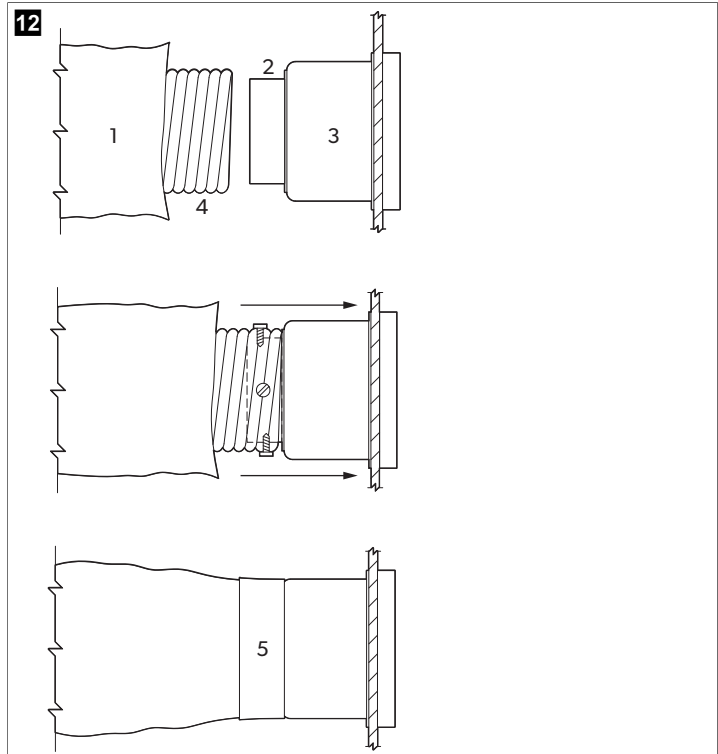
- > Pomožnih naprav, ki so lahko vir vžiga, ni dovoljeno namestiti v sistem cevovodov, razen pomožnih naprav, navedenih za uporabo s posameznimi napravami.
- > Pri modelih z vnetljivimi hladilnimi sredstvi, ki so prek sistema zračnih kanalov povezani z enim ali več prostori, mora biti kanal za dovod in odvod zraka napeljan neposredno do prostora. Odprtih območij, kot so slepi stropi, ni dovoljeno uporabljati kot povratne zračne kanale.
- > Kanala ne napeljite skozi strojnico ali drug prostor, kjer je lahko izpostavljen nevarnim hlapom ali izpušnim plinom.

Pri montaži kanalov upoštevajte naslednje napotke:

- Kanal mora biti ustrezne velikosti za namen uporabe.
- Kanal napeljite tako, da bo čim bolj raven, gladek in napet, število 90° kolen in zank, ki lahko oslabijo zračni tok, pa naj bo čim manjše.
- Kanal dobro pritrdite, da se ne bo povešal.
- Ne pustite, da bi se kanal sploščil ali upognil.
- Po montaži odrežite odvečno dolžino kanala.
- Izolirajte kanal, ki je nameščen v zelo vročih območjih.

Če se uporablja premostitvena omarica, mora biti skupna površina kanalov za dovod zraka, ki so speljani iz omarice, vsaj enaka skupni površini dovodnih kanalov, ki so speljani v omarico. Glejte Specifikacije na strani 157

Priključitev kanalov



- 1 Izolacija iz steklenih vlaken
- 2 Pritrdilni obroč
- 3 Premostitvena omarica
- 4 Notranja cev kanala iz Mylarja
- 5 Lepilni trak

1. Notranjo cev kanala iz Mylarja potisnite skozi pritrdilni obroč do premostitvene omarice.
2. Skozi cev kanala iz Mylarja privijte tri ali štiri vijake iz nerjavnega jekla v pritrdilni obroč, pri tem z glavami vijakov vpnete dve ali tri žice.
3. Izolacijo iz steklenih vlaken ovijte okoli notranje cevi kanala iz Mylarja do premostitvene omarice. Prelepite z lepilnim trakom.

7.3 Montaža sistema za morsko vodo



OBVESTILO!

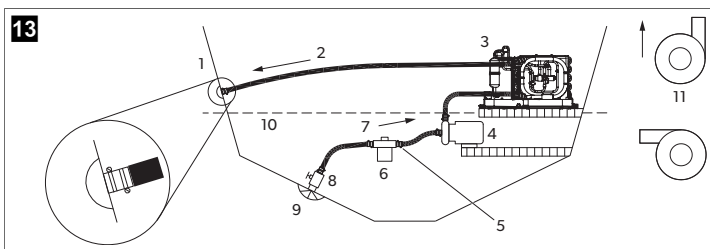
Če tega postopka ne upoštevate, garancija ne bo veljala.

Pri nastavljanju sistema za morsko vodo upoštevajte naslednje:

- Cedilo mora biti pod črpalko.
- Cevi morajo biti dvojno vpete.
- Cevi ne smejo imeti upognjenih delov, zank ali visokih točk, kjer bi se lahko ujel zrak.
- Črpalka in cedilo morata biti pod vodno črto.
- Dovodna odprtina v trupu, kroglični ventil in cedilo ne smejo biti manjše od dovodne odprtine črpalke.
- Pritrdilni element za odprtino v trupu montirajte, kolikor je mogoče nizko pod vodno črto.
- Črpalka mora imeti svojo odprtino v trupu.
- Če je le mogoče, ne uporabljajte 90,00° kolenskih pritrdilnih elementov.
- Glava črpalke mora biti obrnjena v smeri vodnega toka.
- Za vse navojne priključke uporabite trak za vodovodne cevi.

Glejte razdelek Specifikacije na strani 157, kjer so navedene vrednosti za najvišjo in najnižjo temperaturo vode ter tlak.

Sistem za morsko vodo



- | | | | |
|---|-----------------------|----|--|
| 1 | Odtok za morsk vodo | 7 | Dovodni tok navzgor |
| 2 | Odvodni tok | 8 | Kroglični ventil |
| 3 | Klimatska naprava | 9 | Dovodna odprtina v trupu |
| 4 | Črpalka za morsk vodo | 10 | Vodna črta |
| 5 | Objemke za cev | 11 | Pravilno usmerjenost cedila na glavi črpalke |
| 6 | Cedilo | | |

- Dovodna odprtina v trupu naj bo čim bližje gredlju in čim dlje pod vodno črto. Dovodno odprtino v trupu zatesnite s tesnilom, ki je primerno za uporabo v morskem okolju in pod vodo.
- V dovodno odprtino v trupu namestite bronast čep za morsk vodo, ki omogoča pretok vode.
- Pod nivo črpalke namestite cedilo za morsk vodo, tako da bo imelo dostop do filtra.
- Črpalko montirajte nad cedilo in vsaj trideset centimetrov pod vodno črto.
- Čep za morsk vodo in cedilo med sabo povežite z ojačano cevjo za pretok navzgor, primerno za uporabo v morskem okolju.
- Izpustno odprtino v črpalki z ojačano cevjo, primerno za uporabo v morskem okolju in velikosti 5/8 palca, povežite v smeri navzgor s spodnjo dovodno odprtino v tuljavi kondenzatorja klimatske naprave.
- Izpustno odprtino v tuljavi kondenzatorja z ojačano cevjo, primerno za uporabo v morskem okolju in velikosti 5/8 palca, povežite s pritrdilnim elementom izlivne odprtine v trupu.
- Če je le mogoče, za cev za morsk vodo ne uporabljajte zank, visokih točk ali 90° kolen. Vsako 90° koleno je enako 2,5 ft (0,76 m) cevi, 90° koleno na izpustni odprtini črpalke pa je enako 20,0 ft (6,10 m) cevi.
- Vse cevne priključke dvojno vpnite z objemkama iz nerjavnega jekla in ju po potrebi obrnite.
- Vse kovinske dele, ki so v stiku z morsk vodo, povežite z veznim sistemom plovila.

7.4 Izvedba električnih priključkov



OPOZORILO! Nevarnost električnega udara

- > Preden odprete električno omarico, izklopite napajanje klimatske naprave z odklopnikom. Neupoštevanje tega opozorila lahko povzroči smrt ali hude poškodbe.
- > Pazite, da je električna omarica nameščena na mestu, zaščitenem pred vodo.



OBVESTILO!

Klimatska naprava mora biti povezana z veznim sistemom plovila, kar preprečuje rjavenje zaradi blodečega električnega toka. Vse črpalke, kovinski ventili in pritrdilni elementi v krogotoku morske vode, ki so od klimatske naprave ločeni z gumijastimi cevmi ali cevmi iz PVC, morajo biti vsak posebej povezani z veznim sistemom plovila.



NASVET Neustrezna ozemljitev in vezava sistema izniči garancijo.

Klimatske naprave imajo v električni omarici priključne letve, na katerih je označena pravilna priključitev. Shema električne napeljave v električni omarici ima prednost pred standardi ABYC. Za zaščito sistema uporabite odklopnik ustrezne velikosti, kot je navedeno na ploščici s podatki na klimatski napravi. Za napajanje klimatske naprave in

črpalke morske vode je treba uporabiti kabel za plovila velikosti najmanj 12 AWG. Za priključke je treba uporabiti obročaste ali viličaste kabelske čevlje.

Ko izvajate električne priključke, upoštevajte naslednje:

- Ozemljitev za izmenični tok je treba priključiti na ozemljitveno sponko (GRND) na skupini sponk za vhodno moč pri izmeničnem toku.
- Priključki med ozemljitvenim vodnikom sistema na izmenični tok na plovilu in negativnim ali veznim sistemom na enosmerni tok na plovilu morajo biti izvedeni kot del napeljave plovila. Pri vzdrževalnih delih ali zamenjavi obstoječe opreme, ki ima na šasijo pritrjen ozemljitveni čep, preverite v napeljavi plovila, če so ti priključki na voljo.
- Klimatske naprave GVTX in TX so zasnovane za delovanje na izmenični ali visokonapetostni enosmerni tok. Za pravilno postavitev glejte shemo električne napeljave za plovilo.

Ozemljitev klimatske naprave na izmenični tok mora biti pravilno priključena na ozemljitev plovila na izmenični tok. V plovilu mora biti ozemljitveno vodilo na izmenični tok priključeno na ozemljitveno vodilo na izmenični tok na točno enem mestu.

Pred zagonom preverite in po potrebi zatisnite vse električne priključke.

8 Odstranjevanje



POZOR! Nevarnost požara

- > Ta naprava vsebuje vnetljivi izolacijski plin.
- > Napravo naj demontira in odstrani samo strokovnjak.



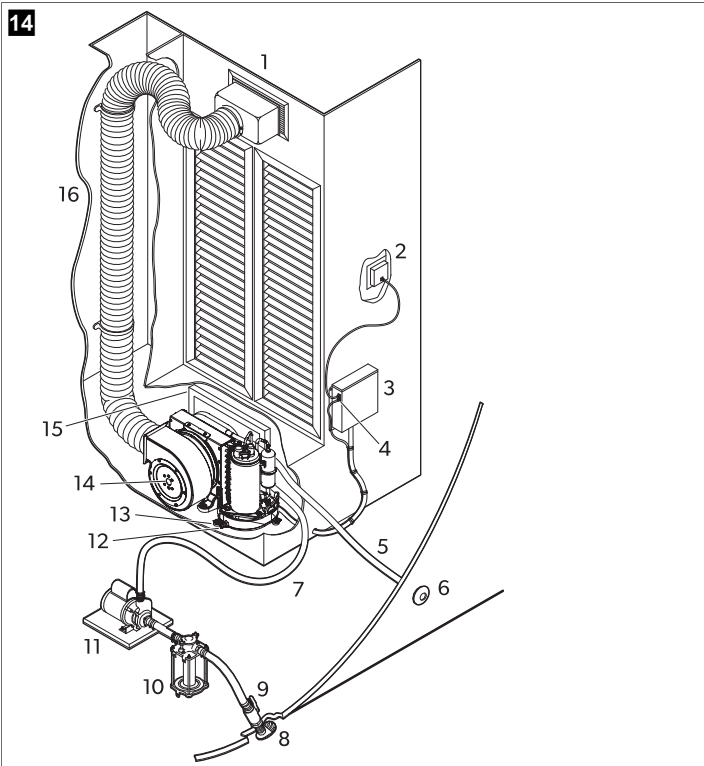
Emblažni material odstranite v primerne zabojnike za recikliranje odpadkov, če je to mogoče. Pri lokalnem centru za zbiranje odpadkov ali specializiranem prodajalcu se pozanimajte glede odstranjevanja izdelka v skladu z veljavnimi predpisi.

9 Tehnični podatki

V celoti preberite ta navodila in nato načrtujte priključke, potrebne za klimatsko napravo (vključno s kanalom, odtočnim kanalom za kondenzat, dovodnimi in odvodnimi cevmi za morsk vodo, napajalnimi priključki, mestom postavitve krmilnika in montažo črpalke morske vode), da zagotovite enostaven dostop do napeljave in vzdrževalna dela.

9.1 Postavitev delov

Razlaga komponent klimatskega sistema



- | | |
|--|---------------------------------------|
| 1 Mreža za dovod zraka in preostitvena omarica | 9 Zaporni ventil za dotok morske vode |
| 2 Digitalni zaslon | 10 Cedilo za morsko vodo |
| 3 Električna omarica | 11 Črpalka |
| 4 Dodaten kabel za senzor zraka | 12 Zazobek odtočne cevi za kondenzat |
| 5 Odvodna cev za morsko vodo | 13 Nosilec |
| 6 Izlivna odprtina | 14 Klimatska naprava |
| 7 Dovodna cev za morsko vodo | 15 Mreža in filter za povratni zrak |
| 8 Dovodna odprtina za morsko vodo v trupu | 16 Izolirani gibki kanal |

9.2 Specifikacije

Hladilni krogotok vsebuje majhno količino okolju prijaznega, vendar vnetljivega hladilnega sredstva. Ne škodi ozonski plasti in ne povečuje toplogrednega učinka. Iztečeno hladilno sredstvo se lahko vname.

Ta izdelek vsebuje fluorirane toplogredne pline.

Hladilna enota je hermetično zaprta.

Tabela 35: Najmanjša velikost cevi in mrež glede na kapaciteto BTU

	3.5 k BTU	6 k BTU	8 k BTU	10 k BTU
Najmanjši premer cevi	3,00 in (76,2 mm)	4,00 in (101,6 mm)	5,00 in (127,0 mm)	6,00 in (152,4 mm)
Najmanjša površina cevi	6,8 in ² (43,9 cm ²)	12,6 in ² (81,3 cm ²)	19,6 in ² (126,5 cm ²)	28,3 in ² (182,6 cm ²)
Najmanjša velikost mreže za povratni zrak	48,0 in ² (309,7 cm ²)	64,0 in ² (412,9 cm ²)	80,0 in ² (516,2 cm ²)	100,0 in ² (645,2 cm ²)
Najmanjša velikost mreže za dovod zraka	12,0 in ² (77,4 cm ²)	32,0 in ² (206,5 cm ²)	48,0 in ² (309,7 cm ²)	60,0 in ² (387,1 cm ²)

	12 k BTU	16 k BTU	18 k BTU	27 k BTU
Najmanjši premer cevi	6,00 in (152,4 mm)	7,00 in (177,8 mm)	7,00 in (177,8 mm)	8,00 in (203,2 mm)
Najmanjša površina cevi	28,3 in ² (182,6 cm ²)	38,5 in ² (248,4 cm ²)	38,5 in ² (248,4 cm ²)	50,3 in ² (324,5 cm ²)
Najmanjša velikost mreže za povratni zrak	130,0 in ² (838,8 cm ²)	160,0 in ² (1032,3 cm ²)	200,0 in ² (1290,4 cm ²)	240,0 in ² (1548,5 cm ²)
Najmanjša velikost mreže za dovod zraka	70,0 in ² (451,6 cm ²)	80,0 in ² (516,2 cm ²)	100,0 in ² (645,2 cm ²)	120,0 in ² (774,2 cm ²)

Tabela 36: Delovna temperatura voda in tlak

Najnižja delovna temperatura vode	40,0 °F (4,44 °C)
Najvišja delovna temperatura vode	80,0 °F (26,66 °C)
Najnižji delovni tlak vode	4,2 psi (0,29 bar) (29,00 kPa)
Najvišji delovni tlak vode	6,00 psi (0,41 bar) (41,4 kPa)

Upoštevajte pogoje uporabe EPA.



NASVET Enota lahko zunaj teh pogojev deluje z zmanjšano zmogljivostjo.

10 Pravno

Samo za modele GVTX: izdelek zaradi skladnosti s standardom IEC 60533 namestite najmanj 9,8 ft (3,00 m) stran od antene sprejemnika.

11 Garancija

Za informacije o garanciji in garancijski podpori v Združenih državah, Kanadi in vseh drugih regijah glejte razdelek v nadaljevanju.

Združene države in Kanada

OMEJENA GARANCIJA JE NA VOLJO NA DOMETIC.COM/EN-US/TERMS-AND-CONDITIONS-CONSUMER/WARRANTY. ČE IMATE VPRAŠANJA ALI POTREBUJETE BREZPLAČNO KOPIJO OMEJENE GARANCIJE, STOPITE V STIK Z:

DOMETIC CORPORATION
MARINE CUSTOMER SUPPORT CENTER
2000 NORTH ANDREWS AVENUE
POMPANO BEACH, FLORIDA, USA 33069
1-800-542-2477

Azijsko-pacifiške države (APAC)

Če izdelek ne deluje pravilno, se obrnite na trgovca ali podružnico proizvajalca v svoji državi (glejte dometic.com/dealer). Za vaš izdelek velja garancija 1 leto(-i/-a).

Za obravnavanje zahtevkov popravil oz. garancijskih zahtevkov morate skupaj z aparatom poslati naslednjo dokumentacijo:

- kopijo računa z datumom nakupa,
- razlog za reklamacijo ali opis napake.

Upoštevajte, da lahko imajo lastnoročna ali neprofesionalna popravila varnostne posledice in lahko razveljavijo garancijo.

Samo Avstralija

Za naše izdelke veljajo garancije, ki jih ni možno izključiti v skladu z avstralskim zakonom za zaščito potrošnikov (Australian Consumer Law). Pripada vam nadomestni izdelek ali povračilo denarja v primeru večje okvare in nadomestilo za katerokoli drugo razumno predvidljivo izgubo ali škodo. Pripada vam tudi popravilo ali nadomestitev izdelkov, če izdelki niso sprejemljive kakovosti in okvara ni velika.

Samo Nova Zelandija

Za to garancijo veljajo pogoji in garancije, ki so predpisani z zakonom za varstvo potrošnikov (Consumer Guarantees Act 1993(NZ)).

Vse druge regije

Velja zakonsko določen garancijski rok. Če je izdelek pokvarjen, se obrnite na podružnico proizvajalca v svoji državi (glejte dometic.com/dealer) ali na prodajalca.

Za obravnavanje zahtevkov popravil oz. garancijskih zahtevkov morate skupaj z aparatom poslati naslednjo dokumentacijo:

- kopijo računa z datumom nakupa,
- razlog za reklamacijo ali opis napake.

Upoštevajte, da lahko imajo lastnoročna ali neprofesionalna popravila varnostne posledice in lahko razveljavijo garancijo.

Română

1	Observații importante.....	159
2	Explicația simbolurilor.....	159
3	Categoriile vizate.....	160
4	Domeniul de utilizare.....	160
5	Explicația simbolurilor de pe dispozitiv.....	160
6	Pre-instalare.....	160
7	Instalare.....	162
8	Eliminarea.....	165
9	Date tehnice.....	165
10	Legal.....	166
11	Garanție.....	166

1 Observații importante

Citiți cu atenție și respectați toate instrucțiunile, indicațiile și avertismentele incluse în acest manual de produs pentru a vă asigura că instalați, utilizați și întrețineți produsul în permanență. Aceste instrucțiuni TREBUIE păstrate cu acest produs.

Prin utilizarea produsului, confirmați că ați citit cu atenție toate instrucțiunile, indicațiile și avertismentele și că înțelegeți și sunteți de acord să respectați termenii și condițiile stabilite. Sunteți de acord să utilizați acest produs numai pentru scopul și aplicația prevăzute și în conformitate cu instrucțiunile, indicațiile și avertismentele prezentate în acest manual de produs, precum și în conformitate cu toate legile și reglementările aplicabile. Nerespectarea instrucțiunilor și avertismentelor prezentate aici poate duce la vătămarea personală a utilizatorului sau a altora, la deteriorarea produsului sau a altor bunuri din apropiere. Acest manual al produsului, inclusiv instrucțiunile, indicațiile și avertismentele și documentația aferentă pot fi supuse modificărilor și actualizărilor. Pentru informații actualizate despre produs, vă rugăm să vizitați documents.domestic.com.

2 Explicația simbolurilor

Un cuvânt de semnalizare identifică mesajele de siguranță și mesajele privind daunele materiale și, de asemenea, indică gradul sau nivelul de gravitate a pericolului.



PERICOL!

Indică o situație periculoasă care, dacă nu este evitată, va provoca moartea sau răni grave.



AVERTIZARE!

Indică o situație periculoasă care, dacă nu este evitată, poate provoca moartea sau răni grave.



ATENȚIE!

Indică o situație care, dacă nu este evitată, poate duce la pagube materiale.



INDICAȚIE Informații complementare privind operarea produsului.

2.1 Directive suplimentare

Pentru a reduce riscul de accidente și vătămări, vă rugăm să respectați următoarele directive înainte de a trece la instalarea acestui aparat:

- Citiți și respectați toate informațiile și instrucțiunile de siguranță.
- Citiți și înțelegeți aceste instrucțiuni înainte de a instala acest produs.
- Instalarea trebuie să respecte toate codurile locale sau naționale aplicabile, inclusiv cea mai recentă ediție a următoarelor standarde:
 - Consiliul american pentru bărci și iahturi (ABYC)
 - ANSI/NFPA70, Codul electric național (NEC)

2.2 Instrucțiuni de siguranță



PERICOL! Risc de incendiu sau explozie. Unele modele folosesc agent frigorific inflamabil.

Nerespectarea următoarelor avertismente va duce la moarte sau vătămări grave:

- > A se repara numai de către personal de service calificat.
- > Nu instalați sau depozitați într-un loc cu surse de aprindere care funcționează continuu.
- > Nu obstrucționați niciun orificiu de aerisire.
- > Nu perforați tubulatura de agent frigorific.
- > Consultați eticheta de tip a produsului pentru tipul de agent frigorific.



AVERTIZARE! Pericol de incendiu și/sau explozie

Nerespectarea următoarelor avertismente poate duce la moarte sau vătămări grave:

- > Nu folosiți surse potențiale de aprindere pentru a detecta sau a căuta scurgeri de agent frigorific. Nu folosiți o lampă haloidă sau orice alt detector care utilizează o flacără deschisă.
- > Asigurați-vă că echipamentul de detectare este adecvat pentru tipul de agent frigorific utilizat în produs. Consultați eticheta de tip a produsului pentru tipul de agent frigorific.
- > Detectoarele electronice de scurgeri pot fi utilizate pentru a detecta scurgerile de agent frigorific, însă sensibilitatea lor poate fi inadecvată pentru agenții frigorifici inflamabili și poate necesita recalibrare. Calibrați echipamentul de detectare într-o zonă fără agent frigorific.



AVERTIZARE! Pericol de monoxid de carbon

Nerespectarea următoarelor avertismente poate duce la moarte sau vătămări grave:

- > Nu instalați sau exploatați un aparat de aer condiționat autonom în sântină sau sala mașinilor sau în apropierea unui motor cu ardere internă. Asigurați-vă că locul ales este izolat de accesul direct la vaporii din sântină și/sau sala mașinilor.
- > Verificați instalarea și etanșarea corespunzătoare ale conductei de scurgere a condensului. Capătul conductei de scurgere a condensului nu trebuie să fie la o distanță mai mică de 3 ft (0,91 m) de nicio evacuare a unui motor sau sistem de evacuare al unui generator, într-un compartiment care conține un motor sau un generator, sau într-o sântină, decât dacă conducta este conectată corespunzător la o pompă de condens sau de duș etanșată. Dacă conducta de scurgere nu este instalată corect, vaporii periculoși pot circula pe conducta de scurgere și contamina spațiile de locuit.
- > Nu instalați aparatul de aer condiționat într-un loc în care acest poate circula monoxid de carbon, vaporii de combustibil sau alți vapori nocivi în spațiile de locuit ale ambarcațiunii.



AVERTIZARE! Pericol de electrocutare

Instalarea poate fi efectuată numai de către un electrician calificat.



AVERTIZARE! Pericol de electrocutare, incendiu și/sau explozie

Nerespectarea acestor măsuri de precauție poate duce la moarte sau vătămări grave.

Acest aparat nu este destinat utilizării de către persoane (inclusiv copii) cu capacități fizice, senzoriale sau mentale reduse sau de către persoane lipsite de experiență și cunoștințe, cu excepția cazurilor în care acestea au fost instruite cu privire la utilizarea aparatului de către o persoană responsabilă pentru siguranța lor. Copiii trebuie să fie supravegheați, pentru a vă asigura că nu se joacă cu aparatul. Curățarea și operațiunile de întreținere nu trebuie efectuate de copii fără supraveghere. Acest aparat nu trebuie să fie accesibil publicului larg.

**AVERTIZARE! Pericol de explozie**

Nerespectarea acestor măsuri de precauție poate duce la moarte sau vătămări grave.

- > Nu instalați aparatul de aer condiționat într-un loc care conține motoare pe benzină, rezervoare, butelii GPL/GNC, regulatoare, supape sau racorduri ale conductei de combustibil. Dacă nu este prevăzut altfel prin etichete, unitățile autonome nu respectă cerințele federale privind protecția la aprindere. Nerespectarea acestui avertisment poate conduce la moarte sau vătămări grave.
- > Componentele electrice care pot produce arc electric sau scântei trebuie înlocuite numai cu piesele specificate de producătorul aparatului. Înlocuirea cu alte piese poate duce la aprinderea agentului frigorific în cazul unei scurgeri.

**AVERTIZARE! Pericol de electrocutare**

Nerespectarea acestor măsuri de precauție poate duce la moarte sau vătămări grave.

- > Aveți grijă să împănțați eficient aparatul de aer condiționat, pentru a minimiza pericolul de electrocutare. Consultați îndrumările de instalare pentru informații suplimentare.
- > Fiecare aparat de aer condiționat instalat necesită un disjuncteur dedicat. Dacă este instalat un singur aparat de aer condiționat, pompa de apă de mare nu necesită un disjuncteur separat. Dacă una sau mai multe unități de aer condiționat utilizează aceeași pompă de apă de mare, firele pompei vor fi conectate la un panou de comutare a pompei (PRP), care la rândul său va avea propriul disjuncteur dedicat adecvat pompei (max. 20 A). Consultați schema electrică furnizată împreună cu PRP. Conexiunile electrice din santină și/sau de sub linia de plutire vor utiliza îmbinări cap la cap de tip termocontractabil.
- > Cablarea în teren trebuie să respecte codurile electrice ABYC. Alimentarea electrică a unității trebuie să fie în intervalul de tensiune de funcționare indicat pe plăcuța cu date tehnice. Trebuie instalate siguranțe sau disjunctoare HACR de capacitate adecvată pentru protecția circuitului de ramificație. Consultați plăcuța cu date tehnice pentru capacitatea maximă a siguranței/disjuncteurului (MFS) și capacitatea minimă a circuitului (MCA).

**ATENȚIE!**

Acest aparat are gaze fluorurate cu efect de seră în echipamente închise ermetic. Consultați eticheta plăcuței cu date tehnice de produs a unității pentru cantitatea de agent frigorific, indicată ca greutate și GWP. Agentul frigorific adăugat trebuie notat pe eticheta unității.

**ATENȚIE!**

Nu folosiți tubulatura de cupru pentru a împinge, trage, ridica sau transporta produsul.

3 Categorii vizate



Instalarea și configurarea mecanică și electrică a dispozitivului trebuie efectuată de către un electrician calificat cu abilități și cunoștințe dovedite cu privire la structura și funcționarea echipamentelor și instalațiilor electrice maritime și care este familiarizat cu reglementările aplicabile ale țării în care echipamentul urmează a fi instalat și/sau folosit și a beneficiat de formare în domeniul siguranței, pentru identificarea și evitarea pericolelor asociate.

4 Domeniul de utilizare

Acest manual este destinat instalării sistemelor de aer condiționat autonome DCU, DLU, DTG, ECD, GT, GTX, GTX-LP, GVTX și TX (denumite în continuare aparat de aer condiționat). Aparatul de aer condiționat este destinat utilizării pe bărci și iahturi. Acest aparat de aer condiționat este adecvat numai pentru scopul și utilizarea conform cu aceste instrucțiuni.

Acest produs este potrivit numai pentru scopul și utilizarea prevăzute în conformitate cu aceste instrucțiuni.

Acest manual oferă informații necesare pentru instalarea și/sau utilizarea corectă a produsului. Instalarea defectuoasă și/sau utilizarea sau întreținerea necorespunzătoare vor avea ca rezultat performanțe nesatisfăcătoare și o posibilă defectare.

Producătorul nu își asumă nicio răspundere pentru orice vătămare sau deteriorare a produsului - rezultate din:

- Instalarea, asamblarea sau conectarea incorectă, inclusiv supratensiunea
- Întreținerea sau utilizarea incorectă a pieselor de schimb, altele decât piesele de schimb originale furnizate de producător
- Modificări aduse produsului fără aprobarea explicită din partea producătorului
- Utilizarea în alte scopuri decât cele descrise în manual

Dometic își rezervă dreptul de a modifica aspectul și specificațiile produsului.

5 Explicația simbolurilor de pe dispozitiv



Atenție! Risc de incendiu / materiale inflamabile



Atenție! Material cu viteză de ardere scăzută. Agent frigorific inflamabil.



Grupa de siguranță a agentului frigorific A2L



Citiți manualul de utilizare.



Citiți manualul de service.

6 Pre-instalare

**ATENȚIE!**

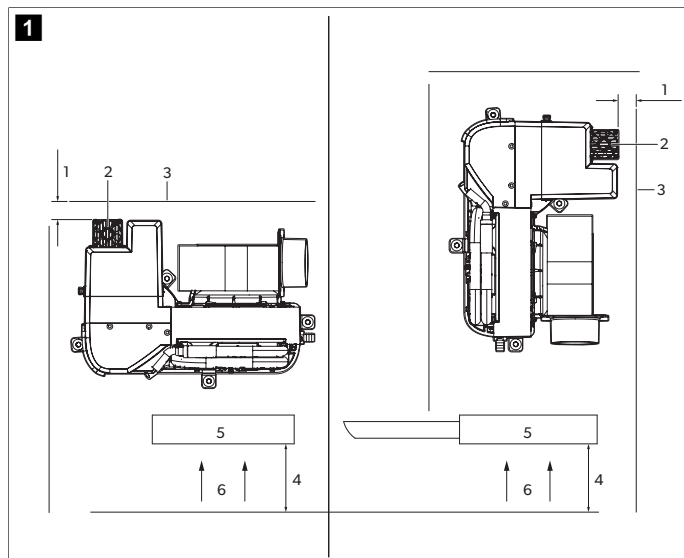
Vasele de bază autonome pentru condens ale DTG, GTX, GVTX și TX sunt prevăzute cu izolatoare de vibrații instalate în partea inferioară a vasului. Aceste izolatoare sunt proiectate pentru a împiedica transferul către suprafața de montare a vibrațiilor cauzate de funcționarea aparatului de aer condiționat. Trebuie avut grijă la deplasarea aparatului de aer condiționat pe suprafețele de montare, deoarece izolatoarele pot fi deteriorate.

**ATENȚIE!**

- > Sistemul de aer condiționat trebuie montat pe o suprafață joasă, plată, plană, cum ar fi în partea inferioară a unui dulap, sub un pat sau unui scaun sau într-un loc similar.
- > Asigurați-vă că nu vor fi supuse cablurile uzurii, coroziunii, presiunii excesive, vibrațiilor, mușchilor ascuțiți sau oricăror alte efecte negative de mediu, inclusiv efecte ale îmbătrânirii sau vibrațiilor continue din surse precum compresoare sau ventilatoare.
- > Asigurați-vă că dispozitivele de protecție, conductele și racordurile sunt protejate pe cât posibil împotriva efectelor negative de mediu, cum ar fi acumularea de murdărie și reziduuri sau colectarea și înghețarea apei în conductele de eliberare.
- > Trebuie luate măsuri de precauție pentru a evita vibrațiile sau pulsațiile excesive asupra conductelor frigorifice.

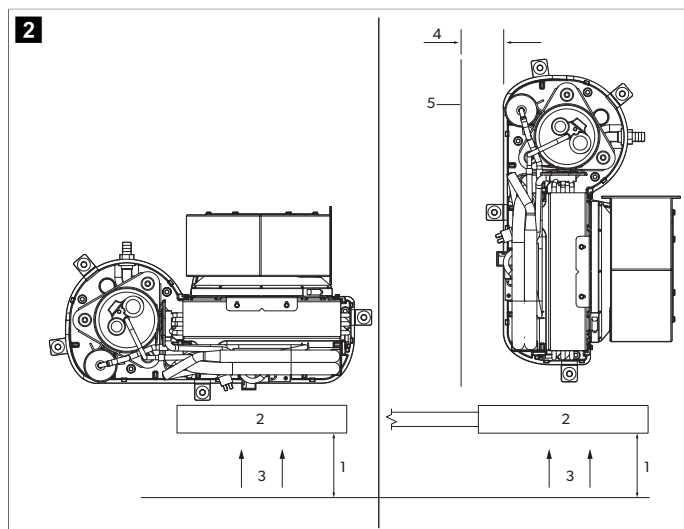
6.1 Stabilirea locului de instalare

1. Amplasarea GVTX și TX în raport cu fluxul de aer



- | | |
|----------------------------|--------------------------------|
| 1 3,00 in (7,62 cm) | 4 4,00 in (10,16 cm) |
| 2 Radiator | 5 Grilă de aer de retur |
| 3 Perete etanș | 6 Flux de aer |

Amplasarea tuturor celorlalte unități de aer condiționat în raport cu fluxul de aer



- | | |
|--------------------------------|----------------------------|
| 1 4,00 in (10,16 cm) | 4 3,00 in (7,62 cm) |
| 2 Grilă de aer de retur | 5 Perete etanș |
| 3 Flux de aer | |

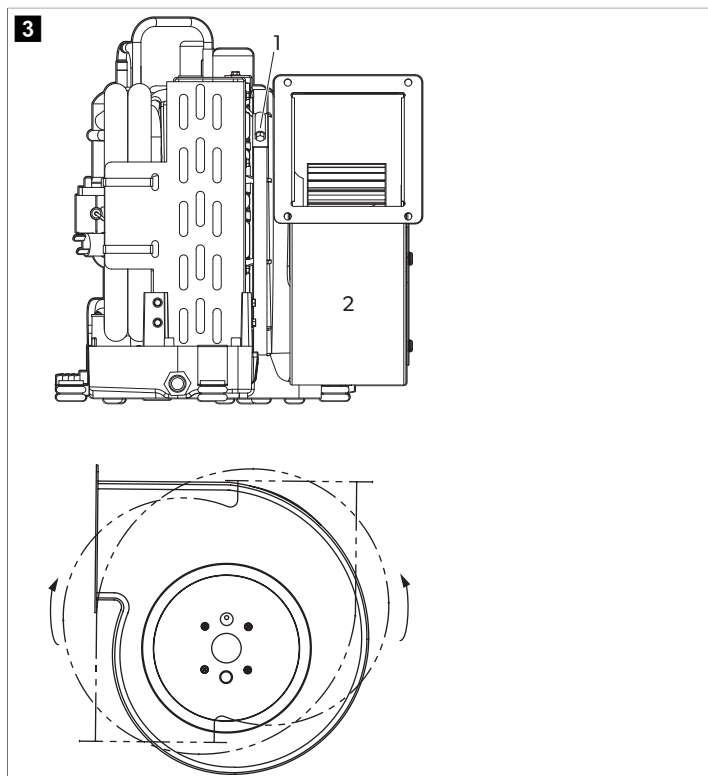
- Alegeți un loc cu suficient flux de aer. Grila de aer de retur ar trebui să dispună de un spațiu minim de 4,00 in (10,16 cm) pentru circulația aerului în fața sa, fără obstrucții.
- Dacă aparatul de aer condiționat este poziționat perpendicular pe grila de aer de retur, păstrați un spațiu minim de 3,00 in (7,62 cm) pentru circulația aerului pe partea de admisie a aerului.
- Numai GVTX și TX:** Asigurați o zonă deschisă minimă de 3,00 in (7,62 cm) deasupra și dedesubtul radiatorului.

6.2 Rotirea suflantei

Această secțiune explică modul de rotire a suflantei pentru fiecare tip de unitate. Dacă este necesar, rotiți suflanta în direcția care permite evacuarea cea mai directă a fluxului de aer prin conducte.

6.2.1 Suflante GTX, GVTX, DTG și TX

Rotirea suflantei sistemelor GTX, GVTX, DTG și TX

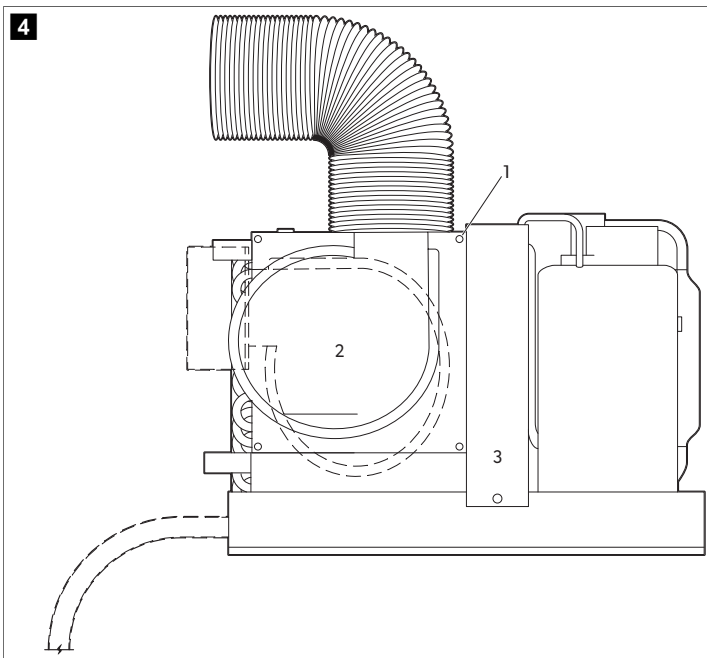


- Adjustment screw
- Blower

- Slăbiți șurubul de reglare de pe inelul de montare al suflantei.
- Rotiți suflanta la poziția dorită.
- Strângeți șurubul de reglare.

6.2.2 Suflantele sistemelor MCS, ECD și GT

Rotirea suflantelor sistemelor MCS, ECD și GT

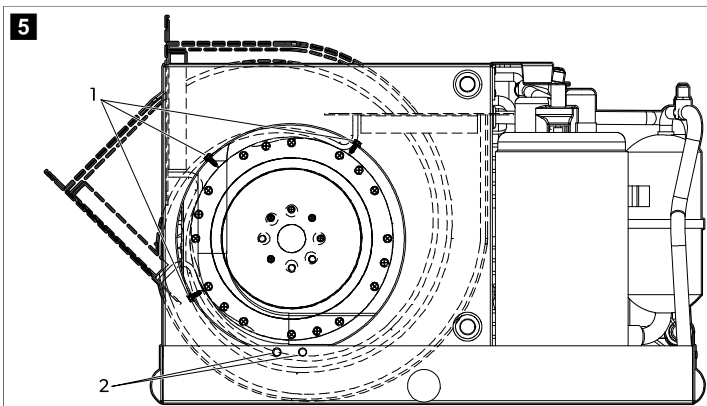


- 1 Screw
- 2 Placă
- 3 Suflantă

1. Scoateți cele șapte șuruburi de pe placă.
2. Rotiți suflanta la poziția dorită.
3. Fixați suflanta pe poziție utilizând șuruburi autofiletante (nu sunt furnizate).

6.2.3 Suflanta DCU

Rotirea suflantei sistemului DCU



- 1 Screws on blower ring
- 2 Screws on drain pan or bracket

1. Scoateți șuruburile de pe inelul suflantei.
2. Scoateți șuruburile care fixează suflanta pe tava de scurgere sau consolă.
3. Rotiți suflanta la poziția dorită.
4. Fixați suflanta pe poziție utilizând șuruburi autofiletante (nu sunt furnizate).
5. Astupați orificiile neutilizate pentru a preveni pierderile de aer.

6.3 Amplasarea filtrelor de aer

Filtrele de aer îndepărtează particulele suspendate din aerul din cabină și mențin curată serpentina vaporizatorului. Amplasați un filtru de aer, fie la nivelul aparatului de aer condiționat sau în grila de aer de retur, pentru fiecare aparat de aer condiționat.

6.4 Amplasarea grilelor și a casetelor de trecere

Țineți cont de următoarele atunci când amplasați grilele și casetele de trecere:

- Instalați grila de aer de alimentare cât mai sus posibil într-un loc care va asigura o distribuție uniformă a aerului în toată cabina. Direcționați fantele grilei în sus.
- Instalați grila de aer de retur cât mai jos și mai aproape posibil de aparatul de aer condiționat, pentru a asigura fluxul de aer către vaporizator.
- Nu direcționați evacuarea aerului de alimentare către grila de aer de retur, deoarece acest lucru va cauza un ciclu scurt al sistemului.
- Lăsați un spațiu adecvat în spatele grilei de aer de alimentare pentru caseta de trecere și conexiunea conductelor. Consultați Specificații pagină 166

7 Instalare



AVERTIZARE! Pericol de electrocutare

Instalarea poate fi efectuată numai de către un electrician calificat.

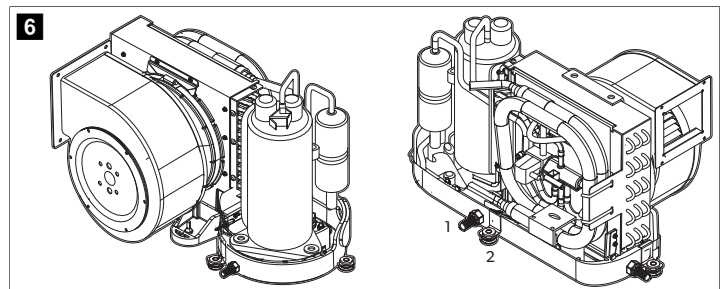
7.1 Instalarea consolelor de montare și scurgerii de condens



ATENȚIE!

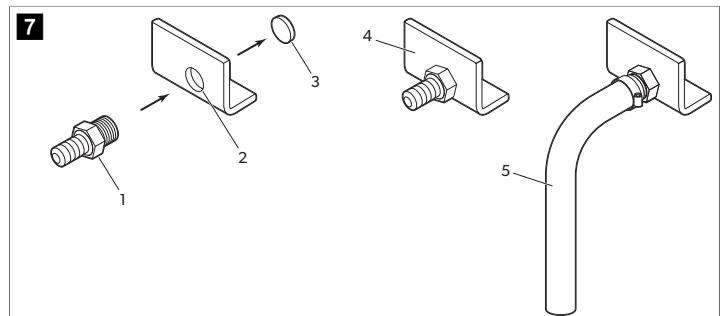
Pentru a preveni crăparea tăvii de scurgere, nu folosiți mai mult de două straturi de bandă de teflon pentru a înfășura muștucul de furtun și nu strângeți excesiv muștucul de furtun.

Amplasarea tipică a consolelor de montare și scurgerilor de condens



- 1 Muștuc de furtun de scurgere a condensului
- 2 Consolă de montare

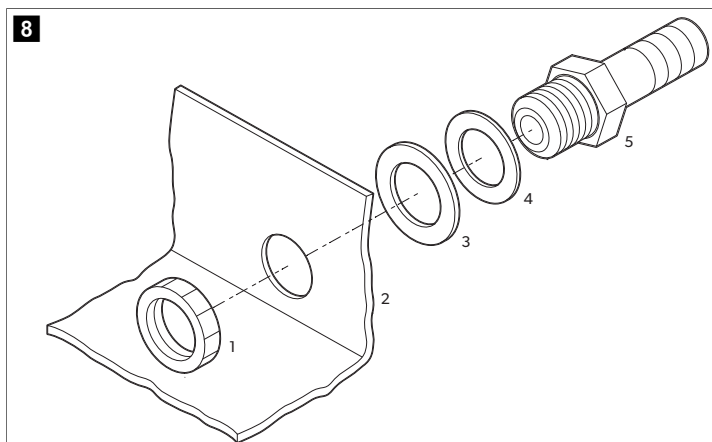
Instalare scurgerii de condens pentru GTX, GVTX, DTG și TX



- 1 Hose barb
- 2 Orificiu de scurgere filetat
- 4 Drain pan
- 5 Furtun de scurgere

3 Parte ștanțată

Instalarea scurgerii de condens pentru toate celelalte unități de aer condiționat



- | | | | |
|---|-------------------|---|---|
| 1 | Locking nut | 4 | Solid washer |
| 2 | Tavă de scurgere | 5 | Racord PVC 0,5 in (12,7 mm) HB x 0,5 in (12,7 mm) MPT |
| 3 | Șaibă de etanșare | | |

1. Pentru unitățile GTX, GVTX, DTG și TX:

- Utilizați capătul mic al muștucului de furtun pentru a scoate o parte ștanțată de la nivelul unui orificiu de scurgere orientat spre pupa, lovind scurt cu un ciocan de cauciuc. Aruncați partea ștanțată.
- Înfășurați capătul filetat al muștucului de furtun cu bandă de teflon.
- Înșurubați muștucul de furtun în orificiul de scurgere filetat și strângeți bine.

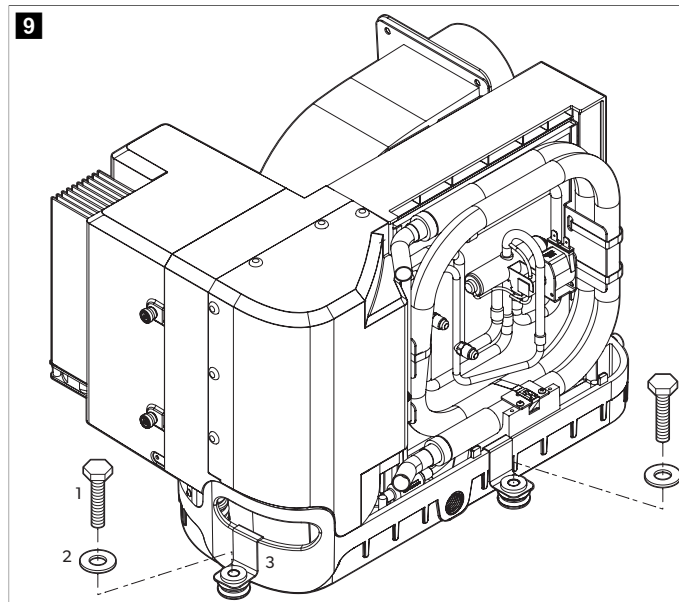
2. Pentru toate celelalte aparate de aer condiționat:

- Treceți muștucul de furtun printr-o șaibă și o șaibă de etanșare și introduceți-l în orificiul de scurgere.
- Fixați cu o contrapiuliță.

3. Fixați furtunul de scurgere pe muștucul de furtun cu un colier din oțel inoxidabil.

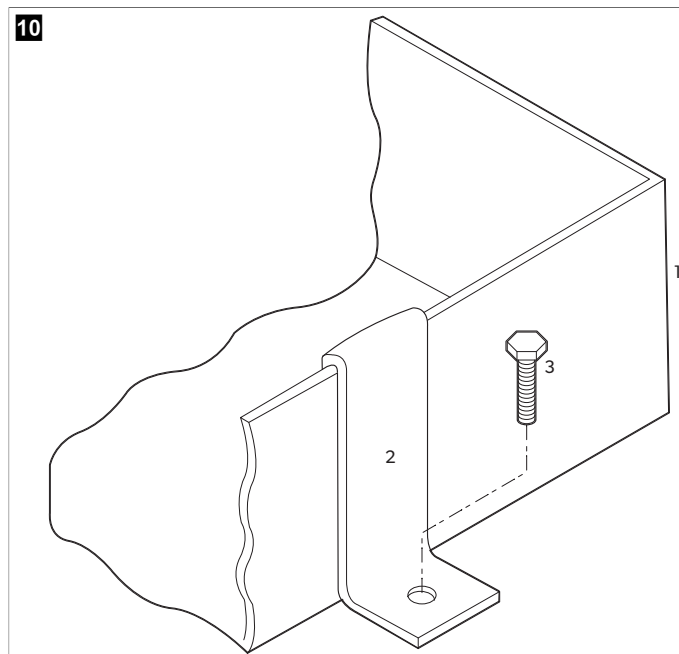
4. Dispuneți furtunul de scurgere în jos către un punct de colectare sigur și adecvat.

Instalarea consolei de montare pentru unitățile GTX, GVTX, DTG și TX



- Șurub de montare (nu este furnizat)
- Șaibă plată specială (furnizată)
- Consolă de montare (furnizată)

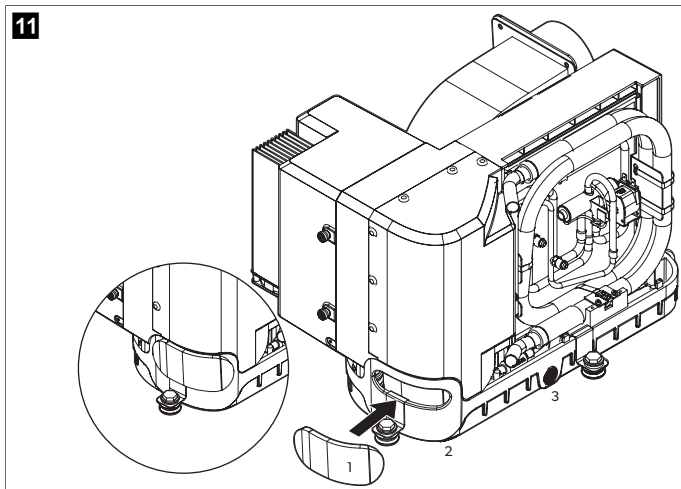
Instalarea consolei de montare pentru toate celelalte unități de aer condiționat



- Tavă de scurgere
- Consolă de montare
- Șurub de montare (nu este furnizat)

5. Instalați o consolă de montare pe fiecare parte a tăvii de scurgere, la distanță egală.

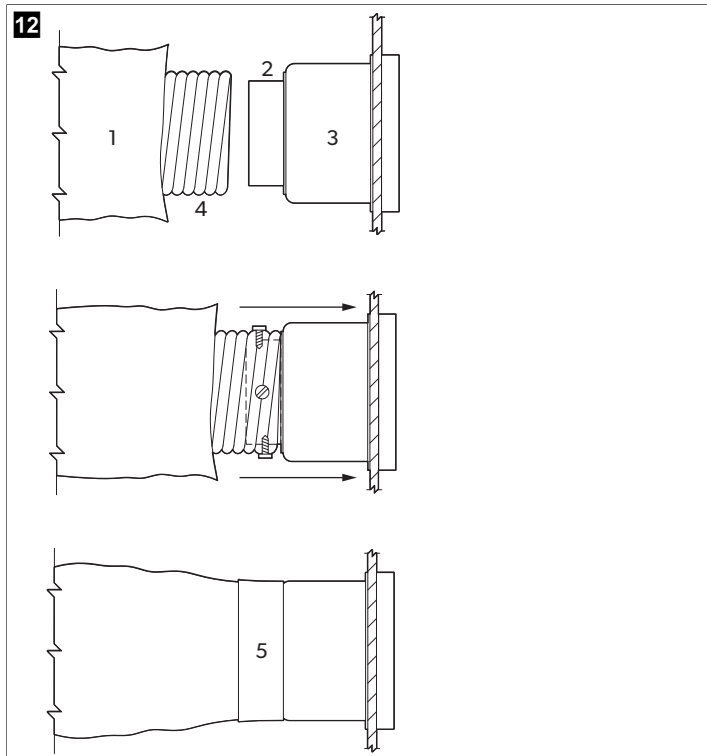
Instalarea izolație din spumă pentru mâner pentru unitățile GVTX și TX



- 1 Izolație din spumă pentru mâner
- 2 Orificiul mânerului
- 3 Tavă de scurgere

6. Pentru unitățile GVTX și TX:

- a) Îndepărtați folia care acoperă suportul adeziv al izolației din spumă pentru mâner.
- b) Poziționați izolația din spumă pentru mâner astfel încât să acopere complet orificiul mânerului, cu partea adezivă îndreptată spre tava de scurgere.
- c) Apăsați în jurul orificiului mânerului pentru ca izolația din spumă pentru mâner să se lipească pe tava de scurgere.



- 1 Izolație din fibră de sticlă
- 2 Inel de montare
- 3 Casetă de trecere
- 4 Furtun cu interior din boPET
- 5 Bandă adezivă

1. Glisați furtunul cu interior din boPET pe lângă inelul de montare către caseta de trecere.
2. Înșurubați trei sau patru șuruburi din oțel inoxidabil prin furtunul din boPET și în inelul de montare, prinzând două sau trei fire cu capetele șuruburilor.
3. Glisați izolația din fibră de sticlă pe lângă furtunul cu interior din boPET către caseta de trecere. Prindeți cu bandă adezivă.

7.2 Instalarea conductelor



AVERTIZARE! Risc de incendiu sau explozie

- > Dispozitivele auxiliare care pot fi surse de aprindere nu trebuie instalate în conducte, cu excepția dispozitivelor auxiliare menționate pentru utilizare cu aparatul respectiv.
- > Pentru modelele care utilizează agenți frigorifici inflamabili, care sunt conectate printr-un sistem de conducte de aer la una sau mai multe încăperi, aerul de alimentare și de retur trebuie să fie transportat direct în spațiu. Zonele deschise, cum ar fi tavanele false, nu trebuie folosite drept traseu de aer de retur.
- > Nu dispuneți conductele prin sala mașinilor sau orice zonă la care ar putea fi expuse la vapori periculoși sau gaze de evacuare.

Țineți cont de următoarele condiții atunci când instalați conductele:

- Conductele trebuie să fie dimensionate adecvat pentru aplicația dvs.
- Dispuneți conductele cât mai drepte și întinse posibil, minimizând numărul de coturi de 90° și bucelele, care pot reduce fluxul de aer.
- Fixați bine conductele pentru a preveni lăsarea.
- Nu permiteți aplatizarea sau îndoirea conductelor.
- După instalare, tăiați bucățile în exces de conducte.
- Izolați conductele atunci când se află în zone cu căldură ridicată.

Dacă se utilizează o casetă de trecere, suprafața totală a conductelor de aer de alimentare care ies din casetă ar trebui să fie cel puțin egală cu suprafața totală a conductelor de alimentare care intră în casetă. Consultați Specificații pagină 166

Conexiuni de conducte



ATENȚIE!

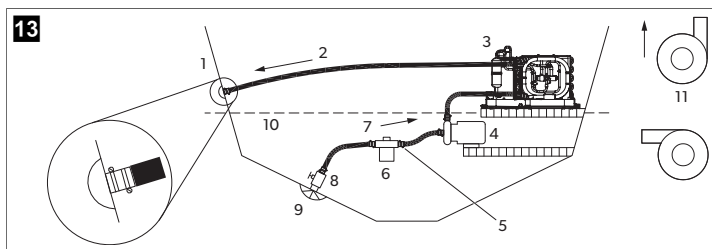
Nerespectarea acestei proceduri va anula garanția.

Țineți cont de următoarele la instalarea sistemului de apă de mare:

- Sita trebuie să se afle mai jos decât pompa.
- Furtunurile trebuie prinse cu două coliere.
- Furtunurile nu trebuie să aibă îndoituri, bucle sau puncte înalte în care se poate bloca aerul.
- Pompa și sita trebuie să se afle sub linia de plutire.
- Admisia prin carenă, supapa cu bilă, furtunul și sita nu trebuie să fie mai mici decât admisia pompei.
- Instalați racordul prin carenă cât mai jos posibil sub linia de plutire.
- Pompa trebuie să aibă o trecere dedicată prin carenă.
- Evitați racordurile cu cot de 90,00° pe cât posibil.
- Asigurați-vă că este rotit capul pompei în direcția fluxului de apă.
- Utilizați bandă de teflon la toate conexiunile filetate.

Consultați Specificații pagină 166 pentru valorile maxime și minime de temperatură și presiune a apei.

Sistemul de apă de mare



- | | | | |
|---|---------------------------|----|--|
| 1 | Evacuare a apei de mare | 7 | Flux de admisie în sus |
| 2 | Flux de ieșire | 8 | Supapă cu bilă |
| 3 | Instalația de climatizare | 9 | Admisie prin carenă |
| 4 | Pompă de apă de mare | 10 | Linia de plutire |
| 5 | Coliere de furtun | 11 | Orientări corecte ale sitei capului de pompă |
| 6 | Sită | | |

- Instalați o admisie de apă de mare prin carenă cât mai aproape de chilă și cât mai jos sub linia de plutire. Fixați admisia prin carenă utilizând un agent de etanșare de calitate maritimă proiectat pentru utilizare subacvatică.
- Instalați un robinet de apă de mare din bronz, cu debit complet, pe admisia de apă de mare prin carenă.
- Instalați o sită de apă de mare sub nivelul pompei, având acces la filtru.
- Montați pompa mai sus decât sita și cu cel puțin 30 cm sub linia de plutire.
- Conectați robinetul de apă de mare și sita cu o secțiune în urcare de furtun întărit de calitate maritimă.
- Conectați evacuarea de la pompa în urcare față de admisia inferioară a serpentinei condensatorului aparatului de aer condiționat cu un furtun întărit de calitate maritimă de 5/8 in.
- Conectați deversarea de la serpentina condensatorului la racordul de deversare peste bord prin carenă cu un furtun întărit de calitate maritimă de 5/8 in.
- Evitați buclele, punctele înalte sau utilizarea coturilor de 90° la furtunul de apă de mare. Fiecare cot de 90° este echivalent cu o lungime de furtun de 2,5 ft (0,76 m), iar un cot de 90° la evacuarea pompei este echivalent cu o lungime de furtun de 20,0 ft (6,10 m).
- Fixați cu două coliere toate conexiunile furtunurilor, folosind coliere din oțel inoxidabil, inversând colierele acolo unde este necesar.
- Conectați toate piesele metalice care se află în contact cu apa de mare la sistemul de îmbinare al navei.

7.4 Realizarea conexiunilor electrice



AVERTIZARE! Pericol de electrocutare

- > Opriti întotdeauna disjunctorul sursei de alimentare a aparatului de aer condiționat înainte de a deschide caseta electrică. Nerespectarea acestui avertisment poate conduce la moarte sau vătămări grave.
- > Asigurați-vă că este amplasată caseta electrică într-o zonă care este protejată de apă.



ATENȚIE!

Aparatul de aer condiționat trebuie conectat la sistemul de îmbinare al ambarcațiunii pentru a preveni coroziunea din cauza curentului vagabond. Toate pompele, supapele metalice și racordurile din circuitul de apă de mare care sunt izolate de aparatul de aer condiționat prin furtunuri din PVC sau cauciuc, trebuie să fie îmbinate individual la sistemul de îmbinare al ambarcațiunii.



INDICAȚIE Neîmpământarea și neîmbinarea corespunzătoare a sistemului va anula garanția.

Toate unitățile de aer condiționat au o regletă de conexiuni, etichetată pentru conexiunile corespunzătoare, în interiorul casetei electrice. Schema electrică din caseta electrică înlocuiește standardele ABYC. Utilizați un disjunctor de capacitate

corectă pentru a proteja sistemul, după cum este specificat pe eticheta plăcii cu date tehnice a unităților de aer condiționat. Pentru alimentarea cu energie a aparatului de aer condiționat și a pompei de apă de mare trebuie utilizat un cablu de ambarcațiuni de minim 12 AWG. Realizați toate conexiunile folosind borne inelare sau cu furcă captivă.

Respectați următoarele la realizarea conexiunilor electrice:

- Împământarea de curent alternativ (c.a.) trebuie conectată la borna de împământare (GRND) la regleta de conexiuni a intrării de alimentare c.a.
- Conexiunile dintre conductorul de împământare al sistemului c.a. al navei și minusul de curent continuu (c.c.) sau sistemul de îmbinare al navei trebuie realizate ca parte a cablajului navei. La întreținerea sau înlocuirea unor echipamente existente cu contact de împământare montat pe șasiu, verificați dacă cablajul navei prezintă aceste conexiuni.
- Aparatele de aer condiționat GVTX și TX sunt proiectate să funcționeze cu c.c. de înaltă tensiune sau cu c.a. Consultați schema electrică a navei pentru amplasarea corectă.

Asigurați-vă că împământarea de c.a. a aparatului de aer condiționat este conectată corespunzător la împământarea de c.a. a ambarcațiunii. În ambarcațiune în sine, asigurați-vă că magistrala de împământare de c.a. este conectată la magistrala de împământare de c.c. în exact un punct.

Înainte de pornire, verificați și strângeți din nou toate conexiunile electrice, dacă este necesar.

8 Eliminarea



PRECAUȚIE! Pericol de incendiu

- > Acest dispozitiv conține gaz dilatant izolator inflamabil.
- > Dispozitivul trebuie dezinstalat și eliminat doar de către un specialist.



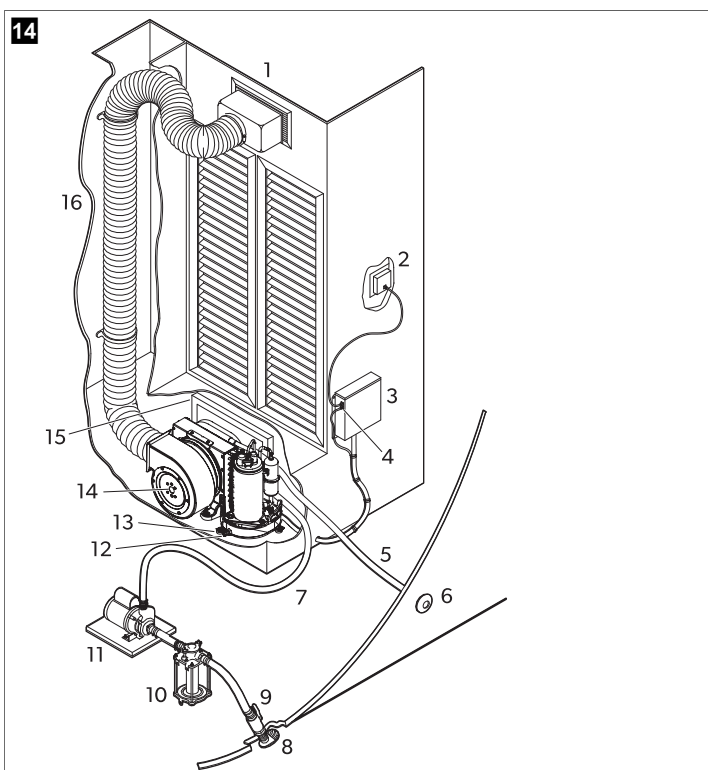
Depuneți materialul de ambalare pe cât posibil în containere corespunzătoare pentru reciclare. Consultați un centru local de reciclare sau un reprezentant specializat pentru detalii despre detalii cu privire la eliminarea produsului în conformitate cu reglementările aplicabile privind eliminarea.

9 Date tehnice

Citiți complet aceste instrucțiuni și apoi planificați conexiunile care trebuie realizate la aparatul de aer condiționat (inclusiv conducte, conductă de scurgere a condensului, furtunuri de admisie și evacuare a apei de mare, conexiuni de alimentare electrică, amplasarea comenzii și amplasarea pompei de apă de mare), pentru a asigura un acces facil pentru dispunere și întreținere viitoare.

9.1 Amplasarea componentelor

Identificarea componentelor sistemului de aer condiționat



- | | |
|---|--|
| 1 Grilă și casetă de trecere pentru aerul de alimentare | 9 Supapă de închidere a robinetului de apă de mare |
| 2 Afișaj digital | 10 Sită de apă de mare |
| 3 Casetă electrică | 11 Pompă |
| 4 Cablu de senzor opțional de aer la distanță | 12 Muștuc de furtun de scurgere a condensului |
| 5 Furtun de evacuare a apei de mare | 13 Consolă de montare |
| 6 Deversare peste bord | 14 Instalația de climatizare |
| 7 Furtun de alimentare cu apă de mare | 15 Grilă și filtru de aer de retur |
| 8 Admisie de apă de mare prin carenă | 16 Conducte flexibile izolate |

9.2 Specificații

Circuitul de refrigerare conține o cantitate mică de un agent frigorific ecologic, dar inflamabil. Nu afectează stratul de ozon și nu crește efectul de seră. Orice scurgere de agent frigorific se poate aprinde.

Acest produs conține gaze fluorurate cu efect de seră.

Unitatea de răcire este închisă ermetic.

Tabel 37. Dimensiuni minime ale conductelor și ale grilei per capacitate BTU

	3.5 k BTU	6 k BTU	8 k BTU	10 k BTU
Diametru minim al conductei	3,00 in (76,2 mm)	4,00 in (101,6 mm)	5,00 in (127,0 mm)	6,00 in (152,4 mm)
Suprafață minimă a conductei	6,8 in ² (43,9 cm ²)	12,6 in ² (81,3 cm ²)	19,6 in ² (126,5 cm ²)	28,3 in ² (182,6 cm ²)
Grilă minimă de aer de retur	48,0 in ² (309,7 cm ²)	64,0 in ² (412,9 cm ²)	80,0 in ² (516,2 cm ²)	100,0 in ² (645,2 cm ²)
Grilă minimă de aer de alimentare	12,0 in ² (77,4 cm ²)	32,0 in ² (206,5 cm ²)	48,0 in ² (309,7 cm ²)	60,0 in ² (387,1 cm ²)

	12 k BTU	16 k BTU	18 k BTU	27 k BTU
Diametru minim al conductei	6,00 in (152,4 mm)	7,00 in (177,8 mm)	7,00 in (177,8 mm)	8,00 in (203,2 mm)
Suprafață minimă a conductei	28,3 in ² (182,6 cm ²)	38,5 in ² (248,4 cm ²)	38,5 in ² (248,4 cm ²)	50,3 in ² (324,5 cm ²)
Grilă minimă de aer de retur	130,0 in ² (838,8 cm ²)	160,0 in ² (1032,3 cm ²)	200,0 in ² (1290,4 cm ²)	240,0 in ² (1548,5 cm ²)
Grilă minimă de aer de alimentare	70,0 in ² (451,6 cm ²)	80,0 in ² (516,2 cm ²)	100,0 in ² (645,2 cm ²)	120,0 in ² (774,2 cm ²)

Tabel 38. Temperatura și presiunea de funcționare a apei

Temperatură minimă de funcționare a apei	40,0 °F (4,44 °C)
Temperatură maximă de funcționare a apei	80,0 °F (26,66 °C)
Presiune minimă de funcționare a apei	4,2 psi (0,29 bar) (29,00 kPa)
Presiune maximă de funcționare a apei	6,00 psi (0,41 bar) (41,4 kPa)

Respectați condițiile de utilizare EPA.



INDICAȚIE Unitatea poate funcționa în afara acestor condiții, la capacitate redusă.

10 Legal

Nu mai modelele GVTX: Pentru a respecta IEC 60533, nu montați produsul la o distanță mai mică de 9,8 ft (3,00 m) față de o antenă de recepție.

11 Garanție

Consultați secțiunile de mai jos pentru informații despre garanție și asistență în garanție în SUA, Canada și în toate celelalte regiuni.

Statele Unite și Canada

GARANȚIE LIMITATĂ DISPONIBILĂ LA DOMETIC.COM/EN-US/TERMS-AND-CONDITIONS-CONSUMER/WARRANTY. DACĂ AVEȚI ÎNTREBĂRI SAU PENTRU A OBTINE GRATUIT O COPIE A GARANȚIEI LIMITATE, CONTACTAȚI:

DOMETIC CORPORATION
MARINE CUSTOMER SUPPORT CENTER
2000 NORTH ANDREWS AVENUE
POMPANO BEACH, FLORIDA, USA 33069
1-800-542-2477

Țările din Asia-Pacific (APAC)

În cazul în care produsul nu funcționează așa cum ar trebui, contactați reprezentanța producătorului din țara dvs. (consultați dometic.com/dealer) sau comerciantul. Garanția aplicabilă produsului dvs. este de 1 ani.

Pentru operații de reparație și în baza garanției, trebuie să trimiteți și următoarele documente:

- O copie a facturii cu data cumpărării
- Un motiv de reclamație sau o descriere a defecțiunii.

Rețineți că repararea prin mijloace proprii sau reparațiile neprofesionale pot avea consecințe asupra securității și pot anula garanția.

Doar în Australia

Bunurile noastre au garanții care nu pot fi excluse în temeiul legii australiene a consumatorilor. Aveți dreptul la o înlocuire sau la rambursare pentru o defecțiune majoră și la despăgubiri pentru orice altă daună sau defect previzibile în mod rezonabil. De asemenea, aveți dreptul să aveți bunurile reparate sau înlocuite în cazul în care bunurile nu sunt de o calitate acceptabilă și eșecul nu reprezintă o defecțiune majoră.

Doar în Noua Zeelandă

Această politică de garanție este supusă condițiilor și garanțiilor care sunt obligatorii, așa cum este specificat în Legea privind garanțiile pentru consumatori din 1993 (NZ).

Toate celelalte regiuni

Se aplică termenul de garanție legal. În cazul în care produsul este defect, contactați reprezentanța producătorului din țara dvs. (consultați dometic.com/dealer) sau comerciantul.

Pentru operații de reparație și în baza garanției, trebuie să trimiteți și următoarele documente:

- O copie a facturii cu data cumpărării
- Un motiv de reclamație sau o descriere a defecțiunii.

Rețineți că repararea prin mijloace proprii sau reparațiile neprofesionale pot avea consecințe asupra securității și pot anula garanția.

Български език

1	Важни бележки.....	168
2	Обяснение на символите.....	168
3	Целева(и) група(и).....	169
4	Използване по предназначение.....	169
5	Обяснение на символите върху уреда.....	169
6	Подготовка за монтаж.....	169
7	Инсталиране.....	171
8	Изхвърляне.....	174
9	Технически данни.....	174
10	Законна.....	175
11	Гаранция.....	175

1 Важни бележки

Моля, прочетете внимателно тези инструкции и спазвайте всички указания, напътствия и предупреждения, включени в настоящото ръководство, за да сте сигурни, че монтирате, използвате и поддържате правилно този продукт. Тези инструкции ТРЯБВА да се съхраняват с продукта.

Като използвате продукта, Вие потвърждавате, че сте прочели внимателно всички указания, напътствия и предупреждения и че разбирате и приемате да спазвате сроковете и условията, съдържащи се в тях. Вие се съгласявате да използвате този продукт само по предназначение и в съответствие с указанията, инструкциите и предупрежденията, описани в ръководството на продукта, както и в съответствие с всички приложими закони и разпоредби. Ако не прочетете и не спазвате инструкциите и предупрежденията, това може да доведе до наранявания за вас или за други хора, щети по продукта или щети по други предмети в близост до него. Това ръководство на продукта, включително указанията, инструкциите и предупрежденията и другата документация, подлежи на промяна и обновяване. За актуална информация за продукта, моля, посетете documents.dometic.com.

2 Обяснение на символите

Сигналната дума идентифицира съобщенията за безопасност и за материални щети, както и степента или нивото на сериозност на опасността.



ОПАСНОСТ!

Показва опасна ситуация която, ако не бъде избегната, ще доведе до смърт или тежко нараняване.



ПРЕДУПРЕЖДЕНИЕ!

Показва опасна ситуация която, ако не бъде избегната, може да доведе до смърт или тежко нараняване.



ВНИМАНИЕ!

Показва ситуация която, ако не бъде избегната, ще доведе до щети по имуществото.



УКАЗАНИЕ Допълнителна информация за боравенето с продукта.

2.1 Допълнителни директиви

За да намалите риска от злополуки и наранявания, спазвайте следните директиви, преди да пристъпите към монтажа на този уред:

- Прочетете и спазвайте цялата информация и инструкции за безопасност.
- Прочетете и разберете тези инструкции, преди да монтирате този продукт.
- Монтажът трябва да отговаря на всички приложими местни или национални норми, включително последното издание на следните стандарти:
 - Американски съвет за лодки и яhti (ABYC)
 - ANSI/NFPA 70, Национален електрически кодекс (NEC)

2.2 Инструкции за безопасност



ОПАСНОСТ! Опасност от пожар или експлозия. Някои модели използват запалим хладилен агент.

Неспазването на следните предупреждения ще доведе до смърт или сериозно нараняване:

- > Да се ремонтира само от обучен сервизен персонал.
- > Не монтирайте и не съхранявайте на място с непрекъснато работещи източници на запалване.
- > Поддържайте всички необходими вентилационни отвори свободни от препятствия.
- > Не пробивайте тръбите за хладилния агент.
- > Вижте табелката с данни на продукта за типа хладилен агент.



ПРЕДУПРЕЖДЕНИЕ! Опасност от пожар и/или експлозия

Неспазването на следните предупреждения може да доведе до смърт или сериозно нараняване:

- > Не използвайте потенциални източници на запалване за откриване или търсене на течове на хладилен агент. Не използвайте детектор за халогенен газ или друг детектор, който използва открит пламък.
- > Уверете се, че оборудването за откриване е подходящо за типа хладилен агент, използван в продукта. Вижте табелката с данни на продукта за типа хладилен агент.
- > Електронни детектори за течове могат да се използват за откриване на течове на хладилен агент, но чувствителността им може да е недостатъчна за запалими хладилни агенти и може да се наложи повторно калибриране. Калибрирайте оборудването за откриване в зона без хладилен агент.



ПРЕДУПРЕЖДЕНИЕ! Опасност от въглероден оксид

Неспазването на следните предупреждения може да доведе до смърт или сериозно нараняване:

- > Не монтирайте и не работете със самостоятелен климатик в трюма или в машинното отделение или в близост до двигател с вътрешно горене. Уверете се, че избраното място е запечатано от директен достъп до изпаренията на трюма и/или машинното отделение.
- > Проверете дали линията за източване на кондензата е правилно монтирана и запечатана. Не завършвайте линията за източване на кондензата в рамките на 0,91 m (3 ft) от който и да е изход на изпускателната система на двигател или генератор, в отделение, съдържащо двигател или генератор, или в трюма, освен ако източването е свързано правилно към запечатана помпа за кондензат или помпа за източване. Ако линията за източване не е правилно монтирана, опасните изпарения могат да се придвижат нагоре по нея и да замърсят жилищните помещения.
- > Не монтирайте климатика на място, където може да циркулира въглероден оксид, горивни пари или други вредни изпарения в жилищните помещения на подката.



ПРЕДУПРЕЖДЕНИЕ! Опасност от електрически удар

Монтажът може да се извършва само от квалифициран електротехник.



ПРЕДУПРЕЖДЕНИЕ! Опасност от токов удар, пожар и/или експлозия

Неспазването на тези предпазни мерки може да доведе до смърт или сериозно нараняване.

Уредът не е предназначен за използване от лица (включително деца) с намалени физически, осезателни или умствени способности или лица с недостатъчен опит и умения, освен ако не са били инструктирани относно използването на продукта от лице, отговарящо за тяхната безопасност. Децата трябва да се наблюдават да не си играят с уреда. Почистване и поддръжка не трябва да се извършва от деца без наблюдение. Този уред не трябва да бъде достъпен за широката общественост.

**ПРЕДУПРЕЖДЕНИЕ! Опасност от експлозия**

Неспазването на тези предпазни мерки може да доведе до смърт или сериозно нараняване.

- > Не монтирайте климатика на място, където има бензинови двигатели, резервоари, бутилки за ВНГ/КПГ, регулатори, клапани или фитинги на горивопровода. Освен ако не е обозначено друго, автономните агрегати не отговарят на федералните изисквания за защита от запалване. Несъобразяването с това предупреждение може да доведе до смърт или сериозно нараняване.
- > Електрическите компоненти, които могат да се запалят, се заменят само с части, определени от производителя на уреда. Замяната с други части може да доведе до запалване на хладилния агент в случай на теч.

**ПРЕДУПРЕЖДЕНИЕ! Опасност от токов удар**

Неспазването на тези предпазни мерки може да доведе до смърт или сериозно нараняване.

- > Уверете се, че сте взели ефективно климатика, за да сведете до минимум опасността от токов удар. За допълнителна информация вижте указанията за монтаж.
- > Всеки монтиран климатик изисква специален прекъсвач. Ако има монтиран само един климатик, помпата за морска вода не изисква специален прекъсвач. Ако две или повече климатични блока използват една и съща помпа за морска вода, кабелите на помпата ще бъдат свързани към релеен панел на помпата (PRP), който от своя страна има свой собствен прекъсвач, оразмерен за помпата (максимум 20 A). Вижте схемата на окабеляване, предоставена с PRP. Електрическите връзки в трюма и/или под водолонията трябва да използват термосвиваеми съединения.
- > Полевото окабеляване трябва да отговаря на електрическите норми на АВУС. Захранването на устройството трябва да е в рамките на работния диапазон на напрежението, посочен на типовия етикет. За защита на разклоненията трябва да се монтира правилно оразмерени предпазители или прекъсвачи HACR. Вижте типовия етикет за максималния размер на предпазителя/прекъсвача (MFS) и минималния капацитет на веригата (MCA).

**ВНИМАНИЕ!**

Този уред съдържа флуорирани парникови газове в херметически затворено съоръжение. Вижте типовия етикет за продукта на кондензационния агрегат за количеството хладилен агент, посочено като тепло и GWP. Добавеният хладилен агент трябва да бъде отбелязан върху етикета на уреда.

**ВНИМАНИЕ!**

Не използвайте медната тръба, за да бугате, дърпате, повдигате или пренасяте продукта.

3 Целева(и) група(и)



Механичната и електрическата инсталация и настройка на устройството трябва да се извършват от квалифициран техник с умения и знания, свързани с изграждането и експлоатацията на морското оборудване и инсталации, и който е запознат с приложимите разпоредби на държавата, в която оборудването трябва да бъде монтирано и/или използвано, и е преминало обучение по безопасност, за да идентифицира и избегне свързаните с това опасности.

4 Използване по предназначение

Настоящото ръководство е предназначено за монтиране на автономни климатични системи (наричани по-долу климатик) DCU, DLU, DTG, ECD, GT, GTX, GTX-LP, GVTX и TX. Климатикът е предназначен за използване на лодки и яhti. Този климатик е подходящ само за предвидената цел и приложение съгласно настоящите инструкции.

Този продукт е подходящ само за предвидената цел и приложение съгласно настоящите инструкции.

Това ръководство предоставя информация, необходима за правилната инсталация и/или експлоатация на продукта. Лошо инсталиране и/или неправилна употреба и поддръжка ще доведат до незадоволителна работа и евентуално до повреди.

Производителят не носи отговорност за наранявания и повреди по продукта, причинени от:

- Неправилен монтаж, сплөбяване или свързване, включително твърде високо напрежение
- Неправилна поддръжка или използване на резервни части, различни от оригиналните, предоставяни от производителя
- Изменения на продукта без изрично разрешение от производителя
- Използване за цели, различни от описаните в това ръководство

Dometic си запазва правото да променя външния вид и спецификациите на продукта.

5 Обяснение на символите върху уреда



Предупреждение! Опасност от пожар/запалими материали



Предупреждение! Материал с ниска скорост на горене. Запалим хладилен агент.



Група за безопасност на хладилния агент A2L



Прочетете ръководството за експлоатация.



Прочетете ръководството за обслужване.

6 Подготовка за монтаж

**ВНИМАНИЕ!**

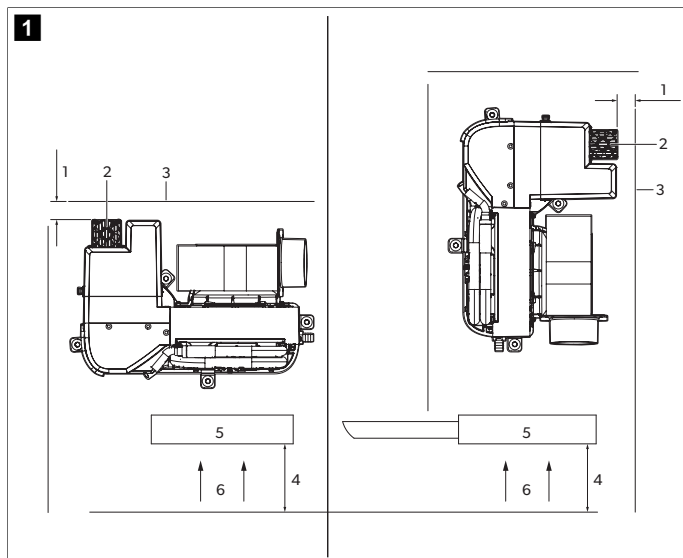
Самостоятелните тави за кондензат за DTG, GTX, GVTX и TX са оборудвани с виброизолатори, монтирани на дъното на тавите. Тези изолатори са проектирани така, че да потискат вибрациите, причинени от работещия климатик, да не се пренасят върху монтираната повърхност. При преместване на климатика по монтажни повърхности трябва да се внимава, тъй като изолаторите могат да се повредят.

**ВНИМАНИЕ!**

- > Климатикът трябва да се монтира на ниска, плоска и равна повърхност, като например в дъното на шкафче, под седалката на койка или каюткомпания, или на подобно място.
- > Уверете се, че кабелите няма да бъдат подложени на износване, корозия, прекомерно налягане, вибрации, остри ръбове или други неблагоприятни въздействия на околната среда, включително въздействия от стареене или постоянни вибрации от източници, като компресори или вентилатори.
- > Уверете се, че предпазните устройства, тръбопроводите и фитингите са защитени, доколкото е възможно, от неблагоприятното въздействие на околната среда, като например натрупване на мръсотия и отломки или събиране и замръзване на вода в облекчителните тръби.
- > Трябва да се вземат предпазни мерки, за да се избегнат прекомерни вибрации или пулсации на хладилния тръбопровод.

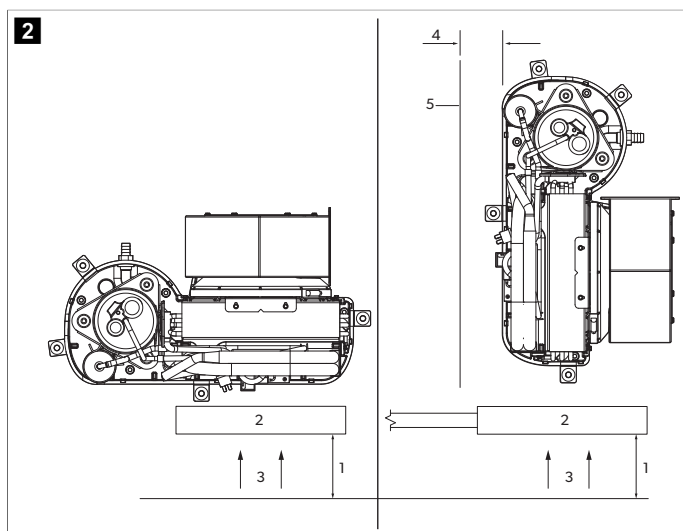
6.1 Определяне на мястото на монтаж

1. Разположение на GVTX и TX по отношение на въздушния поток



- | | |
|----------------------------|------------------------------------|
| 1 3,00 in (7,62 cm) | 4 4,00 in (10,16 cm) |
| 2 Теплообменник | 5 Решетка за обратен въздух |
| 3 Преграда | 6 Въздушен поток |

Разположение на всички други климатични устройства по отношение на въздушния поток



- | | |
|------------------------------------|----------------------------|
| 1 4,00 in (10,16 cm) | 4 3,00 in (7,62 cm) |
| 2 Решетка за обратен въздух | 5 Преграда |
| 3 Въздушен поток | |

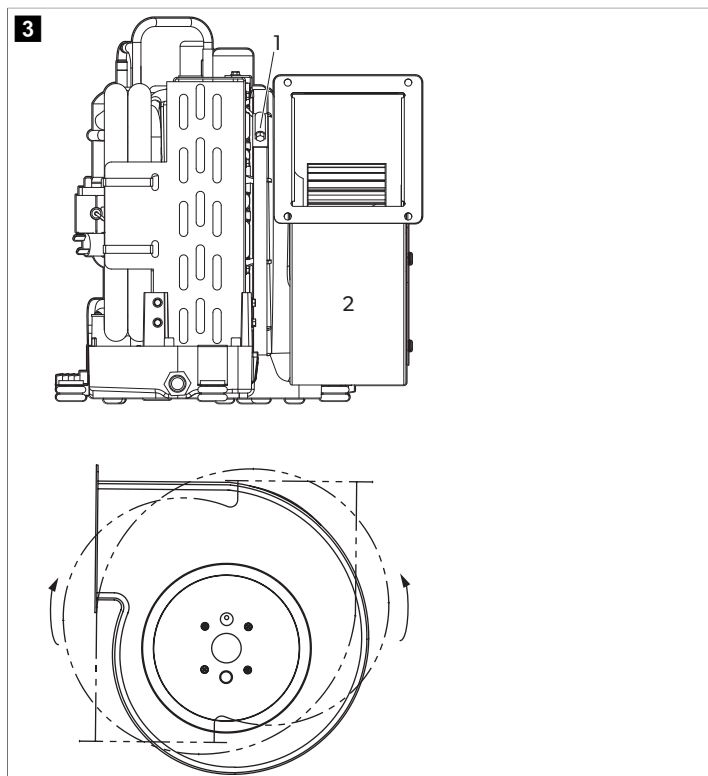
2. Изберете място с достатъчно въздушен поток. Решетка за обратен въздух трябва да има минимум просвет от 4,00 in (10,16 cm) за циркуляция на въздуха пред нея, без никакво препятствие.
3. Ако климатикът е разположен перпендикулярно на решетката за обратен въздух, поддържайте минимален просвет от 3,00 in (7,62 cm) за циркуляция на въздуха от страната на входа за въздух.
4. **Само за GVTX и TX:** Осигурете минимална открита площ от 3,00 in (7,62 cm) над и под радиатора.

6.2 Завъртане на вентилатора

Този раздел обяснява как да завъртите вентилатора за всеки тип устройство. Ако е необходимо, завъртете вентилатора в посоката, която позволява най-директно изхвърляне на въздушния поток през въздуховодите.

6.2.1 Вентилатори на GTX, GVTX, DTG и TX

Въртене на вентилатора на системата GTX, GVTX, DTG и TX

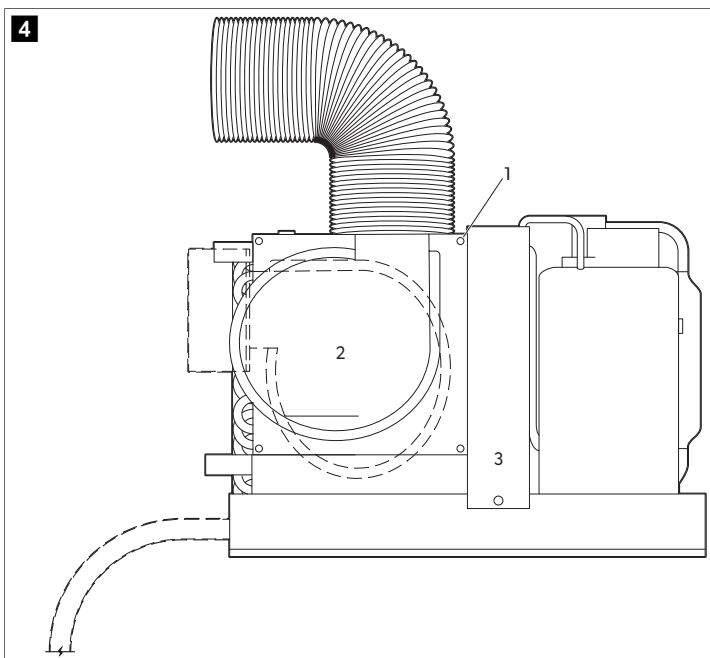


- 1** Adjustment screw
- 2** Blower

1. Разхлабете регулиращия винт на пръстена за монтиране на вентилатора.
2. Завъртете вентилатора в желаното положение.
3. Затегнете регулиращия винт.

6.2.2 Вентилатори на MCS, ECD и GT

Въртене на вентилатора на системите EnviroCool, ECD и GT

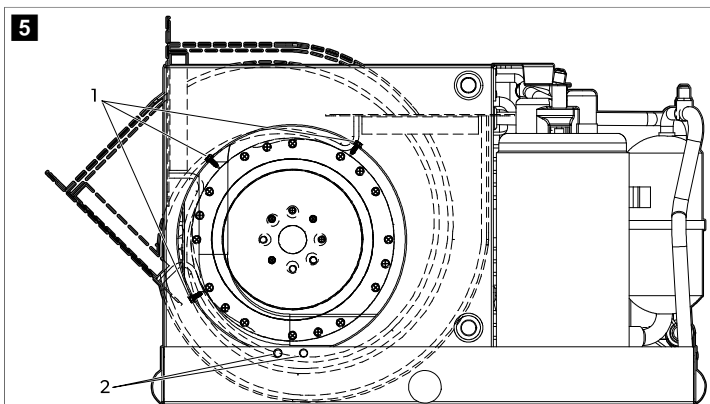


- 1 Screw
2 Табела
3 Вентилатор

1. Отстранете седемте винта на плочата.
2. Завъртете вентилатора в желаното положение.
3. Закрепете вентилатора на място, като използвате самонарезни винтове (не са предоставени).

6.2.3 Вентилатор на DCU

Въртене на вентилатора на системата DCU



- 1 Screws on blower ring
2 Screws on drain pan or bracket

1. Отстранете винтовете от пръстена на вентилатора.
2. Отстранете винтовете, които закрепват вентилатора към дренажния съд или скобата.
3. Завъртете вентилатора в желаното положение.
4. Закрепете вентилатора на място, като използвате самонарезни винтове (не са предоставени).
5. Запушете всички неизползвани отвори, за да предотвратите загубата на въздух.

6.3 Поставяне на въздушните филтри

Въздушните филтри отстраняват въздушните частици от въздуха в кабината и поддържат бобината на изпарителя чиста. Поставете по един въздушен филтър на климатика или в решетката за обратен въздух за всеки климатик.

6.4 Поставяне на решетките и преходните кутии

Помислете за следното при поставянето на решетките и преходните кутии:

- Монтирайте решетката за приточен въздух възможно най-високо на място, което осигурява равномерно разпределение на въздуха в кабината. Насочете жалюзите на решетката нагоре.
- Монтирайте решетката за обратен въздух възможно най-ниско и близо до климатика, за да осигурите въздушен поток към изпарителя.
- Не насочвайте изпускателния отвор на подавания въздух към решетката на обратния въздух, тъй като това ще доведе до късо съединение на системата.
- Осигурете достатъчно свободно пространство зад решетката за приточен въздух за преходната кутия и връзката с въздуховодите. Вижте Спецификации на страница 175

7 Инсталиране



ПРЕДУПРЕЖДЕНИЕ! Опасност от електрически удар

Монтажът може да се извършва само от квалифициран електротехник.

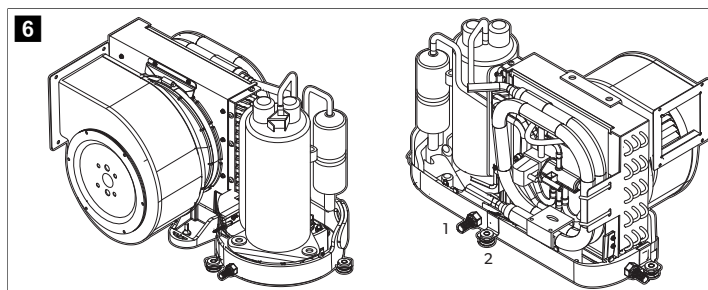
7.1 Монтиране на монтажните скоби и дренажа за кондензат



ВНИМАНИЕ!

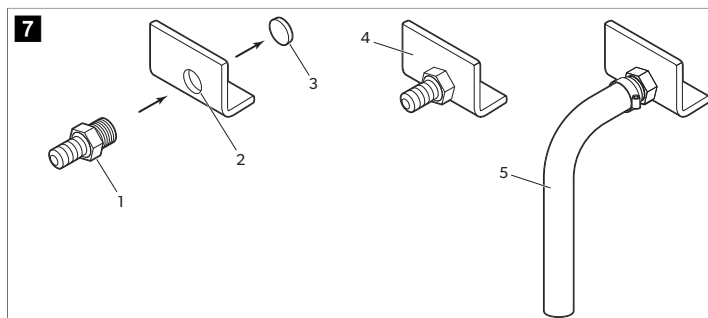
За да предотвратите напукване на дренажния съд, не използвайте повече от два слоя водопроводна лента за увиване на щуцера за маркуча и не затягвайте прекалено щуцера за маркуча.

Типично поставяне на монтажни скоби и дренажите за кондензата



- 1 Щуцер за маркуча за източване на кондензат
2 Монтажна скоба

Монтаж на дренаж за кондензат за GTX, GVTX, DTG и TX

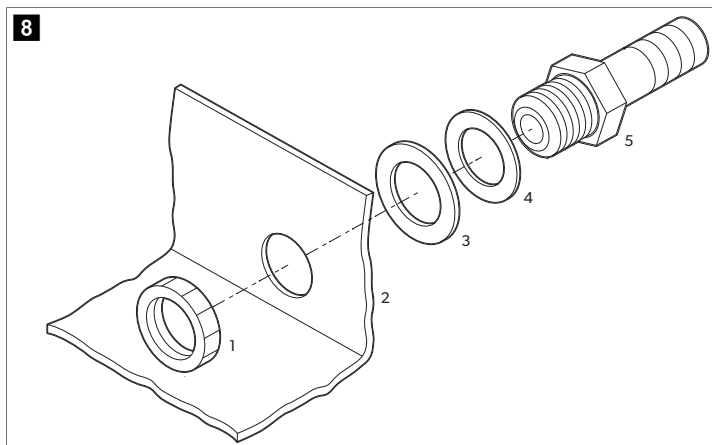


- 1 Hose barb

- 4 Drain pan

- 2 Дренажен отвор с резба 5 Дренажен маркуч
- 3 Тапа за избиване

Монтаж на дренаж за кондензат за всички останали климатици



- 1 Locking nut 4 Solid washer
- 2 Дренажен съд 5 PVC фитинг 0,5 in (12,7 mm) HB x 0,5 in (12,7 mm) MPT
- 3 Уплътнителна шайба за течности

1. За GTX, GVTX, DTG и TX модули:

- a) Използвайте малкия край на шуцера за маркуча, за да избиее тапа от дренажния отвор на къмата, като нанесете един бърз удар с гумен чук. Изхвърлете избитата тапа.
- b) Обвийте края на резбата на шуцера за маркуча с водопроводна лента.
- c) Завийте шуцера за маркуча в дренажния отвор с резба и затегнете здраво.

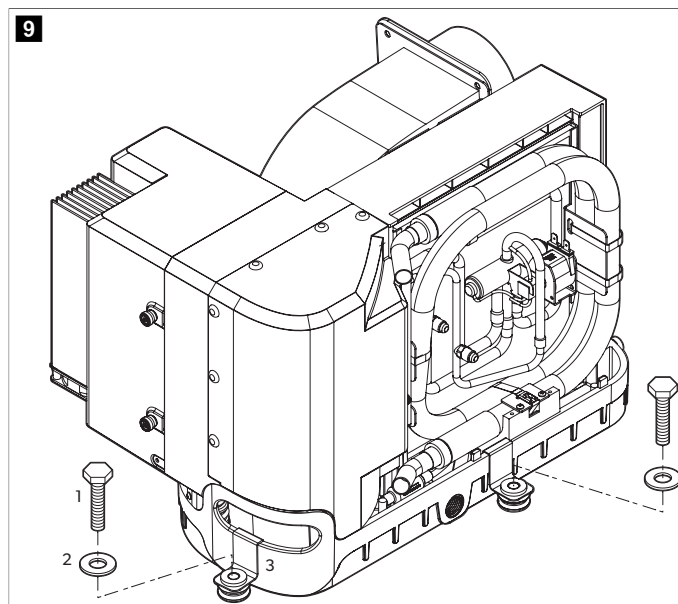
2. За всички останали климатици:

- a) Прекарайте шуцера на маркуча през твърда шайба и уплътнителна шайба за течности и я вкарайте в дренажния отвор.
- b) Закрепете с фиксираща гайка.

3. Закрепете дренажния маркуч към шуцера за маркуча със скоба от неръждаема стомана.

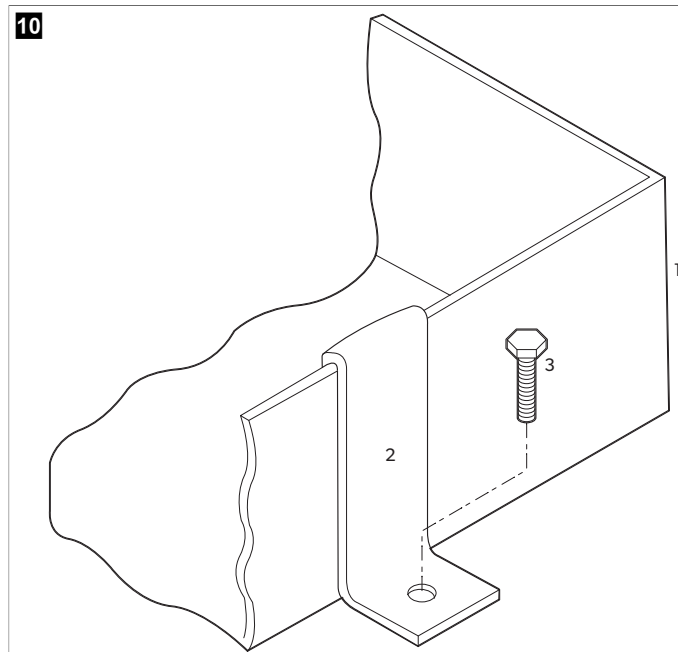
4. Насочете дренажния маркуч надолу към безопасно и подходящо място за събиране.

Монтаж на монтажна скоба за GTX, GVTX, DTG и TX модули



- 1 Монтажен болт (не е предоставен)
- 2 Шайба с широка периферия (предоставена)
- 3 Монтажна скоба (предоставена)

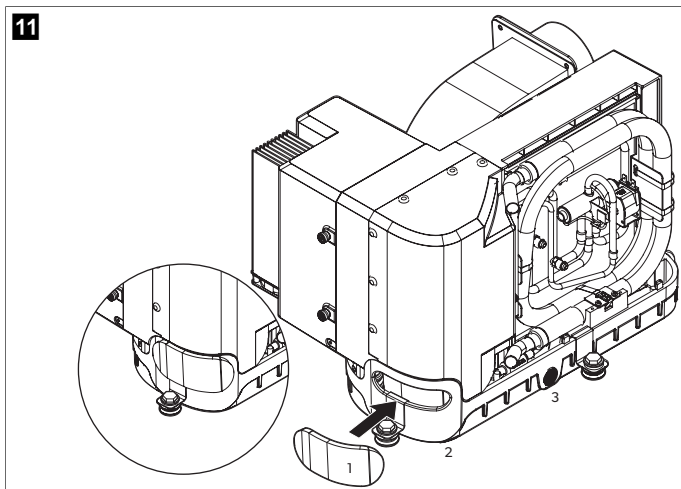
Монтаж на монтажна скоба за всички останали климатици



- 1 Дренажен съд
- 2 Монтажна скоба
- 3 Монтажен болт (не е предоставен)

5. Монтирайте по една монтажна скоба от всяка страна на дренажния съд, на равни разстояния.

Монтиране на изолацията от пенопласт за GVTX и TX модули



- 1 Изолация от пенопласт
2 Отвор на закрепващата планка
3 Дренажен съд

6. За GVTX и TX модули:

- Отстранете фолиото, покриващо самозалепващата се подложка на изолацията от пенопласт.
- Разположете изолацията от пенопласт така, че да покрие напълно отвора на закрепващата планка, като лепкавата страна е обърната към дренажния съд.
- Натиснете около отвора на закрепващата планка, за да залепите изолацията от пенопласт към дренажния съд.

7.2 Монтиране на въздуховодите



ПРЕДУПРЕЖДЕНИЕ! Опасност от пожар или експлозия

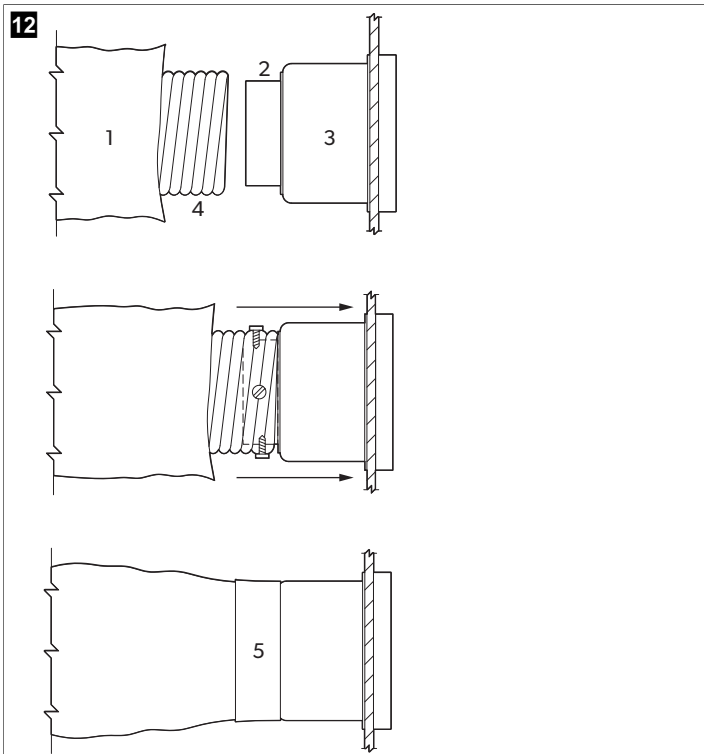
- Допълнителни устройства, които могат да бъдат източници на запалване, не се монтират в тръбопроводите, различни от спомагателните устройства, изброени за използване с конкретния уред.
- За моделите, използващи запалими хладилни агенти, които са свързани чрез въздуховодна система с едно или повече помещения, подаваният и връщаният въздух трябва да са директно насочени към помещението. Откритите пространства, като например окачени тавани, не трябва да се използват като въздуховод за връщане на въздух.
- Не прокарвайте въздуховодите през машинно отделение или друго място, където могат да бъдат изложени на опасни изпарения или изгорели газове.

Спазвайте следните състояния, когато монтирате въздуховодите:

- Воздуховодите трябва да бъдат подходящо оразмерени за Вашето приложение.
- Прокарайте въздуховодите възможно най-прави, гладки и опънати, като сведете до минимум броя на 90° завои и примки, които могат да намалят въздушния поток.
- Закрепете здраво въздуховода, за да предотвратите провисването му.
- Не допускайте сплескване или прегъване на въздуховодите.
- Отрежете излишните дължини на въздуховодите след монтажа.
- Изолирайте въздуховодите, когато се намират в зони с висока температура.

Ако се използва преходна кутия, общата площ на въздуховодите за подаване на въздух, излизайки от кутията, трябва да бъде най-малко равна на общата площ на въздуховодите за подаване, влизайки в кутията. Вижте Спецификации на страница 175

Връзки за въздуховоди



- 1 Изолация от фибростъкло
2 Монтажен пръстен
3 Преходна кутия
4 Вътрешен тунел въздуховод за канали
5 Тиксо

- Плъзнете вътрешния тунел въздуховод за канали около монтажния пръстен към преходната кутия.
- Завийте три или четири винта от неръждаема стомана през тунел въздуховода за канали в монтажния пръстен, като захванете две или три жици с главите на винтовете.
- Плъзнете изолацията от фибростъкло около вътрешния тунел въздуховод за канали към преходната кутия. Закрепете с тиксо.

7.3 Инсталиране на системата за морска вода



ВНИМАНИЕ!

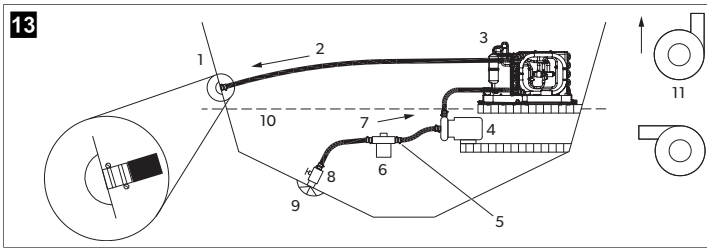
Неспазването на тази процедура ще анулира гаранцията.

Спазвайте следните съображения при изграждането на системата за морска вода:

- Цедката трябва да е под помпата.
- Маркучите трябва да бъдат двойно захванати.
- Маркучите не трябва да имат прегъвания, примки или високи места, където може да се задържи въздух.
- Помпата и цедката трябва да са под водопинията.
- Входът през корпуса, сферичният кран, маркучът и цедката не трябва да са по-малки от входа на помпата.
- Монтирайте фитинга през корпуса колкото е възможно по-надолу от водопинията.
- Помпата трябва да има специална тръба през корпуса.
- Избягвайте 90,00 ° колянни фитинги, доколкото е възможно.
- Уверете се, че главата на помпата е завъртяна по посока на водния поток.
- Използвайте водопроводна лента за всички резбови връзки.

Вижте Спецификации на страница 175 за максималните и минималните стойности на температурата и налягането на водата.

Система за морска вода



- | | |
|------------------------|---|
| 1 Изход за морска вода | 7 Входящ поток нагоре |
| 2 Изходящ поток | 8 Сферичен клапан |
| 3 Климатик | 9 Входящ отвор през корпуса |
| 4 Помпа за морска вода | 10 Водолиния |
| 5 Скоби за маркучи | 11 Правилна ориентация на цедката на главата на помпата |
| 6 Цедка | |

1. Монтирайте входящ отвор за морска вода през корпуса възможно най-близо до кила и възможно най-дълбоко под водолинията. Закрепете входящия отвор през корпуса, като използвате уплътнител за морска употреба, предназначен за използване под вода.
2. Монтирайте бронзов кингстон с пълен дебит на входния отвор за морска вода през корпуса.
3. Монтирайте цедка за морска вода под нивото на помпата с достъп до филтъра.
4. Монтирайте помпата над филтъра и на поне 30 cm (1 фут) под водолинията.
5. Свържете кингстона и цедката с маркуч за поток нагоре или подсилен маркуч от морски клас.
6. Свържете изпускателния отвор от помпата нагоре към долния вход на кондензаторната намотка на климатика с подсилен маркуч с диаметър 5/8 инча, подходящ за морски приложения.
7. Свържете изпускателния отвор от кондензаторната намотка към фитинга за изхвърляне през корпуса с 5/8 in подсилен маркуч от морски клас.
8. Избягвайте примките, високите точки или използването на 90° колена с маркуча за морска вода. Всяко 90° коляно е еквивалентен на 2,5 ft (0,76 m) маркуч и 90° коляно на изхода на помпата е еквивалентен на 20,0 ft (6,10 m) маркуч.
9. Двойно затегнете всички връзки на маркучите с две скоби от неръждаема стомана, като обърнете скобите, когато е необходимо.
10. Свържете всички метални части, които са в контакт с морска вода, към системата за свързване на плавателния съд.

7.4 Осъществяване на електрически връзки



ПРЕДУПРЕЖДЕНИЕ! Опасност от токов удар

- > Винаги изключвайте захранващия прекъсвач на климатичната система, преди да отворите електрическата кутия. Несъобразяването с това предупреждение може да доведе до смърт или сериозно нараняване.
- > Уверете се, че електрическата кутия е разположена в зона, която е защитена от вода.



ВНИМАНИЕ!

Климатикът трябва да бъде свързан към системата за свързване на подката, за да се предотврати корозия, дължаща се на блуждаещ електрически ток. Всички помпи, метални клапани и фитинги във веригата за морска вода, които са изолирани от климатика с PVC или гумени маркучи, трябва да бъдат индивидуално свързани със системата за свързване на подката.



УКАЗАНИЕ Неспазването на правилно заземяване и свързване на системата ще анулира гаранцията.

Всички климатични устройства имат клемна лента, обозначена за правилни връзки, вътре в електрическата кутия. Схемата на окабеляване в електрическата кутия заменя стандартите ABYC. Използвайте прекъсвача с правилния размер, за да защитите системата, както е посочено от типовия етикет на климатичните устройства. За

захранване на климатика и помпата за морска вода трябва да се използва минимум 12 AWG кабел за лодки. Осъществявайте всички връзки с помощта на пръстеновидни или випкови клеми.

Спазвайте следното, когато осъществявате електрически връзки:

- Заземяването на променлив ток (AC) трябва да бъде свързано към заземителната клемма (GRND) в клемния блок на входа за променлив ток.
- Връзките между заземителния проводник на системата за променлив ток на плавателния съд и отрицателната или свързващата система на плавателния съд за постоянен ток (DC) трябва да бъдат направени като част от окабеляването на плавателния съд. При поддръжка или подмяна на съществуващо оборудване, което има заземителен шип, монтиран на шасито, проверете окабеляването на плавателния съд за тези връзки.
- Климатиките GVTX и TX са проектирани да работят с променлив ток или високо напрежение на постоянен ток. Направете справка със схемата на окабеляването за правилно поставяне.

Уверете се, че заземяването за променлив ток на климатика е правилно свързано със заземяването за променлив ток на подката. В самата лодка се уверете, че заземената шина за променлив ток е свързана със заземената шина за постоянен ток точно на едно място.

Проверете и затегнете отново, ако е необходимо, всички електрически връзки преди стартиране.

8 Изхвърляне



ВНИМАНИЕ! Опасност от пожар

- > Това устройство съдържа запалим изолационен разпенващ газ.
- > Устройството трябва да бъде отстранено и изхвърлено само от специалист.



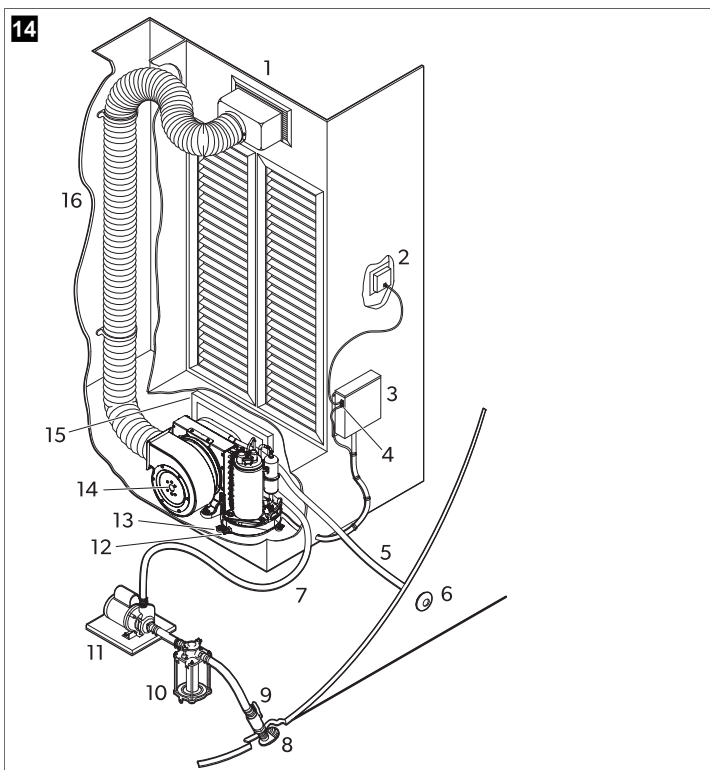
Когато е възможно, изхвърляйте опаковъчните материали и съответни съдове за рециклиране. Консултирайте се с местен център за рециклиране или с продавача за правилното изхвърляне на продукта в съответствие с действащите предписания.

9 Технически данни

Прочетете тези инструкции напълно и след това планирайте връзките, които трябва да бъдат направени към климатика (включително въздуховодите, линия за източване на кондензата, маркучите за вход и изход на морска вода, електрически връзки, местоположение на управлението и разположение на помпата за морска вода), за да осигурите лесен достъп за маршрутизиране и бъдеща поддръжка.

9.1 Местоположения на части

Идентификация на компонентите на климатичната система



- | | | | |
|---|--|----|--|
| 1 | Решетка за приточен въздух и преходна кутия | 9 | Спирателен вентил на кингстон |
| 2 | Цифров дисплей | 10 | Цедка за морска вода |
| 3 | Електрическа кутия | 11 | Помпа |
| 4 | Допълнителен кабел на дистанционния сензор за въздух | 12 | Щуцер за маркуча за източване на кондензат |
| 5 | Изпускателен маркуч за морска вода | 13 | Монтажна скоба |
| 6 | Отвор за изхвърляне зад борда | 14 | Климатик |
| 7 | Входящ маркуч за морска вода | 15 | Решетка и филтър за обратен въздух |
| 8 | Входен отвор за морска вода през корпуса | 16 | Изолирани гъвкави въздуховоди |

9.2 Спецификации

Охлаждащата система съдържа малко количество екологичен, но запалим охлаждащ агент. Той не уврежда озоновия слой и не увеличава парниковия ефект. Но изтичащ охлаждащ агент може да се запали.

Този продукт съдържа флуорирани парникови газове.

Охлаждащият модул е затворен херметически.

Таблица 39: Минимални размери на тръбата и решетките за капацитет BTU

	3.5 k BTU	6 k BTU	8 k BTU	10 k BTU
Минимален диаметър на тръбата	3,00 in (76,2 mm)	4,00 in (101,6 mm)	5,00 in (127,0 mm)	6,00 in (152,4 mm)
Минимална площ на тръбата	6,8 in ² (43,9 cm ²)	12,6 in ² (81,3 cm ²)	19,6 in ² (126,5 cm ²)	28,3 in ² (182,6 cm ²)
Минимална решетка за обратен въздух	48,0 in ² (309,7 cm ²)	64,0 in ² (412,9 cm ²)	80,0 in ² (516,2 cm ²)	100,0 in ² (645,2 cm ²)
Минимална решетката за приточен въздух	12,0 in ² (77,4 cm ²)	32,0 in ² (206,5 cm ²)	48,0 in ² (309,7 cm ²)	60,0 in ² (387,1 cm ²)

	12 k BTU	16 k BTU	18 k BTU	27 k BTU
Минимален диаметър на тръбата	6,00 in (152,4 mm)	7,00 in (177,8 mm)	7,00 in (177,8 mm)	8,00 in (203,2 mm)
Минимална площ на тръбата	28,3 in ² (182,6 cm ²)	38,5 in ² (248,4 cm ²)	38,5 in ² (248,4 cm ²)	50,3 in ² (324,5 cm ²)
Минимална решетка за обратен въздух	130,0 in ² (838,8 cm ²)	160,0 in ² (1032,3 cm ²)	200,0 in ² (1290,4 cm ²)	240,0 in ² (1548,5 cm ²)
Минимална решетката за приточен въздух	70,0 in ² (451,6 cm ²)	80,0 in ² (516,2 cm ²)	100,0 in ² (645,2 cm ²)	120,0 in ² (774,2 cm ²)

Таблица 40: Работна температура и налягане на водата

Минимална работна температура на водата	40,0 °F (4,44 °C)
Максимална работна температура на водата	80,0 °F (26,66 °C)
Минимално работно налягане на водата	4,2 psi (0,29 bar) (29,00 kPa)
Максимално работно налягане на водата	6,00 psi (0,41 bar) (41,4 kPa)

Спазвайте условията за употреба на Агенцията за опазване на околната среда.



УКАЗАНИЕ Устройството може да работи извън тези условия с намален капацитет.

10 Законна

Само за модели GVTX: За да спазите изискванията на IEC 60533, не монтирайте продукта на разстояние по-малко от 9,8 ft (3,00 m) метра от приемна антена.

11 Гаранция

Вижте разделите по-долу за информация относно гаранцията и гаранционната поддръжка в САЩ, Канада и всички останали региони.

САЩ и Канада

ОГРАНИЧЕНА ГАРАНЦИЯ СЕ ПРЕДЛАГА НА DOMETIC.COM/EN-US/TERMS-AND-CONDITIONS-CONSUMER/WARRANTY. АКО ИМАТЕ ВЪПРОСИ ИЛИ ЗА ДА ПОЛУЧИТЕ БЕЗПЛАТНО КОПИЕ ОТ ОГРАНИЧЕНАТА ГАРАНЦИЯ, ВЛЕЗТЕ ВЪВ ВРЪЗКА С:

DOMETIC CORPORATION
MARINE CUSTOMER SUPPORT CENTER
2000 NORTH ANDREWS AVENUE
POMPANO BEACH, FLORIDA, USA 33069
1-800-542-2477

Държави от Азиатско-тихоокеанския регион (APAC)

Ако продуктът не работи както трябва, моля, свържете се с Вашия търговец на дребно или клон на производителя във Вашата държава (вижте dometic.com/dealer). Гаранцията, приложима за вашия продукт, е 1 година(и).

За обработка на гаранцията и ремонта, моля приложете следните документи при изпращането на уреда:

- Копие от фактурата с дата на покупката
- Причина за претенцията или описание на дефекта

Отбележете, че саморъчен или непрофесионален ремонт може има последствия за безопасността и да анулира гаранцията.

Само за Австралия

Нашите продукти идват с гаранция, която не може да бъде изключена според австралийския закон за потребителите. Вие имате право на замяна на уреда или връщане на парите при голяма повреда или на компенсация за всякакви други

предвидими щети или загуби. Вие също имате право уредът да бъде ремонтиран или заменен ако не показва приемливо качество, дори и дефектът да не води до голяма повреда.

Само за Нова Зеландия

Тази гаранция е обвързана с условията и гаранциите, задължителни според Закона за гаранция на потребителите 1993(NZ).

Всички останали региони

Важи гаранционният срок, определен от закона. Ако продуктът е дефектен, моля, свържете се с клона на производителя във вашата страна (вижте dometic.com/dealer) или с вашия търговец на дребно.

За обработка на гаранцията и ремонта, моля приложете следните документи при изпращането на уреда:

- Копие от фактурата с дата на покупката
- Причина за претенцията или описание на дефекта

Отбележете, че саморъчен или непрофесионален ремонт може има последствия за безопасността и да анулира гаранцията.

Eesti keel

1	Olulised märkused.....	177
2	Sümbolite selgitus.....	177
3	Sihtrühm(ad).....	178
4	Kasutusotstarve.....	178
5	Seadmel olevate sümbolite selgitus.....	178
6	Eelpaigaldus.....	178
7	Paigaldamine.....	180
8	Kõrvaldamine.....	183
9	Tehnilised andmed.....	183
10	Juriidiline teave.....	184
11	Garantii.....	184

1 Olulised märkused

Lugege see juhend tähelepanelikult läbi ja järgige kõiki selles esitatud juhiseid, suuniseid ja hoiatusi, et tagada alati toote õigesti paigaldamine, kasutamine ning hooldamine. See juhend PEAB jääma selle toote juurde.

Toote kasutamisega kinnitate, et olete kõik juhised, suunised ja hoiatused tähelepanelikult läbi lugenud ning mõistate ja nõustute järgima nendes sätestatud tingimusi. Nõustute kasutama seda toodet üksnes ettenähtud eesmärgil ja otstarbel ning kooskõlas kasutusjuhendis sätestatud juhistega, suunistega ja hoiatustega, samuti kooskõlas kõigi kohaldatavate õigusaktide ja eeskirjadega. Siin sätestatud juhiste ja hoiatuste lugemise ja järgimise eiramine võib põhjustada vigastusi teile ja kolmandatele isikutele, kahjustada teie toodet või läheduses asuvat muud vara. Toote kasutusjuhendit, sh juhiseid, suuniseid ja hoiatusi, ning seotud dokumente võidakse muuta ja uuendada. Värskeima tooteteabe leiate veebisaidilt documents.dometic.com.

2 Sümbolite selgitus

Signaalsõna tähistab ohutusteateid ja varalise kahju teateid ning näitab ka ohu raskusastet või taset.



OHT!

viitab ohtlikule olukorrale, mis eiramise korral lõpeb surma või raske vigastusega.



HOIATUS!

viitab ohtlikule olukorrale, mis eiramise korral võib lõppeda surma või raske vigastusega.



TÄHELEPANU!

Viitab ohtlikule olukorrale, mis eiramise korral võib lõppeda varalise kahjuga.



MÄRKUS Lisateave toote käitamiseks.

2.1 Täiendavad suunised

Õnnetuste ja vigastuste ohu vähendamiseks järgige enne seadme paigaldamist järgmisi suuniseid.

- Lugege ja järgige kogu ohutusteavet ja kõiki juhiseid.
- Enne toote paigaldamist lugege need juhised läbi ja tehke need endale selgeks.
- Paigaldis peab vastama kõigile kehtivatele kohalikele või riiklikele eeskirjadele, sealhulgas järgmiste standardite viimasele versioonile:
 - Ameerika paadi- ja jahinõukogu (American Boat and Yacht Council, ABYC)
 - ANS/NFPA 70, riiklik elektrikoodeks (NEC)

2.2 Ohutusjuhised



OHT! Tule- või plahvatusoht. Osad mudelid kasutavad tuleohtlikku külmaainet.

- Järgmiste hoiatuste eiramine võib põhjustada raskeid vigastusi või surma.
- > Remontida tohib ainult koolitatud hoolduspersonal.
 - > Ärge paigaldage kohta ega hoidke kohas, kus on pidevalt töötavaid süüteallikaid.
 - > Hoidke kõik vajalikud ventilatsioonivad takistustest vabad.
 - > Ärge torgake külmaaine torusid läbi.
 - > Vaadake külmaaine tüüpe toote andmesildilt.



HOIATUS! Tulekahju- ja/või plahvatusoht

- Järgmiste hoiatuste eiramine võib põhjustada raskeid vigastusi või surma.
- > Ärge kasutage külmaaine lekete tuvastamiseks ega otsimiseks võimalikke süüteallikaid. Ärge kasutage halogeenidipõletit ega muud lahtist tuld kasutatavat tuvastit.
 - > Veenduge, et tuvastusseadmed sobiksid tootes kasutatava külmaaine tüübiga. Vaadake külmaaine tüüpi toote andmesildilt.
 - > Külmaaine lekete tuvastamiseks võib kasutada elektroonilisi lekettuvasteid, kuid nende tundlikkus võib olla tuleohtlike külmaainete puhul ebapiisav ja vajada ümberkalibreerimist. Kalibreerige tuvastusseadmed kohas, kus pole külmaainet.



HOIATUS! Süsinikmonooksiidi oht

- Järgmiste hoiatuste eiramine võib põhjustada raskeid vigastusi või surma.
- > Ärge paigaldage ega kasutage autonoomset kliimaseadet pilsi- või masinaruumis ega sisepõlemismootori läheduses. Veenduge, et valitud asukoht oleks tihendatud kaitseks pilsi ja/või masinaruumi aurude otsese juurdepääsu eest.
 - > Veenduge, et kondensaadi äravoolutoru oleks õigesti paigaldatud ja tihendatud. Ärge suunake kondensaadi äravoolutoru otsa mootori või generaatori väljalaskesüsteemi mis tahes väljalaskevast, mootorit või generaatorit sisaldavast ruumist või pilsi 0,91 m (3 jala) raadiusesse, kui äravool pole ühendatud nõuetekohaselt suletud kondensaadi või dušipumba külge. Kui äravoolutorustik pole korralikult paigaldatud, võivad ohtlikud aarud mõõda äravoolutoru üles liikuda ja eluruumid saastada.
 - > Ärge paigaldage kliimaseadet kohta, kus see võib levitada vingugaasi, kütuseaure või teisi mürgiseid aure paadi eluruumidesse.



HOIATUS! Elektrilöögi oht

Paigaldada tohib ainult kvalifitseeritud elektrik.



HOIATUS! Elektrilöögi, tulekahju ja/või plahvatusoht

Nende ettevaatusabinõude mitte järgimine võib põhjustada raskeid vigastusi või surma

See seade ei ole ette nähtud kasutamiseks inimestele (sh lapsed), kellel on piiratud füüsilised, sensoorsed või vaimsed võimed või kellel puuduvad vastavad kogemused ja teadmised, välja arvatud juhul, kui nad kasutavad seadet nende ohutuse eest vastutava inimese järelevalve all või see inimene on neid seadet kasutama õpetanud. Lapsi tuleks valvata, et oleks kindel, et nad seadmega ei mängi. Lapsed ei tohi seadet ilma järelevalveta puhastada ega hooldada. Seade ei tohi olla üldsusele kättesaadav.



HOIATUS! Plahvatusoht

- Nende ettevaatusabinõude mitte järgimine võib põhjustada raskeid vigastusi või surma
- > Ärge paigaldage kliimaseadet kohta, kus asuvad bensiinimootorid, paagid, LPG/CNG-silindrid, regulaatorid, ventiilid või kütusetoru liitmikud. Kui teisiti pole märgitud, ei vasta autonoomsed seadmed riiklike süttimise eest kaitsmise nõuetele. Selle hoiatuse eiramine võib põhjustada raskeid vigastusi või surma.
 - > Kaarühendusi või sädemeid tekitavaid elektrilisi komponente tohib asendada ainult seadme tootja poolt määratud osadega. Asendamine muude osadega võib lekke korral põhjustada külmaaine süttimist.

**HOIATUS! Elektrilöögi oht**

Nende ettevaatusabinõude mitte järgimine võib põhjustada raskeid vigastusi või surma

- > Elektrilöögi ohtu minimeerimiseks maandage kliimaseade tõhusalt. Lisateavet vaadake paigaldusjuhenditest.
- > Iga paigaldatud kliimaseade vajab spetsiaalset kaitselüliti. Kui paigaldatud on vaid üks kliimaseade, ei vaja mereveepump spetsiaalset kaitselüliti. Kui kaks või enam kliimaseadet kasutavad sama mereveepumpa, ühendatakse pumba juhtmed pumba releepaneeliga, millel on omakorda pumba jaoks oma spetsiaalne kaitselüliti (max 20 A). Vaadake releepaneeliga kaasasolevat elektriskeemi. Pilsid ja/või veejoonest allpool asuvas elektrühendustes tuleks kasutada termokahanevat tüüpi liiteühendusi.
- > Kasutatav juhtmestik peab vastama ABYC elektrikoodeksile. Seadme toide peab jääma andmeplaadil esitatud tööpinge vahemikku. Hargneva vooluahela kaitse tagamiseks tuleb paigaldada õige suurusega kaitsmed või HACR-kaitselülid. Vaadake andmeplaadilt kaitsme/kaitselüliti maksimaalset suurust (MFS) ja vooluahela minimaalset võimsust (MCA).



Tähelepanu! Aeglaselt põlev materjal. Tuleohtlik külmaaine.



Külmaaine ohutusgrupp A2L



Lugege kasutusjuhendit.



Lugege hooldusjuhendit.

**TÄHELEPANU!**

See seade sisaldab hermeetiliselt suletud üksustes fluoritud kasvuhoonegaase. Teavet külmaaine kaalu ja globaalse soojendamise potentsiaali kohta vaadake kliimaseadme toote andmesildilt. Lisatud jahutusaine tuleb märkida seadme sildile.

**TÄHELEPANU!**

Ärge kasutage vasktorusid toote lükkamiseks, tõmbamiseks, tõstmiseks ega kandmiseks.

3 Sihtrühm(ad)



Mehaanilise ja elektrilise paigaldusega peab tegelema ning seadme peab seadistama kvalifitseeritud tehnik, kes on tõestanud oma oskusi ja teadmisi merendusseadmete ülesehituse ja töö ning paigaldamise osas ja kes tunneb seadme paigaldus- ja/või kasutusriigis kehtivaid määrusi ning kes on läbinud ohutusosalase koolituse, et tuvastada ja vältida vastavaid ohtusid.

4 Kasutusotstarve

See juhend on mõeldud kliimaseadmete DCU, DLU, DTG, ECD, GT, GTX, GTX-LP, GVTX ja autonoomne TX (edaspidi kliimaseade) paigaldamiseks. Kliimaseade on mõeldud kasutamiseks paatidel ja jahtidel. See kliimaseade sobib kasutamiseks üksnes ettenähtud otstarbel ja vastavalt käesolevas kasutusjuhendis toodule.

See toode sobib kasutamiseks üksnes ettenähtud otstarbel ja käesolevas kasutusjuhendis toodud valdkonnas.

Käesolev juhend sisaldab teavet, mis on vajalik toote korrektseks paigaldamiseks ja/või kasutamiseks. Halva paigalduse ja/või valesti kasutamise või hooldamise korral halvenevad tööomadused ja võib tekkida rike.

Tootja ei võta vastutust mis tahes kahju või tootekahjustuse eest, mis on tingitud mõnest järgmisest asjaolust:

- valesti paigaldamine, kokkupanek või ühendamine, sh liigpinge;
- valesti hooldamine või tootja poolt ette nähtud originaalvaruosadest erinevate varuosade kasutamine;
- tootel ilma tootja selge loata tehtud muudatused;
- kasutamine otstarbel, mida ei ole kasutusjuhendis kirjeldatud.

Dometic jätab endale õiguse muuta toote välimust ja tehnilisi näitajaid.

5 Seadmel olevate sümbolite selgitus



Tähelepanu! Tulekahju oht / tuleohtlikud materjalid

6 Eelpaigaldus

**TÄHELEPANU!**

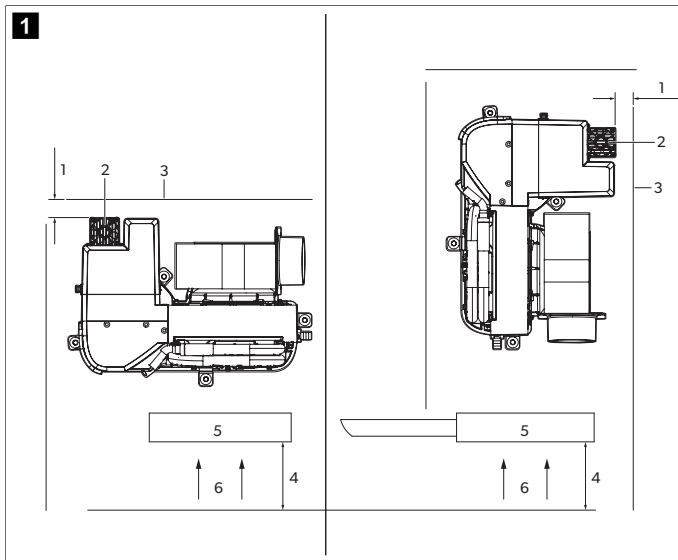
Mudelid DTG, GTX, GVTX ja autonoomne TX kondensaadi alusvannid on varustatud vanni põhja paigaldatud vibratsiooni isolaatoritega. Need isolaatorid on kavandatud summutama vibratsiooni, mida töötab kliimaseade paigaldatud pinnale kandumisest põhjustab. Kliimaseadme liigutamisel üle paigalduspindade tuleb olla ettevaatlik, kuna isolaatorid võivad viga saada.

**TÄHELEPANU!**

- > Kliimaseade peab olema paigaldatud madalale tasasele ja loodis pinnale, näiteks kapi põhja, koi või söögitoa tooli all või sarnasesse kohta.
- > Veenduge, et kaablid ei oleks mõjutatud kulumisest, korrosioonist, liigsest rõhust, vibratsioonist, teravatest servadest ega teistest kahjulikest keskkonnamõjudest, sealhulgas vananemisest või pidevast vibratsioonist, mida põhjustavad sellised allikad nagu kompressorid või ventilaatorid.
- > Veenduge, et kaitseseadmed, torustik ja liitmikud oleksid võimalikult kaitstud kahjulike keskkonnamõjude eest, nagu mustuse ning prahi kogunemine või vee vabastustorudesse kogunemine ja seal külmumine.
- > Võtta tuleb ettevaatusabinõud, et vältida jahutustorustiku liigset vibratsiooni või pulsatsiooni.

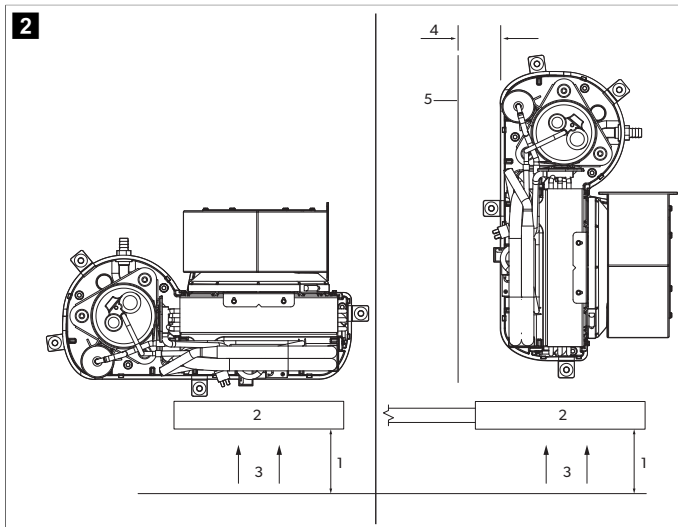
6.1 Paigalduskoha kindlakstegemine

1. GVTX-i ja TX-i paigutus õhuvoolu suhtes



- | | | | |
|---|-------------------|---|---------------------|
| 1 | 3,00 in (7,62 cm) | 4 | 4,00 in (10,16 cm) |
| 2 | Jahutusradiaator | 5 | Tagasivooluõhu võre |
| 3 | Vahesein | 6 | Õhuvool |

Kõigi teiste kliimaseadmete paigutus õhuvoolu suhtes



- | | | | |
|---|---------------------|---|-------------------|
| 1 | 4,00 in (10,16 cm) | 4 | 3,00 in (7,62 cm) |
| 2 | Tagasivooluõhu võre | 5 | Vahesein |
| 3 | Õhuvool | | |

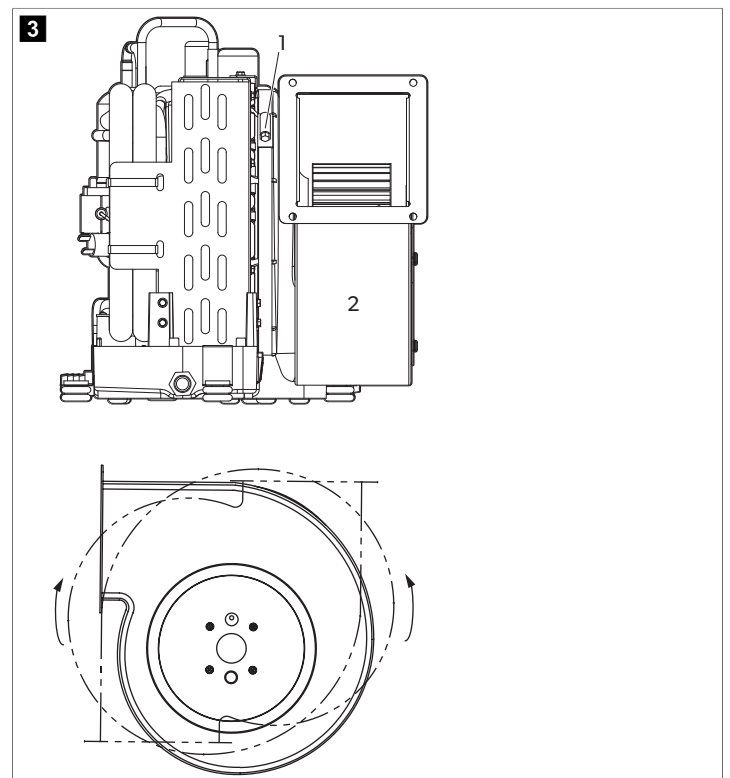
2. Valige koht, kus on piisav õhuvool. Tagasivooluõhu võre ees peab olema õhuringluse jaoks vähemalt 4,00 in (10,16 cm) vaba ruumi, kus pole takistusi.
3. Kui kliimaseade paikneb tagasivooluõhu võrega risti, hoidke õhu sisselaskepoolel õhuringluse jaoks minimaalset 3,00 in (7,62 cm) ruumi.
4. **Ainult GVTX ja TX.** Jätke jahutusradiaatori kohale ja alla minimaalne avatud ala 3,00 in (7,62 cm).

6.2 Puhuri pööramine

Selles jaotises selgitatakse, kuidas puhurit iga seadmetüübi puhul pöörata. Vajaduse korral pöörake puhur suunas, mis võimaldab kõige otsemat õhuvoolu läbi torustiku.

6.2.1 Puhurid GTX, GVTX, DTG ja TX

Süsteemi GTX, GVTX, DTG ja TX puhuri pööramine

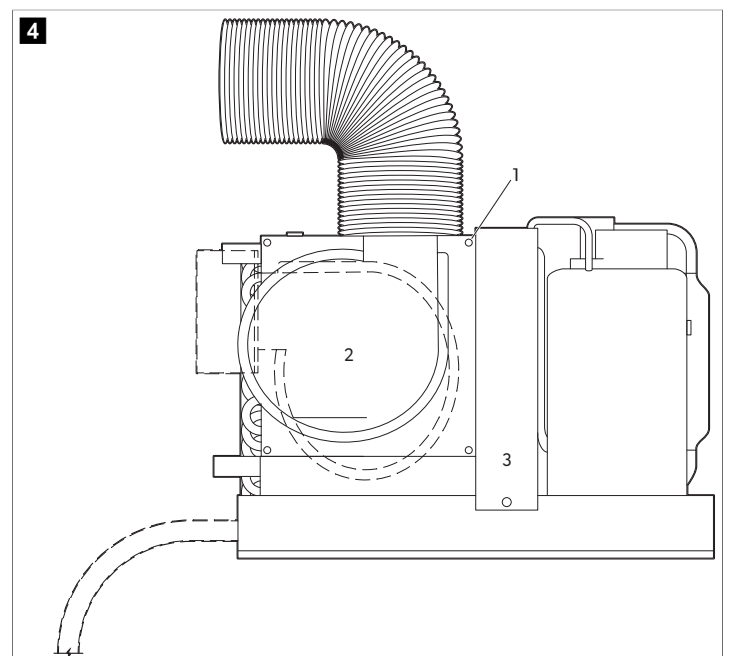


- 1 Adjustment screw
- 2 Blower

1. Lõdvendage puhuri kinnitusrõnga reguleerimiskruvi.
2. Pöörake puhur soovitud asendisse.
3. Pingutage reguleerimiskruvi.

6.2.2 Puhurid MCS, ECD ja GT

Süsteemide MCS, ECD ja GT puhuri pööramine

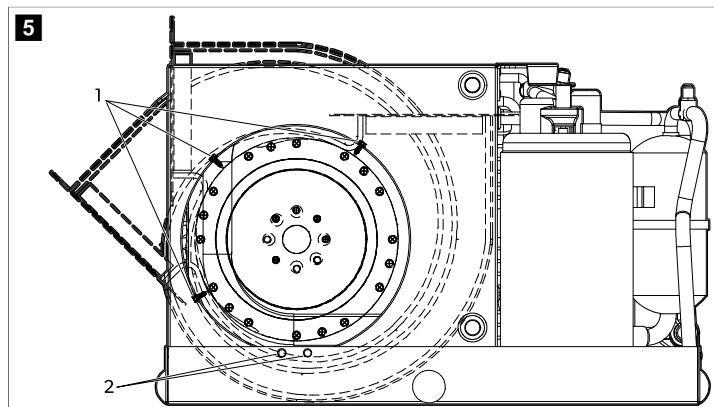


- 1 Screw
- 2 Numbrimärk
- 3 Ventilaator

1. Eemaldage plaadilt seitse kruvi.
2. Pöörake puhur soovitud asendisse.
3. Kinnitage puhur isekeermestavate kruvidega oma kohale (pole komplektis).

6.2.3 DCU puhur

DCU-süsteemi puhuri pöörlemine



- 1 Screws on blower ring
- 2 Screws on drain pan or bracket

1. Eemaldage puhuri rõngalt poldid.
2. Eemaldage kruvid, mis kinnitavad puhuri äravooluvanni või kronsteini külge.
3. Pöörake puhur soovitud asendisse.
4. Kinnitage puhur isekeermestavate kruvidega oma kohale (pole komplektis).
5. Õhukao vältimiseks sulgege kõik kasutamata augud.

6.3 Õhufiltrite paigutus

Õhufiltrid eemaldavad kajuti õhust õhusakesi ja hoiavad aurusti mähise puhtana. Asetage iga kliimaseadme jaoks üks õhufilter kas kliimaseadmele või tagasisvooluõhu võrele.

6.4 Võrede ja üleminekukarpide paigutus

Võrede ja üleminekukarpide paigutamisel arvestage järgnevaga.

- Paigaldage siseneva õhu võre nii kõrgele kui võimalik kohas, mis tagab ühtlase õhujootuse kogu kajuti ulatuses. Suunake võre ventilatsioonivad ülles.
- Paigaldage tagasisvooluõhu võre võimalikult madalale ja õhukonditsioneerile lähedale, et tagada õhuvool aurustisse.
- Ärge suunake toiteõhu väljavoolu tagasisvooluõhu võre suunas, sest see põhjustab süsteemis lühise.
- Veenduge, et siseneva õhu võre taga oleks üleminekukarbi ja toruühenduse jaoks piisavalt ruumi. Vt jaotist „Tehnilised andmed leheküljel 184“

7 Paigaldamine



HOIATUS! Elektrilöögi oht

Paigaldada tohib ainult kvalifitseeritud elektrik.

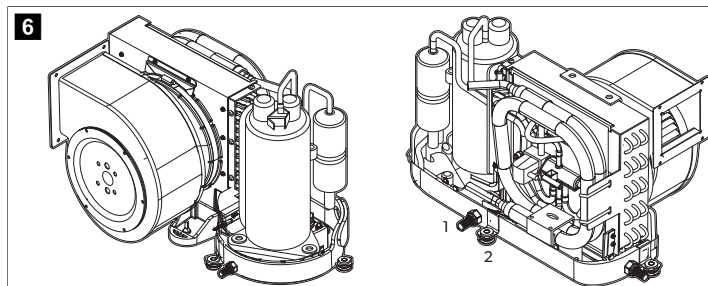
7.1 Kinnituskronsteinide ja kondensaadi äravoolu paigaldamine



TÄHELEPANU!

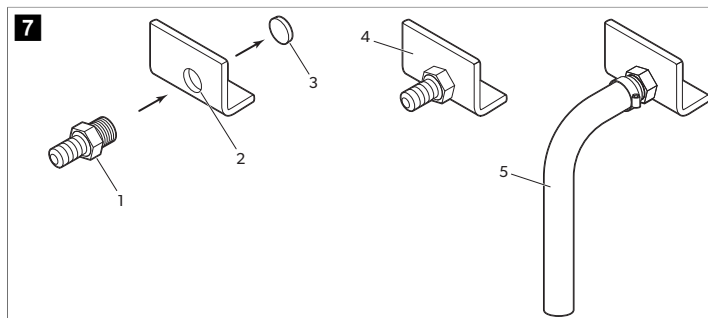
Äravooluvanni pragunemise vältimiseks ärge kasutage vooliku ülemineku mähkimiseks rohkem kui kahte kihti toruteipi ja ärge pingutage vooliku otsakut üle.

Kinnituskronsteinide ja kondensaadi äravoolu tüüpiline paigutus



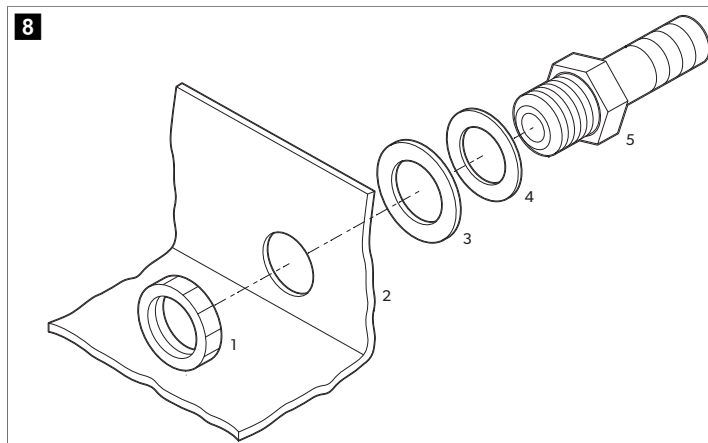
- 1 Kondensaadi äravooluvooliku üleminek
- 2 Kinnituskronstein

Kondensaadi äravoolu paigaldamine mudelitele GTX, GVTX, DTG ja TX



- 1 Hose barb
- 2 Keermestatud äravooluava
- 3 Südamiku väljalöömine
- 4 Drain pan
- 5 Tühjendusvoolik

Kondensaadi äravoolu paigaldamine kõigile teistele kliimaseadmetele



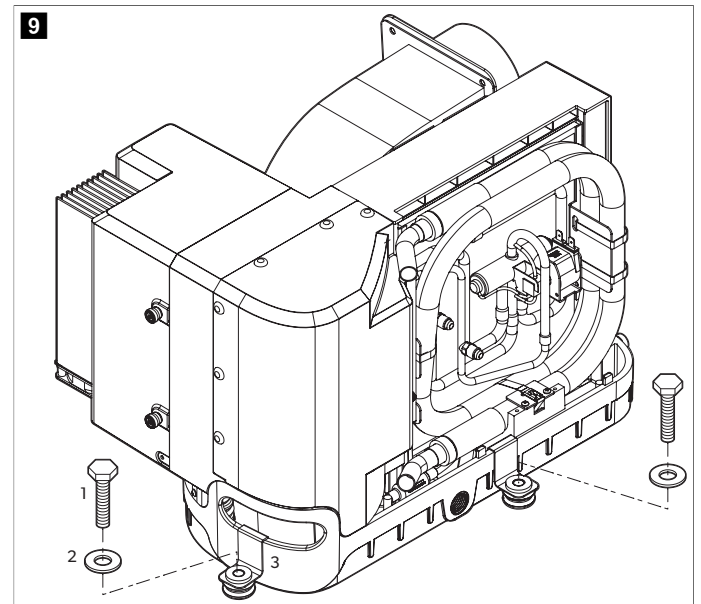
- 1 Locking nut
- 2 Äravooluvann
- 3 Südamiku väljalöömine
- 4 Solid washer
- 5 PVC-liitmik 0,5 in (12,7 mm) HB × 0,5 in (12,7 mm) MPT

3 Vedeliku tihendusseib

1. Seadmete GTX, GVTX, DTG ja TX puhul.
 - a) Kasutage voolikuotsa väikest otsa, et lüüa südamik tahasuunatud äravooluavast välja, lüües seda kummist vasaraga kiiresti üks kord. Visake väljalöödud südamik ära.
 - b) Mähkige ümber vooliku ülemineku keermestatud otsa toruteipi.
 - c) Keerake vooliku üleminek keermestatud tühjendusavasse ja pingutage korralikult.
2. Kõigi teiste kliimaseadmete korral.
 - a) Keerake vooliku üleminek läbi ümarseibi ja vedeliku tihendusseibi ning sisestage see äravooluavasse.
 - b) Kinnitage lukustusmutriga.
3. Kinnitage äravooluvoolik vooliku ülemineku külge roostevabast terasest voolikuklambriga.

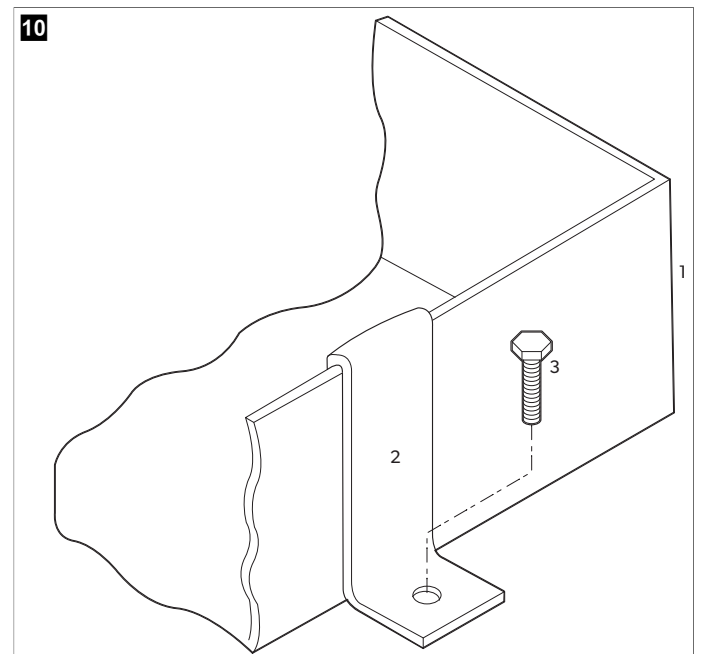
4. Suunake tühjendusvoolik allapoole ohutusse ja õigesse kogumispunkti.

Kinnituskronsteini paigaldamine seadmetele GTX, GVTX, DTG ja TX



- 1 Kinnituspolt (pole komplektis)
- 2 Suur seib (komplektis)
- 3 Kinnituskronstein (komplektis)

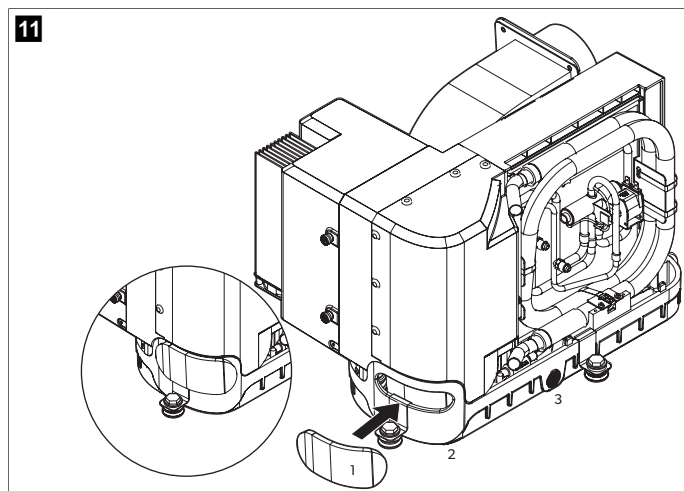
Teiste kliimaseadmete kinnituskronsteini paigaldamine



- 1 Äravooluvann
- 2 Kinnituskronstein
- 3 Kinnituspolt (pole komplektis)

5. Paigaldage äravooluvanni mõlemale küljele üks kinnituskronstein, mis on ühtlaste vahedega.

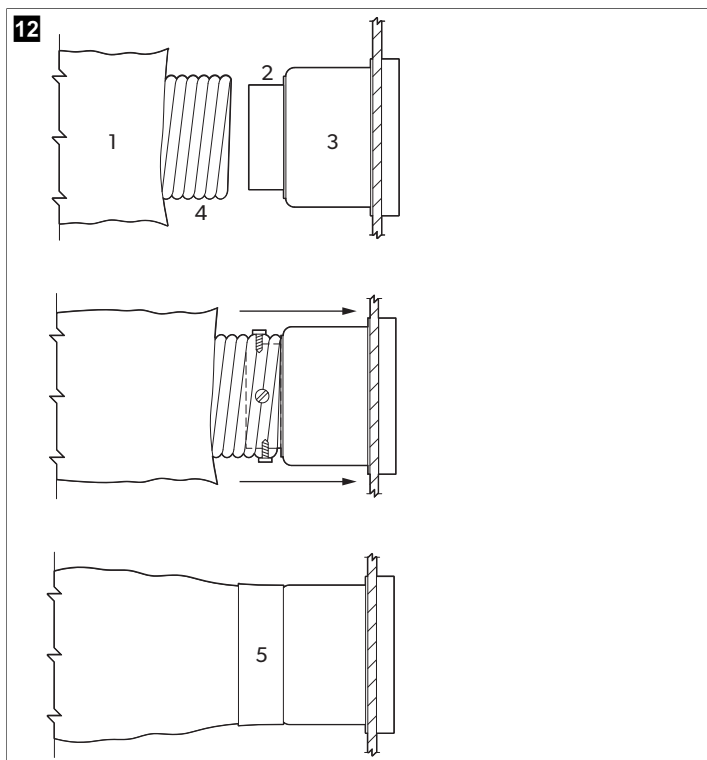
Vahtplastist käepideme isolatsiooni paigaldamine seadmetele GVTX ja TX



- 1 Vahtplastist käepideme isolatsioon
2 Käepideme ava
3 Äravooluvann

6. Seadmete GVTX ja TX puhul.

- Eemaldage vahtplastist käepideme isolatsiooni kleepuvat aluspinda kattev kile.
- Asetage vahtkäepideme isolatsioon nii, et see kataks käepideme ava täielikult nii, et kleepuv pool oleks suunatud äravooluvanni poole.
- Vajutage käepideme avause ümber, et kleepida vahtplastist käepideme isolatsioon äravooluvanni küljele.



- 1 Klaaskiust isolatsioon
2 Paigaldusrõngas
3 Üleminekukast
4 Sisemine Mylar-kattega kanali voolik
5 Toruteip

- Libistage sisemine Mylar-kattega kanali voolik kinnitusrõnga üleminekukarpi.
- Kruvige kolm või neli roostevabast terasest kruvi läbi Mylar-kattega kanali vooliku kinnitusrõngasse, kinnitades kruvipeadega kaks või kolm traati.
- Libistage klaaskiust isolatsioon ümber Mylar-kattega kanali vooliku üleminekukasti. Kinnitage toruteibiga.

7.2 Kanali paigaldamine



HOIATUS! Tule- või plahvatusoht

- > Torustikule ei tohi paigaldada lisaseadmeid, mis võivad olla süüteallikad, välja arvatud lisaseadmed, mis on loetletud konkreetse seadmega kasutamiseks.
- > Mudelite puhul, mis kasutavad tuleohtlikke külmaaineid, ja mis on õhukanalisüsteemi kaudu ühendatud ühe või mitme ruumiga, juhitakse toite- ja tagasivoolu õhk otse ruumi. Lahtisi kohti, nagu vahelagesid, ei tohi kasutada tagasivoolukanalina.
- > Ärge juhtige kanalit läbi masinaruumi ega mis tahes ala, kus see võib puutuda kokku ohtlike aurude või heitgaasidega.

Kanali paigaldamisel järgige järgmisi tingimusi.

- Kanal peab olema teie rakenduse jaoks sobiva suurusega.
- Suunake kanal võimalikult sirgelt, siledalt ja pingul, minimeerides 90° paindeid ja aasade arvu, mis võivad õhuvoolu vähendada.
- Kinnitage kanal kindlalt, et vältida kokkuvajumist.
- Ärge laske kanalil vajuda lössi või keerduda
- Pärast paigaldamist piirake liigseid kanali pikkusi.
- Isoleerige torustik, kui see asub suure kuumusega piirkondades.

Kui kasutatakse üleminekukasti, peaks kastist väljuvate õhukanalite kogupindala olema vähemalt võrdne kasti sisenevate toitekanalite kogupindalaga. Vt jaotist Tehnilised andmed leheküljel 184

Kanali ühendused



TÄHELEPANU!

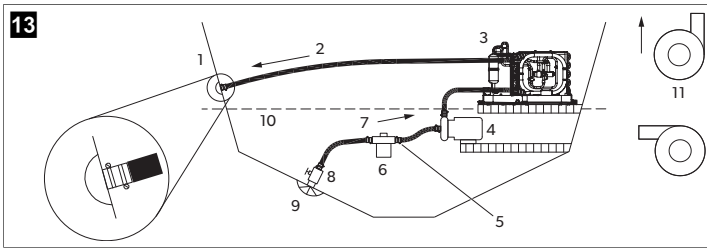
Selle protseduuri eiramine tühistab garantii.

Mereveesüsteemi seadistamisel järgige järgmisi asjaolusid.

- Pumba all peab olema sõel.
- Voolikud peavad olema topeltklambritega.
- Voolikutel ei tohi olla keerde, silmuseid ega kõrgeid kohti, kus õhk võib kinni jääda.
- Pump ja sõel peavad olema allpool veepiiri.
- Keret läbistav sisselask, kuulklapp, voolik ja sõel ei tohi olla pumba sisselaskevast väiksemad.
- Paigaldage keret läbistav liitmik nii kaugele alla veepiiri kui võimalik.
- Pump peab olema spetsiaalne keret läbistav.
- Vältige võimalikult palju 90,00° põlveliitmikke.
- Veenduge, et pumba pea oleks veevoolu suunas pööratud.
- Kasutage kõikide keermestatud ühenduste jaoks toruteipi.

Veetemperatuuri ja -surve maksimaalseid ning minimaalseid väärtusi vaadake jaotisest „Tehnilised andmed leheküljel 184“.

Mereveesüsteem



- | | | | |
|---|-------------------|----|-------------------------------------|
| 1 | Merevee väljalase | 7 | Ülesvoolu sisselaske vool |
| 2 | Väljalaske vool | 8 | Kuulkklapp |
| 3 | Kliimaseade | 9 | Ammutatav keret läbistav sisselaske |
| 4 | Mereveepump | 10 | Veepiir |
| 5 | Voolikuklambrid | 11 | Pumba pea sõela õiged suunad |
| 6 | Sõel | | |

1. Paigaldage merevett ammutav keret läbistav sisselaske kiilule võimalikult lähedale ja nii kaugemale alla veepiiri kui võimalik. Kinnitage ammutav keret läbistav sisselaske, kasutades veealuseks kasutamiseks mõeldud merel kasutatava kvaliteediklassi hermeetikut.
2. Paigaldage merevett ammutavale keret läbistavale sisselaskele pronksist täisvoolu kingston.
3. Paigaldage merevee sõel pumba tasemest allapoole, et pääseda filtrile juurde.
4. Paigaldage pump sõela kohale ja vähemalt üks jalg veepiirist allapoole.
5. Ühendage kingston ja ülesvoolu sõel tugevdatud merel kasutatava kvaliteediklassi voolikuga.
6. Ühendage pumba ülesvoolu väljalaske kliimaseadme kondensaatori spiraali alumine sisselaskeava 5/8-tollise tugevdatud merel kasutatava kvaliteediklassi voolikuga.
7. Ühendage kondensaatori mähise väljalaske üle parda väljalaske kere läbistav liitmik 5/8-tollise tugevdatud merel kasutatava kvaliteediklassi voolikuga.
8. Vältige mereveevooliku kasutamisel keerde, kõrgeid kohti või 90° põlvede kasutamist. Iga 90° põlv on võrdne 2,5 ft (0,76 m) voolikuga ja 90° põlv pumba väljalaskele on võrdne 20,0 ft (6,10 m) voolikuga.
9. Kinnitage kõik voolikuühendused kahe roostevabast terasest klambriga, pöörates klambrid vajaduse korral ümber.
10. Ühendage kõik mereveega kokku puutuvad metallosad laeva ühendussüsteemiga.

7.4 Elektrihenduste loomine



HOIATUS! Elektrilöögi oht

- > Enne elektrikiilbi avamist lülitage kliimaseadme toiteallika kaitse alati välja. Selle hoiatuse eiramine võib põhjustada raskeid vigastusi või surma.
- > Veenduge, et elektrikarp asuks vee eest kaitstud kohas.



TÄHELEPANU!

Kliimaseade peab olema ühendatud paadi potentsiaaliühendusüsteemiga, et vältida juhuslikust elektrivoolust tingitud korrosiooni. Kõik mereveeahela pumbad, metallist ventiilid ja liitmikud, mis on PVC- või kummivoolikutega kliimaseadmest isoleeritud, peavad olema individuaalselt ühendatud paadi potentsiaaliühendusüsteemiga.



MÄRKUS Kui süsteemi korralikult ei maandata ja ei ühendata, kaotab garantii kehtivuse.

Kõigil konditsioneerimisemadel on elektrikiilbi sees klemmiriba, mis on märgistatud õigete ühenduste jaoks. Elektrikiilbi sees olev juhtmestik asendab ABYC-standardid. Kasutage süsteemi kaitsmiseks õige suurusega automaatkaitsset, nagu on kliimaseadmete andmesiltil ette nähtud. Kliimaseadme ja mereveepumba toite jaoks tuleb kasutada vähemalt 12 AWG paadikaablit. Looge kõik ühendused rõnga- või kahvlukujuliste klemmide abil.

Elektrihenduste loomisel pöörake tähelepanu järgnevale.

- Vahelduvvoolu (VV) maandus tuleb ühendada maandusklemmiga (GRND) vahelduvvoolu sisendklemmide ploki juures.
- Laeva vahelduvvoolusüsteemi maandusjuhtme ja laeva alalisvoolu (AV) negatiivse või sidumissüsteemi vahelised ühendused peaksid moodustama osa laeva juhtmestikust. Kui hooldate või asendate olemasolevaid seadmeid, millel on raamile paigaldatud maandustihvt, kontrollige nende ühenduste osas laeva juhtmestikut.
- Kliimaseadmed GVTX ja TX on loodud töötama vahelduvvoolu või kõrgepinge-alalisvooluga. Õige paigutuse osas vaadake laeva elektriskeemi.

Veenduge, et kliimaseadme vahelduvvoolu maandus oleks korralikult paadi vahelduvvoolu maandusega ühendatud. Veenduge paadi enda sees, et vahelduvvoolu maanduse siin oleks ühendatud alalisvoolu maanduse siiniga täpselt ühes kohas.

Enne käivitamist kontrollige ja vajaduse korral pingutage kõiki elektrihendusi.

8 Kõrvaldamine



ETTEVAATUST! Tuleoht

- > See seade sisaldab tuleohtlikku isoleergaasi.
- > Seadme eemaldamise ja jäätmekäitluse andmisega peab kindlasti tegelema spetsialist.



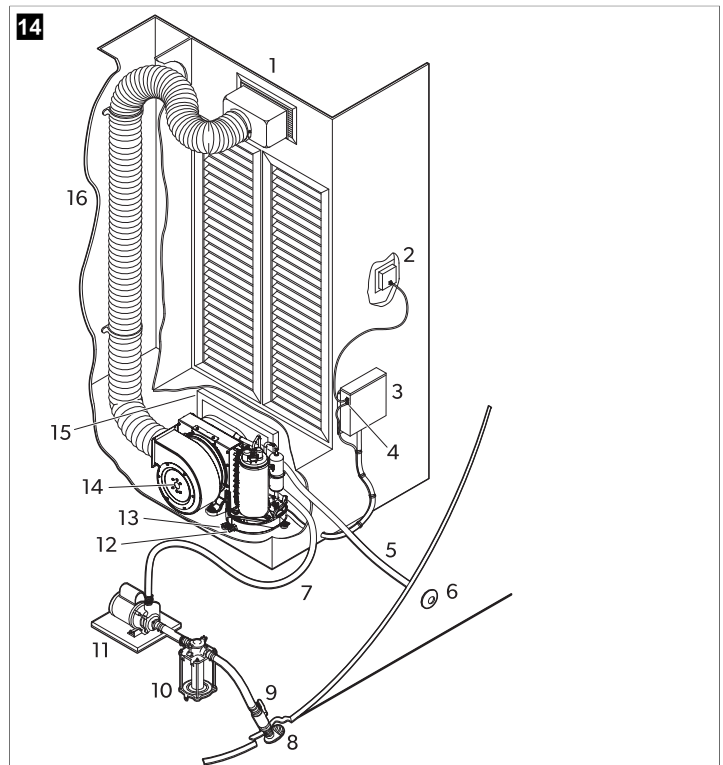
Kui võimalik, pange pakkematerjal vastavasse ringlussevõetava prügi kasti. Küsige nõu kohalikust ringlussevõetukeskusest või edasimüüjalt, kuidas anda toode kehtivate jäätmekäitlusnõuetega kooskõlas jäätmekäitluse.

9 Tehnilised andmed

Lugege need juhised täielikult läbi ja seejärel kavandage ühendused, mis tuleb kliimaseadmega teha (sh kanalisatsioon, kondensaadi äravoolutorustik, merevee sisse- ja väljalaskevoolikud, elektrihendused, juhtseadme asukoht ja mereveepumba paigutus), et tagada suunamiseks ja tulevaseks hoolduseks lihtne juurdepääs.

9.1 Osade asukohad

Kliimaseadme süsteemi komponentide tuvastamine



1	Siseneva õhu võre ja üleminekukast	9	Kigstoni sulgventiil
2	Digitaalne näidik	10	Merevee sõel
3	Elektrikarp	11	Pump
4	Valikuline kaugõhuanduri kaabel	12	Kondensaadi äravooluvooliku üleminek
5	Merevee väljalaskevoolik	13	Kinnituskronstein
6	Väljalask üle parda	14	Kliimaseade
7	Merevee sisselaskevoolik	15	Tagasivooluõhu võre ja filter
8	Merevett ammutav keret läbitav sisselask	16	Isoleeritud painduv torustik

9.2 Tehnilised andmed

Külmaainekontuur sisaldab väikest kogust keskkonnahoidlikku, kuid tuleohtlikku külmaainet. See ei kahjusta osoonikihti ega võimenda kasvuhooneefekti. Lekkiv külmaaine võib süttida.

See toode sisaldab fluoritud kasvuhoonegaase.

Jahutusmoodul on hermeetiliselt tihendatud.

Tabel 41: Minimaalne torustiku ja võre suurus BTU mahu kohta

	3.5 k BTU	6 k BTU	8 k BTU	10 k BTU
Minimaalne kanali läbimõõt	3,00 in (76,2 mm)	4,00 in (101,6 mm)	5,00 in (127,0 mm)	6,00 in (152,4 mm)
Minimaalne torustiku ala	6,8 in ² (43,9 cm ²)	12,6 in ² (81,3 cm ²)	19,6 in ² (126,5 cm ²)	28,3 in ² (182,6 cm ²)
Minimaalne tagasivoolu-õhu võre	48,0 in ² (309,7 cm ²)	64,0 in ² (412,9 cm ²)	80,0 in ² (516,2 cm ²)	100,0 in ² (645,2 cm ²)
Minimaalne siseneva õhu võre	12,0 in ² (77,4 cm ²)	32,0 in ² (206,5 cm ²)	48,0 in ² (309,7 cm ²)	60,0 in ² (387,1 cm ²)
	12 k BTU	16 k BTU	18 k BTU	27 k BTU
Minimaalne kanali läbimõõt	6,00 in (152,4 mm)	7,00 in (177,8 mm)	7,00 in (177,8 mm)	8,00 in (203,2 mm)
Minimaalne torustiku ala	28,3 in ² (182,6 cm ²)	38,5 in ² (248,4 cm ²)	38,5 in ² (248,4 cm ²)	50,3 in ² (324,5 cm ²)
Minimaalne tagasivoolu-õhu võre	130,0 in ² (838,8 cm ²)	160,0 in ² (1032,3 cm ²)	200,0 in ² (1290,4 cm ²)	240,0 in ² (1548,5 cm ²)
Minimaalne siseneva õhu võre	70,0 in ² (451,6 cm ²)	80,0 in ² (516,2 cm ²)	100,0 in ² (645,2 cm ²)	120,0 in ² (774,2 cm ²)

Tabel 42: Veetemperatuur ja -surve kasutamisel

Minimaalne vee temperatuur kasutamisel	40,0 °F (4,44 °C)
Maksimaalne vee temperatuur kasutamisel	80,0 °F (26,66 °C)
Minimaalne veesurve kasutamisel	4,2 psi (0,29 bar) (29,00 kPa)
Maksimaalne veesurve kasutamisel	6,00 psi (0,41 bar) (41,4 kPa)

Järgige EPA kasutustingimusi.



MÄRKUS Seade võib töötada väljaspool neid tingimusi vähendatud võimsusega.

10 Juriidiline teave

Ainult mudelid GVTX. Standardi IEC 60533 järgimiseks ärge paigaldage toodet vastuvõtuanennist lähemale kui 9,8 ft (3,00 m).

11 Garantii

Alljärgnevatest jaotistest leiate teabe garantii ja garantiitoe kohta USAs, Kanadas ja kõigis teistes piirkondades.

Ameerika Ühendriigid ja Kanada

OSALISE GARANTII TINGIMUSED LEIATE AADRESSILT DOMETIC.COM/EN-US/TERMS-AND-CONDITIONS-CONSUMER/WARRANTY. KUI TEIL ON KÜSIMUSI VÕI SOOVITE SAADA TASUTA KOOPIAI OSALISE GARANTII TINGIMUSTEST, VÕTKE ÜHENDUST JÄRGMISEL AADRESSIL:

DOMETIC CORPORATION
MARINE CUSTOMER SUPPORT CENTER
2000 NORTH ANDREWS AVENUE
POMPANO BEACH, FLORIDA, USA 33069
1-800-542-2477

Aasia ja Vaikse ookeani piirkonna (APAC) riigid

Kui toode ei tööta nii, nagu peaks, võtke ühendust kohaliku edasimüüjaga või tootja filiaaliga (vt dometic.com/dealer). Teie tootele kehtib 1-aastane garantii.

Remondi- ja garantiitööde töötlemiseks lisage palun alljärgnevad dokumendid, kui seadme meile saadate:

- ostukuupäevaga arve koopia;
- kaebuse põhjus või vea kirjeldus.

Pange tähele, et kui parandate ise või lasete mittekuulsel parandajal seda teha, võib see ohutust mõjutada ja garantii kehtetuks muuta.

Ainult Austraalia

Meie toodetel on garantii, mida ei saa Austraalia tarbijakaitseseadusega välistada. Teil on õigus saada asendustoodet või hüvitus, kui tekib tõsine rike ja kompensatsiooniks mis tahes muu mõistlikult eeldatava kahju eest. Samuti on teil õigus toodete remondile või asendamisele, kui toodete kvaliteet pole rahuldav ja rike ei liigitu tõsiseks rikkeks.

Ainult Uus-Meremaa

Selle garantiieeskirja puhul kehtivad tingimused ja garantiid, mis on Uus-Meremaa tarbijakaitseseaduse Consumer Guarantees Act 1993(NZ) järgi kohustuslikud.

Kõik muud piirkonnad

Kehtib seadusega ettenähtud garantii. Kui toode on defektne, võtke ühendust tootja kohaliku filiaaliga (vt dometic.com/dealer) või edasimüüjaga.

Remondi- ja garantiitööde töötlemiseks lisage palun alljärgnevad dokumendid, kui seadme meile saadate:

- ostukuupäevaga arve koopia;
- kaebuse põhjus või vea kirjeldus.

Pange tähele, et kui parandate ise või lasete mittekuulsel parandajal seda teha, võib see ohutust mõjutada ja garantii kehtetuks muuta.

Ελληνικά

1	Σημαντικές σημειώσεις.....	185
2	Επεξήγηση των συμβόλων.....	185
3	Ομάδα(-ες) στόχοι.....	186
4	Προβλεπόμενη χρήση.....	186
5	Επεξήγηση των συμβόλων που υπάρχουν πάνω στη συσκευή.....	186
6	Πριν από την εγκατάσταση.....	187
7	Εγκατάσταση.....	189
8	Απόρριψη.....	192
9	Τεχνικά χαρακτηριστικά.....	192
10	Νομική σημείωση.....	193
11	Εγγύηση.....	193


1 Σημαντικές σημειώσεις


Παρακαλούμε να διαβάσετε προσεκτικά αυτές τις οδηγίες και να ακολουθήσετε όλες τις οδηγίες, τους κανονισμούς και τις προειδοποιήσεις που περιλαμβάνονται στο εγχειρίδιο αυτού του προϊόντος, έτσι ώστε να διασφαλιστεί πάντοτε η σωστή εγκατάσταση, χρήση και συντήρηση του προϊόντος. Αυτές οι οδηγίες ΠΙΠΕΠΕΙ πάντοτε να συνοδεύουν το προϊόν.


Με τη χρήση του προϊόντος επιβεβαιώνεται δια του παρόντος ότι έχετε διαβάσει προσεκτικά όλες τις οδηγίες, τους κανονισμούς και τις προειδοποιήσεις καθώς και ότι έχετε κατανοήσει και συμφωνείτε να τηρήσετε τους όρους και τις προϋποθέσεις που ορίζονται στο παρόν έγγραφο. Συμφωνείτε να χρησιμοποιείτε αυτό το προϊόν μόνο για τον προβλεπόμενο σκοπό και την προβλεπόμενη χρήση, πάντοτε σύμφωνα με τις οδηγίες, τους κανονισμούς και τις προειδοποιήσεις που ορίζονται στο παρόν εγχειρίδιο προϊόντος καθώς και σύμφωνα με όλους τους ισχύοντες νόμους και κανονισμούς. Σε περίπτωση μη ανάγνωσης και τήρησης των οδηγιών και των προειδοποιήσεων που ορίζονται στο παρόν έγγραφο, ενδέχεται να προκληθούν τραυματισμοί σε εσάς τον ίδιο και σε τρίτους, ζημιές στο προϊόν σας ή υλικές ζημιές σε άλλες ιδιοκτησίες στο άμεσο περιβάλλον. Αυτό το εγχειρίδιο προϊόντος, συμπεριλαμβανομένων των οδηγιών, των κανονισμών, των προειδοποιήσεων και των σχετικών εγγράφων, ενδέχεται να υποβληθεί σε τροποποιήσεις και ενημερώσεις. Για ενημερωμένες πληροφορίες για το προϊόν, επισκεφθείτε την ηλεκτρονική διεύθυνση documents.domestic.com.


2 Επεξήγηση των συμβόλων

Μια λέξη σήμανσης επιτρέπει την αναγνώριση μηνυμάτων για την ασφάλεια και μηνυμάτων για υλικές ζημιές και υποδεικνύει τον βαθμό ή το επίπεδο σοβαρότητας του κινδύνου.

 **ΚΙΝΔΥΝΟΣ!**
Καταδεικνύει μια επικίνδυνη κατάσταση, η οποία εάν δεν αποτραπεί, θα προκληθεί θανατηφόρο ατύχημα ή σοβαρός τραυματισμός.

 **ΠΡΟΕΙΔΟΠΟΙΗΣΗ!**
Καταδεικνύει μια επικίνδυνη κατάσταση, η οποία εάν δεν αποτραπεί, μπορεί να προκληθεί θανατηφόρο ατύχημα ή σοβαρός τραυματισμός.

 **ΠΡΟΣΟΧΗ!**
Καταδεικνύει μια κατάσταση, η οποία εάν δεν αποτραπεί, μπορεί να προκληθούν υλικές ζημιές.

 **ΥΠΟΔΕΙΞΗ** Συμπληρωματικά στοιχεία για τον χειρισμό του προϊόντος.

2.1 Συμπληρωματικές οδηγίες

Για να μειωθεί ο κίνδυνος ατυχημάτων και τραυματισμών, θα πρέπει να τηρείτε τις παρακάτω οδηγίες προτού ξεκινήσετε την εγκατάσταση αυτής της συσκευής:

- Διαβάστε και ακολουθήστε όλες τις πληροφορίες και οδηγίες για την ασφάλεια.
- Διαβάστε και κατανοήστε αυτές τις οδηγίες προτού εγκαταστήσετε το προϊόν.

- Η εγκατάσταση πρέπει να συμμορφώνεται με όλους τους ισχύοντες τοπικούς ή κρατικούς κώδικες, συμπεριλαμβανομένης της πιο πρόσφατης έκδοσης των ακόλουθων προτύπων:
 - Αμερικανικό Συμβούλιο Σκαφών και Γιοτ (ABYC)
 - ANSI/NFPA 70, Εθνικός Ηλεκτρολογικός Κώδικας (NEC)

2.2 Υποδείξεις ασφαλείας



ΚΙΝΔΥΝΟΣ! Κίνδυνος πυρκαγιάς ή έκρηξης. Ορισμένα μοντέλα χρησιμοποιούν εύφλεκτο ψυκτικό μέσο.

Σε περίπτωση μη τήρησης των παρακάτω προειδοποιήσεων, θα προκληθεί θάνατος ή σοβαρός τραυματισμός:

- > Να επισκευάζεται μόνο από εκπαιδευμένο προσωπικό σέρβις.
- > Να μην εγκαθίσταται και να μην αποθηκεύεται σε σημείο με πηγές ανάφλεξης συνεχούς λειτουργίας.
- > Διατηρείτε όλα τα απαιτούμενα ανοίγματα εξαερισμού απαλλαγμένα από εμπόδια.
- > Μην τρυπάτε τη σωλήνωση ψυκτικού μέσου.
- > Ανατρέξτε στην πινακίδα στοιχείων του προϊόντος για τον τύπο ψυκτικού μέσου.



ΠΡΟΕΙΔΟΠΟΙΗΣΗ! Κίνδυνος πυρκαγιάς ή/και έκρηξης

Σε περίπτωση μη τήρησης των παρακάτω προειδοποιήσεων, μπορεί να προκληθεί θάνατος ή σοβαρός τραυματισμός:

- > Μην χρησιμοποιείτε πιθανές πηγές ανάφλεξης για να ανιχνεύσετε ή να αναζητήσετε διαρροές ψυκτικού μέσου. Μην χρησιμοποιείτε πυρσο αλογονιδίων ή οποιοδήποτε άλλο ανιχνευτή που χρησιμοποιεί γυμνή φλόγα.
- > Βεβαιωθείτε ότι ο εξοπλισμός ανίχνευσης είναι κατάλληλος για τον τύπο ψυκτικού μέσου που χρησιμοποιείται στο προϊόν. Ανατρέξτε στην πινακίδα στοιχείων του προϊόντος για τον τύπο ψυκτικού μέσου.
- > Μπορούν να χρησιμοποιηθούν ηλεκτρονικοί ανιχνευτές διαρροών για την ανίχνευση διαρροών ψυκτικού μέσου. Ωστόσο, η ευαισθησία τους μπορεί να είναι ανεπαρκής για εύφλεκτα ψυκτικά μέσα και μπορεί να χρειάζεται επαναβαθμολόγηση. Βαθμονομήστε τον εξοπλισμό ανίχνευσης σε περιοχή χωρίς ψυκτικό μέσο.



ΠΡΟΕΙΔΟΠΟΙΗΣΗ! Κίνδυνος λόγω μονοξειδίου του άνθρακα

Σε περίπτωση μη τήρησης των παρακάτω προειδοποιήσεων, μπορεί να προκληθεί θάνατος ή σοβαρός τραυματισμός:

- > Μην εγκαθιστάτε ή χρησιμοποιείτε αυτόνομο κλιματιστικό στην περιοχή της σεντίνας, στο μηχανοστάσιο ή κοντά σε κινητήρες εσωτερικής καύσης. Βεβαιωθείτε ότι στο επιλεγμένο σημείο δεν υπάρχει απευθείας πρόσβαση αναθυμιάσεων από την περιοχή της σεντίνας ή/και το μηχανοστάσιο.
- > Επιβεβαιώστε ότι η γραμμή αποστράγγισης υγροποιημένων υδρατμών είναι σωστά εγκατεστημένη και στεγανοποιημένη. Μην θερμάτιζετε τη γραμμή αποστράγγισης υγροποιημένων υδρατμών σε απόσταση μικρότερη των 3 ft. (0,91 m) από οποιοδήποτε άνοιγμα εξαγωγής καυσαερίων κινητήρα ή γεννήτριας, μέσα σε χώρο όπου υπάρχει κινητήρας ή γεννήτρια ή σε κάποια σεντίνα, εκτός αν η γραμμή αποστράγγισης είναι σωστά συνδεδεμένη σε στεγανοποιημένη αντλία αποστράγγισης υγροποιημένων υδρατμών ή καταιονισμού νερού. Εάν η γραμμή αποστράγγισης δεν συνδεθεί σωστά, μπορεί να περνούν μέσα από αυτήν επικίνδυνες αναθυμιάσεις και να ρυπαίνουν τους χώρους ενδιαίτησης.
- > Μην εγκαταστήσετε το κλιματιστικό σε σημείο όπου μπορεί να προκαλεί την κυκλοφορία μονοξειδίου του άνθρακα, αναθυμιάσεων καυσίμου ή άλλων επιβλαβών αναθυμιάσεων στους χώρους ενδιαίτησης του σκάφους.



ΠΡΟΕΙΔΟΠΟΙΗΣΗ! Κίνδυνος ηλεκτροπληξίας

Η τοποθέτηση επιτρέπεται να πραγματοποιείται μόνο από εξειδικευμένο ηλεκτρολόγο.

**ΠΡΟΕΙΔΟΠΟΙΗΣΗ! Κίνδυνος ηλεκτροπληξίας, πυρκαγιάς ή/και έκρηξης**

Σε περίπτωση μη τήρησης αυτών των μέτρων προφύλαξης, μπορεί να προκληθεί θάνατος ή σοβαρός τραυματισμός.

Αυτή η συσκευή δεν προορίζεται για χρήση από άτομα (συμπεριλαμβανομένων των παιδιών) με μειωμένες σωματικές, αισθητηριακές ή πνευματικές ικανότητες ή με έλλειψη εμπειρίας και γνώσεων, εκτός αν επιτηρούνται ή τους έχουν δοθεί οδηγίες σχετικά με τη χρήση της συσκευής από ένα άτομο που είναι υπεύθυνο για την ασφάλειά τους. Τα παιδιά πρέπει να επιτηρούνται, ώστε να διασφαλίζεται ότι δεν παίζουν με τη συσκευή. Ο καθαρισμός και η συντήρηση χρήστη δεν επιτρέπεται να πραγματοποιούνται από παιδιά χωρίς επιτήρηση. Αυτή η συσκευή δεν θα πρέπει να είναι προσπελάσιμη από το ευρύ κοινό.

**ΠΡΟΕΙΔΟΠΟΙΗΣΗ! Κίνδυνος έκρηξης**

Σε περίπτωση μη τήρησης αυτών των μέτρων προφύλαξης, μπορεί να προκληθεί θάνατος ή σοβαρός τραυματισμός.

- > Μην εγκαταστήσετε το κλιματιστικό μέσα σε χώρο όπου υπάρχουν βενζινοκινητήρες, δεξαμενές, φιάλες LPG/CPG, ρυθμιστές, βαλβίδες ή εξαρτήματα σύνδεσης γραμμών καυσίμου. Εκτός αν αναγράφεται διαφορετικά, οι αυτόνομες μονάδες δεν πληρούν τις απαιτήσεις των ομοσπονδιακών κανονισμών για την προστασία από ανάφλεξη. Η μη τήρηση αυτής της προειδοποίησης ενδέχεται να έχει ως αποτέλεσμα την πρόκληση θανάτου ή σοβαρού τραυματισμού.
- > Τα ηλεκτρικά εξαρτήματα που μπορεί να σχηματίσουν τόξο ή σπινθήρες πρέπει να αντικαθίστανται μόνο με εξαρτήματα που καθορίζονται από τον κατασκευαστή της συσκευής. Η αντικατάσταση με άλλα εξαρτήματα μπορεί να έχει ως αποτέλεσμα την ανάφλεξη του ψυκτικού μέσου σε περίπτωση διαρροής.

**ΠΡΟΕΙΔΟΠΟΙΗΣΗ! Κίνδυνος ηλεκτροπληξίας**

Σε περίπτωση μη τήρησης αυτών των μέτρων προφύλαξης, μπορεί να προκληθεί θάνατος ή σοβαρός τραυματισμός.

- > Φροντίστε να γειώσετε αποτελεσματικά το κλιματιστικό ώστε να ελαχιστοποιηθεί ο κίνδυνος ηλεκτροπληξίας. Ανατρέξτε στις οδηγίες τοποθέτησης για περαιτέρω πληροφορίες.
- > Για κάθε κλιματιστικό που εγκαθίσταται απαιτείται ξεχωριστός ασφαλειοδιακόπτης. Εάν εγκατασταθεί ένα μόνο κλιματιστικό, δεν απαιτείται ξεχωριστός ασφαλειοδιακόπτης για την αντλία θαλασσινού νερού. Εάν δύο ή περισσότερες μονάδες κλιματιστικού χρησιμοποιούν την ίδια αντλία θαλασσινού νερού, τα καλώδια της αντλίας πρέπει να συνδεθούν σε πίνακα ρελέ για αντλία (PRP), ο οποίος διαθέτει δικό του ξεχωριστό ασφαλειοδιακόπτη κατάλληλα διαστασιοποιημένο για την αντλία (μέγ. 20 A). Ανατρέξτε στο διάγραμμα καλωδίωσης που παρέχεται μαζί με τον PRP. Για τις ηλεκτρικές συνδέσεις στη σεντίνα ή/και κάτω από την ίσαλο γραμμή θα πρέπει να χρησιμοποιηθούν διατάξεις ματίσματος με θερμοσυστελλόμενο κάλυμμα.
- > Η τοπική καλωδίωση πρέπει να συμμορφώνεται με τους ηλεκτρολογικούς κώδικες ABYC. Η ηλεκτρική τροφοδοσία της μονάδας πρέπει να είναι εντός του εύρους τάσεων λειτουργίας που αναγράφεται στην ετικέτα τύπου. Πρέπει να εγκατασταθούν ασφάλειες κατάλληλου μεγέθους ή ασφαλειοδιακόπτες HACR για προστασία του κλάδου του κυκλώματος. Ανατρέξτε στην ετικέτα τύπου για το μέγιστο μέγεθος της ασφάλειας/του ασφαλειοδιακόπτη (MFS) και για την ελάχιστη ένταση ρεύματος του κυκλώματος (MCA).

**ΠΡΟΣΟΧΗ!**

Αυτή η συσκευή περιέχει φθοριωμένα αέρια θερμοκηπίου μέσα σε ερμητικά σφραγισμένο εξοπλισμό. Ανατρέξτε στην ετικέτα τύπου της μονάδας συμπίκνωσης για την ποσότητα του ψυκτικού μέσου, η οποία αναγράφεται ως βάρος και ως GWP. Όταν προστίθεται ψυκτικό μέσο, θα πρέπει να σημειώνεται στη ετικέτα της μονάδας.

**ΠΡΟΣΟΧΗ!**

Μην χρησιμοποιείτε τον χαλκοσωλήνα για να σπρώξετε, να τραβήξετε, να σηκώσετε ή να μεταφέρετε το προϊόν.

3 Ομάδα(-ες) στόχοι



Η μηχανική και ηλεκτρολογική εγκατάσταση καθώς και η ρύθμιση της συσκευής πρέπει να πραγματοποιούνται από έναν εξειδικευμένο τεχνικό, ο οποίος διαθέτει αντίστοιχη κατάρτιση και επαρκείς γνώσεις σχετικά με την κατασκευή και τον χειρισμό θαλάσσιου εξοπλισμού και εγκαταστάσεων, είναι εξοικειωμένος με τους σχετικούς κανονισμούς της χώρας, στην οποία πρόκειται να εγκατασταθεί ή/και να χρησιμοποιηθεί ο εξοπλισμός και έχει λάβει εκπαίδευση ασφάλειας για την αναγνώριση και την αποφυγή των σχετικών κινδύνων.

4 Προβλεπόμενη χρήση

Το παρόν εγχειρίδιο προορίζεται για την εγκατάσταση των αυτόνομων κλιματιστικών συστημάτων DCU, DLU, DTG, ECD, GT, GTX, GTX-LP, GVTX, και TX (οι οποίες στο εξής αναφέρονται ως «κλιματιστικό»). Το κλιματιστικό προορίζεται για χρήση σε σκάφη και γιοτ. Αυτό το κλιματιστικό είναι κατάλληλο μόνο για τον προβλεπόμενο σκοπό και την προβλεπόμενη εφαρμογή σύμφωνα με τις παρούσες οδηγίες.

Αυτό το προϊόν είναι κατάλληλο μόνο για τον προβλεπόμενο σκοπό και την προβλεπόμενη χρήση σύμφωνα με αυτές τις οδηγίες.

Αυτό το εγχειρίδιο παρέχει πληροφορίες που είναι απαραίτητες για τη σωστή εγκατάσταση και χρήση του προϊόντος. Σε περίπτωση λανθασμένης εγκατάστασης ή/και χρήσης ή συντήρησης, θα προκύψει μη ικανοποιητική απόδοση και, πιθανώς, βλάβη.

Ο κατασκευαστής δεν αποδέχεται καμία ευθύνη για τυχόν τραυματισμούς ή ζημιές στο προϊόν, που οφείλονται σε:

- Λανθασμένη τοποθέτηση, συναρμολόγηση ή σύνδεση, συμπεριλαμβανομένης της υπερβολικά υψηλής τάσης
- Λανθασμένη συντήρηση ή χρήση μη αυθεντικών ανταλλακτικών εξαρτημάτων, που δεν προέρχονται από τον κατασκευαστή
- Μετατροπές στο προϊόν χωρίς τη ρητή άδεια του κατασκευαστή
- Χρήση για σκοπούς διαφορετικούς από αυτούς που περιγράφονται σε αυτό το εγχειρίδιο

Η Dometic διατηρεί το δικαίωμα αλλαγής της εμφάνισης και των προδιαγραφών του προϊόντος.

5 Επεξήγηση των συμβόλων που υπάρχουν πάνω στη συσκευή



Προειδοποίηση! Κίνδυνος πυρκαγιάς / εύφλεκτα υλικά



Προειδοποίηση! Υλικό με χαμηλή ταχύτητα καύσης. Εύφλεκτο ψυκτικό μέσο.



Ομάδα ασφάλειας ψυκτικού μέσου A2L



Διαβάστε το εγχειρίδιο χρήσης.



Διαβάστε το εγχειρίδιο σέρβις.

6 Πριν από την εγκατάσταση



ΠΡΟΣΟΧΗ!

Οι αυτόνομοι δίσκοι υγροποιημένων υδρατμών στα μοντέλα DTG, GTX, GVTX και TX διαθέτουν μονωτήρες απόσβεσης κραδασμών στο κάτω μέρος τους. Αυτοί οι μονωτήρες είναι σχεδιασμένοι για να αποσβένουν τους κραδασμούς που προκαλούνται από τη λειτουργία του κλιματιστικού και να εμποδίζουν τη μετάδοσή τους στην επιφάνεια στερέωσης. Απαιτείται προσοχή κατά τη μετακίνηση του κλιματιστικού από μια επιφάνεια στερέωσης σε άλλη, γιατί μπορεί να προκληθεί ζημιά στους μονωτές.

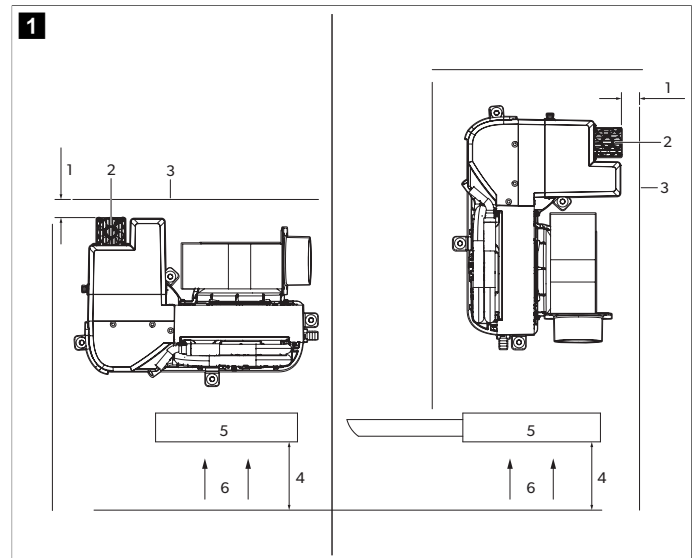


ΠΡΟΣΟΧΗ!

- > Το κλιματιστικό πρέπει να στερεωθεί σε μια χαμηλή, επίπεδη, οριζόντια επιφάνεια, όπως η βάση ενός ερμαρίου, κάτω από μια κουκέτα ή κάθισμα τραπέζιας ή άλλο παρόμοιο σημείο.
- > Βεβαιωθείτε ότι η καλωδίωση δεν υπόκειται σε φθορά, διάβρωση, υπερβολική πίεση, κραδασμούς, αιχμηρές ακμές ή άλλες δυσμενείς περιβαλλοντικές επιπτώσεις, συμπεριλαμβανομένων των επιπτώσεων από τη γήρανση ή τους συνεχείς κραδασμούς από πηγές όπως συμπιεστές ή ανεμιστήρες.
- > Βεβαιωθείτε ότι οι διατάξεις προστασίας, οι σωληνώσεις και τα εξαρτήματα προστατεύονται όσο το δυνατόν περισσότερο από δυσμενείς περιβαλλοντικές επιπτώσεις, όπως η συσσώρευση ρύπων και υπολειμμάτων ή η συλλογή και το πάγωμα νερού σε ανακουφιστικούς σωλήνες.
- > Πρέπει να λαμβάνονται προφυλάξεις για την αποφυγή υπερβολικών κραδασμών ή παλμών στις σωληνώσεις ψύξης.

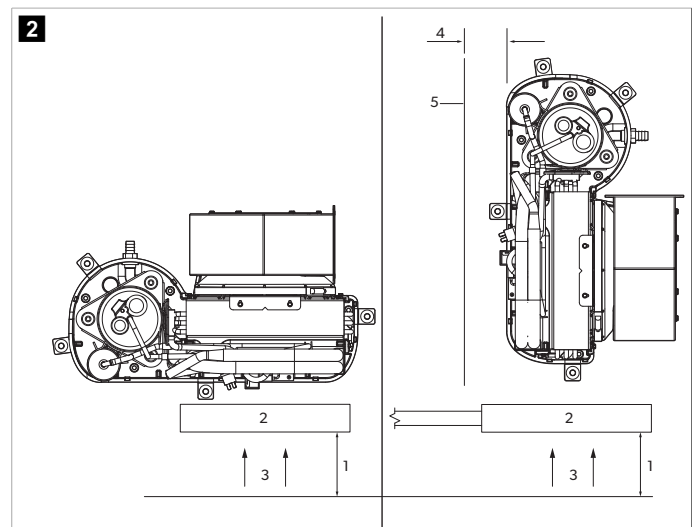
6.1 Καθορισμός του σημείου εγκατάστασης

1. Τοποθέτηση GVTX και TX σε σχέση με την παροχή αέρα



- | | | | |
|---|----------------------|---|-----------------------|
| 1 | 3,00 in (7,62 cm) | 4 | 4,00 in (10,16 cm) |
| 2 | Απαγωγός θερμότητας | 5 | Σχάρα επιστροφής αέρα |
| 3 | Διαχωριστικό τοίχωμα | 6 | Παροχή αέρα |

Τοποθέτηση όλων των άλλων κλιματιστικών μονάδων σε σχέση με την παροχή αέρα



- | | | | |
|---|-----------------------|---|----------------------|
| 1 | 4,00 in (10,16 cm) | 4 | 3,00 in (7,62 cm) |
| 2 | Σχάρα επιστροφής αέρα | 5 | Διαχωριστικό τοίχωμα |
| 3 | Παροχή αέρα | | |

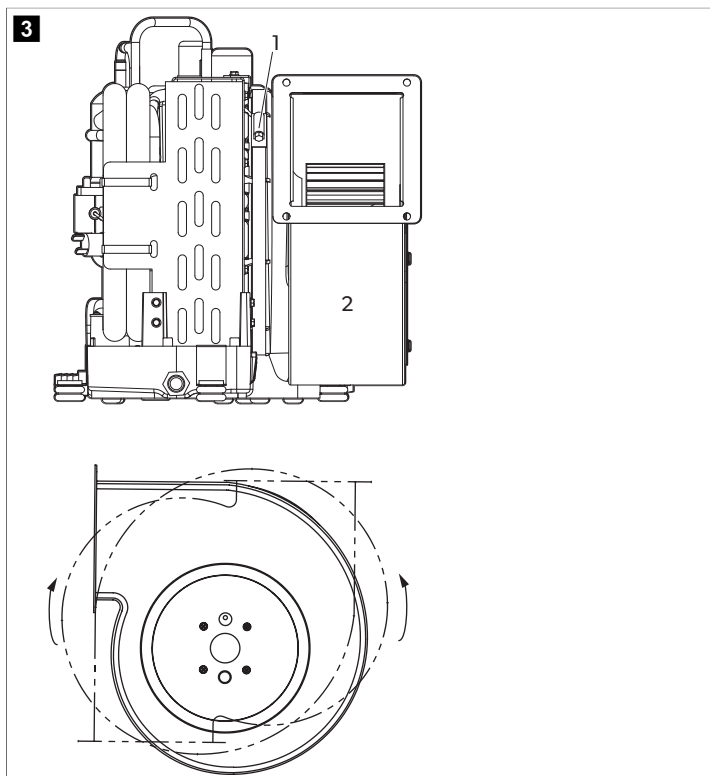
2. Επιλέξτε ένα σημείο με επαρκή παροχή αέρα. Η σχάρα επιστροφής αέρα θα πρέπει να έχει ελάχιστο διάκενο 4,00 in (10,16 cm) για την κυκλοφορία του αέρα μπροστά της, χωρίς κανένα εμπόδιο.
3. Εάν το κλιματιστικό τοποθετηθεί κάθετα προς τη σχάρα επιστροφής αέρα, διατηρήστε ένα ελάχιστο διάκενο 3,00 in (7,62 cm) για την κυκλοφορία του αέρα στην πλευρά εισαγωγής αέρα.
4. **GVTX και TX μόνο:** Φροντίστε να υπάρχει ανοιχτός χώρος 3,00 in (7,62 cm) πάνω και κάτω από τον απαγωγό θερμότητας.

6.2 Γύρισμα του ανεμιστήρα

Αυτή η ενότητα εξηγεί τον τρόπο γυρίσματος του ανεμιστήρα σε κάθε τύπο μονάδας. Εάν χρειάζεται, γυρίστε τον ανεμιστήρα προς την κατεύθυνση που επιτρέπει την πιο άμεση εκκένωση της παροχής αέρα μέσω των αεραγωγών.

6.2.1 Ανεμιστήρες GTX, GVTX, DTG και TX

Περιστροφή ανεμιστήρα συστήματος GTX, GVTX, DTG και TX

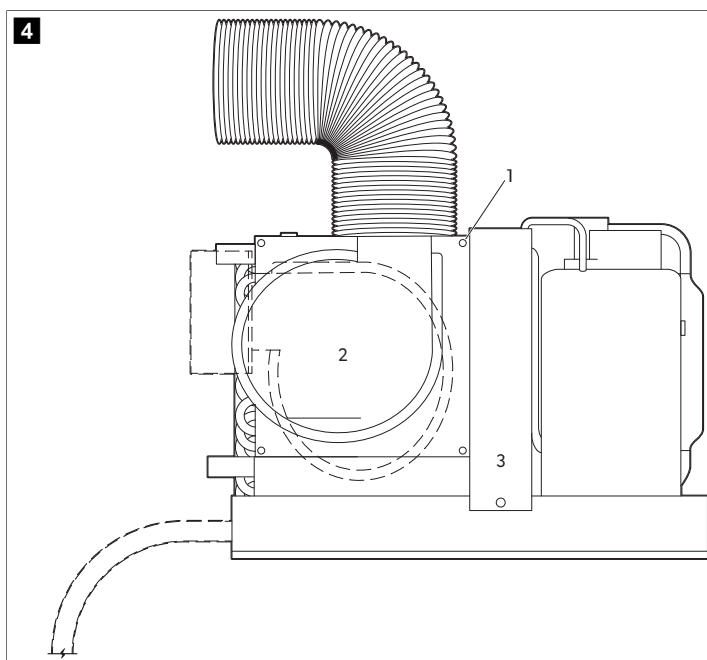


- 1 Adjustment screw
- 2 Blower

1. Χαλαρώστε τη βίδα ρύθμισης στον δακτύλιο στερέωσης του ανεμιστήρα.
2. Γυρίστε τον ανεμιστήρα στην επιθυμητή θέση.
3. Σφίξτε τη βίδα ρύθμισης.

6.2.2 Ανεμιστήρες MCS, ECD και GT

Περιστροφή των ανεμιστήρων συστήματος MCS, ECD και GT

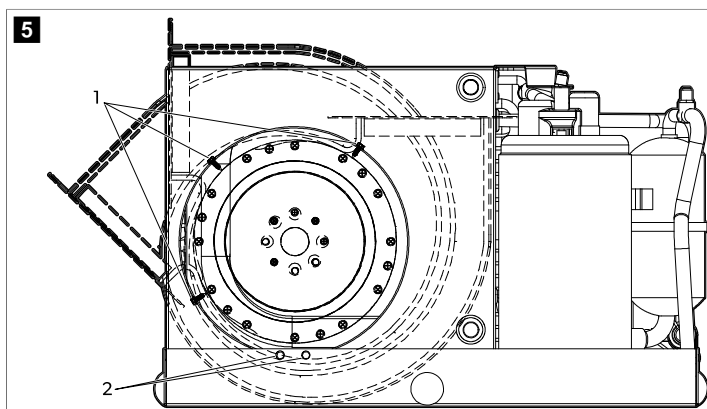


- 1 Screw
- 2 Πινακίδα
- 3 Ανεμιστήρας

1. Αφαιρέστε τις επτά βίδες στην πλάκα.
2. Γυρίστε τον ανεμιστήρα στην επιθυμητή θέση.
3. Στερεώστε τον ανεμιστήρα στη θέση του με αυτοκοχλιούμενες λαμαρινόβιδες (δεν παρέχονται).

6.2.3 Ανεμιστήρας DCU

Περιστροφή ανεμιστήρα συστήματος DCU



- 1 Screws on blower ring
- 2 Screws on drain pan or bracket

1. Αφαιρέστε τις βίδες από τον δακτύλιο του ανεμιστήρα.
2. Αφαιρέστε τις βίδες που συγκρατούν τον ανεμιστήρα στον δίσκο αποστράγγισης ή στο στήριγμα.
3. Γυρίστε τον ανεμιστήρα στην επιθυμητή θέση.
4. Στερεώστε τον ανεμιστήρα στη θέση του με αυτοκοχλιούμενες λαμαρινόβιδες (δεν παρέχονται).
5. Κλείστε με τάπες τις οπές που δεν χρησιμοποιούνται για να εμποδίσετε την απώλεια αέρα.

6.3 Τοποθέτηση των φίλτρων αέρα

Τα φίλτρα αέρα απομακρύνουν τα αερομεταφερόμενα σωματίδια από τον αέρα της καμπίνας και διατηρούν καθαρή τη σερπαντίνα του εξατμιστή. Σε κάθε κλιματιστικό, τοποθετήστε ένα φίλτρο αέρα είτε στο κλιματιστικό είτε στη σχάρα επιστροφής αέρα.

6.4 Τοποθέτηση των σχαρών και των κιβωτίων μετάβασης

Όταν τοποθετείτε τις σχάρες και τα κιβώτια μετάβασης, πρέπει να λαμβάνετε υπόψη τα εξής:

- Τοποθετήστε τη σχάρα παροχής αέρα όσο το δυνατόν πιο ψηλά, σε ένα σημείο που εξασφαλίζει ομοιόμορφη κατανομή του αέρα σε ολόκληρη την καμπίνα. Κατευθύνετε τις γρίλιες της σχάρας προς τα πάνω.
- Τοποθετήστε τη σχάρα επιστροφής αέρα όσο το δυνατόν πιο χαμηλά και πιο κοντά στο κλιματιστικό, ώστε να εξασφαλίζεται η παροχή αέρα προς τον εξατμιστή.
- Μην κατευθύνετε τον παρεχόμενο αέρα που εκκενώνεται προς τη σχάρα επιστροφής αέρα, γιατί θα προκύπτει βραχεία επανακυκλοφορία του αέρα στο σύστημα.
- Αφήστε επαρκή απόσταση πίσω από τη σχάρα παροχής αέρα για το κιβώτιο μετάβασης και τη σύνδεση των αεραγωγών. Ανατρέξτε στις Προδιαγραφές στη σελίδα 192

7 Εγκατάσταση



ΠΡΟΕΙΔΟΠΟΙΗΣΗ! Κίνδυνος ηλεκτροπληξίας

Η τοποθέτηση επιτρέπεται να πραγματοποιείται μόνο από εξειδικευμένο ηλεκτρολόγο.

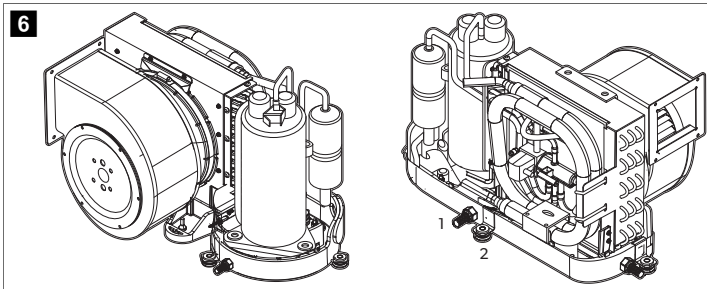
7.1 Εγκατάσταση των στηριγμάτων τοποθέτησης και της αποστράγγισης υγροποιημένων υδρατμών



ΠΡΟΣΟΧΗ!

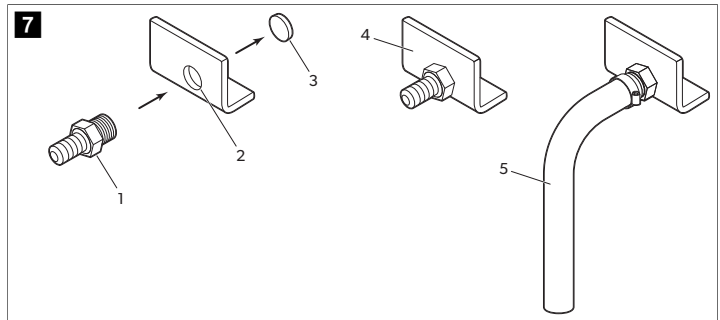
Για να μην ραγίσει ο δίσκος αποστράγγισης, μην χρησιμοποιήσετε περισσότερες από δύο στρώσεις στεγανοποιητικής ταινίας υδραυλικού γύρω από το μεταλλικό ρακόρ του εύκαμπτου σωλήνα και μην σφίξετε υπερβολικά το μεταλλικό ρακόρ του εύκαμπτου σωλήνα.

Τυπική θέση των στηριγμάτων τοποθέτησης και των αποστραγγίσεων υγροποιημένων υδρατμών



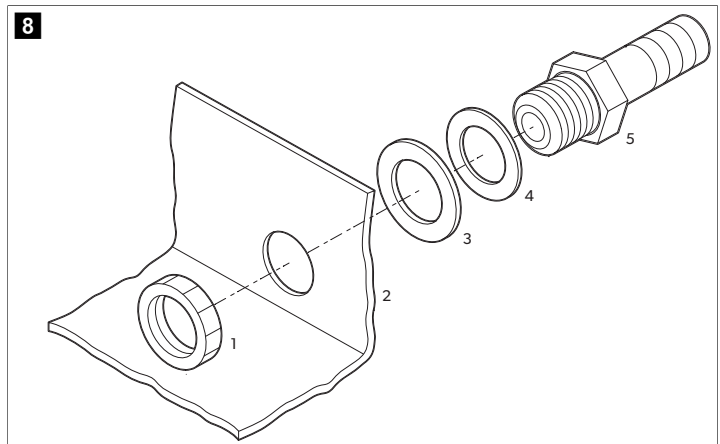
- 1 Μεταλλικό ρακόρ εύκαμπτου σωλήνα αποστράγγισης υγροποιημένων υδρατμών
- 2 Στήριγμα τοποθέτησης

Εγκατάσταση αποστράγγισης υγροποιημένων υδρατμών για GTX, GVTX, DTG και TX



- 1 Hose barb
- 2 Σπειροτομημένη οπή αποστράγγισης
- 3 Χτύπημα και αφαίρεση μεταλλικής τάπας
- 4 Drain pan
- 5 Εύκαμπτος σωλήνας αποστράγγισης

Εγκατάσταση αποστράγγισης υγροποιημένων υδρατμών σε όλες τις άλλες κλιματιστικές μονάδες



- 1 Locking nut
- 2 Δίσκος αποστράγγισης
- 3 Ροδέλα στεγανοποίησης
- 4 Solid washer
- 5 Εξάρτημα στερέωσης από PVC 0,5 in (12,7 mm) HB x 0,5 in (12,7 mm) MPT

1. Για μονάδες GTX, GVTX, DTG και TX:

- Χρησιμοποιήστε το μικρό άκρο του μεταλλικού ρακόρ του εύκαμπτου σωλήνα για να σπρώξετε και να αφαιρέσετε τη μεταλλική τάπα από μια οπή αποστράγγισης στην πρύμνη του σκάφους με ένα δυνατό χτύπημα με μια ματσόλα από καουτσούκ. Απορρίψτε τη μεταλλική τάπα που αφαιρέσατε με χτύπημα.
- Τυλίξτε το σπειροτομημένο άκρο του μεταλλικού ρακόρ του εύκαμπτου σωλήνα με στεγανοποιητική ταινία υδραυλικού.
- Βιδώστε το μεταλλικό ρακόρ του εύκαμπτου σωλήνα στην σπειροτομημένη οπή αποστράγγισης και σφίξτε το καλά.

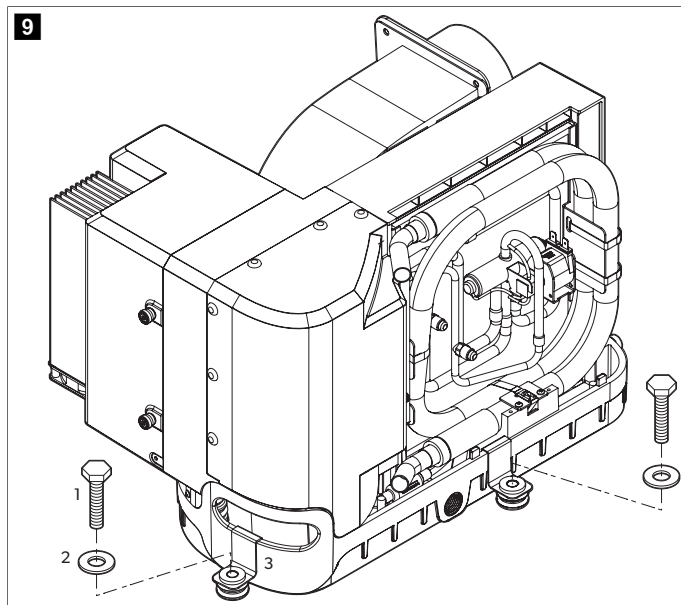
2. Σε όλα τα άλλα κλιματιστικά:

- Περάστε το μεταλλικό ρακόρ του εύκαμπτου σωλήνα μέσα από μια συμπαγή ροδέλα και μια ροδέλα στεγανοποίησης και τοποθετήστε το στην οπή αποστράγγισης.
- Στερεώστε με ένα παξιμάδι ασφάλισης.

3. Στερεώστε τον εύκαμπτο σωλήνα αποστράγγισης στο μεταλλικό ρακόρ με σφιγκτήρα σωλήνων από ανοξείδωτο χάλυβα.

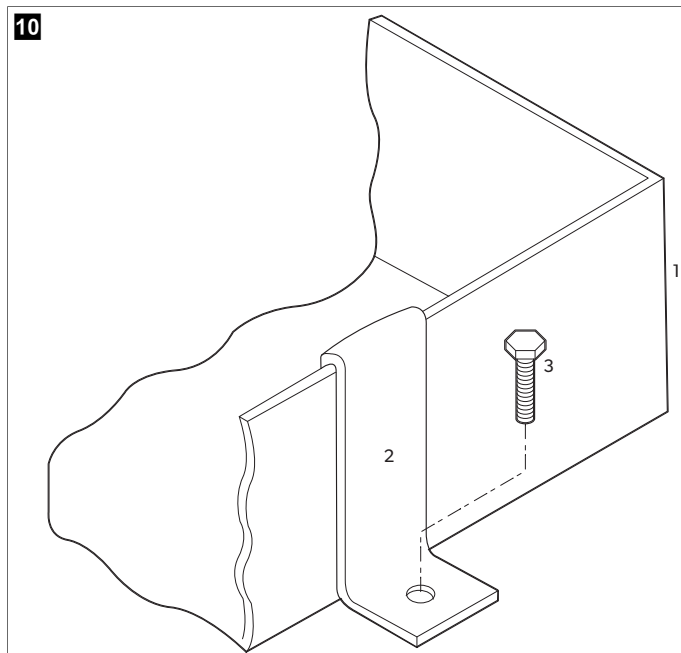
4. Δρομολογήστε τον εύκαμπτο σωλήνα αποστράγγισης προς τα κάτω σε ένα ασφαλές και κατάλληλο σημείο συλλογής.

Εγκατάσταση στηρίγματος τοποθέτησης σε μονάδες GTX, GVTX, DTG και TX



- 1 Μπουζόνι στερέωσης (δεν παρέχεται)
2 Ροδέλα προστασίας (παρέχεται)
3 Στήριγμα τοποθέτησης (παρέχεται)

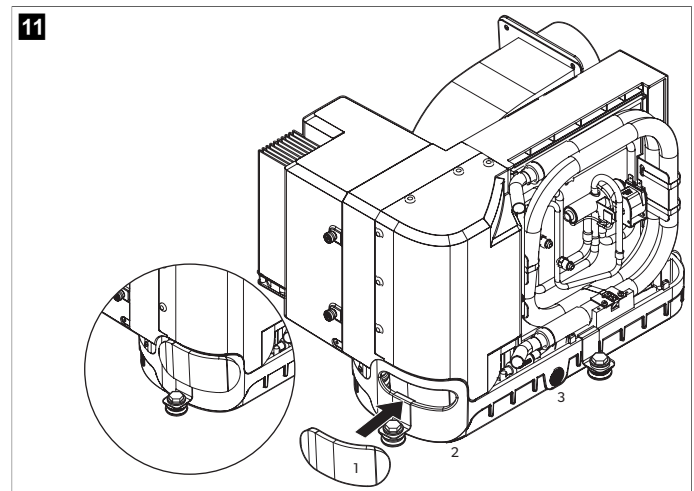
Εγκατάσταση στηρίγματος τοποθέτησης σε όλες τις άλλες κλιματιστικές μονάδες



- 1 Δίσκος αποστράγγισης
2 Στήριγμα τοποθέτησης
3 Μπουζόνι στερέωσης (δεν παρέχεται)

5. Εγκαταστήστε ένα στήριγμα τοποθέτησης σε κάθε πλευρά του δίσκου αποστράγγισης, με ομοιόμορφες ενδιάμεσες αποστάσεις.

Τοποθέτηση αφρώδους μόνωσης λαβής στις μονάδες GVTX και TX



- 1 Αφρώδης μόνωση λαβής
2 Άνοιγμα λαβής
3 Δίσκος αποστράγγισης

6. Για μονάδες GVTX και TX:

- Αφαιρέστε τη μεμβράνη που καλύπτει την αυτοκόλλητη πίσω όψη της αφρώδους μόνωσης της λαβής.
- Τοποθετήστε κατάλληλα την αφρώδη μόνωση της λαβής ώστε να καλύψει τελείως το άνοιγμα της λαβής με την αυτοκόλλητη πλευρά προς τον δίσκο αποστράγγισης.
- Πιέστε γύρω από το άνοιγμα της λαβής για να κολλήσει η αφρώδης μόνωση της λαβής στον δίσκο αποστράγγισης.

7.2 Εγκατάσταση των αεραγωγών



ΠΡΟΕΙΔΟΠΟΙΗΣΗ! Κίνδυνος πυρκαγιάς ή έκρηξης

- Οι βοηθητικές συσκευές που ενδέχεται να είναι πηγές ανάφλεξης δεν πρέπει να εγκαθίστανται στον αεραγωγό, εκτός από τις βοηθητικές συσκευές που αναφέρονται για χρήση με τη συγκεκριμένη συσκευή.
- Για μοντέλα που χρησιμοποιούν εύφλεκτα ψυκτικά μέσα, τα οποία συνδέονται μέσω συστήματος αεραγωγών σε έναν ή περισσότερους χώρους, ο αέρας παροχής και επιστροφής πρέπει να διοχετεύεται απευθείας στον χώρο. Οι ανοιχτοί χώροι όπως οι ψευδοροφές δεν πρέπει να χρησιμοποιούνται ως αεραγωγός επιστροφής αέρα.
- Μην δρομολογείτε τους αεραγωγούς μέσα από μηχανοστάσια ή από χώρους όπου μπορεί να εκτίθενται σε επικίνδυνες αναθυμιάσεις ή καυσαέρια.

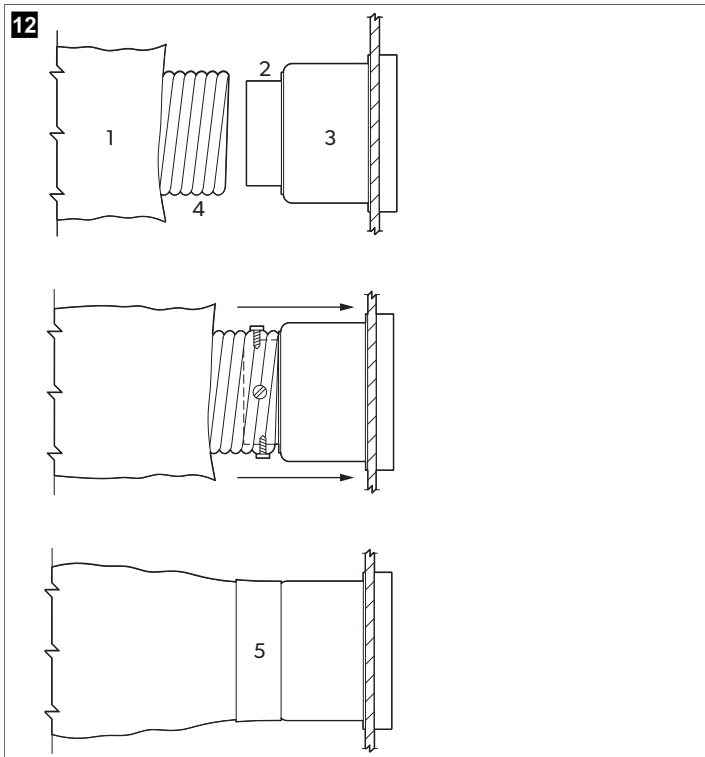
Κατά την εγκατάσταση των αεραγωγών πρέπει να τηρείτε τις παρακάτω οδηγίες:

- Οι αεραγωγοί πρέπει να είναι κατάλληλα διαστασιολογημένοι για τη δική σας εφαρμογή.
- Τοποθετήστε κατάλληλα τους αεραγωγούς, ώστε να είναι όσο το δυνατόν πιο ευθύγραμμοι, στρωτοί και τετρωμένοι ελαχιστοποιώντας τον αριθμό των γωνιών 90° και των βρόχων, που μπορεί να μειώνουν την παροχή αέρα.
- Στερεώστε καλά τους αεραγωγούς ώστε να μην κρεμάσουν.
- Μην αφήνετε τους αεραγωγούς να συμπιεστούν ή να τσακίσουν.
- Κόψτε τα άκρα των αεραγωγών που προεξέχουν μετά από την εγκατάσταση.
- Μονώστε τους αεραγωγούς που βρίσκονται σε περιοχές υψηλής θέρμανσης.

Εάν χρησιμοποιείται κιβώτιο μετάβασης, η συνολική διατομή των αεραγωγών παροχής αέρα που εξέρχονται από το κιβώτιο θα πρέπει να είναι τουλάχιστον

ίση με τη συνολική διατομή των αεραγωγών παροχής που εισέρχονται στο κιβώτιο. Ανατρέξτε στο Προδιαγραφές στη σελίδα 192

Συνδέσεις αεραγωγών



- | | |
|-----------------------|-------------------------------|
| 1 Μόνωση από υαλοίνα | 4 Εσωτερικός αγωγός από mylar |
| 2 Δακτύλιος στερέωσης | 5 Στεγανοποιητική ταινία |
| 3 Κιβώτιο μετάβασης | |
- Σύρετε τον εσωτερικό αγωγό από mylar που βρίσκεται γύρω από τον δακτύλιο στερέωσης στο κιβώτιο μετάβασης.
 - Βιδώστε τρεις από τις τέσσερις βίδες από ανοξείδωτο χάλυβα στον δακτύλιο στερέωσης περνώντας τις μέσα από τον αγωγό από mylar, έτσι ώστε να συγκρατηθούν δύο ή τρία καλώδια με τις κεφαλές των βιδών.
 - Σύρετε τη μόνωση από υαλοίνα που υπάρχει γύρω από τον εσωτερικό αγωγό από mylar στο κιβώτιο μετάβασης. Στερεώστε με στεγανοποιητική ταινία.

7.3 Εγκατάσταση του συστήματος θαλασσινού νερού



ΠΡΟΣΟΧΗ!

Εάν δεν τηρηθεί αυτή η διαδικασία, ακυρώνεται η εγγύηση.

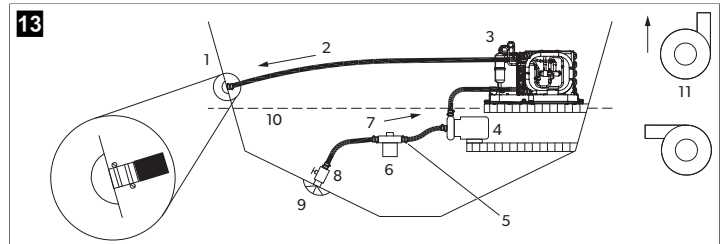
Κατά την εγκατάσταση του συστήματος θαλασσινού νερού πρέπει να τηρείτε τα παρακάτω:

- Το φίλτρο πρέπει να βρίσκεται χαμηλότερα από την αντλία.
- Στους εύκαμπτους σωλήνες πρέπει να χρησιμοποιηθούν διπλοί σφικτήρες.
- Οι εύκαμπτοι σωλήνες δεν πρέπει να έχουν τσακίσματα, βρόχους ή ψηλά σημεία στα οποία μπορεί να παγιδευτεί αέρας.
- Η αντλία και το φίλτρο πρέπει να βρίσκονται χαμηλότερα από την ίσαλο γραμμή.
- Το άνοιγμα εισαγωγής θαλασσινού νερού στη γάστρα, η ένσφαιρη βαλβίδα, ο εύκαμπτος σωλήνας και το φίλτρο δεν θα πρέπει να είναι μικρότερα από το άνοιγμα εισαγωγής της αντλίας.
- Εγκαταστήστε το εξάρτημα εισαγωγής θαλασσινού νερού στη γάστρα όσο το δυνατόν χαμηλότερα από την ίσαλο γραμμή.
- Η αντλία πρέπει να έχει ξεχωριστό εξάρτημα εισαγωγής θαλασσινού νερού στη γάστρα.

- Αποφύγετε εξαρτήματα στερέωσης τύπου γωνίας 90,00 ° όσο το δυνατόν περισσότερο.
- Βεβαιωθείτε ότι η κεφαλή της αντλίας είναι γυρισμένη προς την κατεύθυνση ροής του νερού.
- Χρησιμοποιήστε στεγανοποιητική ταινία υδραυλικού σε όλες τις σπειροτομημένες συνδέσεις.

Ανατρέξτε στις Προδιαγραφές στη σελίδα 192 για τις μέγιστες και ελάχιστες τιμές θερμοκρασίας και πίεσης του νερού.

Σύστημα θαλασσινού νερού



- | | |
|-------------------------------------|---|
| 1 Άνοιγμα εξαγωγής θαλασσινού νερού | 7 Ανοδική ροή εισαγωγής |
| 2 Ροή εξαγωγής | 8 Ένσφαιρη βαλβίδα |
| 3 Κλιματιστικό | 9 Άνοιγμα εισαγωγής στη γάστρα |
| 4 Αντλία θαλασσινού νερού | 10 Ίσαλο γραμμή |
| 5 Σφικτήρες εύκαμπτων σωλήνων | 11 Σωστοί προσανατολισμοί φίλτρου στην κεφαλή της αντλίας |
| 6 Φίλτρο | |

- Εγκαταστήστε ένα άνοιγμα εισαγωγής θαλασσινού νερού στη γάστρα όσο το δυνατόν πιο κοντά στην καρίνα και όσο το δυνατόν πιο χαμηλά από την ίσαλο γραμμή. Στερεώστε το άνοιγμα εισαγωγής στη γάστρα με στεγανωτικό θαλάσσης σχεδιασμένο για υποβρύχια χρήση.
- Εγκαταστήστε μια μπρούντζινη βάνα πλήρους παροχής στο άνοιγμα εισαγωγής θαλασσινού νερού στη γάστρα.
- Εγκαταστήστε ένα φίλτρο θαλασσινού νερού κάτω από τη στάθμη της αντλίας με πρόσβαση στο φίλτρο.
- Στερεώστε την αντλία πάνω από το φίλτρο και τουλάχιστον ένα πόδι χαμηλότερα από την ίσαλο γραμμή.
- Συνδέστε το φίλτρο και τη βάνα με ένα ανοδικό τμήμα ενισχυμένου εύκαμπτου σωλήνα κατάλληλου για θαλασσινό νερό.
- Συνδέστε το στόμιο εκκένωσης από την ψηλά εγκατεστημένη αντλία στο κάτω άνοιγμα εισαγωγής της σερπαντίνας του συμπυκνωτή του κλιματιστικού με ενισχυμένο εύκαμπτο σωλήνα 5/8 της ίντσας, κατάλληλο για θαλασσινό νερό.
- Συνδέστε το στόμιο εκκένωσης από τη σερπαντίνα του συμπυκνωτή στο άνοιγμα εκροής προς τη θάλασσα μέσω του εξαρτήματος εισαγωγής στη γάστρα με ενισχυμένο εύκαμπτο σωλήνα 5/8 της ίντσας κατάλληλο για θαλασσινό νερό.
- Αποφύγετε τους βρόχους, τα ψηλά σημεία ή τη χρήση γωνιών 90° στον εύκαμπτο σωλήνα θαλασσινού νερού. Κάθε γωνία 90° είναι ισοδύναμη με 2,5 ft (0,76 m) εύκαμπτου σωλήνα και μια γωνία 90° στο στόμιο εξαγωγής της αντλίας είναι ισοδύναμη με 20,0 ft (6,10 m) εύκαμπτου σωλήνα.
- Στερεώστε με διπλούς σφικτήρες όλες τις συνδέσεις εύκαμπτων σωλήνων. Χρησιμοποιήστε δύο σφικτήρες από ανοξείδωτο χάλυβα και τοποθετήστε τους αντίστροφα όπου χρειάζεται.
- Συνδέστε όλα τα μεταλλικά εξαρτήματα που έρχονται σε επαφή με θαλασσινό νερό στο σύστημα καθοδικής προστασίας του σκάφους.

7.4 Ηλεκτρικές συνδέσεις



ΠΡΟΕΙΔΟΠΟΙΗΣΗ! Κίνδυνος ηλεκτροπληξίας

- > Πρέπει πάντα να απενεργοποιείτε την παροχή ρεύματος προς το κλιματιστικό προτού ανοίξετε το κουτί ηλεκτρικών συνδέσεων. Η μη τήρηση αυτής της προειδοποίησης ενδέχεται να έχει ως αποτέλεσμα την πρόκληση θανάτου ή σοβαρού τραυματισμού.
- > Βεβαιωθείτε ότι το κουτί ηλεκτρικών συνδέσεων βρίσκεται σε περιοχή που προστατεύεται από το νερό.



ΠΡΟΣΟΧΗ!

Το κλιματιστικό πρέπει να συνδεθεί στο σύστημα καθοδικής προστασίας του σκάφους, ώστε να εμποδίζεται η διάβρωση λόγω ηλεκτρικών ρευμάτων διασποράς. Όλες οι αντλίες, οι μεταλλικές βαλβίδες και τα εξαρτήματα σύνδεσης στο κύκλωμα θαλασσινού νερού που απομονώνονται από το κλιματιστικό μέσω εύκαμπτων σωλήνων από PVC ή καουτσούκ πρέπει να συνδέονται ξεχωριστά στο σύστημα καθοδικής προστασίας του σκάφους.



ΥΠΟΔΕΙΞΗ Εάν το σύστημα δεν συνδεθεί καλά με τη γείωση και με το σύστημα καθοδικής προστασίας, ακυρώνεται η εγγύηση.

Όλες οι μονάδες κλιματιστικών διαθέτουν κλεμοσειρά με ετικέτες για τις σωστές συνδέσεις μέσα στο κουτί ηλεκτρικών συνδέσεων. Το διάγραμμα καλωδίωσης μέσα στο κουτί ηλεκτρικών συνδέσεων έχει προτεραιότητα έναντι των προτύπων ABYC. Χρησιμοποιήστε ασφαλειοδιακόπτη σωστού μεγέθους, όπως αναγράφεται στην ετικέτα τύπου της κάθε μονάδας κλιματιστικού, για να προστατέψετε το σύστημα. Για την ηλεκτρική τροφοδοσία του κλιματιστικού και της αντλίας θαλασσινού νερού θα πρέπει να χρησιμοποιηθεί καλώδιο σκαφών με ελάχιστη διατομή 12 AWG. Όλες οι συνδέσεις θα πρέπει να γίνουν με δακτυλιοειδείς ή διχαλωτούς ακροδέκτες.

Για τις ηλεκτρικές συνδέσεις, ακολουθήστε τις παρακάτω οδηγίες:

- Η γείωση της γραμμής εναλλασσόμενου ρεύματος (AC) πρέπει να συνδεθεί στον ακροδέκτη γείωσης (GRND) στην κλεμοσειρά εισόδου ρεύματος AC.
- Οι συνδέσεις μεταξύ του αγωγού γείωσης του συστήματος AC του σκάφους και του αρνητικού πόλου του συστήματος συνεχούς ρεύματος (DC) ή του συστήματος καθοδικής προστασίας θα πρέπει να γίνουν στο πλαίσιο της καλωδίωσης του σκάφους. Σε περίπτωση συντήρησης ή αντικατάστασης υπάρχοντος εξοπλισμού που διαθέτει μπουζόνι γείωσης στερεωμένο στο σασί, ελέγξτε την καλωδίωση του σκάφους για αυτές τις συνδέσεις.
- Τα κλιματιστικά GVTX και TX είναι σχεδιασμένα για λειτουργία με τροφοδοσία AC ή με τροφοδοσία DC υψηλής τάσης. Ανατρέξτε στο διάγραμμα καλωδίωσης του σκάφους για τη σωστή τοποθέτηση.

Βεβαιωθείτε ότι η γείωση της γραμμής AC του κλιματιστικού είναι σωστά συνδεδεμένη με τη γείωση του συστήματος AC του σκάφους. Μέσα στο σκάφος, βεβαιωθείτε ότι η γείωση του συστήματος AC συνδέεται με τη γείωση του συστήματος DC σε ένα και μόνο σημείο.

Ελέγξτε και σφίξτε ξανά, εάν χρειάζεται, όλες τις ηλεκτρικές συνδέσεις πριν από την εκκίνηση.

8 Απόρριψη



ΠΡΟΦΥΛΑΞΗ! Κίνδυνος πυρκαγιάς

- > Αυτή η συσκευή περιέχει εύφλεκτο μονωτικό προωθητικό αέριο.
- > Η συσκευή πρέπει να αφαιρείται και να απορρίπτεται μόνο από ειδικευμένο τεχνικό.



Εάν είναι εφικτό, απορρίψτε τα υλικά συσκευασίας στους αντίστοιχους κάδους ανακύκλωσης. Συμβουλευθείτε ένα τοπικό κέντρο ανακύκλωσης ή έναν εξειδικευμένο αντιπρόσωπο για λεπτομέρειες σχετικά με τον τρόπο απόρριψης του προϊόντος σύμφωνα με τους ισχύοντες κανονισμούς διάθεσης απορριμμάτων.

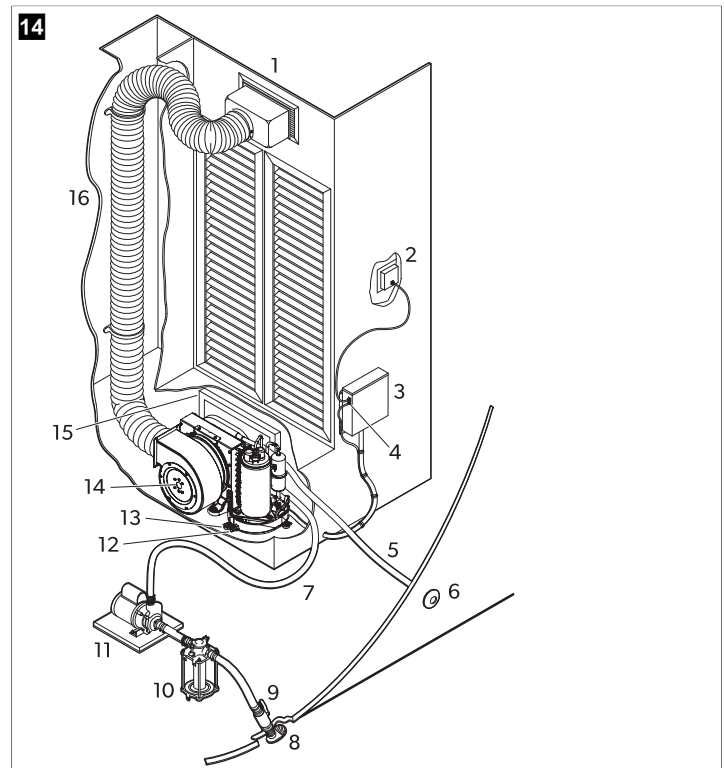
9 Τεχνικά χαρακτηριστικά

Διαβάστε πλήρως αυτές τις οδηγίες και κατόπιν κάντε ένα πλάνο των συνδέσεων που πρέπει να γίνουν στο κλιματιστικό (συμπεριλαμβανομένων

των αεραγωγών, της γραμμής αποστράγγισης υγροποιημένων υδρατμών, των εύκαμπτων σωλήνων εισαγωγής και εξαγωγής θαλασσινού νερού, των συνδέσεων ηλεκτρικής τροφοδοσίας, της θέσης του χειριστηρίου και της τοποθεσίας της αντλίας θαλασσινού νερού), για να εξασφαλίσετε εύκολη πρόσβαση για τη δρομολόγηση και τη μελλοντική συντήρηση.

9.1 Θέσεις εξαρτημάτων

Αναγνώριση εξαρτημάτων κλιματιστικού συστήματος



- | | | | |
|---|--|----|---|
| 1 | Σχάρα παροχής αέρα και κιβώτιο με-τάβασης | 9 | Βάνα διακοπής παροχής θαλασσινού νερού |
| 2 | Ψηφιακή οθόνη | 10 | Φίλτρο θαλασσινού νερού |
| 3 | Κουτί ηλεκτρικών συνδέσεων | 11 | Αντλία |
| 4 | Καλώδιο προαιρετικού απομακρυσμένου αισθητήρα αέρα | 12 | Μεταλλικό ρακόρ εύκαμπτου σωλήνα αποστράγγισης υγροποιημένων υδρατμών |
| 5 | Εύκαμπτος σωλήνας εξαγωγής θαλασσινού νερού | 13 | Στήριγμα τοποθέτησης |
| 6 | Στόμιο εκκένωσης προς τη θάλασσα | 14 | Κλιματιστικό |
| 7 | Εύκαμπτος σωλήνας εισαγωγής θαλασσινού νερού | 15 | Σχάρα και φίλτρο αέρα επιστροφής |
| 8 | Άνοιγμα εισαγωγής θαλασσινού νερού στη γάστρα | 16 | Μονωμένος εύκαμπτος αεραγωγός |

9.2 Προδιαγραφές

Το κύκλωμα ψυκτικού μέσου περιέχει μια μικρή ποσότητα ενός φιλικού προς το περιβάλλον, αλλά εύφλεκτου ψυκτικού μέσου. Δεν προκαλεί ζημιά στο στρώμα του όζοντος και δεν αυξάνει το φαινόμενο του θερμοκηπίου. Σε περίπτωση διαρροής, το ψυκτικό μέσο ενδέχεται να αναφλεγεί.

Αυτό το προϊόν περιέχει φθοριωμένα αέρια του θερμοκηπίου.

Η ψυκτική μονάδα είναι σφραγισμένη ερμητικά.

Πίνακας 43: Ελάχιστα μεγέθη αεραγωγών και σαρώων ανάλογα με τη δυναμικότητα BTU

	3.5 k BTU	6 k BTU	8 k BTU	10 k BTU
Ελάχιστη διάμετρος αεραγωγών	3,00 in (76,2 mm)	4,00 in (101,6 mm)	5,00 in (127,0 mm)	6,00 in (152,4 mm)
Ελάχιστη διατομή αεραγωγών	6,8 in ² (43,9 cm ²)	12,6 in ² (81,3 cm ²)	19,6 in ² (126,5 cm ²)	28,3 in ² (182,6 cm ²)
Ελάχιστο μέγεθος σχάρας επιστροφής αέρα	48,0 in ² (309,7 cm ²)	64,0 in ² (412,9 cm ²)	80,0 in ² (516,2 cm ²)	100,0 in ² (645,2 cm ²)
Ελάχιστο μέγεθος σχάρας παροχής αέρα	12,0 in ² (77,4 cm ²)	32,0 in ² (206,5 cm ²)	48,0 in ² (309,7 cm ²)	60,0 in ² (387,1 cm ²)
	12 k BTU	16 k BTU	18 k BTU	27 k BTU
Ελάχιστη διάμετρος αεραγωγών	6,00 in (152,4 mm)	7,00 in (177,8 mm)	7,00 in (177,8 mm)	8,00 in (203,2 mm)
Ελάχιστη διατομή αεραγωγών	28,3 in ² (182,6 cm ²)	38,5 in ² (248,4 cm ²)	38,5 in ² (248,4 cm ²)	50,3 in ² (324,5 cm ²)
Ελάχιστο μέγεθος σχάρας επιστροφής αέρα	130,0 in ² (838,8 cm ²)	160,0 in ² (1032,3 cm ²)	200,0 in ² (1290,4 cm ²)	240,0 in ² (1548,5 cm ²)
Ελάχιστο μέγεθος σχάρας παροχής αέρα	70,0 in ² (451,6 cm ²)	80,0 in ² (516,2 cm ²)	100,0 in ² (645,2 cm ²)	120,0 in ² (774,2 cm ²)

Πίνακας 44: Θερμοκρασία και πίεση νερού κατά τη λειτουργία

Ελάχιστη θερμοκρασία νερού κατά τη λειτουργία	40,0 °F (4,44 °C)
Μέγιστη θερμοκρασία νερού κατά τη λειτουργία	80,0 °F (26,66 °C)
Ελάχιστη πίεση νερού κατά τη λειτουργία	4,2 psi (0,29 bar) (29,00 kPa)
Μέγιστη πίεση νερού κατά τη λειτουργία	6,00 psi (0,41 bar) (41,4 kPa)

Τηρήστε τις προϋποθέσεις χρήσης EPA.

ΥΠΟΔΕΙΞΗ Η μονάδα μπορεί να λειτουργήσει εκτός αυτών των συνθηκών, αλλά με μειωμένη δυναμικότητα.

10 Νομική σημείωση

Μοντέλα GVTX μόνο: Για συμμόρφωση με το πρότυπο IEC 60533, μην τοποθετείτε το προϊόν σε απόσταση 9,8 ft (3,00 m) από μια κεραία λήψης.

11 Εγγύηση

Ανατρέξτε στις παρακάτω παραγράφους για πληροφορίες σχετικά με την εγγύηση και την υποστήριξη εγγύησης στις ΗΠΑ, στον Καναδά και σε όλες τις άλλες περιοχές.

Ηνωμένες Πολιτείες και Καναδάς

Η ΠΕΡΙΟΡΙΣΜΕΝΗ ΕΓΓΥΗΣΗ ΕΙΝΑΙ ΔΙΑΘΕΣΙΜΗ ΣΤΗΝ ΗΛΕΚΤΡΟΝΙΚΗ ΔΙΕΥΘΥΝΣΗ DOMETIC.COM/EN-US/TERMS-AND-CONDITIONS-CONSUMER/WARRANTY. ΣΕ ΠΕΡΙΠΤΩΣΗ ΕΡΩΤΗΣΕΩΝ Ή ΓΙΑ ΤΗ ΔΩΡΕΑΝ ΛΗΨΗ ΕΝΟΣ ΑΝΤΙΤΥΠΟΥ ΤΗΣ ΠΕΡΙΟΡΙΣΜΕΝΗΣ ΕΓΓΥΗΣΗΣ, ΕΠΙΚΟΙΝΩΝΗΣΤΕ ΜΕ:

DOMETIC CORPORATION
MARINE CUSTOMER SUPPORT CENTER
2000 NORTH ANDREWS AVENUE
POMPANO BEACH, FLORIDA, USA 33069
1-800-542-2477

Χώρες Ασίας-Ειρηνικού (APAC)

Εάν το προϊόν δεν λειτουργεί όπως πρέπει, επικοινωνήστε με το κατάστημα αγοράς ή με τον αντιπρόσωπο του κατασκευαστή στη χώρα σας (βλ. dometic.com/dealer). Η εγγύηση για το προϊόν σας έχει διάρκεια 1 έτος / έτη.

Για τυχόν επισκευή ή αξίωση κάλυψης από την εγγύηση, παρακαλούμε να αποστείλετε επίσης τα παρακάτω έγγραφα μαζί με τη συσκευή:

- Ένα αντίγραφο της απόδειξης αγοράς με την ημερομηνία αγοράς
- Τον λόγο για την αξίωση κάλυψης από την εγγύηση ή μια περιγραφή του σφάλματος

Λάβετε υπόψη ότι τυχόν επισκευή από εσάς τον ίδιο ή μη επαγγελματική επισκευή ενδέχεται να έχει συνέπειες ασφαλείας καθώς και να αποτελέσει αιτία ακύρωσης της εγγύησης.

Μόνο για την Αυστραλία

Τα προϊόντα μας συνοδεύονται από εγγυήσεις, οι οποίες δεν μπορούν να εξαιρεθούν βάσει του Δικαίου Προστασίας Καταναλωτών της Αυστραλίας. Δικαιούστε αντικατάσταση ή επιστροφή χρημάτων σε περίπτωση κύριας βλάβης καθώς και αποζημίωση για τυχόν άλλη εύλογα προβλέψιμη απώλεια ή ζημία. Επίσης δικαιούστε την επισκευή ή την αντικατάσταση των προϊόντων, εάν τα προϊόντα δεν παρουσιάζουν αποδεκτή ποιότητα και η αναφερόμενη βλάβη δεν ισοδυναμεί με κύρια βλάβη.

Μόνο Νέα Ζηλανδία

Αυτή η πολιτική εγγύησης υπόκειται στους υποχρεωτικούς όρους και στις υποχρεωτικές εγγυήσεις, που ορίζει ο Νόμος περί Εγγυήσεων Καταναλωτών 1993(NZ).

Όλες οι άλλες περιοχές

Ισχύει η νόμιμη διάρκεια εγγύησης. Εάν το προϊόν είναι ελαττωματικό, επικοινωνήστε με τον αντιπρόσωπο του κατασκευαστή στη χώρα σας (βλ. dometic.com/dealer) ή στο κατάστημα αγοράς.

Για τυχόν επισκευή ή αξίωση κάλυψης από την εγγύηση, παρακαλούμε να αποστείλετε επίσης τα παρακάτω έγγραφα μαζί με τη συσκευή:

- Ένα αντίγραφο της απόδειξης αγοράς με την ημερομηνία αγοράς
- Τον λόγο για την αξίωση κάλυψης από την εγγύηση ή μια περιγραφή του σφάλματος

Λάβετε υπόψη ότι τυχόν επισκευή από εσάς τον ίδιο ή μη επαγγελματική επισκευή ενδέχεται να έχει συνέπειες ασφαλείας καθώς και να αποτελέσει αιτία ακύρωσης της εγγύησης.

Lietuvių k.

1	Svarbios pastabos.....	194
2	Simbolių paaiškinimas.....	194
3	Tikslinė grupė (-ės).....	195
4	Paskirtis.....	195
5	Ant prietaiso esančių simbolių paaiškinimas.....	195
6	Iš anksto sumontuoti komponentai.....	195
7	Montavimas.....	197
8	Utilizavimas.....	200
9	Techniniai duomenys.....	200
10	Teisinė informacija.....	201
11	Garantija.....	201

1 Svarbios pastabos

Atidžiai perskaitykite šią instrukciją ir sekite visas instrukcijas, nurodymus ir perspėjimus, pateiktus šiame gaminio vadove, ir griežtai jų laikykitės, kad užtikrintumėte, jog šis gaminys visada bus įrengtas, naudojamas ir prižiūrimas tinkamai. Ši instrukcija PRIVALO likti šalia šio gaminio.

Naudodamiesi šiuo gaminiu patvirtinate, kad atidžiai perskaitytėte visas instrukcijas, nurodymus ir perspėjimus ir suprantate dokumente išdėstytas sąlygas bei sutinkate jų laikytis. Šį gaminį sutinkate naudoti tik pagal numatytąją paskirtį ir taip, kaip nurodo šioje gaminio instrukcijoje pateiktos instrukcijos, nurodymai ir perspėjimai, taip pat laikydamiesi taikomų teisinių ir teisės aktų. Nesuspėjus su šioje instrukcijoje pateiktomis instrukcijomis ir perspėjimais ir jų nesilaikius galite susižaloti patys ir sužaloti kitus asmenis, pažeisti gaminį arba pridaryti žalą kitai netoliese esančiai nuosavybei. Ši gaminio instrukcija, taip pat ir instrukcijos, nurodymai, perspėjimai ir kiti susiję dokumentai, gali būti keičiami ir atnaujunami. Noredami gauti naujausios informacijos apie gaminį, apsilankykite adresu documents.dometic.com.

2 Simbolių paaiškinimas

Signaliniu žodžiu pažymima informacija apie saugą ir turtinę žalą, taip pat nurodomas pavojaus rimtumo laipsnis ar lygis.



PAVOJUS!

nurodo pavojingą situaciją, kurios neišvengus gresia mirtinas arba sunkus sužalojimas.



ISPĖJIMAS!

nurodo pavojingą situaciją, kurios neišvengus gali grėsti mirtinas arba sunkus sužalojimas.



PRANEŠIMAS!

Nurodo situaciją, kurios neišvengus, gresia materialinė žala.



PASTABA Papildoma informacija apie gaminio eksploatavimą.

2.1 Papildomi nurodymai

Kad sumažintumėte nelaimingų atsitikimų ir sužalojimų riziką, prieš pradėdami montuoti šį prietaisą laikykitės šių nurodymų:

- Perskaitykite visą saugos informaciją ir instrukcijas bei vadovaukitės jomis.
- Perskaitykite ir išsiaiškinkite šias instrukcijas prieš montuodami gaminį.
- Montavimas turi atitikti visus taikomus vietinius ar nacionalinius kodeksus, įskaitant naujausias šių standartų laidas:
 - Amerikos laivų ir jachtų taryba (ABYC)
 - ANSI/NFPA 70, Nacionalinis elektros kodeksas (NEC)

2.2 Saugos instrukcijos



PAVOJUS! Gaisro arba sproginimo pavojus. Kai kuriuose modeliuose naudojamas degus aušalas.

Nesilaikant toliau pateiktų įspėjimų kils pavojus patirti sunkius ar net mirtinus sužalojimus:

- > Remontuoti leidžiama tik kvalifikuotiems techninės priežiūros darbuotojams.
- > Nemontuokite ir nelaikykite vietoje, kurioje nuolat naudojami uždegimo šaltiniai.
- > Pasirūpinkite, kad jokios reikalingos ventiliacijos angos nebūtų uždengtos.
- > Nepradurkite aušalo vamzdelių.
- > Aušalo tipą žr. gaminio duomenų plokštelėje.



ISPĖJIMAS! Gaisro ir (arba) sproginimo pavojus

Nesilaikant toliau pateiktų įspėjimų kyla pavojus patirti sunkius ar net mirtinus sužalojimus:

- > Nenaudokite galimų uždegimo šaltinių aušalo nuotėkiams aptikti ar ieškoti. Nenaudokite halogenido degiklio ar kito detektoriaus, kuriame naudojama atvira liepsna.
- > Įsitinkinkite, kad aptikimo įranga tinkama gaminyje naudojamo aušalo tipui. Aušalo tipą žr. gaminio duomenų plokštelėje.
- > Aušalo nuotėkiams aptikti galima naudoti elektroninius nuotėkio detektorius, bet jų jautrumas gali būti nepakankamas degiems aušalams, todėl gali reikėti kalibruoti iš naujo. Kalibruokite aptikimo įrangą vietoje, kurioje nėra aušalų.



ISPĖJIMAS! Anglies monoksido pavojus

Nesilaikant toliau pateiktų įspėjimų kyla pavojus patirti sunkius ar net mirtinus sužalojimus:

- > Nemontuokite ir nenaudokite autonominio oro kondicionieriaus triumo arba variklių skyriaus zonos, taip pat šalia vidaus degimo variklio. Įsitinkinkite, kad į pasirinktą vietą negalės tiesiogiai patekti garai iš triumo ir (arba) variklių skyriaus.
- > Patikrinkite, ar kondensato drenos linija įrengta tinkamai ir sandariai. Kondensato drenos linija neturėtų baigtis mažesniu nei 3 pėdos (0,91 m) atstumu nuo bet kokio variklio ar generatoriaus išmetamųjų dujų sistemos išvado, patalpoje, kurioje yra variklis ar generatorius, arba triume, nebent ji tinkamai prijungta prie sandaraus kondensato arba dušo išsiurbimo siurblio. Netinkamai įrengus drenos liniją, pavojingi dūmai galės į ją patekti ir užteršti gyvenamąsias patalpas.
- > Nemontuokite oro kondicionieriaus vietoje, kurioje jis gali cirkuliuoti anglies monoksidą, degalų garus ar kitus kenksmingus dūmus į gyvenamąsias laivo erdves.



ISPĖJIMAS! Elektros srovės pavojus

Montuoti gali tik kvalifikuotas elektrikas.



ISPĖJIMAS! Elektros smūgio, gaisro ir (arba) sproginimo pavojus

Nesilaikant šių atsargumo priemonių gali kilti sunkių ar net mirtinų sužalojimų rizika.

Šis prietaisas nėra skirtas naudoti asmenims (įskaitant vaikus), turintiems fizinių, sensorinių arba psichikos sutrikimų arba stokojančiams patirties ir žinių, jeigu jie nėra prižiūrimi arba instruktuojami, kaip saugiai naudoti šį prietaisą, už jų saugumą atsakingo asmens. Vaikus reikia prižiūrėti, kad jie nežaistų su prietaisu. Vaikams draudžiama šį prietaisą valyti ir atlikti jo techninę priežiūrą be suaugusiųjų priežiūros. Šis prietaisas neturėtų būti pasiekiamas pašaliniam asmenims.



ISPĖJIMAS! Sproginimo pavojus

Nesilaikant šių atsargumo priemonių gali kilti sunkių ar net mirtinų sužalojimų rizika.

- > Nemontuokite oro kondicionieriaus vietoje, kurioje yra benzinių variklių, talpyklų, suskystintų arba suslėgtų naftos dujų balionų, regulatorių, vožtuvų arba degalų linijos jungčių. Jei etiketėje nenurodyta kitaip, autonominiai prietaisai neatitinka federalinių reikalavimų dėl apsaugos nuo uždegimo. Nesilaikant šio įspėjimo gali grėsti mirtis arba rimtas susižalojimas.
- > Elektrinius komponentus, kurie gali sukelti elektros lanką arba kibirkštis, leidžiama keisti tik prietaiso gamintojo nurodytomis dalimis. Jei pakeisite kitokiomis dalimis ir aušalas pratekės, jis gali užsidegti.

**[SPĖJIMAS! Elektros smūgio pavojus**

Nesilaikant šių atsargumo priemonių gali kilti sunkių ar net mirtinų sužalojimų rizika.

- > Būtina veiksmingai įžeminti oro kondicionierių, kad sumažėtų elektros smūgio pavojus. Daugiau informacijos rasite montavimo gairėse.
- > Kiekvienam įrengtam oro kondicionieriui reikia atskiro jungtuvo. Jei įrengtas tik vienas oro kondicionierius, jūros vandens siurbliui nereikia atskiro jungtuvo. Jei du ar daugiau oro kondicionavimo įrenginių naudoja tą patį jūros vandens siurbį, siurblio laidai bus prijungti prie siurblio relės skydelio (PRP), kuris turi atskirą siurbliui pritaikytą jungtuvą (maks. 20 A). Žr. su PRP pateiktą laidų instaliacijos schemą. Elektros jungtims triume ir (arba) žemiau nei vandens linija reikia naudoti nuo karščio susitraukiančio tipo sandūrinės jungtis.
- > Lauko laidai turi atitikti ABYC elektros kodeksus. Prietaiso maitinimas turi atitikti darbinės įtampos diapazoną, nurodytą duomenų plokštelėje. Atšakos grandinių apsaugai reikia įrengti tinkamo parametro saugiklius arba HACR jungtuvus. Maksimalų saugiklio / jungtuvo parametras (MFS) ir minimalią grandinės talpą (MCA) žr. duomenų plokštelėje.



[spėjimas! Lėtai deganti medžiaga. Degus aušalas.



Aušalo saugos grupė A2L



Skaitykite naudojimo vadovą.



Skaitykite techninės priežiūros vadovą.

**PRANEŠIMAS!**

Šiame prietaise, hermetiškai sandariame kontūre, naudojamos fluorintos šiltnamio efektą sukeliančios dujos. Aušalo kiekį pagal svorį ir visuotinio atšilimo potencialą (GWP) žr. kondensavimo prietaiso duomenų plokštelės etiketėje. Įpiltą aušalo kiekį reikia nurodyti prietaiso etiketėje.

**PRANEŠIMAS!**

Nestumkite, netraukite, nekelkite ir neneškite gaminio už varinių vamzdelių.

3 Tikslinė grupė (-ės)



Prietaiso mechaninius darbus, elektros instaliaciją ir nustatymą turi atlikti kvalifikuotas technikas, turintis laivų įrangos ir sistemų montavimo ir eksploatavimo įgūdžių bei žinių. Be to, šis asmuo turi būti susipažinęs su šalyje, kurioje įranga montuojama ir (arba) naudojama, taikomomis taisyklėmis ir dalyvavęs saugos mokymuose, kad galėtų nustatyti ir išvengti susijusių pavojų.

4 Paskirtis

Šiame vadove aprašytas DCU, DLU, DTG, ECD, GT, GTX, GTX-LP, GVTX ir TX autonominių oro kondicionavimo sistemų (toliau vadinamų oro kondicionieriumi) montavimas. Oro kondicionierius skirtas naudoti laivuose ir jachtose. Šį oro kondicionierių leidžiama naudoti tik pagal paskirtį ir vadovaujantis šiomis instrukcijomis.

Šis gaminį galima naudoti tik pagal numatytą paskirtį ir vadovaujantis šiomis instrukcijomis.

Šiame vadove pateikiama informacija, reikalinga tinkamam gaminio įrengimui ir (arba) naudojimui. Dėl prasto įrengimo ir (arba) netinkamo naudojimo ar techninės priežiūros gaminys gali veikti netinkamai ir sugesti.

Gamintojas neprisiims atsakomybės už patirtus sužeidimus ar žalą gaminiui, atsiradusią dėl šių priežasčių:

- Netinkamas montavimas, surinkimas ar prijungimas, įskaitant per aukštą įtampą
- Netinkamos techninės priežiūros arba jeigu buvo naudotos neoriginalios, gamintojo nepateiktos atsarginės dalys
- Gaminio pakeitimai be aiškaus gamintojo leidimo
- Naudojimas kitais tikslais, nei nurodyta šiame vadove

„Dometic“ pasilieka teisę keisti gaminio išvaizdą ir specifikacijas.

5 Ant prietaiso esančių simbolių paaiškinimas



[spėjimas! Gaisro / degių medžiagų rizika

**PRANEŠIMAS!**

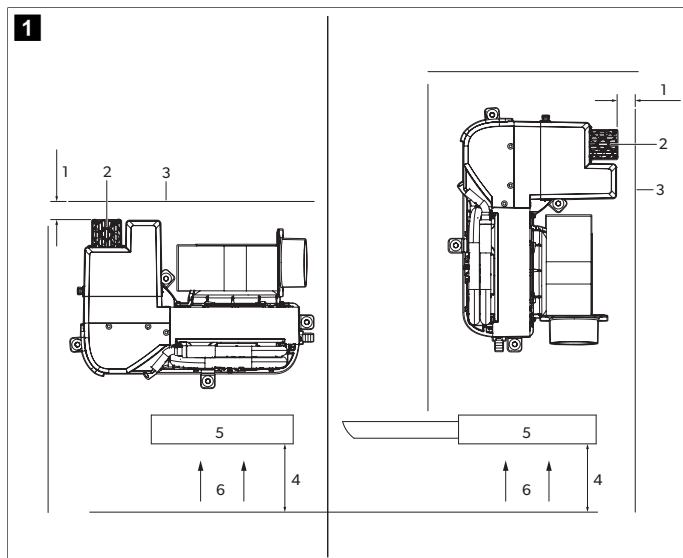
DTG, GTX, GVTX ir TX autonominiuose kondensato pagrindo padėkluose yra vibracijos izoliavimo įtaisai, sumontuoti padėklo apačioje. Šių izoliavimo įtaisų paskirtis – mažinti veikiančio oro kondicionieriaus sukeltą vibraciją, kad ji nebūtų perduodama į tvirtinimo paviršius. Reikia būti atsargiems judinant oro kondicionierių montavimo paviršiais, nes kyla pavojus sugadinti izoliavimo įtaisus.

**PRANEŠIMAS!**

- > Reikia montuoti oro kondicionierių ant žemo, plokščio ir lygaus paviršiaus, pavyzdžiui, rakinamos spintos apačioje, po gultu arba valgomojo suolu ar kitoje panašioje vietoje.
- > Pasirūpinkite kabelių apsauga nuo dėvėjimosi, korozijos, aukšto slėgio, vibracijos, aštrių briaunų ar kitų nepalankių aplinkos poveikių, įskaitant poveikius dėl senėjimo arba nuolatinės vibracijos iš tokių šaltinių kaip kompresoriai ar ventiliatoriai.
- > Pasirūpinkite, kad apsauginiai įtaisai, vamzdžiai ir jungiamosios detalės būtų kuo labiau apsaugotos nuo nepalankių aplinkos poveikių, pavyzdžiui, nešvarumų ir atplaišų kaupimosi arba vandens kaupimosi ir užšalimo slėgio mažinimo vamzdžiuose.
- > Imkitės atsargumo priemonių, kad apsaugotumėte aušalo vamzdžius nuo per didelės vibracijos ar pulsavimo.

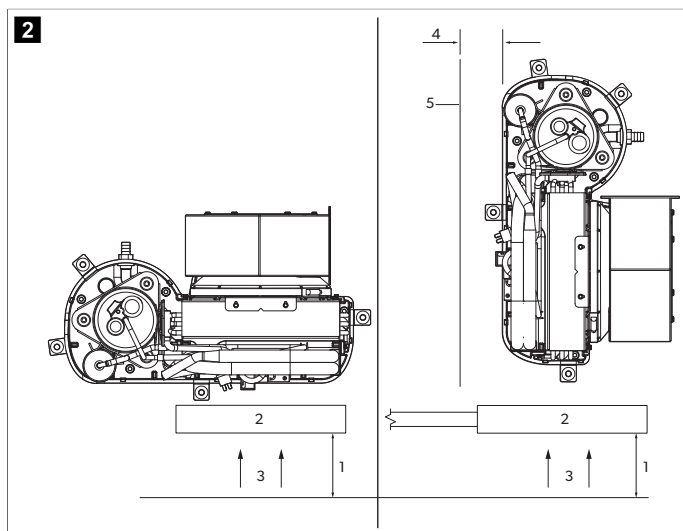
6.1 Montavimo vietos pasirinkimas

1. GVTX ir TX vieta oro srauto atžvilgiu



- | | |
|----------------------------|-------------------------------|
| 1 3,00 in (7,62 cm) | 4 4,00 in (10,16 cm) |
| 2 Šilumos rinktuvē | 5 Oro grūžimo grotelės |
| 3 Pertvara | 6 Oro srautas |

Visų kitų oro kondicionierių vieta oro srauto atžvilgiu



- | | |
|-------------------------------|----------------------------|
| 1 4,00 in (10,16 cm) | 4 3,00 in (7,62 cm) |
| 2 Oro grūžimo grotelės | 5 Pertvara |
| 3 Oro srautas | |

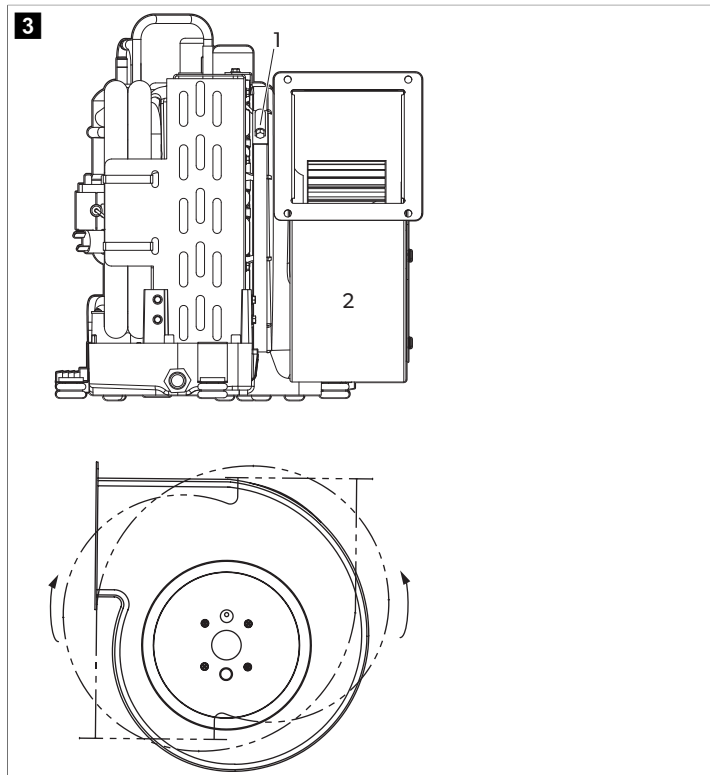
2. Pasirinkite vietą, kurioje oro srautas pakankamas. Prieš oro grūžimo grotelės turi būti bent 4,00 in (10,16 cm) tarpas oro cirkuliacijai be jokių kliūčių.
3. Jei oro kondicionierius įrengtas statmenai oro grūžimo grotelėms, palikite bent 3,00 in (7,62 cm) tarpą oro cirkuliacijai oro įsiurbimo pusėje.
4. **Tik GVTX ir TX:** Virš šilumos rinktuvēs ir po ja palikite bent 3,00 in (7,62 cm) atvirą plotą.

6.2 Ventilatoriaus pasukimas

Šiame skyriuje aprašyta, kaip pasukti ventilatorių kiekvieno tipo prietaisui. Jei reikia, pasukite ventilatorių kryptimi, kuria užtikrinamas tiesioginis oro srauto išleidimas ortakiais.

6.2.1 GTX, GVTX, DTG ir TX pūstuvai

GTX, GVTX, DTG ir TX sistemos ventilatoriaus pasukimas

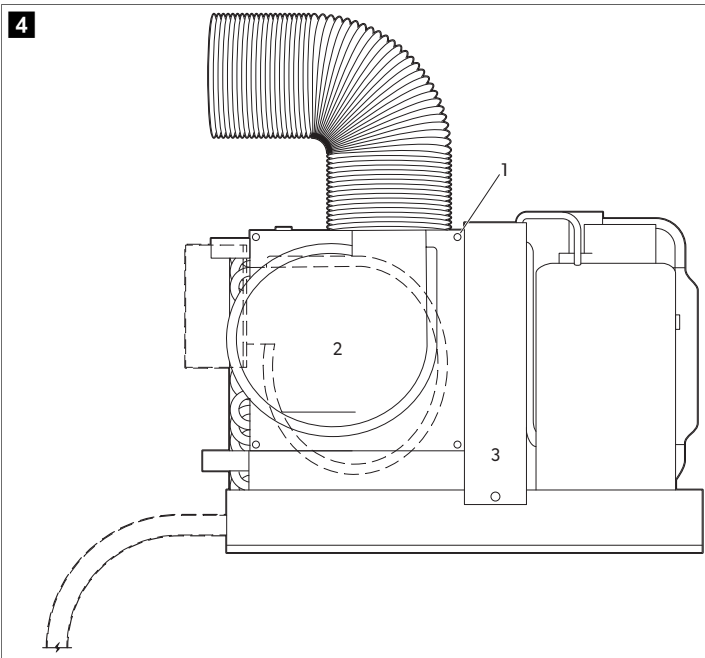


- 1** Adjustment screw
- 2** Blower

1. Atsukite reguliavimo varžtą ant ventilatoriaus montavimo žiedo.
2. Pasukite ventilatorių į norimą padėtį.
3. Priveržkite reguliavimo varžtą.

6.2.2 MCS, ECD ir GT ventilatoriai

MCS, ECD ir GT sistemos ventilatorių pasukimas

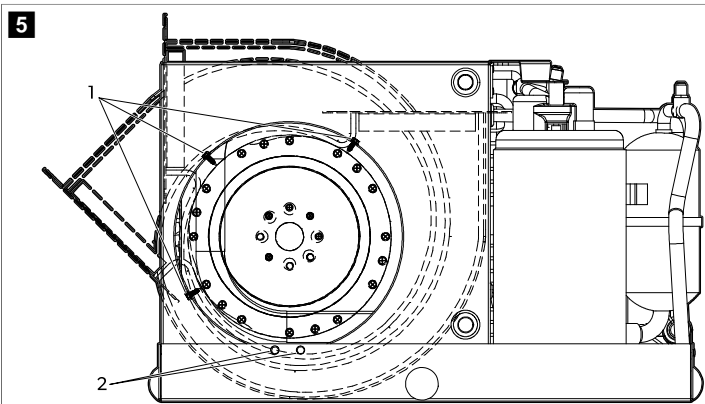


- 1 Screw
- 2 Plokštė
- 3 Ventilatorius

1. Išsukite iš plokštės septynis varžtus.
2. Pasukite ventilatorių į norimą padėtį.
3. Pritvirtinkite ventilatorių savisriegiais varžtais (nepateikiami).

6.2.3 DCU ventilatorius

DCU sistemos ventilatoriaus pasukimas



- 1 Screws on blower ring
- 2 Screws on drain pan or bracket

1. Išsukite varžtus iš ventilatoriaus žiedo.
2. Išsukite varžtus, kuriais ventilatorius pritvirtintas prie drenos padėklo arba laikiklio.
3. Pasukite ventilatorių į norimą padėtį.
4. Pritvirtinkite ventilatorių savisriegiais varžtais (nepateikiami).
5. Užkimskite visas nenaudojamas angas, kad nebūtų oro nuostolių.

6.3 Oro filtrų vietos

Oro filtrai pašalina ore esančias daleles iš kabinos oro ir palaiko garintuvo ritės švarą. Įrenkite po vieną oro filtrą kiekvienam oro kondicionieriui – oro kondicionieriuje arba oro grūžimo grotelėse.

6.4 Grotelių ir perėjimų dėžučių vietos

Prieš įrengdami grotelės ir perėjimų dėžutes atsižvelkite į šiuos aspektus:

- Įrenkite tiekiamo oro grotelės kuo aukščiau ir tokioje vietoje, kad būtų užtikrintas tolygus oro skirstymas kabinoje. Nukreipkite grotelių žaliuzes aukštyn.
- Įrenkite oro grūžimo grotelės kuo žemiau ir kuo arčiau oro kondicionieriaus, kad būtų užtikrintas oro srautas į garintuvą.
- Nenukreipkite tiekiamo oro išvado į oro grūžimo grotelės, nes dėl to sistemoje susidarys trumpasis ciklas.
- Už tiekiamo oro grotelių palikite pakankamai vietos perėjimų dėžutei ir kanalams prijungti. Žr. Specifikacijos puslapyje 201

7 Montavimas



ĮSPĖJIMAS! Elektros srovės pavojus
Montuoti gali tik kvalifikuotas elektrikas.

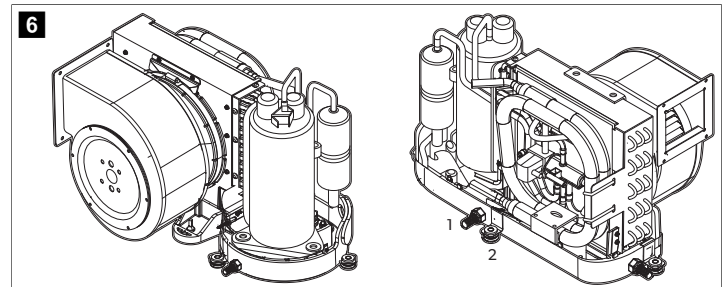
7.1 Montavimo laikiklių ir kondensato drenos įrengimas



PRANEŠIMAS!

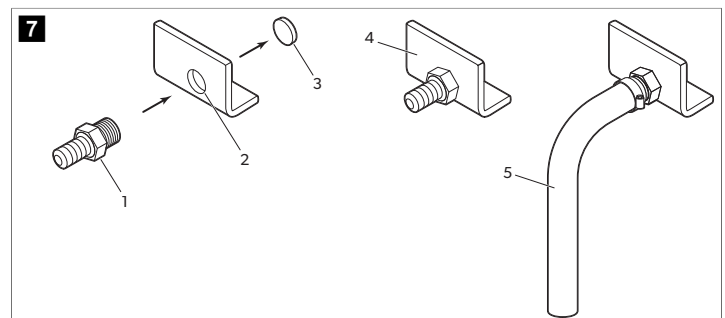
Kad išvengtumėte drenos padėklo trūkinėjimo, apvyniokite žarnos užkarpą ne daugiau kaip dviem sandarinimo juostos sluoksniais ir neprivėrkite užkarpos per stipriai.

Tipinis montavimo laikiklių ir kondensato drenų išdėstymas



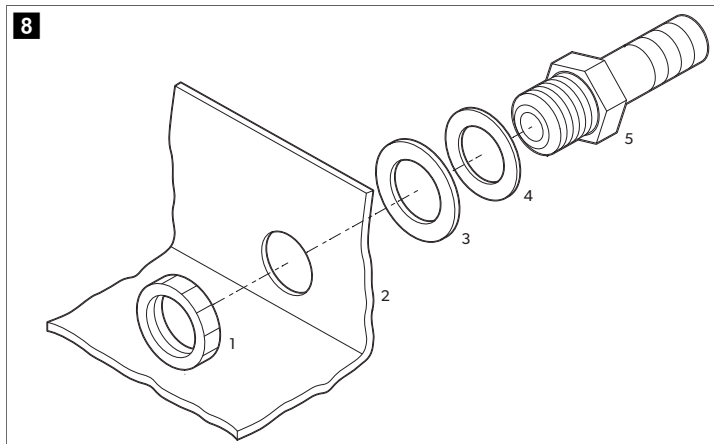
- 1 Kondensato drenos žarnos užkarpa
- 2 Montavimo laikiklis

GTX, GVTX, DTG ir TX kondensato drenos montavimas



- 1 Hose barb
- 2 Srieginė drenos anga
- 3 Išmušamas kamštelis
- 4 Drain pan
- 5 Drenos žarna

Kondensato drenos montavimas visiems kitiems oro kondicionieriams



- 1 Locking nut
- 2 Drenos padėklas
- 3 Skysčių sandarinimo poveržlė
- 4 Solid washer
- 5 PVC jungiamoji detalė 0,5 in (12,7 mm) HB x 0,5 in (12,7 mm) MPT

1. GTX, GVTX, DTG ir TX prietaisai:

- a) Naudodami mažesnį žarnos užkarpos galą išmuškite kamštelį iš į laivagalį atsuktos drenos angos vieną kartą suduodami guminiu plaktuku. Išmeskite išmuštą kamštelį.
- b) Apvyniokite žarnos užkarpos srieginį galą sandarinimo juosta.
- c) Įsukite žarnos užkarpą į srieginę drenos angą ir gerai priveržkite.

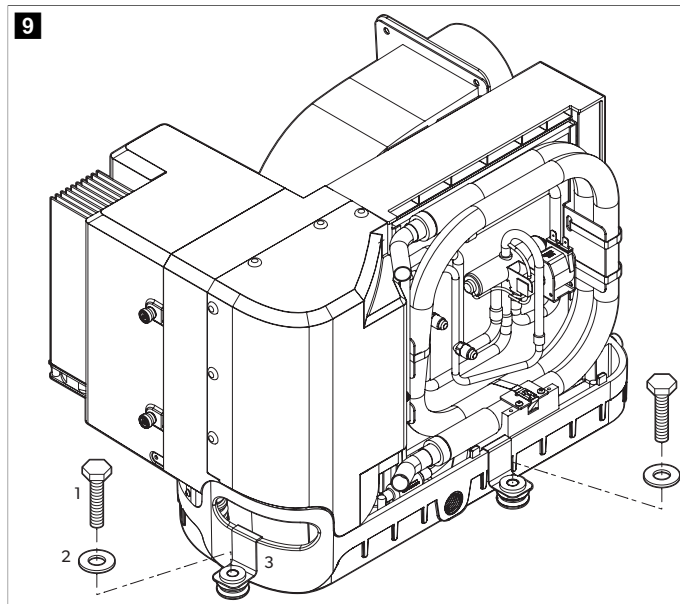
2. Visi kiti oro kondicionieriai:

- a) Įsukite žarnos užkarpą pro ištinusią poveržlę ir skysčių sandarinimo poveržlę bei įstatykite į drenos angą.
- b) Pritvirtinkite fiksavimo veržlę.

3. Tvirtinkite drenos žarną prie žarnos užkarpos naudodami žarnos gnybtą iš nerūdijančio plieno.

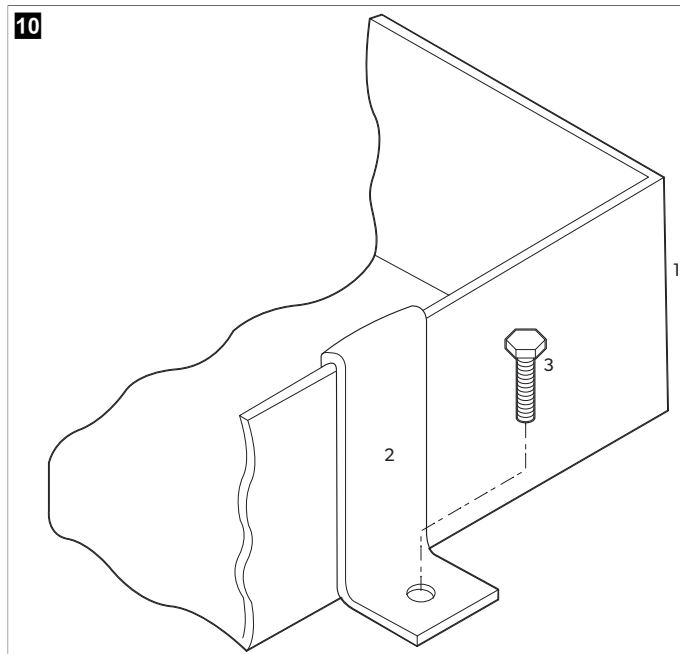
4. Nuveskite drenos žarną žemyn į saugų ir tinkamą surinkimo tašką.

Montavimo laikiklio įrengimas GTX, GVTX, DTG ir TX prietaisams



- 1 Montavimo varžtas (nepateikiamas)
- 2 Poveržlė (pateikiama)
- 3 Montavimo laikiklis (pateikiamas)

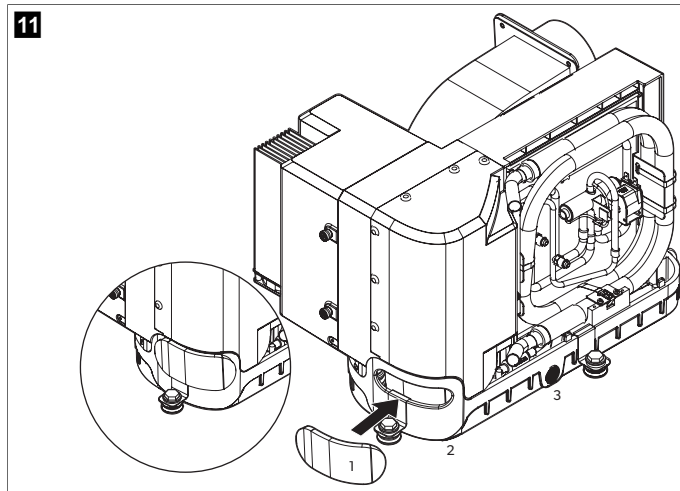
Montavimo laikiklio įrengimas visiems kitiems oro kondicionieriams



- 1 Drenos padėklas
- 2 Montavimo laikiklis
- 3 Montavimo varžtas (nepateikiamas)

5. Dėkite po vieną montavimo laikiklį kiekviename drenos padėklo gale, išlaikykite vienodus atstumus.

Rankenos izoliacijos iš putplasčio montavimas ant GVTX ir TX prietaisų



- 1 Rankenos izoliacija iš putplasčio
- 2 Rankenos anga
- 3 Drenos padėklas

6. GVTX ir TX prietaisai:

- a) Nuplėškite plėvelę nuo lipnaus sluoksnio ant rankenos izoliacijos iš putplasčio.
- b) Dėkite rankenos izoliaciją iš putplasčio taip, kad ji visiškai uždengtų rankenos angą, o lipnioji pusė būtų atsukta į drenos padėklą.
- c) Spausdami aplink rankenos angą priklijuokite rankenos izoliaciją iš putplasčio prie drenos padėklo.

7.2 Ortakių montavimas



ĮSPĖJIMAS! Gaisro arba sprogimo pavojus

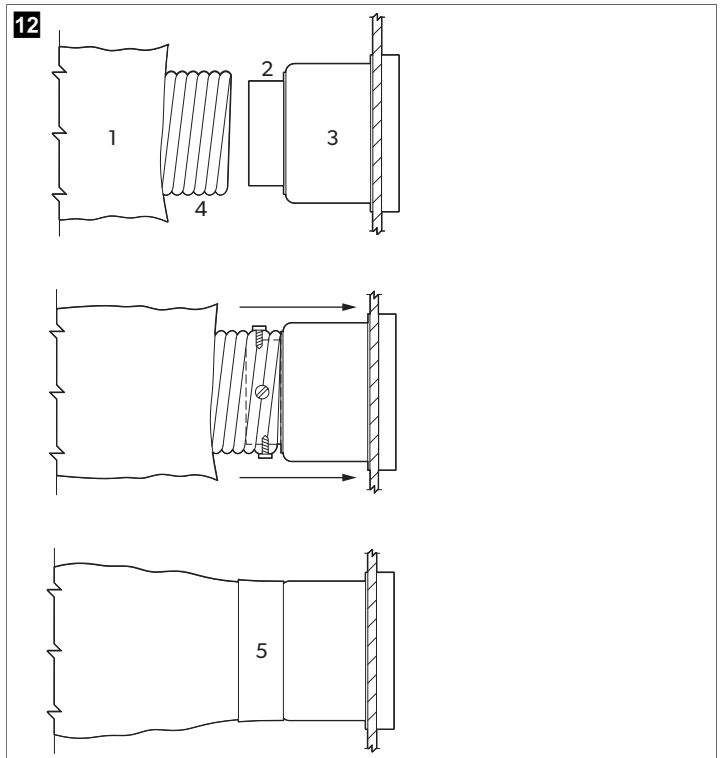
- > Ortakiuose nemontuokite pagalbinių įtaisų, kurie gali būti uždegimo šaltiniai, išskyrus pagalbinius įtaisus, skirtus naudoti su konkrečiu prietaisu.
- > Degius aušalus naudojančiuose modeliuose, prijungtuose prie vienos ar kelių patalpų per ortakių sistemą, tiekimo ir grįžimo oras turi būti nukreiptas tiesiai į erdvę. Nenaudokite atvirų erdvių, pvz., pakabinamųjų lubų, kaip oro grįžimo kanalo.
- > Netieskite ortakių pro variklių skyrių ar kitą vietą, kurioje jie nebus apsaugoti nuo pavojingų garų ar išmetamųjų dūmų.

Montuodami ortakius laikykitės toliau nurodytų sąlygų:

- Ortakiai turi būti tinkamo jūsų sistemai dydžio.
- Ortakiai turi būti kuo tiesesni, lygesni ir įtempti, juose turi būti kuo mažiau 90° alkūnių ir kilpų, dėl kurių gali sumažėti oro srautas.
- Gerai pritvirtinkite ortakius, kad nelinktų.
- Saugokitės, kad ortakiai nebūtų suploti arba susukti.
- Baigę montuoti, nereikalingas ortakių atkarpas nupjaukite.
- Jei ortakiai yra šiltose vietose, reikia juos izoliuoti.

Jei naudojama perėjimų dėžutė, visas oro tiekimo ortakių iš dėžutės plotas turi būti bent lygus visam tiekimo ortakių į dėžutę plotui. Žr. Specifikacijos puslapyje 201

Ortakių jungtys



- 1 Stiklo pluošto izoliacija
- 2 Montavimo žiedas
- 3 Perėjimų dėžutė
- 4 Vidinė „mylar“ ortakio žarna
- 5 Ortakio juosta

1. Stumkite vidinę „mylar“ ortakio žarną aplink montavimo žiedą į perėjimų dėžutę.
2. Įsukite tris ar keturis nerūdijančiojo plieno varžtus pro „mylar“ ortakio žarną į montavimo žiedą, varžtų galvutės turi uždengti dvi arba tris vietas.
3. Stumkite stiklo pluošto izoliaciją aplink vidinę „mylar“ ortakio žarną į perėjimų dėžutę. Pritvirtinkite lipnia juosta.

7.3 Jūros vandens sistemos įrengimas



PRANEŠIMAS!

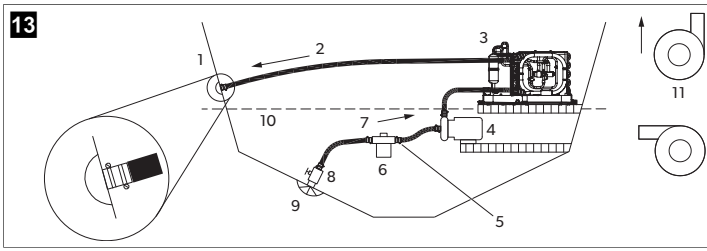
Jei nesilaikysite šios procedūros, bus anuliuota garantija.

Konfigūruodami jūros vandens sistemą atminkite šiuos dalykus:

- Filtras turi būti žemiau nei siurblys.
- Žarnos reikia suspausti dviem gnybtais.
- Žarnose turi nebūti susukimų, kilpų arba aukštesnių atkarpų, kuriose galėtų likti oro.
- Siurblys ir filtras turi būti žemiau nei vandens linija.
- Korpuso įvadas, rutulinis vožtuvas, žarna ir filtras turi būti ne mažesni nei siurblio įvadas.
- Montuokite korpuso jungiamąją detalę kuo žemiau vandens linijos.
- Siurbliui reikia atskiros angos korpuse.
- Jei tik įmanoma, venkite 90,00° alkūnės formos jungčių.
- Užtikrinkite, kad siurblio galvutė būtų atsukta vandens srauto kryptimi.
- Vyniokite sandarinimo juostą ant visų srieginių jungčių.

Maksimalias ir minimalias vandens temperatūros ir slėgio vertes žr. Specifikacijos puslapyje 201.

Jūros vandens sistema



- | | |
|--------------------------|---|
| 1 Jūros vandens išvadas | 7 Kylantis įleidimo srautas |
| 2 Išleidimo srautas | 8 Rutulinis vožtuvas |
| 3 Oro kondicionierius | 9 Semtuvo įvadas korpuse |
| 4 Jūros vandens siurblys | 10 Vandens linija |
| 5 Žarnų gnybtai | 11 Tinkamos siurblio galvutės filtro orientacijos |
| 6 Filtras | |

1. Montuokite jūros vandens semtuvo įvadą korpuse kuo arčiau kilio ir kuo žemiau vandens linijos. Tvirtinkite semtuvo įvadą korpuse naudodami jūrinės klasės sandariklį, skirtą naudoti po vandeniu.
2. Montuokite bronzinį viso srauto jūros vandens čiaupą ant jūros vandens semtuvo įvado korpuse.
3. Montuokite jūros vandens filtrą žemiau nei siurblio lygis ir taip, kad galėtumėte pasiekti filtrą.
4. Montuokite siurblių virš filtro ir bent viena pėda žemiau nei vandens linija.
5. Sujunkite jūros vandens čiaupą ir filtrą su kylančia armuotos jūrinės klasės žarnos atkarpa.
6. Prijunkite kylantį srautą iš siurblio prie oro kondicionieriaus kondensatoriaus ritės apatinio įvado naudodami 5/8 col. armuotą jūrinės klasės žarną.
7. Prijunkite srautą iš kondensatoriaus ritės prie išleidimo už borto jungties korpuse naudodami 5/8 col. armuotą jūrinės klasės žarną.
8. Jūros vandens žarnoje turi nebūti kilpų, aukštesnių vietų arba 90° alkūnių. Kiekviena 90° alkūnė atitinka 2,5 ft (0,76 m) žarnos, o 90° alkūnė siurblio išvade atitinka 20,0 ft (6,10 m) žarnos.
9. Visas žarnų jungtis tvirtinkite dviem nerūdijančio plieno gnybtais, prireikus apsuokite gnybtus.
10. Prijunkite visas metalines su jūros vandeniu besiliečiančias dalis prie laivo sujungimo sistemos.

7.4 Elektros jungčių sudarymas



ĮSPĖJIMAS! Elektros smūgio pavojus

- > Būtinai išjunkite oro kondicionieriaus maitinimo jungtuvą prieš atidarydami elektros jungčių dėžutę. Nesilaikant šio įspėjimo gali grėsti mirtis arba rimtas susižalojimas.
- > Elektros jungčių dėžutė turi būti nuo vandens apsaugotoje vietoje.



PRANEŠIMAS!

Reikia prijungti oro kondicionierių prie laivo sujungimo sistemos, kad išvengtumėte korozijos dėl klaidžiojančiosios elektros srovės. Visi siurbLIAI, metaliniai vožtuvai ir jūros vandens kontūro jungiamosios detalės, izoliuotos nuo oro kondicionieriaus PVC arba guminėmis žarnomis, turi būti atskirai sujungtos su laivo sujungimo sistema.



PASTABA Netinkamai įžeminus ir prijungus sistemą, bus anuliuota garantija.

Visų kondicionierių elektros jungčių dėžutėje yra gnybtų juosta su tinkamai pažymėtomis jungtimis. Elektros jungčių dėžutėje pateiktai laidų instaliacijos schemai teikiama didesnė svarba nei ABYC standartams. Naudokite tinkamo dydžio jungtuvą sistemai apsaugoti, kaip nurodyta oro kondicionieriaus duomenų plokštelės etiketėje. Energijai tiekti į oro kondicionierių ir jūros vandens siurblių naudokite bent 12 AWG laivo kabelį. Sudarykite visas jungtis naudodami žiedinius arba fiksuojamuosius šakutės tipo gnybtus.

Sudarydami elektros jungtis laikykitės šių reikalavimų:

- Kintamosios srovės (KS) įžeminimą reikia prijungti prie įžeminimo gnybto (GRND) KS maitinimo jėgimo gnybtų bloke.
- Jungtis tarp laivo kintamosios srovės sistemos įžeminimo laidininko ir laivo nuolatinės srovės (NS) neigiamos arba sujungimo sistemos turėtų būti pagamintos kaip laivo laidų sistemos dalis. Atlikdami priežiūros darbus arba keisdami esamą įrangą su korpuse montuojamą įžeminimo kaiščiu patikrinkite šias laivo laidų jungtis.
- GVTX ir TX oro kondicionieriai skirti naudoti kintamąją srovę arba aukštos įtampos nuolatinę srovę. Tinkamą išdėstymą žr. laivo laidų instaliacijos schemoje.

Pasirūpinkite, kad oro kondicionieriaus KS įžeminimas būtų tinkamai prijungtas prie laivo KS įžeminimo. Pačiame laive KS įžeminimo magistralė turi būti prijungta prie NS įžeminimo magistralės tiksliai vienoje vietoje.

Prieš paleisdami patikrinkite ir, jei reikia, priveržkite visas elektros jungtis.

8 Utilizavimas



PERSPĖJIMAS! Gaisro pavojus

- > Prietaise yra degių sprogių dujų.
- > Prietaisą atjungti ir šalinti gali tik specialistas.



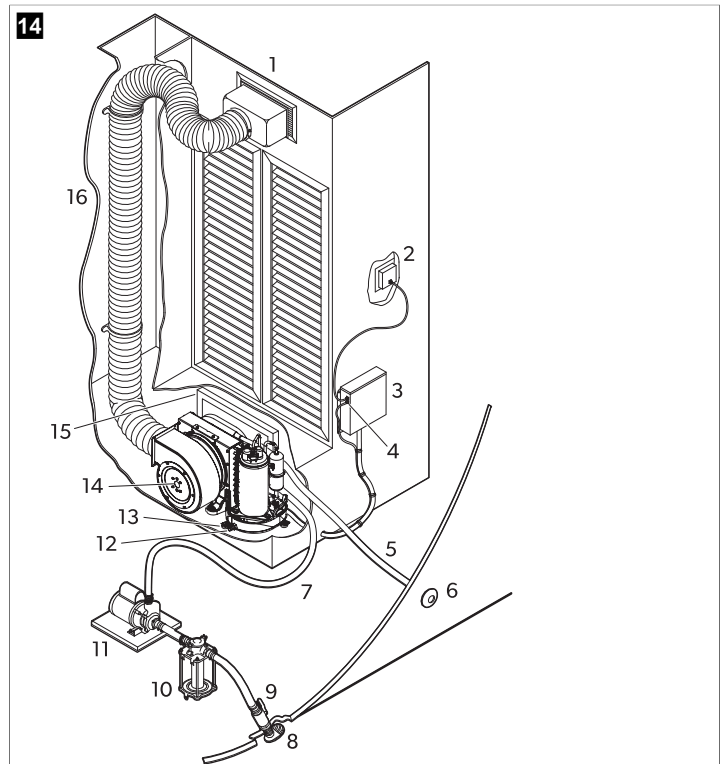
Jei įmanoma, pakavimo medžiagą sudėkite į atitinkamas perdirbimo šukšliadėžes. Išsamios informacijos apie tai, kaip gaminių pašalinti pagal galiojančias atliekų šalinimo taisykles, teiraukitės vietiniame perdirbimo centre arba specializuoto prekybos atstovo.

9 Techniniai duomenys

Perskaitykite visas šias instrukcijas ir tada planuokite reikalingas oro kondicionieriaus jungtis (įskaitant ortakius, kondensato drenos liniją, jūros vandens įleidimo ir išleidimo žarnas, elektros tiekimo jungtis, valdiklio ir jūros vandens siurblio vietas), kad jos būtų lengvai pasiekiamos ir ateityje galėtumėte atlikti priežiūros darbus.

9.1 Dalių vietos

Oro kondicionavimo sistemos komponentų identifikavimas



1 Tiekiamo oro grotelės ir perėjimų dėžutė	9 Jūros vandens čiaupo uždarymo vožtuvas
2 Skaitmeninis ekranas	10 Jūros vandens filtras
3 Elektros jungčių dėžutė	11 Siurblys
4 Pasirenkamo nuotolinio oro jutiklio kabelis	12 Kondensato drenos žarnos užkarpas
5 Jūros vandens išleidimo žarna	13 Montavimo laikiklis
6 Išleidimo už borto jungtis	14 Oro kondicionierius
7 Jūros vandens įleidimo žarna	15 Oro grįžimo grotelės ir filtras
8 Jūros vandens semtuvo įvadas korpuse	16 Izoliuotas lankstusis ortakis

9.2 Specifikacijos

Aušalo grandinėje yra nedidelis kiekis aplinkai nekenksmingo, bet degaus aušalo. Jis nepažeidžia ozono sluoksnio ir nedidina šiltnamio efekto. Išsiliejęs aušalas gali užsidegti.

Šiame gaminyje yra fluorintų šiltnamio efektą sukeliančių dujų.

Aušinimo prietaisas hermetiškai uždarytas.

Lentelė 45: Minimalūs ortakių ir grotelių dydžiai pagal BTU galią

	3.5 k BTU	6 k BTU	8 k BTU	10 k BTU
Minimalus ortakio skersmuo	3,00 in (76,2 mm)	4,00 in (101,6 mm)	5,00 in (127,0 mm)	6,00 in (152,4 mm)
Minimalus ortakio plotas	6,8 in ² (43,9 cm ²)	12,6 in ² (81,3 cm ²)	19,6 in ² (126,5 cm ²)	28,3 in ² (182,6 cm ²)
Min. oro grįžimo grotelės	48,0 in ² (309,7 cm ²)	64,0 in ² (412,9 cm ²)	80,0 in ² (516,2 cm ²)	100,0 in ² (645,2 cm ²)
Min. tiekiamo oro grotelės	12,0 in ² (77,4 cm ²)	32,0 in ² (206,5 cm ²)	48,0 in ² (309,7 cm ²)	60,0 in ² (387,1 cm ²)
	12 k BTU	16 k BTU	18 k BTU	27 k BTU
Minimalus ortakio skersmuo	6,00 in (152,4 mm)	7,00 in (177,8 mm)	7,00 in (177,8 mm)	8,00 in (203,2 mm)
Minimalus ortakio plotas	28,3 in ² (182,6 cm ²)	38,5 in ² (248,4 cm ²)	38,5 in ² (248,4 cm ²)	50,3 in ² (324,5 cm ²)
Min. oro grįžimo grotelės	130,0 in ² (838,8 cm ²)	160,0 in ² (1032,3 cm ²)	200,0 in ² (1290,4 cm ²)	240,0 in ² (1548,5 cm ²)
Min. tiekiamo oro grotelės	70,0 in ² (451,6 cm ²)	80,0 in ² (516,2 cm ²)	100,0 in ² (645,2 cm ²)	120,0 in ² (774,2 cm ²)

Lentelė 46: Darbinė vandens temperatūra ir slėgis

Minimali darbinė vandens temperatūra	40,0 °F (4,44 °C)
Maksimali darbinė vandens temperatūra	80,0 °F (26,66 °C)
Minimalus darbinis vandens slėgis	4,2 psi (0,29 bar) (29,00 kPa)
Maksimalus darbinis vandens slėgis	6,00 psi (0,41 bar) (41,4 kPa)

Vadovaukitės EPA naudojimo sąlygomis.



PASTABA Prietaisas gali veikti ir kitokiomis sąlygomis, bet mažesne galia.

10 Teisinė informacija

Tik GVTX modeliai: laikydamiesi IEC 60533 reikalavimų nemontuokite šio gaminio mažesniu nei 9,8 ft (3,00 m) atstumu nuo priėmimo antenos.

11 Garantija

Toliau esančiuose skyriuose rasite informacijos apie garantiją ir garantinį palaikymą JAV, Kanadoje ir visuose kituose regionuose.

Jungtinės Amerikos Valstijos ir Kanada

RIBOTOJĖI GARANTIJA PATEIKIAMA ADRESU DOMETIC.COM/EN-US/TERMS-AND-CONDITIONS-CONSUMER/WARRANTY. JEI TURITE KLAUSIMŲ ARBA NORITE NEMOKAMAI GAUTI RIBOTOSIOS GARANTIJOS KOPIJĄ, KREIPKITĖS ADRESU:

DOMETIC CORPORATION
MARINE CUSTOMER SUPPORT CENTER
2000 NORTH ANDREWS AVENUE
POMPANO BEACH, FLORIDA, USA 33069
1-800-542-2477

Azijos ir Ramiojo vandenyno (APAC) šalys

Jei gaminys neveikia taip, kaip turėtų, susisiekite su prekiautoju arba jūsų šalyje veikiančiu gamintojo filialu (žr. dometic.com/dealer). Jūsų gaminiui taikoma garantija yra 1 metai.

Jei reikalingas remontas ir garantinis aptarnavimas, pristatydami prietaisą pateikite šiuos dokumentus:

- Kvito kopiją su nurodyta pirkimo data
- Pretenzijos priešastį arba gedimo aprašymą

Atminkite, kad savarankiškas arba neprofesionalus remontas gali turėti pasekmių saugai ir anuliuoti garantiją.

Informacija tik Australijai

Mūsų prekėms suteikiamos garantijos, kurių negalima atmesti pagal Australijos vartotojų įstatymą. Jūs turite teisę į prekės pakeitimą arba grąžinimą, jei kilo didelis gedimas, ir į kompensaciją už bet kokius kitus pagrįstai numatomus nuostolius ar žalą. Jūs taip pat turite teisę reikalauti, kad prekės būtų pataisytos arba pakeistos, jei jos nėra priimtinos kokybės, o gedimas nėra didelis gedimas.

Informacija tik Naujajai Zelandijai

Šiai garantijų politikai taikomos sąlygos ir garantijos, kurios yra privalomos, kaip numatyta 1993 m. Vartotojų garantijų akte (NZ).

Visi kiti regionai

Taikomas įstatymų nustatytas garantinis laikotarpis. Jei gaminys pažeistas, susisiekite su jūsų šalyje veikiančiu gamintojo filialu (žr. dometic.com/dealer) arba prekiautoju.

Jei reikalingas remontas ir garantinis aptarnavimas, pristatydami prietaisą pateikite šiuos dokumentus:

- Kvito kopiją su nurodyta pirkimo data
- Pretenzijos priešastį arba gedimo aprašymą

Atminkite, kad savarankiškas arba neprofesionalus remontas gali turėti pasekmių saugai ir anuliuoti garantiją.

Latviešu

1	Svarīgas piezīmes.....	202
2	Simbolu skaidrojums.....	202
3	Mērķgrupa(-as).....	203
4	Paredzētais izmantošanas mērķis.....	203
5	Ierīces simbolu skaidrojumi.....	203
6	Iepriekšēja uzstādīšana.....	203
7	Uzstādīšana.....	205
8	Atkritumu pārstrāde.....	208
9	Tehniskie dati.....	208
10	Juridisks saturs.....	209
11	Garantija.....	209

1 Svarīgas piezīmes

Lūdzam rūpīgi izlasīt un ņemt vērā visus produkta rokasgrāmatā iekļautos norādījumus, vadlīnijas un brīdinājumus, lai nodrošinātu, ka jūs šo produktu vienmēr uzstādāt, lietojat un apkopjat atbilstoši. Šie norādījumi ir OBLIGĀTI jāsaņem kopā ar šo produktu.

Lietojot šo produktu, jūs apstiprināt, ka esat rūpīgi izlasījis visus norādījumus, vadlīnijas un brīdinājumus, un jūs saprotat un piekristat ievērot šeit izklāstītos noteikumus un nosacījumus. Jūs piekristat lietot šo produktu tikai tā paredzētajam mērķim un lietojumam saskaņā ar norādījumiem, vadlīnijām un brīdinājumiem, kas izklāstīti šī produkta rokasgrāmatā, kā arī ievērojot visus piemērojamos normatīvos aktus. Šeit izklāstīto norādījumu un brīdinājumu neizlasīšana un neievērošana var izraisīt traumas sev un citiem, vai radīt bojājumus pašam produktam vai apkārt esošam īpašumam. Informācija šajā produkta rokasgrāmatā, tajā skaitā norādījumi, vadlīnijas, brīdinājumi un saistīta dokumentācija, var tikt mainīta un papildināta. Lai iegūtu jaunāko informāciju par produktu, apmeklējiet vietni documents.dometic.com.

2 Simbolu skaidrojums

Signālvārds identificē drošības ziņojumus un ziņojumus par īpašuma bojājumu, kā arī norāda bīstamības smaguma pakāpi vai līmeni.



BĪSTAMI!

Apzīmē bīstamu situāciju, kas izraisīs nāvējošus vai nopietnus savainojumus, ja netiks novērsta.



BRĪDINĀJUMS!

Apzīmē bīstamu situāciju, kas var izraisīt nāvējošus vai nopietnus savainojumus, ja netiks novērsta.



NEMIET VĒRĀ!

Apzīmē bīstamu situāciju, kas var izraisīt materiālu kaitējumu, ja netiks novērsta.



PIEZĪME Papildu informācija produkta lietošanai.

2.1 Papildu direktīvas

Lai samazinātu nelaimes gadījumu un traumu risku, pirms šīs ierīces uzstādīšanas izlasiet turpmāk norādītās direktīvas.

- Izlasiet un ievērojiet visu drošības informāciju un norādījumus.
- Izlasiet un izprotiet šos norādījumus pirms šī produkta uzstādīšanas.
- Iekārtai jāatbilst visiem piemērojamajiem vietējiem vai valsts kodeksiem, tostarp tālāk norādīto standartu jaunākajiem izdevumiem.
 - Amerikāņu kuģu un jahtu padome (ABYC, American Boat and Yacht Council)
 - ANSI/NFPA 70, Valsts elektrodrošības prasības (NEC, National Electrical Code)

2.2 Drošības norādes



BĪSTAMI! Ugunsgrēka vai sprādziena risks. Dažos modeļos tiek izmantots uzliesmojošs aukstumaģents.

Tālāk sniegto brīdinājumu neievērošana var izraisīt bojāeju vai nopietnu traumu.

- > Remontu veikt drīkst tikai apmācīts servisa personāls.
- > Neuzstādiet un neuzglabājiet vietā, kur nepārtraukti tiek izmantoti aizdegšanās avoti.
- > Parūpējaties, lai neviena no nepieciešamajām ventilācijas atverēm nav aizsprostota.
- > Nepārduriet aukstumaģenta caurules.
- > Skatiet aukstumaģenta tipu produkta tipa marķējumā.



BRĪDINĀJUMS! Ugunsbīstamība un/vai sprādzienbīstamība

Tālāk sniegto brīdinājumu neievērošana var izraisīt bojāeju vai nopietnu traumu.

- > Neizmantojiet potenciālos aizdegšanās avotus aukstumaģenta noplūdes noteikšanai vai meklēšanai. Neizmantojiet halogēnīdu lāpu vai citu detektoru, kas izmanto atklātas liesmas avotu.
- > Pārlicinieties, vai noplūžu noteikšanas aprīkojums ir piemērots produkta aukstumaģenta tipam. Skatiet aukstumaģenta tipu produkta tipa marķējumā.
- > Lai noteiktu aukstumaģenta noplūdes, var izmantot elektroniskos noplūdes detektorus, tomēr to jutība var būt nepietiekama uzliesmojošu aukstumaģentu noteikšanai un var būt nepieciešama atkārtota kalibrēšana. Kalibrējiet noplūžu noteikšanas aprīkojumu zonā, kurā nav aukstumaģenta.



BRĪDINĀJUMS! Oglekļa monoksīda radīts apdraudējums

Tālāk sniegto brīdinājumu neievērošana var izraisīt bojāeju vai nopietnu traumu.

- > Neuzstādiet un neizmantojiet autonomu gaisa kondicionētāju kuģa tilpnes vai mašintelpas zonās vai iekšdedzes dzinēja tuvumā. Nodrošiniet, lai izvēlēta vieta ir izolēta, neatļaujot tiešu piekļuvi kuģa tilpnes un/vai mašintelpas tvaikiem.
- > Pārbaudiet, vai kondensāta notekcaurule ir pareizi uzstādīta un noslēgta. Nenovietojiet kondensāta notekcaurules galu 3 pēdu (0,91 m) robežās no jebkuras dzinēja vai ģeneratora atgāzu sistēmas izplūdes atveres, nodalījumā, kurā ir dzinējs vai ģenerators, vai kuģa tilpnē, ja vien drenāžas caurule nav pareizi savienota ar kādu noslēgtu kondensāta vai dušas atsūkņēšanas sūkni. Ja drenāžas caurule nav pareizi uzstādīta, bīstami dūmi var pārvietoties uz augšu pa drenāžas līniju un piesārņot dzīvojamās telpas.
- > Neuzstādiet gaisa kondicionētāju vietā, kur tas var likt cirkulēt oglekļa monoksīdam, degvielas izgarojumiem vai citiem kaitīgiem tvaikiem, ļaujot tiem nonākt kuģa iekšpusē/kabinēs.



BRĪDINĀJUMS! Nāvējoša elektrošoka risks

Uzstādīšanu drīkst veikt tikai kvalificēts elektriķis.



BRĪDINĀJUMS! Elektriskās strāvas trieciens, ugunsgrēka un/vai sprādziena risks

Šo brīdinājumu neievērošana var izraisīt bojāeju vai smagu traumu.

Šī ierīce nav paredzēta lietošanai personām (tostarp bērniem) ar ierobežotām fiziskajām, uztveres vai garīgajām spējām vai bez pieredzes un zināšanām, ja vien šādas personas netiek uzraudzītas vai nav saņēmušas norādījumus par ierīces drošu lietošanu no kādas personas, kas ir atbildīga par viņu drošību. Bērni jāuzrauga, lai nepieļautu, ka tie spēlējas ar ierīci. Bērni drīkst tīrīt ierīci un veikt tās apkopi tikai pieaugušo uzraudzībā. Šī ierīce nedrīkst būt visiem pieejama.



BRĪDINĀJUMS! Sprādzienbīstamība

Šo brīdinājumu neievērošana var izraisīt bojāeju vai smagu traumu.

- > Neuzstādiet gaisa kondicionētāju vietā, kur ir benzīna dzinēji, tvertnes, LPG/CNG baloni, regulatori, vārsti vai degvielas vadu fittingi. Ja vien nav norādīts citādi, autonomas ierīces neatbilst federālajām prasībām attiecībā uz aizsardzību pret aizdegšanos. Šī brīdinājuma neievērošana var izraisīt nāvējošas vai smagas traumas.
- > Elektriskos komponentus, kas var radīt loku vai dzirksteles, drīkst aizstāt tikai ar daļām, ko norādījis ierīces ražotājs. Nomaina ar citām daļām var izraisīt aukstumaģenta aizdegšanos noplūdes gadījumā.

**BRĪDINĀJUMS! Elektriskās strāvas trieciena risks**

Šo brīdinājumu neievērošana var izraisīt bojāeju vai smagu traumu.

- > Efektīvi iezemējiet gaisa kondicionētāju, lai samazinātu elektriskās strāvas trieciena risku. Plašāku informāciju skatiet uzstādīšanas vadlīnijās.
- > Katram uzstādītajam gaisa kondicionētājam ir nepieciešama īpaša slēgiekārta. Ja ir uzstādīts tikai viens gaisa kondicionētājs, sālsūdens sūkņim nav nepieciešama īpaša slēgiekārta. Ja divas vai vairākas gaisa kondicionēšanas ierīces izmanto vienu un to pašu sālsūdens sūkni, sūkņa vadītiek savienoti ar sūkņa releja paneli (PRP, pump relay panel), kam, savukārt, ir īpaša slēgiekārta, kuras izmērs atbilst sūkņim (maks. 20 A). Skatiet vadījuma diagrammu ar PRP. Elektriskajiem savienojumiem kuģa tilpnē un/vai zem ūdenslīnijas jāizmanto karstumrucīgas savienotājzumas.
- > Iekšējai elektromontāžai jāatbilst ABYC elektrodrošības prasībām. Ierīces barošanai jābūt nodrošinātai uz tipa marķējuma norādītajā darba sprieguma diapazonā. Jāuzstāda pareiza izmēra drošinātāji vai HACR automātiskie drošinātāji, lai aizsargātu atzarojuma shēmu. Skatiet maksimālo drošinātāja/slēgiekārtas (MFS, maximum fuse size) un minimālo ķēdes jaudu (MCA, minimum circuit capacity) uz datu plāksnes.



Brīdinājums! Materiāls ar zemu degšanas ātrumu. Uzliesmojošs aukstumaģents.



Aukstumaģenta drošības grupa A2L



Skatiet lietošanas rokasgrāmatu.



Skatiet servisa rokasgrāmatu.

**NEMIET VĒRĀ!**

Šai ierīcei ir fluorētas siltumnīcefekta gāzes hermētiski noslēgtā aprīkojumā. Skatiet kondensācijas ierīces produkta tipa marķējumā aukstumaģenta daudzumu, kas norādīts pēc svara un globālās sasilšanas potenciāla. Pievienotais aukstumaģents jānorāda uz ierīces marķējuma.

**NEMIET VĒRĀ!**

DTG, GTX, GVTX un TX autonomajām kondensāta pamatnes tehnēm ir vibrācijas izolatori, kas uzstādīti teknes apakšā. Šie izolatori ir paredzēti tam, lai slāpētu vibrāciju, ko izraisa ieslēgts gaisa kondicionētājs, kas pārnes vibrāciju uz montāžas virsmu. Gaisa kondicionētāja pārvietošana pāri montāžas virsmām ir jāveic uzmanīgi, jo izolatori var tikt bojāti.

**NEMIET VĒRĀ!**

Neizmantojiet vara caurules, lai stumtu, vilktu, paceltu vai pārnēsātu produktu.

**NEMIET VĒRĀ!**

- > Gaisa kondicionētājs jāuzstāda uz zemas, plakanas un līdzēnas virsmas, piemēram, skapiša apakšā, zem divstāvu gultas vai pusdienošanas sēdekļa vai kādā līdzīgā vietā.
- > Pārliedzieties, ka kabeli nav pakļauti nodilumu izraisošiem apstākļiem, korozijai, pārmērīgam spiedienam, vibrācijai, asu malu iedarbībai vai jebkādai citai nelabvēlīgai ietekmi uz vidi, tostarp ietekmei, ko izraisa novecošana, vai pastāvīga vibrācija, ko rada tādi avoti, kā piemēram, kompresori vai ventilatori.
- > Nodrošiniet, lai aizsardzības ierīces, cauruļvadi un armatūra ir pēc iespējas labāk aizsargātas pret nelabvēlīgu ietekmi uz vidi, piemēram, netīrumu un gružu uzkrāšanos vai ūdens savākšanu un sasaldēšanu iztukšošanas caurulēs.
- > Jāveic piesardzības pasākumi, lai izvairītos no pārmērīgas vibrācijas vai pulsācijas aukstumaģenta cauruļvados.

3 Mērķgrupa(-as)



Ierīces mehānisko un elektrisko uzstādīšanu un konfigurēšanu drīkst veikt tikai kvalificēts tehniķis, kuram ir pārbaudītas prasmes un zināšanas par kuģu aprīkojuma un ietaišu uzbūvi un lietošanu un kurš pārzina spēkā esošos noteikumus šī aprīkojuma uzstādīšanas un/vai izmantošanas valstī, kā arī ir saņēmis drošības instruktažu iespējamo risku noteikšanai un novēršanai.

4 Paredzētais izmantošanas mērķis

Šī rokasgrāmata ir paredzēta DCU, DLU, DTG, ECD, GT, GTX, GTX-LP, GVTX un TX autonomo gaisa kondicionēšanas sistēmu (turpmāk sauktu par gaisa kondicionētājiem) uzstādīšanai. Gaisa kondicionētājs ir paredzēts lietošanai uz kuģiem un jahtām. Šis gaisa kondicionētājs ir piemērots tikai paredzētajam mērķim un lietojumam saskaņā ar šīm instrukcijām.

Šis produkts ir piemērots tikai paredzētajam mērķim un lietojumam saskaņā ar šo instrukciju.

Šajā rokasgrāmatā ir sniegta informācija, kas nepieciešama pareizai produkta uzstādīšanai un/vai lietošanai. Nekvalitatīva uzstādīšana un/vai nepareiza lietošana vai apkope izraisīs neatbilstošu darbību un iespējamu atteici.

Ražotājs neuzņemas atbildību par savainojumiem vai produkta bojājumiem, kas radušies šādu iemeslu dēļ:

- nepareiza uzstādīšana, montāža vai pievienošana, tostarp pārmērīgs spriegums;
- nepareiza apkope vai tādu neoriģinālo rezerves daļu, kuras nav piegādājis ražotājs, lietošana;
- produkta modifikācijas, kuras ražotājs nav nepārprotami apstiprinājis;
- lietošana citiem mērķiem, kas nav aprakstīti šajā rokasgrāmatā.

Dometic patur tiesības mainīt produkta ārējo izskatu un specifiskāciju.

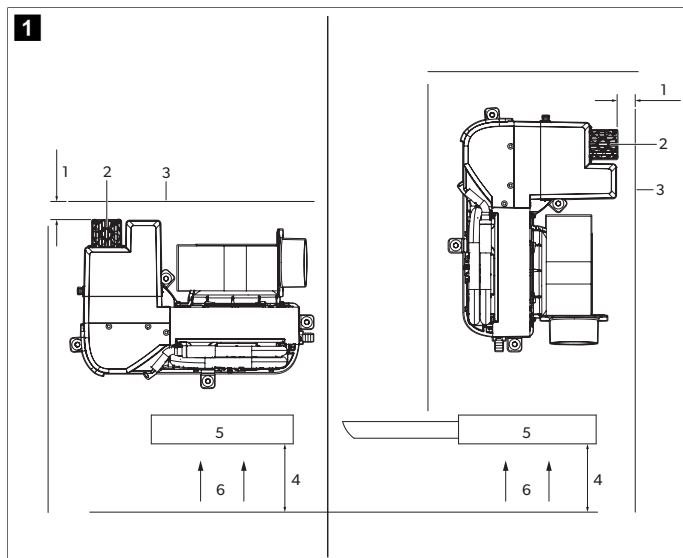
5 Ierīces simbolu skaidrojumi



Brīdinājums! Ugunsgrēka risks / Ugunsnedroši materiāli

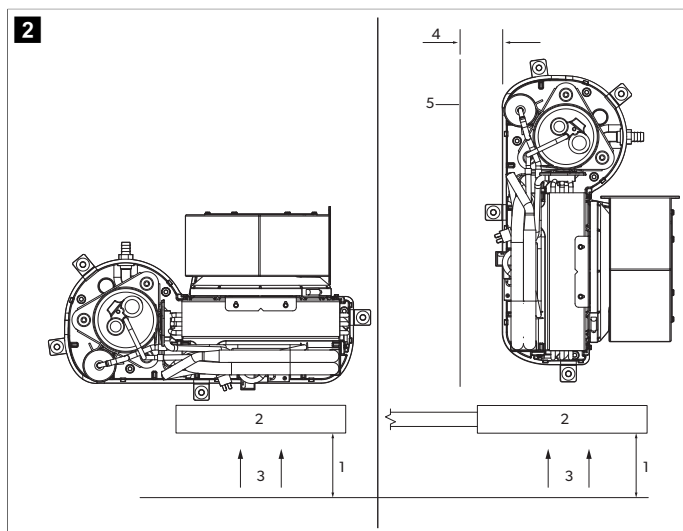
6.1 Uzstādīšanas vietas izvēle

1. GVTX un TX novietojums attiecībā pret gaisa plūsmu



- | | | | |
|---|-------------------|---|-----------------------|
| 1 | 3,00 in (7,62 cm) | 4 | 4,00 in (10,16 cm) |
| 2 | Siltumzvēvēris | 5 | Atplūdes gaisa režģis |
| 3 | Starpsiena | 6 | Gaisa plūsma |

Visu citu gaisa kondicionēšanas ierīču novietojums attiecībā pret gaisa plūsmu



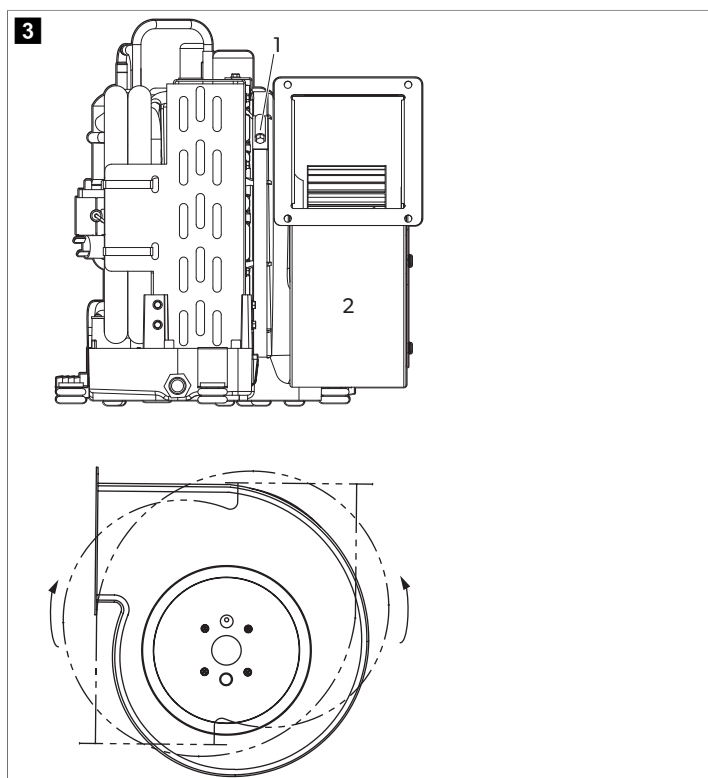
- | | | | |
|---|-----------------------|---|-------------------|
| 1 | 4,00 in (10,16 cm) | 4 | 3,00 in (7,62 cm) |
| 2 | Atplūdes gaisa režģis | 5 | Starpsiena |
| 3 | Gaisa plūsma | | |
2. Izvēlieties vietu ar pietiekamu gaisa plūsmu. Gaisa atplūdes režģa priekšpusē ir jābūt vismaz 4,00 in (10,16 cm) atstarpei gaisa cirkulācijai, un tas nedrīkst būt nosprostots.
 3. Ja gaisa kondicionētājs ir novietots perpendikulāri gaisa atplūdes sadales režģim, uzturiet vismaz 3,00 in (7,62 cm) atstarpi gaisa ieplūdes pusē gaisa cirkulācijai.
 4. **Tikai GVTX un TX:** Nodrošiniet vismaz 3,00 in (7,62 cm) atvērtu zonu virs un zem siltumzvēvēra.

6.2 Ventilatora pagriešana

Šajā sadaļā ir paskaidrots, kā pagriezt ventilatoru katra tipa ierīcei. Ja nepieciešams, pagriežiet ventilatoru virzienā, kas ļauj caur cauruļvadu izpūst visticamāko gaisa plūsmu.

6.2.1 GTX, GVTX, DTG un TX ventilatori

GTX, GVTX, DTG un TX sistēmas ventilatoru rotācija

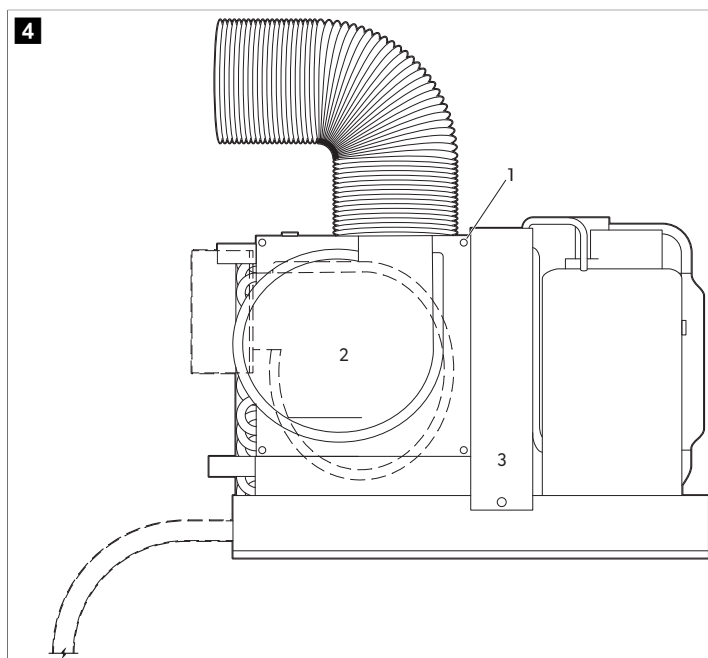


- 1 Adjustment screw
- 2 Blower

1. Atskrūvējiet regulēšanas skrūvi uz ventilatora stiprinājuma gredzenu.
2. Pagrieziet ventilatoru vēlamajā pozīcijā.
3. Pievelciet regulēšanas skrūvi.

6.2.2 MCS, ECD un GT ventilatori

MCS, ECD un GT sistēmas ventilatoru rotācija

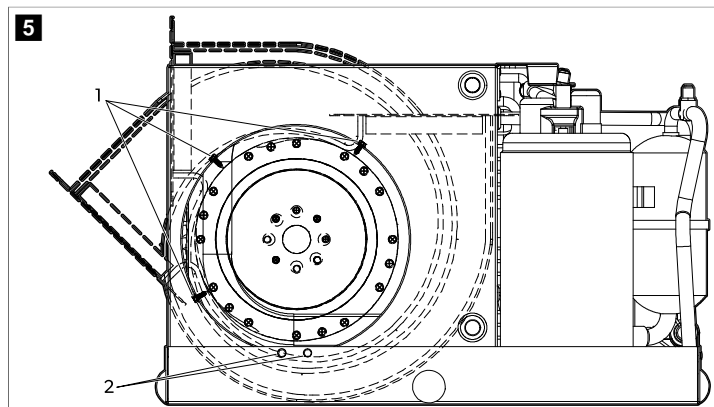


- 1 Screw
- 2 Numura zīme
- 3 Ventilators

1. Noņemiet septiņas skrūves no plāksnes.
2. Pagrieziet ventilatoru vēlamajā pozīcijā.
3. Nostipriniet ventilatoru vietā, izmantojot pašfiksējošās skrūves (nav nodrošinātas).

6.2.3 DCU ventilators

DCU sistēmas ventilatora rotācija



- 1 Screws on blower ring
- 2 Screws on drain pan or bracket

1. Izņemiet skrūves no ventilatora gredzena.
2. Izņemiet skrūves, ar kurām ventilators ir pieskrūvēts pie notekteknes vai kronšteina.
3. Pagrieziet ventilatoru vēlamajā pozīcijā.
4. Nostipriniet ventilatoru vietā, izmantojot pašfiksējošās skrūves (nav nodrošinātas).
5. Aizveriet ar tapām visus neizmantotos caurumus, lai novērstu gaisa zudumu.

6.3 Gaisa filtru uzlikšana

Gaisa filtri likvidē daļiņas kabīnes gaisā un uztur iztvaicētāja spirāli tīru. Ievietojiet vienu gaisa filtru katrā gaisa kondicionētājā vai katra gaisa kondicionētāja atplūdes gaisa režģī.

6.4 Režģu un pārejas kārbu uzlikšana

Uzstādot režģus un pārejas kārbas, ņemiet vērā tālāk norādīto.

- Uzstādiet ieplūdes gaisa režģi pēc iespējas augstāk vietā, kas nodrošina vienmērīgu gaisa sadali kabīnē. Pavērsiet režģa ribas uz augšu.
- Uzstādiet atplūdes gaisa režģi pēc iespējas zemāk un tuvu gaisa kondicionētājam, lai nodrošinātu gaisa plūsmu uz iztvaicētāju.
- Nevirziet ieplūdes gaisa plūsmu uz atplūdes gaisa režģi, jo tas izraisīs sistēmas darba cikla saīsināšanos.
- Atstājiet pietiekamu atstarpi starp pārejas kārbas ieplūdes gaisa režģi un cauruļvadu savienojumu. Skatiet sadaļu Specifikācijas lpp. 209

7 Uzstādīšana



BRĪDINĀJUMS! Nāvējoša elektrošoka risks
Uzstādīšanu drīkst veikt tikai kvalificēts elektriķis.

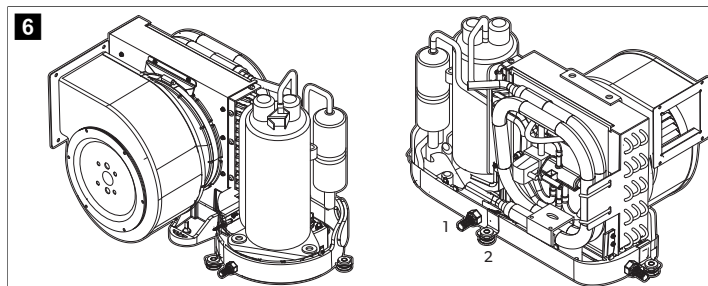
7.1 Montāžas kronšteinu un kondensāta drenāžas caurules uzstādīšana



ŅEMĪET VĒRĀ!

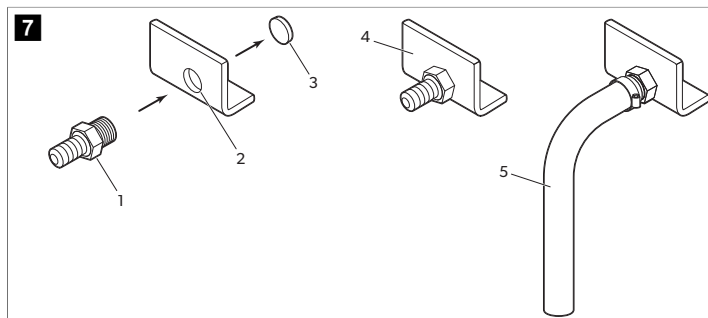
Lai novērstu notekteknes plaisāšanu, neizmantojiet vairāk nekā divus teflona lentes slāņus, lai aptītu šļūtenes uzgali, un nepievelciet šļūtenes uzgali pārāk cieši.

Tipisks montāžas kronšteinu un kondensāta noteku izvietojums



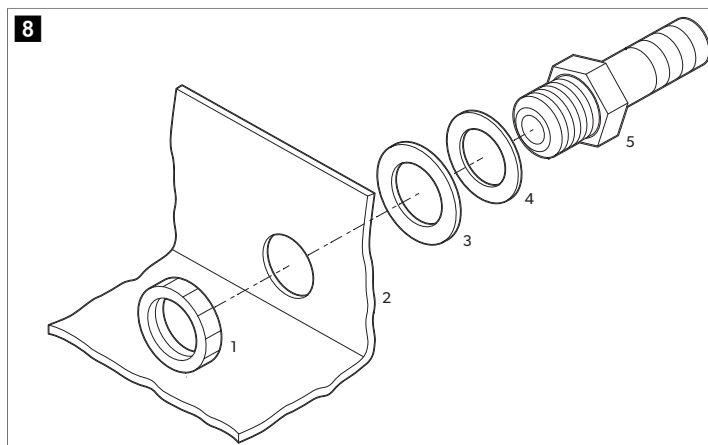
- 1 Kondensāta notekas šļūtenes uzgalis
- 2 Montāžas kronšteins

Kondensāta notekas uzstādīšana GTX, GVTX, DTG un TX



- 1 Hose barb
- 2 Vītņota drenāžas atvere
- 3 Izņemama detaļa šļūtenes ievietošanai
- 4 Drain pan
- 5 Novadcaurules šļūtene

Kondensāta notekas uzstādīšana visām citām gaisa kondicionēšanas ierīcēm



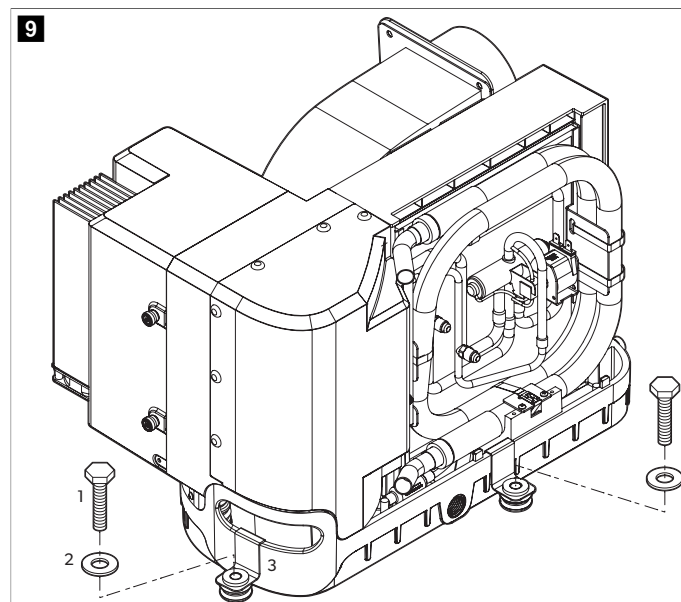
- 1 Locking nut
- 2 Notektekne
- 3 Solid washer
- 4 Solid washer
- 5 PVH uzgalis 0,5 in (12,7 mm) HB x 0,5 in (12,7 mm) MPT

3 Šķidruma blīvgredzens

1. GTX, GVTX, DTG un TX ierīcēm:
 - a) Izmantojiet šļūtenes uzgaļa mazo galu, lai izņemtu detaļu no uz aizmuguri pavērstās drenāžas atveres, pa to vienu reizi uzsitot ar gumijas āmuru. Izmetiet izņemamo detaļu.
 - b) Aptiniet šļūtenes uzgaļa vītņoto galu ar teflona lenti.
 - c) Ieskrūvējiet šļūtenes uzgali vītņotajā drenāžas caurumā un cieši pievelciet.
2. Visiem citiem gaisa kondicionētājiem:
 - a) Izbāziet šļūtenes uzgali caur cietu paplāksni un šķidruma blīvgredzenu un ievietojiet to drenāžas atverē.
 - b) Nostipriniet ar prostuzgrīezni.
3. Nostipriniet novadcaurules šļūteni pie šļūtenes uzgaļa ar nerūsējošā tērauda šļūtenes apskavu.

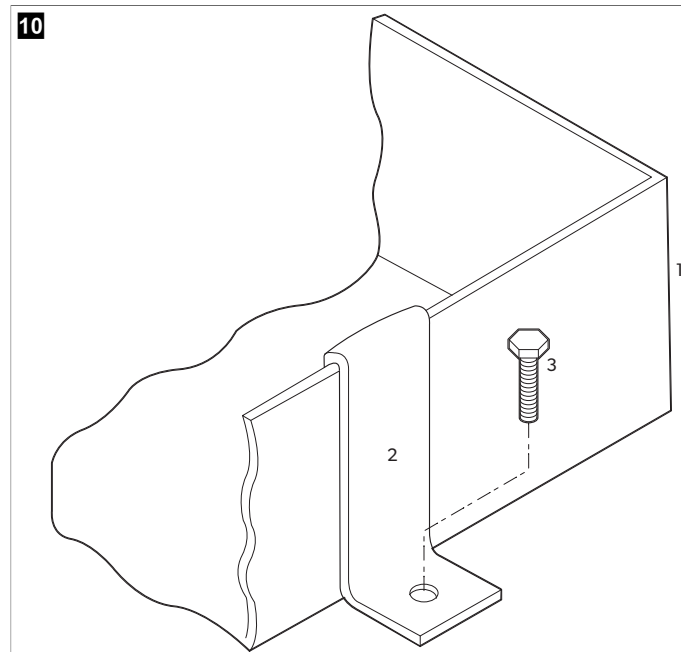
4. Izvietojiet novadcaurules šļūteni virzienā uz leju līdz kādam drošam un pareizam savākšanas punktam.

Montāžas kronšteina uzstādīšana GTX, GVTX, DTG un TX ierīcēm



- 1 Montāžas skrūve (nav nodrošināta)
- 2 Paplāksne ar lielu ārējo diametru (nodrošināta)
- 3 Montāžas kronšteins (nodrošināts)

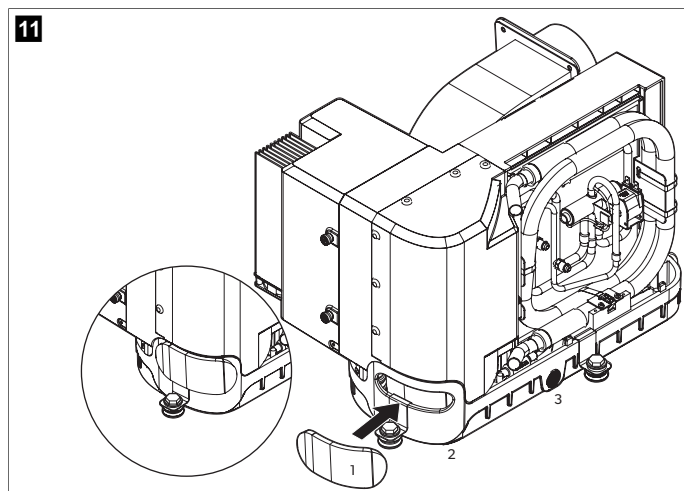
Montāžas kronšteina uzstādīšana citām gaisa kondicionēšanas ierīcēm



- 1 Notekteknē
- 2 Montāžas kronšteins
- 3 Montāžas skrūve (nav nodrošināta)

5. Uzstādi vienu montāžas kronšteinu katrā oliešanas teknes pusē, nodrošinot vienādu atstatumu.

Putu materiāla roktura izolācijas uzstādīšana GVTX un TX ierīcēm



- 1 Putu materiāla roktura izolācija
2 Roktura atvēršana
3 Notektekne

6. GVTX un TX ierīcēm:

- Noņemiet plēvi, kas pārklāj lipīgo pamatni uz putu materiāla roktura izolācijas.
- Novietojiet putu materiāla roktura izolāciju, lai pilnībā nosegtu roktura atvērumu ar lipīgo pusi, kas pavērsta notekteknes virzienā.
- Piespiediet visapkārt roktura atverei, lai liktu putu materiāla rokturim pieķerties pie notekteknes.

7.2 Cauruļvadu sistēmas uzstādīšana



BRĪDINĀJUMS! Ugunsgrēka vai sprādziena risks

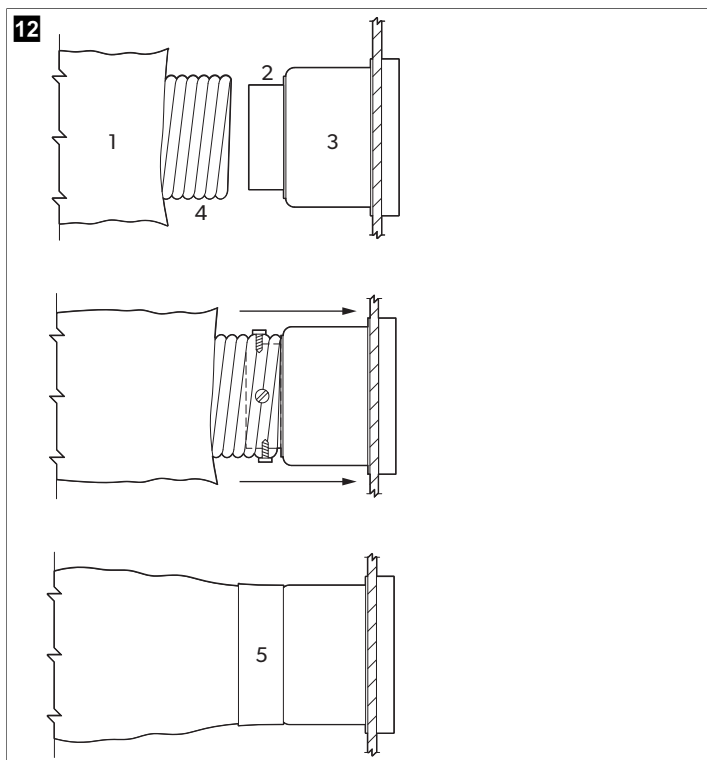
- > Papildu ierīces, kas var būt aizdegšanās avoti, nedrīkst uzstādīt ventilācijas kanālā; tas neattiecas uz tām papildu ierīcēm, kas ir norādītas kā izmantojamas kopā ar konkrēto ierīci.
- > Modeļiem, kuros izmanto uzliesmojošus aukstumagentus, kas ar ventilācijas kanālu sistēmu ir savienoti ar vienu vai vairākām telpām, ietilpdes un atplūdes gaiss ir jāievada tieši telpā. Valējas zonas, piemēram, viltus griestus, nedrīkst izmantot kā atplūdes gaisa kanālu.
- > Neizvietojiet cauruļvadus cauri mašīntelpai vai jebkurai citai zonai, kurā uz tiem var iedarboties bīstami izgarojumi vai izplūdes gāzes.

Uzstādot cauruļvadu sistēmu, ņemiet vērā tālāk norādīto.

- Cauruļvadu izmēram jābūt atbilstošam lietojumam.
- Novietojiet cauruļvadus pēc iespējas taisnāk, vienmērīgāk un stingrāk, samazinot 90° likumu un cilpu skaitu, kas var samazināt gaisa plūsmu.
- Cieši nostipriniet cauruļvadu sistēmu, lai novērstu nokarāšanos.
- Neļaujiet cauruļvadiem tikt saplacinātiem vai samezgloties.
- Pēc uzstādīšanas nogrieziet liekos cauruļvadu galus.
- Izolējiet cauruļvadus, kad tie atrodas liela karstuma zonās.

Ja izmantota pārejas kārbā, no šīs kārbas izejošo ievades gaisa cauruļvadu kopējai zonai ir jābūt vismaz vienādai ar šajā kārbā ieejošo ievades gaisa cauruļvadu zonu. Skatiet sadaļu Specifikācijas lpp. 209

Cauruļvadu savienojumi



- 1 Stikla šķiedras izolācija
2 Stiprinājuma gredzens
3 Pārejas kārbā
4 Iekšējā Mylar cauruļvada šļūtene
5 Auduma līmlente

- Iebīdi iekšējo Mylar cauruļvada šļūteni gar stiprinājuma gredzenu pārejas kārbā.
- Caur Mylar kanāla šļūteni ieskrūvējiet trīs vai četras nerūsējošā tērauda skrūves stiprinājuma gredzenā, fiksējot divus vai trīs vadus ar skrūvju galvām.
- Iebīdi stikla šķiedras izolāciju gar iekšējo Mylar cauruļvada šļūteni pārejas kārbā. Nostipriniet ar auduma līmlenti.

7.3 Sālsūdens sistēmas uzstādīšana



NEMIET VĒRĀ!

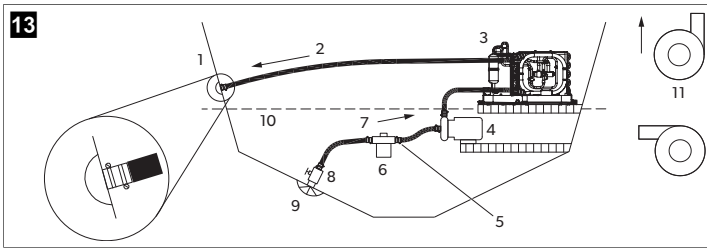
Šis procedūras neievērošana anulēs garantiju.

Uzstādot sālsūdens sistēmu, ņemiet vērā tālāk norādītos apsvērumus.

- Sietfiltram jāatrodas zem sūkņa.
- Šļūtenēm jābūt divreiz nostiprinātām.
- Šļūtenes nedrīkst būt samezglājušās, ar cilpām vai augstu novietotiem punktiem, kuros var iesprūst gaiss.
- Sūknim un sietfiltram jābūt zem ūdenslīnijas.
- Cauri korpusam ejošās ietilpdes atveres, lodvārsta, šļūtenes un sietfiltra izmērs nedrīkst būt mazāks par sūkņa ietilpdes atveres izmēru.
- Uzstādi cauri korpusam ejošo fittingu pēc iespējas zemāk zem ūdenslīnijas.
- Sūknim jābūt ar īpašu cauri korpusam ejošu fittingu.
- Pēc iespējas izvairieties izmantot 90,00° elkoņu veidgabalus.
- Pārliecinieties, ka sūkņa galva ir pagriezta ūdens plūsmas virzienā.
- Izmantojiet teflona lenti visiem vītņotajiem savienojumiem.

Skatiet sadaļu Specifikācijas lpp. 209 maksimālās un minimālās ūdens temperatūras un spiediena vērtības.

Sālsūdens sistēma



- | | |
|-----------------------------|--|
| 1 Sālsūdens izplūdes atvere | 7 Augšupvērsta ietilpības plūsma |
| 2 Izplūdes plūsma | 8 Lodvārsts |
| 3 Gaisa kondicionētājs | 9 Vienmērīgas ietilpības caur korpusu atvere |
| 4 Sālsūdens sūkņi | 10 Ūdenslīnija |
| 5 Šļūtenu apskavas | 11 Pareiza sūkņa galvas sietfiltra orientācija |
| 6 Sietfiltrs | |

- Pēc iespējas tuvāk ķīlim un pēc iespējas tālāk zem ūdenslīnijas uzstādiēt sālsūdens vienmērīgas ietilpības caur korpusu atveri. Piestipriniet vienmērīgas ietilpības caur korpusu atveri, izmantojot lietojumam zem ūdens paredzētu kuģu hermetizējošo sastāvu.
- Uzstādiēt bronzas pilnas plūsmas kingstenu uz sālsūdens vienmērīgas ietilpības caur korpusu atveres.
- Uzstādiēt sālsūdens sietfiltru zem sūkņa līmeņa ar piekļūvi filtram.
- Uzstādiēt sūkni virs sietfiltra un vismaz vienu pēdu zem ūdenslīnijas.
- Pievienojiet kingstenu un sietfiltru ar virzienā uz augšu novietotu pastiprinātu kuģu šļūteni.
- Pievienojiet sūkņa izplūdes atveri virzienā uz augšu pie gaisa kondicionētāja kondensatora spoles apakšējās ietilpības atveres ar pastiprinātu 5/8 collu kuģu šļūteni.
- Pievienojiet kondensatora spoles izplūdes atveri pie izplūdes aizorta vieta ar cauri korpusam ejošu armatūru ar pastiprinātu 5/8 collu kuģu šļūteni.
- Izvairoties no cilpām, augstām vietām vai 90° leņķa gabalu izmantošanas kopā ar sālsūdens šļūteni. Katrs 90° leņķa gabals ir ekvivalents 2,5 ft (0,76 m) šļūtenei, un 90° leņķa gabals pie sūkņa izplūdes atveres ir ekvivalents 20,0 ft (6,10 m) šļūtenei.
- Divkārti nostipriniet visus šļūtenes savienojumus, izmantojot divas nerūsējošā tērauda apskavas, nepieciešamības gadījumā tās apgriezot otrādi.
- Pievienojiet kuģa potenciāla izlīdzināšanas sistēmai visas metāliskās daļas, kas nonāk saskarē ar sālsūdeni.

7.4 Elektrisko savienojumu izveidošana



BRĪDINĀJUMS! Elektriskās strāvas trieciena risks

- > Pirms savienojumu kārbas atvēršanas vienmēr izslēdziet gaisa kondicionēšanas barošanas avota slēdzi. Šī brīdinājuma neievērošana var izraisīt nāvējošas vai smagas traumas.
- > Pārliedziniet, ka savienojumu kārba atrodas zonā, kas ir aizsargāta no ūdens.



ŅEMĪT VĒRĀ!

Gaisa kondicionētājam jābūt pievienotam pie kuģa potenciāla izlīdzināšanas sistēmas, lai novērstu koroziju nepareizi novirzītas elektriskās strāvas dēļ. Visi sūkņi, metāla vārsti un fittingi sālsūdens ķēdē, kas ir izolēti no gaisa kondicionētāja ar PVH vai gumijas šļūtenēm, ir atsevišķi jāpievieno pie kuģa potenciāla izlīdzināšanas sistēmas.



PIEZĪME Ja sistēma nav pareizi iezemēta un piesaistīta, sistēmas garantija tiek anulēta.

Visām kondicionēšanas ierīcēm ir plakanspaile, kas atbilstoši marķēta, lai savienojumu kārbā varētu veikt pareizus savienojumus. Vadojuma shēma savienojumu kārbā aizstāj ABYC standartus. Izmantojiet pareiza izmēru slēgiekārtu, lai aizsargātu sistēmu, kā norādīts uz gaisa kondicionēšanas ierīču tipa marķējuma. Lai nodrošinātu jaudu gaisa

kondicionētājam un sālsūdens sūkņim, jāizmanto vismaz 12 AWG kuģa kabelis. Veiciet visus savienojumus, izmantojot gredzenveida vai dakšas veida spaiļes.

Veicot elektriskos savienojumus, pievērsiet uzmanību tālāk norādītajam.

- Maiņstrāvas (AC, alternative current) zemējumam jābūt pievienotam ar zemētājspaiļes (GRND, ground) pie maiņstrāvas ieejas spaiļu bloka.
- Savienojumi starp kuģa maiņstrāvas sistēmas zemējumvadu un kuģa līdzstrāvas (DC, direct current) negatīvo spaiļi vai potenciāla izlīdzināšanas sistēmu jāveido kā daļa no kuģa elektroinstalācijas. Veicot apkopi vai nomainot esošo aprīkojumu, kam ir uz rāmja uzstādīta zemējuma tapa, pārbaudiet, vai kuģa vadojums ir paredzēts šiem savienojumiem.
- GVTX un TX gaisa kondicionētāji ir paredzēti darbībai ar maiņstrāvu vai augstsprieguma līdzstrāvu. Pareizu izvietošanu skatiet kuģa vadojuma shēmā.

Pārliedziniet, ka gaisa kondicionētāja maiņstrāvas zemējums ir pareizi savienots ar kuģa maiņstrāvas zemējumu. Paša kuģi pārliedziniet par to, ka maiņstrāvas zemējuma kopne ir savienota ar līdzstrāvas zemējuma kopni tieši vienā vietā.

Pirms ieslēgšanas pārbaudiet un pēc vajadzības pievelciet visus elektriskos savienojumus.

8 Atkritumu pārstrāde



ESIET PIESARDZĪG! Ugunsdrošības apdraudējums

- > Šī ierīce satur uzliesmojošu izolējošo gāzi.
- > Ierīci drīkst demontēt un utilizēt tikai speciālists.



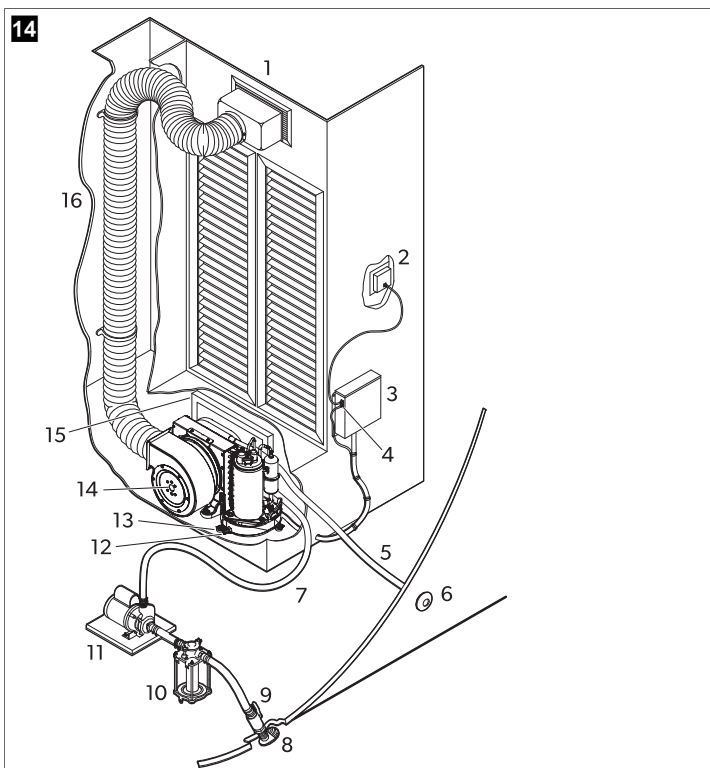
Ja iespējams, iepakojuma materiālus izmetiet atbilstošos atkritumu šķirošanas konteineros. Informāciju par produkta utilizāciju, ievērojot spēkā esošos atkritumu apsaimniekošanas noteikumus, konsultējieties ar vietējo atkritumu pārstrādes centru vai specializēto tirgotāju.

9 Tehniskie dati

Izlasiet visus šos norādījumus un pēc tam iepilnīgi savienojumus, kas jāizveido pie gaisa kondicionētāja (tostarp pie cauruļvada, kondensāta notekcaurules, sālsūdens ietilpības un izplūdes šļūtenēm, barošanas avota savienojumiem, vadības atrašanās vietas un sālsūdens sūkņa izvietošanas vietas), lai nodrošinātu vieglu piekļuvi izvietošanai un turpmākajai apkopei.

9.1 Daļu atrašanās vietas

Gaisa kondicionēšanas sistēmas komponentu identifikācija



- | | |
|---|---------------------------------------|
| 1 Ieplūdes gaisa režģis un pārejas kārba | 9 Kingstena slēgvārsts |
| 2 Digitālais ekrāns | 10 Sālsūdens sietfiltrs |
| 3 Savienojumu kārba | 11 Sūknis |
| 4 Papildus izvēlētās tālvadības gaisa sensora kabelis | 12 Kondensāta notekas šūtenes uzgalis |
| 5 Sālsūdens izplūdes šūtene | 13 Montāžas kronšteins |
| 6 Izplūdes aiz borta vieta | 14 Gaisa kondicionētājs |
| 7 Sālsūdens ieplūdes šūtene | 15 Atplūdes gaisa režģis un filtrs |
| 8 Sālsūdens vienmērīga ieplūdes caur pusu atvere | 16 Izolēts, elastīgs cauruļvads |

9.2 Specifikācijas

Aukstumaģenta sistēma satur nelielu daudzumu videi draudzīga, bet uzliesmojoša aukstumaģenta. Tas nebojā ozona slāni un nepalielina siltumnīcas efektu. Noplūdes gadījumā aukstumaģents var aizdedzties.

Šis produkts satur fluorētas siltumnīcefekta gāzes.

Dzesēšanas ierīce ir hermētiski noslēgta.

Tabula 47: Minimālie kanāla un režģa izmēri atbilstoši BTU kapacitātei

	3.5 k BTU	6 k BTU	8 k BTU	10 k BTU
Minimālais kanāla diametrs	3,00 in (76,2 mm)	4,00 in (101,6 mm)	5,00 in (127,0 mm)	6,00 in (152,4 mm)
Minimālā kanāla zona	6,8 in ² (43,9 cm ²)	12,6 in ² (81,3 cm ²)	19,6 in ² (126,5 cm ²)	28,3 in ² (182,6 cm ²)
Minimālais atplūdes gaisa režģis	48,0 in ² (309,7 cm ²)	64,0 in ² (412,9 cm ²)	80,0 in ² (516,2 cm ²)	100,0 in ² (645,2 cm ²)
Minimālais ieplūdes gaisa režģis	12,0 in ² (77,4 cm ²)	32,0 in ² (206,5 cm ²)	48,0 in ² (309,7 cm ²)	60,0 in ² (387,1 cm ²)

	12 k BTU	16 k BTU	18 k BTU	27 k BTU
Minimālais kanāla diametrs	6,00 in (152,4 mm)	7,00 in (177,8 mm)	7,00 in (177,8 mm)	8,00 in (203,2 mm)
Minimālā kanāla zona	28,3 in ² (182,6 cm ²)	38,5 in ² (248,4 cm ²)	38,5 in ² (248,4 cm ²)	50,3 in ² (324,5 cm ²)
Minimālais atplūdes gaisa režģis	130,0 in ² (838,8 cm ²)	160,0 in ² (1032,3 cm ²)	200,0 in ² (1290,4 cm ²)	240,0 in ² (1548,5 cm ²)
Minimālais ieplūdes gaisa režģis	70,0 in ² (451,6 cm ²)	80,0 in ² (516,2 cm ²)	100,0 in ² (645,2 cm ²)	120,0 in ² (774,2 cm ²)

Tabula 48: Ūdens darba temperatūra un spiediens

Minimālā ūdens darba temperatūra	40,0 °F (4,44 °C)
Maksimālā ūdens darba temperatūra	80,0 °F (26,66 °C)
Minimālais ūdens darba spiediens	4,2 psi (0,29 bar) (29,00 kPa)
Maksimālais ūdens darba spiediens	6,00 psi (0,41 bar) (41,4 kPa)

Ievērojiet EPA lietošanas nosacījumus.



PIEZĪME Iekārta ar samazinātu jaudu var darboties arī citos apstākļos.

10 Juridisks saturs

Tikai GVTX modeļi: Lai nodrošinātu atbilstību IEC 60533, nepiestipriniet produktu tuvāk kā 9,8 ft (3,00 m) attālumā no uztvērēja antenas.

11 Garantija

Informāciju par garantiju un garantijas atbalstu ASV, Kanādā un visos pārējos reģionos skatiet tālāk esošajās sadaļās.

Amerikas Savienotās Valstis un Kanāda

IEROBEŽOTĀ GARANTĪJA IR PIEEJAMA VIETNĒ DOMETIC.COM/EN-US/TERMS-AND-CONDITIONS-CONSUMER/WARRANTY. JA JUMS IR KĀDI JAUTĀJUMI VAI JA VĒLATIES SAŅEMT BEZMAKSAS IEROBEŽOTĀS GARANTĪJAS KOPIJU, SAZIŅIETIES AR:

DOMETIC CORPORATION
MARINE CUSTOMER SUPPORT CENTER
2000 NORTH ANDREWS AVENUE
POMPANO BEACH, FLORIDA, USA 33069
1-800-542-2477

Āzijas un Klusā okeāna (APAC, Asia-Pacific) valstis

Ja produkts nedarbojas kā paredzēts, sazinieties ar tirgotāju vai ražotāja filiāli savā valstī (skatiet dometic.com/dealer). Jūsu produktam ir spēkā 1 gada(-u) garantija.

Nosūtiet ierīci remontam garantijas ietvaros, pievienojiet šādus dokumentus:

- čeka kopiju, kurā norādīts iegādes datums;
- pretenzijas iesniegšanas iemeslu vai bojājuma aprakstu.

Ņemiet vērā, ka pašrocīgi vai neprofesionāli veikts remonts var radīt drošības riskus, un garantija var tikt anulēta.

Tikai Austrālijā

Mūsu precēm ir garantija, kuru nedrīkst izslēgt saskaņā ar Austrālijas patērētāju tiesību normām. Jums ir tiesības uz nomainītu vai naudas atgriešanu par būtiskiem defektiem un uz kompensāciju par citiem pamatotiem paredzamiem zaudējumiem vai bojājumiem. Jums ir arī tiesības pieprasīt preču remontu vai nomainītu, ja preču kvalitāte ir nepieņemama, bet defekti nav uzskatāmi par būtiskiem defektiem.

Tikai Jaunzēlandē

Uz šo garantiju attiecināmi noteikumi un garantijas, kas noteiktas kā obligātas 1993. gada Patērētāju garantiju likumā (NZ).

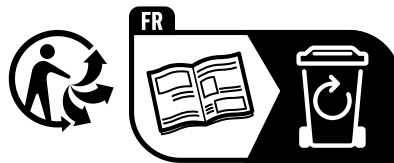
Visi pārējie reģioni

Ir spēkā likumā noteiktais garantijas periods. Produkta bojājumu gadījumā sazinieties ar ražotāja filiāli savā valstī (skatiet dometic.com/dealer) vai tirgotāju.

Nosūtot ierīci remontam garantijas ietvaros, pievienojiet šādus dokumentus:

- čeka kopiju, kurā norādīts iegādes datums;
- pretenzijas iesniegšanas iemeslu vai bojājuma aprakstu.

Ņemiet vērā, ka pašrocīgi vai neprofesionāli veikts remonts var radīt drošības riskus, un garantija var tikt anulēta.



dometic.com

YOUR LOCAL DEALER

dometic.com/dealer

YOUR LOCAL SUPPORT

dometic.com/contact

YOUR LOCAL SALES OFFICE

dometic.com/sales-offices