

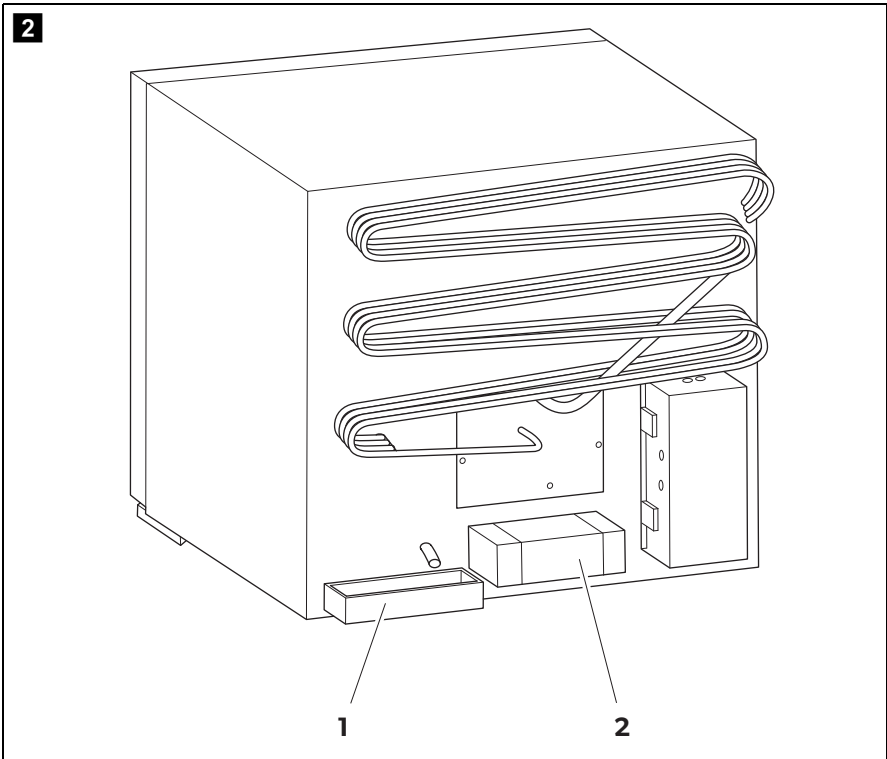
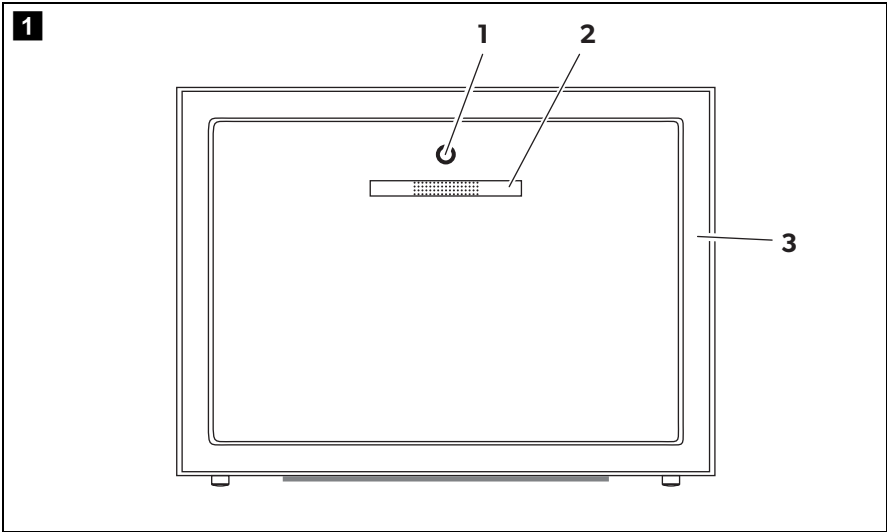
↗ DOMETIC REFRIGERATION DESIGN

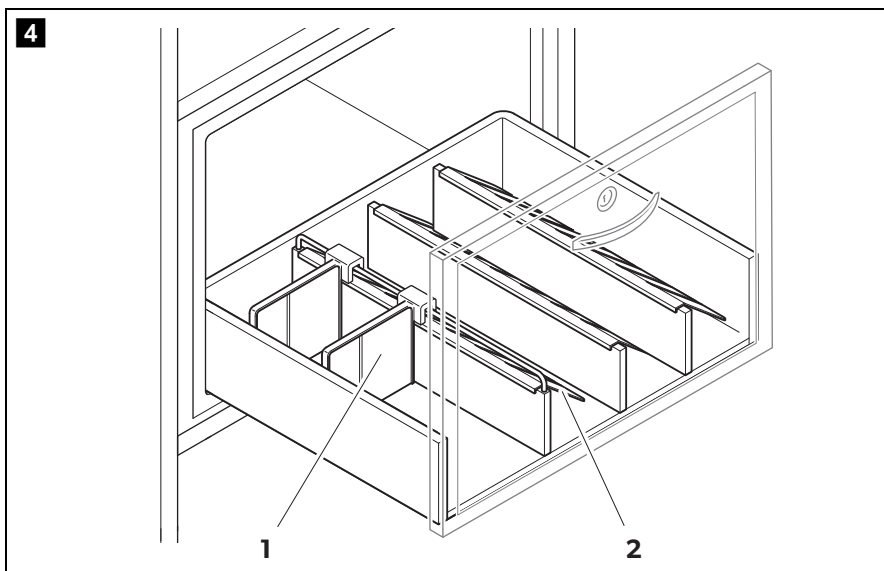
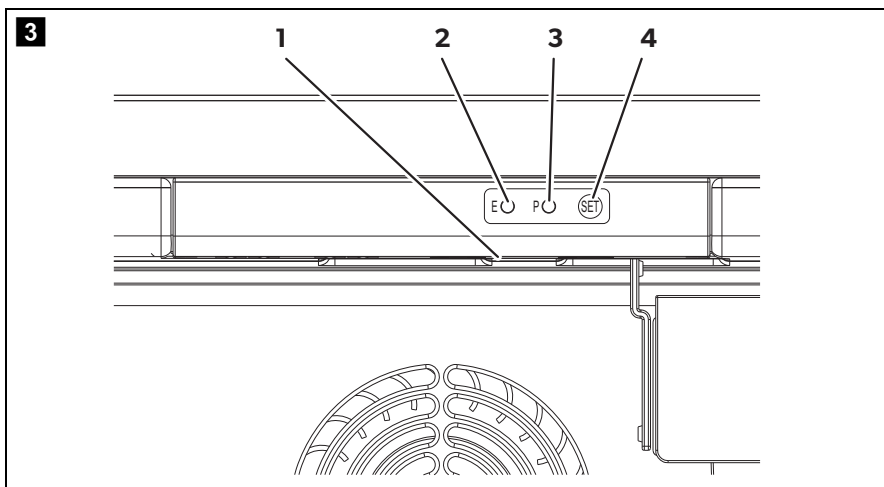


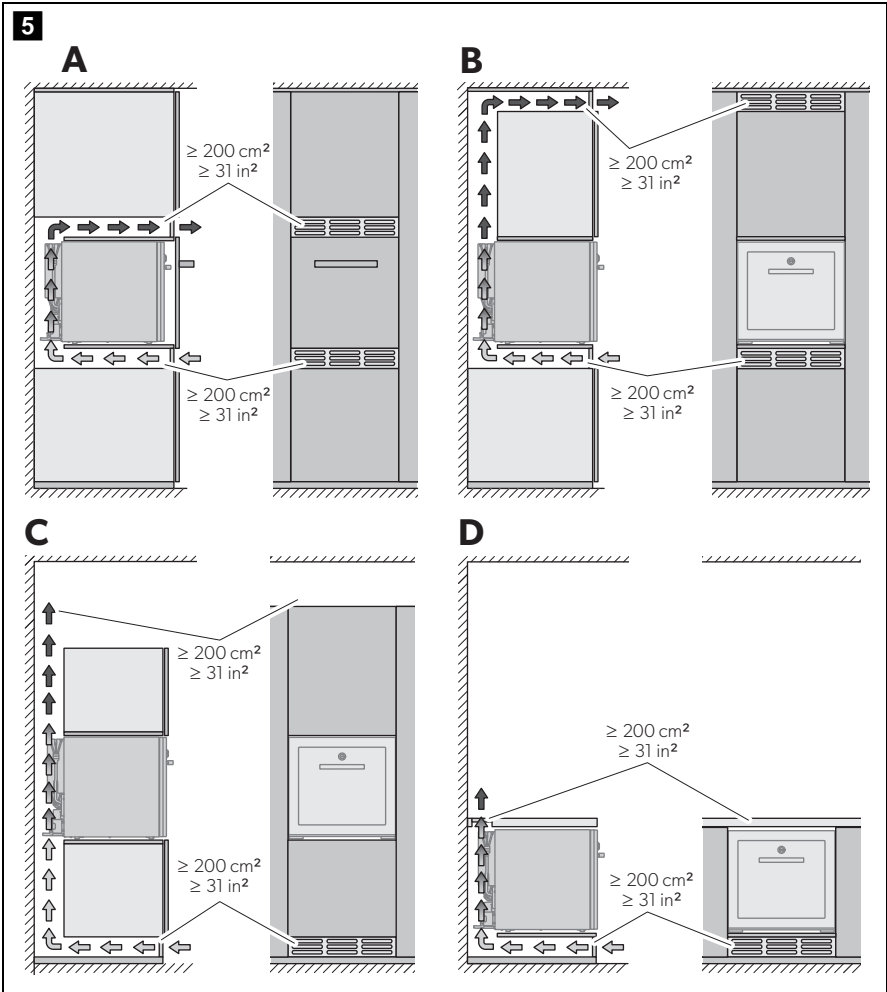
DM20D, DM20F

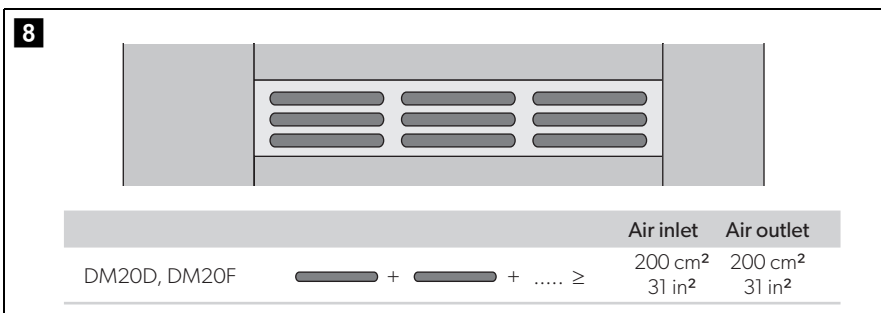
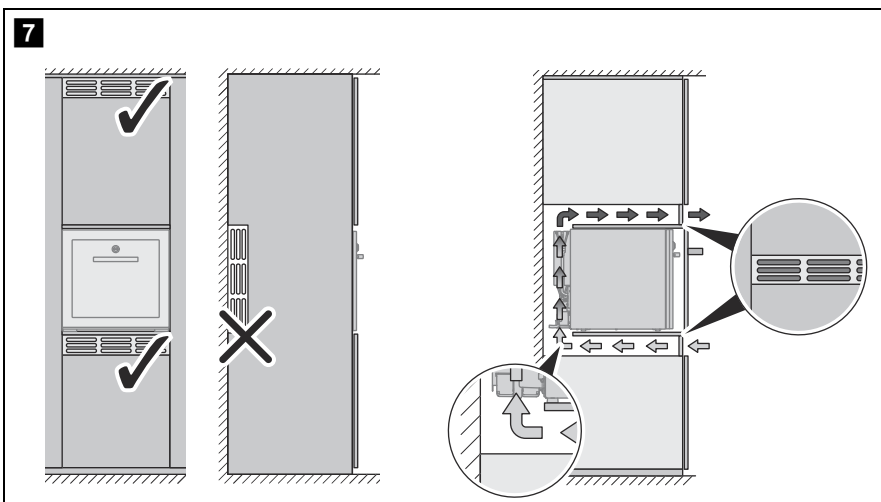
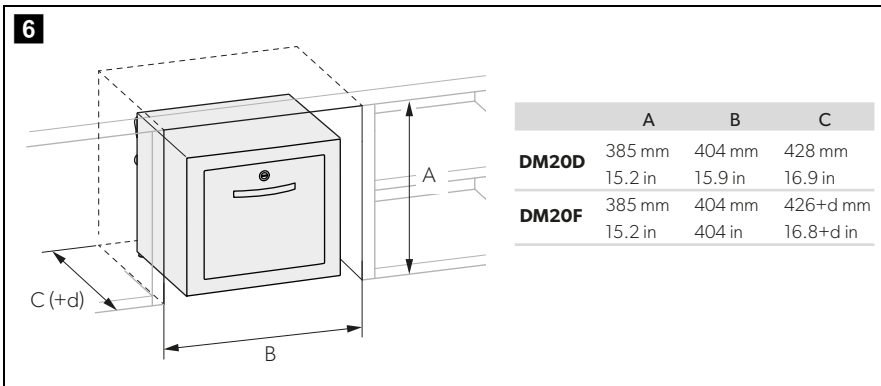
EN	Drawer Minibar Installation and Operating Manual	11
FR	Minibar à tiroir Instructions de montage et de service	26
ES	Cajón minibar Instrucciones de montaje y de uso	42
PT	Minibar de gaveta Instruções de montagem e manual de instruções	57

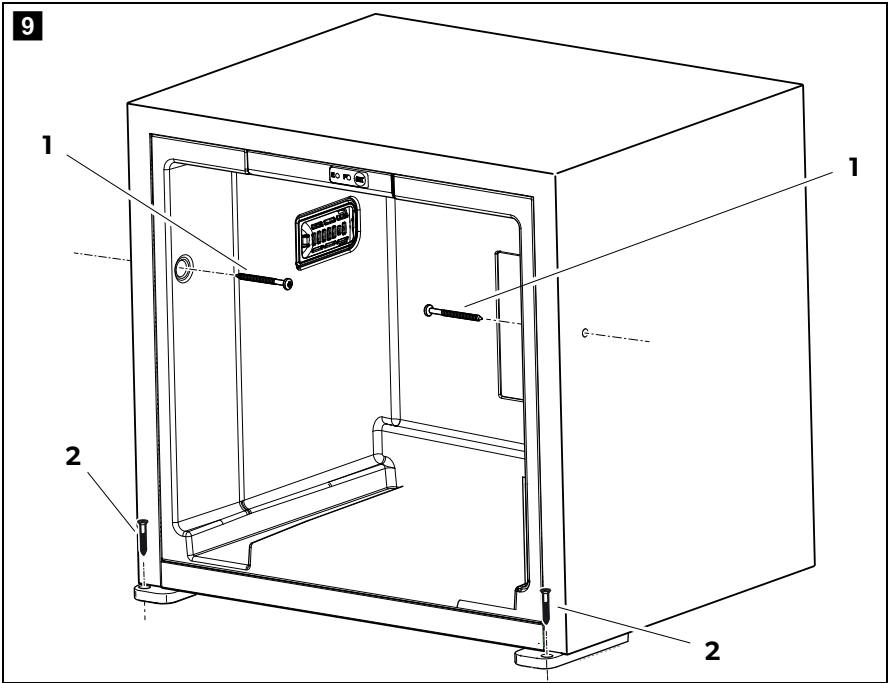
© 2024 Dometic Group. The visual appearance of the contents of this manual is protected by copyright and design law. The underlying technical design and the products contained herein may be protected by design, patent or pending patent. The trademarks mentioned in this manual belong to Dometic Sweden AB. All rights are reserved.

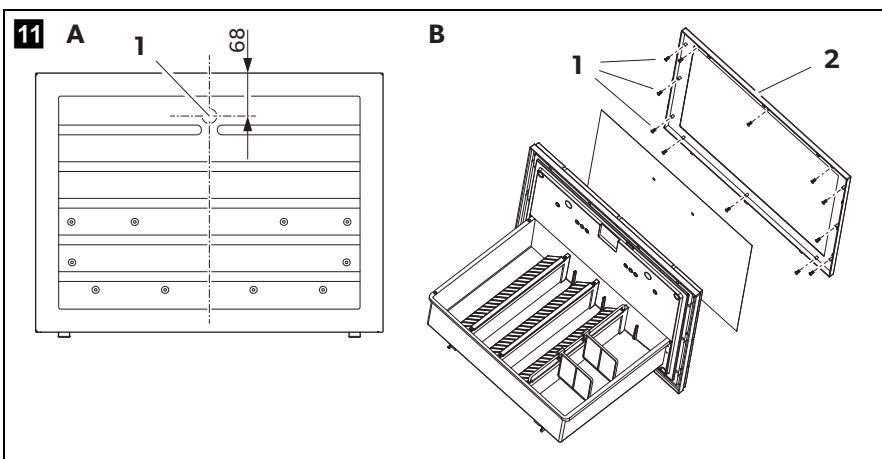
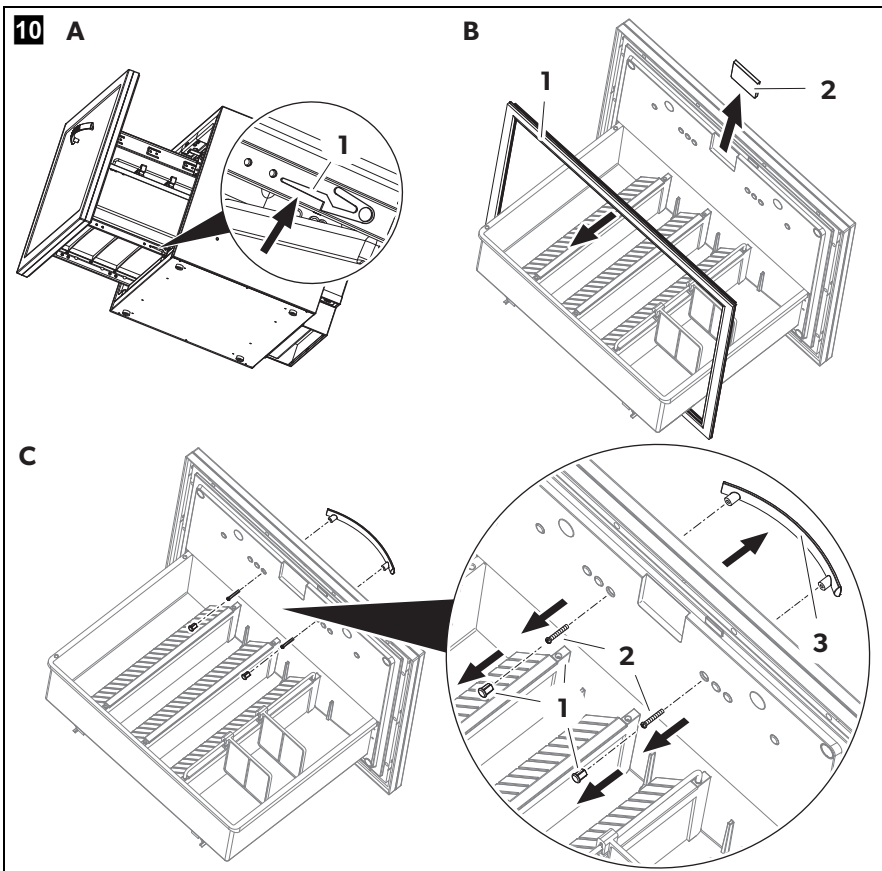


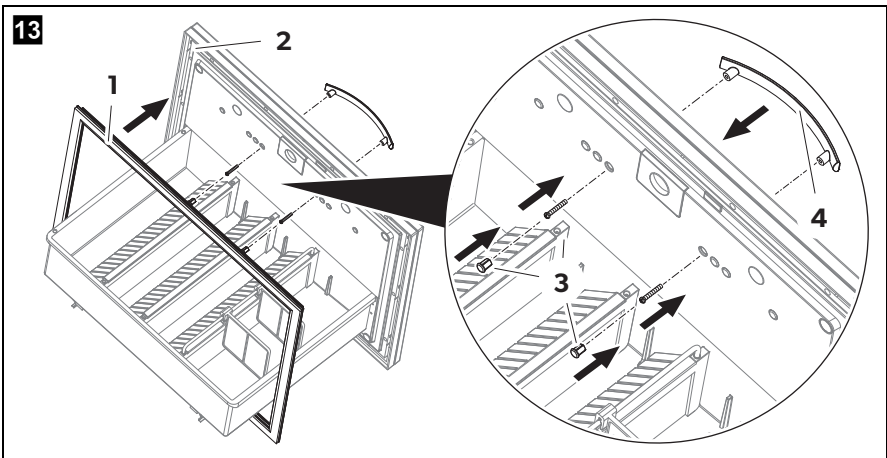
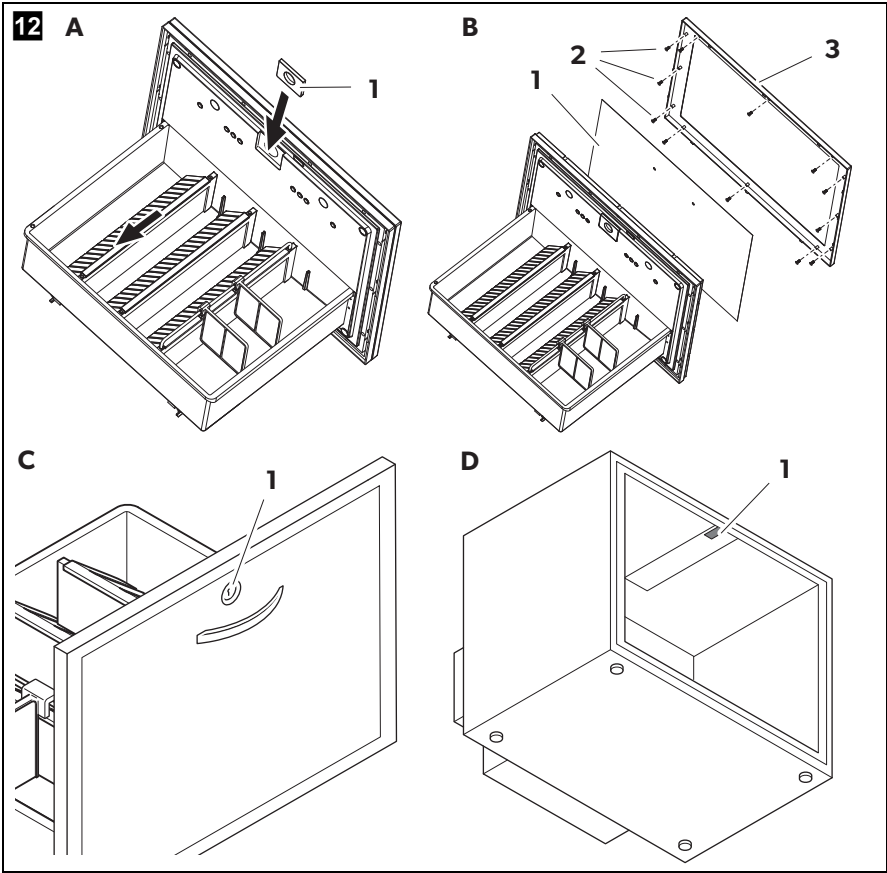






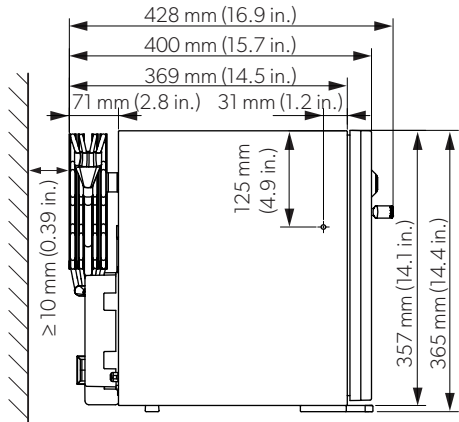
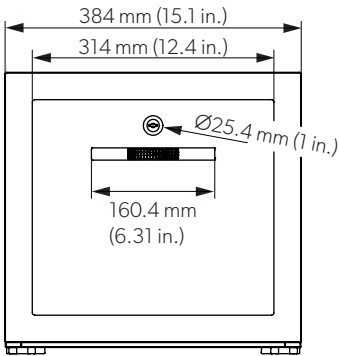




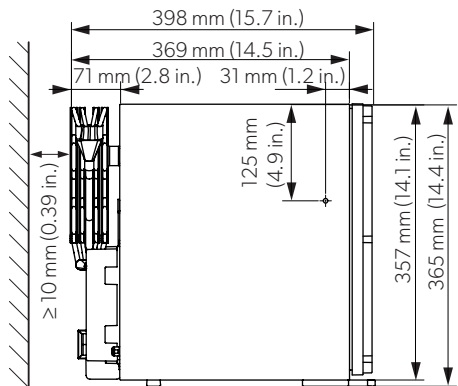
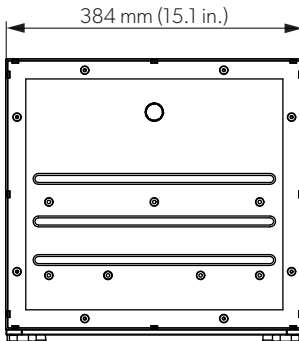


14

DM20D



DM20F



Please read these instructions carefully and follow all instructions, guidelines, and warnings included in this product manual in order to ensure that you install, use, and maintain the product properly at all times. These instructions **MUST** stay with this product.

By using the product, you hereby confirm that you have read all instructions, guidelines, and warnings carefully and that you understand and agree to abide by the terms and conditions as set forth herein. You agree to use this product only for the intended purpose and application and in accordance with the instructions, guidelines, and warnings as set forth in this product manual as well as in accordance with all applicable laws and regulations. A failure to read and follow the instructions and warnings set forth herein may result in an injury to yourself and others, damage to your product or damage to other property in the vicinity. This product manual, including the instructions, guidelines, and warnings, and related documentation, may be subject to changes and updates. For up-to-date product information, please visit documents.dometic.com, dometic.com.

Contents

1	Explanation of symbols	11
2	Safety instructions	12
3	Scope of delivery	15
4	Intended use	16
5	Technical description	17
6	Installation	18
7	Operation	20
8	Troubleshooting	22
9	Cleaning and maintenance	22
10	Warranty	23
11	Disposal	24
12	Technical data	25

1 Explanation of symbols



DANGER!

Safety instruction: Indicates a hazardous situation that, if not avoided, will result in death or serious injury.



WARNING!

Safety instruction: Indicates a hazardous situation that, if not avoided, could result in death or serious injury.

**CAUTION!**

Safety instruction: Indicates a hazardous situation that, if not avoided, could result in minor or moderate injury.

**NOTICE!**

Indicates a situation that, if not avoided, can result in property damage.

**NOTE**

Supplementary information for operating the product.

2 Safety instructions

2.1 General safety



WARNING! Failure to obey these warnings could result in death or serious injury.

Electrocution hazard

- Ensure that the minibar has been installed by a qualified technician in accordance with the Dometic installation manual.
- Do not operate the minibar if it is visibly damaged.
- If this minibars power cable is damaged, it must be replaced by the manufacturer, service agent or a similarly qualified person in order to prevent safety hazards.
- This minibar may only be repaired by qualified personnel. Inadequate repairs may cause serious hazards.
- When positioning the minibar, ensure the supply cord is not trapped or damaged.
- Do not locate multiple portable socket-outlets or portable power supplies at the rear of the appliance.
- Plug the device to sockets that ensure proper connection especially when the device needs to be earthed.

Fire hazard

- The refrigerant in the refrigerant circuit is highly flammable. In the event of any damage to the refrigerant circuit:
 - Switch off the minibar.
 - Avoid naked flames and sparks.
 - Air the room well.

- The refrigerant circuit contains a small quantity of an environmentally friendly but flammable refrigerant. It does not damage the ozone layer and does not increase the greenhouse effect. Any leaking refrigerant may ignite.
- Keep the installation recess for the minibar free of any electrical components and light sources which during normal or abnormal operation produce sparks or arcs (i.e., relays or fuse boxes).
- Do not use or store the minibar in confined spaces with none or minimal air circulation.
- After installation, it must still be possible to disconnect the minibar from the supply mains. This may be achieved by having the plug accessible or by incorporating a switch in the fixed wiring according to the wiring rules.
- Keep ventilation openings, in the minibar enclosure or in the built-in structure, clear of obstruction.
- Do not use mechanical devices or other means to accelerate the defrosting process, other than those recommended by the manufacturer.
- Do not open the refrigerant circuit under any circumstances.
- Do not use electrical devices inside the minibar unless they are recommended by the manufacturer for that purpose.

Explosion hazard

- Do not store any explosive substances, such as spray cans with propellants, in the minibar.

Health hazard

- This minibar can be used by children aged from 8 years and above and persons with reduced physical, sensory or mental capabilities or lack of experience and knowledge if they have been given supervision or instruction concerning use of the minibar in a safe way and understand the hazards involved.
- Children shall not play with the minibar.
- Cleaning and user maintenance shall not be made by children without supervision.
- Children aged from 3 to 8 years are allowed to load and unload the minibar.



CAUTION! Failure to obey these cautions could result in minor or moderate injury.

Risk of crushing

- Do not put your fingers into the hinge.

Health hazard

- Foodstuff may only be stored in its original packaging or in suitable containers.



NOTICE! Damage hazard

- Check that the voltage specification on the type plate is the same as that of the power supply.
- The minibar is not suitable for storing substances which are caustic or contain solvents.
- The insulation of the cooling device contains flammable cyclopentane and requires special disposal procedures. Deliver the cooling device at the end of its life-cycle to an appropriate recycling center.
- Keep the drainage outlet clean at all times.
- Only carry the minibar upright.

2.2 Operating the minibar safely



DANGER! Failure to obey these warnings will result in death or serious injury.

Electrocution hazard

- Do not touch exposed cables with your bare hands.



CAUTION! Failure to obey these cautions could result in minor or moderate injury.

Electrocution hazard

- Before starting the minibar, ensure that the power supply line and the plug are dry.

Health hazard

- Ensure that you only put items in the minibar which may be chilled at the selected temperature.
- Food may only be stored in its original packaging or in suitable containers.
- Opening the door for long periods can cause significant increase of the temperature in the compartments of the minibar.

- Clean regularly surfaces that can come in contact with food and accessible drainage systems.
- If the minibar is left empty for long periods:
 - Switch off the minibar.
 - Defrost the minibar.
 - Clean and dry the minibar.
 - Leave the door open to prevent mold developing within the minibar.

**NOTICE!****Damage hazard**

- Do not place the minibar near naked flames or other heat sources (burning candles, heaters, direct sunlight, gas ovens etc.).
- Never immerse the minibar in water.
- Protect the minibar and the cable against heat and moisture.
- Ensure that foodstuffs do not touch the walls of the cooling area.

3 Scope of delivery

The following main alternatives are obtainable:

- Minibar DM20D with door panel, without lock
- Minibar DM20D with door panel, with lock
- Minibar DM20F without door panel, without lock
- Minibar DM20F without door panel, with lock

Quantity	Description	
1	Minibar	
1	AC connection cable	
2	Screw Ø 4 x 45 mm (Ø 0.16 x 1.77 in., installation)	
2	Screw Ø 4 x 25 mm (Ø 0.16 x 0.98 in., installation of the front feet)	
2	Screw M4 x 45 mm (M4 1.77 in., handle installation)	
2	Plug (Installation)	
1	Handle	DM20D only
2	Plug (Handle installation)	DM20D only
2	Plug (Wooden panel)	DM20F wooden version only

Quantity	Description	
1	Lock decor (Wooden panel)	DM20F wooden version with lock only
2	Key	Lock version only
1	Installation and Operating manual	

4 Intended use

The refrigeration appliance (also referred to as minibar) is intended to be used in household and similar applications such as:

- Staff kitchens in stores, offices and other work areas
- Farmhouses
- By clients in hotels, motels and other residential type environments
- Bed and breakfast type environments
- Catering and similar non-retail applications

The minibar is not suitable for installation in caravans or mobile homes.

The minibar is intended for installation in a piece of cabinetry or an installation niche.

The minibar is designed exclusively for cooling and storing of beverages and foods in closed containers.

The minibar is not suitable for storing fresh foods and medicine or freezing food-stuffs.

This minibar is only suitable for the intended purpose and application in accordance with these instructions.

This manual provides information that is necessary for proper installation and/or operation of the minibar. Poor installation and/or improper operation or maintenance will result in unsatisfactory performance and a possible failure.

The manufacturer accepts no liability for any injury or damage to the product resulting from:

- Incorrect assembly or connection, including excess voltage
- Incorrect maintenance or use of spare parts other than original spare parts provided by the manufacturer
- Alterations to the product without express permission from the manufacturer
- Use for purposes other than those described in this manual

Dometic reserves the right to change product appearance and product specifications.

5 Technical description

The minibar has a drawer with room for 12 cans (plus snacks bars).

On delivery the provided shelves and compartments are positioned so that the device can be operated in an energy-efficient manner.

The minibar DM 20D comes with a anthracite panel and pull handle.

The minibar DM 20F is delivered without panel and is prepared for fitting the hotel's own door decor.

Its cooling system is a non-wearing Peltier cooling system.

A lock is optionally available.

5.1 Description of the device

Front side

No. in fig. 1 , page 3	Description
1	Lock (optional)
2	Handle (DM20D only)
3	Door panel (DM20D only)

Rear side

No. in fig. 2 , page 3	Description
1	Drip tray
2	Mains adapter

Control panel (inside the device)

No. in fig. 3 , page 4	Description
1	Lamp
2	Error LED
3	Status LED
4	Setting button

Main drawer

No. in fig. 4 , page 4	Description
1	Divider
2	Bottle finger

6 Installation



CAUTION! Health hazard

To avoid a hazard due to instability of the device, it must be fixed in accordance with the instructions.

6.1 Mounting the minibar into a piece of furniture



NOTICE! Damage hazard

Air passing through the inlet air duct must not be heated.
Do not place the minibar near naked flames or other heat sources (heaters, direct sunlight, gas ovens etc.).

There are four ways to mount the minibar into furniture.

1. Choose your preferred installation alternative (fig. **5**, page 5).
2. Observe the required installation recess (fig. **6**, page 6)
d is the thickness of the hotel's own decor.
3. Observe the correct placement of the minibar and ventilation openings to ensure a proper air flow (fig. **7**, page 6).

4. Ensure the minimum clearance between the back of the minibar and the furniture wall (fig. **14**, page 10).
5. Produce the ventilation openings as shown in fig. **8**, page 6.
6. Fix the refrigerator in place using suitable screws (fig. **9 1** and **2**, page 7).

6.2 Connecting the minibar electrically

- ▶ Plug the AC connection cable into the AC voltage socket and connect it to the AC mains supply.
- ✓ The status LED lights up.
- ✓ The minibar starts cooling the interior.

6.3 Mounting hotel's own door decor (DM20F only)

The hotel's own door decor has to comply with the following requirements:

- Maximum weight: 2 kg (4.4 lb.)
 - Maximum thickness: 14 mm (0.55 in.)
- ▶ Fasten the decor with four screws.

6.4 Mounting the lock (lock version only)

1. Drill a hole with a diameter of 35 mm (1.4 in.) into the decor.
2. Mount the lock together with the lock decor.

6.5 Mounting the lock (no lock version only)

Disassembling the drawer (fig. **10**, page 8)

1. Open the drawer completely.
2. Press the rail lock (**A 1**).
3. Pull the drawer out of the cabinet.
4. Remove the gasket (**B 1**).
5. Remove the lock cover (**B 2**).
6. Remove the plugs (**C 1**) from the screws of the door handle (**C 3**).
7. Unscrew the screws (**C 2**) of the door handle (**C 3**).
8. Remove the door handle (**C 3**).

Drilling the holes (fig. 11, page 8)

1. Drill a hole with a diameter of 25 mm (0.98 in.) through the decor and the door (**A 1**).
2. Unscrew the screws (**B 1**) of the decor frame (**B 2**).
3. Remove the decor frame (**B 2**).

Assembling the lock (fig. 12, page 9)

1. Put the new lock cover (**A 1**) into place.
2. Put the decor (**B 1**) into the decor frame (**B 3**).
3. Screw the decor frame (**B 3**) onto the door (**B 2**).
4. Install the door lock (**C 1**).
5. Install the lock catch in the cabinet (**D 1**).

Assembling the drawer (fig. 13, page 9)

1. Push the gasket (**1**) on the decor frame (**2**).
2. Screw the door handle (**4**) onto the door.
3. Push the plugs (**3**) on the screws of the door handle (**4**).
4. Push the drawer into the cabinet.

7 Operation

**NOTICE! Damage hazard**

The lamp can only be replaced by the manufacturer, a service agent or similarly qualified person to avoid hazard.

7.1 Saving energy

- Only open the minibar as often and for as long as necessary.
- Avoid unnecessarily low temperature settings.
- For optimal energy consumption, position the shelves and drawers according to their position on delivery.
- On a regularly basis, make sure the door seal still fits properly.
- Clean dust and dirt from the condenser at regular intervals.

7.2 Using the minibar

The minibar starts cooling when connected to power. During normal operation the Status LED is glowing. If an error occurs the Error LED is blinking (see chapter “Troubleshooting” on page 22).

7.3 Setting the temperature

To avoid food waste, note the following:

- Keep temperature fluctuation as low as possible. Only open the minibar as often and for as long as necessary. Store the foodstuff in such a way that the air can still circulate well.
- The minibar is equipped with an automatic temperature regulation function. Select the average of the possible temperature values.
- Adjust the temperature to the quantity and type of the foodstuff.

The minibar is set by default to a cooling temperature of 7 °C (47 °F) at an ambient temperature of 25 °C (77 °F).

You can use the setting button (fig. **3** 4, page 4) to set the cooling temperature to one of three values: 5 °C, 12 °C and 7 °C (41 °F, 54 °F and 45 °F).

Thereby the temperature will be changed in the order 5 °C ... 12 °C ... 7 °C ... 5 °C (41 °F ... 54 °F ... 45 °F ... 41 °F) etc.

- ▶ Press the setting button (fig. **3** 4, page 4) and keep it pressed for 5 s, until the lamp (fig. **3** 1, page 4) starts to blink.
- ▶ Press immediately the setting button (fig. **3** 4, page 4) again.
- ✓ The lamp (fig. **3** 1, page 4) indicates the setting temperature:
 - 5 °C (41 °F): the lamp flashes five times in three intervals
 - 12 °C (54 °F): the lamp flashes once in three intervals
 - 7 °C (45 °F): the lamp flashes three times in three intervals



NOTE

The minibar sets the cooling temperature automatically to 7 °C (47 °F), when it is connected to a power source.

8 Troubleshooting

Fault	Possible cause	Suggested remedy
Device does not function, Status LED does not glow.	No voltage present in the AC voltage socket.	Try using another plug socket.
	The mains adapter is defective.	Contact service agent.
The device does not cool (plug is inserted, Status LED glows).	The cooling element is defective.	Contact service agent.
The Error LED flashes once per second.	Temperature sensor is defective.	Contact service agent.
Device does not cool sufficiently, Status LED glows, Error LED does not glow.	The cooling element is defective.	Contact service agent.
	Poor ventilation	Check the ventilation. Clean the filter underneath the device.

9 Cleaning and maintenance



NOTICE! Damage hazard

- Never clean the cooling device under running water or in dish water.
- Do not use abrasive cleaning agents or hard objects during cleaning as these can damage the cooling device.

- Occasionally clean the cooling device interior and exterior with a damp cloth.
- Ensure that the air inlet and outlet vents on the cooling device are free of any dust and dirt, so that heat can be released and the cooling device is not damaged.
- Occasionally clean the inlet filter.
- If you find water in the drip tray (fig. **2** 1, page 3) check whether the drainage system is blocked.



NOTICE! Damage hazard

The lamp can only be replaced by the manufacturer, a service agent or similarly qualified person to avoid hazard.

10 Warranty

Refer to the sections below for information about warranty and warranty support in the US, Canada, and all other regions.

10.1 United States and Canada

LIMITED WARRANTY AVAILABLE AT
DOMETIC.COM

IF YOU HAVE QUESTIONS, OR WANT TO OBTAIN A COPY OF THE LIMITED WARRANTY FREE OF CHARGE, CONTACT:

DOMETIC CORPORATION
CUSTOMER SUPPORT CENTER
5155 VERDANT DRIVE
ELKHART, INDIANA 46516
1-800-544-4881
customersupportcenter@dometic.com

10.2 All Other Regions

The statutory warranty period applies. If the product is defective, please contact the manufacturer's branch in your region (dometic.com/dealer) or your retailer.

For repair and warranty processing, please include the following documents when you send in the device:

- A copy of the receipt with purchasing date
- A reason for the claim or description of the fault

Note that self-repair or nonprofessional repair can have safety consequences and might void the warranty.

11 Disposal

Recycling packaging material



- ▶ Place the packaging material in the appropriate recycling waste bins wherever possible.

Recycling products with non-replaceable batteries, rechargeable batteries, or light sources



- ▶ Dispose the product in accordance with all applicable regulations.
- ▶ The product can be disposed free of charge.



12 Technical data

For the current EU declaration of conformity for your device please refer to the respective product page on dometic.com or contact the manufacturer directly (see dometic.com/dealer).

The refrigerant circuit contains R600a.

	DM 20D	DM 20F
Voltage:	100 – 120 V~, 50/60 Hz	
Cooling capacity:	max. 20 °C (68 °F) below ambient temperature adjustable in three steps: +5 °C, +7 °C, +12 °C (41 °F, 45 °F, 54 °F)	
Category:	Cellar	
Total volume:	20 l (21.1 US liq.qt.)	
Energy efficiency class:	G	
Climatic class:	N	
Intended ambient temperature use:	+16 °C to +32 °C (+61 °F to +90 °F)	
Noise emission:	0 dB(A)	
Refrigerant quantity:	24 g (0.85 oz.)	
Dimensions main drawer W x D x H:	285 x 228.5 x 112 mm (11.2 x 9 x 4.4 in.)	
Dimensions H x W x D:	365 x 384 x 428 mm (14.4 x 15.1 x 16.9 in.)	365 x 384 x 398 mm (14.4 x 15.1 x 15.7 in.)
Weight:	12.3 kg (27.1 lb.)	

Veillez lire et suivre attentivement l'ensemble des instructions, directives et avertissements figurant dans ce manuel afin d'installer, d'utiliser et d'entretenir le produit correctement à tout moment. Ces instructions DOIVENT rester avec le produit.

En utilisant ce produit, vous confirmez expressément avoir lu attentivement l'ensemble des instructions, directives et avertissements et que vous comprenez et acceptez de respecter les modalités et conditions énoncées dans le présent document. Vous acceptez d'utiliser ce produit uniquement pour l'usage et l'application prévus et conformément aux instructions, directives et avertissements figurant dans le présent manuel, ainsi qu'à toutes les lois et réglementations applicables. En cas de non-respect des instructions et avertissements figurant dans ce manuel, vous risquez de vous blesser ou de blesser d'autres personnes, d'endommager votre produit ou d'endommager d'autres biens à proximité. Le présent manuel produit, y compris les instructions, directives et avertissements, ainsi que la documentation associée peuvent faire l'objet de modifications et de mises à jour. Pour obtenir des informations actualisées sur le produit, veuillez consulter le site documents.dometic.com, dometic.com.

Sommaire

1	Signification des symboles	26
2	Consignes de sécurité	27
3	Contenu de la livraison	30
4	Usage conforme	31
5	Description technique	32
6	Installation	33
7	Utilisation	36
8	Guide de dépannage	37
9	Nettoyage et entretien	38
10	Garantie	39
11	Mise au rebut	40
12	Caractéristiques techniques	41

1 Signification des symboles



DANGER !

Consignes de sécurité : Indiquent une situation dangereuse qui, si elle n'est pas évitée, entraînera des blessures graves, voire mortelles.



AVERTISSEMENT !

Consignes de sécurité : Indiquent une situation dangereuse qui, si elle n'est pas évitée, est susceptible d'entraîner des blessures graves, voire mortelles.

**ATTENTION !**

Consignes de sécurité : Indiquent une situation dangereuse qui, si elle n'est pas évitée, est susceptible d'entraîner des blessures légères ou de gravité modérée.

**AVIS !**

Indiquent une situation dangereuse qui, si elle n'est pas évitée, peut entraîner des dommages matériels.

**REMARQUE**

Informations complémentaires sur l'utilisation de ce produit.

2 Consignes de sécurité

2.1 Sécurité générale



AVERTISSEMENT ! Le non-respect de ces mises en garde peut entraîner des blessures graves, voire mortelles.

Risque d'électrocution

- Assurez-vous que le minibar a été installé par un technicien qualifié conformément au manuel d'installation de Dometic.
- Si le minibar présente des dégâts visibles, ne le mettez pas en service.
- Si le câble de raccordement du minibar est endommagé, il doit être remplacé par le fabricant, un agent de service ou une personne de qualification similaire, afin d'éviter tout danger.
- Seul un opérateur qualifié est habilité à effectuer des réparations sur le minibar. Une réparation incorrecte peut entraîner de graves dangers.
- Veillez à ne pas coincer ni endommager le cordon d'alimentation lors de la mise en place du minibar.
- Ne placez pas de multiprises portables ou de blocs d'alimentation portables à l'arrière de l'appareil.
- Branchez l'appareil sur des prises permettant un raccordement approprié, en particulier lorsque l'appareil doit être relié à la terre.

Risque d'incendie

- Le réfrigérant du circuit frigorifique s'enflamme facilement.
En cas d'endommagement du circuit frigorifique :
 - Éteignez le minibar.
 - Évitez toute flamme nue et/ou étincelle.
 - Aérez bien la pièce.
- Le circuit réfrigérant contient une faible quantité de liquide de réfrigérant écologique, mais inflammable. Il n'affecte pas la couche d'ozone et ne contribue pas à l'effet de serre. Une fuite de liquide réfrigérant peut prendre feu.
- Veillez à ne pas installer de composants électroniques et de sources lumineuses susceptibles de générer des étincelles ou des arcs électriques lors du fonctionnement normal ou anormal (ex. : relais, compteurs) dans la cavité d'installation du minibar.
- N'utilisez ou ne stockez pas le minibar dans des espaces confinés avec une aération faible ou inexistante.
- Après l'installation, il doit être possible de débrancher le minibar du secteur. Pour ce faire, la prise de courant doit être accessible ou un interrupteur doit être ajouté dans le câblage fixe, conformément aux règles de câblage.
- Veillez à ce que les orifices de ventilation situés sur le châssis du minibar ou dans la structure intégrée ne soient pas obstrués.
- N'utilisez pas d'appareils mécaniques ou d'autres moyens pour accélérer le processus de décongélation, outre ceux recommandés par le fabricant.
- N'ouvrez jamais le circuit frigorifique.
- N'utilisez aucun appareil électrique à l'intérieur du minibar, sauf s'ils sont recommandés par le fabricant pour cet usage.

Risque d'explosion

- Ne stockez aucune substance explosive, telle que des aérosols contenant des propulsifs dans le minibar.

Risque pour la santé

- Ce minibar peut être utilisé par des enfants âgés de 8 ans et plus et des personnes ayant des capacités physiques, sensorielles ou mentales réduites ou un manque d'expérience et de connaissances, s'ils sont sous surveillance ou ont reçu des instructions sur l'utilisation du minibar en toute sécurité et comprennent les risques impliqués.
- Les enfants ne doivent pas jouer avec le minibar.

- Le nettoyage et l'entretien ne doivent pas être effectués par des enfants sans surveillance.
- Les enfants âgés de 3 à 8 ans peuvent remplir et vider le minibar.



ATTENTION ! Le non-respect de ces mises en garde peut entraîner des blessures légères ou de gravité modérée.

Risque d'écrasement

- Ne touchez pas la charnière.

Risque pour la santé

- Les produits alimentaires doivent être conservés dans leurs emballages originaux ou dans des récipients appropriés.



AVIS ! Risque d'endommagement

- Vérifiez que la tension indiquée sur la plaque signalétique correspond à l'alimentation électrique dont vous disposez.
- Ne stockez aucune substance corrosive ou contenant des solvants dans le minibar.
- L'isolation du dispositif de réfrigération contient des gaz inflammables et nécessite des procédures d'élimination spéciales. À la fin de son cycle de vie, remettez le dispositif de réfrigération à un centre de recyclage approprié.
- Veillez à ce que l'ouverture d'évacuation soit toujours propre.
- Portez uniquement le minibar en position verticale.

2.2 Consignes de sécurité relatives au fonctionnement du minibar



DANGER ! Le non-respect de cette mise en garde entraînera des blessures graves, voire mortelles.

Risque d'électrocution

- Ne touchez pas les câbles dénudés à mains nues.



ATTENTION ! Le non-respect de ces mises en garde peut entraîner des blessures légères ou de gravité modérée.

Risque d'électrocution

- Avant de mettre le minibar en service, assurez-vous que le câble et la prise d'alimentation électrique sont secs.

Risque pour la santé

- Assurez-vous de stocker uniquement des objets pouvant être refroidis à la température sélectionnée dans le minibar.
- Les aliments doivent être conservés dans leur emballage d'origine ou dans des récipients appropriés.
- Une ouverture prolongée de la porte peut entraîner une augmentation significative de la température dans les compartiments du minibar.
- Nettoyez régulièrement les surfaces qui entrent en contact avec les aliments, ainsi que les systèmes de drainage accessibles.
- Si le minibar reste vide pendant une période prolongée :
 - Éteignez le minibar.
 - Dégivrez le minibar.
 - Nettoyez et séchez le minibar.
 - Laissez la porte ouverte pour éviter que des moisissures ne se forment à l'intérieur du minibar.

**AVIS !****Risque d'endommagement**

- Ne placez pas le minibar près de flammes nues ou d'autres sources de chaleur (bougies allumées, radiateurs, rayons solaires, fours à gaz, etc.).
- N'immergez jamais le minibar dans l'eau.
- Tenez le minibar et les câbles à l'abri de la chaleur et de l'humidité.
- Assurez-vous que les denrées alimentaires n'entrent pas en contact avec les parois du compartiment de réfrigération.

3 Contenu de la livraison

Les principales solutions suivantes sont disponibles :

- Minibar DM20D avec décor de porte, sans serrure
- Minibar DM20D avec décor de porte et serrure
- Minibar DM20F sans décor de porte ni serrure
- Minibar DM20F sans décor de porte, avec serrure

Quantité	Description	
1	Minibar	
1	Câble de raccordement au courant alternatif	
2	Vis Ø 4 x 45 mm (Ø 0,16 x 1,77 po., montage)	
2	Vis Ø 4 x 25 mm (Ø 0,16 x 0,98 po., montage des pieds avant)	
2	Vis M4 x 45 mm (M4 x 1,77 po., montage de la poignée)	
2	Connecteur (montage)	
1	Poignée	DM20D uniquement
2	Connecteur (montage de la poignée)	DM20D uniquement
2	Connecteur (panneau en bois)	DM20F version bois uniquement
1	Décor avec verrou (panneau en bois)	DM20F version bois avec serrure uniquement
2	Clé	Version avec verrou uniquement
1	Instructions de montage et de service	

4 Usage conforme

L'appareil de réfrigération (également appelé minibar) est destiné à être utilisé dans des applications domestiques et similaires, telles que :

- Dans les réfectoires des magasins, bureaux et autres lieux de travail
- Dans les maisons d'hôtes
- Par les clients des hôtels, motels et autres environnements de type résidentiel
- les gîtes et environnements similaires
- la restauration et les applications similaires non liées à la vente au détail

Le minibar n'est pas adapté à une installation dans les caravanes ou mobile-homes.

Le minibar est destiné à être installé dans un meuble ou une cavité murale dédiée.

Le minibar est conçu exclusivement pour le refroidissement et le stockage de boissons et d'aliments dans des récipients fermés.

Le minibar n'est pas adapté au stockage d'aliments surgelés et de médicaments ni à la congélation d'aliments.

Ce minibar convient uniquement à l'usage et à l'application prévus, conformément au présent manuel d'instructions.

Ce manuel fournit les informations nécessaires à l'installation et/ou à l'utilisation correcte du minibar. Une installation, une utilisation ou un entretien inappropriés entraînera des performances insatisfaisantes et une éventuelle défaillance.

Le fabricant décline toute responsabilité en cas de blessure ou de dommage résultant :

- d'un montage ou d'un raccordement incorrect, y compris d'une surtension
- d'un entretien inadapté ou de l'utilisation de pièces de rechange autres que les pièces de rechange d'origine fournies par le fabricant
- de modifications apportées au produit sans autorisation explicite du fabricant
- d'usages différents de ceux décrits dans ce manuel

Dometic se réserve le droit de modifier l'apparence et les spécifications produit.

5 Description technique

Le minibar dispose d'un tiroir pouvant accueillir 12 canettes (plus des snacks).

À la livraison, les clayettes et les compartiments prévus sont positionnés de manière à ce que l'appareil puisse fonctionner de manière efficace sur le plan énergétique.

Le minibar DM20D est livré avec un décor anthracite et une poignée.

Le minibar DM20F est livré sans décor et est préparé pour être intégré au décor de la porte de l'hôtel.

Il est équipé d'un système de refroidissement Peltier sans usure.

Un verrou est proposé en option.

5.1 Description de l'appareil

Façade

Pos. dans fig. 1, page 3	Description
1	Verrou (en option)
2	Poignée (DM20D uniquement)
3	Décor de porte (DM20D uniquement)

Panneau arrière

Pos. dans fig. 2, page 3	Description
1	Égouttoir
2	Bloc d'alimentation

Panneau de commande (à l'intérieur de l'appareil)

Pos. dans fig. 3, page 4	Description
1	Lampe
2	LED erreur
3	LED d'état
4	Bouton de réglage

Tiroir principal

Pos. dans fig. 4, page 4	Description
1	Séparateur
2	Doigt pour bouteilles

6 Installation



ATTENTION ! Risque pour la santé

Pour éviter tout risque dû à l'instabilité de l'appareil, celui-ci doit être fixé conformément aux instructions.

6.1 Montage du minibar dans un meuble



AVIS ! Risque d'endommagement

L'air passant par le tuyau d'entrée d'air ne doit pas être chauffé. Ne placez pas le minibar près de flammes nues ou d'autres sources de chaleur (radiateurs, rayons solaires, fours à gaz, etc.).

Il y a quatre façons de monter le minibar dans un meuble.

1. Choisissez votre alternative d'installation préférée (fig. **5**, page 5).
2. Tenez compte du renforcement requis pour l'installation (fig. **6**, page 6) d représente l'épaisseur du décor de l'hôtel.
3. Tenez compte du positionnement correct du minibar et des orifices de ventilation pour assurer un débit d'air correct (fig. **7**, page 6).
4. Veillez à ce que l'espace entre l'arrière du minibar et le mur du meuble soit minimal (fig. **14**, page 10).
5. Réalisez les ouvertures de ventilation comme illustré : fig. **8**, page 6.
6. Fixez le réfrigérateur en place avec des vis adaptées (fig. **9 1 et 2**, page 7).

6.2 Raccordement électrique du minibar

- ▶ Branchez le câble de raccordement CA dans la prise de courant alternatif et raccordez-le au réseau alternatif.
- ✓ La LED état s'allume.
- ✓ L'intérieur du minibar commence à être réfrigéré.

6.3 Montage du décor de la porte de l'hôtel (DM 20F uniquement)

Le décor de la porte de l'hôtel doit satisfaire aux exigences suivantes :

- Poids maximum : 2 kg (4,4 lb.)
- Épaisseur maximale : 14 mm (0,55 po.)
- ▶ Fixez le décor avec quatre vis.

6.4 Montage du verrou (version avec verrou uniquement)

1. Percez un trou de 35 mm de diamètre dans le décor.
2. Montez le verrou avec le décor pour verrou.

6.5 Montage du verrou (version sans verrou uniquement)

Démontage du tiroir (fig. **10**, page 8)

1. Ouvrez complètement le tiroir.
2. Appuyez sur le verrou du rail (**A 1**).

3. Tirez le tiroir pour le sortir de l'armoire.
4. Retirez le joint **(B 1)**.
5. Retirez le couvercle de la serrure **(B 2)**.
6. Retirez les deux connecteurs **(C 1)** des vis de la poignée de la porte **(C 3)**.
7. Dévissez les deux vis **(C 2)** de la poignée de la porte **(C 3)**.
8. Retirez la poignée de la porte **(C 3)**.

Perçage des trous (fig. 11, page 8)

1. Percez un trou de 25 mm de diamètre dans le décor et dans la porte **(A 1)**.
2. Dévissez les vis **(B 1)** du cadre du décor **(B 2)**.
3. Retirez le cadre du décor **(B 2)**.

Montage du verrou (fig. 12, page 9)

1. Mettez le nouveau cache de verrou **(A 1)** en place.
2. Placez le décor **(B 1)** dans le cadre du décor **(B 3)**.
3. Vissez le cadre du décor **(B 3)** sur la porte **(B 2)**.
4. Montez le verrou de la porte **(C 1)**.
5. Montez le pêne de la serrure sur l'armoire **(D 1)**.

Montage du tiroir (fig. 13, page 9)

1. Placez le joint d'étanchéité **(1)** sur le cadre du décor **(2)**.
2. Vissez la poignée de la porte **(4)** sur la porte.
3. Placez les deux connecteurs **(3)** sur les vis de la poignée de la porte **(4)**.
4. Introduisez le tiroir dans l'armoire.

7 Utilisation



AVIS ! Risque d'endommagement

La lampe doit uniquement être remplacée par le fabricant, un agent de service ou toute autre personne de qualification similaire afin d'éviter tout danger.

7.1 Économie d'énergie

- Ouvrez uniquement le minibar lorsque c'est nécessaire et le moins longtemps possible.
- Évitez une température intérieure inutilement basse.
- Pour une consommation d'énergie optimale, positionnez les clayettes et les tiroirs conformément à leur position à la livraison.
- Vérifiez régulièrement que le joint de la porte est correctement positionné.
- Nettoyez régulièrement le condenseur pour enlever la poussière et les salissures.

7.2 Utilisation du minibar

Le minibar commence à refroidir dès qu'il est raccordé à une alimentation. En fonctionnement normal, la LED d'état est allumée. En cas d'erreur, la LED erreur clignote (voir chapitre « Guide de dépannage », page 37).

7.3 Réglage de la température

Pour éviter de gâcher des aliments, notez les éléments suivants :

- Évitez autant que possible les variations de température. Ouvrez uniquement le minibar lorsque c'est nécessaire et le moins longtemps possible. Entreposez les denrées alimentaires de sorte que l'air puisse circuler librement entre eux.
- Le minibar est équipé d'une fonction de régulation automatique de la température. Sélectionnez la moyenne des valeurs de température possibles.
- Ajustez la température en fonction de la quantité et de la nature des denrées alimentaires.

Par défaut, le minibar est réglé sur une température de refroidissement de 7 °C à une température ambiante de 25 °C (77 °F).

Vous pouvez utiliser le bouton de réglage (fig. **3** 4, page 4) pour régler la température de refroidissement sur l'une des trois valeurs disponibles : 5 °C, 12 °C et 7 °C (41 °F, 54 °F et 45 °F).

Ce faisant, la température est modifiée dans l'ordre suivant : 5 °C ... 12 °C ... 7 °C ... 5 °C (41 °F ... 54 °F ... 45 °F ... 41 °F), etc.

- Appuyez sur le bouton de réglage (fig. **3** 4, page 4) et maintenez-le enfoncé pendant 5 secondes jusqu'à ce que la lampe (fig. **3** 1, page 4) commence à clignoter.
- Appuyez immédiatement une nouvelle fois sur le bouton de réglage (fig. **3** 4, page 4).
- ✓ La lampe (fig. **3** 1, page 4) indique la température réglée :
 - 5 °C : la lampe clignote cinq fois à trois intervalles
 - 12 °C : la lampe clignote une fois à trois intervalles
 - 7 °C : la lampe clignote trois fois à trois intervalles



REMARQUE

Le minibar règle automatiquement la température de refroidissement sur 7 °C lorsqu'il est raccordé à une source d'alimentation.

8 Guide de dépannage

Panne	Cause possible	Solution proposée
L'appareil ne fonctionne pas, la LED d'état n'est pas allumée.	La prise de tension alternative n'est pas sous tension.	Essayez une autre prise.
	L'adaptateur secteur est défectueux.	Contactez un agent de service.
L'appareil ne réfrigère pas (le connecteur est branché, la LED d'état est allumée).	L'élément réfrigérant est défectueux.	Contactez un agent de service.
La LED erreur clignote une fois par seconde.	Le capteur de température est défectueux.	Contactez un agent de service.

Panne	Cause possible	Solution proposée
L'appareil ne refroidit pas suffisamment, la LED d'état est allumée, la LED d'erreur n'est pas allumée.	L'élément réfrigérant est défectueux.	Contactez un agent de service.
	Aération insuffisante	Contrôlez l'aération. Nettoyez le filtre situé en dessous de l'appareil.

9 Nettoyage et entretien



AVIS ! Risque d'endommagement

- Ne nettoyez jamais l'appareil de réfrigération à l'eau courante et ne le plongez pas non plus dans l'eau.
- N'utilisez ni détergents abrasifs, ni objets durs pour le nettoyage, ceux-ci pouvant endommager l'appareil de réfrigération.

- ▶ Nettoyez l'intérieur et l'extérieur de l'appareil de réfrigération de temps en temps avec un chiffon humide.
- ▶ Assurez-vous que les ouvertures d'entrée et de sortie d'air de l'appareil de réfrigération sont exemptes de saleté ou de poussière pour que la chaleur puisse s'évacuer et éviter d'endommager l'appareil de réfrigération.
- ▶ De temps en temps, nettoyez le filtre d'entrée.
- ▶ S'il y a de l'eau dans l'égouttoir (fig. **2** 1, page 3), vérifiez si le système d'écoulement est obstrué.



AVIS ! Risque d'endommagement

La lampe doit uniquement être remplacée par le fabricant, un agent de service ou toute autre personne de qualification similaire afin d'éviter tout danger.

10 Garantie

Consultez les sections ci-dessous pour de plus amples informations relatives à la garantie et l'assistance dans le cadre de la garantie aux États-Unis, au Canada et dans toutes les autres régions.

10.1 États-Unis et Canada

GARANTIE LIMITÉE DISPONIBLE SUR
DOMETIC.COM

POUR TOUTE QUESTION OU POUR OBTENIR UNE COPIE GRATUITE DE LA
GARANTIE LIMITÉE, CONTACTEZ :

DOMETIC CORPORATION
CUSTOMER SUPPORT CENTER
5155 VERDANT DRIVE
ELKHART, INDIANA, 46516
1-800-544-4881
customersupportcenter@dometic.com

10.2 Toutes les autres régions

La période de garantie légale s'applique. Si le produit s'avérait défectueux, veuillez vous adresser à la succursale du fabricant située dans votre région (dometic.com/dealer) ou à votre revendeur.

Pour toutes réparations ou autres prestations de garantie, veuillez joindre à l'appareil les documents suivants :

- une copie de la facture avec la date d'achat
- un motif de réclamation ou une description du dysfonctionnement

Notez que toute réparation effectuée par une personne non agréée peut présenter un risque de sécurité et annuler la garantie.

11 Mise au rebut

Recyclage des emballages



- Dans la mesure du possible, jetez les emballages dans les conteneurs de déchets recyclables prévus à cet effet.

Recyclage des produits contenant des piles non remplaçables, des batteries ou des sources lumineuses rechargeables :



- Mettez le produit au rebut conformément à toutes les réglementations en vigueur.
- Le produit peut être mis au rebut gratuitement.



12 Caractéristiques techniques

Pour consulter la déclaration de conformité UE actuelle liée à votre appareil, reportez-vous à la page produit correspondante sur dometic.com ou contactez directement le fabricant (voir dometic.com/dealer).

Le circuit frigorifique contient du R600a.

	DM20D	DM20F
Tension :	100-120 V~, 50/60 Hz	
Puissance frigorifique :	max. 20 °C (68 °F) en dessous de la température ambiante réglable en trois étapes : +5 °C, +7 °C, +12 °C (41 °F, 45 °F, 54 °F)	
Catégorie :	Cave	
Volume total :	20 l (21,1 quarts américains)	
Classe d'efficacité énergétique :	G	
Classe climatique :	N	
Utilisation prévue à température ambiante :	+16 °C à +32 °C (+61 °F à +90 °F)	
Émissions sonores :	0 dB(A)	
Quantité de réfrigérant :	24 g (0,85 oz.)	
Dimensions tiroir principal L x P x H :	285 x 228,5 x 112 mm (11,2 x 9 x 4,4 po.)	
Dimensions h x L x l :	365 x 384 x 428 mm (14,4 x 15,1 x 16,9 po.)	365 x 384 x 398 mm (14,4 x 15,1 x 15,7 po.)
Poids :	12,3 kg (27,1 lb.)	

Lea atentamente estas instrucciones y siga las indicaciones, directrices y advertencias incluidas en este manual para asegurarse de que instala, usa y mantiene correctamente el producto en todo momento. Estas instrucciones DEBEN permanecer con este producto.

Al usar el producto, usted confirma que ha leído cuidadosamente todas las instrucciones, directrices y advertencias, y que entiende y acepta cumplir los términos y condiciones aquí establecidos. Usted se compromete a usar este producto solo para el propósito y la aplicación previstos y de acuerdo con las instrucciones, directrices y advertencias establecidas en este manual del producto, así como de acuerdo con todas las leyes y reglamentos aplicables. La no lectura e incumplimiento de las instrucciones y advertencias aquí expuestas puede causarle lesiones a usted o a terceros, daños en el producto o daños en otras propiedades cercanas. Este manual del producto, incluyendo las instrucciones, directrices y advertencias, y la documentación relacionada, pueden estar sujetos a cambios y actualizaciones. Para obtener información actualizada sobre el producto, visite la página documents.dometic.com, dometic.com.

Índice

1	Explicación de los símbolos	42
2	Indicaciones de seguridad	43
3	Volumen de entrega	46
4	Uso previsto	47
5	Descripción técnica	48
6	Instalación	49
7	Manejo.	52
8	Resolución de problemas.	53
9	Limpieza y cuidado	54
10	Garantía	54
11	Gestión de residuos	55
12	Datos técnicos.	56

1 Explicación de los símbolos



¡PELIGRO!

Información de seguridad: Indica una situación peligrosa que, de no evitarse, ocasionará la muerte o lesiones graves.



¡ADVERTENCIA!

Información de seguridad: Indica una situación peligrosa que, de no evitarse, puede ocasionar la muerte o lesiones graves.

**¡ATENCIÓN!**

Información de seguridad: Indica una situación peligrosa que, de no evitarse, puede ocasionar lesiones moderadas o leves.

**¡AVISO!**

Indica una situación peligrosa que, de no evitarse, puede provocar daños materiales.

**NOTA**

Información adicional para el manejo del producto.

2 Indicaciones de seguridad

2.1 Seguridad general



¡ADVERTENCIA! El incumplimiento de estas advertencias podría acarrear la muerte o lesiones graves.

Riesgo de electrocución

- Asegúrese de que el minibar sea instalado por un técnico cualificado de acuerdo con el manual de instalación de Dometic.
- No ponga el minibar en funcionamiento si presenta desperfectos visibles.
- Si el cable de conexión de este minibar está dañado, debe ser reemplazado por el fabricante, un técnico de mantenimiento o una persona con cualificación similar para evitar posibles peligros.
- Este minibar solo puede ser reparado por personal cualificado. Las reparaciones realizadas incorrectamente pueden generar situaciones de considerable peligro.
- Cuando ubique el minibar, asegúrese de que el cable de suministro eléctrico no se haya quedado atrapado o esté dañado.
- No coloque varias tomas o suministros de corriente portátiles detrás del aparato.
- Enchufe el aparato en tomas que garanticen una conexión correcta, sobre todo cuando sea necesario poner a tierra el aparato.

Peligro de incendio

- El refrigerante del circuito de refrigeración es muy inflamable. En caso de daños en el circuito de refrigeración:
 - Apague el minibar.
 - Evite el fuego abierto y las chispas.
 - Ventile bien la habitación.
- El circuito de refrigeración contiene una pequeña cantidad de refrigerante no contaminante pero inflamable. No daña la capa de ozono ni aumenta el efecto invernadero. Toda fuga de refrigerante puede incendiarse.
- Mantenga el hueco de instalación del minibar libre de cualquier componente eléctrico y fuentes de luz que produzcan chispas o arcos voltaicos, ya sea durante un funcionamiento normal o anormal (por ejemplo, relés o cajas de fusibles).
- No utilice ni almacene el minibar en espacios cerrados en los que no haya nada de aire o solo muy poco.
- Tras la instalación, debe ser posible desconectar el minibar de la red eléctrica. Esto puede conseguirse haciendo que el enchufe quede accesible o montando un interruptor en el cableado fijo de acuerdo con las normas de cableado.
- Mantenga las aberturas de ventilación, tanto del minibar como de la estructura en la esté empotrado, libres de obstrucciones.
- No utilice dispositivos mecánicos u otros medios para acelerar el proceso de descongelación, salvo los recomendados por el fabricante.
- No abra nunca el circuito de refrigerante.
- No utilice dispositivos eléctricos en el interior del minibar a no ser que estén recomendados por el fabricante.

Peligro de explosión

- No guarde en el minibar sustancias explosivas, tales como aerosoles propelentes.

Riesgo para la salud

- Este minibar puede ser utilizado por menores a partir de 8 años y personas con capacidad física, sensorial o mental reducida, o con falta de experiencia y conocimientos, siempre que lo hagan bajo supervisión o hayan recibido instrucciones relativas al uso del mismo de manera segura y entendiendo los riesgos asociados.
- No deje que los niños jueguen con el minibar.

- Los menores no deberán limpiar ni realizar el mantenimiento de usuario sin la debida supervisión.
- Los menores de 3 a 8 años pueden introducir y extraer productos del minibar.



¡ATENCIÓN! El incumplimiento de estas precauciones podría acarrear lesiones moderadas o leves.

Riesgo de aplastamiento

- No introduzca la mano en el tope de la tapa.

Riesgo para la salud

- Los alimentos solo se pueden guardar en los envases originales o en recipientes adecuados.



¡AVISO! Peligro de daños

- Compare el valor de tensión indicado en la placa de características con el suministro de energía existente.
- Este minibar no es apto para almacenar sustancias corrosivas o que contengan disolventes.
- El aislamiento de la nevera contiene ciclopentano y requiere una gestión de residuos especial. Deposite el aparato de refrigeración en un centro de reciclaje adecuado al finalizar su vida útil.
- Mantenga siempre limpias las aberturas de desagüe.
- Traslade el minibar siempre en posición vertical.

2.2 Uso seguro del minibar



¡PELIGRO! El incumplimiento de estas advertencias puede acarrear la muerte o lesiones graves.

Riesgo de electrocución

- No toque los cables sin aislamiento directamente con las manos.



¡ATENCIÓN! El incumplimiento de estas precauciones podría acarrear lesiones moderadas o leves.

Riesgo de electrocución

- Antes de poner el minibar en funcionamiento, asegúrese de que el cable de alimentación y la clavija de enchufe estén secos.

Riesgo para la salud

- Asegúrese de guardar en el minibar solamente aquellos productos que puedan enfriarse a la temperatura seleccionada.

- Los alimentos solo se pueden almacenar con su envase original o en recipientes adecuados.
- Dejar la puerta abierta durante un período prolongado puede producir un incremento considerable de la temperatura en los compartimentos del minibar.
- Limpie periódicamente las superficies que puedan estar en contacto con alimentos y los sistemas de desagüe accesibles.
- Si el minibar se deja vacío durante un tiempo prolongado:
 - Apague el minibar.
 - Descongele el minibar.
 - Limpie y seque el minibar.
 - Deje la puerta abierta para evitar que se genere moho dentro del minibar.



¡AVISO!

Peligro de daños

- No coloque el minibar cerca de llamas vivas ni de otras fuentes de calor (velas, calefactores, radiación directa del sol, estufas de gas, etc.).
- No sumerja nunca el minibar en agua.
- Proteja el minibar y los cables contra el calor y la humedad.
- Asegúrese de que los alimentos no entren en contacto con las paredes del área de refrigeración.

3 Volumen de entrega

Están disponibles las siguientes opciones principales:

- Minibar DM20D con panel de puerta y sin cerradura
- Minibar DM20D con panel de puerta y con cerradura
- Minibar DM20F sin panel de puerta y sin cerradura
- Minibar DM20F sin panel de puerta y con cerradura

Cantidad	Descripción
1	Minibar
1	Cable de conexión de corriente alterna
2	Tornillo de Ø 4 x 45 mm (Ø 0,16 x 1,77 in., montaje)
2	Tornillo de Ø 4 x 25 mm (Ø 0,16 x 0,98 in., montaje de las patas delanteras)

Cantidad	Descripción	
2	Tornillo M4 x 45 mm (M4 1,77 in, montaje del tirador)	
2	Embellecedor (montaje)	
1	Asa	Solo para DM20D
2	Embellecedor (montaje del tirador)	Solo para DM20D
2	Embellecedor (panel de madera)	Solo para DM20F en versión de madera
1	Panel decorativo para cerradura (panel de madera)	Solo para DM20F en versión de madera con cerradura
2	Llave	Solo para versión con cerrojo
1	Instrucciones de montaje y uso	

4 Uso previsto

Este aparato de refrigeración (también llamado minibar) ha sido diseñado para un uso doméstico o entornos similares, como:

- Cocinas de personal situadas en tiendas, oficinas y otras zonas de trabajo
- Casas rurales
- Clientes de hoteles, moteles y otros entornos de tipo residencial
- Ambientes de tipo “bed and breakfast”
- Catering y aplicaciones similares no comerciales

El minibar no es adecuado para ser instalado en caravanas o autocaravanas.

El minibar está concebido para ser instalado en un armario o en un nicho de instalación.

El minibar está diseñado exclusivamente para enfriar y almacenar bebidas y alimentos en recipientes cerrados.

El minibar no es adecuado para almacenar alimentos frescos o medicamentos ni para congelar alimentos.

Este minibar solo es apto para el uso previsto y la aplicación de acuerdo con estas instrucciones.

Este manual proporciona la información necesaria para la correcta instalación y/o funcionamiento del minibar. Una instalación deficiente o un uso y mantenimiento inadecuados conllevan un rendimiento insatisfactorio y posibles fallos.

El fabricante no se hace responsable de ninguna lesión o daño en el producto ocasionados por:

- Un montaje o conexión incorrectos, incluido un exceso de tensión
- Un mantenimiento incorrecto o el uso de piezas de repuesto distintas de las originales proporcionadas por el fabricante
- Modificaciones realizadas en el producto sin el expreso consentimiento del fabricante
- Uso con una finalidad distinta de la descrita en las instrucciones

Dometic se reserva el derecho de cambiar la apariencia y las especificaciones del producto.

5 Descripción técnica

El minibar tiene un cajón con capacidad para 12 latas (y espacio para aperitivos).

Los estantes y compartimentos suministrados de fábrica están situados de manera que el aparato pueda funcionar de forma eficiente desde el punto de vista energético.

El minibar DM20D incluye un panel de antracita y tirador.

El minibar DM20F no incluye panel y está preparado para ajustarse a la puerta del mobiliario del hotel.

Utiliza un sistema de refrigeración Peltier sin desgaste.

Disponible con cerradura opcional.

5.1 Descripción del aparato

Lado frontal

N.º en fig. 1 , página 3	Descripción
1	Cerradura (opcional)
2	Tirador (solo en DM20D)
3	Panel para puerta (solo en DM20D)

Lado posterior

N.º en fig. 2, página 3	Descripción
1	Bandeja de goteo
2	Adaptador de corriente

Panel de control (dentro del aparato)

N.º en fig. 3, página 4	Descripción
1	Lámpara
2	LED de error
3	LED de estado
4	Botón de ajuste

Cajón principal

N.º en fig. 4, página 4	Descripción
1	Divisor
2	Sujetabotellas

6 Instalación



¡ATENCIÓN! Riesgo para la salud

Para evitar peligros causados por la inestabilidad del aparato, este deberá fijarse tal como se indica en las instrucciones.

6.1 Montaje del minibar en un mueble



¡AVISO! Peligro de daños

La ventilación que circule por el conducto del aire de entrada no debe recibir calor.

No coloque el minibar cerca de llamas vivas ni de otras fuentes de calor (calefactores, radiación directa del sol, estufas de gas, etc.).

Hay cuatro formas de montar el minibar en muebles.

1. Elija la alternativa de instalación que prefiera (fig. **5**, página 5).
2. Tenga en cuenta el hueco de instalación necesario (fig. **6**, página 6);
d es el grosor del panel decorativo del hotel.
3. Tenga en cuenta la colocación correcta de las aberturas de ventilación y del minibar para garantizar un flujo de aire adecuado (fig. **7**, página 6).
4. Asegúrese de que haya una distancia de separación mínima entre la parte posterior del minibar y la pared del mueble (fig. **14**, página 10).
5. Efectúe las aberturas de ventilación como se muestra en fig. **8**, página 6.
6. Fije la nevera utilizando tornillos adecuados (fig. **9 1 y 2**, página 7).

6.2 Conexión eléctrica del minibar

- ▶ Enchufe el cable de conexión de corriente alterna en la clavija de CA y conecte esta a la red de corriente alterna.
- ✓ El LED de estado se ilumina.
- ✓ El interior del minibar se empieza a refrigerar.

6.3 Montaje del panel decorativo del hotel (solo DM20F)

La decoración de puerta del hotel debe cumplir los siguientes requisitos:

- Peso máximo: 2 kg (4,4 lb)
- Grosor máximo: 14 mm (0,55 in)
- ▶ Fije el panel decorativo con cuatro tornillos.

6.4 Montaje de la cerradura (versión con cerradura)

1. Realice un orificio de 35 mm (1,4 in) de diámetro en el panel decorativo.
2. Monte la cerradura junto con el panel decorativo de la cerradura.

6.5 Montaje de la cerradura (versión sin cerradura)

Desmontaje del cajón (fig. 10, página 8)

1. Abra el cajón completamente.
2. Presione el bloqueo del riel (A 1).
3. Extraiga el cajón del armazón.
4. Retire la junta (B 1).
5. Retire la cubierta de la cerradura (B 2).
6. Retire los embellecedores (C 1) de los tornillos del tirador de la puerta (C 3).
7. Extraiga los tornillos (C 2) del tirador de la puerta (C 3).
8. Retire el tirador (C 3).

Realización de los orificios (fig. 11, página 8)

1. Realice un orificio de 25 mm (0,98 in) de diámetro en el panel decorativo y en la puerta (A 1).
2. Extraiga los tornillos (B 1) del marco decorativo (B 2).
3. Retire el marco decorativo (B 2).

Montaje de la cerradura (fig. 12, página 9)

1. Coloque la cubierta de la cerradura nueva (A 1) en su lugar.
2. Coloque el panel decorativo (B 1) dentro del marco decorativo (B 3).
3. Atornille el marco decorativo (B 3) a la puerta (B 2).
4. Instale la cerradura de la puerta (C 1).
5. Instale el cerradero en el armazón (D 1).

Montaje del cajón (fig. 13, página 9)

1. Coloque la junta (1) en el marco del panel decorativo (2).
2. Atornille el tirador (4) a la puerta.
3. Coloque los embellecedores (3) sobre los tornillos del tirador de la puerta (4).
4. Introduzca el cajón en el armario.

7 Manejo



¡AVISO! Peligro de daños

Únicamente el fabricante, un técnico de mantenimiento autorizado o una persona con cualificación similar podrán cambiar la bombilla con el fin de evitar peligros.

7.1 Ahorro de energía

- Abra el minibar solamente el tiempo y las veces que sea necesario.
- No regule una temperatura innecesariamente baja en el interior.
- Para un consumo de energía óptimo, coloque los estantes y cajones en la misma posición que ocupan en el momento de la entrega.
- Compruebe periódicamente que la junta de la puerta encaja correctamente.
- Elimine regularmente el polvo y la suciedad del condensador.

7.2 Uso del minibar

El minibar empieza a enfriar cuando se conecta a la corriente. Durante el funcionamiento normal, el LED está iluminado. Si se produce un error, el LED de error parpadea (véase capítulo “Resolución de problemas” en la página 53).

7.3 Ajuste de la temperatura

Tenga en cuenta lo siguiente para no desperdiciar alimentos:

- Procure que las oscilaciones de temperatura sean mínimas. Abra el minibar solamente el tiempo y las veces que sea necesario. Almacene los productos alimenticios de manera que no impidan una buena circulación del aire.
- El minibar dispone de una función de regulación automática de la temperatura. Seleccione el promedio de los posibles valores de temperatura.
- Ajuste la temperatura a la cantidad y el tipo de productos alimenticios.

El minibar viene ajustado de fábrica a una temperatura de refrigeración de 7 °C (47 °F) con una temperatura ambiente de 25 °C (77 °F).

Puede utilizar el botón de ajuste (fig. **3** 4, página 4) para fijar la temperatura de refrigeración a uno de los tres valores siguientes: 5 °C, 12 °C y 7 °C (41 °F, 54 °F y 45 °F).

Con cada pulsación, la temperatura cambiará en este orden: 5 °C ... 12 °C ... 7 °C ... 5 °C (41 °F ... 54 °F ... 45 °F ... 41 °F) etc.

- ▶ Pulse el botón de ajuste (fig. **3** 4, página 4) y manténgalo apretado durante 5 segundos hasta que la lámpara interior (fig. **3** 1, página 4) empiece a parpadear.
- ▶ Vuelva a pulsar inmediatamente el botón de ajuste (fig. **3** 4, página 4).
- ✓ La lámpara interior (fig. **3** 1, página 4) indica la temperatura fijada:
 - 5 °C (41 °F): la lámpara parpadea cinco veces en tres intervalos
 - 12 °C (54 °F): la lámpara parpadea una vez en tres intervalos
 - 7 °C (45 °F): la lámpara parpadea tres veces en tres intervalos

**NOTA**

El minibar ajusta la temperatura de refrigeración automáticamente a 7 °C (47 °F), cuando se conecta a la corriente.

8 Resolución de problemas

Fallo	Posible causa	Propuesta de solución
El aparato no funciona, el LED de estado no se ilumina.	No hay tensión en el enchufe de corriente alterna.	Intente utilizar otro enchufe.
	El adaptador de red eléctrica está averiado.	Contacte con un técnico de mantenimiento.
El aparato no enfría (la clavija está conectada, el LED de estado está encendido).	El elemento refrigerador está averiado.	Contacte con un técnico de mantenimiento.
El LED de error parpadea una vez por segundo.	El sensor de temperatura está averiado.	Contacte con un técnico de mantenimiento.
En aparato no enfría lo suficiente, el LED de estado está encendido y el LED de error no está encendido.	El elemento refrigerador está averiado.	Contacte con un técnico de mantenimiento.
	Mala ventilación	Compruebe la ventilación. Limpie el filtro que hay debajo del aparato.

9 Limpieza y cuidado



¡AVISO! Peligro de daños

- Nunca limpie el aparato bajo un chorro de agua corriente ni inmerso en agua jabonosa.
- No emplee productos de limpieza corrosivos ni objetos duros, pues podrían dañar la nevera.

- ▶ Limpie de vez en cuando el interior y el exterior del aparato de refrigeración con un paño húmedo.
- ▶ Asegúrese de que las ranuras de entrada y salida de aire de la nevera no contengan polvo y estén limpias para que el calor pueda salir y el aparato no se estropee.
- ▶ Limpie el filtro de entrada de vez en cuando.
- ▶ Si hay agua en la bandeja de goteo (fig. **2** 1, página 3), compruebe si el sistema de desagüe está bloqueado.



¡AVISO! Peligro de daños

Únicamente el fabricante, un técnico de mantenimiento autorizado o una persona con cualificación similar podrán cambiar la bombilla con el fin de evitar peligros.

10 Garantía

Consulte las siguientes secciones para obtener información sobre garantía y asistencia para garantía en EE.UU., Canadá y el resto de regiones.

10.1 Estados Unidos y Canadá

GARANTÍA LIMITADA DISPONIBLE EN
DOMETIC.COM

SI TIENE PREGUNTAS O DESEA OBTENER UNA COPIA GRATUITA DE LA GARANTÍA LIMITADA, CONTACTE CON:

DOMETIC CORPORATION
 CUSTOMER SUPPORT CENTER
 5155 VERDANT DRIVE
 ELKHART, INDIANA 46516
 1-800-544-4881
 customersupportcenter@dometic.com

10.2 Otras regiones

Se aplica el período de garantía estipulado por la ley. Si el producto es defectuoso, póngase en contacto con la sucursal del fabricante en su región (dometic.com/dealer) o con su distribuidor.

Para tramitar la reparación y la garantía, incluya los siguientes documentos cuando envíe el aparato:

- Una copia de la factura con fecha de compra
- El motivo de la reclamación o una descripción de la avería

Tenga en cuenta que una reparación por medios propios o no profesionales puede tener consecuencias de seguridad y suponer la anulación de la garantía.

11 Gestión de residuos

Reciclaje de materiales de embalaje



- ▶ Si es posible, deseche el material de embalaje en el contenedor de reciclaje adecuado.

Reciclaje de productos con baterías no sustituibles, recargables o fuentes de luz



- ▶ Deseche el producto respetando todas las normativas aplicables.
- ▶ El producto podrá desecharse gratuitamente.



12 Datos técnicos

Para la declaración de conformidad UE actual de su aparato, diríjase a la página de producto correspondiente en dometic.com o póngase en contacto directamente con el fabricante (véase dometic.com/dealer).

El circuito de refrigeración contiene R600a.

	DM 20D	DM 20F
Tensión:	100–120 V~, 50/60 Hz	
Potencia de refrigeración:	20 °C (68 °F) máx. por debajo de la temperatura ambiente regulable en tres niveles: +5 °C, +7 °C, +12 °C (41 °F, 45 °F, 54 °F)	
Categoría:	Bodega	
Volumen total:	20 l (21,1 US liq qt)	
Clase de eficiencia energética:	G	
Clase climática:	N	
Uso previsto a temperatura ambiente:	De +16 °C a +32 °C (de +61 °F a +90 °F)	
Emisión acústica:	0 dB(A)	
Cantidad de refrigerante:	24 g (0,85 oz)	
Dimensiones del cajón principal An x P x Al:	285 x 228,5 x 112 mm (11,2 x 9 x 4,4 in)	
Dimensiones H x A x P:	365 x 384 x 428 mm (14,4 x 15,1 x 16,9 in)	365 x 384 x 398 mm (14,4 x 15,1 x 15,7 in)
Peso:	12,3 kg (27,1 lb)	

Leia atentamente as presentes instruções e siga todas as instruções, orientações e avisos incluídos neste manual, de modo a garantir sempre a correta instalação, utilização e manutenção do produto. É OBRIGATÓRIO manter estas instruções junto com o produto.

Ao utilizar o produto, está a confirmar que leu atentamente todas as instruções, orientações e avisos, e que compreende e aceita cumprir os termos e condições estabelecidos no presente manual. Aceita utilizar este produto exclusivamente para o fim e a aplicação a que se destina e de acordo com as instruções, orientações e avisos estabelecidos neste manual, assim como de acordo com todas as leis e regulamentos aplicáveis. Caso não leia nem siga as instruções e os avisos aqui estabelecidos, poderá sofrer ferimentos pessoais ou causar ferimentos a terceiros e o produto ou outros materiais nas proximidades poderão ficar danificados. Este manual do produto, incluindo as instruções, orientações e avisos, bem como a documentação relacionada, podem estar sujeitos a alterações e atualizações. Para consultar as informações atualizadas do produto, visite documents.dometic.com, dometic.com.

Índice

1	Explicação dos símbolos	57
2	Indicações de segurança	58
3	Material fornecido	61
4	Utilização adequada	62
5	Descrição técnica	63
6	Instalação	64
7	Operação	67
8	Resolução de falhas	68
9	Limpeza e manutenção	69
10	Garantia	69
11	Eliminação	70
12	Dados técnicos	71

1 Explicação dos símbolos



PERIGO!

Indicação de segurança: Indica uma situação perigosa que, se não for evitada, resultará em morte ou ferimentos graves.



AVISO!

Indicação de segurança: Indica uma situação perigosa que, se não for evitada, pode causar a morte ou ferimentos graves.

**PRECAUÇÃO!**

Indicação de segurança: Indica uma situação perigosa que, se não for evitada, pode causar ferimentos ligeiros ou moderados.

**NOTA!**

Indica uma situação que, se não for evitada, pode causar danos materiais.

**OBSERVAÇÃO**

Informações suplementares para a utilização do produto.

2 Indicações de segurança

2.1 Princípios básicos de segurança



AVISO! O incumprimento destes avisos poderá resultar em morte ou ferimentos graves.

Risco de eletrocussão

- Certifique-se de que o minibar foi instalado de acordo com as instruções de montagem por um técnico qualificado.
- Não coloque o minibar em funcionamento se este apresentar danos visíveis.
- Se o cabo de alimentação do minibar estiver danificado, terá de ser substituído pelo fabricante, pelo agente de assistência técnica ou por uma pessoa com qualificações equivalentes, a fim de evitar riscos de segurança.
- As reparações neste minibar só podem ser realizadas por técnicos qualificados. Reparações inadequadas podem originar perigos graves.
- Ao colocar o minibar, certifique-se de que o cabo de alimentação não fica preso nem é danificado.
- Não coloque tomadas múltiplas ou fontes de alimentação portáteis na parte de trás do aparelho.
- Ligue o aparelho a tomadas que garantam uma ligação adequada, sobretudo se for necessário ligar o aparelho à terra.

Perigo de incêndio

- O agente de refrigeração no circuito de refrigeração é altamente inflamável.
Em caso de danos no circuito de refrigeração:
 - Desligue o minibar.
 - Evite chamas abertas e faíscas.
 - Ventile bem o espaço.
- O circuito de refrigeração contém uma pequena quantidade de um refrigerante ecológico, mas inflamável. Este produto não é prejudicial para a camada de ozono e não aumenta o efeito de estufa. Qualquer refrigerante vazado pode incendiar-se.
- Mantenha o entalhe de instalação destinado ao minibar livre de componentes elétricos e de fontes de luz que produzam faíscas ou arcos (p. ex., caixas de relés ou fusíveis) durante o seu funcionamento normal ou com anomalias.
- Não utilize nem armazene o minibar em espaços confinados com pouca ou nenhuma circulação de ar.
- Após a instalação, ainda deverá ser possível desligar o minibar da rede elétrica. Isto pode ser conseguido mantendo a tomada acessível ou incorporando um interruptor na cablagem fixa, de acordo com as normas de cablagem.
- Mantenha as aberturas de ventilação existentes no compartimento do minibar ou na estrutura encastrada sempre desobstruídas.
- Não utilize ferramentas mecânicas ou outros meios de acelerar o processo de descongelamento para além dos recomendados pelo fabricante.
- Não abra, em caso algum, o circuito de refrigeração.
- Não utilize aparelhos elétricos dentro do minibar, exceto se esses aparelhos forem recomendados pelo fabricante para o efeito.

Perigo de explosão

- Não guarde no minibar substâncias com risco de explosão, tais como, por exemplo, latas de spray com gás carburante.

Risco para a saúde

- Este minibar pode ser utilizado por crianças a partir dos 8 anos e pessoas com capacidades físicas, sensoriais ou mentais reduzidas ou sem experiência e conhecimento se forem supervisionadas ou receberem instruções sobre a utilização do aparelho de forma segura e compreenderem os perigos implicados.
- As crianças não podem brincar com o minibar.

- A limpeza e a manutenção não podem ser efetuadas por crianças sem supervisão.
- Crianças com idades entre os 3 e os 8 anos podem encher e esvaziar o minibar.



PRECAUÇÃO! O incumprimento destas advertências poderá resultar em ferimentos ligeiros ou moderados.

Risco de esmagamento

- Não mexa no encosto da tampa com os dedos.

Risco para a saúde

- Os alimentos devem ser armazenados exclusivamente nas embalagens originais ou em recipientes adequados.



NOTA! Risco de danos

- Verifique se a indicação de tensão na placa de características corresponde à da fonte de alimentação existente.
- O minibar não se destina ao armazenamento de substâncias corrosivas ou que contenham solventes.
- O isolamento do aparelho de refrigeração contém ciclopentano inflamável e requer medidas de eliminação especiais. No fim da respetiva vida útil, encaminhe o aparelho de refrigeração para um centro de reciclagem adequado.
- Mantenha a abertura de escoamento sempre limpa.
- Transporte o minibar apenas na posição vertical.

2.2 Utilização segura do minibar



PERIGO! O incumprimento destes avisos resultará em morte ou ferimentos graves.

Risco de eletrocussão

- Nunca toque em cabos não blindados com as mãos desprotegidas.



PRECAUÇÃO! O incumprimento destas advertências poderá resultar em ferimentos ligeiros ou moderados.

Risco de eletrocussão

- Antes de colocar o minibar em funcionamento, certifique-se de que a ligação e a ficha estão secas.

Risco para a saúde

- Certifique-se de que coloca no minibar apenas produtos que possam ser refrigerados à temperatura selecionada.
- Os alimentos apenas podem ser guardados nas embalagens originais ou em recipientes adequados.
- Abrir a porta durante longos períodos pode provocar um aumento significativo da temperatura nos compartimentos do minibar.
- Limpe regularmente as superfícies que entram em contacto com alimentos e os sistemas de drenagem acessíveis.
- Se o minibar ficar vazio durante longos períodos:
 - Desligue o minibar.
 - Descongele o minibar.
 - Limpe e seque o minibar.
 - Deixe a porta aberta para impedir o crescimento de bolor no interior do minibar.

**NOTA!****Risco de danos**

- Não coloque o minibar na proximidade de chamas sem proteção ou outras fontes de calor (velas acesas, aquecimento, radiação solar intensa, fogões a gás, etc.).
- Nunca mergulhe o minibar em água.
- Proteja o minibar e o cabo do calor e da humidade.
- Assegure-se de que os alimentos não entram em contacto com as paredes do espaço de refrigeração.

3 Material fornecido

Estão disponíveis as seguinte alternativas principais:

- Minibar DM20D com painel da porta, sem fechadura
- Minibar DM20D com painel da porta, com fechadura
- Minibar DM20F sem painel da porta, sem fechadura
- Minibar DM20F sem painel da porta, com fechadura

Quantidade	Descrição
1	Minibar
1	Cabo de conexão de corrente alternada

Quantidade	Descrição	
2	Parafuso Ø 4 x 45 mm (Ø 0,16 x 1,77 pol., instalação)	
2	Parafuso Ø 4 x 25 mm (Ø 0,16 x 0,98 pol., instalação dos pés frontais)	
2	Parafuso M4 x 45 mm (M4 1,77 pol., instalação do puxador)	
2	Ficha (instalação)	
1	Pega	Apenas DM20D
2	Ficha (instalação da pega)	Apenas DM20D
2	Ficha (painel de madeira)	Apenas DM20F na versão em madeira
1	Decoração para a fechadura (painel de madeira)	Apenas DM20F na versão em madeira com fechadura
2	Chave	Apenas versão com fechadura
1	Manual de montagem e operação	

4 Utilização adequada

O aparelho de refrigeração (também designado “minibar”) está concebido para ser utilizado em aplicações domésticas e semelhantes, tais como:

- Na cozinha do pessoal em estabelecimentos comerciais, escritórios e outros espaços de trabalho
- Quintas
- Por clientes em hotéis, motéis e outros ambientes de tipo residencial
- Ambientes do tipo “bed and breakfast”
- Aplicações do ramo de catering e em aplicações semelhantes do comércio grossista

O minibar não é adequado para ser montado em caravanas ou autocaravanas.

O minibar está concebido para a instalação num móvel ou num nicho de instalação.

O minibar destina-se exclusivamente à refrigeração e ao armazenamento de bebidas e alimentos em recipientes fechados.

O minibar não se destina ao armazenamento de alimentos frescos e de medicamentos nem ao congelamento de alimentos.

Este minibar destina-se exclusivamente à aplicação e aos fins pretendidos com base nestas instruções.

Este manual fornece informações necessárias para proceder a uma instalação e/ou a uma operação adequadas do minibar. Uma instalação e/ou uma operação ou manutenção incorretas causarão um desempenho insatisfatório e uma possível avaria.

O fabricante não aceita qualquer responsabilidade por danos ou prejuízos no produto resultantes de:

- Montagem ou ligação incorreta, incluindo sobretensões
- Manutenção incorreta ou utilização de peças sobressalentes não originais fornecidas pelo fabricante
- Alterações ao produto sem autorização expressa do fabricante
- Utilização para outras finalidades que não as descritas no presente manual

A Dometic reserva-se o direito de alterar o design e as especificações do produto.

5 Descrição técnica

O minibar possui uma gaveta com espaço para 12 latas (mais barras snack).

Aquando da entrega, as prateleiras e os compartimentos fornecidos estão posicionados de tal modo que o aparelho possa ser operado de forma energeticamente eficiente.

O minibar DM20D inclui um painel de antracite e um puxador.

O minibar DM20F é fornecido sem painel e preparado para a instalação da decoração de porta própria do hotel.

O seu sistema de refrigeração é uma refrigeração de Peltier sem desgaste.

Está disponível como opção uma fechadura.

5.1 Designação do aparelho

Lado anterior

N.º na fig. 1 , página 3	Descrição
1	Fechadura (opcional)
2	Puxador (DM20D only)
3	Painel da porta (apenas DM20D)

Lado posterior

N.º na fig. 2, página 3	Descrição
1	Cuba coletora
2	Adaptador de rede

Painel de comando (no interior do aparelho)

N.º na fig. 3, página 4	Descrição
1	Luz
2	LED de erro
3	LED de estado
4	Botão de ajuste

Gaveta principal

N.º na fig. 4, página 4	Descrição
1	Separador
2	Sistema de fixação de garrafas

6 Instalação



PRECAUÇÃO! Risco para a saúde

Para evitar riscos devido à instabilidade do aparelho, este tem de ser fixado de acordo com as instruções.

6.1 Montar o minibar num móvel



NOTA! Risco de danos

O ar que passa através da conduta de ar de entrada não pode ser aquecido.

Não coloque o minibar na proximidade de chamas sem proteção ou outras fontes de calor (aquecimento, radiação solar intensa, fogões a gás, etc.).

Há quatro formas de montar o minibar no mobiliário.

1. Escolha a alternativa de instalação que prefere (fig. **5**, página 5).
2. Tenha em atenção ao entalhe de instalação necessário (fig. **6**, página 6)
"d" refere-se à espessura da decoração própria do hotel.
3. Tenha em atenção ao posicionamento correto do minibar e das aberturas de ventilação para garantir um fluxo de ar adequado (fig. **7**, página 6).
4. Certifique-se de que existe uma folga mínima entre a parte posterior do minibar e a parede do mobiliário (fig. **14**, página 10).
5. Crie as aberturas de ventilação conforme ilustrado na fig. **8**, página 6.
6. Fixe o frigorífico com parafusos adequados (fig. **9 1 e 2**, página 7).

6.2 Efetuar a ligação elétrica do minibar

- ▶ Ligue o cabo de conexão de corrente alternada à tomada de tensão CA e conecte-o a uma rede de corrente alternada.
- ✓ O LED de estado acende.
- ✓ O minibar começa a refrigerar o interior.

6.3 Montar a decoração de porta própria do hotel (apenas DM20F)

A decoração de porta própria do hotel tem que respeitar os seguintes requisitos:

- Peso máximo: 2 kg (4,4 lb.)
- Espessura máxima: 14 mm (0,55 pol.)
- ▶ Fixe a decoração com quatro parafusos.

6.4 Montar a fechadura (apenas versão com fechadura)

1. Faça um furo com um diâmetro de 35 mm (1,4 pol.) na decoração.
2. Monte a fechadura juntamente com a respetiva decoração.

6.5 Montar a fechadura (apenas versão sem fechadura)

Desmontar a gaveta (fig. 10, página 8)

1. Abra totalmente a gaveta.
2. Exerça pressão no bloqueio da calha (A 1).
3. Retire a gaveta do armário.
4. Retire a vedação (B 1).
5. Retire a cobertura da fechadura (B 2).
6. Retire as tampas (C 1) dos parafusos do puxador da porta (C 3).
7. Desaparafuse os parafusos (C 2) do puxador da porta (C 3).
8. Retire o puxador da porta (C 3).

Fazer os furos (fig. 11, página 8)

1. Faça um furo com um diâmetro de 25 mm (0,98 pol.) através da decoração e da porta (A 1).
2. Desaparafuse os parafusos (B 1) da armação da decoração (B 2).
3. Retire a armação da decoração (B 2).

Montar a fechadura (fig. 12, página 9)

1. Coloque a cobertura da fechadura nova (A 1) no devido local.
2. Coloque a decoração (B 1) na armação da decoração (B 3).
3. Aparafuse a armação da decoração (B 3) na porta (B 2).
4. Instale a fechadura na porta (C 1).
5. Instale o engate da fechadura no armário (D 1).

Montar a gaveta (fig. 13, página 9)

1. Instale a vedação (1) na armação da decoração (2).
2. Aparafuse a pega (4) na porta.
3. Coloque as tampas (3) nos parafusos da pega da porta (4).
4. Coloque a gaveta no armário.

7 Operação



NOTA! Risco de danos

Para evitar quaisquer perigos, a lâmpada só pode ser substituída pelo fabricante, por um agente de assistência ou por uma pessoa com qualificação semelhante.

7.1 Poupar energia

- Abra o minibar apenas as vezes que forem necessárias e apenas durante o tempo necessário.
- Evite temperaturas internas desnecessariamente baixas.
- Para um consumo de energia otimizado, posicione as prateleiras e as gavetas na posição original de entrega.
- Verifique regularmente se a vedação da porta ainda está corretamente encaixada.
- Limpe o pó e a sujidade do condensador regularmente.

7.2 Usar o minibar

O minibar começa a refrigerar quando é ligado à corrente. Durante a operação normal, o LED de estado está aceso. Se ocorrer um erro, o LED de erro pisca (ver capítulo “Resolução de falhas” na página 68).

7.3 Definir a temperatura

Para evitar desperdício alimentar, observe o seguinte:

- Mantenha as oscilações de temperatura o mais reduzidas possível. Abra o minibar apenas as vezes que forem necessárias e apenas durante o tempo necessário. Armazene os alimentos de modo a que o ar continue a circular bem.
- O minibar está equipado com uma função de regulação da temperatura automática. Selecione a média dos valores de temperatura possíveis.
- Ajuste a temperatura à quantidade e ao tipo de alimentos.

Por defeito, o minibar está ajustado para uma temperatura de refrigeração de 7 °C (47 °F) a uma temperatura ambiente de 25 °C (77 °F).

Pode utilizar o botão de ajuste (fig. **3** 4, página 4) para definir a temperatura de refrigeração com um destes três valores: 5 °C, 12 °C e 7 °C (41 °F, 54 °F e 45 °F).

Assim, a temperatura mudará na seguinte ordem: 5 °C ... 12 °C ... 7 °C ... 5 °C (41 °F ... 54 °F ... 45 °F ... 41 °F), etc.

- ▶ Prima o botão de ajuste (fig. **3** 4, página 4) e mantenha-o premido durante 5 s até a lâmpada (fig. **3** 1, página 4) começar a piscar.
- ▶ Prima de imediato o botão de ajuste (fig. **3** 4, página 4) novamente.
- ✓ A lâmpada (fig. **3** 1, página 4) indica a temperatura selecionada:
 - 5 °C (41 °F): a lâmpada pisca cinco vezes em três intervalos
 - 12 °C (54 °F): a lâmpada pisca uma vez em três intervalos
 - 7 °C (45 °F): a lâmpada pisca três vezes em três intervalos



OBSERVAÇÃO

O minibar ajusta automaticamente a temperatura de refrigeração para 7 °C (47 °F), quando é ligado a uma fonte de energia.

8 Resolução de falhas

Falha	Possível causa	Sugestão de solução
O aparelho não funciona, o LED de estado não acende.	Não existe tensão na tomada de tensão de corrente alternada.	Tente novamente noutra tomada.
	O adaptador de rede está danificado.	Contacte o agente de assistência técnica.
O aparelho não refrigera (ficha inserida na tomada, LED de estado acesso).	O elemento de refrigeração está avariado.	Contacte o agente de assistência técnica.
O LED de erro pisca uma vez por segundo.	O sensor da temperatura está avariado.	Contacte o agente de assistência técnica.
O aparelho não refrigera o suficiente, o LED de estado acende, o LED de erro não acende.	O elemento de refrigeração está avariado.	Contacte o agente de assistência técnica.
	Ventilação fraca.	Verifique a ventilação. Limpe o filtro por baixo do aparelho.

9 Limpeza e manutenção



NOTA! Risco de danos

- Nunca limpe o aparelho de refrigeração sob água corrente ou em água de lavar a loiça.
- Não utilize produtos de limpeza abrasivos ou objetos duros para a limpeza, pois estes podem danificar o aparelho de refrigeração.

- ▶ De vez em quando, limpe o interior e o exterior do aparelho de refrigeração com um pano húmido.
- ▶ Certifique-se de que as aberturas de entrada e saída de ar do aparelho de refrigeração estão livres de pó e sujidade para que, durante o funcionamento, o calor possa ser libertado e o aparelho não seja danificado.
- ▶ Limpe ocasionalmente o filtro de entrada.
- ▶ Se detetar a presença de água na cuba coletora (fig. **2** 1, página 3) verifique se o sistema de escoamento está obstruído.



NOTA! Risco de danos

Para evitar quaisquer perigos, a lâmpada só pode ser substituída pelo fabricante, por um agente de assistência ou por uma pessoa com qualificação semelhante.

10 Garantia

Consulte as secções que se seguem para se informar sobre a garantia e o suporte de garantia nos EUA, no Canadá e em todas as outras regiões.

10.1 Estados Unidos e Canadá

GARANTIA LIMITADA DISPONÍVEL EM
DOMETIC.COM

CASO TENHA DÚVIDAS OU QUEIRA OBTER UMA CÓPIA GRATUITA DA GARANTIA LIMITADA, CONTACTE:

DOMETIC CORPORATION
CUSTOMER SUPPORT CENTER
5155 VERDANT DRIVE
ELKHART, INDIANA 46516
1-800-544-4881
customersupportcenter@dometic.com

10.2 Todas as outras regiões

Aplica-se o prazo de garantia legal. Se o produto apresentar defeitos, contacte a filial do fabricante na sua região (dometic.com/dealer) ou o seu revendedor.

Para fins de reparação ou de garantia, terá de enviar também os seguintes documentos:

- Uma cópia da fatura com a data de aquisição
- Um motivo de reclamação ou uma descrição da falha

Tenha em atenção que as reparações feitas por si ou por não profissionais podem ter consequências sobre a segurança e anular a garantia.

11 Eliminação

Reciclagem do material de embalagem



- ▶ Sempre que possível, coloque o material de embalagem no respetivo contentor de reciclagem.

Reciclagem de produtos com baterias não substituíveis, baterias recarregáveis ou fontes de luz



- ▶ Elimine o produto de acordo com todas as normas aplicáveis.
- ▶ O produto pode ser eliminado gratuitamente.



12 Dados técnicos

Para consultar a Declaração de Conformidade UE atual para o seu dispositivo, acesse a página do produto em questão em dometic.com ou entre diretamente em contacto com o fabricante (ver dometic.com/dealer).

O circuito de refrigeração contém R600a.

	DM 20D	DM 20F
Tensão:	100–120 V~, 50/60 Hz	
Potência de refrigeração:	máx. 20 °C (68 °F) abaixo da temperatura ambiente ajustável em três valores: +5 °C, +7 °C, +12 °C (41 °F, 45 °F, 54 °F)	
Categoria:	cave	
Volume total:	20 l (21,1 qt. líq. EUA)	
Classe de eficiência energética:	G	
Classe de climatização:	N	
Temperatura ambiente com a utilização prevista:	+16 °C a +32 °C (+61 °F a +90 °F)	
Emissão de ruído:	0 dB(A)	
Quantidade de agente de refrigeração:	24 g (0,85 oz.)	
Dimensões da gaveta principal L x P x A:	285 x 228,5 x 112 mm (11,2 x 9 x 4,4 pol.)	
Dimensões A x L x P:	365 x 384 x 428 mm (14,4 x 15,1 x 16,9 pol.)	365 x 384 x 398 mm (14,4 x 15,1 x 15,7 pol.)
Peso:	12,3 kg (27,1 lb.)	

dometic.com

**YOUR LOCAL
DEALER**

dometic.com/dealer

**YOUR LOCAL
SUPPORT**

dometic.com/contact

**YOUR LOCAL
SALES OFFICE**

dometic.com/sales-offices
