

↔ DOMETIC REFRIGERATION DESIGN



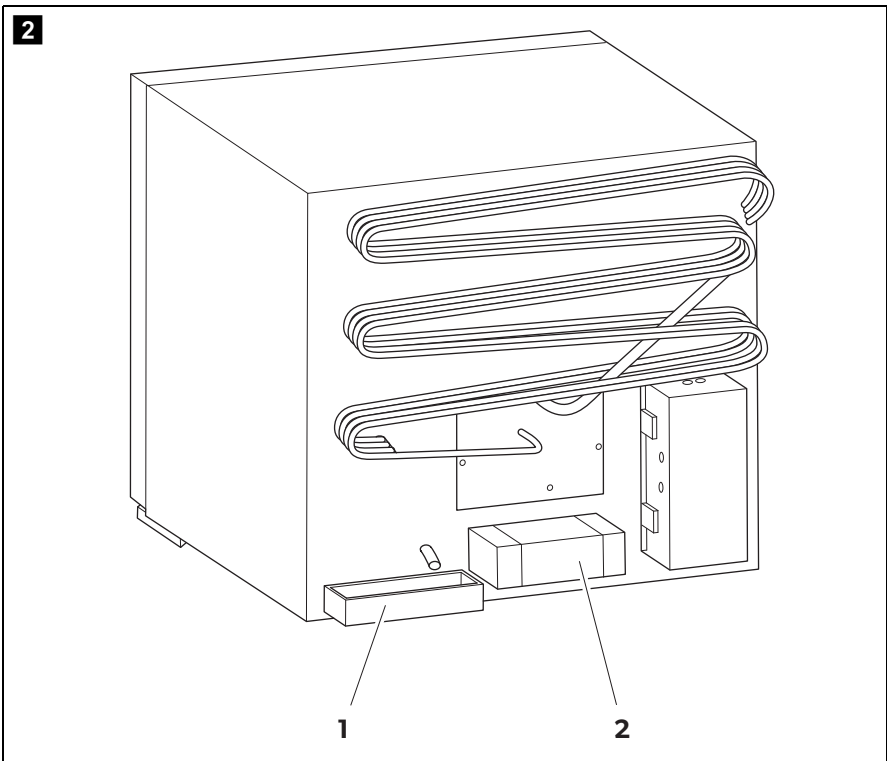
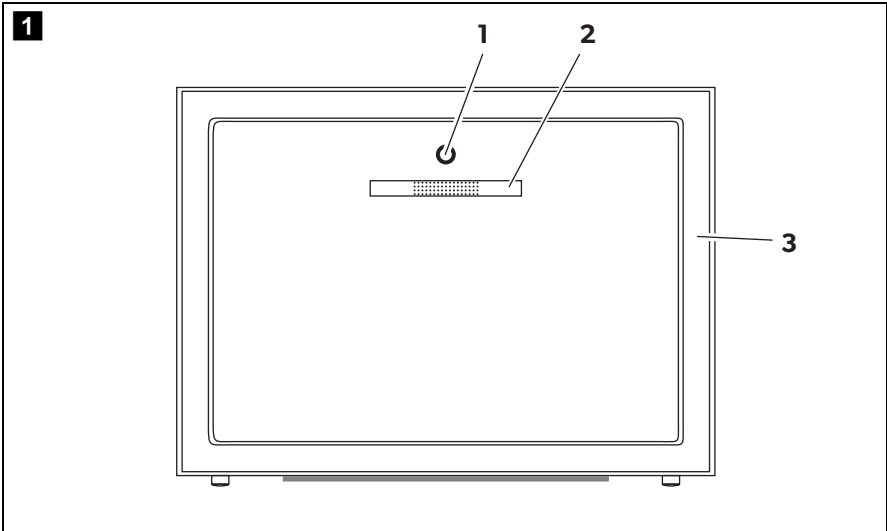
DM20D, DM20F

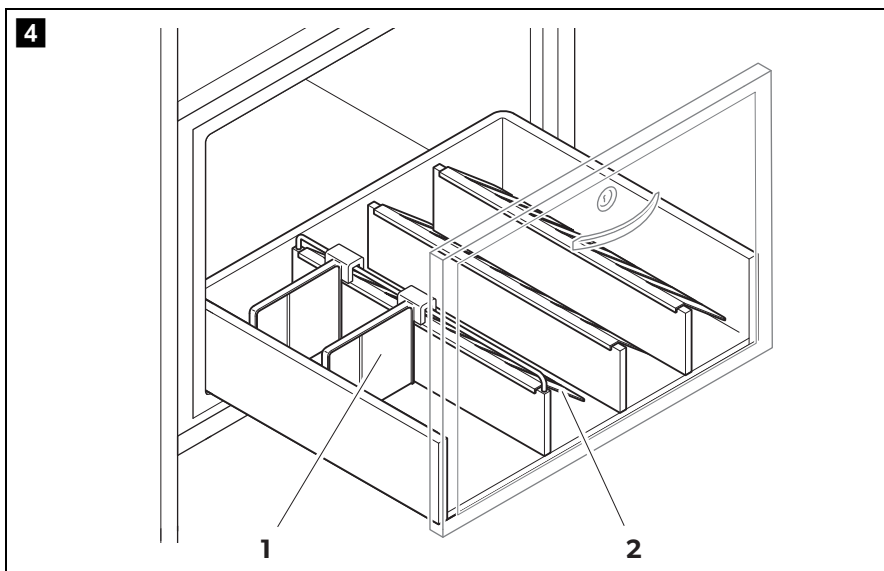
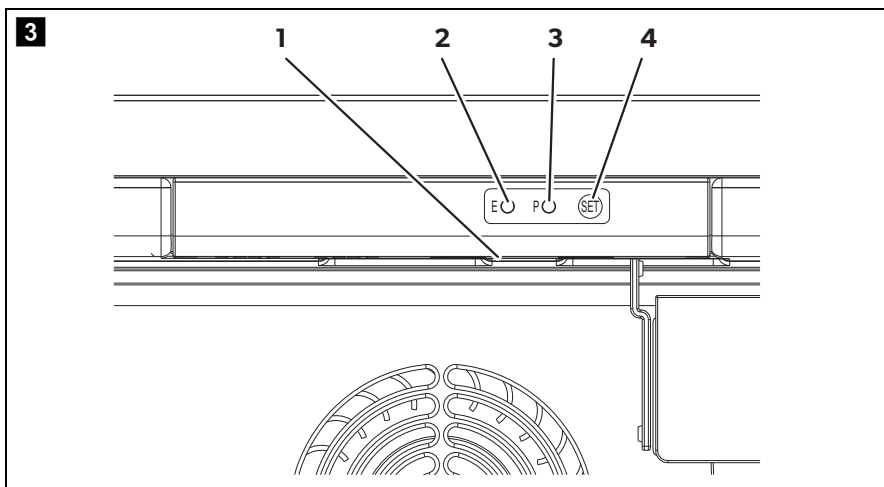
EN	Drawer Minibar Installation and Operating Manual 12	SV	Låda till minibar Monterings- och bruksanvisning 132
DE	Schubfach-Minibar Montage- und Bedienungsanleitung 26	NO	Uttrekkbar minibar Monterings- og bruksanvisning 146
FR	Minibar à tiroir Instructions de montage et de service 43	FI	Vetolaatikkominiibaari Asennus- ja käyttöohje 160
ES	Cajón minibar Instrucciones de montaje y de uso 58	RU	Минибар с выдвижным ящиком Инструкция по монтажу и эксплуатации 174
PT	Minibar de gaveta Instruções de montagem e manual de instruções 73	PL	Minibary szufladowe Instrukcja montażu i obsługi 189
IT	Cassetto del minibar Istruzioni di montaggio e d'uso 88	SK	Minibar Drawer Návod na montáž a uvedenie do prevádzky. 204
NL	Lade minibar Montagehandleiding en gebruiksaanwijzing 103	CS	Minibar Drawer Návod k montáži a obsluze 218
DA	Skuffe minibar Monterings- og betjeningsvejledning . . . 118	HU	Fiókba szerelt minibár Szerelési és használati útmutató 232

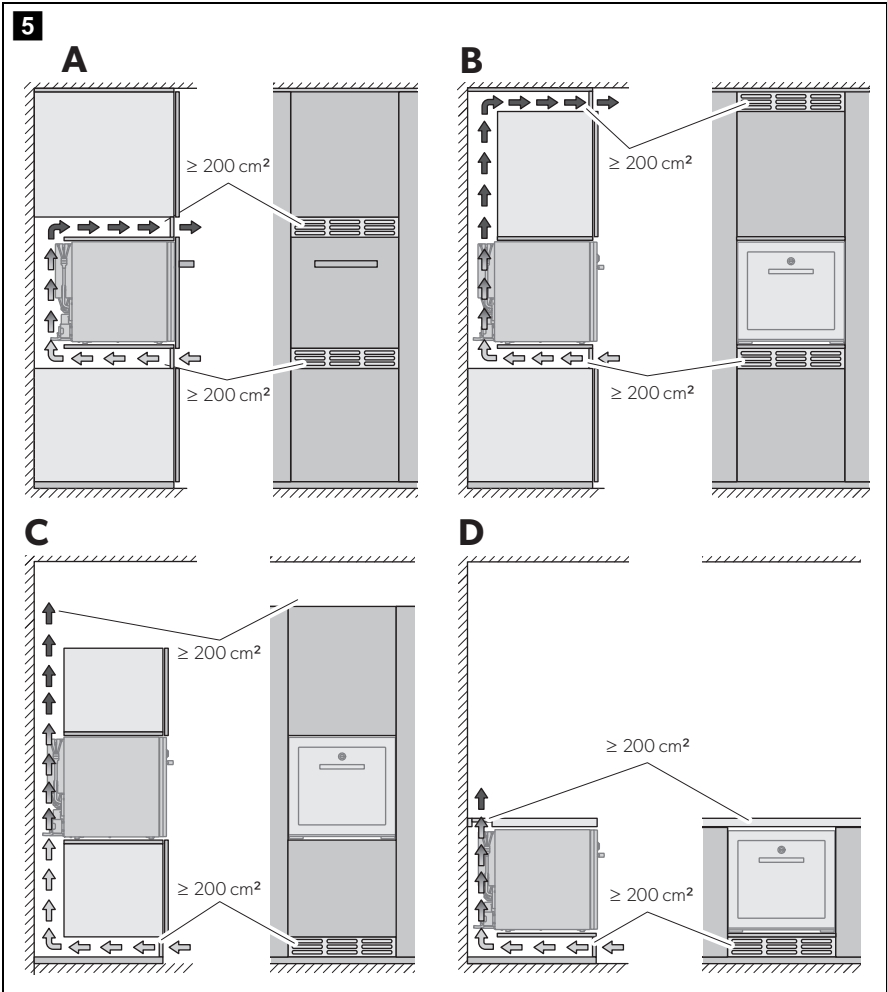
ثلاجة مشروبات قابلة للسحب
دليل التركيب والتشغيل

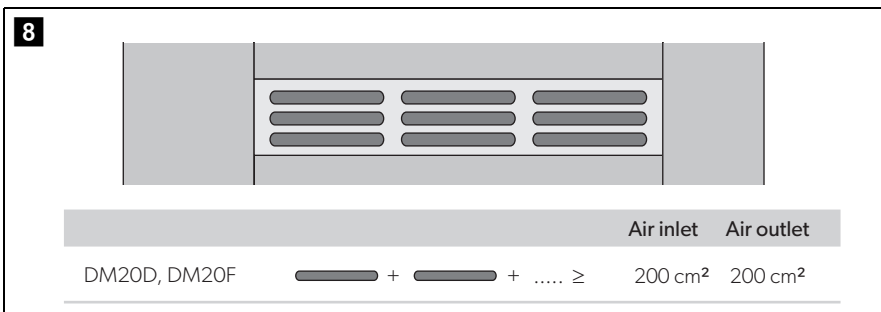
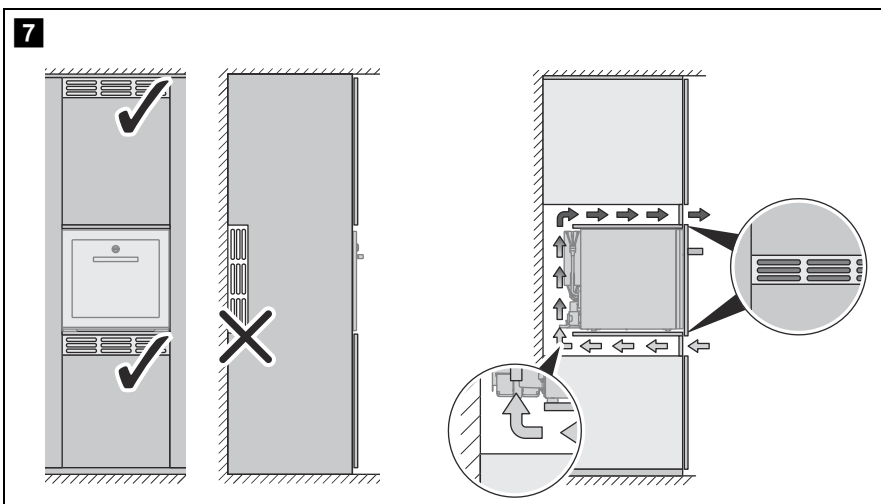
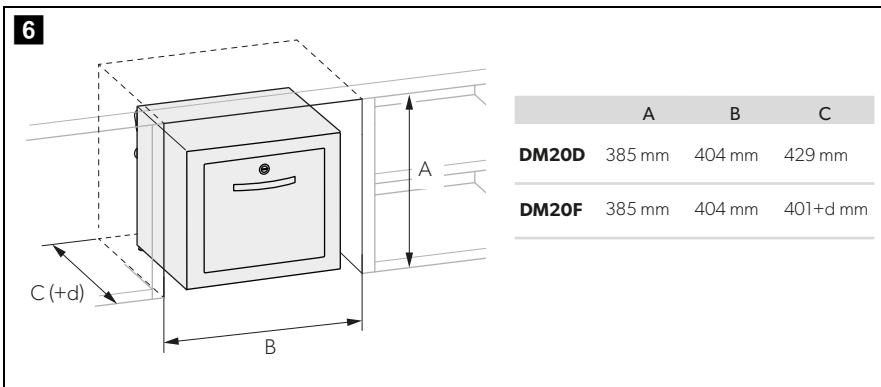
AR

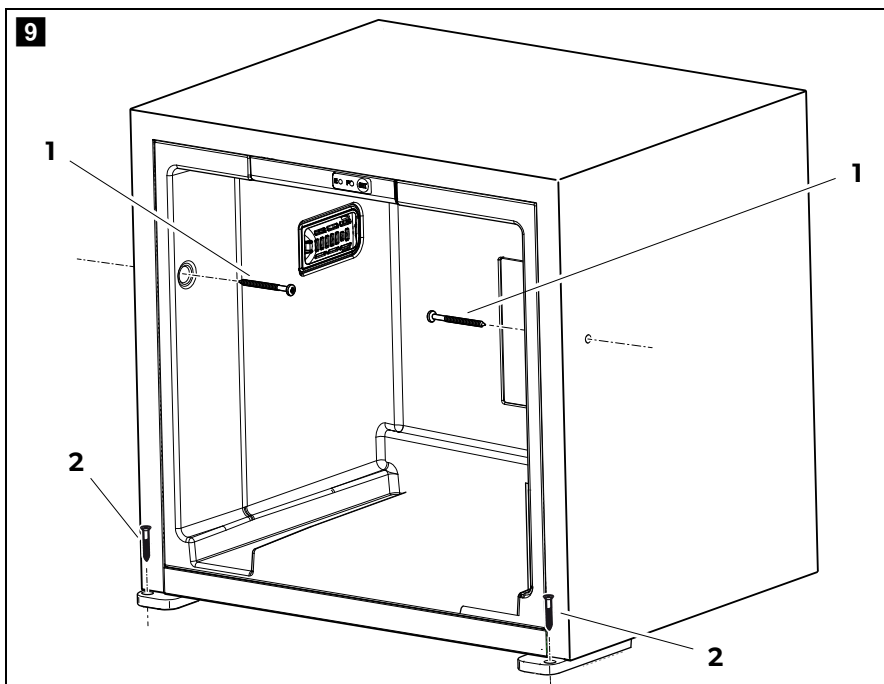
© 2025 Dometic Group. The visual appearance of the contents of this manual is protected by copyright and design law. The underlying technical design and the products contained herein may be protected by design, patent or pending patent. The trademarks mentioned in this manual belong to Dometic Sweden AB. All rights are reserved.

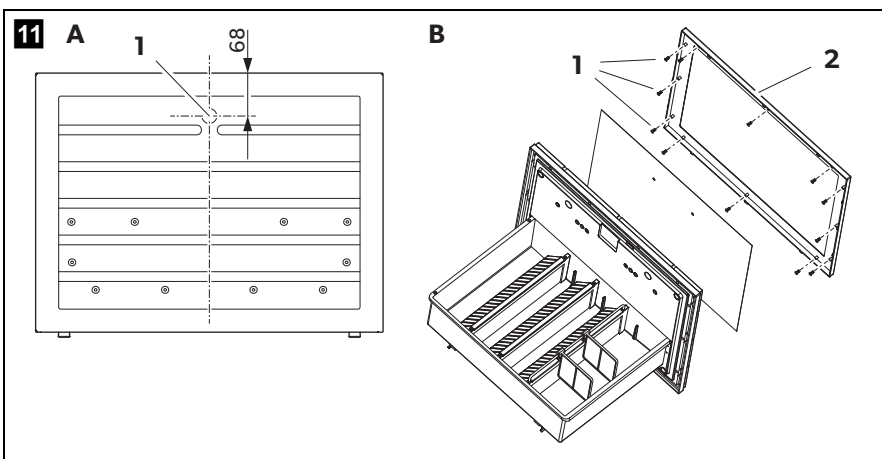
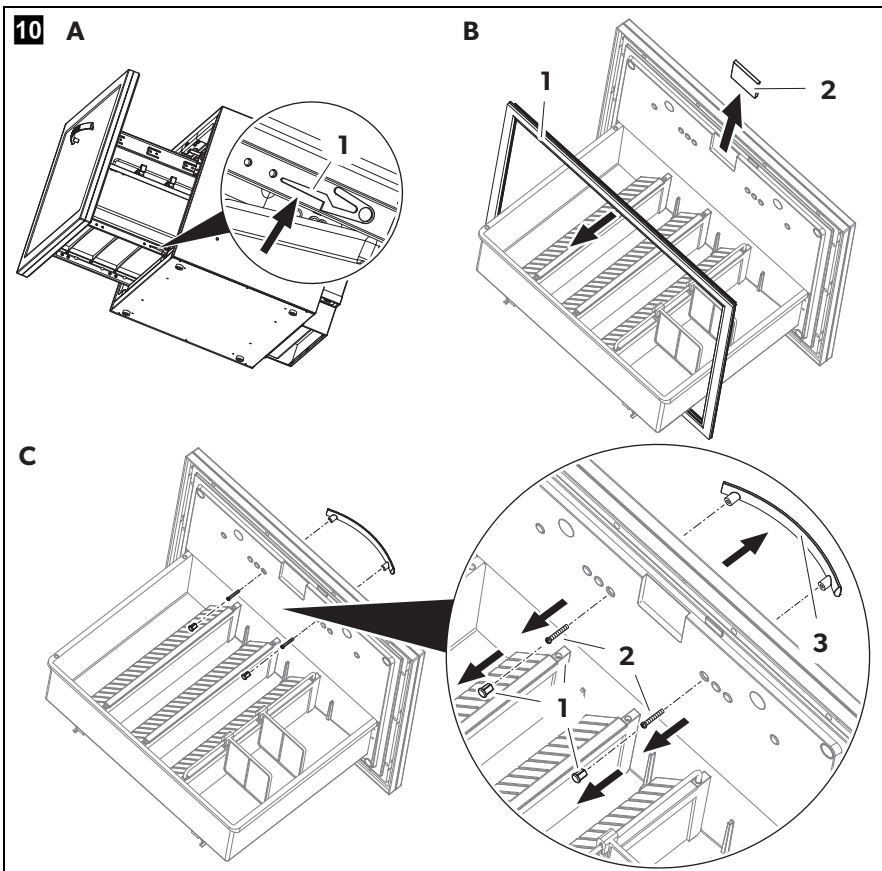


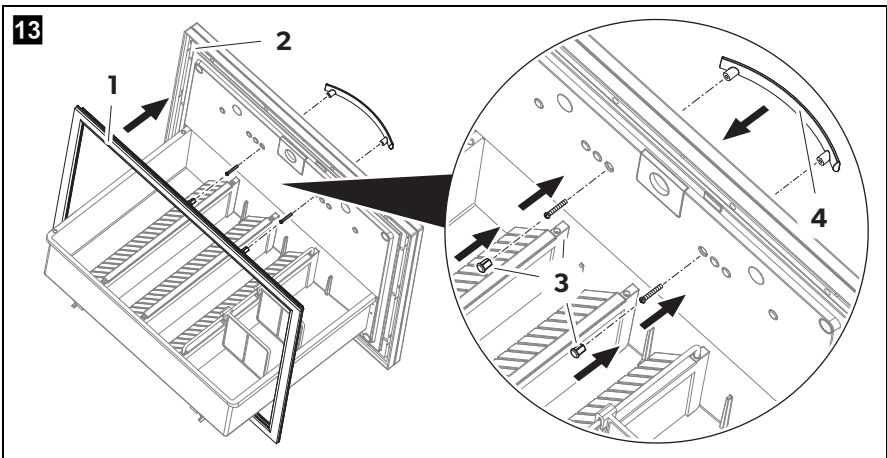
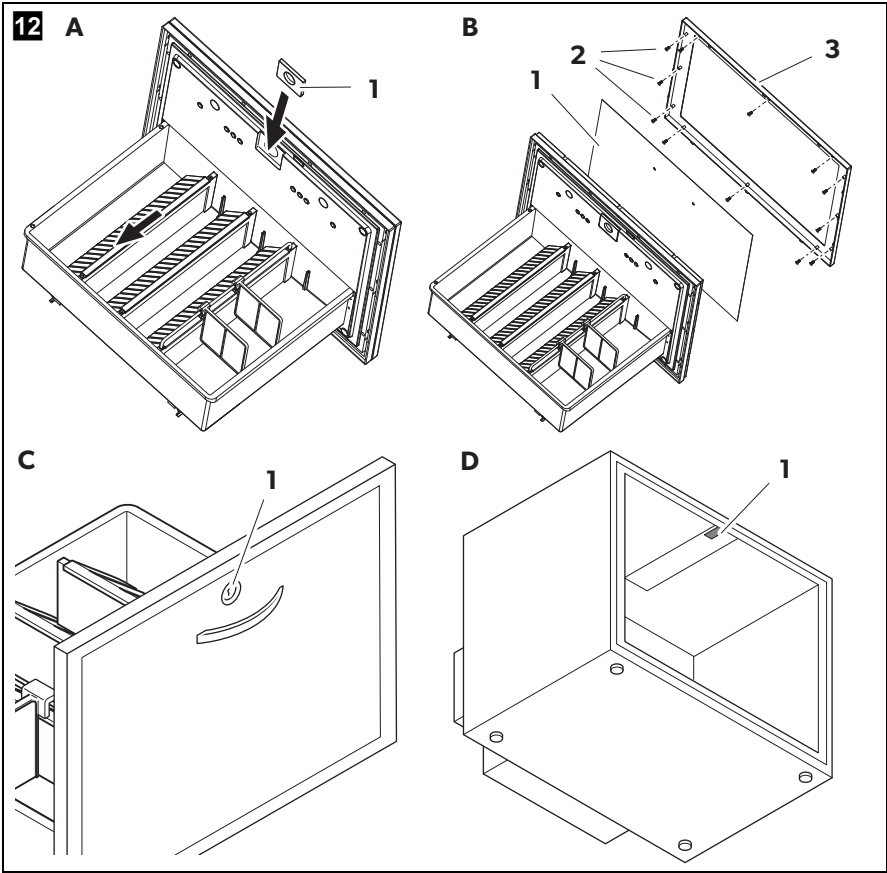






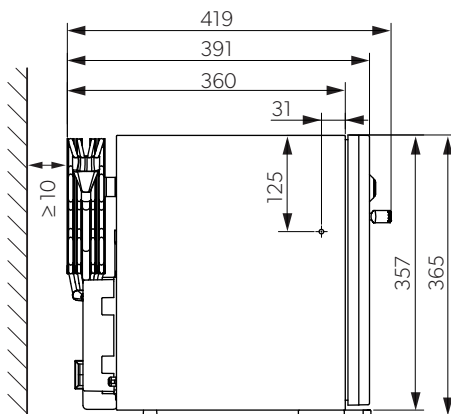
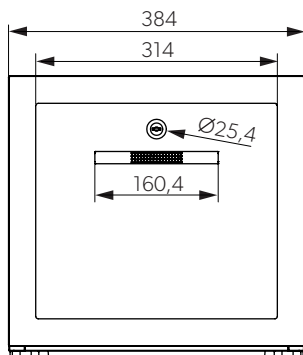




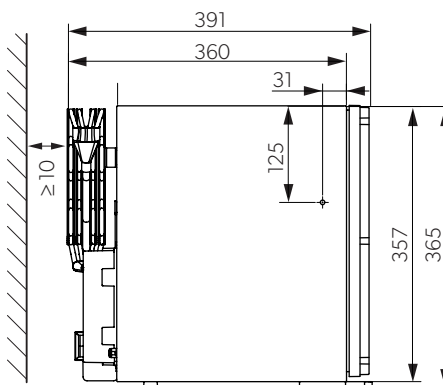
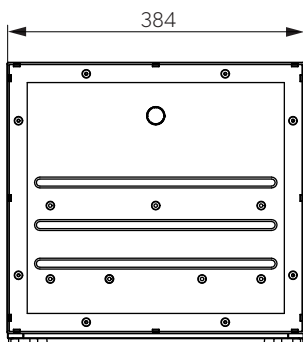


14

DM20D



DM20F





15

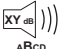
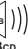
ENERGY

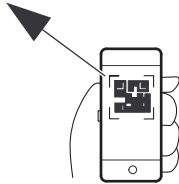
SUPPLIER'S NAME MODEL IDENTIFIER

A
B
C
D
E
F
G

XYZ kWh/annum

 XYZ L  XYZ L

 XYZ 
ABcd



eprel.ec.europa.eu

Please read these instructions carefully and follow all instructions, guidelines, and warnings included in this product manual in order to ensure that you install, use, and maintain the product properly at all times. These instructions **MUST** stay with this product.

By using the product, you hereby confirm that you have read all instructions, guidelines, and warnings carefully and that you understand and agree to abide by the terms and conditions as set forth herein. You agree to use this product only for the intended purpose and application and in accordance with the instructions, guidelines, and warnings as set forth in this product manual as well as in accordance with all applicable laws and regulations. A failure to read and follow the instructions and warnings set forth herein may result in an injury to yourself and others, damage to your product or damage to other property in the vicinity. This product manual, including the instructions, guidelines, and warnings, and related documentation, may be subject to changes and updates. For up-to-date product information, please visit documents.dometic.com, dometic.com.

Contents

1	Explanation of symbols	12
2	Safety instructions	13
3	Scope of delivery	16
4	Intended use	17
5	Technical description	18
6	Installation	19
7	Operation	21
8	Troubleshooting	23
9	Cleaning and maintenance	23
10	Warranty	24
11	Disposal	24
12	Technical data	25

1 Explanation of symbols



DANGER!

Safety instruction: Indicates a hazardous situation that, if not avoided, will result in death or serious injury.



WARNING!

Safety instruction: Indicates a hazardous situation that, if not avoided, could result in death or serious injury.

**CAUTION!**

Safety instruction: Indicates a hazardous situation that, if not avoided, could result in minor or moderate injury.

**NOTICE!**

Indicates a situation that, if not avoided, can result in property damage.

**NOTE**

Supplementary information for operating the product.

2 Safety instructions

2.1 General safety



WARNING! Failure to obey these warnings could result in death or serious injury.

Electrocution hazard

- Ensure that the minibar has been installed by a qualified technician in accordance with the Dometic installation manual.
- Do not operate the minibar if it is visibly damaged.
- If this minibars power cable is damaged, it must be replaced by the manufacturer, service agent or a similarly qualified person in order to prevent safety hazards.
- This minibar may only be repaired by qualified personnel. Inadequate repairs may cause serious hazards.
- When positioning the minibar, ensure the supply cord is not trapped or damaged.
- Do not locate multiple portable socket-outlets or portable power supplies at the rear of the appliance.
- Plug the device to sockets that ensure proper connection especially when the device needs to be earthed.

Fire hazard

- The refrigerant in the refrigerant circuit is highly flammable. In the event of any damage to the refrigerant circuit:
 - Switch off the minibar.
 - Avoid naked flames and sparks.
 - Air the room well.

- The refrigerant circuit contains a small quantity of an environmentally friendly but flammable refrigerant. It does not damage the ozone layer and does not increase the greenhouse effect. Any leaking refrigerant may ignite.
- Keep the installation recess for the minibar free of any electrical components and light sources which during normal or abnormal operation produce sparks or arcs (i.e., relays or fuse boxes).
- Do not use or store the minibar in confined spaces with none or minimal air circulation.
- After installation, it must still be possible to disconnect the minibar from the supply mains. This may be achieved by having the plug accessible or by incorporating a switch in the fixed wiring according to the wiring rules.
- Keep ventilation openings, in the minibar enclosure or in the built-in structure, clear of obstruction.
- Do not use mechanical devices or other means to accelerate the defrosting process, other than those recommended by the manufacturer.
- Do not open the refrigerant circuit under any circumstances.
- Do not use electrical devices inside the minibar unless they are recommended by the manufacturer for that purpose.

Explosion hazard

- Do not store any explosive substances, such as spray cans with propellants, in the minibar.

Health hazard

- This minibar can be used by children aged from 8 years and above and persons with reduced physical, sensory or mental capabilities or lack of experience and knowledge if they have been given supervision or instruction concerning use of the minibar in a safe way and understand the hazards involved.
- Children shall not play with the minibar.
- Cleaning and user maintenance shall not be made by children without supervision.
- Children aged from 3 to 8 years are allowed to load and unload the minibar.



CAUTION! Failure to obey these cautions could result in minor or moderate injury.

Risk of crushing

- Do not put your fingers into the hinge.

Health hazard

- Foodstuff may only be stored in its original packaging or in suitable containers.



NOTICE! Damage hazard

- Check that the voltage specification on the type plate is the same as that of the power supply.
- The minibar is not suitable for storing substances which are caustic or contain solvents.
- The insulation of the cooling device contains flammable cyclopentane and requires special disposal procedures. Deliver the cooling device at the end of its life-cycle to an appropriate recycling center.
- Keep the drainage outlet clean at all times.
- Only carry the minibar upright.

2.2 Operating the minibar safely



DANGER! Failure to obey these warnings will result in death or serious injury.

Electrocution hazard

- Do not touch exposed cables with your bare hands.



CAUTION! Failure to obey these cautions could result in minor or moderate injury.

Electrocution hazard

- Before starting the minibar, ensure that the power supply line and the plug are dry.

Health hazard

- Ensure that you only put items in the minibar which may be chilled at the selected temperature.
- Food may only be stored in its original packaging or in suitable containers.
- Opening the door for long periods can cause significant increase of the temperature in the compartments of the minibar.

- Clean regularly surfaces that can come in contact with food and accessible drainage systems.
- If the minibar is left empty for long periods:
 - Switch off the minibar.
 - Defrost the minibar.
 - Clean and dry the minibar.
 - Leave the door open to prevent mold developing within the minibar.

**NOTICE!****Damage hazard**

- Do not place the minibar near naked flames or other heat sources (burning candles, heaters, direct sunlight, gas ovens etc.).
- Never immerse the minibar in water.
- Protect the minibar and the cable against heat and moisture.
- Ensure that foodstuffs do not touch the walls of the cooling area.

3 Scope of delivery

The following main alternatives are obtainable:

- Minibar DM20D with door panel, without lock
- Minibar DM20D with door panel, with lock
- Minibar DM20F without door panel, without lock
- Minibar DM20F without door panel, with lock

Quantity	Description	
1	Minibar	
1	AC connection cable	
2	Screw Ø 4 x 45 mm (Installation)	
2	Screw Ø 4 x 25 mm (Installation of the front feet)	
2	Screw M4 x 45 mm (Handle installation)	
2	Plug (Installation)	
1	Handle	DM20D only
2	Plug (Handle installation)	DM20D only
2	Plug (Wooden panel)	DM20F wooden version only

Quantity	Description	
1	Lock decor (Wooden panel)	DM20F wooden version with lock only
2	Key	Lock version only
1	Installation and Operating manual	

4 Intended use

The refrigeration appliance (also referred to as minibar) is intended to be used in household and similar applications such as:

- Staff kitchens in stores, offices and other work areas
- Farmhouses
- By clients in hotels, motels and other residential type environments
- Bed and breakfast type environments
- Catering and similar non-retail applications

The minibar is not suitable for installation in caravans or mobile homes.

The minibar is intended for installation in a piece of cabinetry or an installation niche.

The minibar is designed exclusively for cooling and storing of beverages and foods in closed containers.

The minibar is not suitable for storing fresh foods and medicine or freezing food-stuffs.

This minibar is only suitable for the intended purpose and application in accordance with these instructions.

This manual provides information that is necessary for proper installation and/or operation of the minibar. Poor installation and/or improper operation or maintenance will result in unsatisfactory performance and a possible failure.

The manufacturer accepts no liability for any injury or damage to the product resulting from:

- Incorrect assembly or connection, including excess voltage
- Incorrect maintenance or use of spare parts other than original spare parts provided by the manufacturer
- Alterations to the product without express permission from the manufacturer
- Use for purposes other than those described in this manual

Dometic reserves the right to change product appearance and product specifications.

5 Technical description

The minibar has a drawer with room for 12 cans (plus snacks bars).

On delivery the provided shelves and compartments are positioned so that the device can be operated in an energy-efficient manner.

The minibar DM 20D comes with a anthracite panel and pull handle.

The minibar DM 20F is delivered without panel and is prepared for fitting the hotel's own door decor.

Its cooling system is a non-wearing Peltier cooling system.

A lock is optionally available.

5.1 Description of the device

Front side

No. in fig. 1 , page 3	Description
1	Lock (optional)
2	Handle (DM20D only)
3	Door panel (DM20D only)

Rear side

No. in fig. 2 , page 3	Description
1	Drip tray
2	Mains adapter

Control panel (inside the device)

No. in fig. 3 , page 4	Description
1	Lamp
2	Error LED
3	Status LED
4	Setting button

Main drawer

No. in fig. 4 , page 4	Description
1	Divider
2	Bottle finger

6 Installation



CAUTION! Health hazard

To avoid a hazard due to instability of the device, it must be fixed in accordance with the instructions.

6.1 Mounting the minibar into a piece of furniture



NOTICE! Damage hazard

Air passing through the inlet air duct must not be heated.
Do not place the minibar near naked flames or other heat sources (heaters, direct sunlight, gas ovens etc.).

There are four ways to mount the minibar into furniture.

1. Choose your preferred installation alternative (fig. **5**, page 5).
2. Observe the required installation recess (fig. **6**, page 6)
d is the thickness of the hotel's own decor.
3. Observe the correct placement of the minibar and ventilation openings to ensure a proper air flow (fig. **7**, page 6).

4. Ensure the minimum clearance between the back of the minibar and the furniture wall (fig. **14**, page 10).
5. Produce the ventilation openings as shown in fig. **8**, page 6.
6. Fix the refrigerator in place using suitable screws (fig. **9 1** and **2**, page 7).

6.2 Connecting the minibar electrically

- ▶ Plug the AC connection cable into the AC voltage socket and connect it to the AC mains supply.
- ✓ The status LED lights up.
- ✓ The minibar starts cooling the interior.

6.3 Mounting hotel's own door decor (DM20F only)

The hotel's own door decor has to comply with the following requirements:

- Maximum weight: 2 kg
 - Maximum thickness: 14 mm
- ▶ Fasten the decor with four screws.

6.4 Mounting the lock (lock version only)

1. Drill a hole with a diameter of 35 mm into the decor.
2. Mount the lock together with the lock decor.

6.5 Mounting the lock (no lock version only)

Disassembling the drawer (fig. **10**, page 8)

1. Open the drawer completely.
2. Press the rail lock (**A 1**).
3. Pull the drawer out of the cabinet.
4. Remove the gasket (**B 1**).
5. Remove the lock cover (**B 2**).
6. Remove the plugs (**C 1**) from the screws of the door handle (**C 3**).
7. Unscrew the screws (**C 2**) of the door handle (**C 3**).
8. Remove the door handle (**C 3**).

Drilling the holes (fig. 11, page 8)

1. Drill a hole with a diameter of 25 mm through the decor and the door (A 1).
2. Unscrew the screws (B 1) of the decor frame (B 2).
3. Remove the decor frame (B 2).

Assembling the lock (fig. 12, page 9)

1. Put the new lock cover (A 1) into place.
2. Put the decor (B 1) into the decor frame (B 3).
3. Screw the decor frame (B 3) onto the door (B 2).
4. Install the door lock (C 1).
5. Install the lock catch in the cabinet (D 1).

Assembling the drawer (fig. 13, page 9)

1. Push the gasket (1) on the decor frame (2).
2. Screw the door handle (4) onto the door.
3. Push the plugs (3) on the screws of the door handle (4).
4. Push the drawer into the cabinet.

7 Operation



NOTICE! Damage hazard

The lamp can only be replaced by the manufacturer, a service agent or similarly qualified person to avoid hazard.

7.1 Saving energy

- Only open the minibar as often and for as long as necessary.
- Avoid unnecessarily low temperature settings.
- For optimal energy consumption, position the shelves and drawers according to their position on delivery.
- On a regularly basis, make sure the door seal still fits properly.
- Clean dust and dirt from the condenser at regular intervals.

7.2 Using the minibar

The minibar starts cooling when connected to power. During normal operation the Status LED is glowing. If an error occurs the Error LED is blinking (see chapter “Troubleshooting” on page 23).

7.3 Setting the temperature

To avoid food waste, note the following:

- Keep temperature fluctuation as low as possible. Only open the minibar as often and for as long as necessary. Store the foodstuff in such a way that the air can still circulate well.
- The minibar is equipped with an automatic temperature regulation function. Select the average of the possible temperature values.
- Adjust the temperature to the quantity and type of the foodstuff.

The minibar is set by default to a cooling temperature of 7 °C at an ambient temperature of 25 °C.

You can use the setting button (fig. **3** 4, page 4) to set the cooling temperature to one of three values: 5 °C, 12 °C and 7 °C.

Thereby the temperature will be changed in the order 5 °C ... 12 °C ... 7 °C ... 5 °C etc.

- ▶ Press the setting button (fig. **3** 4, page 4) and keep it pressed for 5 s, until the lamp (fig. **3** 1, page 4) starts to blink.
- ▶ Press immediately the setting button (fig. **3** 4, page 4) again.
- ✓ The lamp (fig. **3** 1, page 4) indicates the setting temperature:
 - 5 °C: the lamp flashes five times in three intervals
 - 12 °C: the lamp flashes once in three intervals
 - 7 °C: the lamp flashes three times in three intervals



NOTE

The minibar sets the cooling temperature automatically to 7 °C when it is connected to a power source.

8 Troubleshooting

Fault	Possible cause	Suggested remedy
Device does not function, Status LED does not glow.	No voltage present in the AC voltage socket.	Try using another plug socket.
	The mains adapter is defective.	Contact service agent.
The device does not cool (plug is inserted, Status LED glows).	The cooling element is defective.	Contact service agent.
The Error LED flashes once per second.	Temperature sensor is defective.	Contact service agent.
Device does not cool sufficiently, Status LED glows, Error LED does not glow.	The cooling element is defective.	Contact service agent.
	Poor ventilation	Check the ventilation. Clean the filter underneath the device.

9 Cleaning and maintenance



NOTICE! Damage hazard

- Never clean the cooling device under running water or in dish water.
- Do not use abrasive cleaning agents or hard objects during cleaning as these can damage the cooling device.

- ▶ Occasionally clean the cooling device interior and exterior with a damp cloth.
- ▶ Ensure that the air inlet and outlet vents on the cooling device are free of any dust and dirt, so that heat can be released and the cooling device is not damaged.
- ▶ Occasionally clean the inlet filter.
- ▶ If you find water in the drip tray (fig. **2** 1, page 3) check whether the drainage system is blocked.



NOTICE! Damage hazard

The lamp can only be replaced by the manufacturer, a service agent or similarly qualified person to avoid hazard.

10 Warranty

The statutory warranty period applies. If the product is defective, please contact your retailer or the manufacturer's branch in your country (see dometic.com/dealer).

For repair and warranty processing, please include the following documents when you send in the product:

- A copy of the receipt with purchasing date
- A reason for the claim or description of the fault

Note that self-repair or non-professional repair can have safety consequences and might void the warranty.

11 Disposal

Recycling packaging material



- Place the packaging material in the appropriate recycling waste bins whenever possible.

Recycling products with non-replaceable batteries, rechargeable batteries, or light sources




- If the product contains any non-replaceable batteries, rechargeable batteries, or light sources, you don't have to remove them before disposal.
- If you wish to finally dispose of the product, ask your local recycling center or specialist dealer for details about how to do this in accordance with the applicable disposal regulations.
- The product can be disposed free of charge.

12 Technical data

For the current EU declaration of conformity for your device please refer to the respective product page on dometic.com or contact the manufacturer directly (see dometic.com/dealer).

Further product information can be accessed via QR code on the energy label (see figures) or via eprel.ec.europa.eu.

The refrigerant circuit contains R600a.

	DM 20D	DM 20F
Voltage:	220 – 240 V~, 50/60 Hz	
Cooling capacity:	max. 20 °C below ambient temperature (adjustable in three steps: +5 °C, +7 °C, +12 °C)	
Category:	Cellar	
Total volume:	20 l	
Energy efficiency class:	G	
Intended ambient temperature use:	+16 °C to +32 °C	
Noise emission:	0 dB(A)	
Refrigerant quantity:	24 g	
Dimensions main drawer W x D x H:	285 x 228 x 112 mm	
Dimensions H x W x D:	365 x 384 x 419 mm	365 x 384 x 391 mm
Weight:	12.3 kg	
Inspection/certification:		

Lesen und befolgen Sie bitte alle Anweisungen, Richtlinien und Warnhinweise in diesem Produkthandbuch sorgfältig, um sicherzustellen, dass Sie das Produkt ordnungsgemäß installieren und stets ordnungsgemäß betreiben und warten. Diese Anleitung MUSS bei dem Produkt verbleiben.

Durch die Verwendung des Produktes bestätigen Sie hiermit, dass Sie alle Anweisungen, Richtlinien und Warnhinweise sorgfältig gelesen haben und dass Sie die hierin dargelegten Bestimmungen verstanden haben und ihnen zustimmen. Sie erklären sich damit einverstanden, dieses Produkt nur für den angegebenen Verwendungszweck und gemäß den Anweisungen, Richtlinien und Warnhinweisen dieses Produkthandbuchs sowie gemäß allen geltenden Gesetzen und Vorschriften zu verwenden. Eine Nichtbeachtung der hierin enthaltenen Anweisungen und Warnhinweise kann zu einer Verletzung Ihrer selbst und anderer Personen, zu Schäden an Ihrem Produkt oder zu Schäden an anderem Eigentum in der Umgebung führen. Dieses Produkthandbuch, einschließlich der Anweisungen, Richtlinien und Warnhinweise, sowie die zugehörige Dokumentation können Änderungen und Aktualisierungen unterliegen. Aktuelle Produktinformationen finden Sie unter documents.dometic.com, dometic.com.

Inhalt

1	Erläuterung der Symbole	26
2	Sicherheitshinweise	27
3	Lieferumfang	31
4	Bestimmungsgemäßer Gebrauch	31
5	Technische Beschreibung	33
6	Installation	35
7	Bedienung	37
8	Störungsbeseitigung	39
9	Reinigung und Wartung	40
10	Garantie	41
11	Entsorgung	41
12	Technische Daten	42

1 Erläuterung der Symbole



GEFAHR!

Sicherheitshinweis: Kennzeichnet eine Gefahrensituation, die zum Tod oder schwerer Verletzung führt, wenn die jeweiligen Anweisungen nicht befolgt werden.

**WARNUNG!**

Sicherheitshinweis: Kennzeichnet eine Gefahrensituation, die zum Tod oder schwerer Verletzung führen könnte, wenn die jeweiligen Anweisungen nicht befolgt werden.

**VORSICHT!**

Sicherheitshinweis: Kennzeichnet eine Gefahrensituation, die zu geringer oder mittelschwerer Verletzung führen könnte, wenn die jeweiligen Anweisungen nicht befolgt werden.

**ACHTUNG!**

Kennzeichnet eine Situation, die zu Sachschäden führen kann, wenn die jeweiligen Anweisungen nicht befolgt werden.

**HINWEIS**

Ergänzende Informationen zur Bedienung des Produktes.

2 Sicherheitshinweise

2.1 Grundlegende Sicherheit



WARNUNG! Nichtbeachtung dieser Warnungen kann zum Tod oder schwerer Verletzung führen.

Gefahr durch Stromschlag

- Stellen Sie sicher, dass die Minibar von einem qualifizierten Techniker gemäß der Dometic Montageanleitung installiert wurde.
- Wenn die Minibar sichtbare Beschädigungen aufweist, dürfen Sie sie nicht in Betrieb nehmen.
- Wenn das Anschlusskabel der Minibar beschädigt ist, muss es durch den Hersteller, einen Kundendienstmitarbeiter bzw. eine entsprechend ausgebildete Fachkraft ersetzt werden, um Gefahren zu verhindern.
- Reparaturen an der Minibar dürfen nur von qualifiziertem Personal durchgeführt werden. Durch unsachgemäße Reparaturen können erhebliche Gefahren entstehen.
- Achten Sie beim Aufstellen der Minibar darauf, dass das Netzkabel nicht eingeklemmt oder beschädigt wird.

- Platzieren Sie keine Steckdosenleisten oder tragbare Stromversorgungen hinter dem Gerät.
- Schließen Sie das Gerät an eine Steckdose an, die einen geeigneten Anschluss sicherstellt, insbesondere wenn das Gerät geerdet werden muss.

Brandgefahr

- Das Kältemittel im Kühlkreislauf ist leicht entflammbar. Bei einer Beschädigung des Kühlkreislaufs:
 - Schalten Sie die Minibar aus.
 - Vermeiden Sie offenes Feuer und Zündfunken.
 - Lüften Sie den Raum gut.
- Der Kühlkreislauf enthält eine kleine Menge an umweltfreundlichem, aber brennbarem Kältemittel. Das Kühlmittel schädigt nicht die Ozonschicht und trägt auch nicht zum Treibhauseffekt bei. Austretendes Kältemittel kann sich entzünden.
- Halten Sie die Einbaunische für die Minibar frei von elektrischen Bauteilen und Lichtquellen, die bei normalem oder abnormalem Gebrauch Funken oder Lichtbögen erzeugen können (d. h. Relais oder Sicherungskästen).
- Verwenden und lagern Sie die Minibar nicht in geschlossenen Räumen ohne oder mit nur geringer Luftzirkulation.
- Es muss nach dem Einbau noch möglich sein, die Minibar vom Stromnetz zu trennen. Dies kann erreicht werden, indem die Steckdose zugänglich bleibt bzw. das Kabel fachgerecht mit einem Schalter versehen wird.
- Halten Sie die Lüftungsöffnungen frei – sowohl im Gehäuse als auch im Einbauteil der Minibar.
- Verwenden Sie keine mechanischen oder anderen Mittel, um das Abtauen zu beschleunigen – es sei denn, diese werden vom Hersteller empfohlen.
- Öffnen Sie auf keinen Fall den Kühlkreislauf.
- Benutzen Sie keine Elektrogeräte innerhalb der Minibar, außer wenn diese Elektrogeräte vom Hersteller dafür empfohlen werden.

Explosionsgefahr

- Lagern Sie keine explosionsfähigen Stoffe wie z. B. Sprühdosen mit brennbarem Treibgas in der Minibar.

Gesundheitsgefahr

- Diese Minibar kann von Kindern ab 8 Jahren und von Personen mit verringerten physischen, sensorischen oder mentalen Fähigkeiten oder Mangel an Erfahrung und/oder Wissen verwendet werden, wenn diese Personen beaufsichtigt werden oder im sicheren Gebrauch der Minibar unterwiesen wurden und die daraus resultierenden Gefahren verstanden haben.
- Kinder dürfen nicht mit der Minibar spielen.
- Reinigung und Benutzerwartung dürfen nicht durch unbeaufsichtigte Kinder durchgeführt werden.
- Kinder von 3 bis 8 Jahren dürfen die Minibar be- und entladen.



VORSICHT! Nichtbeachtung dieser Hinweise kann zu leichten bis mittelschweren Verletzungen führen.

Quetschgefahr

- Fassen Sie nicht in das Scharnier.

Gesundheitsgefahr

- Lebensmittel dürfen nur in Originalverpackungen oder geeigneten Behältern eingelagert werden.



ACHTUNG! Beschädigungsgefahr

- Prüfen Sie, ob die Spannungsangabe auf dem Typenschild mit der vorhandenen Netzspannung übereinstimmt.
- Die Minibar ist nicht geeignet für die Lagerung ätzender oder lösungsmittelhaltiger Stoffe.
- Die Isolierung des Kühlgeräts enthält brennbares Cyclopentan und erfordert ein besonderes Entsorgungsverfahren. Entsorgen Sie das Kühlgerät am Ende seiner Nutzungsdauer in einem entsprechenden Recyclingcenter.
- Halten Sie die Abflussöffnung stets sauber.
- Transportieren Sie die Minibar nur in aufrechter Stellung.

2.2 Sicherheit beim Betrieb der Minibar



GEFAHR! Nichtbeachtung dieser Warnungen führt zum Tod oder schwerer Verletzung.

Gefahr durch Stromschlag

- Fassen Sie nie mit bloßen Händen an blanke Kabel.



VORSICHT! Nichtbeachtung dieser Hinweise kann zu leichten bis mittelschweren Verletzungen führen.

Gefahr durch Stromschlag

- Achten Sie vor der Inbetriebnahme der Minibar darauf, dass Zuleitung und Stecker trocken sind.

Gesundheitsgefahr

- Achten Sie darauf, dass sich nur Gegenstände bzw. Waren in der Minibar befinden, die auf die gewählte Temperatur gekühlt werden dürfen.
- Lebensmittel dürfen nur in Originalverpackungen oder geeigneten Behältern gelagert werden.
- Ein längeres Öffnen der Tür kann zu einem erheblichen Anstieg der Temperatur in den Fächern der Minibar führen.
- Reinigen Sie regelmäßig Oberflächen, die mit Lebensmitteln in Kontakt kommen können, sowie zugängliche Ablaufsysteme.
- Wenn die Minibar über längere Zeiträume leer bleibt:
 - Schalten Sie die Minibar aus.
 - Tauen Sie die Minibar ab.
 - Reinigen und trocknen Sie die Minibar.
 - Lassen Sie die Tür offenstehen, um Schimmelbildung in der Minibar zu verhindern.



ACHTUNG!

Beschädigungsgefahr

- Stellen Sie die Minibar nicht in der Nähe von offenen Flammen oder anderen Wärmequellen auf (brennende Kerzen, Heizungen, direkte Sonneneinstrahlung, Gasöfen usw.).
- Tauchen Sie die Minibar nie in Wasser.
- Schützen Sie die Minibar und die Kabel vor Hitze und Nässe.
- Stellen Sie sicher, dass die Lebensmittel keine Wand des Kühlraums berühren.

3 Lieferumfang

Die folgenden Grundausführungen sind erhältlich:

- Minibar DM20D mit Dekorplatte, ohne Schloss
- Minibar DM20D mit Dekorplatte, mit Schloss
- Minibar DM20F ohne Dekorplatte, ohne Schloss
- Minibar DM20F ohne Dekorplatte, mit Schloss

Anzahl	Beschreibung	
1	Minibar	
1	Wechselstrom-Anschlusskabel	
2	Schraube Ø 4 x 45 mm (Einbau)	
2	Schraube Ø 4 x 25 mm (Montage der vorderen FüÙe)	
2	Schraube M4 x 45 mm (Montage des Griffs)	
2	Stopfen (Einbau)	
1	Tragegriff	nur DM20D
2	Stopfen (Montage des Griffs)	nur DM20D
2	Stopfen (Holzdekorplatte)	DM20F, nur Holzausführung
1	Schlossblende (Holzdekorplatte)	DM20F, nur Holzausführung mit Schloss
2	Legende	nur Ausführung mit Schloss
1	Montage- und Bedienungsanleitung	

4 BestimmungsgemäÙer Gebrauch

Das Kühlgerät (auch als Minibar bezeichnet) ist für den Einsatz im Haushalt und ähnliche Anwendungen vorgesehen, wie:

- Personalküchen in Ladengeschäften, Büros und anderen Arbeitsbereichen
- Landwirtschaftliche Gebäude
- Hotels, Motels und andere wohnungsähnliche Einrichtungen
- „Bed and Breakfast“ u. ä.
- Catering und ähnliche Anwendungen außerhalb des Einzelhandels

Die Minibar ist nicht für den Einbau in Wohnwagen oder Wohnmobile geeignet.

Die Minibar ist für den Einbau in einen Schrank oder eine Einbaunische vorgesehen.

Die Minibar ist ausschließlich zur Kühlung und Lagerung von Getränken und Lebensmitteln in geschlossenen Behältern bestimmt.

Die Minibar ist nicht zur Lagerung von frischen Lebensmitteln und Medikamenten oder zum Einfrieren von Lebensmitteln geeignet.

Diese Minibar ist nur für den angegebenen Verwendungszweck und die Anwendung gemäß dieser Anleitung geeignet.

Dieses Handbuch enthält Informationen, die für die ordnungsgemäße Installation und den ordnungsgemäßen Betrieb der Minibar erforderlich sind. Installationsfehler und/oder ein nicht ordnungsgemäßer Betrieb oder eine nicht ordnungsgemäße Wartung haben eine unzureichende Leistung und u. U. einen Ausfall des Geräts zur Folge.

Der Hersteller übernimmt keine Haftung für Verletzungen oder Schäden am Produkt, die durch Folgendes entstehen:

- Unsachgemäße Montage oder falscher Anschluss, einschließlich Überspannung
- Unsachgemäße Wartung oder Verwendung von anderen als den vom Hersteller gelieferten Original-Ersatzteilen
- Veränderungen am Produkt ohne ausdrückliche Genehmigung des Herstellers
- Verwendung für andere als die in der Anleitung beschriebenen Zwecke

Dometic behält sich das Recht vor, das Erscheinungsbild des Produkts und dessen technische Daten zu ändern.

5 Technische Beschreibung

Die Minibar verfügt über eine Schublade mit Platz für 12 Dosen (plus Snack-Riegel).

Bei der Auslieferung sind die mitgelieferten Regale und Fächer so angeordnet, dass das Gerät energieeffizient betrieben werden kann.

Die Minibar DM20D wird mit einer anthrazitfarbenen Dekorplatte und einem Griff geliefert.

Die Minibar DM20F wird ohne Dekorplatte geliefert und ist für das Anbringen einer hoteleigenen Dekorplatte vorbereitet.

Als Kühlsystem findet eine verschleißfreie thermoelektrische Kühlung Anwendung.

Ein Schloss ist als Zubehör erhältlich.

5.1 Gerätebeschreibung

Vorderseite

Nr. in Abb. 1 , Seite 3	Beschreibung
1	Schloss (optional)
2	Griff (nur DM20D)
3	Türdekor (nur DM20D)

Rückseite

Nr. in Abb. 2 , Seite 3	Beschreibung
1	Tropfschale
2	Netzadapter

Bedienfeld (im Innern des Geräts)

Nr. in Abb. 3, Seite 4	Beschreibung
1	Lampe
2	Fehler-LED
3	Status-LED
4	Einstelltaste

Hauptschublade

Nr. in Abb. 4, Seite 4	Beschreibung
1	Trennwand
2	Flaschenhalter

6 Installation



VORSICHT! Gesundheitsgefahr

Um Gefahren aufgrund eines instabilen Stands des Geräts zu vermeiden, muss das Gerät entsprechend den Anweisungen fixiert werden.

6.1 Minibar in ein Möbelstück einbauen



ACHTUNG! Beschädigungsgefahr

Die durch den Luftenlasskanal strömende Luft darf nicht erhitzt sein. Stellen Sie die Minibar nicht in der Nähe von offenen Flammen oder anderen Wärmequellen auf (Heizungen, direkte Sonneneinstrahlung, Gasöfen usw.).

Es gibt vier Möglichkeiten, die Minibar in ein Möbelstück einzubauen.

1. Wählen Sie Ihre bevorzugte Einbaumethode (Abb. **5**, Seite 5).
2. Beachten Sie die erforderliche Einbaunische (Abb. **6**, Seite 6)
d ist die Dicke der hoteleigenen Dekorplatte.
3. Achten Sie auf die korrekte Platzierung der Minibar und der Lüftungsöffnungen, um einen ausreichenden Luftstrom zu gewährleisten (Abb. **7**, Seite 6).
4. Stellen Sie sicher, dass der Mindestabstand zwischen der Rückseite der Minibar und der Möbelwand eingehalten wird (Abb. **14**, Seite 10).
5. Bringen Sie die Lüftungsöffnungen wie in Abb. **8**, Seite 6 gezeigt an.
6. Befestigen Sie den Kühlschrank mit geeigneten Schrauben (Abb. **9**, **1** und **2**, Seite 7).

6.2 Elektrischer Anschluss der Minibar

- ▶ Stecken Sie das Wechselstrom-Anschlusskabel in die Wechselstrom-Buchse und schließen Sie es an eine Netzsteckdose an.
- ✓ Die Status-LED leuchtet.
- ✓ Die Minibar beginnt, den Innenraum zu kühlen.

6.3 Anbringen der hoteleigenen Dekorplatte (nur DM20F)

Die hoteleigene Dekorplatte muss die folgenden Anforderungen erfüllen:

- Höchstgewicht: 2 kg
 - Maximale Dicke: 14 mm
- Befestigen Sie die Dekorplatte mit vier Schrauben.

6.4 Montage des Schlosses (nur Ausführung mit Schloss)

1. Bohren Sie ein Loch mit einem Durchmesser von 35 mm in die Dekorplatte.
2. Montieren Sie das Schloss zusammen mit der Schlossblende.

6.5 Montage des Schlosses (nur Ausführung ohne Schloss)

Demontage der Schublade (Abb. 10, Seite 8)

1. Öffnen Sie die Schublade vollständig.
2. Drücken Sie auf die Schienenverriegelung (A 1).
3. Ziehen Sie die Schublade aus dem Schrank heraus.
4. Entfernen Sie die Dichtung (B 1).
5. Entfernen Sie die Schlossblende (B 2).
6. Entfernen Sie die Stopfen (C 1) von den Schrauben des Türgriffs (C 3).
7. Lösen Sie die Schrauben (C 2) des Türgriffs (C 3).
8. Entfernen Sie den Türgriff (C 3).

Herstellen der Bohrungen (Abb. 11, Seite 8)

1. Bohren Sie ein Loch mit einem Durchmesser von 25 mm durch die Dekorplatte und die Tür (A 1).
2. Lösen Sie die Schrauben (B 1) des Dekorrahmens (B 2).
3. Entfernen Sie den Dekorrahmen (B 2).

Montage des Schlosses (Abb. 12, Seite 9)

1. Setzen Sie die neue Schlossblende (A 1) ein.
2. Legen Sie die Dekorplatte (B 1) in den Dekorrahmen (B 3).
3. Verschrauben Sie den Dekorrahmen (B 3) mit der Tür (B 2).
4. Montieren Sie das Türschloss (C 1).
5. Montieren Sie die Schlossfalle in den Schrank (D 1).

Zusammenbau der Schublade (Abb. 13, Seite 9)

1. Drücken Sie die Dichtung (1) auf den Dekorrahmen (2).
2. Schrauben Sie den Türgriff (4) auf die Tür.
3. Drücken Sie die Stopfen (3) auf die Schrauben des Türgriffs (4).
4. Schieben Sie die Schublade in den Schrank.

7 Bedienung



ACHTUNG! Beschädigungsgefahr

Die Lampe darf nur durch den Hersteller, einen Kundendienst oder eine ähnlich qualifizierte Person ersetzt werden, um Gefährdungen zu vermeiden.

7.1 Energie sparen

- Öffnen Sie die Minibar nur so oft und so lange wie nötig.
- Vermeiden Sie eine unnötig tiefe Innentemperatur.
- Für einen optimalen Energieverbrauch positionieren Sie die Regale und Schubladen entsprechend ihrer Position bei der Auslieferung.
- Prüfen Sie in regelmäßigen Abständen, ob die Dichtung der Tür noch richtig sitzt.
- Befreien Sie den Kondensator in regelmäßigen Abständen von Staub und Verunreinigungen.

7.2 Verwenden der Minibar

Die Minibar beginnt zu kühlen, sobald sie an das Stromnetz angeschlossen wird. Während des normalen Betriebs leuchtet die Status-LED. Wenn ein Fehler auftritt, blinkt die Fehler-LED (siehe Kapitel „Störungsbeseitigung“ auf Seite 39).

7.3 Temperatur einstellen

Um Lebensmittelverschwendung zu vermeiden, beachten Sie bitte Folgendes:

- Halten Sie Temperaturschwankungen so gering wie möglich. Öffnen Sie die Minibar nur so oft und so lange wie nötig. Lagern Sie Lebensmittel so, dass die Luft immer noch gut zirkulieren kann.
- Die Minibar ist mit einer automatischen Temperaturregelung ausgestattet. Wählen Sie den Mittelwert der möglichen Temperaturwerte aus.
- Passen Sie die Temperatur der Menge und Art der Lebensmittel an.

Die Minibar ist standardmäßig auf eine Kühltemperatur von 7 °C) bei einer Umgebungstemperatur von 25 °C) eingestellt.

Mit der Einstelltaste (Abb. **3** 4 Seite 4) können Sie die Kühltemperatur auf einen von drei Werten einstellen: 5 °C, 12 °C und 7 °C.

Dadurch wird die Temperatur in der Reihenfolge 5 °C ... 12 °C ... 7 °C ... 5 °C usw. geändert.

- ▶ Drücken Sie die Einstelltaste (Abb. **3** 4, Seite 4) und halten Sie sie 5 s lang gedrückt, bis die Lampe (Abb. **3** 1, Seite 4) zu blinken beginnt.
- ▶ Drücken Sie sofort wieder die Einstelltaste (Abb. **3** 4, Seite 4).
- ✓ Die Lampe (Abb. **3** 1, Seite 4) zeigt die eingestellte Temperatur an:
 - 5 °C: Die Lampe blinkt fünfmal in drei Intervallen.
 - 12 °C: Die Lampe blinkt einmal in drei Intervallen.
 - 7 °C: Die Lampe blinkt dreimal in drei Intervallen.



HINWEIS

Bei Anschluss an eine Stromquelle wird die Minibar automatisch auf eine Kühltemperatur von 7 °C eingestellt.

8 Störungsbeseitigung

Störung	Mögliche Ursache	Lösungsvorschlag
Das Gerät funktioniert nicht, Status-LED leuchtet nicht.	Wechselspannungssteckdose führt keine Spannung.	Versuchen Sie es an einer anderen Steckdose.
	Der Netzadapter ist defekt.	Wenden Sie sich an den Kundendienst.
Das Gerät kühlt nicht (Stecker ist eingesteckt, Status-LED leuchtet).	Das Kühlelement ist defekt.	Wenden Sie sich an den Kundendienst.
Die Fehler-LED blinkt einmal pro Sekunde.	Der Temperatursensor ist defekt.	Wenden Sie sich an den Kundendienst.
Das Gerät kühlt nicht ausreichend, Status-LED leuchtet, Fehler-LED leuchtet nicht.	Das Kühlelement ist defekt.	Wenden Sie sich an den Kundendienst.
	Schlechte Belüftung	Prüfen Sie die Belüftung. Reinigen Sie den Filter unter dem Gerät.

9 Reinigung und Wartung



ACHTUNG! Beschädigungsgefahr

- Reinigen Sie das Kühlgerät niemals unter fließendem Wasser oder in Spülwasser.
- Verwenden Sie zum Reinigen keine scharfen Reinigungsmittel oder harten Gegenstände, da diese das Kühlgerät beschädigen können.

- Reinigen Sie das Kühlgerät innen und außen gelegentlich mit einem feuchten Tuch.
- Stellen Sie sicher, dass die Be- und Entlüftungsöffnungen des Kühlgeräts frei von Staub und Verunreinigungen sind, damit die beim Betrieb entstehende Wärme abgeführt werden kann und das Kühlgerät keinen Schaden nimmt.
- Reinigen Sie von Zeit zu Zeit den Einlassfilter.
- Wenn Sie Wasser in der Tropfschale (Abb. **2** 1, Seite 3) finden, prüfen Sie, ob das Abflusssystem verstopft ist.



ACHTUNG! Beschädigungsgefahr

Die Lampe darf nur durch den Hersteller, einen Kundendienst oder eine ähnlich qualifizierte Person ersetzt werden, um Gefährdungen zu vermeiden.

10 Garantie

Es gilt die gesetzliche Gewährleistungsfrist. Sollte das Produkt defekt sein, wenden Sie sich bitte an Ihren Fachhändler oder die Niederlassung des Herstellers in Ihrem Land (siehe dometic.com/dealer).

Bitte senden Sie bei einem Reparatur- bzw. Gewährleistungsantrag folgende Unterlagen mit dem Produkt ein:

- eine Kopie der Rechnung mit Kaufdatum
- einen Reklamationsgrund oder eine Fehlerbeschreibung

Bitte beachten Sie, dass eigenständig oder nicht fachgerecht durchgeführte Reparaturen die Sicherheit gefährden und zum Erlöschen der Garantie führen können.

11 Entsorgung

Recycling von Verpackungsmaterial



- Geben Sie das Verpackungsmaterial möglichst in den entsprechenden Recycling-Müll.

Recycling von Produkten mit nicht auswechselbaren Batterien, wiederaufladbaren Batterien oder Leuchtmitteln



- Wenn das Produkt nicht auswechselbare Batterien, wiederaufladbare Batterien oder Leuchtmittel enthält, brauchen Sie diese vor der Entsorgung nicht zu entfernen.





- Wenn Sie das Gerät endgültig entsorgen möchten, informieren Sie sich bitte bei Ihrem Wertstoffhof vor Ort oder bei Ihrem Fachhändler, wie dies gemäß den geltenden Entsorgungsvorschriften zu tun ist.
- Das Produkt kann kostenlos entsorgt werden.

12 Technische Daten

Die aktuelle EU-Konformitätserklärung für Ihr Gerät erhalten Sie auf der jeweiligen Produktseite auf dometic.com oder direkt über den Hersteller (siehe dometic.com/dealer).

Weitere Produktinformationen sind über den QR-Code auf dem Energieetikett (siehe Abbildungen) oder unter eprel.ec.europa.eu abrufbar.

Der Kühlkreis enthält R600a.

	DM20D	DM20F
Spannung:	220 – 240 V~, 50/60 Hz	
Kühlleistung:	max. 20 °C unter Umgebungstemperatur (in drei Stufen einstellbar: +5 °C, +7 °C, +12 °C)	
Kategorie:	Keller	
Gesamtinhalt:	20 l	
Energieeffizienzklasse:	G	
Bestimmungsgemäßer Gebrauch bei Umgebungstemperatur:	+16 °C bis +32 °C	
Schallemissionen:	0 dB(A)	
Kältemittelmenge:	24 g	
Abmessungen Hauptschublade B x T x H:	285 x 228 x 112 mm	
Abmessungen H x B x T:	365 x 384 x 419 mm	365 x 384 x 391 mm
Gewicht:	12,3 kg	
Prüfung/Zertifikat:	 	

Veillez lire et suivre attentivement l'ensemble des instructions, directives et avertissements figurant dans ce manuel afin d'installer, d'utiliser et d'entretenir le produit correctement à tout moment. Ces instructions DOIVENT rester avec le produit.

En utilisant ce produit, vous confirmez expressément avoir lu attentivement l'ensemble des instructions, directives et avertissements et que vous comprenez et acceptez de respecter les modalités et conditions énoncées dans le présent document. Vous acceptez d'utiliser ce produit uniquement pour l'usage et l'application prévus et conformément aux instructions, directives et avertissements figurant dans le présent manuel, ainsi qu'à toutes les lois et réglementations applicables. En cas de non-respect des instructions et avertissements figurant dans ce manuel, vous risquez de vous blesser ou de blesser d'autres personnes, d'endommager votre produit ou d'endommager d'autres biens à proximité. Le présent manuel produit, y compris les instructions, directives et avertissements, ainsi que la documentation associée peuvent faire l'objet de modifications et de mises à jour. Pour obtenir des informations actualisées sur le produit, veuillez consulter le site documents.dometic.com, dometic.com.

Sommaire

1	Signification des symboles	43
2	Consignes de sécurité	44
3	Contenu de la livraison	47
4	Usage conforme	48
5	Description technique	49
6	Installation	50
7	Utilisation	53
8	Guide de dépannage	55
9	Nettoyage et entretien	55
10	Garantie	56
11	Mise au rebut	56
12	Caractéristiques techniques	57

1 Signification des symboles



DANGER !

Consignes de sécurité : Indiquent une situation dangereuse qui, si elle n'est pas évitée, entraînera des blessures graves, voire mortelles.



AVERTISSEMENT !

Consignes de sécurité : Indiquent une situation dangereuse qui, si elle n'est pas évitée, est susceptible d'entraîner des blessures graves, voire mortelles.

**ATTENTION !**

Consignes de sécurité : Indiquent une situation dangereuse qui, si elle n'est pas évitée, est susceptible d'entraîner des blessures légères ou de gravité modérée.

**AVIS !**

Indiquent une situation dangereuse qui, si elle n'est pas évitée, peut entraîner des dommages matériels.

**REMARQUE**

Informations complémentaires sur l'utilisation de ce produit.

2 Consignes de sécurité

2.1 Sécurité générale



AVERTISSEMENT ! Le non-respect de ces mises en garde peut entraîner des blessures graves, voire mortelles.

Risque d'électrocution

- Assurez-vous que le minibar a été installé par un technicien qualifié conformément au manuel d'installation de Dometic.
- Si le minibar présente des dégâts visibles, ne le mettez pas en service.
- Si le câble de raccordement du minibar est endommagé, il doit être remplacé par le fabricant, un agent de service ou une personne de qualification similaire, afin d'éviter tout danger.
- Seul un opérateur qualifié est habilité à effectuer des réparations sur le minibar. Une réparation incorrecte peut entraîner de graves dangers.
- Veillez à ne pas coincer ni endommager le cordon d'alimentation lors de la mise en place du minibar.
- Ne placez pas de multiprises portables ou de blocs d'alimentation portables à l'arrière de l'appareil.
- Branchez l'appareil sur des prises permettant un raccordement approprié, en particulier lorsque l'appareil doit être relié à la terre.

Risque d'incendie

- Le réfrigérant du circuit frigorifique s'enflamme facilement.
En cas d'endommagement du circuit frigorifique :
 - Éteignez le minibar.
 - Évitez toute flamme nue et/ou étincelle.
 - Aérez bien la pièce.
- Le circuit réfrigérant contient une faible quantité de liquide de réfrigérant écologique, mais inflammable. Il n'affecte pas la couche d'ozone et ne contribue pas à l'effet de serre. Une fuite de liquide réfrigérant peut prendre feu.
- Veillez à ne pas installer de composants électroniques et de sources lumineuses susceptibles de générer des étincelles ou des arcs électriques lors du fonctionnement normal ou anormal (ex. : relais, compteurs) dans la cavité d'installation du minibar.
- N'utilisez ou ne stockez pas le minibar dans des espaces confinés avec une aération faible ou inexistante.
- Après l'installation, il doit être possible de débrancher le minibar du secteur. Pour ce faire, la prise de courant doit être accessible ou un interrupteur doit être ajouté dans le câblage fixe, conformément aux règles de câblage.
- Veillez à ce que les orifices de ventilation situés sur le châssis du minibar ou dans la structure intégrée ne soient pas obstrués.
- N'utilisez pas d'appareils mécaniques ou d'autres moyens pour accélérer le processus de décongélation, outre ceux recommandés par le fabricant.
- N'ouvrez jamais le circuit frigorifique.
- N'utilisez aucun appareil électrique à l'intérieur du minibar, sauf s'ils sont recommandés par le fabricant pour cet usage.

Risque d'explosion

- Ne stockez aucune substance explosive, telle que des aérosols contenant des propulsifs dans le minibar.

Risque pour la santé

- Ce minibar peut être utilisé par des enfants âgés de 8 ans et plus et des personnes ayant des capacités physiques, sensorielles ou mentales réduites ou un manque d'expérience et de connaissances, s'ils sont sous surveillance ou ont reçu des instructions sur l'utilisation du minibar en toute sécurité et comprennent les risques impliqués.
- Les enfants ne doivent pas jouer avec le minibar.

- Le nettoyage et l'entretien ne doivent pas être effectués par des enfants sans surveillance.
- Les enfants âgés de 3 à 8 ans peuvent remplir et vider le minibar.



ATTENTION ! Le non-respect de ces mises en garde peut entraîner des blessures légères ou de gravité modérée.

Risque d'écrasement

- Ne touchez pas la charnière.

Risque pour la santé

- Les produits alimentaires doivent être conservés dans leurs emballages originaux ou dans des récipients appropriés.



AVIS ! Risque d'endommagement

- Vérifiez que la tension indiquée sur la plaque signalétique correspond à l'alimentation électrique dont vous disposez.
- Ne stockez aucune substance corrosive ou contenant des solvants dans le minibar.
- L'isolation du dispositif de réfrigération contient des gaz inflammables et nécessite des procédures d'élimination spéciales. À la fin de son cycle de vie, remettez le dispositif de réfrigération à un centre de recyclage approprié.
- Veillez à ce que l'ouverture d'évacuation soit toujours propre.
- Portez uniquement le minibar en position verticale.

2.2 Consignes de sécurité relatives au fonctionnement du minibar



DANGER ! Le non-respect de cette mise en garde entraînera des blessures graves, voire mortelles.

Risque d'électrocution

- Ne touchez pas les câbles dénudés à mains nues.



ATTENTION ! Le non-respect de ces mises en garde peut entraîner des blessures légères ou de gravité modérée.

Risque d'électrocution

- Avant de mettre le minibar en service, assurez-vous que le câble et la prise d'alimentation électrique sont secs.

Risque pour la santé

- Assurez-vous de stocker uniquement des objets pouvant être refroidis à la température sélectionnée dans le minibar.
- Les aliments doivent être conservés dans leur emballage d'origine ou dans des récipients appropriés.
- Une ouverture prolongée de la porte peut entraîner une augmentation significative de la température dans les compartiments du minibar.
- Nettoyez régulièrement les surfaces qui entrent en contact avec les aliments, ainsi que les systèmes de drainage accessibles.
- Si le minibar reste vide pendant une période prolongée :
 - Éteignez le minibar.
 - Dégivrez le minibar.
 - Nettoyez et séchez le minibar.
 - Laissez la porte ouverte pour éviter que des moisissures ne se forment à l'intérieur du minibar.

**AVIS !****Risque d'endommagement**

- Ne placez pas le minibar près de flammes nues ou d'autres sources de chaleur (bougies allumées, radiateurs, rayons solaires, fours à gaz, etc.).
- N'immergez jamais le minibar dans l'eau.
- Tenez le minibar et les câbles à l'abri de la chaleur et de l'humidité.
- Assurez-vous que les denrées alimentaires n'entrent pas en contact avec les parois du compartiment de réfrigération.

3 Contenu de la livraison

Les principales solutions suivantes sont disponibles :

- Minibar DM20D avec décor de porte, sans serrure
- Minibar DM20D avec décor de porte et serrure
- Minibar DM20F sans décor de porte ni serrure
- Minibar DM20F sans décor de porte, avec serrure

Quantité	Description	
1	Minibar	
1	Câble de raccordement au courant alternatif	
2	Vis Ø 4 x 45 mm (montage)	
2	Vis Ø 4 x 25 mm (montage des pieds avant)	
2	Vis M4 x 45 mm (montage de la poignée)	
2	Connecteur (montage)	
1	Poignée	DM20D uniquement
2	Connecteur (montage de la poignée)	DM20D uniquement
2	Connecteur (panneau en bois)	DM20F version bois uniquement
1	Décor avec verrou (panneau en bois)	DM20F version bois avec serrure uniquement
2	Clé	Version avec verrou uniquement
1	Instructions de montage et de service	

4 Usage conforme

L'appareil de réfrigération (également appelé minibar) est destiné à être utilisé dans des applications domestiques et similaires, telles que :

- Dans les réfectoires des magasins, bureaux et autres lieux de travail
- Dans les maisons d'hôtes
- Par les clients des hôtels, motels et autres environnements de type résidentiel
- les gîtes et environnements similaires
- la restauration et les applications similaires non liées à la vente au détail

Le minibar n'est pas adapté à une installation dans les caravanes ou mobile-homes.

Le minibar est destiné à être installé dans un meuble ou une cavité murale dédiée.

Le minibar est conçu exclusivement pour le refroidissement et le stockage de boissons et d'aliments dans des récipients fermés.

Le minibar n'est pas adapté au stockage d'aliments surgelés et de médicaments ni à la congélation d'aliments.

Ce minibar convient uniquement à l'usage et à l'application prévus, conformément au présent manuel d'instructions.

Ce manuel fournit les informations nécessaires à l'installation et/ou à l'utilisation correcte du minibar. Une installation, une utilisation ou un entretien inappropriés entraînera des performances insatisfaisantes et une éventuelle défaillance.

Le fabricant décline toute responsabilité en cas de blessure ou de dommage résultant :

- d'un montage ou d'un raccordement incorrect, y compris d'une surtension
- d'un entretien inadapté ou de l'utilisation de pièces de rechange autres que les pièces de rechange d'origine fournies par le fabricant
- de modifications apportées au produit sans autorisation explicite du fabricant
- d'usages différents de ceux décrits dans ce manuel

Dometic se réserve le droit de modifier l'apparence et les spécifications produit.

5 Description technique

Le minibar dispose d'un tiroir pouvant accueillir 12 canettes (plus des snacks).

À la livraison, les clayettes et les compartiments prévus sont positionnés de manière à ce que l'appareil puisse fonctionner de manière efficace sur le plan énergétique.

Le minibar DM20D est livré avec un décor anthracite et une poignée.

Le minibar DM20F est livré sans décor et est préparé pour être intégré au décor de la porte de l'hôtel.

Il est équipé d'un système de refroidissement Peltier sans usure.

Un verrou est proposé en option.

5.1 Description de l'appareil

Façade

Pos. dans fig. 1, page 3	Description
1	Verrou (en option)
2	Poignée (DM20D uniquement)
3	Décor de porte (DM20D uniquement)

Panneau arrière

Pos. dans fig. 2, page 3	Description
1	Égouttoir
2	Bloc d'alimentation

Panneau de commande (à l'intérieur de l'appareil)

Pos. dans fig. 3, page 4	Description
1	Lampe
2	LED erreur
3	LED d'état
4	Bouton de réglage

Tiroir principal

Pos. dans fig. 4, page 4	Description
1	Séparateur
2	Doigt pour bouteilles

6 Installation



ATTENTION ! Risque pour la santé

Pour éviter tout risque dû à l'instabilité de l'appareil, celui-ci doit être fixé conformément aux instructions.

6.1 Montage du minibar dans un meuble



AVIS ! Risque d'endommagement

L'air passant par le tuyau d'entrée d'air ne doit pas être chauffé. Ne placez pas le minibar près de flammes nues ou d'autres sources de chaleur (radiateurs, rayons solaires, fours à gaz, etc.).

Il y a quatre façons de monter le minibar dans un meuble.

1. Choisissez votre alternative d'installation préférée (fig. **5**, page 5).
2. Tenez compte du renforcement requis pour l'installation (fig. **6**, page 6) d représente l'épaisseur du décor de l'hôtel.
3. Tenez compte du positionnement correct du minibar et des orifices de ventilation pour assurer un débit d'air correct (fig. **7**, page 6).
4. Veillez à ce que l'espace entre l'arrière du minibar et le mur du meuble soit minimal (fig. **14**, page 10).
5. Réalisez les ouvertures de ventilation comme illustré : fig. **8**, page 6.
6. Fixez le réfrigérateur en place avec des vis adaptées (fig. **9 1 et 2**, page 7).

6.2 Raccordement électrique du minibar

- ▶ Branchez le câble de raccordement CA dans la prise de courant alternatif et raccordez-le au réseau alternatif.
- ✓ La LED état s'allume.
- ✓ L'intérieur du minibar commence à être réfrigéré.

6.3 Montage du décor de la porte de l'hôtel (DM 20F uniquement)

Le décor de la porte de l'hôtel doit satisfaire aux exigences suivantes :

- Poids maximum : 2 kg
- Épaisseur maximale : 14 mm (
- ▶ Fixez le décor avec quatre vis.

6.4 Montage du verrou (version avec verrou uniquement)

1. Percez un trou de 35 mm de diamètre dans le décor.
2. Montez le verrou avec le décor pour verrou.

6.5 Montage du verrou (version sans verrou uniquement)

Démontage du tiroir (fig. **10**, page 8)

1. Ouvrez complètement le tiroir.
2. Appuyez sur le verrou du rail (**A 1**).

3. Tirez le tiroir pour le sortir de l'armoire.
4. Retirez le joint **(B 1)**.
5. Retirez le couvercle de la serrure **(B 2)**.
6. Retirez les deux connecteurs **(C 1)** des vis de la poignée de la porte **(C 3)**.
7. Dévissez les deux vis **(C 2)** de la poignée de la porte **(C 3)**.
8. Retirez la poignée de la porte **(C 3)**.

Perçage des trous (fig. 11, page 8)

1. Percez un trou de 25 mm de diamètre dans le décor et dans la porte **(A 1)**.
2. Dévissez les vis **(B 1)** du cadre du décor **(B 2)**.
3. Retirez le cadre du décor **(B 2)**.

Montage du verrou (fig. 12, page 9)

1. Mettez le nouveau cache de verrou **(A 1)** en place.
2. Placez le décor **(B 1)** dans le cadre du décor **(B 3)**.
3. Vissez le cadre du décor **(B 3)** sur la porte **(B 2)**.
4. Montez le verrou de la porte **(C 1)**.
5. Montez le pêne de la serrure sur l'armoire **(D 1)**.

Montage du tiroir (fig. 13, page 9)

1. Placez le joint d'étanchéité **(1)** sur le cadre du décor **(2)**.
2. Vissez la poignée de la porte **(4)** sur la porte.
3. Placez les deux connecteurs **(3)** sur les vis de la poignée de la porte **(4)**.
4. Introduisez le tiroir dans l'armoire.

7 Utilisation



AVIS ! Risque d'endommagement

La lampe doit uniquement être remplacée par le fabricant, un agent de service ou toute autre personne de qualification similaire afin d'éviter tout danger.

7.1 Économie d'énergie

- Ouvrez uniquement le minibar lorsque c'est nécessaire et le moins longtemps possible.
- Évitez une température intérieure inutilement basse.
- Pour une consommation d'énergie optimale, positionnez les clayettes et les tiroirs conformément à leur position à la livraison.
- Vérifiez régulièrement que le joint de la porte est correctement positionné.
- Nettoyez régulièrement le condenseur pour enlever la poussière et les salissures.

7.2 Utilisation du minibar

Le minibar commence à refroidir dès qu'il est raccordé à une alimentation. En fonctionnement normal, la LED d'état est allumée. En cas d'erreur, la LED erreur clignote (voir chapitre « Guide de dépannage », page 55).

7.3 Réglage de la température

Pour éviter de gâcher des aliments, notez les éléments suivants :

- Évitez autant que possible les variations de température. Ouvrez uniquement le minibar lorsque c'est nécessaire et le moins longtemps possible. Entrez les denrées alimentaires de sorte que l'air puisse circuler librement entre eux.
- Le minibar est équipé d'une fonction de régulation automatique de la température. Sélectionnez la moyenne des valeurs de température possibles.
- Ajustez la température en fonction de la quantité et de la nature des denrées alimentaires.

Par défaut, le minibar est réglé sur une température de refroidissement de 7 °C à une température ambiante de 25 °C .

Vous pouvez utiliser le bouton de réglage (fig. **3** 4, page 4) pour régler la température de refroidissement sur l'une des trois valeurs disponibles : 5 °C, 12 °C et 7 °C .

Ce faisant, la température est modifiée dans l'ordre suivant : 5 °C ... 12 °C ... 7 °C ... 5 °C , etc.

- ▶ Appuyez sur le bouton de réglage (fig. **3** 4, page 4) et maintenez-le enfoncé pendant 5 secondes jusqu'à ce que la lampe (fig. **3** 1, page 4) commence à clignoter.
- ▶ Appuyez immédiatement une nouvelle fois sur le bouton de réglage (fig. **3** 4, page 4).
- ✓ La lampe (fig. **3** 1, page 4) indique la température réglée :
 - 5 °C : la lampe clignote cinq fois à trois intervalles
 - 12 °C : la lampe clignote une fois à trois intervalles
 - 7 °C : la lampe clignote trois fois à trois intervalles

**REMARQUE**

Le minibar règle automatiquement la température de refroidissement sur 7 °C lorsqu'il est raccordé à une source d'alimentation.

8 Guide de dépannage

Panne	Cause possible	Solution proposée
L'appareil ne fonctionne pas, la LED d'état n'est pas allumée.	La prise de tension alternative n'est pas sous tension.	Essayez une autre prise.
	L'adaptateur secteur est défectueux.	Contactez un agent de service.
L'appareil ne réfrigère pas (le connecteur est branché, la LED d'état est allumée).	L'élément réfrigérant est défectueux.	Contactez un agent de service.
La LED erreur clignote une fois par seconde.	Le capteur de température est défectueux.	Contactez un agent de service.
L'appareil ne refroidit pas suffisamment, la LED d'état est allumée, la LED d'erreur n'est pas allumée.	L'élément réfrigérant est défectueux.	Contactez un agent de service.
	Aération insuffisante	Contrôlez l'aération. Nettoyez le filtre situé en dessous de l'appareil.

9 Nettoyage et entretien



AVIS ! Risque d'endommagement

- Ne nettoyez jamais l'appareil de réfrigération à l'eau courante et ne le plongez pas non plus dans l'eau.
- N'utilisez ni détergents abrasifs, ni objets durs pour le nettoyage, ceux-ci pouvant endommager l'appareil de réfrigération.

- Nettoyez l'intérieur et l'extérieur de l'appareil de réfrigération de temps en temps avec un chiffon humide.
- Assurez-vous que les ouvertures d'entrée et de sortie d'air de l'appareil de réfrigération sont exemptes de saleté ou de poussière pour que la chaleur puisse s'évacuer et éviter d'endommager l'appareil de réfrigération.
- De temps en temps, nettoyez le filtre d'entrée.
- S'il y a de l'eau dans l'égouttoir (fig. **2** 1, page 3), vérifiez si le système d'écoulement est obstrué.

**AVIS ! Risque d'endommagement**

La lampe doit uniquement être remplacée par le fabricant, un agent de service ou toute autre personne de qualification similaire afin d'éviter tout danger.

10 Garantie

La période de garantie légale s'applique. Si le produit est défectueux, contactez votre revendeur ou la filiale locale du fabricant (voir dometic.com/dealer).

Pour toutes réparations ou autres prestations de garantie, veuillez joindre au produit les documents suivants :

- une copie de la facture avec la date d'achat
- un motif de réclamation ou une description du dysfonctionnement

Notez que toute réparation effectuée par une personne non agréée peut présenter un risque de sécurité et annuler la garantie.

11 Mise au rebut

Recyclage des emballages



- Dans la mesure du possible, jetez les emballages dans les conteneurs de déchets recyclables prévus à cet effet.

Recyclage des produits contenant des piles non remplaçables, des batteries ou des sources lumineuses rechargeables



- Si le produit contient des piles non remplaçables, des batteries ou des sources lumineuses rechargeables, vous n'avez pas besoin de les retirer avant de les mettre au rebut.




- Si vous souhaitez mettre le produit au rebut, contactez le centre de recyclage le plus proche ou votre revendeur spécialisé afin d'être informé des réglementations liées au traitement des déchets.
- Le produit peut être mis au rebut gratuitement.

12 Caractéristiques techniques

Pour consulter la déclaration de conformité UE actuelle liée à votre appareil, reportez-vous à la page produit correspondante sur dometic.com ou contactez directement le fabricant (voir dometic.com/dealer).

Pour plus d'informations sur le produit, scannez le code QR figurant sur l'étiquette énergétique (voir figures) ou rendez-vous sur eprel.ec.europa.eu.

Le circuit frigorifique contient du R600a.

	DM20D	DM20F
Tension :	220–240 V~, 50/60 Hz	
Puissance frigorifique :	max. 20 °C en dessous de la température ambiante (réglable en trois étapes : +5 °C, +7 °C, +12 °C)	
Catégorie :	Cave	
Volume total :	20 l	
Classe d'efficacité énergétique :	G	
Utilisation prévue à température ambiante :	+16 °C à +32 °C	
Émissions sonores :	0 dB(A)	
Quantité de réfrigérant :	24 g	
Dimensions tiroir principal L x P x H :	285 x 228 x 112 mm	
Dimensions h x L x l :	365 x 384 x 419 mm	365 x 384 x 391 mm
Poids :	12,3 kg	
Contrôle/certification :		

Lea atentamente estas instrucciones y siga las indicaciones, directrices y advertencias incluidas en este manual para asegurarse de que instala, usa y mantiene correctamente el producto en todo momento. Estas instrucciones DEBEN permanecer con este producto.

Al usar el producto, usted confirma que ha leído cuidadosamente todas las instrucciones, directrices y advertencias, y que entiende y acepta cumplir los términos y condiciones aquí establecidos. Usted se compromete a usar este producto solo para el propósito y la aplicación previstos y de acuerdo con las instrucciones, directrices y advertencias establecidas en este manual del producto, así como de acuerdo con todas las leyes y reglamentos aplicables. La no lectura e incumplimiento de las instrucciones y advertencias aquí expuestas puede causarle lesiones a usted o a terceros, daños en el producto o daños en otras propiedades cercanas. Este manual del producto, incluyendo las instrucciones, directrices y advertencias, y la documentación relacionada, pueden estar sujetos a cambios y actualizaciones. Para obtener información actualizada sobre el producto, visite la página documents.dometic.com, dometic.com.

Índice

1	Explicación de los símbolos	58
2	Indicaciones de seguridad	59
3	Volumen de entrega	62
4	Uso previsto	63
5	Descripción técnica	64
6	Instalación	66
7	Manejo.	68
8	Resolución de problemas.	70
9	Limpieza y cuidado	70
10	Garantía	71
11	Gestión de residuos	71
12	Datos técnicos.	72

1 Explicación de los símbolos



¡PELIGRO!

Información de seguridad: Indica una situación peligrosa que, de no evitarse, ocasionará la muerte o lesiones graves.



¡ADVERTENCIA!

Información de seguridad: Indica una situación peligrosa que, de no evitarse, puede ocasionar la muerte o lesiones graves.

**¡ATENCIÓN!**

Información de seguridad: Indica una situación peligrosa que, de no evitarse, puede ocasionar lesiones moderadas o leves.

**¡AVISO!**

Indica una situación peligrosa que, de no evitarse, puede provocar daños materiales.

**NOTA**

Información adicional para el manejo del producto.

2 Indicaciones de seguridad

2.1 Seguridad general



¡ADVERTENCIA! El incumplimiento de estas advertencias podría acarrear la muerte o lesiones graves.

Riesgo de electrocución

- Asegúrese de que el minibar sea instalado por un técnico cualificado de acuerdo con el manual de instalación de Dometic.
- No ponga el minibar en funcionamiento si presenta desperfectos visibles.
- Si el cable de conexión de este minibar está dañado, debe ser reemplazado por el fabricante, un técnico de mantenimiento o una persona con cualificación similar para evitar posibles peligros.
- Este minibar solo puede ser reparado por personal cualificado. Las reparaciones realizadas incorrectamente pueden generar situaciones de considerable peligro.
- Cuando ubique el minibar, asegúrese de que el cable de suministro eléctrico no se haya quedado atrapado o esté dañado.
- No coloque varias tomas o suministros de corriente portátiles detrás del aparato.
- Enchufe el aparato en tomas que garanticen una conexión correcta, sobre todo cuando sea necesario poner a tierra el aparato.

Peligro de incendio

- El refrigerante del circuito de refrigeración es muy inflamable. En caso de daños en el circuito de refrigeración:
 - Apague el minibar.
 - Evite el fuego abierto y las chispas.
 - Ventile bien la habitación.
- El circuito de refrigeración contiene una pequeña cantidad de refrigerante no contaminante pero inflamable. No daña la capa de ozono ni aumenta el efecto invernadero. Toda fuga de refrigerante puede incendiarse.
- Mantenga el hueco de instalación del minibar libre de cualquier componente eléctrico y fuentes de luz que produzcan chispas o arcos voltaicos, ya sea durante un funcionamiento normal o anormal (por ejemplo, relés o cajas de fusibles).
- No utilice ni almacene el minibar en espacios cerrados en los que no haya nada de aire o solo muy poco.
- Tras la instalación, debe ser posible desconectar el minibar de la red eléctrica. Esto puede conseguirse haciendo que el enchufe quede accesible o montando un interruptor en el cableado fijo de acuerdo con las normas de cableado.
- Mantenga las aberturas de ventilación, tanto del minibar como de la estructura en la esté empotrado, libres de obstrucciones.
- No utilice dispositivos mecánicos u otros medios para acelerar el proceso de descongelación, salvo los recomendados por el fabricante.
- No abra nunca el circuito de refrigerante.
- No utilice dispositivos eléctricos en el interior del minibar a no ser que estén recomendados por el fabricante.

Peligro de explosión

- No guarde en el minibar sustancias explosivas, tales como aerosoles propelentes.

Riesgo para la salud

- Este minibar puede ser utilizado por menores a partir de 8 años y personas con capacidad física, sensorial o mental reducida, o con falta de experiencia y conocimientos, siempre que lo hagan bajo supervisión o hayan recibido instrucciones relativas al uso del mismo de manera segura y entendiendo los riesgos asociados.
- No deje que los niños jueguen con el minibar.

- Los menores no deberán limpiar ni realizar el mantenimiento de usuario sin la debida supervisión.
- Los menores de 3 a 8 años pueden introducir y extraer productos del minibar.



¡ATENCIÓN! El incumplimiento de estas precauciones podría acarrear lesiones moderadas o leves.

Riesgo de aplastamiento

- No introduzca la mano en el tope de la tapa.

Riesgo para la salud

- Los alimentos solo se pueden guardar en los envases originales o en recipientes adecuados.



¡AVISO! Peligro de daños

- Compare el valor de tensión indicado en la placa de características con el suministro de energía existente.
- Este minibar no es apto para almacenar sustancias corrosivas o que contengan disolventes.
- El aislamiento de la nevera contiene ciclopentano y requiere una gestión de residuos especial. Deposite el aparato de refrigeración en un centro de reciclaje adecuado al finalizar su vida útil.
- Mantenga siempre limpias las aberturas de desagüe.
- Traslade el minibar siempre en posición vertical.

2.2 Uso seguro del minibar



¡PELIGRO! El incumplimiento de estas advertencias puede acarrear la muerte o lesiones graves.

Riesgo de electrocución

- No toque los cables sin aislamiento directamente con las manos.



¡ATENCIÓN! El incumplimiento de estas precauciones podría acarrear lesiones moderadas o leves.

Riesgo de electrocución

- Antes de poner el minibar en funcionamiento, asegúrese de que el cable de alimentación y la clavija de enchufe estén secos.

Riesgo para la salud

- Asegúrese de guardar en el minibar solamente aquellos productos que puedan enfriarse a la temperatura seleccionada.

- Los alimentos solo se pueden almacenar con su envase original o en recipientes adecuados.
- Dejar la puerta abierta durante un período prolongado puede producir un incremento considerable de la temperatura en los compartimentos del minibar.
- Limpie periódicamente las superficies que puedan estar en contacto con alimentos y los sistemas de desagüe accesibles.
- Si el minibar se deja vacío durante un tiempo prolongado:
 - Apague el minibar.
 - Descongele el minibar.
 - Limpie y seque el minibar.
 - Deje la puerta abierta para evitar que se genere moho dentro del minibar.



¡AVISO!

Peligro de daños

- No coloque el minibar cerca de llamas vivas ni de otras fuentes de calor (velas, calefactores, radiación directa del sol, estufas de gas, etc.).
- No sumerja nunca el minibar en agua.
- Proteja el minibar y los cables contra el calor y la humedad.
- Asegúrese de que los alimentos no entren en contacto con las paredes del área de refrigeración.

3 Volumen de entrega

Están disponibles las siguientes opciones principales:

- Minibar DM20D con panel de puerta y sin cerradura
- Minibar DM20D con panel de puerta y con cerradura
- Minibar DM20F sin panel de puerta y sin cerradura
- Minibar DM20F sin panel de puerta y con cerradura

Cantidad	Descripción
1	Minibar
1	Cable de conexión de corriente alterna
2	Tornillo de Ø 4 x 45 mm (montaje)
2	Tornillo de Ø 4 x 25 mm (montaje de las patas delanteras)

Cantidad	Descripción	
2	Tornillo M4 x 45 mm (montaje del tirador)	
2	Embellecedor (montaje)	
1	Asa	Solo para DM20D
2	Embellecedor (montaje del tirador)	Solo para DM20D
2	Embellecedor (panel de madera)	Solo para DM20F en versión de madera
1	Panel decorativo para cerradura (panel de madera)	Solo para DM20F en versión de madera con cerradura
2	Llave	Solo para versión con cerrojo
1	Instrucciones de montaje y uso	

4 Uso previsto

Este aparato de refrigeración (también llamado minibar) ha sido diseñado para un uso doméstico o entornos similares, como:

- Cocinas de personal situadas en tiendas, oficinas y otras zonas de trabajo
- Casas rurales
- Clientes de hoteles, moteles y otros entornos de tipo residencial
- Ambientes de tipo “bed and breakfast”
- Catering y aplicaciones similares no comerciales

El minibar no es adecuado para ser instalado en caravanas o autocaravanas.

El minibar está concebido para ser instalado en un armario o en un nicho de instalación.

El minibar está diseñado exclusivamente para enfriar y almacenar bebidas y alimentos en recipientes cerrados.

El minibar no es adecuado para almacenar alimentos frescos o medicamentos ni para congelar alimentos.

Este minibar solo es apto para el uso previsto y la aplicación de acuerdo con estas instrucciones.

Este manual proporciona la información necesaria para la correcta instalación y/o funcionamiento del minibar. Una instalación deficiente o un uso y mantenimiento inadecuados conllevan un rendimiento insatisfactorio y posibles fallos.

El fabricante no se hace responsable de ninguna lesión o daño en el producto ocasionados por:

- Un montaje o conexión incorrectos, incluido un exceso de tensión
- Un mantenimiento incorrecto o el uso de piezas de repuesto distintas de las originales proporcionadas por el fabricante
- Modificaciones realizadas en el producto sin el expreso consentimiento del fabricante
- Uso con una finalidad distinta de la descrita en las instrucciones

Dometic se reserva el derecho de cambiar la apariencia y las especificaciones del producto.

5 Descripción técnica

El minibar tiene un cajón con capacidad para 12 latas (y espacio para aperitivos).

Los estantes y compartimentos suministrados de fábrica están situados de manera que el aparato pueda funcionar de forma eficiente desde el punto de vista energético.

El minibar DM20D incluye un panel de antracita y tirador.

El minibar DM20F no incluye panel y está preparado para ajustarse a la puerta del mobiliario del hotel.

Utiliza un sistema de refrigeración Peltier sin desgaste.

Disponible con cerradura opcional.

5.1 Descripción del aparato

Lado frontal

N.º en fig. 1 , página 3	Descripción
1	Cerradura (opcional)
2	Tirador (solo en DM20D)
3	Panel para puerta (solo en DM20D)

Lado posterior

N.º en fig. 2 , página 3	Descripción
1	Bandeja de goteo
2	Adaptador de corriente

Panel de control (dentro del aparato)

N.º en fig. 3 , página 4	Descripción
1	Lámpara
2	LED de error
3	LED de estado
4	Botón de ajuste

Cajón principal

N.º en fig. 4 , página 4	Descripción
1	Divisor
2	Sujetabotellas

6 Instalación



¡ATENCIÓN! Riesgo para la salud

Para evitar peligros causados por la inestabilidad del aparato, este deberá fijarse tal como se indica en las instrucciones.

6.1 Montaje del minibar en un mueble



¡AVISO! Peligro de daños

La ventilación que circule por el conducto del aire de entrada no debe recibir calor.

No coloque el minibar cerca de llamas vivas ni de otras fuentes de calor (calefactores, radiación directa del sol, estufas de gas, etc.).

Hay cuatro formas de montar el minibar en muebles.

1. Elija la alternativa de instalación que prefiera (fig. **5**, página 5).
2. Tenga en cuenta el hueco de instalación necesario (fig. **6**, página 6);
d es el grosor del panel decorativo del hotel.
3. Tenga en cuenta la colocación correcta de las aberturas de ventilación y del minibar para garantizar un flujo de aire adecuado (fig. **7**, página 6).
4. Asegúrese de que haya una distancia de separación mínima entre la parte posterior del minibar y la pared del mueble (fig. **14**, página 10).
5. Efectúe las aberturas de ventilación como se muestra en fig. **8**, página 6.
6. Fije la nevera utilizando tornillos adecuados (fig. **9 1 y 2**, página 7).

6.2 Conexión eléctrica del minibar

- ▶ Enchufe el cable de conexión de corriente alterna en la clavija de CA y conecte esta a la red de corriente alterna.
- ✓ El LED de estado se ilumina.
- ✓ El interior del minibar se empieza a refrigerar.

6.3 Montaje del panel decorativo del hotel (solo DM20F)

La decoración de puerta del hotel debe cumplir los siguientes requisitos:

- Peso máximo: 2 kg
 - Grosor máximo: 14 mm
- Fije el panel decorativo con cuatro tornillos.

6.4 Montaje de la cerradura (versión con cerradura)

1. Realice un orificio de 35 mm de diámetro en el panel decorativo.
2. Monte la cerradura junto con el panel decorativo de la cerradura.

6.5 Montaje de la cerradura (versión sin cerradura)

Desmontaje del cajón (fig. 10, página 8)

1. Abra el cajón completamente.
2. Presione el bloqueo del riel (A 1).
3. Extraiga el cajón del armazón.
4. Retire la junta (B 1).
5. Retire la cubierta de la cerradura (B 2).
6. Retire los embellecedores (C 1) de los tornillos del tirador de la puerta (C 3).
7. Extraiga los tornillos (C 2) del tirador de la puerta (C 3).
8. Retire el tirador (C 3).

Realización de los orificios (fig. 11, página 8)

1. Realice un orificio de 25 mm de diámetro en el panel decorativo y en la puerta (A 1).
2. Extraiga los tornillos (B 1) del marco decorativo (B 2).
3. Retire el marco decorativo (B 2).

Montaje de la cerradura (fig. 12, página 9)

1. Coloque la cubierta de la cerradura nueva (A 1) en su lugar.
2. Coloque el panel decorativo (B 1) dentro del marco decorativo (B 3).
3. Atornille el marco decorativo (B 3) a la puerta (B 2).
4. Instale la cerradura de la puerta (C 1).
5. Instale el cerradero en el armazón (D 1).

Montaje del cajón (fig. 13, página 9)

1. Coloque la junta (1) en el marco del panel decorativo (2).
2. Atornille el tirador (4) a la puerta.
3. Coloque los embellecedores (3) sobre los tornillos del tirador de la puerta (4).
4. Introduzca el cajón en el armario.

7 Manejo



¡AVISO! Peligro de daños

Únicamente el fabricante, un técnico de mantenimiento autorizado o una persona con cualificación similar podrán cambiar la bombilla con el fin de evitar peligros.

7.1 Ahorro de energía

- Abra el minibar solamente el tiempo y las veces que sea necesario.
- No regule una temperatura innecesariamente baja en el interior.
- Para un consumo de energía óptimo, coloque los estantes y cajones en la misma posición que ocupan en el momento de la entrega.
- Compruebe periódicamente que la junta de la puerta encaja correctamente.
- Elimine regularmente el polvo y la suciedad del condensador.

7.2 Uso del minibar

El minibar empieza a enfriar cuando se conecta a la corriente. Durante el funcionamiento normal, el LED está iluminado. Si se produce un error, el LED de error parpadea (véase capítulo “Resolución de problemas” en la página 70).

7.3 Ajuste de la temperatura

Tenga en cuenta lo siguiente para no desperdiciar alimentos:

- Procure que las oscilaciones de temperatura sean mínimas. Abra el minibar solamente el tiempo y las veces que sea necesario. Almacene los productos alimenticios de manera que no impidan una buena circulación del aire.
- El minibar dispone de una función de regulación automática de la temperatura. Seleccione el promedio de los posibles valores de temperatura.
- Ajuste la temperatura a la cantidad y el tipo de productos alimenticios.

El minibar viene ajustado de fábrica a una temperatura de refrigeración de 7 °C con una temperatura ambiente de 25 °C.

Puede utilizar el botón de ajuste (fig. **3** 4, página 4) para fijar la temperatura de refrigeración a uno de los tres valores siguientes: 5 °C, 12 °C y 7 °C.

Con cada pulsación, la temperatura cambiará en este orden: 5 °C ... 12 °C ... 7 °C ... 5 °C etc.

- ▶ Pulse el botón de ajuste (fig. **3** 4, página 4) y manténgalo apretado durante 5 segundos hasta que la lámpara interior (fig. **3** 1, página 4) empiece a parpadear.
- ▶ Vuelva a pulsar inmediatamente el botón de ajuste (fig. **3** 4, página 4).
- ✓ La lámpara interior (fig. **3** 1, página 4) indica la temperatura fijada:
 - 5 °C: la lámpara parpadea cinco veces en tres intervalos
 - 12 °C: la lámpara parpadea una vez en tres intervalos
 - 7 °C: la lámpara parpadea tres veces en tres intervalos

**NOTA**

El minibar ajusta la temperatura de refrigeración automáticamente a 7 °C cuando se conecta a la corriente.

8 Resolución de problemas

Fallo	Posible causa	Propuesta de solución
El aparato no funciona, el LED de estado no se ilumina.	No hay tensión en el enchufe de corriente alterna.	Intente utilizar otro enchufe.
	El adaptador de red eléctrica está averiado.	Contacte con un técnico de mantenimiento.
El aparato no enfría (la clavija está conectada, el LED de estado está encendido).	El elemento refrigerador está averiado.	Contacte con un técnico de mantenimiento.
El LED de error parpadea una vez por segundo.	El sensor de temperatura está averiado.	Contacte con un técnico de mantenimiento.
En aparato no enfría lo suficiente, el LED de estado está encendido y el LED de error no está encendido.	El elemento refrigerador está averiado.	Contacte con un técnico de mantenimiento.
	Mala ventilación	Compruebe la ventilación. Limpie el filtro que hay debajo del aparato.

9 Limpieza y cuidado



¡AVISO! Peligro de daños

- Nunca limpie el aparato bajo un chorro de agua corriente ni inmerso en agua jabonosa.
- No emplee productos de limpieza corrosivos ni objetos duros, pues podrían dañar la nevera.

- Limpie de vez en cuando el interior y el exterior del aparato de refrigeración con un paño húmedo.
- Asegúrese de que las ranuras de entrada y salida de aire de la nevera no contengan polvo y estén limpias para que el calor pueda salir y el aparato no se estropee.
- Limpie el filtro de entrada de vez en cuando.

- Si hay agua en la bandeja de goteo (fig. **2** 1, página 3), compruebe si el sistema de desagüe está bloqueado.



¡AVISO! Peligro de daños

Únicamente el fabricante, un técnico de mantenimiento autorizado o una persona con cualificación similar podrán cambiar la bombilla con el fin de evitar peligros.

10 Garantía

Se aplica el período de garantía estipulado por la ley. Si el producto está defectuoso, contacte con el punto de venta o con la sucursal del fabricante en su país (visite dometic.com/dealer).

Para tramitar la reparación y la garantía, incluya los siguientes documentos cuando envíe el producto:

- Una copia de la factura con fecha de compra
- El motivo de la reclamación o una descripción de la avería

Tenga en cuenta que una reparación por medios propios o no profesionales puede tener consecuencias de seguridad y suponer la anulación de la garantía.

11 Gestión de residuos

Reciclaje de materiales de embalaje



- Si es posible, deseche el material de embalaje en el contenedor de reciclaje adecuado.

Reciclaje de productos con pilas no sustituibles, baterías recargables o fuentes de luz





- Si el producto contiene pilas no sustituibles, baterías recargables o fuentes de luz, no es necesario que las quite antes de desecharlo.
- Cuando vaya a desechar definitivamente el producto, infórmese en el centro de reciclaje más cercano o en un comercio especializado sobre las normas pertinentes de gestión de residuos.
- El producto podrá desecharse gratuitamente.

12 Datos técnicos

Para la declaración de conformidad UE actual de su aparato, diríjase a la página de producto correspondiente en dometic.com o póngase en contacto directamente con el fabricante (véase dometic.com/dealer).

Encontrará más información sobre el producto a través del código QR de la etiqueta energética (ver figuras) o en el sitio eprel.ec.europa.eu.

El circuito de refrigeración contiene R600a.

	DM 20D	DM 20F
Tensión:	220–240 V~, 50/60 Hz	
Potencia de refrigeración:	máx. 20 °C por debajo de la temperatura ambiente (regulable en tres niveles: +5 °C, +7 °C, +12 °C)	
Categoría:	Bodega	
Volumen total:	20 l	
Clase de eficiencia energética:	G	
Uso previsto a temperatura ambiente:	De +16 °C a +32 °C	
Emisión acústica:	0 dB(A)	
Cantidad de refrigerante:	24 g	
Dimensiones del cajón principal An x P x Al:	285 x 228 x 112 mm	
Dimensiones H x A x P:	365 x 384 x 419 mm	365 x 384 x 391 mm
Peso:	12,3 kg	
Inspección/certificados:	 	

Leia atentamente as presentes instruções e siga todas as instruções, orientações e avisos incluídos neste manual, de modo a garantir sempre a correta instalação, utilização e manutenção do produto. É OBRIGATÓRIO manter estas instruções junto com o produto.

Ao utilizar o produto, está a confirmar que leu atentamente todas as instruções, orientações e avisos, e que compreende e aceita cumprir os termos e condições estabelecidos no presente manual. Aceita utilizar este produto exclusivamente para o fim e a aplicação a que se destina e de acordo com as instruções, orientações e avisos estabelecidos neste manual, assim como de acordo com todas as leis e regulamentos aplicáveis. Caso não leia nem siga as instruções e os avisos aqui estabelecidos, poderá sofrer ferimentos pessoais ou causar ferimentos a terceiros e o produto ou outros materiais nas proximidades poderão ficar danificados. Este manual do produto, incluindo as instruções, orientações e avisos, bem como a documentação relacionada, podem estar sujeitos a alterações e atualizações. Para consultar as informações atualizadas do produto, visite documents.dometic.com, dometic.com.

Índice

1	Explicação dos símbolos	73
2	Indicações de segurança	74
3	Material fornecido	77
4	Utilização adequada	78
5	Descrição técnica	79
6	Instalação	80
7	Operação	83
8	Resolução de falhas	84
9	Limpeza e manutenção	85
10	Garantia	85
11	Eliminação	86
12	Dados técnicos	87

1 Explicação dos símbolos



PERIGO!

Indicação de segurança: Indica uma situação perigosa que, se não for evitada, resultará em morte ou ferimentos graves.



AVISO!

Indicação de segurança: Indica uma situação perigosa que, se não for evitada, pode causar a morte ou ferimentos graves.

**PRECAUÇÃO!**

Indicação de segurança: Indica uma situação perigosa que, se não for evitada, pode causar ferimentos ligeiros ou moderados.

**NOTA!**

Indica uma situação que, se não for evitada, pode causar danos materiais.

**OBSERVAÇÃO**

Informações suplementares para a utilização do produto.

2 Indicações de segurança

2.1 Princípios básicos de segurança



AVISO! O incumprimento destes avisos poderá resultar em morte ou ferimentos graves.

Risco de eletrocussão

- Certifique-se de que o minibar foi instalado de acordo com as instruções de montagem por um técnico qualificado.
- Não coloque o minibar em funcionamento se este apresentar danos visíveis.
- Se o cabo de alimentação do minibar estiver danificado, terá de ser substituído pelo fabricante, pelo agente de assistência técnica ou por uma pessoa com qualificações equivalentes, a fim de evitar riscos de segurança.
- As reparações neste minibar só podem ser realizadas por técnicos qualificados. Reparações inadequadas podem originar perigos graves.
- Ao colocar o minibar, certifique-se de que o cabo de alimentação não fica preso nem é danificado.
- Não coloque tomadas múltiplas ou fontes de alimentação portáteis na parte de trás do aparelho.
- Ligue o aparelho a tomadas que garantam uma ligação adequada, sobretudo se for necessário ligar o aparelho à terra.

Perigo de incêndio

- O agente de refrigeração no circuito de refrigeração é altamente inflamável.
Em caso de danos no circuito de refrigeração:
 - Desligue o minibar.
 - Evite chamas abertas e faíscas.
 - Ventile bem o espaço.
- O circuito de refrigeração contém uma pequena quantidade de um refrigerante ecológico, mas inflamável. Este produto não é prejudicial para a camada de ozono e não aumenta o efeito de estufa. Qualquer refrigerante vazado pode incendiar-se.
- Mantenha o entalhe de instalação destinado ao minibar livre de componentes elétricos e de fontes de luz que produzam faíscas ou arcos (p. ex., caixas de relés ou fusíveis) durante o seu funcionamento normal ou com anomalias.
- Não utilize nem armazene o minibar em espaços confinados com pouca ou nenhuma circulação de ar.
- Após a instalação, ainda deverá ser possível desligar o minibar da rede elétrica. Isto pode ser conseguido mantendo a tomada acessível ou incorporando um interruptor na cablagem fixa, de acordo com as normas de cablagem.
- Mantenha as aberturas de ventilação existentes no compartimento do minibar ou na estrutura encastrada sempre desobstruídas.
- Não utilize ferramentas mecânicas ou outros meios de acelerar o processo de descongelamento para além dos recomendados pelo fabricante.
- Não abra, em caso algum, o circuito de refrigeração.
- Não utilize aparelhos elétricos dentro do minibar, exceto se esses aparelhos forem recomendados pelo fabricante para o efeito.

Perigo de explosão

- Não guarde no minibar substâncias com risco de explosão, tais como, por exemplo, latas de spray com gás carburante.

Risco para a saúde

- Este minibar pode ser utilizado por crianças a partir dos 8 anos e pessoas com capacidades físicas, sensoriais ou mentais reduzidas ou sem experiência e conhecimento se forem supervisionadas ou receberem instruções sobre a utilização do aparelho de forma segura e compreenderem os perigos implicados.
- As crianças não podem brincar com o minibar.

- A limpeza e a manutenção não podem ser efetuadas por crianças sem supervisão.
- Crianças com idades entre os 3 e os 8 anos podem encher e esvaziar o minibar.



PRECAUÇÃO! O incumprimento destas advertências poderá resultar em ferimentos ligeiros ou moderados.

Risco de esmagamento

- Não mexa no encosto da tampa com os dedos.

Risco para a saúde

- Os alimentos devem ser armazenados exclusivamente nas embalagens originais ou em recipientes adequados.



NOTA! Risco de danos

- Verifique se a indicação de tensão na placa de características corresponde à da fonte de alimentação existente.
- O minibar não se destina ao armazenamento de substâncias corrosivas ou que contenham solventes.
- O isolamento do aparelho de refrigeração contém ciclopentano inflamável e requer medidas de eliminação especiais. No fim da respetiva vida útil, encaminhe o aparelho de refrigeração para um centro de reciclagem adequado.
- Mantenha a abertura de escoamento sempre limpa.
- Transporte o minibar apenas na posição vertical.

2.2 Utilização segura do minibar



PERIGO! O incumprimento destes avisos resultará em morte ou ferimentos graves.

Risco de eletrocussão

- Nunca toque em cabos não blindados com as mãos desprotegidas.



PRECAUÇÃO! O incumprimento destas advertências poderá resultar em ferimentos ligeiros ou moderados.

Risco de eletrocussão

- Antes de colocar o minibar em funcionamento, certifique-se de que a ligação e a ficha estão secas.

Risco para a saúde

- Certifique-se de que coloca no minibar apenas produtos que possam ser refrigerados à temperatura selecionada.
- Os alimentos apenas podem ser guardados nas embalagens originais ou em recipientes adequados.
- Abrir a porta durante longos períodos pode provocar um aumento significativo da temperatura nos compartimentos do minibar.
- Limpe regularmente as superfícies que entram em contacto com alimentos e os sistemas de drenagem acessíveis.
- Se o minibar ficar vazio durante longos períodos:
 - Desligue o minibar.
 - Descongele o minibar.
 - Limpe e seque o minibar.
 - Deixe a porta aberta para impedir o crescimento de bolor no interior do minibar.

**NOTA!****Risco de danos**

- Não coloque o minibar na proximidade de chamas sem proteção ou outras fontes de calor (velas acesas, aquecimento, radiação solar intensa, fogões a gás, etc.).
- Nunca mergulhe o minibar em água.
- Proteja o minibar e o cabo do calor e da humidade.
- Assegure-se de que os alimentos não entram em contacto com as paredes do espaço de refrigeração.

3 Material fornecido

Estão disponíveis as seguinte alternativas principais:

- Minibar DM20D com painel da porta, sem fechadura
- Minibar DM20D com painel da porta, com fechadura
- Minibar DM20F sem painel da porta, sem fechadura
- Minibar DM20F sem painel da porta, com fechadura

Quantidade	Descrição
1	Minibar
1	Cabo de conexão de corrente alternada

Quantidade	Descrição	
2	Parafuso Ø 4 x 45 mm (instalação)	
2	Parafuso Ø 4 x 25 mm (instalação dos pés frontais)	
2	Parafuso M4 x 45 mm (instalação do puxador)	
2	Ficha (instalação)	
1	Pega	Apenas DM20D
2	Ficha (instalação da pega)	Apenas DM20D
2	Ficha (painel de madeira)	Apenas DM20F na versão em madeira
1	Decoração para a fechadura (painel de madeira)	Apenas DM20F na versão em madeira com fechadura
2	Chave	Apenas versão com fechadura
1	Manual de montagem e operação	

4 Utilização adequada

O aparelho de refrigeração (também designado “minibar”) está concebido para ser utilizado em aplicações domésticas e semelhantes, tais como:

- Na cozinha do pessoal em estabelecimentos comerciais, escritórios e outros espaços de trabalho
- Quintas
- Por clientes em hotéis, motéis e outros ambientes de tipo residencial
- Ambientes do tipo “bed and breakfast”
- Aplicações do ramo de catering e em aplicações semelhantes do comércio grossista

O minibar não é adequado para ser montado em caravanas ou autocaravanas.

O minibar está concebido para a instalação num móvel ou num nicho de instalação.

O minibar destina-se exclusivamente à refrigeração e ao armazenamento de bebidas e alimentos em recipientes fechados.

O minibar não se destina ao armazenamento de alimentos frescos e de medicamentos nem ao congelamento de alimentos.

Este minibar destina-se exclusivamente à aplicação e aos fins pretendidos com base nestas instruções.

Este manual fornece informações necessárias para proceder a uma instalação e/ou a uma operação adequadas do minibar. Uma instalação e/ou uma operação ou manutenção incorretas causarão um desempenho insatisfatório e uma possível avaria.

O fabricante não aceita qualquer responsabilidade por danos ou prejuízos no produto resultantes de:

- Montagem ou ligação incorreta, incluindo sobretensões
- Manutenção incorreta ou utilização de peças sobressalentes não originais fornecidas pelo fabricante
- Alterações ao produto sem autorização expressa do fabricante
- Utilização para outras finalidades que não as descritas no presente manual

A Dometic reserva-se o direito de alterar o design e as especificações do produto.

5 Descrição técnica

O minibar possui uma gaveta com espaço para 12 latas (mais barras snack).

Aquando da entrega, as prateleiras e os compartimentos fornecidos estão posicionados de tal modo que o aparelho possa ser operado de forma energeticamente eficiente.

O minibar DM20D inclui um painel de antracite e um puxador.

O minibar DM20F é fornecido sem painel e preparado para a instalação da decoração de porta própria do hotel.

O seu sistema de refrigeração é uma refrigeração de Peltier sem desgaste.

Está disponível como opção uma fechadura.

5.1 Designação do aparelho

Lado anterior

N.º na fig. 1 , página 3	Descrição
1	Fechadura (opcional)
2	Puxador (DM20D only)
3	Painel da porta (apenas DM20D)

Lado posterior

N.º na fig. 2, página 3	Descrição
1	Cuba coletora
2	Adaptador de rede

Painel de comando (no interior do aparelho)

N.º na fig. 3, página 4	Descrição
1	Luz
2	LED de erro
3	LED de estado
4	Botão de ajuste

Gaveta principal

N.º na fig. 4, página 4	Descrição
1	Separador
2	Sistema de fixação de garrafas

6 Instalação



PRECAUÇÃO! Risco para a saúde

Para evitar riscos devido à instabilidade do aparelho, este tem de ser fixado de acordo com as instruções.

6.1 Montar o minibar num móvel



NOTA! Risco de danos

O ar que passa através da conduta de ar de entrada não pode ser aquecido.

Não coloque o minibar na proximidade de chamas sem proteção ou outras fontes de calor (aquecimento, radiação solar intensa, fogões a gás, etc.).

Há quatro formas de montar o minibar no mobiliário.

1. Escolha a alternativa de instalação que prefere (fig. **5**, página 5).
2. Tenha em atenção ao entalhe de instalação necessário (fig. **6**, página 6)
"d" refere-se à espessura da decoração própria do hotel.
3. Tenha em atenção ao posicionamento correto do minibar e das aberturas de ventilação para garantir um fluxo de ar adequado (fig. **7**, página 6).
4. Certifique-se de que existe uma folga mínima entre a parte posterior do minibar e a parede do mobiliário (fig. **14**, página 10).
5. Crie as aberturas de ventilação conforme ilustrado na fig. **8**, página 6.
6. Fixe o frigorífico com parafusos adequados (fig. **9 1 e 2**, página 7).

6.2 Efetuar a ligação elétrica do minibar

- ▶ Ligue o cabo de conexão de corrente alternada à tomada de tensão CA e conecte-o a uma rede de corrente alternada.
- ✓ O LED de estado acende.
- ✓ O minibar começa a refrigerar o interior.

6.3 Montar a decoração de porta própria do hotel (apenas DM20F)

A decoração de porta própria do hotel tem que respeitar os seguintes requisitos:

- Peso máximo: 2 kg
- Espessura máxima: 14 mm
- ▶ Fixe a decoração com quatro parafusos.

6.4 Montar a fechadura (apenas versão com fechadura)

1. Faça um furo com um diâmetro de 35 mm na decoração.
2. Monte a fechadura juntamente com a respetiva decoração.

6.5 Montar a fechadura (apenas versão sem fechadura)

Desmontar a gaveta (fig. 10, página 8)

1. Abra totalmente a gaveta.
2. Exerça pressão no bloqueio da calha (A 1).
3. Retire a gaveta do armário.
4. Retire a vedação (B 1).
5. Retire a cobertura da fechadura (B 2).
6. Retire as tampas (C 1) dos parafusos do puxador da porta (C 3).
7. Desaparafuse os parafusos (C 2) do puxador da porta (C 3).
8. Retire o puxador da porta (C 3).

Fazer os furos (fig. 11, página 8)

1. Faça um furo com um diâmetro de 25 mm através da decoração e da porta (A 1).
2. Desaparafuse os parafusos (B 1) da armação da decoração (B 2).
3. Retire a armação da decoração (B 2).

Montar a fechadura (fig. 12, página 9)

1. Coloque a cobertura da fechadura nova (A 1) no devido local.
2. Coloque a decoração (B 1) na armação da decoração (B 3).
3. Aparafuse a armação da decoração (B 3) na porta (B 2).
4. Instale a fechadura na porta (C 1).
5. Instale o engate da fechadura no armário (D 1).

Montar a gaveta (fig. 13, página 9)

1. Instale a vedação (1) na armação da decoração (2).
2. Aparafuse a pega (4) na porta.
3. Coloque as tampas (3) nos parafusos da pega da porta (4).
4. Coloque a gaveta no armário.

7 Operação



NOTA! Risco de danos

Para evitar quaisquer perigos, a lâmpada só pode ser substituída pelo fabricante, por um agente de assistência ou por uma pessoa com qualificação semelhante.

7.1 Poupar energia

- Abra o minibar apenas as vezes que forem necessárias e apenas durante o tempo necessário.
- Evite temperaturas internas desnecessariamente baixas.
- Para um consumo de energia otimizado, posicione as prateleiras e as gavetas na posição original de entrega.
- Verifique regularmente se a vedação da porta ainda está corretamente encaixada.
- Limpe o pó e a sujidade do condensador regularmente.

7.2 Usar o minibar

O minibar começa a refrigerar quando é ligado à corrente. Durante a operação normal, o LED de estado está aceso. Se ocorrer um erro, o LED de erro pisca (ver capítulo “Resolução de falhas” na página 84).

7.3 Definir a temperatura

Para evitar desperdício alimentar, observe o seguinte:

- Mantenha as oscilações de temperatura o mais reduzidas possível. Abra o minibar apenas as vezes que forem necessárias e apenas durante o tempo necessário. Armazene os alimentos de modo a que o ar continue a circular bem.
- O minibar está equipado com uma função de regulação da temperatura automática. Selecione a média dos valores de temperatura possíveis.
- Ajuste a temperatura à quantidade e ao tipo de alimentos.

Por defeito, o minibar está ajustado para uma temperatura de refrigeração de 7 °C a uma temperatura ambiente de 25 °C.

Pode utilizar o botão de ajuste (fig. **3** 4, página 4) para definir a temperatura de refrigeração com um destes três valores: 5 °C, 12 °C e 7 °C.

Assim, a temperatura mudará na seguinte ordem: 5 °C ... 12 °C ... 7 °C ... 5 °C, etc.

- ▶ Prima o botão de ajuste (fig. **3** 4, página 4) e mantenha-o premido durante 5 s até a lâmpada (fig. **3** 1, página 4) começar a piscar.
- ▶ Prima de imediato o botão de ajuste (fig. **3** 4, página 4) novamente.
- ✓ A lâmpada (fig. **3** 1, página 4) indica a temperatura selecionada:
 - 5 °C: a lâmpada pisca cinco vezes em três intervalos
 - 12 °C: a lâmpada pisca uma vez em três intervalos
 - 7 °C: a lâmpada pisca três vezes em três intervalos



OBSERVAÇÃO

O minibar ajusta automaticamente a temperatura de refrigeração para 7 °C, quando é ligado a uma fonte de energia.

8 Resolução de falhas

Falha	Possível causa	Sugestão de solução
O aparelho não funciona, o LED de estado não acende.	Não existe tensão na tomada de tensão de corrente alternada.	Tente novamente noutra tomada.
	O adaptador de rede está danificado.	Contacte o agente de assistência técnica.
O aparelho não refrigera (ficha inserida na tomada, LED de estado acesso).	O elemento de refrigeração está avariado.	Contacte o agente de assistência técnica.
O LED de erro pisca uma vez por segundo.	O sensor da temperatura está avariado.	Contacte o agente de assistência técnica.
O aparelho não refrigera o suficiente, o LED de estado acende, o LED de erro não acende.	O elemento de refrigeração está avariado.	Contacte o agente de assistência técnica.
	Ventilação fraca.	Verifique a ventilação. Limpe o filtro por baixo do aparelho.

9 Limpeza e manutenção



NOTA! Risco de danos

- Nunca limpe o aparelho de refrigeração sob água corrente ou em água de lavar a loiça.
- Não utilize produtos de limpeza abrasivos ou objetos duros para a limpeza, pois estes podem danificar o aparelho de refrigeração.

- De vez em quando, limpe o interior e o exterior do aparelho de refrigeração com um pano húmido.
- Certifique-se de que as aberturas de entrada e saída de ar do aparelho de refrigeração estão livres de pó e sujidade para que, durante o funcionamento, o calor possa ser libertado e o aparelho não seja danificado.
- Limpe ocasionalmente o filtro de entrada.
- Se detetar a presença de água na cuba coletora (fig. **2** 1, página 3) verifique se o sistema de escoamento está obstruído.



NOTA! Risco de danos

Para evitar quaisquer perigos, a lâmpada só pode ser substituída pelo fabricante, por um agente de assistência ou por uma pessoa com qualificação semelhante.

10 Garantia

Aplica-se o prazo de garantia legal. Se o produto apresentar defeitos, contacte o seu revendedor ou a filial do fabricante no seu país (ver dometic.com/dealer).

Para fins de reparação e do processamento da garantia, envie também os seguintes documentos quando devolver o produto:

- Uma cópia da fatura com a data de aquisição
- Um motivo de reclamação ou uma descrição da falha

Tenha em atenção que as reparações feitas por si ou por não profissionais podem ter consequências sobre a segurança e anular a garantia.

11 Eliminação

Reciclagem do material de embalagem



- ▶ Sempre que possível, coloque o material de embalagem no respetivo contentor de reciclagem.

Reciclagem de produtos com baterias, baterias recarregáveis ou fontes de luz não substituíveis




- ▶ Se o produto contiver quaisquer pilhas, baterias recarregáveis ou fontes de luz não substituíveis, não tem de as remover antes da eliminação.
- ▶ Para eliminar definitivamente o produto, informe-se junto do centro de reciclagem ou revendedor mais próximo sobre as disposições de eliminação aplicáveis.
- ▶ O produto pode ser eliminado gratuitamente.

12 Dados técnicos

Para consultar a Declaração de Conformidade UE atual para o seu dispositivo, acesse a página do produto em questão em dometic.com ou entre diretamente em contacto com o fabricante (ver dometic.com/dealer).

Consulte mais informações sobre o produto através do código QR existente no rótulo energético (ver imagens) ou em eprel.ec.europa.eu.

O circuito de refrigeração contém R600a.

	DM 20D	DM 20F
Tensão:	220–240 V~, 50/60 Hz	
Potência de refrigeração:	máx. 20 °C abaixo da temperatura ambiente (ajustável em três valores: +5 °C, +7 °C, +12 °C)	
Categoria:	cave	
Volume total:	20 l	
Classe de eficiência energética:	G	
Temperatura ambiente com a utilização prevista:	+16 °C a +32 °C	
Emissão de ruído:	0 dB(A)	
Quantidade de agente de refrigeração:	24 g	
Dimensões da gaveta principal L x P x A:	285 x 228 x 112 mm	
Dimensões A x L x P:	365 x 384 x 419 mm	365 x 384 x 391 mm
Peso:	12,3 kg	
Inspeção/certificação:		

Si prega di leggere attentamente e di seguire tutte le istruzioni, le linee guida e le avvertenze incluse in questo manuale del prodotto, al fine di garantire che il prodotto venga sempre installato, utilizzato e mantenuto nel modo corretto. Queste istruzioni DEVONO essere conservate insieme al prodotto.

Utilizzando il prodotto, l'utente conferma di aver letto attentamente tutte le istruzioni, le linee guida e le avvertenze e di aver compreso e accettato di rispettare i termini e le condizioni qui espressamente indicati. L'utente accetta di utilizzare questo prodotto solo per lo scopo e l'applicazione previsti e in conformità con le istruzioni, le linee guida e le avvertenze indicate nel presente manuale del prodotto, nonché in conformità con tutte le leggi e i regolamenti applicabili. La mancata lettura e osservanza delle istruzioni e delle avvertenze qui espressamente indicate può causare lesioni personali e a terzi, danni al prodotto o ad altre proprietà nelle vicinanze. Il presente manuale del prodotto, comprese le istruzioni, le linee guida e le avvertenze e la relativa documentazione possono essere soggetti a modifiche e aggiornamenti. Per informazioni aggiornate sul prodotto, si prega di visitare il sito documents.dometic.com, dometic.com.

Indice

1	Explicação dos símbolos	71
2	Indicações de segurança	72
3	Material fornecido	75
4	Utilização adequada	76
5	Descrição técnica	77
6	Instalação	78
7	Operação	81
8	Resolução de falhas	82
9	Limpeza e manutenção	83
10	Garantia	83
11	Eliminação	84
12	Dados técnicos	85

1 Spiegazione dei simboli



PERICOLO!

Istruzione per la sicurezza: Indica una situazione di pericolo che, se non evitata, provoca lesioni gravi o mortali.



AVVERTENZA!

Istruzione per la sicurezza: Indica una situazione di pericolo che, se non evitata, può provocare lesioni gravi o mortali.

**ATTENZIONE!**

Istruzione per la sicurezza: Indica una situazione di pericolo che, se non evitata, può provocare lesioni di entità lieve o moderata.

**AVVISO!**

Indica una situazione di pericolo che, se non evitata, può provocare danni alle cose.

**NOTA**

Informazioni supplementari relative all'impiego del prodotto.

2 Istruzioni per la sicurezza

2.1 Sicurezza generale



AVVERTENZA! La mancata osservanza di queste avvertenze potrebbe causare la morte o lesioni gravi.

Pericolo di scosse elettriche

- Assicurarsi che il minibar sia stato installato da un tecnico qualificato secondo quanto descritto nel manuale di installazione Dometic.
- Non mettere in funzione il minibar se presenta danni visibili.
- Per evitare possibili pericoli legati alla sicurezza, se il cavo di collegamento del minibar è danneggiato deve essere sostituito dal produttore, dal servizio di assistenza oppure da personale ugualmente qualificato
- Questo minibar può essere riparato solo da personale qualificato. Le riparazioni effettuate in modo scorretto possono causare gravi pericoli.
- Durante il posizionamento del minibar, assicurarsi che il cavo di alimentazione non venga bloccato o danneggiato.
- Non collocare prese multiple portatili o alimentatori portatili sul retro dell'apparecchio.
- Collegare l'apparecchio a prese che garantiscano una connessione adeguata, soprattutto quando l'apparecchio deve essere collegato alla massa.

Pericolo di incendio

- Il refrigerante nel circuito di raffreddamento è altamente infiammabile. In caso di danneggiamento del circuito di raffreddamento:
 - Spegnerne il minibar.
 - Evitare fiamme libere e scintille.
 - Aerare bene l'ambiente.
- Il circuito di raffreddamento contiene una piccola quantità di un refrigerante ecologico ma infiammabile. Non danneggia lo strato di ozono e non aumenta l'effetto serra. Qualsiasi perdita di refrigerante può incendiarsi.
- Mantenere la nicchia di installazione del minibar libera da componenti elettrici e fonti di luce che, durante il funzionamento normale o anormale, producono scintille o archi elettrici (ad esempio relè o scatole dei fusibili).
- Non usare o conservare il minibar in spazi ristretti con una circolazione dell'aria minima o assente.
- Dopo l'installazione, deve essere ancora possibile scollegare il minibar dalla rete elettrica. A tal fine occorre che la spina sia di facile accesso oppure prevedere un interruttore nel cablaggio fisso secondo le regole di cablaggio.
- Mantenere libere da ostruzioni le aperture di ventilazione nell'involucro del minibar o nella struttura incorporata.
- Non utilizzare apparecchi meccanici o altri mezzi per accelerare il processo di sbrinamento, diversi da quelli raccomandati dal produttore.
- Non aprire in nessun caso il circuito di raffreddamento.
- Non utilizzare apparecchi elettrici all'interno del minibar, ad eccezione di quelli consigliati dal produttore.

Pericolo di esplosione

- Non conservare nel minibar sostanze esplosive come ad es. bombole spray con gas propellente.

Pericolo per la salute

- Questo minibar può essere utilizzato da bambini di età superiore a 8 anni, da persone con ridotte capacità fisiche, sensoriali o mentali o da persone inesperte o prive di conoscenze specifiche solo se sorvegliate o preventivamente istruite sull'impiego dell'apparecchio in sicurezza e se informate dei pericoli legati al prodotto stesso e in grado di comprenderli.
- I bambini non devono giocare con il minibar.

- La pulizia e la manutenzione non devono essere eseguite da bambini senza la presenza di un adulto.
- I bambini dai 3 agli 8 anni possono riempire e svuotare il minibar.



ATTENZIONE! La mancata osservanza di queste precauzioni potrebbe causare lesioni lievi o moderate.

Pericolo di schiacciamento

- Non mettere le dita nella cerniera.

Pericolo per la salute

- I prodotti alimentari possono essere conservati solo nelle confezioni originali o in contenitori adeguati.



AVVISO! Rischio di danni

- Confrontare i dati della tensione riportati sulla targhetta con quelli delle prese e degli attacchi disponibili.
- Il minibar non è adatto per la conservazione di sostanze corrosive o solventi.
- L'isolamento del frigorifero contiene ciclopentano infiammabile e necessita di procedure speciali per lo smaltimento. Al termine del suo ciclo di vita consegnare il frigorifero portatile presso un centro di riciclaggio adatto.
- Mantenere l'apertura di scarico sempre pulita.
- Trasportare il minibar solo in posizione verticale.

2.2 Sicurezza durante l'utilizzo del minibar



PERICOLO! La mancata osservanza di queste avvertenze può causare la morte o lesioni gravi.

Pericolo di scosse elettriche

- Non toccare mai i cavi esposti a mani nude.



ATTENZIONE! La mancata osservanza di queste precauzioni potrebbe causare lesioni lievi o moderate.

Pericolo di scosse elettriche

- Prima della messa in funzione del minibar, assicurarsi che la rete di alimentazione e la spina siano asciutte.

Pericolo per la salute

- Assicurarsi che nel minibar si trovino solo oggetti o prodotti che possono essere raffreddati alla temperatura selezionata.

- I generi alimentari possono essere conservati solo nelle confezioni originali o in contenitori adatti.
- L'apertura prolungata della porta può causare un significativo aumento della temperatura nei vani del minibar.
- Pulire regolarmente le superfici che vengono a contatto con gli alimenti e i sistemi di scarico accessibili.
- Se il minibar viene lasciato vuoto per lunghi periodi:
 - Spegnerne il minibar.
 - Sbrinare il minibar.
 - Pulire e asciugare il minibar.
 - Lasciare la porta aperta per evitare lo sviluppo di muffe all'interno del minibar.



AVVISO!

Rischio di danni

- Non collocare il minibar nelle vicinanze di fiamme libere o altre fonti di calore (candele accese, termoventilatori, intensa esposizione ai raggi solari, fornelli a gas, ecc.).
- Non immergere mai il minibar in acqua.
- Proteggere il minibar e il cavo dal caldo e dall'umidità.
- Fare attenzione che gli alimenti non entrino in contatto con le pareti del vano refrigerato.

3 Dotazione

Si possono ottenere le seguenti alternative principali:

- Minibar DM20D con pannello porta, senza serratura
- Minibar DM20D con pannello porta, con serratura
- Minibar DM20F senza pannello porta, senza serratura
- Minibar DM20F con pannello porta, senza serratura

Quantità	Descrizione
1	Minibar
1	Cavo di collegamento della corrente alternata
2	Vite Ø 4 x 45 mm (installazione)
2	Vite Ø 4 x 25 mm (installazione dei piedini anteriori)
2	Vite M4 x 45 mm (installazione maniglia)

Quantità	Descrizione	
2	Tappo (installazione)	
1	Maniglia	Solo DM20D
2	Tappo (installazione maniglia)	Solo DM20D
2	Tappo (pannello di legno)	Solo DM20F versione in legno
1	Decoro serratura (pannello di legno)	Solo DM20F versione in legno con serratura
2	Legenda	Solo versione con serratura
1	Istruzioni di montaggio e d'uso	

4 Destinazione d'uso

L'apparecchio di refrigerazione (anche chiamato minibar) è destinato a essere utilizzato in applicazioni domestiche e simili, quali:

- cucine per il personale di negozi, uffici e altre aree di lavoro
- agriturismi
- clienti in hotel, motel e altri ambienti di tipo residenziale
- ambienti di tipo bed and breakfast
- catering e applicazioni simili non al dettaglio.

Il minibar non è adatto per l'installazione in camper o caravan.

Il minibar è destinato all'installazione in un mobile o in una nicchia di installazione.

Il minibar è progettato esclusivamente per il raffreddamento e la conservazione di bevande e alimenti in contenitori chiusi.

Il minibar non è adatto alla conservazione di alimenti freschi e medicinali o al congelamento di alimenti.

Questo minibar è adatto solo per l'uso e l'applicazione previsti in conformità alle presenti istruzioni.

Questo manuale fornisce le informazioni necessarie per la corretta installazione e/o il corretto utilizzo del minibar. Un'installazione errata e/o un utilizzo o una manutenzione impropri comporteranno prestazioni insoddisfacenti e un possibile guasto.

Il produttore non si assume alcuna responsabilità per eventuali lesioni o danni al prodotto che derivino da:

- montaggio o collegamento non corretti, compresa la sovratensione

- manutenzione non corretta o uso di ricambi diversi da quelli originali forniti dal produttore
- modifiche al prodotto senza esplicita autorizzazione del produttore
- impiego per scopi diversi da quelli descritti nel presente manuale.

Dometic si riserva il diritto di modificare l'aspetto e le specifiche del prodotto.

5 Descrizione delle caratteristiche tecniche

Il minibar ha un cassetto con spazio per 12 lattine (più barrette snack).

Alla consegna i ripiani e gli scomparti forniti sono posizionati in modo che l'apparecchio possa essere utilizzato in modo efficiente dal punto di vista energetico.

Il minibar DM20D è dotato di un pannello antracite e di una maniglia a tirare.

Il minibar DM20F viene consegnato senza pannello ed è predisposto per il montaggio del decoro della porta dell'hotel.

Il suo sistema di raffreddamento è un sistema di raffreddamento Peltier non soggetto a usura.

Una serratura è disponibile come optional.

5.1 Descrizione dell'apparecchio

Lato anteriore

N. nella fig. 1 , pagina 3	Descrizione
1	Serratura (opzionale)
2	Maniglia (solo DM20D)
3	Pannello porta (solo DM20D)

Lato posteriore

N. nella fig. 2 , pagina 3	Descrizione
1	Vaschetta di sgocciolamento
2	Alimentatore

Pannello di controllo (all'interno del dispositivo)

N. nella fig. 3 , pagina 4	Descrizione
1	Lampada
2	LED di errore
3	LED di stato
4	Tasto di impostazione

Cassetto principale

N. nella fig. 4 , pagina 4	Descrizione
1	Divisore
2	Fermabottiglie

6 Installazione



ATTENZIONE! Pericolo per la salute

Per evitare pericoli a causa dell'instabilità dell'apparecchio, fissarlo secondo le istruzioni.

6.1 Montaggio del minibar in un mobile



AVVISO! Rischio di danni

L'aria che passa attraverso il condotto dell'aria in ingresso non deve essere riscaldata.

Non collocare il minibar nelle vicinanze di fiamme libere o altre fonti di calore (termoventilatori, intensa esposizione ai raggi solari, fornelli a gas, ecc.).

Il minibar può essere montato nel mobile in quattro modi.

1. Scegliere l'alternativa di installazione preferita (fig. **5**, pagina 5).
2. Rispettare le misure richieste per la nicchia di installazione (fig. **6**, pagina 6)
d è lo spessore del decoro dell'hotel
3. Rispettare il corretto posizionamento del minibar e delle aperture di ventilazione per garantire un flusso dell'aria ottimale (fig. **7**, pagina 6).
4. Assicurare la distanza minima tra il retro del minibar e la parete (fig. **14**, pagina 10).
5. Realizzare le aperture di ventilazione come mostrato nella fig. **8**, pagina 6.
6. Fissare il frigorifero con viti idonee (fig. **9 1 e 2**, pagina 7).

6.2 Allacciamento elettrico del minibar

- ▶ Inserire il cavo di collegamento della corrente alternata nella presa di corrente alternata e collegarlo alla rete di alimentazione alternata.
- ✓ Il LED di stato si accende.
- ✓ Il minibar inizia a raffreddare l'interno.

6.3 Montaggio del decoro dell'hotel (solo DM 20F)

Il decoro della porta dell'hotel deve essere conforme ai seguenti requisiti:

- Peso massimo: 2 kg
- Spessore massimo: 14 mm
- ▶ Fissare il decoro con quattro viti.

6.4 Montaggio della serratura (solo versione con serratura)

1. Praticare un foro con un diametro di 35 mm nel decoro.
2. Montare la serratura insieme al decoro della serratura.

6.5 Montaggio della serratura (solo versione senza serratura)

Smontaggio del cassetto (fig. 10, pagina 8)

1. Aprire completamente il cassetto.
2. Premere il blocco della guida (A 1).
3. Estrarre il cassetto dalla struttura.
4. Rimuovere la guarnizione (B 1).
5. Rimuovere la copertura della serratura (B 2).
6. Togliere i tappi (C 1) dalle viti della maniglia della porta (C 3).
7. Svitare le viti (C 2) della maniglia della porta (C 3).
8. Rimuovere la maniglia della porta (C 3).

Praticare i fori (fig. 11, pagina 8)

1. Praticare un foro con un diametro di 25 mm attraverso il decoro e la porta (A 1).
2. Svitare le viti (B 1) del telaio del decoro (B 2).
3. Rimuovere il telaio del decoro (B 2).

Montaggio della serratura (fig. 12, pagina 9)

1. Mettere la nuova copertura della serratura (A 1) in posizione.
2. Inserire il decoro (B 1) nel telaio del decoro (B 3).
3. Avvitare il telaio del decoro (B 3) sulla porta (B 2).
4. Installare la serratura della porta (C 1).
5. Installare il fermo della serratura nella struttura (D 1).

Montaggio del cassetto (fig. 13, pagina 9)

1. Spingere la guarnizione (1) sul telaio del decoro (2).
2. Avvitare la maniglia della porta (4) alla porta.
3. Inserire i tappi (3) sulle viti della maniglia della porta (4).
4. Spingere il cassetto nella struttura.

7 Utilizzo

**AVVISO! Rischio di danni**

Per prevenire rischi, la lampadina può essere sostituita soltanto dal produttore, da un tecnico di assistenza o da una persona dotata di qualifica analoga.

7.1 Risparmio energetico

- Aprire il minibar solo se necessario e per il tempo necessario.
- Evitare un abbassamento eccessivo della temperatura interna se non necessario.
- Per un consumo energetico ottimale, posizionare i ripiani e i cassette in base alla loro posizione al momento della consegna.
- Controllare regolarmente che la guarnizione della porta aderisca bene.
- Ad intervalli regolari, eliminare dal condensatore polvere ed eventuali impurità.

7.2 Utilizzo del minibar

Il minibar inizia a raffreddare quando è collegato alla corrente. Durante il normale funzionamento il LED di stato è acceso. Se si verifica un errore, il LED di errore lampeggia (vedi capitolo "Eliminazione dei guasti" a pagina 100).

7.3 Regolazione della temperatura

Per evitare sprechi di cibo, considerare quanto segue:

- Ridurre al minimo le variazioni di temperatura. Aprire il minibar solo se necessario e per il tempo necessario. Conservare gli alimenti in modo che l'aria possa continuare a circolare bene.
- Il minibar è dotato di una funzione di regolazione della temperatura automatica. Selezionare la media dei possibili valori di temperatura.
- Regolare la temperatura in base alla quantità e al tipo di alimenti.

Il minibar è impostato di default a una temperatura di raffreddamento di 7 °C ad una temperatura ambiente di 25 °C.

Con il tasto di impostazione (fig. **3** 4, pagina 4) si può impostare la temperatura di raffreddamento su uno dei tre valori: 5 °C, 12 °C e 7 °C.

In questo modo la temperatura verrà modificata nell'ordine 5 °C ... 12 °C ... 7 °C ... 5 °C ecc.

- ▶ Premere il tasto di impostazione (fig. **3** 4, pagina 4) e tenerlo premuto per 5 s, fino a quando la spia (fig. **3** 1, pagina 4) non inizia a lampeggiare.
- ▶ Premere di nuovo immediatamente il tasto di impostazione (fig. **3** 4, pagina 4).
- ✓ La spia (fig. **3** 1, pagina 4) indica la temperatura di impostazione:
 - 5 °C: la spia lampeggia cinque volte in tre intervalli
 - 12 °C: la spia lampeggia una volta in tre intervalli
 - 7 °C: la spia lampeggia tre volte in tre intervalli



NOTA

Il minibar imposta automaticamente la temperatura di raffreddamento a 7 °C quando è collegato a una fonte di alimentazione.

8 Eliminazione dei guasti

Guasto	Possibile causa	Rimedio
L'apparecchio non funziona, il LED di stato è spento.	Nella presa CA non c'è tensione.	Provare a collegare il dispositivo a un'altra presa a spina.
	L'alimentatore è difettoso.	Contattare il servizio di assistenza.
L'apparecchio non raffredda (la spina è inserita nella presa, il LED di stato è acceso).	L'elemento raffreddante è difettoso.	Contattare il servizio di assistenza.
Il LED di errore lampeggia una volta al secondo.	Il sensore di temperatura è difettoso.	Contattare il servizio di assistenza.
L'apparecchio non raffredda a sufficienza, il LED di stato lampeggia, il LED di errore non si accende.	L'elemento raffreddante è difettoso.	Contattare il servizio di assistenza.
	Scarsa ventilazione	Controllare la ventilazione. Pulire il filtro sotto l'apparecchio.

9 Pulizia e manutenzione



AVVISO! Rischio di danni

- Non lavare mai il frigorifero sotto acqua corrente e non immergerlo in acqua.
- Per la pulizia non impiegare detersivi corrosivi oppure oggetti duri, perché potrebbero danneggiare il frigorifero.

- Di tanto in tanto pulire l'interno e l'esterno del frigorifero con un panno umido.
- Assicurarsi che le aperture di aerazione e disaerazione del frigorifero siano prive di polvere e sporcizia, in modo da permettere al calore generato durante il funzionamento di fuoriuscire e non danneggiare l'apparecchio.
- Occasionalmente pulire il filtro di ingresso.
- Se si trova acqua nella vaschetta di sgocciolamento (fig. **2** 1, pagina 3) controllare se il sistema di drenaggio è bloccato.



AVVISO! Rischio di danni

Per prevenire rischi, la lampadina può essere sostituita soltanto dal produttore, da un tecnico di assistenza o da una persona dotata di qualifica analoga.

10 Garanzia

Vale il termine di garanzia previsto dalla legge. Se il prodotto è difettoso, contattare il rivenditore di fiducia o la filiale del fabbricante nel proprio Paese (vedi dometic.com/dealer).

Per la gestione della riparazione e della garanzia è necessario inviare la seguente documentazione insieme al prodotto:

- una copia della ricevuta con la data di acquisto,
- il motivo della richiesta o la descrizione del guasto.

Tenere presente che le riparazioni eseguite in autonomia o da personale non professionista possono avere conseguenze sulla sicurezza e invalidare la garanzia.

11 Smaltimento

Riciclaggio del materiale da imballaggio



- Smaltire il materiale di imballaggio possibilmente negli appositi contenitori di riciclaggio.

Riciclaggio di prodotti con batterie non sostituibili, batterie ricaricabili o fonti di luce



- Se il prodotto contiene batterie non sostituibili, batterie ricaricabili o fonti di luce, non è necessario rimuoverle prima dello smaltimento.
- Per smaltire definitivamente il prodotto, informarsi presso il centro di riciclaggio più vicino o presso il proprio rivenditore specializzato sulle norme relative allo smaltimento.




- È possibile smaltire il prodotto gratuitamente.

12 Specifiche tecniche

Per consultare l'attuale dichiarazione di conformità UE del dispositivo, visitare la pagina del relativo prodotto sul sito dometic.com oppure contattare direttamente il fabbricante (vedi dometic.com/dealer).

Ulteriori informazioni sul prodotto sono accessibili tramite il codice QR sull'etichetta energetica (vedi figure) o al sito eprel.ec.europa.eu.

Il circuito del refrigerante contiene R600a.

	DM 20D	DM 20F
Tensione:	220 – 240 V~, 50/60 Hz	
Capacità di raffreddamento:	fino a max 20 °C al di sotto della temperatura ambiente (regolabile in tre passi: +5 °C, +7 °C, +12 °C)	
Categoria:	cantina	
Volume totale:	20 l	
Classe di efficienza energetica:	G	
Uso a temperatura ambiente previsto:	+16 °C - +32 °C	
Emissioni acustiche:	0 dB(A)	
Quantità di refrigerante:	24 g	
Dimensioni cassetto principale L x P x H:	285 x 228 x 112 mm	
Dimensioni A x L x P:	365 x 384 x 419 mm	365 x 384 x 391 mm
Peso:	12,3 kg	
Ispezione/certificazione:		

Lees deze gebruiksaanwijzing zorgvuldig door en volg alle instructies, richtlijnen en waarschuwingen in deze handleiding op om ervoor te zorgen dat u het product te allen tijde op de juiste manier installeert, gebruikt en onderhoudt. Deze gebruiksaanwijzing MOET bij dit product bewaard worden.

Door het product te gebruiken, bevestigt u hierbij dat u alle instructies, richtlijnen en waarschuwingen zorgvuldig hebt gelezen en dat u de voorwaarden zoals hierin beschreven begrijpt en accepteert. U gaat ermee akkoord dit product alleen te gebruiken voor het beoogde doel en de beoogde toepassing en in overeenstemming met de instructies, richtlijnen en waarschuwingen zoals beschreven in deze gebruiksaanwijzing en in overeenstemming met de geldende wet- en regelgeving. Het niet lezen en opvolgen van de hierin beschreven instructies en waarschuwingen kan leiden tot letsel voor uzelf en anderen, schade aan uw product of schade aan andere eigendommen in de omgeving. Deze gebruiksaanwijzing, met inbegrip van de instructies, richtlijnen en waarschuwingen, en de bijbehorende documentatie kan onderhevig zijn aan wijzigingen en updates. Actuele productinformatie vindt u op documents.dometic.com, dometic.com.

Inhoudsopgave

1	Verklaring van de symbolen	103
2	Veiligheidsaanwijzingen	104
3	Omvang van de levering	107
4	Beoogd gebruik	108
5	Technische beschrijving	109
6	Installatie	110
7	Gebruik	113
8	Verhelpen van storingen	114
9	Reiniging en onderhoud	115
10	Garantie	115
11	Verwijdering	116
12	Technische gegevens	116

1 Verklaring van de symbolen



GEVAAR!

Veiligheidsaanwijzing: Duidt op een gevaarlijke situatie die, indien deze niet wordt voorkomen, leidt tot ernstig letsel of de dood.



WAARSCHUWING!

Veiligheidsaanwijzing: Duidt op een gevaarlijke situatie die, indien deze niet wordt voorkomen, kan leiden tot ernstig letsel of de dood.

**VOORZICHTIG!**

Veiligheidsaanwijzing: Duidt op een gevaarlijke situatie die, indien deze niet wordt voorkomen, kan leiden tot licht of matig letsel.

**LET OP!**

Duidt op een situatie die, indien deze niet wordt voorkomen, kan leiden tot materiële schade.

**INSTRUCTIE**

Aanvullende informatie voor het gebruik van het product.

2 Veiligheidsaanwijzingen

2.1 Algemene veiligheid



WAARSCHUWING! Het niet in acht nemen van deze waarschuwingen kan leiden tot ernstig letsel of de dood.

Gevaar voor elektrische schokken

- Zorg ervoor dat de minibar wordt geïnstalleerd door een gekwalificeerd technicus en in overeenstemming met de Dometic-montagehandleiding.
- Gebruik de minibar niet als deze zichtbaar beschadigd is.
- Als de stroomkabel van de minibar beschadigd is, moet deze, om gevaren te voorkomen, worden vervangen door de fabrikant, diens klantenservice of gelijkwaardig bevoegd personeel.
- Deze minibar mag uitsluitend worden gerepareerd door bevoegd personeel. Door ondeskundige reparaties kunnen grote gevaren ontstaan.
- Zorg er bij het positioneren van de minibar voor dat de voedingskabel niet verstrikt of beschadigd raakt.
- Plaats geen meervoudige stekkerdozen of draagbare voedingen achter het toestel.
- Sluit het toestel aan op contactdozen die een goede verbinding garanderen, met name wanneer het toestel moet worden geaard.

Brandgevaar

- Het koelmiddel in de koelkring is licht ontvlambaar.
In geval van beschadiging van de koelkring:
 - Schakel de minibar uit.
 - Vermijd open vuur en vonken.
 - Ventileer de ruimte goed.
- Het koelmiddelcircuit bevat een kleine hoeveelheid milieuvriendelijk, maar ontvlambaar koelmiddel. Het schaadt de ozonlaag niet en versterkt het broeikas effect niet. Lekkend koelmiddel kan vlam vatten.
- Houd de inbouwopening voor de minibar vrij van elektrische componenten en lichtbronnen die tijdens normaal of afwijkend gebruik vonken of lichtbogen veroorzaken (bijv. relais of zekeringenkasten).
- Gebruik of bewaar de minibar niet in nauwe ruimtes zonder of met minimale luchtcirculatie.
- Na de installatie moet de minibar nog van het stroomnet losgekoppeld kunnen worden. Dit kan door de stekker bereikbaar te maken of door een schakelaar aan te brengen op de vaste bedrading volgens de richtlijnen voor bedrading.
- Houd ventilatieopeningen, in de minibar-behuizing of in de inbouwconstructie, vrij.
- Gebruik geen mechanische apparaten of andere middelen om het ontdooiproces te versnellen dan de door de fabrikant aanbevolen middelen.
- Open in geen geval de koelkring.
- Gebruik geen elektrische apparaten in de minibar, behalve als deze elektrische apparaten daarvoor door de fabrikant worden aanbevolen.

Explosiegevaar

- Bewaar geen explosiegevaarlijke stoffen in de minibar, zoals spuitbussen met drijfgas.

Gevaar voor de gezondheid

- Deze minibar mag worden gebruikt door kinderen vanaf 8 jaar en ouder evenals door personen met verminderd fysiek, zintuiglijk of mentaal vermogen of gebrek aan kennis en ervaring, mits zij onder toezicht staan of zijn geïnstrueerd in het veilig gebruik van de minibar en zij inzicht hebben in de gevaren die het gebruik van de minibar met zich meebrengt.
- Kinderen mogen niet met de minibar spelen.

- Reiniging en gebruikersonderhoud mogen niet door kinderen zonder toezicht worden uitgevoerd.
- Kinderen van 3 tot 8 jaar mogen de minibar alleen in- en uitruimen.



VOORZICHTIG! Het niet in acht nemen van deze waarschuwingen kan leiden tot licht of matig letsel.

Gevaar voor beknelling

- Grijp niet in het scharnier.

Gevaar voor de gezondheid

- Levensmiddelen mogen alleen in de originele verpakking of in geschikte bakken worden bewaard.



LET OP! Gevaar voor schade

- Controleer of de spanning op het typeplaatje overeenkomt met de aanwezige stroomvoorziening.
- De minibar is niet geschikt voor de opslag van bijtende of oplosmiddelhoudende stoffen.
- De isolatie van het koeltoestel bevat ontvlambaar cyclopentaan en vereist speciale verwerkingsprocedures. Breng het koeltoestel aan einde van zijn levensduur naar een erkend afvalverwerkingsbedrijf.
- Houd de afvoerleiding altijd schoon.
- Draag de minibar uitsluitend rechtop.

2.2 De minibar veilig gebruiken



GEVAAR! Het niet in acht nemen van deze waarschuwingen leidt tot ernstig letsel of de dood.

Gevaar voor elektrische schokken

- Raak blanke leidingen nooit met blote handen aan.



VOORZICHTIG! Het niet in acht nemen van deze waarschuwingen kan leiden tot licht of matig letsel.

Gevaar voor elektrische schokken

- Let er voor de ingebruikname van de minibar op dat voedingskabel en stekker droog zijn.

Gevaar voor de gezondheid

- Zorg ervoor dat u alleen voorwerpen in de minibar legt die op de gekozen temperatuur gekoeld mogen worden.

- Levensmiddelen mogen alleen in de originele verpakking of in geschikte bakken worden bewaard.
- Langdurig openen van de deur kan leiden tot een aanzienlijke temperatuurstijging in de compartimenten van de minibar.
- Reinig oppervlakken die in contact komen met voedsel en aftapsystemen regelmatig.
- Als de minibar voor een langere periode leeg wordt gehouden:
 - Schakel de minibar uit.
 - Ontdooi de minibar.
 - Reinig en droog de minibar.
 - Laat de deur open om schimmelvorming in de minibar te voorkomen.



LET OP!

Gevaar voor schade

- Plaats de minibar niet in de buurt van open vuur of andere warmtebronnen (brandende kaarsen, verwarming, sterke zonnestraling, gaskachels enz.).
- Dompel de minibar nooit onder in water.
- Bescherm de minibar en de kabel tegen hitte en vocht.
- Let op dat levensmiddelen de wanden van de koelruimte niet aanraken.

3 Omvang van de levering

De volgende opties zijn verkrijgbaar:

- Minibar DM20D met deurpaneel, zonder slot
- Minibar DM20D met deurpaneel, met slot
- Minibar DM20F zonder deurpaneel, zonder slot
- Minibar DM20F zonder deurpaneel, met slot

Aantal	Beschrijving
1	Minibar
1	Wisselstroomkabel
2	Schroef Ø 4 x 45 mm (montage)
2	Schroef Ø 4 x 25 mm (montage van de voeten aan de voorzijde)
2	Schroef M4 x 45 mm (montage van het handvat)

Aantal	Beschrijving	
2	Plug (montage)	
1	Handvat	Alleen DM20D
2	Plug (montage van het handvat)	Alleen DM20D
2	Plug (houten decorplaat)	Alleen DM20F, houten versie
1	Slotbeslag (houten decorplaat)	Alleen DM20F, houten versie met slot
2	Sleutel	Alleen versie met slot
1	Montage- en gebruiksaanwijzing	

4 Beoogd gebruik

Het koeltoestel (oftewel de minibar) is bedoeld voor gebruik in huishoudelijke en soortgelijke toepassingen zoals:

- personeelskeukens van winkels, kantoren en andere werkplekken
- boerderijen
- door klanten in hotels, motels en andere woonomgevingen
- bed and breakfast-accommodaties
- catering en soortgelijke toepassingen anders dan in de detailhandel

De minibar is niet geschikt voor inbouw in caravans of campers.

De minibar is bestemd voor inbouw in een keukenkastje of in een inbouwnis.

De minibar is uitsluitend ontworpen voor het koelen en bewaren van dranken en levensmiddelen in gesloten bakken.

De minibar is niet geschikt voor het bewaren van verse levensmiddelen en medicijnen of voor het invriezen van levensmiddelen.

De minibar is alleen geschikt voor het beoogde gebruik en de toepassing in overeenstemming met deze gebruiksaanwijzing.

Deze handleiding geeft informatie die nodig is voor een goede installatie en/of bediening van de minibar. Een slechte installatie en/of onjuist gebruik of onderhoud leidt tot onvoldoende prestaties en mogelijke storingen.

De fabrikant aanvaardt geen aansprakelijkheid voor letsel of schade aan het product die het gevolg is van:

- Onjuiste montage of aansluiting, inclusief te hoge spanning

- Onjuist onderhoud of gebruik van andere dan door de fabrikant geleverde originele reserveonderdelen
- Wijzigingen aan het product zonder uitdrukkelijke toestemming van de fabrikant
- Gebruik voor andere doeleinden dan beschreven in deze handleiding

Dometic behoudt zich het recht voor om het uiterlijk en de specificaties van het product te wijzigen.

5 Technische beschrijving

De minibar bevat een lade met ruimte voor 12 blikjes (plus schappen voor snacks).

In leveringstoestand zijn de schappen en vakken zodanig gepositioneerd, dat het toestel op een energie-efficiënte manier kan worden gebruikt.

De minibar DM20D wordt geleverd met een antracietkleurig deurpaneel en een handvat.

De minibar DM20F wordt geleverd zonder deurpaneel en is geschikt voor montage van de decorplaat van het hotel zelf.

Het koelsysteem is een slijtvast thermo-elektrisch koelsysteem (Peltier-effect).

Een slot is optioneel verkrijgbaar.

5.1 Toestelbeschrijving

Voorzijde

Nr. in afb. 1 , pagina 3	Beschrijving
1	Slot (optioneel)
2	Handvat (alleen DM20D)
3	Deurpaneel (alleen DM20D)

Achterzijde

Nr. in afb. 2 , pagina 3	Beschrijving
1	Opvangschaal
2	Netadapter

Bedieningspaneel (in het toestel)

Nr. in afb. 3 , pagina 4	Beschrijving
1	Lamp
2	Led 'E' (Error)
3	Led 'P' (Power)
4	Toets 'SET'

Hoofdlade

Nr. in afb. 4 , pagina 4	Beschrijving
1	Scheidingsschot
2	Flessenhouder

6 Installatie



VOORZICHTIG! Gevaar voor de gezondheid

Om gevaar door instabiliteit van het toestel te voorkomen, moet het volgens de instructies worden bevestigd.

6.1 De minibar in een meubelstuk monteren



LET OP! Gevaar voor schade

Lucht die door het inlaatluchtkanaal stroomt, mag niet worden verwarmd.

Plaats de minibar niet in de buurt van open vuur of andere warmtebronnen (verwarming, sterke zonnestraling, gaskachels, enz.).

Er zijn vier manieren om de minibar in meubilair te monteren.

1. Kies het gewenste installatiealternatief (afb. **5**, pagina 5).
2. Let op de vereiste inbouwopeningafb. **6**, pagina 6()
d is de dikte van de decorplaat van het hotel.
3. Let op de juiste plaatsing van de minibar en ventilatieopeningen om een goede luchtstroom te garanderen (afb. **7**, pagina 6).
4. Zorg voor een minimale ruimte tussen de achterkant van de minibar en de meubelmuur (afb. **14**, pagina 10).
5. Breng de ventilatieopeningen aan zoals weergegeven in afb. **8**, pagina 6.
6. Bevestig de koelkast met geschikte schroeven (afb. **9 1 en 2**, pagina 7).

6.2 Minibar elektrisch aansluiten

- ▶ Steek de wisselstroomkabel in het wisselstroom-stopcontact en sluit deze aan op het wisselstroomnet.
- ✓ De led 'P' gaat branden.
- ✓ De minibar begint met het koelen van de binnenruimte.

6.3 Decorplaat van het hotel monteren (alleen DM 20F)

De decorplaat van het hotel moet voldoen aan de volgende vereisten:

- Maximumgewicht: 2 kg
- Maximumdikte: 14 mm
- ▶ Bevestig de deur met vier schroeven.

6.4 Slot monteren (alleen versie met slot)

1. Boor een gat met een diameter van 35 mm in de decorplaat.
2. Monteer het slot samen met het slotbeslag.

6.5 Slot monteren (alleen versie zonder slot)

Lade demonteren (afb. 10, pagina 8)

1. Open de lade volledig.
2. Druk op de vergrendeling van de ladegeleider (**A 1**).
3. Trek de lade uit de kast.
4. Verwijder de pakking (**B 1**).
5. Verwijder de slotafdekking (**B 2**).
6. Verwijder de pluggen (**C 1**) van de schroeven van het handvat (**C 3**).
7. Verwijder de schroeven (**C 2**) van het handvat (**C 3**).
8. Verwijder het handvat (**C 3**).

Gaten boren (afb. 11, pagina 8)

1. Boor een gat met een diameter van 25 mm in de decorplaat en de deur (**A 1**).
2. Draai de schroeven (**B 1**) van het decorframe (**B 2**) los.
3. Verwijder het decorframe (**B 2**).

Slot monteren (afb. 12, pagina 9)

1. Plaats de nieuwe slotafdekking (**A 1**) op zijn plek.
2. Plaats de decorplaat (**B 1**) in het decorframe (**B 3**).
3. Schroef het decorframe (**B 3**) op de deur (**B 2**).
4. Monteer het slot (**C 1**).
5. Monteer de grendel in de kast (**D 1**).

Lade monteren (afb. 13, pagina 9)

1. Druk de pakking (**1**) op het decorframe (**2**).
2. Schroef het handvat (**B 4**) op de deur.
3. Druk de pluggen (**3**) op de schroeven van het handvat (**4**).
4. Schuif de lade in de kast.

7 Gebruik



LET OP! Gevaar voor schade

Om gevaren te voorkomen mag de lamp uitsluitend worden vervangen door de fabrikant, diens klantenservice of gelijkwaardig bevoegd personeel.

7.1 Energie besparen

- Open de minibar uitsluitend indien nodig en slechts zo lang als noodzakelijk.
- Vermijd een onnodig lage binnentemperatuur.
- Plaats, voor een optimaal energieverbruik, de legplanken en laden in de positie zoals die was bij levering.
- Controleer regelmatig of de deurafdichting nog goed zit.
- Verwijder regelmatig stof en vuil van de condensor.

7.2 Minibar gebruiken

De minibar begint met koelen zodra deze is aangesloten op de stroomvoorziening. Tijdens normaal gebruik brandt de led 'P'. Als er een fout optreedt, knippert de led 'E' (zie hoofdstuk „Verhelpen van storingen“ op pagina 114).

7.3 Temperatuur instellen

Let op het volgende om voedselverspilling tegen te gaan:

- Houd temperatuurschommelingen zo laag mogelijk. Open de minibar uitsluitend indien nodig en slechts zo lang als noodzakelijk. Berg levensmiddelen zodanig op dat de lucht nog steeds goed kan circuleren.
- De minibar is uitgerust met een automatisch temperatuurregeling. Selecteer het gemiddelde van de mogelijke temperatuurwaarden.
- Pas de temperatuur aan de hoeveelheid en het type levensmiddelen aan.

De minibar is standaard ingesteld op een koeltemperatuur van 7 °C bij een omgevingstemperatuur van 25 °C .

Met de toets 'SET' (afb. **3** 4, pagina 4) kunt u de koeltemperatuur instellen op een van de drie waarden: 5 °C, 12 °C en 7 °C .

Daarbij wordt de temperatuur gewijzigd in de volgorde 5 °C ... 12 °C ... 7 °C ... 5 °C enz.

- ▶ Druk op de toets 'SET' (afb. **3** 4, pagina 4) en houd deze voor 5 s ingedrukt tot de lamp (afb. **3** 1, pagina 4) begint te knipperen.
- ▶ Druk meteen nog eens op de toets 'SET' (afb. **3** 4, pagina 4).
- ✓ De lamp (afb. **3** 1, pagina 4) geeft de ingestelde temperatuur aan:
 - 5 °C : de lamp knippert vijf keer in drie intervallen
 - 12 °C : de lamp knippert één keer in drie intervallen
 - 7 °C : de lamp knippert drie keer in drie intervallen



INSTRUCTIE

De koeltemperatuur van de minibar wordt automatisch ingesteld op 7 °C , zodra deze is aangesloten op de stroomvoorziening.

8 Verhelpen van storingen

Fout	Mogelijke oorzaak	Voorstel tot oplossing
Het toestel werkt niet, led 'P' brandt niet.	Op het wisselspanning-stopcontact staat geen spanning.	Probeer een ander stopcontact.
	De netadapter is defect.	Neem contact op met klantenservice.
Het toestel koelt niet (stekker zit in het stopcontact, led 'P' brandt).	Het koelelement is defect.	Neem contact op met klantenservice.
De led 'E' knippert een keer per seconde.	Temperatuursensor is defect.	Neem contact op met klantenservice.
Toestel koelt niet voldoende, led 'P' brandt, led 'E' brandt niet.	Het koelelement is defect.	Neem contact op met klantenservice.
	Slechte ventilatie	Controleer de ventilatie. Reinig het filter onder het toestel.

9 Reiniging en onderhoud



LET OP! Gevaar voor schade

- Reinig het koeltoestel nooit onder stromend water of in afwaswater.
- Gebruik voor het reinigen geen bijtende schoonmaakmiddelen of harde voorwerpen omdat deze de koelkast kunnen beschadigen.

- ▶ Reinig het koeltoestel regelmatig vanbinnen en vanbuiten met een vochtige doek.
- ▶ Zorg ervoor dat de ventilatieopeningen van het koeltoestel vrij zijn van stof en verontreinigingen, zodat de warmte kan worden afgevoerd en het koeltoestel niet beschadigd raakt.
- ▶ Reinig af en toe het inlaatfilter.
- ▶ Als u water in de opvangschaal vindt (afb. **2** 1, pagina 3), controleer dan of het afvoersysteem geblokkeerd is.



LET OP! Gevaar voor schade

Om gevaren te voorkomen mag de lamp uitsluitend worden vervangen door de fabrikant, diens klantenservice of gelijkwaardig bevoegd personeel.

10 Garantie

De wettelijke garantieperiode is van toepassing. Als het product defect is, neem dan contact op met de detailhandel of met het filiaal van de fabrikant in uw land (zie dometic.com/dealer).

Stuur voor de afhandeling van reparaties of garantie de volgende documenten mee:

- Een kopie van de factuur met datum van aankoop
- De reden voor de claim of een beschrijving van de fout

Houd er rekening mee dat eigenmachtige of niet-professionele reparatie gevolgen voor de veiligheid kan hebben en dat de garantie hierdoor kan komen te vervallen.

11 Verwijdering

Verpakkingsmateriaal recycleren



- Gooi het verpakkingsmateriaal indien mogelijk altijd in recyclingafvalbakken.

Producten met niet-vervangbare batterijen, oplaadbare batterijen of lichtbronnen recycleren



- Als het product niet-vervangbare batterijen, oplaadbare batterijen of lichtbronnen bevat, hoeft u die niet te verwijderen voordat u het product afvoert.



- Als u het product definitief weg wilt doen, vraag dan bij het dichtstbijzijnde afvalverwerkingsbedrijf of uw dealer naar de betreffende afvoerschriften.



- Het product kan gratis worden afgevoerd.


12 Technische gegevens

Voor de actuele EU-verklaring van overeenstemming voor uw toestel gaat u naar de desbetreffende productpagina op dometic.com of neemt u direct contact op met de fabrikant (zie dometic.com/dealer).

Meer informatie over het product is beschikbaar via de QR-code op het energielabel (zie afbeeldingen) of op eprel.ec.europa.eu.

Het koelcircuit bevat R600a.

	DM 20D	DM 20F
Spanning:	220 – 240 V~, 50/60 Hz	
Koelvermogen:	max. 20 °C onder omgevingstemperatuur (instelbaar in drie stappen: +5 °C, +7 °C, +12 °C)	
Categorie:	kelder	
Totaal volume:	20 l	
Energie-efficiëntieklasse:	G	
Beoogde omgevingstemperatuur:	+16 °C tot +32 °C	
Geluidsemissie:	0 dB(A)	
Koelmiddelhoeveelheid:	24 g	

	DM 20D	DM 20F
Afmetingen hoofdlade b x d x h:	285 x 228 x 112 mm	
Afmetingen h x b x d:	365 x 384 x 419 mm	365 x 384 x 391 mm
Gewicht:	12,3 kg	
Keuring/certificering:		

Læs og følg alle disse anvisninger, retningslinjer og advarsler i denne produktvejledning grundigt for at sikre, at du altid installerer, bruger og vedligeholder produktet korrekt. Disse anvisninger SKAL opbevares sammen med dette produkt.

Ved at benytte produktet bekræfter du hermed, at du har læst alle anvisninger, retningslinjer og advarsler grundigt, og at du forstår og er indforstået med de vilkår og betingelser, der er fastlagt heri. Du er indforstået med kun at bruge dette produkt til det beregnede formål og anvendelse i overensstemmelse med anvisningerne, retningslinjerne og advarslerne i denne produktvejledning samt i overensstemmelse med alle de gældende love og forskrifter. Manglende læsning og ignorering af disse anvisninger og advarsler kan medføre kvæstelser på dig selv og andre, skade på dit produkt eller skade på anden ejendom i nærheden. Der tages forbehold for eventuelle ændringer og opdateringer af denne produktvejledning samt anvisningerne, retningslinjerne og advarslerne samt den tilhørende dokumentation. Se documents.dometic.com, dometic.com for de nyeste produktinformationer.

Indhold

1	Forklaring af symboler	118
2	Sikkerhedshenvisninger	119
3	Leveringsomfang	122
4	Korrekt brug	123
5	Teknisk beskrivelse	124
6	Installation	125
7	Betjening	127
8	Udbedring af fejl	129
9	Rengøring og vedligeholdelse	129
10	Garanti	130
11	Bortskaffelse	130
12	Tekniske data	130

1 Forklaring af symboler



FARE!

Sikkerhedshenvisning: Angiver en farlig situation, som medfører dødsfald eller alvorlig kvæstelse, såfremt den ikke undgås.



ADVARSEL!

Sikkerhedshenvisning: Angiver en farlig situation, som kan medføre dødsfald eller alvorlig kvæstelse, såfremt den ikke undgås.

**FORSIGTIG!**

Sikkerhedshenvisning: Angiver en farlig situation, som kan medføre mindre eller lette kvæstelser, såfremt den ikke undgås.

**VIGTIGT!**

Angiver en situation, som kan medføre materielle skader, såfremt den ikke undgås.

**BEMÆRK**

Supplerende oplysninger om betjening af produktet.

2 Sikkerhedshenvisninger

2.1 Grundlæggende sikkerhed



ADVARSEL! Manglende overholdelse af disse advarsler kan medføre dødelige eller alvorlige kvæstelser.

Fare for elektrisk stød

- Kontrollér, at minibaren er blevet monteret af en kvalificeret tekniker i overensstemmelse med monteringsvejledningen fra Dometic.
- Hvis minibaren har synlige beskadigelser, må du ikke tage det i brug.
- Hvis denne minibars tilslutningskabel er beskadiget, skal det udskiftes af producenten eller dennes servicerepræsentant eller en tilsvarende uddannet person for at forhindre farer.
- Reparationer på denne minibar må kun foretages af kvalificeret personale. Ved ukorrekte reparationer kan der opstå alvorlige farer.
- Når minibaren positioneres, skal det sikres, at strømledningen ikke sidder i klemme eller beskadiges.
- Placér ikke flere bærbare stikdåser eller bærbare strømforsyninger bagved apparatet.
- Sæt apparatet i stikdåser, der sikrer en korrekt forbindelse, især når apparatet skal forbindes med jord.

Brandfare

- Kølemidlet i kølekredsløbet er letantændeligt. Ved en beskadigelse af kølemiddelkredsløbet:
 - Sluk minibaren.
 - Undgå åben ild og antændelsesgnister.
 - Udluft rummet grundigt.
- Kølemiddelkredsløbet indeholder en lille mængde miljøvenligt men brændbart kølemiddel. Det skader ikke ozonlaget og det bidrager ikke til at øge drivhuseffekten. Alle lækkede kølemidler kan antændes.
- Hold minibarens monteringsniche fri for elektriske komponenter og lyskilder, der frembringer gnister eller lysbuer under normal eller unormal drift (f.eks. relæer eller sikringskasser).
- Minibaren må ikke anvendes eller opbevares ved trange pladsforhold eller ved en minimal cirkulerer.
- Efter installationen skal det stadig være muligt at afbryde minibaren fra elnetttilslutningen. Dette kan opnås ved at have stikket tilgængeligt eller ved at integrere en kontakt i de faste ledninger i henhold til ledningsreglerne.
- Hold ventilationsåbningerne i minibarens kabinet eller den indbyggede konstruktion fri for forhindringer.
- Anvend ikke andre mekaniske instrumenter eller andre midler til at fremskynde afrimningen end dem, der er anbefalet af producenten.
- Åbn under ingen omstændigheder kølekredsløbet.
- Anvend ikke el-apparater i minibaren, undtagen hvis producenten anbefaler disse el-apparater hertil.

Eksplodingsfare

- Opbevar ikke eksplosive stoffer som f.eks. spraydåser med drivgas i minibaren.

Sundhedsfare

- Denne minibar kan anvendes af børn over 8 år og personer med reducerede fysiske, sans- eller mentale evner eller uden erfaring eller viden, hvis de er under opsyn eller blev instrueret i sikker brug af minibaren og forstår de involverede farer.
- Børn må ikke lege med minibaren.
- Rengøring og vedligeholdelse må ikke udføres af børn uden opsyn.
- Børn i alderen fra 3 til 8 år må fylde og tømme minibaren.



FORSIGTIG! Manglende overholdelse af disse forsigtighedshenvisninger kan medføre mindre eller moderate kvæstelser.

Risiko for at komme i klemme

- Grib ikke ind i hængslet.

Sundhedsfare

- Fødevarer må kun opbevares i original emballage eller egnede beholdere.



VIGTIGT! Fare for beskadigelse

- Sammenlign spændingsangivelsen på typeskiltet med energiforsyningen, der er til rådighed.
- Minibaren er ikke egnet til opbevaring af stoffer, der er ætsende eller indeholder opløsningsmidler.
- Køleapparatets isolering indeholder brændbar cyklopentan og kræver specielle bortskaffelsesprocedurer. Aflever køleapparatet på genbrugsstationen ved afslutningen af dets levetid.
- Hold altid udløbsåbningen ren.
- Bør kun minibaren oprejst.

2.2

Sikkerhed under anvendelse af minibaren



FARE! Manglende overholdelse af disse advarsler medfører dødelige eller alvorlige kvæstelser.

Fare for elektrisk stød

- Tag aldrig fat i uisolerede ledninger med bare hænder.



FORSIGTIG! Manglende overholdelse af disse forsigtighedshenvisninger kan medføre mindre eller moderate kvæstelser.

Fare for elektrisk stød

- Kontrollér, at tilførselsledningen og stikket er tørre, før minibaren startes.

Sundhedsfare

- Sørg for, at der kun er genstande eller varer i minibaren, der må afkøles til den valgte temperatur.
- Madvarer må kun opbevares i original emballage eller egnede beholdere.
- Hvis døren er åben i længere tid, kan temperaturen stige betydeligt i minibarens rum.

- Rengør regelmæssigt overflader, som kan komme i kontakt med levnedsmidler og adgang til kloaksystemer.
- Hvis minibaren er tomt i længere tid:
 - Sluk minibaren.
 - Afrim minibaren.
 - Rengør og tør minibaren.
 - Lad døren være åben for at forhindre, at der dannes mug inden i minibaren.

**VIGTIGT!****Fare for beskadigelse**

- Stil ikke minibaren i nærheden af åben ild eller andre varmekilder (tændte stearinlys, varmeapparater, direkte sollys, gasovne osv.).
- Dyp aldrig minibaren i vand.
- Beskyt minibaren og kablerne mod varme og fugtighed.
- Sørg for, at fødevarerne ikke berører kølerummets væg.

3 Leveringsomfang

Der kan fås følgende hovedalternativer:

- Minibar DM20D med dørpanel, uden lås
- Minibar DM20D med dørpanel, med lås
- Minibar DM20F uden dørpanel, uden lås
- Minibar DM20F uden dørpanel, med lås

Antal	Beskrivelse	
1	Minibar	
1	Vekselstrømstilslutningskabel	
2	Skrue Ø 4 x 45 mm (montering)	
2	Skrue Ø 4 x 25 mm (montering af de forreste fødder)	
2	Skrue M4 x 45 mm (montering af håndtag)	
2	Prop (montering)	
1	Greb	Kun DM20D
2	Prop (montering af håndtag)	Kun DM20D
2	Prop (træpanel)	Kun DM20F version af træ

Antal	Beskrivelse	
1	Låsedekoration (træpanel)	Kun DM20F version af træ med lås
2	Forklaring	Kun version med lås
1	Monterings- og betjeningsvejledning	

4 Korrekt brug

Køleapparatet (også betegnet som minibar) er beregnet til at blive anvendt i holdningen og lignende anvendelser som f.eks.:

- Personalekøkkener i forretninger, på kontorer og andre arbejdsområder
- Gårde
- Af kunder på hoteller, moteller og andre typer boligomgivelser
- Bed-and-breakfast-pensioner
- Catering og lignende anvendelse inden for non-retail

Minibaren er ikke egnet til indbygning i campingvogne eller autocampere.

Minibaren er beregnet til indbygning i et møbestykke eller en installationsniche.

Minibaren er udelukkende beregnet til at køle og opbevare drikkevarer og fødevarer i lukkede beholdere.

Minibaren er ikke egnet til at opbevare friske fødevarer og medicin eller at fryse fødevarer.

Denne minibar er kun egnet til dens beregnede formål og anvendelse i overensstemmelse med disse anvisninger.

Denne vejledning giver dig oplysninger om, hvad der er nødvendigt med henblik på en korrekt montering og/eller drift af minibaren. Dårlig montering og/eller ukorrekt drift eller vedligeholdelse medfører utilstrækkelig ydeevne og mulige fejl.

Producenten påtager sig intet ansvar for kvæstelser eller skader i forbindelse med produktet, der skyldes:

- ukorrekt samling eller forbindelse inklusive for høj spænding
- ukorrekt vedligeholdelse eller brug af uoriginale reservedele, der ikke stammer fra producenten
- ændringer på produktet uden udtrykkelig tilladelse fra producenten
- brug til andre formål end dem, der er beskrevet i vejledningen.

Dometic forbeholder sig ret til at ændre produktets udseende og produktspecifikationer.

5 Teknisk beskrivelse

Minibaren har en skuffe med plads til 12 dåser (plus snackbarer).

Ved levering af de medfølgende hylder og rum placeret, så enheden kan anvendes på en energieffektiv måde.

Minibaren DM20D kommer med antracitfarvet panel og trækhåndtag.

Minibaren DM20F leveres uden panel og er forberedt til montering af hotellets egen dørdekoration.

Dens kølesystem er et slidfrit Peltier-kølesystem.

En lås kan fås som option.

5.1 Beskrivelse af apparatet

Forside

Nr. på fig. 1 , side 3	Beskrivelse
1	Lås (option)
2	Håndtag (kun DM20D)
3	Dørpanel (kun DM20D)

Bagside

Nr. på fig. 2 , side 3	Beskrivelse
1	Drypskål
2	Netdel

Betjeningspanel (i enheden)

Nr. på fig. 3 , side 4	Beskrivelse
1	Lampe
2	Fejllysdioder
3	Statuslysdioder
4	Indstillingsknap

Hovedskuffe

Nr. på fig. 4 , side 4	Beskrivelse
1	Opdeling
2	Flaskeholder

6 Installation



FORSIGTIG! Sundhedsfare

For at undgå en fare, fordi apparatet er ustabil, skal det fastgøres i overensstemmelse med anvisningerne.

6.1 Montering af minibaren i et møbel



VIGTIGT! Fare for beskadigelse

Luft, der passerer gennem indsugningskanalen, må ikke opvarmes. Stil ikke minibaren i nærheden af åben ild eller andre varmekilder (varmeapparater, direkte sollys, gasovne osv.).

Minibaren kan monteres i møbler på fire måder.

1. Vælg din foretrukne installationsmåde (fig. **5**, side 5).
2. Overhold de påkrævede mål for monteringsnichen (fig. **6**, side 6) der tykkelsen af hotellets egen dekoration.
3. Vær opmærksom på, at minibaren og ventilationsåbningerne er placeret korrekt for at sikre tilstrækkelig luftgennemstrømning (fig. **7**, side 6).

4. Sørg for, at overholde den påkrævede minimumsafstand mellem bagsiden af minibaren og møbelvæggen (fig. **14**, side 10).
5. Anbring ventilationsåbningerne som vist i fig. **8**, side 6i.
6. Fastgør køleskabet med egnede skruer (fig. **9 1** og **2**, side 7).

6.2 Elektrisk tilslutning af minibaren

- ▶ Sæt vekselstrømstilslutningskablet i vekselspændingsstikdåsen, og tilslut det til vekselstrømforsyningen.
- ✓ Statuslysdioden lyser.
- ✓ Minibaren starter med at køle det indvendige rum.

6.3 Montering af hotellets egen dørdekoration (kun DM20F)

Hotellets egen dørdekoration skal opfylde følgende krav:

- Maksimal vægt: 2 kg
 - Maksimal tykkelse: 14 mm
- ▶ Fastgør dekorationen med fire skruer.

6.4 Montering af låsen (kun version med lås)

1. Bor et hul med en diameter på 35 mm i dekorationen.
2. Montér låsen sammen med låsedekorationen.

6.5 Montering af låsen (kun version uden lås)

Afmontering af skuffen (fig. **10**, side 8)

1. Åbn skuffen helt.
2. Tryk på skinnelåsen (**A 1**).
3. Træk skuffen ud af kabinettet.
4. Fjern pakningen (**B 1**).
5. Fjern låsens afdækning (**B 2**).
6. Fjern propperne (**C 1**) fra skruerne på dørhåndtaget (**C 3**).
7. Skru skruerne (**C 2**) ud af dørhåndtaget (**C 3**).
8. Fjern dørhåndtaget (**C 3**).

Boring af hullerne (fig. 11, side 8)

1. Bor et hul med en diameter på 25 mm gennem decorationen og døren (**A 1**).
2. Skru skruerne (**B 1**) ud af dekorationsrammen (**B 2**).
3. Fjern dekorationsrammen (**B 2**).

Montering af låsen (fig. 12, side 9)

1. Sæt låsens nye afdækning (**A 1**) på plads.
2. Sæt decorationen (**B 1**) ind i dekorationsrammen (**B 3**).
3. Skru dekorationsrammen (**B 3**) på døren (**B 2**).
4. Montér dørlåsen (**C 1**).
5. Montér låsen i kabinettet (**D 1**).

Montering af skuffen (fig. 13, side 9)

1. Tryk pakningen (**1**) på dekorationsrammen (**2**).
2. Skru dørhåndtaget (**4**) på døren.
3. Tryk propperne (**3**) på skruerne på dørhåndtaget (**4**).
4. Skub skuffen ind i kabinettet.

7 Betjening

**VIGTIGT! Fare for beskadigelse**

Lampen kan kun udskiftes af producenten, en servicerepræsentant eller en tilsvarende kvalificeret person for at undgå farer.

7.1 Energibesparelse

- Åbn kun minibaren, så tit og så længe det er nødvendigt.
- Undgå unødigt lave temperaturindstillinger.
- Placér hylderne og skufferne i overensstemmelse med deres position ved leveringen for at opnå optimalt energiforbrug.
- Kontrollér regelmæssigt, at dørens tætning stadig passer rigtigt.
- Rengør med regelmæssige mellemrum kondensatoren for støv og urenheder.

7.2 Anvendelse af minibaren

Minibaren begynder at køle, når den tilsluttes til strømmen. Under normal drift gløder statuslysdioden. Hvis der forekommer en fejl, blinker fejllysdioden (se kapitlet „Udbedring af fejl“ på side 129).

7.3 Indstilling af temperaturen

Vær opmærksom på følgende for at undgå fødevarespild:

- Hold temperaturudsving så lave som muligt. Åbn kun minibaren, så tit og så længe det er nødvendigt. Opbevar fødevarer, så luften stadig kan cirkulere godt.
- Minibaren er udstyret med en automatisk temperaturreguleringsfunktion. Vælg gennemsnittet af de mulige temperaturværdier.
- Juster temperaturen til fødevarernes mængde og type.

Minibaren er som standard indstillet på en køletemperatur på 7 °C ved en omgivelsetemperatur på 25 °C.

Du kan anvende indstillingsknappen (fig. **3** 4, side 4) til at indstille køletemperaturen på en af tre værdier: 5 °C, 12 °C og 7 °C.

I den forbindelse ændres temperaturen i rækkefølgen 5 °C ... 12 °C ... 7 °C ... 5 °C etc.

- ▶ Tryk på indstillingsknappen (fig. **3** 4, side 4), og hold den trykket ind i 5 sek., indtil lampen (fig. **3** 1, side 4) begynder at blinke.
- ▶ Tryk med det samme på indstillingsknappen (fig. **3** 4, side 4) igen.
- ✓ Lampen (fig. **3** 1, side 4) viser indstillingstemperaturen:
 - 5 °C: Lampen blinker fem gange i tre intervaller
 - 12 °C: Lampen blinker en gang i tre intervaller
 - 7 °C: Lampen blinker tre gange i tre intervaller



BEMÆRK

Minibaren indstiller automatisk køletemperaturen på 7 °C når den tilsluttes til en strømkilde.

8 Udbedring af fejl

Fejl	Mulig årsag	Løsningsforslag
Apparatet fungerer ikke, statuslysdioden lyser ikke.	Vekselspændingsstikdåsen har ikke spænding.	Forsøg med en anden stikdåse.
	Netdelen er defekt.	Kontakt servicerepræsentanten.
Apparatet kører ikke (stikket er sat i, statuslysdioden lyser).	Køleelementet er defekt.	Kontakt servicerepræsentanten.
Fejllysdioden blinker en gang pr. sekund.	Temperaturføleren er defekt.	Kontakt servicerepræsentanten.
Apparatet kører ikke tilstrækkeligt, statuslysdioden lyser, fejllysdioden lyser ikke.	Køleelementet er defekt.	Kontakt servicerepræsentanten.
	Dårlig ventilation	Kontrollér ventilationen. Rengør filteret under apparatet.

9 Rengøring og vedligeholdelse



VIGTIGT! Fare for beskadigelse

- Rengør aldrig køleapparatet under rindende vand eller i opvaskevand.
- Anvend ikke skrabe rengøringsmidler eller hårde genstande ved rengøringen, da de kan beskadige køleapparatet.

- Rengør af og til køleapparatet indvendigt og udvendigt med en fugtig klud.
- Kontrollér, at køleapparatets ventilations- og udluftningsåbninger er fri for støv og urenheder, så varmen kan ledes bort, og køleapparatet ikke tager skade.
- Rengør af og til indgangsfilteret.
- Kontrolléro, om afløbet er blokeret, hvis du finder vand i drypbakken (fig. 2 1, side 3).



VIGTIGT! Fare for beskadigelse

Lampen kan kun udskiftes af producenten, en servicerepræsentant eller en tilsvarende kvalificeret person for at undgå farer.

10 Garanti

Den lovbestemte garantiperiode gælder. Hvis produktet er defekt, bedes du kontakte din forhandler eller producentens afdeling i dit land (se dometic.com/dealer).

Ved reparation eller krav om garanti skal du medsende følgende bilag:

- En kopi af regningen med købsdato
- En reklamationsgrund eller en fejlbeskrivelse.

Vær opmærksom på, at egne eller uprofessionelle reparationer kan have sikkerhedsmæssige konsekvenser og kan gøre garantien ugyldig.

11 Bortskaffelse

Genbrug af emballagemateriale



- Bortskaf så vidt muligt emballagemateriale sammen med det tilsvarende genbrugsaffald.

Genbrug af produkter med batterier, genopladelige batterier eller lyskilder, der ikke kan udskiftes



- Hvis produktet indeholder batterier, genopladelige batterier eller lyskilder, der ikke kan udskiftes, skal du ikke fjerne dem før bortskaffelse.



- Hvis du vil bortskaffe produktet endegyldigt, skal du kontakte den nærmeste genbrugsstation eller din faghandel for at få de pågældende forskrifter om bortskaffelse.




- Produktet kan bortskaffes uden gebyr.

12 Tekniske data

For den aktuelle EU-overensstemmelseserklæring for dit apparat bedes du se den pågældende produktside på dometic.com eller kontakte producenten direkte (se dometic.com/dealer).

Du kan finde yderligere produktinformationer via QR-koden på energimærket (se illustrationer) eller via eprel.ec.europa.eu.

Kølekredsen indeholder R600a.

	DM 20D	DM 20F
Spænding:	220 – 240 V~, 50/60 Hz	
Kølekapacitet:	Maks. 20 °C under udenomstemperaturen (kan justeres i tre trin: +5 °C, +7 °C, +12 °C)	
Kategori:	Kælder	
Samlet volumen:	20 l	
Energieffektivitetsklasse:	G	
Tiltænkt udenomstemperatur for brug:	+16 °C til +32 °C	
Lydemission:	0 dB(A)	
Kølemiddelmængde:	24 g	
Mål hovedskuffe B x D x H:	285 x 228 x 112 mm	
Mål H x B x D:	365 x 384 x 419 mm	365 x 384 x 391 mm
Vægt:	12,3 kg	
Godkendelse/certifikat:		

Läs och följ noggrant alla instruktioner, direktiv och varningar i den här produkthandboken för att säkerställa att du alltid installerar, använder och underhåller produkten på rätt sätt. Dessa instruktioner MÅSTE förvaras tillsammans med produkten.

Genom att använda produkten bekräftar du härmed att du noggrant har läst alla instruktioner, direktiv och varningar och att du förstår och är införstådd med att följa de villkor som anges här. Du är införstådd med att endast använda denna produkt i avsett syfte och i enlighet med instruktionerna, direktiven och varningarna som anges i denna produkthandbok samt i enlighet med alla gällande lagar och bestämmelser. Om du inte läser och följer instruktionerna och varningarna som anges här kan det leda till personskador på dig eller andra, på produkten eller annan egendom i närheten. Denna produkthandbok, inklusive instruktionerna, direktiven och varningarna samt relaterad information, kan ändras och uppdateras. För uppdaterad produktinformation, besök documents.dometic.com, dometic.com.

Innehållsförteckning

1	Symbolförklaring	132
2	Säkerhetsanvisningar	133
3	Leveransomfattning	136
4	Avsedd användning	137
5	Teknisk beskrivning	138
6	Installation	139
7	Användning	141
8	Felsökning	143
9	Rengöring och skötsel	143
10	Garanti	144
11	Avfallshantering	144
12	Tekniska data	144

1 Symbolförklaring



FARA!

Säkerhetsanvisning: Anger en farlig situation som, om den inte kan undvikas, leder till döden eller allvarlig personskada.



WARNING!

Säkerhetsanvisning: Anger en farlig situation som, om den inte kan undvikas, kan leda till döden eller allvarlig personskada.

**AKTA!**

Säkerhetsanvisning: Anger en farlig situation som, om den inte kan undvikas, leder lindrig eller måttlig personskada.

**OBSERVERA!**

Anger en situation som, om den inte kan undvikas, kan leda till materiell skada.

**ANVISNING**

Kompletterande information om användning av produkten.

2 Säkerhetsanvisningar

2.1 Allmänna säkerhetsanvisningar



WARNING! Om man underlåter att följa de här varningarna kan följden bli dödsfall eller allvarlig personskada.

Risk för dödsfall på grund av elektricitet

- Säkerställ att minibaren har installerats av en behörig tekniker enligt Dometics installationsmanual.
- Om minibaren uppvisar synliga skador får den inte användas.
- Om minibarens anslutningskabel skadas måste den, av säkerhetsskäl, bytas ut av tillverkaren, servicerepresentanten eller någon annan person med motsvarande behörighet.
- Denna minibar får endast repareras av härför utbildad personal. Icke fackmässiga reparationer kan medföra allvarliga risker.
- Kontrollera att elsladden inte har fastnat eller skadats i samband med placering av minibaren.
- Placera inte ut flera bärbara uttag eller bärbara nätaggregat bakom apparaten.
- Koppla in enheten i uttag med garanterat korrekt anslutning när enheten behöver jordas.

Brandrisk

- Kylmedlet i kylkretsloppet är lättantändligt.
Vid skador på kylkretsen:
 - Stäng av minibaren.
 - Undvik öppen eld och gnistbildning.
 - Ventilera rummet nog.
- I kylkretsen finns en liten mängd miljövänligt, men antändningsbart köldmedium. Det skadar inte ozonlagret och ökar inte växthuseffekten. Köldmedium som läcker kan antändas.
- Säkerställ att monteringsplatsen för minibaren är fri från elkomponenter och ljuskällor som alstrar gnistor vid normal eller onormal drift (dvs. reläer eller säkringar).
- Använd eller förvara inte minibaren i begränsade utrymmen utan eller med mycket svagt luftflöde.
- Efter installation måste minibarens strömanslutning kunna kopplas bort. Detta kan till exempel ordnas med en åtkomlig stickkontakt eller med en strömbrytare på installationskabeln enligt installationsstandarder.
- Kontrollera att ventilationsöppningarna kring minibaren och i den inbyggda konstruktionen inte blockeras.
- Påskynda inte avfrostningsprocessen genom att använda mekaniska anordningar eller andra verktyg som tillverkaren inte rekommenderar.
- Öppna aldrig kylkretsloppet.
- Använd inga elektriska apparater för arbeten inne i minibaren. Undantag: apparaterna rekommenderas för sådan användning av tillverkaren.

Explosionsrisk

- Lagra inga ämnen som kan explodera i minibaren, som t.ex. sprayburkar med drivgas.

Hälsorisk

- Barn från åtta års ålder, personer med nedsatt fysisk, sensorisk eller mental förmåga, eller personer med bristande erfarenhet och kunskaper får använda den här minibaren förutsatt att de hålls under uppsikt eller om de har fått anvisningar om hur man använder den här minibaren på ett säkert sätt och känner till vilka risker som är förknippade med användningen.
- Barn får inte leka med minibaren.
- Utan uppsikt får barn inte utföra rengörings- eller underhållsarbeten.

- Barn i åldrarna tre till åtta år får lasta in eller ut varor i eller ur minibaren.



AKTA! Om man underlåter att följa de här försiktighetsåtgärderna kan följden bli lindrig eller måttlig personskada.

Krossrisk

- Håll fingrarna borta från gångjärnen.

Hälsorisk

- Livsmedel får endast förvaras i originalförpackningarna eller i andra lämpliga behållare.



OBSERVERA! Risk för skada

- Jämför spänningssuppgifterna på typskylten med elförsörjningen på plats.
- Minibaren är inte ämnad för lagring av frätande ämnen eller ämnen som innehåller lösningsmedel.
- Kylapparatens isolering innehåller brännbart cyklopentan och det krävs särskilda rutiner för avfallshanteringen. När kylapparaten har uppnått slutet av livscykeln ska den lämnas till lämplig återvinningscentral.
- Se till att utloppsöppningen alltid är ren.
- Bär endast minibaren i upprätt position.

2.2 Använda minibaren på ett säkert sätt



FARA! Om man underlåter att följa de här varningarna blir följden dödsfall eller allvarlig personskada.

Risk för dödsfall på grund av elektricitet

- Ta inte tag i avskalade ledningar med händerna.



AKTA! Om man underlåter att följa de här försiktighetsåtgärderna kan följden bli lindrig eller måttlig personskada.

Risk för dödsfall på grund av elektricitet

- Kontrollera, innan minibaren tas i drift, att elkabeln och stickkontakten är torra.

Hälsorisk

- Se till att det du ställer in i minibaren får kylas till den inställda temperaturen.
- Livsmedel får endast förvaras i originalförpackningarna eller i andra lämpliga behållare.

- Om dörren hålls öppen under lång tid finns det risk att man får en betydande ökning av temperaturen i minibaren.
- Rengör med jämna mellanrum ytor som kan komma i kontakt med livsmedel och åtkomliga avloppssystem.
- Om minibaren står tom under lång tid:
 - Stäng av minibaren.
 - Avfrostas minibaren.
 - Rengör och torka minibaren.
 - Lämna dörren öppen för att förhindra att det bildas mögel i minibaren.



OBSERVERA!

Risk för skada

- Ställ inte upp minibaren i närheten av öppen eld eller andra värmekällor (levande ljus, värmeelement, starkt solljus, gasspisar osv.).
- Doppa aldrig ner minibaren i vatten.
- Skydda minibaren och kablarna mot värme och fukt.
- Se till att livsmedlen i minibaren inte vidrör väggarna i kylan.

3 Leveransomfattning

Följande huvudalternativ kan fås:

- Minibar DM20D med dörrpanel, utan lås
- Minibar DM20D med dörrpanel, med lås
- Minibar DM20F utan dörrpanel, utan lås
- Minibar DM20F utan dörrpanel, med lås

Mängd	Beskrivning	
1	Minibar	
1	Växelströmskabel	
2	Skruv Ø 4 x 45 mm (montering)	
2	Skruv Ø 4 x 25 mm (montering av fötterna fram)	
2	Skruv M4 x 45 mm (handtagsmontering)	
2	Plugg (montering)	
1	Handtag	Endast för DM20D
2	Plugg (handtagsmontering)	Endast för DM20D

Mängd	Beskrivning	
2	Plugg (träpanel)	Endast DM20F version i trä
1	Låsdekor (träpanel)	Endast DM20F version i trä med lås
2	Teckenförklaring	Endast version med lås
1	Monterings- och bruksanvisning	

4 Avsedd användning

Kylapparaten (även kallad minibaren) är avsedd att användas i hushåll och liknande, som:

- i personalkök, kontor eller andra arbetsområden
- på bondgårdar
- av gäster på hotell, motell och andra typer av boenden
- miljöer liknande bed and breakfast
- catering och liknande utan försäljning.

Minibaren är inte lämplig för att monteras i husvagnar eller husbilar.

Minibaren är avsedd för montering i förvaringsskåp eller en monteringsnisch.

Minibaren är endast utformad för kylning och förvaring av drycker eller livsmedel i förslutna behållare.

Minibaren är inte avsedd för förvaring av färska livsmedel och läkemedel eller djupfrysta livsmedel.

Minibaren lämpar sig endast för avsedd användning i enlighet med dessa instruktioner.

Den här manualen informerar om vad som krävs för att installera och/eller använda minibaren på rätt sätt. Felaktig installation eller användning eller felaktigt underhåll kommer leda till att produkten inte fungerar optimalt och riskerar gå sönder.

Tillverkaren åtar sig inget ansvar för personskador eller materiella skador på produkten som uppstår till följd av:

- Felaktig montering eller anslutning, inklusive för hög spänning
- Felaktigt underhåll eller användning av reservdelar som inte är originaldelar från tillverkaren
- Ändringar som utförts utan uttryckligt medgivande från tillverkaren
- Användning för andra ändamål än de som beskrivs i denna bruksanvisning

Dometic förbehåller sig rätten att ändra produktens utseende och specifikationer.

5 Teknisk beskrivning

Minibaren har en låda med plats för 12 burkar (plus snacksbitar).

Vid leverans är hyllorna och facken placerade så att minibaren kan användas energieffektivt.

Minibaren DM20D har en antracitpanel och draghandtag.

Minibaren DM20F levereras utan panel och är förberedd för att passa in i hotellets egen dörrdekor.

Kylsystemet är en slitagefri peltierkylning.

Ett lås finns som tillval.

5.1 Produktbeskrivning

Framsida

nr på bild 1 , sida 3	Beskrivning
1	Lås (tillval)
2	Handtag (endast DM20D)
3	Dörrpanel (endast DM20D)

Baksida

nr på bild 2 , sida 3	Beskrivning
1	Droppskål
2	Nätadapter

Kontrollpanel (inuti minibaren)

nr på bild 3 , sida 4	Beskrivning
1	Lampa
2	LED-fellampa
3	Statuslysdiod
4	Inställningsknapp

Huvudlåda

nr på bild 4 , sida 4	Beskrivning
1	Avskiljare
2	Flaskfinger

6 Installation



AKTA! Hälsorisk

Fastsätt apparaten enligt anvisningarna så att det inte uppstår risker till följd av instabilitet.

6.1 Montera minibaren i en möbel



OBSERVERA! Risk för skada

Luft som kommer in genom luftintagskanalen får inte vara uppvärmd. Ställ inte upp minibaren i närheten av öppen eld eller andra värmekällor (värmeelement, starkt solljus, gasspisar osv.).

Det finns fyra sätt att montera minibaren i möbler.

1. Välj ett monteringsalternativ (bild **5**, sida 5).
2. Observera utrymmet som krävs för montering (bild **6**, sida 6) där tjockleken hos hotellets egen dekor.
3. Se till att minibaren och ventilationsöppningarna är korrekt placerade för att säkerställa ett korrekt luftflöde (bild **7**, sida 6).

4. Säkerställ minimiavståndet mellan minibarens baksida och möbelväggen (bild **14**, sida 10).
5. Gör ventilationsöppningarna enligt bild **8**, sida 6.
6. Sätt fast kylskåpet med passande skruvar (bild **9 1** och **2**, sida 7).

6.2 Ansluta el till minibaren

- ▶ Anslut växelströmsanslutningskabeln till växelspanningsuttaget och anslut det till växelströmsnätet.
- ✓ Status-LED-lampan tänds.
- ✓ Minibaren startar och kyler kylfacket.

6.3 Montera hotellets egen dörrdekor (endast DM20F)

Hotellets egen dörrdekor måste uppfylla följande krav:

- Maximal vikt: 2 kg
 - Maximal tjocklek: 14 mm
- ▶ Sätt fast dekoren med fyra skruvar.

6.4 Montera låset (endast version med lås)

1. Borra ett hål med diameter 35 mm i dekoren.
2. Montera låset tillsammans med låsdekoren.

6.5 Montera låset (endast version utan lås)

Demontera lådan (bild **10**, sida 8)

1. Dra ut lådan helt.
2. Tryck på skenans lås (**A 1**).
3. Dra ut lådan ur skåpet.
4. Ta bort packningen (**B 1**).
5. Ta bort låsskyddet (**B 2**).
6. Ta bort pluggarna (**C 1**) från skruvarna till dörrhandtaget (**C 3**).
7. Skruva loss skruvarna (**C 2**) till dörrhandtaget (**C 3**).
8. Ta bort dörrhandtaget (**C 3**).

Borra hållen (bild 11, sida 8)

1. Borra ett hål med diameter 25 mm genom dekoren och dörren (**A 1**).
2. Skruva loss skruvarna (**B 1**) till dekorramen (**B 2**).
3. Ta bort dekorramen (**B 2**).

Montera låset (bild 12, sida 9)

1. Sätt det nya låsskyddet (**A 1**) på plats.
2. Sätt dekoren (**B 1**) i dekorramen (**B 3**).
3. Skruva på dekorramen (**B 3**) på dörren (**B 2**).
4. Montera dörrlåset (**C 1**).
5. Montera låshaken i skåpet (**D 1**).

Montera lådan (bild 13, sida 9)

1. Tryck packningen (**1**) på dekorramen (**2**).
2. Skruva på dörrhandtaget (**4**) på dörren.
3. Tryck på pluggarna (**3**) på skruvarna till dörrhandtaget (**4**).
4. Skjut in lådan i skåpet.

7 Användning

**OBSERVERA! Risk för skada**

Lampan får endast bytas ut av tillverkaren, kundtjänst eller en person med liknande kvalifikationer för att förhindra fara.

7.1 Spara energi

- Öppna inte minibaren oftare och håll den inte öppen längre än nödvändigt.
- Undvik en onödigt låg temperatur inne i kylan.
- För bästa möjliga energiförbrukning ska du placera hyllorna och lådorna såsom de var placerade vid leveransen.
- Kontrollera med jämna mellanrum att dörrrens tätning fortfarande sitter korrekt.
- Ta regelbundet bort damm och smuts från kondensatorn.

7.2 Använda minibaren

Minibaren börjar kyla när den ansluts till el. Vid normal användning lyser LED-statuslampan. Om ett fel inträffar blinkar LED-fellampan (se kapitel "Felsökning" på sidan 143).

7.3 Ställa in temperaturen

Observera följande så att du inte behöver kasta bort livsmedel:

- Temperaturen ska vara så jämn som möjligt. Öppna inte minibaren oftare och håll den inte öppen längre än nödvändigt. Förvara livsmedlen på så sätt att luften kan cirkulera.
- Minibaren har en automatisk temperaturregleringsfunktion. Välj medelvärde för de möjliga temperaturvärdena.
- Justera temperaturen efter mängden och typen av livsmedel.

Minibaren är som standard inställd på en kyltemperatur på 7 °C vid en omgivningstemperatur på 25 °C.

Du kan använda inställningsknappen (bild **3** 4, sida 4) för att ställa in kyltemperaturen på något av de tre värdena: 5 °C, 12 °C och 7 °C.

Då ändras temperaturen i ordningen 5 °C ... 12 °C ... 7 °C ... 5 °C etc.

- ▶ Tryck på inställningsknappen (bild **3** 4, sida 4) och håll den intryckt 5 sekunder tills lampan (bild **3** 1, sida 4) börjar blinka.
- ▶ Tryck direkt på inställningsknappen (bild **3** 4, sida 4) igen.
- ✓ Lampan (bild **3** 1, sida 4) visar inställningstemperaturen:
 - 5 °C: lampan blinkar fem gånger i tre intervall
 - 12 °C: lampan blinkar en gång i tre intervall
 - 7 °C: lampan blinkar tre gånger i tre intervall



ANVISNING

Minibaren ställer automatiskt in kyltemperaturen på 7 °C när den ansluts till el.

8 Felsökning

Fel	Möjlig orsak	Lösning
Apparaten fungerar inte, LED-statuslampan lyser inte.	Ingen spänning i växelströmsuttaget.	Prova med ett annat uttag.
	Nätadaptern är defekt.	Kontakta kundtjänsten.
Apparaten kyler inte (kontakten är insatt, LED-statuslampan lyser).	Kylelementet är defekt.	Kontakta kundtjänsten.
LED-fellampan blinkar en gång per sekund.	Temperaturgivaren är defekt.	Kontakta kundtjänsten.
Apparaten kyler inte tillräckligt, LED-statuslampan lyser, LED-fellampan lyser inte.	Kylelementet är defekt.	Kontakta kundtjänsten.
	Dålig ventilation	Kontrollera ventilationen. Rengör filtret under apparaten.

9 Rengöring och skötsel



OBSERVERA! Risk för skada

- Rengör aldrig kylapparaten under rinnande vatten eller i diskvatten.
- Använd inga frätande rengöringsmedel eller hårda föremål vid rengöring, då dessa kan skada kylapparaten.

- ▶ Rengör emellanåt kylapparaten in- och utvändigt med en fuktig trasa.
- ▶ Se till att luftintag och ventilationsöppningar på kylboxen är fria från damm och smuts. På så vis kan värme avledas vid användning och produkten skadas inte.
- ▶ Rengör intagsfiltret ibland.
- ▶ Kontrollera om dräneringssystemet är blockerat om du ser vatten i droppråget (bild **2** 1, sida 3).



OBSERVERA! Risk för skada

Lampan får endast bytas ut av tillverkaren, kundtjänst eller en person med liknande kvalifikationer för att förhindra fara.

10 Garanti

Den lagstadgade garantitiden gäller. Kontakta din återförsäljare eller tillverkarens avdelningskontor i ditt land (se dometic.com/dealer) om produkten är defekt.

Vid reparations- och garantiärenden ska följande dokument skickas med när du returnerar produkten:

- En kopia på fakturan med inköpsdatum
- En reklamationsbeskrivning eller felbeskrivning

Observera att självständiga eller icke professionella reparationer kan påverka säkerheten och leda till att garantin blir ogiltig.

11 Avfallshantering

Återvinning av förpackningsmaterial



- Lämna om möjligt förpackningsmaterialet till återvinning.

Återvinning av produkter med icke-utbytbara batterier, laddningsbara batterier eller ljuskällor



- Om produkten innehåller icke-utbytbara batterier, laddningsbara batterier eller ljuskällor behöver du inte avlägsna dem före kassering.
- När produkten slutgiltigt tas ur bruk: Informera dig om gällande bestämmelser hos närmaste återvinningscentral eller hos återförsäljaren.




- Produkten kan kasseras utan avgift.

12 Tekniska data

Se respektive produktsida på dometic.com eller kontakta tillverkaren för aktuell EU-försäkran om överensstämmelse för din apparat (gå till dometic.com/dealer).

Läs in QR-koden på energimärkningen (se bilderna) för mer information om produkten eller besök eprel.ec.europa.eu.

Kylkretsen innehåller R600a.

	DM 20D	DM 20F
Spänning:	220 – 240 V~, 50/60 Hz	
Kyleffekt:	Max. 20 °C under omgivningstemperatur (kan justeras i tre steg: +5 °C, +7 °C, +12 °C)	
Kategori:	Källare	
Total volym:	20 l	
Energieffektklass:	G	
Avsedd användning av omgivnings- temperaturen:	+16 °C till +32 °C	
Bulleremission:	0 dB(A)	
Köldmediemängd:	24 g	
Mått huvudlåda B x D x H:	285 x 228 x max 112 mm	
Mått H x B x D:	365 x 384 x max 419 mm	365 x 384 x max 391 mm
Vikt:	12,3 kg	
Provning/certifikat:		

Vennligst les disse instruksjonene nøye og følg alle anvisninger, retningslinjer og advarsler i denne produktveiledningen for å sikre at du installerer, bruker og vedlikeholder produktet ordentlig til enhver tid. Disse instruksjonene MÅ alltid følge med produktet.

Ved å bruke dette produktet bekrefter du at du har lest alle anvisninger, retningslinjer og advarsler grundig, og at du forstår og samtykker i å overholde vilkårene slik de er presentert her. Du godtar å bruke dette produktet kun til tiltenkt formål og bruksområder, og i samsvar med anvisningene, retningslinjene og advarslene slik de er presentert i denne produktveiledningen, så vel som i samsvar med alle gjeldende lovbestemmelser og forskrifter. Hvis anvisningene og advarslene som er presentert her, ikke blir lest og fulgt, kan det føre til personskader hos deg selv eller andre, skader på produktet eller skader på annen eiendom i nærheten. Denne produktveiledningen med sine anvisninger, retningslinjer og advarsler, samt relatert dokumentasjon, kan være underlagt endringer og oppdateringer. For oppdatert produktinformasjon, se documents.dometic.com, dometic.com.

Innhold

1	Symbolforklaring	146
2	Sikkerhetsregler	147
3	Leveringsomfang	150
4	Forskriftsmessig bruk	151
5	Teknisk beskrivelse	152
6	Installasjon	153
7	Betjening	155
8	Feilretting	157
9	Rengjøring og vedlikehold	157
10	Garanti	158
11	Avfallshåndtering	158
12	Tekniske spesifikasjoner	159

1 Symbolforklaring



FARE!

Sikkerhetsregel: Kjennetegner en farlig situasjon som - dersom den ikke unngås - resulterer i alvorlige personskader, eventuelt med døden til følge.



ADVARSEL!

Sikkerhetsregel: Kjennetegner en farlig situasjon som - dersom den ikke unngås - kan resultere i alvorlige personskader, eventuelt med døden til følge.

**FORSIKTIG!**

Sikkerhetsregel: Kjennetegner en farlig situasjon som - dersom den ikke unngås - kan resultere i mindre til moderate personskader.

**PASS PÅ!**

Kjennetegner en situasjon som - dersom den ikke unngås - kan resultere i materielle skader.

**MERK**

Ytterligere informasjon om betjening av produktet.

2 Sikkerhetsregler

2.1 Grunnleggende sikkerhet



ADVARSEL! Manglende overholdelse av disse advarslene kan resultere i alvorlige personskader, eventuelt med døden til følge.

Fare for elektrisk støt

- Forsikre deg om at minibaren har blitt installert av en kvalifisert tekniker i samsvar med Dometics monteringsanvisning.
- Minibaren må ikke tas i bruk hvis den har synlige skader.
- Hvis strømkabelen til minibaren er skadet, må den skiftes av produsenten, av et serviceverksted eller av en tilsvarende utdannet person for å forhindre at sikkerheten settes i fare.
- Reparasjoner på denne minibaren må kun utføres av kvalifiserte fagfolk. Usakkyndige reparasjoner kan føre til alvorlige farer.
- Ved posisjonering av minibaren må det sikres at tilførselsledningen ikke sitter fast eller skades.
- Ikke plasser mobile grenuttak eller mobile strømforsyninger bak apparatet.
- Plugg apparatet til kontakter som sikrer en ordentlig forbindelse, spesielt når apparatet trenger å jordes.

Brannfare

- Kjølemiddelet i kjølemiddelkretsløpet er lett antennelig. Ved skader på kjølemiddelkretsløpet:
 - Slå av minibaren.
 - Unngå åpen ild og gnister.
 - Sørg for god ventilasjon i rommet.
- Kjølemiddelkretsen inneholder en liten mengde miljøvennlig, men antennelig kjølemiddel. Det skader ikke ozonlaget, og øker ikke drivhuseffekten. Kjølemiddel som lekker ut, kan ta fyr.
- Hold installasjonsnisjen for minibaren fri for elektriske komponenter og lyskilder som under normal eller unormal drift produserer gnister eller lysbuer (dvs. releer eller sikringsbokser).
- Ikke benytt eller oppbevar minibaren i små rom med lite eller ingen luftsirkulasjon.
- Etter installasjon må det fortsatt være mulig å koble minibaren fra hovedstrømforsyningen. Dette kan oppnås ved å ha kontakten tilgjengelig, eller ved å legge inn en bryter i det faste ledningsnettet i henhold til regler for ledninger.
- Hold ventilasjonsåpninger i minibarkabinettet eller innbyggingsstrukturen fri for hindringer.
- Ikke bruk mekaniske gjenstander eller andre midler til å fremskynde avrimingsprosessen, med mindre de er anbefalt av produsenten.
- Kjølekretsløpet må ikke åpnes under noen omstendigheter.
- Ikke bruk elektriske apparater inne i minibaren med mindre produsenten anbefaler slik bruk av slike apparatene.

Eksplisjonsfare

- Ikke lagre eksplosjonsfarlige stoffer, som f.eks. spraybokser med drivgass, i minibaren.

Helsefare

- Denne minibaren kan brukes av barn fra 8 år og oppover og personer med reduserte fysiske, sensoriske eller mentale evner eller som mangler erfaring og kunnskap, hvis de er under oppsyn eller har fått veiledning i hvordan apparatet brukes på en forsvarlig måte og forstår hvilke farer det innebærer.
- Barn må ikke leke med minibaren.
- Rengjøring og vedlikehold skal ikke utføres av barn uten at de er under oppsyn.
- Barn i alderen 3 til 8 år kan sette inn i og ta ut av minibaren.



FORSIKTIG! Manglende overholdelse av disse forsiktighetsvarslene kan resultere i mindre til moderate personskader.

Klemfare

- Ikke grip i hengselet.

Helsefare

- Næringsmidler må kun oppbevares i originalemballasjen eller i egnede beholdere.



PASS PÅ! Fare for skader

- Kontroller at spenningsspesifikasjonene på merkeskiltet stemmer overens med den foreliggende strømforsyningen.
- Minibaren er ikke egnet for lagring av etsende eller løsemiddelholdige stoffer.
- Isolasjonen av kjøleapparatet inneholder antennelig cyklopentan og krever en spesiell bortskaffingsprosess. Lever kjøleenheten på slutten av sin levetid til egnet resirkuleringsstasjon.
- Avløpsåpningen må holdes ren.
- Bær minibaren kun i oppreist stilling.

2.2 Sikkerhet ved bruk av minibaren



FARE! Manglende overholdelse av disse advarslene resulterer i alvorlige personskader, eventuelt med døden til følge.

Fare for elektrisk støt

- Ikke berør blanke ledninger med bare hender.



FORSIKTIG! Manglende overholdelse av disse forsiktighetsvarslene kan resultere i mindre til moderate personskader.

Fare for elektrisk støt

- Sikre at strømkabelen og støpselet er tørre før minibaren startes opp.

Helsefare

- Forsikre deg om at minibaren bare fylles med varer som tåler nedkjøling til den valgte temperaturen.
- Næringsmidler må oppbevares i originalforpakning eller i egnede beholdere.
- Det å åpne døren for en lengre periode kan føre til en vesentlig økning av temperaturen i minibarens rom.

- Overflater som kan komme i kontakt med matvarer og tilgjengelige deler av dreneringssystemet må rengjøres regelmessig.
- Hvis minibaren blir værende tom over lengre tid:
 - Slå av minibaren.
 - Rim av minibaren.
 - Rengjør og tørk minibaren.
 - La døren være åpen for å unngå mugg i minibaren.



PASS PÅ!

Fare for skader

- Ikke plasser minibaren i nærheten av åpne flammer eller andre varmekilder (tente stearinlys, varmeovner, sterkt sollys, gassovner osv.).
- Minibaren må aldri nedsenkes i vann.
- Beskytt minibaren og kabelen mot varme og fuktighet.
- Pass på at matvarene ikke kommer i kontakt med veggene i kjølerommet.

3 Leveringsomfang

Følgende hovedalternativer er tilgjengelige:

- Minibar DM20D med dørpanel, uten lås
- Minibar DM20D med dørpanel, med lås
- Minibar DM20F uten dørpanel, uten lås
- Minibar DM20F uten dørpanel, med lås

Antall	Beskrivelse	
1	Minibar	
1	Vekselstrøm-tilkoblingskabel	
2	Skrue Ø 4 x 45 mm (montering)	
2	Skrue Ø 4 x 25 mm (montering av frontben)	
2	Skrue M4 x 45 mm (montering av håndtak)	
2	Plugg (montering)	
1	Håndtak	Kun DM20D
2	Plugg (håndtakmontering)	Kun DM20D
2	Plugg (trepanel)	Kun DM20F i treversjon

Antall	Beskrivelse	
1	Låsdekorasjon (trepanel)	Kun DM20F i treversjon med lås
2	Tegnforklaring	Kun versjon med lås
1	Monterings- og bruksanvisning	

4 Forskriftsmessig bruk

Kjøleapparatet (heretter også kalt minibaren) er ment for bruk i husholdninger og lignende anvendelser som for eksempel:

- Personalkjøkken i butikker, kontorer og andre arbeidsplasser
- Bondegårder
- Av gjester på hoteller, herberger og liknende bomiljøer
- Bed & Breakfast-steder
- catering og lignende virksomheter

Minibaren er ikke egnet for montering i campingvogner eller bobiler.

Minibaren er ment for montering i et møbel eller en installasjonsnisje.

Minibaren er utelukkende konstruert for kjøling og oppbevaring av drikkevarer og matvarer i lukkede beholdere.

Minibaren er ikke egnet for oppbevaring av fersk mat og medikamenter eller nedfrysing av matvarer.

Denne minibaren er kun egnet for det tiltenkte formålet og anvendelsen i samsvar med disse instruksjonene.

Denne håndboken gir informasjon som er nødvendig for en ordentlig installasjon og/eller drift av minibaren. Feilaktig installasjon og/eller ukorrekt bruk eller vedlikehold fører til utilfredsstillende ytelse og mulig svikt.

Produsenten fraskriver seg ethvert ansvar for personskader eller materielle skader på produktet som følge av:

- Ukorrekt montering eller tilkobling, inkludert for høy spenning
- Ukorrekt vedlikehold eller bruk av andre reservedeler enn originale reservedeler levert av produsenten
- Modifisering av produktet uten at det er gitt uttrykkelig godkjenning av produsenten
- Bruk til andre formål enn beskrevet i denne veiledningen

Dometic forbeholder seg rettigheten til å endre produktet ytre og produktspesifikasjoner.

5 Teknisk beskrivelse

Minibaren har en skuff med plass til 12 drikkebokser (pluss snacks).

Ved leveringen er medfølgende hyller og rominndelinger plassert slik at apparatet kan drives på en energieffektiv måte.

Minibaren DM20D leveres med antrasittpanel og håndtak.

Minibaren DM20F leveres uten panel, og er klargjort for montering av hotellets egen dørdekorasjonsplate.

Kjølesystemet består av et slitasjefritt peltier-kjøleapparat.

En lås er tilgjengelig som tilleggsalternativ.

5.1 Apparatbeskrivelse

Front

Pos. i fig. 1, side 3	Beskrivelse
1	Lås (tilleggsalternativ)
2	Håndtak (kun DM20D)
3	Dørpanel (kun DM20D)

Bakside

Pos. i fig. 2, side 3	Beskrivelse
1	Dryppeskål
2	Strømadapter

Kontrollpanel (inne i apparatet)

Pos. i fig. 3 , side 4	Beskrivelse
1	Lampe
2	Feil-LED
3	Status-LED
4	Innstillingsknapp

Hovedskuff

Pos. i fig. 4 , side 4	Beskrivelse
1	Inndelingselement
2	Flaskefinger

6 Installasjon



FORSIKTIG! Helsefare

For å unngå farer ved mangler stabilitet, skal apparatet monteres i samsvar med instruksene.

6.1 Montering av minibaren i et møbel



PASS PÅ! Fare for skader

Luft som passerer gjennom luftinntakskanalen, må ikke varmes opp. Ikke plasser minibaren i nærheten av åpne flammer eller andre varmekilder (varmeovner, sterkt sollys, gassovner osv).

Det finnes fire måter man kan montere minibaren inn i møbler på.

1. Velg ditt foretrukne installasjonsalternativ (fig. **5**, side 5).
2. Finn ut hva som er den nødvendige installasjonsnisen (fig. **6**, side 6).
D er tykkelsen på hotellets egen dekorasjonsplate.
3. Plasser minibaren slik at du sikrer god lufttilstrømning fra ventilasjonsåpningene (fig. **7**, side 6).

4. Sørg for å overholde minimum klaring mellom baksiden av minibaren og veggen (fig. **14**, side 10).
5. Lag ventilasjonsåpningene som vist i fig. **8**, side 6.
6. Fest kjøleskapet med egnede skruer (fig. **9 1** og **2**, side 7).

6.2 Elektrisk tilkobling av minibaren

- ▶ Plugg vekselstrømkabelen inn i vekselspenningsuttaket, og koble den til vekselstrømnettet.
- ✓ Status-LED-lampen lyser.
- ✓ Minibaren begynner nedkjølingen innvendig.

6.3 Montering av hotellets egen dørdekorasjonsplate (kun DM 20F)

Hotellets egen dørdekorasjonsplate må oppfylle følgende krav:

- Maksimal vekt: 2 kg
 - Maksimal tykkelse: 14 mm
- ▶ Fest dekorasjonsplaten med fire skruer.

6.4 Monter låsen (kun versjon med lås)

1. Bor et hull med en diameter på 35 mm i dekorasjonsplaten.
2. Monter låsen sammen med låsedekorasjonen.

6.5 Montering av lås (kun versjon uten lås)

Demontere skuffen (fig. **10**, side 8)

1. Åpne skuffen helt.
2. Trykk på skinnesperren (**A 1**).
3. Trekk skuffen ut av skapet.
4. Fjern tetningen (**B 1**).
5. Fjern låsbeslaget (**B 2**).
6. Fjern pluggene (**C 1**) fra skruene til dørhåndtaket (**C 3**).
7. Skru ut skruene (**C 2**) i dørhåndtaket (**C 3**).
8. Fjern dørhåndtaket (**C 3**).

Bore hullene (fig. 11, side 8)

1. Bor et hull med en diameter på 25 mm gjennom dekorasjonsplaten og døren (A 1).
2. Skru ut skruene (B 1) på dekorasjonsplaten (B 2).
3. Fjern dekorasjonsrammen (B 2).

Montere låsen (fig. 12, side 9)

1. Sett på plass det nye låsbeslaget (A 1).
2. Sett dekorasjonsplaten (B 1) inn i dekorasjonsrammen (B 3).
3. Skru dekorasjonsrammen (B 3) på døren (B 2).
4. Monter dørlåsen (C 1).
5. Monter låseplaten i skapet (D 1).

Montere skuffen (fig. 13, side 9)

1. Press tetningen (1) inn i dekorasjonsrammen (2).
2. Skru dørhåndtaket (4) på døren.
3. Trykk pluggene (3) inn på skruene til dørhåndtaket (4).
4. Skyv skuffen inn i skapet.

7 Betjening

**PASS PÅ! Fare for skader**

Lyspæren kan bare skiftes ut av produsenten, en servicepartner eller andre kvalifiserte personer for å unngå fare.

7.1 Spare strøm

- Ta opp døren til minibaren bare så ofte og så lenge som nødvendig.
- Unngå unødvendig høy innetemperatur.
- For et optimalt strømforbruk plasserer du hyllene og skuffene i henhold til posisjon ved levering.
- Kontroller regelmessig at dørens tetning fortsatt sitter riktig.
- Rengjør kondensatoren regelmessig for støv og forurensninger.

7.2 Bruk av minibaren

Minibaren starter kjølingen når den kobles til strøm. Under normal drift lyser status-LED-lampen. Hvis det oppstår en feil, blinker feil-LED-lampen (se kapittel «Feilretting» på side 157).

7.3 Temperaturinnstilling

For å unngå matsvinn, gjør du følgende:

- Hold temperatursvingningen så lav som mulig. Ta opp døren til minibaren bare så ofte og så lenge som nødvendig. Sett matvarene til oppbevaring med god luft-sirkulasjon.
- Minibaren er utstyrt med automatisk temperaturregulering. Velg gjennomsnittet av mulig temperatur.
- Juster temperaturen etter mengde og type matvarer.

Minibaren er standardmessig innstilt på en kjøletemperatur på 7 °C ved en omgivel-sestemperatur på 25 °C.

Med innstillingsknappen (fig. **3** 4, side 4) kan du stille inn kjøletemperaturen til en av tre verdier: 5 °C, 12 °C og 7 °C.

Her endres temperaturen i rekkefølgen 5 °C ... 12 °C ... 7 °C ... 5 °C osv.

- ▶ Trykk på innstillingsknappen (fig. **3** 4, side 4) og hold den inne i 5 sekunder til lampen (fig. **3** 1, side 4) begynner å blinke.
- ▶ Trykk straks på innstillingsknappen (fig. **3** 4, side 4) igjen.
- ✓ Lampen (fig. **3** 1, side 4) indikerer den innstilte temperaturen:
 - 5 °C: lampen blinker fem ganger i tre intervaller
 - 12 °C: lampen blinker én gang i tre intervaller
 - 7 °C: lampen blinker tre ganger i tre intervaller



MERK

Minibaren stiller automatisk inn kjøletemperaturen på 7 °C når den kobles til en strømkilde.

8 Feilretting

Problem	Mulig årsak	Løsningsforslag
Apparatet fungerer ikke, status-LED-lampen lyser ikke.	Det er ingen spenning i vekselspenningsuttaket.	Prøv å koble til en annen stikkontakt.
	Strømadapteren er defekt.	Ta kontakt med en servicepartner.
Apparatet kjøler ikke (støpselet er pluggert inn, status-LED-lampen lyser).	Kjøleelementet er defekt.	Ta kontakt med en servicepartner.
Feil-LED-lampen blinker én gang per sekund.	Temperatursensoren er defekt.	Ta kontakt med en servicepartner.
Apparatet kjøler ikke tilstrekkelig, status-LED-lampen lyser, feil-LED-lampen lyser ikke.	Kjøleelementet er defekt.	Ta kontakt med en servicepartner.
	Dårlig ventilasjon	Sjekk ventilasjonen. Rengjør filteret under apparatet.

9 Rengjøring og vedlikehold



PASS PÅ! Fare for skader

- Apparatet må aldri rengjøres under rennende vann eller i oppvaskvann.
- Ikke bruk sterke vaskemidler eller harde gjenstander til rengjøring, da det kan skade kjøleskapet.

- Rengjør kjøleapparatet innvendig og utvendig fra tid til annen med en fuktig klut.
- Sørg for at kjøleapparatets ventiler for inntak og uttak av luft er fri for støv og smuss, slik at varme slipper ut og apparatet ikke blir skadet.
- Rengjør inntaksfilteret regelmessig.
- Hvis du oppdager vann i dryppeskålen (fig. **2** 1, side 3), må du undersøke om dreneringssystemet er blokkert.

**PASS PÅ! Fare for skader**

Lyspæren kan bare skiftes ut av produsenten, en servicepartner eller andre kvalifiserte personer for å unngå fare.

10 Garanti

Lovmessig garantitid gjelder. Hvis produktet er defekt, ta kontakt med forhandleren eller produsentens filial i landet (se dometic.com/dealer).

Ved henvendelser vedrørende reparasjon eller garanti, må du sende med følgende dokumentasjon:

- Kopi av kvitteringen med kjøpsdato
- Årsak til reklamasjonen eller beskrivelse av feilen

Vær oppmerksom på at reparasjoner som utføres selv, eller som ikke utføres på en profesjonell måte, kan gå ut over sikkerheten og føre til at garantien blir ugyldig.

11 Avfallshåndtering

Resirkulering av emballasje



- ▶ Lever emballasje til resirkulering så langt det er mulig.

Resirkulering av produkter med ikke-erstattbare batterier, oppladbare batterier eller lyskilder



- ▶ Hvis produkter inneholder ikke-erstattbare batterier, oppladbare batterier eller lyskilder, trenger du ikke fjerne dem før avhending.
- ▶ Hvis du ønsker å avfallsbehandle produktet, må du rådføre deg med nærmeste gjenvinningsstasjon eller din faghandler om hvordan du kan gjøre dette i overensstemmelse med gjeldende deponeringsforskrifter.
- ▶ Produktet kan avhendes gratis.




12 Tekniske spesifikasjoner

For den gjeldende EU-samsvarserklæringen for din enhet, se den aktuelle produkt-siden på dometic.com eller ta kontakt med produsenten direkte (se dometic.com/dealer).

Ytterligere produktinformasjon er tilgjengelig via QR-koden på energietiketten (se illustrasjonene) eller via eprel.ec.europa.eu.

Kjølekretsen inneholder R600a.

	DM 20D	DM 20F
Spenning:	220 – 240 V~, 50/60 Hz	
Kjøleeffekt:	maks. 20 °C under omgivelsestemperatur (justerbar i tre trinn: +5 °C, +7 °C, +12 °C)	
Kategori:	Kjeller	
Samlet kapasitet:	20 l	
Energimerking:	G	
Tiltentk omgivelsestemperatur ved bruk:	+16 °C til +32 °C	
Støyutslipp:	0 dB(A)	
Kjølemiddelmengde:	24 g	
Mål hovedskuff B x D x H:	285 x 228 x 112 mm	
Mål H x B x D:	365 x 384 x 419 mm	365 x 384 x 391 mm
Vekt:	12,3 kg	
Inspeksjon/sertifisering:		

Lue nämä ohjeet huolellisesti ja noudata kaikkia tämän tuotteen käyttöohjeissa annettuja ohjeita, määräyksiä ja varoituksia. Näin varmistat, että tuotteen asennus, käyttö ja huolto sujuu aina oikein. Näiden ohjeiden TÄYTYY jäädä tuotteen yhteyteen.

Käyttämällä tuotetta vahvistat lukeneesi kaikki ohjeet, määräykset ja varoitukset huolellisesti ja että ymmärrät ja hyväksyt tässä annetut ehdot. Sitoudut käyttämään tuotetta ainoastaan sen käyttötarkoitukseen ja ilmoitetuissa käyttökohteissa ja noudattaen tässä tuotteen käyttöohjeessa annettuja ohjeita, määräyksiä ja varoituksia sekä voimassa olevia lakeja ja määräyksiä. Tässä annettujen ohjeiden ja varoitusten lukematta ja noudattamatta jättäminen voi johtaa omaan tai muiden loukkaantumiseen, tuotteen vaurioitumiseen tai muun ympärillä olevan omaisuuden vaurioitumiseen. Tähän tuotteen käyttöohjeeseen, ohjeisiin, määräyksiin ja varoituksiin sekä oheisdokumentteihin voidaan tehdä muutoksia ja niitä voidaan päivittää. Katso ajantasaiset tuotetiedot osoitteesta documents.dometic.com, dometic.com.

Sisältö

1	Symbolien selitykset	160
2	Turvallisuusohjeet	161
3	Toimituskokonaisuus	164
4	Käyttötarkoitus	165
5	Tekninen kuvaus	166
6	Asennus	167
7	Käyttö	169
8	Vianetsintä	171
9	Puhdistus ja hoito	171
10	Takuu	172
11	Hävittäminen	172
12	Tekniset tiedot	173

1 Symbolien selitykset



VAARA!

Turvallisuusohjeet: Viittaa vaaralliseen tilanteeseen, joka johtaa kuolemaan tai vakavaan loukkaantumiseen, jos sitä ei vältetä.



VAROITUS!

Turvallisuusohjeet: Viittaavat vaaralliseen tilanteeseen, joka voi johtaa kuolemaan tai vakavaan loukkaantumiseen, jos ohjeita ei noudateta.

**HUOMIO!**

Turvallisuusohjeet: Viittaavat vaaralliseen tilanteeseen, joka voi johtaa lievään tai kohtalaiseen loukkaantumiseen, jos ohjeita ei noudateta.

**HUOMAUTUS!**

Viittaavat tilanteeseen, joka voi johtaa esinevahinkoon, jos ohjeita ei noudateta.

**OHJE**

Tuotteen käyttöä koskevia lisätietoja.

2 Turvallisuusohjeet

2.1 Perusturvallisuus



VAROITUS! Näiden varoitusten noudattamatta jättäminen voi johtaa kuolemaan tai vakavaan vammaan.

Sähköiskun vaara

- Varmista, että minibaarin asennuksen on suorittanut pätevä asentaja Dometic-asennusopasta vastaavalla tavalla.
- Minibaaria ei saa ottaa käyttöön, jos siinä on näkyviä vaurioita.
- Jos tämän minibaarin liitännäjohto on vaurioitunut, valmistajan, huolto-palvelun tai ammattilaisen, jolla on vastaava pätevyys, tulee vaihtaa se vaaratilanteiden välttämiseksi.
- Tätä minibaaria saavat korjata ainoastaan tehtävään pätevät ammattilaiset. Virheellisesti suoritetuista korjaustoista saattaa aiheutua huomattavia vaaroja.
- Varmista, että virtajohto ei tartu kiinni mihinkään eikä vaurioidu, kun sijoitat minibaaria paikalleen.
- Älä sijoita siirrettäviä pistorasialistoja tai siirrettäviä virtalähteitä laitteen taakse.
- Liitä laite pistorasiaan, jolla liitäntä on varmasti tukeva, etenkin jos laite täytyy maadoittaa.

Palovaara

- Jäähdytyskierron sisältämä kylmäaine on helposti syttyvää. Jos jäähdytyskierrossa on mikä tahansa vaurio:
 - Kytke minibaari pois päältä.
 - Ehkäise avotulen ja sytytyskipinöiden esiintyminen.
 - Tuuleta tila huolellisesti.
- Jäähdytyskierto sisältää pienen määrän ympäristöystävällistä mutta syttyvää kylmäainetta. Se ei vahingoita otsonikerrosta eikä edistä kasvihuoneilmiötä. Vuotava kylmäaine voi syttyä.
- Varmista, että minibaarin asennussyvennyksessä ei ole sähkökomponentteja eikä valonlähteitä, jotka normaalissa tai normaalista poikkeavassa käytössä synnyttävät kipinöitä tai valokaaren (esim. releet tai sulakerasiat).
- Älä käytä äläkä säilytä minibaaria suljetussa tilassa, jossa ilma ei liiku lainkaan tai liikkuu vain minimaalisen vähän.
- Asennuksen jälkeen minibaari on edelleen pystyttävä irrottamaan verkovirrasta. Se voidaan toteuttaa joko varmistamalla käsiksupääsy pistokkeeseen tai asentamalla kiinteään johdotukseen katkaisija johdotussääntöjen mukaisesti.
- Pidä tuuletusaukot minibaarin syvennyksessä tai upotuskalusteessa vapaina esteistä.
- Älä käytä muita kuin valmistajan suosittelemia välineitä tai muita keinoja sulatuksen nopeuttamiseen.
- Älä missään tapauksessa avaa jäähdytyskiertoa.
- Älä käytä minibaarin sisällä sähkölaitteita, ellei valmistaja suosittele näitä sähkölaitteita tähän tarkoitukseen.

Räjähdytsvaara

- Älä säilytä minibaarissa mitään räjähdysalttiita aineita kuten esim. suihkepurkkeja, joissa on punneainetta.

Terveysvaara

- Tätä minibaaria voivat käyttää valvonnan alaisuudessa myös vähintään 8-vuotiaat lapset samoin kuin henkilöt, joiden fyysiset, aistinvaraiset tai henkiset kyvyt ovat rajoittuneet tai joilta puuttuu laitteen käytön vaatima kokemus tai tietämys, mikäli edellä mainittuja henkilöitä on opastettu käyttämään minibaaria turvallisesti ja mikäli henkilöt ymmärtävät laitteen käyttöön liittyvät riskit.
- Lapset eivät saa leikkiä minibaarilla.

- Lapset eivät saa ilman valvontaa puhdistaa laitetta eivätkä ryhtyä käyttäjälle sallittuihin kunnossapitotöihin.
- 3 – 8-vuotiaat lapset saavat täyttää ja tyhjentää minibaaria.



HUOMIO! Näiden varoitusten noudattamatta jättäminen voi johtaa vähäiseen tai kohtalaiseen vammaan.

Rusentumisvaara

- Älä koske saranaan.

Terveysvaara

- Elintarvikkeita saa säilyttää vain alkuperäispakkauksissa tai tarkoitukseen sopivissa astioissa.



HUOMAUTUS! Vahingonvaara

- Vertaa tyyppikilven jännitetietoja käytettävissä olevaan energiansyöttöön.
- Minibaari ei sovellu syövyttävien tai liuottimia sisältävien aineiden varastointiin.
- Kylmälaitteen eristeet sisältävät syttyvää syklopentaania, joten ne vaativat erityisen hävittämismenetelmän. Kun kylmälaite on tullut käyttökänsä päähän, toimita se asianmukaiseen kierrätyspisteeseen.
- Pidä virtausaukko aina puhtaana.
- Kuljeta minibaaria vain pystyasennossa.

2.2 Minibaarin turvallinen käyttö



VAARA! Näiden varoitusten noudattamatta jättäminen johtaa kuolemaan tai vakavaan vammaan.

Sähköiskun vaara

- Älä kosketa avojohtimia koskaan paljain käsin.



HUOMIO! Näiden varoitusten noudattamatta jättäminen voi johtaa vähäiseen tai kohtalaiseen vammaan.

Sähköiskun vaara

- Huolehdi ennen minibaarin käyttöönottoa siitä, että johto ja pistoke ovat kuivia.

Terveysvaara

- Varmista, että panet minibaariin vain esineitä tai tuotteita, joita saa säilyttää valitussa lämpötilassa.

- Elintarvikkeita saa säilyttää vain alkuperäispakkauksissa tai tarkoitukseen sopivissa astioissa.
- Oven avaaminen pitkiksi ajoiksi voi merkittävästi nostaa lämpötilaa minibaarin lokeroissa.
- Puhdista säännöllisesti pinnat, jotka voivat joutua kosketuksiin elintarvikkeiden ja suojaamattomien viemärijärjestelmän osien kanssa.
- Jos minibaari jätetään tyhjäksi pitkäksi ajaksi:
 - Kytke minibaari pois päältä.
 - Sulata minibaari.
 - Puhdista ja kuivaa minibaari.
 - Jätä ovi auki, jotta minibaarin sisälle ei muodostu hometta.



HUOMAUTUS!

Vahingonvaara

- Älä altista minibaaria avoliekillä tai muilla lämpölähteillä (kynttilät, lämmitys, suora auringonpaiste, kaasuuunit jne.).
- Älä koskaan upota minibaaria veteen.
- Suojaa minibaari ja johto kuumuudelta ja kosteudelta.
- Varmista, että elintarvikkeet eivät kosketa jääkaappiosaston seinää.

3 Toimituskokonaisuus

Saatavilla on seuraavat pöytävalinnat:

- Minibaari DM20D ovipaneelilla, ilman lukkoa
- Minibaari DM20D ovipaneelilla ja lukolla
- Minibaari DM20F ilman ovipaneelia ja lukkoa
- Minibaari DM20F ilman ovipaneelia mutta lukolla

Määrä	Kuvaus	
1	Minibaari	
1	Vaihtovirtaliitäntäjohto	
2	Ruuvi Ø 4 x 45 mm (asennus)	
2	Ruuvi Ø 4 x 25 mm (etujalkojen asennus)	
2	Ruuvi M4 x 45 mm (kahvan asennus)	
2	Ruuvien suojatulppa (asennus)	
1	Kahva	Vain DM20D

Määrä	Kuvaus	
2	Ruuvien suojatulppa (kahvan asennus)	Vain DM20D
2	Ruuvien suojatulppa (puupaneeli)	Vain puuversio DM20F
1	Lukon etulevy (puupaneeli)	Vain lukollinen puuversio DM20F
2	Avain	Vain lukollinen versio
1	Asennus- ja käyttöohje	

4 Käyttötarkoitus

Kylmälaite (josta käytetään myös nimitystä minibaari) on tarkoitettu kotitalouskäyttöön ja sen kaltaisiin käyttökohteisiin kuten:

- Henkilökuntakeittiöt, toimistot ja muut työpisteet
- Maatilat
- Asiakaskäyttö hotelleissa, motelleissa ja muissa majoitusympäristöissä
- Aamiaismajoitustyyppiset ympäristöt
- Pitopalvelu- ja muut ei-jakelukohteet

Minibaari ei sovi asennettavaksi asuntovaunuihin ja matkailuautoihin.

Minibaari on tarkoitettu asennettavaksi kaapistoon tai asennussyvennykseen.

Minibaari on suunniteltu yksinomaan suljetuissa astioissa olevien juomien ja ruokien jäädyttämiseen ja säilyttämiseen.

Minibaari ei sovi tuoreruokien tai lääkeaineiden säilyttämiseen eikä pakastamiseen.

Tämä minibaari soveltuu ainoastaan näissä ohjeissa ilmoitettuun käyttötarkoitukseen ja käyttökohteeseen.

Näistä ohjeista saat minibaarin asianmukaiseen asennukseen ja/tai käyttöön tarvittavat tiedot. Väärin tehdyn asennuksen ja/tai väärän käyttötavan tai vääränlaisen huollon seurauksena laite ei toimi tyydyttävästi, ja se saattaa mennä epäkuntoon.

Valmistaja ei ota vastuuta tapaturmista tai tuotevaurioista, jotka johtuvat seuraavista:

- Väärin tehty asennus tai liitäntä, ylijännite mukaan lukien
- Väärin tehty huolto tai muiden kuin valmistajalta saatavien alkuperäisten varaosien käyttö
- Tuotteeseen ilman valmistajan nimenomaista lupaa tehdyt muutokset
- Käyttö muuhun kuin tässä ohjeessa ilmoitettuun tarkoitukseen

Dometic pidättää itsellään oikeuden muutoksiin tuotteen ulkonäössä ja spesifikaatioissa.

5 Tekninen kuvaus

Minibaarissa on laatikko, johon mahtuu 12 tölkkiä (plus välipalapatukoita).

Hyllyt ja osastot on toimitettaessa sijoitettu niin, että laitteen käyttö on energiatehokasta.

Minibaarissa DM20D on antrasiitinvärinen paneeli ja vetokahva.

Minibaari DM20F toimitetaan ilman paneelia, ja siinä on asennusvalmius hotellin omalle ovipaneelille.

Sen jäähdytysjärjestelmä on kulumaton peltier-jäähdytysjärjestelmä.

Lukko on saatavilla lisävarusteena.

5.1 Laitekuvaus

Etupuoli

Kohta – kuva 1 , sivulla 3	Kuvaus
1	Lukko (optio)
2	Kahva (vain DM20D)
3	Ovipaneeli (vain DM20D)

Taustapuoli

Kohta – kuva 2 , sivulla 3	Kuvaus
1	Tippa-astia
2	Verkkolaite

Käyttöpaneeli (laitteen sisällä)

Kohta – kuva 3 , sivulla 4	Kuvaus
1	Lamppu
2	Virhe-LED
3	Tila-LED
4	Asetuspainike

Päälaatikko

Kohta – kuva 4 , sivulla 4	Kuvaus
1	Jakaja
2	Pullonpidike

6 Asennus



HUOMIO! Terveysriski

Jotta laitteen epävakaus ei aiheuttaisi vaaraa, se on kiinnitettävä ohjeiden mukaisesti.

6.1 Minibaarin asennus kalusteeseen



HUOMAUTUS! Vahingonvaara

Tuloilmakanavan kautta kulkeva ilma ei saa lämmetä.

Älä altista minibaaria avoliekillä tai muille lämpölähteille (lämmitys, suora auringonpaiste, kaasuuunit jne.).

Voit asentaa minibaarin kalusteisiin neljällä eri tavalla.

1. Valitse haluamasi asennusvaihtoehto (kuva **5**, sivulla 5).
2. Tarkista asennukseen vaadittava syvennys (kuva **6**, sivulla 6)
d tarkoittaa hotellin oman paneelin paksuutta.
3. Tarkista minibaarin oikea sijainti ja, että ilma virtaa tarpeeksi ilmanvaihtoaukoista (kuva **7**, sivulla 6).

4. Tarkista, että minibaarin takaosan ja kalusteen seinän välissä on vähimmäisvaatimuksen verran vapaata tilaa (kuva **14**, sivulla 10).
5. Tee ilmanvaihtoaukot seuraavalla tavalla kuva **8**, sivulla 6.
6. Kiinnitä jääkaappi sopivilla ruuveilla (kuva **9 1** ja **2**, sivulla 7).

6.2 Minibaarin sähköliitäntä

- ▶ Työnnä vaihtovirtaliitäntäjohdon toinen pää vaihtovirtaliittimeen ja liitä toinen pää vaihtovirtapistorasiaan.
- ✓ Tila-LED syttyy.
- ✓ Minibaari alkaa jäähdyttää sisätilaansa.

6.3 Hotellin oman paneelin asennus (vain DM20F)

Hotellin oman ovipaneelin täytyy täyttää seuraavat vaatimukset:

- Enimmäispaino: 2 kg
- Enimmäispaksuus: 14 mm
- ▶ Kiinnitä paneeli neljällä ruuvilla.

6.4 Lukon asennus (vain lukollinen versio)

1. Poraa paneeliin reikä, jonka halkaisija on 35 mm.
2. Asenna lukko yhdessä lukon etulevyn kanssa.

6.5 Lukon asennus (vain lukoton versio)

Laatikon irrotus (kuva **10**, sivulla 8)

1. Vedä laatikko kokonaan esiin.
2. Paina kiskolukkoa (**A 1**).
3. Vedä laatikko ulos kaapista.
4. Ota tiiviste (**B 1**) pois paikaltaan.
5. Poista lukon peite (**B 2**).
6. Ota suojatulpat (**C 1**) pois ovenkahvan (**C 3**) ruuveista.
7. Irrota ovenkahvan (**C 3**) ruuvit (**C 2**).
8. Irrota ovenkahva (**C 3**).

Reikien poraaminen (kuva 11, sivulla 8)

1. Pora paneelin ja oven läpi reikä, jonka halkaisija on 25 mm (A 1).
2. Irrota koristekehysten (B 2) ruuvit (B 1).
3. Ota koristekehys (B 2) pois.

Lukon asentaminen (kuva 12, sivulla 9)

1. Aseta uusi lukon peite (A 1) paikalleen.
2. Sijoita paneeli (B 1) koristekehykseen (B 3).
3. Ruuvaa koristekehys (B 3) oveen (B 2).
4. Asenna oven lukko (C 1).
5. Asenna lukon salpa kaappiin (D 1).

Laatikon kokoaminen (kuva 13, sivulla 9)

1. Paina tiiviste (1) koristekehykseen (2).
2. Ruuvaa ovenkahva (4) oveen.
3. Paina suojatulpat (3) ovenkahvan (4) ruuvien päälle.
4. Työnnä laatikko kaappiin.

7 Käyttö



HUOMAUTUS! Vahingonvaara

Vaaran välttämiseksi lampun voi vaihtaa vain valmistaja, asiakaspalvelu tai henkilö, jolla on vastaava pätevyys.

7.1 Energian säästäminen

- Avaa minibaari vain niin usein ja niin pitkäksi aikaa kuin on tarpeen.
- Vältä tarpeettoman matalaa sisälämpötilaa.
- Ihanteellisen energiankulutuksen saavuttamiseksi laita sijoita ja laatikot niin kuin ne olivat toimituksen yhteydessä.
- Varmista säännöllisesti, että oven tiiviste istuu kunnolla.
- Puhdista lauhdutin säännöllisin väliajoin pölystä ja liasta.

7.2 Minibaarin käyttö

Minibaari alkaa jäähtyä, kun virta kytketään. Normaalkäytön aikana tila-LED palaa. Vian ilmetessä vika-LED alkaa vilkkua (ks. kap. "Vianetsintä" sivulla 171).

7.3 Lämpötilan säätö

Huomaa seuraava ruokahävikin välttämiseksi:

- Pidä lämpötilan heilahtelu mahdollisimman pienenä. Avaa minibaari vain niin usein ja niin pitkäksi aikaa kuin on tarpeen. Säilytä elintarvikkeet niin, että ilma pääsee kiertämään hyvin.
- Minibaari on varustettu automaattisella lämpötilansäätötoiminnolla. Valitse mahdollisista lämpötila-arvoista keskimääräinen.
- Säädä lämpötila elintarvikkeiden määrää ja tyyppiä vastaavaksi.

Minibaarin oletusasetuksena on jäähdytyslämpötila 7 °C, ja ympäristön lämpötilan oletetaan olevan 25 °C.

Asetuspainikkeella (kuva **3** 4, sivulla 4) voit asettaa jäähdytyslämpötilaksi jonkin seuraavista arvoista: 5 °C, 12 °C tai 7 °C.

Tällöin lämpötila-asetus muuttuu järjestyksessä 5 °C ... 12 °C ... 7 °C ... 5 °C jne.

- ▶ Paina asetuspainiketta (kuva **3** 4, sivulla 4) 5 sekunnin ajan, kunnes valo (kuva **3** 1, sivulla 4) alkaa vilkkua.
- ▶ Paina asetuspainiketta (kuva **3** 4, sivulla 4) heti uudelleen.
- ✓ Valo (kuva **3** 1, sivulla 4) ilmoittaa asetuslämpötilan:
 - 5 °C: valo vilkahtaa viisi kertaa kolmessa jaksossa
 - 12 °C: valo vilkahtaa kerran kolmessa jaksossa
 - 7 °C: valo vilkahtaa kolme kertaa kolmessa jaksossa



OHJE

Minibaari asettaa jäähdytyslämpötilaksi automaattisesti 7 °C kun se liitetään virtalähteeseen.

8 Vianetsintä

Häiriö	Mahdollinen syy	Ratkaisuehdotus
Laite ei toimi, tila-LED ei pala.	Vaihtovirtapistorasiassa ei ole jännitettä.	Kokeile toista pistorasiaa.
	Verkkolaite on rikki.	Ota yhteyttä huoltoon.
Laite ei jäähdytä (pistoke on kiinnitetty, tila-LED loistaa).	Jäähdytyslementti on rikki.	Ota yhteyttä huoltoon.
Virhe-LED vilkahtaa keran sekunnissa.	Lämpötila-anturi on viallinen.	Ota yhteyttä huoltoon.
Laite ei jäähdytä riittävästi, tila-LED loistaa, virhe-LED ei loista.	Jäähdytyslementti on rikki.	Ota yhteyttä huoltoon.
	Huono tuuletus	Tarkasta tuuletus. Puhdista laitteen pohjassa oleva suodatin.

9 Puhdistus ja hoito



HUOMAUTUS! Vahingonvaara

- Älä puhdista jäähdytyslaitetta koskaan juoksevan veden alla tai tiskivedessä.
- Älä käytä puhdistamiseen voimakkaita puhdistusaineita tai kovia esineitä, koska ne voivat vahingoittaa kylmälaitetta.

- ▶ Puhdista jäähdytyslaite toisinaan sisältä ja ulkoa kostealla liinalla.
- ▶ Varmista, että kylmälaitteen ilmanotto- ja poistoaukot ovat puhtaita pölystä ja liasta, jotta toiminnasta syntyvä lämpö saadaan johdettua pois eikä kylmälaite pääse vaurioitumaan.
- ▶ Puhdista tulosuodatin ajoittain.
- ▶ Jos tippa-astiassa (kuva **2** 1, sivulla 3) on vettä, tarkista, onko poistoputkisto tukkeutunut.



HUOMAUTUS! Vahingonvaara

Vaaran välttämiseksi lampun voi vaihtaa vain valmistaja, asiakaspalvelu tai henkilö, jolla on vastaava pätevyys.

10 Takuu

Tuotetta koskee lakisääteinen tuotevastuu-aika. Jos tuote on viallinen, ota yhteyttä jälleenmyyjään tai valmistajan toimipisteeseen omassa maassasi (ks. dometic.com/dealer).

Jos lähetät tuotteen korjattavaksi, liitä korjaus- ja takuukäsittelyä varten mukaan seuraavat asiakirjat:

- Kopio kuitista, jossa näkyy ostopäivä
- Valitusperuste tai vikakuvaus

Huomaa, että itse tai väärin tehty korjaus voi vaarantaa turvallisuuden ja johtaa takuun raukeamiseen.

11 Hävittäminen

Pakkausmateriaalin kierrätys



- Vie pakkausmateriaalit mahdollisuuksien mukaan niille tarkoitettuihin kierrätysjäteastioihin.

Kiinteästi asennettuja akkuja, ladattavia akkuparistoja ja valonlähteitä sisältävien tuotteiden kierrätys




- Jos tuotteessa on kiinteästi asennettuja akkuja, ladattavia akkuparistoja tai valonlähteitä, niitä ei tarvitse poistaa ennen tuotteen hävittämistä.
- Jos haluat poistaa tuotteen lopullisesti käytöstä, tiedustele yksityiskohtaisia hävittämistä koskevia ohjeita ja määräyksiä lähimmästä kierrätyskeskuksesta tai erikoisliikkeestä.
- Tuotteen voi hävittää veloitusetta.

12 Tekniset tiedot

Laitteesi ajan tasalla olevan EU-vaatimustenmukaisuusvakuutuksen löydät vastaavalta tuotesivulta osoitteesta dometic.com. Voit myös pyytää asiakirjan suoraan valmistajalta (katso dometic.com/dealer).

Lisää tuotetietoja saat energiamerkin QR-koodin (ks. kuvat) kautta tai osoitteesta eprel.ec.europa.eu.

Jäähdytyskierto sisältää R600a:ta.

	DM 20D	DM 20F
Jännite:	220 – 240 V~, 50/60 Hz	
Jäähdytysteho:	maks. 20 °C alle ympäristölämpötilan (säädetävissä kolmiportaisesti: +5 °C, +7 °C, +12 °C)	
Luokka:	Kellari	
Kokonaistilavuus:	20 l	
Energiatohokkuusluokka:	G	
Tarkoitettu käytön ympäristölämpötila:	+16 °C ... +32 °C	
Melupäästöt:	0 dB(A)	
Kylmäaineen määrä:	24 g	
Päälaatikon mitat L x S x K:	285 x 228 x maks. 112 mm	
Mitat K x L x S:	365 x 384 x maks. 419 mm	365 x 384 x maks. 391 mm
Paino:	12,3 kg	
Tarkastus/sertifikaatti:		

Пожалуйста, внимательно прочтите и соблюдайте все указания, рекомендации и предупреждения, содержащиеся в этом руководстве по использованию изделия, чтобы гарантировать правильную установку, использование и обслуживание изделия. Эта инструкция ДОЛЖНА оставаться вместе с этим изделием.

Используя изделие, вы тем самым подтверждаете, что внимательно прочитали все указания, рекомендации и предупреждения, а также, что вы понимаете и соглашаетесь соблюдать положения и условия, изложенные в настоящем документе. Вы соглашаетесь использовать это изделие только по прямому назначению и в соответствии с указаниями, рекомендациями и предупреждениями, изложенными в данном руководстве по использованию изделия, а также в соответствии со всеми применимыми законами и правилами. Несоблюдение указаний и предупреждений, изложенных в данном документе может привести к травмам вас и других лиц, повреждению вашего изделия или повреждению другого имущества, находящегося поблизости. Данное руководство по использованию изделия, включая указания, рекомендации и предупреждения, а также сопутствующую документацию, может подвергаться изменениям и обновлениям. Актуальную информацию о продукте можно найти на сайте documents.dometic.com, dometic.com.

Содержание

1	Пояснение к символам	174
2	Указания по технике безопасности	175
3	Комплект поставки	179
4	Использование по назначению	179
5	Техническое описание	180
6	Монтаж	182
7	Управление	184
8	Устранение неисправностей	185
9	Очистка и уход	186
10	Гарантия	187
11	Утилизация	187
12	Технические характеристики	187

1 Пояснение к символам



ОПАСНОСТЬ!

Указание по технике безопасности: Указывает на опасную ситуацию, которая, если ее не избежать, приведет к смерти или серьезным травмам.

**ПРЕДУПРЕЖДЕНИЕ!**

Указание по технике безопасности: Указывает на опасную ситуацию, которая, если ее не избежать, может привести к смерти или серьезным травмам.

**ОСТОРОЖНО!**

Указание по технике безопасности: Указывает на опасную ситуацию, которая, если ее не избежать, может привести к травмам легкой или средней степени тяжести.

**ВНИМАНИЕ!**

Указывает на ситуацию, которая, если ее не избежать, может привести к материальному ущербу.

**УКАЗАНИЕ**

Дополнительная информация о работе с устройством.

2 Указания по технике безопасности

2.1 Основные указания по технике безопасности



ПРЕДУПРЕЖДЕНИЕ! Несоблюдение этих предупреждений может привести к смерти или серьезной травме.

Опасность поражения электрическим током

- Убедитесь, что мини-бар был установлен квалифицированным специалистом в соответствии с руководством по монтажу Dometic.
- Запрещается эксплуатировать мини-бар, если он имеет видимые повреждения.
- Во избежание опасных ситуаций в случае повреждения питающего кабеля мини-бара необходимо заменить его, обратившись к изготовителю, в сервисный центр или к специалисту с аналогичной квалификацией.
- Ремонт данного мини-бара разрешается выполнять только квалифицированному персоналу. Если ремонт выполнен неправильно, эксплуатация устройства может представлять опасность.
- При установке мини-бара шнур питания не должен быть зажат или поврежден.

- Не располагайте позади устройства выносные переходники и удлинители с несколькими розетками.
- Подключайте устройство к розеткам, которые обеспечивают правильное подключение, особенно когда устройство необходимо заземлить.

Опасность возникновения пожара

- Хладагент в холодильном контуре легко воспламеняется. В случае повреждения контура хладагента:
 - Выключите мини-бар.
 - Избегайте открытого огня и искр.
 - Хорошо проветрите помещение.
- В контуре хладагента содержится небольшое количество экологически чистого, но легковоспламеняющегося хладагента. Он не повреждает озоновый слой и не усиливает парниковый эффект. Любая утечка хладагента может воспламениться.
- В углубление для установки мини-бара не должно быть электрических компонентов и источников света, которые при нормальной или ненормальной работе создают искры или дуги (например, реле или блоки предохранителей).
- Не используйте и не храните мини-бар в замкнутых пространствах с отсутствием или минимальной циркуляцией воздуха.
- После установки необходимо предусмотреть возможность отключения мини-бара от электросети. Для этого обеспечьте доступ к вилке или установите выключатель в стационарной проводке в соответствии с правилами электромонтажа.
- Следите за тем, чтобы вентиляционные отверстия, в корпусе мини-бара или в структуре, в которую он встроен, не перекрывались.
- Не используйте механические устройства или другие средства для ускорения процесса размораживания, кроме тех, которые рекомендуются производителем.
- Категорически запрещается вскрывать холодильный контур.
- Не используйте электроприборы внутри мини-бара, за исключением случаев, когда эти приборы рекомендованы для этого изготовителем.

Опасность взрыва

- Не храните в мини-баре взрывоопасные вещества, например, аэрозольные баллоны с горючим газами-вытеснителями.

Опасность для здоровья

- Этот мини-бар может использоваться детьми с 8-ми лет и старше, а также лицами с ограниченными физическими, сенсорными и умственными возможностями или при недостатке необходимого опыта и знаний только под присмотром или после прохождения инструктажа по безопасному использованию мини-бара, если они понимают опасности, которые при этом могут возникнуть.
- Детям запрещается играть с мини-баром.
- Запрещается выполнять очистку и пользовательское техническое обслуживание детям без присмотра.
- Детям в возрасте от 3 до 8 лет разрешается загружать и разгружать мини-бар.

**ОСТОРОЖНО! Несоблюдение этих предостережений может привести к травме легкой или средней степени тяжести.****Опасность сдавливания**

- Не беритесь за петлю.

Опасность для здоровья

- Продукты питания разрешается хранить только в оригинальной упаковке или подходящих емкостях.

**ВНИМАНИЕ! Риск повреждения**

- Убедитесь, что значения напряжения, указанные на заводской табличке, соответствуют характеристикам имеющегося источника питания.
- Мини-бар не предназначен для хранения едких или содержащих растворители веществ.
- В изоляции холодильника содержится горючий циклопентан, который требует особого метода утилизации. По окончании срока службы сдайте охлаждающее устройство в соответствующий центр утилизации.
- Всегда содержите в чистоте сливное отверстие.
- Переносите мини-бар только в вертикальном положении.

2.2 Безопасная эксплуатация мини-бара



ОПАСНОСТЬ! Несоблюдение этих предупреждений ведет к смерти или серьезной травме.

Опасность поражения электрическим током

- Не беритесь голыми руками за оголенные провода.



ОСТОРОЖНО! Несоблюдение этих предостережений может привести к травме легкой или средней степени тяжести.

Опасность поражения электрическим током

- Перед включением убедитесь, что питающий кабель и штекер сухие.

Опасность для здоровья

- Следите за тем, чтобы в мини-баре находились только предметы и продукты, которые разрешается охлаждать до выбранной температуры.
- Продукты питания разрешается хранить только в оригинальной упаковке или в подходящих емкостях.
- Удерживание двери холодильника открытой в течение длительного времени может привести к существенному повышению температуры внутри мини-бара.
- Регулярно очищайте поверхности, которые могут контактировать с пищевыми продуктами и доступными сливными системами.
- Если мини-бар остается пустым в течение длительного времени:
 - Выключите мини-бар.
 - Разморозьте мини-бар.
 - Очистите и высушите мини-бар.
 - Оставьте дверь открытой, чтобы предотвратить образование плесени внутри минибара.



ВНИМАНИЕ!

Риск повреждения

- Не устанавливайте мини-бар вблизи открытого огня или других источников тепла (радиаторов отопления, сильных солнечных лучей, газовых печей и т. п.).
- Не погружайте мини-бар в воду.
- Предохраняйте мини-бар и кабели от воздействия жары и влаги.
- Следите за тем, чтобы продукты питания не касались внутренних стенок холодильника.

3 Комплект поставки

Доступны следующие основные альтернативы:

- Мини-бар DM 20D с декоративной панелью, без замка
- Мини-бар DM 20D с декоративной панелью, с замком
- Мини-бар DM 20F без декоративной панели, без замка
- Мини-бар DM 20F без декоративной панели, с замком

Количество	Наименование	
1	Мини-бар	
1	Соединительный кабель переменного тока	
2	Винт Ø 4 x 45 мм (монтаж)	
2	Винт Ø 4 x 25 мм (монтаж передних ножек)	
2	Винт М4 x 45 мм (монтаж ручки)	
2	Заглушка (монтаж)	
1	Ручка	Только DM20D
2	Заглушка (монтаж ручки)	Только DM20D
2	Заглушка (деревянная панель)	Только деревянная версия DM 20F
1	Декор замка (деревянная панель)	Только деревянная версия DM 20F с замком
2	Пояснения	Только версия с замком
1	Руководство по эксплуатации и монтажу	

4 Использование по назначению

Охлаждающее устройство (также называемое мини-баром) предназначено для использования в домашнем хозяйстве и подобных областях применения, таких как

- кухни для персонала в магазинах, офисах и других рабочих зонах
- фермерские дома
- клиентами в отелях, мотелях и других жилых помещениях
- в гостиницах типа «постель и завтрак»
- общественное питание и аналогичные сферы нерозничной торговли

Мини-бар не рассчитан для монтажа в жилых фургонах или кемперах.

Мини-бар предназначен для установки в шкафу или в монтажной нише.

Мини-бар предназначен исключительно для охлаждения и хранения напитков и продуктов питания в закрытых емкостях.

Мини-бар не пригоден для хранения свежих продуктов и лекарств, а также для замораживания продуктов.

Этот мини-бар подходит только для использования по назначению и применения в соответствии с данной инструкцией.

В данной инструкции содержится информация, необходимая для правильного монтажа и/или эксплуатации мини-бара. Неправильный монтаж и/или ненадлежащая эксплуатация или техническое обслуживание приводят к неудовлетворительной работе и возможному отказу.

Изготовитель не несет ответственности за какие-либо травмы или повреждение продукта в результате следующих причин:

- Неправильная сборка или подключение, включая повышенное напряжение
- Неправильное техническое обслуживание или использование запасных частей, отличных от оригинальных запасных частей, предоставленных изготовителем
- Изменения в продукте, выполненные без однозначного разрешения изготовителя
- Использование в целях, отличных от указанных в данной инструкции

Компания Dometic оставляет за собой право изменять внешний вид и технические характеристики продукта.

5 Техническое описание

Мини-бар имеет выдвижной ящик для 12 банок (плюс закуски).

При поставке предоставленные полки и отделения расположены таким образом, чтобы устройство могло работать в энергосберегающем режиме.

Мини-бар DM 20D оснащен антрацитовый панелью и ручкой.

Мини-бар DM 20F поставляется без панели и подготовлен к установке собственной декоративной дверной панели гостиницы.

Его система охлаждения представляет собой неизнашиваемые элементы Пельтье.

Замок доступен в качестве опции.

5.1 Описание прибора

Лицевая сторона

Поз. на рис. 1 , стр. 3	Наименование
1	Замок (опция)
2	Ручка (только DM20D)
3	Декоративная панель (только DM20D)

Задняя сторона

Поз. на рис. 2 , стр. 3	Наименование
1	Поддон
2	Сетевой адаптер

Панель управления (внутри устройства)

Поз. на рис. 3 , стр. 4	Наименование
1	Лампа
2	Светодиодный индикатор ошибки
3	Светодиодный индикатор состояния
4	Кнопка настройки

Главный ящик

Поз. на рис. 4 , стр. 4	Наименование
1	Разделитель
2	Держатель для бутылок

6 Монтаж



ОСТОРОЖНО! Опасность для здоровья

Во избежание опасности из-за неустойчивости устройства оно должно быть закреплено в соответствии с инструкциями.

6.1 Указания по установке в мебель



ВНИМАНИЕ! Риск повреждения

Воздух, проходящий через приточный воздуховод, не должен нагреваться.

Не размещайте мини-бар вблизи открытого огня или других источников тепла (обогревателей, прямых солнечных лучей, газовых плит и т. д.).

Существует четыре способа установки мини-бара в мебель.

1. Выберите предпочтительный вариант установки (рис. **5**, стр. 5).
2. Обратите внимание на требуемое монтажное углубление (рис. **6**, стр. 6)
d - толщина собственного декора отеля.
3. Обратите внимание на правильное расположение мини-бара и вентиляционных отверстий, чтобы обеспечить надлежащий поток воздуха (рис. **7**, стр. 6).
4. Обеспечьте минимальный зазор между задней стенкой мини-бара и мебельной стенкой (рис. **14**, стр. 10).
5. Сделайте вентиляционные отверстия, как показано на рис. **8**, стр. 6.
6. Закрепите мини-бар на месте с помощью подходящих винтов (рис. **9 1 и 2**, стр. 7).

6.2 Электрическое подключение мини-бара

- ▶ Вставьте кабель переменного тока в разъем переменного тока и подсоедините его к сети переменного тока.
- ✓ Загорается светодиодный индикатор состояния.
- ✓ Мини-бар начинает охлаждать внутреннее пространство.

6.3 Монтаж собственной декоративной панели гостиницы (только DM 20F)

Собственная декоративная панель гостиницы должна соответствовать следующим требованиям:

- Максимальный вес: 2 кг
 - Максимальная толщина: 14 мм
- Закрепите декоративную панель четырьмя винтами.

6.4 Монтаж замка (только версия с замком)

1. Просверлите отверстие диаметром 35 мм в декоративной панели.
2. Установите замок вместе с декором замка.

6.5 Монтаж замка (только версия без замка)

Разборка ящика (рис. 10, стр. 8)

1. Полностью откройте ящик.
2. Нажмите фиксатор направляющей (A 1).
3. Вытяните ящик из шкафа.
4. Снимите уплотнение (B 1).
5. Снимите крышку замка (B 2).
6. Снимите заглушки (C 1) с винтов ручки двери (C 3).
7. Вывинтите винты (C 2) ручки двери (C 3).
8. Снимите ручку двери (C 3).

Сверление отверстий (рис. 11, стр. 8)

1. Просверлите отверстие диаметром 25 мм через декоративную панель и дверь (A 1).
2. Вывинтите винты (B 1) рамы декоративной панели (B 2).
3. Снимите раму декоративной панели (B 2).

Сборка замка (рис. 12, стр. 9)

1. Установите новую крышку замка (A 1) на место.
2. Вставьте декоративную панель (B 1) в раму (B 3).
3. Привинтите раму (B 3) к двери (B 2).

4. Установите дверной замок (**C 1**).
5. Установите защелку замка в шкаф (**D 1**).

Сборка ящика (рис. 13, стр. 9)

1. Наденьте уплотнение (**1**) на раму (**2**).
2. Привинтите ручку (**4**) к двери.
3. Наденьте заглушки (**3**) на винты ручки двери (**4**).
4. Вставьте ящик в шкаф.

7 Управление



ВНИМАНИЕ! Риск повреждения

Во избежание опасных ситуаций замену лампы разрешается выполнять только производителю, сервисной службе или лицу, обладающему соответствующей или аналогичной квалификацией.

7.1 Энергосбережение

- Открывайте мини-бар настолько часто, насколько необходимо.
- Не допускайте очень низких температур в камере.
- Для оптимального потребления энергии расположите полки и ящики в соответствии с их положением при поставке.
- Регулярно проверяйте, правильно ли прилегает уплотнение двери.
- Регулярно очищайте конденсатор от пыли и загрязнений.

7.2 Использование мини-бара

При подключении к сети мини-бар начинает охлаждение. Во время нормальной работы светится светодиод «Status». При возникновении ошибки светодиод «Error» мигает (см. гл. «Устранение неисправностей» на стр. 185).

7.3 Настройка температуры

Чтобы избежать порчи продукта, обратите внимание на следующее:

- Обеспечивайте как можно меньшие колебания температуры. Открывайте мини-бар настолько часто, насколько необходимо. Храните продукты так, чтобы воздух мог хорошо циркулировать.

- Мини-бар оснащен функцией автоматической регулировки температуры. Выберите среднее из возможных значений температуры.
- Отрегулируйте температуру в соответствии с количеством и типом продуктов.

По умолчанию для мини-бара установлена температура охлаждения 7 °С при температуре окружающей среды 25 °С.

Вы можете использовать кнопку настройки (рис. **3** 4, стр. 4), чтобы установить одно из трех значений температуры охлаждения: 5 °С, 12 °С и 7 °С.

При этом температура изменяется в порядке 5 °С ... 12 °С ... 7 °С ... 5 °С и т. д.

- ▶ Нажмите кнопку настройки (рис. **3** 4, стр. 4) и удерживайте ее нажатой в течение 5 секунд, пока лампа (рис. **3** 1, стр. 4) не начнет мигать.
- ▶ Сразу же нажмите кнопку настройки (рис. **3** 4, стр. 4) еще раз.
- ✓ Лампа (рис. **3** 1, стр. 4) указывает настроенную температуру:
 - 5 °С: лампа мигает пять раз с тремя интервалами
 - 12 °С: лампа мигает один раз с тремя интервалами
 - 7 °С: лампа мигает три раза с тремя интервалами



УКАЗАНИЕ

Мини-бар автоматически устанавливает температуру охлаждения на 7 °С, когда он подключается к источнику питания.

8 Устранение неисправностей

Неисправность	Возможные причины	Вариант устранения
Прибор не работает, светодиодный индикатор состояния не горит.	Отсутствует напряжение в розетке переменного тока.	Попробуйте подключить прибор к другой розетке.
	Неисправен сетевой адаптер.	Обратитесь в сервисный центр.
Прибор не охлаждает (штекер вставлен, светодиодный индикатор состояния горит).	Неисправен охлаждающий элемент.	Обратитесь в сервисный центр.

Неисправность	Возможные причины	Вариант устранения
Светодиодный индикатор ошибки мигает один раз в секунду.	Датчик температуры неисправен.	Обратитесь в сервисный центр.
Прибор недостаточно охлаждает, светодиодный индикатор состояния светится, светодиодный индикатор ошибки не светится.	Неисправен охлаждающий элемент.	Обратитесь в сервисный центр.
	Плохая вентиляция	Проверьте вентиляцию. Очистите фильтр под устройством.

9 Очистка и уход



ВНИМАНИЕ! Риск повреждения

- Категорически запрещается чистить охлаждающее устройство под струей воды или в посудомоечной машине.
- Не используйте для чистки абразивные чистящие средства или острые предметы, т. к. они могут привести к повреждениям охлаждающего устройства.

- Периодически очищайте охлаждающее устройство снаружи и изнутри влажной тряпкой.
- Убедитесь в том, что приточно-вытяжные вентиляционные отверстия очищены от пыли загрязнений, чтобы можно было отвести возникающее при работе тепло и предотвратить опасность повреждения прибора.
- Регулярно очищайте входной фильтр.
- Если вы обнаружили воду в поддоне (рис. **2** 1, стр. 3), проверьте, не заблокирована ли дренажная система.



ВНИМАНИЕ! Риск повреждения

Во избежание опасных ситуаций замену лампы разрешается выполнять только производителю, сервисной службе или лицу, обладающему соответствующей или аналогичной квалификацией.

10 Гарантия

Действителен установленный законом срок гарантии. Если продукт неисправен, обратитесь в торговую организацию или представительство изготовителя в вашей стране (см. dometic.com/dealer).

При обращении по вопросам ремонта или гарантийного обслуживания необходимо также предоставить следующую информацию:

- Копию счета с датой покупки
- Причину претензии или описание неисправности

Учтите, что самостоятельно выполненный или непрофессиональный ремонт могут иметь последствия для безопасности и привести к аннулированию гарантии.

11 Утилизация

Переработка упаковочного материала



- По возможности, выкидывайте упаковочный материал в мусор, подлежащий вторичной переработке.

Переработка изделий с несъемными батареями, аккумуляторами и источниками света




- Если в изделии содержатся несъемные батареи, аккумуляторы и источники света, извлекать их перед утилизацией не нужно.
- Если вы окончательно выводите изделие из эксплуатации, получите информацию в ближайшем центре по вторичной переработке или в торговой сети о соответствующих предписаниях по утилизации.
- Изделие может быть утилизировано бесплатно.

12 Технические характеристики

Актуальную декларацию соответствия ЕС для вашего устройства смотрите на странице соответствующего продукта на dometic.com или свяжитесь с производителем напрямую (см. dometic.com/dealer).

Дополнительную информацию о продукте можно получить, отсканировав QR-код на наклейке для маркировки энергоэффективности (см. рисунки) или на сайте eprel.ec.europa.eu.

Холодильный контур содержит R600a.

	DM20D	DM20F
Напряжение:	220 – 240 В~, 50/60 Гц	
Холодопроизводительность:	макс. 20 °С ниже температуры окружающей среды (регулируется на трех уровнях: +5 °С, +7 °С, +12 °С)	
Категория:	Погреб	
Общий объем:	20 л	
Класс энергоэффективности:	G	
Предполагаемая температура окружающей среды:	от +16 °С до +32 °С	
Акустическая эмиссия:	0 дБ (А)	
Количество хладагента:	24 г	
Размеры главного ящика Ш x Г x В:	285 x 228 x 112 мм	
Размеры В x Ш x Г:	365 x 384 x 419 мм	365 x 384 x 391 мм
Вес:	12,3 кг	
Испытания/сертификат:		

Prosimy o uważne przeczytanie niniejszej instrukcji i przestrzeganie wszystkich zawartych w niej instrukcji postępowania, wskazówek i ostrzeżeń. Pozwoli to zapewnić, że produkt będzie zawsze prawidłowo instalowany, wykorzystywany i konserwowany. Niniejsza instrukcja MUSI przez cały czas pozostawać przy produkcie.

Korzystając z produktu, użytkownik potwierdza uważne przeczytanie wszelkich instrukcji, wskazówek i ostrzeżeń, ich zrozumienie oraz zobowiązuje się przestrzegać zawartych w nich warunków. Użytkownik zobowiązuje się wykorzystywać niniejszy produkt wyłącznie zgodnie z jego przeznaczeniem i zamierzonym zastosowaniem oraz z instrukcjami, wskazówkami i ostrzeżeniami wyszczególnionymi w niniejszej instrukcji produktu, jak również ze wszystkimi mającymi zastosowanie przepisami i regulacjami prawnymi. Nieprzestrzeganie zawartych tu instrukcji i ostrzeżeń może skutkować obrażeniami u użytkownika oraz osób trzecich, uszkodzeniem produktu lub też uszkodzeniem mienia w sąsiedztwie produktu. Zastrzega się możliwość wprowadzania zmian i aktualizacji niniejszej instrukcji produktu, wraz z instrukcjami, wskazówkami i ostrzeżeniami oraz powiązaną dokumentacją. Aktualne informacje dotyczące produktu można zawsze znaleźć na stronie documents.dometic.com, dometic.com.

Spis treści

1	Objaśnienie symboli	189
2	Wskazówki bezpieczeństwa	190
3	W zestawie	193
4	Użytkowanie zgodne z przeznaczeniem	194
5	Opis techniczny	195
6	Montaż.	197
7	Eksploatacja.	199
8	Usuwanie usterek	201
9	Czyszczenie i konserwacja	201
10	Gwarancja	202
11	Utylizacja	202
12	Dane techniczne	203

1 Objąśnienie symboli



NIEBEZPIECZEŃSTWO!

Wskazówka bezpieczeństwa: Wskazuje niebezpieczną sytuację, która – jeśli się jej nie uniknie – prowadzi do śmierci lub poważnych obrażeń.

**OSTRZEŻENIE!**

Wskazówka bezpieczeństwa: Wskazuje niebezpieczną sytuację, która – jeśli się jej nie uniknie – może prowadzić do śmierci lub poważnych obrażeń.

**OSTROŻNIE!**

Wskazówka bezpieczeństwa: Wskazuje niebezpieczną sytuację, która – jeśli się jej nie uniknie – może prowadzić do lekkich lub umiarkowanych obrażeń.

**UWAGA!**

Wskazuje sytuację, która – jeśli się jej nie uniknie – może prowadzić do powstania szkód materialnych.

**WSKAZÓWKA**

Dodatkowe informacje dotyczące obsługi produktu.

2 Wskazówki bezpieczeństwa

2.1 Podstawowe zasady bezpieczeństwa



OSTRZEŻENIE! Nieprzestrzeganie tych ostrzeżeń może prowadzić do śmierci lub ciężkich obrażeń.

Ryzyko porażenia prądem

- Upewnij się, że minibar został zainstalowany przez wykwalifikowanego technika zgodnie z instrukcją montażu Dometic.
- Nie używać minibaru, jeśli ma on widoczne uszkodzenia.
- Jeśli przewód minibaru ulegnie uszkodzeniu, aby uniknąć zagrożenia, musi zostać on wymieniony przez producenta, centrum serwisowe lub odpowiednio wykwalifikowany personel.
- Napraw minibaru mogą dokonywać tylko odpowiednio wykwalifikowane osoby. Nieodpowiednio wykonane naprawy mogą być przyczyną poważnych zagrożeń.
- Podczas ustawiania minibaru należy uważać, aby nie przygnieść ani nie uszkodzić przewodu zasilającego.
- Nie umieszczać z tyłu urządzenia przedłużaczy z wieloma gniazdami ani przenośnych zasilaczy.

- Urządzenie podłączać do gniazdek zapewniających odpowiednie przyłącze, zwłaszcza jeżeli wymaga ono uziemienia.

Ryzyko pożaru

- Czynniki chłodnicze w obiegu chłodzenia jest łatwopalny.
W razie uszkodzenia obiegu chłodzenia:
 - Wyłączyć minibar.
 - Unikać otwartego ognia i iskiei.
 - Dobrze przewietrzyć pomieszczenie.
- Obieg chłodzenia zawiera niewielką ilość przyjaznego dla środowiska, ale palnego czynnika chłodniczego. Nie uszkadza on warstwy ozonowej i nie przyczynia się do powstawania efektu cieplarnianego. Wyciekły czynnik chłodniczy może się zapalić.
- We wnęce, w której montowany jest minibar, nie umieszczać żadnych elementów elektrycznych ani źródeł światła, które podczas normalnej pracy albo w przypadku uszkodzenia mogą wytwarzać iskry lub łuki elektryczne (np. przełączników albo skrzynek bezpieczników).
- Nie użytkować ani nie przechowywać minibaru w zamkniętych pomieszczeniach bez obiegu powietrza lub o minimalnym obiegu powietrza.
- Po zakończeniu instalacji należy zapewnić możliwość odłączenia minibaru od sieci zasilającej. Można tego dokonać poprzez zapewnienie dostępu do wtyczki lub zainstalowanie wyłącznika w stałej instalacji elektrycznej zgodnie z przepisami dot. instalacji elektrycznych.
- Nie zasłaniać otworów wentylacyjnych w obudowie minibaru ani w konstrukcji, w którą jest on wbudowany.
- Nie używać urządzeń mechanicznych ani innych środków do przyspieszania procesu odszraniania, o ile nie zaleca ich do tego celu producent.
- W żadnym wypadku nie otwierać obiegu chłodzenia.
- Nie używać żadnych urządzeń elektrycznych wewnątrz minibaru, chyba że zostało to zalecone przez producenta.

Ryzyko wybuchu

- W minibarze nie wolno przechowywać substancji wybuchowych, np. pojemników aerosolowych z gazem wyłaczającym.

Zagrożenie zdrowia

- Dzieci od 8 lat i osoby o ograniczonych możliwościach fizycznych, sensorycznych lub intelektualnych oraz osoby niedysponujące stosowną wiedzą i doświadczeniem mogą używać minibaru jedynie pod nadzorem innej osoby bądź pod warunkiem uzyskania informacji dotyczących bezpiecznego użytkowania minibaru i zrozumienia wynikających z tego zagrożeń.
- Dzieci nie mogą bawić się minibarem.
- Dzieci nie mogą czyścić i konserwować urządzenia bez nadzoru.
- Dzieci od 3 do 8 lat mogą napełniać i opróżniać minibar.

**OSTROŻNIE! Nieprzestrzeganie tych uwag może prowadzić do lekkich lub umiarkowanych obrażeń.****Ryzyko zmiążdżenia**

- Nie dotykać zawiasu.

Zagrożenie zdrowia

- Artykuły spożywcze mogą być przechowywane tylko w oryginalnych opakowaniach lub w odpowiednich pojemnikach.

**UWAGA! Ryzyko uszkodzenia**

- Należy porównać dane dotyczące napięcia na tabliczce znamionowej z dostępnym źródłem zasilania.
- Minibar nie nadaje się do przechowywania substancji żrących ani zawierających rozpuszczalniki.
- Izolacja tego urządzenia chłodniczego zawiera palny cyklopentan, przez co wymaga ono specjalnej procedury utylizacyjnej. Po zaprzestaniu jego dalszej eksploatacji urządzenie chłodnicze należy dostarczyć do specjalistycznego zakładu utylizacyjnego.
- Otwór odpływowy zawsze utrzymywać w czystym stanie.
- Minibar można przenosić tylko w pozycji pionowej.

2.2 Bezpieczne użytkowanie minibaru**NIEBEZPIECZEŃSTWO! Nieprzestrzeganie tych ostrzeżeń prowadzi do śmierci lub ciężkich obrażeń.****Ryzyko porażenia prądem**

- Nigdy nie chwytać gołymi rękami nieosłoniętych przewodów.



OSTROŻNIE! Nieprzestrzeganie tych uwag może prowadzić do lekkich lub umiarkowanych obrażeń.

Ryzyko porażenia prądem

- Przed uruchomieniem minibaru należy sprawdzić, czy przewód zasilający i wtyczka są suche.

Zagrożenie zdrowia

- Należy uważać, aby w minibarze umieszczać tylko artykuły, które mogą być przechowywane w ustawionej w nim temperaturze.
- Artykuły spożywcze mogą być przechowywane tylko w oryginalnych opakowaniach lub w odpowiednich pojemnikach.
- Pozostawianie drzwi minibaru otwartych przez dłuższy czas może spowodować znaczny wzrost temperatury w jego komorach.
- Regularnie czyścić powierzchnie, które mogą mieć kontakt z żywnością i dostępnymi układami odprowadzania wody.
- Jeśli minibar pozostaje pusty przez długi czas:
 - Wyłączyć minibar.
 - Odszronić minibar.
 - Wyczyścić i wysuszyć minibar.
 - Pozostawić otwarte drzwi, aby w minibarze nie rozwijała się pleśń.



UWAGA!

Ryzyko uszkodzenia

- Nie ustawiać minibaru w pobliżu otwartego ognia lub innych źródeł ciepła (zapalonych świec, ogrzewania, bezpośredniego promieniowania słonecznego, kuchenek gazowych itp.).
- Nigdy nie zanurzać minibaru w wodzie.
- Chronić minibar i kabel przed wysokimi temperaturami i wilgocią.
- Zwracać uwagę, aby środki spożywcze nie dotykały ścian komory chłodzącej.

3 W zestawie

Dostępne są następujące główne warianty:

- Minibar DM20D z panelem dekoracyjnym drzwi, bez zamka
- Minibar DM20D z panelem dekoracyjnym drzwi, z zamkiem
- Minibar DM20F bez panelu dekoracyjnego drzwi, bez zamka
- Minibar DM20F bez panelu dekoracyjnego drzwi, z zamkiem

Ilość	Opis	
1	Minibar	
1	Kabel przyłączeniowy prądu przemiennego	
2	Śruba \varnothing 4 x 45 mm (do montażu)	
2	Śruba \varnothing 4 x 25 mm (do montażu przednich nóżek)	
2	Śruba M4 x 45 mm (do montażu uchwyty)	
2	Zaślepka (do montażu)	
1	Uchwyt do przenoszenia	Tylko DM20D
2	Zaślepka (do montażu uchwyty)	Tylko DM20D
2	Zaślepka (do drewnianego panelu)	Tylko wersja DM20F z drewnianym panelem
1	Panel dekoracyjny zamka (do drewnianego panelu)	Tylko wersja DM20F z drewnianym panelem i zamkiem
2	Legenda	Tylko wersja z zamkiem
1	Instrukcja montażu i obsługi	

4 Użytkowanie zgodne z przeznaczeniem

Urządzenie chłodnicze (zwane również minibarem) jest przeznaczone do użytku domowego i podobnych zastosowań w następujących obszarach:

- W kuchniach dla personelu w sklepach, biurach i innych miejscach pracy
- W gospodarstwach rolnych
- Do użytku przez gości w hotelach, motelach i innych rodzajach zakwaterowania
- W pensjonatach i na kwaterach prywatnych
- W cateringu i podobnych zastosowaniach niedetalicznych

Minibar nie nadaje się do instalacji w przyczepach kempingowych ani w kamperach.

Minibar jest przeznaczony do instalacji w meblach lub we wnęce.

Minibar służy wyłącznie do chłodzenia i przechowywania napojów oraz żywności w zamkniętych pojemnikach.

Minibar nie nadaje się do przechowywania świeżej żywności oraz lekarstw ani zamrażania żywności.

Minibar jest przystosowany wyłącznie do wykorzystywania zgodnie z jego przeznaczeniem oraz zamierzonym zastosowaniem według niniejszej instrukcji.

Niniejsza instrukcja zawiera informacje, które są niezbędne do prawidłowego montażu i/lub obsługi minibaru. Nieprawidłowy montaż i/lub niewłaściwa obsługa lub konserwacja powodują niezadowalające działanie i mogą prowadzić do uszkodzeń.

Producent nie ponosi żadnej odpowiedzialności za ewentualne obrażenia lub uszkodzenia produktu wynikłe z następujących przyczyn:

- Nieprawidłowy montaż lub podłączenie, w tym zbyt wysokie napięcie
- Niewłaściwa konserwacja lub użycie innych części zamiennych niż oryginalne części zamienne dostarczone przez producenta
- Wprowadzanie zmian w produkcie bez wyraźnej zgody producenta
- Użytkowanie w celach innych niż opisane w niniejszej instrukcji obsługi

Firma Dometic zastrzega sobie prawo do zmiany wyglądu i specyfikacji produktu.

5 Opis techniczny

Minibar wyposażony jest w szufladę z miejscem na 12 puszek (oraz batony).

Urządzenie dostarczane jest z półkami i przegródkami rozmieszczonymi w sposób zapewniający maksymalnie wydajne wykorzystanie energii.

Minibar DM20D posiada antracytowy paneli uchwyt do wyciągania szuflady.

Minibar DM dostarczany jest bez panelu i jest przygotowany do montażu własnego panelu dekoracyjnego drzwi, zapewnianego przez hotel.

Jako układ chłodzenia wykorzystywane są nieulegające zużyciu ogniwa Peltiera.

Zamek jest dostępny jako opcja.

5.1 Opis urządzenia

Przednia strona

Poz. na rys. 1 , strona 3	Opis
1	Zamek (opcja)
2	Uchwyt (tylko DM20D)
3	Panel dekoracyjny drzwi (tylko DM20D)

Tylna strona

Poz. na rys. 2 , strona 3	Opis
1	Zbiornik na skropliny
2	Zasilacz sieciowy

Panel sterowania (wewnątrz urządzenia)

Poz. na rys. 3 , strona 4	Opis
1	Lampka
2	Dioda LED sygnalizacji usterek
3	Dioda LED stanu
4	Przycisk ustawiania

Główna szuflada

Poz. na rys. 4 , strona 4	Opis
1	Przegroda
2	Uchwyt na butelki

6 Montaż



OSTROŻNIE! Zagrożenie zdrowia

Aby uniknąć niebezpieczeństwa spowodowanego niestabilnym ustawieniem urządzenia, należy je zamocować zgodnie z instrukcją.

6.1 Montaż minibaru w meblu



UWAGA! Ryzyko uszkodzenia

Powietrze przechodzące przez kanał powietrza wlotowego nie może być ogrzewane.

Nie ustawiać minibaru w pobliżu otwartego ognia lub innych źródeł ciepła (ogrzewania, bezpośredniego promieniowania słonecznego, kuchenek gazowych itp.).

Istnieją cztery sposoby montażu minibaru w meblach.

1. Należy wybrać preferowaną metodę montażu (rys. **5**, strona 5).
2. Należy przestrzegać wymaganych wymiarów wnęki, w której ma zostać zamontowany produkt (rys. **6**, strona 6).
„d” oznacza grubość zapewnianego przez hotel własnego panelu dekoracyjnego.
3. Należy pamiętać o prawidłowym ustawieniu minibaru i rozmieszczeniu otworów wentylacyjnych, aby zapewnić odpowiedni przepływ powietrza (rys. **7**, strona 6).
4. Należy zapewnić minimalny odstęp między tylną ścianą minibaru a ścianą mebla (rys. **14**, strona 10).
5. Wykonać otwory wentylacyjne w sposób zilustrowany na rys. **8**, strona 6.
6. Przymocować lodówkę za pomocą odpowiednich śrub (rys. **9 1 i 2**, strona 7).

6.2 Podłączanie minibaru do zasilania elektrycznego

- ▶ Podłączyć kabel przyłączeniowy prądu przemiennego do gniazda prądu przemiennego w urządzeniu oraz do sieci prądu przemiennego.
- ✓ Zaświeci się dioda LED stanu.
- ✓ Minibar zacznie chłodzić komorę.

6.3 Montaż zapewnianego przez hotel własnego panelu dekoracyjnego drzwi (tylko DM20F)

Zapewniany przez hotel własny panel dekoracyjny drzwi musi spełniać następujące wymagania:

- Maksymalna masa: 2 kg
 - Maksymalna grubość: 14 mm
- Przymocować panel dekoracyjny czterema śrubami.

6.4 Montaż zamka (tylko wersje z zamkiem)

1. Wywiercić w panelu dekoracyjnym otwór o średnicy 35 mm.
2. Zamontować zamek razem z panelem dekoracyjnym zamka.

6.5 Montaż zamka (tylko wersje bez zamka)

Demontaż szuflady (rys. 10, strona 8)

1. Całkowicie otworzyć szufladę.
2. Przycisnąć blokadę szyny (**A 1**).
3. Wyciągnąć szufladę z komory.
4. Wyjąć uszczelkę (**B 1**).
5. Wyjąć pokrywę zamka (**B 2**).
6. Wyjąć zaśleпки (**C 1**) śrub uchwytu drzwi (**C 3**).
7. Wykręcić śruby (**C 2**) uchwytu drzwi (**C 3**).
8. Zdjąć uchwyt drzwi (**C 3**).

Wiercenie otworów (rys. 11, strona 8)

1. Wywiercić w panelu dekoracyjnym i w drzwiach otwór o średnicy 25 mm (**A 1**).
2. Wykręcić śruby (**B 1**) ramy panelu dekoracyjnego (**B 2**).
3. Zdjąć ramę panelu dekoracyjnego (**B 2**).

Montaż zamka (rys. 12, strona 9)

1. Założyć nową pokrywę zamka (**A 1**).
2. Umieścić panel dekoracyjny (**B 1**) w ramie panelu dekoracyjnego (**B 3**).
3. Przykręcić ramę panelu dekoracyjnego (**B 3**) do drzwi (**B 2**).
4. Zamontować zamek drzwi (**C 1**).
5. Zamontować zaczep zamka w komorze (**D 1**).

Montaż szuflady (rys. 13, strona 9)

1. Wcisnąć uszczelkę (**1**) w ramę panelu dekoracyjnego (**2**).
2. Przykręcić uchwyt drzwi (**4**) do drzwi.
3. Wcisnąć zaślepki (**3**) na śruby uchwyty drzwi (**4**).
4. Wsunąć szufladę do komory.

7 Eksploatacja



UWAGA! Ryzyko uszkodzenia

Aby uniknąć zagrożenia, wymianę lampki zlecać wyłącznie producentowi, w centrum serwisowym lub odpowiednio wykwalifikowanej osobie.

7.1 Oszczędzanie energii

- Drzwi minibaru otwierać tylko tak często i na tak długo, jak jest to konieczne.
- Unikać zbyt niskiej temperatury wewnętrznej.
- W celu zapewnienia optymalnego zużycia energii półki i szuflady ustawiać w położeniach, w których zostały one dostarczone.
- Regularnie sprawdzać osadzenie uszczelnienia drzwi.
- Regularnie usuwać ze skraplacza kurz i inne zanieczyszczenia.

7.2 Korzystanie z minibaru

Minibar rozpoczyna chłodzenie po podłączeniu go do zasilania. Podczas normalnej pracy świeci się dioda LED stanu. W przypadku wystąpienia usterki miga dioda LED sygnalizacji usterek (patrz rozdz. „Usuwanie usterek” na stronie 201).

7.3 Ustawianie temperatury

Aby zapobiec psuciu się żywności:

- Zapewnić jak najbardziej stabilną temperaturę. Drzwi minibaru otwierać tylko tak często i na tak długo, jak jest to konieczne. Żywność przechowywać w sposób nieutrudniający obiegu powietrza.
- Minibar wyposażony jest w funkcję automatycznej regulacji temperatury. Wybierać środkowe spośród dostępnych ustawień temperatury.
- Dostosować temperaturę do ilości i typu żywności.

Minibar jest domyślnie ustawiony na temperaturę chłodzenia 7 °C przy temperaturze otoczenia 25 °C.

Za pomocą przycisku ustawiania (rys. **3** 4, strona 4) temperaturę chłodzenia można ustawić na jedną z trzech wartości: 5 °C, 12 °C i 7 °C.

Każdorazowe naciśnięcie powoduje zmianę temperatury na odpowiednią wartość w podanej kolejności: 5 °C ... 12 °C ... 7 °C ... 5 °C itd.

- ▶ Nacisnąć przycisk ustawiania (rys. **3** 4, strona 4) i przytrzymać go przez 5 s, aż kontrolka (rys. **3** 1, strona 4) zacznie migać.
- ▶ Natychmiast ponownie nacisnąć przycisk ustawiania (rys. **3** 4, strona 4).
- ✓ Kontrolka (rys. **3** 1, strona 4) wskazuje ustawioną temperaturę:
 - 5 °C: Kontrolka miga pięciokrotnie, trzy razy z rzędu
 - 12 °C: Kontrolka miga jednokrotnie, trzy razy z rzędu
 - 7 °C: kontrolka miga trzykrotnie, trzy razy z rzędu



WSKAZÓWKA

Po podłączeniu do zasilania minibar automatycznie ustawia temperaturę chłodzenia na 7 °C.

8 Usuwanie usterek

Usterka	Możliwa przyczyna	Proponowane rozwiązanie
Urządzenie nie działa, dioda LED stanu nie świeci się.	W gnieździe prądu przemiennego nie ma napięcia.	Spróbować podłączyć urządzenie do innego gniazda.
	Prostownik sieciowy jest uszkodzony.	Skontaktować się z serwisem.
Urządzenie nie chłodzi (wtyczka jest przyłączona, dioda LED stanu świeci się).	Element chłodzący jest uszkodzony.	Skontaktować się z serwisem.
Dioda LED sygnalizacji usterek miga raz na sekundę.	Czujnik temperatury jest uszkodzony.	Skontaktować się z serwisem.
Urządzenie nie chłodzi w wystarczającym stopniu, dioda LED stanu świeci się, a dioda LED sygnalizacji usterek nie świeci się.	Element chłodzący jest uszkodzony.	Skontaktować się z serwisem.
	Niewystarczająca wentylacja	Sprawdzić wentylację. Wyczyścić filtr pod urządzeniem.

9 Czyszczenie i konserwacja



UWAGA! Ryzyko uszkodzenia

- Urządzenia nie wolno nigdy czyścić pod bieżącą wodą ani umieszczać w wodzie.
- Do czyszczenia nie używać agresywnych środków czyszczących ani twardych przedmiotów, gdyż mogą one uszkodzić urządzenie chłodnicze.

- Urządzenie chłodnicze należy od czasu do czasu czyścić od wewnątrz i z zewnątrz wilgotną ściereczką.
- Upewnić się, że otwory wlotowe i wylotowe powietrza lodówki nie są zabrudzone ani zakurzone, aby umożliwić odprowadzanie ciepła i uniknąć uszkodzenia lodówki.
- Od czasu do czasu czyścić filtr wlotowy.

- ▶ Jeśli w pojemniku na skropliny (rys. 2 1, strona 3) znajduje się woda, należy sprawdzić, czy układ odprowadzania skroplin nie jest zablokowany.



UWAGA! Ryzyko uszkodzenia

Aby uniknąć zagrożenia, wymianę lampki zlecać wyłącznie producentowi, w centrum serwisowym lub odpowiednio wykwalifikowanej osobie.

10 Gwarancja

Obowiązuje ustawowy okres gwarancji. W przypadku stwierdzenia uszkodzenia produktu należy skontaktować się z jego sprzedawcą lub z oddziałem producenta w danym kraju (patrz dometic.com/dealer).

W celu naprawy lub realizacji gwarancji konieczne jest przesłanie wraz z produktem następujących dokumentów:

- Kopii rachunku z datą zakupu
- Informacji o przyczynie reklamacji lub opisu wady

Uwaga: Samodzielne lub nieprofesjonalne wykonywanie napraw może powodować zagrożenia oraz doprowadzić do utraty gwarancji.

11 Utylizacja

Recykling materiałów opakowaniowych



- ▶ Opakowanie należy wyrzucić do odpowiedniego pojemnika na odpady do recyklingu.

Recykling produktów z niewymiennymi bateriami, akumulatorami lub źródłami światła





- ▶ Jeśli produkt zawiera niewymienne baterie, akumulatory lub źródła światła, nie trzeba ich usuwać przed utylizacją.
- ▶ Jeśli produkt nie będzie już dalej wykorzystywany, należy dowiedzieć się w najbliższym zakładzie recyklingu lub od specjalistycznego przedstawiciela producenta, w jaki sposób można zutylizować produkt zgodnie z obowiązującymi przepisami.
- ▶ Produkt można zutylizować nieodpłatnie.

12 Dane techniczne

Aktualną deklarację zgodności UE dla urządzenia można znaleźć na stronie produktu pod adresem: dometic.com lub uzyskać ją bezpośrednio u producenta (patrz dometic.com/dealer).

Dalsze informacje na temat produktu można uzyskać za pośrednictwem umieszczonego na etykiecie energetycznej kodu QR (patrz rysunek) lub na stronie eprel.ec.europa.eu.

Obieg chłodzący zawiera R600a.

	DM20D	DM20F
Napięcie:	220 – 240 V~, 50/60 Hz	
Zakres temperatur chłodzenia:	maks. 20 °C poniżej temperatury otoczenia (trzystopniowa regulacja: +5 °C, +7 °C, +12 °C)	
Kategoria:	piwniczka	
Pojemność całkowita:	20 l	
Klasa efektywności energetycznej:	G	
Temperatura otoczenia podczas eksploatacji:	+16 °C do +32 °C	
Emisja hałasu:	0 dB(A)	
Ilość czynnika chłodniczego:	24 g	
Wymiary głównej szuflady szer. x gł. x wys.:	285 x 228 x 112 mm	
Wymiary (wys. x szer. x gł.):	365 x 384 x 419 mm	365 x 384 x 391 mm
Masa:	12,3 kg	
Kontrola/certyfikat:	 	

Dôkladne si prečítajte tento návod a dodržiavajte všetky pokyny, usmernenia a varovania uvedené v tomto návode k výrobku, aby sa zaručilo, že výrobok sa vždy bude správne inštalovať, používať a udržiavať. Tento návod **MUSÍ** zostať priložený k výrobku.

Používaním tohto výrobku týmto potvrdzujete, že ste si dôkladne prečítali všetky pokyny, usmernenia a varovania a že rozumiete a súhlasíte s dodržiavaním všetkých uvedených podmienok. Súhlasíte, že tento výrobok budete používať len v súlade so zamýšľaným použitím a v súlade s pokynmi, usmerneniami a varovania uvedenými v tomto návode k výrobku, ako aj v súlade so všetkými platnými zákonmi a nariadeniami. V prípade, že si neprečítate a nebudete sa riadiť pokynmi a varovaniami uvedenými v tomto návode, môže mať za následok vaše poranenie alebo poranenie iných osôb, poškodenie vášho výrobku alebo poškodenie majetku v jeho blízkosti. Tento návod k výrobku vrátane pokynov, usmernení a varovaní, a súvisiaca dokumentácia môže podliehať zmenám a aktualizáciám. Najaktuálnejšie informácie o výrobku nájdete na adrese documents.dometic.com, dometic.com.

Obsah

1	Vysvetlenie symbolov	204
2	Bezpečnostné pokyny	205
3	Rozsah dodávky	208
4	Používanie v súlade s určením	209
5	Technický opis	210
6	Montáž	211
7	Prevádzka	214
8	Odstraňovanie porúch	215
9	Čistenie a údržba	215
10	Záruka	216
11	Likvidácia	216
12	Technické údaje	217

1 Vysvetlenie symbolov



NEBZPEČENSTVO!

Bezpečnostný pokyn: Označuje nebezpečnú situáciu, ktorej následkom je smrť alebo vážne zranenie, ak sa jej nezabráni.



VÝSTRAHA!

Bezpečnostný pokyn: Označuje nebezpečnú situáciu, ktorej následkom môže byť smrť alebo vážne zranenie, ak sa jej nezabráni.

**UPOZORNENIE!**

Bezpečnostný pokyn: Označuje nebezpečnú situáciu, ktorej následkom môže byť malé alebo stredne ťažké zranenie, ak sa jej nezabráni.

**POZOR!**

Označuje situáciu, ktorej následkom môže byť poškodenie majetku, ak sa jej nezabráni.

**POZNÁMKA**

Doplňujúce informácie týkajúce sa obsluhy produktu.

2 Bezpečnostné pokyny

2.1 Základy bezpečnosti



VÝSTRAHA! Nedodržanie týchto varovaní môže mať za následok smrť alebo vážne poranenie.

Nebezpečenstvo úrazu elektrickým prúdom

- Postarajte sa, aby minibar nainštaloval kvalifikovaný technik podľa návodu na montáž firmy Dometic.
- Keď minibar vykazuje viditeľné poškodenia, nesmiete ho uviesť do prevádzky.
- Keď je pripájací kábel minibaru poškodený, musí jeho výmenu vykonať výrobca, servisný technik alebo podobne spôsobilá osoba, aby sa predišlo bezpečnostným rizikám.
- Opravy tohto minibaru smie vykonávať len kvalifikovaný personál. Neodborné opravy môžu spôsobiť vážne nebezpečenstvo.
- Pri umiestňovaní minibaru sa ubezpečte, že napájací kábel nie je zachytený alebo poškodený.
- Neumiestňuje žiadne viacnásobné prenosné zásuvky alebo prenosné napájacie adaptéry na zadnú stranu spotrebiča.
- Zariadenie pripájajte do zásuviek, ktoré zaručia správne pripojenie, najmä vtedy, keď je zariadenie potrebné uzemniť.

Nebezpečenstvo požiaru

- Chladiaci prostriedok v chladiacom okruhu je vysoko horľavý. V prípade poškodenia chladiaceho okruhu:
 - Vypnite minibar.
 - Nepoužívajte otvorený oheň a zabráňte vzniku iskier.
 - Dobre vyvetrajte priestor.
- Chladiaci okruh obsahuje malé množstvo ekologického, ale horľavého chladiiva- Nenarúša ozónovú vrstvu a neprispieva k zvyšovaniu skleníkového efektu. Uniknuté chladiace médium sa môže vznietiť.
- V montážnom výklenku pre minibar sa nesmú nachádzať žiadne elektrické súčasti a zdroje svetla, ktoré počas normálnej alebo abnormálnej prevádzky vytvárajú iskry alebo oblúky (napr. relé alebo poistkové skrinky).
- Minibar nepoužívajte ani neskladujte v stiesnených priestoroch so žiadnou alebo minimálnou cirkuláciou vzduchu.
- Po inštalácii musí byť stále možné odpojiť minibar od elektrickej siete. To sa dá dosiahnuť tak, že zástrčka je prístupná alebo že sa do pevného zapojenia v súlade so schémou zapojenia zabuduje spínač.
- Udržujte vetracie otvory, v skrinke minibaru alebo konštrukcii na zabudovanie, neblokové a nezakryté.
- Nepoužívajte mechanické prostriedky alebo iné prostriedky na urýchlenie procesu odmravovania, než tie, ktoré odporúča výrobca.
- Chladiaci okruh v žiadnom prípade neotvárajte.
- Nepoužívajte v minibare žiadne elektrické zariadenia, okrem prípadu, keď výrobca odporúča používanie týchto zariadení takýmto spôsobom.

Nebezpečenstvo výbuchu

- Neskladujte v minibare látky, u ktorých hrozí nebezpečenstvo výbuchu napr. sprejové nádoby s hncím plynom.

Nebezpečenstvo ohrozenia zdravia

- Tento minibar smú používať deti od 8 rokov a osoby so zníženými psychickými, zmyslovými alebo mentálnymi schopnosťami a vedomosťami, keď sú pod dozorom alebo keď boli poučené o bezpečnom používaní minibaru a chápu, aké riziká z toho vyplývajú.
- Deti sa nesmú hrať s minibarom.
- Čistenie a bežnú údržbu nesmú vykonávať deti bez dozoru.
- Deti vo veku od 3 do 8 rokov smú nakladať a vykladať minibar.



UPOZORNENIE! Nedodržanie týchto upozornení môže mať za následok ľahké alebo stredne ťažké poranenie.

Nebezpečenstvo pomliaždenia

- Nesiahajte do závesu.

Nebezpečenstvo ohrozenia zdravia

- Potraviny sa smú uskladňovať len v originálnom obale alebo vhodných nádobách.



POZOR! Nebezpečenstvo poškodenia

- Porovnajete údaje o napätí na typovom štítku s existujúcim zdrojom napätia.
- Minibar nie je vhodný na skladovanie žieravých látok alebo látok s obsahom rozpúšťadiel.
- Izolácia chladiaceho zariadenia obsahuje horľavý cyklopentán a vyžaduje si špeciálne postupy pri likvidácii. Po uplynutí jeho životnosti odovzdanie chladiace zariadenie na vhodnú recykláciu.
- Odtokový otvor vždy udržiavajte čistý.
- Minibar prenášajte iba vo zvislej polohe.

2.2 Bezpečnosť pri prevádzke zariadenia



NEBZPEČENSTVO! Nedodržanie týchto varovaní bude mať za následok smrť alebo vážne poranenie.

Nebezpečenstvo úrazu elektrickým prúdom

- Nikdy sa nedotýkajte holými rukami obnažených vodičov.



UPOZORNENIE! Nedodržanie týchto upozornení môže mať za následok ľahké alebo stredne ťažké poranenie.

Nebezpečenstvo úrazu elektrickým prúdom

- Pred uvedením minibaru do prevádzky dbajte na to, aby prívodné vedenie a zástrčka boli suché.

Nebezpečenstvo ohrozenia zdravia

- Postarajte sa, aby sa v minibare nachádzal len tovar, ktorý sa môže chladiť na zvolenú teplotu.
- Potraviny sa smú skladovať len v originálnych baleniach alebo vhodných nádobách.
- Otvorenie dverí na dlhšiu dobu môže spôsobiť výrazné zvýšenie teploty v priehradkách minibaru.

- Pravidelne čistíte povrchy, ktoré môžu prísť do kontaktu s potravinami a prístupnými systémami na odvádzanie kondenzátu.
- Ak minibar ponecháte prázdny na dlhú dobu:
 - Vypnite minibar.
 - Odmrazte minibar.
 - Minibar vyčistíte a usušte.
 - Nechajte dvierka otvorené, aby ste zabránili tvorbe plesní vnútri minibaru.

**POZOR!****Nebezpečenstvo poškodenia**

- Minibar neumiestňujte do blízkosti otvoreného plameňa ani iných zdrojov tepla (horiace sviečky, ohrievače, priame slnečné žiarenie, plynové rúry atď.).
- Minibar nikdy neponárajte do vody.
- Chráňte minibar a káble pred vysokými teplotami a mokrom.
- Ubezpečte, aby sa potraviny nedotýkali stien chladiaceho priestoru.

3 Rozsah dodávky

Dostupné sú nasledujúce hlavné varianty:

- Minibar DM20D s dekorom dverí, bez zámku
- Minibar DM20D s dekorom dverí, so zámkom
- Minibar DM20F bez dekoru dverí, bez zámku
- Minibar DM20F bez dekoru dverí, so zámkom

Počet	Opis	
1	Minibar	
1	Pripájací kábel na striedavý prúd	
2	Skrutka Ø 4 × 45 mm (montáž)	
2	Skrutka Ø 4 × 25 mm (montáž predných nožičiek)	
2	Skrutka M4 × 45 mm (montáž rukoväti)	
2	Záslepka (montáž)	
1	Rukoväť	lba model DM20D
2	Záslepka (montáž rukoväti)	lba model DM20D

Počet	Opis	
2	Záslepka (drevený dekor)	Iba verzia DM20F s dreveným dekorom
1	Dekor so zámkom (drevený dekor)	Iba verzia DM20F s dreveným dekorom so zámkom
2	Legenda	Iba verzia so zámkom
1	Návod na montáž a obsluhu	

4 Používanie v súlade s určením

Chladiace zariadenie (tiež sa označuje ako minibar) je určené na použitie v domácnosti a na podobné použitie, napríklad:

- v kuchynkách pre personál v obchodoch, kanceláriách a iných pracovných priestoroch,
- v agropenziónoch,
- zákazníkmi v hoteloch, motelloch a v iných typoch ubytovacích zariadení,
- v zariadeniach typu Bed and Breakfast,
- v katering alebo podobných veľkoobchodných zariadeniach.

Minibar nie je vhodný na zabudovanie do obytných vozidiel alebo karavanov.

Minibar je určený na zabudovanie do skrinky alebo do montážneho výklenku.

Minibar je navrhnutý výlučne na chladenie a skladovanie nápojov a potravín v uzavretých nádobách.

Minibar nie je vhodný na skladovanie čerstvých potravín a liekov alebo na mrazenie potravín.

Tento minibar je vhodný iba na použitie na určený účel a použitie v súlade s týmto návodom.

Tento návod obsahuje informácie, ktoré sú nevyhnutné pre správnu inštaláciu a/alebo obsluhu minibaru. Chybná inštalácia a/alebo nesprávna obsluha či údržba bude mať za následok neuspokojivý výkon a možnú poruchu.

Výrobca nenesie žiadnu zodpovednosť za akékoľvek poranenia či škody na výrobku spôsobené:

- nesprávnou montážou alebo pripojením vrátane nadmerného napätia
- nesprávnou údržbou alebo použitím iných ako originálnych náhradných dielov poskytnutých výrobcom

- Zmeny produktu bez výslovného povolenia výrobcu
- Použitie na iné účely než na účely opísané v návode

Firma Dometic si vyhradzuje právo na zmenu vzhľadu a technických parametrov výrobku.

5 Technický opis

Minibar disponuje zásuvkou s miestom na 12 plechoviek (a k tomu tyčinky).

Pri dodaní sú police a priehradky umiestnené tak, že zariadenie je možné energeticky účinne prevádzkovať.

Minibar DM20D sa dodáva s antracitovým dekorom a rukoväťou na otváranie.

Minibar DM20F sa dodáva bez dekoru a je pripravený na osadenie vlastného dekoru hotela.

Chladiaci systém je neopotrebovateľné termoelektrické chladenie s Peltierovým článkom.

Zámok je dostupný voliteľne.

5.1 Opis zariadenia

Predná strana

Č. na obr. 1 , strane 3	Opis
1	Zámok (voliteľný)
2	Rukoväť (iba model DM20D)
3	Dekor dverí (iba model DM20D)

Zadná strana

Č. na obr. 2 , strane 3	Opis
1	Odkvapkovávací miska
2	Sieťový adaptér

Ovládací panel (vnútri zariadenia)

Č. na obr. 3 , strane 4	Opis
1	Lampa
2	Chybová LED dióda
3	Stavová LED dióda
4	Tlačidlo nastavenia

Hlavná zásuvka

Č. na obr. 4 , strane 4	Opis
1	Predel
2	Držiak na fľašu

6 Montáž



UPOZORNENIE! Nebezpečenstvo ohrozenia zdravia

Zariadenie musí byť upevnené podľa opisu v návode, aby sa zabránilo ohrozeniu následkom jeho nestability/uvolnenia.

6.1 Montáž minibaru do nábytku



POZOR! Nebezpečenstvo poškodenia

Vzduch prúdiaci cez vstupný prívod vzduchu nesmie byť zohriaty. Minibar neumiestňujte do blízkosti otvoreného plameňa ani iných zdrojov tepla (ohrievače, priame slnečné žiarenie, plynové rúry atď.).

Minibar môžete namontovať do nábytku štyrmi spôsobmi.

1. Vyberte si preferovanú alternatívu montáže (obr. **5**, strane 5).
2. Dbajte na požadovaný montážny výklenok (obr. **6**, strane 6)
d je hrúbka vlastného dekoru hotela.
3. Dbajte na správne umiestnenie minibaru a vetracích otvorov, aby ste zaistili správne prúdenie vzduchu (obr. **7**, strane 6).
4. Zabezpečte minimálnu vzdialenosť medzi zadnou stranou minibaru a stenou (obr. **14**, strane 10).
5. Vytvorte vetracie otvory podľa nasledujúceho obrázka obr. **8**, strane 6.
6. Chladničku upevnite vhodnými skrutkami (obr. **9 1 a 2**, strane 7).

6.2 Elektrické zapojenie minibaru

- ▶ Zapojte pripájací kábel na striedavý prúd do zásuvky na striedavý prúd a pripojte ho k sieti striedavého prúdu.
- ✓ Stavová LED sa rozsvieti.
- ✓ Minibar sa spustí s chladením vnútorného priestoru.

6.3 Montáž vlastného dekoru dverí hotela (iba model DM20F)

Vlastný dekor dverí hotela musí spĺňať nasledujúce požiadavky:

- Maximálna hmotnosť: 2 kg
- Maximálna hrúbka: 14 mm
- ▶ Upevnite dekor so štyrmi skrutkami.

6.4 Montáž zámku (iba verzia so zámkom)

1. Do dekoru vyvrtajte otvor s priemerom 35 mm.
2. Namontujte zámok spolu s dekorom so zámkom.

6.5 Montáž zámku (iba verzia bez zámku)

Demontáž zásuvky (obr. 10, strane 8)

1. Zásuvku úplne otvorte.
2. Stlačte zaistenie koľajnice (A 1).
3. Vytiahnite zásuvku zo skrinky.
4. Odstráňte tesnenie (B 1).
5. Odstráňte kryt zámku (B 2).
6. Odstráňte záslepky (C 1) zo skrutiek rukoväti dverí (C 3).
7. Odskrutkujte skrutky (C 2) rukoväti dverí (C 3).
8. Odoberte rukoväť dverí (C 3).

Vyvrtanie otvorov (obr. 11, strane 8)

1. Vyvrtajte otvor s priemerom of 25 mm cez dekor a dvere (A 1).
2. Odskrutkujte skrutky (B 1) rámu dekoru (B 2).
3. Odoberte rám dekoru (B 2).

Montáž zámku (obr. 12, strane 9)

1. Umiestnite nový kryt zámku (A 1) na miesto.
2. Umiestnite dekor (B 1) do rámu dekoru (B 3).
3. Naskrutkujte rám dekoru (B 3) na dvere (B 2).
4. Namontujte zámok dverí (C 1).
5. Namontujte západku zámku do skrinky (D 1).

Montáž zásuvky (obr. 13, strane 9)

1. Natlačte tesnenie (1) na rám dekoru (2).
2. Naskrutkujte rukoväť dverí (4) na dvere.
3. Natlačte záslepky (3) na skrutky rukoväti dverí (4).
4. Zasuňte zásuvku do skrinky.

7 Prevádzka



POZOR! Nebezpečenstvo poškodenia

Kontrolku smie vymeniť len výrobca, servisný technik alebo osoba s podobnou kvalifikáciou, aby sa zabránilo nebezpečenstvu.

7.1 Úspora energie

- Minibar otvárajte iba tak často a na takú dobu, ako je nevyhnutné.
- Nenastavujte zbytočne nízku teplotu.
- Pre optimálnu spotrebu energie umiestnite police a zásuvky podľa ich umiestnenia pri dodaní.
- Pravidelne kontrolujte, či tesnenie dverí stále pevne drží.
- Kondenzátor v pravidelných intervaloch očistite od prachu a nečistôt.

7.2 Používanie minibaru

Po pripojení k zdroju napájania začne minibar chladiť. Počas normálne prevádzky svieti stavová LED. Ak sa vyskytne chyba, bliká chybová LED dióda (pozri kap. „Odstraňovanie porúch“ na strane 215).

7.3 Nastavenie teploty

Aby ste predišli plytvaniu potravinami, vezmite na vedomie nasledujúce:

- Zabráňte kolísaniu teploty v čo najväčšej možnej miere. Minibar otvárajte iba tak často a na takú dobu, ako je nevyhnutné. Skladujte potraviny tak, aby vzduch stále mohol dobre cirkulovať.
- Minibar je vybavený s funkciou automatickej regulácie teploty. Zvoľte priemer z dostupných hodnôt teploty.
- Prispôbte teplotu množstvu a druhu potravín.

Minibar je štandardne nastavený na teplotu chladenia 7 °C pri teplote okolia 25 °C.

Môžete použiť nastavovacie tlačidlo (obr. **3** 4, strane 4) pre nastavenie teploty chladenia na jednu z troch hodnôt: 5 °C, 12 °C a 7 °C.

Týmto sa teplota zmení v poradí 5 °C ... 12 °C ... 7 °C ... 5 °C atď.

- ▶ Stlačte nastavovacie tlačidlo (obr. **3** 4, strane 4) a držte ho stlačené 5 s, kým kontrolka (obr. **3** 1, strane 4) nezačne blikať.
- ▶ Okamžite znovu stlačte tlačidlo (obr. **3** 4, strane 4).

- ✓ Kontrolka (obr. 3 1, strane 4) indikuje nastavenú teplotu:
- 5 °C: Kontrolka zabliká päťkrát v troch intervaloch
 - 12 °C: Kontrolka zabliká raz v troch intervaloch
 - 7 °C: Kontrolka zabliká trikrát v troch intervaloch



POZNÁMKA

Minibar automaticky nastaví teplotu chladenia na 7 °C, keď je pripojený k zdroju napájania.

8 Odstraňovanie porúch

Porucha	Možná príčina	Návrh riešenia
Zariadenie nefunguje, stavová LED nesvieti.	Zásuvka striedavého napätia nevedie napätie.	Vyskúšajte inú zásuvku.
	Sieťový adaptér je chybný.	Kontaktujte servisného technika.
Zariadenie nechladí (zástrčka nie je pripojená, stavová LED svieti).	Chladiaci prvok je chybný.	Kontaktujte servisného technika.
Chybová LED dióda blikne raz za sekundu.	Tepelný snímač je nefunkčný.	Kontaktujte servisného technika.
Zariadenie dostatočne nechladí, stavová LED dióda svieti, chybová LED dióda nesvieti.	Chladiaci prvok je chybný.	Kontaktujte servisného technika.
	Nedostatočné vetranie	Skontrolujte vetranie. Vyčistíte filter pod zariadením.

9 Čistenie a údržba



POZOR! Nebezpečenstvo poškodenia

- Chladiace zariadenie nikdy nečistite pod tečúcou vodou alebo dokonca vo vode.
- Na čistenie nepoužívajte ostré čistiace prostriedky alebo tvrdé predmety, pretože by mohli poškodiť chladiace zariadenie.

- Vyčistite chladiace zariadenie zvnútra a zvonku príležitostne vlhkou handričkou.

- ▶ Zabezpečte, aby vetracie a odvzdušňovacie otvory chladiaceho zariadenia boli bez prachu a nečistôt, aby sa teplo vznikajúce pri prevádzke mohlo odvádzať a aby sa zariadenie nepoškodilo.
- ▶ Príležitostne vyčistite filter prívodu.
- ▶ Ak nájdete vodu v odkvapkávacej miske, (obr. **2** 1, strane 3) skontrolujte, či nie je zablokovaný odtokový systém.

**POZOR! Nebezpečenstvo poškodenia**

Kontrolku smie vymeniť len výrobca, servisný technik alebo osoba s podobnou kvalifikáciou, aby sa zabránilo nebezpečenstvu.

10 Záruka

Platí zákonom stanovená záručná lehota. Ak je výrobok poškodený, obráťte sa na svojho predajcu alebo pobočku výrobcu vo svojej krajine (pozri dometic.com/dealer).

Ak žiadate o vybavenie opravy alebo nárokov vyplývajúcich zo záruky, k zaslanému produktu musíte priložiť nasledujúce dokumenty:

- Kópiu faktúry s dátumom kúpy,
- Dôvod reklamácie alebo opis chyby.

Upozorňujeme Vás, že samooprava alebo neodborná oprava môže mať za následok ohrozenie bezpečnosti a zánik záruky.

11 Likvidácia

Recyklácia obalového materiálu



- ▶ Obalový materiál dávajte podľa možnosti do príslušného recyklovateľného odpadu.

Recyklácia výrobkov s integrovanými batériami, nabíjateľnými batériami alebo svetelnými zdrojmi



➤ Ak výrobok obsahuje integrované batérie, nabíjateľné batérie alebo svetelné zdroje, nemusíte ich pred likvidáciou vyberať.



➤ Keď výrobok chcete definitívne vyradiť z prevádzky, informujte sa v najbližšom recyklačnom stredisku alebo u svojho špecializovaného predajcu o príslušných predpisoch týkajúcich sa likvidácie.



➤ Výrobok je možné bezplatne zlikvidovať.

12 Technické údaje

Aktuálne EÚ vyhlásenie o zhode pre vaše zariadenie nájdete na stránke príslušného výrobku na internetovej stránke dometic.com alebo sa obráťte priamo na výrobcu ([pozrite dometic.com/dealer](http://dometic.com/dealer)).

Ďalšie informácie o výrobku získate prostredníctvom QR kódu na energetickom štítku (pozri obrázky) alebo na stránke eprel.ec.europa.eu.

Chladiaci obvod obsahuje R600a.

	DM20D	DM20F
Napätie:	220 – 240 V~, 50/60 Hz	
Chladiaci výkon:	max. 20 °C pod teplotu okolia (nastaviteľný v troch krokoch: +5 °C, +7 °C, +12 °C)	
Kategória:	chladiaci spotrebič s vyššou teplotou	
Celkový objem:	20 l	
Trieda energetickej účinnosti:	G	
Použitie pri určenej teplote okolia:	+16 °C až +32 °C	
Emisie hluku:	0 dB(A)	
Množstvo chladiaceho prostriedku:	24 g	
Rozmery hlavnej zásuvky Š × H × V:	285 × 228 × 112 mm	
Rozmery V × Š × H:	365 × 384 × 419 mm	365 × 384 × 391 mm
Hmotnosť:	12,3 kg	
Skúška/certifikát:	 	

Pečlivě si prosím přečtěte a dodržujte všechny pokyny, směrnice a varování obsažené v tomto návodu k výrobku, abyste měli jistotu, že výrobek budete vždy správně instalovat, používat a udržovat. Tyto pokyny MUSÍ být uchovávány v blízkosti výrobku.

Používáním výrobku tímto potvrzujete, že jste si pečlivě přečetli všechny pokyny, směrnice a varování a že rozumíte podmínkám uvedeným v tomto dokumentu a souhlasíte s nimi. Souhlasíte s používáním tohoto výrobku pouze k určenému účelu a použití a v souladu s pokyny, směrnice a varováními uvedenými v tomto návodu k výrobku a v souladu se všemi příslušnými zákony a předpisy. Pokud si nepřečtete a nebudete dodržovat zde uvedené pokyny a varování, může to vést ke zranění vás i ostatních, poškození vašeho výrobku nebo poškození jiného majetku v okolí. Tento návod k výrobku, včetně pokynů, směrnic a varování a související dokumentace může být předmětem změn a aktualizací. Aktuální informace o výrobku naleznete na documents.dometic.com, dometic.com.

Obsah

1	Vysvětlení symbolů	218
2	Bezpečnostní pokyny	219
3	Obsah dodávky	222
4	Určené použití	223
5	Technický popis	224
6	Instalace	225
7	Obsluha	227
8	Odstraňování poruch a závad	229
9	Čištění a péče	229
10	Záruka	230
11	Likvidace	230
12	Technické údaje	231

1 Vysvětlení symbolů



NEBEZPEČÍ!

Bezpečnostní pokyn: Označuje nebezpečnou situaci, která, pokud se jí nezabrání, bude mít za následek smrt nebo vážné zranění.



VÝSTRAHA!

Bezpečnostní pokyn: Označuje nebezpečnou situaci, která, pokud se jí nezabrání, může mít za následek smrt nebo vážné zranění.



UPOZORNĚNÍ!

Bezpečnostní pokyn: Označuje nebezpečnou situaci, která, pokud se jí nezabrání, může mít za následek lehké nebo středně těžké zranění.



POZOR!

Označuje nebezpečnou situaci, která, pokud se jí nezabrání, může mít za následek majetkové škody.



POZNÁMKA

Doplňující informace týkající se obsluhy výrobku.

2 Bezpečnostní pokyny

2.1 Základní bezpečnost



VÝSTRAHA! Nedodržení těchto varování může mít za následek smrt nebo vážné zranění.

Nebezpečí usmrcení elektrickým proudem

- Ujistěte se, že minibar byl instalován kvalifikovaným technikem v souladu s návodem k montáži Dometic.
- V případě, že je minibar viditelně poškozen, nesmíte ho používat.
- Pokud je přívodní kabel tohoto minibaru poškozen, musí být vyměněn výrobcem, zástupcem servisu nebo odborníkem s podobnou kvalifikací tak, aby nevzniklo nebezpečí.
- Opravy tohoto minibaru smějí provádět pouze kvalifikovaní pracovníci. Nesprávné provedené opravy mohou být zdrojem značných rizik.
- Při umístění minibaru se ujistěte, že není zachycen nebo poškozen přívodní kabel.
- Přenosné vícenásobné zásuvky nebo přenosné napájecí zdroje neumísťujte v zadní části zařízení.
- Přístroj zapojte do zásuvek, které zajišťují správné připojení, zejména pokud je třeba přístroj uzemnit.

Nebezpečí požáru

- Chladivo v chladicím okruhu je vysoce hořlavé.
Při poškození chladicího okruhu:
 - Vypněte minibar.
 - Pozor na otevřený plamen a jiskření.
 - Dobře větrejte místnost.
- Chladicí okruh obsahuje malé množství ekologického, ale hořlavého chladiva. Tím není poškozována ozonová vrstva a nezvyšuje se skleníkový efekt. Unikající chladivo se může vznítit.
- Dbejte na to, aby se v instalačním prostoru minibaru nenacházely žádné elektrické součásti a světelné zdroje, které při normálním nebo abnormálním provozu vytvářejí jiskry nebo elektrické oblouky (např. relé nebo pojistkové skříňky).
- Minibar nepoužívejte ani neskladujte ve stísněných prostorech s nulovou nebo minimální cirkulací vzduchu.
- Po instalaci musí být stále možné minibar odpojit od elektrické sítě. Toho lze dosáhnout tím, že je zástrčka přístupná nebo že se do pevného zapojení zabuduje vypínač podle pravidel pro zapojení.
- Ventilační otvory v krytu minibaru nebo ve vestavné konstrukci udržujte volné.
- K urychlení rozmrazování nepoužívejte mechanické přístroje nebo jiné prostředky než ty doporučené výrobcem.
- Nikdy neotevírejte chladicí okruh.
- Uvnitř minibaru nepoužívejte žádné elektrické přístroje, pouze pokud jsou k tomu takové přístroje doporučeny výrobcem.

Nebezpečí výbuchu

- Neskladujte v minibaru výbušné látky, jako např. spreje s hnacím plynem.

Nebezpečí ohrožení zdraví

- Tento minibar mohou používat děti od 8 let a osoby se sníženými fyzickými, smyslovými nebo duševními schopnostmi nebo s nedostatečnými zkušenostmi a znalostmi, pokud jsou pod dohledem nebo obdržely pokyny týkající se používání minibaru bezpečným způsobem a porozuměly souvisejícím nebezpečím.
- Děti si s minibarem nesmí hrát.
- Čištění a běžnou údržbu nesmějí provádět děti bez dozoru.
- Děti ve věku od 3 do 8 let mohou minibar plnit a vyprazdňovat.



UPOZORNĚNÍ! Nedodržení těchto upozornění může mít za následek lehké nebo středně těžké zranění.

Riziko stlačení

- Nesahejte do závěsu.

Nebezpečí ohrožení zdraví

- Skladujte potraviny pouze v originálním balení nebo ve vhodných nádobách.



POZOR! Nebezpečí poškození

- Porovnejte údaj o napětí na typovém štítku se stávajícím zdrojem napájení.
- Minibar není vhodný ke skladování leptavých látek nebo látek obsahujících rozpouštědla.
- Izolace chladicího přístroje obsahuje hořlavý cyklopentan a vyžaduje speciální postupy likvidace. Chladicí přístroj odevzdejte na konci jeho životního cyklu do vhodného střediska pro recyklaci.
- Udržujte odtokový otvor vždy čistý.
- Minibar přenášejte pouze ve vzpřímené poloze.

2.2 Bezpečný provoz minibaru



NEBEZPEČÍ! Nedodržení těchto varování bude mít za následek smrt nebo vážné zranění.

Nebezpečí usmrcení elektrickým proudem

- Nikdy se nedotýkejte odizolovaných vodičů.



UPOZORNĚNÍ! Nedodržení těchto upozornění může mít za následek lehké nebo středně těžké zranění.

Nebezpečí usmrcení elektrickým proudem

- Před uvedením minibaru do provozu zkontrolujte, zda jsou přírodní kabel a zástrčka suché.

Nebezpečí ohrožení zdraví

- Dbejte, aby do minibaru byly vloženy pouze předměty nebo potraviny, které je dovoleno chladit na nastavenou teplotu.
- Skladujte potraviny pouze v originálním balení nebo ve vhodných nádobách.
- Otevření dvířek na delší dobu může způsobit značné zvýšení teploty v přihrádkách minibaru.

- Pravidelně čistěte povrchy, které se mohou dostat do kontaktu s potravinami a přístupnými odtokovými systémy.
- Je-li minibar ponechán prázdný po dlouhou dobu:
 - Vypněte minibar.
 - Odmrazte minibar.
 - Vyčistěte a vysušte minibar.
 - Nechejte dvířka otevřená, aby se zabránilo tvorbě plísně uvnitř minibaru.

**POZOR!****Nebezpečí poškození**

- Minibar neinstalujte v blízkosti otevřeného ohně nebo jiných tepelných zdrojů (hořící svíčky, topení, přímé sluneční záření, plynová kamna apod.).
- Minibar nikdy neponožte do vody.
- Minibar a kabely chraňte před horkem a vlhkem.
- Dbejte, aby se potraviny nedotýkaly stěn chladicího prostoru.

3 Obsah dodávky

K dostání jsou následující hlavní alternativy:

- Minibar DM20D s dekorem dvířek, bez zámku
- Minibar DM20D s dekorem dvířek, se zámkem
- Minibar DM20F bez dekoru dvířek, bez zámku
- Minibar DM20F bez dekoru dvířek, se zámkem

Počet	Popis	
1	Minibar	
1	Přívodní kabel pro střídavý proud	
2	Šroub Ø 4 x 45 mm (montáž)	
2	Šroub Ø 4 x 25 mm (montáž předních nožek)	
2	Šroub M4 x 45 mm (montáž rukojeti)	
2	Záslepka (montáž)	
1	Rukojeť	Pouze DM20D
2	Záslepka (montáž rukojeti)	Pouze DM20D

Počet	Popis	
2	Záslepka (dřevěný dekor)	Pouze dřevěné provedení DM20F
1	Dekor zámku (dřevěný dekor)	Pouze dřevěné provedení se zámkem DM20F
2	Legenda	Pouze provedení se zámkem
1	Návod k montáži a obsluze	

4 Určené použití

Chladicí spotřebič (dále také minibar) je určen pro použití v domácnostech a podobných aplikacích, jako jsou:

- Kuchyně pro zaměstnance v obchodech, kancelářích a jiných pracovištích,
- Farmy,
- Klienti v hotelech, motelech a jiných prostředích rezidenčního typu,
- ubytovací zařízení typu bed and breakfast,
- stravovací a podobná zařízení neobchodního typu.

Minibar není vhodný k instalaci v karavanech nebo obytných vozidlech.

Minibar je určen k instalaci do skříňky nebo instalačního výklenku.

Minibar je určen výhradně k chlazení a skladování nápojů a potravin v uzavřených nádobách.

Minibar není vhodný k uchovávání čerstvých potravin a léků nebo mražených potravin.

Tento minibar je vhodný pouze k určenému účelu a použití v souladu s tímto návodem.

Tento návod poskytuje informace, které jsou nezbytné pro řádnou instalaci a/nebo provoz minibaru. Nesprávná instalace a/nebo nevhodné použití či údržba povedou k neuspokojivému výkonu a možné závadě.

Výrobce nepřijímá žádnou odpovědnost za jakékoli zranění nebo poškození výrobku vyplývající z následujícího:

- Nesprávné sestavení nebo připojení včetně nadměrného napětí
- Nesprávná údržba nebo použití jiných náhradních dílů než originálních dílů dodaných výrobcem
- Úpravy výrobku bez výslovného souhlasu výrobce

- Použití k jiným účelům, než jsou popsány v tomto návodu

Společnost Dometic si vyhrazuje právo změnit vzhled a specifikace výrobku.

5 Technický popis

Minibar má zásuvku s prostorem pro 12 plechovek (plus drobné občerstvení).

Při dodání jsou poskytnuté police a oddíly umístěny tak, aby bylo možné spotřebič provozovat energeticky účinným způsobem.

Minibar DM20D se dodává s antracitovým dekorem a tažnou rukojetí.

Minibar DM20F se dodává bez dekoru a je připraven k osazení vlastním dekorem dvířek daného hotelu.

Jeho chladicí systém je neopotřebitelný chladicí systém Peltier.

Zámek je k dostání volitelně.

5.1 Popis přístroje

Přední strana

Č. na obr. 1 , strana 3	Popis
1	Zámek (volitelně)
2	Rukojeť (pouze DM20D)
3	Dekor dvířek (pouze DM20D)

Zadní strana

Č. na obr. 2 , strana 3	Popis
1	Odkapávací miska
2	Síťový adaptér

Ovládací panel (uvnitř spotřebiče)

Č. na obr. 3 , strana 4	Popis
1	Žárovka
2	Chybová LED
3	Stavová LED
4	Tlačítko nastavení

Hlavní zásuvka

Č. na obr. 4 , strana 4	Popis
1	Oddělovač
2	Stojan na láhev

6 Instalace



UPOZORNĚNÍ! Nebezpečí ohrožení zdraví

Aby se zabránilo nebezpečí v důsledku nestability přístroje, je nutné jej upevnit v souladu s pokyny.

6.1 Montáž minibaru do nábytku



POZOR! Nebezpečí poškození

Vzduch procházející kanálem přívodního vzduchu nesmí být přehříván.

Minibar neinstalujte v blízkosti otevřeného ohně nebo jiných tepelných zdrojů (topení, přímé sluneční záření, plynová kamna apod.).

Minibar lze do nábytku namontovat čtyřmi způsoby.

1. Podle svých preferencí si vyberte jednu z možností instalace (obr. **5**, strana 5).
2. Dodržujte uvedený instalační prostor (obr. **6**, strana 6)
d je tloušťka vlastního dekору daného hotelu.
3. Zajistěte, aby byly minibar a ventilační otvory správně umístěny, a vzduch tak mohl dobře proudit (obr. **7**, strana 6).

4. Dodržujte minimální vzdálenost mezi zadní částí minibaru a stěnou nábytku (obr. **14**, strana 10).
5. Ventilační otvory vytvořte dle obrázku obr. **8**, strana 6.
6. Chladničku upevněte na místě vhodnými šrouby (obr. **9 1 a 2**, strana 7).

6.2 Elektrické připojení minibaru

- ▶ Zapojte přívodní kabel pro střídavý proud do napájecí zásuvky střídavého proudu a připojte ji k síťovému napájení střídavého proudu.
- ✓ Stavová LED se rozsvítí.
- ✓ Minibar zahájí chlazení vnitřního prostoru.

6.3 Montáž vlastního dekoru dvířek daného hotelu (pouze DM 20F)

Vlastní dekor dvířek daného hotelu musí splňovat následující požadavky:

- Maximální hmotnost: 2 kg
 - Maximální tloušťka: 14 mm
- ▶ Upevněte dekor čtyřmi šrouby.

6.4 Montáž zámku (pouze verze se zámkem)

1. V dekoru zhotovte kruhový výřez o průměru 35 mm.
2. Zámek namontujte společně s dekorem zámku.

6.5 Montáž zámku (pouze verze bez zámku)

Demontáž zásuvky (obr. **10**, strana 8)

1. Zásuvku zcela otevřete.
2. Stlačte zámek kolejnice (**A 1**).
3. Vytáhněte zásuvku ze skříňky.
4. Odstraňte těsnění (**B 1**).
5. Sejměte kryt zámku (**B 2**).
6. Odstraňte záslepky (**C 1**) ze šroubů rukojeti dvířek (**C 3**).
7. Odšroubujte šrouby (**C 2**) rukojeti dvířek (**C 3**).
8. Sejměte rukojeť dvířek (**C 3**).

Vrtání otvorů (obr. 11, strana 8)

1. Vyrtejte otvor o průměru 25 mm do dekoru a dvířek (**A 1**).
2. Odšroubujte šrouby (**B 1**) rámu dekoru (**B 2**).
3. Odstraňte rám dekoru (**B 2**).

Montáž zámku (obr. 12, strana 9)

1. Vložte nový kryt zámku (**A 1**) na místo.
2. Vložte dekor (**B 1**) do rámu dekoru (**B 3**).
3. Našroubujte rám dekoru (**B 3**) na dvířka (**B 2**).
4. Namontujte zámek dvířek (**C 1**).
5. Namontujte západku zámku do skříňky (**D 1**).

Montáž zásuvky (obr. 13, strana 9)

1. Zatlačte těsnění (**1**) na rám dekoru (**2**).
2. Našroubujte rukojeť dvířek (**4**) na dvířka.
3. Zatlačte záslepky (**3**) na šrouby rukojeti dvířek (**4**).
4. Zatlačte zásuvku do skříňky.

7 Obsluha

**POZOR! Nebezpečí poškození**

Osvětlení může vyměnit pouze výrobce, zástupce servisu nebo podobně kvalifikovaná osoba, aby se zamezilo nebezpečí.

7.1 Úspora energie

- Minibar otevírejte pouze na nezbytně nutnou dobu.
- Zabráňte vzniku zbytečně nízkých vnitřních teplot.
- Pro optimální spotřebu elektrické energie umístěte police a zásuvky podle jejich polohy při dodání.
- Pravidelně ověřujte, že těsnění dvířek stále řádně sedí.
- Pravidelně čistěte kondenzátor od nečistot a prachu.

7.2 Použití minibaru

Minibar zahájí chlazení po připojení k napájení. Během normálního provozu svítí stavová LED. Pokud dojde k chybě, bliká chybová LED (viz kap. „Odstraňování poruch a závad“ na straně 229).

7.3 Nastavení teploty

Abyste zabránili odpadu z potravin, dbejte následujícího:

- Udržujte výkyvy teploty co nejnižší. Minibar otevírejte pouze na nezbytně nutnou dobu. Potravinu skladujte takovým způsobem, aby vzduch mohl stále dobře cirkulovat.
- Minibar je vybaven funkcí automatické regulace teploty. Vyberte průměr možných hodnot teploty.
- Teplotu nastavte podle množství a typu potravin.

Ve výchozím nastavení je minibar nastaven na teplotu chlazení 7 °C při teplotě okolí 25 °C.

Tlačítkem nastavení (obr. **3** 4, strana 4) můžete nastavit teplotu chlazení na jednu ze tří hodnot: 5 °C, 12 °C a 7 °C.

Tím se teplota změní v pořadí 5 °C ... 12 °C ... 7 °C ... 5 °C atd.

- ▶ Stiskněte tlačítko nastavení (obr. **3** 4, strana 4) a držte je stisknuté po dobu 5 s, dokud nezačne blikat kontrolka (obr. **3** 1, strana 4).
- ▶ Ihned stiskněte znovu tlačítko nastavení (obr. **3** 4, strana 4).
- ✓ Kontrolka (obr. **3** 1, strana 4) ukazuje nastavenou teplotu:
 - 5 °C: kontrolka bliká pětkrát ve třech intervalech
 - 12 °C: kontrolka bliká jednou ve třech intervalech
 - 7 °C: kontrolka bliká třikrát ve třech intervalech



POZNÁMKA

Minibar nastavuje teplotu chlazení automaticky na 7 °C když je připojen k napájecímu zdroji.

8 Odstraňování poruch a závad

Porucha	Možná příčina	Návrh řešení
Přístroj nefunguje, stavová LED nesvítí.	Zásuvka na střídavé napětí není pod napětím.	Zkuste to na jiné zásuvce.
	Vadný síťový adaptér.	Obraťte se na zástupce servisu.
Přístroj nechladí (zástrčka je připojená, svítí stavová LED).	Chladicí systém je vadný.	Obraťte se na zástupce servisu.
Chybová LED blikne jednou za sekundu.	Snímač teploty je vadný.	Obraťte se na zástupce servisu.
Přístroj nechladí dostatečně, stavová LED svítí, chybová LED nesvítí.	Chladicí systém je vadný.	Obraťte se na zástupce servisu.
	Špatné větrání	Zkontrolujte větrání. Zkontrolujte filtr pod přístrojem.

9 Čištění a péče



POZOR! Nebezpečí poškození

- Nikdy nečistěte chladicí přístroj pod tekoucí vodou nebo ve vodní lázni.
- K čištění nepoužívejte čisticí písky nebo tvrdé předměty, může dojít k poškození chladničky.

- ▶ Pokud je to nutné, očistěte chladicí přístroj zevnitř a zvenčí vlhkým hadříkem.
- ▶ Zajistěte, aby vstupní ani výstupní ventilační otvory chladicího přístroje nebyly zaprášené a znečištěné, aby se mohlo uvolňovat teplo a nedošlo k poškození přístroje.
- ▶ Příležitostně vyčistěte vstupní filtr.
- ▶ Pokud najdete v odkapávací misce vodu (obr. **2** 1, strana 3), zkontrolujte, zda není ucpaný odtokový systém.



POZOR! Nebezpečí poškození

Osvětlení může vyměnit pouze výrobce, zástupce servisu nebo podobně kvalifikovaná osoba, aby se zamezilo nebezpečí.

10 Záruka

Na výrobek je poskytována záruka v souladu s platnými zákony. Pokud je výrobek vadný, obraťte se na svého prodejce nebo na pobočku výrobce ve vaší zemi (viz dometic.com/dealer).

K vyřízení opravy a záruky nezapomeňte spolu s výrobkem odeslat následující dokumenty:

- Kopii účtenky s datem zakoupení,
- Uvedení důvodu reklamace nebo popis vady.

Upozorňujeme, že oprava svépomocí nebo neodborná oprava může ohrozit bezpečnost a vést ke ztrátě záruky.

11 Likvidace

Recyklace obalového materiálu



- Obalový materiál likvidujte v odpadu určeném k recyklaci.

Recyklace výrobků s nevyměnitelnými bateriemi, dobíjecími bateriemi nebo světelnými zdroji




- Pokud výrobek obsahuje nevyměnitelné baterie, dobíjecí baterie nebo světelné zdroje, nemusíte je před likvidací odstraňovat.
- Pokud budete chtít výrobek definitivně zlikvidovat, informace o příslušném postupu v souladu s platnými předpisy pro likvidaci vám sdělí místní recyklační středisko nebo specializovaný prodejce.
- Výrobek lze bezplatně zlikvidovat.

12 Technické údaje

Aktuální prohlášení o shodě EU pro vaše zařízení naleznete na stránce příslušného výrobku na webu dometic.com nebo se obraťte přímo na výrobce (viz dometic.com/dealer).

Další informace o výrobku jsou dostupné prostřednictvím QR kódu na energetickém štítku (viz obrázky) nebo na adrese eprel.ec.europa.eu.

Chladicí okruh obsahuje R600a.

	DM20D	DM20F
Napětí:	220 – 240 V~, 50/60 Hz	
Chladicí výkon:	max. o 20 °C níže než okolní teplota (nastavitelné ve třech krocích: +5 °C, +7 °C, +12 °C)	
Kategorie:	Sklep	
Celkový objem:	20 l	
Energetická třída účinnosti:	G	
Zamýšlená teplota okolního prostředí:	+16 °C až +32 °C	
Hlukové emise:	0 dB(A)	
Množství chladicího média:	24 g	
Rozměry hlavní zásuvky Š × H × V:	285 × 228 × 112 mm	
Rozměry V × Š × H:	365 × 384 × 419 mm	365 × 384 × 391 mm
Hmotnost:	12,3 kg	
Zkouška/certifikát:		

A termék mindenkor szakszerű telepítése, használata és karbantartása érdekében kérjük figyelmesen olvassa el az ebben a termék kézikönyvében található utasításokat, irányelveket és figyelmeztetéseket, valamint mindig tartsa be ezeket. Ezt az útmutatót a termék közelében KELL tartani.

A termék használatba vételével Ön kijelenti hogy figyelmesen elolvasta az összes utasítást, irányelvet és figyelmeztetést, valamint megértette és elfogadja az itt leírt szerződési feltételeket. Ön elfogadja, hogy kizárólag a rendeltetésének megfelelő célra és a jelen termék kézikönyvében leírt útmutatásoknak, irányelveknek és figyelmeztetéseknek, valamint a hatályos törvényeknek és szabályozásoknak megfelelően használja ezt a terméket. Az itt leírt utasítások és figyelmeztetések elolvasásának és betartásának elmulasztása saját és mások sérüléséhez, a termék vagy a közelben található más anyagi javak károsodásához vezethet. Ez a termék kézikönyv és a benne található utasítások, irányelvek és figyelmeztetések, valamint a kapcsolódó dokumentációk módosulhatnak és frissülhetnek. Naprakész termékinformációk érdekében kérjük látogasson el a következő honlagra: documents.dometic.com, dometic.com.

Tartalom

1	Szimbólumok magyarázata	232
2	Biztonsági útmutatások	233
3	A csomag tartalma	236
4	Rendeltetésszerű használat	237
5	Műszaki leírás	238
6	Szerelés	239
7	Kezelés	242
8	Hibaelhárítás	243
9	Tisztítás és karbantartás	244
10	Szavatosság	244
11	Ártalmatlanítás	245
12	Műszaki adatok	246

1 Szimbólumok magyarázata



VESZÉLY!

Biztonsági útmutatás: Veszélyes helyzetet jelöl, amely súlyos sérülést vagy halált okoz, ha nem kerülik el.



FIGYELMEZTETÉS!

Biztonsági útmutatás: Veszélyes helyzetet jelöl, amely súlyos sérülést vagy halált okozhat, ha nem kerülik el.

**VIGYÁZAT!**

Biztonsági útmutatás: Veszélyes helyzetet jelöl, amely könnyű vagy mérsékelt sérülést okozhat, ha nem kerülik el.

**FIGYELEM!**

Olyan helyzetet jelöl, amely vagyoni kárt okozhat, ha nem kerülik el.

**MEGJEGYZÉS**

A termék kezelésére vonatkozó kiegészítő információk.

2 Biztonsági útmutatások

2.1 Alapvető biztonság



FIGYELMEZTETÉS! Ezeknek a figyelmeztetéseknek a figyelmen kívül hagyása súlyos, vagy halálos sérüléshez vezethet.

Áramütés miatti veszély

- Gondoskodjon róla, hogy a minibárt egy szakképzett technikus szerelje be a Dometic telepítési kézikönyv alapján.
- Ha az szemmel láthatólag megsérült, akkor ne használja a minibárt.
- Ha a minibár csatlakozókábele megsérült, akkor a veszélyek elkerülése érdekében a gyártóval, a szervizzel vagy egy hasonlóan képzett szakemberrel kell kicseréltetni ezt.
- Javításokat csak szakemberek végezhetnek a minibáron. A szakszerűtlen javítások jelentős veszélyeket okozhatnak.
- A minibár elhelyezésekor ügyeljen arra, hogy ne csípj be és ne károsítsa a tápkábelt.
- Ne helyezzen el több hordozható aljzatot vagy hordozható tápegységet a készülék hátsó részénél.
- A készüléket olyan aljzatba illessze be, amely biztosítja a megfelelő csatlakozást, különösen akkor, ha a készüléket földelni kell.

Tűzveszély

- A hűtőkörben található hűtőközeg gyúlékony.
A hűtőkör sérülése esetén:
 - Kapcsolja ki a minibárt.
 - Kerülje a nyílt lángot és a gyújtószikrákat.
 - Szellőztesse ki jól a helyiséget.

- A hűtőközegkör kis mennyiségű környezetbarát, de gyúlékony hűtőközeget tartalmaz. Nem károsítja az ózonréteget és nem növeli az üvegházhatást. A kiszivárgó hűtőközeg meggyulladhat.
- A minibár beépítési nyílásában ne legyenek olyan elektromos alkatrészek és fényforrások, amelyek normál vagy rendellenes működés közben szikrákat vagy elektromos íveket hoznak létre (pl. relék vagy biztosítékdobozok).
- Ne használja vagy tárolja a minibárt olyan zárt helyiségekben, ahol minimális a levegőkeringés, vagy nincs is ilyen.
- A minibárt a beépítés után is le kell tudni választani az elektromos hálózatról. Ezt úgy érheti el, ha hozzáférhetővé teszi a csatlakozót, vagy a villanszerelési szabályok betartásával beépít egy kapcsolót a rögzített vezetékbe.
- Ügyeljen arra, hogy a minibár szekrényének, vagy beépítési szerkezetének szellőzőnyílásai ne záródjanak el.
- A leolvasztási művelet meggyorsításához a gyártó által javasoltakon kívül ne használjon egyéb mechanikus vagy más készülékeket.
- Semmilyen esetben ne nyissa ki a hűtőkört.
- Ne használjon elektromos készülékeket a minibár belsejében, kivéve, ha ezeket az elektromos készülékeket a gyártó erre a célra javasolja.

Robbanásveszély

- Tilos a minibárban robbanékony anyagokat, például hajtógázt tartalmazó permetpalackokat tárolni.

Egészségkárosodás veszélye

- A minibárt 8 év feletti gyermekek, valamint korlátozott fizikai, érzékelési és mentális képességű, illetve megfelelő tapasztalattal és tudással nem rendelkező személyek csak felügyelet mellett, illetve a minibár biztonságos használatát és az abból eredő veszélyeket megértve használhatják.
- A minibárral gyermekek nem játszhatnak.
- A tisztítást és a felhasználói karbantartást felügyelet nélküli gyermekek nem végezhetik.
- A minibár ki- és berakodása 3 és 8 év közötti gyermekek számára engedélyezett.



VIGYÁZAT! Ezeknek a felhívásoknak a figyelmen kívül hagyása könnyű vagy mérsékelt sérüléshez vezethet.

Zúzóadásveszély

- Ne nyúljon a zsanérok közé.

Egészségkárosodás veszélye

- Élelmiszert csak eredeti csomagolásban vagy megfelelő tárolókban szabad tárolni.

**FIGYELEM! Károsodás veszélye**

- Hasonlítsa össze a típustáblán szereplő feszültségadatokat a rendelkezésre álló energiaellátással.
- A minibár nem alkalmas maró hatású vagy oldószert tartalmazó anyagok tárolására.
- A hűtőkészülék szigetelése gyúlékony ciklopentánt tartalmaz, amely speciális ártalmatlanítási eljárásokat igényel. Élettartama végén megfelelő hulladékkezelő központban adja le a hűtőkészüléket.
- Mindig tartsa tisztán a lefolyónyílást.
- Csak függőleges helyzetben mozgassa a minibárt.

2.2 A minibár biztonságos üzemeltetése

VESZÉLY! Ezeknek a figyelmeztetéseknek a figyelmen kívül hagyása súlyos vagy halálos sérüléshez vezet.

Áramütés miatti veszély

- Soha ne fogjon meg puszta kézzel csupasz vezetékeket.



VIGYÁZAT! Ezeknek a felhívásoknak a figyelmen kívül hagyása könnyű vagy mérsékelt sérüléshez vezethet.

Áramütés miatti veszély

- A minibár üzembe helyezése előtt ügyeljen arra, hogy a vezeték és a dugasz száraz legyen.

Egészségkárosodás veszélye

- Biztosítsa hogy csak olyan áruk legyenek a minibárban, amelyek lehűtethetők a kiválasztott hőmérsékletre.
- Élelmiszert csak eredeti csomagolásban vagy megfelelő tárolókban szabad tárolni.
- Ha hosszabb időszakokra kinyitja az ajtót, azzal jelentősen megnövekedhet a hőmérséklet a minibár rekeszeiben.
- Tisztítsa meg rendszeresen az élelmiszerral érintkező felületeket és a hozzáférhető lefolyórészeket.

- Ha hosszú időre üresen hagyja a minibárt:
 - Kapcsolja ki a minibárt.
 - Olvassza le a minibárt.
 - Tisztítsa meg és szárítsa meg a minibárt.
 - A minibár penészedésének megelőzése érdekében hagyja nyitva az ajtót.



FIGYELEM!

Károsodás veszélye

- Ne helyezze a minibárt nyílt láng vagy más hőforrás közelébe (égő gyertyák, fűtőberendezések, közvetlen napsugárzás, gázsütők stb.).
- Soha ne merítse vízbe a minibárt.
- Védje a minibárt és a kábeleket a hőtől és a nedvességtől.
- Biztosítsa, hogy az élelmiszerek ne érjenek hozzá a hűtőtér falaihoz.

3 A csomag tartalma

A következő fő alternatívák érhetők el:

- DM20D minibár ajtópanellel, zár nélkül
- DM20D minibár ajtópanellel, zárral
- DM20F minibár ajtópanel nélkül, zár nélkül
- DM20F minibár ajtópanel nélkül, zárral

Mennyiség	Leírás	
1	Minibár	
1	Váltakozó áramú csatlakozókábel	
2	Csavar Ø 4 x 45 mm (felszerelés)	
2	Csavar Ø 4 x 25 mm (első lábak felszerelése)	
2	Csavar M4 x 45 mm (fogantyú felszerelése)	
2	Dugó (felszerelés)	
1	Hordozófogantyú	Csak a DM20D modellnél
2	Dugó (Fogantyú felszerelése)	Csak a DM20D modellnél
2	Dugó (Fa panel)	Csak DM20F fa verziónál
1	Zár dekor (Fa panel)	Csak DM20F fa verziónál, zárral

Mennyiség	Leírás
2	Kód Csak zárral rendelkező verziónál
1	Szerelési és kezelési kézikönyv

4 Rendeltetésszerű használat

A hűtőkészülék (más néven minibár) háztartási és hasonló környezetekben, például:

- üzletek, irodák és más munkaterületek személyzeti konyháiban
- vidéki vendégházakban
- hotelekben, motelekben és más lakóépület típusú környezetekben
- vendégfogadó létesítményekben
- catering és hasonló nem kiskereskedelmi felhasználási területeken alkalmazható

A minibár lakóautókban vagy lakókocsikban való használatra nem alkalmas.

A minibárt rendeltetésének megfelelően egy szekrénybe vagy fülkébe kell beszerezni.

A minibár kizárólag zárt tárolóedényekben lévő ételek és italok tárolására és hűtésére alkalmas.

A minibár friss élelmiszerek, gyógyszerek tárolására, vagy élelmiszerek fagyasztására nem alkalmas.

Ez a minibár az itt leírt utasításoknak megfelelő rendeltetésszerű használatra alkalmas.

Ez a kézikönyv olyan információkat nyújt, amelyek a minibár szakszerű telepítéséhez és/vagy üzemeltetéséhez szükségesek. A hibás telepítés és/vagy a szakszerűtlen üzemeltetés vagy karbantartás elégtelen teljesítményhez és potenciálisan meghibásodáshoz vezethet.

A gyártó nem vállal felelősséget a termék olyan károsodásáért, vagy sérülésekért, amelyek a következőkre vezethetők vissza:

- Hibás összeszerelés vagy csatlakoztatás, ideértve a túlfeszültséget is
- Helytelen karbantartás, vagy a gyártó által szállított eredeti cserealkatrészekről eltérő cserealkatrészek használata
- A termék kifejezett gyártói engedély nélküli módosítása
- Az útmutatóban leírt céloktól eltérő felhasználás

A Dometic fenntartja a termék megjelenésének és specifikációjának módosítására vonatkozó jogát.

5 Műszaki leírás

A minibár rendelkezik egy 12 doboz kapacitású fiókkal (plusz rúd alakú csemegék).

A kiszállításkor a mellékelt polcok és rekeszek úgy vannak pozícionálva, hogy a készüléket energiahatékony módon lehessen üzemeltetni.

A DM20D minibár antracit panellel és húzófogantyúval van ellátva.

A DM20F minibár panel nélkül kerül kiszállításra és elő van készítve a hotel saját ajtó-dekorjának felszereléséhez.

Hűtőrendszere kopó alkatrészeket nem tartalmazó Peltier hűtőrendszer.

Opcionálisan zár is kapható.

5.1 A készülék leírása

Első oldal

Szám, lásd: 1. ábra, 3. oldal	Leírás
1	Zár (opcionális)
2	Fogantyú (Csak a DM20D modellnél)
3	Ajtópanel (Csak a DM20D modellnél)

Hátsó oldal

Szám, lásd: 2. ábra, 3. oldal	Leírás
1	Cseptálca
2	Hálózati adapter

Vezérlőpanel (a készülékben)

Szám, lásd: 3. ábra, 4. oldal	Leírás
1	Lámpa
2	Hiba LED

Szám, lásd: 3. ábra, 4. oldal	Leírás
3	Ellenőrző LED
4	Beállítás gomb

Fő fiók

Szám, lásd: 4. ábra, 4. oldal	Leírás
1	Osztó
2	Palacktartó ujj

6 Szerelés



VIGYÁZAT! Egészségkárosodás veszélye

A készülék instabilitása miatti kockázatok elkerülése érdekében az utasításoknak megfelelően rögzíteni kell azt.

6.1 A minibár bútorba történő beszerelése



FIGYELEM! Károsodás veszélye

A levegőbemeneti csatornán áthaladó levegő nem lehet felmelegített levegő.

Ne helyezze a minibárt nyílt láng vagy más hőforrás közelébe (fűtőberendezések, közvetlen napsugárzás, gázsütők stb.).

A minibár négyféle módon építhető be a bútorzatba.

- Válassza ki a preferált telepítési alternatívát (**5.** ábra, 5. oldal).
- Vizsgálja meg a szükséges telepítési nyílást (**6.** ábra, 6. oldal)
A d a hotel saját dekorjának vastagságát jelzi.
- Vizsgálja meg a minibár és a szellőzőnyílások helyes elhelyezését a megfelelő levegőáramlás biztosítása érdekében (**7.** ábra, 6. oldal).
- Biztosítsa a minimális távolságot a minibár hátulja és a bútor fala között (**14.** ábra, 10. oldal).
- Biztosítsa a szellőzőnyílásokat a következőkben bemutatottak szerint: **8.** ábra, 6. oldal.

6. Rögzítse a hűtőszekrényt megfelelő csavarokkal (9. ábra 1 és 2, 7. oldal).

6.2 A minibár elektromos csatlakoztatása

- ▶ Illessze be a váltakozó áramú csatlakozókábelt a váltakozó áramú aljzatba, és csatlakoztassa a váltakozó áramú hálózathoz.
- ✓ Az állapotjelző LED világít.
- ✓ A minibár megkezdi a belső tér hűtését.

6.3 A hotel saját ajtódekorjának felszerelése (csak a DM20F modellnél)

A hotel saját ajtódekorja a következő feltételeknek kell hogy megfeleljen:

- Maximális súly: 2 kg
- Maximális vastagság: 14 mm
- ▶ Négy csavarral rögzítse a dekort.

6.4 A zár felszerelése (csak zárral rendelkező verzióknál)

1. Készítsen 35 mm átmérőjű furatokat a dekorba.
2. A zár dekorral együtt szerelje fel a zárat.

6.5 A zár felszerelése (csak zárral nem rendelkező verzióknál)

A fiók kiszerezése (10. ábra, 8. oldal)

1. Teljesen nyissa ki a fiókot.
2. Nyomja meg a sínzárát (A 1).
3. Húzza ki a fiókot a szekrényből.
4. Távolítsa el a tömítést (B 1).
5. Távolítsa el a zár borítását (B 2).
6. Távolítsa el a dugókat (C 1) az ajtókilincs csavarjairól (C 3).
7. Tekerje ki a csavarokat (C 2) az ajtókilincsből (C 3).
8. Távolítsa el az ajtókilincset (C 3).

Furatok elkészítése (11. ábra, 8. oldal)

1. Készítsen egy 25 mm átmérőjű furatot az ajtódekoron keresztül **(A 1)**.
2. Tekerje ki a csavarokat **(B 1)** a dekorkeretből **(B 2)**.
3. Távolítsa el a dekorkeretet **(B 2)**.

A zár felszerelése (12. ábra, 9. oldal)

1. Helyezze a helyére az új zár borítást **(A 1)**.
2. Helyezze be a dekort **(B 1)** a dekorkeretbe **(B 3)**.
3. Csavarozza rá a dekorkeretet **(B 3)** az ajtóra **(B 2)**.
4. Szerelje fel az ajtózárat **(C 1)**.
5. Szerelje be az zárrögzítőt a szekrénybe **(D 1)**.

A fiók beszerelése (13. ábra, 9. oldal)

1. Nyomja rá a tömítést **(1)** a dekorkeretre **(2)**.
2. Csavarozza rá az ajtókilincset **(4)** az ajtóra.
3. Nyomja rá a dugókat **(3)** az ajtókilincs csavarjaira **(4)**.
4. Tolja be a fiókot a szekrénybe.

7 Kezelés



FIGYELEM! Károsodás veszélye

A veszélyek elkerülése érdekében csak a gyártó, a szerviz vagy hasonló képesítéssel rendelkező szolgáltató cserélheti ki az izzót.

7.1 Energiatakarékosság

- A minibár ajtaját csak olyan gyakran és annyi ideig nyissa ki ahányszor és ameddig ez feltétlenül szükséges.
- Kerülje a szükségtelenül alacsony hőmérsékleti beállításokat.
- Az optimális energiafogyasztás érdekében a polcokat és a fiókokat a kiszállítási helyzetükbe pozícionálja.
- Rendszeresen ellenőrizze, hogy az ajtó megfelelően illeszkedik-e.
- Rendszeres időközönként tisztítsa meg a kondenzátort a portól és szennyeződésektől.

7.2 A minibár használata

Az áramellátáshoz történő csatlakoztatáskor a minibár megkezdi a hűtést. Normál üzem során az állapot LED világít. Hiba esetén a hiba LED villog (lásd: „Hibaelhárítás” feje., 243. oldal).

7.3 A hőmérséklet beállítása

Az élelmiszerpazarlás elkerülése érdekében vegye figyelembe a következőket:

- Tartsa a lehető legalacsonyabb szinten a hőmérséklet ingadozását. A minibár ajtaját csak olyan gyakran és annyi ideig nyissa ki ahányszor és ameddig ez feltétlenül szükséges. Úgy rendezze el az élelmiszert, hogy a levegő jól tudjon áramolni.
- A minibár automatikus hőmérséklet-szabályozó funkcióval van ellátva. Válassza ki a lehetséges hőmérsékleti értékek közül az átlagot.
- A hőmérsékletet az élelmiszer mennyiségéhez és típusához állítsa be.

A minibar alapértelmezett hűtési hőmérséklet beállítása 7 °C 25 °C környezeti hőmérsékleten.

A hűtési hőmérséklet a következő három érték közül történő kiválasztásához használja a beállítás gombot (3. ábra 4, 4. oldal): 5 °C, 12 °C és 7 °C.

A hőmérséklet a következő sorrendben módosul: 5 °C ... 12 °C ... 7 °C ... 5 °C stb.

- ▶ Nyomja le a beállítás gombot (3. ábra 4, 4. oldal) és tartsa lenyomva 5 másodpercig, amíg a lámpa (3. ábra 1, 4. oldal) villogni nem kezd.
- ▶ Azonnal nyomja le ismét a beállítás gombot (3. ábra 4, 4. oldal).
- ✓ A lámpa (3. ábra 1, 4. oldal) a beállítási hőmérsékletet jelzi:
 - 5 °C: a lámpa három megszakítással ötször felvillan
 - 12 °C: a lámpa három megszakítással egyszer felvillan
 - 7 °C: a lámpa három megszakítással háromszor felvillan



MEGJEGYZÉS

Ha csatlakoztatva van az áramforráshoz, akkor a minibár automatikusan beállítja a hűtési hőmérsékletet 7 °C-ra.

8 Hibaelhárítás

Hiba	Lehetséges ok	Megoldási javaslat
A készülék nem működik, az állapotjelző LED nem világít.	A váltakozó áramú aljzatban nincs feszültség.	Próbáljon egy másik aljzatot használni.
	A hálózati adapter meghibásodott.	Lépjön kapcsolatba a szervizzel.
A készülék nem hűt (a dugócsatlakozó be van dugva, az állapotjelző LED világít).	Meghibásodott a hűtőelem.	Lépjön kapcsolatba a szervizzel.
A hiba LED másodpercenként egyszer felvillan.	Meghibásodott a hőmérséklet érzékelő.	Lépjön kapcsolatba a szervizzel.
A készülék nem hűt megfelelően, az állapotjelző LED világít, a hiba LED nem világít.	Meghibásodott a hűtőelem.	Lépjön kapcsolatba a szervizzel.
	Elégtelen szellőzés	Ellenőrizze a szellőzést. Tisztítsa ki a készülék alatt lévő szűrőt.

9 Tisztítás és karbantartás



FIGYELEM! Károsodás veszélye

- Soha ne tisztítsa a hűtőkészüléket csapvíz alatt vagy mosogatóvízben.
- Ne használjon a tisztításhoz dörzsölő hatású tisztítószeret vagy kemény tárgyakat, mert ezek károsíthatják a hűtőkészüléket.

- ▶ Alkalmanként tisztítsa meg a hűtőkészülék belsejét és külsejét nedves kendővel.
- ▶ Biztosítsa, hogy a hűtőkészülék szellőzőnyílásai por- és szennyeződésmentesek legyenek, így az üzem közben keletkező hő távozhat és a hűtőkészülék nem károsodik.
- ▶ Alkalmanként tisztítsa ki a bementi szűrőt.
- ▶ Ha vizet talál a csepptálcában (2. ábra 1, 3. oldal) ellenőrizze, hogy a leeresztőrendszer nem záródott-e el.



FIGYELEM! Károsodás veszélye

A veszélyek elkerülése érdekében csak a gyártó, a szerviz vagy hasonló képesítéssel rendelkező szolgáltató cserélheti ki az izzót.

10 Szavatosság

A termékre a törvény szerinti szavatossági időszak érvényes. Amennyiben a termék meghibásodott, lépjen kapcsolatba a kiskereskedővel, vagy a gyártó helyi képviselőjével (lásd: dometic.com/dealer).

A javításhoz, illetve a garancia intézéséhez a következő dokumentumokat kell mellékelnie a termék beküldésekor:

- A számla vásárlási dátummal rendelkező másolatát
- A reklamáció okát vagy a hibát tartalmazó leírást

Vegye figyelembe, hogy az önkezü javítás vagy a nem szakszerű javítás biztonsági következményekkel járhat, és érvénytelenítheti a szavatosságot.

11 Ártalmatlanítás

Csomagolóanyagok újrahasznosítása



- A csomagolóanyagot lehetőleg a megfelelő újrahasznosítható hulladékokhoz tegye.

Nem cserélhető elemeket, akkumulátorokat vagy fényforrásokat tartalmazó termékek újrahasznosítása





- Ha a termék nem cserélhető elemeket, akkumulátorokat vagy fényforrásokat tartalmaz, azokat nem kell eltávolítani az ártalmatlanítás előtt.
- A termék végleges üzemen kívül helyezése esetén tájékozódjon a legközelebbi újrahasznosító központban vagy szakkereskedőjénél a vonatkozó ártalmatlanítási előírásokról.
- A termék ingyenesen ártalmatlanítható.

12 Műszaki adatok

Készüléke aktuális EU-megfelelőségi nyilatkozatát a dometic.com honlap megfelelő termékoldalán találhatja meg, vagy vegye fel a kapcsolatot közvetlenül a gyártóval (lásd: dometic.com/dealer).

További termékinformációkat az ábrákon az energiacímkén található QR kód (lásd az ábrán) beolvasásával, vagy az eprel.ec.europa.eu honlapon kaphat.

A hűtőkör R600a közeget tartalmaz.

	DM20D	DM20F
Feszültség:	220 – 240 V~, 50/60 Hz	
Hűtési teljesítmény:	a környezetnél legfeljebb 20 °C-kal alacsonyabb hőmérsékletig (három lépésben állítható: +5 °C, +7 °C, +12 °C)	
Kategória:	Hűtőkamra	
Teljes térfogat:	20 l	
Energihatékonysági osztály:	G	
Megcélzott használati környezeti hőmérséklet:	+16 °C és +32 °C között	
Zajkibocsátás:	0 dB(A)	
Hűtőközeg mennyisége:	24 g	
Fő fiók méretei (szélesség x mélység x magasság):	285 x 228 x max 112 mm	
Méretek (szélesség x magasság x mélység):	365 x 384 x max 419 mm	365 x 384 x max 391 mm
Súly:	12,3 kg	
Vizsgálat/tanúsítvány:	 	



يُرجى قراءة هذه التعليمات، والإرشادات، والتحذيرات الواردة في دليل المنتج المشار إليه واتباعها بعناية للتأكد من تركيب المنتج، واستخدامه، وصيانته بشكل صحيح في جميع الأوقات. يجب أن تُحفظ هذه التعليمات مع هذا المنتج.

باستخدام هذا المنتج، فإنك تؤكد بمقتضى ذلك أنك قد قرأت إخلاء المسؤولية المشار إليها، وكافة التعليمات، والإرشادات، والتحذيرات بعناية وأنك تفهم الشروط والأحكام وتوافق على الالتزام بها على النحو المنصوص عليه هنا. كما توافق على استخدام هذا المنتج فقط للغرض والاستعمال المقصود وفقاً للتعليمات، والإرشادات، والتحذيرات على النحو المنصوص عليه في دليل المنتج المشار إليه وكذلك وفقاً لجميع القوانين واللوائح المعمول بها. قد يؤدي عدم قراءة التعليمات والتحذيرات المنصوص عليها في هذه الوثيقة واتباعها إلى حدوث إصابة لك وللآخرين أو تلف منتجك أو تلف الممتلكات الأخرى الموجودة بالقرب منه. قد يخضع دليل المنتج المشار إليه، بما فيه من تعليمات وإرشادات وتحذيرات، والوثائق ذات الصلة للتغيير والتحديث. للحصول على أحدث معلومات عن المنتج، يُرجى زيارة المستندات. dometic.com · dometic.com

المحتويات

1	شرح الرموز	247
2	تعليمات السلامة	248
3	محتويات التسليم	250
4	الاستخدام المقصود	251
5	الوصف الفني	252
6	التركيب	253
7	الاستخدام	255
8	استكشاف الأخطاء وإصلاحها	257
9	التنظيف والعناية	257
10	الضمان	258
11	التخلص من الجهاز	258
12	البيانات الفنية	259

أشرح الرموز

<p>خطر! إرشادات السلامة: تشير إلى وجود وضع خطير إذا لم يتم تجنبه، سيؤدي إلى الوفاة أو حدوث إصابة خطيرة.</p>	
<p>تحذير! إرشادات السلامة: تشير إلى وجود وضع خطير إذا لم يتم تجنبه، يمكن أن يؤدي إلى الوفاة أو حدوث إصابة خطيرة.</p>	



احتراس!
إرشادات السلامة: تشير إلى وجود وضع خطير إذا لم يتم تجنبه، يمكن أن يؤدي إلى حدوث إصابات بسيطة أو متوسطة.



تنبيه!
تشير إلى وجود وضع إذا لم يتم تجنبه، يمكن أن يؤدي إلى حدوث تلف الممتلكات.



ملحوظة
معلومات تكميلية لتشغيل المنتج.

2 تعليمات السلامة

2.1 السلامة العامة



تحذير! عدم الالتزام بهذه التحذيرات قد يسفر عنه الوفاة أو التعرض لإصابات خطيرة.

خطر التعرض إلى الصعق الكهربائي

• تأكد من أن الثلاجة الصغيرة قد تم تركيبها من قبل فني طبقاً لتعليمات التركيب من شركة Dometic.

• لا تقم بتشغيل الثلاجة الصغيرة في حالة وجود آثار تلف واضحة بها.

• في حالة تعرض كابل الطاقة للثلاجة الصغيرة للتلف، يجب استبداله من قبل الشركة المصنعة أو وكيل الخدمة أو من قبل شخص مؤهل بالمستوى نفسه لتجنب مخاطر السلامة.

• ينبغي عدم إجراء إصلاحات بالثلاجة الصغيرة إلا على يد أشخاص مؤهلين. قد تؤدي الإصلاحات غير السليمة إلى التسبب في حدوث مخاطر شديدة.

• عند موضع الثلاجة الصغيرة، احرص على أن يكون سلك التغذية الكهربائية غير عالق أو تالف.

• لا تضع المقبس متعدد المنافذ المتنقل أو مغذيات القدرة الكهربائية المتنقلة في خلفية الجهاز.

• قم بتوصيل الجهاز بالمقبس الذي يضمن اتصال مناسباً خاصة عندما يحتاج الجهاز إلى التأريض.

خطر نشوب الحريق

• يعتبر سائل التبريد الموجود في دائرة التبريد قابل للاشتعال بدرجة عالية.

في حالة حدوث أي تلف في دائرة التبريد:

– أوقف تشغيل الثلاجة الصغيرة.

– تجنب أي لهب وشرر مكشوف.

– قم بتهوية الحجرة جيداً.

• تحتوي دائرة التبريد على كمية صغيرة من مادة تبريد صديقة للبيئة لكن قابلة للاشتعال.

لا تتلف طبقة الأوزون ولا يزيد من تأثير الاحتباس الحراري. قد تشتعل أي مادة تبريد

متسربة.

- حافظ على تجويف تثبيت الثلجة الصغيرة خاليًا من أي مكونات كهربائية ومصادر إضاءة قد تنتج شرارات أو أقواس ضوئية أثناء التشغيل العادي أو غير العادي (مثل المرحلات أو صناديق المصاهر).
- لا تستخدم الثلجة الصغيرة أو تخزينها في أماكن مغلقة وضيقة من دون توفر دوران هواء أو مع توفر الحد الأدنى منه.
- بعد التركيب، يجب أن يكون بعد ذلك فصل الثلجة الصغيرة عن مصدر التيار الكهربائي ممكنًا. يمكن تحقيق ذلك إما من خلال الوصول إلى القابس أو بدمج مفتاح في الأسلاك الثابتة وفقًا لقواعد الأسلاك.
- احرص على عدم وجود عوائق في نطاق فتحات التهوية بالثلجة الصغيرة أو بالهيكل المدمج.
- لا تستخدم الأجهزة الميكانيكية أو غيرها من الوسائل لتسريع عملية إزالة الجليد، بخلاف تلك الموصى بها من قِبل الشركة المصنعة.
- يجب عدم فتح دائرة المبرد إطلاقًا.
- لا تستخدم أي أجهزة كهربائية داخل الثلجة الصغيرة، إلا إذا أشارت الشركة المصنعة باستخدامها لهذا الغرض.

خطر الانفجار

- لا تقم بتخزين أي مواد قابلة للانفجار، مثل البخاخات المحتوية على غازات قابلة للاشتعال، داخل الثلجة الصغيرة.

المخاطر الصحية

- يمكن استخدام الصلابة الصغيرة هذه بواسطة الأطفال عمر 8 سنوات وأكبر، أو الأشخاص الذين يعانون من إعاقة بدنية أو حسية أو عقلية، أو ليس لديهم الخبرة والمعرفة الكافية، طالما كان هناك إشراف عليهم أو تم إعطاؤهم التعليمات الخاصة باستخدام الثلجة الصغيرة بطريقة آمنة، وكانوا مدركين للأخطار التي يمكن التعرض لها.
- لا يُسمح للأطفال باللعب بالثلجة الصغيرة.
- لا يُسمح للأطفال القيام بأعمال التنظيف والصيانة من دون إشراف.
- يُسمح للأطفال من عمر 3 وحتى 8 سنوات بتعبئة الثلجة الصغيرة وتفريغها.

احتراس! إن عدم الالتزام بهذه التنبيهات يمكن أن يؤدي إلى حدوث إصابات بسيطة أو متوسطة.

خطر الأسحاق

- تجنب وضع أصابعك داخل المفصلة.

المخاطر الصحية

- لا يمكن حفظ المواد الغذائية إلا في عبواتها الأصلية أو في حاويات مناسبة.

تنبيه! خطر التلف

- تأكد من أن بيانات الجهد الكهربائي الواردة بلوحة النوع مطابقة لإمدادات الطاقة المتوفرة.
- الثلجة الصغيرة غير مناسبة لتخزين المواد الكاوية أو المذيبة.
- يحتوي عازل جهاز التبريد على مادة السيكلوبنتان القابلة للاشتعال وتتطلب إجراءات خاصة للتخلص منه. سلّم جهاز التبريد في نهاية دورة حياته إلى مركز إعادة تدوير مناسب.



- حافظ على نظافة مخرج التصريف طوال الوقت.
- احمل الثلجة الصغيرة في وضع عمودي فقط.

2.2 السلامة عند تشغيل الثلجة الصغيرة

خطر! إن عدم الالتزام بهذه التحذيرات سيؤدي إلى الوفاة أو حدوث إصابات خطيرة.

خطر التعرض إلى الصعق الكهربائي

- لا تلمس الكابلات المكشوفة بيدين عاريتين.



احتراس! إن عدم الالتزام بهذه التنبيهات يمكن أن يؤدي إلى حدوث إصابات بسيطة أو متوسطة.

خطر التعرض إلى الصعق الكهربائي

- تأكد قبل بدء تشغيل الثلجة الصغيرة لأول مرة من أن خط إمداد الطاقة والقابس جافين.

المخاطر الصحية

- تأكد من أنك تضع في الثلجة الصغيرة المواد التي يمكن تبريدها فقط على درجة الحرارة المختارة.

- لا يمكن حفظ الأطعمة إلا في عبواتها الأصلية أو في حاويات مناسبة.

- يمكن أن يؤدي فتح الباب لفترات طويلة إلى زيادة درجة حرارة أقسام الثلجة الصغيرة بصورة كبيرة.

- قم بانتظام بتنظيف الأسطح التي تلامس الأطعمة وأنظمة التصريف التي يمكن الوصول إليها.

- إذا تُركت الثلجة الصغيرة فارغة لفترات طويلة:

– أوقف تشغيل الثلجة الصغيرة.

– قم بإذابة الصقيع بالثلجة الصغيرة.

– نظف الثلجة الصغيرة وجففها.

– اترك الباب مفتوحاً لمنع تكون العفن داخل الثلجة الصغيرة.

تنبيه!

خطر التلف



- لا تضع الثلجة الصغيرة بالقرب من ألسنة اللهب المكشوف أو مصادر حرارة أخرى (الشموع المشتعلة والسخانات وأشعة الشمس المباشرة وأفران الغاز وما إلى ذلك).

- يجب عدم غمر الثلجة الصغيرة في الماء مطلقاً.

- احرص على حماية الثلجة الصغيرة والكابلات من الحرارة والرطوبة.

- تأكد من أن الأطعمة لا تلامس جوانب منطقة التبريد.

3 محتويات التسليم

يمكن الحصول على الخيارات الرئيسية التالية:

- ثلاجة صغيرة DM20D مع لوحة باب من دون قفل
- ثلاجة صغيرة DM20D مع لوحة باب وقفل
- ثلاجة صغيرة DM20F من دون لوحة باب وقفل
- ثلاجة صغيرة DM20F من دون لوحة باب مع قفل

الوصف	الكمية
ثلاجة صغيرة	1
كابل توصيل التيار المتردد	1
برغي 4x45 Ø ملم (التركيب)	2
برغي 4 × 25 Ø ملم (تركيب الأقدام الأمامية)	2
برغي M4 x 45 ملم (تركيب المقبض)	2
قابس (التركيب)	2
مقبض DM20D فقط	1
قابس (تركيب المقبض) DM20D فقط	2
قابس (اللوحة الخشبية) DM20F النسخة الخشبية فقط	2
ديكور قفل (اللوحة الخشبية) DM20F النسخة الخشبية مع قفل فقط	1
مفتاح إصدار مزود بالقفل فقط	2
دليل التركيب والتشغيل	1

4 الاستخدام المقصود

إن جهاز التبريد (المشار إليه أيضاً باسم الثلاجة الصغيرة) مخصص ليُستخدم في المنزل وفي استخدامات أخرى مماثلة مثلًا:

- داخل مطابخ العاملين في المتاجر والمكاتب ومناطق العمل الأخرى
- بيوت المزارع
- لدى العملاء في الفنادق والنزل وغيرها من البيئات السكنية الأخرى
- في البيئات التي توفر سرير وإطار
- في خدمات توريد الطعام وفي استخدامات مشابهة غير متعلقة بالبيع بالتجزئة
- إن الثلاجة الصغيرة غير مخصصة للتركيب في عربات الكارافان أو المنازل المتنقلة.
- إن الثلاجة الصغيرة مخصصة للتركيب داخل الخزانة أو موضع مخصص للتركيب.
- تم تصميم الثلاجة الصغيرة خصيصًا لتبريد المشروبات والأطعمة وحفظها في حاويات مغلقة.
- إن الثلاجة الصغيرة غير مخصصة لتخزين الأطعمة الطازجة والأدوية أو لتجميد الأطعمة.

- تناسب الثلاجة الصغيرة هذا الغرض والاستعمال المقصود منه فقط وفقاً لهذه التعليمات.
- يوفر دليل التشغيل هذا معلومات ضرورية للتركيب و/أو التشغيل الصحيح للثلاجة الصغيرة. سيؤدي سوء التركيب و/أو التشغيل أو الصيانة غير الصحيحة إلى الحصول على أداء غير مرضٍ وعطل محتمل.
- لا تتحمل الشركة المصنعة أي مسؤولية عن أي ضرر أو تلف بالمنتج ناتج من:
- عملية التجميع أو التوصيل غير الصحيحة بما في ذلك الجهد الزائد
 - صيانة غير صحيحة أو استخدام قطع غيار غير أصلية وغير مقدمة من الشركة المصنعة
 - إجراء تعديلات على المنتج من دون حصول على إذن صريح من الشركة المصنعة
 - الاستخدام في أغراض أخرى خلاف الأغراض الموضحة في هذا الدليل
- تحتفظ شركة Dometic بالحق في تغيير شكل المنتج ومواصفاته.

5 الوصف الفني

- تحتوي الثلاجة الصغيرة على درج يتسع لـ 12 علبة (بالإضافة إلى الوجبات الخفيفة).
- عند التسليم، يتم وضع الرفوف والحجرات المتوفرة بحيث يمكن تشغيل الجهاز بطريقة موفرة للطاقة.
- تأتي الثلاجة الصغيرة DM20D مزودة بلوحة أنتراسايت ومقبض سحب.
- يتم تسليم الثلاجة الصغيرة DM20F من دون لوحة ويتم إعدادها لتناسب ديكور باب الفندق.
- إن نظام التبريد الخاص بها هو نظام تبريد بيلتييه غير قابل للتآكل.
- تمت إتاحة القفل اختياريًا.

5.1 وصف الجهاز

الجهة الأمامية

الوصف	الأرقام في شكل 1، صفحة 3
قفل (اختياري)	1
المقبض (DM20D فقط)	2
لوحة الباب (DM20D فقط)	3

الجانب الخلفي

الوصف	الأرقام في شكل 2، صفحة 3
درج التنقيط	1
مهايئ رئيسي	2

لوحة التحكم (داخل الجهاز)

الوصف	الأرقام في شكل 3، صفحة 4
المصباح	1
وامض الخطأ	2
لمبة LED للحالة	3
زر الإعدادات	4

الدرج الرئيسي

الوصف	الأرقام في شكل 4، صفحة 4
المقسم	1
فتاحة زجاجات	2

6 التركيب

احتراس! المخاطر الصحية
لتجنب الخطر الناتج عن عدم استقرار الجهاز، يجب تثبيته وفقاً للتعليمات.



6.1 تركيب ثلاجة المشروبات داخل قطعة أثاث

تنبيه! خطر التلف
لا يجوز تسخين الهواء الذي يمر عبر مجرى دخول الهواء.
لا تضع الثلاجة الصغيرة بالقرب من السنة اللهب المكشوف أو مصادر حرارة أخرى (السخانات وأشعة الشمس المباشرة وأفران الغاز وما إلى ذلك).



- ثمة أربع طرق لتركيب الثلاجة الصغيرة في الأثاث.
1. اختر بديل التركيب المفضل لديك (شكل 5، صفحة 5).
 2. التزم بتجويف التركيب المطلوب (شكل 6، صفحة 6)
د هو سمك ديكور الفندق نفسه.
 3. احرص على وضع الثلاجة الصغيرة وفتحات التهوية بشكل صحيح لضمان تدفق الهواء بشكل صحيح (شكل 7، صفحة 6).
 4. تأكد من وجود الحد الأدنى من الخلوص بين الجزء الخلفي من الثلاجة الصغيرة وجدار الأثاث (شكل 14، صفحة 10).
 5. قم بإنشاء فتحات التهوية كما هو موضح في شكل 8، صفحة 6.
 6. قم بتركيب الثلاجة في مكانها باستخدام البراغي المناسبة (شكل 9 و 1 و 2، صفحة 7).

6.2 توصيل ثلاجة المشروبات كهربائياً

- ▶ وصل كابل توصيل التيار المتردد AC داخل مقبس جهد التيار المتردد و قم بتوصيله بمصدر تيار متردد.
- ✓ يُضيء مؤشر LED للحالة.
- ✓ تبدأ الثلاجة الصغيرة في تبريد الجزء الداخلي.

6.3 تركيب ديكور باب الفندق (DM20F فقط)

- يجب أن يتوافق ديكور باب الفندق مع المتطلبات التالية:
- الحد الأقصى للوزن: 2 كجم
 - الحد الأقصى للسمك: 14 ملم
- ▶ تثبيت الديكور بأربعة مسامير.

6.4 تركيب القفل (الإصدار المزود بالقفل فقط)

1. قم بتقب فتحة مقدار قطرها 35 ملم في الديكور.
2. قم بتركيب القفل مع ديكور القفل.

6.5 تركيب القفل (للإصدار الغير مزود بقفل فقط)

عملية فك الدرج (شكل 10، صفحة 8)

1. افتح الدرج بالكامل.
2. اضغط على قفل العود (A 1).
3. اسحب الدرج إلى خارج الخزانة.
4. أزل الحشية (B 1).

5. أزل غطاء القفل (B 2).
6. أزل القوابس (C 1) من براغي مقبض الباب (C 3).
7. فك براغي (C 2) مقبض الباب (C 3).
8. أزل مقبض الباب (C 3).

عملية ثقب الفتحات (شكل 11، صفحة 8)

1. احفر ثقبًا بقطر 25 ملم في الديكور والباب (A 1).
2. فك البراغي (B 1) لإطار الديكور (B 2).
3. أزل إطار الديكور (B 2).

عملية تجميع القفل (شكل 12، صفحة 9)

1. ضع غطاء القفل الجديد (A 1) داخل موضعه.
2. ضع الديكور (B 1) داخل إطار الديكور (B 3).
3. تثبت إطار الديكور ببراغ (B 3) على الباب (B 2).
4. قم بتركيب قفل الباب (C 1).
5. قم بتركيب سقاطة القفل في الخزانة (D 1).

عملية تجميع الدرج (شكل 13، صفحة 9)

1. ادفع مادة الحشو (1) على إطار الديكور (2).
2. ثبت مقبض الباب (4) فوق الباب بالمسامير.
3. ادفع القوابس (3) على مسامير مقبض الباب (4).
4. ادفع الدرج داخل الخزانة.

7 الاستخدام

تنبيه! خطر التلف

يمكن استبدال الضوء من قبل الشركة المصنعة أو من قبل وكيل الخدمة أو شخص على نفس مستوى الكفاءة فقط، وذلك لتجنب الخطر.



7.1 توفير الطاقة

- لا تفتح الثلاثة الصغيرة مراراً إلا إذا كان ذلك ضرورياً.
- تجنب استخدام إعدادات درجة حرارة منخفضة دون داع.
- للحصول على استهلاك طاقة أمثل، ضع الأرفف والأدرج مثلما كانت عليه عند التسليم.
- تأكد بشكل منتظم من أن مانع التسرب بالباب لا يزال بحالة جيدة.

•نظّف الغبار والأوساخ من المكثّف على فترات منتظمة.

7.2 استخدام ثلاجة المشروبات

تبدأ ثلاجة المشروبات بالتبريد عند توصيلها بالطاقة. أثناء التشغيل العادي يضيء مؤشر LED للحالة. في حالة حدوث خطأ ما يومض المؤشر الخاص بالخطأ (راجع فصل „استكشاف الأخطاء وإصلاحها“ صفحة 257).

7.3 ضبط درجة الحرارة

لتجنب إهدار الأطعمة، عليك مراعاة التالي:

- حافظ قدر الإمكان على أدنى مستوى لتقلب درجة الحرارة. لا تفتح الثلاثة الصغيرة مراراً إلا إذا كان ذلك ضرورياً. قم بتخزين الأطعمة بطريقة تسمح للهواء بالدوران بشكل جيد.
 - تم تزويد الثلاجة الصغيرة بوظيفة ضبط درجة الحرارة تلقائياً. اختر متوسط لقيّم درجة الحرارة الممكنة.
 - اضبط درجة الحرارة حسب كمية ونوع الأطعمة.
- يتم ضبط الثلاجة الصغيرة افتراضياً على درجة حرارة تبريد تبلغ 7 درجات مئوية عند درجة حرارة محيطيّة تبلغ 25 درجة مئوية .

يمكنك استخدام زر الإعداد (شكل 3 4، صفحة 4) لضبط درجة حرارة التبريد على واحدة من هذه القيم الثلاث: 5 درجات مئوية، و12 درجة مئوية و7 درجات مئوية.

وبتالي، سيتم تغيير درجة الحرارة وفقاً للترتيب 5 درجات مئوية...12 درجة مئوية...7 درجات مئوية...5 درجات مئوية وما إلى ذلك.

► اضغط على زر الإعداد (شكل 3 4، صفحة 4) واستمر في لضغط لخمس ثوانٍ حتى يبدأ المصباح (شكل 3 1، صفحة 4) بالوميض.

► اضغط فوراً على زر الإعداد (شكل 3 4، صفحة 4) مرة أخرى.

✓يشير المصباح (شكل 3 1، صفحة 4) إلى درجة الحرارة المحددة:

- 5 درجات مئوية : يومض المصباح خمس مرات في ثلاث فترات
- 12 درجة مئوية : يومض المصباح مرة في ثلاث فترات
- 7 درجات مئوية : يومض المصباح ثلاث مرات في ثلاث فترات

ملحوظة

تضبط الثلاجة الصغيرة درجة التبريد تلقائياً عند 7 درجات مئوية عندما يتم توصيلها بمصدر للطاقة.



8 استكشاف الأخطاء وإصلاحها

المشكلة	السبب المحتمل	الحل المقترح
لا يعمل الجهاز، لا يضيء مؤشر LED للحالة.	لا يوجد جهد في مقبس جهد التيار المتردد.	حاول التوصيل بمقبس آخر.
الجهاز لا يبرد (تم إدخال القابس، يضيء مؤشر LED للحالة).	مصدر الطاقة الرئيسي تالف.	اتصل بوكيل الخدمة.
الضئ المؤشر الوامض الخاص بالخطأ مرة كل ثانية.	عناصر التبريد تالفة.	اتصل بوكيل الخدمة.
لا يبرد الجهاز بشكل كافٍ، يضيء مؤشر LED للحالة، ولا يضيء مؤشر LED للخطأ.	مستشعر درجة الحرارة تالف.	اتصل بوكيل الخدمة.
	عناصر التبريد تالفة.	اتصل بوكيل الخدمة.
	سوء تهوية	تحقق من التهوية. نظف الفلتر الموجود تحت الجهاز.

9 والتنظيف والعناية

تنبيه! خطر التلف



- تجنب مطلقاً تنظيف جهاز التبريد تحت الماء الجاري أو في ماء الشطف.
- لا تستخدم عند التنظيف أي مواد كاشطة أو أدوات حادة لأنها قد تتلف جهاز التبريد.

- ▶ نظّف من حين لآخر جهاز التبريد من الداخل والخارج بقطعة قماش مبللة.
- ▶ تأكد من أن فتحات دخول وخروج الهواء في الثلاجة الصغيرة خالية من أي أتربة وأوساخ، حتى يتسنى تصريف الحرارة من دون تعريض الجهاز للتلف.
- ▶ نظف فلتر الدخول من حين لآخر.
- ▶ إذا وجدت ماء في درج التثقيط (شكل 2، 1، صفحة 3) تحقق إذا ما كان نظام التصريف به انسداد.

تنبيه! خطر التلف



- يمكن استبدال الضوء من قبل الشركة المصنعة أو من قبل وكيل الخدمة أو شخص على نفس مستوى الكفاءة فقط، وذلك لتجنب الخطر.

10 الضمان

يتم تطبيق فترة الضمان القانونية. إذا كان المنتج معيباً، يرجى الاتصال ببائع التجزئة أو فرع الشركة المصنعة في بلدك (انظر dometic.com/dealer).

لتنفيذ إجراءات الإصلاح والضمان، يجب إرفاق المستندات التالية مع المنتج:

• نسخة من الفاتورة مع تاريخ الشراء

• سبب الشكوى أو وصف للعطل

عليك الحذر من أن الإصلاح الذاتي أو غير الاحترافي قد يؤدي إلى عواقب تتعلق بالسلامة وإلغاء الضمان.

11 التخلص من الجهاز

إعادة تدوير مواد التغليف

► ضع مواد التغليف في الصناديق المناسبة الخاصة بالنفايات القابلة لإعادة التدوير قدر الإمكان.



إعادة تدوير المنتجات المزودة بطاريات غير قابلة للاستبدال أو بطاريات قابلة لإعادة الشحن أو بمصادر الإضاءة

► إذا كان المنتج يحتوي على أي بطاريات غير قابلة للاستبدال أو بطاريات قابلة لإعادة الشحن أو على مصادر الإضاءة، فلا داعي لإزالتها قبل التخلص منها.

► إذا كنت ترغب في التخلص من المنتج نهائياً، فاطلب من مركز إعادة التدوير المحلي أو التاجر المتخصص الحصول على تفاصيل حول كيفية القيام بذلك وفقاً للوائح التخلص المعمول بها.

► يمكن التخلص من المنتج مجاناً.



12 البيانات الفنية

للحصول على إعلان المطابقة الحالي في الاتحاد الأوروبي لجهازك، يرجى الرجوع إلى صفحة المنتج المعنية على dometic.com أو الاتصال بالشركة المصنعة مباشرة (انظر dometic.com/dealer).

لمزيد من المعلومات حول المنتج، يمكن الوصول إليها عبر رمز QR الموجود على ملصق الطاقة (انظر الأشكال) أو عبر الموقع eprel.ec.europa.eu.

تحتوي دائرة التبريد على R600a.

DM 20F	DM 20D	
220 – 240 فولت/50/60، ~ هرتز		الجهد الكهربائي:
كحد أقصى 20 درجة مئوية أقل من درجة الحرارة المحيطة (قابلية للتعديل من خلال ثلاث خطوات: 5 درجات مئوية، 7 درجات مئوية، 12 درجة مئوية)		قدرة التبريد:
القبو		الفئة:
20 لترًا		الحجم الكلي:
G		فئة كفاءة استهلاك الطاقة:
16+ درجة مئوية إلى 32+ درجة مئوية		الاستخدام المقصود في درجة حرارة محيطة:
0 ديسيل (أ)		انبعاث الضوضاء:
24 جرامًا		كمية المبرد:
285 × 228 × 112 ملم		أبعاد الدرج الرئيسي، عرض × عمق × ارتفاع:
365 × 384 × 391 ملم	365 × 384 × 419 ملم	الأبعاد ارتفاع × عرض × عمق:
12,3 كجم		الوزن:
UK CA CE		الفحص/الشهادة:



dometic.com

YOUR LOCAL DEALER

dometic.com/dealer

YOUR LOCAL SUPPORT

dometic.com/contact

YOUR LOCAL SALES OFFICE

dometic.com/sales-offices
