



REFRIGERATION MINIBAR MINICOOL DRAWER MINIBAR

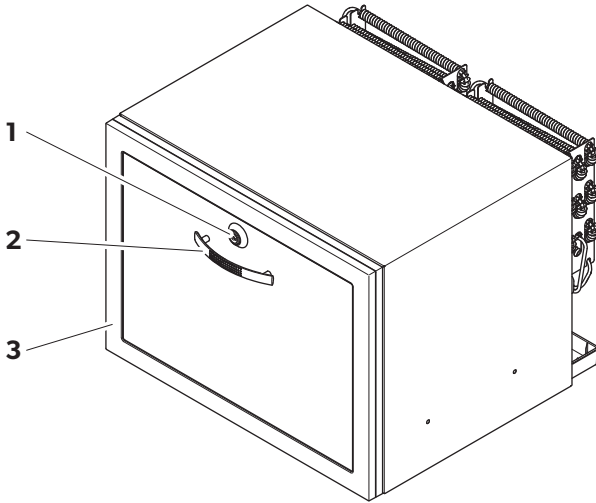


DM50NTED, DM50NTEF

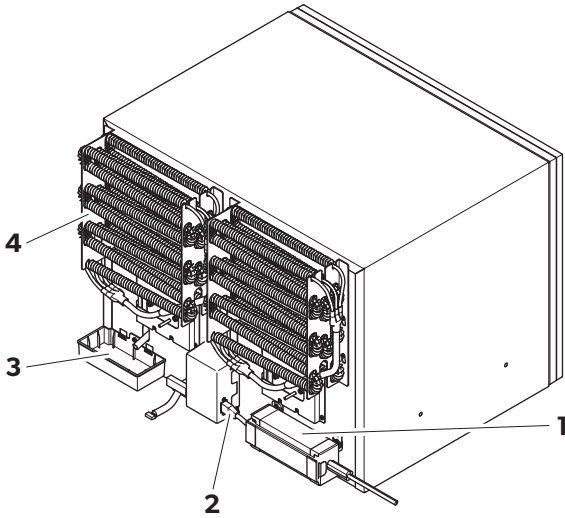
EN	Drawer Minibar Installation and Operating Manual	11
FR	Minibar à tiroir Instructions de montage et de service	27
ES	Cajón minibar Instrucciones de montaje y de uso	43
PT	Minibar de gaveta Instruções de montagem e manual de instruções	59

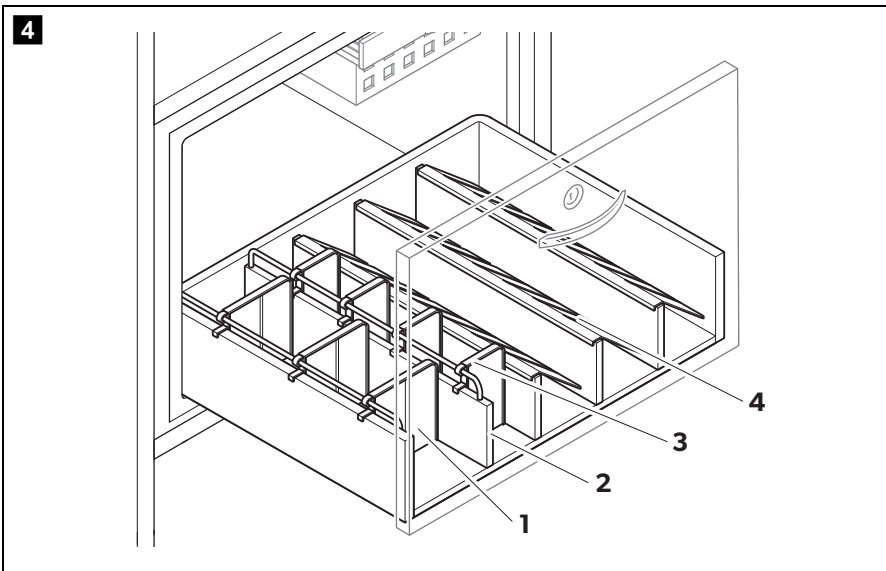
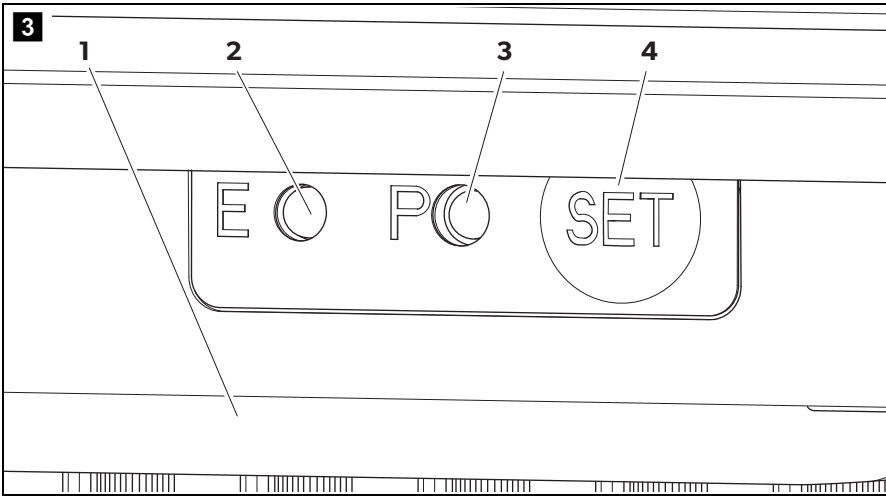
© 2024 Dometic Group. The visual appearance of the contents of this manual is protected by copyright and design law. The underlying technical design and the products contained herein may be protected by design, patent or pending patent. The trademarks mentioned in this manual belong to Dometic Sweden AB. All rights are reserved.

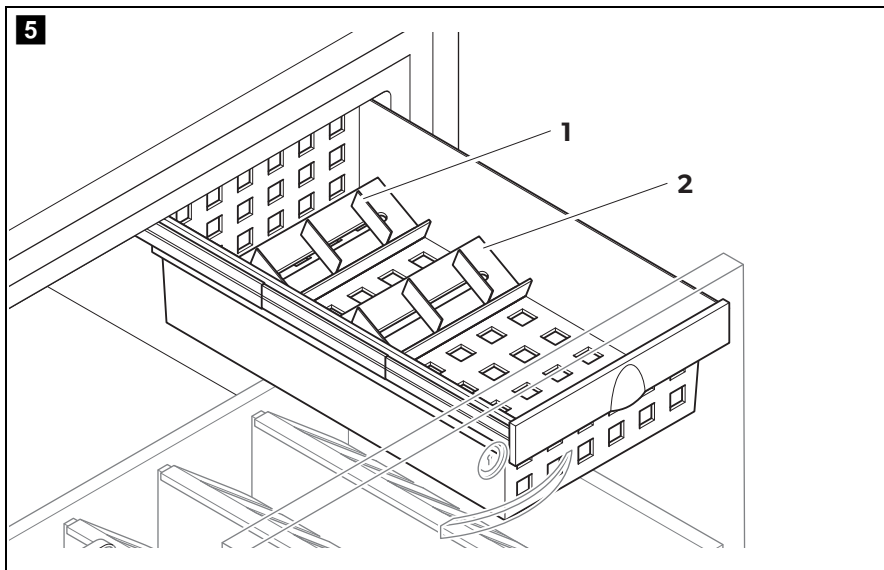
1

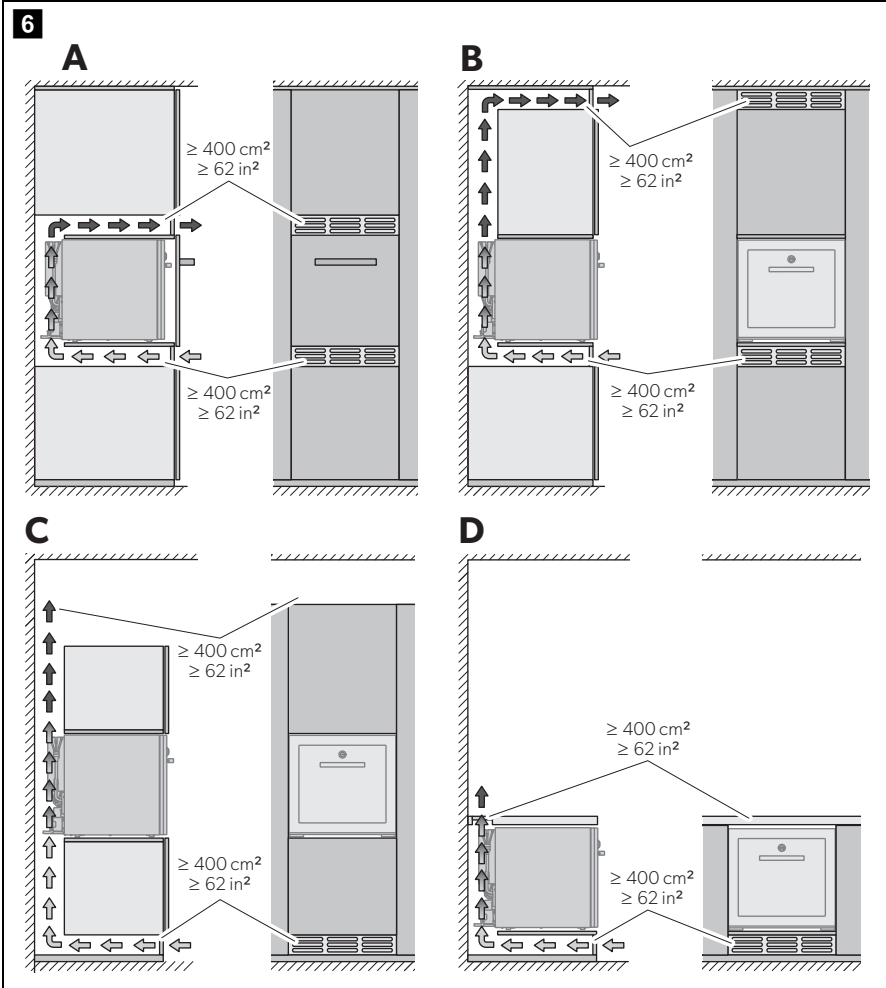


2









7

Diagram illustrating the dimensions of the DM50NTE unit. The unit is shown in a perspective view with dimensions labeled: A (height), B (width), and C(+d) (depth). The unit is shown being installed into a wall, with dashed lines indicating the required cutout dimensions.

	A	B	C
DM50NTE D	438 mm 17.2 in	570 mm 22.4 in	539 mm 21.2 in
DM50NTE F	438 mm 17.2 in	570 mm 22.4 in	511+d mm 20.1+d in

8

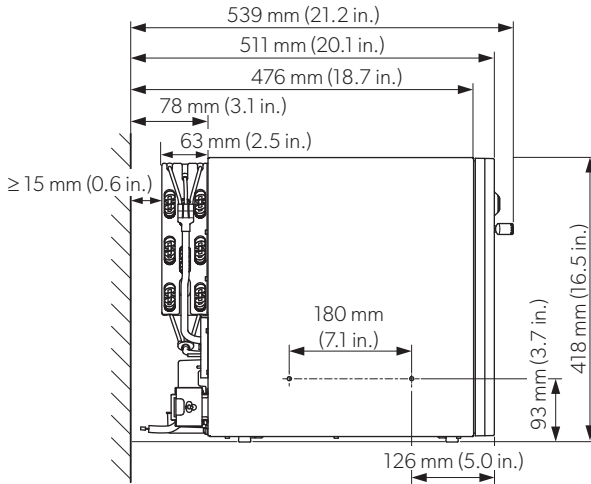
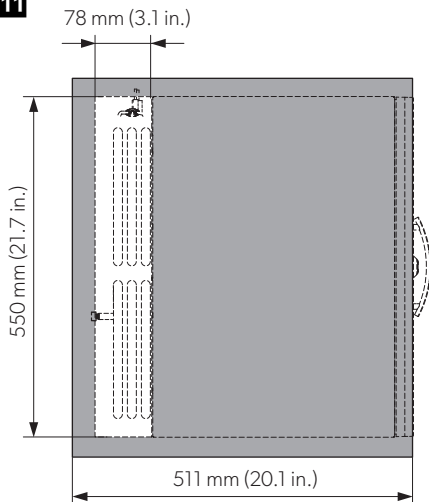
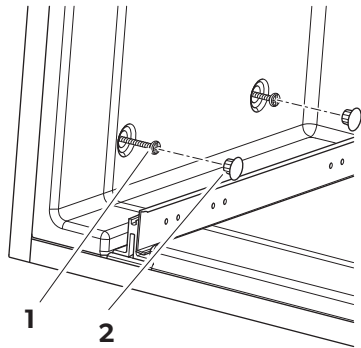
Diagram illustrating the correct and incorrect installation methods for the DM50NTE unit. The left side shows a correct installation with the unit mounted in a wall with air vents above and below, marked with checkmarks. The middle shows an incorrect installation where the unit is mounted directly against the wall, marked with a large X. The right side shows a detailed cross-section of the correct installation, highlighting the air flow paths (indicated by arrows) and the connection of the unit to the wall structure. Two circular callouts provide close-up views of the air inlet and outlet connections.

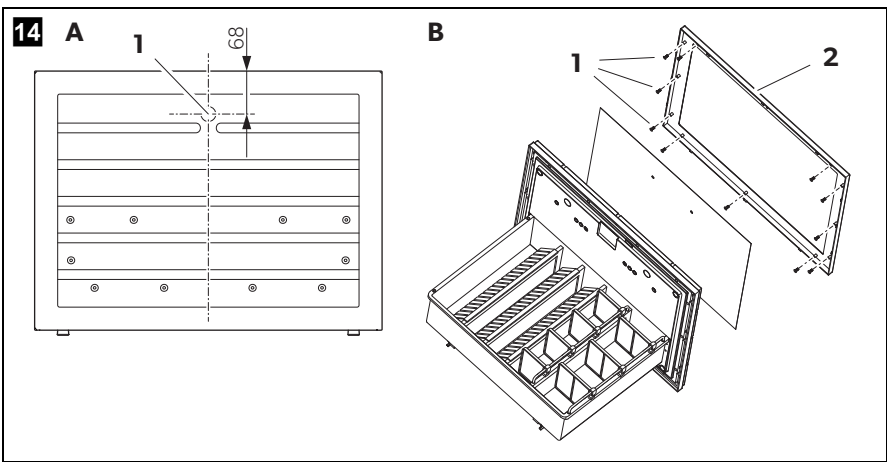
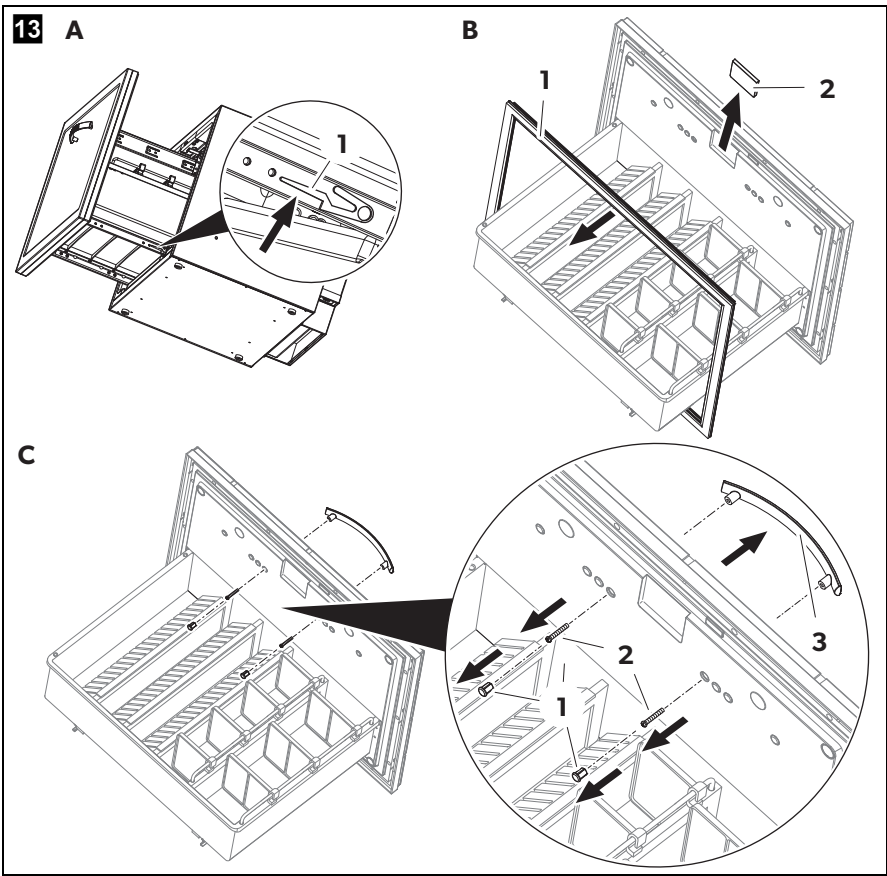
9

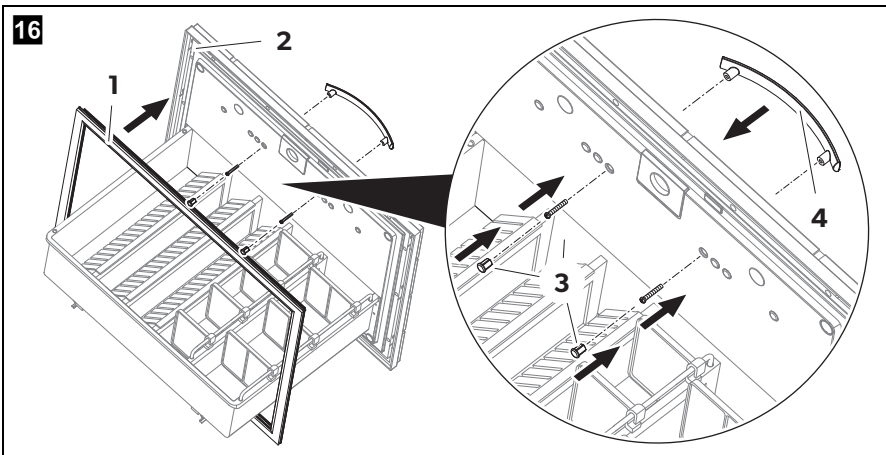
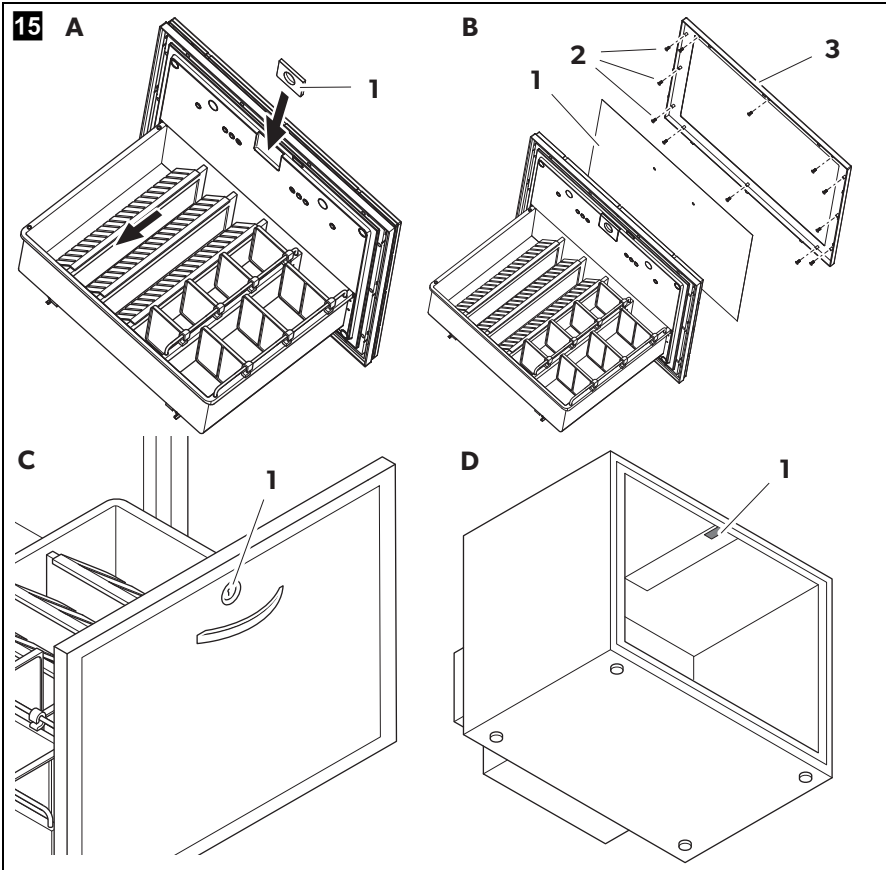
Diagram illustrating the air inlet and outlet requirements for the DM50NTE D and F models. The diagram shows a cross-section of the unit with air inlet and outlet grilles. The requirements are summarized in the table below.

	Air inlet	Air outlet
DM50NTE D, DM50NTE F	400 cm ² 62 in ²	400 cm ² 62 in ²

Diagram illustrating the air inlet and outlet requirements for the DM50NTE D and F models. The diagram shows a cross-section of the unit with air inlet and outlet grilles. The requirements are summarized in the table below.

10**11****12**





Please read these instructions carefully and follow all instructions, guidelines, and warnings included in this product manual in order to ensure that you install, use, and maintain the product properly at all times. These instructions **MUST** stay with this product.

By using the product, you hereby confirm that you have read all instructions, guidelines, and warnings carefully and that you understand and agree to abide by the terms and conditions as set forth herein. You agree to use this product only for the intended purpose and application and in accordance with the instructions, guidelines, and warnings as set forth in this product manual as well as in accordance with all applicable laws and regulations. A failure to read and follow the instructions and warnings set forth herein may result in an injury to yourself and others, damage to your product or damage to other property in the vicinity. This product manual, including the instructions, guidelines, and warnings, and related documentation, may be subject to changes and updates. For up-to-date product information, please visit documents.dometic.com.

Contents

1	Explanation of symbols	11
2	Safety instructions	12
3	Scope of delivery	15
4	Intended use	16
5	Technical description	17
6	Installation	18
7	Operation	21
8	Troubleshooting	22
9	Cleaning and maintenance	23
10	Warranty	24
11	Disposal	25
12	Technical data	26

1 Explanation of symbols



DANGER!

Safety instruction: Indicates a hazardous situation that, if not avoided, will result in death or serious injury.



WARNING!

Safety instruction: Indicates a hazardous situation that, if not avoided, could result in death or serious injury.

**CAUTION!**

Safety instruction: Indicates a hazardous situation that, if not avoided, could result in minor or moderate injury.

**NOTICE!**

Indicates a situation that, if not avoided, can result in property damage.

**NOTE**

Supplementary information for operating the product.

2 Safety instructions

2.1 General safety



WARNING! Failure to obey these warnings could result in death or serious injury.

Electrocution hazard

- Ensure that the minibar has been installed by a qualified technician in accordance with the Dometic installation manual.
- Do not operate the minibar if it is visibly damaged.
- If this minibar's power cable is damaged, it must be replaced by the manufacturer, service agent or a similarly qualified person in order to prevent safety hazards.
- This minibar may only be repaired by qualified personnel. Inadequate repairs may cause serious hazards.
- When positioning the minibar, ensure the supply cord is not trapped or damaged.
- Do not locate multiple portable socket-outlets or portable power supplies at the rear of the appliance.
- Plug the device to sockets that ensure proper connection especially when the device needs to be earthed.

Fire hazard

- The refrigerant in the refrigerant circuit is highly flammable. In the event of any damage to the refrigerant circuit:
 - Switch off the minibar.
 - Avoid naked flames and sparks.
 - Air the room well.

- The refrigerant circuit contains a small quantity of an environmentally friendly but flammable refrigerant. It does not damage the ozone layer and does not increase the greenhouse effect. Any leaking refrigerant may ignite.
- Keep the installation recess for the minibar free of any electrical components and light sources which during normal or abnormal operation produce sparks or arcs (i.e., relays or fuse boxes).
- Do not use or store the minibar in confined spaces with none or minimal air circulation.
- After installation, it must still be possible to disconnect the minibar from the supply mains. This may be achieved by having the plug accessible or by incorporating a switch in the fixed wiring according to the wiring rules.
- Keep ventilation openings, in the minibar enclosure or in the built-in structure, clear of obstruction.
- Do not use mechanical devices or other means to accelerate the defrosting process, other than those recommended by the manufacturer.
- Do not open the refrigerant circuit under any circumstances.
- Do not use electrical devices inside the minibar unless they are recommended by the manufacturer for that purpose.

Explosion hazard

- Do not store any explosive substances, such as spray cans with propellants, in the minibar.

Health hazard

- This minibar can be used by children aged from 8 years and above and persons with reduced physical, sensory or mental capabilities or lack of experience and knowledge if they have been given supervision or instruction concerning use of the minibar in a safe way and understand the hazards involved.
- Children shall not play with the minibar.
- Cleaning and user maintenance shall not be made by children without supervision.
- Children aged from 3 to 8 years are allowed to load and unload the minibar.



CAUTION! Failure to obey these cautions could result in minor or moderate injury.

Risk of crushing

- Do not put your fingers into the hinge.

Health hazard

- Foodstuff may only be stored in its original packaging or in suitable containers.



NOTICE! Damage hazard

- Check that the voltage specification on the type plate is the same as that of the power supply.
- The minibar is not suitable for storing substances which are caustic or contain solvents.
- The insulation of the cooling device contains flammable cyclopentane and requires special disposal procedures. Deliver the cooling device at the end of its life-cycle to an appropriate recycling center.
- Keep the drainage outlet clean at all times.
- Only carry the minibar upright.

2.2 Operating the minibar safely



DANGER! Failure to obey these warnings will result in death or serious injury.

Electrocution hazard

- Do not touch exposed cables with your bare hands.



CAUTION! Failure to obey these cautions could result in minor or moderate injury.

Electrocution hazard

- Before starting the minibar, ensure that the power supply line and the plug are dry.

Health hazard

- Ensure that you only put items in the minibar which may be chilled at the selected temperature.
- Food may only be stored in its original packaging or in suitable containers.
- Opening the door for long periods can cause significant increase of the temperature in the compartments of the minibar.

- Clean regularly surfaces that can come in contact with food and accessible drainage systems.
- If the minibar is left empty for long periods:
 - Switch off the minibar.
 - Defrost the minibar.
 - Clean and dry the minibar.
 - Leave the door open to prevent mold developing within the minibar.



NOTICE!

Damage hazard

- Do not place the minibar near naked flames or other heat sources (burning candles, heaters, direct sunlight, gas ovens etc.).
- Never immerse the minibar in water.
- Protect the minibar and the cable against heat and moisture.
- Ensure that foodstuffs do not touch the walls of the cooling area.

3 Scope of delivery

The following main alternatives are obtainable:

- Minibar DM50NTE D with door panel, without lock
- Minibar DM50NTE D with door panel, with lock
- Minibar DM50NTE F without door panel, without lock
- Minibar DM50NTE F without door panel, with lock

Quantity	Description
1	Drawer minibar
1	Cable for AC connection
4	Screw $\varnothing 4 \times 45$ mm ($\varnothing 0.16 \times 1.77$ in, installation)
4	Plug (installation)
1	Handle (DM50NTE D only)
2	Plug (handle installation) (DM50NTE D only)
1	Inlet filter
6	Screw for filter installation $\varnothing 3 \times 12$ mm ($\varnothing 0.1 \times 0.5$ in)

Quantity	Description	
2	Plug (wooden panel)	(DM50NTE F wooden version only)
1	Lock decor (wooden panel)	(DM50NTE F wooden version with lock only)
2	Key	(Lock version only)
1	Installation and operating manual	

4 Intended use

The refrigeration appliance (also referred to as minibar) is intended for cooling and storing beverages and food in closed containers.

The minibar is designed for operation on cruise liners or to be used in household and similar applications such as:

- Staff kitchens in stores, offices and other working environments
- Farmhouses
- Hotels, motels and other residential type environments
- Bed and breakfast type environments
- Catering and similar non-retail applications

The minibar is **not** designed for installation in caravans or mobile homes.

The minibar is suitable for installation in a piece of cabinetry or an installation niche. Refer to the installation instructions.

The minibar is **not** suitable for

- Storage of corrosive, caustic or solvent-containing substances
- Storage of fresh foods and medicine
- Deep-freezing of foodstuff

This product is only suitable for the intended purpose and application in accordance with these instructions.

This manual provides information that is necessary for proper installation and/or operation of the product. Poor installation and/or improper operation or maintenance will result in unsatisfactory performance and a possible failure.

The manufacturer accepts no liability for any injury or damage to the product resulting from:

- Incorrect installation, assembly or connection, including excess voltage

- Incorrect maintenance or use of spare parts other than original spare parts provided by the manufacturer
- Alterations to the product without express permission from the manufacturer
- Use for purposes other than those described in this manual

Dometic reserves the right to change product appearance and product specifications.

5 Technical description

The minibar has a main drawer for bottles and cans as well as a mini drawer for miniatures and snacks. The main drawer has room for 33 bottles with a maximum height of 28 cm (11.02 in).

The minibar is designed for use with an AC mains supply.

DM50NTE D: The model is factory fitted with door panel and handle.

DM50NTE F: The model is delivered without a door panel and prepared for fitting the hotel's own door decor.

5.1 Description of the device

Front panel

No in fig. 1 , page 3	Description
1	Lock (optional)
2	Handle (DM50NTE D only)
3	Door panel (DM50NTE D only)

Rear side

No in fig. 2 , page 3	Description
1	Mains adapter
2	12 V $\overline{=}$ socket
3	Drip tray
4	Heat pipe

Control panel (inside the device)

No in fig. 3, page 4	Description
1	Lamp
2	Error LED
3	Power status LED
4	Setting button

Main drawer

No in fig. 4, page 4	Description
1	Wide divider
2	Separator
3	Small divider
4	Bottle finger

Mini drawer

No in fig. 5, page 5	Description
1	Rotatable divider
2	Miniature bottle holder

6 Installation**CAUTION! Health hazard**

To avoid a hazard due to instability of the device, it must be fixed in accordance with the instructions.

6.1 Mounting the minibar into a piece of furniture



NOTICE! Damage hazard

Air passing through the inlet air duct must not be heated.
Do not place the minibar near naked flames or other heat sources (heaters, direct sunlight, gas ovens etc.).

There are four ways to mount the minibar into furniture.

1. Choose your preferred installation alternative (fig. **6**, page 6).
2. Observe the required installation recess (fig. **7**, page 7)
d is the thickness of the hotel's own decor
3. Observe the correct placement of the minibar and ventilation openings to ensure a proper air flow (fig. **8**, page 7).
4. Ensure the minimum clearance between the back wall of the minibar and the furniture wall (fig. **10**, page 8).
5. Produce the ventilation openings as shown in fig. **9**, page 7.
6. Produce an additional ventilation opening in the bottom of installation recess (fig. **10**, page 8, fig. **11**, page 8).

Measure the distance from the door front of the minibar **excluding** any own decor.

No in fig. 12 , page 8	Description
1	Screw $\varnothing 4 \times 45$ mm ($\varnothing 0.2 \times 1.8$ in)
2	Plug

7. Fasten the minibar with the four screws (fig. **12 1**, page 8).
8. Insert the four plugs (fig. **12 2**, page 8) into the boring.

6.2 Connecting the minibar electrically

- ▶ Plug the AC connection cable into the AC voltage socket and connect it to the AC mains supply.
- ✓ The Power Status LED lights up.
- ✓ The lamp lights up and the minibar starts cooling the interior.

6.3 Mounting hotel's own door decor (DM 50NTE F only)

The hotel's own door decor has to comply with the following requirements:

- Maximum weight: 4 kg (8.8 lbs)
 - Maximum thickness: 18 mm (0.7 in) (lock version only)
- Fasten the decor with four screws.

6.4 Mounting the lock (lock version only)

1. Drill a hole with a diameter of 35 mm (1.4 in) into the decor.
2. Mount the lock together with the lock decor.

6.5 Mounting the lock (no lock version only)

Disassembling the drawer (fig. 13, page 9)

1. Open the drawer completely (A).
2. Press the rail lock (A 1).
3. Pull the drawer out of the cabinet (B).

DM50NTE D only

1. Remove the two plugs (C 1) from the screws (C 2) of the door handle (C 3).
2. Unscrew the two screws (C 2) of the door handle.
3. Remove the door handle (C 3).
4. Remove the gasket.
5. Remove the lock cover.

Drilling the holes (fig. 14, page 9)

1. Drill a hole (A 1) with a diameter of 23.6 mm (0.9 in) through the decor (only DM50NTE D) and the door.
2. Unscrew the twelve screws (B 1) of the decor frame (B 2) (only DM50NTE D).
3. Remove the decor frame (only DM50NTE D).

Assembling the lock (fig. 15, page 10)

1. Put the new lock cover (**A 1**) into place.
2. Put the decor (**B 1**) into the decor frame.
3. Screw (**B 2**) the decor frame (**B 3**) onto the door.
4. Install the door lock (**C 1**).
5. Install the lock catch (**D 1**) in the cabinet.

Assembling the drawer (fig. 16, page 10)

1. Push the gasket (**1**) on the decor frame (**2**).
2. Screw the door handle (**4**) onto the door.
3. Push the plugs (**3**) on the screws of the door handle (**4**).
4. Push the drawer into the cabinet.

7 Operation

7.1 Before first use

Before first use, clean the minibar inside and outside with a damp cloth for hygienic reasons (see also chapter "Cleaning and maintenance" on page 23).

7.2 Saving energy

- Only open the minibar as often and for as long as necessary.
- Avoid unnecessarily low temperature settings.
- For optimal energy consumption, position the shelves and drawers according to their position on delivery.
- On a regularly basis, make sure the door seal still fits properly.
- Clean dust and dirt from the condenser at regular intervals.

7.3 Using the minibar

The minibar starts cooling when connected to a power supply. During normal operation the power status LED is lit. If an error occurs the error LED flashes (see chapter "Troubleshooting" on page 22).

7.4 Setting the temperature

To avoid food waste, note the following:

- Keep temperature fluctuation as low as possible. Only open the minibar as often and for as long as necessary. Store the foodstuff in such a way that the air can still circulate well.
- The minibar is equipped with an automatic temperature regulation function. Select the average of the possible temperature values.
- Adjust the temperature to the quantity and type of the foodstuff.

The minibar is set by default to a cooling temperature of 7 °C (44.6 °F) at an ambient temperature of 25 °C (77 °F).

The cooling temperature can be set to one of the three following values using the setting button: 5 °C, 12 °C and 7 °C (41 °F, 53.6 °F and 44.6 °F).

The cooling temperature is set in the following sequence: 5 °C ... 12 °C ... 7 °C ... 5 °C (41 °F ... 53.6 °F ... 44.6 °F ... 41 °F) etc.

1. Press and hold the setting button (fig. **3 4**, page 4) for at least 5 s, until the internal lamp (fig. **3 1**, page 4) starts to blink.
 2. Press the setting button again until the desired cooling temperature value is selected.
- ✓ The internal lamp flashes. The number of flashes indicates the temperature set. The flashing signal is repeated at three intervals:
- The lamp flashes **five times**: 5 °C (41 °F)
 - The lamp flashes **once**: 12 °C (53.6 °F)
 - The lamp flashes **three times**: 7 °C (44.6 °F)

8 Troubleshooting

Fault	Possible cause	Suggested remedy
The minibar does not work . Power status LED is not lit.	No voltage present in the AC voltage socket.	► Try using another plug socket.
	No voltage present in the UPOE socket.	
	The mains adapter is defective.	► Contact an authorized service agent.

Fault	Possible cause	Suggested remedy
The minibar does not cool . The plug is inserted, the power status LED is lit.	The cooling element is defective.	➤ Contact an authorized service agent.
The error LED flashes once per second.	The temperature sensor is defective.	➤ Contact an authorized service agent.
The minibar does not cool sufficiently . The power status LED is lit, the error LED is not lit.	The cooling element is defective. Poor ventilation	➤ Contact an authorized service agent. ➤ Check the ventilation. ➤ Clean the filter underneath the device.

9 Cleaning and maintenance



WARNING! Electrocuting hazard

Always disconnect the minibar from the mains before cleaning and maintenance.



NOTICE! Damage hazard

- Do not use abrasive cleaning agents or hard objects during cleaning as these can damage the minibar.
- Never clean the minibar under running water or in dish water.
- Never use hard or sharp tools to remove ice or to free frozen objects on the minibar.
- Do not use any mechanical tools or any other tools to speed up the defrosting process.
- Ensure that no water drips into the seals to avoid damage to the electronics.

- Clean the minibar regularly and as soon as it becomes dirty with a damp cloth.
- Wipe the minibar dry with a cloth after cleaning.
- Check the condensate drain regularly.
Clean the condensate drain when necessary. If it is blocked, the condensate collects on the bottom of the minibar.
- Ensure that the air inlet and outlet vents on the minibar are free of any dust and dirt, so that heat can be released and the device is not damaged.

10 Warranty

Refer to the sections below for information about warranty and warranty support in the US, Canada, and all other regions.

10.1 United States and Canada

LIMITED WARRANTY AVAILABLE AT
DOMETIC.COM

IF YOU HAVE QUESTIONS, OR WANT TO OBTAIN A COPY OF THE LIMITED WARRANTY FREE OF CHARGE, CONTACT:

DOMETIC CORPORATION
CUSTOMER SUPPORT CENTER
5155 VERDANT DRIVE
ELKHART, INDIANA 46516
1-800-544-4881
customersupportcenter@dometic.com

10.2 All Other Regions

The statutory warranty period applies. If the product is defective, please contact the manufacturer's branch in your region (dometic.com/dealer) or your retailer.

For repair and warranty processing, please include the following documents when you send in the device:

- A copy of the receipt with purchasing date
- A reason for the claim or description of the fault

Note that self-repair or nonprofessional repair can have safety consequences and might void the warranty.

11 Disposal

Recycling packaging material



- Place the packaging material in the appropriate recycling waste bins wherever possible.



WARNING! Fire hazard

- The refrigerant is highly flammable. Do not open or damage the refrigerant circuit.
- The insulation of the device contains an insulating gas (see data plate). Do not damage the insulation.

Recycling products with non-replaceable batteries, rechargeable batteries, or light sources



- Dispose the product in accordance with all applicable regulations.
- The product can be disposed free of charge.



12 Technical data

	DM 50NTE D	DM 50NTE F
Voltage	120 V~, 60 Hz	
Cooling capacity	max. 21 °C (69.8 °F) below ambient temperature	
Category	2 (Cellar)	
Total volume	50 l	
Climatic class	N	
Intended ambient temperature use	+16 °C to +32 °C (+60.8 °F to +89.6 °F)	
Refrigerant	R600a	
Refrigerant quantity	28 g (0.06 lbs)	
Dimensions main drawer W x D x H	430 x 330 x 302 mm (16.93 x 12.99 x 11.89 in)	
Dimensions mini drawer W x D x H	159 x 285 x 88 mm (6.26 x 11.22 x 3.46 in)	
Dimensions W x D x H	550 x 524 x 418 mm (21.7 x 20.6 x 16.5 in)	550 x 496 x 418 mm (21.7 x 19.5 x 16.5 in)
Maximum internal storage load	31 kg (68.3 lb.)	
Weight	23.5 kg (51.81 lbs)	23.0 kg (50.71 lbs)

Follow EPA use conditions.

Veillez lire et suivre attentivement l'ensemble des instructions, directives et avertissements figurant dans ce manuel afin d'installer, d'utiliser et d'entretenir le produit correctement à tout moment. Ces instructions DOIVENT rester avec le produit.

En utilisant ce produit, vous confirmez expressément avoir lu attentivement l'ensemble des instructions, directives et avertissements et que vous comprenez et acceptez de respecter les modalités et conditions énoncées dans le présent document. Vous acceptez d'utiliser ce produit uniquement pour l'usage et l'application prévus et conformément aux instructions, directives et avertissements figurant dans le présent manuel, ainsi qu'à toutes les lois et réglementations applicables. En cas de non-respect des instructions et avertissements figurant dans ce manuel, vous risquez de vous blesser ou de blesser d'autres personnes, d'endommager votre produit ou d'endommager d'autres biens à proximité. Le présent manuel produit, y compris les instructions, directives et avertissements, ainsi que la documentation associée peuvent faire l'objet de modifications et de mises à jour. Pour obtenir des informations actualisées sur le produit, veuillez consulter le site documents.dometic.com.

Sommaire

1	Signification des symboles	27
2	Consignes de sécurité	28
3	Contenu de la livraison	31
4	Usage conforme	32
5	Description technique	33
6	Installation	35
7	Utilisation	37
8	Dépannage	39
9	Nettoyage et entretien	40
10	Garantie	40
11	Mise au rebut	41
12	Caractéristiques techniques	42

1 Signification des symboles



DANGER !

Consignes de sécurité : Indiquent une situation dangereuse qui, si elle n'est pas évitée, entraînera des blessures graves, voire mortelles.



AVERTISSEMENT !

Consignes de sécurité : Indiquent une situation dangereuse qui, si elle n'est pas évitée, est susceptible d'entraîner des blessures graves, voire mortelles.

**ATTENTION !**

Consignes de sécurité : Indiquent une situation dangereuse qui, si elle n'est pas évitée, est susceptible d'entraîner des blessures légères ou de gravité modérée.

**AVIS !**

Indiquent une situation dangereuse qui, si elle n'est pas évitée, peut entraîner des dommages matériels.

**REMARQUE**

Informations complémentaires sur l'utilisation de ce produit.

2 Consignes de sécurité

2.1 Sécurité générale



AVERTISSEMENT ! Le non-respect de ces mises en garde peut entraîner des blessures graves, voire mortelles.

Risque d'électrocution

- Assurez-vous que le minibar a été installé par un technicien qualifié conformément au manuel d'installation de Dometic.
- Si le minibar présente des dégâts visibles, ne le mettez pas en service.
- Si le câble de raccordement du minibar est endommagé, il doit être remplacé par le fabricant, un agent de service ou une personne de qualification similaire, afin d'éviter tout danger.
- Seul un opérateur qualifié est habilité à effectuer des réparations sur le minibar. Une réparation incorrecte peut entraîner de graves dangers.
- Veillez à ne pas coincer ni endommager le cordon d'alimentation lors de la mise en place du minibar.
- Ne placez pas de multiprises portables ou de blocs d'alimentation portables à l'arrière de l'appareil.
- Branchez l'appareil sur des prises permettant un raccordement approprié, en particulier lorsque l'appareil doit être relié à la terre.

Risque d'incendie

- Le réfrigérant du circuit frigorifique s'enflamme facilement.
En cas d'endommagement du circuit frigorifique :
 - Éteignez le minibar.
 - Évitez toute flamme nue et/ou étincelle.
 - Aérez bien la pièce.
- Le circuit réfrigérant contient une faible quantité de liquide de réfrigérant écologique, mais inflammable. Il n'affecte pas la couche d'ozone et ne contribue pas à l'effet de serre. Une fuite de liquide réfrigérant peut prendre feu.
- Veillez à ne pas installer de composants électroniques et de sources lumineuses susceptibles de générer des étincelles ou des arcs électriques lors du fonctionnement normal ou anormal (ex. : relais, compteurs) dans la cavité d'installation du minibar.
- N'utilisez ou ne stockez pas le minibar dans des espaces confinés avec une aération faible ou inexistante.
- Après l'installation, il doit être possible de débrancher le minibar du secteur. Pour ce faire, la prise de courant doit être accessible ou un interrupteur doit être ajouté dans le câblage fixe, conformément aux règles de câblage.
- Veillez à ce que les orifices de ventilation situés sur le châssis du minibar ou dans la structure intégrée ne soient pas obstrués.
- N'utilisez pas d'appareils mécaniques ou d'autres moyens pour accélérer le processus de décongélation, outre ceux recommandés par le fabricant.
- N'ouvrez jamais le circuit frigorifique.
- N'utilisez aucun appareil électrique à l'intérieur du minibar, sauf s'ils sont recommandés par le fabricant pour cet usage.

Risque d'explosion

- Ne stockez aucune substance explosive, telle que des aérosols contenant des propulsifs dans le minibar.

Risque pour la santé

- Ce minibar peut être utilisé par des enfants âgés de 8 ans et plus et des personnes ayant des capacités physiques, sensorielles ou mentales réduites ou un manque d'expérience et de connaissances, s'ils sont sous surveillance ou ont reçu des instructions sur l'utilisation du minibar en toute sécurité et comprennent les risques impliqués.
- Les enfants ne doivent pas jouer avec le minibar.

- Le nettoyage et l'entretien ne doivent pas être effectués par des enfants sans surveillance.
- Les enfants âgés de 3 à 8 ans peuvent remplir et vider le minibar.



ATTENTION ! Le non-respect de ces mises en garde peut entraîner des blessures légères ou de gravité modérée.

Risque d'écrasement

- Ne touchez pas la charnière.

Risque pour la santé

- Les produits alimentaires doivent être conservés dans leurs emballages originaux ou dans des récipients appropriés.



AVIS ! Risque d'endommagement

- Vérifiez que la tension indiquée sur la plaque signalétique correspond à l'alimentation électrique dont vous disposez.
- Ne stockez aucune substance corrosive ou contenant des solvants dans le minibar.
- L'isolation du dispositif de réfrigération contient des gaz inflammables et nécessite des procédures d'élimination spéciales. À la fin de son cycle de vie, remettez le dispositif de réfrigération à un centre de recyclage approprié.
- Veillez à ce que l'ouverture d'évacuation soit toujours propre.
- Portez uniquement le minibar en position verticale.

2.2 Consignes de sécurité relatives au fonctionnement du minibar



DANGER ! Le non-respect de cette mise en garde entraînera des blessures graves, voire mortelles.

Risque d'électrocution

- Ne touchez pas les câbles dénudés à mains nues.



ATTENTION ! Le non-respect de ces mises en garde peut entraîner des blessures légères ou de gravité modérée.

Risque d'électrocution

- Avant de mettre le minibar en service, assurez-vous que le câble et la prise d'alimentation électrique sont secs.

Risque pour la santé

- Assurez-vous de stocker uniquement des objets pouvant être refroidis à la température sélectionnée dans le minibar.
- Les aliments doivent être conservés dans leur emballage d'origine ou dans des récipients appropriés.
- Une ouverture prolongée de la porte peut entraîner une augmentation significative de la température dans les compartiments du minibar.
- Nettoyez régulièrement les surfaces qui entrent en contact avec les aliments, ainsi que les systèmes de drainage accessibles.
- Si le minibar reste vide pendant une période prolongée :
 - Éteignez le minibar.
 - Dégivrez le minibar.
 - Nettoyez et séchez le minibar.
 - Laissez la porte ouverte pour éviter que des moisissures ne se forment à l'intérieur du minibar.

**AVIS !****Risque d'endommagement**

- Ne placez pas le minibar près de flammes nues ou d'autres sources de chaleur (bougies allumées, radiateurs, rayons solaires, fours à gaz, etc.).
- N'immergez jamais le minibar dans l'eau.
- Tenez le minibar et les câbles à l'abri de la chaleur et de l'humidité.
- Assurez-vous que les denrées alimentaires n'entrent pas en contact avec les parois du compartiment de réfrigération.

3 Contenu de la livraison

Les principales solutions suivantes sont disponibles :

- Minibar DM50NTE D avec décor de la porte, sans verrou
- Minibar DM50NTE D avec décor de la porte, avec verrou
- Minibar DM50NTE F sans décor de la porte, sans verrou
- Minibar DM50NTE F sans décor de la porte, avec verrou

Quantité	Description	
1	Minibar	
1	Câble de raccordement CA	
4	Vis $\varnothing 4 \times 45$ mm ($\varnothing 0,16 \times 1,77$ po., montage)	
4	Connecteur (montage)	
1	Poignée	(DM50NTE D uniquement)
2	Connecteur (montage de la poignée)	(DM50NTE D uniquement)
1	Filtre d'entrée	
6	Vis pour installation du filtre $\varnothing 3 \times 12$ mm ($\varnothing 0,1 \times 0,5$ po.)	
2	Connecteur (panneau en bois)	(DM50NTE F version bois uniquement)
1	Décor avec verrou (panneau en bois)	(DM50NTE F version bois avec verrou uniquement)
2	Clé	(Version avec verrou uniquement)
1	Instructions de montage et d'utilisation	

4 Usage conforme

L'appareil de réfrigération (également appelé minibar) est destiné à refroidir et à stocker les boissons et les aliments dans des conteneurs fermés.

Le minibar est conçu pour être utilisé dans des bateaux de croisière ou pour des applications domestiques ou similaires, telles que :

- Dans les réfectoires des magasins, bureaux et autres environnements professionnels
- Dans les maisons d'hôtes
- Dans les hôtels, motels et autres environnements de type résidentiel
- Les gîtes et environnements similaires
- La restauration et les applications similaires non liées à la vente au détail

Le minibar n'est **pas** adapté à une installation dans les caravanes ou mobile-homes.

Le minibar est adapté à une installation dans un meuble ou une cavité murale dédiée. Consultez les instructions d'installation.

Le minibar n'est **pas** adapté à ce qui suit

- Le stockage de substances corrosives, caustiques ou contenant des solvants
- Stockage d'aliments frais et de médicaments
- Congélation d'aliments

Ce produit convient uniquement à l'usage et à l'application prévus, conformément au présent manuel d'instructions.

Ce manuel fournit les informations nécessaires à l'installation et/ou à l'utilisation correcte du produit. Une installation, une utilisation ou un entretien inappropriés entraînera des performances insatisfaisantes et une éventuelle défaillance.

Le fabricant décline toute responsabilité en cas de blessure ou de dommage résultant :

- d'un montage ou d'un raccordement incorrect, y compris d'une surtension
- d'un entretien inadapté ou de l'utilisation de pièces de rechange autres que les pièces de rechange d'origine fournies par le fabricant
- de modifications apportées au produit sans autorisation explicite du fabricant
- d'usages différents de ceux décrits dans ce manuel.

Dometic se réserve le droit de modifier l'apparence et les spécifications produit.

5 Description technique

Le minibar comporte un tiroir principal pour bouteilles et canettes, ainsi qu'un petit tiroir pour des bouteilles miniatures et des snacks. Le tiroir principal peut accueillir 33 bouteilles d'une hauteur maximale de 28 cm (11,02 pouces).

Le minibar est conçu pour être utilisé avec une alimentation secteur CA.

DM50NTE D : Le modèle est équipé en usine d'un panneau de porte et d'une poignée.

DM50NTE F : Le modèle est livré sans panneau de porte et préparé pour s'adapter au décor de porte de l'hôtel.

5.1 Description de l'appareil

Panneau avant

N° dans la fig. 1, page 3	Description
1	Verrou (en option)
2	Poignée (DM50NTE D uniquement)
3	Décor de la porte (DM50NTE D uniquement)

Panneau arrière

N° dans la fig. 2, page 3	Description
1	Bloc d'alimentation
2	Prise 12 V $\overline{=}$
3	Égouttoir
4	Tube de chauffe

Panneau de commande (à l'intérieur de l'appareil)

N° dans la fig. 3, page 4	Description
1	Lampe
2	LED erreur
3	LED d'alimentation
4	Bouton de réglage

Tiroir principal

N° dans la fig. 4, page 4	Description
1	Diviseur large
2	Séparateur
3	Petit diviseur
4	Doigt pour bouteilles

Petit tiroir

N° dans la fig. 5, page 5	Description
1	Diviseur rotatif
2	Range-bouteilles pour miniatures

6 Installation



ATTENTION ! Risque pour la santé

Pour éviter tout risque dû à l'instabilité de l'appareil, celui-ci doit être fixé conformément aux instructions.

6.1 Montage du minibar dans un meuble



NOTICE! Risque d'endommagement

L'air passant par le tuyau d'entrée d'air ne doit pas être chauffé. Ne placez pas le minibar près de flammes nues ou d'autres sources de chaleur (radiateurs, rayons solaires, fours à gaz, etc.).

Il y a quatre façons de monter le minibar dans un meuble.

1. Choisissez votre alternative d'installation préférée (fig. 6, page 6).
2. Tenez compte du renforcement requis pour l'installation (fig. 7, page 7) d représente l'épaisseur du décor de l'hôtel.
3. Tenez compte du positionnement correct du minibar et des orifices de ventilation pour assurer un débit d'air correct (fig. 8, page 7).
4. Veillez à ce que l'espace entre l'arrière du minibar et le mur du meuble soit minimal (fig. 10, page 8).
5. Réalisez les ouvertures de ventilation comme illustré : fig. 9, page 7.
6. Réalisez une ouverture de ventilation supplémentaire dans le fond de la cavité d'installation (fig. 11, page 8).

Mesurez la distance de l'avant de la porte du minibar **en excluant** tout élément de décor.

N° dans la fig. 12 , page 8	Description
1	Vis $\varnothing 4 \times 45$ mm ($\varnothing 0,2 \times 1,8$ po.)
2	Connecteur

- Fixez le minibar à l'aide des quatre vis (fig. **12 1**, page 8).
- Insérez les quatre connecteurs (fig. **12 2**, page 8) dans l'alésage.

6.2 Raccordement électrique du minibar

- ▶ Branchez le câble de raccordement CA dans la prise de courant alternatif et raccordez-le au réseau alternatif.
- ✓ La LED alimentation s'allume.
- ✓ La lampe s'allume et le minibar commence par la réfrigération du compartiment intérieur.

6.3 Montage du décor de porte de l'hôtel (DM 50NTE F uniquement)

Le décor de la porte de l'hôtel doit satisfaire aux exigences suivantes :

- Poids maximum : 4 kg (8,8 lbs)
- Épaisseur maximale : 18 mm (0,7 po.) (version avec serrure uniquement)
- ▶ Fixez le décor avec quatre vis.

6.4 Montage du verrou (version avec verrou uniquement)

- Percez un trou de 35 mm (1,4 pouce) de diamètre dans le décor.
- Montez le verrou avec le décor pour verrou.

6.5 Montage du verrou (version sans verrou uniquement)

Démontage du tiroir (fig. **13**, page 9)

- Ouvrez complètement le tiroir (**A**).
- Appuyez sur le verrou du rail (**A 1**).
- Tirez le tiroir pour le sortir de l'armoire (**B**).

DM50NTE D uniquement

1. Retirez les deux connecteurs (**C 1**) des vis (**C 2**) de la poignée de la porte (**C 3**).
2. Dévissez les deux vis (**C 2**) de la poignée de la porte.
3. Retirez la poignée de la porte (**C 3**).
4. Retirez le joint d'étanchéité.
5. Retirez le cache du verrou.

Perçage des trous (fig. 14, page 9)

1. Percez un trou (**A 1**) d'un diamètre de 23,6 mm (0,9 pouce) dans le décor (uniquement DM50NTE D) et dans la porte.
2. Dévissez les douze vis (**B 1**) du cadre du décor (**B 2**) (uniquement DM50NTE D).
3. Retirez le cadre du décor (uniquement DM50NTE D).

Montage du verrou (fig. 15, page 10)

1. Mettez le nouveau cache de verrou (**A 1**) en place.
2. Placez le décor (**B 1**) dans le cadre du décor.
3. Vissez (**B 2**) le cadre du décor (**B 3**) sur la porte.
4. Montez le verrou de la porte (**C 1**).
5. Montez la butée du verrou (**D 1**) dans l'armoire.

Montage du tiroir (fig. 16, page 10)

1. Insérez le joint (**1**) sur le cadre du décor (**2**).
2. Vissez la poignée de la porte (**4**) sur la porte.
3. Insérez les connecteurs (**3**) sur les vis de la poignée de la porte (**4**).
4. Introduisez le tiroir dans l'armoire.

7 Utilisation

7.1 Avant la première utilisation

Avant la première utilisation, nettoyez l'intérieur et l'extérieur du minibar avec un chiffon humide pour des raisons d'hygiène (voir également chapitre « Nettoyage et entretien », page 40).

7.2 Économie d'énergie

- Ouvrez uniquement le minibar lorsque c'est nécessaire et le moins longtemps possible.
- Évitez une température intérieure inutilement basse.
- Pour une consommation d'énergie optimale, positionnez les clayettes et les tiroirs conformément à leur position à la livraison.
- Vérifiez régulièrement que le joint de la porte est correctement positionné.
- Nettoyez régulièrement le condenseur pour enlever la poussière et les salissures.

7.3 Utilisation du minibar

Le minibar commence à refroidir dès qu'il est raccordé à une alimentation. En fonctionnement normal, la LED d'alimentation est allumée. En cas d'erreur, la LED d'erreur clignote (voir chapitre « Dépannage », page 39).

7.4 Réglage de la température

Pour éviter de gâcher des aliments, notez les éléments suivants :

- Évitez autant que possible les variations de température. Ouvrez uniquement le minibar lorsque c'est nécessaire et le moins longtemps possible. Entrez les denrées alimentaires de sorte que l'air puisse circuler librement entre eux.
- Le minibar est équipé d'une fonction de régulation automatique de la température. Sélectionnez la moyenne des valeurs de température possibles.
- Ajustez la température en fonction de la quantité et de la nature des denrées alimentaires.

Par défaut, le minibar est réglé sur une température de refroidissement de 7 °C (44,6 °F) à une température ambiante de 25 °C (77 °F).

La température de refroidissement peut être réglée sur l'une des trois valeurs suivantes à l'aide du bouton de réglage : 5 °C, 12 °C et 7 °C (41 °F, 53,6 °F et 44,6 °F).

La température de refroidissement est réglée via la séquence suivante : 5 °C ... 12 °C ... 7 °C ... 5 °C (41 °F ... 53,6 °F ... 44,6 °F ... 41 °F) etc.

1. Maintenez le bouton de réglage (fig. **3 4**, page 4) enfoncé pendant au moins 5 s, jusqu'à ce que la lampe intérieure (fig. **3 1**, page 4) commence à clignoter.
2. Appuyez de nouveau sur le bouton de réglage jusqu'à ce que la valeur de température de refroidissement souhaitée soit sélectionnée.

- ✓ La lampe intérieure clignote. Le nombre de clignotements indique la température définie. Le signal clignotant est répété à trois intervalles :
- La lampe clignote **cinq fois** : 5 °C (41 °F)
 - La lampe clignote **une fois** : 12 °C (53,6 °F)
 - La lampe clignote **trois fois** : 7 °C (44,6 °F)

8 Dépannage

Panne	Cause possible	Solution proposée
Le minibar ne fonctionne pas . La LED d'alimentation n'est pas allumée.	La prise de tension alternative n'est pas sous tension. <hr/> La prise UPOE n'est pas sous tension.	► Essayez une autre prise.
	L'adaptateur secteur est défectueux.	► Contactez un agent de service agréé.
Le minibar ne refroidit pas . Le connecteur est branché, la LED d'alimentation est allumée.	L'élément réfrigérant est défectueux.	► Contactez un agent de service agréé.
La LED d'erreur clignote une fois par seconde.	La sonde de température est défectueuse.	► Contactez un agent de service agréé.
Le minibar ne refroidit pas suffisamment . La LED d'alimentation est allumée, la LED d'erreur n'est pas allumée.	L'élément réfrigérant est défectueux. <hr/> Aération insuffisante	► Contactez un agent de service agréé. ► Contrôlez l'aération. ► Nettoyez le filtre situé en dessous de l'appareil.

9 Nettoyage et entretien



AVERTISSEMENT ! Risque d'électrocution

Débranchez toujours le minibar du secteur avant de le nettoyer et de l'entretenir.



AVIS ! Risque d'endommagement

- N'utilisez ni détergents abrasifs, ni objets durs pour le nettoyage, ceux-ci pouvant endommager le minibar.
- Ne nettoyez jamais le minibar à l'eau courante et ne le plongez pas non plus dans l'eau.
- N'utilisez jamais d'outils durs ou tranchants pour enlever les couches de glace ou pour détacher des objets givrés dans le minibar.
- N'utilisez aucun moyen mécanique ou autre pour accélérer la procédure de dégivrage.
- Veillez à ce qu'aucune condensation ne s'accumule au niveau des joints, afin d'éviter d'endommager les composants électroniques.

- Nettoyez le minibar régulièrement et dès qu'il est sale, avec un chiffon humide.
- Essuyez le minibar avec un chiffon après l'avoir nettoyé.
- Vérifiez régulièrement l'évacuation de la condensation. Nettoyez l'évacuation de la condensation si nécessaire. Si elle est obstruée, la condensation s'accumule en bas du minibar.
- Assurez-vous que les ouvertures d'aération et de ventilation du minibar ne sont pas obstruées par de la saleté ou de la poussière pour que la chaleur générée par le fonctionnement puisse s'évacuer et éviter d'endommager l'appareil.

10 Garantie

Consultez les sections ci-dessous pour de plus amples informations relatives à la garantie et l'assistance dans le cadre de la garantie aux États-Unis, au Canada et dans toutes les autres régions.

10.1 États-Unis et Canada

GARANTIE LIMITÉE DISPONIBLE SUR
DOMETIC.COM

POUR TOUTE QUESTION OU POUR OBTENIR UNE COPIE GRATUITE DE LA GARANTIE LIMITÉE, CONTACTEZ :

DOMETIC CORPORATION
CUSTOMER SUPPORT CENTER
5155 VERDANT DRIVE
ELKHART, INDIANA, 46516
1-800-544-4881
customersupportcenter@dometic.com

10.2 Toutes les autres régions

La période de garantie légale s'applique. Si le produit s'avérait défectueux, veuillez vous adresser à la succursale du fabricant située dans votre région (dometic.com/dealer) ou à votre revendeur.

Pour toutes réparations ou autres prestations de garantie, veuillez joindre à l'appareil les documents suivants :

- une copie de la facture avec la date d'achat
- un motif de réclamation ou une description du dysfonctionnement

Notez que toute réparation effectuée par une personne non agréée peut présenter un risque de sécurité et annuler la garantie.

11 Mise au rebut

Recyclage des emballages



- Dans la mesure du possible, jetez les emballages dans les conteneurs de déchets recyclables prévus à cet effet.



AVERTISSEMENT ! Risque d'incendie

- Le fluide frigorigène est hautement inflammable. N'ouvrez ou n'endommagez en aucun cas le circuit frigorigère.
- L'isolation de l'appareil comporte un gaz isolant (voir la plaque signalétique). N'endommagez pas l'isolation.

Recyclage des produits contenant des piles non remplaçables, des batteries ou des sources lumineuses rechargeables :



- Mettez le produit au rebut conformément à toutes les réglementations en vigueur.
- Le produit peut être mis au rebut gratuitement.



12 Caractéristiques techniques

	DM 50NTE D	DM 50NTE F
Tension	120 V~, 60 Hz	
Puissance de refroidissement	max. 21 °C (69,8 °F) en dessous de la température ambiante	
Catégorie	2 (cave)	
Volume total	50 l	
Classe climatique	N	
Utilisation prévue à température ambiante	+16 °C à +32 °C (+60,8 °F à +89,6 °F)	
Fluide frigorigène	R600a	
Quantité de fluide frigorigène	28 g (0,06 lbs)	
Dimensions du tiroir principal l x P x H	430 x 330 x 302 mm (16,93 x 12,99 x 11,89 pouces)	
Dimensions du petit tiroir l x P x H	159 x 285 x 88 mm (6,26 x 11,22 x 3,46 pouces)	
Dimensions l x P x H	550 x 524 x 418 mm (21,7 x 20,6 x 16,5 po)	550 x 496 x 418 mm (21,7 x 19,5 x 16,5 po)
Charge de stockage interne maximale	31 kg (68,3 lb.)	
Poids	23,5 kg (51,81 lbs)	23,0 kg (50,71 lbs)

Respectez les consignes d'utilisation EPA.

Lea atentamente estas instrucciones y siga las indicaciones, directrices y advertencias incluidas en este manual para asegurarse de que instala, usa y mantiene correctamente el producto en todo momento. Estas instrucciones DEBEN permanecer con este producto.

Al usar el producto, usted confirma que ha leído cuidadosamente todas las instrucciones, directrices y advertencias, y que entiende y acepta cumplir los términos y condiciones aquí establecidos. Usted se compromete a usar este producto solo para el propósito y la aplicación previstos y de acuerdo con las instrucciones, directrices y advertencias establecidas en este manual del producto, así como de acuerdo con todas las leyes y reglamentos aplicables. La no lectura e incumplimiento de las instrucciones y advertencias aquí expuestas puede causarle lesiones a usted o a terceros, daños en el producto o daños en otras propiedades cercanas. Este manual del producto, incluyendo las instrucciones, directrices y advertencias, y la documentación relacionada, pueden estar sujetos a cambios y actualizaciones. Para obtener información actualizada sobre el producto, visite la página documents.dometic.com.

Índice

1	Explicación de los símbolos	43
2	Indicaciones de seguridad	44
3	Volumen de entrega	47
4	Uso previsto	48
5	Descripción técnica	49
6	Instalación	51
7	Manejo.	53
8	Resolución de problemas.	55
9	Limpieza y mantenimiento	55
10	Garantía	56
11	Gestión de residuos	57
12	Datos técnicos.	58

1 Explicación de los símbolos



¡PELIGRO!

Información de seguridad: Indica una situación peligrosa que, de no evitarse, ocasionará la muerte o lesiones graves.



¡ADVERTENCIA!

Información de seguridad: Indica una situación peligrosa que, de no evitarse, puede ocasionar la muerte o lesiones graves.

**¡ATENCIÓN!**

Información de seguridad: Indica una situación peligrosa que, de no evitarse, puede ocasionar lesiones moderadas o leves.

**¡AVISO!**

Indica una situación peligrosa que, de no evitarse, puede provocar daños materiales.

**NOTA**

Información adicional para el manejo del producto.

2 Indicaciones de seguridad

2.1 Seguridad general



¡ADVERTENCIA! El incumplimiento de estas advertencias podría acarrear la muerte o lesiones graves.

Riesgo de electrocución

- Asegúrese de que el minibar sea instalado por un técnico cualificado de acuerdo con el manual de instalación de Dometic.
- No ponga el minibar en funcionamiento si presenta desperfectos visibles.
- Si el cable de conexión de este minibar está dañado, debe ser reemplazado por el fabricante, un técnico de mantenimiento o una persona con cualificación similar para evitar posibles peligros.
- Este minibar solo puede ser reparado por personal cualificado. Las reparaciones realizadas incorrectamente pueden generar situaciones de considerable peligro.
- Cuando ubique el minibar, asegúrese de que el cable de suministro eléctrico no se haya quedado atrapado o esté dañado.
- No coloque varias tomas o suministros de corriente portátiles detrás del aparato.
- Enchufe el aparato en tomas que garanticen una conexión correcta, sobre todo cuando sea necesario poner a tierra el aparato.

Peligro de incendio

- El refrigerante del circuito de refrigeración es muy inflamable. En caso de daños en el circuito de refrigeración:
 - Apague el minibar.
 - Evite el fuego abierto y las chispas.
 - Ventile bien la habitación.
- El circuito de refrigeración contiene una pequeña cantidad de refrigerante no contaminante pero inflamable. No daña la capa de ozono ni aumenta el efecto invernadero. Toda fuga de refrigerante puede incendiarse.
- Mantenga el hueco de instalación del minibar libre de cualquier componente eléctrico y fuentes de luz que produzcan chispas o arcos voltaicos, ya sea durante un funcionamiento normal o anormal (por ejemplo, relés o cajas de fusibles).
- No utilice ni almacene el minibar en espacios cerrados en los que no haya nada de aire o solo muy poco.
- Tras la instalación, debe ser posible desconectar el minibar de la red eléctrica. Esto puede conseguirse haciendo que el enchufe quede accesible o montando un interruptor en el cableado fijo de acuerdo con las normas de cableado.
- Mantenga las aberturas de ventilación, tanto del minibar como de la estructura en la esté empotrado, libres de obstrucciones.
- No utilice dispositivos mecánicos u otros medios para acelerar el proceso de descongelación, salvo los recomendados por el fabricante.
- No abra nunca el circuito de refrigerante.
- No utilice dispositivos eléctricos en el interior del minibar a no ser que estén recomendados por el fabricante.

Peligro de explosión

- No guarde en el minibar sustancias explosivas, tales como aerosoles propelentes.

Riesgo para la salud

- Este minibar puede ser utilizado por menores a partir de 8 años y personas con capacidad física, sensorial o mental reducida, o con falta de experiencia y conocimientos, siempre que lo hagan bajo supervisión o hayan recibido instrucciones relativas al uso del mismo de manera segura y entendiendo los riesgos asociados.
- No deje que los niños jueguen con el minibar.

- Los menores no deberán limpiar ni realizar el mantenimiento de usuario sin la debida supervisión.
- Los menores de 3 a 8 años pueden introducir y extraer productos del minibar.



¡ATENCIÓN! El incumplimiento de estas precauciones podría acarrear lesiones moderadas o leves.

Riesgo de aplastamiento

- No introduzca la mano en el tope de la tapa.

Riesgo para la salud

- Los alimentos solo se pueden guardar en los envases originales o en recipientes adecuados.



¡AVISO! Peligro de daños

- Compare el valor de tensión indicado en la placa de características con el suministro de energía existente.
- Este minibar no es apto para almacenar sustancias corrosivas o que contengan disolventes.
- El aislamiento de la nevera contiene ciclopentano y requiere una gestión de residuos especial. Deposite el aparato de refrigeración en un centro de reciclaje adecuado al finalizar su vida útil.
- Mantenga siempre limpias las aberturas de desagüe.
- Traslade el minibar siempre en posición vertical.

2.2 Uso seguro del minibar



¡PELIGRO! El incumplimiento de estas advertencias puede acarrear la muerte o lesiones graves.

Riesgo de electrocución

- No toque los cables sin aislamiento directamente con las manos.



¡ATENCIÓN! El incumplimiento de estas precauciones podría acarrear lesiones moderadas o leves.

Riesgo de electrocución

- Antes de poner el minibar en funcionamiento, asegúrese de que el cable de alimentación y la clavija de enchufe estén secos.

Riesgo para la salud

- Asegúrese de guardar en el minibar solamente aquellos productos que puedan enfriarse a la temperatura seleccionada.

- Los alimentos solo se pueden almacenar con su envase original o en recipientes adecuados.
- Dejar la puerta abierta durante un período prolongado puede producir un incremento considerable de la temperatura en los compartimentos del minibar.
- Limpie periódicamente las superficies que puedan estar en contacto con alimentos y los sistemas de desagüe accesibles.
- Si el minibar se deja vacío durante un tiempo prolongado:
 - Apague el minibar.
 - Descongele el minibar.
 - Limpie y seque el minibar.
 - Deje la puerta abierta para evitar que se genere moho dentro del minibar.



¡AVISO!

Peligro de daños

- No coloque el minibar cerca de llamas vivas ni de otras fuentes de calor (velas, calefactores, radiación directa del sol, estufas de gas, etc.).
- No sumerja nunca el minibar en agua.
- Proteja el minibar y los cables contra el calor y la humedad.
- Asegúrese de que los alimentos no entren en contacto con las paredes del área de refrigeración.

3 Volumen de entrega

Están disponibles las siguientes opciones principales:

- Minibar DM50NTE D con panel de puerta y sin cerradura
- Minibar DM50NTE D con panel de puerta y con cerradura
- Minibar DM50NTE F sin panel de puerta y sin cerradura
- Minibar DM50NTE F sin panel de puerta y con cerradura

Cantidad	Descripción
1	Minibar
1	Cable para conexión de CA
4	Tornillo de $\varnothing 4 \times 45$ mm ($\varnothing 0,16 \times 1,77$ in, montaje)

Cantidad	Descripción	
4	Embellecedor (montaje)	
1	Asa	(Solo para DM50NTE D)
2	Embellecedor (montaje del tirador)	(Solo para DM50NTE D)
1	Filtro de entrada	
6	Tornillo de $\varnothing 3 \times 12$ mm ($\varnothing 0,1 \times 0,5$ in) para el montaje del filtro	
2	Embellecedor (panel de madera)	(Solo para DM50NTE F en versión de madera)
1	Panel decorativo para cerradura (panel de madera)	(Solo para DM50NTE F en versión de madera con cerradura)
2	Llave	(Solo para versión con cerradura)
1	Instrucciones de montaje y uso	

4 Uso previsto

Este aparato de refrigeración (también llamado minibar) ha sido diseñado para refrigerar y almacenar bebidas y comidas en recipientes cerrados.

El minibar está diseñado para funcionar en cruceros o para ser utilizado en aplicaciones domésticas y similares, como:

- Cocinas de personal situadas en tiendas, oficinas y otras zonas de trabajo
- Casas rurales
- Hoteles, moteles y otros entornos de carácter residencial
- Ambientes de tipo “bed and breakfast”
- Catering y aplicaciones similares no comerciales

El minibar **no** es adecuado para su montaje en caravanas ni autocaravanas.

El minibar está concebido para montarse en un armario o en un nicho de montaje. Consulte las instrucciones de instalación.

El minibar **no** es adecuado para:

- Guardar sustancias corrosivas o que contengan disolventes
- Almacenar alimentos frescos y medicamentos
- Congelar productos alimenticios

Este producto solo es apto para el uso previsto y la aplicación de acuerdo con estas instrucciones.

Este manual proporciona la información necesaria para la correcta instalación y/o funcionamiento del producto. Una instalación deficiente y/o un uso y mantenimiento inadecuados conllevan un rendimiento insatisfactorio y posibles fallos.

El fabricante no se hace responsable de ninguna lesión o daño en el producto ocasionados por:

- Un montaje o conexión incorrectos, incluido un exceso de tensión
- Un mantenimiento incorrecto o el uso de piezas de repuesto distintas de las originales proporcionadas por el fabricante
- Modificaciones realizadas en el producto sin el expreso consentimiento del fabricante
- Uso con una finalidad distinta de la descrita en las instrucciones

Dometic se reserva el derecho de cambiar la apariencia y las especificaciones del producto.

5 Descripción técnica

El minibar tiene un cajón principal para botellas y latas, y un cajón pequeño para botellines y aperitivos. El cajón principal tiene capacidad para 33 botellas de una altura máxima de 28 cm (11,02 in).

El minibar está diseñado para el uso con alimentación de CA.

DM50NTE D: El modelo viene equipado de fábrica con panel de puerta y tirador.

DM50NTE F: El modelo se entrega sin panel de puerta y está preparado para adaptarse a la decoración de la puerta del hotel.

5.1 Descripción del aparato

Panel frontal

N.º en fig. 1 , página 3	Descripción
1	Cerradura (opcional)
2	Tirador (solo en DM50NTE D)
3	Panel para puerta (solo en DM50NTE D)

Lado posterior

N.º en fig. 2, página 3	Descripción
1	Adaptador de corriente
2	Enchufe de 12 V $\overline{=}$
3	Bandeja de goteo
4	Caloducto

Panel de control (dentro del aparato)

N.º en fig. 3, página 4	Descripción
1	Lámpara
2	LED de error
3	LED de estado de alimentación
4	Botón de ajuste

Cajón principal

N.º en fig. 4, página 4	Descripción
1	Divisor ancho
2	Separador
3	Divisor pequeño
4	Sujetabotellas

Cajón pequeño

N.º en fig. 5, página 5	Descripción
1	Divisor giratorio
2	Soporte para botellines

6 Instalación



CAUTION! Riesgo para la salud

Para evitar peligros causados por la inestabilidad del aparato, este deberá fijarse tal como se indica en las instrucciones.

6.1 Montaje del minibar en un mueble



NOTICE! Peligro de daños

La ventilación que circule por el conducto del aire de entrada no debe recibir calor.

No coloque el minibar cerca de llamas vivas ni de otras fuentes de calor (calefactores, radiación directa del sol, estufas de gas, etc.).

Hay cuatro formas de montar el minibar en muebles.

1. Elija la alternativa de instalación que prefiera (fig. **6**, página 6).
2. Tenga en cuenta el hueco de instalación necesario (fig. **7**, página 7);
d es el grosor del panel decorativo del hotel.
3. Tenga en cuenta la colocación correcta de las aberturas de ventilación y del minibar para garantizar un flujo de aire adecuado (fig. **8**, página 7).
4. Asegúrese de que haya una distancia de separación mínima entre la parte posterior del minibar y la pared del mueble (fig. **10**, página 8).
5. Efectúe las aberturas de ventilación como se muestra en fig. **9**, página 7.
6. Efectúe una abertura de ventilación adicional en la parte inferior del hueco de instalación (fig. **11**, página 8).

Mida la distancia desde el frontal de la puerta del minibar **sin incluir** la decoración.

N.º en fig. 12 , página 8	Descripción
1	Tornillo de $\varnothing 4 \times 45$ mm ($\varnothing 0,2 \times 1,8$ in)
2	Clavija

7. Fije el minibar con los cuatro tornillos (fig. **12 1**, página 8).
8. Introduzca los cuatro embellecedores (fig. **12 2**, página 8) en los orificios.

6.2 Conexión eléctrica del minibar

- ▶ Enchufe el cable de conexión de corriente alterna en la clavija de CA y conecte esta a la red de corriente alterna.
- ✓ El LED de estado de alimentación se enciende.
- ✓ La lámpara se enciende y el minibar empieza a refrigerar el interior.

6.3 Montaje de la decoración de puerta del hotel (solo DM50NTE F)

La decoración de puerta del hotel debe cumplir los siguientes requisitos:

- Peso máximo: 4 kg (8,8 lbs)
 - Grosor máximo: 18 mm (0,7 in) (solo para versión con cerradura)
- ▶ Fije el panel decorativo con cuatro tornillos.

6.4 Montaje de la cerradura (versión con cerradura)

1. Realice un orificio de 35 mm (1,4 in) de diámetro en el panel decorativo.
2. Monte la cerradura junto con el panel decorativo de la cerradura.

6.5 Montaje de la cerradura (versión sin cerradura)

Desmontaje del cajón (fig. 13, página 9)

1. Abra el cajón completamente (**A**).
2. Presione el bloqueo del riel (**A 1**).
3. Extraiga el cajón del armario (**B**).

Solo DM50NTE D

1. Retire los embellecedores (**C 1**) de los dos tornillos (**C 2**) del tirador de la puerta (**C 3**).
2. Desatornille los dos tornillos (**C 2**) del tirador.
3. Retire el tirador (**C 3**).
4. Retire la junta.
5. Retire la cubierta de la cerradura.

Realización de los orificios (fig. 14, página 9)

1. Realice un orificio (**A 1**) de 23,6 mm (0,9 in) de diámetro a través del panel decorativo (solo en DM50NTE D) y la puerta.
2. Desatornille los doce tornillos (**B 1**) del marco decorativo (**B 2**) (solo en DM50NTE D).
3. Retire el marco decorativo (solo en DM50NTE D).

Montaje de la cerradura (fig. 15, página 10)

1. Coloque la cubierta de la cerradura nueva (**A 1**) en su lugar.
2. Coloque el panel decorativo (**B 1**) dentro del marco.
3. Atornille (**B 2**) el marco decorativo (**B 3**) a la puerta.
4. Instale la cerradura de la puerta (**C 1**).
5. Instale el cerradero (**D 1**) en el armario.

Montaje del cajón (fig. 16, página 10)

1. Coloque la junta (**1**) en el marco decorativo (**2**).
2. Atornille el tirador (**4**) a la puerta.
3. Coloque los embellecedores (**3**) sobre los tornillos del tirador de la puerta (**4**).
4. Introduzca el cajón en el armario.

7 Manejo

7.1 Antes del primer uso

Antes del primer uso, limpie el minibar por dentro y por fuera con un paño húmedo por razones de higiene (véase también capítulo “Limpieza y mantenimiento” en la página 55).

7.2 Ahorro de energía

- Abra el minibar solamente el tiempo y las veces que sea necesario.
- No regule una temperatura innecesariamente baja en el interior.
- Para un consumo de energía óptimo, coloque los estantes y cajones en la misma posición que ocupan en el momento de la entrega.
- Compruebe periódicamente que la junta de la puerta encaja correctamente.
- Elimine regularmente el polvo y la suciedad del condensador.

7.3 Uso del minibar

El minibar empieza a enfriar cuando se conecta a una fuente de alimentación. Durante el funcionamiento normal, el LED de estado de alimentación está encendido. Si se produce un error, el LED de error parpadea (véase capítulo “Resolución de problemas” en la página 55).

7.4 Ajuste de la temperatura

Tenga en cuenta lo siguiente para no desperdiciar alimentos:

- Procure que las oscilaciones de temperatura sean mínimas. Abra el minibar solamente el tiempo y las veces que sea necesario. Almacene los productos alimenticios de manera que no impidan una buena circulación del aire.
- El minibar dispone de una función de regulación automática de la temperatura. Seleccione el promedio de los posibles valores de temperatura.
- Ajuste la temperatura a la cantidad y el tipo de productos alimenticios.

El minibar viene ajustado de fábrica a una temperatura de refrigeración de 7 °C (44,6 °F) con temperatura ambiente de 25 °C (77 °F).

La temperatura de refrigeración se puede ajustar a uno de los tres valores siguientes mediante el botón de ajuste: 5 °C, 12 °C y 7 °C (41 °F, 53,6 °F y 44,6 °F).

La temperatura de refrigeración se ajusta en la siguiente secuencia: 5 °C ... 12 °C ... 7 °C ... 5 °C (41 °F ... 53,6 °F ... 44,6 °F ... 41 °F), etc.

1. Mantenga pulsado el botón de ajuste (fig. **3 4**, página 4) durante al menos 5 segundos, hasta que la lámpara interna (fig. **3 1**, página 4) empiece a parpadear.
 2. Pulse el botón de ajuste de nuevo hasta seleccionar el valor de temperatura de refrigeración deseado.
- ✓ La lámpara interna parpadea. El número de parpadeos indica la temperatura ajustada. La señal parpadeante se repite a tres intervalos:
- La lámpara parpadea **cinco veces**: 5 °C (41 °F)
 - La lámpara parpadea **una vez**: 12 °C (53,6 °F)
 - La lámpara parpadea **tres veces**: 7 °C (44,6 °F)

8 Resolución de problemas

Fallo	Posible causa	Propuesta de solución
El minibar no funciona . El LED de estado de alimentación no está encendido.	No hay tensión en el enchufe de corriente alterna.	► Intente utilizar otro enchufe.
	No hay tensión en la toma UPOE.	
	El adaptador de red eléctrica está averiado.	► Póngase en contacto con un técnico de mantenimiento autorizado.
El minibar no enfría . El enchufe está insertado y el LED de estado de alimentación está encendido.	El elemento refrigerador está averiado.	► Póngase en contacto con un técnico de mantenimiento autorizado.
El LED de error parpadea una vez por segundo.	El sensor de temperatura está averiado.	► Póngase en contacto con un técnico de mantenimiento autorizado.
El minibar no enfría lo suficiente . El LED de estado de alimentación está encendido, el LED de error no está encendido.	El elemento refrigerador está averiado.	► Póngase en contacto con un técnico de mantenimiento autorizado.
	Mala ventilación	► Compruebe la ventilación. ► Limpie el filtro que hay debajo del aparato.

9 Limpieza y mantenimiento



¡ADVERTENCIA! Riesgo de electrocución

Desconecte siempre el minibar de la red eléctrica antes de realizar la limpieza y el mantenimiento.

**¡AVISO! Peligro de daños**

- No emplee productos de limpieza corrosivos ni objetos duros, pues podrían dañar el minibar.
- Nunca limpie el minibar bajo un chorro de agua corriente ni en agua jabonosa.
- No utilice herramientas duras ni puntiagudas para retirar hielo ni despegar objetos congelados en el minibar.
- No utilice herramientas mecánicas ni de otra clase para acelerar el deshielo.
- Asegúrese de que no gotee agua en las juntas para evitar daños en los componentes electrónicos.

- ▶ Limpie el minibar con un paño húmedo periódicamente y cada vez que se ensucie.
- ▶ Seque el minibar con un paño después de limpiarlo.
- ▶ Compruebe regularmente el orificio de drenaje del agua de condensación. Si es necesario, limpie el orificio de drenaje del agua de condensación. Si está atascado, el agua de condensación se acumula en la parte inferior del minibar.
- ▶ Asegúrese de que las ranuras de entrada y salida de aire del minibar no contengan polvo y estén limpias para que el calor pueda salir y el aparato no se estropee.

10 Garantía

Consulte las siguientes secciones para obtener información sobre garantía y asistencia para garantía en EE.UU., Canadá y el resto de regiones.

10.1 Estados Unidos y Canadá

GARANTÍA LIMITADA DISPONIBLE EN
DOMETIC.COM

SI TIENE PREGUNTAS O DESEA OBTENER UNA COPIA GRATUITA DE LA GARANTÍA LIMITADA, CONTACTE CON:

DOMETIC CORPORATION
CUSTOMER SUPPORT CENTER
5155 VERDANT DRIVE
ELKHART, INDIANA 46516
1-800-544-4881
customersupportcenter@dometic.com

10.2 Otras regiones

Se aplica el período de garantía estipulado por la ley. Si el producto es defectuoso, póngase en contacto con la sucursal del fabricante en su región (dometic.com/dealer) o con su distribuidor.

Para tramitar la reparación y la garantía, incluya los siguientes documentos cuando envíe el aparato:

- Una copia de la factura con fecha de compra
- El motivo de la reclamación o una descripción de la avería

Tenga en cuenta que una reparación por medios propios o no profesionales puede tener consecuencias de seguridad y suponer la anulación de la garantía.

11 Gestión de residuos

Reciclaje de materiales de embalaje



- Si es posible, deseche el material de embalaje en el contenedor de reciclaje adecuado.



¡ADVERTENCIA! Peligro de incendio

- El refrigerante es altamente inflamable. No abra o dañe el circuito de refrigerante.
- El aislamiento del aparato contiene un gas aislante (véase la etiqueta de tipo). No dañe el aislamiento.

Reciclaje de productos con baterías no sustituibles, recargables o fuentes de luz



- Deseche el producto respetando todas las normativas aplicables.
- El producto podrá desecharse gratuitamente.



12 Datos técnicos

	DM 50NTE D	DM 50NTE F
Tensión	120 V~, 60 Hz	
Potencia de refrigeración	21 °C (69,8 °F) máx. por debajo de la temperatura ambiente	
Categoría	2 (bodega)	
Volumen total	50 l	
Clase climática	N	
Uso previsto a temperatura ambiente	+16 °C hasta +32 °C (+60,8 °F hasta +89,6 °F)	
Refrigerante	R600a	
cantidad existente de refrigerante	28 g (0,06 lbs)	
Dimensiones del cajón principal An x P x Al	430 x 330 x 302 mm (16,93 x 12,99 x 11,89 in)	
Dimensiones del cajón pequeño An x P x Al	159 x 285 x 88 mm (6,26 x 11,22 x 3,46 in)	
Dimensiones An x P x Al	550 x 524 x 418 mm (21,7 x 20,6 x 16,5 in)	550 x 496 x 418 mm (21,7 x 19,5 x 16,5 in)
Carga máxima de almacenamiento interno	31 kg (68,3 lb.)	
Peso	23,5 kg (51,81 lbs)	23,0 kg (50,71 lbs)

Siga las condiciones de uso EPA.

Leia atentamente as presentes instruções e siga todas as instruções, orientações e avisos incluídos neste manual, de modo a garantir sempre a correta instalação, utilização e manutenção do produto. É OBRIGATÓRIO manter estas instruções junto com o produto.

Ao utilizar o produto, está a confirmar que leu atentamente todas as instruções, orientações e avisos, e que compreende e aceita cumprir os termos e condições estabelecidos no presente manual. Aceita utilizar este produto exclusivamente para o fim e a aplicação a que se destina e de acordo com as instruções, orientações e avisos estabelecidos neste manual, assim como de acordo com todas as leis e regulamentos aplicáveis. Caso não leia nem siga as instruções e os avisos aqui estabelecidos, poderá sofrer ferimentos pessoais ou causar ferimentos a terceiros e o produto ou outros materiais nas proximidades poderão ficar danificados. Este manual do produto, incluindo as instruções, orientações e avisos, bem como a documentação relacionada, podem estar sujeitos a alterações e atualizações. Para consultar as informações atualizadas do produto, visite documents.dometic.com.

Índice

1	Explicação dos símbolos	59
2	Indicações de segurança	60
3	Material fornecido	63
4	Utilização adequada	64
5	Descrição técnica	65
6	Instalação	67
7	Operação	69
8	Resolução de falhas	71
9	Limpeza e manutenção	71
10	Garantia	72
11	Eliminação	73
12	Dados técnicos	74

1 Explicação dos símbolos



PERIGO!

Indicação de segurança: Indica uma situação perigosa que, se não for evitada, resultará em morte ou ferimentos graves.



AVISO!

Indicação de segurança: Indica uma situação perigosa que, se não for evitada, pode causar a morte ou ferimentos graves.

**PRECAUÇÃO!**

Indicação de segurança: Indica uma situação perigosa que, se não for evitada, pode causar ferimentos ligeiros ou moderados.

**NOTA!**

Indica uma situação que, se não for evitada, pode causar danos materiais.

**OBSERVAÇÃO**

Informações suplementares para a utilização do produto.

2 Indicações de segurança

2.1 Princípios básicos de segurança



AVISO! O incumprimento destes avisos poderá resultar em morte ou ferimentos graves.

Risco de eletrocussão

- Certifique-se de que o minibar foi instalado de acordo com as instruções de montagem por um técnico qualificado.
- Não coloque o minibar em funcionamento se este apresentar danos visíveis.
- Se o cabo de alimentação do minibar estiver danificado, terá de ser substituído pelo fabricante, pelo agente de assistência técnica ou por uma pessoa com qualificações equivalentes, a fim de evitar riscos de segurança.
- As reparações neste minibar só podem ser realizadas por técnicos qualificados. Reparações inadequadas podem originar perigos graves.
- Ao colocar o minibar, certifique-se de que o cabo de alimentação não fica preso nem é danificado.
- Não coloque tomadas múltiplas ou fontes de alimentação portáteis na parte de trás do aparelho.
- Ligue o aparelho a tomadas que garantam uma ligação adequada, sobretudo se for necessário ligar o aparelho à terra.

Perigo de incêndio

- O agente de refrigeração no circuito de refrigeração é altamente inflamável.
Em caso de danos no circuito de refrigeração:
 - Desligue o minibar.
 - Evite chamas abertas e faíscas.
 - Ventile bem o espaço.
- O circuito de refrigeração contém uma pequena quantidade de um refrigerante ecológico, mas inflamável. Este produto não é prejudicial para a camada de ozono e não aumenta o efeito de estufa. Qualquer refrigerante vazado pode incendiar-se.
- Mantenha o entalhe de instalação destinado ao minibar livre de componentes elétricos e de fontes de luz que produzam faíscas ou arcos (p. ex., caixas de relés ou fusíveis) durante o seu funcionamento normal ou com anomalias.
- Não utilize nem armazene o minibar em espaços confinados com pouca ou nenhuma circulação de ar.
- Após a instalação, ainda deverá ser possível desligar o minibar da rede elétrica. Isto pode ser conseguido mantendo a tomada acessível ou incorporando um interruptor na cablagem fixa, de acordo com as normas de cablagem.
- Mantenha as aberturas de ventilação existentes no compartimento do minibar ou na estrutura encastrada sempre desobstruídas.
- Não utilize ferramentas mecânicas ou outros meios de acelerar o processo de descongelamento para além dos recomendados pelo fabricante.
- Não abra, em caso algum, o circuito de refrigeração.
- Não utilize aparelhos elétricos dentro do minibar, exceto se esses aparelhos forem recomendados pelo fabricante para o efeito.

Perigo de explosão

- Não guarde no minibar substâncias com risco de explosão, tais como, por exemplo, latas de spray com gás carburante.

Risco para a saúde

- Este minibar pode ser utilizado por crianças a partir dos 8 anos e pessoas com capacidades físicas, sensoriais ou mentais reduzidas ou sem experiência e conhecimento se forem supervisionadas ou receberem instruções sobre a utilização do aparelho de forma segura e compreenderem os perigos implicados.
- As crianças não podem brincar com o minibar.

- A limpeza e a manutenção não podem ser efetuadas por crianças sem supervisão.
- Crianças com idades entre os 3 e os 8 anos podem encher e esvaziar o minibar.



PRECAUÇÃO! O incumprimento destas advertências poderá resultar em ferimentos ligeiros ou moderados.

Risco de esmagamento

- Não mexa no encosto da tampa com os dedos.

Risco para a saúde

- Os alimentos devem ser armazenados exclusivamente nas embalagens originais ou em recipientes adequados.



NOTA! Risco de danos

- Verifique se a indicação de tensão na placa de características corresponde à da fonte de alimentação existente.
- O minibar não se destina ao armazenamento de substâncias corrosivas ou que contenham solventes.
- O isolamento do aparelho de refrigeração contém ciclopentano inflamável e requer medidas de eliminação especiais. No fim da respetiva vida útil, encaminhe o aparelho de refrigeração para um centro de reciclagem adequado.
- Mantenha a abertura de escoamento sempre limpa.
- Transporte o minibar apenas na posição vertical.

2.2 Utilização segura do minibar



PERIGO! O incumprimento destes avisos resultará em morte ou ferimentos graves.

Risco de eletrocussão

- Nunca toque em cabos não blindados com as mãos desprotegidas.



PRECAUÇÃO! O incumprimento destas advertências poderá resultar em ferimentos ligeiros ou moderados.

Risco de eletrocussão

- Antes de colocar o minibar em funcionamento, certifique-se de que a ligação e a ficha estão secas.

Risco para a saúde

- Certifique-se de que coloca no minibar apenas produtos que possam ser refrigerados à temperatura selecionada.
- Os alimentos apenas podem ser guardados nas embalagens originais ou em recipientes adequados.
- Abrir a porta durante longos períodos pode provocar um aumento significativo da temperatura nos compartimentos do minibar.
- Limpe regularmente as superfícies que entram em contacto com alimentos e os sistemas de drenagem acessíveis.
- Se o minibar ficar vazio durante longos períodos:
 - Desligue o minibar.
 - Descongele o minibar.
 - Limpe e seque o minibar.
 - Deixe a porta aberta para impedir o crescimento de bolor no interior do minibar.

**NOTA!****Risco de danos**

- Não coloque o minibar na proximidade de chamas sem proteção ou outras fontes de calor (velas acesas, aquecimento, radiação solar intensa, fogões a gás, etc.).
- Nunca mergulhe o minibar em água.
- Proteja o minibar e o cabo do calor e da humidade.
- Assegure-se de que os alimentos não entram em contacto com as paredes do espaço de refrigeração.

3 Material fornecido

Estão disponíveis as seguintes alternativas principais:

- Minibar DM50NTE D com painel da porta, sem fechadura
- Minibar DM50NTE D com painel da porta, com fechadura
- Minibar DM50NTE F sem painel da porta, sem fechadura
- Minibar DM50NTE F sem painel da porta, com fechadura

Quantidade	Descrição	
1	Minibar	
1	Cabo para ligação de corrente alternada	
4	Parafuso $\varnothing 4 \times 45$ mm ($\varnothing 0,16 \times 1,77$ in, instalação)	
4	Ficha (instalação)	
1	Puxador	(apenas DM50NTE D)
2	Ficha (instalação do puxador)	(apenas DM50NTE D)
1	Filtro de entrada	
6	Parafuso para instalação do filtro $\varnothing 3 \times 12$ mm ($\varnothing 0,1 \times 0,5$ pol)	
2	Ficha (painel de madeira)	(apenas DM50NTE F na versão em madeira)
1	Decoração para a fechadura (painel de madeira)	(apenas DM50NTE F na versão em madeira com fechadura)
2	Chave	(apenas versão com fechadura)
1	Manual de montagem e operação	

4 Utilização adequada

O aparelho de refrigeração (também designado “minibar”) está concebido para refrigerar e armazenar bebidas e alimentos em recipientes fechados.

O minibar destina-se a ser utilizado em navios de cruzeiro ou em aplicações domésticas ou semelhantes, tais como:

- Na cozinha do pessoal em estabelecimentos comerciais, escritórios e outros ambientes de trabalho
- Quintas
- Hotéis, motéis e outros ambientes de tipo residencial
- Ambientes do tipo “bed and breakfast”
- Aplicações do ramo de catering e em aplicações semelhantes do comércio grossista

O minibar **não** está concebido para ser montado em caravanas ou autocaravanas.

O minibar está concebido para a instalação num móvel ou num nicho de instalação. Consulte as instruções de montagem.

O minibar **não** é adequado para:

- Armazenar substâncias corrosivas, cáusticas ou que contenham solventes
- Armazenar alimentos frescos e medicamentos
- Ultracongelar alimentos

Este produto destina-se exclusivamente à aplicação e aos fins pretendidos com base nestas instruções.

Este manual fornece informações necessárias para proceder a uma instalação e/ou a uma operação adequadas do produto. Uma instalação e/ou uma operação ou manutenção incorretas causarão um desempenho insatisfatório e uma possível avaria.

O fabricante não aceita qualquer responsabilidade por danos ou prejuízos no produto resultantes de:

- montagem ou ligação incorreta, incluindo sobretensões
- manutenção incorreta ou utilização de peças sobressalentes não originais fornecidas pelo fabricante
- alterações ao produto sem autorização expressa do fabricante
- utilização para outras finalidades que não as descritas no presente manual

A Dometic reserva-se o direito de alterar o design e as especificações do produto.

5 Descrição técnica

O minibar possui uma gaveta principal para garrafas e latas e uma minigaveta para miniaturas e snacks. A gaveta principal tem espaço para 33 garrafas com uma altura máxima de 28 cm (11,02 pol).

Este minibar foi concebido para a utilização com uma fonte de alimentação de corrente alternada.

DM50NTE D: O modelo está equipado de fábrica com um painel de porta e um puxador.

DM50NTE F: O modelo é fornecido sem um painel de porta e está preparado para a instalação da decoração de porta própria do hotel.

5.1 Designação do aparelho

Painel dianteiro

N.º na fig. 1 , página 3	Descrição
1	Fechadura (opcional)
2	Puxador (apenas DM50NTE D)
3	Painel da porta (apenas DM50NTE D)

Lado posterior

N.º na fig. 2 , página 3	Descrição
1	Adaptador de rede
2	Tomada de 12 V $\overline{=}$
3	Cuba coletora
4	Tubo de calor

Painel de comando (no interior do aparelho)

N.º na fig. 3 , página 4	Descrição
1	Luz
2	LED de erro
3	LED do estado de funcionamento
4	Botão de ajuste

Gaveta principal

N.º na fig. 4 , página 4	Descrição
1	Divisória grande
2	Separador
3	Divisória pequena
4	Sistema de fixação de garrafas

Minigaveta

N.º na fig. 5 , página 5	Descrição
1	Divisória rotativa
2	Suporte para garrafas miniatura

6 Instalação



PRECAUÇÃO! Health hazard

To avoid a hazard due to instability of the device, it must be fixed in accordance with the instructions.

6.1 Montar o minibar num móvel



NOTICE! Risco de danos

O ar que passa através da conduta de ar de entrada não pode ser aquecido.

Não coloque o minibar na proximidade de chamas sem proteção ou outras fontes de calor (aquecimento, radiação solar intensa, fogões a gás, etc.).

Há quatro formas de montar o minibar no mobiliário.

1. Escolha a alternativa de instalação que prefere (fig. **6**, página 6).
2. Tenha em atenção ao entalhe de instalação necessário (fig. **7**, página 7)
"d" refere-se à espessura da decoração própria do hotel.
3. Tenha em atenção ao posicionamento correto do minibar e das aberturas de ventilação para garantir um fluxo de ar adequado (fig. **8**, página 7).
4. Certifique-se de que existe uma folga mínima entre a parte posterior do minibar e a parede do mobiliário (fig. **10**, página 8).
5. Crie as aberturas de ventilação conforme ilustrado na fig. **9**, página 7.
6. Crie uma abertura de ventilação adicional na parte inferior do entalhe de instalação (fig. **10**, página 8, fig. **11**, página 8).

Meça uma distância a partir da frente da porta do minibar **excluindo** qualquer decoração existente.

N.º na fig. 12, página 8	Descrição
1	Parafuso $\varnothing 4 \times 45$ mm ($\varnothing 0,2 \times 1,8$ pol)
2	Tampas

7. Fixe o minibar com os quatro parafusos (fig. 12 1, página 8).
8. Aplique as quatro tampas (fig. 12 2, página 8) nos orifícios.

6.2 Efetuar a ligação elétrica do minibar

- ▶ Ligue o cabo de conexão de corrente alternada à tomada de tensão CA e conecte-o a uma rede de corrente alternada.
- ✓ O LED do estado de funcionamento acende.
- ✓ A lâmpada acende e o minibar começa a refrigerar o interior.

6.3 Montar a decoração de porta própria do hotel (apenas DM 50NTE F)

A decoração de porta própria do hotel tem que respeitar os seguintes requisitos:

- Peso máximo: 4 kg (8,8 lbs)
- Espessura máxima: 18 mm (0,7 in) (apenas versão com fechadura)
- ▶ Fixe a decoração com quatro parafusos.

6.4 Montar a fechadura (apenas versão com fechadura)

1. Faça um furo com um diâmetro de 35 mm (1,4 pol) na decoração.
2. Monte a fechadura juntamente com a respetiva decoração.

6.5 Montar a fechadura (apenas versão sem fechadura)

Desmontar a gaveta (fig. 13, página 9)

1. Abra totalmente a gaveta (A).
2. Exerça pressão no bloqueio da calha (A 1).
3. Retire a gaveta do armário (B).

Apenas DM50NTE D

1. Retire as duas tampas **(C 1)** dos parafusos **(C 2)** do puxador da porta **(C 3)**.
2. Desaparafuse os dois parafusos **(C 2)** do puxador da porta.
3. Retire o puxador da porta **(C 3)**.
4. Retire a vedação.
5. Retire a cobertura da fechadura.

Fazer os furos (fig. 14, página 9)

1. Faça um furo **(A 1)** com um diâmetro de 23,6 mm (0,9 pol) na decoração (apenas DM50NTE D) e na porta.
2. Desaparafuse os doze parafusos **(B 1)** da armação da decoração **(B 2)** (apenas DM50NTE D).
3. Retire a armação da decoração (apenas DM50NTE D).

Montar a fechadura (fig. 15, página 10)

1. Coloque a cobertura da fechadura nova **(A 1)** no devido local.
2. Coloque a decoração **(B 1)** na armação da decoração.
3. Aparafuse **(B 2)** a armação da decoração **(B 3)** na porta.
4. Instale a fechadura na porta **(C 1)**.
5. Instale o engate da fechadura **(D 1)** no armário.

Montar a gaveta (fig. 16, página 10)

1. Instale a vedação **(1)** na armação da decoração **(2)**.
2. Aparafuse o puxador **(4)** na porta.
3. Coloque as tampas **(3)** nos parafusos do puxador da porta **(4)**.
4. Coloque a gaveta no armário.

7 Operação

7.1 Antes da primeira utilização

Antes da primeira utilização, limpe o interior e o exterior do minibar com um pano húmido, por razões de higiene (ver também capítulo “Limpeza e manutenção” na página 71).

7.2 Poupar energia

- Abra o minibar apenas as vezes que forem necessárias e apenas durante o tempo necessário.
- Evite temperaturas internas desnecessariamente baixas.
- Para um consumo de energia otimizado, posicione as prateleiras e as gavetas na posição original de entrega.
- Verifique regularmente se a vedação da porta ainda está corretamente encaixada.
- Limpe o pó e a sujidade do condensador regularmente.

7.3 Usar o minibar

O minibar começa a refrigerar quando é ligado a uma fonte de alimentação. Durante a operação normal, o LED do estado de funcionamento está aceso. Se ocorrer um erro, o LED de erro pisca (ver capítulo “Resolução de falhas” na página 71).

7.4 Definir a temperatura

Para evitar desperdício alimentar, observe o seguinte:

- Mantenha as oscilações de temperatura o mais reduzidas possível. Abra o minibar apenas as vezes que forem necessárias e apenas durante o tempo necessário. Armazene os alimentos de modo a que o ar continue a circular bem.
- O minibar está equipado com uma função de regulação da temperatura automática. Selecione a média dos valores de temperatura possíveis.
- Ajuste a temperatura à quantidade e ao tipo de alimentos.

Por defeito, o minibar está ajustado para uma temperatura de refrigeração de 7 °C (44,6 °F) a uma temperatura ambiente de 25 °C (77 °F).

Utilizando o botão de ajuste, é possível ajustar a temperatura de refrigeração para um dos três valores seguintes: 5 °C, 12 °C e 7 °C (41 °F, 53,6 °F e 44,6 °F).

A temperatura de refrigeração é ajustada na sequência seguinte: 5 °C ... 12 °C ... 7 °C ... 5 °C (41 °F ... 53,6 °F ... 44,6 °F ... 41 °F), etc.

1. Prima o botão de ajuste (fig. **3 4**, página 4) e mantenha-o premido durante 5 s até a lâmpada interna (fig. **3 1**, página 4) começar a piscar.
2. Prima o botão de ajuste novamente até selecionar a temperatura de refrigeração pretendida.

- ✓ A lâmpada interna pisca. O número de vezes que a lâmpada pisca indica a temperatura ajustada. O sinal intermitente é repetido em três intervalos:
- A lâmpada pisca **cinco vezes**: 5 °C (41 °F)
 - A lâmpada pisca **uma vez**: 12 °C (53,6 °F)
 - A lâmpada pisca **três vezes**: 7 °C (44,6 °F)

8 Resolução de falhas

Falha	Possível causa	Sugestão de solução
<p>O minibar não funciona.</p> <p>O LED do estado de funcionamento não está aceso.</p>	<p>Não existe tensão na tomada de tensão de corrente alternada.</p> <hr/> <p>A tomada UPOE está sem tensão elétrica.</p>	<p>▶ Tente novamente noutra tomada.</p>
	<p>O adaptador de rede está danificado.</p>	<p>▶ Contacte um agente de assistência técnica autorizado.</p>
<p>O minibar não refrigera. A ficha está inserida, o LED do estado de funcionamento está aceso.</p>	<p>O elemento de refrigeração está avariado.</p>	<p>▶ Contacte um agente de assistência técnica autorizado.</p>
<p>O LED de erros pisca uma vez por segundo.</p>	<p>O sensor da temperatura está avariado.</p>	<p>▶ Contacte um agente de assistência técnica autorizado.</p>
<p>O minibar não refrigera o suficiente.</p> <p>O LED do estado de funcionamento está aceso, o LED de erro não está aceso.</p>	<p>O elemento de refrigeração está avariado.</p> <hr/> <p>Ventilação fraca.</p>	<p>▶ Contacte um agente de assistência técnica autorizado.</p> <hr/> <p>▶ Verifique a ventilação.</p> <p>▶ Limpe o filtro por baixo do aparelho.</p>

9 Limpeza e manutenção



AVISO! Risco de eletrocussão

Desconecte sempre o minibar da rede elétrica antes de realizar trabalhos de limpeza e manutenção.

**NOTA! Risco de danos**

- Não utilize produtos de limpeza abrasivos nem objetos duros para a limpeza, pois estes podem danificar o minibar.
- Nunca limpe o minibar debaixo de água corrente nem dentro de água de lavar a loiça.
- Nunca utilize ferramentas duras ou pontiagudas para retirar camadas de gelo ou para libertar objetos congelados no minibar.
- Não utilize ferramentas mecânicas ou qualquer outro tipo de ferramentas para acelerar o processo de descongelamento.
- Certifique-se de que não pinga água para as vedações de modo a evitar danos no sistema eletrónico.

- ▶ Limpe o minibar regularmente, e assim que este fique sujo, com um pano húmido.
- ▶ Seque o minibar com um pano após a limpeza.
- ▶ Verifique regularmente o escoamento do condensado.
Limpe o escoamento do condensado sempre que necessário. Se este estiver entupido, o condensado acumula-se no fundo do minibar.
- ▶ Certifique-se que as aberturas de entrada e saída de ar do minibar estão livres de pó e sujidade para que, durante o funcionamento, o calor possa ser libertado e o aparelho não seja danificado.

10 Garantia

Consulte as secções que se seguem para se informar sobre a garantia e o suporte de garantia nos EUA, no Canadá e em todas as outras regiões.

10.1 Estados Unidos e Canadá

GARANTIA LIMITADA DISPONÍVEL EM
DOMETIC.COM

CASO TENHA DÚVIDAS OU QUEIRA OBTER UMA CÓPIA GRATUITA DA GARANTIA LIMITADA, CONTACTE:

DOMETIC CORPORATION
CUSTOMER SUPPORT CENTER
5155 VERDANT DRIVE
ELKHART, INDIANA 46516
1-800-544-4881
customersupportcenter@dometic.com

10.2 Todas as outras regiões

Aplica-se o prazo de garantia legal. Se o produto apresentar defeitos, contacte a filial do fabricante na sua região (dometic.com/dealer) ou o seu revendedor.

Para fins de reparação ou de garantia, terá de enviar também os seguintes documentos:

- Uma cópia da fatura com a data de aquisição
- Um motivo de reclamação ou uma descrição da falha

Tenha em atenção que as reparações feitas por si ou por não profissionais podem ter consequências sobre a segurança e anular a garantia.

11 Eliminação

Reciclagem do material de embalagem



- ▶ Sempre que possível, coloque o material de embalagem no respetivo contentor de reciclagem.



AVISO! Perigo de incêndio

- O agente de refrigeração é altamente inflamável. Não abra nem danifique o circuito de refrigeração.
- O isolamento do dispositivo contém um gás isolante (consulte a placa de características). Não danifique o isolamento.

Reciclagem de produtos com baterias não substituíveis, baterias recarregáveis ou fontes de luz



- Elimine o produto de acordo com todas as normas aplicáveis.
- O produto pode ser eliminado gratuitamente.



12 Dados técnicos

	DM50NTE D	DM50NTE F
Tensão	120 V~, 60 Hz	
Potência de refrigeração	máx. 21 °C (69,8 °F) abaixo da temperatura ambiente	
Categoria	2 (cave)	
Volume total	50 l	
Classe de climatização	N	
Temperatura ambiente com a utilização prevista	+16 °C a +32 °C (+60,8 °F a +89,6 °F)	
Refrigerante	R600a	
Quantidade de líquido refrigerante existente	28 g (0,06 lbs)	
Dimensões da gaveta principal L x P x A	430 x 330 x 302 mm (16,93 x 12,99 x 11,89 pol)	
Dimensões da minigaveta L x P x A	159 x 285 x 88 mm (6,26 x 11,22 x 3,46 pol)	
Dimensões L x P x A	550 x 524 x 418 mm (21,7 x 20,6 x 16,5 pol)	550 x 496 x 418 mm (21,7 x 19,5 x 16,5 pol)
Carga de armazenamento interna máxima	31 kg (68,3 lb.)	
Peso	23,5 kg (51,81 lbs)	23,0 kg (50,71 lbs)

Siga as condições de utilização da EPA.

dometic.com

**YOUR LOCAL
DEALER**

dometic.com/dealer

**YOUR LOCAL
SUPPORT**

dometic.com/contact

**YOUR LOCAL
SALES OFFICE**

dometic.com/sales-offices
