

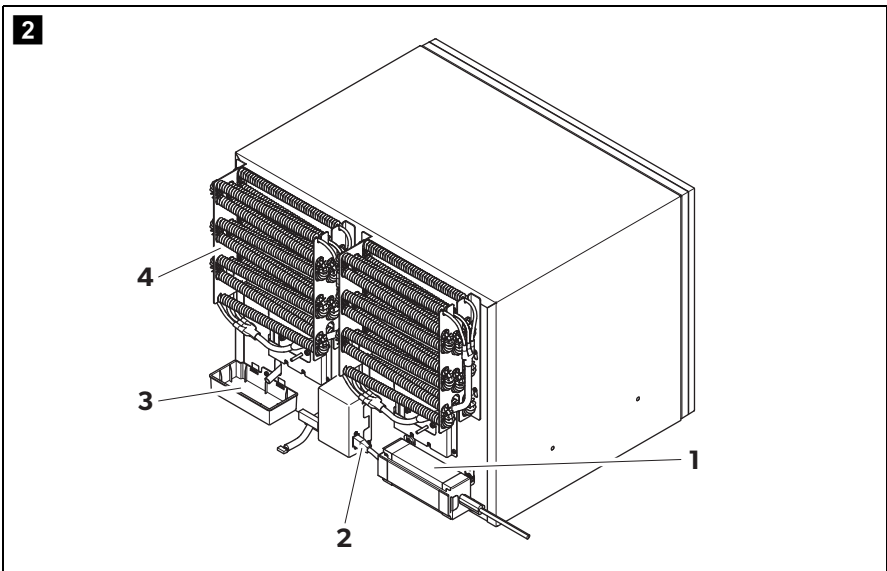
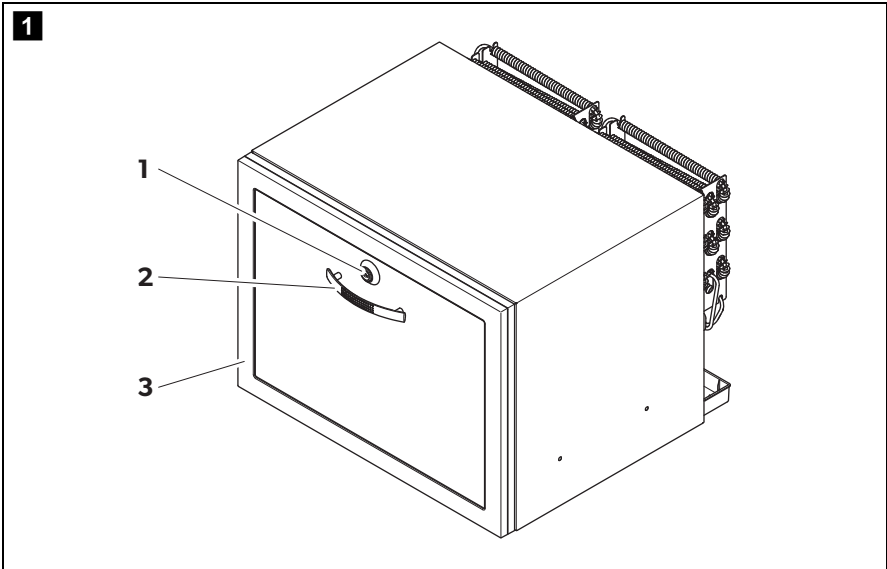
↗ DOMETIC REFRIGERATION DESIGN

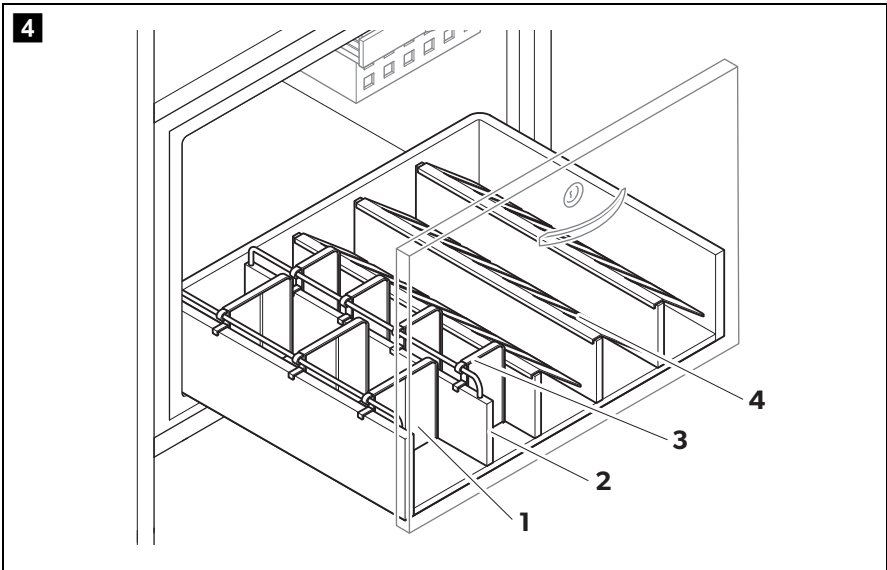
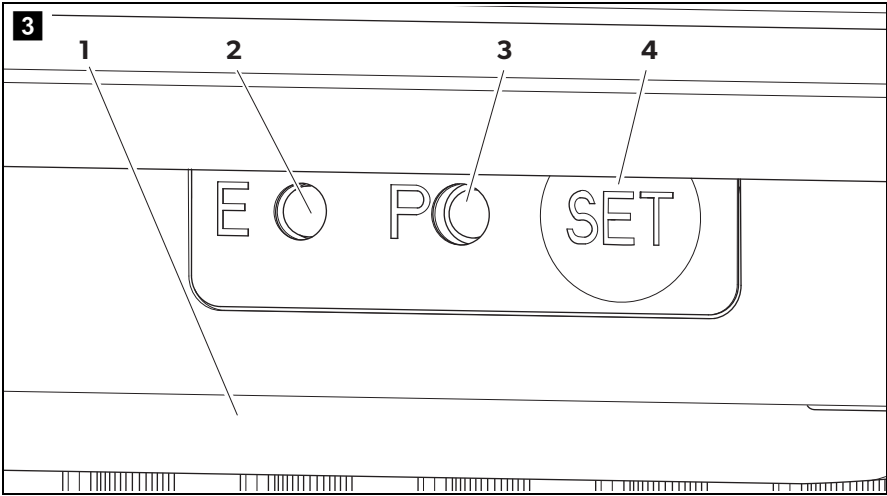


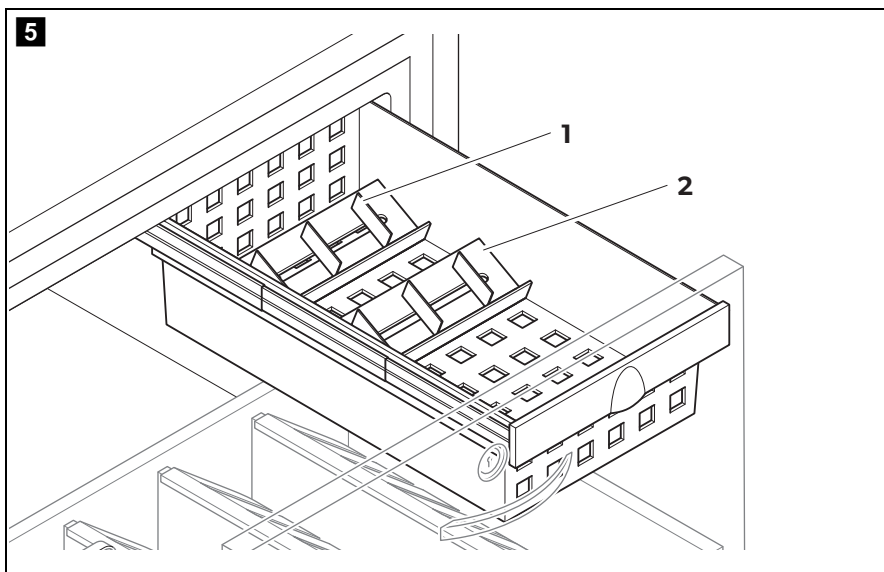
DM50NTEF, DM50NTEF

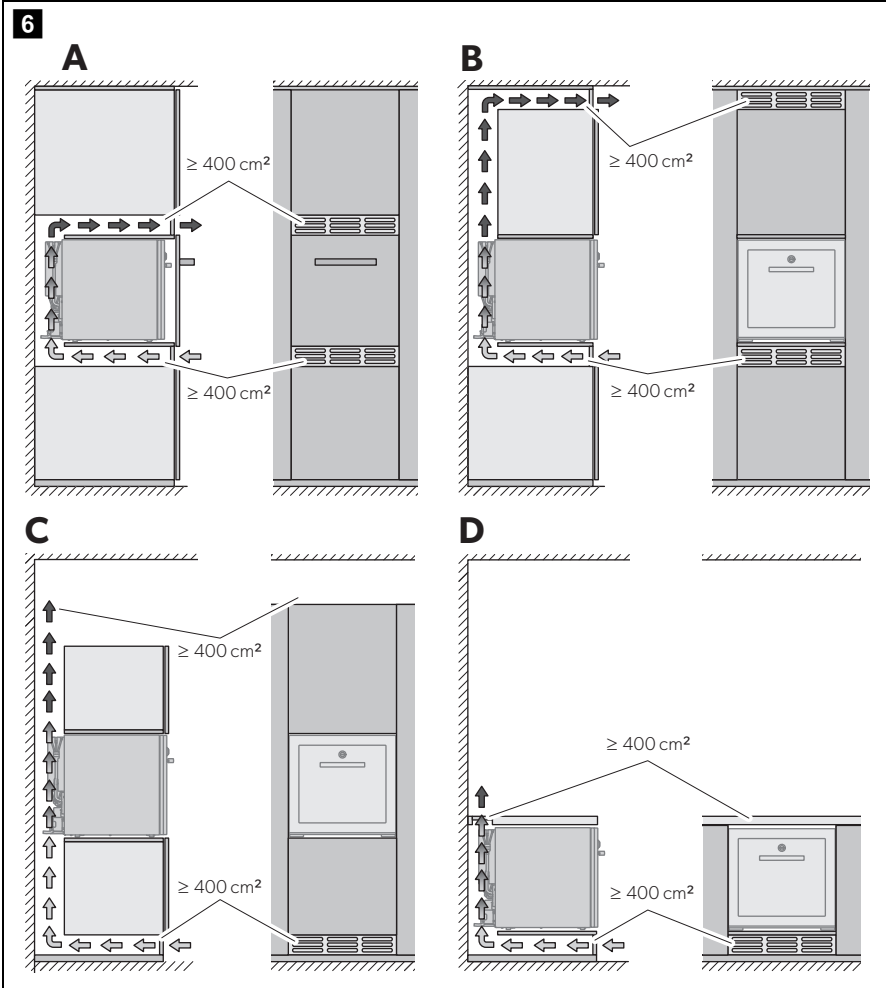
EN	Drawer Minibar Installation and Operating Manual 12	FI	Vetolaatikkominiibaari Asennus- ja käyttöohje 171
DE	Schubfach-Minibar Montage- und Bedienungsanleitung 27	PL	Minibary sufladowe Instrukcja montażu i obsługi 187
FR	Minibar à tiroir Instructions de montage et de service 43	SK	Minibar Drawer Návod na montáž a uvedenie do prevádzky 203
ES	Cajón minibar Instrucciones de montaje y de uso 59	CS	Minibar Drawer Návod k montáži a obsluze 219
PT	Minibar de gaveta Instruções de montagem e manual de instruções 75	HU	Fiókba szerelt minibár Szerelési és használati útmutató 235
IT	Cassetto del minibar Istruzioni di montaggio e d'uso 91	HR	Minibar ladica Upute za montažu i uporabu 251
NL	Lade minibar Montagehandleiding en gebruiksaanwijzing 107	TR	Çekmeceli Minibar Montaj ve Kullanım Kılavuzu 267
DA	Skuffe minibar Monterings- og betjeningsvejledning . . . 123	SL	Minibar s predalom Navodilo za montažo in uporabo 283
SV	Låda till minibar Monterings- och bruksanvisning 139	RO	Minibar tip sertar Instrucțiuni de montaj și operare 299
NO	Uttrekkbar minibar Monterings- og bruksanvisning 155	BG	Минибар с чекмеджета Инструкция за монтаж и експлоатация 315
		ET	Sahtliga minibaar Paigaldus- ja kasutusjuhend 331
		EL	Μίνι μπαρ με συρτάρι Οδηγίες τοποθέτησης και χειρισμού . . . 346
		LT	Minibaro stalčius Montavimo ir naudojimo vadovas 364
		LV	Minibāra atvilktnē Uzstādīšanas un lietošanas rokasgrāmata 379
			AR ثلاجة مشروبات قابلة للسحب دليل التركيب والتشغيل

© 2024 Dometic Group. The visual appearance of the contents of this manual is protected by copyright and design law. The underlying technical design and the products contained herein may be protected by design, patent or pending patent. The trademarks mentioned in this manual belong to Dometic Sweden AB. All rights are reserved.









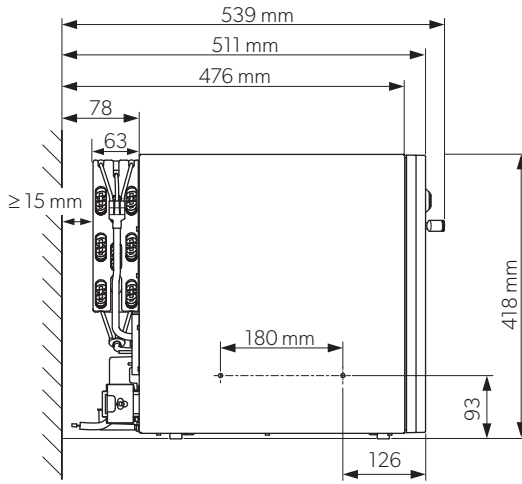
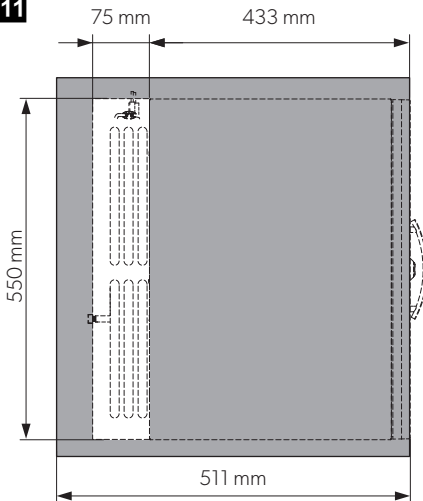
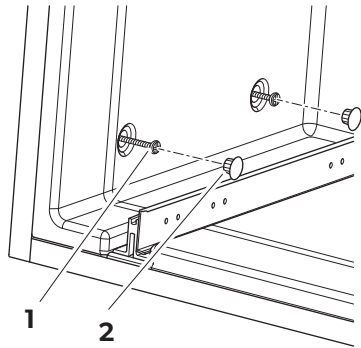
7

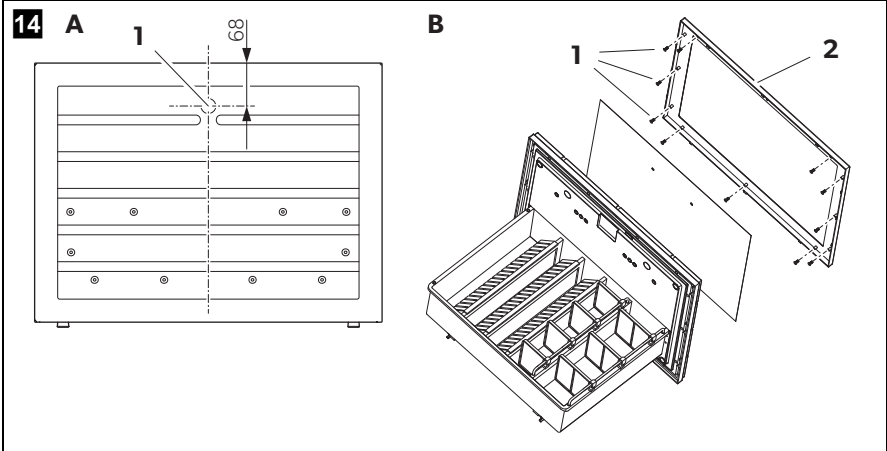
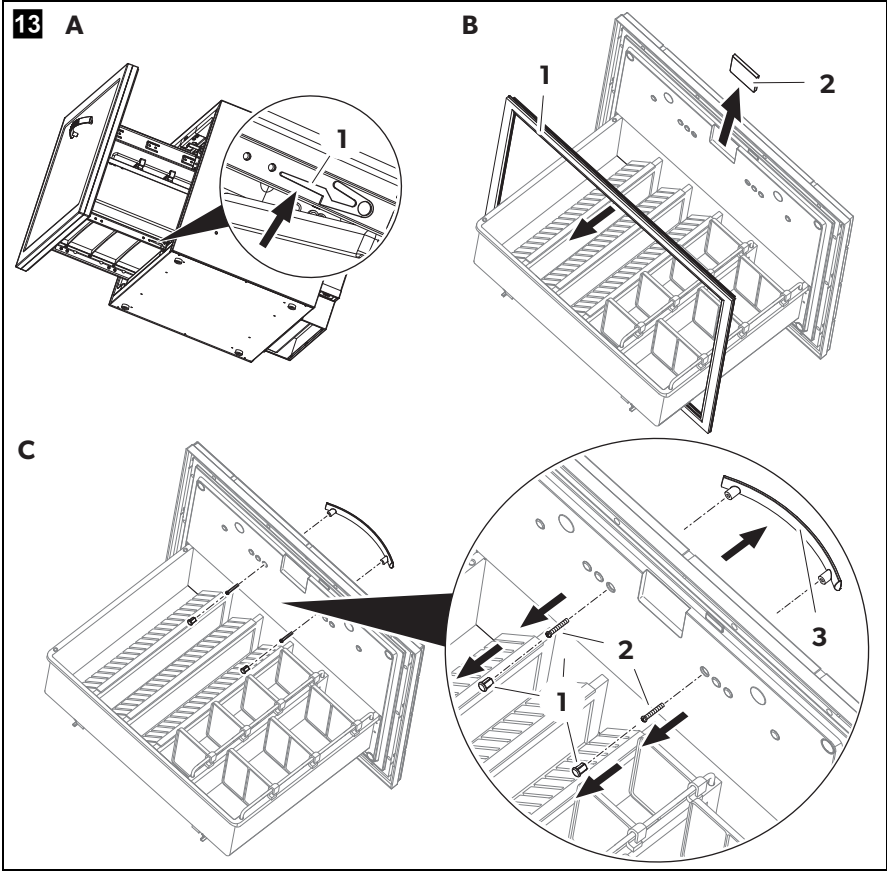
	A	B	C
DM50NTE D	438 mm	570 mm	539 mm
DM50NTE F	438 mm	570 mm	511+d mm

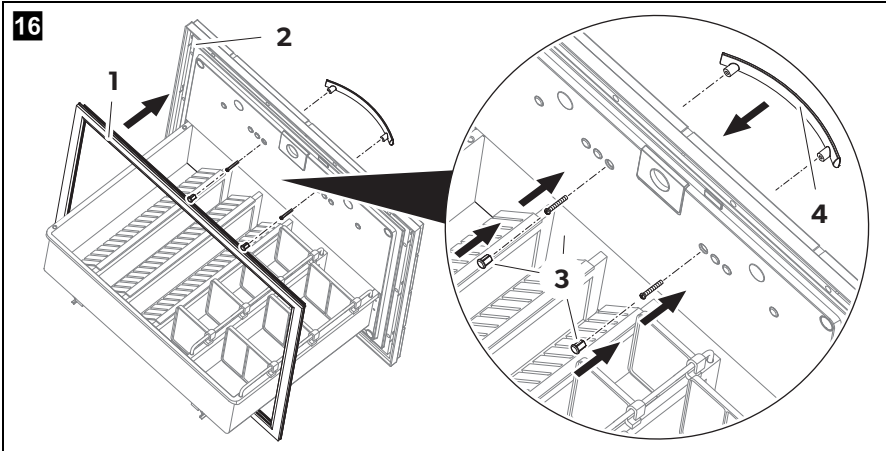
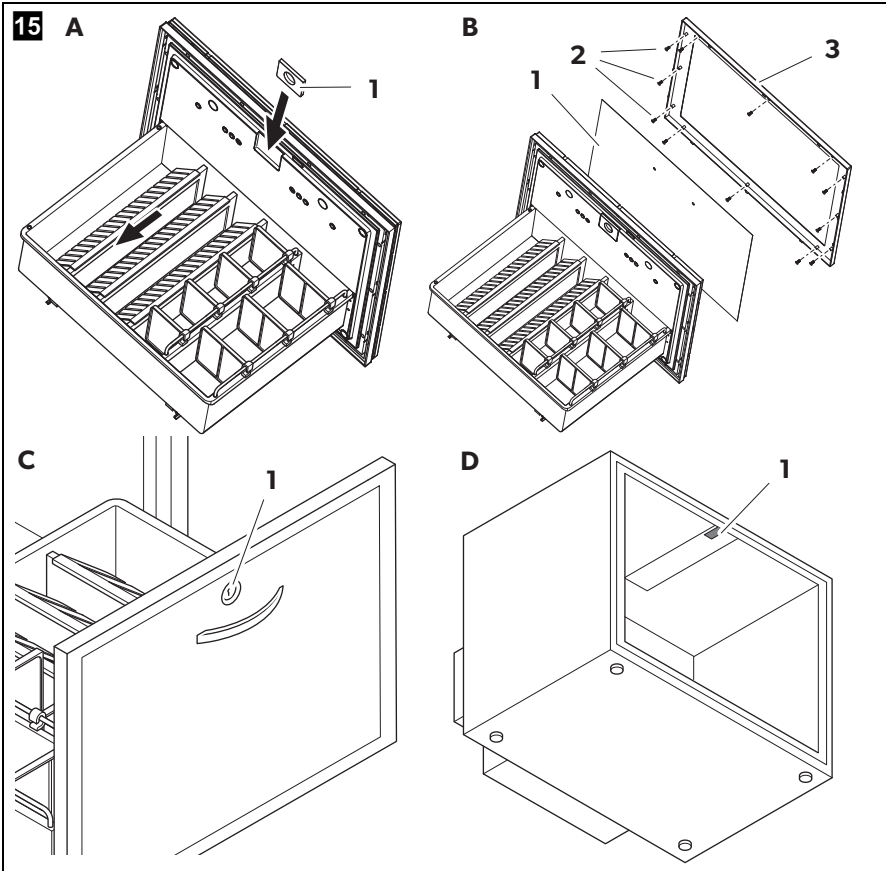
8

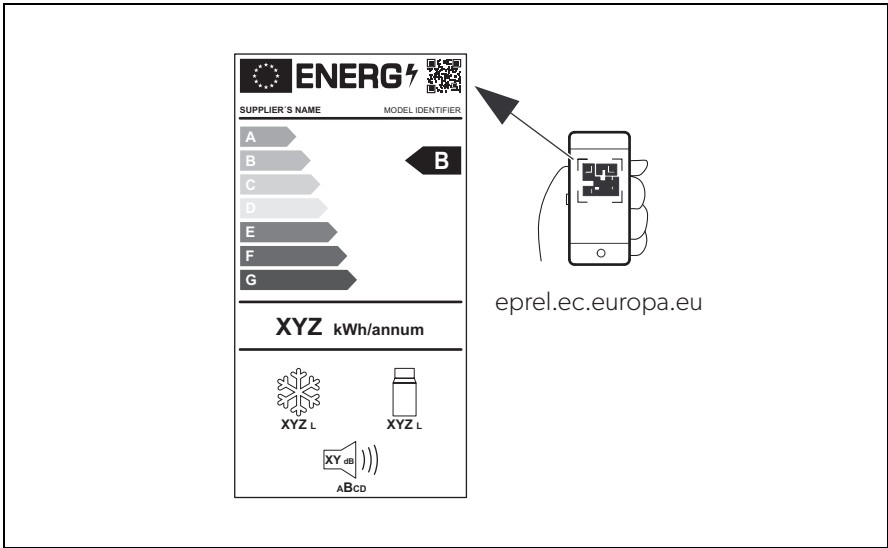
9

	Air inlet	Air outlet
DM50NTE D, DM50NTE F	$\text{—} + \text{—} + \dots \geq$	400 cm ² 400 cm ²

10**11****12**







Please read these instructions carefully and follow all instructions, guidelines, and warnings included in this product manual in order to ensure that you install, use, and maintain the product properly at all times. These instructions **MUST** stay with this product.

By using the product, you hereby confirm that you have read all instructions, guidelines, and warnings carefully and that you understand and agree to abide by the terms and conditions as set forth herein. You agree to use this product only for the intended purpose and application and in accordance with the instructions, guidelines, and warnings as set forth in this product manual as well as in accordance with all applicable laws and regulations. A failure to read and follow the instructions and warnings set forth herein may result in an injury to yourself and others, damage to your product or damage to other property in the vicinity. This product manual, including the instructions, guidelines, and warnings, and related documentation, may be subject to changes and updates. For up-to-date product information, please visit documents.dometic.com.

Contents

1	Explanation of symbols	12
2	Safety instructions	13
3	Scope of delivery	16
4	Intended use	17
5	Technical description	18
6	Installation	19
7	Operation	22
8	Troubleshooting	23
9	Cleaning and maintenance	24
10	Warranty	25
11	Disposal	25
12	Technical data	26

1 Explanation of symbols



DANGER!

Safety instruction: Indicates a hazardous situation that, if not avoided, will result in death or serious injury.



WARNING!

Safety instruction: Indicates a hazardous situation that, if not avoided, could result in death or serious injury.

**CAUTION!**

Safety instruction: Indicates a hazardous situation that, if not avoided, could result in minor or moderate injury.

**NOTICE!**

Indicates a situation that, if not avoided, can result in property damage.

**NOTE**

Supplementary information for operating the product.

2 Safety instructions

2.1 General safety



WARNING! Failure to obey these warnings could result in death or serious injury.

Electrocution hazard

- Ensure that the minibar has been installed by a qualified technician in accordance with the Dometic installation manual.
- Do not operate the minibar if it is visibly damaged.
- If this minibars power cable is damaged, it must be replaced by the manufacturer, service agent or a similarly qualified person in order to prevent safety hazards.
- This minibar may only be repaired by qualified personnel. Inadequate repairs may cause serious hazards.
- When positioning the minibar, ensure the supply cord is not trapped or damaged.
- Do not locate multiple portable socket-outlets or portable power supplies at the rear of the appliance.
- Plug the device to sockets that ensure proper connection especially when the device needs to be earthed.

Fire hazard

- The refrigerant in the refrigerant circuit is highly flammable. In the event of any damage to the refrigerant circuit:
 - Switch off the minibar.
 - Avoid naked flames and sparks.
 - Air the room well.

- Keep the installation recess for the minibar free of any electrical components and light sources which during normal or abnormal operation produce sparks or arcs (i.e., relays or fuse boxes).
- After installation, it must still be possible to disconnect the minibar from the supply mains. This may be achieved by having the plug accessible or by incorporating a switch in the fixed wiring according to the wiring rules.
- Keep ventilation openings, in the minibar enclosure or in the built-in structure, clear of obstruction.
- Do not use mechanical devices or other means to accelerate the defrosting process, other than those recommended by the manufacturer.
- Do not open the refrigerant circuit under any circumstances.
- Do not use electrical devices inside the minibar unless they are recommended by the manufacturer for that purpose.

Explosion hazard

- Do not store any explosive substances, such as spray cans with propellants, in the minibar.

Health hazard

- This minibar can be used by children aged from 8 years and above and persons with reduced physical, sensory or mental capabilities or lack of experience and knowledge if they have been given supervision or instruction concerning use of the minibar in a safe way and understand the hazards involved.
- Children shall not play with the minibar.
- Cleaning and user maintenance shall not be made by children without supervision.
- Children aged from 3 to 8 years are allowed to load and unload the minibar.



CAUTION! Failure to obey these cautions could result in minor or moderate injury.

Risk of crushing

- Do not put your fingers into the hinge.

Health hazard

- Foodstuff may only be stored in its original packaging or in suitable containers.



NOTICE! Damage hazard

- Check that the voltage specification on the type plate is the same as that of the power supply.
- The minibar is not suitable for storing substances which are caustic or contain solvents.
- The insulation of the cooling device contains flammable cyclopentane and requires special disposal procedures. Deliver the cooling device at the end of its life-cycle to an appropriate recycling center.
- Keep the drainage outlet clean at all times.
- Only carry the minibar upright.

2.2 Operating the minibar safely



DANGER! Failure to obey these warnings will result in death or serious injury.

Electrocution hazard

- Do not touch exposed cables with your bare hands.



CAUTION! Failure to obey these cautions could result in minor or moderate injury.

Electrocution hazard

- Before starting the minibar, ensure that the power supply line and the plug are dry.

Health hazard

- Ensure that you only put items in the minibar which may be chilled at the selected temperature.
- Food may only be stored in its original packaging or in suitable containers.
- Opening the door for long periods can cause significant increase of the temperature in the compartments of the minibar.
- Clean regularly surfaces that can come in contact with food and accessible drainage systems.
- If the minibar is left empty for long periods:
 - Switch off the minibar.
 - Defrost the minibar.
 - Clean and dry the minibar.
 - Leave the door open to prevent mold developing within the minibar.

**NOTICE!****Damage hazard**

- Do not place the minibar near naked flames or other heat sources (burning candles, heaters, direct sunlight, gas ovens etc.).
- Never immerse the minibar in water.
- Protect the minibar and the cable against heat and moisture.
- Ensure that foodstuffs do not touch the walls of the cooling area.

3 Scope of delivery

The following main alternatives are obtainable:

- Minibar DM50NTE D with door panel, without lock
- Minibar DM50NTE D with door panel, with lock
- Minibar DM50NTE F without door panel, without lock
- Minibar DM50NTE F without door panel, with lock

Quantity	Description	
1	Drawer minibar	
1	Cable for 230 V~ connection	
4	Screw $\varnothing 4 \times 45$ mm (installation)	
4	Plug (installation)	
1	Handle	(DM50NTE D only)
2	Plug (handle installation)	(DM50NTE D only)
1	Inlet filter	
6	Screw $\varnothing 3 \times 12$ mm (filter installation)	
2	Plug (wooden panel)	(DM50NTE F wooden version only)
1	Lock decor (wooden panel)	(DM50NTE F wooden version with lock only)
2	Key	(Lock version only)
1	Installation and operating manual	

4 Intended use

The refrigeration appliance (also referred to as minibar) is intended for cooling and storing beverages and food in closed containers.

The minibar is designed for operation on cruise liners or to be used in household and similar applications such as:

- Staff kitchens in stores, offices and other working environments
- Farmhouses
- Hotels, motels and other residential type environments
- Bed and breakfast type environments
- Catering and similar non-retail applications

The minibar is **not** designed for installation in caravans or mobile homes.

The minibar is suitable for installation in a piece of cabinetry or an installation niche. Refer to the installation instructions.

The minibar is **not** suitable for

- Storage of corrosive, caustic or solvent-containing substances
- Storage of fresh foods and medicine
- Deep-freezing of foodstuff

This product is only suitable for the intended purpose and application in accordance with these instructions.

This manual provides information that is necessary for proper installation and/or operation of the product. Poor installation and/or improper operation or maintenance will result in unsatisfactory performance and a possible failure.

The manufacturer accepts no liability for any injury or damage to the product resulting from:

- Incorrect installation, assembly or connection, including excess voltage
- Incorrect maintenance or use of spare parts other than original spare parts provided by the manufacturer
- Alterations to the product without express permission from the manufacturer
- Use for purposes other than those described in this manual

Dometic reserves the right to change product appearance and product specifications.

5 Technical description

The minibar has a main drawer for bottles and cans as well as a mini drawer for miniatures and snacks. The main drawer has room for 33 bottles with a maximum height of 28 cm.

DM50NTE D: The model is factory fitted with door panel and handle.

DM50NTE F: The model is delivered without a door panel and prepared for fitting the hotel's own door decor.

5.1 Description of the device

Front panel

No in fig. 1 , page 3	Description
1	Lock (optional)
2	Handle (DM50NTE D only)
3	Door panel (DM50NTE D only)

Rear side

No in fig. 2 , page 3	Description
1	Mains adapter
2	12 V \equiv socket
3	Drip tray
4	Heat pipe

Control panel (inside the device)

No in fig. 3 , page 4	Description
1	Lamp
2	Error LED

No in fig. 3 , page 4	Description
3	Power status LED
4	Setting button

Main drawer

No in fig. 4 , page 4	Description
1	Wide divider
2	Separator
3	Small divider
4	Bottle finger

Mini drawer

No in fig. 5 , page 5	Description
1	Rotatable divider
2	Miniature bottle holder

6 Installation



CAUTION! Health hazard

To avoid a hazard due to instability of the device, it must be fixed in accordance with the instructions.

6.1 Mounting the minibar into a piece of furniture



NOTICE! Damage hazard

Air passing through the inlet air duct must not be heated. Do not place the minibar near naked flames or other heat sources (heaters, direct sunlight, gas ovens etc.).

There are four ways to mount the minibar into furniture.

1. Choose your preferred installation alternative (fig. **6**, page 6).
2. Observe the required installation recess (fig. **7**, page 7)
d is the thickness of the hotel's own decor.
3. Observe the correct placement of the minibar and ventilation openings to ensure a proper air flow (fig. **8**, page 7).
4. Ensure the minimum clearance between the back of the minibar and the furniture wall (fig. **10**, page 8).
5. Produce the ventilation openings as shown in fig. **9**, page 7.
6. Produce an additional ventilation opening in the bottom of the installation recess (fig. **11**, page 8).

Measure the distance from the door front of the minibar **excluding** any own decor.

No in fig. 12 , page 8	Description
1	Screw $\varnothing 4 \times 45$ mm
2	Plug

7. Fasten the minibar with the four screws (fig. **12 1**, page 8).
8. Insert the four plugs (fig. **12 2**, page 8) into the boring.

6.2 Connecting the minibar electrically

- ▶ Plug the 230 V connection cable into the AC voltage socket and connect it to the 230 V AC mains supply.
- ✓ The Power status LED and the lamp light up.
- ✓ The minibar starts cooling the interior.

6.3 Mounting hotel's own door decor (DM50NTE F only)

The hotel's own door decor must comply with the following requirements:

- Maximum weight: 4 kg
- Maximum thickness: 18 mm (lock version only)
- ▶ Fasten the decor with four screws.

6.4 Mounting the lock (lock version only)

1. Drill a hole with a diameter of 35 mm into the decor.
2. Mount the lock together with the lock decor.

6.5 Mounting the lock (no lock version only)

Disassembling the drawer (fig. 13, page 9)

1. Open the drawer completely (A).
2. Press the rail lock (A 1).
3. Pull the drawer out of the cabinet (B).

DM50NTE D only:

1. Remove the two plugs (C 1) from the screws (C 2) of the door handle (C 3).
2. Unscrew the two screws (C 2) of the door handle.
3. Remove the door handle (C 3).
4. Remove the gasket.
5. Remove the lock cover.

Drilling the holes (fig. 14, page 9)

1. Drill a hole (A 1) with a diameter of 23.6 mm through the decor (only DM50NTE D) and the door.
2. Unscrew the twelve screws (B 1) of the decor frame (B 2) (only DM50NTE D).
3. Remove the decor frame (only DM50NTE D).

Assembling the lock (fig. 15, page 10)

1. Put the new lock cover (A 1) into place.
2. Put the decor (B 1) into the decor frame.
3. Screw (B 2) the decor frame (B 3) onto the door.
4. Install the door lock (C 1).
5. Install the lock catch (D 1) in the cabinet.

Assembling the drawer (fig. 16, page 10)

1. Push the gasket (1) on the decor frame (2).
2. Screw the door handle (4) onto the door.

3. Push the plugs **(3)** on the screws of the door handle **(4)**.
4. Push the drawer into the cabinet.

7 Operation

7.1 Before first use

Before first use, clean the minibar inside and outside with a damp cloth for hygienic reasons (see also chapter "Cleaning and maintenance" on page 24).

7.2 Saving energy

- Only open the minibar as often and for as long as necessary.
- Avoid unnecessarily low temperature settings.
- For optimal energy consumption, position the shelves and drawers according to their position on delivery.
- On a regularly basis, make sure the door seal still fits properly.
- Clean dust and dirt from the condenser at regular intervals.

7.3 Using the minibar

The minibar starts cooling when connected to a power supply. During normal operation the power status LED is lit. If an error occurs the error LED flashes (see chapter "Troubleshooting" on page 23).

7.4 Setting the temperature

To avoid food waste, note the following:

- Keep temperature fluctuation as low as possible. Only open the minibar as often and for as long as necessary. Store the foodstuff in such a way that the air can still circulate well.
- The minibar is equipped with an automatic temperature regulation function. Select the average of the possible temperature values.
- Adjust the temperature to the quantity and type of the foodstuff.

The minibar is set by default to a cooling temperature of 7 °C at an ambient temperature of 25 °C.

The cooling temperature can be set to one of the three following values using the setting button: 5 °C, 12 °C and 7 °C.

The cooling temperature is set in the following sequence: 5 °C ... 12 °C ... 7 °C ... 5 °C etc.

1. Press and hold the setting button (fig. **3 4**, page 4) for at least 5 s, until the internal lamp (fig. **3 1**, page 4) starts to flash.
 2. Press the setting button again until the desired cooling temperature value is selected.
- ✓ The internal lamp flashes. The number of flashes indicates the temperature set. The flashing signal is repeated at three intervals:
- The lamp flashes **five times**: 5 °C
 - The lamp flashes **once**: 12 °C
 - The lamp flashes **three times**: 7 °C

8 Troubleshooting

Fault	Possible cause	Suggested remedy
The minibar does not work . Power status LED is not lit.	No voltage present in the AC voltage socket. The mains adapter is defective.	▶ Try using another plug socket. ▶ Contact an authorized service agent.
The minibar does not cool . The plug is inserted, the power status LED is lit.	The cooling element is defective.	▶ Contact an authorized service agent.
The error LED flashes once per second.	The temperature sensor is defective.	▶ Contact an authorized service agent.
The minibar does not cool sufficiently . The power status LED is lit, the error LED is not lit.	The cooling element is defective. Poor ventilation	▶ Contact an authorized service agent. ▶ Check the ventilation. ▶ Clean the filter underneath the device.

9 Cleaning and maintenance



WARNING! Electrocuting hazard

Always disconnect the minibar from the mains before cleaning and maintenance.



NOTICE! Damage hazard

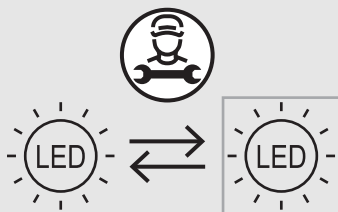
- Do not use abrasive cleaning agents or hard objects during cleaning as these can damage the minibar.
- Never clean the minibar under running water or in dish water.
- Never use hard or sharp tools to remove ice or to free frozen objects on the minibar.
- Do not use any mechanical tools or any other tools to speed up the defrosting process.
- Ensure that no water drips into the seals to avoid damage to the electronics.

- Clean the minibar regularly and as soon as it becomes dirty with a damp cloth.
- Wipe the minibar dry with a cloth after cleaning.
- Check the condensate drain regularly.
Clean the condensate drain when necessary. If it is blocked, the condensate collects on the bottom of the minibar.
- Ensure that the air inlet and outlet vents on the minibar are free of any dust and dirt, so that heat can be released and the device is not damaged.



NOTICE! Damage hazard

The light source can only be replaced by the manufacturer, a service agent or similarly qualified person to avoid hazard.



10 Warranty

The statutory warranty period applies. If the product is defective, please contact your retailer or the manufacturer's branch in your country (see dometic.com/dealer).

For repair and warranty processing, please include the following documents when you send in the product:

- A copy of the receipt with purchasing date
- A reason for the claim or description of the fault

Note that self-repair or non-professional repair can have safety consequences and might void the warranty.

11 Disposal

Recycling packaging material



- Place the packaging material in the appropriate recycling waste bins whenever possible.



WARNING! Fire hazard

- The refrigerant is highly flammable. Do not open or damage the refrigerant circuit.
- The insulation of the device contains an insulating gas (see data plate). Do not damage the insulation.

Recycling products with non-replaceable batteries, rechargeable batteries, or light sources



- If the product contains any non-replaceable batteries, rechargeable batteries, or light sources, you don't have to remove them before disposal.




- If you wish to finally dispose of the product, ask your local recycling center or specialist dealer for details about how to do this in accordance with the applicable disposal regulations.



- The product can be disposed free of charge.

12 Technical data

	DM 50NTE D	DM 50NTE F
Voltage	100 – 240 V~, 50 – 60 Hz	
Cooling capacity	max. 21 °C below ambient temperature (adjustable in three steps: 5 °C, 7 °C, 12 °C)	
Category	2 (Cellar)	
Total volume	50 l	
Energy efficiency class	G	
Climatic class	N	
Refrigerant	R600a	
Refrigerant quantity	28 g	
Dimensions main drawer W x D x H	430 x 330 x 302 mm	
Dimensions mini drawer W x D x H	159 x 285 x 88 mm	
Dimensions W x D x H	550 x 524 x 418 mm	550 x 496 x 418 mm
Maximum internal storage load	31 kg	
Weight	23.5 kg	23.0 kg
Inspection/certification		

For the current EU declaration of conformity for your device please refer to the respective product page on dometic.com or contact the manufacturer directly (see dometic.com/dealer).

Further product information can be accessed via QR code on the energy label (see figures) or via eprel.ec.europa.eu.

The cooling unit is hermetically sealed.

Lesen und befolgen Sie bitte alle Anweisungen, Richtlinien und Warnhinweise in diesem Produkthandbuch sorgfältig, um sicherzustellen, dass Sie das Produkt ordnungsgemäß installieren und stets ordnungsgemäß betreiben und warten. Diese Anleitung MUSS bei dem Produkt verbleiben.

Durch die Verwendung des Produktes bestätigen Sie hiermit, dass Sie alle Anweisungen, Richtlinien und Warnhinweise sorgfältig gelesen haben und dass Sie die hierin dargelegten Bestimmungen verstanden haben und ihnen zustimmen. Sie erklären sich damit einverstanden, dieses Produkt nur für den angegebenen Verwendungszweck und gemäß den Anweisungen, Richtlinien und Warnhinweisen dieses Produkthandbuchs sowie gemäß allen geltenden Gesetzen und Vorschriften zu verwenden. Eine Nichtbeachtung der hierin enthaltenen Anweisungen und Warnhinweise kann zu einer Verletzung Ihrer selbst und anderer Personen, zu Schäden an Ihrem Produkt oder zu Schäden an anderem Eigentum in der Umgebung führen. Dieses Produkthandbuch, einschließlich der Anweisungen, Richtlinien und Warnhinweise, sowie die zugehörige Dokumentation können Änderungen und Aktualisierungen unterliegen. Aktuelle Produktinformationen finden Sie unter documents.dometic.com.

Inhaltsverzeichnis

1	Erläuterung der Symbole	27
2	Sicherheitshinweise	28
3	Lieferumfang	31
4	Bestimmungsgemäßer Gebrauch	32
5	Technische Beschreibung	33
6	Installation	35
7	Bedienung	37
8	Fehlersuche und Fehlerbehebung	39
9	Reinigung und Pflege	39
10	Garantie	41
11	Entsorgung	41
12	Technische Daten	42

1 Erläuterung der Symbole



GEFAHR!

Sicherheitshinweis: Kennzeichnet eine Gefahrensituation, die zum Tod oder schwerer Verletzung führt, wenn die jeweiligen Anweisungen nicht befolgt werden.



WARNUNG!

Sicherheitshinweis: Kennzeichnet eine Gefahrensituation, die zum Tod oder schwerer Verletzung führen könnte, wenn die jeweiligen Anweisungen nicht befolgt werden.

**VORSICHT!**

Sicherheitshinweis: Kennzeichnet eine Gefahrensituation, die zu geringer oder mittelschwerer Verletzung führen könnte, wenn die jeweiligen Anweisungen nicht befolgt werden.

**ACHTUNG!**

Kennzeichnet eine Situation, die zu Sachschäden führen kann, wenn die jeweiligen Anweisungen nicht befolgt werden.

**HINWEIS**

Ergänzende Informationen zur Bedienung des Produktes.

2 Sicherheitshinweise

2.1 Grundlegende Sicherheit



WARNUNG! Nichtbeachtung dieser Warnungen kann zum Tod oder schwerer Verletzung führen.

Gefahr durch Stromschlag

- Stellen Sie sicher, dass die Minibar von einem qualifizierten Techniker gemäß der Dometic Montageanleitung installiert wurde.
- Wenn die Minibar sichtbare Beschädigungen aufweist, dürfen Sie sie nicht in Betrieb nehmen.
- Wenn das Anschlusskabel der Minibar beschädigt ist, muss es durch den Hersteller, einen Kundendienstmitarbeiter bzw. eine entsprechend ausgebildete Fachkraft ersetzt werden, um Gefahren zu verhindern.
- Reparaturen an der Minibar dürfen nur von qualifiziertem Personal durchgeführt werden. Durch unsachgemäße Reparaturen können erhebliche Gefahren entstehen.
- Achten Sie beim Aufstellen der Minibar darauf, dass das Netzkabel nicht eingeklemmt oder beschädigt wird.
- Platzieren Sie keine Steckdosenleisten oder tragbare Stromversorgungen hinter dem Gerät.
- Schließen Sie das Gerät an eine Steckdose an, die einen geeigneten Anschluss sicherstellt, insbesondere wenn das Gerät geerdet werden muss.

Brandgefahr

- Das Kältemittel im Kühlkreislauf ist leicht entflammbar.
Bei einer Beschädigung des Kühlkreislaufs:
 - Schalten Sie die Minibar aus.
 - Vermeiden Sie offenes Feuer und Zündfunken.
 - Lüften Sie den Raum gut.
- Halten Sie die Einbaunische für die Minibar frei von elektrischen Bauteilen und Lichtquellen, die bei normalem oder abnormalem Gebrauch Funken oder Lichtbögen erzeugen können (d. h. Relais oder Sicherungskästen).
- Es muss nach dem Einbau noch möglich sein, die Minibar vom Stromnetz zu trennen. Dies kann erreicht werden, indem die Steckdose zugänglich bleibt bzw. das Kabel fachgerecht mit einem Schalter versehen wird.
- Halten Sie die Lüftungsöffnungen frei – sowohl im Gehäuse als auch im Einbauteil der Minibar.
- Verwenden Sie keine mechanischen oder anderen Mittel, um das Abtauen zu beschleunigen – es sei denn, diese werden vom Hersteller empfohlen.
- Öffnen Sie auf keinen Fall den Kühlkreislauf.
- Benutzen Sie keine Elektrogeräte innerhalb der Minibar, außer wenn diese Elektrogeräte vom Hersteller dafür empfohlen werden.

Explosionsgefahr

- Lagern Sie keine explosionsfähigen Stoffe wie z. B. Sprühdosen mit brennbarem Treibgas in der Minibar.

Gesundheitsgefahr

- Diese Minibar kann von Kindern ab 8 Jahren und von Personen mit verringerten physischen, sensorischen oder mentalen Fähigkeiten oder Mangel an Erfahrung und/oder Wissen verwendet werden, wenn diese Personen beaufsichtigt werden oder im sicheren Gebrauch der Minibar unterwiesen wurden und die daraus resultierenden Gefahren verstanden haben.
- Kinder dürfen nicht mit der Minibar spielen.
- Reinigung und Benutzerwartung dürfen nicht durch unbeaufsichtigte Kinder durchgeführt werden.
- Kinder von 3 bis 8 Jahren dürfen die Minibar be- und entladen.



VORSICHT! Nichtbeachtung dieser Hinweise kann zu leichten bis mittelschweren Verletzungen führen.

Quetschgefahr

- Fassen Sie nicht in das Scharnier.

Gesundheitsgefahr

- Lebensmittel dürfen nur in Originalverpackungen oder geeigneten Behältern eingelagert werden.



ACHTUNG! Beschädigungsgefahr

- Prüfen Sie, ob die Spannungsangabe auf dem Typenschild mit der vorhandenen Netzspannung übereinstimmt.
- Die Minibar ist nicht geeignet für die Lagerung ätzender oder lösungsmittelhaltiger Stoffe.
- Die Isolierung des Kühlgeräts enthält brennbares Cyclopentan und erfordert ein besonderes Entsorgungsverfahren. Entsorgen Sie das Kühlgerät am Ende seiner Nutzungsdauer in einem entsprechenden Recyclingcenter.
- Halten Sie die Abflussöffnung stets sauber.
- Transportieren Sie die Minibar nur in aufrechter Stellung.

2.2 Sicherheit beim Betrieb der Minibar



GEFAHR! Nichtbeachtung dieser Warnungen führt zum Tod oder schwerer Verletzung.

Gefahr durch Stromschlag

- Fassen Sie nie mit bloßen Händen an blanke Kabel.



VORSICHT! Nichtbeachtung dieser Hinweise kann zu leichten bis mittelschweren Verletzungen führen.

Gefahr durch Stromschlag

- Achten Sie vor der Inbetriebnahme der Minibar darauf, dass Zuleitung und Stecker trocken sind.

Gesundheitsgefahr

- Achten Sie darauf, dass sich nur Gegenstände bzw. Waren in der Minibar befinden, die auf die gewählte Temperatur gekühlt werden dürfen.
- Lebensmittel dürfen nur in Originalverpackungen oder geeigneten Behältern gelagert werden.

- Ein längeres Öffnen der Tür kann zu einem erheblichen Anstieg der Temperatur in den Fächern der Minibar führen.
- Reinigen Sie regelmäßig Oberflächen, die mit Lebensmitteln in Kontakt kommen können, sowie zugängliche Ablaufsysteme.
- Wenn die Minibar über längere Zeiträume leer bleibt:
 - Schalten Sie die Minibar aus.
 - Tauen Sie die Minibar ab.
 - Reinigen und trocknen Sie die Minibar.
 - Lassen Sie die Tür offenstehen, um Schimmelbildung in der Minibar zu verhindern.



ACHTUNG!

Beschädigungsgefahr

- Stellen Sie die Minibar nicht in der Nähe von offenen Flammen oder anderen Wärmequellen auf (brennende Kerzen, Heizungen, direkte Sonneneinstrahlung, Gasöfen usw.).
- Tauchen Sie die Minibar nie in Wasser.
- Schützen Sie die Minibar und die Kabel vor Hitze und Nässe.
- Stellen Sie sicher, dass die Lebensmittel keine Wand des Kühlraums berühren.

3 Lieferumfang

Die folgenden Grundausführungen sind erhältlich:

- Minibar DM50NTE D mit Türblende, ohne Schloss
- Minibar DM50NTE D mit Türblende, mit Schloss
- Minibar DM50NTE F ohne Türblende, ohne Schloss
- Minibar DM50NTE F ohne Türblende, mit Schloss

Anzahl	Beschreibung	
1	Schubladen-Minibar	
1	Kabel für 230-V~ -Anschluss	
4	Schraube $\varnothing 4 \times 45$ mm (Einbau)	
4	Stopfen (Einbau)	
1	Griff	(nur DM50NTE D)
2	Stopfen (Montage des Griffs)	(nur DM50NTE D)

Anzahl	Beschreibung	
1	Einlassfilter	
6	Schraube $\varnothing 3 \times 12$ mm (Filtermontage)	
2	Stopfen (Holzdekorplatte)	(DM50NTE F, nur Holzausführung)
1	Schlossblende (Holzdekorplatte)	(DM50NTE F, nur Holzausführung mit Schloss)
2	Schlüssel	(nur Ausführung mit Schloss)
1	Montage- und Bedienungsanleitung	

4 Bestimmungsgemäßer Gebrauch

Das Kühlgerät (auch als Minibar bezeichnet) ist zum Kühlen und Lagern von Getränken und Lebensmitteln in geschlossenen Behältern vorgesehen.

Die Minibar ist für den Einsatz auf Kreuzfahrtschiffen oder zur Verwendung im Haushalt oder ähnlichen Anwendungen konzipiert, wie zum Beispiel:

- Personalküchen in Ladengeschäften, Büros und anderen Arbeitsumgebungen
- Landwirtschaftliche Gebäude
- Hotels, Motels und andere wohnungsähnliche Einrichtungen
- „Bed and Breakfast“ u. ä.
- Catering und ähnliche Anwendungen außerhalb des Einzelhandels

Die Minibar ist **nicht** für den Einbau in Wohnwagen oder Wohnmobile geeignet.

Die Minibar ist für den Einbau in einen Schrank oder eine Einbaunische geeignet. Beachten Sie die Installationsanleitung.

Die Minibar ist **nicht** für folgende Verwendungszwecke geeignet

- Lagerung von korrosiven, ätzenden oder Lösungsmittelhaltigen Stoffen
- Lagerung von frischen Lebensmitteln und Medikamenten
- Tiefkühlen von Lebensmitteln

Dieses Produkt ist nur für den angegebenen Verwendungszweck und die Anwendung gemäß dieser Anleitung geeignet.

Dieses Handbuch enthält Informationen, die für die ordnungsgemäße Installation und/oder den ordnungsgemäßen Betrieb des Produkts erforderlich sind. Installationsfehler und/oder ein nicht ordnungsgemäßer Betrieb oder eine nicht ordnungsgemäße Wartung haben eine unzureichende Leistung und u. U. einen Ausfall des Geräts zur Folge.

Der Hersteller übernimmt keine Haftung für Verletzungen oder Schäden am Produkt, die durch Folgendes entstehen:

- unsachgemäße Montage oder falscher Anschluss, einschließlich Überspannung
- unsachgemäße Wartung oder Verwendung von anderen als den vom Hersteller gelieferten Original-Ersatzteilen
- Veränderungen am Produkt ohne ausdrückliche Genehmigung des Herstellers
- Verwendung für andere als die in der Anleitung beschriebenen Zwecke

Dometic behält sich das Recht vor, das Erscheinungsbild des Produkts und dessen technische Daten zu ändern.

5 Technische Beschreibung

Die Minibar verfügt über eine Hauptschublade für Flaschen und Dosen sowie eine Mini-Schublade für Miniaturflaschen und Snacks. Die Hauptschublade bietet Platz für 33 Flaschen mit einer maximalen Höhe von 28 cm.

DM50NTE D: Das Modell ist ab Werk mit Türblende und Griff ausgestattet.

DM50NTE F: Das Modell wird ohne Türblende geliefert und ist für die Montage der hoteleigenen Türdekorplatte vorbereitet.

5.1 Gerätebeschreibung

Frontblende

Nr. in Abb. 1 , Seite 3	Beschreibung
1	Schloss (optional)
2	Griff (nur DM50NTE D)
3	Türblende (nur DM50NTE D)

Rückseite

Nr. in Abb. 2, Seite 3	Beschreibung
1	Netzadapter
2	12-V-Steckdose
3	Tropfschale
4	Wärmerohr

Bedienfeld (im Innern des Geräts)

Nr. in Abb. 3, Seite 4	Beschreibung
1	Lampe
2	Fehler-LED
3	Betriebsstatus-LED
4	Einstelltaste

Hauptschublade

Nr. in Abb. 4, Seite 4	Beschreibung
1	Breite Trennwand
2	Separator
3	Kleine Trennwand
4	Flaschenhalter

Mini-Schublade

Nr. in Abb. 5, Seite 5	Beschreibung
1	Drehbare Trennwand
2	Miniaturflaschenhalter

6 Installation



VORSICHT! Gesundheitsgefahr

Um Gefahren aufgrund eines instabilen Stands des Geräts zu vermeiden, muss das Gerät entsprechend den Anweisungen fixiert werden.

6.1 Minibar in ein Möbelstück einbauen



NOTICE! Beschädigungsgefahr

Die durch den Luftenlasskanal strömende Luft darf nicht erhitzt sein. Stellen Sie die Minibar nicht in der Nähe von offenen Flammen oder anderen Wärmequellen auf (Heizungen, direkte Sonneneinstrahlung, Gasöfen usw.).

Es gibt vier Möglichkeiten, die Minibar in ein Möbelstück einzubauen.

1. Wählen Sie Ihre bevorzugte Einbaumethode (Abb. **6**, Seite 6).
2. Beachten Sie die erforderliche Einbaunische (Abb. **6**, Seite 6)
d ist die Dicke der hoteleigenen Dekorplatte.
3. Achten Sie auf die korrekte Platzierung der Minibar und der Lüftungsöffnungen, um einen ausreichenden Luftstrom zu gewährleisten (Abb. **8**, Seite 7).
4. Stellen Sie sicher, dass der Mindestabstand zwischen der Rückseite der Minibar und der Möbelwand eingehalten wird (Abb. **10**, Seite 8).
5. Bringen Sie die Lüftungsöffnungen wie in Abb. **9**, Seite 7 gezeigt an.
6. Bringen Sie eine zusätzliche Lüftungsöffnung an der Unterseite der Einbaunische an (Abb. **11**, Seite 8).

Messen Sie den Abstand von der Türfront der Minibar **ohne** jegliche eigene Dekorplatte.

Nr. in Abb. 12 , Seite 8	Beschreibung
1	Schraube $\varnothing 4 \times 45$ mm
2	Stecker

7. Befestigen Sie den Kühlschrank mit geeigneten Schrauben (Abb. **12 1**, Seite 8).
8. Setzen Sie die vier Stopfen (Abb. **12 2**, Seite 8) in die Bohrung ein.

6.2 Elektrischer Anschluss der Minibar

- ▶ Stecken Sie das 230-V-Anschlusskabel in die Wechselspannungs-Buchse und schließen Sie es an das 230-V-Wechselstromnetz an.
- ✓ Die Betriebsstatus-LED und die Lampe leuchten.
- ✓ Die Minibar beginnt, den Innenraum zu kühlen.

6.3 Hoteleigene Türdekorplatte anbringen (nur DM50NTE F)

Die hoteleigene Türdekorplatte muss die folgenden Anforderungen erfüllen:

- Höchstgewicht: 4 kg
 - Maximale Dicke: 18 mm (nur Ausführung mit Schloss)
- ▶ Befestigen Sie die Dekorplatte mit vier Schrauben.

6.4 Montage des Schlosses (nur Ausführung mit Schloss)

1. Bohren Sie ein Loch mit einem Durchmesser von 35 mm in die Dekorplatte.
2. Montieren Sie das Schloss zusammen mit der Schlossblende.

6.5 Montage des Schlosses (nur Ausführung ohne Schloss)

Demontage der Schublade (Abb. 13, Seite 9)

1. Öffnen Sie die Schublade vollständig (A).
2. Drücken Sie auf die Schienenverriegelung (A 1).
3. Ziehen Sie die Schublade aus dem Schrank heraus (B).

Nur bei DM50NTE D:

1. Entfernen Sie die zwei Stopfen (C 1) von den Schrauben (C 2) des Türgriffs (C 3).
2. Lösen Sie die beiden Schrauben (C 2) des Türgriffs.
3. Entfernen Sie den Türgriff (C 3).
4. Entfernen Sie die Dichtung.
5. Entfernen Sie die Schlossabdeckung.

Herstellen der Bohrungen (Abb. 14, Seite 9)

1. Bohren Sie ein Loch (**A 1**) mit einem Durchmesser von 23,6 mm durch die Dekorplatte (nur DM50NTE D) und die Tür.
2. Lösen Sie die zwölf Schrauben (**B 1**) des Dekorrahmens (**B 2**) (nur DM50NTE D).
3. Entfernen Sie den Dekorrahmen (nur DM50NTE D).

Montage des Schlosses (Abb. 15, Seite 10)

1. Setzen Sie die neue Schlossblende (**A 1**) ein.
2. Setzen Sie die Dekorplatte (**B 1**) in den Dekorrahmen ein.
3. Schrauben (**B 2**) Sie den Dekorrahmen (**B 3**) an die Tür.
4. Montieren Sie das Türschloss (**C 1**).
5. Montieren Sie die Schlossfalle (**D 1**) im Schrank.

Zusammenbau der Schublade (Abb. 16, Seite 10)

1. Drücken Sie die Dichtung (**1**) auf den Dekorrahmen (**2**).
2. Schrauben Sie den Türgriff (**4**) auf die Tür.
3. Drücken Sie die Stopfen (**3**) auf die Schrauben des Türgriffs (**4**).
4. Schieben Sie die Schublade in den Schrank.

7 Bedienung

7.1 Vor dem ersten Gebrauch

Reinigen Sie die Minibar vor dem ersten Gebrauch aus hygienischen Gründen innen und außen mit einem feuchten Tuch (siehe auch Kapitel „Reinigung und Pflege“ auf Seite 39).

7.2 Energie sparen

- Öffnen Sie die Minibar nur so oft und so lange wie nötig.
- Vermeiden Sie eine unnötig tiefe Innentemperatur.
- Für einen optimalen Energieverbrauch positionieren Sie die Regale und Schubladen entsprechend ihrer Position bei der Auslieferung.
- Prüfen Sie in regelmäßigen Abständen, ob die Dichtung der Tür noch richtig sitzt.

- Befreien Sie den Kondensator in regelmäßigen Abständen von Staub und Verunreinigungen.

7.3 Verwenden der Minibar

Die Minibar beginnt zu kühlen, sobald sie an eine Stromversorgung angeschlossen wird. Während des normalen Betriebs leuchtet die Betriebsstatus-LED. Wenn ein Fehler auftritt, blinkt die Fehler-LED (siehe Kapitel „Fehlersuche und Fehlerbehebung“ auf Seite 39).

7.4 Temperatur einstellen

Um Lebensmittelverschwendung zu vermeiden, beachten Sie bitte Folgendes:

- Halten Sie Temperaturschwankungen so gering wie möglich. Öffnen Sie die Minibar nur so oft und so lange wie nötig. Lagern Sie Lebensmittel so, dass die Luft immer noch gut zirkulieren kann.
- Die Minibar ist mit einer automatischen Temperaturregelung ausgestattet. Wählen Sie den Mittelwert der möglichen Temperaturwerte aus.
- Passen Sie die Temperatur der Menge und Art der Lebensmittel an.

Die Minibar ist standardmäßig auf eine Kühltemperatur von 7 °C bei einer Umgebungstemperatur von 25 °C eingestellt.

Die Kühltemperatur kann mit der Einstelltaste auf einen der drei folgenden Werte eingestellt werden: 5 °C, 12 °C und 7 °C.

Die Kühltemperatur wird in folgender Reihenfolge eingestellt: 5 °C ... 12 °C ... 7 °C ... 5 °C usw.

1. Halten Sie die Einstelltaste (Abb. **3 4**, Seite 4) mindestens 5 Sekunden lang gedrückt, bis die interne Lampe (Abb. **3 1**, Seite 4) zu blinken beginnt.
 2. Drücken Sie die Einstelltaste erneut, bis der gewünschte Kühltemperaturwert ausgewählt ist.
- ✓ Die interne Lampe blinkt. Die Anzahl an Blinkzeichen zeigt die eingestellte Temperatur an. Das Blinksignal wird in drei Intervallen wiederholt:
- Die Lampe blinkt **fünfmal**: 5 °C
 - Die Lampe blinkt **einmal**: 12 °C
 - Die Lampe blinkt **dreimal**: 7 °C

8 Fehlersuche und Fehlerbehebung

Störung	Mögliche Ursache	Lösungsvorschlag
Die Minibar funktio- niert nicht . Die Betriebsstatus-LED leuchtet nicht.	Wechselspannungs- steckdose führt keine Spannung.	► Versuchen Sie es an einer anderen Steckdose.
	Der Netzadapter ist defekt.	► Wenden Sie sich an einen zugelas- senen Kundendienstbetrieb.
Die Minibar kühlt nicht . Der Stecker ist eingesteckt, die Betriebsstatus-LED leuchtet.	Das Kühlelement ist defekt.	► Wenden Sie sich an einen zugelas- senen Kundendienstbetrieb.
Die Fehler-LED blinkt einmal pro Sekunde.	Ein Defekt des Tempera- turfühlers liegt vor.	► Wenden Sie sich an einen zugelas- senen Kundendienstbetrieb.
Die Minibar kühlt nicht ausreichend . Die Betriebsstatus-LED leuchtet, die Fehler-LED leuchtet nicht .	Das Kühlelement ist defekt. Schlechte Belüftung	► Wenden Sie sich an einen zugelas- senen Kundendienstbetrieb. ► Prüfen Sie die Belüftung. ► Reinigen Sie den Filter unter dem Gerät.

9 Reinigung und Pflege



WARNUNG! Gefahr durch Stromschlag

Trennen Sie die Minibar vor Reinigungs- und Wartungsarbeiten immer vom Stromnetz.



ACHTUNG! Beschädigungsgefahr

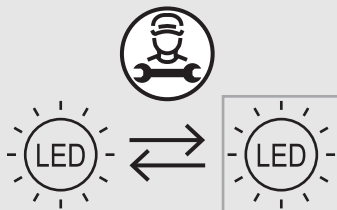
- Verwenden Sie zum Reinigen keine scharfen Reinigungsmittel oder harten Gegenstände, da diese die Minibar beschädigen können.
- Reinigen Sie die Minibar niemals unter fließendem Wasser oder gar im Spülwasser.
- Verwenden Sie niemals harte oder spitze Werkzeuge zum Entfernen von Eisschichten oder zum Lösen festgefrorener Gegenstände von der Minibar.
- Verwenden Sie keine mechanischen oder andere Hilfsmittel, um den Abtauvorgang zu beschleunigen.
- Achten Sie darauf, dass kein Wasser in die Dichtungen tropft, um Schäden an der Elektronik zu vermeiden.

- ▶ Reinigen Sie die Minibar regelmäßig und sobald sie verschmutzt ist mit einem feuchten Tuch.
- ▶ Wischen Sie die Minibar nach dem Reinigen mit einem Tuch trocken.
- ▶ Prüfen Sie den Tauwasserabfluss regelmäßig.
Reinigen Sie den Tauwasserabfluss, falls nötig. Wenn er verstopft ist, sammelt sich das Tauwasser auf dem Boden der Minibar.
- ▶ Stellen Sie sicher, dass die Be- und Entlüftungsöffnungen der Minibar frei von Staub und Verunreinigungen sind, damit die beim Betrieb entstehende Wärme abgeführt werden kann und das Gerät keinen Schaden nimmt.



ACHTUNG! Beschädigungsgefahr

Die Lichtquelle darf nur durch den Hersteller, einen Kundendienst oder eine entsprechend qualifizierte Person ersetzt werden, um Gefährdungen zu vermeiden.



10 Garantie

Es gilt die gesetzliche Gewährleistungsfrist. Sollte das Produkt defekt sein, wenden Sie sich bitte an Ihren Fachhändler oder die Niederlassung des Herstellers in Ihrem Land (siehe dometic.com/dealer).

Bitte senden Sie bei einem Reparatur- bzw. Gewährleistungsantrag folgende Unterlagen mit dem Produkt ein:

- eine Kopie der Rechnung mit Kaufdatum
- einen Reklamationsgrund oder eine Fehlerbeschreibung

Bitte beachten Sie, dass eigenständig oder nicht fachgerecht durchgeführte Reparaturen die Sicherheit gefährden und zum Erlöschen der Garantie führen können.

11 Entsorgung

Recycling von Verpackungsmaterial



- Geben Sie das Verpackungsmaterial möglichst in den entsprechenden Recycling-Müll.



WARNUNG! Brandgefahr

- Das Kältemittel ist leicht entflammbar. Öffnen oder beschädigen Sie nicht den Kühlkreislauf.
- Die Isolierung des Geräts enthält ein Isolationsgas (siehe Typenschild). Beschädigen Sie nicht die Isolierung.

Recycling von Produkten mit nicht auswechselbaren Batterien, wiederaufladbaren Batterien oder Leuchtmitteln




- Wenn das Produkt nicht auswechselbare Batterien, wiederaufladbare Batterien oder Leuchtmittel enthält, brauchen Sie diese vor der Entsorgung nicht zu entfernen.



- Wenn Sie das Gerät endgültig entsorgen möchten, informieren Sie sich bitte bei Ihrem Wertstoffhof vor Ort oder bei Ihrem Fachhändler, wie dies gemäß den geltenden Entsorgungsvorschriften zu tun ist.
- Das Produkt kann kostenlos entsorgt werden.

12 Technische Daten

	DM50NTE D	DM50NTE F
Spannung	100 – 240 V~, 50 – 60 Hz	
Kühlleistung	max. 21 °C unter Umgebungstemperatur (in drei Stufen einstellbar: 5 °C, 7 °C, 12 °C)	
Kategorie	2 (Keller)	
Gesamtinhalt	50 l	
Energieeffizienzklasse	G	
Klimaklasse	N	
Kältemittel	R600a	
Bestandsmenge Kältemittel	28 g	
Abmessungen Hauptschublade B x T x H	430 x 330 x 302 mm	
Abmessungen Mini-Schublade B x T x H	159 x 285 x 88 mm	
Abmessungen B x T x H	550 x 524 x 418 mm	550 x 496 x 418 mm
Maximale Beladung	31 kg	
Gewicht	23,5 kg	23,0 kg
Prüfung/Zertifikat		

Die aktuelle EU-Konformitätserklärung für Ihr Gerät erhalten Sie auf der jeweiligen Produktseite auf dometic.com oder direkt über den Hersteller (siehe dometic.com/dealer).

Weitere Produktinformationen sind über den QR-Code auf dem Energieetikett (siehe Abbildungen) oder unter eprel.ec.europa.eu abrufbar.

Das Kühlaggregat ist hermetisch verschlossen.

Veillez lire et suivre attentivement l'ensemble des instructions, directives et avertissements figurant dans ce manuel afin d'installer, d'utiliser et d'entretenir le produit correctement à tout moment. Ces instructions DOIVENT rester avec le produit.

En utilisant ce produit, vous confirmez expressément avoir lu attentivement l'ensemble des instructions, directives et avertissements et que vous comprenez et acceptez de respecter les modalités et conditions énoncées dans le présent document. Vous acceptez d'utiliser ce produit uniquement pour l'usage et l'application prévus et conformément aux instructions, directives et avertissements figurant dans le présent manuel, ainsi qu'à toutes les lois et réglementations applicables. En cas de non-respect des instructions et avertissements figurant dans ce manuel, vous risquez de vous blesser ou de blesser d'autres personnes, d'endommager votre produit ou d'endommager d'autres biens à proximité. Le présent manuel produit, y compris les instructions, directives et avertissements, ainsi que la documentation associée peuvent faire l'objet de modifications et de mises à jour. Pour obtenir des informations actualisées sur le produit, veuillez consulter le site documents.dometic.com.

Sommaire

1	Signification des symboles	43
2	Consignes de sécurité	44
3	Contenu de la livraison	47
4	Usage conforme	48
5	Description technique	49
6	Installation	51
7	Utilisation	53
8	Dépannage	55
9	Nettoyage et entretien	56
10	Garantie	57
11	Mise au rebut	57
12	Caractéristiques techniques	58

1 Signification des symboles



DANGER !

Consignes de sécurité : Indiquent une situation dangereuse qui, si elle n'est pas évitée, entraînera des blessures graves, voire mortelles.



AVERTISSEMENT !

Consignes de sécurité : Indiquent une situation dangereuse qui, si elle n'est pas évitée, est susceptible d'entraîner des blessures graves, voire mortelles.

**ATTENTION !**

Consignes de sécurité : Indiquent une situation dangereuse qui, si elle n'est pas évitée, est susceptible d'entraîner des blessures légères ou de gravité modérée.

**AVIS !**

Indiquent une situation dangereuse qui, si elle n'est pas évitée, peut entraîner des dommages matériels.

**REMARQUE**

Informations complémentaires sur l'utilisation de ce produit.

2 Consignes de sécurité

2.1 Sécurité générale



AVERTISSEMENT ! Le non-respect de ces mises en garde peut entraîner des blessures graves, voire mortelles.

Risque d'électrocution

- Assurez-vous que le minibar a été installé par un technicien qualifié conformément au manuel d'installation de Dometic.
- Si le minibar présente des dégâts visibles, ne le mettez pas en service.
- Si le câble de raccordement du minibar est endommagé, il doit être remplacé par le fabricant, un agent de service ou une personne de qualification similaire, afin d'éviter tout danger.
- Seul un opérateur qualifié est habilité à effectuer des réparations sur le minibar. Une réparation incorrecte peut entraîner de graves dangers.
- Veillez à ne pas coincer ni endommager le cordon d'alimentation lors de la mise en place du minibar.
- Ne placez pas de multiprises portables ou de blocs d'alimentation portables à l'arrière de l'appareil.
- Branchez l'appareil sur des prises permettant un raccordement approprié, en particulier lorsque l'appareil doit être relié à la terre.

Risque d'incendie

- Le réfrigérant du circuit frigorifique s'enflamme facilement.
En cas d'endommagement du circuit frigorifique :
 - Éteignez le minibar.
 - Évitez toute flamme nue et/ou étincelle.
 - Aérez bien la pièce.
- Veillez à ne pas installer de composants électroniques et de sources lumineuses susceptibles de générer des étincelles ou des arcs électriques lors du fonctionnement normal ou anormal (ex. : relais, compteurs) dans la cavité d'installation du minibar.
- Après l'installation, il doit être possible de débrancher le minibar du secteur. Pour ce faire, la prise de courant doit être accessible ou un interrupteur doit être ajouté dans le câblage fixe, conformément aux règles de câblage.
- Veillez à ce que les orifices de ventilation situés sur le châssis du minibar ou dans la structure intégrée ne soient pas obstrués.
- N'utilisez pas d'appareils mécaniques ou d'autres moyens pour accélérer le processus de décongélation, outre ceux recommandés par le fabricant.
- N'ouvrez jamais le circuit frigorifique.
- N'utilisez aucun appareil électrique à l'intérieur du minibar, sauf s'ils sont recommandés par le fabricant pour cet usage.

Risque d'explosion

- Ne stockez aucune substance explosive, telle que des aérosols contenant des propulsifs dans le minibar.

Risque pour la santé

- Ce minibar peut être utilisé par des enfants âgés de 8 ans et plus et des personnes ayant des capacités physiques, sensorielles ou mentales réduites ou un manque d'expérience et de connaissances, s'ils sont sous surveillance ou ont reçu des instructions sur l'utilisation du minibar en toute sécurité et comprennent les risques impliqués.
- Les enfants ne doivent pas jouer avec le minibar.
- Le nettoyage et l'entretien ne doivent pas être effectués par des enfants sans surveillance.
- Les enfants âgés de 3 à 8 ans peuvent remplir et vider le minibar.



ATTENTION ! Le non-respect de ces mises en garde peut entraîner des blessures légères ou de gravité modérée.

Risque d'écrasement

- Ne touchez pas la charnière.

Risque pour la santé

- Les produits alimentaires doivent être conservés dans leurs emballages originaux ou dans des récipients appropriés.



AVIS ! Risque d'endommagement

- Vérifiez que la tension indiquée sur la plaque signalétique correspond à l'alimentation électrique dont vous disposez.
- Ne stockez aucune substance corrosive ou contenant des solvants dans le minibar.
- L'isolation du dispositif de réfrigération contient des gaz inflammables et nécessite des procédures d'élimination spéciales. À la fin de son cycle de vie, remettez le dispositif de réfrigération à un centre de recyclage approprié.
- Veillez à ce que l'ouverture d'évacuation soit toujours propre.
- Portez uniquement le minibar en position verticale.

2.2 Consignes de sécurité relatives au fonctionnement du minibar



DANGER ! Le non-respect de cette mise en garde entraînera des blessures graves, voire mortelles.

Risque d'électrocution

- Ne touchez pas les câbles dénudés à mains nues.



ATTENTION ! Le non-respect de ces mises en garde peut entraîner des blessures légères ou de gravité modérée.

Risque d'électrocution

- Avant de mettre le minibar en service, assurez-vous que le câble et la prise d'alimentation électrique sont secs.

Risque pour la santé

- Assurez-vous de stocker uniquement des objets pouvant être refroidis à la température sélectionnée dans le minibar.
- Les aliments doivent être conservés dans leur emballage d'origine ou dans des récipients appropriés.

- Une ouverture prolongée de la porte peut entraîner une augmentation significative de la température dans les compartiments du minibar.
- Nettoyez régulièrement les surfaces qui entrent en contact avec les aliments, ainsi que les systèmes de drainage accessibles.
- Si le minibar reste vide pendant une période prolongée :
 - Éteignez le minibar.
 - Dégivrez le minibar.
 - Nettoyez et séchez le minibar.
 - Laissez la porte ouverte pour éviter que des moisissures ne se forment à l'intérieur du minibar.



AVIS !

Risque d'endommagement

- Ne placez pas le minibar près de flammes nues ou d'autres sources de chaleur (bougies allumées, radiateurs, rayons solaires, fours à gaz, etc.).
- N'immergez jamais le minibar dans l'eau.
- Tenez le minibar et les câbles à l'abri de la chaleur et de l'humidité.
- Assurez-vous que les denrées alimentaires n'entrent pas en contact avec les parois du compartiment de réfrigération.

3 Contenu de la livraison

Les principales solutions suivantes sont disponibles :

- Minibar DM50NTE D avec panneau de porte, sans verrou
- Minibar DM50NTE D avec panneau de porte et verrou
- Minibar DM50NTE F sans panneau de porte ni verrou
- Minibar DM50NTE F sans panneau de porte, avec verrou

Quantité	Description
1	Minibar avec tiroir
1	Câble de raccordement 230 V~
4	Vis \varnothing 4 x 45 mm (montage)
4	Connecteur (montage)
1	Poignée (DM50NTE D uniquement)

Quantité	Description	
2	Connecteur (montage de la poignée)	(DM50NTE D uniquement)
1	Filter d'entrée	
6	Vis \varnothing 3 x 12 mm (montage du filtre)	
2	Connecteur (panneau en bois)	(DM50NTE F version bois uniquement)
1	Décor avec verrou (panneau en bois)	(DM50NTE F version bois avec verrou uniquement)
2	Clé	(Version avec verrou uniquement)
1	Instructions de montage et d'utilisation	

4 Usage conforme

L'appareil de réfrigération (également appelé minibar) est destiné à refroidir et à stocker les boissons et les aliments dans des conteneurs fermés.

Le minibar est conçu pour être utilisé dans des bateaux de croisière ou pour des applications domestiques ou similaires, telles que :

- Dans les réfectoires des magasins, bureaux et autres environnements professionnels
- Dans les maisons d'hôtes
- Dans les hôtels, motels et autres environnements de type résidentiel
- Les gîtes et environnements similaires
- La restauration et les applications similaires non liées à la vente au détail

Le minibar n'est **pas** adapté à une installation dans les caravanes ou mobile-homes.

Le minibar est adapté à une installation dans un meuble ou une cavité murale dédiée. Consultez les instructions d'installation.

Le minibar n'est **pas** adapté à ce qui suit

- Le stockage de substances corrosives, caustiques ou contenant des solvants
- Stockage d'aliments frais et de médicaments
- Congélation d'aliments

Ce produit convient uniquement à l'usage et à l'application prévus, conformément au présent manuel d'instructions.

Ce manuel fournit les informations nécessaires à l'installation et/ou à l'utilisation correcte du produit. Une installation, une utilisation ou un entretien inappropriés entraînera des performances insatisfaisantes et une éventuelle défaillance.

Le fabricant décline toute responsabilité en cas de blessure ou de dommage résultant :

- d'un montage ou d'un raccordement incorrect, y compris d'une surtension
- d'un entretien inadapté ou de l'utilisation de pièces de rechange autres que les pièces de rechange d'origine fournies par le fabricant
- de modifications apportées au produit sans autorisation explicite du fabricant
- d'usages différents de ceux décrits dans ce manuel.

Dometic se réserve le droit de modifier l'apparence et les spécifications produit.

5 Description technique

Le minibar comporte un tiroir principal pour bouteilles et canettes, ainsi qu'un petit tiroir pour des bouteilles miniatures et des snacks. Le tiroir principal peut accueillir 33 bouteilles d'une hauteur maximale de 28 cm.

DM50NTE D : Le modèle est équipé en usine d'un panneau de porte et d'une poignée.

DM50NTE F : Le modèle est livré sans panneau de porte et préparé pour s'adapter au décor de porte de l'hôtel.

5.1 Description de l'appareil

Panneau avant

N° dans la fig. 1, page 3	Description
1	Verrou (en option)
2	Poignée (DM50NTE D uniquement)
3	Panneau de porte (DM 50NTE D uniquement)

Panneau arrière

N° dans la fig. 2 , page 3	Description
1	Bloc d'alimentation
2	Prise 12 V $\overline{=}$
3	Égouttoir
4	Tube de chauffe

Panneau de commande (à l'intérieur de l'appareil)

N° dans la fig. 3 , page 4	Description
1	Lampe
2	LED erreur
3	LED d'alimentation
4	Bouton de réglage

Tiroir principal

N° dans la fig. 4 , page 4	Description
1	Diviseur large
2	Séparateur
3	Petit diviseur
4	Doigt pour bouteilles

Petit tiroir

N° dans la fig. 5 , page 5	Description
1	Diviseur rotatif
2	Range-bouteilles pour miniatures

6 Installation



ATTENTION ! Risque pour la santé

Pour éviter tout risque dû à l'instabilité de l'appareil, celui-ci doit être fixé conformément aux instructions.

6.1 Montage du minibar dans un meuble



NOTICE! Risque d'endommagement

L'air passant par le tuyau d'entrée d'air ne doit pas être chauffé.

Ne placez pas le minibar près de flammes nues ou d'autres sources de chaleur (radiateurs, rayons solaires, fours à gaz, etc.).

Il y a quatre façons de monter le minibar dans un meuble.

1. Choisissez votre alternative d'installation préférée (fig. **6**, page 6).
2. Tenez compte du renforcement requis pour l'installation (fig. **6**, page 6) d représente l'épaisseur du décor de l'hôtel.
3. Tenez compte du positionnement correct du minibar et des orifices de ventilation pour assurer un débit d'air correct (fig. **8**, page 7).
4. Veillez à ce que l'espace entre l'arrière du minibar et le mur du meuble soit minimal (fig. **10**, page 8).
5. Réalisez les ouvertures de ventilation comme illustré : fig. **9**, page 7.
6. Réalisez une ouverture de ventilation supplémentaire dans le fond de la cavité d'installation (fig. **11**, page 8).

Mesurez la distance de l'avant de la porte du minibar **en excluant** tout élément de décor.

N° dans la fig. 12 , page 8	Description
1	Vis $\varnothing 4 \times 45$ mm
2	Connecteur

7. Fixez le réfrigérateur en place avec des vis adaptées (fig. **12 1**, page 8).
8. Insérez les quatre connecteurs (fig. **12 2**, page 8) dans l'alésage.

6.2 Raccordement électrique du minibar

- ▶ Branchez le câble de raccordement 230 V à la prise CA et raccordez-le à l'alimentation secteur 230 VCA.
- ✓ La LED d'alimentation et la lampe intérieure s'allument.
- ✓ L'intérieur du minibar commence à être réfrigéré.

6.3 Montage du décor de la porte de l'hôtel (DM50NTE F uniquement)

Le décor de porte de l'hôtel doit satisfaire aux exigences suivantes :

- Poids maximum : 4 kg
 - Épaisseur maximale : 18 mm (version avec verrou uniquement)
- ▶ Fixez le décor avec quatre vis.

6.4 Montage du verrou (version avec verrou uniquement)

1. Percez un trou de 35 mm de diamètre dans le décor.
2. Montez le verrou avec le décor pour verrou.

6.5 Montage du verrou (version sans verrou uniquement)

Démontage du tiroir (fig. 13, page 9)

1. Ouvrez complètement le tiroir (A).
2. Appuyez sur le verrou du rail (A 1).
3. Tirez le tiroir pour le sortir de l'armoire (B).

Uniquement pour le DM50NTE D :

1. Retirez les deux connecteurs (C 1) des vis (C 2) de la poignée de la porte (C 3).
2. Dévissez les deux vis (C 2) de la poignée de la porte.
3. Retirez la poignée de la porte (C 3).
4. Retirez le joint d'étanchéité.
5. Retirez le cache du verrou.

Perçage des trous (fig. 14, page 9)

1. Percez un trou (**A 1**) d'un diamètre de 23,6 mm dans le décor (DM 50NTE D uniquement) et dans la porte.
2. Dévissez les douze vis (**B 1**) du cadre du décor (**B 2**) (uniquement DM50NTE D).
3. Retirez le cadre du décor (uniquement DM50NTE D).

Montage du verrou (fig. 15, page 10)

1. Mettez le nouveau cache de verrou (**A 1**) en place.
2. Placez le décor (**B 1**) dans le cadre du décor.
3. Vissez (**B 2**) le cadre du décor (**B 3**) sur la porte.
4. Montez le verrou de la porte (**C 1**).
5. Montez la butée du verrou (**D 1**) dans l'armoire.

Montage du tiroir (fig. 16, page 10)

1. Insérez le joint (**1**) sur le cadre du décor (**2**).
2. Vissez la poignée de la porte (**4**) sur la porte.
3. Insérez les connecteurs (**3**) sur les vis de la poignée de la porte (**4**).
4. Introduisez le tiroir dans l'armoire.

7 Utilisation

7.1 Avant la première utilisation

Avant la première utilisation, nettoyez l'intérieur et l'extérieur du minibar avec un chiffon humide pour des raisons d'hygiène (voir également chapitre « Nettoyage et entretien », page 56).

7.2 Économie d'énergie

- Ouvrez uniquement le minibar lorsque c'est nécessaire et le moins longtemps possible.
- Évitez une température intérieure inutilement basse.
- Pour une consommation d'énergie optimale, positionnez les clayettes et les tiroirs conformément à leur position à la livraison.
- Vérifiez régulièrement que le joint de la porte est correctement positionné.
- Nettoyez régulièrement le condenseur pour enlever la poussière et les salissures.

7.3 Utilisation du minibar

Le minibar commence à refroidir dès qu'il est raccordé à une alimentation. En fonctionnement normal, la LED d'alimentation est allumée. En cas d'erreur, la LED d'erreur clignote (voir chapitre « Dépannage », page 55).

7.4 Réglage de la température

Pour éviter de gâcher des aliments, notez les éléments suivants :

- Évitez autant que possible les variations de température. Ouvrez uniquement le minibar lorsque c'est nécessaire et le moins longtemps possible. Entreposez les denrées alimentaires de sorte que l'air puisse circuler librement entre eux.
- Le minibar est équipé d'une fonction de régulation automatique de la température. Sélectionnez la moyenne des valeurs de température possibles.
- Ajustez la température en fonction de la quantité et de la nature des denrées alimentaires.

Par défaut, le minibar est réglé sur une température de refroidissement de 7 °C à une température ambiante de 25 °C.

La température de refroidissement peut être réglée sur l'une des trois valeurs suivantes à l'aide du bouton de réglage : 5 °C, 12 °C et 7 °C.

La température de refroidissement est réglée via la séquence suivante : 5 °C ... 12 °C ... 7 °C ... 5 °C etc.

1. Maintenez le bouton de réglage (fig. **3 4**, page 4) enfoncé pendant au moins 5 s, jusqu'à ce que la lampe intérieure (fig. **3 1**, page 4) commence à clignoter.
 2. Appuyez de nouveau sur le bouton de réglage jusqu'à ce que la valeur de température de refroidissement souhaitée soit sélectionnée.
- ✓ La lampe intérieure clignote. Le nombre de clignotements indique la température définie. Le signal clignotant est répété à trois intervalles :
- La lampe clignote **cinq fois** : 5 °C
 - La lampe clignote **une fois** : 12 °C
 - La lampe clignote **trois fois** : 7 °C

8 Dépannage

Panne	Cause possible	Solution proposée
Le minibar ne fonctionne pas . La LED d'alimentation n'est pas allumée.	La prise de tension alternative n'est pas sous tension.	➤ Essayez une autre prise.
	L'adaptateur secteur est défectueux.	➤ Contactez un agent de service agréé.
Le minibar ne refroidit pas . Le connecteur est branché, la LED d'alimentation est allumée.	L'élément réfrigérant est défectueux.	➤ Contactez un agent de service agréé.
La LED d'erreur clignote une fois par seconde.	La sonde de température est défectueuse.	➤ Contactez un agent de service agréé.
Le minibar ne refroidit pas suffisamment . La LED d'alimentation est allumée, la LED d'erreur n'est pas allumée.	L'élément réfrigérant est défectueux.	➤ Contactez un agent de service agréé.
	Aération insuffisante	➤ Contrôlez l'aération. ➤ Nettoyez le filtre situé en dessous de l'appareil.

9 Nettoyage et entretien



AVERTISSEMENT ! Risque d'électrocution

Débranchez toujours le minibar du secteur avant de le nettoyer et de l'entretenir.



AVIS ! Risque d'endommagement

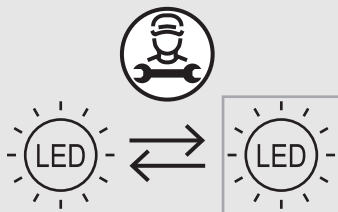
- N'utilisez ni détergents abrasifs, ni objets durs pour le nettoyage, ceux-ci pouvant endommager le minibar.
- Ne nettoyez jamais le minibar à l'eau courante et ne le plongez pas non plus dans l'eau.
- N'utilisez jamais d'outils durs ou tranchants pour enlever les couches de glace ou pour détacher des objets givrés dans le minibar.
- N'utilisez aucun moyen mécanique ou autre pour accélérer la procédure de dégivrage.
- Veillez à ce qu'aucune condensation ne s'accumule au niveau des joints, afin d'éviter d'endommager les composants électroniques.

- Nettoyez le minibar régulièrement et dès qu'il est sale, avec un chiffon humide.
- Essuyez le minibar avec un chiffon après l'avoir nettoyé.
- Vérifiez régulièrement l'évacuation de la condensation. Nettoyez l'évacuation de la condensation si nécessaire. Si elle est obstruée, la condensation s'accumule en bas du minibar.
- Assurez-vous que les ouvertures d'aération et de ventilation du minibar ne sont pas obstruées par de la saleté ou de la poussière pour que la chaleur générée par le fonctionnement puisse s'évacuer et éviter d'endommager l'appareil.



AVIS ! Risque d'endommagement

La source d'éclairage doit uniquement être remplacée par le fabricant, un agent de service ou toute autre personne de qualification similaire afin d'éviter tout danger.





10 Garantie

La période de garantie légale s'applique. Si le produit est défectueux, contactez votre revendeur ou la filiale locale du fabricant (voir dometic.com/dealer).

Pour toutes réparations ou autres prestations de garantie, veuillez joindre au produit les documents suivants :

- une copie de la facture avec la date d'achat
- un motif de réclamation ou une description du dysfonctionnement

Notez que toute réparation effectuée par une personne non agréée peut présenter un risque de sécurité et annuler la garantie.

11 Mise au rebut

Recyclage des emballages



- Dans la mesure du possible, jetez les emballages dans les conteneurs de déchets recyclables prévus à cet effet.



AVERTISSEMENT ! Risque d'incendie

- Le fluide frigorigène est hautement inflammable. N'ouvrez ou n'endommagez en aucun cas le circuit frigorifique.
- L'isolation de l'appareil comporte un gaz isolant (voir la plaque signalétique). N'endommagez pas l'isolation.

Recyclage des produits contenant des piles non remplaçables, des batteries ou des sources lumineuses rechargeables




- Si le produit contient des piles non remplaçables, des batteries ou des sources lumineuses rechargeables, vous n'avez pas besoin de les retirer avant de les mettre au rebut.



- Si vous souhaitez mettre le produit au rebut, contactez le centre de recyclage le plus proche ou votre revendeur spécialisé afin d'être informé des réglementations liées au traitement des déchets.
- Le produit peut être mis au rebut gratuitement.

12 Caractéristiques techniques

	DM 50NTE D	DM 50NTE F
Tension	100 – 240 V~, 50 – 60 Hz	
Puissance de refroidissement	max. 21 °C en dessous de la température ambiante (réglable en trois étapes : 5 °C, 7 °C, 12 °C)	
Catégorie	2 (cave)	
Volume total	50 l	
Classe d'efficacité énergétique	G	
Classe climatique	N	
Fluide frigorigène	R600a	
Quantité de fluide frigorigène	28 g	
Dimensions du tiroir principal l x P x H	430 x 330 x 302 mm	
Dimensions du petit tiroir l x P x H	159 x 285 x 88 mm	
Dimensions l x P x H	550 x 524 x 418 mm	550 x 496 x 418 mm
Charge de stockage interne maximale	31 kg	
Poids	23,5 kg	23,0 kg
Contrôle/certification		

Pour consulter la déclaration de conformité UE actuelle liée à votre appareil, reportez-vous à la page produit correspondante sur dometic.com ou contactez directement le fabricant (voir dometic.com/dealer).

Pour plus d'informations sur le produit, scannez le code QR figurant sur l'étiquette énergétique (voir figures) ou rendez-vous sur eprel.ec.europa.eu.

L'unité de refroidissement est hermétiquement fermée.

Lea atentamente estas instrucciones y siga las indicaciones, directrices y advertencias incluidas en este manual para asegurarse de que instala, usa y mantiene correctamente el producto en todo momento. Estas instrucciones DEBEN permanecer con este producto.

Al usar el producto, usted confirma que ha leído cuidadosamente todas las instrucciones, directrices y advertencias, y que entiende y acepta cumplir los términos y condiciones aquí establecidos. Usted se compromete a usar este producto solo para el propósito y la aplicación previstos y de acuerdo con las instrucciones, directrices y advertencias establecidas en este manual del producto, así como de acuerdo con todas las leyes y reglamentos aplicables. La no lectura e incumplimiento de las instrucciones y advertencias aquí expuestas puede causarle lesiones a usted o a terceros, daños en el producto o daños en otras propiedades cercanas. Este manual del producto, incluyendo las instrucciones, directrices y advertencias, y la documentación relacionada, pueden estar sujetos a cambios y actualizaciones. Para obtener información actualizada sobre el producto, visite la página documents.dometic.com.

Índice

1	Explicación de los símbolos	59
2	Indicaciones de seguridad	60
3	Volumen de entrega	63
4	Uso previsto	64
5	Descripción técnica	65
6	Instalación	67
7	Manejo.	69
8	Resolución de problemas.	71
9	Limpieza y mantenimiento	72
10	Garantía	73
11	Gestión de residuos	73
12	Datos técnicos.	74

1 Explicación de los símbolos



¡PELIGRO!

Información de seguridad: Indica una situación peligrosa que, de no evitarse, ocasionará la muerte o lesiones graves.



¡ADVERTENCIA!

Información de seguridad: Indica una situación peligrosa que, de no evitarse, puede ocasionar la muerte o lesiones graves.

**¡ATENCIÓN!**

Información de seguridad: Indica una situación peligrosa que, de no evitarse, puede ocasionar lesiones moderadas o leves.

**¡AVISO!**

Indica una situación peligrosa que, de no evitarse, puede provocar daños materiales.

**NOTA**

Información adicional para el manejo del producto.

2 Indicaciones de seguridad

2.1 Seguridad general



¡ADVERTENCIA! El incumplimiento de estas advertencias podría acarrear la muerte o lesiones graves.

Riesgo de electrocución

- Asegúrese de que el minibar sea instalado por un técnico cualificado de acuerdo con el manual de instalación de Dometic.
- No ponga el minibar en funcionamiento si presenta desperfectos visibles.
- Si el cable de conexión de este minibar está dañado, debe ser reemplazado por el fabricante, un técnico de mantenimiento o una persona con cualificación similar para evitar posibles peligros.
- Este minibar solo puede ser reparado por personal cualificado. Las reparaciones realizadas incorrectamente pueden generar situaciones de considerable peligro.
- Cuando ubique el minibar, asegúrese de que el cable de suministro eléctrico no se haya quedado atrapado o esté dañado.
- No coloque varias tomas o suministros de corriente portátiles detrás del aparato.
- Enchufe el aparato en tomas que garanticen una conexión correcta, sobre todo cuando sea necesario poner a tierra el aparato.

Peligro de incendio

- El refrigerante del circuito de refrigeración es muy inflamable. En caso de daños en el circuito de refrigeración:
 - Apague el minibar.
 - Evite el fuego abierto y las chispas.
 - Ventile bien la habitación.
- Mantenga el hueco de instalación del minibar libre de cualquier componente eléctrico y fuentes de luz que produzcan chispas o arcos voltaicos, ya sea durante un funcionamiento normal o anormal (por ejemplo, relés o cajas de fusibles).
- Tras la instalación, debe ser posible desconectar el minibar de la red eléctrica. Esto puede conseguirse haciendo que el enchufe quede accesible o montando un interruptor en el cableado fijo de acuerdo con las normas de cableado.
- Mantenga las aberturas de ventilación, tanto del minibar como de la estructura en la esté empotrado, libres de obstrucciones.
- No utilice dispositivos mecánicos u otros medios para acelerar el proceso de descongelación, salvo los recomendados por el fabricante.
- No abra nunca el circuito de refrigerante.
- No utilice dispositivos eléctricos en el interior del minibar a no ser que estén recomendados por el fabricante.

Peligro de explosión

- No guarde en el minibar sustancias explosivas, tales como aerosoles propelentes.

Riesgo para la salud

- Este minibar puede ser utilizado por menores a partir de 8 años y personas con capacidad física, sensorial o mental reducida, o con falta de experiencia y conocimientos, siempre que lo hagan bajo supervisión o hayan recibido instrucciones relativas al uso del mismo de manera segura y entendiendo los riesgos asociados.
- No deje que los niños jueguen con el minibar.
- Los menores no deberán limpiar ni realizar el mantenimiento de usuario sin la debida supervisión.
- Los menores de 3 a 8 años pueden introducir y extraer productos del minibar.



¡ATENCIÓN! El incumplimiento de estas precauciones podría acarrear lesiones moderadas o leves.

Riesgo de aplastamiento

- No introduzca la mano en el tope de la tapa.

Riesgo para la salud

- Los alimentos solo se pueden guardar en los envases originales o en recipientes adecuados.



¡AVISO! Peligro de daños

- Compare el valor de tensión indicado en la placa de características con el suministro de energía existente.
- Este minibar no es apto para almacenar sustancias corrosivas o que contengan disolventes.
- El aislamiento de la nevera contiene ciclopentano y requiere una gestión de residuos especial. Deposite el aparato de refrigeración en un centro de reciclaje adecuado al finalizar su vida útil.
- Mantenga siempre limpias las aberturas de desagüe.
- Traslade el minibar siempre en posición vertical.

2.2 Uso seguro del minibar



¡PELIGRO! El incumplimiento de estas advertencias puede acarrear la muerte o lesiones graves.

Riesgo de electrocución

- No toque los cables sin aislamiento directamente con las manos.



¡ATENCIÓN! El incumplimiento de estas precauciones podría acarrear lesiones moderadas o leves.

Riesgo de electrocución

- Antes de poner el minibar en funcionamiento, asegúrese de que el cable de alimentación y la clavija de enchufe estén secos.

Riesgo para la salud

- Asegúrese de guardar en el minibar solamente aquellos productos que puedan enfriarse a la temperatura seleccionada.
- Los alimentos solo se pueden almacenar con su envase original o en recipientes adecuados.

- Dejar la puerta abierta durante un período prolongado puede producir un incremento considerable de la temperatura en los compartimentos del minibar.
- Limpie periódicamente las superficies que puedan estar en contacto con alimentos y los sistemas de desagüe accesibles.
- Si el minibar se deja vacío durante un tiempo prolongado:
 - Apague el minibar.
 - Descongele el minibar.
 - Limpie y seque el minibar.
 - Deje la puerta abierta para evitar que se genere moho dentro del minibar.



¡AVISO!

Peligro de daños

- No coloque el minibar cerca de llamas vivas ni de otras fuentes de calor (velas, calefactores, radiación directa del sol, estufas de gas, etc.).
- No sumerja nunca el minibar en agua.
- Proteja el minibar y los cables contra el calor y la humedad.
- Asegúrese de que los alimentos no entren en contacto con las paredes del área de refrigeración.

3 Volumen de entrega

Están disponibles las siguientes opciones principales:

- Minibar DM50NTE D con panel de puerta y sin cerradura
- Minibar DM50NTE D con panel de puerta y con cerradura
- Minibar DM50NTE F sin panel de puerta y sin cerradura
- Minibar DM50NTE F sin panel de puerta y con cerradura

Cantidad	Descripción
1	Minibar con cajones
1	Cable de conexión para 230 V~
4	Tornillo de $\varnothing 4 \times 45$ mm (montaje)
4	Embellecedor (montaje)
1	Asa (Solo para DM50NTE D)

Cantidad	Descripción	
2	Embellecedor (montaje del tirador)	(Solo para DM50NTE D)
1	Filtro de entrada	
6	Tornillo $\varnothing 3 \times 12$ mm (montaje del filtro)	
2	Embellecedor (panel de madera)	(Solo para DM50NTE F en versión de madera)
1	Panel decorativo para cerradura (panel de madera)	(Solo para DM50NTE F en versión de madera con cerradura)
2	Llave	(Solo para versión con cerradura)
1	Instrucciones de montaje y uso	

4 Uso previsto

Este aparato de refrigeración (también llamado minibar) ha sido diseñado para refrigerar y almacenar bebidas y comidas en recipientes cerrados.

El minibar está diseñado para funcionar en cruceros o para ser utilizado en aplicaciones domésticas y similares, como:

- Cocinas de personal situadas en tiendas, oficinas y otras zonas de trabajo
- Casas rurales
- Hoteles, moteles y otros entornos de carácter residencial
- Ambientes de tipo "bed and breakfast"
- Catering y aplicaciones similares no comerciales

El minibar **no** es adecuado para su montaje en caravanas ni autocaravanas.

El minibar está concebido para montarse en un armario o en un nicho de montaje. Consulte las instrucciones de instalación.

El minibar **no** es adecuado para:

- Guardar sustancias corrosivas o que contengan disolventes
- Almacenar alimentos frescos y medicamentos
- Congelar productos alimenticios

Este producto solo es apto para el uso previsto y la aplicación de acuerdo con estas instrucciones.

Este manual proporciona la información necesaria para la correcta instalación y/o funcionamiento del producto. Una instalación deficiente y/o un uso y mantenimiento inadecuados conllevan un rendimiento insatisfactorio y posibles fallos.

El fabricante no se hace responsable de ninguna lesión o daño en el producto ocasionados por:

- Un montaje o conexión incorrectos, incluido un exceso de tensión
- Un mantenimiento incorrecto o el uso de piezas de repuesto distintas de las originales proporcionadas por el fabricante
- Modificaciones realizadas en el producto sin el expreso consentimiento del fabricante
- Uso con una finalidad distinta de la descrita en las instrucciones

Dometic se reserva el derecho de cambiar la apariencia y las especificaciones del producto.

5 Descripción técnica

El minibar tiene un cajón principal para botellas y latas, y un cajón pequeño para botellines y aperitivos. El cajón principal tiene capacidad para 33 botellas de una altura máxima de 28 cm.

DM50NTE D: El modelo viene equipado de fábrica con panel de puerta y tirador.

DM50NTE F: El modelo se entrega sin panel de puerta y está preparado para adaptarse a la decoración de la puerta del hotel.

5.1 Descripción del aparato

Panel frontal

N.º en fig. 1 , página 3	Descripción
1	Cerradura (opcional)
2	Tirador (solo para DM50NTE D)
3	Panel de puerta (solo para DM50NTE D)

Lado posterior

N.º en fig. 2, página 3	Descripción
1	Adaptador de corriente
2	Enchufe de 12 V $\overline{=}$
3	Bandeja de goteo
4	Caloducto

Panel de control (dentro del aparato)

N.º en fig. 3, página 4	Descripción
1	Lámpara
2	LED de error
3	LED de estado de alimentación
4	Botón de ajuste

Cajón principal

N.º en fig. 4, página 4	Descripción
1	Divisor ancho
2	Separador
3	Divisor pequeño
4	Sujetabotellas

Cajón pequeño

N.º en fig. 5, página 5	Descripción
1	Divisor giratorio
2	Soporte para botellines

6 Instalación



¡ATENCIÓN! Riesgo para la salud

Para evitar peligros causados por la inestabilidad del aparato, este deberá fijarse tal como se indica en las instrucciones.

6.1 Montaje del minibar en un mueble



NOTICE! Peligro de daños

La ventilación que circule por el conducto del aire de entrada no debe recibir calor.

No coloque el minibar cerca de llamas vivas ni de otras fuentes de calor (calefactores, radiación directa del sol, estufas de gas, etc.).

Hay cuatro formas de montar el minibar en muebles.

1. Elija la alternativa de instalación que prefiera (fig. **6**, página 6).
2. Tenga en cuenta el hueco de instalación necesario (fig. **6**, página 6);
d es el grosor del panel decorativo del hotel.
3. Tenga en cuenta la colocación correcta de las aberturas de ventilación y del minibar para garantizar un flujo de aire adecuado (fig. **8**, página 7).
4. Asegúrese de que haya una distancia de separación mínima entre la parte posterior del minibar y la pared del mueble (fig. **10**, página 8).
5. Efectúe las aberturas de ventilación como se muestra en fig. **9**, página 7.
6. Efectúe una abertura de ventilación adicional en la parte inferior del hueco de instalación (fig. **11**, página 8).

Mida la distancia desde el frontal de la puerta del minibar **sin incluir** la decoración.

N.º en fig. 12 , página 8	Descripción
1	Tornillo $\varnothing 4 \times 45$ mm
2	Clavija

7. Fije la nevera utilizando tornillos adecuados (fig. **12 1**, página 8).
8. Introduzca los cuatro embellecedores (fig. **12 2**, página 8) en los orificios.

6.2 Conexión eléctrica del minibar

- ▶ Enchufe el cable de conexión de 230 V en la clavija de CA y conecte esta a la red de corriente alterna de 230 V CA.
- ✓ El LED de estado de alimentación y la lámpara se iluminan.
- ✓ El interior del minibar se empieza a refrigerar.

6.3 Montaje de la decoración de puerta del hotel (solo DM50NTE F)

La decoración de puerta del hotel debe cumplir los siguientes requisitos:

- Peso máximo: 4 kg
 - Grosor máximo: 18 mm (solo para versión con cerradura)
- ▶ Fije el panel decorativo con cuatro tornillos.

6.4 Montaje de la cerradura (versión con cerradura)

1. Realice un orificio de 35 mm de diámetro en el panel decorativo.
2. Monte la cerradura junto con el panel decorativo de la cerradura.

6.5 Montaje de la cerradura (versión sin cerradura)

Desmontaje del cajón (fig. 13, página 9)

1. Abra el cajón completamente (**A**).
2. Presione el bloqueo del riel (**A 1**).
3. Extraiga el cajón del armario (**B**).

Solo para DM50NTE D:

1. Retire los embellecedores (**C 1**) de los dos tornillos (**C 2**) del tirador de la puerta (**C 3**).
2. Desatornille los dos tornillos (**C 2**) del tirador.
3. Retire el tirador (**C 3**).
4. Retire la junta.
5. Retire la cubierta de la cerradura.

Realización de los orificios (fig. 14, página 9)

1. Realice un orificio (**A 1**) de 23,6 mm de diámetro a través del panel decorativo (solo para DM50NTE D) y la puerta.
2. Desatornille los doce tornillos (**B 1**) del marco decorativo (**B 2**) (solo en DM50NTE D).
3. Retire el marco decorativo (solo en DM50NTE D).

Montaje de la cerradura (fig. 15, página 10)

1. Coloque la cubierta de la cerradura nueva (**A 1**) en su lugar.
2. Coloque el panel decorativo (**B 1**) dentro del marco.
3. Atornille (**B 2**) el marco decorativo (**B 3**) a la puerta.
4. Instale la cerradura de la puerta (**C 1**).
5. Instale el cerradero (**D 1**) en el armario.

Montaje del cajón (fig. 16, página 10)

1. Coloque la junta (**1**) en el marco decorativo (**2**).
2. Atornille el tirador (**4**) a la puerta.
3. Coloque los embellecedores (**3**) sobre los tornillos del tirador de la puerta (**4**).
4. Introduzca el cajón en el armario.

7 Manejo

7.1 Antes del primer uso

Antes del primer uso, limpie el minibar por dentro y por fuera con un paño húmedo por razones de higiene (véase también capítulo "Limpieza y mantenimiento" en la página 72).

7.2 Ahorro de energía

- Abra el minibar solamente el tiempo y las veces que sea necesario.
- No regule una temperatura innecesariamente baja en el interior.
- Para un consumo de energía óptimo, coloque los estantes y cajones en la misma posición que ocupan en el momento de la entrega.
- Compruebe periódicamente que la junta de la puerta encaja correctamente.
- Elimine regularmente el polvo y la suciedad del condensador.

7.3 Uso del minibar

El minibar empieza a enfriar cuando se conecta a una fuente de alimentación. Durante el funcionamiento normal, el LED de estado de alimentación está encendido. Si se produce un error, el LED de error parpadea (véase capítulo “Resolución de problemas” en la página 71).

7.4 Ajuste de la temperatura

Tenga en cuenta lo siguiente para no desperdiciar alimentos:

- Procure que las oscilaciones de temperatura sean mínimas. Abra el minibar solamente el tiempo y las veces que sea necesario. Almacene los productos alimenticios de manera que no impidan una buena circulación del aire.
- El minibar dispone de una función de regulación automática de la temperatura. Seleccione el promedio de los posibles valores de temperatura.
- Ajuste la temperatura a la cantidad y el tipo de productos alimenticios.

El minibar viene ajustado por defecto a una temperatura de refrigeración de 7 °C a una temperatura ambiente de 25 °C.

La temperatura de refrigeración se puede ajustar a uno de los tres valores siguientes mediante el botón de ajuste: 5 °C, 12 °C y 7 °C.

La temperatura de refrigeración se ajusta en la siguiente secuencia: 5 °C ... 12 °C ... 7 °C ... 5 °C, etc.

1. Mantenga pulsado el botón de ajuste (fig. **3 4**, página 4) durante al menos 5 segundos, hasta que la lámpara interna (fig. **3 1**, página 4) empiece a parpadear.
 2. Pulse el botón de ajuste de nuevo hasta seleccionar el valor de temperatura de refrigeración deseado.
- ✓ La lámpara interna parpadea. El número de parpadeos indica la temperatura ajustada. La señal parpadeante se repite a tres intervalos:
- La lámpara parpadea **cinco veces**: 5 °C
 - La lámpara parpadea **una vez**: 12 °C
 - La lámpara parpadea **tres veces**: 7 °C

8 Resolución de problemas

Fallo	Posible causa	Propuesta de solución
El minibar no funciona . El LED de estado de alimentación no está encendido.	No hay tensión en el enchufe de corriente alterna.	► Intente utilizar otro enchufe.
	El adaptador de red eléctrica está averiado.	► Póngase en contacto con un técnico de mantenimiento autorizado.
El minibar no enfría . El enchufe está insertado y el LED de estado de alimentación está encendido.	El elemento refrigerador está averiado.	► Póngase en contacto con un técnico de mantenimiento autorizado.
El LED de error parpadea una vez por segundo.	El sensor de temperatura está averiado.	► Póngase en contacto con un técnico de mantenimiento autorizado.
El minibar no enfría lo suficiente . El LED de estado de alimentación está encendido, el LED de error no está encendido.	El elemento refrigerador está averiado. Mala ventilación	► Póngase en contacto con un técnico de mantenimiento autorizado. ► Compruebe la ventilación. ► Limpie el filtro que hay debajo del aparato.

9 Limpieza y mantenimiento



¡ADVERTENCIA! Riesgo de electrocución

Desconecte siempre el minibar de la red eléctrica antes de realizar la limpieza y el mantenimiento.



¡AVISO! Peligro de daños

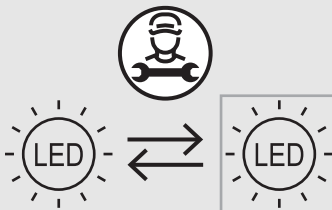
- No emplee productos de limpieza corrosivos ni objetos duros, pues podrían dañar el minibar.
- Nunca limpie el minibar bajo un chorro de agua corriente ni en agua jabonosa.
- No utilice herramientas duras ni puntiagudas para retirar hielo ni despegar objetos congelados en el minibar.
- No utilice herramientas mecánicas ni de otra clase para acelerar el deshielo.
- Asegúrese de que no gotee agua en las juntas para evitar daños en los componentes electrónicos.

- Limpie el minibar con un paño húmedo periódicamente y cada vez que se ensucie.
- Seque el minibar con un paño después de limpiarlo.
- Compruebe regularmente el orificio de drenaje del agua de condensación. Si es necesario, limpie el orificio de drenaje del agua de condensación. Si está atascado, el agua de condensación se acumula en la parte inferior del minibar.
- Asegúrese de que las ranuras de entrada y salida de aire del minibar no contengan polvo y estén limpias para que el calor pueda salir y el aparato no se estropee.



¡AVISO! Peligro de daños

Únicamente el fabricante, un técnico de mantenimiento autorizado o una persona con cualificación similar puede cambiar la fuente luminosa con el fin de evitar peligros.



10 Garantía

Se aplica el período de garantía estipulado por la ley. Si el producto está defectuoso, contacte con el punto de venta o con la sucursal del fabricante en su país (visite dometic.com/dealer).

Para tramitar la reparación y la garantía, incluya los siguientes documentos cuando envíe el producto:

- Una copia de la factura con fecha de compra
- El motivo de la reclamación o una descripción de la avería

Tenga en cuenta que una reparación por medios propios o no profesionales puede tener consecuencias de seguridad y suponer la anulación de la garantía.

11 Gestión de residuos

Reciclaje de materiales de embalaje



- Si es posible, deseche el material de embalaje en el contenedor de reciclaje adecuado.



¡ADVERTENCIA! Peligro de incendio

- El refrigerante es altamente inflamable. No abra o dañe el circuito de refrigerante.
- El aislamiento del aparato contiene un gas aislante (véase la etiqueta de tipo). No dañe el aislamiento.

Reciclaje de productos con pilas no sustituibles, baterías recargables o fuentes de luz



- Si el producto contiene pilas no sustituibles, baterías recargables o fuentes de luz, no es necesario que las quite antes de desecharlo.



- Cuando vaya a desechar definitivamente el producto, infórmese en el centro de reciclaje más cercano o en un comercio especializado sobre las normas pertinentes de gestión de residuos.



- El producto podrá desecharse gratuitamente.

12 Datos técnicos

	DM50NTE D	DM50NTE F
Tensión	100 – 240 V~, 50 – 60 Hz	
Potencia de refrigeración	máx. 21 °C por debajo de la temperatura ambiente (regulable en tres niveles: 5 °C, 7 °C, 12 °C)	
Categoría	2 (bodega)	
Volumen total	50 l	
Clase de eficiencia energética	G	
Clase climática	N	
Refrigerante	R600a	
Cantidad existente de refrigerante	28 g	
Dimensiones del cajón principal An x P x Al	430 x 330 x 302 mm	
Dimensiones del cajón pequeño An x P x Al	159 x 285 x 88 mm	
Dimensiones An x P x Al	550 x 524 x 418 mm	550 x 496 x 418 mm
Carga máxima de almacenamiento interno	31 kg	
Peso	23,5 kg	23,0 kg
Inspección/certificación		

Para la declaración de conformidad UE actual de su aparato, diríjase a la página de producto correspondiente en dometic.com o póngase en contacto directamente con el fabricante (véase dometic.com/dealer).

Encontrará más información sobre el producto a través del código QR de la etiqueta energética (ver figuras) o en el sitio eprel.ec.europa.eu.

La unidad de refrigeración está sellada herméticamente.

Leia atentamente as presentes instruções e siga todas as instruções, orientações e avisos incluídos neste manual, de modo a garantir sempre a correta instalação, utilização e manutenção do produto. É OBRIGATÓRIO manter estas instruções junto com o produto.

Ao utilizar o produto, está a confirmar que leu atentamente todas as instruções, orientações e avisos, e que compreende e aceita cumprir os termos e condições estabelecidos no presente manual. Aceita utilizar este produto exclusivamente para o fim e a aplicação a que se destina e de acordo com as instruções, orientações e avisos estabelecidos neste manual, assim como de acordo com todas as leis e regulamentos aplicáveis. Caso não leia nem siga as instruções e os avisos aqui estabelecidos, poderá sofrer ferimentos pessoais ou causar ferimentos a terceiros e o produto ou outros materiais nas proximidades poderão ficar danificados. Este manual do produto, incluindo as instruções, orientações e avisos, bem como a documentação relacionada, podem estar sujeitos a alterações e atualizações. Para consultar as informações atualizadas do produto, visite documents.dometic.com.

Índice

1	Explicação dos símbolos	75
2	Indicações de segurança	76
3	Material fornecido	79
4	Utilização adequada	80
5	Descrição técnica	81
6	Instalação	83
7	Operação	85
8	Resolução de falhas	87
9	Limpeza e manutenção	88
10	Garantia	89
11	Eliminação	89
12	Dados técnicos	90

1 Explicação dos símbolos



PERIGO!

Indicação de segurança: Indica uma situação perigosa que, se não for evitada, resultará em morte ou ferimentos graves.



AVISO!

Indicação de segurança: Indica uma situação perigosa que, se não for evitada, pode causar a morte ou ferimentos graves.

**PRECAUÇÃO!**

Indicação de segurança: Indica uma situação perigosa que, se não for evitada, pode causar ferimentos ligeiros ou moderados.

**NOTA!**

Indica uma situação que, se não for evitada, pode causar danos materiais.

**OBSERVAÇÃO**

Informações suplementares para a utilização do produto.

2 Indicações de segurança

2.1 Princípios básicos de segurança



AVISO! O incumprimento destes avisos poderá resultar em morte ou ferimentos graves.

Risco de eletrocussão

- Certifique-se de que o minibar foi instalado de acordo com as instruções de montagem por um técnico qualificado.
- Não coloque o minibar em funcionamento se este apresentar danos visíveis.
- Se o cabo de alimentação do minibar estiver danificado, terá de ser substituído pelo fabricante, pelo agente de assistência técnica ou por uma pessoa com qualificações equivalentes, a fim de evitar riscos de segurança.
- As reparações neste minibar só podem ser realizadas por técnicos qualificados. Reparações inadequadas podem originar perigos graves.
- Ao colocar o minibar, certifique-se de que o cabo de alimentação não fica preso nem é danificado.
- Não coloque tomadas múltiplas ou fontes de alimentação portáteis na parte de trás do aparelho.
- Ligue o aparelho a tomadas que garantam uma ligação adequada, sobretudo se for necessário ligar o aparelho à terra.

Perigo de incêndio

- O agente de refrigeração no circuito de refrigeração é altamente inflamável.
Em caso de danos no circuito de refrigeração:
 - Desligue o minibar.
 - Evite chamas abertas e faíscas.
 - Ventile bem o espaço.
- Mantenha o entalhe de instalação destinado ao minibar livre de componentes elétricos e de fontes de luz que produzam faíscas ou arcos (p. ex., caixas de relés ou fusíveis) durante o seu funcionamento normal ou com anomalias.
- Após a instalação, ainda deverá ser possível desligar o minibar da rede elétrica. Isto pode ser conseguido mantendo a tomada acessível ou incorporando um interruptor na cablagem fixa, de acordo com as normas de cablagem.
- Mantenha as aberturas de ventilação existentes no compartimento do minibar ou na estrutura encastrada sempre desobstruídas.
- Não utilize ferramentas mecânicas ou outros meios de acelerar o processo de descongelamento para além dos recomendados pelo fabricante.
- Não abra, em caso algum, o circuito de refrigeração.
- Não utilize aparelhos elétricos dentro do minibar, exceto se esses aparelhos forem recomendados pelo fabricante para o efeito.

Perigo de explosão

- Não guarde no minibar substâncias com risco de explosão, tais como, por exemplo, latas de spray com gás carburante.

Risco para a saúde

- Este minibar pode ser utilizado por crianças a partir dos 8 anos e pessoas com capacidades físicas, sensoriais ou mentais reduzidas ou sem experiência e conhecimento se forem supervisionadas ou receberem instruções sobre a utilização do aparelho de forma segura e compreenderem os perigos implicados.
- As crianças não podem brincar com o minibar.
- A limpeza e a manutenção não podem ser efetuadas por crianças sem supervisão.
- Crianças com idades entre os 3 e os 8 anos podem encher e esvaziar o minibar.



PRECAUÇÃO! O incumprimento destas advertências poderá resultar em ferimentos ligeiros ou moderados.

Risco de esmagamento

- Não mexa no encosto da tampa com os dedos.

Risco para a saúde

- Os alimentos devem ser armazenados exclusivamente nas embalagens originais ou em recipientes adequados.



NOTA! Risco de danos

- Verifique se a indicação de tensão na placa de características corresponde à da fonte de alimentação existente.
- O minibar não se destina ao armazenamento de substâncias corrosivas ou que contenham solventes.
- O isolamento do aparelho de refrigeração contém ciclopentano inflamável e requer medidas de eliminação especiais. No fim da respetiva vida útil, encaminhe o aparelho de refrigeração para um centro de reciclagem adequado.
- Mantenha a abertura de escoamento sempre limpa.
- Transporte o minibar apenas na posição vertical.

2.2 Utilização segura do minibar



PERIGO! O incumprimento destes avisos resultará em morte ou ferimentos graves.

Risco de eletrocussão

- Nunca toque em cabos não blindados com as mãos desprotegidas.



PRECAUÇÃO! O incumprimento destas advertências poderá resultar em ferimentos ligeiros ou moderados.

Risco de eletrocussão

- Antes de colocar o minibar em funcionamento, certifique-se de que a ligação e a ficha estão secas.

Risco para a saúde

- Certifique-se de que coloca no minibar apenas produtos que possam ser refrigerados à temperatura selecionada.
- Os alimentos apenas podem ser guardados nas embalagens originais ou em recipientes adequados.

- Abrir a porta durante longos períodos pode provocar um aumento significativo da temperatura nos compartimentos do minibar.
- Limpe regularmente as superfícies que entram em contacto com alimentos e os sistemas de drenagem acessíveis.
- Se o minibar ficar vazio durante longos períodos:
 - Desligue o minibar.
 - Descongele o minibar.
 - Limpe e seque o minibar.
 - Deixe a porta aberta para impedir o crescimento de bolor no interior do minibar.

**NOTA!****Risco de danos**

- Não coloque o minibar na proximidade de chamas sem proteção ou outras fontes de calor (velas acesas, aquecimento, radiação solar intensa, fogões a gás, etc.).
- Nunca mergulhe o minibar em água.
- Proteja o minibar e o cabo do calor e da humidade.
- Assegure-se de que os alimentos não entram em contacto com as paredes do espaço de refrigeração.

3 Material fornecido

Estão disponíveis as seguintes alternativas principais:

- Minibar DM50NTE D com painel da porta, sem fechadura
- Minibar DM50NTE D com painel da porta, com fechadura
- Minibar DM50NTE F sem painel da porta, sem fechadura
- Minibar DM50NTE F sem painel da porta, com fechadura

Quantidade	Descrição
1	Minibar de gaveta
1	Cabo de ligação para conexão de 230 V~
4	Parafuso $\varnothing 4 \times 45$ mm (instalação)
4	Ficha (instalação)
1	Puxador (apenas DM50NTE D)
2	Ficha (instalação do puxador) (apenas DM50NTE D)

Quantidade	Descrição	
1	Filtro de entrada	
6	Parafuso $\varnothing 3 \times 12$ mm (instalação do filtro)	
2	Ficha (painel de madeira)	(apenas DM50NTE F na versão em madeira)
1	Decoração para a fechadura (painel de madeira)	(apenas DM50NTE F na versão em madeira com fechadura)
2	Chave	(apenas versão com fechadura)
1	Manual de montagem e operação	

4 Utilização adequada

O aparelho de refrigeração (também designado “minibar”) está concebido para refrigerar e armazenar bebidas e alimentos em recipientes fechados.

O minibar destina-se a ser utilizado em navios de cruzeiro ou em aplicações domésticas ou semelhantes, tais como:

- Na cozinha do pessoal em estabelecimentos comerciais, escritórios e outros ambientes de trabalho
- Quintas
- Hotéis, motéis e outros ambientes de tipo residencial
- Ambientes do tipo “bed and breakfast”
- Aplicações do ramo de catering e em aplicações semelhantes do comércio grossista

O minibar **não** está concebido para ser montado em caravanas ou autocaravanas.

O minibar está concebido para a instalação num móvel ou num nicho de instalação. Consulte as instruções de montagem.

O minibar **não** é adequado para:

- Armazenar substâncias corrosivas, cáusticas ou que contenham solventes
- Armazenar alimentos frescos e medicamentos
- Ultracongelar alimentos

Este produto destina-se exclusivamente à aplicação e aos fins pretendidos com base nestas instruções.

Este manual fornece informações necessárias para proceder a uma instalação e/ou a uma operação adequadas do produto. Uma instalação e/ou uma operação ou manutenção incorretas causarão um desempenho insatisfatório e uma possível avaria.

O fabricante não aceita qualquer responsabilidade por danos ou prejuízos no produto resultantes de:

- montagem ou ligação incorreta, incluindo sobretensões
- manutenção incorreta ou utilização de peças sobressalentes não originais fornecidas pelo fabricante
- alterações ao produto sem autorização expressa do fabricante
- utilização para outras finalidades que não as descritas no presente manual

A Dometic reserva-se o direito de alterar o design e as especificações do produto.

5 Descrição técnica

O minibar possui uma gaveta principal para garrafas e latas e uma minigaveta para miniaturas e snacks. A gaveta principal tem espaço para 33 garrafas com uma altura máxima de 28 cm.

DM50NTE D: O modelo está equipado de fábrica com um painel de porta e um puxador.

DM50NTE F: O modelo é fornecido sem um painel de porta e está preparado para a instalação da decoração de porta própria do hotel.

5.1 Designação do aparelho

Painel dianteiro

N.º na fig. 1 , página 3	Descrição
1	Fechadura (opcional)
2	Puxador (apenas DM50NTE D)
3	Painel da porta (apenas DM50NTE D)

Lado posterior

N.º na fig. 2, página 3	Descrição
1	Adaptador de rede
2	Tomada de 12 V $\overline{=}$
3	Cuba coletora
4	Tubo de calor

Painel de comando (no interior do aparelho)

N.º na fig. 3, página 4	Descrição
1	Luz
2	LED de erro
3	LED do estado de funcionamento
4	Botão de ajuste

Gaveta principal

N.º na fig. 4, página 4	Descrição
1	Divisória grande
2	Separador
3	Divisória pequena
4	Sistema de fixação de garrafas

Minigaveta

N.º na fig. 5, página 5	Descrição
1	Divisória rotativa
2	Suporte para garrafas miniatura

6 Instalação



PRECAUÇÃO! Risco para a saúde

Para evitar riscos devido à instabilidade do aparelho, este tem de ser fixado de acordo com as instruções.

6.1 Montar o minibar num móvel



NOTICE! Risco de danos

O ar que passa através da conduta de ar de entrada não pode ser aquecido.

Não coloque o minibar na proximidade de chamas sem proteção ou outras fontes de calor (aquecimento, radiação solar intensa, fogões a gás, etc.).

Há quatro formas de montar o minibar no mobiliário.

1. Escolha a alternativa de instalação que prefere (fig. **6**, página 6).
2. Tenha em atenção ao entalhe de instalação necessário (fig. **6**, página 6)
"d" refere-se à espessura da decoração própria do hotel.
3. Tenha em atenção ao posicionamento correto do minibar e das aberturas de ventilação para garantir um fluxo de ar adequado (fig. **8**, página 7).
4. Certifique-se de que existe uma folga mínima entre a parte posterior do minibar e a parede do mobiliário (fig. **10**, página 8).
5. Crie as aberturas de ventilação conforme ilustrado na fig. **9**, página 7.
6. Crie uma abertura de ventilação adicional na parte inferior do entalhe de instalação (fig. **11**, página 8).

Meça uma distância a partir da frente da porta do minibar **excluindo** qualquer decoração existente.

N.º na fig. 12 , página 8	Descrição
1	Parafuso $\varnothing 4 \times 45$ mm
2	Tampas

7. Fixe o frigorífico com parafusos adequados (fig. **12 1**, página 8).
8. Aplique as quatro tampas (fig. **12 2**, página 8) nos orifícios.

6.2 Efetuar a ligação elétrica do minibar

- ▶ Ligue o cabo de conexão de 230 V à tomada de tensão de corrente alternada e conecte-o à rede de corrente alternada de 230 V.
- ✓ O LED do estado de funcionamento e a lâmpada acendem-se.
- ✓ O minibar começa a refrigerar o interior.

6.3 Montar a decoração de porta própria do hotel (apenas DM50NTE F)

A decoração de porta própria do hotel tem que respeitar os seguintes requisitos:

- Peso máximo: 4 kg
 - Espessura máxima: 18 mm (apenas versão com fechadura)
- ▶ Fixe a decoração com quatro parafusos.

6.4 Montar a fechadura (apenas versão com fechadura)

1. Faça um furo com um diâmetro de 35 mm na decoração.
2. Monte a fechadura juntamente com a respetiva decoração.

6.5 Montar a fechadura (apenas versão sem fechadura)

Desmontar a gaveta (fig. 13, página 9)

1. Abra totalmente a gaveta (**A**).
2. Exerça pressão no bloqueio da calha (**A 1**).
3. Retire a gaveta do armário (**B**).

Apenas para DM50NTE D:

1. Retire as duas tampas (**C 1**) dos parafusos (**C 2**) do puxador da porta (**C 3**).
2. Desparafuse os dois parafusos (**C 2**) do puxador da porta.
3. Retire o puxador da porta (**C 3**).
4. Retire a vedação.
5. Retire a cobertura da fechadura.

Fazer os furos (fig. 14, página 9)

1. Faça um furo (**A 1**) com um diâmetro de 23,6 mm na decoração (apenas DM50NTE D) e na porta.
2. Desaparafuse os doze parafusos (**B 1**) da armação da decoração (**B 2**) (apenas DM50NTE D).
3. Retire a armação da decoração (apenas DM50NTE D).

Montar a fechadura (fig. 15, página 10)

1. Coloque a cobertura da fechadura nova (**A 1**) no devido local.
2. Coloque a decoração (**B 1**) na armação da decoração.
3. Aparafuse (**B 2**) a armação da decoração (**B 3**) na porta.
4. Instale a fechadura na porta (**C 1**).
5. Instale o engate da fechadura (**D 1**) no armário.

Montar a gaveta (fig. 16, página 10)

1. Instale a vedação (**1**) na armação da decoração (**2**).
2. Aparafuse o puxador (**4**) na porta.
3. Coloque as tampas (**3**) nos parafusos do puxador da porta (**4**).
4. Coloque a gaveta no armário.

7 Operação

7.1 Antes da primeira utilização

Antes da primeira utilização, limpe o interior e o exterior do minibar com um pano húmido, por razões de higiene (ver também capítulo “Limpeza e manutenção” na página 88).

7.2 Poupar energia

- Abra o minibar apenas as vezes que forem necessárias e apenas durante o tempo necessário.
- Evite temperaturas internas desnecessariamente baixas.
- Para um consumo de energia otimizado, posicione as prateleiras e as gavetas na posição original de entrega.

- Verifique regularmente se a vedação da porta ainda está corretamente encaixada.
- Limpe o pó e a sujidade do condensador regularmente.

7.3 Usar o minibar

O minibar começa a refrigerar quando é ligado a uma fonte de alimentação. Durante a operação normal, o LED do estado de funcionamento está aceso. Se ocorrer um erro, o LED de erro pisca (ver capítulo “Resolução de falhas” na página 87).

7.4 Definir a temperatura

Para evitar desperdício alimentar, observe o seguinte:

- Mantenha as oscilações de temperatura o mais reduzidas possível. Abra o minibar apenas as vezes que forem necessárias e apenas durante o tempo necessário. Armazene os alimentos de modo a que o ar continue a circular bem.
- O minibar está equipado com uma função de regulação da temperatura automática. Selecione a média dos valores de temperatura possíveis.
- Ajuste a temperatura à quantidade e ao tipo de alimentos.

Por defeito, o minibar está ajustado para uma temperatura de refrigeração de 7 °C a uma temperatura ambiente de 25 °C.

Utilizando o botão de ajuste, é possível ajustar a temperatura de refrigeração para um dos três valores seguintes: 5 °C, 12 °C e 7 °C.

A temperatura de refrigeração é ajustada na sequência seguinte: 5 °C ... 12 °C ... 7 °C ... 5 °C, etc.

1. Prima o botão de ajuste (fig. **3 4**, página 4) e mantenha-o premido durante 5 s até a lâmpada interna (fig. **3 1**, página 4) começar a piscar.
 2. Prima o botão de ajuste novamente até selecionar a temperatura de refrigeração pretendida.
- ✓ A lâmpada interna pisca. O número de vezes que a lâmpada pisca indica a temperatura ajustada. O sinal intermitente é repetido em três intervalos:
- A lâmpada pisca **cinco vezes**: 5 °C
 - A lâmpada pisca **uma vez**: 12 °C
 - A lâmpada pisca **três vezes**: 7 °C

8 Resolução de falhas

Falha	Possível causa	Sugestão de solução
<p>O minibar não funciona.</p> <p>O LED do estado de funcionamento não está aceso.</p>	<p>Não existe tensão na tomada de tensão de corrente alternada.</p>	<p>► Tente novamente noutra tomada.</p>
	<p>O adaptador de rede está danificado.</p>	<p>► Contacte um agente de assistência técnica autorizado.</p>
<p>O minibar não refrigera. A ficha está inserida, o LED do estado de funcionamento está aceso.</p>	<p>O elemento de refrigeração está avariado.</p>	<p>► Contacte um agente de assistência técnica autorizado.</p>
<p>O LED de erros pisca uma vez por segundo.</p>	<p>O sensor da temperatura está avariado.</p>	<p>► Contacte um agente de assistência técnica autorizado.</p>
<p>O minibar não refrigera o suficiente.</p> <p>O LED do estado de funcionamento está aceso, o LED de erro não está aceso.</p>	<p>O elemento de refrigeração está avariado.</p>	<p>► Contacte um agente de assistência técnica autorizado.</p>
	<p>Ventilação fraca.</p>	<p>► Verifique a ventilação.</p> <p>► Limpe o filtro por baixo do aparelho.</p>

9 Limpeza e manutenção



AVISO! Risco de eletrocussão

Desconecte sempre o minibar da rede elétrica antes de realizar trabalhos de limpeza e manutenção.



NOTA! Risco de danos

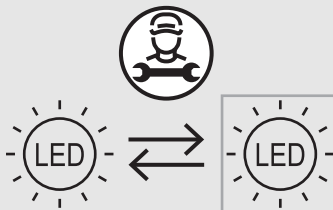
- Não utilize produtos de limpeza abrasivos nem objetos duros para a limpeza, pois estes podem danificar o minibar.
- Nunca limpe o minibar debaixo de água corrente nem dentro de água de lavar a loiça.
- Nunca utilize ferramentas duras ou pontiagudas para retirar camadas de gelo ou para libertar objetos congelados no minibar.
- Não utilize ferramentas mecânicas ou qualquer outro tipo de ferramentas para acelerar o processo de descongelamento.
- Certifique-se de que não pinga água para as vedações de modo a evitar danos no sistema eletrónico.

- Limpe o minibar regularmente, e assim que este fique sujo, com um pano húmido.
- Seque o minibar com um pano após a limpeza.
- Verifique regularmente o escoamento do condensado. Limpe o escoamento do condensado sempre que necessário. Se este estiver entupido, o condensado acumula-se no fundo do minibar.
- Certifique-se que as aberturas de entrada e saída de ar do minibar estão livres de pó e sujidade para que, durante o funcionamento, o calor possa ser libertado e o aparelho não seja danificado.



NOTA! Risco de danos

Para evitar quaisquer perigos, a fonte de luz só pode ser substituída pelo fabricante, por um agente de assistência técnica ou por uma pessoa com qualificação semelhante.



10 Garantia

Aplica-se o prazo de garantia legal. Se o produto apresentar defeitos, contacte o seu revendedor ou a filial do fabricante no seu país (ver dometic.com/dealer).

Para fins de reparação e do processamento da garantia, envie também os seguintes documentos quando devolver o produto:

- Uma cópia da fatura com a data de aquisição
- Um motivo de reclamação ou uma descrição da falha

Tenha em atenção que as reparações feitas por si ou por não profissionais podem ter consequências sobre a segurança e anular a garantia.

11 Eliminação

Reciclagem do material de embalagem



- Sempre que possível, coloque o material de embalagem no respetivo contentor de reciclagem.



AVISO! Perigo de incêndio

- O agente de refrigeração é altamente inflamável. Não abra nem danifique o circuito de refrigeração.
- O isolamento do dispositivo contém um gás isolante (consulte a placa de características). Não danifique o isolamento.

Reciclagem de produtos com baterias, baterias recarregáveis ou fontes de luz não substituíveis




- Se o produto contiver quaisquer pilhas, baterias recarregáveis ou fontes de luz não substituíveis, não tem de as remover antes da eliminação.
- Para eliminar definitivamente o produto, informe-se junto do centro de reciclagem ou revendedor mais próximo sobre as disposições de eliminação aplicáveis.



- O produto pode ser eliminado gratuitamente.

12 Dados técnicos

	DM50NTE D	DM50NTE F
Tensão	100 – 240 V~, 50 – 60 Hz	
Potência de refrigeração	máx. 21 °C abaixo da temperatura ambiente (ajustável em três valores: 5 °C, 7 °C, 12 °C)	
Categoria	2 (cave)	
Volume total	50 l	
Classe de eficiência energética	G	
Classe de climatização	N	
Refrigerante	R600a	
Quantidade de líquido refrigerante existente	28 g	
Dimensões da gaveta principal L x P x A	430 x 330 x 302 mm	
Dimensões da minigaveta L x P x A	159 x 285 x 88 mm	
Dimensões L x P x A	550 x 524 x 418 mm	550 x 496 x 418 mm
Carga de armazenamento interna máxima	31 kg	
Peso	23,5 kg	23,0 kg
Inspeção/certificação		

Para consultar a Declaração de Conformidade UE atual para o seu dispositivo, acesse a página do produto em questão em dometic.com ou entre diretamente em contacto com o fabricante (ver dometic.com/dealer).

Consulte mais informações sobre o produto através do código QR existente no rótulo energético (ver imagens) ou em eprel.ec.europa.eu.

A unidade de refrigeração está hermeticamente fechada.

Si prega di leggere attentamente e di seguire tutte le istruzioni, le linee guida e le avvertenze incluse in questo manuale del prodotto, al fine di garantire che il prodotto venga sempre installato, utilizzato e mantenuto nel modo corretto. Queste istruzioni DEVONO essere conservate insieme al prodotto.

Utilizzando il prodotto, l'utente conferma di aver letto attentamente tutte le istruzioni, le linee guida e le avvertenze e di aver compreso e accettato di rispettare i termini e le condizioni qui espressamente indicati. L'utente accetta di utilizzare questo prodotto solo per lo scopo e l'applicazione previsti e in conformità con le istruzioni, le linee guida e le avvertenze indicate nel presente manuale del prodotto, nonché in conformità con tutte le leggi e i regolamenti applicabili. La mancata lettura e osservanza delle istruzioni e delle avvertenze qui espressamente indicate può causare lesioni personali e a terzi, danni al prodotto o ad altre proprietà nelle vicinanze. Il presente manuale del prodotto, comprese le istruzioni, le linee guida e le avvertenze e la relativa documentazione possono essere soggetti a modifiche e aggiornamenti. Per informazioni aggiornate sul prodotto, si prega di visitare il sito documents.dometic.com.

Indice

1	Spiegazione dei simboli	91
2	Istruzioni per la sicurezza	92
3	Dotazione	95
4	Destinazione d'uso	96
5	Descrizione delle caratteristiche tecniche	97
6	Installazione	99
7	Utilizzo	101
8	Risoluzione dei problemi	103
9	Pulizia e cura	104
10	Garanzia	105
11	Smaltimento	105
12	Specifiche tecniche	106

1 Spiegazione dei simboli



PERICOLO!

Istruzione per la sicurezza: Indica una situazione di pericolo che, se non evitata, provoca lesioni gravi o mortali.



AVVERTENZA!

Istruzione per la sicurezza: Indica una situazione di pericolo che, se non evitata, può provocare lesioni gravi o mortali.

**ATTENZIONE!**

Istruzione per la sicurezza: Indica una situazione di pericolo che, se non evitata, può provocare lesioni di entità lieve o moderata.

**AVVISO!**

Indica una situazione di pericolo che, se non evitata, può provocare danni alle cose.

**NOTA**

Informazioni supplementari relative all'impiego del prodotto.

2 Istruzioni per la sicurezza

2.1 Sicurezza generale



AVVERTENZA! La mancata osservanza di queste avvertenze potrebbe causare la morte o lesioni gravi.

Pericolo di scosse elettriche

- Assicurarsi che il minibar sia stato installato da un tecnico qualificato secondo quanto descritto nel manuale di installazione Dometic.
- Non mettere in funzione il minibar se presenta danni visibili.
- Per evitare possibili pericoli legati alla sicurezza, se il cavo di collegamento del minibar è danneggiato deve essere sostituito dal produttore, dal servizio di assistenza oppure da personale ugualmente qualificato
- Questo minibar può essere riparato solo da personale qualificato. Le riparazioni effettuate in modo scorretto possono causare gravi pericoli.
- Durante il posizionamento del minibar, assicurarsi che il cavo di alimentazione non venga bloccato o danneggiato.
- Non collocare prese multiple portatili o alimentatori portatili sul retro dell'apparecchio.
- Collegare l'apparecchio a prese che garantiscano una connessione adeguata, soprattutto quando l'apparecchio deve essere collegato alla massa.

Pericolo di incendio

- Il refrigerante nel circuito di raffreddamento è altamente infiammabile. In caso di danneggiamento del circuito di raffreddamento:
 - Spegnerne il minibar.
 - Evitare fiamme libere e scintille.
 - Aerare bene l'ambiente.
- Mantenere la nicchia di installazione del minibar libera da componenti elettrici e fonti di luce che, durante il funzionamento normale o anomalo, producono scintille o archi elettrici (ad esempio relè o scatole dei fusibili).
- Dopo l'installazione, deve essere ancora possibile scollegare il minibar dalla rete elettrica. A tal fine occorre che la spina sia di facile accesso oppure prevedere un interruttore nel cablaggio fisso secondo le regole di cablaggio.
- Mantenere libere da ostruzioni le aperture di ventilazione nell'involucro del minibar o nella struttura incorporata.
- Non utilizzare apparecchi meccanici o altri mezzi per accelerare il processo di sbrinamento, diversi da quelli raccomandati dal produttore.
- Non aprire in nessun caso il circuito di raffreddamento.
- Non utilizzare apparecchi elettrici all'interno del minibar, ad eccezione di quelli consigliati dal produttore.

Pericolo di esplosione

- Non conservare nel minibar sostanze esplosive come ad es. bombolette spray con gas propellente.

Pericolo per la salute

- Questo minibar può essere utilizzato da bambini di età superiore a 8 anni, da persone con ridotte capacità fisiche, sensoriali o mentali o da persone inesperte o prive di conoscenze specifiche solo se sorvegliate o preventivamente istruite sull'impiego dell'apparecchio in sicurezza e se informate dei pericoli legati al prodotto stesso e in grado di comprenderli.
- I bambini non devono giocare con il minibar.
- La pulizia e la manutenzione non devono essere eseguite da bambini senza la presenza di un adulto.
- I bambini dai 3 agli 8 anni possono riempire e svuotare il minibar.



ATTENZIONE! La mancata osservanza di queste precauzioni potrebbe causare lesioni lievi o moderate.

Pericolo di schiacciamento

- Non mettere le dita nella cerniera.

Pericolo per la salute

- I prodotti alimentari possono essere conservati solo nelle confezioni originali o in contenitori adeguati.



AVVISO! Rischio di danni

- Confrontare i dati della tensione riportati sulla targhetta con quelli delle prese e degli attacchi disponibili.
- Il minibar non è adatto per la conservazione di sostanze corrosive o solventi.
- L'isolamento del frigorifero contiene ciclopentano infiammabile e necessita di procedure speciali per lo smaltimento. Al termine del suo ciclo di vita consegnare il frigorifero portatile presso un centro di riciclaggio adatto.
- Mantenere l'apertura di scarico sempre pulita.
- Trasportare il minibar solo in posizione verticale.

2.2 Sicurezza durante l'utilizzo del minibar



PERICOLO! La mancata osservanza di queste avvertenze può causare la morte o lesioni gravi.

Pericolo di scosse elettriche

- Non toccare mai i cavi esposti a mani nude.



ATTENZIONE! La mancata osservanza di queste precauzioni potrebbe causare lesioni lievi o moderate.

Pericolo di scosse elettriche

- Prima della messa in funzione del minibar, assicurarsi che la rete di alimentazione e la spina siano asciutte.

Pericolo per la salute

- Assicurarsi che nel minibar si trovino solo oggetti o prodotti che possono essere raffreddati alla temperatura selezionata.
- I generi alimentari possono essere conservati solo nelle confezioni originali o in contenitori adatti.

- L'apertura prolungata della porta può causare un significativo aumento della temperatura nei vani del minibar.
- Pulire regolarmente le superfici che vengono a contatto con gli alimenti e i sistemi di scarico accessibili.
- Se il minibar viene lasciato vuoto per lunghi periodi:
 - Spegnerne il minibar.
 - Sbrinare il minibar.
 - Pulire e asciugare il minibar.
 - Lasciare la porta aperta per evitare lo sviluppo di muffe all'interno del minibar.



AVVISO!

Rischio di danni

- Non collocare il minibar nelle vicinanze di fiamme libere o altre fonti di calore (candele accese, termoventilatori, intensa esposizione ai raggi solari, fornelli a gas, ecc.).
- Non immergere mai il minibar in acqua.
- Proteggere il minibar e il cavo dal caldo e dall'umidità.
- Fare attenzione che gli alimenti non entrino in contatto con le pareti del vano refrigerato.

3 Dotazione

Si possono ottenere le seguenti alternative principali:

- Minibar DM50NTE D con pannello porta, senza serratura
- Minibar DM50NTE D con pannello porta, con serratura
- Minibar DM50NTE F senza pannello porta, senza serratura
- Minibar DM50NTE F senza pannello porta, con serratura

Quantità	Descrizione	
1	Minibar a cassetto	
1	Cavo di collegamento 230 V~	
4	Vite ø4 x 45 mm (installazione)	
4	Tappo (installazione)	
1	Maniglia	(Solo DM50NTE D)
2	Tappo (installazione maniglia)	(Solo DM50NTE D)

Quantità	Descrizione	
1	Filtro di ingresso	
6	Vite $\varnothing 3 \times 12$ mm (installazione filtro)	
2	Tappo (pannello di legno)	(Solo DM50NTE F versione in legno)
1	Decoro serratura (pannello di legno)	(Solo DM50NTE F versione in legno con serratura)
2	Chiave	(Solo versione con serratura)
1	Istruzioni di montaggio e d'uso	

4 Destinazione d'uso

L'apparecchio di refrigerazione (anche chiamato minibar) è progettato per raffreddare e conservare bevande e alimenti in contenitori chiusi.

Il minibar è progettato per l'uso su navi da crociera o uso domestico e applicazioni simili, quali:

- cucine per il personale di negozi, uffici e altri ambienti di lavoro
- agriturismi
- hotel, motel e altri ambienti di tipo residenziale
- ambienti di tipo bed and breakfast
- catering e applicazioni simili non al dettaglio.

Il minibar **non** è progettato per l'installazione in camper o caravan.

Il minibar è adatto all'installazione in un mobile o in una nicchia di installazione. Fare riferimento alle istruzioni per l'installazione.

Il minibar **non** è adatto per:

- la conservazione di sostanze corrosive, caustiche o contenenti solventi
- la conservazione di alimenti freschi e farmaci
- la surgelazione di alimenti

Questo prodotto è adatto solo per l'uso e l'applicazione previsti in conformità con le presenti istruzioni.

Il presente manuale fornisce le informazioni necessarie per la corretta installazione e/o il funzionamento del prodotto. Un'installazione errata e/o un utilizzo o una manutenzione impropri comporteranno prestazioni insoddisfacenti e un possibile guasto.

Il produttore non si assume alcuna responsabilità per eventuali lesioni o danni al prodotto che derivino da:

- montaggio o collegamento non corretti, compresa la sovratensione
- manutenzione non corretta o uso di ricambi diversi da quelli originali forniti dal produttore
- modifiche al prodotto senza esplicita autorizzazione del produttore
- impiego per scopi diversi da quelli descritti nel presente manuale.

Dometic si riserva il diritto di modificare l'aspetto e le specifiche del prodotto.

5 Descrizione delle caratteristiche tecniche

Il minibar dispone di un cassetto principale per bottiglie e lattine e di un mini cassetto per mignon e snack. Il cassetto principale può contenere 33 bottiglie con un'altezza massima di 28 cm.

DM50NTE D: Il modello è dotato di fabbrica di un pannello porta e di una maniglia.

DM50NTE F: Il modello viene fornito senza un pannello porta e predisposto per il montaggio del decoro della porta dell'hotel.

5.1 Descrizione del dispositivo

Pannello frontale

N. nella fig. 1 , pagina 3	Descrizione
1	Serratura (opzionale)
2	Maniglia (solo DM50NTE D)
3	Pannello porta (solo DM50NTE D)

Lato posteriore

N. nella fig. 2, pagina 3	Descrizione
1	Alimentatore
2	Presa da 12 V===
3	Vaschetta di sgocciolamento
4	Tubo di riscaldamento

Pannello di controllo (all'interno del dispositivo)

N. nella fig. 3, pagina 4	Descrizione
1	Lampada
2	LED di errore
3	LED di stato dell'alimentazione
4	Tasto di impostazione

Cassetto principale

N. nella fig. 4, pagina 4	Descrizione
1	Divisorio largo
2	Separatore
3	Divisorio piccolo
4	Fermabottiglie

Mini cassetto

N. nella fig. 5, pagina 5	Descrizione
1	Divisorio girevole
2	Supporto per bottiglie mignon

6 Installazione



ATTENZIONE! Pericolo per la salute

Per evitare pericoli a causa dell'instabilità dell'apparecchio, fissarlo secondo le istruzioni.

6.1 Montaggio del minibar in un mobile



NOTICE! Rischio di danni

L'aria che passa attraverso il condotto dell'aria in ingresso non deve essere riscaldata.

Non collocare il minibar nelle vicinanze di fiamme libere o altre fonti di calore (termoventilatori, intensa esposizione ai raggi solari, fornelli a gas, ecc.).

Il minibar può essere montato nel mobile in quattro modi.

1. Scegliere l'alternativa di installazione preferita (fig. **6**, pagina 6).
2. Rispettare le misure richieste per la nicchia di installazione (fig. **6**, pagina 6) d è lo spessore del decoro dell'hotel
3. Rispettare il corretto posizionamento del minibar e delle aperture di ventilazione per garantire un flusso dell'aria ottimale (fig. **8**, pagina 7).
4. Assicurare la distanza minima tra il retro del minibar e la parete (fig. **10**, pagina 8).
5. Realizzare le aperture di ventilazione come mostrato nella fig. **9**, pagina 7.
6. Realizzare un'apertura di ventilazione aggiuntiva nella parte inferiore della nicchia di installazione (fig. **11**, pagina 8).

Misurare la distanza dalla parte anteriore della porta del minibar **escluso** l'eventuale decoro.

N. nella fig. 12 , pagina 8	Descrizione
1	Vite $\varnothing 4 \times 45$ mm
2	Spina

7. Fissare il frigorifero con viti idonee (fig. **12 1**, pagina 8).
8. Inserire i quattro tappi (fig. **12 2**, pagina 8) nei fori.

6.2 Allacciamento elettrico del minibar

- ▶ Inserire il cavo di collegamento da 230 V nella presa di corrente alternata e collegarlo alla rete di alimentazione in corrente alternata da 230 V.
- ✓ Il LED di stato dell'alimentazione e la luce si accendono.
- ✓ Il minibar inizia a raffreddare l'interno.

6.3 Montaggio del decoro dell'hotel (solo DM50NTE F)

Il decoro della porta dell'hotel deve essere conforme ai seguenti requisiti:

- Peso massimo: 4 kg
 - Spessore massimo: 18 mm (solo versione con serratura)
- ▶ Fissare il decoro con quattro viti.

6.4 Montaggio della serratura (solo versione con serratura)

1. Praticare un foro con un diametro di 35 mm nel decoro.
2. Montare la serratura insieme al decoro della serratura.

6.5 Montaggio della serratura (solo versione senza serratura)

Smontaggio del cassetto (fig. 13, pagina 9)

1. Aprire completamente il cassetto (**A**).
2. Premere il blocco della guida (**A 1**).
3. Estrarre il cassetto dalla struttura (**B**).

Solo per DM50NTE D:

1. Togliere i due tappi (**C 1**) dalle viti (**C 2**) della maniglia della porta (**C 3**).
2. Svitare le due viti (**C 2**) della maniglia della porta.
3. Rimuovere la maniglia della porta (**C 3**).
4. Rimuovere la guarnizione.
5. Rimuovere la copertura della serratura.

Praticare i fori (fig. 14, pagina 9)

1. Praticare un foro (**A 1**) con un diametro di 23,6 mm attraverso il decoro (solo DM50NTE D) e la porta.
2. Svitare le dodici viti (**B 1**) del telaio del decoro (**B 2**) (solo DM50NTE D).
3. Rimuovere il telaio del decoro (solo DM50NTE D).

Montaggio della serratura (fig. 15, pagina 10)

1. Mettere la nuova copertura della serratura (**A 1**) in posizione.
2. Inserire il decoro (**B 1**) nel telaio del decoro.
3. Avvitare (**B 2**) il telaio del decoro (**B 3**) sulla porta.
4. Installare la serratura della porta (**C 1**).
5. Installare il fermo della serratura (**D 1**) nella struttura.

Montaggio del cassetto (fig. 16, pagina 10)

1. Spingere la guarnizione (**1**) sul telaio del decoro (**2**).
2. Avvitare la maniglia della porta (**4**) alla porta.
3. Inserire i tappi (**3**) sulle viti della maniglia della porta (**4**).
4. Spingere il cassetto nella struttura.

7 Utilizzo

7.1 Prima del primo uso

Prima del primo utilizzo, pulire il minibar all'interno e all'esterno con un panno umido per motivi igienici (vedere anche capitolo "Pulizia e cura" a pagina 104).

7.2 Risparmio energetico

- Aprire il minibar solo se necessario e per il tempo necessario.
- Evitare un abbassamento eccessivo della temperatura interna se non necessario.
- Per un consumo energetico ottimale, posizionare i ripiani e i cassette in base alla loro posizione al momento della consegna.
- Controllare regolarmente che la guarnizione della porta aderisca bene.
- Ad intervalli regolari, eliminare dal condensatore polvere ed eventuali impurità.

7.3 Utilizzo del minibar

Il minibar inizia a raffreddare quando è collegato a un'alimentazione. Durante il normale funzionamento, il LED di stato dell'alimentazione è acceso. Se si verifica un errore, il LED di errore lampeggia (vedi capitolo "Risoluzione dei problemi" a pagina 103).

7.4 Regolazione della temperatura

Per evitare sprechi di cibo, considerare quanto segue:

- Ridurre al minimo le variazioni di temperatura. Aprire il minibar solo se necessario e per il tempo necessario. Conservare gli alimenti in modo che l'aria possa continuare a circolare bene.
- Il minibar è dotato di una funzione di regolazione della temperatura automatica. Selezionare la media dei possibili valori di temperatura.
- Regolare la temperatura in base alla quantità e al tipo di alimenti.

Il minibar è impostato per impostazione predefinita su una temperatura di raffreddamento di 7 °C ad una temperatura ambiente di 25 °C.

La temperatura di raffreddamento può essere impostata su uno dei tre valori seguenti utilizzando il pulsante di impostazione: 5 °C, 12 °C e 7 °C.

La temperatura di raffreddamento viene impostata nella seguente sequenza: 5 °C ... 12 °C ... 7 °C ... 5 °C ecc.

1. Tenere premuto il pulsante di impostazione (fig. **3 4**, pagina 4) per almeno 5 s finché la luce interna (fig. **3 1**, pagina 4) non inizia a lampeggiare.
 2. Premere nuovamente il pulsante di impostazione fino a selezionare il valore desiderato per la temperatura di raffreddamento.
- ✓ La luce interna lampeggia. Il numero di lampeggi indica la temperatura impostata. Il segnale di lampeggio viene ripetuto a tre intervalli:
- La luce lampeggia **cinque volte**: 5 °C
 - La luce lampeggia **una volta**: 12 °C
 - La luce lampeggia **tre volte**: 7 °C

8 Risoluzione dei problemi

Guasto	Possibile causa	Rimedio suggerito
<p>Il minibar non funziona.</p> <p>Il LED di stato dell'alimentazione non è acceso.</p>	<p>Nella presa CA non c'è tensione.</p> <hr/> <p>L'alimentatore è difettoso.</p>	<p>► Provare a collegare il dispositivo a un'altra presa a spina.</p> <hr/> <p>► Contattare il servizio di assistenza autorizzato.</p>
<p>Il minibar non raffredda. La spina è inserita, il LED di stato dell'alimentazione è acceso.</p>	<p>L'elemento raffreddante è difettoso.</p>	<p>► Contattare il servizio di assistenza autorizzato.</p>
<p>Il LED di errore lampeggia una volta al secondo.</p>	<p>Il sensore di temperatura è difettoso.</p>	<p>► Contattare il servizio di assistenza autorizzato.</p>
<p>Il minibar non raffredda in modo sufficiente.</p> <p>Il LED di stato dell'alimentazione è acceso, il LED di errore non è acceso.</p>	<p>L'elemento raffreddante è difettoso.</p> <hr/> <p>Scarsa ventilazione</p>	<p>► Contattare il servizio di assistenza autorizzato.</p> <hr/> <p>► Controllare la ventilazione.</p> <p>► Pulire il filtro sotto l'apparecchio.</p>

9 Pulizia e cura



AVVERTENZA! Pericolo di scosse elettriche

Scollegare sempre il minibar dalla rete elettrica prima della pulizia e della manutenzione.



AVVISO! Rischio di danni

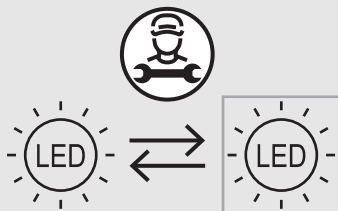
- Per la pulizia non impiegare detersivi abrasivi oppure oggetti duri, perché potrebbero danneggiare il minibar.
- Non lavare mai il minibar sotto acqua corrente e non immergerlo in acqua.
- Non impiegare mai utensili duri o appuntiti per rimuovere il ghiaccio o per liberare oggetti congelati nel minibar.
- Non utilizzare alcun ausilio meccanico o di qualsiasi altro tipo per accelerare il processo di sbrinamento.
- Assicurarsi che non goccioli acqua nelle guarnizioni per evitare di danneggiare i componenti elettronici.

- Pulire con un panno umido il minibar regolarmente e non appena sono visibili tracce di sporco.
- Dopo aver lavato il minibar, asciugarlo con un panno.
- Controllare lo scarico della condensa con regolarità. Se necessario pulire lo scarico della condensa. Quando è intasato, la condensa si raccoglie sul fondo del minibar.
- Assicurarsi che le aperture di aerazione e disaerazione del minibar siano prive di polvere e sporcizia da permettere al calore generato durante il funzionamento di fuoriuscire e non danneggiare l'apparecchio.



AVVISO! Rischio di danni

Per prevenire rischi, la sorgente luminosa può essere sostituita soltanto dal produttore, dal servizio di assistenza o da una persona dotata di qualifica analoga.



10 Garanzia

Vale il termine di garanzia previsto dalla legge. Se il prodotto è difettoso, contattare il rivenditore di fiducia o la filiale del fabbricante nel proprio Paese (vedi dometic.com/dealer).

Per la gestione della riparazione e della garanzia è necessario inviare la seguente documentazione insieme al prodotto:

- una copia della ricevuta con la data di acquisto,
- il motivo della richiesta o la descrizione del guasto.

Tenere presente che le riparazioni eseguite in autonomia o da personale non professionista possono avere conseguenze sulla sicurezza e invalidare la garanzia.

11 Smaltimento

Riciclaggio del materiale da imballaggio



- Smaltire il materiale di imballaggio possibilmente negli appositi contenitori di riciclaggio.



AVVERTENZA! Pericolo di incendio

- Il refrigerante è altamente infiammabile. Non aprire o danneggiare il circuito di raffreddamento.
- L'isolamento del dispositivo contiene un gas isolante (vedi targhetta con le specifiche tecniche). Non danneggiare l'isolamento.

Riciclaggio di prodotti con batterie non sostituibili, batterie ricaricabili o fonti di luce



- Se il prodotto contiene batterie non sostituibili, batterie ricaricabili o fonti di luce, non è necessario rimuoverle prima dello smaltimento.




- Per smaltire definitivamente il prodotto, informarsi presso il centro di riciclaggio più vicino o presso il proprio rivenditore specializzato sulle norme relative allo smaltimento.



- È possibile smaltire il prodotto gratuitamente.

12 Specifiche tecniche

	DM50NTE D	DM50NTE F
Tensione	100 – 240 V~, 50 – 60 Hz	
Capacità di raffreddamento	fino a max 21 °C al di sotto della temperatura ambiente (regolabile in tre passi: 5 °C, 7 °C, 12 °C)	
Categoria	2 (cantina)	
Volume totale	50 l	
Classe di efficienza energetica	G	
Classe climatica	N	
Refrigerante	R600a	
Quantità di refrigerante	28 g	
Dimensioni cassetto principale L x P x A	430 x 330 x 302 mm	
Dimensioni mini cassetto L x P x A	159 x 285 x 88 mm	
Dimensioni L x P x A	550 x 524 x 418 mm	550 x 496 x 418 mm
Carico massimo interno:	31 kg	
Peso	23,5 kg	23,0 kg
Ispezione/certificazione		

Per consultare l'attuale dichiarazione di conformità UE del dispositivo, visitare la pagina del relativo prodotto sul sito dometic.com oppure contattare direttamente il fabbricante (vedi dometic.com/dealer).

Ulteriori informazioni sul prodotto sono accessibili tramite il codice QR sull'etichetta energetica (vedi dati) o al sito eprel.ec.europa.eu.

Il gruppo refrigerante è sigillato ermeticamente.

Lees deze gebruiksaanwijzing zorgvuldig door en volg alle instructies, richtlijnen en waarschuwingen in deze handleiding op om ervoor te zorgen dat u het product te allen tijde op de juiste manier installeert, gebruikt en onderhoudt. Deze gebruiksaanwijzing MOET bij dit product bewaard worden.

Door het product te gebruiken, bevestigt u hierbij dat u alle instructies, richtlijnen en waarschuwingen zorgvuldig hebt gelezen en dat u de voorwaarden zoals hierin beschreven begrijpt en accepteert. U gaat ermee akkoord dit product alleen te gebruiken voor het beoogde doel en de beoogde toepassing en in overeenstemming met de instructies, richtlijnen en waarschuwingen zoals beschreven in deze gebruiksaanwijzing en in overeenstemming met de geldende wet- en regelgeving. Het niet lezen en opvolgen van de hierin beschreven instructies en waarschuwingen kan leiden tot letsel voor uzelf en anderen, schade aan uw product of schade aan andere eigendommen in de omgeving. Deze gebruiksaanwijzing, met inbegrip van de instructies, richtlijnen en waarschuwingen, en de bijbehorende documentatie kan onderhevig zijn aan wijzigingen en updates. Actuele productinformatie vindt u op documents.dometic.com.

Inhoud

1	Verklaring van de symbolen	107
2	Veiligheidsaanwijzingen	108
3	Omvang van de levering	111
4	Beoogd gebruik	112
5	Technische beschrijving	113
6	Installatie	114
7	Gebruik	117
8	Problemen oplossen	119
9	Reiniging en onderhoud	120
10	Garantie	121
11	Verwijdering	121
12	Technische gegevens	122

1 Verklaring van de symbolen



GEVAAR!

Veiligheidsaanwijzing: Duidt op een gevaarlijke situatie die, indien deze niet wordt voorkomen, leidt tot ernstig letsel of de dood.



WAARSCHUWING!

Veiligheidsaanwijzing: Duidt op een gevaarlijke situatie die, indien deze niet wordt voorkomen, kan leiden tot ernstig letsel of de dood.

**VOORZICHTIG!**

Veiligheidsaanwijzing: Duidt op een gevaarlijke situatie die, indien deze niet wordt voorkomen, kan leiden tot licht of matig letsel.

**LET OP!**

Duidt op een situatie die, indien deze niet wordt voorkomen, kan leiden tot materiële schade.

**INSTRUCTIE**

Aanvullende informatie voor het gebruik van het product.

2 Veiligheidsaanwijzingen

2.1 Algemene veiligheid



WAARSCHUWING! Het niet in acht nemen van deze waarschuwingen kan leiden tot ernstig letsel of de dood.

Gevaar voor elektrische schokken

- Zorg ervoor dat de minibar wordt geïnstalleerd door een gekwalificeerd technicus en in overeenstemming met de Dometic-montagehandleiding.
- Gebruik de minibar niet als deze zichtbaar beschadigd is.
- Als de stroomkabel van de minibar beschadigd is, moet deze, om gevaren te voorkomen, worden vervangen door de fabrikant, diens klantenservice of gelijkwaardig bevoegd personeel.
- Deze minibar mag uitsluitend worden gerepareerd door bevoegd personeel. Door ondeskundige reparaties kunnen grote gevaren ontstaan.
- Zorg er bij het positioneren van de minibar voor dat de voedingskabel niet verstrikt of beschadigd raakt.
- Plaats geen meervoudige stekkerdozen of draagbare voedingen achter het toestel.
- Sluit het toestel aan op contactdozen die een goede verbinding garanderen, met name wanneer het toestel moet worden geaard.

Brandgevaar

- Het koelmiddel in de koelkring is licht ontvlambaar.
In geval van beschadiging van de koelkring:
 - Schakel de minibar uit.
 - Vermijd open vuur en vonken.
 - Ventileer de ruimte goed.
- Houd de inbouwopening voor de minibar vrij van elektrische componenten en lichtbronnen die tijdens normaal of afwijkend gebruik vonken of lichtbogen veroorzaken (bijv. relais of zekeringkasten).
- Na de installatie moet de minibar nog van het stroomnet losgekoppeld kunnen worden. Dit kan door de stekker bereikbaar te maken of door een schakelaar aan te brengen op de vaste bedrading volgens de richtlijnen voor bedrading.
- Houd ventilatieopeningen, in de minibar-behuizing of in de inbouwconstructie, vrij.
- Gebruik geen mechanische apparaten of andere middelen om het ontdooiproces te versnellen dan de door de fabrikant aanbevolen middelen.
- Open in geen geval de koelkring.
- Gebruik geen elektrische apparaten in de minibar, behalve als deze elektrische apparaten daarvoor door de fabrikant worden aanbevolen.

Explosiegevaar

- Bewaar geen explosiegevaarlijke stoffen in de minibar, zoals spuitbussen met drijfgas.

Gevaar voor de gezondheid

- Deze minibar mag worden gebruikt door kinderen vanaf 8 jaar en ouder evenals door personen met verminderd fysiek, zintuiglijk of mentaal vermogen of gebrek aan kennis en ervaring, mits zij onder toezicht staan of zijn geïnstrueerd in het veilig gebruik van de minibar en zij inzicht hebben in de gevaren die het gebruik van de minibar met zich meebrengt.
- Kinderen mogen niet met de minibar spelen.
- Reiniging en gebruikersonderhoud mogen niet door kinderen zonder toezicht worden uitgevoerd.
- Kinderen van 3 tot 8 jaar mogen de minibar alleen in- en uitruimen.



VOORZICHTIG! Het niet in acht nemen van deze waarschuwingen kan leiden tot licht of matig letsel.

Gevaar voor beknelling

- Grijp niet in het scharnier.

Gevaar voor de gezondheid

- Levensmiddelen mogen alleen in de originele verpakking of in geschikte bakken worden bewaard.



LET OP! Gevaar voor schade

- Controleer of de spanning op het typeplaatje overeenkomt met de aanwezige stroomvoorziening.
- De minibar is niet geschikt voor de opslag van bijtende of oplosmiddelhoudende stoffen.
- De isolatie van het koeltoestel bevat ontvlambaar cyclopentaan en vereist speciale verwerkingsprocedures. Breng het koeltoestel aan einde van zijn levensduur naar een erkend afvalverwerkingsbedrijf.
- Houd de afvoerleiding altijd schoon.
- Draag de minibar uitsluitend rechtop.

2.2 De minibar veilig gebruiken



GEVAAR! Het niet in acht nemen van deze waarschuwingen leidt tot ernstig letsel of de dood.

Gevaar voor elektrische schokken

- Raak blanke leidingen nooit met blote handen aan.



VOORZICHTIG! Het niet in acht nemen van deze waarschuwingen kan leiden tot licht of matig letsel.

Gevaar voor elektrische schokken

- Let er voor de ingebruikname van de minibar op dat voedingskabel en stekker droog zijn.

Gevaar voor de gezondheid

- Zorg ervoor dat u alleen voorwerpen in de minibar legt die op de gekozen temperatuur gekoeld mogen worden.
- Levensmiddelen mogen alleen in de originele verpakking of in geschikte bakken worden bewaard.
- Langdurig openen van de deur kan leiden tot een aanzienlijke temperatuurstijging in de compartimenten van de minibar.

- Reinig oppervlakken die in contact komen met voedsel en aftapsystemen regelmatig.
- Als de minibar voor een langere periode leeg wordt gehouden:
 - Schakel de minibar uit.
 - Ontdooi de minibar.
 - Reinig en droog de minibar.
 - Laat de deur open om schimmelvorming in de minibar te voorkomen.

**LET OP!****Gevaar voor schade**

- Plaats de minibar niet in de buurt van open vuur of andere warmtebronnen (brandende kaarsen, verwarming, sterke zonnestraling, gaskachels enz.).
- Dompel de minibar nooit onder in water.
- Bescherm de minibar en de kabel tegen hitte en vocht.
- Let op dat levensmiddelen de wanden van de koelruimte niet aanraken.

3 Omvang van de levering

De volgende opties zijn verkrijgbaar:

- Minibar DM50NTE D met deurpaneel, zonder slot
- Minibar DM50NTE D met deurpaneel, met slot
- Minibar DM50NTE F zonder deurpaneel, zonder slot
- Minibar DM50NTE F zonder deurpaneel, met slot

Aantal	Beschrijving	
1	Uittrekbare minibar	
1	Kabel voor 230V~ -aansluiting	
4	Schroef $\varnothing 4 \times 45$ mm (montage)	
4	Plug (montage)	
1	Handvat	(alleen DM50NTE D)
2	Plug (montage van het handvat)	(alleen DM50NTE D)
1	Inlaatfilter	
6	Schroef $\varnothing 3 \times 12$ mm (montage van het filter)	

Aantal	Beschrijving	
2	Plug (houten decorplaat)	(alleen DM50NTE F, houten versie)
1	Slotbeslag (houten decorplaat)	(alleen DM50NTE F, houten versie met slot)
2	Sleutel	(alleen versie met slot)
1	Montagehandleiding en gebruiksaanwijzing	

4 Beoogd gebruik

Het koeltoestel (ook minibar genoemd) is bedoeld voor het koelen en bewaren van dranken en levensmiddelen in afgesloten bakken en flessen.

De minibar is ontworpen voor gebruik op cruiseschepen of voor gebruik in het huis-houden of voor soortgelijke toepassingen, zoals:

- personeelskeukens van winkels, kantoren en andere werkomgevingen
- boerderijen
- hotels, motels en andere woonomgevingen
- bed and breakfast-accommodaties
- catering en soortgelijke toepassingen anders dan in de detailhandel

De minibar is **niet** ontworpen voor inbouw in caravans of campers.

De minibar is geschikt voor inbouw in een keukenkastje of in een inbouwnis. Zie de montagehandleiding.

De minibar is **niet** geschikt voor

- opslag van corroderende, bijtende of oplosmiddel houdende stoffen
- opslag van vers voedsel en geneesmiddelen
- invriezen van levensmiddelen

Dit product is alleen geschikt voor het beoogde gebruik en de toepassing in overeenstemming met deze gebruiksaanwijzing.

Deze handleiding geeft informatie die nodig is voor een correcte installatie en/of correct gebruik van het product. Een slechte installatie en/of onjuist gebruik of onderhoud leidt tot onbevredigende prestaties en mogelijke storingen.

De fabrikant aanvaardt geen aansprakelijkheid voor letsel of schade aan het product die het gevolg is van:

- Onjuiste montage of aansluiting, inclusief te hoge spanning

- Onjuist onderhoud of gebruik van andere dan door de fabrikant geleverde originele reserveonderdelen
- Wijzigingen aan het product zonder uitdrukkelijke toestemming van de fabrikant
- Gebruik voor andere doeleinden dan beschreven in deze handleiding

Dometic behoudt zich het recht voor om het uiterlijk en de specificaties van het product te wijzigen.

5 Technische beschrijving

De minibar heeft een hoofdlade voor flessen en blikjes en een minilade voor miniaturen en snacks. De hoofdlade heeft ruimte voor 33 flessen met een maximale hoogte van 28 cm.

DM50NTE D: Het model is af fabriek uitgerust met een deurpaneel en een handvat.

DM50NTE F: Het model wordt geleverd zonder deurpaneel en is geschikt voor montage van een decorplaat van het hotel zelf.

5.1 Toestelbeschrijving

Frontkap

Nr. in afb. 1 , pagina 3	Beschrijving
1	Slot (optioneel)
2	Handvat (alleen DM50NTE D)
3	Deurpaneel (alleen DM50NTE D)

Achterzijde

Nr. in afb. 2 , pagina 3	Beschrijving
1	Netadapter
2	12V---contactdoos
3	Opvangschaal
4	Verwarmingsleiding

Bedieningspaneel (in het toestel)

Nr. in afb. 3 , pagina 4	Beschrijving
1	Lamp
2	Led 'E' (Error: fout)
3	Led 'P' (Power: voeding)
4	Instelknop

Hoofdlade

Nr. in afb. 4 , pagina 4	Beschrijving
1	Breed scheidingschot
2	Lang scheidingschot
3	Smal scheidingschot
4	Flessenhouder

Minilade

Nr. in afb. 5 , pagina 5	Beschrijving
1	Draaibaar scheidingschot
2	Miniflessenhouder

6 Installatie



VOORZICHTIG! Gevaar voor de gezondheid

Om gevaar door instabiliteit van het toestel te voorkomen, moet het volgens de instructies worden bevestigd.

6.1 De minibar in een meubelstuk monteren



NOTICE! Gevaar voor schade

Lucht die door het inlaatluchtkanaal stroomt, mag niet worden verwarmd.

Plaats de minibar niet in de buurt van open vuur of andere warmtebronnen (verwarming, sterke zonnestraling, gaskachels, enz.).

Er zijn vier manieren om de minibar in meubilair te monteren.

1. Kies het gewenste installatiealternatief (afb. **6**, pagina 6).
2. Let op de vereiste inbouwopening afb. **6**, pagina 6()
 - d is de dikte van de decorplaat van het hotel.
3. Let op de juiste plaatsing van de minibar en ventilatieopeningen om een goede luchtstroom te garanderen (afb. **8**, pagina 7).
4. Zorg voor een minimale ruimte tussen de achterkant van de minibar en de meubelmuur (afb. **10**, pagina 8).
5. Breng de ventilatieopeningen aan zoals weergegeven in afb. **9**, pagina 7.
6. Zorg voor een extra ventilatieopening in de onderkant van de inbouwopening (afb. **11**, pagina 8).

Meet de afstand vanaf het deurpaneel van de minibar **exclusief** eigen decorplaat.

Nr. in afb. 12 , pagina 8	Beschrijving
1	Schroef $\varnothing 4 \times 45$ mm
2	Plug

7. Bevestig de koelkast met geschikte schroeven (afb. **12 1**, pagina 8).
8. Steek de vier pluggen (afb. **12 2**, pagina 8) in de boorgaten.

6.2 Minibar elektrisch aansluiten

- ▶ Steek de 230V-aansluitkabel in het wisselstroom-stopcontact en sluit deze aan op het 230V-wisselstroomnet.
- ✓ De led 'P' en de lamp gaan branden.
- ✓ De minibar begint met het koelen van de binnenruimte.

6.3 Decorplaat van het hotel monteren (alleen DM50NTE F)

De decorplaat van het hotel moet voldoen aan de volgende vereisten:

- Maximumgewicht: 4 kg
 - Maximumdikte: 18 mm (alleen versie met slot)
- Bevestig de deur met vier schroeven.

6.4 Slot monteren (alleen versie met slot)

1. Boor een gat met een diameter van 35 mm in de decorplaat.
2. Monteer het slot samen met het slotbeslag.

6.5 Slot monteren (alleen versie zonder slot)

Lade demonteren (afb. 13, pagina 9)

1. Open de lade volledig (A).
2. Druk op de vergrendeling van de ladegeleider (A 1).
3. Trek de lade uit de kast (B).

Alleen voor DM50NTE D:

1. Verwijder de twee pluggen (C 1) van de schroeven (C 2) van het handvat (C 3).
2. Verwijder de twee schroeven (C 2) van het handvat.
3. Verwijder het handvat (C 3).
4. Verwijder de pakking.
5. Verwijder de slotafdekking.

Gaten boren (afb. 14, pagina 9)

1. Boor een gat (A 1) met een diameter van 23,6 mm door de decorplaat (alleen DM50NTE D) en de deur.
2. Draai de twaalf schroeven (B 1) uit het decorframe (B 2) (alleen DM50NTE D).
3. Verwijder het decorframe (alleen DM50NTE D).

Slot monteren (afb. 15, pagina 10)

1. Plaats de nieuwe slotafdekking (**A 1**) op zijn plek.
2. Plaats de decorplaat (**B 1**) in het decorframe.
3. Schroef het decorframe (**B 2**) op de deur (**B 3**).
4. Monteer het slot (**C 1**).
5. Monteer de grendel (**D 1**) in de kast.

Lade monteren (afb. 16, pagina 10)

1. Druk de pakking (**1**) op het decorframe (**2**).
2. Schroef het handvat (**B 4**) op de deur.
3. Druk de pluggen (**3**) op de schroeven van het handvat (**4**).
4. Schuif de lade in de kast.

7 Gebruik

7.1 Voor het eerste gebruik

Reinig de minibar om hygiënische redenen voor het eerste gebruik aan de binnen- en buitenzijde met een vochtige doek (zie ook hoofdstuk „Reiniging en onderhoud“ op pagina 120).

7.2 Energie besparen

- Open de minibar uitsluitend indien nodig en slechts zo lang als noodzakelijk.
- Vermijd een onnodig lage binnentemperatuur.
- Plaats, voor een optimaal energieverbruik, de legplanken en laden in de positie zoals die was bij levering.
- Controleer regelmatig of de deurafdichting nog goed zit.
- Verwijder regelmatig stof en vuil van de condensor.

7.3 Minibar gebruiken

De minibar begint met koelen zodra deze is aangesloten op een stroomvoorziening. Tijdens normaal gebruik brandt de led 'P'. Als er een fout optreedt, knippert de led 'E' (zie hoofdstuk „Problemen oplossen“ op pagina 119).

7.4 Temperatuur instellen

Let op het volgende om voedselverspilling tegen te gaan:

- Houd temperatuurschommelingen zo laag mogelijk. Open de minibar uitsluitend indien nodig en slechts zo lang als noodzakelijk. Berg levensmiddelen zodanig op dat de lucht nog steeds goed kan circuleren.
- De minibar is uitgerust met een automatisch temperatuurregeling. Selecteer het gemiddelde van de mogelijke temperatuurwaarden.
- Pas de temperatuur aan de hoeveelheid en het type levensmiddelen aan.

De minibar is standaard ingesteld op een koeltemperatuur van 7 °C bij een omgevingstemperatuur van 25 °C.

De koeltemperatuur kan met de instelknop worden ingesteld op een van de volgende drie waarden: 5 °C, 12 °C en 7 °C.

De koeltemperatuur wordt in de volgende volgorde ingesteld: 5 °C ... 12 °C ... 7 °C ... 5 °C enz.

1. Houd de instelknop (afb. **3 4**, pagina 4) ten minste 5 s ingedrukt, totdat de lamp (afb. **3 1**, pagina 4) begint te knipperen.
 2. Druk nogmaals op de instelknop tot de gewenste koeltemperatuurwaarde is geselecteerd.
- ✓ De lamp knippert. Het aantal keer knipperen geeft de ingestelde temperatuurinstelling aan. Het knippersignaal wordt met drie intervallen herhaald:
- De lamp knippert **vijf keer**: 5 °C
 - De lamp knippert **één keer**: 12 °C
 - De lamp knippert **drie keer**: 7 °C

8 Problemen oplossen

Fout	Mogelijke oorzaak	Voorgestelde oplossing
De minibar werkt niet . De led 'P' brandt niet.	Op het wisselspanning-stopcontact staat geen spanning.	➤ Probeer een ander stopcontact.
	De netadapter is defect.	➤ Neem contact op met een geautoriseerde klantenservice.
De minibar koelt niet . De stekker zit in het stopcontact, de led 'P' brandt.	Het koelelement is defect.	➤ Neem contact op met een geautoriseerde klantenservice.
De led 'E' knippert één keer per seconde.	De temperatuursensor is defect.	➤ Neem contact op met een geautoriseerde klantenservice.
Het minibar koelt niet voldoende . De led 'P' brandt, de led 'E' brandt niet .	Het koelelement is defect. Slechte ventilatie	➤ Neem contact op met een geautoriseerde klantenservice. ➤ Controleer de ventilatie. ➤ Reinig het filter onder het toestel.

9 Reiniging en onderhoud



WAARSCHUWING! Gevaar voor elektrische schokken

Koppel de minibar voor elke reiniging en elk onderhoud los van de netspanning.



LET OP! Gevaar voor schade

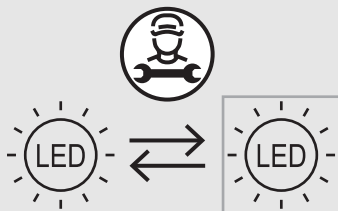
- Gebruik voor de reiniging geen bijtende schoonmaakmiddelen of harde voorwerpen omdat deze de minibar kunnen beschadigen.
- Reinig de minibar nooit onder stromend water of in afwaswater.
- Gebruik nooit harde of scherpe voorwerpen om ijs te verwijderen of om vastgevroren objecten los te maken van de minibar.
- Gebruik geen mechanische of andere hulpmiddelen om het ontdooien te versnellen.
- Zorg ervoor dat er geen water in de afdichtingen druppelt om schade aan de elektronica te voorkomen.

- Reinig de minibar regelmatig en als hij vuil is met een vochtige doek.
- Veeg de minibar na het reinigen met een doek droog.
- Controleer de condensatafvoer regelmatig.
Reinig de condensatafvoer indien nodig. Als deze verstopt is, verzamelt het condensaat zich op de bodem van de minibar.
- Zorg ervoor dat de ventilatieopeningen van de minibar vrij zijn van stof en verontreinigingen, zodat de warmte kan worden afgevoerd en het toestel niet beschadigd raakt.



LET OP! Gevaar voor schade

Om gevaren te voorkomen mag de lichtbron uitsluitend worden vervangen door de fabrikant, diens klantenservice of een gelijkwaardig gekwalificeerd persoon.



10 Garantie

De wettelijke garantieperiode is van toepassing. Als het product defect is, neem dan contact op met de detailhandel of met het filiaal van de fabrikant in uw land (zie dometic.com/dealer).

Stuur voor de afhandeling van reparaties of garantie de volgende documenten mee:

- Een kopie van de factuur met datum van aankoop
- De reden voor de claim of een beschrijving van de fout

Houd er rekening mee dat eigenmachtige of niet-professionele reparatie gevolgen voor de veiligheid kan hebben en dat de garantie hierdoor kan komen te vervallen.

11 Verwijdering

Verpakkingsmateriaal recycleren



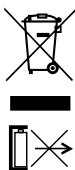
- Gooi het verpakkingsmateriaal indien mogelijk altijd in recyclingafvalbakken.



WAARSCHUWING! Brandgevaar


- Het koelmiddel is licht ontvlambaar. Open of beschadig de koelkring niet.
- De isolatie van het apparaat bevat een isolatiegas (zie typeplaatje). Beschadig de isolatie niet.

Producten met niet-vervangbare batterijen, oplaadbare batterijen of lichtbronnen recycleren



- Als het product niet-vervangbare batterijen, oplaadbare batterijen of lichtbronnen bevat, hoeft u die niet te verwijderen voordat u het product afvoert.
- Als u het product definitief weg wilt doen, vraag dan bij het dichtstbijzijnde afvalverwerkingsbedrijf of uw dealer naar de betreffende afvoerschriften.
- Het product kan gratis worden afgevoerd.

12 Technische gegevens

	DM50NTE D	DM50NTE F
Spanning	100 – 240 V~, 50 – 60 Hz	
Koelvermogen	max. 21 °C onder omgevingstemperatuur (instelbaar in drie stappen: 5 °C, 7 °C, 12 °C)	
Categorie	2 (kelder)	
Totaal volume	50 l	
Energie-efficiëntieklasse	G	
Klimaatklasse	N	
Koelmiddel	R600a	
Hoeveelheid koelmiddel	28 g	
Afmetingen hoofdlade b x d x h	430 x 330 x 302 mm	
Afmetingen minilade b x d x h	159 x 285 x 88 mm	
Afmetingen b x d x h	550 x 524 x 418 mm	550 x 496 x 418 mm
Maximale interne opslagruimte	31 kg	
Gewicht	23,5 kg	23,0 kg
Inspectie/certificering		

Voor de actuele EU-verklaring van overeenstemming voor uw toestel gaat u naar de desbetreffende productpagina op dometic.com of neemt u direct contact op met de fabrikant (zie dometic.com/dealer).

Meer informatie over het product is beschikbaar via de QR-code op het energielabel (zie afbeeldingen) of op eprel.ec.europa.eu.

Het koelaggregaat is hermetisch afgesloten.

Læs og følg alle disse anvisninger, retningslinjer og advarsler i denne produktvejledning grundigt for at sikre, at du altid installerer, bruger og vedligeholder produktet korrekt. Disse anvisninger SKAL opbevares sammen med dette produkt.

Ved at benytte produktet bekræfter du hermed, at du har læst alle anvisninger, retningslinjer og advarsler grundigt, og at du forstår og er indforstået med de vilkår og betingelser, der er fastlagt heri. Du er indforstået med kun at bruge dette produkt til det beregnede formål og anvendelse i overensstemmelse med anvisningerne, retningslinjerne og advarslerne i denne produktvejledning samt i overensstemmelse med alle de gældende love og forskrifter. Manglende læsning og ignorering af disse anvisninger og advarsler kan medføre kvæstelser på dig selv og andre, skade på dit produkt eller skade på anden ejendom i nærheden. Der tages forbehold for eventuelle ændringer og opdateringer af denne produktvejledning samt anvisningerne, retningslinjerne og advarslerne samt den tilhørende dokumentation. Se documents.dometic.com for de nyeste produktinformationer.

Indhold

1	Forklaring af symboler	123
2	Sikkerhedshenvisninger	124
3	Leveringsomfang	127
4	Korrekt brug	128
5	Teknisk beskrivelse	129
6	Montering	130
7	Betjening	133
8	Udbedring af fejl	135
9	Rengøring og vedligeholdelse	136
10	Garanti	137
11	Bortskaffelse	137
12	Tekniske data	138

1 Forklaring af symboler



FARE!

Sikkerhedshenvisning: Angiver en farlig situation, som medfører dødsfald eller alvorlig kvæstelse, såfremt den ikke undgås.



ADVARSEL!

Sikkerhedshenvisning: Angiver en farlig situation, som kan medføre dødsfald eller alvorlig kvæstelse, såfremt den ikke undgås.

**FORSIGTIG!**

Sikkerhedshenvisning: Angiver en farlig situation, som kan medføre mindre eller lette kvæstelser, såfremt den ikke undgås.

**VIGTIGT!**

Angiver en situation, som kan medføre materielle skader, såfremt den ikke undgås.

**BEMÆRK**

Supplerende oplysninger om betjening af produktet.

2 Sikkerhedshenvisninger

2.1 Grundlæggende sikkerhed



ADVARSEL! Manglende overholdelse af disse advarsler kan medføre dødelige eller alvorlige kvæstelser.

Fare for elektrisk stød

- Kontrollér, at minibaren er blevet monteret af en kvalificeret tekniker i overensstemmelse med monteringsvejledningen fra Dometic.
- Hvis minibaren har synlige beskadigelser, må du ikke tage det i brug.
- Hvis denne minibars tilslutningskabel er beskadiget, skal det udskiftes af producenten eller dennes servicerepræsentant eller en tilsvarende uddannet person for at forhindre farer.
- Reparationer på denne minibar må kun foretages af kvalificeret personale. Ved ukorrekte reparationer kan der opstå alvorlige farer.
- Når minibaren positioneres, skal det sikres, at strømledningen ikke sidder i klemme eller beskadiges.
- Placér ikke flere bærbare stikdåser eller bærbare strømforsyninger bagved apparatet.
- Sæt apparatet i stikdåser, der sikrer en korrekt forbindelse, især når apparatet skal forbindes med jord.

Brandfare

- Kølemidlet i kølekredsløbet er letantændeligt. Ved en beskadigelse af kølemiddelkredsløbet:
 - Sluk minibaren.
 - Undgå åben ild og antændelsesgnister.
 - Udluft rummet grundigt.
- Hold minibarens monteringsniche fri for elektriske komponenter og lyskilder, der frembringer gnister eller lysbuer under normal eller unormal drift (f.eks. relæer eller sikringskasser).
- Efter installationen skal det stadig være muligt at afbryde minibaren fra elnettilslutningen. Dette kan opnås ved at have stikket tilgængeligt eller ved at integrere en kontakt i de faste ledninger i henhold til ledningsreglerne.
- Hold ventilationsåbningerne i minibarens kabinet eller den indbyggede konstruktion fri for forhindringer.
- Anvend ikke andre mekaniske instrumenter eller andre midler til at fremskynde afrimningen end dem, der er anbefalet af producenten.
- Åbn under ingen omstændigheder kølekredsløbet.
- Anvend ikke el-apparater i minibaren, undtagen hvis producenten anbefaler disse el-apparater hertil.

Eksplodingsfare

- Opbevar ikke eksplosive stoffer som f.eks. spraydåser med drivgas i minibaren.

Sundhedsfare

- Denne minibar kan anvendes af børn over 8 år og personer med reducerede fysiske, sanse- eller mentale evner eller uden erfaring eller viden, hvis de er under opsyn eller blev instrueret i sikker brug af minibaren og forstår de involverede farer.
- Børn må ikke lege med minibaren.
- Rengøring og vedligeholdelse må ikke udføres af børn uden opsyn.
- Børn i alderen fra 3 til 8 år må fylde og tømme minibaren.



FORSIGTIG! Manglende overholdelse af disse forsigtighedshenvisninger kan medføre mindre eller moderate kvæstelser.

Risiko for at komme i klemme

- Grib ikke ind i hængslet.

Sundhedsfare

- Fødevarer må kun opbevares i original emballage eller egnede beholdere.

**VIGTIGT! Fare for beskadigelse**

- Sammenlign spændingsangivelsen på typeskiltet med energiforsyningen, der er til rådighed.
- Minibaren er ikke egnet til opbevaring af stoffer, der er ætsende eller indeholder opløsningsmidler.
- Køleapparatets isolering indeholder brændbar cyklopentan og kræver specielle bortskaffelsesprocedurer. Aflever køleapparatet på genbrugsstationen ved afslutningen af dets levetid.
- Hold altid udløbsåbningen ren.
- Bør kun minibaren oprejst.

2.2 Sikkerhed under anvendelse af minibaren

**FARE! Manglende overholdelse af disse advarsler medfører dødelige eller alvorlige kvæstelser.****Fare for elektrisk stød**

- Tag aldrig fat i uisolerede ledninger med bare hænder.

**FORSIGTIG! Manglende overholdelse af disse forsigtighedshenvisninger kan medføre mindre eller moderate kvæstelser.****Fare for elektrisk stød**

- Kontrollér, at tilførselsledningen og stikket er tørre, før minibaren startes.

Sundhedsfare

- Sørg for, at der kun er genstande eller varer i minibaren, der må afkøles til den valgte temperatur.
- Madvarer må kun opbevares i original emballage eller egnede beholdere.
- Hvis døren er åben i længere tid, kan temperaturen stige betydeligt i minibarens rum.
- Rengør regelmæssigt overflader, som kan komme i kontakt med levnedsmidler og adgang til kloaksystemer.

- Hvis minibaren er tomt i længere tid:
 - Sluk minibaren.
 - Afrim minibaren.
 - Rengør og tør minibaren.
 - Lad døren være åben for at forhindre, at der dannes mug inden i minibaren.



VIGTIGT!

Fare for beskadigelse

- Stil ikke minibaren i nærheden af åben ild eller andre varmekilder (tændte stearinlys, varmeapparater, direkte sollys, gasovne osv.).
- Dyp aldrig minibaren i vand.
- Beskyt minibaren og kablerne mod varme og fugtighed.
- Sørg for, at fødevarerne ikke berører kølerummets væg.

3 Leveringsomfang

Der kan fås følgende hovedalternativer:

- Minibar DM50NTE D med dørpanel, uden lås
- Minibar DM50NTE D med dørpanel, med lås
- Minibar DM50NTE F uden dørpanel, uden lås
- Minibar DM50NTE F uden dørpanel, med lås

Antal	Beskrivelse	
1	Minibar med skuffe	
1	Kabel til 230 V~ -tilslutning	
4	Skrue $\varnothing 4 \times 45$ mm (installation)	
4	Prop (installation)	
1	Greb	(kun DM50NTE D)
2	Prop (montering af greb)	(kun DM50NTE D)
1	Indgangsfilter	
6	Skrue $\varnothing 3 \times 12$ mm (filterinstallation)	
2	Prop (træpanel)	(kun DM50NTE F i version med træ)
1	Låsedekoration (træpanel)	(kun DM50NTE F i version med træ med lås)

Antal	Beskrivelse
2	Nøgler (kun version med lås)
1	Monterings- og betjeningsvejledning

4 Korrekt brug

Køleapparatet (også betegnet som minibar) er beregnet til at blive anvendt til køling og opbevaring af drikkevarer og mad i lukkede beholdere.

Minibaren er beregnet til at blive anvendt på krydstogtskibe eller i husholdninger og lignende anvendelser som f.eks.:

- Personalekøkkener i forretninger, på kontorer og andre arbejdsomgivelser
- Gårde
- Hoteller, moteller og andre typer boligomgivelser
- Bed-and-breakfast-pensioner
- Catering og lignende anvendelse inden for non-retail

Minibaren er **ikke** egnet til installation i campingvogne eller autocampere.

Minibaren er egnet til indbygning i et møbel eller en installationsniche. Se monteringsanvisningerne.

Minibaren er **ikke** egnet til

- Opbevaring af korrosive, ætsende eller opløsningsmiddelholdige stoffer
- Opbevaring af friske madvarer og medicin
- Dybfrysning af madvarer

Dette produkt er kun egnet til dets beregnede formål og anvendelse i overensstemmelse med disse anvisninger.

Denne vejledning giver dig oplysninger om, hvad der er nødvendigt med henblik på en korrekt montering og/eller drift af produktet. Dårlig montering og/eller ukorrekt drift eller vedligeholdelse medfører utilstrækkelig ydeevne og mulige fejl.

Producenten påtager sig intet ansvar for kvæstelser eller skader i forbindelse med produktet, der skyldes:

- ukorrekt samling eller forbindelse inklusive for høj spænding
- ukorrekt vedligeholdelse eller brug af uoriginale reservedele, der ikke stammer fra producenten
- ændringer på produktet uden udtrykkelig tilladelse fra producenten

- brug til andre formål end dem, der er beskrevet i vejledningen.

Dometic forbeholder sig ret til at ændre produktets udseende og produktspecifikationer.

5 Teknisk beskrivelse

Minibaren har en hovedskuffe til flasker og dåser samt en miniskuffe til miniatureflasker og snacks. Hovedskuffen har plads til 33 flasker med en maksimal højde på 28 cm.

DM50NTE D: Modellen er fra fabrikken udstyret dørpanel og håndtag.

DM50NTE F: Modellen leveres med et dørpanel og er forberedt til monterings med hotellets egen dørdekoration.

5.1 Beskrivelse af apparatet

Frontpanel

Nr. på fig. 1 , side 3	Beskrivelse
1	Lås (option)
2	Håndtag (kun DM50NTE D)
3	Dørpanel (kun DM50NTE D)

Bagside

Nr. på fig. 2 , side 3	Beskrivelse
1	Netdel
2	12 V---stikdåse
3	Drypskål
4	Varmerør

Betjeningspanel (i enheden)

Nr. på fig. 3 , side 4	Beskrivelse
1	Lampe
2	Fejllysdioder
3	Power status-LED
4	Indstillingsknop

Hovedskuffe

Nr. på fig. 4 , side 4	Beskrivelse
1	Bred opdeler
2	Adskiller
3	Lille opdeler
4	Flaskeholder

Miniskuffe

Nr. på fig. 5 , side 5	Beskrivelse
1	Drejelig opdeler
2	Miniatureflaskeholder

6 Montering



FORSIGTIG! Sundhedsfare

For at undgå en fare, fordi apparatet er ustabil, skal det fastgøres i overensstemmelse med anvisningerne.

6.1 Montering af minibaren i et møbel



NOTICE! Fare for beskadigelse

Luft, der passerer gennem indsugningskanalen, må ikke opvarmes. Stil ikke minibaren i nærheden af åben ild eller andre varmekilder (varmeapparater, direkte sollys, gasovne osv.).

Minibaren kan monteres i møbler på fire måder.

1. Vælg din foretrukne installationsmåde (fig. **6**, side 6).
2. Overhold de påkrævede mål for monteringsnichen (fig. **6**, side 6) d er tykkelsen af hotellets egen dekoration.
3. Vær opmærksom på, at minibaren og ventilationsåbningerne er placeret korrekt for at sikre tilstrækkelig luftgennemstrømning (fig. **8**, side 7).
4. Sørg for, at overholde den påkrævede minimumsafstand mellem bagsiden af minibaren og møbelvæggen (fig. **10**, side 8).
5. Anbring ventilationsåbningerne som vist i fig. **9**, side 7i.
6. Anbring en ekstra ventilationsåbning i bunden af installationsnichen (fig. **11**, side 8).

Mål afstanden fra minibarens dørfrent **uden** eventuel egen dekoration.

Nr. på fig. 12 , side 8	Beskrivelse
1	Skrue ø4 x 45 mm
2	Stik

7. Fastgør køleskabet med egnede skruer (fig. **12 1**, side 8).
8. Sæt de fire propper (fig. **12 2**, side 8) i boringen.

6.2 Elektrisk tilslutning af minibaren

- ▶ Sæt 230 V-tilslutningskablet i vekselspændingsstikdåsen, og tilslut det til 230 V-vekselstrømmettet.
- ✓ Power status-LED'en og lampen lyser.
- ✓ Minibaren starter med at køle det indvendige rum.

6.3 Montering af hotellets egen dørdekoration (kun DM50NTE F)

Hotellets egen dørdekoration skal opfylde følgende krav:

- Maksimal vægt: 4 kg
 - Maksimal tykkelse: 18 mm (kun version med lås)
- Fastgør dekorationen med fire skruer.

6.4 Montering af låsen (kun version med lås)

1. Bor et hul med en diameter på 35 mm i dekorationen.
2. Montér låsen sammen med låsedekorationen.

6.5 Montering af låsen (kun version uden lås)

Afmontering af skuffen (fig. 13, side 9)

1. Åbn skuffen helt (A).
2. Tryk på skinnelåsen (A 1).
3. Træk skuffen ud af kabinettet (B).

Kun DM50NTE D:

1. Fjern de to propper (C 1) fra skruerne (C 2) på dørhåndtaget (C 3).
2. Skru de to skruer (C 2) ud af dørhåndtaget.
3. Fjern dørhåndtaget (C 3).
4. Fjern pakningen.
5. Fjern låsens afdækning.

Boring af hullerne (fig. 14, side 9)

1. Bor et hul (A 1) med en diameter på 23,6 mm gennem dekorationen (kun DM50NTE D) og døren.
2. Skru de tolv skruer (B 1) ud af dekorationsrammen (B 2) (kun DM50NTE D).
3. Fjern dekorationsrammen (kun DM50NTE D).

Montering af låsen (fig. 15, side 10)

1. Sæt låsens nye afdækning (**A 1**) på plads.
2. Sæt decorationen (**B 1**) ind i dekorationsrammen.
3. Skru (**B 2**) dekorationsrammen (**B 3**) på døren.
4. Montér dørlåsen (**C 1**).
5. Montér låsen (**D 1**) i kabinettet.

Montering af skuffen (fig. 16, side 10)

1. Tryk pakningen (**1**) på dekorationsrammen (**2**).
2. Skru dørhåndtaget (**4**) på døren.
3. Tryk propperne (**3**) på skruerne på dørhåndtaget (**4**).
4. Skub skuffen ind i kabinettet.

7 Betjening

7.1 Før første brug

Før den første brug skal minibaren af hygiejniske årsager rengøres indvendigt og udvendigt med en fugtig klud (se også kapitlet „Rengøring og vedligeholdelse“ på side 136).

7.2 Energibesparelse

- Åbn kun minibaren, så tit og så længe det er nødvendigt.
- Undgå unødigt lave temperaturindstillinger.
- Placér hylderne og skufferne i overensstemmelse med deres position ved leveringen for at opnå optimalt energiforbrug.
- Kontrollér regelmæssigt, at dørens tætning stadig passer rigtigt.
- Rengør med regelmæssige mellemrum kondensatoren for støv og urenheder.

7.3 Anvendelse af minibaren

Minibaren begynder at køle, når den tilsluttes til en strømforsyning. Under normal drift er power status-LED'en tændt. Hvis der opstår en fejl, blinker fejl-LED'en (se kapitlet „Udbedring af fejl“ på side 135).

7.4 Indstilling af temperaturen

Vær opmærksom på følgende for at undgå fødevarespild:

- Hold temperaturudsving så lave som muligt. Åbn kun minibaren, så tit og så længe det er nødvendigt. Opbevar fødevarer, så luften stadig kan cirkulere godt.
- Minibaren er udstyret med en automatisk temperaturreguleringsfunktion. Vælg gennemsnittet af de mulige temperaturværdier.
- Juster temperaturen til fødevarernes mængde og type.

Minibaren er som standard indstillet på en køletemperatur på 7 °C ved en omgivelsetemperatur på 25 °C.

Køletemperaturen kan indstilles på en af de følgende tre værdier ved at bruge indstillingsknappen: 5 °C, 12 °C og 7 °C.

Køletemperaturen indstilles i følgende rækkefølge: 5 °C ... 12 °C ... 7 °C ... 5 °C osv.

1. Tryk på indstillingsknappen (fig. **3 4**, side 4) og hold den inde i mindst 5 sek., indtil den indvendige lampe (fig. **3 1**, side 4) begynder at blinke.
 2. Tryk på indstillingsknappen igen, indtil den ønskede køletemperaturværdi er valgt.
- ✓ Den indvendige lampe blinker. Antallet af blink viser den indstillede temperatur. Blinkesignalet gentages i tre intervaller:
- Lampen blinker **fem gange**: 5 °C
 - Lampen blinker **en gang**: 12 °C
 - Lampen blinker **tre gange**: 7 °C

8 Udbedring af fejl

Fejl	Mulig årsag	Løsningsforslag
Minibaren fungerer ikke . Power status-LED'en er ikke tændt.	Vekselspændingsstikdåsen har ikke spænding.	► Forsøg med en anden stikdåse.
	Netdelen er defekt.	► Kontakt en autoriseret servicerepræsentant.
Minibaren køler ikke . Proppen er sat i, power status-LED'en er tændt.	Køleelementet er defekt.	► Kontakt en autoriseret servicerepræsentant.
Fejl-LED'en blinker en gang i sekundet.	Temperaturføleren er defekt.	► Kontakt en autoriseret servicerepræsentant.
Minibaren køler ikke tilstrækkeligt . Power status-LED'en er tændt, fejl-LED'en er ikke tændt.	Køleelementet er defekt.	► Kontakt en autoriseret servicerepræsentant.
	Dårlig ventilation	► Kontrollér ventilationen. ► Rengør filteret under apparatet.

9 Rengøring og vedligeholdelse



ADVARSEL! Fare for elektrisk stød

Afbryd altid minibaren fra strømmettet, før den rengøres og vedligeholdes.



VIGTIGT! Fare for beskadigelse

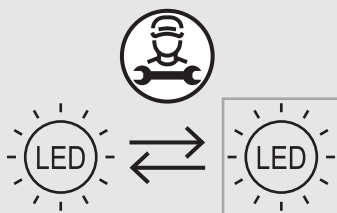
- Anvend ikke slibende rengøringsmidler eller hårde genstande under rengøring, da de kan beskadige minibaren.
- Rengør aldrig minibaren under rindende vand eller i opvaskevand.
- Brug aldrig hårdt eller skarpt værktøj til at fjerne is eller til at frigøre frosne genstande fra minibaren.
- Anvend ikke mekaniske eller andre hjælpemidler til at fremskynde afrimningen.
- Sørg for, at der ikke drypper vand ind i tætningerne for at undgå at beskadige elektronikken.

- Rengør minibaren regelmæssigt, og når den er snavset, med en fugtig klud.
- Tør minibaren af med en klud efter rengøringen.
- Kontrollér regelmæssigt vandafløbet.
Rengør om nødvendigt vandafløbet. Hvis det er tilstoppet, samler der sig vand på bunden af minibaren.
- Kontrollér, at minibarens ventilations- og udluftningsåbninger er fri for støv og urenheder, så varmen, der opstår under driften, kan ledes bort, og apparatet ikke tager skade.



VIGTIGT! Fare for beskadigelse

Lyskilden kan kun udskiftes af producenten, en servicerepræsentant eller en tilsvarende kvalificeret person for at undgå farer.



10 Garanti

Den lovbestemte garantiperiode gælder. Hvis produktet er defekt, bedes du kontakte din forhandler eller producentens afdeling i dit land (se dometic.com/dealer).

Ved reparation eller krav om garanti skal du medsende følgende bilag:

- En kopi af regningen med købsdato
- En reklamationsgrund eller en fejlbeskrivelse.

Vær opmærksom på, at egne eller uprofessionelle reparationer kan have sikkerhedsmæssige konsekvenser og kan gøre garantien ugyldig.

11 Bortskaffelse

Genbrug af emballagemateriale



- Bortskaf så vidt muligt emballagemateriale sammen med det tilsvarende genbrugsaffald.



ADVARSEL! Brandfare

- Kølemidlet er meget brandfarligt. Kølekredsløbet må ikke åbnes eller beskadiges.
- Apparatets isolering indeholder en isolerende gas (se typemærkat). Isoleringen må ikke beskadiges.

Genbrug af produkter med batterier, genopladelige batterier eller lyskilder, der ikke kan udskiftes




- Hvis produktet indeholder batterier, genopladelige batterier eller lyskilder, der ikke kan udskiftes, skal du ikke fjerne dem før bortskaffelse.
- Hvis du vil bortskaffe produktet endegyldigt, skal du kontakte den nærmeste genbrugsstation eller din faghandel for at få de pågældende forskrifter om bortskaffelse.



- Produktet kan bortskaffes uden gebyr.

12 Tekniske data

	DM50NTE D	DM50NTE F
Spænding	100 – 240 V~, 50 – 60 Hz	
Kølekapacitet	maks. 21 °C under udenomstemperaturen (kan justeres i tre trin: 5 °C, 7 °C, 12 °C)	
Kategori	2 (kælder)	
Samlet volumen	50 l	
Energieffektivitetsklasse	G	
Klimaklasse	N	
Kølemiddel	R600a	
Kølemiddelmængde	28 g	
Mål hovedskuffe B x D x H	430 x 330 x 302 mm	
Mål miniskuffer B x D x H	159 x 285 x 88 mm	
Mål B x D x H	550 x 524 x 418 mm	550 x 496 x 418 mm
Maksimal indvendig opbevaringsbelastning	31 kg	
Vægt	23,5 kg	23,0 kg
Inspektion/certificering		

For den aktuelle EU-overensstemmelseserklæring for dit apparat bedes du se den pågældende produktside på dometic.com eller kontakte producenten direkte (se dometic.com/dealer).

Du kan finde yderligere produktinformationer via QR-koden på energimærket (se illustrationer) eller via eprel.ec.europa.eu.

Køleenheden er lukket hermetisk.

Läs och följ noggrant alla instruktioner, direktiv och varningar i den här produkthandboken för att säkerställa att du alltid installerar, använder och underhåller produkten på rätt sätt. Dessa instruktioner **MÅSTE** förvaras tillsammans med produkten.

Genom att använda produkten bekräftar du härmed att du noggrant har läst alla instruktioner, direktiv och varningar och att du förstår och är införstådd med att följa de villkor som anges här. Du är införstådd med att endast använda denna produkt i avsett syfte och i enlighet med instruktionerna, direktiven och varningarna som anges i denna produkthandbok samt i enlighet med alla gällande lagar och bestämmelser. Om du inte läser och följer instruktionerna och varningarna som anges här kan det leda till personskador på dig eller andra, på produkten eller annan egendom i närheten. Denna produkthandbok, inklusive instruktionerna, direktiven och varningarna samt relaterad information, kan ändras och uppdateras. För uppdaterad produktinformation, besök documents.dometic.com.

Innehåll

1	Symbolförklaring	139
2	Säkerhetsanvisningar	140
3	Leveransomfattning.	143
4	Avsedd användning	144
5	Teknisk beskrivning.	145
6	Installation	146
7	Användning	149
8	Felsökning	151
9	Rengöring och skötsel	152
10	Garanti	153
11	Avfallshantering.	153
12	Tekniska data.	154

1 Symbolförklaring



FARA!

Säkerhetsanvisning: Anger en farlig situation som, om den inte kan undvikas, leder till döden eller allvarlig personskada.



WARNING!

Säkerhetsanvisning: Anger en farlig situation som, om den inte kan undvikas, kan leda till döden eller allvarlig personskada.

**AKTA!**

Säkerhetsanvisning: Anger en farlig situation som, om den inte kan undvikas, leder lindrig eller måttlig personskada.

**OBSERVERA!**

Anger en situation som, om den inte kan undvikas, kan leda till materiell skada.

**ANVISNING**

Kompletterande information om användning av produkten.

2 Säkerhetsanvisningar

2.1 Allmänna säkerhetsanvisningar



WARNING! Om man underlåter att följa de här varningarna kan följden bli dödsfall eller allvarlig personskada.

Risk för dödsfall på grund av elektricitet

- Säkerställ att minibaren har installerats av en behörig tekniker enligt Dometics installationsmanual.
- Om minibaren uppvisar synliga skador får den inte användas.
- Om minibarens anslutningskabel skadas måste den, av säkerhetsskäl, bytas ut av tillverkaren, servicerepresentanten eller någon annan person med motsvarande behörighet.
- Denna minibar får endast repareras av härför utbildad personal. Icke fackmässiga reparationer kan medföra allvarliga risker.
- Kontrollera att elsladden inte har fastnat eller skadats i samband med placering av minibaren.
- Placera inte ut flera bärbara uttag eller bärbara nätaggregat bakom apparaten.
- Koppla in enheten i uttag med garanterat korrekt anslutning när enheten behöver jordas.

Brandrisk

- Kylmedlet i kylkretsloppet är lättantändligt.
Vid skador på kylkretsen:
 - Stäng av minibaren.
 - Undvik öppen eld och gnistbildning.
 - Ventilera rummet nog.
- Säkerställ att monteringsplatsen för minibaren är fri från elkomponenter och ljuskällor som alstrar gnistor vid normal eller onormal drift (dvs. reläer eller säkringar).
- Efter installation måste minibarens strömanslutning kunna kopplas bort. Detta kan till exempel ordnas med en åtkomlig stickkontakt eller med en strömbrytare på installationskabeln enligt installationsstandarder.
- Kontrollera att ventilationsöppningarna kring minibaren och i den inbyggda konstruktionen inte blockeras.
- Påskynda inte avfrostningsprocessen genom att använda mekaniska anordningar eller andra verktyg som tillverkaren inte rekommenderar.
- Öppna aldrig kylkretsloppet.
- Använd inga elektriska apparater för arbeten inne i minibaren. Undantag: apparaterna rekommenderas för sådan användning av tillverkaren.

Explosionsrisk

- Lagra inga ämnen som kan explodera i minibaren, som t.ex. sprayburkar med drivgas.

Hälsorisk

- Barn från åtta års ålder, personer med nedsatt fysisk, sensorisk eller mental förmåga, eller personer med bristande erfarenhet och kunskaper får använda den här minibaren förutsatt att de hålls under uppsikt eller om de har fått anvisningar om hur man använder den här minibaren på ett säkert sätt och känner till vilka risker som är förknippade med användningen.
- Barn får inte leka med minibaren.
- Utan uppsikt får barn inte utföra rengörings- eller underhållsarbeten.
- Barn i åldrarna tre till åtta år får lasta in eller ut varor i eller ur minibaren.



AKTA! Om man underlåter att följa de här försiktighetsåtgärderna kan följden bli lindrig eller måttlig personskada.

Krossrisk

- Håll fingrarna borta från gångjärnen.

Hälsorisk

- Livsmedel får endast förvaras i originalförpackningarna eller i andra lämpliga behållare.

**OBSERVERA! Risk för skada**

- Jämför spänningssuppgifterna på typskylten med elförsörjningen på plats.
- Minibaren är inte ämnad för lagring av frätande ämnen eller ämnen som innehåller lösningsmedel.
- Kylapparatens isolering innehåller brännbart cyklopentan och det krävs särskilda rutiner för avfallshanteringen. När kylapparaten har uppnått slutet av livscykeln ska den lämnas till lämplig återvinningscentral.
- Se till att utloppsöppningen alltid är ren.
- Bär endast minibaren i upprätt position.

2.2 Använda minibaren på ett säkert sätt



FARA! Om man underlåter att följa de här varningarna blir följden dödsfall eller allvarlig personskada.

Risk för dödsfall på grund av elektricitet

- Ta inte tag i avskalade ledningar med händerna.



AKTA! Om man underlåter att följa de här försiktighetsåtgärderna kan följden bli lindrig eller måttlig personskada.

Risk för dödsfall på grund av elektricitet

- Kontrollera, innan minibaren tas i drift, att elkabeln och stickkontakten är torra.

Hälsorisk

- Se till att det du ställer in i minibaren får kylas till den inställda temperaturen.
- Livsmedel får endast förvaras i originalförpackningarna eller i andra lämpliga behållare.
- Om dörren hålls öppen under lång tid finns det risk att man får en betydande ökning av temperaturen i minibaren.
- Rengör med jämna mellanrum ytor som kan komma i kontakt med livsmedel och åtkomliga avloppssystem.

- Om minibaren står tom under lång tid:
 - Stäng av minibaren.
 - Avfrostas minibaren.
 - Rengör och torka minibaren.
 - Lämna dörren öppen för att förhindra att det bildas mögel i minibaren.



OBSERVERA!

Risk för skada

- Ställ inte upp minibaren i närheten av öppen eld eller andra värmekällor (levande ljus, värmeelement, starkt solljus, gasspisar osv.).
- Doppa aldrig ner minibaren i vatten.
- Skydda minibaren och kablarna mot värme och fukt.
- Se till att livsmedlen i minibaren inte vidrör väggarna i kylan.

3 Leveransomfattning

Följande huvudalternativ kan fås:

- Minibar DM50NTE D med dörrpanel, utan lås
- Minibar DM50NTE D med dörrpanel, med lås
- Minibar DM50NTE F utan dörrpanel, utan lås
- Minibar DM50NTE F utan dörrpanel, med lås

Mängd	Beskrivning	
1	Minibar med utdragslådor	
1	Anslutningskabel för 230 V~ -anslutning	
4	Skruv $\varnothing 4 \times 45$ mm (montering)	
4	Plugg (montering)	
1	Handtag	(endast DM50NTE D)
2	Plugg (handtagsmontering)	(endast DM50NTE D)
1	Luftintagsfilter	
6	Skruv $\varnothing 3 \times 12$ mm (filtermontering)	
2	Plugg (träpanel)	(endast DM50NTE F i trävariant)
1	Låsdekor (träpanel)	(endast DM50NTE F i trävariant med lås)

Mängd	Beskrivning
2	Nyckel (endast version med lås)
1	Monterings- och bruksanvisning

4 Avsedd användning

Kylenheten (även kallad minibar) är avsedd för kylning och uppvärmning av drycker och livsmedel i slutna behållare.

Minibaren är konstruerad för användning på kryssningsfartyg eller för användning i hushåll eller liknande, som t.ex.

- I personalkök, kontor eller andra arbetsmiljöer
- På bondgårdar
- Hotell, motell eller andra typer av boenden
- Miljöer liknande bed&breakfast
- Catering och liknande utan försäljning

Minibaren är **inte** avsedd att monteras i husvagnar eller husbilar.

Minibaren är lämplig för montering i ett förvaringsskåp eller en monteringsnisch. Se monteringsanvisningarna.

Minibaren är **inte** lämplig för:

- Förvaring av frätande, brännande eller lösningsbaserade ämnen
- Förvaring av färska livsmedel och medicin
- Djupfrysning av livsmedel

Den här produkten lämpar sig endast för avsedd användning i enlighet med denna bruksanvisning.

Den här manualen informerar om vad som krävs för att installera och/eller använda produkten på rätt sätt. Felaktig installation och/eller användning eller felaktigt underhåll kommer leda till att produkten inte fungerar optimalt och riskerar gå sönder.

Tillverkaren åtar sig inget ansvar för personskador eller materiella skador på produkten som uppstår till följd av:

- Felaktig montering eller anslutning, inklusive för hög spänning
- Felaktigt underhåll eller användning av reservdelar som inte är originaldelar från tillverkaren
- Ändringar som utförts utan uttryckligt medgivande från tillverkaren

- Användning för andra ändamål än de som beskrivs i denna bruksanvisning

Dometic förbehåller sig rätten att ändra produktens utseende och specifikationer.

5 Teknisk beskrivning

Minibaren har en huvudlåda för flaskor och burkar samt en minilåda för miniflaskor och snacks. Huvudlådan rymmer 33 flaskor med en maximal höjd på 28 cm.

DM50NTE D: Modellens dörrpanel och handtag är fabriksmonterade.

DM50NTE F: Modellen levereras utan dörrpanel och är förberedd för att passa in i hotellets egen dörrdekor.

5.1 Produktbeskrivning

Frontpanel

Nr i bild 1 , sida 3	Beskrivning
1	Lås (tillval)
2	Handtag (endast DM50NTE D)
3	Dörrpanel (endast DM50NTE D)

Baksida

Nr i bild 2 , sida 3	Beskrivning
1	Nätadapter
2	12 V---uttag
3	Droppskål
4	Värmerör

Kontrollpanel (inuti minibaren)

Nr i bild 3 , sida 4	Beskrivning
1	Lampa
2	LED-fellampa
3	LED-strömstatuslampa
4	Inställningsknapp

Huvudlåda

Nr i bild 4 , sida 4	Beskrivning
1	Bred avdelare
2	Avskiljare
3	Liten avdelare
4	Flaskfinger

Minilåda

Nr i bild 5 , sida 5	Beskrivning
1	Vridbar avdelare
2	Miniflaskhållare

6 Installation



AKTA! Hälsorisk

Fastsätt apparaten enligt anvisningarna så att det inte uppstår risker till följd av instabilitet.

6.1 Montera minibaren i en möbel



NOTICE! Risk för skada

Luft som kommer in genom luftintagskanalen får inte vara uppvärmd. Ställ inte upp minibaren i närheten av öppen eld eller andra värmekällor (värmeelement, starkt solljus, gasspisar osv.).

Det finns fyra sätt att montera minibaren i möbler.

1. Välj ett monteringsalternativ (bild **6**, sida 6).
2. Observera utrymmet som krävs för montering (bild **6**, sida 6)
d är tjockleken hos hotellets egen dekor.
3. Se till att minibaren och ventilationsöppningarna är korrekt placerade för att säkerställa ett korrekt luftflöde (bild **8**, sida 7).
4. Säkerställ minimiavståndet mellan minibarens baksida och möbelväggen (bild **10**, sida 8).
5. Gör ventilationsöppningarna enligt bild **9**, sida 7.
6. Gör en extra ventilationsöppning i botten på monteringsplatsen (bild **11**, sida 8).

Mät avståndet från dörrfronten på minibaren **borträknat** eventuell egen dekor.

Nr i bild 12 , sida 8	Beskrivning
1	Skruv $\varnothing 4 \times 45$ mm
2	Plugg

7. Sätt fast kylskåpet med passande skruvar (bild **12 1**, sida 8).
8. Sätt i de fyra pluggarna (bild **12 2**, sida 8) i borrhålen.

6.2 Ansluta el till minibaren

- ▶ Anslut växelströmsanslutningskabeln på 230 V till växelspanningsuttaget och anslut det till växelströmsnätet på 230 V.
- ✓ LED-strömstatuslampan och lampan tänds.
- ✓ Minibaren startar och kyler kylfacket.

6.3 Montera hotellets egen dörrdekor (endast DM50NTE F)

Hotellets egen dörrdekor måste uppfylla följande krav:

- Maximal vikt: 4 kg
 - Maximal tjocklek: 18 mm (endast version med lås)
- Sätt fast dekoren med fyra skruvar.

6.4 Montera låset (endast version med lås)

1. Borra ett hål med diameter 35 mm i dekoren.
2. Montera låset tillsammans med låsdekoren.

6.5 Montera låset (endast version utan lås)

Demontera lådan (bild **13**, sida 9)

1. Dra ut lådan helt (**A**).
2. Tryck på skenans lås (**A 1**).
3. Dra ut lådan ur skåpet (**B**).

Endast för DM50NTE D:

1. Ta bort de två pluggarna (**C 1**) från skruvarna (**C 2**) till dörrhandtaget (**C 3**).
2. Skruva loss skruvarna (**C 2**) till dörrhandtaget.
3. Ta bort dörrhandtaget (**C 3**).
4. Ta bort packningen.
5. Ta bort låsskyddet.

Borra hållen (bild **14**, sida 9)

1. Borra ett hål (**A 1**) med en diameter på 23,6 mm genom dekoren (endast för DM50NTE D) och dörren.
2. Skruva loss de tolv skruvarna (**B 1**) på dekorramen (**B 2**) (endast för DM50NTE D).
3. Ta bort dekorramen (endast DM50NTE D).

Montera låset (bild 15, sida 10)

1. Sätt det nya låsskyddet (**A 1**) på plats.
2. Sätt dekoren (**B 1**) i dekorramen.
3. Skruva fast (**B 2**) dekorramen (**B 3**) på dörren.
4. Montera dörrlåset (**C 1**).
5. Montera låshaken (**D 1**) i skåpet.

Montera lådan (bild 16, sida 10)

1. Tryck fast packningen (**1**) på dekorramen (**2**).
2. Skruva på dörrhandtaget (**4**) på dörren.
3. Tryck fast pluggarna (**3**) på skruvarna till dörrhandtaget (**4**).
4. Skjut in lådan i skåpet.

7 Användning

7.1 Före den första användningen

Innan minibaren används för första gången måste den rengöras på insidan och utsidan med en fuktig trasa med tanke på hygien (se även kapitel "Rengöring och skötsel" på sidan 152).

7.2 Spara energi

- Öppna inte minibaren oftare och håll den inte öppen längre än nödvändigt.
- Undvik en onödigt låg temperatur inne i kylan.
- För bästa möjliga energiförbrukning ska du placera hyllorna och lådorna såsom de var placerade vid leveransen.
- Kontrollera med jämna mellanrum att dörrens tätning fortfarande sitter korrekt.
- Ta regelbundet bort damm och smuts från kondensatorn.

7.3 Använda minibaren

Minibaren börjar kylas ned när den ansluts till en strömkälla. Vid normal användning lyser LED-strömstatuslampan. Om ett fel inträffar blinkar LED-fellampan (se kapitel "Felsökning" på sidan 151).

7.4 Ställa in temperaturen

Observera följande så att du inte behöver kasta bort livsmedel:

- Temperaturen ska vara så jämn som möjligt. Öppna inte minibaren oftare och håll den inte öppen längre än nödvändigt. Förvara livsmedlen på så sätt att luften kan cirkulera.
- Minibaren har en automatisk temperaturregleringsfunktion. Välj medelvärde för de möjliga temperaturvärdena.
- Justera temperaturen efter mängden och typen av livsmedel.

Minibaren är som standard inställd på en kyltemperatur på 7 °C vid en omgivningstemperatur på 25 °C.

Du kan ställa in kyltemperaturen till ett av dessa tre värden med inställningsknappen: 5 °C, 12 °C och 7 °C.

Kyltemperaturen ställs in i följande ordning: 5 °C ... 12 °C ... 7 °C ... 5 °C osv.

1. Håll inställningsknappen intryckt (bild **3 4**, sida 4) i minst 5 sekunder tills lampan på insidan (bild **3 1**, sida 4) börjar blinka.
 2. Tryck på inställningsknappen igen tills den önskade kyltemperaturen har valts.
- ✓ Lampan på insidan blinkar. Antalet blinkningar visar vilken temperatur som ställts in. Blinkningssignalen upprepas med tre intervall:
- Lampan blinkar **fem gånger**: 5 °C
 - Lampan blinkar **en gång**: 12 °C
 - Lampan blinkar **tre gånger**: 7 °C

8 Felsökning

Fel	Möjlig orsak	Lösning
Minibaren fungerar inte . LED-strömstatuslampan lyser inte.	Ingen spänning i växelströmsuttaget. Nätadaptern är defekt.	<ul style="list-style-type: none"> ▶ Prova med ett annat uttag. ▶ Kontakta en auktoriserad servicerepresentant.
Minibaren blir inte kall . Kontakten sitter i och LED-strömstatuslampan lyser.	Kylelementet är defekt.	<ul style="list-style-type: none"> ▶ Kontakta en auktoriserad servicerepresentant.
LED-fellampan blinkar en gång i sekunden.	Temperaturgivaren är defekt.	<ul style="list-style-type: none"> ▶ Kontakta en auktoriserad servicerepresentant.
Minibaren blir inte tillräckligt kall . LED-strömstatuslampan lyser. LED-fellampan lyser inte .	Kylelementet är defekt. Dålig ventilation	<ul style="list-style-type: none"> ▶ Kontakta en auktoriserad servicerepresentant. ▶ Kontrollera ventilationen. ▶ Rengör filtret under apparaten.

9 Rengöring och skötsel



VARNING! Risk för dödsfall på grund av elektricitet

Koppla alltid bort minibaren från elnätet innan den rengörs och underhålls.



OBSERVERA! Risk för skada

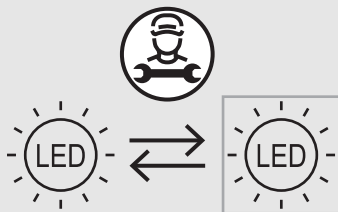
- Använd inga frätande rengöringsmedel eller hårda föremål vid rengöring, då dessa kan skada minibaren.
- Rengör aldrig minibaren under rinnande vatten eller i diskvatten.
- Avlägsna aldrig isbeläggningar eller fastfrusna föremål från minibaren med hårda eller vassa/spetsiga verktyg.
- Använd inga mekaniska föremål eller andra hjälpmedel för att skynda på avfrostningen.
- Se till att det inte droppar ned vatten i tätningarna eftersom det riskerar att skada elektroniken.

- Rengör minibaren regelbundet och vid behov med en fuktig trasa.
- Torka av minibaren med en trasa efter rengöringen.
- Kontrollera utloppet för smältvatten regelbundet. Rengör utloppet för smältvatten vid behov. Det är igensatt, kondensen samlas längst ned i minibaren.
- Se till att luftnings-/ventilationsöppningarna på minibaren är rena från damm och smuts. På så vis avleds värmen vid användning och produkten skadas inte.



OBSERVERA! Risk för skada

Ljuskällan får endast bytas ut av tillverkaren, en servicerepresentant eller en person med liknande kvalifikationer för att förhindra fara.



10 Garanti

Den lagstadgade garantitiden gäller. Kontakta din återförsäljare eller tillverkarens avdelningskontor i ditt land (se dometic.com/dealer) om produkten är defekt.

Vid reparations- och garantiärenden ska följande dokument skickas med när du returnerar produkten:

- En kopia på fakturan med inköpsdatum
- En reklamationsbeskrivning eller felbeskrivning

Observera att självständiga eller icke professionella reparationer kan påverka säkerheten och leda till att garantin blir ogiltig.

11 Avfallshantering

Återvinning av förpackningsmaterial



- Lämna om möjligt förpackningsmaterialet till återvinning.



WARNING! Brandrisk

- Kylskåpet är mycket lättantändligt. Öppna eller skada inte kylkretsen.
- Apparaten isolering innehåller en isolerande gas (se typetiketten). Skada inte isoleringen.

Återvinning av produkter med icke-utbytbara batterier, laddningsbara batterier eller ljuskällor




- Om produkten innehåller icke-utbytbara batterier, laddningsbara batterier eller ljuskällor behöver du inte avlägsna dem före kassering.
- När produkten slutgiltigt tas ur bruk: Informera dig om gällande bestämmelser hos närmaste återvinningscentral eller hos återförsäljaren.



- Produkten kan kasseras utan avgift.

12 Tekniska data

	DM50NTE D	DM50NTE F
Spänning	100 – 240 V~, 50 – 60 Hz	
Kyleffekt	Max. 21 °C under omgivningstemperatur (kan justeras i tre steg: 5 °C, 7 °C, 12 °C)	
Kategori	2 (källare)	
Total volym	50 l	
Energieffektivitetsklass	G	
Klimatklass	N	
Köldmedium	R600a	
mängden köldmedium	28 g	
Mått huvudlåda B x D x H	430 x 330 x 302 mm	
Mått huvudlåda B x D x H	159 x 285 x 88 mm	
Mått B x D x H	550 x 524 x 418 mm	550 x 496 x 418 mm
Maximal intern lastvikt	31 kg	
Vikt	23,5 kg	23,0 kg
Besiktning/certifiering		

Se respektive produktsida på dometic.com eller kontakta tillverkaren för aktuell EU-försäkran om överensstämmelse för din apparat (gå till dometic.com/dealer).

Läs in QR-koden på energimärkningen (se bilderna) för mer information om produkten eller besök eprel.ec.europa.eu.

Kylenheten är hermetiskt tillsluten.

Vennligst les disse instruksjonene nøye og følg alle anvisninger, retningslinjer og advarsler i denne produktveiledningen for å sikre at du installerer, bruker og vedlikeholder produktet ordentlig til enhver tid. Disse instruksjonene MÅ alltid følge med produktet.

Ved å bruke dette produktet bekrefter du at du har lest alle anvisninger, retningslinjer og advarsler grundig, og at du forstår og samtykker i å overholde vilkårene slik de er presentert her. Du godtar å bruke dette produktet kun til tiltenkt formål og bruksområder, og i samsvar med anvisningene, retningslinjene og advarslene slik de er presentert i denne produktveiledningen, så vel som i samsvar med alle gjeldende lovbestemmelser og forskrifter. Hvis anvisningene og advarslene som er presentert her, ikke blir lest og fulgt, kan det føre til personskader hos deg selv eller andre, skader på produktet eller skader på annen eiendom i nærheten. Denne produktveiledningen med sine anvisninger, retningslinjer og advarsler, samt relatert dokumentasjon, kan være underlagt endringer og oppdateringer. For oppdatert produktinformasjon, se documents.dometic.com.

Innhold

1	Symbolforklaring	155
2	Sikkerhetsregler	156
3	Leveringsomfang	159
4	Forskriftsmessig bruk	160
5	Teknisk beskrivelse	161
6	Installasjon	162
7	Betjening	165
8	Feilretting	167
9	Rengjøring og vedlikehold	168
10	Garanti	169
11	Avfallshåndtering	169
12	Tekniske spesifikasjoner	170

1 Symbolforklaring



FARE!

Sikkerhetsregel: Kjennetegner en farlig situasjon som - dersom den ikke unngås - resulterer i alvorlige personskader, eventuelt med døden til følge.



ADVARSEL!

Sikkerhetsregel: Kjennetegner en farlig situasjon som - dersom den ikke unngås - kan resultere i alvorlige personskader, eventuelt med døden til følge.

**FORSIKTIG!**

Sikkerhetsregel: Kjennetegner en farlig situasjon som - dersom den ikke unngås - kan resultere i mindre til moderate personskader.

**PASS PÅ!**

Kjennetegner en situasjon som - dersom den ikke unngås - kan resultere i materielle skader.

**MERK**

Ytterligere informasjon om betjening av produktet.

2 Sikkerhetsregler

2.1 Grunnleggende sikkerhet



ADVARSEL! Manglende overholdelse av disse advarslene kan resultere i alvorlige personskader, eventuelt med døden til følge.

Fare for elektrisk støt

- Forsikre deg om at minibaren har blitt installert av en kvalifisert tekniker i samsvar med Dometics monteringsanvisning.
- Minibaren må ikke tas i bruk hvis den har synlige skader.
- Hvis strømkabelen til minibaren er skadet, må den skiftes av produsenten, av et serviceverksted eller av en tilsvarende utdannet person for å forhindre at sikkerheten settes i fare.
- Reparasjoner på denne minibaren må kun utføres av kvalifiserte fagfolk. Usakkyndige reparasjoner kan føre til alvorlige farer.
- Ved posisjonering av minibaren må det sikres at tilførselsledningen ikke sitter fast eller skades.
- Ikke plasser mobile grenuttak eller mobile strømforsyninger bak apparatet.
- Plugg apparatet til kontakter som sikrer en ordentlig forbindelse, spesielt når apparatet trenger å jordes.

Brannfare

- Kjølemiddelet i kjølemiddelkretsløpet er lett antennelig. Ved skader på kjølemiddelkretsløpet:
 - Slå av minibaren.
 - Unngå åpen ild og gnister.
 - Sørg for god ventilasjon i rommet.
- Hold installasjonsnisjen for minibaren fri for elektriske komponenter og lyskilder som under normal eller unormal drift produserer gnister eller lysbuer (dvs. releer eller sikringsbokser).
- Etter installasjon må det fortsatt være mulig å koble minibaren fra hovedstrømforsyningen. Dette kan oppnås ved å ha kontakten tilgjengelig, eller ved å legge inn en bryter i det faste ledningsnettets i henhold til regler for ledninger.
- Hold ventilasjonsåpninger i minibarkabinettet eller innbyggingsstrukturen fri for hindringer.
- Ikke bruk mekaniske gjenstander eller andre midler til å fremskynde avrimingsprosessen, med mindre de er anbefalt av produsenten.
- Kjølekretsløpet må ikke åpnes under noen omstendigheter.
- Ikke bruk elektriske apparater inne i minibaren med mindre produsenten anbefaler slik bruk av slike apparatene.

Eksplisjonsfare

- Ikke lagre eksplosjonsfarlige stoffer, som f.eks. spraybokser med drivgass, i minibaren.

Helsefare

- Denne minibaren kan brukes av barn fra 8 år og oppover og personer med reduserte fysiske, sensoriske eller mentale evner eller som mangler erfaring og kunnskap, hvis de er under oppsyn eller har fått veiledning i hvordan apparatet brukes på en forsvarlig måte og forstår hvilke farer det innebærer.
- Barn må ikke leke med minibaren.
- Rengjøring og vedlikehold skal ikke utføres av barn uten at de er under oppsyn.
- Barn i alderen 3 til 8 år kan sette inn i og ta ut av minibaren.



FORSIKTIG! Manglende overholdelse av disse forsiktighetsvarslene kan resultere i mindre til moderate personskader.

Klemfare

- Ikke grip i hengselet.

Helsefare

- Næringsmidler må kun oppbevares i originalemballasjen eller i egnede beholdere.

**PASS PÅ! Fare for skader**

- Kontroller at spenningsspesifikasjonene på merkeskiltet stemmer overens med den foreliggende strømforsyningen.
- Minibaren er ikke egnet for lagring av etsende eller løsemiddelholdige stoffer.
- Isolasjonen av kjøleapparatet inneholder antenkelig cyklopentan og krever en spesiell bortskaffingsprosess. Lever kjøleenheten på slutten av sin levetid til egnet resirkuleringsstasjon.
- Avløpsåpningen må holdes ren.
- Bær minibaren kun i oppreist stilling.

2.2 Sikkerhet ved bruk av minibaren



FARE! Manglende overholdelse av disse advarslene resulterer i alvorlige personskader, eventuelt med døden til følge.

Fare for elektrisk støt

- Ikke berør blanke ledninger med bare hender.



FORSIKTIG! Manglende overholdelse av disse forsiktighetsvarslene kan resultere i mindre til moderate personskader.

Fare for elektrisk støt

- Sikre at strømkabelen og støpselet er tørre før minibaren startes opp.

Helsefare

- Forsikre deg om at minibaren bare fylles med varer som tåler nedkjøling til den valgte temperaturen.
- Næringsmidler må oppbevares i originalforpakning eller i egnede beholdere.
- Det å åpne døren for en lengre periode kan føre til en vesentlig økning av temperaturen i minibarens rom.
- Overflater som kan komme i kontakt med matvarer og tilgjengelige deler av dreneringssystemet må rengjøres regelmessig.

- Hvis minibaren blir værende tom over lengre tid:
 - Slå av minibaren.
 - Rim av minibaren.
 - Rengjør og tørk minibaren.
 - La døren være åpen for å unngå mugg i minibaren.



PASS PÅ!

Fare for skader

- Ikke plasser minibaren i nærheten av åpne flammer eller andre varmekilder (tente stearinlys, varmeovner, sterkt sollys, gassovner osv.).
- Minibaren må aldri nedsenkes i vann.
- Beskytt minibaren og kabelen mot varme og fuktighet.
- Pass på at matvarene ikke kommer i kontakt med veggene i kjølerommet.

3 Leveringsomfang

Følgende hovedalternativer er tilgjengelige:

- Minibar DM50NTE D med dørpanel, uten lås
- Minibar DM50NTE D med dørpanel, med lås
- Minibar DM50NTE F uten dørpanel, uten lås
- Minibar DM50NTE F uten dørpanel, med lås

Antall	Beskrivelse	
1	Minibarskuff	
1	Kabel for 230 V~ tilkobling	
4	Skrue $\varnothing 4 \times 45$ mm (installasjon)	
4	Plugg (installasjon)	
1	Håndtak	(Kun DM50NTE D)
2	Plugg (håndtaksinstallasjon)	(Kun DM50NTE D)
1	Inntaksfilter	
6	Skrue $\varnothing 3 \times 12$ mm (filterinstallasjon)	
2	Plugg (trepanel)	(Kun treversjonen av DM50NTE F)
1	Låsedekor (trepanel)	(Kun treversjonen av DM50NTE F med lås)

Antall	Beskrivelse
2	Nøkkel (Kun låseversjon)
1	Monterings- og bruksanvisning

4 Forskriftsmessig bruk

Kjøleapparatet (heretter også kalt minibaren) er ment for kjøling og lagring av drikkevarer og matvarer i lukkede beholdere.

Minibaren er designet for bruk på cruiseskip eller for bruk i husholdningen og lignende anvendelser som for eksempel:

- Personalkjølken i butikker, kontorer og andre arbeidsomgivelser
- Bondegårder
- Hoteller, overnattingssteder og diverse andre bomiljøer
- Bed & Breakfast-steder
- Catering og lignende virksomheter

Minibaren er **ikke** designet for installasjon i campingvogner eller bobiler.

Minibaren er tilpasset installasjon i et skap eller en innbyggingsnisje. Se installasjonsinstruksjonene.

Minibaren er **ikke** egnet for:

- Oppbevaring av korrosive, kaustiske stoffer eller stoffer som inneholder løsemidler
- Oppbevaring av ferske matvarer og medisiner
- Dypfrysing av matvarer

Dette produktet er kun egnet for det tiltenkte formålet og bruksområdet i samsvar med disse instruksjonene.

Denne veiledningen gir informasjon som er nødvendig for korrekt installasjon og/eller bruk av produktet. Feilaktig installasjon og/eller ukorrekt bruk eller vedlikehold vil resultere i en utilfredsstillende ytelse og mulig svikt.

Produsenten fraskriver seg ethvert ansvar for personskader eller materielle skader på produktet som følger av:

- Ukorrekt montering eller tilkobling, inkludert for høy spenning
- Ukorrekt vedlikehold eller bruk av andre reservedeler enn originale reservedeler levert av produsenten

- Modifisering av produktet uten at det er gitt uttrykkelig godkjenning av produsenten
- Bruk til andre formål enn beskrevet i denne veiledningen

Dometic forbeholder seg rettigheten til å endre produktet ytre og produktspesifikasjoner.

5 Teknisk beskrivelse

Minibaren har en hovedskuff for flasker og bokser, i tillegg til en miniskuff for miniatyrflasker og snacks. Hovedskuffen har plass til 33 flasker med en makshøyde på 28 cm.

DM50NTE D: Modellen er fabrikkutstyrt med dørpanel og håndtak.

DM50NTE F: Modellen leveres uten dørpanel, og er klargjort for tilpasning til hotells egen dørdekor.

5.1 Apparatbeskrivelse

Frontpanel

Nr. i fig. 1 , side 3	Beskrivelse
1	Lås (tilleggsalternativ)
2	Håndtak (kun DM50NTE D)
3	Dørpanel (kun DM50NTE D)

Bakside

Nr. i fig. 2 , side 3	Beskrivelse
1	Strømadapter
2	12 V $\overline{=}$ støpsel
3	Dryppeskål
4	Varmerør

Kontrollpanel (inne i apparatet)

Nr. i fig. 3, side 4	Beskrivelse
1	Lampe
2	Feil-LED
3	LED-lampe for strømstatus
4	Innstillingsknapp

Hovedskuff

Nr. i fig. 4, side 4	Beskrivelse
1	Bred avdeler
2	Skille
3	Liten avdeler
4	Flaskefinger

Miniskuff

Nr. i fig. 5, side 5	Beskrivelse
1	Roterbar avdeler
2	Holder til miniatyrflasker

6 Installasjon**FORSIKTIG! Helsefare**

For å unngå farer ved mangler stabilitet, skal apparatet monteres i samsvar med instruksene.

6.1 Montering av minibaren i et møbel



NOTICE! Fare for skader

Luft som passerer gjennom luftinntakskanalen, må ikke varmes opp. Ikke plasser minibaren i nærheten av åpne flammer eller andre varmekilder (varmeovner, sterkt sollys, gassovner osv).

Det finnes fire måter man kan montere minibaren inn i møbler på.

1. Velg ditt foretrukne installasjonsalternativ (fig. **6**, side 6).
2. Finn ut hva som er den nødvendige installasjonsnisjen (fig. **6**, side 6).
D er tykkelsen på hotellets egen dekorasjonsplate.
3. Plasser minibaren slik at du sikrer god lufttilstrømning fra ventilasjonsåpningene (fig. **8**, side 7).
4. Sørg for å overholde minimum klaring mellom baksiden av minibaren og veggen (fig. **10**, side 8).
5. Lag ventilasjonsåpningene som vist i fig. **9**, side 7.
6. Lag en ekstra ventilasjonsåpning nederst i installasjonsnisjen (fig. **11**, side 8).
Mål avstanden fra dørfrenten på minibaren **unntatt** egen dekor.

Nr. i fig. 12 , side 8	Beskrivelse
1	Skrue ø4 x 45 mm
2	Støpsel

7. Fest kjøleskapet med egnede skruer (fig. **12 1**, side 8).
8. Sett de fire pluggene (fig. **12 2**, side 8) inn i hullene.

6.2 Elektrisk tilkobling av minibaren

- ▶ Plugg inn 230 V-tilkoblingskabelen i støpselet og koble det til 230 V-strømnettet.
- ✓ Strømstatus LED-lampen vil lyse.
- ✓ Minibaren begynner nedkjølingen innvendig.

6.3 Montere hotellets egen dørdekor (kun DM50NTE F)

Hotellets egen dørdekor må tilfredsstille følgende krav:

- Maksimal vekt: 4 kg
- Maksimal tykkelse: 18 mm (kun låseversjon)
- ▶ Fest dekorasjonsplaten med fire skruer.

6.4 Monter låsen (kun versjon med lås)

1. Bor et hull med diameter 35 mm i dekoren.
2. Monter låsen sammen med låsedekorasjonen.

6.5 Montering av lås (kun versjon uten lås)

Demontere skuffen (fig. 13, side 9)

1. Åpne skuffen helt (A).
2. Trykk på skinnesperren (A 1).
3. Trekk skuffen ut av kabinettet (B).

Kun for DM50NTE D:

1. Fjern de to pluggene (C 1) fra skruene (C 2) på dørhåndtaket (C 3).
2. Skru ut de to skruene (C 2) på dørhåndtaket.
3. Fjern dørhåndtaket (C 3).
4. Fjern pakningen.
5. Fjern låsedekselet.

Bore hullene (fig. 14, side 9)

1. Bor et hull (A 1) med diameter 23,6 mm gjennom dekoren (kun DM50NTE D) og døren.
2. Skru ut de tolv skruene (B 1) på dekorrammen (B 2) (kun DM50NTE D).
3. Fjern dekorrammen (kun DM50NTE D).

Montere låsen (fig. 15, side 10)

1. Sett på plass det nye låsbeslaget (**A 1**).
2. Plasser dekoren (**B 1**) inn i dekorrammen.
3. Skru (**B 2**) dekorrammen (**B 3**) på døren.
4. Monter dørlåsen (**C 1**).
5. Installer låseknappen (**D 1**) i kabinettet.

Montere skuffen (fig. 16, side 10)

1. Dytt pakningen (**1**) på dekorrammen (**2**).
2. Skru dørhåndtaket (**4**) på døren.
3. Dytt pluggene (**3**) på dørhåndtakets skruer (**4**).
4. Skyv skuffen inn i skapet.

7 Betjening

7.1 Før første bruk

Av hygieniske årsaker må minibaren rengjøres innvendig og utvendig med en fuktig klut før første gangs bruk (se også kapittel «Rengjøring og vedlikehold» på side 168).

7.2 Spare strøm

- Ta opp døren til minibaren bare så ofte og så lenge som nødvendig.
- Unngå unødvendig høy innetemperatur.
- For et optimalt strømforbruk plasserer du hyllene og skuffene i henhold til posisjon ved levering.
- Kontroller regelmessig at dørens tetning fortsatt sitter riktig.
- Rengjør kondensatoren regelmessig for støv og forurensninger.

7.3 Bruk av minibaren

Minibaren begynner å kjøle når den kobles til en strømkilde. Under normal drift er LED-lampen for strømstatus tent. Hvis en feil oppstår vil LED-lampen blinke (se kapittel «Feilretting» på side 167).

7.4 Temperaturinnstilling

For å unngå matsvinn, gjør du følgende:

- Hold temperatursvingningen så lav som mulig. Ta opp døren til minibaren bare så ofte og så lenge som nødvendig. Sett matvarene til oppbevaring med god luft-sirkulasjon.
- Minibaren er utstyrt med automatisk temperaturregulering. Velg gjennomsnittet av mulig temperatur.
- Juster temperaturen etter mengde og type matvarer.

Minibaren er forhåndsinnstilt på en kjøletemperatur på 7 °C i en omgivelsestemperatur på 25 °C.

Kjøletemperaturen kan stilles til ett av de tre følgende nivåene ved å bruke innstillingsknappen: 5 °C, 12 °C og 7 °C.

Kjøletemperaturen stilles inn i følgende sekvens: 5 °C ... 12 °C ... 7 °C ... 5 °C osv.

1. Trykk og hold innstillingsknappen (fig. **3 4**, side 4) i minst fem sekunder, til den interne lampen (fig. **3 1**, side 4) begynner å blinke.
 2. Trykk på innstillingsknappen igjen til den ønskede kjøletemperaturen er valgt.
- ✓ Den interne lampen blinker. Antallet blink indikerer den valgte temperaturen. Blinkesignalet gjentas i tre intervaller:
- Lampen blinker **fem ganger**: 5 °C
 - Lampen blinker **en gang**: 12 °C
 - Lampen blinker **tre ganger**: 7 °C

8 Feilretting

Problem	Mulig årsak	Løsningsforslag
Minibaren fungerer ikke . LED-lampen for strømstatus er ikke tent.	Det er ingen spenning i vekselspenningsuttaket.	▶ Prøv å koble til en annen stikkontakt.
	Strømadapteren er defekt.	▶ Kontakt et autorisert serviceverksted.
Minibaren kjøler ikke . Kontakten er i, LED-lampen for strømstatus er tent.	Kjøleelementet er defekt.	▶ Kontakt et autorisert serviceverksted.
LED-lampen for feil blinker en gang i sekundet.	Temperaturløseren er defekt.	▶ Kontakt et autorisert serviceverksted.
Minibaren kjøler ikke tilstrekkelig . LED-lampen for strømstatus er tent, LED-lampen for feil er ikke tent.	Kjøleelementet er defekt.	▶ Kontakt et autorisert serviceverksted.
	Dårlig ventilasjon	▶ Sjekk ventilasjonen. ▶ Rengjør filteret under apparatet.

9 Rengjøring og vedlikehold



ADVARSEL! Fare for elektrisk støt

Alltid koble minibaren fra strømmettet før rengjøring og vedlikehold.



PASS PÅ! Fare for skader

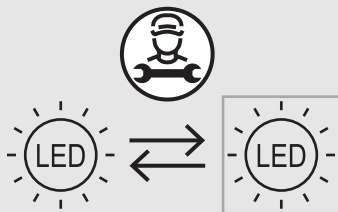
- Ikke bruk sterke vaskemidler eller harde gjenstander til rengjøring, da det kan skade minibaren.
- Minibaren må aldri rengjøres under rennende vann eller spyles.
- Aldri bruk skarpe gjenstander for å fjerne is eller for å løsne fastfrosne objekter i minibaren.
- Ikke bruk mekaniske eller andre hjelpemidler for å fremskynde avrimingen.
- Påse vann ikke drypper ned på forseglingene, slik at det ikke blir skade på elektronikken.

- Rengjør minibaren med en fuktig klut regelmessig og når det er tilsmusset.
- Etter rengjøringen tørkes minibaren med en klut.
- Kontroller kondensvannutløpet regelmessig. Rengjør kondensvannutløpet ved behov. Hvis det er tilstoppet, blir det oppsamling av kondensvann i bunnen av minibaren.
- Sikre deg at minibarens ventiler for inntak og uttak av luft er fri for støv og smuss, slik at varme slipper ut og apparatet ikke blir skadet.



PASS PÅ! Fare for skader

Lyskilden skal bare skiftes ut av produsenten, en servicepartner eller andre fagpersoner for å unngå fare.



10 Garanti

Lovmessig garantitid gjelder. Hvis produktet er defekt, ta kontakt med forhandleren eller produsentens filial i landet (se dometic.com/dealer).

Ved henvendelser vedrørende reparasjon eller garanti, må du sende med følgende dokumentasjon:

- Kopi av kvitteringen med kjøpsdato
- Årsak til reklamasjonen eller beskrivelse av feilen

Vær oppmerksom på at reparasjoner som utføres selv, eller som ikke utføres på en profesjonell måte, kan gå ut over sikkerheten og føre til at garantien blir ugyldig.

11 Avfallshåndtering

Resirkulering av emballasje



- Lever emballasje til resirkulering så langt det er mulig.



ADVARSEL! Brannfare

- Kjølemiddelet er svært brennbart. Unngå å åpne eller skade kjølekretsløpet.
- Isolasjonen i apparatet inneholder en isolerende gass (se typeskilt). Ikke skad isolasjonen.

Resirkulering av produkter med ikke-erstattbare batterier, oppladbare batterier eller lyskilder




- Hvis produkter inneholder ikke-erstattbare batterier, oppladbare batterier eller lyskilder, trenger du ikke fjerne dem før avhending.
- Hvis du ønsker å avfallsbehandle produktet, må du rådføre deg med nærmeste gjenvinningsstasjon eller din faghandler om hvordan du kan gjøre dette i overensstemmelse med gjeldende deponeringsforskrifter.



- Produktet kan avhendes gratis.

12 Tekniske spesifikasjoner

	DM50NTE D	DM50NTE F
Spenning	100 – 240 V~, 50 – 60 Hz	
Kjøleeffekt	maks. 21 °C under omgivelsestemperatur (justerbar i tre trinn: 5 °C, 7 °C, 12 °C)	
Kategori	2 (kjeller)	
Samlet kapasitet	50 l	
Energimerking	G	
Klimaklasse	N	
Kjølemiddel	R600a	
Kjølemiddelmengde	28 g	
Hovedskuffmål B x D x H	430 x 330 x 302 mm	
Miniskuffmål B x D x H	159 x 285 x 88 mm	
Mål B x D x H	550 x 524 x 418 mm	550 x 496 x 418 mm
Maksimal belastning innvendig	31 kg	
Vekt	23,5 kg	23,0 kg
Inspeksjon/sertifisering		

For den gjeldende EU-samsvarserklæringen for din enhet, se den aktuelle produkt-siden på dometic.com eller ta kontakt med produsenten direkte (se dometic.com/dealer).

Ytterligere produktinformasjon er tilgjengelig via QR-koden på energietiketten (se illustrasjonene) eller via eprel.ec.europa.eu.

Kjøleenheten er hermetisk lukket.

Lue nämä ohjeet huolellisesti ja noudata kaikkia tämän tuotteen käyttöohjeissa annettuja ohjeita, määräyksiä ja varoituksia. Näin varmistat, että tuotteen asennus, käyttö ja huolto sujuu aina oikein. Näiden ohjeiden TÄYTYY jäädä tuotteen yhteyteen.

Käyttämällä tuotetta vahvistat lukeneesi kaikki ohjeet, määräykset ja varoitukset huolellisesti ja että ymmärrät ja hyväksyt tässä annetut ehdot. Sitoudut käyttämään tuotetta ainoastaan sen käyttötarkoitukseen ja ilmoitetuissa käyttökohteissa ja noudattaen tässä tuotteen käyttöohjeessa annettuja ohjeita, määräyksiä ja varoituksia sekä voimassa olevia lakeja ja määräyksiä. Tässä annettujen ohjeiden ja varoitusten lukematta ja noudattamatta jättäminen voi johtaa omaan tai muiden loukkaantumiseen, tuotteen vaurioitumiseen tai muun ympärillä olevan omaisuuden vaurioitumiseen. Tähän tuotteen käyttöohjeeseen, ohjeisiin, määräyksiin ja varoituksiin sekä oheisdokumentteihin voidaan tehdä muutoksia ja niitä voidaan päivittää. Katso ajantasaiset tuotetiedot osoitteesta documents.domestic.com.

Sisältö

1	Symbolien selitykset	171
2	Turvallisuusohjeet	172
3	Toimituskokonaisuus	175
4	Käyttötarkoitus	176
5	Tekninen kuvaus	177
6	Asennus	179
7	Käyttö	181
8	Vianetsintä	183
9	Puhdistus ja hoito	184
10	Takuu	185
11	Hävittäminen	185
12	Tekniset tiedot	186

1 Symbolien selitykset



VAARA!

Turvallisuusohjeet: Viittaa vaaralliseen tilanteeseen, joka johtaa kuolemaan tai vakavaan loukkaantumiseen, jos sitä ei vältetä.



VAROITUS!

Turvallisuusohjeet: Viittaavat vaaralliseen tilanteeseen, joka voi johtaa kuolemaan tai vakavaan loukkaantumiseen, jos ohjeita ei noudateta.

**HUOMIO!**

Turvallisuusohjeet: Viittaavat vaaralliseen tilanteeseen, joka voi johtaa lievään tai kohtalaiseen loukkaantumiseen, jos ohjeita ei noudateta.

**HUOMAUTUS!**

Viittaavat tilanteeseen, joka voi johtaa esinevahinkoon, jos ohjeita ei noudateta.

**OHJE**

Tuotteen käyttöä koskevia lisätietoja.

2 Turvallisuusohjeet

2.1 Perusturvallisuus



VAROITUS! Näiden varoitusten noudattamatta jättäminen voi johtaa kuolemaan tai vakavaan vammaan.

Sähköiskun vaara

- Varmista, että minibaarin asennuksen on suorittanut pätevä asentaja Dometic-asennusopasta vastaavalla tavalla.
- Minibaaria ei saa ottaa käyttöön, jos siinä on näkyviä vaurioita.
- Jos tämän minibaarin liitännäjohto on vaurioitunut, valmistajan, huolto-palvelun tai ammattilaisen, jolla on vastaava pätevyys, tulee vaihtaa se vaaratilanteiden välttämiseksi.
- Tätä minibaaria saavat korjata ainoastaan tehtävään pätevät ammattilaiset. Virheellisesti suoritetuista korjaustoista saattaa aiheutua huomattavia vaaroja.
- Varmista, että virtajohto ei tartu kiinni mihinkään eikä vaurioidu, kun sijoitat minibaaria paikalleen.
- Älä sijoita siirrettäviä pistorasialistoja tai siirrettäviä virtalähteitä laitteen taakse.
- Liitä laite pistorasiaan, jolla liitäntä on varmasti tukeva, etenkin jos laite täytyy maadoittaa.

Palovaara

- Jäähdytyskierron sisältämä kylmäaine on helposti syttyvää. Jos jäähdytyskierrossa on mikä tahansa vaurio:
 - Kytke minibaari pois päältä.
 - Ehkäise avotulen ja sytytyskipinöiden esiintyminen.
 - Tuuleta tila huolellisesti.
- Varmista, että minibaarin asennussyvennyksessä ei ole sähkökomponentteja eikä valonlähteitä, jotka normaalissa tai normaalista poikkeavassa käytössä synnyttävät kipinöitä tai valokaaren (esim. releet tai sulakerasiat).
- Asennuksen jälkeen minibaari on edelleen pystyttävä irrottamaan verkovirrasta. Se voidaan toteuttaa joko varmistamalla käsiksupääsy pistokkeeseen tai asentamalla kiinteään johdotukseen katkaisija johdotussääntöjen mukaisesti.
- Pidä tuuletusaukot minibaarin syvennyksessä tai upotuskalusteessa vapaina esteistä.
- Älä käytä muita kuin valmistajan suosittelemia välineitä tai muita keinoja sulatuksen nopeuttamiseen.
- Älä missään tapauksessa avaa jäähdytyskiertoa.
- Älä käytä minibaarin sisällä sähkölaitteita, ellei valmistaja suosittele näitä sähkölaitteita tähän tarkoitukseen.

Räjähdyksivaara

- Älä säilytä minibaarissa mitään räjähdysalttiita aineita kuten esim. suihkepurkkeja, joissa on punneainetta.

Terveysvaara

- Tätä minibaaria voivat käyttää valvonnan alaisuudessa myös vähintään 8-vuotiaat lapset samoin kuin henkilöt, joiden fyysiset, aistinvaraiset tai henkiset kyvyt ovat rajoittuneet tai joilta puuttuu laitteen käytön vaatima kokemus tai tietämys, mikäli edellä mainittuja henkilöitä on opastettu käyttämään minibaaria turvallisesti ja mikäli henkilöt ymmärtävät laitteen käyttöön liittyvät riskit.
- Lapset eivät saa leikkiä minibaarilla.
- Lapset eivät saa ilman valvontaa puhdistaa laitetta eivätkä ryhtyä käyttäjälle sallittuihin kunnossapitotöihin.
- 3 – 8-vuotiaat lapset saavat täyttää ja tyhjentää minibaaria.



HUOMIO! Näiden varoitusten noudattamatta jättäminen voi johtaa vähäiseen tai kohtalaiseen vammaan.

Rusentumisvaara

- Älä koske saranaan.

Terveysvaara

- Elintarvikkeita saa säilyttää vain alkuperäispakkauksissa tai tarkoitukseen sopivissa astioissa.



HUOMAUTUS! Vahingonvaara

- Vertaa tyypikilven jännitetietoja käytettävissä olevaan energiansyöttöön.
- Minibaari ei sovellu syövyttävien tai liuottimia sisältävien aineiden varastointiin.
- Kylmälaitteen eristeet sisältävät syttyvää syklopentaania, joten ne vaativat erityisen hävittämismenetelmän. Kun kylmälaitte on tullut käyttökänsä päähän, toimita se asianmukaiseen kierrätyspisteeseen.
- Pidä virtausaukko aina puhtaana.
- Kuljeta minibaaria vain pystyasennossa.

2.2 Minibaarin turvallinen käyttö



VAARA! Näiden varoitusten noudattamatta jättäminen johtaa kuolemaan tai vakavaan vammaan.

Sähköiskun vaara

- Älä kosketa avojohtimia koskaan paljain käsin.



HUOMIO! Näiden varoitusten noudattamatta jättäminen voi johtaa vähäiseen tai kohtalaiseen vammaan.

Sähköiskun vaara

- Huolehdi ennen minibaarin käyttöönottoa siitä, että johto ja pistoke ovat kuivia.

Terveysvaara

- Varmista, että panet minibaariin vain esineitä tai tuotteita, joita saa säilyttää valitussa lämpötilassa.
- Elintarvikkeita saa säilyttää vain alkuperäispakkauksissa tai tarkoitukseen sopivissa astioissa.
- Oven avaaminen pitkiksi ajoiksi voi merkittävästi nostaa lämpötilaa minibaarin lokeroissa.

- Puhdista säännöllisesti pinnat, jotka voivat joutua kosketuksiin elintarvikkeiden ja suojaamattomien viemärijärjestelmän osien kanssa.
- Jos minibaari jätetään tyhjäksi pitkäksi ajaksi:
 - Kytke minibaari pois päältä.
 - Sulata minibaari.
 - Puhdista ja kuivaa minibaari.
 - Jätä ovi auki, jotta minibaarin sisälle ei muodostu hometta.



HUOMAUTUS!

Vahingonvaara

- Älä altista minibaaria avoliekillä tai muilla lämpölähteillä (kynttilät, lämmitys, suora auringonpaiste, kaasu-uunit jne.).
- Älä koskaan upota minibaaria veteen.
- Suojaa minibaari ja johto kuumuudelta ja kosteudelta.
- Varmista, että elintarvikkeet eivät kosketa jääkaappiosaston seinää.

3 Toimituskokonaisuus

Saatavilla on seuraavat päivvaihtoehdot:

- Minibaari DM50NTE D etupaneelilla, ilman lukkoa
- Minibaari DM50NTE D etupaneelilla ja lukolla
- Minibaari DM50NTE F ilman etupaneelia ja lukkoa
- Minibaari DM50NTE F ilman etupaneelia mutta lukolla

Määrä	Kuvaus
1	Minibaarilaatikko
1	Liitäntäjohto 230 V~ -liitäntään
4	Ruuvi \varnothing 4 x 45 mm (asennus)
4	Ruuvien suojatulppa (asennus)
1	Kahva (vain DM50NTE D)
2	Ruuvien suojatulppa (kahvan asennus) (vain DM50NTE D)
1	Tulosuodatin
6	Ruuvi \varnothing 3 x 12 mm (suodattimen asennus)
2	Ruuvien suojatulppa (puupaneeli) (DM50NTE F, vain puuversio)

Määrä	Kuvaus	
1	Lukon etulevy (puupaneeli)	(DM50NTE F, vain lukollinen puu-versio)
2	Avain	(vain lukollinen versio)
1	Asennus- ja käyttöohje	

4 Käyttötarkoitus

Kylmälaite (josta käytetään myös nimitystä minibaari) on tarkoitettu juomien ja elintarvikkeiden jäähdtyykseen ja kylmäsäilytykseen suljetuissa astioissa.

Minibaari on tarkoitettu käytettäväksi risteilyaluksilla sekä kotitalouskäyttöön ja sen kaltaisiin käyttökohteisiin kuten

- Henkilökuntakeittiöt, toimistot ja muu työympäristö
- Maatilat
- Hotellit, motellit ja muut majoitusympäristöt
- Aamiaismajoitustyyppiset ympäristöt
- Pitopalvelu- ja muut ei-jakelukohteet

Minibaari **ei** sovi asennettavaksi asuntovaunuihin tai matkailuautoihin.

Minibaari sopii asennettavaksi kaapistoon tai asennussyvennykseen. Katso asennusohjeet.

Minibaari **ei** sovellu

- Syövyttävien tai liuottimien sisältävien aineiden säilyttämiseen
- Tuore-elintarvikkeiden ja lääkkeiden säilyttämiseen
- Elintarvikkeiden pakastamiseen

Tämä tuote soveltuu ainoastaan näissä ohjeissa ilmoitettuun käyttötarkoitukseen ja käyttökohteeseen.

Näistä ohjeista saat tuotteen asianmukaiseen asennukseen ja/tai käyttöön tarvittavat tiedot. Väärin tehdyn asennuksen ja/tai väärän käyttötavan tai vääränlaisen huollon seurauksena laite ei toimi tyydyttävästi, ja se saattaa mennä epäkuuntoon.

Valmistaja ei ota vastuuta tapaturmista tai tuotevaurioista, jotka johtuvat seuraavista:

- Väärin tehty asennus tai liitäntä, ylijännite mukaan lukien
- Väärin tehty huolto tai muiden kuin valmistajalta saatavien alkuperäisten varaosien käyttö

- Tuotteeseen ilman valmistajan nimenomaista lupaa tehdyt muutokset
- Käyttö muuhun kuin tässä ohjeessa ilmoitettuun tarkoitukseen

Dometic pidättää itsellään oikeuden muutoksiin tuotteen ulkonäössä ja spesifikaatioissa.

5 Tekninen kuvaus

Minibaarissa on päälaatikko pulloille ja tölkeille sekä minilaatikko pikkupulloille ja naposteltaville. Päälaatikkoon mahtuu 33 enintään 28 cm:n korkuista pulloa.

DM50NTE D: Malliin on tehtaalla asennettu etupaneeli ja kahva.

DM50NTE F: Malli toimitetaan ilman etupaneelia, ja siinä on asennusvalmius hotellin omalle etupaneelille.

5.1 Laitekuvaus

Etupaneeli

Nro kohdassa kuva 1 , sivulla 3	Kuvaus
1	Lukko (optio)
2	Kahva (vain DM50NTE D)
3	Etupaneeli (vain DM50NTE D)

Taustapuoli

Nro kohdassa kuva 2 , sivulla 3	Kuvaus
1	Verkkolaite
2	12 V $\overline{=}$ -pistorasia
3	Tippa-astia
4	Lämpöputki

Käyttöpaneeli (laitteen sisällä)

Nro kohdassa kuva 3, sivulla 4	Kuvaus
1	Lamppu
2	Virhe-LED
3	Virran tila-LED
4	Asetuspainike

Päälaatikko

Nro kohdassa kuva 4, sivulla 4	Kuvaus
1	Iso jakaja
2	Väljakaja
3	Pikku jakaja
4	Pullonpidike

Minilaatikko

Nro kohdassa kuva 5, sivulla 5	Kuvaus
1	Kääntyvä jakaja
2	Pikkupullonpidike

6 Asennus



HUOMIO! Terveysriski

Jotta laitteen epävakaus ei aiheuttaisi vaaraa, se on kiinnitettävä ohjeiden mukaisesti.

6.1 Minibaarin asennus kalusteeseen



NOTICE! Vahingonvaara

Tuloilmakanavan kautta kulkeva ilma ei saa lämmentä.

Älä altista minibaaria avoliekillä tai muille lämpölähteille (lämmitys, suora auringonpaiste, kaasuuunit jne.).

Voit asentaa minibaarin kalusteisiin neljällä eri tavalla.

1. Valitse haluamasi asennusvaihtoehto (kuva **6**, sivulla 6).
2. Tarkista asennukseen vaadittava syvennys (kuva **6**, sivulla 6)
d tarkoittaa hotellin oman paneelin paksuutta.
3. Tarkista minibaarin oikea sijainti ja, että ilma virtaa tarpeeksi ilmanvaihtoaukoista (kuva **8**, sivulla 7).
4. Tarkista, että minibaarin takaosan ja kalusteen seinän välissä on vähimmäisvaatimuksen verran vapaata tilaa (kuva **10**, sivulla 8).
5. Tee ilmanvaihtoaukot seuraavalla tavalla kuva **9**, sivulla 7.
6. Tee lisäilmanvaihtoaukko asennussyvennyksen pohjalle (kuva **11**, sivulla 8).
Mittaa etäisyys minibaarin oven etureunasta, **ei** omasta etupaneelistä.

Nro kohdassa kuva 12 , sivulla 8	Kuvaus
1	Ruuvi $\varnothing 4 \times 45$ mm
2	Pistoke

7. Kiinnitä jääkaappi sopivilla ruuveilla (kuva **12 1**, sivulla 8).
8. Peitä reiät neljällä suojatulpalla (kuva **12 2**, sivulla 8).

6.2 Minibaarin sähköliitäntä

- ▶ Työnnä 230 V:n liitäntäjohdon toinen pää vaihtovirtaliittimeen ja liitä toinen pää 230 V:n vaihtovirtapistorasiaan.
- ✓ Virran tila-LED ja valo syttyvät.
- ✓ Minibaari alkaa jäähdyttää sisätilaansa.

6.3 Hotellin oman etupaneelin asennus (vain DM50NTE F)

Hotellin oman etupaneelin pitää täyttää seuraavat vaatimukset:

- Enimmäispaino: 4 kg
 - Enimmäispaksuus: 18 mm (vain lukollinen versio)
- ▶ Kiinnitä paneeli neljällä ruuvilla.

6.4 Lukon asennus (vain lukollinen versio)

1. Poraa etupaneeliin reikä, jonka halkaisija on 35 mm.
2. Asenna lukko yhdessä lukon etulevyn kanssa.

6.5 Lukon asennus (vain lukoton versio)

Laatikon irrotus (kuva 13, sivulla 9)

1. Vedä laatikko kokonaan auki (**A**).
2. Paina kiskolukkoa (**A 1**).
3. Vedä laatikko ulos kaapista (**B**).

Vain DM50NTE D:

1. Poista suojatulpat (**C 1**) ruuveista (**C 2**), joilla kahva (**C 3**) on kiinnitetty.
2. Irrota kaksi kahvan ruuvia (**C 2**).
3. Irrota kahva (**C 3**).
4. Ota tiiviste pois paikaltaan.
5. Poista lukon peitelevy.

Reikien poraaminen (kuva 14, sivulla 9)

1. Poraat etupaneeliin (vain DM50NTE D) ja oveen halkaisijaltaan 23,6 mm:n kokoinen reikä (A 1).
2. Irrota kaksitoista ruuvia (B 1) etupaneelin kehyksestä (B 2) (vain DM50NTE D).
3. Ota etupaneelin kehys pois (vain DM50NTE D).

Lukon asentaminen (kuva 15, sivulla 10)

1. Aseta uusi lukon peite (A 1) paikalleen.
2. Sijoita etupaneeli (B 1) kehykseen.
3. Ruuvaa (B 2) kehys (B 3) oveen.
4. Asenna oven lukko (C 1).
5. Asenna lukon salpa (D 1) kaappiin.

Laatikon kokoaminen (kuva 16, sivulla 10)

1. Paina tiiviste (1) etupaneelin kehykseen (2).
2. Ruuvaa ovenkahva (4) oveen.
3. Paina suojatulpat (3) ovenkahvan (4) ruuvien päälle.
4. Työnnä laatikko kaappiin.

7 Käyttö

7.1 Ennen ensimmäistä käyttökertaa

Puhdista minibaari hygieniasyistä sisältä ja ulkoa kostealla liinalla ennen ensimmäistä käyttökertaa (ks. myös kap. "Puhdistus ja hoito" sivulla 184).

7.2 Energian säästäminen

- Avaa minibaari vain niin usein ja niin pitkäksi aikaa kuin on tarpeen.
- Vältä tarpeettoman matalaa sisälämpötilaa.
- Ihanteellisen energiankulutuksen saavuttamiseksi laita sijoita ja laatikot niin kuin ne olivat toimituksen yhteydessä.
- Varmista säännöllisesti, että oven tiiviste istuu kunnolla.
- Puhdista lauhdutin säännöllisin väliajoin pölystä ja liasta.

7.3 Minibaarin käyttö

Minibaari alkaa jäähtyä, kun virta kytketään. Normaalkäytön aikana virran tila-LED palaa. Vian ilmetessä vika-LED vilkkuu (ks. kap. "Vianetsintä" sivulla 183).

7.4 Lämpötilan säätö

Huomaa seuraava ruokahävikin välttämiseksi:

- Pidä lämpötilan heilahtelu mahdollisimman pienenä. Avaa minibaari vain niin usein ja niin pitkäksi aikaa kuin on tarpeen. Säilytä elintarvikkeet niin, että ilma pääsee kiertämään hyvin.
- Minibaari on varustettu automaattisella lämpötilansäätötoiminnolla. Valitse mahdollisista lämpötila-arvoista keskimääräinen.
- Säädä lämpötila elintarvikkeiden määrää ja tyyppiä vastaavaksi.

Minibaarin oletusasetuksena on jäähdytyslämpötila 7 °C, ja ympäristön lämpötilan oletetaan olevan 25 °C.

Jäähdytyslämpötilaa voidaan muuttaa asetuspainikkeella, vaihtoehtoja on kolme: 5 °C, 12 °C ja 7 °C.

Jäähdytyslämpötila asetetaan seuraavassa järjestyksessä: 5 °C ... 12 °C ... 7 °C ... 5 °C jne.

1. Pidä asetuspainiketta (kuva **3 4**, sivulla 4) painettuna ainakin 5 s, kunnes sisävalo (kuva **3 1**, sivulla 4) alkaa vilkkua.
 2. Paina asetuspainiketta uudelleen, kunnes haluamasi jäähdytyslämpötila on valittuna.
- ✓ Sisävalo vilkkuu. Vilkahdusten lukumäärä ilmaisee asetetun lämpötilan. Vilkkusignaali toistuu kolmeen kertaan:
- Valo vilkahtaa **viidesti**: 5 °C
 - Valo vilkahtaa **kerran**: 12 °C
 - Valo vilkahtaa **kolmesti**: 7 °C

8 Vianetsintä

Häiriö	Mahdollinen syy	Ratkaisuehdotus
Minibaari ei toimi . Virran tila-LED ei pala.	Vaihtovirtapistorasiassa ei ole jännitettä.	► Kokeile toista pistorasiaa.
	Verkkolaite on rikki.	► Ota yhteyttä valutettuun huoltopalveluun.
Minibaari ei jäähtytä . Pistoke on liitettyinä, virran tila-LED palaa.	Jäähdytyslementti on rikki.	► Ota yhteyttä valutettuun huoltopalveluun.
Virhe-LED vilkahtaa kerran sekunnissa.	Lämpötila-anturissa on vikaa.	► Ota yhteyttä valutettuun huoltopalveluun.
Minibaari ei jäähtytä riittävästi . Virran tila-LED palaa, virhe-LED ei pala.	Jäähdytyslementti on rikki.	► Ota yhteyttä valutettuun huoltopalveluun.
	Huono tuuletus	► Tarkasta tuuletus. ► Puhdista laitteen pohjassa oleva suodatin.

9 Puhdistus ja hoito



VAROITUS! Sähköiskun vaara

Erota minibaari verkkovirrasta aina ennen puhdistusta ja huoltoa.



HUOMAUTUS! Vahingonvaara

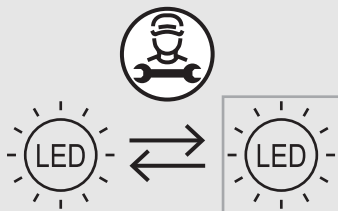
- Älä käytä puhdistamiseen voimakkaita puhdistusaineita tai kovia esineitä, koska ne voivat vahingoittaa minibaaria.
- Älä puhdista minibaaria juoksevan veden alla tai tiskivedessä.
- Älä missään tapauksessa poista jäätä tai irrota kiinni jäätyneitä esineitä minibaarista kovilla tai terävillä välineillä.
- Älä yritä nopeuttaa sulamisprosessissa mekaanisten tai muunlaisten apuvälineiden avulla.
- Elektroniikkavaurioiden välttämiseksi on varmistettava, ettei tiivisteisiin tipu vettä.

- Puhdista minibaari kostealla liinalla säännöllisin väliajoin tai heti, kun se on likaantunut.
- Kuivaa minibaari puhdistamisen jälkeen liinalla.
- Puhdista tiivistyneen veden poistoliitäntä säännöllisesti. Puhdista tiivistyneen veden poistoliitäntä tarvittaessa. Jos liitäntä on tukkeutunut, tiivistynyt vesi kerääntyy minibaarin pohjalle.
- Varmista, että minibaarin ilmanotto- ja poistoaukot ovat puhtaita pölystä ja liasta, jotta toiminnasta syntyvä lämpö saadaan johdettua pois eikä laite pääse vaurioitumaan.



HUOMAUTUS! Vaurion vaara

Vaaran välttämiseksi valonlähteen voi vaihtaa vain valmistaja, asiakaspalvelu tai henkilö, jolla on vastaava pätevyys.



10 Takuu

Tuotetta koskee lakisääteinen tuotevastuu-aika. Jos tuote on viallinen, ota yhteyttä jälleenmyyjään tai valmistajan toimipisteeseen omassa maassasi (ks. dometic.com/dealer).

Jos lähetät tuotteen korjattavaksi, liitä korjaus- ja takuukäsittelyä varten mukaan seuraavat asiakirjat:

- Kopio kuitista, jossa näkyy ostopäivä
- Valitusperuste tai vikakuvaus

Huomaa, että itse tai väärin tehty korjaus voi vaarantaa turvallisuuden ja johtaa takuun raukeamiseen.

11 Hävittäminen

Pakkausmateriaalin kierrätys



- Vie pakkausmateriaalit mahdollisuuksien mukaan niille tarkoitettuihin kierrätysjäteastioihin.



VAROITUS! Palovaara

- Kylmäaine on erittäin helposti syttyvää. Älä avaa äläkä vahingoita jäähdytyskiertoa.
- Laitteen eristys sisältää eristävää kaasua (ks. tyypitietetti). Älä vaurioita eristystä.


Kiinteästi asennettuja akkuja, ladattavia akkuparistoja ja valonlähteitä sisältävien tuotteiden kierrätys



- Jos tuotteessa on kiinteästi asennettuja akkuja, ladattavia akkuparistoja tai valonlähteitä, niitä ei tarvitse poistaa ennen tuotteen hävittämistä.
- Jos haluat poistaa tuotteen lopullisesti käytöstä, tiedustele yksityiskohtaisia hävittämistä koskevia ohjeita ja määräyksiä lähimmästä kierrätyskeskuksesta tai erikoisliikkeestä.
- Tuotteen voi hävittää veloitusetta.



12 Tekniset tiedot

	DM50NTE D	DM50NTE F
Jännite	100 – 240 V~, 50 – 60 Hz	
Jäähdytysteho	maks. 21 °C alle ympäristölämpötilan (säädettävissä kolmiportaisesti: 5 °C, 7 °C, 12 °C)	
Luokka	2 (kellari)	
Kokonaistilavuus	50 l	
Energiatehokkuusluokka	G	
Ilmastoluokka	N	
Kylmäaine	R600a	
Kylmäaineen määrä	28 g	
Päälaatikon mitat L x S x K	430 x 330 x 302 mm	
Minilaatikon mitat L x S x K	159 x 285 x 88 mm	
Mitat L x S x K	550 x 524 x 418 mm	550 x 496 x 418 mm
Sisällön paino enintään	31 kg	
Paino	23,5 kg	23,0 kg
Tarkastus/sertifikaatti		

Laitteesi ajan tasalla olevan EU-vaatimustenmukaisuusvakuutuksen löydät vastaavalta tuotesivulta osoitteesta dometic.com. Voit myös pyytää asiakirjan suoraan valmistajalta (katso dometic.com/dealer).

Lisää tuotetietoja saat energiamerkin QR-koodin (ks. kuvat) kautta tai osoitteesta eprel.ec.europa.eu.

Kylmälaiteisto on hermeettisesti suljettu.

Prosimy o uważne przeczytanie niniejszej instrukcji i przestrzeganie wszystkich zawartych w niej instrukcji postępowania, wskazówek i ostrzeżeń. Pozwoli to zapewnić, że produkt będzie zawsze prawidłowo instalowany, wykorzystywany i konserwowany. Niniejsza instrukcja MUSI przez cały czas pozostawać przy produkcie.

Korzystając z produktu, użytkownik potwierdza uważne przeczytanie wszelkich instrukcji, wskazówek i ostrzeżeń, ich zrozumienie oraz zobowiązuje się przestrzegać zawartych w nich warunków. Użytkownik zobowiązuje się wykorzystywać niniejszy produkt wyłącznie zgodnie z jego przeznaczeniem i zamierzonym zastosowaniem oraz z instrukcjami, wskazówkami i ostrzeżeniami wyszczególnionymi w niniejszej instrukcji produktu, jak również ze wszystkimi mającymi zastosowanie przepisami i regulacjami prawnymi. Nieprzestrzeganie zawartych tu instrukcji i ostrzeżeń może skutkować obrażeniami u użytkownika oraz osób trzecich, uszkodzeniem produktu lub też uszkodzeniem mienia w sąsiedztwie produktu. Zastrzega się możliwość wprowadzania zmian i aktualizacji niniejszej instrukcji produktu, wraz z instrukcjami, wskazówkami i ostrzeżeniami oraz powiązaną dokumentacją. Aktualne informacje dotyczące produktu można zawsze znaleźć na stronie documents.dometic.com.

Spis treści

1	Objaśnienie symboli	187
2	Wskazówki bezpieczeństwa	188
3	W zestawie	191
4	Użytkowanie zgodne z przeznaczeniem	192
5	Opis techniczny	193
6	Montaż.	195
7	Eksploatacja.	198
8	Usuwanie usterek	199
9	Czyszczenie i konserwacja	200
10	Gwarancja	201
11	Utylizacja	201
12	Dane techniczne	202

1 Objąśnienie symboli



NIEBEZPIECZEŃSTWO!

Wskazówka bezpieczeństwa: Wskazuje niebezpieczną sytuację, która – jeśli się jej nie uniknie – prowadzi do śmierci lub poważnych obrażeń.



OSTRZEŻENIE!

Wskazówka bezpieczeństwa: Wskazuje niebezpieczną sytuację, która – jeśli się jej nie uniknie – może prowadzić do śmierci lub poważnych obrażeń.

**OSTROŻNIE!**

Wskazówka bezpieczeństwa: Wskazuje niebezpieczną sytuację, która – jeśli się jej nie uniknie – może prowadzić do lekkich lub umiarkowanych obrażeń.

**UWAGA!**

Wskazuje sytuację, która – jeśli się jej nie uniknie – może prowadzić do powstania szkód materialnych.

**WSKAZÓWKA**

Dodatkowe informacje dotyczące obsługi produktu.

2 Wskazówki bezpieczeństwa

2.1 Podstawowe zasady bezpieczeństwa



OSTRZEŻENIE! Nieprzestrzeganie tych ostrzeżeń może prowadzić do śmierci lub ciężkich obrażeń.

Ryzyko porażenia prądem

- Upewnić się, że minibar został zainstalowany przez wykwalifikowanego technika zgodnie z instrukcją montażu Dometic.
- Nie używać minibaru, jeśli ma on widoczne uszkodzenia.
- Jeśli przewód minibaru ulegnie uszkodzeniu, aby uniknąć zagrożenia, musi zostać on wymieniony przez producenta, centrum serwisowe lub odpowiednio wykwalifikowany personel.
- Napraw minibaru mogą dokonywać tylko odpowiednio wykwalifikowane osoby. Nieodpowiednio wykonane naprawy mogą być przyczyną poważnych zagrożeń.
- Podczas ustawiania minibaru należy uważać, aby nie przygnieść ani nie uszkodzić przewodu zasilającego.
- Nie umieszczać z tyłu urządzenia przedłużaczy z wieloma gniazdami ani przenośnych zasilaczy.
- Urządzenie podłączać do gniazdek zapewniających odpowiednie przyłącze, zwłaszcza jeżeli wymaga ono uziemienia.

Ryzyko pożaru

- Czynniki chłodnicze w obiegu chłodzenia jest łatwopalny.
W razie uszkodzenia obiegu chłodzenia:
 - Wyłączyć minibar.
 - Unikać otwartego ognia i iskier.
 - Dobrze przewietrzyć pomieszczenie.
- We wnęce, w której montowany jest minibar, nie umieszczać żadnych elementów elektrycznych ani źródeł światła, które podczas normalnej pracy albo w przypadku uszkodzenia mogą wytwarzać iskry lub łuki elektryczne (np. przełączników albo skrzynek bezpieczników).
- Po zakończeniu instalacji należy zapewnić możliwość odłączenia minibaru od sieci zasilającej. Można tego dokonać poprzez zapewnienie dostępu do wtyczki lub zainstalowanie wyłącznika w stałej instalacji elektrycznej zgodnie z przepisami dot. instalacji elektrycznych.
- Nie zasłaniać otworów wentylacyjnych w obudowie minibaru ani w konstrukcji, w którą jest on wbudowany.
- Nie używać urządzeń mechanicznych ani innych środków do przyspieszania procesu odszraniania, o ile nie zaleca ich do tego celu producent.
- W żadnym wypadku nie otwierać obiegu chłodzenia.
- Nie używać żadnych urządzeń elektrycznych wewnątrz minibaru, chyba że zostało to zalecone przez producenta.

Ryzyko wybuchu

- W minibarze nie wolno przechowywać substancji wybuchowych, np. pojemników aerosolowych z gazem wytlaczającym.

Zagrożenie zdrowia

- Dzieci od 8 lat i osoby o ograniczonych możliwościach fizycznych, sensorycznych lub intelektualnych oraz osoby niedysponujące stosowną wiedzą i doświadczeniem mogą używać minibaru jedynie pod nadzorem innej osoby bądź pod warunkiem uzyskania informacji dotyczących bezpiecznego użytkowania minibaru i zrozumienia wynikających z tego zagrożeń.
- Dzieci nie mogą bawić się minibarem.
- Dzieci nie mogą czyścić i konserwować urządzenia bez nadzoru.
- Dzieci od 3 do 8 lat mogą napętniać i opróżniać minibar.



OSTROŻNIE! Nieprzestrzeganie tych uwag może prowadzić do lekkich lub umiarkowanych obrażeń.

Ryzyko zmiążdżenia

- Nie dotykać zawiasu.

Zagrożenie zdrowia

- Artykuły spożywcze mogą być przechowywane tylko w oryginalnych opakowaniach lub w odpowiednich pojemnikach.



UWAGA! Ryzyko uszkodzenia

- Należy porównać dane dotyczące napięcia na tabliczce znamionowej z dostępnym źródłem zasilania.
- Minibar nie nadaje się do przechowywania substancji żrących ani zawierających rozpuszczalniki.
- Izolacja tego urządzenia chłodniczego zawiera palny cyklopentan, przez co wymaga ono specjalnej procedury utylizacyjnej. Po zaprzestaniu jego dalszej eksploatacji urządzenie chłodnicze należy dostarczyć do specjalistycznego zakładu utylizacyjnego.
- Otwór odpływowy zawsze utrzymywać w czystym stanie.
- Minibar można przenosić tylko w pozycji pionowej.

2.2 Bezpieczne użytkowanie minibaru



NIEBEZPIECZEŃSTWO! Nieprzestrzeganie tych ostrzeżeń prowadzi do śmierci lub ciężkich obrażeń.

Ryzyko porażenia prądem

- Nigdy nie chwytać gołymi rękami nieosłoniętych przewodów.



OSTROŻNIE! Nieprzestrzeganie tych uwag może prowadzić do lekkich lub umiarkowanych obrażeń.

Ryzyko porażenia prądem

- Przed uruchomieniem minibaru należy sprawdzić, czy przewód zasilający i wtyczka są suche.

Zagrożenie zdrowia

- Należy uważać, aby w minibarze umieszczać tylko artykuły, które mogą być przechowywane w ustawionej w nim temperaturze.
- Artykuły spożywcze mogą być przechowywane tylko w oryginalnych opakowaniach lub w odpowiednich pojemnikach.

- Pozostawianie drzwi minibaru otwartych przez dłuższy czas może spowodować znaczny wzrost temperatury w jego komorach.
- Regularnie czyścić powierzchnie, które mogą mieć kontakt z żywnością i dostępnymi układami odprowadzania wody.
- Jeśli minibar pozostaje pusty przez długi czas:
 - Wyłączyć minibar.
 - Odszronić minibar.
 - Wyczyścić i wysuszyć minibar.
 - Pozostawić otwarte drzwi, aby w minibarze nie rozwijała się pleśń.



UWAGA!

Ryzyko uszkodzenia

- Nie ustawiać minibaru w pobliżu otwartego ognia lub innych źródeł ciepła (zapalonych świec, ogrzewania, bezpośredniego promieniowania słonecznego, kuchenek gazowych itp.).
- Nigdy nie zanurzać minibaru w wodzie.
- Chronić minibar i kabel przed wysokimi temperaturami i wilgocią.
- Zwracać uwagę, aby środki spożywcze nie dotykały ścian komory chłodzącej.

3 W zestawie

Dostępne są następujące główne warianty:

- Minibar DM50NTE D z panelem dekoracyjnym drzwi, bez zamka
- Minibar DM50NTE D z panelem dekoracyjnym drzwi, z zamkiem
- Minibar DM50NTE F bez panelu dekoracyjnego drzwi, bez zamka
- Minibar DM50NTE F bez panelu dekoracyjnego drzwi, z zamkiem

Ilość	Opis	
1	Minibar szufladowy	
1	Przewód przyłączeniowy 230 V~	
4	Śruba $\varnothing 4 \times 45$ mm (do montażu)	
4	Zaślepka (do montażu)	
1	Uchwyt do przenoszenia	(tylko DM50NTE D)
2	Zaślepka (do montażu uchwyty)	(tylko DM50NTE D)
1	Filtr wlotowy	

Ilość	Opis	
6	Śruba $\varnothing 3 \times 12$ mm (do montażu filtra)	
2	Zaślepka (do drewnianego panelu)	(tylko wersja DM50NTE F z drewnianym panelem)
1	Panel dekoracyjny zamka (do drewnianego panelu)	(tylko wersja DM50NTE F z drewnianym panelem i zamkiem)
2	Klucz	(tylko wersja z zamkiem)
1	Instrukcja montażu i obsługi	

4 Użytkowanie zgodne z przeznaczeniem

Urządzenie chłodnicze (zwane również minibarem) jest przeznaczone do chłodzenia i przechowywania napojów oraz żywności w zamkniętych pojemnikach.

Minibar jest przeznaczony do użytku na statkach pasażerskich lub domowego oraz do podobnych zastosowań w następujących obszarach:

- W kuchniach dla personelu w sklepach, biurach i innych miejscach pracy
- W gospodarstwach rolnych
- W hotelach, motelach i innych rodzajach zakwaterowania
- W pensjonatach i na kwaterach prywatnych
- W cateringu i podobnych zastosowaniach niedetalicznych

Minibar **nie** jest przeznaczony do montażu w przyczepach kempingowych ani w kamperach.

Minibar jest przeznaczony do montażu w meblach lub we wnęce. Szczegółowe informacje zawarte są w instrukcji montażu.

Minibar **nie** nadaje się do

- Przechowywania substancji o właściwościach korozyjnych, żrących oraz substancji zawierających rozpuszczalniki
- Przechowywania świeżej żywności ani leków
- Głębokiego mrożenia środków spożywczych

Niniejszy produkt jest przystosowany wyłącznie do wykorzystywania zgodnie z jego przeznaczeniem oraz zamierzonym zastosowaniem według niniejszej instrukcji.

Niniejsza instrukcja zawiera informacje, które są niezbędne do prawidłowego montażu i/lub obsługi produktu. Nieprawidłowy montaż i/lub niewłaściwa obsługa lub konserwacja powodują niezadowolające działanie i mogą prowadzić do uszkodzeń.

Producent nie ponosi żadnej odpowiedzialności za ewentualne obrażenia lub uszkodzenia produktu wynikłe z następujących przyczyn:

- Nieprawidłowy montaż lub podłączenie, w tym zbyt wysokie napięcie
- Niewłaściwa konserwacja lub użycie innych części zamiennych niż oryginalne części zamienne dostarczone przez producenta
- Wprowadzanie zmian w produkcie bez wyraźnej zgody producenta
- Użytkowanie w celach innych niż opisane w niniejszej instrukcji obsługi

Firma Dometic zastrzega sobie prawo do zmiany wyglądu i specyfikacji produktu.

5 Opis techniczny

Minibar wyposażony jest w główną szufladę na butelki i puszki oraz w miniszufladę na miniaturowe butelki i przekąski. Główna szuflada może pomieścić 33 butelki o wysokości do 28 cm.

DM50NTE D: Ten model jest fabrycznie wyposażony w panel dekoracyjny drzwi oraz w uchwyt.

DM50NTE F: Ten model jest dostarczany bez panelu dekoracyjnego drzwi i jest przygotowany do montażu panelu zapewnianego przez hotel.

5.1 Opis urządzenia

Panel przedni

Nr na rys. 1 , strona 3	Opis
1	Zamek (opcja)
2	Uchwyt (tylko DM50NTE D)
3	Panel dekoracyjny drzwi (tylko DM50NTE D)

Tylna strona

Nr na rys. 2 , strona 3	Opis
1	Zasilacz sieciowy
2	Gniazdo 12 V $\overline{=}$
3	Zbiornik na skropliny
4	Wymiennik ciepła

Panel sterowania (wewnątrz urządzenia)

Nr na rys. 3 , strona 4	Opis
1	Lampka
2	Dioda LED sygnalizacji usterek
3	Dioda LED zasilania
4	Przycisk ustawiania

Główna szuflada

Nr na rys. 4 , strona 4	Opis
1	Szeroka przegroda poprzeczna
2	Przegroda wzdłużna
3	Mała przegroda poprzeczna
4	Uchwyt na butelki

Miniszuflada

Nr na rys. 5 , strona 5	Opis
1	Obracana przegroda
2	Uchwyt na miniaturowe butelki

6 Montaż



OSTROŻNIE! Zagrożenie zdrowia

Aby uniknąć niebezpieczeństwa spowodowanego niestabilnym ustawieniem urządzenia, należy je zamocować zgodnie z instrukcją.

6.1 Montaż minibaru w meblu



NOTICE! Ryzyko uszkodzenia

Powietrze przechodzące przez kanał powietrza wlotowego nie może być ogrzewane.

Nie ustawiać minibaru w pobliżu otwartego ognia lub innych źródeł ciepła (ogrzewania, bezpośredniego promieniowania słonecznego, kuchenek gazowych itp.).

Istnieją cztery sposoby montażu minibaru w meblach.

1. Należy wybrać preferowaną metodę montażu (rys. **6**, strona 6).
2. Należy przestrzegać wymaganych wymiarów wnęki, w której ma zostać zamontowany produkt (rys. **6**, strona 6).
„d” oznacza grubość zapewnianego przez hotel własnego panelu dekoracyjnego.
3. Należy pamiętać o prawidłowym ustawieniu minibaru i rozmieszczeniu otworów wentylacyjnych, aby zapewnić odpowiedni przepływ powietrza (rys. **8**, strona 7).
4. Należy zapewnić minimalny odstęp między tylną ścianą minibaru a ścianą mebla (rys. **10**, strona 8).
5. Wykonać otwory wentylacyjne w sposób zilustrowany na rys. **9**, strona 7.
6. Wykonać dodatkowy otwór wentylacyjny w dolnej części wnęki montażowej (rys. **11**, strona 8).

Zmierzyć odległość od drzwi minibaru, **nie uwzględniając** w pomiarach elementów dekoracyjnych.

Nr na rys. 12 , strona 8	Opis
1	Śruba $\varnothing 4 \times 45$ mm
2	Wtyczka

- Przymocować lodówkę za pomocą odpowiednich śrub (rys. **12 1**, strona 8).
- Umieścić w otworach cztery zaślepki (rys. **12 2**, strona 8).

6.2 Podłączanie minibaru do zasilania elektrycznego

- ▶ Podłączyć kabel przyłączeniowy 230 V do gniazda zasilania prądem przemianym w urządzeniu i do sieci prądu przemiennego o napięciu 230 V.
- ✓ Dioda LED zasilania i oświetlenie wewnętrzne zaświecą się.
- ✓ Minibar zacznie chłodzić komorę.

6.3 Montaż zapewnianego przez hotel własnego panelu dekoracyjnego drzwi (tylko DM50NTE F)

Zapewniany przez hotel własny panel dekoracyjny drzwi musi spełniać następujące wymagania:

- Maksymalna masa: 4 kg
- Maksymalna grubość: 18 mm (tylko wersja z zamkiem)
- ▶ Przymocować panel dekoracyjny czterema śrubami.

6.4 Montaż zamka (tylko wersje z zamkiem)

- Wywiercić w panelu dekoracyjnym otwór o średnicy 35 mm.
- Zamontować zamek razem z panelem dekoracyjnym zamka.

6.5 Montaż zamka (tylko wersje bez zamka)

Demontaż szuflady (rys. 13, strona 9)

1. Całkowicie otworzyć szufladę (A).
2. Przycisnąć blokadę szyny (A 1).
3. Wyciągnąć szufladę z komory (B).

Tylko dla DM50NTE D:

1. Wyjąć dwie zaślepki (C 1) śrub (C 2) uchwyty drzwi (C 3).
2. Wykręcić dwie śruby (C 2) uchwyty drzwi.
3. Zdjąć uchwyt drzwi (C 3).
4. Wyjąć uszczelkę.
5. Wyjąć pokrywę zamka.

Wiercenie otworów (rys. 14, strona 9)

1. Wywiercić otwór (A 1) o średnicy 23,6 mm przez panel dekoracyjny (tylko DM50NTE D) i drzwi.
2. Wykręcić dwanaście śrub (B 1) ramy panelu dekoracyjnego (B 2) (tylko DM50NTE D).
3. Zdjąć ramę panelu dekoracyjnego (tylko DM50NTE D).

Montaż zamka (rys. 15, strona 10)

1. Założyć nową pokrywę zamka (A 1).
2. Umieścić panel dekoracyjny (B 1) w ramie panelu dekoracyjnego.
3. Przykręcić (B 2) ramę panelu dekoracyjnego (B 3) do drzwi.
4. Zamontować zamek drzwi (C 1).
5. Zamontować zaczep zamka (D 1) w komorze.

Montaż szuflady (rys. 16, strona 10)

1. Wcisnąć uszczelkę (1) w ramę panelu dekoracyjnego (2).
2. Przykręcić uchwyt drzwi (4) do drzwi.
3. Wcisnąć zaślepki (3) na śruby uchwyty drzwi (4).
4. Wsunąć szufladę do komory.

7 Eksploatacja

7.1 Przed pierwszym użyciem

Przed pierwszym użyciem minibaru należy ze względów higienicznych wyczyścić go od wewnątrz i z zewnątrz wilgotną ściereczką (patrz również rozdz. „Czyszczenie i konserwacja” na stronie 200).

7.2 Oszczędzanie energii

- Drzwi minibaru otwierać tylko tak często i na tak długo, jak jest to konieczne.
- Unikać zbyt niskiej temperatury wewnętrznej.
- W celu zapewnienia optymalnego zużycia energii półki i szuflady ustawiać w położeniach, w których zostały one dostarczone.
- Regularnie sprawdzać osadzenie uszczelnienia drzwi.
- Regularnie usuwać ze skraplacza kurz i inne zanieczyszczenia.

7.3 Korzystanie z minibaru

Minibar rozpoczyna chłodzenie po podłączeniu go do zasilania. Podczas normalnej pracy świeci się dioda LED zasilania. W przypadku wystąpienia usterki miga dioda LED sygnalizacji usterek (patrz rozdz. „Usuwanie usterek” na stronie 199).

7.4 Ustawianie temperatury

Aby zapobiec psuciu się żywności:

- Zapewnić jak najbardziej stabilną temperaturę. Drzwi minibaru otwierać tylko tak często i na tak długo, jak jest to konieczne. Żywność przechowywać w sposób nieutrudniający obiegu powietrza.
- Minibar wyposażony jest w funkcję automatycznej regulacji temperatury. Wybierać środkowe spośród dostępnych ustawień temperatury.
- Dostosować temperaturę do ilości i typu żywności.

Minibar jest domyślnie ustawiony na temperaturę chłodzenia 7°C przy temperaturze otoczenia 25°C.

Za pomocą przycisku do ustawiania temperaturę chłodzenia można ustawić na jedną z trzech poniższych wartości: 5°C, 12°C i 7°C.

Temperaturę chłodzenia ustawia się w następującej kolejności: 5°C ... 12°C ... 7°C ... 5°C itd.

1. Naciśnąć i przytrzymać przycisk do ustawiania (rys. **3 4**, strona 4) przez co najmniej 5 s, aż oświetlenie wewnętrzne (rys. **3 1**, strona 4) zacznie migać.
 2. Dalej naciskać przycisk do ustawiania, aż do wybrania żądanej temperatury chłodzenia.
- ✓ Wewnętrzne oświetlenie będzie migać. Liczba mignięć wskazuje ustawioną temperaturę. Sygnał w postaci mignięć powtarzany jest trzykrotnie:
- Oświetlenie miga **pięć razy**: 5 °C
 - Oświetlenie miga **raz**: 12 °C
 - Oświetlenie miga **trzy razy**: 7 °C

8 Usuwanie usterek

Usterka	Możliwa przyczyna	Proponowane rozwiązanie
Minibar nie działa . Dioda LED zasilania nie świeci się.	W gnieździe prądu przemiennego nie ma napięcia.	▶ Spróbować podłączyć urządzenie do innego gniazda.
	Prostownik sieciowy jest uszkodzony.	▶ Skontaktować się z autoryzowanym centrum serwisowym.
Minibar nie chłodzi . Wtyczka jest podłączona, a dioda LED zasilania świeci się.	Element chłodzący jest uszkodzony.	▶ Skontaktować się z autoryzowanym centrum serwisowym.
Dioda LED sygnalizacji usterek miga raz na sekundę.	Czujnik temperatury jest uszkodzony.	▶ Skontaktować się z autoryzowanym centrum serwisowym.
Minibar nie chłodzi w wystarczającym stopniu . Dioda LED zasilania świeci się, a dioda LED sygnalizacji usterek nie świeci się.	Element chłodzący jest uszkodzony.	▶ Skontaktować się z autoryzowanym centrum serwisowym.
	Niewystarczająca wentylacja	▶ Sprawdzić wentylację. ▶ Wyczyścić filtr pod urządzeniem.

9 Czyszczenie i konserwacja



OSTRZEŻENIE! Ryzyko porażenia prądem

Przed czyszczeniem i konserwacją minibar należy zawsze odłączyć od zasilania sieciowego.



UWAGA! Ryzyko uszkodzenia

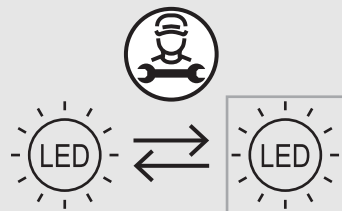
- Do czyszczenia nie używać agresywnych środków czyszczących ani twardych przedmiotów, gdyż mogą one uszkodzić minibar.
- Minibaru nie wolno nigdy czyścić pod bieżącą wodą ani zamaczać w wodzie.
- Nigdy nie używać twardych lub ostrych narzędzi do usuwania lodu lub uwalniania przymarzniętych przedmiotów w minibarze.
- Nie używać żadnych mechanicznych lub innych narzędzi do przyspieszenia procesu rozmrażania.
- Uważać, aby woda nie kapłała na uszczelki, gdyż może to uszkodzić elektronikę.

- Minibar należy czyścić wilgotną ściereczką w regularnych odstępach czasu oraz gdy tylko pojawią się na nim zabrudzenia.
- Po wyczyszczeniu minibar należy wytrzeć do sucha ściereczką.
- Regularnie kontrolować odpływ skroplin.
W razie konieczności wyczyścić odpływ skroplin. Jeśli jest on zapchany, skropliny będą się zbierać na dnie minibaru.
- Upewnić się, że otwory wlotowe i wylotowe powietrza minibaru nie są zabrudzone ani zakurzone, aby umożliwić odprowadzanie ciepła i uniknąć uszkodzenia urządzenia.



UWAGA! Ryzyko uszkodzenia

Aby uniknąć zagrożenia, wymianę źródła światła zlecać wyłącznie producentowi, w centrum serwisowym lub odpowiednio wykwalifikowanej osobie.



10 Gwarancja

Obowiązuje ustawowy okres gwarancji. W przypadku stwierdzenia uszkodzenia produktu należy skontaktować się z jego sprzedawcą lub z oddziałem producenta w danym kraju (patrz dometic.com/dealer).

W celu naprawy lub realizacji gwarancji konieczne jest przesłanie wraz z produktem następujących dokumentów:

- Kopii rachunku z datą zakupu
- Informacji o przyczynie reklamacji lub opisu wady

Uwaga: Samodzielne lub nieprofesjonalne wykonywanie napraw może powodować zagrożenia oraz doprowadzić do utraty gwarancji.

11 Utylizacja

Recykling materiałów opakowaniowych



- Opakowanie należy wyrzucić do odpowiedniego pojemnika na odpady do recyklingu.



OSTRZEŻENIE! Ryzyko pożaru


- Czynnik chłodniczy jest wysoce łatwopalny. Nie otwierać ani nie uszkadzać obiegu chłodniczego.
- Izolacja urządzenia zawiera gaz izolacyjny (patrz tabliczka znamionowa). Nie uszkadzać izolacji.

Recykling produktów z niewymiennymi bateriami, akumulatorami lub źródłami światła



- Jeśli produkt zawiera niewymienne baterie, akumulatory lub źródła światła, nie trzeba ich usuwać przed utylizacją.
- Jeśli produkt nie będzie już dalej wykorzystywany, należy dowiedzieć się w najbliższym zakładzie recyklingu lub od specjalistycznego przedstawiciela producenta, w jaki sposób można zutylizować produkt zgodnie z obowiązującymi przepisami.
- Produkt można zutylizować nieodpłatnie.

12 Dane techniczne

	DM50NTE D	DM50NTE F
Napięcie	100 – 240 V~, 50 – 60 Hz	
Zakres temperatur chłodzenia	maks. 21 °C poniżej temperatury otoczenia (trzystopniowa regulacja: 5°C, 7°C, 12°C)	
Kategoria	2 (piwniczka)	
Pojemność całkowita	50 l	
Klasa efektywności energetycznej	G	
Klasa klimatyczna	N	
Czynnik chłodniczy	R600a	
Ilość czynnika chłodniczego	28 g	
Wymiary głównej szuflady, szer. x gł. x wys.	430 x 330 x 302 mm	
Wymiary miniszuflady, szer. x gł. x wys.	159 x 285 x 88 mm	
Wymiary, szer. x gł. x wys.	550 x 524 x 418 mm	550 x 496 x 418 mm
Maksymalna masa zawartości	31 kg	
Masa	23,5 kg	23,0 kg
Kontrole/certyfikaty		

Aktualną deklarację zgodności UE dla urządzenia można znaleźć na stronie produktu pod adresem: dometic.com lub uzyskać ją bezpośrednio u producenta (patrz dometic.com/dealer).

Dalsze informacje na temat produktu można uzyskać za pośrednictwem umieszczonego na etykiecie energetycznej kodu QR (patrz rysunek) lub na stronie eprel.ec.europa.eu.

Agregat chłodniczy jest hermetycznie zamknięty.

Dôkladne si prečítajte tento návod a dodržiavajte všetky pokyny, usmernenia a varovania uvedené v tomto návode k výrobku, aby sa zaručilo, že výrobok sa vždy bude správne inštalovať, používať a udržiavať. Tento návod **MUSÍ** zostať priložený k výrobku.

Použitím tohto výrobku týmto potvrdzujete, že ste si dôkladne prečítali všetky pokyny, usmernenia a varovania a že rozumiete a súhlasíte s dodržiavaním všetkých uvedených podmienok. Súhlasíte, že tento výrobok budete používať len v súlade so zamýšľaným použitím a v súlade s pokynmi, usmerneniami a varovania uvedenými v tomto návode k výrobku, ako aj v súlade so všetkými platnými zákonmi a nariadeniami. V prípade, že si neprečítate a nebudete sa riadiť pokynmi a varovaniami uvedenými v tomto návode, môže mať za následok vaše poranenie alebo poranenie iných osôb, poškodenie vášho výrobku alebo poškodenie majetku v jeho blízkosti. Tento návod k výrobku vrátane pokynov, usmernení a varovaní, a súvisiaca dokumentácia môže podliehať zmenám a aktualizáciám. Najaktuálnejšie informácie o výrobku nájdete na adrese documents.domestic.com.

Obsah

1	Vysvetlenie symbolov	203
2	Bezpečnostné pokyny	204
3	Rozsah dodávky	207
4	Používanie v súlade s určením	208
5	Technický opis	209
6	Montáž	210
7	Obsluha	213
8	Odstraňovanie porúch	215
9	Čistenie a údržba	216
10	Záruka	217
11	Likvidácia	217
12	Technické údaje	218

1 Vysvetlenie symbolov



NEBZPEČENSTVO!

Bezpečnostný pokyn: Označuje nebezpečnú situáciu, ktorej následkom je smrť alebo vážne zranenie, ak sa jej nezabráni.



VÝSTRAHA!

Bezpečnostný pokyn: Označuje nebezpečnú situáciu, ktorej následkom môže byť smrť alebo vážne zranenie, ak sa jej nezabráni.

**UPOZORNENIE!**

Bezpečnostný pokyn: Označuje nebezpečnú situáciu, ktorej následkom môže byť malé alebo stredne ťažké zranenie, ak sa jej nezabráni.

**POZOR!**

Označuje situáciu, ktorej následkom môže byť poškodenie majetku, ak sa jej nezabráni.

**POZNÁMKA**

Doplňujúce informácie týkajúce sa obsluhy produktu.

2 Bezpečnostné pokyny

2.1 Základy bezpečnosti



VÝSTRAHA! Nedodržanie týchto varovaní môže mať za následok smrť alebo vážne poranenie.

Nebezpečenstvo úrazu elektrickým prúdom

- Postarajte sa, aby minibar nainštaloval kvalifikovaný technik podľa návodu na montáž firmy Dometic.
- Keď minibar vykazuje viditeľné poškodenia, nesmiete ho uviesť do prevádzky.
- Keď je pripájací kábel minibaru poškodený, musí jeho výmenu vykonať výrobca, servisný technik alebo podobne spôsobilá osoba, aby sa predišlo bezpečnostným rizikám.
- Opravy tohto minibaru smie vykonávať len kvalifikovaný personál. Neodborné opravy môžu spôsobiť vážne nebezpečenstvo.
- Pri umiestňovaní minibaru sa ubezpečte, že napájací kábel nie je zachytený alebo poškodený.
- Neumiestňuje žiadne viacnásobné prenosné zásuvky alebo prenosné napájacie adaptéry na zadnú stranu spotrebiča.
- Zariadenie pripájajte do zásuviek, ktoré zaručia správne pripojenie, najmä vtedy, keď je zariadenie potrebné uzemniť.

Nebezpečenstvo požiaru

- Chladiaci prostriedok v chladiacom okruhu je vysoko horľavý. V prípade poškodenia chladiaceho okruhu:
 - Vypnite minibar.
 - Nepoužívajte otvorený oheň a zabráňte vzniku iskier.
 - Dobre vyvetrajte priestor.
- V montážnom výklenku pre minibar sa nesmú nachádzať žiadne elektrické súčasti a zdroje svetla, ktoré počas normálnej alebo abnormálnej prevádzky vytvárajú iskry alebo oblúky (napr. relé alebo poistkové skrinky).
- Po inštalácii musí byť stále možné odpojiť minibar od elektrickej siete. To sa dá dosiahnuť tak, že zástrčka je prístupná alebo že sa do pevného zapojenia v súlade so schémou zapojenia zabuduje spínač.
- Udržujte vetracie otvory, v skrinke minibaru alebo konštrukcii na zabudovanie, neblokované a nezakryté.
- Nepoužívajte mechanické prostriedky alebo iné prostriedky na urýchlenie procesu odmrazovania, než tie, ktoré odporúča výrobca.
- Chladiaci okruh v žiadnom prípade neotvárajte.
- Nepoužívajte v minibare žiadne elektrické zariadenia, okrem prípadu, keď výrobca odporúča používanie týchto zariadení takýmto spôsobom.

Nebezpečenstvo výbuchu

- Neskladujte v minibare látky, u ktorých hrozí nebezpečenstvo výbuchu napr. sprejové nádoby s hnačím plynom.

Nebezpečenstvo ohrozenia zdravia

- Tento minibar smú používať deti od 8 rokov a osoby so zníženými psychickými, zmyslovými alebo mentálnymi schopnosťami a vedomosťami, keď sú pod dozorom alebo keď boli poučené o bezpečnom používaní minibaru a chápu, aké riziká z toho vyplývajú.
- Deti sa nesmú hrať s minibarom.
- Čistenie a bežnú údržbu nesmú vykonávať deti bez dozoru.
- Deti vo veku od 3 do 8 rokov smú nakladať a vykladať minibar.



UPOZORNENIE! Nedodržanie týchto upozornení môže mať za následok ľahké alebo stredne ťažké poranenie.

Nebezpečenstvo pomliaždenia

- Nesiahajte do závesu.

Nebezpečenstvo ohrozenia zdravia

- Potraviny sa smú uskladňovať len v originálnom obale alebo vhodných nádobách.

**POZOR! Nebezpečenstvo poškodenia**

- Porovnajzte údaje o napätí na typovom štítku s existujúcim zdrojom napätia.
- Minibar nie je vhodný na skladovanie žieravých látok alebo látok s obsahom rozpúšťadiel.
- Izolácia chladiaceho zariadenia obsahuje horľavý cyklopentán a vyžaduje si špeciálne postupy pri likvidácii. Po uplynutí jeho životnosti odovzdanie chladiace zariadenie na vhodnú recykláciu.
- Odtokový otvor vždy udržiavajte čistý.
- Minibar prenášajte iba vo zvislej polohe.

2.2 Bezpečnosť pri prevádzke zariadenia

**NEBZPEČENSTVO! Nedodržanie týchto varovaní bude mať za následok smrť alebo vážne poranenie.****Nebezpečenstvo úrazu elektrickým prúdom**

- Nikdy sa nedotýkajte holými rukami obnažených vodičov.

**UPOZORNENIE! Nedodržanie týchto upozornení môže mať za následok ľahké alebo stredne ťažké poranenie.****Nebezpečenstvo úrazu elektrickým prúdom**

- Pred uvedením minibaru do prevádzky dbajte na to, aby prírodné vedenie a zástrčka boli suché.

Nebezpečenstvo ohrozenia zdravia

- Postarajte sa, aby sa v minibare nachádzal len tovar, ktorý sa môže chladiť na zvolenú teplotu.
- Potraviny sa smú skladovať len v originálnych baleniach alebo vhodných nádobách.
- Otvorenie dverí na dlhšiu dobu môže spôsobiť výrazné zvýšenie teploty v priehradkách minibaru.
- Pravidelne čistíte povrchy, ktoré môžu prísť do kontaktu s potravinami a prístupnými systémami na odvádzanie kondenzátu.

- Ak minibar ponecháte prázdny na dlhú dobu:
 - Vypnite minibar.
 - Odmrazte minibar.
 - Minibar vyčistíte a usušite.
 - Nechajte dverka otvorené, aby ste zabránili tvorbe plesní vnútri minibaru.

**POZOR!****Nebezpečenstvo poškodenia**

- Minibar neumiestňujte do blízkosti otvoreného plameňa ani iných zdrojov tepla (horiace sviečky, ohrievače, priame slnečné žiarenie, plynové rúry atď.).
- Minibar nikdy neponárajte do vody.
- Chráňte minibar a káble pred vysokými teplotami a mokrom.
- Ubezpečte, aby sa potraviny nedotýkali stien chladiaceho priestoru.

3 Rozsah dodávky

Dostupné sú nasledujúce hlavné varianty:

- Minibar DM50NTE D s dekorom dverí, bez zámku
- Minibar DM50NTE D s dekorom dverí, so zámkom
- Minibar DM50NTE F bez dekoru dverí, bez zámku
- Minibar DM50NTE F bez dekoru dverí, so zámkom

Počet	Opis	
1	Zásuvkový minibar	
1	Kábel pre 230 V~ pripojenie	
4	Skrutka $\varnothing 4 \times 45$ mm (montáž)	
4	Záslepka (montáž)	
1	Rukoväť	(iba model DM50NTE D)
2	Záslepka (montáž rukoväti)	(iba model DM50NTE D)
1	Prívodný filter	
6	Skrutka $\varnothing 3 \times 12$ mm (montáž filtra)	
2	Záslepka (drevený dekor)	(iba verzia DM50NTE F s dreveným dekorom)

Počet	Opis	
1	Dekor so zámkom (drevený dekor)	(iba verzia DM50NTE F s dreveným dekorom so zámkom)
2	Kľúč	(iba verzia so zámkom)
1	Návod na montáž a uvedenie do prevádzky	

4 Používanie v súlade s určením

Chladiace zariadenie (tiež sa označuje ako minibar) je určené na chladenie a skladovanie nápojov a potravín v uzavretých nádobách.

Minibar je určený na použitie na zaoceánskych lodiach alebo na použitie v domácnosti a podobné použitie, ako napríklad:

- v kuchynkách pre personál v obchodoch, kanceláriách a iných pracovných prostrediach,
- v agropenziónoch,
- v hoteloch, motelloch a v iných typoch ubytovacích zariadení,
- v zariadeniach typu Bed and Breakfast,
- v katering u alebo podobných veľkoobchodných zariadeniach.

Minibar **nie je** vhodný na zabudovanie do obytných vozidiel alebo karavanov.

Minibar je vhodný na zabudovanie do skrinky alebo do montážneho výklenku. Pozrite si návod na montáž.

Minibar **nie je** vhodný na:

- skladovanie korozívnych, žieravých látok alebo látok obsahujúcich rozpúšťadlá,
- skladovanie čerstvých potravín a liekov,
- hlboké mrazenie potravín.

Tento výrobok je vhodný iba na zamýšľané použitie a použitie v súlade s týmto návodom.

Tento návod obsahuje informácie, ktoré sú nevyhnutné pre správnu inštaláciu a/alebo obsluhu výrobku. Chybná inštalácia a/alebo nesprávna obsluha či údržba bude mať za následok neuspokojivý výkon a možnú poruchu.

Výrobca nenesie žiadnu zodpovednosť za akékoľvek poranenia či škody na výrobku spôsobené:

- nesprávnou montážou alebo pripojením vrátane nadmerného napätia

- nesprávnou údržbou alebo použitím iných ako originálnych náhradných dielov poskytnutých výrobcom
- zmeny produktu bez výslovného povolenia výrobcu
- použitie na iné účely než na účely opísané v návode

Firma Dometic si vyhradzuje právo na zmenu vzhľadu a technických parametrov výrobku.

5 Technický opis

Minibar disponuje s hlavnou zásuvkou na fľaše a plechovky, a tiež s mini zásuvkou na miniatúry a sladkosti. Hlavná zásuvka má priestor na 33 fliaš s maximálnou výškou 28 cm.

DM50NTE D: Model je z výroby vybavený dekorom dverí a rukoväťou.

DM50NTE F: Model sa dodáva bez dekoru dverí a je pripravený na osadenie vlastného dekoru hotela.

5.1 Opis zariadenia

Predný panel

Č. na obr. 1 , strane 3	Opis
1	Zámok (voliteľný)
2	Rukoväť (iba model DM50NTE D)
3	Dekor dverí (iba model DM50NTE D)

Zadná strana

Č. na obr. 2 , strane 3	Opis
1	Sieťový adaptér
2	Zásuvka 12 V---
3	Odkvapkávacia miska
4	Ohrievacia rúrka

Ovládací panel (vnútri zariadenia)

Č. na obr. 3 , strane 4	Opis
1	Lampa
2	Chybová LED dióda
3	LED Power Status
4	Tlačidlo nastavenia

Hlavná zásuvka

Č. na obr. 4 , strane 4	Opis
1	Široký predel
2	Oddeľovač
3	Malý predel
4	Držiak na fľašu

Mini zásuvka

Č. na obr. 5 , strane 5	Opis
1	Otočný predel
2	Držiak miniatúrnych fliaš

6 Montáž**UPOZORNENIE! Nebezpečenstvo ohrozenia zdravia**

Zariadenie musí byť upevnené podľa opisu v návode, aby sa zabránilo ohrozeniu následkom jeho nestability/uvoľnenia.

6.1 Montáž minibaru do nábytku



NOTICE! Nebezpečenstvo poškodenia

Vzduch prúdiaci cez vstupný prívod vzduchu nesmie byť zohriaty. Minibar neumiestňujte do blízkosti otvoreného plameňa ani iných zdrojov tepla (ohrievače, priame slnečné žiarenie, plynové rúry atď.).

Minibar môžete namontovať do nábytku štyrmi spôsobmi.

1. Vyberte si preferovanú alternatívu montáže (obr. **6**, strane 6).
2. Dbajte na požadovaný montážny výklenok (obr. **6**, strane 6)
d je hrúbka vlastného dekoru hotela.
3. Dbajte na správne umiestnenie minibaru a vetracích otvorov, aby ste zaistili správne prúdenie vzduchu (obr. **8**, strane 7).
4. Zabezpečte minimálnu vzdialenosť medzi zadnou stranou minibaru a stenou (obr. **10**, strane 8).
5. Vytvorte vetracie otvory podľa nasledujúceho obrázka obr. **9**, strane 7.
6. Vytvorte dodatočný vetrací otvor na spodnej strane montážneho výklenku (obr. **11**, strane 8).

Odmerajte vzdialenosť od čela dverí minibaru **bez** akéhokoľvek vlastného dekoru.

Č. na obr. 12 , strane 8	Opis
1	Skrutka $\varnothing 4 \times 45$ mm
2	Zástrčka

7. Chladničku upevnite vhodnými skrutkami (obr. **12 1**, strane 8).
8. Vložte štyri záslepky (obr. **12 2**, strane 8) do otvorov.

6.2 Elektrické zapojenie minibaru

- ▶ Zapojte pripájací kábel 230 V do zásuvky na striedavý prúd a pripojte ho k sieti striedavého napätia 230 V.
- ✓ Stavová LED Power Status a kontrolka svietia.
- ✓ Minibar sa spustí s chladením vnútorného priestoru.

6.3 Montáž vlastného dekoru dverí hotela (iba model DM50NTE F)

Vlastný dekor dverí hotela musí spĺňať nasledujúce požiadavky:

- Maximálna hmotnosť: 4 kg
 - Maximálna hrúbka: 18 mm (iba verzia so zámkom)
- Upevnite dekor so štyrmi skrutkami.

6.4 Montáž zámku (iba verzia so zámkom)

1. Do dekoru vyvrtajte otvor s priemerom 35 mm.
2. Namontujte zámok spolu s dekorom so zámkom.

6.5 Montáž zámku (iba verzia bez zámku)

Demontáž zásuvky (obr. 13, strane 9)

1. Zásuvku úplne otvorte (A).
2. Stlačte zaistenie koľajnice (A 1).
3. Vytiahnite zásuvku zo skrinky (B).

Iba pre model DM50NTE D:

1. Odstráňte dve záslepky (C 1) zo skrutiek (C 2) rukoväti dverí (C 3).
2. Odskrutkujte dve skrutky (C 2) rukoväti dverí.
3. Odoberte rukoväť dverí (C 3).
4. Odstráňte tesnenie.
5. Odstráňte kryt zámku.

Vyvrtanie otvorov (obr. 14, strane 9)

1. Vyvrtajte otvor (A 1) s priemerom 23,6 mm cez dekor (iba model DM50NTE D) a dvere.
2. Odskrutkujte dvanásť skrutiek (B 1) rámu dekoru (B 2) (iba model DM50NTE D).
3. Odoberte rám dekoru (iba model DM50NTE D).

Montáž zámku (obr. 15, strane 10)

1. Umiestnite nový kryt zámku (**A 1**) na miesto.
2. Umiestnite dekor (**B 1**) do rámu dekoru.
3. Naskrutkujte (**B 2**) rám dekoru (**B 3**) na dvere.
4. Namontujte zámok dverí (**C 1**).
5. Namontujte západku zámku (**D 1**) do skrinky.

Montáž zásuvky (obr. 16, strane 10)

1. Natlačte tesnenie (**1**) na rám dekoru (**2**).
2. Naskrutkujte rukoväť dverí (**4**) na dvere.
3. Natlačte záslepky (**3**) na skrutky rukoväti dverí (**4**).
4. Zasuňte zásuvku do skrinky.

7 Obsluha

7.1 Pred prvým použitím

Pred prvým použitím z hygienických dôvodov vyčistite minibar zvnútra a zvonku s vlhkou handričkou (pozri tiež kap. „Čistenie a údržba“ na strane 216).

7.2 Úspora energie

- Minibar otvárajte iba tak často a na takú dobu, ako je nevyhnutné.
- Nenastavujte zbytočne nízku teplotu.
- Pre optimálnu spotrebu energie umiestnite police a zásuvky podľa ich umiestnenia pri dodaní.
- Pravidelne kontrolujte, či tesnenie dverí stále pevne drží.
- Kondenzátor v pravidelných intervaloch očistite od prachu a nečistôt.

7.3 Používanie minibaru

Po pripojení k zdroju napájania začne minibar chlaďiť. Počas normálne prevádzky svieti stavová LED Power Status. Ak sa vyskytne chyba, bliká chybová LED dióda (pozri kap. „Odstraňovanie porúch“ na strane 215).

7.4 Nastavenie teploty

Aby ste predišli plytvaniu potravinami, vezmite na vedomie nasledujúce:

- Zabráňte kolísaniu teploty v čo najväčšej možnej miere. Minibar otvárajte iba tak často a na takú dobu, ako je nevyhnutné. Skladujte potraviny tak, aby vzduch stále mohol dobre cirkulovať.
- Minibar je vybavený s funkciou automatickej regulácie teploty. Zvoľte priemer z dostupných hodnôt teploty.
- Prispôbte teplotu množstvu a druhu potravín.

Minibar je štandardne nastavený na teplotu chladenia 7 °C pri teplote okolia 25 °C.

Teplotu chladenia je možné nastaviť na jednu z troch nasledujúcich hodnôt s použitím tlačidla nastavenia: 5 °C, 12 °C a 7 °C.

Teplota chladenia je nastavená v nasledujúcom poradí: 5 °C ... 12 °C ... 7 °C ... 5 °C atď.

1. Stlačte a podržte tlačidlo nastavenia (obr. **3 4**, strane 4) najmenej 5 s, kým nezačne blikať vnútorná kontrolka (obr. **3 1**, strane 4).
 2. Znovu stlačte tlačidlo nastavenia, kým nebude zvolená požadovaná teplota chladenia.
- ✓ Vnútorná kontrolka bliká. Počet bliknutí indikuje nastavenú teplotu. Signál blikania sa opakuje v troch intervaloch:
- Kontrolka zabliká **päťkrát**: 5 °C
 - Kontrolka blikne **raz**: 12 °C
 - Kontrolka zabliká **trikrát**: 7 °C

8 Odstraňovanie porúch

Porucha	Možná príčina	Návrh riešenia
Minibar nefunguje . Stavová LED Power Status nesvieti.	Zásuvka striedavého napätia nevedie napätie.	► Vyskúšajte inú zásuvku.
	Sieťový adaptér je chybný.	► Kontaktujte autorizovaného servisného technika.
Minibar nechladí . Zástrčka je pripojená, svieti stavová LED Power Status.	Chladiaci prvok je chybný.	► Kontaktujte autorizovaného servisného technika.
Chybová LED dióda blikne raz za sekundu.	Snímač teploty je chybný.	► Kontaktujte autorizovaného servisného technika.
Minibar nedosta- točne chladí . Stavová LED Power Status svieti, chybová LED nesvieti .	Chladiaci prvok je chybný. Nedostatočné vetranie	► Kontaktujte autorizovaného servisného technika. ► Skontrolujte vetranie. ► Vyčistíte filter pod zariadením.

9 Čistenie a údržba



VÝSTRAHA! Nebezpečenstvo úrazu elektrickým prúdom

Pred čistením a údržbou vždy odpojte minibar od elektrickej siete.



POZOR! Nebezpečenstvo poškodenia

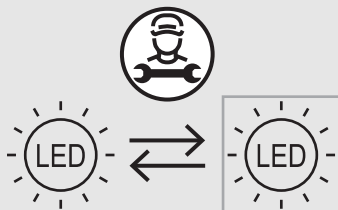
- Na čistenie nepoužívajte ostré čistiace prostriedky alebo tvrdé predmety, pretože by mohli poškodiť minibar.
- Minibar nikdy nečistite pod tečúcou vodou alebo dokonca vo vode.
- Na odstránenie vrstvy námrazy alebo uvoľnenie primrznutých predmetov na minibare nikdy nepoužívajte tvrdé alebo špicaté nástroje.
- Nepoužívajte žiadne mechanické ani iné pomôcky, aby ste urýchlili proces odmravovania.
- Dávajte pozor, aby sa voda nedostala do tesnení, pretože môže poškodiť elektroniku.

- Minibar čistíte pravidelne a ihneď po znečistení vlhkou handričkou.
- Po vyčistení utrite minibar handričkou dosucha.
- Pravidelne kontrolujte odtok kondenzovanej vody.
V prípade potreby vyčistite odtok kondenzovanej vody. Pokiaľ je upchatý, kondenzovaná voda sa nahromadí na dne minibaru.
- Zabezpečte, aby vetracie a odvzdušňovacie otvory minibaru boli bez prachu a nečistôt, aby sa teplo vznikajúce pri prevádzke mohlo odvádzať a aby sa zariadenie nepoškodilo.



POZOR! Nebezpečenstvo poškodenia

Svetelný zdroj smie vymeniť len výrobca, servisný technik alebo osoba s podobnou kvalifikáciou, aby sa zabránilo nebezpečenstvu.



10 Záruka

Platí zákonom stanovená záručná lehota. Ak je výrobok poškodený, obráťte sa na svojho predajcu alebo pobočku výrobcu vo svojej krajine (pozri dometic.com/dealer).

Ak žiadate o vybavenie opravy alebo nárokov vyplývajúcich zo záruky, k zaslanému produktu musíte priložiť nasledujúce dokumenty:

- Kópiu faktúry s dátumom kúpy,
- Dôvod reklamácie alebo opis chyby.

Upozorňujeme Vás, že samooprava alebo neodborná oprava môže mať za následok ohrozenie bezpečnosti a zánik záruky.

11 Likvidácia

Recyklácia obalového materiálu



- Obalový materiál dávajte podľa možnosti do príslušného recyklovateľného odpadu.



VÝSTRAHA! Nebezpečenstvo požiaru

- Chladiaci prostriedok je vysoko horľavý. Neotvárajte ani nepoškodte chladiaci okruh.
- Izolácia zariadenia obsahuje izolačný plyn (pozrite typový štítok). Nepoškodte izoláciu.

Recyklácia výrobkov s integrovanými batériami, nabíjateľnými batériami alebo svetelnými zdrojmi



- Ak výrobok obsahuje integrované batérie, nabíjateľné batérie alebo svetelné zdroje, nemusíte ich pred likvidáciou vyberať.




- Keď výrobok chcete definitívne vyradiť z prevádzky, informujte sa v najbližšom recyklačnom stredisku alebo u svojho špecializovaného predajcu o príslušných predpisoch týkajúcich sa likvidácie.



- Výrobok je možné bezplatne zlikvidovať.

12 Technické údaje

	DM50NTE D	DM50NTE F
Napätie	100 – 240 V~, 50 – 60 Hz	
Chladiaci výkon	max. 21 °C pod teplotu okolia (nastaviteľný v troch krokoch: 5 °C, 7 °C, 12 °C)	
Kategória	2 (chladiaci spotrebič s vyššou teplotou)	
Celkový objem	50 l	
Trieda energetickej účinnosti	G	
Klimatická trieda	N	
Chladivo	R600a	
Stav zásob chladiaceho prostriedku	28 g	
Rozmery hlavnej zásuvky Š × H × V	430 × 330 × 302 mm	
Rozmery mini zásuvky Š × H × V	159 × 285 × 88 mm	
Rozmery Š × H × V	550 × 524 × 418 mm	550 × 496 × 418 mm
Maximálna nosnosť zásuvky	31 kg	
Hmotnosť	23,5 kg	23,0 kg
Skúška/certifikát		

Aktuálne EÚ vyhlásenie o zhode pre vaše zariadenie nájdete na stránke príslušného výrobcu na internetovej stránke dometic.com alebo sa obráťte priamo na výrobcu (pozrite dometic.com/dealer).

Ďalšie informácie o výrobku získate prostredníctvom QR kódu na energetickom štítku (pozri obrázky) alebo na stránke eprel.ec.europa.eu.

Chladiaci agregát je hermeticky uzavretý.

Pečlivě si prosím přečtěte a dodržujte všechny pokyny, směrnice a varování obsažené v tomto návodu k výrobku, abyste měli jistotu, že výrobek budete vždy správně instalovat, používat a udržovat. Tyto pokyny MUSÍ být uchovávány v blízkosti výrobku.

Používáním výrobku tímto potvrzujete, že jste si pečlivě přečetli všechny pokyny, směrnice a varování a že rozumíte podmínkám uvedeným v tomto dokumentu a souhlasíte s nimi. Souhlasíte s používáním tohoto výrobku pouze k určenému účelu a použití a v souladu s pokyny, směrnice a varováními uvedenými v tomto návodu k výrobku a v souladu se všemi příslušnými zákony a předpisy. Pokud si nepřečtete a nebudete dodržovat zde uvedené pokyny a varování, může to vést ke zranění vás i ostatních, poškození vašeho výrobku nebo poškození jiného majetku v okolí. Tento návod k výrobku, včetně pokynů, směrnic a varování a související dokumentace může být předmětem změn a aktualizací. Aktuální informace o výrobku naleznete na documents.domestic.com.

Obsah

1	Vysvětlení symbolů	219
2	Bezpečnostní pokyny	220
3	Obsah dodávky	223
4	Použití v souladu s účelem	224
5	Technický popis	225
6	Instalace	226
7	Obsluha	229
8	Odstraňování poruch a závad	231
9	Čištění a péče	232
10	Záruka	233
11	Likvidace	233
12	Technické údaje	234

1 Vysvětlení symbolů



NEBEZPEČÍ!

Bezpečnostní pokyn: Označuje nebezpečnou situaci, která, pokud se jí nezabrání, bude mít za následek smrt nebo vážné zranění.



VÝSTRAHA!

Bezpečnostní pokyn: Označuje nebezpečnou situaci, která, pokud se jí nezabrání, může mít za následek smrt nebo vážné zranění.

**UPOZORNĚNÍ!**

Bezpečnostní pokyn: Označuje nebezpečnou situaci, která, pokud se jí nezabrání, může mít za následek lehké nebo středně těžké zranění.

**POZOR!**

Označuje nebezpečnou situaci, která, pokud se jí nezabrání, může mít za následek majetkové škody.

**POZNÁMKA**

Doplňující informace týkající se obsluhy výrobku.

2 Bezpečnostní pokyny

2.1 Základní bezpečnost



VÝSTRAHA! Nedodržení těchto varování může mít za následek smrt nebo vážné zranění.

Nebezpečí usmrcení elektrickým proudem

- Ujistěte se, že minibar byl instalován kvalifikovaným technikem v souladu s návodem k montáži Dometic.
- V případě, že je minibar viditelně poškozen, nesmíte ho používat.
- Pokud je přívodní kabel tohoto minibaru poškozen, musí být vyměněn výrobcem, zástupcem servisu nebo odborníkem s podobnou kvalifikací tak, aby nevzniklo nebezpečí.
- Opravy tohoto minibaru smějí provádět pouze kvalifikovaní pracovníci. Nesprávné provedené opravy mohou být zdrojem značných rizik.
- Při umístění minibaru se ujistěte, že není zachycen nebo poškozen přívodní kabel.
- Přenosné vícenásobné zásuvky nebo přenosné napájecí zdroje neumísťujte v zadní části zařízení.
- Přístroj zapojte do zásuvek, které zajišťují správné připojení, zejména pokud je třeba přístroj uzemnit.

Nebezpečí požáru

- Chladivo v chladicím okruhu je vysoce hořlavé.
Při poškození chladicího okruhu:
 - Vypněte minibar.
 - Pozor na otevřený plamen a jiskření.
 - Dobře větrejte místnost.
- Dbejte na to, aby se v instalačním prostoru minibaru nenacházely žádné elektrické součásti a světelné zdroje, které při normálním nebo abnormálním provozu vytvářejí jiskry nebo elektrické oblouky (např. relé nebo pojistkové skříňky).
- Po instalaci musí být stále možné minibar odpojit od elektrické sítě. Toho lze dosáhnout tím, že je zástrčka přístupná nebo že se do pevného zapojení zabuduje vypínač podle pravidel pro zapojení.
- Ventilační otvory v krytu minibaru nebo ve vestavné konstrukci udržujte volné.
- K urychlení rozmrazování nepoužívejte mechanické přístroje nebo jiné prostředky než ty doporučené výrobcem.
- Nikdy neotevírejte chladicí okruh.
- Uvnitř minibaru nepoužívejte žádné elektrické přístroje, pouze pokud jsou k tomu takové přístroje doporučeny výrobcem.

Nebezpečí výbuchu

- Neskladujte v minibaru výbušné látky, jako např. spreje s hnacím plynem.

Nebezpečí ohrožení zdraví

- Tento minibar mohou používat děti od 8 let a osoby se sníženými fyzickými, smyslovými nebo duševními schopnostmi nebo s nedostatečnými zkušenostmi a znalostmi, pokud jsou pod dohledem nebo obdržely pokyny týkající se používání minibaru bezpečným způsobem a porozuměly souvisejícím nebezpečím.
- Děti si s minibarem nesmí hrát.
- Čištění a běžnou údržbu nesmějí provádět děti bez dozoru.
- Děti ve věku od 3 do 8 let mohou minibar plnit a vyprazdňovat.



UPOZORNĚNÍ! Nedodržení těchto upozornění může mít za následek lehké nebo středně těžké zranění.

Riziko stlačení

- Nesahejte do závěsu.

Nebezpečí ohrožení zdraví

- Skladujte potraviny pouze v originálním balení nebo ve vhodných nádobách.

**POZOR! Nebezpečí poškození**

- Porovnejte údaj o napětí na typovém štítku se stávajícím zdrojem napájení.
- Minibar není vhodný ke skladování leptavých látek nebo látek obsahujících rozpouštědla.
- Izolace chladicího přístroje obsahuje hořlavý cyklopentan a vyžaduje speciální postupy likvidace. Chladicí přístroj odevzdejte na konci jeho životního cyklu do vhodného střediska pro recyklaci.
- Udržujte odtokový otvor vždy čistý.
- Minibar přenášejte pouze ve vzpřímené poloze.

2.2 Bezpečný provoz minibaru

**NEBEZPEČÍ! Nedodržení těchto varování bude mít za následek smrt nebo vážné zranění.****Nebezpečí usmrcení elektrickým proudem**

- Nikdy se nedotýkejte odizolovaných vodičů.

**UPOZORNĚNÍ! Nedodržení těchto upozornění může mít za následek lehké nebo středně těžké zranění.****Nebezpečí usmrcení elektrickým proudem**

- Před uvedením minibaru do provozu zkontrolujte, zda jsou přívodní kabel a zástrčka suché.

Nebezpečí ohrožení zdraví

- Dbejte, aby do minibaru byly vloženy pouze předměty nebo potraviny, které je dovoleno chladit na nastavenou teplotu.
- Skladujte potraviny pouze v originálním balení nebo ve vhodných nádobách.
- Otevření dvířek na delší dobu může způsobit značné zvýšení teploty v přihrádkách minibaru.
- Pravidelně čistěte povrchy, které se mohou dostat do kontaktu s potravinami a přístupnými odtokovými systémy.

- Je-li minibar ponechán prázdný po dlouhou dobu:
 - Vypněte minibar.
 - Odmrazte minibar.
 - Vyčistěte a vysušte minibar.
 - Nechejte dvířka otevřená, aby se zabránilo tvorbě plísně uvnitř minibaru.



POZOR!

Nebezpečí poškození

- Minibar neinstalujte v blízkosti otevřeného ohně nebo jiných tepelných zdrojů (hořící svíčky, topení, přímé sluneční záření, plynová kamna apod.).
- Minibar nikdy neponožujte do vody.
- Minibar a kabely chraňte před horkem a vlhkem.
- Dbejte, aby se potraviny nedotýkaly stěn chladicího prostoru.

3 Obsah dodávky

K dostání jsou následující hlavní alternativy:

- Minibar DM50NTE D s dekorem dvířek, bez zámku
- Minibar DM50NTE D s dekorem dvířek, se zámekem
- Minibar DM50NTE F bez dekoru dvířek, bez zámku
- Minibar DM50NTE F bez dekoru dvířek, se zámekem

Množství	Popis	
1	Zásuvkový minibar	
1	Kabel pro připojení 230 V~	
4	Šroub $\varnothing 4 \times 45$ mm (montáž)	
4	Záslepka (montáž)	
1	Rukojeť	(pouze DM50NTE D)
2	Záslepka (montáž rukojeti)	(pouze DM50NTE D)
1	Vstupní filtr	
6	Šroub $\varnothing 3 \times 12$ mm (montáž filtru)	
2	Záslepka (dřevěný dekor)	(pouze dřevěné provedení DM50NTE F)

Množství	Popis	
1	Dekor zámku (dřevěný)	(pouze dřevěné provedení se zámkem DM50NTE F)
2	Klíč	(pouze provedení se zámkem)
1	Návod k montáži a obsluze	

4 Použití v souladu s účelem

Chladicí spotřebič (označovaný také jako minibar) se má používat k chlazení a uchovávání nápojů a potravin v uzavřených obalech.

Minibar je určen k provozu na výletních lodích nebo k použití v domácnostech a podobných podmínkách, zahrnujících například:

- Kuchyně pro zaměstnance v obchodech, kancelářích a jiných pracovištích
- Farmy,
- Hotely, motely a jiná prostředí rezidenčního typu,
- Ubytovací zařízení typu bed and breakfast,
- Stravovací a podobná zařízení neobchodního typu.

Minibar **není** určen k instalaci do karavanů nebo mobilních domů.

Minibar se hodí k instalaci do skříňky nebo instalačního výklenku. Viz pokyny k instalaci.

Minibar se **nehodí** pro:

- Skladování žíravých, leptavých nebo rozpouštědla obsahujících látek
- Skladování čerstvých potravin a léků
- Hluboké mrazení potravin

Tento výrobek je vhodný pouze k určenému účelu a použití v souladu s tímto návodem.

Tento návod poskytuje informace, které jsou nezbytné pro řádnou instalaci a/nebo provoz výrobku. Nedostatečná instalace a/nebo nesprávný provoz či údržba povedou k neuspokojivému výkonu a možné závadě.

Výrobce nepřijímá žádnou odpovědnost za jakékoli zranění nebo poškození výrobku vyplývající z následujících:

- Nesprávné sestavení nebo připojení včetně nadměrného napětí

- Nesprávná údržba nebo použití jiných náhradních dílů než původních dílů dodaných výrobcem
- Změna výrobku bez výslovného souhlasu výrobce
- Použití k jiným účelům, než jsou popsány v tomto návodu

Společnost Dometic si vyhrazuje právo změnit vzhled a specifikace výrobku.

5 Technický popis

Minibar má hlavní zásuvku na láhve a plechovky a také malou zásuvku na drobnosti a občerstvení. Hlavní zásuvka pojme 33 lahví o maximální výšce 28 cm.

DM50NTE D: Tento model je z výroby opatřen dekorem dvířek a rukojetí.

DM50NTE F: Tento model se dodává bez dekoru a je připraven k osazení vlastním hotelovým dekorem dvířek.

5.1 Popis přístroje

Přední panel

Číslo na obr. 1 , strana 3	Popis
1	Zámek (volitelně)
2	Rukojeť (pouze DM50NTE D)
3	Dekor dvířek (pouze DM50NTE D)

Zadní strana

Číslo na obr. 2 , strana 3	Popis
1	Síťový adaptér
2	Zásuvka 12 V $\overline{=}$
3	Odkapávací miska
4	Tepelné potrubí

Ovládací panel (uvnitř spotřebiče)

Číslo na obr. 3, strana 4	Popis
1	Žárovka
2	Chybová LED
3	LED stavu napájení
4	Tlačítko nastavení

Hlavní zásuvka

Číslo na obr. 4, strana 4	Popis
1	Široká dělicí příčka
2	Podélná dělicí přepážka
3	Úzká dělicí příčka
4	Stojan na láhev

Malá zásuvka

Číslo na obr. 5, strana 5	Popis
1	Otočná dělicí příčka
2	Držák lahvíček

6 Instalace



UPOZORNĚNÍ! Nebezpečí ohrožení zdraví

Aby se zabránilo nebezpečí v důsledku nestability přístroje, je nutné jej upevnit v souladu s pokyny.

6.1 Montáž minibaru do nábytku



NOTICE! Nebezpečí poškození

Vzduch procházející kanálem přívodního vzduchu nesmí být přehříván.

Minibar neinstalujte v blízkosti otevřeného ohně nebo jiných tepelných zdrojů (topení, přímé sluneční záření, plynová kamna apod.).

Minibar lze do nábytku namontovat čtyřmi způsoby.

1. Podle svých preferencí si vyberte jednu z možností instalace (obr. **6**, strana 6).
2. Dodržujte uvedený instalační prostor (obr. **6**, strana 6)
d je tloušťka vlastního dekoru daného hotelu.
3. Zajistěte, aby byly minibar a ventilační otvory správně umístěny, a vzduch tak mohl dobře proudit (obr. **8**, strana 7).
4. Dodržujte minimální vzdálenost mezi zadní částí minibaru a stěnou nábytku (obr. **10**, strana 8).
5. Ventilační otvory vytvořte dle obrázku obr. **9**, strana 7.
6. Ve spodní části instalačního prostoru vytvořte další ventilační otvor (obr. **11**, strana 8).

Změřte vzdálenost od přední strany dvířek minibaru, a to **s odečtením** tloušťky případného vlastního dekoru.

Číslo na obr. 12 , strana 8	Popis
1	Šroub $\varnothing 4 \times 45$ mm
2	Zástrčka

7. Chladničku upevněte na místě vhodnými šrouby (obr. **12 1**, strana 8).
8. Do otvorů vložte čtyři záslepky (obr. **12 2**, strana 8).

6.2 Elektrické připojení minibaru

- ▶ Zapojte přívodní kabel na 230 V do napájecí zásuvky a připojte ji k síťovému napájení střídavým proudem.
- ✓ Rozsvítí se LED indikátor stavu napájení a světlo.
- ✓ Minibar zahájí chlazení vnitřního prostoru.

6.3 Montáž vlastního hotelového dekoru dvířek (pouze model DM50NTE F)

Vlastní dekor dvířek daného hotelu musí splňovat následující požadavky:

- Maximální hmotnost: 4 kg
 - Maximální tloušťka: 18 mm (pouze provedení se zámkem)
- Upevněte dekor čtyřmi šrouby.

6.4 Montáž zámku (pouze verze se zámkem)

1. V dekoru zhotovte kruhový výřez o průměru 35 mm.
2. Zámek namontujte společně s dekorem zámkem.

6.5 Montáž zámku (pouze verze bez zámkem)

Demontáž zásuvky (obr. 13, strana 9)

1. Zásuvku zcela otevřete (**A**).
2. Stlačte zámek kolejnice (**A 1**).
3. Vytáhněte zásuvku ze skříňky (**B**).

Pouze u modelu DM50NTE D:

1. Odstraňte dvě záslepky (**C 1**) ze šroubů (**C 2**) rukojeti dvířek (**C 3**).
2. Odšroubujte dva šrouby (**C 2**) rukojeti dvířek.
3. Sejměte rukojeť dvířek (**C 3**).
4. Odstraňte těsnění.
5. Sejměte kryt zámkem.

Vrtání otvorů (obr. 14, strana 9)

1. Vyvrtejte otvor (**A 1**) o průměru 23,6 mm do dekoru (pouze u modelu DM50NTE D) a dvířek.
2. Odšroubujte dva šrouby (**B 1**) rámu dekoru (**B 2**) (pouze u modelu DM50NTE D).
3. Odstraňte rám dekoru (pouze u modelu DM50NTE D).

Montáž zámku (obr. 15, strana 10)

1. Vložte nový kryt zámku (**A 1**) na místo.
2. Vložte dekor (**B 1**) do rámu dekoru.
3. Našroubujte (**B 2**) rám dekoru (**B 3**) na dvířka.
4. Namontujte zámek dvířek (**C 1**).
5. Namontujte západku zámku (**D 1**) do skříňky.

Montáž zásuvky (obr. 16, strana 10)

1. Zatlačte těsnění (**1**) na rám dekoru (**2**).
2. Našroubujte rukojeť dvířek (**4**) na dvířka.
3. Zatlačte záslepky (**3**) na šrouby rukojeti dvířek (**4**).
4. Zatlačte zásuvku do skříňky.

7 Obsluha

7.1 Před prvním použitím

Před prvním použitím vyčistěte minibar z hygienických důvodů vlhkou utěrkou zevnitř i zvenčí (viz též kap. „Čištění a péče“ na straně 232).

7.2 Úspora energie

- Minibar otevřete pouze na nezbytně nutnou dobu.
- Zabraňte vzniku zbytečně nízkých vnitřních teplot.
- Pro optimální spotřebu elektrické energie umístěte police a zásuvky podle jejich polohy při dodání.
- Pravidelně ověřujte, že těsnění dvířek stále řádně sedí.
- Pravidelně čistěte kondenzátor od nečistot a prachu.

7.3 Použití minibaru

Minibar zahájí chlazení po připojení ke zdroji napájení. Během normálního provozu svítí LED stavu napájení. Pokud dojde k chybě, rozblíká se chybová LED (viz kap. „Odstraňování poruch a závad“ na straně 231).

7.4 Nastavení teploty

Abyste zabránili odpadu z potravin, dbejte následujícího:

- Udržujte výkyvy teploty co nejnižší. Minibar otevírejte pouze na nezbytně nutnou dobu. Potraviny skladujte takovým způsobem, aby vzduch mohl stále dobře cirkulovat.
- Minibar je vybaven funkcí automatické regulace teploty. Vyberte průměr možných hodnot teploty.
- Teplotu nastavte podle množství a typu potravin.

Ve výchozím nastavení je minibar nastaven na teplotu chlazení 7 °C při teplotě okolí 25 °C.

Teplotu chlazení lze pomocí nastavovacího tlačítka nastavit na jednu z těchto tří hodnot: 5 °C, 12 °C a 7 °C.

Teplota chlazení se nastavuje v následující sekvenci: 5 °C ... 12 °C ... 7 °C ... 5 °C atd.

1. Podržte tlačítko nastavení (obr. **3 4**, strana 4) stisknuté po dobu alespoň 5 s, dokud nezačne blikat vnitřní světlo (obr. **3 1**, strana 4).
 2. Opakovaně stiskněte tlačítko nastavení, dokud se nezvolí požadovaná hodnota teploty chlazení.
- ✓ Vnitřní světlo se rozbliká. Počet bliknutí indikuje nastavenou teplotu. Signál blikání se zopakuje ve třech intervalech:
- Světlo blikne **pětkrát**: 5 °C
 - Světlo blikne **jedenkrát**: 12 °C
 - Světlo blikne **tříkrát**: 7 °C

8 Odstraňování poruch a závad

Porucha	Možná příčina	Návrh řešení
Minibar nefunguje . Nesvíí LED stavu napájení.	Zásuvka střídavého proudu není pod napětím.	► Zkuste to na jiné zásuvce.
	Vadný síťový adaptér.	► Kontaktujte autorizovaného zástupce servisu.
Minibar nechladí . Zástrčka je zapojená, svítí LED stavu napájení.	Chladicí systém je vadný.	► Kontaktujte autorizovaného zástupce servisu.
Chybová LED bliká jednou za sekundu.	Snímač teploty je vadný.	► Kontaktujte autorizovaného zástupce servisu.
Minibar nechladí dostatečně . Svíí LED stavu napájení, nesvíí chybová LED.	Chladicí systém je vadný. Špatné větrání	► Kontaktujte autorizovaného zástupce servisu. ► Zkontrolujte větrání. ► Zkontrolujte filtr pod přístrojem.

9 Čištění a péče



VÝSTRAHA! Nebezpečí usmrcení elektrickým proudem

Před čištěním a údržbou vždy minibar odpojte od elektrické sítě.



POZOR! Nebezpečí poškození

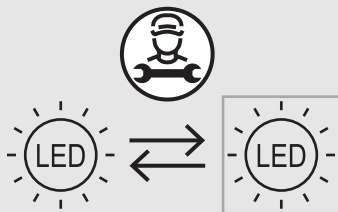
- K čištění nepoužívejte čisticí prostředky nebo tvrdé předměty, může dojít k poškození minibaru.
- Nikdy neumývejte minibar pod tekoucí vodou nebo ve vodní lázni.
- K odstraňování ledu nebo uvolňování zamrzlých předmětů v minibaru nepoužívejte tvrdé nebo ostré nástroje.
- Nepoužívejte žádné mechanické nebo jiné nástroje k urychlení procesu rozmrazování.
- Zajistěte, aby do těsnění nevnikala voda, která by mohla poškodit elektroniku.

- Minibar čistěte vlhkou utěrkou pravidelně, a pokud je znečištěný.
- Po vyčištění vytřete minibar utěrkou dosucha.
- Pravidelně kontrolujte odtok vodního kondenzátu. Podle potřeby vyčistěte odtok vodního kondenzátu. Pokud je ucpaný, kondenzát se hromadí na dně minibaru.
- Zajistěte, aby vstupní ani výstupní ventilační otvory minibaru nebyly zaprášené a znečištěné. Zajistíte tak odvod tepla a předejdete poškození přístroje.



POZOR! Nebezpečí poškození

Světelný zdroj může vyměnit pouze výrobce, zástupce servisu nebo podobně kvalifikovaná osoba, aby se zamezilo nebezpečí.



10 Záruka

Na výrobek je poskytována záruka v souladu s platnými zákony. Pokud je výrobek vadný, obraťte se na svého prodejce nebo na pobočku výrobce ve vaší zemi (viz dometic.com/dealer).

K vyřízení opravy a záruky nezapomeňte spolu s výrobkem odeslat následující dokumenty:

- Kopii účtenky s datem zakoupení,
- Uvedení důvodu reklamace nebo popis vady.

Upozorňujeme, že oprava svépomocí nebo neodborná oprava může ohrozit bezpečnost a vést ke ztrátě záruky.

11 Likvidace

Recyklace obalového materiálu



- Obalový materiál likvidujte v odpadu určeném k recyklaci.



VÝSTRAHA! Nebezpečí požáru

- Chladivo je vysoce hořlavé. Za žádných okolností neotevírejte ani nepoškodte chladicí okruh.
- Izolace přístroje obsahuje izolační plyn (viz typový štítek). Nepoškozujte izolaci.

Recyklace výrobků s nevyměnitelnými bateriemi, dobíjecími bateriemi nebo světelnými zdroji



- Pokud výrobek obsahuje nevyměnitelné baterie, dobíjecí baterie nebo světelné zdroje, nemusíte je před likvidací odstraňovat.




- Pokud budete chtít výrobek definitivně zlikvidovat, informace o příslušném postupu v souladu s platnými předpisy pro likvidaci vám sdělí místní recyklační středisko nebo specializovaný prodejce.



- Výrobek lze bezplatně zlikvidovat.

12 Technické údaje

	DM50NTE D	DM50NTE F
Napětí	100 – 240 V~, 50 – 60 Hz	
Chladicí výkon	max. o 21 °C níže než okolní teplota (nastavitelné ve třech krocích: 5 °C, 7 °C, 12 °C)	
Kategorie	2 (sklep)	
Celkový objem	50 l	
Třída energetické účinnosti	G	
Klimatická třída	N	
Chladivo	R600a	
Množství chladiva	28 g	
Rozměry hlavní zásuvky (Š × H × V)	430 x 330 x 302 mm	
Rozměry malé zásuvky (Š × H × V)	159 x 285 x 88 mm	
Rozměry (Š × H × V)	550 x 524 x 418 mm	550 x 496 x 418 mm
Maximální vnitřní úložná kapacita	31 kg	
Hmotnost	23,5 kg	23,0 kg
Zkouška/certifikát		

Aktuální prohlášení o shodě EU pro vaše zařízení naleznete na stránce příslušného výrobku na webu dometic.com nebo se obraťte přímo na výrobce (viz dometic.com/dealer).

Další informace o výrobku jsou dostupné prostřednictvím QR kódu na energetickém štítku (viz obrázky) nebo na adrese eprel.ec.europa.eu.

Chladicí jednotka je hermeticky utěsněná.

A termék mindenkor szakszerű telepítése, használata és karbantartása érdekében kérjük figyelmesen olvassa el az ebben a termék kézikönyvben található utasításokat, irányelveket és figyelmeztetéseket, valamint mindig tartsa be ezeket. Ezt az útmutatót a termék közelében KELL tartani.

A termék használatba vételével Ön kijelenti hogy figyelmesen elolvasta az összes utasítást, irányelvet és figyelmeztetést, valamint megértette és elfogadja az itt leírt szerződési feltételeket. Ön elfogadja, hogy kizárólag a rendeltetésének megfelelő célra és a jelen termék kézikönyvben leírt útmutatásoknak, irányelveknek és figyelmeztetéseknek, valamint a hatályos törvényeknek és szabályozásoknak megfelelően használja ezt a terméket. Az itt leírt utasítások és figyelmeztetések elolasásának és betartásának elmulasztása saját és mások sérüléséhez, a termék vagy a közelben található más anyagi javak károsodásához vezethet. Ez a termék kézikönyv és a benne található utasítások, irányelvek és figyelmeztetések, valamint a kapcsolódó dokumentációk módosulhatnak és frissülhetnek. Naprakész termékinformációk érdekében kérjük látogasson el a következő honlagra: documents.dometic.com.

Tartalom

1	Szimbólumok magyarázata	235
2	Biztonsági útmutatások	236
3	A csomag tartalma	239
4	Rendeltetésszerű használat	240
5	Műszaki leírás	241
6	Szerelés	242
7	Kezelés	245
8	Hibaelhárítás	247
9	Tisztítás és karbantartás	248
10	Szavatosság	249
11	Ártalmatlanítás	249
12	Műszaki adatok	250

1 Szimbólumok magyarázata



VESZÉLY!

Biztonsági útmutatás: Veszélyes helyzetet jelöl, amely súlyos sérülést vagy halált okoz, ha nem kerülik el.



FIGYELMEZTETÉS!

Biztonsági útmutatás: Veszélyes helyzetet jelöl, amely súlyos sérülést vagy halált okozhat, ha nem kerülik el.

**VIGYÁZAT!**

Biztonsági útmutatás: Veszélyes helyzetet jelöl, amely könnyű vagy mérsékelt sérülést okozhat, ha nem kerülik el.

**FIGYELEM!**

Olyan helyzetet jelöl, amely vagyoni kárt okozhat, ha nem kerülik el.

**MEGJEGYZÉS**

A termék kezelésére vonatkozó kiegészítő információk.

2 Biztonsági útmutatások

2.1 Alapvető biztonság



FIGYELMEZTETÉS! Ezeknek a figyelmeztetéseknek a figyelmen kívül hagyása súlyos, vagy halálos sérüléshez vezethet.

Áramütés miatti veszély

- Gondoskodjon róla, hogy a minibárt egy szakképzett technikus szerelje be a Dometic telepítési kézikönyv alapján.
- Ha az szemmel láthatólag megsérült, akkor ne használja a minibárt.
- Ha a minibár csatlakozókábele megsérült, akkor a veszélyek elkerülése érdekében a gyártóval, a szervizzel vagy egy hasonlóan képzett szakemberrel kell kicseréltetni ezt.
- Javításokat csak szakemberek végezhetnek a minibáron. A szakszerűtlen javítások jelentős veszélyeket okozhatnak.
- A minibár elhelyezésekor ügyeljen arra, hogy ne csípjé be és ne károsítsa a tápkábelt.
- Ne helyezzen el több hordozható aljzatot vagy hordozható tápegységet a készülék hátsó részénél.
- A készüléket olyan aljzatba illessze be, amely biztosítja a megfelelő csatlakozást, különösen akkor, ha a készüléket földelni kell.

Tűzveszély

- A hűtőkörben található hűtőközeg gyúlékony.
A hűtőkör sérülése esetén:
 - Kapcsolja ki a minibárt.
 - Kerülje a nyílt lángot és a gyújtószikrákat.
 - Szellőztesse ki jól a helyiséget.

- A minibár beépítési nyílásában ne legyenek olyan elektromos alkatrészek és fényforrások, amelyek normál vagy rendellenes működés közben szikrákat vagy elektromos ívet hoznak létre (pl. relék vagy biztosítékdobozok).
- A minibárt a beépítés után is le kell tudni választani az elektromos hálózatról. Ezt úgy érheti el, ha hozzáférhetővé teszi a csatlakozót, vagy a villanszerelési szabályok betartásával beépít egy kapcsolót a rögzített vezetékbe.
- Ügyeljen arra, hogy a minibár szekrényének, vagy beépítési szerkezetének szellőzőnyílásai ne záródjanak el.
- A leolvasztási művelet meggyorsításához a gyártó által javasoltakon kívül ne használjon egyéb mechanikus vagy más készülékeket.
- Semmilyen esetben ne nyissa ki a hűtőkört.
- Ne használjon elektromos készülékeket a minibár belsejében, kivéve, ha ezeket az elektromos készülékeket a gyártó erre a célra javasolja.

Robbanásveszély

- Tilos a minibárban robbanékony anyagokat, például hajtógázt tartalmazó permetpalackokat tárolni.

Egészségkárosodás veszélye

- A minibárt 8 év feletti gyermekek, valamint korlátozott fizikai, érzékelési és mentális képességű, illetve megfelelő tapasztalattal és tudással nem rendelkező személyek csak felügyelet mellett, illetve a minibár biztonságos használatát és az abból eredő veszélyeket megértve használhatják.
- A minibárral gyermekek nem játszhatnak.
- A tisztítást és a felhasználói karbantartást felügyelet nélküli gyermekek nem végezhetik.
- A minibár ki- és berakodása 3 és 8 év közötti gyermekek számára engedélyezett.



VIGYÁZAT! Ezeknek a felhívásoknak a figyelmen kívül hagyása könnyű vagy mérsékelt sérüléshez vezethet.

Zúzódszékveszély

- Ne nyúljon a zsanérok közé.

Egészségkárosodás veszélye

- Élelmiszert csak eredeti csomagolásban vagy megfelelő tárolókban szabad tárolni.

**FIGYELEM! Károsodás veszélye**

- Hasonlítsa össze a típustáblán szereplő feszültségadatokat a rendelkezésre álló energiaellátással.
- A minibár nem alkalmas maró hatású vagy oldószert tartalmazó anyagok tárolására.
- A hűtőkészülék szigetelése gyúlékony ciklopentánt tartalmaz, amely speciális ártalmatlanítási eljárásokat igényel. Élettartama végén megfelelő hulladékkezelő központban adja le a hűtőkészüléket.
- Mindig tartsa tisztán a lefolyónyílást.
- Csak függőleges helyzetben mozgassa a minibárt.

2.2 A minibár biztonságos üzemeltetése



VESZÉLY! Ezeknek a figyelmeztetéseknek a figyelmen kívül hagyása súlyos vagy halálos sérüléshez vezet.

Áramütés miatti veszély

- Soha ne fogjon meg pusztá kézzel csupasz vezetékeket.



VIGYÁZAT! Ezeknek a felhívásoknak a figyelmen kívül hagyása könnyű vagy mérsékelt sérüléshez vezethet.

Áramütés miatti veszély

- A minibár üzembe helyezése előtt ügyeljen arra, hogy a vezeték és a dugasz száraz legyen.

Egészségkárosodás veszélye

- Biztosítsa hogy csak olyan áruk legyenek a minibárban, amelyek lehűtethők a kiválasztott hőmérsékletre.
- Élelmiszert csak eredeti csomagolásban vagy megfelelő tárolókban szabad tárolni.
- Ha hosszabb időszakokra kinyitja az ajtót, azzal jelentősen megnövekedhet a hőmérséklet a minibár rekeszeiben.
- Tisztítsa meg rendszeresen az élelmiszerral érintkező felületeket és a hozzáférhető lefolyórendszereket.
- Ha hosszú időre üresen hagyja a minibárt:
 - Kapcsolja ki a minibárt.
 - Olvassza le a minibárt.
 - Tisztítsa meg és szárítsa meg a minibárt.
 - A minibár penészedésének megelőzése érdekében hagyja nyitva az ajtót.

**FIGYELEM!****Károsodás veszélye**

- Ne helyezze a minibárt nyílt láng vagy más hőforrás közelébe (égő gyertyák, fűtőberendezések, közvetlen napsugárzás, gázsütők stb.).
- Soha ne merítse vízbe a minibárt.
- Védje a minibárt és a kábeleket a hőtől és a nedvességtől.
- Biztosítsa, hogy az élelmiszerek ne érjenek hozzá a hűtőtér falaihoz.

3 A csomag tartalma

A következő fő alternatívák érhetők el:

- DM50NTE D minibár ajtópanellel, zár nélkül
- DM50NTE D minibár ajtópanellel, zárral
- DM50NTE F minibár ajtópanel nélkül, zár nélkül
- DM50NTE F minibár ajtópanel nélkül, zárral

Mennyiség	Leírás	
1	Fiók minibár	
1	Kábel 230 V~ csatlakozáshoz	
4	Csavar $\varnothing 4 \times 45$ mm (felszerelés)	
4	Dugasz (felszerelés)	
1	Hordozófogantyú	(csak a DM50NTE D modellnél)
2	Dugasz (fogantyú felszerelése)	(csak a DM50NTE D modellnél)
1	Bementi szűrő	
6	Csavar $\varnothing 3 \times 12$ mm (szűrő felszerelése)	
2	Dugasz (fa panel)	(DM50NTE F csak fa verziónál)
1	Zár dekor (fa panel)	(csak DM50NTE F fa verziónál, zárral)
2	Kulcs	(csak zárral rendelkező verziónál)
1	Szerelési és használati útmutató	

4 Rendeltetésszerű használat

A hűtőkészülék (más néven minibár) zárt tárolóedényekben lévő italok és élelmiszerek hűtésére és tárolására alkalmas.

A minibárt a tengerjáró hajókon történő üzemeltetésre vagy háztartási és hasonló alkalmazásokban való használatra tervezték, mint például:

- Üzletek, irodák és egyéb munkahelyi környezetek személyzeti konyhái
- Vidéki vendégházakban
- Hotelek, motelek és más lakókörnyezetek
- Vendégfogadó létesítményekben
- Catering és hasonló nem kiskereskedelmi felhasználási területeken alkalmazható

A minibár lakóautókban vagy lakókocsikban való használatra **nem** alkalmas.

A minibárt rendeltetésének megfelelően egy szekrénybe vagy fülkébe kell beszerezni. Tájékozódjon a telepítési útmutatásokról.

A minibár **nem** alkalmas a következőkre:

- Korrozív, maró hatású vagy oldószert tartalmazó anyagok tárolására
- Friss ételek és gyógyszerek tárolása
- Élelmiszerek mélyhűtése

Ez a termék az itt leírt utasításoknak megfelelő rendeltetésszerű használatra alkalmas.

Ez a kézikönyv olyan információkat nyújt, amelyek a termék szakszerű telepítéséhez és/vagy üzemeltetéséhez szükségesek. A hibás telepítés és/vagy a szakszerűtlen üzemeltetés vagy karbantartás elégtelen teljesítményhez és potenciálisan meghibásodáshoz vezethet.

A gyártó nem vállal felelősséget a termék olyan károsodásáért, vagy sérülésekért, amelyek a következőkre vezethetők vissza:

- Hibás összeszerelés vagy csatlakoztatás, ideértve a túlfeszültséget is
- Helytelen karbantartás, vagy a gyártó által szállított eredeti cserealkatrészekről eltérő cserealkatrészek használata
- A termék kifejezett gyártói engedély nélküli módosítása
- Az útmutatóban leírt céloktól eltérő felhasználás

A Dometic fenntartja a termék megjelenésének és specifikációjának módosítására vonatkozó jogát.

5 Műszaki leírás

A minibárnak van egy fő fiókja a palackok és dobozok számára, valamint egy mini fiókja a miniatűrök és csemegék számára. A fő fiókban 33 palack számára van hely, maximális magassága 28 cm.

DM50NTE D: A modell gyárilag ajtópanellel és fogantyúval van felszerelve.

DM50NTE F: A modell ajtópanel nélkül kerül kiszállításra és elő van készítve a hotel saját ajtódekorjának felszereléséhez.

5.1 A készülék leírása

Első panel

Sz. itt: 1. ábra, 3. oldal	Leírás
1	Zár (opcionális)
2	Fogantyú (Csak a DM50NTE D modellnél)
3	Ajtópanel (Csak a DM50NTE D modellnél)

Hátsó oldal

Sz. itt: 2. ábra, 3. oldal	Leírás
1	Hálózati adapter
2	12 V== aljzat
3	Cseptálca
4	Hócső

Vezérlőpanel (a készülékben)

Sz. itt: 3. ábra, 4. oldal	Leírás
1	Lámpa
2	Hiba LED

Sz. itt: 3. ábra, 4. oldal	Leírás
3	Áramellátás állapotjelző LED
4	Beállítás gomb

Fő fiók

Sz. itt: 4. ábra, 4. oldal	Leírás
1	Széles elválasztó
2	Elválasztó
3	Kis elválasztó
4	Palacktartó ujj

Mini fiók

Sz. itt: 5. ábra, 5. oldal	Leírás
1	Forgatható elválasztó
2	Miniatűr palack tartó

6 Szerelés



VIGYÁZAT! Egészségkárosodás veszélye

A készülék instabilitása miatti kockázatok elkerülése érdekében az utasításoknak megfelelően rögzíteni kell azt.

6.1 A minibár bútorba történő beszerelése



NOTICE! Károsodás veszélye

A levegőbemeneti csatornán áthaladó levegő nem lehet felmelegített levegő.

Ne helyezze a minibárt nyílt láng vagy más hőforrás közelébe (fűtőberendezések, közvetlen napsugárzás, gázsütők stb.).

A minibár négyféle módon építhető be a bútorzatba.

1. Válassza ki a preferált telepítési alternatívát (**6**. ábra, 6. oldal).
2. Vizsgálja meg a szükséges telepítési nyílást (**6**. ábra, 6. oldal)
A d a hotel saját dekorjának vastagságát jelzi.
3. Vizsgálja meg a minibár és a szellőzőnyílások helyes elhelyezését a megfelelő levegőáramlás biztosítása érdekében (**8**. ábra, 7. oldal).
4. Biztosítsa a minimális távolságot a minibár hátulja és a bútor fala között (**10**. ábra, 8. oldal).
5. Biztosítsa a szellőzőnyílásokat a következőkben bemutatottak szerint: **9**. ábra, 7. oldal.
6. Biztosítson további szellőzőnyílást a telepítési nyílás alján (**11**. ábra, 8. oldal).
Mérje meg a minibár első ajtajától való távolságot, a saját dekoráció **nélkül**.

Sz. itt: 12. ábra, 8. oldal	Leírás
1	Csavar $\varnothing 4 \times 45$ mm
2	Dugasz

7. Rögzítse a hűtőszekrényt megfelelő csavarokkal (**12**. ábra **1**, 8. oldal).
8. Illessze be a négy dugaszt (**12**. ábra **2**, 8. oldal) a furatokba.

6.2 A minibár elektromos csatlakoztatása

- ▶ Illessze be a 230 V csatlakozókábelt a váltakozó áramú aljzatba, és csatlakoztassa a 230 V váltakozó áramú hálózathoz.
- ✓ Világítani kezd a bekapcsolásjelző LED és a lámpa.
- ✓ A minibár megkezdí a belső tér hűtését.

6.3 A hotel saját ajtódekorjának felszerelése (csak a DM50NTE F modellnél)

A hotel saját ajtódekorja a következő feltételeknek kell hogy megfeleljen:

- Maximális súly: 4 kg
- Maximális vastagság: 18 mm (csak a zárral rendelkező verziónál)
- ▶ Négy csavarral rögzítse a dekort.

6.4 A zár felszerelése (csak zárral rendelkező verzióknál)

1. Készítsen 35 mm átmérőjű furatokat a dekorba.
2. A zár dekorral együtt szerelje fel a zárat.

6.5 A zár felszerelése (csak zárral nem rendelkező verzióknál)

A fiók kiszerelése (13. ábra, 9. oldal)

1. Teljesen nyissa ki a fiókot (A).
2. Nyomja meg a sínzárát (A 1).
3. Húzza ki a fiókot a szekrényből (B).

Csak a DM50NTE D modellnél:

1. Távolítsa el a dugaszokat (C 1) a csavarokról (C 2) az ajtókilincsen (C 3).
2. Tekerje ki a két csavart (C 2) az ajtókilincsből.
3. Távolítsa el az ajtókilincset (C 3).
4. Távolítsa el a tömítést.
5. Távolítsa el a zár borítását.

Furatok elkészítése (14. ábra, 9. oldal)

1. Fúrjon egy 23,6 mm átmérőjű furatot (A 1) a dekoron (csak DM50NTE D) és az ajtón keresztül.
2. Tekerje ki a tizenkét csavart (B 1) a dekorkeretből (B 2) (csak DM50NTE D).
3. Távolítsa el a dekorkeretet (csak DM50NTE D).

A zár felszerelése (15. ábra, 10. oldal)

1. Helyezze a helyére az új zár borítást (A 1).
2. Helyezze be a dekort (B 1) a dekorkeretbe.
3. Csavarozza rá a dekorkeretet (B 3) az ajtóra (B 2).
4. Szerelje fel az ajtózárát (C 1).
5. Szerelje be az zárögzítőt (D 1) a szekrénybe.

A fiók beszerelése (16. ábra, 10. oldal)

1. Nyomja rá a tömítést **(1)** a dekorkeretre **(2)**.
2. Csavarozza rá az ajtókilincset **(4)** az ajtóra.
3. Nyomja rá a dugókat **(3)** az ajtókilincs csavarjaira **(4)**.
4. Tolja be a fiókot a szekrénybe.

7 Kezelés

7.1 Az első használat előtt

Az első használat előtt higiéniai okok miatt tisztítsa meg a minibár belső és külső részét (lásd itt is: „Tisztítás és karbantartás” fej., 248. oldal).

7.2 Energiatakarékosság

- A minibár ajtaját csak olyan gyakran és annyi ideig nyissa ki ahányszor és ameddig ez feltétlenül szükséges.
- Kerülje a szükségtelenül alacsony hőmérsékleti beállításokat.
- Az optimális energiafogyasztás érdekében a polcokat és a fiókokat a kiszállítási helyzetükbe pozícionálja.
- Rendszeresen ellenőrizze, hogy az ajtó megfelelően illeszkedik-e.
- Rendszeres időközönként tisztítsa meg a kondenzátort a portól és szennyeződésektől.

7.3 A minibár használata

Az áramellátáshoz történő csatlakoztatáskor a minibár megkezdi a hűtést. Normál üzem során a bekapcsolásjelző LED világít. Hiba esetén a hiba LED villog (lásd: „Hibaelhárítás” fej., 247. oldal).

7.4 A hőmérséklet beállítása

Az élelmiszerpazarlás elkerülése érdekében vegye figyelembe a következőket:

- Tartsa a lehető legalacsonyabb szinten a hőmérséklet ingadozását. A minibár ajtaját csak olyan gyakran és annyi ideig nyissa ki ahányszor és ameddig ez feltétlenül szükséges. Úgy rendezze el az élelmiszert, hogy a levegő jól tudjon áramolni.
- A minibár automatikus hőmérséklet-szabályozó funkcióval van ellátva. Válassza ki a lehetséges hőmérsékleti értékek közül az átlagot.
- A hőmérsékletet az élelmiszer mennyiségéhez és típusához állítsa be.

A minibar alapértelmezett hűtési hőmérséklet beállítása 7 °C, 25 °C környezeti hőmérsékleten.

A hűtési hőmérséklet a beállítási gombbal az alábbi három érték egyikére állítható: 5 °C, 12 °C és 7 °C.

A hűtési hőmérséklet beállítása a következő sorrendben történik: 5 °C ... 12 °C ... 7 °C ... 5 °C stb.

1. Tartsa lenyomva a beállítási gombot (**3** . ábra **4** , 4. oldal) legalább 5 másodpercig, amíg a belső lámpa (**3** . ábra **1** , 4. oldal) villogni nem kezd.
 2. Nyomja meg újra a beállítási gombot, amíg a kívánt hűtési hőmérséklet értéket ki nem választja.
- ✓ A belső lámpa villog. A villogások száma jelzi a beállított hőmérsékletet. A villogó jelzés háromszor ismétlődik:
- A lámpa **ötször** villog: 5 °C
 - A lámpa **egyszer** villog: 12 °C
 - A lámpa **háromszor** villog: 7 °C

8 Hibaelhárítás

Hiba	Lehetséges ok	Megoldási javaslat
A minibár nem üzemel . A bekapcsolásjelző LED nem világít.	A váltakozó áramú aljzatban nincs feszültség.	▶ Próbálja meg egy másik aljzatot használni.
	A hálózati adapter meghibásodott.	▶ Vegye fel a kapcsolatot a hivatalos szervizzel.
A minibár nem hűl le . A dugasz be van illesztve, a bekapcsolásjelző LED világít.	Meghibásodott a hűtőelem.	▶ Vegye fel a kapcsolatot a hivatalos szervizzel.
A hiba LED másodpercenként egyszer felvillan .	A hőmérséklet érzékelője meghibásodott.	▶ Vegye fel a kapcsolatot a hivatalos szervizzel.
A minibár nem hűt kielégítően . A bekapcsolásjelző LED világít, a hiba LED nem világít.	Meghibásodott a hűtőelem.	▶ Vegye fel a kapcsolatot a hivatalos szervizzel.
	Elégtelen szellőzés	▶ Ellenőrizze a szellőzést. ▶ Tisztítsa ki a készülék alatt lévő szűrőt.

9 Tisztítás és karbantartás



FIGYELMEZTETÉS! Áramütés miatti veszély

Tisztítás és karbantartás előtt mindig válassza le a minibárt az elektromos hálózatról.



FIGYELEM! Károsodás veszélye

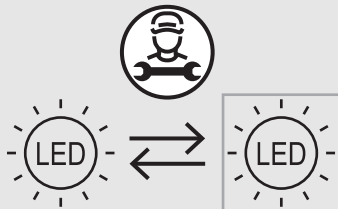
- Ne használjon a tisztításhoz éles tisztítóeszközöket vagy kemény tárgyakat, mert azok károsíthatják a minibárt.
- Soha ne tisztítsa a minibárt csapvíz alatt vagy mosogatóvízben.
- A jég rétegek eltávolítására vagy a befagyott tárgyak leválasztására soha ne használjon kemény vagy hegyes szerszámokat a minibárban.
- A leolvasztási folyamat gyorsításához ne használjon mechanikus vagy egyéb segédeszközöket.
- Az elektronika károsodásának elkerülése érdekében ügyeljen arra, hogy ne csepegjen víz a tömítésekbe.

- A minibárt rendszeresen és szennyeződés esetén haladéktalanul tisztítsa meg nedves kendővel.
- A minibárt tisztítás után ruhával törölje szárazra.
- Rendszeresen ellenőrizze a leolvasztásból származó víz elvezetőjét. Szükség esetén tisztítsa meg a leolvasztásból származó víz elvezetőjét. Ha eldugult a lefolyó, akkor a leolvasztásból származó víz a minibár alján gyűlik össze.
- Biztosítsa, hogy a készülék szellőzőnyílásai por- és szennyeződésmentesek legyenek, így az üzem közben keletkező hő távozhat és a minibár nem károsodik.



FIGYELEM! Károsodás veszélye

A veszélyek elkerülése érdekében csak a gyártó, a szerviz vagy hasonló képesítéssel rendelkező szolgáltató cserélheti ki a fényforrást.



10 Szavatosság

A termékre a törvény szerinti szavatossági időszak érvényes. Amennyiben a termék meghibásodott, lépjen kapcsolatba a kiskereskedővel, vagy a gyártó helyi képviselőjével (lásd: dometic.com/dealer).

A javításhoz, illetve a garancia intézéséhez a következő dokumentumokat kell mellékelnie a termék beküldésekor:

- A számla vásárlási dátummal rendelkező másolatát
- A reklamáció okát vagy a hibát tartalmazó leírást

Vegye figyelembe, hogy az önkezdő javítás vagy a nem szakszerű javítás biztonsági következményekkel járhat, és érvénytelenítheti a szavatosságot.

11 Ártalmatlanítás

Csomagolóanyagok újrahasznosítása



- A csomagolóanyagot lehetőleg a megfelelő újrahasznosítható hulladékokhoz tegye.



FIGYELMEZTETÉS! Tűzveszély

- A hűtőközeg igen gyúlékony. Ne nyissa fel, vagy ne károsítsa a hűtőkört.
- A készülék szigetelése szigetelőgázt tartalmaz (lásd az adattáblán). Ne károsítsa a szigetelést.

Nem cserélhető elemeket, akkumulátorokat vagy fényforrásokat tartalmazó termékek újrahasznosítása



- Ha a termék nem cserélhető elemeket, akkumulátorokat vagy fényforrásokat tartalmaz, azokat nem kell eltávolítani az ártalmatlanítás előtt.




- A termék végleges üzemen kívül helyezése esetén tájékozódjon a legközelebbi újrahasznosító központban vagy szakkereskedőjénél a vonatkozó ártalmatlanítási előírásokról.



- A termék ingyenesen ártalmatlanítható.

12 Műszaki adatok

	DM50NTE D	DM50NTE F
Feszültség	100 – 240 V~, 50 – 60 Hz	
Hűtési teljesítmény	a környezetnél legfeljebb 21 °C-kal alacsonyabb hőmérsékletig (három lépésben állítható: 5 °C, 7 °C, 12 °C)	
Kategória	2 (hűtőkamra)	
Teljes térfogat	50 l	
Energiahatékonysági osztály	G	
Klímaosztály	N	
Hűtőközeg	R600a	
Hűtőközeg készletmennyisége	28 g	
Fő fiók méretei (szélesség x mélység x magasság)	430 x 330 x 302 mm	
Mini fiók méretei (szélesség x mélység x magasság)	159 x 285 x 88 mm	
Méreték (szélesség x mélység x magasság)	550 x 524 x 418 mm	550 x 496 x 418 mm
Maximális belső tárolási kapacitás	31 kg	
Súly	23,5 kg	23,0 kg
Vizsgálat/tanúsítvány		

Készüléke aktuális EU-megfelelőségi nyilatkozatát a dometic.com honlap megfelelő termékoldalán találhatja meg, vagy vegye fel a kapcsolatot közvetlenül a gyártóval (lásd: dometic.com/dealer).

További termékinformációkat az ábrákon az energiacímkén található QR kód (lásd az ábrán) beolvasásával, vagy az eprel.ec.europa.eu honlapon kaphat.

A hűtőegység hermetikusan le van zárva.

Pažljivo pročitajte ove upute i poštujte sve upute, smjernice i upozorenja sadržane u ovim uputama kako biste u svakom trenutku osigurali pravilnu instalaciju, uporabu i održavanje proizvoda. Ove upute MORAJU ostati u blizini uređaja.

Uporabom proizvoda potvrđujete da ste pažljivo pročitali sve upute, smjernice i upozorenja te da razumijete i pristajete poštovati ovdje navedene uvjete i odredbe. Pristajete koristiti ovaj proizvod samo za predviđenu svrhu i namjenu te u skladu s uputama, smjernicama i upozorenjima navedenima u ovom priručniku za proizvod, kao i u skladu sa svim važećim zakonima i propisima. Ako ne pročitate i ne poštujete ovdje navedene upute i upozorenja, tada to može dovesti do ozljeđivanja vas i drugih osoba, do oštećenja proizvoda ili druge imovine u blizini. Ovaj priručnik za proizvod, uključujući i upute, smjernice i upozorenja, te povezanu dokumentaciju može biti podložan promjenama i ažuriranjima. Za najnovije podatke o proizvodu posjetite documents.dometic.com.

Sadržaj

1	Objašnje simbola	251
2	Sigurnosne upute	252
3	Opseg isporuke	255
4	Namjenska uporaba	256
5	Tehnički opis	257
6	Instalacija	259
7	Rad	261
8	Uklanjanje smetnji	263
9	Čišćenje i održavanje	264
10	Jamstvo	265
11	Odlaganje u otpad	265
12	Tehnički podatci	266

1 Objašnje simbola



OPASNOST!

Sigurnosna uputa: Naznačuje opasnu situaciju, koja će, ako se ne izbjegne, rezultirati smrću ili teškim ozljedama.



UPOZORENJE!

Sigurnosna uputa: Naznačuje opasnu situaciju, koja bi, ako se ne izbjegne, mogla rezultirati smrću ili teškim ozljedama.

**OPREZ!**

Sigurnosna uputa: Naznačuje opasnu situaciju, koja bi, ako se ne izbjegne, mogla rezultirati lakšim ili umjerenim ozljedama.

**POZOR!**

Naznačuje situaciju, koja, ako se ne izbjegne, može rezultirati materijalnom štetom.

**UPUTA**

Dodatne informacije za rukovanje proizvodom.

2 Sigurnosne upute

2.1 Opća sigurnost



UPOZORENJE! Nepoštivanje ovih upozorenja moglo bi dovesti do smrti ili teške ozljede.

Opasnost od strujnog udara

- Pobrinite se za to da ovaj minibar instalira kvalificirani tehničar u skladu s uputama za instalaciju poduzeća Dometic.
- Ne stavljajte ovaj minibar u rad ako je vidljivo oštećen.
- Ako je priključni kabel ovog minibara oštećen, mora ga zamijeniti proizvođač, ovlaštenu servis ili osoba sa sličnim kvalifikacijama kako bi se spriječilo ugrožavanje sigurnosti.
- Ovaj minibar smije popravljati samo kvalificirano osoblje. Neadekvatni popravci mogu prouzročiti ozbiljne opasnosti.
- Kada postavljate minibar, pobrinite se da kabel napajanja ne bude uklješten ili oštećen.
- Ne postavljajte višestruke utičnice ili prijenosna napajanja na stražnjoj strani uređaja.
- Utikačem spojite uređaj u utičnice koje osiguravaju pravilan priključak posebice ako uređaj treba biti uzemljen.

Opasnost od požara

- Rashladno sredstvo u krugu rashladnog sredstva iznimno je zapaljivo. U slučaju bilo kakva oštećenja kruga rashladnog sredstva:
 - Isključite minibar.
 - Izbjegavajte otvoreni plamen i iskre.
 - Dobro prozračite prostoriju.
- Pobrinite se za to da u udubini za montažu minibara nema električnih komponenti ni rasvjetnih tijela koja bi tijekom normalnog ili neuobičajenog rada mogla proizvesti iskre ili električne lukove (tj. releja ili razvodnih kutija).
- Mora postojati mogućnost da se minibar nakon montaže odspoji od električne mreže. To se može postići tako da je utikač dostupan ili dodavanjem prekidača u fiksno ožičenje u skladu s pravilima za ožičenje.
- Pazite da ventilacijski otvori, u kućištu ili u ugradbenom dijelu minibara, budu slobodni.
- Nemojte koristiti mehaničke uređaje ili druga sredstva kako biste ubrzali postupak odleđivanja, osim onih koje preporučuje proizvođač.
- Ni u kojim uvjetima ne otvarajte krug rashladnog sredstva.
- Ne koristite se električnim uređajima unutar minibara, osim ako ih proizvođač ne preporučuje u te svrhe.

Opasnost od eksplozije

- U minibar nemojte odlagati eksplozivne tvari, kao što su sprejevi s potisnim plinom.

Opasnost za zdravlje

- Ovim minibarom smiju rukovati djeca starija od 8 godina i osobe sa smanjenim fizičkim, osjetilnim i mentalnim sposobnostima ili osobe s nedostatkom iskustva i znanja ako su pod nadzorom, odnosno ako im se daju upute u svezi sa sigurnom uporabom uređaja i ako razumiju uključene opasnosti.
- Djeca se ne smiju igrati ovim minibarom.
- Djeca ne smiju provoditi čišćenje i korisničko održavanje bez nadzora.
- Djeci od 3 do 8 godina dopušteno je puniti i prazniti minibar.



OPREZ! Nepoštivanje ovih upozorenja moglo bi dovesti do lakše ili umjerene ozljede.

Opasnost od prignječenja

- Ne gurajte prste u šarku.

Opasnost za zdravlje

- Hrana se smije čuvati samo u originalnom pakiranju ili u prikladnim posudama.

**POZOR! Opasnost od oštećenja**

- Provjerite odgovara li specificirani napon na tipskoj pločici specificiranom mrežnom naponu.
- Ovaj minibar nije prikladan za čuvanje stvari koje nagrizzaju ili sadržavaju otapala.
- Izolacija rashladnog uređaja sadrži zapaljivi ciklopentan i zahtijeva posebne postupke zbrinjavanja. Na kraju njegovog životnog ciklusa dostavite rashladni uređaj u odgovarajući centar za recikliranje.
- U svakom trenutku održavajte ispusni otvor čistim.
- Prenosite ovaj minibar samo u uspravnom položaju.

2.2 Sigurno rukovanje minibarom**OPASNOST! Nepoštivanje ovih upozorenja dovest će do smrti ili teške ozljede.****Opasnost od strujnog udara**

- Golim rukama ne dodirujte izložene kabele.

**OPREZ! Nepoštivanje ovih upozorenja moglo bi dovesti do lakše ili umjerene ozljede.****Opasnost od strujnog udara**

- Prije uključivanja minibara pobrinite se za to da mrežni vod i utikač budu suhi.

Opasnost za zdravlje

- Pobrinite se za to da u ovaj minibar stavljajte samo stvari koje se smiju hladiti na odabranoj temperaturi.
- Hrana se smije čuvati samo u izvornom pakiranju ili u prikladnim posudama.
- Otvaranje vrata tijekom duljeg razdoblja može prouzročiti znatno povećanje temperature u odjeljcima minibara.
- Redovito čistite površine koje dolaze u dodir s hranom i sustavima odvodnje kojima se može pristupiti.

- Ako kroz dulje vrijeme ostavljate minibar praznim:
 - Isključite minibar.
 - Odmrznite minibar.
 - Očistite i osušite minibar.
 - Vrata ostavite otvorena kako biste spriječili nastanak plijesni u minibaru.



POZOR!

Opasnost od oštećenja

- Minibar nemojte postavljati u blizini otvorenog plamena ili drugih izvora topline (gorućih svijeća, grijalica, izravne sunčeve svjetlosti, plinskih pećnica itd.).
- Nikad ne uranjajte ovaj minibar u vodu.
- Zaštitite ovaj minibar i kabel od vrućine i vlage.
- Pobrinite se za to da hrana ne dodiruje stijenke prostora za hlađenje.

3 Opseg isporuke

Moguće je dobiti sljedeće glavne alternative:

- Minibar DM50NTE D s pločom za vrata, bez brave
- Minibar DM50NTE D s pločom za vrata, s bravom
- Minibar DM50NTE F bez ploče za vrata, bez brave
- Minibar DM50NTE F bez ploče za vrata, s bravom

Količina	Opis	
1	Minibar ladica	
1	Kabel za priključak 230 V~	
4	Vijak $\varnothing 4 \times 45$ mm (montaža)	
4	Čep (montaža)	
1	Ručka	(samo za DM50NTE D)
2	Čep (montaža ručke)	(samo za DM50NTE D)
1	Filtar za ulaz	
6	Vijak $\varnothing 3 \times 12$ mm (montaža filtra)	
2	Čep (drvena ploča)	(samo za drvenu verziju uređaja DM50NTE F)

Količina	Opis
1	Dekorativni dio brave (drvena ploča) (samo za drvenu verziju uređaja DM50NTE F s bravom)
2	Legenda (samo za verziju s bravom)
1	Upute za montažu i rukovanje

4 Namjenska uporaba

Rashladni uređaj (koji se naziva i minibar) prikladan je za hlađenje i skladištenje pića i hrane u zatvorenim posudama.

Minibar je namijenjen upotrebi na kruzerima ili u kućanstvu i sličnim primjenama, kao što su:

- čajne kuhinje u trgovinama, uredima i drugim radnim okruženjima
- seoska domaćinstva
- hoteli, moteli i druge vrste smještajnih objekata
- objekti koji nude noćenje s doručkom
- priprema i dostava hrane te slične nemaloprodajne primjene

Minibar **nije** namijenjen za ugradnju u kamp-kućicama ili mobilnim kućicama.

Ovaj je minibar prikladan za instalaciju u jednom ormariću ili u instalacijskoj niši. Pročitajte upute za instalaciju.

Minibar **nije** prikladan za sljedeće:

- čuvanje korozivnih, nagrizajućih tvari ili tvari koje sadržavaju otapala
- skladištenje svježe hrane i lijekova
- duboko zamrzavanje hrane

Ovaj je proizvod prikladan samo za predviđenu namjenu i primjenu u skladu s ovim uputama.

Ove upute donose informacije neophodne za pravilnu instalaciju i/ili rad proizvoda. Loša instalacija i/ili nepravilan rad ili održavanje rezultirat će nezadovoljavajućom uspješnošću i mogućim kvarom.

Proizvođač ne preuzima nikakvu odgovornost za bilo kakve ozljede ili oštećenja proizvoda koje nastanu kao rezultat:

- nepravilne montaže ili priključivanja, uključujući i previsok napon

- nepravilnog održavanja ili uporabe nekih drugih rezervnih dijelova osim originalnih rezervnih dijelova koje isporučuje proizvođač
- izmjena na proizvodu bez izričitog dopuštenja proizvođača
- uporabe u svrhe koje nisu opisane u ovim uputama

Dometic pridržava pravo na izmjene izgleda i specifikacija proizvoda.

5 Tehnički opis

Minibar ima glavnu ladicu za boce i limenke kao i mini ladicu za mala pakiranja i grickalice. U glavnoj ladici ima mjesta za 33 boce maksimalne visine 28 cm.

DM50NTE D: Model je tvornički opremljen pločom za vrata i ručkom.

DM50NTE F: Model se isporučuje bez ploče za vrata i spreman za montažu u skladu s dizajnom vrata u hotelu.

5.1 Opis uređaja

Prednja ploča

Broj na sl. 1 , stranica 3	Opis
1	Brava (opcionalno)
2	Ručka (samo za DM50NTE D)
3	Ploča za vrata (samo za DM50NTE D)

Stražnja strana

Broj na sl. 2 , stranica 3	Opis
1	Mrežni adapter
2	Utičnica za 12 V==
3	Posuda za kapljevinu
4	Toplovod

Upravljačka ploča (u uređaju)

Broj na sl. 3, stranica 4	Opis
1	Lampica
2	LED indikator greške
3	LED indikator statusa napajanja
4	Tipka za podešavanje

Glavna ladica

Broj na sl. 4, stranica 4	Opis
1	Široka pregrada
2	Separator
3	Mala pregrada
4	Osigurač boca

Mini ladica

Broj na sl. 5, stranica 5	Opis
1	Okretna pregrada
2	Držač malih boca

6 Instalacija



OPREZ! Opasnost za zdravlje

Kako bi se izbjegle opasnosti zbog nestabilnosti, uređaj se mora učvrstiti sukladno uputama za montažu.

6.1 Montaža minibara u komad namještaja



NOTICE! Opasnost od oštećenja

Zrak koji prolazi kroz ulazni vod za zrak ne smije se zagrijavati. Minibar nemojte postavljati u blizini otvorenog plamena ili drugih izvora topline (grijalica, izravne sunčeve svjetlosti, plinskih pećnica itd.).

Postoje četiri načina montaže minibara u namještaj.

1. Odaberite željeni alternativni način montaže (sl. **6**, stranica 6).
2. Pridržavajte se obaveznih mjera udubine za montažu (sl. **6**, stranica 6) d je debljina hotelskog namještaja.
3. Pridržavajte se pravilnog položaja minibara i ventilacijskih otvora kako bi osigurali dobar protok zraka (sl. **8**, stranica 7).
4. Osigurajte minimalni razmak između stražnje strane minibara i stijenke namještaja (sl. **10**, stranica 8).
5. Napravite ventilacijske otvore kao što je prikazano na sl. **9**, stranica 7.
6. Napravite dodatni ventilacijski otvor na dnu udubine za montažu (sl. **11**, stranica 8).

Izmjerite udaljenost od ploče za vrata minibara **bez** mjerenja s vlastitim dekorom.

Broj na sl. 12 , stranica 8	Opis
1	Vijak $\varnothing 4 \times 45$ mm
2	Čep

7. Pričvrstite hladnjak na mjesto pomoću odgovarajućih vijaka (sl. **12 1**, stranica 8).
8. Umetnite četiri čepa (sl. **12 2**, stranica 8) u rupe.

6.2 Električno priključivanje minibara

- ▶ Umetnite spojni kabel za 230 V u utičnicu za izmjenični napon i priključite ga na mrežu izmjenične struje od 230 V.
- ✓ Zasvijetlit će LED indikator statusa napajanja i lampica.
- ✓ Minibar će početi hladiti svoju unutrašnjost.

6.3 Montaža dekora hotela (samo za DM 50NTE F)

Dekor hotela mora zadovoljiti sljedeće uvjete:

- Maksimalna težina: 4 kg
 - Maksimalna debljina: 18 mm (samo za verziju s bravom)
- ▶ Pričvrstite vrata s četiri vijka.

6.4 Montaža brave (samo za verziju s bravom)

1. U dekoru izbušite rupu promjera 35 mm.
2. Bravu montirajte s dekorativnim dijelom brave.

6.5 Montaža brave (samo za verziju bez brave)

Rastavljanje ladice (sl. 13, stranica 9)

1. Ladicu otvorite do kraja (**A**).
2. Pritisnite mehanizam za vodilicu (**A 1**).
3. Ladicu u potpunosti izvadite iz ormarića (**B**).

Samo za DM50NTE D:

1. Uklonite dva čepa (**C 1**) iz vijaka (**C 2**) na ručki vrata (**C 3**).
2. Odvrnite dva vijka (**C 2**) na ručki vrata.
3. Uklonite ručku vrata (**C 3**).
4. Uklonite brtvu.
5. Uklonite poklopac brave.

Bušenje rupa (sl. 14, stranica 9)

1. Izbušite rupu (**A 1**) promjera 23,6 mm kroz dekor (samo za DM50NTE D) i vrata.
2. Odvrnite dvanaest vijaka (**B 1**) na okviru za dekor (**B 2**) (samo za DM50NTE D).
3. Uklonite okvir za dekor (samo za DM50NTE D).

Montaža brave (sl. 15, stranica 10)

1. Novi poklopac brave stavite (**A 1**) na namijenjeno mjesto.
2. Dekor postavite (**B 1**) u okvir za dekor.
3. Pričvrstite (**B 2**) okvir za dekor (**B 3**) na vrata.
4. Montirajte bravu vrata (**C 1**).
5. Montirajte zasun za bravu (**D 1**) u ormarić.

Montaža ladice (sl. 16, stranica 10)

1. Brtvu postavite (**1**) na okvir za dekor (**2**).
2. Pričvrstite ručku vrata (**4**) na vrata.
3. Postavite čepove (**3**) na vijke ručke vrata (**4**).
4. Ladicu pogurnite u ormarić.

7 Rad

7.1 Prije prve uporabe

Prije prve uporabe očistite minibar iznutra i izvana vlažnom krpom iz higijenskih razloga (vidi još i pogl. „Čišćenje i održavanje“ na stranici 264).

7.2 Ušteda energije

- Otvarajte minibar samo onoliko često koliko je to zaista neophodno.
- Izbjegavajte bespotrebno niske postavke temperature.
- Radi optimalne potrošnje energije police i ladice postavljajte u skladu s njihovim položajem pri isporuci.
- Redovito provjeravajte prijanja li pravilno brtva na vratima.
- U redovitim razmacima čistite prašinu i prljavštinu s kondenzatora.

7.3 Upotreba minibara

Minibar počinje hladiti kada se priključi na izvor napajanja. LED indikator statusa napajanja svijetli tijekom normalnog rada. LED indikator greške zasvijetli kada dođe do pogreške (pogledajte pogl. „Uklanjanje smetnji“ na stranici 263).

7.4 Namještanje temperature

Radi izbjegavanja bacanja hrane zapamtite sljedeće:

- Držite fluktuacije temperature na najmanjoj mogućoj mjeri. Otvarajte minibar samo onoliko često koliko je to zaista neophodno. Namirnice spremajte na takav način da zrak još uvijek može dobro cirkulirati.
- Minibar je opremljen funkcijom automatske regulacije temperature. Odaberite prosječnu vrijednost temperature od svih mogućih.
- Prilagodite temperaturu količini i vrsti namirnica.

Temperatura hlađenja u minibaru postavljena je po zadanom na 7 °C pri temperaturi okoline od 25 °C.

Temperaturu hlađenja moguće je postaviti na jednu od sljedeće tri vrijednosti pomoću tipke za podešavanje: 5 °C, 12 °C i 7 °C.

Temperatura hlađenja postavljena je po sljedećem nizu: 5 °C ... 12 °C ... 7 °C ... 5 °C itd.

1. Pritisnite i držite tipku za podešavanje (sl. **3 4**, stranica 4) barem 5 s dok unutar nja lampica (sl. **3 1**, stranica 4) ne počne treperiti.
 2. Tipku za podešavanje pritisćite dok nije odabrana željena temperatura hlađenja.
- ✓ Unutarnja će lampica zatreperiti. Broj treptaja označava postavljenu temperaturu. Treptajući signal ponavlja se u tri intervala:
- Lampica zatreperi **pet puta**: 5 °C
 - Lampica zatreperi **jedan put**: 12 °C
 - Lampica zatreperi **tri puta**: 7 °C

8 Uklanjanje smetnji

Smetnja	Mogući uzrok	Predloženo rješenje
Minibar ne radi . LED indikator statusa napajanja ne svijetli.	Na utičnici izmjeničnog napajanja nema napona.	▶ Isprobajte neku drugu utičnicu.
	Mrežni adapter nije ispravan.	▶ Obratite se ovlaštenom servisu.
Minibar ne hladi . Utičak je umetnut, a LED indikator statusa napajanja svijetli.	Rashladni element je neispravan.	▶ Obratite se ovlaštenom servisu.
LED indikator greške zatreperi jednom u sekundi.	Senzor temperature je neispravan.	▶ Obratite se ovlaštenom servisu.
Minibar ne hladi dovoljno . LED indikator statusa napajanja svijetli, a LED indikator greške ne svijetli.	Rashladni element je neispravan.	▶ Obratite se ovlaštenom servisu.
	Loš protok zraka	▶ Provjerite protok zraka. ▶ Očistite filtar ispod uređaja.

9 Čišćenje i održavanje



UPOZORENJE! Opasnost od strujnog udara

Uvijek odspojite minibar od električne mreže prije čišćenja i servisiranja.



POZOR! Opasnost od oštećenja

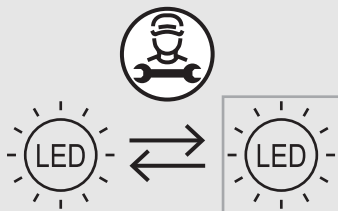
- Ne upotrebljavajte abrazivna sredstva za čišćenje ni tvrde predmete jer oni mogu oštetiti minibar.
- Nikad ne perite minibar pod mlazom tekuće vode ni u vodi pripremljenoj za pranje posuđa.
- U minibaru nikad ne upotrebljavajte tvrde ili oštre alate za uklanjanje leda ili oslobađanje zaleđenih predmeta.
- Ne upotrebljavajte nikakve mehaničke ni druge alate za ubrzavanje procesa odmrzavanja.
- Provjerite da na brtve ne kapa voda da biste izbjegli oštećivanje elektronike.

- ▶ Vlažnom krpom redovito čistite minibar, i to čim se zaprlja.
- ▶ Prebrišite minibar suhom krpom nakon čišćenja.
- ▶ Redovito provjeravajte odvod kondenzata.
Po potrebi očistite odvod kondenzata. Ako je on začepljen, kondenzat će se sakupljati na dnu minibara.
- ▶ Provjerite nema li na otvorima za dovod i odvod zraka na uređaju prašine i prljavštine kako bi se toplina koja nastaje tijekom rada mogla bez zapreka odvoditi te kako ne bi došlo do oštećenja uređaja.



POZOR! Opasnost od oštećenja

Izvor svjetlosti smije zamijeniti samo proizvođač, ovlaštenu osobu ili osoba sa sličnim kvalifikacijama radi izbjegavanja opasnosti.



10 Jamstvo

Primjenjuje se zakonom propisano jamstveno razdoblje. Ako je proizvod neispravan, molimo obratite se trgovcu na malo ili podružnici proizvođača u vašoj državi (vidi dometic.com/dealer).

Za potrebe popravaka i obrade jamstva, pri slanju proizvoda priložite sljedeće dokumente:

- Presliku računa s datumom kupnje
- Razlog reklamacije ili opis kvara

Obratite pozornost da samostalni ili nestručni popravak može imati negativne posljedice na sigurnost i uzrokovati gubitak jamstva.

11 Odlaganje u otpad

Recikliranje ambalaže



- ▶ Odložite ambalažu u odgovarajuće kante za reciklažu otpada gdje god je to moguće.



UPOZORENJE! Opasnost požara

- Rashladno sredstvo je jako zapaljivo. Nemojte otvarati ili oštetiti kružni tok rashladnog sredstva.
- Izolacija uređaja sadrži izolacijski plin (vidi tipsku pločicu). Nemojte oštetiti izolaciju.

Recikliranje proizvoda s nezamjenjivim baterijama, punjivim baterijama ili izvorima svjetla



- ▶ Ako proizvod sadrži nezamjenjive baterije, punjive baterije ili izvore svjetla, ne morate ih uklanjati prije odlaganja u otpad.




- ▶ Ako proizvod želite konačno odložiti u otpad, zatražite od svog lokalnog reciklažnog centra ili specijaliziranog trgovca pojedinosti o tomu kako to učiniti u skladu s primjenjivim propisima o odlaganju u otpad.



- ▶ Proizvod se može besplatno odložiti u otpad.

12 Tehnički podatci

	DM50NTE D	DM50NTE F
Napon	100 – 240 V~, 50 – 60 Hz	
Učink hladjenja	maks. 21 °C ispod okolne temperature (podesivo u tri koraka: 5 °C, 7 °C i 12 °C)	
Kategorija	2 (podrum)	
Ukupna zapremnina	50 l	
Klasa energetske učinkovitosti	G	
Klimatski razred	N	
Rashladno sredstvo	R600a	
Količina rashladnog sredstva	28 g	
Dimenzije glavne ladice Š x D x V	430 x 330 x 302 mm	
Dimenzije mini ladice Š x D x V	159 x 285 x 88 mm	
Dimenzije Š x D x V	550 x 524 x 418 mm	550 x 496 x 418 mm
Maksimalno opterećenje unutarnjeg spremišta	31 kg	
Težina	23,5 kg	23,0 kg
Ispitivanje/certifikacija		

Trenutačno važeću EU izjavu o sukladnosti za svoj uređaj molimo potražite na stranici odgovarajućeg proizvoda na adresi dometic.com ili se izravno obratite proizvođaču (vidi dometic.com/dealer).

Daljnijim informacijama o proizvodu možete pristupiti putem QR koda na energetskej naljepnici (pogledajte slike) ili putem mrežne stranice eprel.ec.europa.eu.

Rashladna jedinica je hermetički zatvorena.

Bu ürünü doğru monte ettiğinizden ve ürünün daima kullanıma hazır olduğundan emin olmak için, lütfen tüm talimatları ve bu ürün kılavuzunda verilen kılavuzları ve uyarıları dikkatlice okuyunuz. Bu talimatlar bu üründe KALMALIDIR.

Bu ürünü kullandığınızda tüm talimatları, kılavuzları ve uyarıları dikkatlice okuduğunuza ve anladığınıza ve hükümlere ve koşullara bu sözleşmede yer alıyormuş gibi uyacağınıza onay verirsiniz. Bu ürünü sadece amacına ve uygulamaya uygun ve talimatlara, kılavuzlara ve uyarılara uygun bu ürün kılavuzu ile geçerli yasalara ve yönetmeliklere uygun olarak kullanacağınızı kabul ediyorsunuz. Talimatların ve uyarıların burada verildiği gibi okunmaması veya bunlara uyulmaması sonucu kendiniz ve diğer insanlar yaralanabilir veya ürününüz veya yakınında bulunan diğer eşyalar hasar görebilir. Talimatlar, kılavuzlar ve uyarılar da dahil, bu ürün kılavuzu ve buna ait olan dokümanlarda değişiklikler ve güncellemeler yapılabilir. Güncel ürün bilgileri için, lütfen bakınız documents.dometic.com.

İçindekiler

1	Sembollerin açıklanması	267
2	Güvenlik uyarıları	268
3	Teslimat kapsamı	271
4	Amacına Uygun Kullanım	272
5	Teknik Açıklama	273
6	Montaj	274
7	Kullanım	277
8	Arıza Giderme	279
9	Temizlik ve bakım	280
10	Garanti	281
11	Atık İmhası	281
12	Teknik Bilgiler	282

1 Sembollerin açıklanması



TEHLİKE!

Güvenlik uyarısı: Önlenmediğinde, can kaybı veya ağır bir yaralanmaya neden olan tehlikeli bir durumu gösterir.



UYARI!

Güvenlik uyarısı: Önlenmediğinde, can kaybı veya ağır bir yaralanmaya neden olabilecek tehlikeli bir durumu gösterir.

**DİKKAT!**

Güvenlik uyarısı: Önlenmediğinde, hafif veya orta derecede bir yaralanmaya neden olabilecek tehlikeli bir durumu gösterir.

**İKAZ!**

Önlenmediğinde, maddi hasara neden olabilecek bir durumu gösterir.

**NOT**

Ürünün kullanılması ile ilgili ek bilgiler.

2 Güvenlik uyarıları

2.1 Genel güvenlik



UYARI! Bu uyarılara uyulmaması can kaybı veya ağır yaralanmaya sebep olabilir.

Elektrik çarpması tehlikesi

- Minibarın nitelikli bir teknisyen tarafından ve Dometic montaj kılavuzuna uygun olarak monte edilmesini sağlayın.
- Minibarda gözle görünebilir hasarlar varsa, minibar çalıştırılmamalıdır.
- Minibarın güç kablosunda hasar varsa, güvenlikle ilgili tehlikelerin önlenmesi için kablo, üretici, servis elemanı veya benzeri bir nitelikli kişi tarafından değiştirilmelidir.
- Minibar sadece nitelikli personel tarafından onarılmalıdır. Yanlış onarımlar ciddi tehlikelere neden olabilir.
- Minibarı yerleştirilirken besleme kablosunun sıkışmamasına veya hasar görmemesine dikkat edilmelidir.
- Çoklu taşınabilen soket çıkışları veya taşınabilen güç kaynaklarını uygulamanın arkasına takmayın.
- Cihazı, özellikle cihazın topraklanması gerektiğinde düzgün bağlantı sağlayan prizlere takın.

Yangın tehlikesi

- Soğutucu deresindeki soğutucu akışkan yüksek derecede alevlenebilen bir maddedir.
Soğutucu akışkan devresinde bir hasar olması durumunda:
 - Minibarı kapatın.
 - Çıplak alevler ve kıvılcımlar oluşmasını önleyin.
 - Mekanı iyi havalandırın.
- Minibarın montaj girintisinde, normal veya anormal çalışma sırasında kıvılcım veya ark oluşturan elektrikli bileşenler ve ışık kaynakları (örn. röleler veya sigorta kutuları) bulundurmayın.
- Montajdan sonra, istendiğinde minibarın elektrik şebekesi ile olan bağlantısını ayırmak mümkün olmalıdır. Bu, fişin erişilebilir olması veya kablolama kurallarına göre sabit kablo tesisatına bir anahtar eklenmesiyle sağlanabilir.
- Minibar çevresinde veya dahili yapıda bulunan havalandırma boşluklarını tıkanmamasını sağlayacak şekilde açık tutun.
- Buz çözdürme işlemini hızlandırmak için üretici tarafından tavsiye edilenler dışında mekanik aletler veya diğer türden araçlar kullanmayın.
- Soğutucu devresini asla açmayın.
- Minibarın içinde üretici tarafından önerilenlerin dışında elektrikli cihazlar kullanmayın.

Patlama tehlikesi

- Minibarın içerisinde itici gazlı sprey kutuları gibi patlayıcı maddeler saklamayın.

Sağlık için tehlike

- Minibar 8 yaşından itibaren çocuklar le fiziksel, duymusal ve zihinsel engelli ve deneyimleri ile bilgileri olmayan kişiler tarafından sadece denetim altında veya minibarın güvenli olarak kullanılması ve oluşabilecek tehlikeleri anlamaları durumunda kullanılabilir.
- Çocuklar minibarla oynamamalıdır.
- Temizlik ve kullanıcı bakımı gözetimsiz olarak çocuklar tarafından yapılmamalıdır.
- 3 ile 8 yaşları arasındaki çocukların minibarı doldurmalarına ve boşaltmalarına izin verilmez.



DİKKAT! Bu ikazlara uyulmaması hafif veya orta derecede yaralanmaya sebep olabilir.

Ezilme tehlikesi

- Parmaklarınızı menteşeye sokmayın.

Sağlık için tehlike

- Yiyecek maddeleri sadece orijinal ambalajları veya uygun kaplar içinde saklanmalıdır.

**İKAZ! Hasar tehlikesi**

- Tip plakası üzerinde verilen gerilim değerinin enerji kaynağının değeri ile aynı olmasına dikkat edin.
- Minibar yakıcı ve solvent içeren maddelerin depolanması için uygun değildir.
- Soğutma cihazının yalıtımı tutuşabilen siklopentan içerir ve özel atık bertaraf prosedürleri gerektirir. Kullanım ömrünü tamamlayan soğutma cihazı uygun bir geri dönüşüm merkezine verilmelidir.
- Drenaj çıkışını daima temiz tutun.
- Minibarı baş aşağı olarak taşımayın.

2.2 Minibarın güvenli olarak çalıştırılması

TEHLİKE! Bu uyarılara uyulmaması can kaybı veya ağır yaralanmaya sebep olur.

Elektrik çarpması tehlikesi

- Açıktaki kablolara çıplak elle dokunmayın.



DİKKAT! Bu ikazlara uyulmaması hafif veya orta derecede yaralanmaya sebep olabilir.

Elektrik çarpması tehlikesi

- Minibarı çalıştırmadan önce güç kaynağı hattı ile fişinin kuru olduğundan emin olun.

Sağlık için tehlike

- Minibara yalnızca seçilen sıcaklıkta soğutulabilecek ürünler koyduğunuzdan emin olun.
- Yiyecekler sadece orijinal ambalajları veya uygun kaplar içinde saklanmalıdır.
- Kapının uzun bir süre açık kalması minibarın bölümlerindeki sıcaklığın belirli bir şekilde yükselmesine neden olabilir.
- Yiyecek maddeleri ve erişilebilen drenaj sistemlerine temas edebilecek yüzeyleri düzenli olarak temizleyin.

- Minibar uzun bir süre boş kalacaksa:
 - Minibarı kapatın.
 - Minibarın buzlarını çözün.
 - Minibarı temizleyin ve kurutun.
 - Minibarın içinde küf oluşmaması için kapıyı açık bırakın.



İKAZ!

Hasar tehlikesi

- Minibarı açık alev veya diğer ısı kaynaklarının (yanan mumlar, ısıtıcılar, doğrudan güneş ışığı, gazlı fırın vb.) yakınına yerleştirmeyin.
- Minibarı asla suya batırmayın.
- Minibarı ve kabloları ısıya ve neme karşı koruyunuz.
- Yiyeceklerin soğutma alanının duvarlarına temas etmediğinden emin olun.

3 Teslimat kapsamı

Aşağıdaki ana alternatifler mevcuttur:

- Minibar DM50NTE D kapak panelli, kilitsiz
- Minibar DM50NTE D kapak panelli, kilitli
- Minibar DM50NTE F kapak panelsiz, kilitsiz
- Minibar DM50NTE F kapak panelsiz, kilitli

Miktar	Adı	
1	Çekmeceli minibar	
1	230 V~ bağlantısı için kablo	
4	Vida ø4 x 45 mm (montaj)	
4	Delik tapası (montaj)	
1	Kulp	(yalnızca DM50NTE D modelinde)
2	Delik tapası (kulp montajı)	(yalnızca DM50NTE D modelinde)
1	Giriş filtresi	
6	Vida ø3 x 12 mm (filtre montajı)	
2	Delik tapası (ahşap panel)	(yalnızca DM50NTE F ahşap versiyonunda)

Miktar	Adı	
1	Kilit dekoru (ahşap panel)	(yalnızca DM50NTE F kilitli ahşap versiyonunda)
2	Açıklama	(yalnızca kilitli versiyonda)
1	Kurulum ve kullanım kılavuzu	

4 Amacına Uygun Kullanım

Soğutma cihazı (minibar olarak da anılır), içecekleri ve yiyecekleri kapalı kaplarda soğutmak ve saklamak için tasarlanmıştır.

Minibar, yolcu gemilerinde ya da evde ve aşağıdaki benzer uygulamalarda kullanılmak üzere tasarlanmıştır:

- Mağazalarda, ofislerde ve diğer çalışma ortamlarındaki personel mutfakları
- Çiftlik evleri
- Oteller, moteller ve diğer konut tipi ortamlar
- Oda kahvaltı tipi konaklama birimleri
- Catering ve benzeri perakende dışı uygulamalar

Minibar, karavanlara veya mobil evlere montaj edilmek için **tasarlanmamıştır**.

Minibar, bir dolaba veya montaj boşluğuna monte etmeye uygundur. Montaj talimatlarına bakın.

Minibar şunlar için uygun **değildir**

- Aşındırıcı, kostik veya solvent içeren maddelerin saklanması
- Taze gıdaların ve ilaçların saklanması
- Yiyecekler için derin dondurma

Bu ürün sadece amacına uygun ve bu talimata göre kullanılmalıdır.

Bu kılavuzda ürünün doğru olarak monte edilmesi ve/veya kullanılması için gerekli bilgiler verilmektedir. Doğru yapılmayan montaj veya bakım performansının yetersiz olmasına ve olası bozukluklara neden olabilir.

Üretici, aşağıdaki durumların neden olduğu yaralanmalardan veya ürün hasarlarından sorumlu değildir:

- Yanlış montaj veya bağlantı ve aşırı voltaj
- Yanlış bakım veya üretici tarafından sağlanan orijinal yedek parçalardan başka yedek parçalar kullanılması

- Üreticisinden açıkça izin almadan cihazda değişiklikler yapılması
- Bu kılavuzda tanımlananların dışında bir amaçlar için kullanıldığında

Dometic ürünün görünümünde ve ürün özelliklerinde değişiklik yapma hakkını saklı tutar.

5 Teknik Açıklama

Minibarda şişe ve teneke kutular için bir ana çekmecenin yanı sıra küçük yiyecekler ve atıştırmalıklar için bir mini çekmece bulunur. Ana çekmecede maksimum yüksekliği 28 cm olan 33 şişelik yer vardır.

DM50NTE D: Model fabrikada kapak paneli ve kulp ile donatılmıştır.

DM50NTE F: Kapak paneli olmadan teslim edilen model, otelin kendi kapak dekoruna uyacak şekilde hazırlanmıştır.

5.1 Cihaz açıklaması

Ön panel

Numara şekil 1 , sayfa 3	Adı
1	Kilit (isteğe bağlı)
2	Kulp (yalnızca DM50NTE D modelinde)
3	Kapak paneli (yalnızca DM50NTE D modelinde)

Arka taraf

Numara şekil 2 , sayfa 3	Adı
1	Şebeke adaptörü
2	12 V $\overline{=}$ soket
3	Damlama tepsi
4	Isı borusu

Kontrol paneli (cihazın içinde)

Numara şekil 3, sayfa 4	Adı
1	Lamba
2	Hata LED'i
3	Güç durumu LED'i
4	Ayar düğmesi

Ana çekmece

Numara şekil 4, sayfa 4	Adı
1	Geniş bölücü
2	Ayırıcı
3	Küçük bölücü
4	Şişe tutacağı

Mini çekmece

Numara şekil 5, sayfa 5	Adı
1	Döndürülebilir bölücü
2	Minyatür şişe tutacağı

6 Montaj



DIKKAT! Sağlık için tehlike

Cihazın dengesizliğinden kaynaklanan bir tehlikeyi önlemek için, buzdolabı talimatlara uygun olarak sabitlenmelidir.

6.1 Minibarın bir mobilya parçasına monte edilmesi



NOTICE! Hasar tehlikesi

Giriş hava kanalından geçen hava ısıtılmamalıdır.

Minibarı açık alev veya diğer ısı kaynaklarının (ısıtıcılar, doğrudan güneş ışığı, gazlı fırın vb.) yakınına yerleştirmeyin.

Minibarı mobilyaya monte etmenin dört yolu vardır.

1. Tercih ettiğiniz montaj alternatifini seçin (şekil **6**, sayfa 6).
2. Gerekli montaj girintisine dikkat edin (şekil **6**, sayfa 6)
d otelin kendi dekorunun kalınlığıdır.
3. Uygun bir hava akışı sağlamak için minibarın ve havalandırma açıklıklarının doğru yerleştirilmesine dikkat edin (şekil **8**, sayfa 7).
4. Minibarın arkası ile mobilya duvarı arasında minimum mesafenin kaldığından emin olun (şekil **10**, sayfa 8).
5. Havalandırma açıklıklarını şekil **9**, sayfa 7 içeriğinde gösterildiği gibi oluşturun.
6. Montaj girintisinin alt kısmında ek bir havalandırma açıklığı oluşturun (şekil **11**, sayfa 8).

Kendi dekoru **hariç**, minibarın kapağının önünden olan mesafeyi ölçün.

Numara şekil 12 , sayfa 8	Adı
1	Vida $\varnothing 4 \times 45$ mm
2	Delik tapası

7. Uygun vidalar (şekil **12 1**, sayfa 8) kullanarak buzdolabını yerine sabitleyin.
8. Dört delik tapasını (şekil **12 2**, sayfa 8) deliklere takın.

6.2 Minibarın elektrik bağlantısı

- 230 V bağlantı kablosunu AC prizine takarak 230 V şebeke kaynağına bağlayın.
- ✓ Güç durumu LED'i ve lamba yanar.
- ✓ Minibar, içini soğutmaya başlar.

6.3 Otelin kendi kapak dekorunun montajı (yalnızca DM50NTE F modelinde)

Otelin kendi kapak dekoru aşağıdaki gereklilikleri karşılamalıdır:

- Maksimum ağırlık: 4 kg
 - Maksimum kalınlık: 18 mm (yalnızca kilitli versiyonda)
- Dekorü dört vidayla sabitleyin.

6.4 Kilidin montajı (yalnızca kilitli versiyonda)

1. Dekora 35 mm çapında bir delik açın.
2. Kilidi, kilit dekoru ile birlikte monte edin.

6.5 Kilidin montajı (yalnızca kilitsiz versiyonda)

Çekmecenin sökülmesi (şekil 13, sayfa 9)

1. Çekmeceyi tamamen açın (A).
2. Ray kilidine basın (A 1).
3. Çekmeceyi kabinden dışarı çekin (B).

Yalnızca DM50NTE D modelinde:

1. Kapak kulbunun (C 3) vidalarını (C 2) kapatan iki delik tapasını (C 1) çıkarın.
2. Kapak kulbunun iki vidasını (C 2) sökün.
3. Kapak kulbunu sökün (C 3).
4. Contayı sökün.
5. Kilit kapağını sökün.

Deliklerin delinmesi (şekil 14, sayfa 9)

1. Dekor (yalnızca DM50NTE D modelinde) ve kapak boyunca 23,6 mm çapında bir delik (A 1) delin.
2. Dekor çerçevesinin (B 2) on iki vidasını (B 1) sökün (yalnızca DM50NTE D modelinde).
3. Dekor çerçevesini çıkarın (yalnızca DM50NTE D modelinde).

Kilidin montajı (şekil 15, sayfa 10)

1. Yeni kilit kapağını (**A 1**) yerine yerleştirin.
2. Dekor (**B 1**) dekor çerçevesine yerleştirin.
3. Dekor çerçevesini (**B 3**) kapağa vidalayın (**B 2**).
4. Kapak kilidini monte edin (**C 1**).
5. Kilit mandalını (**D 1**) kabine monte edin.

Çekmecenin montajı (şekil 16, sayfa 10)

1. Contayı (**1**) dekor çerçevesine (**2**) bastırarak yerleştirin.
2. Kapak kulbunu (**4**) kapağa vidalayın.
3. Delik tapalarını (**3**) kapak kulbunun (**4**) vida deliklerine bastırarak takın.
4. Çekmeceyi kabinin içine doğru itin.

7 Kullanım

7.1 İlk kullanım öncesi

Hijyenik nedenlerden dolayı minibar nemli bir bez ile silinmelidir (ayrıca, bakın bölüm «Temizlik ve bakım» sayfa 280).

7.2 Enerji tasarrufu

- Minibarı sadece sıkça ve gerekli olduğu süre kadar açın.
- Gereksiz yere düşük sıcaklıklar ayarlamayın.
- Optimum bir enerji tüketimi için, rafları ve çekmeceleri teslimat durumlarına göre konumlandırın.
- Kapı izgarasının yerine tam olarak oturduğunu düzenli olarak kontrol edin.
- Kondansatörü düzenli aralıklarla tozlardan ve pisliklerden temizleyin.

7.3 Minibarın kullanılması

Minibar, bir güç kaynağına bağlandığında soğutmaya başlar. Normal çalışma sırasında güç durumu LED'i yanar. Bir hata oluşursa, hata LED'i yanıp söner (bkz. bölüm «Arıza Giderme» sayfa 279).

7.4 Sıcaklığın ayarlanması

Yiyecek atığı oluşmaması için dikkat edilmesi gerekenler:

- Sıcaklık dalgalanmasını mümkün olduğu kadar düşük tutun. Minibarı sadece sıkça ve gerekli olduğu süre kadar açın. Yiyecekleri havanın halen iyi dolaşabileceği bir şekilde depolayın.
- Minibar bir otomatik sıcaklık kontrolü işlevi ile donatılmıştır. Mümkün olan sıcaklık değerlerinin ortalamasını seçin.
- Sıcaklığı yiyeceklerin miktarına ve tipine göre ayarlayın.

Minibar varsayılan olarak 25 °C ortam sıcaklığında 7 °C soğutma sıcaklığına ayarlanmıştır.

Soğutma sıcaklığı, ayar düğmesi kullanılarak aşağıdaki üç değerden birine ayarlanabilir: 5 °C, 12 °C ve 7 °C.

Soğutma sıcaklığı aşağıdaki sırayla ayarlanır: 5 °C ... 12 °C ... 7 °C ... 5 °C vs.

1. Dahili lamba (şekil **3 1**, sayfa 4) yanıp sönmeye başlayana kadar ayar düğmesini (şekil **3 4**, sayfa 4) en az 5 sn. basılı tutun.
 2. İstenen soğutma derecesi değeri seçilene kadar ayar düğmesine tekrar basın.
- ✓ Dahili lamba yanıp söner. Yanıp sönmeye sayısı ayarlanan sıcaklığı gösterir. Yanıp sönmeye sinyali üç aralıkta tekrarlanır:
- Lamba **beş kez** yanıp sönmüyor: 5 °C
 - Lamba **bir kez** yanıp sönmüyor: 12 °C
 - Lamba **üç kez** yanıp sönmüyor: 7 °C

8 Arıza Giderme

Arıza	Olası nedeni	Önerilen çözüm
Minibar çalışmıyor . Güç durumu LED'i yanmıyor.	AC gerilim prizinde gerilim yok. Şebeke adaptörü arızalı.	► Başka bir prizde deneyin. ► Yetkili servis personeliyle iletişime geçin.
Minibar soğutmuyor . Fiş takılı, güç durumu LED'i yanıyor.	Soğutma elemanı arızalı.	► Yetkili servis personeliyle iletişime geçin.
Hata LED'i yanıp sönüyor , saniyede bir kez.	Sıcaklık sensörü arızalı.	► Yetkili servis personeliyle iletişime geçin.
Minibar yeterince soğutmuyor . Güç durumu LED'i yanıyor, hata LED'i yanmıyor .	Soğutma elemanı arızalı. Zayıf havalandırma	► Yetkili servis personeliyle iletişime geçin. ► Havalandırmayı kontrol edin. ► Cihazın altındaki filtreyi temizleyin.

9 Temizlik ve bakım



UYARI! Elektrik çarpması tehlikesi

Temizlik ve bakımdan önce her zaman minibarın elektrik bağlantısını kesin.



İKAZ! Hasar tehlikesi

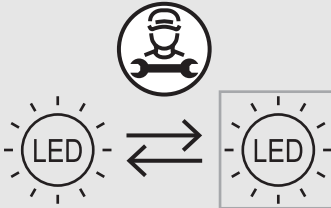
- Temizlemek için sert deterjanlar veya sert nesnelere kullanmayınız, minibarda hasar yapabilirsiniz.
- Minibarı kesinlikle akan su altında veya bulaşık suyu ile yıkamayın.
- Minibardaki buz veya donmuş nesnelere çıkarmak için asla sert veya keskin aletler kullanmayın.
- Buz çözme işlemini hızlandırmak için mekanik veya başka aletler kullanmayın.
- Elektronik aksamın hasar görmesini önlemek için contalara su damlamadığından emin olun.

- Kirlenen minibarı nemli bir bez ile düzenli olarak temizleyin.
- Minibarı temizledikten sonra bir bezle silerek kurutun.
- Yoğuşma suyu tahliyesini düzenli olarak kontrol edin. Yoğuşma suyu tahliyesini gerektiğinde temizleyin. Tıkanmış ise, yoğuşma suyu minibarın altında toplanır.
- Minibar çalışırken oluşan ısının dağılılabilmesi ve cihaza zarar vermemesi için, cihazın havalandırma deliklerinin toz ve pisliklerle tıkanmadığından emin olun.



İKAZ! Hasar tehlikesi

Işık kaynağı, tehlikeyi önlemek için yalnızca üretici, servis elemanı veya benzer kalifiye bir kişi tarafından değiştirilebilir.



10 Garanti

Yasal garanti süresi geçerlidir. Ürün kusurluysa lütfen satıcınızla veya üreticinin ülkenizdeki şubesiyle iletişime geçin (bkz. dometic.com/dealer).

Onarım ve garanti işlemleri için, ürünü aşağıdaki dokümanlarla birlikte gönderin:

- Satın alma tarihini içeren faturanın bir kopyası
- Talebinizin nedeni veya hatanın açıklanması

Kendi kendine onarımın veya profesyonel olmayan onarımın güvenlikle ilgili sonuçları olabileceğini ve garantiyi geçersiz kılabileceğini unutmayın.

11 Atık İmhası

Ambalaj malzemesi geri dönüşümü



- Ambalaj malzemesini mümkünse ilgili geri dönüşüm atık sistemine kazandırın.



UYARI! Yangın tehlikesi

- Soğutucu akışkan yüksek derecede alev alıcıdır. Soğutucu devresini açmayın veya zarar vermeyin.
- Cihazın izolasyonu bir izolasyon gazı içerir (bkz. Cihaz bilgi etiketi). İzolasyona zarar vermeyin.

Şarj edilmeyen piller, bataryalar veya ışık kaynakları içeren ürünlerin geri dönüşümü



- Ürün şarj edilmeyen piller, bataryalar veya ışık kaynakları içeriyorsa, bunları imhadan önce çıkarmanıza gerek yoktur.




- Bu ürünü nihai olarak imha etmek istiyorsanız, bu işlemin geçerli imha yönetmeliklerine göre nasıl yapılacağı hakkında ayrıntılı bilgi için yerel geri dönüşüm merkezine veya uzman satıcınıza danışın.



- Ürün ücretsiz olarak imha edilebilir.

12 Teknik Bilgiler

	DM50NTE D	DM50NTE F
Gerilim	100 – 240 V~, 50 – 60 Hz	
Soğutma kapasitesi	Ortam sıcaklığının maks. 21 °C altında (üç adımda ayarlanabilir: 5 °C, 7 °C, 12 °C)	
Kategori	2 (kiler)	
Toplam hacim	50 l	
Enerji verimlilik sınıfı	G	
İklim sınıfı	N	
Soğutucu madde	R600a	
Soğutucu akışkan miktarı	28 g	
Boyutlar, ana çekmece G x D x Y	430 x 330 x 302 mm	
Boyutlar, mini çekmece G x D x Y	159 x 285 x 88 mm	
Boyutlar G x D x Y	550 x 524 x 418 mm	550 x 496 x 418 mm
Maksimum dahili depolama hacmi	31 kg	
Ağırlık	23,5 kg	23,0 kg
Denetleme/sertifika		

Cihazınızın güncel AB Uygunluk Beyanı için lütfen dometic.com adresindeki ilgili ürün sayfasına bakın veya doğrudan üretici ile iletişime geçin (bkz. dometic.com/dealer).

Daha fazla ürün bilgisine, cihaz üzerinde bulunan enerji etiketindeki (bkz. şekiller) QR kodunu taratarak veya eprel.ec.europa.eu adresinden erişilebilir.

Soğutma ünitesi otomatik olarak yalıtılır.

Pozorno preberite in upoštevajte vsa navodila, smernice in opozorila iz tega priročnika, da zagotovite pravilno vgradnjo, uporabo in vzdrževanje izdelka. Ta navodila je TREBA hraniti skupaj z izdelkom.

Z uporabo izdelka potrjujete, da ste pozorno prebrali vsa navodila, smernice in opozorila ter razumete in upoštevate vsa določila ter pogoje v tem dokumentu. Strinjate se, da boste izdelek uporabljali samo za predvideni namen uporabe in v skladu z navodili, smernicami in opozorili v tem priročniku ter v skladu z vsemi veljavnimi zakoni in predpisi. Če navodil in opozoril v nadaljevanju ne preberete in ne upoštevate, lahko poškodujete sebe in druge, svoj izdelek ali povzročite materialno škodo v bližini. Pridržujemo si pravico do sprememb in posodobitev priročnika, vključno z navodili, smernicami in opozorili ter povezano dokumentacijo. Za najnovejšo informacije o izdelku obiščite documents.dometic.com.

Vsebina

1	Razlaga simbolov	283
2	Varnostni napotki	284
3	Obseg dobave	287
4	Predvidena uporaba	288
5	Tehnični opis	289
6	Namestitev	290
7	Upravljanje	293
8	Odpravljanje težav	295
9	Čiščenje in vzdrževanje	296
10	Garancija	297
11	Odstranjevanje	297
12	Tehnični podatki	298

1 Razlaga simbolov



NEVARNOST!

Varnostni napotki: Označuje nevarno situacijo, ki povzroči smrt ali hude poškodbe, če ni preprečena.



OPOZORILO!

Varnostni napotki: Označuje nevarno situacijo, ki lahko povzroči smrt ali hude poškodbe, če ni preprečena.

**POZOR!**

Varnostni napotki: Označuje nevarno situacijo, ki lahko povzroči lažje ali zmerne poškodbe, če ni preprečena.

**OBVESTILO!**

Označuje nevarno situacijo, ki lahko povzroči materialno škodo, če ni preprečena.

**NASVET**

Dodatne informacije za upravljanje izdelka.

2 Varnostni napotki

2.1 Osnovna varnost



OPOZORILO! Neupoštevanje teh opozoril lahko povzroči smrt ali hude poškodbe.

Nevarnost električnega udara

- Poskrbite, da bo minibar vgradil kvalificirani tehnik v skladu z Dometi-covimi navodili za vgradnjo.
- Če na minibaru opazite vidne znake poškodb, ga ne uporabljajte.
- Če je napajalni kabel minibara poškodovan, ga mora zamenjati proizvajalec, serviser oziroma ustrezno usposobljena oseba, ki bo preprečila morebitne nevarnosti.
- Vsa popravila na tem minibaru sme izvajati samo ustrezno usposobljeno osebo. Neustrezna popravila lahko povzročijo resne nevarnosti.
- Pri nameščanju minibara bodite pozorni, da napajalnega kabla ne boste zagostili ali poškodovali.
- Za napravo ne sme biti več prenosnih vtičnic ali prenosnih virov napajanja.
- Napravo priključite v vtičnice, ki zagotavljajo ustrezno zaščito, predvsem ko mora biti naprava ozemljena.

Nevarnost požara

- Hladilno sredstvo v hladilnem krogotoku je zelo vnetljivo.
Če se hladilni krogotok poškoduje:
 - Izklopite minibar.
 - Ne izpostavljajte odprtemu ognju in iskrenju.
 - Prostor dobro prezračite.
- V vgradnih odprtinah za minibar ne sme biti električnih sestavnih delov in svetlobnih virov, ki bi med običajnim in neobičajnim delovanjem proizvajali iskre ali obloke (na primer relejev ali razdelilnih omaric).
- Po namestitvi mora biti še vedno mogoče odklopiti minibar od električnega napajanja. To lahko dosežete tako, da je vtič dostopen ali da se v fiksno napeljavo vgradi stikalo v skladu s predpisi o ožičenju.
- Prezračevalne odprtine v ohišju minibara ali vgradni enoti ne smejo biti zakrite.
- Da bi pospešili odtajanje, ne uporabljajte mehanskega ali drugega orodja, ki ga ni priporočil proizvajalec.
- Ne odpirajte hladilnega krogotoka.
- Znotraj minibara ne uporabljajte električnih naprav, razen če te električne naprave priporoča proizvajalec.

Nevarnost eksplozije

- V minibaru ne hranite eksplozivnih snovi, npr. razpršilnikov s potisnim plinom.

Nevarnost za zdravje

- Ta minibar smejo uporabljati otroci, ki so starejši od 8 let, in osebe z zmanjšanimi fizičnimi, zaznavnimi ali duševnimi sposobnostmi ali s pomanjkljivimi izkušnjami in znanjem, če so nadzorovani ali so prejeli navodila glede varne uporabe minibara in razumejo s tem povezana tveganja.
- Otroci se z minibarom ne smejo igrati.
- Otroci ne smejo brez nadzora izvajati čiščenja in vzdrževalnih del.
- Otroci, ki so stari od 3 do 8 let, smejo minibar polniti in prazniti.

**POZOR! Neupoštevanje teh svaril lahko povzroči lažje ali srednje poškodbe.****Nevarnost zmečkanja**

- Ne potiskajte prstov v tečaj.

Nevarnost za zdravje

- Živila smete shranjevati samo v originalni embalaži oziroma v ustreznih posodah.

**OBVESTILO! Nevarnost poškodb**

- Preverite, ali se podatki o napetosti na tipski ploščici ujemajo s podatki na napajalniku.
- Ta minibar ni primeren za shranjevanje jedkih snovi ali snovi, ki vsebujejo topila.
- Izolacija hladilne naprave vsebuje vnetljiv ciklopentan, zato je za odstranjevanje treba upoštevati posebne postopke. Hladilno napravo po koncu življenjske dobe predajte ustreznemu zbirnemu centru.
- Odtočna odprtina mora biti vedno čista.
- Minibar prenašajte samo v pokončnem položaju.

2.2 Varna uporaba minibara**NEVARNOST! Neupoštevanje teh opozoril povzroči smrt ali hude poškodbe.****Nevarnost električnega udara**

- Nezaščitene električne vodnike se ne dotikajte z golimi rokami.

**POZOR! Neupoštevanje teh svaril lahko povzroči lažje ali srednje poškodbe.****Nevarnost električnega udara**

- Pred vklopom minibara vedno preverite, ali sta vtič in priključni kabel suha.

Nevarnost za zdravje

- Poskrbite, da bodo v minibaru samo predmeti, ki jih je dovoljeno hladiti pri izbrani temperaturi.
- Živila je dovoljeno shranjevati samo v originalni embalaži oziroma v ustreznih posodah.
- Če so vrata dlje časa odprta, lahko temperatura v notranjosti minibara zelo naraste.
- Redno čistite površine, ki lahko pridejo v stik z živili, in dostopne odtočne sisteme.

- Če bo minibar dlje časa prazen:
 - Izklopite minibar.
 - Odtalite minibar.
 - Očistite in posušite minibar.
 - Pustite vrata odprta in tako preprečite, da v minibaru ne bo nastajala plesen.



OBVESTILO!

Nevarnost poškodb

- Minibara ne postavljajte v bližino odprtega ognja ali drugih toplotnih virov (gorečih sveč, grelnikov, neposredne sončne svetlobe, plinskih peči itd.).
- Minibara ne namakajte v vodo.
- Minibar in kable zaščitite pred vročino in vlago.
- Pazite, da se hrana ne bo dotikala sten prostora za hlajenje.

3 Obseg dobave

Na voljo so naslednje glavne različice:

- Minibar DM50NTE D z vratno ploščo, brez ključavnice
- Minibar DM50NTE D z vratno ploščo, s ključavnico
- Minibar DM50NTE F brez vratne plošče, brez ključavnice
- Minibar DM50NTE F brez vratne plošče, s ključavnico

Količina	Opis	
1	Minibar s predalom	
1	Kabel za 230-V~ priključek	
4	Vijak $\varnothing 4 \times 45$ mm (namestitev)	
4	Čep (namestitev)	
1	Ročaj	(samo DM50NTE D)
2	Čep (namestitev ročaja)	(samo DM50NTE D)
1	Vstopni filter	
6	Vijak $\varnothing 3 \times 12$ mm (namestitev filtra)	
2	Čep (lesena plošča)	(DM50NTE F samo lesena različica)

Količina	Opis	
1	Dekor ključavnice (lesena plošča)	(DM50NTE F samo lesena različica s ključavnico)
2	Legenda	(samo različica s ključavnico)
1	Navodila za montažo in uporabo	

4 Predvidena uporaba

Hladilna naprava (imenovana tudi minibar) je predvidena za hlajenje in shranjevanje pijač in živil v zaprtih posodah.

Minibar je zasnovan za delovanje na križarkah ali v gospodinjstvu in za podobne namene, kot na primer:

- kuhinje za zaposlene v prodajalnah, pisarnah in drugih delovnih prostorih,
- kmečke hiše,
- hotele, motele in druge oblike nastanitev,
- penzione,
- gostinske storitve in druge podobne netržne uporabe.

Minibar **ni** zasnovan za namestitev v prikolicah ali avtomodilih.

Minibar je primeren za vgradnjo v pohištveni element ali vgradno nišo. Glejte navodila za vgradnjo.

Minibar **ni** primeren za

- shranjevanje korozivnih snovi, jedkih snovi ali snovi, ki vsebujejo topila,
- shranjevanje svežih živil in zdravil,
- globoko zamrzovanje živil.

Ta izdelek je primeren samo za predvideni namen in uporabo v skladu s temi navodili.

V tem priročniku so navedene informacije, ki jih je treba upoštevati za pravilno vgradnjo in/ali delovanje izdelka. Aparat zaradi slabe vgradnje in/ali nepravilne uporabe oziroma vzdrževanja ne bo dobro deloval in se lahko pokvari.

Proizvajalec ne sprejema nobene odgovornosti za telesne poškodbe ali poškodbe izdelka, do katerih pride zaradi:

- napačne vgradnje ali priklopa oziroma neustrezne napetosti;

- neustreznih vzdrževalnih del ali uporabe neoriginalnih nadomestnih delov, ki jih ni dobavil proizvajalec;
- sprememb izdelka brez izrecnega dovoljenja proizvajalca;
- uporabe za namene, ki niso opisani v navodilih.

Družba Dometic si pridržuje pravico do spremembe videza in specifikacij izdelka.

5 Tehnični opis

Minibar ima predal za steklenice in pločevinke ter majhen predal za manjše pijače in prigrizke. V predalu je prostora za 33 steklenic z višino največ 28 cm.

DM50NTE D: Model je tovarniško opremljen z vratno ploščo in ročajem.

DM50NTE F: Model je dobavljen brez vratne plošče in pripravljen za namestitev hotelske vratne plošče.

5.1 Opis naprave

Sprednja plošča

Št. na sl. 1 , stran 3	Opis
1	Ključavnica (izbirno)
2	Ročaj (samo DM50NTE D)
3	Vratna plošča (samo DM50NTE D)

Zadnja stran

Št. na sl. 2 , stran 3	Opis
1	Omrežni adapter
2	12-V \equiv vtičnica
3	Posodica za kondenzat
4	Grelna cev

Upravljalna plošča (v notranjosti naprave)

Št. na sl. 3 , stran 4	Opis
1	Luč
2	LED za napako
3	LED za stanje napajanja
4	Gumb za nastavitve

Glavni predal

Št. na sl. 4 , stran 4	Opis
1	Širok ločevalnik
2	Pregrada
3	Mali ločevalnik
4	Zatik za steklenice

Mali predal

Št. na sl. 5 , stran 5	Opis
1	Vrtljivi ločevalnik
2	Malo držalo za steklenice

6 Namestitev**POZOR! Nevarnost za zdravje**

Da bi preprečili nevarnost zaradi nestabilnosti naprave, jo je treba pritrčiti v skladu s temi navodili.

6.1 Namestitev minibara v pohištvni element



NOTICE! Nevarnost poškodb

Zrak, ki potuje skozi dovodni kanal za zrak, ne sme biti ogrevan. Minibara ne postavljajte v bližino odprtega ognja ali drugih toplotnih virov (grelnikov, neposredne sončne svetlobe, plinskih peči itd.).

Minibar lahko v pohištvo namestite na štiri načine.

1. Izberite zeleno možnost namestitve (sl. **6**, stran 6).
2. Upošteвайте potrebno vgradno odprtino (sl. **6**, stran 6)
Vrednost d je debelina hotelske vratne plošče.
3. Upošteвайте pravilno postavitev minibara in prezračevalnih odprtin, da zagotovite ustrezen pretok zraka (sl. **8**, stran 7).
4. Zagotovite minimalno razdaljo med hrbtno stranjo minibara in steno pohištvna (sl. **10**, stran 8).
5. Zagotovite prezračevalne odprtine, kot so prikazane na sl. **9**, stran 7.
6. Zagotovite dodatno prezračevalno odprtino na dnu vgradne odprtine (sl. **11**, stran 8).

Izmerite razdaljo od vrat minibara **brez** morebitnega lastnega dekorja.

Št. na sl. 12 , stran 8	Opis
1	Vijak $\varnothing 4 \times 45$ mm
2	Čep

7. Hladilnik pritrdite na mesto z ustreznimi vijaki (sl. **12 1**, stran 8).
8. Vstavite štiri čepe (sl. **12 2**, stran 8) v izvrtine.

6.2 Priključitev minibara na električno napajanje

- ▶ Priključni kabel 230 V priključite na vtičnico za izmenični tok in na 230-V omrežno napajanje na izmenični tok.
- ✓ LED za stanje napajanja in lučka zasvetita.
- ✓ Minibar začne ohlajati notranjost.

6.3 Namestitev hotelske vratne plošče (samo DM50NTE F)

Hotelska vratna plošča mora izpolnjevati naslednje zahteve:

- Največja teža: 4 kg
 - Največja debelina: 18 mm (samo različica s ključavnico)
- Vratno ploščo pritrdite s štirimi vijaki.

6.4 Namestitev ključavnice (samo različica s ključavnico)

1. V vratno ploščo izvrtajte luknjo s premerom 35 mm.
2. Namestite ključavnico z dekorjem ključavnice.

6.5 Namestitev ključavnice (samo različica brez ključavnice)

Razstavljanje predala (sl. 13, stran 9)

1. Predal do konca odprite (**A**).
2. Pritisnite zaklep vodila (**A 1**).
3. Predal izvlecite iz naprave (**B**).

Samo za DM50NTE D:

1. Odstranite čepa (**C 1**) z vijakov (**C 2**) ročaja vrat (**C 3**).
2. Odvijte vijaka (**C 2**) z ročaja vrat.
3. Odstranite ročaj vrat (**C 3**).
4. Odstranite tesnilo.
5. Odstranite pokrov ključavnice.

Vrtanje lukenj (sl. 14, stran 9)

1. Izvrtajte luknjo (**A 1**) s premerom 23,6 mm skozi vratno ploščo (samo DM50NTE D) in vrata.
2. Odvijte dvanajst vijakov (**B 1**) na okvirju vratne plošče (**B 2**) (samo DM50NTE D).
3. Odstranite okvir vratne plošče (samo DM50NTE D).

Sestavljanje ključavnice (sl. 15, stran 10)

1. Namestite novi pokrov ključavnice (**A 1**).
2. Vratno ploščo (**B 1**) vstavite v okvir vratne plošče.
3. Privijte (**B 2**) okvir vratne plošče (**B 3**) na vrata.
4. Namestite zaklep vrat (**C 1**).
5. Namestite kavelj ključavnice (**D 1**) v napravo.

Sestavljanje predala (sl. 16, stran 10)

1. Potisnite tesnilo (**1**) na okvir vratne plošče (**2**).
2. Ročaj vrat (**4**) privijte na vrata.
3. Čepe (**3**) potisnite na vijake ročaja vrat (**4**).
4. Predal potisnite v napravo.

7 Upravljanje

7.1 Pred prvo uporabo

Iz higienskih razlogov pred prvo uporabo očistite notranjost in zunanost minibara z vlažno krpo (glejte tudi pogl. „Čiščenje in vzdrževanje“ na strani 296).

7.2 Varčevanje z energijo

- Minibara ne odpirajte po nepotrebem in vrata naj ne bodo dolgo odprta.
- Ne nastavljajte nizkih temperatur, če ni treba.
- Da bo poraba energije optimalna, police in predale namestite v položaje, v katerih so bili ob dobavi.
- Redno preverjajte, ali se vratno tesnilo dobro prilaga.
- S kondenzatorja redno čistite prah in umazanijo.

7.3 Uporaba minibara

Minibar začne hladiti, ko ga priključite na napajanje. Med normalnim delovanjem LED za stanje napajanja sveti. Če se pojavi težava, LED za napako utripa (glejte pogl. „Odpravljanje težav“ na strani 295).

7.4 Nastavljanje temperature

Da ne bo treba hrane zavreči, upoštevajte naslednje:

- Temperatura naj čim manj niha. Minibara ne odpirajte po nepotrebnem in vrata naj ne bodo dolgo odprta. Živila hranite na način, ki omogoča učinkovito kroženje zraka.
- Minibar ima funkcijo samodejnega uravnavanja temperature. Izberite povprečno med možnimi temperaturnimi vrednostmi.
- Temperaturo nastavite glede na količino in vrsto živil.

Minibar je privzeto nastavljen na temperaturo hlajenja 7 °C pri temperaturi okolice 25 °C.

Z gumbom za nastavitve lahko temperaturo hlajenja nastavite na eno izmed naslednjih treh vrednosti: 5 °C, 12 °C in 7 °C.

Zaporedje za temperaturo hlajenja je naslednje: 5 °C ... 12 °C ... 7 °C ... 5 °C itd.

1. Gumb za nastavitve (sl. **3 4**, stran 4) pritisnite in ga držite pritisnjene vsaj 5 s, dokler notranja luč (sl. **3 1**, stran 4) ne začne utripati.
 2. Znova pritisnite gumb za nastavitve, dokler ni izbrana zelena temperatura hlajenja.
- ✓ Notranja luč utripa. Število utripanj pomeni nastavljeno temperaturo. Utripajoči signal se ponovi v treh intervalih:
- Luč utripne **petkrat**: 5 °C
 - Luč utripne **enkrat**: 12 °C
 - Luč utripne **trikrat**: 7 °C

8 Odpravljanje težav

Motnja	Možni vzrok	Predlagani ukrep za odpravo napake
Minibar ne deluje . LED za stanje napajanja ne sveti.	Vtičnica za izmenični tok ni pod napetostjo.	► Poskusite na drugi vtičnici.
	Omrežni adapter je poškodovan.	► Obrnite se na pooblaščenega serviserja.
Minibar ne hladi . Vtič je vstavljen, LED za stanje napajanja sveti.	Hladilni element je pokvarjen.	► Obrnite se na pooblaščenega serviserja.
LED za napako utripne enkrat na sekundo.	Senzor temperature je pokvarjen.	► Obrnite se na pooblaščenega serviserja.
Minibar ne hladi zadostno . LED za stanje napajanja, LED za napako ne svetita.	Hladilni element je pokvarjen.	► Obrnite se na pooblaščenega serviserja.
	Slabo prezračevanje	► Preverite prezračevanje. ► Očistite filter pod napravo.

9 Čiščenje in vzdrževanje



OPOZORILO! Nevarnost električnega udara

Pred vsakim čiščenjem in vzdrževanjem minibar odklopite od omrežja.



OBVESTILO! Nevarnost poškodb

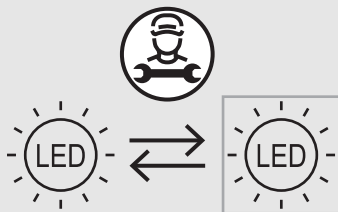
- Za čiščenje ne uporabljajte agresivnih čistil ali trdih predmetov, saj lahko poškodujejo minibar.
- Minibara ne čistite pod tekočo vodo ali v vodi za pomivanje posode.
- Za odstranjevanje ledenih oblog ali zamrznjenih predmetov z minibara ne uporabljajte trdih ali ostrih orodij.
- Ne uporabljajte mehanskega ali drugega orodja, da bi pospešili odtajanje.
- Pazite, da v tesnila ne bo kapljala voda, saj sicer obstaja nevarnost poškodb elektronike.

- Minibar čistite redno in ko je umazan. Za čiščenje uporabite vlažno krpo.
- Minibar po čiščenju s krpo obrišite do suhega.
- Redno preverjajte kondenzacijski odtok.
Po potrebi očistite kondenzacijski odtok. Če je zamašen, se kondenzat nabira na dnu minibara.
- Prepričajte se, da odprtini za prezračevanje in odzračevanje minibara ne prekrivata prah ali umazanija. Le tako se lahko toplota odvaja in naprava se ne poškoduje.



OBVESTILO! Nevarnost poškodb

Svetlobni vir lahko zamenja samo proizvajalec, serviser ali podobno usposobljena oseba, s čimer preprečite morebitne nevarnosti.



10 Garancija

Velja zakonsko določen garancijski rok. Če je izdelek pokvarjen, se obrnite na svojega trgovca ali podružnico proizvajalca v svoji državi (glejte dometic.com/dealer).

Za obravnavanje zahtevkov popravil oz. garancijskih zahtevkov morate skupaj z izdelkom poslati naslednjo dokumentacijo:

- Kopijo računa z datumom nakupa
- Razlog za reklamacijo ali opis napake

Upoštevajte, da lahko imajo lastnoročna ali neprofesionalna popravila varnostne posledice in lahko razveljavijo garancijo.

11 Odstranjevanje

Recikliranje embalažnega materiala



- ▶ Embalažni material odstranite v primerne zabojnike za recikliranje odpadkov, če je to mogoče.



OPOZORILO! Nevarnost požara

- Hladilno sredstvo je zelo vnetljivo. Krogotoka hladilnega sredstva ne smete odpirati ali poškodovati.
- Izolacija naprave vsebuje izolacijski plin (glejte tipsko tablico). Ne poškodujte izolacije.

Recikliranje izdelkov z vgrajenimi baterijami, baterijami za ponovno polnjenje ali svetlobnimi viri



- ▶ Če ima izdelek vgrajene baterije, baterije za ponovno polnjenje ali svetlobne vire, jih pred odstranjevanjem ni treba odstraniti.




- ▶ Ko boste želeli izdelek dokončno odstraniti, se o odstranjevanju v skladu z veljavnimi predpisi pozanimajte pri lokalnem centru za zbiranje odpadkov ali specializiranem prodajalcu.



- ▶ Izdelek je mogoče brezplačno odstraniti.

12 Tehnični podatki

	DM50NTE D	DM50NTE F
Napetost	100 – 240 V~, 50 – 60 Hz	
Zmogljivost hlajenja	maks. 21 °C pod temperaturo okolice (nastavljiva v treh korakih: 5 °C, 7 °C, 12 °C)	
Kategorija	2 (klet)	
Skupna prostornina	50 l	
Razred energijske učinkovitosti	G	
Klimatski razred	N	
Hladilno sredstvo	R600a	
Preostala količina hladilnega sredstva	28 g	
Mere glavnega predala Š x G x V	430 x 330 x 302 mm	
Mere malega predala Š x G x V	159 x 285 x 88 mm	
Mere Š x G x V	550 x 524 x 418 mm	550 x 496 x 418 mm
Največja notranja obremenitev	31 kg	
Masa	23,5 kg	23,0 kg
Pregled/certifikat		

Za trenutno izjavo EU o skladnosti za vaš aparat glejte zadevno stran z izdelki na spletnem mestu dometic.com ali se obrnite neposredno na proizvajalca (glejte dometic.com/dealer).

Dostop do dodatnih informacij je mogoč s QR-kodo na energijski nalepki (glejte slike) ali na spletnem mestu eprel.ec.europa.eu.

Hladilna enota je hermetično zaprta.

Citiți cu atenție și respectați toate instrucțiunile, indicațiile și avertismentele incluse în acest manual al produsului pentru a vă asigura că instalați, utilizați și întrețineți corect produsul în permanență. Aceste instrucțiuni TREBUIE păstrate împreună cu produsul.

Prin utilizarea produsului, confirmați că ați citit cu atenție toate instrucțiunile, indicațiile și avertismentele și că înțelegeți și sunteți de acord să respectați termenii și condițiile stabilite. Sunteți de acord să utilizați acest produs numai pentru scopul și aplicația prevăzute și în conformitate cu instrucțiunile, indicațiile și avertismentele prezentate în acest manual al produsului, precum și în conformitate cu toate legile și reglementările aplicabile. Nerespectarea instrucțiunilor și avertismentelor prezentate aici poate duce la vătămarea personală a utilizatorului sau a altora, la deteriorarea produsului sau a altor bunuri din apropiere. Acest manual al produsului, inclusiv instrucțiunile, indicațiile și avertismentele și documentația aferentă pot fi supuse modificărilor și actualizărilor. Pentru informații actualizate despre produs, vizitați documents.dometic.com.

Cuprins

1	Explicația simbolurilor	299
2	Instrucțiuni de siguranță	300
3	Domeniul de livrare	303
4	Domeniul de utilizare	304
5	Descriere tehnică	305
6	Instalare	307
7	Operarea	309
8	Remediarea problemelor	311
9	Curățarea și întreținerea	312
10	Garanție	313
11	Eliminarea	313
12	Date tehnice	314

1 Explicația simbolurilor



PERICOL!

Instrucțiuni de siguranță: Indică o situație periculoasă care, dacă nu este evitată, va provoca moartea sau răni grave.



AVERTIZARE!

Instrucțiuni de siguranță: Indică o situație periculoasă care, dacă nu este evitată, poate provoca moartea sau răni grave.

**PRECAUȚIE!**

Instrucțiuni de siguranță: Indică o situație periculoasă care, dacă nu este evitată, poate provoca răni minore sau medii.

**ATENȚIE!**

Indică o situație care, dacă nu este evitată, poate duce la pagube materiale.

**INDICAȚIE**

Informații complementare privind operarea produsului.

2 Instrucțiuni de siguranță

2.1 Informații generale de siguranță



AVERTIZARE! Nerespectarea acestor avertismente poate conduce la moarte sau vătămări grave.

Pericol de electrocutare

- Asigurați-vă că minibarul a fost instalat de un tehnician calificat în conformitate cu manualul de instalare Dometic.
- Nu folosiți minibarul dacă este deteriorat în mod vizibil.
- În cazul în care cablul de alimentare al minibarului este deteriorat, acesta trebuie să fie înlocuit de către producător, un reprezentant de service sau de o persoană calificată pentru a preveni afectarea siguranței.
- Acest minibar poate fi reparat numai de personal calificat. Reparațiile necorespunzătoare pot cauza pericole grave.
- Când poziționați minibarul, asigurați-vă că cablul de alimentare nu este prins sau deteriorat.
- Nu dispuneți mai multe prize portabile sau surse de alimentare portabile în partea din spate a aparatului.
- Conectați dispozitivul la prize pentru a asigura o conexiune adecvată, în special atunci când dispozitivul trebuie să fie legat la pământ.

Pericol de incendiu

- Agentul frigorific din circuitul frigorific este foarte inflamabil.
În caz de defectare a circuitului frigorific:
 - Opriți minibarul.
 - Evitați flăcările deschise și scânteile.
 - Aerisiți bine camera.
- Adânciturile de instalare ale minibarului trebuie să fie libere de orice componente electrice și surse de lumină, care în timpul unei utilizări normale sau anormale produc scânteii sau arcuri electrice (de exemplu, relele sau cutii de siguranțe).
- După instalare, deconectarea minibarului de la rețeaua electrică de alimentare trebuie să fie în continuare posibilă. Puteți asigura acest lucru prin accesibilitatea ștecherului sau prin includerea unui comutator pe cablajul fix, conform reglementărilor privind cablarea.
- Păstrați libere deschiderile de ventilație din piesa de mobilier în care este încadrat sau încorporat minibarul.
- Nu folosiți dispozitive mecanice sau alte mijloace pentru a accelera procesul de dezghețare, altele în afara celor recomandate de producător.
- Nu deschideți niciun circuit de agent frigorific.
- Nu utilizați dispozitive electrice în interiorul minibarului decât dacă sunt recomandate de producător în acest scop.

Pericol de explozie

- Nu depozitați în minibar substanțe explozive, cum ar fi spray-uri de vopsea cu gaze de propulsie.

Pericol pentru sănătate

- Acest minibar poate fi utilizat de copiii cu vârsta de peste 8 ani și de către persoane cu capacități fizice, senzoriale sau mentale reduse sau de către persoane lipsite de experiență și cunoștințe dacă acestea au fost supravegheate și instruite cu privire la utilizarea aparatului în condiții de siguranță și înțeleg riscurile pe care le implică.
- Copiii nu au voie să se joace cu minibarul.
- Curățarea și operațiunile de întreținere nu trebuie efectuate de copii fără supraveghere.
- Copiilor cu vârste cuprinse între 3 și 8 ani li se permite să încarce și să descarce minibarul.



PRECAUȚIE! Nerespectarea acestor precauții poate conduce la vătămări minore sau moderate.

Risc de strivire

- Nu introduceți degetele în balama.

Pericol pentru sănătate

- Depozitarea alimentelor este permisă numai în ambalaje originale sau în recipiente adecvate.



ATENȚIE! Pericol de defectare

- Comparați indicația tensiunii de pe plăcuța de fabricație cu cele ale furnizorului de energie existent.
- Minibarul nu este potrivit pentru depozitarea substanțelor caustice sau care conțin solvenți.
- Izolarea dispozitivului de răcire conține ciclopentan inflamabil și necesită proceduri speciale de eliminare. Duceți dispozitivul de răcire la sfârșitul ciclului său de viață la un centru de reciclare adecvat.
- Păstrați orificiul de scurgere curat în permanență.
- Transportați minibarul doar în poziție verticală.

2.2 Funcționarea în siguranță a minibarului



PERICOL! Nerespectarea acestor avertismente conduce la moarte sau vătămări grave.

Pericol de electrocutare

- Nu atingeți cablurile expuse cu mâinile goale.



PRECAUȚIE! Nerespectarea acestor precauții poate conduce la vătămări minore sau moderate.

Pericol de electrocutare

- Înainte de a porni minibarul, asigurați-vă că linia de alimentare și ștecherul sunt uscate.

Pericol pentru sănătate

- Asigurați-vă că ați introdus în minibar doar articole care pot fi răcite la temperatura selectată.
- Depozitarea alimentelor este permisă numai în ambalaje originale sau în recipiente adecvate.

- Deschiderea ușii pentru perioade lungi de timp poate duce la o creștere semnificativă a temperaturii în compartimentele minibarului.
- Curățați periodic suprafețele care pot intra în contact cu produsele alimentare și sistemele de drenaj accesibile.
- Dacă minibarul este lăsat gol pentru perioade lungi:
 - Opriți minibarul.
 - Decongețați minibarul.
 - Curățați și uscați minibarul.
 - Lăsați ușa deschisă pentru a preveni formarea mucegaiului în minibar.



ATENȚIE!

Pericol de defectare

- Nu așezați minibarul în apropierea surselor deschise de flăcări sau a altor surse de căldură (lumânări aprinse, sistem de încălzire, radiație solară puternică, cuptoare pe gaz etc.).
- Nu scufundați niciodată minibarul în apă.
- Protejați minibarul și cablurile împotriva căldurii și umidității.
- Asigurați-vă că produsele alimentare nu ating pereții din zona de răcire.

3 Domeniul de livrare

Se pot obține următoarele alternative principale:

- Minibar DM50NTE D cu panou de ușă, fără încuietoare
- Minibar DM50NTE D cu panou de ușă, cu încuietoare
- Minibar DM50NTE F fără panou de ușă, fără încuietoare
- Minibar DM50NTE F fără panou de ușă, cu încuietoare

Numărul	Denumire
1	Minibar tip sertar
1	Cablu pentru conexiune de 230 V~
4	Șurub ø4 x 45 mm (instalare)
4	Dop (instalare)
1	Mâner (doar DM50NTE D)

Numărul	Denumire	
2	Dop (instalare mâner)	(doar DM50NTE D)
1	Filtru admisie	
6	Șurub ø3 x 12 mm (instalare filtru)	
2	Dop (panou din lemn)	(doar versiunea din lemn DM50NTE F)
1	Ornament încuietoare (panou din lemn)	(doar versiunea din lemn DM50NTE F cu încuietoare)
2	Legendă	(doar versiunea cu încuietoare)
1	Manual de instalare și de utilizare	

4 Domeniul de utilizare

Aparatul frigorific (denumit și minibar) este destinat pentru răcirea și depozitarea băuturilor și alimentelor în recipiente închise.

Minibarul este proiectat pentru funcționare pe vase de croazieră sau utilizare în aplicații de uz casnic și similare, cum ar fi:

- Bucătăriile personalului din magazine, birouri și alte medii de lucru
- Case de vacanță
- Hoteluri, moteluri și alte medii de tip rezidențial
- Spații de cazare economice
- Catering și domenii similare fără vânzare cu amănuntul

Minibarul **nu** este proiectat pentru instalarea în rulote sau case mobile.

Minibarul este adecvat instalării într-un corp de dulap sau într-o nișă de instalare. Consultați instrucțiunile de instalare.

Minibarul **nu** este potrivit pentru

- Depozitarea substanțelor corozive, caustice sau care conțin solvenți
- Depozitarea alimentelor proaspete sau a medicamentelor
- Congelarea profundă a produselor alimentare

Acest produs este potrivit numai pentru scopul și utilizarea prevăzute în conformitate cu aceste instrucțiuni.

Acest manual oferă informații necesare pentru instalarea și/sau utilizarea corectă a produsului. Instalarea defectuoasă și/sau utilizarea sau întreținerea necorespunzătoare vor avea ca rezultat performanțe nesatisfăcătoare și o posibilă defectare.

Producătorul nu își asumă nicio răspundere pentru orice vătămare sau deteriorare a produsului rezultate din:

- Asamblarea sau conectarea incorectă, inclusiv supratensiunea
- Întreținerea sau utilizarea incorectă a pieselor de schimb, altele decât piesele de schimb originale furnizate de producător
- Modificări aduse produsului fără aprobarea explicită din partea producătorului
- Utilizarea în alte scopuri decât cele descrise în manual

Dometic își rezervă dreptul de a modifica aspectul și specificațiile produsului.

5 Descriere tehnică

Minibarul are un sertar principal pentru sticle și doze, precum și un mini-sertar pentru miniaturi și gustări. Sertarul principal oferă spațiu pentru 33 de sticle cu o înălțime maximă de 28 cm.

DM50NTE D: Modelul este echipat din fabrică cu un panou de ușă și un mâner.

DM50NTE F: Modelul se livrează fără panou de ușă și pregătit pentru montarea propriului ornament de ușă al hotelului.

5.1 Descrierea dispozitivului

Panou frontal

Nr în fig. 1, pagină 3	Denumire
1	Încuietoare (opțional)
2	Mâner (doar DM50NTE D)
3	Panou de ușă (doar DM50NTE D)

Partea posterioară

Nr în fig. 2, pagină 3	Denumire
1	Adaptor de rețea electrică de alimentare
2	Priză de 12 V==
3	Tavă de scurgere
4	Conductă de căldură

Panou de comandă (în interiorul dispozitivului)

Nr în fig. 3, pagină 4	Denumire
1	Lampă
2	LED de eroare
3	LED de stare de alimentare
4	Buton de setare

Sertar principal

Nr în fig. 4, pagină 4	Denumire
1	Separator lat
2	Separator
3	Separator mic
4	Rastel sticle

Mini-sertar

Nr în fig. 5, pagină 5	Denumire
1	Separator rotativ
2	Suport sticle în miniatură

6 Instalare



PRECAUȚIE! Pericol pentru sănătate

Pentru a preveni pericolul din cauza instabilității dispozitivului, trebuie să fie fixat în conformitate cu instrucțiunile de instalare.

6.1 Montarea minibarului într-o piesă de mobilier



ATENȚIE! Pericol de defectare

Aerul care circulă prin conducta de admisie a aerului nu trebuie să fie încălzit.

Nu așezați minibarul în apropierea surselor deschise de flăcări sau a altor surse de căldură (sistem de încălzire, radiație solară puternică, cuptoare pe gaz etc.).

Sunt patru moduri de montare a minibarului în mobilier.

1. Alegeți alternativa de instalare dorită (fig. **6**, pagină 6).
2. Țineți cont de nișa necesară pentru instalare (fig. **6**, pagină 6) d este grosimea ornamentului propriu al hotelului.
3. Tineți cont de amplasarea corectă a minibarului și a deschiderilor de ventilație pentru a asigura un flux de aer corespunzător (fig. **8**, pagină 7).
4. Asigurați distanța minimă între partea din spate a minibarului și peretele mobilierului (fig. **10**, pagină 8).
5. Creați deschiderile de aerisire așa cum este indicat în fig. **9**, pagină 7.
6. Creați o deschidere de aerisire în plus în partea inferioară a nișei de instalare (fig. **11**, pagină 8).

Măsurați distanța de la frontul de ușă al minibarului, **excluzând** orice ornament propriu.

Nr în fig. 12 , pagină 8	Denumire
1	Șurub $\varnothing 4 \times 45$ mm
2	Dop

7. Fixați frigiderul utilizând șuruburi adecvate (fig. **12 1**, pagină 8).
8. Introduceți cele patru dopuri (fig. **12 2**, pagină 8) în găuri.

6.2 Conectarea electrică a minibarului

- ▶ Introduceți cablul de conexiune 230 V în priza de tensiune c.a. și conectați-l la rețeaua electrică de alimentare c.a. 230 V.
- ✓ LED-ul de stare de alimentare și lampa se aprind.
- ✓ Minibarul începe răcirea compartimentului interior.

6.3 Montarea ornamentului de ușă propriu al hotelului (doar DM50NTE F)

Ornamentul de ușă propriu al hotelului trebuie să respecte următoarele cerințe:

- Greutate maximă: 4 kg
 - Grosime maximă: 18 mm (doar versiunea cu încuietoare)
- ▶ Fixați ornamentul cu patru șuruburi.

6.4 Montarea încuietorii (doar versiunea cu încuietoare)

1. Executați o gaură cu un diametru de 35 mm în ornament.
2. Montați încuietoarea cu ornamentul de încuietoare.

6.5 Montarea încuietorii (doar versiunea fără încuietoare)

Dezasamblarea sertarului (fig. 13, pagină 9)

1. Deschideți complet sertarul (**A**).
2. Apăsați dispozitivul de blocare a șinei (**A 1**).
3. Scoateți sertarul din ansamblu (**B**).

Doar pentru DM50NTE D:

1. Scoateți cele două dopuri (**C 1**) de pe șuruburile (**C 2**) mânerului de ușă (**C 3**).
2. Deșurubați cele două șuruburi (**C 2**) ale mânerului de ușă.
3. Scoateți mânerul de ușă (**C 3**).
4. Scoateți garnitura.
5. Scoateți capacul încuietorii.

Executarea găurilor (fig. 14, pagină 9)

1. Executați o gaură (**A 1**) cu un diametru de 23,6 mm prin ornament (doar DM50NTE D) și ușă.
2. Deșurubați cele 12 șuruburi (**B 1**) ale ramei ornamentului (**B 2**) (doar DM50NTE D).
3. Scoateți rama ornamentului (doar DM50NTE D).

Asamblarea încuietorii (fig. 15, pagină 10)

1. Amplasați capacul noii încuietori (**A 1**) pe poziție.
2. Amplasați ornamentul (**B 1**) în rama de ornament.
3. Prindeți cu șuruburi (**B 2**) rama de ornament (**B 3**) pe ușă.
4. Montați încuietorea ușii (**C 1**).
5. Montați zăvorul încuietorii (**D 1**) în dulap.

Asamblarea sertarului (fig. 16, pagină 10)

1. Împingeți garnitura (1) pe rama de ornament (2).
2. Prindeți cu șuruburi mânerul de ușă (4) pe ușă.
3. Introduceți dopurile (3) pe șuruburile mânerului de ușă (4).
4. Introduceți sertarul în ansamblu.

7 Operarea

7.1 Înainte de prima utilizare

Înainte de prima utilizare, curățați interiorul și exteriorul minibarului cu o cârpă umedă din motive igienice (consultați, de asemenea capitolul „Curățarea și întreținerea” la pagină 312).

7.2 Economisirea energiei

- Deschideți minibarul doar atunci când trebuie și pentru cât timp este necesar.
- Evitați setările de temperatură scăzute inutile.
- Pentru un consum optim de energie, poziționați rafturile și sertarele în funcție de poziția lor la livrare.
- În mod regulat, asigurați-vă că garnitura ușii se potrivește corect.
- Curățați praful și murdăria de pe condensator la intervale regulate.

7.3 Utilizarea minibarului

Minibarul începe să răcească atunci când este conectat la o sursă de alimentare. În timpul funcționării normale, LED-ul de stare de alimentare este aprins. Dacă apare o eroare, LED-ul de eroare clipește (consultați capitolul „Remediarea problemelor” la pagină 311).

7.4 Setarea temperaturii

Pentru a evita risipa de alimente, rețineți următoarele:

- Mențineți fluctuația temperaturii cât mai scăzută posibil. Deschideți minibarul doar atunci când trebuie și pentru cât timp este necesar. Păstrați produsele alimentare în așa fel încât aerul să poată circula bine.
- Minibarul este echipat cu o funcție de reglare automată a temperaturii. Selectați media valorilor posibile ale temperaturii.
- Reglați temperatura în conformitate cu cantitatea și tipul produselor alimentare.

Minibarul este setat implicit la o temperatură de răcire de 7 °C, la o temperatură ambiantă de 25 °C.

Temperatura de răcire poate fi setată la una dintre următoarele trei valori folosind butonul de setare: 5 °C, 12 °C și 7 °C.

Temperatura de răcire este setată în următoarea ordine: 5 °C ... 12 °C ... 7 °C ... 5 °C etc.

1. Apăsăți și mențineți apăsat butonul de setare (fig. **3 4**, pagină 4) timp de cel puțin 5 s, până când lampa internă (fig. **3 1**, pagină 4) începe să clipească.
2. Apăsăți din nou butonul de setare până când este selectată valoarea dorită a temperaturii de răcire.

- ✓ Lampa interioară clipește. Numărul de clipiri indică temperatura setată. Semnalul luminos este repetat la trei intervale:
- Lampa clipește de **cinci ori**: 5 °C
 - Lampa clipește **o dată**: 12 °C
 - Lampa clipește de **trei ori**: 7 °C

8 Remedierea problemelor

Avarie	Cauză posibilă	Propunere de rezolvare
Minibarul nu funcționează . LED-ul de stare de alimentare nu este aprins.	Nu există tensiune în priza de tensiune de curent alternativ.	► Încercați să folosiți o altă priză.
	Adaptorul de rețea electrică de alimentare este defect.	► Contactați un agent de service autorizat.
Minibarul nu răcește . Ștecherul este introdus, LED-ul de stare de alimentare este aprins.	Elementul de răcire este defect.	► Contactați un agent de service autorizat.
LED-ul de eroare clipește o dată pe secundă.	Senzorul de temperatură este defect.	► Contactați un agent de service autorizat.
Minibarul nu răcește suficient . LED-ul de stare de alimentare este aprins, LED-ul de eroare nu este aprins.	Elementul de răcire este defect.	► Contactați un agent de service autorizat.
	Aerisire deficitară	► Verificați aerisirea. ► Curățați filtrul de sub dispozitiv.

9 Curățarea și întreținerea



AVERTIZARE! Pericol de electrocutare

Deconectați întotdeauna minibar-ul de la rețeaua electrică de alimentare, înainte de curățare și întreținere.



ATENȚIE! Pericol de defectare

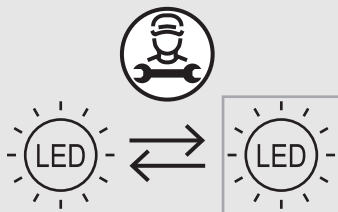
- Nu folosiți agenți de curățare abrazivi sau obiecte dure în timpul curățării, întrucât acestea ar putea deteriora minibar-ul.
- Nu curățați niciodată aparatul sub apă de la robinet sau în mașina de spălat vase.
- Nu utilizați niciodată unelte dure sau ascuțite pentru a îndepărta gheața sau pentru a elibera obiecte înghețate.
- Nu folosiți unelte mecanice sau alte mijloace pentru a accelera procesul de dezghețare.
- Asigurați-vă că nu pătrunde apă pe la garnituri, pentru a evita deteriorarea componentelor electronice.

- Curățați regulat minibarul și imediat după ce se murdărește cu o cârpă umedă.
- Ștergeți minibarul cu o cârpă după curățare.
- Verificați periodic scurgerea condensului.
Curățați scurgerea condensului atunci când este necesar. Dacă este blocat, condensul se colectează pe partea inferioară a minibarului.
- Asigurați-vă că orificiile de ventilare și aerisire ale minibarului nu prezintă praf și murdărie, astfel încât căldura să poată fi disipată și aparatul să nu sufere deteriorări.



ATENȚIE! Pericol de defectare

Lampa poate fi înlocuită doar de producător, de un agent de service sau de o persoană calificată pentru a evita pericolele.



10 Garanție

Se aplică termenul de garanție legal. În cazul în care produsul este defect, vă rugăm să contactați sucursala distribuitorului sau producătorului din țara dvs. (consultați dometic.com/dealer) sau comerciantul dvs. cu amănuntul.

Pentru reparații și procesarea garanției, vă rugăm să includeți următoarele documente atunci când trimiteți produsul:

- O copie a facturii cu data cumpărării
- Un motiv de reclamație sau o descriere a defecțiunii.

Rețineți că repararea prin mijloace proprii sau reparațiile neprofesionale pot avea consecințe asupra securității și pot anula garanția.

11 Eliminarea

Reciclarea materialelor de ambalare



- Depuneți materialul de ambalare pe cât posibil în containerele corespunzătoare de reciclare.



AVERTIZARE! Pericol de incendiu

- Agentul frigorific este foarte inflamabil. Nu deschideți și nu deteriorați circuitul de agent frigorific.
- Izolația dispozitivului conține un gaz izolator (consultați plăcuța cu date). Nu deteriorați izolația.

Reciclarea produselor cu baterii care nu pot fi înlocuite, acumulatori sau surse de lumină



- În cazul în care produsul conține baterii neînlocuibile, acumulatori sau surse de lumină, nu trebuie să le îndepărtați înainte de a le elimina.




- Dacă doriți să eliminați în final produsul, adresați-vă centrului local de reciclare sau distribuitorului pentru detalii despre cum să faceți acest lucru în conformitate cu reglementările privind eliminarea aplicabile.



- Produsul poate fi eliminat gratuit.

12 Date tehnice

	DM50NTE D	DM50NTE F
Tensiune	100 – 240 V~, 50 – 60 Hz	
Puterea de răcire	max. 21 °C sub temperatura ambiantă (reglabilă în cinci trepte: 5 °C, 7 °C, 12 °C)	
Categorie	2 (pivniță)	
Volum total	50 l	
Clasa de eficiență energetică	G	
Clasă climatică	N	
Agent frigorigen	R600a	
Cantitatea de agent frigorigen existentă	28 g	
Dimensiuni sertar principal l x A x H	430 x 330 x 302 mm	
Dimensiuni mini-sertar l x A x H	159 x 285 x 88 mm	
Dimensiuni l x A x H	550 x 524 x 418 mm	550 x 496 x 418 mm
Sarcina maximă de depozitare internă	31 kg	
Greutate	23,5 kg	23,0 kg
Inspecție/certificare		

Pentru declarația actuală de conformitate UE pentru dispozitivul dvs., vă rugăm să consultați pagina de produs respectivă de pe dometic.com sau contactați direct producătorul (consultați dometic.com/dealer).

Informații suplimentare despre produs pot fi accesate prin cod QR pe eticheta energetică (consultați figurile) sau prin eprel.ec.europa.eu.

Unitatea de răcire este închisă ermetic.

Моля, прочетете внимателно тези инструкции и спазвайте всички указания, напътствия и предупреждения, включени в настоящото ръководство, за да сте сигурни че инсталирате, използвате и поддържате правилно този продукт. Инструкциите ТРЯБВА винаги да съпровождат продукта.

Като използвате продукта, потвърждавате, че сте прочели внимателно всички указания, напътствия и предупреждения, и че разбирате и приемате да спазвате правилата и условията, съдържащи се в тях. Съгласявате се да използвате този продукт само по предназначение и в съответствие с указанията, напътствията и предупрежденията, дадени в ръководството на продукта, както и в съответствие с всички приложими закони и разпоредби. Ако не прочетете и не спазвате инструкциите и предупрежденията, това може да доведе до наранявания за Вас или за други хора, щети по продукта или щети по други предмети в близост до него. Това ръководство за продукта, включително указанията, напътствията и предупрежденията и другата документация, подлежи на промяна и обновяване. За актуална информация за продукта, моля, посетете documents.dometic.com.

Съдържание

1	Обяснение на символите	315
2	Указания за безопасност	316
3	Обхват на доставката	319
4	Използване по предназначение	320
5	Техническо описание	321
6	Инсталиране	323
7	Работа	325
8	Отстраняване на неизправности	327
9	Почистване и поддръжка	328
10	Гаранция	329
11	Изхвърляне	329
12	Технически данни	330

1 Обяснение на символите



ОПАСНОСТ!

Инструкция за безопасност: Показва опасна ситуация която, ако не бъде избегната, ще доведе до смърт или тежко нараняване.



ПРЕДУПРЕЖДЕНИЕ!

Инструкция за безопасност: Показва опасна ситуация която, ако не бъде избегната, може да доведе до смърт или тежко нараняване.

**ВНИМАНИЕ!**

Инструкция за безопасност: Показва опасна ситуация която, ако не бъде избегната, може да доведе до леко или средно нараняване.

**ВНИМАНИЕ!**

Показва ситуация която, ако не бъде избегната, ще доведе до щети по имуществото.

**УКАЗАНИЕ**

Допълнителна информация за боравенето с продукта.

2 Указания за безопасност

2.1 Обща безопасност



ПРЕДУПРЕЖДЕНИЕ! Неспазването на тези предупреждения може да доведе до смърт или сериозни наранявания.

Опасност от електрически удар

- Уверете се, че минибарът е инсталиран от квалифициран техник в съответствие с ръководството за инсталиране на Dometic.
- Не включвайте минибара, ако той е видимо увреден.
- Ако захранващият кабел на минибара е повреден, той трябва да бъде сменен само от производителя, сервизен техник или лице с подобна квалификация, за да се избегнат евентуални опасности.
- Минибарът може да бъде ремонтиран само от квалифициран персонал. Неправилни ремонти могат да доведат до сериозни опасности.
- Когато разполагате минибара се уверете, че захранващият кабел не е прищипан или увреден.
- Не поставяйте разклонители или подвижни захранвания зад уреда.
- Свързвайте уреда към електрически контакти, които осигуряват правилно свързване, особено когато уредът трябва да бъде заземен.

Опасност от пожар

- Охладителната течност е лесно запалима.
В случай на увреждане на охлаждащата система:
 - Изключете минибара.
 - Избягвайте открит пламък или искри.
 - Проветрете добре помещението.
- Дръжте монтажната ниша за минибара без никакви електрически компоненти и източници на светлина, които по време на нормална или необичайна работа произвеждат искри или дъги (т.е. релета или кутии за предпазители).
- След монтажа трябва да е възможно минибарът да се изключи от електрическата мрежа. Това може да се постигне чрез осигуряване на достъп до щепсела или чрез включване на превключвател в фиксираното окабеляване в съответствие с правилата за окабеляване.
- Внимавайте отворите за вентилация - в рамката на минибара или във вградената структура - да бъдат свободни.
- Не използвайте механични инструменти или други средства, различни от препоръчаните от производителя, за да ускорите процеса на размразяване.
- В никакъв случай не отваряйте охлаждащата система.
- Не използвайте електрически уреди вътре в минибара, освен ако са препоръчани от производителя за тази цел.

Опасност от експлозия

- Не съхранявайте в минибара експлозивни вещества, напр. спрейове.

Опасност за здравето

- Минибарът може да бъде обслужван от деца над 8 години и от лица с намалена физическа, сензитивна или умствена способност или такива с липса на опит и познания, ако са били инструктирани за безопасното използване на минибара и разбират евентуалните опасности.
- Децата не трябва да си играят с минибара.
- Почистване и поддръжка не трябва да се извършва от деца без наблюдение.
- На деца от 3 до 8 години е позволено да вземат и поставят продукти в минибара.



ВНИМАНИЕ! Неспазването на тези предупреждения може да доведе до леки или средни наранявания.

Опасност от притискане

- Не поставяйте пръстите си в пантата.

Опасност за здравето

- Хранителните продукти трябва да се съхраняват в оригиналната си опаковка или в подходящи съдове.



ВНИМАНИЕ! Опасност от повреда

- Сравнете данните за напрежението върху фабричната табелка с наличното електрозахранване.
- Минибарът не е подходящ за съхранение на разяждащи вещества или материали, съдържащи разтворители.
- Изолацията на охлаждащия уред съдържа запалим циклопентан и трябва да се изхвърля по специална процедура. След края на живота на охлаждащия уред го предайте на подходящо предприятие за рециклиране.
- Винаги поддържайте отводнителния канал чист.
- Пренасяйте минибара само изправен.

2.2 Безопасна работа с минибара



ОПАСНОСТ! Несъобразяването с тези предупреждения ще доведе до смърт или сериозно нараняване.

Опасност от електрически удар

- Не пипайте открити кабели с голи ръце.



ВНИМАНИЕ! Неспазването на тези предупреждения може да доведе до леки или средни наранявания.

Опасност от електрически удар

- Преди да включите минибара се уверете, че захранващият кабел и щекерът са сухи.

Опасност за здравето

- Уверете се, че поставяте в минибара само продукти, които могат да бъдат охладени при избраната температура.
- Хранителните продукти трябва да се съхраняват в оригиналните опаковки или в подходящи кутии.

- Отварянето на врата за продължително време може да доведе до значително повишаване на температурата в отделенията на минибара.
- Редовно почиствайте повърхностите, които могат да влязат в контакт с хранителни продукти и достъпните части от системата за източване.
- Ако минибарът ще бъде празен за дълъг период:
 - Изключете минибара.
 - Разтопете леда от минибара.
 - Почистете и подсушете минибара.
 - Оставете вратата отворена, за да не се образува мухъл в минибара.



ВНИМАНИЕ!

Опасност от повреда

- Не поставяйте минибара в близост до открит огън или други източници на топлина (запалени свещи, нагреватели, пряка сплъччева светлина, газови фурни и т.н.).
- Никога не потапяйте минибара във вода.
- Защитете минибара и захранващия кабел от топлина и влага.
- Уверете се, че хранителните продукти не докосват стените на охлаждащата зона.

3 Обхват на доставката

Предлагат се следните основни алтернативи:

- Минибар DM50NTE D с панел на вратата, без ключалка
- Минибар DM50NTE D с панел на вратата, с ключалка
- Минибар DM50NTE F без панел на вратата, без ключалка
- Минибар DM50NTE F без панел на вратата, с ключалка

Количество	Описание
1	Минибар с чекмеджета
1	Кабел за свързване от 230 V~
4	Винт $\varnothing 4 \times 45$ mm (монтаж)
4	Тапа (монтаж)
1	Дръжка (само за DM50NTE D)

Количество	Описание	
2	Тапа (монтаж на дръжката)	(само за DM50NTE D)
1	Входен филтър	
6	Винт $\varnothing 3 \times 12$ mm (монтаж на филтъра)	
2	Тапа (дървен панел)	(само за версията от дърво на DM50NTE F)
1	Облицовка на ключалката (дървен панел)	(само за версията от дърво на DM50NTE F с ключалка)
2	Ключ	(само за версията с ключалка)
1	Ръководство за инсталиране и експлоатация	

4 Използване по предназначение

Хладилният уред (наричан още минибар) е предназначен за охлаждане и съхранение на напитки и храни в затворени контейнери.

Минибара е предназначен за работа на круизни лайнери или за използване в домашни и подобни приложения, като например:

- Кухни на персонала в магазини, офиси и други работни среди
- Селскостопански обекти
- Хотели, мотели и други места за настаняване
- Пансиони тип „легло и закуска“
- Кетъринг и подобни нетърговски приложения

Минибарът **не** е предназначен за монтаж в каравани или мобилни домове.

Минибарът е подходящ за инсталиране в шкаф или ниша. Вижте инструкциите за инсталиране.

Мини барът **не** е подходящ за

- Съхранение на корозионни, разяждащи или съдържащи разтворители вещества
- Съхранение на пресни храни и лекарства
- Дълбоко замразяване на хранителни продукти

Този продукт е подходящ само за предвидената цел и приложение съгласно настоящите инструкции.

Това ръководство предоставя информация, необходима за правилната инсталация и/или експлоатация на продукта. Лошо инсталиране и/или неправилна употреба и поддръжка ще доведат до незадоволителна работа и евентуално до повреди.

Производителят не носи отговорност за наранявания и повреди по продукта, причинени от:

- Неправилен монтаж и свързване, включително прекалено високо напрежение
- Неправилна поддръжка или използване на резервни части, различни от оригиналните, предоставяни от производителя
- Изменения на продукта без изрично разрешение от производителя
- Използване за цели, различни от описаните в това ръководство

Dometic си запазва правото да променя външния вид и спецификациите на продукта.

5 Техническо описание

В минибара има главно чекмедже за бутилки и кутии, както и миничекмедже за миниатюри и закуски. Главното чекмедже има място за 33 бутилки с максимална височина от 28 cm.

DM50NTE D: Моделът е фабрично оборудван с панел на вратата и дръжка.

DM50NTE F: Моделът се доставя без панел на вратата и е готов за поставяне на хотелската собствена облицовка за вратата.

5.1 Описание на уреда

Преден панел

Номера на фиг. 1 , стр. 3	Описание
1	Ключалка (опция)
2	Дръжка (само за DM50NTE D)
3	Панел на вратата (само за DM50NTE D)

Задна страна

Номера на фиг. 2 , стр. 3	Описание
1	Мрежов адаптер
2	Гнездо от 12 V===
3	Тавичка за капки
4	Топлоотвеждаща тръба

Пулт за управление (вътре в уреда)

Номера на фиг. 3 , стр. 4	Описание
1	Лампа
2	Светодиод за грешка
3	Светодиод за състояние на захранването
4	Бутон за настройка

Главно чекмедже

Номера на фиг. 4 , стр. 4	Описание
1	Широк разделител
2	Сепаратор
3	Малък разделител
4	Държач за бутилки

Миничекмедже

Номера на фиг. 5 , стр. 5	Описание
1	Въртящ се разделител
2	Държач за малки бутилки

6 Инсталиране



ВНИМАНИЕ! Опасност за здравето

За да се избегнат опасности, свързани с нестабилност на уреда, той трябва да бъде закрепен според инструкциите.

6.1 Монтиране на минибара в мебели



NOTICE! Опасност от повреда

Въздухът, преминаващ през входящия въздуховод, не трябва да се нагрява.

Не поставяйте минибара в близост до открит огън или други източници на топлина (нагреватели, пряка слънчева светлина, газови фурни и т.н.).

Има четири начина за монтиране на минибара в мебелите.

1. Изберете предпочитаната от Вас алтернатива за монтаж (фиг. **6**, стр. 6).
2. Спазвайте необходимата монтажна ниша (фиг. **6**, стр. 6)
d е дебелината на собствената хотелската облицовка за вратата.
3. Спазвайте правилното разположение на минибара и на вентилационните отвори, за да осигурите правилен въздушен поток (фиг. **8**, стр. 7).
4. Осигурете минимално разстояние между задната част на минибара и стената на мебелите (фиг. **10**, стр. 8).
5. Изработете вентилационните отвори, както е показано на фиг. **9**, стр. 7.
6. Направете допълнителен вентилационен отвор в долната част на монтажната ниша (фиг. **11**, стр. 8).

Измерете разстоянието от предната част на вратата на минибара, **като изключите** собствената облицовка.

Номера на фиг. 12 , стр. 8	Описание
1	Винт $\varnothing 4 \times 45$ mm
2	Тапа

7. Закрепете хладилника на място с помощта на подходящи винтове (фиг. **12 1**, стр. 8).
8. Поставете четирите тапи (фиг. **12 2**, стр. 8) в отворите.

6.2 Свързване на електрическите връзки на минибара

- ▶ Включете кабела за 230 V в променливотоковия контакт и го свържете към променливотоковата мрежа от 230 V.
- ✓ Светодиодът за състояние на захранването и лампата светват.
- ✓ Минибарът започва да охлажда вътрешното отделение.

6.3 Монтаж на хотелската собствена облицовка за вратата (само за DM50NTE F)

Хотелската собствена облицовка за вратата трябва да съответства на следните изисквания:

- Максимално тегло: 4 kg
 - Максимална дебелина: 18 mm (само за версия с ключалка)
- ▶ Закрепете облицовката с четири винта.

6.4 Монтиране на ключалката (само за версията с ключалка)

1. Пробийте отвор с диаметър 35 mm в облицовката.
2. Монтирайте ключалката заедно с облицовката на ключалката.

6.5 Монтиране на ключалката (само за версия без ключалка)

Разглобяване на чекмеджето (фиг. 18, стр. 9)

1. Отворете напълно чекмеджето (A).
2. Натиснете репсата за заключването (A 1).
3. Извадете чекмеджето от отделението (B).

Само за DM50NTE D:

1. Свалете двата тапи (C 1) от винтовете (C 2) на дръжката на вратата (C 3).
2. Развийте двата винта (C 2) на дръжката на вратата.
3. Свалете дръжката на вратата (C 3).
4. Свалете уплътнението.
5. Свалете капака на ключалката.

Пробиване на отворите (фиг. 14, стр. 9)

1. Пробийте отвор (**A 1**) с диаметър 23,6 mm през облицовката (само за DM50NTE D) и вратата.
2. Развийте дванадесетте винта (**B 1**) на рамката на облицовката (**B 2**) (само за DM50NTE D).
3. Свалете рамката на облицовката (само за DM50NTE D).

Сглобяване на ключалката (фиг. 15, стр. 10)

1. Поставете новия капак на ключалката (**A 1**) на място.
2. Поставете облицовката (**B 1**) в рамката на облицовката.
3. Завийте (**B 2**) рамката на облицовката (**B 3**) върху вратата.
4. Монтирайте ключалката на вратата (**C 1**).
5. Монтирайте държача на резето на ключалката (**D 1**) в отделението.

Сглобяване на чекмеджето (фиг. 16, стр. 10)

1. Натиснете уплътнението (**1**) върху рамката на облицовката (**2**).
2. Завийте дръжката на вратата (**4**) към вратата.
3. Поставете тапите (**3**) на винтовете на дръжката на вратата (**4**).
4. Вкарайте чекмеджето в отделението.

7 Работа

7.1 Преди първата употреба

Преди първата употреба почистете минибара отвътре и отвън с влажна кърпа (виж също гл. „Почистване и поддръжка“ на стр. 328).

7.2 Икономия на енергия

- Отваряйте минибара само когато и за колкото време е необходимо.
- Избягвайте ненужно настройване на ниска температура.
- За оптимална консумация на енергия поставяйте полиците и отделенията както са били поставени при доставката.
- Редовно проверявайте дали уплътнението на вратата функционира правилно.
- Редовно почиствайте праха и замърсяванията от отводнителния канал.

7.3 Употреба на минибара

Минибарът започва да охлажда, когато е свързан към захранване. По време на нормална работа светодиодът за състояние на захранването свети. Ако възникне грешка, светодиодът за грешка мига (вижте гл. „Отстраняване на неизправности“ на стр. 327).

7.4 Настройка на температурата

За да избегнете развалянето на хранителни продукти, отбележете следното:

- Избягвайте колкото е възможно колебания в температурата. Отваряйте минибара само когато и за колкото време е необходимо. Подреждайте хранителните продукти така, че въздухът да циркулира свободно.
- Минибарът е оборудван с автоматично регулиране на температурата. Изберете средната от възможните стойности на температурата.
- Настройте температурата спрямо вида и количеството на хранителните продукти.

Минибарът е настроен по подразбиране на температура на охлаждане от 7 °C при околна температура от 25 °C.

Температурата на охлаждане може да бъде зададена на една от следните три стойности с помощта на бутона за настройка: 5 °C, 12 °C и 7 °C.

Температурата на охлаждане е зададена в следната последователност: 5 °C ... 12 °C ... 7 °C ... 5 °C и т.н.

1. Натиснете и задръжте бутона за настройка (фиг. **3 4**, стр. 4) за най-малко 5 секунди, докато вътрешната лампа (фиг. **3 1**, стр. 4) започне да мига.
 2. Натиснете отново бутона за настройка, докато се избере желаната стойност на температурата на охлаждане.
- ✓ Вътрешната лампа мига. Броят на премигванията указва зададената температура. Мигашата сигнализация се повтаря на три интервала:
- Лампата премигва **пет пъти**: 5 °C
 - Лампата премигва **веднъж**: 12 °C
 - Лампата премигва **три пъти**: 7 °C

8 Отстраняване на неизправности

Повреда	Възможна причина	Предлагано решение
Минибарът не работи . Светодиодът за състояние на захранването не свети.	В променливотоковия контакт няма напрежение.	▶ Опитайте да включите в друг контакт.
	Мрежовият адаптер е дефектен.	▶ Свържете се с упълномощен сервиз.
Минибарът не охлажда . Щепселът е включен, светодиодът за състояние на захранването свети.	Охлаждащият елемент е дефектен.	▶ Свържете се с упълномощен сервиз.
Светодиодът за грешка премигва веднъж в секунда.	Сензорът за температура е дефектен.	▶ Свържете се с упълномощен сервиз.
Минибарът не охлажда достатъчно . Светодиодът за състояние на захранването свети, светодиодът за грешка не свети.	Охлаждащият елемент е дефектен.	▶ Свържете се с упълномощен сервиз.
	Лоша вентилация	▶ Проверете вентилацията. ▶ Почистете филтъра под устройството.

9 Почистване и поддръжка



ПРЕДУПРЕЖДЕНИЕ! Опасност от електрически удар

Винаги изключвайте минибара от мрежата почистване или поддръжка.



ВНИМАНИЕ! Опасност от повреда

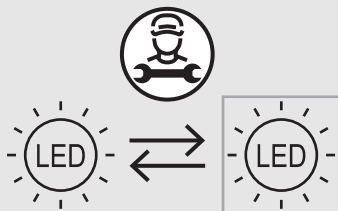
- Не използвайте абразивни вещества или твърди предмети при почистването, защото те могат да увредят минибара.
- Никога не почиствайте минибара с течаща вода или с потапяне във вода.
- Никога не използвайте твърди или остри инструменти, за да отстраните леда или да освободите замръзнали продукти в минибара.
- Не използвайте механични или други инструменти, за да ускорите процеса на размразяване.
- Уверете се, че в уплътненията не капе вода, за да се избегне повреда на електрониката.

- Почиствайте минибара с влажна кърпа редовно или когато се замърси.
- След почистването, избършете минибара със суха кърпа.
- Редовно проверявайте канала за кондензат.
Почиствайте канала за кондензат когато е необходимо. Ако той е запушен, кондензатът ще се събира на дъното на минибара.
- Убедете се, че по входните и изходните вентилационни отвори на минибара са няма прах и мръсотия, за да може топлината да се отвежда и уредът да не се поврежда.



ВНИМАНИЕ! Опасност от повреда

Този източник на светлина може да се сменя само от производителя, сервизен техник или лице с подобна квалификация, за да се избегнат евентуални опасности.



10 Гаранция

Важи гаранционният срок, определен от закона. Ако продуктът е дефектен, моля свържете се с търговеца или с филиала на производителя във Вашата страна (виж dometic.com/dealer).

За обработката на гаранцията и ремонта, моля приложете следните документи, когато изпращате продукта:

- Копие от фактурата с дата на покупката
- Причина за претенцията или описание на дефекта

Отбележете, че саморъчен или непрофесионален ремонт може има последствия за безопасността и да анулира гаранцията.

11 Изхвърляне

Рециклиране на опаковъчните материали



- По възможност предайте опаковката за рециклиране.



ПРЕДУПРЕЖДЕНИЕ! Опасност от пожар

- Хладилният агент е лесно запалим. Не отваряйте или увреждайте охладителната система.
- Изолацията на уреда съдържа изолиращ газ (виж табелката с данни). Не увреждайте изолацията.

Продукти за рециклиране с незаменяеми батерии, презареждаеми батерии или източници на светлина



- Ако продуктът съдържа незаменяеми батерии, презареждаеми батерии или източници на светлина, не е необходимо да ги отстранявате, преди да изхвърлите продукта.



- Ако искате окончателно да изхвърлите продукта, попитайте местния център за рециклиране или специализиран дилър за подробности как това да се извърши в съответствие с валидните предписания.
- Продуктът може да бъде изхвърлен безплатно.

12 Технически данни

	DM50NTE D	DM50NTE F
Напрежение	100 – 240 V~, 50 – 60 Hz	
Охладителна мощност	максимум 21 °C под околната температура (регулируема в три стъпки: 5 °C, 7 °C, 12 °C)	
Категория	2 (изба)	
Общ обем	50 l	
Клас на енергийна ефективност	G	
Климатичен клас	N	
Хладилен агент	R600a	
Количество на хладилния агент	28 g	
Размери на главното чекмедже Д x Ш x В	430 x 330 x 302 mm	
Размери на миничекмеджето Д x Ш x В	159 x 285 x 88 mm	
Размери Д x Ш x В	550 x 524 x 418 mm	550 x 496 x 418 mm
Максимален товар на вътрешно съхранение	31 kg	
Тегло	23,5 kg	23,0 kg
Инспекция/сертифициране		

За настоящата Декларация за съответствие на ЕС за Вашия уред, моля потърсете съответната страница за продукта на dometic.com или влезте във връзка директно с производителя (виж dometic.com/dealer).

Допълнителна информация за продукта може да се получи чрез сканиране на QR кода на табелката (вижте фигурите) или на eprel.ec.europa.eu.

Охлаждащият модул е затворен херметически.

Lugege see juhend tähelepanelikult läbi ja järgige kõiki selles esitatud juhiseid, suuniseid ja hoiatusi, et tagada alati toote õigesti paigaldamine, kasutamine ning hooldamine. Juhend PEAB jääma selle toote juurde.

Toote kasutamisega kinnitate, et olete kõik juhised, suunised ja hoiatused tähelepanelikult läbi lugenud ning mõistate ja nõustute järgima nendes sätestatud tingimusi. Nõustute kasutama seda toodet üksnes ettenähtud eesmärgil ja otstarbel ning kooskõlas tootejuhendis sätestatud juhiste, suuniste ja hoiatustega, samuti kooskõlas kõigi kohaldatavate õigusaktide ja eeskirjadega. Siin sätestatud juhiste ja hoiatuste lugemise ja järgimise eiramine võib põhjustada vigastusi teile ja kolmandatele isikutele, kahjustada teie toodet või läheduses asuvat muud vara. Toote tootejuhendit, sh juhiseid, suuniseid ja hoiatusi ning nendega seotud dokumentatsiooni, võidakse muuta ja uuendada. Värskema tooteabe leiate veebisaidilt documents.domestic.com.

Sisukord

1	Sümbolite selgitus	331
2	Ohutusjuhised	332
3	Tarnekomplekt	335
4	Kasutusotstarve	336
5	Tehniline kirjeldus	337
6	Paigaldamine	338
7	Käitamine	341
8	Tõrkeotsing	342
9	Puhastamine ja hooldamine	343
10	Garantii	344
11	Kõrvaldamine	344
12	Tehnilised andmed	345

1 Sümbolite selgitus



OHT!

Ohutusjuhise: Viitab ohtlikule olukorrale, mis eiramise korral lõpeb surma või raske vigastusega.



HOIATUS!

Ohutusjuhise: Viitab ohtlikule olukorrale, mis eiramise korral võib lõppeda surma või raske vigastusega.

**ETTEVAATUST!**

Ohutusjuhised: Viitab ohtlikule olukorrale, mis eiramise korral võib lõppeda kerge või keskmise vigastusega.

**TÄHELEPANU!**

Viitab ohtlikule olukorrale, mis eiramise korral võib lõppeda varalise kahjuga.

**MÄRKUS**

Lisateave toote käitamiseks.

2 Ohutusjuhised

2.1 Üldine ohutus



HOIATUS! Nende hoiatuste mittejärgimine võib põhjustada raskeid vigastusi või surma.

Elektrilöögi oht

- Veenduge, et minibaari paigaldaks kvalifitseeritud tehnik, et teeb seda tootja Dometic paigaldusjuhendi järgi.
- Kui minibaaril on nähtavaid kahjustusi, ei tohi seda kasutada.
- Kui minibaari toitekaabel on katki, tuleb õnnetuste ennetamiseks lasta see välja vahetada tootjal, hooldustehnikul või sarnase kvalifikatsiooniga isikul.
- Seda minibaari võivad remontida ainult spetsialistid. Valed remonditööd võivad tekitada suurt kahju.
- Valige minibaari asukoht nii, et toitejuhe ei jääks esemete vahele kinni ja ei saaks kahjustada.
- Ärge jätke seadme taha mitut teisaldatavat pistikupesast või teisaldatavat toiteallikat.
- Ühendage seade pesa, mis tagavad nõuetekohase ühenduse eelkõige juhul, kui seade vajab maandust.

Tuleoht

- Külmaainekontuuris olev külmaaine on äärmiselt tuleohtlik. Külmaainekontuuri mis tahes kahjustuse korral toimige järgmiselt.
 - Lülitage minibaar välja.
 - Vältige lahtist leeki ja sädemeid.
 - Tuulutage ruumi põhjalikult.
- Hoidke minibaari paigaldamiseks kasutatavast süvendist eemal elektrikomponendid ja valgusallikad, mis tekitavad normaalse või ebanormaalse töö korral sädemeid või elektrikaari (nt , reeled või kaitsmekarbid).
- Pärast paigaldamist peab olema endiselt võimalik minibaari avalikust elektrivõrgust lahutada. Selleks võib jätta pistiku ligipääsetavaks või paigaldada fikseeritud juhtmetele juhtmeühenduste nõuete kohaselt lüliti.
- Hoidke minibaari ümbrise või integreerimisstruktuuri ventilatsioonivad takistusteta.
- Ärge kasutage sulatamise kiirendamiseks mehaanilisi seadmeid ega muid meetodeid peale tootja poolt soovitatute.
- Mingil juhul ärge avage külmaainekontuuri.
- Ärge kasutage minibaari sees elektriseadmeid, v.a need, mida tootja on selleks otstarbeks soovitanud.

Plahvatusoht

- Ärge hoiustage minibaaris plahvatusohtlikke esemeid, nagu kütust sisaldavad aerosoolpihustid.

Terviseoht

- Lapsed alates 8. eluaastast ning piiratud füüsiliste, sensorsete või vaimsete võimetega või vajalike kogemuste ja teadmisteta isikud võivad seda minibaari kasutada järelevalve all või pärast seda, kui neid on õpetatud seadet ohutult kasutama ja nad mõistavad minibaari kasutamisega kaasnevaid ohte.
- Lapsed ei tohi minibaariga mängida.
- Lapsed ei tohi seadet ilma järelevalveta puhastada ega hooldada.
- 3 – 8-aastased lapsed võivad minibaari asju panna ja neid sealt välja võtta.



ETTEVAATUST! Nende ettevaatusabinõude mittejärgimine võib põhjustada kergeid või mõõdukaid vigastusi.

Muljumisoht

- Ärge pange sõrmi hinge sisse.

Terviseoht

- Toiduaineid võib hoida ainult originaalpakendis või sobivates anumates.

**TÄHELEPANU! Kahjustuste oht**

- Kontrollige, kas andmeplaadile märgitud pingenäitajad kattuvad toiteallika näitajatega.
- Minibaar ei sobi söövitavate või lahusteid sisaldavate ainete hoidmiseks.
- Jahutusseadme isolatsioon sisaldab tuleohtlikku tsüklopentaani ja selle kõrvaldamisel tuleb järgida erinõudeid. Viige jahutusseade pärast selle kasutusea lõppemist sobivasse kogumispunkti.
- Hoidke äravooluava alati puhtana.
- Kandke minibaari ainult püstises asendis.

2.2 Minibaari ohutu kasutamine**OHT! Nende hoiatuste mittejärgimine põhjustab raskeid vigastusi või surma.****Elektrilöögi oht**

- Äрге puudutage katmata kaableid paljaste kätega.

**ETTEVAATUST! Nende ettevaatusabinõude mittejärgimine võib põhjustada kergeid või mõõdukaid vigastusi.****Elektrilöögi oht**

- Enne minibaari käivitamist veenduge, et toitejuhe ja pistik on kuivad.

Terviseoht

- Veenduge, et paneksite minibaari ainult selliseid asju, mida võib valitud temperatuurile jahutada.
- Toitu võib hoida ainult originaalpakendis või sobivates anumates.
- Kui uks jäetakse pikemaks ajaks lahti, võib temperatuur minibaari sektsioonides oluliselt tõusta.
- Toiduga kokku puutuvaid pindu ja ligipääsetavaid äravoolusüsteeme tuleb regulaarselt puhastada.
- Kui jätate minibaari pikemaks ajaks tühjalt seisma, toimige järgmiselt.
 - Lülitage minibaar välja.
 - Sulatage minibaar.
 - Puhastage ja kuivatage minibaar.
 - Jätke uks lahti, et vältida minibaaris hallituse teket.



TÄHELEPANU!

Kahjustuste oht

- Ärge asetage minibaari lahtise leegi või muu soojusallika (radiaator, otsene päikesekiirgus, gaasiahi jne) lähedusse.
- Ärge kastke minibaari vette.
- Kaitske minibaari ja kaablit kuumuse ning niiskuse eest.
- Veenduge, et toiduained ei puutuks vastu jahutuskambri seinu.

3 Tarnekomplekt

Saadaval on järgmised variandid:

- Minibaar DM50NTE D koos uksepaneeliga, ilma lukuta
- Minibaar DM50NTE D koos uksepaneeliga, lukuga
- Minibaar DM50NTE F ilma uksepaneelita, lukuta
- Minibaar DM50NTE F ilma uksepaneelita, lukuga

Total	Tähistus	
1	Sahtliga minibaar	
1	Kaabel 230 V~ ühenduse jaoks	
4	Kruvi $\varnothing 4 \times 45$ mm (paigaldus)	
4	Kork (paigaldus)	
1	Käepide	(ainult DM50NTE D)
2	Kork (käepideme paigaldus)	(ainult DM50NTE D)
1	Sissetõmbefilter	
6	Kruvi $\varnothing 3 \times 12$ mm (filtri paigaldus)	
2	Kork (puitpaneel)	(DM50NTE F, ainult puitversioon)
1	Luku dekoor (puitpaneel)	(DM50NTE F, ainult lukuga puitversioon)
2	Võti	(ainult lukuga versioon)
1	Paigaldus- ja kasutusjuhend	

4 Kasutusotstarve

Jahutusseade (ka minibaar) on ette nähtud suletud anumates jookide ja toiduainete jahutamiseks ja säilitamiseks.

Minibaar on loodud kasutamiseks kruisilaevadel või kodumajapidamistes ja nende sarnastes tingimustes, näiteks:

- poodide, kontorite ja muude töökeskkondade personali köögid;
- talumajapidamised;
- hotellid, motellid ja muud majutusasutused;
- kodumajutusruumid;
- toitlustus ja muu sarnane kasutus, mis ei ole jaemüük.

Minibaar **ei** sobi haagissuvilatesse ega matkaautodesse paigaldamiseks.

Minibaar sobib paigaldamiseks kappi või paigaldusnišši. Vaadake paigaldusjuhiseid.

Minibaar **ei** sobi:

- korrodeerivate, söövitavate või lahustit sisaldavate ainete hoidmiseks.
- toorete toiduainete ja ravimite säilitamiseks.
- toiduainete sügavkülmutamiseks.

See toode sobib kasutamiseks üksnes ettenähtud otstarbel ja käesolevas kasutusjuhendis toodud valdkonnas.

Käesolev juhend sisaldab teavet, mis on vajalik toote korrektseks paigaldamiseks ja/või kasutamiseks. Halva paigalduse ja/või valesti kasutamise või hooldamise korral halvenevad tööomadused ja võib tekkida rike.

Tootja ei võta vastutust mis tahes kahju või tootekahjustuse eest, mis on tingitud mõnest järgmisest asjaolust:

- valesti kokkupanek või ühendamine, sh liigpinge;
- valesti hooldamine või tootja poolt ette nähtud originaalvaruosadest erinevate varuosade kasutamine;
- tootel ilma tootja selge loata tehtud muudatused;
- kasutamine otstarbel, mida ei ole kasutusjuhendis kirjeldatud.

Dometic jätab endale õiguse muuta toote välimust ja tehnilisi näitajaid.

5 Tehniline kirjeldus

Minibaaril on põhisahtel pudelite ja purkide jaoks ning minisahtel väikeste pakendite ja näkside jaoks. Põhisahtlisse mahub 33 pudelit, mis võivad olla kuni 28 cm kõrged.

DM50NTE D: Mudelil on tehases paigaldatud uksepaneel ja käepide.

DM50NTE F: Mudel tarnitakse ilma uksepaneelita, kuid sellel on hotelli dekooriga sobiva paneeli paigaldamise valmidus.

5.1 Seadme kirjeldus

Esipaneel

Nr joonis 1 , lehekülg 3	Tähistus
1	Lukk (valikuline)
2	Käepide (ainult DM50NTE D)
3	Uksepaneel (ainult DM50NTE D)

Tagakülg

Nr joonis 2 , lehekülg 3	Tähistus
1	Võrguadapter
2	12 V \equiv pesa
3	Tilgavann
4	Küttetoru

Juhtpaneel (seadme sees)

Nr joonis 3 , lehekülg 4	Tähistus
1	Lamp
2	Vea-LED
3	Toite oleku-LED
4	Seadete nupp

Põhisahtel

Nr joonis 4 , lehekülg 4	Tähistus
1	Lai vahedetail
2	Vahesein
3	Väike vahedetail
4	Pudelite hoidik

Minisahtel

Nr joonis 5 , lehekülg 5	Tähistus
1	Pööratav vahedetail
2	Minipudelite hoidik

6 Paigaldamine



ETTEVAATUST! Terviseoht

Seadme ebastabiilsusest tingitud ohu vältimiseks tuleb see juhendi kohaselt fikseerida.

6.1 Minibaari kinnitamine mööbli külge



NOTICE! Kahjustuste oht

Sisselaskeõhukanalit läbivat õhku ei tohi soojendada.

Ärge asetage minibaari lahtise leegi ega muu soojusallika (radiaator, otsene päikesekiirgus, gaasiahj jne) lähedusse.

Minibaari saab mööbli sisse paigaldada neljal viisil.

1. Valige oma eelistatud paigaldamise alternatiiv (joonis **6**, lehekülg 6).
2. Järgige vajalikku paigaldamiseks kasutatavat süvendit (joonis **6**, lehekülg 6) d on hotelli dekoori paksus.
3. Järgige õige õhuvoolu tagamiseks minibaari õiget paigutust ja ventilatsiooniavasid (joonis **8**, lehekülg 7).

4. Jälgige minimaalset vaba ruumi minibaari tagaosas ja mööbliseina vahel (joonis **10**, lehekülg 8).
5. Tekitage ventilatsioonivad, nagu on näidatud joonis **9**, lehekülg 7.
6. Tekitage paigaldussüvendi põhja täiendav ventilatsiooniva (joonis **11**, lehekülg 8).

Mõõtke kaugus minibaari ukse esiküljest, **jättes arvestamata** mis tahes kohapealse dekoori.

Nr joonis 12 , lehekülg 8	Tähistus
1	Kruvi $\varnothing 4 \times 45$ mm
2	Kork

7. Kinnitage külmik sobivate kruvide (joonis **12 1**, lehekülg 8) abil oma kohale.
8. Pistke neli korki (joonis **12 2**, lehekülg 8) puuravadesse.

6.2 Minibaari elektriühenduse loomine

- ▶ Ühendage 230 V ühenduskaabel vahelduvvoolupesaga ning 230 V avaliku vahelduvvooluvõrguga.
- ✓ Toite oleku-LED ja lamp süttivad.
- ✓ Minibaar hakkab sisemust jahutama.

6.3 Hotelli uksedekoori kinnitamine (ainult DM 50NTE F)

Hotelli uksedekoor peab vastama järgmistele nõuetele.

- Maksimaalne kaal: 4 kg
- Maksimaalne paksus: 18 mm (ainult lukuga versioon)
- ▶ Kinnitage dekoor nelja kruviga.

6.4 Luku kinnitamine (ainult lukuga versioon)

1. Puurige dekoori sisse 35 mm läbimõõduga auk.
2. Kinnitage lukk koos lukudekooriga.

6.5 Luku kinnitamine (ainult ilma lukuta versioon)

Sahtli lahtivõtmine (joonis 13, lehekülg 9)

1. Avage sahtel täielikult (A).
2. Vajutage siinilukku (A 1).
3. Tõmmake sahtel kapist välja (B).

Ainult DM50NTE D

1. Eemaldage kaks korki (C 1) kruvidelt (C 2) ukse käepidemel (C 3).
2. Keerake ukse käepidemel kaks kruvi (C 2) lahti.
3. Eemaldage ukse käepide (C 3).
4. Eemaldage tihend.
5. Eemaldage luku kate.

Aukude puurimine (joonis 14, lehekülg 9)

1. Puurige 23,6 mm läbimõõduga auk (A 1) läbi dekoori (ainult DM50NTE D) ja ukse.
2. Keerake lahti kaksteist kruvi (B 1) dekoori raamil (B 2) (ainult DM50NTE D).
3. Eemaldage dekoori raam (ainult DM50NTE D).

Luku kokkupanek (joonis 15, lehekülg 10)

1. Pange uus luku kate (A 1) paika.
2. Pange dekoor (B 1) dekoori raami sisse.
3. Kruvige (B 2) dekoori raam (B 3) uksele.
4. Paigaldage ukسلukk (C 1).
5. Paigaldage luku fiksaator (D 1) kappi.

Sahtli kokkupanek (joonis 16, lehekülg 10)

1. Vajutage tihend (1) dekoori raamile (2).
2. Kruvige ukse käepide (4) uksele.
3. Vajutage korgid (3) ukse käepideme kruvidele (4).
4. Lükake sahtel kappi.

7 Käitamine

7.1 Enne esmakordset kasutamist

Enne esmakordset kasutamist puhastage minibaar puhtuse tagamiseks niiske lapiga seest ja väljast (vt ka peatükk „Puhastamine ja hooldamine“ leheküljel 343).

7.2 Energiasääst

- Avage minibaari nii vähe ja nii lühidalt kui võimalik.
- Vältige tarbetult madala temperatuuri seadmist.
- Energiakulu optimeerimiseks hoidke riuleid ja sahtleid samas asendis, nagu see oli tarnimisel.
- Kontrollige regulaarselt, kas ukse tihend asetub õigesti oma kohale.
- Puhastage tolmu ja mustust kondensaatorilt regulaarselt.

7.3 Minibaari kasutamine

Minibaar hakkab jahutama, kui toiteühendus on loodud. Toite oleku-LED põleb tava-pärase töö ajal. Vea-LED vilgub, kui tekib viga (vt peatükk „Tõrkeotsing“ leheküljel 342).

7.4 Temperatuuri seadmine

Toidu raiskamise vältimiseks lähtuge järgmistest juhistest.

- Hoidke temperatuuri võimalikult ühtlasena. Avage minibaari nii vähe ja nii lühidalt kui võimalik. Paigutage toiduained nii, et õhk saaks nende ümber liikuda.
- Minibaaril on automaatne temperatuuri reguleerimise funktsioon. Valige võimalike temperatuuriväärtuste seast keskmine.
- Reguleerige temperatuuri vastavalt toiduainete hulgale ja liigile.

Minibaar on vaikumisi seatud jahutustemperatuurile 7 °C, kui ümbritsev temperatuur on 25 °C.

Jahutustemperatuuri saab seadete nupuga seada ühele kolmest järgmisest väärtusest: 5 °C, 12 °C ja 7 °C.

Jahutustemperatuuri seatakse järgmises järjekorras: 5 °C ... 12 °C ... 7 °C ... 5 °C jne.

1. Vajutage ja hoidke seadete nuppu (joonis **3** **4**, lehekülg 4) vähemalt 5 s, kuni sisemine lamp (joonis **3** **1**, lehekülg 4) hakkab vilkuma.
 2. Vajutage seadete nuppu uuesti, kuni soovitud jahutustemperatuur on valitud.
- ✓ Sisemine lamp vilgub. Vilkumiste arv näitab seatud temperatuuri. Vilkuvat signaali korratakse kolme intervalliga.
- Lamp vilgub **viis korda**: 5 °C
 - Lamp vilgub **ühe korra**: 12 °C
 - Lamp vilgub **kolm korda**: 7 °C

8 Tõrkeotsing

Tõrge	Võimalik põhjus	Soovitav abinõu
Minibaar ei tööta . Toite oleku-LED ei põle.	Vahelduvvoolupesas puudub pinge. Avaliku võrgu adapter on rikkis.	▶ Proovige mõnda teist pistikupesa kasutada. ▶ Võtke ühendust volitatud hooldustehnikuga.
Minibaar ei jahuta . Pistik on ühendatud, toite oleku-LED põleb.	Jahutuselement on rikkis.	▶ Võtke ühendust volitatud hooldustehnikuga.
Vea-LED vilgub üks kord sekundis.	Temperatuuriandur on defektne.	▶ Võtke ühendust volitatud hooldustehnikuga.
Minibaar ei jahuta piisavalt . Toite oleku-LED põleb, vea-LED ei põle.	Jahutuselement on rikkis. Kehv ventilatsioon	▶ Võtke ühendust volitatud hooldustehnikuga. ▶ Kontrollige ventilatsiooni. ▶ Puhastage seadme all olevat filtrit.

9 Puhastamine ja hooldamine



HOIATUS! Elektrilöögi oht

Alati enne minibaari puhastamist ja hooldamist lahutage see avalikust elektrivõrgust.



TÄHELEPANU! Kahjustuste oht

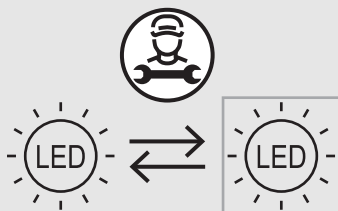
- Ärge kasutage puhastamiseks abrasiivseid puhastusvahendeid ega kõvasid esemeid, sest need võivad minibaari kahjustada.
- Ärge kunagi puhastage minibaari voolava vee all või seebivees.
- Kunagi ärge kasutage kõvu või teravaid tööriistu minibaarilt jää eemaldamiseks või kinnikülmunud toidu vabastamiseks.
- Ärge kasutage sulatamise kiirendamiseks mehaanilisi tööriistu ega mis tahes muid tööriistu.
- Elektroonika kahjustamise vältimiseks veenduge, et vesi ei tilguks tihenditele.

- Puhastage minibaari niiske lapiga regulaarselt ja kohe, kui see määrdub.
- Pärast puhastamist pühkige minibaar lapiga kuivaks.
- Kontrollige kondensaadi äravooluava regulaarselt. Vajaduse korral puhastage kondensaadi äravooluava. Kui see on ummistunud, koguneb kondensaat minibaari alla.
- Veenduge, et minibaari õhu sisend- ja väljundavadel ei oleks tolmu ega mustust; see võimaldab seadmel soojust ära juhtida ning aitab ennetada kahjustusi.



TÄHELEPANU! Kahjustuste oht

Ohtlike olukordade vältimiseks võib valgusallikat vahetada ainult tootja, hooldustehnik või samalaadse kvalifikatsiooniga isik.



10 Garantii

Kehtib seadusega ettenähtud garantii. Kui toode on defektne, võtke ühendust edasimüüjaga või tootja kohaliku filiaaliga (vaadake dometic.com/dealer).

Remondi- ja garantiitööde tegemiseks lisage alljärgnevad dokumendid, kui toote meile saadate:

- Ostukuupäevaga arve koopia
- Kaebuse põhjus või vea kirjeldus

Pange tähele, et kui parandate ise või lasete mittekutselisel parandajal seda teha, võib see ohutust mõjutada ja garantii kehtetuks muuta.

11 Kõrvaldamine

Pakkematerjali ringlussevõtt



- ▶ Kui võimalik, pange pakkematerjal vastavasse ringlussevõetava prügi kasti.



HOIATUS! Tuleoht

- Külmaaine on äärmiselt tuleohtlik. Ärge avage ega kahjustage külmaaine torusid.
- Seadme isolatsioon sisaldab isoleerivat gaasi (vt tüübisilti). Ärge kahjustage isolatsiooni.

Integreeritud akude, tavaliste akude ja valgusallikatega toodete ringlussevõtt



- ▶ Kui toode sisaldab integreeritud akusid, tavalisi akusid või valgusallikaid, siis neid ei pea enne jäätmekäitluse andmist eemaldama.




- ▶ Kui soovite toote utiliseerida, küsige oma kohalikust jäätmekäitlusettevõttest või -spetsialistilt üksikasjaliku, kuidas seda kehtivate jäätmekäitluseeskirjade järgi teha.



- ▶ Toote saab jäätmekäitluse anda tasuta.

12 Tehnilised andmed

	DM50NTE D	DM50NTE F
Pinge	100 – 240 V~, 50 – 60 Hz	
Jahutusvõimsus	max 21 °C ümbritsevast temperatuurist madalam (kolmes astmes reguleeritav: 5 °C, 7 °C, 12 °C)	
Kategooria	2 (kelder)	
Kogumaht	50 l	
Energiaühenduse klass	G	
Kliimaklass	N	
Külmaaine	R600a	
Külmutusagensi kogus	28 g	
Põhisahtli mõõtmed L x S x K	430 x 330 x 302 mm	
Minisahtli mõõtmed L x S x K	159 x 285 x 88 mm	
Mõõtmed L x S x K	550 x 524 x 418 mm	550 x 496 x 418 mm
Maksimaalne sisemuses hoitav koormus	31 kg	
Kaal	23,5 kg	23,0 kg
Ülevaatus/sertifikaat		

Seadmele kehtiva EL-i vastavusdeklaratsiooni leiate vastavalt tootelehelte aadressil dometic.com või tootjaga otse ühendust võttes (vt dometic.com/dealer).

Toote kohta leiate lisateavet energiasildil asetseva QR-koodi kaudu (vt jooniseid) või aadressilt eprel.ec.europa.eu.

Jahutusmoodul on hermeetiliselt tihendatud.

Παρακαλούμε να διαβάσετε προσεκτικά το παρόν έγγραφο και να ακολουθήσετε όλες τις οδηγίες, τους κανονισμούς και τις προειδοποιήσεις που περιλαμβάνονται στο εγχειρίδιο αυτού του προϊόντος, έτσι ώστε να διασφαλίζεται πάντοτε η σωστή εγκατάσταση, χρήση και συντήρηση του προϊόντος. Αυτές οι οδηγίες ΠΡΕΠΕΙ πάντοτε να συνοδεύουν το προϊόν.

Με τη χρήση του προϊόντος επιβεβαιώνετε δια του παρόντος ότι έχετε διαβάσει προσεκτικά όλες τις οδηγίες, τους κανονισμούς και τις προειδοποιήσεις καθώς και ότι έχετε κατανοήσει και αποδέχεστε να τηρήσετε τους όρους και τις προϋποθέσεις που ορίζονται στο παρόν έγγραφο. Συμφωνείτε να χρησιμοποιείτε αυτό το προϊόν μόνο για τον προβλεπόμενο σκοπό και την προβλεπόμενη χρήση, πάντοτε σύμφωνα με τις οδηγίες, τους κανονισμούς και τις προειδοποιήσεις που ορίζονται στο παρόν εγχειρίδιο προϊόντος καθώς και σύμφωνα με όλους τους ισχύοντες νόμους και κανονισμούς. Σε περίπτωση μη ανάγνωσης και τήρησης των οδηγιών και των προειδοποιήσεων που ορίζονται στο παρόν έγγραφο, ενδέχεται να προκληθούν τραυματισμοί σε εσάς τον ίδιο και σε τρίτους, ζημιά στο προϊόν σας ή υλικές ζημιές σε άλλες ιδιοκτησίες στο άμεσο περιβάλλον. Αυτό το εγχειρίδιο προϊόντος, συμπεριλαμβανομένων των οδηγιών, των κανονισμών, των προειδοποιήσεων και των σχετικών εγγράφων, ενδέχεται να υποβληθεί σε τροποποιήσεις και ενημερώσεις. Για τις ενημερωμένες πληροφορίες προϊόντος, επισκεφθείτε την ηλεκτρονική διεύθυνση documents.domestic.com.

Περιεχόμενα

1	Επεξήγηση των συμβόλων	346
2	Υποδείξεις ασφαλείας	347
3	Περιεχόμενα συσκευασίας	351
4	Προβλεπόμενη χρήση	352
5	Τεχνική περιγραφή.	353
6	Εγκατάσταση	354
7	Λειτουργία	357
8	Αντιμετώπιση βλαβών	359
9	Καθαρισμός και φροντίδα	360
10	Εγγύηση.	361
11	Απόρριψη.	362
12	Τεχνικά χαρακτηριστικά	363

1 Επεξήγηση των συμβόλων



ΚΙΝΔΥΝΟΣ!

Οδηγία ασφαλείας: Καταδεικνύει μια επικίνδυνη κατάσταση, η οποία εάν δεν αποτραπεί, θα προκληθεί θανατηφόρο ατύχημα ή σοβαρός τραυματισμός.

**ΠΡΟΕΙΔΟΠΟΙΗΣΗ!**

Οδηγία ασφαλείας: Καταδεικνύει μια επικίνδυνη κατάσταση, η οποία εάν δεν αποτραπεί, μπορεί να προκληθεί θανατηφόρο ατύχημα ή σοβαρός τραυματισμός.

**ΠΡΟΦΥΛΑΞΗ!**

Οδηγία ασφαλείας: Καταδεικνύει μια επικίνδυνη κατάσταση, η οποία εάν δεν αποτραπεί, μπορεί να προκληθεί μικρής ή μέτριας σοβαρότητας τραυματισμός.

**ΠΡΟΣΟΧΗ!**

Καταδεικνύει μια κατάσταση, η οποία εάν δεν αποτραπεί, μπορεί να προκληθούν υλικές ζημιές.

**ΥΠΟΔΕΙΞΗ**

Συμπληρωματικά στοιχεία για τον χειρισμό του προϊόντος.

2 Υποδείξεις ασφαλείας

2.1 Βασική ασφάλεια



ΠΡΟΕΙΔΟΠΟΙΗΣΗ! Η μη τήρηση αυτών των προειδοποιήσεων ενδέχεται να έχει ως αποτέλεσμα την πρόκληση θανάτου ή σοβαρού τραυματισμού.

Κίνδυνος ηλεκτροπληξίας

- Βεβαιωθείτε ότι το μίνι μπαρ έχει εγκατασταθεί από έναν εξειδικευμένο τεχνικό, σύμφωνα με το εγχειρίδιο τοποθέτησης της Dometic.
- Μη θέσετε σε λειτουργία το μίνι μπαρ, εάν παρουσιάζει εμφανείς ζημιές.
- Εάν προκληθεί ζημιά στο καλώδιο τροφοδοσίας αυτού του μίνι μπαρ, το καλώδιο πρέπει να αντικατασταθεί από τον κατασκευαστή, έναν τεχνικό του τμήματος εξυπηρέτησης πελατών ή έναν άλλο τεχνικό με παρόμοια εξειδίκευση, για να αποφευχθούν τυχόν κίνδυνοι ασφαλείας.

- Η επισκευή αυτού του μίνι μπαρ επιτρέπεται να πραγματοποιείται μόνο από εξειδικευμένο τεχνικό προσωπικό. Σε περίπτωση μη ενδεδειγμένων επισκευών, ενδέχεται να προκληθούν σοβαροί κίνδυνοι.
- Κατά την τοποθέτηση του μίνι μπαρ, βεβαιωθείτε ότι το καλώδιο τροφοδοσίας δεν μαγκώνεται ή υφίσταται ζημιά.
- Μην τοποθετείτε φορητά πολύπριζα ή φορητές μονάδες τροφοδοσίας στην πίσω πλευρά της συσκευής.
- Συνδέστε τη συσκευή σε πρίζες που διασφαλίζουν τη σωστή σύνδεση, ειδικά εάν η συσκευή πρέπει να είναι γειωμένη.

Κίνδυνος πυρκαγιάς

- Το ψυκτικό μέσο στο κύκλωμα ψυκτικού μέσου είναι ιδιαίτερα εύφλεκτο.
Σε περίπτωση ζημιάς στο κύκλωμα ψυκτικού μέσου:
 - Απενεργοποιήστε το μίνι μπαρ.
 - Αποφύγετε τις γυμνές φλόγες και τους σπινθήρες.
 - Αερίστε καλά τον χώρο.
- Διατηρήστε την εσοχή τοποθέτησης για το μίνι μπαρ ελεύθερη από τυχόν ηλεκτρικά εξαρτήματα και φωτεινές πηγές, που ενδέχεται κατά τη φυσιολογική ή τη μη φυσιολογική λειτουργία τους να παράξουν σπινθήρες ή ηλεκτρικά τόξα (π.χ. ρελέ ή ασφαλειοθήκες).
- Μετά από την τοποθέτηση, πρέπει να συνεχίζει να είναι εφικτή η αποσύνδεση του μίνι μπαρ από το ηλεκτρικό δίκτυο τροφοδοσίας. Αυτό μπορεί να επιτευχθεί μέσω της προσβάσιμης θέσης του φιν ή μέσω της ενσωμάτωσης ενός διακόπτη στη σταθερή καλωδίωση, σύμφωνα με τους κανονισμούς καλωδιώσεων.
- Διατηρήστε τα ανοίγματα αερισμού στο περίβλημα του μίνι μπαρ ή στην κατασκευή εντοιχισμού ανοιχτά και χωρίς εμπόδια.
- Μη χρησιμοποιείτε μηχανικές διατάξεις ή άλλα μέσα για να επιταχύνετε τη διαδικασία απόψυξης, τα οποία δεν συνιστώνται από τον κατασκευαστή.
- Δεν επιτρέπεται σε καμία περίπτωση το άνοιγμα του κυκλώματος ψυκτικού μέσου.
- Μη χρησιμοποιείτε ηλεκτρικές συσκευές στο εσωτερικό του μίνι μπαρ, εκτός εάν συνιστώνται από τον κατασκευαστή για τον σκοπό αυτό.

Κίνδυνος έκρηξης

- Μην αποθηκεύετε στο μίνι μπαρ εκρηκτικές ουσίες, όπως π.χ. φιάλες σπρέι με προωθητικά αέρια.

Κίνδυνος για την υγεία

- Αυτό το μίνι μπαρ μπορεί να χρησιμοποιηθεί από παιδιά ηλικίας 8 ετών και επάνω καθώς και άτομα με μειωμένες φυσικές, αισθητηριακές ή πνευματικές ικανότητες ή με έλλειψη εμπειρίας και γνώσεων, εάν επιτηρούνται ή τους έχουν δοθεί οδηγίες σχετικά με τη χρήση του μίνι μπαρ με ασφαλή τρόπο και κατανοούν τους σχετικούς κινδύνους.
- Τα παιδιά δεν επιτρέπεται να παίζουν με το μίνι μπαρ.
- Ο καθαρισμός και η συντήρηση χρήστη δεν επιτρέπεται να πραγματοποιούνται από παιδιά χωρίς επιτήρηση.
- Τα παιδιά ηλικίας 3 έως 8 ετών επιτρέπεται να γεμίζουν και να αδειάζουν το μίνι μπαρ.



ΠΡΟΦΥΛΑΞΗ! Η μη τήρηση αυτών των συστάσεων ενδέχεται να έχει ως αποτέλεσμα την πρόκληση ελαφρού ή μέτριου τραυματισμού.

Κίνδυνος σύνθλιψης

- Μη βάζετε τα δάκτυλά σας μέσα στον μεντεσέ.

Κίνδυνος για την υγεία

- Τα τρόφιμα θα πρέπει να φυλάσσονται μόνο στην αρχική συσκευασία τους ή σε κατάλληλα δοχεία.

**ΠΡΟΣΟΧΗ!** Κίνδυνος πρόκλησης ζημιάς

- Βεβαιωθείτε ότι η προδιαγραφή τάσης στην πινακίδα τύπου είναι ίδια με την υπάρχουσα ηλεκτρική τροφοδοσία.
- Το μίνι μπαρ δεν είναι κατάλληλο για τη φύλαξη καυστικών ουσιών ή ουσιών που περιέχουν διαλύτες.
- Η μόνωση της συσκευής ψύξης περιέχει εύφλεκτο κυκλοπεντάνιο και απαιτεί ειδικές διαδικασίες απόρριψης. Παραδώστε τη συσκευή ψύξης στο τέλος του κύκλου ζωής της σε ένα κατάλληλο κέντρο ανακύκλωσης.
- Το άνοιγμα εκροής πρέπει να διατηρείται πάντοτε καθαρό.
- Το μίνι μπαρ πρέπει να μεταφέρεται μόνο σε όρθια θέση.

2.2 Ασφαλής λειτουργία του μίνι μπαρ



ΚΙΝΔΥΝΟΣ! Η μη τήρηση αυτών των προειδοποιήσεων έχει ως αποτέλεσμα την πρόκληση θανάτου ή σοβαρού τραυματισμού.

Κίνδυνος ηλεκτροπληξίας

- Μην πιάνετε τυχόν εκτεθειμένα καλώδια με γυμνά χέρια.



ΠΡΟΦΥΛΑΞΗ! Η μη τήρηση αυτών των συστάσεων ενδέχεται να έχει ως αποτέλεσμα την πρόκληση ελαφρού ή μέτριου τραυματισμού.

Κίνδυνος ηλεκτροπληξίας

- Πριν από την έναρξη λειτουργίας του μίνι μπαρ, βεβαιωθείτε ότι το καλώδιο και το φως είναι στεγνά.

Κίνδυνος για την υγεία

- Μέσα στο μίνι μπαρ πρέπει να τοποθετούνται μόνο προϊόντα, που επιτρέπεται να ψύχονται στην επιλεγμένη θερμοκρασία.
- Τα τρόφιμα θα πρέπει να διατηρούνται μόνο στην αρχική συσκευασία τους ή σε κατάλληλα δοχεία.
- Το παρατεταμένο άνοιγμα της πόρτας μπορεί να προκαλέσει σημαντική αύξηση της θερμοκρασίας στους χώρους του μίνι μπαρ.
- Καθαρίζετε τακτικά τις επιφάνειες που μπορεί να έρθουν σε επαφή με τρόφιμα καθώς και τα προσβάσιμα συστήματα αποχέτευσης.
- Εάν το μίνι μπαρ παραμείνει άδειο για μεγάλα χρονικά διαστήματα:
 - Απενεργοποιήστε το μίνι μπαρ.
 - Πραγματοποιήστε απόψυξη του μίνι μπαρ.
 - Καθαρίστε και στεγνώστε το μίνι μπαρ.
 - Αφήστε την πόρτα ανοιχτή, για να αποτρέψετε τον σχηματισμό μούχλας μέσα στο μίνι μπαρ.



ΠΡΟΣΟΧΗ!

Κίνδυνος πρόκλησης ζημιάς

- Μην τοποθετείτε το μίνι μπαρ κοντά σε γυμνές φλόγες ή σε άλλες πηγές θερμότητας (κεριά που καίνε, θερμάστρες, άμεση ηλιακή ακτινοβολία, φούρνους αερίου κ.λπ.).
- Μη βυθίζετε ποτέ το μίνι μπαρ σε νερό.

- Προστατέψτε το μίνι μπαρ και το καλώδιο από τη ζέστη και την υγρασία.
- Βεβαιωθείτε ότι τα τρόφιμα δεν έρχονται σε επαφή με τα τοιχώματα της περιοχής ψύξης.

3 Περιεχόμενα συσκευασίας

Διατίθενται οι εξής βασικές εναλλακτικές παραλλαγές:

- Μίνι μπαρ DM50NTE D με πάνελ πόρτας, χωρίς κλειδαριά
- Μίνι μπαρ DM50NTE D με πάνελ πόρτας, με κλειδαριά
- Μίνι μπαρ DM50NTE F χωρίς πάνελ πόρτας, χωρίς κλειδαριά
- Μίνι μπαρ DM50NTE F χωρίς πάνελ πόρτας, με κλειδαριά

Ποσότητα	Περιγραφή	
1	Μίνι μπαρ με συρτάρι	
1	Καλώδιο για σύνδεση 230 V~	
4	Βίδα $\varnothing 4 \times 45$ mm (τοποθέτηση)	
4	Τάπα (τοποθέτηση)	
1	Χειρολαβή	(μόνο DM50NTE D)
2	Τάπα (τοποθέτηση χειρολαβής)	(μόνο DM50NTE D)
1	Φίλτρο εισόδου	
6	Βίδα $\varnothing 3 \times 12$ mm (τοποθέτηση φίλτρου)	
2	Τάπα (ξύλινο πάνελ)	(μόνο DM50NTE F έκδοση ξύλου)
1	Διακοσμητικό κλειδαριάς (ξύλινο πάνελ)	(μόνο DM50NTE F έκδοση ξύλου με κλειδαριά)
2	Υπόμνημα	(μόνο έκδοση με κλειδαριά)
1	Εγχειρίδιο τοποθέτησης και χρήσης	

4 Προβλεπόμενη χρήση

Η συσκευή ψύξης (αναφέρεται επίσης ως μίνι μπαρ) προορίζεται για την ψύξη και την αποθήκευση ροφημάτων και τροφίμων σε κλειστά δοχεία.

Το μίνι μπαρ έχει σχεδιαστεί για λειτουργία σε κρουαζιερόπλοια ή για οικιακή χρήση και παρόμοιες χρήσεις, όπως:

- Κουζίνες προσωπικού σε καταστήματα, γραφεία και άλλα περιβάλλοντα εργασίας
- Αγροικίες
- Ξενοδοχεία, μοτέλ και άλλα περιβάλλοντα οικιστικού τύπου
- Περιβάλλοντα τύπου πανσιόν
- Υπηρεσίες τροφοδοσίας για εκδηλώσεις και παρόμοιες χρήσεις μη λιανικής πώλησης

Το μίνι μπαρ **δεν** έχει σχεδιαστεί για εγκατάσταση σε συρόμενα ή αυτοκινούμενα τροχόσπιτα.

Το μίνι μπαρ είναι κατάλληλο για εγκατάσταση σε ντουλάπι ή εσοχή τοποθέτησης. Ανατρέξτε στις οδηγίες εγκατάστασης.

Το μίνι μπαρ **δεν** είναι κατάλληλο για

- Αποθήκευση διαβρωτικών και καυστικών ουσιών ή ουσιών που περιέχουν διαλύτες
- Αποθήκευση φρέσκων τροφίμων και φαρμάκων
- Βαθιά κατάψυξη τροφίμων

Αυτό το προϊόν είναι κατάλληλο μόνο για τον προβλεπόμενο σκοπό και την προβλεπόμενη χρήση σύμφωνα με αυτές τις οδηγίες.

Αυτό το εγχειρίδιο παρέχει πληροφορίες που είναι απαραίτητες για τη σωστή εγκατάσταση και χρήση του προϊόντος. Τυχόν μη ενδεδειγμένη εγκατάσταση, χρήση ή/και συντήρηση θα έχει ως συνέπεια την ανεπαρκή απόδοση και ενδεχομένως την πρόκληση βλάβης.

Ο κατασκευαστής δεν αποδέχεται καμία ευθύνη για τυχόν τραυματισμούς ή ζημιές στο προϊόν, που οφείλονται σε:

- Λανθασμένη συναρμολόγηση ή σύνδεση, συμπεριλ. της υπερβολικά υψηλής τάσης
- Λανθασμένη συντήρηση ή χρήση μη αυθεντικών ανταλλακτικών εξαρτημάτων, που δεν προέρχονται από τον κατασκευαστή
- Μετατροπές στο προϊόν χωρίς τη ρητή άδεια του κατασκευαστή

- Χρήση για σκοπούς διαφορετικούς από αυτούς που περιγράφονται σε αυτό το εγχειρίδιο

Η Dometic διατηρεί το δικαίωμα αλλαγής της εμφάνισης και των προδιαγραφών του προϊόντος.

5 Τεχνική περιγραφή

Το μίνι μπαρ διαθέτει ένα κύριο συρτάρι για φιάλες και κουτάκια ροφημάτων καθώς και ένα μίνι συρτάρι για μινιατούρες και σνακς. Το κύριο συρτάρι έχει επαρκή χωρητικότητα για 33 φιάλες με μέγιστο ύψος 28 cm.

DM50NTE D: Το μοντέλο αυτό διαθέτει από το εργοστάσιο πάνελ πόρτας και χειρολαβή.

DM50NTE F: Το μοντέλο αυτό παραδίδεται χωρίς πάνελ πόρτας και διαθέτει προετοιμασία για την τοποθέτηση του διακοσμητικού καλύμματος πόρτας του ξενοδοχείου.

5.1 Περιγραφή της συσκευής

Μπροστινό πάνελ

Αρ. στο σχ. 1 , σελίδα 3	Περιγραφή
1	Κλειδαριά (προαιρετικά)
2	Χειρολαβή (μόνο DM50NTE D)
3	Πάνελ πόρτας (μόνο DM50NTE D)

Πίσω πλευρά

Αρ. στο σχ. 2 , σελίδα 3	Περιγραφή
1	Προσαρμογέας ηλεκτρικού δικτύου
2	Υποδοχή σύνδεσης 12 V==
3	Δοχείο στάλαξης
4	Σωλήνας θερμότητας

Πίνακας ελέγχου (στο εσωτερικό της συσκευής)

Αρ. στο σχ. 3 , σελίδα 4	Περιγραφή
1	Λαμπτήρας
2	Λυχνία LED σφάλματος
3	Λυχνία LED κατάστασης τροφοδοσίας
4	Πλήκτρο ρύθμισης

Κύριο συρτάρι

Αρ. στο σχ. 4 , σελίδα 4	Περιγραφή
1	Φαρδύ εγκάρσιο διαχωριστικό
2	Διαμήκες διαχωριστικό
3	Μικρό εγκάρσιο διαχωριστικό
4	Στήριγμα φιαλών

Μίνι συρτάρι

Αρ. στο σχ. 5 , σελίδα 5	Περιγραφή
1	Περιστρεφόμενο διαχωριστικό
2	Στήριγμα για φιάλες μινιατούρες

6 Εγκατάσταση**ΠΡΟΦΥΛΑΞΗ! Κίνδυνος για την υγεία**

Για την αποφυγή τυχόν κινδύνων λόγω αστάθειας της συσκευής, η συσκευή πρέπει να στερεώνεται σύμφωνα με τις οδηγίες.

6.1 Στερέωση του μίνι μπαρ μέσα σε έπιπλο



ΠΡΟΣΟΧΗ! Κίνδυνος πρόκλησης ζημιάς

Ο αέρας που περνάει από τον αεραγωγό εισόδου δεν πρέπει να θερμαίνεται.

Μην τοποθετείτε το μίνι μπαρ κοντά σε γυμνές φλόγες ή σε άλλες πηγές θερμότητας (θερμάστρες, άμεση ηλιακή ακτινοβολία, φούρνους αερίου κ.λπ.).

Υπάρχουν τέσσερις τρόποι στερέωσης του μίνι μπαρ σε έπιπλα.

1. Επιλέξτε την προτιμώμενη εναλλακτική λύση τοποθέτησης (σχ. **6**, σελίδα 6).
2. Λάβετε υπόψη την απαιτούμενη εσοχή τοποθέτησης (σχ. **6**, σελίδα 6)
3. d είναι το πάχος του διακοσμητικού καλύμματος του ξενοδοχείου
4. Λάβετε υπόψη τη σωστή τοποθέτηση του μίνι μπαρ και των ανοιγμάτων εξαερισμού, ώστε να διασφαλίζεται η σωστή παροχή του αέρα. (σχ. **8**, σελίδα 7).
5. Εξασφαλίστε την ελάχιστη απόσταση μεταξύ του πίσω μέρους του μίνι μπαρ και του τοίχου του επίπλου (σχ. **10**, σελίδα 6).
6. Δημιουργήστε τα ανοίγματα εξαερισμού όπως φαίνεται στο σχ. **9**, σελίδα 7.
7. Δημιουργήστε ένα πρόσθετο άνοιγμα εξαερισμού στο κάτω μέρος της εσοχής τοποθέτησης (σχ. **11**, σελίδα 8).

Μετρήστε την απόσταση από την μπροσινή πλευρά της πόρτας του μίνι μπαρ **χωρίς** να υπολογίζετε τυχόν πρόσθετο διακοσμητικό κάλυμμα.

Αρ. στο σχ. 12 , σελίδα 8	Περιγραφή
1	Βίδα $\varnothing 4 \times 45$ mm
2	Τάπα

8. Στερεώστε το ψυγείο στη θέση του με κατάλληλες βίδες (σχ. **12** 1, σελίδα 8).
9. Τοποθετήστε τις τέσσερις τάπες (σχ. **12** 2, σελίδα 8) μέσα στην οπή.

6.2 Ηλεκτρική σύνδεση του μίνι μπαρ

- ▶ Συνδέστε το καλώδιο σύνδεσης εναλλασσόμενου ρεύματος 230 V στην υποδοχή σύνδεσης τάσης AC και στη συνέχεια συνδέστε το στην τροφοδοσία ρεύματος ηλεκτρικού δικτύου 230 V AC.
- ✓ Η λυχνία LED κατάστασης τροφοδοσίας και ο λαμπτήρας ανάβουν.
- ✓ Το μίνι μπαρ αρχίζει να ψύχει τον εσωτερικό χώρο.

6.3 Στερέωση του διακοσμητικού καλύμματος πόρτας του ξενοδοχείου (μόνο DM50NTE F)

Το διακοσμητικό κάλυμμα πόρτας του ξενοδοχείου πρέπει να καλύπτει τις παρακάτω απαιτήσεις:

- Μέγιστο βάρος: 4 kg
 - Μέγιστο πάχος: 18 mm (μόνο έκδοση με κλειδαριά)
- ▶ Στερεώστε το διακοσμητικό κάλυμμα με τις τέσσερις βίδες.

6.4 Στερέωση της κλειδαριάς (μόνο έκδοση με κλειδαριά)

1. Διανοίξτε μια οπή διαμέτρου 35 mm στο διακοσμητικό κάλυμμα.
2. Στερεώστε την κλειδαριά μαζί με το διακοσμητικό της κλειδαριάς.

6.5 Στερέωση της κλειδαριάς (μόνο έκδοση χωρίς κλειδαριά)

Αποσυναρμολόγηση του συρταριού (σχ. 13, σελίδα 9)

1. Ανοίξτε εντελώς το συρτάρι (A).
2. Πιέστε τον μηχανισμό ασφάλισης της ράγας (A 1).
3. Τραβήξτε το συρτάρι έξω από το ντουλάπι (B).

Μόνο για DM50NTE D:

1. Αφαιρέστε τις δύο τάπες (C 1) από τις βίδες (C 2) της χειρολαβής πόρτας (C 3).
2. Ξεβιδώστε τις δύο βίδες (C 2) της χειρολαβής πόρτας.
3. Αφαιρέστε τη χειρολαβή πόρτας (C 3).

4. Αφαιρέστε την τσιμούχα.
5. Αφαιρέστε το κάλυμμα της κλειδαριάς.

Διάνοιξη των οπών (σχ. 14, σελίδα 9)

1. Διανοίξτε μια οπή (**A 1**) με διάμετρο 23,6 mm μέσα από το διακοσμητικό κάλυμμα (μόνο DM50NTE D) και την πόρτα.
2. Ξεβιδώστε τις δώδεκα βίδες (**B 1**) του πλαισίου για το διακοσμητικό κάλυμμα (**B 2**) (μόνο DM50NTE D).
3. Αφαιρέστε το πλαίσιο του διακοσμητικού καλύμματος (μόνο DM50NTE D).

Συναρμολόγηση της κλειδαριάς (σχ. 15, σελίδα 10)

1. Τοποθετήστε το καινούργιο κάλυμμα κλειδαριάς (**A 1**) στη θέση του.
2. Τοποθετήστε το διακοσμητικό κάλυμμα (**B 1**) μέσα στο πλαίσιο διακοσμητικού καλύμματος.
3. Βιδώστε (**B 2**) το πλαίσιο διακοσμητικού καλύμματος (**B 3**) στην πόρτα.
4. Τοποθετήστε την κλειδαριά πόρτας (**C 1**).
5. Τοποθετήστε το άγκιστρο ασφάλισης της κλειδαριάς (**D 1**) στο ντουλάπι.

Συναρμολόγηση του συρταριού (σχ. 16, σελίδα 10)

1. Σπρώξτε την τσιμούχα (**1**) επάνω στο πλαίσιο διακοσμητικού καλύμματος (**2**).
2. Βιδώστε τη χειρολαβή πόρτας (**4**) επάνω στην πόρτα.
3. Πιέστε τις τάπες (**3**) επάνω στις βίδες της χειρολαβής πόρτας (**4**).
4. Πιέστε το συρτάρι μέσα στο ντουλάπι.

7 Λειτουργία

7.1 Πριν από την πρώτη χρήση

Πριν από την πρώτη χρήση, καθαρίστε για λόγους υγιεινής την εσωτερική και την εξωτερική πλευρά του μίνι μπαρ με ένα υγρό πανί (βλέπε επίσης κεφάλαιο «Καθαρισμός και φροντίδα» στη σελίδα 360).

7.2 Εξοικονόμηση ενέργειας

- Ανοίξτε το μίνι μπαρ μόνο όσο συχνά και για όση ώρα είναι πραγματικά απαραίτητο.
- Αποφύγετε τις αναίτια υπερβολικά χαμηλές ρυθμίσεις της θερμοκρασίας.
- Για τη βέλτιστη κατανάλωση ενέργειας, τοποθετήστε τα ράφια και τα συρτάρια στη θέση που είχαν κατά την παράδοση της συσκευής.
- Πρέπει να βεβαιώνετε σε τακτική βάση ότι το λάστιχο στεγανοποίησης της πόρτας εφαρμόζει σωστά.
- Καθαρίζετε ανά τακτά χρονικά διαστήματα τη σκόνη και τους ρύπους από τον συμπυκνωτή.

7.3 Χρήση του μίνι μπαρ

Το μίνι μπαρ αρχίζει να ψύχει, όταν συνδέεται σε τροφοδοσία ηλεκτρικού ρεύματος. Κατά την κανονική λειτουργία, η λυχνία LED κατάστασης τροφοδοσίας είναι αναμμένη. Εάν παρουσιαστεί κάποιο σφάλμα, η λυχνία LED σφάλματος αναβοσβήνει (βλέπε κεφάλαιο «Αντιμετώπιση βλαβών» στη σελίδα 359).

7.4 Ρύθμιση της θερμοκρασίας

Για αποφευχθεί η σπατάλη τροφίμων, τηρήστε τα εξής:

- Αποφύγετε κατά το δυνατόν τις διακυμάνσεις της θερμοκρασίας. Ανοίξτε το μίνι μπαρ μόνο όσο συχνά και για όση ώρα είναι πραγματικά απαραίτητο. Αποθηκεύστε τα τρόφιμα κατά τέτοιον τρόπο, ώστε να μην εμποδίζεται η καλή κυκλοφορία του αέρα.
- Το μίνι μπαρ διαθέτει λειτουργία αυτόματης ρύθμισης της θερμοκρασίας. Επιλέξτε τη μεσαία διαθέσιμη ρύθμιση θερμοκρασίας.
- Προσαρμόστε τη θερμοκρασία στην ποσότητα και στο είδος των τροφίμων.

Το μίνι μπαρ είναι ρυθμισμένο ως προεπιλογή σε θερμοκρασία ψύξης 7 °C, σε θερμοκρασία περιβάλλοντος 25 °C.

Η θερμοκρασία ψύξης μπορεί να ρυθμιστεί σε μία από τις τρεις παρακάτω τιμές, χρησιμοποιώντας το πλήκτρο ρύθμισης: 5 °C, 12 °C και 7 °C.

Η θερμοκρασία ψύξης ρυθμίζεται με την παρακάτω σειρά: 5 °C ... 12 °C ... 7 °C ... 5 °C κ.λπ.

1. Πιέστε και κρατήστε πατημένο το πλήκτρο ρύθμισης (σχ. **3** 4, σελίδα 4) για τουλάχιστον 5 δευτ., μέχρι να αρχίσει να αναβοσβήνει ο εσωτερικός λαμπτήρας (σχ. **3** 1, σελίδα 4).
 2. Πιέστε ξανά το πλήκτρο ρύθμισης, μέχρι να επιλεγθεί η επιθυμητή τιμή θερμοκρασίας ψύξης.
- ✓ Ο εσωτερικός λαμπτήρας αναβοσβήνει. Ο αριθμός αναβοσβημάτων καταδεικνύει τη ρυθμισμένη θερμοκρασία. Το σήμα αναβοσβήματος επαναλαμβάνεται σε τρία διαστήματα:
- Ο λαμπτήρας αναβοσβήνει **πέντε φορές**: 5 °C
 - Ο λαμπτήρας αναβοσβήνει **μία φορά**: 12 °C
 - Ο λαμπτήρας αναβοσβήνει **τρεις φορές**: 7 °C

8 Αντιμετώπιση βλαβών

Βλάβη	Πιθανή αιτία	Προτεινόμενη λύση
Το μίνι μπαρ δεν λειτουργεί . Η λυχνία LED κατάστασης τροφοδοσίας δεν είναι αναμμένη.	Δεν υπάρχει τάση στην πρίζα τάσης AC. Ο προσαρμογέας ηλεκτρικού δικτύου είναι ελαττωματικός.	► Δοκιμάστε σε μια άλλη πρίζα. ► Επικοινωνήστε με έναν εξουσιοδοτημένο τεχνικό του τμήματος εξυπηρέτησης πελατών.
Το μίνι μπαρ δεν ψύχει . Το φινι είναι συνδεδεμένο και η λυχνία LED κατάστασης τροφοδοσίας είναι αναμμένη.	Το στοιχείο ψύξης είναι ελαττωματικό.	► Επικοινωνήστε με έναν εξουσιοδοτημένο τεχνικό του τμήματος εξυπηρέτησης πελατών.
Η λυχνία LED σφάλματος αναβοσβήνει μία φορά ανά δευτερόλεπτο.	Ο αισθητήρας θερμοκρασίας είναι ελαττωματικός.	► Επικοινωνήστε με έναν εξουσιοδοτημένο τεχνικό του τμήματος εξυπηρέτησης πελατών.
Το μίνι μπαρ δεν ψύχει επαρκώς . Η λυχνία LED κατάστασης τροφοδοσίας είναι αναμμένη, η λυχνία LED σφάλματος δεν είναι αναμμένη.	Το στοιχείο ψύξης είναι ελαττωματικό. Ανεπαρκής εξαερισμός	► Επικοινωνήστε με έναν εξουσιοδοτημένο τεχνικό του τμήματος εξυπηρέτησης πελατών. ► Ελέγξτε τον εξαερισμό. ► Καθαρίστε το φίλτρο κάτω από τη συσκευή.

9 Καθαρισμός και φροντίδα



ΠΡΟΕΙΔΟΠΟΙΗΣΗ! Κίνδυνος ηλεκτροπληξίας

Πριν από κάθε εργασία καθαρισμού και συντήρησης, αποσυνδέστε το μίνι μπαρ από το ηλεκτρικό δίκτυο.



ΠΡΟΣΟΧΗ! Κίνδυνος πρόκλησης ζημιάς

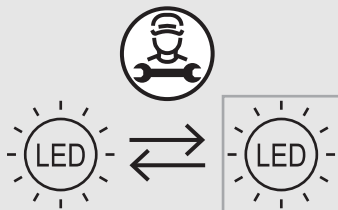
- Για τον καθαρισμό, μη χρησιμοποιείτε τριβικά καθαριστικά μέσα ή σκληρά αντικείμενα, διότι μπορεί να προκαλέσουν ζημιές στο μίνι μπαρ.
- Μην καθαρίζετε ποτέ το μίνι μπαρ κάτω από τρεχούμενο νερό ή μέσα σε σαπουνάδα.
- Μη χρησιμοποιείτε ποτέ σκληρά ή αιχμηρά εργαλεία για την αφαίρεση στρωμάτων πάγου ή την αποκόλληση παγωμένων αντικειμένων από το μίνι μπαρ.
- Μη χρησιμοποιείτε μηχανικά ή άλλα βοηθητικά μέσα, για να επιταχύνετε τη διαδικασία απόψυξης.
- Βεβαιωθείτε ότι δεν στάζει καθόλου νερό μέσα στα λάστιχα στεγανοποίησης, για να αποφύγετε την πρόκληση ζημιάς στα ηλεκτρονικά.

- Καθαρίστε το μίνι μπαρ τακτικά καθώς και σε περίπτωση ρύπανσης, με ένα υγρό πανί.
- Μετά από τον καθαρισμό, σκουπίστε το μίνι μπαρ με ένα στεγνό πανί.
- Ελέγξτε ανά τακτικά διαστήματα τον σωλήνα αποστράγγισης συμπυκνωμάτων.
Καθαρίστε τον σωλήνα αποστράγγισης συμπυκνωμάτων, όταν απαιτείται. Εάν έχει βουλώσει, το νερό συμπύκνωσης θα αρχίσει να συγκεντρώνεται στο κάτω μέρος του μίνι μπαρ.
- Βεβαιωθείτε ότι τα ανοίγματα αερισμού και εξαερισμού του μίνι μπαρ είναι καθαρά από σκόνη και ρύπους, ώστε να μπορεί να απαχθεί η θερμότητα για να μην προκληθεί ζημιά στη συσκευή.



ΠΡΟΣΟΧΗ! Κίνδυνος πρόκλησης ζημιάς

Η φωτεινή πηγή μπορεί να αντικατασταθεί μόνο από τον κατασκευαστή, έναν τεχνικό του τμήματος εξυπηρέτησης πελατών ή έναν άλλο τεχνικό με παρόμοια εξειδίκευση, για να αποφευχθούν τυχόν κίνδυνοι.



10 Εγγύηση

Ισχύει η νόμιμη διάρκεια εγγύησης. Εάν το προϊόν παρουσιάζει ελαττώματα, παρακαλούμε να απευθυνθείτε στο κατάστημα αγοράς ή στην αντιπροσωπεία του κατασκευαστή στη χώρα σας (βλέπε dometic.com/dealer).

Για τυχόν επισκευή ή αξίωση κάλυψης από την εγγύηση, παρακαλούμε να αποστείλετε επίσης τα παρακάτω έγγραφα μαζί με το προϊόν:

- Ένα αντίγραφο της απόδειξης αγοράς με την ημερομηνία αγοράς
- Τον λόγο για την αξίωση κάλυψης από την εγγύηση ή μια περιγραφή του σφάλματος

Λάβετε υπόψη ότι τυχόν επισκευή από εσάς τον ίδιο ή μη επαγγελματική επισκευή ενδέχεται να έχει συνέπειες ασφαλείας καθώς και να αποτελέσει αιτία ακύρωσης της εγγύησης.

11 Απόρριψη

Ανακύκλωση των υλικών συσκευασίας



- ▶ Εάν είναι εφικτό, απορρίψτε τα υλικά συσκευασίας στους αντίστοιχους κάδους ανακύκλωσης.



ΠΡΟΕΙΔΟΠΟΙΗΣΗ! Κίνδυνος πυρκαγιάς

- Το ψυκτικό μέσο είναι εξαιρετικά εύφλεκτο. Μην ανοίγετε ή προκαλείτε ζημιά στο κύκλωμα ψυκτικού μέσου.
- Η μόνωση της συσκευής περιέχει ένα μονωτικό αέριο (βλέπε ετικέτα τύπου). Μην προκαλείτε ζημιά στη μόνωση.

Ανακύκλωση προϊόντων με μη αντικαθιστώμενες μπαταρίες, επαναφορτιζόμενες μπαταρίες ή φωτεινές πηγές




- ▶ Εάν το προϊόν περιέχει μη αντικαθιστώμενες μπαταρίες, επαναφορτιζόμενες μπαταρίες ή φωτεινές πηγές, δεν χρειάζεται να τις αφαιρέσετε πριν από την απόρριψή του.



- ▶ Εάν επιθυμείτε την τελική απόρριψη του προϊόντος, ζητήστε από το τοπικό κέντρο ανακύκλωσης ή έναν εξειδικευμένο αντιπρόσωπο λεπτομερείς πληροφορίες για τη σχετική διαδικασία σύμφωνα με τους ισχύοντες κανονισμούς διάθεσης απορριμμάτων.
- ▶ Το προϊόν μπορεί να απορριφθεί δωρεάν.

12 Τεχνικά χαρακτηριστικά

	DM50NTE D	DM50NTE F
Τάση	100 – 240 V~, 50 – 60 Hz	
Ψυκτική ισχύς	Μέγ. 21 °C κάτω από τη θερμοκρασία περιβάλλοντος (μπορεί να ρυθμιστεί σε τρία βήματα: 5 °C, 7 °C, 12 °C)	
Κατηγορία	2 (κάβα)	
Συνολική χωρητικότητα	50 l	
Τάξη ενεργειακής απόδοσης	G	
Κλιματική κατηγορία	N	
Ψυκτικό μέσο	R600a	
Διαθέσιμη ποσότητα ψυκτικού μέσου	28 g	
Διαστάσεις κύριου συρταριού Π x Β x Υ	430 x 330 x 302 mm	
Διαστάσεις μίνι συρταριού Π x Β x Υ	159 x 285 x 88 mm	
Διαστάσεις Π x Β x Υ	550 x 524 x 418 mm	550 x 496 x 418 mm
Μέγιστο εσωτερικό φορτίο αποθήκευσης	31 kg	
Βάρος	23,5 kg	23,0 kg
Έλεγχος / πιστοποίηση		

Για την τρέχουσα δήλωση συμμόρφωσης ΕΕ για τη συσκευή σας, παρακαλούμε να ανατρέξετε στην αντίστοιχη σελίδα προϊόντος στον ιστότοπο dometic.com ή να επικοινωνήσετε απευθείας με τον κατασκευαστή (βλέπε dometic.com/dealer).

Περαιτέρω πληροφορίες για το προϊόν μπορείτε να λάβετε μέσω του κωδικού QR στην ενεργειακή ετικέτα (βλέπε σχήματα) ή μέσω του eprel.ec.europa.eu.

Η ψυκτική μονάδα είναι σφραγισμένη ερμητικά.

Atidžiai perskaitykite šį gaminio žinyną ir laikykitės visų jame pateiktų nurodymų, rekomendacijų ir įspėjimų, kad įrengtumėte gaminį ir visada juo naudotumėtės bei prižiūrėtumėte tinkamai. Ši instrukcija PRIVALO būti prie gaminio.

Tuo, jog naudojate gaminiu, patvirtinate, kad atidžiai perskaitėte visus nurodymus, rekomendacijas ir įspėjimus ir suprantate čia pateiktas nuostatas ir sąlygas bei sutinkate jų laikytis. Sutinkate naudoti šį gaminį tik pagal numatytą paskirtį, numatytoms reikmėms ir laikydamiesi šiame gaminio žinyne pateiktų nurodymų, rekomendacijų ir įspėjimų bei visų galiojančių įstatymų ir kitų teisės aktų. Neperskaičius ir nesilaikant čia pateiktų nurodymų ir įspėjimų galite susižaloti patys ir sužaloti kitus, sugadinti gaminį arba kitą greta esantį turtą. Šis gaminio žinynas, įskaitant nurodymus, rekomendacijas ir įspėjimus, bei susiję dokumentai, gali būti keičiami ir atnaujinami. Naujausia informacija apie gaminį pateikiama adresu documents.dometic.com.

Turinys

1	Simbolių paaiškinimai	364
2	Saugos instrukcijos	365
3	Pristatoma komplektacija	368
4	Paskirtis	369
5	Techninis aprašymas	370
6	Montavimas	371
7	Valdymas	374
8	Gedimų nustatymas ir šalinimas	375
9	Valymas ir priežiūra	376
10	Garantija	377
11	Utilizavimas	377
12	Techniniai duomenys	378

1 Simbolių paaiškinimai



PAVOJUS!

Saugos nurodymas: Žymi pavojingą situaciją, kuri, jei jos nebus išvengta, baigsis mirtimi arba sunkiu sužalojimu.



ĮSPĖJIMAS!

Saugos nurodymas: Žymi pavojingą situaciją, kuri, jei jos nebus išvengta, gali baigtis mirtimi arba sunkiu sužalojimu.

**PERSPĖJIMAS!**

Saugos nurodymas: Žymi pavojingą situaciją, kurios neišvengus gali būti patirti lengvi arba vidutinio sunkumo sužalojimai.

**PRANEŠIMAS!**

Nurodo situaciją, kurios neišvengus, gresia materialinė žala.

**PASTABA**

Papildoma informacija apie gaminio eksploatavimą.

2 Saugos instrukcijos

2.1 Bendroji sauga



ĮSPĖJIMAS! Nesilaikant šių įspėjimų gali grėsti mirtis arba rimtas susižalojimas.

Elektros srovės pavojus

- Pasirūpinkite, kad minibarą montuotų kvalifikuotas technikas pagal „Dometic“ montavimo vadovą.
- Nenaudokite minibaro, jei jis pastebimai pažeistas.
- Jei minibaro maitinimo laidas pažeistas, jį turi pakeisti gamintojas, paslaugų agentas arba panašią kvalifikaciją turintis asmuo, siekiant išvengti pavojaus saugumui.
- Šį prietaisą gali taisyti tik kvalifikuotas personalas. Netinkamai atliktas remontas gali kelti rimtą pavojų.
- Statydami minibarą įsitinkinkite, kad maitinimo laidas nėra įstrigęs ar pažeistas.
- Įsitinkinkite, kad prietaiso gale nėra kelių nešiojamųjų kištukinių lizdų arba nešiojamųjų maitinimo šaltinių.
- Prietaisą prijunkite prie tinkamos jungties lizdų, ypač tada, kai jį reikia įžeminti.

Gaisro pavojus

- Aušalo grandinėje esantis aušalas yra labai degus. Jei buvo pažeista aušalo grandinė:
 - Minibarą išjunkite.
 - Venkite atviros ugnies ir kibirkščių.
 - Gerai išvėdinkite kambarį.

- Minibaro montavimo angoje turi nebūti jokių elektrinių dalių ir šviesos šaltinių, kurie įprastai ar neįprastai veikdami lemia kibirkščių ar elektros lanko susidarymą (t. y. relių ar saugiklių dėžučių).
- Minibarą sumontavus, turi būti įmanomą atjungti jį nuo maitinimo tinklo. Atjungti pavyksta, jei kištukas yra prieinamas arba kai stacionariuose laiduose įrengiamas jungiklis pagal elektros instaliacijos taisykles.
- Pasirūpinkite, kad minibare ir jo korpuse ar integruotoje konstrukcijoje esančios ventiliacijos angos nebūtų užkimštos.
- Atitirpinimo procesui pagreitinti nenaudokite mechaninių prietaisų ar kitų priemonių, nebent juos yra rekomendavęs gamintojas.
- Jokiu būdu neatidarykite aušalo grandinės.
- Minibaro viduje nenaudokite kitų elektros prietaisų, nebent šiam tikslui juos yra rekomendavęs gamintojas.

Sprogimo pavojus

- Minibare nelaikykite jokių sprogių medžiagų, pavyzdžiui, purškiklių su sprogstamosiomis medžiagomis.

Pavojus sveikatai

- Šį prietaisą gali naudoti vaikai nuo 8 metų ir asmenys, turintys ribotų fizinių, jutiminių ar protinių gebėjimų arba neturintys patirties ir žinių, jei jie yra prižiūrimi arba buvo išmokyti saugiai naudoti prietaisą bei supranta su tuo susijusius pavojus.
- Neleiskite vaikams žaisti su minibaru.
- Vaikams draudžiama šį prietaisą valyti ir atlikti jo techninę priežiūrą be suaugusiųjų priežiūros.
- Vaikai nuo 3 iki 8 metų gali sudėti ir išimti produktus iš minibaro.



PERSPĖJIMAS! Nesilaikant šių įspėjimų gali grėsti nedidelis arba vidutinis susižalojimas.

Privėrimo pavojus

- Nekiškite pirštų tarp vyrių.

Pavojus sveikatai

- Maisto produktus galima laikyti tik originalioje pakuotėje ar tinkamose talpyklose.



PRANEŠIMAS! Žalos pavojus

- Įsitikinkite, kad duomenų skydelyje nurodyta įtampa sutampa su jūsų maitinimo šaltinio įtampa.

- Minibaras netinka laikyti medžiagoms, kurios yra ésdinančios arba kurių sudėtyje yra tirpiklių.
- Aušinimo prietaiso izoliaciją sudaro degus ciklopentanas, todėl reikalinga speciali utilizavimo procedūra. Pasibaigus aušinimo prietaiso naudojimo laikui, perduokite jį atitinkamam perdirbimo centrui.
- Drenažo anga turi būti švari.
- Prietaisą neškite tik vertikaliai.

2.2 Saugos minibaro naudojimas



PAVOJUS! Nesilaikant šių įspėjimų gresia mirtis arba rimtas susižalojimas.

Elektros srovės pavojus

- Nelieskite laidų plikomis rankomis.



PERSPÉJIMAS! Nesilaikant šių įspėjimų gali gręsti nedidelis arba vidutinis susižalojimas.

Elektros srovės pavojus

- Prieš įjungdami minibarą įsitikinkite, kad maitinimo šaltinis ir kištukas yra sausi.

Pavojus sveikatai

- Dėkite į minibarą tik tokius produktus, kuriuos galima vėsinti nustatytoje temperatūroje.
- Maistą galima saugoti tik originalioje pakuotėje ar tinkamose talpyklose.
- Ilgesniam laikui atidarius dureles, gali labai pakilti temperatūra minibaro skyriuose.
- Reguliariai valykite paviršius, kurie gali turėti sąlytį su maistu ir pasiekiamomis drenažo sistemomis.
- Jei minibaras paliekamas tuščias ilgesniam laikui:
 - Minibarą išjunkite.
 - minibarą atšildykite;
 - išvalykite ir nusausinkite;
 - norėdami išvengti pelėsio susidarymo, palikite praviras dureles.

**PRANEŠIMAS!****Žalos pavojus**

- Nestatykite minibaro šalia atviros liepsnos ar kitų šilumos šaltinių (degančių žvakių, šildytuvų, tiesioginės saulės šviesos, dujinių orkaitių ir pan.).
- Niekada nemerkite prietaiso į vandenį.
- Saugokite minibarą ir laidą nuo karščio bei drėgmės.
- Užtikrinkite, kad maisto produktai nesiliestų prie šaldymo skyriaus sienelių.

3 Pristatoma komplektacija

Siūlomi šie pagrindiniai modeliai:

- Minibaras DM50NTE D su durelių plokšte, be užrakto
- Minibaras DM50NTE D su durelių plokšte ir užrakto
- Minibaras DM50NTE F be durelių plokštės ir užrakto
- Minibaras DM50NTE F be durelių plokštės, su užrakto

Kiekis	Aprašymas	
1	Minibaro stalčius	
1	230 V~ jungties kabelis	
4	Varžtas $\varnothing 4 \times 45$ mm (montavimui)	
4	Kaištis (montavimui)	
1	Rankenėlė	(tik DM50NTE D modeliui)
2	Kaištis (rankenėlės montavimui)	(tik DM50NTE D modeliui)
1	Įleidimo angos filtras	
6	Varžtas $\varnothing 3 \times 12$ mm (filtro montavimui)	
2	Kaištis (medinės plokštės)	(tik DM50NTE F modeliui su medine plokšte)
1	Užrakto apdaila (medinės plokštės)	(tik DM50NTE F modeliui su medine plokšte ir užrakto)
2	Rodyklė	(tik modeliui su užrakto)
1	Montavimo ir naudojimo vadovas	

4 Paskirtis

Šaldymo prietaisas (dar vadinamas minibaru) skirtas gėrimų bei maisto produktų uždarose talpyklose aušinimui ir laikymui.

Minibarą galima naudoti kruizinuose laivuose arba butyje ir panašiose vietose, pvz:

- parduotuvių, biurų ir kitų darbo vietų virtuvėse;
- ūkiuose;
- viešbučiuose, moteliuose ir kitose apgyvendinimo paslaugas teikiančiose vietose;
- viešbučiuose, teikiančiuose nakvynės ir pusryčių paslaugą;
- maitinimo ir panašios ne mažmeninės prekybos paskirties patalpose.

Minibaras **neskirtas** montuoti karavanuose ar mobiliuosiuose nameliuose.

Minibarą galima montuoti spintelėje arba montavimo nišoje. Žr. montavimo instrukcijas.

Minibaras **netinka**

- saugoti šaldinančias, kaustines ar tirpiklių turinčias medžiagas.
- šviežius maisto produktus ar vaistus;
- maisto produktus užšaldyti.

Šis gaminį galima naudoti tik pagal numatytą paskirtį ir vadovaujantis šiomis instrukcijomis.

Šiame vadove pateikiama informacija, reikalinga tinkamam gaminio įrengimui ir (arba) naudojimui. Dėl prasto įrengimo ir (arba) netinkamo naudojimo būdo ar techninės priežiūros gaminys gali netinkamai veikti ir sugesti.

Gamintojas neprisiims atsakomybės už patirtus sužeidimus ar žalą gaminiui, atsiradusią dėl šių priežasčių:

- Neteisingo surinkimo ar prijungimo, įskaitant perteklinę įtampą
- Netinkamos techninės priežiūros arba jeigu buvo naudotos neoriginalios, gamintojo nepateiktos atsarginės dalys
- Gaminio pakeitimai be aiškaus gamintojo leidimo
- Naudojimas kitais tikslais, nei nurodyta šiame vadove

„Dometic“ pasilieka teisę keisti gaminio išvaizdą ir specifikacijas.

5 Techninis aprašymas

Minibare įrengtas pagrindinis stalčius buteliams ir skardinėms, taip pat mažas stalčius nedideliems buteliukams ir užkandžiams. Pagrindiniame stalčiuje telpa 33 buteliai, kurių didžiausias aukštis – 28 cm.

DM 50NTE D: Modelis gamykloje sumontuotas su durelių plokšte ir rankenėle.

DM 50NTE F: Modelis tiekiamas be durelių plokštės ir yra paruoštas taip, kad prie jo būtų galima derinti viešbučio durelių apdailą.

5.1 Prietaiso aprašymas

Priekinė plokštė

Nr. 1 pav., 3 psl.	Aprašymas
1	Užraktas (pasirenkamas priedas)
2	Rankenėlė (tik DM50NTE D modeliui)
3	Durelių plokštė (tik DM50NTE D modeliui)

Galinė pusė

Nr. 2 pav., 3 psl.	Aprašymas
1	Tinklo adapteris
2	12 V $\overline{=}$ kištukinis lizdas
3	Lašų surinkimo padėklas
4	Šildymo vamzdis

Valdymo skydelis (prietaiso viduje)

Nr. 3 pav., 4 psl.	Aprašymas
1	Lemputė
2	Klaidos pranešimo LED indikatorius

Nr. 3 pav., 4 psl.	Aprašymas
3	Maitinimo būsenos LED indikatorius
4	Nustatymo mygtukas

Pagrindinis stalčius

Nr. 4 pav., 4 psl.	Aprašymas
1	Plati pertvara
2	Skirtukas
3	Maža pertvara
4	Butelių lentynėlė

Mažas stalčius

Nr. 5 pav., 5 psl.	Aprašymas
1	Besisukanti pertvara
2	Mažų butelių laikiklis

6 Montavimas



PERSPĖJIMAS! Pavojus sveikatai

Prietaisą būtina pritvirtinti pagal instrukcijas, kad būtų išvengta pavojaus dėl jo nestabilumo.

6.1 Minibaro montavimas į baldus



NOTICE! Žalos pavojus

Oro įleidimo ortakio tekantis oras turi būti nešildomas. Nestatykite minibaro šalia atviros liepsnos ar kitų šilumos šaltinių (šildytuvų, tiesioginės saulės šviesos, dujinių orkaitių ir pan.).

Galima įmontuoti minibarą balduose keliais būdais.

1. Pasirinkite norimą montavimo variantą (**6** pav., 6 psl.).
2. Montavimo niša turi atitikti reikalavimus (**6** pav., 6 psl.)
d yra viešbutyje naudojamos apdailos storis.
3. Būtina tinkamai pasirinkti minibaro padėtį ir ventiliacijos angų vietą, kad būtų pakankamas oro srautas (**8** pav., 7 psl.).
4. Išlaikykite būtinąjį atstumą tarp galinės minibaro pusės ir baldo sienelės (**10** pav., 8 psl.).
5. Padarykite ventiliacijos angas, kaip parodyta **9** pav., 7 psl..
6. Padarykite papildomą ventiliacijos angą montavimo nišos apačioje (**11** pav., 8 psl.).
Išmatuokite atstumą nuo minibaro durelių priekinės dalies, **neįskaičiuodami** jokios papildomos apdailos.

Nr. 12 pav., 8 psl.	Aprašymas
1	Varžtas $\varnothing 4 \times 45$ mm
2	Kaištis

7. Tvirtinkite šaldytuvą jo vietoje tinkamais varžtais (**12** pav. **1**, 8 psl.).
8. Įkiškite keturis kaiščius (**12** pav. **2**, 8 psl.) į kiaurymę.

6.2 Minibaro prijungimas prie elektros tinklo

- ▶ 230 V prijungimo kabelį junkite prie kintamosios srovės įtampos lizdo ir prijunkite jį prie 230 V kintamosios srovės maitinimo tinklo.
- ✓ Maitinimo būsenos LED indikatorius ir lemputė dega.
- ✓ Prietaisas pradeda vėsinti vidų.

6.3 Viešbučio durelių apdailos montavimas (tik DM50NTE F modeliui)

Viešbučio durelių apdaila turi atitikti šiuos reikalavimus:

- Didžiausias svoris: 4 kg
- Didžiausias storis: 18 mm (tik modeliui su užraktu)
- ▶ Apdailą tvirtinkite keturiais varžtais.

6.4 Užrakto montavimas (tik modeliui su užraktu)

1. Apdailoje išgręžkite 35 mm skersmens skylę.
2. Užraktą montuokite kartu su užrakto apdaila.

6.5 Užrakto montavimas (tik modeliui be užrakto)

Stalčiaus išmontavimas (13 pav., 9 psl.)

1. Pilnai atidarykite stalčių (A).
2. Paspauskite bėgių užraktą (A 1).
3. Ištraukite stalčių iš spintelės (B).

Tik DM50NTE D modeliui:

1. nuo durelių rankenėlės (C 3) varžtų (C 2) nuimkite du kaiščius (C 1).
2. Atsukite du varžtus (C 2), esančius ant durelių rankenėlės.
3. Durelių rankenėlę nuimkite (C 3).
4. Išimkite tarpiklį.
5. Nuimkite užrakto dangtelį.

Angų gręžimas (14 pav., 9 psl.)

1. Per apdailą (tik DM50NTE D modeliui) ir dureles išgręžkite 23,6 mm skersmens angą (A 1).
2. Nuo apdailos rėmo (B 2) (tik DM50NTE D modeliui) atsukite dvylika varžtų (B 1).
3. Apdailos rėmą nuimkite (tik DM50NTE D modeliui).

Užrakto surinkimas (15 pav., 10 psl.)

1. Uždėkite naują užrakto dangtelį (A 1).
2. Apdailą (B 1) tvirtinkite prie apdailos rėmo.
3. Apdailos rėmą (B 3) sukite (B 2) prie durelių.
4. Montuokite durelių užraktą (C 1).
5. Į spintelę įstatykite užrakto fiksatorių (D 1).

Stalčiaus surinkimas (16 pav., 10 psl.)

1. Ant apdailos rėmo (2) uždėkite tarpiklį (1).
2. Prie durelių prisukite rankenėlę (4).
3. Į durelių rankenėlės (4) varžtus įstumkite kaiščius (3).
4. Įdėkite stalčių į spintelę.

7 Valdymas

7.1 Prieš pirmąjį naudojimą

Prieš naudodami minibarą pirmą kartą, dėl higienos nuvalykite jo vidų ir išorę drėgna šluoste (taip pat žr. skyrius „Valymas ir priežiūra“ 376 psl.).

7.2 Energijos taupymas

- Mini barą atidarinėkite tik tiek kartų ir tiek laiko, kiek būtina.
- Be reikalo nemažinkite temperatūros.
- Siekiant užtikrinti optimalų energijos suvartojimą, lentynas ir stalčius reikėtų išdėstyti taip, kaip buvo pristatymo metu.
- Reguliariai tikrinkite, ar durelių sandariklis užtikrina sandarumą.
- Reguliariais intervalais išvalykite dulkes ir purvą iš kondensatoriaus.

7.3 Minibaro naudojimas

Minibaras pradedamas aušinti, kai prijungiate prie maitinimo šaltinio. Įprasto veikimo metu šviečia maitinimo būsenos LED indikatorius. Jei įvyksta gedimas, mirksi klaidos LED indikatorius (žr. skyrius „Gedimų nustatymas ir šalinimas“ 375 psl.).

7.4 Temperatūros nustatymas

Norėdami išvengti maisto švaistymo, atkreipkite dėmesį į šiuos dalykus:

- Užtikrinkite kuo mažesnę temperatūros svyravimą. Mini barą atidarinėkite tik tiek kartų ir tiek laiko, kiek būtina. Maisto produktus saugokite taip, kad oras galėtų laisvai cirkuluoti.
- Minibare įrengta automatinio temperatūros reguliavimo funkcija. Pasirinkite galimų temperatūros verčių vidurkį.
- Temperatūrą reguliuokite atsižvelgdami į maisto produktų kiekį ir rūšį.

Pagal numatytuosius nustatymus minibaras nustatomas į 7 °C šaldymo temperatūrą, kai aplinkos temperatūra – 25 °C.

Naudodami nustatymo mygtuką galite nustatyti vieną iš trijų toliau nurodytų verčių: 5 °C, 12 °C ir 7 °C.

Aušinimo temperatūra nustatoma tokia seka: 5 °C ... 12 °C ... 7 °C ... 5 °C ir t. t.

1. Paspauskite ir palaikykite nustatymo mygtuką (3 pav. 4, 4 psl.) bent 5 sekundes, kol vidaus lemputė (3 pav. 1, 4 psl.) pradės mirksėti.
 2. Dar kartą paspauskite nustatymo mygtuką ir pasirinkite norimą aušinimo temperatūrą.
- ✓ Vidaus lemputė mirksi. Mirksėjimų skaičius rodo nustatytą temperatūrą. Mirksintis signalas kartojamas trim intervalais:
- lemputė mirksi **penkis kartus**: 5 °C
 - lemputė mirksi **kartą**: 12 °C
 - lemputė mirksi **tris kartus**: 7 °C

8 Gedimų nustatymas ir šalinimas

Triktis	Galima priežastis	Siūlomas sprendimas
Minibaras neveikia . Maitinimo būsenos LED indikatorius nedega.	Kintamosios srovės įtampos lizde nėra įtampos.	► Pabandykite naudoti kitą kištukinį lizdą.
	Tinklo adapteris sugedęs.	► Kreipkitės į įgaliotąjį techninės priežiūros atstovą.
Minibaras neaušina . Kištukas įjungtas, šviečia maitinimo būsenos LED indikatorius.	Aušinimo elementas sugedęs.	► Kreipkitės į įgaliotąjį techninės priežiūros atstovą.
Klaidos LED indikatorius mirksi kas sekundę.	Temperatūros jutiklis sugedęs.	► Kreipkitės į įgaliotąjį techninės priežiūros atstovą.
Minibaras neaušina tinkamai . Dega maitinimo būsenos LED indikatorius, bet nedega klaidos LED indikatorius.	Aušinimo elementas sugedęs. Silpnai vėdina.	► Kreipkitės į įgaliotąjį techninės priežiūros atstovą. ► Patikrinkite vėdinimą. ► Nuvalykite filtrą, esantį po prietaisu.

9 Valymas ir priežiūra



ĮSPĖJIMAS! Elektros srovės pavojus

Prieš valydami ir atlikdami techninės priežiūros darbus, visada atjunkite minibarą nuo elektros tinklo.



PRANEŠIMAS! Žalos pavojus

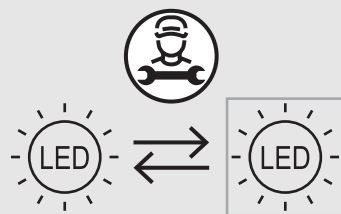
- Valymui nenaudokite abrazyvinių valymo priemonių ar kietų objektų, nes jie gali pažeisti minibarą.
- Niekada neplaukite prietaiso po tekančiu vandeniu arba nešvarime vandenyje.
- Niekada nenaudokite kietų ar aštrių įrankių ledui pašalinti arba prišalusiesiems daiktams ištraukti.
- Nenaudokite jokių mechaninių ar kitokių įrankių atitirpinimo procesui pagreitinti.
- Siekdami nepažeisti elektrinių dalių, užtikrinkite, kad į sandariklius nepatektų vandens.

- ▶ Reguliariai drėgna šluoste valykite prietaisą, kai tik jis užsiteršia.
- ▶ Po valymo minibarą nusausinkite šluoste.
- ▶ Reguliariai tikrinkite kondensato išleidimo angą. Jei reikia, išvalykite kondensato nutekėjimo vamzdį. Jei jis užsikimšęs, kondensatas kaupiasi ant minibaro dugno.
- ▶ Įsitinkite, kad prietaiso oro įleidimo ir išleidimo angose nėra dulkių ar nešvarumų, kad šiluma galėtų išeiti ir nepažeisti prietaiso.



PRANEŠIMAS! Žalos pavojus

Siekiant išvengti pavojaus, apšvietimo šaltinį gali pakeisti tik gamintojas, klientus aptarnaujantis tarpininkas arba panašus kvalifikuotas asmuo.



10 Garantija

Taikomas įstatymų nustatytas garantinis laikotarpis. Jei gaminys pažeistas, kreipkitės į mažmeninę arba į gamintojo atstovybę savo šalyje (žr. dometic.com/dealer).

Jei reikalingas remontas ir garantinis aptarnavimas, pristatydami gaminį pateikite šiuos dokumentus:

- Kvito kopiją su nurodyta pirkimo data
- Pretenzijos priešastį arba gedimo aprašymą

Atkreipkite dėmesį, kad remontas savo jėgomis arba neprofesionalus remontas gali turėti pasekmių saugumui ir gali panaikinti garantiją.

11 Utilizavimas

Pakavimo medžiagos perdirbimas



- Jei įmanoma, pakavimo medžiagą sudėkite į atitinkamas perdirbimo šiukšlinėdes.



ĮSPĖJIMAS! Gaisro pavojus

- Šaltnešis yra labai degus. Neatidarykite ir nepažeiskite šaltnešio kontūro.
- Prietaiso izoliacijoje yra izoliuojančios dujos (žr. duomenų plokštelę). Nepažeiskite izoliacijos.

Gaminių, kurių sudėtyje yra nekeičiami akumuliatoriai, įkraunami akumuliatoriai ir šviesos šaltiniai perdirbimas




- Jei gaminio sudėtyje yra nekeičiamų akumuliatorių, įkraunamų akumuliatorių ar šviesos šaltinių, prieš utilizuojant jų išimti nereikia.



- Jei norite utilizuoti gaminį, kreipkitės į vietinį perdirbimo centrą arba specializuotą prekybos atstovą, kuris nurodys, kaip tai padaryti pagal galiojančias atliekų šalinimo taisykles.
- Produktą galima utilizuoti nemokamai.

12 Techniniai duomenys

	DM50NTE D	DM50NTE F
Įtampa	100 – 240 V~, 50 – 60 Hz	
Aušinimo pajėgumas	maks. 21 °C žemesnė už aplinkos temperatūrą (reguliuojama trim etapais: 5 °C, 7 °C, 12 °C)	
Kategorija	2 (gamybos)	
Bendrasis tūris	50 l	
Energinio naudingumo klasė	G	
Klimato klasė	N	
Aušalas	R600a	
Aušalo kiekis	28 g	
Pagrindinio stalčiaus matmenys (plotis x gylis x aukštis)	430 x 330 x 302 mm	
Mažo stalčiaus matmenys (plotis x gylis x aukštis)	159 x 285 x 88 mm	
Matmenys (plotis x gylis x aukštis)	550 x 524 x 418 mm	550 x 496 x 418 mm
Didžiausia vidaus apkrova	31 kg	
Svoris	23,5 kg	23,0 kg
Patikra / sertifikavimas		

Dėl dabartinės jūsų prietaiso ES atitikties deklaracijos žr. atitinkamą gaminio puslapį svetainėje dometic.com arba susisiekite su gamintoju tiesiogiai (žr. dometic.com/dealer).

Daugiau informacijos apie gaminį galite rasti nuskaityę QR kodą energijos vartojimo efektyvumo etiketės paveikslėlyje arba eprel.ec.europa.eu.

Aušinimo prietaisas hermetiškai užsandarintas.

Lūdzu, rūpīgi izlasiet šīs lietošanas rokasgrāmatas norādījumus un ievērojiet visus norādījumus, vadlīnijas un brīdinājumus, kas ietverti šajā produkta rokasgrāmatā, lai nodrošinātu, ka produkts vienmēr tiek pareizi uzstādīts, lietots un apkopots. Šie norādījumi ir JĀGLABĀ kopā ar produktu.

Lietojot šo produktu jūs apstiprināt, ka visi norādījumi, vadlīnijas un brīdinājumi ir izlasīti, saprasti, un jūs piekristat ievērot noteikumus un nosacījumus, kas izklāstīti šajā rokasgrāmatā. Jūs piekristat lietot šo produktu tikai tam paredzētajam nolūkam un pielietojumam, un saskaņā ar norādījumiem, vadlīnijām un brīdinājumiem, kas izklāstīti šajā produkta rokasgrāmatā, kā arī saskaņā ar piemērojamiem tiesību aktiem un noteikumiem. Neizlasot un neievērojot instrukcijas un brīdinājumus, kas izklāstīti šajā rokasgrāmatā, varat radīt savainojumus sev un citiem, nodarīt bojājumus produktam vai bojājumus citam tuvumā esošajam īpašumam. Šī produkta rokasgrāmatā, tostarp norādījumi, vadlīnijas un brīdinājumi, un saistītā dokumentācija var mainīties vai tikt atjaunota. Lai iegūtu jaunāko produkta informāciju, lūdzu, apmeklējiet vietni documents.dometic.com.

Saturs

1	Simbolu skaidrojums	379
2	Drošības norādes	380
3	Piegādes komplektācija	383
4	Paredzētais izmantošanas mērķis	384
5	Tehniskais apraksts	385
6	Uzstādīšana	386
7	Ekspluatācija	389
8	Problēmrisināšana	391
9	Tīrīšana un apkope	392
10	Garantija	393
11	Atkritumu pārstrāde	393
12	Tehniskie dati	394

1 Simbolu skaidrojums



BĪSTAMI!

Drošības norāde: Apzīmē bīstamu situāciju, kas izraisīs nāvējošus vai nopietnus savainojumus, ja netiks novērsta.



BRĪDINĀJUMS!

Drošības norāde: Apzīmē bīstamu situāciju, kas var izraisīt nāvējošus vai nopietnus savainojumus, ja netiks novērsta.

**ESIET PIESARDŽĪGI!**

Drošības norāde: Apzīmē bīstamu situāciju, kas var izraisīt vieglus vai vidēji smagus savainojumus, ja netiks novērsta.

**NEMIET VĒRĀ!**

Apzīmē bīstamu situāciju, kas var izraisīt materiālu kaitējumu, ja netiks novērsta.

**PIEZĪME**

Papildu informācija produkta lietošanai.

2 Drošības norādes

2.1 Vispārīga drošība



BRĪDINĀJUMS! Šo brīdinājumu neievērošana var izraisīt nāvējošas vai smagas traumas.

Nāvējoša elektrošoka risks

- Nodrošiniet, lai minibāru uzstādītu kvalificēts tehniķis saskaņā ar Dometic uzstādīšanas rokasgrāmatu.
- Nelietojiet minibāru, ja tam ir redzami bojājumi.
- Ja šī minibāra elektrības vads ir bojāts, tā nomaiņu drīkst veikt ražotājs, servisa pārstāvis vai līdzvērtīgi kvalificēta persona, lai izvairītos no drošības apdraudējuma.
- Šī minibāra remontu drīkst veikt tikai kvalificēts speciālists. Nepareizi veikts remonts var radīt nopietnus apdraudējumus.
- Novietojiet minibāru tā, lai elektrības vads netiktu saspiests vai bojāts.
- Nenovietojiet aiz ierīces pagarinātājus ar vairākām kontaktligzdām vai pārnēsājamās barošanas avotus.
- Pievienojiet ierīci tikai tādām kontaktligzdām, kas nodrošina pareizu savienojumu - it īpaši, kad ierīcei nepieciešams zemējums.

Ugunsdrošības apdraudējums

- Aukstumaģenta sistēmā esošais aukstumaģents ir ļoti viegli uzliesmojošs.
Ja ir bojāta aukstumaģenta sistēma:
 - izslēdziet minibāru;
 - nepieļaujiet atklātas liesmas un dzirksteļu klātbūtni;
 - labi izvēdiniet telpu.
- Minibāra uzstādīšanas nišā nedrīkst atrasties nekāds elektriskais aprīkojums un gaismas avoti, kas normālas vai anormālas darbības laikā var radīt dzirksteles vai lokizlādi (piemēram, releji vai kūstošo drošinātāju kārbas).
- Pēc uzstādīšanas jābūt iespējai atvienot minibāru no elektrotīkla. To var panākt, nodrošinot pieeju kontaktligzdai, vai ierīkojot slēdzi fiksētajā vadojumā saskaņā ar noteikumiem.
- Nenospredziet minibāra korpusa vai iekšējās ventilācijas atveres.
- Neizmantojiet mehāniskas ierīces vai citas metodes, lai paātrinātu atkausēšanas procesu, izņemot tādas, kuras ražotājs paredzējis šādam nolūkam.
- Nekādā gadījumā neatveriet aukstumaģenta sistēmu.
- Nelietojiet minibāra iekšpusē elektroierīces, izņemot tādas, kuru ražotājs ir paredzējis lietošanu šādam nolūkam.

Sprādzienbīstamība

- Neuzglabājiet minibārā sprādzienbīstamas vielas, piemēram, aerosolu baloniņus ar propelentiem.

Apdraudējums veselībai

- Bērni, kas sasnieguši 8 gadu vecumu, un personas ar ierobežotām fiziskām, uztveres vai garīgām spējām vai bez pieredzes un zināšanām šo minibāru drīkst lietot tikai tad, ja šādas personas tiek uzraudzītas vai ir saņēmušas norādījumus par ierīces drošu lietošanu, un ir izpratušas iespējamus riskus.
- Neļaujiet bērniem rotaļāties ar minibāru.
- Bērni drīkst tīrīt ierīci un veikt tās apkopi tikai pieaugušo uzraudzībā.
- Bērniem vecumā no 3 līdz 8 gadiem ir atļauts piepildīt un iztukšot minibāru.



ESIET PIESARDZĪGI! Šo brīdinājumu neievērošana var izraisīt vieglas vai vidēji smagas traumas.

Saspiešanas risks

- Sargājiet pirkstus no eņģēm.

Apdraudējums veselībai

- Pārtikas produktus drīkst uzglabāt tikai oriģinālajā iepakojumā vai piemērotos traukos.

**NEMIET VĒRĀ! Bojājumu risks**

- Pārliecinieties, ka elektrotīkla spriegums atbilst uz marķējuma plāksnītes norādītajam.
- Minibārs nav piemērots kodīgu vai šķīdinātājus saturošu vielu uzglabāšanai.
- Dzesēšanas ierīces izolācijas sastāvā ir uzliesmojoša viela ciklopentāns, kam ir nepieciešami īpaši utilizēšanas pasākumi. Dzesēšanas ierīces kalpošanas laika beigās nododiet to atbilstošā atkritumu pārstrādes punktā.
- Drenāžas atverei vienmēr ir jābūt tīrai.
- Pārvietojiet minibāru tikai vertikālā stāvoklī.

2.2 Droša minibāra lietošana**BĪSTAMI! Šo brīdinājumu neievērošana izraisīs nāvējošas vai smagas traumas.****Nāvējoša elektrošoka risks**

- Nepieskarieties vaļējiem vadiem ar kailām rokām.

**ESIET PIESARDZĪGI! Šo brīdinājumu neievērošana var izraisīt vieglas vai vidēji smagas traumas.****Nāvējoša elektrošoka risks**

- Pirms minibāra ieslēgšanas pārliecinieties, ka elektrības vads un kontaktdakša ir sausa.

Apdraudējums veselībai

- Ievietojiet minibārā tikai tādus produktus, kurus drīkst atdzesēt izvēlētajā temperatūrā.
- Pārtikas produktus drīkst uzglabāt tikai oriģinālajā iepakojumā vai piemērotos traukos.
- Ilgstoša durvju atvēršana var izraisīt būtisku temperatūras paaugstināšanos minibāra nodalījumos.
- Regulāri notīriet virsmas, kas var nonākt saskarē ar pārtiku, un izplūdes sistēmas, kurām var piekļūt.

- Ja minibārs ilgstoši tiek atstāts tukšs:
 - izslēdziet minibāru;
 - atkausējiet minibāru;
 - iztīriet un izžāvējiet minibāru;
 - atstājiet durvis atvērtas, lai minibārā neveidotos pelējums.



ŅEMĪET VĒRĀ!

Bojājumu risks

- Nenovietojiet minibāru atklātas liesmas vai citu siltuma avotu (degošu sveču, sildītāju, tiešu saules staru, gāzes plīšu u.c.) tuvumā.
- Nekādā gadījumā neiegremdējiet minibāru ūdenī.
- Sargājiet minibāru un elektrības vadu no karstuma un mitruma.
- Nodrošiniet, lai pārtikas produkti nepieskartos dzesēšanas kameras sienām.

3 Piegādes komplektācija

Ir pieejamas tālāk norādītās galvenās alternatīvas.

- Minibārs DM50NTE D ar durvju paneli, bez slēdzenes
- Minibārs DM50NTE D ar durvju paneli, ar slēdzeni
- Minibārs DM50NTE F bez durvju paneļa, bez slēdzenes
- Minibārs DM50NTE F bez durvju paneļa, ar slēdzeni

Daudzums	Apraksts
1	Minibāra atvilktnē
1	Vads 230 V~ savienojumam
4	Skrūve, ø4 x 45 mm (uzstādīšana)
4	Aizbāznis (uzstādīšana)
1	Rokturis (tikai DM50NTE D modelim)
2	Aizbāznis (roktura uzstādīšana) (tikai DM50NTE D modelim)
1	Ieplūdes filtrs
6	Skrūve, ø3 x 12 mm (filtra uzstādīšana)
2	Aizbāznis (koka panelis) (tikai DM50NTE F koka versijai)
1	Slēdzenes dekors (koka panelis) (tikai DM50NTE F koka versijai ar slēdzeni)

Daudzums	Apraksts
2	Atslēgas (tikai versijai ar slēdzeni)
1	Uztādīšanas un lietošanas rokasgrāmata

4 Paredzētais izmantošanas mērķis

Dzesēšanas ierīce (saukta arī par minibāru) ir piemērota dzērienu un pārtikas produktu atdzesēšanai un sildīšanai noslēgtos traukos.

Minibārs paredzēts lietošanai uz kruīza kuģiem, mājāsaimniecībā vai līdzīgiem mērķiem, piemēram:

- personāla virtuvēs veikalos, birojos un citās darba telpās;
- lauku mājās;
- viesnīcās, moteļos un citu veidu uzturēšanās vietās;
- pansijas veida uzturēšanās vietās;
- pārtikas produktu piegādei un līdzīgam pielietojumam, kas nav saistīts ar mazumtirdzniecību.

Minibārs **nav** paredzēts uzstādīšanai tūrisma furgonos vai dzīvojamajos treileros.

Minibārs ir piemērots iebūvēšanai mēbelēs vai nišā. Skatiet uzstādīšanas norādījumus.

Minibārs **nav** piemērots:

- korozīvu, kodīgu vai šķīdinātājus saturošu vielu uzglabāšanai.
- svaigu pārtikas produktu vai medikamentu uzglabāšanai;
- pārtikas produktu sasaldēšanai.

Šis produkts ir piemērots tikai paredzētajam mērķim un lietojumam saskaņā ar šo instrukciju.

Šajā rokasgrāmātā ir sniegta informācija, kas nepieciešama pareizai produkta uzstādīšanai un/vai lietošanai. Nekvalitatīva uzstādīšana un/vai nepareiza lietošana vai apkope izraisīs neatbilstošu darbību un iespējamus bojājumus.

Ražotājs neuzņemas atbildību par savainojumiem vai produkta bojājumiem, kas radušies šādu iemeslu dēļ:

- nepareiza montāža vai pievienošana, tostarp pārmērīgs spriegums;
- nepareiza apkope vai tādu neoriģinālo rezerves daļu, kuras nav piegādājis ražotājs, lietošana;
- produkta modifikācijas, kuras ražotājs nav nepārprotami apstiprinājis;

- lietošana citiem mērķiem, kas nav aprakstīti šajā rokasgrāmatā.

Dometic patur tiesības mainīt produkta ārējo izskatu un specifikācijas.

5 Tehniskais apraksts

Minibāram ir galvenā atvilktnē pudelēm un dzērienu skārdenēm, kā arī mini atvilktnē sīkumiem un uzkodām. Galvenajā atvilktnē paredzēta vieta 33 pudelēm, kuru augstums nepārsniedz 28 cm.

DM 50NTE D Modelis no rūpnīcas aprīkots ar durvju paneli un rokturi.

DM 50NTE F Modelis tiek piegādāts bez durvju paneļa un ir sagatavots viesnīcā izmantotā durvju dekora uzstādīšanai.

5.1 Ierīces apraksts

Priekšējais panelis

Nr. att. 1 , 3. lpp.	Apraksts
1	Slēdzene (izvēles aprīkojums)
2	Rokturis (tikai DM50NTE D modelim)
3	Durvju panelis (tikai DM50NTE D modelim)

Aizmugure

Nr. att. 2 , 3. lpp.	Apraksts
1	Elektrotīkla adapteris
2	12 V= kontaktligzda
3	Notecējumu trauks
4	Siltumcaurule

Vadības panelis (ierīces iekšpusē)

Nr. att. 3 , 4. lpp.	Apraksts
1	Apgaismojums
2	Kļūdas gaismas diode
3	Barošanas statusa gaismas diode
4	Iestatījumu poga

Galvenā atvilktnē

Nr. att. 4 , 4. lpp.	Apraksts
1	Platais sadalītājs
2	Atdalītājs
3	Mazais sadalītājs
4	Pudeļu turētājs

Mini atvilktnē

Nr. att. 5 , 5. lpp.	Apraksts
1	Rotējošs sadalītājs
2	Mini pudeļu turētājs

6 Uzstādīšana



ESIET PIESARDZĪGI! Apdraudējums veselībai

Lai izvairītos no apdraudējuma, kas var rasties ierīces nestabilitātes dēļ, tā jānostiprina saskaņā ar norādījumiem.

6.1 Minibāra iebūvēšana mēbeļu konstrukcijā



NOTICE! Bojājumu risks

Caur iepļūdes gaisa kanālu plūstošais gaiss nedrīkst tikt sildīts. Nenovietojiet minibāru atklātas liesmas vai citu siltuma avotu (sildītāju, tiešu saules staru, gāzes plīšu u.c.) tuvumā.

Minibāru var iebūvēt mēbelēs četros veidos.

1. Izvēlieties vēlamo uzstādīšanas veidu (att. **6**, 6. lpp.).
2. Ņemiet vērā uzstādīšanai nepieciešamo padziļinājumu (att. **6**, 6. lpp.)
d ir viesnīcas dekora biežums.
3. Ņemiet vērā minibāra un ventilācijas atveru pareizo uzstādīšanas veidu, lai nodrošinātu pareizu gaisa plūsmu (att. **8**, 7. lpp.).
4. Nodrošiniet minimālo atstatumu starp minibāra aizmuguri un mēbeļu sienu (att. **10**, 8. lpp.).
5. Izvietojiet ventilācijas atveres tā, kā parādīts att. **9**, 7. lpp..
6. Nodrošiniet papildu ventilācijas atveri uzstādīšanas nišas apakšā (att. **11**, 8. lpp.).

Nomēriet attālumu no minibāra durvju priekšējās daļas, **neņemot vērā** nekādu esošo dekoru.

Nr. att. 12 , 8. lpp.	Apraksts
1	Skrūve, ø4 x 45 mm
2	Aizbāznis

7. Nostipriniet ledusskapi vietā, izmantojot piemērotas skrūves (att. **12 1**, 8. lpp.).
8. Ievietojiet četrus aizbāžņus (att. **12 2**, 8. lpp.) urbumos.

6.2 Minibāra elektriskais pieslēgums

- Ievietojiet 230 V savienojuma vadu maiņstrāvas kontaktligzdā, un pievienojiet to 230 V maiņstrāvas elektrotīklam.
- ✓ Barošanas statusa gaismas diode un apgaismojums ieslēdzas.
- ✓ Minibārs sāk dzesēšanu.

6.3 Esošā viesnīcas durvju dekora uzstādīšana (tikai DM50NTE F modelim)

Esošajam viesnīcas durvju dekoram jāatbilst tālāk norādītajām prasībām.

- Maksimālais svars: 4 kg
 - Maksimālais biezums: 18 mm (tikai versijai ar slēdzeni)
- Nostipriniet dekoru ar četrām skrūvēm.

6.4 Slēdzenes uzstādīšana (tikai versijai ar slēdzeni)

1. Veiciet dekorā urbumu 35 mm diametrā.
2. Uzstādiet slēdzeni kopā ar slēdzenes dekoru.

6.5 Slēdzenes uzstādīšana (tikai versijai bez slēdzenes)

Atvilktnes demontāža (att. 13, 9. lpp.)

1. Pilnībā atveriet atvilktni (A).
2. Nospiediet slīdes fiksatoru (A1).
3. Izvelciet atvilktni no skapja (B).

Tikai DM50NTE D modelim.

1. Izņemiet abus durvju roktura (C3) skrūvju (C2) aizbāžņus(C1).
2. Atskrūvējiet abas durvju roktura skrūves (C2).
3. Noņemiet durvju rokturi (C3).
4. Noņemiet blīvi.
5. Noņemiet slēdzenes vāciņu.

Urbumu veikšana (att. 14, 9. lpp.)

1. Veiciet urbumu (A1) 23,6 mm diametrā cauri dekoram (tikai DM50NTE D modelim) un durvīm.
2. Atskrūvējiet dekora rāmja (B2) (tikai DM50NTE D modelim) divpadsmit skrūves (B1).
3. Noņemiet dekora rāmi (tikai DM50NTE D modelim).

Slēdzenes montāža (att. 15, 10. lpp.)

1. Uzlieciet jaunu slēdzenes vāciņu (A 1).
2. Ievietojiet dekoru (B 1) dekora rāmī.
3. Pieskrūvējiet (B 2) dekora rāmi (B 3) pie durvīm.
4. Uzstādiet durvju slēdzeni (C 1).
5. Uzstādiet skapī slēdzenes fiksatoru (D 1).

Atvilktnes montāža (att. 16, 10. lpp.)

1. Uzlieciet blīvi (1) uz dekora rāmja (2).
2. Pieskrūvējiet durvīm rokturi (4).
3. Uzlieciet abus durvju roktura (4) skrūvju aizbāžņus (3).
4. Iebīdiet atvilktni skapī.

7 Ekspluatācija

7.1 Pirms pirmās lietošanas reizes

Pirms pirmās lietošanas reizes higiēnas nolūkos notīriet minibāru no iekšpuses un no ārpuses ar mitru drānu (skatiet arī sadaļu nodaļa "Tīrīšana un apkope", 392. lpp.).

7.2 Enerģijas taupīšana

- Atveriet minibāru tikai tik bieži un tik ilgi, cik nepieciešams.
- Nelietojiet pārmērīgi zemas temperatūras iestatījumus.
- Lai nodrošinātu optimālu enerģijas patēriņu, novietojiet plauktus un atvilktnes tādā stāvoklī, kādā tie atradās piegādes brīdī.
- Regulāri pārbaudiet, vai durvju blīve ir cieši pieguļoša.
- Regulāri notīriet no kondensatora putekļus un netīrumus.

7.3 Minibāra lietošana

Minibārs sāk dzesēšanu, kolīdz tas pievienots barošanas avotam. Normālas darbības laikā statusa gaismas diode ir ieslēgta. Kļūdas gadījumā mirgo kļūdas gaismas diode (see nodaļa "Problēmrisināšana", 391. lpp.).

7.4 Temperatūras iestatīšana

Lai novērstu pārtikas bojāšanos, ievērojiet šādus nosacījumus:

- Nodrošiniet pēc iespējas mazākas temperatūras svārstības. Atveriet minibāru tikai tik bieži un tik ilgi, cik nepieciešams. Uzglabājiet pārtiku tā, lai iekšpusē varētu brīvi cirkulēt gaiss.
- Minibāram ir automātiskas temperatūras regulēšanas funkcija. Izvēlieties vidējo no pieejamajiem temperatūras iestatījumiem.
- Pielāgojiet to atbilstoši uzglabātās pārtikas daudzumam un veidam.

Minibārs pēc noklusējuma ir iestatīts uz 7 °C dzesēšanas temperatūru pie 25 °C apkārtējās temperatūras.

Izmantojot iestatījumu pogu, dzesēšanas temperatūru iespējams iestatīt uz kādu no trim vērtībām: 5 °C, 12 °C un 7 °C.

Dzesēšanas temperatūra tiek iestatīta šādā secībā: 5 °C ... 12 °C ... 7 °C ... 5 °C utt.

1. Nospiediet un turiet iestatījumu pogu (att. **3 4**, 4. lpp.) vismaz 5 sekundes, līdz iekšējais apgaismojums (att. **3 1**, 4. lpp.) sāk mirgot.
 2. Vēlreiz nospiediet iestatījumu pogu, līdz atlasīta vēlamā dzesēšanas temperatūra.
- ✓ Iekšējais apgaismojums mirgo. Mirgošanas reižu skaits norāda par iestatīto temperatūru. Mirgojošais signāls tiek atkārtots trīs intervālos.
- Apgaismojums mirgo **piecas reizes**: 5 °C
 - Apgaismojums mirgo **vienu reizi**: 12 °C
 - Apgaismojums mirgo **trīs reizes**: 7 °C

8 Problēmrisināšana

Kļūda	Iespējamais iemesls	Ieteicamais risinājums
Minibārs nedarbojas . Barošanas statusa gaismas diode nav ieslēgta.	Maiņstrāvas kontaktligzdā nav sprieguma.	▶ Izmēģiniet citu kontaktligzdu.
	Elektrotīkla adapteris ir bojāts.	▶ Sazinieties ar pilnvarotu servisa pārstāvi.
Minibārs nedzesē . Spraudnis ir ievietots kontaktligzdā, barošanas statusa gaismas diode ir ieslēgta.	Dzesēšanas elements ir bojāts.	▶ Sazinieties ar pilnvarotu servisa pārstāvi.
Kļūdas gaismas diode mirgo reizi sekundē.	Temperatūras sensors ir bojāts.	▶ Sazinieties ar pilnvarotu servisa pārstāvi.
Minibāra dzesēšana nav pietiekama . Barošanas statusa gaismas diode ir ieslēgta, kļūdas gaismas diode nav ieslēgta.	Dzesēšanas elements ir bojāts.	▶ Sazinieties ar pilnvarotu servisa pārstāvi.
	Nepietiekama ventilācija	▶ Pārbaudiet ventilāciju. ▶ Iztīriet zem ierīces esošo filtru.

9 Tīrīšana un apkope



BRĪDINĀJUMS! Nāvējoša elektrošoka risks

Pirms minibāra tīrīšanas un apkopes veikšanas obligāti atvienojiet to no elektrotīkla.



ŅEMIET VĒRĀ! Bojājumu risks

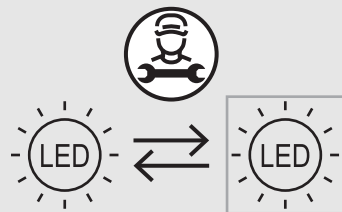
- Tīrīšanai neizmantojiet abrazīvus tīrīšanas līdzekļus vai cietus priekšmetus, jo tie var sabojāt minibāru.
- Minibāru nedrīkst tīrīt tekošā ūdenī vai trauku mazgāšanas ūdenī.
- Ledus noņemšanai vai minibāram piesalušu produktu atdalīšanai nedrīkst izmantot cietus vai asus priekšmetus.
- Nelietojiet mehāniskus instrumentus vai citus rīkus, lai paātrinātu atkausēšanu.
- Lai izvairītos no elektronikas bojājumiem, nepieļaujiet ūdens pilēšanu blīvslēgos.

- Tīriet minibāru ar mitru drānu regulāri un arī tad, kad tas ir netīrs.
- Pēc tīrīšanas nosusiniet minibāru ar drānu.
- Regulāri pārbaudiet kondensāta noplūdes atveri. Iztīriet kondensāta noplūdes atveri, kad tas nepieciešams. Ja tā ir aizsprostota, kondensāts uzkrāsies minibāra apakšā.
- Nodrošiniet, lai minibāra gaisa ieplūdes un izplūdes atveres būtu bez putekļiem un tīras, lai siltums varētu brīvi izplūst un nerastos ierīces bojājumi.



ŅEMIET VĒRĀ! Bojājumu risks

Lai izvairītos no bīstamības, gaismas avotu nomainīt drīkst tikai ražotājs, servisa pārstāvis vai atbilstoši kvalificēta persona.



10 Garantija

Ir spēkā likumā noteiktais garantijas periods. Produkta bojājumu gadījumā sazinieties ar tirgotāju vai ražotāja filiāli savā valstī (skatiet dometic.com/dealer).

Nosūtot produktu remontam garantijas ietvaros, pievienojiet šādus dokumentus:

- čeka kopiju, kurā norādīts iegādes datums;
- pretenzijas iesniegšanas iemeslu vai bojājuma aprakstu.

Ņemiet vērā, ka pašrocīgi vai neprofesionāli veikts remonts var radīt drošības riskus, un garantija var tikt anulēta.

11 Atkritumu pārstrāde

Iepakojuma materiālu pārstrāde



- ▶ Ja iespējams, iepakojuma materiālus izmetiet atbilstošos atkritumu šķirošanas konteineros.



BRĪDINĀJUMS! Ugunsdrošības apdraudējums


- Aukstumaģents ir ļoti viegli uzliesmojošs. Neatveriet un nebojāiet aukstumaģenta cirkulācijas sistēmu.
- Ierīces izolācijas sastāvā ir izolācijas gāze (skatiet datu plāksnīti). Nebojāiet izolāciju.

Produktu pārstrāde, kuri satur iebūvētus akumulatorus, atkārtoti uzlādējamus akumulatorus vai gaismas avotus



- ▶ Ja produktam ir iebūvēts akumulators, atkārtoti uzlādējams akumulators vai gaismas avots, to pirms utilizācijas nav nepieciešams demontēt.
- ▶ Ja vēlaties utilizēt nolietoto produktu, sazinieties ar vietējo atkritumu šķirošanas centru vai specializēto izplatītāju, lai noskaidrotu, kā to pareizi izdarīt saskaņā ar spēkā esošajiem atkritumu apsaimniekošanas noteikumiem.
- ▶ Produktu iespējams utilizēt bez maksas.

12 Tehniskie dati

	DM50NTE D	DM50NTE F
Spriegums	100 – 240 V~, 50-60 Hz	
Dzesēšanas jauda	maksimums 21 °C zem apkārtējās temperatūras (regulējama trīs līmeņos: 5 °C, 7 °C, 12 °C)	
Kategorija	2 (pagrabs)	
Kopējā ietilpība	50 l	
Energoefektivitātes klase	G	
Klimata klase	N	
Aukstumaģents	R600a	
Aukstumaģenta daudzums	28 g	
Galvenās atvilktnes izmēri (plat. x dziļ. x augst.)	430 x 330 x 302 mm	
Mini atvilktnes izmēri (plat. x dziļ. x augst.)	159 x 285 x 88 mm	
Izmēri (plat. x dziļ. x augst.)	550 x 524 x 418 mm	550 x 496 x 418 mm
Maksimālā iekšējās uzglabāšanas slodze	31 kg	
Svars	23,5 kg	23,0 kg
Pārbaude/sertifikācija		

Aktuālo ES atbilstības deklarāciju savai ierīcei skatiet attiecīgā produkta lapā vietnē dometic.com vai sazinieties tieši ar ražotāju (skatiet dometic.com/dealer).

Plašāku informāciju var iegūt, nolasot QR kodu uz enerģijas marķējuma (skatiet attēlus), vai vietnē eprel.ec.europa.eu.

Dzesēšanas ierīce ir hermētiski noslēgta.

يُرجى قراءة هذه التعليمات، والإرشادات، والتحذيرات الواردة في دليل المنتج المشار إليه واتباعها بعناية للتأكد من تركيب المنتج، واستخدامه، وصيانته بشكل صحيح في جميع الأوقات. يجب أن تُحفظ هذه التعليمات مع هذا المنتج.

باستخدام هذا المنتج، فإنك تؤكد بمقتضى ذلك أنك قد قرأت إخلاء المسؤولية المشار إليها، وكافة التعليمات، والإرشادات، والتحذيرات بعناية وأنك تفهم الشروط والأحكام وتوافق على الالتزام بها على النحو المنصوص عليه هنا. كما توافق على استخدام هذا المنتج فقط للغرض والاستعمال المقصود وفقاً للتعليمات، والإرشادات، والتحذيرات على النحو المنصوص عليه في دليل المنتج المشار إليه وكذلك وفقاً لجميع القوانين واللوائح المعمول بها. قد يؤدي عدم قراءة التعليمات والتحذيرات المنصوص عليها في هذه الوثيقة واتباعها إلى حدوث إصابة لك وللآخرين أو تلف منتجك أو تلف الممتلكات الأخرى الموجودة بالقرب منه. قد يخضع دليل المنتج المشار إليه، بما فيه من تعليمات وإرشادات وتحذيرات، والوثائق ذات الصلة للتغيير والتحديث. للحصول على أحدث معلومات عن المنتج، يُرجى زيارة documents.dometic.com

المحتويات

1	شرح الرموز	396
2	تعليمات السلامة.	397
3	محتويات التسليم.	399
4	الاستخدام المقصود	400
5	الوصف التقني.	401
6	التركيب	403
7	التشغيل.	405
8	استكشاف الأخطاء وإصلاحها	407
9	التنظيف والعناية.	408
10	الضمان	409
11	التخلص من الجهاز	409
12	البيانات التقنية	410

1 شرح الرموز

خطر!
إرشادات السلامة: تشير إلى وجود وضع خطير إذا لم يتم تجنبه، سيؤدي إلى الوفاة أو حدوث إصابة خطيرة.



تحذير!
إرشادات السلامة: تشير إلى وجود وضع خطير إذا لم يتم تجنبه، يمكن أن يؤدي إلى الوفاة أو حدوث إصابة خطيرة.



احتراس!
إرشادات السلامة: تشير إلى وجود وضع خطير إذا لم يتم تجنبه، يمكن أن يؤدي إلى حدوث إصابات بسيطة أو متوسطة.



**تنبيه!**

تشير إلى وجود وضع إذا لم يتم تجنبه، يمكن أن يؤدي إلى حدوث تلف الممتلكات.

**ملحوظة**

معلومات تكميلية لتشغيل المنتج.

2 تعليمات السلامة

2.1 السلامة العامة



تحذير! عدم الالتزام بهذه التحذيرات قد يسفر عنه الوفاة أو التعرض لإصابات خطيرة.

خطر التعرض إلى الصعق الكهربائي

- تأكد من أن الثلاجة الصغيرة قد تم تركيبها من قبل فني طبقاً لتعليمات التركيب من شركة Dometic.
- لا تقم بتشغيل الثلاجة الصغيرة في حالة وجود آثار تلف واضحة بها.
- في حالة تعرض كابل الطاقة للثلاجة الصغيرة للتلف، يجب استبداله من قبل الشركة المصنعة أو وكيل الخدمة أو من قبل شخص مؤهل بالمستوى نفسه لتجنب مخاطر السلامة.
- ينبغي عدم إجراء إصلاحات بالثلاجة الصغيرة إلا على يد أشخاص مؤهلين. قد تؤدي الإصلاحات غير السليمة إلى التسبب في حدوث مخاطر شديدة.
- عند موضع الثلاجة الصغيرة، احرص على أن يكون سلك التغذية الكهربائية غير عالق أو تالف.
- لا تضع المقبس متعدد المنافذ المتنقل أو مغذيات القدرة الكهربائية المتنقلة في خلفية الجهاز.
- قم بتوصيل الجهاز بالمقبس الذي يضمن اتصال مناسباً خاصة عندما يحتاج الجهاز إلى التأريض.

خطر نشوب الحريق

- يعتبر سائل التبريد الموجود في دائرة التبريد قابل للاشتعال بدرجة عالية. في حالة حدوث أي تلف في دائرة التبريد:
 - أوقف تشغيل الثلاجة الصغيرة.
 - تجنب أي لهب وشرر مكشوف.
 - قم بتهوية الحجرة جيداً.
- حافظ على تجويف تثبيت الثلاجة الصغيرة خاليًا من أي مكونات كهربائية ومصادر إضاءة قد تنتج شرارات أو أقواس ضوئية أثناء التشغيل العادي أو غير العادي (مثل الرحلات أو صناديق المصاهر).
- بعد التركيب، يجب أن يكون بعد ذلك فصل الثلاجة الصغيرة عن مصدر التيار الكهربائي ممكنًا. يمكن تحقيق ذلك إما من خلال الوصول إلى القابس أو بدمج مفتاح في الأسلاك الثابتة وفقًا لقواعد الأسلاك.

- احرص على عدم وجود عوائق في نطاق فتحات التهوية بالثلاجة الصغيرة أو بالهيكل المدمج.
- لا تستخدم الأجهزة الميكانيكية أو غيرها من الوسائل لتسريع عملية إزالة الجليد، بخلاف تلك الموصى بها من قبل الشركة المصنعة.
- يجب عدم فتح دائرة المبرد إطلاقاً.
- لا تستخدم أي أجهزة كهربائية داخل الثلاجة الصغيرة، إلا إذا أشارت الشركة المصنعة باستخدامها لهذا الغرض.

خطر الانفجار

- لا تقم بتخزين أي مواد قابلة للانفجار، مثل البخاخات المحتوية على غازات قابلة للاشتعال، داخل الثلاجة الصغيرة.

المخاطر الصحية

- يمكن استخدام الصلاجة الصغيرة هذه بواسطة الأطفال عمر 8 سنوات وأكبر، أو الأشخاص الذين يعانون من إعاقة بدنية أو حسية أو عقلية، أو ليس لديهم الخبرة والمعرفة الكافية، طالما كان هناك إشراف عليهم أو تم إعطاؤهم التعليمات الخاصة باستخدام الثلاجة الصغيرة بطريقة آمنة، وكانوا مدركين للأخطار التي يمكن التعرض لها.
- لا يُسمح للأطفال اللعب بالثلاجة الصغيرة.
- لا يُسمح للأطفال القيام بأعمال التنظيف والصيانة من دون إشراف.
- يُسمح للأطفال من عمر 3 وحتى 8 سنوات بتعبئة الثلاجة الصغيرة وتفرغها.

احتراس! إن عدم الالتزام بهذه التنبيهات يمكن أن يؤدي إلى حدوث إصابات بسيطة أو متوسطة.

خطر الانسحاق

- تجنب وضع أصابعك داخل المفصلة.

المخاطر الصحية

- لا يمكن حفظ المواد الغذائية إلا في عبواتها الأصلية أو في حاويات مناسبة.

تنبيه! خطر التلف

- تأكد من أن بيانات الجهد الكهربائي الواردة بلوحة النوع مطابقة لإمدادات الطاقة المتوفرة.
- الثلاجة الصغيرة غير مناسبة لتخزين المواد الكاوية أو المذيبة.
- يحتوي عازل جهاز التبريد على مادة السيكلوبنتان القابلة للاشتعال وتتطلب إجراءات خاصة للتخلص منه. سلم جهاز التبريد في نهاية دورة حياته إلى مركز إعادة تدوير مناسب.
- حافظ على نظافة مخرج التصريف طوال الوقت.
- حمل الثلاجة الصغيرة في وضع عمودي فقط.



2.2 السلامة عند تشغيل الثلاجة الصغيرة

خطر! إن عدم الالتزام بهذه التحذيرات سيؤدي إلى الوفاة أو حدوث إصابات خطيرة.

خطر التعرض إلى الصعق الكهربائي

- لا تلمس الكابلات المكشوفة بيدين عاريتين.



احتراس! إن عدم الالتزام بهذه التنبيهات يمكن أن يؤدي إلى حدوث إصابات بسيطة أو متوسطة.

خطر التعرض إلى الصعق الكهربائي

- تأكد قبل بدء تشغيل الثلاجة الصغيرة لأول مرة من أن خط إمداد الطاقة والقابس جافين.

المخاطر الصحية

- تأكد من أنك تضع في الثلاجة الصغيرة المواد التي يمكن تبريدها فقط على درجة الحرارة المختارة.
- لا يمكن حفظ الأطعمة إلا في عيواتها الأصلية أو في حاويات مناسبة.
- يمكن أن يؤدي فتح الباب لفترات طويلة إلى زيادة درجة حرارة أقسام الثلاجة الصغيرة بصورة كبيرة.
- قم بانتظام بتنظيف الأسطح التي تلامس الأطعمة وأنظمة التصريف التي يمكن الوصول إليها.
- إذا تُركت الثلاجة الصغيرة فارغة لفترات طويلة:
 - أوقف تشغيل الثلاجة الصغيرة.
 - قم بإذابة الصقيع بالثلاجة الصغيرة.
 - نظف الثلاجة الصغيرة وحفظها.
 - اترك الباب مفتوحاً لمنع تكون العفن داخل الثلاجة الصغيرة.



تنبيه!

خطر التلف

- لا تضع الثلاجة الصغيرة بالقرب من أسنة اللهب المكشوف أو مصادر حرارة أخرى (الشموع المشتعلة والسخانات وأشعة الشمس المباشرة وأفران الغاز وما إلى ذلك).
- يجب عدم غمر الثلاجة الصغيرة في الماء مطلقاً.
- احرص على حماية الثلاجة الصغيرة والكابلات من الحرارة والرطوبة.
- تأكد من أن الأطعمة لا تلامس جوانب منطقة التبريد.



3 محتويات التسليم

يمكن الحصول على الخيارات الرئيسية التالية:

- ثلاجة مشروبات DM50NTE D مزودة بلوحة باب، وغير مزودة بقلل
- ثلاجة مشروبات DM50NTE D مزودة بلوحة باب، ومزودة بقلل

- ثلاجة مشروبات DM50NTE F غير مزودة بلوحة باب، وغير مزودة بقلل
- ثلاجة مشروبات DM50NTE F غير مزودة بلوحة باب ومزودة بقلل

الوصف	الكمية
ثلاجة مشروبات مزودة بدرج	1
كابل توصيل قدرته 230 فولت ~	1
برغي Ø4x45 مم (تركيب)	4
قابس (تركيب)	4
مقبض (فقط DM50NTE D)	1
قابس (تركيب مقبض) (فقط DM50NTE D)	2
فلتر دخول	1
برغي Ø3x12 مم (تركيب الفلتر)	6
قابس (لوحة خشبية) (فقط في إصدار DM50NTE F الخشبي)	2
ديكور قفل (لوحة خشبية) (فقط في إصدار DM50NTE F الخشبي المزود بقلل)	1
مفتاح (إصدار مزود بالقلل فقط)	2
دليل التركيب والتشغيل	1

4 الاستخدام المقصود

جهاز التبريد (يُشار إليه أيضًا باسم الثلاجة الصغيرة) مخصص لتبريد وتسخين المشروبات والطعام في حاويات مغلقة.

تم تصميم الثلاجة الصغيرة للتشغيل على سفن الرحلات البحرية أو للاستخدام في المنزل والاستخدامات المماثلة مثل:

- داخل مطابخ العاملين في المتاجر والمكاتب وبيئات العمل الأخرى
 - بيوت المزارع
 - فنادق، موتيلات وغيرها من البيئة السكنية
 - في البيئات التي توفر سرير وإفطار
 - في خدمات توريد الطعام وفي استخدامات مشابهة غير متعلقة بالبيع بالتجزئة
- إن الثلاجة الصغيرة غير مصممة للتركيب في الكارافانات أو المنازل المتحركة.
- إن الثلاجة الصغيرة مناسبة للتركيب داخل الخزانة أو موضع مخصص للتركيب. يرجى الرجوع إلى تعليمات التركيب.
- الثلاجة الصغيرة هذه لا تصلح لـ
- تخزين المواد الكيميائية المسببة للتآكل أو الحارقة أو المحتوية على مذيبيات

- تخزين الأطعمة والأدوية
- التجميد العميق للأطعمة

هذا المنتج مناسب للغرض المقصود والاستخدام وفقا للتعليمات هذه فقط.

يوفر دليل التشغيل هذا المعلومات الضرورية للتركيب و/أو التشغيل الصحيح للمنتج. سيؤدي سوء التركيب و/أو التشغيل الخاطئ والصيانة غير الصحيحة إلى أداء غير مرضي وعطل محتمل.

لا تتحمل الشركة المصنعة أي مسؤولية عن أي ضرر أو تلف بالمنتج ناتج عن:

- عملية التجميع أو التوصيل غير الصحيحة بما في ذلك الجهد الزائد
- صيانة غير صحيحة أو استخدام قطع غيار غير أصلية وغير مقدمة من الشركة المصنعة
- إجراء تعديلات على المنتج دون حصول على إذن صريح من الشركة المصنعة
- الاستخدام في أغراض أخرى خلاف الأغراض الموضحة في هذا الدليل

تحتفظ شركة Dometic بالحق في تغيير شكل المنتج ومواصفاته.

5 الوصف التقني

تحتوي ثلاجة المشروبات على درج رئيسي للزجاجات والعلب بالإضافة إلى درج صغير للأغراض الصغيرة والوجبات الخفيفة. يحتوي الدرج الرئيسي على حجرة تسع 33 زجاجة بارتفاع 28 سم بحد أقصى.

DM 50NTE D: تم تجهيز الموديل بلوحة باب ومقبض.

DM 50NTE F: يتم تسليم هذا الموديل من دون لوحة باب ويتم إعداده ليتناسب مع ديكور باب الفندق.

5.1 وصف الجهاز

اللوحة الأمامية

الوصف	الرقم في شكل 1، صفحة 3
قفل (اختياري)	1
مقبض (فقط DM50NTE D)	2
لوحة الباب (فقط DM50NTE D)	3

الجانب الخلفي

الوصف	الرقم في شكل 2، صفحة 3
مهايئ رئيسي	1
مقيس 12 فولت	2
درج التثقيط	3
أنبوب الحرارة	4

لوحة التحكم (داخل الجهاز)

الوصف	الرقم في شكل 3، صفحة 4
المصباح	1
وامض الخطأ	2
مؤشر LED لحالة الطاقة	3
زر الإعدادات	4

الدرج الرئيسي

الوصف	الرقم في شكل 4، صفحة 4
مقسم واسع	1
الفاصل	2
مقسم صغير	3
فتاحة زجاجات	4

درج صغير

الوصف	الرقم في شكل 5، صفحة 5
مقسم قابل للتدوير	1
حامل الزجاجات الصغيرة	2

6 التركيب



احتراس! المخاطر الصحية
لتجنب الخطر الناتج عن عدم استقرار الجهاز، يجب تثبيته وفقاً للتعليمات.

6.1 تركيب ثلاجة المشروبات داخل قطعة أثاث

تنبيه! خطر التلف

لا يجوز تسخين الهواء الذي يمر عبر مجرى دخول الهواء.
لا تضع الثلاجة الصغيرة بالقرب من أسنة اللهب المكشوف أو مصادر حرارة أخرى (السخانات وأشعة الشمس المباشرة وأفران الغاز وما إلى ذلك).

ثمة أربع طرق لتركيب الثلاجة الصغيرة في الأثاث.

1. اختر بديل التركيب المفضل لديك (شكل 6، صفحة 6).
2. التزم بتجويف التركيب المطلوب (شكل 6، صفحة 6)
د هو سمك ديكور الفندق نفسه.
3. احرص على وضع الثلاجة الصغيرة وفتحات التهوية بشكل صحيح لضمان تدفق الهواء بشكل صحيح (شكل 8، صفحة 7).
4. تأكد من وجود الحد الأدنى من الخلوص بين الجزء الخلفي من الثلاجة الصغيرة وجدار الأثاث (شكل 10، صفحة 8).
5. أحدث فتحات تهوية كما هو موضح في شكل 9، صفحة 7.
6. أحدث فتحة تهوية إضافية في الجزء السفلي من تجويف التركيب (شكل 11، صفحة 8).
قم بقياس المسافة من واجهة باب الثلاجة الصغيرة باستثناء أي ديكور خاص بها.

الرقم في
شكل 12، صفحة 8 الوصف

مسمار 4x45 Ø مم	1
قابس	2

7. قم بتركيب الثلاجة في مكانها باستخدام البراغي المناسبة (شكل 12، 1، صفحة 8).
8. أدخل القوابس الأربع (شكل 12، 2، صفحة 8) داخل الثقب.

6.2 توصيل ثلاجة المشروبات كهربائياً

- وصل كابل توصيل تيار قدرته 230 فولت داخل مقبس جهد التيار المتردد وقم بتوصيله بمصدر تيار متردد قدرته 230 فولت.
- ✓ يضيء مؤشر LED لحالة الطاقة والمصباح.
- ✓ تبدأ الثلاجة الصغيرة في تبريد الجزء الداخلي.

6.3 تركيب ديكور باب الفندق (DM50NTE F فقط)

- يجب أن يتوافق ديكور باب الفندق مع المتطلبات التالية:
- الحد الأقصى للوزن: 4 كجم
 - الحد الأقصى للسمك: 18 مم (إصدار مزود بالقفل فقط)
 - تثبيت الديكور بأربعة مسامير.

6.4 تركيب القفل (الإصدار المزود بالقفل فقط)

1. قم بثقب فتحة مقدار قطرها 35 مم داخل الديكور.
2. قم بتركيب القفل مع ديكور القفل.

6.5 تركيب القفل (الإصدار الغير مزود بقفل فقط)

عملية فك الدرج (شكل 13، صفحة 9)

1. افتح الدرج تمامًا (A).
2. اضغط على قفل العود (A 1).
3. اسحب الدرج لخارج الخزانة (B).

فقط بالنسبة DM50NTE D:

1. أزل القابسين (C 1) من مسامير (C 2) مقبض الباب (C 3).
2. قم بفك مسماري (C 2) مقبض الباب.
3. أزل مقبض الباب (C 3).
4. أزل مادة الحشو.
5. أزل الغطاء القفل.

عملية ثقب الفتحات (شكل 14، صفحة 9)

1. اتقب فتحة (A 1) مقدار قطرها 23.6 مم خلال الديكور (DM50NTE D فقط) والباب.
2. قم بفك الدراغي الاثنى عشر (B 1) بإطار الديكور (B 2) (DM50NTE D فقط).
3. أزل إطار الديكور (DM50NTE D فقط).

عملية تجميع القفل (شكل 15، صفحة 10)

1. ضع غطاء القفل الجديد (A 1) داخل موضعه.
2. ضع الديكور (B 1) داخل إطار الديكور.
3. اربط (B 2) إطار الديكور (B 3) فوق الباب.
4. قم بتركيب قفل الباب (C 1).
5. قم بتركيب ماسك القفل (D 1) في الخزينة.

عملية تجميع الدرج (شكل 16، صفحة 10)

1. ادفع مادة الحشو (1) على إطار الديكور (2).
2. ثبت مقبض الباب (4) فوق الباب بالمسامير.
3. ادفع القوابس (3) على مسامير مقبض الباب (4).
4. ادفع الدرج داخل الخزانة.

7 التشغيل**7.1 قبل الاستخدام الأول**

قبل الاستخدام الأول، نظف الثلجة الصغيرة من الداخل والخارج باستخدام بقعة قماش مبللة لأسباب صحية (انظر أيضاً فصل „التنظيف والعناية“ صفحة 408).

7.2 توفير الطاقة

- لا تفتح الثلاثة الصغيرة مراراً إلا إذا كان ذلك ضرورياً.
- تجنب استخدام إعدادات درجة حرارة منخفضة دون داع.
- للحصول على استهلاك طاقة أمثل، ضع الأرفف والأدرج مثلما كانت عليه عند التسليم.
- تأكد بشكل منتظم من أن مانع التسرب بالباب لا يزال بحالة جيدة.
- نظّف الغبار والأوساخ من المكثّف على فترات منتظمة.

7.3 استخدام ثلاجة المشروبات

تبدأ ثلاجة المشروبات بالتبريد عند توصيلها بمصدر الطاقة. أثناء التشغيل العادي يضيء مؤشر LED لحالة الطاقة. في حالة حدوث خطأ ما، يومض مؤشر LED للخطأ (راجع فصل «استكشاف الأخطاء وإصلاحها» صفحة 407).

7.4 ضبط درجة الحرارة

لتجنب إهدار الأطعمة، عليك مراعاة التالي:

- حافظ قدر الإمكان على أدنى مستوى لتقلب درجة الحرارة. لا تفتح الثلاثة الصغيرة مراراً إلا إذا كان ذلك ضرورياً. قم بتخزين الأطعمة بطريقة تسمح للهواء بالدوران بشكل جيد.
- تم تزويد الثلاجة الصغيرة بوظيفة ضبط درجة الحرارة تلقائياً. اختر متوسط لقيم درجة الحرارة الممكنة.
- اضبط درجة الحرارة حسب كمية ونوع الأطعمة.

تم ضبط درجة تبريد ثلاجة المشروبات افتراضياً على 7 درجة مئوية في درجة الحرارة المحيطة التي تبلغ 25 درجة مئوية.

يمكن ضبط درجة حرارة التبريد على إحدى القيم الثلاث التالية باستخدام زر الإعدادات: 5 درجة مئوية، 12 درجة مئوية و 7 درجة مئوية.

يتم ضبط درجة حرارة التبريد بالتسلسل التالي: 5 درجة مئوية ... 12 درجة مئوية ... 7 درجة مئوية ... 5 درجة مئوية وغيرها.

1. اضغط واستمر بالضغط على زر الإعدادات (شكل **3** 4، صفحة 4) لخمس ثوانٍ، حتى يبدأ المصباح الداخلي (شكل **3** 1، صفحة 4) في الوميض.

2. اضغط على زر الإعدادات مرة أخرى حتى يتم تحديد قيمة درجة حرارة التبريد المطلوبة.

✓ يومض المصباح الداخلي. يشير عدد الومضات إلى درجة الحرارة المضبوطة. تتكرر الإشارة الواضحة على ثلاث فترات:

- المصباح يومض خمس مرات: 5 درجة مئوية
- المصباح يومض مرة واحدة: 12 درجة مئوية
- المصباح يومض ثلاث مرات: 7 درجة مئوية

8 استكشاف الأخطاء وإصلاحها

المشكلة	السبب المحتمل	الحل المقترح
الثلاجة لا تعمل. مؤشر LED لحالة الطاقة غير مضاء.	لا يوجد جهد في مقبس جهد التيار المتردد. مصدر الطاقة الرئيسي تالف.	➤ حاول التوصيل بمقبس آخر. ➤ اتصل بوكيل الخدمة المعتمد.
الثلاجة لا تبرد. تم إدخال القابس ومؤشر LED لحالة الطاقة يضيء.	عناصر التبريد تالفة.	➤ اتصل بوكيل الخدمة المعتمد.
يضيئ مؤشر الخطأ الواضخ الخاص بالخطأ مرة كل ثانية.	مستشعر درجة الحرارة تالف.	➤ اتصل بوكيل الخدمة المعتمد.
الثلاجة لا تبرد بدرجة كافية. يضيء مؤشر LED لحالة الطاقة، ولا يضيء مؤشر LED للخطأ.	عناصر التبريد تالفة. سوء تهوية	➤ اتصل بوكيل الخدمة المعتمد. ➤ تحقق من التهوية. ➤ نظف الفلتر الموجود تحت الجهاز.

التنظيف والعناية 9

تحذير! خطر التعرض إلى الصعق الكهربائي
افصل الثلاجة الصغيرة دائماً عن مصدر التيار الكهربائي قبل التنظيف والصيانة.



تنبيه! خطر التلف

- تجنب أثناء التنظيف استخدام أي مواد كاشطة أو أدوات حادة حيث قد تسبب في تلف الثلاجة الصغيرة.
- لا تقم بتنظيف الثلاجة الصغيرة تحت الماء الجاري أو في مياه الأطباق.
- لا تستخدم أدوات صلبة أو حادة إطلاقاً لإزالة الثلج أو تحرير الأشياء المجمدة من الثلاجة الصغيرة.
- لا تستخدم أي أدوات ميكانيكية أو أدوات أخرى لتسريع عملية إذابة الثلج المتكون.
- تأكد من عدم تسرب الماء إلى موانع التسرب لتجنب تلف الإلكترونيات.



➤ قم بتنظيف الثلاجة الصغيرة بقطعة قماش مبللة بشكل منتظم وكذلك بمجرد إتساخها.

➤ امسح الثلاجة الصغيرة بقطعة قماش جافة بعد التنظيف حتى تجف.

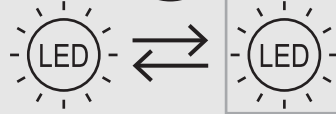
➤ افحص مصرف التكثفات بشكل منتظم.

نظف مصرف التكثفات عند الضرورة. إذا كان مسدوداً، فسوف يتجمع التكثف في قاع الثلاجة الصغيرة.

➤ تأكد من أن فتحات دخول وخروج الهواء في الثلاجة الصغيرة خالية من أي أتربة وأوساخ، حتى يتسنى تصريف الحرارة من دون تعريض الجهاز للتلف.

تنبيه! خطر التلف

لا يمكن استبدال مصدر الضوء إلا من قبل الشركة المصنعة أو من قبل وكيل الخدمة أو شخص على نفس مستوى الكفاءة فقط، وذلك لتجنب الخطر.



10 الضمان

يتم تطبيق فترة الضمان القانونية. إذا كان المنتج معيباً، يرجى الاتصال ببائع التجزئة أو فرع الشركة المصنعة في بلدك (انظر dometic.com/dealer).

لتنفيذ إجراءات الإصلاح والضمان، يجب إرفاق المستندات التالية مع المنتج:

- نسخة من الفاتورة مع تاريخ الشراء
- سبب الشكوى أو وصف للعطل

عليك الحذر من أن الإصلاح الذاتي أو غير الاحترافي قد يؤدي إلى عواقب تتعلق بالسلامة وإلغاء الضمان.

11 التخلص من الجهاز

إعادة تدوير مواد التغليف

➤ ضع مواد التغليف في الصناديق المناسبة الخاصة بالنفايات القابلة لإعادة التدوير قدر الإمكان.



تحذير! خطر حريق

- المبرد سريع الاشتعال. لا تفتح أو تتلف دائرة المبرد.
- يحتوي عازل الجهاز على غاز عازل (انظر لوحة البيانات). لا تتلف العازل.



إعادة تدوير المنتجات المزودة بطاريات غير قابلة للاستبدال أو بطاريات قابلة لإعادة الشحن أو بمصادر الإضاءة

➤ إذا كان المنتج يحتوي على أي بطاريات غير قابلة للاستبدال أو بطاريات قابلة لإعادة الشحن أو على مصادر الإضاءة، فلا داعي لإزالتها قبل التخلص منها.

➤ إذا كنت ترغب في التخلص من المنتج نهائياً، فاطلب من مركز إعادة التدوير المحلي أو التاجر المتخصص الحصول على تفاصيل حول كيفية القيام بذلك وفقاً للوائح التخلص المعمول بها.

➤ يمكن التخلص من المنتج مجاناً.



البيانات التقنية 12

DM50NTE F	DM50NTE D	
100 – 240 فولت ~، 60/50 هرتز		الجهد الكهربائي
كحد أقصى 21 درجة مئوية أقل من درجة الحرارة المحيطة قابلة للتعديل من خلال ثلاث خطوات: 5 درجات مئوية، 7 درجات مئوية، 12 درجة مئوية)		قدرة التبريد
2 (القبو)		الفئة
50 لتر		الحجم الكلي
G		فئة كفاءة استهلاك الطاقة
N		الفئة المناخية
R600a		مادة التبريد
28 جرامًا		كمية المبردات
430x330x302 مم		أبعاد الدرج الرئيسي عرض × عمق × ارتفاع
159x285x88 مم		أبعاد الدرج الصغير عرض × عمق × ارتفاع
550x496x418 مم	550x524x418 مم	الأبعاد عرض × عمق × ارتفاع)
31 كجم		الحد الأقصى للتحميل الداخلي
23.0 كجم	23.5 كجم	الوزن
		الفحص/توثيق

للحصول على إعلان المطابقة الحالي في الاتحاد الأوروبي لجهازك، يرجى الرجوع إلى صفحة المنتج المعنية على dometic.com أو الاتصال بالشركة المصنعة مباشرة (انظر dometic.com/dealer).

لمزيد من المعلومات حول المنتج، يمكن الوصول إليها عبر رمز QR الموجود على ملصق الطاقة (انظر الأشكال) أو عبر الموقع eprel.ec.europa.eu.

وحدة التبريد محكمة الغلق.



dometic.com

YOUR LOCAL DEALER

dometic.com/dealer

YOUR LOCAL SUPPORT

dometic.com/contact

YOUR LOCAL SALES OFFICE

dometic.com/sales-offices
