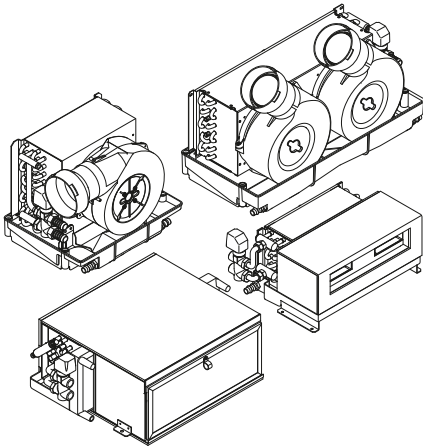




# CLIMATE CONTROL MARINE AIR CONDITIONER



MINI, COMPACT, JUNIOR, GIANT4, GIANT8, APM, AP1, AP3, AP5, AP5 SLIM, AP8, AP8 SLIM, AP10, AP12, TWIN12K, TWIN18K

<b>EN</b>	<b>Fan coil</b> Installation and Operating manual.....	3
<b>FR</b>	<b>Serpentin de ventilation</b> Instructions de montage et de service.....	37
<b>ES</b>	<b>Ventiloconvector</b> Instrucciones de montaje y de uso.....	72
<b>IT</b>	<b>Ventilconvettore</b> Istruzioni di montaggio e d'uso.....	107
<b>PL</b>	<b>Klimakonwektor</b> Instrukcja montaży i obsługi.....	141
<b>TR</b>	<b>Fan coil</b> Montaj ve Kullanım Kılavuzu.....	176

## **Copyright**

© 2024 Dometic Group. The visual appearance of the contents of this manual is protected by copyright and design law. The underlying technical design and the products contained herein may be protected by design, patent or pending patent. The trademarks mentioned in this manual belong to Dometic Sweden AB. All rights are reserved.

## English

1	Explanation of symbols.....	3
2	Safety instructions.....	4
3	Scope of delivery.....	4
4	Accessories.....	5
5	Spare parts.....	5
6	Intended use.....	6
7	Technical description.....	6
8	Before installation.....	8
9	Installation.....	8
10	Before first use.....	25
11	Operation.....	26
12	Cleaning and maintenance.....	26
13	Troubleshooting.....	27
14	Warranty.....	27
15	Disposal.....	28
16	Technical data.....	28

## 1 Explanation of symbols



### **WARNING!**

Indicates a hazardous situation that, if not avoided, could result in death or serious injury.



### **CAUTION!**

Indicates a hazardous situation that, if not avoided, could result in minor or moderate injury.



### **NOTICE!**

Indicates a situation that, if not avoided, can result in property damage.



**NOTE** Supplementary information for operating the product.

## 2 Safety instructions

### General safety

**WARNING! Electrocuting hazard**

- The installation and repairs must be carried out only by qualified personnel familiar with the device and its hazards.
- Do not operate the device if it or its connected components are visibly damaged.

**WARNING! Fire hazard**

Keep the ventilation openings free of obstructions.

**CAUTION! Burn hazard**

Do not touch the device while switching it off or during the following 2 h.

**CAUTION! Risk of injury**

Keep the device out of reach of persons who are not qualified to handle the device.

**CAUTION! Health hazard**

- Do not use the ventilation system without the filter.
- This appliance can be used by children aged from 8 years and above and persons with reduced physical, sensory or mental capabilities or lack of experience and knowledge if they have been given supervision or instruction concerning use of the appliance in a safe way and understand the hazards involved.
- Children shall not play with the device.
- Cleaning and user maintenance shall not be made by children without supervision.
- Do not remove the air filter of the device while it is in operation.

**NOTICE! Damage hazard**

- Avoid abrupt movements when unloading and setting up the device to protect the internal components.
- Avoid touching the device's fragile parts.
- Avoid anchoring at internal points of the component.
- Avoid impacts on the housing of the device.
- Do not place objects on the device.
- Do not insert foreign objects into the device.



**NOTE** Do not damage or remove the seal on the electric box of the device, otherwise the warranty will be void.

## 3 Scope of delivery

- Fan coil

- **ALU series only:** Drip tray
- **AP and TWIN series only:** Ducts (optional)
- Grilles (optional)

## 4 Accessories

Available as accessories (not included in the scope of delivery):

- Grilles
- Ducts
- Pipes
- Displays
- Selector switch
- Switch board



**NOTE** The selection of the switch board needs to be made by the shipyard.

Further information can be found at [dometic.com](http://dometic.com) or by contacting the Dometic service center (see back page of this manual).

## 5 Spare parts

Component	Ref. no.
Filter Mini-N/APM	6071090
Filter Compact-N	6071050
Filter JUNIOR	6071080
Filter GIANT4	6071060
Filter GIANT8	6071070
Filter AP1-7	6072000
Filter AP3-N	6071030
Filter AP3-7	6072010
Filter AP5 Slim-7	6072030
Filter AP5-7	6072020
Filter AP8 Slim-7	6072050
Filter AP5-N/AP8-N/AP8-7	6072040
Filter AP10-N/AP10-7	6072060
Filter AP12	6072070
Filter TWIN12K/TWIN18K	6071190

## 5.1 Ordering spare parts

1. Read the product number (PNC) or part number (SKU) on the data plate.
2. Contact the nearest Dometic service partner or dealer to place the order.

## 6 Intended use

The fan coils are **only** intended for use in conjunction with a chiller as an air conditioner in boats, ships, and other marine vehicles.

The fan coils are **not** suitable for:

- Houses
- Apartments
- Construction machines
- Agricultural machines
- Trucks
- Motor caravans
- Caravans
- Recreational vehicles

This product is only suitable for the intended purpose and application in accordance with these instructions.

This manual provides information that is necessary for proper installation and/or operation of the product. Poor installation and/or improper operating or maintenance will result in unsatisfactory performance and a possible failure.

The manufacturer accepts no liability for any injury or damage to the product resulting from:

- Incorrect installation, assembly or connection, including excess voltage
- Incorrect maintenance or use of spare parts other than original spare parts provided by the manufacturer
- Alterations to the product without express permission from the manufacturer
- Use for purposes other than those described in this manual

Dometic reserves the right to change product appearance and product specifications.

## 7 Technical description

The fan coil is used to control the climate in a cabin at a temperature range of 10 °C ... 30 °C.

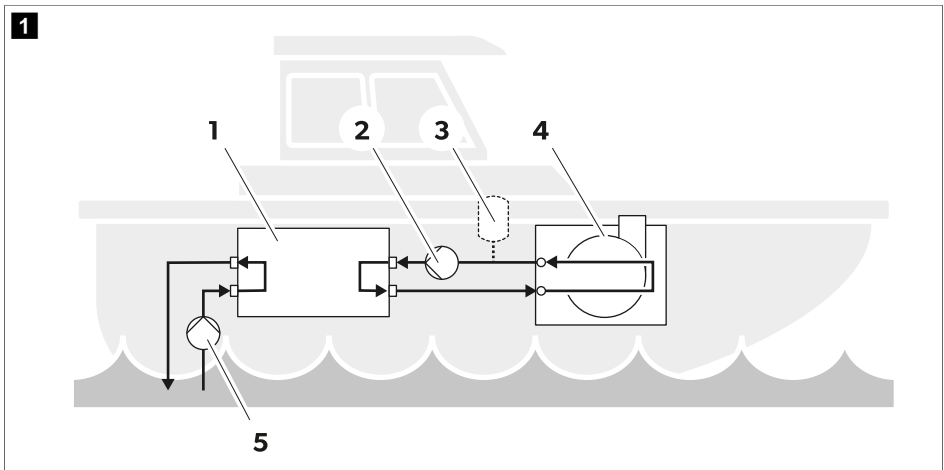
The fan coils are distinguished into different models and series.

Series	Fan coil	Feature
ALU	MINI	The fan coil must be installed without ducts.
	COMPACT	
	JUNIOR	The fan coils JUNIOR, GIANT4 and GIANT8 can be installed horizontally or vertically without any modification on site.
	GIANT4	
	GIANT8	

Series	Fan coil	Feature
AP	APM	The fan coil operates with high-pressure radial fans and can be connected to supply and return ducts.
	AP1	
	AP3	
	AP5	
	AP5 SLIM	The fan coil can be installed outside the cabin to be treated.
	AP8	The fan of the fan coil, except for the APM and AP12, can be rotated. The installation position of the fan coil with rotating fan can be adjusted to the installation requirements.
	AP8 SLIM	
	AP10	The APM and AP12 fan can be installed <b>only</b> horizontally. A special version that can be installed vertically can be purchased from Dometic on request.
AP12		
TWIN	TWIN12K	
	TWIN18K	

The fan coils can be controlled by switching the fan on and off or by a vent valve with integrated bypass.

## Process description



No.	Description
1	Chiller
2	Circulation pump
3	Expansion tank
4	Fan coil
5	Seawater pump

A seawater pump (5) supply water to the chiller (1) which cools or heats the circulation water and directs it via a circulation pump (4) to the water manifold to which one or more fan coils are connected. The water is transported from the water manifold through the fan coil (2) to the return manifold. The fan coil (2) exchanges heat with the environment. The return water is heated, returned to the chiller (1), and then released into the circulation.

An additional installation of an expansion tank **(5)** in the water circuit compensates the thermal expansion of the refrigerant in the chiller.

Due to a temperature controller the fan coil **(2)** starts automatically at a temperature of 3 ... 4 °C. The cooling water temperature is kept in the range of 7 ... 11 °C. After starting the ventilation system the individual fan coil environments can be switched on. Each cabin has a temperature controller.

## Temperature controller

The fan coil can be connected to the following control units:

- Manual selector switches with 2 or 3 fan speeds
- Displays with 10 fan speeds

The desired cabin temperature can be set by using a display or a room thermostat.

The fan coil can be set to 4 different ventilation modes:

Mode	Description
AUTO	The fan speed can be selected using the selector switch or the display.
Cooling	The fan coil is supplied with cold water from the chiller to decrease the cabin temperature.
Heating	The fan coil is supplied with hot water from the chiller to increase the cabin temperature.
Electric heater	The fan coil is not supplied with water and heats the air through a resistor.

A single temperature controller can be connected to various fan coils in the same cabin.

## Automatic temperature settings



**NOTE** The automatic temperature setting is only activated in the cooling, heating, and electric heater mode.

If the cabin temperature set point differs significantly from the actual cabin temperature, the fan operates at maximum speed. When the cabin temperature approaches the set temperature, the fan speed automatically reduces to the programmed minimum.

## 8 Before installation

1. Ensure that the packages and components are not damaged.
2. If necessary, contact the Dometic service center (see back of this manual).

## 9 Installation



### **WARNING! Electrocutation hazard**

- Connect the fan coils only to the voltage specified on the data plate.
- Do not use defective isolation to prevent short circuit.





### CAUTION! Risk of overheating

- Ensure that the fan coil is at least 3 ... 4 cm away from the wall to allow the ambient air to circulate.
- Ensure that the flow of the return air grille to the intake side of the fan coil is not obstructed by any objects.



### NOTICE! Damage hazard

- Install the fan coil **only** in the position specified in these instructions.
- Ensure that the specified installation position is accepted by the shipyard.
- Install the fan coils on solid mounts.
- Connect the fan coil to a suitable wall socket.
- If it is necessary to add another cable for the length, ensure that the original connection is maintained.
- Avoid incorrect wiring to prevent short circuits.
- Ensure that there are no heat sources in the vicinity of the temperature controller.
- Ensure that the pipes, air chambers, connections, and branches are insulated. The insulation must reach completely to the walls of the fan coil.



### NOTE

- **ALU** series only: Do not reduce the cross section of the fan coil (see Fan coil dimensions on page 30).
- **AP and TWIN series only**: Do not use the fan coil as a built-in device.

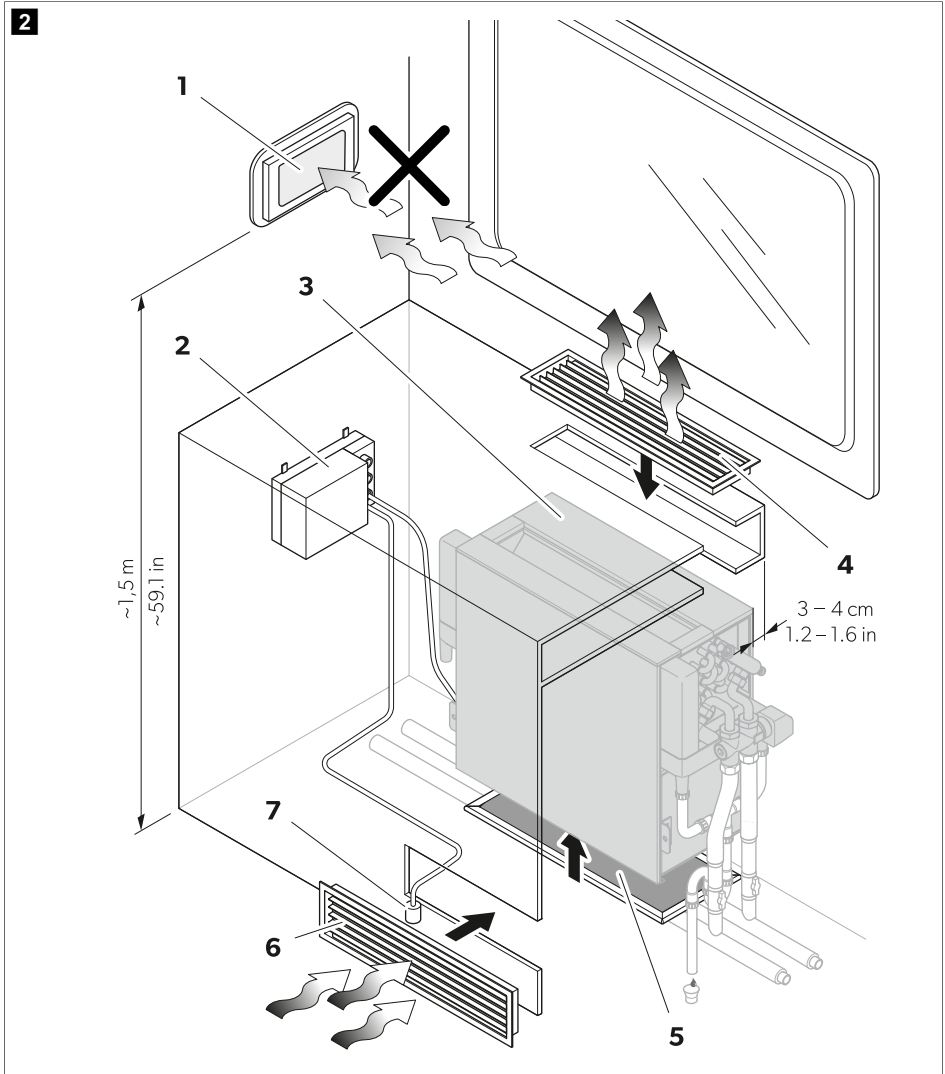
## Installation location

- Install the fan coil in an accessible location for operation and maintenance.
- Install the fan coil so that the filter is easily accessible.
- Ensure that the fan coil is not affected by heat sources.

## Notes on installation

- The piping should be as short as possible.
- Ensure that the ducts and hoses are sealed.
- Use only grilles with the specified size (see Grille dimensions on page 33).
- Ensure that the air is distributed without blockages.
- Ensure that the air chambers are sealed.
- Follow the prescribed placements of the individual components.
- Check if additional national installation requirements may apply.

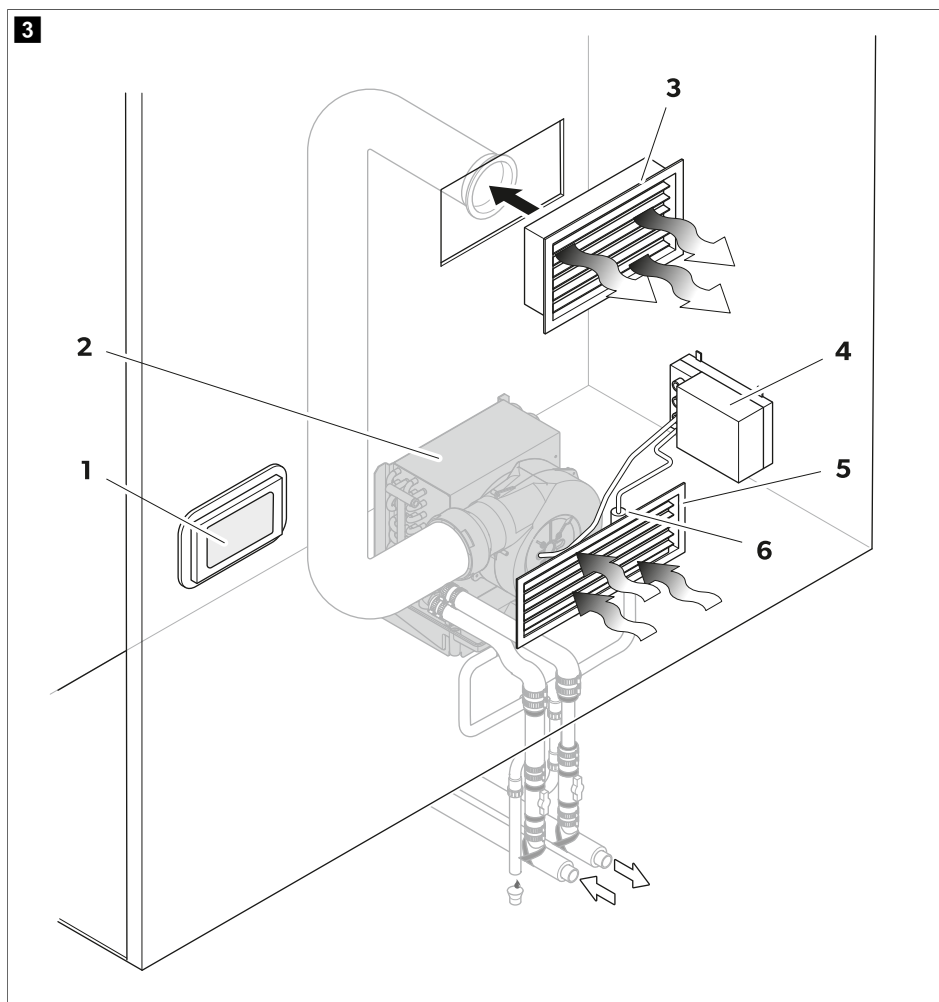
## ALU series only



No.	Description
1	Display or selector switch
2	Switch board
3	Fan coil
4	Air outlet grille

No.	Description
5	Filter
6	Air inlet grille
7	Remote air temperature sensor

### AP and TWIN series only

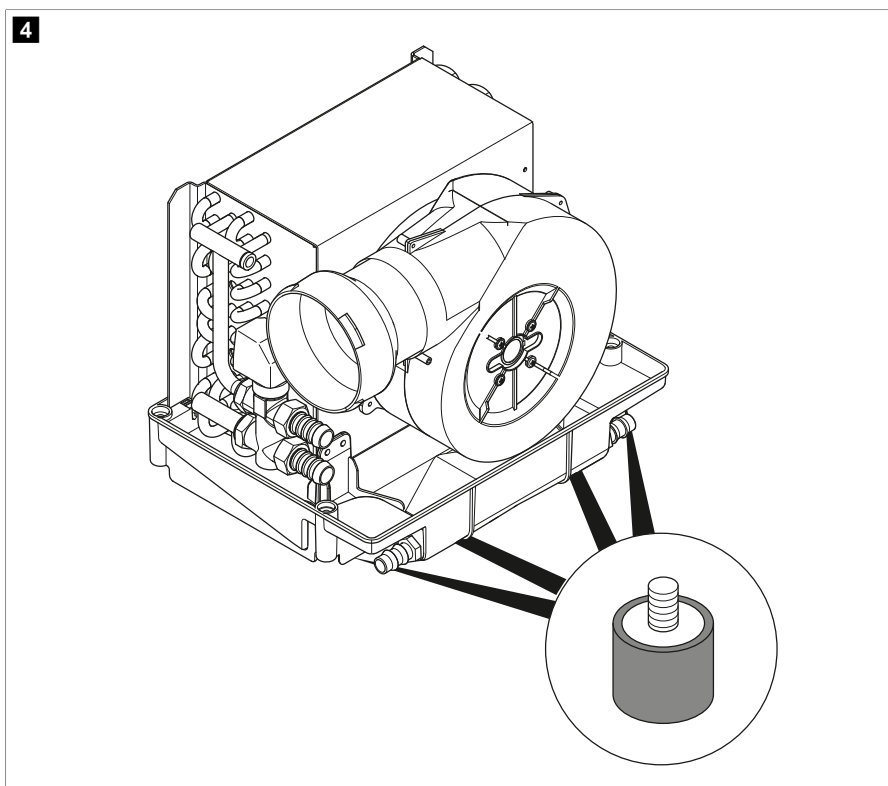


No.	Description
1	Temperature controller

No.	Description
2	Fan coil
3	Air outletgrille
4	Switch board
5	Air inlet grille
6	Remote air temperature sensor

## Reducing the noise level

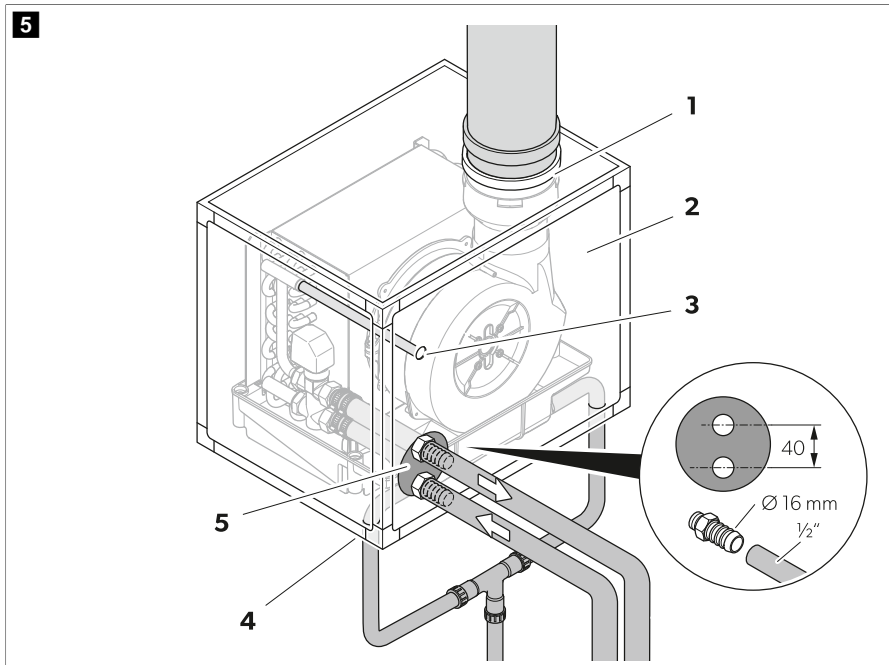
- > Install rubber buffer to the fan coil to reduce noise due to vibrations.



- > If necessary, install the fan coil in a soundproof box.



**NOTE** For connecting the pipes see [Connecting the pipes](#) on page 18.



No.	Description
1	Supply air connection manifold
2	Fan side
3	Air flush
4	Drainage
5	Water connection

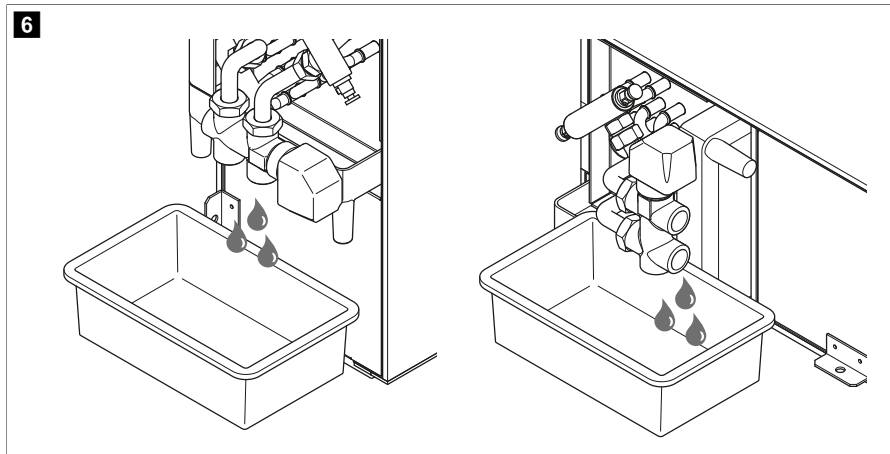
### Installing a drip tray (optional)

If the ship or boat has severe roll or hull pitch above the standards or if the fan coil needs to be installed in the false ceilings, the installation of an additional drip tray is necessary.



**NOTE** There are 2 types of drip tray, one for a single vent valve and one for all fan coil models. In order to reduce the vibrations transmitted to the structure install rubber buffer when using a drip tray that can be used for all fan coils (see Reducing the noise level on page 12).

- > Install an additional drip tray.



## Installing the condensate drain



### **NOTICE! Damage hazard**

Avoid loops in the condensate drain pipes.

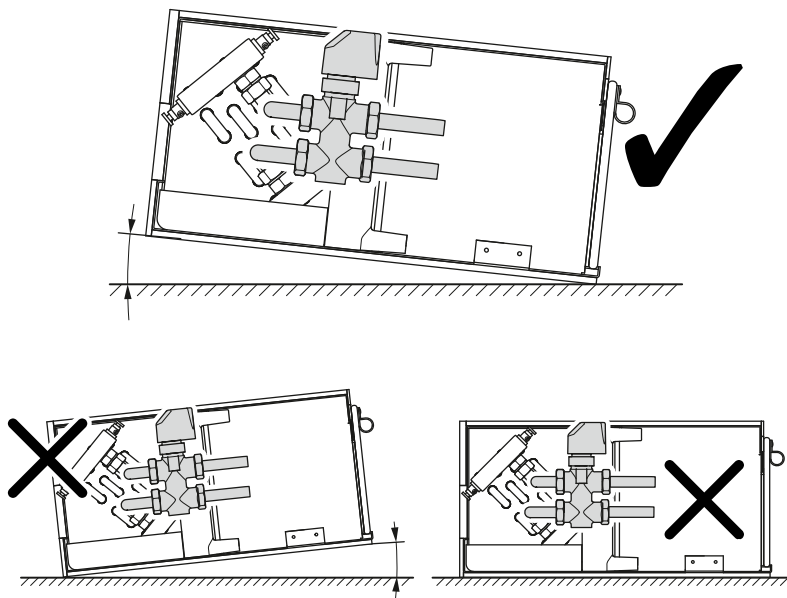
1. Place the fan coil.



### **NOTICE! Damage hazard**

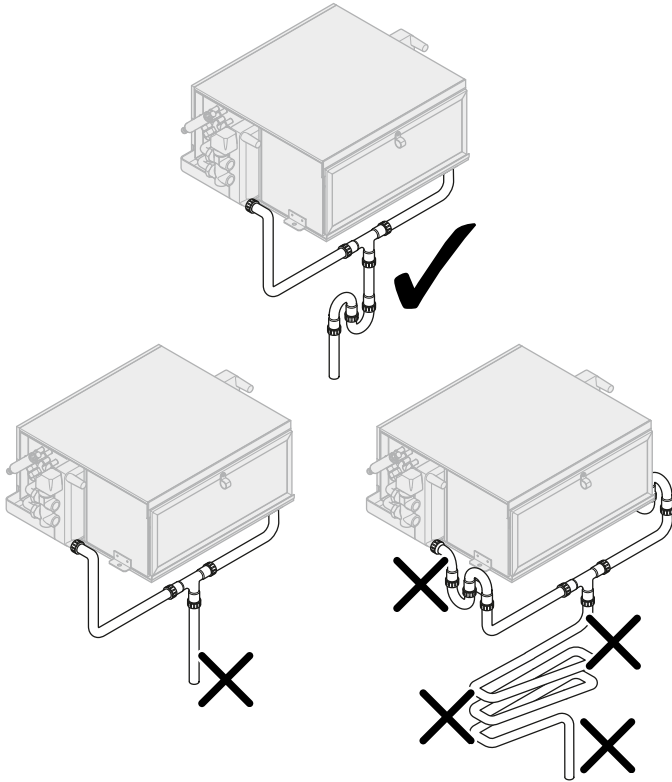
**ALU series only:** Install the fan coil at an angle of 5 ... 10 ° to allow condensate to drain properly and not overflow.

7



2. Install a drainage with siphon to the ground.

8



## Installing water pipes

Note the following before and during installation of the water pipes:

- The vent valve and pipe fittings must be free of contamination.
- The arrow on the vent valve body must point in the direction of the water flow.
- The screw connections of the vent valve and piping must be tight.
- The installation must be free of tension and torque.
- Protect the vent valve and pipe fittings from dust and dirt on construction sites.
- Use expansion joints to compensate for thermal expansion of the piping.

## Assembling the pipes

Both plastic and copper pipes can be used for the water connection.

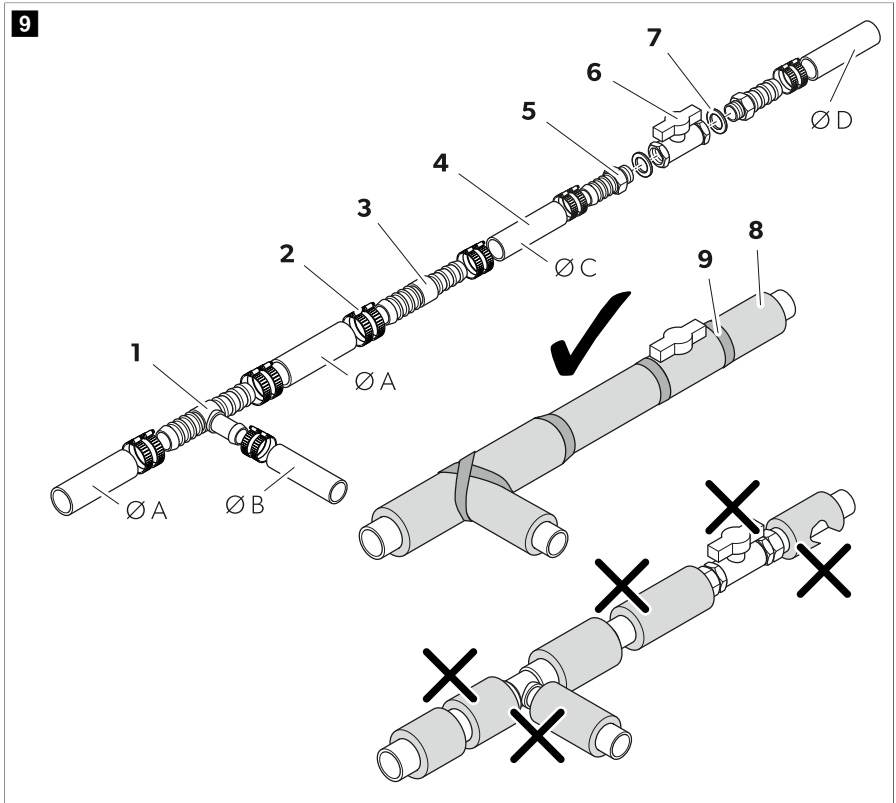
The diameter size of the fan coil pipes depends on the number of fan coils connected and the marine vehicle. The more fan coils are connected together, the more different pipe diameter sizes are needed. Each additional fan coil requires smaller pipes than the previously connected fan coil.





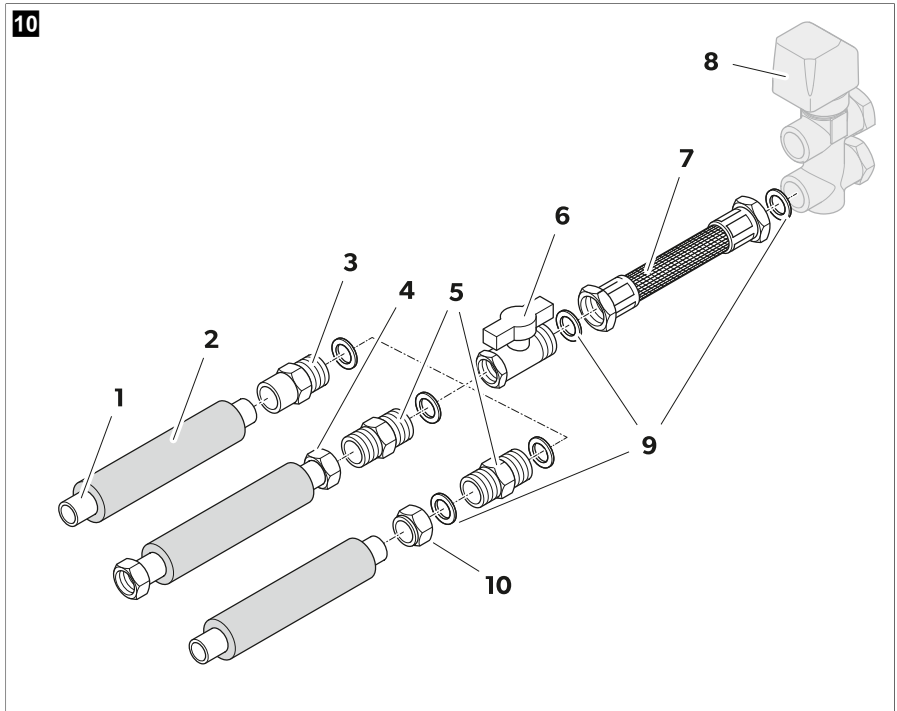
**NOTE** Contact a Dometic service center to receive detailed information about the required pipe diameters, see the backpage of this manual.

- > Assemble the plastic pipes as shown.



No.	Component
1	Brass tee
2	Hose clamp
3	Pipe coupling
4	Plastic pipe
5	Hose adapter
6	Ball valve
7	Gasket
8	Insulation
9	Drip tape

- > Assemble the copper pipe as shown.

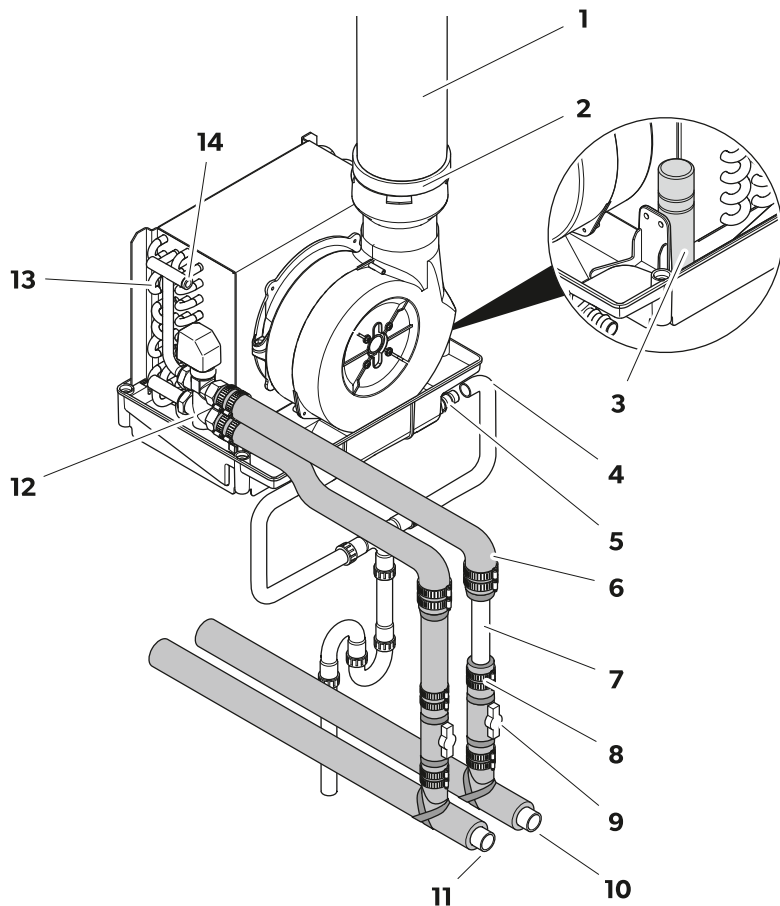


No.	Component
1	Copper pipe
2	Insulation
3	Screw connection
4	Multilayer pipes
5	Screw connection
6	Ball valve
7	Flexible connection pipe
8	3-way water valve
9	Gasket
10	Nut

### Connecting the pipes

1. Connect the pipes to the fan coils as shown.

11



No.	Description
1	Flexible supply hose
2	Hose adapter
3	Capacitor
4	Drainage
5	Hose connection
6	Clamp
7	Water pipe
8	Isulation

No.	Description
9	Ball valve
10	Water outlet
11	Water inlet
12	3-way water valve
13	Heat exchanger
14	Vent valve

2. Connect the pipes to the water manifold.  
Follow the manufacture's instructions.

### Installing a temperature controller



**NOTE** Ensure that the temperature controller is surrounded by the return air flow so that the actual ambient temperature can be read and is not distorted.

- > Install a temperature controller at the wall 1.5 m above the floor away from the the airflow.  
Follow the manufacture's instructions.
- > Install a remote air temperature sensor behind the air inlet grille.



**NOTE Risk of incorrectly measured temperatures**

Ensure that the remote air temperature sensor is installed far away from the fan coil filter, the heat exchanger and the return air flow.

### Installing an expansion tank (optional)

- > Install an expansion tank in the water circuit (see Fig. **1** on page 7).  
Follow the manufacture's instructions.

### Checking the seawater pump

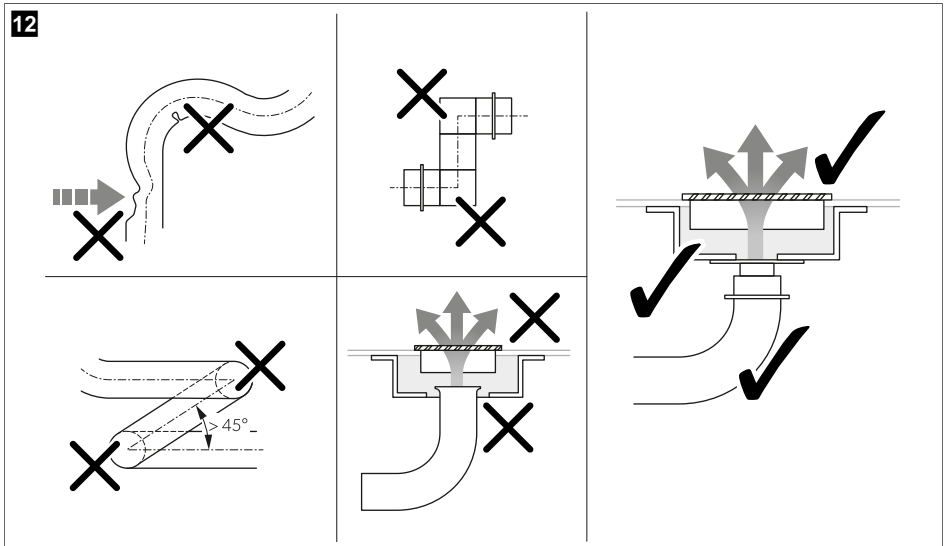
1. Ensure that a seawater pump is installed under the seawater line.  
Follow the manufacturer's instructions.
2. Ensure that a strainer is installed on the seawater pump inlet to prevent debris from being drawn in.  
Follow the manufacturer's instructions.

### Testing the water connection

1. Fill the fan coils with water using the ball valve.
2. If present, open the 3-way water valve while filling the water until water flows out of the vent valve (Fig. **11** on page 19, **11**).
3. Put the system on 2 ... 3 bar under pressure by checking the pressure gauge on the sensing line.
4. Check the pressure with the hydrometer attached to the load of the system for a period of 5 ... 6 h to detect a loss of pressure.

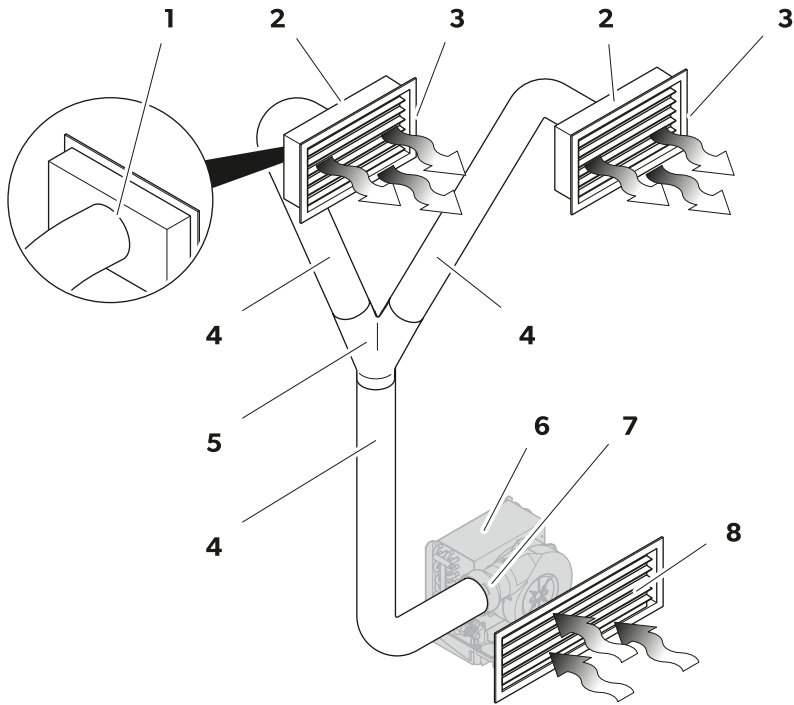
## Installing the hoses and grilles (AP and TWIN series only)

Before installing the air components note the following:



- Connect the fan coil to air ducts or pre-insulated pipes.
- The diameter of the main duct must not be smaller than the diameter of the plastic adapter mounted on the fan (see Hose dimensions on page 34).
- Maintain the original diameter of the preinsulated pipes.
- To allow an optimal airflow ensure that the pre-insulated pipes are spread apart and not compressed.
- The flexible supply hose must have a length of 2.5 ... 5 m.
- Do not use plastic grilles or other accessories that are smaller than specified (Technical data on page 28).
- Ensure that the ceiling or wall construction does not press on or obstruct the air pipes.

13



No.	Component
1	Hose connection
2	Plenum
3	Air outlet grille
4	Flexible supply hose
5	Transition duct
6	Fan coil
7	Hose adapter
8	Air inlet grille

- Cut holes in the upper part of the wall and in the wall next to the fan of the fan coil for the grilles (see Fig. 13 on page 22).  
Observe the specified dimensions (see Grille dimensions on page 33).
- Install the grilles.
- Connect the fan coil to the flexible supply hoses.  
Observe the specified dimensions (see Hose dimensions on page 34).

4. If necessary, cut off the excess of the pipes.
5. Connect the supply air chambers to the grilles.
6. Connect to the hoses supply air chambers.

### Installing the grilles (ALU series only)

1. Cut holes in the wall above the fan coil and next to the fan for the grilles (see Notes on installation on page 9).  
Observe the specified dimensions (see Grille dimensions on page 33).
2. Install the grilles.

### Connecting to the electrical power



#### **WARNING! Electrocutation hazard**

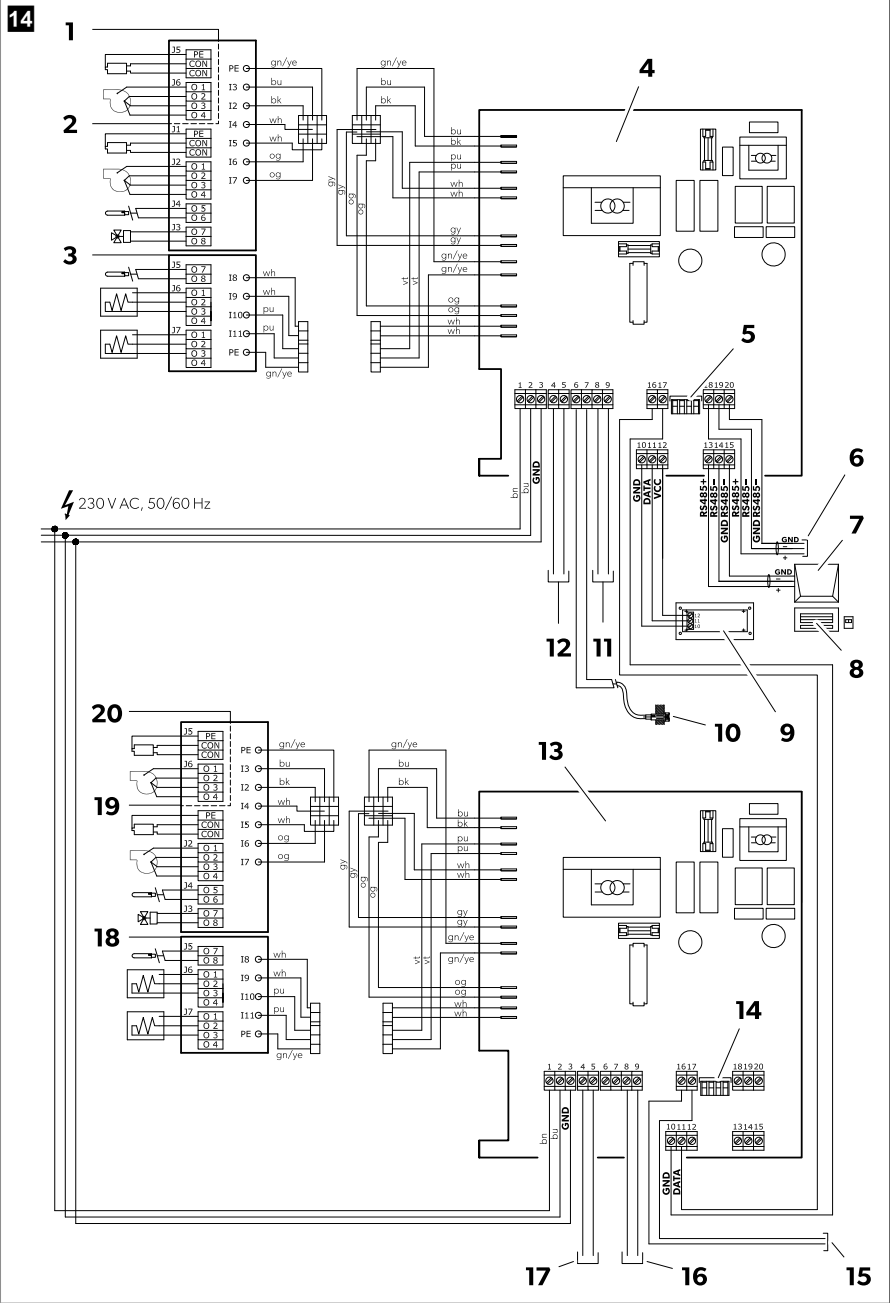
- Ensure that the size of the external grounding terminals matches the size of the grounding cables.
- Ensure that the cables are suitable for the maximum power of the components and the power supply.
- Use 3 core, 4 core, or multicore insulated cables with copper conductors for the grounding and grounding terminals.
- Ensure that the grounding cables are suitable for at least 50 % of the rated current for the supply cables.
- Use the shortest possible wiring to connect the ventilation system to the ground.
- Use screened cables to connect the motor.
- Ensure that the size of the external grounding terminals are matched to the size of the grounding cables.
- Install the cables according to local wiring regulations or according to the possible register supervision for the connection size to be used.



#### **NOTICE! Damage hazard**

Install a circuit breaker or fuse suitable for the maximum power installed to the switch board.

- > Connect the fan coil as shown:





No.	Description
1	Fans
2	Switch board
3	Switch board
4	Master
5	Dip switch
6	Connection to an additional master
7	Computer
8	Computer interface (optional)
9	Display or selector switch
10	Remote air temperature sensore
11	Eco mode
12	Ionizer
13	Slave
14	Dip switch
15	Connection to an additional slave (16 to 11, 17 to 10)
16	Eco mode
17	Ionizer
18	Switch board
19	Switch board
20	Fans
gn/ye	green/yellow
bk	black
bu	blue
gy	grey
og	orange
pu	purple
vt	violet
wh	white

## 10 Before first use

1. Ensure that the seawater inlet and outlet valves are open.
2. Switch on the chiller.

Follow the chiller manual instructions.

3. Ensure that the seawater pump and the circulation pump are not blocked by rotating its motor fan with a screw-driver.
4. Check the temperature of the chiller.  
Follow the chiller manual instructions.



**NOTICE! Risk of freezing**

Ensure that the temperature of the chiller is not set below 7 °C.

## 11 Operation



**NOTE Risk of freezing**

Do not set the ventilation system to below 7 °C.

- > Use the temperature controller to operate the fan coil.  
Follow the manufacturer's instructions.

## 12 Cleaning and maintenance



**WARNING! Electrocution hazard**

The power supply to the device must be switched off before any maintenance work.



**CAUTION! Risk of injury**

- After disconnecting the fan coils from the power supply wait 5 min so that the fan switches off and stops rotating.
- Before touching the fan coil ensure that the fan coil has cooled down.



**NOTICE! Damage hazard**

Do not use corroding fluids when cleaning the filter.

- > Visually inspect the electronics for damage each time maintenance is performed.
- > Check the grounding circuit regularly.
- > Periodically pour water into the condensate drip pan to check the efficiency of the condensate drain.
- > First year of use: Clean the filter every 7 days.
- > Use the ventilation system for more than 1 year: Replace the filter every 6 months.
- > Check the filter and heat exchanger every 3 months.
- > Clean the heat exchanger every 3 months.
- > If the ventilation system has not been used for a long time:
  - Check the terminal strips for tight fit.
  - Ensure that the resistors are working correctly (if present).
  - Ensure that the switchboard is supplied with power.

## 13 Troubleshooting

Problem	Possible cause	Suggested remedy
The fan rotates with difficulty or not at all.	The fan is blocked.	> Remove any blockages.
The fan cannot be used to heat the air.	The fan is defective.	<ol style="list-style-type: none"> <li>1. Disconnect the power supply from the fan coil.</li> <li>2. Do not touch the fan coil within the next 2 h.</li> <li>3. Contact an authorized service agent.</li> </ol>
There is no water in the pipes.	<p>There are air inclusions in the fan coils. The 3-way water valve is defective. There are air inclusions in the water circulation.</p>	<ol style="list-style-type: none"> <li>1. Ensure that the hydrometer is operating at a minimum pressure of 10 mT when the ventilation system is switched off.</li> <li>2. If the hydrometer indicates a pressure of 0 mT or close to 0 mT, switch off the ventilation system.</li> <li>3. Refill the ventilation system with water to a pressure of 15 mT.</li> <li>4. Vent the ventilation system using the vent valve on the evaporator.</li> <li>5. If the circulation of the treated water works properly, ensure that the blower is working correctly.</li> <li>6. Ensure that the temperature controller is set correctly. <ul style="list-style-type: none"> <li>&gt; Replace the 3-way water valve actuator or the housing.</li> <li>&gt; Use the manual vent valves to remove the air from the copper pipes.</li> </ul> </li> </ol>
Fan speed fault.	The wrong ventilation, temperature, and/or mode settings has been made.	> Select the desired setting using the temperature controller.
Room temperature fault.	The temperature controller is not set correctly.	> Set the desired temperature using the temperature controller.

## 14 Warranty

The statutory warranty period applies. If the product is defective, please contact the manufacturer's branch in your country (see [dometic.com/dealer](http://dometic.com/dealer)) or your retailer.

For repair and warranty processing, please include the following documents when you send in the device:

- A copy of the receipt with purchasing date
- A reason for the claim or description of the fault

Note that self-repair or nonprofessional repair can have safety consequences and might void the warranty.

## 15 Disposal



Place the packaging material in the appropriate recycling waste bins wherever possible. Consult a local recycling center or specialist dealer for details about how to dispose of the product in accordance with the applicable disposal regulations. The product can be disposed free of charge.

## 16 Technical data

### Fan coils

#### Ventilation at medium speed



**NOTE** The technical data for the ventilation at medium speed may vary due to varying power and varying conditions of use.

Fan coil	Air flow rate	Cooling capacity		Noise level
MINI	130 m <sup>3</sup> /h	2840 Btu	670 W	32 dB(A)
COMPACT	230 m <sup>3</sup> /h	4320 Btu	1170 W	34 dB(A)
JUNIOR	300 m <sup>3</sup> /h	5880 Btu	1580 W	40 dB(A)
GIANT4	450 m <sup>3</sup> /h	9320 Btu	2440 W	34 dB(A)
GIANT8	770 m <sup>3</sup> /h	14800 Btu	3950 W	33 dB(A)
APM	160 m <sup>3</sup> /h	3400 Btu	870 W	45 dB(A)
AP1	230 m <sup>3</sup> /h	4480 Btu	1040 W	50 dB(A)
AP3	330 m <sup>3</sup> /h	6200 Btu	1400 W	
AP5	470 m <sup>3</sup> /h	9200 Btu	2560 W	53 dB(A)
AP5 SLIM				
AP8	600 m <sup>3</sup> /h	12480 Btu	3450 W	51 dB(A)
AP8 SLIM				
AP10	680 m <sup>3</sup> /h	16000 Btu	4360 W	53 dB(A)
AP12	950 m <sup>3</sup> /h	24000 Btu	6390 W	55 dB(A)
TWIN12	600 m <sup>3</sup> /h	12000 Btu	3450 W	52 dB(A)
TWIN18	950 m <sup>3</sup> /h	18000 Btu	5230 W	55 dB(A)

#### Default values

Fan coil	Max. power consumption				Electric heater	Weight*
	50 Hz	60 Hz	50 Hz	60 Hz		
MINI	120 W	–	0.96 A	–	–	6 kg
COMPACT		–		–	7 kg	
JUNIOR	70 W	81 W	0.31 A	0.36 A	800 W	10.5 kg
GIANT4	73 W	83 W	0.33 A	0.37 A	1000 W	13 kg

Fan coil	Max. power consumption				Electric heater	Weight*
	50 Hz	60 Hz	50 Hz	60 Hz		
GIANT8	146 W	166 W	0.66 A	0.74 A	1500 W	17 kg
APM	90 W	100 W	0.25 A	0.29 A	400 W	5.5 kg
AP1	105 W	115 W	0.46 A	0.51 A		800 W
AP3					7.5 kg	
AP5	137 W	155 W	0.6 A	0.68 A	1000 W	8 kg
AP5 SLIM						
AP8	160 W	97 W	0.8 A	0.88 A	1500 W	13 kg
AP8 SLIM						
AP10		197 W				14 kg
AP12	280 W	350 W	1.25 A	1.55 A		15.5 kg
TWIN12	210 W	230 W	0.92 A	1.02 A		14 kg
TWIN18	274 W	310 W	1.25 A	1.55 A		14.5 kg

\*Weight without the condensate drip pan and vent valve. If the condensate drip pan is installed, the weight increases by 1 kg. If the vent valve is installed, the weight increases by 2 kg for all fan coils except GIANT8. If the vent valve is installed to the GIANT8 fan coil, the weight increases by 3 kg.

#### Air/water side size

Model	Air pressure	Water flow		Condensate water
MINI	390 Pa	180 L/h	6.7 kPa	0.75 L/h
COMPACT	420 Pa	342 L/h		0.9 L/h
JUNIOR	500 Pa	432 L/h	14.5 kPa	1.65 L/h
GIANT4	590 Pa	648 L/h	16.5 kPa	2.15 L/h
GIANT8	580 Pa	1080 L/h	12.5 kPa	2.5 L/h
APM	390 Pa	216 L/h	6.7 kPa	0.9 L/h
AP1	450 Pa	396 L/h	11.5 kPa	1.1 L/h
AP3	440 Pa	504 L/h	19.5 kPa	1.3 L/h
AP5	430 Pa	684 L/h	8.5 kPa	1.55 L/h
AP5 SLIM				
AP8	440 Pa	720 L/h	10.5 kPa	2.1 L/h
AP8 SLIM				
AP10	580 Pa	1116 L/h	12 kPa	2.45 L/h
AP12	570 Pa	1476 L/h	14.5 kPa	2.75 L/h
TWIN12	440 Pa	756 L/h		2.5 L/h
TWIN18	560 Pa	1116 L/h		3.2 L/h

## Pipe connection

Fan coil	Pipe fitting diameter	Copper pipe thread identification	Pipe connector
MINI	16 mm	½"-14 NPT	A
COMPACT			
JUNIOR			
GIAN4			
GIAN8		½"-12 NPT	B
APM		½"-14 NPT	A
AP1			
AP3			
AP5			
AP8			
AP10		½"-14 NPT	B
AP12			C
TWIN12K			B
TWIN18K			C

**Table 1: Legend**

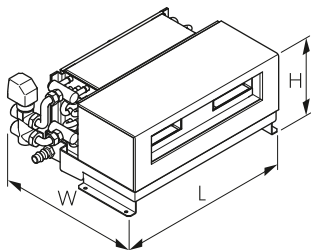
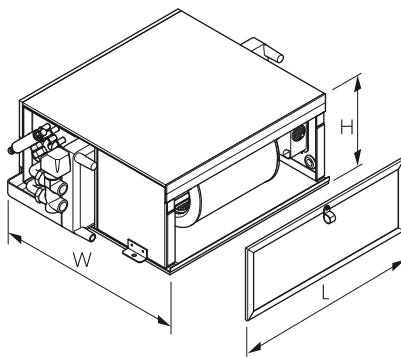
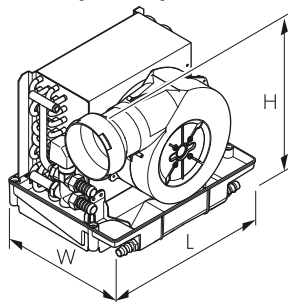
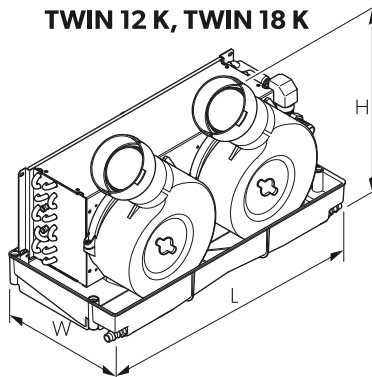
No.	Description
A	Screw connection
B	Vent valve with integral bypass configurations and on-off type electric actuators
C	Vent valve

## Fan coil dimensions



**NOTE** Fan coil dimensions with vent valve and without condensation drip pan.

15

**MINI, COMPACT****JUNIOR, GIANT 4, GIANT 8****APM, AP 1, AP 3, AP 5,  
AP 8, AP 10, AP 12****TWIN 12 K, TWIN 18 K**

Model	Lenght (L)	Width (W)	Hight (H)	∅ fan outlet
MINI	480 mm	300 mm	201 mm	–
COMPACT	580 mm	330 mm	191 mm	–
JUNIOR		410 mm	205 mm	–
GIANT4	630 mm	465 mm	250 mm	–
GIANT8	850 mm		245 mm	–
APM	395 mm	235 mm	205 mm	100 mm <sup>2</sup>
AP1	386 mm	292 mm	300 mm	
AP3	403 mm		320 mm	125 mm <sup>2</sup>
AP5	408 mm		357 mm	
AP5 SLIM	451 mm		320 mm	
AP8	415 mm	330 mm	370 mm	150 mm <sup>2</sup>
AP8 SLIM		292 mm	357 mm	125 mm

Model	Lenght (L)	Width (W)	Hight (H)	∅ fan outlet
AP10	523 mm	330 mm	380 mm	180 mm <sup>2</sup>
AP12	565 mm		430 mm	200 mm <sup>2</sup>
TWIN12	660 mm	292 mm	380 mm	2 x 125 mm <sup>2</sup>
TWIN18				

## Electric heater

Power	230 V 50 ... 60 Hz
Regulations	CEI 61150/EN 60335-1
Temperature range	25 ... -10 °C
Protection class	IP55
Insulation	3000 MΩ at 500 Vcc
Dielectric system	1250 V
Heat efficiency	0.1 Ω

## Filter dimension

Filter	Lenght	Hight	Depth
Filter Mini-N/APM	275 mm	150 mm	8 mm
Filter Compact-N	375 mm		
Filter JUNIOR	425 mm	17 mm/170 mm	
Filter GIANT4	495 mm	200 mm	
Filter GIANT8	695 mm		
Filter AP1-N	275 mm		
Filter AP1-7	278 mm		
Filter AP3-N	335 mm		
Filter AP3-7	278 mm	250 mm	
Filter AP5 Slim-7	338 mm		
Filter AP5-N/AP8-N	378 mm	300 mm	
Filter AP5-7	278 mm		
Filter AP8 Slim-7	338 mm		
Filter AP8-7	318 mm		
Filter AP10-N	415 mm		
Filter AP10-7	418 mm		
Filter AP12-N	415 mm		355 mm
Filter AP12-7	418 mm	350 mm	
Filter TWIN12/TWIN18	515 mm	200 mm	



## Grille dimensions



### NOTICE! Risk of overheating

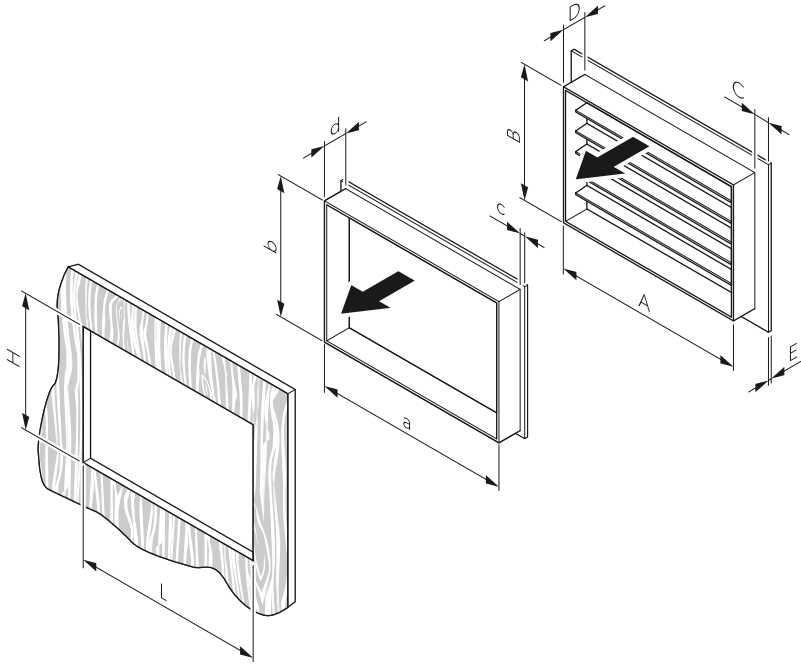
Do not use grilles that are below the specified values.



**NOTE** The grille dimensions are only recommendations. Grilles with larger dimensions may also be used.

Fan coil	Input grille		Output grille	
	Outer diameter	Quantity	Outer diameter	Quantity
MINI	20 cm <sup>2</sup>	1	20 cm <sup>2</sup>	1
COMPACT				
JUNIOR	25 cm <sup>2</sup>		25 cm <sup>2</sup>	
GIANT4	35 cm <sup>2</sup>		35 cm <sup>2</sup>	
GIANT8	50 cm <sup>2</sup>		50 cm <sup>2</sup>	
APM	25 cm <sup>2</sup>		20 cm <sup>2</sup>	
AP1	30 cm <sup>2</sup>		25 cm <sup>2</sup>	
AP3	45 cm <sup>2</sup>		40 cm <sup>2</sup>	
AP5	35 cm <sup>2</sup>	2	50 cm <sup>2</sup>	1
AP5 SLIM				
AP8	4 cm <sup>2</sup>		70 cm <sup>2</sup>	
AP8 SLIM				
AP10	5 cm <sup>2</sup>		80 cm <sup>2</sup>	
AP12	65 cm <sup>2</sup>		100 cm <sup>2</sup>	
TWIN12K	45 cm <sup>2</sup>		70 cm <sup>2</sup>	
TWIN18K	35 cm <sup>2</sup>		4	

16



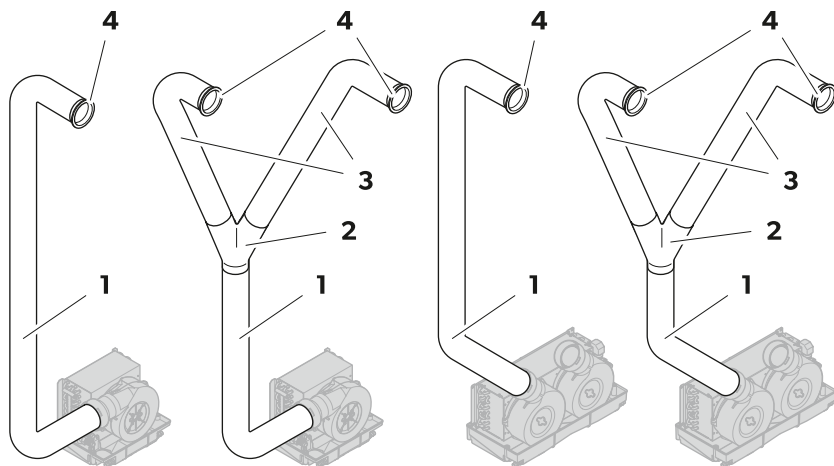
Type	Grille						Frame				Cutout	
	A	B	C	D	E	∅	a	b	c	d	L	H
S/B	278 mm	51 mm	15 mm	29 mm	4 mm	113 cm <sup>2</sup>	283 mm	63 mm	5 mm	31 mm	287 mm	65 mm
JN	357 mm	64 mm				176 cm <sup>2</sup>	366 mm	75 mm			370 mm	77 mm
G4	425 mm	77 mm				278 cm <sup>2</sup>	431 mm	88 mm			435 mm	90 mm
G8	627 mm					362 cm <sup>2</sup>	634 mm				638 mm	
SP1	100 mm	100 mm				85 cm <sup>2</sup>	111 mm	116 mm			115 mm	118 mm
SP2	150 mm					128 cm <sup>2</sup>	161 mm				165 mm	
SP3	200 mm	200 mm				260 cm <sup>2</sup>	213 mm	216 mm			217 mm	218 mm
SP4	250 mm					325 cm <sup>2</sup>	263 mm				267 mm	

**Hose dimensions**



**NOTE** Reducing or increasing the size of the ducts may affect the performance of the ventilation system.

17



Fan coil	Hose (1)		Transition duct (2)		Hose (3)		Connector (4)	
	∅	L	Q	Type	∅	L	Q	∅
APM	100 mm	3 m	-	-	-	-	1 C	100 mm
AP1			-	-	-	-		
AP3			-	-	-	-		
AP5	125 mm	1 m	1 C	125/125/125	125 mm	2 m	2 C	125 mm
AP5 SLIM				150/125/125				
AP8	150 mm	1 m	1 C	180/150/150	150 mm	2 m	2 C	150 mm
AP8 SLIM				200/180/180				
AP10	180 mm	1 m	1 C	200/180/180	180 mm	2 m	2 C	180 mm
AP12	200 mm	1 m	1 C	200/180/180	180 mm	2 m	2 C	180 mm
TWIN12K	100 mm	6 m	-	-	-	-	-	100 mm
TWIN18K	125 mm	4 m	2 C	125/125/125	125 mm	2 m	4 C	125 mm

### Drip tray dimensions

Fan coil	Length	Width	Height	Drain diameter
MINI	-	-	-	-
COMPACT	-	-	-	-
JUNIOR	600 mm	215 mm	65 mm	20 mm
GIANT4	670 mm	240 mm		
GIANT8	870 mm	240 mm		
APM	430 mm	245 mm		

<b>Fan coil</b>	<b>Lenght</b>	<b>Width</b>	<b>Hight</b>	<b>Drain diamater</b>		
AP1	430 mm	305 mm				
AP3						
AP5						
AP5 SLIM						
AP8	455 mm	350 mm				
AP8 SLIM						
AP10						
AP12	555 mm					
TWIN12K	-	-			-	-
TWIN18K	-	-			-	-

## Français

1	Signification des symboles.....	37
2	Consignes de sécurité.....	38
3	Contenu de la livraison.....	39
4	Accessoires.....	39
5	Pièces de rechange.....	39
6	Usage conforme.....	40
7	Description technique.....	40
8	Avant l'installation.....	43
9	Installation.....	43
10	Avant la première utilisation.....	60
11	Utilisation.....	61
12	Nettoyage et entretien.....	61
13	Dépannage.....	62
14	Garantie.....	63
15	Mise au rebut.....	63
16	Caractéristiques techniques.....	63

## 1 Signification des symboles



### **AVERTISSEMENT !**

indiquent une situation dangereuse qui, si elle n'est pas évitée, est susceptible d'entraîner des blessures graves, voire mortelles.



### **ATTENTION !**

indiquent une situation dangereuse qui, si elle n'est pas évitée, est susceptible d'entraîner des blessures légères ou de gravité modérée.



### **AVIS !**

indiquent une situation dangereuse qui, si elle n'est pas évitée, peut entraîner des dommages matériels.



**REMARQUE** Informations complémentaires sur l'utilisation de ce produit.

## 2 Consignes de sécurité

### Sécurité générale



#### **AVERTISSEMENT ! Risque d'électrocution**

- L'installation et les réparations ne doivent être effectuées que par du personnel qualifié connaissant l'appareil et ses dangers.
- N'utilisez pas l'appareil si celui-ci ou l'un de ses composants connectés est visiblement endommagé.



#### **AVERTISSEMENT ! Risque d'incendie**

Veillez à ce que les orifices de ventilation soient exempts d'obstructions.



#### **ATTENTION ! Risque de brûlures**

Ne touchez pas l'appareil lorsque vous l'éteignez ou pendant 2 h suivant.



#### **ATTENTION ! Risque de blessure**

Gardez l'appareil hors de portée des personnes non qualifiées pour le manipuler.



#### **ATTENTION ! Risque pour la santé**

- N'utilisez pas le système de ventilation sans le filtre.
- Cet appareil peut être utilisé par des enfants âgés de 8 ans et plus et des personnes ayant des capacités physiques, sensorielles ou mentales réduites ou un manque d'expérience et de connaissances, s'ils sont sous surveillance ou ont reçu des instructions sur l'utilisation de l'appareil en toute sécurité et comprennent les risques impliqués.
- Les enfants ne doivent pas jouer avec cet appareil.
- Le nettoyage et l'entretien ne doivent pas être effectués par des enfants sans surveillance.
- Ne retirez pas le filtre à air de l'appareil lorsqu'il est en marche.



#### **AVIS ! Risque d'endommagement**

- Évitez les mouvements brusques lors du déchargement et de la configuration de l'appareil afin de protéger les composants internes.
- Évitez de toucher les parties fragiles de l'appareil.
- Évitez l'ancrage aux points internes du composant.
- Évitez les impacts sur le boîtier de l'appareil.
- Ne placez pas d'objets sur l'appareil.
- N'introduisez aucun corps étranger dans l'appareil.



**REMARQUE** N'endommagez pas et ne retirez pas le joint du coffret électrique de l'appareil, sinon la garantie sera annulée.

### 3 Contenu de la livraison

- Serpentin de ventilation
- **Série ALU uniquement** : Égouttoir
- **Séries AP et TWIN uniquement** : Conduites (en option)
- Grilles (en option)

### 4 Accessoires

Disponibles comme accessoires (non compris dans la livraison) :

- Grilles
- Conduites
- Tuyaux
- Affichages à l'écran
- Sélecteur
- Armoire de distribution



**REMARQUE** La sélection de l'armoire de distribution doit être effectuée par le chantier naval.

Vous trouverez de plus amples informations à l'adresse [dometic.com](http://dometic.com) ou en contactant le centre de service Dometic (voir la dernière page de ce manuel).

### 5 Pièces de rechange

Composant	N° d'article
Filtre Mini-N/APM	6071090
Filtre Compact-N	6071050
Filtre JUNIOR	6071080
Filtre GIANT4	6071060
Filtre GIANT8	6071070
Filtre AP1-7	6072000
Filtre AP3-N	6071030
Filtre AP3-7	6072010
Filtre AP5 Slim-7	6072030
Filtre AP5-7	6072020
Filtre AP8 Slim-7	6072050
Filtre AP5-N/AP8-N/AP8-7	6072040
Filtre AP10-N/AP10-7	6072060
Filtre AP12	6072070

Composant	N° d'article
Filtre TWIN12K/TWIN18K	6071190

## 5.1 Commander des pièces de rechange

1. Repérez le numéro de produit (PNC) ou le numéro de référence (SKU) figurant sur la plaque signalétique.
2. Contactez le partenaire de service ou le revendeur Dometic le plus proche pour passer la commande.

## 6 Usage conforme

Les serpentins de ventilation sont **uniquement** destinés à être utilisés conjointement avec un refroidisseur comme climatiseur dans les bateaux, les navires et autres véhicules marins.

Les serpentins de ventilation ne sont **pas** adaptés à ce qui suit :

- Maisons
- Appartements
- Machines de construction
- Machines agricoles
- Camions
- Camping-cars
- Caravanes
- Véhicules de plaisance

Ce produit convient uniquement à l'usage et à l'application prévus, conformément au présent manuel d'instructions.

Ce manuel fournit les informations nécessaires à l'installation et/ou à l'utilisation correcte du produit. Une installation, une utilisation ou un entretien inappropriés entraînera des performances insatisfaisantes et une éventuelle défaillance.

Le fabricant décline toute responsabilité en cas de blessure ou de dommage résultant :

- d'une installation, d'un montage ou d'un raccordement incorrect, y compris d'une surtension
- d'un entretien inadapté ou de l'utilisation de pièces de rechange autres que les pièces de rechange d'origine fournies par le fabricant
- de modifications apportées au produit sans autorisation explicite du fabricant
- d'usages différents de ceux décrits dans ce manuel

Dometic se réserve le droit de modifier l'apparence et les spécifications produit.

## 7 Description technique

Le serpentin de ventilation est utilisé pour contrôler la climatisation dans une cabine, dans une plage de température de 10 °C ... 30 °C.

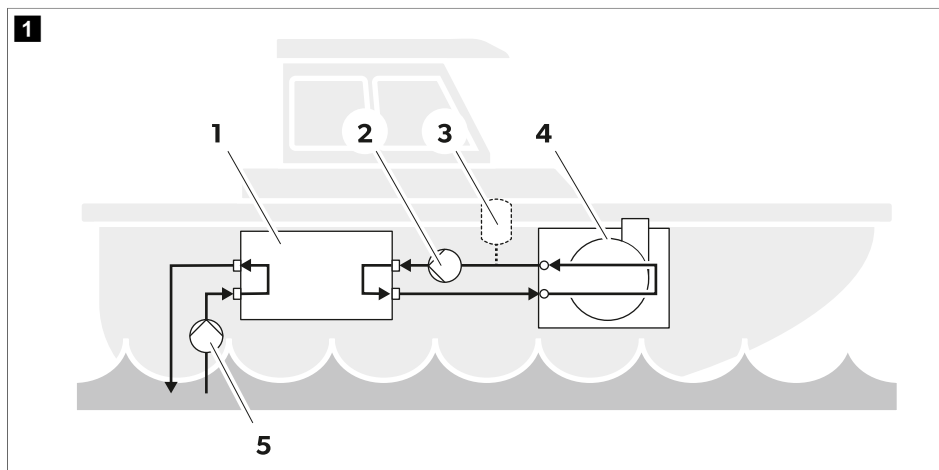
Les serpentins de ventilation se distinguent en différents modèles et séries.



Série	Serpentin de ventilation	Caractéristique
ALU	MINI	Le serpentin de ventilation doit être installé sans conduites.
	COMPACT	
	JUNIOR	Les serpentins de ventilation JUNIOR, GIANT4 et GIANT8 peuvent être installés horizontalement ou verticalement sans aucune modification sur site.
	GIANT4	
	GIANT8	
AP	APM	Le serpentin de ventilation fonctionne avec des ventilateurs radiaux haute pression et peut être connecté à des conduites d'alimentation et de retour.
	AP1	
	AP3	
	AP5	
	AP5 SLIM	Le serpentin de ventilation peut être installé à l'extérieur de la cabine à traiter.
	AP8	Le ventilateur du serpentin de ventilation, à l'exception de l'APM et de l'AP12, peut être tourné. La position d'installation du serpentin de ventilation avec ventilateur rotatif peut être ajustée aux exigences de l'installation.
	AP8 SLIM	
	AP10	Les ventilateurs APM et AP12 ne peuvent <b>uniquement</b> être installés à l'horizontale. Une version spéciale pouvant être installée verticalement peut être achetée sur demande auprès de Dometic.
AP12		
TWIN	TWIN12K	
	TWIN18K	

Les serpentins de ventilation peuvent être contrôlés en activant et désactivant le ventilateur ou par une vanne de ventilation avec dérivation intégrée.

## Description du processus



N°	Description
1	Refroidisseur

N°	Description
2	Pompe de circulation
3	Vase d'expansion
4	Serpentin de ventilation
5	Pompe à eau de mer

Une pompe à eau de mer (**3**) alimente en eau le refroidisseur (**1**) qui refroidit ou chauffe l'eau de circulation et la dirige via une pompe de circulation (**4**) vers le collecteur d'eau auquel un ou plusieurs serpentins de ventilation sont connectés. L'eau est transportée du collecteur d'eau via le serpentin de ventilation (**2**) vers le collecteur de retour. Le serpentin de ventilation (**2**) échange de la chaleur avec l'environnement. L'eau de retour est chauffée, renvoyée au refroidisseur (**1**), puis libérée dans la circulation.

Une installation supplémentaire d'un vase d'expansion (**5**) dans le circuit d'eau compense la dilatation thermique du réfrigérant dans le refroidisseur.

Grâce à un régulateur de température, le serpentin de ventilation (**2**) démarre automatiquement à une température de 3 ... 4 °C. La température de l'eau de refroidissement est maintenue dans une plage de 7 ... 11 °C. Après le démarrage du système de ventilation, les environnements individuels des serpentins de ventilation peuvent être activés. Chaque cabine est équipée d'un régulateur de température.

## Régulateur de température

Le serpentin de ventilation peut être connecté aux unités de commande suivantes :

- Sélecteurs manuels avec 2 ou 3 vitesses de ventilateur
- Écrans avec 10 vitesses de ventilateur

La température souhaitée de l'habitacle peut être réglée à l'aide d'un écran ou d'un thermostat d'ambiance.

Le serpentin de ventilation peut être réglé sur 4 modes de ventilation différents :

Mode	Description
AUTO	La vitesse du ventilateur peut être sélectionnée à l'aide du sélecteur ou de l'écran.
Refroidissement	Le serpentin de ventilation est alimenté en eau froide par le refroidisseur pour diminuer la température de l'habitacle.
Chauffage	Le serpentin de ventilation est alimenté en eau chaude par le refroidisseur pour augmenter la température de la cabine.
Chauffage électrique	Le serpentin de ventilation n'est pas alimenté en eau et chauffe l'air grâce à une résistance.

Un contrôleur de température unique peut être connecté à différents serpentins de ventilation dans la même cabine.

## Réglages automatiques de la température



**REMARQUE** Le réglage automatique de la température n'est activé qu'en mode refroidissement, chauffage et chauffage électrique.

Si le point de consigne de température de l'habitacle diffère sensiblement de la température réelle de l'habitacle, le ventilateur fonctionne à la vitesse maximale. Lorsque la température de l'habitacle approche de la température définie, la vitesse du ventilateur diminue automatiquement au minimum programmé.

## 8 Avant l'installation

1. Assurez-vous que les emballages et les composants ne sont pas endommagés.
2. Si nécessaire, contactez le centre de service Dometic (voir au dos de ce manuel).

## 9 Installation



### AVERTISSEMENT ! Risque d'électrocution

- Branchez les serpentins de ventilation uniquement à la tension spécifiée sur la plaque signalétique.
- Ne pas utiliser d'isolation défectueuse pour éviter un court-circuit.



### ATTENTION ! Risque de surchauffe

- Assurez-vous que le serpentin de ventilation est au moins à 3 ... 4 cm du mur pour permettre à l'air de circuler.
- Assurez-vous que le flux de la grille de retour d'air du côté admission du serpentin de ventilation n'est obstrué par aucun objet.



### AVIS ! Risque d'endommagement

- Installez le serpentin de ventilation **uniquement** dans la position spécifiée dans ces instructions.
- Assurez-vous que la position d'installation spécifiée est acceptée par le chantier naval.
- Installez les serpentins de ventilation sur des supports solides.
- Branchez le serpentin de ventilation sur une prise murale adaptée.
- Si vous avez besoin d'ajouter un autre câble pour plus de longueur, assurez-vous que la connexion d'origine est conservée.
- Évitez un câblage incorrect pour éviter les courts-circuits.
- Assurez-vous qu'il n'y a aucune source de chaleur à proximité du régulateur de température.
- Assurez-vous que les tuyaux, les réservoirs d'air, les raccords et les raccords à branches sont isolés. L'isolation doit atteindre les parois du serpentin de ventilation.



### REMARQUE

- **Séries ALU** uniquement : ne réduisez pas la section transversale du serpentin de ventilation (voir Dimensions du serpentin de ventilation à la page 66).
- **Séries AP et TWIN uniquement** : n'utilisez pas le serpentin de ventilation comme dispositif intégré.

### Emplacement de montage

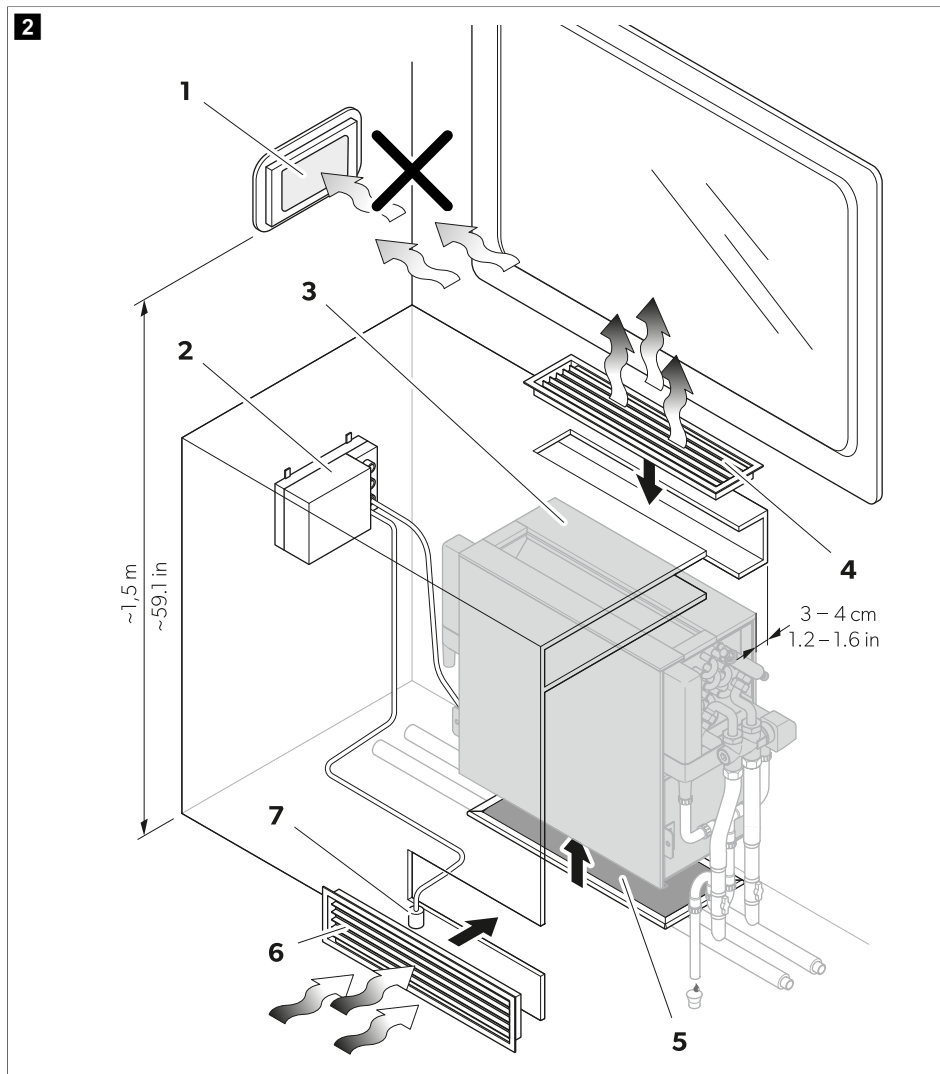
- Installez le serpentin de ventilation dans un endroit accessible pour l'utilisation et la maintenance.
- Installez le serpentin de ventilation de manière à ce que le filtre soit facilement accessible.
- Assurez-vous que le serpentin de ventilation n'est pas affecté par des sources de chaleur.

### Consignes concernant le montage

- Les conduites doivent être aussi courtes que possible.
- Assurez-vous que les conduites et les flexibles sont étanches.

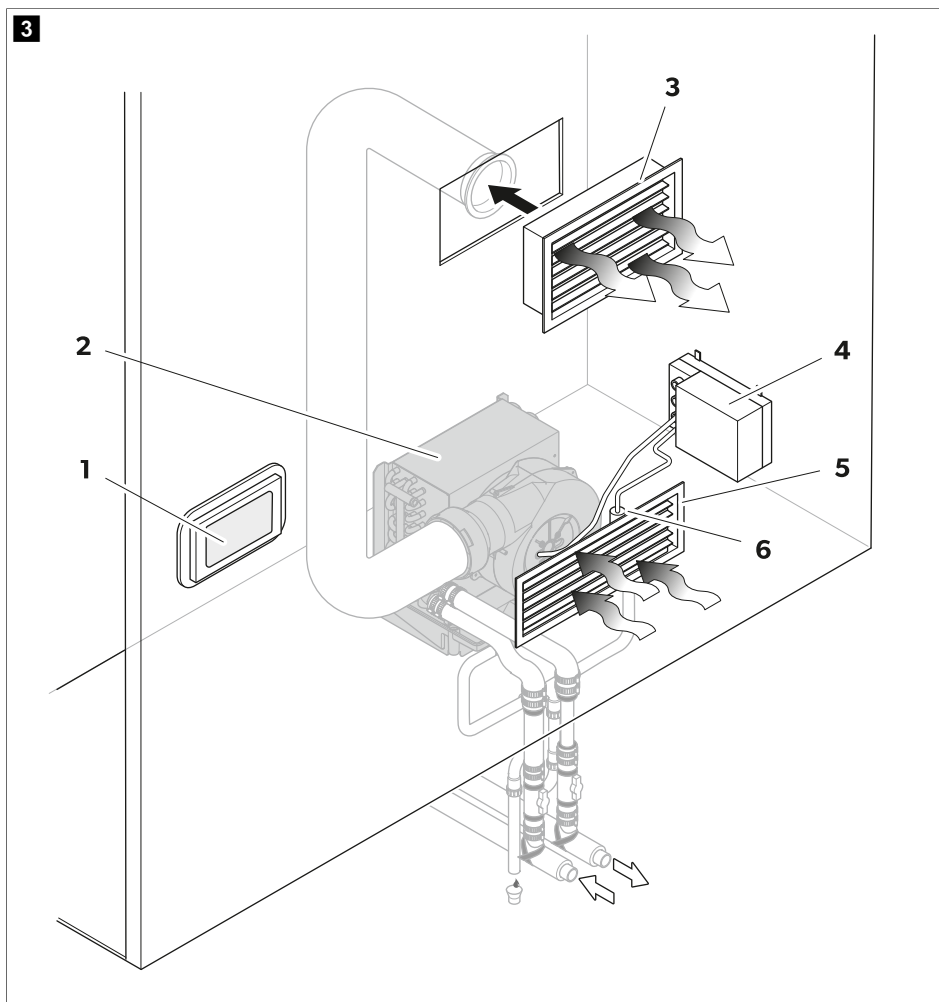
- Utilisez uniquement des grilles de la taille spécifiée (voir Dimensions de la grille à la page 68).
- Assurez-vous que l'air est distribué sans obstruction.
- Assurez-vous que les réservoirs d'air sont étanches.
- Respectez les emplacements indiqués des composants individuels.
- Vérifiez si d'autres exigences nationales d'installation peuvent s'appliquer.

### Série ALU uniquement



<b>N°</b>	<b>Description</b>
1	Écran ou sélecteur
2	Armoire de distribution
3	Serpentin de ventilation
4	Grille de sortie d'air
5	Filtre
6	Grille d'admission d'air
7	Capteur de température de l'air à distance

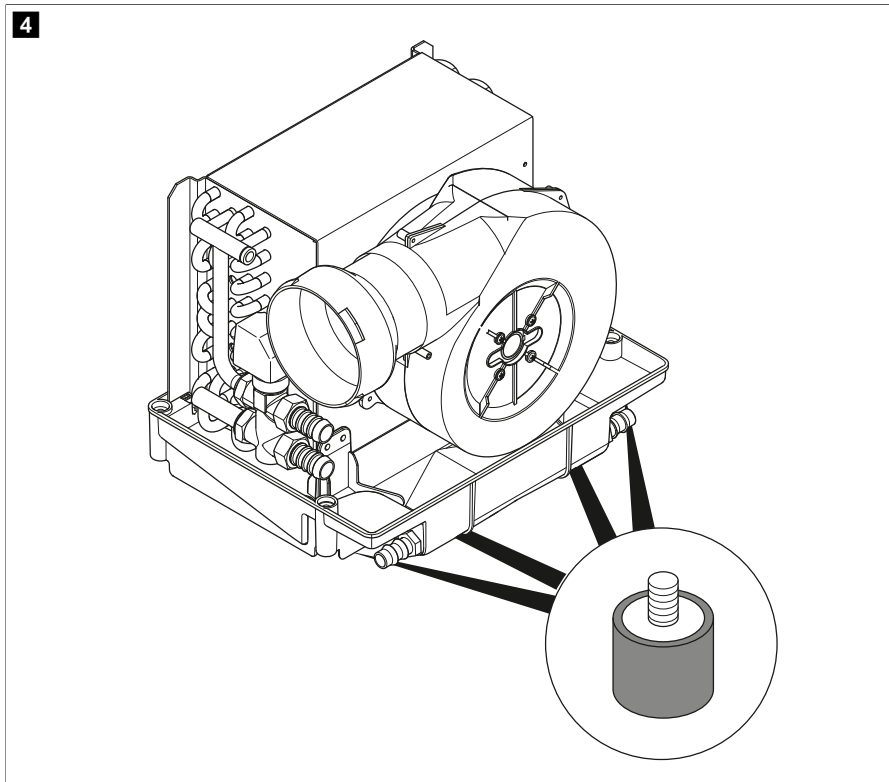
## Séries AP et TWIN uniquement



N°	Description
1	Régulateur de température
2	Serpentin de ventilation
3	Grille de sortie d'air
4	Armoire de distribution
5	Grille d'admission d'air
6	Capteur de température de l'air à distance

## Réduction du niveau sonore

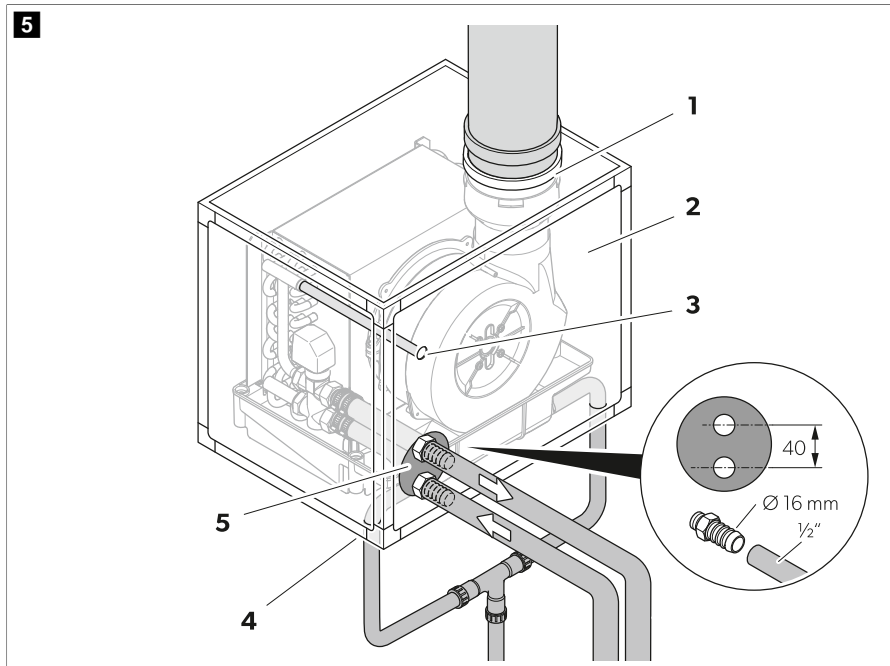
- > Installez un tampon en caoutchouc sur le serpentin de ventilation pour réduire le bruit dû aux vibrations.



- > Si nécessaire, installez le serpentin de ventilation dans un boîtier insonorisé.



**REMARQUE** Pour le raccordement des conduites, voir Raccordement des conduites à la page 54.



N°	Description
1	Collecteur de connexion d'air d'alimentation
2	Côté du ventilateur
3	Chasse d'air
4	Système d'écoulement
5	Raccordement à l'eau

### Installation d'un bac d'égouttement (en option)

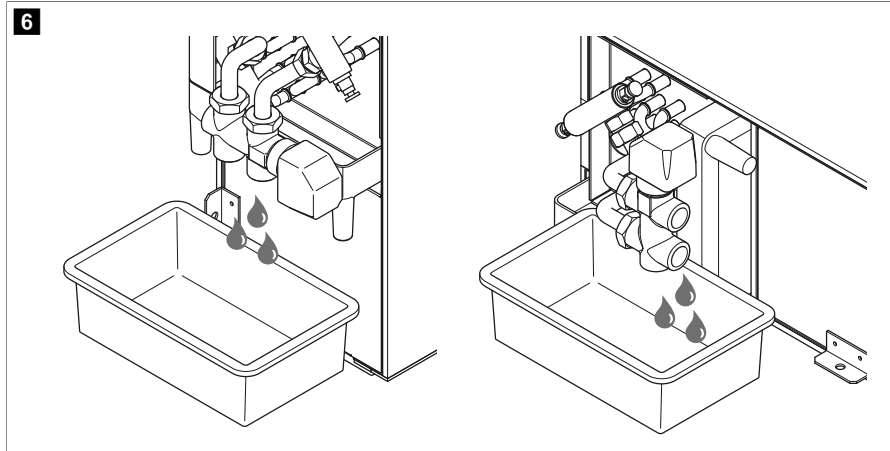
Si le navire ou le bateau présente un roulis ou un tangage sévère au-dessus de la normale ou si le serpentin de ventilation doit être installé dans les faux plafonds, l'installation d'un bac d'égouttement supplémentaire est nécessaire.



**REMARQUE** Il existe deux types de bacs d'égouttement, un pour une vanne de ventilation unique et un pour tous les modèles de serpentin de ventilation. Afin de réduire les vibrations transmises à la structure, installez un tampon en caoutchouc lors de l'utilisation d'un bac d'égouttement pouvant être utilisé pour tous les serpentins de ventilation (voir Réduction du niveau sonore à la page 47).

- > Installez un bac d'égouttement supplémentaire.





## Installation de l'évacuation de condensation



### **AVIS ! Risque d'endommagement**

Évitez les boucles dans les conduites d'évacuation des condensats.

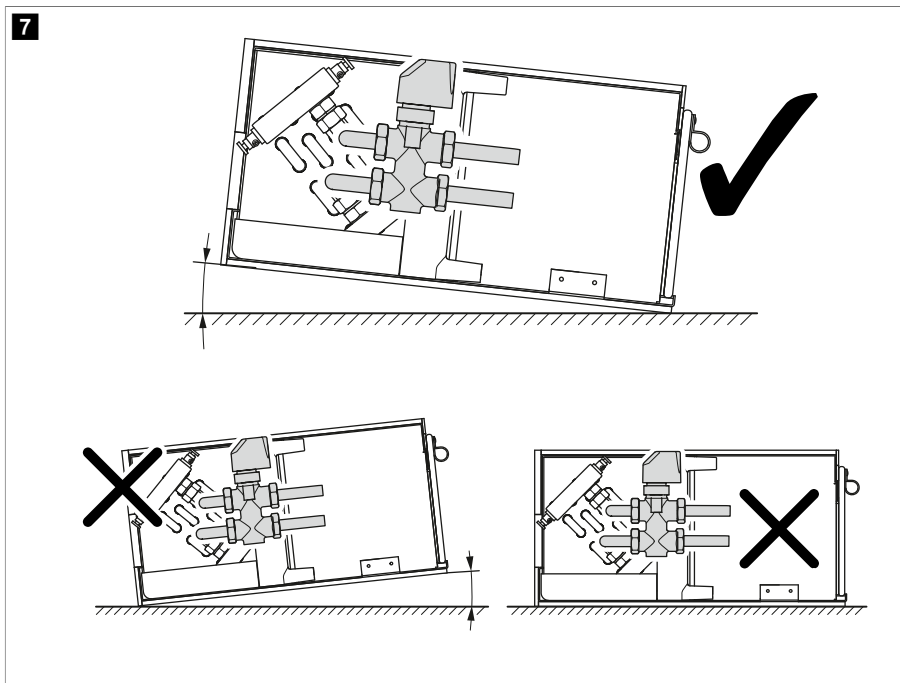
1. Placez le serpentin de ventilation.



### **AVIS ! Risque d'endommagement**

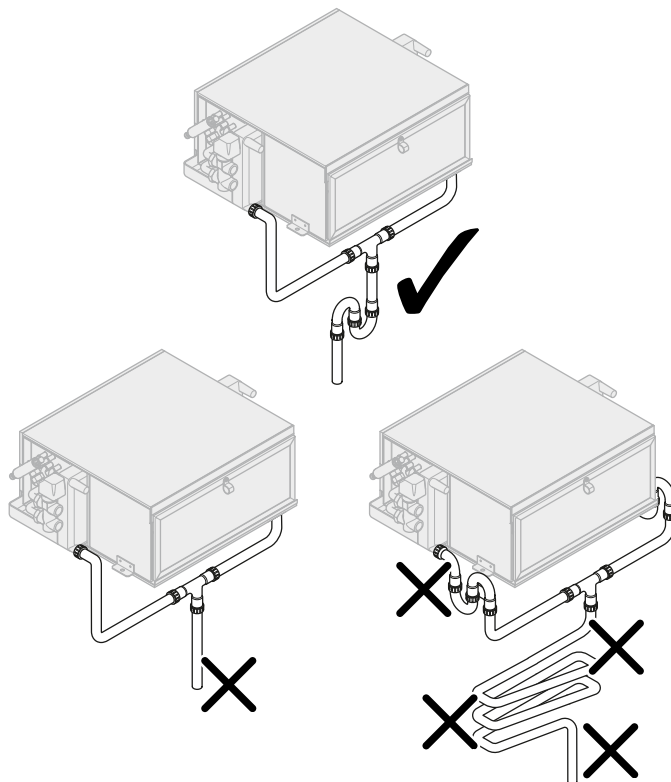
**Série ALU uniquement** : installez le serpentin de ventilation à un angle de 5 ... 10 ° pour permettre aux condensats de s'écouler correctement et ne pas déborder.

7



2. Installez un drainage avec siphon au sol.

8



## Installation de conduites d'eau

Notez les points suivants avant et pendant l'installation des conduites d'eau :

- La vanne de ventilation et les raccords de conduites doivent être exempts de contamination.
- La flèche sur le corps de la vanne de ventilation doit pointer dans le sens du débit d'eau.
- Les raccords à vis de la vanne de ventilation et de la tuyauterie doivent être serrés.
- L'installation doit être exempte de tension et de torsion.
- Protégez la vanne de ventilation et les raccords de conduites de la poussière et de la saleté sur les chantiers de construction.
- Utilisez des joints de dilatation pour compenser la dilatation thermique de la tuyauterie.

## Montage des conduites

Des conduites en plastique et en cuivre peuvent être utilisées pour le raccordement à l'eau.

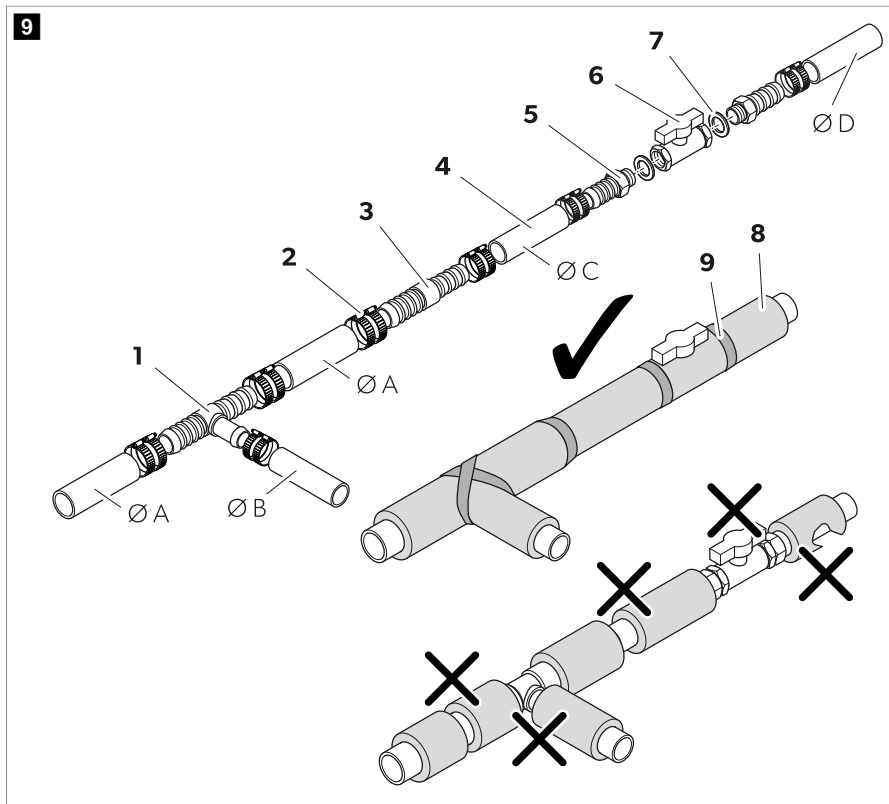
Le diamètre des conduites du serpentin de ventilation dépend du nombre de serpentins de ventilation connectés et du véhicule marin. Plus le nombre de serpentins de ventilation connectés ensemble est élevé, plus le nombre de

conduites de diamètres différents nécessaires est élevé. Chaque serpentin de ventilation supplémentaire nécessite des conduites plus petites que le serpentin de ventilation précédemment connecté.



**REMARQUE** Contactez un centre de service Dometic pour obtenir des informations détaillées sur les diamètres de conduites requis, voir la page arrière de ce manuel.

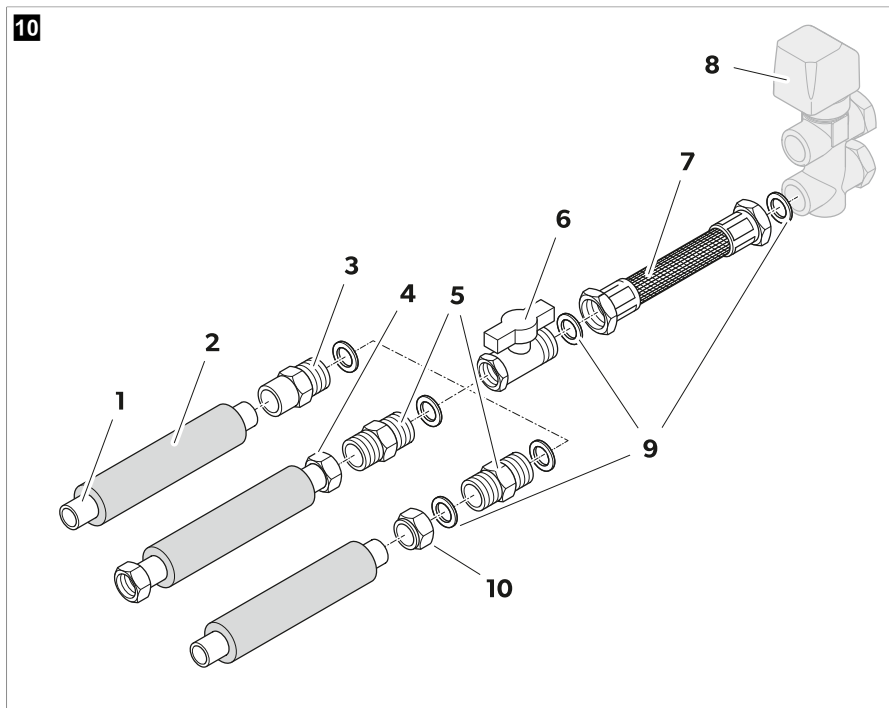
- > Montez les conduites en plastique comme illustré.



N°	Composant
1	Raccord T en laiton
2	Collier
3	Manchon de raccordement
4	Conduite en plastique
5	Adaptateur de tuyau flexible
6	Vanne à boule
7	Joint

N°	Composant
8	Isolation
9	Ruban anti-fuite

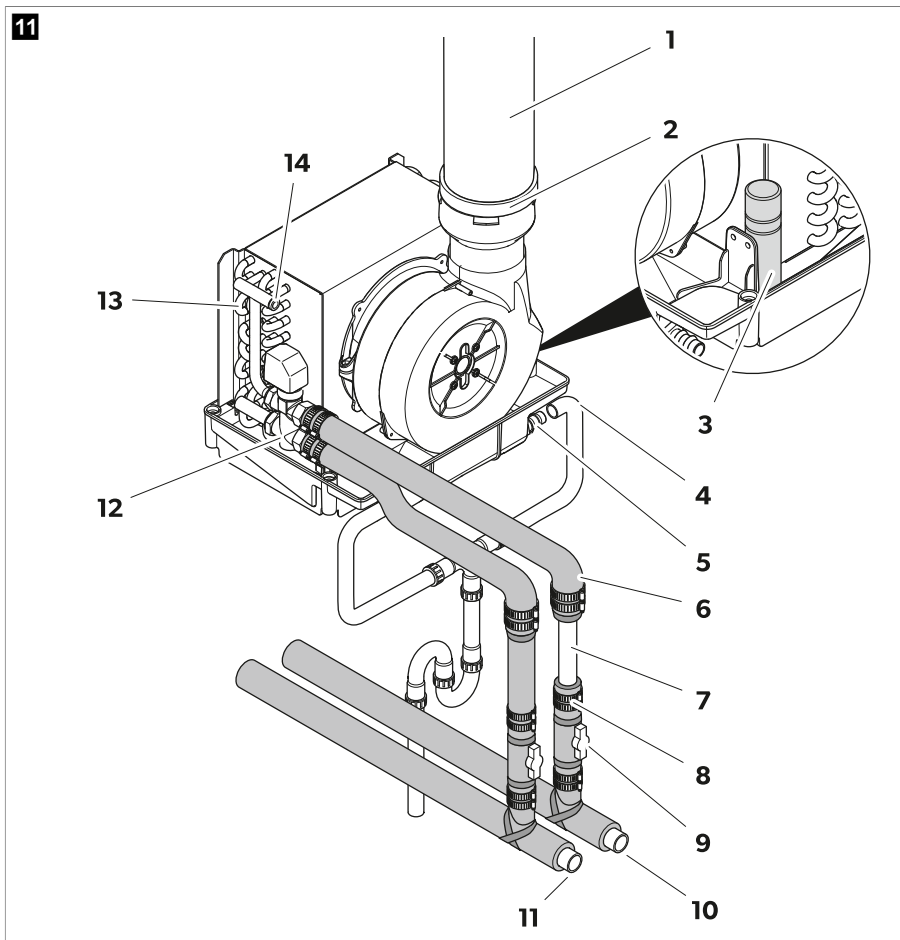
> Montez les conduites en cuivre comme illustré.



N°	Composant
1	Conduite en cuivre
2	Isolation
3	Raccord à vis
4	Conduites multicouches
5	Raccord à vis
6	Vanne à boule
7	Raccord de conduite flexible
8	Vanne d'eau à 3 voies
9	Joint
10	Écrou

## Raccordement des conduites

1. Branchez les conduites aux serpentins de ventilation comme illustré.



N°	Description
1	Tuyau d'alimentation flexible
2	Adaptateur de tuyau flexible
3	Condensateur
4	Système d'écoulement
5	Raccord de tuyau
6	Serre-joint
7	Conduite d'eau

N°	Description
8	Isolation
9	Vanne à boule
10	Sortie d'eau
11	Entrée d'eau
12	Vanne d'eau à 3 voies
13	Échangeur thermique
14	Vanne de ventilation

2. Branchez les conduites au collecteur d'eau.  
Suivez les instructions du fabricant.

## Installation d'un régulateur de température



**REMARQUE** Assurez-vous que le régulateur de température est entouré par le flux d'air de retour afin que la température ambiante réelle puisse être lue et ne soit pas faussée.

- > Installez un régulateur de température sur le mur à 1,5 m du sol, à l'écart du flux d'air.  
Suivez les instructions du fabricant.
- > Installez un capteur de température de température de l'air à distance derrière la grille d'admission d'air.



### **REMARQUE Risque de températures mal mesurées**

Assurez-vous que le capteur de température de l'air à distance est installé loin du filtre du serpentins de ventilation, de l'échangeur thermique et du débit d'air de retour.

## Installation d'un vase d'expansion (en option)

- > Installez un vase d'expansion dans le circuit d'eau (voir fig. **1** à la page 41).  
Suivez les instructions du fabricant.

## Contrôle de la pompe d'eau de mer

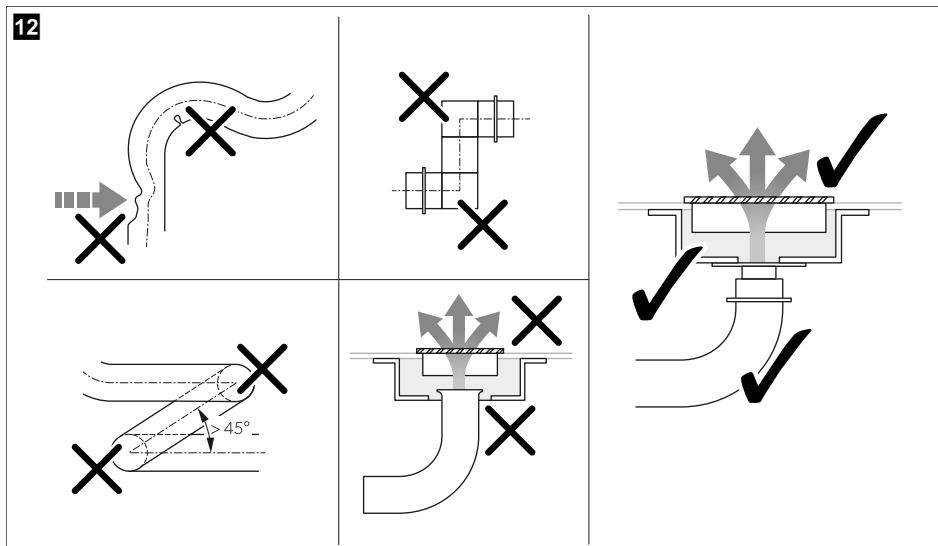
1. Assurez-vous qu'une pompe à eau de mer est installée en dessous de la ligne de flottaison.  
Suivre les instructions du fabricant.
2. Assurez-vous qu'un tamis est installé sur l'entrée de la pompe d'eau de mer pour empêcher l'aspiration de débris.  
Suivre les instructions du fabricant.

## Test du raccordement à l'eau

1. Remplissez les serpentins de ventilation d'eau à l'aide de la vanne à boule.
2. Le cas échéant, ouvrez la vanne d'eau à 3 voies et remplissez d'eau jusqu'à ce que l'eau s'écoule de la vanne de ventilation (fig. **11** à la page 54, **11**).
3. Mettez le système sous 2 ... 3 barpression en vérifiant le manomètre sur la conduite de détection.
4. Vérifiez la pression avec l'hydromètre fixé à la charge du système pendant une période de 5 ... 6 h pour détecter une perte de pression.

## Installation des flexibles et des grilles (séries AP et TWIN uniquement)

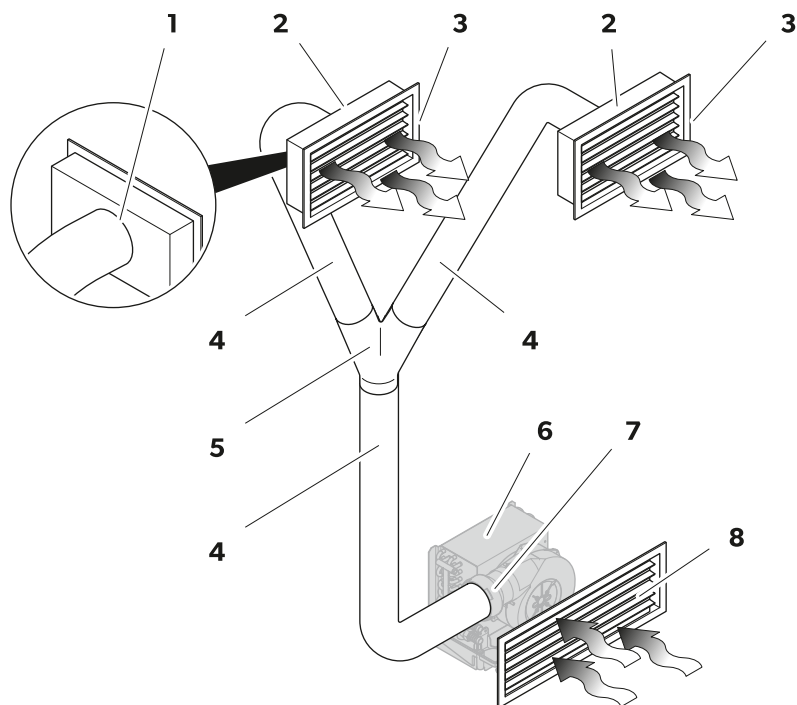
Avant d'installer les composants d'air, tenez compte de ce qui suit :



- Branchez le serpentin de ventilation aux conduites d'air ou aux tuyaux pré-isolés.
- Le diamètre de la conduite principale ne doit pas être inférieur à celui de l'adaptateur en plastique monté sur le ventilateur (voir Dimensions du flexible à la page 69).
- Conservez le diamètre d'origine des tuyaux pré-isolés.
- Pour permettre un débit d'air optimal, assurez-vous que les tuyaux pré-isolés sont écartés et ne sont pas comprimés.
- Le flexible d'alimentation doit avoir une longueur de 2,5 ... 5 m.
- N'utilisez pas de grilles en plastique ou d'autres accessoires plus petits que ceux spécifiés (Caractéristiques techniques à la page 63).
- Assurez-vous que la construction du plafond ou du mur n'exerce pas de pression sur les tuyaux d'air et ne les obstrue pas.



13



N°	Composant
1	Raccord de tuyau
2	Plénum
3	Grille de sortie d'air
4	Tuyau d'alimentation flexible
5	Conduite de transition
6	Serpentin de ventilation
7	Adaptateur de tuyau flexible
8	Grille d'admission d'air

- Découpez des trous dans la partie supérieure du mur et dans le mur à côté du ventilateur du serpentin de ventilation pour les grilles (voir fig. 13 à la page 57).  
Respectez les dimensions spécifiées (voir Dimensions de la grille à la page 68).
- Installez les grilles.
- Branchez le serpentin de ventilation sur les flexibles d'alimentation.  
Respectez les dimensions spécifiées (voir Dimensions du flexible à la page 69).

4. Si nécessaire, coupez l'excès de tuyaux.
5. Raccordez les réservoirs d'alimentation d'air aux grilles.
6. Branchez les flexibles d'alimentation des réservoirs d'alimentation d'air.

### Installation des grilles (série ALU uniquement)

1. Découpez des trous dans le mur au-dessus du serpentin de ventilation et à côté du ventilateur pour les grilles (voir Consignes concernant le montage à la page 43).  
Respectez les dimensions spécifiées (voir Dimensions de la grille à la page 68).
2. Installez les grilles.

### Raccordement à l'alimentation électrique



#### AVERTISSEMENT ! Risque d'électrocution

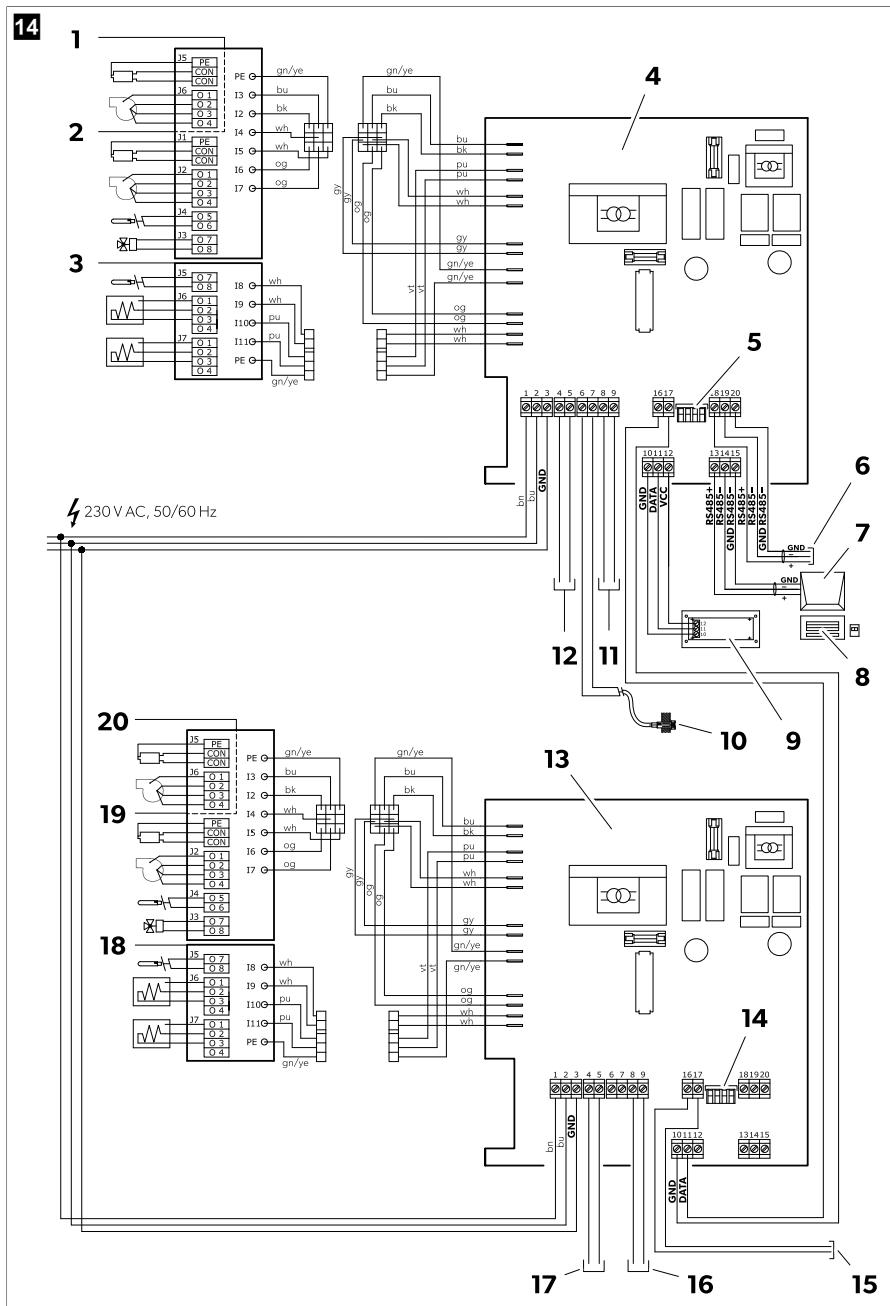
- Assurez-vous que la taille des bornes de mise à la terre externes correspond à celle des câbles de mise à la terre.
- Assurez-vous que les câbles sont adaptés à la puissance maximale des composants et de l'alimentation.
- Utilisez des câbles isolés à 3 conducteurs, 4 conducteurs ou multiconducteurs avec des conducteurs en cuivre pour la mise à la terre et les bornes de mise à la terre.
- Assurez-vous que les câbles de mise à la terre sont adaptés pour au moins 50 % du courant nominal des câbles d'alimentation.
- Utilisez le câblage le plus court possible pour connecter le système de ventilation à la terre.
- Utilisez des câbles blindés pour connecter le moteur.
- Assurez-vous que la taille des bornes de mise à la terre externes correspond à celle des câbles de mise à la terre.
- Installez les câbles conformément à la réglementation locale en matière de câblage ou à la supervision possible du registre pour la taille de connexion à utiliser.



#### AVIS ! Risque d'endommagement

Installer un disjoncteur ou un fusible adapté à la puissance maximale installée sur l'armoire de distribution.

- > Branchez le serpentin de ventilation comme indiqué :



N°	Description
1	Ventilateurs
2	Armoire de distribution
3	Armoire de distribution
4	Master
5	Commutateur DIP
6	Connexion à un contrôleur principal supplémentaire
7	Ordinateur
8	Interface ordinateur (en option)
9	Écran ou sélecteur
10	Capteur de température de l'air à distance
11	Mode Eco (économie d'énergie)
12	Ionisateur
13	Contrôleur secondaire
14	Commutateur DIP
15	Connexion à un contrôleur secondaire supplémentaire (16 à 11, 17 à 10)
16	Mode Eco (économie d'énergie)
17	Ionisateur
18	Armoire de distribution
19	Armoire de distribution
20	Ventilateurs
vt/ja	vert/jaune
bk	noir
bu	bleu
gy	gris
og	orange
pu	mauve
vt	violet
wh	blanc

## 10 Avant la première utilisation

1. Assurez-vous que les vannes d'entrée et de sortie d'eau de mer sont ouvertes.
2. Mettez le refroidisseur sous tension.  
Suivez les instructions du manuel du refroidisseur.

3. Assurez-vous que la pompe à eau de mer et la pompe de circulation ne sont pas bloquées, en tournant son ventilateur moteur avec un tournevis.
4. Vérifiez la température du refroidisseur.  
Suivez les instructions du manuel du refroidisseur.



**AVIS ! Risque de gel**

Assurez-vous que la température du refroidisseur n'est pas réglée en dessous de 7 °C.

## 11 Utilisation



**REMARQUE Risque de gel**

Ne réglez pas le système de ventilation en dessous de 7 °C.

- > Utilisez le régulateur de température pour faire fonctionner le serpentin de ventilation.  
Suivez les instructions du fabricant.

## 12 Nettoyage et entretien



**AVERTISSEMENT ! Risque d'électrocution**

L'alimentation électrique de l'appareil doit être coupée avant toute intervention de maintenance.



**ATTENTION ! Risque de blessure**

- Après avoir débranché les serpentins de ventilation de l'alimentation, attendez 5 min que le ventilateur s'éteigne et cesse de tourner.
- Avant de toucher le serpentin de ventilation, assurez-vous qu'il a refroidi.



**AVIS ! Risque d'endommagement**

N'utilisez pas de liquides corrosifs lors du nettoyage du filtre.

- > Inspectez visuellement les composants électroniques pour vérifier qu'ils ne sont pas endommagés lors de chaque opération de maintenance.
- > Vérifiez régulièrement le circuit de mise à la terre.
- > Versez régulièrement de l'eau dans le bac d'égouttement des condensats pour vérifier l'efficacité de l'évacuation de la condensation.
- > Première année d'utilisation : nettoyez le filtre tous les sept jours.
- > Utilisation du système de ventilation pendant plus d'un an : remplacez le filtre tous les 6 mois.
- > Vérifiez le filtre et l'échangeur thermique tous les 3 mois.
- > Nettoyez l'échangeur thermique tous les 3 mois.
- > Si le système de ventilation n'a pas été utilisé pendant une longue période :
  - vérifiez que les barrettes de raccordement sont bien ajustées.
  - Assurez-vous que les résistances fonctionnent correctement (le cas échéant).
  - Assurez-vous que l'armoire de distribution est alimentée.

## 13 Dépannage

Panne	Cause possible	Solution proposée
Le ventilateur tourne difficilement ou pas du tout.	Le ventilateur est bloqué.	<ul style="list-style-type: none"> <li>&gt; Retirez tout blocage.</li> </ul>
Le ventilateur ne peut pas être utilisé pour chauffer l'air.	Le ventilateur est défectueux.	<ol style="list-style-type: none"> <li>1. Débranchez le bloc d'alimentation du serpentin de ventilation.</li> <li>2. Ne touchez pas le serpentin de ventilation au cours des prochaines 2 h.</li> <li>3. Contacter un agent de service agréé.</li> </ol>
Il n'y a pas d'eau dans les tuyaux.	<p>Il y a des bulles d'air dans les serpents de ventilation. La vanne d'eau à 3 voies est défectueuse.</p> <p>Il y a des bulles d'air dans la circulation de l'eau.</p>	<ol style="list-style-type: none"> <li>1. Assurez-vous que l'hydromètre fonctionne à une pression minimale de 10 mT lorsque le système de ventilation est désactivé.</li> <li>2. Si l'hydromètre indique une pression de 0 mT ou proche de 0 mT, éteignez le système de ventilation.</li> <li>3. Remplissez le système de ventilation avec de l'eau à une pression de 15 mT.</li> <li>4. Ventilez le système de ventilation à l'aide de la vanne de ventilation sur l'évaporateur.</li> <li>5. Si la circulation de l'eau traitée fonctionne bien, assurez-vous que le ventilateur fonctionne correctement.</li> <li>6. Assurez-vous que le régulateur de température est réglé correctement. <ul style="list-style-type: none"> <li>&gt; Remplacez l'actionneur de la vanne d'eau à 3 voies ou le boîtier.</li> <li>&gt; Utilisez les vannes de ventilation manuelles pour évacuer l'air des tuyaux en cuivre.</li> </ul> </li> </ol>
Défaut de vitesse de ventilation.	Des réglages incorrects de ventilation, de température et/ou de mode ont été effectués.	<ul style="list-style-type: none"> <li>&gt; Sélectionnez le réglage souhaité à l'aide du régulateur de température.</li> </ul>
Défaut de température ambiante.	Le régulateur de température n'est pas réglé correctement.	<ul style="list-style-type: none"> <li>&gt; À l'aide du régulateur de température, réglez la température désirée.</li> </ul>

## 14 Garantie

La période de garantie légale s'applique. Si le produit s'avérait défectueux, contactez la succursale du fabricant située dans votre pays (voir [dometic.com/dealer](http://dometic.com/dealer)) ou votre revendeur.

Pour toutes réparations ou autres prestations de garantie, veuillez joindre à l'appareil les documents suivants :

- une copie de la facture avec la date d'achat
- un motif de réclamation ou une description du dysfonctionnement

Notez que toute réparation effectuée par une personne non agréée peut présenter un risque de sécurité et annuler la garantie.

## 15 Mise au rebut



Dans la mesure du possible, veuillez éliminer les emballages dans les conteneurs de déchets recyclables prévus à cet effet. Pour éliminer définitivement le produit, contacter le centre de recyclage le plus proche ou votre revendeur spécialisé afin de vous informer sur les dispositions relatives au retraitement des déchets. Le produit peut être mis au rebut gratuitement.

## 16 Caractéristiques techniques

### Serpentins de ventilation

#### Ventilation à vitesse moyenne



**REMARQUE** Les caractéristiques techniques de la ventilation à vitesse moyenne peuvent varier en fonction de la puissance et des conditions d'utilisation.

Serpentin de ventilation	Débit d'air	Puissance de refroidissement		Niveau sonore
MINI	130 m <sup>3</sup> /h	2840 Btu	670 W	32 dB(A)
COMPACT	230 m <sup>3</sup> /h	4320 Btu	1170 W	34 dB(A)
JUNIOR	300 m <sup>3</sup> /h	5880 Btu	1580 W	40 dB(A)
GIAN4	450 m <sup>3</sup> /h	9320 Btu	2440 W	34 dB(A)
GIAN8	770 m <sup>3</sup> /h	14800 Btu	3950 W	33 dB(A)
APM	160 m <sup>3</sup> /h	3400 Btu	870 W	45 dB(A)
AP1	230 m <sup>3</sup> /h	4480 Btu	1040 W	50 dB(A)
AP3	330 m <sup>3</sup> /h	6200 Btu	1400 W	
AP5	470 m <sup>3</sup> /h	9200 Btu	2560 W	53 dB(A)
AP5 SLIM				
AP8	600 m <sup>3</sup> /h	12480 Btu	3450 W	51 dB(A)
AP8 SLIM				

Serpentin de ventilation	Débit d'air	Puissance de refroidissement		Niveau sonore
AP10	680 m <sup>3</sup> /h	16000 Btu	4360 W	53 dB(A)
AP12	950 m <sup>3</sup> /h	24000 Btu	6390 W	55 dB(A)
TWIN12	600 m <sup>3</sup> /h	12000 Btu	3450 W	52 dB(A)
TWIN18	950 m <sup>3</sup> /h	18000 Btu	5230 W	55 dB(A)

### Valeurs par défaut

Serpentin de ventilation	Consommation électrique max.				Chauffage électrique	Poids*
	50 Hz	60 Hz	50 Hz	60 Hz		
MINI	120 W	–	0,96 A	–	–	6 kg
COMPACT		–		–		7 kg
JUNIOR	70 W	81 W	0,31 A	0,36 A	800 W	10,5 kg
Giant4	73 W	83 W	0,33 A	0,37 A	1000 W	13 kg
Giant8	146 W	166 W	0,66 A	0,74 A	1500 W	17 kg
APM	90 W	100 W	0,25 A	0,29 A	400 W	5,5 kg
AP1	105 W	115 W	0,46 A	0,51 A		6,5 kg
AP3					800 W	7,5 kg
AP5						8 kg
AP5 SLIM	160 W	97 W	0,8 A	0,88 A	1000 W	13 kg
AP8						
AP8 SLIM						
AP10						
AP12	280 W	350 W	1,25 A	1,55 A	1500 W	14 kg
TWIN12	210 W	230 W	0,92 A	1,02 A		15,5 kg
TWIN18	274 W	310 W	1,25 A	1,55 A		14 kg
						14,5 kg

\* Poids sans le bac d'égouttement de condensat et la vanne de ventilation. Si le bac d'égouttement de condensats est installé, le poids augmente de 1 kg. Si la vanne de ventilation est installée, le poids augmente de 2 kg pour tous les serpentins de ventilation sauf le GIANT8. Si la vanne de ventilation est installée sur le serpentins de ventilation GIANT8, le poids augmente de 3 kg.

### Taille côté air/eau

Modèle	Pression d'air	Débit		Eau de condensats
MINI	390 Pa	180 L/h	6,7 kPa	0,75 L/h
COMPACT	420 Pa	342 L/h		0,9 L/h
JUNIOR	500 Pa	432 L/h	14,5 kPa	1,65 L/h
Giant4	590 Pa	648 L/h	16,5 kPa	2,15 L/h
Giant8	580 Pa	1080 L/h	12,5 kPa	2,5 L/h
APM	390 Pa	216 L/h	6,7 kPa	0,9 L/h



Modèle	Pression d'air	Débit		Eau de condensats
AP1	450 Pa	396 L/h	11,5 kPa	1,1 L/h
AP3	440 Pa	504 L/h	19,5 kPa	1,3 L/h
AP5	430 Pa	684 L/h	8,5 kPa	1,55 L/h
AP5 SLIM				
AP8	440 Pa	720 L/h	10,5 kPa	2,1 L/h
AP8 SLIM				
AP10	580 Pa	1116 L/h	12 kPa	2,45 L/h
AP12	570 Pa	1476 L/h	14,5 kPa	2,75 L/h
TWIN12	440 Pa	756 L/h		2,5 L/h
TWIN18	560 Pa	1116 L/h		3,2 L/h

### Raccordement de tuyauterie

Serpentin de ventilation	Diamètre du raccord de tuyau	Identification du filetage des tuyaux en cuivre	Raccord de tuyaux	
MINI	16 mm	½"-14 NPT	A	
COMPACT				
JUNIOR				
GIAN4				
GIAN8		½"-12 NPT	B	
APM		½"-14 NPT	A	
AP1				
AP3				
AP5				
AP8			C	
AP10			B	
AP12			C	
TWIN12K		½"-14 NPT		B
TWIN18K				C

**Tableau 2 : Légende**

N°	Description
A	Raccord à vis
B	Vanne de ventilation avec configurations de dérivation intégrées et actionneurs électriques de type marche-arrêt
C	Vanne de ventilation

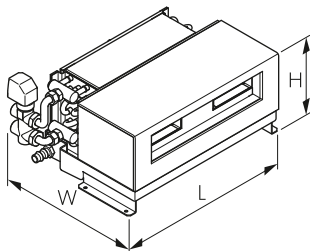
## Dimensions du serpentin de ventilation



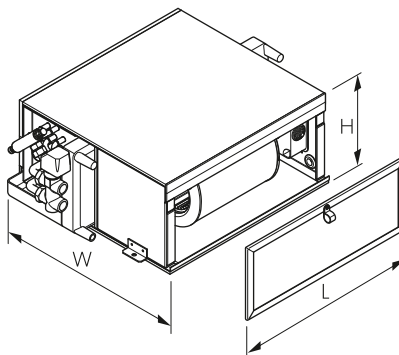
**REMARQUE** Dimensions du serpentin de ventilation avec vanne de ventilation et sans bac d'égouttement de condensation.

15

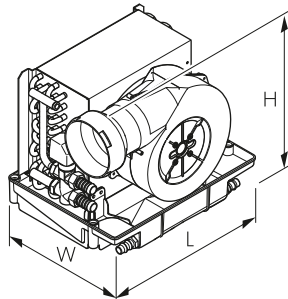
### MINI, COMPACT



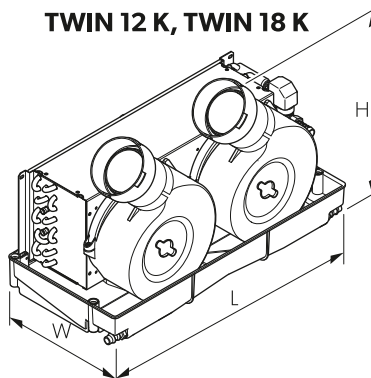
### JUNIOR, GIANT 4, GIANT 8



### APM, AP 1, AP 3, AP 5, AP 8, AP 10, AP 12



### TWIN 12 K, TWIN 18 K



Modèle	Longueur (L)	Largeur (W)	Hauteur (H)	Ø de sortie du ventilateur
MINI	480 mm	300 mm	201 mm	–
COMPACT	580 mm		191 mm	–
JUNIOR		410 mm	205 mm	–
GIANT4	630 mm	465 mm	250 mm	–
GIANT8	850 mm		245 mm	–
APM	395 mm	235 mm	205 mm	100 mm <sup>2</sup>
AP1	386 mm	292 mm	300 mm	
AP3	403 mm		320 mm	125 mm <sup>2</sup>

Modèle	Longueur (L)	Largeur (W)	Hauteur (H)	∅ de sortie du ventilateur
AP5	408 mm		357 mm	
AP5 SLIM	451 mm		320 mm	
AP8	415 mm	330 mm	370 mm	150 mm <sup>2</sup>
AP8 SLIM		292 mm	357 mm	125 mm
AP10	523 mm	330 mm	380 mm	180 mm <sup>2</sup>
AP12	565 mm		430 mm	200 mm <sup>2</sup>
TWIN12	660 mm	292 mm	380 mm	2 x 125 mm <sup>2</sup>
TWIN18				

## Chauffage électrique

Puissance	230 V 50 ... 60 Hz
Réglementations	CEI 61150/EN 60335-1
Plage de température	25 ... -10 °C
Classe de protection	IP55
Isolation	3000 MΩ à 500 V CC
Système diélectrique	1250 V
Rendement thermique	0,1 Ω

## Dimension du filtre

Filtre	Longueur	Hauteur	Profondeur
Filtre Mini-N/APM	275 mm	150 mm	8 mm
Filtre Compact-N	375 mm		
Filtre JUNIOR	425 mm	17 mm 170 mm	
Filtre GIANT4	495 mm	200 mm	
Filtre GIANT8	695 mm		
Filtre AP1-N	275 mm		
Filtre AP1-7	278 mm		
Filtre AP3-N	335 mm	250 mm	
Filtre AP3-7	278 mm		
Filtre AP5 Slim-7	338 mm		
Filtre AP5-N/AP8-N	378 mm	300 mm	
Filtre AP5-7	278 mm		
Filtre AP8 Slim-7	338 mm		
Filtre AP8-7	318 mm		
Filtre AP10-N	415 mm		
Filtre AP10-7	418 mm		

Filter	Longueur	Hauteur	Profondeur
Filtre AP12-N	415 mm	355 mm	
Filtre AP12-7	418 mm	350 mm	
Filtre TWIN12/TWIN18	515 mm	200 mm	

## Dimensions de la grille



### AVIS ! Risque de surchauffe

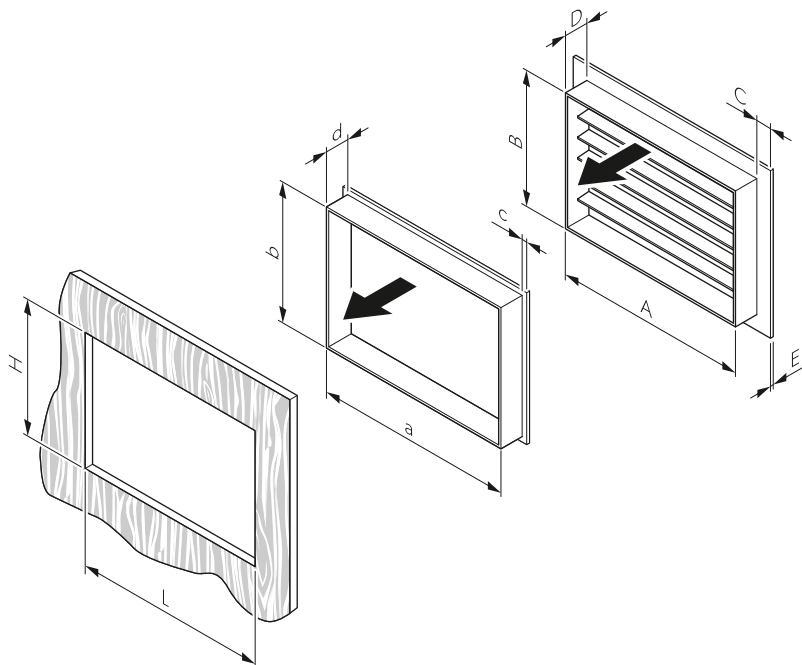
N'utilisez pas de grilles dont les valeurs sont inférieures aux valeurs spécifiées.



**REMARQUE** Les dimensions de la grille ne sont que des recommandations. Des grilles de dimensions plus grandes peuvent être utilisées.

Serpentin de ventilation	Grille d'entrée		Grille de sortie		
	Diamètre extérieur	Quantité	Diamètre extérieur	Quantité	
MINI	20 cm <sup>2</sup>	1	20 cm <sup>2</sup>	1	
COMPACT					
JUNIOR	25 cm <sup>2</sup>		25 cm <sup>2</sup>		
GIAN4	35 cm <sup>2</sup>		35 cm <sup>2</sup>		
GIAN8	50 cm <sup>2</sup>		50 cm <sup>2</sup>		
APM	25 cm <sup>2</sup>		20 cm <sup>2</sup>		
AP1	30 cm <sup>2</sup>		25 cm <sup>2</sup>		
AP3	45 cm <sup>2</sup>		40 cm <sup>2</sup>		
AP5	35 cm <sup>2</sup>		2		50 cm <sup>2</sup>
AP5 SLIM					
AP8	4 cm <sup>2</sup>	70 cm <sup>2</sup>			
AP8 SLIM					
AP10	5 cm <sup>2</sup>	80 cm <sup>2</sup>			
AP12	65 cm <sup>2</sup>	100 cm <sup>2</sup>			
TWIN12K	45 cm <sup>2</sup>	70 cm <sup>2</sup>			
TWIN18K	35 cm <sup>2</sup>	4		10 cm <sup>2</sup>	

16



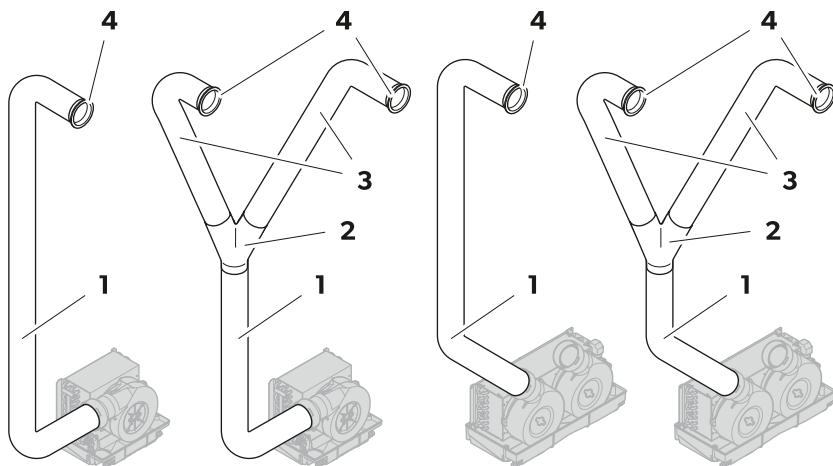
Type	Grille						Cadre				Découpe	
	A	B	C	D	E	∅	a	b	c	d	L	H
S/B	278 mm	51 mm	15 mm	29 mm	4 mm	113 cm <sup>2</sup>	283 mm	63 mm	5 mm	31 mm	287 mm	65 mm
JN	357 mm	64 mm				176 cm <sup>2</sup>	366 mm	75 mm			370 mm	77 mm
G4	425 mm	77 mm				278 cm <sup>2</sup>	431 mm	88 mm			435 mm	90 mm
G8	627 mm					362 cm <sup>2</sup>	634 mm				638 mm	
SP1	100 mm	100 mm				85 cm <sup>2</sup>	111 mm	116 mm			115 mm	118 mm
SP2	150 mm					128 cm <sup>2</sup>	161 mm				165 mm	
SP3	200 mm	200 mm				260 cm <sup>2</sup>	213 mm	216 mm			217 mm	218 mm
SP4	250 mm					325 cm <sup>2</sup>	263 mm				267 mm	

## Dimensions du flexible



**REMARQUE** Réduire ou augmenter la taille des conduites peut affecter les performances du système de ventilation.

17



Fan coil	Hose (1)		Transition duct (2)		Hose (3)		Connector (4)	
	∅	T	Qté	Type	∅	T	Qté	∅
APM	100 mm	3 m	-	-	-	-	1 C	100 mm
AP1			-	-	-	-		
AP3			-	-	-	-		
AP5	125 mm	1 m	1 C	125/125/125	125 mm	2 m	2 C	125 mm
AP5 SLIM				150/125/125				
AP8	150 mm			180/150/150	150 mm			150 mm
AP8 SLIM				200/180/180				
AP10	180 mm							180 mm
AP12	200 mm							180 mm
TWIN12K	100 mm	6 m	-	-	-	-		100 mm
TWIN18K	125 mm	4 m	2 C	125/125/125	125 mm	2 m	4 C	125 mm

### Dimensions du bac d'égouttement

Serpentin de ventilation	Longueur	Largeur	Hauteur	Diamètre de l'évacuation
MINI	-	-	-	-
COMPACT	-	-	-	-
JUNIOR	600 mm	215 mm	65 mm	20 mm
GIANT4	670 mm	240 mm		
GIANT8	870 mm			

Serpentin de ventilation	Longueur	Largeur	Hauteur	Diamètre de l'évacuation
APM	430 mm	245 mm		
AP1	430 mm	305 mm		
AP3				
AP5				
AP5 SLIM				
AP8	455 mm	350 mm		
AP8 SLIM				
AP10	555 mm			
AP12				
TWIN12K	-	-		
TWIN18K	-	-	-	-

## Español

1	Explicación de los símbolos.....	72
2	Indicaciones de seguridad.....	73
3	Volumen de entrega.....	73
4	Accesorios.....	74
5	Piezas de repuesto.....	74
6	Uso previsto.....	75
7	Descripción técnica.....	75
8	Antes de la instalación.....	78
9	Instalación.....	78
10	Antes del primer uso.....	95
11	Funcionamiento.....	96
12	Limpieza y mantenimiento.....	96
13	Solución de problemas.....	97
14	Garantía.....	97
15	Eliminación.....	98
16	Datos técnicos.....	98

## 1 Explicación de los símbolos



### ¡ADVERTENCIA!

Indica una situación peligrosa que, de no evitarse, puede ocasionar la muerte o lesiones graves.



### ¡ATENCIÓN!

Indica una situación peligrosa que, de no evitarse, puede ocasionar lesiones moderadas o leves.



### ¡AVISO!

Indica una situación peligrosa que, de no evitarse, puede provocar daños materiales.



**NOTA** Información complementaria para el manejo del producto.



## 2 Indicaciones de seguridad

### Seguridad general



#### ¡ADVERTENCIA! Riesgo de electrocución

- La instalación y las reparaciones deben ser realizadas únicamente por personal cualificado que esté familiarizado con el aparato y sus peligros.
- No utilice el aparato si este o cualquiera de sus componentes presentan daños visibles.



#### ¡ADVERTENCIA! Peligro de incendio

Mantenga las aberturas de ventilación libres de obstrucciones.



#### ¡ATENCIÓN! Peligro de quemaduras

No toque el aparato mientras lo apaga o durante las siguientes 2 h.



#### ¡ATENCIÓN! Peligro de lesiones

Mantenga el aparato fuera del alcance de personas no cualificadas para manipularlo.



#### ¡ATENCIÓN! Riesgo para la salud

- No utilice el sistema de ventilación sin el filtro.
- Este aparato puede ser utilizado por menores a partir de 8 años y personas con capacidad física, sensorial o mental reducida, o con falta de experiencia y conocimientos, siempre que lo hagan bajo supervisión o hayan recibido instrucciones relativas al uso del mismo de manera segura y entendiendo los riesgos asociados.
- No deje que los niños jueguen con el aparato.
- Los menores no deberán limpiar ni realizar el mantenimiento de usuario sin la debida supervisión.
- No retire el filtro de aire del aparato mientras esté en funcionamiento.



#### ¡AVISO! Peligro de daños

- Evite movimientos bruscos al descargar y configurar el aparato para proteger los componentes internos.
- Evite tocar las piezas frágiles del aparato.
- Evite el anclaje en los puntos internos del componente.
- Evite impactos en la carcasa del aparato.
- No coloque ningún objeto encima del aparato.
- No introduzca en el dispositivo objetos extraños.



**NOTA** No dañe ni retire el precinto de la caja eléctrica del aparato; de lo contrario, la garantía quedará anulada.

## 3 Volumen de entrega

- Ventiloinvector

- **Solamente la serie ALU:** Bandeja de goteo
- **Solamente las series AP y TWIN:** Conductos (opcional)
- Rejillas (opcional)

## 4 Accesorios

Disponibles como artículos opcionales (no incluidos en el volumen de entrega):

- Rejillas
- Conductos
- Tubos
- Indicaciones de display
- Selector
- Cuadro de distribución



**NOTA** La selección del cuadro de distribución debe realizarla el astillero.

Puede obtener más información en [dometic.com](http://dometic.com) o poniéndose en contacto con el centro de servicio de Dometic (consulte la contraportada de este manual).

## 5 Piezas de repuesto

Componente	N.º de art.
Filtro Mini-N/APM	6071090
Filtro Compact-N	6071050
Filtro JUNIOR	6071080
Filtro GIANT4	6071060
Filtro GIANT8	6071070
Filtro AP1-7	6072000
Filtro AP3-N	6071030
Filtro AP3-7	6072010
Filtro AP5 Slim-7	6072030
Filtro AP5-7	6072020
Filtro AP8 Slim-7	6072050
Filtro AP5-N/AP8-N/AP8-7	6072040
Filtro AP10-N/AP10-7	6072060
Filtro AP12	6072070
Filtro TWIN12K/TWIN18K	6071190

## 5.1 Solicitud de piezas de recambio

1. Lea el número de producto (PNC) o el número de pieza (SKU) en la etiqueta de tipo.
2. Póngase en contacto con el distribuidor o socio de mantenimiento Dometic más cercano para realizar el pedido.

## 6 Uso previsto

Los ventiloconvectores **solo** están diseñados para su uso junto con un enfriador como un equipo de aire acondicionado en embarcaciones, barcos y otros vehículos marinos.

Los ventiloconvectores **no** son adecuados para:

- Casas
- Apartamentos
- Máquinas de construcción
- Máquinas agrícolas
- Camiones
- Caravanas de motor
- Caravanas
- Vehículos habitables de tiempo libre

Este producto solo es apto para el uso previsto y la aplicación de acuerdo con estas instrucciones.

Este manual proporciona la información necesaria para la correcta instalación y/o funcionamiento del producto. Una instalación deficiente y/o un uso y mantenimiento inadecuados conllevan un rendimiento insatisfactorio y posibles fallos.

El fabricante no se hace responsable de ninguna lesión o daño en el producto ocasionados por:

- Una instalación, un montaje o una conexión incorrectos, incluido un exceso de tensión
- Un mantenimiento incorrecto o el uso de piezas de repuesto distintas de las originales proporcionadas por el fabricante
- Modificaciones realizadas en el producto sin el expreso consentimiento del fabricante
- Uso con una finalidad distinta de la descrita en las instrucciones

Dometic se reserva el derecho de cambiar la apariencia y las especificaciones del producto.

## 7 Descripción técnica

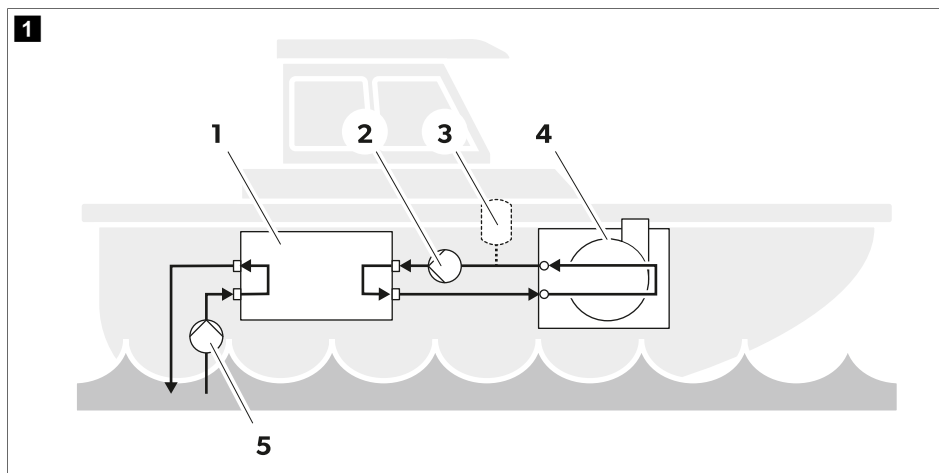
El ventiloconvector se utiliza para controlar la climatización de una cabina a una temperatura de 10 °C ... 30 °C.

Los ventiloconvectores se presentan en diferentes modelos y series.

Series	Ventiloconvector	Características
ALU	MINI	El ventiloconvector debe instalarse sin conductos.  Los ventiloconectores JUNIOR, GIANT4 y GIANT8 se pueden instalar horizontal o verticalmente sin ninguna modificación in situ.
	COMPACT	
	JUNIOR	
	GIANT4	
	GIANT8	
AP	APM	El ventiloconvector funciona con ventiladores radiales de alta presión y se puede conectar a los conductos de suministro y retorno.  El ventiloconvector se puede instalar fuera de la cabina que se va a tratar.  El ventilador del ventiloconvector, excepto el APM y el AP12, se puede girar. La posición de instalación del ventiloconvector con ventilador giratorio se puede ajustar a los requisitos de instalación.  El ventilador APM y AP12 <b>solo</b> se pueden instalar en horizontal. Una versión especial que se puede instalar verticalmente se puede comprar a Dometic bajo petición.
	AP1	
	AP3	
	AP5	
	AP5 SLIM	
	AP8	
	AP8 SLIM	
	AP10	
AP12		
TWIN	TWIN12K	
	TWIN18K	

Los ventiloconectores se pueden controlar encendiendo y apagando el ventilador o mediante una válvula de ventilación con derivación integrada.

### Descripción del proceso



Núm.	Descripción
1	Enfriador

Núm.	Descripción
2	Bomba de circulación
3	Depósito de expansión
4	Ventiloconvector
5	Bomba de agua de mar

Una bomba de agua de mar (3) suministra agua al enfriador (1), que enfría o calienta el agua de circulación y la dirige a través de una bomba de circulación (4) al colector de agua al que están conectados uno o más ventiloconvectores. El agua se transporta desde el colector de agua a través del ventiloconvector (2) hasta el colector de retorno. El ventiloconvector (2) intercambia calor con el ambiente. El agua de retorno se calienta, vuelve al enfriador (1) y, a continuación, se descarga en la circulación.

Una instalación adicional de un depósito de expansión (5) en el circuito de agua compensa la expansión térmica del refrigerante en el enfriador.

Gracias a un regulador de temperatura, el ventiloconvector (2) se pone en marcha automáticamente a una temperatura de 3 ... 4 °C. La temperatura del agua de refrigeración se mantiene en el rango de 7 ... 11 °C. Después de iniciar el sistema de ventilación, se pueden activar los entornos individuales de los ventiloconvectores. Cada cabina tiene un regulador de temperatura.

## Regulador de temperatura

El ventiloconvector se puede conectar a las siguientes unidades de control:

- Selectores manuales con 2 o 3 velocidades del ventilador
- Se muestra con 10 velocidades de ventilador

La temperatura deseada de la cabina se puede ajustar mediante una pantalla o un termostato de ambiente.

El ventiloconvector se puede ajustar en 4 modos de ventilación diferentes:

Modo	Descripción
AUTO	La velocidad del ventilador se puede seleccionar con el selector o la pantalla.
Refrigeración	El ventiloconvector recibe agua fría del enfriador para reducir la temperatura de la cabina.
Calentar	El ventiloconvector recibe agua caliente del enfriador para aumentar la temperatura de la cabina.
Calefacción eléctrica	El ventiloconvector no recibe agua y calienta el aire a través de una resistencia.

Un solo regulador de temperatura se puede conectar a varios ventiloconvectores en la misma cabina.

## Ajustes automáticos de temperatura



**NOTA** El ajuste automático de temperatura solo se activa en los modos de refrigeración, calefacción y calefacción eléctrica.

Si el punto de ajuste de la temperatura de la cabina difiere significativamente de la temperatura real de la cabina, el ventilador funciona a máxima velocidad. Cuando la temperatura de la cabina se acerca a la temperatura ajustada, la velocidad del ventilador se reduce automáticamente a la mínima programada.

## 8 Antes de la instalación

1. Asegúrese de que los paquetes y componentes no estén dañados.
2. Si es necesario, póngase en contacto con el centro de servicio de Dometic (consulte la parte posterior de este manual).

## 9 Instalación



### ¡ADVERTENCIA! Riesgo de electrocución

- Conecte los ventilosectores únicamente a la tensión indicada en la etiqueta de tipo.
- No utilice un aislamiento defectuoso para evitar cortocircuitos.



### ¡ATENCIÓN! Riesgo de sobrecalentamiento

- Asegúrese de que el ventilosector esté al menos a 3 ... 4 cm de la pared para permitir que circule el aire ambiente.
- Asegúrese de que el flujo de la rejilla de aire de retorno al lado de admisión del ventilosector no esté obstruido por ningún objeto.



### ¡AVISO! Peligro de daños

- Instale el ventilosector **solo** en la posición indicada en estas instrucciones.
- Asegúrese de que el astillero acepta la posición de instalación indicada.
- Instale los ventilosectores en soportes sólidos.
- Conecte el ventilosector a una toma de corriente adecuada.
- Si es necesario añadir otro cable para aumentar la longitud, asegúrese de mantener la conexión original.
- Evite el cableado incorrecto para evitar cortocircuitos.
- Asegúrese de que no haya fuentes de calor cerca del regulador de temperatura.
- Asegúrese de que los tubos, las cámaras de aire, las conexiones y las derivaciones están aislados. El aislamiento debe llegar completamente a las paredes del ventilosector.



### NOTA

- **Solamente la serie ALU:** No reduzca la sección transversal del ventilosector (consulte Dimensiones del ventilosector en la página 100).
- **Solamente las series AP y TWIN:** No utilice el ventilosector como aparato integrado.

### Lugar de montaje

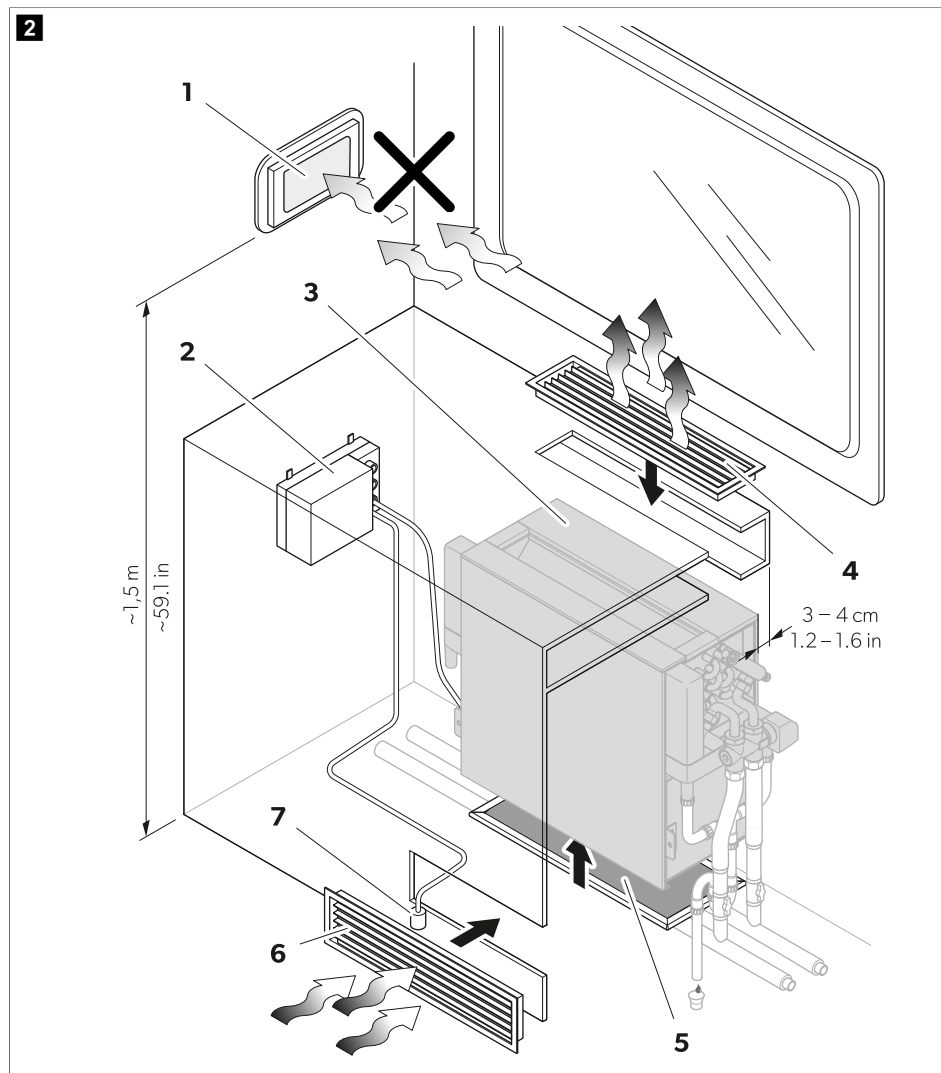
- Instale el ventilosector en un lugar accesible para su uso y mantenimiento.
- Instale el ventilosector de forma que se pueda acceder fácilmente al filtro.
- Asegúrese de que el ventilosector no se vea afectado por fuentes de calor.

### Indicaciones para el montaje

- La tubería debe ser lo más corta posible.
- Asegúrese de que los conductos y las mangueras están sellados.

- Utilice únicamente rejillas del tamaño especificado (consulte Dimensiones de las rejillas en la página 103).
- Asegúrese de que el aire se distribuye sin obstrucciones.
- Asegúrese de que las cámaras de aire están selladas.
- Siga las ubicaciones prescritas de los componentes individuales.
- Compruebe si se pueden aplicar requisitos de instalación nacionales adicionales.

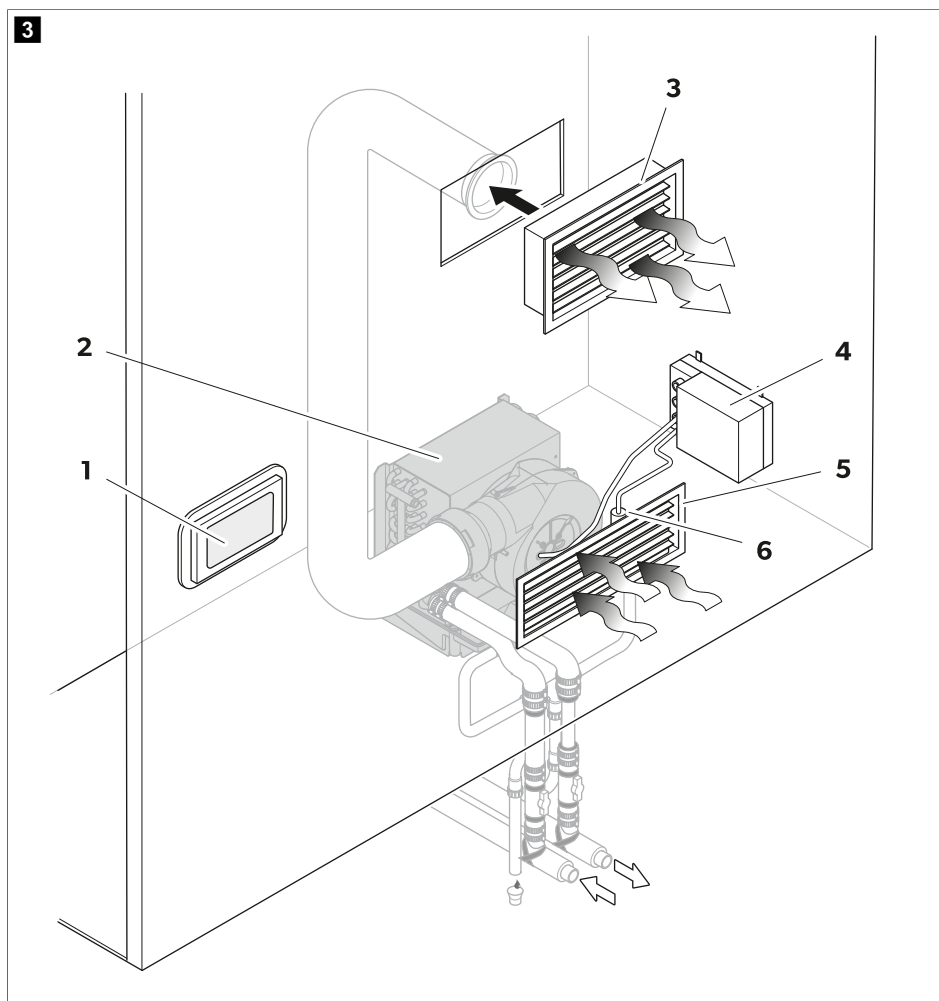
### Solamente la serie ALU



<b>Núm.</b>	<b>Descripción</b>
1	Selector o pantalla
2	Cuadro de distribución
3	Ventiloconvector
4	Rejilla de salida de aire
5	Filtro
6	Rejilla de entrada de aire
7	Sensor remoto de temperatura del aire



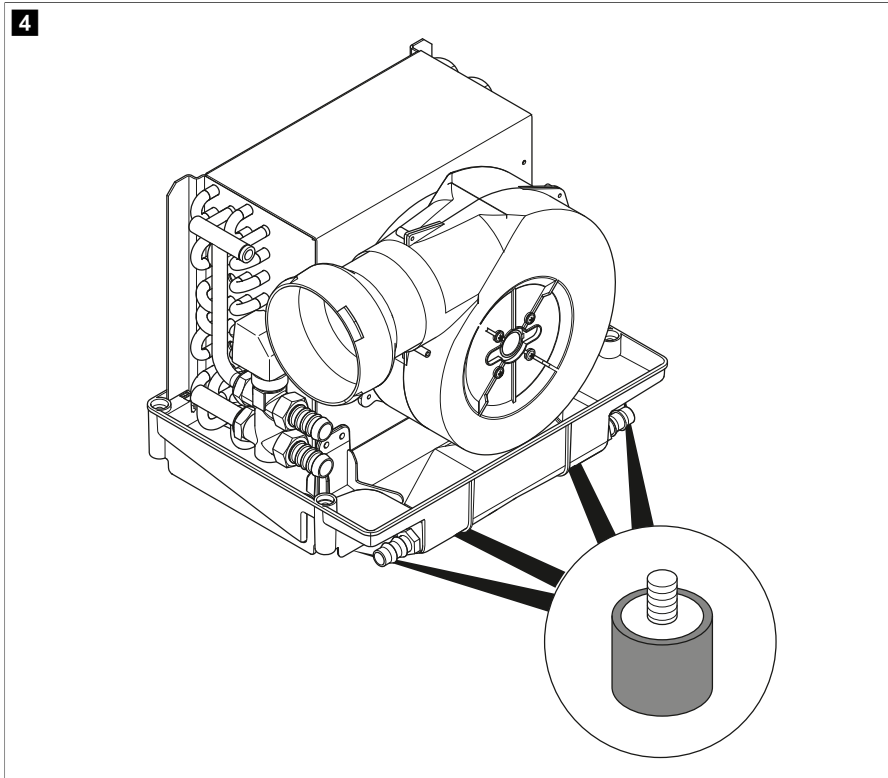
## Solamente las series AP y TWIN



Núm.	Descripción
1	Regulador de temperatura
2	Ventiloconvector
3	Rejilla de salida de aire
4	Cuadro de distribución
5	Rejilla de entrada de aire
6	Sensor remoto de temperatura del aire

## Reducción del nivel de ruido

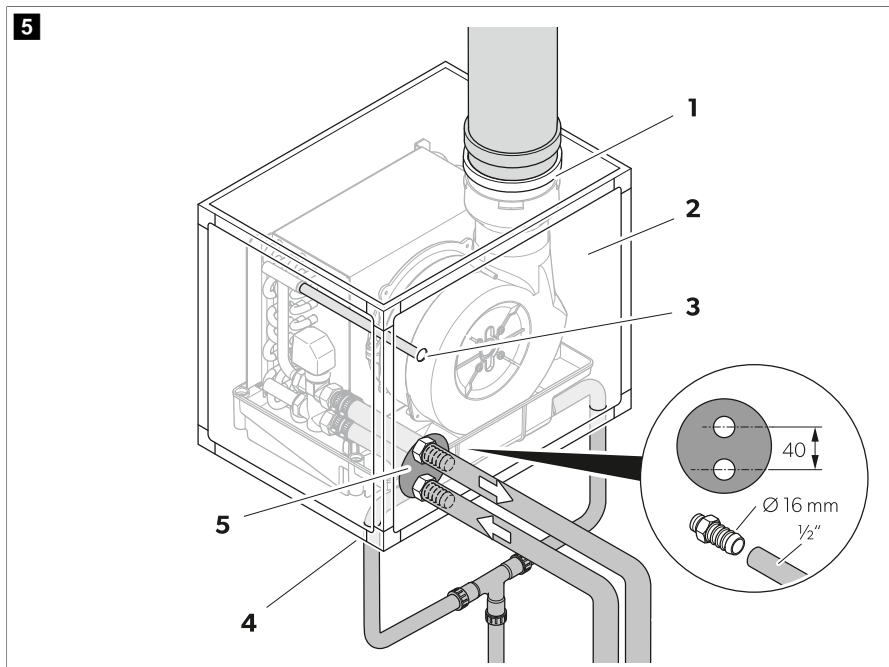
- > Instale un amortiguador de goma en el ventilador para reducir el ruido causado por las vibraciones.



- > Si es necesario, instale el ventilador en una caja insonorizada.



**NOTA** Para conectar los tubos, consulte [Conexión de los tubos](#) en la página 89.



Núm.	Descripción
1	Colector de conexión de suministro de aire
2	Lado del ventilador
3	Salida de aire
4	Desagüe
5	Conexión de agua

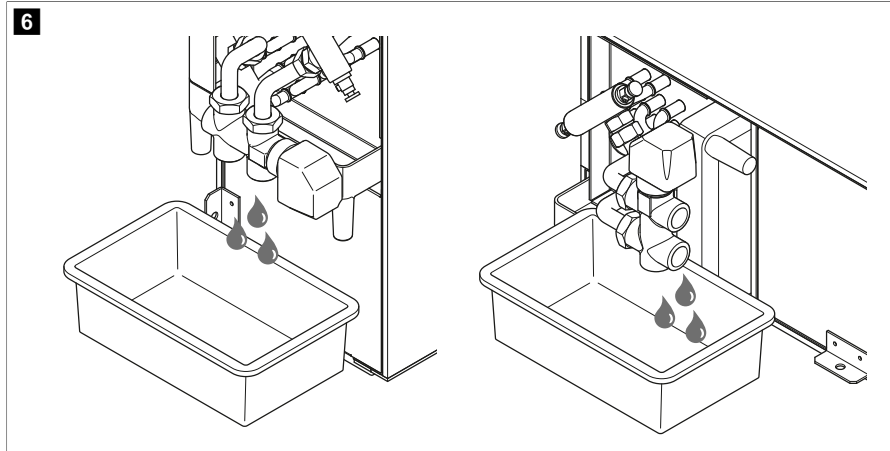
### Instalación de una bandeja de goteo (opcional)

Si el barco o la embarcación tienen un balanceo o una inclinación del casco importantes por encima de los estándares, o si el ventilador debe instalarse en un falso techo, es necesario instalar una bandeja de goteo adicional.



**NOTA** Hay 2 tipos de bandeja de goteo, una para una sola válvula de ventilación y otra para todos los modelos con ventilador. Para reducir las vibraciones transmitidas a la estructura, instale un amortiguador de goma cuando utilice una bandeja de goteo que se pueda utilizar para todos los ventiladores (consulte Reducción del nivel de ruido en la página 82).

- > Instale una bandeja de goteo adicional.



## Instalación del drenaje de condensado



### ¡AVISO! Peligro de daños

Evite bucles en los tubos de drenaje de condensado.

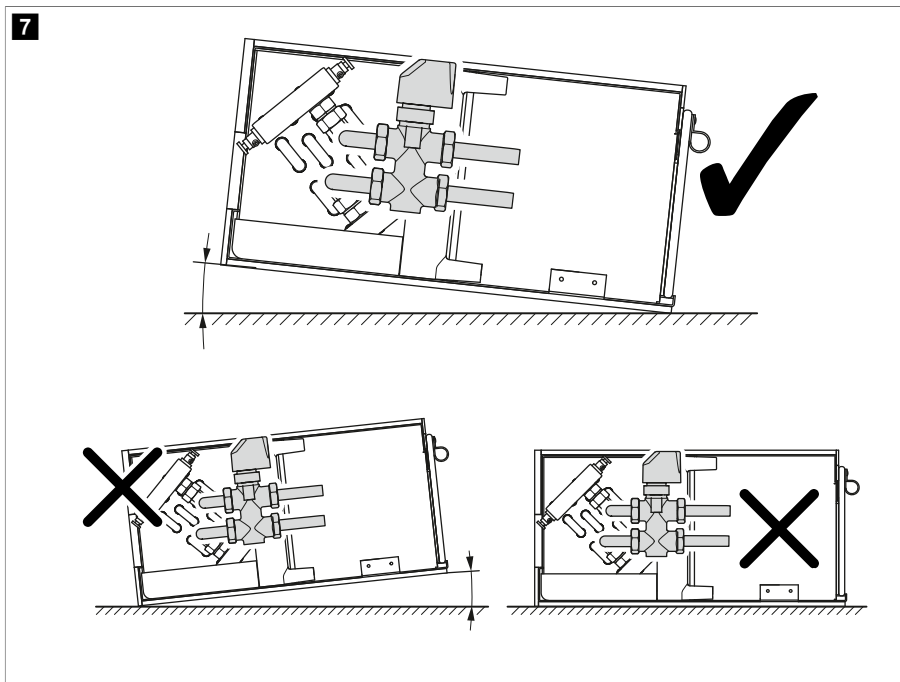
1. Coloque el ventiloconvector.



### ¡AVISO! Peligro de daños

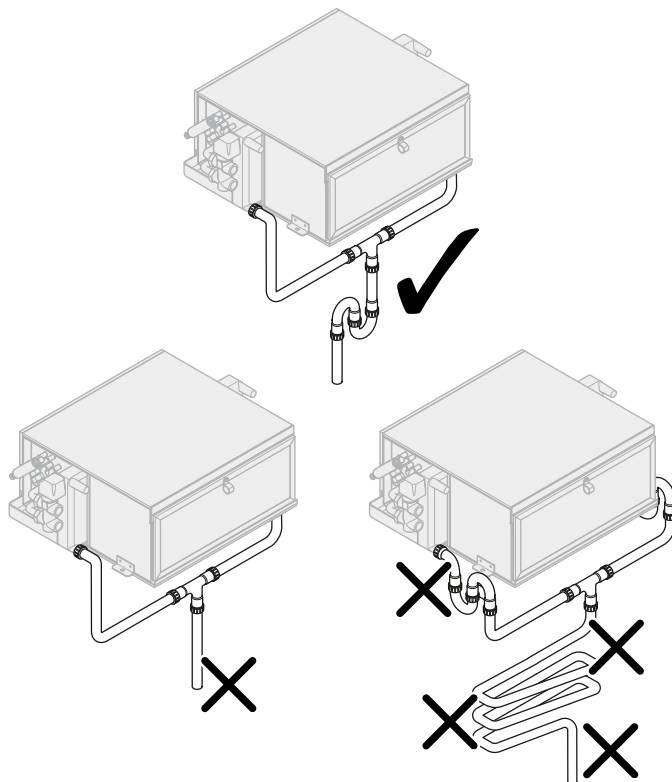
**Solamente la serie ALU:** Instale el ventiloconvector en un ángulo de 5 ... 10 ° para permitir que el condensado se drene correctamente y no rebose.

7



2. Instale un drenaje con sifón en el suelo.

8



## Instalación de los tubos de agua

Tenga en cuenta lo siguiente antes y durante la instalación de los tubos de agua:

- La válvula de ventilación y los racores de los tubos deben estar libres de contaminación.
- La flecha del cuerpo de la válvula de ventilación debe apuntar en la dirección del flujo de agua.
- Las conexiones roscadas de la válvula de ventilación y los tubos deben estar apretadas.
- La instalación no debe tener tensión ni par de apriete.
- Proteja la válvula de ventilación y los racores de los tubos frente al polvo y la suciedad de las obras.
- Utilice juntas de expansión para compensar la expansión térmica de los tubos.

## Montaje de los tubos

Se pueden utilizar tubos de plástico y cobre para la conexión de agua.

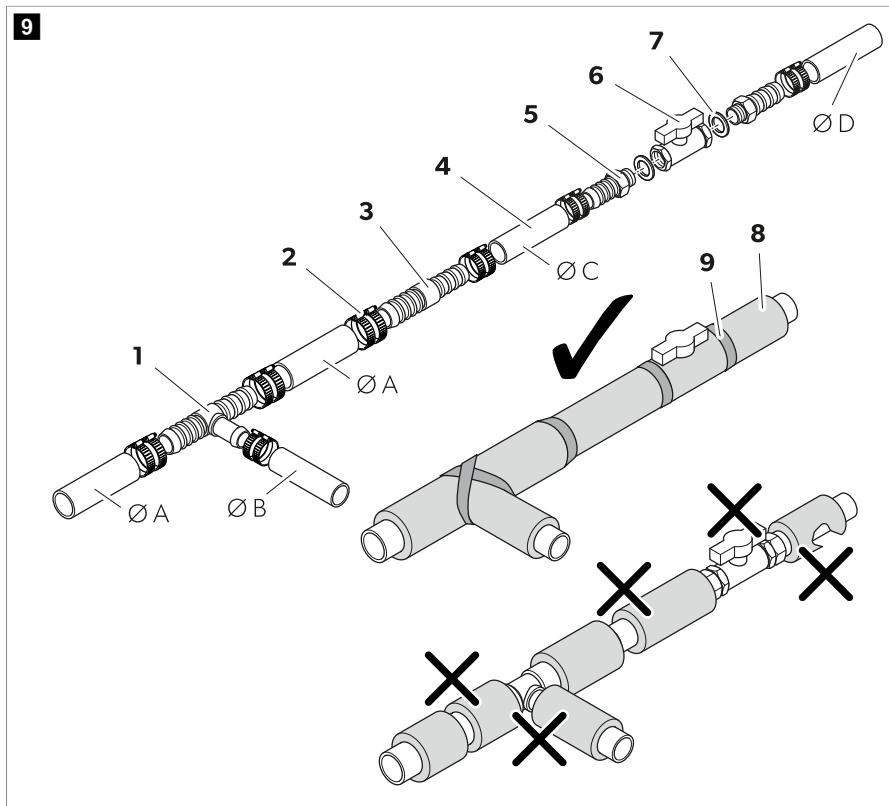
El tamaño del diámetro de los tubos del ventiloconvector depende del número de ventiloconvectores conectados y del vehículo marino. Cuantos más ventiloconvectores estén conectadas entre sí, más diámetros distintos de tubo

se necesitarán. Cada ventiloconvector adicional requiere tubos más pequeños que el ventiloconvector conectado anteriormente.



**NOTA** Póngase en contacto con un centro de servicio de Dometic para recibir información detallada sobre los diámetros de tubo necesarios; consulte la contraportada de este manual.

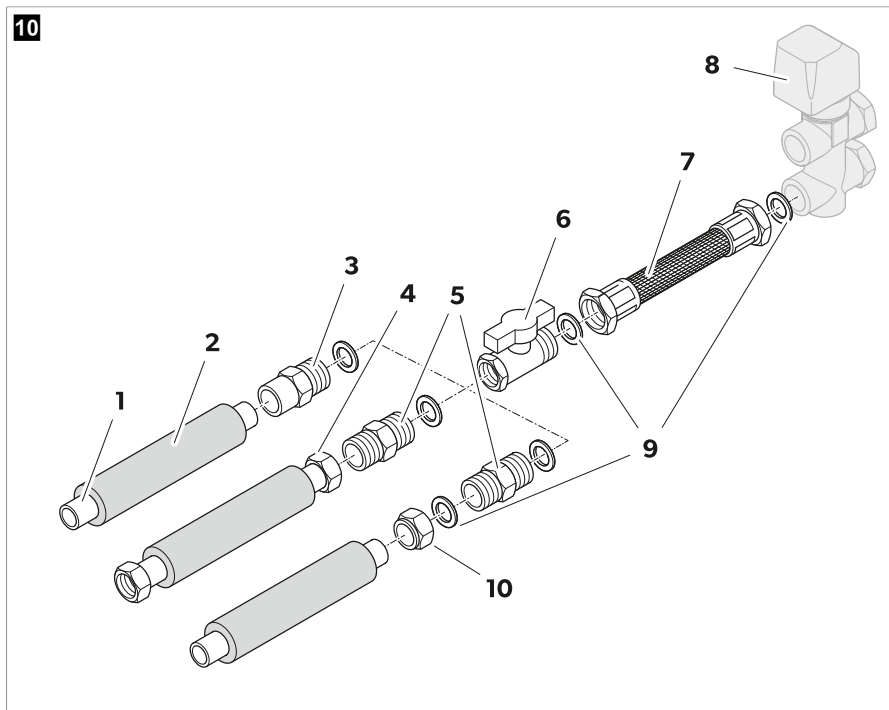
- > Monte los tubos de plástico como se muestra.



Núm.	Componente
1	T de latón
2	Pinza para tubo
3	Acoplamiento del tubo
4	Tubo de plástico
5	Adaptador de manguera
6	Válvula de bola
7	Junta

Núm.	Componente
8	Aislamiento
9	Cinta antigoteo

> Monte el tubo de cobre como se muestra.

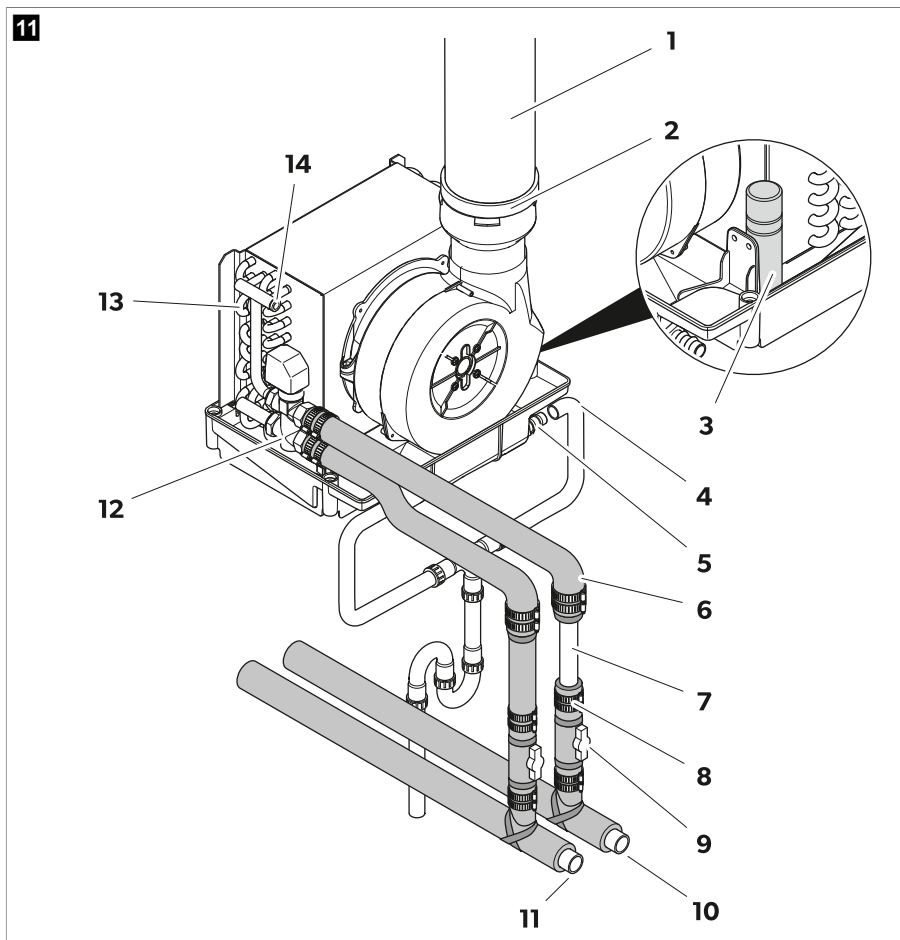


Núm.	Componente
1	Tubo de cobre
2	Aislamiento
3	Conexión roscada
4	Tubos multicapa
5	Conexión roscada
6	Válvula de bola
7	Tubo de conexión flexible
8	Válvula de agua de 3 vías
9	Junta
10	Tuerca



## Conexión de los tubos

1. Conecte los tubos a las bobinas del ventilador como se muestra.



Núm.	Descripción
1	Manguera de suministro flexible
2	Adaptador de manguera
3	Condensador
4	Desagüe
5	Conexiones de manguera
6	Abrazadera
7	Tubo de agua

Núm.	Descripción
8	Aislamiento
9	Válvula de bola
10	Salida de agua
11	Entrada de agua
12	Válvula de agua de 3 vías
13	Intercambiador de calor
14	Válvula de ventilación

- Conecte los tubos al colector de agua.  
Siga las indicaciones del fabricante.

## Instalación de un regulador de temperatura



**NOTA** Asegúrese de que el regulador de temperatura está rodeado por el flujo de aire de retorno para que pueda leerse la temperatura ambiente real, sin que se vea distorsionada.

- > Instale un regulador de temperatura en la pared 1,5 m por encima del suelo, lejos del flujo de aire.  
Siga las indicaciones del fabricante.
- > Instale un sensor de temperatura del aire remoto detrás de la rejilla de admisión de aire.



### **NOTA Riesgo de medición incorrecta de las temperaturas**

Asegúrese de que el sensor de temperatura del aire remoto está instalado lejos del filtro del ventilador, del intercambiador de calor y del flujo de aire de retorno.

## Instalación de un depósito de expansión (opcional)

- > Instale un depósito de expansión en el circuito de agua (consulte fig. **1** en la página 76).  
Siga las indicaciones del fabricante.

## Comprobación de la bomba de agua de mar

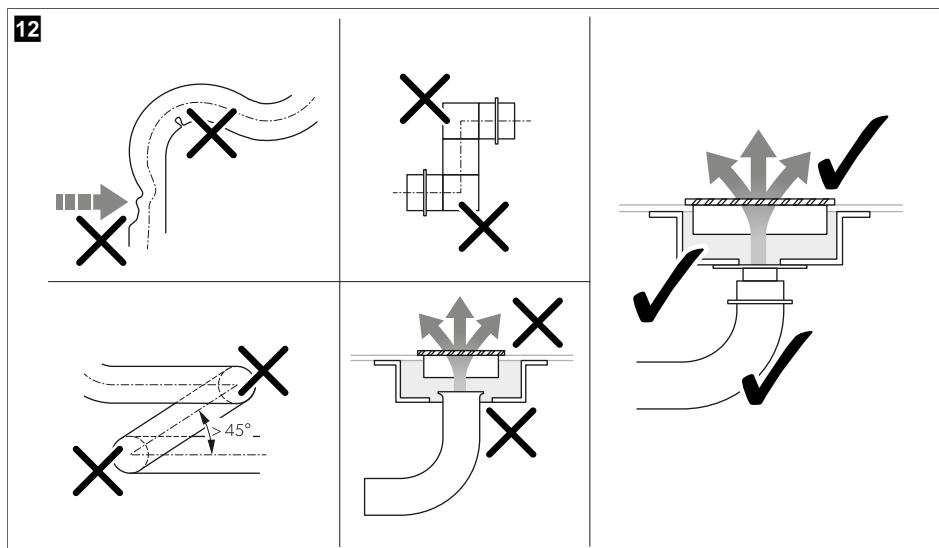
- Asegúrese de que hay una bomba de agua de mar instalada debajo de la línea de agua de mar.  
Siga las indicaciones del fabricante.
- Asegúrese de que hay un filtro instalado en la entrada de la bomba de agua de mar para evitar que entren residuos.  
Siga las indicaciones del fabricante.

## Comprobación de la conexión de agua

- Llene los ventilosconectores con agua utilizando la válvula de bola.
- Si está presente, abra la válvula de agua de 3 vías mientras llena el agua hasta que salga por la válvula de ventilación (fig. **11** en la página 89, **11**).
- Encienda el sistema 2 ... 3 bar bajo presión comprobando el manómetro de la línea de detección.
- Compruebe la presión con el hidrómetro conectado a la carga del sistema durante un periodo de 5 ... 6 h para detectar una pérdida de presión.

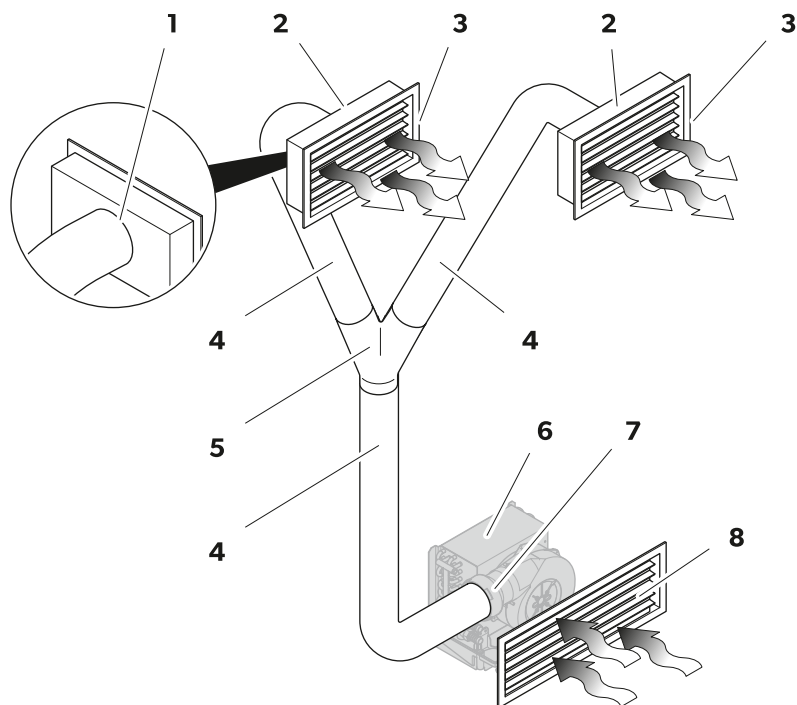
## Instalación de las mangueras y las rejillas (solo series AP y TWIN)

Antes de instalar los componentes neumáticos, tenga en cuenta lo siguiente:



- Conecte el ventilador a los conductos de aire o a los tubos preaislados.
- El diámetro del conducto principal no debe ser inferior al diámetro del adaptador de plástico montado en el ventilador (consulte Dimensiones de la manguera en la página 104).
- Mantenga el diámetro original de los tubos preaislados.
- Para permitir un flujo de aire óptimo, asegúrese de que los tubos preaislados se separan y no se comprimen.
- La manguera de suministro flexible debe tener una longitud de 2,5 ... 5 m.
- No utilice rejillas de plástico u otros accesorios que sean más pequeños que los indicados (Datos técnicos en la página 98).
- Asegúrese de que el techo o la pared no presionen ni obstruyan los tubos de aire.

13



Núm.	Componente
1	Conexiones de manguera
2	Cámara
3	Rejilla de salida de aire
4	Manguera de suministro flexible
5	Conducto de transición
6	Ventiloconvector
7	Adaptador de manguera
8	Rejilla de entrada de aire

1. Realice orificios en la parte superior de la pared y en la pared junto al ventilador del ventiloconvector para las rejillas (consulte fig. 13 en la página 92).  
Tenga en cuenta las dimensiones indicadas (consulte Dimensiones de las rejillas en la página 103).
2. Instale las rejillas.
3. Conecte el ventiloconvector a las mangueras de suministro flexibles.  
Tenga en cuenta las dimensiones indicadas (consulte Dimensiones de la manguera en la página 104).

4. Si es necesario, corte el exceso de los tubos.
5. Conecte las cámaras de suministro de aire a las rejillas.
6. Conecte las cámaras de suministro de aire a las mangueras.

### Instalación de las rejillas (solamente serie ALU)

1. Realice orificios en la pared por encima del ventilador y junto al ventilador para las rejillas (consulte Indicaciones para el montaje en la página 78).  
Tenga en cuenta las dimensiones indicadas (consulte Dimensiones de las rejillas en la página 103).
2. Instale las rejillas.

### Conexión a la alimentación eléctrica



#### ¡ADVERTENCIA! Riesgo de electrocución

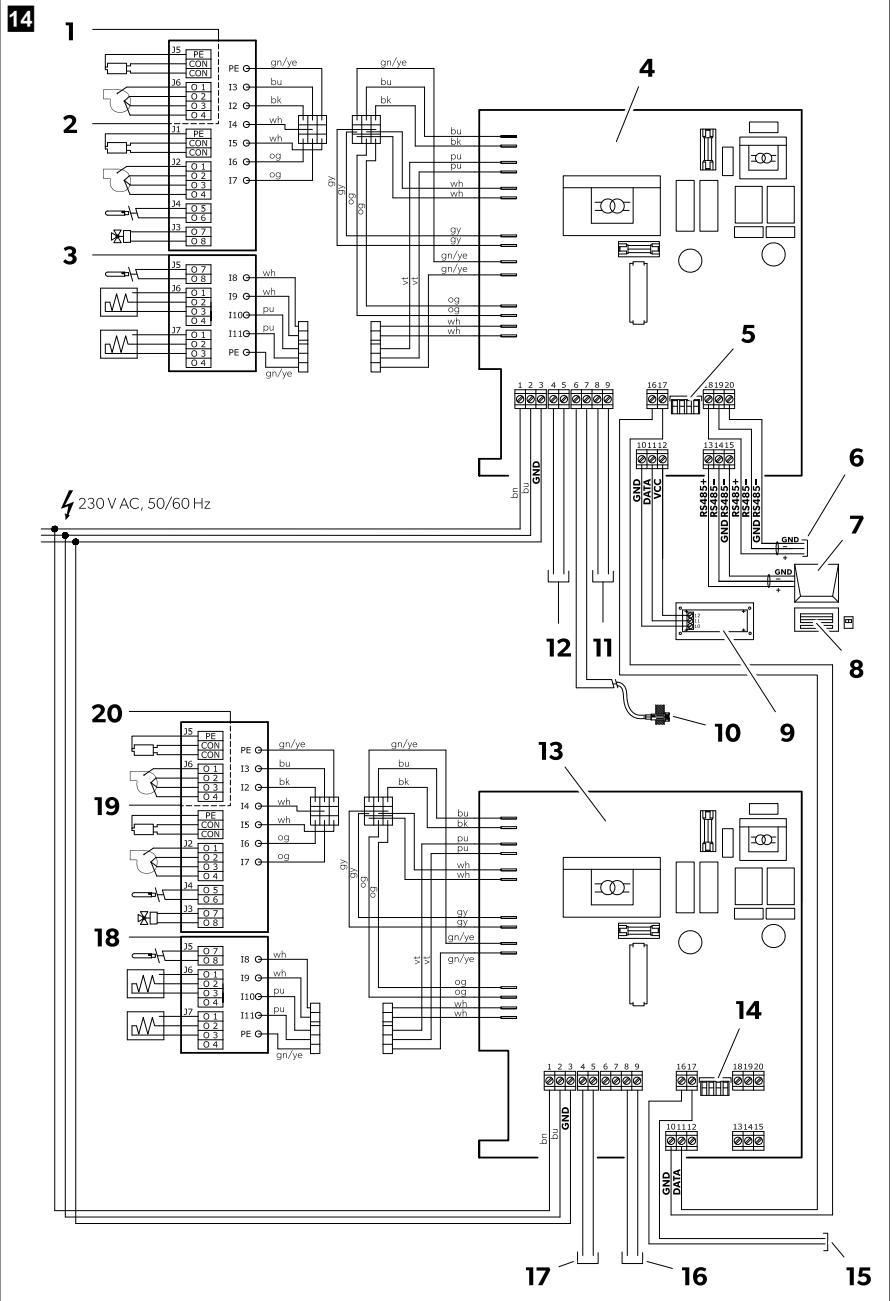
- Asegúrese de que el tamaño de los terminales de conexión a tierra externos coincide con el tamaño de los cables de conexión a tierra.
- Asegúrese de que los cables son adecuados para la potencia máxima de los componentes y la fuente de alimentación.
- Utilice cables aislados de 3, 4 o varios núcleos con conductores de cobre para las conexiones a tierra y sus terminales.
- Asegúrese de que los cables de conexión a tierra son adecuados para al menos 50 % de la corriente nominal de los cables de alimentación.
- Utilice el cableado más corto posible para conectar el sistema de ventilación a tierra.
- Utilice cables apantallados para conectar el motor.
- Asegúrese de que el tamaño de los terminales de conexión a tierra externos coincide con el tamaño de los cables de conexión a tierra.
- Instale los cables de acuerdo con la normativa local de cableado o de acuerdo con la posible supervisión del registro para el tamaño de conexión que se va a utilizar.



#### ¡AVISO! Peligro de daños

Instale un disyuntor o fusible adecuado para la potencia máxima instalada en el cuadro de distribución.

- > Conecte el ventilador como se muestra:



Núm.	Descripción
1	Ventiladores
2	Cuadro de distribución
3	Cuadro de distribución
4	Master
5	Interruptor DIP
6	Conexión a un componente principal adicional
7	Ordenador
8	Interfaz de ordenador (opcional)
9	Selector o pantalla
10	Sensor de temperatura del aire remoto
11	Modo económico
12	Ionizador
13	Componente secundario
14	Interruptor DIP
15	Conexión a un componente secundario adicional (16 a 11, 17 a 10)
16	Modo económico
17	Ionizador
18	Cuadro de distribución
19	Cuadro de distribución
20	Ventiladores
gn/ye	verde/amarillo
bk	negro
bu	azul
gy	gris
og	naranja
pu	morado
vt	violeta
wh	blanco

## 10 Antes del primer uso

1. Asegúrese de que las válvulas de entrada y salida de agua de mar están abiertas.
2. Encienda el enfriador.  
Siga las instrucciones del manual del enfriador.

3. Asegúrese de que la bomba de agua de mar y la bomba de circulación no estén bloqueadas girando el ventilador del motor con un destornillador.
4. Compruebe la temperatura del enfriador.  
Siga las instrucciones del manual del enfriador.



**¡AVISO! Riesgo de congelación**

Asegúrese de que la temperatura del enfriador no esté por debajo de 7 °C.

## 11 Funcionamiento



**NOTA Riesgo de congelación**

No ajuste el sistema de ventilación a menos de 7 °C.

- > Utilice el regulador de temperatura para accionar el ventilador.
- Siga las instrucciones del fabricante.

## 12 Limpieza y mantenimiento



**¡ADVERTENCIA! Riesgo de electrocución**

La fuente de alimentación del aparato debe estar desconectada antes de realizar cualquier trabajo de mantenimiento.



**¡ATENCIÓN! Peligro de lesiones**

- Después de desconectar los ventiladores de la fuente de alimentación, espere 5 min a que el ventilador se apague y deje de girar.
- Antes de tocar el ventilador, asegúrese de que se haya enfriado.



**¡AVISO! Peligro de daños**

No utilice líquidos corrosivos para limpiar el filtro.

- > Inspeccione visualmente los componentes electrónicos para comprobar si presentan daños cada vez que se realice el mantenimiento.
- > Compruebe el circuito de conexión a tierra con regularidad.
- > Vierta agua periódicamente en la bandeja de goteo de condensación para comprobar la eficacia del drenaje de condensado.
- > Primer año de uso: limpie el filtro cada 7 días.
- > Utilice el sistema de ventilación durante más de 1 año: sustituya el filtro cada 6 meses.
- > Compruebe el filtro y el intercambiador de calor cada 3 meses.
- > Limpie el intercambiador de calor cada 3 meses.
- > Si el sistema de ventilación no se ha utilizado durante mucho tiempo:
  - compruebe que las regletas estén bien ajustadas.
  - Asegúrese del correcto funcionamiento de las resistencias (si están presentes).
  - Asegúrese de que el cuadro de distribución recibe alimentación.



## 13 Solución de problemas

Fallo	Posible causa	Propuesta de solución
El ventilador gira con dificultad o no gira en absoluto.	El ventilador está bloqueado.	<ul style="list-style-type: none"> <li>&gt; Elimine cualquier obstrucción.</li> </ul>
El ventilador no se puede utilizar para calentar el aire.	El ventilador está averiado.	<ol style="list-style-type: none"> <li>1. Desconecte la fuente de alimentación del ventilador.</li> <li>2. No toque el ventilador en las siguientes 2 h.</li> <li>3. Póngase en contacto con un técnico de mantenimiento autorizado.</li> </ol>
No hay agua en los tubos.	<p>Hay entradas de aire en los ventiladores.</p> <p>La válvula de agua de 3 vías está defectuosa.</p> <p>Hay entradas de aire en la circulación del agua.</p>	<ol style="list-style-type: none"> <li>1. Asegúrese de que el hidrómetro funciona a una presión mínima de 10 mT cuando el sistema de ventilación está apagado.</li> <li>2. Si el hidrómetro indica una presión de 0 mT o cerca de 0 mT, apague el sistema de ventilación.</li> <li>3. Rellene el sistema de ventilación con agua a una presión de 15 mT.</li> <li>4. Ventile el sistema de ventilación con la válvula de ventilación del evaporador.</li> <li>5. Si la circulación del agua tratada funciona correctamente, asegúrese de que el ventilador funciona correctamente.</li> <li>6. Asegúrese de que el regulador de temperatura está ajustado correctamente. <ul style="list-style-type: none"> <li>&gt; Sustituya el actuador de la válvula de agua de 3 vías o la carcasa.</li> <li>&gt; Utilice las válvulas de ventilación manuales para eliminar el aire de los tubos de cobre.</li> </ul> </li> </ol>
Fallo de velocidad del ventilador.	Los ajustes de ventilación, temperatura o modo son incorrectos.	<ul style="list-style-type: none"> <li>&gt; Seleccione el ajuste deseado con el regulador de temperatura.</li> </ul>
Fallo de temperatura ambiente.	El regulador de temperatura no está ajustado correctamente.	<ul style="list-style-type: none"> <li>&gt; Ajuste la temperatura deseada con el regulador de temperatura.</li> </ul>

## 14 Garantía

Se aplica el período de garantía estipulado por la ley. Si el producto es defectuoso, póngase en contacto con la sucursal del fabricante de su país (consulte [dometic.com/dealer](http://dometic.com/dealer)) o con su punto de venta.

Para tramitar la reparación y la garantía, incluya los siguientes documentos cuando envíe el aparato:

- Una copia de la factura con fecha de compra
- El motivo de la reclamación o una descripción de la avería

Tenga en cuenta que una reparación por medios propios o no profesionales puede tener consecuencias de seguridad y suponer la anulación de la garantía.

## 15 Eliminación



Si es posible, deseche el material de embalaje en el contenedor de reciclaje adecuado. Consultar con un punto limpio o con un distribuidor especializado para obtener más información sobre cómo eliminar el producto de acuerdo con las normativas aplicables de eliminación. El producto podrá desecharse gratuitamente.

## 16 Datos técnicos

### Ventiloconvectores

#### Ventilación a velocidad media



**NOTA** Los datos técnicos de la ventilación a velocidad media pueden variar debido a la variación de potencia y a las distintas condiciones de uso.

Ventiloconvector	Caudal de aire	Potencia de refrigeración		Nivel de ruido
MINI	130 m <sup>3</sup> /h	2840 Btu	670 W	32 dB(A)
COMPACT	230 m <sup>3</sup> /h	4320 Btu	1170 W	34 dB(A)
JUNIOR	300 m <sup>3</sup> /h	5880 Btu	1580 W	40 dB(A)
GIANT4	450 m <sup>3</sup> /h	9320 Btu	2440 W	34 dB(A)
GIANT8	770 m <sup>3</sup> /h	14800 Btu	3950 W	33 dB(A)
APM	160 m <sup>3</sup> /h	3400 Btu	870 W	45 dB(A)
AP1	230 m <sup>3</sup> /h	4480 Btu	1040 W	50 dB(A)
AP3	330 m <sup>3</sup> /h	6200 Btu	1400 W	
AP5	470 m <sup>3</sup> /h	9200 Btu	2560 W	53 dB(A)
AP5 SLIM				
AP8	600 m <sup>3</sup> /h	12480 Btu	3450 W	51 dB(A)
AP8 SLIM				
AP10	680 m <sup>3</sup> /h	16000 Btu	4360 W	53 dB(A)
AP12	950 m <sup>3</sup> /h	24000 Btu	6390 W	55 dB(A)
TWIN12	600 m <sup>3</sup> /h	12000 Btu	3450 W	52 dB(A)
TWIN18	950 m <sup>3</sup> /h	18000 Btu	5230 W	55 dB(A)

## Valores por defecto

Ventiloconvector	Consumo de potencia máx.				Calefacción eléctrica	Peso*
	50 Hz	60 Hz	50 Hz	60 Hz		
MINI	120 W	–	0,96 A	–	–	6 kg
COMPACT		–		–	7 kg	
JUNIOR	70 W	81 W	0,31 A	0,36 A	800 W	10,5 kg
GIANT4	73 W	83 W	0,33 A	0,37 A	1000 W	13 kg
GIANT8	146 W	166 W	0,66 A	0,74 A	1500 W	17 kg
APM	90 W	100 W	0,25 A	0,29 A	400 W	5,5 kg
AP1	105 W	115 W	0,46 A	0,51 A		6,5 kg
AP3						800 W
AP5	137 W	155 W	0,6 A	0,68 A	800 W	8 kg
AP5 SLIM						
AP8	160 W	97 W	0,8 A	0,88 A		1000 W
AP8 SLIM						
AP10		197 W	1500 W	14 kg		
AP12	280 W	350 W		1,25 A	1,55 A	15,5 kg
TWINI2	210 W	230 W		0,92 A	1,02 A	14 kg
TWINI8	274 W	310 W	1,25 A	1,55 A	14,5 kg	

\*Peso sin la bandeja de goteo de condensado ni la válvula de ventilación. Si la bandeja de goteo de condensado está instalada, el peso aumenta en 1 kg. Si la válvula de ventilación está instalada, el peso aumenta en 2 kg para todos los ventiloconvectores excepto GIANT8. Si la válvula de ventilación está instalada en el ventiloconvector GIANT8, el peso aumenta en 3 kg.

## Tamaño del lado de aire/agua

Modelo	Presión de aire	Caudal de agua		Agua de condensación
MINI	390 Pa	180 L/h	6,7 kPa	0,75 L/h
COMPACT	420 Pa	342 L/h		0,9 L/h
JUNIOR	500 Pa	432 L/h	14,5 kPa	1,65 L/h
GIANT4	590 Pa	648 L/h	16,5 kPa	2,15 L/h
GIANT8	580 Pa	1080 L/h	12,5 kPa	2,5 L/h
APM	390 Pa	216 L/h	6,7 kPa	0,9 L/h
AP1	450 Pa	396 L/h	11,5 kPa	1,1 L/h
AP3	440 Pa	504 L/h	19,5 kPa	1,3 L/h
AP5	430 Pa	684 L/h	8,5 kPa	1,55 L/h
AP5 SLIM				
AP8	440 Pa	720 L/h	10,5 kPa	2,1 L/h
AP8 SLIM				

Modelo	Presión de aire	Caudal de agua		Agua de condensación
AP10	580 Pa	1116 L/h	12 kPa	2,45 L/h
AP12	570 Pa	1476 L/h	14,5 kPa	2,75 L/h
TWIN12	440 Pa	756 L/h		2,5 L/h
TWIN18	560 Pa	1116 L/h		3,2 L/h

### Conexión de tubo

Ventiloconvector	Diámetro del racor de tubo	Identificación de la rosca del tubo de cobre	Conector del tubo	
MINI	16 mm	½"-14 NPT	A	
COMPACT				
JUNIOR				
Giant4				
Giant8		½"-12 NPT	B	
APM		½"-14 NPT	A	
AP1				
AP3				
AP5				
AP8				C
AP10				B
AP12		½"-14 NPT	C	
TWIN12K			B	
TWIN18K			C	

**Tabla 3: Leyenda**

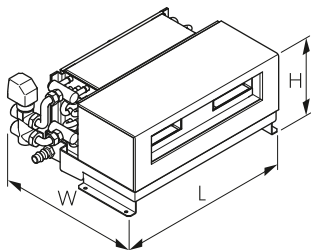
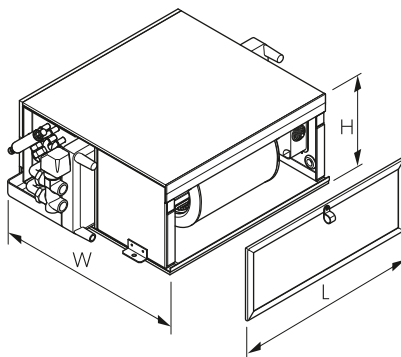
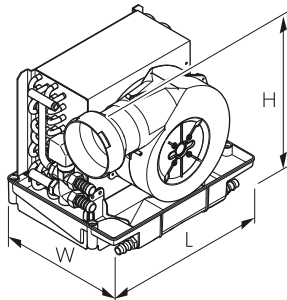
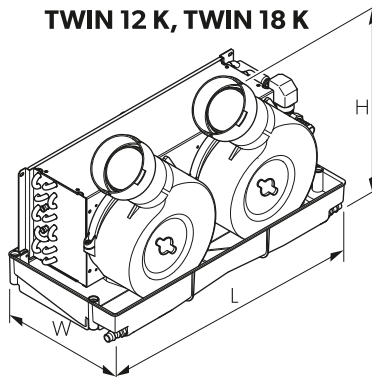
Núm.	Descripción
A	Conexión roscada
B	Válvula de ventilación con configuraciones de derivación integradas y actuadores eléctricos de tipo encendido/apagado
C	Válvula de ventilación

### Dimensiones del ventiloconvector



**NOTA** Dimensiones del ventiloconvector con válvula de ventilación y sin bandeja de goteo de condensación.

15

**MINI, COMPACT****JUNIOR, GIANT 4, GIANT 8****APM, AP 1, AP 3, AP 5,  
AP 8, AP 10, AP 12****TWIN 12 K, TWIN 18 K**

Modelo	Longitud (L)	Anchura (W)	Altura (H)	Salida del ventilador de $\varnothing$
MINI	480 mm	300 mm	201 mm	-
COMPACT	580 mm	330 mm	191 mm	-
JUNIOR		410 mm	205 mm	-
GIANT4	630 mm	465 mm	250 mm	-
GIANT8	850 mm		245 mm	-
APM	395 mm	235 mm	205 mm	100 mm <sup>2</sup>
AP1	386 mm	292 mm	300 mm	
AP3	403 mm		320 mm	125 mm <sup>2</sup>
AP5	408 mm		357 mm	
AP5 SLIM	451 mm		320 mm	
AP8	415 mm	330 mm	370 mm	150 mm <sup>2</sup>
AP8 SLIM		292 mm	357 mm	125 mm

Modelo	Longitud (L)	Anchura (W)	Altura (H)	Salida del ventilador de $\varnothing$
AP10	523 mm	330 mm	380 mm	180 mm <sup>2</sup>
AP12	565 mm		430 mm	200 mm <sup>2</sup>
TWIN12	660 mm	292 mm	380 mm	2 x 125 mm <sup>2</sup>
TWIN18				

## Calefacción eléctrica

Potencia	230 V 50 ... 60 Hz
Normativa	CEI 61150/ES 60335-1
Rango de temperaturas	25 ... -10 °C
Clase de protección	IP55
Aislamiento	3000 M $\Omega$ a 500 V CC
Sistema dieléctrico	1250 V
Eficiencia térmica	0,1 $\Omega$

## Dimensiones del filtro

Filtro	Longitud	Altura	Profundidad
Filtro Mini-N/APM	275 mm	150 mm	8 mm
Filtro Compact-N	375 mm		
Filtro JUNIOR	425 mm	17 mm 170 mm	
Filtro GIANT4	495 mm	200 mm	
Filtro GIANT8	695 mm		
Filtro AP1-N	275 mm		
Filtro AP1-7	278 mm		
Filtro AP3-N	335 mm		
Filtro AP3-7	278 mm	250 mm	
Filtro AP5 Slim-7	338 mm		
Filtro AP5-N/AP8-N	378 mm	300 mm	
Filtro AP5-7	278 mm		
Filtro AP8 Slim-7	338 mm		
Filtro AP8-7	318 mm		
Filtro AP10-N	415 mm		
Filtro AP10-7	418 mm		
Filtro AP12-N	415 mm	355 mm	
Filtro AP12-7	418 mm	350 mm	
Filtro TWIN12/TWIN18	515 mm	200 mm	

## Dimensiones de las rejillas



### ¡AVISO! Riesgo de sobrecalentamiento

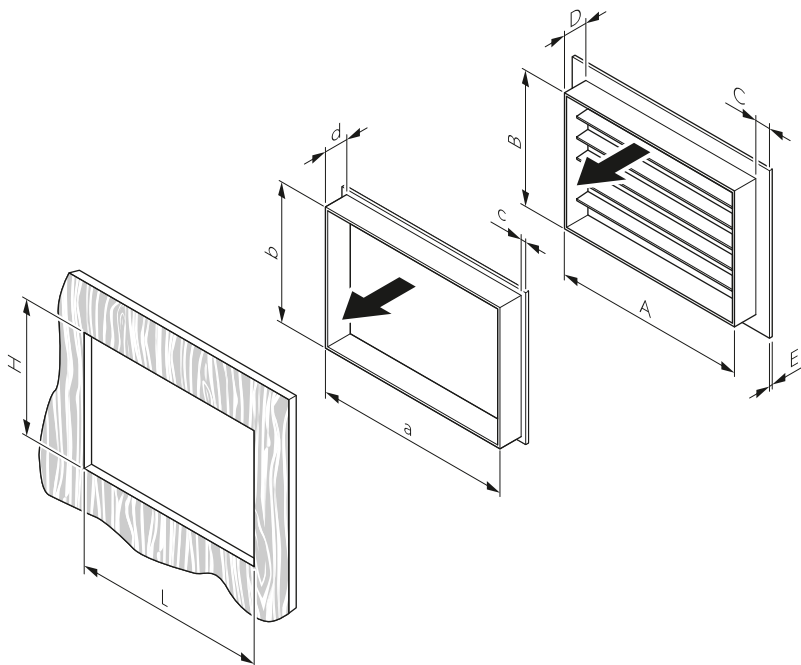
No utilice rejillas que estén por debajo de los valores especificados.



**NOTA** Las dimensiones de las rejillas son solo recomendaciones. También se pueden utilizar rejillas más grandes.

Ventiloconvector	Rejilla de entrada		Rejilla de salida	
	Diámetro exterior	Cantidad	Diámetro exterior	Cantidad
MINI	20 cm <sup>2</sup>	1	20 cm <sup>2</sup>	1
COMPACT				
JUNIOR	25 cm <sup>2</sup>		25 cm <sup>2</sup>	
Giant4	35 cm <sup>2</sup>		35 cm <sup>2</sup>	
Giant8	50 cm <sup>2</sup>		50 cm <sup>2</sup>	
APM	25 cm <sup>2</sup>		20 cm <sup>2</sup>	
AP1	30 cm <sup>2</sup>		25 cm <sup>2</sup>	
AP3	45 cm <sup>2</sup>		40 cm <sup>2</sup>	
AP5	35 cm <sup>2</sup>	2	50 cm <sup>2</sup>	1
AP5 SLIM				
AP8	4 cm <sup>2</sup>		70 cm <sup>2</sup>	
AP8 SLIM				
AP10	5 cm <sup>2</sup>		80 cm <sup>2</sup>	
AP12	65 cm <sup>2</sup>		100 cm <sup>2</sup>	
TWIN12K	45 cm <sup>2</sup>		70 cm <sup>2</sup>	
TWIN18K	35 cm <sup>2</sup>		4	

16



Tipo	Rejilla					Ø	Marco				Abertura	
	A	B	C	D	E		a	b	c	d	L	H
S/B	278 mm	51 mm	15 mm	29 mm	4 mm	113 cm <sup>2</sup>	283 mm	63 mm	5 mm	31 mm	287 mm	65 mm
JN	357 mm	64 mm				176 cm <sup>2</sup>	366 mm	75 mm			370 mm	77 mm
G4	425 mm	77 mm				278 cm <sup>2</sup>	431 mm	88 mm			435 mm	90 mm
G8	627 mm					362 cm <sup>2</sup>	634 mm				638 mm	
SP1	100 mm	100 mm				85 cm <sup>2</sup>	111 mm	116 mm			115 mm	118 mm
SP2	150 mm					128 cm <sup>2</sup>	161 mm				165 mm	
SP3	200 mm	200 mm				260 cm <sup>2</sup>	213 mm	216 mm			217 mm	218 mm
SP4	250 mm					325 cm <sup>2</sup>	263 mm				267 mm	

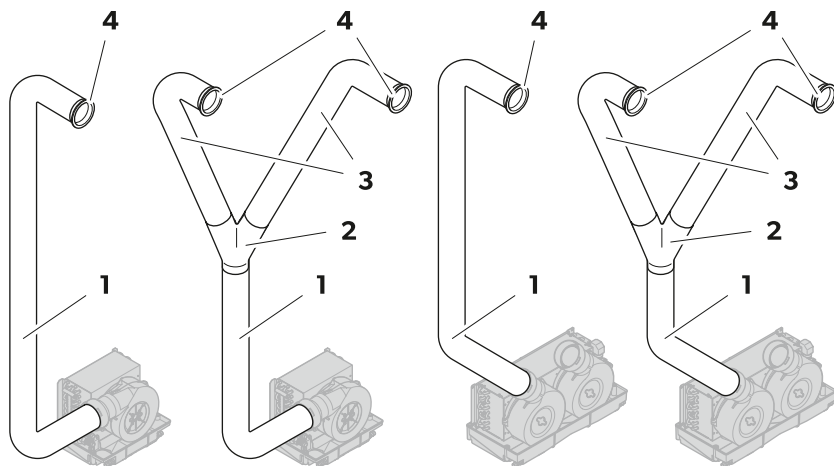
### Dimensiones de la manguera



**NOTA** Reducir o aumentar el tamaño de los conductos puede afectar al rendimiento del sistema de ventilación.



17



Fan coil	Hose (1)		Transition duct (2)		Hose (3)		Connector (4)	
	∅	L	Q	Tipo	∅	L	Q	∅
APM	100 mm	3 m	-	-	-	-	1 C	100 mm
AP1			-	-	-	-		
AP3	125 mm		-	-	-	-	2 C	125 mm
AP5		1 m	1 C	125/125/125	125 mm	2 m		
AP5 SLIM	150/125/125							
AP8	150 mm			180/150/150	150 mm		150 mm	
AP8 SLIM				200/180/180	180 mm		180 mm	
AP10	180 mm							
AP12	200 mm						180 mm	
TWIN12K	100 mm	6 m	-	-	-	-		100 mm
TWIN18K	125 mm	4 m	2 C	125/125/125	125 mm	2 m	4 C	125 mm

### Dimensiones de la bandeja de goteo

Ventiloconvector	Longitud	Anchura	Altura	Diámetro de drenaje
MINI	-	-	-	-
COMPACT	-	-	-	-
JUNIOR	600 mm	215 mm	65 mm	20 mm
GIAN4	670 mm	240 mm		
GIAN8	870 mm			
APM	430 mm	245 mm		

<b>Ventiloconvector</b>	<b>Longitud</b>	<b>Anchura</b>	<b>Altura</b>	<b>Diámetro de drenaje</b>		
AP1	430 mm	305 mm				
AP3						
AP5						
AP5 SLIM						
AP8	455 mm	350 mm				
AP8 SLIM						
AP10						
AP12	555 mm					
TWIN12K	-	-			-	-
TWIN18K	-	-			-	-

## Italiano

1	Spiegazione dei simboli.....	107
2	Istruzioni per la sicurezza.....	108
3	Dotazione.....	108
4	Accessori.....	109
5	Pezzi di ricambio.....	109
6	Destinazione d'uso.....	110
7	Descrizione delle caratteristiche tecniche.....	110
8	Prima dell'installazione.....	112
9	Installazione.....	113
10	Prima del primo uso.....	129
11	Funzionamento.....	130
12	Pulizia e cura.....	130
13	Risoluzione dei problemi.....	131
14	Garanzia.....	131
15	Smaltimento.....	132
16	Specifiche tecniche.....	132

## 1 Spiegazione dei simboli



### **AVVERTENZA!**

indica una situazione di pericolo che, se non evitata, potrebbe provocare lesioni gravi o mortali.



### **ATTENZIONE!**

indica una situazione di pericolo che, se non evitata, potrebbe provocare lesioni di entità lieve o moderata.



### **AVVISO!**

Indica una situazione di pericolo che, se non evitata, può provocare danni alle cose.



**NOTA** Informazioni integranti relative all'impiego del prodotto.

## 2 Istruzioni per la sicurezza

### Sicurezza generale

**AVVERTENZA! Pericolo di scosse elettriche**

- L'installazione e le riparazioni possono essere effettuate solo da personale qualificato a conoscenza dell'apparecchio e dei rischi associati.
- Se l'apparecchio o i suoi componenti presentano danni visibili, non metterlo in funzione.

**AVVERTENZA! Pericolo di incendio**

Assicurarsi che le aperture di ventilazione non siano ostruite.

**ATTENZIONE! Pericolo di ustioni**

Non toccare l'apparecchio durante lo spegnimento o durante le successive 2 h.

**ATTENZIONE! Rischio di lesioni**

Tenere l'apparecchio fuori dalla portata di persone prive delle competenze necessarie.

**ATTENZIONE! Pericolo per la salute**

- Non utilizzare il sistema di ventilazione senza il filtro.
- Questo apparecchio può essere utilizzato da bambini di età superiore a 8 anni, da persone con capacità fisiche, sensoriali o mentali ridotte o da persone inesperte solo se preventivamente istruite sull'utilizzo in sicurezza o supervisionate e solo se informate dei pericoli legati al prodotto stesso.
- I bambini non devono giocare con l'apparecchio.
- La pulizia e la manutenzione non devono essere eseguite da bambini senza la presenza di un adulto.
- Non rimuovere il filtro dell'aria mentre l'apparecchio è in funzione.

**AVVISO! Rischio di danni**

- Evitare movimenti bruschi durante le operazioni di scarico e montaggio dell'apparecchio, per proteggere i componenti interni.
- Evitare di toccare le parti fragili dell'apparecchio.
- Evitare l'ancoraggio nei punti interni del componente.
- Evitare urti sull'alloggiamento dell'apparecchio.
- Non collocare oggetti sopra l'apparecchio.
- Non inserire corpi estranei nell'apparecchio.



**NOTA** Non danneggiare o rimuovere il sigillo della centralina elettrica dell'apparecchio, per non invalidare la garanzia.

## 3 Dotazione

- Ventilconvettore

- **Solo serie ALU:** Vaschetta di sgocciolamento
- **Solo serie AP e TWIN:** Condotti (opzionali)
- Griglie (opzionali)

## 4 Accessori

Disponibili come accessori (non in dotazione):

- Griglie
- Condotti
- Tubi
- Indicazioni del display
- Selettore
- Quadro di comando



**NOTA** La scelta del quadro di comando deve essere effettuata dal cantiere navale.

Ulteriori informazioni sono reperibili sul sito [dometic.com](http://dometic.com) o contattando il centro di assistenza Dometic (vedere l'ultima pagina del presente manuale).

## 5 Pezzi di ricambio

Componente	N. art.
Filtro Mini-N/APM	6071090
Filtro Compact-N	6071050
Filtro JUNIOR	6071080
Filtro GIANT4	6071060
Filtro GIANT8	6071070
Filtro AP1-7	6072000
Filtro AP3-N	6071030
Filtro AP3-7	6072010
Filtro AP5 Slim-7	6072030
Filtro AP5-7	6072020
Filtro AP8 Slim-7	6072050
Filtro AP5-N/AP8-N/AP8-7	6072040
Filtro AP10-N/AP10-7	6072060
Filtro AP12	6072070
Filtro TWIN12K/TWIN18K	6071190

## 5.1 Ordinazione di parti di ricambio

1. Leggere il codice del prodotto (PNC) o il numero di parte (SKU) sulla targhetta.
2. Contattare il servizio di assistenza o il distributore Dometic più vicino per effettuare l'ordine.

## 6 Destinazione d'uso

I ventilconvettori possono essere impiegati **esclusivamente** in combinazione con unità refrigeranti, come climatizzatori, su barche, navi e altre imbarcazioni.

I ventilconvettori **non** sono adatti per:

- Case
- Appartamenti
- Macchine da costruzione
- Macchine agricole
- Autocarri
- Camper
- Caravan
- Veicoli ricreazionali

Questo prodotto è adatto solo per l'uso e l'applicazione previsti in conformità con le presenti istruzioni.

Il presente manuale fornisce le informazioni necessarie per la corretta installazione e/o il funzionamento del prodotto. Un'installazione errata e/o un utilizzo o una manutenzione impropri comporteranno prestazioni insoddisfacenti e un possibile guasto.

Il produttore non si assume alcuna responsabilità per eventuali lesioni o danni al prodotto che derivino da:

- installazione, montaggio o collegamento errati, compresa la sovratensione
- manutenzione non corretta o uso di ricambi diversi da quelli originali forniti dal produttore
- modifiche al prodotto senza esplicita autorizzazione del produttore
- impiego per scopi diversi da quelli descritti nel presente manuale.

Dometic si riserva il diritto di modificare l'aspetto e le specifiche del prodotto.

## 7 Descrizione delle caratteristiche tecniche

Il ventilconvettore viene utilizzato per gestire la climatizzazione in cabina a un intervallo di temperatura di 10 °C ... 30 °C.

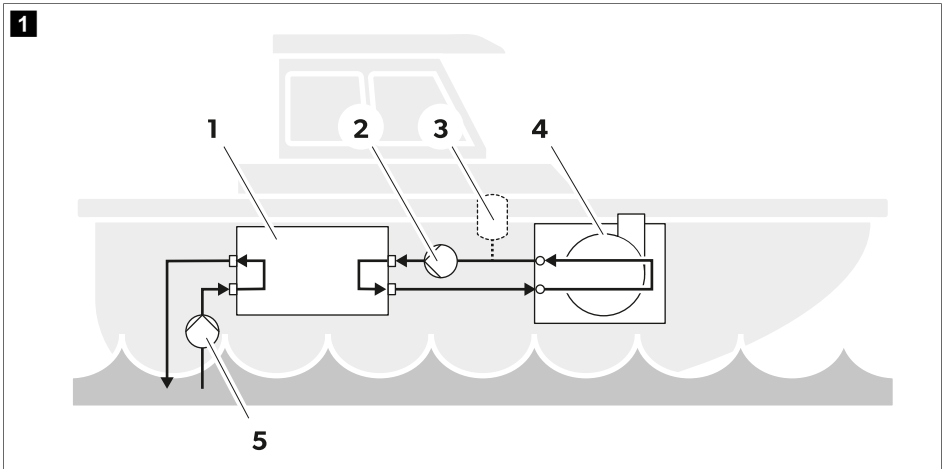
Sono disponibili diversi modelli e serie di ventilconvettori.

Serie	Ventilconvettore	Caratteristica
ALU	MINI	È necessario installare il ventilconvettore senza condotti.
	COMPACT	
	JUNIOR	È possibile installare orizzontalmente o verticalmente i ventilconvettori JUNIOR, GIANT4 e GIANT8 senza alcuna modifica in loco.
	GIANT4	

Serie	Ventilconvettore	Caratteristica
	GIANT8	
AP	APM	Il ventilconvettore funziona con ventole radiali ad alta pressione e può essere collegato ai condotti di alimentazione e di ritorno.
	AP1	
	AP3	
	AP5	
	AP5 SLIM	Il ventilconvettore può essere installato all'esterno della cabina per semplificarne la manutenzione.
	AP8	La ventola del ventilconvettore, ad eccezione di APM e AAP12, può essere ruotata. La posizione di montaggio del ventilconvettore con ventola rotante può essere regolata in base ai requisiti di installazione.
	AP8 SLIM	
	AP10	
TWIN	AP12	Le ventole APM e A12 possono essere installate <b>solo</b> in orizzontale. È possibile acquistata su richiesta una versione speciale installabile verticalmente.
	TWIN12K	
	TWIN18K	

I ventilconvettori possono essere controllati accendendo e spegnendo la ventola o mediante una valvola di scarico con bypass integrato.

## Descrizione del processo



Pos.	Descrizione
1	Unità refrigerante
2	Pompa di circolazione
3	Serbatoio di espansione
4	Ventilconvettore
5	Pompa acqua mare

Una pompa dell'acqua di mare **(3)** fornisce acqua all'unità refrigerante **(1)** che raffredda o riscalda l'acqua e la dirige attraverso una pompa di circolazione **(4)** al collettore dell'acqua a cui sono collegati uno o più ventilconvettori. L'acqua viene trasportata dal collettore dell'acqua attraverso il ventilconvettore **(2)** al collettore di ritorno. Il ventilconvettore **(2)** scambia calore con l'ambiente. L'acqua di ritorno viene riscaldata, riportata all'unità refrigerante **(1)** e quindi rilasciata.

L'espansione termica del refrigerante nell'apposita unità può essere compensata con l'installazione di un serbatoio di espansione aggiuntivo **(5)** nel circuito dell'acqua.

Grazie al termoregolatore, il ventilconvettore **(2)** si accende automaticamente a una temperatura di 3 ... 4 °C. La temperatura dell'acqua di raffreddamento viene mantenuta nell'intervallo di 7 ... 11 °C. Dopo l'avvio del sistema di ventilazione, è possibile attivare i singoli ambienti del ventilconvettore. Ogni cabina è dotata di un termoregolatore.

## Termoregolatore

Il ventilconvettore può essere collegato alle seguenti unità di controllo:

- selettore manuale con 2 o 3 velocità della ventola;
- display con 10 velocità della ventola.

La temperatura desiderata della cabina può essere impostata utilizzando un display o un termostato.

Il ventilconvettore può essere impostato su 4 diverse modalità di ventilazione:

Modalità	Descrizione
AUTO	La velocità della ventola può essere selezionata tramite il selettore o il display.
Raffreddamento	Il ventilconvettore riceve acqua fredda proveniente dall'unità refrigerante per ridurre la temperatura della cabina.
Riscaldamento	Il ventilconvettore riceve acqua calda proveniente dall'unità refrigerante per aumentare la temperatura della cabina.
Riscaldatore elettrico	Il ventilconvettore non riceve acqua e riscalda l'aria attraverso una resistenza.

È possibile collegare un singolo termoregolatore a diversi ventilconvettori nella stessa cabina.

## Regolazione automatica della temperatura



**NOTA** La regolazione automatica della temperatura viene attivata solo in modalità di raffreddamento, riscaldamento e riscaldamento elettrico.

Se l'impostazione della temperatura differisce significativamente dalla temperatura effettiva della cabina, la ventola raggiunge la velocità massima. Se la temperatura della cabina è prossima alla temperatura impostata, la velocità della ventola si riduce automaticamente al minimo.

## 8 Prima dell'installazione

1. Assicurarsi che le confezioni e i componenti non siano danneggiati.
2. Se necessario, contattare il centro di assistenza Dometic (vedere l'ultima pagina del presente manuale).



## 9 Installazione



### AVVERTENZA! Pericolo di scosse elettriche

- Collegare i ventilconvettori solo alla tensione specificata sulla targhetta con le specifiche tecniche.
- Non utilizzare un isolamento difettoso onde evitare cortocircuiti.



### ATTENZIONE! Rischio di surriscaldamento

- Assicurarsi che il ventilconvettore sia distante almeno 3 ... 4 cm dalla parete, per consentire una circolazione dell'aria ottimale.
- Assicurarsi che il flusso dell'aria dalla griglia di ritorno al lato di aspirazione del ventilconvettore non sia ostruito da oggetti.



### AVVISO! Rischio di danni

- Montare il ventilconvettore **solo** nella posizione specificata nelle presenti istruzioni.
- Assicurarsi che la posizione di installazione specificata venga accettata dal cantiere.
- Montare il ventilconvettore su supporti solidi.
- Collegare il ventilconvettore a una presa a muro compatibile.
- Se è necessario aggiungere un altro cavo di prolunga, assicurarsi di mantenere il collegamento originale.
- Verificare i cablaggi per evitare cortocircuiti.
- Assicurarsi che non vi siano fonti di calore in prossimità del termoregolatore.
- Assicurarsi che i tubi, le camere d'aria, i collegamenti e le diramazioni siano isolati. L'isolamento deve raggiungere le pareti del ventilconvettore.



### NOTA

- **Solo serie ALU:** non ridurre la sezione trasversale del ventilconvettore (vedere Dimensioni del ventilconvettore alla pagina 134).
- **Solo serie AP e TWIN:** non utilizzare il ventilconvettore come apparecchio ad incasso.

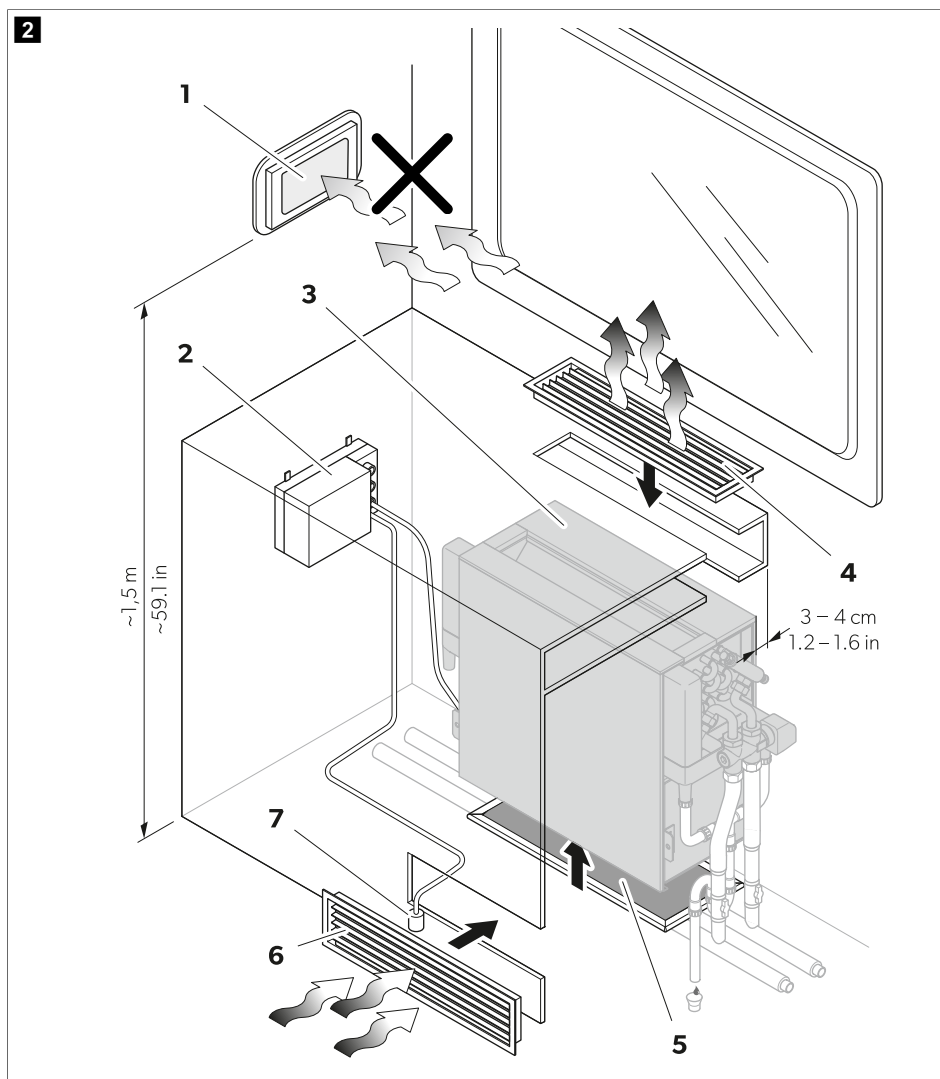
### Punto di montaggio

- Montare il ventilconvettore in un luogo accessibile per la gestione e la manutenzione.
- Installare il ventilconvettore in modo che il filtro sia facilmente accessibile.
- Tenere il ventilconvettore lontano da fonti di calore.

### Note sull'installazione

- La lunghezza del tubo deve essere più corta possibile.
- Assicurarsi che i condotti e i tubi flessibili siano sigillati.
- Utilizzare solo griglie di dimensioni specificate (vedere Dimensioni della griglia alla pagina 137).
- Assicurarsi che il flusso dell'aria non sia ostruito.
- Assicurarsi che le camere d'aria siano sigillate.
- Attenersi alle posizioni prescritte per i singoli componenti.
- Verificare la presenza di ulteriori requisiti di installazione locali applicabili.

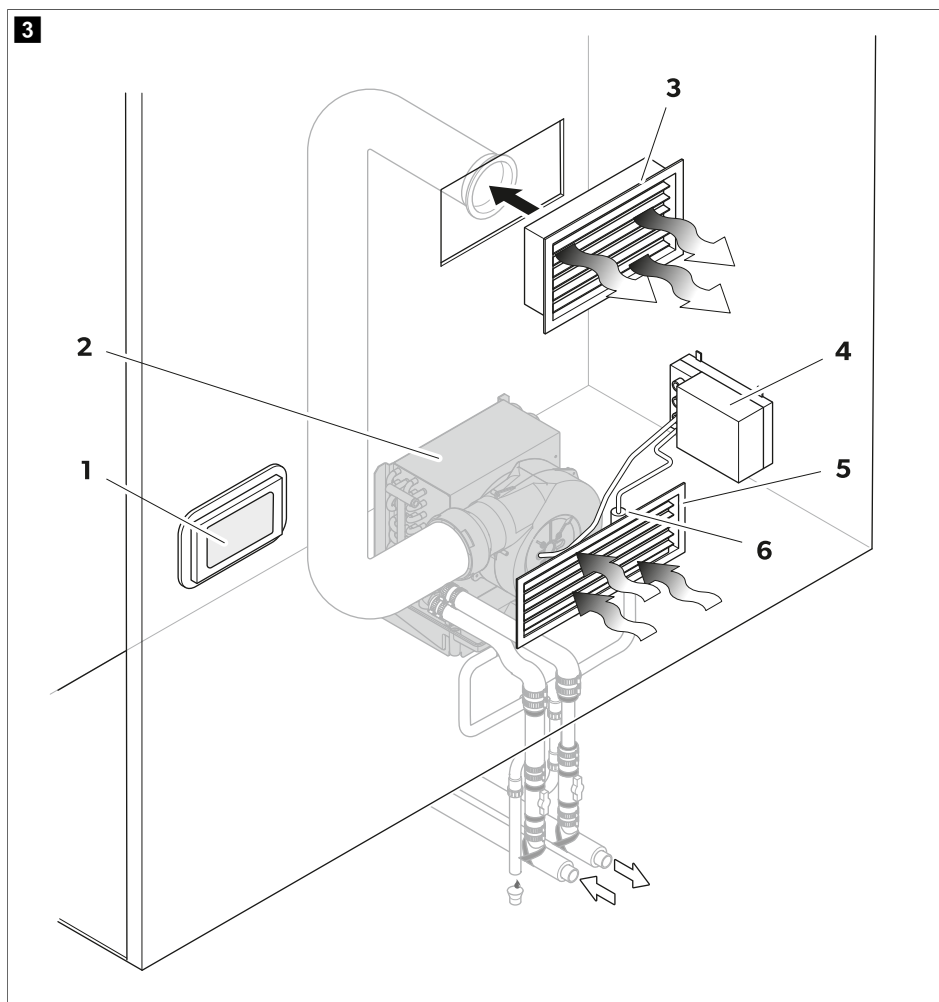
## Solo serie ALU



Pos.	Descrizione
1	Display o selettore
2	Quadro di comando
3	Ventilconvettore
4	Griglia di uscita dell'aria

Pos.	Descrizione
5	Filtro
6	Griglia di ingresso dell'aria
7	Sensore di temperatura dell'aria a distanza

### Solo serieAP e TWIN

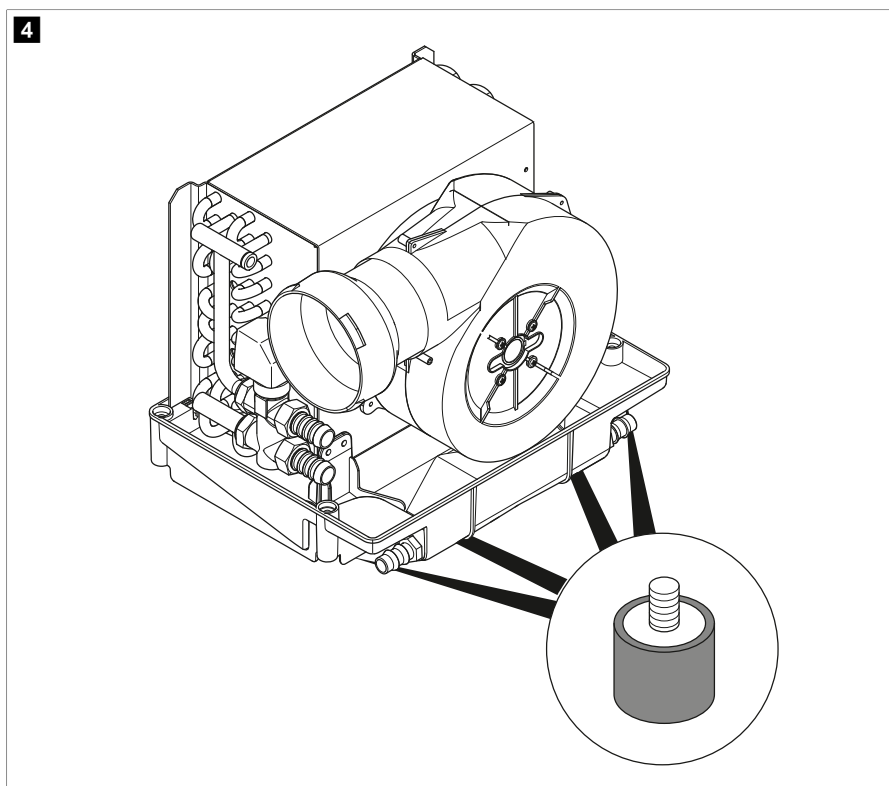


Pos.	Descrizione
1	Termoregolatore

Pos.	Descrizione
2	Ventilconvettore
3	Griglia di uscita dell'aria
4	Quadro di comando
5	Griglia di ingresso dell'aria
6	Sensore di temperatura dell'aria a distanza

## Riduzione del livello di rumorosità

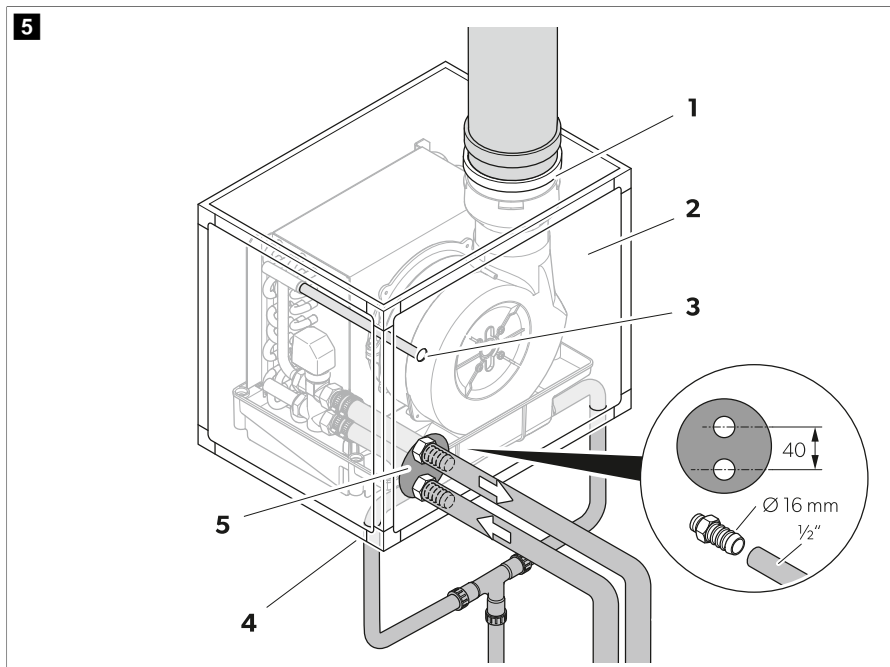
- > Montare la guarnizione di arresto sul ventilconvettore per ridurre il rumore dovuto alle vibrazioni.



- > Se necessario, installare il ventilconvettore in un alloggiamento insonorizzato.



**NOTA** Per il collegamento dei tubi, vedere Collegamento dei tubi alla pagina 122.



Pos.	Descrizione
1	Collettore di collegamento dell'aria
2	Lato ventola
3	Fuoriuscita dell'aria
4	Scarico
5	Allacciamento dell'acqua

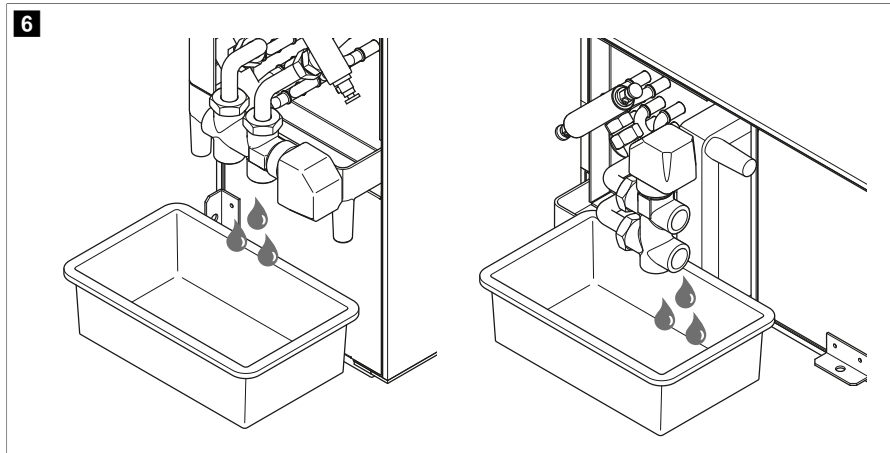
### Installazione di una vaschetta di raccolta (opzionale)

Se la nave o l'imbarcazione presenta un rollio o un beccheggio superiore alla norma, o se il ventilconvettore deve essere installato nei controsoffitti, è necessario installare un vassoio di raccolta aggiuntivo.



**NOTA** Sono disponibili 2 tipi di vassoio: per una valvola di scarico singola e per tutti i modelli di ventilconvettore. Per ridurre le vibrazioni, installare una guarnizione di arresto in presenza di un vassoio di raccolta compatibile con tutti i ventilconvettori (vedere Riduzione del livello di rumorosità alla pagina 116).

- > Installare una vaschetta di raccolta aggiuntiva.



## Montaggio dello scarico della condensa



### **AVVISO! Rischio di danni**

Assicurarsi che i tubi di scarico della condensa non siano ostruiti.

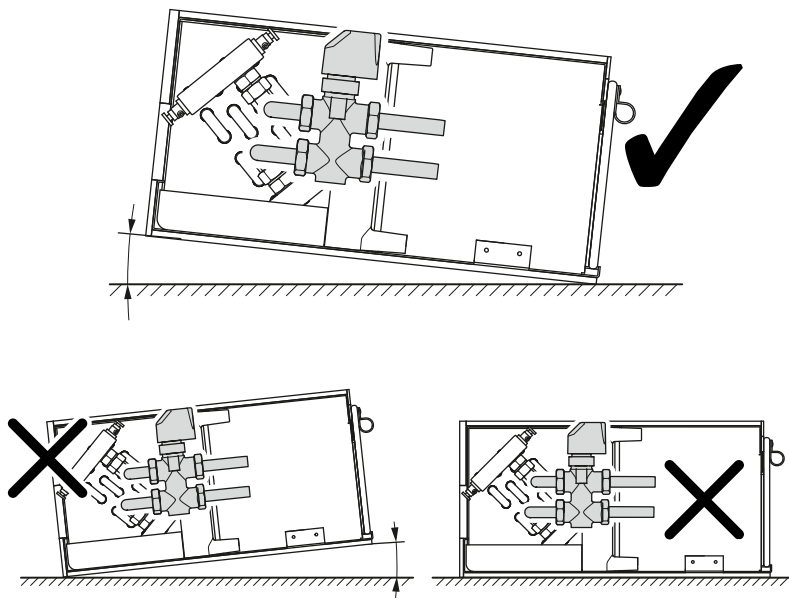
1. Posizionare il ventilconvettore.



### **AVVISO! Rischio di danni**

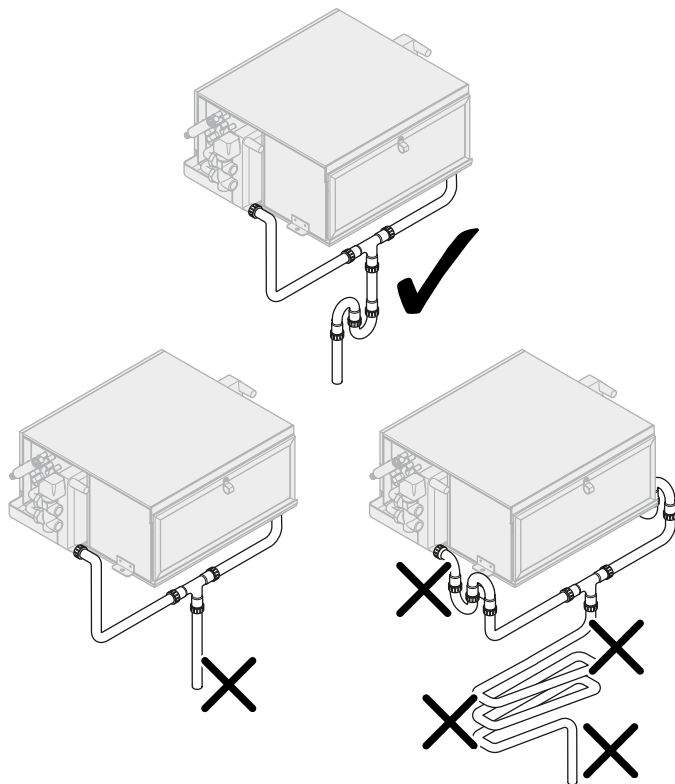
**Solo serie ALU:** montare il ventilconvettore con un angolo di 5 ... 10 ° per consentire alla condensa di disperdersi correttamente senza traboccare.

7



2. Installare uno scarico con sifone a terra.

8



## Installazione dei tubi dell'acqua

Prima e durante l'installazione dei tubi dell'acqua, assicurarsi che:

- la valvola di scarico e i raccordi dei tubi siano privi di contaminazioni;
- la freccia riportata sulla valvola di scarico sia rivolta nella direzione del flusso d'acqua;
- i collegamenti a vite della valvola di scarico e delle tubazioni siano serrati;
- l'installazione sia priva di tensione ed eccessivo serraggio;
- la valvola di scarico e i raccordi dei tubi siano protetti dalla polvere e dalla sporcizia nei cantieri edili;
- vengano utilizzati gli appositi giunti per compensare l'espansione termica dei tubi.

## Assemblaggio dei tubi

Per l'allacciamento dell'acqua è possibile utilizzare sia tubi in plastica che in rame.

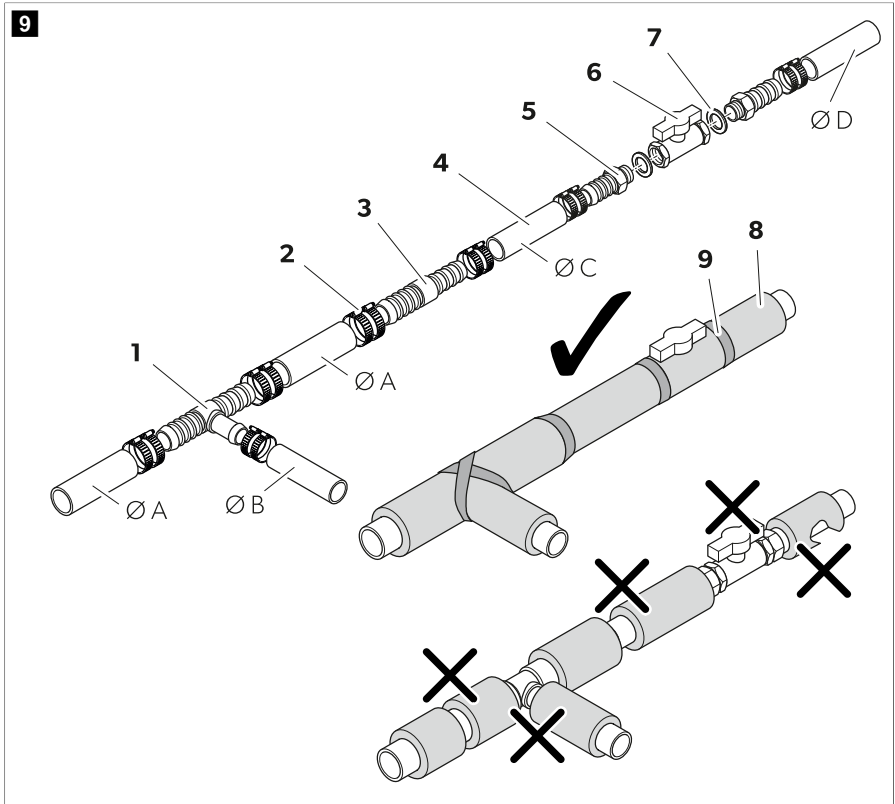
Il diametro dei tubi del ventilconvettore dipende dal numero di ventilconvettori collegati e dall'imbarcazione. Se i ventilconvettori collegati tra loro sono numerosi, è necessario impiegare tubi dal diametro diverso. Ogni ventilconvettore aggiuntivo richiede tubi più piccoli rispetto a quello collegato in precedenza.





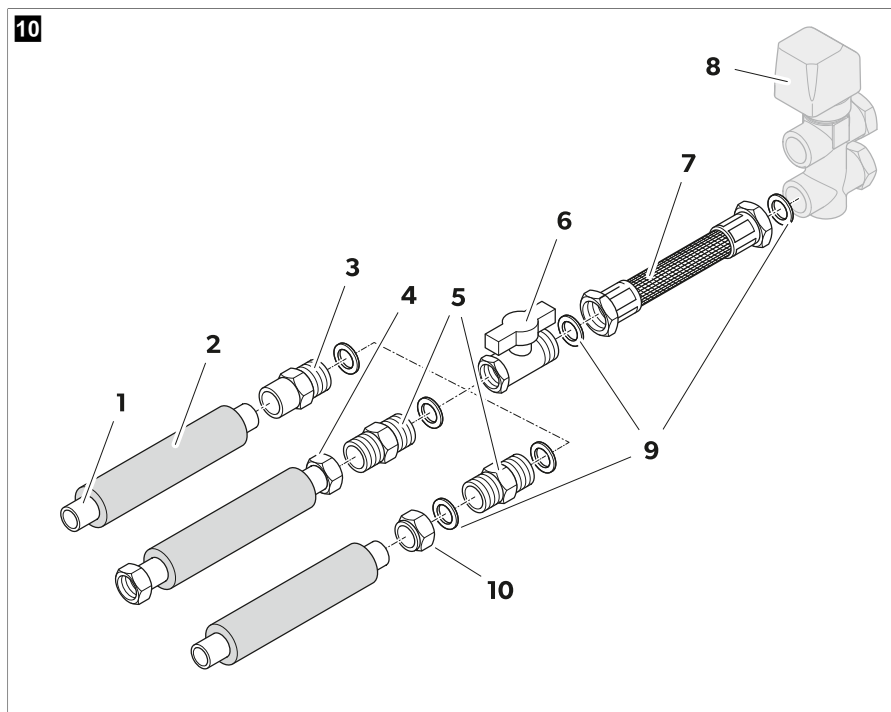
**NOTA** Contattare un centro di assistenza Dometic per ricevere informazioni dettagliate sui tubi richiesti (vedere il retro del presente manuale).

- > Montare i tubi in plastica come illustrato in figura.



Pos.	Componente
1	Raccordo a T in ottone
2	Fascetta serratubo
3	Accoppiamento tubi
4	Tubo in plastica
5	Adattatore per tubo
6	Valvola a sfera
7	Guarnizione
8	Isolamento
9	Nastro antigoccia

- > Assemblare il tubo in rame come illustrato in figura.

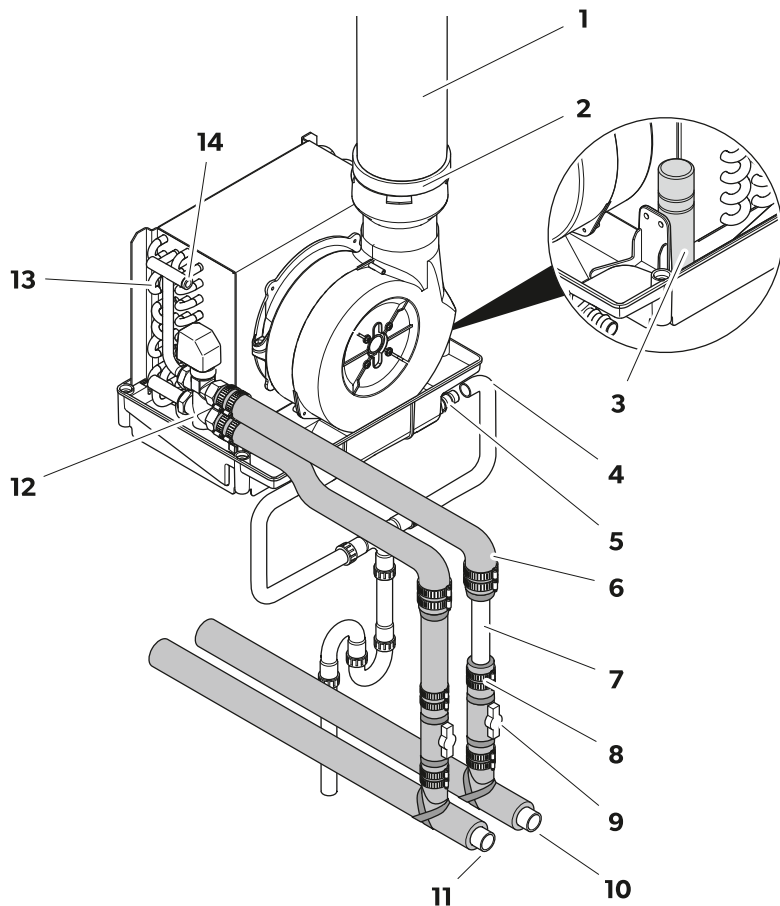


Pos.	Componente
1	Tubo in rame
2	Isolamento
3	Collegamento a vite
4	Tubi multistrato
5	Collegamento a vite
6	Valvola a sfera
7	Tubo di collegamento flessibile
8	Valvola dell'acqua trivalente
9	Guarnizione
10	Dado

### Collegamento dei tubi

1. Collegare i tubi ai ventilconvettori come illustrato in figura.

11



Pos.	Descrizione
1	Tubo di alimentazione flessibile
2	Adattatore per tubo
3	Condensatore
4	Scarico
5	Raccordo
6	Morsetto
7	Tubo dell'acqua
8	Isolamento

Pos.	Descrizione
9	Valvola a sfera
10	Uscita dell'acqua
11	Ingresso acqua
12	Valvola dell'acqua trivalente
13	Scambiatore di calore
14	Valvola di scarico

2. Collegare i tubi al collettore dell'acqua.  
Seguire le istruzioni del fabbricante.

## Installazione del termoregolatore



**NOTA** Assicurarsi che il termoregolatore sia circondato dall'aria di ritorno, in modo che la lettura della temperatura ambiente effettiva sia affidabile.

- > Installare un termoregolatore sulla parete, a un'altezza di 1,5 m sopra il pavimento, lontano dal flusso d'aria.  
Seguire le istruzioni del fabbricante.
- > Montare un sensore di temperatura dell'aria a distanza dietro la griglia di ingresso dell'aria.



### **NOTA Rischio di temperature non misurate correttamente**

Assicurarsi che il sensore di temperatura dell'aria a distanza sia installato lontano dal filtro del ventilconvettore, dallo scambiatore di calore e dal flusso dell'aria di ritorno.

## Installazione di un serbatoio di espansione (opzionale)

- > Installare un serbatoio di espansione nel circuito dell'acqua (vedere fig. **11** alla pagina 111).  
Seguire le istruzioni del fabbricante.

## Controllo della pompa dell'acqua di mare

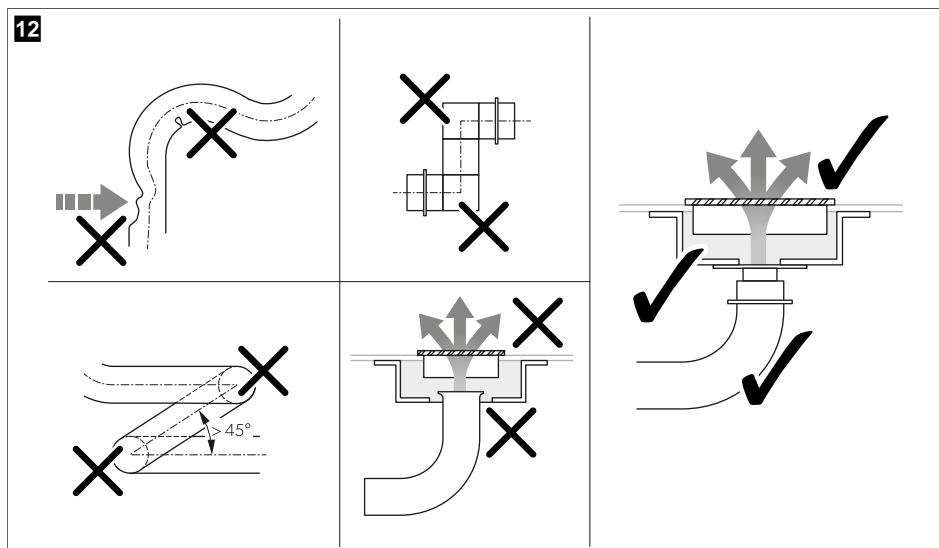
1. Assicurarsi che, sotto la linea dell'acqua di mare, sia installata l'apposita pompa.  
Seguire le istruzioni del fabbricante.
2. Assicurarsi che un filtro sia installato sull'ingresso della pompa, per evitare l'aspirazione dei detriti.  
Seguire le istruzioni del fabbricante.

## Controllo dell'allacciamento dell'acqua

1. Riempire i ventilconvettori con acqua utilizzando la valvola a sfera.
2. Se presente, aprire la valvola dell'acqua trivalente durante l'operazione, fino a quando l'acqua non fuoriesce dalla valvola di scarico (fig. **11** alla pagina 123, **11**).
3. Mettere il sistema 2 ... 3 barsotto pressione controllando il manometro.
4. Controllare la pressione con il densimetro collegato al carico del sistema per un periodo di 5 ... 6 h, al fine di rilevare eventuali perdite di pressione.

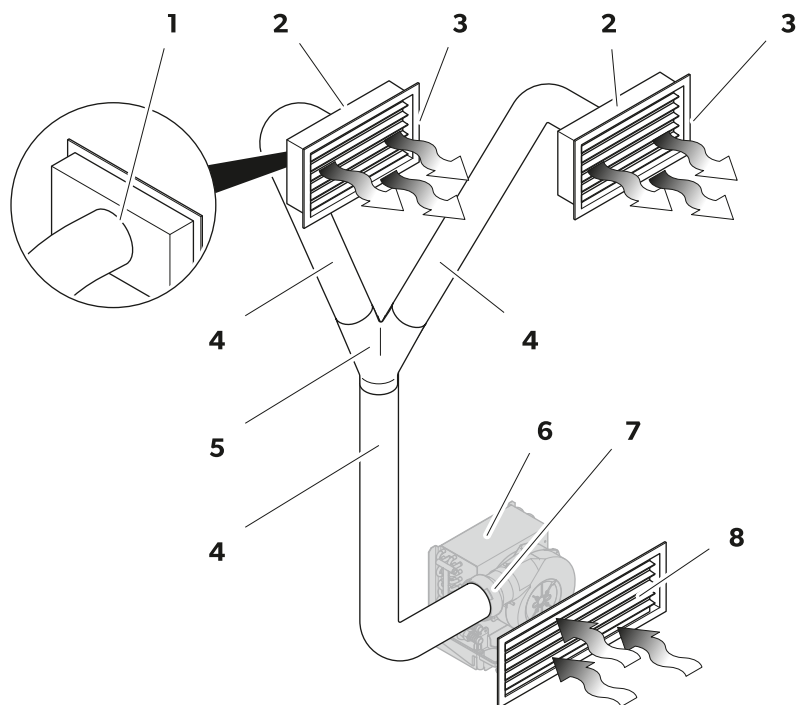
## Installazione dei tubi flessibili e delle griglie (solo serie AP e TWIN)

Prima di installare i componenti pneumatici, assicurarsi che:



- il ventilconvettore sia collegato ai condotti dell'aria o ai tubi pre-isolati;
- il diametro del condotto principale sia inferiore al diametro dell'adattatore in plastica montato sulla ventola (vedere Dimensioni del tubo flessibile alla pagina 138);
- il diametro originale dei tubi pre-isolati non venga modificato;
- i tubi pre-isolati siano distanti e non compressi, per consentire un flusso d'aria ottimale;
- il tubo di alimentazione flessibile abbia una lunghezza di 2,5 ... 5 m.
- non vengano utilizzate griglie in plastica o altri accessori di dimensioni inferiori a quelle specificate (Specifiche tecniche alla pagina 132).
- la struttura a soffitto o a parete non eserciti pressione od ostruisca i tubi dell'aria.

13



Pos.	Componente
1	Raccordo
2	Camera di pressione
3	Griglia di uscita dell'aria
4	Tubo di alimentazione flessibile
5	Condotto di transizione
6	Ventilconvettore
7	Adattatore per tubo
8	Griglia di ingresso dell'aria

1. Praticare dei fori nella parte superiore della parete e nella parete accanto alla ventola del ventilconvettore per le griglie (vedere fig. 13 alla pagina 126).  
Osservare le dimensioni specificate (vedere Dimensioni della griglia alla pagina 137).
2. Montare le griglie.
3. Collegare il ventilconvettore ai tubi di alimentazione flessibili.  
Osservare le dimensioni specificate (vedere Dimensioni del tubo flessibile alla pagina 138).

4. Se necessario, tagliare la parte in eccesso dei tubi.
5. Collegare le camere d'aria alle griglie.
6. Collegare alle camere d'aria dei tubi flessibili.

### Installazione delle griglie (solo serie ALU)

1. Tagliare i fori nella parete sopra il ventilconvettore e accanto alla ventola per le griglie (vedere Note sull'installazione alla pagina 113).  
Osservare le dimensioni specificate (vedere Dimensioni della griglia alla pagina 137).
2. Montare le griglie.

### Collegamento all'alimentazione elettrica



#### AVVERTENZA! Pericolo di scosse elettriche

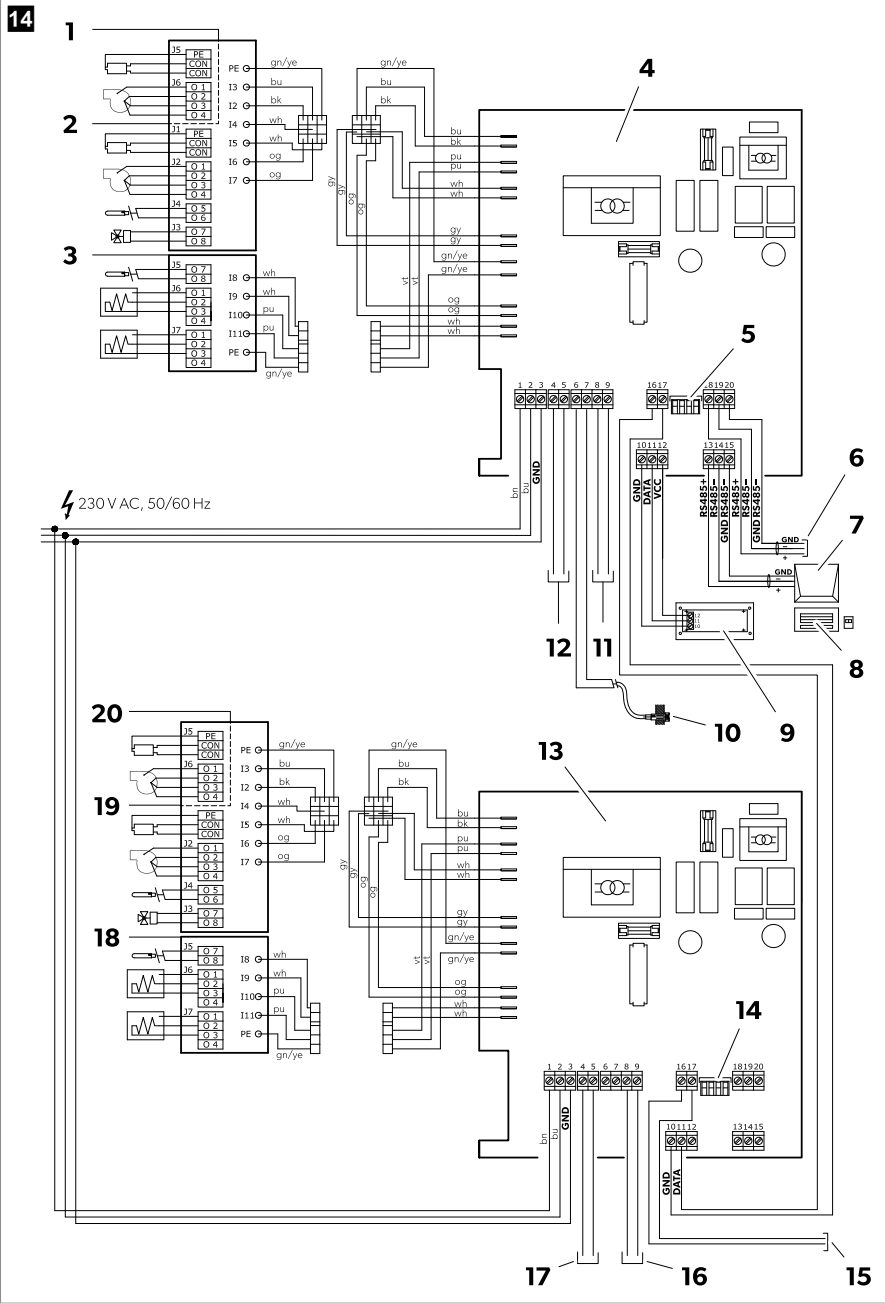
- Assicurarsi che le dimensioni dei terminali di messa a terra esterni corrispondano alle dimensioni dei cavi di messa a terra.
- Assicurarsi che i cavi siano adatti alla potenza massima dei componenti e dell'alimentatore.
- Per la messa a terra, utilizzare cavi isolati a 3 poli, 4 poli o multipolari con conduttori in rame.
- Assicurarsi che i cavi di messa a terra possano sostenere almeno il 50 % della corrente nominale dei cavi di alimentazione.
- Utilizzare il cablaggio più corto possibile per collegare il sistema di ventilazione a terra.
- Utilizzare cavi schermati per collegare il motore.
- Assicurarsi che le dimensioni dei terminali di messa a terra esterni corrispondano alle dimensioni dei cavi di messa a terra.
- Installare i cavi in base alle normative locali o in base al registro delle dimensioni previste per i collegamenti da utilizzare.



#### AVVISO! Rischio di danni

Installare un interruttore differenziale o un fusibile adatto alla potenza massima installata sul quadro di comando.

- > Collegare il ventilconvettore come illustrato in figura:





Pos.	Descrizione
1	Ventole
2	Quadro di comando
3	Quadro di comando
4	Master
5	Interruttore di regolazione
6	Collegamento a un master aggiuntivo
7	Computer
8	Interfaccia computer (opzionale)
9	Display o selettore
10	Sensore di temperatura aria a distanza
11	Modalità Eco
12	Ionizzatore
13	Slave
14	Interruttore di regolazione
15	Collegamento a un slave aggiuntivo (da 16 a 11, da 17 a 10)
16	Modalità Eco
17	Ionizzatore
18	Quadro di comando
19	Quadro di comando
20	Ventole
gn/ye	verde/giallo
bk	nero
bu	blu
gy	grigio
og	arancione
pu	viola
vt	violetto
wh	bianco

## 10 Prima del primo uso

1. Assicurarsi che le valvole di ingresso e di uscita dell'acqua di mare siano aperte.
2. Accendere l'unità refrigerante.  
Seguire le istruzioni del manuale dell'unità refrigerante.

3. Assicurarsi che la pompa dell'acqua di mare e la pompa di circolazione non siano ostruite ruotando la ventola del motore con un cacciavite.
4. Controllare la temperatura dell'unità refrigerante.  
Seguire le istruzioni del manuale dell'unità refrigerante.



**AVVISO! Rischio di congelamento**

Assicurarsi che la temperatura dell'unità refrigerante non sia inferiore a 7 °C.

## 11 Funzionamento



**NOTA Rischio di congelamento**

Non impostare il sistema di ventilazione su un valore inferiore a 7 °C.

- > Utilizzare il termoregolatore per azionare il ventilconvettore.  
Seguire le istruzioni del produttore.

## 12 Pulizia e cura



**AVVERTENZA! Pericolo di scosse elettriche**

L'alimentazione dell'apparecchio deve essere scollegata prima di qualsiasi intervento di manutenzione.



**ATTENZIONE! Rischio di lesioni**

- Dopo aver scollegato il ventilconvettore dall'alimentazione, attendere 5 min che la ventola si spenga e smetta di ruotare.
- Prima di toccare il ventilconvettore, assicurarsi che si sia raffreddato.



**AVVISO! Rischio di danni**

Non utilizzare liquidi corrosivi durante la pulizia del filtro.

- > Ad ogni intervento di manutenzione, ispezionare visivamente i componenti elettronici per verificare che non siano danneggiati.
- > Controllare regolarmente il circuito di messa a terra.
- > Versare periodicamente acqua nella vaschetta di raccolta della condensa per verificarne l'efficienza di scarico.
- > Primo anno di utilizzo: pulire il filtro ogni 7 giorni.
- > Utilizzo del sistema di ventilazione per più di 1 anno: sostituire il filtro ogni 6 mesi.
- > Controllare il filtro e lo scambiatore di calore ogni 3 mesi.
- > Pulire lo scambiatore di calore ogni 3 mesi.
- > Se il sistema di ventilazione non è stato utilizzato per un lungo periodo di tempo:
  - controllare che i morsetti siano ben serrati;
  - assicurarsi che le resistenze funzionino correttamente (se presenti);
  - assicurarsi che il quadro di comando sia alimentato.

## 13 Risoluzione dei problemi

Guasto	Possibile causa	Rimedio
La ventola ruota con difficoltà o non ruota.	La ventola è bloccata.	<ul style="list-style-type: none"> <li>&gt; Rimuovere eventuali ostruzioni.</li> </ul>
La ventola non può essere utilizzata per riscaldare l'aria.	La ventola è guasta.	<ol style="list-style-type: none"> <li>1. Scollegare il ventilconvettore dall'alimentazione.</li> <li>2. Non toccare il ventilconvettore per le successive 2 h.</li> <li>3. Contattare il servizio di assistenza autorizzato.</li> </ol>
Nei tubi non è presente acqua.	Nel ventilconvettore è presente aria. La valvola dell'acqua trivalente è difettosa. Nella circolazione dell'acqua è presente aria.	<ol style="list-style-type: none"> <li>1. Assicurarsi che il densimetro funzioni a una pressione minima di 10 mT quando il sistema di ventilazione è spento.</li> <li>2. Se il densimetro riporta una pressione di 0 mT o vicina a 0 mT, spegnere il sistema di ventilazione.</li> <li>3. Riempire l'impianto di ventilazione con acqua a una pressione di 15 mT.</li> <li>4. Scaricare il sistema di ventilazione utilizzando la valvola di scarico sull'evaporatore.</li> <li>5. Se la circolazione dell'acqua trattata funziona correttamente, verificare il corretto funzionamento del ventilatore.</li> <li>6. Assicurarsi che il termoregolatore sia impostato correttamente. <ul style="list-style-type: none"> <li>&gt; Sostituire l'attuatore della valvola dell'acqua trivalente o l'alloggiamento.</li> <li>&gt; Utilizzare le valvole di scarico manuali per rimuovere l'aria dai tubi in rame.</li> </ul> </li> </ol>
Errore di velocità della ventola.	La ventilazione, la temperatura e/o la modalità non sono impostate correttamente.	<ul style="list-style-type: none"> <li>&gt; Selezionare l'impostazione desiderata utilizzando il termoregolatore.</li> </ul>
Errore della temperatura ambiente.	Il termoregolatore non è impostato correttamente.	<ul style="list-style-type: none"> <li>&gt; Utilizzare il termoregolatore per impostare la temperatura desiderata.</li> </ul>

## 14 Garanzia

Vale il termine di garanzia previsto dalla legge. Se il prodotto è difettoso, contattare la filiale del produttore nel proprio Paese (vedere [dometic.com/dealer](http://dometic.com/dealer)) o il rivenditore di riferimento.

Per la gestione della riparazione e della garanzia è necessario inviare la seguente documentazione insieme all'apparecchio:

- una copia della ricevuta con la data di acquisto,
- il motivo della richiesta o la descrizione del guasto.

Tenere presente che le riparazioni eseguite in autonomia o da personale non professionista possono avere conseguenze sulla sicurezza e invalidare la garanzia.

## 15 Smaltimento



Smaltire il materiale da imballaggio negli appositi contenitori di riciclaggio, dove possibile. Consultare il centro locale di riciclaggio o il rivenditore specializzato per informazioni su come smaltire il prodotto secondo le norme sullo smaltimento applicabili. È possibile smaltire il prodotto gratuitamente.

## 16 Specifiche tecniche

### Ventilconvettori

#### Ventilazione a velocità media



**NOTA** Le specifiche tecniche relative alla ventilazione a media velocità possono variare a seconda della potenza e delle condizioni d'uso.

Ventilconvettore	Portata dell'aerazione	Capacità di raffreddamento		Livello di rumorosità
MINI	130 m <sup>3</sup> /h	2840 Btu	670 W	32 dB(A)
COMPACT	230 m <sup>3</sup> /h	4320 Btu	1170 W	34 dB(A)
JUNIOR	300 m <sup>3</sup> /h	5880 Btu	1580 W	40 dB(A)
GIAN4	450 m <sup>3</sup> /h	9320 Btu	2440 W	34 dB(A)
GIAN8	770 m <sup>3</sup> /h	14800 Btu	3950 W	33 dB(A)
APM	160 m <sup>3</sup> /h	3400 Btu	870 W	45 dB(A)
AP1	230 m <sup>3</sup> /h	4480 Btu	1040 W	50 dB(A)
AP3	330 m <sup>3</sup> /h	6200 Btu	1400 W	
AP5	470 m <sup>3</sup> /h	9200 Btu	2560 W	53 dB(A)
AP5 SLIM				
AP8	600 m <sup>3</sup> /h	12480 Btu	3450 W	51 dB(A)
AP8 SLIM				
AP10	680 m <sup>3</sup> /h	16000 Btu	4360 W	53 dB(A)
AP12	950 m <sup>3</sup> /h	24000 Btu	6390 W	55 dB(A)
TWIN12	600 m <sup>3</sup> /h	12000 Btu	3450 W	52 dB(A)
TWIN18	950 m <sup>3</sup> /h	18000 Btu	5230 W	55 dB(A)

## Valori predefiniti

Ventilconvettore	Consumo energetico max.				Riscaldatore elettrico	Peso*
	50 Hz	60 Hz	50 Hz	60 Hz		
MINI	120 W	–	0,96 A	–	–	6 kg
COMPACT		–	–	–	–	7 kg
JUNIOR	70 W	81 W	0,31 A	0,36 A	800 W	10,5 kg
GIANT4	73 W	83 W	0,33 A	0,37 A	1000 W	13 kg
GIANT8	146 W	166 W	0,66 A	0,74 A	1500 W	17 kg
APM	90 W	100 W	0,25 A	0,29 A	400 W	5,5 kg
AP1	105 W	115 W	0,46 A	0,51 A		6,5 kg
AP3						800 W
AP5	137 W	155 W	0,6 A	0,68 A	1000 W	8 kg
AP5 SLIM						160 W
AP8	1500 W	14 kg				
AP8 SLIM	197 W	15,5 kg				
AP10	280 W	350 W	1,25 A	1,55 A	1500 W	14 kg
AP12	210 W	230 W	0,92 A	1,02 A	14 kg	
TWINI2	274 W	310 W	1,25 A	1,55 A	14,5 kg	
TWINI8						

\* Peso senza vaschetta di raccolta della condensa e valvola di scarico. Con la vaschetta di raccolta della condensa installata, il peso aumenta di 1 kg. Con la valvola di scarico installata, il peso aumenta di 2 kg per tutti i ventilconvettori, ad eccezione di GIANT8. Se la valvola di scarico è montata sul ventilconvettore GIANT8, il peso aumenta di 3 kg.

## Misure relative ad aria/acqua

Modello	Pressione dell'aria	Flusso d'acqua		Acqua di condensa
MINI	390 Pa	180 L/h	6,7 kPa	0,75 L/h
COMPACT	420 Pa	342 L/h		0,9 L/h
JUNIOR	500 Pa	432 L/h	14,5 kPa	1,65 L/h
GIANT4	590 Pa	648 L/h	16,5 kPa	2,15 L/h
GIANT8	580 Pa	1080 L/h	12,5 kPa	2,5 L/h
APM	390 Pa	216 L/h	6,7 kPa	0,9 L/h
AP1	450 Pa	396 L/h	11,5 kPa	1,1 L/h
AP3	440 Pa	504 L/h	19,5 kPa	1,3 L/h
AP5	430 Pa	684 L/h	8,5 kPa	1,55 L/h
AP5 SLIM				
AP8	440 Pa	720 L/h	10,5 kPa	2,1 L/h
AP8 SLIM				
AP10	580 Pa	1116 L/h	12 kPa	2,45 L/h
AP12	570 Pa	1476 L/h	14,5 kPa	2,75 L/h

Modello	Pressione dell'aria	Flusso d'acqua		Acqua di condensa
TWIN12	440 Pa	756 L/h		2,5 L/h
TWIN18	560 Pa	1116 L/h		3,2 L/h

### Misure del tubo

Ventilconvettore	Diametro raccordo tubo	Identificazione filettatura tubo in rame	Connettore tubo	
MINI	16 mm	½"-14 NPT	A	
COMPACT				
JUNIOR				
GIANT4				
GIANT8		½"-12 NPT	B	
APM		½"-14 NPT	A	
AP1				
AP3				
AP5				
AP8				C
AP10				B
AP12		½"-14 NPT	C	
TWIN12K			B	
TWIN18K			C	

**Tabella 4: Legenda**

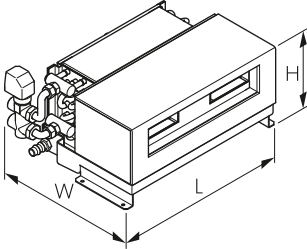
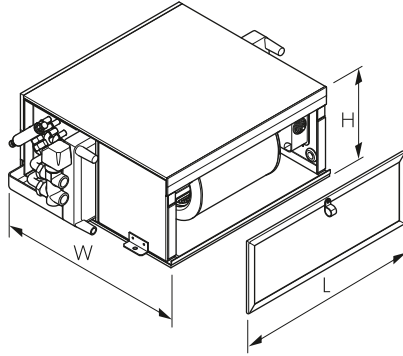
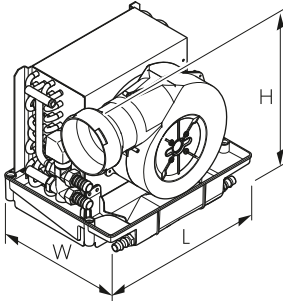
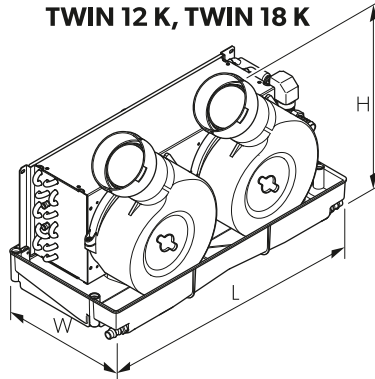
Pos.	Descrizione
A	Collegamento a vite
B	Valvola di scarico con configurazioni bypass integrate e attuatori elettrici di tipo on-off
C	Valvola di scarico

### Dimensioni del ventilconvettore



**NOTA** Dimensioni del ventilconvettore con valvola di scarico e senza vaschetta di raccolta della condensa.

15

**MINI, COMPACT****JUNIOR, GIANT 4, GIANT 8****APM, AP 1, AP 3, AP 5, AP 8, AP 10, AP 12****TWIN 12 K, TWIN 18 K**

Modello	Lunghezza (L)	Larghezza (W)	Altezza (H)	∅ uscita ventola
MINI	480 mm	300 mm	201 mm	–
COMPACT	580 mm	330 mm	191 mm	–
JUNIOR		410 mm	205 mm	–
GIANT4	630 mm	465 mm	250 mm	–
GIANT8	850 mm		245 mm	–
APM	395 mm	235 mm	205 mm	100 mm <sup>2</sup>
AP1	386 mm	292 mm	300 mm	
AP3	403 mm		320 mm	125 mm <sup>2</sup>
AP5	408 mm		357 mm	
AP5 SLIM	451 mm		320 mm	
AP8	415 mm	330 mm	370 mm	150 mm <sup>2</sup>
AP8 SLIM		292 mm	357 mm	125 mm

Modello	Lunghezza (L)	Larghezza (W)	Altezza (H)	Ø uscita ventola
AP10	523 mm	330 mm	380 mm	180 mm <sup>2</sup>
AP12	565 mm		430 mm	200 mm <sup>2</sup>
TWIN12	660 mm	292 mm	380 mm	2 x 125 mm <sup>2</sup>
TWIN18				

## Riscaldatore elettrico

Potenza	230 V 50 ... 60 Hz
Normative	CEI 61150/EN 60335-1
Intervallo di temperatura	25 ... -10 °C
Classe di protezione	IP55
Isolamento	3000 MΩ a 500 Vcc
Sistema dielettrico	1250 V
Efficienza termica	0,1 Ω

## Dimensione filtro

Filtro	Lunghezza	Altezza	Profondità
Filtro Mini-N/APM	275 mm	150 mm	8 mm
Filtro Compact-N	375 mm		
Filtro JUNIOR	425 mm	17 mm 170 mm	
Filtro GIANT4	495 mm	200 mm	
Filtro GIANT8	695 mm		
Filtro AP1-N	275 mm		
Filtro AP1-7	278 mm		
Filtro AP3-N	335 mm		
Filtro AP3-7	278 mm	250 mm	
Filtro AP5 Slim-7	338 mm		
Filtro AP5-N/AP8-N	378 mm	300 mm	
Filtro AP5-7	278 mm		
Filtro AP8 Slim-7	338 mm		
Filtro AP8-7	318 mm		
Filtro AP10-N	415 mm		
Filtro AP10-7	418 mm		
Filtro AP12-N	415 mm		355 mm
Filtro AP12-7	418 mm	350 mm	
Filtro TWIN12/TWIN18	515 mm	200 mm	



## Dimensioni della griglia



### AVVISO! Rischio di surriscaldamento

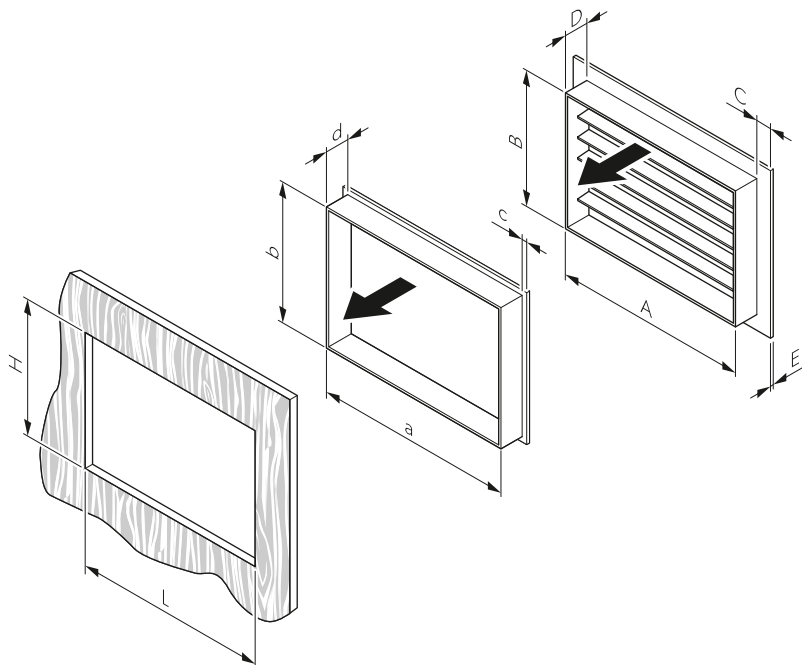
Non utilizzare griglie di dimensioni inferiori ai valori specificati.



**NOTA** Le dimensioni della griglia sono puramente indicative, è possibile utilizzare griglie di dimensioni maggiori.

Ventilconvettore	Griglia di ingresso		Griglia di uscita	
	Diametro esterno	Quantità	Diametro esterno	Quantità
MINI	20 cm <sup>2</sup>	1	20 cm <sup>2</sup>	1
COMPACT				
JUNIOR	25 cm <sup>2</sup>		25 cm <sup>2</sup>	
GIANT4	35 cm <sup>2</sup>		35 cm <sup>2</sup>	
GIANT8	50 cm <sup>2</sup>		50 cm <sup>2</sup>	
APM	25 cm <sup>2</sup>		20 cm <sup>2</sup>	
AP1	30 cm <sup>2</sup>		25 cm <sup>2</sup>	
AP3	45 cm <sup>2</sup>		40 cm <sup>2</sup>	
AP5	35 cm <sup>2</sup>	2	50 cm <sup>2</sup>	
AP5 SLIM				
AP8	4 cm <sup>2</sup>		70 cm <sup>2</sup>	
AP8 SLIM				
AP10	5 cm <sup>2</sup>		80 cm <sup>2</sup>	
AP12	65 cm <sup>2</sup>		100 cm <sup>2</sup>	
TWIN12K	45 cm <sup>2</sup>		70 cm <sup>2</sup>	
TWIN18K	35 cm <sup>2</sup>		4	10 cm <sup>2</sup>

16



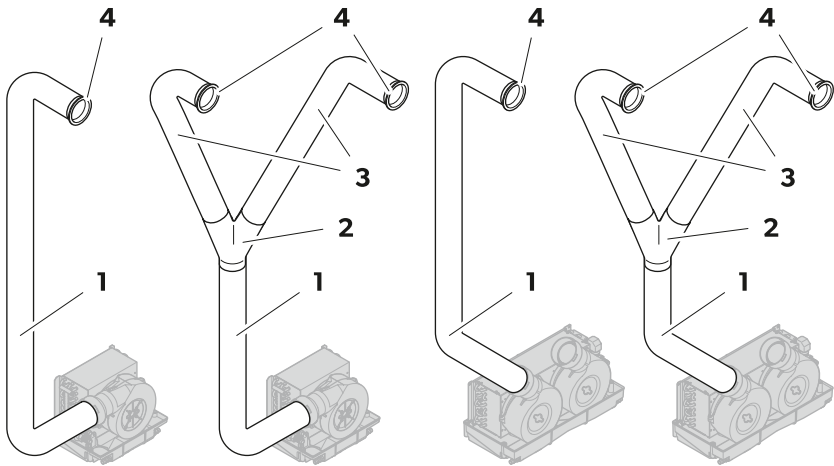
Tipo	Griglia						Telaio				Apertura	
	A	B	C	D	E	∅	a	b	c	d	L	H
S/B	278 mm	51 mm	15 mm	29 mm	4 mm	113 cm <sup>2</sup>	283 mm	63 mm	5 mm	31 mm	287 mm	65 mm
JN	357 mm	64 mm				176 cm <sup>2</sup>	366 mm	75 mm			370 mm	77 mm
G4	425 mm	77 mm				278 cm <sup>2</sup>	431 mm	88 mm			435 mm	90 mm
G8	627 mm					362 cm <sup>2</sup>	634 mm				638 mm	
SP1	100 mm	100 mm				85 cm <sup>2</sup>	111 mm	116 mm			115 mm	118 mm
SP2	150 mm					128 cm <sup>2</sup>	161 mm				165 mm	
SP3	200 mm	200 mm				260 cm <sup>2</sup>	213 mm	216 mm			217 mm	218 mm
SP4	250 mm					325 cm <sup>2</sup>	263 mm				267 mm	

### Dimensioni del tubo flessibile



**NOTA** La riduzione o l'aumento delle dimensioni dei condotti può influire sulle prestazioni del sistema di ventilazione.

17



Fan coil	Hose (1)		Transition duct (2)		Hose (3)		Connector (4)	
	∅	T	Q	Tipo	∅	T	Q	∅
APM	100 mm	3 m	-	-	-	-	1 C	100 mm
AP1			-	-	-	-		
AP3			-	-	-	-		
AP5	125 mm	1 m	1 C	125/125/125	125 mm	2 m	2 C	125 mm
AP5 SLIM				150/125/125				
AP8	150 mm	1 m	1 C	180/150/150	150 mm	2 m	2 C	150 mm
AP8 SLIM				200/180/180				
AP10	180 mm	1 m	1 C	200/180/180	180 mm	2 m	2 C	180 mm
AP12	200 mm	1 m	1 C	200/180/180	180 mm	2 m	2 C	180 mm
TWIN12K	100 mm	6 m	-	-	-	-	-	100 mm
TWIN18K	125 mm	4 m	2 C	125/125/125	125 mm	2 m	4 C	125 mm

### Dimensioni della vaschetta di raccolta

Ventilconvettore	Lunghezza	Larghezza	Altezza	Diametro dello scarico
MINI	-	-	-	-
COMPACT	-	-	-	-
JUNIOR	600 mm	215 mm	65 mm	20 mm
GIANT4	670 mm	240 mm		
GIANT8	870 mm			

<b>Ventilconvettore</b>	<b>Lunghezza</b>	<b>Larghezza</b>	<b>Altezza</b>	<b>Diametro dello scarico</b>
APM	430 mm	245 mm		
AP1	430 mm	305 mm		
AP3				
AP5				
AP5 SLIM				
AP8	455 mm	350 mm		
AP8 SLIM				
AP10	555 mm			
AP12				
TWIN12K	-	-		
TWIN18K	-	-	-	-

## Polski

1	Objaśnienie symboli.....	141
2	Wskazówki bezpieczeństwa.....	142
3	W zestawie.....	143
4	Akcesoria.....	143
5	Części zamienne.....	143
6	Użytkowanie zgodne z przeznaczeniem.....	144
7	Opis techniczny.....	144
8	Przed montażem.....	147
9	Montaż.....	147
10	Przed pierwszym użyciem.....	164
11	Eksploatacja.....	165
12	Czyszczenie i konserwacja.....	165
13	Usuwanie usterek.....	166
14	Gwarancja.....	166
15	Utylizacja.....	167
16	Dane techniczne.....	167

## 1 Objąśnienie symboli



### **OSTRZEŻENIE!**

Wskazuje niebezpieczną sytuację, która – jeśli się jej nie uniknie – może prowadzić do śmierci lub poważnych obrażeń.



### **OSTROŻNIE!**

Wskazuje niebezpieczną sytuację, która – jeśli się jej nie uniknie – może prowadzić do lekkich lub umiarkowanych obrażeń.



### **UWAGA!**

Wskazuje sytuację, która – jeśli się jej nie uniknie – może prowadzić do powstania szkód materialnych.



**WSKAZÓWKA** Dodatkowe informacje dotyczące obsługi produktu.

## 2 Wskazówki bezpieczeństwa

### Podstawowe zasady bezpieczeństwa



#### **OSTRZEŻENIE! Ryzyko porażenia prądem**

- Montaż i naprawy mogą być wykonywane wyłącznie przez wykwalifikowany personel zaznajomiony z urządzeniem i związanymi z nim zagrożeniami.
- Nie używać urządzenia, jeśli samo urządzenie lub podłączone do niego elementy wykazują widoczne uszkodzenia.



#### **OSTRZEŻENIE! Ryzyko pożaru**

Nie zasłaniać otworów wentylacyjnych.



#### **OSTROŻNIE! Ryzyko poparzenia**

Nie dotykać urządzenia podczas jego wyłączania ani w następujących sytuacjach 2 h.



#### **OSTROŻNIE! Ryzyko obrażeń**

Trzymać urządzenie poza zasięgiem osób, które nie mają kwalifikacji do jego obsługi.



#### **OSTROŻNIE! Zagrożenie zdrowia**

- Nie używać systemu wentylacji bez filtra.
- Dzieci od 8 lat i osoby o ograniczonych możliwościach fizycznych, sensorycznych lub intelektualnych oraz osoby niedysponujące stosowną wiedzą i doświadczeniem mogą używać tego urządzenia jedynie pod nadzorem innej osoby bądź pod warunkiem uzyskania informacji dotyczących bezpiecznego użytkowania urządzenia i zrozumienia wynikających z tego zagrożeń.
- Dzieci nie mogą bawić się urządzeniem.
- Dzieci nie mogą czyścić i konserwować urządzenia bez nadzoru.
- Nie wyjmować filtra powietrza z urządzenia podczas jego pracy.



#### **UWAGA! Ryzyko uszkodzenia**

- Unikać wykonywania gwałtownych ruchów podczas rozładunku i ustawiania urządzenia, aby chronić wewnętrzne elementy.
- Unikać dotykania delikatnych części urządzenia.
- Unikać kotwienia z wykorzystaniem wewnętrznych punktów elementu.
- Unikać uderzeń w obudowę urządzenia.
- Nie umieszczać żadnych przedmiotów na urządzeniu.
- Nie wprowadzać ciał obcych do urządzenia.



**WSKAZÓWKA** Nie uszkadzać ani nie usuwać plomby ze skrzynki elektrycznej urządzenia, co skutkuje unieważnieniem gwarancji.

### 3 W zestawie

- Klimakonwektor
- **Tylko seria ALU:** Zbiornik na skropliny
- **Tylko serie AP i TWIN:** Kanały (opcjonalnie)
- Kratki (opcjonalnie)

### 4 Akcesoria

Elementy dostępne jako akcesoria (niedostarczane w zestawie):

- Kratki
- Kanały
- Rury
- Wskazania wyświetlacza
- Przełącznik wyboru
- Tablica rozdzielcza



**WSKAZÓWKA** Tablica rozdzielcza wybierana jest w stoczni.

Więcej informacji można znaleźć na stronie [dometic.com](http://dometic.com) lub kontaktując się z centrum serwisowym firmy Dometic (patrz ostatnia strona niniejszej instrukcji).

### 5 Części zamienne

Element	Nr katalogowy
Filtr Mini-N/APM	6071090
Filtr Compact-N	6071050
Filtr JUNIOR	6071080
Filtr GIANT4	6071060
Filtr GIANT8	6071070
Filtr AP1-7	6072000
Filtr AP3-N	6071030
Filtr AP3-7	6072010
Filtr AP5 Slim-7	6072030
Filtr AP5-7	6072020
Filtr AP8 Slim-7	6072050
Filtr AP5-N/AP8-N/AP8-7	6072040
Filtr AP10-N/AP10-7	6072060
Filtr AP12	6072070

Element	Nr katalogowy
Filtr TWIN12K/TWIN18K	6071190

## 5.1 Zamawianie części zamiennych

1. Odczytać numer produktu (PNC) lub numer części (SKU) z tabliczki znamionowej.
2. Skontaktować się z najbliższym partnerem serwisowym Dometic lub sprzedawcą, aby złożyć zamówienie.

## 6 Użytkowanie zgodne z przeznaczeniem

Klimakonwektory są przeznaczone do użytku **wyłącznie** jako klimatyzatory na łodziach, statkach i innych jednostkach pływających we współpracy z agregatem chłodniczym.

Klimakonwektory **nie** nadają się do użytku w przypadku:

- Domów
- Mieszkań
- Maszyn budowlanych
- Maszyn rolniczych
- Samochodów ciężarowych
- Samochodów kempingowych
- Przyczep kempingowych
- Pojazdy kempingowe

Niniejszy produkt jest przystosowany wyłącznie do wykorzystywania zgodnie z jego przeznaczeniem oraz zamierzonym zastosowaniem według niniejszej instrukcji.

Niniejsza instrukcja zawiera informacje, które są niezbędne do prawidłowego montażu i/lub obsługi produktu. Nieprawidłowy montaż i/lub niewłaściwa obsługa lub konserwacja powodują niezadawalające działanie i mogą prowadzić do uszkodzeń.

Producent nie ponosi żadnej odpowiedzialności za ewentualne obrażenia lub uszkodzenia produktu wynikłe z następujących przyczyn:

- Nieprawidłowy montaż, złożenie lub podłączenie, w tym zbyt wysokie napięcie
- Niewłaściwa konserwacja lub użycie innych części zamiennych niż oryginalne części zamienne dostarczone przez producenta
- Wprowadzanie zmian w produkcie bez wyraźnej zgody producenta
- Użytkowanie w celach innych niż opisane w niniejszej instrukcji obsługi

Firma Dometic zastrzega sobie prawo do zmiany wyglądu i specyfikacji produktu.

## 7 Opis techniczny

Klimakonwektor służy do sterowania klimatem w kabinie w zakresie temperatur 10 °C ... 30 °C.

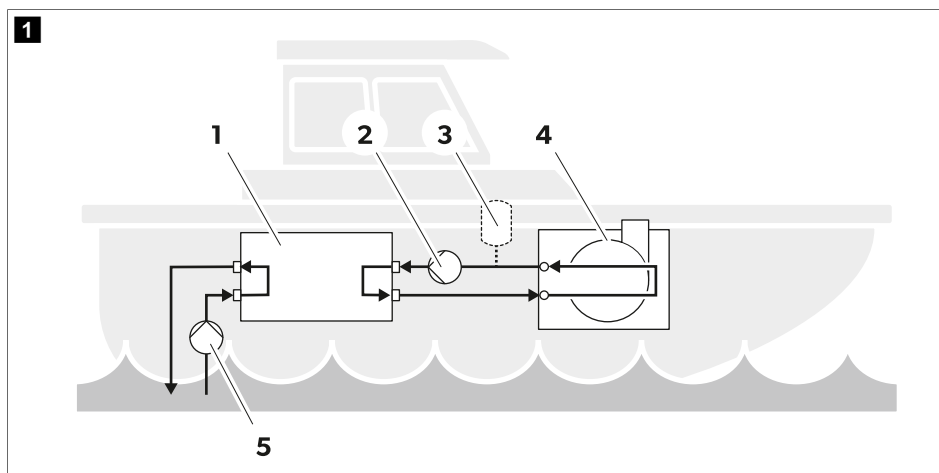
Klimakonwektory dzielą się na różne modele i serie.



Seria	Klimakonwektor	Cecha
ALU	MINI	Klimakonwektor należy montować bez kanałów.  Klimakonwektory JUNIOR, GIANT4 i GIANT8 można montować poziomo lub pionowo, bez żadnych modyfikacji na miejscu.
	COMPACT	
	JUNIOR	
	GIANT4	
	GIANT8	
AP	APM	Klimakonwektor współpracuje z wysokociśnieniowymi wentylatorami promieniowymi. Może być podłączony do kanałów zasilania i powrotu.  Klimakonwektor można zainstalować na zewnątrz kabiny, na rzecz której ma on działać.  Wentylator klimakonwektora, z wyjątkiem modeli APM i AP12, można obracać. Położenie montażowe klimakonwektora z obracającym się wentylatorem można dostosować do wymagań montażowych.  Wentylator w modelach APM i AP12 można montować <b>wyłącznie</b> poziomo. Na życzenie w firmie Dometic można nabyć specjalną wersję, którą można zamontować pionowo.
	AP1	
	AP3	
	AP5	
	AP5 SLIM	
	AP8	
	AP8 SLIM	
	AP10	
AP12		
TWIN	TWIN12K	
	TWIN18K	

Klimakonwektorami można sterować poprzez włączenie i wyłączenie wentylatora lub za pośrednictwem zaworu odpowietrzającego ze zintegrowanym obejściem.

## Opis procesu



Poz.	Opis
1	Agregat chłodniczy

Poz.	Opis
2	Pompa obiegowa
3	Zbiornik wyrównawczy
4	Klimakonwektor
5	Pompa wody morskiej

Pompa wody morskiej (3) dostarcza wodę do agregatu chłodniczego (1), który chłodzi lub podgrzewa wodę obiegową i kieruje ją poprzez pompę obiegową (4) do kolektora wodnego, do którego podłączony jest jeden lub więcej klimakonwektorów. Woda jest transportowana z kolektora wodnego przez klimakonwektor (2) do kolektora powrotnego. Klimakonwektor (2) wymienia ciepło z otoczeniem. Woda powrotna jest podgrzewana, zwracana do agregatu chłodniczego (1), a następnie trafia do obiegu.

Dodatkowy montaż zbiornika wyrównawczego (5) w obiegu wodnym kompensuje rozszerzalność cieplną czynnika chłodniczego w agregacie chłodniczym.

Dzięki regulatorowi temperatury klimakonwektor (2) włącza się automatycznie przy temperaturze 3 ... 4 °C. Temperatura wody chłodzącej utrzymywana jest w zakresie 7 ... 11 °C. Po włączeniu systemu wentylacji można włączyć poszczególne środowiska klimakonwektorów. W każdej kabinie znajduje się regulator temperatury.

## Regulator temperatury

Klimakonwektor można podłączyć do następujących jednostek sterujących:

- Ręczne przełączniki wyboru z 2 lub 3 prędkościami wentylatora
- Wyświetlacze z 10 prędkościami wentylatora

Żądaną temperaturę w kabinie można ustawić za pomocą wyświetlacza lub znajdującego się w niej termostatu.

Klimakonwektor może działać w ramach 4 różnych trybów wentylacji:

Tryb	Opis
AUTO	Prędkość wentylatora można wybrać za pomocą przełącznika wyboru bądź wyświetlacza.
Chłodzenie	Klimakonwektor zasilany jest zimną wodą z agregatu chłodniczego w celu obniżenia temperatury w kabinie.
Ogrzewanie	Klimakonwektor zasilany jest gorącą wodą z agregatu chłodniczego w celu podniesienia temperatury w kabinie.
Nagrzewnica elektryczna	Klimakonwektor nie jest zasilany wodą i ogrzewa powietrze poprzez rezystor.

Pojedynczy regulator temperatury można podłączyć do różnych klimakonwektorów w tej samej kabinie.

## Automatyczne ustawienie temperatury



**WSKAZÓWKA** Automatyczne ustawienie temperatury jest aktywowane wyłącznie w trybie chłodzenia, ogrzewania i nagrzewnicy elektrycznej.

Jeśli zadana wartość temperatury w kabinie różni się znacząco od rzeczywistej temperatury w kabinie, wówczas wentylator pracuje z maksymalną prędkością. Kiedy temperatura w kabinie zbliża się do zadanej wartości, prędkość wentylatora automatycznie zmniejsza się do zaprogramowanego minimum.

## 8 Przed montażem

1. Upewnij się, że opakowania i elementy nie są uszkodzone.
2. W razie potrzeby skontaktować się z centrum serwisowym firmy Dometic (patrz ostatnia strona niniejszej instrukcji).

## 9 Montaż



### **OSTRZEŻENIE! Ryzyko porażenia prądem**

- Klimakonwektory podłączać wyłącznie do napięcia określonego na tabliczce znamionowej.
- Nie używać wadliwej izolacji, aby zapobiec zwarciu.



### **OSTROŻNIE! Ryzyko przegrzania**

- Upewnij się, że klimakonwektor jest oddalony o co najmniej 3 ... 4 cm od ściany, aby umożliwić cyrkulację powietrza z otoczenia.
- Upewnij się, że żadne przedmioty nie utrudniają przepływu przez kratkę powietrza powrotnego do strony wlotowej klimakonwektora.



### **UWAGA! Ryzyko uszkodzenia**

- Montować klimakonwektor **wyłącznie** w położeniu określonym w niniejszej instrukcji.
- Upewnij się, że określone montażowe połączenia zostały zaakceptowane przez stocznię.
- Montować klimakonwektory na solidnych mocowaniach.
- Podłączyć klimakonwektor do odpowiedniego gniazdka ściennego.
- Jeśli niezbędne jest dodanie kolejnego przewodu w celu uzyskania większej długości, koniecznie zachować oryginalne połączenie.
- Unikać nieprawidłowego okablowania, aby zapobiec zwarciom.
- Upewnij się, że w pobliżu regulatora temperatury nie znajdują się żadne źródła ciepła.
- Upewnij się, że rury, komory powietrza, złącza i odgałęzienia są zaizolowane. Izolacja musi sięgać ścian klimakonwektora.



### **WSKAZÓWKA**

- **Tylko seria ALU:** Nie zmniejszać przekroju klimakonwektora (patrz Wymiary klimakonwektora na stronie 169).
- **Tylko serie AP i TWIN:** Nie używać klimakonwektora jako urządzenia do zabudowy.

### **Miejsce montażu**

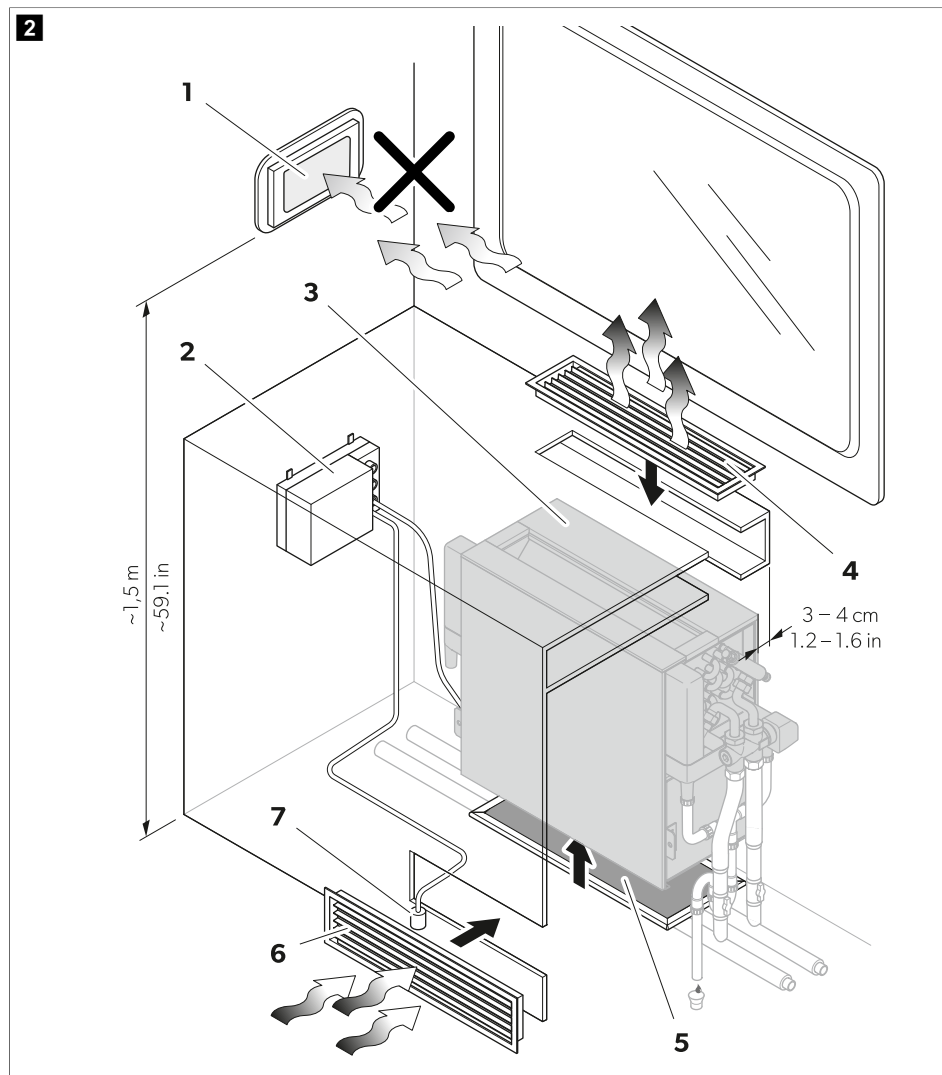
- Zamontować klimakonwektor w miejscu dostępnym na potrzeby obsługi i konserwacji.
- Zamontować klimakonwektor tak, aby filtr był łatwo dostępny.
- Upewnij się, że na klimakonwektor nie wpływają źródła ciepła.

### **Wskazówki dotyczące montażu**

- Instalacja rurowa powinna być możliwie najkrótsza.
- Upewnij się, że kanały i węże są szczelne.

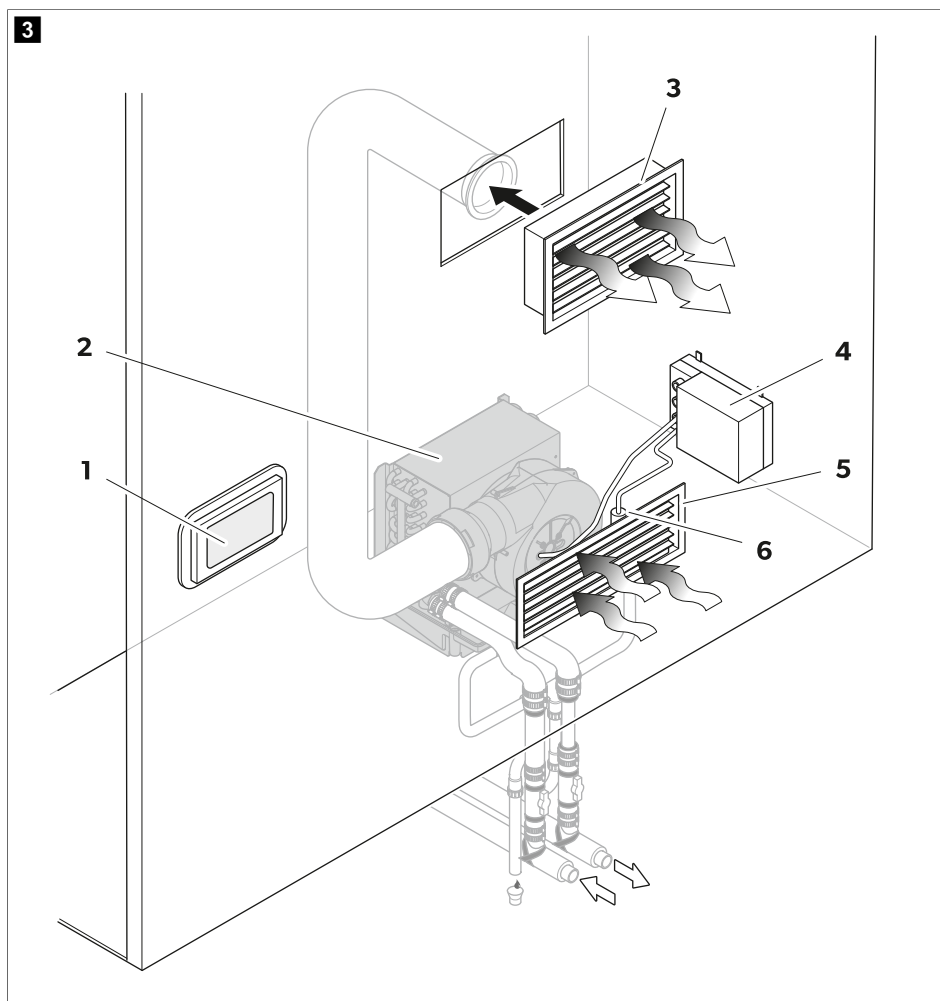
- Używać wyłącznie kratki o podanych wymiarach (patrz Wymiary kratki na stronie 172).
- Upewnić się, że powietrze jest rozprowadzane bez zatorów.
- Upewnić się, że komory powietrza są szczelne.
- Stosować się do zalecanego rozmieszczenia poszczególnych elementów.
- Sprawdzić, czy mogą obowiązywać dodatkowe krajowe wymagania dotyczące montażu.

### Tylko seria ALU



<b>Poz.</b>	<b>Opis</b>
1	Wyświetlacz lub przełącznik wyboru
2	Tablica rozdzielcza
3	Klimakonwektor
4	Kratka wylotu powietrza
5	Filtr
6	Kratka wlotu powietrza
7	Zdalny czujnik temperatury powietrza

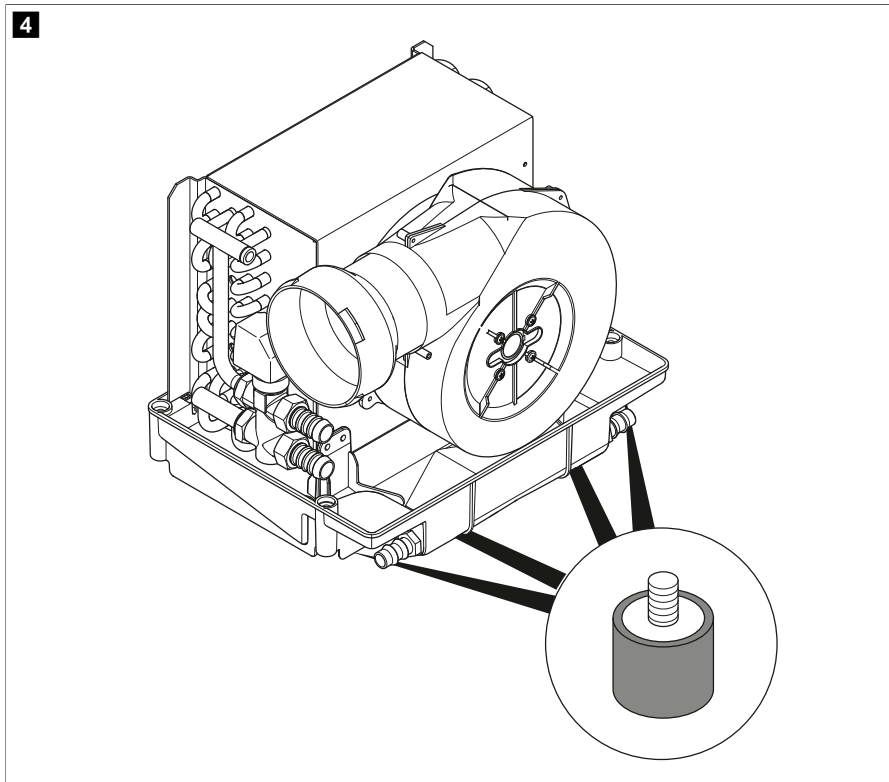
## Tylko serie AP i TWIN



Poz.	Opis
1	Regulator temperatury
2	Klimakonwektor
3	Kratka wylotu powietrza
4	Tablica rozdzielcza
5	Kratka wlotu powietrza
6	Zdalny czujnik temperatury powietrza

## Obniżenie poziomu hałasu

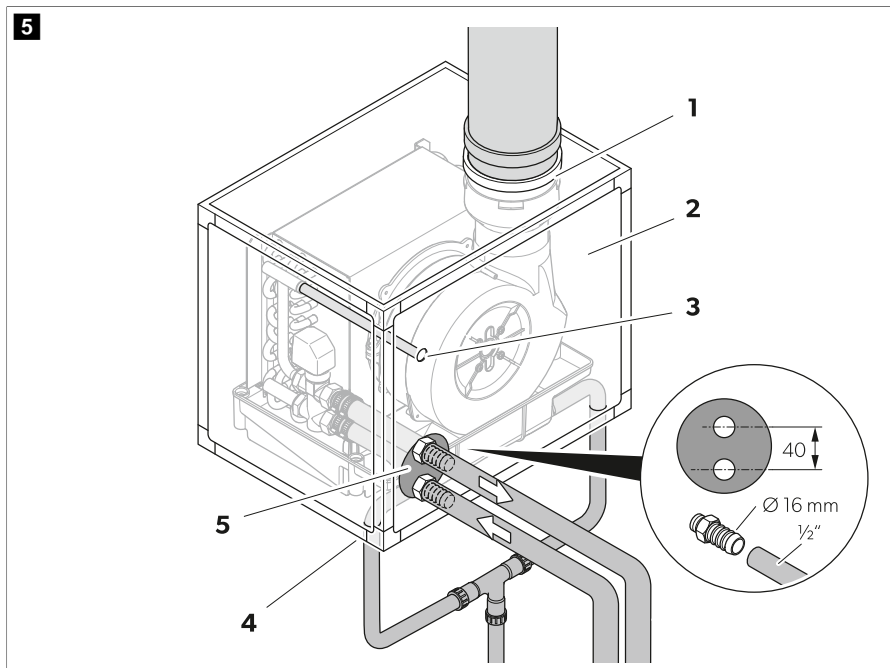
- > Zamontować gumowy odbojnik na klimakonwektorze, aby obniżyć poziom hałasu powodowanego wibracjami.



- > Jeśli to konieczne, zamontować klimakonwektor w dźwiękoszczelnej skrzynce.



**WSKAZÓWKA** Sposób łączenia rur, patrz łączenie rur na stronie 158.



Poz.	Opis
1	Kolektor przyłączeniowy dopływu powietrza
2	Strona wentylatora
3	Płukanie powietrzem
4	Odwadnianie
5	Przyłącze wody

### Montaż miski na skropliny (opcjonalnie)

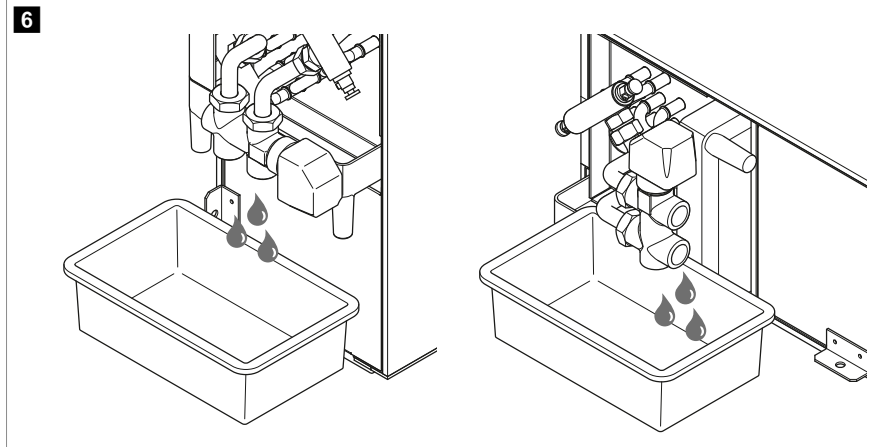
Jeśli statek lub łódź charakteryzują znaczące, ponadnormatywne ruchy poprzeczne i wzdłużne lub jeśli konieczne jest zainstalowanie klimakonwektora w sufitach podwieszanych, wówczas niezbędny jest montaż dodatkowej miski na skropliny.



**WSKAZÓWKA** Istnieją dwa rodzaje misek na skropliny — jeden w przypadku pojedynczego zaworu od powietrzającego i jeden w przypadku wszystkich modeli klimakonwektorów. Aby zredukować drgania przenoszone na konstrukcję, w przypadku korzystania z miski na skropliny, którą można zastosować we wszystkich klimakonwektorach, zamontować gumowy odbojnik (patrz Obniżenie poziomu hałasu na stronie 151).

- > Zamontować dodatkową miskę na skropliny.





## Montaż odpływu skroplin



### **UWAGA! Ryzyko uszkodzenia**

Unikać pętli w rurach odpływowych skroplin.

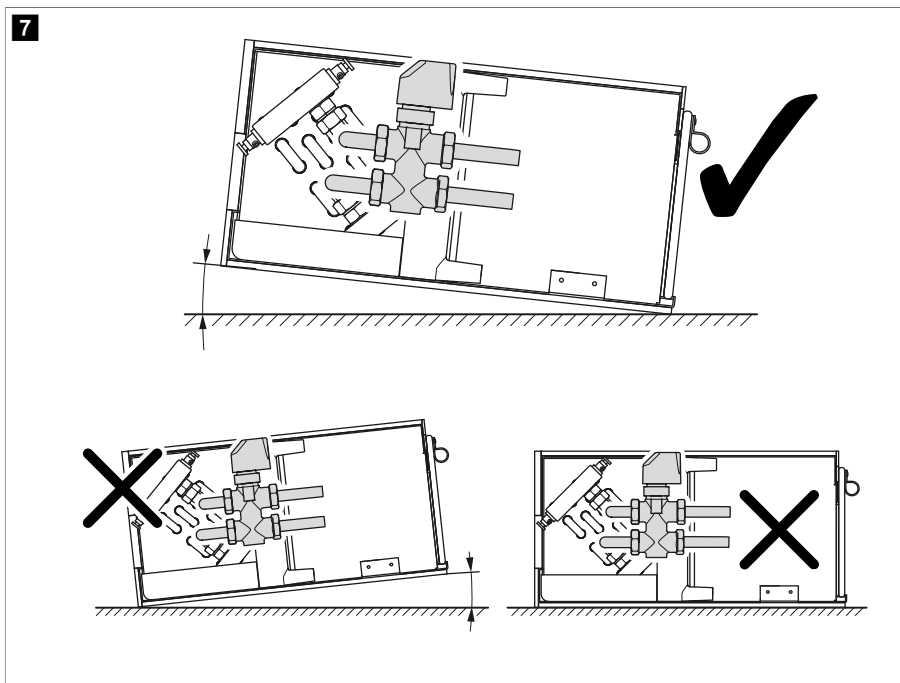
1. Umieścić klimakonwektor.



### **UWAGA! Ryzyko uszkodzenia**

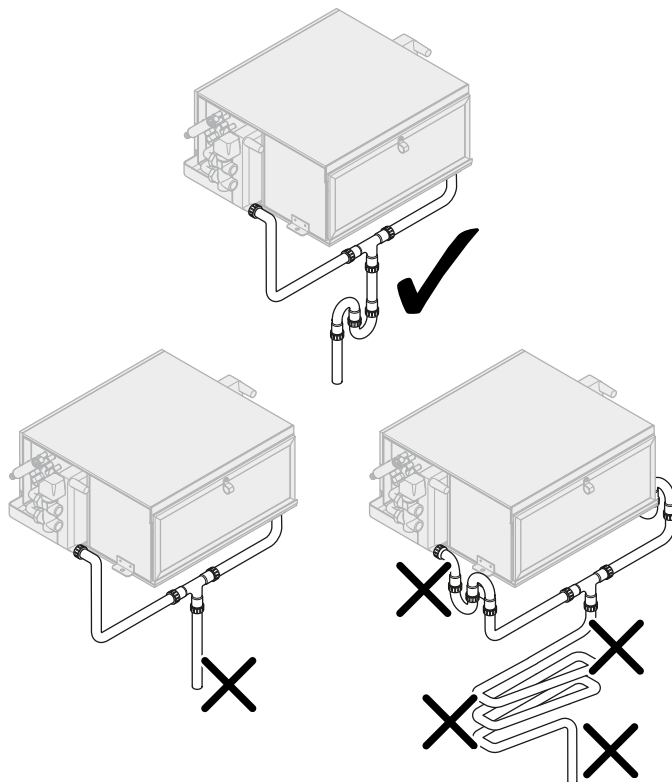
**Tylko seria ALU:** Zamontować klimakonwektor pod kątem 5 ... 10 °, aby umożliwić prawidłowy odpływ skroplin i zapobiec ich przelewaniu.

7



2. Zamontować drenaż z syfonem do podłoża.

8



## Montaż rur wodnych

Przestrzegać następujących zaleceń przed i podczas montażu rur wodnych:

- Zawór odpowietrzający i połączenia rurowe muszą być wolne od zanieczyszczeń.
- Strzałka znajdująca się na korpusie zaworu odpowietrzającego musi wskazywać kierunek przepływu wody.
- Połączenia śrubowe zaworu odpowietrzającego i instalacji rurowej muszą być dokręcone.
- Instalacja musi być wolna od naprężeń i odkształceń.
- Chronić zawór odpowietrzający i połączenia rurowe przed kurzem i brudem obecnymi w miejscach wykonywania prac.
- Zastosować kompensatory, aby skompensować rozszerzalność cieplną instalacji rurowej.

## Montaż rur

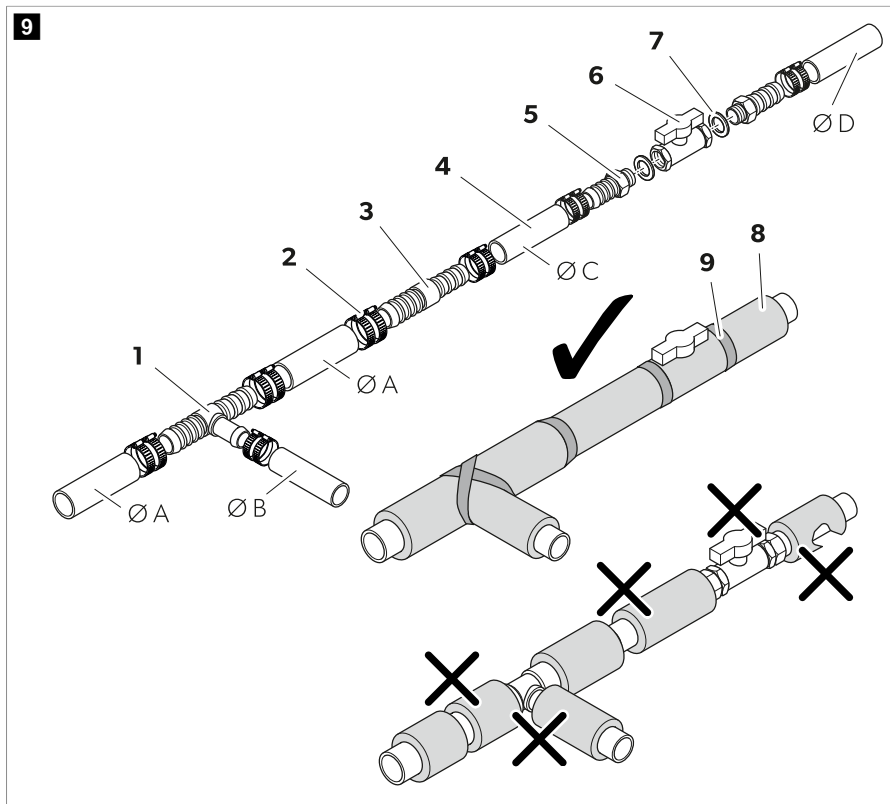
Do wykonania przyłącza wody można zastosować zarówno rury z tworzyw sztucznych, jak i miedziane.

Średnica rur jest zależna od liczby podłączonych klimakonwektorów i jednostki pływającej. Im więcej klimakonwektorów jest ze sobą połączonych, tym więcej potrzeba rur o różnych średnicach. Każdy dodatkowy klimakonwektor wymaga rur o mniejszej średnicy niż poprzednio podłączone urządzenie.



**WSKAZÓWKA** Aby uzyskać szczegółowe informacje na temat wymaganych średnic rur, należy skontaktować się z centrum serwisowym firmy Dometic (patrz ostatnia strona niniejszej instrukcji).

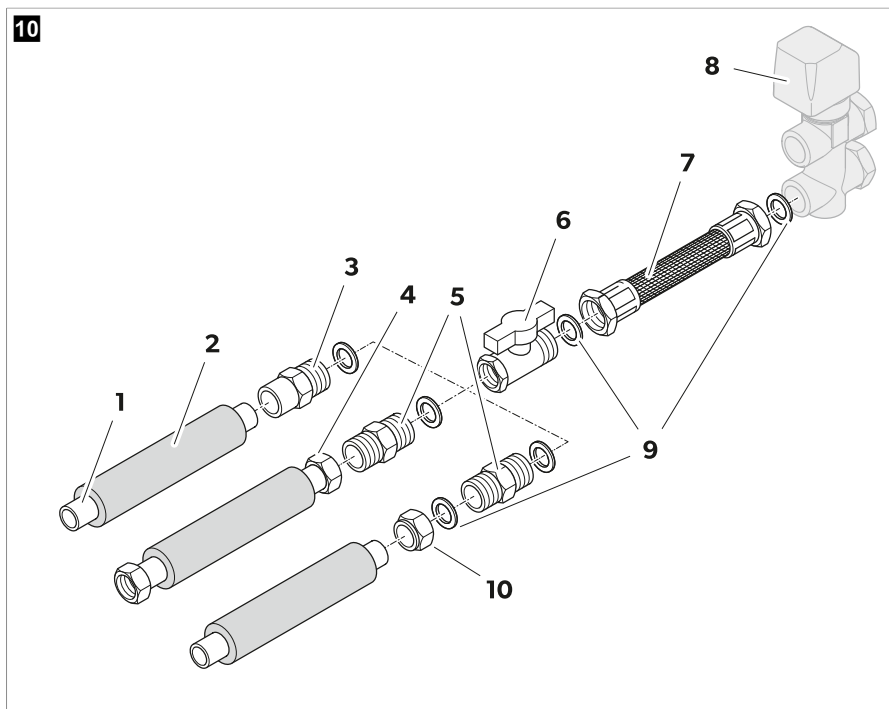
- > Zamontować rury z tworzyw sztucznych w zilustrowany sposób.



Poz.	Element
1	Trójnik mosiężny
2	Zacisk do węży
3	Mufa rurowa
4	Rura z tworzyw sztucznych
5	Adapter do węży
6	Zawór kulowy

Poz.	Element
7	Uszczelka
8	Izolacja
9	Taśma kropłowa

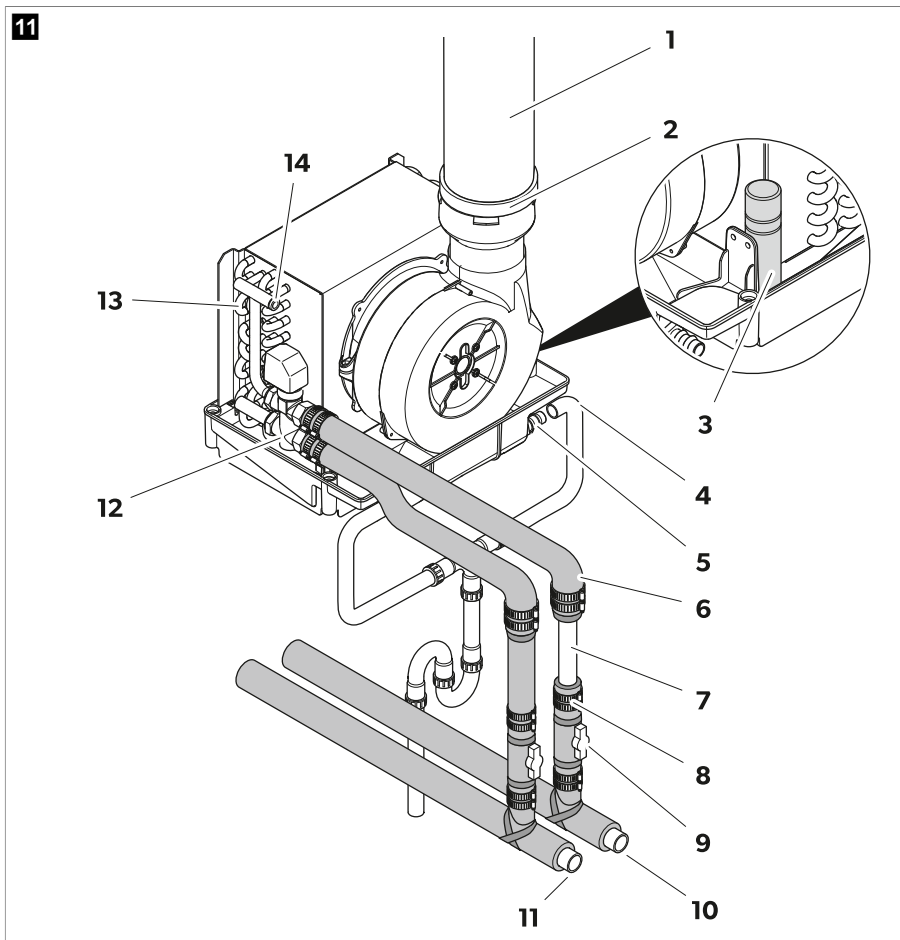
> Zamontować rurę miedzianą w zilustrowany sposób.



Poz.	Element
1	Rura miedziana
2	Izolacja
3	Połączenie śrubowe
4	Rury wielowarstwowe
5	Połączenie śrubowe
6	Zawór kulowy
7	Elastyczna rura przyłączeniowa
8	3-drogowy zawór wody
9	Uszczelka
10	Nakrętka

## Łączenie rur

1. Podłączyć rury do klimakonwektorów w zilustrowany sposób.



Poz.	Opis
1	Elastyczny wąż zasilający
2	Adapter do węża
3	Kondensator
4	Odwadnianie
5	Podłączenie węża
6	Zacisk
7	Rura wodna
8	
9	
10	
11	
12	
13	
14	

Poz.	Opis
8	Izolacja
9	Zawór kulowy
10	Wylot wody
11	Wlot wody
12	3-drogowy zawór wody
13	Wymiennik ciepła
14	Zawór odpowietrzający

- Podłączyć rury do kolektora wodnego.  
Stosować się do instrukcji producenta.

## Montaż regulatora temperatury



**WSKAZÓWKA** Upewnić się, że regulator temperatury otacza powietrze powrotne, aby umożliwić odczyt rzeczywistej temperatury otoczenia bez przeinaczeń.

- > Zamontować regulator temperatury na ścianie na wysokości 1,5 m nad podłogą i z dala od strumienia powietrza.  
Stosować się do instrukcji producenta.
- > Zamontować zdalny czujnik temperatury powietrza za kratką wlotu powietrza.



### **WSKAZÓWKA Ryzyko nieprawidłowego pomiaru temperatury**

Upewnić się, że zdalny czujnik temperatury powietrza jest zamontowany z dala od filtra klimakonwektora, wymiennika ciepła i przepływu powietrza powrotnego.

## Montaż zbiornika wyrównawczego (opcjonalnie)

- > Zamontować zbiornik wyrównawczy w obiegu wodnym (patrz rys. **1** na stronie 145).  
Stosować się do instrukcji producenta.

## Sprawdzanie pompy wody morskiej

- Upewnić się, że pompa wody morskiej jest zamontowana pod lustrem wody morskiej.  
Stosować się do wskazówek producenta pojazdu.
- Upewnić się, że na wlocie pompy wody morskiej zamontowano filtr siatkowy zapobiegający zasysaniu zanieczyszczeń.  
Stosować się do wskazówek producenta pojazdu.

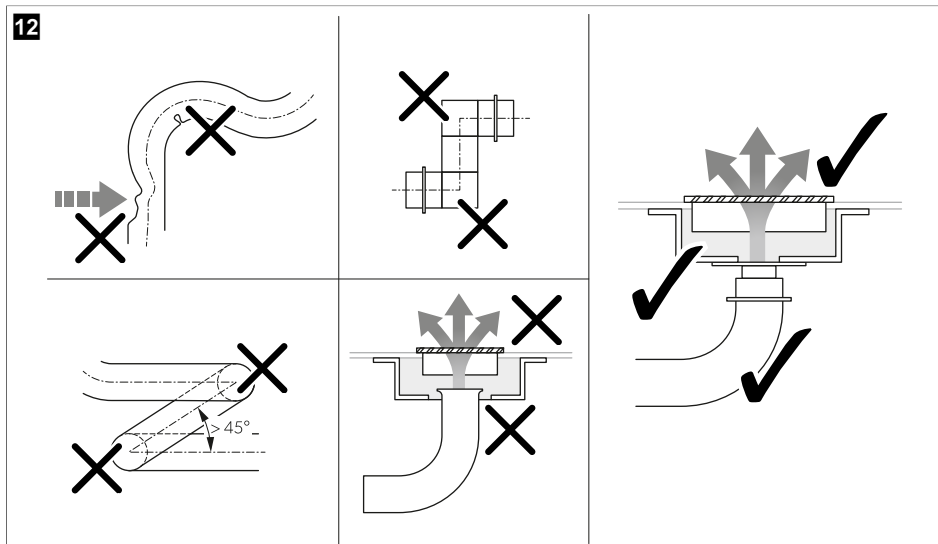
## Testowanie przyłącza wody

- Napełnić klimakonwektory wodą za pomocą zaworu kulowego.
- Podczas napełniania wodą otworzyć 3-drogowy zawór wody (jeśli jest zamontowany), aż woda zacznie wypływać z zaworu odpowietrzającego (rys. **11** na stronie 158, **11**).
- Włączyć system 2 ... 3 barpod ciśnieniem, sprawdzając wskazania manometru na przewodzie pomiarowym.

4. Sprawdzić ciśnienie za pomocą areometru podłączonego do obciążonego układu przez okres 5 ... 6 h, aby wykryć utratę ciśnienia.

### Montaż węży i kratek (tylko serie AP i TWIN)

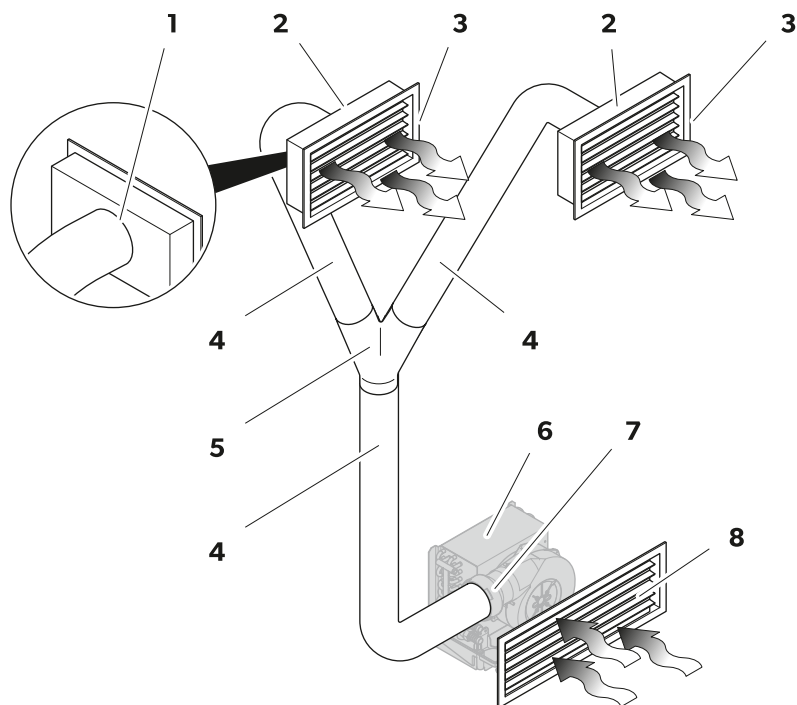
Przestrzegać następujących zaleceń przed montażem elementów instalacji powietrza:



- Podłączyć klimakonwektor do kanałów prowadzenia powietrza lub rur preizolowanych.
- Średnica głównego kanału nie może być mniejsza niż średnica adaptera z tworzywa sztucznego zamontowanego na wentylatorze (patrz Wymiary węży na stronie 173).
- Zachować pierwotną średnicę rur preizolowanych.
- Upewnić się, że rury preizolowane są oddalone od siebie i nie są ściśnięte, aby zapewnić optymalny przepływ powietrza.
- Elastyczny węży zasilający musi mieć długość 2,5 ... 5 m.
- Nie stosować kratek z tworzyw sztucznych ani innych akcesoriów mniejszych niż określono (Dane techniczne na stronie 167).
- Upewnić się, że elementy konstrukcyjne sufitu lub ściany nie naciskają rur prowadzenia powietrza ani ich nie blokują.



13



Poz.	Element
1	Podłączenie węża
2	Komora wyrównawcza
3	Kratka wylotu powietrza
4	Elastyczny wąż zasilający
5	Kanał przejściowy
6	Klimakonwektor
7	Adapter do węża
8	Kratka wlotu powietrza

1. Wyciąć otwory na kratki w górnej części ściany oraz w ścianie obok wentylatora klimakonwektora (patrz rys. 13 na stronie 161).  
Przestrzegać podanych wymiarów (patrz Wymiary kratki na stronie 172).
2. Zamontować kratki.
3. Podłączyć klimakonwektor do elastycznych węży zasilających.  
Przestrzegać podanych wymiarów (patrz Wymiary węża na stronie 173).

4. W razie potrzeby odciąć nadmiar rur.
5. Podłączyć komory nawiewanego powietrza do kratki.
6. Podłączyć do węży zasilających komory powietrza.

### Montaż kratki (tylko seria ALU)

1. Wyciąć otwory na kratki w ścianie nad klimakonwektorem i obok wentylatora (patrz Wskazówki dotyczące montażu na stronie 147).  
Przestrzegać podanych wymiarów (patrz Wymiary kratki na stronie 172).
2. Zamontować kratki.

### Podłączenie do zasilania elektrycznego



#### **OSTRZEŻENIE! Ryzyko porażenia prądem**

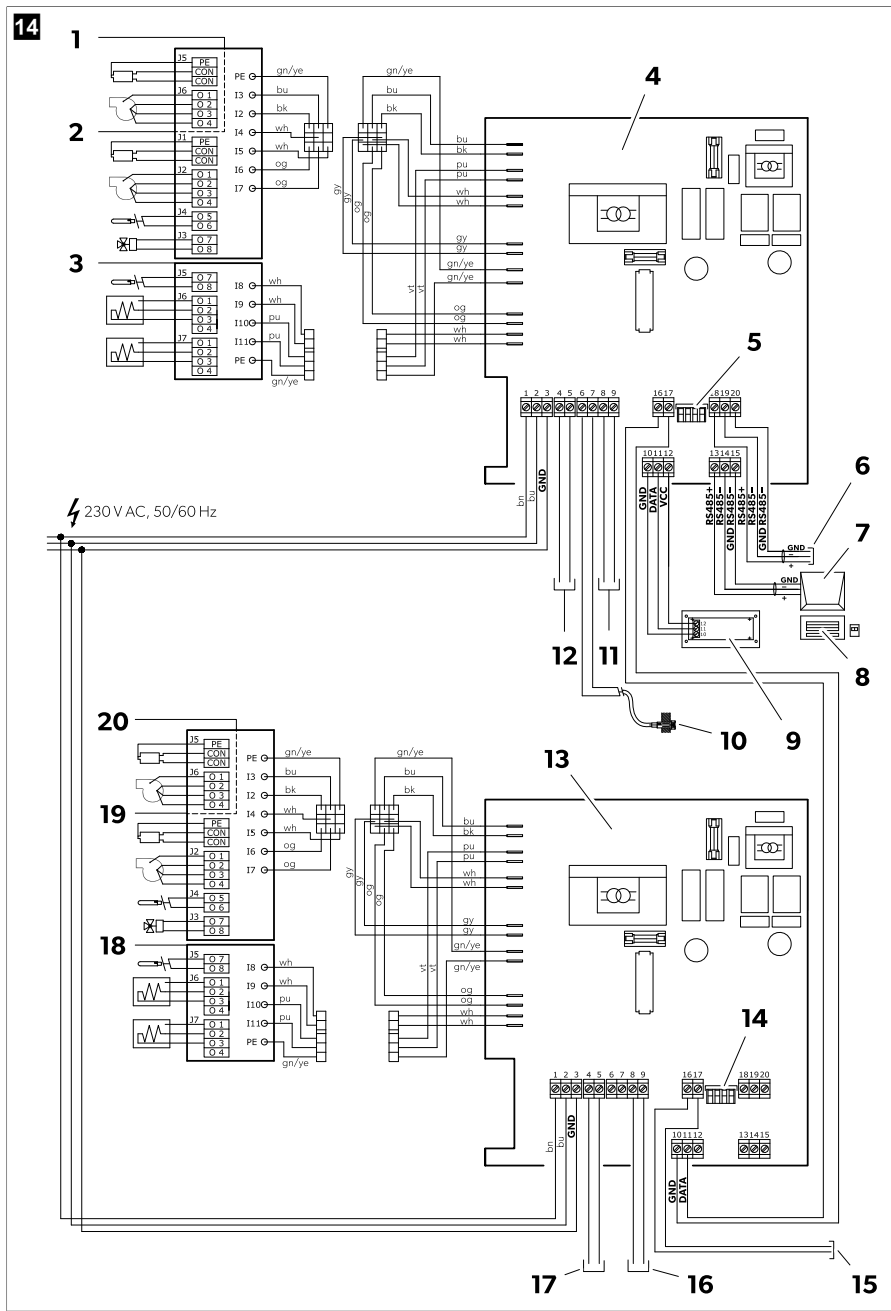
- Upewnić się, że rozmiar zewnętrznych zacisków uziemiających odpowiada rozmiarowi przewodów uziemiających.
- Upewnić się, że przewody odpowiadają maksymalnej mocy elementów i zasilania.
- Do uziemienia i zacisków uziemiających używać izolowanych przewodów 3-żyłowych, 4-żyłowych lub wielożyłowych z żyłami miedzianymi.
- Upewnić się, że przewody uziemiające są odpowiednie dla co najmniej 50 % prądu znamionowego przewodów zasilających.
- Zastosować możliwie najkrótsze okablowanie, aby połączyć system wentylacji z uziemieniem.
- Do podłączenia silnika używać przewodów ekranowanych.
- Upewnić się, że rozmiar zewnętrznych zacisków uziemiających odpowiada rozmiarowi przewodów uziemiających.
- Zamontować przewody zgodnie z lokalnymi przepisami dotyczącymi okablowania lub w oparciu o możliwy nadzór rejestrowy dotyczący rozmiaru połączenia, które ma zostać użyte.



#### **UWAGA! Ryzyko uszkodzenia**

Zamontować na tablicy rozdzielczej wyłącznik automatyczny lub bezpiecznik odpowiadający maksymalnej zainstalowanej mocy.

- > Podłączyć klimakonwektor w zilustrowany sposób:



Poz.	Opis
1	Wentylatory
2	Tablica rozdzielcza
3	Tablica rozdzielcza
4	Główny przełącznik
5	Przełącznik DIP
6	Podłączenie do dodatkowego mastera
7	Komputer
8	Interfejs komputerowy (opcjonalnie)
9	Wyświetlacz lub przełącznik wyboru
10	Zdalny czujnik temperatury powietrza
11	Tryb Eco
12	Jonizator powietrza
13	Element podrzędny
14	Przełącznik DIP
15	Podłączenie do dodatkowego elementu podrzędnego (16 do 11, 17 do 10)
16	Tryb Eco
17	Jonizator powietrza
18	Tablica rozdzielcza
19	Tablica rozdzielcza
20	Wentylatory
gn/ye	zielony/żółty
bk	czarny
bu	niebieski
gy	szary
og	pomarańczowy
pu	purpurowy
vt	fioletowy
wh	biały

## 10 Przed pierwszym użyciem

1. Upewnić się, że zawory wlotowe i wylotowe wody morskiej są otwarte.
2. Włączyć agregat chłodniczy.  
Postępować zgodnie z instrukcją obsługi agregatu chłodniczego.

3. Upewnić się, że pompa wody morskiej i pompa obiegowa nie są zablokowane, obracając wentylator silnika za pomocą śrubokręta.
4. Sprawdzić temperaturę agregatu chłodniczego.  
Postępować zgodnie z instrukcją obsługi agregatu chłodniczego.



#### **UWAGA! Ryzyko zamarznięcia**

Upewnić się, że temperatura agregatu chłodniczego nie jest ustawiona poniżej 7 °C.

## 11 Eksploatacja



#### **WSKAZÓWKA Ryzyko zamarznięcia**

Nie ustawiać systemu wentylacji poniżej 7 °C.

- > Używać regulatora temperatury do obsługi klimakonwektora.  
Stosować się do instrukcji producenta.

## 12 Czyszczenie i konserwacja



#### **OSTRZEŻENIE! Ryzyko porażenia prądem**

Przed przystąpieniem do jakichkolwiek prac konserwacyjnych wyłączyć zasilanie urządzenia.



#### **OSTROŻNIE! Ryzyko obrażeń**

- Po odłączeniu klimakonwektorów od zasilania odczekać 5 min, aby wentylator wyłączył się i przestał obracać.
- Przed dotknięciem klimakonwektora upewnić się, że urządzenie ostygło.



#### **UWAGA! Ryzyko uszkodzenia**

Nie używać żrących płynów do czyszczenia filtra.

- > Przy okazji każdorazowej konserwacji wizualnie skontrolować układ elektroniczny pod kątem uszkodzeń.
- > Regularnie sprawdzać obwód uziemiający.
- > Okresowo wlewać wodę do miski ociekowej na skropliny, aby sprawdzić skuteczność odpływu kondensatu.
- > Pierwszy rok użytkowania: Czyścić filtr co 7 dni.
- > Użytkowanie systemu wentylacji przez dłużej niż 1 rok: Wymieniać filtr co 6 miesięcy.
- > Sprawdzać filtr i wymiennik ciepła co 3 miesiące.
- > Czyścić wymiennik ciepła co 3 miesiące.
- > Jeśli system wentylacji nie był użytkowany przez dłuższy czas:
  - Sprawdzić, czy listwy zaciskowe są dobrze zamocowane.
  - Upewnić się, że rezystory działają prawidłowo (jeśli są).
  - Upewnić się, że tablica rozdzielcza jest zasilana.

## 13 Usuwanie usterek

Usterka	Możliwa przyczyna	Proponowane rozwiązanie
Wentylator obraca się z trudem lub nie obraca się wcale.	Wentylator jest zablokowany.	<ul style="list-style-type: none"> <li>&gt; Usunąć wszelkie blokady.</li> </ul>
Wentylator nie ogrzewa powietrza.	Dmuchała jest uszkodzona.	<ol style="list-style-type: none"> <li>1. Odłączyć zasilanie od klimakonwektora.</li> <li>2. Nie dotykać klimakonwektora w ciągu kolejnych 2 h.</li> <li>3. Skontaktować się z autoryzowanym centrum serwisowym.</li> </ol>
W rurach nie ma wody.	<p>W klimakonwektorach dochodzi do inkluzy powietrza.</p> <p>3-drogowy zawór wody jest uszkodzony.</p> <p>W obiegu wody dochodzi do inkluzy powietrza.</p>	<ol style="list-style-type: none"> <li>1. Upewnić się, że areometr pracuje przy minimalnym ciśnieniu 10 mT, kiedy system wentylacji jest wyłączony.</li> <li>2. Jeśli areometr wskazuje wartość ciśnienia 0 mT lub bliską 0 mT, wyłączyć system wentylacji.</li> <li>3. Napętnić system wentylacji wodą do osiągnięcia wartości ciśnienia 15 mT.</li> <li>4. Odpowietrzyć system wentylacji za pomocą zaworu odpowietrzającego na parowniku.</li> <li>5. Jeśli cyrkulacja uzdatnionej wody działa prawidłowo, upewnić się, że dmuchała działa prawidłowo.</li> <li>6. Upewnić się, że regulator temperatury jest ustawiony prawidłowo. <ul style="list-style-type: none"> <li>&gt; Wymienić siłownik lub obudowę 3-drogowego zaworu wody.</li> <li>&gt; Użyć ręcznych zaworów odpowietrzających, aby usunąć powietrze z rur miedzianych.</li> </ul> </li> </ol>
Usterka dotycząca prędkości wentylatora.	Dokonano nieprawidłowych ustawień wentylacji, temperatury i/lub trybu.	<ul style="list-style-type: none"> <li>&gt; Wybrać żądane ustawienie za pomocą regulatora temperatury.</li> </ul>
Usterka dotycząca temperatury w pomieszczeniu.	Regulator temperatury nie jest ustawiony prawidłowo.	<ul style="list-style-type: none"> <li>&gt; Ustawić żądaną temperaturę za pomocą regulatora temperatury.</li> </ul>

## 14 Gwarancja

Obowiązuje ustawowy okres gwarancji. W przypadku stwierdzenia uszkodzenia produktu należy zwrócić się do oddziału producenta w danym kraju (patrz [dometic.com/dealer](http://dometic.com/dealer)) lub do sprzedawcy produktu.

W celu naprawy lub rozpatrzenia gwarancji konieczne jest przesłanie następujących dokumentów:

- Kopii rachunku z datą zakupu
- Informacji o przyczynie reklamacji lub opisu wady

Uwaga: Samodzielne lub nieprofesjonalne wykonywanie napraw może negatywnie wpływać na bezpieczeństwo i prowadzić do utraty gwarancji.

## 15 Utylizacja



Opakowanie należy wyrzucić do odpowiedniego pojemnika na odpady do recyklingu. Szczegółowe informacje na temat utylizacji produktu zgodnie z obowiązującymi przepisami można uzyskać w lokalnym zakładzie recyklingu lub u specjalistycznego dystrybutora. Produkt można zutylizować nieodpłatnie.

## 16 Dane techniczne

### Klimakonwektory

#### Wentylacja ze średnią prędkością



**WSKAZÓWKA** Dane techniczne dotyczące wentylacji ze średnią prędkością mogą się różnić ze względu na różną moc i różne warunki użytkowania.

Klimakonwektor	Natężenie przepływu powietrza	Zakres temperatur chłodzenia		Poziom hałasu
MINI	130 m <sup>3</sup> /h	2840 Btu	670 W	32 dB(A)
COMPACT	230 m <sup>3</sup> /h	4320 Btu	1170 W	34 dB(A)
JUNIOR	300 m <sup>3</sup> /h	5880 Btu	1580 W	40 dB(A)
GIANT4	450 m <sup>3</sup> /h	9320 Btu	2440 W	34 dB(A)
GIANT8	770 m <sup>3</sup> /h	14800 Btu	3950 W	33 dB(A)
APM	160 m <sup>3</sup> /h	3400 Btu	870 W	45 dB(A)
AP1	230 m <sup>3</sup> /h	4480 Btu	1040 W	50 dB(A)
AP3	330 m <sup>3</sup> /h	6200 Btu	1400 W	
AP5	470 m <sup>3</sup> /h	9200 Btu	2560 W	53 dB(A)
AP5 SLIM				
AP8	600 m <sup>3</sup> /h	12480 Btu	3450 W	51 dB(A)
AP8 SLIM				
AP10	680 m <sup>3</sup> /h	16000 Btu	4360 W	53 dB(A)
AP12	950 m <sup>3</sup> /h	24000 Btu	6390 W	55 dB(A)
TWIN12	600 m <sup>3</sup> /h	12000 Btu	3450 W	52 dB(A)
TWIN18	950 m <sup>3</sup> /h	18000 Btu	5230 W	55 dB(A)

## Ustawienia domyślne

Klimakonwektor	Maksymalny pobór mocy				Nagrzewnica elektryczna	Masa*
	50 Hz	60 Hz	50 Hz	60 Hz		
MINI	120 W	–	0,96 A	–	–	6 kg
COMPACT		–		–	–	7 kg
JUNIOR	70 W	81 W	0,31 A	0,36 A	800 W	10,5 kg
GIANT4	73 W	83 W	0,33 A	0,37 A	1000 W	13 kg
GIANT8	146 W	166 W	0,66 A	0,74 A	1500 W	17 kg
APM	90 W	100 W	0,25 A	0,29 A	400 W	5,5 kg
AP1	105 W	115 W	0,46 A	0,51 A		6,5 kg
AP3						800 W
AP5	137 W	155 W	0,6 A	0,68 A	800 W	8 kg
AP5 SLIM						
AP8						160 W
AP8 SLIM						
AP10		197 W			1500 W	14 kg
AP12	280 W	350 W	1,25 A	1,55 A		15,5 kg
TWINI2	210 W	230 W	0,92 A	1,02 A		14 kg
TWINI8	274 W	310 W	1,25 A	1,55 A		14,5 kg

\* Masa bez miski ociekowej na skropliny i zaworu odpowietrzającego. Jeśli zainstalowana jest miska ociekowa na skropliny, masa wzrasta o 1 kg. Jeśli zainstalowany jest zawór odpowietrzający, masa wzrasta o 2 kg (w przypadku wszystkich klimakonwektorów z wyjątkiem modelu GIANT8). Jeśli w klimakonwektorze GIANT8 zostanie zainstalowany zawór odpowietrzający, jego masa wzrośnie o 3 kg.

## Wymiary po stronie powietrza/wody

Model	Ciśnienie powietrza	Przepływ wody		Woda kondensacyjna
MINI	390 Pa	180 L/h	6,7 kPa	0,75 L/h
COMPACT	420 Pa	342 L/h		0,9 L/h
JUNIOR	500 Pa	432 L/h	14,5 kPa	1,65 L/h
GIANT4	590 Pa	648 L/h	16,5 kPa	2,15 L/h
GIANT8	580 Pa	1080 L/h	12,5 kPa	2,5 L/h
APM	390 Pa	216 L/h	6,7 kPa	0,9 L/h
AP1	450 Pa	396 L/h	11,5 kPa	1,1 L/h
AP3	440 Pa	504 L/h	19,5 kPa	1,3 L/h
AP5	430 Pa	684 L/h	8,5 kPa	1,55 L/h
AP5 SLIM				
AP8	440 Pa	720 L/h	10,5 kPa	2,1 L/h
AP8 SLIM				



Model	Ciśnienie powietrza	Przepływ wody		Woda kondensacyjna
AP10	580 Pa	1116 L/h	12 kPa	2,45 L/h
AP12	570 Pa	1476 L/h	14,5 kPa	2,75 L/h
TWIN12	440 Pa	756 L/h		2,5 L/h
TWIN18	560 Pa	1116 L/h		3,2 L/h

### Połączenie rurowe

Klimakonwektor	Średnica połączenia rurowego	Oznaczenie gwintu rury miedzianej	Złącze rurowe	
MINI	16 mm	½"-14 NPT	A	
COMPACT				
JUNIOR				
GIANT4				
GIANT8		½"-12 NPT	B	
APM		½"-14 NPT	A	
AP1				
AP3				
AP5				
AP8				C
AP10				B
AP12		½"-14 NPT	C	
TWIN12K			B	
TWIN18K			C	

Tabela 5: Legenda

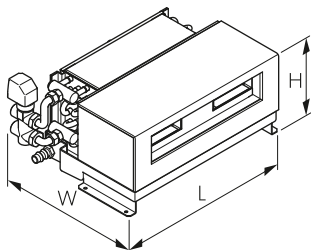
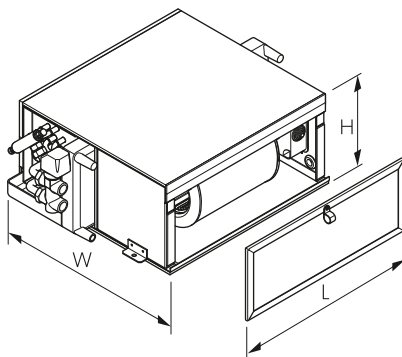
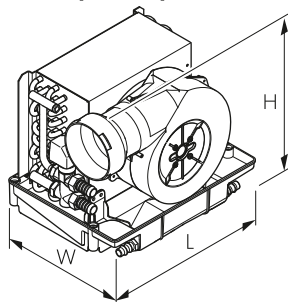
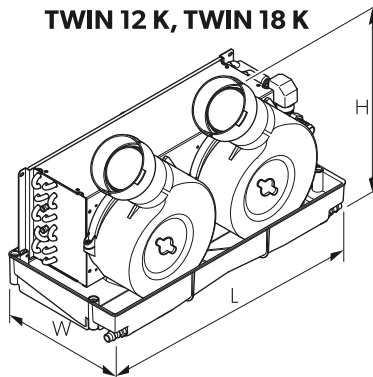
Poz.	Opis
A	Połączenie śrubowe
B	Zawór odpowietrzający ze zintegrowanym obejściem oraz siłownikami elektrycznymi typu on-off
C	Zawór odpowietrzający

### Wymiary klimakonwektora



**WSKAZÓWKA** Wymiary klimakonwektora z zaworem odpowietrzającym, bez miski ociekowej na skropliny.

15

**MINI, COMPACT****JUNIOR, GIANT 4, GIANT 8****APM, AP 1, AP 3, AP 5,  
AP 8, AP 10, AP 12****TWIN 12 K, TWIN 18 K**

Model	Długość (L)	Szerokość (W)	Wysokość (H)	Ø wylotu wentylatora
MINI	480 mm	300 mm	201 mm	-
COMPACT	580 mm	330 mm	191 mm	-
JUNIOR		410 mm	205 mm	-
GIANT4	630 mm	465 mm	250 mm	-
GIANT8	850 mm		245 mm	-
APM	395 mm	235 mm	205 mm	100 mm <sup>2</sup>
AP1	386 mm	292 mm	300 mm	125 mm <sup>2</sup>
AP3	403 mm		320 mm	
AP5	408 mm		357 mm	
AP5 SLIM	451 mm		320 mm	
AP8	415 mm	330 mm	370 mm	150 mm <sup>2</sup>
AP8 SLIM		292 mm	357 mm	125 mm

Model	Długość (L)	Szerokość (W)	Wysokość (H)	∅ wylotu wentylatora
AP10	523 mm	330 mm	380 mm	180 mm <sup>2</sup>
AP12	565 mm		430 mm	200 mm <sup>2</sup>
TWIN12	660 mm	292 mm	380 mm	2 x 125 mm <sup>2</sup>
TWIN18				

## Nagrzewnica elektryczna

Moc	230 V 50 ... 60 Hz
Przepisy prawne	CEI 61150/EN 60335-1
Zakres temperatur	25 ... -10 °C
Stopień ochrony	IP55
Izolacja	3000 MΩ przy 500 Vcc
Układ dielektryczny	1250 V
Efektywność cieplna	0,1 Ω

## Wymiary filtra

Filtr	Długość	Wysokość	Głębokość
Filtr Mini-N/APM	275 mm	150 mm	8 mm
Filtr Compact-N	375 mm		
Filtr JUNIOR	425 mm	17 mm 170 mm	
Filtr GIANT4	495 mm	200 mm	
Filtr GIANT8	695 mm		
Filtr AP1-N	275 mm		
Filtr AP1-7	278 mm		
Filtr AP3-N	335 mm		
Filtr AP3-7	278 mm	250 mm	
Filtr AP5 Slim-7	338 mm		
Filtr AP5-N/AP8-N	378 mm	300 mm	
Filtr AP5-7	278 mm		
Filtr AP8 Slim-7	338 mm		
Filtr AP8-7	318 mm		
Filtr AP10-N	415 mm		
Filtr AP10-7	418 mm		
Filtr AP12-N	415 mm	355 mm	
Filtr AP12-7	418 mm	350 mm	
Filtr TWIN12/TWIN18	515 mm	200 mm	

## Wymiary kratki



### UWAGA! Ryzyko przegrzania

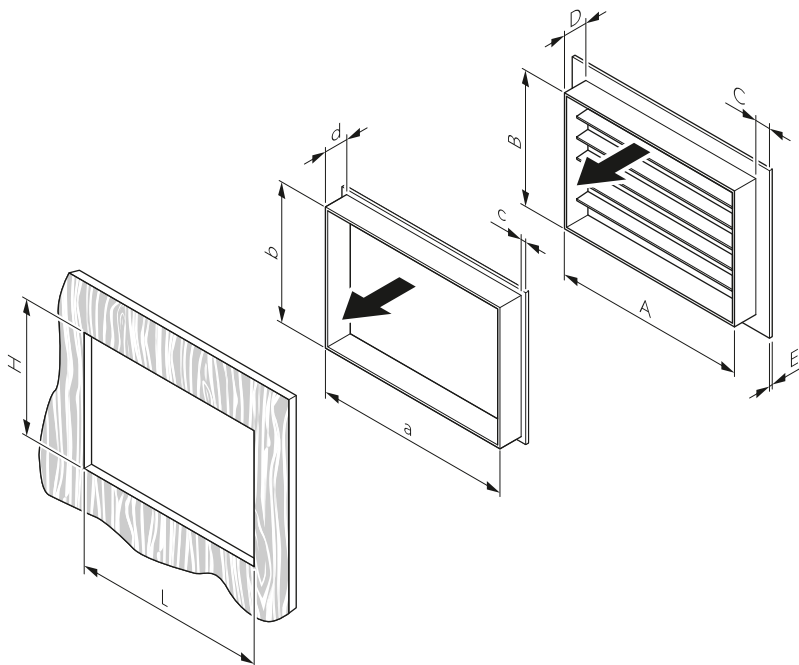
Nie używać kratki o wartościach niższych od wskazanych.



**WSKAZÓWKA** Wymiary kratki stanowią jedynie zalecenia. Można zastosować również kratki o większych wymiarach.

Klimakon- wektor	Kratka wejściowa		Kratka wyjściowa		
	Średnica ze- wnętrzna	Ilość	Średnica zewnętrzna	Ilość	
MINI	20 cm <sup>2</sup>	1	20 cm <sup>2</sup>	1	
COMPACT					
JUNIOR	25 cm <sup>2</sup>		25 cm <sup>2</sup>		
GIAN4	35 cm <sup>2</sup>		35 cm <sup>2</sup>		
GIAN8	50 cm <sup>2</sup>		50 cm <sup>2</sup>		
APM	25 cm <sup>2</sup>		20 cm <sup>2</sup>		
AP1	30 cm <sup>2</sup>		25 cm <sup>2</sup>		
AP3	45 cm <sup>2</sup>		40 cm <sup>2</sup>		
AP5	35 cm <sup>2</sup>		2		50 cm <sup>2</sup>
AP5 SLIM					
AP8	4 cm <sup>2</sup>	70 cm <sup>2</sup>			
AP8 SLIM					
AP10	5 cm <sup>2</sup>	80 cm <sup>2</sup>			
AP12	65 cm <sup>2</sup>	100 cm <sup>2</sup>			
TWIN12K	45 cm <sup>2</sup>	70 cm <sup>2</sup>			
TWIN18K	35 cm <sup>2</sup>	4		10 cm <sup>2</sup>	

16



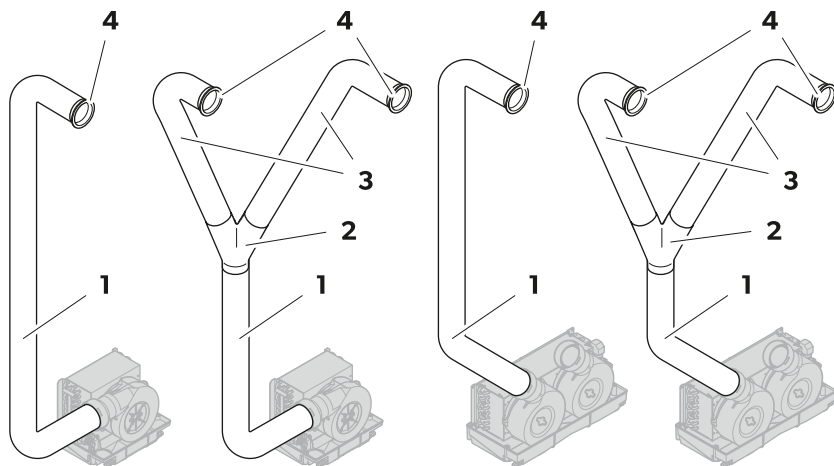
Typ	Kratka					Ø	Rama				Wycięcie	
	A	B	C	D	E		a	b	c	d	L	H
S/B	278 mm	51 mm	15 mm	29 mm	4 mm	113 cm <sup>2</sup>	283 mm	63 mm	5 mm	31 mm	287 mm	65 mm
JN	357 mm	64 mm				176 cm <sup>2</sup>	366 mm	75 mm			370 mm	77 mm
G4	425 mm	77 mm				278 cm <sup>2</sup>	431 mm	88 mm			435 mm	90 mm
G8	627 mm					362 cm <sup>2</sup>	634 mm				638 mm	
SP1	100 mm	100 mm				85 cm <sup>2</sup>	111 mm	116 mm			115 mm	118 mm
SP2	150 mm					128 cm <sup>2</sup>	161 mm				165 mm	
SP3	200 mm	200 mm				260 cm <sup>2</sup>	213 mm	216 mm			217 mm	218 mm
SP4	250 mm					325 cm <sup>2</sup>	263 mm				267 mm	

## Wymiary węża



**WSKAZÓWKA** Zmniejszenie lub zwiększenie rozmiaru kanałów może wpływać na wydajność systemu wentylacyjnego.

17



Fan coil	Hose (1)		Transition duct (2)		Hose (3)		Connector (4)	
	∅	T	Q	Typ	∅	T	Q	∅
APM	100 mm	3 m	-	-	-	-	1 C	100 mm
AP1			-	-	-	-		
AP3			-	-	-	-		
AP5	125 mm	1 m	1 C	125/125/125	125 mm	2 m	2 C	125 mm
AP5 SLIM				150/125/125				
AP8	150 mm	1 m	1 C	180/150/150	150 mm	2 m	2 C	150 mm
AP8 SLIM				200/180/180				
AP10	180 mm	1 m	1 C	200/180/180	180 mm	2 m	2 C	180 mm
AP12	200 mm	1 m	1 C	200/180/180	180 mm	2 m	2 C	180 mm
TWIN12K	100 mm	6 m	-	-	-	-	-	100 mm
TWIN18K	125 mm	4 m	2 C	125/125/125	125 mm	2 m	4 C	125 mm

### Wymiary miski na skropliny

Klimakonwektor	Długość	Szerokość	Wysokość	Średnica odpływu
MINI	-	-	-	-
COMPACT	-	-	-	-
JUNIOR	600 mm	215 mm	65 mm	20 mm
GIANT4	670 mm	240 mm		
GIANT8	870 mm	240 mm		
APM	430 mm	245 mm		

<b>Klimakonwektor</b>	<b>Długość</b>	<b>Szerokość</b>	<b>Wysokość</b>	<b>Średnica odpływu</b>
AP1	430 mm	305 mm		
AP3				
AP5				
AP5 SLIM				
AP8	455 mm	350 mm		
AP8 SLIM				
AP10				
AP12	555 mm			
TWIN12K	-	-	-	-
TWIN18K	-	-	-	-

## Türkçe

1	Sembollerin açıklanması.....	176
2	Güvenlik uyarıları.....	177
3	Teslimat kapsamı.....	177
4	Aksesuar.....	178
5	Yedek parçalar.....	178
6	Amacına Uygun Kullanım.....	179
7	Teknik açıklama.....	179
8	Montajdan önce.....	181
9	Montaj.....	181
10	İlk kullanım öncesi.....	198
11	Kullanım.....	199
12	Temizlik ve bakım.....	199
13	Arızaların Giderilmesi.....	200
14	Garanti.....	200
15	Atık İmhası.....	201
16	Teknik Bilgiler.....	201

## 1 Sembollerin açıklanması



### UYARI!

Önlenmediğinde, can kaybı veya ağır bir yaralanmaya neden olabilecek tehlikeli bir durumu gösterir.



### DİKKAT!

Önlenmediğinde, hafif veya orta derecede bir yaralanmaya neden olabilecek tehlikeli bir durumu gösterir.



### İKAZ!

Önlenmediğinde, maddi hasara neden olabilecek bir durumu gösterir.



**NOT** Ürünün kullanılması ile ilgili ek bilgiler.



## 2 Güvenlik uyarıları

### Genel güvenlik



#### **UYARI! Elektrik çarpması tehlikesi**

- Montaj ve onarımlar sadece cihazı ve tehlikelerini bilen kalifiye personel tarafından yapılmalıdır.
- Cihaz veya bağlı bileşenleri gözle görülür şekilde hasarlıysa cihazı çalıştırmayın.



#### **UYARI! Yangın tehlikesi**

Havalandırma kanallarının engellenmesine izin vermeyin.



#### **DİKKAT! Yanma tehlikesi**

Cihazı kapatırken veya takip eden 2 h boyunca cihaza dokunmayın.



#### **DİKKAT! Yaralanma riski**

Cihazı, kullanma yetkisi olmayan kişilerin erişemeyeceği bir yerde saklayın.



#### **DİKKAT! Sağlık için tehlike**

- Havalandırma sistemini filtre olmadan kullanmayın.
- Bu cihaz, gözetim altında olmaları veya cihazın güvenli bir şekilde kullanımıyla ilgili talimatların verilmesi ve tehlikeleri anlamaları halinde, 8 yaş ve üzeri çocuklar ve fiziksel, duyuşsal veya zihinsel yetenekleri kısıtlı veya deneyim ve bilgi eksikliği olan kişiler tarafından kullanılabilir.
- Çocuklar bu cihazla oynamamalıdır.
- Temizlik ve kullanıcı bakımı gözetimsiz olarak çocuklar tarafından yapılmamalıdır.
- Cihaz çalışırken hava filtresini çıkarmayın.



#### **İKAZ! Hasar tehlikesi**

- Dahili bileşenleri korumak için cihazı indirirken ve kurarken ani hareketlerden kaçının.
- Cihazın kırılabilir parçalarına dokunmaktan kaçının.
- Bileşenin iç noktalarına ankraj yapmaktan kaçının.
- Cihazın muhafazasına darbe gelmesini önleyin.
- Cihazın üzerine herhangi bir nesne koymayın.
- Cihazın içine yabancı maddeler sokmayın.



**NOT** Cihazın elektrik kutusu üzerindeki contaya zarar vermeyin veya çıkarmayın, aksi takdirde garanti geçersiz olacaktır.

## 3 Teslimat kapsamı

- Fan coil
- **Yalnızca ALU serisi:** Damlama tepsisi
- **Yalnızca AP ve TWIN serisi:** Kanallar (opsiyonel)

- Izgaralar (opsiyonel)

## 4 Aksesuar

Aksesuar olarak temin edilebilir (teslimat kapsamına dahil değildir):

- Izgaralar
- Kanallar
- Borular
- Ekranlar
- Seçici anahtar
- Kumanda panosu



**NOT** Kumanda panosu seçimi tersane tarafından yapılmalıdır.

Daha fazla bilgi [dometic.com](http://dometic.com) adresinde bulunabilir veya Dometic servis merkezi ile iletişime geçilerek alınabilir (bu kılavuzun arka sayfasına bakın).

## 5 Yedek parçalar

Bileşen	Parça no.
Filtre Mini-N/APM	6071090
Filtre Compact-N	6071050
Filtre JUNIOR	6071080
Filtre GIANT4	6071060
Filtre GIANT8	6071070
Filtre AP1-7	6072000
Filtre AP3-N	6071030
Filtre AP3-7	6072010
Filtre AP5 Slim-7	6072030
Filtre AP5-7	6072020
Filtre AP8 Slim-7	6072050
Filtre AP5-N/AP8-N/AP8-7	6072040
Filtre AP10-N/AP10-7	6072060
Filtre AP12	6072070
Filtre TWIN12K/TWIN18K	6071190

### 5.1 Yedek parça siparişi

1. Veri plakası üzerindeki ürün numarasını (PNC) veya parça numarasını (SKU) okuyun.

2. Sipariş vermek için en yakın Dometic servis iş ortağı veya bayisi ile iletişime geçin.

## 6 Amacına Uygun Kullanım

Fan coil'ler **yalnızca** teknelerde, gemilerde ve diğer deniz araçlarında klima olarak chiller ile birlikte kullanılmak üzere tasarlanmıştır.

Fan coil'ler aşağıdakiler için uygun **değildir**:

- Evler
- Apartman daireleri
- İnşaat makineleri
- Tarım makineleri
- Kamyonlar
- Motorlu karavan
- Karavanlar
- Eğlence ve dinlenme araçları

Bu ürün sadece amacına uygun ve bu talimata göre kullanılmalıdır.

Bu kılavuzda ürünün doğru olarak monte edilmesi ve/veya kullanılması için gerekli bilgiler verilmektedir. Doğru yapılmayan montaj veya bakım performansının yetersiz olmasına ve olası bozuluklara neden olabilir.

Üretici, aşağıdaki durumların neden olduğu yaralanmalardan veya ürün hasarlarından sorumlu değildir:

- Aşırı voltaj da dahil olmak üzere hatalı kurulum, montaj veya bağlantı
- Yanlış bakım veya üretici tarafından sağlanan orijinal yedek parçalardan başka yedek parçalar kullanılması
- Üreticisinden açıkça izin almadan cihazda değişiklikler yapılması
- Bu kılavuzda tanımlananların dışında bir amaçlar için kullanıldığında

Dometic ürünün görünümünde ve ürün özelliklerinde değişiklik yapma hakkını saklı tutar.

## 7 Teknik açıklama

Fan coil, 10 °C ... 30 °C sıcaklık aralığındaki bir kabinin iklimini kontrol etmek için kullanılır.

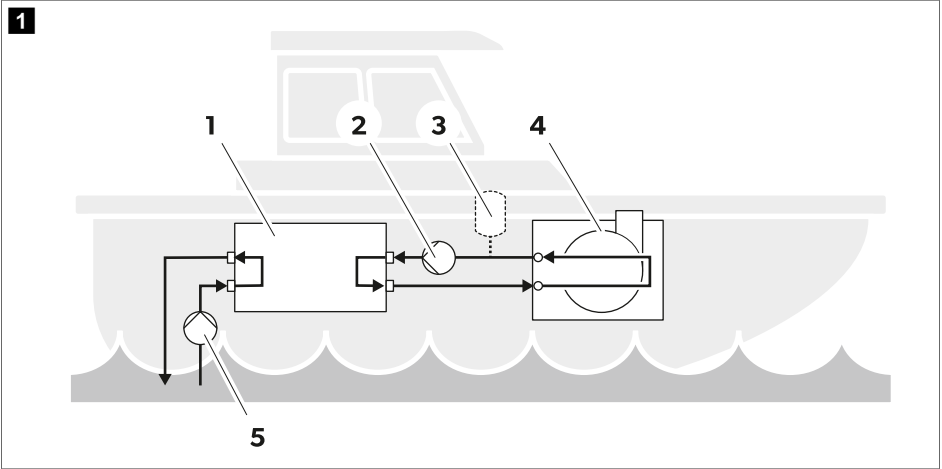
Fan coil'ler farklı model ve serilere ayrılır.

Seriler	Fan coil	Özellik
ALU	MINI	Fan coil kanalları olmadan monte edilmelidir.
	COMPACT	
	JUNIOR	
	GIANT4	
	GIANT8	

Seriler	Fan coil	Özellik
AP	APM	Yüksek basınçlı radyal fanlarla çalışan fan coil, besleme ve dönüş kanallarına bağlanabilir.
	AP1	
	AP3	Fan coil, işlem yapılacak kabinin dışına monte edilebilir.
	AP5	
	AP5 SLIM	
	AP8	
	AP8 SLIM	APM ve AP12 hariç olmak üzere fan coil'in fanı döndürülebilir. Döner fanlı fan coil'in montaj konumu, montaj gereksinimlerine göre ayarlanabilir.
	AP10	APM ve AP12 fanı <b>yalnızca</b> yatay olarak monte edilebilir. Dikey olarak monte edilebilen özel bir versiyon talep üzerine Dometic'ten satın alınabilir.
AP12		
TWIN	TWIN12K	
	TWIN18K	

Fan coil'ler, fan açılıp kapatılarak veya entegre edilmiş baypaslı bir havalandırma valfi ile kontrol edilebilir.

### Süreç açıklaması



No.	Adı
1	Chiller
2	Sirkülasyon pompası
3	Genleşme tankı
4	Fan coil
5	Deniz suyu pompası

Bir deniz suyu pompası (5), sirkülasyon suyunu soğutan veya ısıtan ve bir sirkülasyon pompası (4) aracılığıyla bir veya daha fazla fan coil'in bağlı olduğu su manifolduna yönlendiren chiller'e (1) su sağlar. Su, su manifoldundan fan coil (2) aracılığıyla dönüş manifolduna taşınır. Fan coil (2) ortam ile ısı alışverişini gerçekleştirir. Dönüş suyu ısınır, chiller'e (1) geri döner ve ardından sirkülasyona gönderilir.

Su devresine ek olarak monte edilen bir genişleme tankı (5) chiller'deki soğutucu akışkanın termal genişmesini telafi eder.

Bir sıcaklık kontrol cihazı sayesinde fan coil (2), 3 ... 4 °C sıcaklıkta otomatik olarak çalışmaya başlar. Soğutma suyu sıcaklığı 7 ... 11 °C aralığında tutulur. Havalandırma sistemi çalıştırıldıktan sonra münferit fan coil ortamları açılabilir. Her kabinde bir sıcaklık kontrol cihazı vardır.

## Sıcaklık kontrol ünitesi

Fan coil aşağıdaki kontrol ünitelerine bağlanabilir:

- 2 veya 3 fan hızına sahip manuel seçici anahtarlar
- 10 fan hızına sahip ekranlar

İstenen kabin sıcaklığı bir ekran veya bir oda termostatu kullanılarak ayarlanabilir.

Fan coil 4 farklı havalandırma moduna ayarlanabilir:

Mod	Adı
AUTO	Fan hızı, seçici anahtar veya ekran kullanılarak seçilebilir.
Soğutma	Fan coil, kabin sıcaklığını düşürmek için chiller'den gelen soğuk su ile beslenir.
Isıtma	Fan coil, kabin sıcaklığını artırmak için chiller'den gelen sıcak su ile beslenir.
Elektrikli ısıtıcı	Fan coil su ile beslenmez ve havayı bir rezistans aracılığıyla ısıtır.

Tek bir sıcaklık kontrol cihazı aynı kabin içindeki çeşitli fan coil'lere bağlanabilir.

## Otomatik sıcaklık ayarları



**NOT** Otomatik sıcaklık ayarı yalnızca soğutma, ısıtma ve elektrikli ısıtıcı modunda etkinleştirilir.

Kabin sıcaklığı ayar noktası gerçek kabin sıcaklığından önemli ölçüde farklıysa fan maksimum hızda çalışır. Kabin sıcaklığı ayarlanan sıcaklığa yaklaştığında, fan hızı otomatik olarak programlanan minimum değere düşer.

## 8 Montajdan önce

1. Ambalajların ve bileşenlerin hasar görmediğinden emin olun.
2. Gerekirse Dometic servis merkezine iletişime geçin (bu kılavuzun arkasına bakın).

## 9 Montaj



### UYARI! Elektrik çarpması tehlikesi

- Fan coil'leri sadece veri plakasında belirtilen gerilimlere bağlayın.
- Kısa devreyi önlemek için arızalı izolasyon kullanmayın.



### **DİKKAT! Aşırı ısınma tehlikesi**

- Ortam havasının dolaşımına izin vermek için fan coil'in duvardan en az 3 ... 4 cm uzakta olduğundan emin olun.
- Dönüş havası ızgarasının fan coil'in emme tarafına akışının herhangi bir nesne tarafından engellenmediğinden emin olun.



### **İKAZ! Hasar tehlikesi**

- Fan coil'i **yalnızca** bu talimatlarda belirtilen konuma monte edin.
- Belirtilen montaj konumunun tersane tarafından kabul edildiğinden emin olun.
- Fan coil'leri sağlam bağlantılar üzerine takın.
- Fan coil'i uygun bir duvar prizine bağlayın.
- Uzatmak için başka bir kablo eklemek gerekirse orijinal bağlantının korunduğundan emin olun.
- Kısa devreleri önlemek için yanlış kablolamadan kaçının.
- Sıcaklık kontrol cihazının yakınında ısı kaynağı bulunmadığından emin olun.
- Boruların, hava odalarının, bağlantıların ve bransmanların yalıtıldığından emin olun. Yalıtım, fan coil'in duvarlarına tamamen ulaşmalıdır.



### **NOT**

- **Yalnızca ALU** serisi: Fan coil'in kesitini küçültmeyin (bkz. Fan coil boyutları sayfa 203).
- **Yalnızca AP ve TWIN serisi**: Fan coil'i yerleşik bir cihaz olarak kullanmayın.

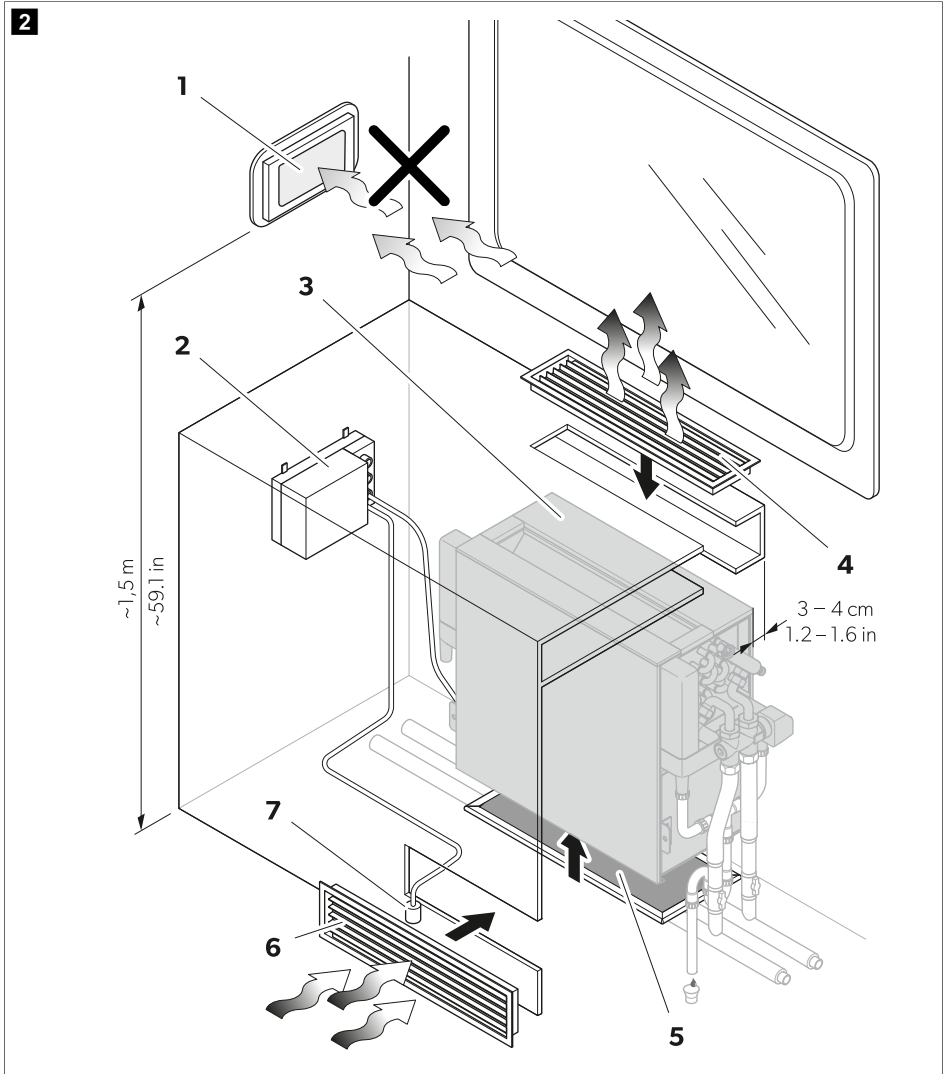
## **Montaj yeri**

- Fan coil'i çalıştırma ve bakım için erişilebilir bir yere monte edin.
- Fan coil'i, filtreye kolayca erişilebilecek şekilde monte edin.
- Fan coil'in ısı kaynaklarından etkilenmediğinden emin olun.

## **Montaj ile ilgili notlar**

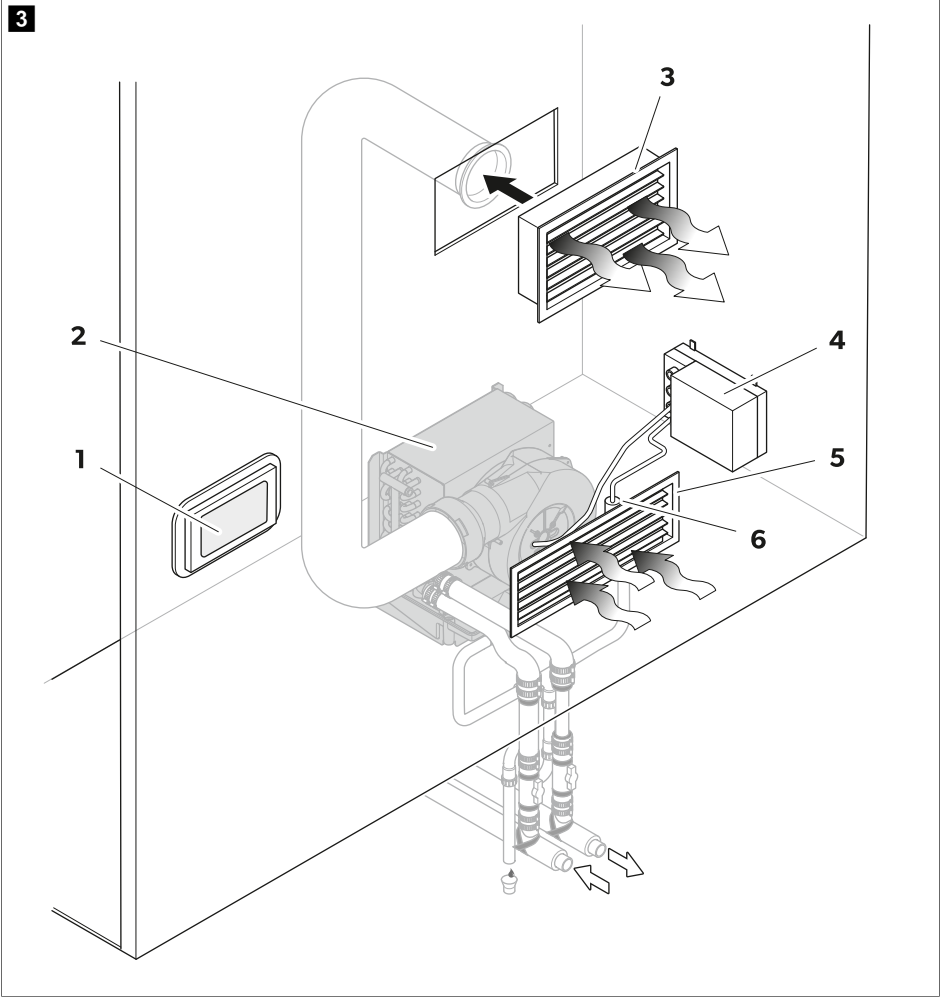
- Borular mümkün olduğunca kısa olmalıdır.
- Kanalların ve hortumların sızdırmaz olduğundan emin olun.
- Sadece belirtilen boyutta ızgaralar kullanın (bkz. Izgara boyutları sayfa 206).
- Havanın engellenmeden dağıtıldığından emin olun.
- Hava odalarının sızdırmaz olduğundan emin olun.
- Münferit bileşenler için öngörülen yerleşimlere uyun.
- Ek ulusal montaj gerekliliklerinin geçerli olup olmadığını kontrol edin.

## Yalnızca ALU serisi



No.	Adı
1	Ekran veya seçici anahtar
2	Kumanda panosu
3	Fan coil
4	Hava çıkış ızgarası

No.	Adı
5	Filtre
6	Hava giriş ızgarası
7	Uzak hava sıcaklık sensörü

**Yalnızca AP ve TWIN serisi**

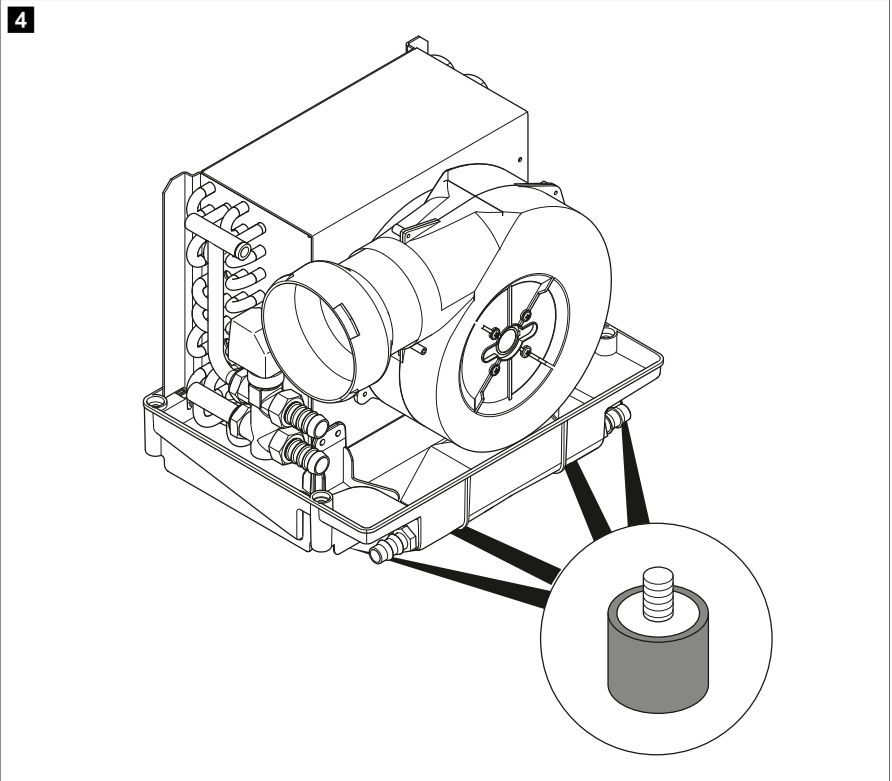
No.	Adı
1	Sıcaklık kontrol ünitesi



No.	Adı
2	Fan coil
3	Hava çıkış ızgarası
4	Kumanda panosu
5	Hava giriş ızgarası
6	Uzak hava sıcaklık sensörü

### Gürültü seviyesinin azaltılması

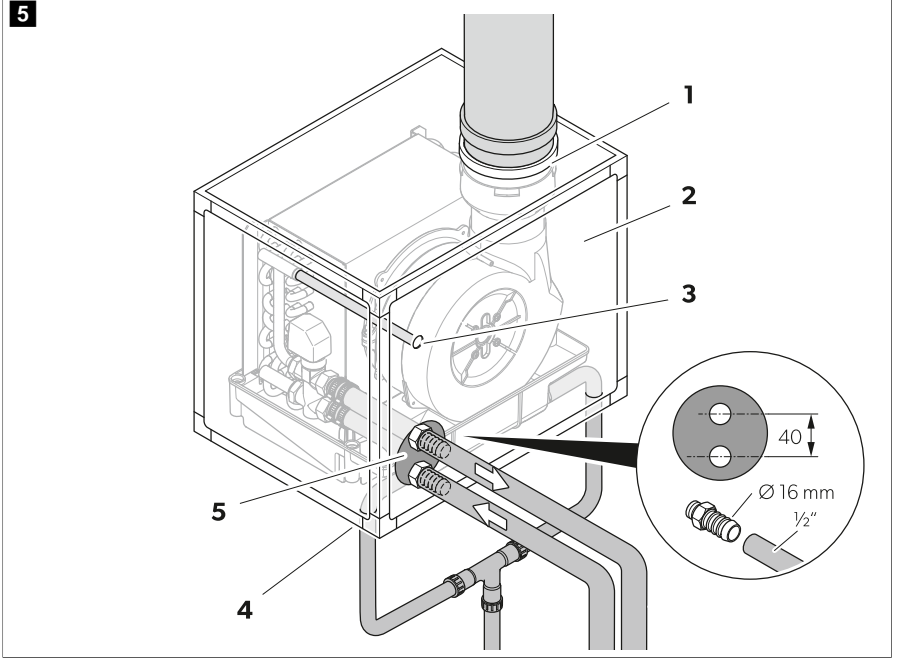
- > Titreşimlerden kaynaklanan gürültüyü azaltmak için fan coil'e kauçuk tampon takın.



- > Gerekirse fan coil'i ses geçirmez bir kutuya monte edin.



**NOT** Boruları bağlamak için bkz. Boruların bağlanması sayfa 191.



No.	Adı
1	Besleme havası bağlantı manifoldu
2	Fan tarafı
3	Hava sifonu
4	Tahliye
5	Su bağlantısı

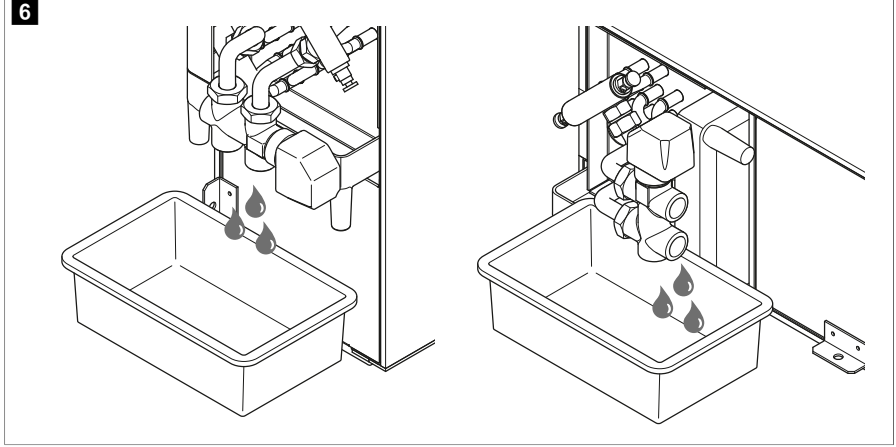
### Damlama tepsisinin takılması (opsiyonel)

Gemi veya teknede standartların üzerinde şiddetli yalpa veya gövde eğimi varsa veya fan coil'in asma tavanlara monte edilmesi gerekiyorsa ek bir damlama tepsisinin takılması gerekir.



**NOT** Biri tek havalandırma valfi ve diğeri tüm fan coil modelleri için olmak üzere 2 tip damlama tepsi vardır. Tüm fan coil'ler için kullanılabilen bir damlama tepsi kullanırken yapıya iletilen titreşimleri azaltmak için kauçuk tampon monte edin (bkz. Gürültü seviyesinin azaltılması sayfa 185).

- > İlave bir damlama tepsi monte edin.



## Yoğuşma tahliyesinin montajı



### İKAZ! Hasar tehlikesi

Yoğuşma suyu tahliye borularında döngülerden kaçının.

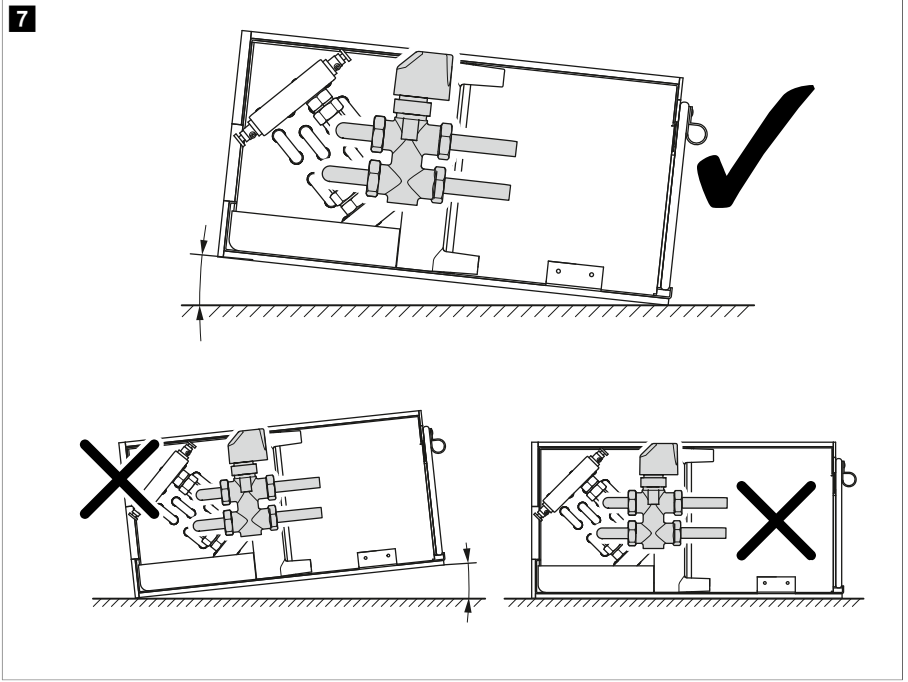
1. Fan coil'i yerleştirin.



### İKAZ! Hasar tehlikesi

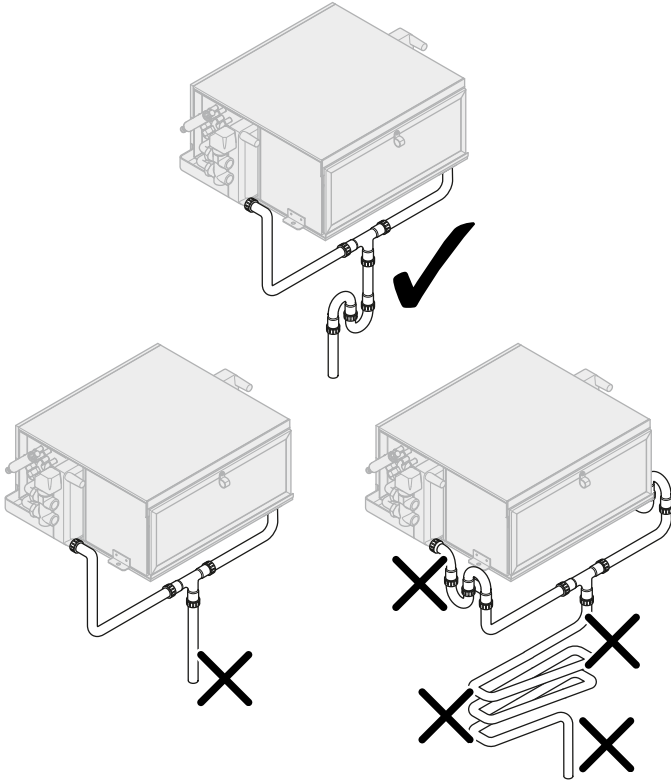
**Yalnızca ALU serisi:** Fan coil'i, yoğuşma suyunun düzgün bir şekilde tahliye edilmesini ve taşmamasını sağlamak için 5 ... 10 ° aralığında bir açıyla monte edin.

7



2. Zemine sifonlu bir drenaj yerleştirin.

8



### Su borularının montajı

Su borularının montajından önce ve montaj sırasında aşağıdakilere dikkat edin:

- Havalandırma valfi ve boru bağlantı parçaları kirlenmemiş olmalıdır.
- Havalandırma valfi gövdesi üzerindeki ok, su akış yönünü göstermelidir.
- Havalandırma valfinin ve boru tesisatının vida bağlantıları sıkı olmalıdır.
- Montaj, gerilimsiz ve dönme momentsiz olmalıdır.
- İnşaat sahalarında havalandırma valfini ve boru bağlantı parçalarını toz ve kirden koruyun.
- Boru tesisatının termal genişmesini telafi etmek için genişleme parçası kullanın.

### Boruların birleştirilmesi

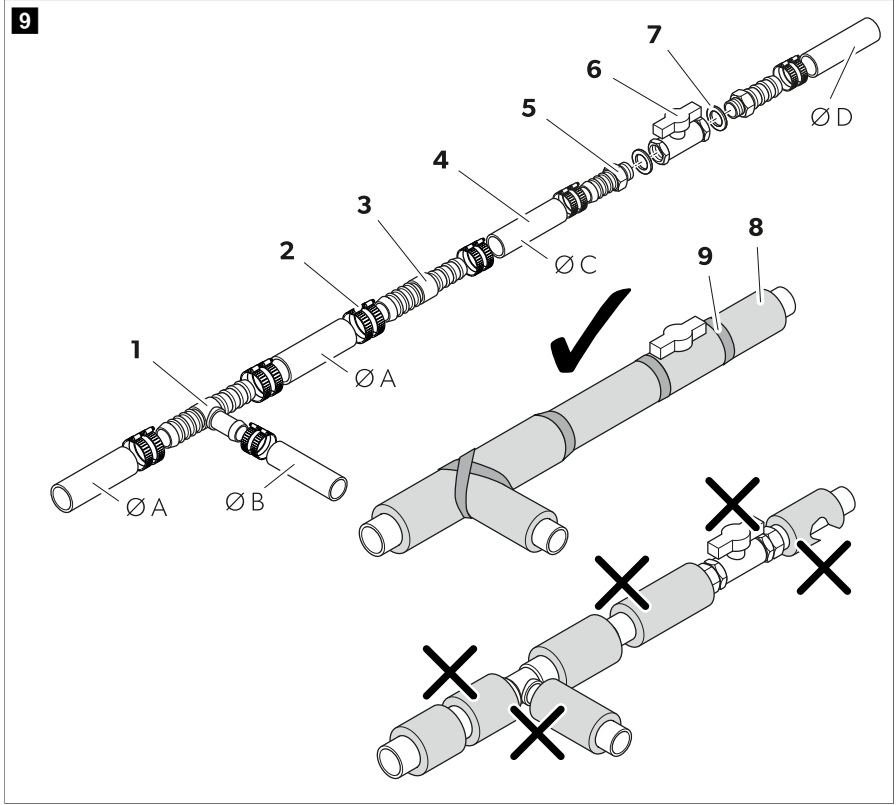
Su bağlantısı için hem plastik hem de bakır borular kullanılabilir.

Fan coil borularının çap boyutu, bağlı fan coil sayısına ve deniz aracına bağlıdır. Ne kadar çok fan coil birbirine bağlanırsa o kadar çok farklı boru çapı boyutuna ihtiyaç duyulur. Her bir ilave fan coil, daha önce bağlanan fan coil'den daha küçük borular gerektirir.



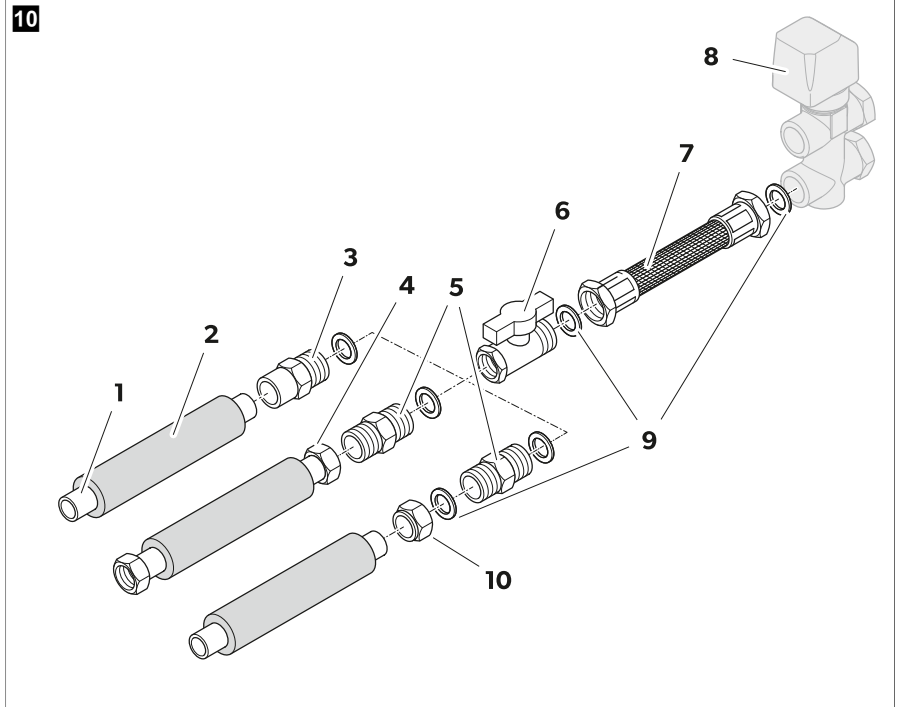
**NOT** Gerekli boru çapları hakkında ayrıntılı bilgi almak için bir Dometic servis merkeziyle iletişime geçin, bu kılavuzun arka sayfasına bakın.

- > Plastik boruları gösterildiği gibi birleştirin.



No.	Bileşen
1	Piriç T dirsek
2	Hortum kelepçesi
3	Boru kaplini
4	Plastik boru
5	Hortum adaptörü
6	Bilyeli vana
7	Conta
8	Yalıtım
9	Damlama bandı

> Bakır boruyu gösterildiği gibi birleştirin.

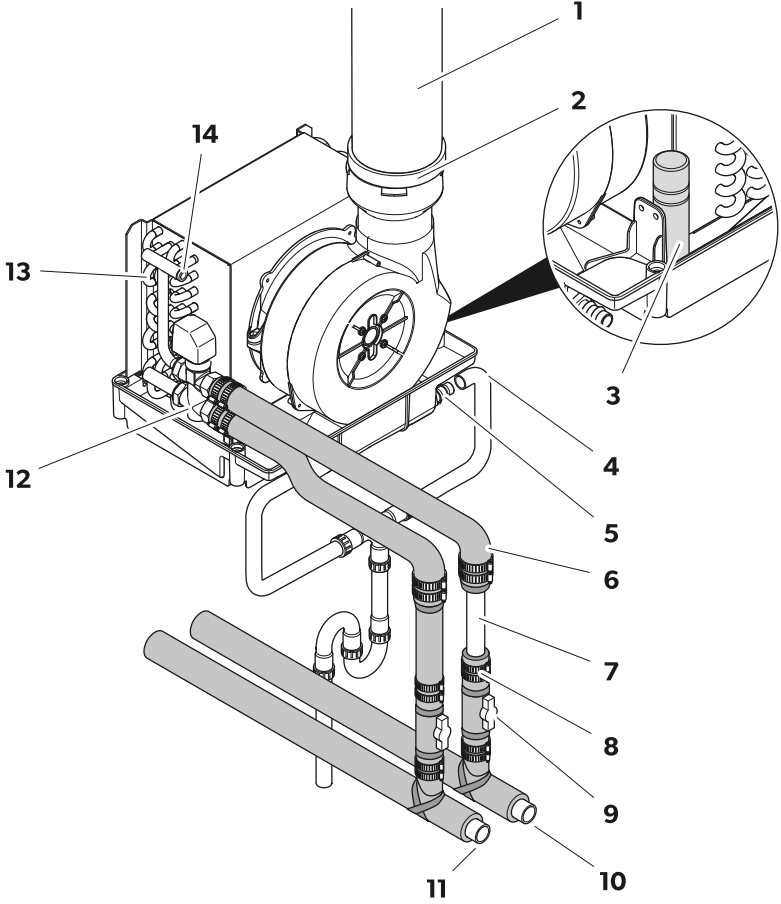


No.	Bileşen
1	Bakır boru
2	Yalıtım
3	Vida bağlantısı
4	Çok katmanlı borular
5	Vida bağlantısı
6	Bilyeli vana
7	Esnek bağlantı borusu
8	3 yollu su valfi
9	Conta
10	Somun

### Boruların bağlanması

1. Boruları fan coil'lere gösterildiği gibi bağlayın.

11



No.	Adı
1	Esnek besleme hortumu
2	Hortum adaptörü
3	Kondansatör
4	Tahliye
5	Hortum bağlantısı
6	Kelepçe
7	Su borusu
8	Yalıtım



No.	Adı
9	Bilyeli vana
10	Su çıkışı
11	Su girişi
12	3 yollu su valfi
13	Isı eşanjörü
14	Havalandırma valfi

- Boruları su manifolduna bağlayın.  
Üreticinin talimatlarını uygulayın.

### Sıcaklık kontrol cihazının montajı



**NOT** Gerçek ortam sıcaklığının okunabilmesi ve okumanın bozulmaması için sıcaklık kontrol cihazının dönüş havası akışı ile çevrili olduğundan emin olun.

- > Hava akışından uzakta, zeminden 1,5 m yükseklikte, duvara bir sıcaklık kontrol cihazı monte edin.  
Üreticinin talimatlarını uygulayın.
- > Hava giriş izgarasının arkasına, uzak hava sıcaklık sensörü takın.



#### **NOT Hatalı ölçülen sıcaklık riski**

Uzak hava sıcaklık sensörünün fan coil filtresinden, ısı eşanjöründen ve dönüş havası akışından uzağa monte edildiğinden emin olun.

### Genleşme tankının montajı (opsiyonel)

- > Su devresine bir genleşme tankı monte edin (bkz. şekil **11** sayfa 180).  
Üreticinin talimatlarını uygulayın.

### Deniz suyu pompasının kontrolü

- Deniz suyu hattının altına bir deniz suyu pompası monte edildiğinden emin olun.  
Üreticinin talimatlarını uygulayın.
- Pisliklerin içeri çekilmesini önlemek için deniz suyu pompası girişine bir süzgeç taktığından emin olun.  
Üreticinin talimatlarını uygulayın.

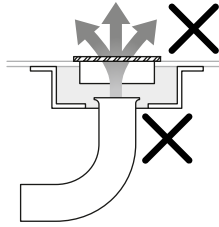
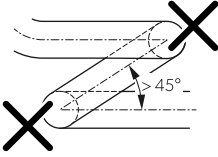
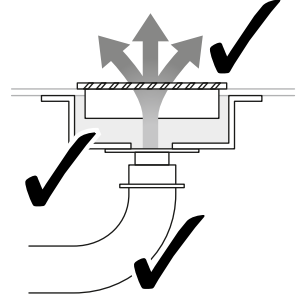
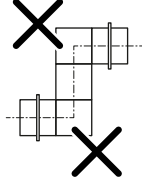
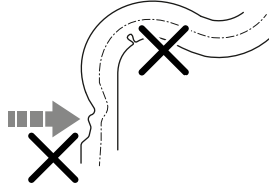
### Su bağlantısının test edilmesi

- Küresel vanayı kullanarak fan coil'leri su ile doldurun.
- Varsa suyu doldururken havalandırma valfinden su akana kadar 3 yollu su valfini açın (şekil **11** sayfa 192, **11**).
- Algılama hattı üzerindeki basınç göstergesini kontrol ederek sistemi 2 ... 3 barbasınç altında çalıştırın.
- Basınç kaybını tespit etmek için 5 ... 6 h bir süre boyunca sistemin yüküne takılı hidrometre ile basıncı kontrol edin.

## Hortumların ve ızgaraların monte edilmesi (yalnızca AP ve TWIN serisi)

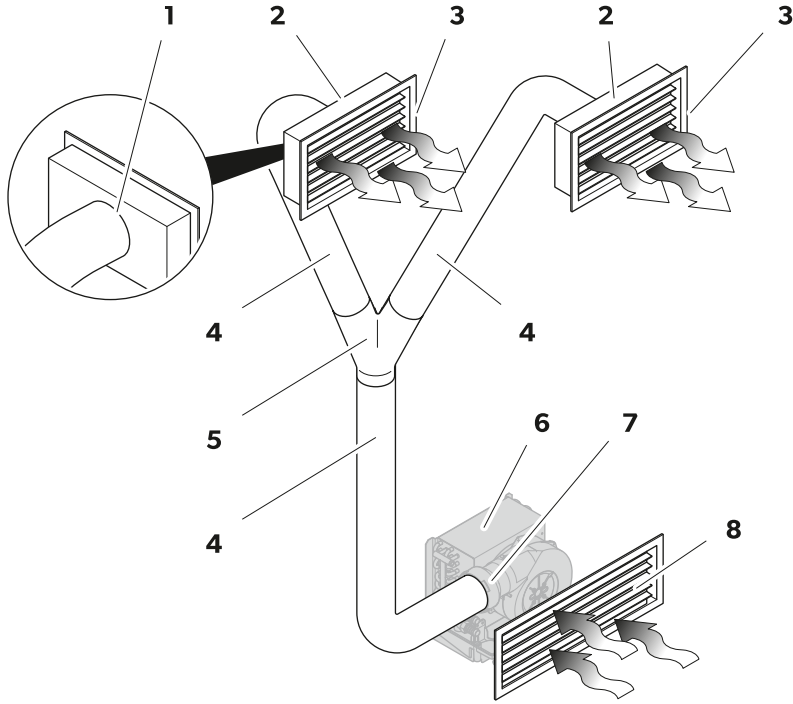
Hava bileşenlerini monte etmeden önce aşağıdakilere dikkat edin:

12



- Fan coil'i hava kanallarına veya önceden yalıtılmış borulara bağlayın.
- Ana kanalın çapı, fana monte edilen plastik adaptörün çapından daha küçük olmamalıdır (bkz. Hortum boyutları sayfa 207).
- Önceden yalıtılmış boruların orijinal çapını koruyun.
- Optimum hava akışına izin vermek için önceden yalıtılmış boruların birbirinden ayrı olduğundan ve iç içe sıkıştırılmadığından emin olun.
- Esnek besleme hortumunun uzunluğu 2,5 ... 5 m olmalıdır.
- Belirtilenden daha küçük plastik ızgaralar veya başka aksesuarlar kullanmayın (Teknik Bilgiler sayfa 201).
- Tavan veya duvar yapısının hava borularına baskı yapmadığından veya bunları engellemediğinden emin olun.

13



No.	Bileşen
1	Hortum bağlantısı
2	Menfez kutusu
3	Hava çıkış ızgarası
4	Esnek besleme hortumu
5	Geçiş kanalı
6	Fan coil
7	Hortum adaptörü
8	Hava giriş ızgarası

- Duvarın üst kısmında ve fan coil fanının yanındaki duvarda ızgaralar için delikler açın (bkz. şekil 13 sayfa 195). Belirtilen boyutlara uyun (bkz. Izgara boyutları sayfa 206).
- Izgaraları monte edin.
- Fan coil'i esnek besleme hortumlarına bağlayın. Belirtilen boyutlara uyun (bkz. Hortum boyutları sayfa 207).
- Gerekirse boruların fazlalıklarını kesin.

5. Besleme havası odalarını ızgaralara bağlayın.
6. Hava odalarını besleyen hortumlara bağlayın.

### **İzgaraların montajı (yalnızca ALU serisi)**

1. Duvarda fan coil'in üzerinde ve fanın yanında ızgaralar için delikler açın. (bkz. Montaj ile ilgili notlar sayfa 182).  
Belirtilen boyutlara uyun (bkz. Izgara boyutları sayfa 206).
2. Izgaraları monte edin.

### **Elektrik gücüne bağlama**



#### **UYARI! Elektrik çarpması tehlikesi**

- Harici topraklama klemenslerinin boyutunun topraklama kablolarının boyutuna uygun olduğundan emin olun.
- Kabloların, bileşenlerin ve güç kaynağının maksimum gücüne uygun olduğundan emin olun.
- Topraklama ve topraklama klemensleri için bakır iletkenli 3 damarlı, 4 damarlı veya çok damarlı yalıtılmış kablolar kullanın.
- Topraklama kablolarının, besleme kabloları için nominal akımın en az 50 %'sine uygun olduğundan emin olun.
- Havalandırma sistemini topraklamak için mümkün olan en kısa kabloyu kullanın.
- Motoru bağlamak için ekranlı kablolar kullanın.
- Harici topraklama klemenslerinin boyutunun topraklama kablolarının boyutuna uygun olduğundan emin olun.
- Kabloları yerel kablolama yönetmeliklerine veya kullanılacak bağlantı boyutu için olası kayıt denetimine göre bağlayın.



#### **İKAZ! Hasar tehlikesi**

Kumanda panosuna takılan maksimum güce uygun bir devre kesici veya sigorta takın.

- > Fan coil'i gösterildiği gibi bağlayın:



No.	Adı
1	Fanlar
2	Kumanda panosu
3	Kumanda panosu
4	Master
5	Dip anahtar
6	Ek bir master'a bağlantı
7	Bilgisayar
8	Bilgisayar arabirimi (opsiyonel)
9	Ekran veya seçici anahtar
10	Uzak hava sıcaklık sensörü
11	EKO modu
12	İyonizer
13	Slave
14	Dip anahtar
15	Ek bir slave'e bağlantı (16 - 11, 17 - 10)
16	EKO modu
17	İyonizer
18	Kumanda panosu
19	Kumanda panosu
20	Fanlar
ysl/sr	yeşil/sarı
bk	siyah
bu	mavi
gy	gri
og	turuncu
pu	mor
vt	mor
wh	beyaz

## 10 İlk kullanım öncesi

1. Deniz suyu giriş ve çıkış valflerinin açık olduğundan emin olun.
2. Chiller'i çalıştırın.  
Chiller kılavuzundaki talimatları izleyin.

3. Motor fanını bir tornavida ile döndürerek deniz suyu pompasının ve sirkülasyon pompasının tıkalı olmadığından emin olun.
4. Chiller'in sıcaklığını kontrol edin.  
Chiller kılavuzundaki talimatları izleyin.



#### **İKAZ! Donma riski**

Chiller sıcaklığının 7 °C'nin altına ayarlanmadığından emin olun.

## 11 Kullanım



#### **NOT Donma riski**

Havalandırma sistemini 7 °C'nin altına ayarlamayın.

- > Fan coil'i çalıştırmak için sıcaklık kontrol cihazını kullanın.  
Üreticinin talimatlarını izleyin.

## 12 Temizlik ve bakım



#### **UYARI! Elektrik çarpması tehlikesi**

Herhangi bir bakım çalışmasından önce cihazın güç kaynağı kapatılmalıdır.



#### **DİKKAT! Yaralanma riski**

- Fan coil'lerini güç kaynağından ayırdıktan sonra fanın kapanması ve dönmesinin durması için 5 min bekleyin.
- Fan coil'e dokunmadan önce fan coil'in soğuduğundan emin olun.



#### **İKAZ! Hasar tehlikesi**

Filtreyi temizlerken aşındırıcı sıvılar kullanmayın.

- > Her bakım yapıldığında elektronik aksamda hasar olup olmadığını görsel olarak kontrol edin.
- > Topraklama devresini düzenli olarak kontrol edin.
- > Yoğuşma suyu tahliyesinin verimliliğini kontrol etmek için yoğuşma suyu damlama kabına periyodik olarak su dökün.
- > Kullanımın ilk yılı: Filtreyi 7 günde bir temizleyin.
- > Havalandırma sistemi 1 yıldan daha uzun süre kullanıldığında: Filtreyi 6 ayda bir değiştirin.
- > Filtreyi ve ısı eşanjörünü 3 ayda bir kontrol edin.
- > Isı eşanjörünü 3 ayda bir temizleyin.
- > Havalandırma sistemi uzun süre kullanılmamışsa:
  - Klemens dizilerinin sıkıca oturup oturmadığını kontrol edin.
  - Dirençlerin doğru çalıştığından emin olun (varsa).
  - Kumanda panosuna güç verildiğinden emin olun.

## 13 Arızaların Giderilmesi

Sorun	Neden	Çare
Fan zor dönüyor veya hiç dönüyor.	Fan bloke oldu.	> Her türlü blokajı ortadan kaldırın.
Fan, havayı ısıtmak için kullanılamıyor.	Fan arızalı.	<ol style="list-style-type: none"> <li>Güç beslemesini fan coil'den ayırın.</li> <li>Sonraki 2 h içinde fan coil'e dokunmayın.</li> <li>Yetkili servis personeliyle iletişime geçin.</li> </ol>
Borularda su yok.	Fan coil'lerde hava var. 3 yollu su valfi arızalı. Su sirkülasyonunda hava var.	<ol style="list-style-type: none"> <li>Havalandırma sistemi kapatıldığında hidrometrenin minimum 10 mT basınçta çalıştığından emin olun.</li> <li>Hidrometre 0 mT veya 0 mT değerine yakın bir basınç gösteriyorsa havalandırma sistemini kapatın.</li> <li>Havalandırma sistemini 15 mT basınca kadar yeniden suyla doldurun.</li> <li>Evaporatör üzerindeki havalandırma valfini kullanarak havalandırma sisteminin havasını tahliye edin.</li> <li>Aritilmiş suyun sirkülasyonu düzgün çalışıyorsa fanın doğru çalıştığından emin olun.</li> <li>Sıcaklık kontrol cihazının doğru ayarlandığından emin olun. <ul style="list-style-type: none"> <li>&gt; 3 yollu su valfi aktüatörünü veya muhafazasını değiştirin.</li> <li>&gt; Bakır borulardaki havayı almak için manuel havalandırma valflerini kullanın.</li> </ul> </li> </ol>
Fan hızı hatası.	Havalandırma, sıcaklık ve/veya mod ayarları yanlış yapılmıştır.	> Sıcaklık kontrol cihazını kullanarak istediğiniz ayarı seçin.
Oda sıcaklığı hatası.	Sıcaklık kontrol cihazı doğru ayarlanmamış.	> Sıcaklık kontrol cihazını kullanarak istenen sıcaklığı ayarlayın.

## 14 Garanti

Yasal garanti süresi geçerlidir. Üründe hasar varsa üreticinin ülkenizdeki şubesi (bkz. [dometic.com/dealer](http://dometic.com/dealer)) veya satıcınızla iletişime geçin.

Onarım ve garanti işlemleri için, cihazı aşağıdaki dokümanlarla birlikte gönderin:

- Satın alma tarihini içeren faturanın bir kopyası
- Talebinizin nedeni veya hatanın açıklanması



Kendi kendine onarımın veya profesyonel olmayan onarımın güvenlikle ilgili sonuçları olabileceğini ve garantiye geçersiz kılabileceğini unutmayın.

## 15 Atık İmhası



Ambalaj malzemesini mümkünse ilgili geri dönüşüm atık sistemine kazandırın. Ürünün yürürlükteki imha yönetmeliklerine göre nasıl imha edileceğine ilişkin ayrıntılar için yerel bir geri dönüşüm merkezine veya uzman satıcıya danışın. Ürün ücretsiz olarak imha edilebilir.

## 16 Teknik Bilgiler

### Fan coil'ler

#### Orta hızda havalandırma



**NOT** Orta hızda havalandırma için teknik veriler, değişen güç ve değişen kullanım koşulları nedeniyle değişebilir.

Fan coil	Hava akış debisi	Soğutma kapasitesi		Gürültü seviyesi
MINI	130 m <sup>3</sup> /h	2840 Btu	670 W	32 dB(A)
COMPACT	230 m <sup>3</sup> /h	4320 Btu	1170 W	34 dB(A)
JUNIOR	300 m <sup>3</sup> /h	5880 Btu	1580 W	40 dB(A)
Giant4	450 m <sup>3</sup> /h	9320 Btu	2440 W	34 dB(A)
Giant8	770 m <sup>3</sup> /h	14800 Btu	3950 W	33 dB(A)
APM	160 m <sup>3</sup> /h	3400 Btu	870 W	45 dB(A)
AP1	230 m <sup>3</sup> /h	4480 Btu	1040 W	50 dB(A)
AP3	330 m <sup>3</sup> /h	6200 Btu	1400 W	
AP5	470 m <sup>3</sup> /h	9200 Btu	2560 W	53 dB(A)
AP5 SLIM				
AP8	600 m <sup>3</sup> /h	12480 Btu	3450 W	51 dB(A)
AP8 SLIM				
AP10	680 m <sup>3</sup> /h	16000 Btu	4360 W	53 dB(A)
AP12	950 m <sup>3</sup> /h	24000 Btu	6390 W	55 dB(A)
TWIN12	600 m <sup>3</sup> /h	12000 Btu	3450 W	52 dB(A)
TWIN18	950 m <sup>3</sup> /h	18000 Btu	5230 W	55 dB(A)

#### Varsayılan değerler

Fan coil	Maks. güç tüketimi				Elektrikli ısıtıcı	Ağırlık*
	50 Hz	60 Hz	50 Hz	60 Hz		
MINI	120 W	-	0,96 A	-	-	6 kg

Fan coil	Maks. güç tüketimi				Elektrikli ısıtıcı	Ağırlık*
	50 Hz	60 Hz	50 Hz	60 Hz		
COMPACT		-		-	-	7 kg
JUNIOR	70 W	81 W	0,31 A	0,36 A	800 W	10,5 kg
GIANT4	73 W	83 W	0,33 A	0,37 A	1000 W	13 kg
GIANT8	146 W	166 W	0,66 A	0,74 A	1500 W	17 kg
APM	90 W	100 W	0,25 A	0,29 A	400 W	5,5 kg
AP1	105 W	115 W	0,46 A	0,51 A		6,5 kg
AP3					800 W	7,5 kg
AP5	137 W	155 W	0,6 A	0,68 A		8 kg
AP5 SLIM						
AP8	160 W	97 W	0,8 A	0,88 A	1000 W	13 kg
AP8 SLIM						
AP10		197 W			1500 W	14 kg
AP12	280 W	350 W	1,25 A	1,55 A		15,5 kg
TWIN12	210 W	230 W	0,92 A	1,02 A		14 kg
TWIN18	274 W	310 W	1,25 A	1,55 A		14,5 kg

\*Yoğuşma suyu damlama kabı ve havalandırma valfi olmadan ağırlık. Yoğuşma suyu damlama kabı takıldığında ağırlık 1 kg artar. Havalandırma valfi takıldığında, GIANT8 hariç tüm fan coil'ler için ağırlık 2 kg artar. GIANT8 fan coil'e havalandırma valfi takıldığında ağırlık 3 kg artar.

### Hava/su tarafı boyutu

Model	Hava basıncı	Su akışı		Yoğuşma suyu
MINI	390 Pa	180 L/h	6,7 kPa	0,75 L/h
COMPACT	420 Pa	342 L/h		0,9 L/h
JUNIOR	500 Pa	432 L/h	14,5 kPa	1,65 L/h
GIANT4	590 Pa	648 L/h	16,5 kPa	2,15 L/h
GIANT8	580 Pa	1080 L/h	12,5 kPa	2,5 L/h
APM	390 Pa	216 L/h	6,7 kPa	0,9 L/h
AP1	450 Pa	396 L/h	11,5 kPa	1,1 L/h
AP3	440 Pa	504 L/h	19,5 kPa	1,3 L/h
AP5	430 Pa	684 L/h	8,5 kPa	1,55 L/h
AP5 SLIM				
AP8	440 Pa	720 L/h	10,5 kPa	2,1 L/h
AP8 SLIM				
AP10	580 Pa	1116 L/h	12 kPa	2,45 L/h
AP12	570 Pa	1476 L/h	14,5 kPa	2,75 L/h
TWIN12	440 Pa	756 L/h		2,5 L/h
TWIN18	560 Pa	1116 L/h		3,2 L/h

**Boru baęlantısı**

Fan coil	Boru baęlantı parçası çapı	Bakır boru vida dięi tanımlaması	Boru konnektörü
MINI	16 mm	½"-14 NPT	A
COMPACT			
JUNIOR			
GIAN4			
GIAN8		½"-12 NPT	B
APM		½"-14 NPT	A
AP1			
AP3			
AP5			C
AP8			B
AP10			C
AP12		½"-14 NPT	B
TWIN12K			C
TWIN18K			B
		C	

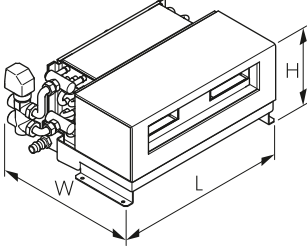
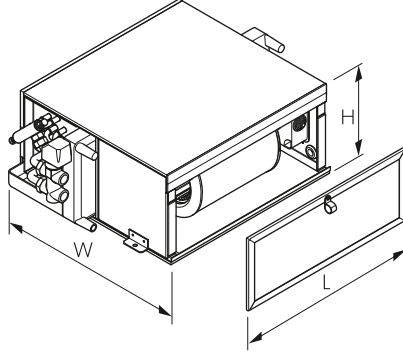
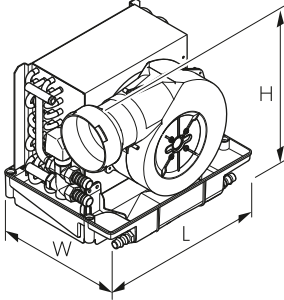
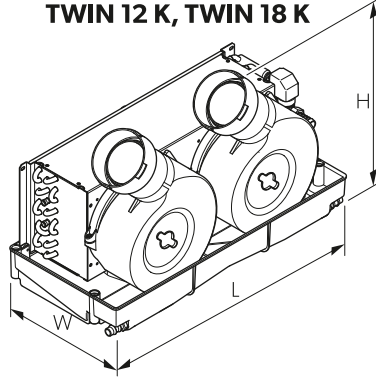
**Çizelge 6: İşaretler**

No.	Adı
A	Vida baęlantısı
B	Entegre edilmiş bypass konfigürasyonlarına ve açma-kapama tipi elektrikli aktüatörlere sahip havalandırma valfi
C	Havalandırma valfi

**Fan coil boyutları**

**NOT** Havalandırma valfli ve yoęuşma suyu damlama kabı olmayan fan coil boyutları.

15

**MINI, COMPACT****JUNIOR, GIANT 4, GIANT 8****APM, AP 1, AP 3, AP 5,  
AP 8, AP 10, AP 12****TWIN 12 K, TWIN 18 K**

Model	Uzunluk (L)	Genişlik (W)	Yükseklik (H)	∅ fan çıkışı
MINI	480 mm	300 mm	201 mm	-
COMPACT	580 mm	330 mm	191 mm	-
JUNIOR		410 mm	205 mm	-
GIANT4	630 mm	465 mm	250 mm	-
GIANT8	850 mm		245 mm	-
APM	395 mm	235 mm	205 mm	100 mm <sup>2</sup>
AP1	386 mm	292 mm	300 mm	
AP3	403 mm		320 mm	125 mm <sup>2</sup>
AP5	408 mm		357 mm	
AP5 SLIM	451 mm		320 mm	
AP8	415 mm	330 mm	370 mm	150 mm <sup>2</sup>
AP8 SLIM		292 mm	357 mm	125 mm

Model	Uzunluk (L)	Geniřlik (W)	Yükseklik (H)	∅ fan çıkışı
AP10	523 mm	330 mm	380 mm	180 mm <sup>2</sup>
AP12	565 mm		430 mm	200 mm <sup>2</sup>
TWIN12	660 mm	292 mm	380 mm	2 x 125 mm <sup>2</sup>
TWIN18				

## Elektrikli ısıtıcı

Güç	230 V 50 ... 60 Hz
Yönetmelikler	CEI 61150/EN 60335-1
Sıcaklık aralığı	25 ... -10 °C
Koruma sınıfı	IP55
Yalıtım	500 Vcc'de 3000 MΩ
Elektrięi iletmeyen sistem	1250 V
Isı verimlilięi	0,1 Ω

## Filtre boyutu

Filtre	Uzunluk	Yükseklik	Derinlik
Filtre Mini-N/APM	275 mm	150 mm	8 mm
Filtre Compact-N	375 mm		
Filtre JUNIOR	425 mm	17 mm 170 mm	
Filtre GIANT4	495 mm	200 mm	
Filtre GIANT8	695 mm		
Filtre AP1-N	275 mm		
Filtre AP1-7	278 mm		
Filtre AP3-N	335 mm	250 mm	
Filtre AP3-7	278 mm		
Filtre AP5 Slim-7	338 mm		
Filtre AP5-N/AP8-N	378 mm	300 mm	
Filtre AP5-7	278 mm		
Filtre AP8 Slim-7	338 mm		
Filtre AP8-7	318 mm		
Filtre AP10-N	415 mm		
Filtre AP10-7	418 mm		
Filtre AP12-N	415 mm	355 mm	
Filtre AP12-7	418 mm	350 mm	
Filtre TWIN12/TWIN18	515 mm	200 mm	

## Izgara boyutları



### İKAZ! Aşırı ısınma tehlikesi

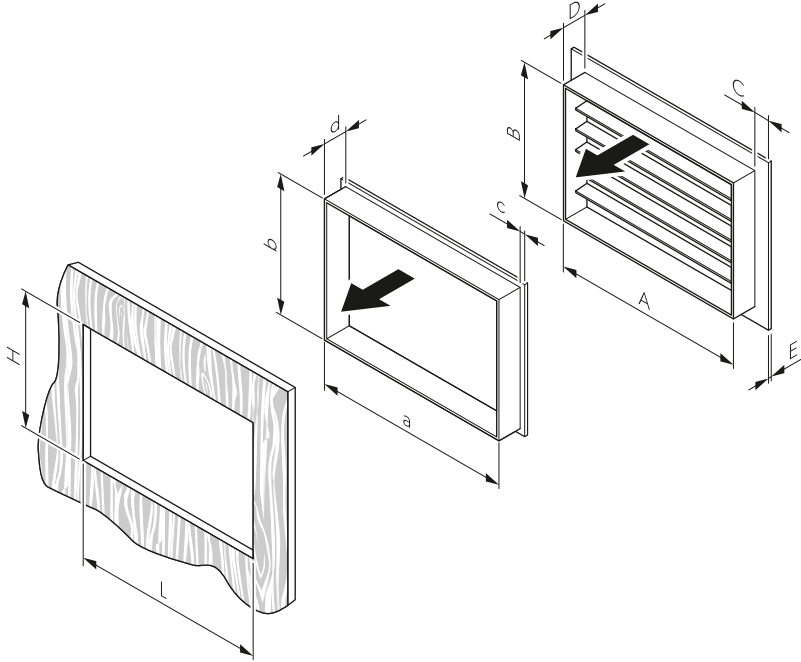
Belirtilen değerlerin altındaki ızgaraları kullanmayın.



**NOT** Izgara boyutları sadece tavsiye niteliğindedir. Daha küçük boyutlu ızgaralar da kullanılabilir.

Fan coil	Giriş ızgarası		Çıkış ızgarası		
	Dış çap	Miktar	Dış çap	Miktar	
MINI	20 cm <sup>2</sup>	1	20 cm <sup>2</sup>	1	
COMPACT					
JUNIOR	25 cm <sup>2</sup>		25 cm <sup>2</sup>		
GIANT4	35 cm <sup>2</sup>		35 cm <sup>2</sup>		
GIANT8	50 cm <sup>2</sup>		50 cm <sup>2</sup>		
APM	25 cm <sup>2</sup>		20 cm <sup>2</sup>		
AP1	30 cm <sup>2</sup>		25 cm <sup>2</sup>		
AP3	45 cm <sup>2</sup>		40 cm <sup>2</sup>		
AP5	35 cm <sup>2</sup>		2		50 cm <sup>2</sup>
AP5 SLIM					
AP8	4 cm <sup>2</sup>	70 cm <sup>2</sup>			
AP8 SLIM					
AP10	5 cm <sup>2</sup>	80 cm <sup>2</sup>			
AP12	65 cm <sup>2</sup>	100 cm <sup>2</sup>			
TWIN12K	45 cm <sup>2</sup>	70 cm <sup>2</sup>			
TWIN18K	35 cm <sup>2</sup>	4		10 cm <sup>2</sup>	

16



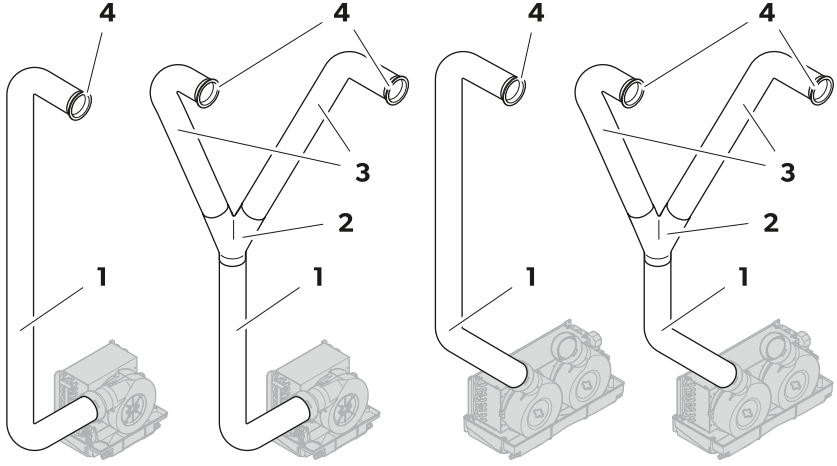
Tip	Izgara					Çerçeve					Montaj boşluğu	
	A	B	C	D	E	∅	a	b	c	d	L	H
S/B	278 mm	51 mm	15 mm	29 mm	4 mm	113 cm <sup>2</sup>	283 mm	63 mm	5 mm	31 mm	287 mm	65 mm
JN	357 mm	64 mm				176 cm <sup>2</sup>	366 mm	75 mm			370 mm	77 mm
G4	425 mm	77 mm				278 cm <sup>2</sup>	431 mm	88 mm			435 mm	90 mm
G8	627 mm					362 cm <sup>2</sup>	634 mm				638 mm	
SP1	100 mm	100 mm				85 cm <sup>2</sup>	111 mm	116 mm			115 mm	118 mm
SP2	150 mm					128 cm <sup>2</sup>	161 mm				165 mm	
SP3	200 mm	200 mm				260 cm <sup>2</sup>	213 mm	216 mm			217 mm	218 mm
SP4	250 mm					325 cm <sup>2</sup>	263 mm				267 mm	

## Hortum boyutları



**NOT** Kanalların boyutunun küçültülmesi veya büyütülmesi havalandırma sisteminin performansını etkileyebilir.

17



Fan coil	Hose (1)		Transition duct (2)		Hose (3)		Connector (4)	
	∅	L	Q	Tip	∅	L	Q	∅
APM	100 mm	3 m	-	-	-	-	1 C	100 mm
AP1			-	-	-	-		
AP3	125 mm	1 m	-	-	-	-	2 C	125 mm
AP5				1 C	125/125/125	125 mm		
AP5 SLIM				150/125/125				
AP8	150 mm			180/150/150	150 mm			150 mm
AP8 SLIM				200/180/180	180 mm			180 mm
AP10	180 mm							
AP12	200 mm							
TWIN12K	100 mm	6 m	-	-	-	-		100 mm
TWIN18K	125 mm	4 m	2 C	125/125/125	125 mm	2 m	4 C	125 mm

### Damlama tepsi boyutları

Fan coil	Uzunluk	Genişlik	Yükseklik	Tahliye çapı
MINI	-	-	-	-
COMPACT	-	-	-	-
JUNIOR	600 mm	215 mm	65 mm	20 mm
Giant4	670 mm	240 mm		
Giant8	870 mm			
APM	430 mm	245 mm		



<b>Fan coil</b>	<b>Uzunluk</b>	<b>Genişlik</b>	<b>Yükseklik</b>	<b>Tahliye çapı</b>		
AP1	430 mm	305 mm				
AP3						
AP5						
AP5 SLIM						
AP8	455 mm	350 mm				
AP8 SLIM						
AP10						
AP12	555 mm					
TWIN12K	-	-			-	-
TWIN18K	-	-			-	-







[dometic.com](https://dometic.com)

---

## **YOUR LOCAL DEALER**

[dometic.com/dealer](https://dometic.com/dealer)

## **YOUR LOCAL SUPPORT**

[dometic.com/contact](https://dometic.com/contact)

## **YOUR LOCAL SALES OFFICE**

[dometic.com/sales-offices](https://dometic.com/sales-offices)

---