

POWER & CONTROL

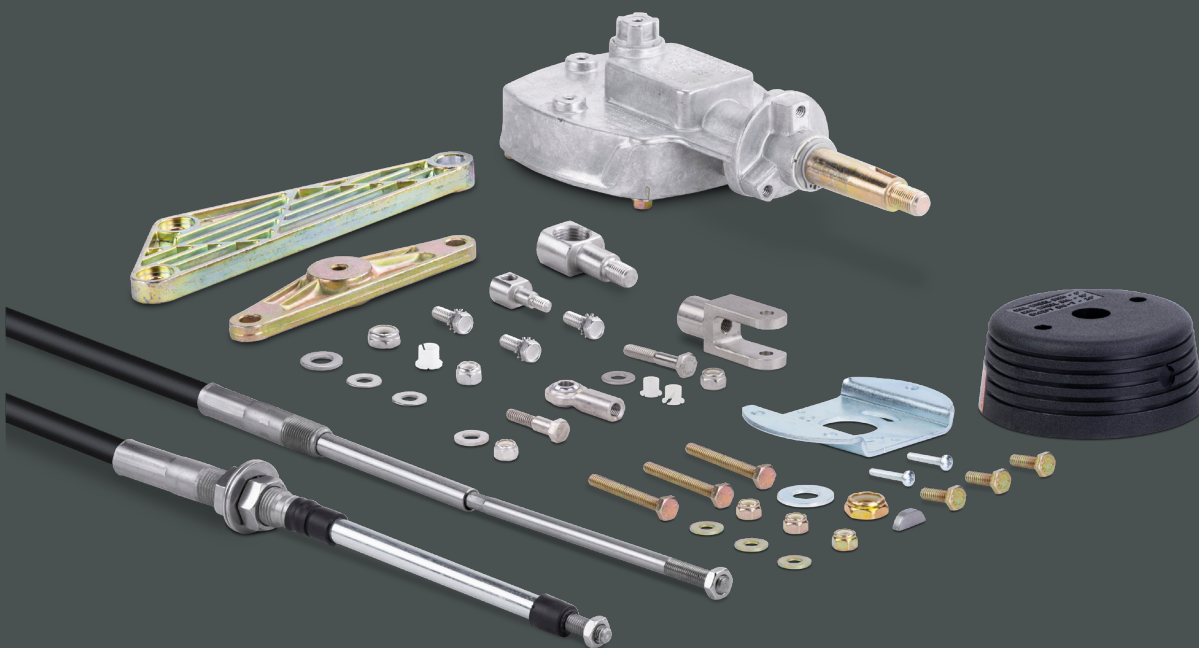
JBS™ JET BOAT STEERING

Designed exclusively for jet boats featuring a choice of two steering arc angles 135° or 270° lock to lock, a special steering cable plus an assortment of mounting options for virtually any boat!

ULTRA COMPACT
HELM

BUILT-IN STEERING STOPS
CABLE STRESS PREVENTION

135° or 270°
TURNING ARC



Mobile living made easy.

 **DOMETIC**

FOR JET BOATS FEATURING 135° OR 270° LOCK-TO-LOCK STEERING ARC ANGLES

JBS™ Jet Boat Steering is recommended for use in all jet boat applications powered by Mercury® Sport Jet or OMC® Turbo Jet drives that meet ABYC p-23.

NOTE - Can **NOT** be used on outboards with jet lower units.

NOTE - If you are replacing a jet boat steering cable, you must determine the part number of the existing steering cable. SSC219 cables are ONLY for JBS systems shown below.

NOTE - SSC229xx steering cables are replaced with SSC219xx cables.

Features

- Ultra compact helm
- 135° or 270° turning arc lock-to-lock
- 90° straight or 180° cable entry options allow for alternate cable routing (Looking at dash, options are 9:00, 12:00 or 3:00 routing positions)
- Standard 3/4" tapered steering shaft
- Uses SSC219XX steering cable available in 1 FT. increments
- SSC219xx cable measures from end to end
- Tilt helm options are available
- Built-in steering stops prevent additional cable stress in hard over positions allowing a total travel of 3.5 inches
- Easy to install
- Stainless steel cable output end

ORDER INFORMATION	
COMPONENTS	PART NO.
135° Jet boat helm	SH5087P
270° Jet boat helm	SH5088P
JBS bezel and mounting hardware kit	SB39452P
Steering cable (XX = length in feet; measurement is length from tip to tip)	SSC219XX
Nozzle connection kit (Mercury)	SA27591P
Nozzle connection kit (OMC)	SA27590P
OPTIONS	
135° Jet boat tilt helm (includes tilt mechanism)	SH91691
270° Jet boat tilt helm (includes tilt mechanism)	SH91692
SERVICE ITEMS	
Steering wheel hardware kit	SA27454P
Dual cable hardware	3946214
Helm Parts (see diagram on next page)	
1. Pivot – cable conduit fitting	3941615
2. Bushing for cable cond. ftg. pivot	3604811
3. Pivot – cable terminal end	3941117
4. Bushing for cable term. end pivot	3828412

This steering system is sold by components. Select helm, bezel and cable or Tilt helm, and cable from items listed below. Note engine type and desired steering arc.

FOR JET BOATS FEATURING 135° OR 270° LOCK-TO-LOCK STEERING ARC ANGLES

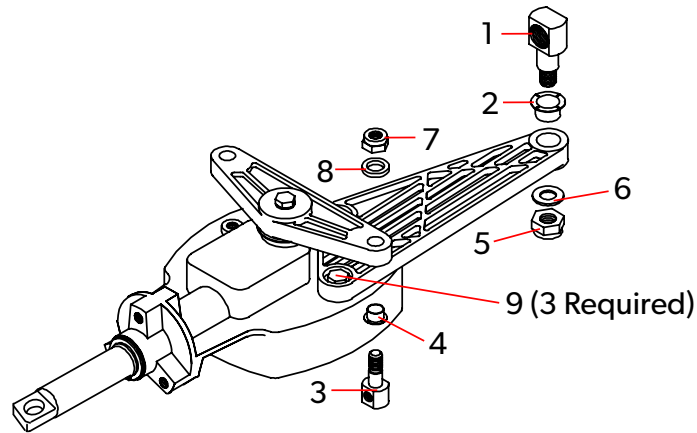
ORDER INFORMATION

SERVICE ITEMS

Helm Cable Bracket Hardware Kit
5. Locknut (3/8-24) – conduit fitting pivot
6. Lock Washer for 3/8-24 Locknut
7. Locknut (1/4-20) – cable terminal end pivot
8. Lock Washer for 1/4-20 Locknut
9. 3 Hex Bolts (anti-vibratory patch) – bracket

3862715

Technical Data



Typical Jbs Mounting / Cable Routing

(Steering Wheel not included)

