

HYGIENE & SANITATION

DOMETIC 8100 SERIES MASTERFLUSH TOILETS

MasterFlush 8100 Series toilets offer great value and outstanding performance. These powerful macerator toilets provided a luxurious fixture in a small footprint. Electrical installation is simplified with no external control module necessary. Two flush settings assist with water conservation leading to fewer pump-outs. The wood seat, plus two available toilet heights provide extra comfort. All models included adaptable discharge fittings

POWERFUL
MACERATES WASTE

VERSATILITY
SMALL FOOTPRINT

TWO FLUSH OPTIONS
NORMAL AND DRY BOWL



12/24 V

Mobile living made easy.

 **DOMETIC**

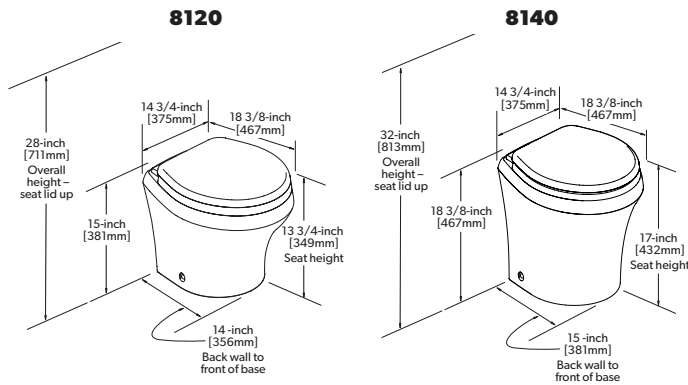
SPACE-SAVING DESIGN



The Dometic MasterFlush 8100 Series toilets provide a luxurious all-ceramic fixture when space is limited. The angled back and small footprint of these units fits against hulls in small spaces to help make the most out of any confined situation with elegance and user comfort.

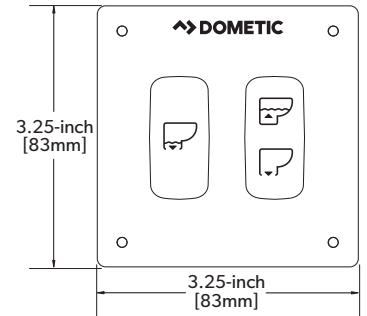
Benefits of the 8100 Series Toilet

- Powerful macerating flush
- Solid wood seat
- Normal and Dry Bowl flush options conserve water
- Available in white and bone colors
- Through the floor or through the wall discharge fittings



Dometic Flush Control Panel

Dometic 8100 series MasterFlush panel includes "normal flush" switch on left side, "add water" and "dry bowl flush" functions on right side.



Model	8120	8140
Description	Low-Profile, All Ceramic Macerator Toilet	Standard-Height, All ceramic Macerator Toilet
Discharge	1.5 in./38 mm ID	
Voltage	12 V DC/24 V DC	
System Requirements		
Electrical		
Circuit Breaker	20 amps/12 VDC 15 amps/24 V DC	
Wiring	12 ga. (up to 20 ft./6.1 m from breaker)	
Water Supply		
Fitting	0.5 in. NPT	
Flow Rate	2.0 gpm/7.6 lpm at toilet, minimum	
Discharge		
Fitting	1.5 in. NPT	
Horizontal Run*	98 ft./30 m maximum	
Vertical Run*	9.8 ft./3 m maximum	
Tank Capacity	30 gal./114 liters recommended	
Min Height-Seat Down (in/mm)³	15/381	18.375/467
Max. Height-Seat Up (in/mm)³	28.5/724	31.875/810
Width (in/mm)³	14.75/375	
Depth-Wall to Front of Bowl(in/mm)³	18.375/467	
Depth-Wall to Front of Base (in/mm)³	14/356	15/381
Depth-Wall to Center of Base (in/mm)³	N/A	N/A

* Horizontal and vertical run distances are not cumulative. Check for adequate discharge flow if installation nears one of these limits. Specifications subject to change without notice.