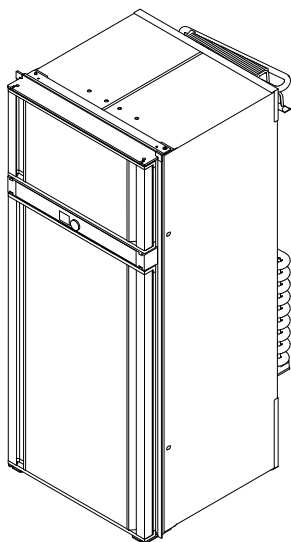


↗ DOMETIC REFRIGERATION 10-SERIES

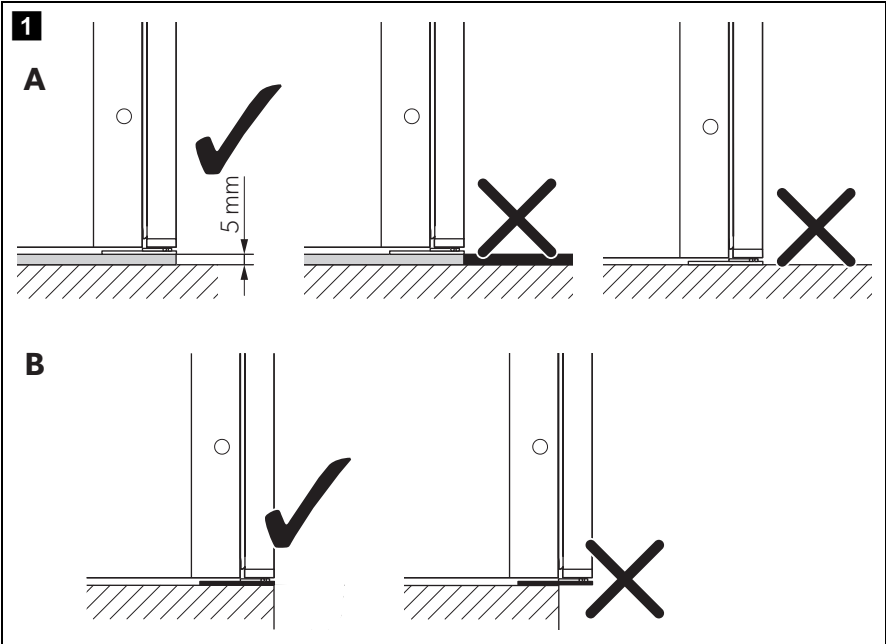
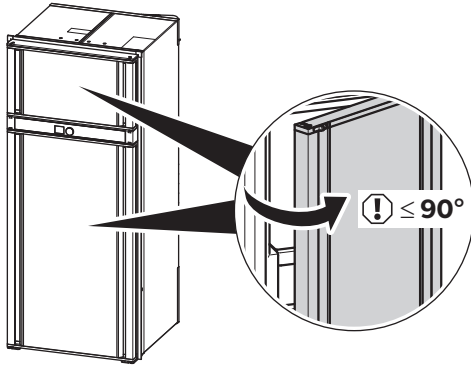


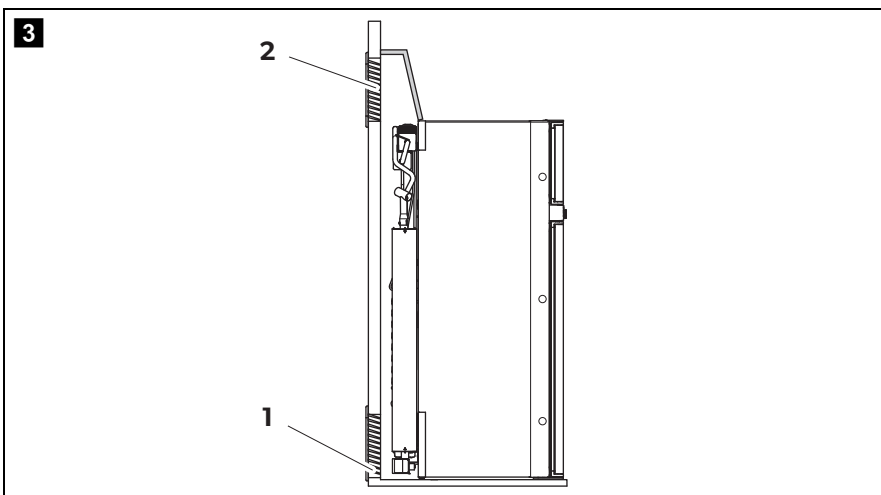
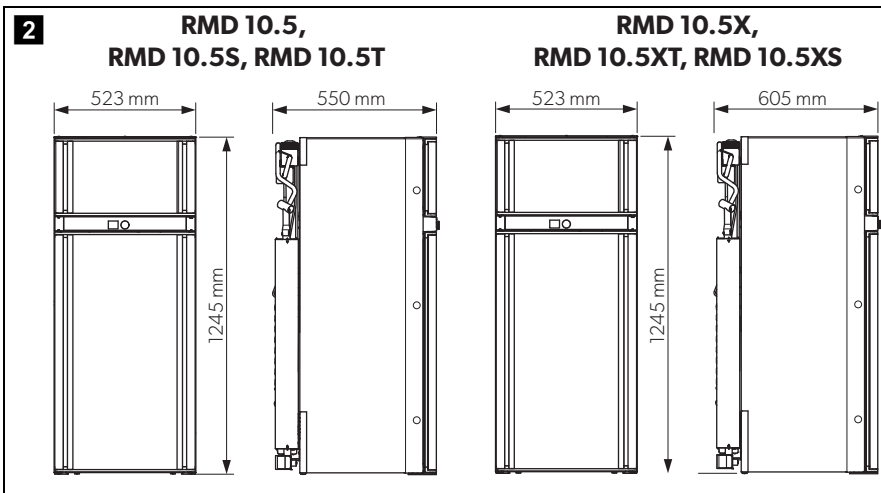
RMD10.5, RMD10.5S, RMD10.5T,
RMD10.5X, RMD10.5XS, RMD10.5XT

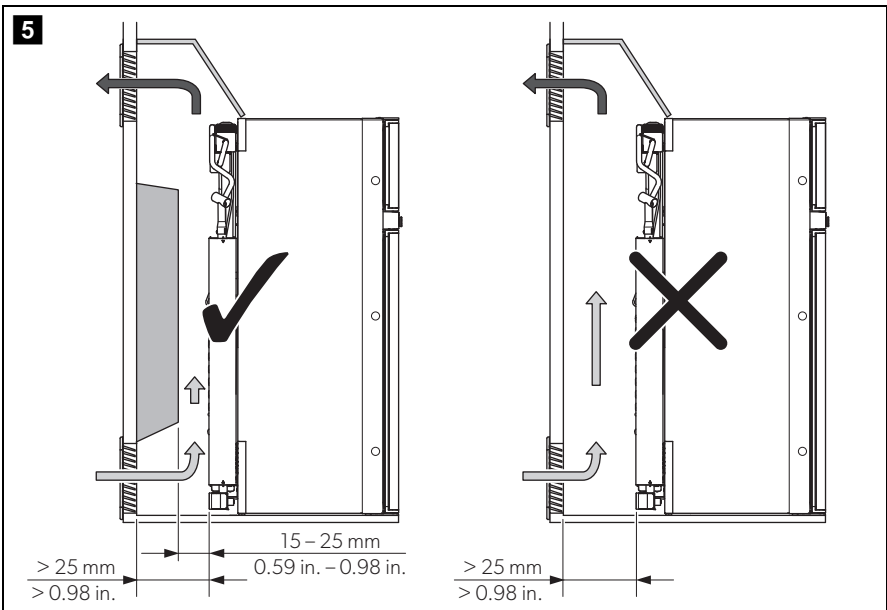
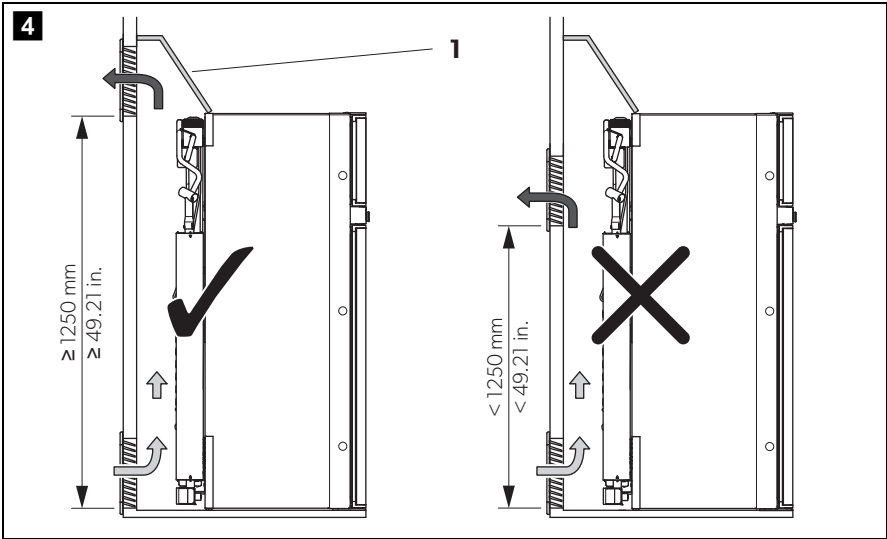
EN	Absorber refrigerator Installation Manual	12
DE	Absorber-Kühlschrank Montageanleitung	28
FR	Réfrigérateur à absorption Instructions de montage	44
NL	Absorptiekoelkast Montagehandleiding	60

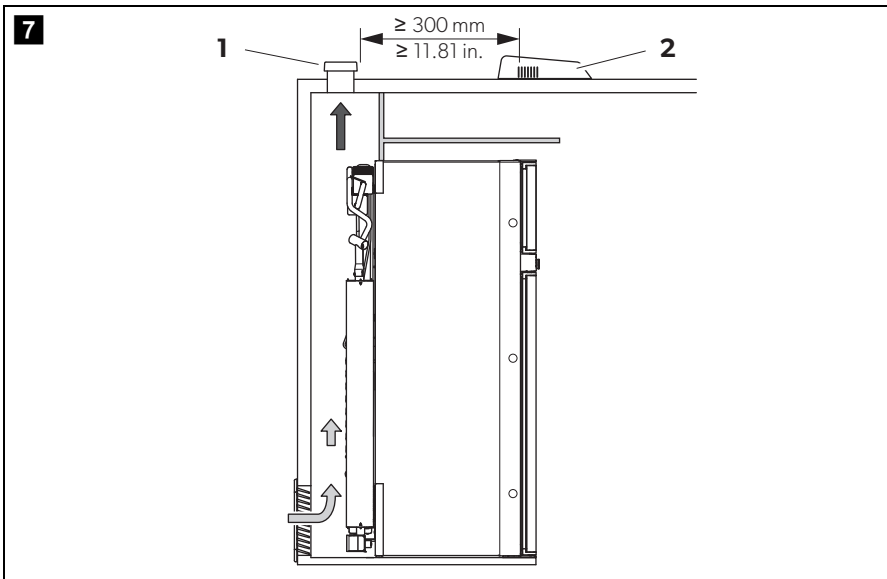
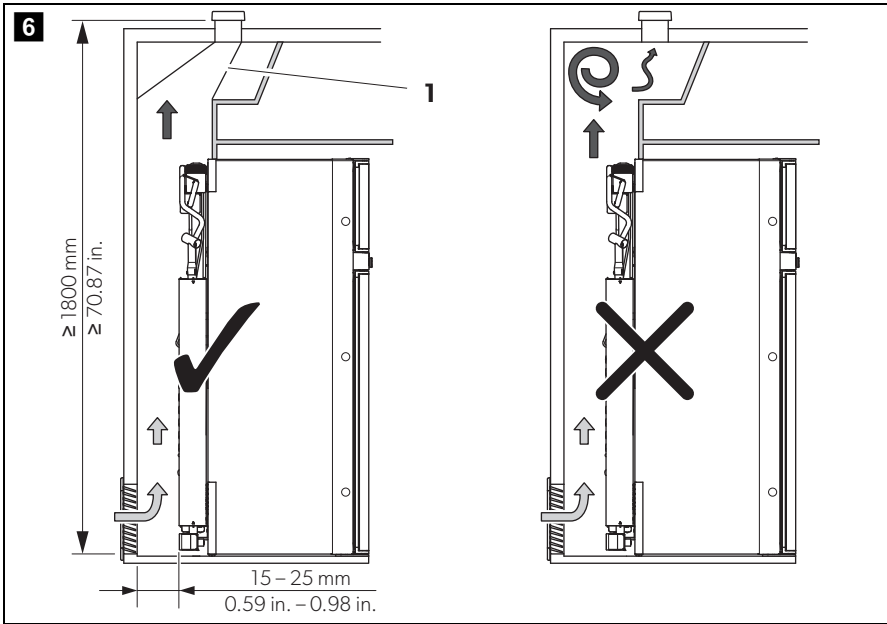
© 2024 Dometic Group. The visual appearance of the contents of this manual is protected by copyright and design law. The underlying technical design and the products contained herein may be protected by design, patent or pending patent. The trademarks mentioned in this manual belong to Dometic Sweden AB. All rights are reserved.

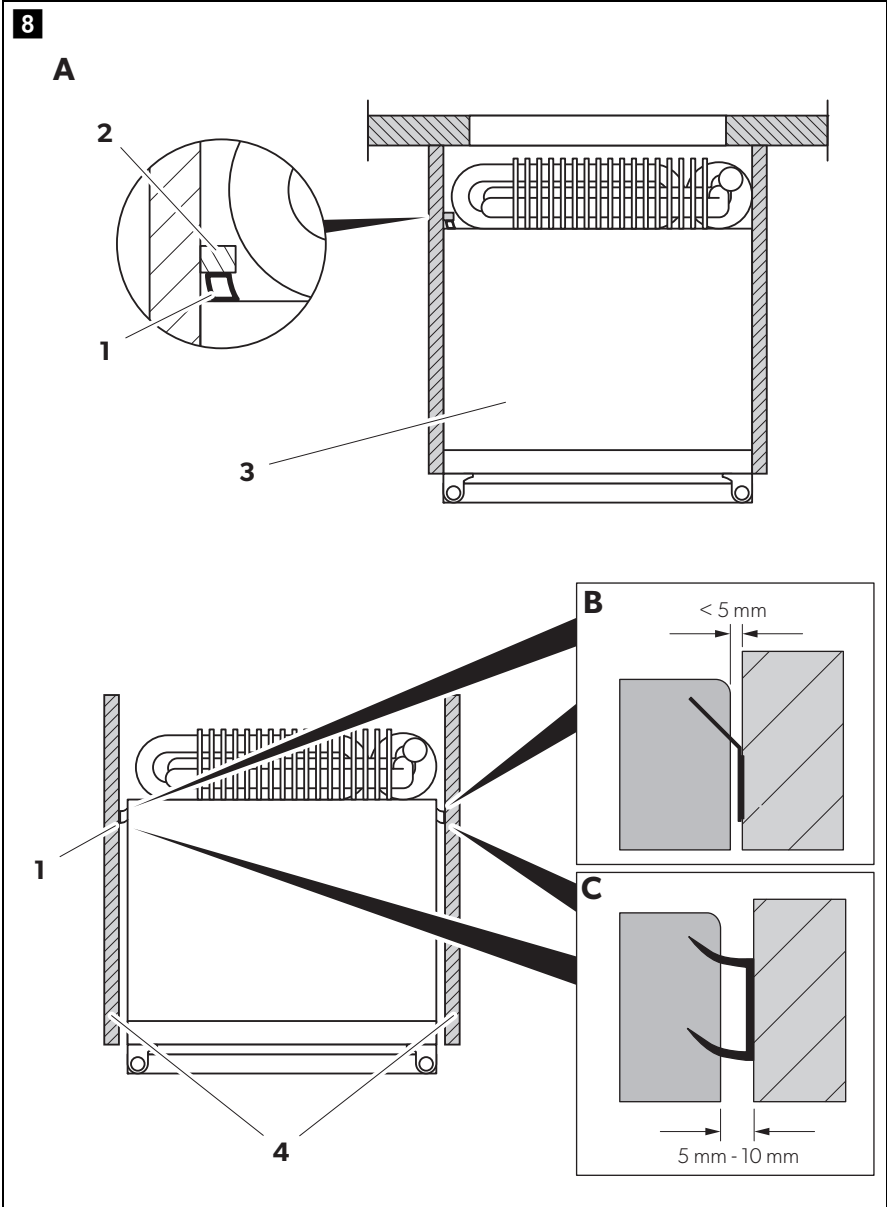
NOTICE

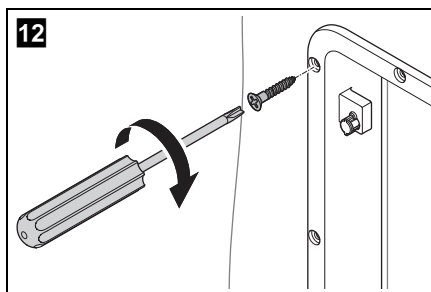
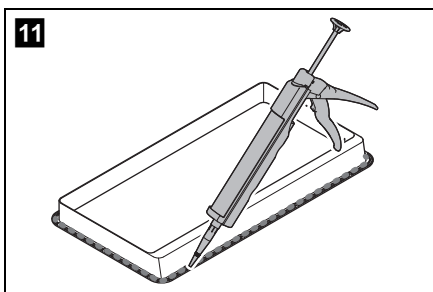
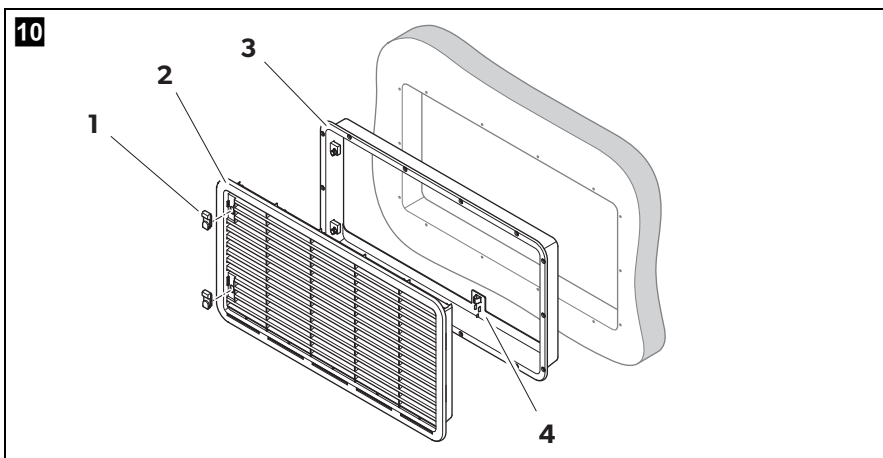
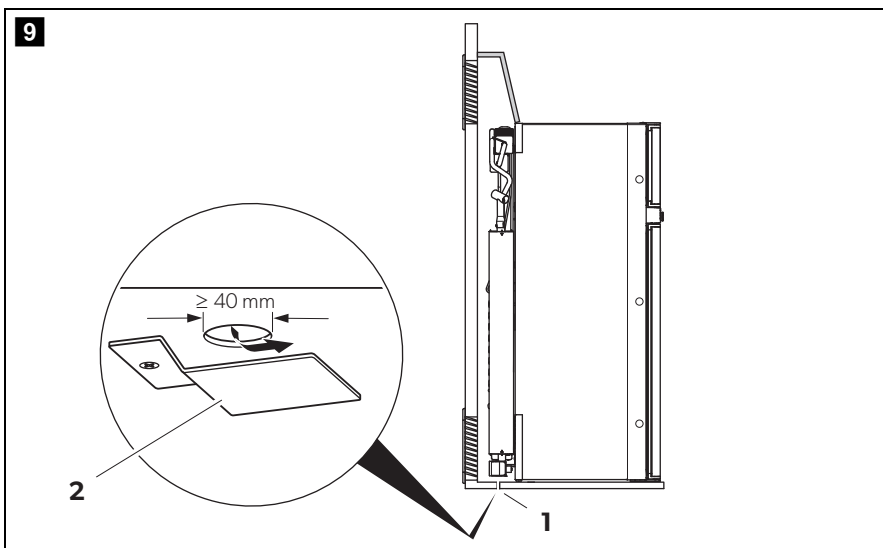


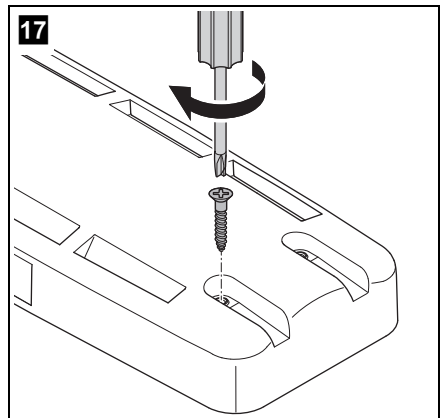
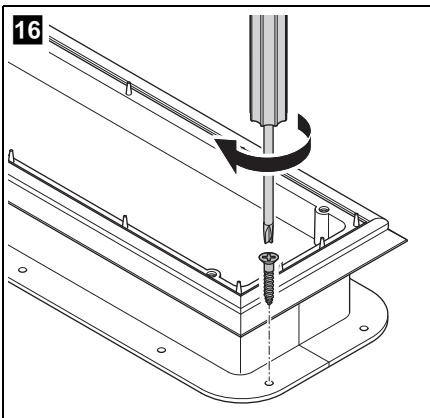
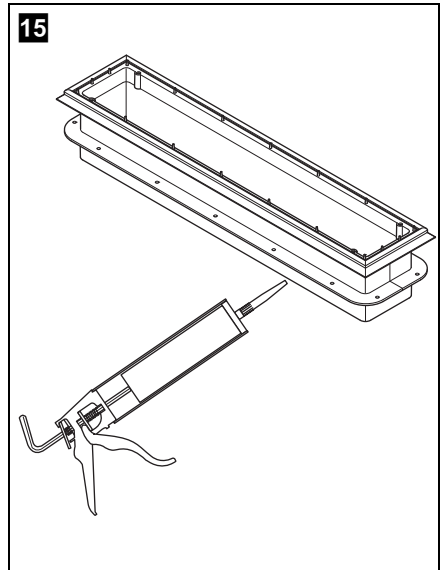
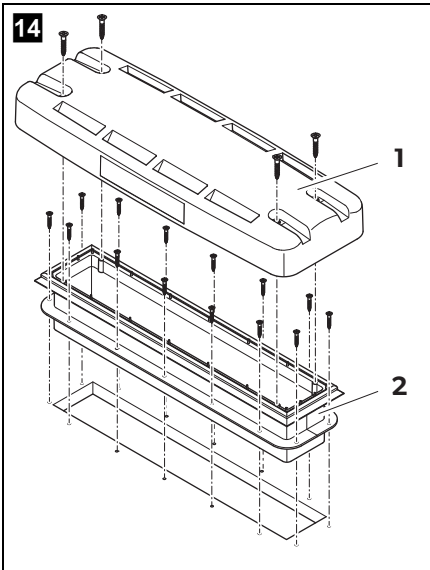
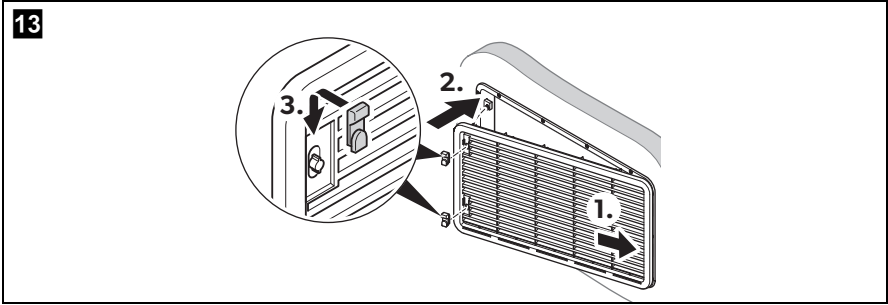


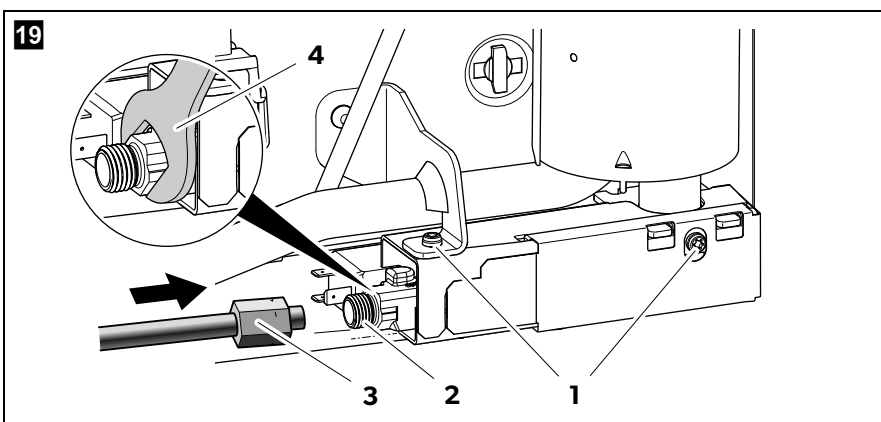
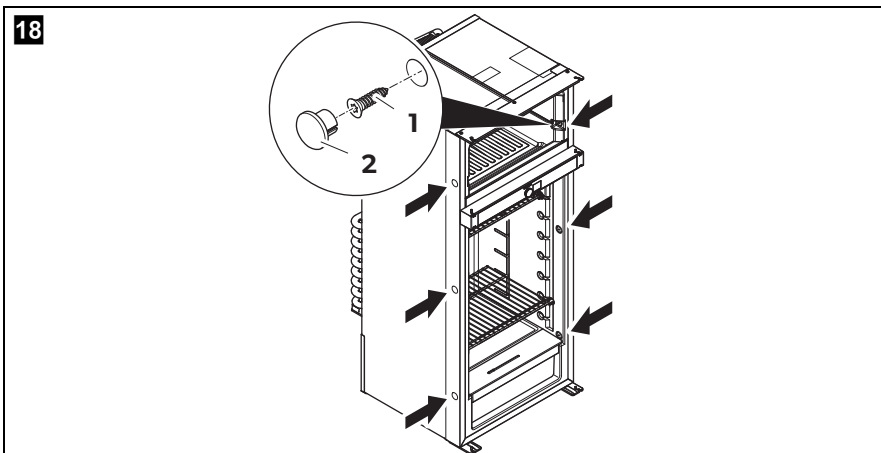




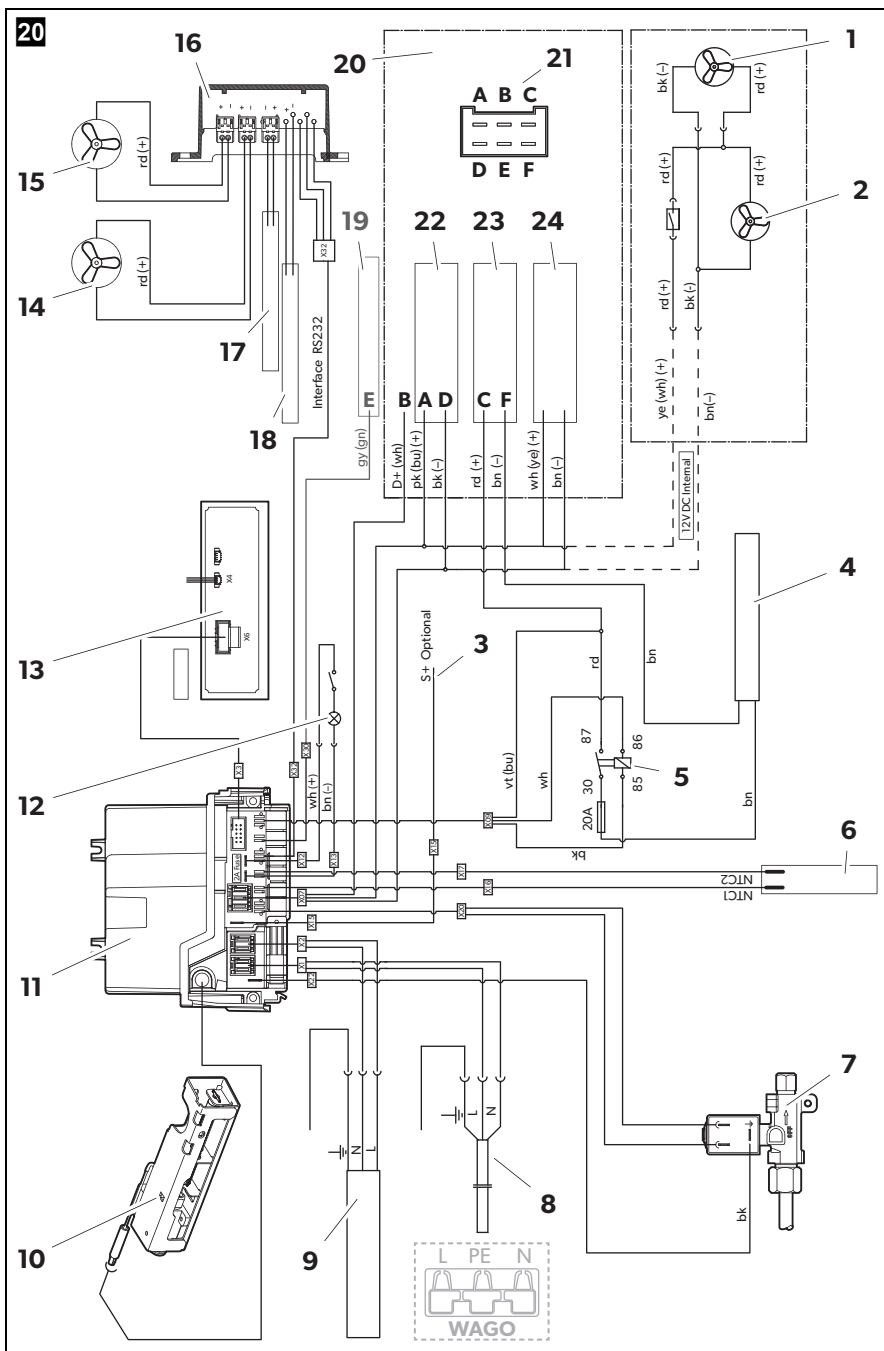








	bk	bn	bu	rd	pk	vt	wh
EN	Black	Brown	Blue	Red	Pink	Violet	White
DE	Schwarz	Braun	Blau	Rot	Pink	Violett	Weiß
FR	Noir	Marron	Bleu	Rouge	Rosa	Violeta	Blanc
NL	Zwart	Bruin	Blauw	Rood	Roze	Paars	Wit



Please read these instructions carefully and follow all instructions, guidelines, and warnings included in this product manual in order to ensure that you install, use, and maintain the product properly at all times. These instructions **MUST** stay with this product.

By using the product, you hereby confirm that you have read all instructions, guidelines, and warnings carefully and that you understand and agree to abide by the terms and conditions as set forth herein. You agree to use this product only for the intended purpose and application and in accordance with the instructions, guidelines, and warnings as set forth in this product manual as well as in accordance with all applicable laws and regulations. A failure to read and follow the instructions and warnings set forth herein may result in an injury to yourself and others, damage to your product or damage to other property in the vicinity. This product manual, including the instructions, guidelines, and warnings, and related documentation, may be subject to changes and updates. For up-to-date product information, please visit dometic.com.

Contents

1	Explanation of symbols	12
2	Safety instructions	13
3	Accessories	14
4	Intended use	15
5	Installing the refrigerator	16
6	Connecting the refrigerator	22
7	Technical data	27

1 Explanation of symbols



WARNING!

Safety instruction: Indicates a hazardous situation that, if not avoided, could result in death or serious injury.



CAUTION!

Safety instruction: Indicates a hazardous situation that, if not avoided, could result in minor or moderate injury.



NOTICE!

Indicates a situation that, if not avoided, can result in property damage.



NOTE

Supplementary information for operating the product.

2 Safety instructions



WARNING! Failure to obey these warnings could result in death or serious injury.

Explosion hazard

- Never open the absorber unit. It is under high pressure and can cause injury if it is opened.
- **Only** operate the device at the pressure shown on the type plate. Only use pressure controllers with a fixed setting which comply with the national regulations (in Europe EN 12864).

Fire hazard

- Ensure clean and residue-free handling if silicon sealant or similar is used. There is a risk of fire if silicone filaments come into contact with hot parts or naked flames.
- Never use a naked flame to check the device for leaks.
- Only use propane or butane gas (**not** natural gas).

Health hazard

- Do not operate the device if it is visibly damaged.
- If the AC power cable for this device is damaged, it must be replaced by the manufacturer, a service agent or a similarly qualified person in order to prevent safety hazards.
- This device may only be repaired by qualified personnel. Inadequate repairs may cause serious hazards.

Risk of asphyxiation

- Dismantle all device doors for the disposal of the old device and leave the shelves in the device to prevent accidental enclosure and suffocation.



CAUTION! Failure to obey these cautions could result in minor or moderate injury.

Electrical shock

- Before starting the device, ensure that the power supply line and the plug are dry.

Risk of crushing

- Do not put your fingers into the hinge.



NOTICE! Damage hazard

- Only hold the device at the body of the device during transport. Never hold the device at the absorber unit, the cooling fins, the gas pipes, the door or the control panel.
- Make sure that the device circuit is not damaged during transportation. The refrigerant in the device circuit is highly flammable.
In the event of any damage to the device circuit (smell of ammonia):
 - Switch off the device if applicable.
 - Avoid naked flames and sparks.
 - Air the room well.
- Do not install the device near naked flames or other heat sources (heaters, direct sunlight, gas ovens etc.).
- **Danger of overheating!**
Always ensure sufficient ventilation so that the heat generated during operation can dissipate. Make sure that the device is sufficiently far away from walls and other objects so that the air can circulate.
- Check that the voltage specification on the type plate is the same as that of the power supply.
- Do not open the refrigerant circuit under any circumstances.
- Only use the AC connection cable supplied to connect the device to the AC mains.
- Only use cables with a suitable size.
- Never pull the plug out of the socket by the connection cable.
- The device may not be exposed to rain.

3 Accessories

Description

Flexible gas piping

Seal for draft-proof installation for gaps of 1 – 5 mm (fig. **8 B**, page 7)

Seal for draft-proof installation for gaps of 5 – 10 mm (fig. **8 C**, page 7)

Winter cover LS 300 for the ventilation grill

Description

Adapter cable

- WAGO to CEE
- WAGO to UK
- WAGO to JST
- WAGO to MATE-N-LOK

Optional Fan Kit REF-FANKIT

Optional Battery Pack R10-BP for stand-alone gas operation

Optional Ø 2,5/5,5 mm connector for stand-alone gas operation with a 9 V  powerbank

4 Intended use

The device is suitable for installation in:

- Caravans
- Motor homes

This product is only suitable for the intended purpose and application in accordance with these instructions.

This manual provides information that is necessary for proper installation and/or operation of the product. Poor installation and/or improper operation or maintenance will result in unsatisfactory performance and a possible failure.

The manufacturer accepts no liability for any injury or damage to the product resulting from:

- Incorrect installation, assembly or connection, including excess voltage
- Incorrect maintenance or use of spare parts other than original spare parts provided by the manufacturer
- Alterations to the product without express permission from the manufacturer
- Use for purposes other than those described in this manual

Dometic reserves the right to change product appearance and product specifications.

5 Installing the refrigerator



Find the instructions for changing the door stop and the decorative plate online at:

<http://qr.dometic.com/berFOL>

5.1 Preparing the installation



NOTICE! Damage hazard

- The refrigerator may not be installed in the rear of mobile homes with the door pointing in the direction of travel.
- Use exclusively original Dometic ventilation grills to ensure safe operation.

When installing the refrigerator, note the following:

- To enable the refrigerant to circulate properly, the refrigerator may not exceed an angle of 3°.
Park the vehicle horizontally for this purpose.
- The refrigerator must be installed so that:
 - The refrigerator is easily accessible for service work.
 - The refrigerator is easy to de-install and install.
 - The refrigerator can be easily removed from the vehicle.
- The refrigerator must be installed with a minimum distance of 5 mm from the floor to ensure that the door can be opened properly (fig. **1**, page 3).
 - The refrigerator must rest completely on the floor of the furniture up to the front edge of the door (**B**).
 - Avoid placing the refrigerator directly on the floor.
 - Ensure that no carpets interfere with the free movement of the door.
- Ensure that no heat-sensitive components are placed in the area of the gas burner, such as cables, cable ducts, etc.
- The refrigerator must be installed in a recess so that it stands firm when the vehicle is in motion. Note the dimensions in fig. **2**, page 4 for this purpose.

- The outer wall must be fitted with an air inlet vent (fig. **3** 1, page 4) and an outlet vent (fig. **3** 2, page 4) with ventilation grills so that the heat generated can be easily released to the outside:
 - Air inlet vent: Fit ventilation grill as flush as possible with the base of the installation niche.
 - Outlet vent: fit as far above the refrigerator as possible.
 - The distance between the air inlet and outlet vents must be at least 1250 mm (fig. **4**, page 5).
- Fit a heat conduction plate (fig. **4** 1, page 5) above the refrigerator so that the heat does not accumulate in the vehicle.
- The distance between the refrigerator and the rear wall must be at least 15 mm but no more than 25 mm.
- A distance of more than 25 mm between the refrigerator and rear wall leads to poor performance and increases the power consumption of the refrigerator. Reduce the space behind the refrigerator to create adequate air inlet and outlet ventilation (fig. **5**, page 5). Use a ventilation plate, for example, to do this.
- If the minimum distance between the air inlet and outlet vents cannot be met, a roof vent must be installed instead of the air outlet vent.
 - The roof vent should be installed directly above the back of the refrigerator as far as this is possible. Use an air duct (fig. **6** 1, page 6) if you need to install the roof vent offset; otherwise, heat will accumulate there.
 - The distance between the air inlet vent and the roof vent must be at least 1800 mm (fig. **6**, page 6).
 - If a roof air conditioner is provided, the distance between the roof vent (fig. **7** 1, page 6) and the air outlet of the roof air conditioner (fig. **7** 2, page 6) must be at least 300 mm.
- The refrigerator must not be installed at the side of the air inlet and outlet vents as this leads to poor performance and increases the power consumption of the refrigerator.
- The air inlet and outlet vents must not be covered by vehicle parts (such as an open door or by installing accessories such as bicycle racks) while operating.
- Install the refrigerator so that it is protected from excessive heat, as this leads to poor performance and increases the power consumption of the refrigerator.
- The refrigerator must be installed in a draft-proof location.

5.2 Installing the refrigerator in a draft-proof location



WARNING! Fire hazard!

- Do not use flammable materials such as silicone sealants, foam or similar for the draft-proof installation.
- Position the device so that no connection cable is damaged or pinched.
- Do not use multiple sockets or portable power adapters behind the device.

Gas-powered refrigerators in camper vans or mobile homes must be installed in a draft-free location. This means that the combustion air is not extracted from the interior and the exhaust fumes are prevented from directly entering the living space.

A suitable seal must be fitted between the rear panel of the refrigerator and the interior of the vehicle.

The manufacturer recommends using a flexible seal to ease removal and installation for maintenance purposes.

Select one of the three versions for draft-proof installation (fig. **8**, page 7):

Stop bar behind the fridge (A)

- ▶ Glue a flexible sealing lip (**1**) to a stop bar (**2**) behind the refrigerator (**3**).
- ▶ Push the refrigerator-oven combination against the stop bar with the flexible sealing lips.
- ✓ The space behind the refrigerator is sealed to the interior of the vehicle.

Side gap distance of up to 5 mm between refrigerator and furniture (B)

- ▶ Glue the sealing lips (see chapter “Accessories” on page 14) on the side of the furniture (**4**).
- ▶ Push the refrigerator-oven combination against the flexible sealing lips on furniture.
- ✓ The space behind the refrigerator is sealed to the interior of the vehicle.

Side gap distance of 5 mm to 10 mm between refrigerator and furniture (C)

- ▶ Glue the double lipped sealing (see chapter “Accessories” on page 14) on the side of the furniture (**4**).

- ▶ Push the refrigerator-oven combination against the double lipped sealing on furniture.
- ✓ The space behind the refrigerator is sealed to the interior of the vehicle.

5.3 Making air inlet and outlet vents



NOTE

- Deviations from the inlet and outlet variations shown here must be approved by the manufacturer.
- At high ambient temperatures, the refrigerator can only provide its maximum cooling capacity if the optimum ventilation has been provided.

- ▶ Make an air inlet vent and an air outlet vent in the outer wall with the size of 249 mm x 490 mm.

When doing so, observe the information in chapter "Preparing the installation" on page 16.

If the ventilation grill of the air inlet vent cannot be installed flush with the floor of the niche, install an inlet vent in the floor. Any leaking gas can thus flow downwards.

- ▶ Make an air inlet vent of at least \varnothing 40 mm in the floor (fig. **9** 1, page 8) behind the refrigerator near the gas burner.
- ▶ Shield the end of the opening with a deflector to prevent sludge or dirt from getting inside while driving (fig. **9** 2, page 8).

If you have to use a roof vent instead of the air outlet vent:

- ▶ Cut out a section in the roof. Refer to the roof vent instruction manual for the required dimensions.
When doing so, observe the information in chapter "Preparing the installation" on page 16.

5.4 Installing the ventilation grill



NOTE

Use exclusively original Dometic ventilation grills to ensure safe operation.

No. in fig. 10, page 8	Description
1	Slider
2	Ventilation grill
3	Installation frame
4	Fastening for condensation drain

- ▶ Seal the installation frame to make the connection waterproof (fig. 11, page 8).
- ▶ Insert the installation frame and screw it down tightly (fig. 12, page 8). Use all the fixing holes for this.
- ▶ Insert the ventilation grill as shown (fig. 13, page 9).

5.5 Installing condensation drain



NOTE

- Condensation can form inside the refrigerator due to frequent door opening, incorrectly stored food or food that is stored when it is too warm.
- Condensation must be drained with a constant slope.

Install the condensation drain as follows:

Variant 1

- ▶ Run the condensation hose from the refrigerator through an opening in the floor which goes outside under the vehicle.

Variant 2

- ▶ Attach the condensation hose directly to the fitting intended for it on the ventilation grill (fig. 10 4, page 8).

5.6 Install the roof vent

No. in fig. 14, page 9	Description
1	Hood
2	Installation frame

- ▶ Seal the installation frame to make the connection waterproof (fig. 15, page 9).
- ▶ Insert the installation frame and screw it down tightly (fig. 16, page 9). Use all the fixing holes for this.
- ▶ Insert the hood and screw it down tightly (fig. 17, page 9).

5.7 Securing the refrigerator



CAUTION!

Only screw through the receptacles provided, otherwise foamed components, such as cables, can be damaged.



NOTE

Attach the side walls or the attached strips so that the screws are tight, even when under increased loads (while driving).

- ▶ Move the refrigerator into its final location.
- ▶ Fasten the six screws (fig. 18 1, page 10) through the six plastic washers in the sides of the refrigerator, and further into the wall.
- ▶ Put the caps (fig. 18 2, page 10) onto the screw heads.

6 Connecting the refrigerator

6.1 Connecting to the gas supply



NOTICE!

- This refrigerator may only be connected to the gas supply by a specialist in accordance with the applicable guidelines and standards.
- A hose connection is **not** permitted.
- Use a metal-sealed screw connection.
- The gas filter (white) in the refrigerator gas connection must not be removed.
- Only use cylinders of propane or butane gas (not natural gas or city gas) with an approved pressure reduction valve and suitable head. Compare the pressure information on the type plate with the pressure information on the pressure regulator on the propane or butane gas cylinder.
- **Only** operate the refrigerator at the pressure shown on the type plate.
- **Only** operate the refrigerator with the type of gas shown on the type plate.
- Please note the pressures which are permitted in your country. Only use pressure controllers with a fixed setting which comply with the national regulations.



NOTE

Optionally, you can use the Dometic flexible gas connection pipe to keep the installation tensionless.

It must be possible to shut off the refrigerator from the gas line separately by means of a shut-off device. The shut-off device must be easily accessible.

- ▶ Connect the refrigerator securely by hand to the gas supply (fig. 19, page 10):

**NOTICE!**

Always use a backup wrench (size 17 mm) when connecting the gas supply line to the refrigerator's gas inlet fitting.

No. in fig. 19, page 10	Description
1	Screw M4 (Torx TX20) Tightening torque: 2 Nm
2	Refrigerator gas connection M14 x 1.5 (d = 8 mm/ISO8434 (DIN2353))
3	Gas pipe with ring coupling (size 17) Tightening torque: 25 Nm
4	Backup wrench (17 mm)

- ▶ Have a leak test and a flame test performed by an authorized specialist after professional installation.
Ensure you are issued with a certificate of inspection and hand this certificate to the end user for safekeeping.

6.2 Connecting to DC and AC



NOTICE!

The electrical installation and repairs may only be performed by a specialist in accordance with the applicable regulations and standards.



NOTE

- The device plug must not be placed directly behind the ventilation grill in order to prevent the air circulation from being impaired and to protect the device plug from splashes of water.
- The device plug of the AC connection cable must not be cut off.
- The connection cables must be laid so that they do not come in contact with hot parts of the unit/burner or with sharp edges.
- Changes to the internal electrical installation or the connection of other electrical components (e.g. extra third party fans) to the internal wiring of the refrigerator will void any claims from the guarantee and product liability.
- The refrigerator has a CI bus interface and can be controlled through a compatible central vehicle display.

Circuit diagram of the refrigerator (fig. 20, page 11)

No. in fig. 20, page 11	Description
1	Fan 2 (if options module is not available)
2	Fan 1 (if options module is not available)
3	S+ (optional)
4	Heating element DC
5	DC relay with 20 A fuse for heating cartridge
6	NTC 1: Refrigeration room NTC 2: Outside temperature (optional)
7	Gas valve
8	AC power supply
9	Heating element AC
10	Gas burner
11	Connection block
12	Lightning

No. in fig. 20, page 11	Description
13	Display
14	Heating frame
15	Fan 2 (if options module is available)
16	Fan 1 (if options module is available)
17	Options module
18	DC supply oven (if options module is available)
19	DC supply options module
20	CI-Bus connection
21	DC power supply
22	12 V terminal housing (front view) <ul style="list-style-type: none"> • AMP/TE Tyco: 180906 • CS Colombo: 63N025
23	DC supply cable electronics
24	DC supply cable heating element
25	Internal DC supply, max. 1 A (options module, oven, fan)

DC power



WARNING! Fire hazard!

- The supply line to the heating element must be protected with a 20 A fuse.
- The supply line to the electronics must be protected with a 2 A fuse.



NOTICE!

The respective positive and negative supply lines of the DC connections for electronics (fig. 20 23, page 11) and heating element (fig. 20 24, page 11) may **not** be joined with one another and carried on a single wire. This can cause electrical interference or damage to electrical components.


Please note the following cable sizes:

- Cross section for connections to the heating element: min. 6 mm²
To guarantee a proper cooling performance ensure that the voltage loss is <math><0.8\text{ V}</math> from the power supply to the refrigerator connection terminal.
- Connections electronics and heating element: 0.75 mm²
- Connections D+ and S+: 0.75 mm²
- Cable fed via drawbar (caravans only): 2.5 mm²
- ▶ Assemble your DC socket as follows (fig. **20** 21, page 11):
 - Connect **A** and **C** to the positive pole of the battery.
 - Connect **D** and **F** to Connect D and F to ground.
 - Connect **B** to the D + signal.
The electronics of the refrigerator uses the signal D+ from the light system to detect the running engine. In automatic mode, the refrigerator selects the most favorable mode available. The refrigerator is only operated with direct current when the vehicle engine is running.
 - Connect **E** to the CI-BUS.
- ▶ Connect **3** with the S+ signal (optional).
- ▶ Protect the supply line **A** with a 2 A fuse in the power distribution box of the vehicle.
- ▶ Protect the supply line **C** with a 20 A fuse in the power distribution box of the vehicle.
- ▶ Run the supply line **C** via an ignition-controlled relay.
This prevents the battery from completely discharging if the engine is switched off accidentally.

AC power

- ▶ Connect the refrigerator to an AC socket using the device plug.

7 Technical data

	RMD10.5(T)	RMD10.5X(T)	RMD10.5XS	RMD10.5S
Connection voltage	230 V~ /50 Hz 12 V===			
Capacity				
Gross capacity	153 l	177 l	177 l	153 l
Refrigerator compartment	124 l	142 l	142 l	124 l
Ice compartment	29 l	35 l	35 l	29 l
Total net capacity	147 l	171 l	171 l	147 l
Power consumption	250 W (230 V~) 170 W (12 V===)			
Energy consumption	4,4 kWh/24 h (230 V~)			
Gas consumption	580 g/24 h			
Climate class	SN			
Dimensions H x W x D	1245 x 523 x 550 mm	1245 x 523 x 605 mm	1245 x 523 x 605 mm	1245 x 523 x 550 mm
Weight	40 kg	41,5 kg	40,5 kg	39 kg
Inspection/certification				

For the current EU declaration of conformity for your device please refer to the respective product page on dometic.com or contact the manufacturer directly (see dometic.com/dealer).

Lesen und befolgen Sie bitte alle Anweisungen, Richtlinien und Warnhinweise in diesem Produkthandbuch sorgfältig, um sicherzustellen, dass Sie das Produkt ordnungsgemäß installieren und stets ordnungsgemäß betreiben und warten. Diese Anleitung MUSS bei dem Produkt verbleiben.

Durch die Verwendung des Produktes bestätigen Sie hiermit, dass Sie alle Anweisungen, Richtlinien und Warnhinweise sorgfältig gelesen haben und dass Sie die hierin dargelegten Bestimmungen verstanden haben und ihnen zustimmen. Sie erklären sich damit einverstanden, dieses Produkt nur für den angegebenen Verwendungszweck und gemäß den Anweisungen, Richtlinien und Warnhinweisen dieses Produkthandbuchs sowie gemäß allen geltenden Gesetzen und Vorschriften zu verwenden. Eine Nichtbeachtung der hierin enthaltenen Anweisungen und Warnhinweise kann zu einer Verletzung Ihrer selbst und anderer Personen, zu Schäden an Ihrem Produkt oder zu Schäden an anderem Eigentum in der Umgebung führen. Dieses Produkthandbuch, einschließlich der Anweisungen, Richtlinien und Warnhinweise, sowie die zugehörige Dokumentation können Änderungen und Aktualisierungen unterliegen. Aktuelle Produktinformationen finden Sie unter dometic.com.

Inhalt

1	Erläuterung der Symbole	28
2	Sicherheitshinweise	29
3	Zubehör	31
4	Bestimmungsgemäßer Gebrauch	31
5	Kühlschrank aufstellen.	32
6	Kühlschrank anschließen	38
7	Technische Daten	43

1 Erläuterung der Symbole



WARNUNG!

Sicherheitshinweis: Kennzeichnet eine Gefahrensituation, die zum Tod oder schwerer Verletzung führen könnte, wenn die jeweiligen Anweisungen nicht befolgt werden.



VORSICHT!

Sicherheitshinweis: Kennzeichnet eine Gefahrensituation, die zu geringer oder mittelschwerer Verletzung führen könnte, wenn die jeweiligen Anweisungen nicht befolgt werden.



ACHTUNG!

Kennzeichnet eine Situation, die zu Sachschäden führen kann, wenn die jeweiligen Anweisungen nicht befolgt werden.

**HINWEIS**

Ergänzende Informationen zur Bedienung des Produktes.

2 Sicherheitshinweise



WARNUNG! Nichtbeachtung dieser Warnungen kann zum Tod oder schwerer Verletzung führen.

Explosionsgefahr

- Öffnen Sie niemals das Absorberaggregat. Es steht unter hohem Druck und kann Verletzungen verursachen, wenn es geöffnet wird.
- Das Gerät darf **ausschließlich** mit dem auf dem Typenschild angegebenen Druck betrieben werden. Verwenden Sie nur festeingestellte Druckregler, die den nationalen Vorschriften entsprechen (in Europa EN 12864).

Brandgefahr

- Achten Sie auf eine saubere und rückstandsfreie Verarbeitung, wenn Silikon-Dichtungsmasse o. Ä. verwendet wird. Kommen Silikonfäden mit heißen Teilen oder offenen Flammen in Berührung, besteht Brandgefahr.
- Prüfen Sie das Gerät niemals mit einer offenen Flamme auf Undichtigkeit.
- Verwenden Sie nur Propan- oder Butangas (**kein** Erdgas).

Gesundheitsgefahr

- Wenn das Gerät sichtbare Beschädigungen aufweist, dürfen Sie es nicht in Betrieb nehmen.
- Wenn das Wechselstrom-Anschlusskabel dieses Geräts beschädigt wird, muss es durch den Hersteller, einen Kundendienstmitarbeiter oder eine ähnlich qualifizierte Person ersetzt werden, um Gefährdungen zu vermeiden.
- Reparaturen an diesem Gerät dürfen nur von Fachkräften durchgeführt werden. Durch unsachgemäße Reparaturen können erhebliche Gefahren entstehen.

Erstickungsgefahr

- Demontieren Sie alle Türen des Geräts bei Entsorgung des Altgeräts und belassen Sie die Einlegeböden im Gerät, um ein versehentliches Einschließen und Ersticken zu verhindern.



VORSICHT! Nichtbeachtung dieser Hinweise kann zu leichten bis mittelschweren Verletzungen führen.

Elektrischer Schlag

- Achten Sie vor der Inbetriebnahme darauf, dass Zuleitung und Stecker trocken sind.

Quetschgefahr

- Fassen Sie nicht in das Scharnier.



ACHTUNG! Beschädigungsgefahr

- Halten Sie das Gerät beim Transport nur am Gerätekorpus fest. Halten Sie das Gerät niemals am Absorberaggregat, den Kühlrippen, den Gasleitungen, der Tür oder dem Bedienfeld fest.
- Achten Sie beim Transport darauf, den Gerätekreislauf nicht zu beschädigen. Das Kühlmittel im Gerätekreislauf ist leicht entflammbar. Bei einer Beschädigung des Gerätekreislaufs (Ammoniakgeruch):
 - Schalten Sie das Gerät gegebenenfalls aus.
 - Vermeiden Sie offenes Feuer und Zündfunken.
 - Lüften Sie den Raum gut.
- Bauen Sie das Gerät nicht in der Nähe von offenen Flammen oder anderen Wärmequellen (Heizung, Gasöfen usw.) ein.
- **Überhitzungsgefahr!**

Achten Sie stets darauf, dass beim Betrieb entstehende Wärme ausreichend abgeführt werden kann. Sorgen Sie dafür, dass das Gerät in ausreichendem Abstand zu Wänden oder Gegenständen steht, sodass die Luft zirkulieren kann.
- Prüfen Sie, ob die Spannungsangabe auf dem Typenschild mit der vorhandenen Netzspannung übereinstimmt.
- Öffnen Sie auf keinen Fall den Kühlkreislauf.
- Schließen Sie das Gerät nur mit dem zugehörigen Wechselstrom-Anschlusskabel an die Wechselstromsteckdose an.
- Verwenden Sie nur Kabel mit passendem Leitungsquerschnitt.
- Ziehen Sie den Stecker nie am Anschlusskabel aus der Steckdose.
- Das Gerät darf keinem Regen ausgesetzt werden.

3 Zubehör

Beschreibung

Flexible Gasleitung

Dichtung für zugluftsicheren Einbau bei einem Spalt von 1 – 5 mm (Abb. **8 B**, Seite 7)

Dichtung für zugluftsicheren Einbau bei einem Spalt von 5 – 10 mm (Abb. **8 B**, Seite 7)

Winterabdeckung LS300 für das Lüftungsgitter

Adapterkabel

- WAGO zu CEE
- WAGO zu UK
- WAGO zu JST
- WAGO zu MATE-N-LOK

Optionaler Lüftersatz REF-FANKIT

Optionaler Batteriepack R10-BP für den autarken Gasbetrieb

Optionaler Anschlussstecker mit $\varnothing 2,5/5,5$ mm für autarken Gasbetrieb mit einer 9-V- - Powerbank

4 Bestimmungsgemäßer Gebrauch

Das Gerät ist geeignet für den Einbau in:

- Wohnwagen
- Wohnmobilen

Dieses Produkt ist nur für den angegebenen Verwendungszweck und die Anwendung gemäß dieser Anleitung geeignet.

Dieses Handbuch enthält Informationen, die für die ordnungsgemäße Installation und/oder den ordnungsgemäßen Betrieb des Produkts erforderlich sind. Installationsfehler und/oder ein nicht ordnungsgemäßer Betrieb oder eine nicht ordnungsgemäße Wartung haben eine unzureichende Leistung und u. U. einen Ausfall des Geräts zur Folge.

Der Hersteller übernimmt keine Haftung für Verletzungen oder Schäden am Produkt, die durch Folgendes entstehen:

- unsachgemäße Montage oder falscher Anschluss, einschließlich Überspannung
- unsachgemäße Wartung oder Verwendung von anderen als den vom Hersteller gelieferten Original-Ersatzteilen
- Veränderungen am Produkt ohne ausdrückliche Genehmigung des Herstellers

- Verwendung für andere als die in der Anleitung beschriebenen Zwecke

Dometic behält sich das Recht vor, das Erscheinungsbild des Produkts und dessen technische Daten zu ändern.

5 Kühlschrank aufstellen



Die Anleitung zum Wechseln des Türanschlags und der Dekorplatte finden Sie online unter:

<http://qr.dometic.com/berFOL>

5.1 Einbau vorbereiten



ACHTUNG!

- Der Kühlschrank darf nicht im Heck von Wohnmobilen installiert werden, wenn die Tür in Fahrtrichtung zeigt.
- Verwenden Sie ausschließlich Original-Lüftungsgitter von Dometic, um einen sicheren Betrieb zu gewährleisten.

Beachten Sie bei der Montage des Kühlschranks folgende Hinweise:

- Damit das Kältemittel ordnungsgemäß zirkulieren kann, darf der Kühlschrank einen Neigungswinkel von 3° nicht überschreiten.
Stellen Sie das Fahrzeug zu diesem Zweck waagrecht ab.
- Der Kühlschrank muss so installiert werden, dass:
 - der Kühlschrank für Wartungsarbeiten leicht zugänglich ist.
 - der Kühlschrank leicht zu deinstallieren und zu installieren ist.
 - der Kühlschrank leicht aus dem Fahrzeug entfernt werden kann.
- Der Kühlschrank muss in einem Abstand von mindestens 5 mm über dem Boden installiert werden, damit sich die Tür richtig öffnen lässt (Abb. **1**, Seite 3).
 - Der Kühlschrank muss bis zur Vorderkante der Tür vollständig auf dem Möbelstück aufliegen (**B**).
 - Stellen Sie den Kühlschrank nicht direkt auf den Boden.
 - Stellen Sie sicher, dass kein Teppich die Bewegungsfreiheit der Tür einschränkt.
- Achten Sie darauf, dass sich im Bereich des Gasbrenners keine wärmeempfindlichen Komponenten wie z. B. Kabel, Kabeldurchführungen usw. befinden.
- Der Kühlschrank muss in eine Nische eingebaut werden, damit er bei Bewegung des Fahrzeugs fest steht. Beachten Sie die Abmessungen in Abb. **2**, Seite 4 zu diesem Zweck.

- In der Außenwand müssen eine Belüftungsöffnung (Abb. **3** 1, Seite 4) und eine Entlüftungsöffnung (Abb. **3** 2, Seite 4) mit Lüftungsgitter vorgesehen werden, damit die entstehende Wärme gut nach außen abgegeben werden kann:
 - Belüftungsöffnung: Lüftungsgitter möglichst bündig mit dem Boden der Einbaunische montieren.
 - Entlüftungsöffnung: möglichst weit oberhalb des Kühlschranks.
 - Der Abstand zwischen Belüftungsöffnung und Entlüftungsöffnung muss mindestens 1250 mm betragen (Abb. **4**, Seite 5).
- Sehen Sie oberhalb des Kühlschranks ein Wärmeleitblech vor (Abb. **4** 1, Seite 5), damit sich die Wärme nicht im Fahrzeug staut.
- Der Abstand zwischen Kühlschrank und Rückwand muss mindestens 15 mm, höchstens jedoch 25 mm betragen.
- Ein Abstand von über 25 mm zwischen Kühlschrank und Rückwand führt zu Leistungseinbußen und erhöhtem Energieverbrauch des Kühlschranks. Verkleinern Sie den Hohlraum hinter dem Kühlschrank entsprechend, um eine ausreichende Be- und Entlüftung herzustellen (Abb. **5**, Seite 5). Nutzen Sie hierzu z. B. ein Luftleitblech.
- Falls der Mindestabstand zwischen Belüftungsöffnung und Entlüftungsöffnung nicht eingehalten werden kann, muss statt der Entlüftungsöffnung ein Dachentlüfter verbaut werden.
 - Der Dachentlüfter sollte möglichst direkt über der Rückseite des Kühlschranks angebracht werden. Nutzen Sie einen Luftkanal (Abb. **6** 1, Seite 6), wenn Sie den Dachentlüfter versetzt anbringen müssen, da sonst ein Wärmestau entsteht.
 - Der Abstand zwischen Belüftungsöffnung und Dachentlüfter muss mindestens 1800 mm betragen (Abb. **6**, Seite 6).
 - Falls eine Dachklimaanlage vorhanden ist, muss der Abstand zwischen Dachentlüfter (Abb. **7** 1, Seite 6) und Luftauslass der Dachklimaanlage (Abb. **7** 2, Seite 6) mindestens 300 mm betragen.
- Der Kühlschrank darf nicht seitlich zu den Be- und Entlüftungsöffnungen eingebaut werden, da dies zu Leistungseinbußen und erhöhtem Energieverbrauch des Kühlschranks führt.
- Die Belüftungs- und Entlüftungsöffnung dürfen im Betrieb nicht durch Fahrzeugteile abgedeckt werden (z. B. geöffnete Tür oder durch den Anbau von Zubehör wie Fahrradträger).
- Installieren Sie den Kühlschrank geschützt gegen übermäßige Wärmeeinstrahlung, da diese zu Leistungseinbußen und erhöhtem Energieverbrauch des Kühlschranks führt.
- Der Kühlschrank muss an einem zugluftsicheren Ort eingebaut werden.

5.2 Kühlschrank zugdicht einbauen



WARNUNG! Brandgefahr!

- Verwenden Sie zum zugdichten Einbau keine leicht entflammaren Materialien wie Silikon-Dichtungsmassen, Montageschaum oder Ähnliches.
- Positionieren Sie das Gerät so, dass kein Anschlusskabel beschädigt oder eingeklemmt wird.
- Platzieren Sie nicht mehrere Steckdosen oder tragbare Netzteile hinter dem Gerät.

Gasbetriebene Kühlschränke in Wohnwagen oder Wohnmobilen müssen zugdicht eingebaut werden. Das bedeutet, dass die Verbrennungsluft nicht dem Innenraum entnommen wird und die Abgase am direkten Eintritt in den Wohnraum gehindert werden.

Zwischen Rückwand des Kühlschranks und dem Innenraum des Fahrzeugs muss eine geeignete Abdichtung vorgesehen werden.

Der Hersteller empfiehlt, eine flexible Dichtung zu verwenden, um den Aus- und Einbau für Wartungszwecke zu vereinfachen.

Wählen Sie eine der drei Versionen für einen zugluftsicheren Einbau (Abb. **8**, Seite 7):

Anschlagleiste hinter dem Kühlschrank (A)

- Kleben Sie eine flexible Dichtlippe **(1)** an eine Anschlagleiste **(2)** hinter dem Kühlschrank **(3)**.
- Schieben Sie die Kühlschrank-Ofen-Kombination gegen die Anschlagleiste mit den flexiblen Dichtlippen.
- ✓ Der Raum hinter dem Kühlschrank ist zum Innenraum des Fahrzeugs hin abgedichtet.

Seitlicher Spaltabstand von bis zu 5 mm zwischen Kühlschrank und Möbelstück (B)

- Kleben Sie die Dichtlippen (siehe Kapitel „Zubehör“ auf Seite 31) an die Seite des Möbelstücks **(4)**.
- Schieben Sie die Kühlschrank-Ofen-Kombination gegen die flexiblen Dichtlippen an dem Möbelstück.
- ✓ Der Raum hinter dem Kühlschrank ist zum Innenraum des Fahrzeugs hin abgedichtet.

Seitlicher Spaltabstand von 5 mm bis 10 mm zwischen Kühlschrank und Möbelstück (C)

- ▶ Kleben Sie die doppellippige Dichtung (siehe Kapitel „Zubehör“ auf Seite 31) an die Seite des Möbelstücks (4).
- ▶ Schieben Sie die Kühlschrank-Ofen-Kombination gegen die doppellippige Dichtung an dem Möbelstück.
- ✓ Der Raum hinter dem Kühlschrank ist zum Innenraum des Fahrzeugs hin abgedichtet.

5.3 Be- und Entlüftungsöffnungen herstellen



HINWEIS

- Abweichungen von den hier gezeigten Einlass- und Auslassvarianten müssen vom Hersteller genehmigt werden.
- Bei hohen Umgebungstemperaturen kann der Kühlschrank nur dann seine maximale Kühlleistung erbringen, wenn für eine optimale Be- und Entlüftung gesorgt ist.

- ▶ Fertigen Sie eine Belüftungs- und eine Entlüftungsöffnung in der Außenwand mit der Größe 249 mm × 490 mm an.

Beachten Sie dabei die Hinweise in Kapitel „Einbau vorbereiten“ auf Seite 32.

Falls das Lüftungsgitter der Belüftungsöffnung nicht bündig zum Boden der Einbaunische eingebaut werden kann, bauen Sie eine Belüftungsöffnung im Fußboden ein. Austretendes Gas kann so nach unten strömen.

- ▶ Fertigen Sie hinter dem Kühlschrank im Bereich des Gasbrenners eine Belüftungsöffnung von mindestens Ø 40 mm im Boden an (Abb. **9** 1, Seite 8).
- ▶ Schirmen Sie das Ende der Öffnung mit einem Ablenker ab, damit während der Fahrt kein Schlamm oder Dreck eindringen kann (Abb. **9** 2, Seite 8).

Falls Sie statt der Entlüftungsöffnung einen Dachentlüfter nutzen müssen:

- ▶ Fertigen Sie einen Rahmenausschnitt im Dach an. Entnehmen Sie das erforderliche Maß der Anleitung des Dachentlüfters.
- Beachten Sie dabei die Hinweise in Kapitel „Einbau vorbereiten“ auf Seite 32.

5.4 Lüftungsgitter montieren



HINWEIS

Verwenden Sie ausschließlich Original-Lüftungsgitter von Dometic, um einen sicheren Betrieb zu gewährleisten.

Nr. in Abb. 10 , Seite 8	Beschreibung
1	Schieber
2	Lüftungsgitter
3	Einbaurahmen
4	Halterung für Kondenswasserablauf

- Dichten Sie den Einbaurahmen ab, um die Verbindung wasserdicht zu machen (Abb. **11**, Seite 8).
- Setzen Sie den Einbaurahmen ein und schrauben Sie ihn fest (Abb. **12**, Seite 8). Benutzen Sie dafür alle Befestigungsbohrungen.
- Setzen Sie das Lüftungsgitter wie abgebildet ein (Abb. **13**, Seite 9).

5.5 Kondensatablauf installieren



HINWEIS

- Durch häufiges Türöffnen, falsch gelagerte Lebensmittel oder zu warm gelagerte Lebensmittel kann sich im Inneren des Kühlschranks Kondensat bilden.
- Das Kondensat muss mit konstantem Gefälle abgelassen werden.

Installieren Sie den Kondensatablauf wie folgt:

Variante 1

- Führen Sie den Kondenswasserschlauch des Kühlschranks durch eine Öffnung im Boden, die nach außen unter das Fahrzeug führt.

Variante 2

- Schließen Sie den Kondenswasserschlauch direkt am dafür vorgesehenen Anschluss am Lüftungsgitter an (Abb. **10** 4, Seite 8).

5.6 Dachentlüfter montieren

Nr. in Abb. 14 , Seite 9	Beschreibung
1	Haube
2	Einbaurahmen

- ▶ Dichten Sie den Einbaurahmen ab, um die Verbindung wasserdicht zu machen (Abb. **15**, Seite 9).
- ▶ Setzen Sie den Einbaurahmen ein und schrauben Sie ihn fest (Abb. **16**, Seite 9). Benutzen Sie dafür alle Befestigungsbohrungen.
- ▶ Setzen Sie die Haube auf und schrauben Sie sie fest (Abb. **17**, Seite 9).

5.7 Kühlschrank befestigen



VORSICHT!

Schrauben Sie nur durch die dafür vorgesehenen Buchsen, da ansonsten eingeschäumte Bauteile wie Leitungen beschädigt werden können.



HINWEIS

Befestigen Sie die Seitenwände oder die angebrachten Leisten so, dass die Schrauben auch bei erhöhter Beanspruchung (während der Fahrt) fest sitzen.

- ▶ Bringen Sie den Kühlschrank in seine endgültige Lage.
- ▶ Drehen Sie sechs Schrauben (Abb. **18** 1, Seite 10) durch die sechs Kunststoffbuchsen in den Seitenwänden des Kühlschranks und weiter in die Nischenwand.
- ▶ Setzen Sie die Abdeckkappen (Abb. **18** 2, Seite 10) auf die Schraubenköpfe.

6 Kühlschrank anschließen

6.1 An die Gasversorgung anschließen



ACHTUNG!

- Der Kühlschrank darf nur von einer Fachkraft gemäß den geltenden Vorschriften und Normen an die Gasversorgung angeschlossen werden.
- Ein Schlauchanschluss ist **nicht** zulässig.
- Verwenden Sie eine Schraubverbindung mit Metalledichtung.
- Der Gasfilter (Weiß) im Gasanschluss des Kühlschranks darf nicht entfernt werden.
- Verwenden Sie nur Propan- oder Butangasflaschen (kein Erdgas oder Stadtgas) mit geprüftem Druckreduzierventil und passendem Kopfstück. Vergleichen Sie die Druckangabe auf dem Typenschild mit der Druckangabe auf dem Druckregler der Propan- oder Butangasflasche.
- Der Kühlschrank darf **ausschließlich** mit dem auf dem Typenschild angegebenen Druck betrieben werden.
- Der Kühlschrank darf **ausschließlich** mit der auf dem Typenschild angegebenen Gasart betrieben werden.
- Bitte beachten Sie die in Ihrem Land zugelassenen Drücke. Verwenden Sie nur festeingestellte Druckregler, die den nationalen Vorschriften entsprechen.



HINWEIS

Optional können Sie die flexible Gasanschlussleitung von Dometic verwenden, um die Installation spannungsfrei zu halten.

Der Kühlschrank muss durch eine Absperreinrichtung in der Gasleitung separat absperrbar sein. Die Absperreinrichtung muss leicht zugänglich sein.

- Schließen Sie den Kühlschrank fest per Hand an die Gasversorgung an (Abb. **19**, Seite 10):



ACHTUNG!

Verwenden Sie für den Anschluss der Gaszuleitung an den Gaseinlassanschluss des Kühlschranks stets einen zweiten Schraubenschlüssel (Größe 17 mm).

Nr. in Abb. 19 , Seite 10	Beschreibung
1	Schraube M4 (Torx TX20) Anzugsmoment: 2 Nm
2	Gasanschluss Kühlschrank M14 × 1,5 (d = 8 mm/ISO8434 (DIN2353))
3	Gasrohr mit Ringkupplung (Größe 17) Anzugsmoment: 25 Nm
4	zweiter Schraubenschlüssel (17 mm)

- Lassen Sie nach der fachgerechten Installation eine Dichtheitsprüfung und eine Flammprobe von einer autorisierten Fachkraft durchführen. Stellen Sie sicher, dass Sie eine Prüfbescheinigung erhalten, und geben Sie diese Bescheinigung dem Endbenutzer zur sicheren Aufbewahrung.

6.2 An Gleichstrom und Wechselstrom anschließen



ACHTUNG!

Die elektrische Installation sowie Reparaturen dürfen nur von einer Fachkraft gemäß den geltenden Vorschriften und Normen ausgeführt werden.



HINWEIS

- Der Gerätestecker darf nicht direkt hinter dem Lüftungsgitter platziert werden, um eine Beeinträchtigung der Luftzirkulation zu verhindern und den Gerätestecker vor Wasserspritzern zu schützen.
- Der Gerätestecker des Wechselstrom-Anschlusskabels darf nicht abgeschnitten werden.
- Die Anschlusskabel müssen so verlegt sein, dass sie nicht mit heißen Teilen des Aggregats/Brenners oder mit scharfen Kanten in Berührung kommen.
- Veränderungen an der internen elektrischen Installation oder der Anschluss anderer elektrischer Komponenten (z. B. fremder Zusatzlüfter) an der internen Verkabelung des Kühlschranks führen zum Erlöschen jeglicher Ansprüche aus Gewährleistung und Produkthaftung!
- Der Kühlschrank verfügt über eine CI-Bus-Schnittstelle und kann über ein kompatibles zentrales Fahrzeugdisplay gesteuert werden.

Schaltplan des Kühlschranks (Abb. 20, Seite 11)

Nr. in Abb. 20, Seite 11	Beschreibung
1	Lüfter 2 (falls Optionsmodul nicht verfügbar ist)
2	Lüfter 1 (falls Optionsmodul nicht verfügbar ist)
3	S+ (optional)
4	Heizelement (Gleichstrom)
5	Relais mit 20-A-Sicherung für Heizpatrone
6	NTC 1: Kühlraum NTC 2: Außentemperatur (optional)
7	Gasventil
8	Wechselstromanschluss
9	Heizelement (Wechselstrom)
10	Gasbrenner
11	Anschlussblock
12	Beleuchtung
13	Display
14	Heizrahmen

Nr. in Abb. 20 , Seite 11	Beschreibung
15	Lüfter 2 (falls Optionsmodul verfügbar ist)
16	Lüfter 1 (falls Optionsmodul verfügbar ist)
17	Optionsmodul
18	Gleichstromversorgung Ofen (falls Optionsmodul verfügbar ist)
19	Gleichstromversorgung Optionsmodul
20	CI-Bus-Anschluss
21	Gleichstromanschluss
22	Gehäuse 12-V-Klemme (Vorderansicht) <ul style="list-style-type: none"> • AMP/TE Tyco: 180906 • CS Colombo: 63N025
23	Gleichstromversorgungskabel Elektronik
24	Gleichstromversorgungskabel Heizelement
25	Interne Gleichstromversorgung, max. 1 A (Optionsmodul, Ofen, Lüfter)

Gleichstrom



WARNUNG! Brandgefahr!

- Die Versorgungsleitung zum Heizelement muss mit einer 20-A-Sicherung abgesichert sein.
- Die Versorgungsleitung zur Elektronik muss mit einer 2-A-Sicherung abgesichert sein.



ACHTUNG!

Die jeweiligen positiven und negativen Versorgungsleitungen der Gleichstromanschlüsse für Elektronik (Abb. **20** 23, Seite 11) und Heizelement (Abb. **20** 24, Seite 11) dürfen **nicht** miteinander verbunden und auf einem einzigen Draht geführt werden. Es kann sonst zu elektrischer Beeinflussung oder Beschädigung elektrischer Bauteile kommen.


Beachten Sie folgende Leitungsquerschnitte:

- Querschnitt für Anschlüsse an das Heizelement: min. 6 mm²
Um eine gute Kühlleistung zu gewährleisten, stellen Sie sicher, dass der Spannungsverlust von der Stromversorgung zur Anschlussklemme des Kühlschranks <0,8 V $\overline{=}$ beträgt.
- Anschlüsse Elektronik und Heizelement: 0,75 mm²
- Verbindungen D+ und S+: 0,75 mm²
- Kabelzuführung über Deichsel (nur Wohnwagen): 2,5 mm²
- ▶ Montieren Sie die Gleichstromsteckdose wie folgt (Abb. **20** 21, Seite 11):
 - Schließen Sie **A** und **C** an den Pluspol der Batterie an.
 - Schließen Sie **D** und **F** an Masse an.
 - Schließen Sie **B** an das D+-Signal an.
Die Elektronik des Kühlschranks nutzt das Signal D+ der Lichtmaschine, um den laufenden Fahrzeugmotor zu erkennen. Der Kühlschrank wählt im automatischen Betriebsmodus die günstigste vorhandene Betriebsart aus. Der Kühlschrank wird nur mit Gleichstrom betrieben, wenn der Fahrzeugmotor läuft.
 - Schließen Sie **E** an den CI-BUS an.
- ▶ Schließen Sie **3** an das S+-Signal an (optional).
- ▶ Sichern Sie die Versorgungsleitung **A** mit einer 2-A-Sicherung im Stromverteilerkasten des Fahrzeugs ab.
- ▶ Sichern Sie die Versorgungsleitung **C** mit einer 20-A-Sicherung im Stromverteilerkasten des Fahrzeugs ab.
- ▶ Verlegen Sie die Versorgungsleitung **C** über ein zündungsgesteuertes Relais. Dadurch wird verhindert, dass sich die Batterie vollständig entlädt, wenn der Motor versehentlich abgestellt wird.

Wechselstrom

- ▶ Schließen Sie den Kühlschrank mit dem Gerätestecker an eine Wechselstromsteckdose an.

7 Technische Daten

	RMD10.5(T)	RMD10.5X(T)	RMD10.5XS	RMD10.5S
Anschlussspannung	230 V~/50 Hz 12 V===			
Kapazität				
Bruttoinhalt	153 l	177 l	177 l	153 l
Kühlschrankfach	124 l	142 l	142 l	124 l
Frosterfach	29 l	35 l	35 l	29 l
Nutzinhalt insgesamt	147 l	171 l	171 l	147 l
Leistungsaufnahme	250 W (230 V~) 170 W (12 V===)			
Energieverbrauch	4,4 kWh/24 h (230 V~)			
Verbrauch Gas	580 g/24 h			
Klimaklasse	SN			
Abmessungen H x B x T	1245 x 523 x 550 mm	1245 x 523 x 605 mm	1245 x 523 x 605 mm	1245 x 523 x 550 mm
Gewicht	40 kg	41,5 kg	40,5 kg	39 kg
Prüfung/Zertifikat				

Die aktuelle EU-Konformitätserklärung für Ihr Gerät erhalten Sie auf der jeweiligen Produktseite auf dometic.com oder direkt über den Hersteller (siehe dometic.com/dealer).

Veillez lire et suivre attentivement l'ensemble des instructions, directives et avertissements figurant dans ce manuel afin d'installer, d'utiliser et d'entretenir le produit correctement à tout moment. Ces instructions DOIVENT rester avec le produit.

En utilisant ce produit, vous confirmez expressément avoir lu attentivement l'ensemble des instructions, directives et avertissements et que vous comprenez et acceptez de respecter les modalités et conditions énoncées dans le présent document. Vous acceptez d'utiliser ce produit uniquement pour l'usage et l'application prévus et conformément aux instructions, directives et avertissements figurant dans le présent manuel, ainsi qu'à toutes les lois et réglementations applicables. En cas de non-respect des instructions et avertissements figurant dans ce manuel, vous risquez de vous blesser ou de blesser d'autres personnes, d'endommager votre produit ou d'endommager d'autres biens à proximité. Le présent manuel produit, y compris les instructions, directives et avertissements, ainsi que la documentation associée peuvent faire l'objet de modifications et de mises à jour. Pour obtenir des informations actualisées sur le produit, veuillez consulter le site dometic.com.

Sommaire

1	Signification des symboles	44
2	Consignes de sécurité	45
3	Accessoires	47
4	Usage conforme	47
5	Installation du réfrigérateur	48
6	Raccordement du réfrigérateur	54
7	Caractéristiques techniques	59

1 Signification des symboles



AVERTISSEMENT !

Consignes de sécurité : Indiquent une situation dangereuse qui, si elle n'est pas évitée, est susceptible d'entraîner des blessures graves, voire mortelles.



ATTENTION !

Consignes de sécurité : Indiquent une situation dangereuse qui, si elle n'est pas évitée, est susceptible d'entraîner des blessures légères ou de gravité modérée.



AVIS !

Indiquent une situation dangereuse qui, si elle n'est pas évitée, peut entraîner des dommages matériels.

**REMARQUE**

Informations complémentaires sur l'utilisation de ce produit.

2 Consignes de sécurité



AVERTISSEMENT ! Le non-respect de ces mises en garde peut entraîner des blessures graves, voire mortelles.

Risque d'explosion

- N'ouvrez jamais l'unité de l'absorbeur. Il se trouve sous haute pression et peut provoquer des blessures s'il est ouvert.
- Utilisez **uniquement** l'appareil avec la pression indiquée sur la plaque signalétique. Utilisez uniquement des régulateurs de pression à réglage fixe correspondant aux prescriptions nationales (en Europe EN 12864).

Risque d'incendie

- Assurez un traitement propre et sans traces lorsque du mastic au silicone ou un produit similaire est utilisé. Tout contact de fils de silicone avec des pièces chaudes ou des flammes nues présente un risque d'incendie.
- Ne contrôlez jamais l'étanchéité de l'appareil à l'aide d'une flamme nue.
- Utilisez uniquement du gaz propane ou butane (**pas de gaz naturel**).

Risque pour la santé

- Si l'appareil présente des dégâts visibles, ne le mettez pas en service.
- Si le câble de raccordement en courant alternatif de l'appareil est endommagé, il doit être remplacé par le fabricant, un agent de service ou une personne de qualification similaire, afin d'éviter tout danger.
- Seul un personnel qualifié est habilité à effectuer des réparations sur l'appareil. Une réparation incorrecte peut entraîner de graves dangers.

Risque d'asphyxie

- Démontez toutes les portes de l'appareil lors du retraitement d'un ancien appareil et laissez les tablettes dans l'appareil afin d'éviter tout risque d'enfermement et d'asphyxie accidentels.



ATTENTION ! Le non-respect de ces mises en garde peut entraîner des blessures légères ou de gravité modérée.

Choc électrique

- Avant de mettre l'appareil en service, assurez-vous que la ligne d'alimentation électrique et le connecteur sont secs.

Risque d'écrasement

- Ne touchez pas la charnière.



AVIS ! Risque d'endommagement

- Lors du transport, ne fixez l'appareil que par le corps de l'appareil. Ne le fixez jamais au module de l'absorbeur, aux ailettes de refroidissement, aux conduites de gaz, à la porte ou au panneau de commande.
- Lors du transport, veillez à ne pas endommager le circuit de l'appareil. Le réfrigérant du circuit de l'appareil s'enflamme facilement. En cas d'endommagement du circuit de l'appareil (odeur d'ammoniaque) :
 - Le cas échéant, éteignez l'appareil.
 - Évitez toute flamme nue et/ou étincelle.
 - Aérez bien la pièce.
- Ne montez pas l'appareil près de flammes nues ou d'autres sources de chaleur (chauffage, fours à gaz, etc.).
- **Risque de surchauffe !**

Veillez toujours à ce que la chaleur produite lors du fonctionnement puisse se dissiper suffisamment. Veillez à ce que l'appareil se trouve à une distance suffisante des murs ou des objets, de sorte que l'air puisse circuler.
- Vérifiez que la tension indiquée sur la plaque signalétique correspond à l'alimentation électrique dont vous disposez.
- N'ouvrez jamais le circuit frigorifique.
- Pour raccorder l'appareil au courant alternatif, veuillez utiliser exclusivement la prise de courant correspondante.
- Utilisez uniquement des câbles de la section appropriée.
- Ne tirez jamais sur le câble de raccordement pour sortir la fiche de la prise.
- L'appareil ne doit pas être exposé à la pluie.

3 Accessoires

Description

Conduites de gaz flexibles

Joints pour une installation à l'épreuve des courants d'air en cas d'écarts de 1 – 5 mm (fig. **8 B**, page 7)

Joints pour une installation à l'épreuve des courants d'air en cas d'écarts de 5 – 10 mm (fig. **8 C**, page 7)

Couvercle d'hivernage LS300 pour la grille d'aération

Câble adaptateur

- WAGO > CEE
- WAGO > UK
- WAGO > JST
- WAGO > MATE-N-LOK

Kit de ventilateur optionnel REF-FANKIT

Batterie en option R10-BP pour une utilisation autonome au gaz

Connecteur Ø 2,5/5,5 mm en option pour un fonctionnement autonome au gaz avec banc d'alimentation de 9 V---

4 Usage conforme

L'appareil est conçu pour le montage dans :

- Caravanes
- Camping-cars

Ce produit convient uniquement à l'usage et à l'application prévus, conformément au présent manuel d'instructions.

Ce manuel fournit les informations nécessaires à l'installation et/ou à l'utilisation correcte du produit. Une installation, une utilisation ou un entretien inappropriés entraînera des performances insatisfaisantes et une éventuelle défaillance.

Le fabricant décline toute responsabilité en cas de blessure ou de dommage résultant :

- d'un montage ou d'un raccordement incorrect, y compris d'une surtension
- d'un entretien inadapté ou de l'utilisation de pièces de rechange autres que les pièces de rechange d'origine fournies par le fabricant
- de modifications apportées au produit sans autorisation explicite du fabricant

- d'usages différents de ceux décrits dans ce manuel.

Dometic se réserve le droit de modifier l'apparence et les spécifications produit.

5 Installation du réfrigérateur



Les instructions relatives au remplacement de la butée de porte et de la façade sont disponibles en ligne, à l'adresse :

<http://qr.dometic.com/berFOL>

5.1 Préparation au montage



AVIS !

- Le réfrigérateur ne doit pas être installé à l'arrière des caravanes avec la porte orientée dans le sens de la marche.
- Utilisez uniquement des grilles de ventilation Dometic d'origine pour garantir un fonctionnement en toute sécurité.

Tenez compte des remarques suivantes lors du montage du réfrigérateur :

- Pour que le frigorigène puisse circuler correctement, le réfrigérateur ne doit pas dépasser un angle d'inclinaison de 3°. Garez le véhicule horizontalement à cet effet.
- Le réfrigérateur doit être installé en respectant les consignes suivantes :
 - Le réfrigérateur doit être facilement accessible pour les travaux de maintenance.
 - Le réfrigérateur doit pouvoir être retiré et réinstallé facilement.
 - Le réfrigérateur doit pouvoir être retiré facilement du véhicule.
- Le réfrigérateur doit être installé à une distance d'au moins 5 mm du sol pour garantir que la porte peut être ouverte correctement (fig. **1**, page 3).
 - Le réfrigérateur doit reposer complètement sur le plancher du meuble jusqu'au bord avant de la porte (**B**).
 - Évitez de placer le réfrigérateur directement sur le sol.
 - Assurez-vous qu'aucun tapis n'entrave l'ouverture ou la fermeture de la porte.
- Assurez-vous qu'aucun composant sensible à la chaleur n'est placé dans la zone du brûleur à gaz, comme des câbles, conduits pour câbles, etc.
- Le réfrigérateur doit être construit dans une alcôve, afin qu'il soit stable lorsque le véhicule se déplace. Notez les dimensions de la fig. **2**, page 4 à cette fin.

- La paroi extérieure doit comporter une entrée d'air (fig. **3** 1, page 4) et une sortie d'air (fig. **3** 2, page 4) équipées d'une grille d'aération, afin que la chaleur générée puisse être évacuée correctement vers l'extérieur :
 - Entrée d'air : Installez la grille d'aération aussi affleurée que possible à la base de la niche d'installation.
 - Sortie d'air : aussi loin que possible au-dessus du réfrigérateur.
 - La distance entre l'entrée d'air et la sortie d'air doit être d'au moins 1250 mm (fig. **4**, page 5).
- Prévoyez un déflecteur de chaleur au-dessus du réfrigérateur (fig. **4** 1, page 5) afin que la chaleur ne s'accumule pas dans le véhicule.
- La distance entre le réfrigérateur et le mur arrière doit être d'au moins 15 mm et d'au plus 25 mm.
- Une distance de plus de 25 mm entre le réfrigérateur et la paroi arrière conduit à de mauvaises performances et à une consommation d'énergie accrue du réfrigérateur. Par conséquent, réduisez la cavité derrière le réfrigérateur pour produire une entrée et une sortie d'air appropriées (fig. **5**, page 5). Pour ce faire, utilisez par exemple un déflecteur d'air.
- Si la distance minimale entre l'entrée d'air et la sortie d'air ne peut être respectée, un ventilateur de toit doit être installé à la place de la sortie d'air.
 - Le ventilateur de toit doit être situé, autant que possible, directement au-dessus de la paroi arrière du réfrigérateur. Utilisez un canal d'air (fig. **6** 1, page 6) si vous avez besoin d'installer le ventilateur de toit de manière décalée, car sinon la chaleur s'accumule.
 - La distance entre l'entrée d'air et le ventilateur de toit doit être d'au moins 1 800 mm (fig. **6**, page 6).
 - Si un climatiseur de toit existe, la distance entre le ventilateur de toit (fig. **7** 1, page 6) et la sortie d'air du climatiseur de toit (fig. **7** 2, page 6) doit être d'au moins 300 mm.
- Le réfrigérateur ne doit pas être installé latéralement par rapport à l'entrée et à la sortie d'air, car cela entraînerait une baisse des performances et une augmentation de la consommation d'énergie du réfrigérateur.
- L'entrée d'air et la sortie d'air ne doivent pas être recouvertes par des pièces du véhicule pendant le fonctionnement (p. ex. porte ouverte ou accessoires, comme porte-vélos).
- Installez le réfrigérateur à l'abri d'un rayonnement excessif de chaleur, car cela conduit sinon à des pertes de la performance et augmente la consommation d'énergie du réfrigérateur.
- Le réfrigérateur doit être encastré sans passage d'air.

5.2 Encastrement du réfrigérateur sans passage d'air



AVERTISSEMENT ! Risque d'incendie !

- Pour l'encastrement hermétique, n'utilisez pas de matériaux facilement inflammables comme les mastics en silicone, mousse de montage, etc.
- Placez l'appareil de sorte qu'aucun câble de raccordement ne soit endommagé ou écrasé.
- N'utilisez pas de multiprises ou d'adaptateurs portables placés derrière l'appareil.

Les appareils de refroidissement fonctionnant au gaz dans des camping-cars ou caravanes doivent être encastrés hermétiquement. Cela signifie que l'air nécessaire à la combustion n'est pas pris dans l'habitacle et que les gaz d'échappement ne pénètrent pas directement dans l'espace habitable.

Un colmatage adapté doit être prévu entre l'arrière du réfrigérateur et l'intérieur du véhicule.

Le fabricant recommande d'utiliser un joint flexible afin de simplifier le démontage et le montage à des fins de maintenance.

Sélectionnez l'une des trois versions pour une installation à l'épreuve des courants d'air (fig. **8**, page 7) :

Barre de butée derrière le réfrigérateur (A)

- Fixez une lèvre d'étanchéité flexible (**1**) sur une barre de butée (**2**) derrière le réfrigérateur (**3**).
- Poussez le réfrigérateur-four contre la barre de butée avec les lèvres d'étanchéité flexibles.
- ✓ L'espace se trouvant derrière le réfrigérateur est hermétiquement solidaire de l'habitacle.

Distance d'écart latéral de jusqu'à 5 mm entre le réfrigérateur et le mobilier (B)

- Collez les lèvres d'étanchéité (voir chapitre « Accessoires », page 47) sur le côté du mobilier (**4**).
- Poussez la combinaison réfrigérateur-four contre les lèvres d'étanchéité flexibles sur le mobilier.
- ✓ L'espace se trouvant derrière le réfrigérateur est hermétiquement solidaire de l'habitacle.

Distance d'écart latéral de 5 mm à 10 mm entre le réfrigérateur et le mobilier (C)

- ▶ Collez la double lèvre d'étanchéité (voir chapitre « Accessoires », page 47) sur le côté du mobilier (4).
- ▶ Poussez la combinaison réfrigérateur-four contre la double lèvre d'étanchéité sur le mobilier.
- ✓ L'espace se trouvant derrière le réfrigérateur est hermétiquement solidaire de l'habitacle.

5.3 Réalisation de l'entrée et de la sortie d'air



REMARQUE

- Les écarts par rapport aux variations d'entrée et de sortie indiquées ici doivent être approuvés par le fabricant.
- En cas de températures ambiantes élevées, le réfrigérateur ne peut fournir sa puissance frigorifique maximale que si l'aération et la ventilation sont optimales.

- ▶ Réalisez une entrée d'air et une sortie d'air de 249 mm x 490 mm dans la paroi extérieure.

Ce faisant, respectez les consignes, voir chapitre « Préparation au montage », page 48.

Si la grille d'aération de l'entrée d'air ne peut pas être montée au même niveau que le plancher de la niche, prévoyez une entrée d'air supplémentaire dans le plancher du véhicule. Toute fuite de gaz peut ainsi s'écouler vers le bas.

- ▶ Réalisez une entrée d'air d'au moins $\varnothing 40$ mm dans le plancher (fig. 9 1, page 8) derrière le réfrigérateur, dans la zone du brûleur.
- ▶ Protégez l'extrémité de l'ouverture avec un déflecteur pour que ni boue ni salissures ne puissent y pénétrer pendant le trajet (fig. 9 2, page 8).

Si vous avez besoin d'utiliser un ventilateur de toit au lieu de la sortie d'air :

- ▶ Faites une découpe du cadre dans le toit. Pour connaître les mesures requises, consultez les instructions de la ventilation de toit.
Ce faisant, respectez les consignes, voir chapitre « Préparation au montage », page 48.

5.4 Montage de la grille de ventilation



REMARQUE

Utilisez uniquement des grilles de ventilation Dometic d'origine pour garantir un fonctionnement en toute sécurité.

No. dans fig. 10, page 8	Description
1	Glissière
2	Grille d'aération
3	Cadre de montage
4	Fixation pour évacuation de la condensation

- ▶ Scellez le cadre d'installation pour rendre la connexion étanche (fig. 11, page 8).
- ▶ Insérez le cadre de montage et vissez-le (fig. 12, page 8). Utilisez tous les trous de fixation pour cela.
- ▶ Introduisez la grille d'aération comme indiqué (fig. 13, page 9).

5.5 Installation de l'évacuation de condensation



REMARQUE

- De la condensation peut se former à l'intérieur du réfrigérateur en raison de l'ouverture fréquente de la porte, d'aliments stockés de manière incorrecte ou d'aliments stockés lorsqu'il fait trop chaud.
- La condensation doit être évacuée avec une pente constante.

Installez l'évacuation de condensation comme suit :

Variante 1

- ▶ Faites passer le tuyau de condensation du réfrigérateur à travers une ouverture dans le plancher qui passe à l'extérieur, sous le véhicule.

Variante 2

- ▶ Fixez le tuyau de condensation directement sur le raccord prévu sur la grille de ventilation (fig. 10 4, page 8).

5.6 Montage du ventilateur de toit

No. dans fig. 14, page 9	Description
1	Capot
2	Cadre de montage

- ▶ Scellez le cadre d'installation pour rendre la connexion étanche (fig. 15, page 9).
- ▶ Insérez le cadre de montage et vissez-le (fig. 16, page 9). Utilisez tous les trous de fixation pour cela.
- ▶ Placez le capot par dessus et vissez-le (fig. 17, page 9).

5.7 Fixation du réfrigérateur



ATTENTION !

Vissez toujours à travers les douilles prévues ; dans le cas contraire, les composants en mousse et les câbles, entre autres, pourraient être endommagés.



REMARQUE

Fixez les parois latérales ou les plinthes de telle sorte que les vis soient bien serrées, même sous une charge accrue (pendant la conduite).

- ▶ Placez le réfrigérateur à son emplacement définitif.
- ▶ Vissez les six vis (fig. 18 1, page 10) dans les six douilles en plastique des parois latérales du réfrigérateur puis dans la niche murale.
- ▶ Placez les bouchons (fig. 18 2, page 10) sur les têtes des vis.

6 Raccordement du réfrigérateur

6.1 Raccordement à l'alimentation en gaz



AVIS !

- Seul un spécialiste est habilité à raccorder le réfrigérateur à l'alimentation au gaz, conformément aux directives et normes en vigueur.
- Il est **interdit** d'utiliser un raccord pour tuyaux.
- Utilisez un raccord à vis métallique.
- Le filtre à gaz (blanc) du raccordement de gaz du réfrigérateur ne doit pas être retiré.
- Utilisez uniquement des bouteilles de gaz propane ou butane (pas de gaz naturel ou gaz de ville) dont la vanne de réduction de pression a été contrôlée et un embout correspondant. Vérifiez que les données inscrites sur le régulateur de pression de la bouteille de propane ou de butane correspondent aux données inscrites sur la plaque signalétique.
- Faites fonctionner le réfrigérateur **uniquement** avec une pression correspondant à celle indiquée sur la plaque signalétique.
- Faites fonctionner le réfrigérateur **uniquement** avec le type de gaz correspondant à celui indiqué sur la plaque signalétique.
- Veuillez tenir compte des pressions autorisées dans votre pays. Utilisez uniquement des régulateurs de pression à réglage fixe correspondant aux prescriptions nationales.



REMARQUE

Vous pouvez aussi utiliser le tube-raccord de gaz flexible Dometic pour conserver l'installation hors tension.

Le réfrigérateur doit pouvoir être séparé de la conduite de gaz par un dispositif de blocage. Le dispositif de blocage doit être facile d'accès.

- Branchez le réfrigérateur de manière fixe et libre de tension à l'alimentation en gaz (fig. 19, page 10) :



AVIS !

Utilisez toujours une clé de maintien (de 17 mm) lors du raccordement de la conduite d'alimentation en gaz au raccord d'entrée de gaz.

No. dans fig. 19, page 10	Description
1	Vis M4 (Torx TX20) Couple de serrage : 2 Nm
2	Raccord de gaz du réfrigérateur M14 x 1,5 (d = 8 mm/ISO8434 (DIN2353))
3	Tuyau de gaz avec couplage à bague (taille 17) Couple de serrage : 25 Nm
4	Clé de maintien (17 mm)

- Faites effectuer un test de fuite et un test de flamme par un spécialiste autorisé après une installation professionnelle.
Faites vous remettre un certificat de ce test et remettez-le à l'utilisateur final pour qu'il le conserve en lieu sûr.

6.2 Raccordement au CC et CA



AVIS !

L'installation électrique et les réparations doivent être effectuées par un spécialiste, en conformité avec les règlements et les normes applicables.

**REMARQUE**

- Le connecteur de l'appareil ne doit pas être placé directement derrière la grille d'aération afin de ne pas compromettre la circulation d'air et de protéger le connecteur de l'appareil des projections d'eau.
- Le connecteur de l'appareil au courant alternatif ne doit pas être coupé.
- Les câbles de raccordement doivent être posés de telle sorte qu'ils ne sont pas en contact avec les parties chaudes de l'unité / du brûleur ou avec des arêtes vives.
- Des modifications de l'installation électrique interne ou le raccordement d'autres composants électriques (p. ex. ventilateur supplémentaire d'un autre fabricant) au câblage interne du réfrigérateur annulent toute réclamation issue de la garantie et de la responsabilité du fabricant.
- Le réfrigérateur possède une interface de bus CI et peut être contrôlé par un écran central compatible du véhicule.

Schéma de câblage du réfrigérateur (fig. 20, page 11)

No. dans fig. 20, page 11	Description
1	Ventilateur 2 (si le module d'options n'est pas disponible)
2	Ventilateur 1 (si le module d'options n'est pas disponible)
3	S+ (en option)
4	Élément de chauffage CC
5	Relais CC avec fusible 20 A pour la cartouche chauffante
6	NTC1 : Chambre de réfrigération NTC2 : Température extérieure (en option)
7	Vanne du gaz
8	Raccordement au courant alternatif
9	Élément de chauffage CA
10	Brûleur de gaz
11	Bloc de connexion
12	Éclairage
13	Écran

No. dans fig. 20, page 11	Description
14	Cadre de chauffage
15	Ventilateur 2 (si le module d'options est disponible)
16	Ventilateur 1 (si le module d'options est disponible)
17	Module d'options
18	Four alimentation CC (si le module d'options est disponible)
19	Module d'options alimentation CC
20	Raccordement bus CI
21	Raccordement au courant continu
22	Carter terminal 12 V (vue avant) <ul style="list-style-type: none"> • AMP/TE Tyco : 180906 • CS Colombo : 63N025
23	Électronique câble alimentation CC
24	Élément chauffant câble alimentation CC
25	Alimentation interne CC, max. 1 A (module d'options, four, ventilateur)

Source d'alimentation CC



AVERTISSEMENT ! Risque d'incendie !

- La ligne d'alimentation vers l'élément de chauffage doit être protégée par un fusible de 20 A.
- La ligne d'alimentation vers l'électronique doit être protégée par un fusible de 2 A.



AVIS !

Les lignes d'alimentation positive et négative des connexions CC pour l'électronique (fig. 20 23, page 11) et l'élément de chauffage (fig. 20 24, page 11) ne doivent **pas** être raccordées ensemble sur un seul fil. Cela peut provoquer des interférences électriques ou endommager des composants électriques.


Respectez les sections de câbles suivantes :

- Section des raccordements à l'élément de chauffage : min. 6 mm²
Pour garantir des performances de refroidissement satisfaisantes, assurez-vous que la perte de tension est < 0,8 V entre l'alimentation et la borne de raccordement du réfrigérateur.
- Électronique de connexions et élément de chauffage : 0,75 mm²
- Raccordements D+ et S+ : 0,75 mm²
- Câble sur timon (caravanes uniquement) : 2,5 mm²
- ▶ Montez votre prise de courant continu comme suit (fig. 20 21, page 11) :
 - Raccordez **A** et **C** au pôle positif de la batterie.
 - Raccordez **D** et **F** à la masse.
 - Raccordez **B** au signal D +.
L'électronique du réfrigérateur utilise le signal D+ de la dynamo afin de reconnaître la marche du moteur du véhicule. En mode automatique, le réfrigérateur sélectionne le mode le plus favorable. Le réfrigérateur ne fonctionne avec du courant continu que lorsque le moteur du véhicule est en marche.
 - Raccordez **E** au bus Cl.
- ▶ Raccordez **3** au signal S+ (en option).
- ▶ Protégez la ligne d'alimentation **A** avec un fusible 2 A dans le répartiteur du véhicule.
- ▶ Protégez la ligne d'alimentation **C** avec un fusible 20 A dans le répartiteur du véhicule.
- ▶ Faites passer la ligne d'alimentation **C** par un relais à commande d'allumage. Ceci évite une décharge complète de la batterie lorsque le moteur est éteint accidentellement.

Source d'alimentation CA

- ▶ Connectez le réfrigérateur à une prise CA à l'aide du connecteur de l'appareil.

7 Caractéristiques techniques

	RMD10.5(T)	RMD10.5X(T)	RMD10.5XS	RMD10.5S
Tension de raccordement	230 V~ /50 Hz 12 V===			
Capacité				
Capacité brute	153 l	177 l	177 l	153 l
Compartment réfrigérateur	124 l	142 l	142 l	124 l
Compartment congélateur	29 l	35 l	35 l	29 l
Capacité nette totale	147 l	171 l	171 l	147 l
Puissance absorbée	250 W (230 V~) 170 W (12 V===)			
Consommation d'énergie	4,4 kWh/24 h (230 V~)			
Consommation de gaz	580 g/24 h			
Classe climatique	SN			
Dimensions h x L x l	1245 x 523 x 550 mm	1245 x 523 x 605 mm	1245 x 523 x 605 mm	1245 x 523 x 550 mm
Poids	40 kg	41,5 kg	40,5 kg	39 kg
Contrôle/certification				

Pour consulter la déclaration de conformité UE actuelle liée à votre appareil, reportez-vous à la page produit correspondante sur dometic.com ou contactez directement le fabricant (voir dometic.com/dealer).

Lees deze gebruiksaanwijzing zorgvuldig door en volg alle instructies, richtlijnen en waarschuwingen in deze handleiding op om ervoor te zorgen dat u het product te allen tijde op de juiste manier installeert, gebruikt en onderhoudt. Deze gebruiksaanwijzing MOET bij dit product bewaard worden.

Door het product te gebruiken, bevestigt u hierbij dat u alle instructies, richtlijnen en waarschuwingen zorgvuldig hebt gelezen en dat u de voorwaarden zoals hierin beschreven begrijpt en accepteert. U gaat ermee akkoord dit product alleen te gebruiken voor het beoogde doel en de beoogde toepassing en in overeenstemming met de instructies, richtlijnen en waarschuwingen zoals beschreven in deze gebruiksaanwijzing en in overeenstemming met de geldende wet- en regelgeving. Het niet lezen en opvolgen van de hierin beschreven instructies en waarschuwingen kan leiden tot letsel voor uzelf en anderen, schade aan uw product of schade aan andere eigendommen in de omgeving. Deze gebruiksaanwijzing, met inbegrip van de instructies, richtlijnen en waarschuwingen, en de bijbehorende documentatie kan onderhevig zijn aan wijzigingen en updates. Actuele productinformatie vindt u op dometic.com.

Inhoud

1	Verklaring van de symbolen	60
2	Veiligheidsaanwijzingen	61
3	Accessoires	63
4	Beoogd gebruik	63
5	Koelkast opstellen	64
6	Koelkast aansluiten	70
7	Technische gegevens	75

1 Verklaring van de symbolen



WAARSCHUWING!

Veiligheidsaanwijzing: Duidt op een gevaarlijke situatie die, indien deze niet wordt voorkomen, kan leiden tot ernstig letsel of de dood.



VOORZICHTIG!

Veiligheidsaanwijzing: Duidt op een gevaarlijke situatie die, indien deze niet wordt voorkomen, kan leiden tot licht of matig letsel.



LET OP!

Duidt op een situatie die, indien deze niet wordt voorkomen, kan leiden tot materiële schade.



INSTRUCTIE

Aanvullende informatie voor het gebruik van het product.

2 Veiligheidsaanwijzingen



WAARSCHUWING! Het niet in acht nemen van deze waarschuwingen kan leiden tot ernstig letsel of de dood.

Explosiegevaar

- Open het absorptieaggregaat nooit. Het staat onder hoge druk en kan letsel veroorzaken, als het wordt geopend.
- Gebruik het toestel **uitsluitend** met de op het typeplaatje aangegeven druk. Gebruik alleen vast ingestelde drukregelaars die voldoen aan de nationale voorschriften (in Europa EN 12864).

Brandgevaar

- Let op een schone en restloze verwerking als siliconenaafdichtingsmiddel of iets dergelijks wordt gebruikt. Bij contact van siliconendraden met hete delen of open vuur bestaat brandgevaar.
- Controleer het toestel nooit met open vuur op lekkage.
- Gebruik uitsluitend propaan- of butaangas (**geen** aardgas).

Gevaar voor de gezondheid

- Gebruik het toestel niet als het zichtbaar beschadigd is.
- Als de wisselstroomaansluitkabel voor dit toestel beschadigd is, moet deze om gevaar uit te sluiten worden vervangen door de fabrikant, een klantenservice of gelijkwaardig gekwalificeerd personeel.
- Dit toestel mag uitsluitend worden gerepareerd door bevoegd personeel. Door ondeskundige reparaties kunnen grote gevaren ontstaan.

Verstikkingsgevaar

- Demonteer bij het afvoeren van het oude toestel alle toesteldeuren en laat de legplanken in het toestel om opsluiting en stikken te voorkomen.



VOORZICHTIG! Het niet in acht nemen van deze waarschuwingen kan leiden tot licht of matig letsel.

Elektrische schok

- Let er voor de ingebruikname op dat voedingskabel en stekker droog zijn.

Gevaar voor beknelling

- Grijp niet in het scharnier.

**LET OP! Gevaar voor schade**

- Houd het toestel tijdens het transport alleen aan de toestelbehuizing vast. Houd het toestel nooit aan het absorptieaggregaat, de koelribben, gasleidingen, deur of het bedieningspaneel vast.
- Voorkom beschadiging van de koelkring van het toestel tijdens transport. Het koelmiddel in de koelkring van het toestel is licht ontvlambaar.
Bij een beschadiging van de koelkring van het toestel (geur van ammoniak):
 - Schakel het toestel eventueel uit.
 - Vermijd open vuur en vonken.
 - Ventileer de ruimte goed.
- Plaats het toestel niet in de buurt van open vuur of andere warmtebronnen (verwarming, gasovens etc.).
- **Gevaar voor oververhitting!**
Let er altijd op dat de warmte die bij het gebruik ontstaat goed afgevoerd kan worden. Zorg ervoor dat het toestel op voldoende afstand tot wanden en andere voorwerpen staat, zodat de lucht kan circuleren.
- Controleer of de spanning op het typeplaatje overeenkomt met de aanwezige stroomvoorziening.
- Open in geen geval de koelkring.
- Sluit het toestel uitsluitend met de bijbehorende wisselstroomaansluitkabel aan op de wisselstroomcontactdoos.
- Gebruik alleen kabels met passende kabeldiameter.
- Trek de stekker nooit aan de aansluitkabel uit de contactdoos.
- Het toestel mag niet aan regen worden blootgesteld.

3 Accessoires

Beschrijving

Flexibele gasleiding

Afdichting voor tochtvrije montage voor openingen van 1 – 5 mm (afb. **8 B**, pagina 7)

Afdichting voor tochtvrije montage voor openingen van 5 – 10 mm (afb. **8 C**, pagina 7)

Winterafdekking LS300 voor het ventilatierooster

Adapterkabel

- WAGO naar CEE
- WAGO naar UK
- WAGO naar JST
- WAGO naar MATE-N-LOK

Optionele ventilatorset REF-FANKIT

Optioneel accupack R10-BP voor autonoom gebruik op gas

Optionele Ø 2,5/5,5 mm-stekker voor autonoom gebruik op gas met een 9V --- -powerbank

4 Beoogd gebruik

Het toestel is bedoeld voor installatie in:

- Caravans
- Campers

Dit product is alleen geschikt voor het beoogde gebruik en de toepassing in overeenstemming met deze gebruiksaanwijzing.

Deze handleiding geeft informatie die nodig is voor een correcte installatie en/of correct gebruik van het product. Een slechte installatie en/of onjuist gebruik of onderhoud leidt tot onbevredigende prestaties en mogelijke storingen.

De fabrikant aanvaardt geen aansprakelijkheid voor letsel of schade aan het product die het gevolg is van:

- Onjuiste montage of aansluiting, inclusief te hoge spanning
- Onjuist onderhoud of gebruik van andere dan door de fabrikant geleverde originele reserveonderdelen
- Wijzigingen aan het product zonder uitdrukkelijke toestemming van de fabrikant
- Gebruik voor andere doeleinden dan beschreven in deze handleiding

Dometic behoudt zich het recht voor om het uiterlijk en de specificaties van het product te wijzigen.

5 Koelkast opstellen



De instructies voor het wijzigen van de deurstop en de decoratieplaat vindt u online op:

<http://qr.dometic.com/berFOL>

5.1 De montage voorbereiden



LET OP!

- De koelkast mag niet worden geïnstalleerd aan de achterzijde van een camper met de deur in rijrichting.
- Gebruik voor veilig gebruik alleen originele Dometic ventilatieroosters.

Neem bij de montage van de koelkast volgende aanwijzingen in acht:

- Voor een optimale circulatie van het koudemiddel mag de koelkast een hellingshoek van hooguit 3° hebben.
Parkeer het voertuig hiervoor horizontaal.
- De koelkast moet zodanig worden geïnstalleerd dat:
 - de koelkast eenvoudig toegankelijk is voor onderhoud.
 - de koelkast eenvoudig kan worden gedemonteerd en gemonteerd.
 - de koelkast eenvoudig uit het voertuig kan worden verwijderd.
- De koelkast moet op ten minste 5 mm afstand van de vloer worden gemonteerd, om ervoor te zorgen dat de deur goed kan worden geopend (afb. **1**, pagina 3).
 - De koelkast moet volledig op de vloer van het meubilair rusten tot aan de voorrand van de deur (**B**).
 - Plaats de koelkast niet direct op de vloer.
 - Zorg ervoor dat er geen vloerkleed de vrije beweging van de deur belemmeren.
- Zorg ervoor dat er geen hittegevoelige componenten in de buurt van de gasbrander worden geplaatst, zoals kabels, kabelgoten, enz.
- De koelkast moet in een nis worden ingebouwd, zodat hij bij beweging van het voertuig vast staat. Noteer hiervoor de afmetingen in afb. **2**, pagina 4.

- In de buitenwand moeten een beluchtingsopening (afb. **3** 1, pagina 4) en een ontluichtingsopening (afb. **3** 2, pagina 4) met ventilatierooster voorhanden zijn om de warmte die ontstaat goed naar buiten te kunnen leiden:
 - Beluchtingsopening: Breng het rooster zo veel mogelijk in lijn met de basis van de installatieis aan.
 - Ontluichtingsopening: zo ver mogelijk boven de koelkast.
 - De afstand tussen beluchtingsopening en ontluichtingsopening moet minstens 1250 mm bedragen (afb. **4**, pagina 5).
- Monteer boven de koelkast een warmtegeleideplaat (afb. **4** 1, pagina 5) zodat zich geen warmte in het voertuig verzamelt.
- De afstand tussen de koelkast en achterwand moet minstens 15 mm maat niet meer dan 25 mm bedragen.
- Een afstand van meer dan 25 mm tussen koelkast en achterwand leidt tot vermogensverlies en een verhoogd energieverbruik van de koelkast. Verklein de holle ruimte achter de koelkast zodanig dat voldoende be- en ontluichting is gegarandeerd (afb. **5**, pagina 5). Gebruik hiervoor bijvoorbeeld een luchtgeleidingsplaat.
- Indien de minimumafstand tussen beluchtingsopening en ontluichtingsopening niet kan worden aangehouden, moet in plaats van de ontluichtingsopening een dakontluichting worden ingebouwd.
 - De dakontluichting moet indien mogelijk direct boven de achterzijde van de koelkast worden aangebracht. Gebruik een luchtkanaal (afb. **6** 1, pagina 6) indien u de dakontluichting verschoven moet aanbrengen, omdat anders warmteophoping ontstaat.
 - De afstand tussen de beluchtingsopening en dakontluichting moet minstens 1800 mm bedragen (afb. **6**, pagina 6).
 - Als een dakairco voorhanden is, moet de afstand tussen de dakontluichter (afb. **7** 1, pagina 6) en de luchtafvoer van de dakairco (afb. **7** 2, pagina 6) minstens 300 mm bedragen.
- De koelkast mag niet zijdelings ten opzichte van de be- en ontluichtingsopeningen worden ingebouwd, omdat dit leidt tot vermogensverlies en een verhoogd energieverbruik van de koelkast.
- De be- en ontluichtingsopeningen mogen tijdens gebruik niet door voertuigdelen worden afgedekt (bijvoorbeeld geopende deur of door de aanbouw van toebehoren zoals fietsdrager).
- Installeer de koelkast beschermd tegen overmatige warmte-instraling, omdat dit leidt tot vermogensverlies en verhoogd energieverbruik van de koelkast.
- De koelkast moet tochtvrij worden gemonteerd.

5.2 Koelkast tochtvrij inbouwen



WAARSCHUWING! Brandgevaar!

- Gebruik voor de tochtvrije inbouw geen licht ontvlambaar materiaal zoals siliconenafdichtingsmiddel, montageschuim en dergelijke.
- Positioneer het apparaat zodanig dat geen verbindingskabel is beschadigd of geknikt.
- Gebruik geen meervoudige aansluitingen of draagbare adapters achter het apparaat.

Koeltoestellen op gas in caravans of campers in moeten tochtvrij worden ingebouwd. Dit betekent dat de verbrandingslucht niet uit de binnenruimte wordt genomen en de afvoergassen niet direct in de woonruimte kunnen dringen.

Tussen de achterwand van de koelkast en de binnenruimte van het voertuig moet een geschikte afdichting worden aangebracht.

De fabrikant raadt aan om een flexibele afdichting te gebruiken om in- en uitbouwen voor onderhoud te vereenvoudigen.

Kies een van de drie versies voor tochtvrije installatie (afb. **8**, pagina 7):

Stopbalk achter de koelkast (A)

- ▶ Lijm een flexibele afdichtlip (**1**) op een lijst (**2**) achter de koelkast (**3**).
- ▶ Duw de koelkast-ovencombinatie bij montage tegen de lijst met de flexibele afdichtlippen.
- ✓ De ruimte achter de koelkast is verzegeld aan het voertuiginterieur.

Afstand zijruimte van maximaal 5 mm tussen koelkast en meubilair (B)

- ▶ Lijm de afdichtlippen (zie hoofdstuk „Accessoires“ op pagina 63) op de zijkant van het meubilair (**4**).
- ▶ Duw de koelkast-ovencombinatie tegen de flexibele afdichtlippen op het meubilair.
- ✓ De ruimte achter de koelkast is verzegeld aan het voertuiginterieur.

Afstand zijruimte van 5 mm tot 10 mm tussen koelkast en meubilair (C)

- ▶ Lijm de afdichting met dubbele lippen (zie hoofdstuk „Accessoires” op pagina 63) op de zijkant van het meubilair (4).
- ▶ Duw de koelkast-ovencombinatie tegen de flexibele afdichting met dubbele lippen op het meubilair.
- ✓ De ruimte achter de koelkast is verzegeld aan het voertuiginterieur.

5.3 Be- en ontluichtingsopeningen maken



INSTRUCTIE

- Afwijkingen van de hier afgebeelde in- en uitlaatvariëaties moeten door de fabrikant worden toegestemd.
- Bij hoge omgevingstemperatuur functioneert de koelkast alleen optimaal, als de be- en ontluchting optimaal is.

- ▶ Maak een be- en ontluichtingsopening in de buitenwand van 249 mm x 490 mm. Neem hierbij de aanwijzingen in acht, zie hoofdstuk „De montage voorbereiden” op pagina 64.

Indien het ventilatierooster van de beluchtingsopening niet in een lijn met de ondergrond van de inbouw nis kan worden ingebouwd, moet een beluchtingsopening in de ondergrond worden ingebouwd. Lekkend gas kan dan omlaag stromen.

- ▶ Maak achter de koelkast bij de gasbrander een beluchtingsopening van minstens Ø 40 mm in de ondergrond (afb. 9 1, pagina 8).
- ▶ Scherm het einde van de opening af met een bochtstuk zodat tijdens rijden geen modder of vuil kan binnendringen (afb. 9 2, pagina 8).

Indien u in plaats van de ontluichtingsopening een dakontluchting moet gebruiken:

- ▶ Maak een uitsnede in het dak. De vereiste afmetingen staan in de handleiding van de dakontluchting.
Neem hierbij de aanwijzingen in acht, zie hoofdstuk „De montage voorbereiden” op pagina 64.

5.4 Ventilatioerooster monteren



INSTRUCTIE

Gebruik voor veilig gebruik alleen originele Dometic ventilatioeroosters.

Nr. in afb. 10 , pagina 8	Beschrijving
1	Schuif
2	Ventilatioerooster
3	Montageframe
4	Bevestiging voor condensafvoer

- Dicht het montageframe af om de verbinding waterdicht te maken (afb. **11**, pagina 8).
- Plaats het montageframe en schroef het vast (afb. **12**, pagina 8). Gebruik hiervoor alle bevestigingsopeningen.
- Steek de ventilatiegrill erin zoals afgebeeld (afb. **13**, pagina 9).

5.5 Condensafvoer monteren



INSTRUCTIE

- Door openen van de deur, onjuist bewaren van levensmiddelen of door warme levensmiddelen kan in de koelkast condens ontstaan.
- Condens moet worden afgevoerd.

Monteer de condensafvoer als volgt:

Variant 1

- Leid de condensslang van de koelkastbuitenzijde door een opening in de vloer uit het voertuig weg naar buiten.

Variant 2

- Bevestig de condensslang direct aan de hiervoor bedoelde bevestiging van het ventilatioerooster (afb. **10** 4, pagina 8).

5.6 Dakventilator monteren

Nr. in afb. 14 , pagina 9	Beschrijving
1	Kap
2	Montageframe

- ▶ Dicht het montageframe af om de verbinding waterdicht te maken (afb. **15**, pagina 9).
- ▶ Plaats het montageframe en schroef het vast (afb. **16**, pagina 9). Gebruik hiervoor alle bevestigingsopeningen.
- ▶ Plaats de kap en schroef deze goed vast (afb. **17**, pagina 9).

5.7 Koelkast bevestigen



VOORZICHTIG!

Schroef alleen de hiervoor bedoelde bussen vast, anders kunnen ingeschuimde bouwdelen zoals leidingen en dergelijke worden beschadigd.



INSTRUCTIE

Bevestig de zijwanden of de aangebrachte lijsten zodanig dat de schroeven ook bij verhoogde belasting (tijdens rijden) vast zitten.

- ▶ Zet de koelkast in de uiteindelijke positie.
- ▶ Draai de zes schroeven (afb. **18** 1, pagina 10) door de zes kunststof bussen in de zijwanden van de koelkast en verder in de wand.
- ▶ Plaats de kappen (afb. **18** 2, pagina 10) op de schroefkoppen.

6 Koelkast aansluiten

6.1 Op de gastoevoer aansluiten



LET OP!

- De koelkast mag alleen door een vakman volgens de geldende voorschriften en normen op de gasvoorziening worden aangesloten.
- Een slangaansluiting is **niet** toegestaan.
- Gebruik een metaal-afgedichte schroefverbinding.
- Het gasfilter (wit) in de koelkastgasverbinding mag niet worden verwijderd.
- Gebruik uitsluitend propaan- of butaangasflessen (geen aardgas of stadsgas) met gekeurd drukreducerend ventiel en passend kopstuk. Vergelijk de druk op het typeplaatje met de druk op de drukregelaar van de propaan- of butaangasfles.
- De koelkast mag **uitsluitend** met de op het typeplaatje aangegeven druk worden gebruikt.
- De koelkast mag **uitsluitend** met het op het typeplaatje aangegeven gas worden gebruikt.
- Neem a.u.b. de in uw land toegestane drukwaarden in acht. Gebruik alleen vast ingestelde drukregelaars die voldoen aan de nationale voorschriften.



INSTRUCTIE

Optioneel kunt u de flexibele Dometic gaspijp gebruiken om spanningen te vermijden.

De koelkast moet door een afsluiterinrichting in de gasleiding afzonderlijk kunnen worden afgesloten. De afsluiterinrichting moet goed toegankelijk zijn.

- Sluit de koelkast veilig et de hand aan op de gastoevoer (afb. 19, pagina 10):



LET OP!

Gebruik altijd een tegenhoudsleutel (maat 17 mm) wanneer u de gastoevoerleiding aansluit op de gasinlaat van de koelkast.

Nr. in afb. 19, pagina 10	Beschrijving
1	Schroef M4 (Torx TX20) Moment: 2 Nm
2	Gasaansluiting koelkast M14 x 1,5 (d = 8 mm/ISO8434 (DIN2353))
3	Gasleiding met ringkoppeling (maat 17) Moment: 25 Nm
4	Tegenhoudsleutel (17 mm)

- Laat na professionele installatie een lek- en een vlamtest uitvoeren door een geautoriseerde specialist.
Laat een goedkeuringscertificaat maken en overhandig dit aan de eindgebruiker.

6.2 Op gelijkstroom en wisselstroom aansluiten



LET OP!

De elektrische installatie alsmede reparaties mogen alleen door een vakman conform de geldende voorschriften en normen worden uitgevoerd.



INSTRUCTIE

- De toestelstekker mag zich niet direct achter het ventilatierooster worden bevinden, anders kan de luchtcirculatie worden gehinderd en kan de stekker nat worden.
- De stekker van de wisselstroom-aansluitkabel mag niet worden afgesneden.
- De aansluitkabel moet zodanig gemonteerd zijn dat deze niet met hete delen van aggregaat/brander of met scherpe randen in contact komen.
- Wijzigingen van de interne elektrische installatie of de aansluiting van andere elektrische componenten (bijvoorbeeld externe extra ventilator) aan de interne bekabeling van de koelkast doen elke aanspraak op garantie vervallen.
- De koelkast heeft een CI bus-interface en kan worden geregeld via een compatibel, centraal voertuigdisplay.

Schema van de koelkast (afb. 20, pagina 11)

Nr. in afb. 20, pagina 11	Beschrijving
1	Ventilator 2 (als optiemodule niet beschikbaar is)
2	Ventilator 1 (als optiemodule niet beschikbaar is)
3	S+ (optioneel)
4	Verwarmingselement gelijkstroom
5	Gelijkstroomrelais met 20 A zekering voor verwarmingspatroon
6	NTC 1: Koelruimte NTC 2: Buitentemperatuur (optioneel)
7	Gasklep
8	Wisselstroomaansluiting
9	Verwarmingselement wisselstroom
10	Gasbrander
11	Verbindingsblok
12	Verlichting
13	Weergave
14	Verwarmingframe

Nr. in afb. 20, pagina 11	Beschrijving
15	Ventilator 2 (als optiemodule beschikbaar is)
16	Ventilator 1 (als optiemodule beschikbaar is)
17	Optiemodule
18	Gelijkstroomoven (als optiemodule beschikbaar is)
19	Gelijkstroomvoeding optiemodule
20	CI-bus-verbinding
21	Gelijkstroomaansluiting
22	12 V terminalbehuizing (frontaanzicht) <ul style="list-style-type: none"> <li data-bbox="348 549 609 572">• AMP/TE Tyco: 180906 <li data-bbox="348 576 609 600">• CS Colombo: 63N025
23	Gelijkstroom-voedingskabel elektronica
24	Gelijkstroom-voedingskabel verwarmingselement
25	Interne gelijkstroomvoeding, max. 1 A (optiemodule, oven, ventilator)

Gelijkstroom



WAARSCHUWING! Brandgevaar!

- De toevoerleiding naar het verwarmingselement moet worden beveiligd met een 20 A zekering.
- De toevoerleiding naar de elektronica moet worden beveiligd met een 2 A zekering.



LET OP!

De positieve en negatieve voedingslijnen van de gelijkstroomverbindingen voor elektronica (afb. 20 23, pagina 11) en verwarmingselement (afb. 20 24, pagina 11) mogen **niet** met elkaar worden verbonden en op één draad worden gedragen. Anders kunnen elektrische bouwdeelen elektrisch worden beïnvloed of beschadigd.


Neem volgende leidingdiameters in acht:

- Doorsnede voor aansluitingen op het verwarmingselement: min. 6 mm²
Om een goede koeling te garanderen, dient u ervoor te zorgen dat het spanningsverlies van de voeding tot de aansluitklem op de koelkast $< 0,8 V$ bedraagt.
- Verbindingen elektronica en verwarmingselement: 0,75 mm²
- Verbindingen D+ en S+: 0,75 mm²
- Kabel gevoed via trekstang (alleen caravans): 2,5 mm²
- ▶ Monteer uw gelijkstroomaansluiting als volgt (afb. **20** 21, pagina 11):
 - Verbind **A** en **C** met de pluspool van de accu.
 - Verbind **D** en **F** met massa.
 - Verbind **B** met het D+ signaal.
Het elektronisch systeem van de koelkast gebruikt het signaal D+ van de dynamo om het draaien van de voertuigmotor te herkennen. De koelkast kiest in automatische bedrijfsmodus de gunstigste bedrijfsmodus. De koelkast wordt alleen met gelijkstroom bedreven, als de motor draait.
 - Verbind **E** met de CI-BUS.
- ▶ Verbind **3** met het S+ signaal (optioneel).
- ▶ Beveilig de voedingsleiding **A** met een 2 A zekering in de verdeelkast van het voertuig.
- ▶ Beveilig de voedingsleiding **C** met een 20 A zekering in de verdeelkast van het voertuig.
- ▶ Leid de voedingsleiding **C** via een ontstekingsgeregeld relais.
Dit voorkomt dat de accu compleet wordt ontladen, als de motor onbedoeld wordt uitgeschakeld.

Wisselstroom

- ▶ Sluit de koelkast met de apparaatstekker aan op de wisselstroomdoos.

7 Technische gegevens

	RMD10.5(T)	RMD10.5X(T)	RMD10.5XS	RMD10.5S
Aansluitspanning	230 V~ /50 Hz 12 V===			
Capaciteit				
Bruto inhoud	153 l	177 l	177 l	153 l
Koelvak	124 l	142 l	142 l	124 l
Vriesvak	29 l	35 l	35 l	29 l
Totale nettocapaciteit	147 l	171 l	171 l	147 l
Elektriciteitsverbruik	250 W (230 V~) 170 W (12 V===)			
Energieverbruik	4,4 kWh/24 uur (230 V~)			
Gasverbruik	580 g/24 h			
Klimaatklasse	SN			
Afmetingen h x b x d	1245 x 523 x 550 mm	1245 x 523 x 605 mm	1245 x 523 x 605 mm	1245 x 523 x 550 mm
Gewicht	40 kg	41,5 kg	40,5 kg	39 kg
Inspectie/certificering				

Voor de actuele EU-verklaring van overeenstemming voor uw toestel gaat u naar de desbetreffende productpagina op dometic.com of neemt u direct contact op met de fabrikant (zie dometic.com/dealer).



dometic.com

**YOUR LOCAL
DEALER**

dometic.com/dealer

**YOUR LOCAL
SUPPORT**

dometic.com/contact

**YOUR LOCAL
SALES OFFICE**

dometic.com/sales-offices
