

↗ DOMETIC

REFRIGERATION

8 SERIES



**RM 8xxx, RMS 8xxx, RML 8xxx,
RMSL 8xxx**

EN

Absorber refrigerator
Installation Manual

DE

Absorber-Kühlschrank
Montageanleitung

Installation instructions

Absorption refrigerator for recreation vehicles

RM 8400 RM 8401 RM 8405 RM 8500 RM 8501 RM 8505 RM 8550 RM 8551 RM 8555
RMS 8400 RMS 8401 RMS 8405 RMS 8460 RMS 8461 RMS 8465 RMS 8500 RMS 8501
RMS 8505 RMS 8550 RMS 8551 RMS 8555 RML 8550 RML 8551 RML 8555 RMSL 8500
RMSL 8501 RMSL 8505



N 1-1

MBA 05/2012

EN

Table of contents

0.0	Unpacking and Transport	3
1.0	General	4
1.1	Introduction	4
1.2	Guide to these operating instructions	4
1.3	Copyright protection	4
1.4	Explanation of symbols used in this manual	4
1.5	Warranty	5
1.6	Limitation of liability	5
1.7	Declaration of conformity	5
2.0	Safety instructions	6
2.1	Application according to regulations	6
2.2	User's responsibility	6
2.3	Working upon and checking the refrigerator	6
2.4	Operating the refrigerator with gas	6
3.0	Description of model	7
3.1	Model identification	7
3.2	Refrigerator rating plate	7
3.3	Technical data	7
4.0	Installation instructions	10
4.1	Installation	10
4.1.1	Side installation	10
4.1.2	Side installation with floor-roof ventilation	11
4.1.3	Rear installation	11
4.1.4	Draught-proof installation	12
4.2	Ventilation and air extraction of the refrigerator	13
4.3	Installing the ventilation system	14
4.4	Exhaust gas duct and installing the fume flue	15
4.5	Installation recess	16
4.5.1	Installation in the recess	16
4.6	Securing the refrigerator	17
4.7	Inserting of the decor panel	17
4.8	Gas installation	19
4.9	Electrical installation	20
4.9.1	Mains connection	20
4.9.2	Battery connection	20
4.9.3	Terminal strip	21
4.9.4	D+ and solar connection (only for AES models)	21
4.9.5	Wiring diagrams	22

Dometic GmbH
In der Steinwiese 16
D-57074 Siegen
www.dometic.com

© Dometic GmbH - 2011 - Subject to change without notice



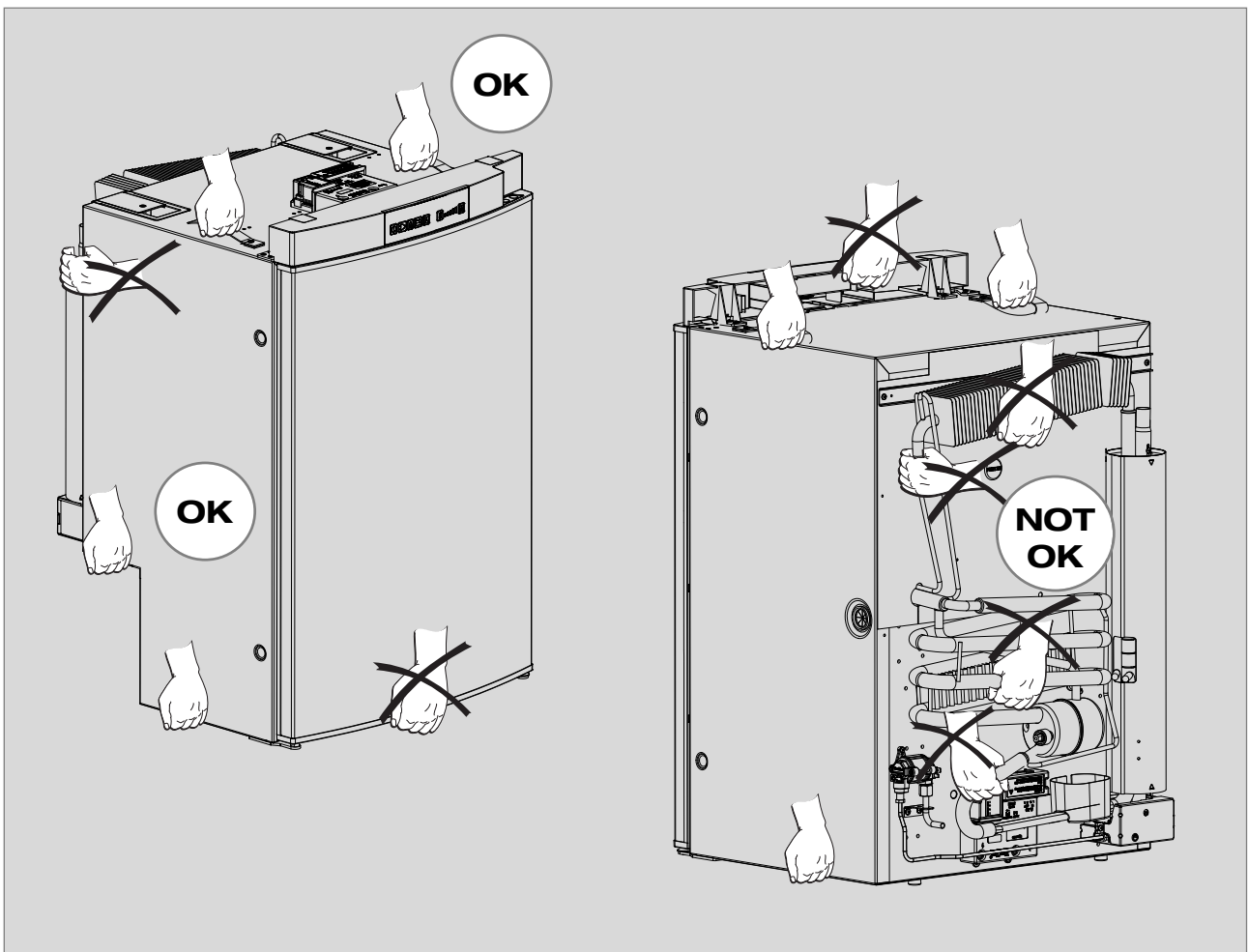
0.0 Unpacking and Transport

Lifting / carrying the refrigerator

CAUTION!

Never use parts on the refrigerator other than those shown in the illustration (particularly not the cooling unit, gas lines and control panel) for carrying or lifting the refrigerator !

This prevents damage to the refrigerator.



1.0 General

1.1 Introduction

On installation of the appliance, the technical and administrative regulations of the country in which the vehicle will first be used must be adhered to. Otherwise the refrigerator must be installed as described in these instructions. In Europe, for example, gas appliances, cable routing, installation of gas cylinders, as well as approval and checking for leaks must comply with **EN 1949** for liquid gas systems in vehicles.

1.2 Guide to these installation instructions

Before you start installing the refrigerator, please read the installation instructions carefully.

These instructions provide you with the necessary guidance for the proper installation of your refrigerator. **Observe in particular the safety instructions.** Observation of the instructions and handling recommendations is important for dealing with the refrigerator safely and for protecting you from injury and the refrigerator from damage. You must understand what you have read before you carry out a task.

Keep these instructions in a safe place close to the refrigerator so they may be referred to at any time.

1.3 Copyright protection

The information, texts and illustrations in these instructions are copyright protected and are subject to industrial property rights. No part of these instructions may be reproduced, copied or utilised in any other way without written authorisation by Dometic GmbH, Siegen.

1.4 Explanation of symbols used in this manual

Warning notices

Warning notices are identified by symbols. A supplementary text gives you an explanation of the degree of danger.

Observe these warning notices rigorously. You will thus protect yourself and other people from injury, and the appliance from damage.



DANGER!

DANGER indicates an imminent hazardous situation which, if not avoided, could result in death or serious injury.



WARNING!

WARNING indicates a potentially hazardous situation which, if not avoided, could result in death or serious injury



CAUTION!

WARNING indicates a potentially hazardous situation which, if not avoided, could result in death or serious injury

CAUTION!

CAUTION (used without the safety alert symbol) indicates a potentially hazardous situation which, if not avoided, may result in damage to the appliance.

Information



INFORMATION gives you supplementary and useful guidance when dealing with your refrigerator.

Environmental Tips



ENVIRONMENTAL TIPS gives you useful guidance for saving energy and disposal of the appliance.

1.5 Warranty

Warranty arrangements are in accordance with EC Directive 44/1999/CE and the normal conditions applicable for the country concerned. For warranty or other maintenance, please contact our customer services department. Any damage due to improper use is not covered by the warranty. The warranty does not cover any modifications to the appliance or the use of **non-original Dometic parts**. The warranty does not apply if the installation and operating instructions are not adhered to and no liability shall be entertained.


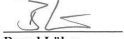
1.6 Limitation of liability

All information and guidance in these operating instructions were prepared after taking into consideration the applicable standards and regulations as well as the current state of the art. **Dometic** reserves the right to make changes at any time which are deemed to be in the interest of improving the product and safety.

Dometic will assume no liability for damage in the case of :

- non-observation of the operating instructions
- application not in accordance with the regulations or provisions
- use of non-original spare parts
- modifications and interferences to the appliance
- effect of environmental influences, such as
 - temperature fluctuations
 - humidity

1.7 Declaration of conformity

 <small>Mobile living made easy.</small>		
DECLARATION OF CONFORMITY		
according to		
LVD 2014/35/EU EMC Directive 2004/108/EC, 2014/30/EU Gas Appliance Directive 2009/142/EC		
ECE R10, Rev. 4		
Type of equipment	Absorption Refrigerator	
Brand Name	DOMETIC	
Type family	C 40/110	
Manufacturer's (Factory) name	DOMETIC GmbH	
address	In der Steinwiese 16, D-57074 Siegen	
telephone no	INT+49 - 271 692 0	
telefax no	INT+49 - 271 692 304	
<p>The following harmonized standards or technical specifications (designations) which comply with good engineering practice in safety matters in force within the EEA have been practiced:</p> <p>EN 60335-1;12 (IEC 60335-1; 5 ed., Am. 1, Am. 2), EN 60335-2-24;10 (IEC 60335-2-24; 7 ed., Am. 1.) EN 61000-3-2;06, A1, A2 EN 61000-3-3;08 EN 55014-1;06, A1, A2 EN 55014-2;97, A1, A2 EN 732-98 EN 60335-2-102;06 EN 30-1-1;10 A1 (Tectower-Models) EN 30-2-1; 98 A1, A2 (Tectower-Models) EN 50581;2010</p>		
The equipment conforms completely with the above stated harmonized standards or technical specifications.		
By signing this document, the undersigned declares as manufacturer, or the manufacturer's authorized representative established within the EEA, that the equipment in question complies with the requirements stated above.		
Date	Signature	Position
2017.01.09	 Bernd Löher	General Manager

2.0 Safety instructions

2.1 Application according to regulations

This refrigerator is designed for installation in recreation vehicles such as caravans or motorhomes. The appliance has been type-approval tested for this application in accordance with the EC Gas Directive.

The refrigerator is to be used solely for storing foodstuffs.

CAUTION!

The refrigerator must not be exposed to rain.

2.2 User's responsibility

Anyone operating the refrigerator must be familiar with the safe handling and understand the advice in these operating instructions.

2.3 Working upon and checking the refrigerator



WARNING!

Work on gas equipment, exhaust system and electrical facilities must be carried out by authorised personnel only. Substantial damage to property and/or injury to persons can arise through unprofessional procedures.



DANGER!



Never use an unshielded flame to check gas bearing parts and pipes for leakage!

There is a danger of fire or explosion.



WARNING!

Never open the absorber cooling unit! It is under high pressure.

There is a danger of injury!

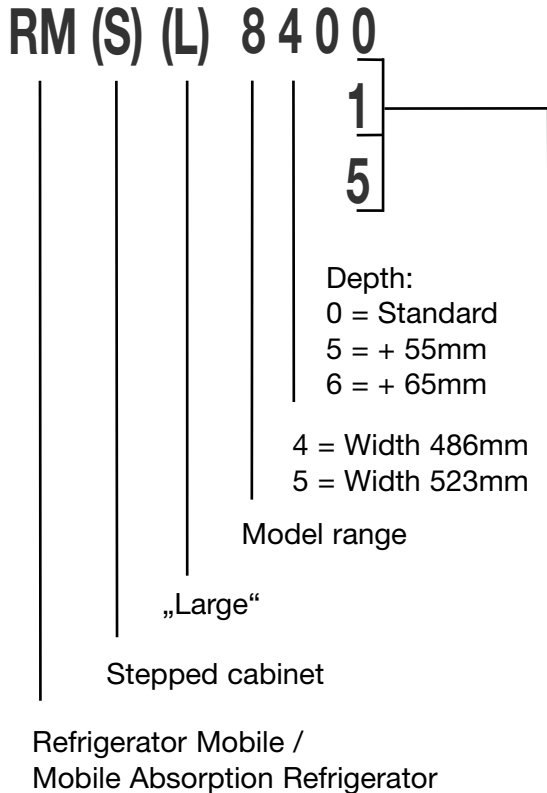
2.4 Operating the refrigerator with gas

It is imperative that the operating pressure corresponds to the data specified on the rating plate of the appliance. Compare the operating pressure of the rating plate with the data specified on the pressure reducing valve of the liquid gas cylinder.

3.0 Description of model

3.1 Model identification

Example :



0
manual energy selection + manual ignition
(**battery igniter**)

1
manual energy selection, automatic ignition
(**MES**)

5
automatic and manual energy selection,
automatic ignition (**AES**)

3.2 Refrigerator rating plate

The rating plate is to be found on the inside of the refrigerator. It contains all important details of the refrigerator. You can read off from this the model identification, the product number and the serial number. You will need these details whenever you contact the customer service centre or when ordering spare parts.

DOMETIC			
MOD. NO. RM 8501 1	PROD. NO. 00921087908 2	LC 00	SER. NO. 12600008 3
TYPE C 40/110	CLIMATE CLASS SN	SKU 9105703948	
BRUTTOINHALT TOTAL CAP. VOLUME BRUT	100 l 106 l	VERDAMPFERFACH FREEZER COMP. VOLUME COMPT BT	g l 0 l
NUTZINHALT USEFUL CAP. VOLUME NET	96 l 102 l		
~ 230-240V / 125 W = 12	120 W	LPG	Qn: 0,252 kW (MS) m: 18,3 g/h
4	5	13 + 28-30/37 13B/P 28-30 13P 37 mbar	
CE 0063 BL3214		G30, G31	p = 30/37 mbar
ABSORBER	NH ₃ = 115 g	Na ₂ CrO ₄ = 7,0 g	p max = 35 bar
11 CE 0085	031654	AP	Z 660
MADE IN GERMANY		00085136887	

Example

Fig. 1

- 1** Model number
- 2** Product number
- 3** Serial number
- 4** Electrical rating details
- 5** Gas pressure



Dometic refrigerators are equipped for a connection pressure of **30 mbar**. For connection to a 50 mbar gas system, use **Truma VDR 50/30 medium pressure controller**.

3.3 Technical data



Fig. 2

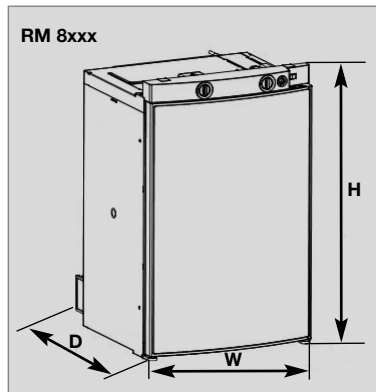


Fig. 3



Fig. 4

Curved door models

Model	Dimensions H x W x D (mm) Depth incl. door	Gross capacity		Rating details mains/battery	Consumption * electricity/gas over 24hrs	Net weight	Ignition	
		with freezer compartment	without				Piezo	Automat
RMS 8400	821x486x568	80 / 8 lit.	85 lit.	125 W / 120 W	ca.2,5 KWh / 270 g	25 kg	•	
RMS 8401	821x486x568	80 / 8 lit.	85 lit.	125 W / 120 W	ca.2,5 KWh / 270 g	25 kg		•
RMS 8405	821x486x568	80 / 8 lit.	85 lit.	125 W / 120 W	ca.2,5 KWh / 270 g	25 kg		•
RM 8400	821x486x568	90 / 8 lit.	95 lit.	135 W / 130 W	ca.2,4 KWh / 270 g	27 kg	•	
RM 8401	821x486x568	90 / 8 lit.	95 lit.	135 W / 130 W	ca.2,4 KWh / 270 g	27 kg		•
RM 8405	821x486x568	90 / 8 lit.	95 lit.	135 W / 130 W	ca.2,4 KWh / 270 g	27 kg		•
RMS 8460	821x486x633	90 / 11 lit.	96 lit.	125 W / 120 W	ca.2,5 KWh / 270 g	26 kg	•	
RMS 8461	821x486x633	90 / 11 lit.	96 lit.	125 W / 120 W	ca.2,5 KWh / 270 g	26 kg		•
RMS 8465	821x486x633	90 / 11 lit.	96 lit.	125 W / 120 W	ca.2,5 KWh / 270 g	26 kg		•
RMS 8500	821x523x568	90 / 9 lit.	96 lit.	125 W / 120 W	ca.2,5 KWh / 270 g	26 kg	•	
RMS 8501	821x523x568	90 / 9 lit.	96 lit.	125 W / 120 W	ca.2,5 KWh / 270 g	26 kg		•
RMS 8505	821x523x568	90 / 9 lit.	96 lit.	125 W / 120 W	ca.2,5 KWh / 270 g	26 kg		•
RMS 8550	821x523x623	103 /12 lit.	110 lit.	125 W / 120 W	ca.2,6 KWh / 270 g	27 kg	•	
RMS 8551	821x523x623	103 /12 lit.	110 lit.	125 W / 120 W	ca.2,6 KWh / 270 g	27 kg		•
RMS 8555	821x523x623	103 /12 lit.	110 lit.	125 W / 120 W	ca.2,6 KWh / 270 g	27 kg		•
RM 8500	821x523x568	100 / 9 lit.	106 lit.	135 W / 130 W	ca.2,4 KWh / 270 g	28 kg	•	
RM 8501	821x523x568	100 / 9 lit.	106 lit.	135 W / 130 W	ca.2,4 KWh / 270 g	28 kg		•
RM 8505	821x523x568	100 / 9 lit.	106 lit.	135 W / 130 W	ca.2,4 KWh / 270 g	28 kg		•
RM 8550	821x523x623	115 /12 lit.	122 lit.	135 W / 130 W	ca.2,6 KWh / 270 g	30 kg	•	
RM 8551	821x523x623	115 /12 lit.	122 lit.	135 W / 130 W	ca.2,6 KWh / 270 g	30 kg		•
RM 8555	821x523x623	115 /12 lit.	122 lit.	135 W / 130 W	ca.2,6 KWh / 270 g	30 kg		•
RML 8550	1245x523x625	179 /33 lit.	189 lit.	190 W / 170 W	ca.3,2 KWh / 380 g	45 kg	•	
RML 8551	1245x523x625	179 /33 lit.	189 lit.	190 W / 170 W	ca.3,2 KWh / 380 g	45 kg		•
RML 8555	1245x523x625	179 /33 lit.	189 lit.	190 W / 170 W	ca.3,2 KWh / 380 g	45 kg		•
RMSL 8500	1245x523x568	145 /28 lit.	155 lit.	190 W / 170 W	ca.3,2 KWh / 380 g	40 kg	•	
RMSL 8501	1245x523x568	145 /28 lit.	155 lit.	190 W / 170 W	ca.3,2 KWh / 380 g	40 kg		•
RMSL 8505	1245x523x568	145 /28 lit.	155 lit.	190 W / 170 W	ca.3,2 KWh / 380 g	40 kg		•

Flat door models

Model	Dimensions H x W x D (mm) Depth incl. door	Gross capacity with freezer compartment	without	Rating details mains/battery	Consumption * electricity/gas over 24hrs	Net weight	Ignition Piezo	Automat
RMS 8500	821x523x541	86 / 9 lit.	92 lit.	125 W / 120 W	ca.2,5 KWh / 270 g	26 kg	•	
RMS 8501	821x523x541	86 / 9 lit.	92 lit.	125 W / 120 W	ca.2,5 KWh / 270 g	26 kg		•
RMS 8505	821x523x541	86 / 9 lit.	92 lit.	125 W / 120 W	ca.2,5 KWh / 270 g	26 kg		•
RMS 8550	821x523x596	99 /12 lit.	106 lit.	125 W / 120 W	ca.2,6 KWh / 270 g	27 kg	•	
RMS 8551	821x523x596	99 /12 lit.	106 lit.	125 W / 120 W	ca.2,6 KWh / 270 g	27 kg		•
RMS 8555	821x523x569	99 /12 lit.	106 lit.	125 W / 120 W	ca.2,6 KWh / 270 g	27 kg		•
RM 8500	821x523x541	96 / 9 lit.	102 lit.	135 W / 130 W	ca.2,4 KWh / 270 g	28 kg	•	
RM 8501	821x523x541	96 / 9 lit.	102 lit.	135 W / 130 W	ca.2,4 KWh / 270 g	28 kg		•
RM 8505	821x523x541	96 / 9 lit.	102 lit.	135 W / 130 W	ca.2,4 KWh / 270 g	28 kg		•
RM 8550	821x523x596	111 /12 lit.	118 lit.	135 W / 130 W	ca.2,6 KWh / 270 g	30 kg	•	
RM 8551	821x523x596	111 /12 lit.	118 lit.	135 W / 130 W	ca.2,6 KWh / 270 g	30 kg		•
RM 8555	821x523x596	111 /12 lit.	118 lit.	135 W / 130 W	ca.2,6 KWh / 270 g	30 kg		•

Subject to technical changes.

*Average consumption measured at an average ambient temperature of 25°C in pursuance of ISO Standard.

4.0 Installation instructions

4.1 Installation



WARNING!

The appliance may be installed by authorised personnel only!

The unit and the exhaust duct system must be in principle installed so that it is accessible for maintenance work, can be easily installed and dismantled and removed from the vehicle without great effort.

Installation and connection of the appliance must comply with the latest technical regulations, as follows:

- The electrical installation must comply with national and local regulations.
- The gas installation must comply with national and local regulations.
- European Standard EN 1949
- European Standards EN 60335-1, EN 60335-2-24, EN 1648-1 , EN 1648-2
- The appliance must be installed in such a way that it is shielded from excessive heat radiation.

Excessive heat impairs performance and raises the energy consumption of the refrigerator!



Deviations from these installation instructions without prior notification of Dometic result in Dometic GmbH's warranty obligations becoming void!

4.1.1 Side installation

If the appliance is installed on the same side of the vehicle as the entrance door, it is desirable that the door does not cover the refrigerator's vents. (Fig. 5, Clearance door/ventilation grille at least 25 mm). Otherwise ventilation could be impaired which causes a loss in cooling performance. Awnings are often placed at the door side of a caravan. This complicates evacuation of combustion gases and heat through the ventilation grilles (loss in cooling performance)!

(Fig.5) The air vent grilles are blocked. There must be a distance between the door and the air vents of at least 25 mm!

If the door/grille distance is between 25 mm and 45 mm, we recommend installing a **Dometic ventilation kit (item no. 241 2985 - 00/0)** to achieve an optimal cooling performance in high ambient temperatures.

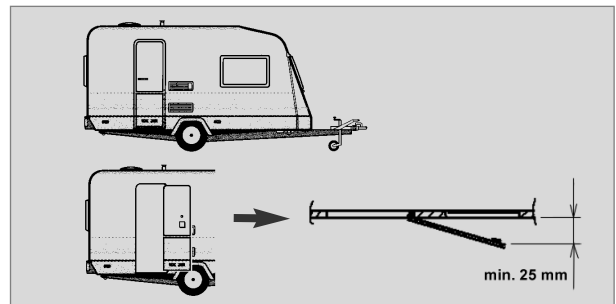


Fig. 5

(Fig. 6) The air vent grilles offer an unobstructed dissipation of heat and exhaust gas even when the door is opened.

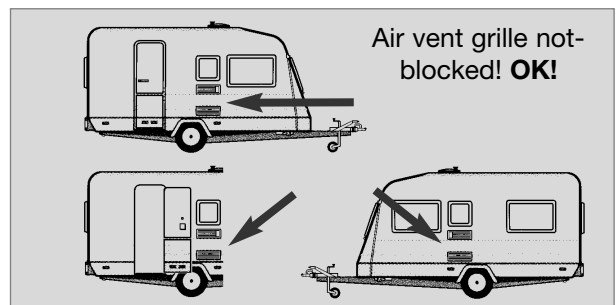


Fig. 6

4.1.2 Side installation with floor-roof ventilation

Proper ventilation of the refrigerator can also be achieved by lower air intake aperture in the floor and upper roof exhaust vent (see Fig. 7). A flue has to be provided between the top edge of the refrigerator and the roof ventilation which directs the hot air and the exhausts straight to the air vent in the roof.

The floor opening must have a cross section of at least **250 cm²** . Protect the opening, e.g. with a baffle plate and a net, to prevent dirt from entering the gas burner. Compared to side ventilation, this ventilation method can allow more dirt to enter the rear area of the refrigerator, which makes regular maintenance of the gas burner, at least once a year, necessary.

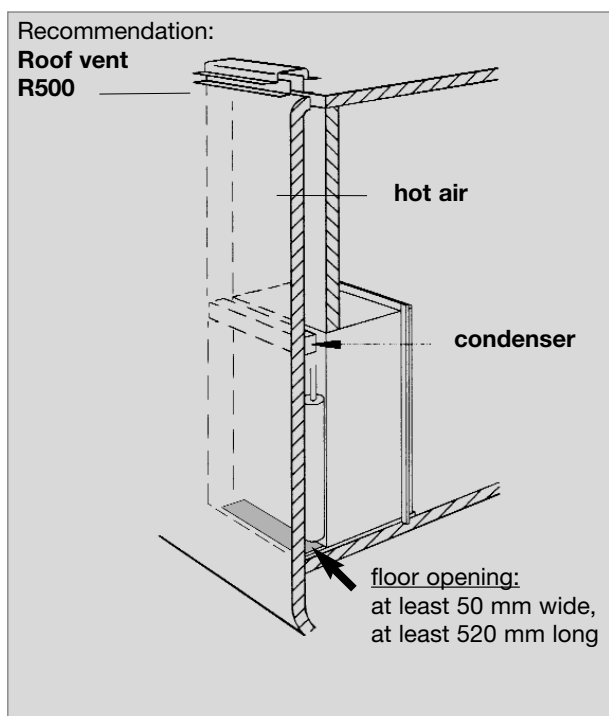


Fig. 7



With this installation method, regular maintenance of the gas burner is only possible once the device has been dismantled. It is imperative that the refrigerator be installed in a way to allow easy removal.

We therefore recommend providing an adequate access opening (service flap) for ready serviceability from the outside.

4.1.3 Rear installation

Rear installation often causes an unfavourable installation arrangement, as ideal ventilation cannot always be assured (e.g. the lower ventilation grille is covered by the bumper or the rear lights of the vehicle!) (Fig. 8). The maximum cooling performance of the aggregate is actually not available.



Fig. 8



Fig. 9

Another unfavourable method of rear installation is to install the air intake and exhaust grilles (Fig. 10) at the side wall of the recreation vehicle. The air-heat recirculation is very restricted which means that heat exchangers (condenser, absorber) cannot be adequately cooled. The optional method of an additional air vent grille installed in the floor also exhibits an insufficient air flow duct.

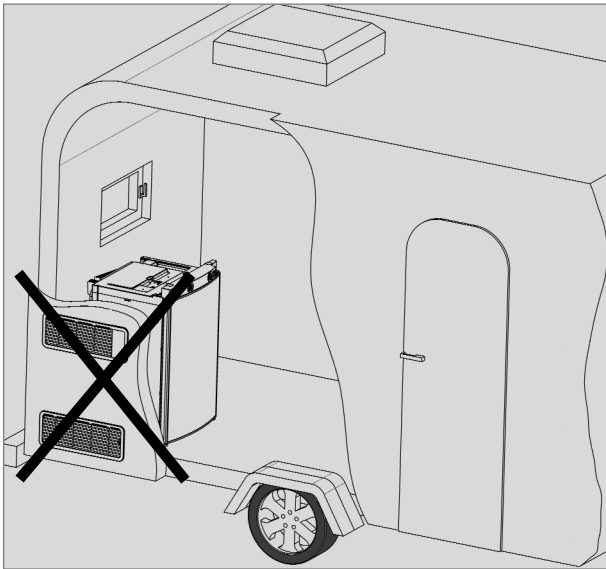


Fig. 10

CAUTION!

The maximum cooling performance is not available! Do not apply this installation method, as it does not provide proper ventilation! Please refer to the description in section 4.2 .

4.1.4 Draught-proof installation

Refrigerators in motorhomes, caravans or other vehicles must be installed in a draught-proof manner (EN 1949). This means that the combustion air for the burner is not taken from the living space and that exhaust fumes are prevented from entering the living space.

Adequate sealing between the back of the refrigerator and the vehicle interior has to be provided.

Dometic strongly recommends carrying this out using a flexible seal (in order to simplify later removal and installation of the unit for maintenance purposes).



WARNING!

By no means use durable sealing compounds, fitting foam or similar material to realise draught-proof installation of the refrigerator! Do NOT use any easily inflammable materials for sealing (in particular silicon sealing compound or similar). Risk of fire! The device manufacturer's product liability and warranty shall lapse if such materials are used.

Proposal 1

The lip seals (1) are installed at the bottom and on each side in the installation recess (Fig. 11-13). A heat deflector plate (2) is installed in the installation recess above the refrigerator. **Affix the this plate to the caravan wall, do NOT attach to the refrigerator !**

Attach the deflector plate so that the heated air escapes through the top ventilation grill into the open air and no heat build-up can be produced.

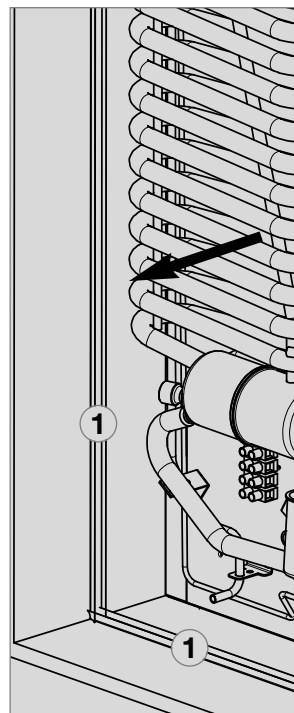


Fig. 11

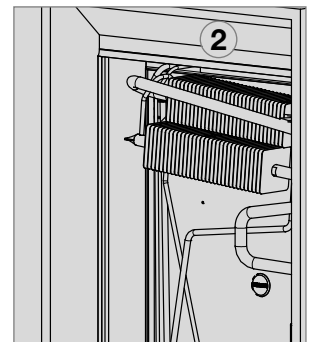


Fig. 12

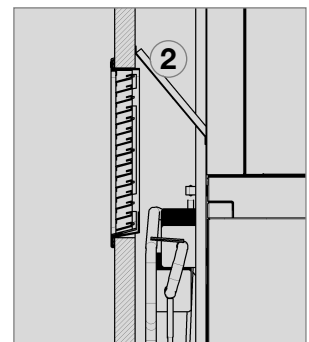


Fig. 13

The refrigerator is later pushed into the installation recess from the front. Ensure that the seals abut the case evenly.

This installation option facilitates the removal and installation of the appliance for servicing.

Proposal 2

Fasten the sealing lips to a stop bar on the rear side (1), e.g. by gluing.

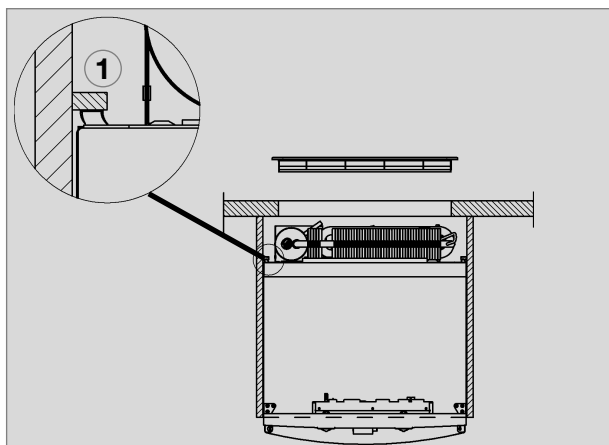


Fig. 14

The cavity in-between the outer vehicle wall and refrigerator is completely isolated from the vehicle interior. Intrusion of exhaust fumes into the living space is prevented. Fumes will escape through the upper ventilation grille to the outside.

The draught-proof installation does not require a special exhaust gas duct to be used. This installation method allows the use of the same air vent grille **LS200** at the top and at the bottom without flue duct.

If a flue duct is nevertheless desirable, incorporate the **LS100** ventilation system with flue duct into the upper air vent opening. (For installation, please refer to "4.4")



Deviations require the consent of the manufacturer!

4.2 Ventilation and air extraction of the refrigerator

A correct installation of the refrigerator is essential for its correct operation, as due to physical reasons heat builds up at the back of the appliance which must be allowed to escape into the open air.



In the event of high ambient temperatures, full performance of the cooling unit can only be achieved by means of adequate ventilation and extraction.

Ventilation is provided for the unit by means of two apertures in the caravan wall. Fresh air enters at the bottom, extracts the heat and exits through the upper vent grille (chimney effect).

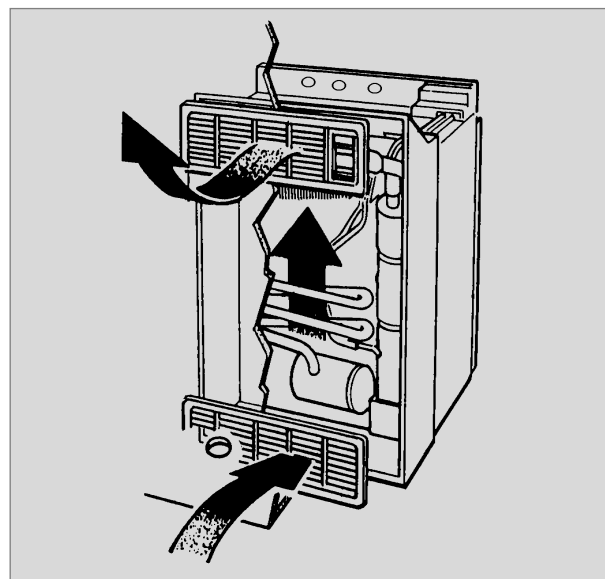


Fig. 15

The upper ventilation grille should be positioned as high as possible above the condenser (1, , Fig.16). Install the lower ventilation grille at floor level of the recess (Fig. 16,17), allowing unburnt gas (heavier than air) to escape directly into the open air.



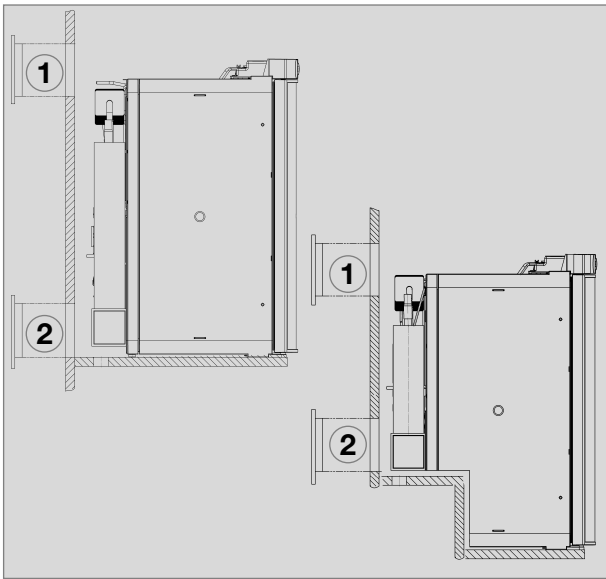


Fig. 16

- ① Ventilation grille LS 100 or LS 200
- ② Ventilation grille LS 200

The gas burner must be located above the edge (1, Fig. 17).

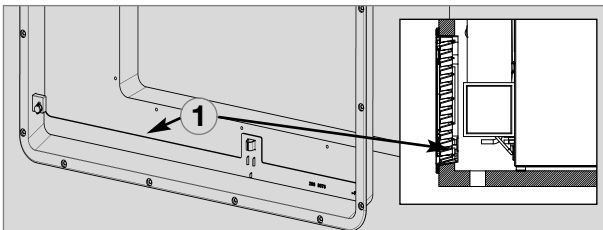


Fig. 17

Should this arrangement prove impossible, a ventilation aperture must be introduced by the manufacturer of the vehicle into the recess floor in order to avoid the accumulation of unburnt gas on the floor.

The ventilation grilles must have an open cross-section of at least 250cm². This is achieved by using the Dometic LS100/LS 200 absorber ventilation and air extraction system which has been tested and approved for this purpose.

4.3 Installing the ventilation system

The **LS 100** upper vent system kit consists of the mounting frame (**RS 1640**), the air grille including flue gas duct (**AS 1620**) and the winter cover (**WA120**). The **LS 200** lower vent system kit consists of the mounting frame (**RS 1650**), the air grille (**AS1 630**, but without flue gas duct) and the winter cover (**WA130**).

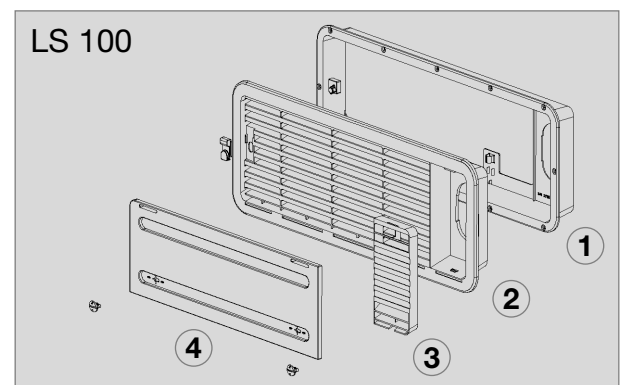


Fig. 18

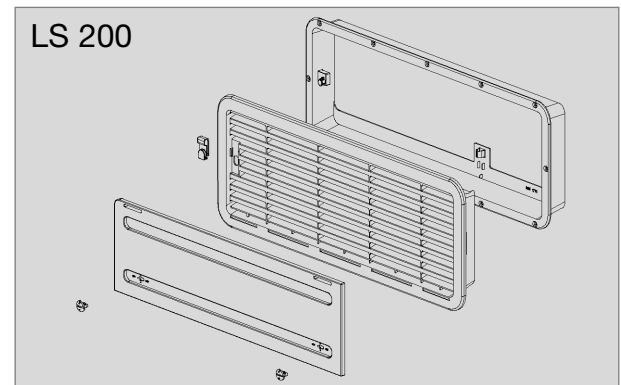


Fig. 19



Correct mounting of the lower ventilation grille facilitates access to the connections and functional parts during maintenance.

CAUTION!

An installation other than described will reduce the cooling capacity and jeopardise the manufacturer's warranty/product liability.

To install the ventilation grilles, cut two rectangles (451 mm x 156 mm) in the outer wall of the vehicle (for position of the cuts, see point 4.2).

1

Seal the mounting frame making it waterproof (does not apply for mounting frames with integral seal).

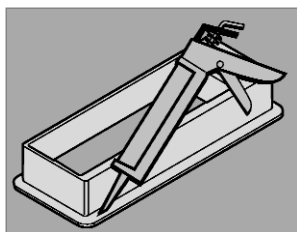


Fig. 20

2

Insert frame and screw into position

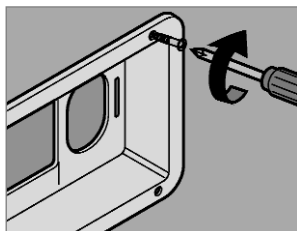


Fig. 21

3

Insert and lock ventilation grille.

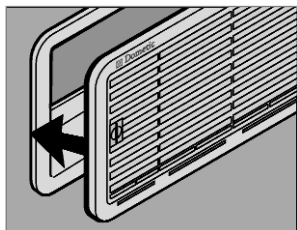


Fig. 22

4

Clip the insert for flue gas duct in position (only for L100 upper ventilation system kit).

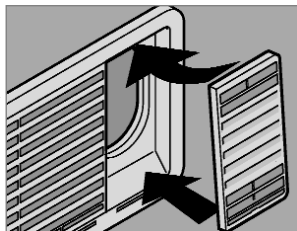


Fig. 23

5

Insert winter cover.

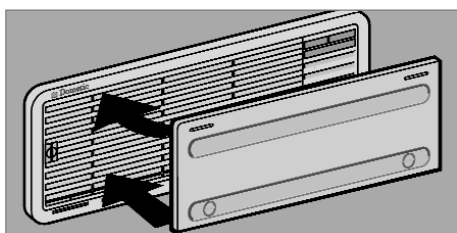


Fig. 24

4.4 Exhaust gas duct and installing the fume flue

The exhaust gas duct system must be made in such a manner as to achieve a complete extraction of combustion products to the outside of living space. The duct system must slope in an upward direction in order to avoid a build-up of condensate. The type of exhaust gas duct shown in Fig. 25 allows the installation of the winter cover next to (10) (Fig. 25).

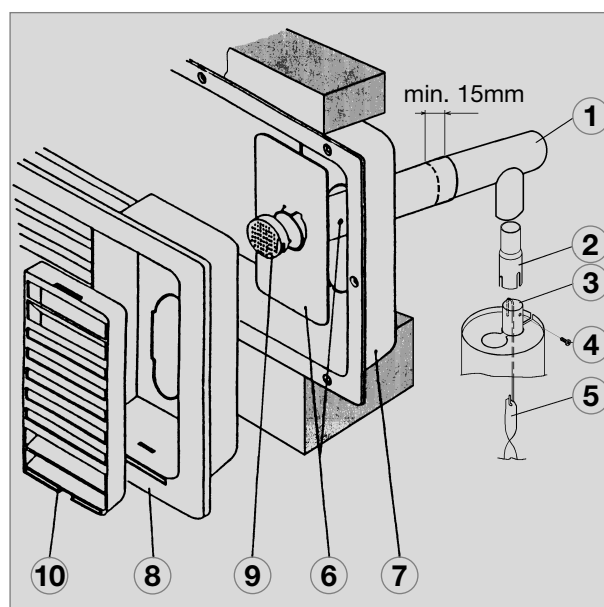


Fig. 25

Installing the standard fume flue

1. Connect T-piece (1) to adaptor (2) or flue pipe (3) as required and affix with screw (4). Ensure that heat baffle (5) is lodged in the correct position.

2. Insert flue pipe with cover plate (6) through the appropriate aperture in the upper frame (7) and connect to T-piece (1). If necessary, shorten flue pipe (6) to the required length.

3. Insert and lock ventilation grill LS 100 (8) in the mounting frame (7).

4. Put cap (9) on flue pipe (6).

5. Insert extractor insert (10) into ventilation grille (8).

4.5 Installation recess

The refrigerator must be installed draught-proof in a recess (also refer to Section "4.1.4"). The measurements of the recess are stated in the table below. **Step (1)** (Fig. 26) is only required for cabinets with a step. The floor of the recess must be level, allowing the appliance to be pushed easily into its correct position. The floor must be substantial enough to bear the weight of the appliance.

4.5.1 Installation in the recess

Push the appliance far enough into the recess until the front edge of the refrigerator casing is aligned with the front of the recess. Allow a **gap of 15-20 mm** between the back wall of the recess and the refrigeration unit.

Ensure that the refrigerator is installed level in the recess.

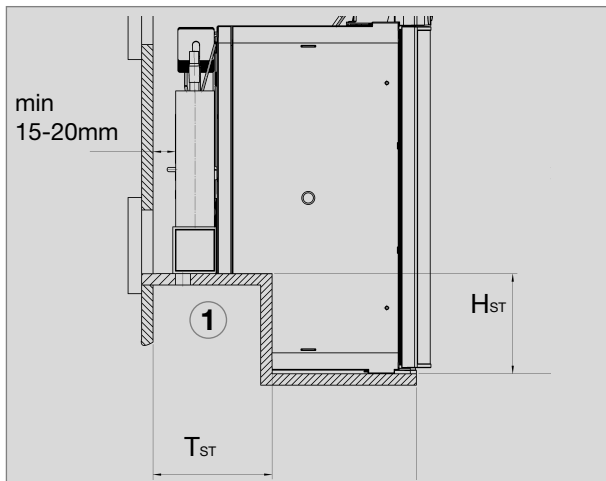


Fig. 26

Model	Height H _{ST}	Depth T _{ST}
RMS 8400	220 mm	235 mm
RMS 8401	220 mm	235 mm
RMS 8405	220 mm	235 mm
RMS 8460	220 mm	235 mm
RMS 8461	220 mm	235 mm
RMS 8465	220 mm	235 mm
RMS 8500	220 mm	235 mm
RMS 8501	220 mm	235 mm
RMS 8505	220 mm	235 mm
RMS 8550	220 mm	235 mm
RMS 8551	220 mm	235 mm
RMS 8555	220 mm	235 mm
RMSL 8550	220 mm	235 mm
RMSL 8551	220 mm	235 mm
RMSL 8555	220 mm	235 mm

4.6 Securing the refrigerator

In the sidewalls of the refrigerator, there are four plastic sleeves for securing the refrigerator. The sidewalls or strips attached for securing the refrigerator must be prepared to hold the screws firmly in place even when under increased load (while the vehicle is moving). Fastening screws and caps are supplied with the refrigerator

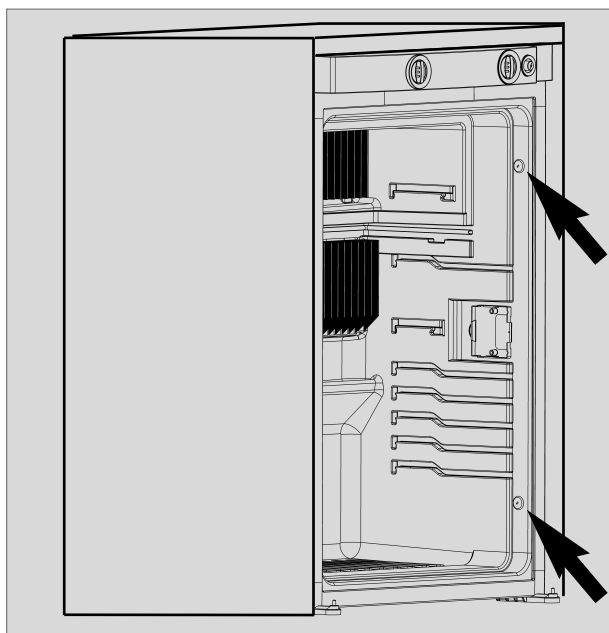


Fig. 27

CAUTION!

Always insert screws through the sleeves provided as otherwise components laid in foam, such as cables etc., could be damaged.

After the refrigerator is put in its final place, secure the screws into the wall of the recess. The screws must penetrate the casing of the refrigerator.

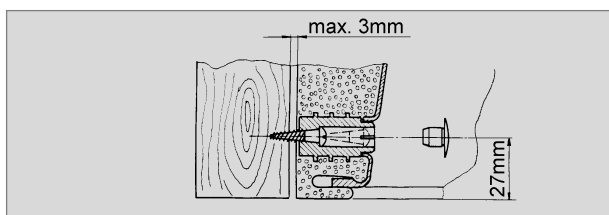


Fig. 28

4.7 Inserting the decor panel

Model RM 8xxx, RMS 8xxx

- Remove the lateral ledge (1) the door (ledge is attached, not screwed).
- Shift decor panel (2) away from the door and insert the new decor panel. Re-attach ledge (1).

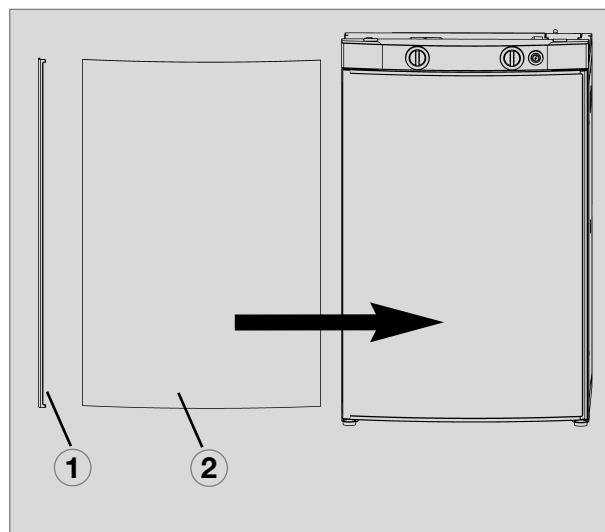


Fig. 29

Decor panel dimensions :

Casing width 486 mm

Height	Width	Thickness
743 +/- 0.5 mm	472 +/- 0.5 mm	max. 2.2 mm

Casing width 523 mm

Height	Width	Thickness
743 +/- 0.5 mm	510.5 +/- 0.5 mm	max. 2.2 mm

Model RM 8xxx, RMS 84xx

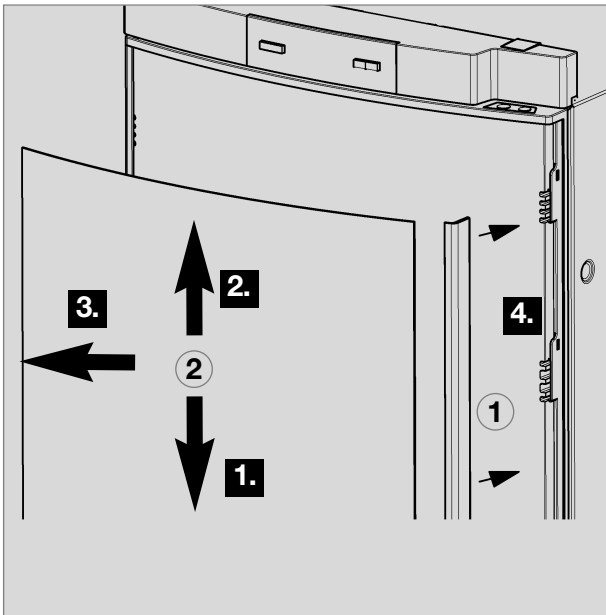


Fig. 30

CAUTION!

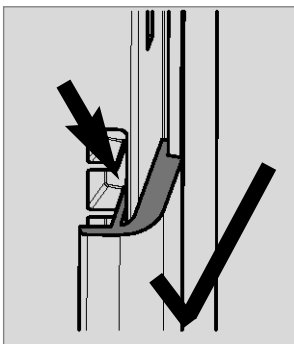


Fig. 31

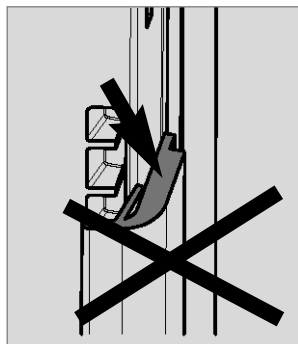


Fig. 32

Model RMx(L) 8xxx, frameless decor panel

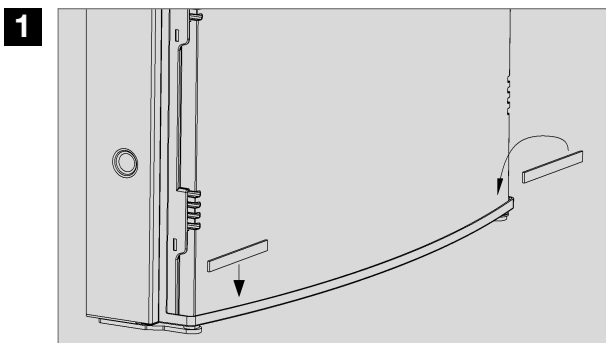


Fig. 33

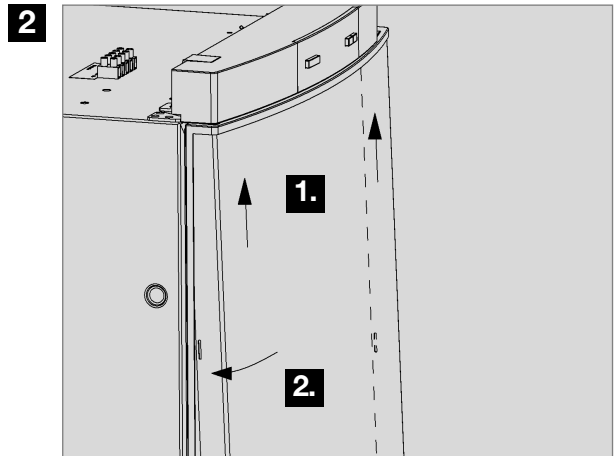


Fig. 34

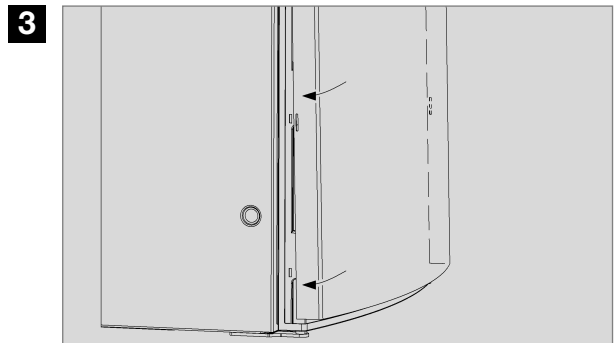


Fig. 35

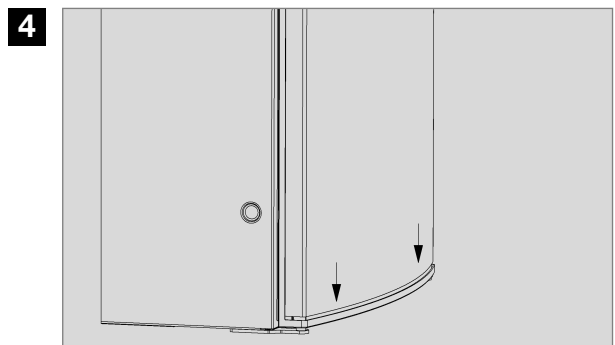


Fig. 36

Decor panel dimensions RML 8xxx :

Casing width 523 mm

Height **Width** **Thickness**

1169,5 +/-1 mm 507,5 +/-1 mm max. 1.7 mm

4.8 Gas installation



WARNING!

The gas connection shall be carried out by specialised personnel* only.

* Specialised personnel are accredited experts who are able, by virtue of their training and knowledge, to vouch for the correct installation and implementation of the leakage test.

- Observe the regulations stated in section 2.1 .
- This refrigerator is provided for installation within liquid gas equipment in compliance with EN1949 and must be run exclusively on liquid gas (propane, butane) (no natural gas, town gas).
- A fixed, pre-set pressure regulator complying with EN 12864 must be connected to the liquid gas cylinder.
- The pressure regulator must concur with the operating pressure specified on the rating plate of the appliance. The operating pressure corresponds to the standard pressure of the country of specification (EN 1949, EN 732).
- Only one connection pressure is permissible for any one vehicle! A plate showing the permanent, clearly legible notice must be displayed in full view at the point where the gas cylinder is installed.
- The gas connection to the appliance must be installed securely and free of stress using pipe connectors and must be securely connected to the vehicle (a hose connection is not permissible) (EN 1949).
- The gas connection to the appliance is effected by means of (Ermeto-) olive type fitting L8, DIN 2353-ST, complying with EN 1949 (s. figure 37, 38).
- After professional installation, a leakage test as well as a flame test have to be carried out by qualified personnel* in

conformity with EN 1949. A test certificate has to be issued.

- The refrigerator must be equipped with a shut-off valve allowing to cut the supply line. Such a shut-off device must be readily accessible to the user.

Connection pressure and gas categories

The refrigerators are operated using the gases and inlet pressures stated below. The pressure reducing valves between the gas cylinder and refrigerator to be used must comply with the categories stated in the following table.

Category	Pressure in mbar	GAS
I3B / P(30)	30	Butane
	30	Propane
I3+ (28-30/37)	28-30	Butane
	37	Propane



Dometic refrigerators are equipped for a connection pressure of **30 mbar**. For connection to a 50 mbar gas system, use **Truma VDR 50/30 medium pressure controller**.



When using **LPG gas**, please consider that the burner needs cleaning at shorter intervals due to the gas combustion method (2 - 3 times per year recommended).

Gas connection RM(S) 8xx0 models

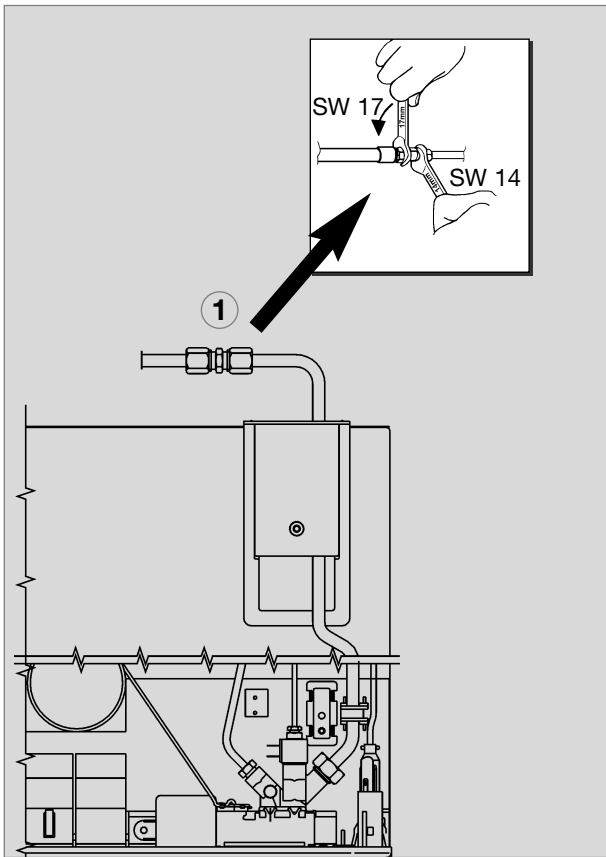


Fig. 37

- 1 (Ermeto-) Olive type fitting L8, (EN ISO 8434)

**Gas connection
RM(S) 8xx1, RM(S) 8xx5 models**

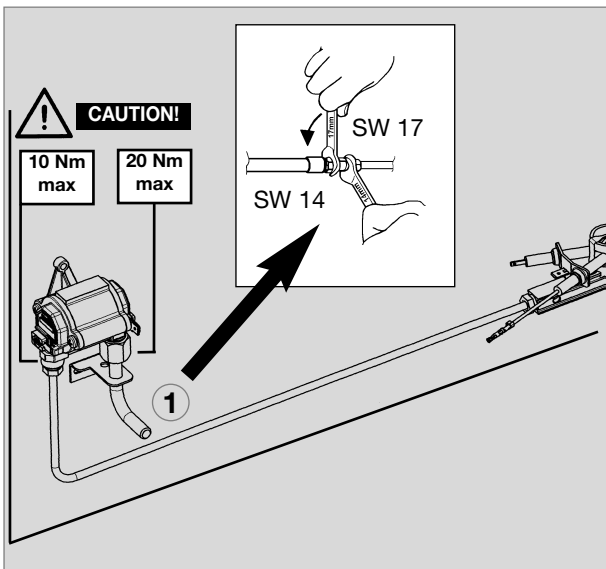


Fig. 38

4.9 Electrical installation



WARNING!

Die elektrische Installation darf nur von einer autorisierten Fachkraft* ausgeführt werden.

* Specialised personnel are accredited experts who are able, by virtue of their training and knowledge, to vouch for the correct installation.

- The electrical installation must be in accordance with the national regulations of the respective countries.
- The connection cables must be routed in a way to prevent contact with hot components of the unit/burner or with sharp edges.
- Changes to the internal electrical installation or the connection of other electrical components (e.g. external fan) to the internal wiring of the appliance will render the e1/ CE admittance as well as any claims from warranty and product liability void!

4.9.1 Mains connection

- The power should be supplied by a properly grounded socket outlet or a grounded non-detachable connection. Where a socket outlet with mains supply is used, the outlet must be freely accessible.

Should the connection cable be damaged, have it replaced by Dometic Customer Services or by qualified personnel to avoid hazards.

We recommend leading the power supply via a board-side fuse protection.

4.9.2 Battery connection

The machine's 12V connection cable is connected (observing correct polarity) to a terminal strip (RMx 8xx0) or plug-in-contacts (RMx 8xx1, 8xx5). The wiring for the 12V heating element (refer to A, B wiring diagram connections) must be direct and by the shortest possible route to the battery or electric generator.

To protect the on-board 12 V circuit provide the following fuses:

- RM8xxx, RMS8xxx: 15 A
- RML855x, RMSL855x: 20 A

In order to ensure that the 12V power supply is shut off when stopping the engine (otherwise the battery would discharge within a few hours), perform the power supply to the 12V heating element (connection A/B in wiring diagram) in a way to have the 12V supply only live while the vehicle ignition is switched on.

The connection C/D (interior light, electronics) must be permanently provided by a 12V DC power supply to be protected by a 2A fuse.

CAUTION!

If the appliance is installed in a caravan the respective leads for the 12V+ and 12V-connections A/B and C/D must not be connected to each other on the caravan-side (EN 1648-1).

Cable cross sections and cable lengths :

Motorcaravan & Caravan (inside)

4 mm ² (RML 8xxx = 6 mm ²)	< 6 m
6 mm ² (RML 8xxx = 10 mm ²)	> 6 m

Caravan (outside)

min 2,5 mm² (EN1648-1)

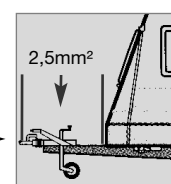
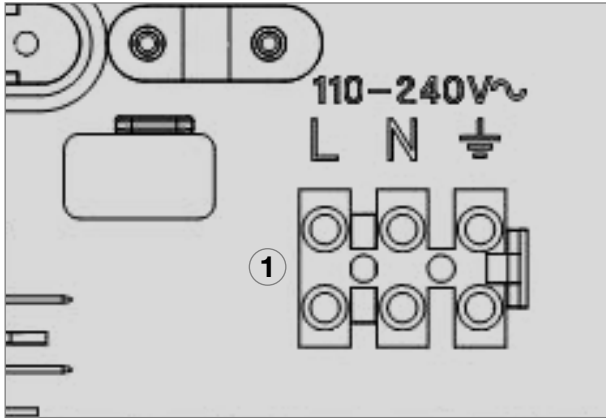


Fig. 42

4.9.3 Cable connections

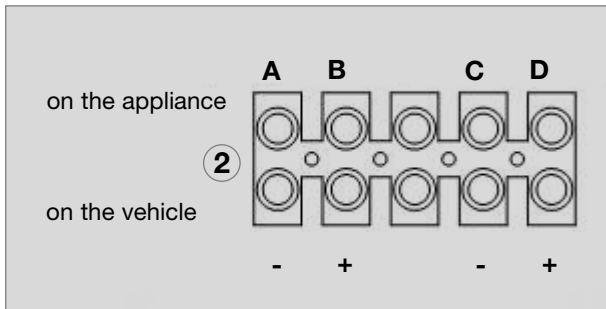
Connections for models RM(S) 8xx0



Mains connection

Fig. 39

- 1 L = brown
- N = blue
- Earth = yellow/green



12V connection

Fig. 40

- 2 A = Ground heating element DC (brown)
- B = Positive connection, heating element DC (brown)
- C = Ground interior lighting (black)
- D = Positive connection lighting (white)

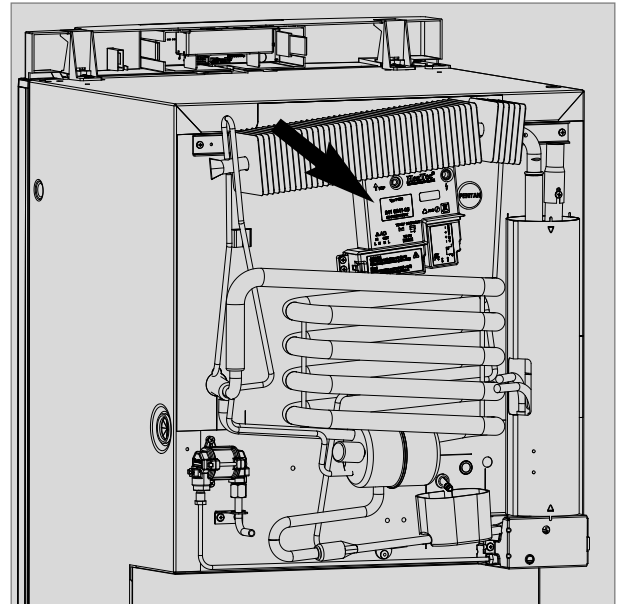
Connections for models RM(S) 8xxx (MES), RM(S) 8xx5 (AES) :



For MES and AES it is compulsory to provide a permanent 12V DC supply at the terminals C/D (permanent voltage supply for functional electronics).

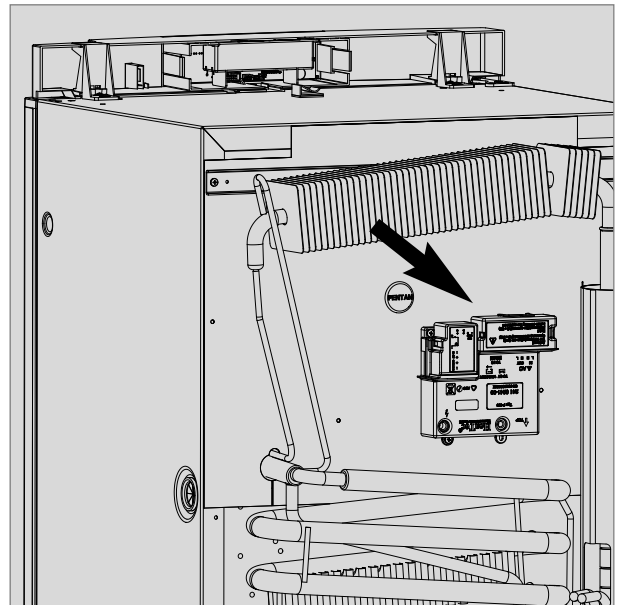
The power supplies for electronics and heating element are connected directly at the plug-in contacts of the electronics.

Position of the control electronics :



Stepped cabinet models

Fig. 41



Standard models

Fig. 42

Contacts at the electronics:

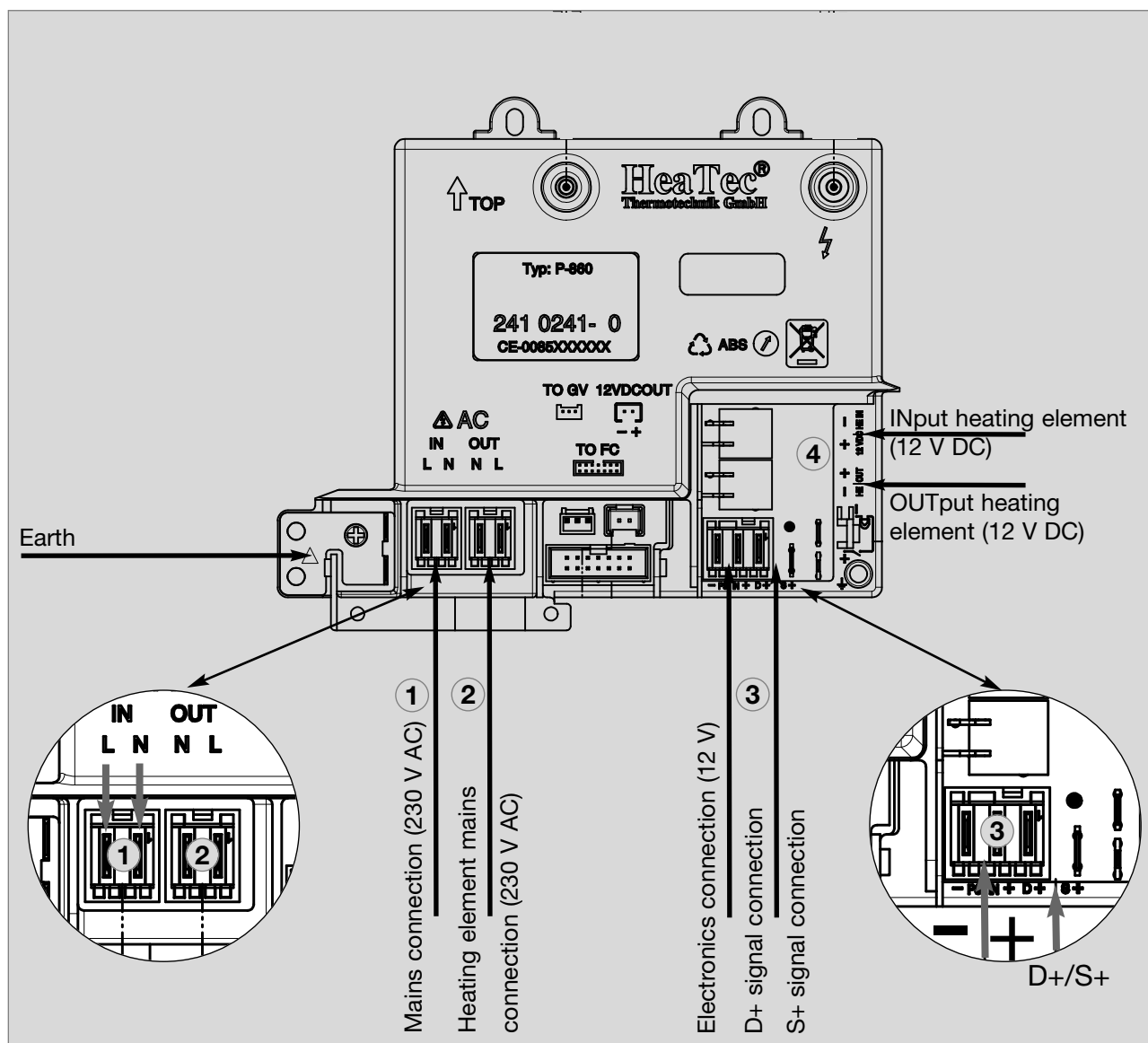


Fig. 43

Plug-in contacts (manufacturer: Stocko®)

- ① MF 9562-002-80E
- ② MF 9562-002-8 OC
- ③ 3-pin with D+ contact: MF 9562-003-8 30 960-000-00
2-pin : MF 9562-002-8 ON + spade connector 6.3 x 0.8
- ④ MKH 5132-1-0-200

4.9.4 D+ and solar connection (only for AES models)

D+ signal connection

In **>Automatic Mode<** the **AES** electronic system automatically selects the most efficient energy supply. In automatic mode the electronic system uses the **D+ signal** (dynamo +) of the alternator to detect **12V DC**. 12V DC operation is selected only while the engine is running in order to prevent battery discharge.

S+ signal connection:

12V DC energy can be optionally achieved by mounting solar equipment to the vehicle. The solar power equipment must be provided with a solar charging controller with **AES output** (adequate charging controllers available in selected stores). The "S+ connection (Solar +) must be connected to the respective terminal of the solar charging controller (**AES output**). The electronic system uses the **S+ signal** of the solar charging controller to detect **solar 12V DC**.

Cable cross-sectional areas:

There are no particularly high current flows via the D+ and S+ connection; therefore no particularly large cross-section is required for these connections (approx. 1mm² is sufficient).

4.9.5 Circuit diagrams

Circuit diagram RM(S) 8x0 :

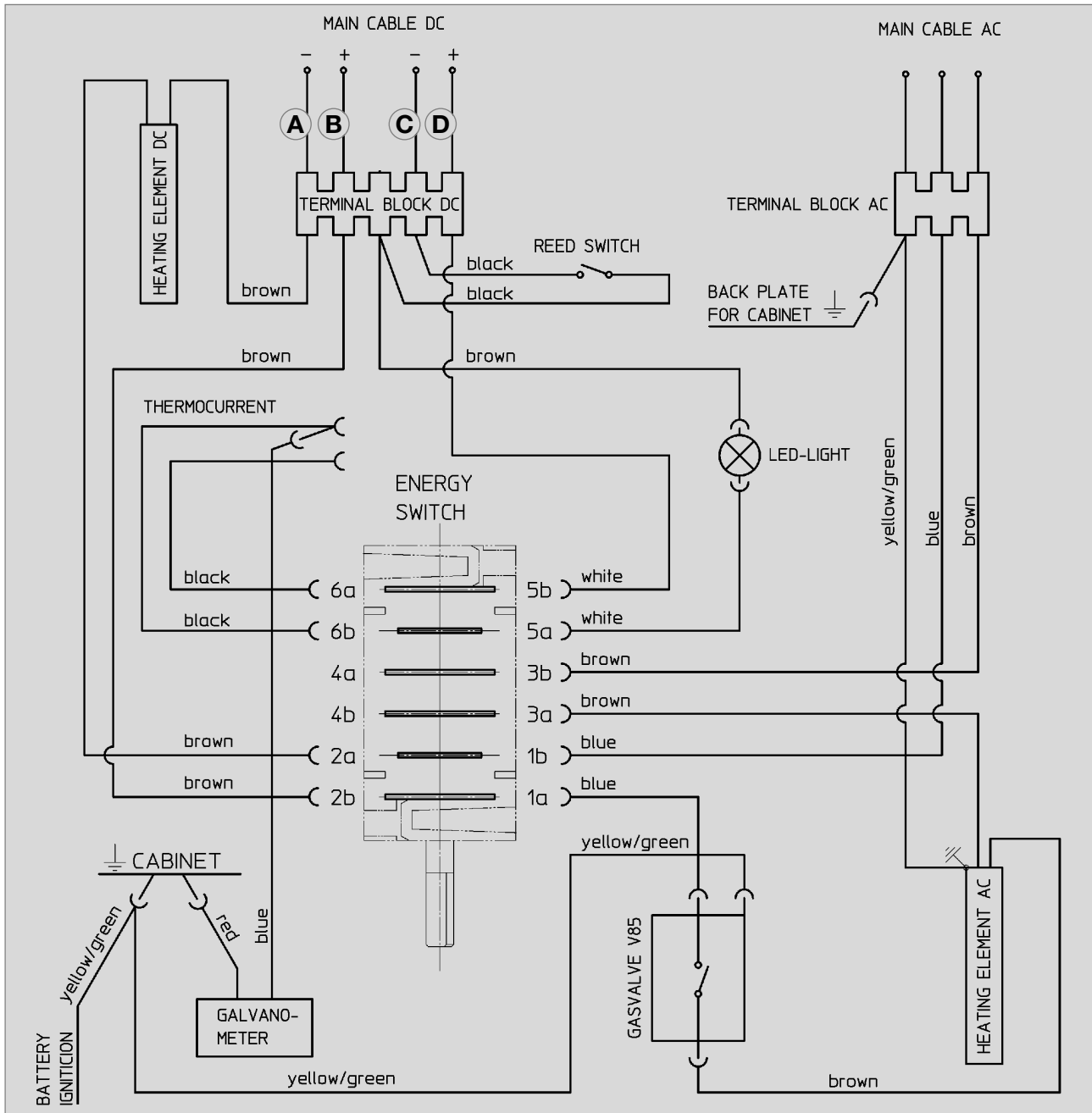


Fig. 44

Fan (optional) RM(S) 8xx1, RM(S) 8xx5 :

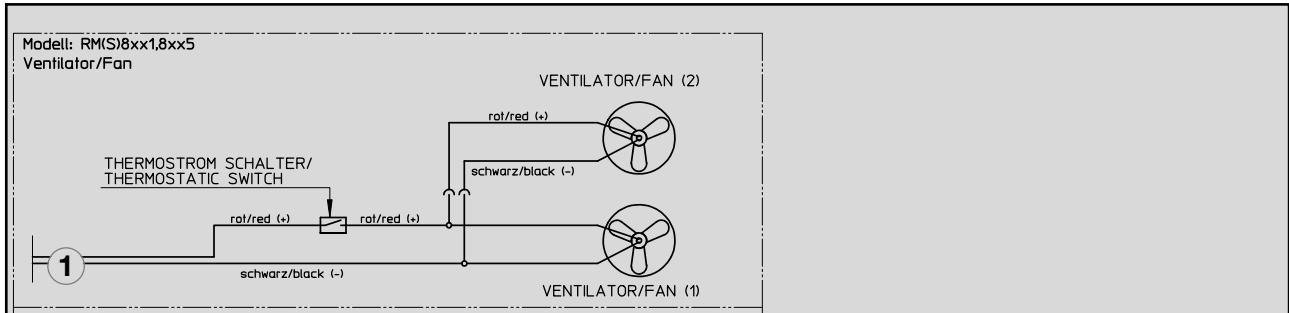


Fig. 46

- ① = 12V OUT / 12 V power supply for optional connections
- Ⓐ = Ground connection heating element 12VDC
- Ⓑ = Positive connection, heating element 12VDC
- Ⓒ = Ground connection electronics 12VDC
- Ⓓ = Positive connection electronics 12VDC



For MES and AES it is compulsory to provide a permanent 12V DC supply at the terminals C/D (permanent voltage supply for functional electronics)

Einbauanleitung

Absorber-Kühlschrank für Freizeitfahrzeuge

RM 8400 RM 8401 RM 8405 RM 8500 RM 8501 RM 8505 RM 8550 RM 8551 RM 8555
RMS 8400 RMS 8401 RMS 8405 RMS 8460 RMS 8461 RMS 8465 RMS 8500 RMS 8501
RMS 8505 RMS 8550 RMS 8551 RMS 8555 RML 8550 RML 8551 RML 8555 RMSL 8500
RMSL 8501 RMSL 8505



N 1-1

MBA 05/2012

DE

Inhaltsverzeichnis

0.0	Auspacken und Transport	3
1.0	Allgemeines	4
1.1	Einleitung	4
1.2	Hinweise zu dieser Bedienungsanleitung	4
1.3	Urheberschutz	4
1.4	Erklärung der verwendeten Symbole	4
1.5	Gewährleistung	5
1.6	Haftungsbeschränkung	5
1.7	Konformitätserklärung	5
2.0	Sicherheitshinweise	6
2.1	Bestimmungsgemäße Verwendung	6
2.2	Verantwortung des Nutzers	6
2.3	Arbeiten und Überprüfungen am Kühlschrank	6
2.4	Betreiben des Kühlschranks mit Gas	6
3.0	Modellbeschreibung	7
3.1	Modellbezeichnung	7
3.2	Typenschild des Kühlschranks	7
3.3	Technische Daten	7
4.0	Einbauanleitung	10
4.1	Einbau	10
4.1.1	Seitlicher Einbau	10
4.1.2	Seitlicher Einbau mit Boden-Dach-Ventilation	11
4.1.3	Heckeinbau	11
4.1.4	Zugdichter Einbau	12
4.2	Be- und Entlüftung des Kühlschranks	13
4.3	Einbau der Lüftungssysteme	14
4.4	Abgasführung und Anbringung des Abgaskamins	15
4.5	Einbaunische	16
4.5.1	Aufstellung in der Nische	16
4.6	Kühlschrankbefestigung	17
4.7	Einsetzen der Dekorplatte	17
4.8	Gasinstallation	19
4.9	Elektrische Installation	20
4.9.1	Netzanschluss	20
4.9.2	Batterieanschluss	20
4.9.3	Klemmleisten	21
4.9.4	D+ und Solaranschluss	21
4.9.5	Schalt schemata	22

Dometic GmbH
In der Steinwiese 16
D-57074 Siegen
www.dometic.com

© Dometic GmbH - 2011 - Änderungen vorbehalten



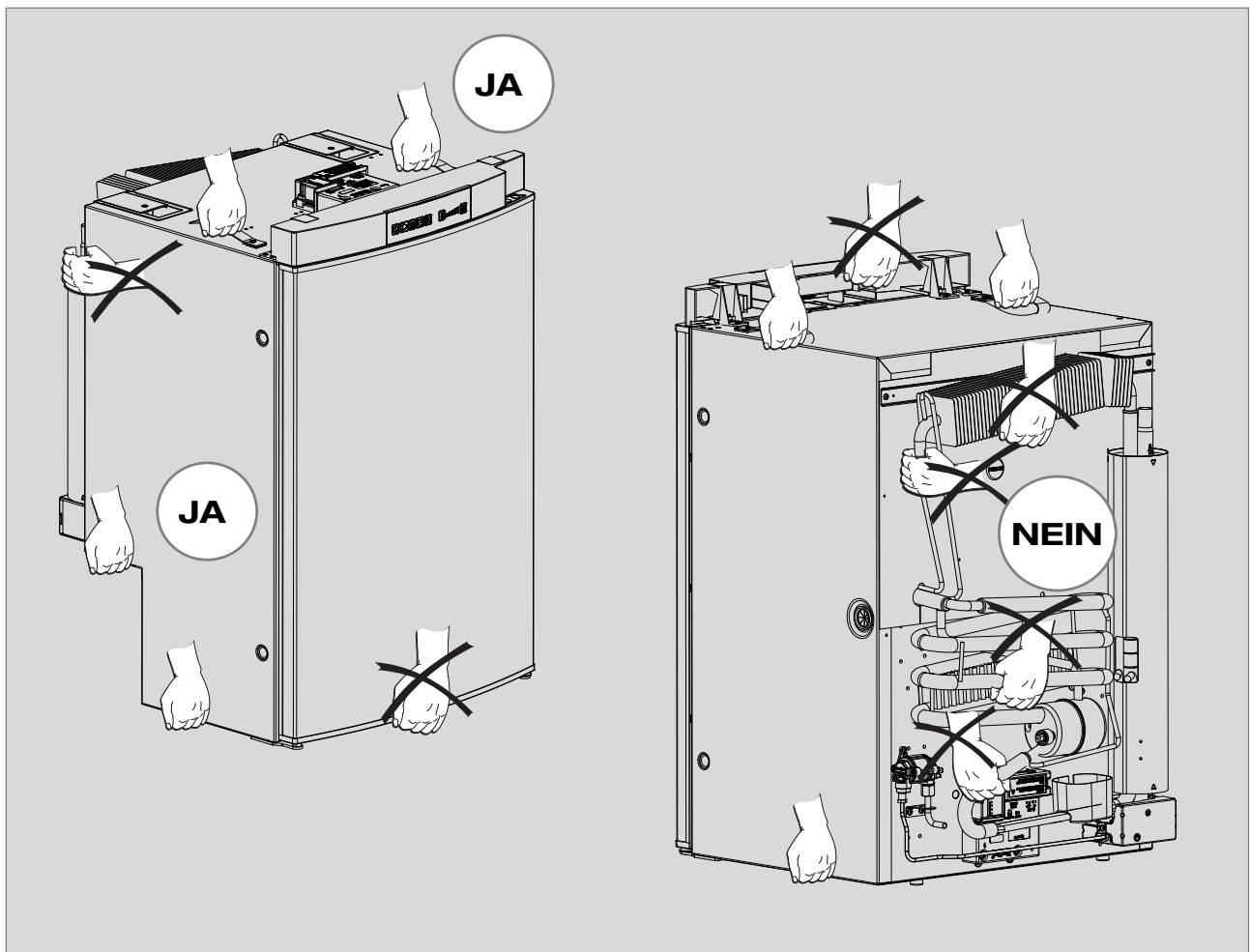
0.0 Auspacken und Transport

Anheben / Tragen des Kühlschranks

VORSICHT!

Nutzen Sie niemals zum Tragen oder Anheben des Kühlschranks andere Teile am Kühlschrank als die in der Abbildung gezeigten (vor allem nicht das Aggregat, Gasleitungen und Bedienblende) !

Sie vermeiden Beschädigungen am Kühlschrank !



1.0 Allgemeines

1.1 Einleitung

Beim Einbau des Gerätes müssen die technischen und administrativen Vorschriften des Landes, in dem das Fahrzeug zum ersten Mal zugelassen wird, beachtet werden.

Ansonsten sind die Einbauvorschriften des Herstellers zu beachten. In Europa z.B. müssen Gasgeräte, Leitungsverlegung, Gasflaschenaufstellung sowie Abnahme und Dichtheitsprüfung der Europäischen Norm **EN 1949** für Flüssiggasanlagen in Fahrzeugen entsprechen.

1.2 Hinweise zu dieser Installationsanleitung

Bevor Sie den Kühlschrank einbauen, lesen Sie diese Installationsanleitung bitte sorgfältig durch.

Diese Anleitung gibt Ihnen die nötigen Hinweise für den richtigen Einbau Ihres Kühlschranks. **Beachten Sie besonders die Sicherheitshinweise.** Die Einhaltung der Hinweise und Handlungsanweisungen ist wichtig und schützt Sie und den Kühlschrank vor Schäden. Das Gelesene muss verstanden worden sein, bevor Sie eine Maßnahme durchführen.

Bewahren Sie diese Installationsanleitung sorgfältig auf, sodass sie jederzeit verwendet werden kann.

1.3 Urheberschutz

Die Angaben, Texte und Abbildungen in dieser Anleitung sind urheberrechtlich geschützt und unterliegen den gewerblichen Schutzrechten. Kein Teil dieser Anleitung darf ohne die schriftliche Genehmigung der Dometic GmbH, Siegen, reproduziert, kopiert oder sonstwie verwendet werden.

1.4 Erklärung der verwendeten Symbole

Warnhinweise

Warnhinweise sind durch Symbole gekennzeichnet. Ein ergänzender Text erläutert Ihnen den Grad der Gefährdung.

Beachten Sie diese Warnhinweise sehr genau. Damit schützen Sie sich, andere Personen und das Gerät vor Schäden.



GEFAHR!

GEFAHR kennzeichnet eine unmittelbare Gefahrensituation, die zum Tod oder einer ernstesten Verletzung führen kann, wenn die angegebenen Anweisungen nicht befolgt werden.



WARNUNG!

WARNUNG kennzeichnet eine mögliche Gefahrensituation, die zum Tod oder einer ernstesten Verletzung führen kann, wenn die angegebenen Anweisungen nicht befolgt werden.



VORSICHT!

VORSICHT kennzeichnet eine mögliche Gefahrensituation, die zu leichten oder mittleren Verletzungen führen kann, wenn die angegebenen Anweisungen nicht befolgt werden.

VORSICHT!

VORSICHT ohne Sicherheitssymbol kennzeichnet eine mögliche Gefahrensituation, die zu Beschädigungen des Gerätes führen kann, wenn die angegebenen Anweisungen nicht befolgt werden.

Information



INFORMATION gibt Ihnen ergänzende und nützliche Hinweise zum Umgang mit Ihrem Kühlschrank.

Umwelthinweis



UMWELTHINWEIS gibt Ihnen nützliche Hinweise zur Energieeinsparung und Entsorgung des Gerätes.

1.5 Gewährleistung

Gewährleistungsabwicklungen erfolgen nach der europäischen Richtlinie 44/1999/EC und den landesüblichen Bedingungen. Im Gewährleistungs- oder Servicefall wenden Sie sich bitte an unseren Kundendienst. Störungen, die auf fehlerhafte Bedienung zurückzuführen sind, unterliegen nicht der Gewährleistung. Jede Veränderung am Gerät oder die Verwendung von Ersatzteilen, die keine **Original - Dometic - Ersatzteile** sind, sowie das Nichteinhalten der Einbau- und Bedienungsanleitung führt zum Erlöschen der Gewährleistung und zum Ausschluss von Haftungsansprüchen.


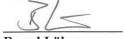
1.6 Haftungsbeschränkung

Alle Angaben und Hinweise in dieser Einbauanleitung wurden unter Berücksichtigung geltender Normen und Vorschriften sowie dem Stand der Technik erstellt. **Dometic** behält sich vor, jederzeit Änderungen am Produkt vorzunehmen, die im Interesse der Verbesserung des Produktes und der Sicherheit angebracht sind.

Dometic übernimmt keine Haftung für Schäden bei :

- Nichtbeachtung dieser Anleitung
- nicht bestimmungsgemäßer Verwendung
- Verwendung von nicht originalen Ersatzteilen
- Veränderungen und Eingriffen am Gerät
- Einwirkung von Umgebungseinflüssen, wie
 - Temperaturänderungen
 - Luftfeuchtigkeit

1.7 Konformitätserklärung

 <small>Mobile living made easy.</small>		
DECLARATION OF CONFORMITY		
according to		
LVD 2014/35/EU EMC Directive 2004/108/EC, 2014/30/EU Gas Appliance Directive 2009/142/EC ECE R10, Rev. 4		
Type of equipment	Absorption Refrigerator	
Brand Name	DOMETIC	
Type family	C 40/110	
Manufacturer's (Factory) name	DOMETIC GmbH	
address	In der Steinwiese 16, D-57074 Siegen	
telephone no	INT+49 - 271 692 0	
telefax no	INT+49 - 271 692 304	
The following harmonized standards or technical specifications (designations) which comply with good engineering practice in safety matters in force within the EEA have been practiced: EN 60335-1;12 (IEC 60335-1; 5 ed., Am. 1, Am. 2), EN 60335-2-24;10 (IEC 60335-2-24; 7 ed., Am. 1.) EN 61000-3-2;06, A1, A2 EN 61000-3-3;08 EN 55014-1;06, A1, A2 EN 55014-2;97, A1, A2 EN 732-98 EN 60335-2-102;06 EN 30-1-1;10 A1 (Tectower-Models) EN 30-2-1; 98 A1, A2 (Tectower-Models) EN 50581;2010		
The equipment conforms completely with the above stated harmonized standards or technical specifications.		
By signing this document, the undersigned declares as manufacturer, or the manufacturer's authorized representative established within the EEA, that the equipment in question complies with the requirements stated above.		
Date	Signature	Position
2017.01.09	 Bernd Löher	General Manager

2.0 Sicherheitshinweise

2.1 Bestimmungsgemäße Verwendung

Dieser Kühlschrank ist für den Einbau in Freizeitfahrzeuge wie Wohnwagen oder Reisemobile vorgesehen. Das Gerät ist für diese Anwendung in Konformität mit der EU-Gasgeräte richtlinie baumustergeprüft.

Benutzen Sie den Kühlschrank ausschließlich zum Kühlen und Lagern von Lebensmitteln.

VORSICHT!

Der Kühlschrank darf nicht dem Regen ausgesetzt werden.

2.2 Verantwortung des Nutzers

Personen, die den Kühlschrank bedienen, müssen mit dem sicheren Umgang vertraut sein und die Hinweise der Bedienungsanleitung kennen.

2.3 Arbeiten und Überprüfungen am Kühlschrank



WARNUNG!

Arbeiten an den Gas-, Abgas- und Elektroeinrichtungen dürfen nur von autorisierten Fachkräften ausgeführt werden. Durch nicht fachgerechte Maßnahmen können erhebliche Sach- und/oder Personenschäden entstehen.



GEFAHR!



Überprüfen Sie niemals gasführende Teile und Leitungen mit einer offenen Flamme auf Undichtigkeit !
Es besteht Brand- oder Explosionsgefahr.



WARNUNG!

Öffnen Sie niemals das Absorberkühlaggregat ! Es steht unter hohem Druck.

Es besteht Verletzungsgefahr!

2.4 Betreiben des Kühlschranks mit Gas

Der Betriebsdruck muss unbedingt der Angabe auf dem Typenschild des Kühlschranks entsprechen. Vergleichen Sie die Angabe des Betriebsdruckes auf dem Typenschild mit den Daten des Druckminderers an der Flüssiggasflasche.

3.3 Technische Daten

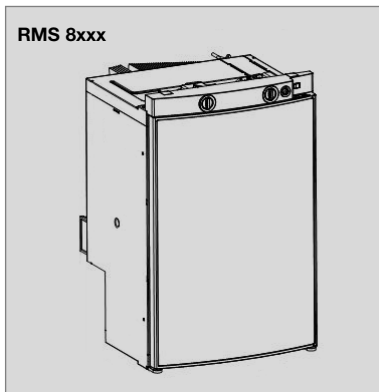


Abb. 2

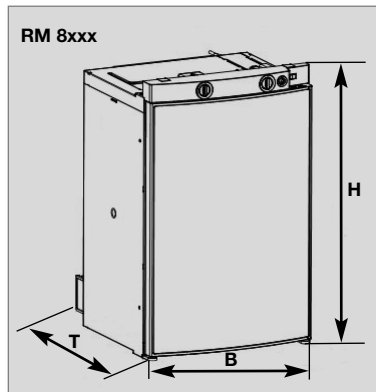


Abb. 3



Abb. 4

Modelle mit gebogener Tür

Modell	Abmessungen H x B x T (mm) Tiefe inkl. Tür	Bruttoinhalt / mit Frosterfach	Bruttoinhalt Frosterfach entnommen	Anschlusswerte Netz/Batterie	Verbrauch * Elektro/Gas in 24h	Netto- gewicht	Zündung	
							Piezo	Automat
RMS 8400	821x486x568	80 / 8 lit.	85 lit.	125 W / 120 W	ca.2,5 kWh / 270 g	25 kg	•	
RMS 8401	821x486x568	80 / 8 lit.	85 lit.	125 W / 120 W	ca.2,5 kWh / 270 g	25 kg		•
RMS 8405	821x486x568	80 / 8 lit.	85 lit.	125 W / 120 W	ca.2,5 kWh / 270 g	25 kg		•
RM 8400	821x486x568	90 / 8 lit.	95 lit.	135 W / 130 W	ca.2,4 kWh / 270 g	27 kg	•	
RM 8401	821x486x568	90 / 8 lit.	95 lit.	135 W / 130 W	ca.2,4 kWh / 270 g	27 kg		•
RM 8405	821x486x568	90 / 8 lit.	95 lit.	135 W / 130 W	ca.2,4 kWh / 270 g	27 kg		•
RMS 8460	821x486x633	90 / 11 lit.	96 lit.	125 W / 120 W	ca.2,5 kWh / 270 g	26 kg	•	
RMS 8461	821x486x633	90 / 11 lit.	96 lit.	125 W / 120 W	ca.2,5 kWh / 270 g	26 kg		•
RMS 8465	821x486x633	90 / 11 lit.	96 lit.	125 W / 120 W	ca.2,5 kWh / 270 g	26 kg		•
RMS 8500	821x523x568	90 / 9 lit.	96 lit.	125 W / 120 W	ca.2,5 kWh / 270 g	26 kg	•	
RMS 8501	821x523x568	90 / 9 lit.	96 lit.	125 W / 120 W	ca.2,5 kWh / 270 g	26 kg		•
RMS 8505	821x523x568	90 / 9 lit.	96 lit.	125 W / 120 W	ca.2,5 kWh / 270 g	26 kg		•
RMS 8550	821x523x623	103 / 12 lit.	110 lit.	125 W / 120 W	ca.2,6 kWh / 270 g	27 kg	•	
RMS 8551	821x523x623	103 / 12 lit.	110 lit.	125 W / 120 W	ca.2,6 kWh / 270 g	27 kg		•
RMS 8555	821x523x623	103 / 12 lit.	110 lit.	125 W / 120 W	ca.2,6 kWh / 270 g	27 kg		•
RM 8500	821x523x568	100 / 9 lit.	106 lit.	135 W / 130 W	ca.2,4 kWh / 270 g	28 kg	•	
RM 8501	821x523x568	100 / 9 lit.	106 lit.	135 W / 130 W	ca.2,4 kWh / 270 g	28 kg		•
RM 8505	821x523x568	100 / 9 lit.	106 lit.	135 W / 130 W	ca.2,4 kWh / 270 g	28 kg		•
RM 8550	821x523x623	115 / 12 lit.	122 lit.	135 W / 130 W	ca.2,6 kWh / 270 g	30 kg	•	
RM 8551	821x523x623	115 / 12 lit.	122 lit.	135 W / 130 W	ca.2,6 kWh / 270 g	30 kg		•
RM 8555	821x523x623	115 / 12 lit.	122 lit.	135 W / 130 W	ca.2,6 kWh / 270 g	30 kg		•
RML 8550	1245x523x625	179 / 33 lit.	189 lit.	190 W / 170 W	ca.3,2 kWh / 380 g	45 kg	•	
RML 8551	1245x523x625	179 / 33 lit.	189 lit.	190 W / 170 W	ca.3,2 kWh / 380 g	45 kg		•
RML 8555	1245x523x625	179 / 33 lit.	189 lit.	190 W / 170 W	ca.3,2 kWh / 380 g	45 kg		•
RMSL 8500	1245x523x568	145 / 28 lit.	155 lit.	190 W / 170 W	ca.3,2 kWh / 380 g	40 kg	•	
RMSL 8501	1245x523x568	145 / 28 lit.	155 lit.	190 W / 170 W	ca.3,2 kWh / 380 g	40 kg		•
RMSL 8505	1245x523x568	145 / 28 lit.	155 lit.	190 W / 170 W	ca.3,2 kWh / 380 g	40 kg		•

Modelle mit flacher Tür

Modell	Abmessungen H x B x T (mm) Tiefe inkl. Tür	Bruttoinhalt / mit Frosterfach	Bruttoinhalt Frosterfach entnommen	Anschlusswerte Netz/Batterie	Verbrauch * Elektro/Gas in 24h	Netto- gewicht	Zündung Piezo	Automat
RMS 8500	821x523x541	86 / 9 lit.	92 lit.	125 W / 120 W	ca.2,5 kWh / 270 g	26 kg	•	
RMS 8501	821x523x541	86 / 9 lit.	92 lit.	125 W / 120 W	ca.2,5 kWh / 270 g	26 kg		•
RMS 8505	821x523x541	86 / 9 lit.	92 lit.	125 W / 120 W	ca.2,5 kWh / 270 g	26 kg		•
RMS 8550	821x523x596	99 /12 lit.	106 lit.	125 W / 120 W	ca.2,6 kWh / 270 g	27 kg	•	
RMS 8551	821x523x596	99 /12 lit.	106 lit.	125 W / 120 W	ca.2,6 kWh / 270 g	27 kg		•
RMS 8555	821x523x569	99 /12 lit.	106 lit.	125 W / 120 W	ca.2,6 kWh / 270 g	27 kg		•
RM 8500	821x523x541	96 / 9 lit.	102 lit.	135 W / 130 W	ca.2,4 kWh / 270 g	28 kg	•	
RM 8501	821x523x541	96 / 9 lit.	102 lit.	135 W / 130 W	ca.2,4 kWh / 270 g	28 kg		•
RM 8505	821x523x541	96 / 9 lit.	102 lit.	135 W / 130 W	ca.2,4 kWh / 270 g	28 kg		•
RM 8550	821x523x596	111 /12 lit.	118 lit.	135 W / 130 W	ca.2,6 kWh / 270 g	30 kg	•	
RM 8551	821x523x596	111 /12 lit.	118 lit.	135 W / 130 W	ca.2,6 kWh / 270 g	30 kg		•
RM 8555	821x523x596	111 /12 lit.	118 lit.	135 W / 130 W	ca.2,6 kWh / 270 g	30 kg		•

Technische Änderungen vorbehalten.

*Durchschnittsverbrauch gemessen bei einer durchschnittlichen Umgebungstemperatur von 25°C in Anlehnung an ISO-Standard.

4.0 Einbauanleitung

4.1 Einbau



WARNUNG!

Die Installation des Gerätes darf nur von autorisiertem Fachpersonal erfolgen!

Das Gerät und die Abgasführung müssen grundsätzlich so eingebaut werden, dass es für Servicearbeiten gut zugänglich ist, leicht aus- und eingebaut und ohne großen Aufwand aus dem Fahrzeug entnommen werden kann.

Bei der Aufstellung und dem Anschluss des Gerätes sind folgende Bestimmungen zu beachten:

- Die elektrische Installation muss nach den nationalen und örtlichen Vorschriften erfolgen.
- Die Gas-Installation muss nach den nationalen und örtlichen Vorschriften erfolgen.
- Europäische Norm EN 1949
- Europäische Norm EN 60335-1, EN 60335-2-24, EN 1648-1, EN 1648-2
- Installieren Sie das Gerät geschützt gegen übermäßige Wärmeeinstrahlung.

Überhöhte Wärmeeinstrahlung führt zu Leistungseinbußen und erhöhtem Energieverbrauch des Kühlschranks !



Abweichungen von dieser Einbauanleitung ohne vorherige Freigabe von Dometic führen zum Erlöschen der Gewährleistung seitens der Dometic GmbH !

4.1.1 Seitlicher Einbau

Wird das Gerät auf der Seite der Eingangstür eingebaut, ist darauf zu achten, dass die Belüftungsgitter nicht durch die aufstehende Tür zugedeckt werden. (Abb. 5 Abstand Tür - Belüftungsgitter min. 25 mm). Ansonsten entsteht eine eingeschränkte Belüftung, die zu Kühlleistungsverlusten führt. Die Türseite des Fahrzeugs wird oft mit einem Vorzelt versehen. Dadurch wird die Ableitung von Verbrennungsgasen und Wärme durch die Lüftungsgitter erschwert (Kühlleistungsverlust entsteht)!

(Abb.5) Die Lüftungsgitter sind abgedeckt. Der Abstand zwischen der Tür und den Lüftungsgittern muss min. 25 mm betragen!

Bei Abständen Tür/Gitter zwischen 25 mm und 45 mm empfehlen wir den Einbau des **Dometic Lüfterkits (Artikel-Nr. 241 2985 - 00/0)**, um eine optimale Kühlleistung bei hohen Umgebungstemperaturen zu erreichen.

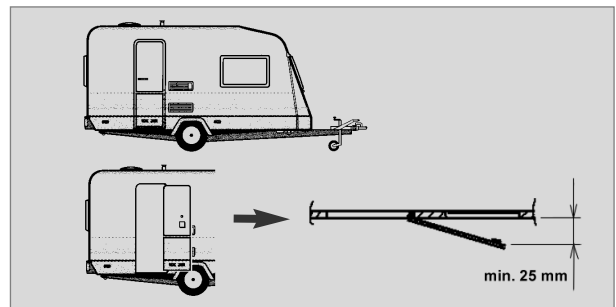


Abb. 5

(Abb. 6) Die Lüftungsgitter bieten auch bei geöffneter Tür einen ungehinderten Austritt der Aggregatwärme und der Abgase.

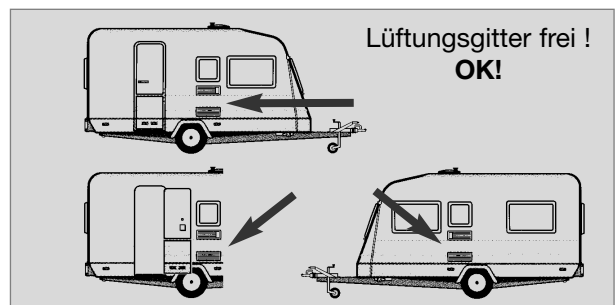


Abb. 6

4.1.2 Seitlicher Einbau mit Boden-Dach-Ventilation

Eine weitere Möglichkeit ist, die Ventilation des Kühlschranks über eine Belüftungsöffnung im Boden und eine Entlüftungseinrichtung auf dem Dach des Fahrzeugs herbeizuführen (siehe Abb. 7). Zwischen Oberkante Kühlschrank und Dachentlüftung muss ein Kamin eingerichtet sein, der die Warmluft und ggf. die Abgase des Kühlschrankaggregates direkt zur Dachentlüftung leitet.

Die Bodenöffnung muss einen freien Querschnitt von mindestens **250 cm²** aufweisen. Die Öffnung muss mit einem Schutz, z.B. Prellblech und Netz, versehen sein, um den Eintritt von Schmutz in den Gasbrennerbereich zu verhindern. Bei dieser Belüftungsweise kann im Vergleich zur seitlichen Belüftung mehr Schmutz in den rückwärtigen Bereich des Kühlschranks eindringen, sodass eine regelmäßige Wartung des Gasbrenners, mind. einmal im Jahr, vorzusehen ist.

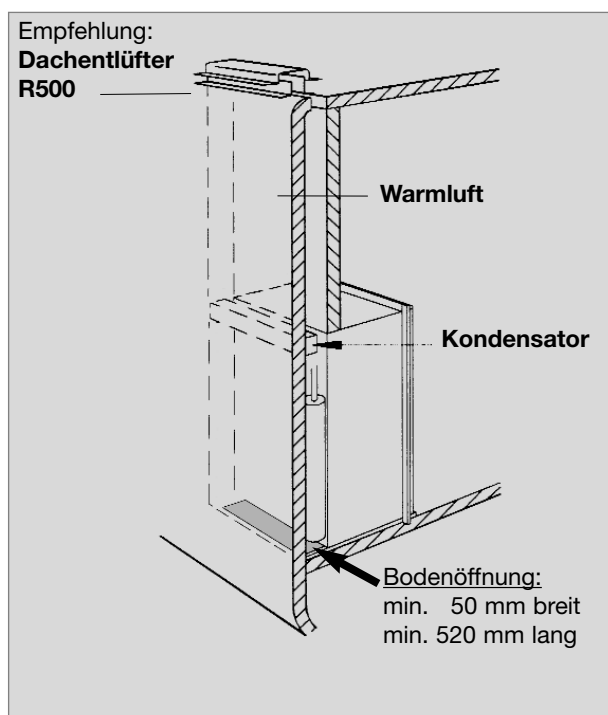


Abb. 7



Bei dieser Einbauvariante ist die regelmäßige Wartung der Gasbrennereinheit nur nach Ausbau des Gerätes möglich. Der Kühlschrank muss zwingend in der Weise installiert sein, dass ein leichter Ausbau gewährleistet ist.

Wir empfehlen daher, eine Wartungsöffnung (Serviceklappe) an der Außenseite vorzusehen.

4.1.3 Heckeinbau

Der Heckeinbau führt oftmals zu einer ungünstigen Einbausituation, da die optimale Be- und Entlüftung nicht immer gewährleistet ist (z.B. wird das untere Lüftungsgitter durch den Stoßfänger oder die Rückleuchten des Fahrzeuges verdeckt!) (Abb. 8). Die maximale Kühlleistung des Aggregates ist effektiv nicht verfügbar.



Abb. 8



Abb. 9

Eine ungünstige Variante des Heckeinbaus ist die seitliche Anbringung der Be- und Entlüftungsgitter (Abb. 10). Die Luft-Wärme-Umwälzung ist sehr eingeschränkt, wodurch die Wärmetauscher (Kondensator, Absorber) nicht mehr ausreichend gekühlt werden. Auch die Variante mit einem zusätzlich im Boden montierten Belüftungsgitter weist hier eine schlechte Luftstromführung auf.

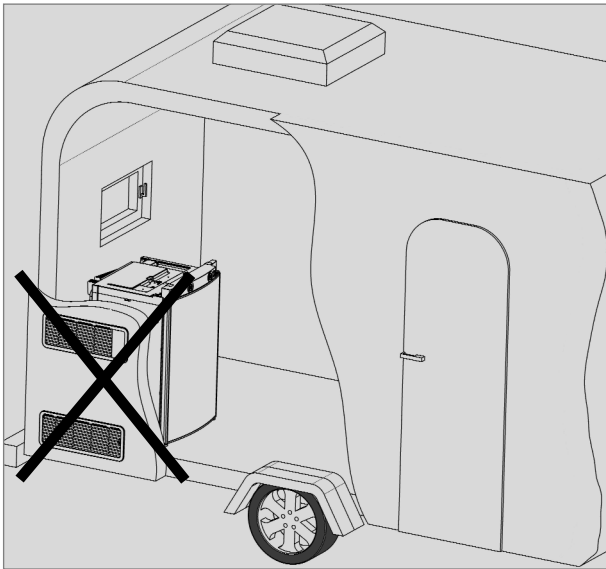


Abb. 10

VORSICHT!

Die maximale Kühlleistung ist nicht verfügbar! Wenden Sie diese Einbaumöglichkeit nicht an, da bei dieser Einbausituation die Be- und Entlüftung wie unter Punkt 4.2 beschrieben nicht gewährleistet ist!

4.1.4 Zugdichter Einbau

Kühlgeräte in Wohnwagen, Reisemobilen oder sonstigen Fahrzeugen müssen zugdicht eingebaut sein (EN 1949). Das bedeutet, dass die Verbrennungsluft für den Gasbrenner nicht aus dem Wohnraum entnommen wird und die Abgase am direkten Eintritt in den Wohnraum gehindert werden.

Es muss eine geeignete Abdichtung zwischen dem rückseitigen Bereich des Kühlschranks und dem Fahrzeuginnenraum vorgesehen werden.

Dometic empfiehlt dringend, dies mittels einer flexiblen Dichtung auszuführen, um einen späteren Aus- und Einbau des Gerätes zu Wartungszwecken zu vereinfachen.



WARNUNG!

In keinem Fall soll der zugdichte Einbau des Kühlschranks mit dauerhaftenden Dichtungsmassen oder Verschäumung (z.B. Montageschaum) o. ä. erfolgen! Verwenden Sie **KEINE** leicht entflammaren Materialien (besonders Silikon-Dichtungsmasse oder ähnliches) zur Abdichtung, es besteht Brandgefahr! Bei deren Verwendung erlischt die Produkthaftung und Gewährleistung des Geräteherstellers.

Vorschlag 1

Die Lippendichtungen (1) werden in der Einbaunische unten und jeweils seitlich angebracht (Abb. 11-13). Ein Wärmeableitblech (2) wird in der Einbaunische oberhalb des Kühlschranks befestigt (**NICHT am Kühlschrank befestigen**).

Bringen Sie das Ableitblech so an, dass die erwärmte Luft durch das obere Lüftungsgitter ins Freie entweicht und kein Wärmestau entstehen kann.

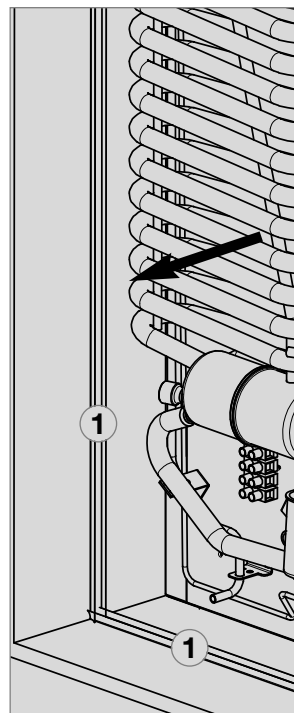


Abb. 11

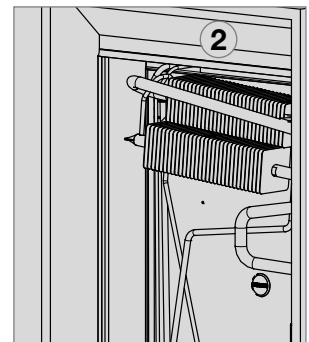


Abb. 12

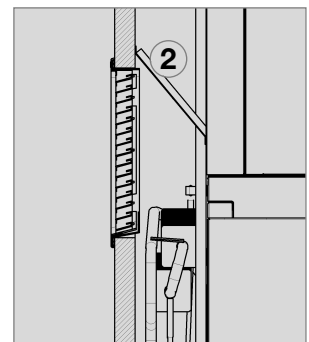


Abb. 13

Der Kühlschrank wird später von vorne in die Einbaunische eingeschoben. Achten Sie darauf, dass die Dichtungen gleichmäßig am Gehäuse anliegen.

Der Ausbau des Kühlschranks zur Wartung und Reparatur ist so leicht möglich.

Vorschlag 2

Befestigen Sie die Dichtlippen an einer rückseitigen Anschlagleiste (1), z.B. durch Kleben.

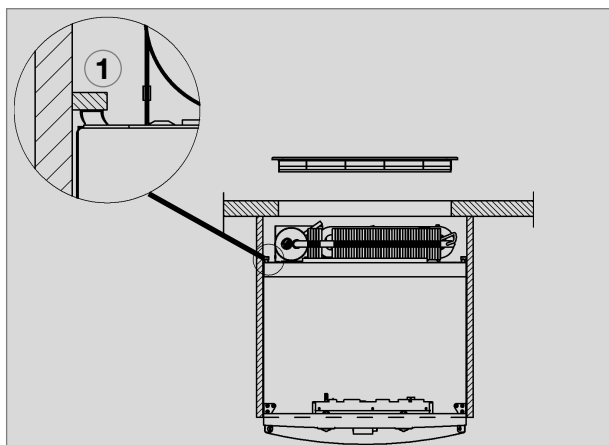


Abb. 14

Der Raum, der sich zwischen Fahrzeugauslenwand und Kühlschrank befindet, ist gegenüber dem Wohnbereich abgedichtet. Es können keine Abgase in den Wohnbereich eindringen. Die Abgase entweichen durch das obere Gitter der Be- und Entlüftung ins Freie. Es ist beim zugdichten Einbau nicht erforderlich, eine spezielle Abgasführung einzusetzen.

Bei dieser Einbauweise kann oben wie unten das gleiche Lüftungsgitter **LS200** ohne Abgasführung eingesetzt werden.

Sollte dennoch ein Abgaskamin gewünscht werden, bauen Sie in die obere Belüftungsöffnung das Belüftungssystem **LS100** mit Abgasführung ein (*Einbau Abgaskamin siehe "4.4"*).



Abweichungen bedürfen der Zustimmung des Herstellers !

4.2 Be- und Entlüftung des Kühlschranks

Der korrekte Einbau des Gerätes ist für die Funktion wichtig, da sich auf der Rückseite des Gerätes, physikalisch bedingt, Wärme entwickelt, die ins Freie abgeleitet werden muss.



Bei hohen Umgebungstemperaturen ist die volle Leistung des Kühlaggregates nur durch eine ausreichende Be- und Entlüftung gewährleistet.

Die Belüftung des Aggregates erfolgt durch zwei Öffnungen (Belüftungsgitter) in der Fahrzeugwand. Frischluft tritt unten ein, erwärmt sich und strömt durch das obere Belüftungsgitter ab (Kamineffekt).

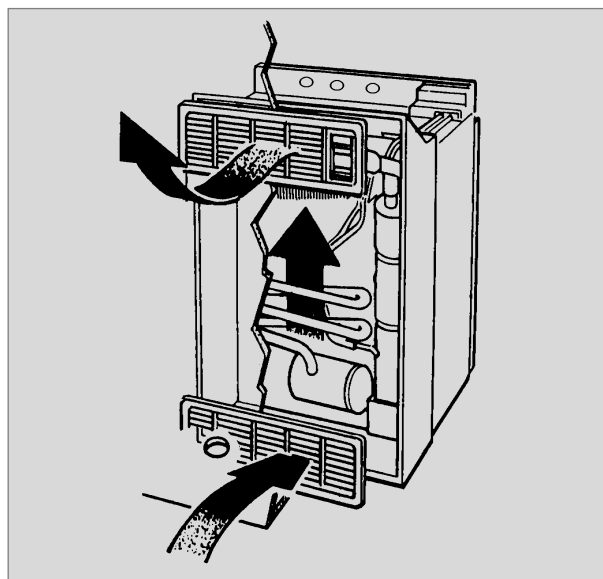


Abb. 15

Das obere Belüftungsgitter sollte so hoch wie möglich über dem Kühlaggregat angebracht werden (1, Abb. 16) . Das untere Belüftungsgitter muss bündig mit dem Nischenboden angeordnet sein (Abb. 16,17), damit unverbranntes Gas (schwerer als Luft) auf direktem Weg ins Freie gelangt.



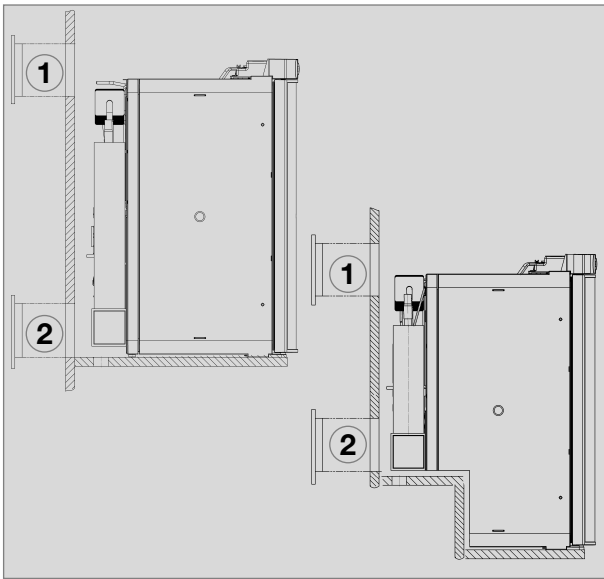


Abb. 16

- ① Lüftungsgitter LS 100 oder LS 200
- ② Lüftungsgitter LS 200

Der Gasbrenner muss sich oberhalb der Kante (1, Abb. 17) befinden.

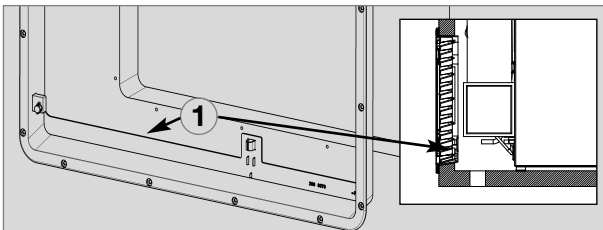


Abb. 17

Wenn diese Anordnung nicht möglich ist, muss der Fahrzeughersteller eine Entlüftungsöffnung im Nischenboden herstellen, damit unverbranntes Gas sich nicht am Boden sammelt.

Die Belüftungsgitter müssen einen freien Querschnitt von mindestens 250 cm² aufweisen. Dies wird mit dem Dometic Absorber Be- und Entlüftungssystemen LS 100 / LS 200 erreicht, die für diesen Zweck geprüft und zugelassen sind.

4.3 Einbau der Lüftungssysteme

Das obere Lüftungssystem **LS 100** besteht aus einem Einbaurahmen (**RS 1640**) (1), einem Lüftungsgitter inkl. Abgasführung (**AS 1620**) (2, 3) und einer Winterabdeckung (**WA120**) (4). Das untere Lüftungssystem **LS 200** besteht ebenfalls aus einem Einbaurahmen (**RS 1650**), Lüftungsgitter (**AS 1630**, jedoch ohne Abgasführung) und einer Winterabdeckung (**WA130**).

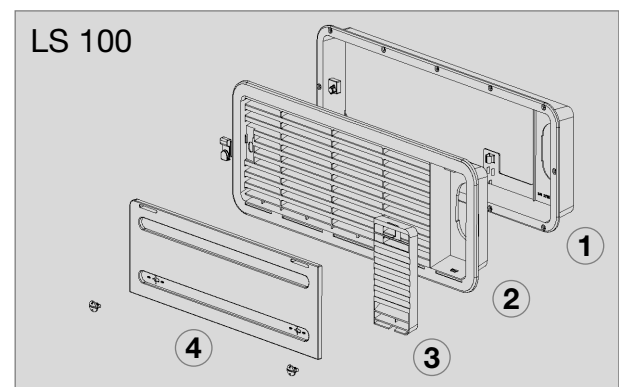


Abb. 18

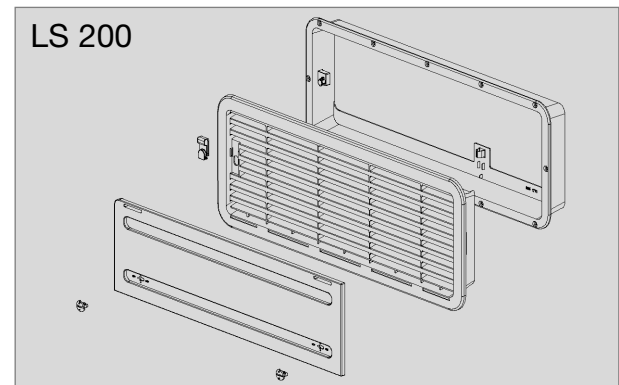


Abb. 19



Die korrekte Anbringung des unteren Lüftungsgitters erleichtert den Zugang zu Geräteanschlüssen und Funktionsteilen bei Wartungsarbeiten.

VORSICHT!

Eine abweichende Installation vermindert die Kühlleistung und gefährdet die Gewährleistung/Produkthaftung.

Zum Einbau der Belüftungsgitter werden zwei rechteckige Ausschnitte in der Größe von **451 mm x 156 mm** in der Fahrzeugaußenwand angebracht (Lage der Ausschnitte siehe Pkt. 4.2).

1

Einbaurahmen wasser- und durchlässig abdichten (entfällt beim Einbaurahmen mit integrierter Dichtung).

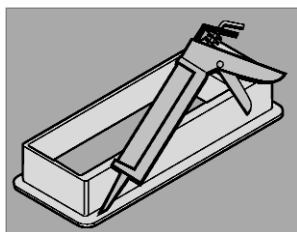


Abb. 20

2

Rahmen einsetzen und festschrauben.

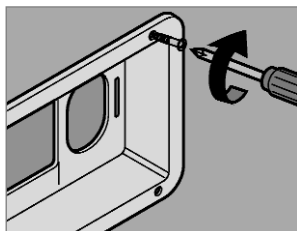


Abb. 21

3

Lüftungsgitter einsetzen und verriegeln.

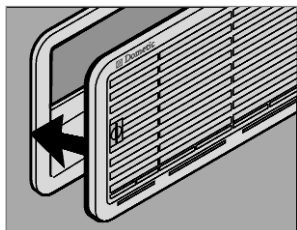


Abb. 22

4

Einsatz für Abgasführung einclippen (nur bei oberem Entlüftungssystem LS100).

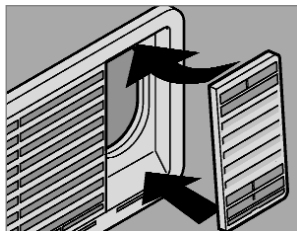


Abb. 23

5

Winterabdeckung einsetzen.

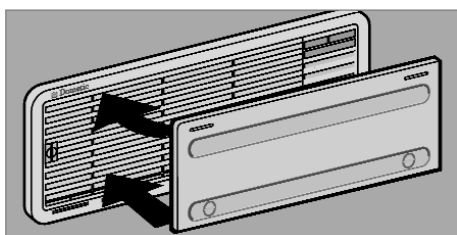


Abb. 24

4.4 Abgasführung und Anbringen des Abgaskamins

Die Abgasführung muss so gestaltet sein, dass die vollständige Ableitung der Verbrennungsprodukte nach außerhalb des Wohnraumes sichergestellt ist. Die Abgasleitung muss stetig steigend geführt werden, um eine Ansammlung von Kondensat zu vermeiden. Bei der in Abb. 25 gezeigten Art der Abgasführung wird die Winterabdeckung seitlich (10) (Abb. 25) angebracht.

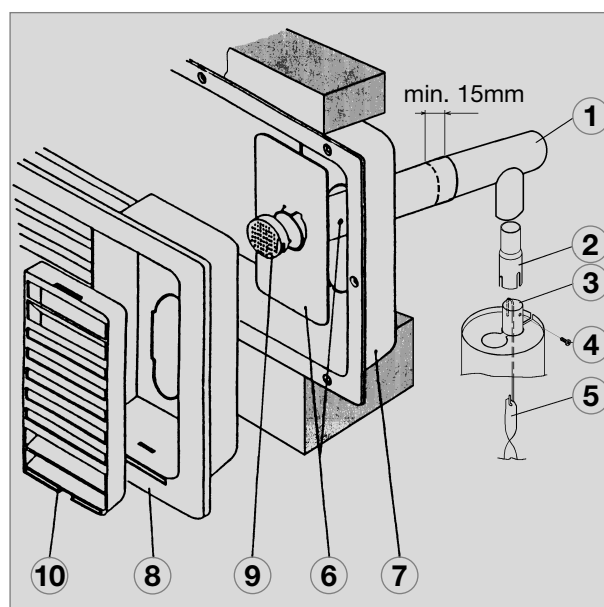


Abb. 25

Anbringen des Standardabgaskamins

1. T-Stück (1) auf den Adapter (2), bzw. auf das Abgasrohr (3) aufstecken und mit der Schraube (4) fixieren. Dabei ist darauf zu achten, dass der Heizverteiler (5) in der dafür vorgesehenen Position sitzt.
2. Abgasrohr kpl. mit Abdeckplatte (6) durch die dafür vorgesehene Öffnung des oberen Rahmens (7) stecken und mit dem T-Stück (1) verbinden. Abgasrohr (6) eventuell auf richtige Länge kürzen.
3. Lüftungsgitter **LS 100** (8) in den Einbaurahmen (7) einsetzen und verriegeln.
4. Abdeckkappe (9) auf das Abgasrohr (6) stecken.
5. Einsatz für Abgasführung (10) in das Lüftungsgitter (8) einsetzen.

4.5 Einbaunische

Der Kühlschrank muss in eine Nische **zug-dicht** eingebaut werden (s.a. "4.1.4"). Die Stufe **(1)** (Abb. 26) wird nur bei Stufenschränken benötigt. Der Nischenboden muss eben sein, sodass das Gerät sich leicht in seine richtige Lage einschieben lässt. Der Boden muss genügend Festigkeit haben um das Gewicht des Gerätes tragen zu können.

4.5.1 Aufstellen in der Nische

Das Gerät wird in die Nische soweit eingeschoben, bis Vorderkante des Kühlschrankgehäuses und Vorderkante Nische fluchten. Zwischen Nischenrückwand und Kühlschrankaggregat sollen **15-20 mm Freiraum** sein!

Der Kühlschrank muss waagrecht in die Nische eingebaut werden.

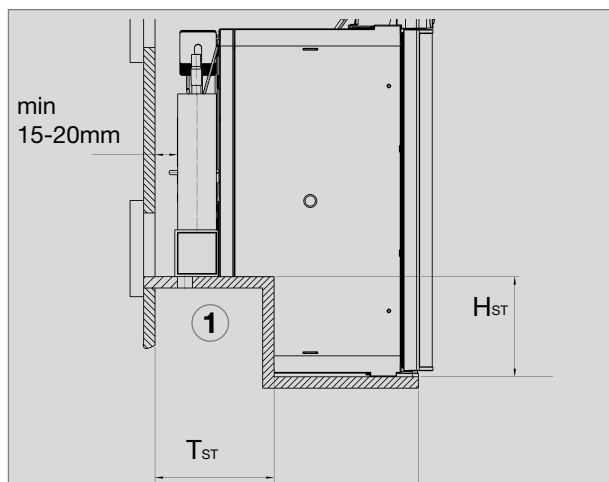


Abb. 26

Modell	Höhe H _{ST}	Tiefe T _{ST}
RMS 8400	220 mm	235 mm
RMS 8401	220 mm	235 mm
RMS 8405	220 mm	235 mm
RMS 8460	220 mm	235 mm
RMS 8461	220 mm	235 mm
RMS 8465	220 mm	235 mm
RMS 8500	220 mm	235 mm
RMS 8501	220 mm	235 mm
RMS 8505	220 mm	235 mm
RMS 8550	220 mm	235 mm
RMS 8551	220 mm	235 mm
RMS 8555	220 mm	235 mm
RMSL 8550	220 mm	235 mm
RMSL 8551	220 mm	235 mm
RMSL 8555	220 mm	235 mm

4.6 Kühlschrankbefestigung

In den Seitenwänden des Kühlschranks sind vier Kunststoffbuchsen zur Befestigung des Kühlschranks vorgesehen. Die Seitenwände oder die zur Kühlschrankbefestigung angebrachten Leisten müssen so ausgelegt sein, dass die Schrauben auch bei erhöhter Beanspruchung (während der Fahrt) fest sitzen. Befestigungsschrauben und Abdeckkappen liegen dem Kühlschrank bei.

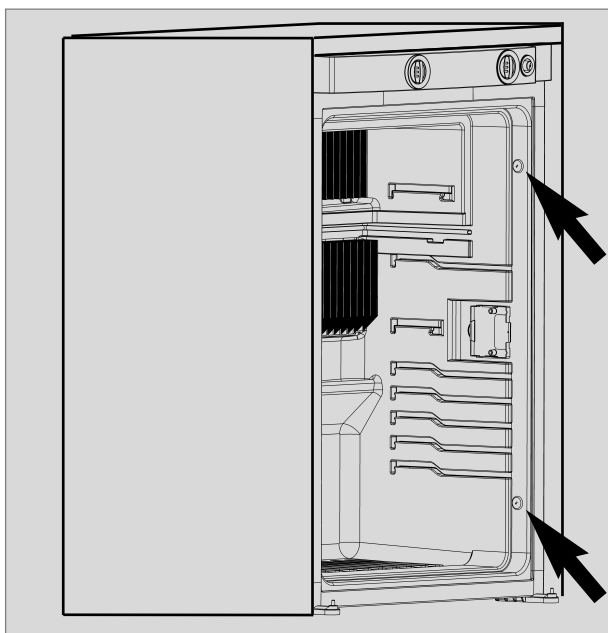


Abb. 27

VORSICHT!

Schrauben immer durch die dafür vorgesehenen Buchsen drehen, da ansonsten eingeschäumte Bauteile wie Leitungen u. a. beschädigt werden können.

Nachdem der Kühlschrank in seine endgültige Lage gebracht ist, werden die Schrauben durch das Gehäuse des Kühlschranks in die Nischenwand geschraubt.

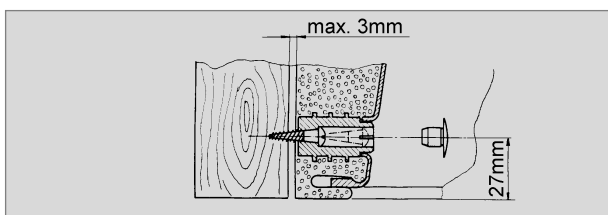


Abb. 28

4.7 Einsetzen der Dekorplatte

Modell RM 8xxx, RMS 84xx

- Ziehen Sie die seitliche Leiste (1) der Tür ab (Leiste ist aufgesteckt, nicht verschraubt)
- Schieben Sie die Dekorplatte (2) in die Tür ein und stecken Sie die Leiste (1) wieder auf.

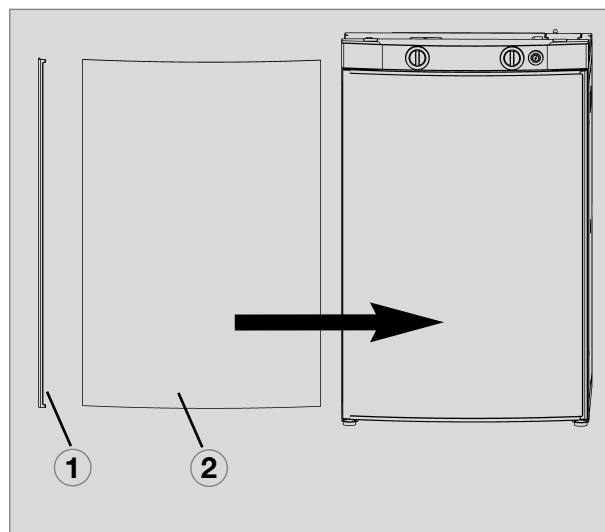


Abb. 29

Abmessungen der Dekorplatte :

Gehäusebreite 486 mm

Höhe	Breite	Dicke
743 +/- 0.5 mm	472 +/- 0.5 mm	max. 2.2 mm

Gehäusebreite 523 mm

Höhe	Breite	Dicke
743 +/- 0.5 mm	510.5 +/- 0.5 mm	max. 2.2 mm

Modell RM 8xxx, RMS 84xx

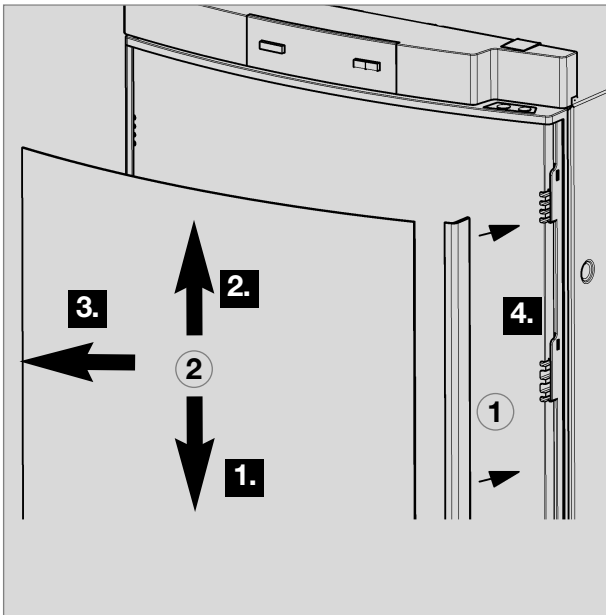


Abb. 30

VORSICHT!

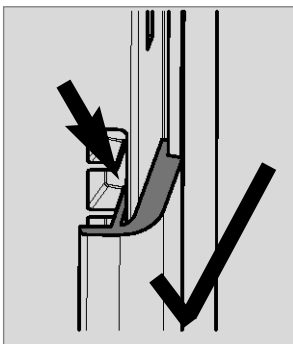


Abb. 31

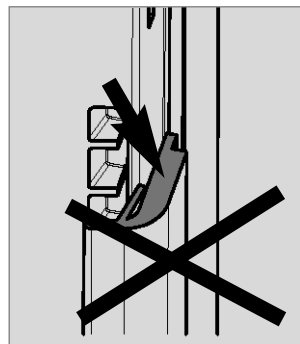


Abb. 32

Modell RMx(L) 8xxx, rahmenlose Dekorplatte

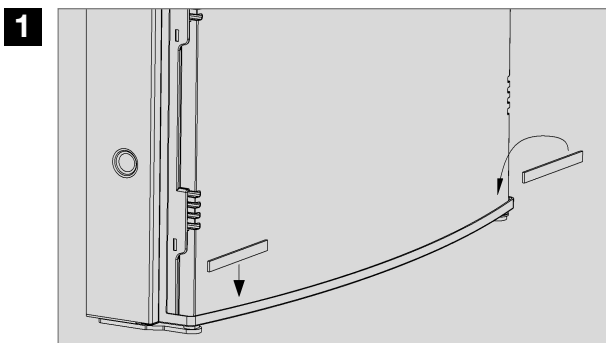


Abb. 33

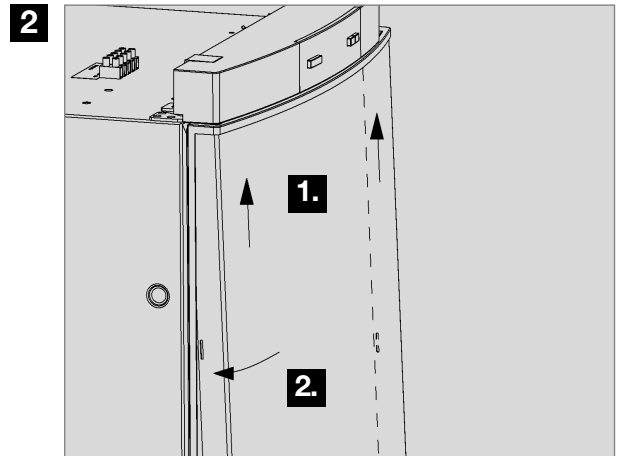


Abb. 34

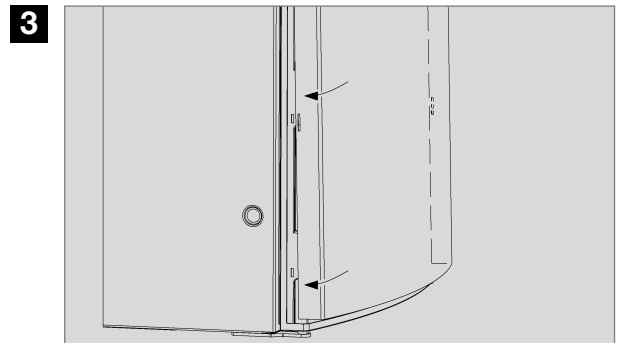


Abb. 35

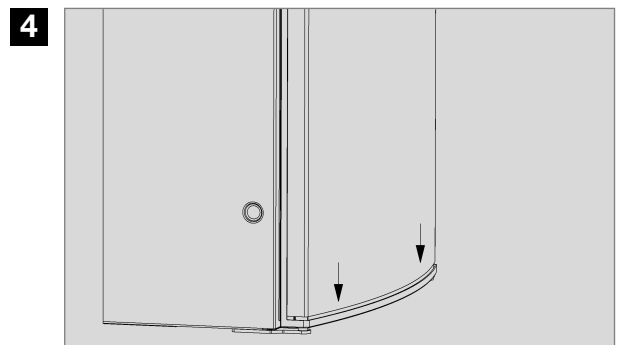


Abb. 36

Abmessungen der Dekorplatte RML 8xxx:

Gehäusebreite 525 mm

Höhe **Breite** **Dicke**

1169,5 +/-1 mm 507,5 +/-1 mm max. 1.7 mm

4.8 Gasinstallation



WARNUNG!

Der Gasanschluss darf nur von einer autorisierten Fachkraft* ausgeführt werden.

** Autorisierte Fachkräfte sind anerkannte Sachkundige, die aufgrund ihrer Ausbildung und Kenntnisse die Gewähr dafür bieten, dass die Installation und die Dichtheitsprüfung ordnungsgemäß durchgeführt wird.*

- Beachten Sie die in Punkt 2.1 aufgeführten Bestimmungen !
- Dieser Kühlschrank ist für eine Installation in eine Flüssiggasanlage nach EN1949 vorgesehen und muss ausschließlich mit Flüssiggas (Propan, Butan) betrieben werden (kein Erdgas, Stadtgas) .
- Ein fest eingestellter Druckregler nach EN 12864 ist an dem Flüssiggasbehälter anzuschliessen.
- Der Druckregler muss mit dem auf dem Typenschild des Gerätes angegebenen Betriebsdruck übereinstimmen. Der Betriebsdruck entspricht dem Normdruck des Bestimmungslandes (EN 1949, EN 732).
- Für ein Fahrzeug ist nur ein einheitlicher Anschlussdruck zulässig! Ein Hinweisschild mit dem dauerhaften, gut lesbaren Hinweis auf den Betriebsdruck ist am Aufstellungsort der Gasflasche gut sichtbar anzubringen.
- Der Gasanschluss zum Gerät muss mit Rohranschlussleitungen fest und spannungsfrei installiert und mit dem Fahrzeug fest verbunden sein (Schlauchanschluss ist unzulässig) (EN 1949).
- Der Gasanschluss am Gerät erfolgt mittels einer Schneidring- (Ermeto-) Verschraubung L8, DIN 2353-ST nach EN 1949 (siehe Abb. 37,38).
- Nach fachgerechter Installation ist eine Dichtheitsprüfung und eine Flammprobe

gemäß EN 1949 von einer autorisierten Fachkraft* durchzuführen. Über die Prüfung ist eine Bescheinigung auszustellen.

- Der Kühlschrank muss durch eine Absperrereinrichtung in der Zuführungsleitung absperrbar sein. Die Absperrereinrichtung muss für den Benutzer leicht zugänglich angebracht werden.

Anschlussdruck und Gaskategorien

Die Kühlschränke werden mit den nachfolgend angegebenen Gasen und Einlassdrücken betrieben. Die zwischen Gasflasche und Kühlschrank einzusetzenden Druckminderer müssen den in der nachfolgenden Tabelle angegebenen Kategorien entsprechen.

Kategorie	Druck in mbar	GAS
I3B / P(30)	30	Butan
	30	Propan
I3+ (28-30/37)	28-30	Butan
	37	Propan



Dometic Kühlschränke dieser Serie sind für den Anschlussdruck **30 mbar** ausgerüstet. Verwenden Sie bei einem Anschluss an eine **50 mbar-Anlage** den **Truma Vordruckregler VDR 50/30**.



Bei der Verwendung von **Autogas** ist zu beachten, dass aufgrund der Art der Verbrennung des Gases der Brenner häufiger gereinigt werden muss (2-3 Mal im Jahr empfohlen).

Gasanschluss Modelle RM(S)(L) 8xx0

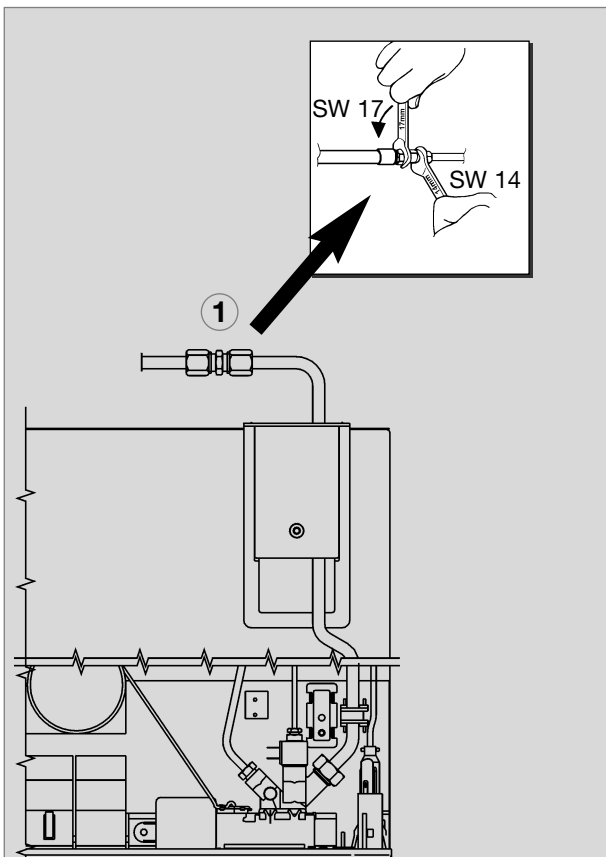


Abb. 37

- 1 Schneidring- (Ermeto-) Verschraubung L8, DIN 2353-ST (EN ISO 8434)

**Gasanschluss
Modelle RM(S)(L) 8xx1, RM(S)(L) 8xx5**

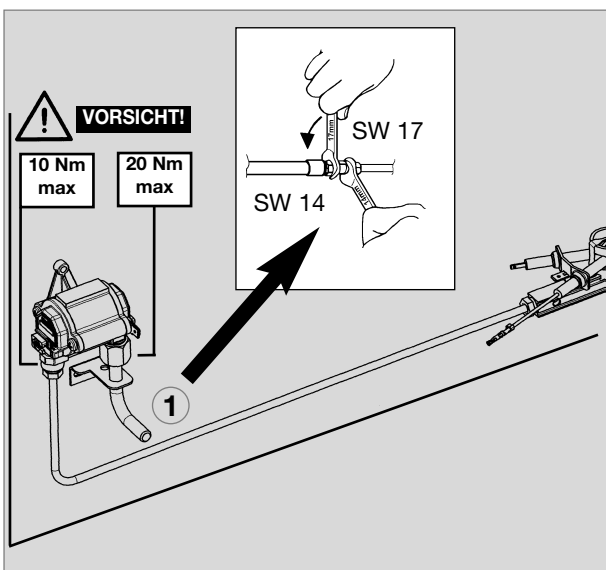


Abb. 38

4.9 Elektrische Installation



WARNUNG!

Die elektrische Installation darf nur von einer autorisierten Fachkraft* ausgeführt werden.

* Autorisierte Fachkräfte sind anerkannte Sachkundige, die aufgrund ihrer Ausbildung und Kenntnisse die Gewähr dafür bieten, dass die Installation ordnungsgemäß durchgeführt wird.

- Die elektrische Installation muss nach den nationalen Ländervorschriften erfolgen.
- Die Anschlusskabel müssen so verlegt sein, dass sie mit heißen Teilen des Aggregates / Brenners oder mit scharfen Kanten nicht in Berührung kommen.
- Veränderungen an der internen elektrischen Installation oder der Anschluss anderer elektrischer Komponenten (z. B. fremder Zusatzlüfter) an der internen Verkabelung des Gerätes führen zum Erlöschen der e1/CE - Zulassung sowie jeglicher Ansprüche aus Gewährleistung und Produkthaftung !

4.9.1 Netzanschluss

- Die Stromversorgung muss an eine vorschriftsmäßig geerdete Steckdose oder an einen geerdeten Festanschluss erfolgen. Wird die Netzanschlussleitung mit Stecker verwendet, muss der Stecker frei zugänglich sein.

Wenn die Anschlussleitung beschädigt wird, muss sie durch den Kundendienst von Dometic oder durch ebenso qualifiziertes Personal ersetzt werden, um Gefährdungen zu vermeiden.

Wir empfehlen, die Zuleitung über eine bordseitige Absicherung zu führen.

4.9.2 Batterieanschluss

Das bordseitige 12V-Anschlusskabel wird an eine Klemmleiste (RMx 8xx0) oder an Steckkontakten (RMx 8xx1, 8xx5) am Kühlschrank polrichtig angeschlossen. Die Verkabelung für das 12V-Heizelement (s. Schaltbild Anschluss A, B) sollte mit einer direkten, möglichst kurzen Verbindung an die Batterie bzw. Lichtmaschine erfolgen.

Bordseitig ist der 12-V-Stromkreis mit folgenden Sicherungen abzusichern:

- RM8xxx, RMS8xxx: 15 A
- RML855x, RMSL855x: 20 A

Damit beim Abstellen des Fahrzeugmotors nicht vergessen wird, den 12V-Betrieb auch auszuschalten (die Batterie würde in wenigen Stunden entladen), ist die Stromversorgung für das 12V-Heizelement (s. Schaltbild Anschluss A/B) so auszuführen, dass sie beim Umdrehen des Zündschlüssels unterbrochen wird.

An dem Anschluss C/D (s. Schaltbild Anschluss Beleuchtung, Elektronik) muss eine 12V-Dauerversorgung anliegen, die bordseitig mit einer 2A - Sicherung abgesichert sein muss.

VORSICHT!

Bei Installation im Caravan dürfen caravanseitig die jeweiligen Minus- und Plusleitungen der 12V-Anschlüsse A/B und C/D nicht miteinander verbunden werden (EN 1648-1).

Leitungsquerschnitte / Leitungslängen :

Motorcaravan & Caravan (innerhalb)

4 mm ² (RML 8xxx = 6 mm ²)	< 6 m
6 mm ² (RML 8xxx = 10 mm ²)	> 6 m

Caravan (außerhalb)

min 2,5 mm² (EN1648-1)

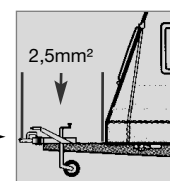
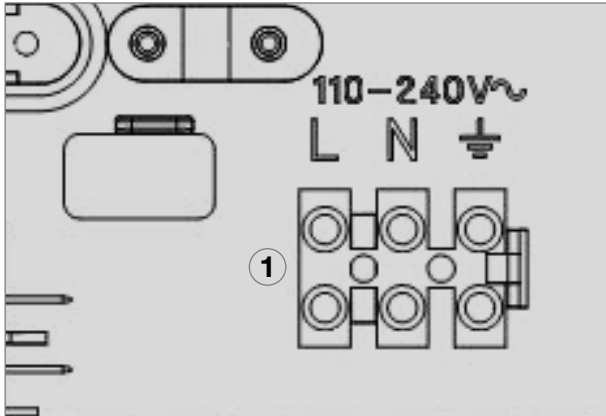


Abb. 42

4.9.3 Kabelanschlüsse

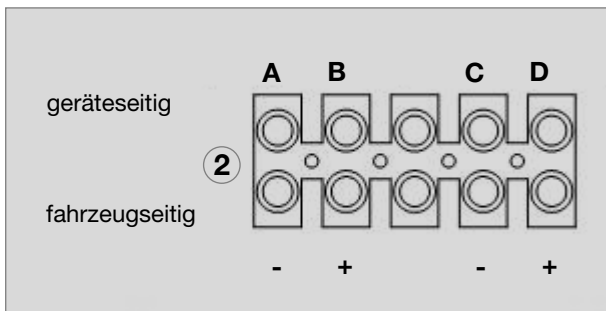
Anschlüsse bei Modellen RM(S) 8xx0 :



Netzanschluss

Abb. 39

- 1 L = braun
N = blau
Erdung = gelb/grün



12V-Anschluss

Abb. 40

- 2 A = Masse Heizelement DC (braun)
B = Plus Heizelement DC (braun)
C = Minus Beleuchtung (schwarz)
D = Plus Beleuchtung (weiß)

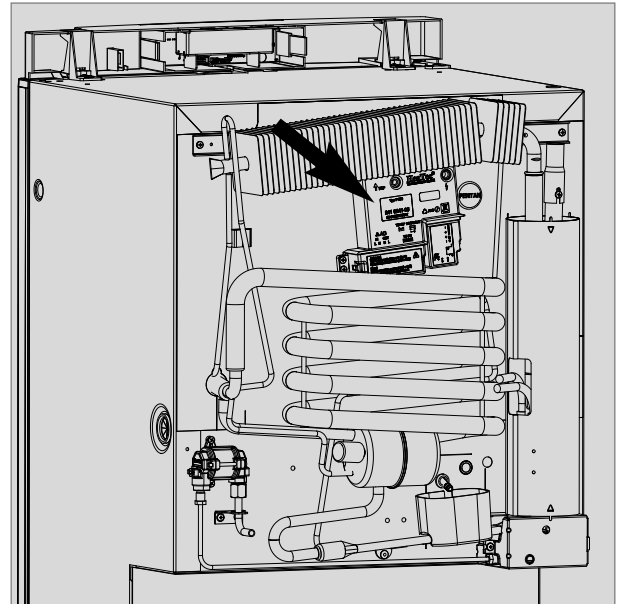
Anschlüsse bei Modellen RM(S) 8xxx (MES), RM(S) 8xx5 (AES) :



Zum Betrieb der Gerätetypen MES und AES ist es unerlässlich, eine 12V DC Dauerversorgung an den Klemmen C/D anzuschließen (Dauerversorgung für die Funktionselektronik).

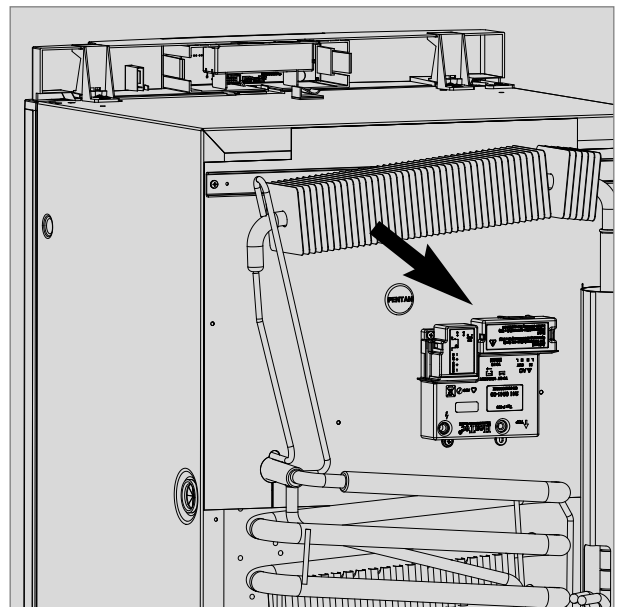
Der Anschluss der Spannungsversorgungen für Elektronik und Heizelemente erfolgt direkt an den Steckkontakten der Elektronik.

Position der Steuerelektronik :



Stufenschrankmodelle

Fig. 41



Standardmodelle

Fig. 42

Kontakte an der Elektronik :

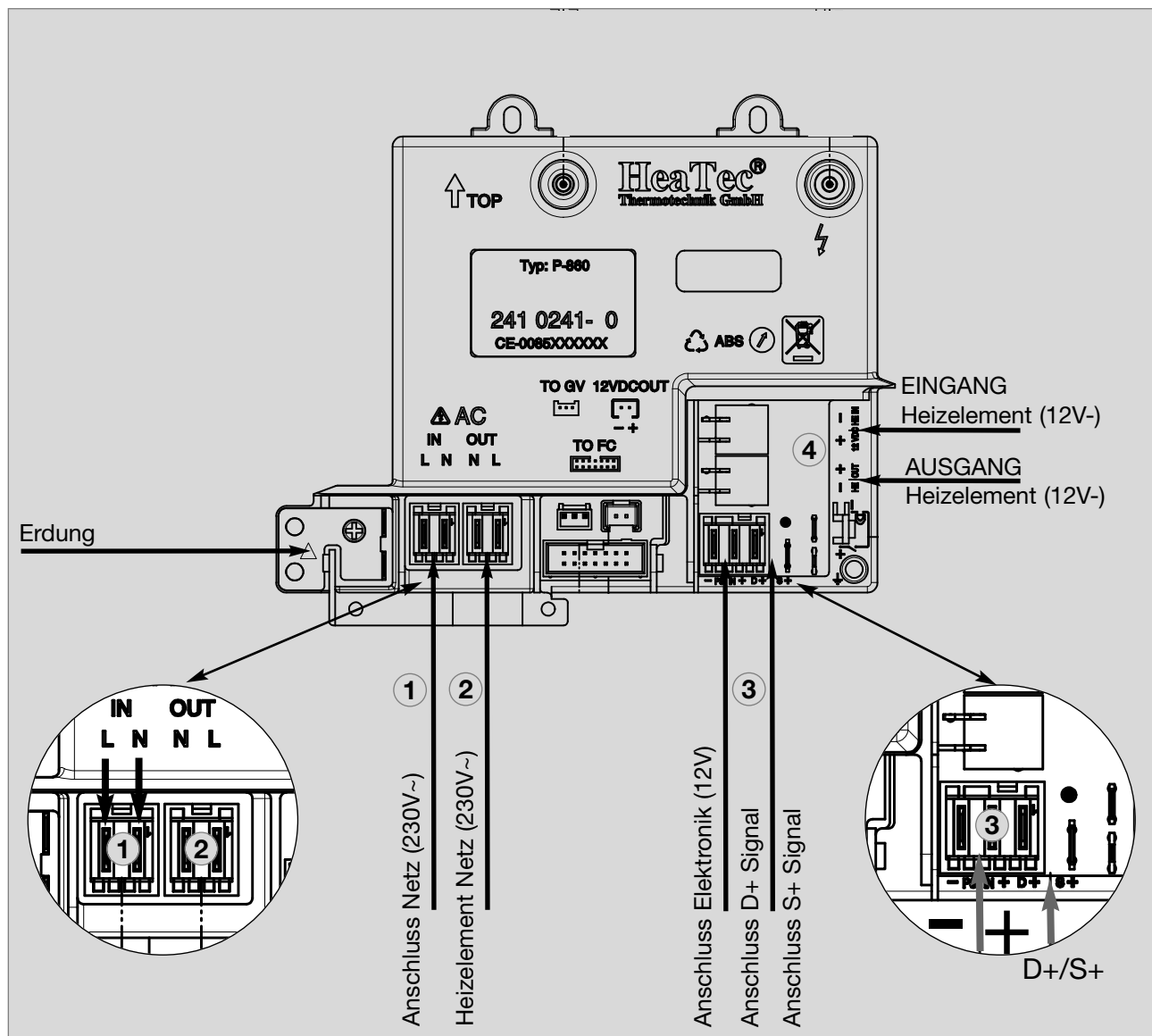


Abb. 43

Steckkontakte (Hersteller : Stocko®)

- ① MF 9562-002-80E
- ② MF 9562-002-8 OC
- ③ 3-polig mit D+ - Kontakt : MF 9562-003-8 30 960-000-00
2-polig : MF 9562-002-8 ON + Flachstecker 6.3 x 0.8
- ④ MKH 5132-1-0-200

4.9.4 D+ und Solaranschluss (nur bei AES-Modellen)

D+ - Anschluss:

Im **>Automatic mode<** wählt die **AES**-Elektronik automatisch die günstigste vorhandene Energieart aus. Im Automatikmodus nutzt die Elektronik das Signal **D+** (Dynamo +) der Lichtmaschine zur Erkennung von **12V DC**. Der Betrieb auf der Energieart **12V DC** wird nur angewählt, wenn der Fahrzeugmotor läuft, um ein Entladen der Batterie zu vermeiden.

S+ - Anschluss:

Alternativ kann die Energieart **12V DC** über eine fahrzeugeigene Solaranlage eingespeist werden. Die Solaranlage muss über einen Solarladeregler mit **AES-Ausgang** verfügen (entsprechende Laderegler sind im Fachhandel erhältlich). Der Anschluss **S+** (Solar +) muss mit der entsprechenden Klemme des Solarladereglers (**AES-Ausgang**) verbunden werden. Die Elektronik nutzt das Signal **S+** des Solarladereglers zur Erkennung von **12V DC solar**.

Kabelquerschnitte:

Über die D+ und S+ Verbindung fließt kein hoher Strom, deshalb muss für diese Verbindungen kein besonders großer Querschnitt eingesetzt werden (ca. 1mm² ausreichend).

4.9.5 Schaltschemata

Schaltschema RM(S) 8xx0 :

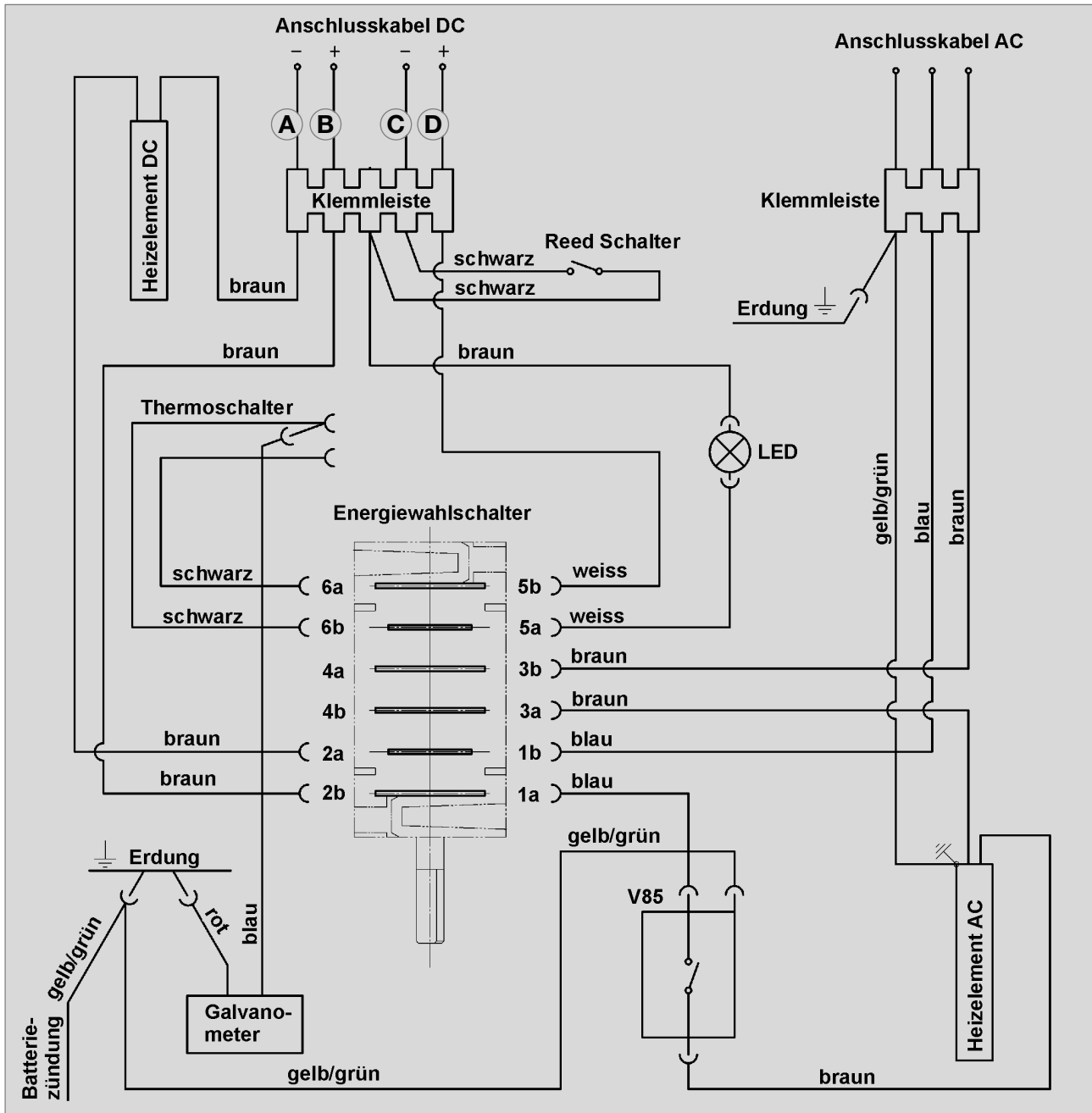


Abb. 44

Schaltschema RM(S) 8xx1, RM(S) 8xx5 :

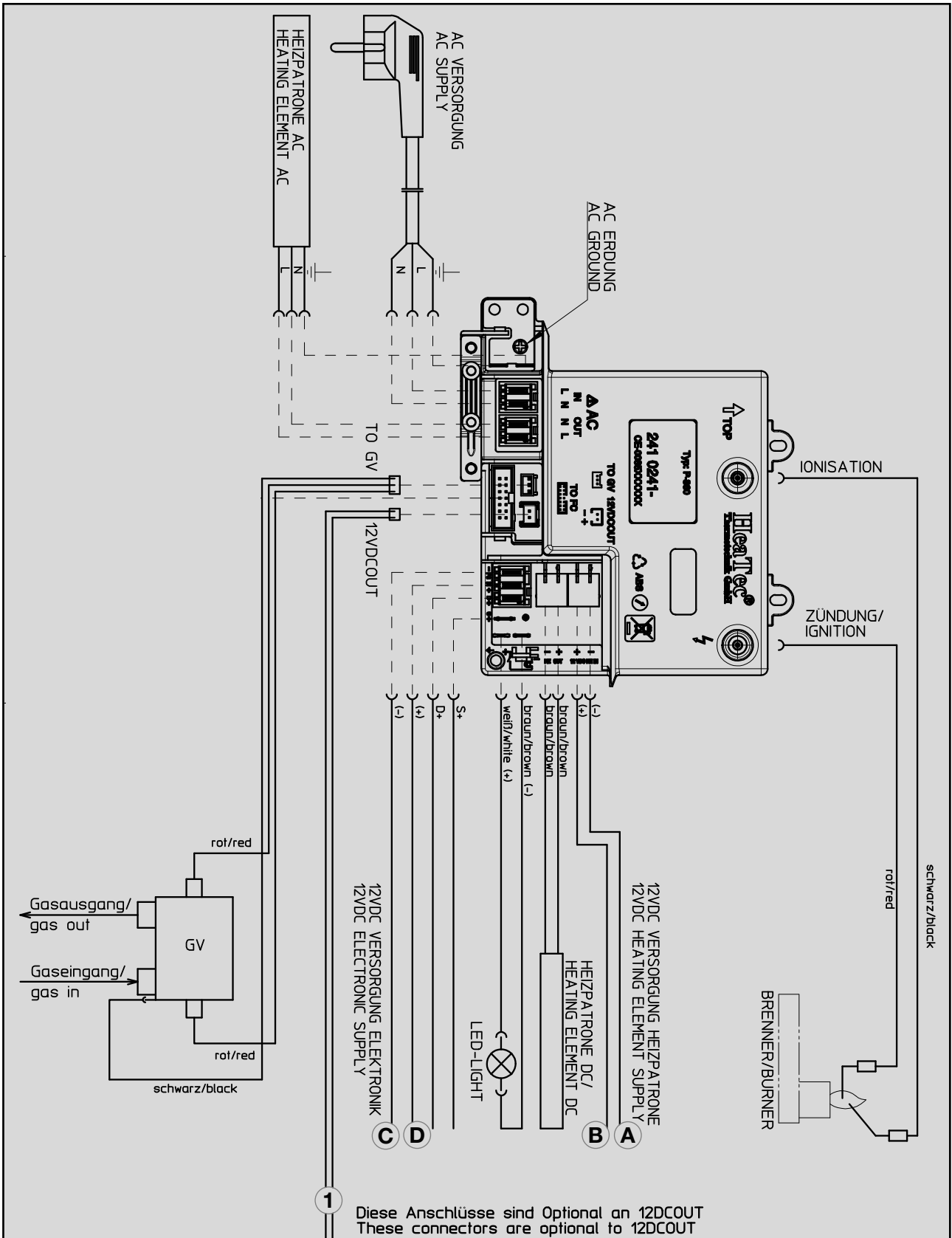


Abb. 45

Ventilator (optional) RM(S) 8xx1, RM(S) 8xx5 :

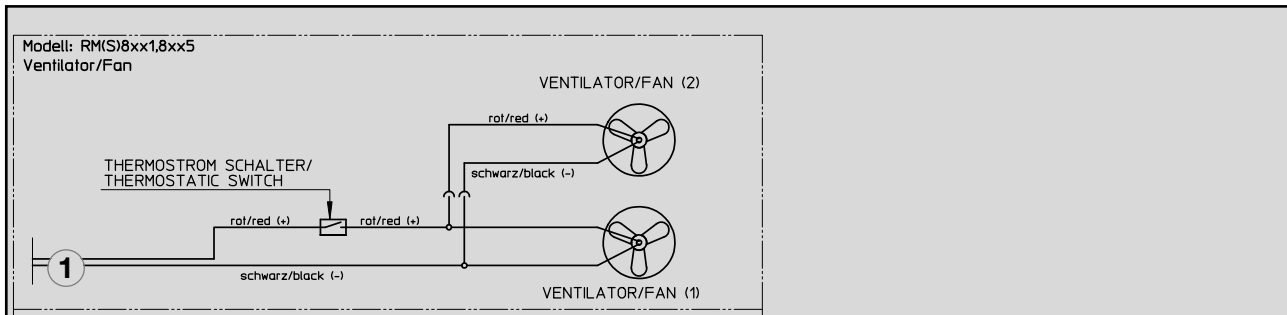


Abb. 46

- ① = 12V OUT / 12V-Versorgung für optionale Anschlüsse
- Ⓐ = Masse Heizelement 12V
- Ⓑ = Plus Heizelement 12V
- Ⓒ = Minus 12-Dauerversorgung Elektronik
- Ⓓ = Plus 12-Dauerversorgung Elektronik



Zum Betrieb des Gerätes ist es unerlässlich, eine 12V DC Dauerversorgung an den Klemmen C/D anzuschließen. (Dauerversorgung für die Funktionselektronik)

GERMANY**Dometic WAECO International GmbH**

Hollefeldstraße 63 · D-48282 Emsdetten

☎ +49 (0) 2572 879-195 · 📠 +49 (0) 2572 879-322

Mail: info@dometic-waeco.de

dometic.com**DOMETIC****AUSTRALIA****Dometic Australia Pty. Ltd.**1 John Duncan Court
Varsity Lakes QLD 4227

☎ 1800 212121

☎ +61 7 55076001

Mail: sales@dometic.com.au

AUSTRIA**Dometic Austria GmbH**

Neudorferstraße 108

A-2353 Guntramsdorf

☎ +43 2236 908070

☎ +43 2236 90807060

Mail: info@dometic.at

BENELUX**Dometic Branch Office Belgium**

Zincstraat 3

B-1500 Halle

☎ +32 2 3598040

☎ +32 2 3598050

Mail: info@dometic.be

BRAZIL**Dometic DO Brasil LTDA**

Avenida Paulista 1754, conj. 111

SP 01310-920 Sao Paulo

☎ +55 11 3251 3352

☎ +55 11 3251 3362

Mail: info@dometic.com.br

DENMARK**Dometic Denmark A/S**

Nordensvej 15, Taulov

DK-7000 Fredericia

☎ +45 75585966

☎ +45 75586307

Mail: info@dometic.dk

FINLAND**Dometic Finland OY**

Mestarintie 4

FIN-01730 Vantaa

☎ +358 20 7413220

☎ +358 9 7593700

Mail: info@dometic.fi

FRANCE**Dometic SAS**

ZA du Pré de la Dame Jeanne

B.P. 5

F-60128 Plailly

☎ +33 3 44633525

☎ +33 3 44633518

Mail: vehiculesdeloisirs@dometic.fr

HONG KONG**Dometic Group Asia Pacific**

Suites 2207-11 · 22/F · Tower 1

The Gateway · 25 Canton Road,

Tsim Sha Tsui · Kowloon

☎ +852 2 4611386

☎ +852 2 4665553

Mail: info@waeco.com.hk

HUNGARY**Dometic Zrt. Sales Office**

Kerékgyártó u. 5.

H-1147 Budapest

☎ +36 1 468 4400

☎ +36 1 468 4401

Mail: budapest@dometic.hu

ITALY**Dometic Italy S.r.l.**

Via Virgilio, 3

I-47122 Forlì (FC)

☎ +39 0543 754901

☎ +39 0543 754983

Mail: vendite@dometic.it

JAPAN**Dometic KK**

Maekawa-Shibaura, Bldg. 2

2-13-9 Shibaura Minato-ku

Tokyo 108-0023

☎ +81 3 5445 3333

☎ +81 3 5445 3339

Mail: info@dometic.jp

MEXICO**Dometic Mx, S. de R. L. de C. V.**

Circuito Médicos No. 6 Local 1

Colonia Ciudad Satélite

CP 53100 Naucalpan de Juárez

Estado de México

☎ +52 55 5374 4108

☎ +52 55 5393 4683

Mail: info@dometic.com.mx

NETHERLANDS**Dometic Benelux B.V.**

Ecustraat 3

NL-4879 NP Etten-Leur

☎ +31 76 5029000

☎ +31 76 5029019

Mail: info@dometic.nl

NEW ZEALAND**Dometic New Zealand Ltd.**

PO Box 12011

Penrose

Auckland 1642

☎ +64 9 622 1490

☎ +64 9 622 1573

Mail: customerservices@dometic.co.nz

NORWAY**Dometic Norway AS**

Østerøyveien 46

N-3232 Sandefjord

☎ +47 33428450

☎ +47 33428459

Mail: firmapost@dometic.no

POLAND**Dometic Poland Sp. z o.o.**

Ul. Puławska 435A

PL-02-801 Warszawa

☎ +48 22 414 3200

☎ +48 22 414 3201

Mail: info@dometic.pl

PORTUGAL**Dometic Spain, S.L.**

Branch Office em Portugal

Rot. de São Gonçalo nº 1 – Esc. 12

2775-399 Carcavelos

☎ +351 219 244 173

☎ +351 219 243 206

Mail: info@dometic.pt

RUSSIA**Dometic RUS LLC**

Komsomolskaya square 6-1

RU-107140 Moscow

☎ +7 495 780 79 39

☎ +7 495 916 56 53

Mail: info@dometic.ru

SINGAPORE**Dometic Pte Ltd**

18 Boon Lay Way 06-140 Trade Hub 21

Singapore 609966

☎ +65 6795 3177

☎ +65 6862 6620

Mail: dometic@dometic.com.sg

SLOVAKIA**Dometic Slovakia s.r.o. Sales Office Bratislava**

Nádražná 34/A

900 28 Ivánka pri Dunaji

☎/☎ +421 2 45 529 680

Mail: bratislava@dometic.com

SOUTH AFRICA**Dometic (Pty) Ltd.****Regional Office****South Africa & Sub-Saharan Africa**

2 Avalon Road

West Lake View Ext 11

Modderfontein 1645

Johannesburg

☎ +27 11 4504978

☎ +27 11 4504976

Mail: info@dometic.co.za

SPAIN**Dometic Spain S.L.**

Avda. Sierra del Guadarrama, 16

E-28691 Villanueva de la Cañada

Madrid

☎ +34 902 111 042

☎ +34 900 100 245

Mail: info@dometic.es

SWEDEN**Dometic Scandinavia AB**

Gustaf Melins gata 7

S-42131 Västra Frölunda

☎ +46 31 7341100

☎ +46 31 7341101

Mail: info@dometicgroup.se

SWITZERLAND**Dometic Switzerland AG**

Riedackerstrasse 7a

CH-8153 Rümlang

☎ +41 44 8187171

☎ +41 44 8187191

Mail: info@dometic.ch

UNITED ARAB EMIRATES**Dometic Middle East FZCO**

P. O. Box 17860

S-D 6, Jebel Ali Freezone

Dubai

☎ +971 4 883 3858

☎ +971 4 883 3868

Mail: info@dometic.ae

UNITED KINGDOM**Dometic UK Ltd.**

Dometic House, The Brewery

Blandford St. Mary

Dorset DT11 9LS

☎ +44 344 626 0133

☎ +44 344 626 0143

Mail: customerservices@dometic.co.uk

USA**Dometic RV Division**

1120 North Main Street

Elkhart, IN 46515

☎ +1 574-264-2131