

POWER & CONTROL

NFB™ RACK STEERING SYSTEMS

NFB Rack Steering Systems are suitable for many single-station boats, with a single non-power assisted outboard or stern drive engine up to V6. with minimal engine flutter or steering instability.

ADVANCED
COMFORT & CONTROL

NFB TECHNOLOGY
FIGHTS AGAINST ENGINE PROP
TORQUE

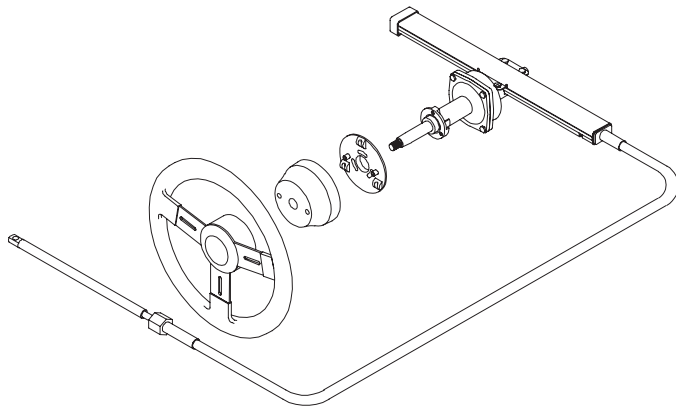
PRECISE
LOCK TO LOCK FEEL



Mobile living made easy.

 **DOMETIC**

THE MOST POPULAR RACK & PINION STEERING SYSTEM IN BOATING.



NFB™ Rack Single Cable System
(Steering Wheel not included.)

NFB™ Pro Rack Single Steering System

NFB™ Rack single-cable systems are suitable for most single-station boats with a single non-power-assisted outboard engine up to V-6 and minimal engine flutter or steering instability. NFB™ Rack accepts wheels up to 16" diameter. New back mount design means easy installation; helm & cable are installed as a unit from behind dash and replace Dometic/SeaStar Solutions Rack Steering without dash modifications.

Features

- Patented NFB™ (No FeedBack) helm.
- Precise feel of 4 turns from lock-to-lock.
- Standard 3/4" round tapered steering wheel shaft.
- Stainless steel cable output ends.
- Fast, easy installation.
- Kits include: cable, helm, 90° bezel and hardware
- Meets A.B.Y.C. standards.
- Meets N.M.M.A. certification requirements.

ORDER INFORMATION	
COMPLETE SYSTEMS	PART NO.
NFB Rack Steering Kit (Single Cable)	SS151XX
COMPONENTS	
NFB Rack Helm (single/dual)	SH5230P
Rack Single Cable	SSC134XX
Rack NFB Bezel (90°)	SB39544P
OPTIONS	
NFB Rack Tilt Dash Module (single/dual) Each Kit Includes Tilt Helm & Tilt Mechanism	SHT91630
NFB Rack Tilt Helm (single/dual)	SH91630P*
Sport Tilt Mechanism	SH91800P
Sport Plus Tilt Mechanism	SH91900P
Rack Dual Cable (1 Rack, 2 Cables)	SSC135XX
Dash Wedge Kit (20°)	SB27449P
Xtreme Rack Single Cable	SSCX154XX
Cable Gard (fits most tilt tubes)	SA39329P
Steering Wheel Hardware Kit (Old #2745417P)	SA27454P

* Requires Tilt mechanism to complete tilt steering system installation. XX = Length in feet
NOTES: SS151XX Kits are sold in lengths from 10 – 20 feet.
All other lengths will require the purchase of individual components.