

POWER & CONTROL

HPS™ ROTARY STEERING

HPS™ Rotary High Performance Steering by Dometic is the best 3-turn way to steer a power-assisted sterndrive and jet boats. Designed for power-steered boats.

UNIQUE
3-TURN HELM

SINGLE CABLE
SINGLE STATION

EASY
INSTALLATION



Mobile living made easy.

 **DOMETIC**

THE BEST 3-TURN SINGLE CABLE WAY TO STEER A POWER-ASSISTED STERNDRIVE OR JET BOAT!

HPS™ Rotary is ideal for all power-assisted sterndrives that uses a mechanical steering cable.

Also suitable for Jet boats that require rotary steering.

It replaces Safe-T® steering helms without dash modifications and most other rotary steering systems with minimal dash modifications.

HPS™ Rotary is available in single cable configuration and is for single station use only. It accepts wheels up to 16" diameter.

Features

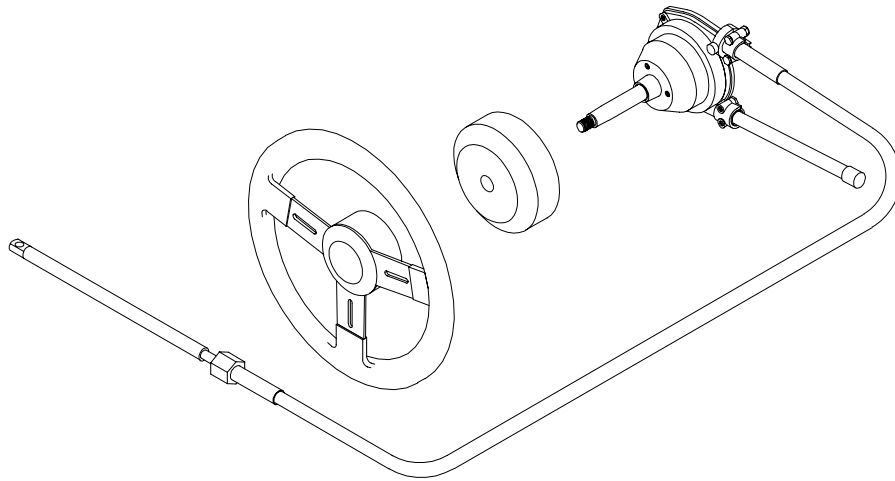
- Designed for boats with power-assisted steering
- HPS™ Rotary helms fit standard Dometic dash cutouts.
- Compact helm takes up little room behind the dash
- Designed to handle normal steering loads
- Standard 3/4" tapered steering shaft
- Stainless steel cable output ends
- Fast, easy installation
- Meets A.B.Y.C. standards
- Meets N.M.M.A. certification requirements

ORDER INFORMATION	
COMPLETE SYSTEMS	PART NO.
This steering system is sold by components. Select helm, bezel and cable or Tilt helm, Tilt Mechanism and cable from items listed below.	
COMPONENTS	
HPS Rotary Helm	SH5180P
HPS Rotary Cable (QC interface)	SSC62XX
Bezel (90°)	SB27484P
OPTIONS	
HPS Rotary Tilt Helm	SH91650P*
Sport Tilt Mechanism	SH91800P
Sport Plus Tilt Mechanism	SH91900P
Bezel (20°)	SB27483P
Cable Gard (fits many outboard tilt tubes)	SA39329P
SERVICE ITEMS	
Steering Wheel Hardware Kit (Old #2745417P)	SA27454P
Spent Travel Tube	SA38603P
Hitch Pin for Quick Connect Helms (Old #2724514P)	SA27245P

* Requires tilt mechanism to complete Tilt Steering system installation.

THE BEST 3-TURN SINGLE CABLE WAY TO STEER A POWER-ASSISTED STERNDRIVE OR JET BOAT!

Technical Data



HPS Rotary™ Single Cable System (Steering Wheel not included.)