

POWER & CONTROL

# HPS™ RACK & PINION STEERING

HPS™ Rack by Dometic is the best 4-turn way to steer a power-assisted sterndrive or outboard! Ideal for small inboards too, HPS reduces backlash (free-play at the wheel) associated with power steered boats by up to 50%! A great choice for ski boats, too!

**PRECISE**  
4-TURN RESPONSE

**SINGLE CABLE**  
SINGLE STATION

**EASY**  
INSTALLATION



Mobile living made easy.

 **DOMETIC**

# THE BEST 4-TURN SINGLE CABLE WAY TO STEER A POWER-ASSISTED STERNDRIVE OR OUTBOARD!

HPST™ Rack is ideal for all power-assisted sterndrives that can accept a mechanical steering cable and have adequate room for a rack & pinion steering cable behind the dash. It replaces TR188, RX4, The Rack and Back Mount, Rack & Pinion steering without dash modifications.

HP S Rack is available in single cable configuration and is for single station use only.

It accepts wheels up to 16" diameter.

## Features

- Designed for boats with power-assisted steering
- Unique Xtreme core steering cable technology delivers incredible response and minimal lost motion
- Precise, 4-turn response of Rack & Pinion steering
- Designed to handle normal steering loads
- Standard 3/4" tapered steering shaft
- Stainless steel cable output ends
- Fast, easy installation
- Meets A.B.Y.C. standards
- Meets N.M.M.A. certification requirements

| ORDER INFORMATION   |           |
|---|-----------|
| COMPLETE SYSTEMS  | PART NO.  |
| <b>This steering system is sold by components. Select helm, bezel and cable or Tilt helm, Tilt Mechanism and cable from items listed below.</b> |           |
| COMPONENTS  |           |
| Back Mount Rack Helm  | SH5210P   |
| Xtreme Rack Single Cable  | SSCX154XX |
| Back Mount Rack Bezel (90°)   | SB39526P  |
| OPTIONS   |           |
| Back Mount Rack Tilt Dash Module<br>Each Kit Includes Tilt Helm & Tilt Mechanism  | SHT91610  |
| Back Mount Rack Tilt Helm   | SH91610P* |
| Sport Tilt Mechanism  | SH91800P  |
| Sport Plus Tilt Mechanism   | SH91900P  |
| Dash Wedge Kit (20°)  | SB27449P  |
| Cable Gard (fits most tilt tubes)   | SA39329P  |
| SERVICE ITEMS   |           |
| Steering Wheel Hardware Kit (Old #2745417P)   | SA27454P  |

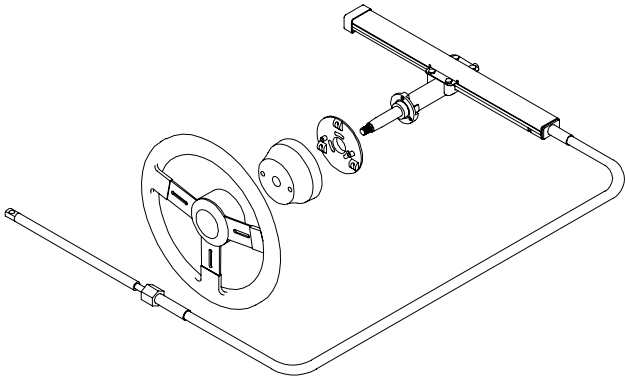
\* Requires tilt mechanism to complete Tilt Steering system installation.

# THE BEST 4-TURN SINGLE CABLE WAY TO STEER A POWER-ASSISTED STERNDRIVE OR OUTBOARD!

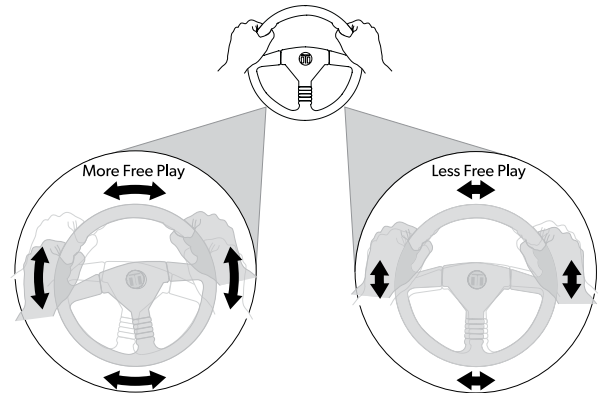


## Technical Data

---



HPS Rack™ Single Cable System (Steering Wheel not included.)



Up to 50% Less Free - Play at wheel vs. conventional rack steering.