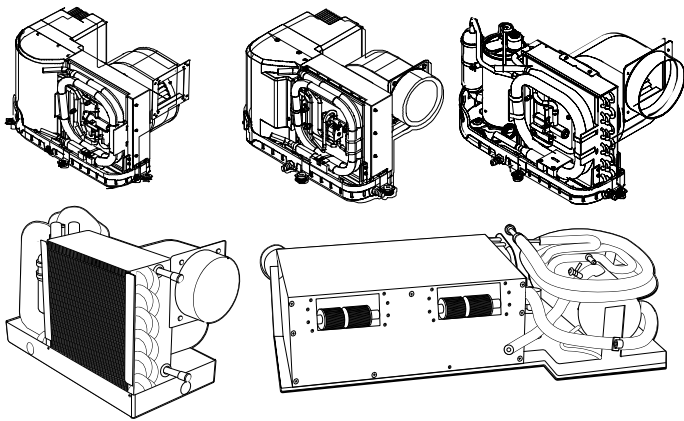




CLIMATE CONTROL

MARINE SELF-CONTAINED



WARNING

Cancer and Reproductive Harm
www.P65Warnings.ca.gov

DCU, DLU, DTG, ECD, TX

EN	Self-Contained Air Conditioning System Installation manual.....	3
DE	Self-Contained Air Conditioning System Montageanleitung.....	10
FR	Self-Contained Air Conditioning System Instructions de montage.....	18
ES	Self-Contained Air Conditioning System Instrucciones de montaje.....	26
PT	Self-Contained Air Conditioning System Instruções de montagem.....	34
IT	Self-Contained Air Conditioning System Indicazioni di montaggio.....	42
NL	Self-Contained Air Conditioning System Montagehandleiding.....	50
DA	Self-Contained Air Conditioning System Monteringsvejledning.....	58
SV	Self-Contained Air Conditioning System Monteringsanvisning.....	65
NO	Self-Contained Air Conditioning System Monteringsanvisning.....	72
FI	Self-Contained Air Conditioning System Asennusohje.....	79
PL	Self-Contained Air Conditioning System Instrukcja montażu.....	86
SK	Self-Contained Air Conditioning System Návod na montáž.....	94
CS	Self-Contained Air Conditioning System Návod k montáži.....	102
HU	Self-Contained Air Conditioning System Szerelei útmutató.....	110
HR	Self-Contained Air Conditioning System Upute za montažu.....	118
TR	Self-Contained Air Conditioning System Montaj Kılavuzu.....	125
SL	Self-Contained Air Conditioning System Navodilo za montažo.....	132
RO	Self-Contained Air Conditioning System Instrucțiuni de montaj.....	139
BG	Self-Contained Air Conditioning System Инструкция за монтаж.....	147
ET	Self-Contained Air Conditioning System Paigaldusjuhend.....	155
EL	Self-Contained Air Conditioning System Οδηγίες τοποθέτησης.....	162
LT	Self-Contained Air Conditioning System Montavimo vadovas.....	170
LV	Self-Contained Air Conditioning System Uzstādīšanas rokasgrāmata.....	178

Copyright

© 2024 Dometic Group. The visual appearance of the contents of this manual is protected by copyright and design law. The underlying technical design and the products contained herein may be protected by design, patent or pending patent. The trademarks mentioned in this manual belong to Dometic Sweden AB. All rights are reserved.

English

1 Important notes.....	3
2 Explanation of symbols.....	3
3 Target group(s).....	3
4 Intended use.....	3
5 Technical data.....	4
6 Pre-installation.....	4
7 Installation.....	6
8 Disposal.....	9
9 Warranty.....	9

1 Important notes

Please read these instructions carefully and follow all instructions, guidelines, and warnings included in this product manual in order to ensure that you install, use, and maintain the product properly at all times. These instructions **MUST** stay with this product.

By using the product, you hereby confirm that you have read all instructions, guidelines, and warnings carefully and that you understand and agree to abide by the terms and conditions as set forth herein. You agree to use this product only for the intended purpose and application and in accordance with the instructions, guidelines, and warnings as set forth in this product manual as well as in accordance with all applicable laws and regulations. A failure to read and follow the instructions and warnings set forth herein may result in an injury to yourself and others, damage to your product or damage to other property in the vicinity. This product manual, including the instructions, guidelines, and warnings, and related documentation, may be subject to changes and updates. For up-to-date product information, please visit documents.dometic.com.

2 Explanation of symbols

A signal word will identify safety messages and property damage messages, and also will indicate the degree or level of hazard seriousness.



WARNING!

Indicates a hazardous situation that, if not avoided, could result in death or serious injury.



NOTICE!

Indicates a situation that, if not avoided, can result in property damage.



NOTE Supplementary information for operating the product.

2.1 Supplemental directives

To reduce the risk of accidents and injuries, please observe the following directives before proceeding to install this appliance:

- Read and follow all safety information and instructions.
- Read and understand these instructions before installing this product.
- The installation must comply with all applicable local or national codes, including the latest edition of the following standards:
 - American Boat and Yacht Council (ABYC)
 - ANSI/NFPA 70, National Electrical Code (NEC)

2.2 Safety instructions



WARNING! Carbon monoxide hazard

Failure to obey the following warnings could result in death or serious injury:

- > Do not install or operate a self-contained air conditioner in the bilge or engine room areas, or near an internal combustion engine. Ensure that the selected location is sealed from direct access to bilge and/or engine room vapors.
- > Verify the condensate drain line is properly installed and sealed. Do not end the condensate drain line within 3 ft. (0.91 m) of any outlet of an engine or generator exhaust system, in a compartment containing an

engine or generator, or in a bilge, unless the drain is connected properly to a sealed condensate or shower sump pump. If the drain line is not properly installed, dangerous fumes may travel up the drain line and contaminate the living quarters.

- > Do not install the air conditioner in a location where it can circulate carbon monoxide, fuel vapors, or other noxious fumes into the boat's living spaces.



WARNING! Electrocutation hazard

The installation may only be carried out by a qualified electrician.



WARNING! Electrical shock, fire and/or explosion hazard

Failure to follow these precautions could result in death or serious injury. This appliance is not intended for use by persons (including children) with reduced physical, sensory, or mental capabilities, or lack of experience and knowledge, unless they have been given supervision or instruction about the use of the appliance by a person responsible for their safety. Children should be supervised to ensure that they do not play with the appliance. Cleaning and user maintenance shall not be made by children without supervision. This appliance should not be accessible to the general public.



WARNING! Explosion hazard

Failure to follow these precautions could result in death or serious injury. Do not install the air conditioner in a location containing gasoline engines, tanks, LPG/CPG cylinders, regulators, valves, or fuel line fittings. Unless labeled otherwise, self-contained units do not meet federal requirements for ignition protection. Failure to obey this warning could result in death or serious injury.



WARNING! Electrical shock hazard

Failure to follow these precautions could result in death or serious injury.

- > Be sure to effectively ground the air conditioner to minimize the electrical shock hazard. Refer to the installation guidelines for further information.
- > Each air conditioner installed requires a dedicated circuit breaker. If there is only one air conditioner installed, the seawater pump does not require a dedicated circuit breaker. If two or more air conditioning units use the same seawater pump, the pump wires will be connected to a pump relay panel (PRP), which in turn has its own dedicated circuit breaker sized for the pump (20 A max). Refer to the wiring diagram furnished with the PRP. Electrical connections in the bilge and/or below the waterline should use heat shrink type butt splices.
- > Field wiring must comply with ABYC electrical codes. Power to the unit must be within the operating voltage range indicated on the data plate. Properly sized fuses or HACR circuit breakers must be installed for branch circuit protection. See the data plate for the maximum fuse/circuit breaker size (MFS) and minimum circuit capacity (MCA).



NOTICE!

This appliance has fluorinated greenhouse gases in hermetically sealed equipment. Refer to the condensing unit's product data plate label for the quantity of refrigerant shown in weight and GWP. The refrigerant added should be noted on the unit label.

3 Target group(s)



The mechanical and electrical installation and setup of the device must be performed by a qualified technician who has demonstrated skill and knowledge related to the construction and operation of marine equipment and installations, and who is familiar with the applicable regulations of the country in which the equipment is to be installed and/or used, and has received safety training to identify and avoid the hazards involved.

4 Intended use

This manual is intended for the installation of DCU, DLU, DTG, ECD, and TX self-contained air conditioning systems (hereinafter referred to as air conditioner). The air conditioner is intended for use on boats and yachts. This air conditioner is only suitable for the intended purpose and application in accordance with these instructions.

This product is only suitable for the intended purpose and application in accordance with these instructions.

This manual provides information that is necessary for proper installation and/or operation of the product. Poor installation and/or improper operation or maintenance will result in unsatisfactory performance and a possible failure.

The manufacturer accepts no liability for any injury or damage to the product resulting from:

- Incorrect installation, assembly or connection, including excess voltage
- Incorrect maintenance or use of spare parts other than original spare parts provided by the manufacturer
- Alterations to the product without express permission from the manufacturer
- Use for purposes other than those described in this manual

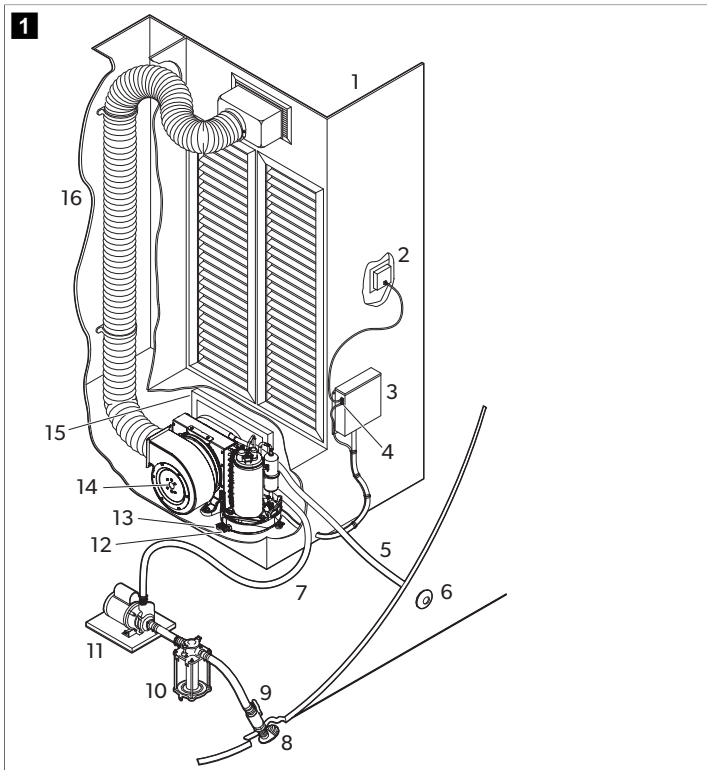
Dometic reserves the right to change product appearance and product specifications.

5 Technical data

Read these instructions completely and then plan the connections that must be made to the air conditioner (including ducting, condensate drain line, seawater inlet and outlet hoses, electrical power connections, location of the control, and seawater pump placement), to assure easy access for routing and future maintenance.

5.1 Part locations

Air Conditioning System Component Identification



- | | |
|--|---------------------------------|
| 1 Supply air grille and transition box | 9 Seacock shut-off valve |
| 2 Digital display | 10 Seawater strainer |
| 3 Electric box | 11 Pump |
| 4 Optional remote air sensor cable | 12 Condensate drain hose barb |
| 5 Seawater outlet hose | 13 Mounting bracket |
| 6 Overboard discharge | 14 Air conditioner |
| 7 Seawater inlet hose | 15 Return air grille and filter |
| 8 Seawater scoop thru-hull inlet | 16 Insulated flexible ducting |

5.2 Specifications

This section has specification data for the air conditioner.

Table 1: Minimum duct and grille sizes per BTU capacity

	3.5 k BTU	6 k BTU	8 k BTU	10 k BTU
Minimum duct diameter	3.00 in (76.2 mm)	4.00 in (101.6 mm)	5.00 in (127.0 mm)	6.00 in (152.4 mm)
Minimum duct area	6.8 in ² (43.9 cm ²)	12.6 in ² (81.3 cm ²)	19.6 in ² (126.5 cm ²)	28.3 in ² (182.6 cm ²)
Minimum return air grille	64.0 in ² (412.9 cm ²)	64.0 in ² (412.9 cm ²)	80.0 in ² (516.2 cm ²)	100.0 in ² (645.2 cm ²)
Minimum supply air grille	12.0 in ² (77.4 cm ²)	32.0 in ² (206.5 cm ²)	48.0 in ² (309.7 cm ²)	60.0 in ² (387.1 cm ²)

	12 k BTU	16 k BTU	18 k BTU	27 k BTU
Minimum duct diameter	6.00 in (152.4 mm)	7.00 in (177.8 mm)	7.00 in (177.8 mm)	8.00 in (203.2 mm)
Minimum duct area	28.3 in ² (182.6 cm ²)	38.5 in ² (248.4 cm ²)	38.5 in ² (248.4 cm ²)	50.3 in ² (324.5 cm ²)
Minimum return air grille	130.0 in ² (838.8 cm ²)	160.0 in ² (1032.3 cm ²)	200.0 in ² (1290.4 cm ²)	240.0 in ² (1548.5 cm ²)
Minimum supply air grille	70.0 in ² (451.6 cm ²)	80.0 in ² (516.2 cm ²)	100.0 in ² (645.2 cm ²)	120.0 in ² (774.2 cm ²)

Table 2: Operating water temperature and pressure

Minimum operating water temperature	40.0 °F (4.44 °C)
Maximum operating water temperature	80.0 °F (26.66 °C)
Minimum operating water pressure	4.2 psi (0.29 bar) (29.00 kPa)
Maximum operating water pressure	6.00 psi (0.41 bar) (41.4 kPa)

NOTE The unit can operate outside these conditions with reduced capacity.

6 Pre-installation

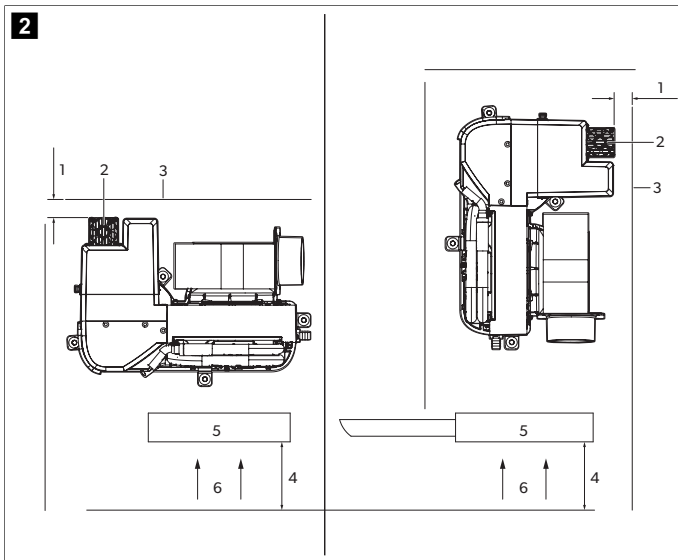
NOTICE! The DTG and TX self-contained condensate base pans are equipped with vibration isolators installed in the bottom of the pan. These isolators are designed to dampen the vibration caused by the operating air conditioner from transferring into the mounted surface. Care must be taken when moving the air conditioner across mounting surfaces as the isolators can be damaged.

NOTICE! The air conditioner must be mounted to a low, flat, level surface, like in the bottom of a locker, under a bunk or dinette seat, or in a similar location.

This section explains how to prepare the air conditioner for installation.

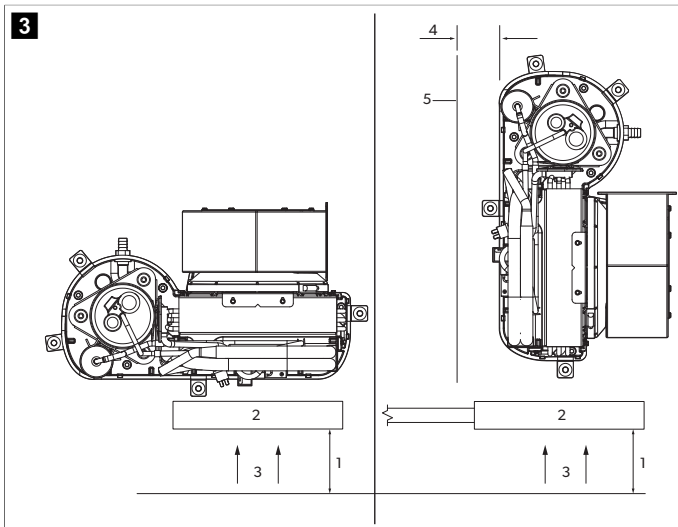
6.1 Determining the installation location

1. TX placement relative to airflow



- | | |
|---------------------|----------------------|
| 1 3.00 in (7.62 cm) | 4 4.00 in (10.16 cm) |
| 2 Heat sink | 5 Return air grille |
| 3 Bulkhead | 6 Airflow |

All other air conditioning units placement relative to airflow



- | | |
|----------------------|---------------------|
| 1 4.00 in (10.16 cm) | 4 3.00 in (7.62 cm) |
| 2 Return air grille | 5 Bulkhead |
| 3 Airflow | |

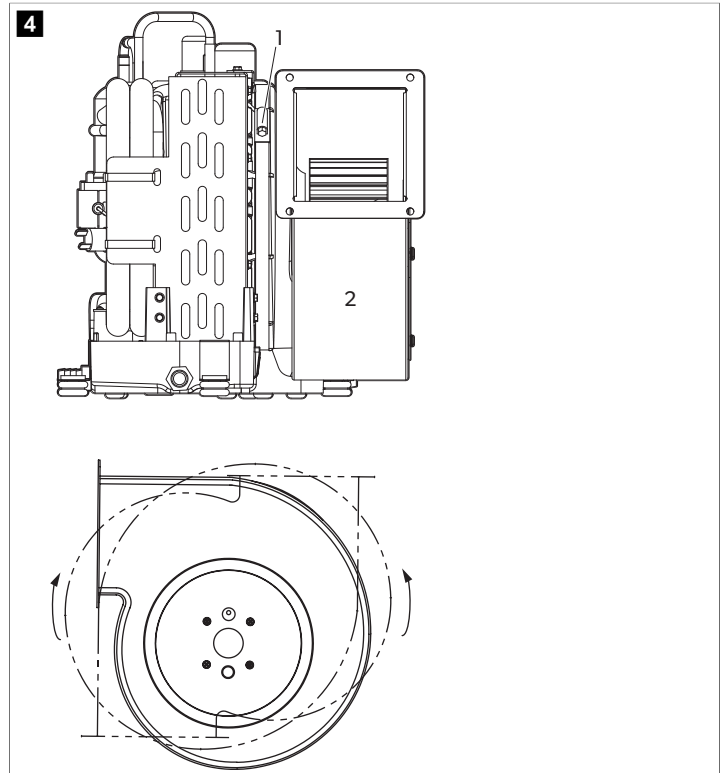
2. Choose a location with enough airflow. The return air grille should have a minimum of 4.00 in (10.16 cm) of air circulation clearance in front of it, free from any obstruction.
3. If the air conditioner is positioned perpendicular to the return air grille, maintain a minimum of 3.00 in (7.62 cm) air circulation clearance on the air intake side.
4. **TX only:** Provide a minimum open area of 2.99 in (76.0 mm) above and below the heat sink.

6.2 Rotating the blower

This section explains how to rotate the blower for each unit type. If needed, rotate the blower to the direction that allows the most direct airflow discharge through the ducting.

6.2.1 DTG and TX blowers

DTG and TX system blower rotation

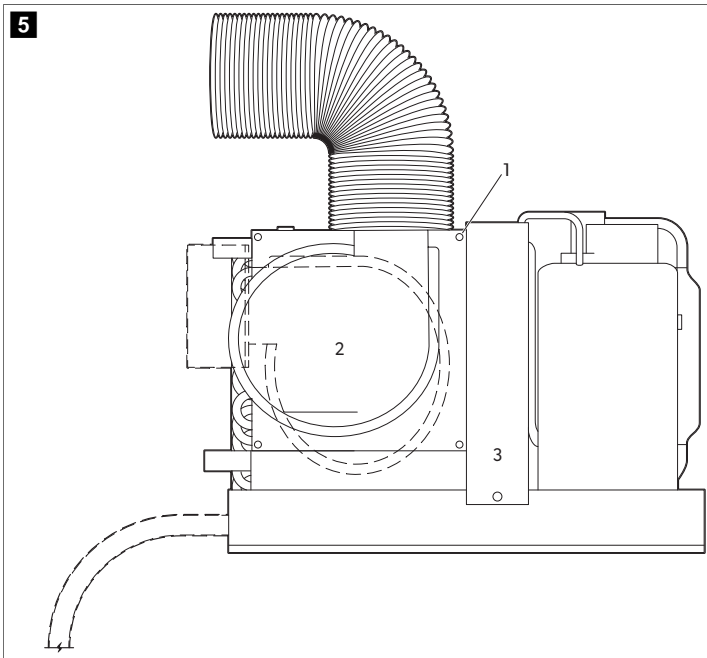


- 1 Adjustment screw
- 2 Blower

1. Loosen the adjustment screw on the blower mount ring.
2. Rotate the blower to the desired position.
3. Tighten the adjustment screw.

6.2.2 MCS and ECD blowers

MCS and ECD system blower rotation



- 1 Screw
- 2 Plate
- 3 Blower

1. Remove the seven screws on the plate.
2. Rotate the blower to the desired position.
3. Secure the blower in place using self-tapping screws (not provided).

6.3 Placing the air filters

Air filters remove airborne particles from the cabin air and keep the evaporator coil clean. Place one air filter, either on the air conditioner or in the return air grille, for each air conditioner.

6.4 Placing the grilles and transition boxes

Consider the following when placing the grilles and transition boxes:

- Install the supply air grille as high as possible in a location that will give uniform air distribution throughout the cabin. Direct the grille louvers upward.
- Install the return air grille as low and close to the air conditioner as possible to ensure airflow to the evaporator.
- Do not direct the supply air discharge towards the return air grille, as this will cause the system to short cycle.
- Allow for adequate clearance behind the supply air grille for the transition box and ducting connection. Refer to Specifications on page 4

7 Installation

This section explains how to install the self-contained air conditioner.

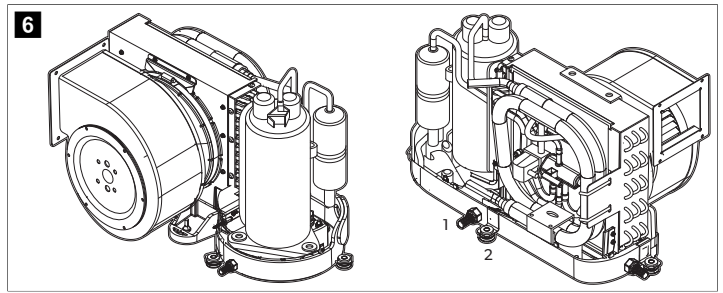
7.1 Installing the mounting brackets and condensate drain



NOTICE!

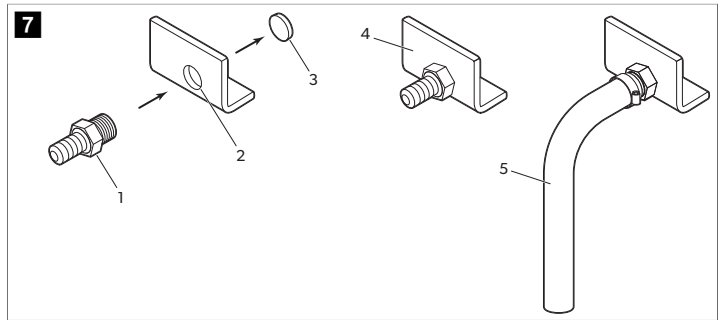
To prevent cracking the drain pan, do not use more than two layers of plumbers tape to wrap the hose barb, and do not overtighten the hose barb.

Typical placement of mounting brackets and condensate drains



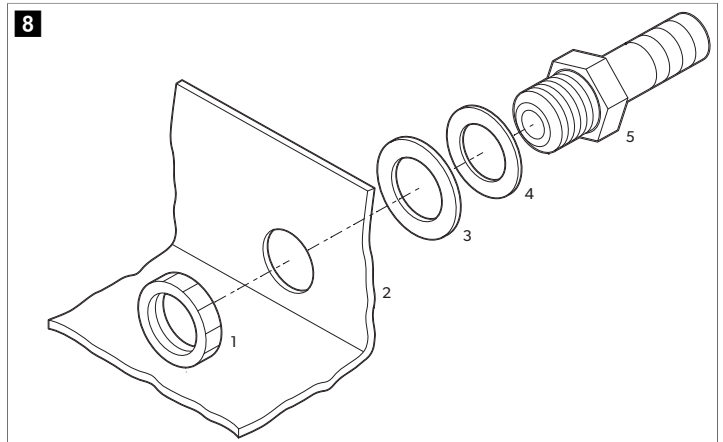
- 1 Condensate drain hose barb
- 2 Mounting bracket

Condensate drain installation for DTG and TX



- 1 Hose barb
- 2 Threaded drain hole
- 3 Slug knockout
- 4 Drain pan
- 5 Drain hose

Condensate drain installation for all other air conditioning units

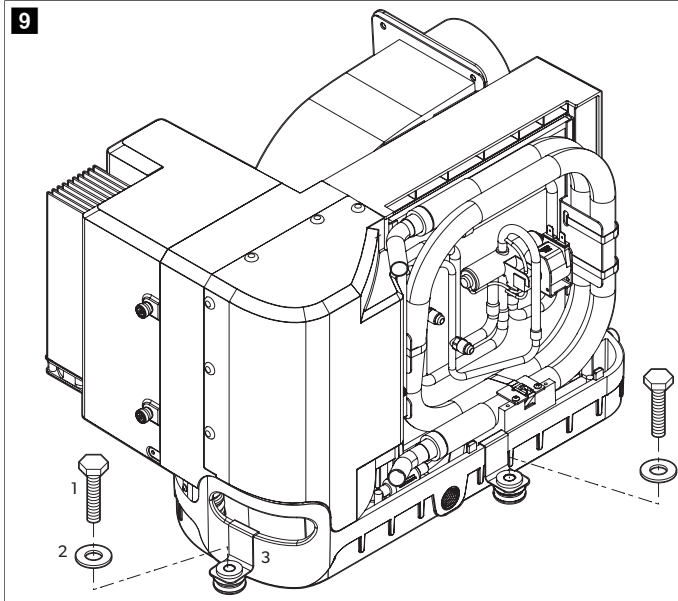


- 1 Locking nut
- 2 Drain pan
- 3 Liquid-seal washer
- 4 Solid washer
- 5 PVC fitting 0.5 in (12.7 mm) HB x 0.5 in (12.7 mm) MPT

1. Use the hose barb to knock out a slug from an aft-facing drain hole by applying one quick strike with a rubber mallet. Discard the slug knockout.
2. For DTG and TX units:
 - a) Wrap the threaded end of the hose barb with plumbers tape.
 - b) Screw the hose barb into the threaded drain hole and tighten securely.

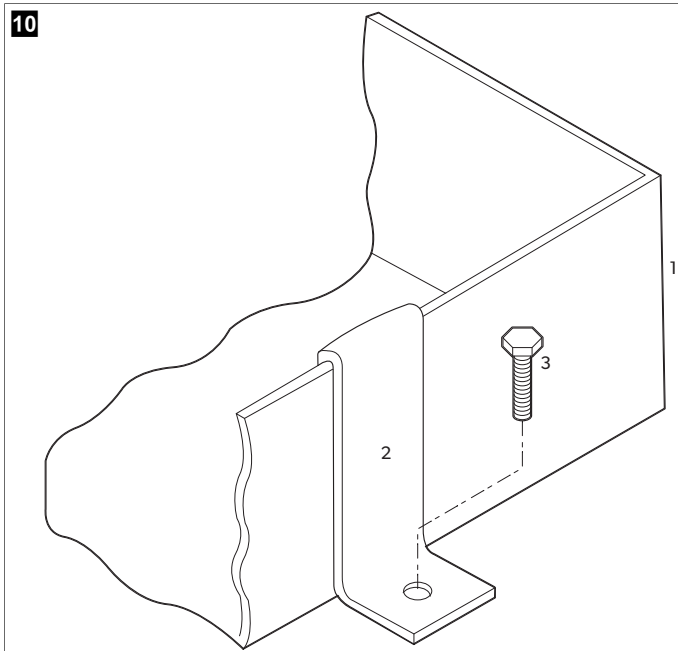
3. For all other air conditioners:
 - a) Thread the hose barb through a solid washer and liquid-seal washer and insert it into the drain hole.
 - b) Secure with a locking nut.
4. Secure the drain hose to the hose barb with a stainless steel hose clamp.
5. Route the drain hose downward to a safe and proper collection point.

Mounting bracket installation for DTG and TX units



- 1 Mounting bolt (not provided)
- 2 Fender washer (provided)
- 3 Mounting bracket (provided)

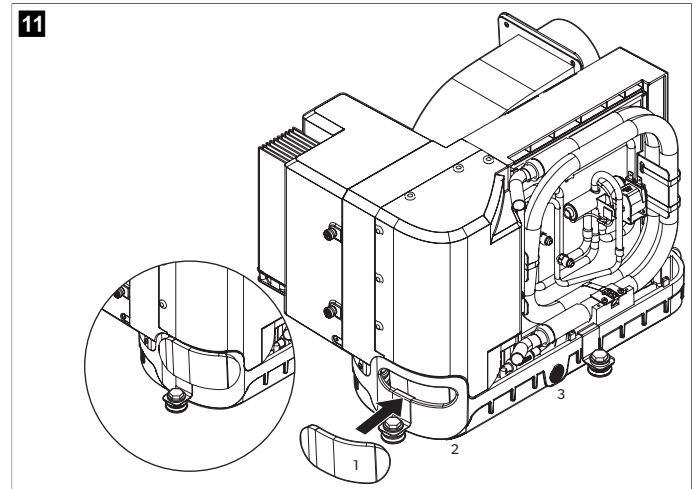
Mounting bracket installation for other air conditioning units



- 1 Drain pan
- 2 Mounting bracket
- 3 Mounting bolt (not provided)

6. Install one mounting bracket on each side of the drain pan, evenly spaced.

Installing foam handle insulation on TX units



- 1 Foam handle insulation
- 2 Handle opening
- 3 Drain pan

7. For TX units:
 - a) Remove the film covering the adhesive backing on the foam handle insulation.
 - b) Position the foam handle insulation to completely cover the handle opening with the adhesive side facing the drain pan.
 - c) Press around the handle opening to adhere the foam handle insulation to the drain pan.

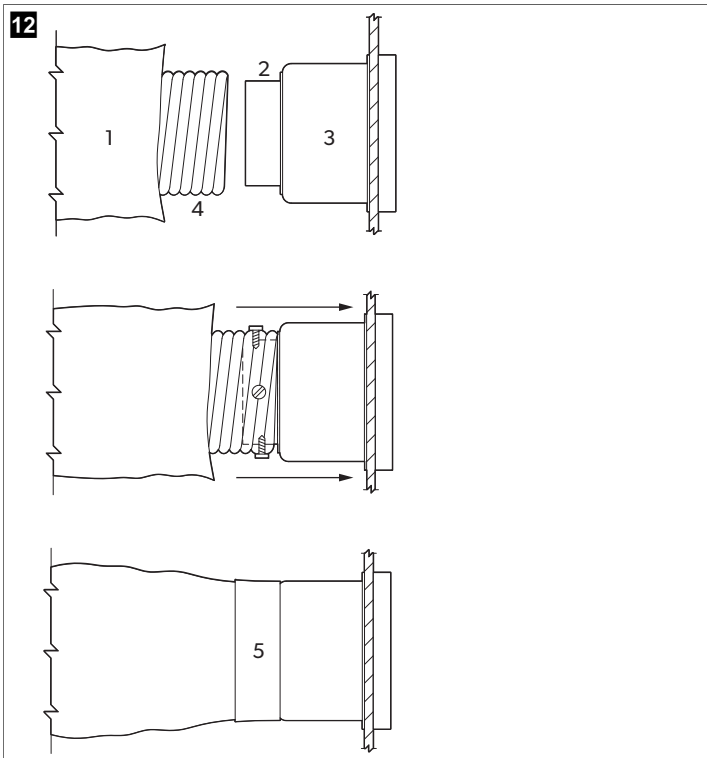
7.2 Installing the ducting

Observe the following conditions when installing the ducting:

- Ducting must be appropriately sized for your application.
- Run ducting as straight, smooth, and taut as possible, minimizing the number of 90.00 ° bends and loops, which can reduce airflow.
- Fasten the ducting securely to prevent sagging.
- Do not allow ducting to be flattened or kinked.
- Trim excess ducting lengths following installation.
- Insulate ducting when it is located in high-heat areas.
- Insulate ducting when it is located in high-heat areas.
- Do not route ducting through an engine room or any area where it may be exposed to dangerous vapors or exhaust fumes.

If a transition box is used, the total area of supply air ducts going out of the box should be at least equal to the total area of the supply ducts going into the box. Refer to Specifications on page 4

Ducting connections



- | | | | |
|---|-----------------------|---|-----------------------|
| 1 | Fiberglass insulation | 4 | Inner mylar duct hose |
| 2 | Mount ring | 5 | Duct tape |
| 3 | Transition box | | |

- Slide the inner mylar duct hose around the mount ring to the transition box.
- Screw three or four stainless steel screws through the mylar duct hose into the mount ring, capturing two or three wires with screw heads.
- Slide the fiberglass insulation around the inner mylar duct hose to the transition box. Secure with duct tape.

7.3 Installing the seawater system



NOTICE!

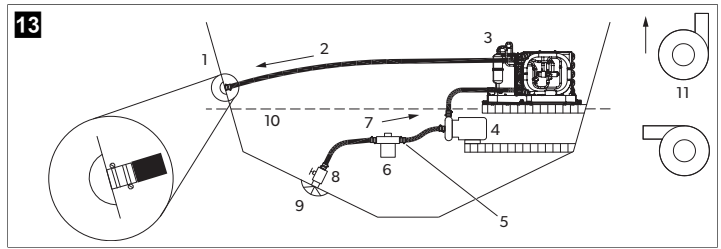
Failure to follow this procedure will void the warranty.

Observe the following considerations when setting up the seawater system:

- The strainer must be below the pump.
- Hoses must be double clamped.
- Hoses must not have kinks, loops, or high spots where air can become trapped.
- The pump and strainer must be below the water line.
- The thru-hull inlet, ball valve, hose, and strainer should be no smaller than the pump inlet.
- Install the thru-hull fitting as far below the water line as possible.
- The pump must have a dedicated thru-hull.
- Avoid 90.00° elbow fittings as much as possible.
- Ensure that the pump head is rotated toward the direction of water flow.
- Use plumbers tape on all threaded connections.

Refer to Specifications on page 4 for maximum and minimum water temperature and pressure values.

Seawater system



- | | | | |
|---|-----------------|----|---|
| 1 | Seawater outlet | 7 | Uphill inlet flow |
| 2 | Outlet flow | 8 | Ball valve |
| 3 | Air conditioner | 9 | Scoop thru-hull inlet |
| 4 | Seawater pump | 10 | Water line |
| 5 | Hose clamps | 11 | Correct pump head strainer orientations |
| 6 | Strainer | | |

- Install a seawater scoop thru-hull inlet as close to the keel and as far below the water line as possible. Secure the scoop thru-hull inlet using a marine-grade sealant designed for underwater use.
- Install a bronze, full-flow seacock on the seawater scoop thru-hull inlet.
- Install a seawater strainer below the level of the pump with access to the filter.
- Mount the pump above the strainer and at least one foot below the waterline.
- Connect the seacock and strainer with an uphill run of reinforced marine-grade hose.
- Connect the discharge from the pump uphill to the bottom inlet of the air conditioner's condenser coil with a 5/8 in (0.63 in (16.0 mm)) reinforced, marine-grade hose.
- Connect the discharge from the condenser coil to the overboard discharge thru-hull fitting with a 5/8 in. reinforced marine-grade hose.
- Avoid loops, high spots, or the use of 90.00° elbows with the seawater hose. Each 90.00° elbow is equivalent to 2.5 ft (0.76 m) (29.92 in (76.00 cm)) of hose and a 90° elbow on the pump outlet is equivalent to 20.0 ft (6.10 m) (240.16 in (610.00 cm)) of hose.
- Double-clamp all hose connections using two stainless steel clamps, reversing the clamps where necessary.
- Connect all metallic parts in contact with seawater to the vessel's bonding system.

7.4 Making electrical connections



WARNING! Electrical shock hazard

Always turn off the air conditioning power supply breaker before opening the electrical box. Failure to obey this warning could result in death or serious injury.



NOTICE!

The air conditioner must be connected to the boat's bonding system to prevent corrosion due to stray electrical current. All pumps, metallic valves, and fittings in the seawater circuit that are isolated from the air conditioner by PVC or rubber hoses, must be individually bonded to the boat's bonding system.



NOTE Failure to properly ground and bond the system will void the warranty.

All conditioning units have a terminal strip, labeled for proper connections, inside the electric box. The wiring diagram inside the electric box supersedes ABYC standards. Use the correct size circuit breaker to protect the system as specified by the air conditioning units data plate label. A minimum of 12 AWG boat cable should be used to supply power to the air conditioner and the seawater pump. Make all connections using ring or captive fork terminals.

Observe the following when making electrical connections:

- Alternating current (AC) grounding must be connected to the ground terminal (GRND) at the AC power input terminal block.

- Connections between the vessel's AC system grounding conductor and the vessel's direct current (DC) negative or bonding system should be made as part of the vessel's wiring. When maintenance or replacing existing equipment that has a chassis-mounted ground stud, check the vessel's wiring for these connections.
- TX air conditioners are designed to operate on AC or high voltage DC. Refer to the vessel's wiring diagram for correct placement.

Note that self-repair or nonprofessional repair can have safety consequences and might void the warranty.

Ensure that the AC ground of the air conditioner is properly connected to the AC ground of the boat. Within the boat itself, ensure that the AC ground bus is connected to the DC ground bus at exactly one place.

8 Disposal



Place the packaging material in the appropriate recycling waste bins, wherever possible. Consult a local recycling center or specialist dealer for details about how to dispose of the product in accordance with the applicable disposal regulations.

9 Warranty

Refer to the sections below for information about warranty and warranty support in the US, Canada, and all other regions.

United States and Canada

LIMITED WARRANTY AVAILABLE AT DOMETIC.COM/EN-US/TERMS-AND-CONDITIONS-CONSUMER/WARRANTY. IF YOU HAVE QUESTIONS, OR TO OBTAIN A COPY OF THE LIMITED WARRANTY FREE OF CHARGE, CONTACT:

DOMETIC CORPORATION
MARINE CUSTOMER SUPPORT CENTER
2000 NORTH ANDREWS AVENUE
POMPANO BEACH, FLORIDA, USA 33069
1-800-542-2477

Asia-Pacific(APAC) countries

If the product does not work as it should, please contact your retailer or the manufacturer's branch in your country (see dometic.com/dealer). The warranty applicable to your product is 1 year(s).

For repair and warranty processing, please include the following documents when you send in the device:

- A copy of the receipt with purchasing date
- A reason for the claim or description of the fault

Note that self-repair or nonprofessional repair can have safety consequences and might void the warranty.

Australia Only

Our goods come with guarantees that cannot be excluded under the Australian Consumer Law. You are entitled to a replacement or refund for a major failure and for compensation for any other reasonably foreseeable loss or damage. You are also entitled to have the goods repaired or replaced if the goods fail to be of acceptable quality and the failure does not amount to a major failure.

New Zealand only

This warranty policy is subject to the conditions and guarantees which are mandatory as implied by the Consumer Guarantees Act 1993(NZ).

All other regions

The statutory warranty period applies. If the product is defective, please contact the manufacturer's branch in your country (see dometic.com/dealer) or your retailer.

For repair and warranty processing, please include the following documents when you send in the device:

- A copy of the receipt with purchasing date
- A reason for the claim or description of the fault

Deutsch

1 Wichtige Hinweise.....	10
2 Erklärung der Symbole.....	10
3 Zielgruppe.....	11
4 Vorgesehene Einsatzbereiche.....	11
5 Technische Daten.....	11
6 Vor der Installation.....	12
7 Installation.....	13
8 Entsorgung.....	16
9 Garantie.....	16

1 Wichtige Hinweise

Lesen und befolgen Sie bitte alle Anweisungen, Richtlinien und Warnhinweise in diesem Produkthandbuch sorgfältig, um sicherzustellen, dass Sie das Produkt ordnungsgemäß installieren und stets ordnungsgemäß betreiben und warten. Diese Anleitung MUSS bei dem Produkt verbleiben.

Durch die Verwendung des Produktes bestätigen Sie hiermit, dass Sie alle Anweisungen, Richtlinien und Warnhinweise sorgfältig gelesen haben und dass Sie die hierin dargelegten Bestimmungen verstanden haben und ihnen zustimmen. Sie erklären sich damit einverstanden, dieses Produkt nur für den angegebenen Verwendungszweck und gemäß den Anweisungen, Richtlinien und Warnhinweisen dieses Produkthandbuchs sowie gemäß allen geltenden Gesetzen und Vorschriften zu verwenden. Eine Nichtbeachtung der hierin enthaltenen Anweisungen und Warnhinweise kann zu einer Verletzung Ihrer selbst und anderer Personen, zu Schäden an Ihrem Produkt oder zu Schäden an anderem Eigentum in der Umgebung führen. Dieses Produkthandbuch, einschließlich der Anweisungen, Richtlinien und Warnhinweise, sowie die zugehörige Dokumentation können Änderungen und Aktualisierungen unterliegen. Aktuelle Produktinformationen finden Sie unter documents.dometic.com.

2 Erklärung der Symbole

Ein Signalwort kennzeichnet Sicherheits- und Sachschadensmeldungen und gibt zudem den Grad oder das Ausmaß der Gefährdung an.



WARNUNG!

Kennzeichnet eine Gefahrensituation, die zum Tod oder schwerer Verletzung führen könnte, wenn die jeweiligen Anweisungen nicht befolgt werden.



ACHTUNG!

Kennzeichnet eine Situation, die zu Sachschäden führen kann, wenn die jeweiligen Anweisungen nicht befolgt werden.



HINWEIS Ergänzende Informationen zur Bedienung des Produktes.

2.1 Ergänzende Anweisungen

Um die Gefahr von Unfällen und Verletzungen zu verringern, beachten Sie bitte die folgenden Anweisungen, bevor Sie mit der Installation dieses Geräts fortfahren:

- Lesen und befolgen Sie alle Sicherheitsinformationen und -hinweise.
- Lesen und verstehen Sie diese Anleitung vor der Installation dieses Produkts.
- Die Installation muss alle geltenden lokalen oder nationalen Vorschriften einhalten, einschließlich der neuesten Ausgabe der folgenden Standards:
 - American Boat and Yacht Council (ABYC)
 - ANSI/NFPA 70, National Electrical Code (NEC)

2.2 Sicherheitshinweise



WARNUNG! GEFAHR DURCH KOHLENMONOXID

Nichtbeachtung dieser Warnungen kann zum Tod oder schweren Verletzungen führen:

- > Installieren oder betreiben Sie **keine** geschlossene Klimaanlage in der Bilge oder in Motorräumen oder in der Nähe eines Verbrennungsmotors. Stellen Sie sicher, dass der gewählte Standort ausreichend abgedichtet ist,

sodass Dämpfe und Abgase aus der Bilge und dem Maschinenraum nicht ungehindert eindringen können.

- > Stellen Sie sicher, dass die Kondensatablaufleitung ordnungsgemäß installiert und abgedichtet ist. Die Kondensatablaufleitung darf **nicht** näher als 0,91 m (3 ft) von Auslässen der Abgasanlage von Motoren oder Generatoren oder in einem Maschinen- bzw. Generatorraum oder in einer Bilge enden, außer sie ist ordnungsgemäß mit einer abgedichteten Kondensatpumpe oder Pumpenanlage für den Sammelbrunnen der Dusche verbunden. Bei nicht sachgemäßer Installation der Ablaufleitung können gefährliche Dämpfe durch die Ablaufleitung in die Wohnbereiche gelangen und diese kontaminieren.
- > Installieren Sie die Klimaanlage **nicht** an einem Ort, an dem Kohlenmonoxid, Kraftstoffdämpfe oder andere schädliche Dämpfe in die Wohnräume des Bootes gelangen können.



WARNUNG! Gefahr durch Stromschlag

Die Installation darf nur durch eine qualifizierte Elektrofachkraft durchgeführt werden.



WARNUNG! STROMSCHLAG-, BRAND- UND/ODER EXPLOSIONSGEFAHR.

Nichtbeachtung dieser Warnhinweise kann zum Tod oder schweren Verletzungen führen.

Dieses Gerät ist **nicht** für die Benutzung durch Personen (einschließlich Kindern) mit eingeschränkten physischen, sensorischen oder mentalen Fähigkeiten, fehlender Erfahrung und Kenntnis geeignet, es sei denn, sie werden von einer für ihre Sicherheit verantwortlichen Person beaufsichtigt oder haben von dieser Person eine entsprechende Einweisung in die Benutzung des Geräts erhalten. Kinder müssen beaufsichtigt werden um sicherzustellen, dass sie **nicht** mit dem Gerät spielen. Die Reinigung und Benutzerwartung dürfen **nicht** durch unbeaufsichtigte Kinder durchgeführt werden. Dieses Gerät sollte **nicht** für die Öffentlichkeit zugänglich sein.



WARNUNG! EXPLOSIONSGEFAHR.

Nichtbeachtung dieser Warnhinweise kann zum Tod oder schweren Verletzungen führen.

Installieren Sie die Klimaanlage **nicht** in Räumen mit Benzinmotoren, Tanks, Autogas-/CPG-Zylindern, Reglern, Ventilen oder Anschlüssen für Kraftstoffleitungen. Sofern nicht anders gekennzeichnet, erfüllen geschlossene Einheiten **nicht** die staatlichen Anforderungen an den Zündschutz. Die Nichtbeachtung dieser Warnung kann zum Tod oder zu schweren Verletzungen führen.



WARNUNG! STROMSCHLAGEGEFAHR.

Nichtbeachtung dieser Warnhinweise kann zum Tod oder schweren Verletzungen führen.

- > Achten Sie darauf, dass die Klimaanlage effektiv geerdet ist, um die Stromschlaggefahr zu minimieren. Weitere Informationen finden Sie in der Montageanleitung.
- > Jede installierte Klimaanlage benötigt einen eigenen Schutzschalter. Wenn nur eine Klimaanlage installiert ist, benötigt die Meerwasserpumpe **keinen** eigenen Schutzschalter. Wenn zwei oder mehr Klimaanlagen dieselbe Meerwasserpumpe verwenden, werden die Pumpendrähte an die Relais Tafel der Pumpe (PRP) angeschlossen, die wiederum mit einem eigenen auf die Pumpe ausgelegten Schutzschalter ausgerüstet ist (max. 20 A). Beachten Sie den Anschlussplan, der mit der PRP geliefert wurde. Bei elektrischen Anschlüssen in der Bilge unterhalb der Wasserlinie sollten wärmeschrumpfende Kabelverbinder verwendet werden.
- > Die Verkabelungen **müssen** den elektrotechnischen Normen nach ABYC entsprechen. Die Spannung des Versorgungsstroms zu der Einheit muss sich innerhalb des auf dem Datenschild angegebenen Betriebsspannungsbereichs befinden. Ferner **müssen** geeignete Sicherungen oder HACR-Schutzschalter für den Nebenstromkreisschutz installiert werden. Informationen zur maximalen Größe der Sicherung/des Schutzschalters (MFS) und der Mindeststrombelastbarkeit (MCA) finden Sie auf dem Typenschild.



ACHTUNG!

Dieses Gerät enthält fluorierte Treibhausgase in hermetisch versiegelten Geräten. Angaben zur Kältemittelmenge in Gewicht und GWP finden Sie auf dem Produkttypenschild der Kondensatoreinheit. Das eingefüllte Kältemittel ist auf dem Geräteetikett zu vermerken.

3 Zielgruppe



Die mechanische und elektrische Installation und Einrichtung des Geräts muss von einer qualifizierten Fachkraft durchgeführt werden, die über nachgewiesene Fähigkeiten und Kenntnisse in Bezug auf den Aufbau und Betrieb von Marineteknik und Installationen verfügt und mit den geltenden Vorschriften des Landes, in dem das Gerät installiert und/oder verwendet werden soll, vertraut ist und eine Sicherheitsausbildung erhalten hat, um die damit verbundenen Gefahren zu erkennen und zu vermeiden.

4 Vorgesehene Einsatzbereiche

Diese Anleitung ist für die Installation von geschlossenen Klimaanlage des Typs DCU, DLU, DTG, ECD und TX (im Folgenden Klimaanlage genannt) bestimmt. Die Klimaanlage ist für den Einsatz auf Booten und Yachten vorgesehen. Diese Klimaanlage ist nur für den angegebenen Verwendungszweck und die Anwendung gemäß dieser Anleitung geeignet.

Dieses Produkt ist nur für den angegebenen Verwendungszweck und die Anwendung gemäß dieser Anleitung geeignet.

Dieses Handbuch enthält Informationen, die für die ordnungsgemäße Installation und/oder den ordnungsgemäßen Betrieb des Produkts erforderlich sind. Installationsfehler und/oder ein nicht ordnungsgemäßer Betrieb oder eine nicht ordnungsgemäße Wartung haben eine unzureichende Leistung und u. U. einen Ausfall des Geräts zur Folge.

Der Hersteller übernimmt keine Haftung für Verletzungen oder Schäden am Produkt, die durch Folgendes entstehen:

- Unsachgemäße Installation oder falscher Anschluss, einschließlich Überspannung
- Unsachgemäße Wartung oder Verwendung von anderen als den vom Hersteller gelieferten Original-Ersatzteilen
- Veränderungen am Produkt ohne ausdrückliche Genehmigung des Herstellers
- Verwendung für andere als die in der Anleitung beschriebenen Zwecke

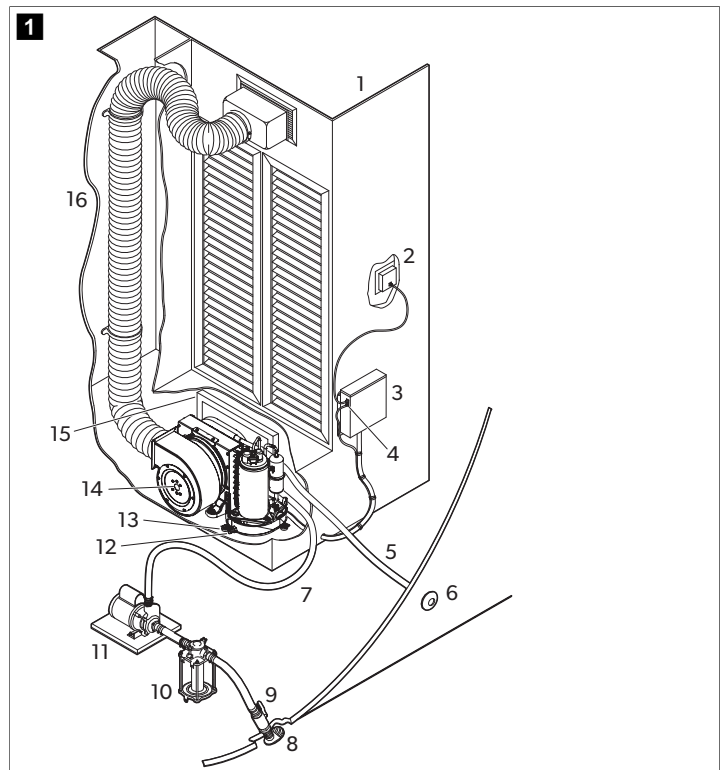
Dometic behält sich das Recht vor, das Erscheinungsbild des Produkts und dessen technische Daten zu ändern.

5 Technische Daten

Lesen Sie diese Anleitung vollständig durch und planen Sie die für die Klimaanlage notwendigen Verbindungen (einschließlich Rohrleitungen, Kondensatablaufleitung, Schläuche für Meerwassereinlass und -auslass, Stromanschlüsse, Lage der Steuerung und Platzierung der Meerwasserpumpe), um den einfachen Zugang für die Verlegung der Leitungen und die spätere Wartung sicherzustellen.

5.1 Position der Komponenten

Kennzeichnung der Komponenten der Klimaanlage



- | | |
|---|--------------------------------------|
| 1 Zuluftgitter und Übergangskasten | 9 Seewasser-Absperrventil |
| 2 Digitalanzeige | 10 Meerwasserfilter |
| 3 Schaltkasten | 11 Pumpe |
| 4 Kabel für optionalen Ferntemperatursensor | 12 Schlauchtülle für Kondensatablauf |
| 5 Meerwasser-Auslassschlauch | 13 Montagebügel |
| 6 Außenbord-Auslass | 14 Klimaanlage |
| 7 Meerwasser-Einlassschlauch | 15 Abluftgitter und Filter |
| 8 Meerwasser-Scoop-Rumpfeinlass | 16 Isolierte flexible Rohrleitungen |

5.2 Technische Daten

Dieser Abschnitt enthält die technischen Daten der Klimaanlage.

Tabelle 3: Mindestgröße der Rohre und Gitter nach Kapazität in BTU

	3.5 k BTU	6 k BTU	8 k BTU	10 k BTU
Minimaler Rohrdurchmesser	3,00 in (76,2 mm)	4,00 in (101,6 mm)	5,00 in (127,0 mm)	6,00 in (152,4 mm)
Minimaler Rohrquerschnitt	6,8 in ² (43,9 cm ²)	12,6 in ² (81,3 cm ²)	19,6 in ² (126,5 cm ²)	28,3 in ² (182,6 cm ²)
Mindestgröße Abluftgitter	64,0 in ² (412,9 cm ²)	64,0 in ² (412,9 cm ²)	80,0 in ² (516,2 cm ²)	100,0 in ² (645,2 cm ²)
Mindestgröße Zuluftgitter	12,0 in ² (77,4 cm ²)	32,0 in ² (206,5 cm ²)	48,0 in ² (309,7 cm ²)	60,0 in ² (387,1 cm ²)
	12 k BTU	16 k BTU	18 k BTU	27 k BTU
Minimaler Rohrdurchmesser	6,00 in (152,4 mm)	7,00 in (177,8 mm)	7,00 in (177,8 mm)	8,00 in (203,2 mm)
Minimaler Rohrquerschnitt	28,3 in ² (182,6 cm ²)	38,5 in ² (248,4 cm ²)	38,5 in ² (248,4 cm ²)	50,3 in ² (324,5 cm ²)
Mindestgröße Abluftgitter	130,0 in ² (838,8 cm ²)	160,0 in ² (1032,3 cm ²)	200,0 in ² (1290,4 cm ²)	240,0 in ² (1548,5 cm ²)

	12 k BTU	16 k BTU	18 k BTU	27 k BTU
Mindestgröße Zuluftgitter	70,0 in ² (451,6 cm ²)	80,0 in ² (516,2 cm ²)	100,0 in ² (645,2 cm ²)	120,0 in ² (774,2 cm ²)

Tabelle 4: Betriebswassertemperatur und -druck

Minimale Betriebswassertemperatur	40,0 °F (4,44 °C)
Maximale Betriebswassertemperatur	80,0 °F (26,66 °C)
Minimaler Betriebswasserdruck	4,2 psi (0,29 bar) (29,00 kPa)
Maximaler Betriebswasserdruck	6,00 psi (0,41 bar) (41,4 kPa)

i HINWEIS Das Gerät kann außerhalb dieser Bedingungen mit reduzierter Kapazität betrieben werden.

6 Vor der Installation

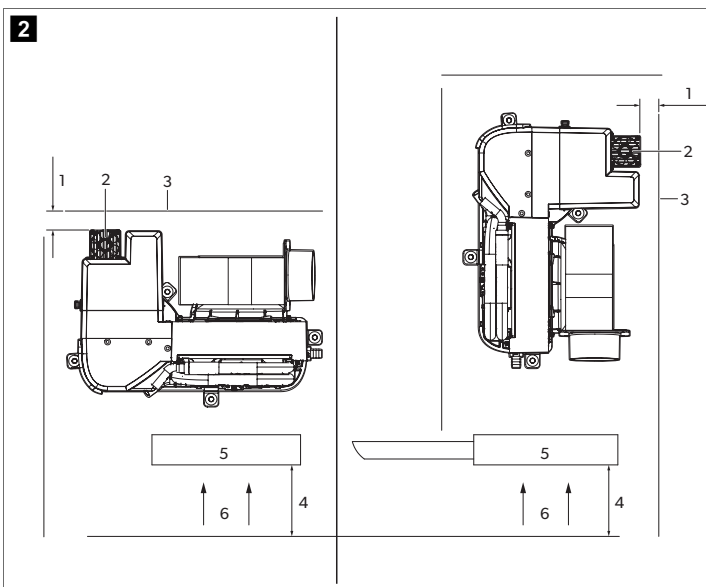
! ACHTUNG! Die geschlossenen Kondensatbasiswannen von DTG und TX sind mit Schwingungsisolatoren ausgestattet, die am Boden der Wanne installiert sind. Diese Isolatoren sind dafür ausgelegt, die durch die betriebene Klimaanlage verursachten Schwingungen zu dämpfen, die auf die Montagefläche übertragen werden. Gehen Sie beim Bewegen der Klimaanlage über die Montageflächen mit höchster Sorgfalt vor, da andernfalls die Isolatoren beschädigt werden können.

! ACHTUNG! Die Klimaanlage muss an einer niedrigen, ebenen Fläche, z. B. am Boden eines Schrankes, unter einer Schlafkoje, einem Sitz im Ess- oder Sitzraum oder einer ähnlichen Stelle angebracht werden.

In diesem Abschnitt wird erläutert, wie Sie die Klimaanlage für die Installation vorbereiten.

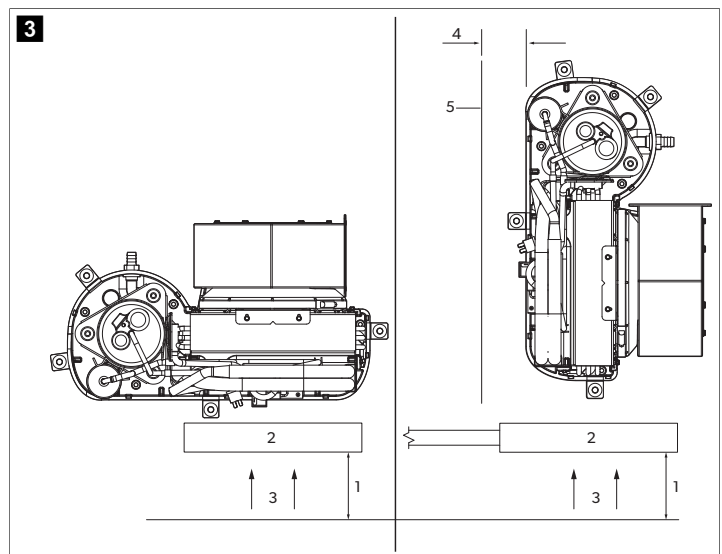
6.1 Installationsort festlegen

Platzierung von TX in Relation zum Luftstrom



- | | |
|----------------------------|-----------------------------|
| 1 3,00 in (7,62 cm) | 4 4,00 in (10,16 cm) |
| 2 Kühlkörper | 5 Abluftgitter |
| 3 Schott | 6 Luftströmung |

Platzierung aller anderen Klimaanlage in Relation zum Luftstrom



- | | |
|-----------------------------|----------------------------|
| 1 4,00 in (10,16 cm) | 4 3,00 in (7,62 cm) |
| 2 Abluftgitter | 5 Schott |
| 3 Luftströmung | |

Wählen Sie einen Ort mit ausreichender Luftzirkulation. Vor dem Abluftgitter muss ein Luftzirkulationsabstand von mindestens 4,00 in (10,16 cm) vorhanden sein, der frei von Hindernissen ist.

Wenn die Klimaanlage senkrecht zum Abluftgitter positioniert ist, muss auf der Lufteinlassseite ein Luftzirkulationsabstand von mindestens 3,00 in (7,62 cm) eingehalten werden.

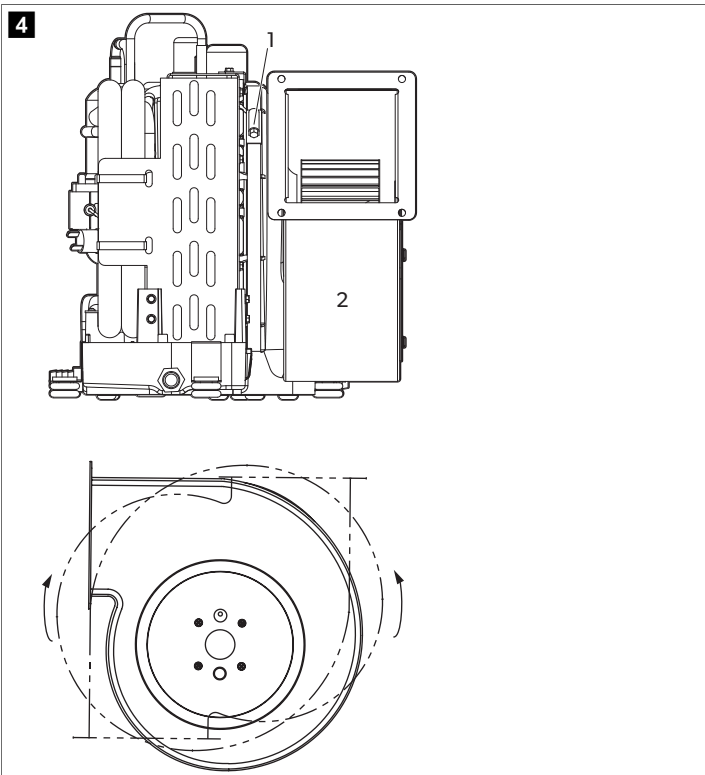
Nur TX: Es sollte eine Mindestfreifläche von 2,99 in (76,0 mm) über und unter dem Kühlkörper vorgesehen werden.

6.2 Gebläse ausrichten

In diesem Abschnitt wird erläutert, wie das Gebläse bei den einzelnen Anlagentypen ausgerichtet wird. Drehen Sie das Gebläse bei Bedarf in eine Richtung, die den direktesten Luftaustritt durch die Rohrleitungen ermöglicht.

6.2.1 Gebläse bei DTG und TX

Ausrichtung des Gebläses bei Anlagen des Typs DTG und TX

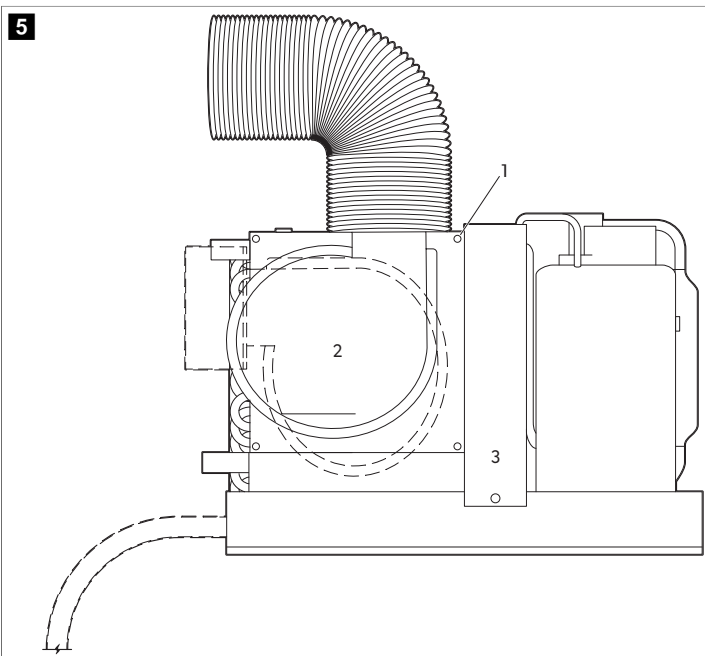


- 1 Adjustment screw
2 Blower

- Lösen Sie die Einstellschraube am Montagering des Gebläses.
- Richten Sie das Gebläse in der gewünschten Position aus.
- Ziehen Sie die Einstellschraube an.

6.2.2 Gebläse bei MCS und ECD

Ausrichtung des Gebläses bei Anlagen des Typs MCS und ECD



- 1 Screw
2 Lasche

3 Gebläse

- Entfernen Sie die sieben Schrauben an der Platte.
- Richten Sie das Gebläse in der gewünschten Position aus.
- Befestigen Sie das Gebläse mit Blechschrauben (nicht im Lieferumfang enthalten).

6.3 Luftfilter anbringen

Luftfilter entfernen Schwebstoffpartikel aus der Kabinenluft und halten die Verdampferspule sauber. Bringen Sie pro Klimaanlage jeweils einen Luftfilter entweder an der Klimaanlage oder im Abluftgitter an.

6.4 Gitter und Übergangskästen anbringen

Beachten Sie beim Anbringen der Gitter und Übergangskästen Folgendes:

- Installieren Sie das Zuluftgitter so hoch wie möglich an einer Stelle, die eine gleichmäßige Luftverteilung in der gesamten Kabine ermöglicht. Richten Sie die Lamellen des Gitters nach oben aus.
- Installieren Sie das Abluftgitter so tief und nah wie möglich an der Klimaanlage, um den Luftstrom zum Verdampfer zu ermöglichen.
- Richten Sie den Zuluftauslass nicht auf das Abluftgitter, da sonst die Anlage in kurzen Abständen ein- und ausgeschaltet wird.
- Lassen Sie genügend Abstand hinter dem Zuluftgitter für den Übergangskasten und den Rohranschluss. Siehe Technische Daten auf Seite 11

7 Installation

In diesem Abschnitt wird die Installation der geschlossenen Klimaanlage erläutert.

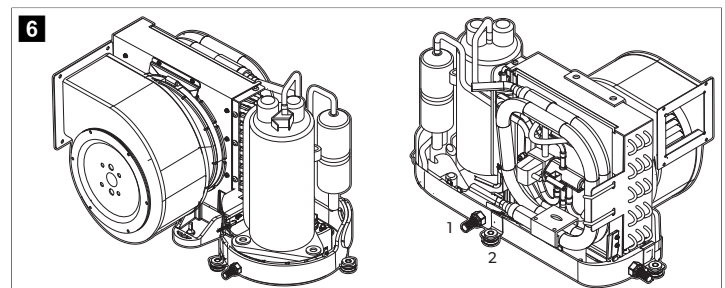
7.1 Befestigungshalterungen und Kondensatablauf installieren



ACHTUNG!

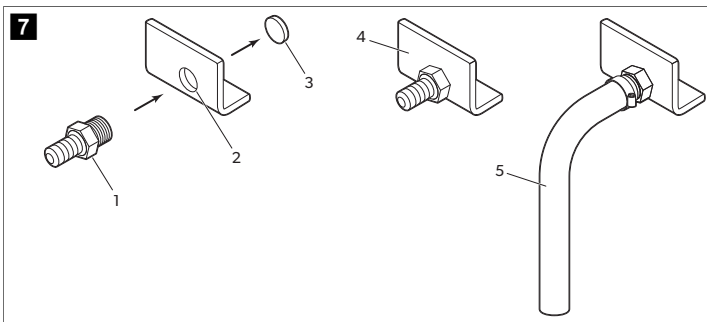
Um Risse in der Ablaufwanne zu vermeiden, verwenden Sie nicht mehr als zwei Lagen Gewindedichtband zum Umwickeln der Schlauchtülle und ziehen Sie die Schlauchtülle nicht zu fest an.

Typische Platzierung der Befestigungshalterungen und Kondensatabläufe



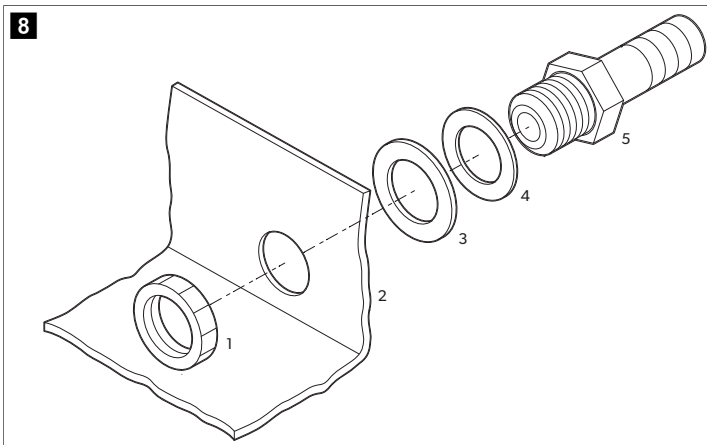
- 1 Schlauchtülle für Kondensatablauf
2 Montagebügel

Installation des Kondensatablaufs bei DTG und TX



- 1 Hose barb
2 Ablauföffnung mit Gewinde
3 Stanzbutzen
4 Drain pan
5 Abflussschlauch

Installation des Kondensatablaufs bei allen anderen Klimaanlage

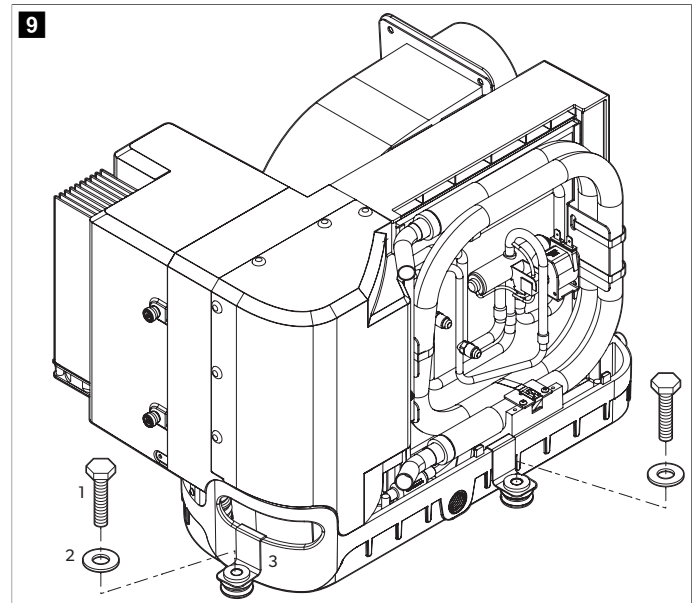


- 1 Locking nut
2 Ablaufwanne
3 Dichtscheibe
4 Solid washer
5 PVC-Anschluss 0,5 in (12,7 mm) HB x 0,5 in (12,7 mm) MPT

1. Schlagen Sie den Stanzbutzen mit der Schlauchtülle aus der nach Achtern gerichteten Ablauföffnung heraus, indem Sie mit einem Gummihammer einen kurzen Schlag ausführen. Entsorgen Sie den herausgeschlagene Stanzbutzen.
2. Bei Anlagen des Typs DTG und TX:
 - a) Umwickeln Sie das Gewindeende der Schlauchtülle mit Gewindedichtband.
 - b) Schrauben Sie die Schlauchtülle in das Gewinde der Ablauföffnung und ziehen Sie sie fest.
3. Bei allen anderen Klimaanlage:
 - a) Führen Sie die Schlauchtülle durch eine massive Unterlegscheibe und eine Dichtscheibe und führen Sie sie in die Ablauföffnung ein.
 - b) Sichern Sie sie mit einer Sicherungsmutter.
4. Befestigen Sie den Abflussschlauch mit einer Schlauchschelle aus Edelstahl an der Schlauchtülle.

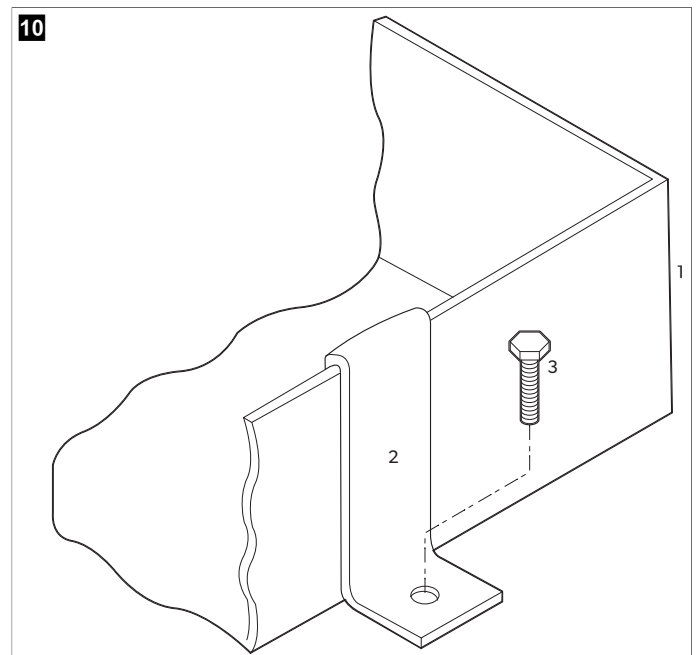
5. Führen Sie den Abflussschlauch zu einer sicheren und geeigneten Sammelstelle nach unten.

Installation der Befestigungshalterung bei Anlagen des Typs DTG und TX



- 1 Befestigungsschraube (nicht im Lieferumfang enthalten)
2 Fenderscheibe (im Lieferumfang enthalten)
3 Befestigungshalterung (im Lieferumfang enthalten)

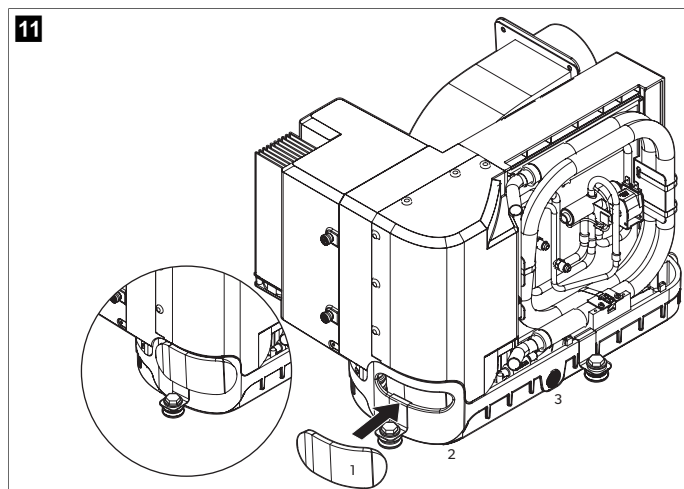
Installation der Befestigungshalterung bei anderen Klimaanlage



- 1 Ablaufwanne
2 Montagebügel
3 Befestigungsschraube (nicht im Lieferumfang enthalten)

6. Installieren Sie eine Befestigungshalterung auf jeder Seite der Ablaufwanne in gleichmäßigen Abständen.

Installation der Schaumstoffgriff-Isolierung an Anlagen des Typs TX



- 1 Schaumstoffgriff-Isolierung
2 Grifföffnung
3 Ablaufwanne

7. Bei Anlagen des Typs TX:
- Entfernen Sie die Folie von der selbstklebenden Rückseite der Schaumstoffgriff-Isolierung.
 - Positionieren Sie die Schaumstoffgriff-Isolierung so, dass die Grifföffnung vollständig abgedeckt ist, wobei die Klebeseite zur Ablaufwanne zeigt.
 - Drücken Sie um die Grifföffnung herum, um die Schaumstoffgriff-Isolierung an der Ablaufwanne zu befestigen.

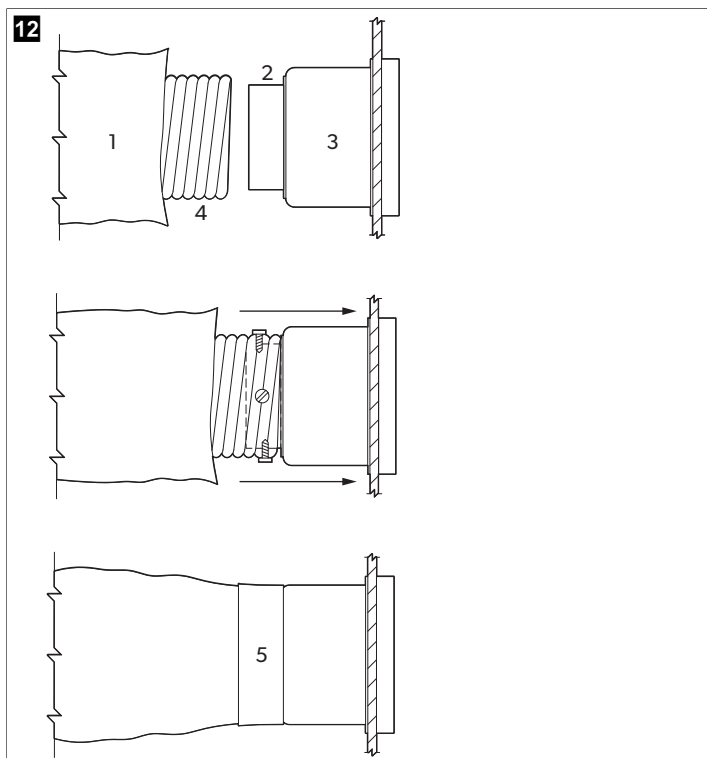
7.2 Rohrleitungen installieren

Beachten Sie bei der Installation der Rohrleitungen die folgenden Hinweise:

- Die Rohrleitungen müssen eine für Ihre Anwendung geeignete Größe aufweisen.
- Verlegen Sie die Rohrleitungen so gerade, eben und straff wie möglich und minimieren Sie dabei die Anzahl von 90,00 °-Biegungen und Schleifen, die den Luftstrom reduzieren können.
- Befestigen Sie die Rohrleitungen sicher, um ein Durchhängen zu verhindern.
- Achten Sie darauf, dass die Rohrleitungen nicht flachgedrückt oder geknickt werden.
- Kürzen Sie überschüssige Rohrleitungslängen nach der Installation.
- Isolieren Sie die Rohrleitungen, wenn sie sich in Bereichen mit hoher Temperatur befinden.
- Isolieren Sie die Rohrleitungen, wenn sie sich in Bereichen mit hoher Temperatur befinden.
- Führen Sie Rohrleitungen nicht durch einen Motorraum oder sonstige Bereiche, in denen sie gefährlichen Dämpfen oder Abgasen ausgesetzt sind.

Bei der Verwendung eines Übergangskastens sollte die Gesamtfläche der Luftzuführungsleitungen, die von dem Kasten ausgehen, mindestens der Gesamtfläche der Zuluftleitungen entsprechen, die in den Kasten hineingehen. Siehe Technische Daten auf Seite 11

Rohrleitungsanschlüsse



- 1 Glasfaserisolierung
2 Montagering
3 Übergangskasten
4 Inneres Mylar-Schlauchrohr
5 Klebeband

- Schieben Sie das innere Mylar-Schlauchrohr um den Montagering zum Übergangskasten.
- Schrauben Sie drei oder vier Edelstahlschrauben durch das Mylar-Schlauchrohr in den Montagering und befestigen Sie dabei zwei oder drei Drähte an den Schraubenköpfen.
- Schieben Sie die Glasfaserisolierung um das innere Mylar-Schlauchrohr zum Übergangskasten. Befestigen Sie sie mit Klebeband.

7.3 Meerwasseranlage installieren



ACHTUNG!

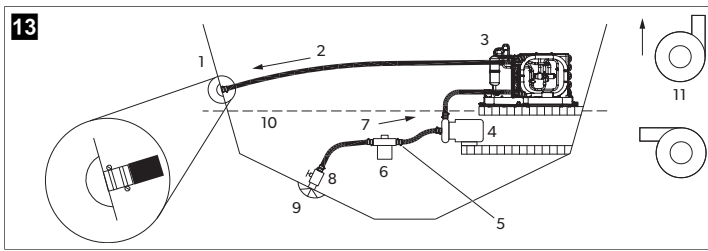
Wird dieses Verfahren nicht befolgt, erlischt der Gewährleistungsanspruch.

Beachten Sie beim Einbau der Meerwasseranlage folgende Hinweise:

- Der Siebfilter muss sich unter der Pumpe befinden.
- Die Schläuche müssen mit zwei Schellen gesichert werden.
- Die Schläuche dürfen keine Knicke, Schleifen oder Erhebungen aufweisen, in denen sich Luft ansammeln kann.
- Die Pumpe und der Siebfilter müssen sich unterhalb der Wasserlinie befinden.
- Der Rumpfeinlass, das Kugelventil, der Schlauch und der Siebfilter sollten nicht kleiner als der Pumpeneinlass sein.
- Installieren Sie den Rumpfanschluss so weit unter der Wasserlinie wie möglich.
- Die Pumpe muss über einen eigenen Rumpfeinlass verfügen.
- Vermeiden Sie nach Möglichkeit 90,00 °-Winkelstücke.
- Stellen Sie sicher, dass der Pumpenkopf in Richtung der Wasserströmung ausgerichtet ist.
- Sichern Sie alle Gewindeverbindungen mit Gewindedichtband.

Die maximalen und minimalen Wassertemperatur- und -druckwerte finden Sie unter Technische Daten auf Seite 11.

Meerwasseranlage



- | | |
|---------------------|---|
| 1 Meerwasserauslass | 7 Nach oben verlaufender Einlassstrom |
| 2 Auslassfluss | 8 Kugelventil |
| 3 Klimaanlage | 9 Meerwasser-Scoop-Rumpfeinlass |
| 4 Meerwasserpumpe | 10 Wasserlinie |
| 5 Schlauchklemmen | 11 Ausrichtung des Pumpenkopf-Siebfilters korrigieren |
| 6 Siebfilter | |

1. Installieren Sie einen Meerwasser-Scoop-Rumpfeinlass so weit unter der Wasserlinie und so nah am Kiel wie möglich. Befestigen Sie den Scoop-Rumpfeinlass mit einem für den Einsatz unter Wasser geeigneten Dichtmittel, das für den Einsatz auf Booten ausgelegt ist.
2. Installieren Sie ein Vollstrom-Seeventil aus Bronze an dem Meerwasser-Scoop-Rumpfeinlass.
3. Installieren Sie einen Meerwassersiebfilter unterhalb der Pumpenebene mit Zugang zum Filter.
4. Montieren Sie die Meerwasserpumpe über dem Siebfilter und mindestens 0,3 m unterhalb der Wasserlinie.
5. Verbinden Sie das Seeventil und den Siebfilter mit einem nach oben verlaufenden verstärkten Schlauch, der für den Einsatz auf Booten ausgelegt ist.
6. Schließen Sie den Auslass von der Pumpe (oben) an den Einlass der Kondensatorspule der Klimaanlage (unten) mit einem verstärkten 0,63 in (16,0 mm) (5/8") Schlauch an, der für den Einsatz auf Booten geeignet ist.
7. Schließen Sie den Auslass von der Kondensatorspule an den Rumpfanschluss des Außenbord-Auslasses mit einem verstärkten 16 mm (5/8") Schlauch an, der für den Einsatz auf Booten geeignet ist.
8. Vermeiden Sie beim Meerwasserschlauch Schleifen, Erhebungen und die Verwendung von 90,00°-Winkelstücken. Jedes 90,00°-Winkelstück entspricht 29,92 in (76,00 cm) (2,5 ft (0,76 m)) Schlauch und ein 90°-Winkelstück am Pumpenauslass entspricht 240,16 in (610,00 cm) (20,0 ft (6,10 m)) Schlauch.
9. Sichern Sie alle Schlauchverbindungen mit zwei Edelstahlschellen doppelt und drehen Sie dabei die Schellen bei Bedarf um.
10. Schließen Sie alle Metallteile, die mit Meerwasser in Kontakt kommen, an das Potenzialausgleichssystem des Bootes an.

7.4 Elektrische Anschlüsse herstellen



WARNUNG! STROMSCHLAGGEFAHR.

Schalten Sie vor dem Öffnen des Schaltkastens immer den Hauptschalter der Klimaanlage aus. Die Nichtbeachtung dieser Warnung kann zum Tod oder zu schweren Verletzungen führen.



ACHTUNG!

Die Klimaanlage muss an das Potenzialausgleichssystem des Bootes angeschlossen werden, um Korrosion aufgrund von elektrischen Streuströmen zu vermeiden. Alle Pumpen, Metallventile und -verschraubungen im Meerwasserkreislauf, die durch PVC- oder Gummischläuche von der Klimaanlage getrennt sind, müssen einzeln an das Potenzialausgleichssystem des Bootes angeschlossen werden.



HINWEIS Der Gewährleistungsanspruch verfällt, wenn Sie die Anlage nicht ordnungsgemäß erden und anschließen!

Alle Klimaanlage verfügen über eine Klemmleiste im Schaltkasten, die für den korrekten Anschluss beschriftet ist. Der Anschlussplan im Schaltkasten ersetzt die ABYC-Normen. Verwenden Sie zum Schutz der Anlage einen Hauptschalter der richtigen Größe entsprechend den Angaben auf dem Typenschild der Klimaanlage. Verwenden Sie ein Bootskabel mit einem Querschnitt von mindestens 12 AWG für die Stromversorgung der Klimaanlage und der Meerwasserpumpe. Verwenden Sie für alle Anschlüsse Ringklemmen oder unverlierbare Gabelklemmen.

Beachten Sie folgende Hinweise beim Herstellen elektrischer Anschlüsse:

- Die Wechselstromerdung muss an die Erdungsklemme (GRND) am Anschlussblock der Wechselstromversorgung angeschlossen werden.
- Verbindungen zwischen dem Erdungsleiter des Wechselstromsystems des Bootes und dem Gleichstrom-Minuspol oder Potenzialausgleichssystem des Bootes sollten als Teil der Verkabelung des Bootes vorgenommen werden. Prüfen Sie bei der Wartung oder dem Austausch vorhandener Geräte mit einem am Gehäuse montierten Massebolzen die Verkabelung des Bootes für diese Anschlüsse.
- Klimaanlagen des Typs TX sind für den Betrieb mit Wechselstrom oder Hochspannungsgleichstrom ausgelegt. Beachten Sie den Anschlussplan des Boots für die korrekte Verlegung.

Stellen Sie sicher, dass die Wechselstromerdung der Klimaanlage ordnungsgemäß an die Wechselstromerdung des Bootes angeschlossen ist. Stellen Sie sicher, dass innerhalb des Bootes die Wechselstrom-Erdungsschiene mit der Gleichstrom-Erdungsschiene an genau einer Stelle verbunden ist.

8 Entsorgung



Geben Sie das Verpackungsmaterial möglichst in den entsprechenden Recycling-Müll. Wenden Sie sich an ein örtliches Recyclingzentrum oder einen Fachhändler, um zu erfahren, wie Sie das Produkt gemäß den geltenden Entsorgungsvorschriften entsorgen können.

9 Garantie

Informationen zur Gewährleistung und zur Abwicklung von Gewährleistungsfällen in den USA, Kanada und allen anderen Regionen finden Sie in den nachstehenden Abschnitten.

USA und Kanada

EINGESCHRÄNKTE GEWÄHRLEISTUNG VERFÜGBAR UNTER DOMETIC.COM/EN-US/TERMS-AND-CONDITIONS-CONSUMER/WARRANTY. WENN SIE FRAGEN HABEN ODER EINE KOSTENLOSE KOPIE DER EINGESCHRÄNKTEN GEWÄHRLEISTUNG ERHALTEN MÖCHTEN, WENDEN SIE SICH BITTE AN:

DOMETIC CORPORATION
MARINE CUSTOMER SUPPORT CENTER
2000 NORTH ANDREWS AVENUE
POMPANO BEACH, FLORIDA, USA 33069
1-800-542-2477

Länder im Raum Asien/Pazifik (APAC)

Sollte das Produkt nicht ordnungsgemäß funktionieren, wenden Sie sich bitte an Ihren Fachhändler oder die Niederlassung des Herstellers in Ihrem Land (siehe dometic.com/dealer). Die für Ihr Produkt geltende Gewährleistungsfrist beträgt 1 Jahr(e).

Bitte senden Sie bei einem Reparatur- bzw. Garantieantrag folgende Unterlagen mit dem Gerät ein:

- eine Kopie der Rechnung mit Kaufdatum
- einen Reklamationsgrund oder eine Fehlerbeschreibung

Bitte beachten Sie, dass eigenständig oder nicht fachgerecht durchgeführte Reparaturen die Sicherheit gefährden und zum Erlöschen der Garantie führen können.

Nur Australien

Unsere Waren unterliegen Gewährleistungsansprüchen, die nach dem australischen Verbraucherschutzgesetz („Australian Consumer Law“) nicht ausgeschlossen werden können. Sie haben Anspruch auf Ersatz oder Rückerstattung bei einem schwerwiegenden Defekt und auf Entschädigung für alle anderen vernünftigerweise

vorhersehbaren Verluste oder Schäden. Sie haben außerdem Anspruch auf Reparatur oder Ersatz der Waren, wenn die Waren nicht von akzeptabler Qualität sind und der Defekt keinen schwerwiegenden Defekt darstellt.

Nur Neuseeland

Diese Garantierichtlinie unterliegt den Bedingungen und Garantien, die gemäß dem Consumer Guarantees Act 1993(NZ) zwingend vorgeschrieben sind.

Alle anderen Regionen

Es gilt die gesetzliche Gewährleistungsfrist. Sollte das Produkt defekt sein, wenden Sie sich bitte an die Niederlassung des Herstellers in Ihrem Land (siehe dometic.com/dealer) oder an Ihren Fachhändler.

Bitte senden Sie bei einem Reparatur- bzw. Garantieantrag folgende Unterlagen mit dem Gerät ein:

- eine Kopie der Rechnung mit Kaufdatum
- einen Reklamationsgrund oder eine Fehlerbeschreibung

Bitte beachten Sie, dass eigenständig oder nicht fachgerecht durchgeführte Reparaturen die Sicherheit gefährden und zum Erlöschen der Garantie führen können.

Français

1 Remarques importantes.....	18
2 Signification des symboles.....	18
3 Groupe cible.....	19
4 Usage conforme.....	19
5 Caractéristiques techniques.....	19
6 Pré-installation.....	20
7 Installation.....	21
8 Mise au rebut.....	24
9 Garantie.....	24

1 Remarques importantes

Veillez lire et suivre attentivement l'ensemble des instructions, directives et avertissements figurant dans ce manuel afin d'installer, d'utiliser et d'entretenir le produit correctement à tout moment. Ces instructions DOIVENT rester avec le produit.

En utilisant ce produit, vous confirmez expressément avoir lu attentivement l'ensemble des instructions, directives et avertissements et que vous comprenez et acceptez de respecter les modalités et conditions énoncées dans le présent document. Vous acceptez d'utiliser ce produit uniquement pour l'usage et l'application prévus et conformément aux instructions, directives et avertissements figurant dans le présent manuel, ainsi qu'à toutes les lois et réglementations applicables. En cas de non-respect des instructions et avertissements figurant dans ce manuel, vous risquez de vous blesser ou de blesser d'autres personnes, d'endommager votre produit ou d'endommager d'autres biens à proximité. Le présent manuel produit, y compris les instructions, directives et avertissements, ainsi que la documentation associée peuvent faire l'objet de modifications et de mises à jour. Pour obtenir des informations actualisées sur le produit, consulter le site documents.dometic.com.

2 Signification des symboles

Un mot de signallement identifie les messages relatifs à la sécurité et aux dégâts matériels en indiquant le degré ou le niveau de gravité du danger.



AVERTISSEMENT !

indique une situation dangereuse qui, si elle n'est pas évitée, est susceptible d'entraîner des blessures graves, voire mortelles.



AVIS !

indique une situation dangereuse qui, si elle n'est pas évitée, peut entraîner des dommages matériels.



REMARQUE Informations complémentaires sur l'utilisation de ce produit.

2.1 Directives supplémentaires

Pour réduire le risque d'accidents et de blessures, respectez les consignes suivantes avant d'installer cet appareil :

- Lisez et respectez toutes les consignes et instructions de sécurité.
- Lisez attentivement ces instructions avant d'installer ce produit.
- L'installation doit être conforme à toutes les réglementations locales ou nationales applicables, y compris la dernière édition des normes suivantes :
 - American Boat and Yacht Council (ABYC)
 - ANSI/NFPA 70, National Electrical Code (NEC)

2.2 Consignes de sécurité



AVERTISSEMENT ! RISQUE D'INTOXICATION AU MONOXYDE DE CARBONE

Le non-respect des mises en garde suivantes peut entraîner des blessures graves, voire mortelles :

- > N'installez ou n'utilisez **pas** de climatiseur autonome dans les zones de fond de cale ou les salles des moteurs, ou à proximité d'un moteur à combustion interne. Veiller à ce que l'emplacement sélectionné soit

étanche aux vapeurs provenant du fond de cale et/ou de la salle des machines.

- > Vérifiez que la conduite de purge des condensats est correctement installée et étanchéifiée. Ne placez **pas** l'extrémité de la conduite de purge des condensats à moins de 0,91 m (3 pieds) de toute sortie d'un système d'échappement de moteur ou de générateur, dans un compartiment contenant un moteur ou un générateur, ou dans un fond de cale, à moins que la purge ne soit correctement raccordée à une pompe à condensat ou de vidange de douche étanche. Si la conduite de purge n'est pas correctement installée, des fumées dangereuses peuvent circuler au sein de celle-ci et contaminer les espaces de vie.
- > N'installez **pas** le climatiseur dans un endroit où il peut faire circuler du monoxyde de carbone, des vapeurs de carburant ou d'autres fumées nocives dans les espaces de vie du navire.



AVERTISSEMENT ! Risque d'électrocution

L'installation peut uniquement être effectuée par un électricien qualifié.



AVERTISSEMENT ! RISQUE DE CHOC ÉLECTRIQUE, D'INCENDIE ET/OU D'EXPLOSION.

Le non-respect de ces consignes peut entraîner des blessures graves, voire mortelles.

Cet appareil ne doit **pas** être utilisé par des personnes (y compris les enfants) souffrant de déficiences physiques, sensorielles ou mentales ou manquant d'expérience ou de connaissances, sauf si une personne garante de leur sécurité les surveille ou leur fournit toutes les instructions adéquates sur son utilisation. Les enfants doivent être surveillés pour garantir qu'ils ne jouent **pas** avec l'appareil. Le nettoyage et l'entretien ne doivent **pas** être effectués par des enfants sans surveillance. Cet appareil ne doit **pas** être accessible au grand public.



AVERTISSEMENT ! RISQUE D'EXPLOSION.

Le non-respect de ces consignes peut entraîner des blessures graves, voire mortelles.

N'installez **pas** le climatiseur dans un endroit contenant des moteurs à essence, des réservoirs, des bouteilles GPL/CPG, des régulateurs, des vannes, ou des raccords de conduite de carburant. Sauf indication contraire, les unités autonomes ne répondent **pas** aux exigences fédérales en matière de protection contre l'inflammation. Le non-respect de ces mises en garde peut entraîner des blessures graves, voire mortelles.



AVERTISSEMENT ! RISQUE DE CHOC ÉLECTRIQUE.

Le non-respect de ces consignes peut entraîner des blessures graves, voire mortelles.

- > Veillez à relier le climatiseur à la terre de manière appropriée, afin de minimiser le risque de choc électrique. Reportez-vous aux instructions d'installation pour plus d'informations.
- > Chaque climatiseur installé nécessite son propre disjoncteur. Si un seul climatiseur est installé, la pompe à eau de mer ne nécessite **pas** de disjoncteur dédié. Si plusieurs climatiseurs utilisent la même pompe à eau de mer, les fils de la pompe sont connectés à un panneau de relais de pompe (PRP), lui-même raccordé à un disjoncteur dédié, dimensionné pour la pompe (20 A max.). Reportez-vous au schéma de câblage fourni avec le panneau de relais de pompe (PRP). Les connexions électriques dans le fond de cale et/ou sous la ligne de flottaison doivent disposer de prolongateurs bout à bout thermorétractables.
- > Le câblage sur site **doit** être conforme aux normes électriques ABYC. L'alimentation de l'unité doit être comprise dans la plage de tensions de fonctionnement indiquée sur la plaque signalétique. Des fusibles ou des disjoncteurs HACR de taille appropriée **doivent** être installés pour la protection des circuits de dérivation. Reportez-vous à la plaque signalétique pour connaître la taille maximale des fusibles/disjoncteurs (MFS) et la capacité minimale du circuit (MCA).



AVIS !

Cet appareil contient des gaz à effet de serre fluorés dans un équipement hermétique. Reportez-vous à l'étiquette figurant sur la plaque signalétique du groupe de condensation pour connaître la quantité de fluide frigorigène indiquée en poids et en PRG. Le fluide frigorigène ajouté doit être inscrit sur l'étiquette de l'unité.

3 Groupe cible



L'installation mécanique et électrique ainsi que la configuration de l'appareil doivent être effectuées par un technicien qualifié qui a démontré des compétences et des connaissances en rapport avec la construction et le fonctionnement des équipements et installations marines, qui connaît les réglementations applicables du pays dans lequel l'équipement doit être installé et/ou utilisé, et qui a suivi une formation à la sécurité pour identifier et éviter les dangers en jeu.

4 Usage conforme

Ce manuel est destiné à l'installation des systèmes de climatisation autonomes DCU, DLU, DTG, ECD et TX (désignés ci-après par le terme « climatiseur »). Le climatiseur est conçu pour être utilisé sur les bateaux et les yachts. Ce climatiseur convient uniquement à l'usage et à l'application prévus, conformément aux présentes instructions.

Ce produit convient uniquement à l'usage et à l'application prévus, conformément au présent manuel d'instructions.

Ce manuel fournit les informations nécessaires à l'installation et/ou à l'utilisation correcte du produit. Une installation, une utilisation ou un entretien inappropriés entraînera des performances insatisfaisantes et une éventuelle défaillance.

Le fabricant décline toute responsabilité en cas de blessure ou de dommage résultant :

- d'une installation, d'un montage ou d'un raccordement incorrect, y compris d'une surtension
- d'un entretien inadéquat ou de l'utilisation de pièces de rechange autres que les pièces de rechange d'origine fournies par le fabricant
- de modifications apportées au produit sans autorisation explicite du fabricant
- d'usages différents de ceux décrits dans ce manuel

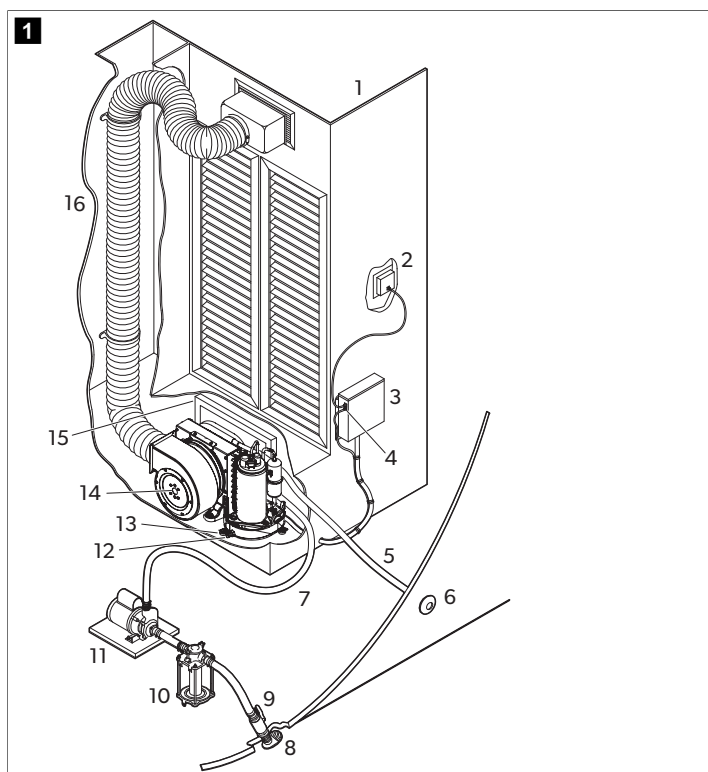
Dometic se réserve le droit de modifier l'apparence et les spécifications produit.

5 Caractéristiques techniques

Lisez ces instructions dans leur intégralité, puis planifiez les raccordements au climatiseur à effectuer (y compris les conduits, la conduite de purge des condensats, les flexibles d'entrée et de sortie d'eau de mer, les connexions électriques, l'emplacement de la commande et le positionnement de la pompe à eau de mer) afin de garantir un accès facile à des fins d'acheminement et de maintenance ultérieure.

5.1 Emplacements des pièces

Identification des composants du système de climatisation



- | | | | |
|---|---|----|---|
| 1 | Grille d'alimentation en air et boîte de transition | 9 | Vanne d'arrêt d'eau de mer |
| 2 | Affichage numérique | 10 | Crépine d'eau de mer |
| 3 | Armoire de commande | 11 | Pompe |
| 4 | Câble de capteur d'air à distance en option | 12 | Raccord cannelé de purge des condensats |
| 5 | Flexible de sortie d'eau de mer | 13 | Support de montage |
| 6 | Décharge à la mer | 14 | Climatiseur |
| 7 | Flexible d'entrée d'eau de mer | 15 | Grille et filtre de retour d'air |
| 8 | Entrée passe-coque d'eau de mer (scoop) | 16 | Conduits flexibles isolés |

5.2 Spécifications

Cette section contient les données de spécification du climatiseur.

Tableau 5 : Dimensions minimales du conduit et de la grille en fonction de la capacité en BTU

	3.5 k BTU	6 k BTU	8 k BTU	10 k BTU
Diamètre de conduit minimum	3,00 in (76,2 mm)	4,00 in (101,6 mm)	5,00 in (127,0 mm)	6,00 in (152,4 mm)
Surface de conduit minimum	6,8 in ² (43,9 cm ²)	12,6 in ² (81,3 cm ²)	19,6 in ² (126,5 cm ²)	28,3 in ² (182,6 cm ²)
Grille de retour d'air minimum	64,0 in ² (412,9 cm ²)	64,0 in ² (412,9 cm ²)	80,0 in ² (516,2 cm ²)	100,0 in ² (645,2 cm ²)
Grille d'alimentation en air minimum	12,0 in ² (77,4 cm ²)	32,0 in ² (206,5 cm ²)	48,0 in ² (309,7 cm ²)	60,0 in ² (387,1 cm ²)
	12 k BTU	16 k BTU	18 k BTU	27 k BTU
Diamètre de conduit minimum	6,00 in (152,4 mm)	7,00 in (177,8 mm)	7,00 in (177,8 mm)	8,00 in (203,2 mm)
Surface de conduit minimum	28,3 in ² (182,6 cm ²)	38,5 in ² (248,4 cm ²)	38,5 in ² (248,4 cm ²)	50,3 in ² (324,5 cm ²)

	12 k BTU	16 k BTU	18 k BTU	27 k BTU
Grille de retour d'air minimum	130,0 in ² (838,8 cm ²)	160,0 in ² (1032,3 cm ²)	200,0 in ² (1290,4 cm ²)	240,0 in ² (1548,5 cm ²)
Grille d'alimentation en air minimum	70,0 in ² (451,6 cm ²)	80,0 in ² (516,2 cm ²)	100,0 in ² (645,2 cm ²)	120,0 in ² (774,2 cm ²)

Tableau 6 : Température et pression d'eau de fonctionnement

Température d'eau de fonctionnement minimale	40,0 °F (4,44 °C)
Température d'eau de fonctionnement maximale	80,0 °F (26,66 °C)
Pression d'eau de fonctionnement minimale	4,2 psi (0,29 bar) (29,00 kPa)
Pression d'eau de fonctionnement maximale	6,00 psi (0,41 bar) (41,4 kPa)

REMARQUE L'unité peut fonctionner en dehors de ces conditions avec une capacité réduite.

6 Pré-installation



AVIS!

Les bacs de récupération des condensats des systèmes autonomes DTG et TX sont équipés d'isolateurs de vibrations installés au fond du bac. Ces isolateurs sont conçus pour amortir les vibrations causées par le fonctionnement du climatiseur et empêcher leur transfert vers la surface montée. Déplacez le climatiseur avec précaution sur les surfaces de montage, car les isolateurs peuvent être endommagés.



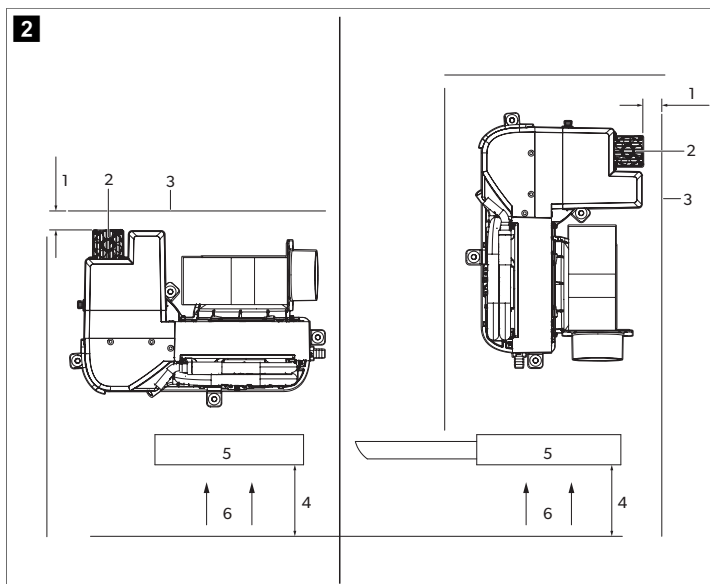
AVIS!

Le climatiseur doit être monté sur une surface basse, plane et de niveau, telle que la partie inférieure d'un casier, sous une couchette ou une banquette, ou à un emplacement similaire.

Cette section explique comment préparer le climatiseur pour l'installation.

6.1 Détermination de l'emplacement d'installation

Positionnement du système TX par rapport au flux d'air



1 3,00 in (7,62 cm)

4 4,00 in (10,16 cm)

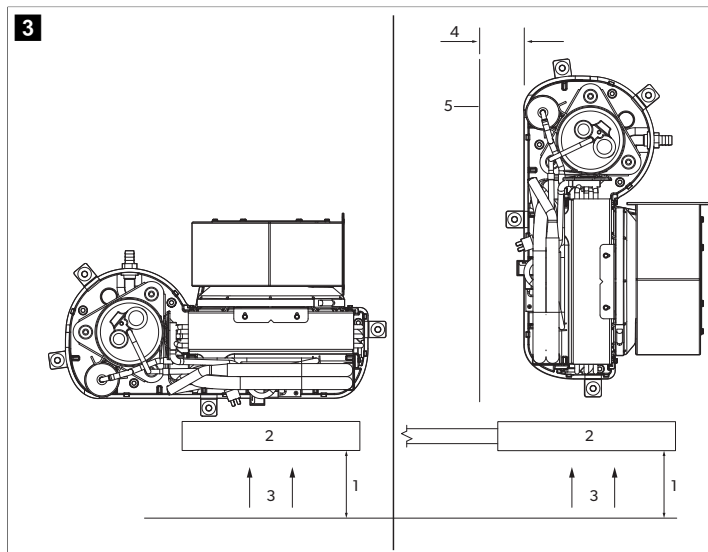
2 Dissipateur thermique

3 Cloison

5 Grille de retour d'air

6 Flux d'air

Positionnement de tous les autres climatiseurs par rapport au flux d'air



1 4,00 in (10,16 cm) (4,02 in (102,0 mm))

2 Grille de retour d'air

3 Flux d'air

4 3,00 in (7,62 cm) (2,99 in (76,0 mm))

5 Cloison

Choisissez un emplacement avec un flux d'air suffisant. La grille de retour d'air doit avoir un dégagement avant minimum de 4,00 in (10,16 cm) pour la circulation de l'air, sans obstruction.

Si le climatiseur est positionné perpendiculairement à la grille de retour d'air, maintenez un dégagement minimum de 3,00 in (7,62 cm) pour la circulation de l'air côté admission.

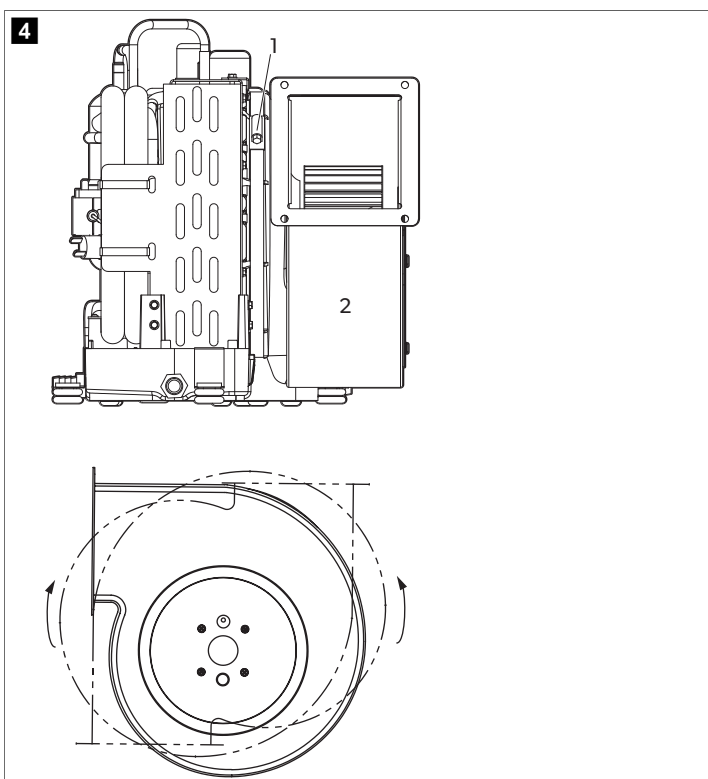
Système TX uniquement: Prévoyez une surface ajourée minimale de 2,99 in (76,0 mm) au-dessus et en dessous du dissipateur de chaleur.

6.2 Rotation du ventilateur

Cette section explique comment faire pivoter le ventilateur pour chaque type d'unité. Si nécessaire, faites pivoter le ventilateur dans le sens permettant d'évacuer le plus directement le flux d'air à travers le conduit.

6.2.1 Ventilateurs des systèmes DTG et TX

Rotation du ventilateur sur les systèmes DTG et TX



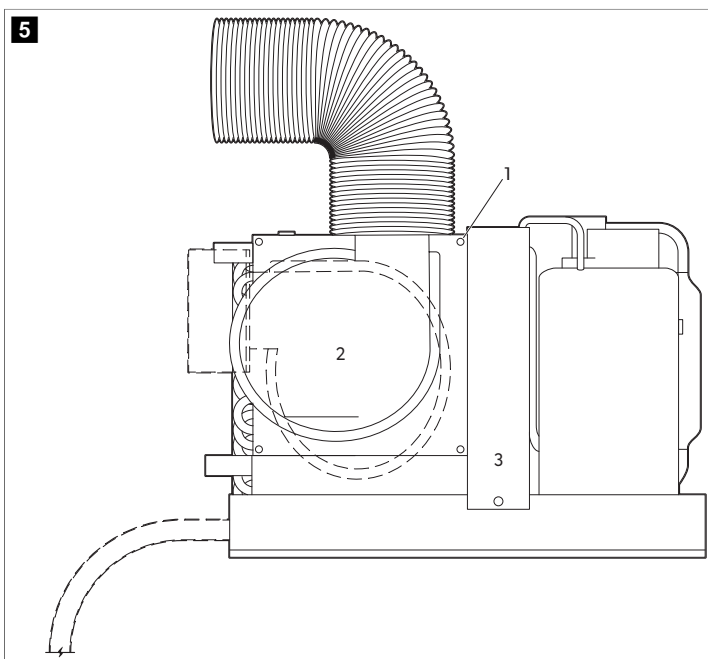
1 Adjustment screw

2 Blower

1. Desserrez la vis de réglage de la bague de montage du ventilateur.
2. Inclinez le ventilateur dans la position souhaitée.
3. Serrez la vis de réglage.

6.2.2 Ventilateurs MCS et ECD

Rotation du ventilateur sur les systèmes MCS et ECD



1 Screw

2 Tenon

3 Ventilateur

1. Déposez les sept vis de la plaque.
2. Inclinez le ventilateur dans la position souhaitée.
3. Fixez le ventilateur en place à l'aide de vis autotaraudeuses (non fournies).

6.3 Positionnement des filtres à air

Les filtres à air éliminent les particules en suspension dans l'air de la cabine et assurent la propreté de la bobine de l'évaporateur. Placez un filtre à air sur le climatiseur ou dans la grille de retour d'air pour chaque climatiseur.

6.4 Mise en place des grilles et des boîtes de transition

Tenez compte des points suivants lors du positionnement des grilles et des boîtes de transition :

- Installez la grille d'alimentation en air aussi haut que possible, à un emplacement permettant une distribution uniforme de l'air au sein de la cabine. Dirigez les ailettes de la grille vers le haut.
- Installez la grille de retour d'air aussi bas et près du climatiseur que possible pour assurer un flux d'air approprié vers l'évaporateur.
- Ne dirigez pas la sortie d'alimentation en air vers la grille de retour d'air, car cela pourrait placer le système en cycle court.
- Laissez un espace suffisant derrière la grille d'alimentation en air pour la boîte de transition et le raccord de conduit. Reportez-vous à la section Spécifications à la page 19

7 Installation

Cette section explique comment installer le climatiseur autonome.

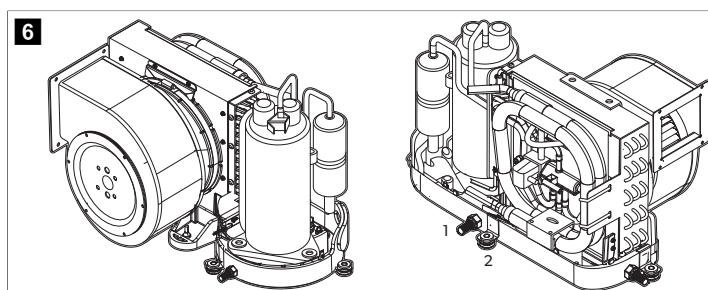
7.1 Installation des supports de montage et de la purge des condensats



AVIS !

Pour éviter de fissurer le bac de purge, n'appliquez pas plus de deux couches de ruban d'étanchéité autour du raccord cannelé et ne le serrez pas trop.

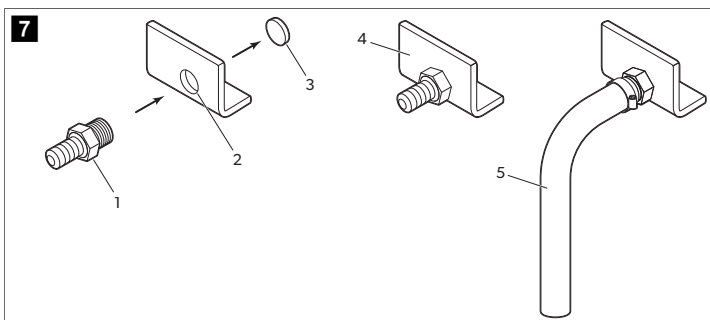
Positionnement type des supports de montage et des purges des condensats



1 Raccord cannelé de purge des condensats

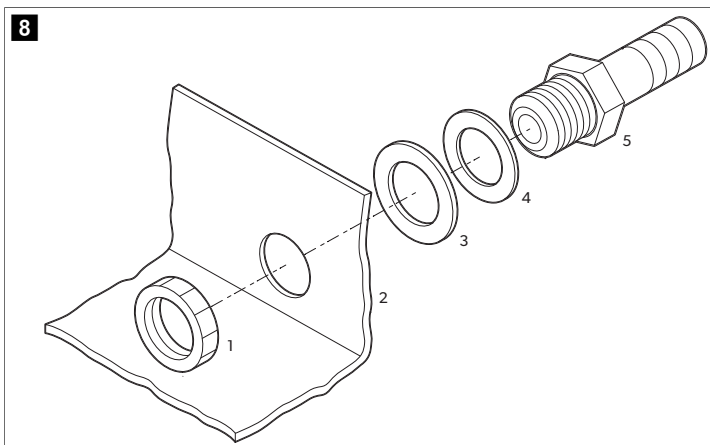
2 Support de montage

Installation de la purge des condensats pour les systèmes DTG et TX



- 1 Hose barb
2 Orifice de purge fileté
3 Bouchon d'entrée défonçable
4 Drain pan
5 Flexible de purge

Installation de la purge des condensats pour tous les autres climatiseurs

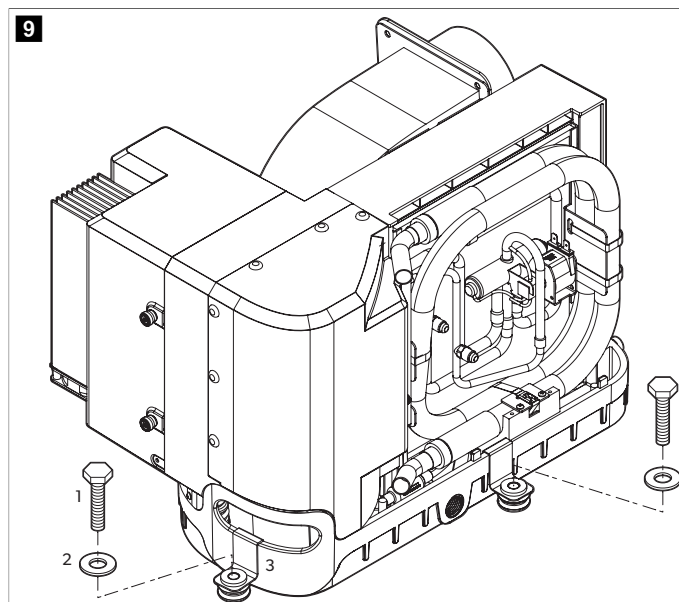


- 1 Locking nut
2 Bac de purge
3 Rondelle d'étanchéité liquide
4 Solid washer
5 Raccord en PVC 0,5 in (12,7 mm) HB x 0,5 in (12,7 mm) MPT

1. À l'aide du raccord cannelé, chassez le bouchon d'un orifice de purge orienté vers l'arrière en appliquant un coup rapide avec un maillet en caoutchouc. Jetez le bouchon de l'entrée défonçable.
2. Pour les systèmes DTG et TX :
 - a) Appliquez du ruban d'étanchéité autour de l'extrémité fileté du raccord cannelé.
 - b) Vissez le raccord cannelé dans l'orifice de purge fileté et serrez-le fermement.
3. Pour tous les autres climatiseurs :
 - a) Enfilez une rondelle pleine et une rondelle d'étanchéité liquide dans le raccord cannelé, puis insérez-le dans l'orifice de purge.
 - b) Fixez le raccord à l'aide d'un écrou de blocage.
4. Fixez le flexible de purge au raccord cannelé à l'aide d'un collier de serrage en acier inoxydable.

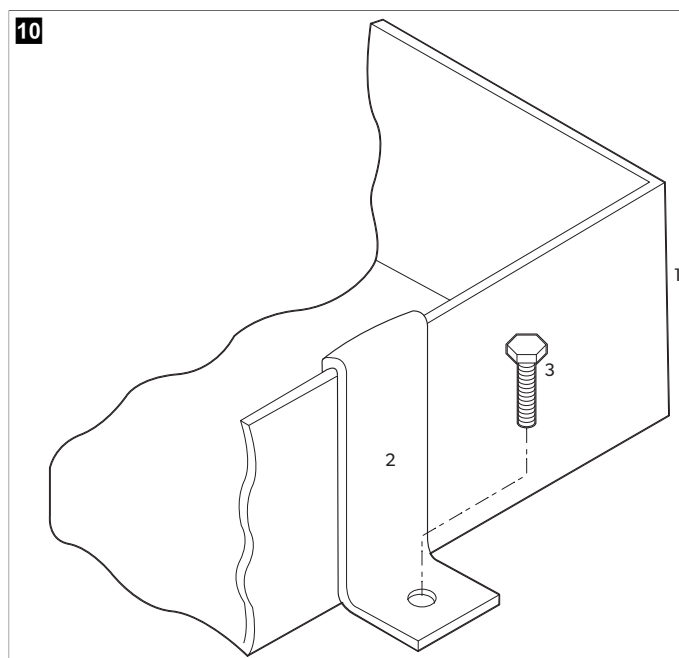
5. Acheminez le flexible de purge vers le bas jusqu'à un point de collecte sûr et approprié.

Installation du support de montage pour les systèmes DTG et TX



- 1 Boulon de fixation (non fourni)
2 Rondelle plate (fournie)
3 Support de montage (fourni)

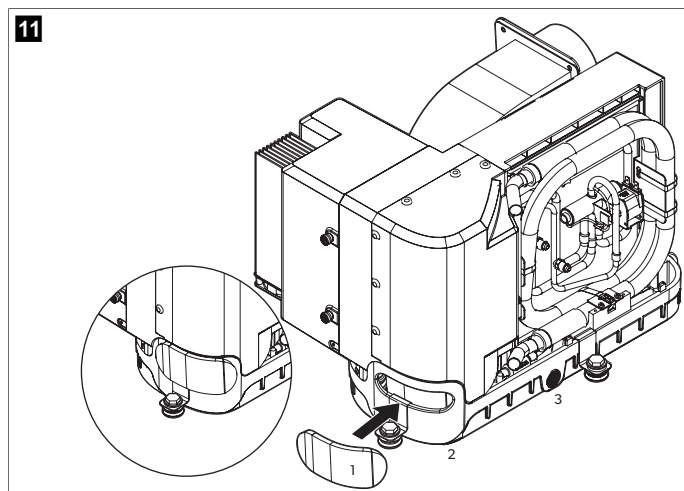
Installation du support de montage pour les autres climatiseurs



- 1 Bac de purge
2 Support de montage
3 Boulon de fixation (non fourni)

6. Installez un support de montage de chaque côté du bac de purge en conservant le même espacement.

Installation de l'isolant de poignée en mousse sur les systèmes TX



1 Isolant de poignée en mousse

2 Ouverture de la poignée

3 Bac de purge

7. Pour les systèmes TX :

- Retirez le film recouvrant le support adhésif de l'isolant de poignée en mousse.
- Positionnez l'isolant de poignée en mousse de manière à recouvrir complètement l'ouverture de la poignée en orientant le côté adhésif vers le bac de purge.
- Appliquez une pression sur le contour de l'ouverture de la poignée pour coller l'isolant de poignée en mousse sur le bac de purge.

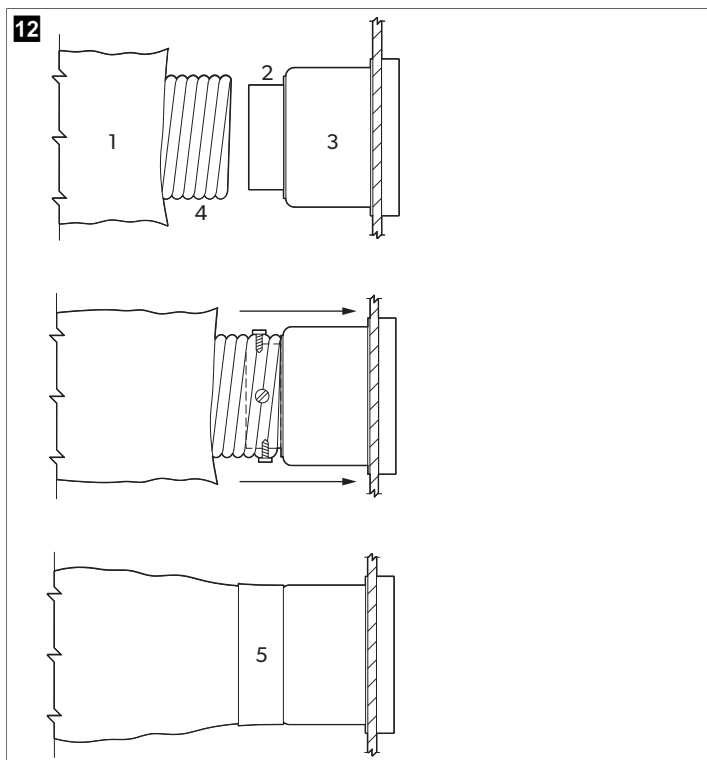
7.2 Installation des conduits

Respectez les conditions suivantes lors de l'installation des conduits :

- Les conduits doivent être dimensionnés de manière appropriée pour votre application.
- L'acheminement des conduits doit être aussi droit, uniforme et tendu que possible, en limitant le nombre de coudes à 90,00 ° et de boucles susceptibles de réduire le flux d'air.
- Fixez solidement le conduit pour éviter qu'il ne s'affaisse.
- N'aplatissez ou ne pliez pas les conduits.
- Coupez les longueurs de conduit excédentaires après l'installation.
- Isolez les conduits lorsqu'ils sont situés dans des zones exposées à une forte chaleur.
- Isolez les conduits lorsqu'ils sont situés dans des zones exposées à une forte chaleur.
- N'acheminez pas les conduits à travers une salle des moteurs ou toute zone où ils pourraient être exposés à des vapeurs ou des gaz d'échappement dangereux.

Si une boîte de transition est utilisée, la surface totale des conduits d'alimentation en air sortant de la boîte doit être au moins égale à la surface totale des conduits d'alimentation entrant dans la boîte. Reportez-vous à la section Spécifications à la page 19

Connexion des conduits



1 Isolant en fibre de verre

2 Bague de montage

3 Boîte de transition

1. Faites glisser le flexible interne en mylar autour de la bague de montage vers la boîte de transition.

2. Vissez trois ou quatre vis en acier inoxydable à travers le flexible en mylar dans la bague de montage, en capturant deux ou trois fils avec les têtes de vis.

3. Faites glisser l'isolant en fibre de verre autour du flexible interne en mylar vers la boîte de transition. Fixez le raccord avec du ruban adhésif.

4 Flexible interne en mylar

5 Ruban adhésif

7.3 Installation du système d'eau de mer



AVIS !

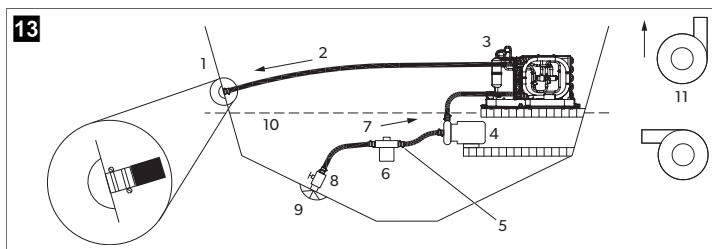
Le non-respect de cette procédure annulera la garantie.

Tenez compte des consignes suivantes lors de la configuration du système d'eau de mer :

- La crépine doit se trouver sous la pompe.
- Les flexibles doivent être bridés deux fois.
- Les flexibles ne doivent présenter ni plis, ni boucles, ni surélévations au niveau desquels l'air pourrait s'accumuler.
- La pompe et la crépine doivent se trouver en dessous de ligne de flottaison.
- L'entrée passe-coque, la vanne à boisseau sphérique, le flexible et la crépine ne doivent pas être plus petits que l'entrée de la pompe.
- Installez le raccord passe-coque aussi bas que possible sous la ligne de flottaison.
- La pompe doit être équipée d'un passe-coque dédié.
- Évitez autant que possible de couder les raccords à 90,00 °.
- Assurez-vous que la tête de pompe est orientée dans le sens du débit d'eau.
- Appliquez du ruban d'étanchéité sur tous les raccords filetés.

Reportez-vous aux Spécifications à la page 19 pour connaître les valeurs de pression et de température d'eau maximum et minimum.

Système d'eau de mer



- | | |
|---------------------------|---|
| 1 Sortie eau de mer | 7 Débit d'entrée ascendant |
| 2 flux sortant | 8 Vanne à boule |
| 3 Climatiseur | 9 Entrée passe-coque (scoop) |
| 4 Pompe à eau de mer | 10 Ligne d'eau |
| 5 colliers pour flexibles | 11 Orientation correcte de la crépine de la tête de pompe |

6 Crépine

1. Installez une entrée passe-coque d'eau de mer (scoop) aussi près de la quille et aussi bas que possible sous la ligne de flottaison. Fixez l'entrée passe-coque (scoop) à l'aide d'un produit d'étanchéité de qualité maritime conçu pour une utilisation sous l'eau.
2. Installez une vanne en bronze plein débit sur l'entrée passe-coque d'eau de mer (scoop).
3. Installez une crépine d'eau de mer en dessous du niveau de la pompe avec accès au filtre.
4. Montez la pompe au-dessus de la crépine et au moins un pied en dessous de la ligne de flottaison.
5. Connectez la vanne d'eau de mer et la crépine avec un flexible ascendant renforcé de qualité maritime.
6. Raccordez l'évacuation du flux ascendant de la pompe à l'entrée inférieure du serpentin des climatiseurs à l'aide d'un flexible renforcé de 5/8" (0,63 in (16,0 mm)) de qualité maritime.
7. Connectez l'évacuation du serpentin au raccord passe-coque de décharge à la mer à l'aide d'un flexible renforcé 5/8" de qualité maritime.
8. Évitez les boucles, surélévations et coudes à 90,00 ° sur le flexible d'eau de mer. Chaque coude à 90,00 ° correspond à 2,5 ft (0,76 m) (29,92 in (76,00 cm)) de flexible et un coude à 90° sur la sortie de la pompe équivaut à 20,0 ft (6,10 m) (240,16 in (610,00 cm)) de flexible.
9. Fixez deux colliers en acier inoxydable sur chaque raccord de flexible, en inversant les colliers si nécessaire.
10. Connectez toutes les pièces métalliques en contact avec l'eau de mer au système de liaison du navire.

7.4 Raccordements électriques



AVERTISSEMENT ! RISQUE DE CHOC ÉLECTRIQUE.

Coupez toujours le disjoncteur d'alimentation du climatiseur avant d'ouvrir le boîtier électrique. Le non-respect de ces mises en garde peut entraîner des blessures graves, voire mortelles.



AVIS !

Le climatiseur doit être connecté au système de liaison du navire pour éviter toute corrosion due à un courant de fuite. Chaque pompe, vanne métallique et raccord du circuit d'eau de mer isolé du climatiseur par des flexibles en PVC ou en caoutchouc doit être connecté au système de liaison du navire.



REMARQUE Toute mise à la terre ou liaison incorrecte du système annulera la garantie.

Tous les climatiseurs sont dotés d'un bornier référençant les connexions correctes à l'intérieur du boîtier électrique. Le schéma de câblage situé à l'intérieur du boîtier électrique supplante les normes ABYC. Le disjoncteur doit être de taille adéquate pour protéger le système, conformément aux indications figurant sur la plaque signalétique

du climatiseur. Un câble pour navire de 12 AWG minimum doit être utilisé pour alimenter le climatiseur et la pompe à eau de mer. Effectuez toutes les connexions à l'aide de cosses à œillet ou à fourche à sertir.

Respectez les consignes suivantes lors des raccordements électriques :

- La mise à la terre en courant alternatif (CA) doit être connectée à la borne de terre (GRND) au niveau du bornier d'entrée d'alimentation CA.
- Les connexions entre le conducteur de mise à la terre du système CA et le pôle négatif du système CC ou de liaison du navire doivent être effectuées dans le cadre du câblage du navire. Lors de la maintenance ou du remplacement d'un équipement existant contenant un goujon de mise à la terre monté sur châssis, vérifiez que ces connexions sont correctes au sein du câblage du navire.
- Les climatiseurs TX sont conçus pour fonctionner sur courant alternatif ou courant continu haute tension. Reportez-vous au schéma de câblage du navire pour connaître le positionnement correct.

Assurez-vous que la prise de terre CA du climatiseur est correctement connectée à la prise de terre CA du navire. Au sein du navire, assurez-vous que le bus de masse CA est connecté au bus de masse CC à un seul et même endroit.

8 Mise au rebut



Dans la mesure du possible, veuillez éliminer les emballages dans les conteneurs de déchets recyclables prévus à cet effet. Pour éliminer définitivement le produit, contactez le centre de recyclage le plus proche ou votre revendeur spécialisé afin de vous informer sur les dispositions relatives au retraitement des déchets.

9 Garantie

Consultez les sections ci-dessous pour de plus amples informations relatives à la garantie et l'assistance dans le cadre de la garantie aux États-Unis, au Canada et dans toutes les autres régions.

États-Unis et Canada

GARANTIE LIMITÉE DISPONIBLE SUR
DOMETIC.COM/EN-US/TERMS-AND-CONDITIONS-CONSUMER/WARRANTY.
 POUR TOUTE QUESTION OU POUR OBTENIR UNE COPIE GRATUITE DE LA GARANTIE LIMITÉE, CONTACTEZ :

DOMETIC CORPORATION
 MARINE CUSTOMER SUPPORT CENTER
 2000 NORTH ANDREWS AVENUE
 POMPANO BEACH, FLORIDA, USA 33069
 1-800-542-2477

Pays d'Asie-Pacifique (APAC)

Si le produit ne fonctionne pas correctement, contactez votre revendeur ou la succursale du fabricant dans votre pays (voir dometic.com/dealer). La garantie applicable à votre produit est de 1 an(s).

Pour toutes réparations ou autres prestations de garantie, veuillez joindre à l'appareil les documents suivants :

- une copie de la facture avec la date d'achat
- un motif de réclamation ou une description du dysfonctionnement

Notez que toute réparation effectuée par une personne non agréée peut présenter un risque de sécurité et annuler la garantie.

Australie uniquement

La garantie de nos produits ne peut faire l'objet d'une exclusion, conformément à l'Australian Consumer Law (loi sur la protection des consommateurs en Australie). Vous êtes éligible à un remboursement intégral en cas de panne majeure et à un dédommagement pour toute autre perte ou dommage prévisible. Vous êtes également éligible à la réparation ou au remplacement des produits s'ils n'offrent pas un niveau de qualité acceptable, mais ne présentent pas de panne majeure.

Nouvelle-Zélande uniquement

Cette politique de garantie est soumise aux conditions et garanties obligatoires, conformément aux directives du Consumer Guarantees Act 1993(NZ).

Tous les autres pays

La période de garantie légale s'applique. Si le produit s'avérait défectueux, contactez la succursale du fabricant située dans votre pays (voir dometic.com/dealer) ou votre revendeur.

Pour toutes réparations ou autres prestations de garantie, veuillez joindre à l'appareil les documents suivants :

- une copie de la facture avec la date d'achat
- un motif de réclamation ou une description du dysfonctionnement

Notez que toute réparation effectuée par une personne non agréée peut présenter un risque de sécurité et annuler la garantie.

Español

1	Notas importantes.....	26
2	Explicación de los símbolos.....	26
3	Personal al que va dirigido el manual.....	27
4	Uso previsto.....	27
5	Datos técnicos.....	27
6	Antes de la instalación.....	28
7	Instalación.....	29
8	Eliminación.....	32
9	Garantía.....	32

1 Notas importantes

Lea atentamente estas instrucciones y siga las indicaciones, directrices y advertencias incluidas en este manual para asegurarse de que instala, utiliza y mantiene correctamente el producto en todo momento. Estas instrucciones DEBEN conservarse junto con este producto.

Al utilizar el producto, usted confirma que ha leído cuidadosamente todas las instrucciones, directrices y advertencias, y que entiende y acepta cumplir los términos y condiciones aquí establecidos. Usted se compromete a utilizar este producto solo para el propósito y la aplicación previstos y de acuerdo con las instrucciones, directrices y advertencias establecidas en este manual del producto, así como de acuerdo con todas las leyes y reglamentos aplicables. La no lectura y observación de las instrucciones y advertencias aquí expuestas puede causar lesiones a usted o a terceros, daños en el producto o daños en otras propiedades cercanas. Este manual del producto, incluyendo las instrucciones, directrices y advertencias, y la documentación relacionada, pueden estar sujetos a cambios y actualizaciones. Para obtener información actualizada sobre el producto, visite documents.dometic.com.

2 Explicación de los símbolos

Una palabra de advertencia señalará los mensajes de seguridad y de daño material, y también indicará el grado o nivel de gravedad del riesgo.



¡ADVERTENCIA!

Indica una situación peligrosa que, de no evitarse, puede ocasionar la muerte o lesiones graves.



¡AVISO!

Indica una situación peligrosa que, de no evitarse, puede provocar daños materiales.



NOTA Información complementaria para el manejo del producto.

2.1 Normativas complementarias

Para reducir el riesgo de accidentes y lesiones, se deben cumplir las siguientes directrices antes de proceder a la instalación de este aparato:

- Lea y respete toda la información y las instrucciones de seguridad.
- Lea y comprenda estas instrucciones antes de instalar este producto.
- La instalación debe cumplir con todos los códigos locales o nacionales vigentes, incluyendo la última edición de las siguientes normas:
 - American Boat and Yacht Council (ABYC)
 - ANSI/NFPA 70, National Electrical Code (NEC)

2.2 Indicaciones de seguridad



¡ADVERTENCIA! PELIGRO DE EXPOSICIÓN AL MONÓXIDO DE CARBONO

El incumplimiento de las siguientes advertencias puede causar la muerte o graves lesiones:

- > **No** instale ni haga funcionar un equipo de aire acondicionado independiente en el espacio de sentina ni en la sala de máquinas o cerca de un motor de combustión interna. Asegúrese de que la ubicación

seleccionada esté cerrada herméticamente al acceso directo de vapores procedentes de la sentina o el compartimento del motor.

- > Compruebe que la línea de purga de condensado esté correctamente instalada y sellada. El conducto de purga de condensado **no** debe finalizar a menos de 3 pies (0,91 m) de distancia de una salida de un sistema de escape de un motor o generador, de un compartimento que contenga un motor o generador o en una sentina, a menos que el drenaje esté conectado correctamente a una bomba sellada de condensado o de sumidero de ducha. Si el conducto de drenaje no está correctamente instalado, los humos nocivos pueden ascender a través de él y contaminar los habitáculos.
- > **No** instale el equipo de aire acondicionado en un lugar donde pueda circular monóxido de carbono, vapores de combustible u otros humos nocivos y estos puedan entrar en los habitáculos de la embarcación.



¡ADVERTENCIA! Riesgo de electrocución

La instalación solo puede realizarla un electricista cualificado.



¡ADVERTENCIA! PELIGRO DE DESCARGA ELÉCTRICA, INCENDIO Y/O EXPLOSIÓN.

Si no se siguen estas precauciones, se pueden producir lesiones graves o incluso la muerte.

Este aparato **no** está diseñado para que lo usen personas (incluidos niños) con las capacidades físicas, sensitivas o mentales limitadas o sin la experiencia y los conocimientos pertinentes, a menos que haya una persona responsable de la seguridad que supervise adecuadamente o explique detalladamente su uso. **No** deje que los niños jueguen con el aparato. Los menores **no** deberán limpiar ni realizar el mantenimiento de usuario sin la debida supervisión. Este aparato **no** debe ser accesible al público en general.



¡ADVERTENCIA! PELIGRO DE EXPLOSIÓN.

Si no se siguen estas precauciones, se pueden producir lesiones graves o incluso la muerte.

No instale el equipo de aire acondicionado en un lugar donde haya motores de gasolina, tanques, bombonas de GLP/GPL, reguladores, válvulas o accesorios de la línea de combustible. A menos que se indique lo contrario en la etiqueta, las unidades independientes **no** cumplen con los requisitos federales de protección antideflagrante. El incumplimiento de esta advertencia puede ocasionar la muerte o lesiones graves.



¡ADVERTENCIA! PELIGRO DE DESCARGA ELÉCTRICA.

Si no se siguen estas precauciones, se pueden producir lesiones graves o incluso la muerte.

- > Asegúrese de que el equipo de aire acondicionado tenga una conexión a tierra para minimizar el peligro de descargas eléctricas. Consulte las directrices de instalación para obtener más información.
- > Cada equipo de aire acondicionado instalado requiere un disyuntor específico. Si solo hay un equipo de aire acondicionado instalado, la bomba de agua de mar **no** necesita disyuntor. Si dos o más unidades de aire acondicionado utilizan la misma bomba de agua de mar, los cables de la bomba se conectarán a un panel de relé de la bomba (PRP), que a su vez tiene su propio disyuntor específico para la bomba (20 A máximo). Consulte el diagrama de cableado suministrado con el PRP. Las conexiones eléctricas en la sentina y/o debajo de la línea de flotación deben usar empalmes a tope de tipo termorretráctil.
- > El tendido de cables **debe** cumplir los códigos eléctricos del American Boat and Yacht Council (ABYC). La alimentación de la unidad debe estar dentro del margen de tensión de funcionamiento indicado en la placa de datos. Es **obligatorio** instalar disyuntores de tipo HACR (para calefacción, aire acondicionado y refrigeración) del tamaño adecuado para proteger los circuitos derivados. Consulte en la etiqueta de tipo el amperaje máximo del fusible/disyuntor (MFS) y la capacidad interna mínima (MCA).



¡AVISO!

Este aparato contiene gases fluorados de efecto invernadero en equipos herméticamente cerrados. Consulte la etiqueta de la placa de datos del producto de la unidad condensadora para conocer la cantidad de refrigerante indicada en peso y GWP. El refrigerante que se agrega debe ser anotado en la etiqueta de la unidad.

3 Personal al que va dirigido el manual



La instalación mecánica y eléctrica y la configuración del dispositivo deben ser realizadas por un técnico cualificado que haya demostrado habilidades y conocimientos relacionados con la construcción y operación de equipos e instalaciones marinas, que esté familiarizado con las normativas aplicables del país en el que se vaya a instalar y/o utilizar el equipo, y que haya recibido formación en seguridad para identificar y evitar los peligros involucrados.

4 Uso previsto

Este manual está destinado a la instalación de sistemas de aire acondicionado autónomos DCU, DLU, DTG, ECD y TX (en lo sucesivo denominados equipos de aire acondicionado). El equipo de aire acondicionado está diseñado para su uso en embarcaciones y yates. Este equipo de aire acondicionado solo es apta para el uso y aplicación previstos de acuerdo con estas instrucciones.

Este producto solo es apto para el uso previsto y la aplicación de acuerdo con estas instrucciones.

Este manual proporciona la información necesaria para la correcta instalación y/o funcionamiento del producto. Una instalación deficiente o un uso y mantenimiento inadecuados conllevan un rendimiento insatisfactorio y posibles fallos.

El fabricante no se hace responsable de ninguna lesión o daño en el producto ocasionados por:

- Una instalación, un montaje o una conexión incorrectos, incluido un exceso de tensión
- Un mantenimiento incorrecto o el uso de piezas de repuesto distintas de las originales proporcionadas por el fabricante
- Modificaciones realizadas en el producto sin el expreso consentimiento del fabricante
- Uso con una finalidad distinta de la descrita en las instrucciones

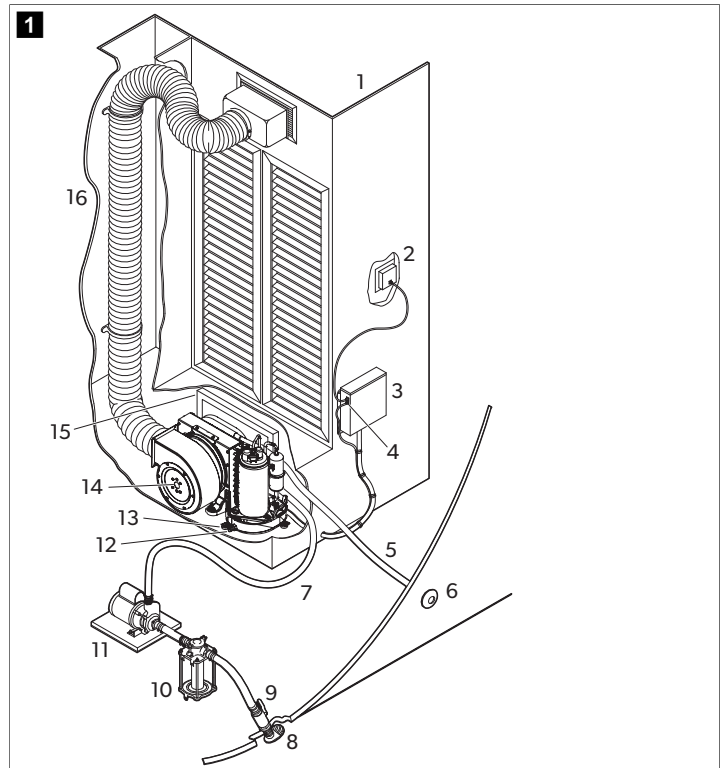
Dometic se reserva el derecho de cambiar la apariencia y las especificaciones del producto.

5 Datos técnicos

Lea todas las instrucciones y, a continuación, planifique las conexiones que deben realizarse con la unidad de aire acondicionado (incluidos los conductos, la línea de purga de condensado, las mangueras de entrada y salida de agua de mar, las conexiones eléctricas, la ubicación del control y la ubicación de la bomba de agua de mar), para garantizar un fácil acceso para el enrutamiento y el mantenimiento futuro.

5.1 Ubicaciones de los componentes

Identificación de componentes del sistema de aire acondicionado



- | | | | |
|---|--|----|---|
| 1 | Rejilla de suministro de aire y caja de transición | 9 | Válvula de cierre para agua de mar |
| 2 | Pantalla digital | 10 | Depurador del agua de mar |
| 3 | Caja eléctrica | 11 | Bomba |
| 4 | Cable opcional del sensor remoto de aire | 12 | Conector de manguera de purga de condensado |
| 5 | Manguera de salida de agua de mar | 13 | Soporte de montaje |
| 6 | Descarga al mar | 14 | Equipo de aire acondicionado |
| 7 | Manguera de entrada de agua de mar | 15 | Rejilla del aire de retorno y filtro |
| 8 | Entrada de agua de mar de fondo con pasacascos | 16 | Conductos flexibles aislados |

5.2 Especificaciones

Esta sección contiene los datos técnicos del equipo de aire acondicionado.

Tabla 7: Dimensiones mínimas de los conductos y las rejillas para la capacidad BTU

	3.5 k BTU	6 k BTU	8 k BTU	10 k BTU
Diámetro mínimo del conducto	3,00 in (76,2 mm)	4,00 in (101,6 mm)	5,00 in (127,0 mm)	6,00 in (152,4 mm)
Área mínima del conducto	6,8 in ² (43,9 cm ²)	12,6 in ² (81,3 cm ²)	19,6 in ² (126,5 cm ²)	28,3 in ² (182,6 cm ²)
Área mínima de la rejilla del aire de retorno	64,0 in ² (412,9 cm ²)	64,0 in ² (412,9 cm ²)	80,0 in ² (516,2 cm ²)	100,0 in ² (645,2 cm ²)
Área mínima de la rejilla del aire de suministro	12,0 in ² (77,4 cm ²)	32,0 in ² (206,5 cm ²)	48,0 in ² (309,7 cm ²)	60,0 in ² (387,1 cm ²)
	12 k BTU	16 k BTU	18 k BTU	27 k BTU
Diámetro mínimo del conducto	6,00 in (152,4 mm)	7,00 in (177,8 mm)	7,00 in (177,8 mm)	8,00 in (203,2 mm)
Área mínima del conducto	28,3 in ² (182,6 cm ²)	38,5 in ² (248,4 cm ²)	38,5 in ² (248,4 cm ²)	50,3 in ² (324,5 cm ²)

	12 k BTU	16 k BTU	18 k BTU	27 k BTU
Área mínima de la rejilla del aire de retorno	130,0 in ² (838,8 cm ²)	160,0 in ² (1032,3 cm ²)	200,0 in ² (1290,4 cm ²)	240,0 in ² (1548,5 cm ²)
Área mínima de la rejilla del aire de suministro	70,0 in ² (451,6 cm ²)	80,0 in ² (516,2 cm ²)	100,0 in ² (645,2 cm ²)	120,0 in ² (774,2 cm ²)

Tabla 8: Temperatura y presión del agua de servicio

Temperatura mínima del agua de servicio	40,0 °F (4,44 °C)
Temperatura máxima del agua de servicio	80,0 °F (26,66 °C)
Presión mínima del agua de servicio	4,2 psi (0,29 bar) (29,00 kPa)
Presión máxima del agua de servicio	6,00 psi (0,41 bar) (41,4 kPa)

NOTA La unidad puede funcionar fuera de estas condiciones con una capacidad reducida.

6 Antes de la instalación

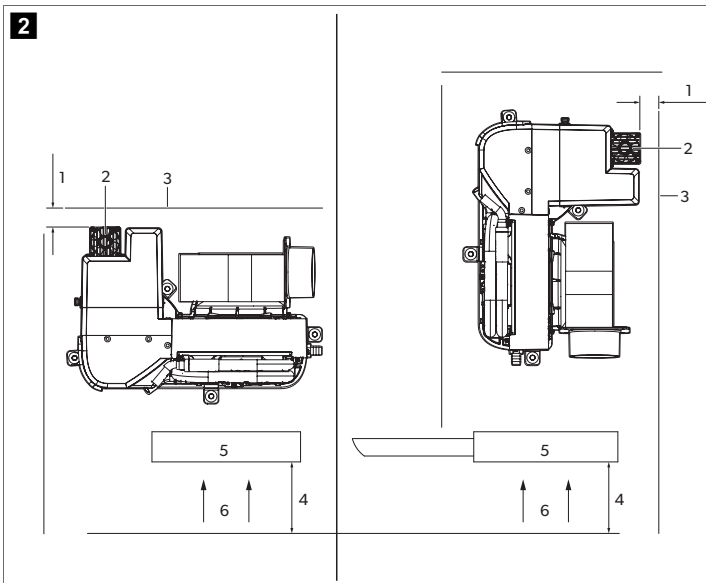
¡AVISO!
Las bandejas de base de condensado independiente DTG y TX están equipadas con aisladores de vibraciones instalados en la parte inferior de la bandeja. Estos aisladores están diseñados para amortiguar la vibración causada por el equipo de aire acondicionado en funcionamiento y que no se transfiera a la superficie montada. Se debe tener cuidado al mover el equipo de aire acondicionado a través de las superficies de montaje, ya que los aisladores pueden resultar dañados.

¡AVISO!
El equipo de aire acondicionado debe montarse en una superficie baja, plana y nivelada, como en la parte inferior de un armario, debajo de una litera o asiento de una dinette, o en un lugar con características similares.

Esta sección explica cómo preparar el equipo de aire acondicionado para su instalación.

6.1 Determinación del lugar de instalación

Colocación de la unidad TX con respecto al flujo de aire

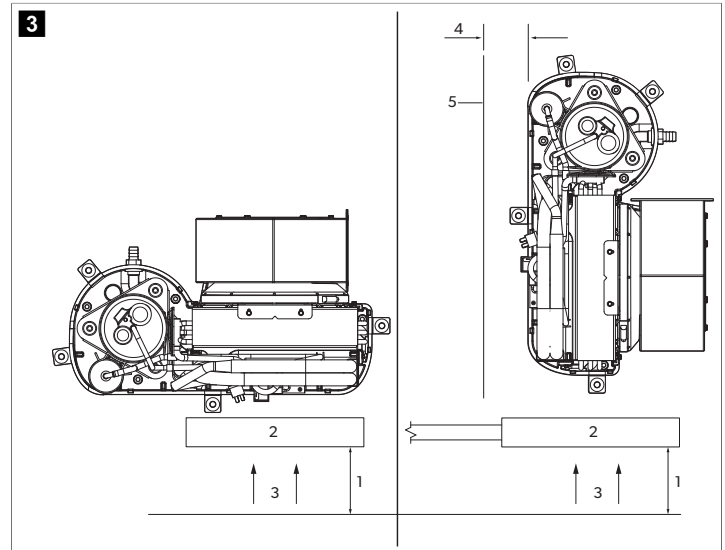


- 1 3,00 in (7,62 cm)
- 2 Disipador de calor
- 3 4,00 in (10,16 cm)
- 4 4,00 in (10,16 cm)
- 5 Rejilla del aire de retorno
- 6 4,00 in (10,16 cm)

3 Mamparo

6 Flujo de aire

Colocación del resto de unidades de aire acondicionado con respecto al flujo de aire



- 1 4,00 in (10,16 cm)
- 2 Rejilla del aire de retorno
- 3 Flujo de aire
- 4 4,00 in (10,16 cm)
- 5 Mamparo

Elija una ubicación con suficiente flujo de aire. La rejilla del aire de retorno debe tener un mínimo de 4,00 in (10,16 cm) de separación libre de obstáculos en la parte delantera para la circulación del aire.

Si el equipo de aire acondicionado está situado en posición perpendicular a la rejilla del aire de retorno, mantenga un mínimo de 3,00 in (7,62 cm) de separación para la circulación del aire en el lado de la entrada.

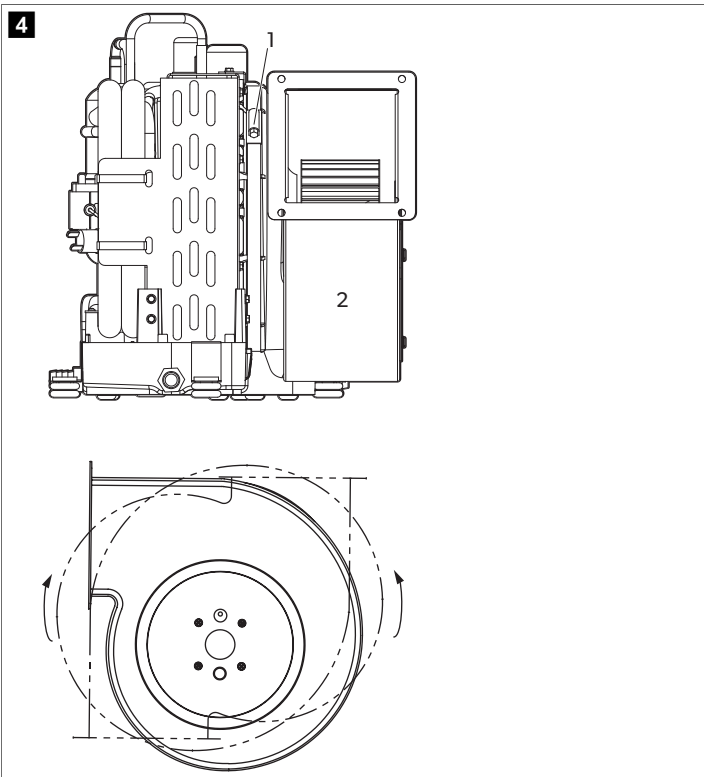
Solo TX: Facilite un área abierta mínima de 2,99 in (76,0 mm) por encima y por debajo del disipador de calor.

6.2 Rotación del ventilador

Esta sección explica cómo girar el ventilador para cada tipo de unidad. Si es necesario, hacer girar el ventilador en la dirección que permita la descarga más directa del flujo de aire a través del conducto.

6.2.1 Ventiladores DTG y TX

Rotación del ventilador en los sistemas DTG y TX

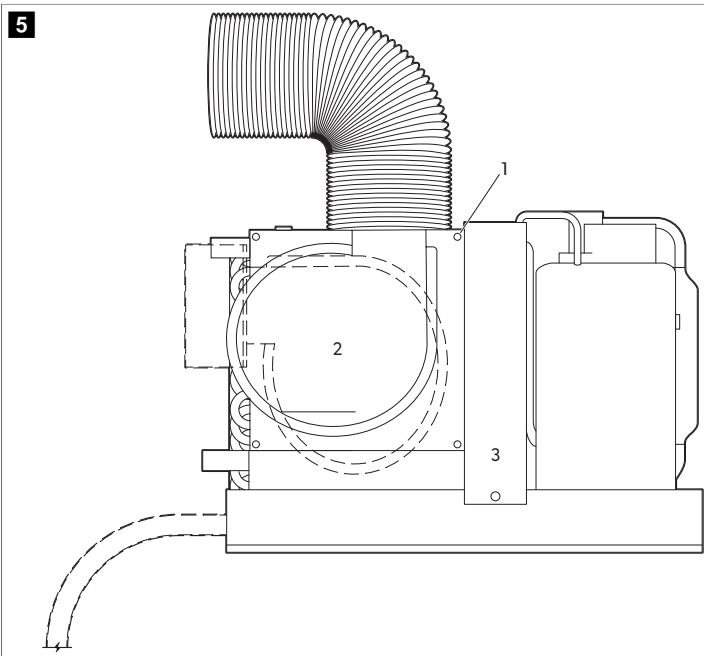


- 1 Adjustment screw
- 2 Blower

1. Afloje el tornillo de ajuste del anillo de montaje del ventilador.
2. Gire el ventilador a la posición deseada.
3. Apriete el tornillo de ajuste.

6.2.2 Ventiladores MCS y ECD

Rotación del ventilador del sistema MCS y ECD



- 1 Screw
- 2 Placa

3 Ventilador

1. Retire los siete tornillos de la placa.
2. Gire el ventilador a la posición deseada.
3. Fije el ventilador con tornillos autorroscantes (no suministrados).

6.3 Colocación de los filtros de aire

Los filtros de aire eliminan las partículas en suspensión del aire de la cabina y mantienen limpio el serpentín del evaporador. Coloque un filtro de aire en la rejilla del equipo de aire acondicionado o en la rejilla del aire de retorno para cada equipo de aire acondicionado.

6.4 Colocación de las rejillas y de las cajas de transición

Tenga en cuenta lo siguiente cuando coloque las rejillas y las cajas de transición:

- Instale la rejilla de suministro de aire lo más alto posible en un lugar que proporcione una distribución uniforme del aire en toda la cabina. Oriente las aberturas de las rejillas hacia arriba.
- Instale la rejilla del aire de retorno tan baja y cerca del equipo de aire acondicionado como sea posible para asegurar el flujo de aire hacia el evaporador.
- No dirija la descarga de aire de suministro hacia la rejilla de aire de retorno, ya que esto hará que el sistema tenga un ciclo corto.
- Deje un espacio suficiente detrás de la rejilla de suministro de aire para la caja de transición y la conexión de los conductos. Véase Especificaciones en la página 27

7 Instalación

Esta sección explica cómo instalar el equipo de aire acondicionado independiente.

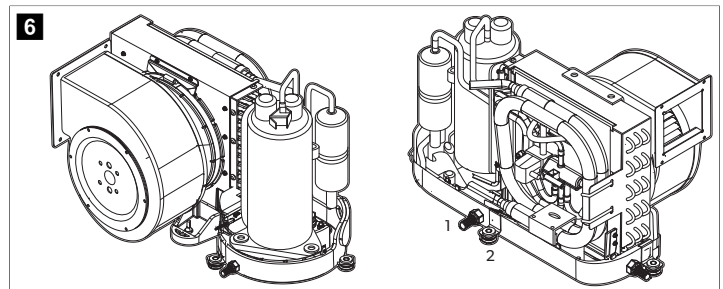
7.1 Instalación de los soportes de montaje y de la purga de condensado



¡AVISO!

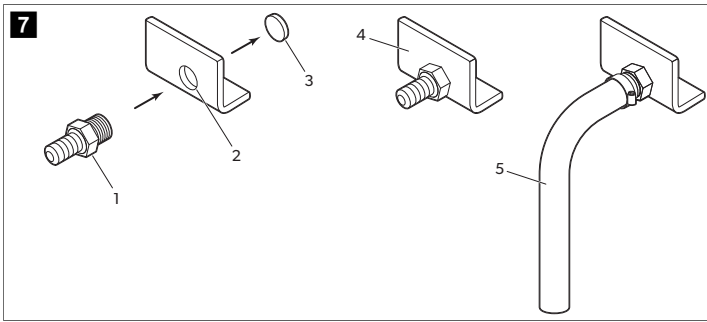
Para evitar agrietamientos en la bandeja de drenaje, no utilice más de dos capas de cinta de teflón para envolver la lengüeta de la manguera y no la apriete en exceso.

Colocación habitual de los soportes de montaje y las purgas de condensado



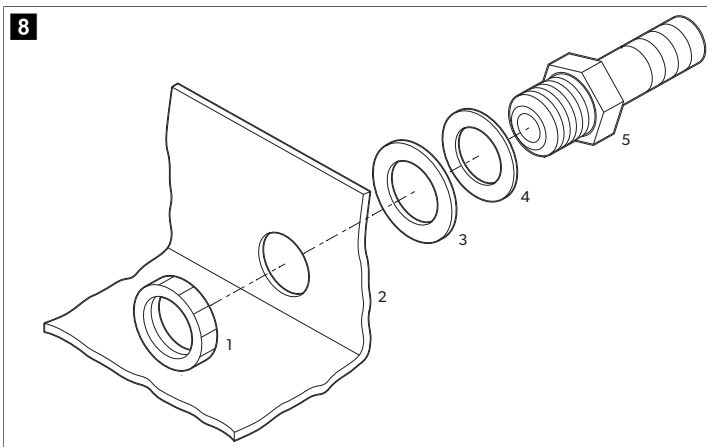
- 1 Conector de manguera de purga del condensado
- 2 Soporte de montaje

Instalación del purgador de condensado para DTG y TX



- 1 Hose barb
- 2 Orificio de drenaje roscado
- 3 Desecho del agujero ciego
- 4 Drain pan
- 5 Manguera de drenaje

Instalación del purgador de condensado para el resto de unidades de aire acondicionado

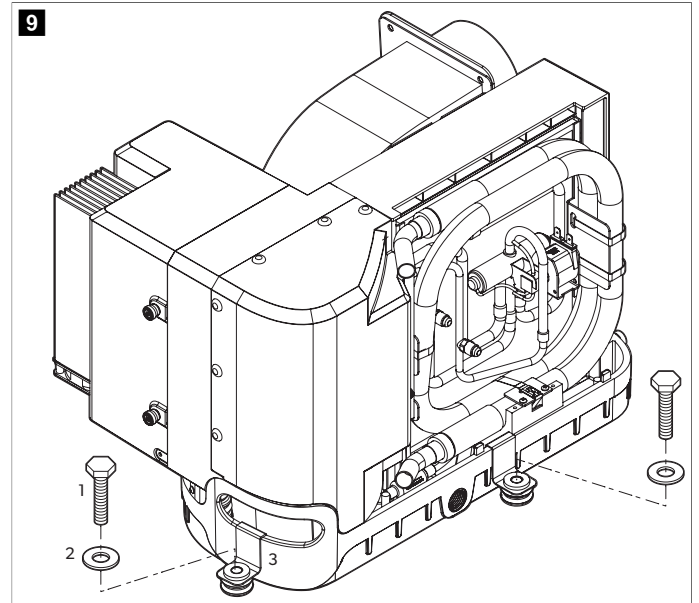


- 1 Locking nut
- 2 Bandeja de drenaje
- 3 Arandela de estanqueidad
- 4 Solid washer
- 5 Conector de PVC 0,5 in (12,7 mm) HB x 0,5 in (12,7 mm) MPT

1. Dé un golpe rápido con un mazo de goma al conector de la manguera orientado hacia atrás para abrir el agujero ciego. Deseche la parte de desecho del agujero ciego.
2. Para unidades DTG y TX:
 - a) Envuelva el extremo roscado del conector de la manguera con cinta de teflón.
 - b) Atornille el conector de la manguera en el orificio de purga roscado y apretar firmemente.
3. Para el resto de unidades de aire acondicionado:
 - a) Enrosque el conector de la manguera a través de una arandela sólida y una arandela de estanqueidad e insertarlo en el orificio de purga.
 - b) Fije con una tuerca de bloqueo.
4. Fije la manguera de purga al conector de la manguera con una abrazadera de acero inoxidable.

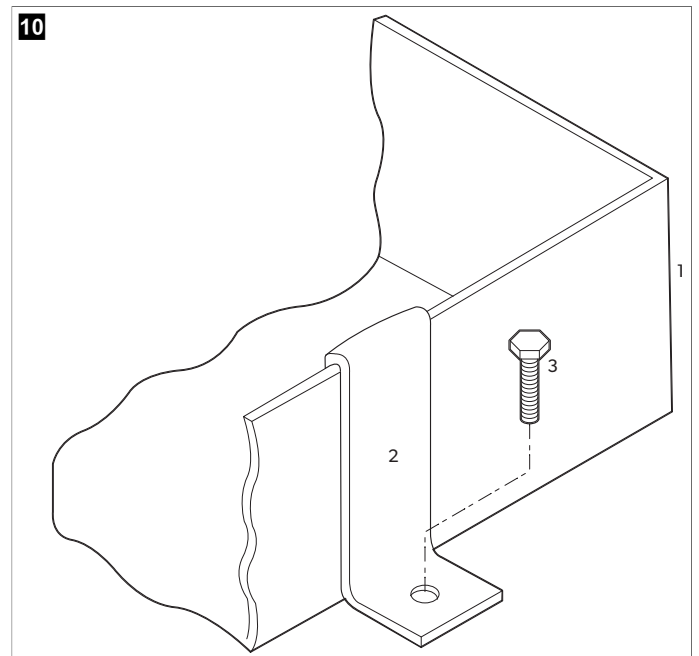
5. Oriente la manguera de purga hacia abajo, a un punto de recogida seguro y adecuado.

Instalación del soporte de montaje para las unidades DTG y TX



- 1 Tornillo de montaje (no suministrado)
- 2 Arandela plana ancha (suministrada)
- 3 Soporte de montaje (suministrado)

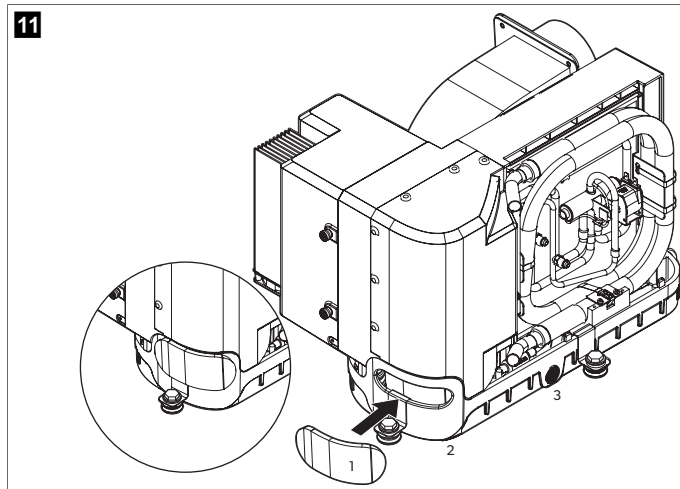
Instalación del soporte de montaje para otras unidades de aire acondicionado



- 1 Bandeja de drenaje
- 2 Soporte de montaje
- 3 Tornillo de montaje (no suministrado)

6. Instale un soporte de montaje a cada lado de la bandeja de drenaje, espaciados uniformemente.

Instalación del aislamiento del asa de espuma en las unidades TX



- 1 Aislamiento del asa de espuma
2 Abertura del asa
3 Bandeja de drenaje

7. Para las unidades TX:

- Retire la película que cubre la parte posterior adhesiva del aislamiento del asa de espuma.
- Coloque el aislamiento de espuma del asa para cubrir completamente la abertura de la misma con el lado adhesivo orientado hacia la bandeja de drenaje.
- Presione alrededor de la abertura del asa para adherir el aislamiento de espuma del asa a la bandeja de drenaje.

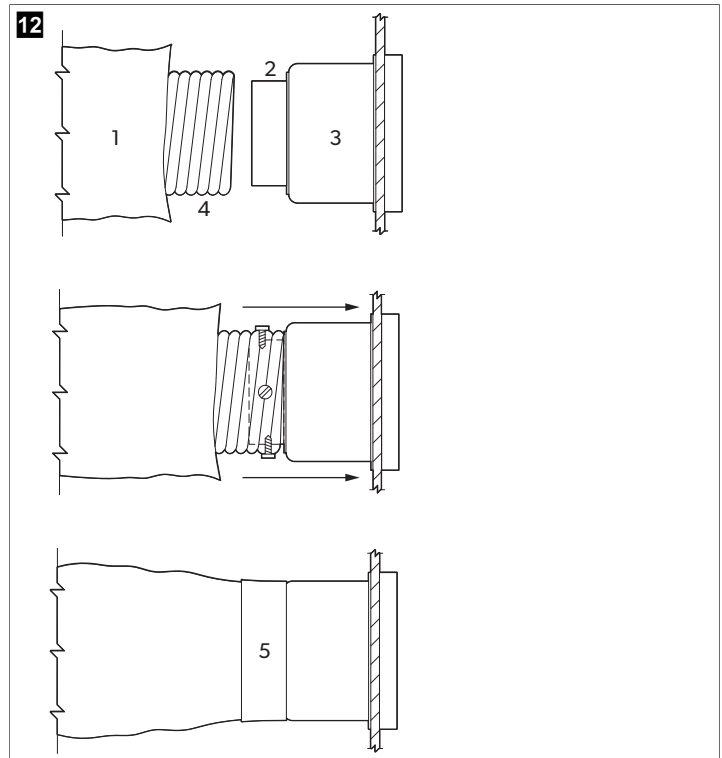
7.2 Instalación de los conductos

Al instalar los conductos, se deben tener en cuenta las siguientes condiciones:

- Los conductos deben tener el tamaño apropiado para su aplicación.
- Realice el tendido de los conductos de la forma más directa y precisa posible, minimizando el número de curvas y bucles de 90,00 ° que puedan reducir el paso del aire.
- Fije bien los conductos para evitar que se caigan.
- No permita que los conductos se aplanen o se doblen.
- Recorte el exceso de longitud de los conductos después de la instalación.
- Aísle los conductos cuando estén ubicados en áreas de alta temperatura.
- Aísle los conductos cuando estén ubicados en áreas de alta temperatura.
- No dirija los conductos a través de una sala de máquinas o cualquier área donde puedan estar expuestos a vapores peligrosos o gases de escape.

Si se utiliza una caja de transición, el área total de los conductos de suministro de aire que salen de la caja debe ser al menos igual al área total de los conductos de suministro que entran en la caja. Véase Especificaciones en la página 27

Conexiones de conductos



- 1 Aislamiento de fibra de vidrio
2 Anillo de montaje
3 Caja de transición
4 Manguera interior de mylar del conducto
5 Cinta adhesiva

- Deslice la manguera interior de mylar del conducto alrededor del anillo de montaje hasta la caja de transición.
- Atornille tres o cuatro tornillos de acero inoxidable a través de la manguera de mylar del conducto en el anillo de montaje, agarrando dos o tres cables con las cabezas de los tornillos.
- Deslice el aislamiento de fibra de vidrio alrededor de la manguera interior de mylar del conducto hasta la caja de transición. Fije con cinta adhesiva para conductos.

7.3 Instalación del sistema de agua de mar



¡AVISO!

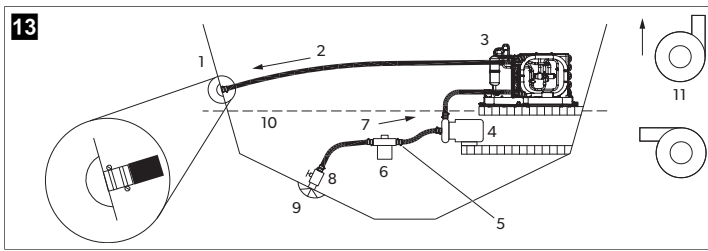
El incumplimiento de este procedimiento anulará la garantía.

Al poner en marcha el sistema de agua de mar, hay que tener en cuenta las siguientes consideraciones:

- El filtro debe estar debajo de la bomba.
- Las mangueras deben tener una doble abrazadera.
- Las mangueras no deben tener torceduras, bucles o puntos altos donde el aire pueda quedar atrapado.
- La bomba y el filtro deben estar por debajo de la línea de flotación.
- La entrada pasacascos, la válvula de bola, la manguera y el filtro no deben ser más pequeños que la entrada de la bomba.
- Instale el conector del pasacascos lo más abajo posible de la línea de flotación.
- La bomba tiene que tener un pasacascos específico.
- Evite en la medida de lo posible los conectores con un ángulo de 90,00 °.
- Asegúrese de que el cabezal de la bomba esté orientado hacia la dirección del flujo de agua.
- Utilice cinta de teflón en todas las conexiones roscadas.

Consulte Especificaciones en la página 27 para conocer los valores de presión y temperatura del agua máximos y mínimos.

Sistema de agua de mar



- | | |
|--------------------------------|---|
| 1 Salida de agua de mar | 7 Flujo de entrada ascendente |
| 2 Flujo de salida | 8 Válvula de bola |
| 3 Equipo de aire acondicionado | 9 Entrada de fondo con pasacascos |
| 4 Bomba de agua de mar | 10 Nivel del agua |
| 5 Abrazaderas de manguera | 11 Corrija las orientaciones del filtro del cabezal de la bomba |
| 6 Filtro | |

1. Instale una entrada de agua de mar de fondo con pasacascos lo más cerca posible de la quilla y lo más lejos posible de la línea de flotación. Fije la entrada de fondo con pasacascos usando un sellador para aplicaciones marinas formulado para uso subacuático.
2. Instale un grifo de fondo de bronce de flujo completo en la entrada de agua de mar de fondo con pasacascos.
3. Instale un filtro de agua de mar por debajo del nivel de la bomba con acceso al filtro.
4. Monte la bomba por encima del filtro y al menos un pie por debajo de la línea de flotación.
5. Conecte el grifo de fondo y el filtro con una manguera reforzada con flujo ascendente de grado marino.
6. Conecte la descarga de la bomba en sentido ascendente a la entrada inferior del serpentín del condensador del equipo de aire acondicionado con una manguera reforzada de aplicaciones marinas de 5/8 pulgadas (0,63 in (16,0 mm)).
7. Conecte la descarga del serpentín del condensador al conector del pasacascos de descarga por la borda con una manguera reforzada de aplicaciones marinas de 5/8 pulgadas.
8. Evite bucles, puntos altos y el uso de codos de 90,00 ° en la manguera de agua de mar. Cada codo de 90,00 ° equivale 2,5 ft (0,76 m) a (29,92 in (76,00 cm)) de manguera y un codo de 90° en la salida de la bomba equivale a 20,0 ft (6,10 m) (240,16 in (610,00 cm)) de manguera.
9. Fije con una doble abrazadera todas las conexiones de manguera utilizando dos abrazaderas de acero inoxidable, invirtiendo las abrazaderas donde sea necesario.
10. Conecte todas las partes metálicas en contacto con el agua de mar al sistema de unión equipotencial del barco.

7.4 Realización de las conexiones eléctricas



¡ADVERTENCIA! PELIGRO DE DESCARGA ELÉCTRICA.

Desconecte siempre el disyuntor de suministro eléctrico del equipo de aire acondicionado antes de abrir la caja eléctrica. El incumplimiento de esta advertencia puede ocasionar la muerte o lesiones graves.



¡AVISO!

El equipo de aire acondicionado debe estar conectado al sistema de unión equipotencial de la embarcación para evitar la corrosión debida a una corriente eléctrica dispersa. Todas las bombas, válvulas metálicas y accesorios en el circuito de agua de mar que están aislados del equipo de aire acondicionado por medio de mangueras de PVC o de goma, deben estar unidos individualmente al sistema de unión equipotencial de la embarcación.



NOTA La falta de conexión a tierra y de unión equipotencial del sistema anulará la garantía.

Todas las unidades de acondicionamiento disponen de una regleta de bornes, etiquetada para su correcta conexión, en el interior de la caja eléctrica. El diagrama de cableado en el interior de la caja eléctrica sustituye las normas ABYC. Utilice el disyuntor correcto para proteger el sistema como se especifica en la etiqueta de la placa de datos de la unidad de aire acondicionado. Se debe usar un cable de barco de 12 AWG como mínimo para suministrar energía al equipo de aire acondicionado y a la bomba de agua de mar. Realice todas las conexiones utilizando terminales redondos o de horquilla de seguridad.

Para las conexiones eléctricas, hay que tener en cuenta lo siguiente:

- La conexión a tierra de corriente alterna (CA) debe conectarse al terminal de tierra (GRND) en el bloque de terminales de entrada de alimentación de CA.
- Las conexiones entre el conductor de puesta a tierra del sistema de CA del buque y el sistema negativo o de unión equipotencial de corriente continua (CC) del buque deben realizarse como parte del cableado del buque. Al realizar el mantenimiento o sustituir un equipo existente que contenga un pasador de puesta a tierra montado en el chasis, compruebe el cableado del barco para estas conexiones.
- Los equipos de aire acondicionado TX están diseñados para funcionar con corriente alterna o corriente continua de alta tensión. Consulte el diagrama de cableado de la embarcación para conocer su correcto emplazamiento.

Asegúrese de que la toma de tierra de CA del equipo de aire acondicionado está correctamente conectada a la toma de tierra de CA de la embarcación. Dentro del propio barco, asegúrese de que el bus de tierra de CA está conectado al bus de tierra de CC en un solo punto.

8 Eliminación



Si es posible, deseche el material de embalaje en los contenedores de reciclaje adecuados. Consulte con un punto limpio o con un distribuidor especializado para obtener más información sobre cómo eliminar el producto de acuerdo con las normativas aplicables de eliminación.

9 Garantía

Consulte las siguientes secciones para obtener información sobre garantía y asistencia para garantía en EE. UU., Canadá y el resto de regiones.

Estados Unidos y Canadá

GARANTÍA LIMITADA DISPONIBLE EN DOMETIC.COM/EN-US/TERMS-AND-CONDITIONS-CONSUMER/WARRANTY. SI TIENE PREGUNTAS O DESEA OBTENER UNA COPIA SIN COSTO DE LA GARANTÍA LIMITADA, CONTACTE CON:

DOMETIC CORPORATION
MARINE CUSTOMER SUPPORT CENTER
2000 NORTH ANDREWS AVENUE
POMPANO BEACH, FLORIDA, USA 33069
1-800-542-2477

Países de Asia y el Pacífico (APAC)

Si el producto no funciona como debería, póngase en contacto con su punto de venta o con la sucursal del fabricante de su país (consulte dometic.com/dealer). La garantía aplicable a su producto es de 1 año(s).

Para tramitar la reparación y la garantía, incluya los siguientes documentos cuando envíe el aparato:

- Una copia de la factura con fecha de compra
- El motivo de la reclamación o una descripción de la avería

Tenga en cuenta que una reparación por medios propios o no profesionales puede tener consecuencias de seguridad y suponer la anulación de la garantía.

Solo en Australia

Nuestros productos tienen garantías que no pueden ser excluidas en virtud de la Ley del Consumidor de Australia. Tiene derecho a una sustitución o reembolso por una avería importante y a una indemnización por cualquier otra pérdida o daño razonablemente previsible. También tiene derecho a que se reparen o sustituyan los productos si estos no son de calidad aceptable y el fallo no representa una avería importante.

Solo en Nueva Zelanda

Esta política de garantía está sujeta a las condiciones y garantías obligatorias según lo establecido por la Ley de Garantías del Consumidor de 1993 (NZ).

Todas las demás regiones

Se aplica el período de garantía estipulado por la ley. Si el producto es defectuoso, póngase en contacto con la sucursal del fabricante de su país (consulte dometic.com/dealer) o con su punto de venta.

Para tramitar la reparación y la garantía, incluya los siguientes documentos cuando envíe el aparato:

- Una copia de la factura con fecha de compra
- El motivo de la reclamación o una descripción de la avería

Tenga en cuenta que una reparación por medios propios o no profesionales puede tener consecuencias de seguridad y suponer la anulación de la garantía.

Português

1	Notas importantes.....	34
2	Explicação dos símbolos.....	34
3	Grupo alvo.....	35
4	Utilização adequada.....	35
5	Dados técnicos.....	35
6	Pré-instalação.....	36
7	Instalação.....	37
8	Eliminação.....	40
9	Garantia.....	40

1 Notas importantes

Leia atentamente as presentes instruções e siga todas as instruções, orientações e avisos incluídos neste manual, de modo a garantir a correta instalação, utilização e manutenção do produto. É OBRIGATORIO manter estas instruções junto com o produto.

Ao utilizar o produto, está a confirmar que leu atentamente todas as instruções, orientações e avisos, e que compreende e aceita cumprir os termos e condições estabelecidos no presente manual. Aceita utilizar este produto exclusivamente para o fim e a aplicação a que se destina e de acordo com as instruções, orientações e avisos estabelecidos neste manual, assim como de acordo com todas as leis e regulamentos aplicáveis. Caso não leia nem siga as instruções e os avisos aqui estabelecidos, poderá sofrer ferimentos pessoais ou causar ferimentos a terceiros e o produto ou outros materiais nas proximidades poderão ficar danificados. Este manual do produto, incluindo as instruções, orientações e avisos, bem como a documentação relacionada, podem estar sujeitos a alterações e atualizações. Para consultar as informações atualizadas do produto, visite documents.dometic.com.

2 Explicação dos símbolos

As palavras de advertência identificam mensagens de segurança e mensagens de danos à propriedade, assim como o grau ou nível de seriedade do perigo.



AVISO!

Indica uma situação perigosa que, se não for evitada, pode causar a morte ou ferimentos graves.



NOTA!

Indica uma situação que, se não for evitada, pode causar danos materiais.



OBSERVAÇÃO Informações complementares para a utilização do produto.

2.1 Diretivas suplementares

Para reduzir o risco de acidentes e lesões, tenha em atenção as seguintes diretrizes antes de prosseguir com a instalação deste equipamento:

- Leia e siga todas as informações e instruções de segurança.
- Leia e entenda estas instruções antes da instalação deste produto.
- A instalação deve cumprir com todos os códigos nacionais ou locais aplicáveis, incluindo as últimas edições das seguintes normas:
 - American Boat and Yacht Council (ABYC)
 - ANSI/NFPA 70, National Electrical Code (NEC)

2.2 Indicações de segurança



AVISO! RISCO DEVIDO A MONÓXIDO DE CARBONO

O incumprimento destas advertências poderá resultar em morte ou ferimentos graves:

- > **Não** instale ou opere um ar condicionado autónomo no porão ou na casa de máquinas ou perto de um motor de combustão interna. Certifique-se de que o local selecionado está vedado de acesso direto de vapores ao porão e/ou à casa de máquinas.
- > Verifique se o tubo de saída da água de condensação está devidamente instalado e vedado. **Não** ligue o tubo de saída da água de condensação

a menos de (0,91 m) de qualquer saída de um sistema de exatção de um motor ou gerador, num compartimento que contenha um motor ou gerador ou num porão, a não ser que a saída esteja devidamente ligada a uma bomba de água de condensação vedada ou a um sistema de bomba para os porões de recolha do duche. Se o tubo de saída da água não estiver instalado de forma adequada, fumos perigosos podem subir pela linha do tubo de saída da água e contaminar os quartos.

- > **Não** instale o ar condicionado num local no qual ele possa emitir monóxido de carbono, vapores de combustível ou outros fumos nocivos nos habitáculos da embarcação.



AVISO! Risco de eletrocussão

A instalação apenas pode ser realizada por um electricista qualificado.



AVISO! PERIGO DE CHOQUE ELÉTRICO, INCÊNDIO E/OU EXPLOÇÃO.

O não cumprimento destas precauções pode resultar em morte ou ferimentos graves.

Este aparelho **não** se destina a ser utilizado por pessoas (incluindo crianças) com capacidades físicas, sensoriais ou mentais reduzidas, ou falta de experiência e conhecimento, a menos que eles tenham sido supervisionados ou instruídos no que diz respeito à utilização do aparelho por uma pessoa responsável pela sua segurança. As crianças devem ser supervisionadas, por forma a garantir que **não** brincam com o aparelho. A limpeza e a manutenção **não** podem ser efetuadas por crianças sem supervisão. Este aparelho **não** deve estar acessível ao público geral.



AVISO! PERIGO DE EXPLOÇÃO.

O não cumprimento destas precauções pode resultar em morte ou ferimentos graves.

Não instale o ar condicionado num local que contenha motores a gasolina, tanques, cilindros de LPG/CPG, reguladores, válvulas ou encaixes de linha de combustível. Salvo indicação em contrário, as unidades autónomas **não** cumprem os requisitos federais de proteção contra ignição. O incumprimento deste aviso poderá resultar em morte ou ferimentos graves.



AVISO! PERIGO DE CHOQUES ELÉTRICOS.

O não cumprimento destas precauções pode resultar em morte ou ferimentos graves.

- > Certifique-se de devidamente ligar à terra o ar condicionado para minimizar o perigo de choques elétricos. Consulte as orientações de instalação para mais informações.
- > Cada ar condicionado requer um disjuntor dedicado. Se apenas um ar condicionado estiver instalado, a bomba de água do mar **não** requer um disjuntor. Se duas ou mais unidades de ar condicionado usarem a mesma bomba de água do mar, a cablagem da bomba será ligada a um painel de relé de bomba (PRP), o que, por sua vez, tem seu próprio disjuntor dedicado dimensionado para a bomba (máx. 20 A). Consulte o diagrama da cablagem fornecido com o PRP. As ligações elétricas no porão e/ou abaixo do nível da água devem utilizar ligações de cabo impermeabilizantes termorretráteis.
- > A cablagem de campo **deve** cumprir com os códigos elétricos ABYC. A energia para a unidade deve estar dentro da faixa de voltagem de funcionamento indicada na placa de identificação de tipo. **Devem** ser instalados fusíveis adequadamente dimensionados ou disjuntores HACR para proteção do circuito. Consulte a placa de identificação de tipo para saber o tamanho máximo do fusível/disjuntor (MFS) e a capacidade mínima do circuito (MCA).



NOTA!

Este aparelho contém gases de efeito estufa fluorados em equipamento hermeticamente fechado. Consulte a placa de identificação de tipo de produto da unidade de condensação para obter a quantidade de refrigerante apresentada em peso e GWP. O refrigerante adicionado deve ser anotado no rótulo da unidade.

3 Grupo alvo



A instalação mecânica e elétrica e a configuração do dispositivo devem ser realizadas por um técnico qualificado que tenha demonstrado habilidade e conhecimento relacionados com a construção e operação de equipamentos e instalações marinhas, que esteja familiarizado com as regulamentações aplicáveis do país onde o equipamento será instalado e/ou utilizado, e que tenha recebido treinamento em segurança para identificar e evitar os perigos envolvidos.

4 Utilização adequada

Este manual destina-se à instalação dos sistemas de ar condicionado autónomos DCU, DLU, DTG, ECD e TX (daqui em diante referidos como ar condicionado). O ar condicionado destina-se a ser utilizado em embarcações e iates. Este ar condicionado destina-se exclusivamente à aplicação e aos fins pretendidos com base nestas instruções.

Este produto destina-se exclusivamente à aplicação e aos fins pretendidos com base nestas instruções.

Este manual fornece informações necessárias para proceder a uma instalação e/ou a uma operação adequadas do produto. Uma instalação e/ou uma operação ou manutenção incorretas causarão um desempenho insatisfatório e uma possível avaria.

O fabricante não aceita qualquer responsabilidade por danos ou prejuízos no produto resultantes de:

- Instalação, montagem ou ligação incorretas, incluindo sobretensões
- Manutenção incorreta ou utilização de peças sobressalentes não originais fornecidas pelo fabricante
- Alterações ao produto sem autorização expressa do fabricante
- Utilização para outras finalidades que não as descritas no presente manual

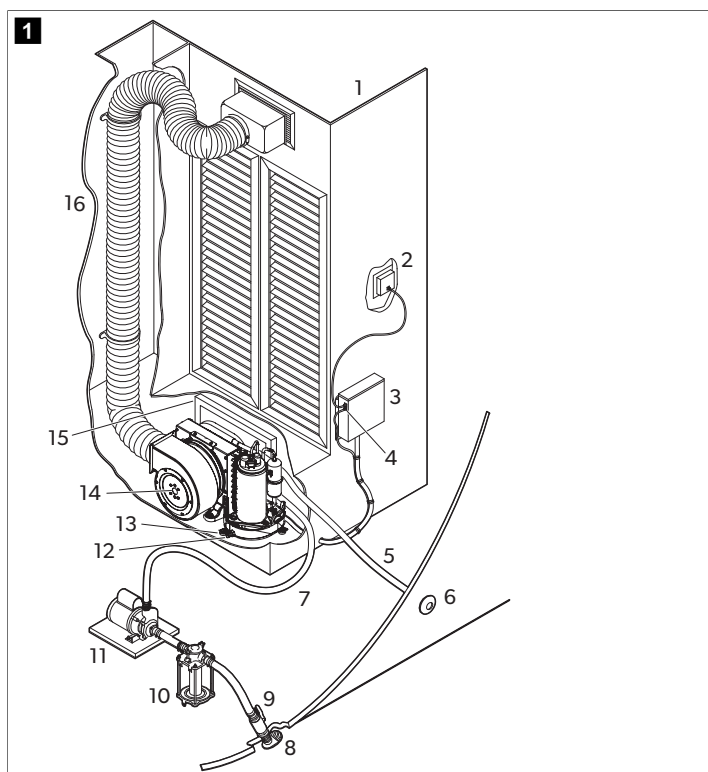
A Dometic reserva-se o direito de alterar o design e as especificações do produto.

5 Dados técnicos

Leia estas instruções na íntegra e, em seguida, planeie as ligações que devem ser feitas ao ar condicionado (incluindo a tubagem, o tubo de saída da água de condensação, as manguerias de entrada e saída de água do mar, as ligações de energia elétrica, a localização do controlo e o posicionamento da bomba de água do mar), para garantir um acesso fácil à instalação e manutenção futura.

5.1 Localizações das peças

Identificação dos componentes do sistema de ar condicionado



- | | | | |
|---|--|----|---|
| 1 | Grade de fornecimento de ar e caixa de transição | 9 | Válvula de corte |
| 2 | Monitor digital | 10 | Filtro da água do mar |
| 3 | Quadro elétrico | 11 | Bomba |
| 4 | Cabo do sensor de ar remoto opcional | 12 | Espiga de mangueria da saída de água de condensação |
| 5 | Mangueria de saída de água do mar | 13 | Suporte de montagem |
| 6 | Descarga de excesso | 14 | Ar condicionado |
| 7 | Mangueria de entrada de água do mar | 15 | Grade e filtro de ar de retorno |
| 8 | Entrada de recolha de água do mar através do casco | 16 | Tubagem flexível isolada através do casco |

5.2 Especificações

Esta secção contém os dados de especificações do ar condicionado.

Tabela 9: Tamanho mínimo da tubagem e grade por capacidade BTU

	3.5 k BTU	6 k BTU	8 k BTU	10 k BTU
Diâmetro mínimo da tubagem	3,00 in (76,2 mm)	4,00 in (101,6 mm)	5,00 in (127,0 mm)	6,00 in (152,4 mm)
Área mínima da tubagem	6,8 in ² (43,9 cm ²)	12,6 in ² (81,3 cm ²)	19,6 in ² (126,5 cm ²)	28,3 in ² (182,6 cm ²)
Grade de retorno mínimo de ar	64,0 in ² (412,9 cm ²)	64,0 in ² (412,9 cm ²)	80,0 in ² (516,2 cm ²)	100,0 in ² (645,2 cm ²)
Grade de fornecimento mínimo de ar	12,0 in ² (77,4 cm ²)	32,0 in ² (206,5 cm ²)	48,0 in ² (309,7 cm ²)	60,0 in ² (387,1 cm ²)
	12 k BTU	16 k BTU	18 k BTU	27 k BTU
Diâmetro mínimo da tubagem	6,00 in (152,4 mm)	7,00 in (177,8 mm)	7,00 in (177,8 mm)	8,00 in (203,2 mm)
Área mínima da tubagem	28,3 in ² (182,6 cm ²)	38,5 in ² (248,4 cm ²)	38,5 in ² (248,4 cm ²)	50,3 in ² (324,5 cm ²)

	12 k BTU	16 k BTU	18 k BTU	27 k BTU
Grade de retorno mínimo de ar	130,0 in ² (838,8 cm ²)	160,0 in ² (1032,3 cm ²)	200,0 in ² (1290,4 cm ²)	240,0 in ² (1548,5 cm ²)
Grade de fornecimento mínimo de ar	70,0 in ² (451,6 cm ²)	80,0 in ² (516,2 cm ²)	100,0 in ² (645,2 cm ²)	120,0 in ² (774,2 cm ²)

Tabela 10: Temperatura e pressão de funcionamento da água

Temperatura mínima de funcionamento da água	40,0 °F (4,44 °C)
Temperatura máxima de funcionamento da água	80,0 °F (26,66 °C)
Pressão mínima de funcionamento da água	4,2 psi (0,29 bar) (29,00 kPa)
Pressão máxima de funcionamento da água	6,00 psi (0,41 bar) (41,4 kPa)

i **OBSERVAÇÃO** A unidade pode funcionar fora dessas condições com capacidade reduzida.

6 Pré-instalação

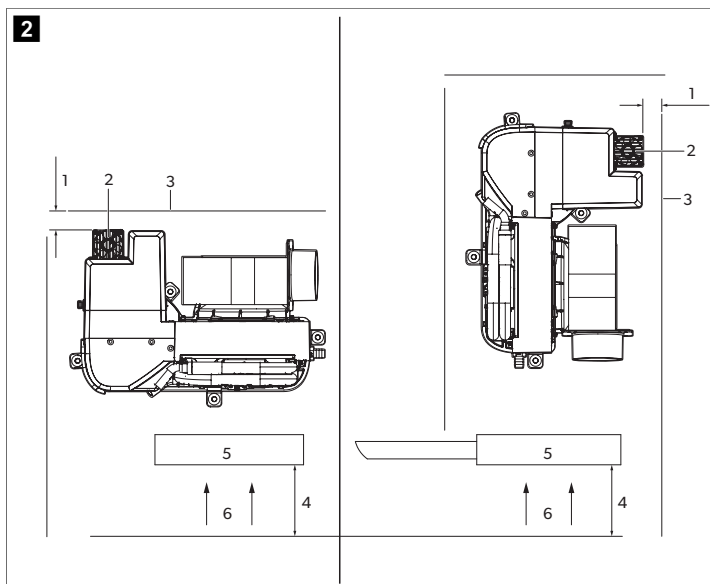
! **NOTA!** Os tabuleiros de base de condensação autônoma DTG e TX estão equipadas com isolantes de vibração instalados no fundo da base. Estes isolantes foram concebidos para atenuar as vibrações causadas pelo funcionamento do ar condicionado, impedindo a sua transferência para a superfície montada. Deve-se tomar cuidado ao mover o ar condicionado pela superfície de montagem, uma vez que os isolantes podem ser danificados.

! **NOTA!** O ar condicionado deve ser montado numa superfície baixa, plana e nivelada, como no fundo de um cacifo, por baixo de um beliche ou de um assento da copa, ou num local semelhante.

Esta seção explica como preparar o ar condicionado para instalação.

6.1 Determine o local de instalação

Posicionamento do TX em relação ao fluxo de ar

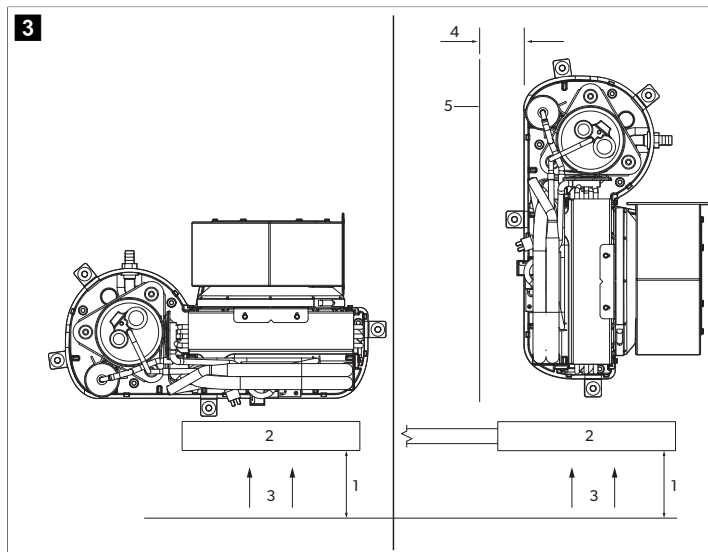


1 3,00 in (7,62 cm)

4 4,00 in (10,16 cm)

- 2 Dissipador de calor
3 Antepara
5 Grade de ar de retorno
6 Fluxo de ar

Posicionamento de todas as outras unidades de ar condicionado em relação ao fluxo de ar



1 4,00 in (10,16 cm)

4 3,00 in (7,62 cm)

2 Grade de ar de retorno

5 Antepara

3 Fluxo de ar

Escolha um local com fluxo de ar suficiente. A grade de ar de retorno deve ter um mínimo de 4,00 in (10,16 cm) de circulação de ar à sua frente, livre de obstruções.

Se o ar condicionado estiver posicionado perpendicularmente à grade de ar de retorno, mantenha um mínimo de 3,00 in (7,62 cm) de espaço circulação de ar no lado de entrada de ar.

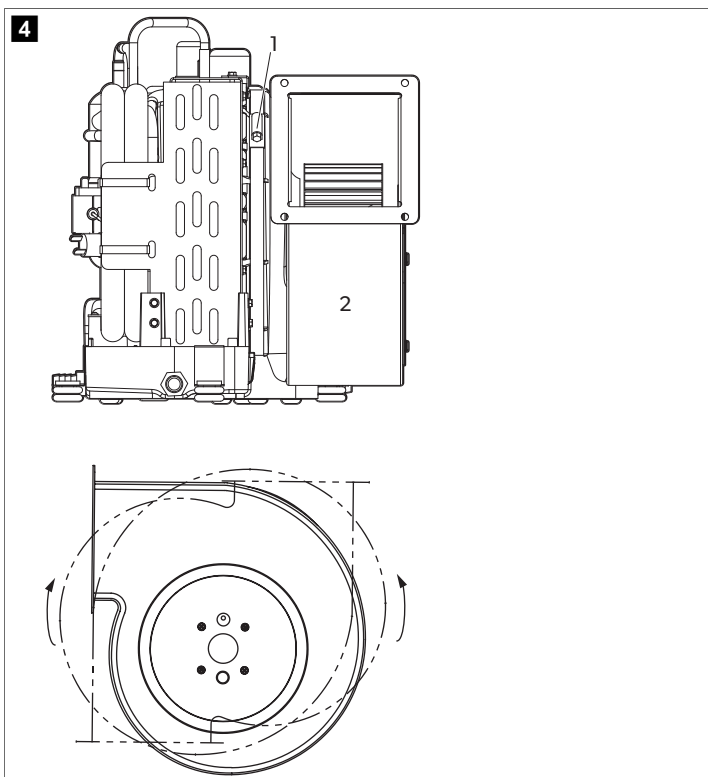
Apenas o TX: Assegure uma área aberta mínima de 2,99 in (76,0 mm) acima e abaixo do dissipador de calor.

6.2 Rodar o soprador

Esta seção explica como rodar o soprador para cada tipo de unidade. Se necessário, rode o soprador para a direção que permite a descarga do fluxo de ar mais direta através da tubagem.

6.2.1 Sopradores DTG e TX

Rotação dos ventiladores dos sistemas DTX e TX



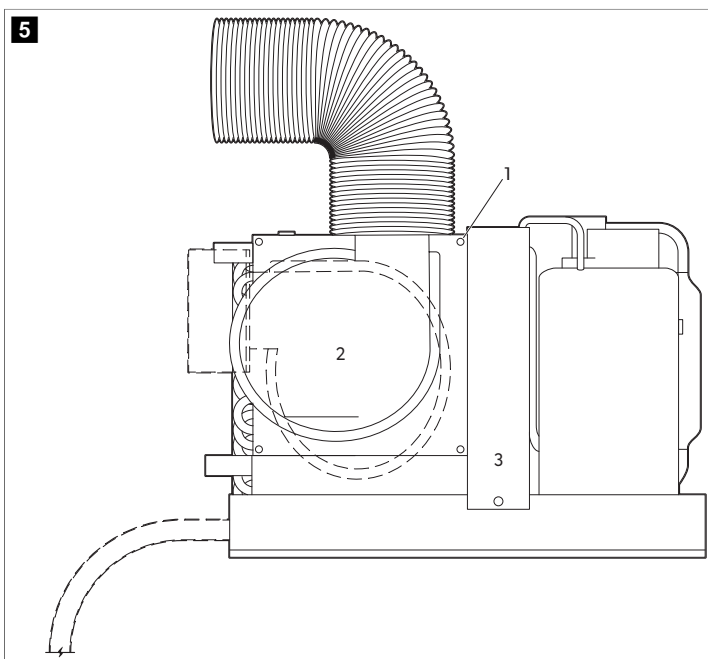
1 Adjustment screw

2 Blower

1. Solte os parafusos de ajuste do anel de montagem do soprador.
2. Rode o soprador até a posição pretendida.
3. Aperte os parafusos de ajuste.

6.2.2 Sopradores MCS e ECD

Rotação do soprador do sistema MCS e ECD



1 Screw

2 Matricula

3 Ventilação

1. Remova os sete parafusos da placa.
2. Rode o soprador até a posição pretendida.
3. Fixe o soprador no lugar usando parafusos autorroscantes (não fornecidos).

6.3 Colocação dos filtros de ar

Os filtros de ar removem partículas suspensas do ar da cabina e mantêm a bobina do evaporador limpa. Para cada ar condicionado, posicione um filtro de ar no sistema de ar condicionado ou na grade de ar de retorno.

6.4 Colocação das grades e as caixas de transição

Tenha em atenção ao seguinte ao colocar as grades e as caixas de transição:

- Instale a grade de fornecimento de ar o mais alto possível num local que distribua o ar de forma adequada por toda a cabina. Direcione as lâminas da grade para cima.
- Instale a grade de ar de retorno o mais baixo e o mais perto possível do ar condicionado para garantir fluxo de ar ao evaporador.
- Não aponte a descarga de fornecimento de ar para a grade de ar de retorno, caso contrário a unidade será ligada e desligada em intervalos curtos.
- Deixe espaço adequado atrás da grade de fornecimento de ar para a caixa de transição e a ligação da tubagem. Consulte Especificações na página 35

7 Instalação

Esta seção explica como instalar o ar condicionado autónomo.

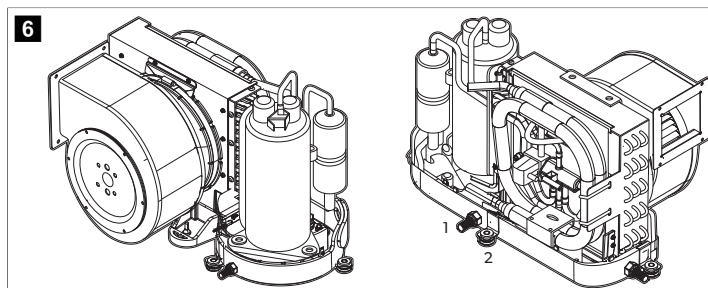
7.1 Instalar os suportes de montagem e saída de água de condensação



NOTA!

Para evitar fissuras no tabuleiro de drenagem, não utilize mais do que duas camadas de fita adesiva para enrolar a espiga da mangueira e não a aperte demasiado.

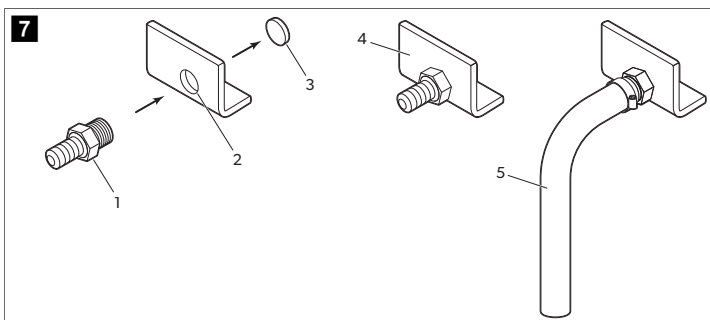
Posicionamento típico dos suportes de montagem e das saídas de água de condensação



1 Espiga de mangueira da saída de água de condensação

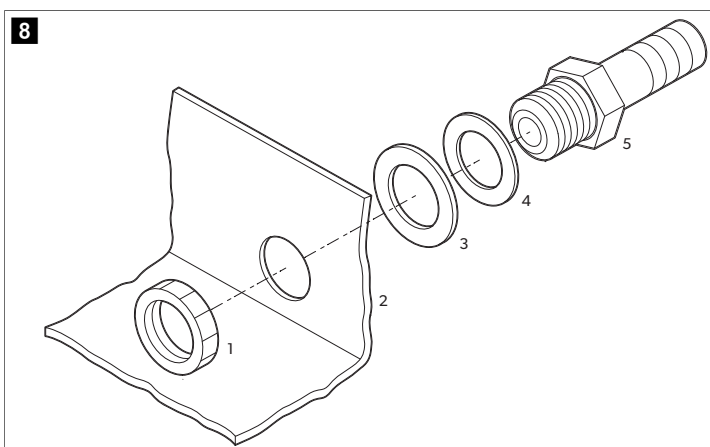
2 Suporte de montagem

Instalar a saída de água de condensação no DTG e no TX



- 1 Hose barb
2 Orifício de drenagem roscado
3 Escareador-extrator
4 Drain pan
5 Mangueira de drenagem

Instalar a saída de água de condensação em todas as outras unidades de ar condicionado

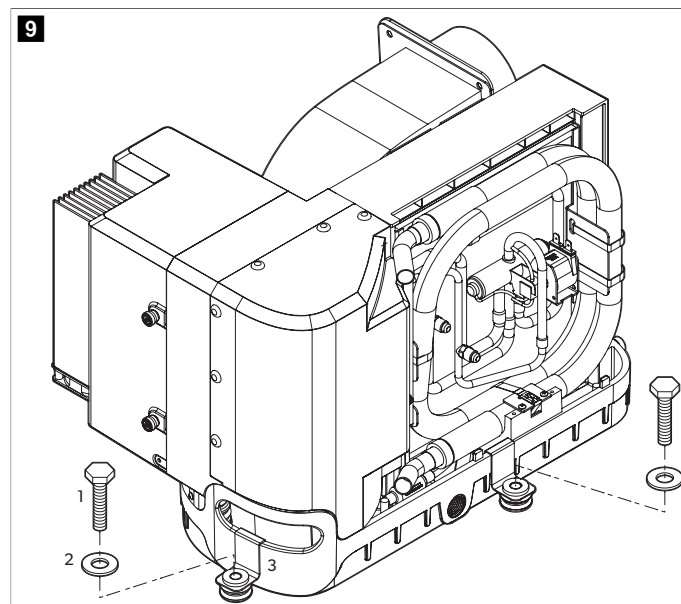


- 1 Locking nut
2 Tabuleiro de drenagem
3 Arruela de vedação de líquido
4 Solid washer
5 Encaixe de PVC de 0,5 in (12,7 mm) HB x 0,5 in (12,7 mm) MPT

- Utilize a espiga de mangueira para extrair um escareador de um orifício de drenagem virado para popa, aplicando um golpe rápido com um martelo de borracha. Descarte o escareador extraído.
- Para unidades DTG e TX:
 - Envolve a extremidade roscada da espiga de mangueira com fita adesiva.
 - Aparafuse a espiga da mangueira no orifício de drenagem roscado e aperte com firmeza.
- Para todos os outros sistemas de ar condicionado:
 - Enrosque a espiga de mangueira por uma arruela sólida e arruela de vedação de água e insira-a no orifício de drenagem.
 - Fixe com uma porca de fixação.
- Fixe a mangueira de drenagem à espiga de mangueira com uma braçadeira de mangueira em aço inoxidável.

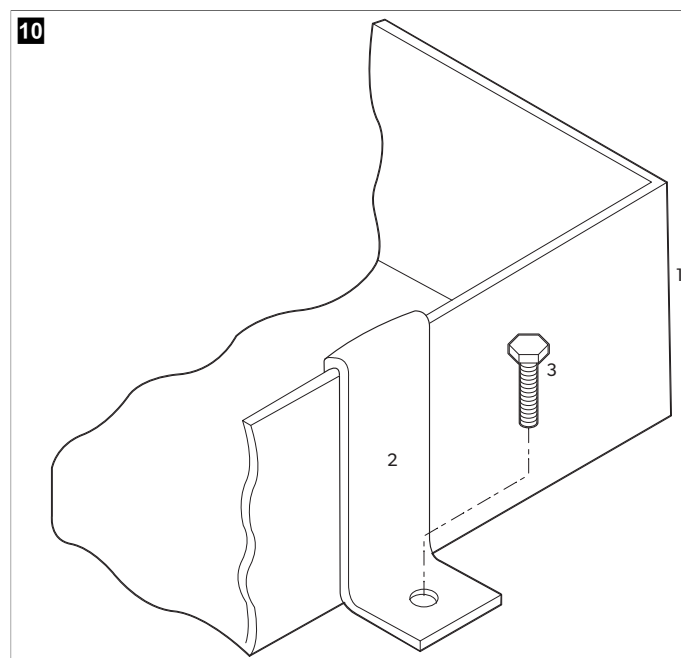
- Encaminhe a mangueira de drenagem para um ponto de recolha adequado e seguro.

Instalar o suporte de montagem para unidades DTG e TX



- 1 Parafuso de montagem (não fornecido)
2 Arruela de para-lama (fornecida)
3 Suporte de montagem (fornecido)

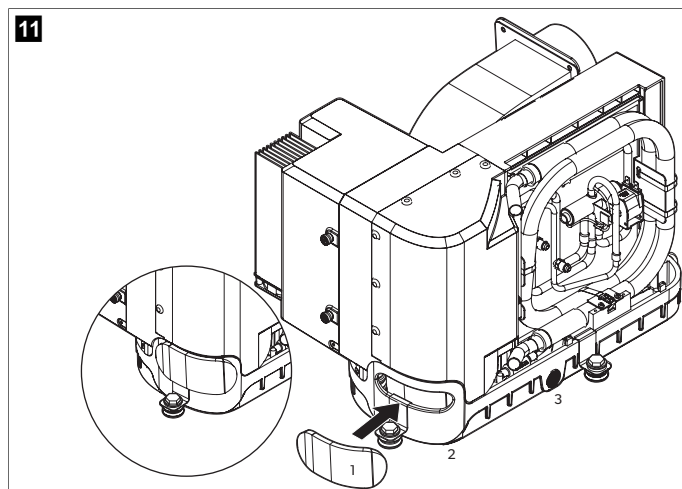
Instalar o suporte de montagem em todas as outras unidades de ar condicionado



- 1 Tabuleiro de drenagem
2 Suporte de montagem
3 Parafuso de montagem (não fornecido)

6. Instale um suporte de montagem de cada lado do tabuleiro de drenagem espaçados uniformemente.

Instalar o isolamento da pega de espuma nas unidades TX



- 1 Isolamento da pega de espuma
2 Abertura da pega
3 Tabuleiro de drenagem

7. Para unidades TX:

- Retire a película que cobre a película adesiva no isolamento da pega de espuma.
- Posicione o isolamento da pega de espuma para cobrir completamente a abertura da pega com o lado adesivo virado para o tabuleiro de drenagem.
- Pressione em torno da abertura da pega para aderir o isolamento da pega de espuma ao tabuleiro de drenagem.

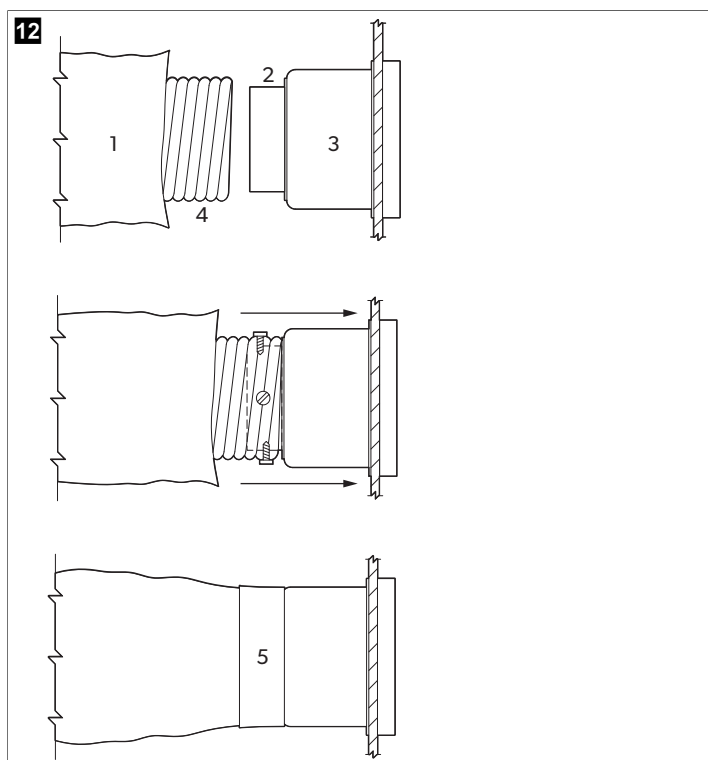
7.2 Instalar a tubagem

Tenha atenção às condições a seguir durante a instalação da tubagem:

- A tubagem deve ser dimensionada adequadamente para sua aplicação.
- A tubagem deve percorrer um caminho tão reto, suave e esticado quanto possível, minimizando o número de curvas e dobras de 90,00°, o que pode reduzir o fluxo de ar.
- Fixe a tubagem de forma segura para evitar que ceda.
- Não permita que a tubagem seja amassada ou dobrada.
- Elimine excessos de comprimento da tubagem a seguir à instalação.
- Isole a tubagem quando estiver localizada em áreas de temperaturas altas.
- Isole a tubagem quando estiver localizada em áreas de temperaturas altas.
- Não direcione a tubagem através de sala de máquinas ou qualquer área em que possa ficar exposta a vapores perigosos ou gases de escape.

Se uma caixa de transição for utilizada, a área total de tubagem de fornecimento de saída de ar da caixa deve ser, pelo menos, igual à área total da tubagem de fornecimento de entrada de ar na caixa. Consulte Especificações na página 35

Ligações da tubagem



- 1 Isolamento de fibra de vidro
2 Anel de montagem
3 Caixa de transição
4 Mangueira de tubulação interna Mylar
5 Fita adesiva

- Deslize a mangueira da tubagem Mylar interna em torno do anel de montagem para a caixa de transição.
- Parafuse três ou quatro parafusos de aço inoxidável através da mangueira de tubagem Mylar para dentro do anel de montagem, capturando dois ou três fios com as cabeças dos parafusos.
- Deslize o isolamento de fibra de vidro em torno da mangueira da tubagem Mylar interna para a caixa de transição. Prenda com fita adesiva.

7.3 Instalar o sistema de água do mar



NOTA!

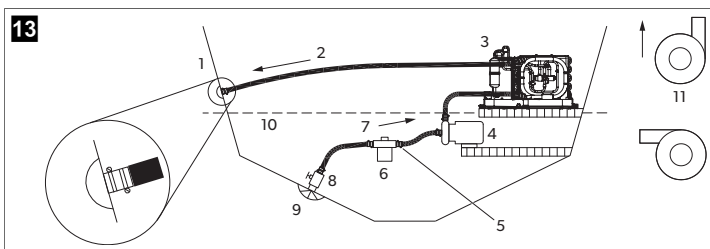
Não seguir este procedimento irá invalidar a garantia.

Tenha em atenção as seguintes considerações ao instalar o sistema de água do mar:

- O filtro deve ficar debaixo da bomba.
- Mangueiras devem ser fixas duplamente.
- As mangueiras não podem ter dobras, voltas ou pontos altos nos quais o ar podem ficar preso.
- A bomba e o filtro deve estar abaixo do nível da água.
- A entrada através do casco, a válvula esférica, a mangueira e o filtro não podem ser menores que a entrada da bomba.
- Instale o encaixe através do casco o mais abaixo do nível da água possível.
- A bomba deve ter um "através do casco" dedicado.
- Evite ao máximo encaixes em ângulo de 90,00°.
- Certifique-se de que a cabeça da bomba está rotacionada na direção do fluxo de água.
- Utilize fita adesiva em todas as ligações roscadas.

Consulte Especificações na página 35 para obter informações sobre os valores de pressão e temperatura máxima e mínima da água.

Sistema de água do mar



- | | |
|-------------------------------|--|
| 1 Saída da água do mar | 7 Entrada de fluxo ascendente |
| 2 Fluxo de saída | 8 Válvula esférica |
| 3 Ar condicionado | 9 Entrada de recolha de água através do casco |
| 4 Bomba para água do mar | 10 nível da água |
| 5 Braçadeiras para mangueiras | 11 Corretas orientações do filtro de rede da cabeça da bomba |
| 6 Filtro de rede | |

1. Instale uma entrada de recolha de água através do casco o mais próximo da quilha e o mais abaixo do nível da água possível. Preencha a entrada de recolha de água através do casco utilizando uma massa de vedação de grade marítima concebida para utilização subaquática.
2. Instale uma válvula de fluxo total, de bronze, na entrada de recolha de água do mar através do casco.
3. Instale um coador de água do mar abaixo do nível da bomba com acesso ao filtro.
4. Monte a bomba acima do coador e a pelo menos um pé abaixo do nível da água.
5. Ligue a válvula e o coador com um fluxo ascendente de mangueira reforçada da grade marítima.
6. Ligue a descarga da bomba no sentido ascendente à entrada inferior da bobina do condensador do ar condicionado com uma mangueira reforçada de grade marítima de 5/8 pol. (0,63 in (16,0 mm)).
7. Ligue a descarga da bobina do condensador ao encaixe da descarga de excesso através do casco com uma mangueira reforçada de grade marítima de 5/8 pol.
8. Evite curvas, pontos altos ou a utilização de ângulos de 90,00 ° na mangueira de água do mar. Cada ângulo de 90,00 ° é equivalente a 2,5 ft (0,76 m) (29,92 in (76,00 cm)) da mangueira e um ângulo de 90° na saída da bomba é equivalente a 20,0 ft (6,10 m) (240,16 in (610,00 cm)) da mangueira.
9. Fixe duplamente todas as ligações de mangueira usando dois braçadeiras de aço inoxidável, revertendo as braçadeiras quando necessário.
10. Ligue todas as peças metálicas em contacto com água do mar ao sistema de ligações da embarcação.

7.4 Estabelecer ligações elétricas



AVISO! PERIGO DE CHOQUES ELÉTRICOS.

Desligue sempre o disjuntor do ar condicionado antes de abrir o quadro elétrico. O incumprimento deste aviso poderá resultar em morte ou ferimentos graves.



NOTA!

O ar condicionado deve ser ligado ao sistema de ligações da embarcação para evitar corrosão devido à corrente elétrica dispersa. Todas as bombas, válvulas metálicas e encaixes no circuito de água do mar que estiverem isoladas do ar condicionado por mangueiras de PVC ou de borracha devem ser ligadas individualmente ao sistema de ligações da embarcação.



OBSERVAÇÃO Se o sistema não for corretamente ligado à terra, anulará a garantia.

Todas as unidades de ar condicionado têm uma tira de terminais etiquetada para ligação adequada dentro da caixa elétrica. O diagrama de cablagem no quadro elétrico substitui os padrões ABYC. Use a medida correta do disjuntor para proteger o sistema conforme especificado pelo rótulo da placa de identificação de tipo das unidades de

ar condicionado. Deve ser utilizado um cabo de, no mínimo, 12 AWG para fornecer energia ao ar condicionado e à bomba de água do mar. Estabeleça todas as ligações usando terminais tipo anel ou garfo cativo.

Tenha em atenção ao seguinte quando estabelecer as ligações elétricas:

- A ligação à terra de corrente alternada (CA) deve ser ligada ao terminal ligado à terra (GRND) no bloco terminal de entrada de energia de CA.
- As ligações entre o condutor de ligação à terra do sistema de CA da embarcação e o negativo da corrente contínua (CC) ou sistema de ligações da embarcação deve ser feito como parte da cablagem da embarcação. Ao realizar a manutenção ou ao substituir equipamento existente que contém uma ligação à terra montada no chassis, verifique a cablagem da embarcação para essas ligações.
- Os sistemas de ar condicionado TX foram concebidos para funcionar com corrente alternada ou corrente contínua de alta tensão. Consulte o diagrama da cablagem da embarcação para saber o posicionamento correto.

Certifique-se de que a ligação à terra de CA do ar condicionado está devidamente ligada à ligação à terra de CA da embarcação. Dentro da embarcação, certifique-se de que a barra de ligação à terra de CA está ligada à barra de ligação à terra de CC em exatamente um ponto.

8 Eliminação



Sempre que possível, coloque o material de embalagem no respetivo contentor de reciclagem. Informe-se junto do centro de reciclagem ou revendedor mais próximo sobre como eliminar este produto de acordo com as disposições de eliminação aplicáveis.

9 Garantia

Consulte as secções que se seguem para se informar sobre a garantia e o suporte de garantia nos EUA, no Canadá e em todas as outras regiões.

Estados Unidos e Canadá

GARANTIA LIMITADA DISPONÍVEL EM DOMETIC.COM/EN-US/TERMS-AND-CONDITIONS-CONSUMER/WARRANTY. CASO TENHA DÚVIDAS, OU QUEIRA OBTER UMA CÓPIA GRATUITA DA GARANTIA LIMITADA, CONTACTE:

DOMETIC CORPORATION
MARINE CUSTOMER SUPPORT CENTER
2000 NORTH ANDREWS AVENUE
POMPANO BEACH, FLORIDA, USA 33069
1-800-542-2477

Países da região Ásia-Pacífico (APAC)

Se o produto não funcionar como previsto, contacte o seu revendedor ou a filial do fabricante no seu país (consulte dometic.com/dealer). A garantia aplicável ao seu produto é de 1 ano(s).

Para fins de reparação ou de garantia, terá de enviar também os seguintes documentos:

- Uma cópia da fatura com a data de aquisição
- Um motivo de reclamação ou uma descrição da falha

Tenha em atenção que as reparações feitas por si ou por não profissionais podem ter consequências sobre a segurança e anular a garantia.

Válido apenas para a Austrália

Os nossos produtos incluem garantias que não podem ser excluídas nos termos da Lei de Proteção dos Consumidores australiana. O consumidor tem direito a substituição ou reembolso em caso de defeito importante, bem como a indemnização em caso de outras perdas ou danos razoavelmente previsíveis. Além disso, o consumidor tem igualmente direito a que os bens sejam reparados ou substituídos, caso estes não sejam de qualidade aceitável e o defeito não constitua um defeito importante.

Válido apenas para a Nova Zelândia

A presente política de garantia está sujeita às condições e garantias obrigatórias conforme estipulado pela Lei de Garantias dos Consumidores de 1993 (Nova Zelândia).

Todas as outras regiões

Aplica-se o prazo de garantia legal. Se o produto apresentar defeitos, contacte a filial do fabricante no seu país (consulte dometic.com/dealer) ou o seu revendedor.

Para fins de reparação ou de garantia, terá de enviar também os seguintes documentos:

- Uma cópia da fatura com a data de aquisição
- Um motivo de reclamação ou uma descrição da falha

Tenha em atenção que as reparações feitas por si ou por não profissionais podem ter consequências sobre a segurança e anular a garantia.

Italiano

1 Note importanti.....	42
2 Spiegazione dei simboli.....	42
3 Gruppo target.....	43
4 Destinazione d'uso.....	43
5 Specifiche tecniche.....	43
6 Pre-installazione.....	44
7 Installazione.....	45
8 Smaltimento.....	48
9 Garanzia.....	48

1 Note importanti

Si prega di leggere attentamente e di seguire tutte le istruzioni, le linee guida e le avvertenze incluse in questo manuale del prodotto, al fine di garantire che il prodotto venga sempre installato, utilizzato e mantenuto nel modo corretto. Queste istruzioni DEVONO essere conservate insieme al prodotto.

Utilizzando il prodotto, l'utente conferma di aver letto attentamente tutte le istruzioni, le linee guida e le avvertenze e di aver compreso e accettato di rispettare i termini e le condizioni qui espressamente indicati. L'utente accetta di utilizzare questo prodotto solo per lo scopo e l'applicazione previsti e in conformità alle istruzioni, le linee guida e le avvertenze indicate nel presente manuale del prodotto, nonché in conformità alle leggi e i regolamenti applicabili. La mancata lettura e osservanza delle istruzioni e delle avvertenze qui espressamente indicate può causare lesioni personali e a terzi, danni al prodotto o ad altre proprietà nelle vicinanze. Il presente manuale del prodotto, comprese le istruzioni, le linee guida e le avvertenze e la relativa documentazione possono essere soggetti a modifiche e aggiornamenti. Per informazioni aggiornate sul prodotto, visitare documents.dometic.com.

2 Spiegazione dei simboli

Il termine presente nella segnalazione identifica i messaggi di sicurezza e quelli relativi al danneggiamento della proprietà, oltre a indicare il grado o livello di gravità del rischio.



AVVERTENZA!

indica una situazione di pericolo che, se non evitata, potrebbe provocare lesioni gravi o mortali.



AVVISO!

Indica una situazione di pericolo che, se non evitata, può provocare danni alle cose.



NOTA Informazioni supplementari relative all'esercizio del prodotto.

2.1 Direttive supplementari

Per ridurre il rischio di incidenti e infortuni, attenersi alle seguenti direttive prima di procedere all'installazione dell'apparecchio:

- Leggere e seguire tutte le informazioni e le istruzioni per la sicurezza.
- Leggere e assicurarsi di avere ben compreso queste istruzioni prima di installare il prodotto.
- L'installazione deve risultare conforme a tutti i codici normativi locali e nazionali applicabili, tra cui la più aggiornata edizione degli standard riportati di seguito:
 - American Boat and Yacht Council (ABYC)
 - ANSI/NFPA 70, National Electrical Code (NEC)

2.2 Istruzioni per la sicurezza



AVVERTENZA! PERICOLO DI MONOSSIDO DI CARBONIO

L'inosservanza di queste avvertenze potrebbe causare la morte o lesioni gravi:

- > **Non** installare o azionare un climatizzatore autonomo nella sentina o nelle sale motore o in prossimità di un motore a combustione interna. Accertarsi che nel luogo scelto non possano penetrare vapori provenienti dalla sentina e/o dal vano motore.

- > Verificare che il tubo di scarico della condensa sia installato e sigillato correttamente. **Non** interrompere il tubo di scarico della condensa entro una distanza di 0,91 m (3 piedi) da qualsiasi uscita dei sistemi di scarico del motore o del generatore, né in un compartimento che ospita un motore o un generatore, né in una sentina, a meno che lo scarico non sia collegato correttamente a una pompa di condensa o a una pompa per il pozzo di raccolta della doccia sigillate. Se il tubo di scarico non è installato correttamente, i fumi pericolosi potrebbero risalire il tubo di scarico e contaminare gli alloggi.
- > **Non** installare il climatizzatore in un luogo in cui può far circolare monossido di carbonio, vapori di carburante o altri fumi nocivi negli spazi abitativi dell'imbarcazione.



AVVERTENZA! Pericolo di scosse elettriche

L'installazione può essere eseguita solo da un elettricista qualificato.



AVVERTENZA! PERICOLO DI SCOSSE ELETTRICHE, INCENDIO E/O ESPLOSIONE.

La mancata osservanza di queste precauzioni potrebbe causare la morte o lesioni gravi.

Questo apparecchio **non** è adatto per essere impiegato da persone (bambini inclusi) con ridotte capacità fisiche, sensoriali o psichiche o prive di esperienza e di conoscenze specifiche, a meno che non siano sorvegliate da una persona competente o non siano state adeguatamente istruite sull'impiego dell'apparecchio da parte di una persona responsabile della loro sicurezza. Controllare che i bambini **non** giochino con l'apparecchio. La pulizia e la manutenzione **non** devono essere eseguite da bambini senza la presenza di un adulto. Questo apparecchio **non** deve essere accessibile al pubblico.



AVVERTENZA! PERICOLO DI ESPLOSIONE.

La mancata osservanza di queste precauzioni potrebbe causare la morte o lesioni gravi.

Non installare il climatizzatore in locali contenenti motori a benzina, serbatoi, bombole di GPL/CPG, regolatori, valvole o raccordi dei tubi del carburante. Se non diversamente indicato, le unità autonome **non** soddisfano i requisiti federali per la protezione in atmosfera esplosiva. La mancata osservanza di questa avvertenza potrebbe causare la morte o lesioni gravi.



AVVERTENZA! PERICOLO DI SCOSSE ELETTRICHE.

La mancata osservanza di queste precauzioni potrebbe causare la morte o lesioni gravi.

- > Accertarsi di mettere a terra il climatizzatore in modo efficace per ridurre al minimo il rischio di scosse elettriche. Per ulteriori informazioni fare riferimento alle linee guida per l'installazione.
- > Ciascun climatizzatore installato richiede un interruttore automatico dedicato. Se è installato un solo climatizzatore, la pompa dell'acqua di mare **non** richiede un interruttore automatico dedicato. Se due o più climatizzatori utilizzano la stessa pompa dell'acqua di mare, i fili della pompa saranno collegati a un pannello relè pompa (PRP), che a sua volta ha un proprio interruttore automatico dedicato dimensionato per la pompa (20 A max). Fare riferimento allo schema elettrico fornito con il PRP. I collegamenti elettrici nella sentina e/o al di sotto della linea di galleggiamento devono utilizzare giunzioni di testa termorestringenti.
- > Il cablaggio sul campo **deve** essere conforme ai codici elettrici ABYC. L'alimentazione dell'unità deve rientrare nell'intervallo della tensione di esercizio indicato sulla targhetta dati. Per la protezione del circuito derivato **devono** essere installati fusibili o interruttori automatici HACR di dimensioni adeguate. Vedere la targhetta dati per le dimensioni massime del fusibile/interruttore automatico (MFS) e la capacità minima del circuito (MCA).



AVVISO!

Questo apparecchio contiene gas fluorurati ad effetto serra in apparecchiature sigillate ermeticamente. Fare riferimento alla targhetta dati dell'unità di condensazione per la quantità di refrigerante indicata in peso e GWP. Il refrigerante aggiunto deve essere annotato sull'etichetta dell'unità.

3 Gruppo target



L'installazione meccanica ed elettrica e la configurazione del dispositivo devono essere eseguite da un tecnico qualificato che abbia dimostrato competenze e conoscenze relative alla costruzione e al funzionamento delle attrezzature e delle installazioni marine, che sia a conoscenza delle normative applicabili del paese in cui l'apparecchiatura deve essere installata e/o utilizzata e che abbia ricevuto una formazione sulla sicurezza per identificare ed evitare i rischi coinvolti.

4 Destinazione d'uso

Il presente manuale è destinato all'installazione di impianti di climatizzazione autonomi DCU, DLU, DTG, ECD e TX (di seguito definiti climatizzatore). Il climatizzatore è destinato all'uso su barche e yacht. Questo climatizzatore è adatto solo per l'uso e l'applicazione previsti in conformità alle presenti istruzioni.

Questo prodotto è adatto solo per l'uso e l'applicazione previsti in conformità alle presenti istruzioni.

Il presente manuale fornisce le informazioni necessarie per la corretta installazione e/o il funzionamento del prodotto. Un'installazione errata e/o un utilizzo o una manutenzione impropri comporteranno prestazioni insoddisfacenti e un possibile guasto.

Il produttore non si assume alcuna responsabilità per eventuali lesioni o danni al prodotto che derivino da:

- installazione, montaggio o collegamento errati, compresa la sovratensione
- manutenzione non corretta o uso di ricambi diversi da quelli originali forniti dal produttore
- modifiche al prodotto senza esplicita autorizzazione del produttore
- impiego per scopi diversi da quelli descritti nel presente manuale.

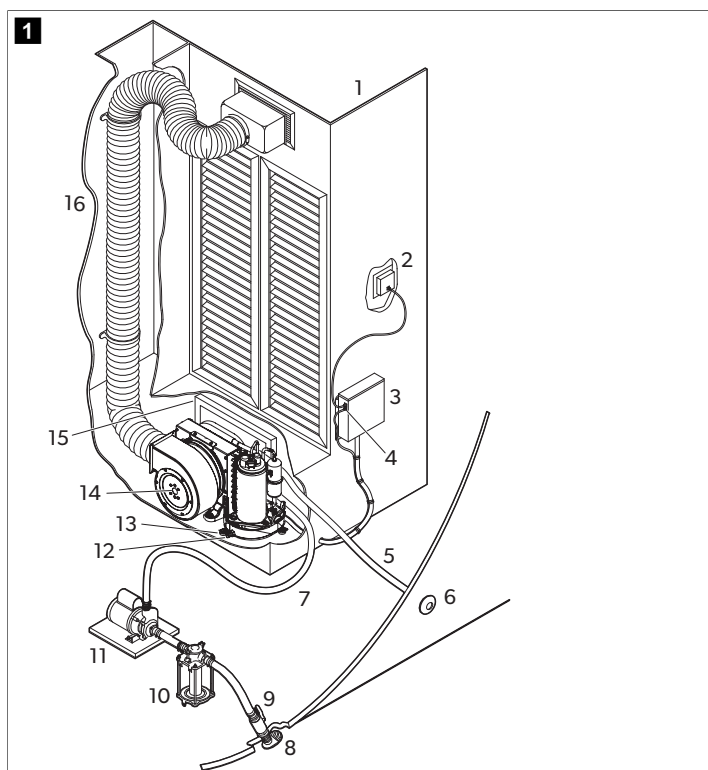
Dometic si riserva il diritto di modificare l'aspetto e le specifiche del prodotto.

5 Specifiche tecniche

Leggere completamente queste istruzioni e pianificare i collegamenti da effettuare al climatizzatore (inclusi condotto, tubo di scarico della condensa, tubi flessibili di ingresso e di uscita dell'acqua di mare, collegamenti elettrici, posizione del comando e posizionamento della pompa dell'acqua di mare) per garantire un facile accesso per la posa e la manutenzione futura.

5.1 Posizione dei componenti

Identificazione dei componenti dell'impianto di climatizzazione



- | | | | |
|---|--|----|--|
| 1 | Griglia di mandata e scatola di transizione | 9 | Valvola di intercettazione del rubinetto di presa a mare |
| 2 | Display digitale | 10 | Filtro acqua mare |
| 3 | Centralina elettrica | 11 | Pompa |
| 4 | Cavo del sensore d'aria remoto opzionale | 12 | Raccordo a barba del tubo di scarico della condensa |
| 5 | Tubo flessibile di uscita dell'acqua di mare | 13 | Supporto di montaggio |
| 6 | Scarico a mare | 14 | Riempimento |
| 7 | Tubo flessibile di ingresso dell'acqua di mare | 15 | Griglia di aspirazione e filtro |
| 8 | Ingresso passascafo presa a mare | 16 | Condotto flessibile isolato |

5.2 Specifiche

Questa sezione contiene le specifiche del climatizzatore.

Tabella 11: Dimensioni minime di condotto e griglia in base alla capacità in BTU

	3.5 k BTU	6 k BTU	8 k BTU	10 k BTU
Diametro minimo del condotto	3,00 in (76,2 mm)	4,00 in (101,6 mm)	5,00 in (127,0 mm)	6,00 in (152,4 mm)
Area minima del condotto	6,8 in ² (43,9 cm ²)	12,6 in ² (81,3 cm ²)	19,6 in ² (126,5 cm ²)	28,3 in ² (182,6 cm ²)
Dimensione minima griglia di aspirazione	64,0 in ² (412,9 cm ²)	64,0 in ² (412,9 cm ²)	80,0 in ² (516,2 cm ²)	100,0 in ² (645,2 cm ²)
Dimensione minima griglia di mandata	12,0 in ² (77,4 cm ²)	32,0 in ² (206,5 cm ²)	48,0 in ² (309,7 cm ²)	60,0 in ² (387,1 cm ²)
	12 k BTU	16 k BTU	18 k BTU	27 k BTU
Diametro minimo del condotto	6,00 in (152,4 mm)	7,00 in (177,8 mm)	7,00 in (177,8 mm)	8,00 in (203,2 mm)

	12 k BTU	16 k BTU	18 k BTU	27 k BTU
Area minima del condotto	28,3 in ² (182,6 cm ²)	38,5 in ² (248,4 cm ²)	38,5 in ² (248,4 cm ²)	50,3 in ² (324,5 cm ²)
Dimensione minima griglia di aspirazione	130,0 in ² (838,8 cm ²)	160,0 in ² (1032,3 cm ²)	200,0 in ² (1290,4 cm ²)	240,0 in ² (1548,5 cm ²)
Dimensione minima griglia di mandata	70,0 in ² (451,6 cm ²)	80,0 in ² (516,2 cm ²)	100,0 in ² (645,2 cm ²)	120,0 in ² (774,2 cm ²)

Tabella 12: Temperatura e pressione dell'acqua di esercizio

Temperatura minima dell'acqua di esercizio	40,0 °F (4,44 °C)
Temperatura massima dell'acqua di esercizio	80,0 °F (26,66 °C)
Pressione minima dell'acqua di esercizio	4,2 psi (0,29 bar) (29,00 kPa)
Pressione massima dell'acqua di esercizio	6,00 psi (0,41 bar) (41,4 kPa)

i **NOTA** L'unità può funzionare al di fuori di queste condizioni con capacità ridotta.

6 Pre-installazione

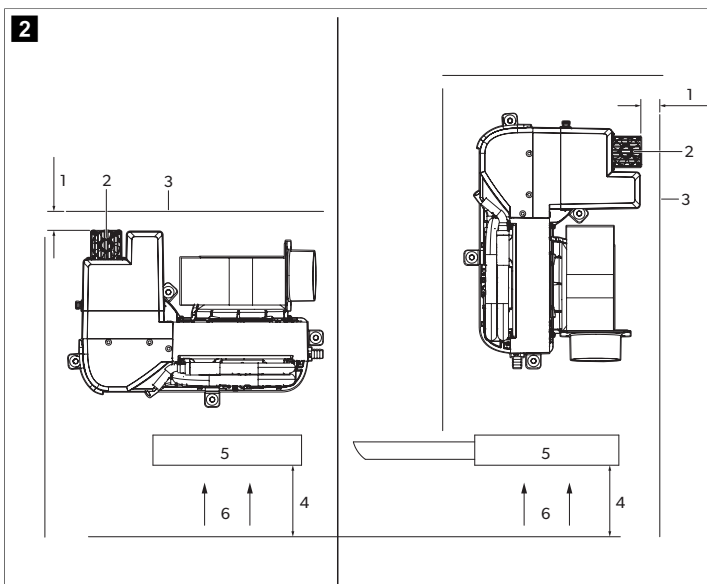
AVVISO!
Le vasche di base della condensa delle unità autonome DTG e TX sono dotate di isolatori di vibrazioni installati nella parte inferiore della vasca. Questi isolatori sono progettati per smorzare il trasferimento delle vibrazioni provocate dal climatizzatore in funzione alla superficie di montaggio. Prestare attenzione quando si sposta il climatizzatore sulle superfici di montaggio, poiché gli isolatori potrebbero danneggiarsi.

AVVISO!
Il climatizzatore deve essere montato su una superficie piana e bassa, come la parte inferiore di un armadietto, sotto una cuccetta o una panca o in un punto simile.

Questa sezione spiega come preparare il climatizzatore per l'installazione.

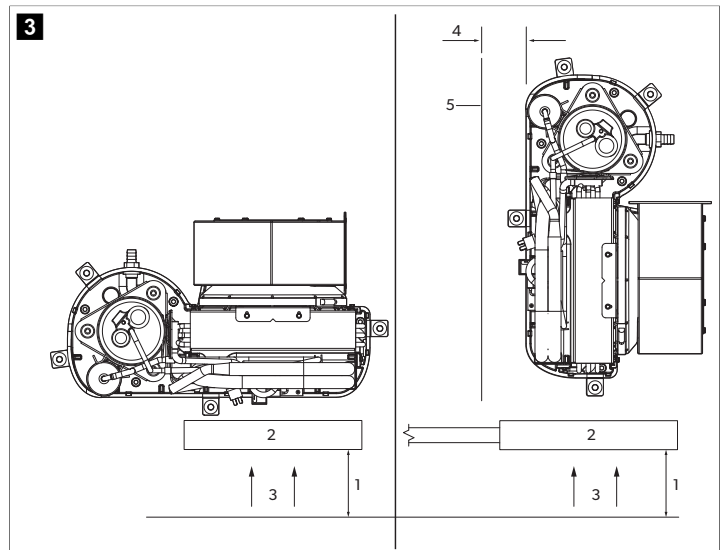
6.1 Determinazione della posizione di installazione

Posizionamento di TX rispetto al flusso d'aria



- 1 3,00 in (7,62 cm)
- 2 Dissipatore di calore
- 3 Paratia
- 4 4,00 in (10,16 cm)
- 5 Griglia di aspirazione
- 6 Flusso d'aria

Posizionamento di tutti gli altri climatizzatori rispetto al flusso d'aria



- 1 4,00 in (10,16 cm)
- 2 Griglia di aspirazione
- 3 Flusso d'aria
- 4 3,00 in (7,62 cm)
- 5 Paratia

Scegliere un luogo con un flusso d'aria sufficiente. La griglia di aspirazione deve avere un minimo di 4,00 in (10,16 cm) di spazio per la circolazione dell'aria davanti a essa, senza ostruzioni.

Se il climatizzatore è posizionato perpendicolarmente alla griglia di aspirazione, mantenere un minimo di 3,00 in (7,62 cm) di spazio per la circolazione dell'aria sul lato di aspirazione dell'aria.

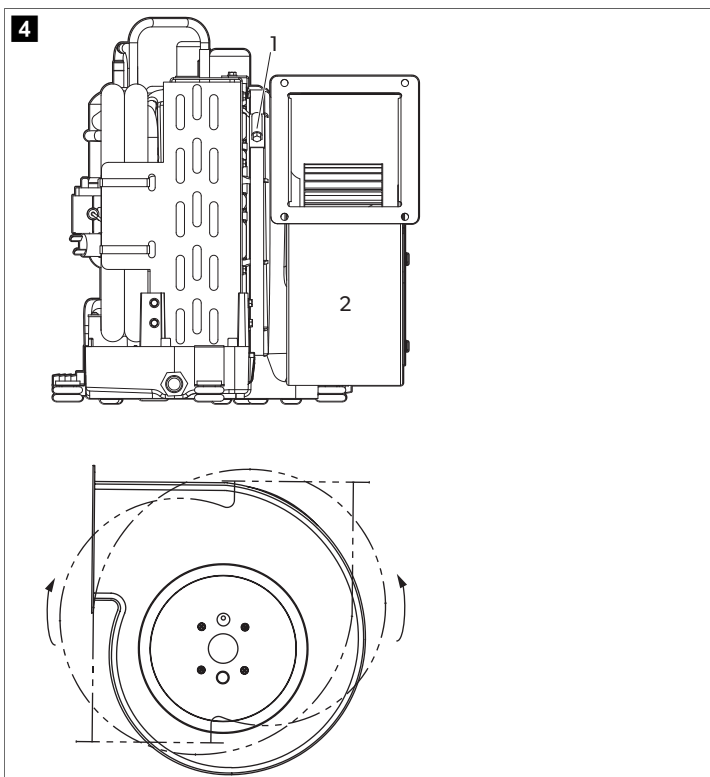
Solo TX: Sopra e sotto il dissipatore di calore vi deve essere uno spazio libero di almeno 2,99 in (76,0 mm).

6.2 Rotazione della ventola

Questa sezione spiega come ruotare la ventola per ciascun tipo di unità. Se necessario, ruotare la ventola nella direzione che consente lo scarico del flusso d'aria più diretto attraverso il condotto.

6.2.1 Ventole DTG e TX

Rotazione della ventola delle unità DTG e TX



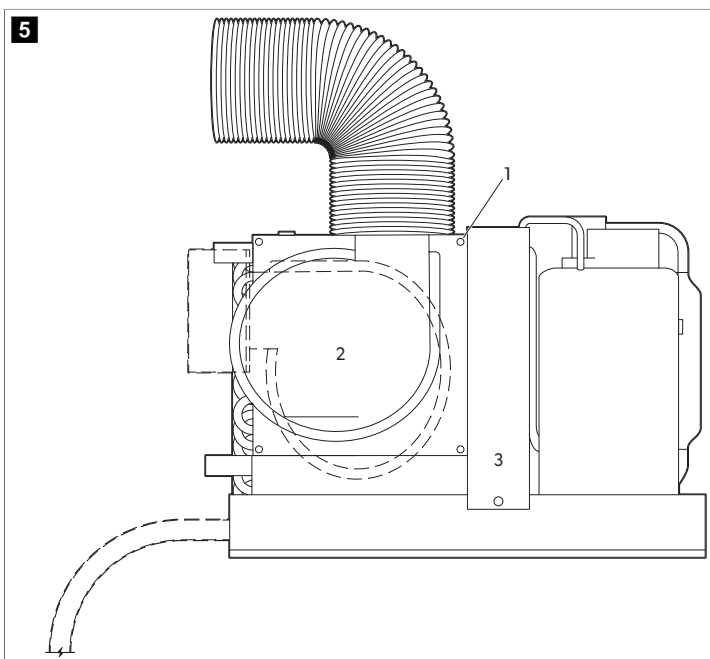
1 Adjustment screw

2 Blower

1. Svitare le viti di regolazione sull'anello di montaggio della ventola.
2. Ruotare la ventola nella posizione desiderata.
3. Serrare le viti di regolazione.

6.2.2 Ventole di MCS e ECD

Rotazione della ventola di MCS ed ECD



1 Screw

2 linguetta

3 Ventilatore

1. Rimuovere le sette viti sulla piastra.
2. Ruotare la ventola nella posizione desiderata.
3. Fissare la ventola in posizione utilizzando viti autofilettanti (non fornite).

6.3 Posizionamento dei filtri dell'aria

I filtri dell'aria rimuovono le particelle presenti nell'aria della cabina e tengono pulita la bobina dell'evaporatore. Posizionare un filtro dell'aria, sul climatizzatore o nella griglia di aspirazione, per ciascun climatizzatore.

6.4 Posizionamento delle griglie e delle scatole di transizione

Quando si posizionano le griglie e le scatole di transizione, considerare quanto segue:

- Montare la griglia di mandata il più in alto possibile in un punto che garantisca una distribuzione uniforme dell'aria in tutta la cabina. Orientare le lamelle della griglia verso l'alto.
- Montare la griglia di aspirazione il più in basso possibile e vicino al climatizzatore per garantire il flusso d'aria verso l'evaporatore.
- Non dirigere lo scarico dell'aria di mandata verso la griglia di aspirazione per evitare uno spegnimento del sistema a brevi intervalli.
- Lasciare uno spazio adeguato dietro la griglia di mandata per la scatola di transizione e il collegamento del condotto. Fare riferimento a Specifiche alla pagina 43

7 Installazione

Questa sezione spiega come installare il climatizzatore autonomo.

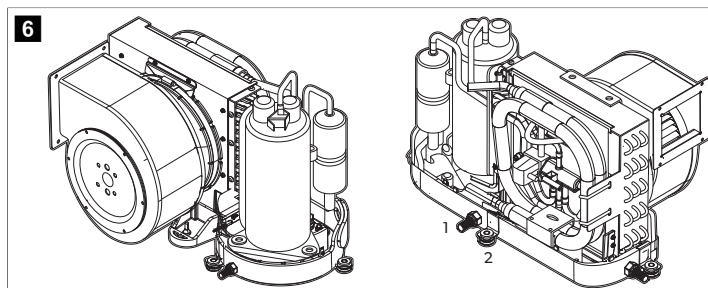
7.1 Installazione delle staffe di montaggio e dello scarico della condensa



AVVISO!

Per evitare di rompere la vaschetta di raccolta, non utilizzare più di due strati di nastro in teflon per avvolgere il raccordo a barba e non serrare eccessivamente il portagomma.

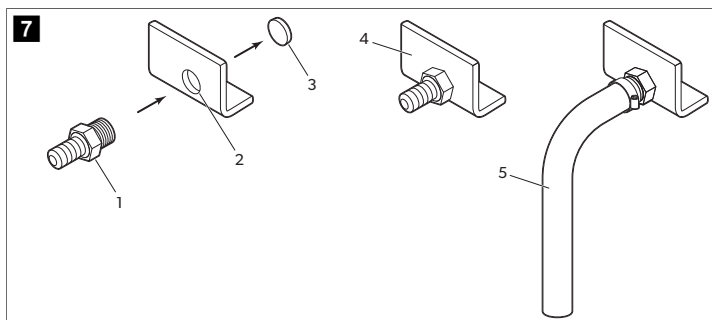
Posizionamento tipico delle staffe di montaggio e degli scarichi della condensa



1 Raccordo a barba del tubo di scarico della condensa

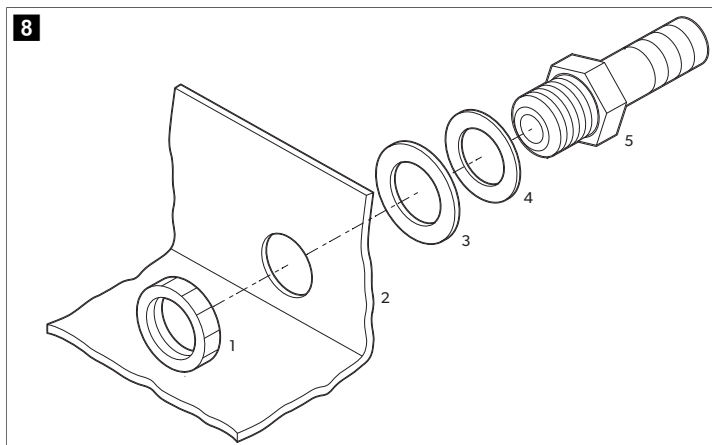
2 Supporto di montaggio

Installazione dello scarico della condensa per DTG e TX



- 1 Hose barb
2 Foro di scarico filettato
3 Espulsore tondino
4 Drain pan
5 Tubo flessibile di scarico

Installazione dello scarico della condensa per tutti gli altri climatizzatori

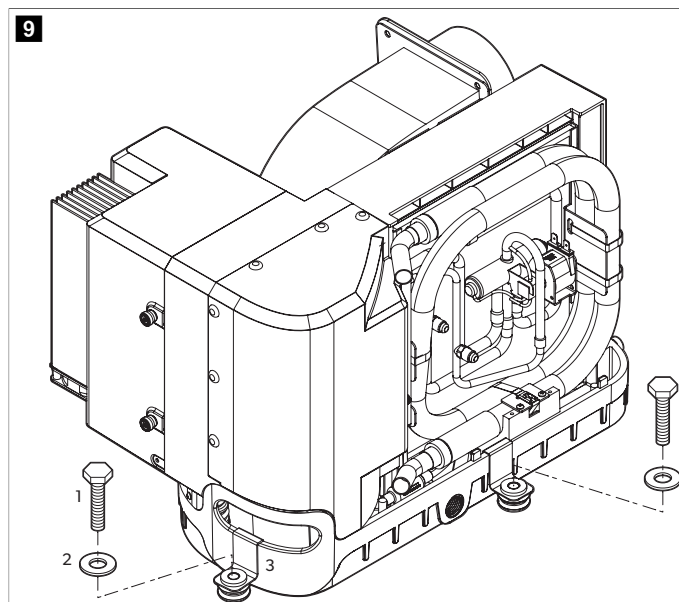


- 1 Locking nut
2 Vaschetta di raccolta
3 Rondella di tenuta a liquido
4 Solid washer
5 Raccordo in PVC 0,5 in (12,7 mm) HB x 0,5 in (12,7 mm) MPT

- Utilizzare il raccordo a barba per estrarre un tondino da un foro di scarico rivolto verso la poppa dando un colpo rapido con un martello di gomma. Gettare via l'espulsore tondino.
- Per le unità DTG e TX:
 - Avvolgere l'estremità filettata del raccordo a barba con nastro in teflon.
 - Avvitare il raccordo a barba nel foro di scarico filettato e serrare saldamente.
- Per tutti gli altri climatizzatori:
 - Infilare il raccordo a barba attraverso una rondella solida e una rondella di tenuta a liquido e inserirlo nel foro di scarico.
 - Fissare con un dado di bloccaggio.
- Fissare il tubo flessibile di scarico al raccordo a barba con una fascetta stringitubo in acciaio inox.

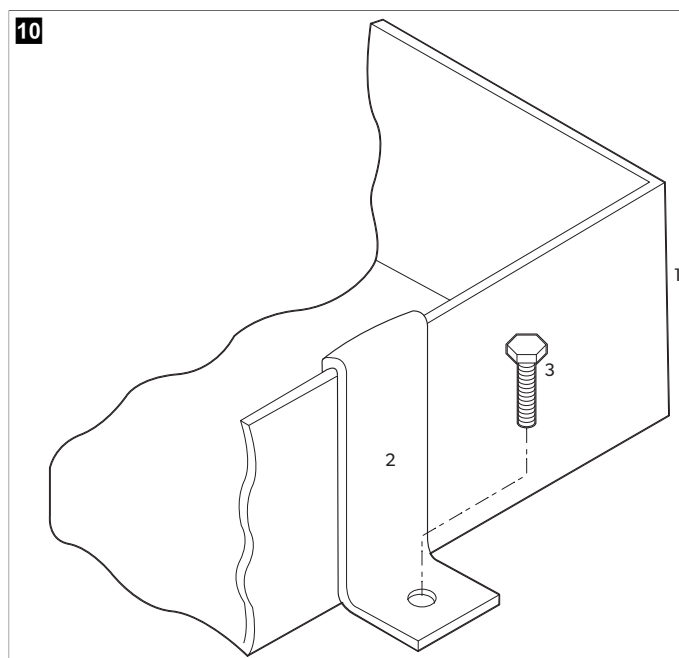
- Posare il tubo flessibile di scarico verso il basso fino a un punto di raccolta sicuro e adatto.

Installazione della staffa di montaggio per le unità DTG e TX



- 1 Bullone di fissaggio (non fornito)
2 Rondella parafango (in dotazione)
3 Staffa di montaggio (in dotazione)

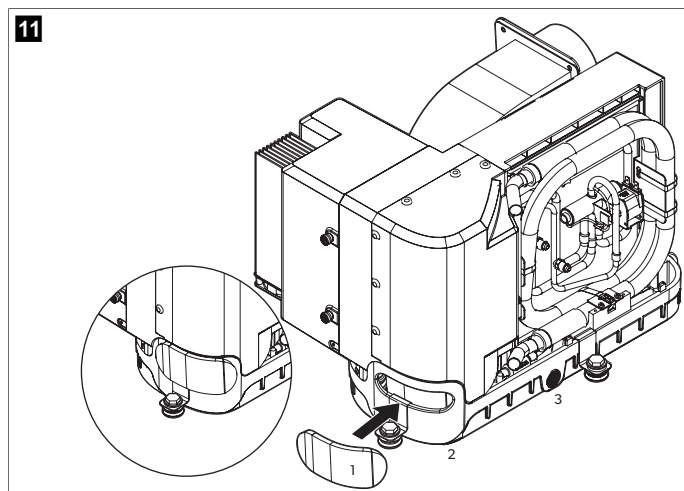
Installazione della staffa di montaggio per gli altri climatizzatori



- 1 Vaschetta di raccolta
2 Supporto di montaggio
3 Bullone di fissaggio (non fornito)

6. Montare una staffa di montaggio su ciascun lato della vaschetta di raccolta, con un distanziamento uniforme.

Installazione dell'isolamento in schiuma della maniglia sulle unità TX



1 Isolamento in schiuma della maniglia

2 Apertura maniglia

3 Vaschetta di raccolta

7. Per le unità TX:

1. Rimuovere la pellicola che copre lo strato adesivo sull'isolamento in schiuma della maniglia.
2. Posizionare l'isolamento in schiuma della maniglia in modo da coprire completamente l'apertura della maniglia con il lato adesivo rivolto verso la vaschetta di raccolta.
3. Premere intorno all'apertura della maniglia per far aderire l'isolamento in schiuma della maniglia alla vaschetta di raccolta.

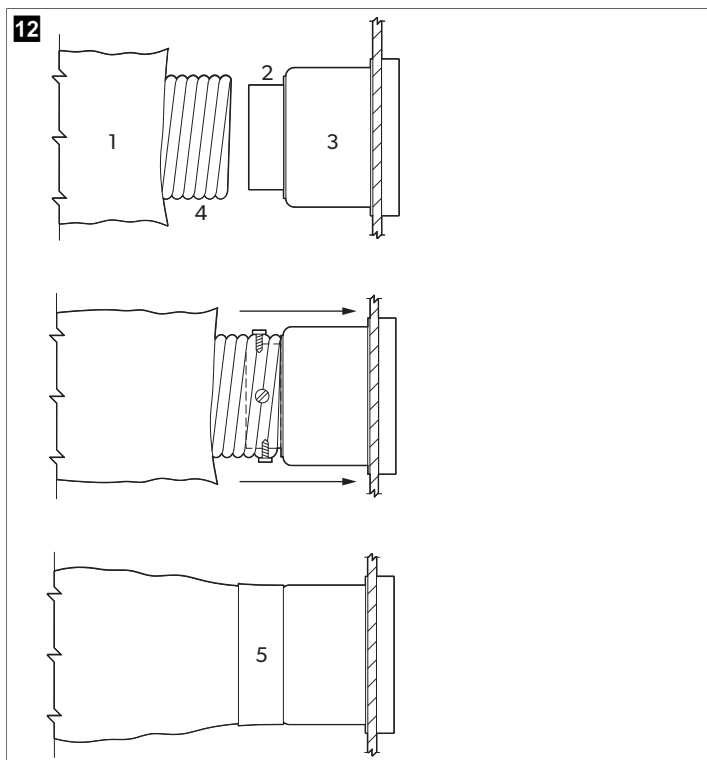
7.2 Installazione del condotto

Durante l'installazione del condotto, rispettare le seguenti condizioni:

- Il condotto deve essere di dimensioni adeguate per l'applicazione.
- Posare il condotto in modo che sia più dritto, piano e teso possibile, riducendo al minimo il numero di pieghe a 90,00 ° e anse che possono ridurre il flusso d'aria.
- Fissare saldamente il condotto per evitare cedimenti.
- Non far appiattire o attorcigliare il condotto.
- Dopo l'installazione, tagliare le lunghezze del condotto in eccesso.
- Isolare il condotto quando si trova in aree ad alta temperatura.
- Isolare il condotto quando si trova in aree ad alta temperatura.
- Non far passare il condotto attraverso una sala motori o qualsiasi area in cui possa essere esposto a vapori o fumi di scarico pericolosi.

Se si utilizza una scatola di transizione, l'area totale dei condotti di alimentazione dell'aria in uscita dalla scatola deve essere pari almeno all'area totale dei condotti di alimentazione che vanno nella scatola. Fare riferimento a Specifiche alla pagina 43

Collegamenti del condotto



1 Isolamento in fibra di vetro

2 Anello di montaggio

3 Scatola di transizione

4 Tubo flessibile interno in mylar del condotto

5 Nastro adesivo

1. Spingere il tubo flessibile interno in mylar del condotto sull'anello di montaggio nella scatola di transizione.
2. Avvitare tre o quattro viti in acciaio inox attraverso il tubo flessibile in mylar del condotto nell'anello di montaggio, catturando due o tre fili con le teste delle viti.
3. Far scorrere l'isolamento in fibra di vetro attorno al tubo flessibile interno in mylar del condotto verso la scatola di transizione. Fissare con nastro adesivo.

7.3 Installazione dell'impianto dell'acqua di mare



AVVISO!

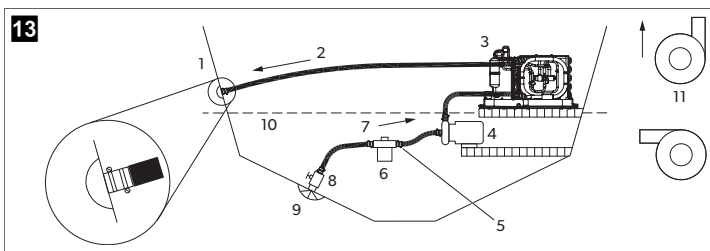
La mancata osservanza di questa procedura invaliderà la garanzia.

Durante l'installazione dell'impianto dell'acqua di mare, tenere presente quanto segue:

- Il filtro deve trovarsi sotto la pompa.
- I tubi flessibili devono essere fissati in modo doppio.
- I tubi flessibili non devono essere attorcigliati o piegati né presentare settori rialzati in cui l'aria potrebbe rimanere intrappolata.
- La pompa e il filtro devono trovarsi al di sotto della linea di galleggiamento.
- L'ingresso passascafo, la valvola a sfera, il tubo flessibile e il filtro non devono essere più piccoli dell'ingresso della pompa.
- Montare il raccordo passascafo il più possibile sotto la linea di galleggiamento.
- La pompa deve avere un passascafo dedicato.
- Evitare il più possibile raccordi a gomito a 90,00 °.
- Assicurarsi che la testa della pompa sia ruotata verso la direzione del flusso dell'acqua.
- Assicurare tutti i collegamenti filettati con nastro in teflon.

Fare riferimento a Specifiche alla pagina 43 per i valori di pressione e di temperatura dell'acqua massimi e minimi.

Impianto dell'acqua di mare



- | | |
|------------------------|---|
| 1 Uscita acqua mare | 7 Flusso di entrata ascendente |
| 2 Flusso di uscita | 8 Valvola a sfera |
| 3 Riempimento | 9 Ingresso passascafo presa a mare |
| 4 Pompa acqua mare | 10 Linea di galleggiamento |
| 5 Fascette stringitubo | 11 Orientamento corretto del filtro della testa della pompa |
| 6 Filtro | |

- Montare un ingresso passascafo presa a mare il più vicino possibile alla chiglia e il più sotto possibile la linea di galleggiamento. Fissare l'ingresso passascafo presa a mare utilizzando un sigillante marino progettato per l'uso sott'acqua.
- Montare un rubinetto di presa a mare a pieno flusso di bronzo sull'ingresso passascafo presa a mare.
- Montare un filtro dell'acqua di mare sotto il livello della pompa con accesso al filtro.
- Montare la pompa sopra il filtro e almeno un piede sotto la linea di galleggiamento.
- Collegare il rubinetto di presa a mare e il filtro con un tratto ascendente di un tubo flessibile per applicazioni marine rinforzato.
- Collegare lo scarico dalla pompa a monte all'ingresso inferiore della bobina del condensatore del climatizzatore con un tubo flessibile per applicazioni marine rinforzato da 5/8 di pollice (0,63 in (16,0 mm)).
- Collegare lo scarico dalla bobina del condensatore al raccordo passascafo di scarico a mare con un tubo flessibile per applicazioni marine rinforzato da 5/8 di pollice.
- Evitare che il tubo flessibile dell'acqua di mare sia piegato o presenti curvature o gomiti a 90,00°. Ogni gomito a 90,00° è equivalente a 2,5 ft (0,76 m) (29,92 in (76,00 cm)) di tubo flessibile e un gomito a 90° sull'uscita dalla pompa è equivalente a 20,0 ft (6,10 m) (240,16 in (610,00 cm)) di tubo flessibile.
- Fissare tutti i collegamenti dei tubi flessibili in due punti utilizzando due fascette in acciaio inox, girando le fascette ove necessario.
- Collegare tutte le parti metalliche a contatto con l'acqua di mare al sistema di collegamenti dell'imbarcazione.

7.4 Collegamenti elettrici



AVVERTENZA! PERICOLO DI SCOSSE ELETTRICHE.

Spegnerne sempre l'interruttore di alimentazione del climatizzatore prima di aprire la scatola elettrica. La mancata osservanza di questa avvertenza potrebbe causare la morte o lesioni gravi.



AVVISO!

Il climatizzatore deve essere collegato al sistema di collegamenti dell'imbarcazione per evitare la corrosione dovuta a correnti elettriche vaganti. Collegare individualmente al sistema di collegamenti dell'imbarcazione tutte le pompe, le valvole metalliche e i raccordi nel circuito dell'acqua mare che sono isolati dal climatizzatore tramite tubi flessibili in PVC o di gomma.



NOTA La mancata messa a terra e il mancato collegamento dell'impianto invalidano la garanzia.

Tutti i climatizzatori sono dotati di una morsettiera, etichettata con i collegamenti corretti, all'interno del quadro elettrico. Lo schema elettrico all'interno del quadro elettrico sostituisce gli standard ABYC. Utilizzare un interruttore automatico di dimensioni corrette per proteggere l'impianto come specificato sulla targhetta dati del climatizzatore. Utilizzare un cavo da barca da almeno 12 AWG per alimentare il

climatizzatore e la pompa dell'acqua di mare. Eseguire tutti i collegamenti utilizzando terminali ad anello o a forcella prigioniera.

Quando si effettuano collegamenti elettrici, osservare quanto segue:

- La messa a terra della corrente alternata (CA) deve essere collegata al terminale di terra (GRND) sulla morsettiera di ingresso dell'alimentazione CA.
- I collegamenti tra il conduttore di messa a terra del sistema CA dell'imbarcazione e il sistema negativo o di collegamento in corrente continua (CC) dell'imbarcazione devono essere effettuati come parte del cablaggio dell'imbarcazione. Durante la manutenzione o la sostituzione dell'apparecchiatura esistente che contiene un perno di messa a terra montato sul telaio, controllare i collegamenti del cablaggio dell'imbarcazione.
- I climatizzatori TX sono progettati per funzionare con corrente CA o CC ad alta tensione. Per il corretto posizionamento, fare riferimento allo schema elettrico dell'imbarcazione.

Assicurarsi che la massa CA del climatizzatore sia collegata correttamente alla massa CA dell'imbarcazione. All'interno dell'imbarcazione, assicurarsi che il bus di massa CA sia collegato al bus di massa CC esattamente in un punto (né più né meno).

8 Smaltimento



Raccogliere il materiale di imballaggio possibilmente negli appositi contenitori di riciclaggio. Consultare il centro locale di riciclaggio o il rivenditore specializzato per informazioni su come smaltire il prodotto secondo le norme sullo smaltimento applicabili.

9 Garanzia

Vedere le sezioni sotto per informazioni sulla garanzia e l'assistenza in garanzia negli Stati Uniti, in Canada e in tutte le altre regioni.

Stati Uniti e Canada

LA GARANZIA LIMITATA È DISPONIBILE ALL'INDIRIZZO DOMETIC.COM/EN-US/TERMS-AND-CONDITIONS-CONSUMER/WARRANTY. PER ALTRE DOMANDE O PER RICHIEDERE UNA COPIA GRATUITA DELLA DICHIARAZIONE DI GARANZIA LIMITATA, CONTATTARE:

DOMETIC CORPORATION
MARINE CUSTOMER SUPPORT CENTER
2000 NORTH ANDREWS AVENUE
POMPANO BEACH, FLORIDA, USA 33069
1-800-542-2477

Paesi dell'Asia Pacifico (APAC)

Se il prodotto non funziona come previsto, contattare il rivenditore di fiducia o la filiale del produttore nel proprio Paese (vedere dometic.com/dealer). La garanzia applicabile al prodotto è di 1 anni.

Per attivare la garanzia e predisporre eventuali interventi di riparazione, è necessario inviare la seguente documentazione insieme al prodotto:

- una copia della ricevuta con la data di acquisto,
- il motivo della richiesta o la descrizione del guasto.

Tenere presente che le riparazioni eseguite in autonomia o da personale non professionista possono avere conseguenze sulla sicurezza e invalidare la garanzia.

Solo Australia

I nostri prodotti sono corredati di garanzie che non possono essere escluse ai sensi della Legge dei consumatori australiana. Avete diritto alla sostituzione o al rimborso per un guasto grave e al risarcimento per qualsiasi altra perdita o danno ragionevolmente prevedibili. Avete anche diritto alla riparazione o alla sostituzione della merce se non è di qualità accettabile e se il guasto non costituisce un guasto grave.

Solo Nuova Zelanda

Questa politica di garanzia è soggetta alle condizioni e alle garanzie obbligatorie previste dal Consumer Guarantees Act 1993(NZ).

Tutte le altre regioni

Vale il termine di garanzia previsto dalla legge. Se il prodotto è difettoso, contattare la filiale del produttore nel proprio Paese (vedere dometic.com/dealer) o il rivenditore di riferimento.

Per attivare la garanzia e predisporre eventuali interventi di riparazione, è necessario inviare la seguente documentazione insieme al prodotto:

- una copia della ricevuta con la data di acquisto,
- il motivo della richiesta o la descrizione del guasto.

Tenere presente che le riparazioni eseguite in autonomia o da personale non professionista possono avere conseguenze sulla sicurezza e invalidare la garanzia.

Nederlands

1	Belangrijke opmerkingen.....	50
2	Verklaring van de symbolen.....	50
3	Doelgroep.....	51
4	Beoogd gebruik.....	51
5	Technische gegevens.....	51
6	Voorinstallatie.....	52
7	Installatie.....	53
8	Verwijdering.....	56
9	Garantie.....	56

1 Belangrijke opmerkingen

Lees deze gebruiksaanwijzing zorgvuldig door en volg alle instructies, richtlijnen en waarschuwingen in deze handleiding op om ervoor te zorgen dat u het product te allen tijde op de juiste manier installeert, gebruikt en onderhoudt. Deze gebruiksaanwijzing MOET bij dit product worden bewaard.

Door het product te gebruiken, bevestigt u hierbij dat u alle instructies, richtlijnen en waarschuwingen zorgvuldig hebt gelezen en dat u de voorwaarden zoals hierin beschreven begrijpt en accepteert. U gaat ermee akkoord dit product alleen te gebruiken voor het beoogde doel en de beoogde toepassing en in overeenstemming met de instructies, richtlijnen en waarschuwingen zoals beschreven in deze gebruiksaanwijzing en in overeenstemming met de geldende wet- en regelgeving. Het niet lezen en opvolgen van de hierin beschreven instructies en waarschuwingen kan leiden tot letsel voor uzelf en anderen, schade aan uw product of schade aan andere eigendommen in de omgeving. Deze gebruiksaanwijzing, met inbegrip van de instructies, richtlijnen en waarschuwingen, en de bijbehorende documentatie kan onderhevig zijn aan wijzigingen en updates. Voor de recentste productinformatie, bezoek documents.dometic.com.

2 Verklaring van de symbolen

Een signaalwoord geeft informatie over veiligheid en eigendomsschade en geeft de mate of ernst van het gevaar aan.



WAARSCHUWING!

Duidt op een gevaarlijke situatie die, indien deze niet wordt voorkomen, ernstig letsel of de dood tot gevolg kan hebben.



LET OP!

Duidt op een situatie die, indien deze niet wordt voorkomen, kan leiden tot materiële schade.



INSTRUCTIE Aanvullende informatie voor het gebruik van het product.

2.1 Aanvullende richtlijnen

Om het risico op ongevallen en verwondingen te verminderen, dient u de volgende richtlijnen in acht te nemen voordat u doorgaat met het installeren van dit apparaat:

- Lees alle veiligheidsinformatie en instructies door en volg deze.
- Lees deze instructies voorafgaand aan de installatie van dit product en zorg ervoor dat u deze geheel begrijpt.
- De installatie moet voldoen aan alle van toepassing zijnde lokale of nationale regels, waaronder de nieuwste uitgave van de volgende maatstaven:
 - American Boat and Yacht Council (ABYC)
 - ANSI/NFPA 70, National Electrical Code (NEC)

2.2 Veiligheidsaanwijzingen



WAARSCHUWING! GEVAAR VOOR KOOLMONOXIDE

Het niet in acht nemen van de volgende waarschuwingen kan leiden tot de dood of ernstig letsel:

- > Installeer of gebruik **geen** onafhankelijke airconditioning in het onderruim of in het motorhuis, of nabij een interne verbrandingsmotor. Kies de locatie

zodanig dat er geen direct contact kan zijn met dampen uit het onderruim en/of het motorhuis.

- > Controleer of de condensaatafvoerleiding correct is geïnstalleerd en afgedicht. Laat een condensaatafvoerleiding **niet** eindigen binnen een straal van 0,91 m (3 ft) van een uitlaatsysteem van een motor of generator, in een ruimte met een motor of generator, of in een onderruim, tenzij de afvoerleiding goed is aangesloten op een afgedichte condensaat- of douchecarterpomp. Als de afvoerleiding niet goed is geïnstalleerd, kunnen er gevaarlijke dampen in de afvoerleiding terechtkomen en de leefruimte verontreinigen.
- > Installeer de airconditioning **niet** op een plaats waar hij koolmonoxide, brandstofdampen of andere schadelijke dampen in de leefruimtes van het schip kan circuleren.



WAARSCHUWING! Gevaar voor elektrische schokken

De installatie mag alleen worden uitgevoerd door een bevoegde electricien.



WAARSCHUWING! GEVAAR. KANS OP ELEKTRISCHE SCHOKKEN, BRAND EN/OF EXPLOSIE!

Het niet opvolgen van deze voorzorgsmaatregelen kan leiden tot ernstig letsel of de dood.

Dit apparaat mag **niet** worden gebruikt door personen (inclusief kinderen) met een lichamelijke, zintuiglijke of geestelijke beperking of gebrek aan ervaring of kennis, tenzij zij onder toezicht staan of zijn geïnstrueerd in het gebruik van het apparaat door een volwassene die verantwoordelijk is voor hun veiligheid. Kinderen moeten onder toezicht staan om te garanderen dat ze **niet** met het apparaat spelen. Reiniging en gebruikersonderhoud mogen **niet** door kinderen zonder toezicht worden uitgevoerd. Dit apparaat mag **niet** publiekelijk toegankelijk zijn.



WAARSCHUWING! GEVAAR. KANS OP EXPLOSIE!

Het niet opvolgen van deze voorzorgsmaatregelen kan leiden tot ernstig letsel of de dood.

Installeer de airconditioning **niet** op een locatie waar zich benzinemotoren, tanks, LPG/CPG-cilinders, regelaars, kleppen, of koppelingen van brandstofleidingen bevinden. Tenzij anders gelabeld, voldoen zelfregulerende apparaten **niet** aan de federale vereisten voor ontstekingsbeveiliging. Het niet in acht nemen van deze waarschuwing kan leiden tot ernstig letsel of de dood.



WAARSCHUWING! GEVAAR. KANS OP ELEKTRISCHE SCHOKKEN!

Het niet opvolgen van deze voorzorgsmaatregelen kan leiden tot ernstig letsel of de dood.

- > Zorg ervoor dat de airconditioning goed geaard is om het gevaar van elektrische schokken te minimaliseren. Raadpleeg de installatierichtlijnen voor meer informatie.
- > Voor elke geïnstalleerde airconditioning is een speciale stroomonderbreker vereist. Als er slechts één airconditioning is geïnstalleerd, is voor de zeewaterpomp **geen** speciale stroomonderbreker nodig. Als twee of meer airconditioningsapparaten gebruikmaken van dezelfde zeewaterpomp, worden de draden van de pomp aangesloten op een pomprelaispaneel (PRP), dat op zijn beurt zijn eigen specifieke stroomonderbreker heeft voor de pomp (max. 20 A). Raadpleeg het aansluitschema dat bij het PRP is geleverd. Bij alle elektrische aansluitingen in het onderruim en/of onder de waterlijn moeten afdichtende, warmtekrimpde kabelverbinders worden gebruikt.
- > Veldbedrading **moet** voldoen aan de elektrische voorschriften van ABYC. De voeding naar het apparaat moet binnen het op het gegevensplaatje aangegeven bedrijfsspanningsbereik liggen. Ter beveiliging van vertakte circuits **moeten** zekeringen van de juiste grootte of HACR-stroomonderbrekers worden geïnstalleerd. Raadpleeg het gegevensplaatje voor de maximale grootte van de zekering/stroomonderbreker (MFS) en de minimale circuitcapaciteit (MCA).



LET OP!

Dit apparaat bevat gefluoreerde broeikasgassen in hermetisch afgesloten apparatuur. Raadpleeg het label op het productgegevensplaatje van de condensor voor de hoeveelheid koelmiddel in gewicht en GWP. De hoeveelheid toegevoegd koelmiddel moet worden genoteerd op het label van het apparaat.

3 Doelgroep



De mechanische en elektrische installatie en opstelling van het apparaat moeten worden uitgevoerd door een gekwalificeerde technicus die vaardigheid en kennis heeft aangetoond met betrekking tot de constructie en werking van maritieme apparatuur en installaties, die bekend is met de toepasselijke regelgeving van het land waarin de apparatuur wordt geïnstalleerd en/of gebruikt, en die veiligheidstraining heeft gekregen om de bijbehorende gevaren te herkennen en te vermijden.

4 Beoogd gebruik

Deze handleiding is bedoeld voor de installatie van zelfregulerende airconditioningsystemen DCU, DLU, DTG, ECD en TX (hierna airconditioning genoemd). De airconditioning is bedoeld voor gebruik op boten en jachten. Deze airconditioning is alleen geschikt voor het beoogde gebruik en de toepassing in overeenstemming met deze gebruiksaanwijzing.

Dit product is alleen geschikt voor het beoogde gebruik en de toepassing in overeenstemming met deze gebruiksaanwijzing.

Deze handleiding geeft informatie die nodig is voor een correcte installatie en/of correct gebruik van het product. Een slechte installatie en/of onjuist gebruik of onderhoud leidt tot onvoldoende prestaties en mogelijke storingen.

De fabrikant aanvaardt geen aansprakelijkheid voor letsel of schade aan het product die het gevolg is van:

- Onjuiste installatie, montage of aansluiting, inclusief te hoge spanning
- Onjuist onderhoud of gebruik van andere dan door de fabrikant geleverde originele reserveonderdelen
- Wijzigingen aan het product zonder uitdrukkelijke toestemming van de fabrikant
- Gebruik voor andere doeleinden dan beschreven in deze handleiding

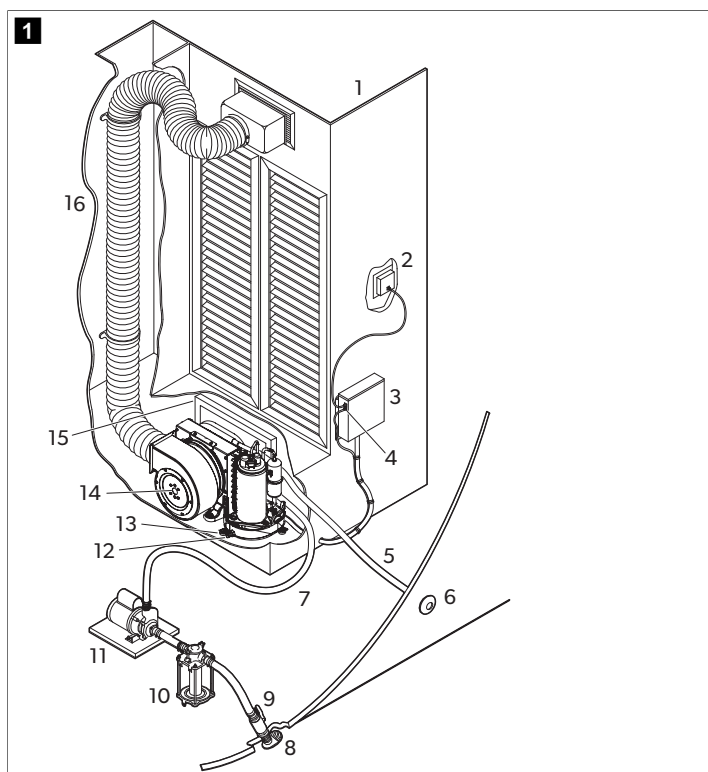
Dometic behoudt zich het recht voor om het uiterlijk en de specificaties van het product te wijzigen.

5 Technische gegevens

Lees deze instructies volledig door en plan vervolgens de aansluitingen die op de airconditioning moeten worden gemaakt (inclusief buisleidingen, condensafvoerleiding, zeewaterinlaat- en afvoerslangen, elektrische voedingsaansluitingen, plaats van de bediening en plaatsing van de zeewaterpomp), zodat deze gemakkelijk toegankelijk zijn voor geleiding en toekomstig onderhoud.

5.1 Locaties van onderdelen

Identificatie van onderdelen van het airconditioningssysteem



- | | | | |
|---|---------------------------------------|----|---------------------------------------|
| 1 | Toevoerlucht-rooster en overgangsdooz | 9 | Afsluitklep zeewaterkraan |
| 2 | Digitale weergave | 10 | Zeewaterzeef |
| 3 | Schakelkast | 11 | Pomp |
| 4 | Optionele externe luchtsensorkabel | 12 | Aansluiting voor condensatafvoerslang |
| 5 | Afvoerslang voor zeewater | 13 | Montageplaat |
| 6 | Buitenboord-uitlaat | 14 | Airconditioning |
| 7 | Inlaatslang voor zeewater | 15 | Retourluchtrooster en -filter |
| 8 | Waterschep-rompinlaat voor zeewater | 16 | Geïsoleerde flexibele buisleidingen |

5.2 Specificaties

Dit hoofdstuk bevat specificatiegegevens voor de airconditioning.

Tabel 13: Minimale afmetingen van kanalen en roosters per BTU-capaciteit

	3.5 k BTU	6 k BTU	8 k BTU	10 k BTU
Minimale kanaaldiameter	3,00 in (76,2 mm)	4,00 in (101,6 mm)	5,00 in (127,0 mm)	6,00 in (152,4 mm)
Minimale kanaaloppervlakte	6,8 in ² (43,9 cm ²)	12,6 in ² (81,3 cm ²)	19,6 in ² (126,5 cm ²)	28,3 in ² (182,6 cm ²)
Minimaal afvoerlucht-rooster	64,0 in ² (412,9 cm ²)	64,0 in ² (412,9 cm ²)	80,0 in ² (516,2 cm ²)	100,0 in ² (645,2 cm ²)
Minimaal toevoerlucht-rooster	12,0 in ² (77,4 cm ²)	32,0 in ² (206,5 cm ²)	48,0 in ² (309,7 cm ²)	60,0 in ² (387,1 cm ²)
	12 k BTU	16 k BTU	18 k BTU	27 k BTU
Minimale kanaaldiameter	6,00 in (152,4 mm)	7,00 in (177,8 mm)	7,00 in (177,8 mm)	8,00 in (203,2 mm)
Minimale kanaaloppervlakte	28,3 in ² (182,6 cm ²)	38,5 in ² (248,4 cm ²)	38,5 in ² (248,4 cm ²)	50,3 in ² (324,5 cm ²)
Minimaal afvoerlucht-rooster	130,0 in ² (838,8 cm ²)	160,0 in ² (1032,3 cm ²)	200,0 in ² (1290,4 cm ²)	240,0 in ² (1548,5 cm ²)

	12 k BTU	16 k BTU	18 k BTU	27 k BTU
Minimaal toevoer-lucht-rooster	70,0 in ² (451,6 cm ²)	80,0 in ² (516,2 cm ²)	100,0 in ² (645,2 cm ²)	120,0 in ² (774,2 cm ²)

Tabel 14: Bedrijfstemperatuur en -druk van het water

Minimale bedrijfstemperatuur van het water	40,0 °F (4,44 °C)
Maximale bedrijfstemperatuur van het water	80,0 °F (26,66 °C)
Minimale bedrijfswaterdruk	4,2 psi (0,29 bar) (29,00 kPa)
Maximale bedrijfswaterdruk	6,00 psi (0,41 bar) (41,4 kPa)

i INSTRUCTIE Als niet aan deze omstandigheden wordt voldaan, werkt het apparaat mogelijk met een verminderde capaciteit.

6 Voorinstallatie

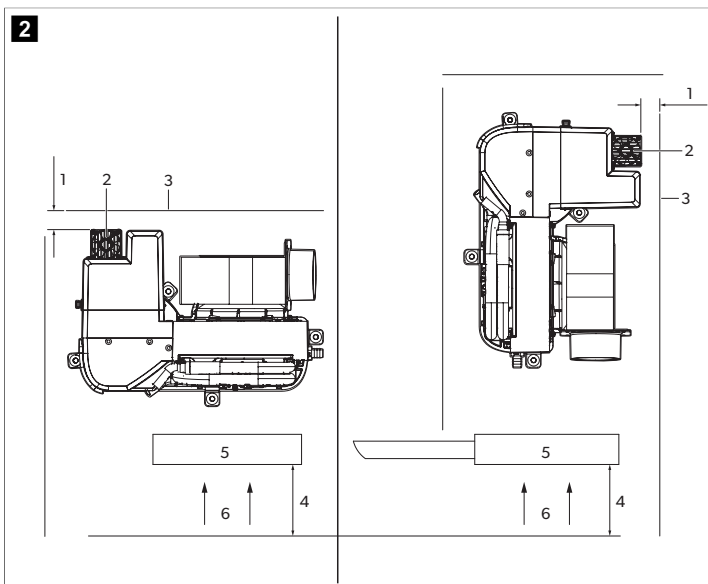
! LET OP!
De zelfstandige condensaatafvoerbakken van de DTG en de TX zijn uitgerust met trillingsisolatoren die in de bodem van de bak zijn geïnstalleerd. Deze isolatoren zijn ontworpen om de trillingen te dempen die worden veroorzaakt door de werkende airconditioning en die wordt overgebracht naar het montageoppervlak. Wees voorzichtig bij het verplaatsen van de airconditioning over montageoppervlakken, omdat de isolatoren beschadigd kunnen raken.

! LET OP!
De airconditioning moet op een laag, vlak en effen oppervlak worden gemonteerd, zoals onder in een kluisje, onder een slaapkooi of kombuisstoel, of op een vergelijkbare plaats.

In dit hoofdstuk wordt uitgelegd hoe u de airconditioning voorbereidt voor installatie.

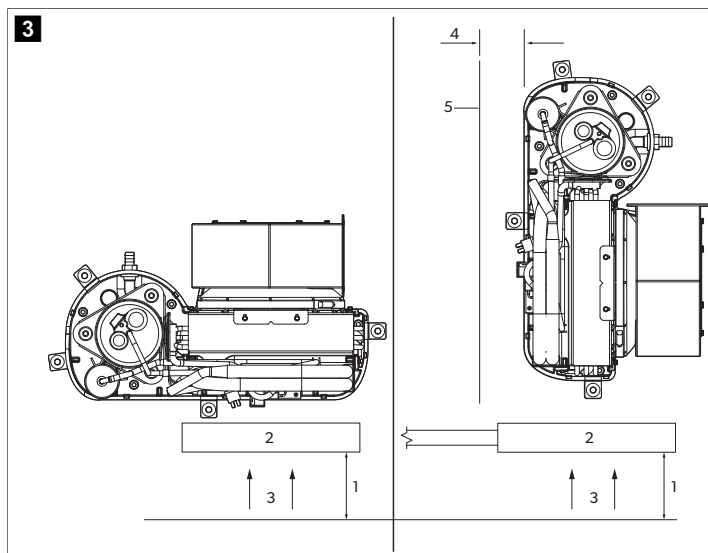
6.1 De installatielocatie bepalen

Plaatsing van de TX ten opzichte van de luchtstroom



- 1 3,00 in (7,62 cm)
- 2 Koellichaam
- 3 Schutbord
- 4 4,00 in (10,16 cm)
- 5 Afvoerlucht-rooster
- 6 Luchtstroom

Plaatsing van alle andere airconditioningsapparaten ten opzichte van de luchtstroom



- 1 4,00 in (10,16 cm)
- 2 Afvoerlucht-rooster
- 3 Luchtstroom
- 4 3,00 in (7,62 cm)
- 5 Schutbord

Kies een locatie met voldoende luchtstroom. Het afvoerlucht-rooster moet aan de voorzijde ten minste 4,00 in (10,16 cm) aan vrije ruimte hebben voor luchtcirculatie hebben, vrij van obstakels.

Als de airconditioning loodrecht ten opzichte van het afvoerlucht-rooster staat, zorg dan voor een minimale vrije ruimte van 3,00 in (7,62 cm) voor luchtcirculatie aan de luchtinlaatzijde.

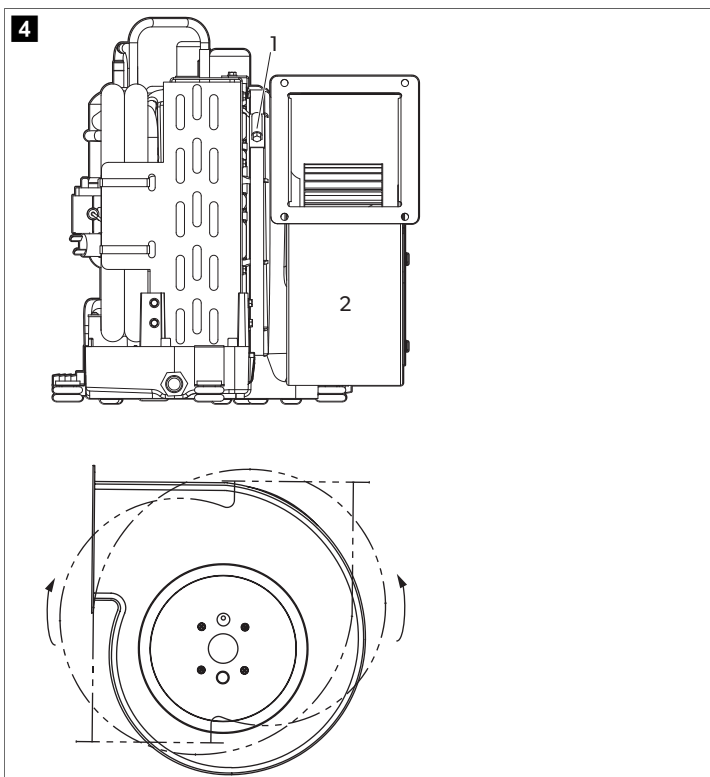
Alleen TX: Zorg voor een minimale vrije ruimte van 2,99 in (76,0 mm) boven en onder het koellichaam.

6.2 De aanjager draaien

In dit hoofdstuk wordt uitgelegd hoe de aanjager voor elk type apparaat moet worden gedraaid. Draai indien nodig de aanjager in de richting waarin de meest directe luchtstroom door de buisleidingen kan worden afgevoerd.

6.2.1 DTG- en TX-aanjagers

Aanjagers van het DTG- en TX-systeem draaien



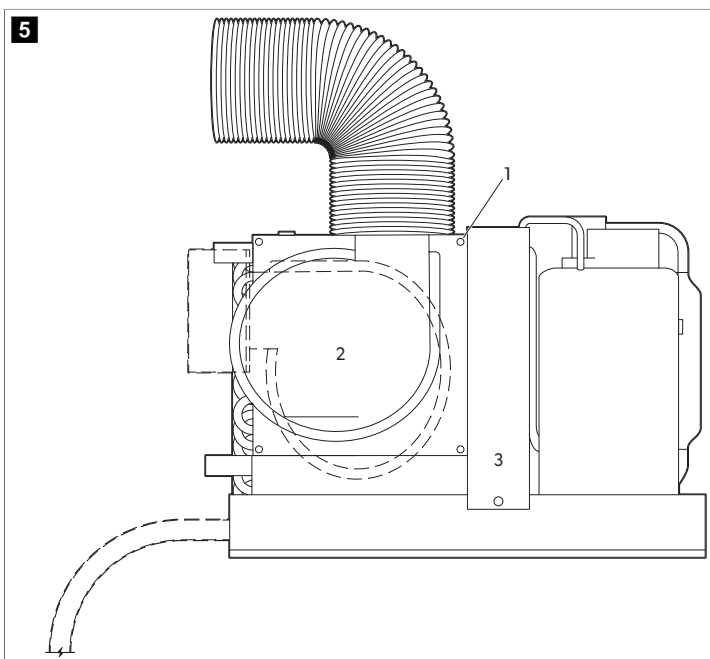
1 Adjustment screw

2 Blower

1. Draai de stelschroef op de bevestigingsring van de aanjager los.
2. Draai de aanjager in de gewenste stand.
3. Draai de stelschroef aan.

6.2.2 MCS- en ECD-aanjagers

Aanjagers van het MCS- en ECD-systeem draaien



1 Screw

2 Bord

3 Ventilator

1. Verwijder de zeven schroeven op de plaat.
2. Draai de aanjager in de gewenste stand.
3. Zet de aanjager vast met zelftappende schroeven (niet meegeleverd).

6.3 Luchtfilters vervangen

Luchtfilters verwijderen zwevende deeltjes uit de lucht in de cabine en houden de spoel van de verdamper schoon. Plaats voor elke airconditioning één luchtfilter, hetzij op de airconditioning, hetzij in het afvoerlucht-rooster.

6.4 Roosters en overgangsdozen plaatsen

Houd rekening met het volgende bij het plaatsen van de roosters en overgangsdozen:

- Monteer het toevoerlucht-rooster zo hoog mogelijk op een plaats waar gelijkmatige luchtverdeling in de passagiersruimte gewaarborgd is. Richt de lamellen van het luchtrooster omhoog.
- Monteer het afvoerlucht-rooster zo laag mogelijk en zo dicht mogelijk bij de airconditioning om luchtstroom naar de verdamper te garanderen.
- Richt de uitlaat van de toevoerlucht niet naar het afvoerlucht-rooster omdat het systeem anders kortsluit.
- Zorg voor voldoende ruimte achter het toevoerlucht-rooster ten behoeve van de overgangsdoozen en buisleidingen. Raadpleeg Specificaties op pagina 51

7 Installatie

In dit gedeelte wordt uitgelegd hoe u de zelfregulerende airconditioning installeert.

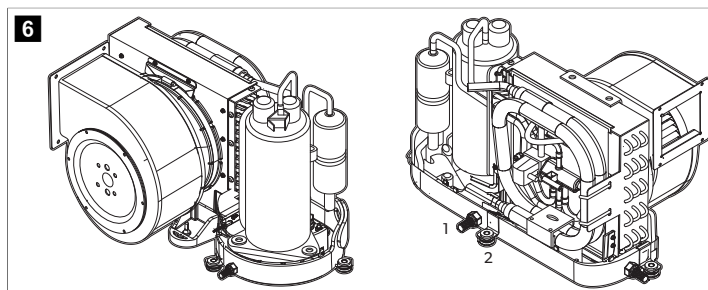
7.1 Installatie van de montagesteunen en condensatafvoer



LET OP!

Om te voorkomen dat de afvoerbak barst, mag u niet meer dan twee lagen loodgieterstape gebruiken om de slangfitting te omwikkelen en mag u de slangfitting niet te strak aandraaien.

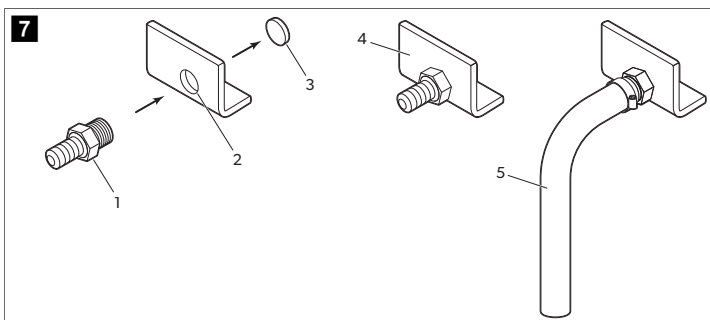
Typische plaatsing van montageplaten en condensatafvoeren



1 Aansluiting voor condensatafvoerslang

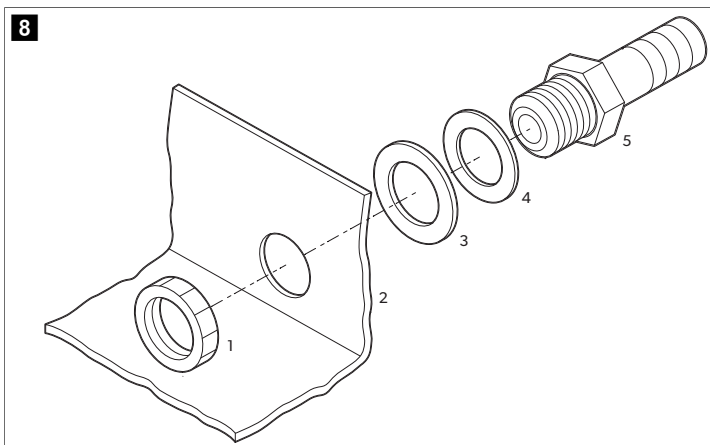
2 Montageplaat

Installatie van condensatafvoer voor DTG en TX



- 1 Hose barb
2 Afvoeropening met schroefdraad
3 Slag uitslaan
4 Drain pan
5 Afvoerslang

Installatie van condensaatafvoer voor alle andere airconditioningsapparaten

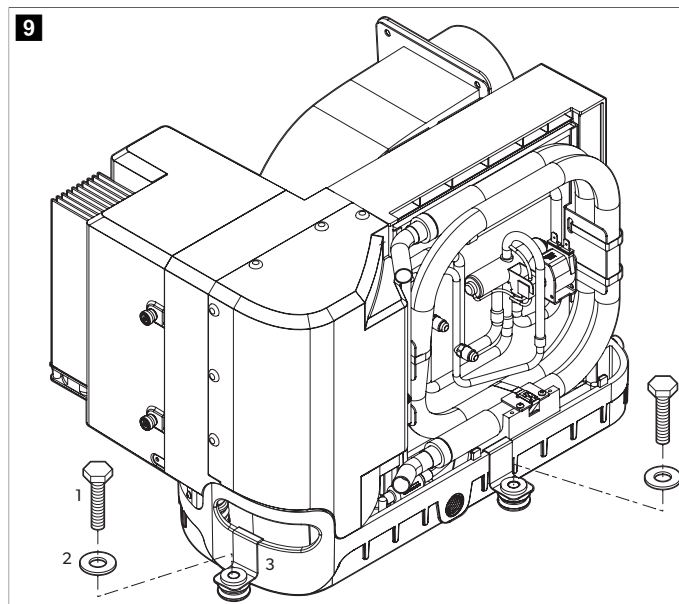


- 1 Locking nut
2 Afvoerbak
3 Vloeistofafdichtring
4 Solid washer
5 PVC-fitting 0,5 in (12,7 mm) HB x 0,5 in (12,7 mm) MPT

1. Gebruik de slangfitting om een slak uit een naar achteren gerichte afvoeropening te slaan door er één keer snel op te slaan met een rubberen hamer. Gooi de uitgeslagen slak weg.
2. Voor DTG- en TX-apparaten:
 - a) Omwikkel het schroefdraaduiteinde van de slangfitting met loodgieterstape.
 - b) Schroef de slangfitting in de afvoeropening met schroefdraad en draai fitting stevig vast.
3. Voor alle andere airconditionings:
 - a) Leid de slangfitting door een vaste afdichtring en een vloeistofdichte afdichtring en draai fitting in de afvoeropening.
 - b) Zet vast met een borgmoer.
4. Bevestig de afvoerslang aan de slangfitting met een roestvrijstalen slangklem.

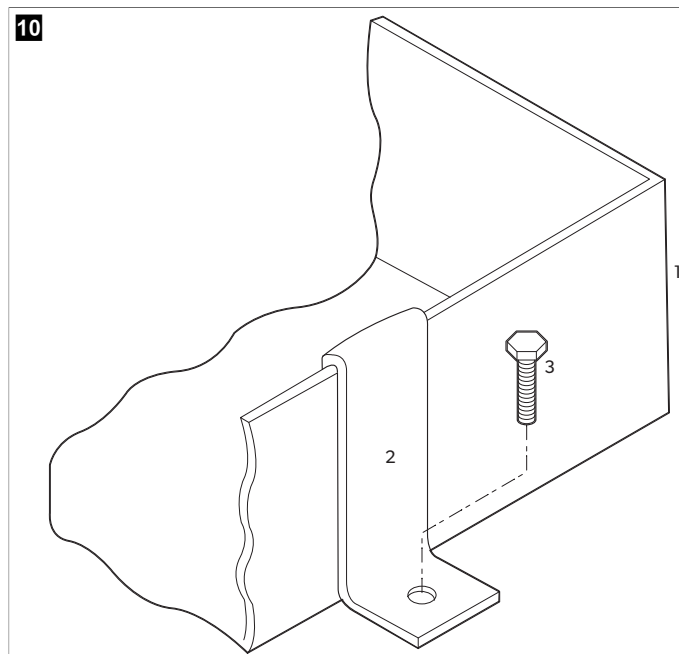
5. Leid de afvoerslang naar beneden naar een veilig en geschikt opvangpunt.

Montage van montageplaat voor DTG- en TX-apparaten



- 1 Bevestigingsbout (niet meegeleverd)
2 Stootring (meegeleverd)
3 Montageplaat (meegeleverd)

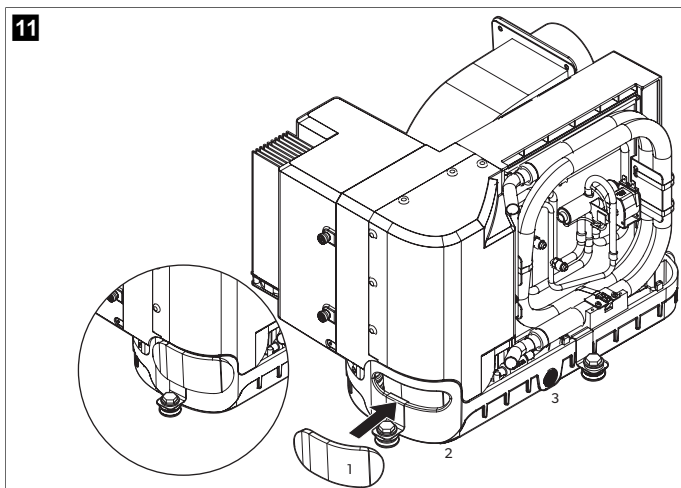
Montage van montageplaat voor andere airconditioningsapparaten



- 1 Afvoerbak
2 Montageplaat
3 Bevestigingsbout (niet meegeleverd)

6. Breng één montageplaat aan weerszijden van de afvoerbak aan, op gelijke afstand.

Schuimgreepisolatie aanbrengen op TX-apparaten



- 1 Schuimgreepisolatie
2 Handgreepopening
3 Afvoerbak

7. Voor TX-apparaten:

- Verwijder de folie die de zelfklevende achterkant van de schuimgreepisolatie bedekt.
- Plaats de schuimgreepisolatie zodanig dat de opening van de handgreep volledig wordt afgedekt met de klevende zijde naar de afvoerbak gericht.
- Druk rond de opening van de handgreep om de schuimgreepisolatie aan de afvoerbak te bevestigen.

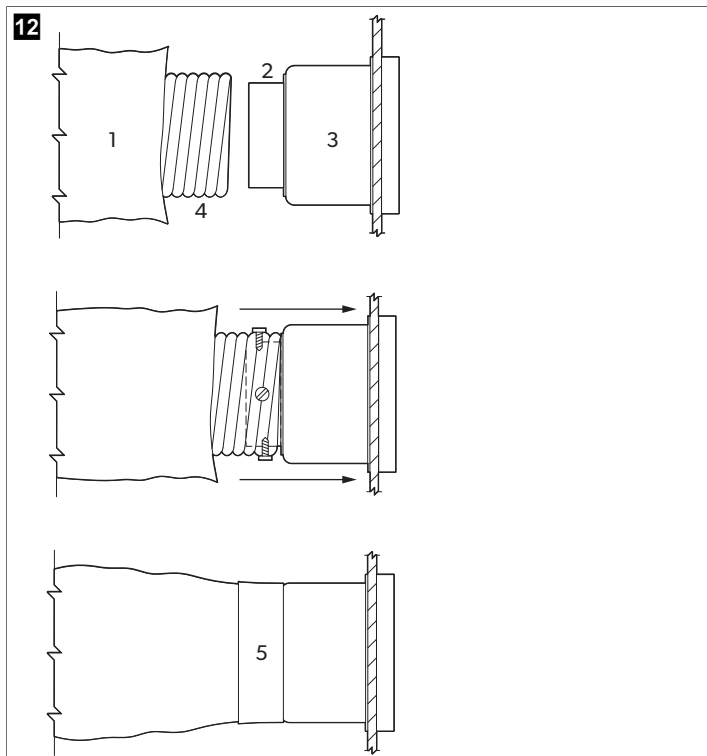
7.2 Installatie van buisleidingen

Houd u aan de volgende voorwaarden bij het aanbrengen van de buisleidingen:

- Buisleidingen moeten de juiste afmetingen hebben voor uw toepassing.
- Laat buisleidingen zo recht, glad en strak mogelijk lopen, om het aantal bochten en lussen van 90,00 ° tot een minimum te beperken omdat bochten nadelig kunnen zijn voor de luchtstroom.
- Maak de buisleidingen stevig vast om doorzakken te voorkomen.
- Zorg ervoor dat de buisleidingen niet afgeplat of geknikt worden.
- Snijd overtollige buislengte na installatie af.
- Isoleer buisleidingen wanneer deze zich in zeer warme gebieden bevinden.
- Isoleer buisleidingen wanneer deze zich in zeer warme gebieden bevinden.
- Leid buisleidingen niet door een machinekamer of een gebied waar ze kunnen worden blootgesteld aan gevaarlijke dampen of uitlaatgassen.

Als een overgangsdooz wordt gebruikt, moet het totale oppervlak van de toevoerluchtkanalen die de kast verlaten ten minste gelijk zijn aan het totale oppervlak van de toevoerleidingen die de kast in gaan. Raadpleeg Specificaties op pagina 51

Buisverbindingen



- 1 Glasvezelisolatie
2 Montagering
3 Overgangsdooz
4 Mylar binnenbuisslang
5 Duct tape

- Schuif de mylar binnenbuisslang rond de montagering naar de overgangsdooz.
- Schroef drie of vier roestvrijstalen schroeven door mylar buisslang in de bevestigingsring en klem daarbij twee of drie draden vast met behulp van de schroefkoppen.
- Schuif de glasvezelisolatie rond de mylar binnenbuisslang naar de overgangsdooz. Zet alles vast met duct tape.

7.3 Het zeewatersysteem installeren



LET OP!

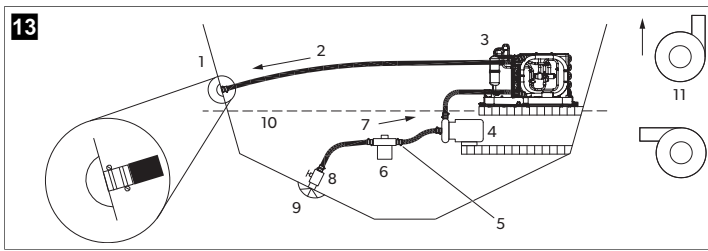
Als u deze procedure niet volgt, vervalt de garantie.

Neem de volgende overwegingen in acht bij het instellen van het zeewatersysteem:

- De zeef moet zich onder de pomp bevinden.
- Slangen moeten dubbel worden vastgeklemd.
- De slangen mogen niet knikken, lussen of hogere bereiken hebben waarin zich lucht kan verzamelen.
- De pomp en zeef moeten zich onder de waterspiegel bevinden.
- De rompinlaat, kogelklep, slang en zeef mogen niet kleiner zijn dan de pompinlaat.
- Breng de fitting van de rompinlaat zo ver mogelijk onder de waterspiegel aan.
- De pomp moet een speciale rompinlaat hebben.
- Vermijd elleboogstukken van 90,00 ° zo veel mogelijk.
- Zorg ervoor dat de pompkop in de richting van de waterstroming wordt gedraaid.
- Borg alle schroefdraadverbindingen met loodgieterstape.

Raadpleeg Specificaties op pagina 51 voor de maximale en minimale watertemperatuur en drukwaarden.

Zeewatersysteem



- | | |
|--------------------|--|
| 1 Zeewater-uitlaat | 7 Omhoog lopende inlaatstroom |
| 2 Uitlaatstroom | 8 Kogelklep |
| 3 Airconditioning | 9 Waterschep-rompinlaat |
| 4 Zeewaterpomp | 10 Waterspiegel |
| 5 Slangklemmen | 11 De richting van de pompkopzeef corrigeren |
| 6 Zeef | |

- Plaats een waterschep-rompinlaat voor zeewater zo dicht mogelijk bij de kiel en zo ver mogelijk onder de waterspiegel. Zet de waterschep-rompinlaat vast met een afdichtmiddel voor maritiem gebruik dat is ontworpen voor gebruik onder water.
- Breng een bronzen zeewaterkraan met volledige doorstroming aan op de waterschep-rompinlaat.
- Breng een zeewaterzeef aan onder het niveau van de pomp met toegang tot het filter.
- Monteer de pomp boven de zeef en ten minste 30 cm (1 ft) onder de waterspiegel.
- Verbind de zeewaterkraan en zeef middels een versterkte, omhooglopende slang voor maritiem gebruik.
- Sluit de afvoer van de pomp omhooglopend aan op de onderste inlaat van de condensorspoel van de airconditioning met een (0,63 in (16,0 mm)) versterkte slang met diameter van 5/8 inch voor maritiem gebruik.
- Sluit de afvoer van de condensorspoel aan op de buitenboord-uitlaatfitting middels een versterkte slang met diameter van 5/8 inch voor maritiem gebruik.
- Voorkom knikken, hogere bereiken of gebruik van elleboogstukken van 90,00 ° bij het aanleggen van de zeewaterslang. Elk elleboogstuk van 90,00 ° is gelijk aan 2,5 ft (0,76 m) (29,92 in (76,00 cm)) slang en een elleboogstuk van 90° op de uitlaat van de pomp is gelijk aan 20,0 ft (6,10 m) (240,16 in (610,00 cm)) slang.
- Borg alle slangverbindingen met dubbele klemmen van RVS. Breng de klemmen in omgekeerde richting aan waar nodig.
- Sluit alle metalen onderdelen die in contact komen met zeewater aan op het aansluitsysteem van het vaartuig.

7.4 Elektrische verbindingen maken



WAARSCHUWING! GEVAAR. KANS OP ELEKTRISCHE SCHOKKEN!

Schakel altijd de stroomonderbreker van de airconditioning uit voordat u de elektrische kast opent. Het niet in acht nemen van deze waarschuwing kan leiden tot ernstig letsel of de dood.



LET OP!

Sluit de airconditioning aan op het aansluitsysteem van de boot om corrosie door elektrische stroom te voorkomen. Alle pompen, metalen kleppen en aansluitingen in de zeewaterkringloop die van de airco geïsoleerd zijn met PVC- of rubberslangen, moeten afzonderlijk worden gekoppeld aan het aansluitsysteem van de boot.



INSTRUCTIE Als het systeem niet correct is geaard en verbonden, vervalt de garantie.

Alle conditioningsapparaten hebben een klemmenstrook, gelabeld voor de juiste aansluitingen, in de elektrische kast. Het aansluitschema in de elektrische kast heeft voorrang op de ABYC-normen. Gebruik een stroomonderbreker van de juiste grootte om het systeem te beschermen, zoals aangegeven op het gegevensplaatje van de airconditioning. Gebruik minimaal een bootkabel van 12 AWG om de airconditioning

en de zeewaterpomp van stroom te voorzien. Breng alle verbindingen tot stand met ringvormige of borgende vorkaansluitingen.

Let op het volgende bij het maken van elektrische verbindingen:

- De aarding van de wisselstroom (AC) moet worden aangesloten op de aardaansluiting (GRND) op het aansluitblok voor de netvoeding.
- Verbindingen tussen de aardgeleider van het wisselstroomstelsel (AC) van het vaartuig en het negatieve gelijkstroomstelsel (DC) van het vaartuig moeten worden gemaakt als onderdeel van de bedrading van het vaartuig. Controleer bij onderhoud of vervanging van bestaande apparatuur met een op het chassis gemonteerde aardingsbout de bedrading van het vaartuig op deze verbindingen.
- TX-airconditionings zijn ontworpen om te werken op wisselstroom of hoogspannings-gelijkstroom. Raadpleeg het aansluitschema van het vaartuig voor de juiste plaatsing.

Zorg ervoor dat de gelijkstroomaarde van de airconditioning goed is aangesloten op de gelijkstroomaarde van de boot. Zorg er in de boot voor dat de gelijkstroomaardrail op exact een punt is verbonden met de wisselstroomaardrail.

8 Verwijdering



Gooi het verpakkingsmateriaal indien mogelijk altijd in recyclingafvalbakken. Vraag het dichtstbijzijnde recyclingcentrum of uw dealer naar informatie over hoe het product kan worden weggegooid in overeenstemming met alle van toepassing zijnde nationale en lokale regelgeving.

9 Garantie

Zie onderstaande paragrafen voor informatie over garantie en ondersteuning in de VS, Canada en alle andere regio's.

Verenigde Staten en Canada

BEPERKTE GARANTIE BESCHIKBAAR OP DOMETIC.COM/EN-US/TERMS-AND-CONDITIONS-CONSUMER/WARRANTY. MOCHT U VRAGEN HEBBEN OF EEN GRATIS KOPIE VAN DE BEPERKTE GARANTIE WILLEN VERKRIJGEN, NEEM DAN CONTACT OP MET

DOMETIC CORPORATION
MARINE CUSTOMER SUPPORT CENTER
2000 NORTH ANDREWS AVENUE
POMPANO BEACH, FLORIDA, USA 33069
1-800-542-2477

Azië-Pacific (APAC) landen

Neem contact op met de verkoper of met de vestiging van de fabrikant in uw land (zie dometic.com/dealer) als het product niet naar behoren werkt. De garantie van toepassing op uw product bedraagt 1 jaar.

Stuur voor de afhandeling van reparaties of garantie volgende documenten mee:

- Een kopie van de factuur met datum van aankoop
- De reden voor de claim of een beschrijving van de fout

Houd er rekening mee dat eigenmachtige of niet-professionele reparatie gevolgen voor de veiligheid kan hebben en dat de garantie hierdoor kan komen te vervallen.

Alleen Australië

Onze producten worden geleverd met garanties die niet kunnen worden uitgesloten onder de Australische Consumentenwet. U hebt recht op een vervanging of vergoeding voor ernstig falen en op compensatie voor elk ander redelijkerwijs te voorzien verlies of schade. U hebt bovendien recht op reparatie of vervanging van de producten indien de producten niet van acceptabele kwaliteit zijn en de fout niet gelijk staat aan ernstig falen.

Alleen Nieuw-Zeeland

Dit garantiebeleid is onderhevig aan de voorwaarden en garanties die verplicht zijn zoals geïmpliceerd door de Wet op Consumentengaranties 1993(NZ).

Alle andere regio's

De wettelijke garantieperiode is van toepassing. Als het product defect is, neem dan contact op met de vestiging van de fabrikant in uw land (zie dometic.com/dealer) of uw verkoper.

Stuur voor de afhandeling van reparaties of garantie volgende documenten mee:

- Een kopie van de factuur met datum van aankoop
- De reden voor de claim of een beschrijving van de fout

Houd er rekening mee dat eigenmachtige of niet-professionele reparatie gevolgen voor de veiligheid kan hebben en dat de garantie hierdoor kan komen te vervallen.

Dansk

1	Vigtige henvisninger.....	58
2	Forklaring af symboler.....	58
3	Målgruppe.....	58
4	Korrekt brug.....	59
5	Tekniske data.....	59
6	Før installation.....	59
7	Montering.....	61
8	Bortskaffelse.....	64
9	Garanti.....	64

1 Vigtige henvisninger

Læs og følg alle disse anvisninger, retningslinjer og advarsler i denne produktvejledning grundigt for at sikre, at du altid installerer, bruger og vedligeholder produktet korrekt. Disse anvisninger SKAL opbevares sammen med dette produkt.

Ved at benytte produktet bekræfter du hermed, at du har læst alle anvisninger, retningslinjer og advarsler grundigt, og at du forstår og er indforstået med de vilkår og betingelser, der er fastlagt heri. Du er indforstået med kun at bruge dette produkt til det beregnede formål og anvendelse i overensstemmelse med anvisningerne, retningslinjerne og advarslerne i denne produktvejledning samt i overensstemmelse med alle de gældende love og forskrifter. Manglende læsning og ignorering af disse anvisninger og advarsler kan medføre kvæstelser på dig selv og andre, skade på dit produkt eller skade på anden ejendom i nærheden. Der tages forbehold for eventuelle ændringer og opdateringer af denne produktvejledning samt anvisningerne, retningslinjerne og advarslerne samt den tilhørende dokumentation. Se documents.domestic.com for de nyeste produktinformationer.

2 Forklaring af symboler

Et signalord vil identificere sikkerhedsmeddelelser og meddelelser om skade på ejendom og vil også angive graden eller niveauet af farens alvor.



ADVARSEL!

Angiver en farlig situation, som kan medføre dødsfald eller alvorlig kvæstelse, såfremt den ikke undgås.



VIGTIGT!

Angiver en situation, som kan medføre materielle skader, såfremt den ikke undgås.



BEMÆRK Supplerende informationer om betjening af produktet.

2.1 Supplerende direktiver

For at reducere risikoen for ulykker og kvæstelser skal du overholde følgende anvisninger, før du fortsætter med at installere dette apparat:

- Læs og følg alle sikkerhedshenvisninger og instruktioner.
- Læs og forstå disse instruktioner, før du installerer dette produkt.
- Installationen skal overholde alle gældende lokale eller nationale regler, inklusive den seneste udgave af følgende standarder:
 - American Boat and Yacht Council (ABYC)
 - ANSI/NFPA 70, National Electrical Code (NEC)

2.2 Sikkerhedshenvisninger



ADVARSEL! FARE FOR KULILTEFORGIFTNING

Manglende overholdelse af følgende advarsler kan medføre dødsfald eller alvorlige kvæstelser:

- > Installer eller betjen **ikke** et kompaktklima-læg i kil- eller motorrummets område eller i nærheden af en forbrændingsmotor. Sørg for, at det valgte sted er tætnet mod direkte adgang til dampe fra kil- og/eller motorrummet.

- > Kontrollér, at kondensatafløbsforbindelsen er installeret og tætnet korrekt. Afslut **ikke** kondensatafløbsforbindelsen inden for 3 fod (0,91 m) fra en udgang på en motors eller generators udstødningssystem, i et rum, der indeholder en motor eller generator, eller i et kilrum, med mindre afløbet tilsluttet korrekt til en tætnet kondensatpumpe eller bruserafløbspumpe. Hvis afløbsforbindelsen ikke er installeret korrekt, kan der trænge farlige dampe op ad afløbsforbindelsen og forurene beboelsesområderne.
- > Installer **ikke** klima-lægget på et sted, hvor det kan cirkulere kulilte, brændstofdampe eller andre skadelige dampe ind i bådens opholdsrum.



ADVARSEL! Fare for elektrisk stød

Monteringen må kun udføres af en kvalificeret elektriker.



ADVARSEL! FARE FOR ELEKTRISK STØD, BRAND OG/ELLER EKSPLOSION.

Hvis disse advarsler ikke overholdes, kan det medføre dødsfald eller alvorlige kvæstelser.

Dette apparat er **ikke** beregnet til at blive anvendt af personer (inkl. børn) med nedsatte fysiske, sensoriske eller mentale evner eller manglende erfaring eller viden, med mindre der er sørget for passende opsyn eller udførlig vejledning i brugen af apparatet fra en person, der er ansvarlig for deres sikkerhed. Børn skal overvåges for at sikre, at de **ikke** leger med apparatet. Rengøring og vedligeholdelse må **ikke** udføres af børn uden opsyn. Dette apparat bør **ikke** være tilgængeligt for offentligheden.



ADVARSEL! EKSPLOSIONSFARE.

Hvis disse advarsler ikke overholdes, kan det medføre dødsfald eller alvorlige kvæstelser.

Installer **ikke** klima-lægget på et sted, der indeholder forbrændingsmotorer, tanke, LPG/CPG-cylindre, regulatorer, ventiler eller brændstofforbindelsens beslag. Medmindre andet er angivet, opfylder selvstændige enheder **ikke** de nationale krav til tændingsbeskyttelse. Manglende overholdelse af denne advarsel kan medføre dødelige eller alvorlige kvæstelser.



ADVARSEL! FARE FOR ELEKTRISK STØD.

Hvis disse advarsler ikke overholdes, kan det medføre dødsfald eller alvorlige kvæstelser.

- > Sørg for at jordforbinde klima-lægget effektivt for at minimere faren for elektrisk stød. Se installationsvejledningen for yderligere oplysninger.
- > Hvert installeret klima-læg skal have en dedikeret effektafbrøder. Hvis der kun er installeret ét klima-læg, skal havvandsumpen **ikke** have en dedikeret effektafbrøder. Hvis to eller flere klima-lægsenheder bruger den samme havvandspumpe, tilsluttes pumpeledningerne til et pumperelæpanel (PRP), som har sin egen dedikerede effektafbrøder, der er dimensioneret til pumpen (maks. 20 A). Se strømskemaet, der følger med PRP. Ved elektriske tilslutninger i kilrummet og/eller under vandlinjen skal der anvendes varmekrympende kabelforbindere.
- > Ledningsføringen på stedet **skal** være i overensstemmelse med ABYCs elektriske standarder. Strømmen til enheden skal være inden for det driftsspændingsområde, der er angivet på typeskiltet. Der **skal** installeres sikringer med korrekt størrelse eller HACR-effektafbrødere for at beskytte forgreningskredsløbet. Se typeskiltet for sikringens/effektafbrøderens maksimale størrelse (MFS) og den minimale kredsløbskapacitet (MCA).



VIGTIGT!

Dette apparat har fluorholdige drivhusgasser i hermetisk lukket udstyr. Se produktdataene på kondensatorenhedens typeskilt for mængden af kølemiddel vist i vægt og GWP. Det tilsatte kølemiddel skal noteres på enhedens skilt.

3 Målgruppe



Den mekaniske og elektriske installation og opsætning af enheden skal udføres af en kvalificeret tekniker, der har vist færdigheder og viden relateret til konstruktion og drift af marineudstyr og installationer, og som er fortrolig med de gældende regler i det land, hvor udstyret skal installeres og/eller bruges, og som har modtaget sikkerhedstræning til at identificere og undgå de involverede farer.

4 Korrekt brug

Denne vejledning er beregnet til installation af kompaktklimaanlæggene DCU, DLU, DTG, ECD og TX (efterfølgende kaldet klimaanlæg). Klimaanlægget er beregnet til brug på både og yachter. Dette klimaanlæg er kun egnet til dets beregnede formål og anvendelse i overensstemmelse med disse anvisninger.

Dette produkt er kun egnet til dets beregnede formål og anvendelse i overensstemmelse med disse anvisninger.

Denne vejledning giver dig oplysninger om, hvad der er nødvendigt med henblik på en korrekt montering og/eller drift af produktet. Dårlig montering og/eller ukorrekt drift eller vedligeholdelse medfører utilstrækkelig ydeevne og mulige fejl.

Producenten påtager sig intet ansvar for kvæstelser eller skader i forbindelse med produktet, der skyldes:

- ukorrekt montering eller forbindelse inklusive for høj spænding
- ukorrekt vedligeholdelse eller brug af uoriginale reservedele, der ikke stammer fra producenten
- ændringer på produktet uden udtrykkelig tilladelse fra producenten
- brug til andre formål end dem, der er beskrevet i vejledningen.

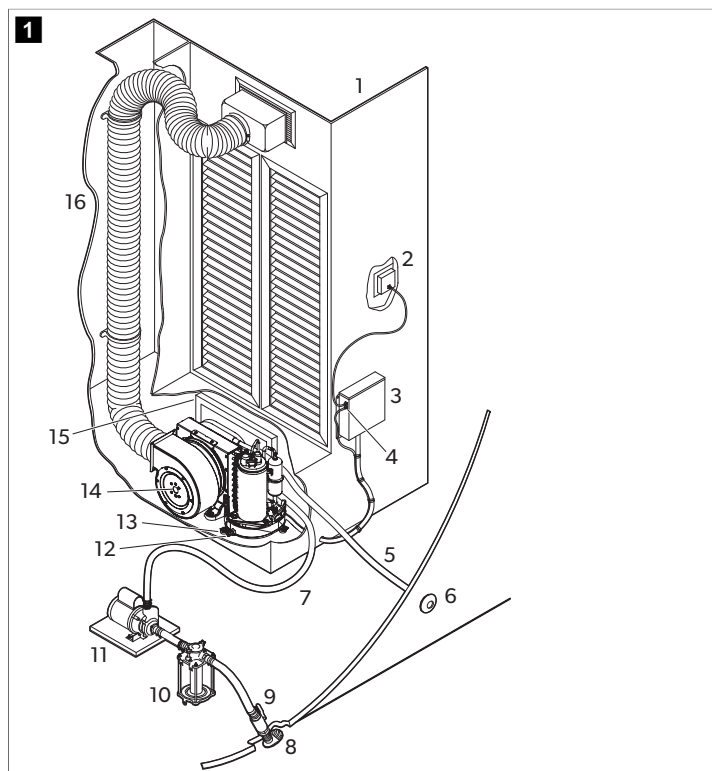
Dometic forbeholder sig ret til at ændre produktets udseende og produktspecifikationer.

5 Tekniske data

Læs hele denne vejledning, og planlæg derefter de tilslutninger, der skal foretages til klimaanlægget (herunder kanaler, kondensatafløbsforbindelser, indløbs- og udløbslanger til havvand, elektriske strømtilslutninger, placering af styreenheden og placering af havvandspumpen) for at sikre nem adgang til installation og fremtidig vedligeholdelse.

5.1 Delenes placering

Identifikation af klimaanlæggets komponenter



- 1 Luftforsyningsgitter og overgangsboks 9 Spærreventil på søhane
2 Digitalt display 10 Havvandsfilter

- 3 Elboks 11 Pumpe
4 Kabel til fjernluftsensor (option) 12 Slangekrog på kondensatafløb
5 Udløbslange til havvand 13 Monteringsbeslag
6 Udenbordsudgang 14 Klimaanlæg
7 Indløbslange til havvand 15 Returluftgitter og -filter
8 Scoop-skrogindløb til havvand 16 Isolerede fleksibel kanaler

5.2 Specifikationer

Dette afsnit indeholder specifikationsdata for klimaanlægget.

Tabel 15: Mindste kanal- og gitterstørrelser pr. BTU-kapacitet

	3.5 k BTU	6 k BTU	8 k BTU	10 k BTU
Mindste kanaldiameter	3,00 in (76,2 mm)	4,00 in (101,6 mm)	5,00 in (127,0 mm)	6,00 in (152,4 mm)
Mindste kanalområde	6,8 in ² (43,9 cm ²)	12,6 in ² (81,3 cm ²)	19,6 in ² (126,5 cm ²)	28,3 in ² (182,6 cm ²)
Mindste returluftgitter	64,0 in ² (412,9 cm ²)	64,0 in ² (412,9 cm ²)	80,0 in ² (516,2 cm ²)	100,0 in ² (645,2 cm ²)
Mindste forsyningsluftgitter	12,0 in ² (77,4 cm ²)	32,0 in ² (206,5 cm ²)	48,0 in ² (309,7 cm ²)	60,0 in ² (387,1 cm ²)

	12 k BTU	16 k BTU	18 k BTU	27 k BTU
Mindste kanaldiameter	6,00 in (152,4 mm)	7,00 in (177,8 mm)	7,00 in (177,8 mm)	8,00 in (203,2 mm)
Mindste kanalområde	28,3 in ² (182,6 cm ²)	38,5 in ² (248,4 cm ²)	38,5 in ² (248,4 cm ²)	50,3 in ² (324,5 cm ²)
Mindste returluftgitter	130,0 in ² (838,8 cm ²)	160,0 in ² (1032,3 cm ²)	200,0 in ² (1290,4 cm ²)	240,0 in ² (1548,5 cm ²)
Mindste forsyningsluftgitter	70,0 in ² (451,6 cm ²)	80,0 in ² (516,2 cm ²)	100,0 in ² (645,2 cm ²)	120,0 in ² (774,2 cm ²)

Tabel 16: Driftstemperatur og -tryk for vand

Minimal driftstemperatur for vand	40,0 °F (4,44 °C)
Maksimal driftstemperatur for vand	80,0 °F (26,66 °C)
Minimalt driftstryk for vand	4,2 psi (0,29 bar) (29,00 kPa)
Maksimalt driftstryk for vand	6,00 psi (0,41 bar) (41,4 kPa)

BEMÆRK Enheden kan fungere uden for disse forhold med reduceret kapacitet.

6 Før installation

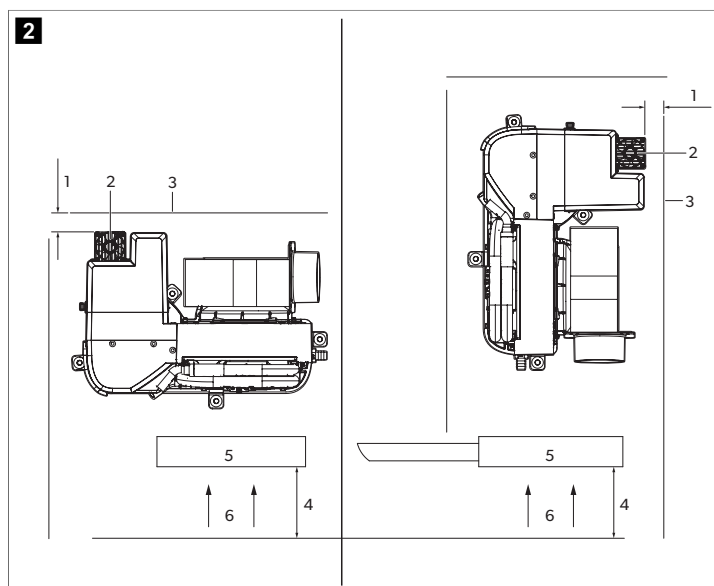
VIGTIGT! Bundpladerne på DTG- og TX-kompaktklimaanlæg er udstyret med vibrationsisolatorer, der er installeret i bunden bakken. Disse isolatorer er beregnet til at dæmpe vibrationen, der forårsages af driften af klimaanlægget, så den ikke overføres til monteringsfladen. Vær forsigtig, når klimaanlægget flyttes hen over monteringsfladerne, da isolatorerne kan blive beskadiget.

VIGTIGT! Klimaanlægget skal monteres på en lav, flad, plan overflade, f.eks. i bunden af et skab, under en køje eller bænk eller på et lignende sted.

Dette afsnit forklarer, hvordan klimaanlægget gøres klar til installation.

6.1 Bestemmelse af installationsstedet

Placering af TX i forhold til luftstrøm



1 3,00 in (7,62 cm)

4 4,00 in (10,16 cm)

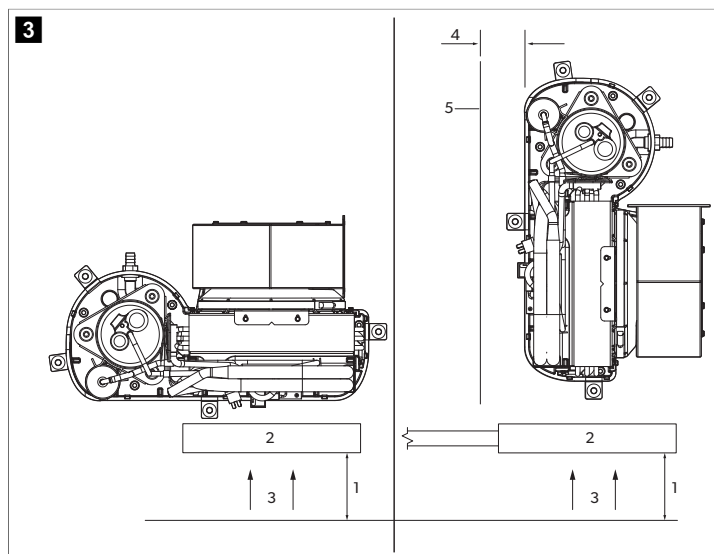
2 Køleelement

5 Returluftgitter

3 Skot

6 Luftstrøm

Alle andre klimaanlægsenheder placeret i forhold til luftstrømmen



1 4,00 in (10,16 cm)

4 3,00 in (7,62 cm)

2 Returluftgitter

5 Skot

3 Luftstrøm

Vælg et sted med tilstrækkelig luftstrøm. Returluftgitteret skal have en luftcirkulationsafstand på mindst 4,00 in (10,16 cm) foran det uden forhindringer.

Hvis klimaanlægget er placeret vinkelret på returluftgitteret, skal der overholdes en luftcirkulationsafstand på mindst 3,00 in (7,62 cm) på luftindsugningssiden.

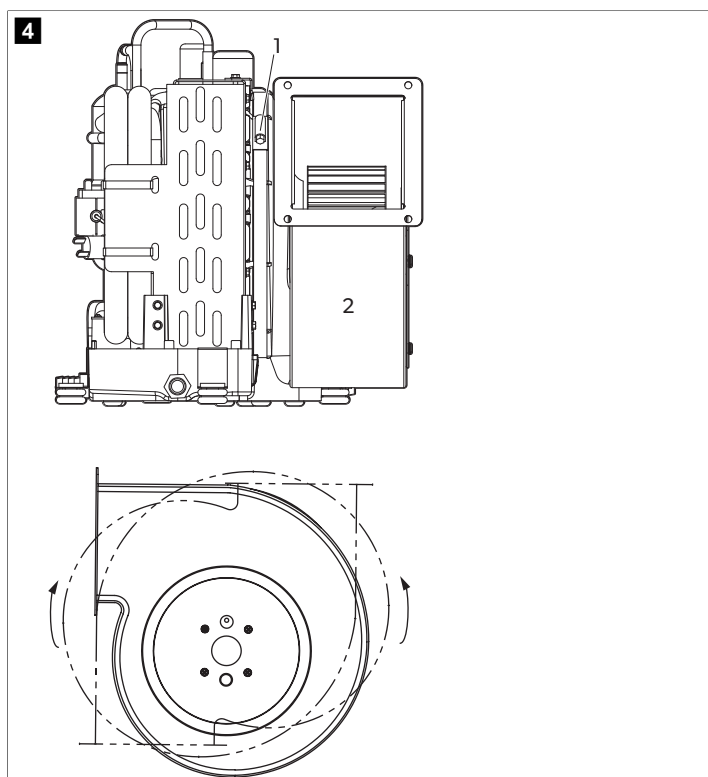
Kun TX: Sørg for et åbent område på mindst 2,99 in (76,0 mm) over og under kølelementet.

6.2 Drejning af blæseren

Dette afsnit forklarer, hvordan blæseren drejes for hver enhedstype. Drej om nødvendigt blæseren i den retning, der giver den mest direkte luftstrøm gennem kanalerne.

6.2.1 DTG- og TX-blæsere

Drejning af blæser på DTG- og TX-systemet



1 Adjustment screw

2 Blower

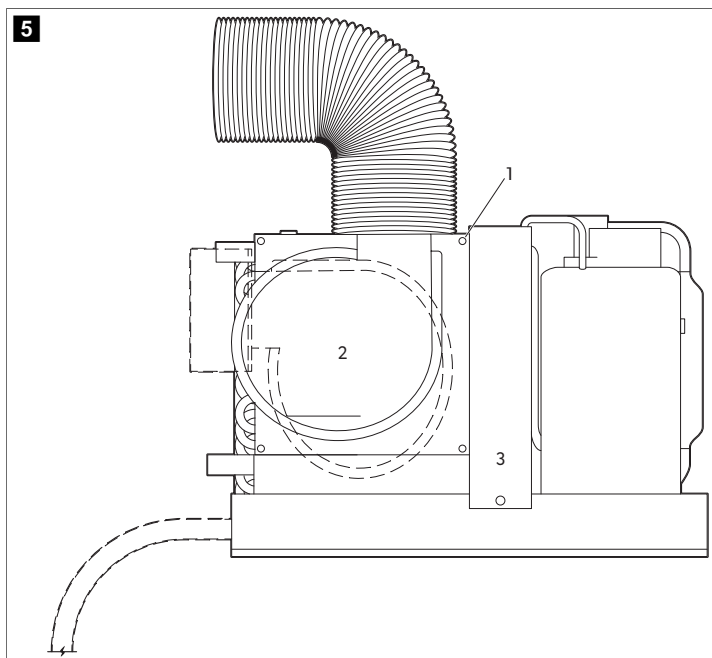
1. Løsn indstillingsskruen på blæserens monteringsring.

2. Drej blæseren til den ønskede position.

3. Spænd indstillingsskruen.

6.2.2 MCS- og ECD-blæsere

MCS- og ECD-systemets blæserrotation



- 1 Screw
2 Laske
3 Blæser

1. Fjern de syv skruer på pladen.
2. Drej blæseren til den ønskede position.
3. Fastgør blæseren med selvskærende skruer (medfølger ikke).

6.3 Udskiftning af luftfiltrene

Luftfiltre fjerner luftbårne partikler fra kabineluften og holder fordamperspølen ren. Placer et luftfilter på klima anlægget eller i returluftgitteret for hvert klima anlæg.

6.4 Placering af gitrene og overgangsboksene

Vær opmærksom på følgende ved placering af gitrene og overgangsboksene:

- Installer forsyningsluftgitteret så højt som muligt på et sted, som giver ensartet luftfordeling i hele kabinen. Ret gitterlamellerne opad.
- Installer returluftgitteret så lavt og tæt på klima anlægget som muligt for at sikre luftstrømmen til fordampere.
- Ret ikke forsyningsluftudgangen mod returluftgitteret, da det vil medføre, at anlægget afkorter cyklusen.
- Sørg for tilstrækkelig afstand bag forsyningsluftgitteret til overgangsboksen og kanaltilslutningen. Se Specifikationer på side 59

7 Montering

Dette afsnit forklarer, hvordan du installerer kompakt klima anlægget.

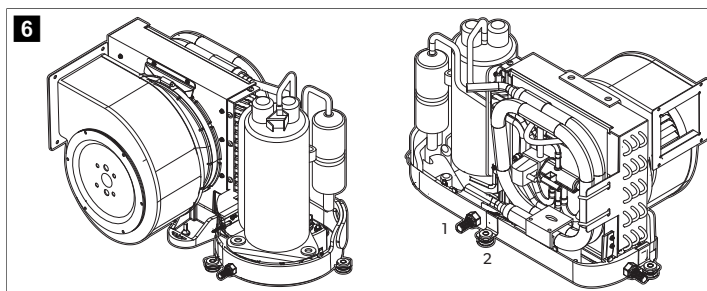
7.1 Installation af monteringsbeslagene og kondensatafløbet



VIGTIGT!

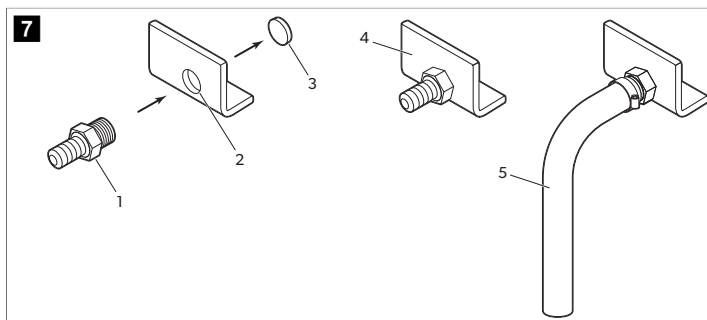
For at forhindre, at afløbsplanet revner, må der ikke bruges mere end to lag gaffatape til at vikle slangekrogen, og spænd ikke slangekrogen for kraftigt.

Typisk placering af monteringsbeslag og kondensatafløb



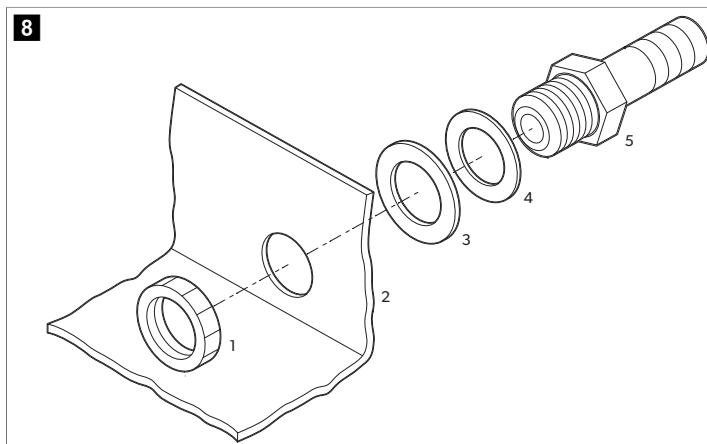
- 1 Slangekrog på kondensatafløb
2 Monteringsbeslag

Installation af kondensatafløb til DTG og TX



- 1 Hose barb
2 Afløbshul med gevind
3 Udslagshul
4 Drain pan
5 Afløbsslange

Installation af kondensatafløb til alle andre klima anlæg

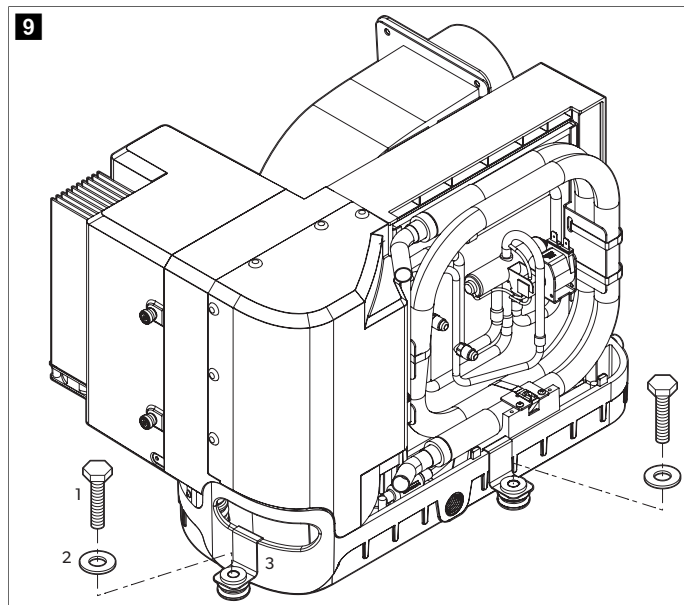


- 1 Locking nut
2 Aftapningsbakke
3 Tætningskive
4 Solid washer
5 PVC-beslag 0,5 in (12,7 mm) HB x 0,5 in (12,7 mm) MPT

1. Brug slangekrogen til at slå en stift ud af et bagudrettet afløbshul med et hurtigt slag med en gummihammer. Bortskaf udslagshullet.
2. For DTG- og TX-enheder:
 - a) Vikl slangekrogens gevindskårne ende ind i gaffatape.
 - b) Skru slangekrogen fast i afløbshullet med gevind, og spænd sikkert.

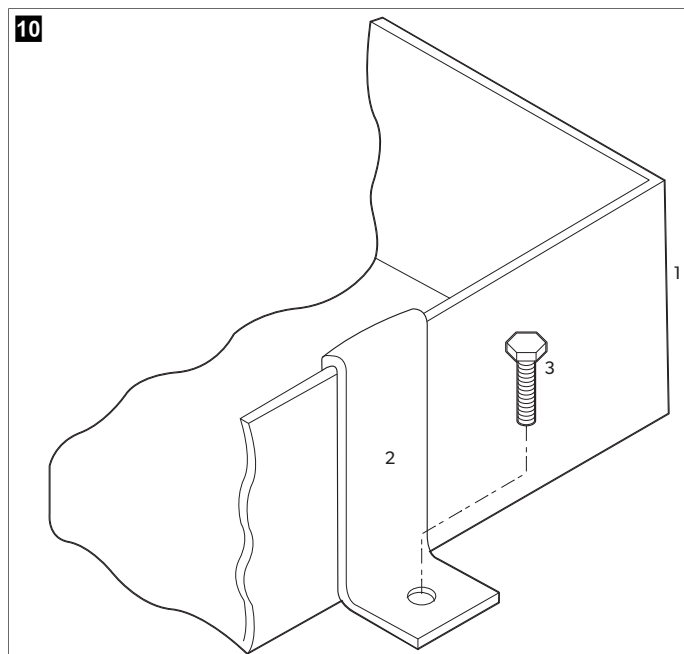
3. For alle andre klimaanlæg:
 - a) Før slangekrogen gennem en massiv skive og en tætningskive, og sæt den i afløbshullet.
 - b) Fastgør med en låsemøtrik.
4. Fastgør afløbsslangen på slangekrogen med en slangeklemme af rustfrit stål.
5. Før afløbsslangen nedad til et sikkert og korrekt opsamlingssted.

Installation af monteringsbeslag til DTG- og TX-enheder



- 1 Monteringsbolt (medfølger ikke)
- 2 Fenderskive (medfølger)
- 3 Monteringsbeslag (medfølger)

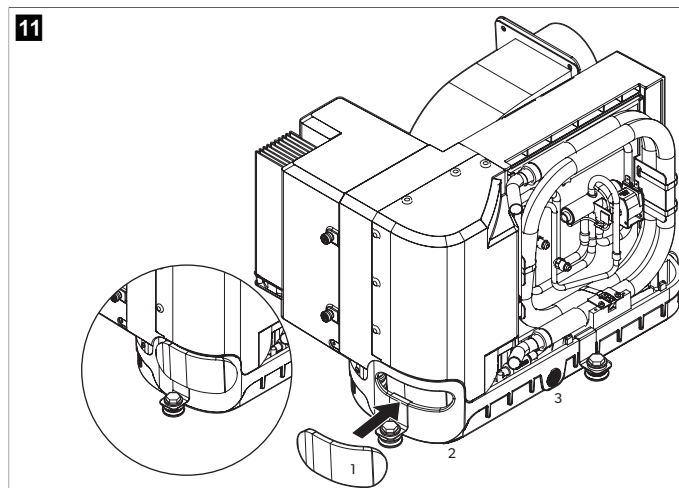
Installation af monteringsbeslag til andet klimaanlæg



- 1 Aftapningsbakke
- 2 Monteringsbeslag
- 3 Monteringsbolt (medfølger ikke)

6. Montér et monteringsbeslag på hver side af aftapningsbakken, med ens afstand.

Installation af skumhåndtagsisolering på TX-enheder



- 1 Skumhåndtagsisolering
- 2 Håndtagsåbning
- 3 Aftapningsbakke

7. Til TX-enheder:
 - a) Fjern filmen, der dækker den klæbende bagside på skumhåndtagsisoleringen.
 - b) Anbring skumhåndtagsisoleringen, så den dækker håndtagsåbningen fuldstændigt med den klæbende side mod aftapningsbakken.
 - c) Tryk omkring håndtagsåbningen for at klæbe skumhåndtagsisoleringen på aftapningsbakken.

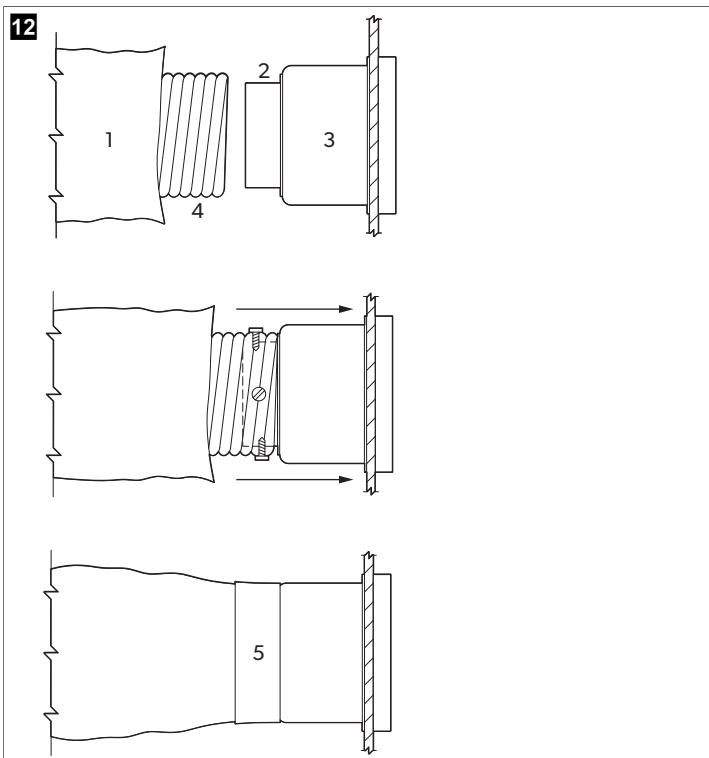
7.2 Installation af kanalerne

Vær opmærksom på følgende betingelser, når kanalerne installeres:

- Kanalerne skal have den rigtige størrelse til anvendelsen.
- Før kanalerne så lige, jævnt og stramt som muligt, og minimér antallet af 90,00 °-bøjninger og løkker, som kan reducere luftstrømmen.
- Fastgør kanalerne omhyggeligt for at undgå, at de synker.
- Sørg for, at kanalerne ikke bliver flade eller bukkede.
- Fjern overskydende kanallængder efter installation.
- Isolér kanaler, når de er placeret i områder med kraftig varme.
- Isolér kanaler, når de er placeret i områder med kraftig varme.
- Før ikke kanaler gennem et motorrum eller et område, hvor de kan blive udsat for farlige dampe eller udstødningsgasser.

Hvis der anvendes en overgangsboks, skal det samlede areal for luftforsyningskanalerne, der kommer ud af boksen, mindst svare til det samlede areal for forsyningskanaler, der kommer ind i boksen. Se Specifikationer på side 59

Kanaltilslutninger



- | | |
|----------------------|----------------------------------|
| 1 Glasfiberisolering | 4 Indvendig kanalslange af mylar |
| 2 Monteringsring | 5 Klæbebånd |
| 3 Overgangsboks | |

1. Skub den indvendige kanalslange af mylar på monteringsringen til overgangsboksen.
2. Skru tre eller fire skruer af rustfrit stål gennem kanalslangen af mylar og ind i monteringsringen, så der holdes to eller tre ledninger med skruenhoveder.
3. Skub glasfiberisoleringen omkring den indvendige kanalslange af mylar til overgangsboksen. Fastgør med gaffatape.

7.3 Installation af havvandsanlægget



VIGTIGT!

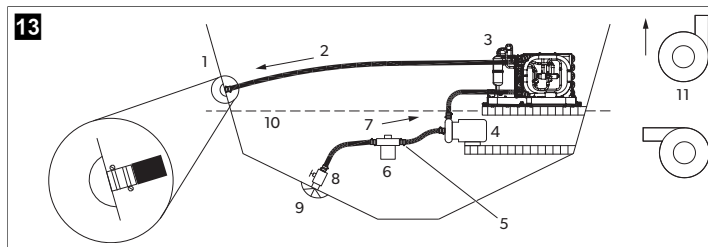
Hvis denne procedure ikke følges, bortfalder garantien.

Vær opmærksom på følgende overvejelser ved installation af havvandsanlægget:

- Filteret skal være under pumpen.
- Slangerne skal være fastgjort med to klemmer.
- Slangerne må ikke have knæk, sløjfer eller have høje områder, hvor der kan samle sig luft.
- Pumpen og filteret skal være under vandlinjen.
- Skrogindløbet, kugleventilen, slangen og filteret må ikke være mindre end pumpeindløbet.
- Installer skrogennemføringen så langt under vandlinjen som muligt.
- Pumpen skal have en dedikeret skrogennemføring.
- Undgå så vidt muligt 90,00 °-vinkelstykker.
- Sørg for, at pumpehovedet er drejet i retning af vandflowet.
- Brug gaffatape på alle gevindtilslutninger.

Se Specifikationer på side 59 for maksimale og minimale værdier for vandtemperatur og -tryk.

Havvandsanlæg



- | | |
|------------------|--|
| 1 Havvandsudgang | 7 Indgangsflow opad |
| 2 Udgangsflow | 8 Kugleventil |
| 3 Klimaanelæg | 9 Scoop-skrogindløb |
| 4 Havvandspumpe | 10 Vandlinje |
| 5 Slangeklemmer | 11 Korrekt placering af pumpehovedets filter |
| 6 Sifilter | |

1. Installer et scoop-skrogindløb til havvand så tæt på kølen og så langt under vandlinjen som muligt. Fastgør scoop-skrogindløbet med et tætningsmiddel i marinekvalitet, der er beregnet til undervandsbrug.
2. Installer en bronzerfarvet søventil med fuld gennemstrømning på scoop-skrogindløbet til havvand.
3. Installer et havvandsfilter under pumpens niveau med adgang til filteret.
4. Montér pumpen over filteret og mindst en fod under vandlinjen.
5. Tilslut søventilen og filteret til en forstærket slange i marinekvalitet, der forløber opad.
6. Tilslut pumpens udløb opad til det nederste indløb på klimaanelæggets kondensatorspole med en forstærket 5/8" (0,63 in (16,0 mm))-slange i marinekvalitet.
7. Tilslut udløbet fra kondensatorspolen til udenbordsudgangens skrogennemføring med en forstærket 5/8"-slange i marinekvalitet.
8. Undgå løkker, høje steder og brug af 90,00 °-vinkelstykker sammen med havvandsslangen. Hvert 90,00 °-vinkelstykke svarer til 2,5 ft (0,76 m) (29,92 in (76,00 cm)) af slangen, og et 90°-vinkelstykke på pumpeudløbet svarer til 20,0 ft (6,10 m) (240,16 in (610,00 cm)) af slangen.
9. Fastgør alle slangetilslutninger med to klemmer af rustfrit stål, vend om nødvendigt klemmerne om.
10. Tilslut alle metaldele, der er i kontakt med havvand, til fartøjets tilslutningssystem.

7.4 Udførelse af elektriske tilslutninger



ADVARSEL! FARE FOR ELEKTRISK STØD.

Sluk altid for klimaanelæggets effektafbrøder, før elboksen åbnes. Manglende overholdelse af denne advarsel kan medføre dødelige eller alvorlige kvæstelser.



VIGTIGT!

Klimaanelægget skal tilsluttes til bådens tilslutningssystem for at undgå korrosion pga. vagabonderende elektriske strømme. Alle pumper, metalliske ventiler og tilslutninger i havvandskredsløbet, som er isoleret fra klimaanelægget med PVC- eller gummislang, skal tilsluttes individuelt til bådens tilslutningssystem.



BEMÆRK Hvis systemet ikke jordforbindes og tilsluttes korrekt, bortfalder garantien.

Alle klimaanelægsenheder har en klemrække, der er mærket for de rigtige tilslutninger, i elboksen. Strømskemaet i elboksen erstatter ABYC-standarderne. Brug effektafbrøderen med den korrekte størrelse til at beskytte anlægget i henhold til dataene på klimaapparatets typeskilt. Som minimum skal der bruges et 12 AWG-bådkabel til at forsyne klimaanelægget og havvandspumpen med strøm. Foretag alle tilslutninger med ring- eller gaffelklemmer med holder.

Vær opmærksom på følgende, når der foretages elektriske tilslutninger:

- Vekselstrømsjordforbindelse (AC) skal tilsluttes til jordklemmen (GRND) på klemmeblokkens vekselstrømsindgang.
- Forbindelser mellem jordforbindelseslederen på fartøjets vekselstrømssystem og fartøjets negative jævnstrøm (DC) eller tilslutningssystem skal udføres som en del af fartøjets ledningsføring. Ved vedligeholdelse eller udskiftning af eksisterende udstyr, der har en chassismonteret jordforbindelsesstift, skal du kontrollere fartøjets ledningsnet for disse tilslutninger.
- TX-klimaanlæg er beregnet til tilslutning til vekselstrøm eller jævnstrøm med høj spænding. Se strømskemaet for fartøjet for korrekt placering.

- en reklameringsgrund eller en fejlbeskrivelse.

Vær opmærksom på, at egne eller uprofessionelle reparationer kan få sikkerhedsmæssige konsekvenser og kan gøre garantien ugyldig.

Sørg for, at klimaanlæggets vekselstrømsjordforbindelse er tilsluttet korrekt til bådens vekselstrømsjordforbindelse. Kontrollér på selve båden, at vekselstrømsjordforbindelsesskinnen er tilsluttet til jævnstrømsjordforbindelsesskinnen på nøjagtigt et sted.

8 Bortskaffelse



Bortskaf så vidt muligt emballagen i affaldscontainerne til den pågældende type genbrugsaffald. Kontakt en lokal genbrugsstation eller din faghandel for at få de pågældende forskrifter om, hvordan du bortskaffer produktet i overensstemmelse med disse gældende forskrifter for bortskaffelse.

9 Garanti

Se afsnittene nedenfor for information om garanti og garantistøtte i USA, Canada og alle andre regioner.

USA og Canada

DEN BEGRÆNSEDE GARANTI ER TILGÆNGELIG PÅ DOMETIC.COM/EN-US/TERMS-AND-CONDITIONS-CONSUMER/WARRANTY. HVIS DU HAR SPØRGSMÅL ELLER ØNSKER EN GRATIS KOPI AF DEN BEGRÆNSEDE GARANTI, SKAL DU KONTAKTE:

DOMETIC CORPORATION
MARINE CUSTOMER SUPPORT CENTER
2000 NORTH ANDREWS AVENUE
POMPANO BEACH, FLORIDA, USA 33069
1-800-542-2477

Lande i Asien og Stillehavet (APAC)

Hvis produktet ikke fungerer, som det skulle, bedes du kontakte din forhandler eller producentens afdeling i dit land (se dometic.com/dealer). Garantien, der gælder for dit produkt, er på 1 år.

Ved reparation eller krav om garanti skal du medsende følgende bilag:

- en kopi af regningen med købsdato
- en reklameringsgrund eller en fejlbeskrivelse.

Vær opmærksom på, at egne eller uprofessionelle reparationer kan få sikkerhedsmæssige konsekvenser og kan gøre garantien ugyldig.

Kun for Australien

Vores varer kommer med garantier, som ikke kan udelukkes under den australske forbrugerlov. Du er berettiget til en udskiftning eller tilbagebetaling for en større fejl og for kompensation for alle andre rimeligt forudsigelige tab eller skade. Du er også berettiget til at få varerne reparere eller udskiftet, hvis varerne ikke har acceptabel kvalitet, og fejlen ikke anses for at være en større fejl.

Kun New Zealand

Denne garantipolitikken er underlagt betingelserne og garanterer, som er obligatoriske som indeholdt i forbrugergarantilovent 1993(NZ).

Alle andre regioner

Den lovbestemte garantiperiode gælder. Hvis produktet er defekt, skal du kontakte producentens afdeling i dit land (se dometic.com/dealer) eller din forhandler.

Ved reparation eller krav om garanti skal du medsende følgende bilag:

- en kopi af regningen med købsdato

Svenska

1 Observera.....	65
2 Förklaring av symboler.....	65
3 Målgrupp.....	65
4 Avsedd användning.....	66
5 Tekniska data.....	66
6 Före installationen.....	66
7 Installation.....	68
8 Avfallshantering.....	71
9 Garanti.....	71

1 Observera

Läs och följ noggrant alla instruktioner, direktiv och varningar i den här produkthandboken för att säkerställa att du alltid installerar, använder och underhåller produkten på rätt sätt. Dessa instruktioner MÅSTE förvaras tillsammans med produkten.

Genom att använda produkten bekräftar du härmed att du noggrant har läst alla instruktioner, direktiv och varningar och att du förstår och är införstådd med att följa de villkor som anges här. Du är införstådd med att endast använda denna produkt i avsett syfte och i enlighet med instruktionerna, direktiven och varningarna som anges i denna produkthandbok samt i enlighet med alla gällande lagar och bestämmelser. Om du inte läser och följer instruktionerna och varningarna som anges här kan det leda till personskador på dig eller andra, på produkten eller annan egendom i närheten. Denna produkthandbok, inklusive instruktionerna, direktiven och varningarna samt relaterad information, kan ändras och uppdateras. Aktuell produktinformation finns på documents.dometic.com.

2 Förklaring av symboler

Ett signalord identifierar säkerhetsmeddelanden och meddelanden om egendomsskada och indikerar även farans allvarlighetsgrad.



! VARNING!

Anger en farlig situation som, om den inte kan undvikas, kan leda till döden eller allvarlig personskada.



! OBSERVERA!

Anger en situation som, om den inte kan undvikas, kan leda till materiell skada.



ANVISNING Kompletterande information om användning av produkten.

2.1 Kompletterande anvisningar

För att minska risken för olyckor och personskador, vänligen observera följande anvisningar innan du börjar installera denna produkt:

- Läs och följ all säkerhetsinformation och alla anvisningar.
- Läs och förstå dessa anvisningar innan denna produkt installeras.
- Installationen måste överensstämma med alla tillämpliga lokala eller nationella regler, inklusive den senaste versionen av följande standarder:
 - American Boat and Yacht Council (ABYC)
 - ANSI/NFPA 70, National Electrical Code (NEC)

2.2 Säkerhetsanvisningar



! VARNING! KOLMONOXIDRISK

Om man underlåter att följa följande varningar kan följden bli dödsfall eller allvarlig personskada:

- > Installera eller använd **inte** en fristående klimatanläggning i slaget eller maskinrummet, eller i närheten av en intern förbränningsmotor. Se till att monteringsstället är tillräckligt tätt, så att inga ångor/avgaser från båtens slag eller motor-/maskinrum kan komma in.
- > Kontrollera att kondensatavloppsledningen är korrekt installerad och tätad. Kondensatavloppsledningen får **inte** ha sin ändpunkt inom 3 fot

(0,91 m) från ett utlopp på en motors eller generators avgassystem, i ett utrymme som innehåller en motor eller generator eller i ett slag, såvida inte avloppet är korrekt anslutet till en tätad kondensatpump eller pumpanläggning till duschens samlingsbrunn. Om avloppsledningen inte är korrekt installerad kan farliga ångor åka upp i avloppsledningen och förorena boendetrymmena.

- > Installera **inte** klimatanläggningen på en plats där den kan cirkulera kolmonoxid, bränsleångor eller andra skadliga ångor in i båtens boendetrymmen.



! VARNING! Risk för dödsfall på grund av elektricitet

Installationen får endast utföras av en kvalificerad elektriker.



! VARNING! RISK FÖR ELEKTRISK STÖT, BRAND ELLER EXPLOSION.

Om man underlåter att följa de här försiktighetsåtgärderna kan följden bli dödsfall eller allvarlig personskada. Denna apparat får **inte** användas av personer (inklusive barn) med nedsatt fysisk, sensorisk eller mental förmåga, eller som inte har erfarenhet eller tillräckliga kunskaper, såvida inte apparaten används under uppsikt eller med tillräcklig vägledning av en person som ansvarar för säkerheten. Barn måste hållas under uppsikt så att de **inte** leker med apparaten. Utan uppsikt får barn **inte** utföra rengörings- eller underhållsarbeten. Den här apparaten ska **inte** vara tillgänglig för allmänheten.



! VARNING! EXPLOSIONSRISK.

Om man underlåter att följa de här försiktighetsåtgärderna kan följden bli dödsfall eller allvarlig personskada. Installera **inte** klimatanläggningen på en plats med bensinmotorer, tankar, gasol-/CPG-cylindrar, regulatorer, ventiler eller bränsleledningsanslutningar. Om inte annat anges på etiketten uppfyller fristående enheter **inte** de federala kraven för tändningsskydd. Om man underlåter att följa den här varningen kan följden bli dödsfall eller allvarlig personskada.



! VARNING! RISK FÖR ELEKTRISK STÖT.

Om man underlåter att följa de här försiktighetsåtgärderna kan följden bli dödsfall eller allvarlig personskada.

- > Se till att jorda klimatanläggningen ordentligt för att minimera risken för elektriska stötar. Mer information finns i installationsanvisningarna.
- > Varje installerad klimatanläggning kräver en särskild effektbrytare. Om bara en klimatanläggning är installerad krävs **ingen** särskild effektbrytare för havsvattenpumpen. Om två eller flera klimatanläggningar använder samma havsvattenpump ansluts pumpledningarna till en pumppreläpanel (PRP), som i sin tur har en egen särskild effektbrytare anpassad för pumpen (max. 20 A). Se kopplingsschemat som medföljer PRP. Vid elektriska anslutningar i slaget eller under vattenlinjen bör värmekrympande kabelanslutningar användas.
- > Yttre kablar **måste** överensstämma med ABYC-elkoder. Strömmen till enheten måste vara inom det driftspänningsområde som anges på typetiketten. Säkringar med rätt storlek eller HACR-effektbrytare **måste** installeras som strömkretsskydd. Den maximala storleken på säkringar/ effektbrytare (MFS) och minsta kretskapacitet (MCA) står på typetiketten.



! OBSERVERA!

Den här apparaten har fluorerade växthusgaser i hermetiskt tillsluten utrustning. Mängden kylmedel står i vikt och GWP på klimatanläggningens typetikett. Det tillsatta kylmedlet ska anges på enhetens etikett.

3 Målgrupp



Den mekaniska och elektriska installationen och uppsättningen av enheten måste utföras av en kvalificerad tekniker som har visat färdighet och kunskap relaterad till konstruktion och drift av marina utrustningar och installationer, och som är bekant med de tillämpliga reglerna i det land där utrustningen ska installeras och/eller användas, och som har genomgått säkerhetsutbildning för att identifiera och undvika de involverade riskerna.

4 Avsedd användning

Den här handboken är avsedd för installation av de fristående klimatanläggningarna DCU, DLU, DTG, ECD och TX (hädanefters kallat klimatanläggning). Klimatanläggningen är avsedd för användning på båtar och yachter. Klimatanläggningen är endast lämplig för det avsedda användningsområdet och enligt de här instruktionerna.

Den här produkten lämpar sig endast för avsedd användning i enlighet med denna bruksanvisning.

Den här manualen informerar om vad som krävs för att installera och/eller använda produkten på rätt sätt. Felaktig installation och/eller användning eller felaktigt underhåll kommer leda till att produkten inte fungerar optimalt och riskerar gå sönder.

Tillverkaren åtar sig inget ansvar för personskador eller materiella skador på produkten som uppstår till följd av:

- Felaktig installation, montering eller anslutning, inklusive för hög spänning
- Felaktigt underhåll eller användning av reservdelar som inte är originaldelar från tillverkaren
- Ändringar som utförts utan uttryckligt medgivande från tillverkaren
- Användning för andra ändamål än de som beskrivs i denna bruksanvisning

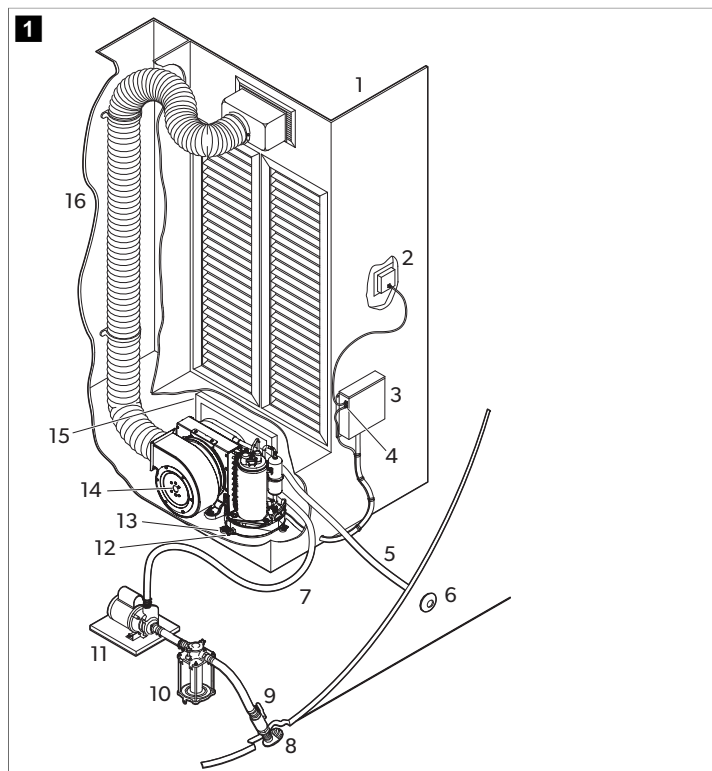
Dometic förbehåller sig rätten att ändra produktens utseende och specifikationer.

5 Tekniska data

Läs igenom hela de här anvisningarna och planera sedan de anslutningar som måste göras till klimatanläggningen (inklusive kanaler, kondensatavloppsledning, inlopps- och utloppsslangar för havsvatten, elektriska anslutningar, placering av reglage och placering av havsvattenpump) för att säkerställa enkel åtkomst för dragning och framtida underhåll.

5.1 Delarnas placering

Identifiering av klimatanläggningens komponenter



- 1 Tilluftsgaller och övergångslåda
2 Digital display
3 Kopplingskåp
4 Kabel till fjärrstyrd luftsensör (tillval)
5 Slang till havsvattenutlopp
6 Utombordsutlopp
7 Slang till havsvatteninlopp
8 Bordgenomföringsinlopp för havsvatten
9 Bottenventil, avstängningsventil
10 Havsvattensil

- 11 Pump
12 Slangnippel till kondensatavlopp
13 Monteringsfäste
14 Klimatanläggning
15 Frånluftsgaller och filter
16 Isolerad, flexibel kanal

5.2 Specifikationer

Det här avsnittet innehåller specifikationer för klimatanläggningen.

Tabell 17. Minsta kanal- och gallerstorlek per BTU-kapacitet

	3.5 k BTU	6 k BTU	8 k BTU	10 k BTU
Minsta kanaldiameter	3,00 in (76,2 mm)	4,00 in (101,6 mm)	5,00 in (127,0 mm)	6,00 in (152,4 mm)
Minsta kanalarea	6,8 in ² (43,9 cm ²)	12,6 in ² (81,3 cm ²)	19,6 in ² (126,5 cm ²)	28,3 in ² (182,6 cm ²)
Minsta frånluftsgaller	64,0 in ² (412,9 cm ²)	64,0 in ² (412,9 cm ²)	80,0 in ² (516,2 cm ²)	100,0 in ² (645,2 cm ²)
Minsta tilluftsgaller	12,0 in ² (77,4 cm ²)	32,0 in ² (206,5 cm ²)	48,0 in ² (309,7 cm ²)	60,0 in ² (387,1 cm ²)
	12 k BTU	16 k BTU	18 k BTU	27 k BTU
Minsta kanaldiameter	6,00 in (152,4 mm)	7,00 in (177,8 mm)	7,00 in (177,8 mm)	8,00 in (203,2 mm)
Minsta kanalarea	28,3 in ² (182,6 cm ²)	38,5 in ² (248,4 cm ²)	38,5 in ² (248,4 cm ²)	50,3 in ² (324,5 cm ²)
Minsta frånluftsgaller	130,0 in ² (838,8 cm ²)	160,0 in ² (1032,3 cm ²)	200,0 in ² (1290,4 cm ²)	240,0 in ² (1548,5 cm ²)
Minsta tilluftsgaller	70,0 in ² (451,6 cm ²)	80,0 in ² (516,2 cm ²)	100,0 in ² (645,2 cm ²)	120,0 in ² (774,2 cm ²)

Tabell 18. Vattentemperatur och -tryck vid drift

Minimivattentemperatur vid drift	40,0 °F (4,44 °C)
Maxvattentemperatur vid drift	80,0 °F (26,66 °C)
Minimivattentryck vid drift	4,2 psi (0,29 bar) (29,00 kPa)
Maxvattentemperatur vid drift	6,00 psi (0,41 bar) (41,4 kPa)

ANVISNING Enheten kan användas utanför dessa förhållanden med reducerad kapacitet.

6 Före installationen

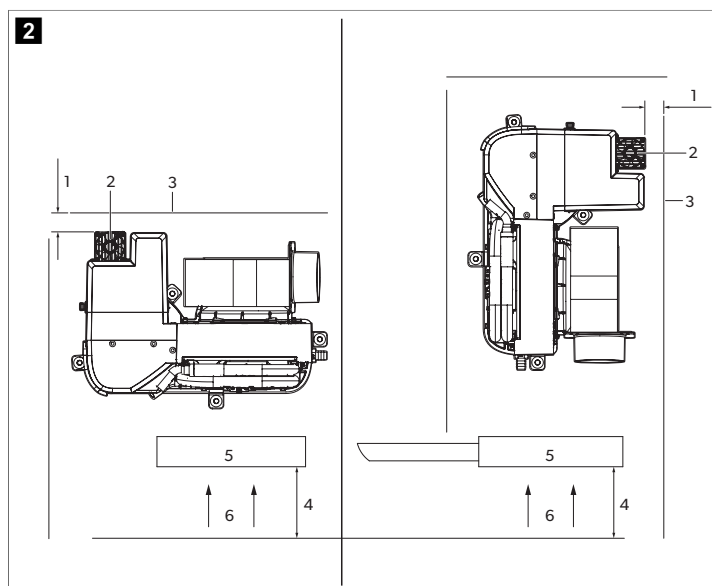
OBSERVERA! På de fristående DTG- och TX-kondensatgrundtråg har vibrationsisolatorer installerats i botten av tråget. Isolatorerna är konstruerade för att dämpa vibrationerna från den aktiva klimatanläggningen till den monterade ytan. Var försiktig när du flyttar klimatanläggningen över monteringsytan eftersom isolatorerna kan skadas.

OBSERVERA! Klimatanläggningen måste installeras på en låg, plan och jämn yta, till exempel i botten av ett skåp, under en säng eller ett säte eller på en liknande plats.

I det här avsnittet beskrivs hur du förbereder klimatanläggningen för installation.

6.1 Bestämma installationsplats

Placering av TX i förhållande till luftflöde



1 3,00 in (7,62 cm)

4 4,00 in (10,16 cm)

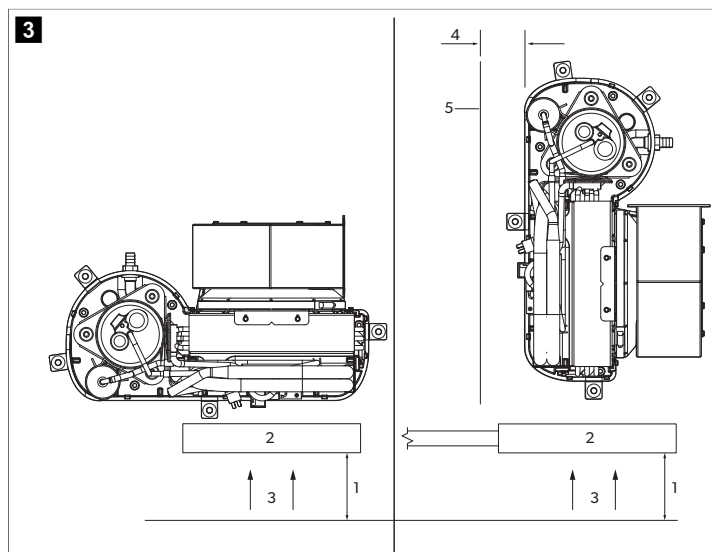
2 Kylare

5 Frånluftsgaller

3 Skott

6 Luftflöde

Placering av alla andra klimatanläggningar i förhållande till luftflöde



1 4,00 in (10,16 cm)

4 3,00 in (7,62 cm)

2 Frånluftsgaller

5 Skott

3 Luftflöde

Välj en plats med tillräckligt luftflöde. Frånluftsgallret ska ha ett luftcirkulationsutrymme på minst 4,00 in (10,16 cm) framför sig, utan några hinder.

Om klimatanläggningen är placerad vinkelrätt mot frånluftsgallret ska det finnas ett luftcirkulationsutrymme på minst 3,00 in (7,62 cm) på lufttagssidan.

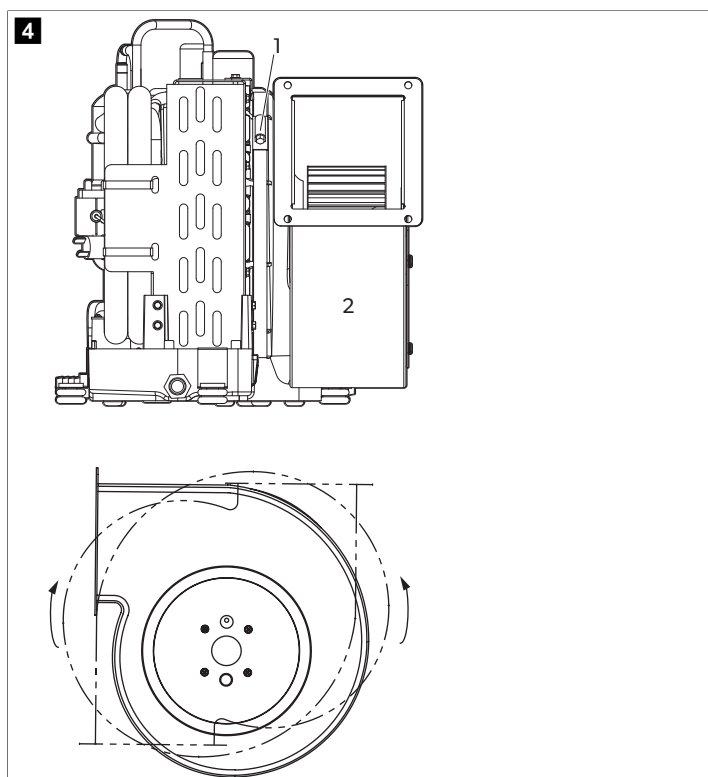
Endast TX: Se till att det finns ett öppet utrymme på minst 2,99 in (76,0 mm) ovanför och under kylaren.

6.2 Roterar fläkten

I det här avsnittet beskrivs hur du roterar fläkten för varje enhetstyp. Vrid vid behov fläkten i den riktning som ger mest direkt luftflöde genom kanalerna.

6.2.1 DTG- och TX-fläktar

Fläktrotation i DTG- och TX-systemen



1 Adjustment screw

2 Blower

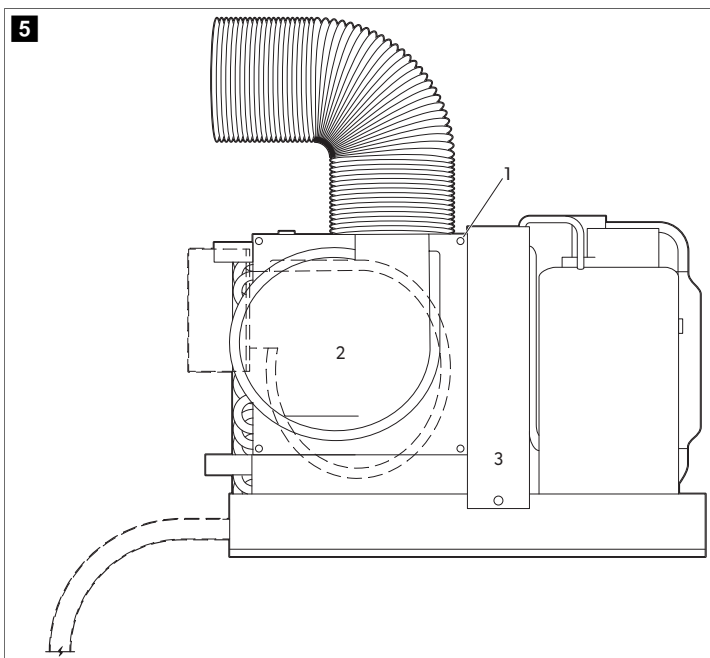
1. Lossa ställskruven på fläktens monteringsring.

2. Vrid fläkten till önskat läge.

3. Dra åt ställskruven.

6.2.2 MCS- och ECD-fläktar

Fläktrotation i MCS- och ECD-system



- 1 Screw
2 Skylt
3 Fläkt

1. Skruva ut de sju skruvarna på plattan.
2. Vrid fläkten till önskat läge.
3. Sätt fast fläkten med självgående skruvar (medföljer ej).

6.3 Sätta i luftfiltren

Luftfilter tar bort luftburna partiklar från hyttluften och håller förångarspolen ren. Sätt i ett luftfilter, antingen på klimatanläggningen eller i frånluftsgallret, för varje klimatanläggning.

6.4 Sätta i gallren och övergångslådorna

Tänk på följande när du sätter i gallren och övergångslådorna:

- Installera tilluftsgallret så högt som möjligt på en plats som ger jämn luftfördelning i hela hytten. Rikta gallret med gallersidan uppåt.
- Installera frånluftsgallret så lågt och nära klimatanläggningen som möjligt för att säkerställa luftflödet till förångaren.
- Rikta inte tilluftens utlopp mot frånluftsgallret. Det orsakar snabba påslagningar och avstängningar av anläggningen.
- Se till att det finns tillräckligt med utrymme bakom tilluftsgallret för övergångslådan och kanalanslutningen. Se Specifikationer sida 66

7 Installation

I det här avsnittet beskrivs hur du installerar den fristående klimatanläggningen.

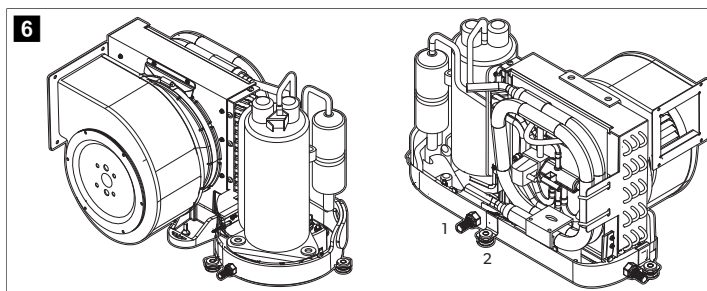
7.1 Installera monteringsfästena och kondensatavloppet



OBSERVERA!

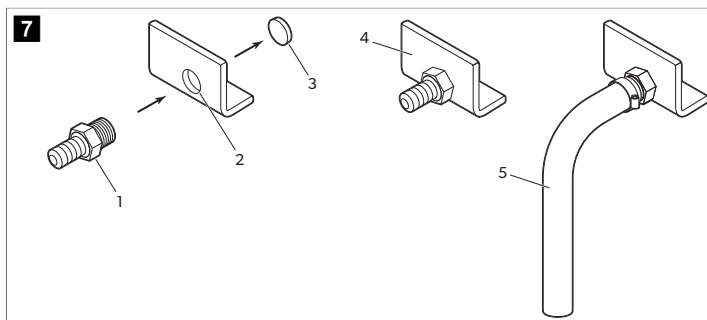
Använd inte mer än två lager gängtejp för att linda slangnippeln för att undvika sprickbildning i avloppsbehållaren, och dra inte åt slangnippeln för hårt.

Vanlig placering av monteringsfästena och kondensatavlopp



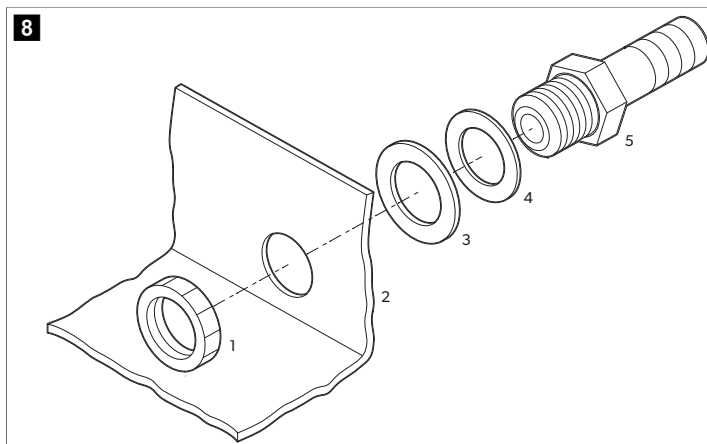
- 1 Slangnippel till kondensatavlopp
2 Monteringsfäste

Installation av kondensatavlopp för DTG och TX



- 1 Hose barb
2 Gångat avloppshål
3 Utstött bit
4 Drain pan
5 Avloppsslang

Installation av kondensatavlopp för alla andra klimatanläggningar

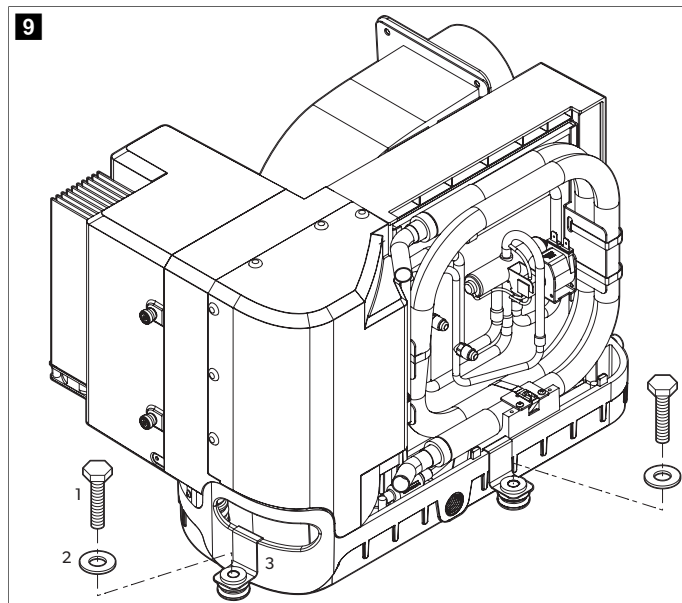


- 1 Locking nut
2 Avloppsbehållare
3 Tätningsbricka
4 Solid washer
5 PVC-anslutning 0,5 in (12,7 mm) HB x 0,5 in (12,7 mm) MPT

1. Använd slangnippeln för att stöta ut en bit från ett avloppshål på aktersidan genom att slå ett snabbt slag med en gummiklubba. Kassera den utstöta biten.
2. För DTG- och TX-enheter:
 - a) Linda den gängade änden av slangnippeln med gängtejp.
 - b) Skruva i slangnippeln i det gängade avloppshålet och dra åt ordentligt.

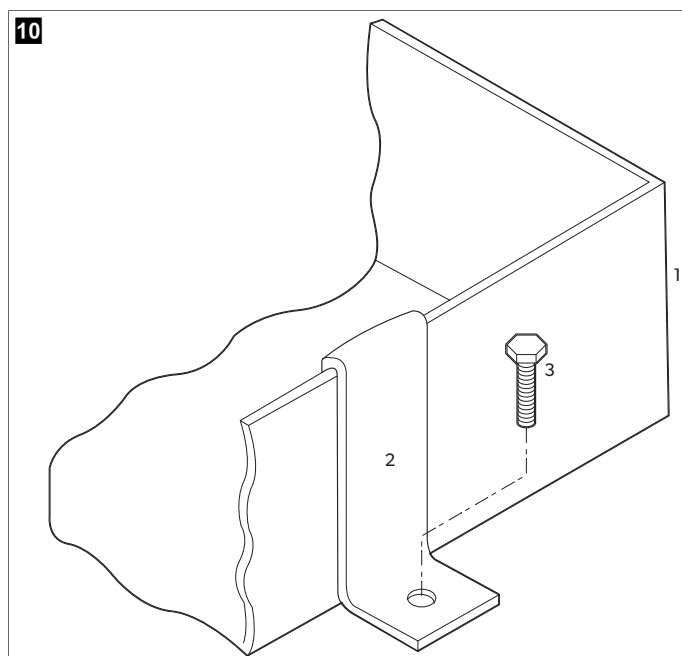
3. För alla andra klimatanläggningar:
 - a) Trä slangnippeln genom en massiv bricka och en tätningsbricka och för in den i avloppshålet.
 - b) Fäst med en låsmutter.
4. Fäst avloppsslangen på slangnippeln med en slangklämma av rostfritt stål.
5. Dra avloppsslangen nedåt till en säker och korrekt uppsamlingsplats.

Installation av monteringsfästen för DTG- och TX-enheter



- 1 Monteringsbult (medföljer ej)
- 2 Stänkskyddsbricka (medföljer)
- 3 Monteringsfäste (medföljer)

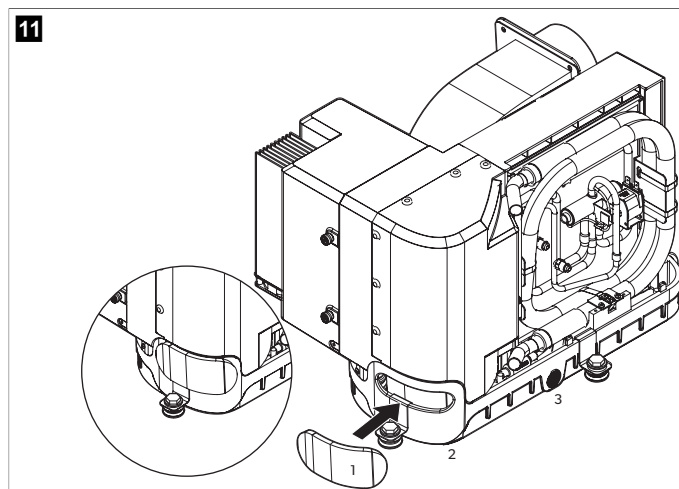
Installation av monteringsfästen för andra klimatanläggningar



- 1 Avloppsbehållare
- 2 Monteringsfäste
- 3 Monteringsbult (medföljer ej)

6. Installera ett monteringsfäste på vardera sidan av avloppsbehållaren, med lika stort avstånd.

Installera skumhandtagsisolering på TX-enheter



- 1 Skumhandtagsisolering
- 2 Handtagets öppning
- 3 Avloppsbehållare

7. För TX-enheter:
 - a) Ta bort filmen som täcker den självhäftande baksidan på skumhandtagsisoleringen.
 - b) Placera skumhandtagsisoleringen så att den helt täcker handtagets öppning med den självhäftande sidan vänd mot avloppsbehållaren.
 - c) Tryck runt handtagets öppning för att fästa skumhandtagsisoleringen vid avloppsbehållaren.

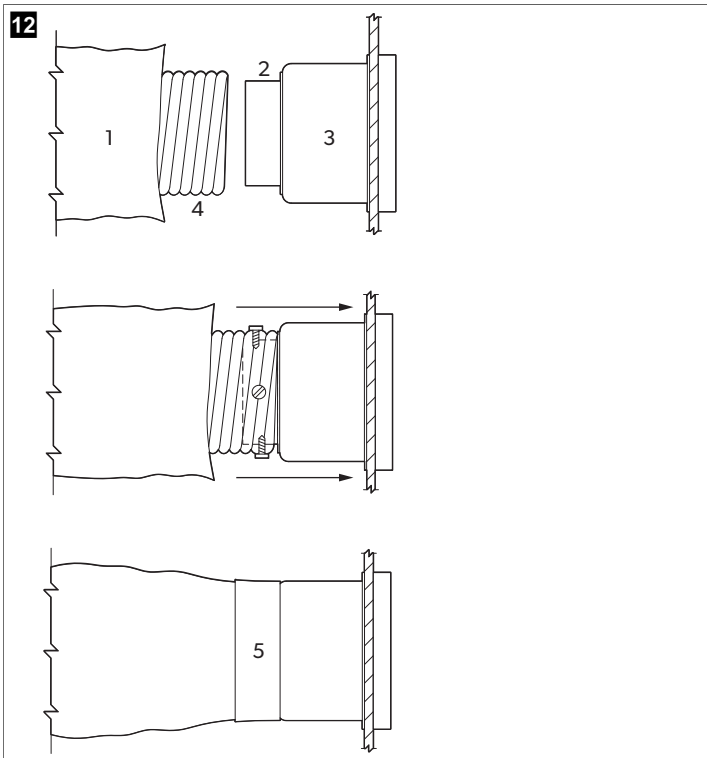
7.2 Installera kanalerna

Observera följande förhållanden när du installerar kanalerna:

- Kanalernas storlek måste vara lämplig för din tillämpning.
- Dra kanalerna så rakt, jämnt och spänt som möjligt för att minimera antalet 90,00 °-böjar eftersom de kan minska luftflödet.
- Fäst kanalerna ordentligt för att förhindra att de bågvar.
- Kanalerna får inte plattas till eller vikas.
- Kapa överflödiga kanaler efter installationen.
- Isolera kanalerna när de sitter i områden med hög värme.
- Isolera kanalerna när de sitter i områden med hög värme.
- Dra inte kanaler genom ett maskinrum eller en plats där de kan utsättas för farliga ångor eller avgaser.

Om en övergångslåda används ska den totala arean på de tilluftskanaler som leder ut ur lådan vara minst lika stor som den totala arean på de tilluftskanaler som leder in i lådan. Se Specifikationer sida 66

Kanalanslutningar



- | | |
|----------------------|--------------------------|
| 1 Glasfiberisolering | 4 Inre slangrör av Mylar |
| 2 Monteringsring | 5 Tejp |
| 3 Övergångslåda | |

- Skjut på det inre slangröret av Mylar runt monteringsringen till övergångslådan.
- Skruva i tre eller fyra skruvar av rostfritt stål genom slangröret av Mylar i monteringsringen så att två eller tre trådar fästs med skruvhuvudena.
- Skjut på glasfiberisoleringen runt det inre slangröret av Mylar till övergångslådan. Fäst med tejp.

7.3 Installera havsvattensystemet



OBSERVERA!

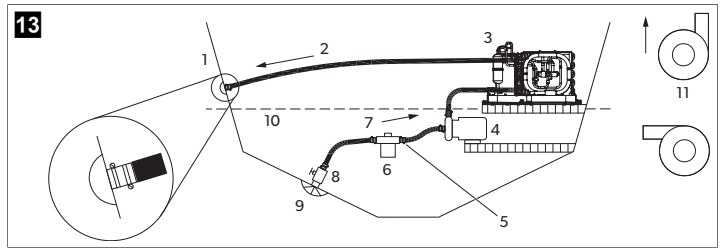
Om den här proceduren inte följs gäller inte garantin längre.

Tänk på följande när du installerar havsvattensystemet:

- Silen måste vara under pumpen.
- Slangarna måste säkras med dubbla klamrar.
- Slangarna får inte ha några veck, dras i slingor eller stå högt så att luft kan samlas.
- Pumpen och silen måste vara under vattenlinjen.
- Bordgenomföringsinloppet, kulventilen, slangens och silen får inte vara mindre än pumpinloppet.
- Installera bordgenomföringsanslutningen så långt under vattenlinjen som möjligt.
- Pumpen måste ha en särskild bordgenomföring.
- Undvik anslutningar med 90,00 °-böjar i största möjliga mån.
- Se till att pumphuvudet är vridet i flödesriktningen.
- Säkra alla skruvkopplingar med gängtejp.

Se Specifikationer sida 66 för max- och minimivattentemperatur och -vattentryck.

Havsvattensystem



- | | |
|--------------------|---|
| 1 Havsvattenutlopp | 7 Inloppsflöde med lutning uppåt |
| 2 Utloppsflöde | 8 Kulventil |
| 3 Klimatanläggning | 9 Bordgenomföringsinlopp |
| 4 Havsvattenpump | 10 Vattenlinje |
| 5 Slangklamrar | 11 Korrekt riktningar på pumphuvudets sil |
| 6 Sil | |

- Installera ett bordgenomföringsinlopp för havsvatten så nära kölen och så långt under vattenlinjen som möjligt. Fäst bordgenomföringsinloppet med ett tätningsmedel av marinklass som är avsett för användning under vatten.
- Installera en fullflödesbottenventil i brons på bordgenomföringsinloppet för havsvatten.
- Installera en havsvattensil under pumpens nivå med åtkomst till filtret.
- Installera pumpen ovanför silen och minst en fot under vattenlinjen.
- Anslut bottenventilen och silen med lutning uppåt på en förstärkt slang av marinklass.
- Anslut pumputloppet med lutning uppåt till det nedre inloppet på klimatanläggningens kondensatorspole med en 5/8 tums (0,63 in (16,0 mm)) förstärkt slang av marinklass.
- Anslut utloppet från kondensatorspolen till utombordsutloppets bordgenomföringsanslutning med en 5/8 tums förstärkt slang av marinklass.
- Undvik slingor, upphöjningar och 90,00 °-böjar på havsvattenslangen. Varje 90,00 °-böj motsvarar 2,5 ft (0,76 m) (29,92 in (76,00 cm)) slang och en 90°-böj på pumputloppet motsvarar 20,0 ft (6,10 m) (240,16 in (610,00 cm)) slang.
- Säkra alla slanganslutningar med dubbla klamrar av rostfritt stål och sätt klamrarna i motsatt riktning vid behov.
- Anslut alla metalldelar som kommer i kontakt med havsvatten till fartygets anslutningssystem.

7.4 Elektriska anslutningar



VARNING! RISK FÖR ELEKTRISK STÖT.

Stäng alltid av klimatanläggningens strömförsörjning med strömbrytaren innan du öppnar kopplingskåpet. Om man underlåter att följa den här varningen kan följden bli dödsfall eller allvarlig personskada.



OBSERVERA!

Klimatanläggningen måste anslutas till båtens anslutningssystem för att undvika läckströmskorrosion. Alla pumpar, metallventiler och anslutningar i havsvattensystemet som är isolerade från klimatanläggningen med PVC- eller gummislangar måste anslutas individuellt till båtens anslutningssystem.



ANVISNING

Om systemet inte jordas och ansluts korrekt gäller inte garantin längre.

Alla klimatanläggningar har en anslutningsplint, märkt för korrekta anslutningar, inuti kopplingskåpet. Kopplingskemat i kopplingskåpet ersätter ABYC-standarderna. Använd rätt storlek på effektbrytaren för att skydda klimatanläggningen enligt uppgifterna på typetiketten. En båt kabel på minst 12 AWG ska användas för att strömförsörja klimatanläggningen och havsvattenpumpen. Gör elektriska anslutningar med ring- eller gaffelterminaler.

Observera följande när du gör elektriska anslutningar:

- Växelströmmens (AC) jordning måste vara ansluten till jordanslutningen (GRND) vid plintblockets AC-strömringång.
- Anslutningar mellan fartygets jordledare för AC-systemet och fartygets negativa likströmssystem (DC) eller anslutningssystem ska göras som en del av fartygets kopplingar. Vid underhåll eller byte av befintlig utrustning som har en chassimonterad jordbult ska fartygets kopplingar för dessa anslutningar kontrolleras.
- TX-klimatanläggningar är utformade för att fungera med växelström eller likström med hög spänning. Se fartygets kopplingsschema för korrekt placering.

Observera att självständiga eller icke professionella reparationer kan påverka säkerheten och leda till att garantin blir ogiltig.

Se till att klimatanläggningens AC-jord är korrekt ansluten till båtens AC-jord. Säkerställ att AC-jordskenan är ansluten till DC-jordskenan på exakt ett ställe i båten.

8 Avfallshantering



Placera förpackningsmaterialet i motsvarande återvinningsbehållare om möjligt. Kontakta ett lokalt återvinningscenter eller specialiserad återförsäljare för information om hur man kasserar produkten i enlighet med gällande bestämmelser.

9 Garanti

Se avsnitten nedan för information om garanti och garantisupport i USA, Kanada och alla övriga regioner.

USA och Kanada

BEGRÄNSAD GARANTI FINNS PÅ
DOMETIC.COM/EN-US/TERMS-AND-CONDITIONS-CONSUMER/WARRANTY.
 OM DU HAR NÅGRA FRÅGOR ELLER OM DU VILL HA EN GRATIS KOPIA AV DEN
 BEGRÄNSADE GARANTIN, KONTAKTA:

DOMETIC CORPORATION
 MARINE CUSTOMER SUPPORT CENTER
 2000 NORTH ANDREWS AVENUE
 POMPANO BEACH, FLORIDA, USA 33069
 1-800-542-2477

Länder i Asien-Stillahavsområdet (APAC)

Om produkten inte fungerar som förväntat kontaktar du återförsäljaren eller tillverkarens lokalkontor i ditt land (se dometic.com/dealer). Produktgarantin gäller i 1 år.

För reparations- och garantibehandling skickar du med följande dokument när du returnerar produkten:

- En kopia på fakturan med inköpsdatum
- En reklamationsbeskrivning eller felbeskrivning

Observera att självständiga eller icke professionella reparationer kan påverka säkerheten och leda till att garantin blir ogiltig.

Gäller endast för Australien

Enligt australiensisk lagstiftning kan våra produktgarantier inte undantas. Du har rätt till utbyte eller återbetalning vid ett omfattande fel och att få ersättning för alla övriga förluster eller skador som skulle kunna förutses. Du har också rätt att få produkterna reparerade eller utbytta om produkterna inte uppvisar en godtagbar kvalitet och felet inte utgör ett omfattande fel.

Gäller endast för Nya Zeeland

Den här garantipolicyn lyder under de obligatoriska villkoren och garantierna enligt den mening som är avsedd i Consumer Guarantees Act 1993(NZ) (ungefär: lagen om konsumentgaranti).

Alla övriga regioner

Den lagstadgade garantitiden gäller. Kontakta tillverkarens filial i ditt land (se dometic.com/dealer) eller din återförsäljare om produkten är defekt.

För reparations- och garantibehandling skickar du med följande dokument när du returnerar produkten:

- En kopia på fakturan med inköpsdatum
- En reklamationsbeskrivning eller felbeskrivning

Norsk

1 Viktige merknader.....	72
2 Symbolforklaring.....	72
3 Målgruppe.....	72
4 Forskriftsmessig bruk.....	73
5 Tekniske spesifikasjoner.....	73
6 Før installasjon.....	73
7 Installasjon.....	75
8 Avfallshåndtering.....	78
9 Garanti.....	78

1 Viktige merknader

Vennligst les disse instruksjonene nøye og følg alle anvisninger, retningslinjer og advarsler i denne produktveiledningen for å sikre at du installerer, bruker og vedlikeholder produktet ordentlig til enhver tid. Disse instruksjonene MÅ alltid følge med produktet.

Ved å bruke dette produktet bekrefter du at du har lest alle anvisninger, retningslinjer og advarsler grundig, og at du forstår og samtykker i å overholde vilkårene slik de er presentert her. Du godtar å bruke dette produktet kun til tiltenkt formål og bruksområder, og i samsvar med anvisningene, retningslinjene og advarslene slik de er presentert i denne produktveiledningen, så vel som i samsvar med alle gjeldende lovbestemmelser og forskrifter. Hvis anvisningene og advarslene som er presentert her, ikke blir lest og fulgt, kan det føre til personskader hos deg selv eller andre, skader på produktet eller skader på annen eiendom i nærheten. Denne produktveiledningen med sine anvisninger, retningslinjer og advarsler, samt relatert dokumentasjon, kan være underlagt endringer og oppdateringer. For oppdatert produktinformasjon, se documents.domestic.com.

2 Symbolforklaring

Et signalord identifiserer sikkerhetsmeldinger og meldinger om mulige skader på eiendom, og indikerer også alvorlighetsgraden av faren.



ADVARSEL!

Kjennetegner en farlig situasjon som - dersom den ikke unngås - kan resultere i alvorlige personskader, eventuelt med døden til følge.



PASS PÅ!

Kjennetegner en situasjon som - dersom den ikke unngås - kan resultere i materielle skader.



MERK Ytterligere informasjon om betjening av produktet.

2.1 Tilleggsdirektiver

Følg de følgende direktivene før du fortsetter med å installere dette apparatet. Dette er for å redusere risikoen for ulykker og personskader:

- Les og følg all sikkerhetsinformasjon og instruksjonene.
- Les og forstå disse instruksjonene før du installerer dette produktet.
- Installasjonen må være i samsvar med alle gjeldende lokale eller nasjonale forskrifter, inkludert siste utgave av følgende standarder:
 - American Boat and Yacht Council (ABYC)
 - ANSI/NFPA 70, National Electrical Code (NEC)

2.2 Sikkerhetsinstruksjoner



ADVARSEL! FARE PGA. KARBONMONOKSID

Unnlattelse av å følge de følgende advarslene kan føre til dødsfall eller alvorlig personskade:

- > **Ikke** monter eller betjen et frittstående klimaanlegg i romområdene til kjølsvinet eller motoren eller i nærheten av en forbrenningsmotor. Pass på at det valgte stedet er tett for direkte tilgang til damp fra kjølsvinet og/eller motorrommet.
- > Bekreft at kondensavtappingsledningen er riktig montert og tett. **Ikke** avslutt kondensavtappingsledningen nærmere enn 91 cm (3

ft) fra et utløp fra en motors eller generators eksossystem, i et rom med en motor eller generator eller i et kjølsvin, med mindre avløpet er ordentlig tilkoblet en forseglede kondensat- eller dusjsumppumpe. Hvis avtappingsledningen ikke er riktig montert, kan det komme farlige gasser opp av avtappingsledningen som forurenser oppholdsrommene.

- > **Ikke** monter klimaanlegget på et sted der det kan sirkulere karbonmonoksid, drivstoffdamp eller andre helsefarlige gasser inn i båten oppholdsrom.



ADVARSEL! Fare for elektrisk støt

Installasjonen må kun utføres av en kvalifisert elektriker.



ADVARSEL! FARE FOR ELEKTRISK STØT, BRANN OG/ELLER EKSPLOSJON.

Manglende overholdelse av disse forholdsreglene kan resultere i død eller alvorlig personskade.

Dette apparatet skal **ikke** brukes av personer (inkludert barn) med reduserte fysiske, sensoriske eller mentale evner, eller med manglende erfaring eller kunnskap, med mindre de er under egnet oppsyn eller har fått anvisninger om bruk av apparatet av en person som er ansvarlig for deres sikkerhet. Barn bør være under tilsyn for å sikre at de **ikke** leker med apparatet. Rengjøring og vedlikehold skal **ikke** utføres av barn uten at de er under oppsyn. Apparatet skal **ikke** være tilgjengelig for allmennheten.



ADVARSEL! EKSPLOSJONSFARE.

Manglende overholdelse av disse forholdsreglene kan resultere i død eller alvorlig personskade.

Ikke monter klimaanlegget på et sted med bensinmotorer, tanker, LPG/CPG-sylindere, regulatorer, ventiler eller drivstoffgjennomføringer. Med mindre annen merking er til stede, oppfyller **ikke** frittstående apparater de nasjonale kravene til antenningsbeskyttelse. Manglende overholdelse av denne advarselen kan resultere i alvorlige personskader, eventuelt med døden til følge.



ADVARSEL! FARE FOR ELEKTRISK STØT.

Manglende overholdelse av disse forholdsreglene kan resultere i død eller alvorlig personskade.

- > Pass på at klimaanlegget er godt jordet, for å redusere faren for elektrisk støt. Se installasjonsveiledningen for mer informasjon.
- > Hvert installerte klimaanlegg skal ha en egen sikring. Hvis det bare er installert ett klimaanlegg, krever **ikke** sjøvannpumpen en egen sikring. Hvis det er to eller flere klimaanlegg som bruker samme sjøvannpumpe, kobles pumpeledningene til et pumpelepanel (PRP), som har sin egen sikring tilpasset pumpens størrelse (20 A maks). Se koblingsskjemaet som følger med PRP. Elektriske tilkoblinger i kjølsvinet og/eller under vannlinjen må bruke varmekrympende kabelklemmer.
- > Feltkablingen **må** overholde ABYCs regler for elektrisitet. Strøm til enheten må være innenfor driftsspenningsområdet som er angitt på typeskiltet. Sikringer med riktig størrelse eller HACR-sikringer **må** installeres for beskyttelse av forgreningskoblinger. Se typeskiltet for maks størrelse på sikringen (MFS) og minimum kapasitet på kretsen (MCA).



PASS PÅ!

Dette apparatet har fluoriserte klimagasser i hermetisk forseglede utstyr. Se kondensenhets typeskilt for mengden kjølemiddel i vekt og GWP. Påfylt kjølemiddel skal noteres på apparatetiketten.

3 Målgruppe



Den mekaniske og elektriske installasjonen og oppsettet av enheten må utføres av en kvalifisert tekniker som har vist ferdigheter og kunnskap relatert til konstruksjon og drift av maritimt utstyr og installasjoner, og som er kjent med de gjeldende forskriftene i landet der utstyret skal installeres og/eller brukes, og som har mottatt sikkerhetsopplæring for å identifisere og unngå de involverte farene.

4 Forskriftsmessig bruk

Denne håndboken er beregnet på installasjon av DCU, DLU, DTG, ECD og TX frittstående klimaanleggssystemer (heretter omtalt som klimaanlegg). Klimaanlegget er beregnet på bruk på båter og yachter. Dette klimaanlegget er kun egnet for det tiltenkte formålet og bruk i samsvar med disse anvisningene.

Dette produktet er kun egnet for det tiltenkte formålet og bruksområdet i samsvar med disse instruksjonene.

Denne veiledningen gir informasjon som er nødvendig for korrekt installasjon og/eller bruk av produktet. Feilaktig installasjon og/eller ukorrekt bruk eller vedlikehold fører til utilfredsstillende ytelse og mulig svikt.

Produsenten fraskriver seg ethvert ansvar for personskader eller materielle skader på produktet som følge av:

- feilaktig installasjon, montering eller tilkobling, inkludert for høy spenning
- feilaktig vedlikehold eller bruk av andre reservedeler enn originale reservedeler levert av produsenten
- modifisering av produktet uten at det er gitt uttrykkelig godkjenning av produsenten
- bruk til andre formål enn de som er beskrevet i denne veiledningen

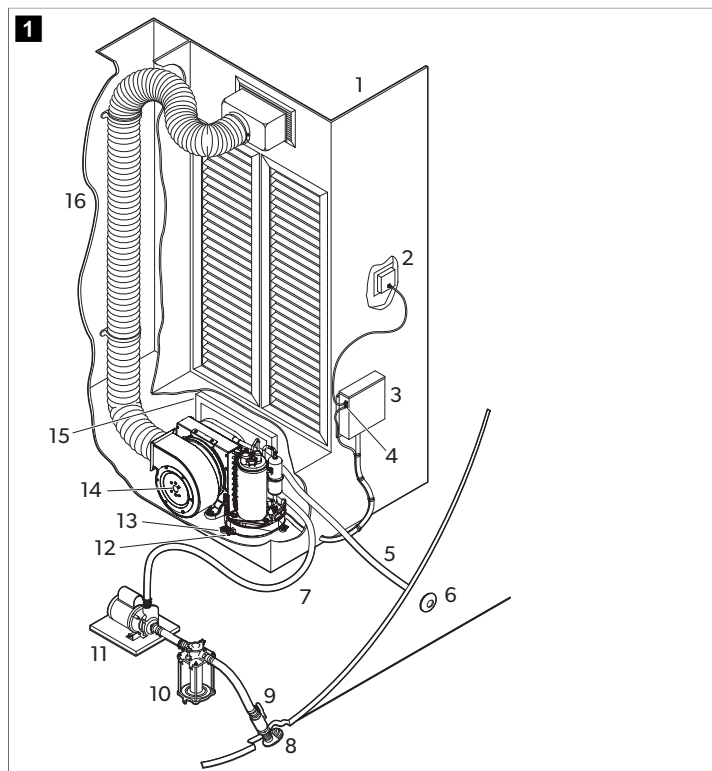
Dometic forbeholder seg rettigheten til å endre produktet ytre og produktspesifikasjoner.

5 Tekniske spesifikasjoner

Les disse instruksjonene i sin helhet, og planlegg deretter koblingene som må gjøres på klimaanlegget (deriblant rør, kondensavtappingsledning, slanger for sjøvannsinntak og -utløp, plassering av kontrollen og plassering av sjøvannspumpen), for å sikre enkel tilgang for føring og fremtidig vedlikehold.

5.1 Plassering av deler

Identifisering av klimaanleggets komponenter



- 1 Luftinntaksgitter og inntaksskap
2 Digitaldisplay
9 Stengeventil for sjøkran
10 Sjøvannfilter

- 3 Koblingsboks
4 Sensorkabel for ekstern luft (tilleggsutstyr)
5 Sjøvannutløpslange
6 Sjøutløp
7 Sjøvanninntakslange
8 Skroggjennomføring for sjøvannssøsing
11 Pumpe
12 Feste for kondensavtappingsledning
13 Monteringsbrakett
14 Klimaanlegg
15 Gitter og filter for utblåsningsluft
16 Isolerte fleksible rør

5.2 Spesifikasjoner

Denne delen har spesifikasjonsdata for klimaanlegget.

Tabell 19: Minimumstørrelser for rør og grill per BTU-kapasitet

	3.5 k BTU	6 k BTU	8 k BTU	10 k BTU
Minimum rørdiameter	3,00 in (76,2 mm)	4,00 in (101,6 mm)	5,00 in (127,0 mm)	6,00 in (152,4 mm)
Minimum rørområde	6,8 in ² (43,9 cm ²)	12,6 in ² (81,3 cm ²)	19,6 in ² (126,5 cm ²)	28,3 in ² (182,6 cm ²)
Minimum gitter for utblåsningsluft	64,0 in ² (412,9 cm ²)	64,0 in ² (412,9 cm ²)	80,0 in ² (516,2 cm ²)	100,0 in ² (645,2 cm ²)
Minimum luftinntaksgitter	12,0 in ² (77,4 cm ²)	32,0 in ² (206,5 cm ²)	48,0 in ² (309,7 cm ²)	60,0 in ² (387,1 cm ²)
	12 k BTU	16 k BTU	18 k BTU	27 k BTU
Minimum rørdiameter	6,00 in (152,4 mm)	7,00 in (177,8 mm)	7,00 in (177,8 mm)	8,00 in (203,2 mm)
Minimum rørområde	28,3 in ² (182,6 cm ²)	38,5 in ² (248,4 cm ²)	38,5 in ² (248,4 cm ²)	50,3 in ² (324,5 cm ²)
Minimum gitter for utblåsningsluft	130,0 in ² (838,8 cm ²)	160,0 in ² (1032,3 cm ²)	200,0 in ² (1290,4 cm ²)	240,0 in ² (1548,5 cm ²)
Minimum luftinntaksgitter	70,0 in ² (451,6 cm ²)	80,0 in ² (516,2 cm ²)	100,0 in ² (645,2 cm ²)	120,0 in ² (774,2 cm ²)

Tabell 20: Vanntemperatur og -trykk for drift

Minimum vanntemperatur for drift	40,0 °F (4,44 °C)
Maks vanntemperatur for drift	80,0 °F (26,66 °C)
Minimum vanntrykk for drift	4,2 psi (0,29 bar) (29,00 kPa)
Maks vanntrykk for drift	6,00 psi (0,41 bar) (41,4 kPa)



MERK Apparatet kan fungere utenfor disse forholdene med redusert kapasitet.

6 Før installasjon



PASS PÅ!

DTG og TX frittstående kondensbrett er utstyrt med vibrasjonsisolatorer som er montert på bunnen av brettet. Disse isolatorene er designet for å dempe vibrasjonen som forårsakes av et klimaanlegg i drift, slik at dette ikke overføres til underlaget det er montert på. Vær forsiktig når du flytter klimaanlegget mellom monteringsunderlag, for isolatorene kan bli skadet.



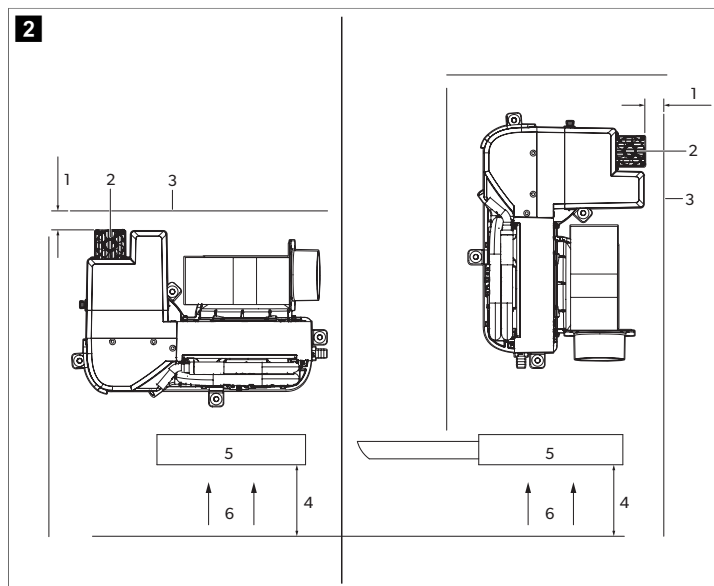
PASS PÅ!

Klimaanlegget må monteres på en lav, flat og vaterrett overflate, for eksempel i bunnen av et skap, under en seng eller et sete eller på et lignende sted.

Denne delen forklarer hvordan du klargjør klimaanlegget for installasjon.

6.1 Avgjøre monteringsplassering

TX-plassering i forhold til luftstrømmen



1 3,00 in (7,62 cm)

4 4,00 in (10,16 cm)

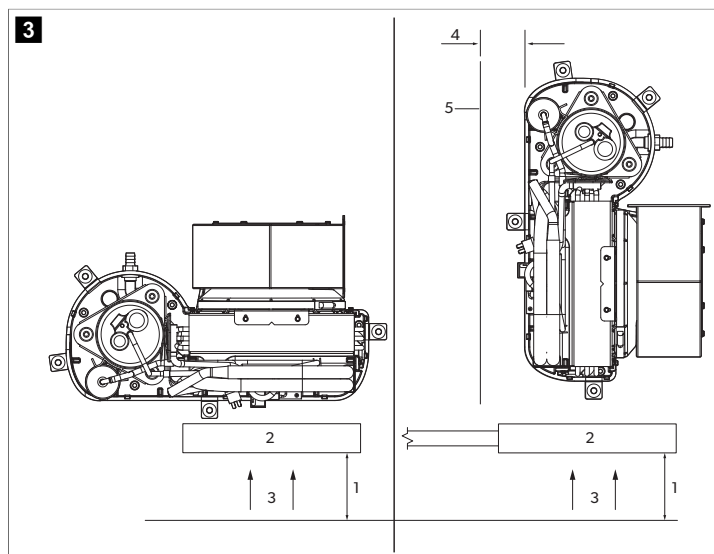
2 Kjølekomponent

5 Gitter for utblåsningsluft

3 Skott

6 Luftstrøm

Plassering av alle andre klimaanlegg i forhold til luftstrømmen



1 4,00 in (10,16 cm)

4 3,00 in (7,62 cm)

2 Gitter for utblåsningsluft

5 Skott

3 Luftstrøm

Velg en plassering med god nok luftstrøm. Gitteret for utblåsningsluft bør ha minimum 4,00 in (10,16 cm) klaring for luftsirkulasjon foran seg, som er fritt for hindringer.

Hvis klimaanlegget er plassert på linje med gitteret for utblåsningsluft, må det være en minimumsklaring på 3,00 in (7,62 cm) for luftsirkulasjon på luftinntakssiden.

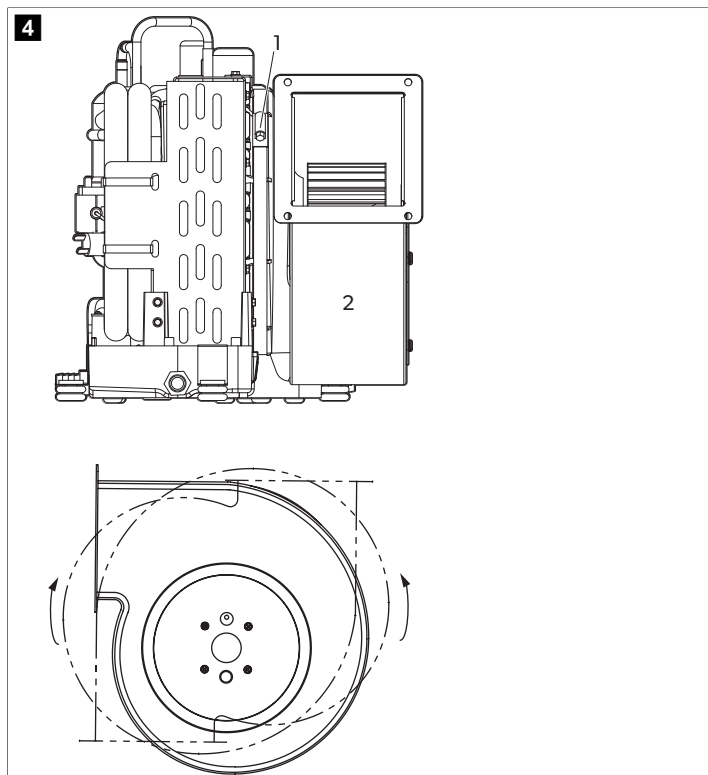
Kun TX: La det være et åpent område på minimum 2,99 in (76,0 mm) over og under kjølekomponenten.

6.2 Rotering av viften

Denne delen forklarer hvordan man roterer viften for hver enhetstype. Ved behov kan viften roteres til den retningen som gir mest direkte luftstrømsutløp gjennom røropplegget.

6.2.1 DTG- og TX-vifter

Vifterotasjon på DTG- og TX-systemet



1 Adjustment screw

2 Blower

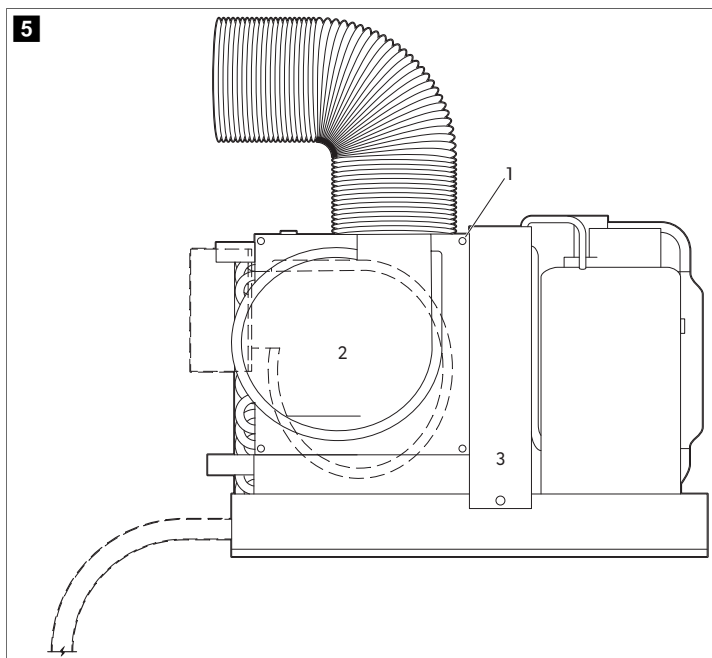
1. Løse justeringskruen på festeringen.

2. Roter viften til ønsket posisjon.

3. Trekk til justeringskruen.

6.2.2 Viftene MCS og ECD

Vifterotasjon i MCS- og ECD-systemene



- 1 Screw
2 Klaff
3 Vifte

1. Ta ut de sju skruene på platen.
2. Roter viften til ønsket posisjon.
3. Fest viften med plateskruer (følger ikke med).

6.3 Plassering av luftfiltrene

Luftfiltre fjerner luftbårne partikler fra kupélufta og holder fordamperspiralen ren. Bruk ett luftfilter, enten på klimaanlegget eller på gitteret for utblåsningsluft, for hvert klimaanlegg.

6.4 Plassering av gitter og inntaksskap

Tenk på det følgende ved plassering av gitter og inntaksskap:

- Monter luftinntaksgitteret så høyt som mulig på et sted som gir lik luftfordeling gjennom hele kahytten. Rett grillens ventiler oppover.
- Monter gitteret for utblåsningsluft så lavt og nært klimaanlegget som mulig for å sikre luftstrømmen til fordampere.
- Ikke rett utblåsningsluften mot gitteret for utblåsningsluft, for da vil anlegget kobles inn og ut i rask rekkefølge.
- La det være nok klaring bak luftinntaksgitteret til inntaksskapet og rørkoblinger. Se Spesifikasjoner på side 73

7 Installasjon

Denne delen forklarer hvordan man installerer det frittstående klimaanlegget.

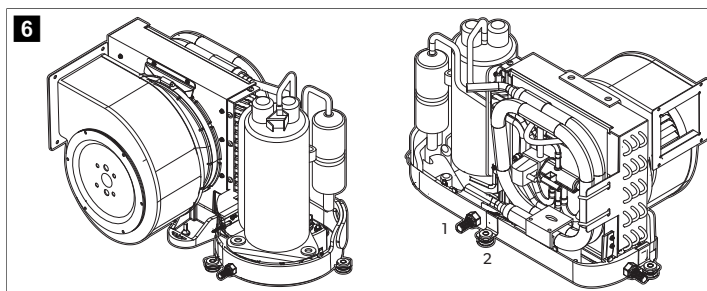
7.1 Montering av monteringsbraketter og kondensavtapping



PASS PÅ!

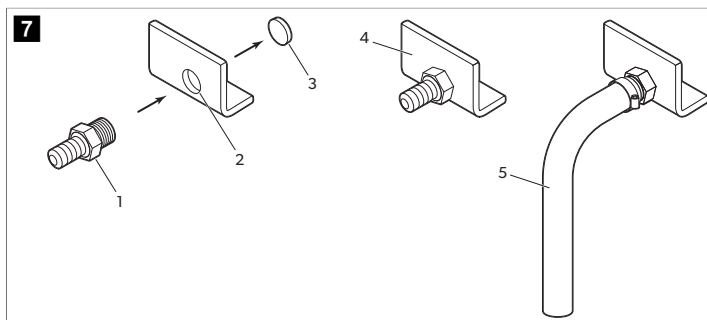
For å unngå at avtappingsbrettet sprekker, må du ikke bruke mer enn to lag med rørteip rundt slangefestet og heller ikke trekke det til for hardt.

Vanlig plassering av monteringsbraketter og kondensavtapping



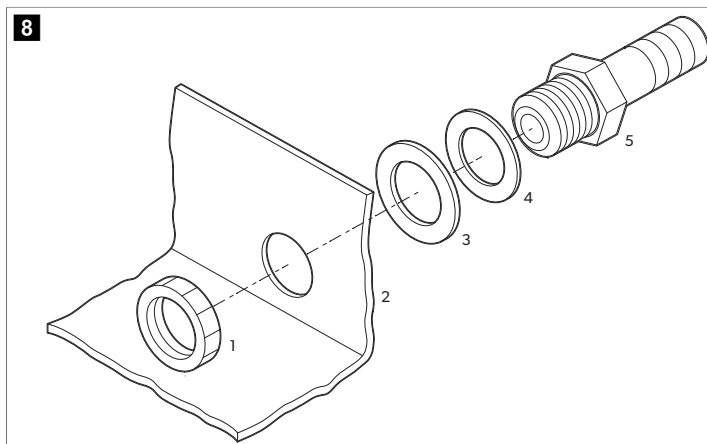
- 1 Feste for kondensavtappingsledning
2 Monteringsbrakett

Montering av kondensavtapping for DTG og TX



- 1 Hose barb
2 Gjenget avtappingshull
3 Plugg som kan slås ut
4 Drain pan
5 Avtappingsslange

Montering av kondensavtapping for alle andre klimaanlegg

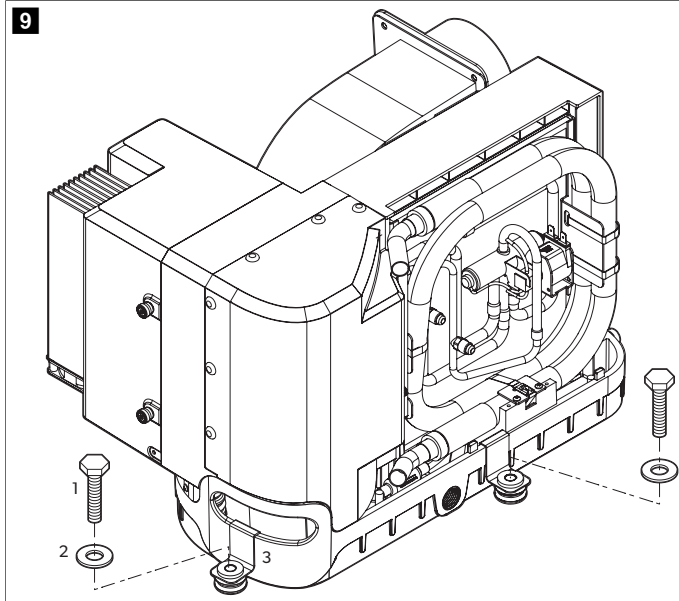


- 1 Locking nut
2 Avtappingsbrett
3 Skive med vanntetning
4 Solid washer
5 PVC-rør 0,5 in (12,7 mm) HB x 0,5 in (12,7 mm) MPT

1. Bruk slangefestet til å slå ut en plugg fra et aktervendt avtappingshull ved hjelp av ett raskt slag med en gummihammer. Kast pluggen som er slått ut.
2. For DTG- og TX-enheter:
 - a) Vikle rørteip rundt den gjengede enden av slangefestet.
 - b) Skru slangefestet inn i det gjengede avtappingshullet, og trekk godt til.

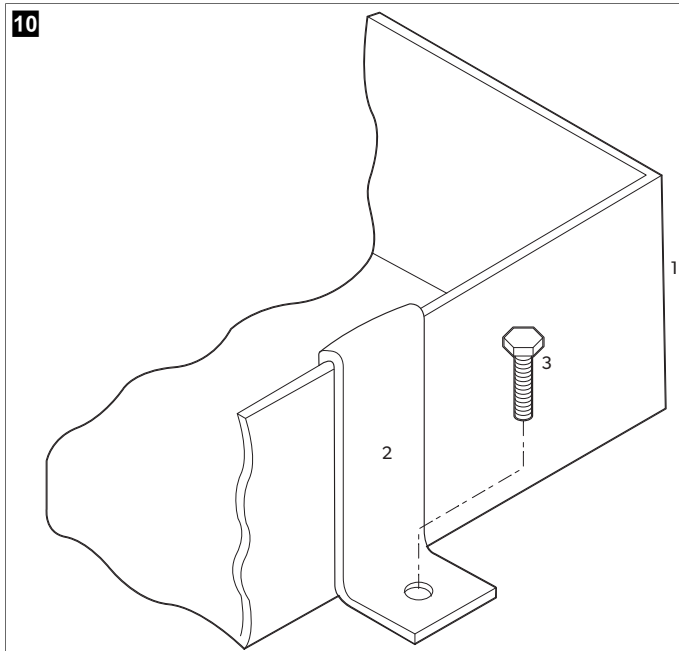
3. For alle andre klimaanlegg:
 - a) Tre en solid skive og en skive med vanntetning gjennom slangefestet, og sett det inn i avtappingsshullet.
 - b) Fest med en låsemutter.
4. Fest avtappingsslengen til slangefestet med en slangeklemme i rustfritt stål.
5. Før avtappingsslengen ned til et trygt og ordentlig oppsamlingssted.

Montering av monteringsbrakett for DTG- og TX-enheter



- 1 Monteringsbolt (følger ikke med)
- 2 Beskyttelsesskive (følger med)
- 3 Monteringsbrakett (følger med)

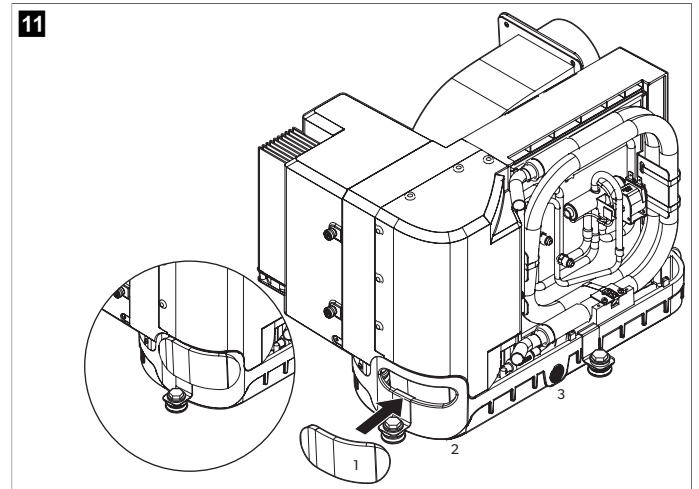
Montering av monteringsbrakett for alle andre klimaanlegg



- 1 Avtappingsbrett
- 2 Monteringsbrakett
- 3 Monteringsbolt (følger ikke med)

6. Monter én monteringsbrakett på hver side av avtappingsbrettet, med lik avstand.

Montere håndtaksisolasjonsskum på TX-enheter



- 1 Håndtaksisolasjonsskum
- 2 Håndtaksåpning
- 3 Avtappingsbrett

7. For TX-enheter:
 - a) Fjern filmen som dekker den klebende baksiden av håndtaksisolasjonsskummet.
 - b) Plasser håndtaksisolasjonsskummet slik at det dekker håndtaksåpningen fullstendig, med den klebende siden mot avtappingsbrettet.
 - c) Trykk rundt håndtaksåpningen for å feste håndtaksisolasjonsskummet på avtappingsbrettet.

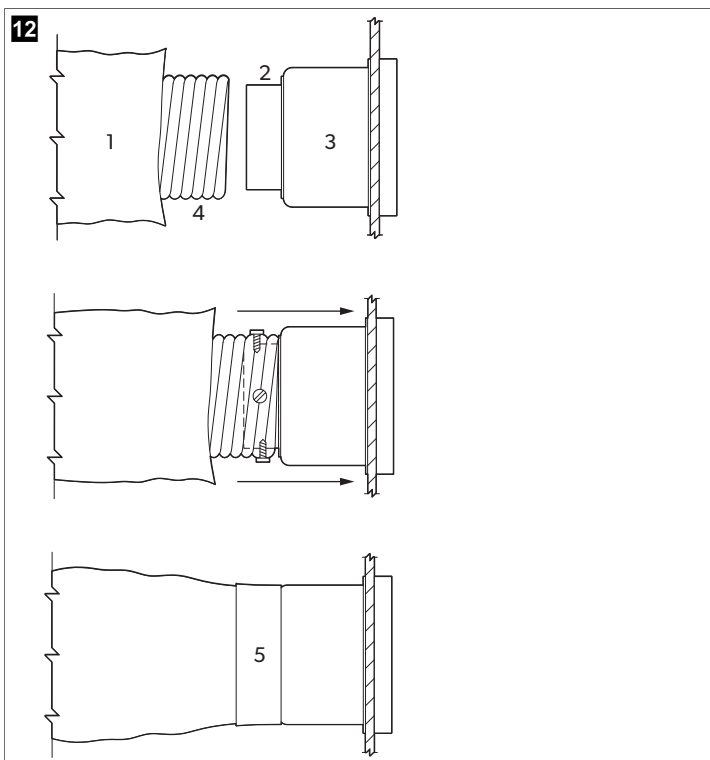
7.2 Rørmontering

Følg dette ved rørmontering:

- Rørene må ha riktig størrelse til formålet.
- Før rørene så rett, smidig og stivt som mulig, og reduser antall 90,00 ° bøyger og sløyfer, for dette kan redusere luftstrømmen.
- Fest rørene godt for å unngå nedheng.
- Pass på at rørene ikke blir flate eller kan vri seg.
- Fjern ekstra rørlengder etter installasjon.
- Isoler rørene når de er i nærheten av områder med høy varme.
- Isoler rørene når de er i nærheten av områder med høy varme.
- Ikke før rørene gjennom et motorrom eller et område der de kan bli utsatt for farlig damp eller eksosgass.

Hvis det brukes et inntaksskap bør det totale området med forsyningslufrør som går ut av boksen, minimum tilsvare det totale området av forsyningslufrør som går inn i boksen. Se Spesifikasjoner på side 73

Rørkoblinger



- | | |
|-----------------------|------------------------|
| 1 Glassfiberisolering | 4 Indre mylarrørslange |
| 2 Festering | 5 Industrietape |
| 3 Inntaksskap | |

1. Skyv den indre mylarrørslangen rundt festeringen til inntaksskapet.
2. Skru tre eller fire skruer i rustfritt stål gjennom mylarrørslangen inn i festeringen, slik at to eller tre ledninger fanges med skruhodene.
3. Skyv glassfiberisoleringen rundt den indre mylarrørslangen til inntaksskapet. Fest med industrietape.

7.3 Installere sjøvannsystemet



PASS PÅ!

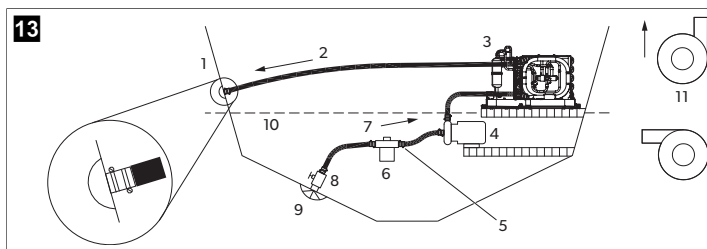
Hvis denne prosedyren ikke følges, blir garantien ugyldig.

Ta følgende hensyn ved oppsett av sjøvannsystemet:

- Filteret må være under pumpa.
- Slangene må ha to klemmer.
- Slangene må ikke være foldet, danne sløyfer eller ha høytliggende områder der det kan samles opp luft.
- Pumpa og filteret må være under vannlinjen.
- Skroggjennomføringen, kuleventilen, slangen og filteret skal ikke være mindre enn pumpeinntaket.
- Monter skroggjennomføringen så langt under vannlinjen som mulig.
- Pumpa må ha en dedikert skroggjennomføring.
- Unngå 90,00° vinkelrørdeler i størst mulig grad.
- Forsikre deg om at pumpehodet er rotert i samme retning som vannstrømmen.
- Bruk rørteip på alle gjengede koblinger.

Se Spesifikasjoner på side 73 for maks- og minimumsverdier for vanntemperatur og -trykk.

Sjøvannsystem



- | | |
|-----------------|---------------------------------------|
| 1 Sjøvannutløp | 7 Stigende inntaksstrøm |
| 2 Utløpsstrøm | 8 Kuleventil |
| 3 Klimaanlegg | 9 Skroggjennomføring for sjøvann |
| 4 Sjøvannpumpe | 10 Vannlinje |
| 5 Slangeklemmer | 11 Riktig retning for pumpehodefilter |
| 6 Grovfilter | |

1. Monter en skroggjennomføring for sjøvannssøsing så nærme kjølen og så langt under vannlinjen som mulig. Sikre skroggjennomføringen for sjøvann med et tetningsmiddel i marineklasse som er laget for undervannsbbruk.
2. Monter en sjøkran i bronse med full strøm på skroggjennomføring for sjøvannssøsing.
3. Monter et sjøvannfilter under nivået på pumpen med tilgang til filteret.
4. Monter pumpa over filteret og minst én fot under vannlinjen.
5. Koble sjøkrana og filteret med en oppstrøms forsterket slange i marineklasse.
6. Koble avløpet fra pumpa oppstrøms til nedre inntak for klimaanleggets kondensatorspiral med en 5/8 tommers (0,63 in (16,0 mm)) forsterket slange i marineklasse.
7. Koble til utløpet fra kondensatorspiralen til skroggjennomføringen for sjøutløp med en 5/8 tommers forsterket slange i marineklasse.
8. Unngå sløyfer, forhøyninger og bruk av 90,00° buer på sjøvannslangen. Hver 90,00° vinkel tilsvarer 2,5 ft (0,76 m) (29,92 in (76,00 cm)) med slange, og en 90° vinkel på pumpeuttaket tilsvarer 20,0 ft (6,10 m) (240,16 in (610,00 cm)) med slange.
9. Sikre alle slangeforbindelser med to klemmer av rustfritt stål – plasser klemmene i omvendt rekkefølge der det er nødvendig.
10. Koble alle metallodeler som er i kontakt med sjøvann, til fartøyets tilkoblingsssystem.

7.4 Elektriske tilkoblinger



ADVARSEL! FARE FOR ELEKTRISK STØT.

Slå alltid av sikringen til klimaanlegget før du betjener koblingsboksen. Manglende overholdelse av denne advarselen kan resultere i alvorlige personskader, eventuelt med døden til følge.



PASS PÅ!

Klimaanlegget må kobles til tilkoblingssystemet i båten for å forhindre korrosjon fra elektrisk kryptstrøm. Alle pumper, metallventiler og tilkoblinger i sjøvannkretsløpet som er isolert fra klimaanlegget med PVC- eller gummislanger, må kobles til enkeltvis på tilkoblingsystemet i båten.



MERK Hvis systemet ikke er godt jordet og tilkoblet, gjelder ikke garantien.

Alle klimaanlegg har en terminalblokk som er merket for riktige tilkoblinger, inni koblingsboksen. Koblingskjemaet inni koblingsboksen erstatter ABYC-standardene. Bruk sikring med riktig dimensjon for å beskytte anlegget i henhold til opplysningene på typeskiltet til klimaanlegget. Det bør brukes en båtkabel på minimum 12 AWG som strømforsyning til klimaanlegget og sjøvannpumpen. Gjøre alle tilkoblinger med lukket kabelsko eller gaffelkabelsko.

Vær oppmerksom på dette ved elektriske tilkoblinger:

- Jordingen til vekselstrøm (AC) må kobles til jordingsterminalen (GRND) på AC-strøminngangen på terminalblokken.
- Tilkoblinger mellom fartøyets jordleder for AC-systemet og fartøyets likestrømsnegativ (DC) eller tilkoblingsystem bør gjøres som en del av fartøyets

kabling. Ved vedlikehold eller utskifting av eksisterende utstyr som har chassismontert jordbolt, må du sjekke fartøyets koblinger.

- TX-klimaanlegg er laget for drift på AC eller høyspennings DC. Se fartøyets koblingskjema for riktig plassering.

Forsikre deg om at AC-jordingen til klimaanlegget er riktig koblet til båtens AC-jording. På selve båten må du forsikre deg om at AC-jordingsskinnen er koblet til DC-jordingsskinnen på nøyaktig ett punkt.

8 Avfallshåndtering



Lever emballasje til resirkulering så langt det er mulig. For å kaste produktet endelig ta kontakt med det lokale resirkuleringscenteret eller faghandler om hvordan du kan gjøre dette i overensstemmelse med gjeldende avfallshåndteringsforskrifter.

9 Garanti

Se avsnittene nedenfor for informasjon om garanti og garantistøtte i USA, Canada og alle andre regioner.

USA og Canada

BEGRENSET GARANTI TILGJENGELIG PÅ
DOMETIC.COM/EN-US/TERMS-AND-CONDITIONS-CONSUMER/WARRANTY.
HVIS DU HAR SPØRSMÅL ELLER ØNSKER EN GRATIS KOPI AV DEN BEGRENSEDE
GARANTIE, KONTAKT:

DOMETIC CORPORATION
MARINE CUSTOMER SUPPORT CENTER
2000 NORTH ANDREWS AVENUE
POMPANO BEACH, FLORIDA, USA 33069
1-800-542-2477

Landene i Asia-Stillehavsregionen

Hvis produktet ikke fungerer som det skal: Ta kontakt med forhandleren eller produsentens representant i ditt land (se dometic.com/dealer). Produktet har 1 års garanti.

Ved henvendelser vedrørende reparasjon eller garanti, må du sende med følgende dokumentasjon:

- Kopi av kvitteringen med kjøpsdato
- Årsak til reklamasjonen eller beskrivelse av feilen

Vær oppmerksom på at reparasjoner som utføres selv, eller som ikke utføres på en profesjonell måte, kan gå ut over sikkerheten og føre til at garantien blir ugyldig.

Gjelder kun for Australia

Våre produkter leveres med garantier som ikke kan utelukkes i henhold til australsk forbrukerlovgeving. Du har rett til å motta et erstatningsprodukt eller refundering ved større feil, samt kompensasjon for andre tap eller skader som rimeligvis kunne forutses. Du har også rett til å få reparert eller erstattet varer hvis kvaliteten ikke er av akseptabel kvalitet, også der feilen ikke er å anse som en større feil.

Gjelder kun for New Zealand

Denne garantien underliggjer vilkårene og garantibestemmelsene i forbrukergarantiloven Consumer Guarantees Act 1993(NZ).

Alle andre regioner

Lovmessig garantitid gjelder. Hvis produktet er defekt: Ta kontakt med produsentens filial (se dometic.com/dealer) eller forhandler i ditt land.

Ved henvendelser vedrørende reparasjon eller garanti, må du sende med følgende dokumentasjon:

- Kopi av kvitteringen med kjøpsdato
- Årsak til reklamasjonen eller beskrivelse av feilen

Vær oppmerksom på at reparasjoner som utføres selv, eller som ikke utføres på en profesjonell måte, kan gå ut over sikkerheten og føre til at garantien blir ugyldig.

Suomi

1 Tärkeitä huomautuksia.....	79
2 Symbolien selitykset.....	79
3 Kohderyhmä.....	79
4 Käyttötarkoitus.....	80
5 Tekniset tiedot.....	80
6 Esiasentaminen.....	80
7 Asennus.....	82
8 Hävittäminen.....	85
9 Takuu.....	85

1 Tärkeitä huomautuksia

Lue nämä ohjeet huolellisesti ja noudata kaikkia tämän tuotteen käyttöohjeissa annettuja ohjeita, määräyksiä ja varoituksia. Näin varmistat, että tuotteen asennus, käyttö ja huolto sujuu aina oikein. Näiden ohjeiden TÄYTYÄ jäädä tuotteen yhteyteen.

Käyttämällä tuotetta vahvistat lukeneesi kaikki ohjeet, määräykset ja varoitukset huolellisesti ja että ymmärrät ja hyväksyt tässä annetut ehdot. Sitoudut käyttämään tuotetta ainoastaan sen käyttötarkoitukseen ja ilmoitetuissa käyttökohteissa ja noudattamaan tässä tuotteen käyttöohjeissa annettuja ohjeita, määräyksiä ja varoituksia sekä voimassa olevia lakeja ja määräyksiä. Tässä annettujen ohjeiden ja varoitusten lukematta ja noudattamatta jättäminen voi johtaa omaan tai muiden loukkaantumiseen, tuotteen vaurioitumiseen tai muun ympärillä olevan omaisuuden vaurioitumiseen. Tähän tuotteen käyttöohjeeseen, ohjeisiin, määräyksiin ja varoituksiin sekä ohjeisdokumentteihin voidaan tehdä muutoksia ja niitä voidaan päivittää. Katso ajantasaiset tuotetiedot osoitteesta documents.dometic.com.

2 Symbolien selitykset

Merkkisana tunnistaa turvallisuusviestejä ja omaisuusvahinkoihin liittyviä viestejä ja osoittaa lisäksi vaaratekijän vakavuusasteen.



VAROITUS!

viittaavat vaaralliseen tilanteeseen, joka voi johtaa kuolemaan tai vakavaan loukkaantumiseen, jos ohjeita ei noudateta.



HUOMAUTUS!

viittaavat tilanteeseen, joka voi johtaa esinevahinkoon, jos ohjeita ei noudateta.



OHJE Tuotteen käyttöä koskevia lisätietoja.

2.1 Täydentävät ohjeet

Onnettomuus- ja tapaturmariskien vähentämiseksi noudata seuraavia ohjeita ennen kuin alat asentaa laitetta:

- Lue kaikki turvallisuuteen liittyvät tiedot ja ohjeet ja noudata niitä.
- Lue nämä ohjeet huolellisesti ennen laitteen asentamista.
- Asennuksessa on noudatettava kaikkia voimassa olevia paikallisia tai kansallisia määräyksiä, mukaan lukien seuraavien standardien viimeisin painos:
 - American Boat and Yacht Council (ABYC)
 - ANSI/NFPA 70, National Electrical Code (NEC)

2.2 Turvallisuusohjeet



VAROITUS! HÄKÄVAARA

Seuraavien varoitusten laiminlyönti voi johtaa kuolemaan tai vakavaan vammaan:

- > **Älä** asenna ilmastointilaitetta pilssiin tai konetilaan tai lähelle sisäistä polttomoottoria tai käytä laitetta näissä paikoissa. Varmista, että valittu paikka on tiivistetty, jotta pilssin ja/tai moottoritilan höyryt eivät pääse sinne suoraan.
- > Tarkista, että kondensaatin poistojohtin on oikein asennettu ja tiivistetty. **Älä** vie kondensaatin poistojohtimen päätä kolmea jalkaa (0,91 metriä)

lähemmäs moottorin tai generaattorin pakojärjestelmän lähtöä, moottorin tai generaattorin tilaa tai pilssiä – paitsi siinä tapauksessa, että poisto on asianmukaisesti liitetty tiivistettyyn kondenssivesipumppuun tai tyhjennyspumppuun. Jos poistojohtinta ei ole asennettu oikein, sitä pitkin voi kulkeutua vaarallisia höyryjä, jotka voivat saastuttaa oleskelutilat.

- > **Älä** asenna ilmastointilaitetta paikkaan, jossa se voi kiertättää hääkä, polttoainehöyryjä tai muita haitallisia kaasuja veneen oleskelutiloihin.



VAROITUS! Sähköiskun vaara

Asennuksen saa tehdä vain pätevä sähköasentaja.



VAROITUS! SÄHKÖISKUN, TULIPALON JA/TAI RÄJÄHDYKSEN VAARA.

Näiden varoitimien noudattamatta jättäminen voi johtaa kuolemaan tai vakavaan vammaan.

Tätä laitetta **ei** ole tarkoitettu sellaisten henkilöiden (mukaan lukien lapset) käyttöön, joiden fyysiset, aistinvaraiset tai henkiset kyvyt ovat rajoittuneita tai joilta puuttuu laitteen käytön vaatima kokemus tai tietämys. Poikkeuksena tästä on tilanne, jossa edellä mainittujen henkilöiden turvallisuudesta vastaava henkilö on antanut opastuksen laitteen käyttöön tai laitteen käyttö tapahtuu turvallisuudesta vastaavan henkilön valvonnassa. Lapsia tulee valvoa sen varmistamiseksi, että he **eivät** leiki laitteella. Lapset **eivät** saa ilman valvontaa puhdistaa laitetta eivätkä ryhtyä käyttäjälle sallittuihin kunnossapitotoihin. Tämä laite **ei** saa olla kaikkien ulottuvilla.



VAROITUS! RÄJÄHDYSVAARA.

Näiden varoitimien noudattamatta jättäminen voi johtaa kuolemaan tai vakavaan vammaan.

Älä asenna ilmastointilaitetta paikkaan, jossa on bensiinimoottoreita, säiliöitä, LPG/CPG-pulloja, säätimiä, venttiileitä tai polttoaineputkien liittimiä. Ellei toisin ole merkitty, laitteet **eivät** täytä syytymissuojausta koskevia liittovaltion vaatimuksia. Tämän varoituksen noudattamatta jättäminen voi johtaa kuolemaan tai vakavaan vammaan.



VAROITUS! SÄHKÖISKUN VAARA.

Näiden varoitimien noudattamatta jättäminen voi johtaa kuolemaan tai vakavaan vammaan.

- > Maadoita ilmastointilaitteita tehokkaasti, jotta sähköiskujen vaara pysyy mahdollisimman pienenä. Lisätietoja on asennusohjeissa.
- > Jokaisessa asennetussa ilmastointilaitteessa on oltava oma katkaisin. Jos asennetaan vain yksi ilmastointilaitte, merivesipumppu **ei** edellytä omaa katkaisinta. Jos samaa merivesipumppua käyttää vähintään kaksi ilmastointilaitetta, pumpun johtimet liitetään pumpun relepaneeliin, jossa on oma pumpun koon mukainen katkaisin (enintään 20 A). Katso pumpun relepaneelin mukana toimitettu johdotuskaavio. Pilssiin ja/tai vesirajan alapuolelle tehtävissä sähköliitännöissä tulee käyttää lämpökutistetyyppeisiä päittäisliittimiä.
- > Kenttäjohdotuksessa **täytyy** noudattaa ABYC-säännöksiä. Laitteen sähkönsyötön on oltava tyyppietiketissä ilmoitetun käyttöjännitealueen rajoissa. Oikeankokoiset sulakkeet tai HACR-katkaisimet **täytyy** asentaa piiriin suojaamiseksi. Katso sulakkeen/katkaisimen enimmäiskoko (MFS) ja piiriin vähimmäisteho (MCA) tyyppietiketistä.



HUOMAUTUS!

Tämä yksikkö sisältää fluorattuja kasvihuonekaasuja ilmatiiviisti suljetussa laitteessa. Kylmäaineen paino ja GWP-arvo ilmoitetaan lauhduttimen tyyppietiketissä. Lisätyn kylmäaineen tiedot on merkittävä lauhduttimen etikettiin.

3 Kohderyhmä



Laitteen mekaanisen ja sähköisen asennuksen ja käyttöönoton on suoritettava pätevä teknikko, joka on osoittanut taitonsa ja tietonsa meriympäristön laitteiden ja asennusten rakentamisessa ja käytössä, joka tuntee maan, jossa laite aiotaan asentaa ja/tai käyttää, sovellettavat määräykset ja on saanut turvallisuusoulutusta tunnistaakseen ja välttääkseen niihin liittyvät vaarat.

4 Käyttötarkoitus

Tämä käyttöohje on tarkoitettu DCU-, DLU-, DTG-, ECD- ja TX-ilmastointijärjestelmien (jäljempänä ilmastointilaitte) asentamiseen. Ilmastointilaitte on tarkoitettu vene- ja jahtikäyttöön. Tämä ilmastointilaitte soveltuu ainoastaan näissä ohjeissa ilmoitettuun käyttötarkoitukseen ja käyttökohteeseen.

Tämä tuote soveltuu ainoastaan näissä ohjeissa ilmoitettuun käyttötarkoitukseen ja käyttökohteeseen.

Näistä ohjeista saat tuotteen asianmukaiseen asennukseen ja/tai käyttöön tarvittavat tiedot. Väärin tehdyn asennuksen ja/tai väärän käyttötavan tai vääränlaisen huollon seurauksena laite ei toimi tyydyttävästi, ja se saattaa mennä epäkuntoon.

Valmistaja ei ota vastuuta tapaturmista tai tuotevaurioista, jotka johtuvat seuraavista:

- Väärin tehty asennus tai liittäminen, ylijännite mukaan lukien
- Väärin tehty huolto tai muiden kuin valmistajalta saatavien alkuperäisten varaosien käyttö
- Tuotteeseen ilman valmistajan nimenomaista lupaa tehdyt muutokset
- Käyttö muuhun kuin tässä ohjeessa ilmoitettuun tarkoitukseen

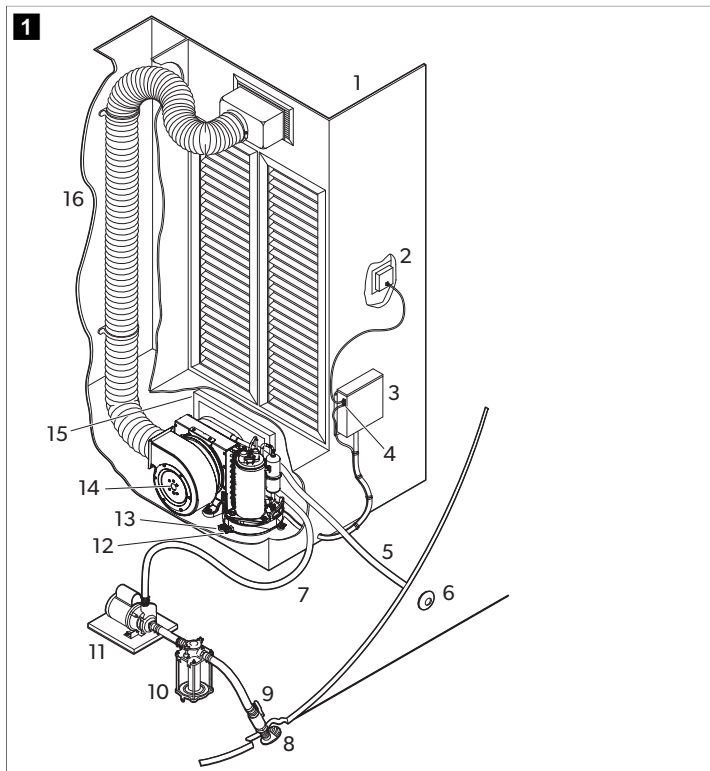
Dometic pidättää itsellään oikeuden muutoksiin tuotteen ulkonäössä ja spesifikaatioissa.

5 Tekniset tiedot

Lue nämä ohjeet kokonaan ja suunnittele ilmastointilaitteeseen tehtävät liitännät (mukaan lukien putket, kondensaatin poistojohdin, meriveden tulo- ja poistoletkut, sähköliitännät, ohjaimen sijainti sekä merivesipumpun paikka) siten, että johtimien vetäminen ja tuleva huolto onnistuu helposti.

5.1 Osien sijainnit

Ilmastointilaitteen osan tunnistet



- | | |
|---|-----------------------------------|
| 1 Tuloilman suojaritilä ja kytkentäkotelo | 9 Runkoventtiili |
| 2 Digitaalinäyttö | 10 Merivesisuodatin |
| 3 Sähkörasia | 11 Pumppu |
| 4 Valinnaisen etäilma-anturin johto | 12 Kondensaatin poistoletkun kara |

- | | |
|------------------------|--|
| 5 Meriveden lähtöletku | 13 Asennuspidikke |
| 6 Ulkolaitälähtö | 14 Ilmastointilaitte |
| 7 Meriveden tuloletku | 15 Poistoilman suojaritilä ja suodatin |
| 8 Rungon läpivienni | 16 Eristetyt taipuisat putket |

5.2 Tekniset tiedot

Tämä osio sisältää ilmastointilaitteen tekniset tiedot.

Taulu 21. Putken ja säleikön vähimmäismitat BTU-tehoa kohti

	3.5 k BTU	6 k BTU	8 k BTU	10 k BTU
Putken vähimmäishalkaisija	3,00 in (76,2 mm)	4,00 in (101,6 mm)	5,00 in (127,0 mm)	6,00 in (152,4 mm)
Putken vähimmäispinta-ala	6,8 in ² (43,9 cm ²)	12,6 in ² (81,3 cm ²)	19,6 in ² (126,5 cm ²)	28,3 in ² (182,6 cm ²)
Poistoilman suojaritilän vähimmäiskoko	64,0 in ² (412,9 cm ²)	64,0 in ² (412,9 cm ²)	80,0 in ² (516,2 cm ²)	100,0 in ² (645,2 cm ²)
Tuloilman suojaritilän vähimmäiskoko	12,0 in ² (77,4 cm ²)	32,0 in ² (206,5 cm ²)	48,0 in ² (309,7 cm ²)	60,0 in ² (387,1 cm ²)
	12 k BTU	16 k BTU	18 k BTU	27 k BTU
Putken vähimmäishalkaisija	6,00 in (152,4 mm)	7,00 in (177,8 mm)	7,00 in (177,8 mm)	8,00 in (203,2 mm)
Putken vähimmäispinta-ala	28,3 in ² (182,6 cm ²)	38,5 in ² (248,4 cm ²)	38,5 in ² (248,4 cm ²)	50,3 in ² (324,5 cm ²)
Poistoilman suojaritilän vähimmäiskoko	130,0 in ² (838,8 cm ²)	160,0 in ² (1032,3 cm ²)	200,0 in ² (1290,4 cm ²)	240,0 in ² (1548,5 cm ²)
Tuloilman suojaritilän vähimmäiskoko	70,0 in ² (451,6 cm ²)	80,0 in ² (516,2 cm ²)	100,0 in ² (645,2 cm ²)	120,0 in ² (774,2 cm ²)

Taulu 22. Käyttöveden lämpötila ja paine

Käyttöveden vähimmäislämpötila	40,0 °F (4,44 °C)
Käyttöveden enimmäislämpötila	80,0 °F (26,66 °C)
Käyttöveden vähimmäispaine	4,2 psi (0,29 bar) (29,00 kPa)
Käyttöveden enimmäispaine	6,00 psi (0,41 bar) (41,4 kPa)



OHJE Laite voi toimia alennetulla teholla muissa kuin näissä olosuhteissa.

6 Esiasentaminen



HUOMAUTUS!

DTG- ja TX-laitteiden peruskondensaattialtaiden pohjassa on tärinävaimentimet. Vaimentimet on suunniteltu vähentämään toiminnassa olevan ilmastointilaitteen aiheuttaman tärinän siirtymistä asennuspintaan. Ilmastointilaitetta on siirrettävä varovasti asennuspinnalla, sillä vaimentimet voivat vaurioitua.



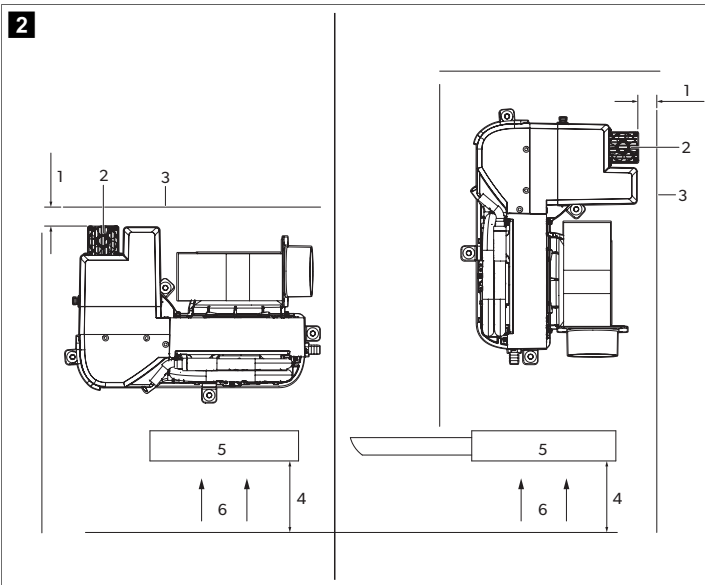
HUOMAUTUS!

Ilmastointilaitte on asennettava matalalle, tasaiselle ja vaakasuoralle pinnalle, kuten kaapin pohjalle, makuupaikan tai istuimen alle tai vastaavaan paikkaan.

Tässä osiossa kerrotaan, miten ilmastointilaitte valmistellaan asentamista varten.

6.1 Asennuspaikan valinta

TX-laitteen paikka ilmastointilaitteeseen nähden



1 3,00 in (7,62 cm)

4 4,00 in (10,16 cm)

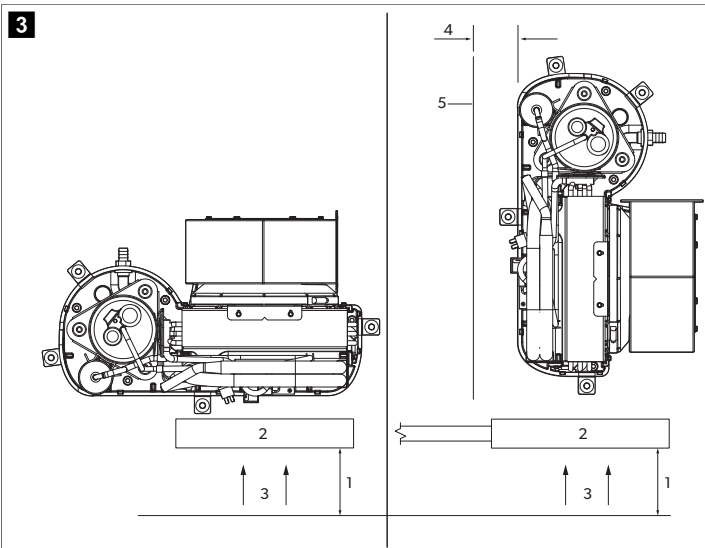
2 Jäähdytyslevy

5 Poistoilman suojaritilä

3 Laipio

6 Ilmavirtaus

Kaikkien muiden ilmastointilaitteiden paikka ilmavirtauksen nähdä



1 4,00 in (10,16 cm)

4 3,00 in (7,62 cm)

2 Poistoilman suojaritilä

5 Laipio

3 Ilmavirtaus

Valitse paikka, jossa on riittävä ilmavirtaus. Poistoilman suojaritilän edessä on oltava vähintään 4,00 in (10,16 cm) esteetöntä tilaa ilmankiertoa varten.

Jos ilmastointilaitte asetetaan kohtisuoraan poistoilman suojaritilään nähden, jätä vähintään 3,00 in (7,62 cm) ilmankiertotilaa ilman tuloaukon puolelle.

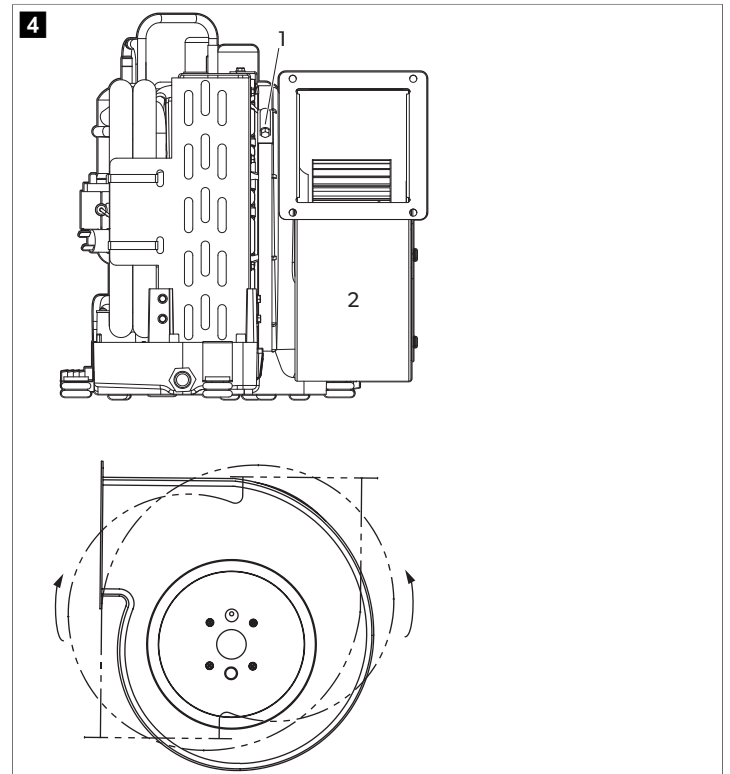
Vain TX: Jätä vähintään 2,99 in (76,0 mm) avointa tilaa jäähdytyslevyn ylä- ja alapuolelle.

6.2 Puhaltimen kääntäminen

Tässä osiossa kerrotaan, miten kunkin laitetypin puhallin käännetään. Käännä puhallin tarvittaessa suuntaan, jossa ilmavirta poistuu suorimmin putkien kautta.

6.2.1 DTG- ja TX-puhaltimet

DTG- ja TX-järjestelmän puhaltimen kääntäminen



1 Adjustment screw

2 Blower

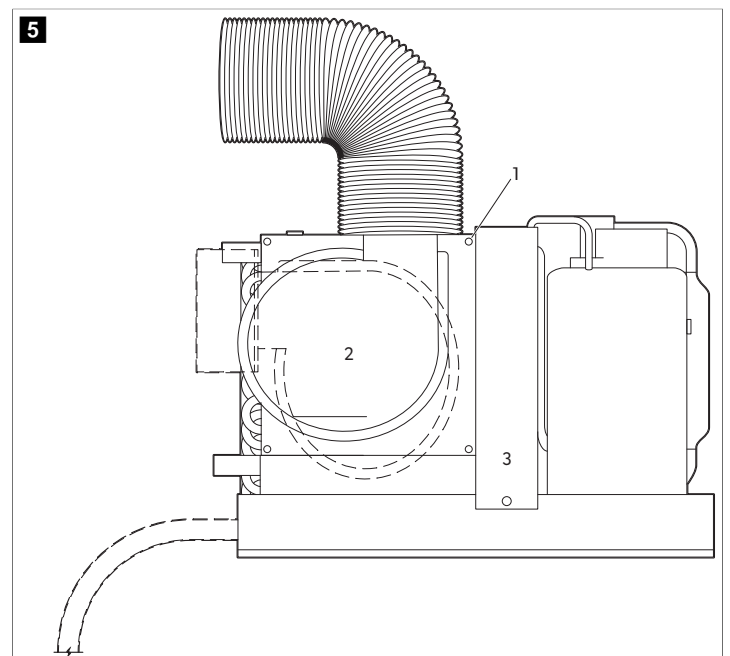
1. Löysää puhaltimen kiinnitysrenkaan säätöruuvia.

2. Käännä puhallin haluttuun asentoon.

3. Kiristä säätöruuvi.

6.2.2 MCS- ja ECD-puhaltimet

MCS- ja ECD-järjestelmän puhaltimen kääntäminen



- 1 Screw
2 Levy
3 Puhallin

1. Irrota seitsemän ruuvia levystä.
2. Käännä puhallin haluttuun asentoon.
3. Kiinnitä puhallin paikalleen itseporautuvilla ruuveilla (eivät sisälly toimitukseen).

6.3 Ilmansuodattimien asettaminen

Ilmansuodattimet poistavat ilmassa olevia hiukkasia hytin ilmasta ja pitävät höyrystinkierukan puhtaana. Aseta yksi ilmansuodatin joko ilmastointilaitteeseen tai poistoilman suojaritilään kutakin ilmastointilaitetta kohti.

6.4 Ritilöiden ja kytkentäkoteloiden asettaminen

Ota seuraavat seikat huomioon asettaessasi ritilöitä ja kytkentäkoteloidia:

- Asenna tuloilman suojaritilä mahdollisimman korkeaan paikkaan, josta ilma jakautuu tasaisesti koko hyttiin. Suuntaa ritilän säleet ylöspäin.
- Asenna poistoilman suojaritilä mahdollisimman alas ja lähelle ilmastointilaitetta, jotta ilma virtaa höyrystimeen.
- Älä suuntaa tuloilman poistoa poistoilman suojaritilää kohti, koska tällöin järjestelmä kytkeytyy lyhyin väliajoin päälle ja pois päältä.
- Jätä riittävästi tilaa tuloilman suojaritilän taakse kytkentäkotelon ja putkien liittämistä varten. Katso Tekniset tiedot sivulla 80

7 Asennus

Tässä osiossa kerrotaan, miten ilmastointilaitteita asennetaan.

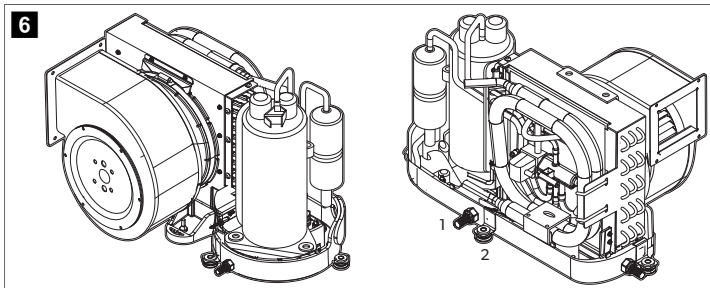
7.1 Pidikkeiden ja kondensaatin poistojohtimien asentaminen



HUOMAUTUS!

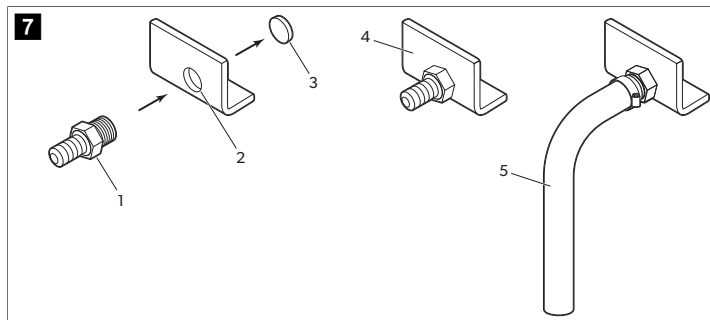
Tyhjennysaltaan halkeamisen estämiseksi kiedo enintään kaksi kerrosta putkiteippiä letkukaran ympärille äläkä kiristä letkukaraa liikaa.

Pidikkeiden ja kondensaatin poistojohtimien tavallinen sijainti



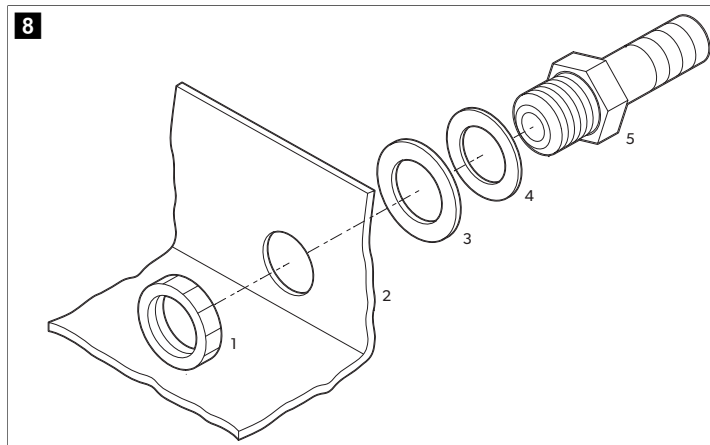
- 1 Kondensaatin poistoletkun kara
2 Asennuspidike

DTG- ja TX-laitteiden kondensaatin poistojohtimien asentaminen



- 1 Hose barb
2 Kierteinen poistoreikä
3 Reikäaihio
4 Drain pan
5 Poistoletku

Kaikkien muiden ilmastointilaitteiden kondensaatin poistojohtimien asentaminen



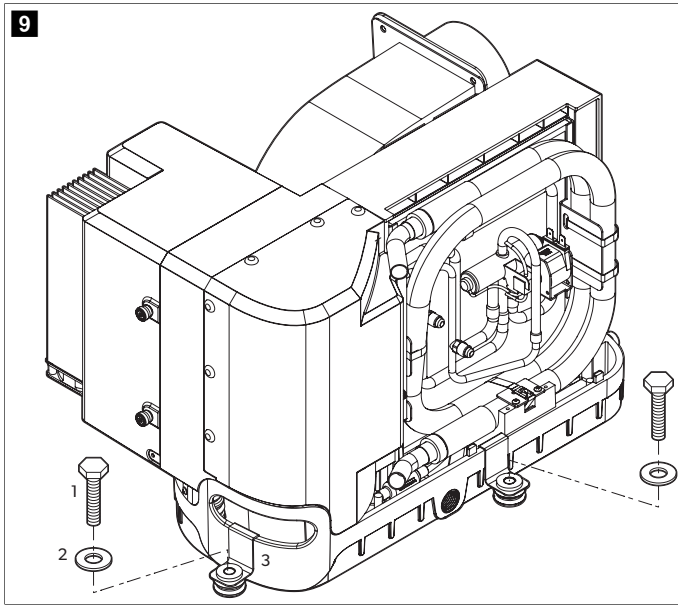
- 1 Locking nut
2 Tyhjennysallas
3 Tiivistelevy
4 Solid washer
5 PVC-liitin 0,5 in (12,7 mm) HB x 0,5 in (12,7 mm) MPT

3 Tiivistelevy

1. Irrota aihio perän suuntaisesta poistoreiästä letkukaran avulla napauttamalla kerran nopeasti kumivasaralla. Hävitä aihio.
2. DTG- ja TX-laitteet:
 - a) Kiedo letkukaran kierrepään ympärille putkiteippiä.
 - b) Kierrä letkukara kierteiseen poistoreikään ja kiristä tiukasti.
3. Kaikki muut ilmastointilaitteet:
 - a) Kierrä letkukara kiinteän aluslevyn ja tiivistelevyn läpi ja aseta se poistoreikään.
 - b) Kiinnitä lukitusmutterilla.
4. Kiinnitä poistoletku letkukaraan ruostumattomasta teräksestä valmistetulla letkunkiristimellä.

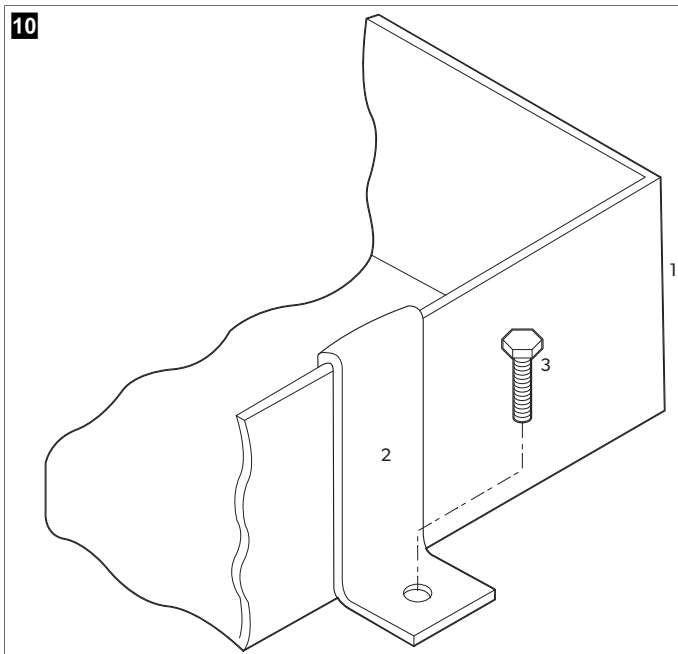
5. Vedä poistoletku alas turvalliseen ja asianmukaiseen keräyspisteeseen.

DTG- ja TX-laitteiden pidikkeen asentaminen



- 1 Kiinnityspultti (ei sisälly toimitukseen)
- 2 Korialuslevy (sisältyy toimitukseen)
- 3 Pidike (sisältyy toimitukseen)

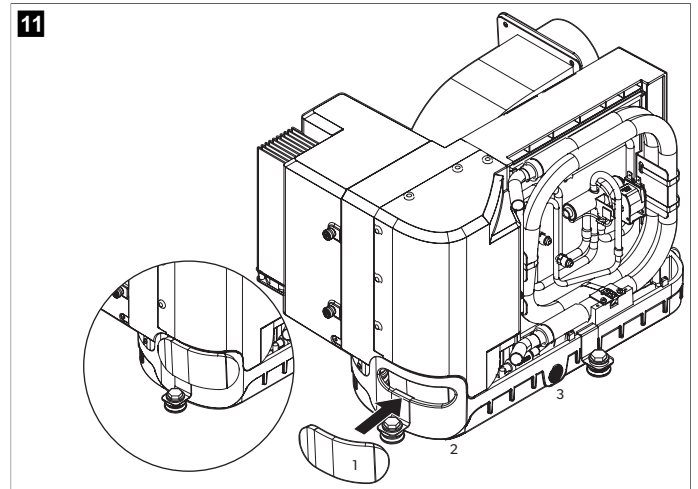
Muiden ilmastointilaitteiden pidikkeen asentaminen



- 1 Tyhjennysallas
- 2 Asennuspidike
- 3 Kiinnityspultti (ei sisälly toimitukseen)

6. Asenna yksi pidike tyhjennysaltaan kummallekin puolelle tasaisin välein.

TX-laitteiden kahvan vaahtomuovieristeen asentaminen



- 1 Kahvan vaahtomuovieriste
- 2 Kahva-aukko
- 3 Tyhjennysallas

7. TX-laitteet:

- a) Irrota kahvan vaahtomuovieristeen tarrapintaa peittävä kalvo.
- b) Aseta kahvan vaahtomuovieriste peittämään koko kahva-aukko siten, että tarrapinta on tyhjennysaltaaseen päin.
- c) Kiinnitä kahvan vaahtomuovieriste tyhjennysaltaaseen painelemalla sitä kahvan aukkoon.

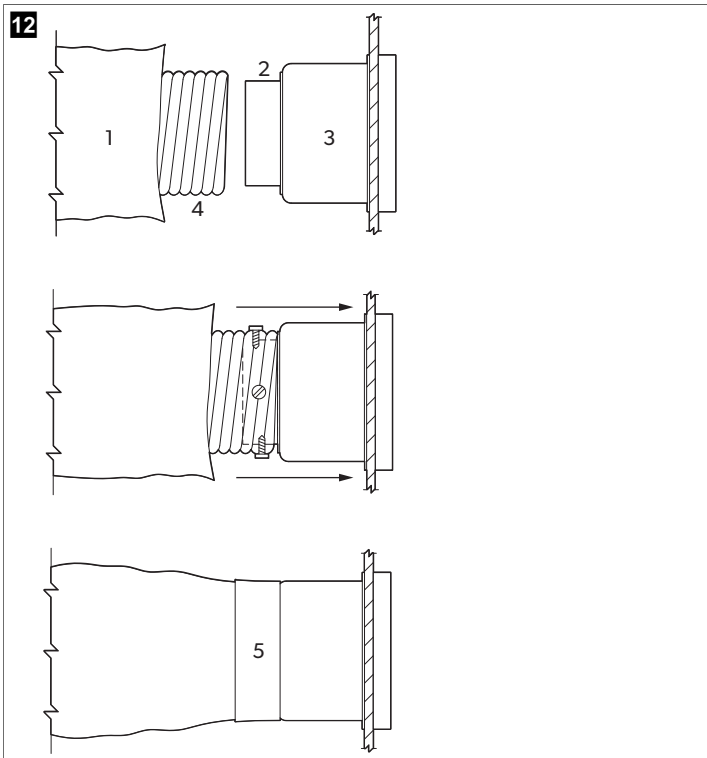
7.2 Putkien asentaminen

Noudata seuraavia ehtoja asentaessasi putkia:

- Putkien on oltava oikeankokoisia käyttökohteeseen.
- Aseta putket mahdollisimman suoraan, tasaisesti ja tiukalle siten, että ilmavirtausta vähentäviä 90,00 °:n mutkia ja silmukoita on mahdollisimman vähän.
- Kiinnitä putket lujasti, jotta ne eivät roiku.
- Estä putkien litistyminen ja taittuminen.
- Katkaise ylimääräiset putkien osat asennuksen jälkeen.
- Eristä kuumissa paikoissa olevat putket.
- Eristä kuumissa paikoissa olevat putket.
- Älä vie putkia moottoritilan tai sellaisen alueen kautta, jossa ne voivat altistua vaarallisille höyryille tai pakokaasuille.

Jos käytetään kytkentäkoteloa, kotelosta lähtevien tuloilmaputkien kokonaispinta-ala tulee olla vähintään yhtä suuri kuin koteloon menevien tuloilmaputkien kokonaispinta-ala. Katso Tekniset tiedot sivulla 80

Putkiliitännät



- | | |
|-------------------|-----------------------|
| 1 Lasikuitueriste | 4 Sisempi Mylar-putki |
| 2 Kiinnitysrenkas | 5 Ilmastointiteippi |
| 3 KytKentäkotelo | |

1. Liu'uta sisäinen Mylar-putki kiinnitysrenkaan ympärille kytKentäkoteloon.
2. Kierrä kolme tai neljä ruostumatonta teräsruvia Mylar-putken läpi kiinnitysrenkaaseen kiinnittämällä kaksi tai kolme johdinta ruuvien kannoilla.
3. Liu'uta lasikuitueriste sisemmän Mylar-putken ympärille kytKentäkoteloon. Kiinnitä ilmastointiteipillä.

7.3 Merivesijärjestelmän asentaminen



HUOMAUTUS!

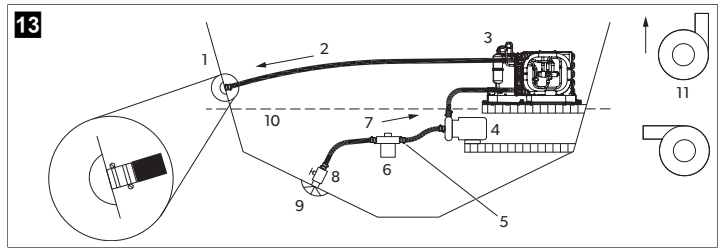
Näiden ohjeiden noudattamisen laiminlyönti johtaa takuun raukeamiseen.

Ota seuraavat seikat huomioon asentaessasi merivesijärjestelmää:

- Suodattimen on oltava pumpun alapuolella.
- Letkut on kiinnitettävä kahdella kiristimellä.
- Letkuissa ei saa olla taitteita, silmukoita tai koholla olevia kohtia, joihin ilma voi kerääntyä.
- Pumpun ja suodattimen on oltava vesirajan alapuolella.
- Läpivienti, kuulaventtiili, letku ja suodatin eivät saa olla pumpun tuloa pienempiä.
- Asenna läpivienti mahdollisimman paljon vesirajan alapuolelle.
- Pumpussa on oltava erillinen läpivienti.
- Vältä 90,00 °:n mutkia mahdollisuuksien mukaan.
- Varmista, että pumpupää on käännetty veden virtausuuntaan.
- Käytä putkiteippiä kaikissa kierreltiännöissä.

Katso veden lämpötilan ja paineen enimmäis- ja vähimmäisarvot kohdasta Tekniset tiedot sivulla 80.

Merivesijärjestelmä



- | | |
|--------------------|---|
| 1 Merivesilähtö | 7 Tulovirtaus ylöspäin |
| 2 Lähtövirtaus | 8 Kuulaventtiili |
| 3 Ilmastointilaite | 9 Rungon läpivienti |
| 4 Merivesipumppu | 10 Vesiraja |
| 5 Letkuklemmarit | 11 Pumpupään suodattimen oikeat suunnat |
| 6 Sihtisuodatin | |

1. Asenna rungon läpivienti mahdollisimman lähelle köliä ja mahdollisimman paljon vesirajan alapuolelle. Kiinnitä rungon läpivienti vedenalaisen käyttöön tarkoitettu meriluokan tiivesteineellä.
2. Asenna rungon läpivientiin pronssinen täyden virtauksen runkoventtiili.
3. Asenna merivesisuodatin pumpun linjan alapuolelle siten, että pääset suodattimeen.
4. Kiinnitä pumpun suodattimen yläpuolelle ja vähintään yhden jalan verran vesirajan alapuolelle.
5. Yhdistä runkoventtiili ja suodatin ylös johtavalla vahvistetulla meriluokan letkulla.
6. Yhdistä pumpun lähtö ylöspäin ilmastointilaitteen lauhdutinkierukan pohjan tuloon 5/8 tuuman (0,63 in (16,0 mm)) vahvistetulla meriluokan letkulla.
7. Yhdistä lauhdutinkierukan lähtö ulkolaitälähdön läpivientiin 5/8 tuuman vahvistetulla meriluokan letkulla.
8. Vältä silmukoita, koholla olevia kohtia ja 90,00 °:n mutkien käyttämistä merivesiletkussa. Jokainen 90,00 °:n mutka vie 2,5 ft (0,76 m) (29,92 in (76,00 cm)) letkua, ja pumpun lähdön 90°:n mutka vie 20,0 ft (6,10 m) (240,16 in (610,00 cm)) letkua.
9. Kiinnitä kaikki letkuliitännät kahdella ruostumattomasta teräksestä valmistetulla kiristimellä. Aseta kiristimet tarvittaessa vastakkaisiin suuntiin.
10. Liitä kaikki meriveriveden kanssa kosketuksiin joutuvat metalliosat aluksen liitäntäjärjestelmään.

7.4 Sähköliitännöiden tekeminen



VAROITUS! SÄHKÖISKUN VAARA.

Katkaise aina ilmastointilaitteen virransyöttö katkaisimesta ennen sähkörasian avaamista. Tämän varoituksen noudattamatta jättäminen voi johtaa kuolemaan tai vakavaan vammaan.



HUOMAUTUS!

Ilmastointilaite on yhdistettävä veneen liitäntäjärjestelmään hajavirtojen aiheuttaman korroosion ehkäisemiseksi. Kaikki merivesikierron pumput, metalliset venttiilit ja liitännät, jotka on eristetty ilmastointilaitteesta PVC- tai kumiletkuilla, on aina yhdistettävä erikseen veneen liitäntäjärjestelmään.



OHJE Järjestelmän asianmukaisen maadoituksen ja liittämisen laiminlyönti johtaa takuun raukeamiseen.

Kaikissa ilmastointilaitteissa on sähkörasian sisällä riviliitin, johon on merkitty oikeat liitännät. Sähkörasian sisällä oleva johdotuskaavio korvaa ABYC-standardit. Käytä järjestelmän suojaamiseen oikeankokoista katkaisinta ilmastointilaitteen tyyppietiketin tietoja vastaavasti. Ilmastointilaitteen ja merivesipumpun virransyöttöön on käytettävä vähintään 12 AWG:n venejohtoa. Käytä kaikissa liitännöissä rengas- tai haarukkaliittimiä.

Noudata seuraavia ohjeita tehdessäsi sähköliitäntöjä:

- Vaihtovirran (AC) maadoitus on liitettävä vaihtovirran riviliittimen maadoitusliittimeen (GRND).

- Aluksen vaihtovirtajärjestelmän maadoitusjohdinten ja aluksen tasavirran miinusliittimen tai liitäntäjärjestelmän väliset liitännät on tehtävä osana aluksen johdotusta. Kun huollat tai vaihdat laitteen, jossa on alustaan asennettu maadoitustappi, tarkista aluksen johdotus näiden liitäntöjen osalta.
- TX-ilmastointilaitteet on suunniteltu toimimaan vaihtovirralla tai korkeajännitteisellä tasavirralla. Katso oikea sijainti aluksen johdotuskaaviosta.

Huomaa, että itse tai väärin tehty korjaus voi vaarantaa turvallisuuden ja johtaa takuun raukeamiseen.

Varmista, että ilmastointilaitteen vaihtovirran maadoitus on liitetty oikein veneen vaihtovirran maadoitukseen. Varmista veneen sisällä, että vaihtovirran maadoituskisko on liitetty tasavirran maadoituskiskoon täsmälleen yhdestä kohdasta.

8 Hävittäminen



Vie pakkausmateriaali mahdollisuuksien mukaan niille tarkoitettuihin kierrätysjäteastioihin. Tiedustele lähimmästä kierrätyskeskuksesta tai erikoisliikkeestä tuotetta koskevia yksityiskohtaisia hävittämistä koskevia ohjeita.

9 Takuu

Katso Yhdysvaltojen, Kanadan ja kaikkien muiden alueiden takuuta ja takuutukea koskevat tiedot alla olevista osioista.

Yhdysvallat ja Kanada

RAJOITETTU TAKUU SAATAVANA OSOITTEESSA
DOMETIC.COM/EN-US/TERMS-AND-CONDITIONS-CONSUMER/WARRANTY.
JOS SINULLA ON KYSYMYKSIÄ TAI JOS HALUAT SAADA ILMAISEKSI KOPION
RAJOITETUSTA TAKUUSTA, OTA YHTEYTTÄ:

DOMETIC CORPORATION
MARINE CUSTOMER SUPPORT CENTER
2000 NORTH ANDREWS AVENUE
POMPANO BEACH, FLORIDA, USA 33069
1-800-542-2477

Aasian ja Tyynenmeren maat (APAC)

Jos tuote ei toimi niin kuin sen pitäisi, ota yhteyttä jälleenmyyjään tai valmistajan toimipisteeseen omassa maassasi (ks. dometic.com/dealer). Tuotettasi koskeva takuu on voimassa 1 vuoden/vuotta.

Jos lähetät tuotteen korjattavaksi, liitä korjaus- ja takuukäsittelyä varten mukaan seuraavat asiakirjat:

- Kopio kuitista, jossa näkyy ostopäivä
- Valitusperuste tai vikakuvaus

Huomaa, että itse tai väärin tehty korjaus voi vaarantaa turvallisuuden ja johtaa takuun raukeamiseen.

Vain Australia

Tuotteitamme koskevia takuita ei voida sivuuttaa Australian kuluttajalain nojalla. Sinulla on oikeus vaihtaa tai palauttaa tuote, jos siinä on merkittävä vika, ja saada korvaus muusta kohtuullisesti ennakoitavasta menetyksestä tai vauriosta. Lisäksi sinulla on oikeus korjauttaa tai vaihdattaa tuotteet, jos tuotteiden laatu ei ole hyväksyttävä eikä vika muodosta vakavaa vikaa.

Koskee vain Uutta-Seelantia

Tämä takuukäytäntö on Kuluttajatakuulaissa [Consumer Guarantees Act 1993(NZ)] säädettyjen pakollisten ehtojen ja takuiden mukainen.

Kaikki muut alueet

Tuotetta koskee lakisääteinen tuotevastuu-aika. Jos tuote on viallinen, ota yhteyttä valmistajan toimipisteeseen omassa maassasi (ks. dometic.com/dealer) tai jälleenmyyjään.

Jos lähetät tuotteen korjattavaksi, liitä korjaus- ja takuukäsittelyä varten mukaan seuraavat asiakirjat:

- Kopio kuitista, jossa näkyy ostopäivä
- Valitusperuste tai vikakuvaus

Polski

1 Ważne wskazówki.....	86
2 Objąsnienie symboli.....	86
3 Odbiorcy instrukcji.....	87
4 Użytkowanie zgodne z przeznaczeniem.....	87
5 Dane techniczne.....	87
6 Czynności wstępne przed montażem.....	88
7 Montaż.....	89
8 Utylizacja.....	92
9 Gwarancja.....	92

1 Ważne wskazówki

Prosimy o uważne przeczytanie niniejszej instrukcji obsługi produktu i przestrzeganie wszystkich zaleceń, wskazówek oraz ostrzeżeń w niej zawartych w celu zapewnienia prawidłowego montażu, użytkowania oraz konserwacji produktu w każdej sytuacji. Niniejsza instrukcja **MUSI** przez cały czas pozostawać przy produkcie.

Korzystając z produktu, użytkownik potwierdza uważne przeczytanie wszelkich instrukcji, wskazówek i ostrzeżeń, ich zrozumienie oraz zobowiązuje się przestrzegać zawartych w nich warunków. Użytkownik zobowiązuje się wykorzystywać niniejszy produkt wyłącznie zgodnie z jego przeznaczeniem i zamierzonym zastosowaniem oraz z instrukcjami, wskazówkami i ostrzeżeniami wyszczególnionymi w niniejszej instrukcji produktu, jak również ze wszystkimi mającymi zastosowanie przepisami i regulacjami prawnymi. Nieprzestrzeganie zawartych tu instrukcji i ostrzeżeń może skutkować obrażeniami u użytkownika oraz osób trzecich, uszkodzeniem produktu lub też uszkodzeniem mienia w sąsiedztwie produktu. Zastrzega się możliwość wprowadzania zmian i aktualizacji niniejszej instrukcji produktu, wraz z instrukcjami, wskazówkami i ostrzeżeniami oraz powiązaną dokumentacją. Aktualne informacje dotyczące produktu można zawsze znaleźć na stronie documents.domestic.com.

2 Objąsnienie symboli

Słowo sygnałowe pozwala rozpoznać komunikaty dotyczące bezpieczeństwa i komunikaty dotyczące uszkodzeń mienia, a także wskazuje stopień lub poziom zagrożenia.



OSTRZEŻENIE!

Wskazuje niebezpieczną sytuację, która – jeśli się jej nie uniknie – może prowadzić do śmierci lub poważnych obrażeń.



UWAGA!

Wskazuje sytuację, która – jeśli się jej nie uniknie – może prowadzić do powstania szkód materialnych.



WSKAZÓWKA Dodatkowe informacje dotyczące obsługi produktu.

2.1 Zalecenia uzupełniające

W celu zmniejszenia ryzyka wypadków i obrażeń przed przystąpieniem do montażu urządzenia należy przestrzegać następujących zaleceń:

- Przeczytać wszystkie informacje i instrukcje dotyczące bezpieczeństwa oraz przestrzegać ich.
- Przed zamontowaniem produktu należy przeczytać ze zrozumieniem niniejszą instrukcję.
- Instalacja musi być zgodna z obowiązującymi lokalnymi lub krajowymi przepisami, w tym z najnowszymi wersjami następujących norm:
 - American Boat and Yacht Council (ABYC)
 - ANSI/NFPA 70, National Electrical Code (NEC)

2.2 Wskazówki bezpieczeństwa



OSTRZEŻENIE! NIEBEZPIECZEŃSTWO ZATRUCIA TLENKIEM WĘGLA

Nieprzestrzeganie poniższych ostrzeżeń może prowadzić do śmierci lub ciężkich obrażeń:

- > **Nie wolno** montować ani obsługiwać autonomicznego klimatyzatora w zęzach, maszynowniach ani w pobliżu silnika spalinowego. Upewnić się, że wybrane miejsce jest uszczelnione przed bezpośrednim dostępem oparów z zęży lub maszynowni.
- > Sprawdzić, czy przewód spustowy kondensatu jest prawidłowo zamontowany i uszczelniony. **Nie wolno** zakańczać przewodu spustowego kondensatu w odległości mniejszej niż 3 stopy (0,91 m) od jakiegokolwiek wylotu układu wydechowego silnika lub generatora, w komorze, w której znajduje się silnik lub generator, ani w zęzie, chyba że spust jest prawidłowo podłączony do uszczelnionej pompy do kondensatu lub do pompy zęzowej prysznicowej. Jeśli przewód spustowy nie zostanie prawidłowo zamontowany, mogą przedostać się do niego niebezpieczne opary i zanieczyścić pomieszczenia mieszkalne.
- > **Nie wolno** montować klimatyzatora w miejscu, w którym może on spowodować cyrkulację tlenu węgla, oparów paliwa lub innych szkodliwych oparów w przestrzeniach mieszkalnych łodzi.



OSTRZEŻENIE! Ryzyko porażenia prądem

Montażu dokonywać może wyłącznie wykwalifikowany elektryk.



OSTRZEŻENIE! ZAGROŻENIE PORAZENIEM PRĄDEM ELEKTRYCZNYM, POŻAREM LUB WYBUCHEM.

Nieprzestrzeganie tych środków ostrożności może prowadzić do śmierci lub ciężkich obrażeń.

To urządzenie **nie może** być używane przez osoby (w tym dzieci) o ograniczonych zdolnościach fizycznych, sensorycznych lub umysłowych, ani przez osoby bez doświadczenia i wiedzy, chyba że zapewniono im odpowiedni nadzór lub osoba odpowiedzialna za ich bezpieczeństwo przekazała im instrukcje w zakresie korzystania z tego urządzenia. Należy dopilnować, aby urządzeniem **nie** bawiły się dzieci. Dzieci **nie powinny** czyścić i konserwować urządzenia bez nadzoru. Urządzenie to **nie powinno** być ogólnodostępne.



OSTRZEŻENIE! ZAGROŻENIE WYBUCHEM.

Nieprzestrzeganie tych środków ostrożności może prowadzić do śmierci lub ciężkich obrażeń.

Nie wolno montować klimatyzatora w miejscu, w którym znajdują się silniki benzynowe, zbiorniki paliwa, butle LPG/CPG, regulatory, zawory lub złączki przewodów paliwowych. O ile nie zaznaczono inaczej na opakowaniu, urządzenia autonomiczne **nie** spełniają wymogów federalnych w zakresie ochrony przed zapłonem. Nieprzestrzeganie tego ostrzeżenia może prowadzić do śmierci lub ciężkich obrażeń.



OSTRZEŻENIE! ZAGROŻENIE PORAZENIEM PRĄDEM ELEKTRYCZNYM.

Nieprzestrzeganie tych środków ostrożności może prowadzić do śmierci lub ciężkich obrażeń.

- > W celu zminimalizowania ryzyka porażenia prądem elektrycznym klimatyzator należy skutecznie uziemić. Więcej informacji znajduje się we wskazówkach dotyczących montażu.
- > Każdy zamontowany klimatyzator wymaga odrębnego automatycznego wyłącznika. Jeśli zamontowany jest tylko jeden klimatyzator, pompa wody morskiej **nie** wymaga odrębnego automatycznego wyłącznika. Jeśli co najmniej dwa klimatyzatory korzystają z tej samej pompy wody morskiej, przewody pompy zostaną podłączone do listwy przełącznikowej pompy (PRP), która jest z kolei wyposażona w swój własny odrębny wyłącznik automatyczny dopasowany wielkością do pompy (maks. 20 A). Zapoznać się ze schematem połączeń dostarczonym wraz z listwą PRP. W przypadku przyłączy elektrycznych znajdujących się w zęzie lub poniżej wodnicy należy zastosować złączki termokurczliwe.
- > Przewody zewnętrzne **muszą** być zgodne z kodeksami elektrycznymi ABYC. Zasilanie urządzenia musi mieścić się w zakresie napięcia roboczego podanym na tabliczce znamionowej. W celu zabezpieczenia odgąleń **należy** zamontować bezpieczniki o odpowiedniej wielkości lub wyłączniki automatyczne HACR. Informacje na temat maksymalnego rozmiaru bezpiecznika/wyłącznika automatycznego (MFS) oraz minimalnej obciążalności prądowej obwodów (MCA) znajdują się na tabliczce znamionowej.



UWAGA!

Urządzenie to zawiera fluorowane gazy cieplarniane w hermetycznie zamkniętych elementach wyposażenia. Informacje na temat ilości czynnika chłodniczego, podane jako wartość masy i GWP, znajdują się na tabliczce

znamionowej agregatu skraplającego. Uzupełnioną ilość czynnika chłodniczego należy odnotować na etykiecie agregatu.

3 Odbiorcy instrukcji



Montaż mechaniczny i elektryczny oraz konfiguracja urządzenia musi być wykonana przez wykwalifikowanego technika, który wykazał umiejętności i wiedzę związaną z konstrukcją i obsługą urządzeń i instalacji morskich, który zna obowiązujące przepisy kraju, w którym urządzenie ma być zainstalowane i/lub używane oraz przeszedł szkolenie w zakresie bezpieczeństwa w celu identyfikacji i unikania zagrożeń związanych z tymi pracami.

4 Użytkowanie zgodne z przeznaczeniem

Niniejsza instrukcja jest przeznaczona do montażu autonomicznych układów klimatyzacji DCU, DLU, DTG, ECD i TX (zwanymi dalej klimatyzatorem). Klimatyzator jest przeznaczony do użytku na łodziach i jachtach. Klimatyzator jest przystosowany wyłącznie do stosowania zgodnie z jego zamierzonym przeznaczeniem według niniejszej instrukcji.

Niniejszy produkt jest przystosowany wyłącznie do wykorzystywania zgodnie z jego przeznaczeniem oraz zamierzonym zastosowaniem według niniejszej instrukcji.

Niniejsza instrukcja zawiera informacje, które są niezbędne do prawidłowego montażu i/lub obsługi produktu. Nieprawidłowy montaż i/lub niewłaściwa obsługa lub konserwacja powodują niezadowolające działanie i mogą prowadzić do uszkodzeń.

Producent nie ponosi żadnej odpowiedzialności za ewentualne obrażenia lub uszkodzenia produktu wynikłe z następujących przyczyn:

- Nieprawidłowy montaż, złożenie lub podłączenie, w tym zbyt wysokie napięcie
- Niewłaściwa konserwacja lub użycie innych części zamiennych niż oryginalne części zamienne dostarczone przez producenta
- Wprowadzanie zmian w produkcie bez wyraźnej zgody producenta
- Użytkowanie w celach innych niż opisane w niniejszej instrukcji obsługi

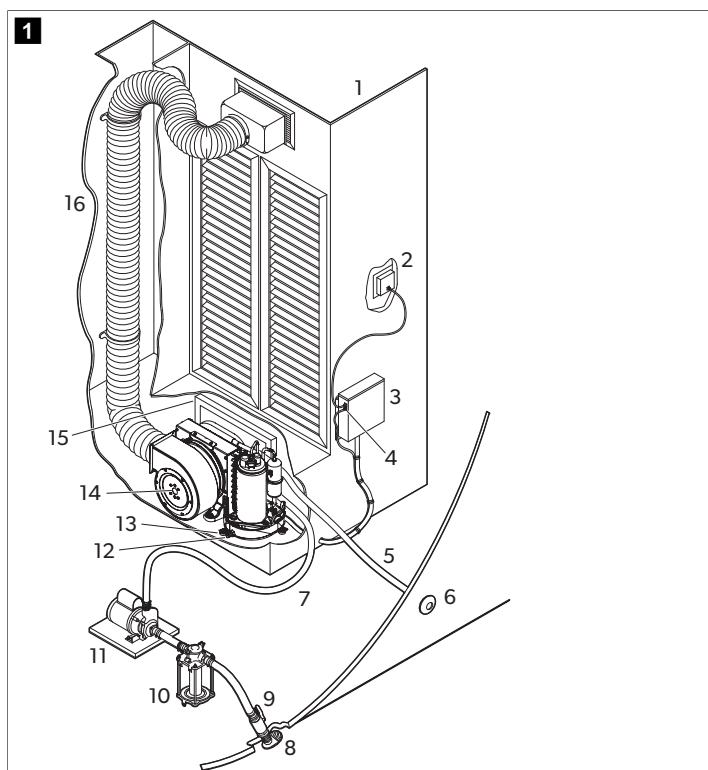
Firma Dometic zastrzega sobie prawo do zmiany wyglądu i specyfikacji produktu.

5 Dane techniczne

Należy dokładnie zapoznać się z niniejszymi instrukcjami, a następnie zaplanować połączenia, które należy wykonać do klimatyzatora (w tym przewody, przewód spustowy kondensatu, węże dopływowe i odpływowe wody morskiej, przyłącza zasilania elektrycznego, umiejscowienie sterowania i umiejscowienie pompy wody morskiej), aby zapewnić łatwy dostęp na potrzeby rozprowadzenia i przyszłej konserwacji.

5.1 Umiejscowienie części

Identyfikacja podzespołów układu klimatyzacji —



- | | | | |
|---|--|----|------------------------------------|
| 1 | Kratka wlotu powietrza i skrzynka przejściowa | 9 | Zawór odcinający denny |
| 2 | Wyświetlacz cyfrowy | 10 | Filtr siatkowy wody morskiej |
| 3 | Skrzynka elektryczna | 11 | Pompa |
| 4 | Przewód opcjonalnego zdalnego sterowania czujnika powietrza | 12 | Króciec węży spustowego kondensatu |
| 5 | Wąż odpływowy wody morskiej | 13 | Wspornik montażowy |
| 6 | Odpływ burtowy | 14 | Klimatyzator |
| 7 | Wąż dopływowy wody morskiej | 15 | Kratka wywiewu powietrza z filtrem |
| 8 | Wlot przepustu wody morskiej przez kadłub z łopatką filtrującą | 16 | Przewody elastyczne z izolacją |

5.2 Specyfikacje

W tej części podano dane techniczne klimatyzatora.

Tabela 23: Minimalne rozmiary przewodów i kratki według wydajności BTU

	3.5 k BTU	6 k BTU	8 k BTU	10 k BTU
Minimalna średnica przewodów	3,00 in (76,2 mm)	4,00 in (101,6 mm)	5,00 in (127,0 mm)	6,00 in (152,4 mm)
Minimalna powierzchnia przewodów	6,8 in ² (43,9 cm ²)	12,6 in ² (81,3 cm ²)	19,6 in ² (126,5 cm ²)	28,3 in ² (182,6 cm ²)
Minimalna kratka wywiewu powietrza	64,0 in ² (412,9 cm ²)	64,0 in ² (412,9 cm ²)	80,0 in ² (516,2 cm ²)	100,0 in ² (645,2 cm ²)
Minimalna kratka wlotu powietrza	12,0 in ² (77,4 cm ²)	32,0 in ² (206,5 cm ²)	48,0 in ² (309,7 cm ²)	60,0 in ² (387,1 cm ²)
	12 k BTU	16 k BTU	18 k BTU	27 k BTU
Minimalna średnica przewodów	6,00 in (152,4 mm)	7,00 in (177,8 mm)	7,00 in (177,8 mm)	8,00 in (203,2 mm)
Minimalna powierzchnia przewodów	28,3 in ² (182,6 cm ²)	38,5 in ² (248,4 cm ²)	38,5 in ² (248,4 cm ²)	50,3 in ² (324,5 cm ²)

	12 k BTU	16 k BTU	18 k BTU	27 k BTU
Minimalna kratka wywiewu powietrza	130,0 in ² (838,8 cm ²)	160,0 in ² (1032,3 cm ²)	200,0 in ² (1290,4 cm ²)	240,0 in ² (1548,5 cm ²)
Minimalna kratka wlotu powietrza	70,0 in ² (451,6 cm ²)	80,0 in ² (516,2 cm ²)	100,0 in ² (645,2 cm ²)	120,0 in ² (774,2 cm ²)

Tabela 24: Temperatura i ciśnienie robocze wody

Minimalna temperatura robocza wody	40,0 °F (4,44 °C)
Maksymalna temperatura robocza wody	80,0 °F (26,66 °C)
Minimalne ciśnienie robocze wody	4,2 psi (0,29 bar) (29,00 kPa)
Maksymalne ciśnienie robocze wody	6,00 psi (0,41 bar) (41,4 kPa)

i WSKAZÓWKA Poza zakresem podanych warunków urządzenie może pracować ze zmniejszoną wydajnością.

6 Czynności wstępne przed montażem

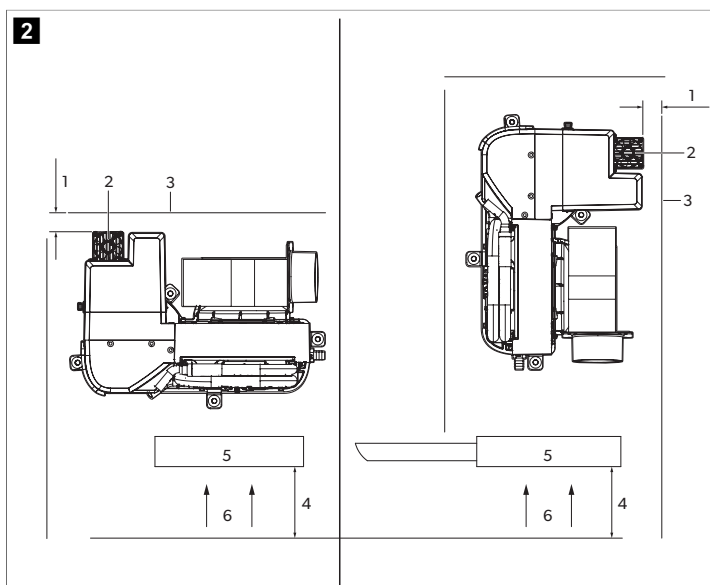
! UWAGA! Korytka na kondensat w podstawie autonomicznych klimatyzatorów DTG i TX są wyposażone w izolatory drgań zamontowane u dołu korytka. Zadaniem tych Izolatorów jest stłumienie drgań wywołanych działaniem klimatyzatora przed przeniesieniem na powierzchnię montażową. Podczas przemieszczania klimatyzatora po powierzchniach montażowych należy zachować ostrożność, ponieważ izolatory mogą ulec uszkodzeniu.

! UWAGA! Klimatyzator należy zamontować na niskiej, płaskiej, równej powierzchni, np. na dnie bakisty, pod leżanką albo siedziskiem jadalnianym lub w podobnym miejscu.

W tej części objaśniono sposób przygotowania klimatyzatora do montażu.

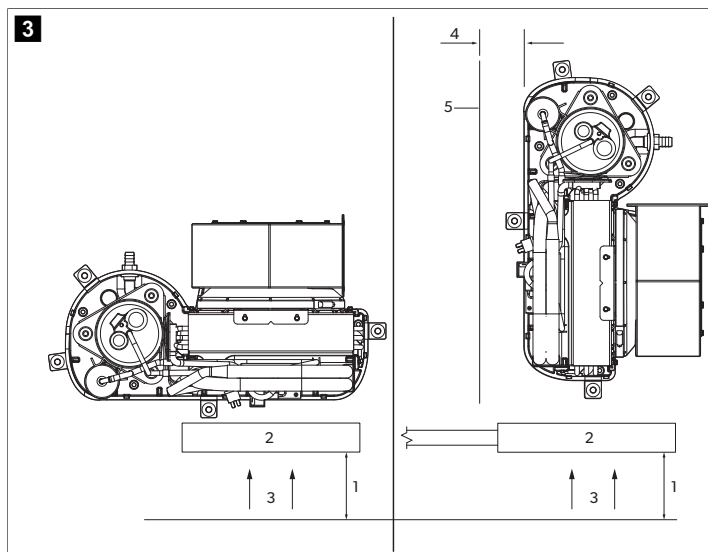
6.1 Ustalenie miejsca montażu

Umieszczenie klimatyzatora TX względem przepływu powietrza



- | | |
|---------------------|----------------------------|
| 1 3,00 in (7,62 cm) | 4 4,00 in (10,16 cm) |
| 2 Radiator | 5 Kratka wywiewu powietrza |
| 3 Gródź | 6 Przepływ powietrza |

Umieszczenie wszystkich pozostałych klimatyzatorów względem przepływu powietrza



- | | |
|----------------------------|---------------------|
| 1 4,00 in (10,16 cm) | 4 3,00 in (7,62 cm) |
| 2 Kratka wywiewu powietrza | 5 Gródź |
| 3 Przepływ powietrza | |

Wybrać miejsce z dostatecznym przepływem powietrza. Przed kratką wywiewu powietrza powinien występować odstęp co najmniej 4,00 in (10,16 cm) umożliwiający cyrkulację powietrza, pozbawiony wszelkich przeszkód.

Jeśli klimatyzator jest ustawiony prostopadłe do kratki wywiewu powietrza, należy zachować odstęp co najmniej 3,00 in (7,62 cm) umożliwiający cyrkulację powietrza po stronie wlotu powietrza.

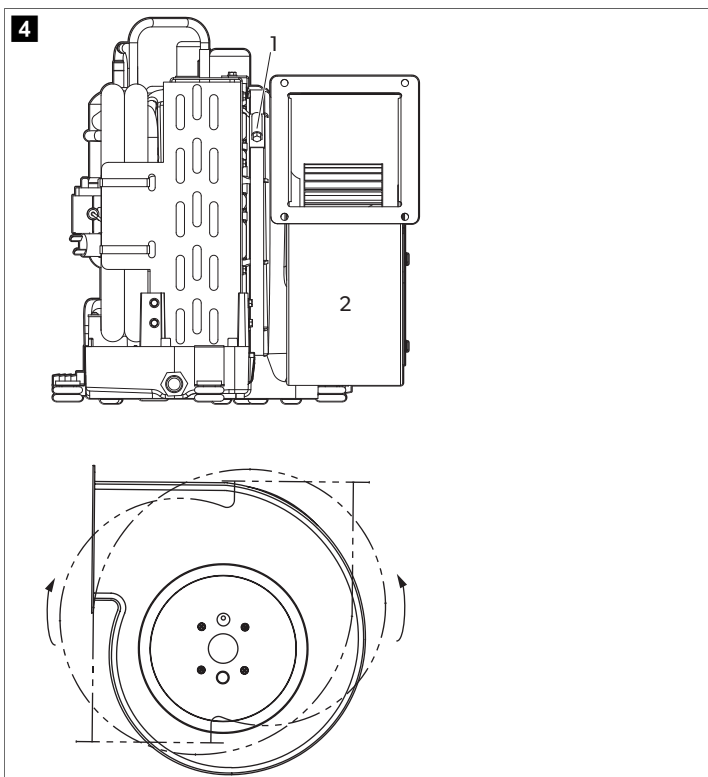
Dotyczy tylko klimatyzatorów TX: Należy zapewnić minimalną wolną przestrzeń co najmniej 2,99 in (76,0 mm) powyżej i poniżej radiatora.

6.2 Obracanie dmuchawy

W tej części objaśniono sposób obracania dmuchawy dla każdego typu urządzenia. W razie potrzeby obrócić dmuchawę w kierunku umożliwiającym najbardziej bezpośrednie odprowadzenie przepływu powietrza przez przewody.

6.2.1 Dmuchawy DTG i TX

Obracanie dmuchawy klimatyzatorów DTG i TX —



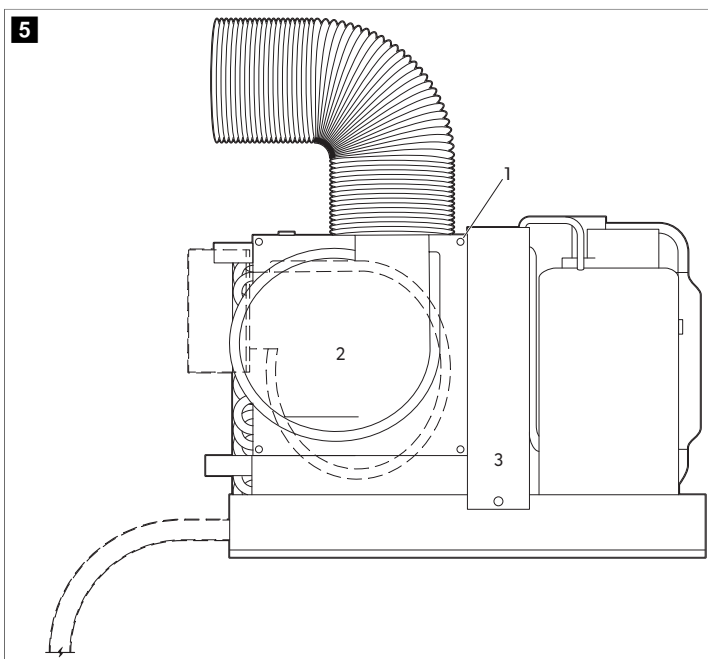
1 Adjustment screw

2 Blower

1. Poluzować śrubę regulacyjną na pierścieniu montażowym dmuchawy.
2. Obrócić dmuchawę w żądane położenie.
3. Dokręcić śrubę regulacyjną.

6.2.2 Dmuchawy MCS i ECD

Obracanie dmuchawy systemu MCS i ECD —



1 Screw

2 Nr rej.

3 Dmuchawa

1. Wykręcić siedem wkrętów z płyty.
2. Obrócić dmuchawę w żądane położenie.
3. Zamocować dmuchawę we właściwym położeniu za pomocą wkrętów samogwintujących (brak w zestawie).

6.3 Montaż filtrów powietrza

Filtry powietrza usuwają z powietrza w kabinie unoszone w nim cząstki stałe oraz utrzymują w czystości cewkę parownika. W przypadku każdego klimatyzatora należy zamontować jeden filtr powietrza na klimatyzatorze lub w kratce wywiewu powietrza.

6.4 Montaż kratki i skrzynek przejściowych

Podczas montażu kratki i skrzynek przejściowych należy wziąć pod uwagę następujące kwestie:

- Zamontować kratkę wlotu powietrza możliwie jak najwyżej w miejscu, które zapewni równomierne rozprowadzenie powietrza w kabinie. Skierować żaluzje kratki w górę.
- Zamontować kratkę wywiewu powietrza możliwie jak najniżej i jak najbliżej klimatyzatora, aby zapewnić przepływ powietrza do parownika.
- Nie wolno kierować wylotu dopływającego powietrza w stronę kratki wywiewu, ponieważ spowoduje to częste włączanie i wyłączanie systemu.
- Zapewnić odpowiedni odstęp za kratką wlotu powietrza dla skrzynki przejściowej i połączenia przewodów. Patrz Specyfikacje na stronie 87 (Specyfikacje)

7 Montaż

W tej części objaśniono sposób montażu klimatyzatora autonomicznego.

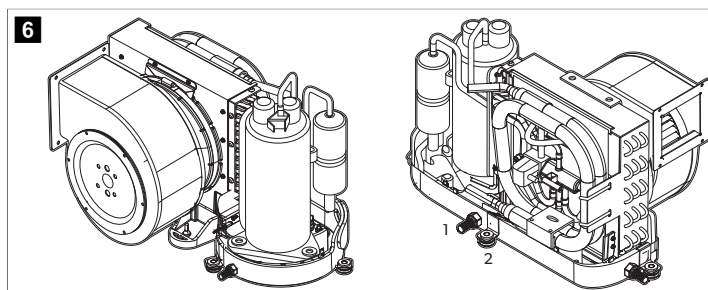
7.1 Montaż wsporników montażowych i spustu kondensatu



UWAGA!

Aby zapobiec pękaniu korytka spustowego, nie należy owijać króćca węża więcej niż dwiema warstwami taśmy hydraulicznej oraz nie dokręcać zbyt mocno króćca węża.

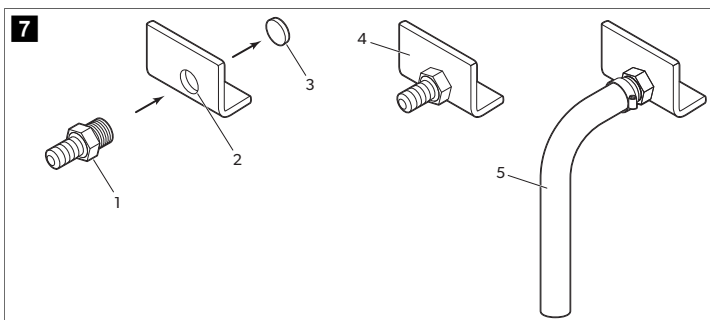
Typowe rozmieszczenie wsporników montażowych i spustów kondensatu —



1 Króciec węża spustowego kondensatu

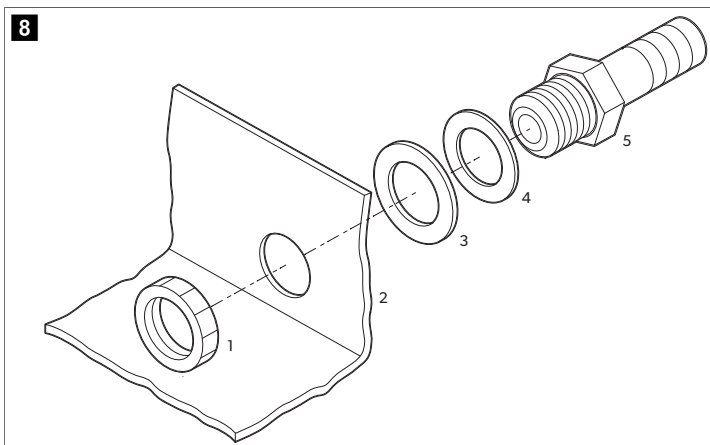
2 Wspornik montażowy

Montaż spustu kondensatu w klimatyzatorach DTG i TX —



- 1 Hose barb
- 2 Gwintowany otwór spustowy
- 3 Wybijana zaślepka
- 4 Drain pan
- 5 Wąż spustowy

Montaż spustu kondensatu we wszystkich pozostałych klimatyzatorach —

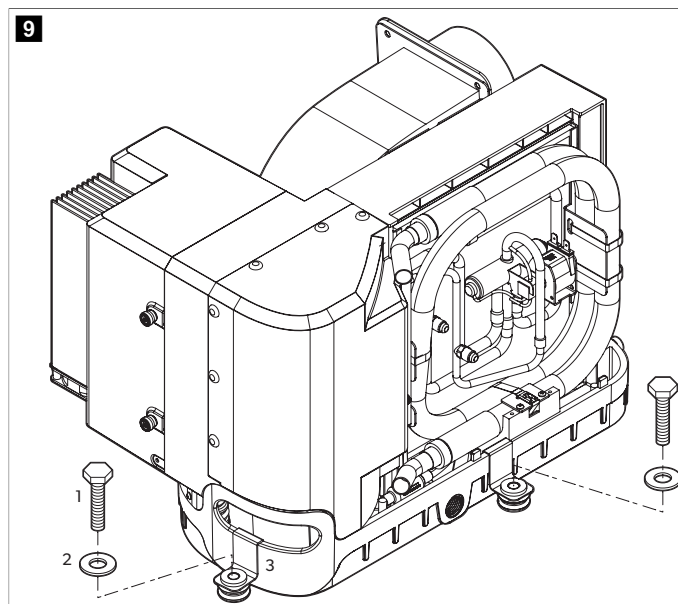


- 1 Locking nut
- 2 Korytko spustowe
- 3 Podkładka uszczelniająca
- 4 Solid washer
- 5 Złączka PCW 0,5 in (12,7 mm) HB x 0,5 in (12,7 mm) MPT

1. Za pomocą króćca węża wybić zaślepkę z otworu odpływowego skierowanego ku rufie, wykonując jedno szybkie uderzenie gumowym młotkiem. Wyrzucić wybijaną zaślepkę.
2. W przypadku klimatyzatorów DTG i TX:
 - a) Owinąć gwintowaną końcówkę króćca węża taśmą hydrauliczną.
 - b) Wkręcić króciec węża w gwintowany otwór spustowy i mocno dokręcić.
3. W przypadku wszystkich pozostałych klimatyzatorów:
 - a) Przełożyć króciec węża przez podkładkę i podkładkę uszczelniającą, a następnie włożyć go w otwór spustowy.
 - b) Zamocować przeciwnakrętką.
4. Zamocować wąż spustowy do króćca węża za pomocą obejmy ze stali nierdzewnej.

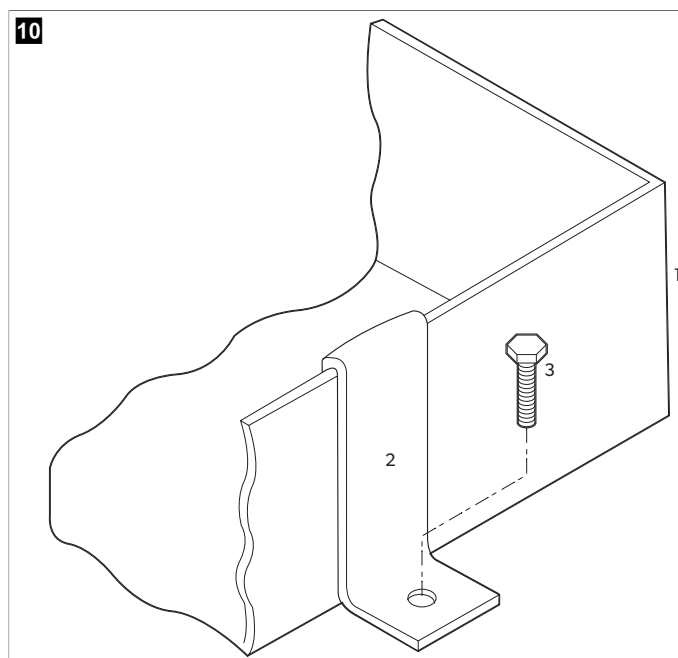
5. Poprowadzić wąż spustowy w dół do bezpiecznego i właściwego punktu zbiorczego.

Montaż wspornika montażowego w klimatyzatorach DTG i TX —



- 1 Śruba mocująca (brak w zestawie)
- 2 Podkładka odbojowa (w zestawie)
- 3 Wspornik montażowy (w zestawie)

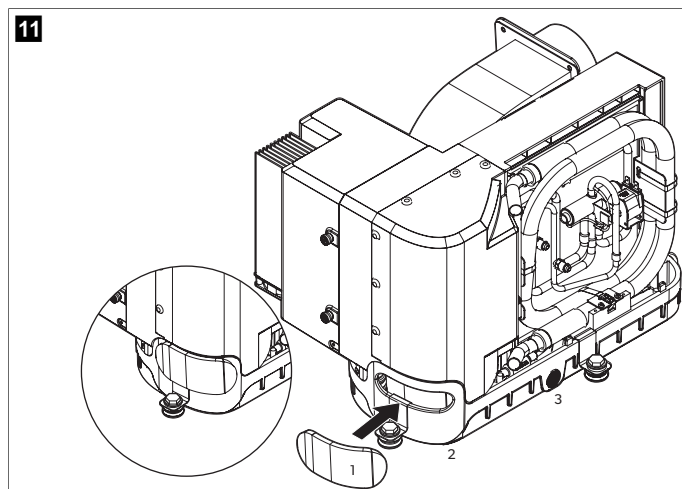
Montaż wspornika montażowego w innych klimatyzatorach —



- 1 Korytko spustowe
- 2 Wspornik montażowy
- 3 Śruba mocująca (brak w zestawie)

6. Zamontować jeden wspornik montażowy po obu stronach korytka spustowego w równych odstępach.

Montaż piankowej izolacji uchwyty w urządzeniach TX —



- 1 Piankowa izolacja uchwyty
2 Otwór uchwyty
3 Korytka spustowe

7. W przypadku urządzeń TX:
- Zdjąć folię pokrywającą warstwę samoprzylepną na piankowej izolacji uchwyty.
 - Ustawić piankową izolację uchwyty w taki sposób, aby całkowicie zakryła otwór uchwyty stroną samoprzylepną skierowaną w stronę korytka spustowego.
 - Docisnąć wokół otworu uchwyty, aby przykleić piankową izolację uchwyty do korytka spustowego.

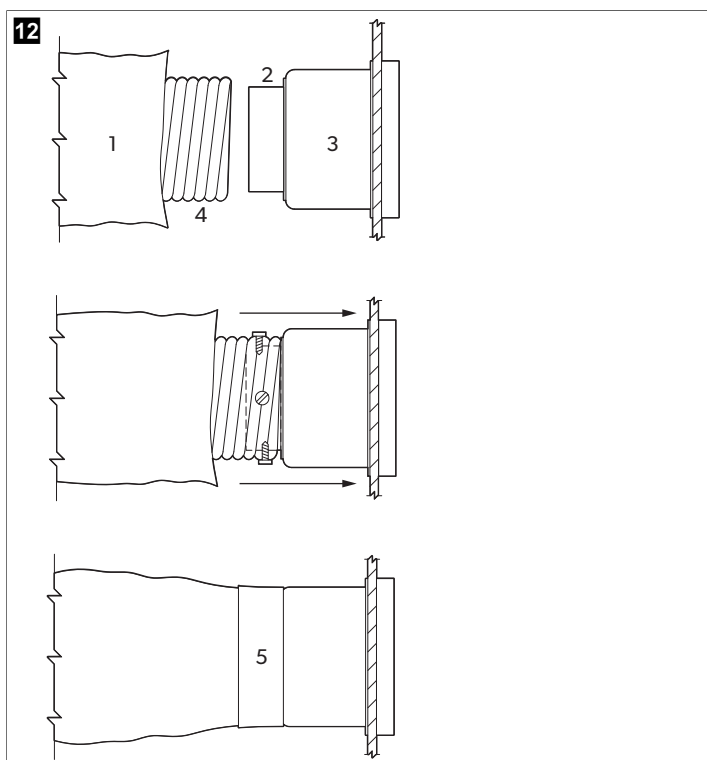
7.2 Montaż przewodów

Podczas montażu przewodów należy przestrzegać następujących warunków:

- Przewody muszą być odpowiednio dobrane pod względem rozmiaru do danego zastosowania.
- Poprowadzić przewody możliwie jak najbardziej prosto i regularnie w taki sposób, aby były napięte, minimalizując liczbę pętli i zagięć pod kątem 90,00 °, które mogą ograniczyć przepływ powietrza.
- Dokładnie zamocować przewody, aby zapobiec ich zwisaniu.
- Nie dopuścić do spłaszczenia ani zagięcia przewodów.
- Po zamontowaniu przyciąć nadmiar długości przewodów.
- Zaizolować przewody w przypadku, gdy znajdują się w miejscach o wysokiej temperaturze.
- Zaizolować przewody w przypadku, gdy znajdują się w miejscach o wysokiej temperaturze.
- Nie prowadzić przewodów przez maszynownię ani w żadnym miejscu, w którym mogą być narażone na niebezpieczne opary lub spaliny.

W przypadku zastosowania skrzynki przejściowej łączna powierzchnia przewodów doprowadzających powietrze wychodzących ze skrzynki powinna być co najmniej równa łącznej powierzchni przewodów zasilających dochodzących do skrzynki. Patrz Specyfikacje na stronie 87

Przyłącza przewodów —



- 1 Izolacja z włókna szklanego
2 Pierścień montażowy
3 Skrzynka przejściowa
4 Wewnętrzny wąż z mylaru
5 Taśma naprawcza

- Wsunąć wewnętrzny wąż z mylaru na pierścień montażowy skrzynki przejściowej.
- Wkręcić trzy lub cztery wkręty ze stali nierdzewnej przez wąż z mylaru w pierścień montażowy, blokując dwa lub trzy druczki łbami wkrętów.
- Wsunąć izolację z włókna szklanego na wewnętrzny wąż z mylaru prowadzący do skrzynki przejściowej. Zabezpieczyć taśmą naprawczą.

7.3 Montaż układu wody morskiej



UWAGA!

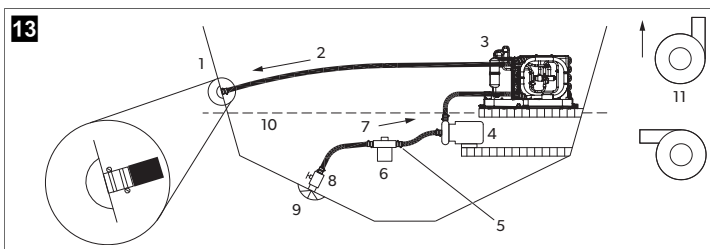
Nieprzestrzeganie tej procedury spowoduje unieważnienie gwarancji.

Podczas montażu układu wody morskiej należy przestrzegać następujących zaleceń:

- Filtr siatkowy musi znajdować się pod pompą.
- Węże należy zabezpieczyć podwójnymi obejmami.
- Węże nie mogą być zagięte, zapętlone bądź obejmować fragmentów, w których może zbierać się powietrze.
- Pompa i filtr siatkowy muszą znajdować się poniżej wodnicy.
- Wlot przepustu przez kadłub, zawór kulowy, wąż i filtr siatkowy nie powinny być mniejsze niż wlot pompy.
- Zamontować złączkę przepustu przez kadłub możliwie jak najniżej względem wodnicy.
- Pompa musi być wyposażona w specjalny przepust przez kadłub.
- Na ile to możliwe, należy unikać złączy kolankowych 90,00 °.
- Upewnić się, że głowica pompy jest obrócona w kierunku przepływu wody.
- Zastosować taśmę hydrauliczną na wszystkich połączeniach gwintowanych.

Maksymalne oraz minimalne wartości temperatury i ciśnienia wody podano w części Specyfikacje na stronie 87 (Specyfikacje).

Układ wody morskiej —



- | | |
|-----------------------|--|
| 1 Spust wody morskiej | 7 Przepływ przez wlot w górę |
| 2 Odpływ | 8 Zawór kulowy |
| 3 Klimatyzator | 9 Wlot przepustu przez kadłub z łopatką filtrującą |
| 4 Pompa wody morskiej | 10 Linia wodna |
| 5 Zaciski węży | 11 Prawidłowe ustawienia filtra siatkowego głowicy pompy |
| 6 Filtr sitowy | |

- Zamontować wlot przepustu wody morskiej przez kadłub z łopatką filtrującą możliwie jak najbliżej kila i możliwie jak najniżej względem wodnicy. Zabezpieczyć wlot przepustu przez kadłub z łopatką filtrującą za pomocą szczeliwa przeznaczonego do użytku podwodnego w środowisku morskim.
- Zamontować na wlocie przepustu przez kadłub z łopatką filtrującą pełnoprzepływowy zawór denny z brązu.
- Zamontować filtr siatkowy wody morskiej poniżej poziomu pompy, zapewniając dostęp do filtra.
- Zamontować pompę nad filtrem siatkowym i przynajmniej jedną stopę poniżej wodnicy.
- Połączyć zawór denny i filtr siatkowy z biegnącym w górę wzmocnionym węzłem przeznaczonym do użytku w środowisku morskim.
- Podłączyć wylot z pompy w górę do dolnego wlotu cewki skraplacza klimatyzatora za pomocą wzmocnionego węży 5/8 cala (0,63 in (16,0 mm)) przeznaczonego do użytku w środowisku morskim.
- Podłączyć wylot z cewki skraplacza do złączki przepustu przez kadłub odpływu burtowego za pomocą wzmocnionego węży 5/8 cala przeznaczonego do użytku w środowisku morskim.
- W przypadku węży do wody morskiej należy unikać zapętleń i nieprzylegania węży do powierzchni oraz stosowania kolanek 90,00°. Każde kolanko 90,00° odpowiada 2,5 ft (0,76 m) (29,92 in (76,00 cm)) węży, natomiast kolanko 90° na wylocie pompy odpowiada 20,0 ft (6,10 m) (240,16 in (610,00 cm)) węży.
- Wszystkie połączenia węży należy zabezpieczyć podwójnymi obejmami, odwracając obejmę, gdzie zachodzi taka konieczność.
- Podłączyć wszystkie metalowe części stykające się z wodą morską do układu połączeń wyrównawczych statku.

7.4 Wykonywanie połączeń elektrycznych



OSTRZEŻENIE! ZAGROŻENIE PORAZENIEM PRĄDEM ELEKTRYCZNYM.

Przed otwarciem skrzynki elektrycznej należy zawsze wyłączyć wyłącznik zasilania klimatyzatora. Nieprzestrzeżenie tego ostrzeżenia może prowadzić do śmierci lub ciężkich obrażeń.



UWAGA!

W celu uniknięcia korozji spowodowanej oddziaływaniem prądu błędzącego klimatyzator należy podłączyć do układu połączeń wyrównawczych łodzi. Wszystkie pompy, zawory metalowe i złączki w obiegu wody morskiej, odizolowane od klimatyzatora za pośrednictwem węży gumowych lub PCW, należy podłączyć osobno do układu połączeń wyrównawczych łodzi.



WSKAZÓWKA Nieprawidłowe uziemienie i podłączenie do systemu spowoduje unieważnienie gwarancji.

Wszystkie klimatyzatory są wyposażone w listwę zaciskową wewnątrz skrzynki elektrycznej, oznakowaną w celu zapewnienia prawidłowego podłączenia. Schemat połączeń wewnątrz skrzynki elektrycznej zastępuje standardy ABYC. W celu zapewnienia ochrony systemu zgodnie z danymi na tabliczce znamionowej klimatyzatorów należy zastosować odpowiedniej wielkości wyłącznik automatyczny. Do zasilania klimatyzatora i pompy wody morskiej należy użyć przewodu do łodzi o przekroju co najmniej 12 AWG. Wszystkie połączenia należy wykonać za pomocą zacisków pierścieniowych lub widelkowych.

Podczas wykonywania połączeń elektrycznych należy przestrzegać następujących zaleceń:

- Uziemienie instalacji prądu przemiennego (AC) należy podłączyć do zacisku masowego (GRND) w bloku zacisków wejściowych zasilania prądem przemiennym.
- Połączenia pomiędzy przewodem uziemiającym układu AC statku a jego układem ujemnego prądu stałego (DC) lub układem połączeń wyrównawczych należy wykonać w ramach okablowania statku. Konserwacja lub wymiana zamontowanego sprzętu, który jest wyposażony w kołek uziemiający montowany na korpusie, wymaga sprawdzenia takich połączeń okablowania statku.
- Klimatyzatory TX są przeznaczone do pracy przy zasilaniu prądem przemiennym lub prądem stałym o wysokim napięciu. Prawidłowe usytuowanie pokazano na schemacie połączeń statku.

Upewnij się, że uziemienie AC klimatyzatora jest prawidłowo podłączone do uziemienia AC łodzi. Sprawdź wewnątrz łodzi, czy szyna uziemiająca AC jest podłączona do szyny uziemiającej DC w dokładnie jednym miejscu.

8 Utylizacja



Opakowanie należy w miarę możliwości wrzucić do odpowiedniego pojemnika na odpady do recyklingu. Szczegółowe informacje na temat utylizacji produktu zgodnie z obowiązującymi przepisami można uzyskać w lokalnym zakładzie recyklingu lub u specjalistycznego dystrybutora.

9 Gwarancja

W poniższej sekcji można znaleźć informacje o gwarancji i wsparciu gwarancyjnym w USA, Kanadzie i wszystkich innych regionach.

Stany Zjednoczone i Kanada

TREŚĆ OGRANICZONEJ GWARANCJI JEST DOSTĘPNA NA STRONIE DOMETIC.COM/EN-US/TERMS-AND-CONDITIONS-CONSUMER/WARRANTY. W RAZIE PYTAŃ LUB W CELU BEZPŁATNEGO UZYSKANIA EGZEMPLARZA OGRANICZONEGO GWARANCJI NALEŻY SKONTAKTOWAĆ SIĘ Z:

DOMETIC CORPORATION
MARINE CUSTOMER SUPPORT CENTER
2000 NORTH ANDREWS AVENUE
POMPANO BEACH, FLORIDA, USA 33069
1-800-542-2477

Kraje Azji i Pacyfiku (APAC)

Jeśli produkt nie działa prawidłowo, należy zwrócić się do jego sprzedawcy lub oddziału producenta w danym kraju (patrz dometic.com/dealer). Okres gwarancji na produkt wynosi 1 lata.

W celu naprawy lub rozpatrzenia gwarancji konieczne jest przesłanie następujących dokumentów:

- Kopii rachunku z datą zakupu
- Informacji o przyczynie reklamacji lub opisu wady

Uwaga: Samodzielne lub nieprofesjonalne wykonywanie napraw może negatywnie wpływać na bezpieczeństwo i prowadzić do utraty gwarancji.

Dotyczy tylko Australii

Nasze produkty objęte są gwarancjami, których nie można wykluczyć w świetle Australijskiego prawa konsumenta. Klient jest uprawniony do wymiany produktu lub zwrotu kosztów w przypadku znacznej awarii lub otrzymania rekompensaty za wszelkie inne, racjonalnie przewidywalne straty i uszkodzenia. Klientowi przysługuje również prawo do naprawy lub wymiany produktu, jeżeli jego jakość nie jest akceptowalna, a wada ta nie stanowi poważnej awarii.

Tylko dla Nowej Zelandii

Niniejsze zasady gwarancji podlegają warunkom i gwarancjom, które są obowiązkowe w świetle Ustawy o gwarancjach dla klientów 1993(NZ).

Wszystkie inne regiony

Obowiązuje ustawowy okres gwarancji. W przypadku stwierdzenia uszkodzenia produktu należy zwrócić się do oddziału producenta w danym kraju (patrz dometic.com/dealer) lub do sprzedawcy produktu.

W celu naprawy lub rozpatrzenia gwarancji konieczne jest przesłanie następujących dokumentów:

- Kopii rachunku z datą zakupu
- Informacji o przyczynie reklamacji lub opisu wady

Uwaga: Samodzielne lub nieprofesjonalne wykonywanie napraw może negatywnie wpływać na bezpieczeństwo i prowadzić do utraty gwarancji.

Slovensky

1 Dôležité oznámenia.....	94
2 Vysvetlenie symbolov.....	94
3 Cieľová skupina.....	94
4 Používanie v súlade s určením.....	95
5 Technické údaje.....	95
6 Príprava pred montážou.....	95
7 Montáž.....	97
8 Likvidácia.....	100
9 Záruka.....	100

1 Dôležité oznámenia

Dôkladne si prečítajte tento návod a dodržiavajte všetky pokyny, usmernenia a varovania uvedené v tomto návode k výrobku, aby bolo zaručené, že výrobok bude vždy správne nainštalovaný, používaný a udržiavaný. Tento návod MUSÍ zostať priložený k výrobku.

Používaním tohto výrobku týmto potvrdzujete, že ste si dôkladne prečítali všetky pokyny, usmernenia a varovania a že rozumiete a súhlasíte s dodržiavaním všetkých uvedených podmienok. Súhlasíte, že tento výrobok budete používať iba v súlade so zameraným použitím a v súlade s pokynmi, usmerneniami a varovaniami uvedenými v tomto návode k výrobku, ako aj v súlade so všetkými platnými zákonmi a nariadeniami. V prípade, že si neprečítate a nebudete sa riadiť pokynmi a varovaniami uvedenými v tomto návode, môže mať za následok vaše poranenie alebo poranenie iných osôb, poškodenie vášho výrobku alebo poškodenie majetku v jeho blízkosti. Tento návod na obsluhu výrobku vrátane pokynov, usmernení a varovaní, a súvisiaca dokumentácia môže podliehať zmenám a aktualizáciám. Najaktuálnejšie informácie o výrobku nájdete na adrese documents.dometic.com.

2 Vysvetlenie symbolov

Signálne slovo identifikuje bezpečnostné správy a správy o škodách na majetku a tiež označuje stupeň alebo úroveň závažnosti nebezpečenstva.



VÝSTRAHA!

Označuje nebezpečnú situáciu, ktorej následkom môže byť smrť alebo vážne zranenie, ak sa jej nezabráni.



POZOR!

Označuje situáciu, ktorej následkom môže byť poškodenie majetku, ak sa jej nezabráni.



POZNÁMKA Doplnujúce informácie týkajúce sa obsluhy produktu.

2.1 Doplnujúce pokyny

V záujme zníženia rizika nehôd a úrazov sa predtým, ako začnete s montážou tohto výrobku, oboznámte s nasledujúcimi pokynmi:

- Prečítajte si a dodržiavajte všetky bezpečnostné informácie a pokyny.
- Pred inštaláciou tohto výrobku si prečítajte tieto pokyny a oboznámte sa s nimi.
- Inštalácia musí byť v súlade so všetkými platnými miestnymi alebo vnútroštátnymi predpismi vrátane najnovšieho vydania nasledujúcich noriem:
 - American Boat and Yacht Council (ABYC)
 - ANSI/NFPA 70, National Electrical Code (NEC)

2.2 Bezpečnostné pokyny



VÝSTRAHA! NEBEZPEČENSTVO VZNIKU OXIDU UHLIČITÉHO

Nedodržanie nasledujúcich varovaní môže mať za následok smrť alebo vážne poranenie:

- > **Neinštalujte** ani neprevádzkujte autonómnu klimatizáciu v podpalubí ani v strojovni, prípadne v blízkosti spaľovacieho motora. Zabezpečte, aby bolo vybrané miesto chránené pred priamym prístupom do podpalubia a/alebo pred výparmi zo strojovne.
- > Skontrolujte, či je potrubie na odvod kondenzátu správne nainštalované a utesnené. **Neukončujte** potrubie na odvádzanie kondenzátu do

vzdialenosti 3 stôp (0,91 m) od akéhokoľvek výstupu výfukového systému motora alebo generátora, v sekcii s motorom alebo generátorom alebo v podpalubí, pokiaľ nie je odtok správne pripojený k utesnenému čerpadlu na odvádzanie kondenzátu alebo odpadovej vody. Ak odtokové potrubie nie je správne nainštalované, nebezpečné výpary sa ním môžu šíriť a kontaminovať obytné priestory.

- > **Neinštalujte** klimatizáciu na miesto, kde môže cirkulovať oxid uhoľnatý, palivové výpary alebo iné škodlivé výpary do obytných priestorov lode.



VÝSTRAHA! Nebezpečenstvo úrazu elektrickým prúdom

Montáž smie vykonávať len kvalifikovaný elektrikár.



VÝSTRAHA! NEBEZPEČENSTVO ZÁSAHU ELEKTRICKÝM PRÚDOM, POŽIARU A/ALEBO VÝBUCHU.

Nedodržanie týchto opatrení môže mať za následok smrť alebo vážne poranenie

Toto zariadenie **nie je** určené na používanie osobami (vrátane detí) s obmedzenými fyzickými, zmyslovými alebo duševnými schopnosťami alebo nedostatkom skúsenosti a znalostí, pokiaľ nie sú pod primeraným dohľadom alebo ich osoba, ktorá je zodpovedná za ich bezpečnosť, dôkladne nepoučí o používaní zariadenia. Dohliadnite na to, aby sa deti **nehrali** so zariadením. Čistenie a bežnú údržbu **nesmú** vykonávať deti bez dozoru. Toto zariadenie **nesmie** byť dostupné širokej verejnosti.



VÝSTRAHA! NEBEZPEČENSTVO VÝBUCHU!

Nedodržanie týchto opatrení môže mať za následok smrť alebo vážne poranenie

Klimatizáciu **neinštalujte** na miesto, kde sa nachádzajú benzínové motory, nádrže, fľaše na LPG/CPG, regulátory, ventily alebo armatúry palivového potrubia. Ak nie je uvedené inak, autonómne jednotky **nesplňajú** federálne požiadavky na ochranu pred vznietením. Nedodržanie tohto varovania môže mať za následok smrť alebo vážne poranenie.



VÝSTRAHA! HROZÍ NEBEZPEČENSTVO ZÁSAHU ELEKTRICKÝM PRÚDOM!

Nedodržanie týchto opatrení môže mať za následok smrť alebo vážne poranenie

- > Uistite sa, že je klimatizácia účinne uzemnená, aby sa minimalizovalo riziko zásahu elektrickým prúdom. Ďalšie informácie nájdete v pokynoch na montáž.
- > Každá inštalovaná klimatizácia vyžaduje vlastný spínač. Ak sa inštaluje iba jedna klimatizácia, čerpadlo morskej vody **nevyžaduje** vlastný spínač. Keď jedno alebo viaceré klimatizačné zariadenia používajú rovnaké čerpadlo morskej vody, pripoja sa vodiče čerpadla na platňu relé čerpadla (PRP), ktorá je vybavená vlastným výkonovým spínačom podľa parametrov čerpadla (max. 20 A). Pozrite si schému zapojenia z rozsahu dodávky PRP. Pri elektrických pripojeniach v podpalubí a/alebo pod úrovňou hladiny vody treba použiť teplom zmršťovacie káblové spoje.
- > Lokálne zapojenie **musí** zodpovedať elektrickým predpisom ABYC. Napájanie zariadenia musí byť v rozsahu prevádzkového napätia uvedeného na typovom štítku. Na ochranu elektrického okruhu vetvenia sa **musia** nainštalovať správne dimenzované poistky alebo spínače HACR. Maximálnu veľkosť poistky/spínača (MFS) a minimálnu kapacitu obvodu (MCA) nájdete na typovom štítku.



POZOR!

Toto zariadenie obsahuje fluórovane skleníkové plyny v hermeticky uzavretom systéme. Množstvo chladiaceho média uvedené v jednotkách hmotnosti a GWP nájdete na typovom štítku kondenzačnej jednotky. Pridané chladivo treba uviesť na štítku zariadenia.

3 Cieľová skupina



Mechanickú a elektrickú inštaláciu a nastavenie zariadenia musí vykonať kvalifikovaný technik, ktorý preukázal zručnosti a vedomosti týkajúce sa konštrukcie a prevádzky námorných zariadení a inštalácií, ktorý je oboznámený s príslušnými predpismi krajiny, v ktorej sa má zariadenie inštalovať a/alebo používať, a ktorý absolvoval školenie o bezpečnosti na identifikáciu a vyhýbanie sa rizikám spojeným s týmito prácami.

4 Používanie v súlade s určením

Táto príručka je určená na inštaláciu autonómnych klimatizačných systémov DCU, DLU, DTG, ECD a TX (ďalej len klimatizácií). Klimatizácia je určená na použitie na lodiach a jachtách. Táto klimatizácia je vhodná iba na určené použitie a použitie v súlade s týmto návodom.

Tento výrobok je vhodný iba na určené použitie a použitie v súlade s týmto návodom.

Tento návod obsahuje informácie, ktoré sú nevyhnutné pre správnu inštaláciu a/alebo obsluhu výrobku. Chybná inštalácia a/alebo nesprávna obsluha či údržba bude mať za následok neuspokojivý výkon a možnú poruchu.

Výrobca nenesie žiadnu zodpovednosť za akékoľvek poranenia či škody na výrobku spôsobené:

- nesprávnu inštaláciou alebo pripojením vrátane nadmerného napätia
- nesprávnu údržbou alebo použitím iných ako originálnych náhradných dielov poskytnutých výrobcom
- Zmeny produktu bez výslovného povolenia výrobcu
- Použitie na iné účely než na účely opísané v návode

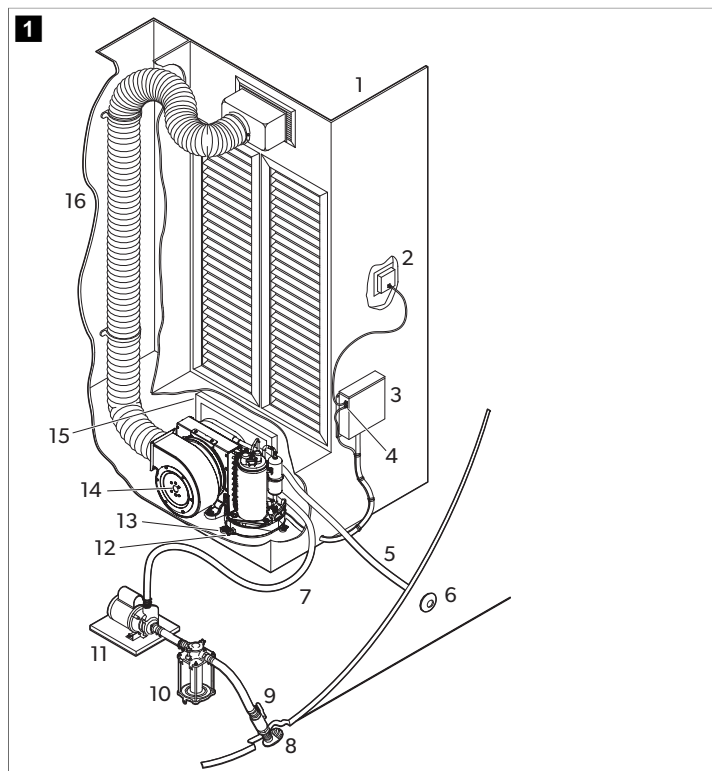
Firma Dometic si vyhradzuje právo na zmenu vzhľadu a technických parametrov výrobku.

5 Technické údaje

Prečítajte si celé tieto pokyny a potom naplánujte pripojenia, ktoré sa vyžadujú pre klimatizačné zariadenie (vrátane potrubia, odtokového potrubia kondenzátu, prívodných a výpustových hadíc morskej vody, elektrických prípojk, umiestnenia ovládača a umiestnenia čerpadla morskej vody), aby ste zabezpečili ľahký prístup pri smerovaní a budúcej údržbe.

5.1 Umiestnenia súčasti

Identifikácia komponentov klimatizačného systému



- 1 Mriežka nasávaného vzduchu a prechodový box
2 Digitálny displej
3 Mriežka nasávaného vzduchu a prechodový box
4 Digitálny displej
5 Námorný uzatvárací ventil
6 Námorný uzatvárací ventil
7 Námorný uzatvárací ventil
8 Námorný uzatvárací ventil
9 Námorný uzatvárací ventil
10 Filter morskej vody

- 3 Rozvádzačia skriňa
4 Kábel voliteľného diaľkového snímača vzduchu
5 Hadica na výpust morskej vody
6 Výpust cez palubu
7 Hadica na prívod morskej vody
8 Priestor na nasávanie morskej vody prietokovým ventilom
11 Čerpadlo
12 Hadicová prípojka na odvádzanie kondenzátu
13 Montážna konzola
14 Klimatizácia
15 Ochranná mriežka a filter odvodu odpadového vzduchu
16 Izolované flexibilné potrubie

5.2 Špecifikácie

Táto časť obsahuje technické údaje klimatizácie.

Tabuľka 25: Minimálne veľkosti potrubia a mriežky podľa kapacity BTU

	3.5 k BTU	6 k BTU	8 k BTU	10 k BTU
Minimálny priemer potrubia	3,00 in (76,2 mm)	4,00 in (101,6 mm)	5,00 in (127,0 mm)	6,00 in (152,4 mm)
Minimálny prierez potrubia	6,8 in ² (43,9 cm ²)	12,6 in ² (81,3 cm ²)	19,6 in ² (126,5 cm ²)	28,3 in ² (182,6 cm ²)
Minimálne rozmery ochrannej mriežky odpadového vzduchu	64,0 in ² (412,9 cm ²)	64,0 in ² (412,9 cm ²)	80,0 in ² (516,2 cm ²)	100,0 in ² (645,2 cm ²)
Minimálne rozmery ochrannej mriežky prívodu vzduchu	12,0 in ² (77,4 cm ²)	32,0 in ² (206,5 cm ²)	48,0 in ² (309,7 cm ²)	60,0 in ² (387,1 cm ²)
	12 k BTU	16 k BTU	18 k BTU	27 k BTU
Minimálny priemer potrubia	6,00 in (152,4 mm)	7,00 in (177,8 mm)	7,00 in (177,8 mm)	8,00 in (203,2 mm)
Minimálny prierez potrubia	28,3 in ² (182,6 cm ²)	38,5 in ² (248,4 cm ²)	38,5 in ² (248,4 cm ²)	50,3 in ² (324,5 cm ²)
Minimálne rozmery ochrannej mriežky odpadového vzduchu	130,0 in ² (838,8 cm ²)	160,0 in ² (1032,3 cm ²)	200,0 in ² (1290,4 cm ²)	240,0 in ² (1548,5 cm ²)
Minimálne rozmery ochrannej mriežky prívodu vzduchu	70,0 in ² (451,6 cm ²)	80,0 in ² (516,2 cm ²)	100,0 in ² (645,2 cm ²)	120,0 in ² (774,2 cm ²)

Tabuľka 26: Prevádzková teplota a tlak vody

Minimálna prevádzková teplota vody	40,0 °F (4,44 °C)
Maximálna prevádzková teplota vody	80,0 °F (26,66 °C)
Minimálny prevádzkový tlak vody	4,2 psi (0,29 bar) (29,00 kPa)
Maximálny prevádzkový tlak vody	6,00 psi (0,41 bar) (41,4 kPa)

POZNÁMKA Zariadenie môže fungovať mimo týchto podmienok so zníženou kapacitou.

6 Príprava pred montážou

POZOR! Autonómne vane na odvádzanie kondenzátu jednotiek DTG a TX sú vybavené tlmičmi vibrácií inštalovanými na dne vane. Tieto tlmiace prvky sú navrhnuté tak, aby tlmiли vibrácie spôsobené prevádzkou klimatizácie pri prechode na montážny povrch. Pri presune klimatizácie cez montážne plochy je potrebné postupovať opatrne, pretože sa tlmiace prvky môžu poškodiť.

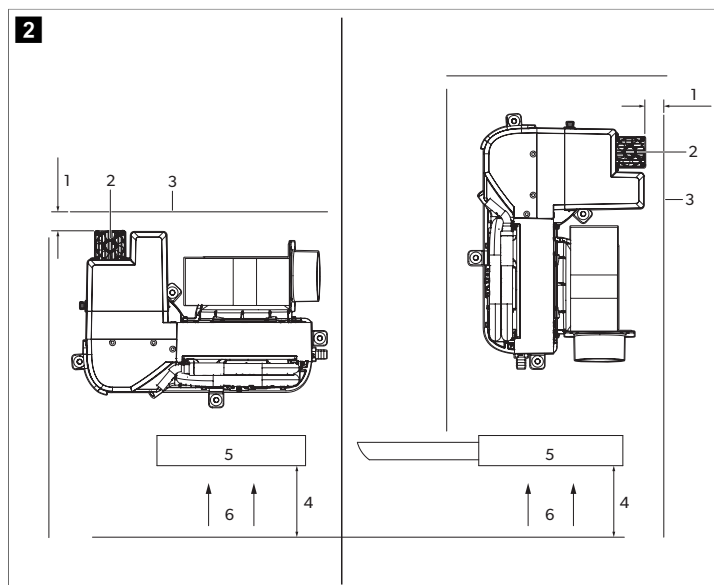
POZOR!

Klimatizáciu je potrebné umiestniť na nízko položený, rovný a plochý povrch, napríklad do spodnej časti skrinky, pod posteľ alebo jedálenskú lavicu alebo na podobné miesto.

V tejto časti sa vysvetľuje, ako pripraviť klimatizáciu na inštaláciu.

6.1 Určenie montážnej polohy

Umiestnenie zariadenia TX relatívne k prúdeniu vzduchu



1 3,00 in (7,62 cm)

2 Chladič

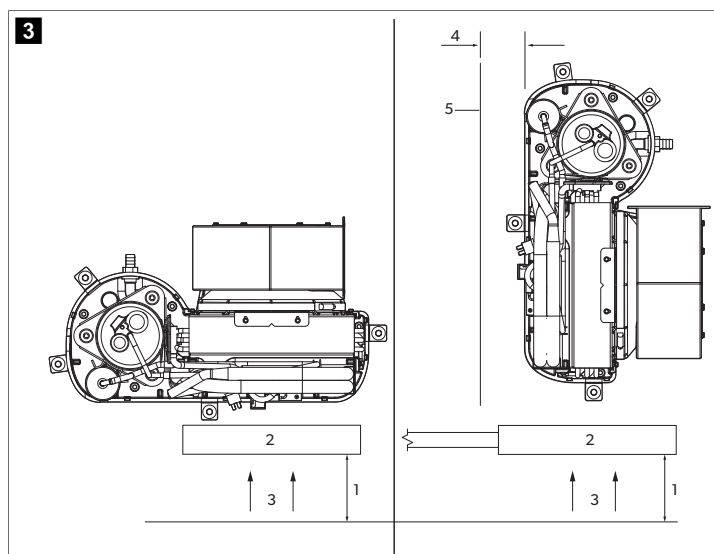
3 Priehradka

4 4,00 in (10,16 cm)

5 Ochranná mriežka odvodu odpadového vzduchu

6 Prúd vzduchu

Umiestnenie všetkých ostatných klimatizačných jednotiek relatívne k prúdeniu vzduchu



1 4,00 in (10,16 cm)

2 Ochranná mriežka odvodu odpadového vzduchu

3 Prúd vzduchu

4 3,00 in (7,62 cm)

5 Priehradka

Vyberte miesto s dostatočným prúdením vzduchu. Ochranná mriežka odvodu odpadového vzduchu má mať pred sebou minimálne 4,00 in (10,16 cm) priestoru na zaistenie cirkulácie vzduchu bez akýchkoľvek prekážok.

Ak je klimatizácia umiestnená kolmo na ochrannú mriežku odvodu odpadového vzduchu, zaistite minimálne 3,00 in (7,62 cm) priestoru na cirkuláciu na strane nasávania vzduchu.

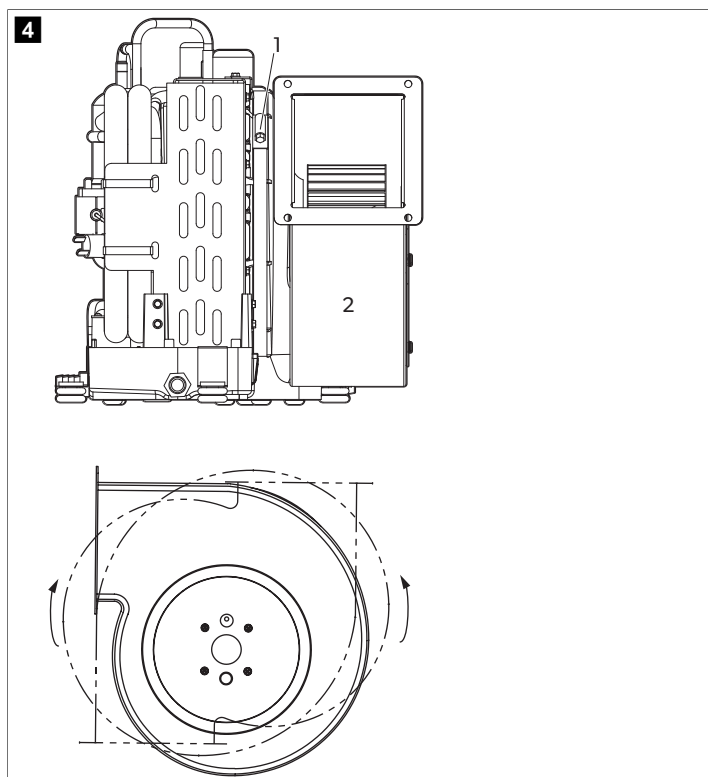
Platí len pre jednotky TX: Zaistite minimálne 2,99 in (76,0 mm) otvoreného priestoru nad a pod chladičom.

6.2 Otáčanie dýchadla

V tejto časti sa vysvetľuje, ako natočiť dýchadlo podľa každého typu jednotky. Ak je to potrebné, otočte dýchadlo v smere, ktorý umožňuje najpriamejšie prúdenie vzduchu potrubím.

6.2.1 Dýchadlá DTG a TX

Systém s otočným dýchadlom DTG a TX



1 Adjustment screw

2 Blower

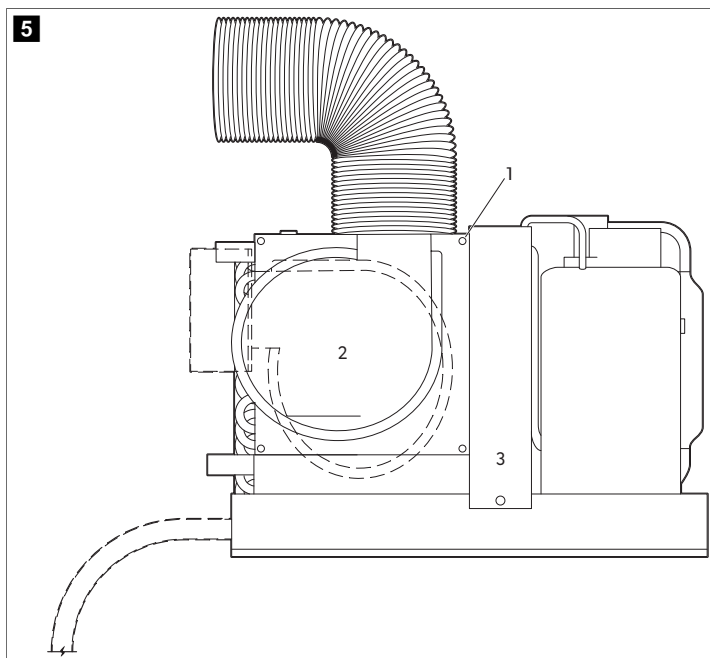
1. Uvoľnite nastavovaciu skrutku na upevňovacom krúžku dýchadla.

2. Otočte dýchadlo do požadovanej polohy.

3. Utiahnite nastavovaciu skrutku.

6.2.2 Dýchadlá MCS a ECD

Systémy s otočným dýchadlom MCS a ECD



- 1 Screw
2 Doska
3 Dúchadlo

1. Demontujte sedem skrutiek na doske.
2. Otočte dúchadlo do požadovanej polohy.
3. Zafixujte dúchadlo na mieste pomocou samorezných skrutiek (nie sú súčasťou dodávky).

6.3 Umiestnenie vzduchových filtrov

Vzduchové filtre odstraňujú vzduchom prenášané častice zo vzduchu v kabíne a udržiavajú výmenník výparníka čistý. Pri každej klimatizácii umiestnite jeden vzduchový filter na klimatizáciu alebo do ochrannej mriežky odvodu odpadového vzduchu.

6.4 Umiestnenie mriežok a prechodových boxov

Pri umiestňovaní mriežok a prechodových boxov zvážte tieto okolnosti:

- Inštaláciu ochrannej mriežky prívodu vzduchu vykonajte na čo najvyššie miesto, ktoré zabezpečí rovnomernú distribúciu vzduchu v kabíne. Lamely mriežky nasmerujte nahor.
- Nainštalujte ochrannú mriežku odvodu odpadového vzduchu čo najnižšie a najbližšie ku klimatizácii, aby ste zabezpečili prúdenie vzduchu k výparníku.
- Výpusť prívodu vzduchu nesmie smerovať k ochrannej mriežke odpadového vzduchu, pretože by sa zariadenie v krátkych časových intervaloch zapínalo a vypínalo.
- Za mriežkou prívodu vzduchu ponechajte dostatočný voľný priestor na prechodový box a pripojenie potrubia. Pozrite si časť Špecifikácie na strane 95

7 Montáž

Táto časť vysvetľuje, ako nainštalovať autonómnu klimatizáciu.

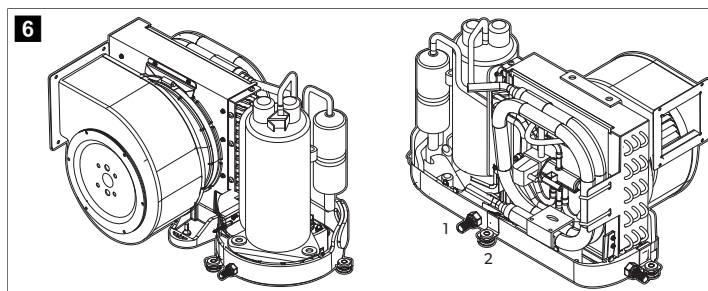
7.1 Inštalácia montážnych konzol a odvodu kondenzátu



POZOR!

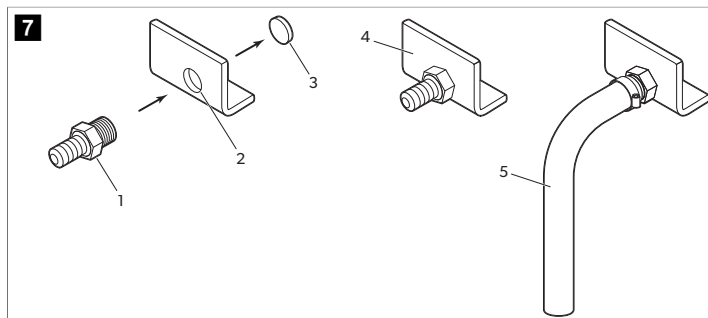
Aby ste predišli prasknutiu odtokovej vane, nepoužívajte viac než dve vrstvy montážnej pásky na obalenie hadicovej prípojky a hadicovú prípojku príliš neťahajte.

Typické umiestnenie montážnych konzol a odvodu kondenzátu



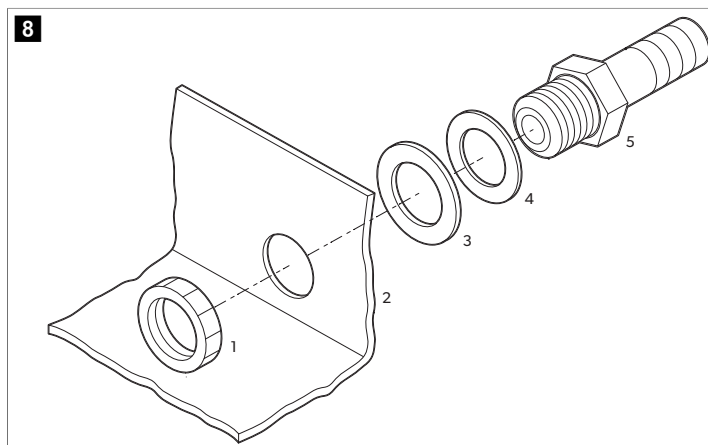
- 1 Hadicová prípojka na odvádzanie kondenzátu
2 Montážna konzola

Inštalácia odvodu kondenzátu pre zariadenia DTG a TX



- 1 Hose barb
2 Závitový odtokový otvor
3 Otvor na vyrazenie
4 Drain pan
5 Odtoková hadica

Inštalácia odvodu kondenzátu pre všetky ostatné klimatizačné jednotky



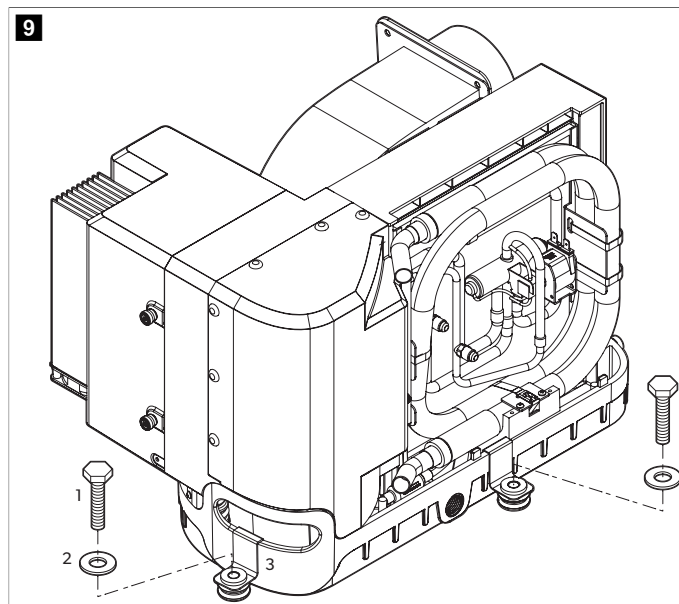
- 1 Locking nut
2 Odtoková vaňa
3 Tesniaca podložka
4 Solid washer
5 PVC tvarovka 0,5 in (12,7 mm) HB × 0,5 in (12,7 mm) MPT

1. Použite hadicovú prípojku na vyrazenie otvoru do vypúšťacieho otvoru smerujúceho dozadu jedným rýchlym úderom gumovým kladivom. Vyrazenú časť zlikvidujte.
2. Pre zariadenia DTG a TX:
 - a) Omotajte závitový koniec hadicovej prípojky inštalátorskou páskou.
 - b) Naskrutkujte hadicovú prípojku do závitového vypúšťacieho otvoru a pevne ju utiahnite.

3. Pre všetky ostatné klimatizácie:
 - a) Naskrutkujte hadicovú prípojku, pevnú podložku a tesniacu podložku a vložte ju do vypúšťacieho otvoru.
 - b) Zaisťte poistnou maticou.
4. Zaisťte odtokovú hadicu k hadicovej prípojke pomocou hadicovej svorky z nehrdzavejúcej ocele.

5. Odtokovú hadicu nasmerujte nadol na bezpečné a správne zberné miesto.

Inštalácia montážnej konzoly pre zariadenia DTG a TX

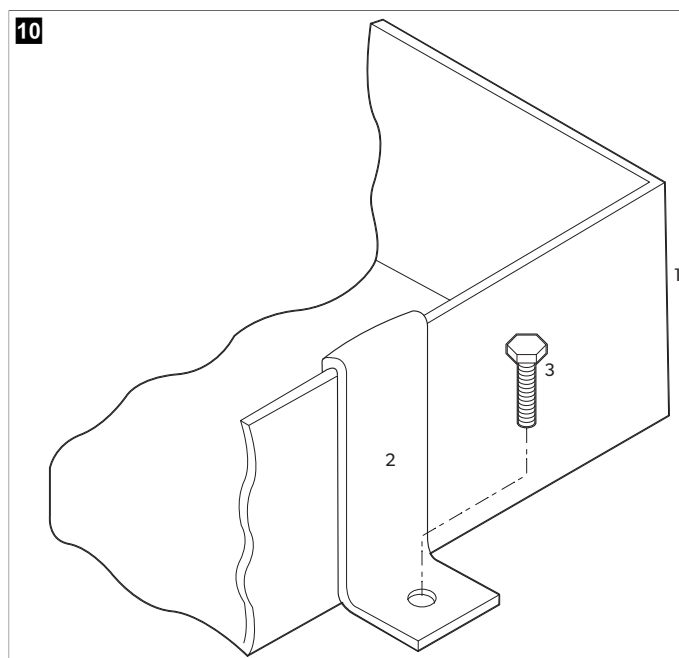


1 Montážna skrutka (nie je súčasťou dodávky)

2 Podložka blatníka (súčasť dodávky)

3 Montážna konzola (súčasť dodávky)

Inštalácia montážnej konzoly pre iné klimatizačné jednotky



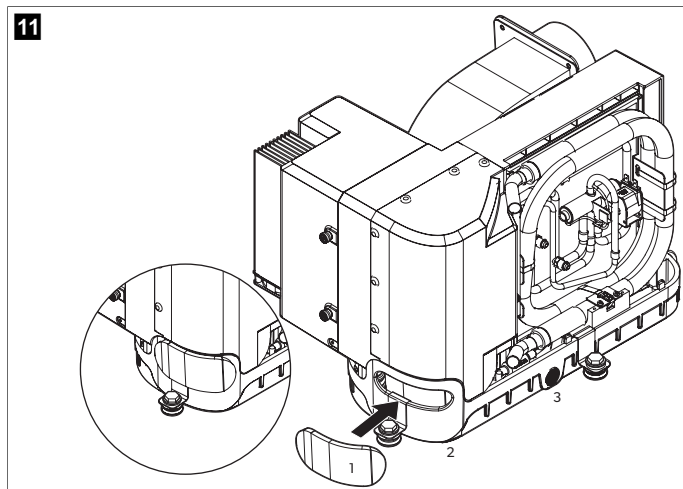
1 Odtoková vaňa

2 Montážna konzola

3 Montážna skrutka (nie je súčasťou dodávky)

6. Nainštalujte jednu montážnu konzolu na každú stranu odtokovej vane, pričom ich rovnomerne rozmiestnite.

Inštalácia penovej izolácie rukoväti na jednotky TX



- 1 Penová izolácia rukoväti
2 Otvor na rukoväť
3 Odtoková vaňa

7. Pre jednotky TX:

- Odstráňte fóliu zakrývajúcu lepiacu podložku na penovej izolácii rukoväti.
- Penovú izoláciu rukoväti umiestnite tak, aby úplne zakryla otvor rukoväti s lepiacou stranou smerom k odtokovej vani.
- Zatlačte na okolie otvoru na rukoväť, aby sa penová izolácia rukoväti prilepila k odtokovej vani.

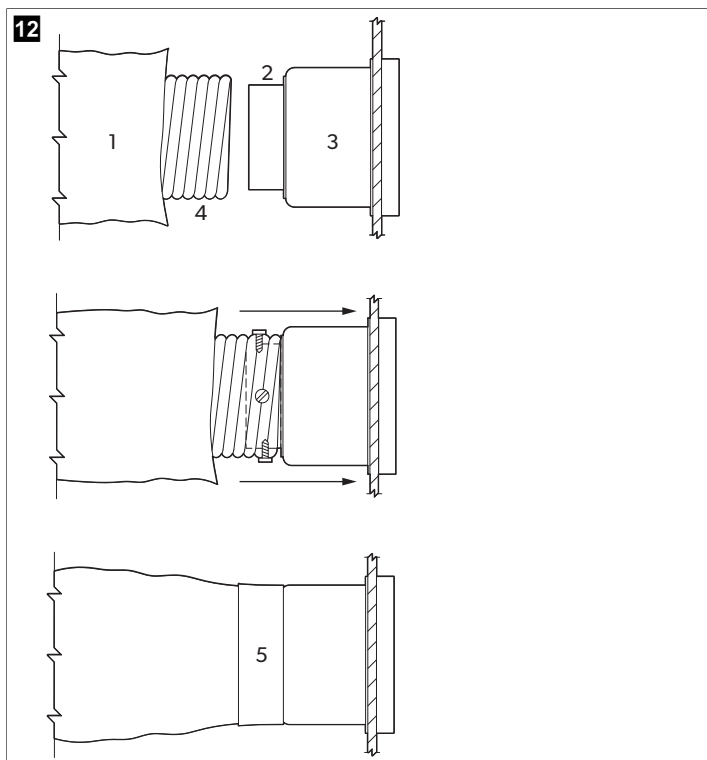
7.2 Inštalácia potrubia

Pri inštalácii potrubia dodržujte nasledujúce podmienky:

- Potrubie musí mať primerané rozmery zodpovedajúce vášmu použitiu.
- Potrubie veďte čo najrovnejšie, najplynulejšie a napnuté, minimalizujte počet ohybov a slučiek na 90,00 °, ktoré môžu spomaliť prúdenie vzduchu.
- Bezpečne upevnite potrubie, aby ste zabránili jeho prehybaniu.
- Nedovoľte, aby sa potrubie sploštilo alebo zalomilo.
- Po inštalácii odrežte prebytočné časti potrubia.
- Izolujte potrubie, ak sa nachádza na miestach s vysokou teplotou.
- Izolujte potrubie, ak sa nachádza na miestach s vysokou teplotou.
- Nevedzte potrubie cez strojnú alebo inú oblasť, kde môže byť vystavené nebezpečným výparom alebo výfukovým plynom.

Ak sa použije prechodový box, celková plocha prívodných vzduchových potrubí vychádzajúcich zo skrine by sa mala minimálne rovnať celkovej ploche prívodných vzduchových potrubí vstupujúcich do skrine. Pozrite si časť Špecifikácie na strane 95

Potrubné spoje



- 1 Izolácia zo sklenených vlákien
2 Montážny krúžok
3 Prechodový box
4 Vnútoraná mylarová hadica
5 Lepiaca páska

- Nasuňte vnútorné potrubie z materiálu Mylar cez montážny krúžok do prechodového boxu.
- Zaskrutkujte tri alebo štyri skrutky z nehrdzavejúcej ocele mylarovou hadicou do upevňovacieho krúžku, pričom zaistíte dva alebo tri káble hlavami skrutiek.
- Nasuňte izoláciu zo sklenených vlákien okolo vnútornej mylarovej potrubnej hadice do prechodového boxu. Zaistíte lepiacou páskou.

7.3 Inštalácia systému morskej vody



POZOR!

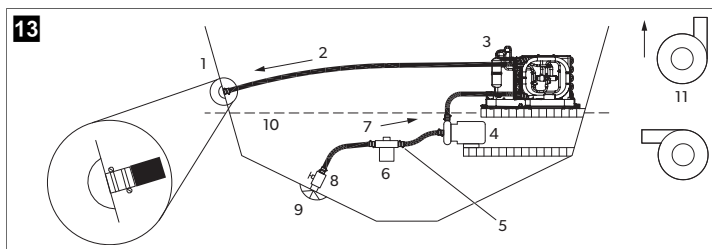
Nedodržanie tohto postupu spôsobí stratu platnosti záruky.

Pri nastavovaní systému morskej vody dbajte na tieto kroky:

- Filter sa musí nachádzať pod čerpadlom.
- Hadice musia byť upnuté dvoma svorkami.
- Hadice nesmú vykazovať žiadne zalomenia, slučky alebo vysoko uložené časti, v ktorých sa môže hromadiť vzduch.
- Čerpadlo a filter sa musia nachádzať pod čiarou ponoru.
- Vstupný prietokový ventil, guľový ventil, hadica a ani filter by nemali byť menšie než vstup čerpadla.
- Nainštalujte prietokový ventil čo najviac pod čiaru ponoru.
- Čerpadlo musí mať vyhradený prietokový ventil.
- V čo najväčšej miere za vyhnite 90,00 ° kolenám.
- Zaistíte, aby bola hlava čerpadla otočená v smere toku vody.
- Zaistíte všetky závitové spoje inštalátorskou páskou.

V časti Špecifikácie na strane 95 nájdete maximálne a minimálne hodnoty teploty vody a tlaku.

Systém morskej vody



- | | |
|-------------------------|---|
| 1 Výpust morskej vody | 7 Vstupný tok nahor |
| 2 Výpust | 8 Guľový ventil |
| 3 Klimatizácia | 9 Priestor na nasávanie vody cez trup |
| 4 Čerpadlo morskej vody | 10 Čiara ponoru |
| 5 Hadicové svorky | 11 Správna poloha filtra hlavice čerpadla |
| 6 Sitový filter | |

- Nainštalujte priestor na nasávanie morskej vody cez trup čo najbližšie ku kýlu a čo najďalej pod čiaru ponoru. Zaisťte nasávanie cez trup pomocou tesniacej hmoty námornej kvality určenej na použitie pod vodou.
- Na driek prívodu morskej vody Speed-Scoop nainštalujte prietokový námorný ventil z bronzu.
- Nainštalujte sitový filter morskej vody pod úroveň čerpadla s prístupom k filtru.
- Namontujte čerpadlo nad sitový filter a aspoň jednu stopu pod čiarou ponoru.
- Pripojte morský ventil a sitový filter pomocou vystuženej hadice na použitie na mori.
- Pripojte vývod čerpadla smerom nahor k spodnému vstupu kondenzátora klimatizácie pomocou 5/8 palcovej (0,63 in (16,0 mm)) vystuženej hadice určenej na použitie na mori.
- Pripojte výtlak z kondenzátora k prietokovému ventilu na zaistenie výpustu pomocou 5/8 palcovej vystuženej hadice určenej na použitie na mori.
- Pri ukladaní hadice na vedenie morskej vody zabráňte vzniku slučiek, vyvýšeninám a použitiu 90,00 ° kolien. Každé 90,00 ° koleno zodpovedá 2,5 ft (0,76 m) (29,92 in (76,00 cm)) hadice a 90° koleno na vývode čerpadla zodpovedá 20,0 ft (6,10 m) (240,16 in (610,00 cm)) hadice.
- Zaisťte všetky hadicové spojenia dvoma svorkami z nehrdzavejúcej ocele, pritom v prípade potreby otočte svorky v opačnom smere.
- Pripojte všetky kovové časti, ktoré sú v kontakte s morskou vodou, k spojovaciemu systému plavidla.

7.4 Realizácia elektrických prípojok



VÝSTRAHA! HROZÍ NEBEZPEČENSTVO ZÁSAHU ELEKTRICKÝM PRÚDOM!

Pred otváraním rozvádzacej skrine vždy vypnite spínač napájania klimatizácie. Nedodržanie tohto varovania môže mať za následok smrť alebo vážne poranenie.



POZOR!

Klimatizácia sa musí pripojiť na pripojovací systém lode, aby ste predišli korózii z dôvodu elektrických blúdivých prúdov. Všetky čerpadlá, kovové ventily a pripojenia okruhu čerpania morskej vody, ktoré sú izolované od klimatizácie, sa musia pripevniť individuálne pomocou PVC alebo gumených hadíc k pripojovaciemu systému lode.



POZNÁMKA Nesprávne uzemnenie a pripojenie systému spôsobí stratu záruky.

Všetky klimatizačné jednotky majú vo vnútri rozvádzacej skrine svorkovnicu označenú na zaistenie správneho pripojenia. Schéma zapojenia vnútri rozvádzacej skrine je nadradená normám ABYC. Výkonové spínače musia mať správnu veľkosť, aby zariadenie chránili podľa údajov na typovom štítku klimatizačných zariadení. Na napájanie klimatizácie a čerpadla morskej vody treba použiť lodný kábel s minimálnym prierezom 12 AWG. Všetky pripojenia vykonajte pomocou krúžkov alebo vidlicových svoriek.

Pri vykonávaní elektrických pripojení dodržujte tieto pokyny:

- Uzemnenie striedavého prúdu (AC) sa musí pripojiť k uzemňovacej svorky (GRND) na svorkovnici vstupu striedavého prúdu.
- Prepojenia medzi uzemňovacím vodičom systému striedavého prúdu plavidla a jednosmerným (DC) záporným alebo spojovacím systémom plavidla treba vytvoriť ako súčasť kabeláže plavidla. Pri údržbe alebo výmene existujúceho zariadenia, ktoré má na šasi uzemňovací kolík, skontrolujte pripojenie plavidla na tieto pripojenia.
- Klimatizačné zariadenia TX sú navrhnuté tak, aby fungovali pomocou striedavého alebo vysokonapäťového jednosmerného napájania. Správne umiestnenie nájdete v schéme zapojenia plavidla.

Zaisťte, aby bolo uzemnenie striedavého napájania klimatizácie správne pripojené k uzemneniu striedavého napájania plavidla. V rámci plavidla sa uistite, že uzemňovacia koľajnica striedavého napájania je s uzemňovacou koľajnicou jednosmerného napájania prepojená na presne jednom mieste.

8 Likvidácia



Obalový materiál dávajte podľa možnosti do príslušného recyklovateľného odpadu. Informujte sa v najbližšom recyklačnom stredisku alebo u vášho špecializovaného predajcu o likvidácii výrobku v súlade s príslušnými predpismi týkajúcimi sa likvidácie.

9 Záruka

Informácie o záruke a záručnej podpore v USA, Kanade a všetkých ostatných regiónoch nájdete v odsekoch nižšie.

USA a Kanada

OBMEDZENÁ ZÁRUKA JE DOSTUPNÁ NA STRÁNKE DOMETIC.COM/EN-US/TERMS-AND-CONDITIONS-CONSUMER/WARRANTY. AK MÁTE OTÁZKY ALEBO POTREBUJETE BEZPLATNÚ KÓPIU OBMEDZENEJ ZÁRUKY, KONTAKTUJTE:

DOMETIC CORPORATION
MARINE CUSTOMER SUPPORT CENTER
2000 NORTH ANDREWS AVENUE
POMPANO BEACH, FLORIDA, USA 33069
1-800-542-2477

Krajiny ázijsko-tichomorského regiónu (APAC)

Ak je výrobok nefunguje podľa očakávania, obráťte sa na svojho predajcu alebo pobočku výrobcu vo svojej krajine (pozrite si stránku dometic.com/dealer). Záruka na tento výrobok platí 1 roky.

Ak žiadate o vybavenie opravy alebo nárokov vyplývajúcich zo záruky, musíte priložiť nasledovné podklady:

- kópiu faktúry s dátumom kúpy,
- dôvod reklamácie alebo opis chyby.

Upozorňujeme Vás, že samooprava alebo neodborná oprava môže mať za následok ohrozenie bezpečnosti a zánik záruky.

Iba Austrália

Naše výrobky sú dodávané so zárukami, ktoré nie je možné vylúčiť podľa austrálskeho zákona o spotrebiteľoch. Máte právo na náhradu alebo vrátenie peňazí pri vážnej poruche a na kompenzáciu za každú inú rozumnú predvídateľnú stratu alebo poškodenie. Tiež máte právo na opravu alebo výmenu tovaru, ak tovar nemá prijateľnú kvalitu a porucha nepredstavuje vážnu poruchu.

Iba Nový Zéland

Tieto záručné podmienky podliehajú podmienkam a zárukám, ktoré sú záväzné podľa zákona o zárukách spotrebiteľov 1993 (NZ).

Všetky ostatné regióny

Platí zákonom stanovená záručná lehota. Ak je výrobok poškodený, obráťte sa na pobočku výrobcu vo vašej krajine (pozrite si stránku dometic.com/dealer) alebo na predajcu.

Ak žiadate o vybavenie opravy alebo nárokov vyplývajúcich zo záruky, musíte priložiť nasledovné podklady:

- kópiu faktúry s dátumom kúpy,
- dôvod reklamácie alebo opis chyby.

Upozorňujeme Vás, že samooprava alebo neodborná oprava môže mať za následok ohrozenie bezpečnosti a zánik záruky.

Čeština

1 Důležité poznámky.....	102
2 Vysvětlení symbolů.....	102
3 Cílová skupina.....	102
4 Určené použití.....	102
5 Technické údaje.....	103
6 Před instalací.....	103
7 Instalace.....	105
8 Likvidace.....	108
9 Záruka.....	108

1 Důležité poznámky

Pečlivě si prosím přečtěte a dodržujte všechny pokyny, směrnice a varování obsažené v tomto návodu k výrobku, abyste měli jistotu, že výrobek budete vždy správně instalovat, používat a udržívat. Tyto pokyny MUSÍ být uschovány v blízkosti výrobku.

Používáním výrobku tímto potvrzujete, že jste si pečlivě přečetli všechny pokyny, směrnice a varování a že rozumíte podmínkám uvedeným v tomto dokumentu a souhlasíte s nimi. Souhlasíte s používáním tohoto výrobku pouze k určenému účelu a použití a v souladu s pokyny, směrnice a varování uvedenými v tomto návodu k výrobku a v souladu se všemi příslušnými zákony a předpisy. Pokud si nepřečtete a nebudete dodržovat zde uvedené pokyny a varování, může to vést ke zranění vás i ostatních, poškození vašeho výrobku nebo poškození jiného majetku v okolí. Tento návod k výrobku, včetně pokynů, směrnice a varování a související dokumentace může být předmětem změn a aktualizací. Aktuální informace o výrobku naleznete na adrese documents.dometic.com.

2 Vysvětlení symbolů

Signální slovo označuje bezpečnostní zprávy a zprávy o škodách na majetku a také označuje stupeň nebo úroveň závažnosti nebezpečí.



VÝSTRAHA!

Označuje nebezpečnou situaci, která, pokud se jí nezabrání, může mít za následek smrt nebo vážné zranění.



POZOR!

Označuje nebezpečnou situaci, která, pokud se jí nezabrání, může mít za následek majetkové škody.



POZNÁMKA Doplnující informace týkající se obsluhy výrobku.

2.1 Doplnkové pokyny

Než začnete tento spotřebič montovat, zajistěte dodržování následujících směrnic za účelem snížení rizika nehod a zranění:

- Přečtěte si všechny bezpečnostní informace a pokyny a dodržujte je.
- Před zahájením provozu nebo údržby zařízení se seznamte s těmito pokyny.
- Instalace musí být v souladu se všemi platnými místními nebo národními předpisy, včetně nejnovějšího vydání následujících norem:
 - American Boat and Yacht Council (ABYC)
 - ANSI/NFPA 70, National Electrical Code (NEC)

2.2 Bezpečnostní pokyny



VÝSTRAHA! NEBEZPEČÍ SPOJENÉ S OXIDEM UHELNATÝM

Nedodržení těchto výstrah může mít za následek smrt nebo vážné zranění:

- > **Neinstalujte** ani neprovozujte samostatnou klimatizaci v bříše lodi nebo v motorovém prostoru ani v blízkosti spalovacího motoru. Zajistěte, aby vybrané místo bylo utěsněno proti přímému přístupu výparů z břicha lodi nebo motorového prostoru.
- > Zkontrolujte, zda je potrubí pro odvod kondenzátu řádně nainstalováno a utěsněno. **Nezakončujte** potrubí pro odvod kondenzátu ve vzdálenosti menší než 3 stopy (0,91 m) od jakéhokoli vývodu výfukového systému

motoru nebo generátoru, v prostoru s motorem nebo generátorem nebo v bříše lodi, pokud není odtok řádně připojen k utěsněnému čerpadlu kondenzátu nebo sprchové jímký. Pokud není odtokové potrubí správně nainstalováno, mohou se nebezpečné výpary šířit odtokovým potrubím a kontaminovat obytné prostory.

- > **Neinstalujte** klimatizaci na místo, odkud by mohly oxid uhelnatý, výpary paliva nebo jiné škodlivé výpary cirkulovat do obytných prostor lodi.



VÝSTRAHA! Nebezpečí usmrcení elektrickým proudem

Instalaci směř provádat pouze kvalifikovaní elektrikáři.



VÝSTRAHA! NEBEZPEČÍ ÚRAZU ELEKTRICKÝM PROUDEM, POŽÁRU A/NEBO VÝBUCHU.

Nedodržení těchto opatření může mít za následek smrt nebo vážné zranění. Tento spotřebič **není** určen k používání osobami (včetně dětí) s omezenými fyzickými, sensorickými nebo duševními schopnostmi, nebo osobami s nedostatkem zkušeností a vědomostí, pokud není zajištěn přiměřený dozor nebo návod k použití spotřebiče osobou, která je odpovědná za bezpečnost těchto osob. Děti by měly být pod dohledem tak, aby si s přístrojem **nehrály**. Čištění a běžnou údržbu **nesmějí** provádět děti bez dozoru. Tento spotřebič by **neměl být přístupný** široké veřejnosti.



VÝSTRAHA! NEBEZPEČÍ VÝBUCHU.

Nedodržení těchto opatření může mít za následek smrt nebo vážné zranění. **Neinstalujte** klimatizaci na místě, kde se nacházejí benzínové motory, nádrže, lahve na LPG/CPG, regulátory, ventily nebo armatury palivového potrubí. Pokud není označeno jinak, samostatné jednotky **nesplňují** federální požadavky na ochranu proti vznícení. Nedodržení tohoto varování by mohlo mít za následek smrt nebo vážné zranění.



VÝSTRAHA! NEBEZPEČÍ ÚRAZU ELEKTRICKÝM PROUDEM.

Nedodržení těchto opatření může mít za následek smrt nebo vážné zranění.

- > Dbejte na účinné uzemnění klimatizace, abyste minimalizovali nebezpečí úrazu elektrickým proudem. Další informace naleznete v pokynech pro instalaci.
- > Každá instalovaná klimatizace vyžaduje vyhrazený výkonový vypínač. Pokud je nainstalována pouze jedna klimatizace, čerpadlo mořské vody využívají dvě a více klimatizace, jsou vodiče čerpadla připojeny k panelu relé čerpadla (PRP), který je vybaven vlastním výkonovým vypínačem dimenzovaným pro čerpadlo (max. 20 A). Viz schéma zapojení dodané s PRP. U elektrických přípojek v bříše lodi a/nebo pod čarou ponoru musejí být používány kabelové spoje s tepelným smršťováním.
- > Zapojení pole **musí** být v souladu s elektrotechnickými předpisy ABYC. Napájení jednotky musí být v rozsahu provozního napětí uvedeného na výrobním štítku. Pro ochranu rozvětvených obvodů **musí** být nainstalovány vhodné dimenzované pojistky nebo výkonové vypínače HACR. Maximální velikost pojistek/výkonových vypínačů (MFS) a minimální kapacitu obvodu (MCA) naleznete na výrobním štítku.



POZOR!

Tento spotřebič obsahuje fluorované skleníkové plyny v hermeticky uzavřeném zařízení. Množství chladiva uvedené v hmotnosti a GWP naleznete na produktovém štítku kondenzační jednotky. Přidané chladivo by mělo být uvedeno na štítku jednotky.

3 Cílová skupina



Mechanickou a elektrickou instalaci a nastavení zařízení musí provést kvalifikovaný technik, který prokázal dovednosti a znalosti týkající se konstrukce a provozu námořního vybavení a instalací, který je obeznán s platnými předpisy země, ve které má být zařízení instalováno a/nebo používáno, a který absolvoval bezpečnostní školení, aby mohl identifikovat a vyhnout se rizikům spojeným s těmito pracemi.

4 Určené použití

Tato příručka je určena pro instalaci samostatných klimatizačních systémů DCU, DLU, DTG, ECD a TX (dále jen klimatizace). Klimatizace je určena pro použití na lodích

a jachtách. Tato klimatizace je vhodná pouze k určenému účelu a použití v souladu s těmito pokyny.

Tento výrobek je vhodný pouze k určenému účelu a použití v souladu s těmito pokyny.

Tento návod obsahuje informace, které jsou nezbytné k řádné instalaci a/nebo použití výrobku. Nesprávná instalace a/nebo nevhodné použití či údržba povedou k neuspokojivému výkonu a možné závadě.

Výrobce nepřijímá žádnou odpovědnost za jakékoli zranění nebo poškození výrobku vyplývající z následujícího:

- Nesprávná instalace, sestavení nebo připojení včetně nadměrného napětí
- Nesprávná údržba nebo použití jiných náhradních dílů než originálních dílů dodaných výrobcem
- Úpravy výrobku bez výslovného souhlasu výrobce
- Použití k jiným účelům, než jsou popsány v tomto návodu

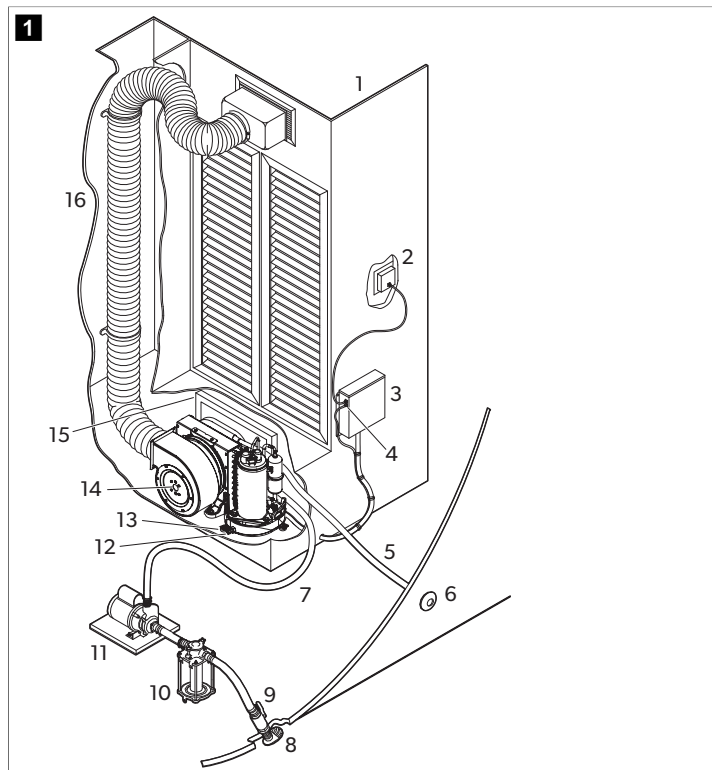
Společnost Dometic si vyhrazuje právo změnit vzhled a specifikace výrobku.

5 Technické údaje

Přečtěte si celé tyto pokyny a poté naplánujte přípojky, které je nutné provést ke klimatizaci (včetně potrubí, odtoku kondenzátu, hadic pro přívod a odvod mořské vody, přípojek elektrického napájení, umístění ovládání a umístění čerpadla mořské vody), aby byl zajištěn snadný přístup pro trasování a budoucí údržbu.

5.1 Umístění části

Identifikace součástí systému klimatizace



- | | |
|--|-------------------------------------|
| 1 Mřížka přiváděného vzduchu a přechodová skříňka | 9 Uzavírací ventil pro mořskou vodu |
| 2 Digitální displej | 10 Filtr mořské vody |
| 3 Spínací skříňka | 11 Čerpadlo |
| 4 Kabel volitelného vzdáleného vzduchového senzoru | 12 Hrot hadice na odtok kondenzátu |
| 5 Hadice výpusti mořské vody | 13 Montážní konzola |

- | | |
|------------------------------|------------------------------------|
| 6 Palubní vypouštěcí otvor | 14 Klimatizace |
| 7 Hadice přívodu mořské vody | 15 Mřížka a filtr vratného vzduchu |
| 8 Vstup mořské vody v trupu | 16 Izolované ohebné potrubí |

5.2 Specifikace

V této části jsou uvedeny specifikace pro klimatizaci.

Tabulka 27: Minimální velikosti potrubí a mřížky pro jednotlivé kapacity BTU

	3.5 k BTU	6 k BTU	8 k BTU	10 k BTU
Minimální průměr potrubí	3,00 in (76,2 mm)	4,00 in (101,6 mm)	5,00 in (127,0 mm)	6,00 in (152,4 mm)
Minimální plocha potrubí	6,8 in ² (43,9 cm ²)	12,6 in ² (81,3 cm ²)	19,6 in ² (126,5 cm ²)	28,3 in ² (182,6 cm ²)
Minimální mřížka vratného vzduchu	64,0 in ² (412,9 cm ²)	64,0 in ² (412,9 cm ²)	80,0 in ² (516,2 cm ²)	100,0 in ² (645,2 cm ²)
Minimální mřížka přiváděného vzduchu	12,0 in ² (77,4 cm ²)	32,0 in ² (206,5 cm ²)	48,0 in ² (309,7 cm ²)	60,0 in ² (387,1 cm ²)
	12 k BTU	16 k BTU	18 k BTU	27 k BTU
Minimální průměr potrubí	6,00 in (152,4 mm)	7,00 in (177,8 mm)	7,00 in (177,8 mm)	8,00 in (203,2 mm)
Minimální plocha potrubí	28,3 in ² (182,6 cm ²)	38,5 in ² (248,4 cm ²)	38,5 in ² (248,4 cm ²)	50,3 in ² (324,5 cm ²)
Minimální mřížka vratného vzduchu	130,0 in ² (838,8 cm ²)	160,0 in ² (1032,3 cm ²)	200,0 in ² (1290,4 cm ²)	240,0 in ² (1548,5 cm ²)
Minimální mřížka přiváděného vzduchu	70,0 in ² (451,6 cm ²)	80,0 in ² (516,2 cm ²)	100,0 in ² (645,2 cm ²)	120,0 in ² (774,2 cm ²)

Tabulka 28: Provozní teplota a tlak vody

Minimální provozní teplota vody	40,0 °F (4,44 °C)
Maximální provozní teplota vody	80,0 °F (26,66 °C)
Minimální provozní tlak vody	4,2 psi (0,29 bar) (29,00 kPa)
Maximální provozní tlak vody	6,00 psi (0,41 bar) (41,4 kPa)

POZNÁMKA Mimo tyto podmínky může jednotka pracovat se sníženým výkonem.

6 Před instalací

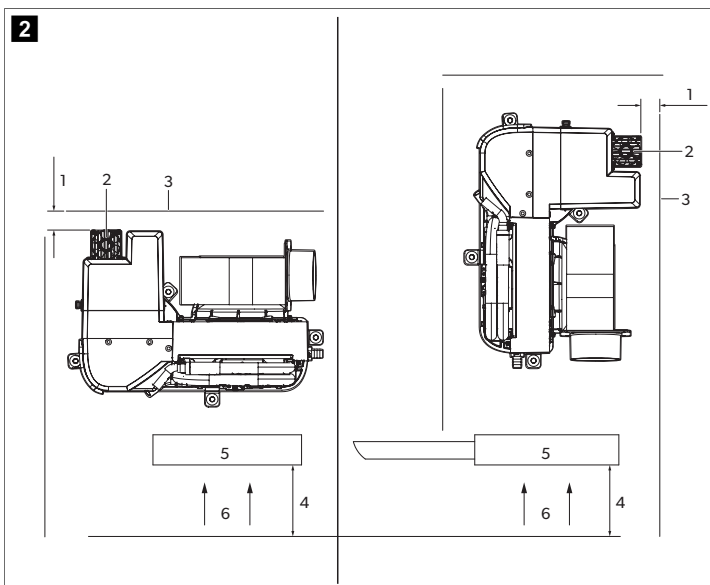
POZOR! Samostatné základní vany na kondenzát DTG a TX jsou vybaveny vibračními izolátory instalovanými ve dně vany. Izolátory jsou navrženy pro tlumení vibrací způsobené provozem klimatizace, aby se nepřenášely do namontovaného povrchu. Při přemísťování klimatizace na různé montážní plochy je třeba dbát zvýšené opatrnosti, aby nedošlo k poškození izolátorů.

POZOR! Klimatizaci montujte na nízký, plochý a rovný povrch, například na dno skříňky, pod sedadlo palandy nebo jídelního koutu nebo na podobné místo.

V této části je vysvětlena příprava klimatizace k instalaci.

6.1 Určení místa instalace

Umístění systému TX vzhledem k proudu vzduchu



1 3,00 in (7,62 cm)

2 Chladič

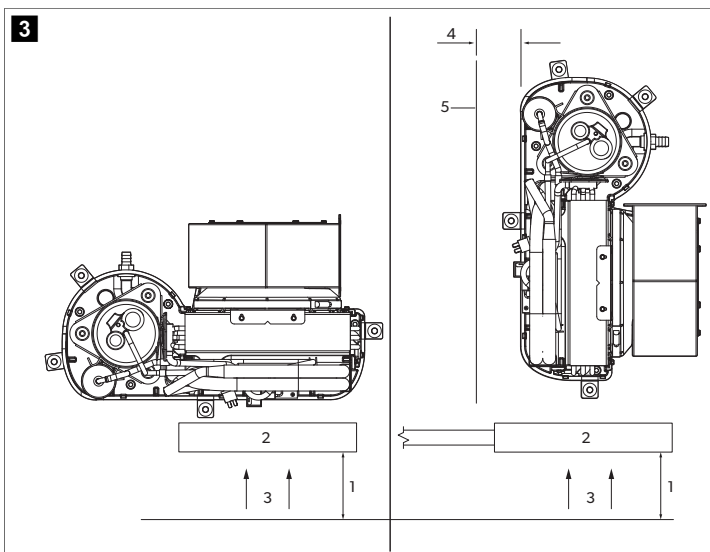
3 Přepážka

4 4,00 in (10,16 cm)

5 Mřížka vratného vzduchu

6 Proud vzduchu

Umístění všech ostatních klimatizačních jednotek vzhledem k proudu vzduchu



1 4,00 in (10,16 cm)

2 Mřížka vratného vzduchu

3 Proud vzduchu

4 3,00 in (7,62 cm)

5 Přepážka

Vyberte místo s dostatečným prouděním vzduchu. Před mřížkou vratného vzduchu by měl být minimálně 4,00 in (10,16 cm) volný prostor pro cirkulaci vzduchu bez jakýchkoli překážek.

Pokud je klimatizace umístěna kolmo k mřížce vratného vzduchu, zachovejte na straně přívodu vzduchu minimálně 3,00 in (7,62 cm) volného prostoru pro cirkulaci vzduchu.

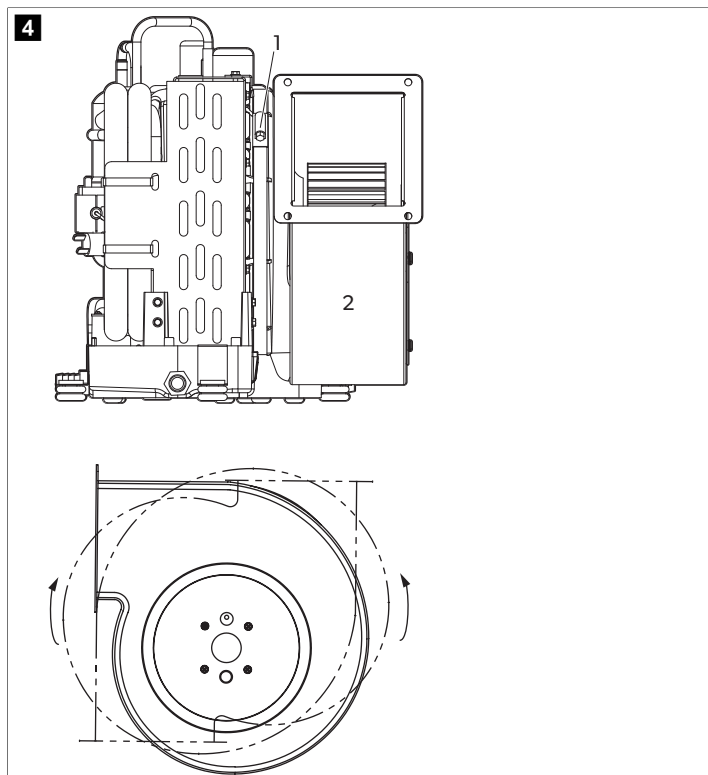
Pouze pro TX: Nad chladičem a pod chladičem ponechejte minimální volný prostor 2,99 in (76,0 mm).

6.2 Otáčení ventilátoru

V této části je vysvětleno, jak otáčet ventilátor pro jednotlivé typy jednotek. V případě potřeby otočte ventilátor do směru, který umožňuje nejpřímější odvod vzduchu potrubím.

6.2.1 Ventilátory DTG a TX

Otáčení ventilátoru systému DTG a TX



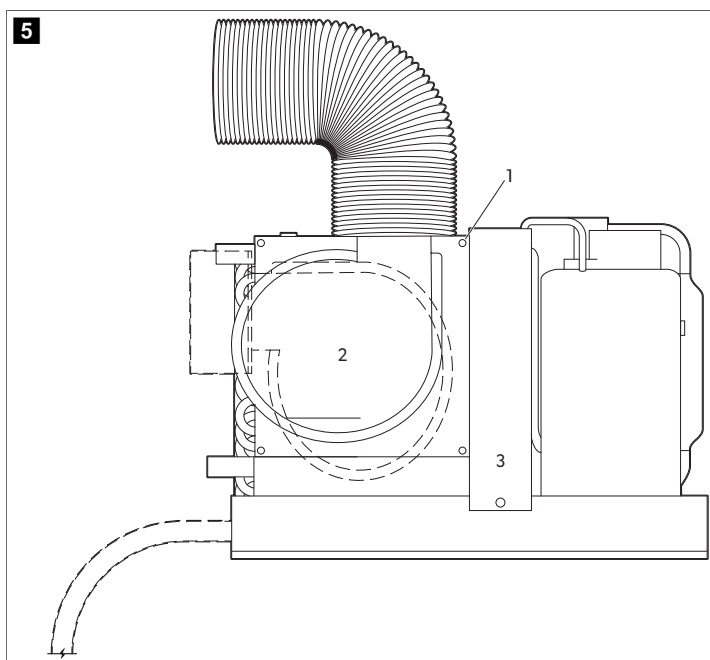
1 Adjustment screw

2 Blower

1. Uvolněte seřizovací šroub na upevňovacím kroužku ventilátoru.
2. Otočte ventilátor do požadované polohy.
3. Utáhněte seřizovací šroub.

6.2.2 Ventilátory MCS a ECD

Otáčení ventilátoru systému MCS a ECD



- 1 Screw
2 Štítek
3 Ventilátor

- Odeberte sedm šroubů na desce.
- Otočte ventilátor do požadované polohy.
- Zajistěte ventilátor na místě pomocí samořezných šroubů (nejsou součástí dodávky).

6.3 Vložení vzduchových filtrů

Vzduchové filtry odstraňují částice ze vzduchu v kabině a udržují čistou cívku výparníku. Pro každou klimatizaci umístěte jeden vzduchový filtr, a to buď na klimatizaci, nebo do mřížky zpětného vzduchu.

6.4 Umístění mřížek a přechodových skříňek

Při umísťování mřížek a přechodových skříňek berte v úvahu následující skutečnosti:

- Mřížku přiváděného vzduchu nainstalujte co nejvýše na místo, odkud bude zajištěna rovnoměrná distribuce vzduchu v celé kabině. Mřížové žaluzie nasměrujte nahoru.
- Mřížku vratného vzduchu instalujte co nejnižší a co nejbližší ke klimatizaci, aby bylo zajištěno proudění vzduchu k výparníku.
- Výstup přiváděného vzduchu nesmí směřovat k mřížce vratného vzduchu. V opačném případě by docházelo k opakovanému zapínání a vypínání systému v krátkých intervalech.
- Za mřížkou přiváděného vzduchu ponechte dostatečný volný prostor pro přechodovou skříňku a přípojku potrubí. Viz Specifikace na stránce 103

7 Instalace

V této části je vysvětleno, jak nainstalovat samostatnou klimatizaci.

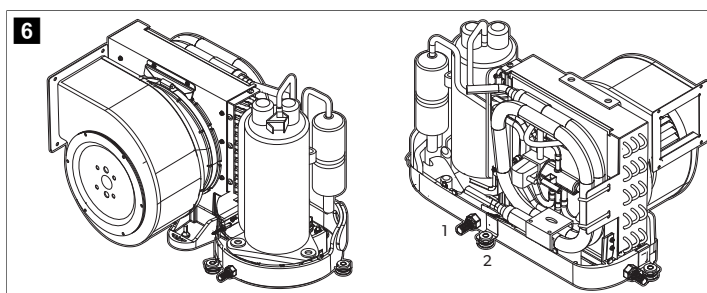
7.1 Instalace montážních konzol a odvodu kondenzátu



POZOR!

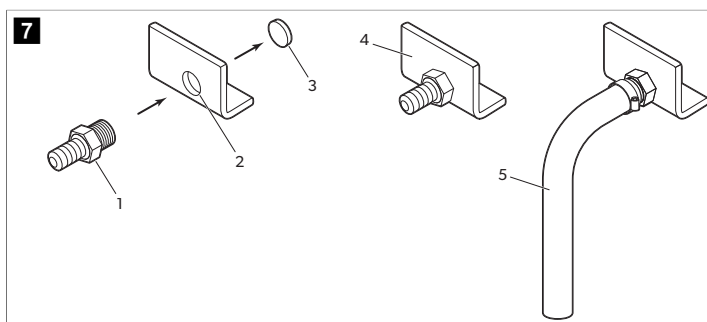
Abyste zabránili prasknutí odtokové vany, nepoužívejte k omotání hadicového hrotu více než dvě vrstvy instalátorské pásky a hadicový hrot příliš neutahujte.

Typické umístění montážních konzol a odtoků kondenzátu



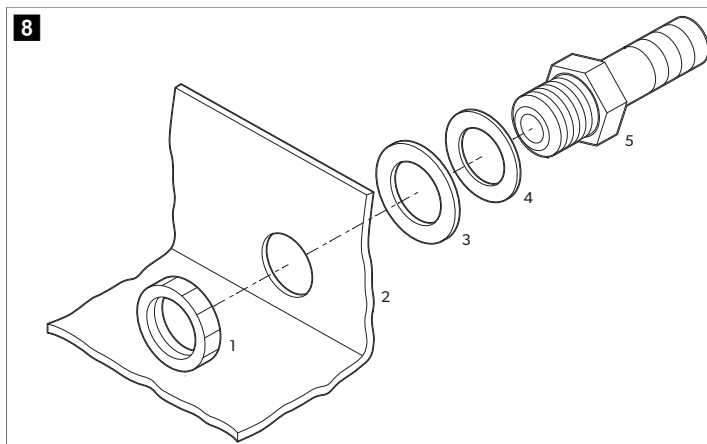
- 1 Hrot hadice na odtok kondenzátu
2 Montážní konzola

Instalace odtoku kondenzátu pro systémy DTG a TX



- 1 Hose barb
2 Závitový otvor odtoku
3 Vyražení záslepky
4 Drain pan
5 Odtoková hadice

Instalace odtoku kondenzátu pro všechny ostatní klimatizační jednotky



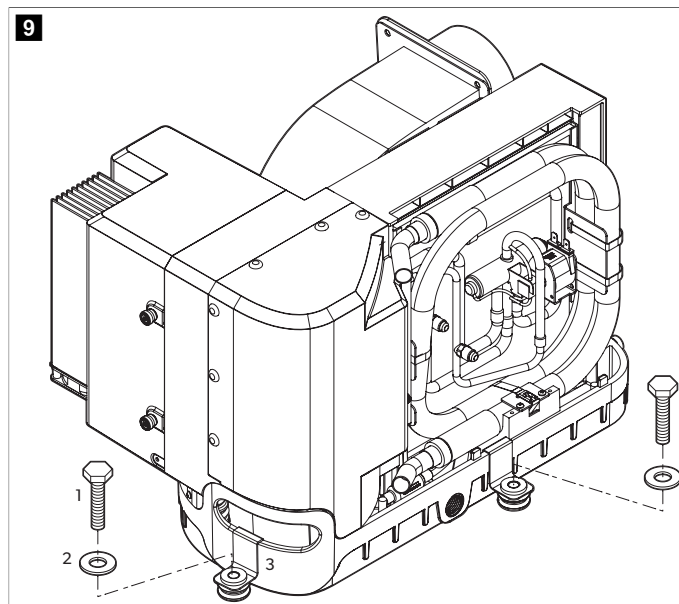
- 1 Locking nut
2 Odtoková vana
3 Podložka kapalinového těsnění
4 Solid washer
5 PVC armatura 0,5 in (12,7 mm) HB x 0,5 in (12,7 mm) MPT

- Veźměte hadicový hrot a vyrazeťe záslepku z vypouštěcího otvoru směřujícího k zádi, udělejte to jedním rychlým úderem gumové paličky. Vyraženou záslepku zlikvidujte.
- Pro jednotky DTG a TX:
 - Omotejte závitový konec hadicového hrotu instalátorskou páskou.
 - Našroubujte hadicový hrot do závitového otvoru odtoku a pevně jej utáhněte.

3. Pro všechny ostatní klimatizace:
 - a) Hadicový hrot provlékněte pevnou podložkou a podložkou kapalinového těsnění a zasuňte jej do odtokového otvoru.
 - b) Zajistěte pojistnou maticí.
4. Připevněte odtokovou hadici k hadicovému hrotu pomocí hadicové svorky z nerezové oceli.

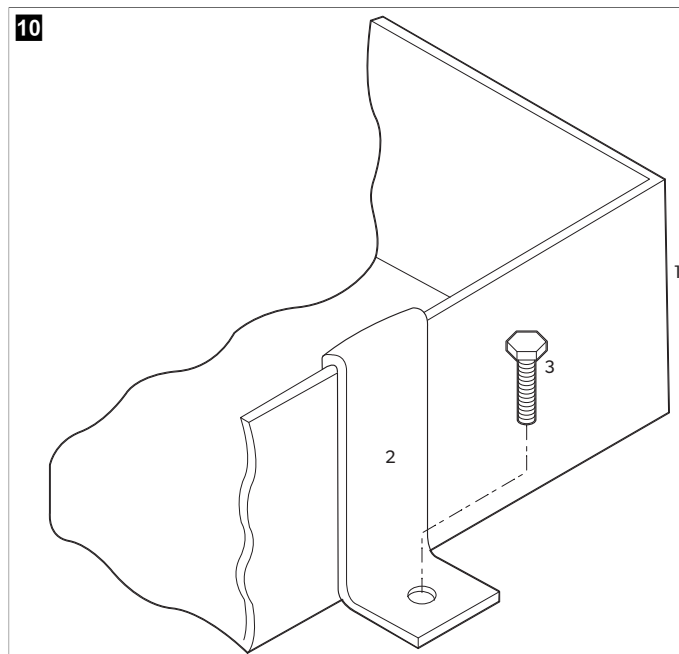
5. Odtokovou hadici ved'te směrem dolů k bezpečnému a vhodnému sběrnému místu.

Instalace montážní konzoly pro jednotky DTG a TX



- 1 Montážní čep (není součástí dodávky)
- 2 Podložka chrániče (je součástí dodávky)
- 3 Montážní konzola (je součástí dodávky)

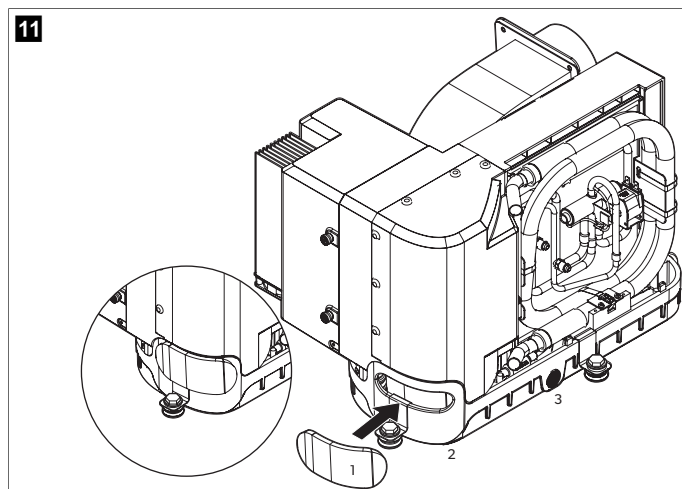
Instalace montážní konzoly pro všechny ostatní klimatizační jednotky



- 1 Odtoková vana
- 2 Montážní konzola
- 3 Montážní čep (není součástí dodávky)

6. Nainstalujte jednu montážní konzolu na každou stranu odtokové vany v pravidelných vzdálenostech.

Instalace pěnové izolace rukojeti na jednotkách TX



- 1 Pěnová izolace rukojeti
2 Otvor rukojeti
3 Odtoková vana

7. Pro jednotky TX:

- Sejměte fólii, která zakrývá lepicí podložku na pěnové izolaci rukojeti.
- Umístěte pěnovou izolaci rukojeti tak, aby zcela zakrývala otvor rukojeti, a sice lepicí stranou směrem k odtokové vaně.
- Tlačte kolem otvoru rukojeti, aby pěnová izolace rukojeti přilnula k odtokové vaně.

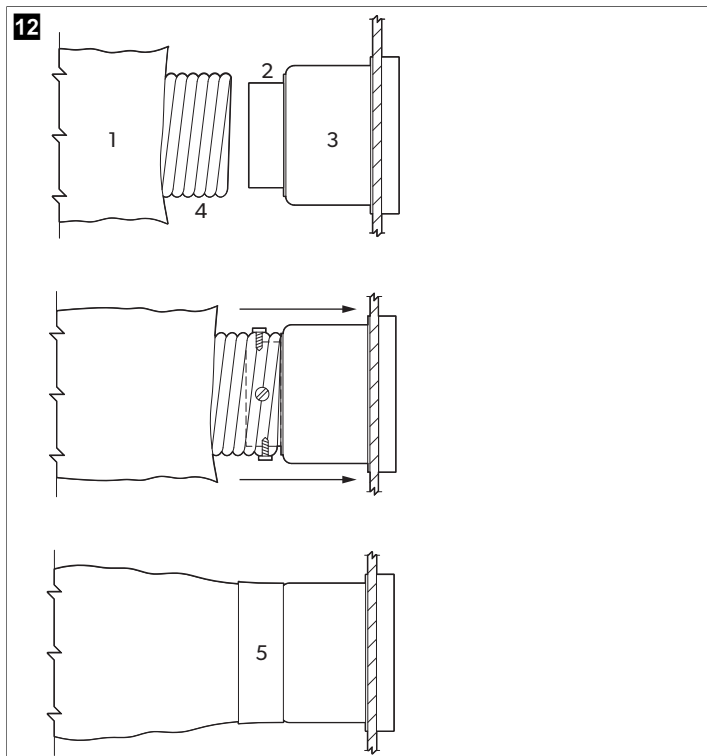
7.2 Instalace potrubí

Při instalaci potrubí dodržte následující podmínky:

- Potrubí musí být vhodně dimenzováno pro danou aplikaci.
- Veďte potrubí pokud možno rovně, hladce a dostatečně napnuté, minimalizujte počet 90,00° ohybů a smyček, které mohou snižovat průtok vzduchu.
- Upevněte řádně potrubí, aby se neprohýbalo.
- Potrubí se nesmí zplošťovat ani zalamovat.
- Po instalaci zkraťte přebytečnou délku potrubí.
- Pokud se potrubí nachází v oblastech s vysokou teplotou, izolujte je.
- Pokud se potrubí nachází v oblastech s vysokou teplotou, izolujte je.
- Nevedte potrubí přes motorový prostor nebo jiné prostory, kde by mohlo být vystaveno nebezpečným výparům nebo výfukovým plynům.

Pokud je použita přechodová skříňka, musí být celková plocha potrubí přiváděného vzduchu vycházejícího ze skříňky alespoň stejná jako celková plocha potrubí přiváděného vzduchu vstupujícího do skříňky. Viz Specifikace na stránce 103

Připojky potrubí



- 1 Skloláknová izolace
2 Montážní kroužek
3 Přechodová skříňka
4 Vnitřní hadice potrubí z materiálu Mylar
5 Lepicí páska

- Nasadte vnitřní hadici potrubí z materiálu Mylar na montážní kroužek do přechodové skříňky.
- Skrz hadici potrubí z materiálu Mylar našroubujte tři nebo čtyři nerezové šrouby do montážního kroužku tak, aby hlavice šroubů zachytily dva nebo tři dráty.
- Nasadte skloláknovou izolaci kolem vnitřní hadice potrubí z materiálu Mylar do přechodové skříňky. Zajistěte lepicí páskou.

7.3 Montáž systému mořské vody



POZOR!

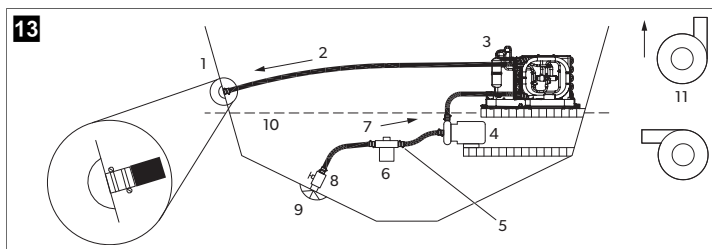
Nedodržení tohoto postupu vede ke ztrátě záruky.

Při nastavování systému mořské vody dodržujte následující pokyny:

- Sítka musí být pod úrovní čerpadla.
- Hadice musí být dvojité upnuté.
- Hadice nesmějí být zalomené, odřené nebo vypouklé tak, aby se v nich nemohl hromadit vzduch.
- Čerpadlo a sítko musí být pod čarou ponoru.
- Vstup do trupu, kulový ventil, hadice a sítko by neměly být menší než vstup do čerpadla.
- Armaturu vstupu do trupu nainstalujte co nejvíc pod čarou ponoru.
- Čerpadlo musí mít vyhrazený vstup do trupu.
- Pokud možno se vyhněte 90,00° kolenovým armaturám.
- Zajistěte, aby hlava čerpadla byla natočena ve směru proudění vody.
- Zajistěte všechny závitové spoje instalátorskou páskou.

Maximální a minimální hodnoty teploty a tlaku vody viz Specifikace na stránce 103.

Systém mořské vody



- | | |
|------------------------|---|
| 1 Výpust mořské vody | 7 Stoupající vstupní proud |
| 2 Výtok | 8 Kulový ventil |
| 3 Klimatizace | 9 Vstup vody v trupu |
| 4 Čerpadlo mořské vody | 10 Čára ponoru |
| 5 Hadicové svorky | 11 Správná orientace sítka hlavy čerpadla |
| 6 Filtrační sítko | |

- Nainstalujte vstup mořské vody v trupu co nejbližší kýlu a co nejvíc pod čáru ponoru. Zajistěte vstup vody v trupu pomocí těsnícího prostředku námořní kvality určeného pro použití pod vodou.
- Na vstup mořské vody v trupu nainstalujte proudový, bronzový mořský ventil.
- Nainstalujte sítko mořské vody pod úroveň čerpadla s přístupem k filtru.
- Čerpadlo namontujte nad sítko a nejméně jeden metr pod čáru ponoru.
- Propojte kohout mořské vody a sítko zesílenou hadicí námořní kvality pro stoupající tok.
- Připojte výpust z čerpadla stoupajícím směrem ke spodnímu vstupu kondenzátorové cívky klimatizace pomocí vyztužené hadice námořní kvality 5/8 palce (0,63 in (16,0 mm)).
- Připojte výpust z kondenzátorové cívky k armatuře palubního vypouštěcímu otvoru přes trup pomocí 5/8palcové hadice námořní kvality.
- Zabraňte u mořské hadice tvorbě smyček, vyvýšených míst a nepoužívejte 90,00° kolena. Každé 90,00° koleno odpovídá 2,5 ft (0,76 m) (29,92 in (76,00 cm)) hadice a 90° koleno na výstupu čerpadla odpovídá 20,0 ft (6,10 m) (240,16 in (610,00 cm)) hadici.
- Zajistěte všechny hadicové spoje pomocí dvou svorek z nerezové oceli, přitom podle potřeby uspořádejte svorky v opačném pořadí.
- Připojte všechny kovové části, které přicházejí do styku s mořskou vodou, k připojovacímu systému plavidla.

7.4 Provedení elektrických přípojek



VÝSTRAHA! NEBEZPEČÍ ÚRAZU ELEKTRICKÝM PROUDEM.

Před otevřením spínací skříňky vždy vypněte jistič napájení klimatizace. Nedodržení tohoto varování by mohlo mít za následek smrt nebo vážné zranění.



POZOR!

Klimatizace musí být připojena k systému připojení lodi, zabráníte tak korozi z důvodu rušivých elektrických proudů. Všechna čerpadla, kovové ventily a přípojky v okruhu mořské vody, které jsou izolovány od klimatizace pomocí hadic z PVC nebo z gumy, připojte jednotlivě k připojovacímu systému lodi.



POZNÁMKA Pokud systém řádně neuzemníte a nespojíte, přestává platit záruka.

Všechny klimatizační jednotky mají uvnitř spínací skříňky svorkovnici s vyznačením správných přípojek. Schéma zapojení uvnitř spínací skříňky nahrazuje standardy ABYC. Použijte výkonový vypínač správné velikosti, aby zařízení bylo chráněno v souladu s údaji na typovém štítku klimatizační jednotky. K napájení klimatizace a čerpadla mořské vody používejte lodní kabel o minimální velikosti 12 AWG. Všechna připojení proveďte pomocí kroužkových svorek nebo vidlicových svorek.

Při provádění elektrických připojení dodržujte následující pokyny:

- Uzemnění střídavého proudu (AC) musí být připojeno k zemnicí svorce (GRND) na vstupní svorkovnici AC.
- Spojení mezi uzemňovacím vodičem systému střídavého proudu (AC) a záporným nebo vazebním systémem stejnosměrného proudu (DC) plavidla musí být provedeno jako součást elektroinstalace plavidla. Při údržbě nebo výměně stávajícího vybavení, které má zemnicí kolík namontovaný na rámu, zkontrolujte, zda jsou tyto přípojky v elektroinstalaci plavidla.
- Klimatizace TX jsou navrženy pro provoz na střídavý proud nebo vysokonapěťový stejnosměrný proud. Správné umístění naleznete ve schématu zapojení plavidla.

Ujistěte se, že je uzemnění klimatizace na střídavý proud správně připojeno k uzemnění střídavého proudu plavidla. Na samotné lodi zajistěte, aby byla zemnicí sběrnice střídavého proudu připojena k zemnicí sběrnici stejnosměrného proudu přesně na jednom místě.

8 Likvidace



Obalový materiál pokud možno zlikvidujte do vhodných recyklačních odpadních nádob. Informace o likvidaci výrobku v souladu s platnými předpisy pro likvidaci vám sdělí místní recyklační středisko nebo specializovaný prodejce.

9 Záruka

Informace o záruce a záruční podpoře v USA, Kanadě a všech ostatních regionech jsou uvedeny v odstavcích níže.

Spojené státy a Kanada

OMEZENÁ ZÁRUKA K DISPOZICI NA DOMETIC.COM/EN-US/TERMS-AND-CONDITIONS-CONSUMER/WARRANTY. V PŘÍPADĚ DOTAZŮ NEBO POKUD CHCETE ZÍSKAT KOPII OMEZENÉ ZÁRUKY ZDARMA, KONTAKTUJTE:

DOMETIC CORPORATION
MARINE CUSTOMER SUPPORT CENTER
2000 NORTH ANDREWS AVENUE
POMPANO BEACH, FLORIDA, USA 33069
1-800-542-2477

Země Asie a Tichomoří (APAC)

Pokud výrobek nepracuje, jak by měl, kontaktujte svého specializovaného prodejce nebo pobočku výrobce ve své zemi (viz adresa dometic.com/dealer). Záruka platná pro váš výrobek je 1 rok.

K vyřízení opravy nebo záruky nezapomeňte odeslat následující dokumenty:

- kopii účtenky s datem zakoupení,
- uvedení důvodu reklamace nebo popis vady.

Upozorňujeme, že oprava svépomocí nebo neodborná oprava může ohrozit bezpečnost a vést ke ztrátě záruky.

Jen pro Austrálii

Naše zboží přichází se zárukami, které nelze podle australského zákona o ochraně spotřebitele vyloučit. V případě závažného selhání přístroje máte nárok na výměnu nebo vrácení peněz a na odškodnění za jakoukoli přiměřeně předvídatelnou ztrátu nebo poškození. Máte také nárok na opravu zboží nebo jeho výměnu, pokud zboží nebude přijatelné kvality a porucha nepředstavuje závažnou poruchu.

Jen pro Nový Zéland

Tento záruční list podléhá podmínkám a zárukám, které jsou povinné podle novozélandského zákona o ochraně spotřebitele z roku 1993(NZ).

Všechny ostatní oblasti

Na výrobek je poskytována záruka v souladu s platnými zákony. Pokud je výrobek vadný, kontaktujte pobočku výrobce ve vaší zemi nebo svého prodejce (viz dometic.com/dealer).

K vyřízení opravy nebo záruky nezapomeňte odeslat následující dokumenty:

- kopii účtenky s datem zakoupení,
- uvedení důvodu reklamace nebo popisu vady.

Upozorňujeme, že oprava svépomocí nebo neodborná oprava může ohrozit bezpečnost a vést ke ztrátě záruky.

Magyar

1 Fontos információk.....	110
2 Szimbólumok magyarázata.....	110
3 Célcsoport.....	111
4 Rendeltetészerű használat.....	111
5 Műszaki adatok.....	111
6 A beszerelés előtt.....	112
7 Szerelés.....	113
8 Ártalmatlanítás.....	116
9 Szavatosság.....	116

1 Fontos információk

A termék mindenkor szakszerű telepítése, használata és karbantartása érdekében kérjük figyelmesen olvassa el az ebben a termék kézikönyvben található utasításokat, irányelveket és figyelmeztetéseket, valamint mindig tartsa be ezeket. Ezt az útmutatót a termék közelében KELL tartani.

A termék használatba vételével Ön kijelenti hogy figyelmesen elolvasta az összes utasítást, irányelvet és figyelmeztetést, valamint megértette és elfogadja az itt leírt szerződési feltételeket. Ön elfogadja, hogy kizárólag a rendeltetésének megfelelő célra és a jelen termék kézikönyvben leírt útmutatásoknak, irányelveknek és figyelmeztetéseinek, valamint a hatályos törvényeknek és szabályozásoknak megfelelően használja ezt a terméket. Az itt leírt utasítások és figyelmeztetések elolvasásának és betartásának elmulasztása saját és mások sérüléséhez, a termék vagy a közelben található más anyagi javak károsodásához vezethet. Ez a termék kézikönyv és a benne található utasítások, irányelvek és figyelmeztetések, valamint a kapcsolódó dokumentációk módosulhatnak és frissülhetnek. Naprakész termékinformációkért látogasson el a következő honlagra: documents.dometic.com.

2 Szimbólumok magyarázata

A figyelmeztető szavak a biztonsági utasítások, valamint a vagyoni károk elkerülésére szolgáló utasítások jelzésére szolgálnak, továbbá a veszély súlyosságát is jelzik.



FIGYELMEZTETÉS!

Veszélyes helyzetet jelöl, amely súlyos sérülést vagy halált okozhat, ha nem kerülik el.



FIGYELEM!

Olyan helyzetet jelöl, amely vagyoni kárt okozhat, ha nem kerülik el.



MEGJEGYZÉS A termék kezelésére vonatkozó kiegészítő információk.

2.1 Kiegészítő utasítások

A balesetek és sérülések kockázatának csökkentése érdekében kérjük, hogy a készülék beszerelése előtt vegye figyelembe az alábbi irányelveket:

- Olvassa el és tartsa be az összes biztonsági információt és utasítást.
- A termék telepítése előtt olvassa el és értelmezze ezeket az utasításokat.
- A telepítésnek meg kell felelnie az összes vonatkozó helyi vagy nemzeti előírásnak, beleértve a következő szabványok legújabb kiadását:
 - Amerikai Hajó és Yacht Tanács (American Boat and Yacht Council – ABYC)
 - ANSI/NFPA70, National Electrical Code (NEC)

2.2 Biztonsági útmutatások



FIGYELMEZTETÉS! SZÉNMONOXID-VESZÉLY!

Az alábbi figyelmeztetések figyelmen kívül hagyása súlyos vagy akár halálos sérüléshez vezethet:

- > **Ne** telepítsen vagy működtessen önálló légkondicionálót a fenéktérben vagy a motortérben, illetve belső égésű motor közelében. A kiválasztott hely legyen elzárva a fenékvíz és/vagy a motortér gőzeinek való közvetlen kitétségtől.

- > A kondenzvíz-elvezető vezeték legyen megfelelően elhelyezve és lezárva. A kondenzvíz-elvezető vezeték **ne** végződjön 0,91 m (3 láb) távolságon belül a motor vagy a generátor kipufogórendszerének kivezetésétől, a motort vagy generátort tartalmazó térben vagy a fenékvízgyűjtőben, kivéve, ha a lefolyó lezárt kondenzvíz-elvezető vagy zuhanykifolyó szivattyúhoz csatlakozik megfelelően. Ha a lefolyóvezeték beszerelése nem megfelelő, veszélyes füstök áramolhatnak felfelé a lefolyóvezetéken, és szennyezhetik a lakótereket.
- > **Ne** szerelje a légkondicionálót olyan helyre, ahol szén-monoxidot, üzemanyag-gőzöket vagy más mérgező füstöket juttathat a hajó lakóterébe.



FIGYELMEZTETÉS! ÁRAMÜTÉS MIATTI VESZÉLY

A beépítést csak képzett villanyszerelő végezheti el.



FIGYELMEZTETÉS! ÁRAMÜTÉS VESZÉLYE, TÚZ ÉS/VAGY ROBBANÁSVESZÉLY!

Ezeknek a figyelmeztetéseknek a figyelmen kívül hagyása súlyos, akár halálos sérüléshez is vezethet.

A készüléket korlátozott testi, szellemi, illetve érzékszervi képességgel rendelkező (gyerekeket is beleértve), illetve a készülékek használatához szükséges gyakorlat vagy tudás híján lévő személyek **ne** használják, kivéve, ha felelős személy felügyeli a biztonságukat, illetőleg az ő útmutatása alapján használják a készüléket. A gyerekeket felügyelni kell annak érdekében, hogy **ne** játsszanak a készülékekkel. A tisztítást és a felhasználói karbantartást felügyelet nélküli gyermekek **nem** végezhetik. A készüléket **nem** szabad hozzáférhetővé tenni a nagyközönség számára.



FIGYELMEZTETÉS! ROBBANÁSVESZÉLY!

Ezeknek a figyelmeztetéseknek a figyelmen kívül hagyása súlyos, akár halálos sérüléshez is vezethet.

Ne szerelje a légkondicionálót olyan helyre, ahol benzinmotorok, tartályok, LPG-/CPG-palackok, szabályozók, szelepek vagy üzemanyagvezeték-szerelvények találhatóak. Eltérő jelölés hiányában az önálló egységek **nem** felelnek meg a gyújtással szembeni védelemre vonatkozó szövetségi követelményeknek. Ennek a figyelmeztetésnek a figyelmen kívül hagyása súlyos vagy halálos sérüléshez vezethet.



FIGYELMEZTETÉS! ÁRAMÜTÉS VESZÉLYE!

Ezeknek a figyelmeztetéseknek a figyelmen kívül hagyása súlyos, akár halálos sérüléshez is vezethet.

- > Ügyeljen a légkondicionáló hatékony földelésére az áramütés veszélyének minimalizálása érdekében. További tájékoztatásért olvassa el a felszerelési útmutatót.
- > Minden felszerelt légkondicionálóra külön megszakítóra van szükség. Ha csak egy légkondicionáló van felszerelve, a tengervízszivattyúnak **nincs** szüksége külön megszakítóra. Ha két vagy több légkondicionáló egység ugyanazt a tengervízszivattyút használja, a szivattyú vezetékeit szivattyúrelé panelhez (PRP) kell csatlakoztatni, amely viszont saját, a szivattyúhoz méretezett megszakítóval rendelkezik (max. 20 A). Lásd a PRP-hez mellékelt kapcsolási rajzot. A hajófenékben a vízvonaltól minden elektromos csatlakozást hőre zsugorodó kábelösszekötőkkel kell szigetelni.
- > A helyszíni kábelezésnek meg **kell** felelnie az ABYC elektromos előírásainak. A készülék tápellátásának az adattáblán feltüntetett üzemi feszültségtartományon belül kell lennie. A mellékáramkör védelmére megfelelő méretű biztosítékot vagy HACR megszakítót **kell** felszerelni. A biztosíték/megszakító maximális méretét (MFS) és a minimális áramköri kapacitást (MCA) lásd az adattáblán.



FIGYELEM!

A készülék fluortartalmú üvegházhatású gázokat tartalmaz hermetikusan zárt belső térben. A hűtőközeg súlyban és GWP-ben feltüntetett mennyisége a kondenzációs egység termékadattáblájának címkéjén megtalálható. A hűtőközeg rátöltött mennyiségét fel kell tüntetni a készülék címkéjén.

3 Célcsoport



A készülék mechanikai és elektromos telepítését és beállítását olyan képzett technikusnak kell elvégeznie, aki bizonyítottan rendelkezik a tengeri berendezések és telepítések építésével és üzemeltetésével kapcsolatos készségekkel és ismeretekkel, ismeri az országban, ahol a berendezést telepíteni és/vagy használni fogják, alkalmazandó előírásokat, valamint biztonsági képzésben részesült a kapcsolódó veszélyek felismerésére és elkerülésére.

4 Rendeltetészerű használat

Ez a kézikönyv a DCU, a DLU, a DTG, az ECD és a TX önálló légkondicionáló rendszerek (a továbbiakban: légkondicionáló) telepítéséhez készült. A légkondicionáló hajókon és jachtokon való használatra szolgál. Ez a légkondicionáló az itt leírt utasításoknak megfelelő rendeltetészerű használatra alkalmas.

Ez a termék az itt leírt utasításoknak megfelelő rendeltetészerű használatra alkalmas.

Ez a kézikönyv olyan információkat nyújt, amelyek a termék szakszerű telepítéséhez és/vagy üzemeltetéséhez szükségesek. A hibás telepítés és/vagy a szakszerűtlen üzemeltetés vagy karbantartás elégtelen teljesítményhez és potenciálisan meghibásodáshoz vezethet.

A gyártó nem vállal felelősséget a termék olyan károsodásáért, vagy sérüléséért, amelyek a következőkre vezethetők vissza:

- Hibás beszerelés, összeszerelés vagy csatlakoztatás, ideértve a túlfeszültséget is
- Helytelen karbantartás, vagy a gyártó által szállított eredeti cserealkatrészekről eltérő cserealkatrészek használata
- A termék kifejezett gyártói engedély nélküli módosítása
- Az útmutatóban leírt céloktól eltérő felhasználás

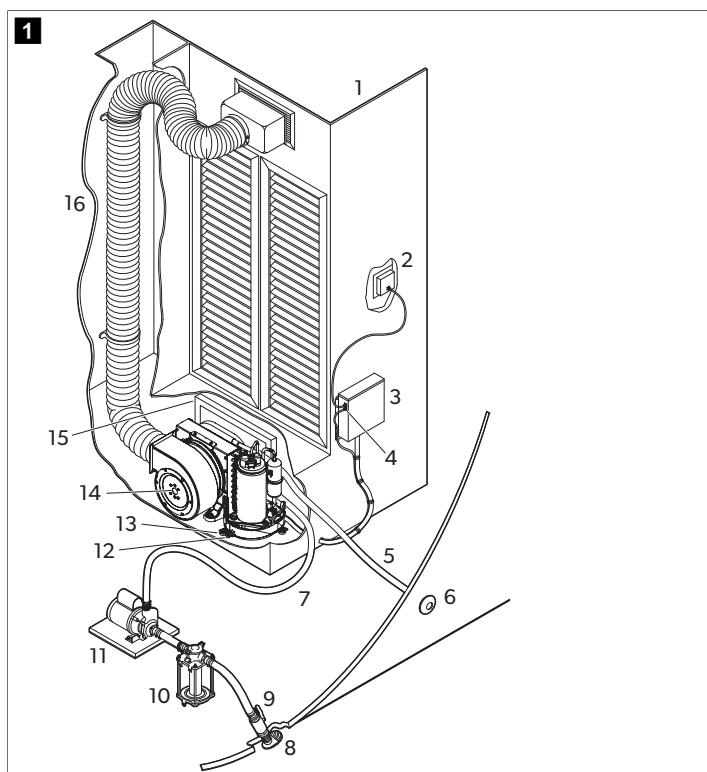
A Dometic fenntartja a termék megjelenésének és specifikációjának módosítására vonatkozó jogát.

5 Műszaki adatok

Olvassa el végig az utasítást, majd tervezze meg a légkondicionáló rendszerhez szükséges csatlakozásokat (beleértve a csővezetéseket, a kondenzvíz-elvezető vezetéket, a tengervíz be- és kimeneti tömlőket, az elektromos tápcsatlakozásokat, a vezérlés helyét és a tengervízszivattyú elhelyezését), hogy biztosítsa a könnyű hozzáférést az elvezetéshez és a későbbi karbantartáshoz.

5.1 Az alkatrészek elhelyezkedése

A légkondicionáló rendszer részegységeinek azonosítása



- | | | | |
|---|--|----|--------------------------------------|
| 1 | Levegőbemeneti rács és átalakító doboz | 9 | Seacock elzáróselepek |
| 2 | Digitális kijelző | 10 | Tengervízszűrő |
| 3 | Kapcsolódoboz | 11 | Szivattyú |
| 4 | Választható távlégérzékelő kábel | 12 | Kondenzátum-elvezető tömlőcsomok |
| 5 | Tengervíz kifolyó tömlő | 13 | Tartókonzol |
| 6 | Fedélzeti kiömlőnyílás | 14 | Légkondicionáló |
| 7 | Tengervíz bemeneti tömlő | 15 | Kiáramló levegő védőrácsa és szűrője |
| 8 | Tengervíz-átvezető nyílás a hajótesten | 16 | Szigetelt hajlékony levegőcsatorna |

5.2 Műszaki leírás

Ez a szakasz a légkondicionáló műszaki adatait tartalmazza.

táblázat 29: Minimális légcsatorna- és rácsméretek BTU-kapacitás szerint

	3.5 k BTU	6 k BTU	8 k BTU	10 k BTU
Minimális légcsatorna- átmérő	3,00 in (76,2 mm)	4,00 in (101,6 mm)	5,00 in (127,0 mm)	6,00 in (152,4 mm)
Minimális légcsatorna- keresztmetszet	6,8 in ² (43,9 cm ²)	12,6 in ² (81,3 cm ²)	19,6 in ² (126,5 cm ²)	28,3 in ² (182,6 cm ²)
Kiáramló levegő védőrácsának minimális mérete	64,0 in ² (412,9 cm ²)	64,0 in ² (412,9 cm ²)	80,0 in ² (516,2 cm ²)	100,0 in ² (645,2 cm ²)
Beáramló levegő védőrácsának minimális mérete	12,0 in ² (77,4 cm ²)	32,0 in ² (206,5 cm ²)	48,0 in ² (309,7 cm ²)	60,0 in ² (387,1 cm ²)
	12 k BTU	16 k BTU	18 k BTU	27 k BTU
Minimális légcsatorna- átmérő	6,00 in (152,4 mm)	7,00 in (177,8 mm)	7,00 in (177,8 mm)	8,00 in (203,2 mm)
Minimális légcsatorna- keresztmetszet	28,3 in ² (182,6 cm ²)	38,5 in ² (248,4 cm ²)	38,5 in ² (248,4 cm ²)	50,3 in ² (324,5 cm ²)

	12 k BTU	16 k BTU	18 k BTU	27 k BTU
Kiáramló levegő védőrácsának minimális mérete	130,0 in ² (838,8 cm ²)	160,0 in ² (1032,3 cm ²)	200,0 in ² (1290,4 cm ²)	240,0 in ² (1548,5 cm ²)
Beáramló levegő védőrácsának minimális mérete	70,0 in ² (451,6 cm ²)	80,0 in ² (516,2 cm ²)	100,0 in ² (645,2 cm ²)	120,0 in ² (774,2 cm ²)

táblázat 30: Üzemi vízhőmérséklet és -nyomás

Minimális üzemi vízhőmérséklet	40,0 °F (4,44 °C)
Maximális üzemi vízhőmérséklet	80,0 °F (26,66 °C)
Minimális üzemi víznyomás	4,2 psi (0,29 bar) (29,00 kPa)
Maximális üzemi víznyomás	6,00 psi (0,41 bar) (41,4 kPa)

i **MEGJEGYZÉS** A berendezés ezeken a határértékeken kívül csökkentett teljesítménnyel működik.

6 A beszerelés előtt

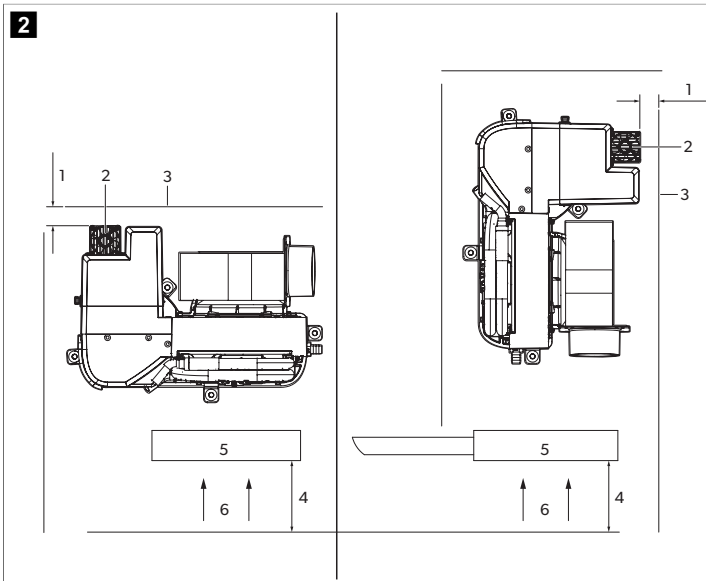
FIGYELEM!
A DTG és a TX alján az önálló kondenzvíz-gyűjtő edények rezgéscsillapítók vannak felszerelve, amelyek az edény aljába vannak beépítve. Ezek a rezgéscsillapítók úgy lettek kialakítva, hogy csillapítsák a működő légkondicionálónak a tartófelületre átvitt rezgését. A légkondicionálónak a tartófelületeken történő mozgásokkor óvatosan kell eljárni, mert a rezgéscsillapítók megsérülhetnek.

FIGYELEM!
A légkondicionálót alacsonyan elhelyezkedő sík, vízszintes felületre kell felszerelni, például szekrény aljára, az ágy, az étkezőszék alá vagy hasonló helyre.

Ez a szakasz elmagyarázza, hogyan kell előkészíteni a légkondicionálót a beszereléshez.

6.1 A beszerelés helyének meghatározása

A TX elhelyezése a légáramláshoz képest

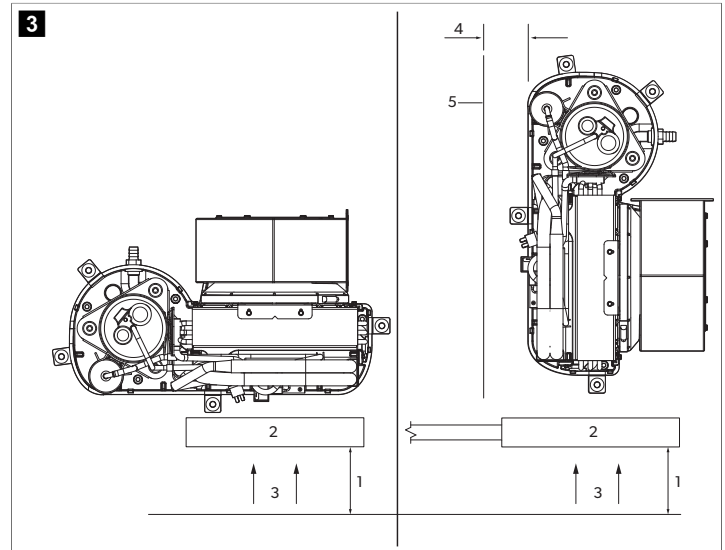


- 1 3,00 in (7,62 cm)
- 2 Hűtőegység
- 3 4,00 in (10,16 cm)
- 4 Kiáramló levegő védőrácsa

3 Válaszfal

6 Légáramlás

Az összes többi légkondicionáló egység elhelyezése a légáramláshoz képest



- 1 4,00 in (10,16 cm)
- 2 Kiáramló levegő védőrácsa
- 3 Légáramlás
- 4 3,00 in (7,62 cm)
- 5 Válaszfal

Válasszon olyan helyet, ahol elegendő a légáramlás. A kiáramló levegő védőrácsa előtt legyen legalább 4,00 in (10,16 cm) akadálymentes légáramlási távolság.

Ha a légkondicionálót a kiáramló levegő rácsára merőlegesen van elhelyezve, legyen legalább 3,00 in (7,62 cm) légáramlási távolság a bemeneti oldalon.

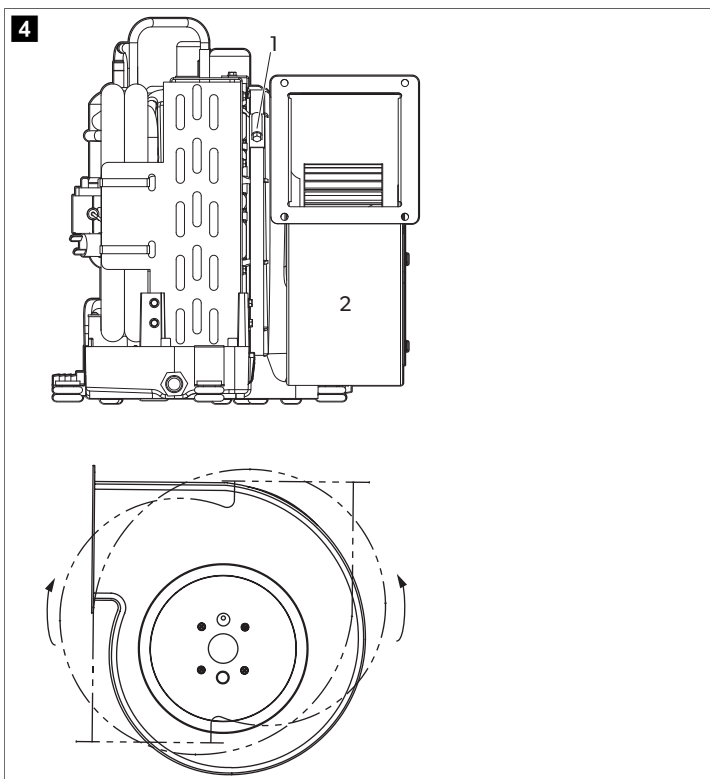
Csak a TX esetében: Legyen minimum 2,99 in (76,0 mm) nyílt terület a hűtőegység felett és alatt.

6.2 A ventilátor fűvónyílásának az elfordítása

Ez a szakasz elmagyarázza, hogyan kell elfordítani a fűvónyílást az egyes típusoknál. Ha szükséges, fordítsa el a fűvónyílást abba az irányba, amely a legközelebbi légáramlást teszi lehetővé a légcatornán keresztül.

6.2.1 A DTG és a TX ventilátora

A DTG és a TX rendszer fűvónyílásának az elfordítása



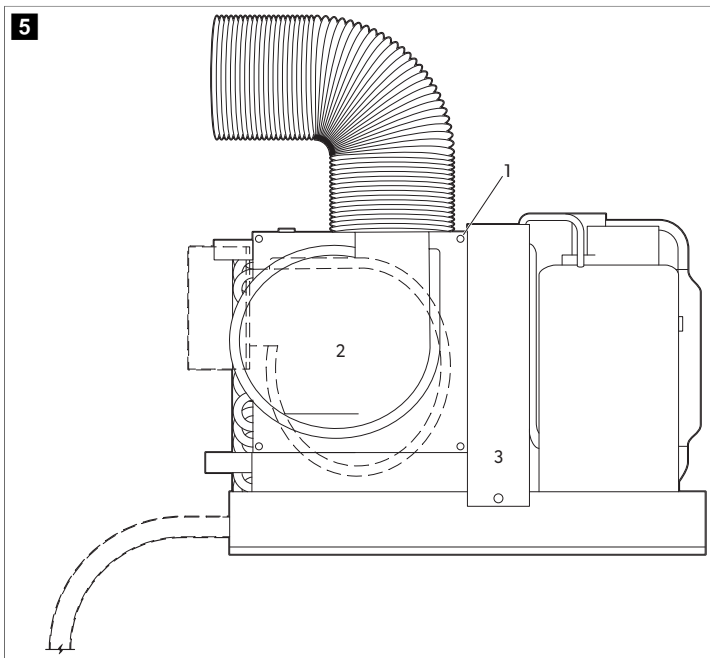
1 Adjustment screw

2 Blower

1. Lazítsa meg a fűvónyílást rögzítő gyűrűn lévő állítócsavart.
2. Fordítsa a ventilátor fűvónyílását a kívánt helyzetbe.
3. Húzza meg az állítócsavart.

6.2.2 MCS és ECD ventilátorok

Az MCS és az ECD rendszer fűvónyílásának az elfordítása



1 Screw

2 Tábla

3 Ventilátor

1. Távolítsa el a lemezből a hét csavart.
2. Fordítsa a ventilátor fűvónyílását a kívánt helyzetbe.
3. Rögzítse a ventilátor fűvónyílását önmetsző csavarokkal (nem tartozék).

6.3 A levegősűrők elhelyezése

A légsűrők eltávolítják a levegőben lévő részecskéket a kabin levegőjéből, és tisztán tartják az elpárologtatót. Minden légkondicionálónál helyezzen el légsűrőt vagy a légkondicionálóra vagy a kiáramló levegő rácsába.

6.4 A rácsok és az átalakító dobozok elhelyezése

A rácsok és az átalakító dobozok elhelyezésénél az alábbiakat kell figyelembe venni:

- A bemeneti levegő rácsát a lehető legmagasabban, olyan helyre szerelje fel, amely egyenes levegőeloszlást biztosít az egész kabinban. A rács lamelláit irányítsa felfelé.
- A kiáramló levegő rácsát a lehető legalacsonyabban és a légkondicionáléhoz minél közelebb szerelje fel, hogy biztosítsa a levegő áramlását az elpárologtatóhoz.
- A beáramló levegő nyílása nem nézhet a kiáramló levegő rácsa felé, mivel ekkor a berendezés rövid időközönként ki-, és be kapcsolna.
- Biztosítson megfelelő szabad helyet a beáramló levegő nyílása mögött az átalakító doboz és a légszűrő csatlakoztatása számára. Lásd: Műszaki leírás 111. oldal

7 Szerelés

Ez a szakasz az önálló klímaberendezés beszerelésének módját ismerteti.

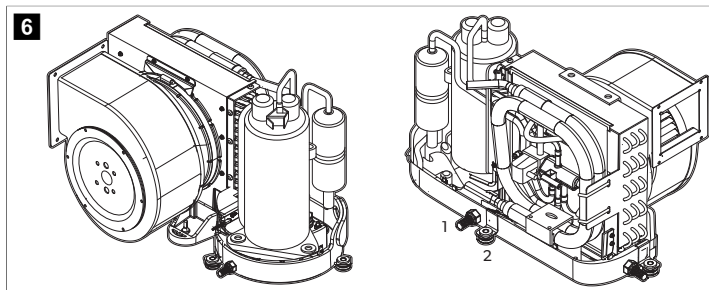
7.1 A tartókonzolok és a kondenzvíz-elvezető felszerelése



FIGYELEM!

Ne használjon két rétegnél több teflonszalagot a tömlőcsonk körbetekéréséhez, és ne húzza túl a tömlőcsonkot, nehogy megrepedjen a kondenzvíz-gyűjtő edény.

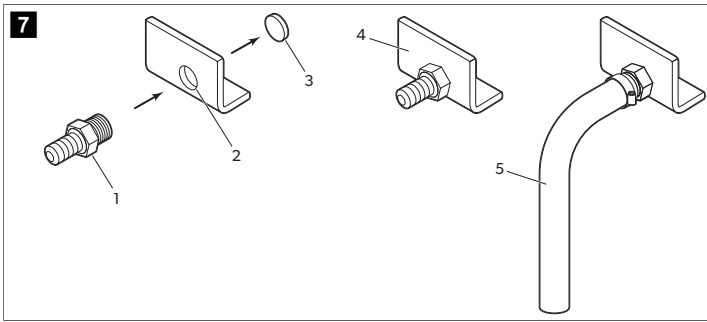
A tartókonzolok és a kondenzvíz-elvezetés jellemző elhelyezése



1 Kondenzátum-elvezető tömlőcsonk

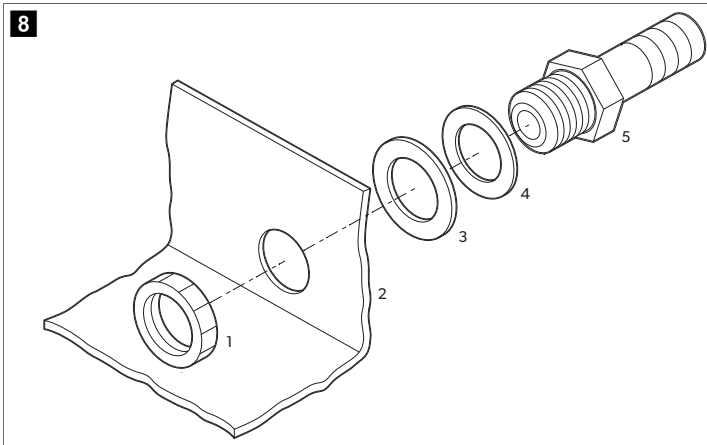
2 Tartókonzol

A kondenzvíz-elvezetés felszerelése a DTG és a TX esetén



- 1 Hose barb
- 2 Kondenzvíz-elvezető menetes nyílás
- 3 Záróelem
- 4 Drain pan
- 5 Kondenzvíz-elvezető tömlő

A kondenzvíz-elvezetés felszerelése minden más légkondicionáló egység esetén

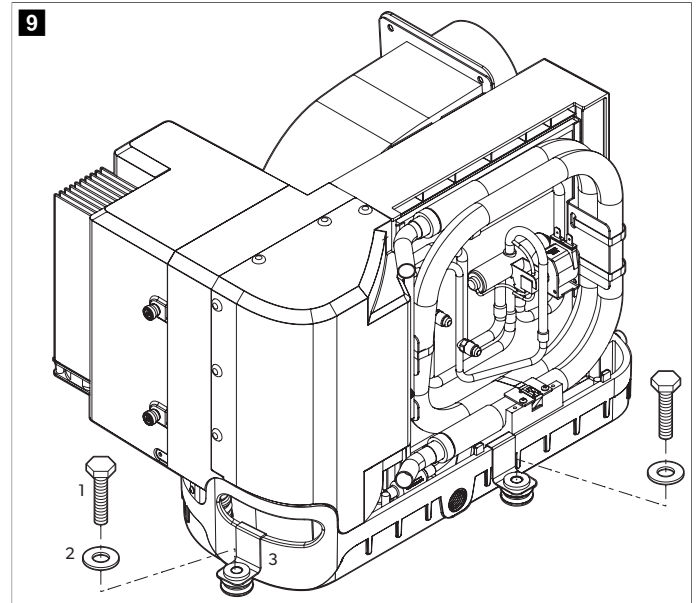


- 1 Locking nut
- 2 Kondenzvíz-gyűjtő edény
- 3 Folyadéktömítő alátét
- 4 Solid washer
- 5 PVC szerelvény 0,5 in (12,7 mm) HB x 0,5 in (12,7 mm) MPT

1. A tömlőcsokra gumikalapáccsal egy gyors ütést rámérve üsse ki a záróelemet a hátsó lefolyónyílásból. A kiütött záróelemet dobja ki.
2. DTG és TX egységnél:
 - a) Tekerje be a tömlőcsont menetes végét teflonszalaggal.
 - b) Hajtsa be a tömlőcsontot a kondenzvíz-elvezető menetes nyílásba, és húzza meg biztonságosan.
3. Az összes többi légkondicionáló esetében:
 - a) Hajtsa be a tömlőcsontot a kondenzvíz-elvezető menetes nyílásába úgy, hogy előtte feltesz rá egy tömör alátétet, majd egy folyadéktömítő alátét.
 - b) Rögzítse ellenanyával.
4. Rögzítse a kondenzvíz-elvezető tömlőt a tömlőcsontokhoz rozsdamentes acél tömlőbilinccsel.

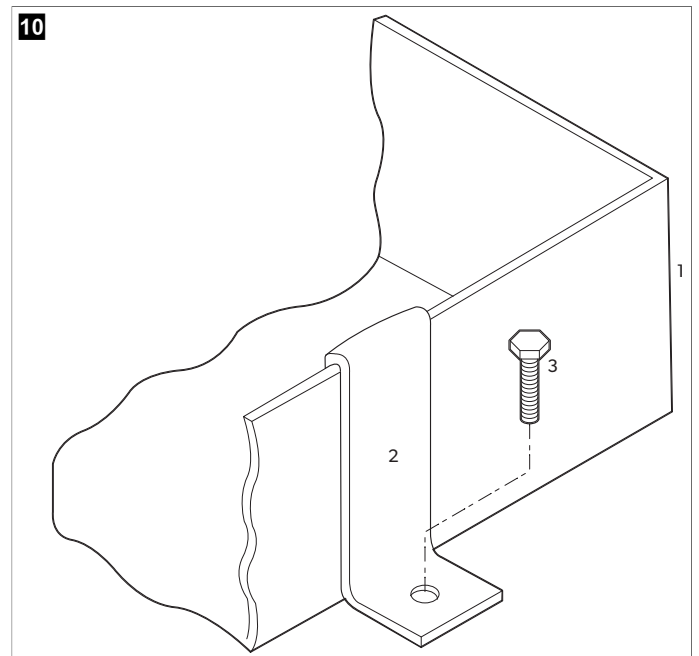
5. A kondenzvíz-elvezető tömlőt vezesse el lefelé egy biztonságos és megfelelő gyűjtőhelyre.

A tartókonzol felszerelése a DTG és a TX esetén



- 1 Rögzítőcsavar (nem tartozék)
- 2 Széles alátét (mellékelve)
- 3 Tartókonzol (mellékelve)

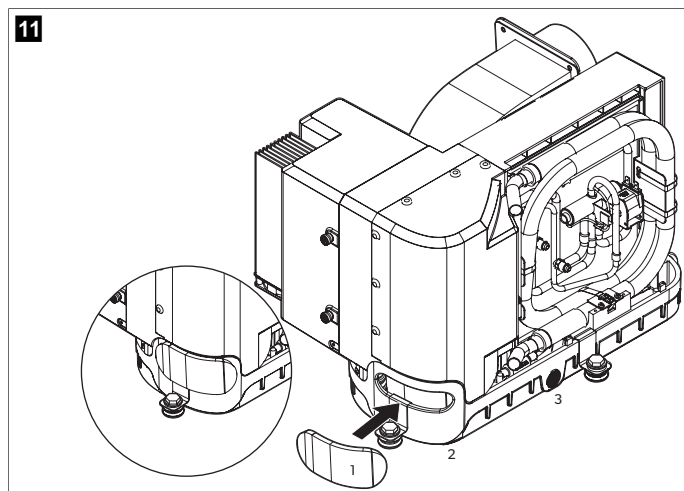
A tartókonzol felszerelése minden más légkondicionáló egység esetén



- 1 Kondenzvíz-gyűjtő edény
- 2 Tartókonzol
- 3 Rögzítőcsavar (nem tartozék)

6. Szereljen fel egy-egy tartókonzolt a kondenzvíz-gyűjtő edény minden oldalára, egyenletes távolságra egymástól.

A fogantyú-szigetelőszivacs felszerelése a TX egységekre



- 1 Fogantyú-szigetelőszivacs
2 Fogantyúnyílás
3 Kondenzvíz-gyűjtő edény

7. TX egységek esetén:

- Távolítsa el a fogantyú-szigetelőszivacs ragasztós hátlapját fedő fóliát.
- Helyezze el a fogantyú-szigetelőszivacsot úgy, hogy az teljesen befedje a fogantyúnyílást, a ragasztós oldala nézzen a kondenzvíz-gyűjtő edény felé.
- Nyomkodja meg a fogantyúnyílás körül, hogy a fogantyú-szigetelőszivacs jól a kondenzvíz-gyűjtő edényhez tapadjon.

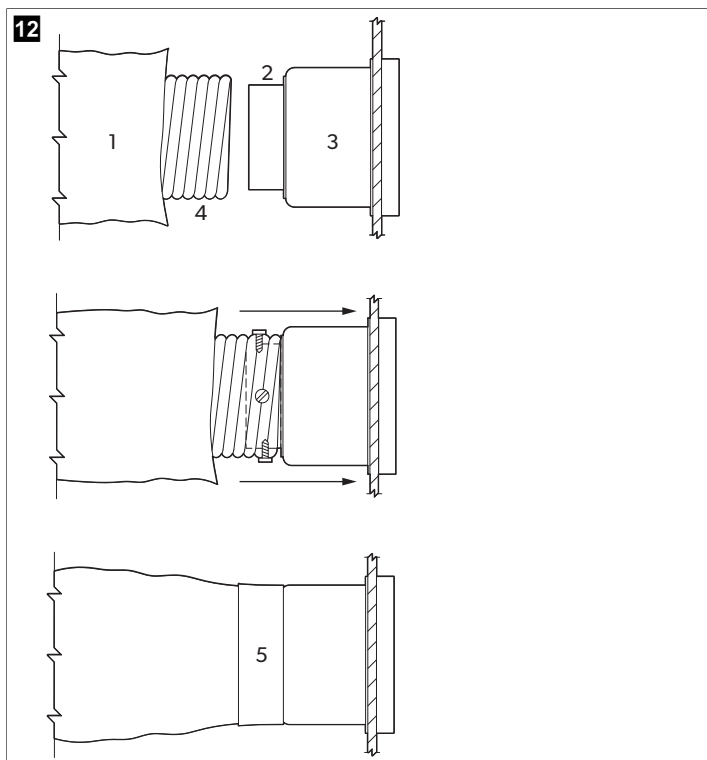
7.2 A csatornarendszer felszerelése

A csatornarendszer felszerelésekor vegye figyelembe az alábbiakat:

- A csatornarendszert az alkalmazásnak megfelelően kell méretezni.
- A csatornákat a lehető legegyszerűbben, simán és feszesen vezesse, minimalizálva a 90,00 °-os könyökök és hurok számát, amelyek lassítják a légáramlást.
- Rögzítse a csatornát biztonságosan, megelőzve a megereszkedését.
- A csatorna ne lapuljon össze és ne csavarodjon meg.
- Vágja le a csatorna felesleges részét a felszerelést követően.
- Szigetelje a csatornát, ha az magas hőmérsékletű területeken vezet át.
- Szigetelje a csatornát, ha az magas hőmérsékletű területeken vezet át.
- A csatornát ne vezesse át a gépházon vagy olyan területen, ahol veszélyes gőzöknek vagy kipufogógázoknak lehet kitéve.

Ha átalakító dobozt használ, a dobozból kivezető levegőcsatornák teljes felülete legyen legalább akkora, mint a dobozba bevezető levegőcsatornák teljes felülete. Lásd: Műszaki leírás 111. oldal

Levegőcsatorna csatlakozók



- 1 Üvegszálás szigetelés
2 Rögzítőgyűrű
3 Átalakító doboz
4 Levegőcsatorna belső mylar-tömlője
5 Ragasztószalag

- Húzza rá a levegőcsatorna belső mylar-tömlőjét az átalakító doboz rögzítőgyűrűjére.
- Hajtson be három vagy négy rozsdamentes acélsavart a mylar csatornatömlőn keresztül a rögzítőgyűrűbe, két vagy három vezetékét rögzítve a csavarfejekkel.
- Húzza rá az üvegszálás szigetelést a levegőcsatorna belső mylar-tömlője köré az átalakító dobozig. Rögzítse a ragasztószalaggal.

7.3 A tengervizes rendszer felszerelése



FIGYELEM!

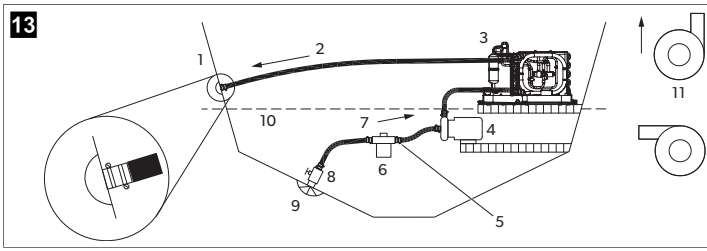
Ha nem követi ezt az eljárást, a garancia érvényét veszti.

A tengervizes rendszer felszerelésekor vegye figyelembe a következő szempontokat:

- A szűrő legyen a szivattyú alatt.
- A tömlőket dupla bilincssel kell ellátni.
- A tömlőkön nem lehetnek törések, hurok, vagy olyan területek, ahol levegő rekedhet meg.
- A szivattyúnak és a szűrőnek a vízvonal alatt kell lennie.
- Az átvezető nyílás, a golyós szelep, a tömlő és a szűrő felülete nem lehet kisebb, mint a szivattyú bemeneti nyílásának a felülete.
- Az átvezető nyílás szerelvényét a lehető leglejebbre kell elhelyezni a vízvonal alatt.
- A szivattyúnak legyen külön átvezető nyílása.
- A lehető leginkább kerülni kell a 90,00 °-os könyökszerelvények használatát.
- A szivattyúfej legyen a vízáramlás felé fordítva.
- Minden menetes csatlakozás legyen tömítve teflonszalaggal.

A maximális és minimális vízhőmérséklet és nyomásértékek tekintetében lásd: Műszaki leírás 111. oldal .

Tengervizes rendszer



- | | |
|----------------------|---|
| 1 Tengervízkielő | 7 Bemeneti feláramlás |
| 2 Kiáramlás | 8 Golyós szelep |
| 3 Légkondicionáló | 9 Átvezető nyílás a hajótesten |
| 4 Tengervízszivattyú | 10 Vízvonal |
| 5 Tömlőbilincsek | 11 Szivattyúfejszűrő megfelelő tájolása |
| 6 Szűrő | |

- Helyezzen el egy átvezető nyílást a hajótesten a lehető legközelebb a hajógerinchez és a lehető legmesszebb a vízvonal alatt. Rögzítse az átvezető nyílás szerelvényét vízfelszín alatti használatra tervezett, tengeri minőségű tömítőanyaggal.
- Szereljen fel egy bronzból készült, teljes átfolyású elzárószelepet a tengervíz-átvezető nyílásra.
- Szereljen fel egy tengervízszűrőt a szivattyú szintje alá úgy, hogy hozzáférjen a szűrőhöz.
- Szerelje fel a szivattyút a szűrő fölé, legalább harminc centivel a vízvonal alá.
- Csatlakoztassa a tengervíz elzárószelepet és a szűrőt egy felfelé irányuló, megerősített, tengeri minőségű tömlővel.
- Csatlakoztassa a szivattyú elmenő tömlőjét felfelé a légkondicionáló kondenzátortekercsének alsó bemenetéhez 5/8 hüvelykes (0,63 in (16,0 mm)) megerősített, tengeri minőségű tömlővel.
- Csatlakoztassa a kondenzátortekercs kimenetét 5/8 hüvelykes, megerősített, tengeri minőségű tömlővel a fedélzeti kivezető szerelvényhez.
- A tengervíz-tömlőnél kerülje a hurkokat, a töréseket és a 90,00 °-os könyökök használatát. Minden 90,00 °-os könyök 2,5 ft (0,76 m) (29,92 in (76,00 cm)) hosszú tömlővel egyenértékű, a szivattyú kimeneténél elhelyezett 90°-os könyök pedig 20,0 ft (6,10 m) (240,16 in (610,00 cm)) tömlőhossznak felel meg.
- A tömlőcsatlakozásokat mindig két rozsdamentes acél bilincsel rögzítse, a bilincseket szükség esetén megfordítsa.
- Csatlakoztasson minden tengervízzel érintkező fémalkatrészt a hajó potenciálkiegyenlítő rendszeréhez.

7.4 Elektromos bekötés



FIGYELMEZTETÉS! ÁRAMÜTÉS VESZÉLYE!

A kapcsolódoboz kinyitása előtt mindig kapcsolja ki a légkondicionáló áramellátásának megszakítóját. Ennek a figyelmeztetésnek a figyelmen kívül hagyása súlyos vagy halálos sérüléshez vezethet.



FIGYELEM!

A kóboráramok által okozott korrózió elkerülése érdekében kösse rá a légkondicionálót a hajó potenciálkiegyenlítő rendszerére. A tengervíz-kör minden olyan szivattyúját, fémszelepét és szerelvényét, amely a légkondicionálótól PVC- vagy gumitömlővel van elválasztva, külön-külön kell a hajó potenciálkiegyenlítő rendszeréhez kötni.



MEGJEGYZÉS A rendszer megfelelő földelésének és potenciálkiegyenlítésének elmulasztása esetén a garancia érvényét veszti.

Minden légkondicionáló egység rendelkezzen a kapcsolódobozban a megfelelő bekötéshez felcímkézett külön sorkapocssal. A kapcsolódobozban elhelyezett kapcsolási rajz felülbírálja az ABYC szabványokat. A megszakítót a légkondicionáló adattábláján lévő adatoknak megfelelően kell méretezni. A légkondicionáló és a tengervízszivattyú áramellátásához legalább 4 mm² (12 AWG) keresztmetszetű

hajókábelt kell használni. Minden bekötés legyen gyúrús vagy kihúzódas ellen biztosított villás érvéghüvellyel megvalósítva.

Az elektromos bekötésnél tartsa be az alábbiakat:

- A váltóáram (AC) földelését a váltóáramú bemeneti sorkapocs földelő csatlakozójához (GND) kell csatlakoztatni.
- A hajó váltóáramú rendszerének földelővezetéke és a hajó egyenáramú (DC) negatív vagy potenciálkiegyenlítő rendszere közötti összeköttetéseket a hajó kábelezésének részeként kell kialakítani. Olyan meglévő berendezés karbantartásakor vagy cseréjekor, amely rendelkezik vázra szerelt földelőcsappal, ellenőrizze a hajó kábelezését ezen csatlakozások tekintetében.
- A TX légkondicionáló váltóárammal és nagyfeszültségű egyenárammal is működtethető. A megfelelő elhelyezés kapcsán lásd a hajó kapcsolási rajzát.

Gondoskodjon róla, hogy a légkondicionáló váltóáramú földelése megfelelően csatlakozzon a hajó váltóáramú földeléséhez. Gondoskodjon róla, hogy a váltóáramú földelésin pontosan egy helyen legyen összekapcsolva a hajón belül az egyenáramú földelésinnel.

8 Ártalmatlanítás



A csomagolóanyagot lehetőség szerint a megfelelő szelektív hulladékgyűjtő tartályokba kell helyezni. A termékre vonatkozó ártalmatlanítási előírásokról tájékozódjon a legközelebbi újrahasznosító központban, vagy szakkereskedőjénél.

9 Szavatosság

Az Egyesült Államokban, Kanadában és az összes többi régióban érvényes garanciáról és a garancia támogatásról az alábbi szakaszokból tájékozódhat.

Egyesült Államok és Kanada

A KORLÁTOZOTT GARANCIA A DOMETIC.COM/EN-US/TERMS-AND-CONDITIONS-CONSUMER/WARRANTY OLDALON ÉRHTŐ EL. HA KÉRDÉSEI LENNÉNEK, VAGY SZÜKSÉGE VAN A KORLÁTOZOTT GARANCIA INGYENES MÁSOLATÁRA, LÉPJEN KAPCSOLATBA VELÜNK A KÖVETKEZŐ ELÉRHTŐSÉGEN:

DOMETIC CORPORATION
MARINE CUSTOMER SUPPORT CENTER
2000 NORTH ANDREWS AVENUE
POMPANO BEACH, FLORIDA, USA 33069
1-800-542-2477

Ázsiai és csendes-óceáni (APAC) országok

Amennyiben a termék nem megfelelően működik, lépjen kapcsolatba a kereskedővel vagy a gyártó helyi képviselőjével (lásd: dometic.com/dealer). Az Ön termékére 1 év garancia vonatkozik.

A javításhoz, illetve a garancia adminisztrációhoz a következő dokumentumokat kell mellékelnie a termék beküldésekor:

- A számla vásárlási dátummal rendelkező másolatát
- A reklamáció okát vagy a hibát tartalmazó leírást

Vegye figyelembe, hogy az önkező javítás vagy a nem szakszerű javítás biztonsági következményekkel járhat, és érvénytelenítheti a szavatosságot.

Csak Ausztrália

Áruink olyan garanciákkal érkeznek, amelyeket az Ausztrál Fogyasztói Jog révén nem lehet kizárni. Lényeges meghibásodás esetén Ön cserére, vagy visszatérítésre valamint minden egyéb ésszerűen előre látható veszteségének vagy kárának kompenzációjára jogosult. Amennyiben az áru nem elfogadható minőségű és a hiba nem éri el a lényeges meghibásodás szintjét, akkor Önnek joga van megjavíttatni, vagy kicseréltetni az árut.

Csak Új-Zéland

Ez a garancia irányelv az 1993. évi (NZ) Fogyasztói Garanciák Törvény által előírt és kötelező feltételek és garanciák hatálya alá tartozik.

Minden más régió

A termékre a törvény szerinti szavatossági időszak érvényes. Amennyiben a termék meghibásodott, lépjen kapcsolatba a gyártó helyi képviselőjével (lásd: dometic.com/dealer) vagy a kereskedővel.

A javításhoz, illetve a garancia adminisztrációhoz a következő dokumentumokat kell mellékelnie a termék beküldésekor:

- A számla vásárlási dátummal rendelkező másolatát
- A reklamáció okát vagy a hibát tartalmazó leírást

Vegye figyelembe, hogy az önkezü javítás vagy a nem szakszerű javítás biztonsági következményekkel járhat, és érvénytelenítheti a szavatosságot.

Hrvatski

1	Važne napomene.....	118
2	Objašnjenje simbola.....	118
3	Ciljna skupina.....	118
4	Namjena.....	118
5	Tehnički podaci.....	119
6	Prije montaže.....	119
7	Instalacija.....	121
8	Odlaganje u otpad.....	124
9	Jamstvo.....	124

1 Važne napomene

Pažljivo pročitajte ove upute i poštuju sve upute, smjernice i upozorenja sadržane u ovim uputama kako biste u svakom trenutku osigurali pravilnu instalaciju, uporabu i održavanje proizvoda. Ove upute MORAJU ostati u blizini ovog proizvoda.

Uporabom proizvoda potvrđujete da ste pažljivo pročitali sve upute, smjernice i upozorenja te da razumijete i pristajete poštovati ovdje navedene uvjete i odredbe. Pristajete koristiti se ovim proizvodom samo za predviđenu svrhu i namjenu te u skladu s uputama, smjericama i upozorenjima navedenima u ovom priručniku za proizvod, kao i u skladu sa svim važećim zakonima i propisima. Ako ne pročitate i ne poštujete ovdje navedene upute i upozorenja, tada to može dovesti do ozljeđivanja vas i drugih osoba, do oštećenja proizvoda ili druge imovine u blizini. Ovaj priručnik za proizvod, uključujući i upute, smjernice i upozorenja, te povezanu dokumentaciju može biti podložan promjenama i ažuriranjima. Za najnovije podatke o proizvodu posjetite documents.dometic.com.

2 Objasnjenje simbola

Signalna riječ opisuje poruke o sigurnosti i oštećenju imovine, kao i stupanj ili razinu težine potencijalne opasnosti.



UPOZORENJE!

Naznačuje opasnu situaciju, koja bi, ako se ne izbjegne, mogla rezultirati smrću ili teškim ozljedama.



POZOR!

Naznačuje situaciju, koja, ako se ne izbjegne, može rezultirati materijalnom štetom.



UPUTA Dodatne informacije za rukovanje proizvodom.

2.1 Dodatne smjernice

Kako biste smanjili opasnost od nezgoda i ozljeđa, prije montaže ovog uređaja pridržavajte se sljedećih smjernica:

- Kada pročitate sve sigurnosne informacije i upute, obavezno ih se pridržavajte.
- Prije instalacije ovog proizvoda s razumijevanjem pročitate ove upute.
- Ugradnja mora biti u skladu sa svim primjenjivim lokalnim i državnim propisima, uključujući zadnja izdanja sljedećih normi:
 - ABYC (Američko vijeće za brodove i jahte)
 - ANSI/NFPA 70, Savezni električni kodeks (NEC)

2.2 Sigurnosne upute



UPOZORENJE! OPASNOST OD UGLJKOVA MONOKSIDA

Nepoštivanje sljedećih upozorenja moglo bi dovesti do smrti ili teških ozljeđa:

- > Samostalni klima-uređaj **ne smijete** ugrađivati ni koristiti u kaljužnim prostorima, strojarnici ni blizu motora s unutarnjim sagorijevanjem. Odabrana lokacija mora biti zabrtvljena od izravnog utjecaja isparavanja iz kaljužnog prostora i/ili strojarnice.
- > Kondenzacijski odvod mora biti pravilno postavljen i zabrtvljen. Kondenzacijski odvod **ne smije** završavati unutar 0,91 m (3 stope) od bilo

kojeg izlaza ispušnog sustava motora ili generatora, u odjeljku u kojem se nalazi motor ili generator ni u kaljužnom prostoru ako odvod nije pravilno povezan sa zabrtvljenom pumpom za kondenzat ili pumpom sa sabirnom jamom. Ako odvod nije pravilno postavljen, u njega mogu ući opasni plinovi i kontaminirati prostorije za život.

- > Klima-uređaj **ne smijete** ugraditi na mjesto s kojeg bi u životne prostore na plovilu mogao cirkulirati ugljikov monoksid, ispušni plinovi ni druga štetna isparavanja.



UPOZORENJE! Opasnost od strujnog udara

Montažu smije provoditi samo kvalificirani električar.



UPOZORENJE! OPASNOST OD STRUJNOG UDARA, POŽARA I/ILI EKSPLOZIJE.

Nepoštivanje ovih mjera opreza moglo bi dovesti do smrti ili teških ozljeđa. Ovaj uređaj **ne smiju** upotrebljavati osobe (uključujući djecu) smanjenih tjelesnih, senzoričkih ili umnih sposobnosti ni one s nedostatkom iskustva i znanja, osim ako nisu pod nadzorom osobe odgovorne za njihovu sigurnost ili su od te osobe dobile upute u vezi s upotrebom uređaja. Djeca moraju biti pod nadzorom kako bi se osiguralo da se **ne** igraju uređajem. Djeca bez nadzora **ne smiju** provoditi čišćenje ni korisničko održavanje. Ovaj uređaj **ne smije** biti dostupan širokoj javnosti.



UPOZORENJE! OPASNOST OD EKSPLOZIJE.

Nepoštivanje ovih mjera opreza moglo bi dovesti do smrti ili teških ozljeđa. Klima-uređaj **ne smijete** ugraditi na mjesto koje obuhvaća benzinske motore, spremnike, boce LPG/CPG plina, regulatore, ventile ni spojeve vodova s gorivom. Osim ako nije naznačeno drugačije, samostalne jedinice **ne** ispunjavaju savezne propise o zaštiti od zapaljenja. Nepoštivanje ovog upozorenja moglo bi dovesti do smrti ili teške ozljeđe.



UPOZORENJE! OPASNOST OD STRUJNOG UDARA.

Nepoštivanje ovih mjera opreza moglo bi dovesti do smrti ili teških ozljeđa.

- > Kako biste minimizirali opasnost od strujnog udara, klima-uređaj obavezno propisno uzemljite. Dodatne informacije potražite u smjericama za montažu.
- > Svaki postavljeni klima-uređaj mora imati vlastiti osigurač. Ako je postavljen samo jedan klima-uređaj, pumpa za morsku vodu **ne treba** vlastiti osigurač. Ako dvije ili više klimatizacijskih jedinica upotrebljava istu pumpu za morsku vodu, ožičenje pumpe spaja se na ploču s relejima pumpe (PRP), koja ima vlastiti osigurač prilagođen pumpi (maks. 20 A). Pogledajte dijagram ožičenja isporučen uz PRP. Električni spojevi u kaljužnom prostoru i/ili ispod razine vode moraju imati termoskupljajuće čeonke konektore.
- > Ožičenje na lokaciji **mora** biti u skladu s električnim kodeksom ABYC. Napajanje jedinice mora biti unutar raspona radnog napona naznačenog na tipskoj pločici. Za zaštitu ogranaka strujnog kruga **moraju** biti ugrađeni osigurači ili HACR prekidači odgovarajuće snage. Na tipskoj pločici potražite maksimalnu snagu osigurača/prekidača (MFS) i minimalni kapacitet strujnog kruga (MCA).



POZOR!

Ovaj uređaj sadrži fluorirane stakleničke plinove u hermetički zatvorenoj opremi. Količina rashladnog sredstva prikazana je kao masa i GWP na naljepnici tipske pločice kondenzacijske jedinice. Dodano rashladno sredstvo potrebno je ubilježiti na naljepnicu jedinice.

3 Ciljna skupina



Mehaničku i električnu instalaciju i postavljanje uređaja mora obaviti kvalificirani tehničar koji je dokazao vještine i znanje vezane uz konstrukciju i rad morske opreme i instalacija, koji je upoznat s primjenjivim propisima zemlje u kojoj će se oprema instalirati i/ili koristiti, i koji je prošao sigurnosnu obuku za prepoznavanje i izbjegavanje uključenih opasnosti.

4 Namjena

Ovaj je priručnik namijenjen montaži samostalnih klimatizacijskih sustava DCU, DLU, DTG, ECD i TX (u daljnjem tekstu pod zajedničkim nazivom „klima-uređaj“). Klima-uređaj

namijenjen je upotrebi na brodovima i jahtama. Ovaj je klima-uređaj prikladan samo za predviđenu namjenu i primjenu u skladu s ovim uputama.

Ovaj je proizvod prikladan samo za predviđenu namjenu i primjenu u skladu s ovim uputama.

Ove upute donose informacije neophodne za pravilnu instalaciju i/ili rad proizvoda. Loša instalacija i/ili nepravilan rad ili održavanje rezultirat će nezadovoljavajućom uspješnošću i mogućim kvarom.

Proizvođač ne preuzima nikakvu odgovornost za bilo kakve ozljede ili oštećenja proizvoda koje nastanu kao rezultat:

- nepravilnog sklapanja, montaže ili priključivanja, uključujući i previsok napon
- nepravilnog održavanja ili uporabe nekih drugih rezervnih dijelova osim originalnih rezervnih dijelova koje isporučuje proizvođač
- izmjena na proizvodu bez izričitog dopuštenja proizvođača
- uporabe u svrhe koje nisu opisane u ovim uputama

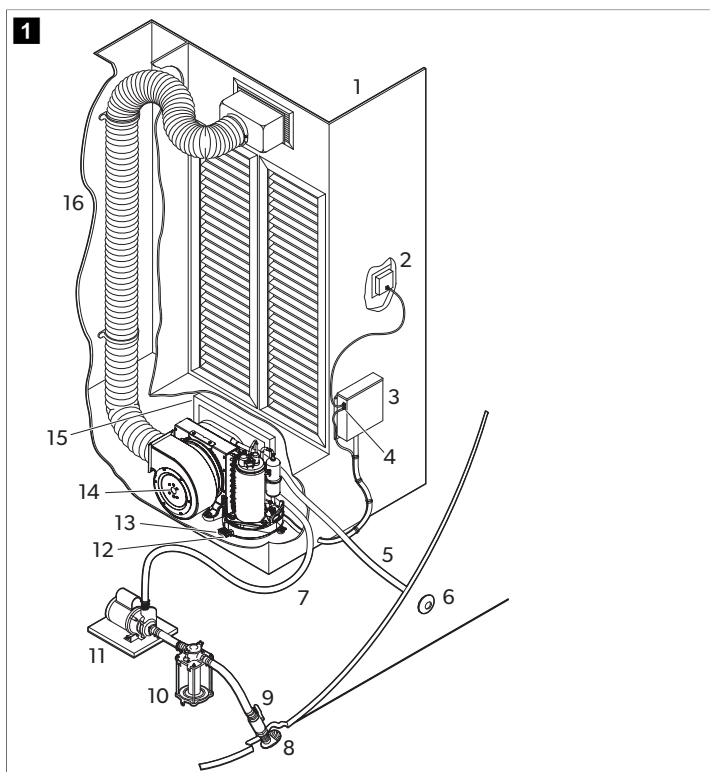
Dometic pridržava pravo na izmjene izgleda i specifikacija proizvoda.

5 Tehnički podaci

Do kraja pročitajte ove upute, a zatim isplanirajte spojeve koje morate priključiti na klima-uređaj (uključujući cijevi, kondenzacijski odvod, crijeva za ulaz i izlaz morske vode, priključke za električno napajanje te lokaciju za kontrolu i smještaj pumpe za morsku vodu) kako biste osigurali lak pristup za provođenje vodova i kasnije održavanje.

5.1 Smještaj dijelova

Identifikacija komponenti klimatizacijskog sustava



- | | |
|--|---|
| 1 Rešetka za ulazni zrak i prijelazna kutija | 9 Ventil za isključivanje vanjskog zapora |
| 2 Digitalni zaslon | 10 Filter za morsku vodu |
| 3 Razvodna kutija | 11 Pumpa |
| 4 Kabel za opcionalni daljinski senzor zraka | 12 Šiljak za crijevo kondenzacijskog odvoda |
| 5 Crijevo za izlaz morske vode | 13 Montažni nosač |
| 6 Ispust u more | 14 Klima-uređaj |

- | | |
|---|--------------------------------------|
| 7 Crijevo za ulaz morske vode | 15 Rešetka i filter za povratni zrak |
| 8 Ulaz s hvatačem morske vode kroz oplatu | 16 Izolirana fleksibilna cijev |

5.2 Specifikacije

U ovom su odjeljku podaci o specifikacijama klima-uređaja.

Tablica 31: Minimalne veličine cijevi i rešetki po kapacitetu u BTU

	3.5 k BTU	6 k BTU	8 k BTU	10 k BTU
Minimalni promjer cijevi	3,00 in (76,2 mm)	4,00 in (101,6 mm)	5,00 in (127,0 mm)	6,00 in (152,4 mm)
Minimalno područje cijevi	6,8 in ² (43,9 cm ²)	12,6 in ² (81,3 cm ²)	19,6 in ² (126,5 cm ²)	28,3 in ² (182,6 cm ²)
Minimalna rešetka za povratni zrak	64,0 in ² (412,9 cm ²)	64,0 in ² (412,9 cm ²)	80,0 in ² (516,2 cm ²)	100,0 in ² (645,2 cm ²)
Minimalna rešetka za ulazni zrak	12,0 in ² (77,4 cm ²)	32,0 in ² (206,5 cm ²)	48,0 in ² (309,7 cm ²)	60,0 in ² (387,1 cm ²)

	12 k BTU	16 k BTU	18 k BTU	27 k BTU
Minimalni promjer cijevi	6,00 in (152,4 mm)	7,00 in (177,8 mm)	7,00 in (177,8 mm)	8,00 in (203,2 mm)
Minimalno područje cijevi	28,3 in ² (182,6 cm ²)	38,5 in ² (248,4 cm ²)	38,5 in ² (248,4 cm ²)	50,3 in ² (324,5 cm ²)
Minimalna rešetka za povratni zrak	130,0 in ² (838,8 cm ²)	160,0 in ² (1032,3 cm ²)	200,0 in ² (1290,4 cm ²)	240,0 in ² (1548,5 cm ²)
Minimalna rešetka za ulazni zrak	70,0 in ² (451,6 cm ²)	80,0 in ² (516,2 cm ²)	100,0 in ² (645,2 cm ²)	120,0 in ² (774,2 cm ²)

Tablica 32: Radna temperatura i tlak vode

Minimalna radna temperatura vode	40,0 °F (4,44 °C)
Maksimalna radna temperatura vode	80,0 °F (26,66 °C)
Minimalni radni tlak vode	4,2 psi (0,29 bar) (29,00 kPa)
Maksimalni radni tlak vode	6,00 psi (0,41 bar) (41,4 kPa)



UPUTA Izvan tih uvjeta jedinica može raditi uz smanjeni kapacitet.

6 Prije montaže



POZORI!

Samostalne bazne posude za kondenzat na jedinicama DTG i TX opremljene su izolatorima vibracija koji su montirani na dno posude. Ti izolatori služe za ublažavanje prijenosa vibracija koje klima-uređaj stvara u radu na površinu na kojoj su montirani. Prilikom pomicanja klima-uređaja po površinama za montažu morate paziti kako ne biste oštetili izolatore.



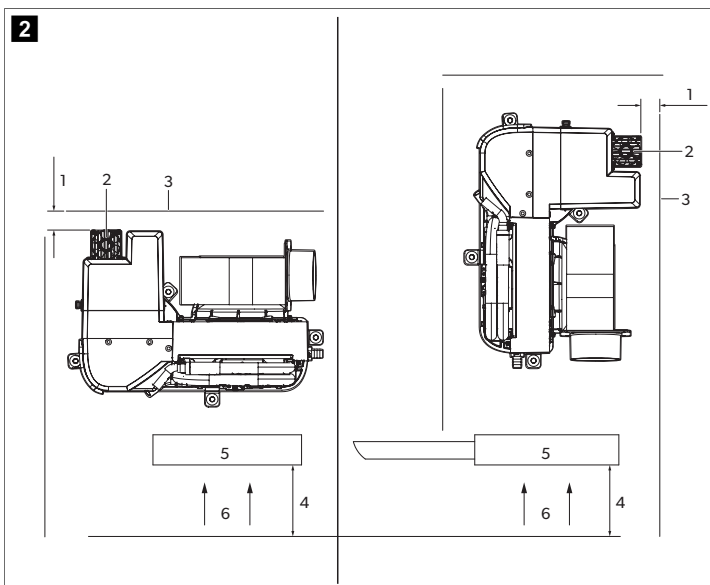
POZORI!

Klima-uređaj mora biti montiran na nisku i ravnu površinu, primjerice na dno ormara, ispod ležaja ili sjedala u blagovaonici ili na nekom sličnom mjestu.

U ovom je odjeljku objašnjeno kako klima-uređaj pripremiti za montažu.

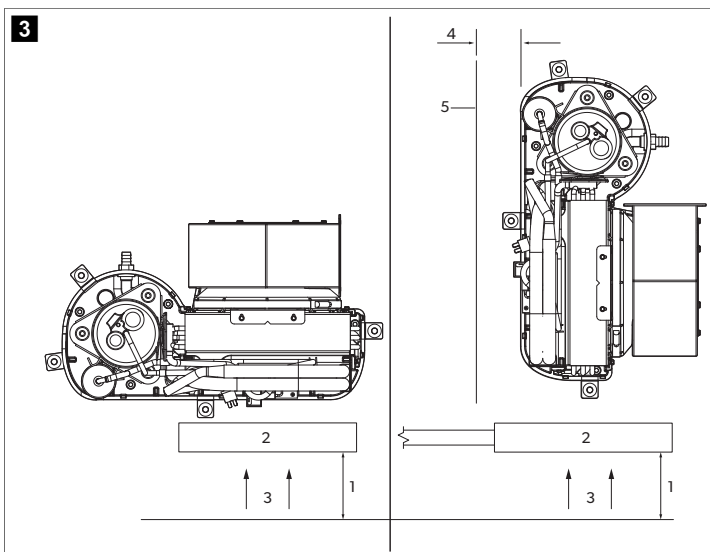
6.1 Određivanje mjesta za montažu

Postavljanje uređaja TX u odnosu na protok zraka



- | | |
|---------------------|----------------------------|
| 1 3,00 in (7,62 cm) | 4 4,00 in (10,16 cm) |
| 2 Odvod vrućine | 5 Rešetka za povratni zrak |
| 3 Brodska pregrada | 6 Protok zraka |

Postavljanje svih ostalih klimatizacijskih jedinica u odnosu na protok zraka



- | | |
|----------------------------|---------------------|
| 1 4,00 in (10,16 cm) | 4 3,00 in (7,62 cm) |
| 2 Rešetka za povratni zrak | 5 Brodska pregrada |
| 3 Protok zraka | |

Odaberite mjesto s dovoljnim protokom zraka. Ispred rešetke za povratni zrak mora biti najmanje 4,00 in (10,16 cm) prostora za cirkulaciju zraka, bez ikakvih prepreka.

Ako je klima-uređaj postavljen okomito na rešetku za povratni zrak, na strani za ulaz zraka ostavite najmanje 3,00 in (7,62 cm) prostora za cirkulaciju zraka.

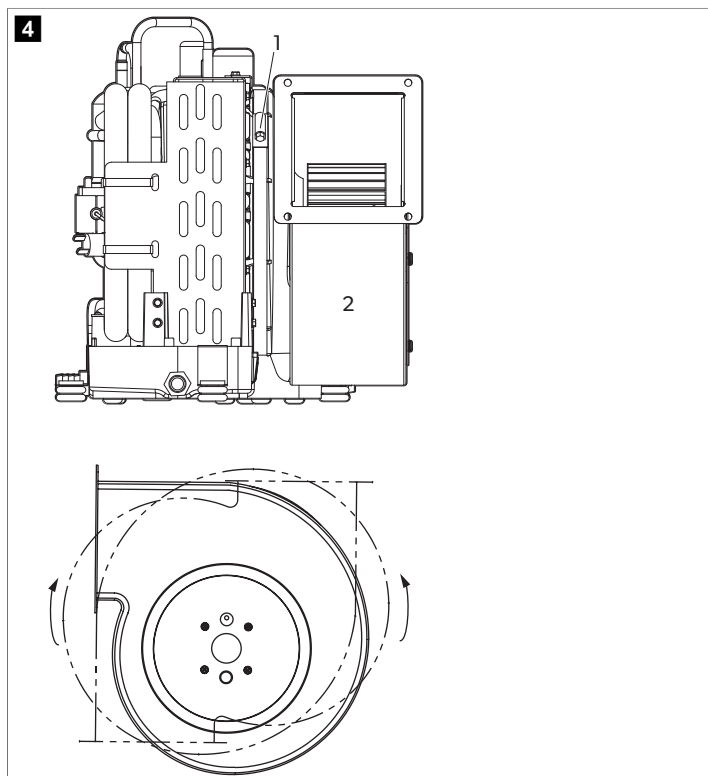
Samo TX: Ispod i iznad odvoda vrućine ostavite najmanje 2,99 in (76,0 mm) slobodnog prostora.

6.2 Zakretanje ventilatora

U ovom je odjeljku objašnjeno kako zakrenuti ventilator na svakom tipu jedinice. Ventilator po potrebi zakrenite u smjeru koji će omogućiti najizravniji izlazni protok zraka kroz cijev.

6.2.1 Ventilatori DTG i TX

Zakretanje ventilatora sustava DTG i TX

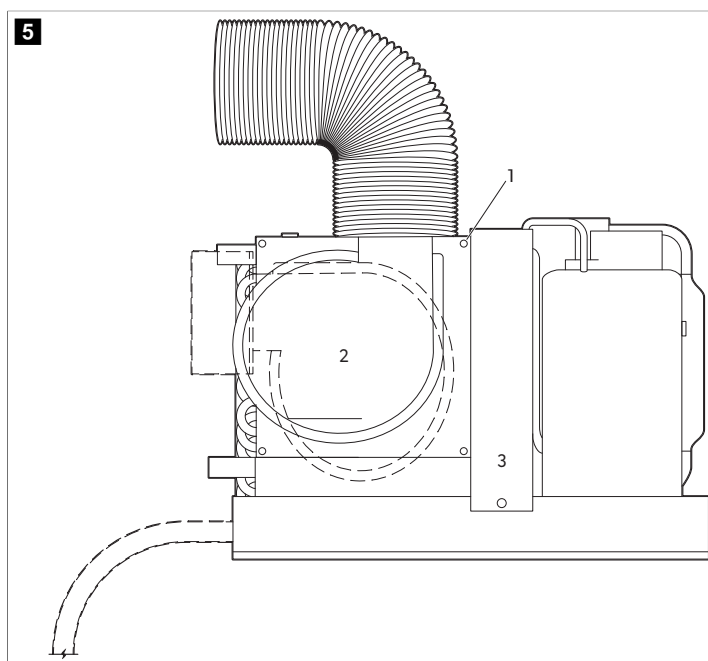


- 1 Adjustment screw
- 2 Blower

1. Otpustite vijak za podešavanje na montažnom prstenu ventilatora.
2. Okrenite ventilator u željeni položaj.
3. Zategnite vijak za podešavanje.

6.2.2 Ventilatori MCS i ECD

Rotacija ventilatora u sustavima MCS i ECD



- 1 Screw
- 2 Pločica
- 3 Ventilator

1. Uklonite sedam vijaka na ploči.
2. Okrenite ventilator u željeni položaj.
3. Fiksirajte ventilator pomoću samoureznih vijaka (nisu priloženi).

6.3 Postavljanje filtera za zrak

Filteri za zrak uklanjaju lebdeće čestice iz zraka u kabini i održavaju čistoću zavojnice isparivača. Za svaki klima-uređaj postavite jedan filter za zrak, bilo na klima-uređaj ili u rešetku za povratni zrak.

6.4 Postavljanje rešetki i prijelaznih kutija

Prilikom postavljanja rešetki i prijelaznih kutija imajte na umu sljedeće:

- Rešetku za ulazni zrak postavite što više, na mjesto koje će omogućiti ravnomjernu distribuciju zraka kroz cijelu kabinu. Rebrnice rešetke usmjerite prema gore.
- Rešetku za povratni zrak postavite što niže i što bliže klima-uređaju kako biste osigurali protok zraka u isparivač.
- Ispuh ulaznog zraka nemojte usmjeriti prema rešetki za povratni zrak jer će time sustav ući u kružni ciklus.
- Iza rešetke za ulazni zrak ostavite dovoljno prostora za povezivanje cijevi s prijelaznom kutijom. Pogledajte Specifikacije na stranici 119

7 Instalacija

U ovom je odjeljku objašnjena montaža samostalnog klima-uređaja.

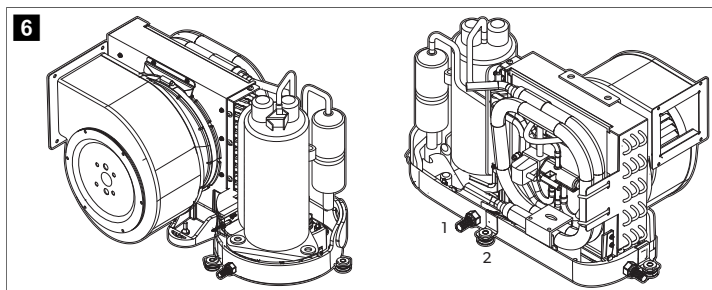
7.1 Postavljanje montažnih nosača i kondenzacijskog odvoda



POZOR!

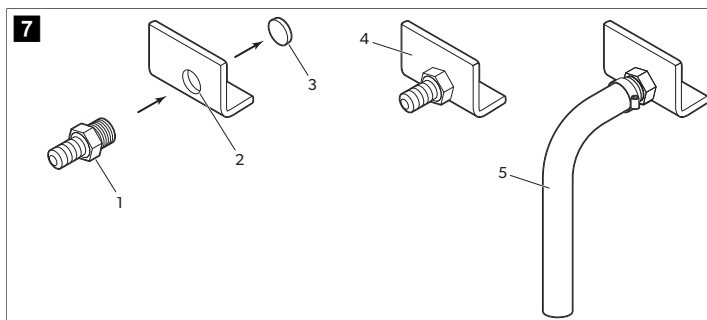
Kako posuda za odvod ne bi pukla, za zamatanje šiljka za crijevo nemojte upotrijebiti više od dva sloja vodoinstalaterske trake te šiljak za crijevo nemojte previše zategnuti.

Tipično postavljanje montažnih nosača i kondenzacijskih odvoda



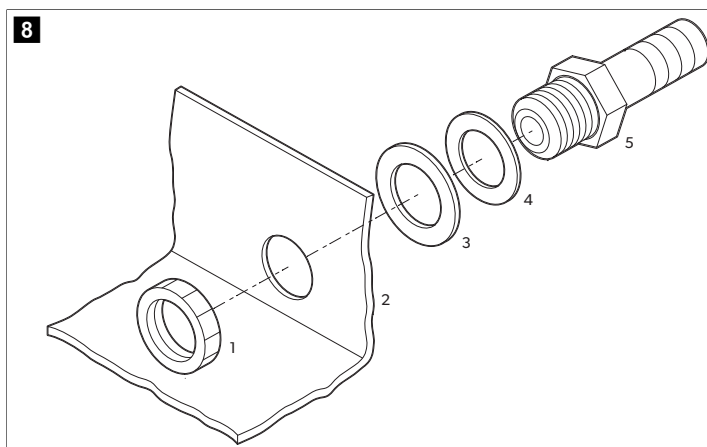
- 1 Šiljak za crijevo kondenzacijskog odvoda
- 2 Montažni nosač

Montaža kondenzacijskog odvoda za DTG i TX



- 1 Hose barb
- 2 Navojni provrt odvoda
- 3 Izbijeni čep
- 4 Drain pan
- 5 Crijevo za odvod

Montaža kondenzacijskog odvoda za sve ostale klimatizacijske jedinice

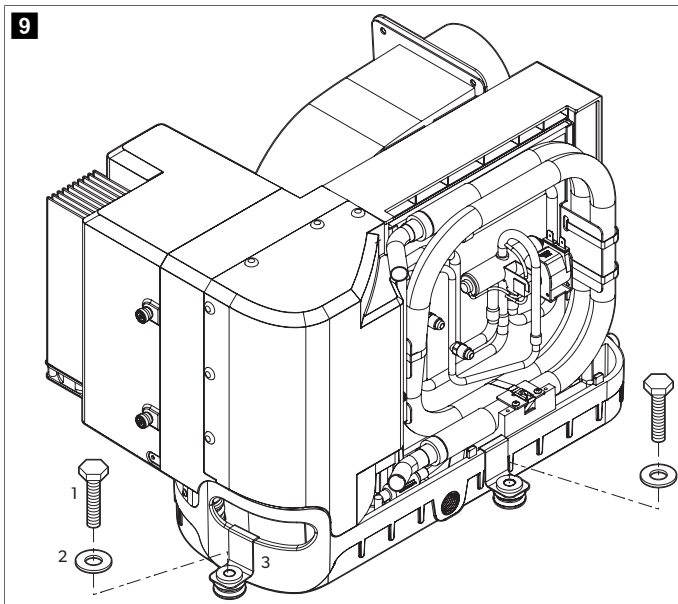


- 1 Locking nut
- 2 Posuda za odvod
- 3 Podloška za brtvljenje tekućine
- 4 Solid washer
- 5 PVC spojica 0,5 in (12,7 mm) HB x 0,5 in (12,7 mm) MPT

1. Šiljkom za crijevo izbijte čep iz provrta odvoda okrenutog prema krmu tako da ga jedanput kratko udarite gumenim batom. Izbijeni čep odbacite u otpad.
2. Za jedinice DTG i TX:
 - a) Kraj šiljka za crijevo s navojima omotajte vodoinstalaterskom trakom.
 - b) Šiljak za crijevo zavrnite u navojni provrt odvoda i zategnite do kraja.
3. Za sve ostale klima-uređaje:
 - a) Šiljak za crijevo provedite kroz krutu podlošku i podlošku za brtvljenje tekućine pa ga umetnite u provrt odvoda.
 - b) Učvrstite ga zapornom maticom.
4. Crijevo za odvod pričvrstite na šiljak za crijevo stezaljkom crijeva od nehrđajućeg čelika.

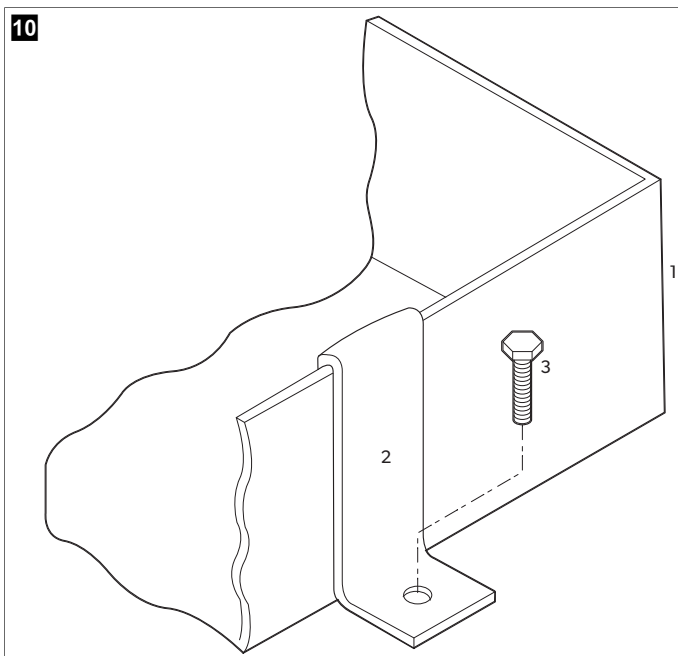
5. Crijevo za odvod usmjerite prema dolje do sigurne i propisne točke prikupljanja.

Postavljanje montažnog nosača za jedinice DTG i TX



- 1 Vijak za montažu (nije isporučen)
2 Zaštitna podloška (isporučena)
3 Montažni nosač (isporučen)

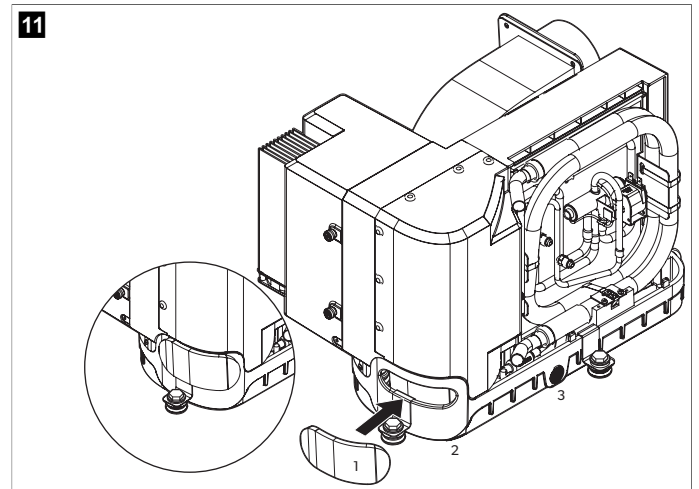
Postavljanje montažnog nosača za ostale klimatizacijske jedinice



- 1 Posuda za odvod
2 Montažni nosač
3 Vijak za montažu (nije isporučen)

6. Po jedan montažni nosač postavite sa svake strane posude za odvod, na jednakoj udaljenosti.

Postavljanje izolacijske pjenaste ručice na jedinicama TX



- 1 Izolacijska pjenasta ručica
2 Otvor za ručicu
3 Posuda za odvod

7. Za jedinice TX:

- Uklonite foliju koja prekriva ljepljivu pozadinu izolacijske pjenaste ručice.
- Izolacijsku pjenastu ručicu postavite tako da potpuno prekrije otvor za ručicu. Ljepljivu stranu okrenite prema posudi za odvod.
- Pritisnite rubove oko otvora za ručicu kako bi se izolacijska pjenasta ručica zalijepila za posudu za odvod.

7.2 Postavljanje cijevi

Prilikom postavljanja cijevi pridržavajte se sljedećih uvjeta:

- Veličina cijevi mora odgovarati predviđenoj namjeni.
- Cijevi moraju biti što više ravne, glatke i zategnute, sa što manjim brojem savijanja od 90,00 ° jer ona mogu otežati protok zraka.
- Cijevi dobro pričvrstite kako se ne bi objesile.
- Cijevi ne smiju biti spljoštene ni uvrnute.
- Nakon postavljanja odrežite predugie dijelove cijevi.
- Izolirajte cijevi ako su postavljene u vrućim prostorima.
- Izolirajte cijevi ako su postavljene u vrućim prostorima.
- Cijevi nemojte provoditi kroz strojarnicu ni prostore u kojima bi mogle biti izložene opasnim isparavanjima ili ispušnim plinovima.

Ako se upotrebljava prijelazna kutija, ukupna površina cijevi za dovod zraka koje izlaze iz kutije mora biti najmanje jednaka ukupnoj površini cijevi za dovod koje ulaze u kutiju. Pogledajte Specifikacije na stranici 119

Spajanje cijevi

- Spojevi između vodiča za uzemljenje sustava izmjenične struje i negativnog ili spojnog sustava istosmjerne struje (DC) plovila moraju se provesti u sklopu ožičenja plovila. Prilikom održavanja ili zamjene postojeće opreme koja ima klin za uzemljenje montiran u šasiju provjerite jesu li u ožičenju plovila ti spojevi provedeni.
- Klima-uređaji TX mogu raditi na izmjeničnoj ili visokonaponskoj istosmjernoj struji. Pravilno postavljanje potražite u dijagramu ožičenja plovila.

Uzemljenje izmjenične struje klima-uređaja mora biti pravilno povezano s uzemljenjem izmjenične struje plovila. U samom plovilu uzemljena šina izmjenične struje mora biti povezana s uzemljenom šinom istosmjerne struje na točno jednom mjestu.

8 Odlaganje u otpad



Materijal za pakiranje odložite u odgovarajuće kante za reciklažu otpada kad god je to moguće. Za detalje o odlaganju proizvoda u otpad, zatražite od svog lokalnog centra za recikliranje ili specijaliziranog trgovca pojedinosti o tomu kako to učiniti u skladu s važećim propisima o odlaganju u otpada.

9 Jamstvo

Pročitajte donje odlomke za informacije o jamstvu i jamstvenoj podršci u SAD-u, Kanadi i svim drugim regijama.

Sjedinjene Američke Države i Kanada

OGRANIČENO JAMSTVO DOSTUPNO JE NA ADRESI DOMETIC.COM/EN-US/TERMS-AND-CONDITIONS-CONSUMER/WARRANTY. AKO IMATE PITANJA ILI ŽELITE PRIBAVITI BESPLATAN PRIMJERAK OGRANIČENOG JAMSTVA, KONTAKTIRAJTE:

DOMETIC CORPORATION
MARINE CUSTOMER SUPPORT CENTER
2000 NORTH ANDREWS AVENUE
POMPANO BEACH, FLORIDA, USA 33069
1-800-542-2477

Dalekoistočne zemlje (APAC)

Ako proizvod ne radi kako bi trebao, obratite se svojem trgovcu na malo ili podružnici proizvođača u svojoj državi (pogledajte dometic.com/dealer). Jamstvo, koje se primjenjuje na proizvod, iznosi 1 godina.

Za potrebe popravaka i obrade jamstva pri slanju uređaja priložite sljedeće dokumente:

- presliku računa s datumom kupnje
- razlog reklamacije ili opis kvara

Obratite pozornost da samostalni ili nestručni popravak može imati negativne posljedice na sigurnost i uzrokovati gubitak jamstva.

Samo Australija

Naši artikli dolaze s jamstvima koja se ne mogu isključiti prema Australskom zakonu o zaštiti potrošača. Imate pravo na zamjenu ili povrat novca za veliki kvar te naknadu za bilo kakav razumno predviđiv gubitak ili štetu. Također imate pravo na popravak ili zamjenu artikala ako artikli ne ispunjavaju prihvatljivu razinu kvalitete i kvar ne znači veliki kvar.

Samo Novi Zeland

Ova jamstvena politika podložna je uvjetima i jamstvima koji su obavezni kako to podrazumijeva Zakon o jamstvima za potrošače 1993(NZ).

Sve ostale regije

Primjenjuje se zakonom propisano jamstveno razdoblje. Ako je proizvod neispravan, obratite se podružnici proizvođača u svojoj državi (pogledajte dometic.com/dealer) ili svojem trgovcu na malo.

Za potrebe popravaka i obrade jamstva pri slanju uređaja priložite sljedeće dokumente:

- presliku računa s datumom kupnje
- razlog reklamacije ili opis kvara

Obratite pozornost da samostalni ili nestručni popravak može imati negativne posljedice na sigurnost i uzrokovati gubitak jamstva.

Türkçe

1 Önemli notlar.....	125
2 Sembollerin açıklanması.....	125
3 Hedef Grup.....	125
4 Amacına Uygun Kullanım.....	125
5 Teknik Bilgiler.....	126
6 Ön montaj.....	126
7 Montaj.....	128
8 Atık İmhası.....	131
9 Garanti.....	131

1 Önemli notlar

Bu ürünü doğru monte ettiğinizden ve ürünün daima kullanıma hazır olduğundan emin olmak için, lütfen tüm talimatları ve bu ürün kılavuzunda verilen kılavuzları ve uyarıları dikkatlice okuyunuz. Bu talimatlar bu ürün ile birlikte SAKLANMALIDIR.

Bu ürünü kullandığınızda tüm talimatları, kılavuzları ve uyarıları dikkatlice okuduğunuzu ve anladığınızı ve hükümlere ve koşullara bu sözleşmede yer alıyormuş gibi uyacağınızı onay verirsiniz. Bu ürünü sadece amacına ve uygulamaya uygun ve talimatlara, kılavuzlara ve uyarılara uygun bu ürün kılavuzu ile geçerli yasalara ve yönetmeliklere uygun olarak kullanacağınızı kabul ediyorsunuz. Talimatların ve uyarıların burada verildiği gibi okunmaması veya bunlara uyulmaması sonucu kendiniz ve diğer insanlar yaralanabilir veya ürününüz veya yakınında bulunan diğer mallar hasar görebilir. Talimatlar, kılavuzlar ve uyarılar da dahil, bu ürün kılavuzu ve buna ait olan dokümanlarda değişiklikler ve güncellemeler yapılabilir. Güncel ürün bilgileri için lütfen documents.domestic.com adresini ziyaret edin.

2 Sembollerin açıklanması

Bir sinyal sözcüğü, güvenlik ve maddi hasar mesajlarını tanımlar ve ayrıca tehlikenin ciddiyet derecesini veya seviyesini gösterir.



UYARI!

Önlenmediğinde, can kaybı veya ağır bir yaralanmaya neden olabilecek tehlikeli bir durumu gösterir.



İKAZ!

Önlenmediğinde, maddi hasara neden olabilecek bir durumu gösterir.



NOT Ürünün kullanılması ile ilgili ek bilgiler.

2.1 Tamamlayıcı direktifler

Kaza ve yaralanma riskini azaltmak için bu cihazı monte etmeye devam etmeden önce lütfen aşağıdaki direktiflere uyun:

- Tüm güvenlik bilgilerini ve talimatlarını okuyun ve uygulayın.
- Bu ürünü kurmadan önce bu talimatları okuyun ve anlayın.
- Kurulum, aşağıdaki standartların en son hali de dahil olmak üzere, geçerli tüm yerel veya ulusal kanunlara uygun olmalıdır:
 - Amerikan Tekne ve Yat Konseyi (ABYC)
 - ANSI/NFPA 70, Ulusal Elektrik Kanunu (NEC)

2.2 Güvenlik uyarıları



UYARI! KARBONMONOKSİT TEHLİKESİ*

Aşağıdaki uyarılara uyulmaması can kaybı veya ağır yaralanmaya sebep olabilir:

- > Bağımsız bir klimayı sintine veya motor odası alanlarına ya da içten yanmalı bir motorun yakınına **monte etmeyin veya çalıştırmayın**. Seçilen yerin sintine ve/veya makine dairesi buharlarına karşı sızdırmaz olduğundan emin olun.
- > Yoğuşma suyu tahliye hattının doğru şekilde monte edildiğini ve sızdırmazlığının sağlandığını doğrulayın. Yoğuşma suyu veya dış drenaj

pompasına sızdırmaz bir şekilde bağlanmadıkça yoğuşma suyu tahliye hattını motor veya jeneratör egzoz sisteminin herhangi bir çıkışının 3 ft. (0,91 m) yakınında, motor veya jeneratör içeren bir bölmede veya sintinede **sonlandırmayın**. Tahliye hattı düzgün bir şekilde monte edilmemişse tehlikeli dumanlar tahliye hattından yukarı çıkabilir ve yaşam alanlarını kirletebilir.

- > Klimayı, karbon monoksit, yakıt buharı veya diğer zararlı dumanları teknenin yaşam alanlarına sirküle edebileceği bir yere monte **etmeyin**.



UYARI! ELEKTRİK ÇARPMASI, YANGIN VE/VEYA PATLAMA TEHLİKESİ.

Bu önlemlere uyulmaması can kaybı veya ağır yaralanmaya sebep olabilir. Bu cihaz, güvenliklerinden sorumlu bir kişi tarafından cihazın kullanımıyla ilgili gözetim altında olmadan veya talimat verilmediği sürece, fiziksel, duyuusal veya zihinsel kapasiteleri sınırlı veya deneyim ve bilgi eksikliği olan kişiler (çocuklar dahil) tarafından kullanılmak üzere **tasarlanmamıştır**. Cihazla **oynamadıklarından** emin olmak için çocuklar gözetim altında tutulmalıdır. Temizlik ve kullanıcı bakımı gözetimsiz olarak çocuklar tarafından **yapılmamalıdır**. Bu cihaz herkesin erişimine açık **olmamalıdır**.



UYARI! Elektrik çarpması tehlikesi

Montaj sadece kalifiye bir elektrikçi tarafından gerçekleştirilmelidir.



UYARI! PATLAMA TEHLİKESİ*

Bu önlemlere uyulmaması can kaybı veya ağır yaralanmaya sebep olabilir. Klimayı benzinli motorlar, tanklar, LPG/CPG tüpleri, regülatörler, valfler veya yakıt hattı bağlantı parçaları içeren bir yere monte **etmeyin**. Aksi belirtilmedikçe, bağımsız üniteler tutuşmaya karşı koruma için ulusal gereklilikleri **karşılımaz**. Bu uyarıya uyulmaması can kaybı veya ağır yaralanmaya sebep olabilir.



UYARI! ELEKTRİK ÇARPMASI TEHLİKESİ*

Bu önlemlere uyulmaması can kaybı veya ağır yaralanmaya sebep olabilir.

- > Elektrik çarpması tehlikesini en aza indirmek için klimayı etkili bir şekilde toprakladığınızdan emin olun. Daha fazla bilgi için montaj kılavuzlarına bakın.
- > Monte edilen her klima için ayrı devre kesici gerekir. Sadece bir klima monte edilmişse deniz suyu pompası için devre kesiciye ihtiyaç **yoktur**. İki veya daha fazla klima ünitesi aynı deniz suyu pompasını kullanıyorsa pompa kabloları bir pompa röle panosuna (PRP) bağlanmalı ve bu panonun da pompaya göre akım değeri seçilmiş kendi özel devre kesicisi olmalıdır (maksimum 20 A). PRP ile birlikte verilen kablo bağlantı şemasına bakın. Sintine ve/veya su hattının altındaki elektrik bağlantılarında ısıyla daralan tipte kablo ucu ekleri kullanılmalıdır.
- > Saha kabloları ABYC Elektrik Kanununa uygun **olmalıdır**. Üniteye giden besleme, veri plakasında belirtilen çalışma gerilimi aralığında olmalıdır. Branşman devre koruması için uygun akım değerine sahip sigortalar veya HACR devre kesiciler **takılmalıdır**. Maksimum sigorta/devre kesici akım değeri (MFS) ve minimum devre kapasitesi (MCA) için veri plakasına bakın.



İKAZ!

Bu cihaz, hermetik sızdırmaz ekipman içinde florlu sera gazları içerir. Ağırlık ve GWP olarak gösterilen soğutucu akışkan miktarı için yoğuşmalı ünitenin ürün veri plakası etiketine bakın. Eklenen soğutucu akışkan ünite etiketinde belirtilmelidir.

3 Hedef Grup



Cihazın mekanik ve elektriksel kurulumu ve ayarları, deniz ekipmanları ve tesisatlarının yapımı ve işletimi ile ilgili beceri ve bilgiye sahip, cihazın kurulacağı ve/veya kullanılacağı ülkenin geçerli düzenlemelerine aşina ve ilgili tehlikeleri tanımlayıp önlemek için güvenlik eğitimi almış nitelikli bir teknisyen tarafından gerçekleştirilmelidir.

4 Amacına Uygun Kullanım

Bu kılavuz DCU, DLU, DTG, ECD ve TX bağımsız klima sistemlerinin (bundan sonra klima olarak anılacaktır) montajı için hazırlanmıştır. Klima, teknelerde ve yatlarda kullanılmak üzere tasarlanmıştır. Klima, sadece amacına uygun ve bu talimatlara göre kullanılmalıdır.

Bu ürün sadece amacına uygun ve bu talimata göre kullanılmalıdır.

Bu kılavuzda ürünün doğru olarak monte edilmesi ve/veya kullanılması için gerekli bilgiler verilmektedir. Doğru yapılmayan montaj ve/veya yanlış işletim ya da bakım, performansın yetersiz olmasına ve olası bir arızaya neden olabilir.

Üretici, aşağıdaki durumların neden olduğu yaralanmalardan veya ürün hasarlarından sorumlu değildir:

- Aşırı voltaj da dahil olmak üzere hatalı kurulum, montaj veya bağlantı
- Yanlış bakım veya üretici tarafından sağlanan orijinal yedek parçalardan başka yedek parçalar kullanılması
- Üreticisinden açıkça izin olmadan cihazda değişiklikler yapılması
- Bu kılavuzda tanımlananların dışında bir amaçlar için kullanıldığında

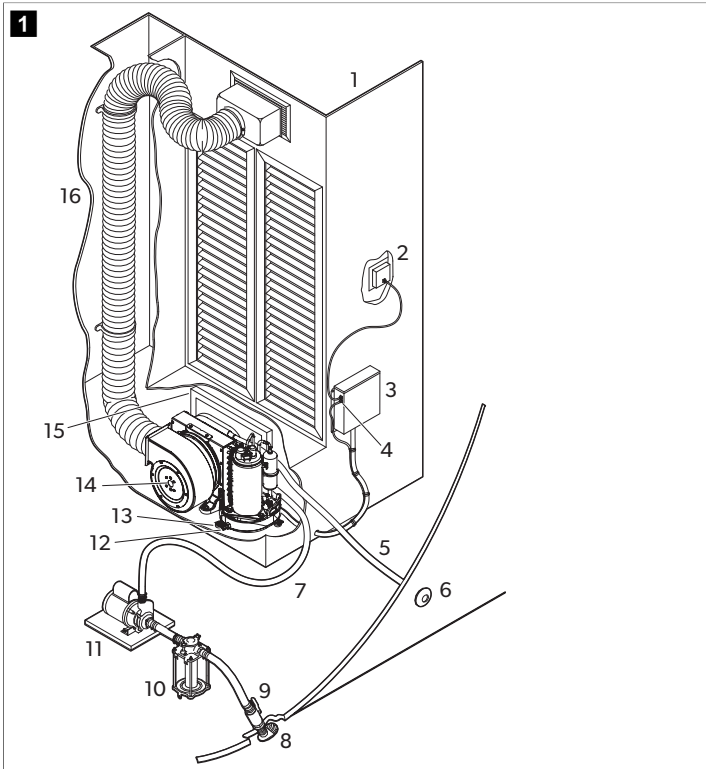
Dometic ürünün görünümünde ve ürün özelliklerinde değişiklik yapma hakkını saklı tutar.

5 Teknik Bilgiler

Bu talimatları tamamen okuyun, ardından yönlendirme ve gelecekteki bakım için kolay erişim sağlamak amacıyla klimateye yapılması gereken bağlantıları (kanal, yağış suyu tahliye hattı, deniz suyu giriş ve çıkış hortumları, elektrik güç bağlantıları, kumandanın konumu ve deniz suyu pompasının yerleşimi dahil) planlayın.

5.1 Parça konumları

Klima Sistemi Bileşen Tanımlaması



- | | |
|---|--------------------------------------|
| 1 Besleme havası ızgarası ve geçiş kutusu | 9 Deniz tipi kapatma vanası |
| 2 Dijital ekran | 10 Deniz suyu süzgeci |
| 3 Elektrik kutusu | 11 Pompa |
| 4 Opsiyonel uzak hava sensörü kablosu | 12 Yoğuşma suyu tahliye hortumu ucu |
| 5 Deniz suyu çıkış hortumu | 13 Montaj braketi |
| 6 Denize tahliye | 14 Klima |
| 7 Deniz suyu giriş hortumu | 15 Dönüş havası ızgarası ve filtresi |
| 8 Süzgeçli bağlantı kovani girişi | 16 İzolasyonlu esnek kanallar |

5.2 Teknik özellikler

Bu bölümde klima için teknik özellik verileri bulunmaktadır.

Çizelge 33: BTU kapasitesi başına minimum kanal ve ızgara boyutları

	3.5 k BTU	6 k BTU	8 k BTU	10 k BTU
Minimum kanal çapı	3,00 in (76,2 mm)	4,00 in (101,6 mm)	5,00 in (127,0 mm)	6,00 in (152,4 mm)
Minimum kanal alanı	6,8 in ² (43,9 cm ²)	12,6 in ² (81,3 cm ²)	19,6 in ² (126,5 cm ²)	28,3 in ² (182,6 cm ²)
Minimum dönüş havası ızgarası	64,0 in ² (412,9 cm ²)	64,0 in ² (412,9 cm ²)	80,0 in ² (516,2 cm ²)	100,0 in ² (645,2 cm ²)
Minimum besleme havası ızgarası	12,0 in ² (77,4 cm ²)	32,0 in ² (206,5 cm ²)	48,0 in ² (309,7 cm ²)	60,0 in ² (387,1 cm ²)
	12 k BTU	16 k BTU	18 k BTU	27 k BTU
Minimum kanal çapı	6,00 in (152,4 mm)	7,00 in (177,8 mm)	7,00 in (177,8 mm)	8,00 in (203,2 mm)
Minimum kanal alanı	28,3 in ² (182,6 cm ²)	38,5 in ² (248,4 cm ²)	38,5 in ² (248,4 cm ²)	50,3 in ² (324,5 cm ²)
Minimum dönüş havası ızgarası	130,0 in ² (838,8 cm ²)	160,0 in ² (1032,3 cm ²)	200,0 in ² (1290,4 cm ²)	240,0 in ² (1548,5 cm ²)
Minimum besleme havası ızgarası	70,0 in ² (451,6 cm ²)	80,0 in ² (516,2 cm ²)	100,0 in ² (645,2 cm ²)	120,0 in ² (774,2 cm ²)

Çizelge 34: Çalışma suyu sıcaklığı ve basıncı

Minimum çalışma suyu sıcaklığı	40,0 °F (4,44 °C)
Maksimum çalışma suyu sıcaklığı	80,0 °F (26,66 °C)
Minimum çalışma suyu basıncı	4,2 psi (0,29 bar) (29,00 kPa)
Maksimum çalışma suyu basıncı	6,00 psi (0,41 bar) (41,4 kPa)



NOT Ünite bu koşullar dışında düşük kapasite ile çalışabilir.

6 Ön montaj



İKAZ!

DTG ve TX bağımsız yağış suyu taban tavaları, tavanın tabanına monte edilmiş titreşim izolatörleri ile donatılmıştır. Bu izolatörler, çalışan klimanın neden olduğu titreşimin monte edilen yüzeye aktarılmasını engellemek için tasarlanmıştır. Klimayı montaj yüzeyleri üzerinde hareket ettiren izolatörlerin hasar görmemesine dikkat edin.



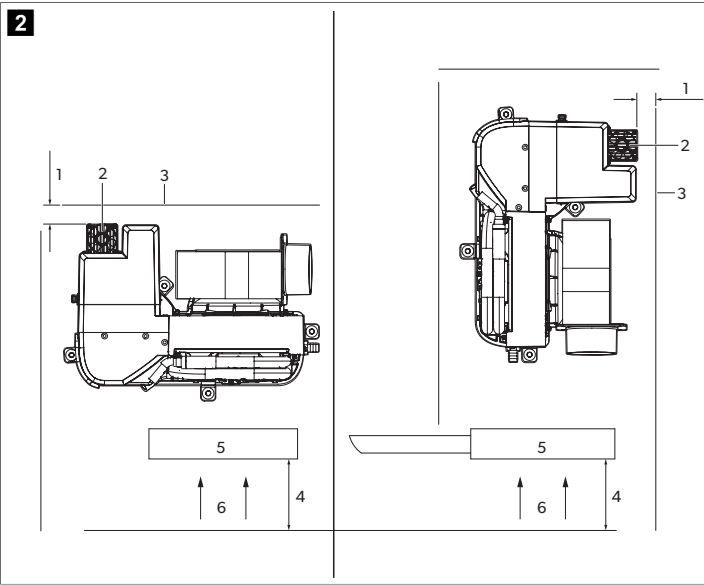
İKAZ!

Klima alçak, terazide, düz bir yüzeye, örneğin bir dolabın altına, bir ranzanın veya yemek sandalyesinin altına veya benzer bir yere monte edilmelidir.

Bu bölümde klimanın montaj için nasıl hazırlanacağı açıklanmaktadır.

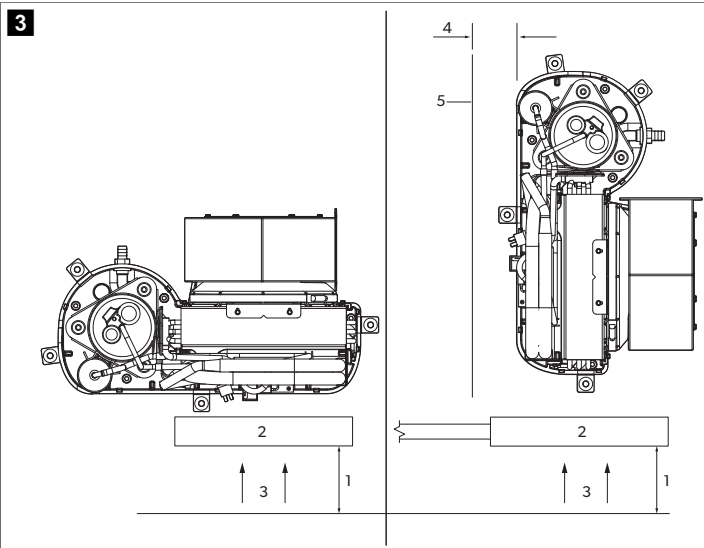
6.1 Montaj konumunun belirlenmesi

Hava akışına göre TX yerleşimi



- 1 3,00 in (7,62 cm) 4 4,00 in (10,16 cm)
 2 Isı emici 5 Dönüş havası ızgarası
 3 Bölme 6 Hava akışı

Diğer tüm klima ünitelerinin hava akışına göre yerleşimi



- 1 4,00 in (10,16 cm) 4 3,00 in (7,62 cm)
 2 Dönüş havası ızgarası 5 Bölme
 3 Hava akışı

Yeterli hava akışına sahip bir yer seçin. Dönüş havası ızgarasının önünde herhangi bir engel olmaksızın en az 4,00 in (10,16 cm) hava sirkülasyon boşluğu olmalıdır.

Klima, dönüş havası ızgarasına dik olarak yerleştirilirse hava giriş tarafında minimum 3,00 in (7,62 cm) hava sirkülasyon boşluğu bırakın.

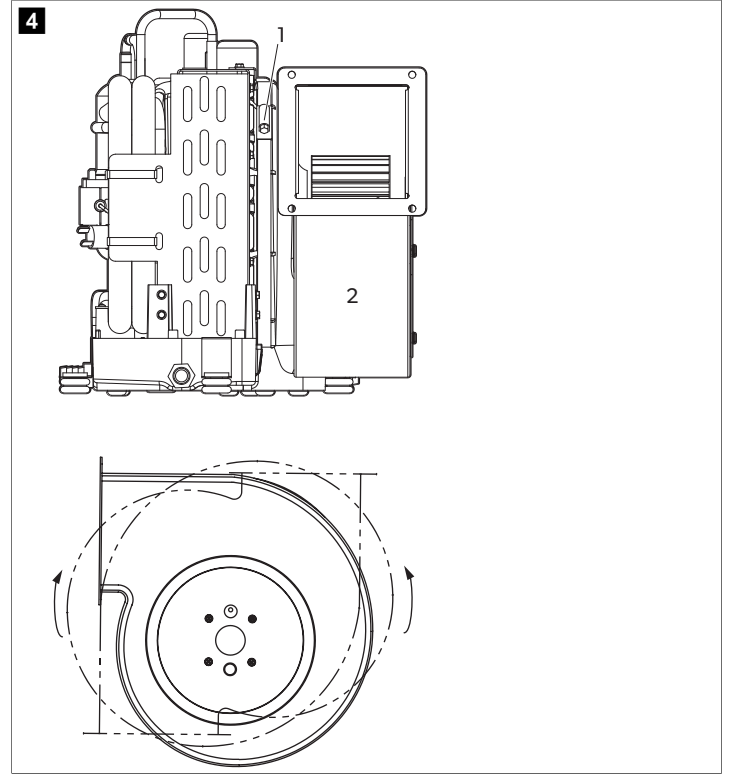
Yalnızca TX: Isı emicinin üstünde ve altında minimum 2,99 in (76,0 mm) açık alan sağlayın.

6.2 Fanın çevrilmesi

Bu bölümde her bir ünite tipi için fanın nasıl döndürüleceği açıklanmaktadır. Gerekirse fanı, hava akımının kanallardan doğrudan geçebileceği bir yöne çevirin.

6.2.1 DTG ve TX fanlar

DTG ve TX Sistemi Fan Dönüşü

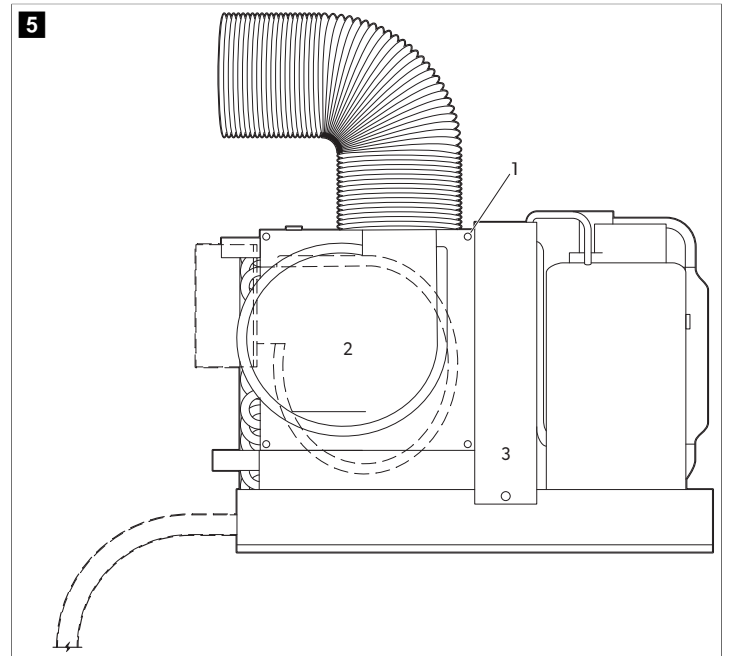


- 1 Adjustment screw
 2 Blower

1. Fan montaj halkası üzerindeki ayar vidasını gevşetin.
2. Fanı istenen konuma döndürün.
3. Ayar vidasını sıkın.

6.2.2 MCS ve ECD fanlar

MCS ve ECD sistem fanı dönüşü



- 1 Screw
- 2 Plaka
- 3 Fan

1. Plaka üzerindeki yedi vidayı sökün.
2. Fani istenen konuma döndürün.
3. Fani kendinden kılavuzlu vidalar (birlikte verilmez) kullanarak yerine sabitleyin.

6.3 Hava filtrelerinin yerleştirilmesi

Hava filtreleri kabin havasındaki partikülleri temizler ve evaporatör serpantinini temiz tutar. Her klima için klimanın üzerine veya dönüş havası ızgarasına bir hava filtresi yerleştirin.

6.4 Izgaraların ve geçiş kutularının yerleştirilmesi

Izgaraları ve geçiş kutularını yerleştirirken aşağıdakileri göz önünde bulundurun:

- Besleme havası ızgarasını tüm kabin içerisinde eşit hava dağılımı sağlayacak, mümkün olduğunca yüksek bir yere monte edin. Izgara kanatlarını yukarı doğru yönlendirin.
- Evaporatöre hava akışını sağlamak için dönüş havası ızgarasını mümkün olduğunca alçak ve klimaya yakın bir yere monte edin.
- Sistemin kısa devre yapmasına neden olacağından, besleme havası çıkışını dönüş havası ızgarasına doğru yönlendirmeyin.
- Geçiş kutusu ve kanal bağlantısı için besleme havası ızgarasının arkasında yeterli boşluk bırakın. Bkz. Teknik özellikler sayfa 126

7 Montaj

Bu bölümde bağımsız klimanın nasıl monte edileceği açıklanmaktadır.

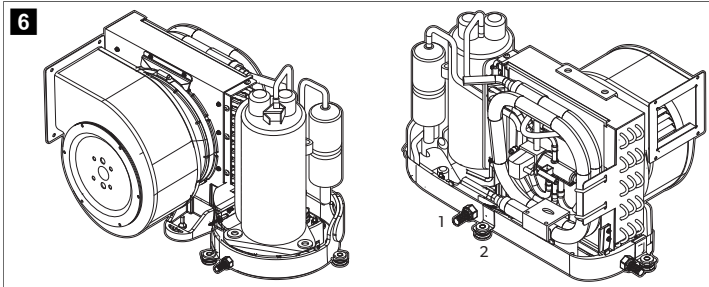
7.1 Montaj braketlerinin ve yoğuşma suyu tahliyesinin montajı



İKAZ!

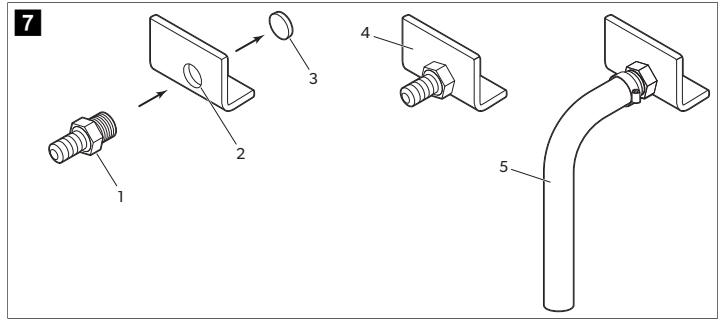
Tahliye tavasının çatlamasını önlemek amacıyla hortum rakorunu sarmak için teflon bandı iki kattan fazla sarmayın ve hortum rakorunu aşırı sıkmayın.

Montaj braketlerinin ve yoğuşma suyu tahliyelerinin tipik yerleşimi



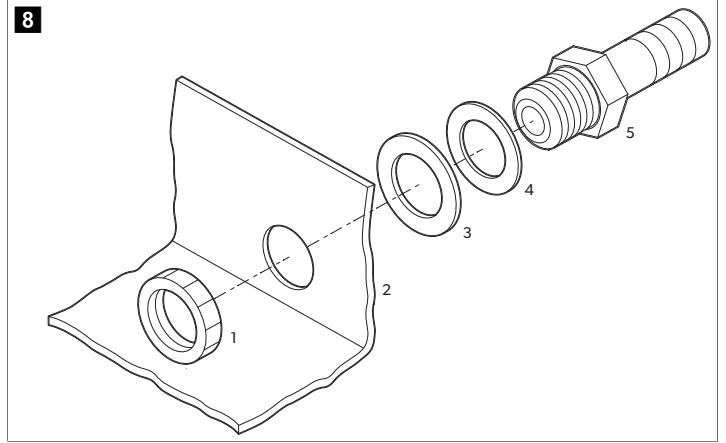
- 1 Yoğuşma suyu tahliye hortumu ucu
- 2 Montaj braket

DTG ve TX için yoğuşma suyu tahliye tesisatı



- 1 Hose barb
- 2 Dişli tahliye deliği
- 3 Delikten çıkan parça
- 4 Drain pan
- 5 Tahliye hortumu

Diğer tüm klima üniteleri için yoğuşma suyu tahliye tesisatı

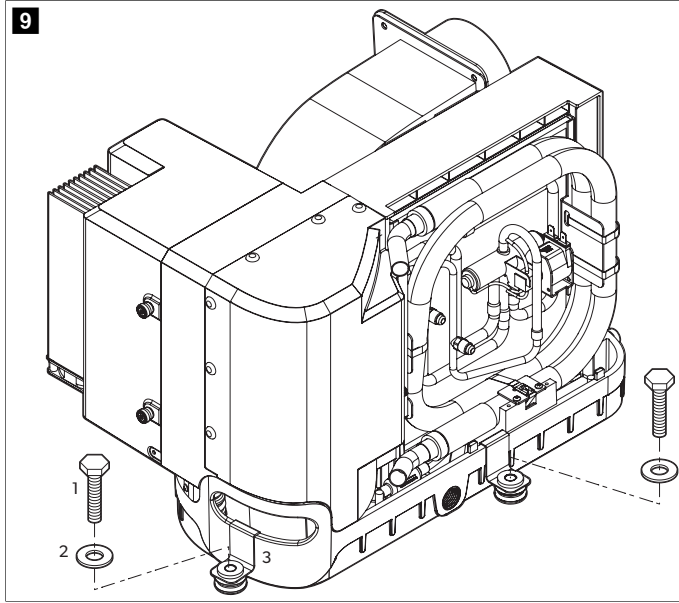


- 1 Locking nut
- 2 Tahliye tavası
- 3 Sıvı sızdırmaz conta
- 4 Solid washer
- 5 PVC boru ekleme parçası 0,5 in (12,7 mm) HB x 0,5 in (12,7 mm) MPT

1. Kauçuk bir tokmakla hızlı bir darbe uygulayarak arka tarafa bakan tahliye deliğini açmak için hortum rakorunu kullanın. Delikten çıkan parçayı atın.
2. DTG ve TX üniteleri için:
 - a) Hortum rakorunun dişli tarafına teflon bant sarın.
 - b) Hortum rakorunu dişli tahliye deliğine vidalayın ve iyice sıkın.
3. Diğer tüm klimalar için:
 - a) Hortum rakorunu sağlam bir rondela ve sızdırmaz contalı rondeladan geçirin ve tahliye deliğine yerleştirin.
 - b) Bir kilitleme somunu ile sabitleyin.
4. Tahliye hortumunu paslanmaz çelik hortum kelepçesi ile hortum rakoruna sabitleyin.

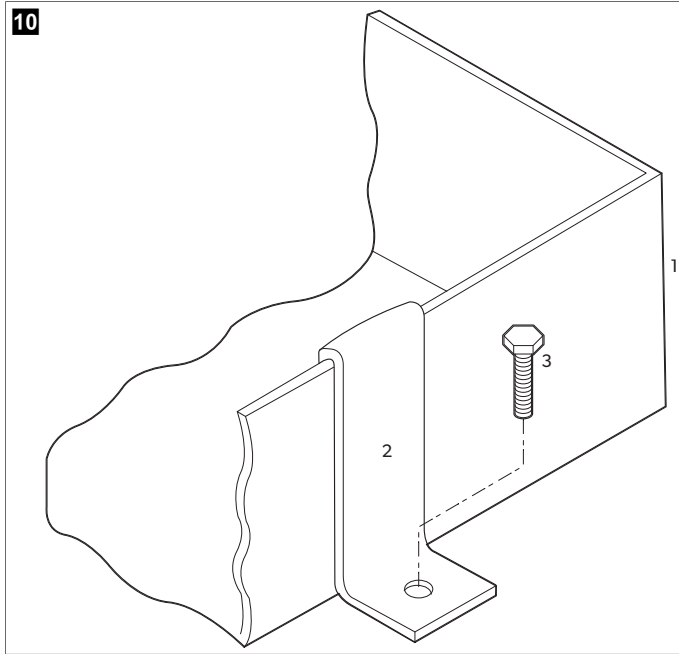
5. Tahliye hortumunu aşağıya doğru güvenli ve uygun bir toplama noktasına yönlendirin.

DTG ve TX üniteleri için montaj braketi montajı



- 1 Montaj civatası (birlikte verilmez)
2 Çamurluk rondelası (birlikte verilir)
3 Montaj braketi (birlikte verilir)

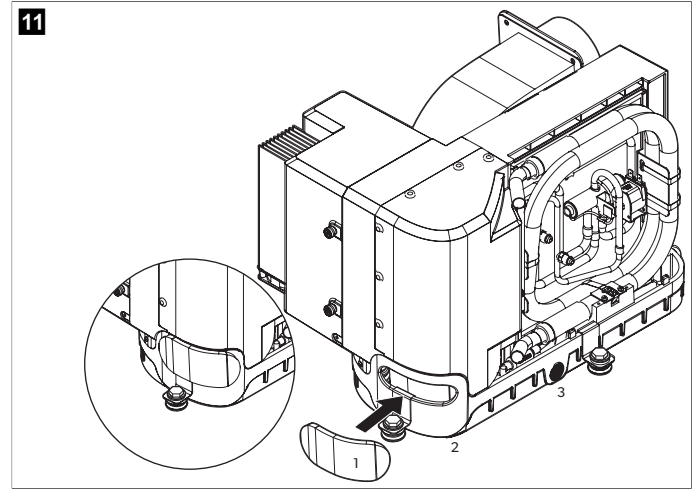
Diğer klima üniteleri için montaj braketi montajı



- 1 Tahliye tavası
2 Montaj braketi
3 Montaj civatası (birlikte verilmez)

6. Tahliye tavasının her iki tarafına eşit aralıklarla birer montaj braketi takın.

TX ünitelerine köpük tutamak izolasyonu montajı



- 1 Köpük tutamak izolasyonu
2 Tutamak açıklığı
3 Tahliye tavası

7. TX üniteleri için:

- a) Köpük tutamak izolasyonu üzerindeki yapışkan arkalığı kaplayan filmi çıkarın.
b) Köpük tutamak izolasyonunu, yapışkan tarafı tahliye tavasına bakacak ve tutamak açıklığını tamamen kaplayacak şekilde yerleştirin.
c) Köpük tutamak izolasyonunu tahliye tavasına yapıştırmak için tutamak açıklığının etrafına bastırın.

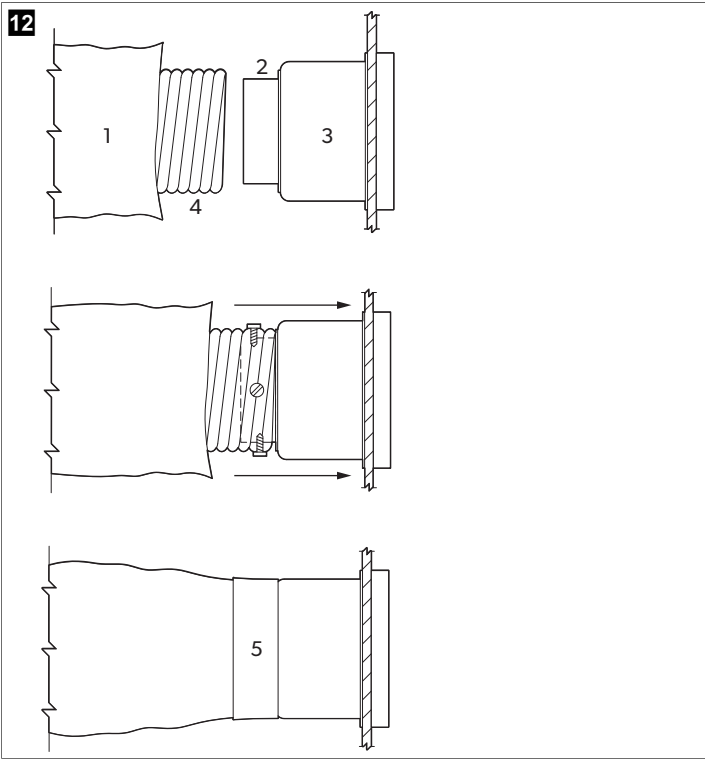
7.2 Kanalların monte edilmesi

Kanalları monte ederken aşağıdaki talimatlara uyun:

- Kanallar uygulamanız için uygun şekilde boyutlandırılmalıdır.
- Hava akışını azaltabilecek 90,00 ° dönüşleri ve döngüleri en aza indirerek kanalları olabildiğince düz, pürüzsüz ve muntazam bir şekilde döşeyin.
- Sarkmayı önlemek için kanalları sıkıca sabitleyin.
- Kanalların ezilmesine veya bükülmesine izin vermeyin.
- Montajdan sonra fazla kanal uzunluklarını kesin.
- Yüksek ısıli alanlarda bulunan kanalları izole edin.
- Yüksek ısıli alanlarda bulunan kanalları izole edin.
- Kanalları bir makine dairesinden veya tehlikeli buharlara veya egzoz dumanlarına maruz kalabileceği herhangi bir alandan geçirmeyin.

Bir geçiş kutusu kullanılıyorsa kutudan çıkan besleme havası kanallarının toplam alanı en az kutuya giren besleme kanallarının toplam alanına eşit olmalıdır. Bkz. Teknik özellikler sayfa 126

Kanal bağlantıları



- | | |
|---------------------|--------------------------|
| 1 Fiberglas yalıtım | 4 İç mylar kanal hortumu |
| 2 Montaj halkası | 5 Bant |
| 3 Geçiş kutusu | |

1. İç mylar kanal hortumunu montaj halkasının etrafından geçiş kutusuna doğru kaydırın.
2. Üç veya dört paslanmaz çelik vidayı mylar kanal hortumundan geçirerek montaj halkasına vidalayın ve bu esnada vida başlarıyla iki veya üç teli sıkıştırın.
3. İç mylar kanal hortumunun etrafındaki fiberglas yalıtımı geçiş kutusuna kaydırın. Bantla sabitleyin.

7.3 Deniz suyu sisteminin montajı



İKAZ!

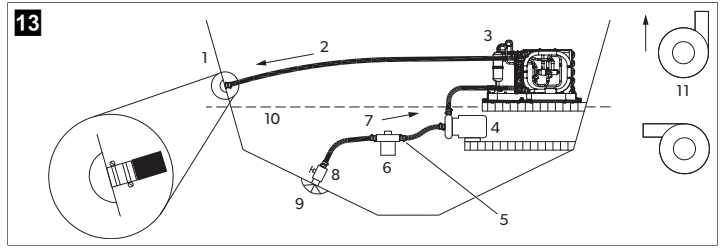
Bu prosedüre uyulmaması garantiyi geçersiz kılacaktır.

Deniz suyu sistemini kurarken aşağıdaki hususlara dikkat edin:

- Süzgeç pompanın altında olmalıdır.
- Hortumlar çift kelepçeli olmalıdır.
- Hortumlarda bükülmeler, ilmekler veya havanın sıkışabileceği yüksek noktalar olmamalıdır.
- Pompa ve süzgeç, su hattının altında olmalıdır.
- Giriş bağlantı kovanı, küresel vana, hortum ve süzgeç pompa girişinden daha küçük olmalıdır.
- Bağlantı kovanını su hattının mümkün olduğunca altına takın.
- Pompanın özel bir bağlantı kovanına sahip olması gerekir.
- 90,00 ° dirsekli bağlantı parçalarından mümkün olduğunca kaçının.
- Pompa kafasının su akış yönünde döndüğünden emin olun.
- Tüm dişli bağlantılarda teflon bant kullanın.

Su sıcaklığı ve basınç değerlerinin maksimum ve minimum değerleri için Teknik özellikler sayfa 126 bölümüne bakın.

Deniz suyu sistemi



- | | |
|----------------------|--------------------------------------|
| 1 Deniz suyu çıkışı | 7 Eğimli giriş akışı |
| 2 Çıkış akışı | 8 Bilyeli vana |
| 3 Klima | 9 Süzgeçli giriş bağlantı kovanı |
| 4 Deniz suyu pompası | 10 Su hattı |
| 5 Hortum kelepçeleri | 11 Doğru pompa kafası süzgeç yönleri |
| 6 Süzgeç | |

1. Omurganın mümkün olduğunca yakınına ve su hattının mümkün olduğunca altına bir süzgeçli deniz suyu girişi bağlantı kovanı takın. Su altı kullanımı için tasarlanmış denizcilik sınıfı bir sızdırmazlık maddesi kullanarak giriş bağlantı kovanını sabitleyin.
2. Süzgeçli giriş bağlantı kovanına tam akışlı, bronz deniz tipi vana takın.
3. Pompa seviyesinin altına filtreye erişimi olan bir deniz suyu süzgeci takın.
4. Pompayı süzgecin üzerine ve su hattının en az bir ayak altına monte edin.
5. Deniz tipi vanayı ve süzgeci güçlendirilmiş marin tipi hortumla yukarı doğru bağlayın.
6. Güçlendirilmiş 5/8 inç (0,63 in (16,0 mm)) marin tipi hortum kullanarak pompa tahliyesini yukarı doğru, klimanın kondenser serpantininin alt girişine bağlayın.
7. Kondenser serpantini tahliyesini güçlendirilmiş 5/8 inç marin tipi hortumla teknedan tahliye bağlantı kovanına bağlayın.
8. Döngülerden, yüksek noktalardan veya deniz suyu hortumunda 90,00 ° dirsek kullanmaktan kaçının. Her bir 90,00 ° dirsek 2,5 ft (0,76 m) (29,92 in (76,00 cm)) hortuma eşdeğerdir ve pompa çıkışındaki 90° dirsek 20,0 ft (6,10 m) (240,16 in (610,00 cm)) hortuma eşdeğerdir.
9. Tüm hortum bağlantılarını iki paslanmaz çelik kelepçe kullanarak çift kelepçeleysin, gerektiğinde kelepçeleri ters çevirin.
10. Deniz suyu ile temas eden tüm metalik parçaları geminin bonding sistemine bağlayın.

7.4 Elektrik bağlantılarının yapılması



UYARI! ELEKTRİK ÇARPMASI TEHLİKESİ.

Elektrik kutusunu açmadan önce daima klima güç kaynağı kesicisini kapatın. Bu uyarıya uyulmaması can kaybı veya ağır yaralanmaya sebep olabilir.



İKAZ!

Klima, kaçak elektrik akımından kaynaklanan korozyonu önlemek için teknenin bonding sistemine bağlanmalıdır. PVC veya kauçuk hortumlarla Klimadan izole edilen deniz suyu devresindeki tüm pompalar, metalik vanalar ve bağlantı parçaları teknenin bonding (elektriksel olarak birbirine bağlı sistem) sistemine ayrı ayrı bağlanmalıdır.



NOT Sistemin topraklanmaması ve bonding sisteminin uygun şekilde yapılmaması garantiyi geçersiz kılacaktır.

Tüm klima ünitelerindeki elektrik kutusunun içinde uygun bağlantılar için etiketlenmiş klemens dizisi bulunur. Elektrik kutusunun içindeki kablo bağlantı şeması ABYC standartlarının yerine geçer. Sistemi korumak için klima ünitesi veri plakası etiketinde belirtildiği gibi doğru akım değerine sahip devre kesici kullanın. Klimaya ve deniz suyu pompasına güç sağlamak için en az 12 AWG tekne kablosu kullanılmalıdır. Tüm bağlantıları halka veya çatal kablo pabuçlar kullanarak yapın.

Elektrik bağlantılarını yaparken aşağıdakilere uyun:

- Alternatif akım (AC) topraklaması, AC güç girişi klemens bloğundaki toprak klemensine (GRND) bağlanmalıdır.

- Teknenin AC sistemi topraklama iletkeni ile teknenin doğru akım (DC) negatif veya bonding sistemi arasındaki bağlantılar teknenin kablo tesisatının bir parçası olarak yapılmalıdır. Şasiye monte edilmiş topraklama saptaması olan mevcut ekipmanın bakımını yaparken veya değiştirirken, bu bağlantılar için teknenin kablo tesisatını kontrol edin.
- TX klimalar AC veya yüksek gerilimli DC ile çalışmak üzere tasarlanmıştır. Doğru yerleştirme için teknenin kablo tesisatı şemasına bakın.

Klimanın AC topraklamasının teknenin AC topraklamasına doğru şekilde bağlandığından emin olun. Teknenin içinde, AC topraklama barasının DC topraklama barasına tam olarak tek bir yerden bağlı olduğundan emin olun.

8 Atık İmhası



Ambalaj malzemesini mümkün olduğu durumlarda uygun geri dönüşüm atık kutularına koyun. Ürünün yürürlükteki imha yönetmeliklerine göre nasıl imha edileceğine ilişkin ayrıntılar için yerel bir geri dönüşüm merkezine veya uzman satıcıya danışın.

9 Garanti

ABD, Kanada ve diğer tüm bölgelerdeki garanti ve garanti desteği bilgileri için aşağıdaki bölümlere bakınız.

Amerika Birleşik Devletleri ve Kanada

SINIRLI GARANTİ

DOMETIC.COM/EN-US/TERMS-AND-CONDITIONS-CONSUMER/WARRANTY ADRESİNDE MEVCUTTUR. IF YOU HAVE QUESTIONS, OR TO OBTAIN A COPY OF THE LIMITED WARRANTY FREE OF CHARGE, CONTACT:

DOMETIC CORPORATION
MARINE CUSTOMER SUPPORT CENTER
2000 NORTH ANDREWS AVENUE
POMPANO BEACH, FLORIDA, USA 33069
1-800-542-2477

Asya-Pasifik (APAC) ülkeleri

Ürün gerektiği gibi çalışmıyorsa lütfen satıcınızla veya üreticinin ülkenizdeki şubesiyle iletişime geçin (bkz. dometic.com/dealer). Ürününüzün garanti süresi 1 yıldır.

Onarım ve garanti işlemleri için, cihazı aşağıdaki dokümanlarla birlikte gönderin:

- Satın alma tarihini içeren faturanın bir kopyası
- Talebinizin nedeni veya hatanın açıklanması

Kendi kendine onarımın veya profesyonel olmayan onarımın güvenlikle ilgili sonuçları olabileceğini ve garantiyi geçersiz kılabileceğini unutmayın.

Yalnızca Avustralya

Our goods come with guarantees that cannot be excluded under the Australian Consumer Law. You are entitled to a replacement or refund for a major failure and for compensation for any other reasonably foreseeable loss or damage. You are also entitled to have the goods repaired or replaced if the goods fail to be of acceptable quality and the failure does not amount to a major failure.

Yalnızca Yeni Zelanda

Bu garanti politikası, Consumer Guarantees Act 1993(NZ) (Tüketici Garantileri Yasası) tarafından belirtildiği üzere zorunlu olan koşullara ve garantilere tabidir.

Tüm diğer bölgeler

Yasal garanti süresi geçerlidir. Üründe hasar varsa üreticinin ülkenizdeki şubesi (bkz. dometic.com/dealer) veya satıcınızla iletişime geçin.

Onarım ve garanti işlemleri için, cihazı aşağıdaki dokümanlarla birlikte gönderin:

- Satın alma tarihini içeren faturanın bir kopyası
- Talebinizin nedeni veya hatanın açıklanması

Kendi kendine onarımın veya profesyonel olmayan onarımın güvenlikle ilgili sonuçları olabileceğini ve garantiyi geçersiz kılabileceğini unutmayın.

Slovenščina

1 Pomembna obvestila.....	132
2 Razlaga simbolov.....	132
3 Ciljna skupina.....	132
4 Predvidena uporaba.....	132
5 Tehnični podatki.....	133
6 Predmontaža.....	133
7 Namestitvev.....	135
8 Odstranjevanje.....	138
9 Garancija.....	138

1 Pomembna obvestila

Pozorno preberite in upoštevajte vsa navodila, smernice in opozorila iz tega priročnika, da zagotovite pravilno vgradnjo, uporabo in vzdrževanje izdelka. Ta navodila MORATE hraniti skupaj z izdelkom.

Z uporabo izdelka potrjujete, da ste pozorno prebrali vsa navodila, smernice in opozorila ter razumete in upoštevate vsa določila ter pogoje v tem dokumentu. Strinjate se, da boste izdelek uporabljali samo za predvideni namen uporabe in v skladu z navodili, smernicami in opozorili v tem priročniku ter v skladu z vsemi veljavnimi zakoni in predpisi. Če navodil in opozoril v nadaljevanju ne preberete in ne upoštevate, boste morda poškodovali izdelek ali povzročili materialno škodo v bližini. Pridržujemo si pravico do sprememb in posodobitev priročnika, vključno z navodili, smernicami in opozorili ter povezano dokumentacijo. Za najnovejšo informacije o izdelku obiščite documents.dometic.com.

2 Razlaga simbolov

Signalna beseda označuje varnostna sporočila in sporočila o materialni škodi ter stopnjo ali raven nevarnosti.



OPOZORILO!

Označuje nevarno situacijo, ki lahko povzroči smrt ali hude poškodbe, če ni preprečena.



OBVESTILO!

Označuje nevarno situacijo, ki lahko povzroči materialno škodo, če ni preprečena.



NASVET Dodatne informacije za upravljanje izdelka.

2.1 Dodatne smernice

Da bi zmanjšali nevarnost nesreč in poškodb, upoštevajte naslednje smernice, preden začnete montirati to napravo:

- Preberite in upoštevajte vse varnostne informacije in navodila.
- Preden začnete nameščati ta izdelek, morate prebrati in razumeti ta navodila.
- Namestitev mora biti izvedena skladna z vsemi veljavnimi lokalnimi ali nacionalnimi predpisi, vključno z zadnjo izdajo standardov v nadaljevanju:
 - American Boat and Yacht Council (ABYC)
 - ANSI/NFPA 70, National Electrical Code (NEC)

2.2 Varnostni napotki



OPOZORILO! NEVARNOST ZARADI OGLJIKOVEGA MONOKSIDA

Neupoštevanje teh opozoril lahko povzroči smrt ali hude poškodbe:

- > Samostojne klimatske naprave **ne** montirajte ali uporabljajte v podladju ali strojnici oz. v bližini motorja na notranje zgorevanje. Izbrano mesto montaže mora biti ustrezno izolirano, da preprečuje vstop hlapom iz podladja in/ali strojnice.
- > Preverite, ali je odtočni kanal za kondenzat pravilno montiran in zatesnjen. Odtočni kanal za kondenzat se **ne** sme končati na razdalji manj kot 0,91 m od katerekoli odvodne odprtine motorja ali generatorja, v prostoru, kjer je

motor oz. generator, ali v podladju, razen če je kanal ustrezno priključen v drenažno črpalko za kondenzat ali prho. Če odtočni kanal ni pravilno montiran, lahko nevarni hlapci potujejo po odtočnem kanalu navzgor in onesnažijo bivalne prostore.

- > Klimatske naprave **ne** montirajte na mesto, kjer lahko v bivalne prostore plovila črpa ogljikov monoksid, hlapce goriva ali druge strupene pline.



OPOZORILO! Nevarnost električnega udara

Namestitev lahko izvede samo usposobljen električar.



OPOZORILO! NEVARNOST ELEKTRIČNEGA UDARA, POŽARA IN/ALI EKSPLOZIJE.

Neupoštevanje teh previdnostnih ukrepov lahko povzroči smrt ali hude poškodbe.

Naprave **ne** smejo uporabljati osebe (vključno z otroki) z zmanjšanimi fizičnimi, zaznavnimi ali duševnimi sposobnostmi ali s pomanjkanjem izkušenj in znanja, razen če jih oseba, ki je odgovorna za njihovo varnost, nadzira ali jim je dala navodila o uporabi naprave. Otroke je treba nadzorovati, da se z napravo **ne** bodo igrali. Otroci **ne** smejo brez nadzora izvajati čiščenja in vzdrževalnih del. Ta naprava **ne** sme biti dostopna splošni javnosti.



OPOZORILO! NEVARNOST EKSPLOZIJE.

Neupoštevanje teh previdnostnih ukrepov lahko povzroči smrt ali hude poškodbe.

Klimatske naprave **ne** montirajte v prostor, kjer so bencinski motorji, rezervoarji, posode za LPG/CPG, regulatorji, ventili ali pritrdilni elementi za gorivne cevi. Samostojne enote **ne** izpolnjujejo zahtev glede zaščite pred vžigom, razen če je navedeno drugače. Neupoštevanje tega opozorila lahko povzroči smrt ali hude poškodbe.



OPOZORILO! NEVARNOST ELEKTRIČNEGA UDARA.

Neupoštevanje teh previdnostnih ukrepov lahko povzroči smrt ali hude poškodbe.

- > Klimatsko napravo je treba pravilno ozemljiti, da zmanjšate nevarnost električnega udara. Za več informacij glejte navodila za montažo.
- > Vsaka montirana klimatska naprava mora imeti svoj odklopnik. Če je montirana le ena klimatska naprava, črpalka morske vode **ne** potrebuje svojega odklopnika. Če isto črpalko morske vode uporabljata dve klimatski napravi ali več, bodo kabli črpalke priključeni v relejno ploščo črpalke, ki ima svoj odklopnik, primeren za črpalko (največ 20 A). Glejte shemo električne napeljave, ki je priložen relejni plošči črpalke. Za električne priključke v podladju in/ali pod vodno črto je treba uporabiti toplotno krčljive sočelne spoje.
- > Pri izvajanju napeljave na terenu **je treba** upoštevati električno kodiranje standarda ABYC. Napajanje enote mora biti v razponu delovne napetosti, navedene na ploščici s podatki. Za zaščito končnega tokokroga **je treba** uporabiti varovalke ustrezne velikosti ali odklopnike HACR. Največje velikosti varovalk/odklopnikov in najmanjša kapaciteta tokokroga so navedeni na ploščici s podatki.



OBVESTILO!

Ta naprava uporablja fluorirane toplogredne pline v hermetično zaprti opremi. Glejte ploščico s podatki o kondenzacijski enoti, kjer sta navedena količina hladilnega sredstva kot teža in GWP. Dodano hladilno sredstvo mora biti navedeno na ploščici enote.

3 Ciljna skupina



Mehansko in električno namestitev ter nastavitev naprave mora izvesti usposobljen tehnik, ki ima dokazano znanje in veščine v zvezi z gradnjo in obratovanjem pomorske opreme in instalacij, ki pozna veljavne predpise države, v kateri bo oprema nameščena in/ali uporabljena, ter je opravil varnostno usposabljanje za prepoznavanje in izogibanje nevarnostim.

4 Predvidena uporaba

Ta priročnik je predviden za montažo samostojnih klimatskih sistemov DCU, DLU, DTG, ECD in TX (v nadaljevanju klimatska naprava). Klimatska naprava je predvidena za

uporabo na ladjah in jahtah. Klimatska naprava je primerna samo za predvideni namen in uporabo v skladu s temi navodili.

Ta izdelek je primeren samo za predvideni namen in uporabo v skladu s temi navodili.

V tem priročniku so navedene informacije, ki jih je treba upoštevati za pravilno vgradnjo in/ali delovanje izdelka. Aparat zaradi slabe vgradnje in/ali nepravilne uporabe oziroma vzdrževanja ne bo dobro deloval in se lahko pokvari.

Proizvajalec ne sprejema nobene odgovornosti za telesne poškodbe ali poškodbe izdelka, do katerih pride zaradi:

- napačne namestitve, sestave ali priklopa, vključno s previsoko napetostjo;
- neustreznih vzdrževalnih del ali uporabe neoriginalnih nadomestnih delov, ki jih ni dobavil proizvajalec;
- sprememb izdelka brez izrecnega dovoljenja proizvajalca;
- uporabe za namene, ki niso opisani v navodilih.

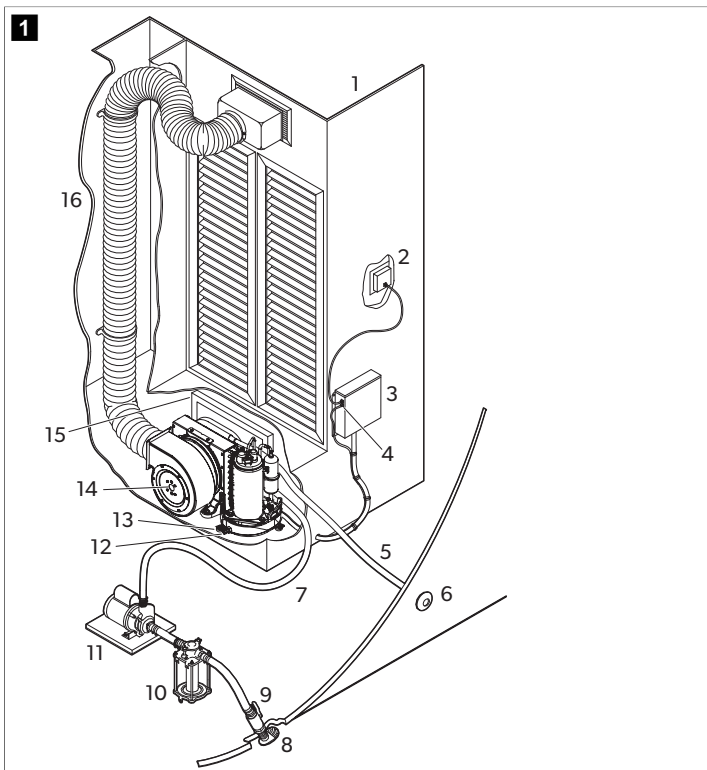
Družba Dometic si pridržuje pravico do spremembe videza in specifikacij izdelka.

5 Tehnični podatki

V celoti preberite ta navodila in nato načrtujte priključke, potrebne za klimatsko napravo (vključno s kanalom, odtočnim kanalom za kondenzat, dovodnimi in odvodnimi cevmi za morsko vodo, napajalnimi priključki, mestom postavitve krmilnika in montažo črpalke morske vode), da zagotovite enostaven dostop do napeljave in vzdrževalna dela.

5.1 Postavitev delov

Določitev komponent klimatskega sistema



- | | |
|--|---------------------------------------|
| 1 Mreža za dovod zraka in preostitvena omarica | 9 Zaporni ventil za dotok morske vode |
| 2 Digitalni zaslon | 10 Cedilo za morsko vodo |
| 3 Električna omarica | 11 Črpalka |
| 4 Dodaten kabel za senzor zraka | 12 Zazobek odtočne cevi za kondenzat |
| 5 Odvodna cev za morsko vodo | 13 Nosilec |
| 6 Izlivna odprtina | 14 Klimatska naprava |

- | | |
|---|-------------------------------------|
| 7 Dovodna cev za morsko vodo | 15 Mreža in filter za povratni zrak |
| 8 Dovodna odprtina za morsko vodo v trupu | 16 Izolirani gibki kanal |

5.2 Specifikacije

V tem razdelku so navedeni podatki s specifikacijami za klimatsko napravo.

Tabela 35: Najmanjša velikost cevi in mreže glede na kapaciteto BTU

	3.5 k BTU	6 k BTU	8 k BTU	10 k BTU
Najmanjši premer cevi	3,00 in (76,2 mm)	4,00 in (101,6 mm)	5,00 in (127,0 mm)	6,00 in (152,4 mm)
Najmanjša površina cevi	6,8 in ² (43,9 cm ²)	12,6 in ² (81,3 cm ²)	19,6 in ² (126,5 cm ²)	28,3 in ² (182,6 cm ²)
Najmanjša velikost mreže za povratni zrak	64,0 in ² (412,9 cm ²)	64,0 in ² (412,9 cm ²)	80,0 in ² (516,2 cm ²)	100,0 in ² (645,2 cm ²)
Najmanjša velikost mreže za dovod zraka	12,0 in ² (77,4 cm ²)	32,0 in ² (206,5 cm ²)	48,0 in ² (309,7 cm ²)	60,0 in ² (387,1 cm ²)

	12 k BTU	16 k BTU	18 k BTU	27 k BTU
Najmanjši premer cevi	6,00 in (152,4 mm)	7,00 in (177,8 mm)	7,00 in (177,8 mm)	8,00 in (203,2 mm)
Najmanjša površina cevi	28,3 in ² (182,6 cm ²)	38,5 in ² (248,4 cm ²)	38,5 in ² (248,4 cm ²)	50,3 in ² (324,5 cm ²)
Najmanjša velikost mreže za povratni zrak	130,0 in ² (838,8 cm ²)	160,0 in ² (1032,3 cm ²)	200,0 in ² (1290,4 cm ²)	240,0 in ² (1548,5 cm ²)
Najmanjša velikost mreže za dovod zraka	70,0 in ² (451,6 cm ²)	80,0 in ² (516,2 cm ²)	100,0 in ² (645,2 cm ²)	120,0 in ² (774,2 cm ²)

Tabela 36: Delovna temperatura voda in tlak

Najnižja delovna temperatura vode	40,0 °F (4,44 °C)
Najvišja delovna temperatura vode	80,0 °F (26,66 °C)
Najnižji delovni tlak vode	4,2 psi (0,29 bar) (29,00 kPa)
Najvišji delovni tlak vode	6,00 psi (0,41 bar) (41,4 kPa)

NASVET Enota lahko zunaj teh pogojev deluje z zmanjšano zmogljivostjo.

6 Predmontaža

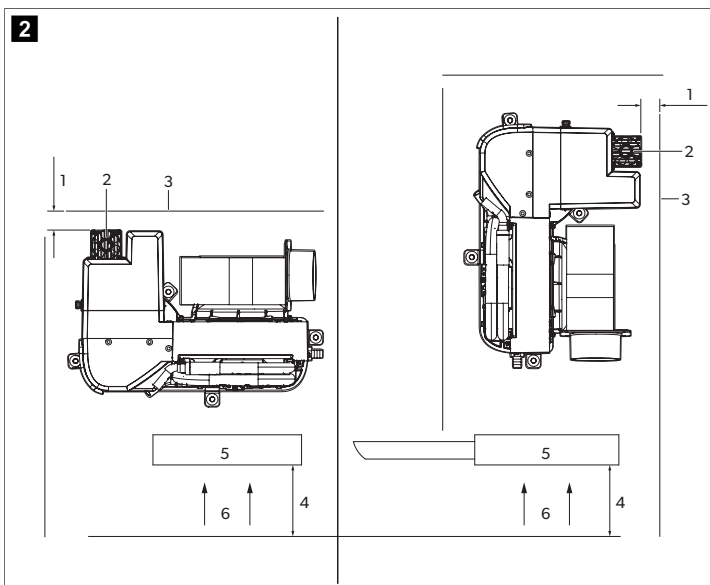
OBVESTILO! Samostojne posode za kondenzat na enotah DTG in TX imajo izolatorje vibracij, ki so nameščeni na dnu posode. Ti izolatorji so zasnovani, da blažijo vibracije, ki nastajajo med delovanjem klimatske naprave, da se ne prenašajo na montažno površino. Pri premikanju klimatske naprave po montažnih površinah bodite previdni, da se izolatorji ne poškodujejo.

OBVESTILO! Klimatsko napravo je treba montirati na nizko, plosko in ravno površino, na primer na dno omarice, pod ležišče ali sedež v jedilnici oz. na drugo podobno mesto.

V tem razdelku je pojasnjeno, kako pripraviti klimatsko napravo za montažo.

6.1 Določitev mesta montaže

Postavitev enote TX glede na zračni tok



1 3,00 in (7,62 cm)

4 4,00 in (10,16 cm)

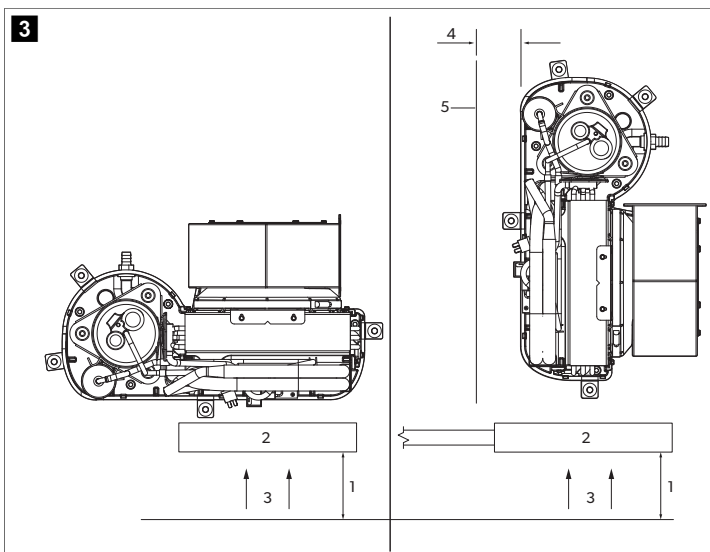
2 Toplotni odvod

5 Mreža za povratni zrak

3 Pregrada

6 Zračni tok

Postavitev vseh ostalih enot klimatske naprave glede na zračni tok



1 4,00 in (10,16 cm)

4 3,00 in (7,62 cm)

2 Mreža za povratni zrak

5 Pregrada

3 Zračni tok

Postavite na mesto, kjer bo zračni tok dovolj dober. Pred mrežo za povratni zrak mora biti vsaj 4,00 in (10,16 cm) prostora za kroženje zraka in nobenih drugih ovir.

Če je klimatska naprava postavljena pravokotno na mrežo za povratni zrak, naj bo na strani za dovod zraka vsaj 3,00 in (7,62 cm) prostora za kroženje zraka.

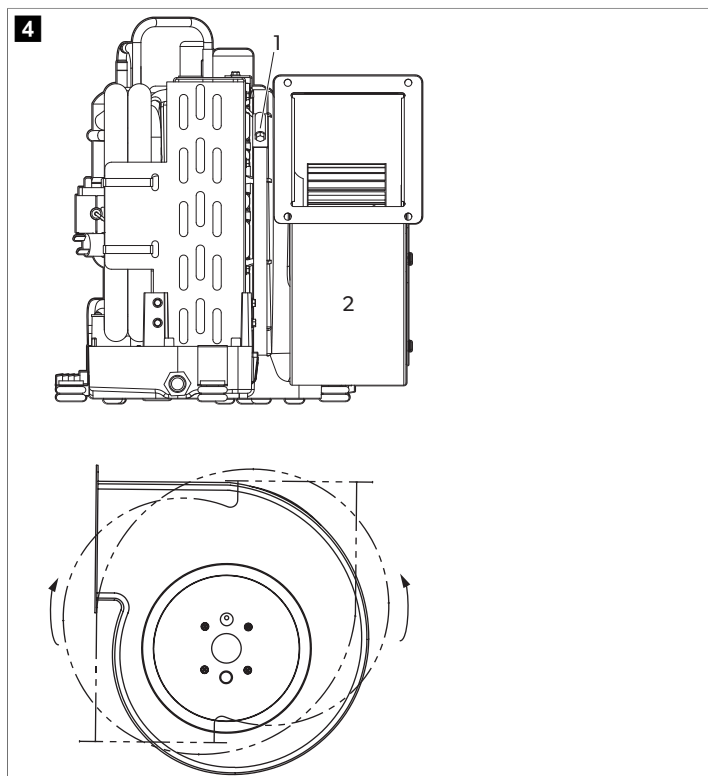
Samo za enote TX: Nad in pod toplotnim odvodom mora biti vsaj 2,99 in (76,0 mm) prostora.

6.2 Vrtenje ventilatorja

V tem razdelku je pojasnjeno, kako zavrteti ventilator za posamezno vrsto enote. Če je treba, zavrtite ventilator v smer, ki omogoča najbolj neposreden izpust zračnega toka skozi kanal.

6.2.1 Ventilatorji za sisteme DTG in TX

Vrtenje ventilatorja za sisteme DTG in TX



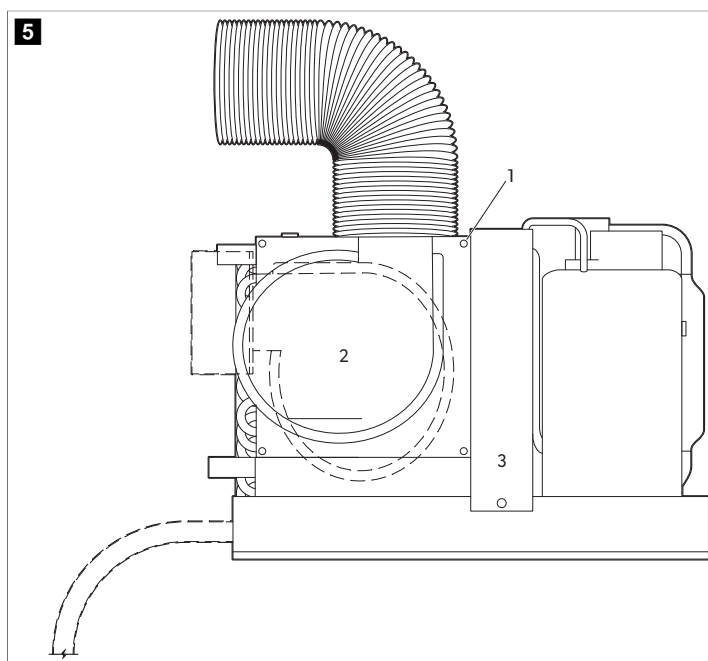
1 Adjustment screw

2 Blower

1. Odtegnite nastavitveni vijak na obroču za pritrditev ventilatorja.
2. Zavrtite ventilator v želeni položaj.
3. Zategnite nastavitveni vijak.

6.2.2 Ventilatorji MCS in ECD

Vrtenje ventilatorjev za sisteme MCS in ECD



- 1 Screw
- 2 Plošča
- 3 Ventilator

1. Odstranite sedem vijakov v plošči.
2. Zavrtite ventilator v zeleni položaj.
3. Ventilator pritrdite na svoje mesto s samoreznimi vijaki (niso priloženi).

6.3 Vstavljanje zračnih filtrov

Zračni filtri odstranjujejo delce iz zraka v kabini in skrbijo, da je tuljava uparjalnika čista. Za vsako klimatsko napravo namestite en zračni filter, bodisi v klimatsko napravo bodisi v mrežo za povratni zrak.

6.4 Nameščanje mrež in premostitvenih omaric

Pri nameščanju mrež in premostitvenih omaric upoštevajte naslednje:

- Mrežo za dovod zraka namestite, kolikor je mogoče visoko na mestu, kjer bo porazdelitev zraka v kabini enakomerna. Rešetke mreže usmerite navzgor.
- Mrežo za povratni zrak namestite, kolikor je mogoče nizko in blizu klimatske naprave, da se bo zračni tok lahko dovajal v uparjalnik.
- Izpust za dovod zraka naj ne bo usmerjen proti mreži za povratni zrak, saj bo to prekinilo cikel v sistemu.
- Za mrežo za dovod zraka naj bo dovolj prostora za premostitveno omarico in priključitev kanalov. Glejte razdelek Specifikacije na strani 133

7 Namestitev

V tem razdelku je pojasnjeno, kako montirati samostojno klimatsko napravo.

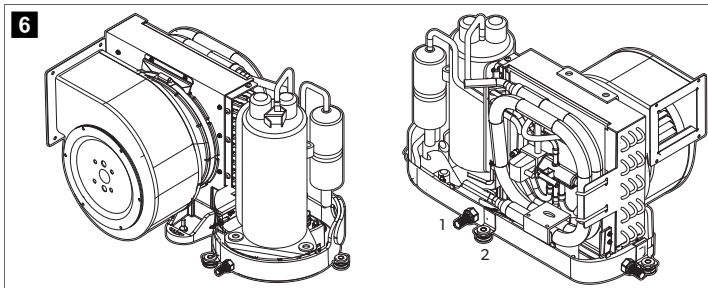
7.1 Montaža nosilcev in odtočnega kanala za kondenzat



OBVESTILO!

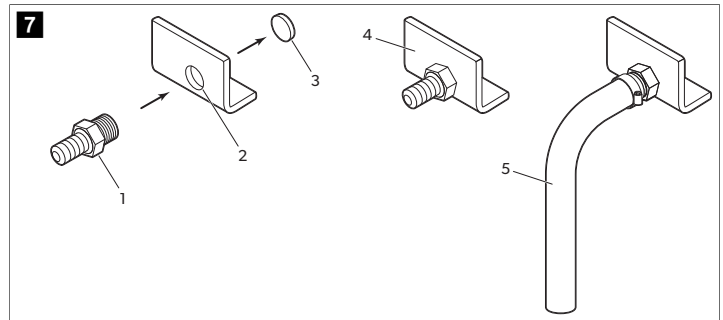
Da preprečite razpoke na izpustni posodi, več kot dve plasti traku za vodovodne cevi ovijte okrog zazobka cevi, ki ga ne zategnite premočno.

Običajna postavitev nosilcev in odtočnih kanalov za kondenzat



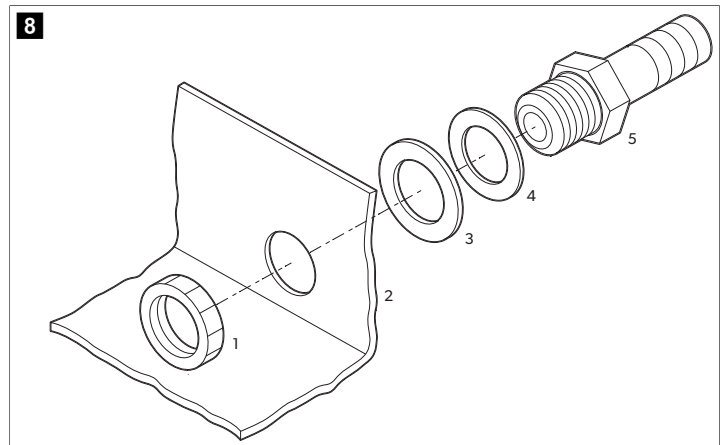
- 1 Zazobek odtočne cevi za kondenzat
- 2 Nosilec

Montaža odtočnega kanala za kondenzat za enote DTG in TX



- 1 Hose barb
- 2 Navojna odtočna odprtina
- 3 Čep za izbitje
- 4 Drain pan
- 5 Odtočna cev

Montaža odtočnega kanala za kondenzat za vse druge enote klimatskih naprav



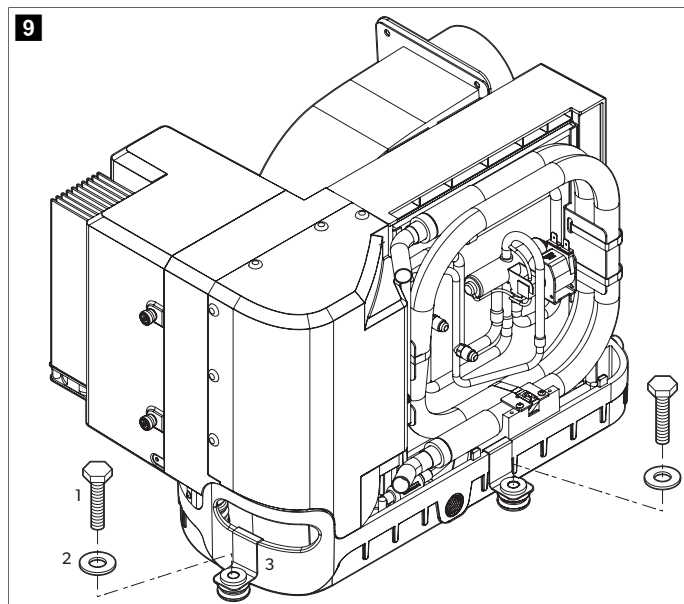
- 1 Locking nut
- 2 Izpustna posoda
- 3 Tesnilna podložka
- 4 Solid washer
- 5 Pritrdilni element iz PVC-ja 0,5 in (12,7 mm) HB x 0,5 in (12,7 mm) MPT

3 Tesnilna podložka

1. Uporabite zazobek cevi in z enim hitrim udarcem z gumijastim kladivom iz odtočne odprtine, ki gleda proti krmu, izbijte čep. Čep za izbitje zavrzite.
2. Za enote DTG in TX:
 - a) Okrog navojnega konca zazobka cevi ovijte trak za vodovodne cevi.
 - b) Zazobek cevi privijte v navojno odtočno odprtino in ga dobro zategnite.
3. Za vse druge klimatske naprave:
 - a) Zazobek cevi potisnite skozi podložko in tesnilno podložko ter ga vstavite v odtočno odprtino.
 - b) Privijte in zategnite z zaporno matico.
4. Z objemko za cev iz nerjavnega jekla pričvrstite odtočno cev na zazobek cevi.

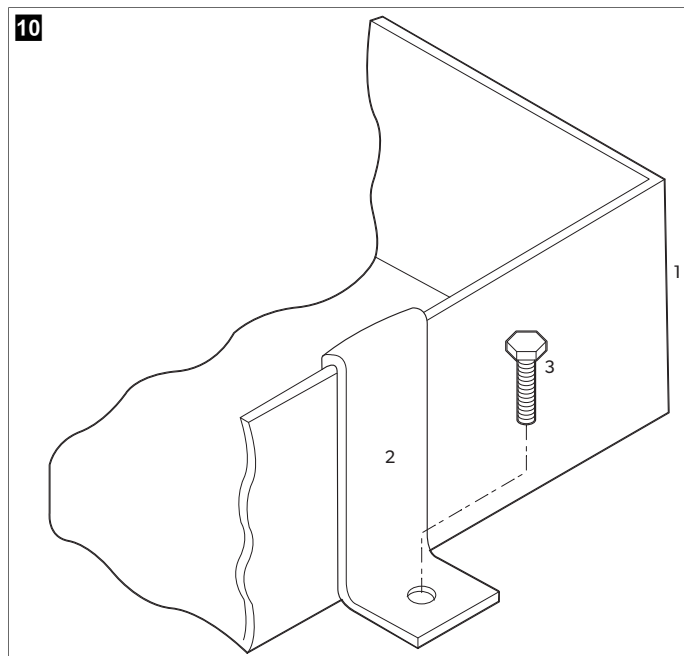
5. Odtočno cev speljite navzdol do varne in ustrezne zbirne točke.

Montaža nosilca za enote DTG in TX



- 1** Pritrdilni sornik (ni priložen)
2 Podložka za odbojnik (priložena)
3 Nosilec (priložen)

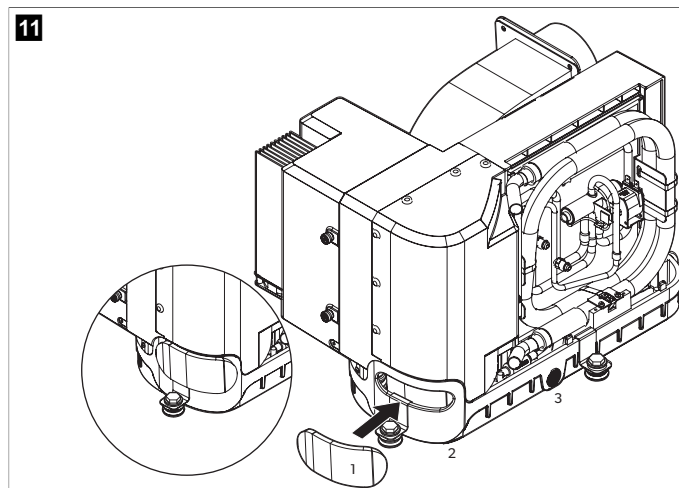
Montaža nosilca za vse druge enote klimatskih naprav



- 1** Izpustna posoda
2 Nosilec
3 Pritrdilni sornik (ni priložen)

6. Po en nosilec montirajte na vsako stran izpustne posode na enaki razdalji.

Namestitev penaste izolacije ročaja na enotah TX



- 1** Penasta izolacija ročaja
2 Odprtina v ročaju
3 Izpustna posoda

7. Za enote TX:

- Odstranite folijo, ki prekriva lepilno podlago na penasti izolaciji ročaja.
- Penasto izolacijo ročaja namestite tako, da v celoti prekrije odprtino v ročaju, tako da lepljiva stran gleda proti izpustni posodi.
- Pritiskajte okrog odprtine v ročaju, da se penasta izolacija ročaja prilepi na izpustno posodo.

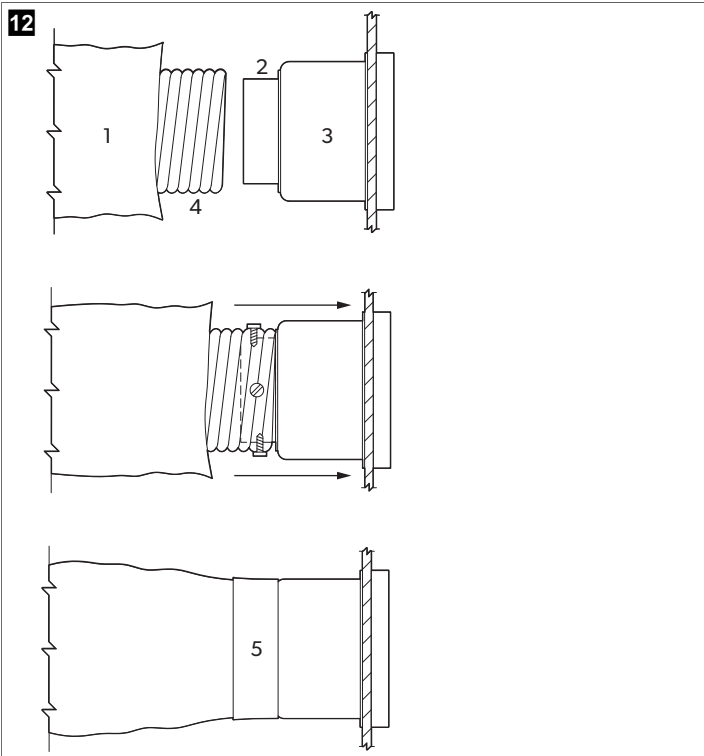
7.2 Montaža kanala

Pri montaži kanalov upoštevajte naslednje napotke:

- Kanal mora biti ustrezne velikosti za namen uporabe.
- Kanal napeljite tako, da bo čim bolj raven in napet, število 90,00 ° kolen in zank, ki lahko oslabijo zračni tok, pa naj bo čim manjše.
- Kanal dobro pritrdite, da se ne bo povešal.
- Ne pustite, da bi se kanal sploščil ali upognil.
- Po montaži odrežite odvečno dolžino kanala.
- Izolirajte kanal, ki je nameščen v zelo vročih območjih.
- Izolirajte kanal, ki je nameščen v zelo vročih območjih.
- Kanala ne napeljite skozi strojnico ali drug prostor, kjer je lahko izpostavljen nevarnim hlapom ali izpušnim plinom.

Če se uporablja premostitvena omarica, mora biti skupna površina kanalov za dovod zraka, ki so speljani iz omarice, vsaj enaka skupni površini dovodnih kanalov, ki so speljani v omarico. Glejte Specifikacije na strani 133

Priključitev kanalov



- | | |
|---------------------------------|----------------------------------|
| 1 Izolacija iz steklenih vlaken | 4 Notranja cev kanala iz Mylarja |
| 2 Pritrdilni obroč | 5 Lepilni trak |
| 3 Premostitvena omarica | |

1. Notranjo cev kanala iz Mylarja potisnite skozi pritrdilni obroč do premostitvene omarice.
2. Skozi cev kanala iz Mylarja privijte tri ali štiri vijake iz nerjavnega jekla v pritrdilni obroč, pri tem z glavami vijakov vpnite dve ali tri žice.
3. Izolacijo iz steklenih vlaken ovijte okoli notranje cevi kanala iz Mylarja do premostitvene omarice. Prelepite z lepilnim trakom.

7.3 Montaža sistema za morsko vodo



OBVESTILO!

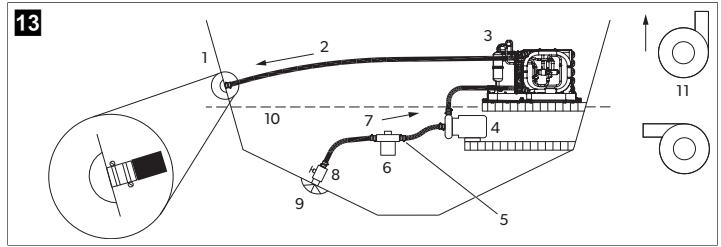
Če tega postopka ne upoštevate, garancija ne bo veljala.

Pri nastavljanju sistema za morsko vodo upoštevajte naslednje:

- Cedilo mora biti pod črpalko.
- Cevi morajo biti dvojno vpete.
- Cevi ne smejo imeti upognjenih delov, zank ali visokih točk, kjer bi se lahko ujel zrak.
- Črpalka in cedilo morata biti pod vodno črto.
- Dovodna odprtina v trupu, kroglični ventil in cedilo ne smejo biti manjše od dovodne odprtine črpalke.
- Pritrdilni element za odprtino v trupu montirajte, kolikor je mogoče nizko pod vodno črto.
- Črpalka mora imeti svojo odprtino v trupu.
- Če je le mogoče, ne uporabljajte 90,00 ° kolenskih pritrdilnih elementov.
- Glava črpalke mora biti obrnjena v smeri vodnega toka.
- Za vse navojne priključke uporabite trak za vodovodne cevi.

Glejte razdelek Specifikacije na strani 133, kjer so navedene vrednosti za najvišjo in najnižjo temperaturo vode ter tlak.

Sistem za morsko vodo



- | | |
|--------------------------|---|
| 1 Odtok za morsko vodo | 7 Dovodni tok navzgor |
| 2 Odvodni tok | 8 Kroglični ventil |
| 3 Klimatska naprava | 9 Dovodna odprtina v trupu |
| 4 Črpalka za morsko vodo | 10 Vodna črta |
| 5 Objemke za cev | 11 Pravilno usmerjenost cedila na glavi črpalke |
| 6 Cedilo | |

1. Dovodna odprtina v trupu naj bo čim bližje gredlju in čim dlje pod vodno črto. Dovodno odprtino v trupu zatesnite s tesnilom, ki je primerno za uporabo v morskem okolju in pod vodo.
2. V dovodno odprtino v trupu namestite bronast čep za morsko vodo, ki omogoča pretok vode.
3. Pod nivo črpalke namestite cedilo za morsko vodo, tako da bo imelo dostop do filtra.
4. Črpalko montirajte nad cedilo in vsaj trideset centimetrov pod vodno črto.
5. Čep za morsko vodo in cedilo med sabo povežite z ojačano cevjo za pretok navzgor, primerno za uporabo v morskem okolju.
6. Izpustno odprtino v črpalki z ojačano cevjo, primerno za uporabo v morskem okolju in velikosti 5/8 palca (0,63 in (16,0 mm)), povežite v smeri navzgor s spodnjo dovodno odprtino v tuljavi kondenzatorja klimatske naprave.
7. Izpustno odprtino v tuljavi kondenzatorja z ojačano cevjo, primerno za uporabo v morskem okolju in velikosti 5/8 palca, povežite s pritrdilnim elementom izlívne odprtine v trupu.
8. Če je le mogoče, za cev za morsko vodo ne uporabljajte zank, visokih točk ali 90,00 ° kolen. Vsako 90,00 ° koleno je enako 2,5 ft (0,76 m) (29,92 in (76,00 cm)) cevi, 90° koleno na izpustni odprtini črpalke pa je enako 20,0 ft (6,10 m) (240,16 in (610,00 cm)) cevi.
9. Vse cevne priključke dvojno vpnite z objemkama iz nerjavnega jekla in ju po potrebi obrnite.
10. Vse kovinske dele, ki so v stiku z morsko vodo, povežite z veznim sistemom plovila.

7.4 Izvedba električnih priključkov



OPOZORILO! NEVARNOST ELEKTRIČNEGA UDARA.

Preden odprete električno omarico, izklopite napajanje klimatske naprave z odklopnikom. Neupoštevanje tega opozorila lahko povzroči smrt ali hude poškodbe.



OBVESTILO!

Klimatska naprava mora biti povezana z veznim sistemom plovila, kar preprečuje rjavenje zaradi blodečega električnega toka. Vse črpalke, kovinski ventili in pritrdilni elementi v krogotoku morske vode, ki so od klimatske naprave ločeni z gumijastimi cevmi ali cevmi iz PVC, morajo biti vsak posebej povezani z veznim sistemom plovila.



NASVET Neustrezna ozemljitev in vezava sistema izničila garancijo.

Klimatske naprave imajo v električni omarici priključne letve, na katerih je označena pravilna priključitev. Shema električne napeljave v električni omarici ima prednost pred standardi ABYC. Za zaščito sistema uporabite odklopnik ustreznih velikosti, kot je navedeno na ploščici s podatki na klimatski napravi. Za napajanje klimatske naprave in črpalke morske vode je treba uporabiti kabel za plovila velikosti najmanj 12 AWG. Za priključke je treba uporabiti obročaste ali viličaste kabelske čevlje.

Ko izvajate električne priključke, upoštevajte naslednje:

- Ozemljitev za izmenični tok je treba priključiti na ozemljitveno sponko (GRND) na skupini sponk za vhodno moč pri izmeničnem toku.
- Priključki med ozemljitvenim vodnikom sistema na izmenični tok na plovilu in negativnim ali veznim sistemom na enosmerni tok na plovilu morajo biti izvedeni kot del napeljave plovila. Pri vzdrževalnih delih ali zamenjavi obstoječe opreme, ki ima na šasijo pritrjen ozemljitveni čep, preverite v napeljavi plovila, če so ti priključki na voljo.
- Klimatske naprave TX so zasnovane za delovanje na izmenični ali visokonapetostni enosmerni tok. Za pravilno postavitve glejte shemo električne napeljave za plovilo.

Ozemljitev klimatske naprave na izmenični tok mora biti pravilno priključena na ozemljitev plovila na izmenični tok. V plovilu mora biti ozemljitveno vodilo na izmenični tok priključeno na ozemljitveno vodilo na izmenični tok na točno enem mestu.

- razlog za reklamacijo ali opis napake,

Upoštevajte, da lahko imajo lastnoročna ali neprofesionalna popravila varnostne posledice in lahko razveljavijo garancijo.

8 Odstranjevanje



Embalažni material odstranite v primerne zabojnike za recikliranje odpadkov, če je to mogoče. Pri lokalnem centru za zbiranje odpadkov ali specializiranem prodajalcu se pozanimajte glede odstranjevanja izdelka v skladu z veljavnimi predpisi.

9 Garancija

Za informacije o garanciji in garancijski podpori v Združenih državah, Kanadi in vseh drugih regijah glejte razdelek v nadaljevanju.

Združene države in Kanada

OMEJENA GARANCIJA JE NA VOLJO NA DOMETIC.COM/EN-US/TERMS-AND-CONDITIONS-CONSUMER/WARRANTY. ČE IMATE VPRAŠANJA ALI POTREBUJETE BREZPLAČNO KOPIJO OMEJENE GARANCIJE, STOPITE V STIK Z:

DOMETIC CORPORATION
MARINE CUSTOMER SUPPORT CENTER
2000 NORTH ANDREWS AVENUE
POMPANO BEACH, FLORIDA, USA 33069
1-800-542-2477

Azijsko-pacifiške države (APAC)

Če izdelek ne deluje pravilno, se obrnite na trgovca ali podružnico proizvajalca v svoji državi (glejte dometic.com/dealer). Za vaš izdelek velja garancija 1 leto.

Za obravnavanje zahtevkov popravil oz. garancijskih zahtevkov morate skupaj z aparatom poslati naslednjo dokumentacijo:

- kopijo računa z datumom nakupa,
- razlog za reklamacijo ali opis napake,

Upoštevajte, da lahko imajo lastnoročna ali neprofesionalna popravila varnostne posledice in lahko razveljavijo garancijo.

Samo Avstralija

Za naše izdelke veljajo garancije, ki jih ni možno izključiti v skladu z avstralskim zakonom za zaščito potrošnikov (Australian Consumer Law). Pripada vam nadomestni izdelek ali povračilo denarja v primeru večje okvare in nadomestilo za katerokoli drugo razumno predvidljivo izgubo ali škodo. Pripada vam tudi popravilo ali nadomestitev izdelkov, če izdelki niso sprejemljive kakovosti in okvara ni velika.

Samo Nova Zelandija

Za to garancijo veljajo pogoji in garancije, ki so predpisani z zakonom za varstvo potrošnikov (Consumer Guarantees Act 1993(NZ)).

Vse druge regije

Velja zakonsko določen garancijski rok. Če je izdelek pokvarjen, se obrnite na podružnico proizvajalca v svoji državi (glejte dometic.com/dealer) ali na prodajalca.

Za obravnavanje zahtevkov popravil oz. garancijskih zahtevkov morate skupaj z aparatom poslati naslednjo dokumentacijo:

- kopijo računa z datumom nakupa,

Română

1	Observații importante.....	139
2	Explicația simbolurilor.....	139
3	Categoria vizată.....	140
4	Domeniul de utilizare.....	140
5	Date tehnice.....	140
6	Pre-instalare.....	141
7	Instalare.....	142
8	Eliminarea.....	145
9	Garanție.....	145

1 Observații importante

Citiți cu atenție și respectați toate instrucțiunile, indicațiile și avertismentele incluse în acest manual de produs pentru a vă asigura că instalați, utilizați și întrețineți produsul în permanentă. Aceste instrucțiuni TREBUIE păstrate cu acest produs.

Prin utilizarea produsului, confirmați că ați citit cu atenție toate instrucțiunile, indicațiile și avertismentele și că înțelegeți și sunteți de acord să respectați termenii și condițiile stabilite. Sunteți de acord să utilizați acest produs numai pentru scopul și aplicația prevăzute și în conformitate cu instrucțiunile, indicațiile și avertismentele prezentate în acest manual de produs, precum și în conformitate cu toate legile și reglementările aplicabile. Nerespectarea instrucțiunilor și avertismentelor prezentate aici poate duce la vătămarea personală a utilizatorului sau a altora, la deteriorarea produsului sau a altor bunuri din apropiere. Acest manual al produsului, inclusiv instrucțiunile, indicațiile și avertismentele și documentația aferentă pot fi supuse modificărilor și actualizărilor. Pentru informații actualizate despre produs, vă rugăm să vizitați documents.dometic.com.

2 Explicația simbolurilor

Un cuvânt de semnalizare identifică mesajele de siguranță și mesajele privind daunele materiale și, de asemenea, indică gradul sau nivelul de gravitate a pericolului.



AVERTIZARE!

Indică o situație periculoasă care, dacă nu este evitată, poate provoca moartea sau răni grave.



ATENȚIE!

Indică o situație care, dacă nu este evitată, poate duce la pagube materiale.



INDICAȚIE Informații complementare privind operarea produsului.

2.1 Directive suplimentare

Pentru a reduce riscul de accidente și vătămări, vă rugăm să respectați următoarele directive înainte de a trece la instalarea acestui aparat:

- Citiți și respectați toate informațiile și instrucțiunile de siguranță.
- Citiți și înțelegeți aceste instrucțiuni înainte de a instala acest produs.
- Instalarea trebuie să respecte toate codurile locale sau naționale aplicabile, inclusiv cea mai recentă ediție a următoarelor standarde:
 - Consiliul american pentru bărci și iahturi (ABYC)
 - ANSI/NFPA70, Codul electric național (NEC)

2.2 Instrucțiuni de siguranță



AVERTIZARE! PERICOL DE MONOXID DE CARBON

Nerespectarea următoarelor avertismente poate duce la moartea sau vătămări grave:

- > **Nu** instalați sau exploatați un aparat de aer condiționat autonom în santină sau sala mașinilor sau în apropierea unui motor cu ardere internă. Asigurați-vă că locul ales este izolat de accesul direct la vaporii din santină și/sau sala mașinilor.
- > Verificați instalarea și etanșarea corespunzătoare ale conductei de scurgere a condensului. Capătul conductei de scurgere a condensului **nu** trebuie

să fie la o distanță mai mică de 3 ft (0,91 m) de nicio evacuare a unui motor sau sistem de evacuare al unui generator, într-un compartiment care conține un motor sau un generator, sau într-o santină, decât dacă conducta este conectată corespunzător la o pompă de condens sau de duș etanșată. Dacă conducta de scurgere nu este instalată corect, vapori periculoși pot circula pe conducta de scurgere și contamina spațiile de locuit.

- > **Nu** instalați aparatul de aer condiționat într-un loc în care acest poate circula monoxid de carbon, vapori de combustibil sau alți vapori nocivi în spațiile de locuit ale ambarcațiunii.



AVERTIZARE! Pericol de electrocutare

Instalarea poate fi efectuată numai de către un electrician calificat.



AVERTIZARE! PERICOL DE ELECTROCUTARE, INCENDIU ȘI/SAU EXPLOZIE.

Nerespectarea acestor măsuri de precauție poate duce la moartea sau vătămări grave.

Acest aparat **nu** este destinat utilizării de către persoane (inclusiv copii) cu capacități fizice, senzoriale sau mentale reduse sau de către persoane lipsite de experiență și cunoștințe, cu excepția cazurilor în care acestea au fost instruite cu privire la utilizarea aparatului de către o persoană responsabilă pentru siguranța lor. Copiii trebuie să fie supravegheați, pentru a vă asigura că **nu** se joacă cu aparatul. Curățarea și operațiunile de întreținere **nu** trebuie efectuate de copii fără supraveghere. Acest aparat **nu** trebuie să fie accesibil publicului larg.



AVERTIZARE! PERICOL DE EXPLOZIE.

Nerespectarea acestor măsuri de precauție poate duce la moartea sau vătămări grave.

Nu instalați aparatul de aer condiționat într-un loc care conține motoare pe benzină, rezervoare, butelii GPL/GNC, reglatoare, supape sau racorduri ale conductei de combustibil. Dacă nu este prevăzut altfel prin etichete, unități autonome **nu** respectă cerințele federale privind protecția la aprindere. Nerespectarea acestui avertisment poate conduce la moartea sau vătămări grave.



AVERTIZARE! PERICOL DE ELECTROCUTARE.

Nerespectarea acestor măsuri de precauție poate duce la moartea sau vătămări grave.

- > Aveți grijă să împământați eficient aparatul de aer condiționat, pentru a minimiza pericolul de electrocutare. Consultați îndrumările de instalare pentru informații suplimentare.
- > Fiecare aparat de aer condiționat instalat necesită un disjuncter dedicat. Dacă este instalat un singur aparat de aer condiționat, pompa de apă de mare **nu** necesită un disjuncter separat. Dacă una sau mai multe unități de aer condiționat utilizează aceeași pompă de apă de mare, firele pompei vor fi conectate la un panou de comutare a pompei (PRP), care la rândul său va avea propriul disjuncter dedicat adecvat pompei (max. 20 A). Consultați schema electrică furnizată împreună cu PRP. Conexiunile electrice din santină și/sau de sub linia de plutire vor utiliza îmbinări cap la cap de tip termocontractabil.
- > Cablarea în teren **trebuie** să respecte codurile electrice ABYC. Alimentarea electrică a unității trebuie să fie în intervalul de tensiune de funcționare indicat pe plăcuța cu date tehnice. **Trebuie** instalate siguranțe sau disjunctoare HACR de capacitate adecvată pentru protecția circuitului de ramificație. Consultați plăcuța cu date tehnice pentru capacitatea maximă a siguranței/disjuncterului (MFS) și capacitatea minimă a circuitului (MCA).



ATENȚIE!

Acest aparat are gaze fluorurate cu efect de seră în echipamente închise ermetic. Consultați eticheta plăcuței cu date tehnice de produs a unității pentru cantitatea de agent frigorific, indicată ca greutate și GWP. Agentul frigorific adăugat trebuie notat pe eticheta unității.

3 Categoria vizată



Instalarea mecanică și electrică și configurarea dispozitivului trebuie să fie efectuate de un tehnician calificat care a demonstrat abilități și cunoștințe legate de construcția și funcționarea echipamentelor și instalațiilor marine, care este familiarizat cu reglementările aplicabile din țara în care echipamentul urmează să fie instalat și/sau utilizat și care a primit instruire în materie de siguranță pentru a identifica și evita pericolele implicate.

4 Domeniul de utilizare

Acest manual este destinat instalării sistemelor de aer condiționat autonome DCU, DLU, DTG, ECD și TX (denumite în continuare aparat de aer condiționat). Aparatul de aer condiționat este destinat utilizării pe bărci și iahturi. Acest aparat de aer condiționat este adecvat numai pentru scopul și utilizarea conform cu aceste instrucțiuni.

Acest produs este potrivit numai pentru scopul și utilizarea prevăzute în conformitate cu aceste instrucțiuni.

Acest manual oferă informații necesare pentru instalarea și/sau utilizarea corectă a produsului. Instalarea defectuoasă și/sau utilizarea sau întreținerea necorespunzătoare vor avea ca rezultat performanțe nesatisfăcătoare și o posibilă defectare.

Producătorul nu își asumă nicio răspundere pentru orice vătămare sau deteriorare a produsului - rezultate din:

- Instalarea, asamblarea sau conectarea incorectă, inclusiv supratensiunea
- Întreținerea sau utilizarea incorectă a pieselor de schimb, altele decât piesele de schimb originale furnizate de producător
- Modificări aduse produsului fără aprobarea explicită din partea producătorului
- Utilizarea în alte scopuri decât cele descrise în manual

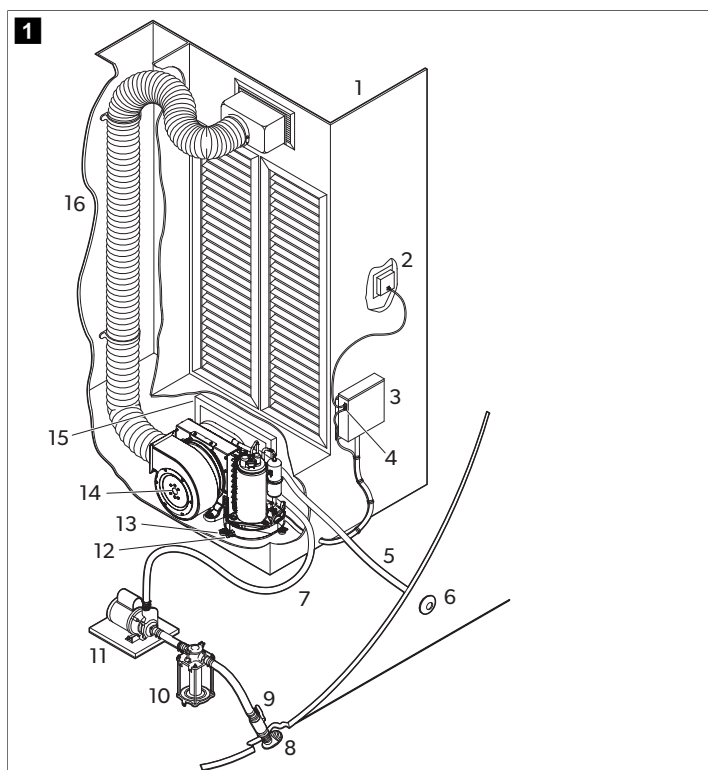
Dometic își rezervă dreptul de a modifica aspectul și specificațiile produsului.

5 Date tehnice

Citiți complet aceste instrucțiuni și apoi planificați conexiunile care trebuie realizate la aparatul de aer condiționat (inclusiv conducte, conductă de scurgere a condensului, furtunuri de admisie și evacuare a apei de mare, conexiuni de alimentare electrică, amplasarea comenzii și amplasarea pompei de apă de mare), pentru a asigura un acces facil pentru dispunere și întreținere viitoare.

5.1 Amplasarea componentelor

Identificarea componentelor sistemului de aer condiționat



- | | |
|---|--|
| 1 Grilă și casetă de trecere pentru aerul de alimentare | 9 Supapă de închidere a robinetului de apă de mare |
| 2 Afișaj digital | 10 Sită de apă de mare |
| 3 Casetă electrică | 11 Pompă |
| 4 Cablu de senzor opțional de aer la distanță | 12 Muștur de furtun de scurgere a condensului |
| 5 Furtun de evacuare a apei de mare | 13 Consolă de montare |
| 6 Deversare peste bord | 14 Instalația de climatizare |
| 7 Furtun de alimentare cu apă de mare | 15 Grilă și filtru de aer de retur |
| 8 Admisie de apă de mare prin carenă | 16 Conducte flexibile izolate |

5.2 Specificații

Această secțiune conține date de specificații pentru aparatul de aer condiționat.

Tabel 37. Dimensiuni minime ale conductelor și ale grilei per capacitate BTU

	3.5 k BTU	6 k BTU	8 k BTU	10 k BTU
Diametru minim al conductei	3,00 in (76,2 mm)	4,00 in (101,6 mm)	5,00 in (127,0 mm)	6,00 in (152,4 mm)
Suprafață minimă a conductei	6,8 in ² (43,9 cm ²)	12,6 in ² (81,3 cm ²)	19,6 in ² (126,5 cm ²)	28,3 in ² (182,6 cm ²)
Grilă minimă de aer de retur	64,0 in ² (412,9 cm ²)	64,0 in ² (412,9 cm ²)	80,0 in ² (516,2 cm ²)	100,0 in ² (645,2 cm ²)
Grilă minimă de aer de alimentare	12,0 in ² (77,4 cm ²)	32,0 in ² (206,5 cm ²)	48,0 in ² (309,7 cm ²)	60,0 in ² (387,1 cm ²)
	12 k BTU	16 k BTU	18 k BTU	27 k BTU
Diametru minim al conductei	6,00 in (152,4 mm)	7,00 in (177,8 mm)	7,00 in (177,8 mm)	8,00 in (203,2 mm)
Suprafață minimă a conductei	28,3 in ² (182,6 cm ²)	38,5 in ² (248,4 cm ²)	38,5 in ² (248,4 cm ²)	50,3 in ² (324,5 cm ²)

	12 k BTU	16 k BTU	18 k BTU	27 k BTU
Grilă minimă de aer de retur	130,0 in ² (838,8 cm ²)	160,0 in ² (1032,3 cm ²)	200,0 in ² (1290,4 cm ²)	240,0 in ² (1548,5 cm ²)
Grilă minimă de aer de alimentare	70,0 in ² (451,6 cm ²)	80,0 in ² (516,2 cm ²)	100,0 in ² (645,2 cm ²)	120,0 in ² (774,2 cm ²)

Tabel 38. Temperatura și presiunea de funcționare a apei

Temperatură minimă de funcționare a apei	40,0 °F (4,44 °C)
Temperatură maximă de funcționare a apei	80,0 °F (26,66 °C)
Presiune minimă de funcționare a apei	4,2 psi (0,29 bar) (29,00 kPa)
Presiune maximă de funcționare a apei	6,00 psi (0,41 bar) (41,4 kPa)

i **INDICAȚIE** Unitatea poate funcționa în afara acestor condiții, la capacitate redusă.

6 Pre-instalare

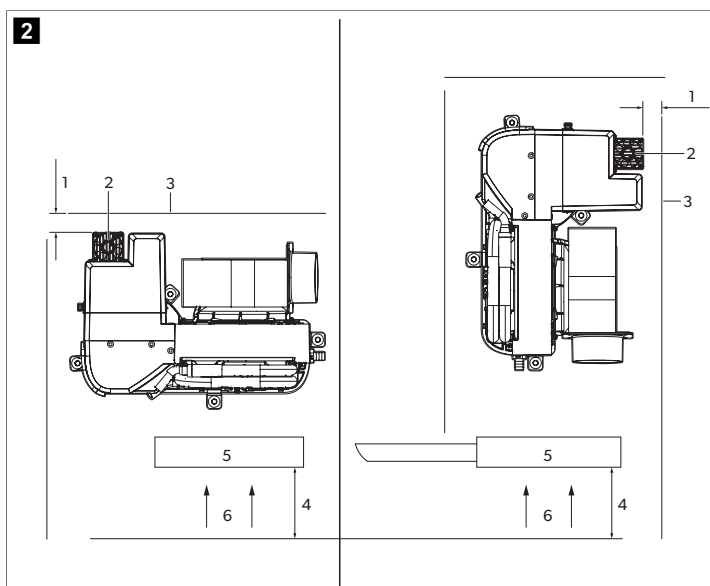
ATENȚIE! Vasele de bază autonome pentru condens ale DTG și TX sunt prevăzute cu izolatoare de vibrații instalate pe partea inferioară a vasului. Aceste izolatoare sunt proiectate pentru a împiedica transferul către suprafața de montare a vibrațiilor cauzate de funcționarea aparatului de aer condiționat. Trebuie avut grijă la deplasarea aparatului de aer condiționat pe suprafețele de montare, deoarece izolatoarele pot fi deteriorate.

ATENȚIE! Sistemul de aer condiționat trebuie montat pe o suprafață joasă, plată, plană, cum ar fi în partea inferioară a unui dulap, sub un pat sau unui scaun sau într-un loc similar.

Această secțiune explică modul de pregătire a aparatului de aer condiționat pentru instalare.

6.1 Stabilirea locului de instalare

Amplasarea TX în raport cu fluxul de aer

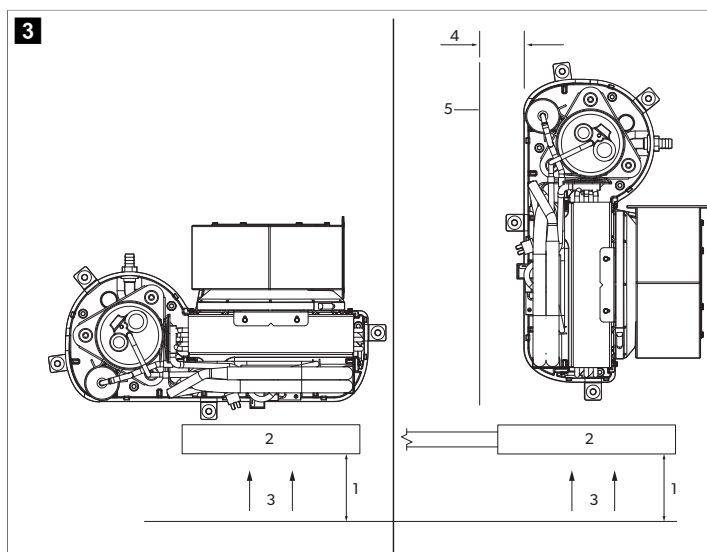


- 1 3,00 in (7,62 cm) 4 4,00 in (10,16 cm)
2 Radiator 5 Grilă de aer de retur

3 Perete etanș

6 Flux de aer

Amplasarea tuturor celorlalte unități de aer condiționat în raport cu fluxul de aer



- 1 4,00 in (10,16 cm) 4 3,00 in (7,62 cm)
2 Grilă de aer de retur 5 Perete etanș
3 Flux de aer

Alegeți un loc cu suficient flux de aer. Grila de aer de retur ar trebui să dispună de un spațiu minim de 4,00 in (10,16 cm) pentru circulația aerului în fața sa, fără obstrucții.

Dacă aparatul de aer condiționat este poziționat perpendicular pe grila de aer de retur, păstrați un spațiu minim de 3,00 in (7,62 cm) pentru circulația aerului pe partea de admisie a aerului.

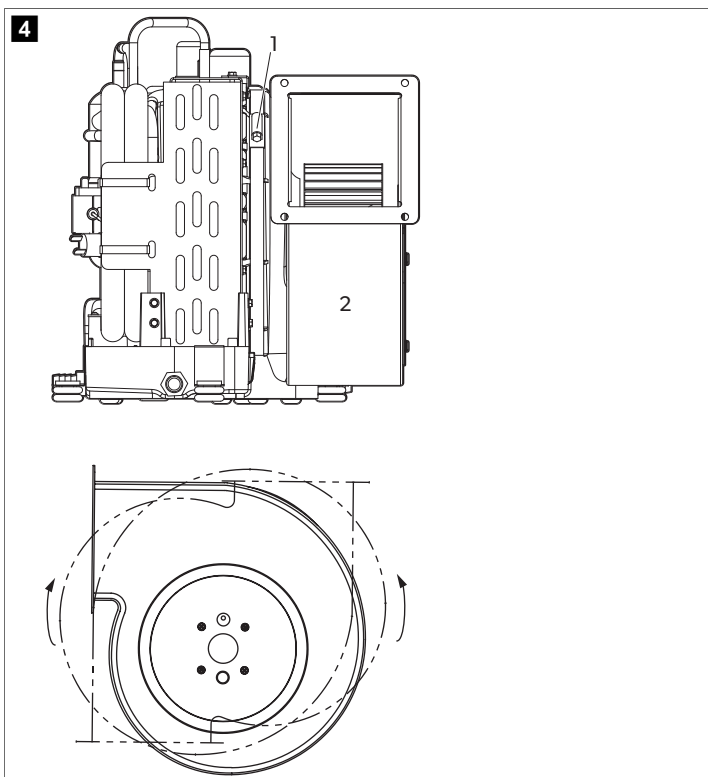
Numai TX: Asigurați o zonă deschisă minimă de 2,99 in (76,0 mm) deasupra și dedesubtul radiatorului.

6.2 Rotirea suflantei

Această secțiune explică modul de rotire a suflantei pentru fiecare tip de unitate. Dacă este necesar, rotiți suflanta în direcția care permite evacuarea cea mai directă a fluxului de aer prin conducte.

6.2.1 Suflantele sistemelor DTX și TX

Rotirea suflantelor sistemelor DTX și TX



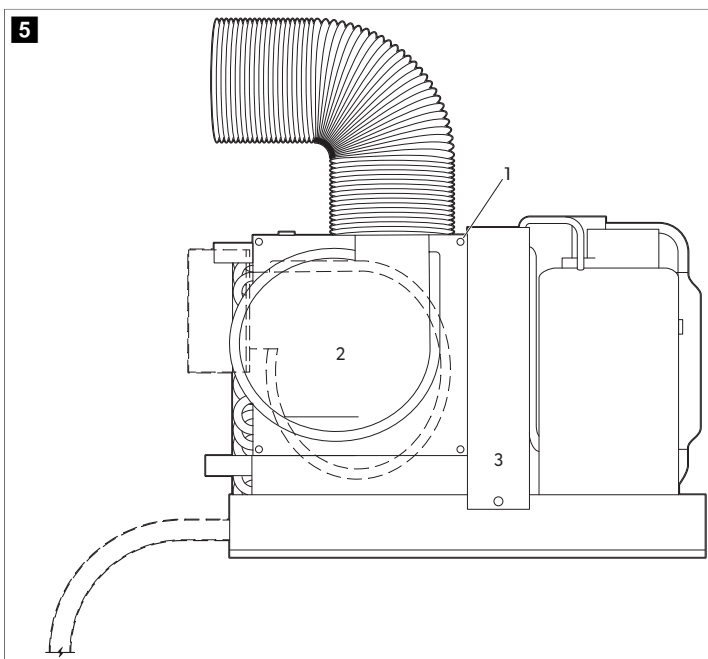
1 Adjustment screw

2 Blower

1. Slăbiți șurubul de reglare de pe inelul de montare al suflantei.
2. Rotiți suflanta la poziția dorită.
3. Strângeți șurubul de reglare.

6.2.2 Suflantele sistemelor MCS și ECD

Rotirea suflantelor sistemelor MCS și ECD



1 Screw

2 Placă

3 Suflantă

1. Scoateți cele șapte șuruburi de pe placă.
2. Rotiți suflanta la poziția dorită.
3. Fixați suflanta pe poziție utilizând șuruburi autofiletante (nu sunt furnizate).

6.3 Amplasarea filtrelor de aer

Filtrele de aer îndepărtează particulele suspendate din aerul din cabină și mențin curată serpentina vaporizatorului. Amplasați un filtru de aer, fie la nivelul aparatului de aer condiționat sau în grila de aer de retur, pentru fiecare aparat de aer condiționat.

6.4 Amplasarea grilelor și a casetelor de trecere

Țineți cont de următoarele atunci când amplasați grilele și casetele de trecere:

- Instalați grila de aer de alimentare cât mai sus posibil într-un loc care va asigura o distribuție uniformă a aerului în toată cabina. Direcționați fantele grilei în sus.
- Instalați grila de aer de retur cât mai jos și mai aproape posibil de aparatul de aer condiționat, pentru a asigura fluxul de aer către vaporizator.
- Nu direcționați evacuarea aerului de alimentare către grila de aer de retur, deoarece acest lucru va cauza un ciclu scurt al sistemului.
- Lăsați un spațiu adecvat în spatele grilei de aer de alimentare pentru caseta de trecere și conexiunea conductelor. Consultați Specificații pagină 140

7 Instalare

Această secțiune explică modul de instalare a aparatului de aer condiționat.

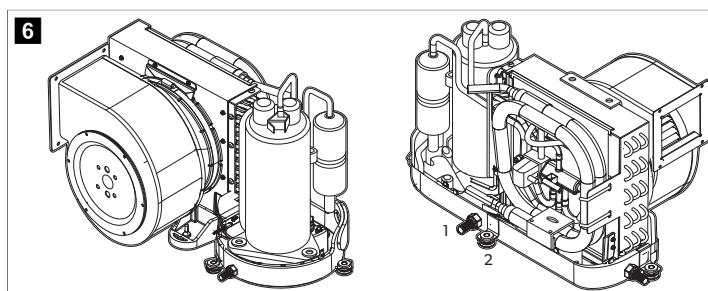
7.1 Instalarea consolelor de montare și scurgerii de condens



ATENȚIE!

Pentru a preveni crăparea tăvii de scurgere, nu folosiți mai mult de două straturi de bandă de teflon pentru a înfășura muștucul de furtun și nu strângeți excesiv muștucul de furtun.

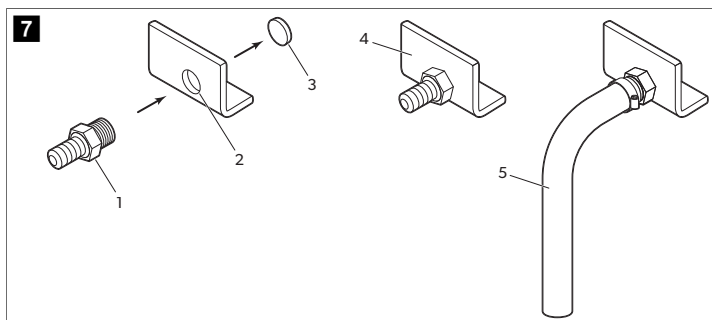
Amplasarea tipică a consolelor de montare și scurgerilor de condens



1 Muștuc de furtun de scurgere a condensului

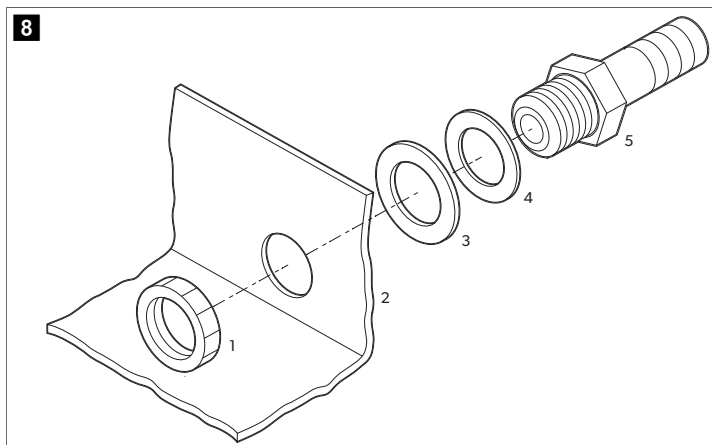
2 Consolă de montare

Instalarea scurgerii de condens pentru DTG și TX



- 1 Hose barb
2 Orificiu de scurgere filetat
3 Parte ștanțată
4 Drain pan
5 Furtun de scurgere

Instalarea scurgerii de condens pentru toate celelalte unități de aer condiționat

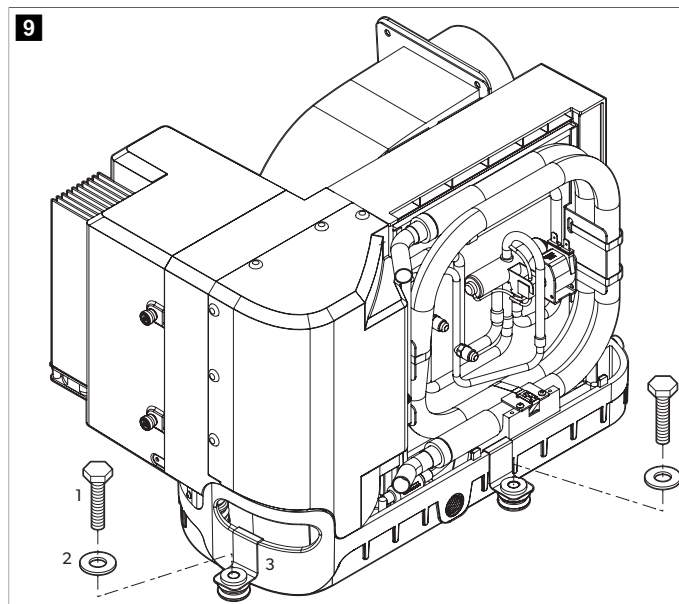


- 1 Locking nut
2 Tavă de scurgere
3 Șaibă de etanșare
4 Solid washer
5 Racord PVC 0,5 in (12,7 mm) HB x 0,5 in (12,7 mm) MPT

- Utilizați muștucul de furtun pentru a scoate partea ștanțată a orificiului de scurgere orientat spre pupa, lovind scurt cu un ciocan de cauciuc. Aruncați partea ștanțată.
- Pentru unitățile DTG și TX:
 - Înfășurați capătul filetat al muștucului de furtun cu bandă de teflon.
 - Înșurubați muștucul de furtun în orificiul de scurgere filetat și strângeți bine.
- Pentru toate celelalte aparate de aer condiționat:
 - Treceți muștucul de furtun printr-o șaibă și o șaibă de etanșare și introduceți-l în orificiul de scurgere.
 - Fixați cu o contrapiuliță.
- Fixați furtunul de scurgere pe muștucul de furtun cu un colier din oțel inoxidabil.

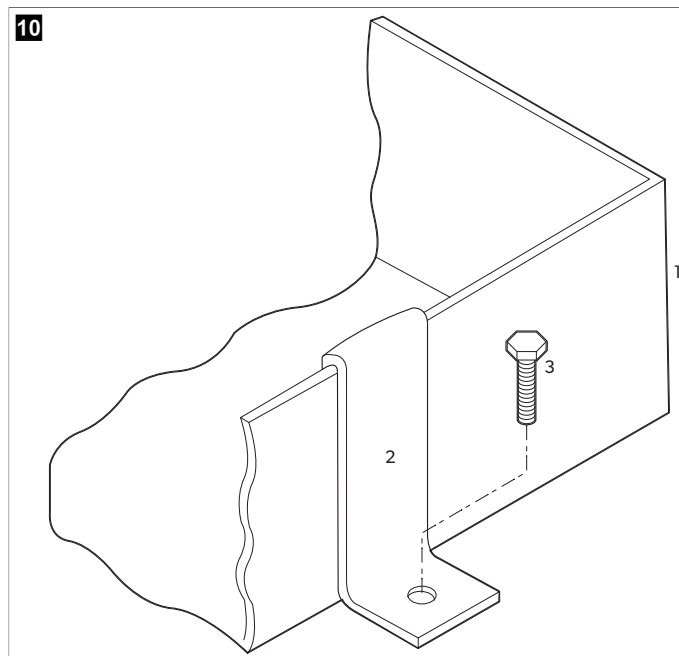
- Dispuneți furtunul de scurgere în jos către un punct de colectare sigur și adecvat.

Instalarea consolei de montare pentru unități DTG și TX



- 1 Șurub de montare (nu este furnizat)
2 Șaibă plată specială (furnizată)
3 Consolă de montare (furnizată)

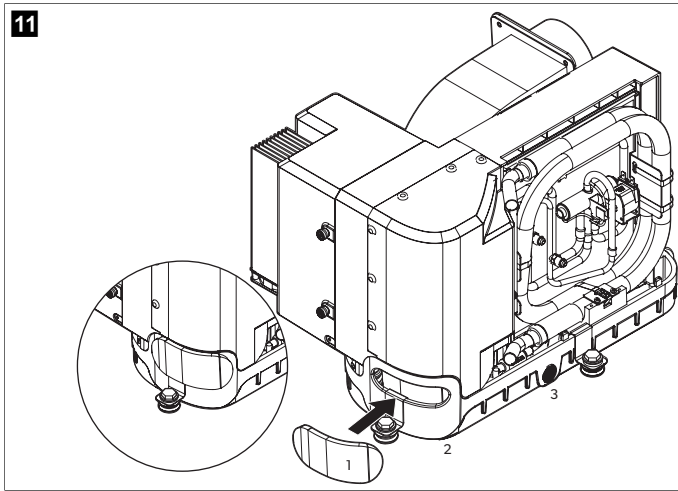
Instalarea consolei de montare pentru toate celelalte unități de aer condiționat



- 1 Tavă de scurgere
2 Consolă de montare
3 Șurub de montare (nu este furnizat)

6. Instalați o consolă de montare pe fiecare parte a tăvii de scurgere, la distanță egală.

Instalarea izolației din spumă pentru mâner pe unitățile TX



1 Izolație din spumă pentru mâner

2 Orificiul mânerului

3 Tavă de scurgere

7. Pentru unități TX:

- Îndepărtați folia care acoperă suportul adeziv al izolației din spumă pentru mâner.
- Poziționați izolația din spumă pentru mâner astfel încât să acopere complet orificiul mânerului, cu partea adezivă îndreptată spre tava de scurgere.
- Apăsați în jurul orificiului mânerului pentru ca izolația din spumă pentru mâner să se lipească pe tava de scurgere.

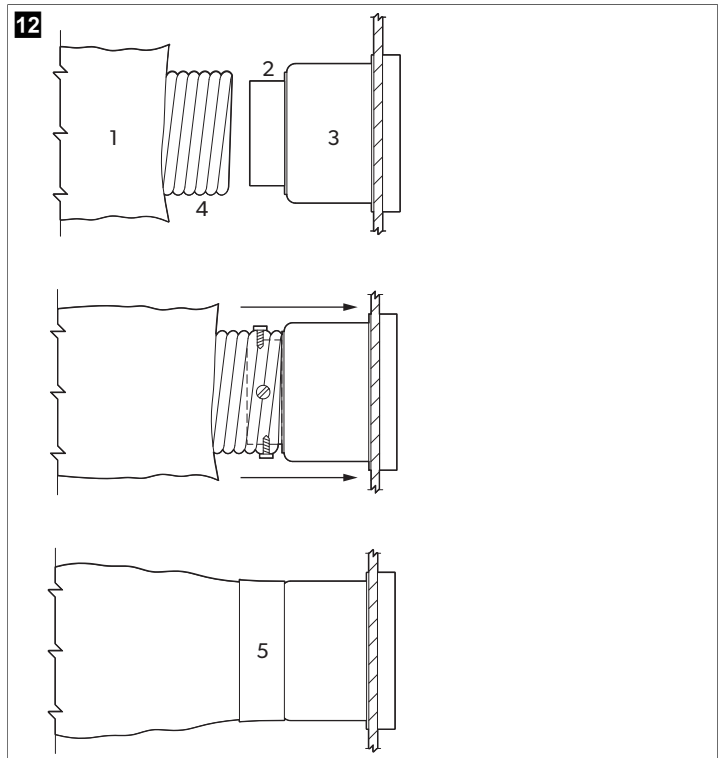
7.2 Instalarea conductelor

Țineți cont de următoarele condiții atunci când instalați conductele:

- Conductele trebuie să fie dimensionate adecvat pentru aplicația dvs.
- Dispuneți conductele cât mai drepte și întinse posibil, minimizând numărul de coturi de 90,00 ° și bucele, care pot reduce fluxul de aer.
- Fixați bine conductele pentru a preveni lăsarea.
- Nu permiteți aplatizarea sau îndoirea conductelor.
- După instalare, tăiați bucățile în exces de conducte.
- Izolați conductele atunci când se află în zone cu căldură ridicată.
- Izolați conductele atunci când se află în zone cu căldură ridicată.
- Nu dispuneți conductele prin sala mașinilor sau orice zonă la care ar putea fi expuse la vapori periculoși sau gaze de evacuare.

Dacă se utilizează o casetă de trecere, suprafața totală a conductelor de aer de alimentare care ies din casetă ar trebui să fie cel puțin egală cu suprafața totală a conductelor de alimentare care intră în casetă. Consultați Specificații pagină 140

Conexiuni de conducte



1 Izolație din fibră de sticlă

4 Furtun cu interior din boPET

2 Inel de montare

5 Bandă adezivă

3 Casetă de trecere

- Glisați furtunul cu interior din boPET pe lângă inelul de montare către caseta de trecere.
- Înșurubați trei sau patru șuruburi din oțel inoxidabil prin furtunul din boPET și în inelul de montare, prinzând două sau trei fire cu capetele șuruburilor.
- Glisați izolația din fibră de sticlă pe lângă furtunul cu interior din boPET către caseta de trecere. Prindeți cu bandă adezivă.

7.3 Instalarea sistemului de apă de mare



ATENȚIE!

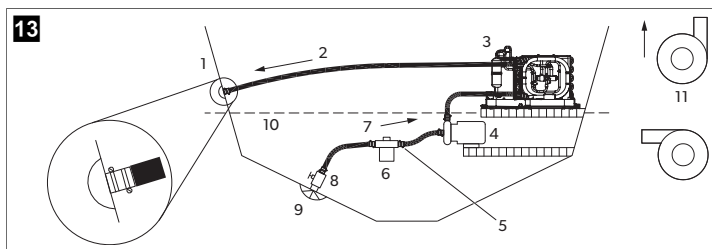
Nerespectarea acestei proceduri va anula garanția.

Țineți cont de următoarele la instalarea sistemului de apă de mare:

- Sita trebuie să se afle mai jos decât pompa.
- Furtunurile trebuie prinse cu două coliere.
- Furtunurile nu trebuie să aibă îndoituri, bucle sau puncte înalte în care se poate bloca aerul.
- Pompa și sita trebuie să se afle sub linia de plutire.
- Admisia prin carenă, supapa cu bilă, furtunul și sita nu trebuie să fie mai mici decât admisia pompei.
- Instalați racordul prin carenă cât mai jos posibil sub linia de plutire.
- Pompa trebuie să aibă o trecere dedicată prin carenă.
- Evitați racordurile cu cot de 90,00 ° pe cât posibil.
- Asigurați-vă că este rotit capul pompei în direcția fluxului de apă.
- Utilizați bandă de teflon la toate conexiunile filetate.

Consultați Specificații pagină 140 pentru valorile maxime și minime de temperatură și presiune a apei.

Sistemul de apă de mare



- | | |
|-----------------------------|---|
| 1 Evacuare a apei de mare | 7 Flux de admisie în sus |
| 2 Flux de ieșire | 8 Supapă cu bilă |
| 3 Instalația de climatizare | 9 Admisie prin carenă |
| 4 Pompă de apă de mare | 10 Linia de plutire |
| 5 Coliere de furtun | 11 Orientări corecte ale sitei capului de pompă |
| 6 Sită | |

- Instalați o admisie de apă de mare prin carenă cât mai aproape de chilă și cât mai jos sub linia de plutire. Fixați admisia prin carenă utilizând un agent de etanșare de calitate maritimă proiectat pentru utilizare subacvatică.
- Instalați un robinet de apă de mare din bronz, cu debit complet, pe admisia de apă de mare prin carenă.
- Instalați o sită de apă de mare sub nivelul pompei, având acces la filtru.
- Montați pompa mai sus decât sita și cu cel puțin 30 cm sub linia de plutire.
- Conectați robinetul de apă de mare și sita cu o secțiune în urcare de furtun întărit de calitate maritimă.
- Conectați deversarea de la pompă în urcare către admisia inferioară a serpentinei condensatorului aparatului de aer condiționat cu un furtun întărit de calitate maritimă de 5/8 in (0,63 in (16,0 mm)).
- Conectați deversarea de la serpentina condensatorului la racordul de deversare peste bord prin carenă cu un furtun întărit de calitate maritimă de 5/8 in.
- Evitați buclele, punctele înalte sau utilizarea cotelor de 90,00° la furtunul de apă de mare. Fiecare cot de 90,00° este echivalent cu o lungime de furtun de 2,5 ft (0,76 m) (29,92 in (76,00 cm)), iar un cot de 90° la evacuarea pompei este echivalent cu o lungime de furtun de 20,0 ft (6,10 m) (240,16 in (610,00 cm)).
- Fixați cu două coliere toate conexiunile furtunurilor, folosind coliere din oțel inoxidabil, inversând colierele acolo unde este necesar.
- Conectați toate piesele metalice care se află în contact cu apa de mare la sistemul de îmbinare al navei.

7.4 Realizarea conexiunilor electrice



AVERTIZARE! PERICOL DE ELECTROCUTARE.

Opriti întotdeauna disjunctorul sursei de alimentare a aparatului de aer condiționat înainte de a deschide caseta electrică. Nerespectarea acestui avertisment poate conduce la moarte sau vătămări grave.



ATENȚIE!

Aparatul de aer condiționat trebuie conectat la sistemul de îmbinare al ambarcațiunii pentru a preveni coroziunea din cauza curentului vagabond. Toate pompele, supapele metalice și racordurile din circuitul de apă de mare care sunt izolate de aparatul de aer condiționat prin furtunuri din PVC sau cauciuc, trebuie să fie îmbinate individual la sistemul de îmbinare al ambarcațiunii.



INDICAȚIE Neîmpământarea și neîmbinarea corespunzătoare a sistemului va anula garanția.

Toate unitățile de aer condiționat au o regletă de conexiuni, etichetată pentru conexiunile corespunzătoare, în interiorul casetei electrice. Schema electrică din caseta electrică înlocuiește standardele ABYC. Utilizați un disjunctor de capacitate corectă pentru a proteja sistemul, după cum este specificat pe eticheta plăcii cu date tehnice a unităților de aer condiționat. Pentru alimentarea cu energie a aparatului de

aer condiționat și a pompei de apă de mare trebuie utilizat un cablu de ambarcațiuni de minim 12 AWG. Realizați toate conexiunile folosind borne inelare sau cu furcă captivă.

Respectați următoarele la realizarea conexiunilor electrice:

- Împământarea de curent alternativ (c.a.) trebuie conectată la borna de împământare (GRND) la regleta de conexiuni a intrării de alimentare c.a.
- Conexiunile dintre conductorul de împământare al sistemului c.a. al navei și minusul de curent continuu (c.c.) sau sistemul de îmbinare al navei trebuie realizate ca parte a cablajului navei. La întreținerea sau înlocuirea unor echipamente existente cu contact de împământare montat pe șasiu, verificați dacă cablajul navei prezintă aceste conexiuni.
- Aparatele de aer condiționat TX sunt proiectate să funcționeze cu c.a. sau c.c. de înaltă tensiune. Consultați schema electrică a navei pentru amplasarea corectă.

Asigurați-vă că împământarea de c.a. a aparatului de aer condiționat este conectată corespunzător la împământarea de c.a. a ambarcațiunii. În ambarcațiune în sine, asigurați-vă că magistrala de împământare de c.a. este conectată la magistrala de împământare de c.c. în exact un punct.

8 Eliminarea



Depuneți materialul de ambalare pe cât posibil în containere corespunzătoare pentru reciclare. Consultați un centru local de reciclare sau un reprezentant specializat pentru detalii despre detalii cu privire la eliminarea produsului în conformitate cu reglementările aplicabile privind eliminarea.

9 Garanție

Consultați secțiunile de mai jos pentru informații despre garanție și asistență în garanție în SUA, Canada și în toate celelalte regiuni.

Statele Unite și Canada

Garanție limitată disponibilă la DOMETIC.COM/EN-US/TERMS-AND-CONDITIONS-CONSUMER/WARRANTY. **DACĂ AVEȚI ÎNTREBĂRI SAU PENTRU A OBTINE GRATUIT O COPIE A GARANȚIEI LIMITATE, CONTACTAȚI:**

DOMETIC CORPORATION
MARINE CUSTOMER SUPPORT CENTER
2000 NORTH ANDREWS AVENUE
POMPANO BEACH, FLORIDA, USA 33069
1-800-542-2477

Țările din Asia-Pacific (APAC)

În cazul în care produsul nu funcționează așa cum ar trebui, contactați reprezentanța producătorului din țara dvs. (consultați dometic.com/dealer) sau comerciantul. Garanția aplicabilă produsului dvs. este de 1 an(i).

Pentru operații de reparație și în baza garanției, trebuie să trimiteți și următoarele documente:

- O copie a facturii cu data cumpărării
- Un motiv de reclamație sau o descriere a defecțiunii.

Rețineți că repararea prin mijloace proprii sau reparațiile neprofesionale pot avea consecințe asupra securității și pot anula garanția.

Doar în Australia

Bunurile noastre au garanții care nu pot fi excluse în temeiul legii australiene a consumatorilor. Aveți dreptul la o înlocuire sau la rambursare pentru o defecțiune majoră și la despăgubiri pentru orice altă daună sau defect previzibile în mod rezonabil. De asemenea, aveți dreptul să aveți bunurile reparate sau înlocuite în cazul în care bunurile nu sunt de o calitate acceptabilă și eșecul nu reprezintă o defecțiune majoră.

Doar în Noua Zeelandă

Această politică de garanție este supusă condițiilor și garanțiilor care sunt obligatorii, așa cum este specificat în Legea privind garanțiile pentru consumatori din 1993 (NZ).

Toate celelalte regiuni

Se aplică termenul de garanție legal. În cazul în care produsul este defect, contactați reprezentanța producătorului din țara dvs. (consultați dometic.com/dealer) sau comerciantul.

Pentru operații de reparație și în baza garanției, trebuie să trimiteți și următoarele documente:

- O copie a facturii cu data cumpărării
- Un motiv de reclamație sau o descriere a defecțiunii.

Rețineți că repararea prin mijloace proprii sau reparațiile neprofesionale pot avea consecințe asupra securității și pot anula garanția.

Български език

1 Важни бележки.....	147
2 Обяснение на символите.....	147
3 Адресат.....	148
4 Използване по предназначение.....	148
5 Технически данни.....	148
6 Подготовка за монтаж.....	149
7 Инсталиране.....	150
8 Изхвърляне.....	153
9 Гаранция.....	153

1 Важни бележки

Моля, прочетете внимателно тези инструкции и спазвайте всички указания, напътствия и предупреждения, включени в настоящото ръководство, за да сте сигурни, че монтирате, използвате и поддържате правилно този продукт. Тези инструкции ТРЯБВА да се съхраняват с продукта.

Като използвате продукта, Вие потвърждавате, че сте прочели внимателно всички указания, напътствия и предупреждения и че разбирате и приемате да спазвате сроковете и условията, съдържащи се в тях. Вие се съгласявате да използвате този продукт само по предназначение и в съответствие с указанията, инструкциите и предупрежденията, описани в ръководството на продукта, както и в съответствие с всички приложими закони и разпоредби. Ако не прочетете и не спазвате инструкциите и предупрежденията, това може да доведе до наранявания за вас или за други хора, щети по продукта или щети по други предмети в близост до него. Това ръководство на продукта, включително указанията, инструкциите и предупрежденията и другата документация, подлежи на промяна и обновяване. За актуална информация за продукта, моля, посетете documents.dometic.com.

2 Обяснение на символите

Сигналната дума идентифицира съобщенията за безопасност и за материални щети, както и степента или нивото на сериозност на опасността.



ПРЕДУПРЕЖДЕНИЕ!

Показва опасна ситуация която, ако не бъде избегната, може да доведе до смърт или тежко нараняване.



ВНИМАНИЕ!

Показва ситуация която, ако не бъде избегната, ще доведе до щети по имуществото.



УКАЗАНИЕ Допълнителна информация за боравенето с продукта.

2.1 Допълнителни директиви

За да намалите риска от злополуки и наранявания, спазвайте следните директиви, преди да пристъпите към монтажа на този уред:

- Прочетете и спазвайте цялата информация и инструкции за безопасност.
- Прочетете и разберете тези инструкции, преди да монтирате този продукт.
- Монтажът трябва да отговаря на всички приложими местни или национални норми, включително последното издание на следните стандарти:
 - Американски съвет за лодки и яhti (ABYC)
 - ANSI/NFPA 70, Национален електрически кодекс (NEC)

2.2 Инструкции за безопасност



ПРЕДУПРЕЖДЕНИЕ! ОПАСНОСТ ОТ ВЪГЛЕРОДЕН ОКСИД

Неспазването на следните предупреждения може да доведе до смърт или сериозно нараняване:

- > **Не** монтирайте и не работете със самостоятелен климатик в трюма или в машинното отделение или в близост до двигател с вътрешно горене. Уверете се, че избраното място е запечатано от директен достъп до изпаренията на трюма и/или машинното отделение.

- > Проверете дали линията за източване на кондензата е правилно монтирана и запечатана. **Не** завършвайте линията за източване на кондензата в рамките на 0,91 m (3 ft) от който и да е изход на изпускателната система на двигател или генератор, в отделение, съдържащо двигател или генератор, или в трюма, освен ако източването е свързано правилно към запечатана помпа за кондензат или помпа за източване. Ако линията за източване не е правилно монтирана, опасните изпарения могат да се придвижат нагоре по нея и да замърсят жилищните помещения.
- > **Не** монтирайте климатика на място, където може да циркулира въглероден оксид, горивни пари или други вредни изпарения в жилищните помещения на подката.



ПРЕДУПРЕЖДЕНИЕ! Опасност от електрически удар

Монтажът може да се извършва само от квалифициран електротехник.



ПРЕДУПРЕЖДЕНИЕ! ОПАСНОСТ ОТ ТОКОВ УДАР, ПОЖАР И/ИЛИ ЕКСПЛОЗИЯ.

Неспазването на тези предпазни мерки може да доведе до смърт или сериозно нараняване.

Уредът **не** е предназначен за използване от лица (включително деца) с намалени физически, осезателни или умствени способности или лица с недостатъчни опит и умения, освен ако не са били инструктирани относно използването на продукта от лице, отговарящо за тяхната безопасност. Децата трябва да се наблюдават да **не** си играят с уреда. Почистването и потребителската поддръжка **не** трябва да се извършва от деца без наблюдение. Този уред **не** трябва да бъде достъпен за широката общественост.



ПРЕДУПРЕЖДЕНИЕ! ОПАСНОСТ ОТ ЕКСПЛОЗИЯ.

Неспазването на тези предпазни мерки може да доведе до смърт или сериозно нараняване.

Не монтирайте климатика на място, където има бензинови двигатели, резервоари, бутилки за ВНГ/КПГ, регулатори, клапани или фитинги на горивопровода. Освен ако не е обозначено друго, автономните агрегати **не** отговарят на федералните изисквания за защита от запалване. Несъобразяването с това предупреждение може да доведе до смърт или сериозно нараняване.



ПРЕДУПРЕЖДЕНИЕ! ОПАСНОСТ ОТ ТОКОВ УДАР.

Неспазването на тези предпазни мерки може да доведе до смърт или сериозно нараняване.

- > Уверете се, че сте заземили ефективно климатика, за да сведете до минимум опасността от токов удар. За допълнителна информация вижте указанията за монтаж.
- > Всеки монтиран климатик изисква специален прекъсвач. Ако има монтиран само един климатик, помпата за морска вода **не** изисква специален прекъсвач. Ако две или повече климатични блока използват една и съща помпа за морска вода, кабелите на помпата ще бъдат свързани към релеен панел на помпата (PRP), който от своя страна има свой собствен прекъсвач, оразмерен за помпата (максимум 20 A). Вижте схемата на окабеляване, предоставена с PRP. Електрическите връзки в трюма и/или под водопонията трябва да използват термосвиваеми съединения.
- > Полевото окабеляване **трябва** да отговаря на електрическите норми на ABYC. Захранването на устройството трябва да е в рамките на работния диапазон на напрежението, посочен на типовия етикет. За защита на разклоненията **трябва** да се монтират правилно оразмерени предпазители или прекъсвачи HACR. Вижте типовия етикет за максималния размер на предпазителя/прекъсвача (MFS) и минималния капацитет на веригата (MCA).



ВНИМАНИЕ!

Този уред съдържа флуорирани парникови газове в херметически затворено съоръжение. Вижте типовия етикет за продукта на кондензационния агрегат за количеството хладилен агент, посочено като тепло и GWP. Добавеният хладилен агент трябва да бъде отбелязан върху етикета на уреда.

3 Адресат



Механичната и електрическа инсталация и настройка на устройството трябва да бъдат извършени от квалифициран техник, който е демонстрирал умения и знания, свързани с конструкцията и експлоатацията на морско оборудване и инсталации, който е запознат с приложимите разпоредби на страната, в която оборудването ще бъде инсталирано и/или използвано, и е преминал обучение по безопасност за разпознаване и избягване на свързаните опасности.

4 Използване по предназначение

Това ръководство е предназначено за монтиране на DCU, DLU, DTG, ECD, TX и ниско профилни автономни климатични системи (наричани по-долу климатик). Климатикът е предназначен за използване на лодки и яhti. Този климатик е подходящ само за предвидената цел и приложение съгласно настоящите инструкции.

Този продукт е подходящ само за предвидената цел и приложение съгласно настоящите инструкции.

Това ръководство предоставя информация, необходима за правилната инсталация и/или експлоатация на продукта. Лошо инсталиране и/или неправилна употреба и поддръжка ще доведат до незадоволителна работа и евентуално до повреди.

Производителят не носи отговорност за наранявания и повреди по продукта, причинени от:

- Неправилен монтаж, сплъбяване или свързване, включително твърде високо напрежение
- Неправилна поддръжка или използване на резервни части, различни от оригиналните, предоставяни от производителя
- Изменения на продукта без изрично разрешение от производителя
- Използване за цели, различни от описаните в това ръководство

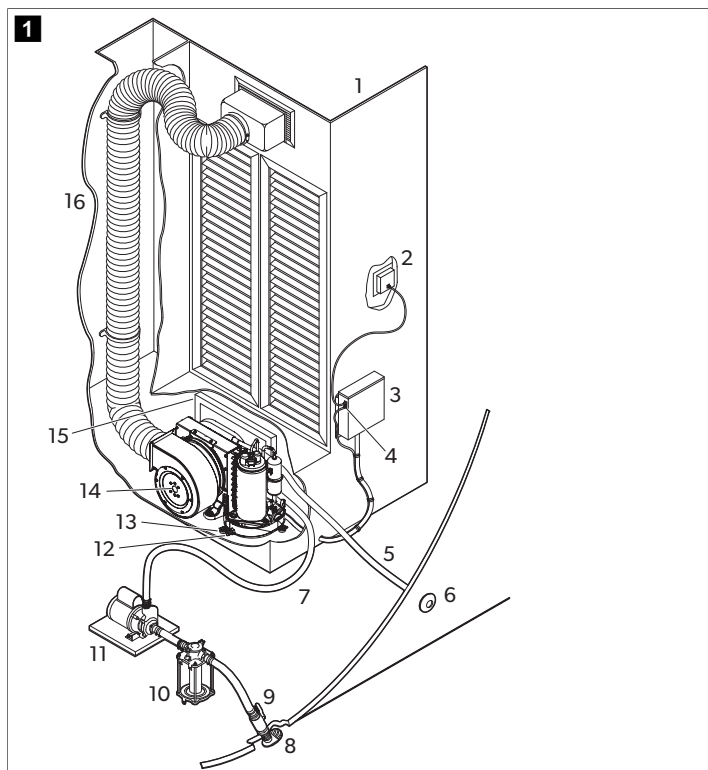
Domestic си запазва правото да променя външния вид и спецификациите на продукта.

5 Технически данни

Прочетете тези инструкции напълно и след това планирайте връзките, които трябва да бъдат направени към климатика (включително въздуховодите, линия за източване на кондензата, маркучите за вход и изход на морска вода, електрически връзки, местоположение на управлението и разположение на помпата за морска вода), за да осигурите лесен достъп за маршрутизиране и бъдеща поддръжка.

5.1 Местоположения на части

Идентификация на компонентите на климатичната система



- | | | | |
|---|--|----|---|
| 1 | Решетка за приточен въздух и преходна кутия | 9 | Спирателен вентил на кингстон |
| 2 | Цифров дисплей | 10 | Цедка за морска вода |
| 3 | Електрическа кутия | 11 | Помпа |
| 4 | Допълнителен кабел на дистанционния сензор за въздух | 12 | Щуцер за маркуч за източване на кондензат |
| 5 | Изпускателен маркуч за морска вода | 13 | Монтажна скоба |
| 6 | Отвор за изхвърляне зад борда | 14 | Климатик |
| 7 | Входящ маркуч за морска вода | 15 | Решетка и филтър за обратен въздух |
| 8 | Входен отвор за морска вода през корпуса | 16 | Изолирани гъвкави въздуховоди |

5.2 Спецификации

Този раздел съдържа данни за спецификациите на климатика.

Таблица 39: Минимални размери на тръбата и решетките за капацитет BTU

	3.5 k BTU	6 k BTU	8 k BTU	10 k BTU
Минимален диаметър на тръбата	3,00 in (76,2 mm)	4,00 in (101,6 mm)	5,00 in (127,0 mm)	6,00 in (152,4 mm)
Минимална площ на тръбата	6,8 in ² (43,9 cm ²)	12,6 in ² (81,3 cm ²)	19,6 in ² (126,5 cm ²)	28,3 in ² (182,6 cm ²)
Минимална решетка за обратен въздух	64,0 in ² (412,9 cm ²)	64,0 in ² (412,9 cm ²)	80,0 in ² (516,2 cm ²)	100,0 in ² (645,2 cm ²)
Минимална решетката за приточен въздух	12,0 in ² (77,4 cm ²)	32,0 in ² (206,5 cm ²)	48,0 in ² (309,7 cm ²)	60,0 in ² (387,1 cm ²)
	12 k BTU	16 k BTU	18 k BTU	27 k BTU
Минимален диаметър на тръбата	6,00 in (152,4 mm)	7,00 in (177,8 mm)	7,00 in (177,8 mm)	8,00 in (203,2 mm)
Минимална площ на тръбата	28,3 in ² (182,6 cm ²)	38,5 in ² (248,4 cm ²)	38,5 in ² (248,4 cm ²)	50,3 in ² (324,5 cm ²)

	12 k BTU	16 k BTU	18 k BTU	27 k BTU
Минимална решетка за обратен въздух	130,0 in ² (838,8 cm ²)	160,0 in ² (1032,3 cm ²)	200,0 in ² (1290,4 cm ²)	240,0 in ² (1548,5 cm ²)
Минимална решетката за приточен въздух	70,0 in ² (451,6 cm ²)	80,0 in ² (516,2 cm ²)	100,0 in ² (645,2 cm ²)	120,0 in ² (774,2 cm ²)

Таблица 40: Работна температура и налягане на водата

Минимална работна температура на водата	40,0 °F (4,44 °C)
Максимална работна температура на водата	80,0 °F (26,66 °C)
Минимално работно налягане на водата	4,2 psi (0,29 bar) (29,00 kPa)
Максимално работно налягане на водата	6,00 psi (0,41 bar) (41,4 kPa)

УКАЗАНИЕ Устройството може да работи извън тези условия с намален капацитет.

6 Подготовка за монтаж

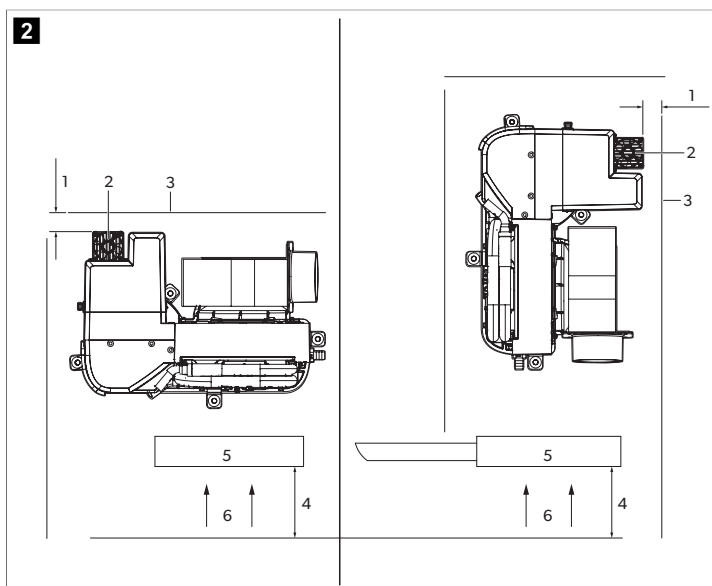
ВНИМАНИЕ! Самостоятелните тави за кондензат DTG и TX са оборудвани с виброизолатори, монтирани на дъното на тавите. Тези изолатори са проектирани така, че да потискат вибрациите, причинени от работещия климатик, да не се пренасят върху монтираната повърхност. При преместване на климатика по монтажни повърхности трябва да се снимава, тъй като изолаторите могат да се повредят.

ВНИМАНИЕ! Климатикът трябва да се монтира на ниска, плоска и равна повърхност, като например в дъното на шкафче, под седалката на койка или каюткомпания, или на подобно място.

Този раздел обяснява как да подготвите климатика за монтаж.

6.1 Определяне на мястото на монтаж

Разположение на TX спрямо въздушния поток

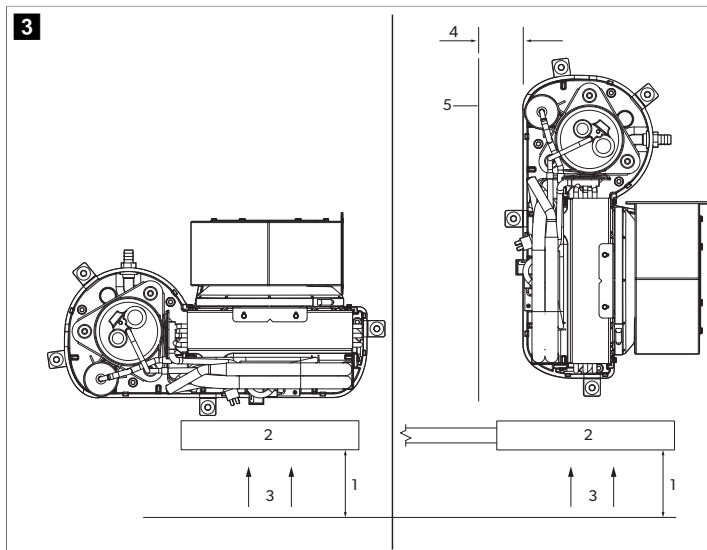


- 1 3,00 in (7,62 cm)
- 2 Теплообменник
- 3 4,00 in (10,16 cm)
- 4 4,00 in (10,16 cm)
- 5 Решетка за обратен въздух

3 Преграда

6 Въздушен поток

Разположение на всички други климатични устройства по отношение на въздушния поток



- 1 4,00 in (10,16 cm)
- 2 Решетка за обратен въздух
- 3 Въздушен поток
- 4 3,00 in (7,62 cm)
- 5 Преграда

Изберете място с достатъчно въздушен поток. Решетка за обратен въздух трябва да има минимум просвет от 4,00 in (10,16 cm) за циркуляция на въздуха пред нея, без никакво препятствие.

Ако климатикът е разположен перпендикулярно на решетката за обратен въздух, поддържайте минимален просвет от 3,00 in (7,62 cm) за циркуляция на въздуха от страната на входа за въздух.

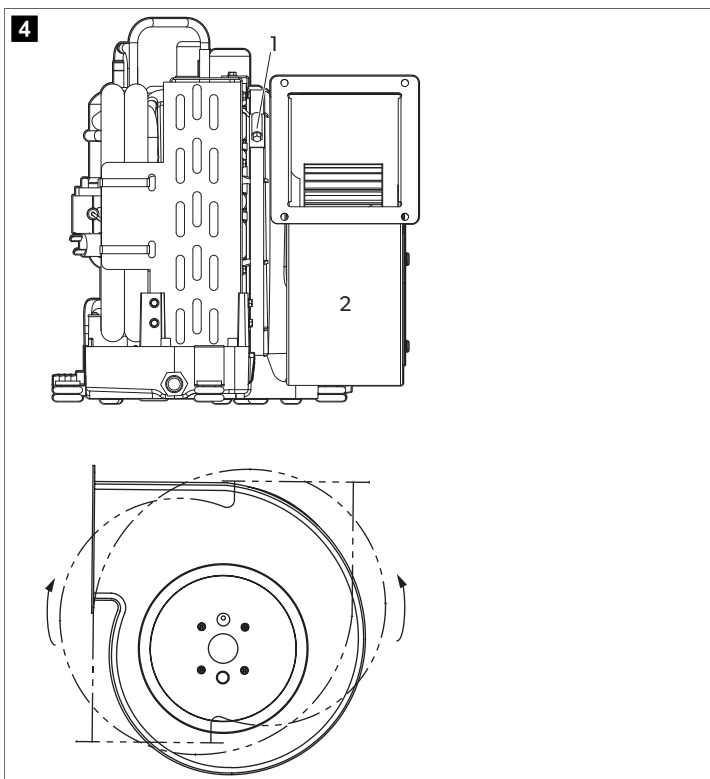
Само за TX: Осигурете минимална открита площ от 2,99 in (76,0 mm) над и под радиатора.

6.2 Завъртане на вентилатора

Този раздел обяснява как да завъртите вентилатора за всеки тип устройство. Ако е необходимо, завъртете вентилатора в посоката, която позволява най-директно изхвърляне на въздушния поток през въздуховодите.

6.2.1 Вентилатори DTG и TX

Въртене на вентилатора на системите DTG и TX



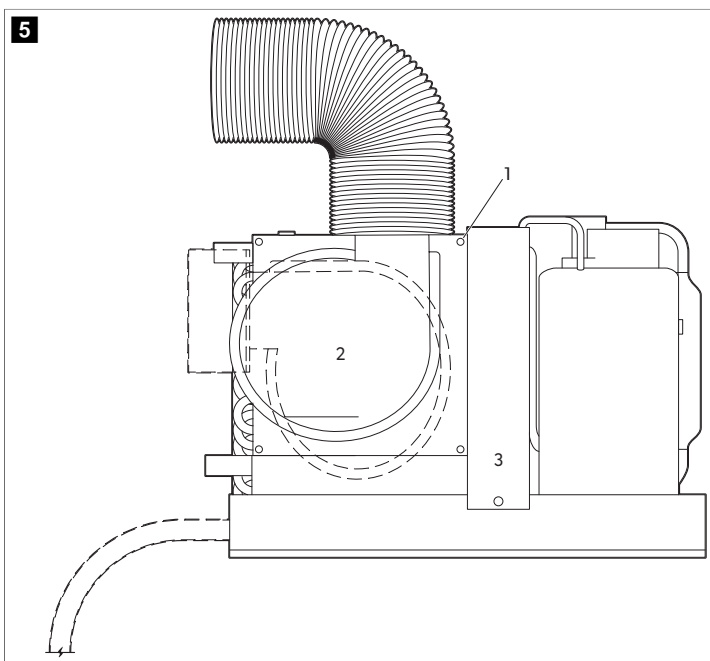
1 Adjustment screw

2 Blower

1. Разхлабете регулиращия винт на пръстена за монтиране на вентилатора.
2. Завъртете вентилатора в желаното положение.
3. Затегнете регулиращия винт.

6.2.2 Вентилатори MCS и ECD

Въртене на вентилатора на системите MCS и ECD



1 Screw

2 Табела

3 Вентилатор

1. Отстранете седемте винта на плочата.
2. Завъртете вентилатора в желаното положение.
3. Закрепете вентилатора на място, като използвате самонарезни винтове (не са предоставени).

6.3 Поставяне на въздушните филтри

Въздушните филтри отстраняват въздушните частици от въздуха в кабината и поддържат бобината на изпарителя чиста. Поставете по един въздушен филтър на климатика или в решетката за обратен въздух за всеки климатик.

6.4 Поставяне на решетките и преходните кутии

Помислете за следното при поставянето на решетките и преходните кутии:

- Монтирайте решетката за приточен въздух възможно най-високо на място, което осигурява равномерно разпределение на въздуха в кабината. Насочете жалюзите на решетката нагоре.
- Монтирайте решетката за обратен въздух възможно най-ниско и близо до климатика, за да осигурите въздушен поток към изпарителя.
- Не насочвайте изпускателния отвор на подавания въздух към решетката на обратния въздух, тъй като това ще доведе до късо съединение на системата.
- Осигурете достатъчно свободно пространство зад решетката за приточен въздух за преходната кутия и връзката с въздуховодите. Вижте Спецификации на страница 148

7 Инсталиране

Този раздел обяснява как да монтирате самостоятелния климатик.

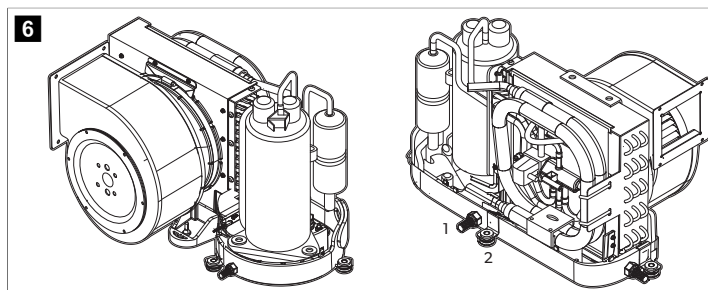
7.1 Монтиране на монтажните скоби и дренажа за кондензат



ВНИМАНИЕ!

За да предотвратите напукване на дренажния съд, не използвайте повече от два слоя водопроводна лента за увиване на шуцера за маркуча и не затягайте прекалено шуцера за маркуча.

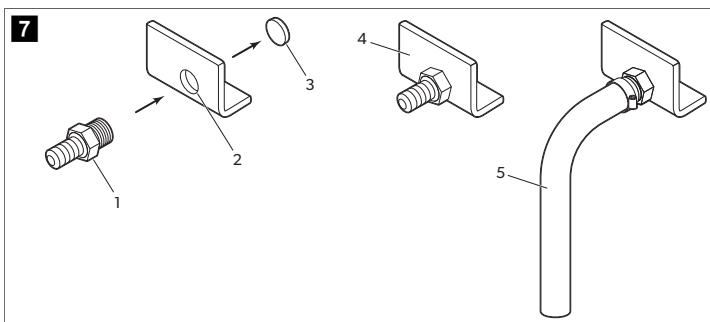
Типично поставяне на монтажни скоби и дренажите за кондензата



1 Шуцер за маркуча за източване на кондензат

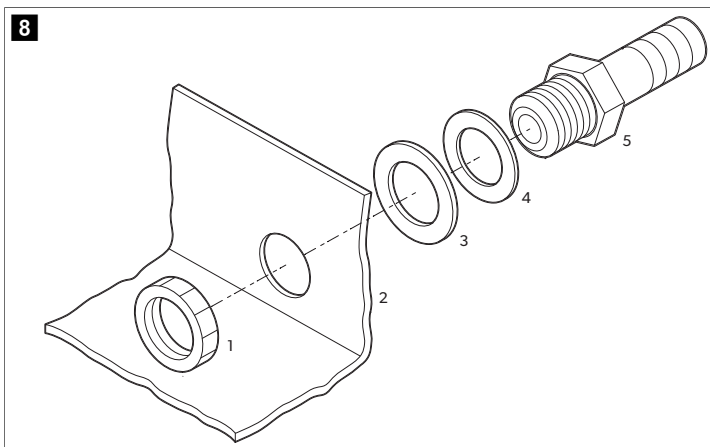
2 Монтажна скоба

Монтаж на дренажа за кондензат за DTG и TX



- 1 Hose barb
- 2 Дренажен отвор с резба
- 3 Тапа за избиване
- 4 Drain pan
- 5 Дренажен маркуч

Монтаж на дренаж за кондензат за всички останали климатици

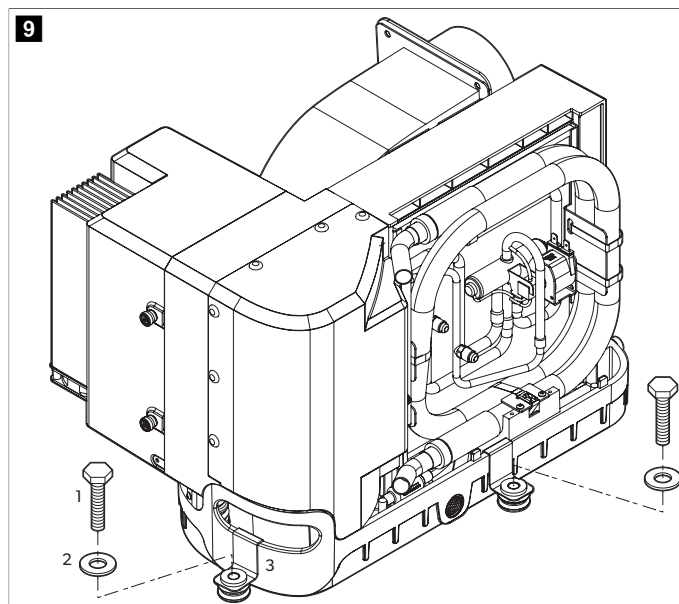


- 1 Locking nut
- 2 Дренажен съд
- 3 Уплътнителна шайба за течности
- 4 Solid washer
- 5 PVC фитинг 0,5 in (12,7 mm) НВ x 0,5 in (12,7 mm) МРТ

1. Използвайте шуцера за маркуча, за да избиее тапа от дренажния отвор на кърмата, като нанесете един бърз удар с гумен чук. Изхвърлете избитата тапа.
2. За устройства DTG и TX:
 - a) Обвийте края на резбата на шуцера за маркуча с водопроводна лента.
 - b) Завийте шуцера за маркуча в дренажния отвор с резба и затегнете здраво.
3. За всички останали климатици:
 - a) Прекарайте шуцера на маркуча през твърда шайба и уплътнителна шайба за течности и я вкарайте в дренажния отвор.
 - b) Закрепете с фиксираща гайка.
4. Закрепете дренажния маркуч към шуцера за маркуча със скоба от неръждаема стомана.

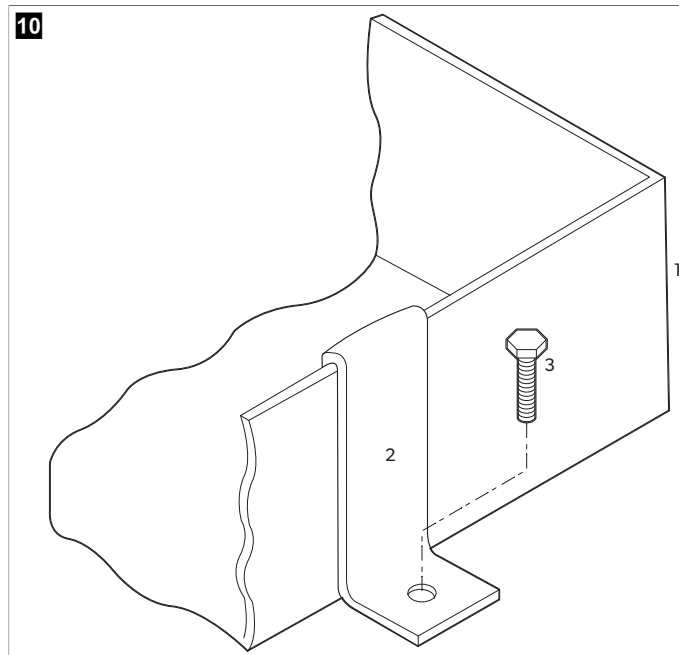
5. Насочете дренажния маркуч надолу към безопасно и подходящо място за събиране.

Монтаж на монтажна скоба за устройства DTG и TX



- 1 Монтажен болт (не е предоставен)
- 2 Шайба с широка периферия (предоставена)
- 3 Монтажна скоба (предоставена)

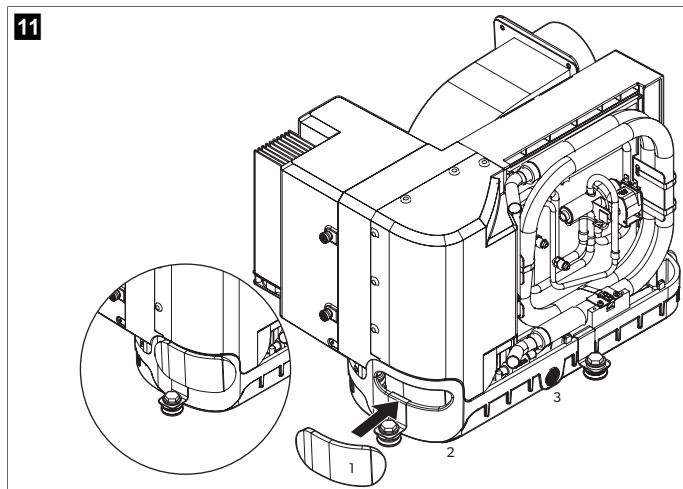
Монтаж на монтажна скоба за всички останали климатици



- 1 Дренажен съд
- 2 Монтажна скоба
- 3 Монтажен болт (не е предоставен)

6. Монтирайте по една монтажна скоба от всяка страна на дренажния съд, на равни разстояния.

Монтаж на изолацията от пенопласт на устройствата TX



- 1 Изолация от пенопласт
- 2 Отвор на закрепващата планка
- 3 Дренажен съд

7. За устройства TX:

- a) Отстранете фолиото, покриващо самозалепващата се подложка на изолацията от пенопласт.
- b) Разположете изолацията от пенопласт така, че да покрие напълно отвора на закрепващата планка, като лепкавата страна е обърната към дренажния съд.
- c) Натиснете около отвора на закрепващата планка, за да залепите изолацията от пенопласт към дренажния съд.

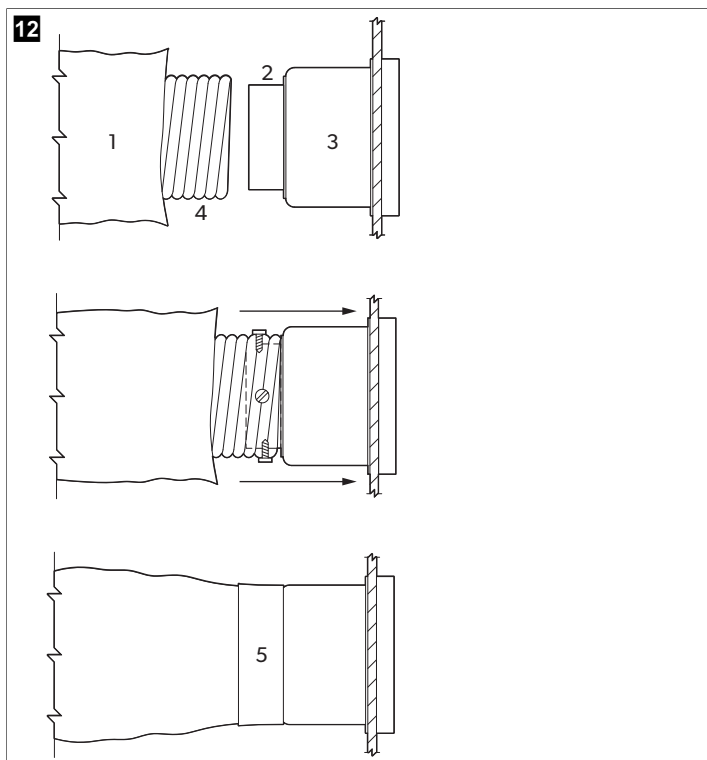
7.2 Монтиране на въздуховодите

Спазвайте следните състояния, когато монтирате въздуховодите:

- Въздуховодите трябва да бъдат подходящо оразмерени за Вашето приложение.
- Прокарайте въздуховодите възможно най-прави, гладки и опънати, като сведете до минимум броя на 90,00 ° завои и примки, които могат да намалят въздушния поток.
- Закрепете здраво въздуховода, за да предотвратите провисването му.
- Не допускайте сплескване или прегъване на въздуховодите.
- Отрежете излишните дължини на въздуховодите след монтажа.
- Изолирайте въздуховодите, когато се намират в зони с висока температура.
- Изолирайте въздуховодите, когато се намират в зони с висока температура.
- Не прокаравайте въздуховодите през машинно отделение или друго място, където могат да бъдат изложени на опасни изпарения или изгорели газове.

Ако се използва преходна кутия, общата площ на въздуховодите за подаване на въздух, излизащи от кутията, трябва да бъде най-малко равна на общата площ на въздуховодите за подаване, влизащи в кутията. Вижте Спецификации на страница 148

Връзки за въздуховоди



- 1 Изолация от фибростъкло
- 2 Монтажен пръстен
- 3 Преходна кутия
- 4 Вътрешен тунел въздуховод за канали
- 5 Тиксо

1. Плъзнете вътрешния тунел въздуховод за канали около монтажния пръстен към преходната кутия.
2. Завийте три или четири винта от неръждаема стомана през тунел въздуховода за канали в монтажния пръстен, като захванете две или три жици с главите на винтовете.
3. Плъзнете изолацията от фибростъкло около вътрешния тунел въздуховод за канали към преходната кутия. Закрепете с тиксо.

7.3 Инсталиране на системата за морска вода



ВНИМАНИЕ!

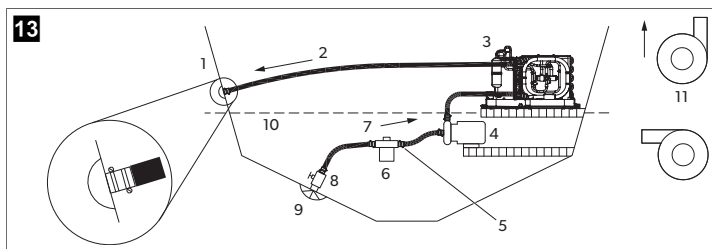
Неспазването на тази процедура ще анулира гаранцията.

Спазвайте следните съображения при изграждането на системата за морска вода:

- Цедката трябва да е под помпата.
- Маркучите трябва да бъдат двойно захванати.
- Маркучите не трябва да имат прегъвания, примки или високи места, където може да се задържи въздух.
- Помпата и цедката трябва да са под водопинията.
- Входът през корпуса, сферичният кран, маркучът и цедката не трябва да са по-малки от входа на помпата.
- Монтирайте фитинга през корпуса колкото е възможно по-надолу от водопинията.
- Помпата трябва да има специална тръба през корпуса.
- Избягвайте 90,00 ° колянни фитинги, доколкото е възможно.
- Уверете се, че главата на помпата е завъртяна по посока на водния поток.
- Използвайте водопроводна лента за всички резбови връзки.

Вижте Спецификации на страница 148 за максималните и минималните стойности на температурата и налягането на водата.

Система за морска вода



- | | |
|------------------------|---|
| 1 Изход за морска вода | 7 Входен поток нагоре |
| 2 Изходящ поток | 8 Сферичен клапан |
| 3 Климатик | 9 Входен отвор през корпуса |
| 4 Помпа за морска вода | 10 Водолиния |
| 5 Скоби за маркучи | 11 Правилна ориентацията на цедката на глатата на помпата |

6 Цедка

1. Монтирайте входен отвор за морска вода през корпуса възможно най-близо до кила и възможно най-дълбоко под водолинията. Закрепете входния отвор през корпуса, като използвате уплътнител за морска употреба, предназначен за използване под вода.
2. Монтирайте бронзов кингстон с пълен дебит на входния отвор за морска вода през корпуса.
3. Монтирайте цедка за морска вода под нивото на помпата с достъп до филтъра.
4. Монтирайте помпата над филтъра и на поне 30 cm (1 фут) под водолинията.
5. Свържете кингстона и цедката с маркуч за поток нагоре или подсилен маркуч от морски клас.
6. Свържете изпускателния отвор от помпата нагоре към долния вход на кондензаторната намотка на климатика с подсилен маркуч с диаметър 5/8 инча (0,63 in (16,0 mm)), подходящ за морски приложения.
7. Свържете изпускателния отвор от кондензаторната намотка към фитинга за изхвърляне през корпуса с 5/8 in подсилен маркуч от морски клас.
8. Избягвайте примките, високите точки или използването на 90,00 ° колена с маркуча за морска вода. Всяко 90,00 ° коляно е еквивалентен на 2,5 ft (0,76 m) (29,92 in (76,00 cm)) маркуч и 90° коляно на изхода на помпата е еквивалентен на 20,0 ft (6,10 m) (240,16 in (610,00 cm)) маркуч.
9. Двойно затегнете всички връзки на маркучите с две скоби от неръждаема стомана, като обърнете скобите, когато е необходимо.
10. Свържете всички метални части, които са в контакт с морска вода, към системата за свързване на плавателния съд.

7.4 Осъществяване на електрически връзки



ПРЕДУПРЕЖДЕНИЕ! ОПАСНОСТ ОТ ТОКОВ УДАР.

Винаги изключвайте захранващия прекъсвач на климатичната система, преди да отворите електрическата кутия. Несъобразяването с това предупреждение може да доведе до смърт или сериозно нараняване.



ВНИМАНИЕ!

Климатикът трябва да бъде свързан към системата за свързване на лодката, за да се предотврати корозия, дължаща се на блуждаещ електрически ток. Всички помпи, метални клапани и фитинги във веригата за морска вода, които са изолирани от климатика с PVC или гумени маркучи, трябва да бъдат индивидуално свързани със системата за свързване на лодката.



УКАЗАНИЕ Неспазването на правилно заземяване и свързване на системата ще анулира гаранцията.

Всички климатични устройства имат клемна лента, обозначена за правилни връзки, вътре в електрическата кутия. Схемата на окабеляване в електрическата кутия заменя стандартите ABYC. Използвайте прекъсвач с правилния размер, за да защитите системата, както е посочено от типовия етикет на климатичните устройства. За захранване на климатика и помпата за морска вода трябва да се използва минимум

12 AWG кабел за лодки. Осъществявайте всички връзки с помощта на пръстеновидни или вилкови клеми.

Спазвайте следното, когато осъществявате електрически връзки:

- Заземяването на променлив ток (AC) трябва да бъде свързано към заземителната клемма (GRND) в клемния блок на входа за променлив ток.
- Връзките между заземителния проводник на системата за променлив ток на плавателния съд и отрицателната или свързващата система на плавателния съд за постоянен ток (DC) трябва да бъдат направени като част от окабеляването на плавателния съд. При поддръжка или подмяна на съществуващо оборудване, което има заземителен шип, монтиран на шасито, проверете окабеляването на плавателния съд за тези връзки.
- Климатиките TX са проектирани да работят с променлив ток или високо напрежение на постоянен ток. Направете справка със схемата на окабеляването за правилно поставяне.

Уверете се, че заземяването за променлив ток на климатика е правилно свързано със заземяването за променлив ток на лодката. В самата лодка се уверете, че заземяната шина за променлив ток е свързана със заземяната шина за постоянен ток точно на едно място.

8 Изхвърляне



Когато е възможно, изхвърляйте опаковъчните материали е съответни съдове за рециклиране. Консултирайте се с местен център за рециклиране или с продавача за правилното изхвърляне на продукта в съответствие с действащите предписания.

9 Гаранция

Вижте разделите по-долу за информация относно гаранцията и гаранционната поддръжка в САЩ, Канада и всички останали региони.

САЩ и Канада

DOMETIC.COM/EN-US/TERMS-AND-CONDITIONS-CONSUMER/WARRANTY. АКО ИМАТЕ ВЪПРОСИ ИЛИ ЗА ДА ПОЛУЧИТЕ БЕЗПЛАТНО КОПИЕ ОТ ОГРАНИЧЕНАТА ГАРАНЦИЯ, ВПЕЗТЕ ВЪВ ВРЪЗКА С:

DOMETIC CORPORATION
MARINE CUSTOMER SUPPORT CENTER
2000 NORTH ANDREWS AVENUE
POMPANO BEACH, FLORIDA, USA 33069
1-800-542-2477

Държави от Азиатско-тихоокеанския регион (APAC)

Ако продуктът не работи както трябва, моля, свържете се с Вашия търговец на дребно или клона на производителя във Вашата държава (вижте dometic.com/dealer). Гаранцията, приложима за вашия продукт, е 1 година(и).

За обработка на гаранцията и ремонта, моля приложете следните документи при изпращането на уреда:

- Копие от фактурата с дата на покупката
- Причина за претенцията или описание на дефекта

Отбележете, че саморъчен или непрофесионален ремонт може има последствия за безопасността и да анулира гаранцията.

Само за Австралия

Нашите продукти идват с гаранция, която не може да бъде изключена според австралийския закон за потребителите. Вие имате право на замяна на уреда или връщане на парите при голяма повреда или на компенсация за всякакви други предвидими щети или загуби. Вие също имате право уредът да бъде ремонтиран или заменен ако не показва приемливо качество, дори и дефектът да не води до голяма повреда.

Само за Нова Зеландия

Тази гаранция е обвързана с условията и гаранциите, задължителни според Закона за гаранция на потребителите 1993(NZ).

Всички останали региони

Важи гаранционният срок, определен от закона. Ако продуктът е дефектен, моля, свържете се с клона на производителя във вашата страна (вижте dometic.com/dealer) или с вашия търговец на дребно.

За обработка на гаранцията и ремонта, моля приложете следните документи при изпращането на уреда:

- Копие от фактурата с дата на покупката
- Причина за претенцията или описание на дефекта

Отбележете, че саморъчен или непрофесионален ремонт може има последствия за безопасността и да анулира гаранцията.

Eesti keel

1 Olulised märkused.....	155
2 Sümbolite selgitus.....	155
3 Sihtrühm.....	155
4 Kasutusotstarve.....	155
5 Tehnilised andmed.....	156
6 Eelpaigaldus.....	156
7 Paigaldamine.....	158
8 Kõrvaldamine.....	161
9 Garantii.....	161

1 Olulised märkused

Lugege see juhend tähelepanelikult läbi ja järgige kõiki selles esitatud juhiseid, suuniseid ja hoiatusi, et tagada alati toote õigesti paigaldamine, kasutamine ning hooldamine. See juhend PEAB jääma selle toote juurde.

Toote kasutamisega kinnitate, et olete kõik juhised, suunised ja hoiatused tähelepanelikult läbi lugenud ning mõistate ja nõustute järgima nendes sätestatud tingimusi. Nõustute kasutama seda toodet üksnes ettenähtud eesmärgil ja otstarbel ning kooskõlas kasutusjuhendis sätestatud juhiste, suuniste ja hoiatustega, samuti kooskõlas kõigi kohaldatavate õigusaktide ja eeskirjadega. Siin sätestatud juhiste ja hoiatuste lugemise ja järgimise eiramine võib põhjustada vigastusi teile ja kolmandatele isikutele, kahjustada teie toodet või läheduses asuvat muud vara. Toote kasutusjuhendit, sh juhiseid, suuniseid ja hoiatusi, ning seotud dokumente võidakse muuta ja uuendada. Värskeima tooteteabe leiate veebisaidilt documents.dometic.com.

2 Sümbolite selgitus

Signaalsõna tähistab ohutusteateid ja varalise kahju teateid ning näitab ka ohu raskusastet või taset.



HOIATUS!

viitab ohtlikule olukorrale, mis eiramise korral võib lõppeda surma või raske vigastusega.



TÄHELEPANU!

Viitab ohtlikule olukorrale, mis eiramise korral võib lõppeda varalise kahjuga.



MÄRKUS Lisateave toote käitamiseks.

2.1 Täiendavad suunised

Õnnetuste ja vigastuste ohu vähendamiseks järgige enne seadme paigaldamist järgmisi suuniseid.

- Lugege ja järgige kogu ohutusteavet ja kõiki juhiseid.
- Enne toote paigaldamist lugege need juhised läbi ja tehke need endale selgeks.
- Paigaldis peab vastama kõigile kehtivatele kohalikele või riiklikele eeskirjadele, sealhulgas järgmistele standardite viimasele versioonile:
 - Ameerika paadi- ja jahinõukogu (American Boat and Yacht Council, ABYC)
 - ANSI/NFPA 70, riiklik elektriakoodeks (NEC)

2.2 Ohutusjuhised



HOIATUS! SÜSINIKMONOOKSIIDI OHT

Järgmistele hoiatustele eiramine võib põhjustada raskeid vigastusi või surma.

- **Ärge** paigaldage ega kasutage autonoomset kliimaseadet pilsist või masinaruumi piirkonda või siseõlemismootori lähedusse. Veenduge, et valitud asukoht oleks tihendatud kaitseks pilsist ja/või masinaruumi aurude otsese juurdepääsu eest.
- Veenduge, et kondensaadi äravoolutoru oleks õigesti paigaldatud ja tihendatud. **Ärge** suunake kondensaadi äravoolutoru otsa mootori või generaatori väljalaskesüsteemi mis tahes väljalaskeavast, mootorit või generaatorit sisaldavast ruumist või pilsist 0,91 (3 jala) raadiusesse,

kui äravool pole ühendatud nõuetekohaselt suletud kondensaadi või dušipumba külge. Kui äravoolutorustik pole korralikult paigaldatud, võivad ohtlikud aarud mööda äravoolutoru üles liikuda ja eluruumid saastada.

- **Ärge** paigaldage kliimaseadet kohta, kus see võib levitada vingugaasi, kütuseaure või muid mürgiseid aure paadi eluruumidesse.



HOIATUS! Elektrilöögi oht

Paigaldada tohib ainult kvalifitseeritud elektrik.



HOIATUS! ELEKTRILÖÖGI, TULEKAHJU JA/VÕI PLAHVATUSOHT.

Nende ettevaatusabinõude mitte järgimine võib põhjustada raskeid vigastusi või surma

See seade **ei** ole ette nähtud kasutamiseks inimestele (sh lapsed), kellel on piiratud füüsilised, sensoorsed või vaimsed võimed või kellel puuduvad vastavad kogemused ja teadmised, välja arvatud juhul, kui nad kasutavad seadet nende ohutuse eest vastutava inimese järelevalve all või see inimene on neid seadet kasutama õpetanud. Lapsi tuleb valvata, et olla kindel, et nad seadmega **ei** mängiks. Lapsed **ei** tohi seadet ilma järelevalveta puhastada ega hooldada. Seade **ei** tohi olla üldsusele kättesaadav.



HOIATUS! PLAHVATUSOHT.

Nende ettevaatusabinõude mitte järgimine võib põhjustada raskeid vigastusi või surma

Ärge paigaldage kliimaseadet kohta, kus asuvad bensiinimootorid, paagid, LPG/CPG-silindrid, regulaatorid, ventiilid või kütusetoru liitmikud. Kui pole teistit märgitud, **ei** vasta autonoomsed seadmed riiklike süttimise eest kaitsmise nõuetele. Selle hoiatuse eiramine võib põhjustada raskeid vigastusi või surma.



HOIATUS! ELEKTRILÖÖGI OHT.

Nende ettevaatusabinõude mitte järgimine võib põhjustada raskeid vigastusi või surma

- Elektrilöögi ohu minimeerimiseks maandage kliimaseade tõhusalt. Lisateavet vaadake paigaldusjuhenditest.
- Iga paigaldatud kliimaseade vajab spetsiaalset kaitseülilit. Kui paigaldatud on vaid üks kliimaseade, **ei** vaja mereveepump spetsiaalset kaitseülilit. Kui kaks või enam kliimaseadet kasutavad sama mereveepumpa, ühendatakse pumba juhtmed pumba relepaneeliga, millel on omakorda pumba jaoks oma spetsiaalne kaitseülilit (max 20 A). Vaadake relepaneeliga kaasasolevat elektriskeemi. Pilsist ja/või veejoonest allpool asuvates elektriühendustes tuleks kasutada termokahanevat tüüpi liiteühendusi.
- Kasutatav juhtmestik **peab** vastama ABYC -elektriakoodeksiga. Seadme toide peab jääma andmeplaadil esitatud tööpinge vahemikku. Hargneva vooluahela kaitse tagamiseks **tuleb** paigaldada õige suurusega kaitsmed või HACR-kaitsmed. Vaadake andmeplaadilt kaitsme/kaitselüliti maksimaalset suurust (MFS) ja vooluahela minimaalset võimsust (MCA).



TÄHELEPANU!

See seade sisaldab hermeetiliselt suletud üksustes fluoritud kasvuhoonegaase. Teavet külmaaine kaalu ja globaalse soojendamise potentsiaali kohta vaadake kliimaseadme toote andmesildilt. Lisatud jahutusaine tuleb märkida seadme sildile.

3 Sihtrühm



Seadme mehaanilise ja elektrilise paigalduse ja seadistuse peab teostama kvalifitseeritud tehnik, kellel on tõendatud oskused ja teadmised mereseadmete ja paigaldiste ehitamise ja käitamise kohta, kes tunneb riigi, kus seade paigaldatakse ja/või kasutatakse, asjakohaseid õigusakte ning kes on saanud ohutusalast koolitust, et tuvastada ja vältida kaasnevaid ohte.

4 Kasutusotstarve

See juhend on mõeldud paigaldamiseks mudelitele DCU, DLU, DTG, ECD ning TX autonoomsetele kliimaseadmetele (edaspidi viidatud kui kliimaseade). Kliimaseade on mõeldud kasutamiseks paatidel ja jahtidel. See kliimaseade sobib kasutamiseks üksnes ettenähtud otstarbel ja vastavalt käesolevas kasutusjuhendis toodule.

See toode sobib kasutamiseks üksnes ettenähtud otstarbel ja käesolevas kasutusjuhendis toodud valdkonnas.

Käesolev juhend sisaldab teavet, mis on vajalik toote korrektseks paigaldamiseks ja/või kasutamiseks. Halva paigalduse ja/või valesti kasutamise või hooldamise korral halvenevad tööomadused ja võib tekkida rike.

Tootja ei võta vastutust mis tahes kahju või tootekahjustuse eest, mis on tingitud mõnest järgmisest asjaolust:

- valesti paigaldamine, kokkupanek või ühendamine, sh liigpinge;
- valesti hooldamine või tootja poolt ette nähtud originaalvaruosadest erinevate varuosade kasutamine;
- tootel ilma tootja selge loata tehtud muudatused;
- kasutamine otstarbel, mida ei ole kasutusjuhendis kirjeldatud.

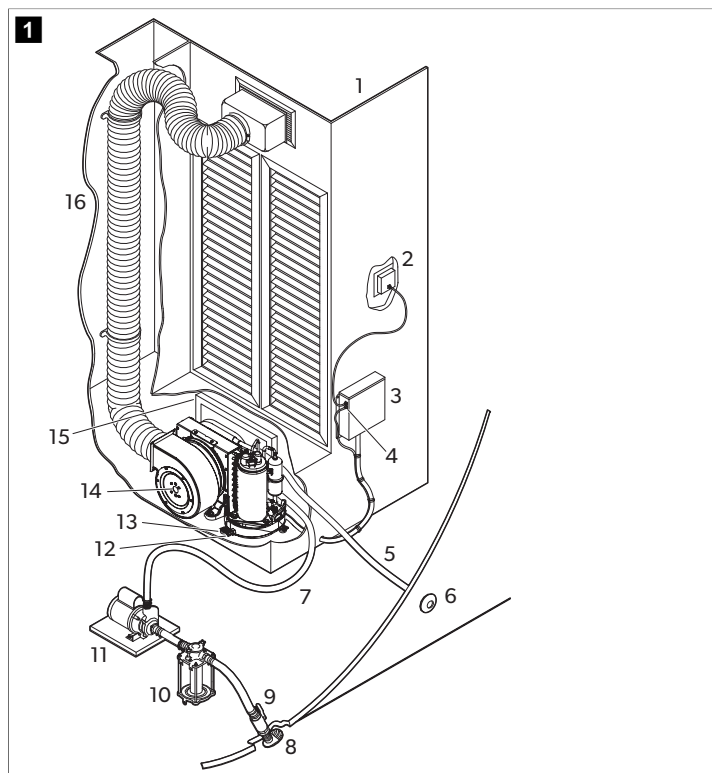
Dometic jätab endale õiguse muuta toote välimust ja tehnilisi näitajaid.

5 Tehnilised andmed

Lugege need juhised täielikult läbi ja seejärel kavandage ühendused, mis tuleb kliimaseadmega teha (sh kanalisatsioon, kondensaadi äravoolutorustik, merevee sisse- ja väljalaskevoolikud, elektrihüendid, juhtseadme asukoht ja mereveepumba paigutus), et tagada suunamiseks ja tulevaseks hoolduseks lihtne juurdepääs.

5.1 Osade asukohad

Kliimaseadme süsteemi komponentide tuvastamine



- | | |
|---|---|
| 1 Siseneva õhu võre ja üleminekukast | 9 Kigstoni sulgventiil |
| 2 Digitaalne näidik | 10 Merevee sõel |
| 3 Elektrikarp | 11 Pump |
| 4 Valikuline kaugõhanduri kaabel | 12 Kondensaadi äravooluvooliku üleminek |
| 5 Merevee väljalaskevoolik | 13 Kinnituskronstein |
| 6 Väljalask üle parda | 14 Kliimaseade |
| 7 Merevee sisselaskevoolik | 15 Tagasivooluõhu võre ja filter |
| 8 Merevett ammutav keret läbistav sisselask | 16 Isoleeritud painduv torustik |

5.2 Tehnilised andmed

Selles jaotises on kliimaseadme tehnilised andmed.

Tabel 41: Minimaalne torustiku ja võre suurus BTU mahu kohta

	3.5 k BTU	6 k BTU	8 k BTU	10 k BTU
Minimaalne kanali läbimõõt	3,00 in (76,2 mm)	4,00 in (101,6 mm)	5,00 in (127,0 mm)	6,00 in (152,4 mm)
Minimaalne torustiku ala	6,8 in ² (43,9 cm ²)	12,6 in ² (81,3 cm ²)	19,6 in ² (126,5 cm ²)	28,3 in ² (182,6 cm ²)
Minimaalne tagasivoolu-õhu võre	64,0 in ² (412,9 cm ²)	64,0 in ² (412,9 cm ²)	80,0 in ² (516,2 cm ²)	100,0 in ² (645,2 cm ²)
Minimaalne siseneva õhu võre	12,0 in ² (77,4 cm ²)	32,0 in ² (206,5 cm ²)	48,0 in ² (309,7 cm ²)	60,0 in ² (387,1 cm ²)

	12 k BTU	16 k BTU	18 k BTU	27 k BTU
Minimaalne kanali läbimõõt	6,00 in (152,4 mm)	7,00 in (177,8 mm)	7,00 in (177,8 mm)	8,00 in (203,2 mm)
Minimaalne torustiku ala	28,3 in ² (182,6 cm ²)	38,5 in ² (248,4 cm ²)	38,5 in ² (248,4 cm ²)	50,3 in ² (324,5 cm ²)
Minimaalne tagasivoolu-õhu võre	130,0 in ² (838,8 cm ²)	160,0 in ² (1032,3 cm ²)	200,0 in ² (1290,4 cm ²)	240,0 in ² (1548,5 cm ²)
Minimaalne siseneva õhu võre	70,0 in ² (451,6 cm ²)	80,0 in ² (516,2 cm ²)	100,0 in ² (645,2 cm ²)	120,0 in ² (774,2 cm ²)

Tabel 42: Veetemperatuur ja -surve kasutamisel

Minimaalne vee temperatuur kasutamisel	40,0 °F (4,44 °C)
Maksimaalne vee temperatuur kasutamisel	80,0 °F (26,66 °C)
Minimaalne veesurve kasutamisel	4,2 psi (0,29 bar) (29,00 kPa)
Maksimaalne veesurve kasutamisel	6,00 psi (0,41 bar) (41,4 kPa)



MÄRKUS Seade võib töötada väljaspool neid tingimusi vähendatud võimsusega.

6 Eelpaigaldus



TÄHELEPANU!

DTG ja TX i autonoomsed kondensaadi alusvannid on varustatud vanni põhja paigaldatud vibratsiooni isoleatoritega. Need isoleatorid on kavandatud summutama vibratsiooni, mida töötab kliimaseade paigaldatud pinnale kandumisest põhjustab. Kliimaseadme liigutamisel üle paigalduspinnale tuleb olla ettevaatlik, kuna isoleatorid võivad viga saada.



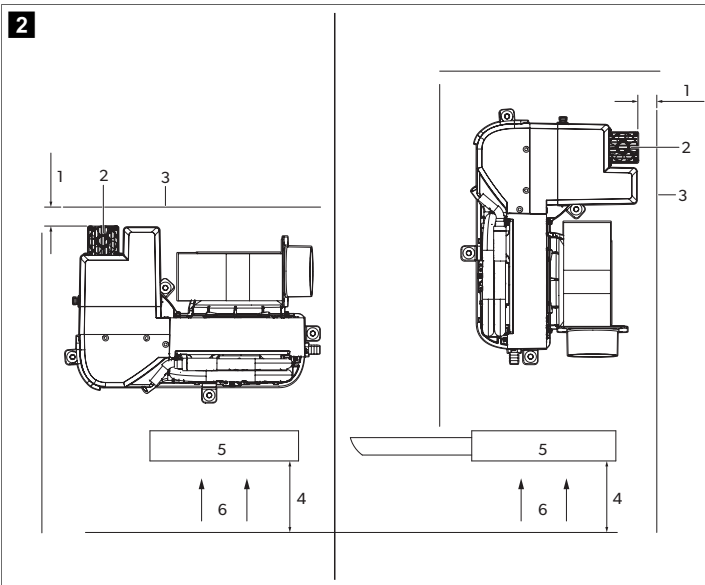
TÄHELEPANU!

Kliimaseade peab olema paigaldatud madalale tasasele ja loodis pinnale, näiteks kapi põhja, koi või söögitoa tooli all või sarnasesse kohta.

Selles peatükis selgitatakse, kuidas kliimaseadet paigaldamiseks ette valmistada.

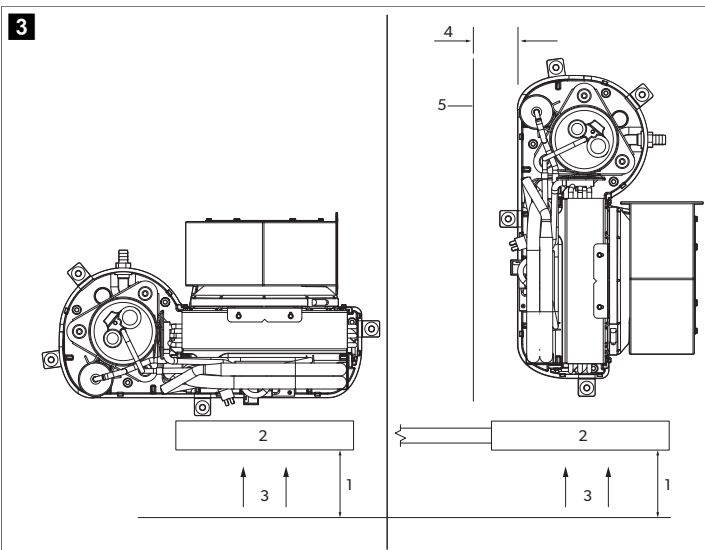
6.1 Paigalduskoha kindlakstegemine

TX paigutus õhuvoolu suhtes



- | | |
|---------------------|-----------------------|
| 1 3,00 in (7,62 cm) | 4 4,00 in (10,16 cm) |
| 2 Jahutusradiator | 5 Tagasivooluõhu võre |
| 3 Vahesein | 6 Õhuvool |

Kõigi teiste kliimaseadmete paigutus õhuvoolu suhtes



- | | |
|-----------------------|---------------------|
| 1 4,00 in (10,16 cm) | 4 3,00 in (7,62 cm) |
| 2 Tagasivooluõhu võre | 5 Vahesein |
| 3 Õhuvool | |

Valige koht, kus on piisav õhuvool. Tagasivooluõhu võre ees peab olema õhuringluse jaoks vähemalt 4,00 in (10,16 cm) vaba ruumi, kus pole takistusi.

Kui kliimaseade paikneb tagasivooluõhu võrega risti, hoidke õhu sisselaskepoolel õhuringluse jaoks minimaalset 3,00 in (7,62 cm) ruumi.

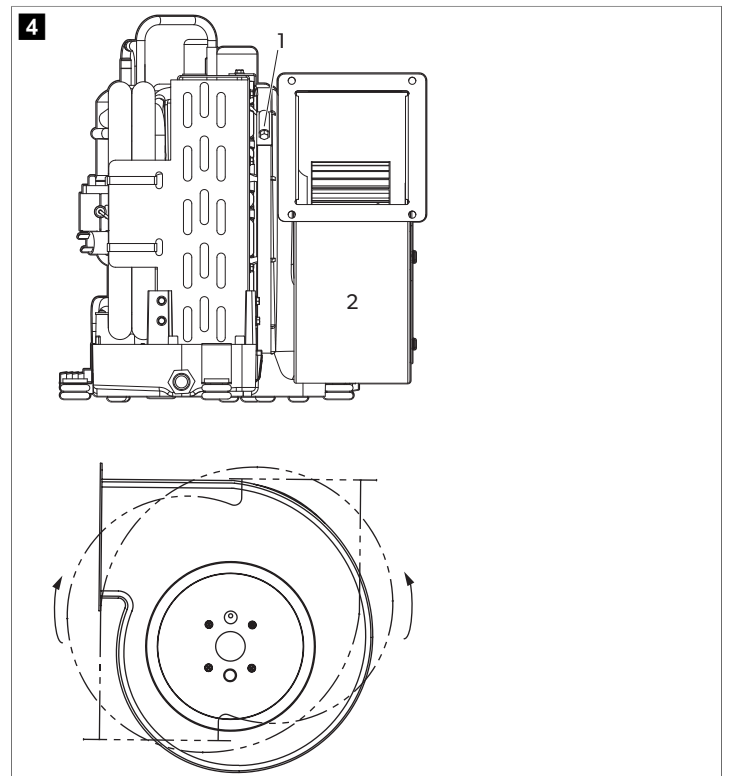
Ainult TX: Jätke jahutusradiatori kohale ja alla minimaalne avatud ala 2,99 in (76,0 mm).

6.2 Puhuri pööramine

Selles jaotises selgitatakse, kuidas puhurit iga seadmetüübi puhul pöörata. Vajaduse korral pöörake puhur suunas, mis võimaldab kõige otsesemat õhuvoolu läbi torustiku.

6.2.1 DTG ja TX puhurid

DTG ja TX süsteemi puhuri pööramine

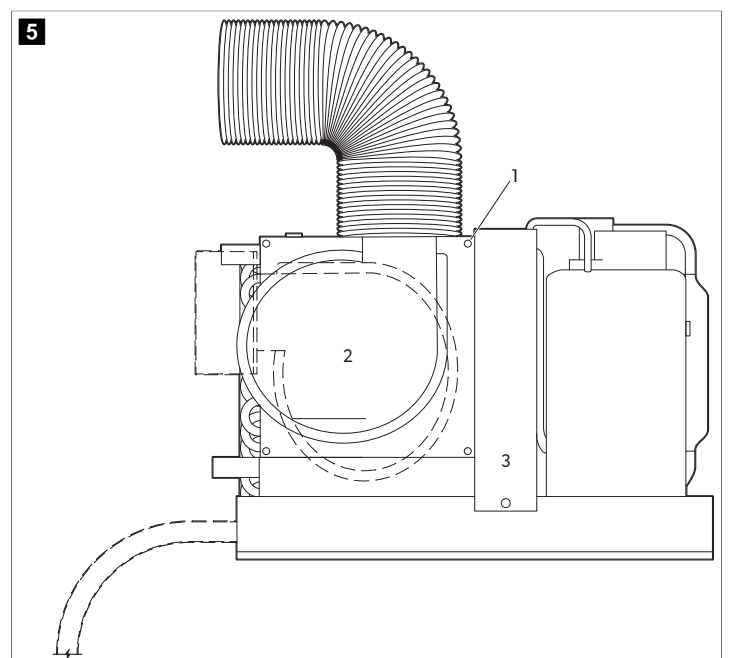


- 1 Adjustment screw
- 2 Blower

1. Lõdvendage puhuri kinnitusrõnga reguleerimiskruvi.
2. Pöörake puhur soovitud asendisse.
3. Pingutage reguleerimiskruvi.

6.2.2 MCS-i ja ECD puhurid

MCS-i ja ECD süsteemi puhuri pöörlemine



- 1 Screw
- 2 Numbrimärk
- 3 Ventilaator

1. Eemaldage plaadilt seitse kruvi.
2. Pöörake puhur soovitud asendisse.
3. Kinnitage puhur isekeermestavate kruvidega oma kohale (pole komplektis).

6.3 Õhufiltrite paigutus

Õhufiltrid eemaldavad kajuti õhust õhuosakesi ja hoiavad aurusti mähise puhtana. Asetage iga kliimaseadme jaoks üks õhufilter kas kliimaseadmele või tagasivooluõhu võrele.

6.4 Võrede ja üleminekukarpide paigutus

Võrede ja üleminekukarpide paigutamisel arvestage järgnevat.

- Paigaldage siseneva õhu võre nii kõrgele kui võimalik kohas, mis tagab ühtlase õhujootuse kogu kajuti ulatuses. Suunake võre ventilatsiooniavad üles.
- Paigaldage tagasivooluõhu võre võimalikult madalale ja õhukonditsioneerile lähedale, et tagada õhuvool aurustisse.
- Ärge suunake toiteõhu väljavoolu tagasivooluõhu võre suunas, sest see põhjustab süsteemis lühise.
- Veenduge, et siseneva õhu võre taga oleks üleminekukarbi ja toruühenduse jaoks piisavalt ruumi. Vt jaotist „Tehnilised andmed leheküljel 156“

7 Paigaldamine

Selles jaotises selgitatakse, kuidas autonoomset kliimaseadet paigaldada.

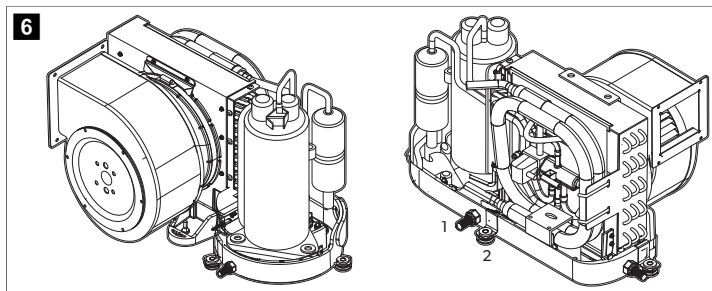
7.1 Kinnituskronsteinide ja kondensaadi äravoolu paigaldamine



TÄHELEPANU!

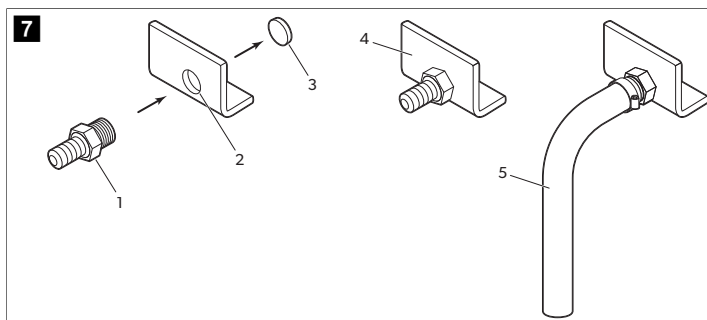
Äravooluvanni pragunemise vältimiseks ärge kasutage vooliku ülemineku mähkimiseks rohkem kui kahte kihti toruteipi ja ärge pingutage vooliku otsakut üle.

Kinnituskronsteinide ja kondensaadi äravoolu tüüpiline paigutus



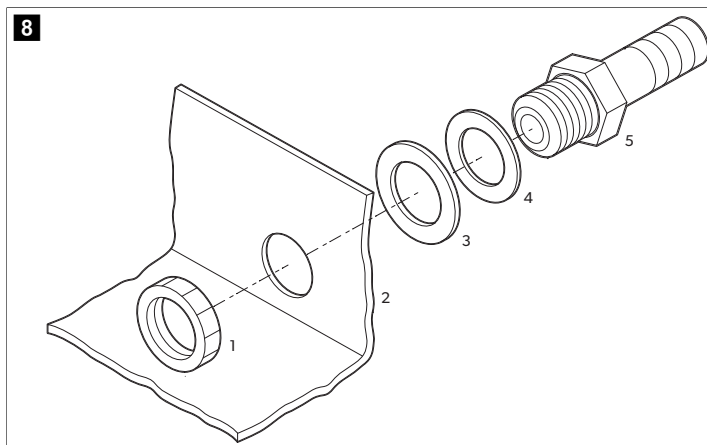
- 1 Kondensaadi äravooluvooliku üleminek
- 2 Kinnituskronstein

Kondensaadi äravoolu paigaldamine mudelitele DTG ja TX



- 1 Hose barb
- 2 Keermestatud äravooluava
- 3 Südamiku väljalöömine
- 4 Drain pan
- 5 Tühjendusvoolik

Kondensaadi äravoolu paigaldamine kõigile teistele kliimaseadmetele

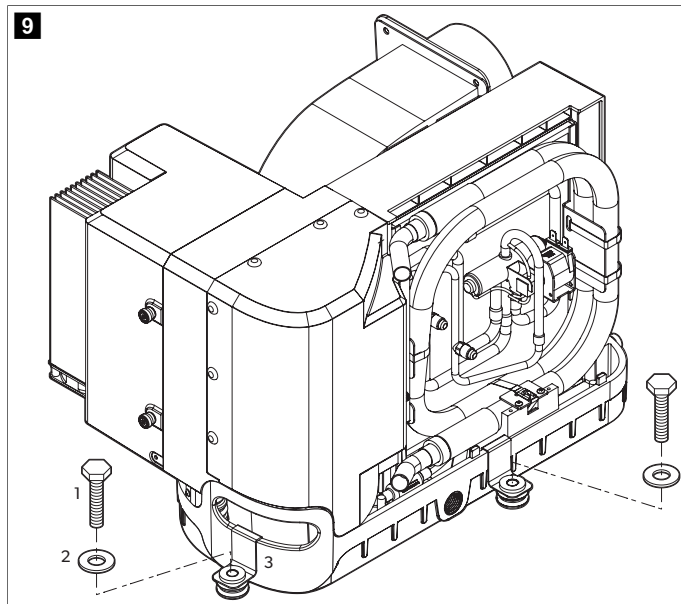


- 1 Locking nut
- 2 Äravooluvann
- 3 Vedeliku tihendussein
- 4 Solid washer
- 5 PVC-liitmik 0,5 in (12,7 mm) HB × 0,5 in (12,7 mm) MPT

1. Kasutage vooliku üleminekut, et lüüa südamik tahasuunatud äravooluavast välja, lüües seda kummist vasaraga kiiresti üks kord. Visake väljalöödud südamik ära.
2. DTG ja TXi seadmete korral.
 - a) Mähkige ümber vooliku ülemineku keermestatud otsa toruteipi.
 - b) Keerake vooliku üleminek keermestatud tühjendusavasse ja pingutage korralikult.
3. Kõigi teiste kliimaseadmete korral.
 - a) Keerake vooliku üleminek läbi ümarseibi ja vedeliku tihendusseibi ning sisestage see äravooluavasse.
 - b) Kinnitage lukustusmutriga.
4. Kinnitage äravooluvoolik vooliku ülemineku külge roostevabast terasest voolikuklambriga.

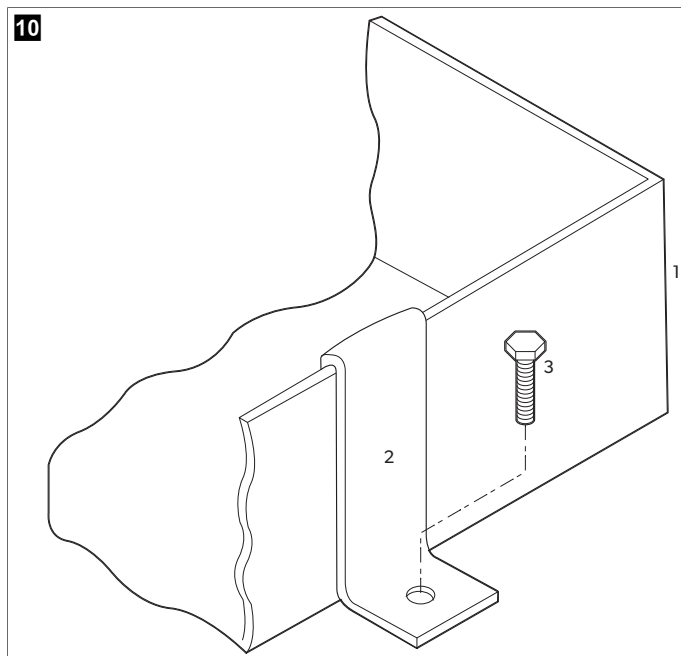
5. Suunake tühjendusvoolik allapoole ohutusse ja õigesse kogumispunkti.

Kinnituskronsteini paigaldamine DTG ja TXi seadmetele



- 1 Kinnituspolt (pole komplektis)
 2 Suur seib (komplektis)
 3 Kinnituskronstein (komplektis)

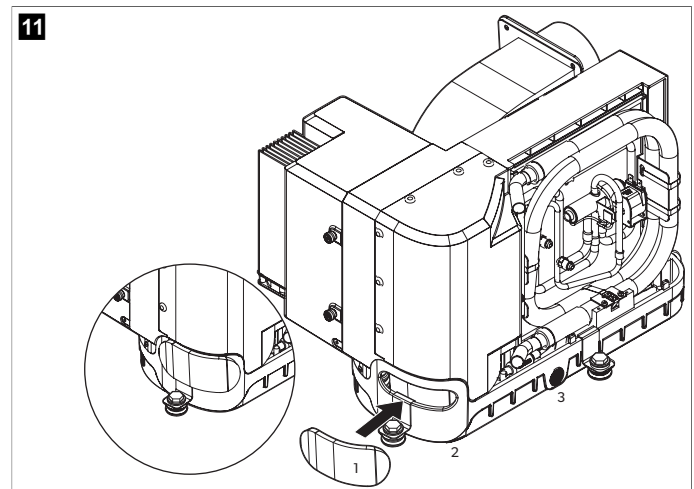
Teiste kliimaseadmete kinnituskronsteini paigaldamine



- 1 Äravooluvann
 2 Kinnituskronstein
 3 Kinnituspolt (pole komplektis)

6. Paigaldage äravooluvanni mõlemale küljele üks kinnituskronstein, mis on ühtlaste vahedega.

Vahtplastist käepideme isolatsiooni paigaldamine TXi seadmetele



- 1 Vahtplastist käepideme isolatsioon
 2 Käepideme ava
 3 Äravooluvann

7. TXi seadmete korral.

- a) Eemaldage vahtplastist käepideme isolatsiooni kleepuvat aluspinda kattev kile.
 b) Asetage vahtkäepideme isolatsioon nii, et see kataks käepideme ava täielikult nii, et kleepuv pool oleks suunatud äravooluvanni poole.
 c) Vajutage käepideme ava ümber, et kleepida vahtplastist käepideme isolatsioon äravooluvanni külge.

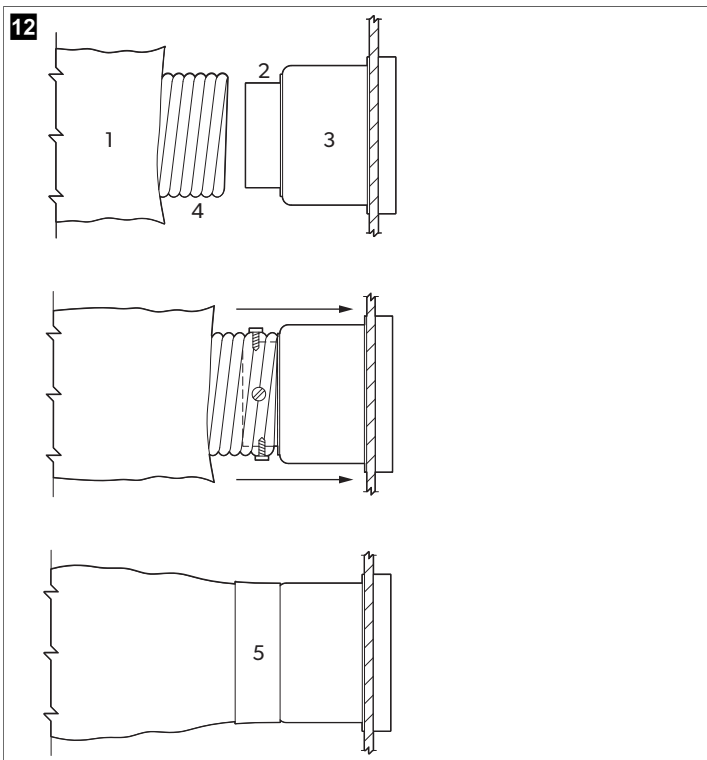
7.2 Kanali paigaldamine

Kanali paigaldamisel järgige järgmisi tingimusi.

- Kanal peab olema teie rakenduse jaoks sobiva suurusega.
- Suunake kanal võimalikult sirgelt, siledalt ja pingul, minimeerides 90,00 ° paindeid ja silmuste arvu, mis võivad õhuvoolu vähendada.
- Kinnitage kanal kindlalt, et vältida kokkuvajumist.
- Ärge laske kanalil vajuda lössi või keerduda
- Pärast paigaldamist piirake liigseid kanali pikkusi.
- Isoleerige torustik, kui see asub suure kuumusega piirkondades.
- Isoleerige torustik, kui see asub suure kuumusega piirkondades.
- Ärge juhtige kanalit läbi masinaruumi ega mis tahes ala, kus see võib puutuda kokku ohtlike aurude või heitgaasidega.

Kui kasutatakse üleminekukasti, peaks kastist väljuvate õhukanalite kogupindala olema vähemalt võrdne kasti sisenevate toitekanalite kogupindalaga. Vt Tehnilised andmed leheküljel 156

Kanali ühendused



- | | |
|--------------------------|--|
| 1 Klaaskiust isolatsioon | 4 Sisemine Mylar-kattega kanali voolik |
| 2 Paigaldusrõngas | 5 Toruteip |
| 3 Üleminekukast | |

- Libistage sisemine Mylar-kattega kanali voolik kinnitusrõnga üleminekukarpi.
- Kruvige kolm või neli roostevabast terasest kruvi läbi Mylar-kattega kanali vooliku kinnitusrõngasse, kinnitades kruvipeadega kaks või kolm traati.
- Libistage klaaskiust isolatsioon ümber Mylar-kattega kanali vooliku üleminekukasti. Kinnitage toruteibiga.

7.3 Mereveesüsteemi paigaldamine



TÄHELEPANU!

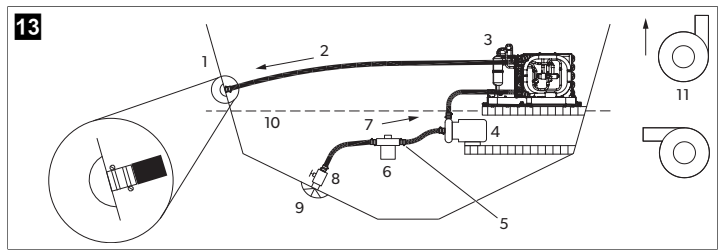
Selle protseduuri eiramine tühistab garantii.

Mereveesüsteemi seadistamisel järgige järgmisi asjaolusid.

- Pumba all peab olema sõel.
- Voolikud peavad olema topeklambritega.
- Voolikutel ei tohi olla keerde, silmuseid ega kõrgeid kohti, kus õhk võib kinni jääda.
- Pump ja sõel peavad olema allpool veepiiri.
- Keret läbistav sisselask, kuulkapp, voolik ja sõel ei tohi olla pumba sisselaskevast väiksemad.
- Paigaldage keret läbistav liitmik nii kaugele alla veepiiri kui võimalik.
- Pump peab olema spetsiaalne keret läbistav.
- Vältige võimalikult palju 90,00 ° põvliitmikke.
- Veenduge, et pumba pea oleks veevoolu suunas pööratud.
- Kasutage kõikide keermestatud ühenduste jaoks toruteipi.

Veetemperatuuri ja -surve maksimaalseid ning minimaalseid väärtusi vaadake jaotisest „Tehnilised andmed leheküljel 156“.

Mereveesüsteem



- | | |
|---------------------|------------------------------------|
| 1 Merevee väljalase | 7 Ülesvoolu sisselaske vool |
| 2 Väljalaske vool | 8 Kuulkapp |
| 3 Kliimaseade | 9 Ammutav keret läbistav sisselask |
| 4 Mereveepump | 10 Veepiir |
| 5 Voolikuklambrid | 11 Pumba pea sõela õiged suunad |
| 6 Sõel | |

- Paigaldage merevett ammutav keret läbistav sisselask kiilule võimalikult lähedale ja nii kaugele alla veepiiri kui võimalik. Kinnitage ammutav keret läbistav sisselask, kasutades veealuseks kasutamiseks mõeldud merel kasutatava kvaliteediklassi hermeetikut.
- Paigaldage merevett ammutavale keret läbistavale sisselaskele pronksist täisvoolu kingston.
- Paigaldage merevee sõel pumba tasemest allapoole, et pääseda filtrile juurde.
- Paigaldage pump sõela kohale ja vähemalt üks jalg veepiirist allapoole.
- Ühendage kingston ja ülesvoolu sõel tugevdatud merel kasutatava kvaliteediklassi voolikuga.
- Ühendage pumba ülesvoolu väljalask kliimaseadme kondensaatori spiraali alumine sisselaskeava 5/8-tollise (0,63 in (16,0 mm)) tugevdatud merel kasutatava kvaliteediklassi voolikuga.
- Ühendage kondensaatori mähise väljalask üle parda väljalaske kere läbistav liitmik 5/8-tollise tugevdatud merel kasutatava kvaliteediklassi voolikuga.
- Vältige mereveevooliku kasutamisel keerde, kõrgeid kohti või 90,00 ° põlvede kasutamist. Iga 90,00 ° põlv on võrdne 2,5 ft (0,76 m) (29,92 in (76,00 cm)) of voolikuga ja 90° põlv pumba väljalaskel on võrdne 20,0 ft (6,10 m) (240,16 in (610,00 cm)) voolikuga.
- Kinnitage kõik voolikuühendused kahe roostevabast terasest klambriga, pöörates klambrid vajaduse korral ümber.
- Ühendage kõik mereveega kokku puutuvad metallosad laeva ühendussüsteemiga.

7.4 Elektriühenduste loomine



HOIATUS! ELEKTRILÕÕGI OHT.

Enne elektrikilbi avamist lülitage kliimaseadme toiteallika kaitse alati välja. Selle hoiatuse eiramine võib põhjustada raskeid vigastusi või surma.



TÄHELEPANU!

Kliimaseade peab olema ühendatud paadi potentsiaaliühendusüsteemiga, et vältida juhuslikust elektrivoolust tingitud korrosiooni. Kõik mereveeahela pumbad, metallist ventiilid ja liitmikud, mis on PVC- või kummivoolikutega kliimaseadmest isoleeritud, peavad olema individuaalselt ühendatud paadi potentsiaaliühendusüsteemiga.



MÄRKUS Kui süsteemi korralikult ei maandata ja ei ühendata, kaotab garantii kehtivuse.

Kõigil konditsioneerimisseadmel on elektrikilbi sees klemmiriba, mis on märgistatud õigete ühenduste jaoks. Elektrikilbi sees olev juhtmestik asendab ABYC-standardid. Kasutage süsteemi kaitsmiseks õige suurusega automaatkaitset, nagu on kliimaseadmete andmesildil ette nähtud. Kliimaseadme ja mereveepumba toite jaoks tuleb kasutada vähemalt 12 AWG paadikaablit. Looge kõik ühendused rõnga- või kahvliikujuliste klemmide abil.

Elektriühenduste loomisel pöörake tähelepanu järgnevale.

- Vahelduvoolu (VV) maandus tuleb ühendada maandusklemmiga (GRND) vahelduvoolu sisendklemmide ploki juures.
- Laeva vahelduvoolusüsteemi maandusjuhtme ja laeva alalisvoolu (AV) negatiivse või sidumissüsteemi vahelised ühendused peaksid moodustama osa laeva juhtmestikust. Kui hooldate või asendate olemasolevaid seadmeid, millel on raamile paigaldatud maandustihvt, kontrollige nende ühenduste osas laeva juhtmestikku.
- TXi kliimaseadmed on loodud töötama vahelduvoolu või kõrgepingealalisvooluga. Õige paigutuse osas vaadake laeva elektriskeemi.

Veenduge, et kliimaseadme vahelduvoolu maandus oleks korralikult paadi vahelduvoolu maandusega ühendatud. Veenduge paadi enda sees, et vahelduvoolu maanduse siin oleks ühendatud alalisvoolu maanduse siiniga täpselt ühes kohas.

8 Kõrvaldamine



Kui võimalik, pange pakkematerjal vastavasse ringlussevõetava prügi kasti. Küsige nõu kohalikust ringlussevõetukeskusest või edasimüüjalt, kuidas anda toode kehtivate jäätmeäritlusnõuetega kooskõlas jäätmeäritlusse.

9 Garantii

Alljärgnevatest jaotistest leiate teabe garantii ja garantiitoe kohta USAs, Kanadas ja kõigis teistes piirkondades.

Ameerika Ühendriigid ja Kanada

OSALISE GARANTII TINGIMUSED LEIATE AADRESSILT
 DOMETIC.COM/EN-US/TERMS-AND-CONDITIONS-CONSUMER/WARRANTY.
 KUI TEIL ON KÜSIMUSI VÕI SOOVITE SAADA TASUTA KOOPIAT OSALISE GARANTII
 TINGIMUSTEST, VÕTKE ÜHENDUST JÄRGMISEL AADRESSIL:

DOMETIC CORPORATION
 MARINE CUSTOMER SUPPORT CENTER
 2000 NORTH ANDREWS AVENUE
 POMPANO BEACH, FLORIDA, USA 33069
 1-800-542-2477

Aasia ja Vaikse ookeani piirkonna (APAC) riigid

Kui toode ei tööta nii, nagu peaks, võtke ühendust kohaliku edasimüüjaga või tootja filiaaliga (vt dometic.com/dealer). Teie seadmele kehtib 1-aastane garantii.

Remondi- ja garantiitööde töötlemiseks lisage palun alljärgnevad dokumendid, kui seadme meile saadate:

- ostukuupäevaga arve koopia;
- kaebuse põhjus või vea kirjeldus.

Pange tähele, et kui parandate ise või lasete mittekuulsel parandajal seda teha, võib see ohutust mõjutada ja garantii kehtetuks muuta.

Ainult Austraalia

Meie toodetel on garantii, mida ei saa Austraalia tarbijakaitseadusega välistada. Teil on õigus saada asendustoodet või hüvitus, kui tekib tõsine rike ja kompensatsiooniks mis tahes muu mõistlikult eeldatava kahju eest. Samuti on teil õigus toodete remondile või asendamisele, kui toodete kvaliteet pole rahuldav ja rike ei liigitu tõsiseks rikkeks.

Ainult Uus-Meremaa

Selle garantiieeskirja puhul kehtivad tingimused ja garantiid, mis on Uus-Meremaa tarbijakaitseaduse Consumer Guarantees Act 1993(NZ) järgi kohustuslikud.

Kõik muud piirkonnad

Kehtib seadusega ettenähtud garantii. Kui toode on defektne, võtke ühendust tootja kohaliku filiaaliga (vt dometic.com/dealer) või edasimüüjaga.

Remondi- ja garantiitööde töötlemiseks lisage palun alljärgnevad dokumendid, kui seadme meile saadate:

- ostukuupäevaga arve koopia;
- kaebuse põhjus või vea kirjeldus.

Pange tähele, et kui parandate ise või lasete mittekuulsel parandajal seda teha, võib see ohutust mõjutada ja garantii kehtetuks muuta.

Ελληνικά

1 Σημαντικές σημειώσεις.....	162
2 Επεξήγηση των συμβόλων.....	162
3 Ομάδα στόχος.....	163
4 Προβλεπόμενη χρήση.....	163
5 Τεχνικά χαρακτηριστικά.....	163
6 Πριν από την εγκατάσταση.....	164
7 Εγκατάσταση.....	165
8 Απόρριψη.....	169
9 Εγγύηση.....	169

1 Σημαντικές σημειώσεις

Παρακαλούμε να διαβάσετε προσεκτικά αυτές τις οδηγίες και να ακολουθήσετε όλες τις οδηγίες, τους κανονισμούς και τις προειδοποιήσεις που περιλαμβάνονται στο εγχειρίδιο αυτού του προϊόντος, έτσι ώστε να διασφαλίζεται πάντοτε η σωστή εγκατάσταση, χρήση και συντήρηση του προϊόντος. Αυτές οι οδηγίες ΠΡΕΠΕΙ πάντοτε να συνοδεύουν το προϊόν.

Με τη χρήση του προϊόντος επιβεβαιώνετε δια του παρόντος ότι έχετε διαβάσει προσεκτικά όλες τις οδηγίες, τους κανονισμούς και τις προειδοποιήσεις καθώς και ότι έχετε κατανοήσει και συμφωνείτε να τηρήσετε τους όρους και τις προϋποθέσεις που ορίζονται στο παρόν έγγραφο. Συμφωνείτε να χρησιμοποιείτε αυτό το προϊόν μόνο για τον προβλεπόμενο σκοπό και την προβλεπόμενη χρήση, πάντοτε σύμφωνα με τις οδηγίες, τους κανονισμούς και τις προειδοποιήσεις που ορίζονται στο παρόν εγχειρίδιο προϊόντος καθώς και σύμφωνα με όλους τους ισχύοντες νόμους και κανονισμούς. Σε περίπτωση μη ανάγνωσης και τήρησης των οδηγιών και των προειδοποιήσεων που ορίζονται στο παρόν έγγραφο, ενδέχεται να προκληθούν τραυματισμοί σε εσάς, τον ίδιο και σε τρίτους, ζημιά στο προϊόν σας ή υλικές ζημιές σε άλλες ιδιοκτησίες στο άμεσο περιβάλλον. Αυτό το εγχειρίδιο προϊόντος, συμπεριλαμβανομένων των οδηγιών, των κανονισμών, των προειδοποιήσεων και των σχετικών εγγράφων, ενδέχεται να υποβληθεί σε τροποποιήσεις και ενημερώσεις. Για ενημερωμένες πληροφορίες για το προϊόν, επισκεφθείτε την ηλεκτρονική διεύθυνση documents.domestic.com.

2 Επεξήγηση των συμβόλων

Μια λέξη σήμανσης επιτρέπει την αναγνώριση μηνυμάτων για την ασφάλεια και μηνυμάτων για υλικές ζημιές και υποδεικνύει τον βαθμό ή το επίπεδο σοβαρότητας του κινδύνου.



ΠΡΟΕΙΔΟΠΟΙΗΣΗ!

Καταδεικνύει μια επικίνδυνη κατάσταση, η οποία εάν δεν αποτραπεί, μπορεί να προκληθεί θανατηφόρο ατύχημα ή σοβαρός τραυματισμός.



ΠΡΟΣΟΧΗ!

Καταδεικνύει μια κατάσταση, η οποία εάν δεν αποτραπεί, μπορεί να προκληθούν υλικές ζημιές.



ΥΠΟΔΕΙΞΗ Συμπληρωματικά στοιχεία για τον χειρισμό του προϊόντος.

2.1 Συμπληρωματικές οδηγίες

Για να μειωθεί ο κίνδυνος ατυχημάτων και τραυματισμών, θα πρέπει να τηρείτε τις παρακάτω οδηγίες προτού ξεκινήσετε την εγκατάσταση αυτής της συσκευής:

- Διαβάστε και ακολουθήστε όλες τις πληροφορίες και οδηγίες για την ασφάλεια.
- Διαβάστε και κατανοήστε αυτές τις οδηγίες προτού εγκαταστήσετε το προϊόν.
- Η εγκατάσταση πρέπει να συμμορφώνεται με όλους τους ισχύοντες τοπικούς ή κρατικούς κώδικες, συμπεριλαμβανομένης της πιο πρόσφατης έκδοσης των ακόλουθων προτύπων:
 - Αμερικανικό Συμβούλιο Σκαφών και Γιοτ (ABYC)
 - ANSI/NFPA 70, Εθνικός Ηλεκτρολογικός Κώδικας (NEC)

2.2 Υποδείξεις ασφαλείας



ΠΡΟΕΙΔΟΠΟΙΗΣΗ! ΚΙΝΔΥΝΟΣ ΛΟΓΩ ΜΟΝΟΞΕΙΔΙΟΥ ΤΟΥ ΑΝΘΡΑΚΑ

Σε περίπτωση μη τήρησης των παρακάτω προειδοποιήσεων, μπορεί να προκληθεί θάνατος ή σοβαρός τραυματισμός:

- **Μην** εγκαθιστάτε ή χρησιμοποιείτε το αυτόνομο κλιματιστικό στην περιοχή της σεντίνας, στο μηχανοστάσιο ή κοντά σε κινητήρες εσωτερικής καύσης. Βεβαιωθείτε ότι στο επιλεγμένο σημείο δεν υπάρχει απευθείας πρόσβαση αναθυμιάσεων από την περιοχή της σεντίνας ή/και το μηχανοστάσιο.
- Επιβεβαιώστε ότι η γραμμή αποστράγγισης υγροποιημένων υδρατμών είναι σωστά εγκατεστημένη και στεγανοποιημένη. **Μην** τερματίσετε τη γραμμή αποστράγγισης υγροποιημένων υδρατμών σε απόσταση μικρότερη των 3 ft. (0,91 m) από οποιοδήποτε άνοιγμα εξαγωγής καυσαερίων κινητήρα ή γεννήτριας, μέσα σε χώρο όπου υπάρχει κινητήρας ή γεννήτρια ή σε κάποια σεντίνα, εκτός αν η γραμμή αποστράγγισης είναι σωστά συνδεδεμένη σε στεγανοποιημένη αντλία αποστράγγισης υγροποιημένων υδρατμών ή καταιονισμού νερού. Εάν η γραμμή αποστράγγισης δεν συνδεθεί σωστά, μπορεί να περνούν μέσα από αυτήν επικίνδυνες αναθυμιάσεις και να ρυπαίνουν τους χώρους ενδιαίτησης.
- **Μην** εγκαταστήσετε το κλιματιστικό σε σημείο όπου μπορεί να προκαλεί την επανακυκλοφορία μονοξειδίου του άνθρακα, αναθυμιάσεων καυσίμου ή άλλων επιβλαβών αναθυμιάσεων στους χώρους ενδιαίτησης του σκάφους.



ΠΡΟΕΙΔΟΠΟΙΗΣΗ! Κίνδυνος ηλεκτροπληξίας

Η τοποθέτηση επιτρέπεται να πραγματοποιείται μόνο από εξειδικευμένο ηλεκτρολόγο.



ΠΡΟΕΙΔΟΠΟΙΗΣΗ! ΚΙΝΔΥΝΟΣ ΗΛΕΚΤΡΟΠΛΗΞΙΑΣ, ΠΥΡΚΑΓΙΑΣ Ή/ΚΑΙ ΕΚΡΗΞΗΣ.

Σε περίπτωση μη τήρησης αυτών των μέτρων προφύλαξης, μπορεί να προκληθεί θάνατος ή σοβαρός τραυματισμός.

Αυτή η συσκευή **δεν** προορίζεται για χρήση από άτομα (συμπεριλαμβανομένων των παιδιών) με μειωμένες σωματικές, αισθητηριακές ή πνευματικές ικανότητες ή με έλλειψη εμπειρίας και γνώσεων, εκτός αν επιτηρούνται ή τους έχουν δοθεί οδηγίες σχετικά με τη χρήση της συσκευής από ένα άτομο που είναι υπεύθυνο για την ασφάλειά τους. Τα παιδιά θα πρέπει να επιτηρούνται, ώστε να εξασφαλίζεται ότι **δεν** παίζουν με τη συσκευή. Ο καθαρισμός και η συντήρηση από τον χρήστη **δεν** επιτρέπεται να εκτελούνται από παιδιά χωρίς επιτήρηση. Αυτή η συσκευή **δεν** θα πρέπει να είναι προσπελάσιμη από το ευρύ κοινό.



ΠΡΟΕΙΔΟΠΟΙΗΣΗ! ΚΙΝΔΥΝΟΣ ΕΚΡΗΞΗΣ.

Σε περίπτωση μη τήρησης αυτών των μέτρων προφύλαξης, μπορεί να προκληθεί θάνατος ή σοβαρός τραυματισμός.

Μην εγκαταστήσετε το κλιματιστικό μέσα σε χώρο όπου υπάρχουν βενζινοκινητήρες, δεξαμενές, φιάλες LPG/CPG, ρυθμιστές, βαλβίδες ή εξαρτήματα σύνδεσης γραμμών καυσίμου. Εκτός αν αναγράφεται διαφορετικά, οι αυτόνομες μονάδες **δεν** πληρούν τις απαιτήσεις των ομοσπονδιακών κανονισμών για την προστασία από ανάφλεξη. Η μη τήρηση αυτής της προειδοποίησης ενδέχεται να έχει ως αποτέλεσμα την πρόκληση θανάτου ή σοβαρού τραυματισμού.



ΠΡΟΕΙΔΟΠΟΙΗΣΗ! ΚΙΝΔΥΝΟΣ ΗΛΕΚΤΡΟΠΛΗΞΙΑΣ.

Σε περίπτωση μη τήρησης αυτών των μέτρων προφύλαξης, μπορεί να προκληθεί θάνατος ή σοβαρός τραυματισμός.

- Φροντίστε να γειώσετε αποτελεσματικά το κλιματιστικό ώστε να ελαχιστοποιηθεί ο κίνδυνος ηλεκτροπληξίας. Ανατρέξτε στις οδηγίες τοποθέτησης για περαιτέρω πληροφορίες.
- Για κάθε κλιματιστικό που εγκαθίσταται απαιτείται ξεχωριστός ασφαλειοδιακόπτης. Εάν εγκατασταθεί ένα μόνο κλιματιστικό, **δεν** απαιτείται ξεχωριστός ασφαλειοδιακόπτης για την αντλία θαλασσινού νερού. Εάν δύο ή περισσότερες μονάδες κλιματιστικού χρησιμοποιούν την ίδια αντλία θαλασσινού νερού, τα καλώδια της αντλίας πρέπει να συνδεθούν σε πίνακα ρελέ για αντλία (PRP), ο οποίος διαθέτει δικό του ξεχωριστό ασφαλειοδιακόπτη κατάλληλα διαστασιολογημένο για την αντλία (μέγ. 20 A). Ανατρέξτε στο διάγραμμα καλωδιώσεων που παρέχεται μαζί με τον PRP. Για

τις ηλεκτρικές συνδέσεις στη σεντίνα ή/και κάτω από την ίσαλο γραμμή θα πρέπει να χρησιμοποιηθούν διατάξεις ματίσματος με θερμοσυστελλόμενο κάλυμμα.

- Η τοπική καλωδίωση **πρέπει** να συμμορφώνεται με τους ηλεκτρολογικούς κώδικες ΑΒΥΣ. Η ηλεκτρική τροφοδοσία της μονάδας πρέπει να είναι εντός του εύρους τάσεων λειτουργίας που αναγράφεται στην ετικέτα τύπου. **Πρέπει** να εγκατασταθούν ασφάλειες κατάλληλου μεγέθους ή ασφαλειοδιακόπτες HACR για προστασία του κλάδου του κυκλώματος. Ανατρέξτε στην ετικέτα τύπου για το μέγιστο μέγεθος της ασφάλειας/του ασφαλειοδιακόπτη (MFS) και για την ελάχιστη ένταση ρεύματος του κυκλώματος (MCA).



ΠΡΟΣΟΧΗ!

Αυτή η συσκευή περιέχει φθοριωμένα αέρια θερμοκηπίου μέσα σε ερμητικά σφραγισμένο εξοπλισμό. Ανατρέξτε στην ετικέτα τύπου της μονάδας συμπίκνωσης για την ποσότητα του ψυκτικού μέσου, η οποία αναγράφεται ως βάρος και ως GWP. Όταν προστίθεται ψυκτικό μέσο, θα πρέπει να σημειώνεται στη ετικέτα της μονάδας.

3 Ομάδα στόχος



Η μηχανική και ηλεκτρική εγκατάσταση και ρύθμιση της συσκευής πρέπει να πραγματοποιηθεί από εξειδικευμένο τεχνικό, ο οποίος έχει επιδείξει δεξιότητες και γνώσεις σχετικά με την κατασκευή και λειτουργία του θαλάσσιου εξοπλισμού και των εγκαταστάσεων και είναι εξοικειωμένος με τις ισχύουσες κανονιστικές διατάξεις της χώρας στην οποία θα εγκατασταθεί και/ή θα χρησιμοποιηθεί ο εξοπλισμός και έχει λάβει εκπαίδευση για την ασφάλεια για την αναγνώριση και την αποφυγή των εμπλεκόμενων κινδύνων.

4 Προβλεπόμενη χρήση

Το παρόν εγχειρίδιο προορίζεται για την εγκατάσταση των αυτόνομων κλιματιστικών συστημάτων DCU, DLU, DTG, ECD και TX (οι οποίες στο εξής αναφέρονται ως "κλιματιστικό"). Το κλιματιστικό προορίζεται για χρήση σε σκάφη και γιοτ. Αυτό το κλιματιστικό είναι κατάλληλο μόνο για τον προβλεπόμενο σκοπό και την προβλεπόμενη εφαρμογή σύμφωνα με τις παρούσες οδηγίες.

Αυτό το προϊόν είναι κατάλληλο μόνο για τον προβλεπόμενο σκοπό και την προβλεπόμενη χρήση σύμφωνα με αυτές τις οδηγίες.

Αυτό το εγχειρίδιο παρέχει πληροφορίες που είναι απαραίτητες για τη σωστή εγκατάσταση και χρήση του προϊόντος. Σε περίπτωση λανθασμένης εγκατάστασης ή/και χρήσης ή συντήρησης, θα προκύψει μη ικανοποιητική απόδοση και, πιθανώς, βλάβη.

Ο κατασκευαστής δεν αποδέχεται καμία ευθύνη για τυχόν τραυματισμούς ή ζημιές στο προϊόν, που οφείλονται σε:

- Λανθασμένη τοποθέτηση, συναρμολόγηση ή σύνδεση, συμπεριλαμβανομένης της υπερβολικά υψηλής τάσης
- Λανθασμένη συντήρηση ή χρήση μη αυθεντικών ανταλλακτικών εξαρτημάτων, που δεν προέρχονται από τον κατασκευαστή
- Μετατροπές στο προϊόν χωρίς τη ρητή άδεια του κατασκευαστή
- Χρήση για σκοπούς διαφορετικούς από αυτούς που περιγράφονται σε αυτό το εγχειρίδιο

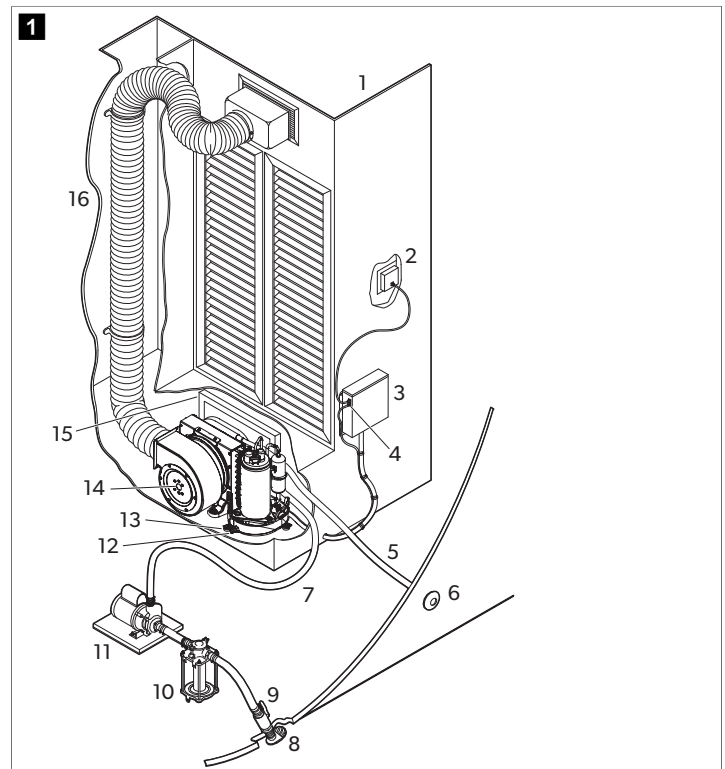
Η Dometic διατηρεί το δικαίωμα αλλαγής της εμφάνισης και των προδιαγραφών του προϊόντος.

5 Τεχνικά χαρακτηριστικά

Διαβάστε πλήρως αυτές τις οδηγίες και κατόπιν κάντε ένα πλάνο των συνδέσεων που πρέπει να γίνουν στο κλιματιστικό (συμπεριλαμβανομένων των αεραγωγών, της γραμμής αποστράγγισης υγροποιημένων υδρατμών, των εύκαμπτων σωλήνων εισαγωγής και εξαγωγής θαλασσινού νερού, των συνδέσεων ηλεκτρικής τροφοδοσίας, της θέσης του χειριστηρίου και της τοποθεσίας της αντλίας θαλασσινού νερού), για να εξασφαλίσετε εύκολη πρόσβαση για τη δρομολόγηση και τη μελλοντική συντήρηση.

5.1 Θέσεις εξαρτημάτων

Αναγνώριση εξαρτημάτων κλιματιστικού συστήματος



- | | |
|--|--|
| 1 Σχάρα παροχής αέρα και κιβώτιο με-τάβασης | 9 Βάνα διακοπής παροχής θαλασσινού νερού |
| 2 Ψηφιακή οθόνη | 10 Φίλτρο θαλασσινού νερού |
| 3 Κουτί ηλεκτρικών συνδέσεων | 11 Αντλία |
| 4 Καλώδιο προαιρετικού απομακρυσμένου αισθητήρα αέρα | 12 Μεταλλικό ρακόρ εύκαμπτου σωλήνα αποστράγγισης υγροποιημένων υδρατμών |
| 5 Εύκαμπτος σωλήνας εξαγωγής θαλασσινού νερού | 13 Στήριγμα τοποθέτησης |
| 6 Στόμιο εκκένωσης προς τη θάλασσα | 14 Κλιματιστικό |
| 7 Εύκαμπτος σωλήνας εισαγωγής θαλασσινού νερού | 15 Σχάρα και φίλτρο αέρα επιστροφής |
| 8 Άνοιγμα εισαγωγής θαλασσινού νερού στη γάστρα | 16 Μονωμένος εύκαμπτος αεραγωγός |

5.2 Προδιαγραφές

Αυτή η ενότητα περιέχει δεδομένα προδιαγραφών για το κλιματιστικό.

Πίνακας 43: Ελάχιστα μεγέθη αεραγωγών και σχαρών ανάλογα με τη δυναμικότητα BTU

	3.5 k BTU	6 k BTU	8 k BTU	10 k BTU
Ελάχιστη διάμετρος αεραγωγών	3,00 in (76,2 mm)	4,00 in (101,6 mm)	5,00 in (127,0 mm)	6,00 in (152,4 mm)
Ελάχιστη διατομή αεραγωγών	6,8 in ² (43,9 cm ²)	12,6 in ² (81,3 cm ²)	19,6 in ² (126,5 cm ²)	28,3 in ² (182,6 cm ²)
Ελάχιστο μέγεθος σχαρών επιστροφής αέρα	64,0 in ² (412,9 cm ²)	64,0 in ² (412,9 cm ²)	80,0 in ² (516,2 cm ²)	100,0 in ² (645,2 cm ²)
Ελάχιστο μέγεθος σχαρών παροχής αέρα	12,0 in ² (77,4 cm ²)	32,0 in ² (206,5 cm ²)	48,0 in ² (309,7 cm ²)	60,0 in ² (387,1 cm ²)

	12 k BTU	16 k BTU	18 k BTU	27 k BTU
Ελάχιστη διάμετρος αεραγωγών	6,00 in (152,4 mm)	7,00 in (177,8 mm)	7,00 in (177,8 mm)	8,00 in (203,2 mm)
Ελάχιστη διατομή αεραγωγών	28,3 in ² (182,6 cm ²)	38,5 in ² (248,4 cm ²)	38,5 in ² (248,4 cm ²)	50,3 in ² (324,5 cm ²)
Ελάχιστο μέγεθος σχάρας επιστροφής αέρα	130,0 in ² (838,8 cm ²)	160,0 in ² (1032,3 cm ²)	200,0 in ² (1290,4 cm ²)	240,0 in ² (1548,5 cm ²)
Ελάχιστο μέγεθος σχάρας παροχής αέρα	70,0 in ² (451,6 cm ²)	80,0 in ² (516,2 cm ²)	100,0 in ² (645,2 cm ²)	120,0 in ² (774,2 cm ²)

Πίνακας 44: Θερμοκρασία και πίεση νερού κατά τη λειτουργία

Ελάχιστη θερμοκρασία νερού κατά τη λειτουργία	40,0 °F (4,44 °C)
Μέγιστη θερμοκρασία νερού κατά τη λειτουργία	80,0 °F (26,66 °C)
Ελάχιστη πίεση νερού κατά τη λειτουργία	4,2 psi (0,29 bar) (29,00 kPa)
Μέγιστη πίεση νερού κατά τη λειτουργία	6,00 psi (0,41 bar) (41,4 kPa)

! **ΥΠΟΔΕΙΞΗ** Η μονάδα μπορεί να λειτουργήσει εκτός αυτών των συνθηκών, αλλά με μειωμένη δυναμικότητα.

6 Πριν από την εγκατάσταση

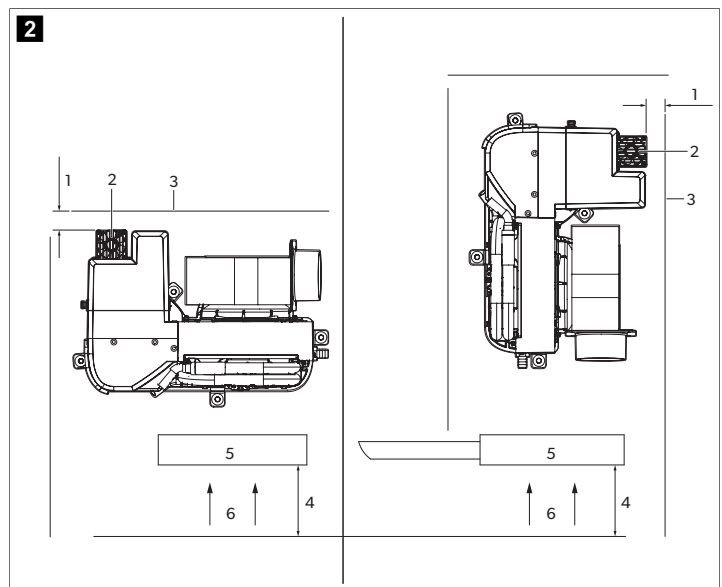
! **ΠΡΟΣΟΧΗ!**
Οι αυτόνομοι δίσκοι υγροποιημένων υδρατμών στα μοντέλα DTG και TX διαθέτουν μονωτήρες απόσβεσης κραδασμών στο κάτω μέρος τους. Αυτοί οι μονωτήρες είναι σχεδιασμένοι για να αποσβένουν τους κραδασμούς που προκαλούνται από τη λειτουργία του κλιματιστικού και να εμποδίζουν τη μετάδοσή τους στην επιφάνεια στερέωσης. Απαιτείται προσοχή κατά τη μετακίνηση του κλιματιστικού από μια επιφάνεια στερέωσης σε άλλη, γιατί μπορεί να προκληθεί ζημιά στους μονωτές.

! **ΠΡΟΣΟΧΗ!**
Το κλιματιστικό πρέπει να στερεωθεί σε μια χαμηλή, επίπεδη, οριζόντια επιφάνεια, όπως η βάση ενός ερμαρίου, κάτω από μια κουκέτα ή κάθισμα τραπεζαρίας ή άλλο παρόμοιο σημείο.

Σε αυτήν την ενότητα περιγράφεται ο τρόπος προετοιμασίας του κλιματιστικού για εγκατάσταση.

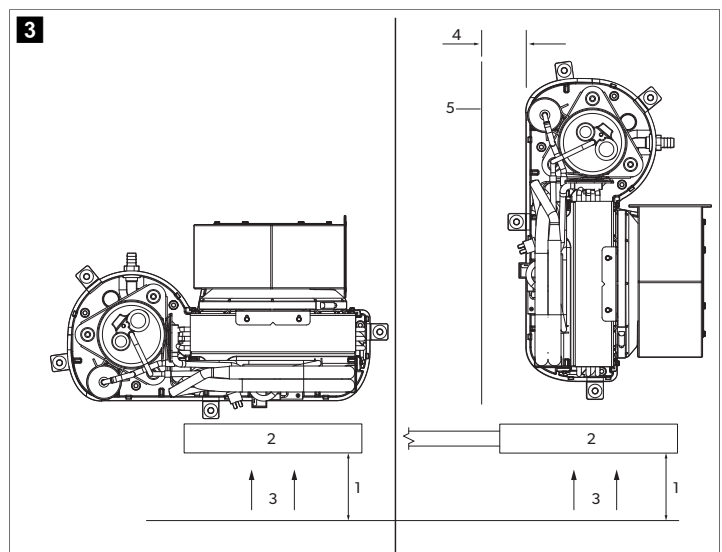
6.1 Καθορισμός του σημείου εγκατάστασης

Τοποθέτηση του TX σε σχέση με την παροχή αέρα



- 1 3,00 in (7,62 cm)
- 2 Απαγωγός θερμότητας
- 3 Διαχωριστικό τοίχωμα
- 4 4,00 in (10,16 cm)
- 5 Σχάρα επιστροφής αέρα
- 6 Παροχή αέρα

Τοποθέτηση όλων των άλλων κλιματιστικών μονάδων σε σχέση με την παροχή αέρα



- 1 4,00 in (10,16 cm)
- 2 Σχάρα επιστροφής αέρα
- 3 Παροχή αέρα
- 4 3,00 in (7,62 cm)
- 5 Διαχωριστικό τοίχωμα

Επιλέξτε ένα σημείο με επαρκή παροχή αέρα. Η σχάρα επιστροφής αέρα θα πρέπει να έχει ελάχιστο διάκενο 4,00 in (10,16 cm) για την κυκλοφορία του αέρα μπροστά της, χωρίς κανένα εμπόδιο.

Εάν το κλιματιστικό τοποθετηθεί κάθετα προς τη σχάρα επιστροφής αέρα, διατηρήστε ένα ελάχιστο διάκενο 3,00 in (7,62 cm) για την κυκλοφορία του αέρα στην πλευρά εισαγωγής αέρα.

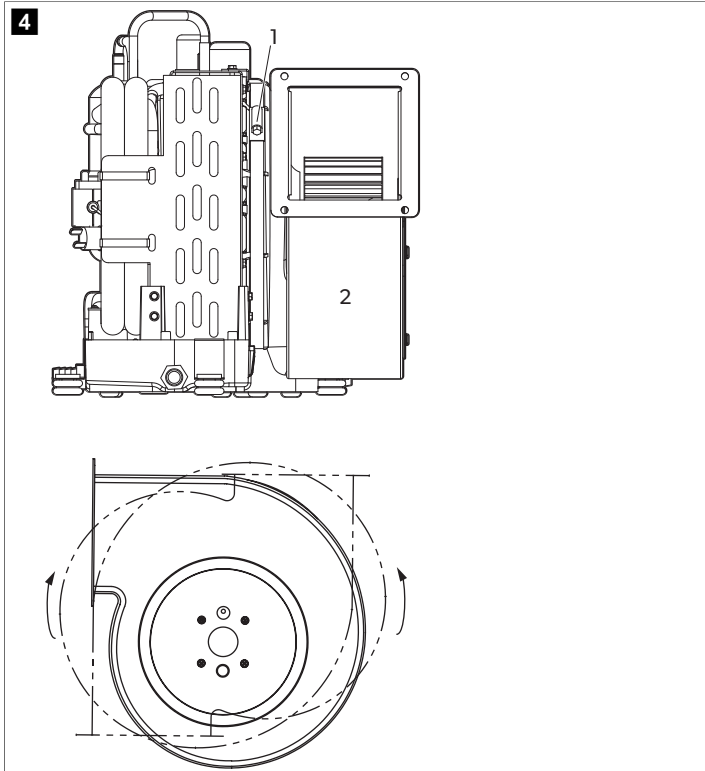
Μόνο για τα TX. Φροντίστε να υπάρχει ανοιχτός χώρος 2,99 in (76,0 mm) πάνω και κάτω από τον απαγωγό θερμότητας.

6.2 Γύρισμα του ανεμιστήρα

Αυτή η ενότητα εξηγεί τον τρόπο γυρίσματος του ανεμιστήρα σε κάθε τύπο μονάδας. Εάν χρειάζεται, γυρίστε τον ανεμιστήρα προς την κατεύθυνση που επιτρέπει την πιο άμεση εκκένωση της παροχής αέρα μέσω των αεραγωγών.

6.2.1 Ανεμιστήρες DTG και TX

Γύρισμα ανεμιστήρα στα συστήματα DTG και TX



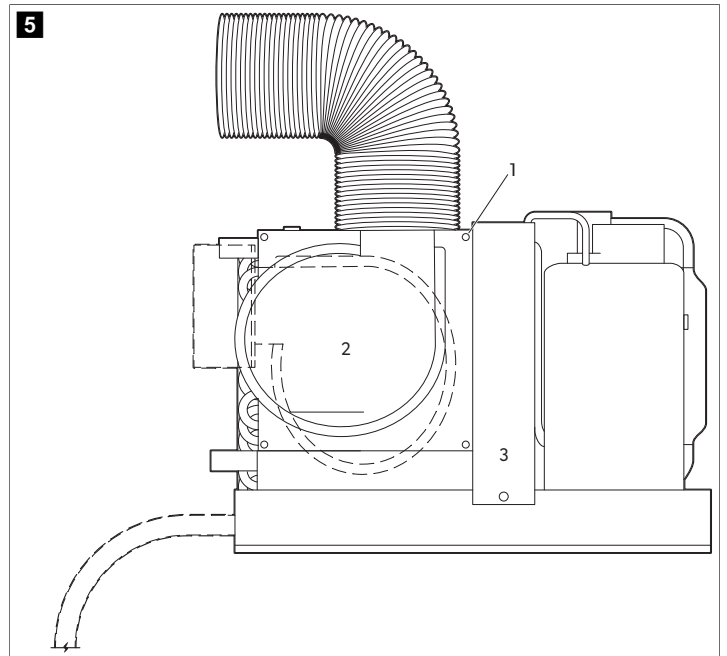
1 Adjustment screw

2 Blower

1. Χαλαρώστε τη βίδα ρύθμισης στον δακτύλιο στερέωσης του ανεμιστήρα.
2. Γυρίστε τον ανεμιστήρα στην επιθυμητή θέση.
3. Σφίξτε τη βίδα ρύθμισης.

6.2.2 Ανεμιστήρες MCS και ECD

Περιστροφή των ανεμιστήρων συστήματος MCS και ECD



1 Screw

2 Πινακίδα

3 Ανεμιστήρας

1. Αφαιρέστε τις επτά βίδες στην πλάκα.
2. Γυρίστε τον ανεμιστήρα στην επιθυμητή θέση.
3. Στερεώστε τον ανεμιστήρα στη θέση του με αυτοκοχλιούμενες λαμαρινόβιδες (δεν παρέχονται).

6.3 Τοποθέτηση των φίλτρων αέρα

Τα φίλτρα αέρα απομακρύνουν τα αερομεταφερόμενα σωματίδια από τον αέρα της καμπίνας και διατηρούν καθαρή τη σερπαντίνα του εξαμιστή. Σε κάθε κλιματιστικό, τοποθετήστε ένα φίλτρο αέρα είτε στο κλιματιστικό είτε στη σχάρα επιστροφής αέρα.

6.4 Τοποθέτηση των σχαρών και των κιβωτίων μετάβασης

Όταν τοποθετείτε τις σχάρες και τα κιβώτια μετάβασης, πρέπει να λαμβάνετε υπόψη τα εξής:

- Τοποθετήστε τη σχάρα παροχής αέρα όσο το δυνατόν πιο ψηλά, σε ένα σημείο που εξασφαλίζει ομοιόμορφη κατανομή του αέρα σε ολόκληρη την καμπίνα. Κατευθύνετε τις γρίλιες της σχάρας προς τα πάνω.
- Τοποθετήστε τη σχάρα επιστροφής αέρα όσο το δυνατόν πιο χαμηλά και πιο κοντά στο κλιματιστικό, ώστε να εξασφαλίζεται η παροχή αέρα προς τον εξαμιστή.
- Μην κατευθύνετε τον παρεχόμενο αέρα που εκκενώνεται προς τη σχάρα επιστροφής αέρα, γιατί θα προκύπτει βραχεία επανακυκλοφορία του αέρα στο σύστημα.
- Αφήστε επαρκή απόσταση πίσω από τη σχάρα παροχής αέρα για το κιβώτιο μετάβασης και τη σύνδεση των αεραγωγών. Ανατρέξτε στις Προδιαγραφές στη σελίδα 163

7 Εγκατάσταση

Σε αυτήν την ενότητα εξηγείται ο τρόπος εγκατάστασης του αυτόνομου κλιματιστικού.

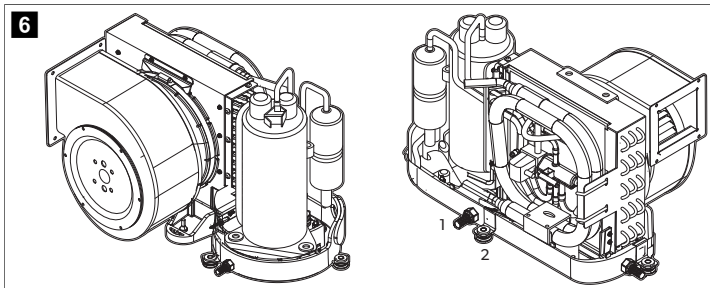
7.1 Εγκατάσταση των στηριγμάτων τοποθέτησης και της αποστράγγισης υγροποιημένων υδρατμών



ΠΡΟΣΟΧΗ!

Για να μην ραγίσει ο δίσκος αποστράγγισης, μην χρησιμοποιήσετε περισσότερες από δύο στρώσεις στεγανοποιητικής ταινίας υδραυλικού γύρω από το μεταλλικό ρακόρ του εύκαμπτου σωλήνα και μην σφίξετε υπερβολικά το μεταλλικό ρακόρ του εύκαμπτου σωλήνα.

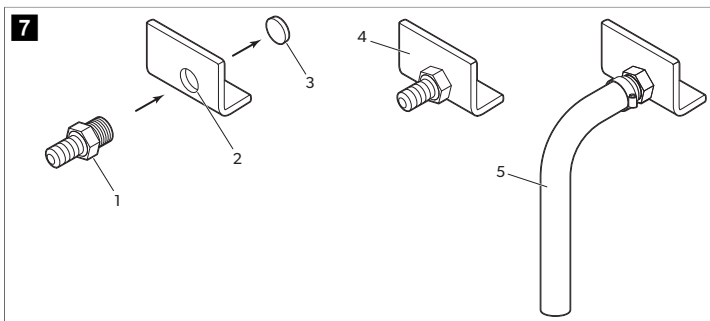
Τυπική θέση των στηριγμάτων τοποθέτησης και των αποστραγγίσεων υγροποιημένων υδρατμών



1 Μεταλλικό ρακόρ εύκαμπτου σωλήνα αποστράγγισης υγροποιημένων υδρατμών

2 Στήριγμα τοποθέτησης

Εγκατάσταση αποστράγγισης υγροποιημένων υδρατμών στα DTG και TX



1 Hose barb

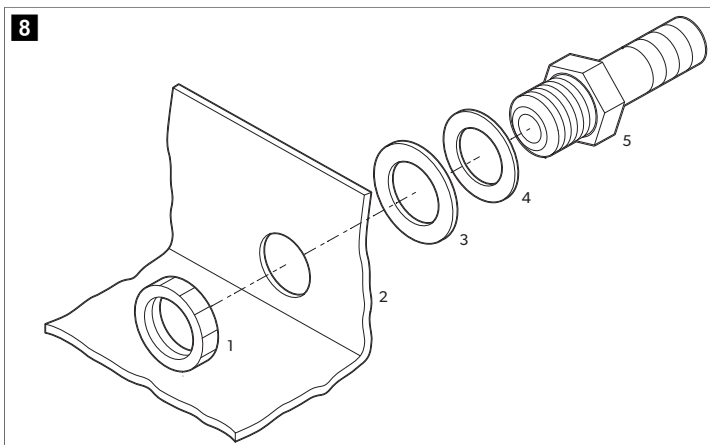
4 Drain pan

2 Σπειροτομημένη οπή αποστράγγισης

5 Εύκαμπτος σωλήνας αποστράγγισης

3 Χτύπημα και αφαίρεση μεταλλικής τάπας

Εγκατάσταση αποστράγγισης υγροποιημένων υδρατμών σε όλες τις άλλες κλιματιστικές μονάδες



1 Locking nut

4 Solid washer

2 Δίσκος αποστράγγισης

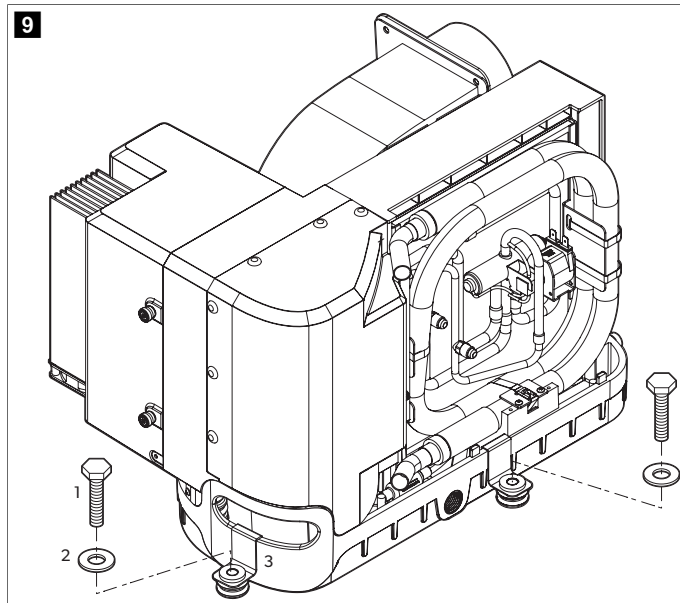
5 Εξάρτημα στερέωσης από PVC 0,5 in (12,7 mm) HB x 0,5 in (12,7 mm) MPT

3 Ροδέλα στεγανοποίησης

- Χρησιμοποιήστε το μεταλλικό ρακόρ του εύκαμπτου σωλήνα για να σπρώξετε και να αφαιρέσετε τη μεταλλική τάπα από μια οπή αποστράγγισης στην πρύμνη του σκάφους με ένα δυνατό χτύπημα με μια ματσόλα από καουτσούκ. Απορρίψτε τη μεταλλική τάπα που αφαιρέσατε με χτύπημα.
- Στις μονάδες DTG και TX:
 - Τυλίξτε το σπειροτομημένο άκρο του μεταλλικού ρακόρ του εύκαμπτου σωλήνα με στεγανοποιητική ταινία υδραυλικού.
 - Βιδώστε το μεταλλικό ρακόρ του εύκαμπτου σωλήνα στην σπειροτομημένη οπή αποστράγγισης και σφίξτε το καλά.
- Σε όλα τα άλλα κλιματιστικά:
 - Περάστε το μεταλλικό ρακόρ του εύκαμπτου σωλήνα μέσα από μια συμπαγή ροδέλα και μια ροδέλα στεγανοποίησης και τοποθετήστε το στην οπή αποστράγγισης.
 - Στερεώστε με ένα παξιμάδι ασφάλισης.
- Στερεώστε τον εύκαμπτο σωλήνα αποστράγγισης στο μεταλλικό ρακόρ με σφιγκτήρα σωλήνων από ανοξείδωτο χάλυβα.

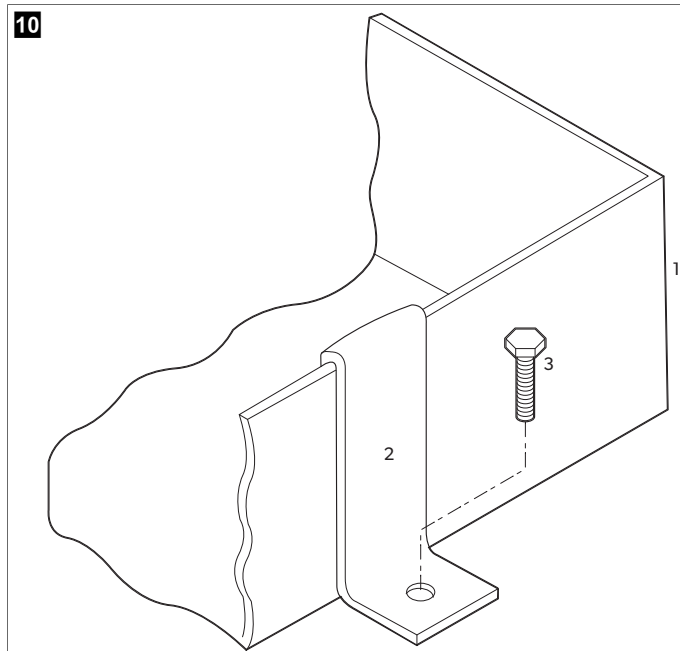
5. Δρομολογήστε τον εύκαμπτο σωλήνα αποστράγγισης προς τα κάτω σε ένα ασφαλές και κατάλληλο σημείο συλλογής.

Εγκατάσταση στηρίγματος τοποθέτησης στις μονάδες DTG και TX



- 1** Μπουζόνι στερέωσης (δεν παρέχεται)
2 Ροδέλα προστασίας (παρέχεται)
3 Στήριγμα τοποθέτησης (παρέχεται)

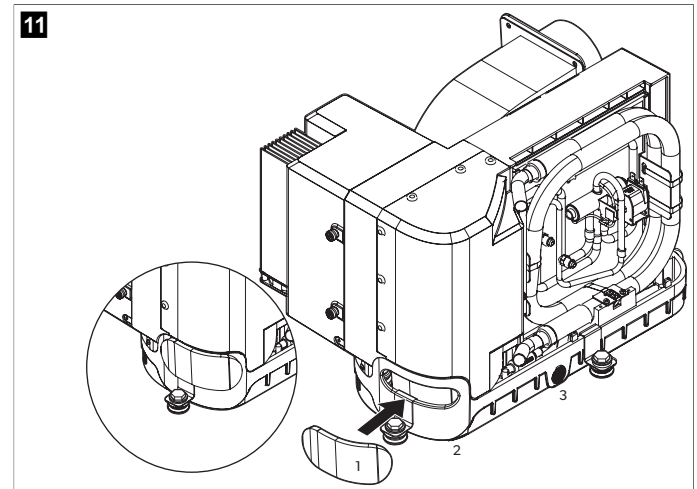
Εγκατάσταση στηρίγματος τοποθέτησης σε όλες τις άλλες κλιματιστικές μονάδες



- 1** Δίσκος αποστράγγισης
2 Στήριγμα τοποθέτησης
3 Μπουζόνι στερέωσης (δεν παρέχεται)

6. Εγκαταστήστε ένα στήριγμα τοποθέτησης σε κάθε πλευρά του δίσκου αποστράγγισης, με ομοιόμορφες ενδιάμεσες αποστάσεις.

Τοποθέτηση αφρώδους μόνωσης λαβής στις μονάδες TX



- 1** Αφρώδης μόνωση λαβής
2 Άνοιγμα λαβής
3 Δίσκος αποστράγγισης

7. Στις μονάδες TX:

- a) Αφαιρέστε τη μεμβράνη που καλύπτει την αυτοκόλλητη πίσω όψη της αφρώδους μόνωσης της λαβής.
 b) Τοποθετήστε κατάλληλα την αφρώδη μόνωση της λαβής ώστε να καλύψει τελείως το άνοιγμα της λαβής με την αυτοκόλλητη πλευρά προς τον δίσκο αποστράγγισης.
 c) Πιέστε γύρω από το άνοιγμα της λαβής για να κολλήσει η αφρώδης μόνωση της λαβής στον δίσκο αποστράγγισης.

7.2 Εγκατάσταση των αεραγωγών

Κατά την εγκατάσταση των αεραγωγών πρέπει να τηρείτε τις παρακάτω οδηγίες:

- Οι αεραγωγοί πρέπει να είναι κατάλληλα διαστασιολογημένοι για τη δική σας εφαρμογή.
- Τοποθετήστε κατάλληλα τους αεραγωγούς, ώστε να είναι όσο το δυνατόν πιο ευθύγραμμοι, στρωτοί και τεντωμένοι ελαχιστοποιώντας τον αριθμό των γωνιών 90,00 ° και των βρόχων, που μπορεί να μειώσουν την παροχή αέρα.
- Στερεώστε καλά τους αεραγωγούς ώστε να μην κρεμάσουν.
- Μην αφήνετε τους αεραγωγούς να συμπιεστούν ή να τσακίσουν.
- Κόψτε τα άκρα των αεραγωγών που προεξέχουν μετά από την εγκατάσταση.
- Μονώστε τους αεραγωγούς που βρίσκονται σε περιοχές υψηλής θέρμανσης.
- Μονώστε τους αεραγωγούς που βρίσκονται σε περιοχές υψηλής θέρμανσης.
- Μην δρομολογείτε τους αεραγωγούς μέσα από μηχανοστάσια ή από χώρους όπου μπορεί να εκτίθενται σε επικίνδυνες αναθυμιάσεις ή καυσαέρια.

Εάν χρησιμοποιείται κιβώτιο μετάβασης, η συνολική διατομή των αεραγωγών παροχής αέρα που εξέρχονται από το κιβώτιο θα πρέπει να είναι τουλάχιστον ίση με τη συνολική διατομή των αεραγωγών παροχής που εισέρχονται στο κιβώτιο. Ανατρέξτε στο Προδιαγραφές στη σελίδα 163

Συνδέσεις αεραγωγών

**ΠΡΟΣΟΧΗ!**

Το κλιματιστικό πρέπει να συνδεθεί στο σύστημα καθοδικής προστασίας του σκάφους, ώστε να εμποδίζεται η διάβρωση λόγω ηλεκτρικών ρευμάτων διασποράς. Όλες οι αντλίες, οι μεταλλικές βαλβίδες και τα εξαρτήματα σύνδεσης στο κύκλωμα θαλασσινού νερού που απομονώνονται από το κλιματιστικό μέσω εύκαμπτων σωλήνων από PVC ή καουτσούκ πρέπει να συνδέονται ξεχωριστά στο σύστημα καθοδικής προστασίας του σκάφους.



ΥΠΟΔΕΙΞΗ Εάν το σύστημα δεν συνδεθεί καλά με τη γείωση και με το σύστημα καθοδικής προστασίας, ακυρώνεται η εγγύηση.

Όλες οι μονάδες κλιματιστικών διαθέτουν κλεμοσειρά με ετικέτες για τις σωστές συνδέσεις μέσα στο κουτί ηλεκτρικών συνδέσεων. Το διάγραμμα καλωδίωσης μέσα στο κουτί ηλεκτρικών συνδέσεων έχει προτεραιότητα έναντι των προτύπων ABYC. Χρησιμοποιήστε ασφαλειοδιακόπτη σωστού μεγέθους, όπως αναγράφεται στην ετικέτα τύπου της κάθε μονάδας κλιματιστικού, για να προστατέψετε το σύστημα. Για την ηλεκτρική τροφοδοσία του κλιματιστικού και της αντλίας θαλασσινού νερού θα πρέπει να χρησιμοποιηθεί καλώδιο σκαφών με ελάχιστη διατομή 12 AWG. Όλες οι συνδέσεις θα πρέπει να γίνουν με δακτυλοειδείς ή διχαλωτούς ακροδέκτες.

Για τις ηλεκτρικές συνδέσεις, ακολουθήστε τις παρακάτω οδηγίες:

- Η γείωση της γραμμής εναλλασσόμενου ρεύματος (AC) πρέπει να συνδεθεί στον ακροδέκτη γείωσης (GRND) στην κλεμοσειρά εισόδου ρεύματος AC.
- Οι συνδέσεις μεταξύ του αγωγού γείωσης του συστήματος AC του σκάφους και του αρνητικού πόλου του συστήματος συνεχούς ρεύματος (DC) ή του συστήματος καθοδικής προστασίας θα πρέπει να γίνουν στο πλαίσιο της καλωδίωσης του σκάφους. Σε περίπτωση συντήρησης ή αντικατάστασης υπάρχοντος εξοπλισμού που διαθέτει μπουζόνι γείωσης στερεωμένο στο σασί, ελέγξτε την καλωδίωση του σκάφους για αυτές τις συνδέσεις.
- Τα κλιματιστικά TX είναι σχεδιασμένα για λειτουργία με τροφοδοσία AC ή με τροφοδοσία DC υψηλής τάσης. Ανατρέξτε στο διάγραμμα καλωδίωσης του σκάφους για τη σωστή τοποθέτηση.

Βεβαιωθείτε ότι η γείωση της γραμμής AC του κλιματιστικού είναι σωστά συνδεδεμένη με τη γείωση του συστήματος AC του σκάφους. Μέσα στο σκάφος, βεβαιωθείτε ότι η γείωση του συστήματος AC συνδέεται με τη γείωση του συστήματος DC σε ένα και μόνο σημείο.

8 Απόρριψη



Εάν είναι εφικτό, απορρίψτε τα υλικά συσκευασίας στους αντίστοιχους κάδους ανακύκλωσης. Συμβουλευθείτε ένα τοπικό κέντρο ανακύκλωσης ή έναν εξειδικευμένο αντιπρόσωπο για λεπτομέρειες σχετικά με τον τρόπο απόρριψης του προϊόντος σύμφωνα με τους ισχύοντες κανονισμούς διάθεσης απορριμμάτων.

9 Εγγύηση

Ανατρέξτε στις παρακάτω παραγράφους για πληροφορίες σχετικά με την εγγύηση και την υποστήριξη εγγύησης στις ΗΠΑ, στον Καναδά και σε όλες τις άλλες περιοχές.

Ηνωμένες Πολιτείες και Καναδάς

ΠΕΡΙΟΡΙΣΜΕΝΗ ΕΓΓΥΗΣΗ, ΔΙΑΘΕΣΙΜΗ ΣΤΗΝ ΗΛΕΚΤΡΟΝΙΚΗ ΔΙΕΥΘΥΝΣΗ
DOMETIC.COM/EN-US/TERMS-AND-CONDITIONS-CONSUMER/WARRANTY. ΣΕ ΠΕΡΙΠΤΩΣΗ ΕΡΩΤΗΣΕΩΝ Ή ΓΙΑ ΤΗ ΔΩΡΕΑΝ ΛΗΨΗ ΕΝΟΣ ΑΝΤΙΤΥΠΟΥ ΤΗΣ ΠΕΡΙΟΡΙΣΜΕΝΗΣ ΕΓΓΥΗΣΗΣ, ΕΠΙΚΟΙΝΩΝΗΣΤΕ ΜΕ:

DOMETIC CORPORATION
MARINE CUSTOMER SUPPORT CENTER
2000 NORTH ANDREWS AVENUE
POMPANO BEACH, FLORIDA, USA 33069
1-800-542-2477

Χώρες Ασίας-Ειρηνικού (APAC)

Εάν το προϊόν δεν λειτουργεί όπως πρέπει, επικοινωνήστε με το κατάστημα αγοράς ή με τον αντιπρόσωπο του κατασκευαστή στη χώρα σας (βλ.

dometic.com/dealer). Η εγγύηση για το προϊόν που διαθέτετε έχει διάρκεια 1 έτους/ετών.

Για τυχόν επισκευή ή αξίωση κάλυψης από την εγγύηση, παρακαλούμε να αποστείλετε επίσης τα παρακάτω έγγραφα μαζί με τη συσκευή:

- Ένα αντίγραφο της απόδειξης αγοράς με την ημερομηνία αγοράς
- Τον λόγο για την αξίωση κάλυψης από την εγγύηση ή μια περιγραφή του σφάλματος

Λάβετε υπόψη ότι τυχόν επισκευή από εσάς τον ίδιο ή μη επαγγελματική επισκευή ενδέχεται να έχει συνέπειες ασφαλείας καθώς και να αποτελέσει αιτία ακύρωσης της εγγύησης.

Μόνο για την Αυστραλία

Τα προϊόντα μας συνοδεύονται από εγγυήσεις, οι οποίες δεν μπορούν να εξαιρεθούν βάσει του Δικαιού Προστασίας Καταναλωτών της Αυστραλίας. Δικαιούστε αντικατάσταση ή επιστροφή χρημάτων σε περίπτωση κύριας βλάβης καθώς και αποζημίωση για τυχόν άλλη εύλογα προβλέψιμη απώλεια ή ζημία. Επίσης δικαιούστε την επισκευή ή την αντικατάσταση των προϊόντων, εάν τα προϊόντα δεν παρουσιάζουν αποδεκτή ποιότητα και η αναφερόμενη βλάβη δεν ισοδυναμεί με κύρια βλάβη.

Μόνο Νέα Ζηλανδία

Αυτή η πολιτική εγγύησης υπόκειται στους υποχρεωτικούς όρους και στις υποχρεωτικές εγγυήσεις, που ορίζει ο Νόμος περί Εγγυήσεων Καταναλωτών 1993(NZ).

Όλες οι άλλες περιοχές

Ισχύει η νόμιμη διάρκεια εγγύησης. Εάν το προϊόν είναι ελαττωματικό, επικοινωνήστε με τον αντιπρόσωπο του κατασκευαστή στη χώρα σας (βλ. dometic.com/dealer) ή στο κατάστημα αγοράς.

Για τυχόν επισκευή ή αξίωση κάλυψης από την εγγύηση, παρακαλούμε να αποστείλετε επίσης τα παρακάτω έγγραφα μαζί με τη συσκευή:

- Ένα αντίγραφο της απόδειξης αγοράς με την ημερομηνία αγοράς
- Τον λόγο για την αξίωση κάλυψης από την εγγύηση ή μια περιγραφή του σφάλματος

Λάβετε υπόψη ότι τυχόν επισκευή από εσάς τον ίδιο ή μη επαγγελματική επισκευή ενδέχεται να έχει συνέπειες ασφαλείας καθώς και να αποτελέσει αιτία ακύρωσης της εγγύησης.

Lietuvių k.

1 Svarbios pastabos.....	170
2 Simbolių paaiškinimas.....	170
3 Tikslinė grupė.....	170
4 Paskirtis.....	171
5 Techniniai duomenys.....	171
6 Iš anksto sumontuoti komponentai.....	171
7 Montavimas.....	173
8 Utilizavimas.....	176
9 Garantija.....	176


1 Svarbios pastabos


Atidžiai perskaitykite šią instrukciją ir sekite visas instrukcijas, nurodymus ir perspėjimus, pateiktus šiame gaminio vadove, ir griežtai jų laikykitės, kad užtikrintumėte, jog šis gaminys visada bus įrengtas, naudojamas ir prižiūrimas tinkamai. Ši instrukcija PRIVALO likti šalia šio gaminio.


Naudodamiesi šiuo gaminiu patvirtinate, kad atidžiai perskaitytė visas instrukcijas, nurodymus ir perspėjimus ir suprantate dokumente išdėstytas sąlygas bei sutinkate jų laikytis. Šį gaminį sutinkate naudoti tik pagal numatytąją paskirtį ir taip, kaip nurodo šioje gaminio instrukcijoje pateiktos instrukcijos, nurodymai ir perspėjimai, taip pat laikydami taikomų teislių ir teisės aktų. Nesuspajinus su šioje instrukcijoje pateiktomis instrukcijomis ir perspėjimais ir jų nesilaikius galite susižaloti patys ir sužaloti kitus asmenis, pažeisti gaminį arba pridaryti žalos kitai netoliese esančiai nuosavybei. Ši gaminio instrukcija, taip pat ir instrukcijos, nurodymai, perspėjimai ir kiti susiję dokumentai, gali būti keičiami ir atnaujinami. Norėdami gauti naujausios informacijos apie gaminį, apsilankykite adresu documents.dometic.com.

2 Simbolių paaiškinimas

Signaliniu žodžiu pažymima informacija apie saugą ir turtinę žalą, taip pat nurodomas pavojaus rimtumo laipsnis ar lygis.

 **ĮSPĖJIMAS!** nurodo pavojingą situaciją, kurios neišvengus gali grėsti mirtinas arba sunkus sužalojimas.

 **PRANEŠIMAS!** Nurodo situaciją, kurios neišvengus, gresia materialinė žala.


 **PASTABA** Papildoma informacija apie gaminio eksploatavimą.

2.1 Papildomi nurodymai

Kad sumažintumėte nelaimingų atsitikimų ir sužalojimų riziką, prieš pradėdami montuoti šį prietaisą laikykitės šių nurodymų:

- Perskaitykite visą saugos informaciją ir instrukcijas bei vadovaukitės jomis.
- Perskaitykite ir išsiaiškinkite šias instrukcijas prieš montuodami gaminį.
- Montavimas turi atitikti visus taikomus vietinius ar nacionalinius kodeksus, įskaitant naujausias šių standartų laidas:
 - Amerikos laivų ir jachtų taryba (ABYC)
 - ANSI/NFPA 70, Nacionalinis elektros kodeksas (NEC)

2.2 Saugos instrukcijos

 **ĮSPĖJIMAS! ANGLIES MONOKSIDO PAVOJUS**
Nesilaikant toliau pateiktų įspėjimų kyla pavojus patirti sunkius ar net mirtinus sužalojimus:

- > **Neįrenkite** ir nenaudokite autonominio oro kondicionieriaus triumo arba variklių skyriaus zonose, taip pat šalia vidaus degimo variklio. Įsitinkinkite, kad į pasirinktą vietą negalės tiesiogiai patekti garai iš triumo ir (arba) variklių skyriaus.

- > Patikrinkite, ar kondensato drenos linija įrengta tinkamai ir sandariai. Kondensato drenos linija **neturėtų** baigtis mažesniu nei 3 pėdos (0,91 m) atstumu nuo bet kokio variklio ar generatoriaus išmetamųjų dujų sistemos išvado, patalpoje, kurioje yra variklis ar generatorius, arba triume, nebent ji tinkamai prijungta prie sandaraus kondensato arba dušo išsiurbimo siurblio. Netinkamai įrengus drenos liniją, pavojingi dūmai galės į ją patekti ir užteršti gyvenamąsias patalpas.
- > **Neįrenkite** oro kondicionieriaus vietoje, kurioje jis gali cirkuliuoti anglies monoksidadą, degalų garus ar kitus kenksmingus dūmus į gyvenamąsias laivo erdves.



ĮSPĖJIMAS! Elektros srovės pavojus
Montuoti gali tik kvalifikuotas elektrikas.



ĮSPĖJIMAS! ELEKTROS SMŪGIO, GAISRO IR (ARBA) SPROGIMO PAVOJUS.

Nesilaikant šių atsargumo priemonių gali kilti sunkių ar net mirtinų sužalojimų rizika.

Šis prietaisas **nėra** skirtas naudoti asmenims (įskaitant vaikus), turintiems fizinių, sensorinių arba psichikos sutrikimų arba stokojantiems patirties ir žinių, jeigu jie nėra prižiūrimi arba instruktuojami, kaip saugiai naudoti šį prietaisą, už jų saugumą atsakingo asmens. Reikia prižiūrėti vaikus, kad jie **nežaistų** su prietaisu. Vaikams **draudžiama** šį prietaisą valyti ir atlikti jo techninę priežiūrą be suaugusiųjų priežiūros. Šis prietaisas **neturėtų** būti pasiekiamas pašaliniais asmenimis.



ĮSPĖJIMAS! SPROGIMO PAVOJUS.

Nesilaikant šių atsargumo priemonių gali kilti sunkių ar net mirtinų sužalojimų rizika.

Neįrenkite oro kondicionieriaus vietoje, kurioje yra benzininiai varikliai, talpyklos, suskystintų arba suslėgtų naftos dujų balionai, regulatoriai, vožtuvai arba degalų linijos jungtys. Jei etiketėje nenurodyta kitaip, autonominiai prietaisai **neatitinka** federalinių reikalavimų dėl apsaugos nuo uždegimo. Nesilaikant šio įspėjimo gali grėsti mirtis arba rimtas susižalojimas.



ĮSPĖJIMAS! ELEKTROS SMŪGIO PAVOJUS.

Nesilaikant šių atsargumo priemonių gali kilti sunkių ar net mirtinų sužalojimų rizika.

- > Būtinai veiksmingai įžeminti oro kondicionierių, kad sumažėtų elektros smūgio pavojus. Daugiau informacijos rasite montavimo gairėse.
- > Kiekvienam įrengtam oro kondicionieriui reikia atskiro jungtuvo. Jei įrengtas tik vienas oro kondicionierius, jūros vandens siurbliui **nereikia** atskiro jungtuvo. Jei du ar daugiau oro kondicionavimo įrenginių naudoja tą patį jūros vandens siurbį, siurblio laidai bus prijungti prie siurblio relės skydelio (PRP), kuris turi atskirą siurbliui pritaikytą jungtuvą (maks. 20 A). Žr. su PRP pateiktą laidų instaliacijos schemą. Elektros jungtims triume ir (arba) žemiau nei vandens linija reikia naudoti nuo karščio susitraukiančio tipo sandūrinės jungtis.
- > Lauko laidai **turi** atitikti ABYC elektros kodeksus. Prietaiso maitinimas turi atitikti darbinės įtampos diapazoną, nurodytą duomenų plokštelėje. Atšakos grandinių apsaugai **reikia** įrengti tinkamo parametro saugikius arba HACR jungtuvus. Maksimalų saugiklio / jungtuvo parametrai (MFS) ir minimalią grandinės talpą (MCA) žr. duomenų plokštelėje.



PRANEŠIMAS!

Šiame prietaise, hermetiškai sandariame kontūre, naudojamos fluorintos šiltnamio efektą sukeliančios dujos. Aušalo kiekį pagal svorį ir visuotinio atšilimo potencialą (GWP) žr. kondensavimo prietaiso duomenų plokštelės etiketėje. Įpiltą aušalo kiekį reikia nurodyti prietaiso etiketėje.

3 Tikslinė grupė



Mechaninę ir elektrinę įrangos instaliaciją ir konfigūraciją turi atlikti kvalifikuotas technikas, turintis įrodytą įgūdžių ir žinių, susijusių su jūrinės įrangos ir instaliacijų konstrukcija ir veikimu, susipažinęs su tos šalies, kurioje įranga bus instaliuota ir/arba naudojama, galiojančiais reglamentais, ir gavęs saugos mokymus, kad galėtų nustatyti ir išvengti su tuo susijusių pavojų.

4 Paskirtis

Šiame vadove aprašytas autonominių oro kondicionavimo sistemų „DCU“, „DLU“, „DTG“, „ECD“ ir „TX“ (toliau – oro kondicionierius) montavimas. Oro kondicionierius skirtas naudoti laivuose ir jachtose. Šį oro kondicionierių leidžiama naudoti tik pagal paskirtį ir vadovaujantis šiomis instrukcijomis.

Šis gaminį galima naudoti tik pagal numatytą paskirtį ir vadovaujantis šiomis instrukcijomis.

Šiame vadove pateikiama informacija, reikalinga tinkamam gaminio įrengimui ir (arba) naudojimui. Dėl prasto įrengimo ir (arba) netinkamo naudojimo ar techninės priežiūros gaminyje gali veikti netinkamai ir sugesti.

Gamintojas neprisimams atsakomybės už patirtus sužeidimus ar žalą gaminiui, atsiradusią dėl šių priežasčių:

- Netinkamas montavimas, surinkimas ar prijungimas, įskaitant per aukštą įtampą
- Netinkamos techninės priežiūros arba jeigu buvo naudotos neoriginalios, gamintojo nepateiktos atsarginės dalys
- Gaminio pakeitimai be aiškaus gamintojo leidimo
- Naudojimas kitais tikslais, nei nurodyta šiame vadove

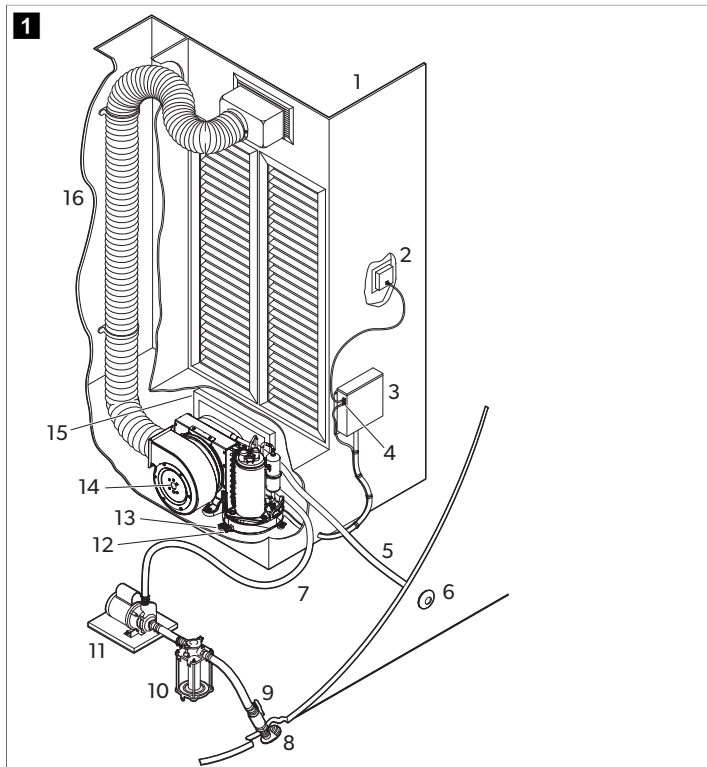
„Dometic“ pasilieka teisę keisti gaminio išvaizdą ir specifikacijas.

5 Techniniai duomenys

Perskaitykite visas šias instrukcijas ir tada planuokite reikalingas oro kondicionieriaus jungtis (įskaitant ortakius, kondensato drenos liniją, jūros vandens įleidimo ir išleidimo žarnas, elektros tiekimo jungtis, valdiklio ir jūros vandens siurblio vietas), kad jos būtų lengvai pasiekiamos ir ateityje galėtumėte atlikti priežiūros darbus.

5.1 Dalių vietos

Oro kondicionavimo sistemos komponentų identifikavimas



- | | |
|--|--|
| 1 Tiekiamo oro grotelės ir perėjimų dėžutė | 9 Jūros vandens čiaupo uždarymo vožtuvas |
| 2 Skaitmeninis ekranas | 10 Jūros vandens filtras |
| 3 Elektros jungčių dėžutė | 11 Siurblys |

- | | |
|---|-------------------------------------|
| 4 Pasirenkamo nuotolinio oro jutiklio kabelis | 12 Kondensato drenos žarnos užkarpa |
| 5 Jūros vandens išleidimo žarna | 13 Montavimo laikiklis |
| 6 Išleidimo už borto jungtis | 14 Oro kondicionierius |
| 7 Jūros vandens įleidimo žarna | 15 Oro grūžimo grotelės ir filtras |
| 8 Jūros vandens suntuvo įvadas korpuse | 16 Izoliuotas lankstusis ortakis |

5.2 Specifikacijos

Šiame skyriuje pateikti oro kondicionieriaus specifikacijų duomenys.

Lentelė 45: Minimalūs ortakių ir grotelių dydžiai pagal BTU galią

	3.5 k BTU	6 k BTU	8 k BTU	10 k BTU
Minimalus ortakio skersmuo	3,00 in (76,2 mm)	4,00 in (101,6 mm)	5,00 in (127,0 mm)	6,00 in (152,4 mm)
Minimalus ortakio plotas	6,8 in ² (43,9 cm ²)	12,6 in ² (81,3 cm ²)	19,6 in ² (126,5 cm ²)	28,3 in ² (182,6 cm ²)
Min. oro grūžimo grotelės	64,0 in ² (412,9 cm ²)	64,0 in ² (412,9 cm ²)	80,0 in ² (516,2 cm ²)	100,0 in ² (645,2 cm ²)
Min. tiekiamo oro grotelės	12,0 in ² (77,4 cm ²)	32,0 in ² (206,5 cm ²)	48,0 in ² (309,7 cm ²)	60,0 in ² (387,1 cm ²)

	12 k BTU	16 k BTU	18 k BTU	27 k BTU
Minimalus ortakio skersmuo	6,00 in (152,4 mm)	7,00 in (177,8 mm)	7,00 in (177,8 mm)	8,00 in (203,2 mm)
Minimalus ortakio plotas	28,3 in ² (182,6 cm ²)	38,5 in ² (248,4 cm ²)	38,5 in ² (248,4 cm ²)	50,3 in ² (324,5 cm ²)
Min. oro grūžimo grotelės	130,0 in ² (838,8 cm ²)	160,0 in ² (1032,3 cm ²)	200,0 in ² (1290,4 cm ²)	240,0 in ² (1548,5 cm ²)
Min. tiekiamo oro grotelės	70,0 in ² (451,6 cm ²)	80,0 in ² (516,2 cm ²)	100,0 in ² (645,2 cm ²)	120,0 in ² (774,2 cm ²)

Lentelė 46: Darbinė vandens temperatūra ir slėgis

Minimali darbinė vandens temperatūra	40,0 °F (4,44 °C)
Maksimali darbinė vandens temperatūra	80,0 °F (26,66 °C)
Minimalus darbinis vandens slėgis	4,2 psi (0,29 bar) (29,00 kPa)
Maksimalus darbinis vandens slėgis	6,00 psi (0,41 bar) (41,4 kPa)



PASTABA Prietaisas gali veikti ir kitokiomis sąlygomis, bet mažesne galia.

6 Iš anksto sumontuoti komponentai



PRANEŠIMAS!

„DTG“ ir „TX“ autonominiuose kondensato pagrindo padėkluose yra vibracijos izoliavimo įtaisai, sumontuoti padėklo apačioje. Šių izoliavimo įtaisų paskirtis – mažinti veikiančio oro kondicionieriaus sukeltą vibraciją, kad ji nebūtų perduodama į tvirtinimo paviršių. Reikia būti atsargiems judinant oro kondicionierių montavimo paviršiais, nes kyla pavojus sugadinti izoliavimo įtaisus.



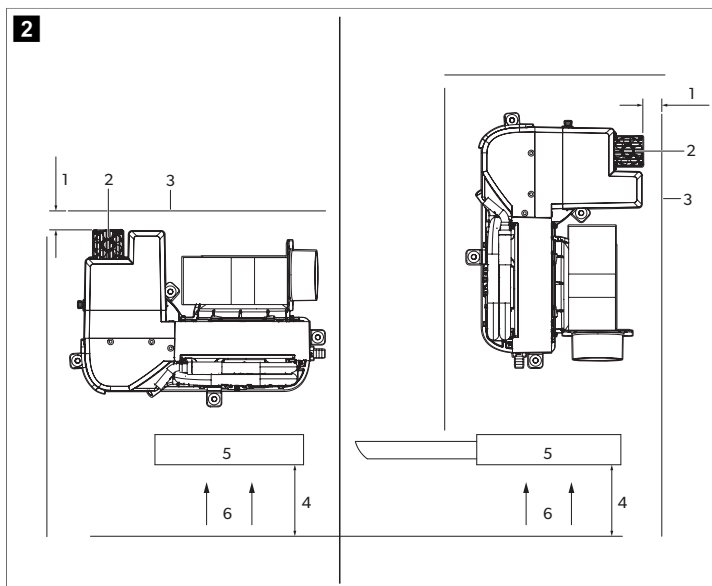
PRANEŠIMAS!

Reikia montuoti oro kondicionierių ant žemo, plokščio ir lygaus paviršiaus, pavyzdžiui, rakinamos spintos apačioje, po gultu arba valgomąjo suolu ar kitoje panašioje vietoje.

Šiame skyriuje aprašyta, kaip paruošti oro kondicionierių montavimo darbus.

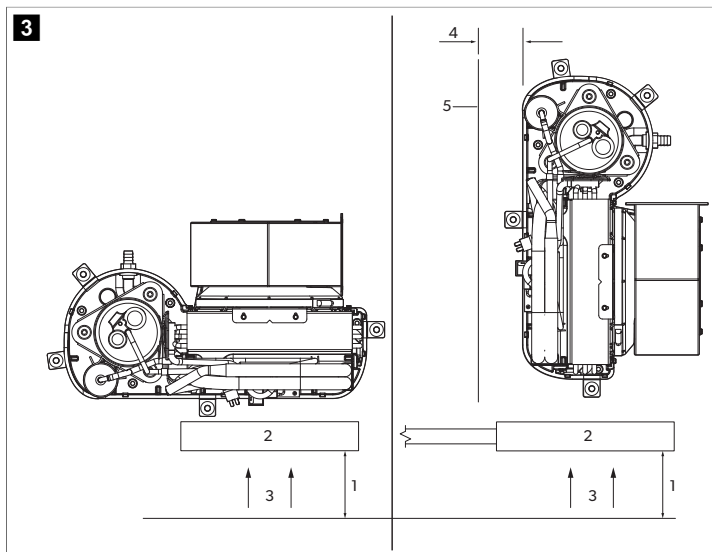
6.1 Montavimo vietos pasirinkimas

„TX“ vieta oro srauto atžvilgiu



- | | |
|---------------------|------------------------|
| 1 3,00 in (7,62 cm) | 4 4,00 in (10,16 cm) |
| 2 Šilumos rinktuvis | 5 Oro grįžimo grotelės |
| 3 Pertvara | 6 Oro srautas |

Visų kitų oro kondicionierių vieta oro srauto atžvilgiu



- | | |
|------------------------|---------------------|
| 1 4,00 in (10,16 cm) | 4 3,00 in (7,62 cm) |
| 2 Oro grįžimo grotelės | 5 Pertvara |
| 3 Oro srautas | |

Pasirinkite vietą, kurioje oro srautas pakankamas. Prieš oro grįžimo grotelės turi būti bent 4,00 in (10,16 cm) tarpas oro cirkuliacijai be jokių kliūčių.

Jei oro kondicionierius įrengtas statmenai oro grįžimo grotelėms, palikite bent 3,00 in (7,62 cm) tarpą oro cirkuliacijai oro įsiurbimo pusėje.

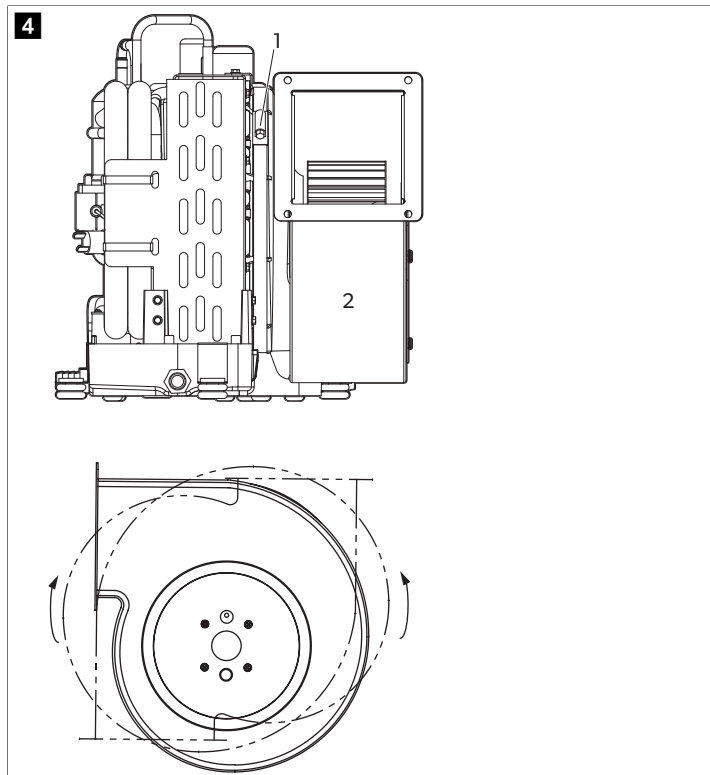
Tik „TX“: Virš šilumos rinktuvės ir po ja palikite bent 2,99 in (76,0 mm) atvirą plotą.

6.2 Ventiliatoriaus pasukimas

Šiame skyriuje aprašyta, kaip pasukti ventiliatorių kiekvieno tipo prietaisui. Jei reikia, pasukite ventiliatorių kryptimi, kuria užtikrinamas tiesioginis oro srauto išleidimas ortakiais.

6.2.1 „DTG“ ir „TX“ ventiliatoriai

„DTG“ ir „TX“ sistemos ventiliatorių pasukimas

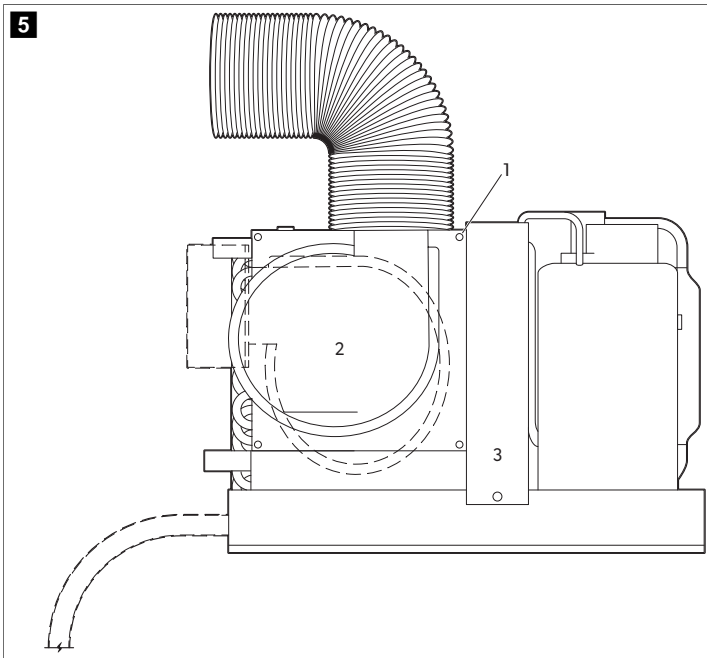


- 1 Adjustment screw
- 2 Blower

1. Atsukite reguliavimo varžtą ant ventiliatoriaus montavimo žiedo.
2. Pasukite ventiliatorių į norimą padėtį.
3. Priveržkite reguliavimo varžtą.

6.2.2 MCS ir ECD ventiliatoriai

MCS ir ECD sistemos ventiliatoriaus pasukimas



- 1 Screw
- 2 Plokštė
- 3 Ventilatorius

1. Išsukite iš plokštės septynis varžtus.
2. Pasukite ventilatorių į norimą padėtį.
3. Pritvirtinkite ventilatorių savisriegiais varžtais (nepateikiami).

6.3 Oro filtrų vietos

Oro filtrai pašalina ore esančias daleles iš kabinos oro ir palaiko garintuvo ritės švarą. Įrenkite po vieną oro filtrą kiekvienam oro kondicionieriui – oro kondicionieriuje arba oro grįžimo grotelėse.

6.4 Grotelių ir perėjimų dėžučių vietos

Prieš įrengdami groteles ir perėjimų dėžutes atsižvelkite į šiuos aspektus:

- Įrenkite tiekiamo oro groteles kuo aukščiau ir tokioje vietoje, kad būtų užtikrintas tolygus oro skirstymas kabinoje. Nukreipkite grotelių žaliuzes aukštyn.
- Įrenkite oro grįžimo groteles kuo žemiau ir kuo arčiau oro kondicionieriaus, kad būtų užtikrintas oro srautas į garintuvą.
- Nenukreipkite tiekiamo oro išvado į oro grįžimo groteles, nes dėl to sistemoje susidarys trumpasis ciklas.
- Už tiekiamo oro grotelių palikite pakankamai vietos perėjimų dėžutei ir kanalams prijungti. Žr. Specifikacijos puslapyje 171

7 Montavimas

Šiame skyriuje aprašyta, kaip montuoti autonominį oro kondicionierių.

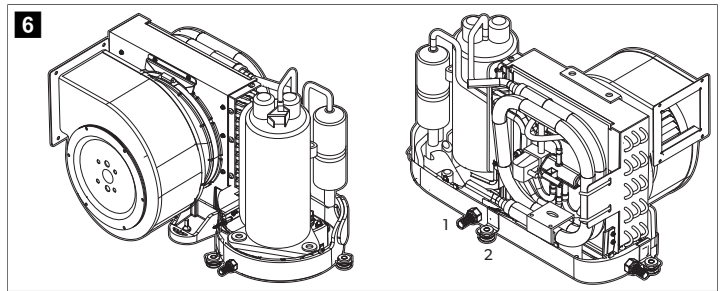
7.1 Montavimo laikiklių ir kondensato drenos įrengimas



PRANEŠIMAS!

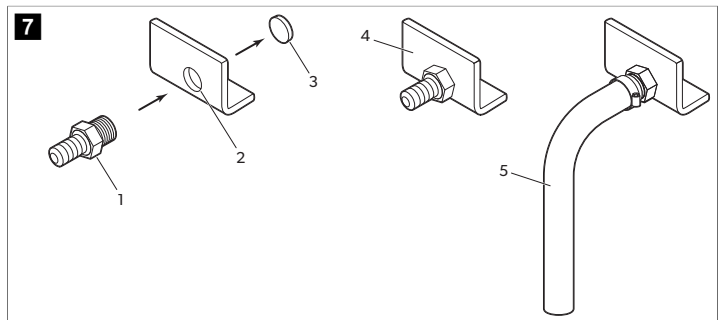
Kad išvengtumėte drenos padėklo trūkinėjimo, apvyniokite žarnos užkarpą ne daugiau kaip dviem sandarinimo juostos sluoksniais ir nepriveržkite užkarpas per stipriai.

Tipinis montavimo laikiklių ir kondensato drenų išdėstymas



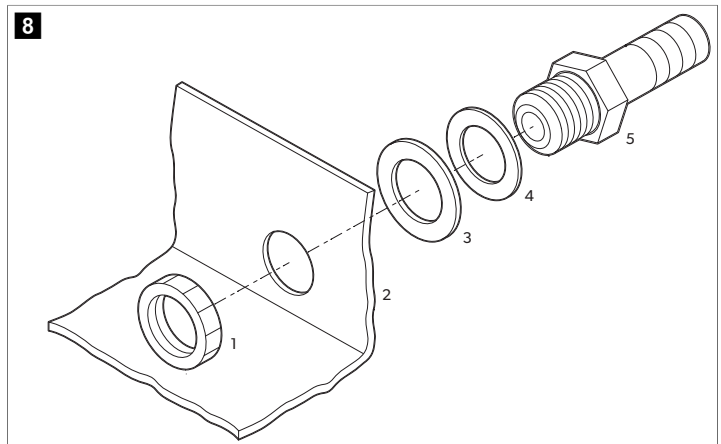
- 1 Kondensato drenos žarnos užkarpa
- 2 Montavimo laikiklis

„DTG“ ir „TX“ kondensato drenos montavimas



- 1 Hose barb
- 2 Srieginė drenos anga
- 3 Išmušamas kamštelis
- 4 Drain pan
- 5 Drenos žarna

Kondensato drenos montavimas visiems kitiems oro kondicionieriams



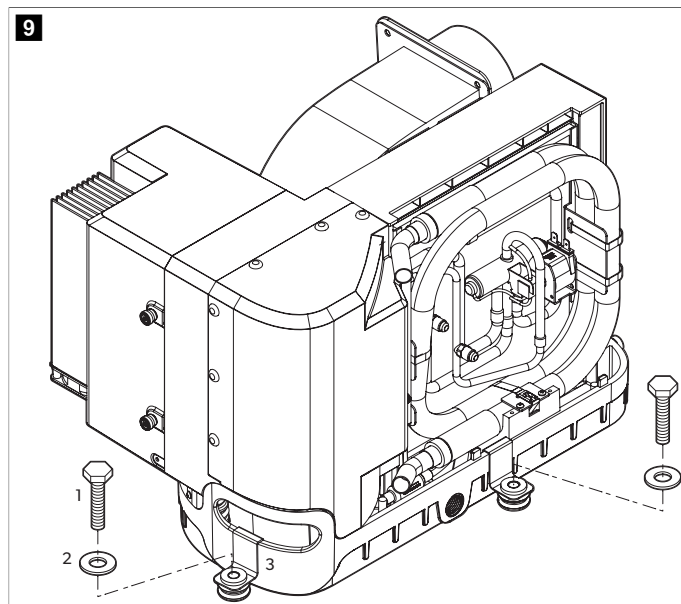
- 1 Locking nut
- 2 Drenos padėklas
- 3 Skysčių sandarinimo poveržlė
- 4 Solid washer
- 5 PVC jungiamoji detalė 0,5 in (12,7 mm) HB x 0,5 in (12,7 mm) MPT

1. Naudodami žarnos užkarpą išmuškite kamštelį iš atgal atsuktos drenos angos vieną kartą suduodami guminiu plaktuku. Išmeskite išmuštą kamštelį.
2. „DTG“ ir „TX“ prietaisai:
 - a) Apvyniokite žarnos užkarpas srieginį galą sandarinimo juosta.
 - b) Įsukite žarnos užkarpą į srieginę drenos angą ir gerai priveržkite.

3. Visi kiti oro kondicionieriai:
 - a) Įsukite žarnos užkarpa pro išsistinę poveržlę ir skysčių sandarinimo poveržlę bei įstatykite į drenos angą.
 - b) Pritvirtinkite fiksavimo veržlę.
4. Tvirtinkite drenos žarną prie žarnos užkarpos naudodami žarnos gnybtą iš nerūdijančio plieno.

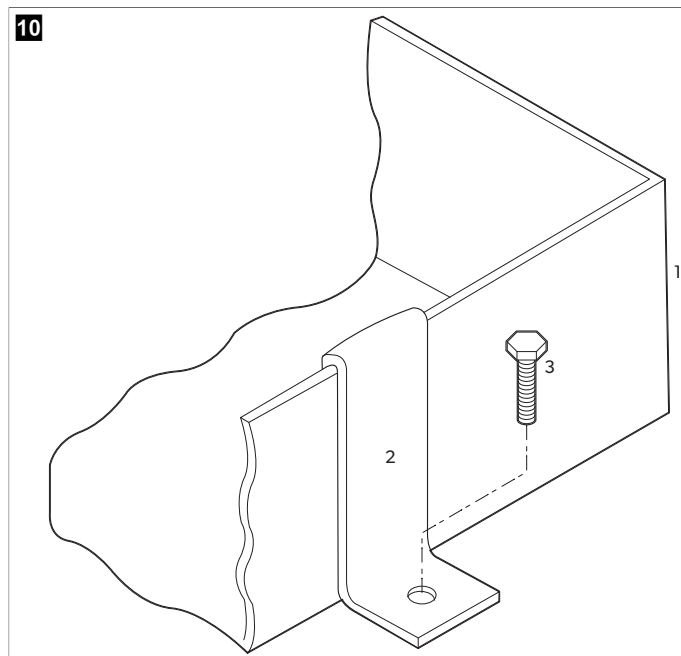
5. Nuveskite drenos žarną žemyn į saugų ir tinkamą surinkimo tašką.

Montavimo laikiklio įrengimas „DTG“ ir „TX“ prietaisams



- 1 Montavimo varžtas (nepateikiamas)
- 2 Poveržlė (pateikiama)
- 3 Montavimo laikiklis (pateikiamas)

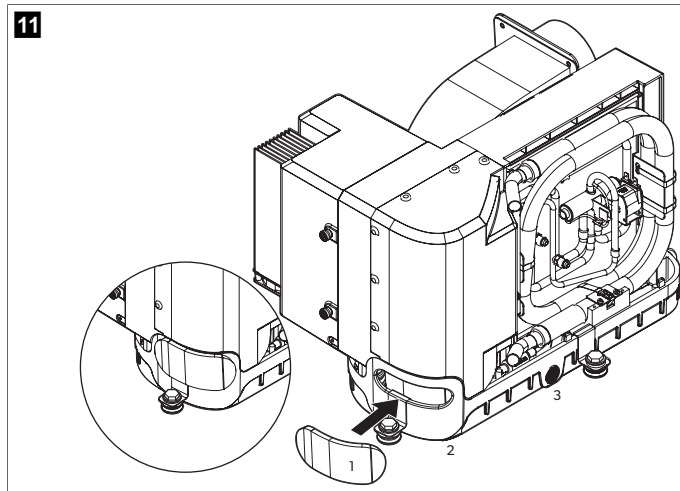
Montavimo laikiklio įrengimas visiems kitiems oro kondicionieriams



- 1 Drenos padėklas
- 2 Montavimo laikiklis
- 3 Montavimo varžtas (nepateikiamas)

6. Dėkite po vieną montavimo laikiklį kiekviename drenos padėklo gale, išlaikykite vienodus atstumus.

Rankenos izoliacijos iš putplasčio montavimas „TX“ prietaisuose



- 1 Rankenos izoliacija iš putplasčio
- 2 Rankenos anga
- 3 Drenos padėklas

7. „TX“ prietaisai:

- a) Nuplėškite plėvelę nuo lipnaus sluoksnio ant rankenos izoliacijos iš putplasčio.
- b) Dėkite rankenos izoliaciją iš putplasčio taip, kad ji visiškai uždengtų rankenos angą, o lipnioji pusė būtų atsukta į drenos padėklą.
- c) Spausdami aplink rankenos angą priklijuokite rankenos izoliaciją iš putplasčio prie drenos padėklo.

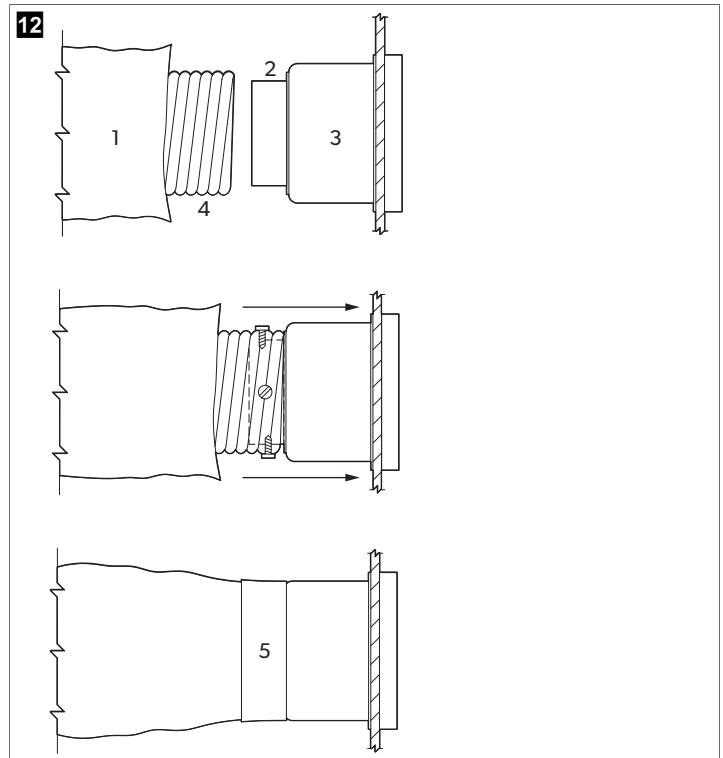
7.2 Ortakių montavimas

Montuodami ortakius laikykitės toliau nurodytų sąlygų:

- Ortakiai turi būti tinkamo jūsų sistemai dydžio.
- Ortakiai turi būti kuo tiesesni, lygesni ir įtempti, juose turi būti kuo mažiau 90,00 ° alkūnių ir kilpų, dėl kurių sumažėja oro srautas.
- Gerai pritvirtinkite ortakius, kad nelinktų.
- Saugokitės, kad ortakiai nebūtų suploti arba susukti.
- Baigę montuoti, nereikalingas ortakių atkarpas nupjaukite.
- Jei ortakiai yra šiltose vietose, reikia juos izoliuoti.
- Jei ortakiai yra šiltose vietose, reikia juos izoliuoti.
- Netieskite ortakių pro variklių skyrių ar kitą vietą, kurioje jie nebus apsaugoti nuo pavojingų garų ar išmetamųjų dūmų.

Jei naudojama perėjimų dėžutė, visas oro tiekimo ortakių iš dėžutės plotas turi būti bent lygus visam tiekimo ortakių į dėžutę plotui. Žr. Specifikacijos puslapyje 171

Ortakių jungtys



- 1 Stiklo pluošto izoliacija
- 2 Montavimo žiedas
- 3 Perėjimų dėžutė
- 4 Vidinė „mylar“ ortakio žarna
- 5 Ortakio juosta

1. Stumkite vidinę „mylar“ ortakio žarną aplink montavimo žiedą į perėjimų dėžutę.
2. Įsukite tris ar keturis nerūdijančiojo plieno varžtus pro „mylar“ ortakio žarną į montavimo žiedą, varžtų galvutės turi uždengti dvi arba tris vietas.
3. Stumkite stiklo pluošto izoliaciją aplink vidinę „mylar“ ortakio žarną į perėjimų dėžutę. Pritvirtinkite lipnia juosta.

7.3 Jūros vandens sistemos įrengimas



PRANEŠIMAS!

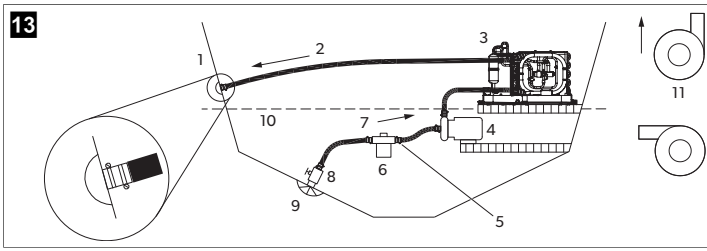
Jei nesilaikysite šios procedūros, bus anuliuota garantija.

Konfigūruodami jūros vandens sistemą atminkite šiuos dalykus:

- Filtras turi būti žemiau nei siurblys.
- Žarnos reikia suspausti dviem gnybtais.
- Žarnose turi nebūti susukimų, kilpų arba aukštesnių atkarpų, kuriose galėtų likti oro.
- Siurblys ir filtras turi būti žemiau nei vandens linija.
- Korpuso įvadas, rutulinis vožtuvas, žarna ir filtras turi būti ne mažesni nei siurblio įvadas.
- Montuokite korpuso jungiamąją detalę kuo žemiau vandens linijos.
- Siurbliui reikia atskiros angos korpuse.
- Jei tik įmanoma, venkite 90,00 ° alkūnės formos jungčių.
- Užtikrinkite, kad siurblio galvutė būtų atsukta vandens srauto kryptimi.
- Vyniokite sandarinimo juostą ant visų srieginių jungčių.

Maksimalias ir minimalias vandens temperatūras ir slėgio vertes žr. Specifikacijos puslapyje 171.

Jūros vandens sistema



- | | |
|--------------------------|---|
| 1 Jūros vandens išvadas | 7 Kylantis išleidimo srautas |
| 2 Išleidimo srautas | 8 Rutulinis vožtuvas |
| 3 Oro kondicionierius | 9 Semtuvo įvadas korpuse |
| 4 Jūros vandens siurblys | 10 Vandens linija |
| 5 Žarnų gnybtai | 11 Tinkamos siurblio galvutės filtro orientacijos |
| 6 Filtras | |

- Montuokite jūros vandens semtuvo įvadą korpuse kuo arčiau kilio ir kuo žemiau vandens linijos. Tvirtinkite semtuvo įvadą korpuse naudodami jūrinės klasės sandariklį, skirtą naudoti po vandeniu.
- Montuokite bronzinį viso srauto jūros vandens čiaupą ant jūros vandens semtuvo įvado korpuse.
- Montuokite jūros vandens filtrą žemiau nei siurblio lygis ir taip, kad galėtumėte pasiekti filtrą.
- Montuokite siurblių virš filtro ir bent viena pėda žemiau nei vandens linija.
- Sujunkite jūros vandens čiaupą ir filtrą su kylančia armuotos jūrinės klasės žarnos atkarpa.
- Prijunkite kylantį srautą iš siurblio prie oro kondicionieriaus kondensatoriaus ritės apatinio įvado naudodami 5/8 col. (0,63 in (16,0 mm)) armuotą jūrinės klasės žarną.
- Prijunkite srautą iš kondensatoriaus ritės prie išleidimo už borto jungties korpuse naudodami 5/8 col. armuotą jūrinės klasės žarną.
- Jūros vandens žarnoje turi nebūti kilpų, aukštesnių vietų arba 90,00 ° alkūnių. Kiekviena 90,00 ° alkūnė atitinka 2,5 ft (0,76 m) (29,92 in (76,00 cm)) žarnos, o 90° alkūnė siurblio išvade atitinka 20,0 ft (6,10 m) (240,16 in (610,00 cm)) žarnos.
- Visas žarnų jungtis tvirtinkite dviem nerūdijančio plieno gnybtais, prireikus apsukite gnybtus.
- Prijunkite visas metalines su jūros vandeniu besiliečiančias dalis prie laivo sujungimo sistemos.

7.4 Elektros jungčių sudarymas



ĮSPĖJIMAS! ELEKTROS SMŪGIO PAVOJUS.

Būtinai išjunkite oro kondicionieriaus maitinimo jungtuvą prieš atidarydami elektros jungčių dėžutę. Nesilaikant šio įspėjimo gali grėsti mirtis arba rimtas susižalojimas.



PRANEŠIMAS!

Reikia prijungti oro kondicionierių prie laivo sujungimo sistemos, kad išvengtumėte korozijos dėl klaidžiojančiosios elektros srovės. Visi siurbliai, metaliniai vožtuvai ir jūros vandens kontūro jungiamosios detalės, izoliuotos nuo oro kondicionieriaus PVC arba guminėmis žarnomis, turi būti atskirai sujungtos su laivo sujungimo sistema.



PASTABA Netinkamai įžeminis ir prijungus sistemą, bus anuliuota garantija.

Visų kondicionierių elektros jungčių dėžutėje yra gnybtų juosta su tinkamai pažymėtomis jungtimis. Elektros jungčių dėžutėje pateiktai laidų instaliacijos schemai teikiama didesnė svarba nei ABYC standartams. Naudokite tinkamo dydžio jungtuvą sistemai apsaugoti, kaip nurodyta oro kondicionieriaus duomenų plokštelės etiketėje. Energijai tiekti į oro kondicionierių ir jūros vandens siurblių naudokite bent 12 AWG laivo kabelį. Sudarykite visas jungtis naudodami žiedinius arba fiksuojamuosius šakutės tipo gnybtus.

Sudarydami elektros jungtis laikykitės šių reikalavimų:

- Kintamosios srovės (KS) įžeminimą reikia prijungti prie įžeminimo gnybto (GRND) KS maitinimo įėjimo gnybtų bloke.
- Jungtis tarp laivo kintamosios srovės sistemos įžeminimo laidininko ir laivo nuolatinės srovės (NS) neigiamos arba sujungimo sistemos turėtų būti pagamintos kaip laivo laidų sistemos dalis. Atlikdami priežiūros darbus arba keisdami esamą įrangą su korpuse montuojamų įžeminimo kaitinčių patikrinkite šias laivo laidų jungtis.
- „TX“ oro kondicionieriai naudoja kintamąją srovę arba aukštos įtampos nuolatinę srovę. Tinkamą išdėstymą žr. laivo laidų instaliacijos schemoje.

Pasirūpinkite, kad oro kondicionieriaus KS įžeminimas būtų tinkamai prijungtas prie laivo KS įžeminimo. Pačiame laive KS įžeminimo magistralė turi būti prijungta prie NS įžeminimo magistralės tiksliai vienoje vietoje.

8 Utilizavimas



Jeį įmanoma, pakavimo medžiagą sudėkite į atitinkamas perdirbimo šiukšliadėžes. Išsamios informacijos apie tai, kaip gaminį pašalinti pagal galiojančias atliekų šalinimo taisykles, teiraukitės vietiniame perdirbimo centre arba specializuoto prekybos atstovo.

9 Garantija

Toliau esančiuose skyriuose rasite informacijos apie garantiją ir garantinį palaikymą JAV, Kanadoje ir visuose kituose regionuose.

Jungtinės Amerikos Valstijos ir Kanada

RIBOTOJI GARANTIJA PATEIKIAMA ADRESU
DOMETIC.COM/EN-US/TERMS-AND-CONDITIONS-CONSUMER/WARRANTY. JEI
TURITE KLAUSIMŲ ARBA NORITE NEMOKAMAI GAUTI RIBOTOSIOS GARANTIJOS
KOPIJĄ, KREIPKITĖS ADRESU:

DOMETIC CORPORATION
MARINE CUSTOMER SUPPORT CENTER
2000 NORTH ANDREWS AVENUE
POMPANO BEACH, FLORIDA, USA 33069
1-800-542-2477

Azijos ir Ramiojo vandenyno (APAC) šalys

Jeį gaminyne neveikia taip, kaip turėtų, susisiekite su prekyautoju arba jūsų šalyje veikiančiu gamintojo filialu (žr. dometic.com/dealer). Jūsų gaminiui taikoma garantija yra 1 metai.

Jeį reikalingas remontas ir garantinis aptarnavimas, pristatydami prietaisą pateikite šiuos dokumentus:

- Kvito kopiją su nurodyta pirkimo data
- Pretenzijos priežastį arba gedimo aprašymą

Atminkite, kad savarankiškas arba neprofesionalus remontas gali turėti pasekmių saugai ir anuliuoti garantiją.

Informacija tik Australijai

Mūsų prekėms suteikiamos garantijos, kurių negalima atmesti pagal Australijos vartotojų įstatymą. Jūs turite teisę į prekės pakeitimą arba grąžinimą, jeį kilo didelis gedimas, ir į kompensaciją už bet kokius kitus pagrįstai numatomus nuostolius ar žalą. Jūs taip pat turite teisę reikalauti, kad prekės būtų pataisytos arba pakeistos, jeį jos nėra priimtinos kokybės, o gedimas nėra didelis gedimas.

Informacija tik Naujajai Zelandijai

Šiai garantijų politikai taikomos sąlygos ir garantijos, kurios yra privalomos, kaip numatyta 1993 m. Vartotojų garantijų akte (NZ).

Visi kiti regionai

Taikomas įstatymų nustatytas garantinis laikotarpis. Jeį gaminyne pažeistas, susisiekite su jūsų šalyje veikiančiu gamintojo filialu (žr. dometic.com/dealer) arba prekyautoju.

Jeį reikalingas remontas ir garantinis aptarnavimas, pristatydami prietaisą pateikite šiuos dokumentus:

- Kvito kopiją su nurodyta pirkimo data
- Pretenzijos priežastį arba gedimo aprašymą

Atminkite, kad savarankiškas arba neprofesionalus remontas gali turėti pasekmių saugai ir anuluoti garantiją.

Latviešu

1 Svarīgas piezīmes.....	178
2 Simbolu skaidrojums.....	178
3 Mērķauditorija.....	178
4 Paredzētais izmantošanas mērķis.....	179
5 Tehniskie dati.....	179
6 Iepriekšēja uzstādīšana.....	179
7 Uzstādīšana.....	181
8 Atkritumu pārstrāde.....	184
9 Garantija.....	184

1 Svarīgas piezīmes

Lūdzam rūpīgi izlasīt un ņemt vērā visus produkta rokasgrāmatā iekļautos norādījumus, vadlīnijas un brīdinājumus, lai nodrošinātu, ka jūs šo produktu vienmēr uzstādāt, lietojat un apkopjat atbilstoši. Šie norādījumi ir OBLIGĀTI jāsaģlabā kopā ar šo produktu.

Lietojot šo produktu, jūs apstiprināt, ka esat rūpīgi izlasījuši visus norādījumus, vadlīnijas un brīdinājumus, un jūs saprotat un piekrītat ievērot šeit izklāstītos noteikumus un nosacījumus. Jūs piekrītat lietot šo produktu tikai tā paredzētajam mērķim un lietojumam saskaņā ar norādījumiem, vadlīnijām un brīdinājumiem, kas izklāstīti šī produkta rokasgrāmatā, kā arī ievērojot visus piemērojamos normatīvos aktus. Šeit izklāstīto norādījumu un brīdinājumu neizlasīšana un neievērošana var izraisīt traumas sev un citiem, vai radīt bojājumus pašam produktam vai apkārt esošam īpašumam. Informācija šajā produkta rokasgrāmatā, tajā skaitā norādījumi, vadlīnijas, brīdinājumi un saistītā dokumentācija, var tikt mainīta un papildināta. Lai iegūtu jaunāko informāciju par produktu, apmeklējiet vietni documents.dometic.com.

2 Simbolu skaidrojums

Signālvārds identificē drošības ziņojumus un ziņojumus par īpašuma bojājumu, kā arī norāda bīstamības smaguma pakāpi vai līmeni.



BRĪDINĀJUMS!

Apzīmē bīstamu situāciju, kas var izraisīt nāvējošus vai nopietnus savainojumus, ja netiks novērsta.



NĒMIET VĒRĀ!

Apzīmē bīstamu situāciju, kas var izraisīt materiālu kaitējumu, ja netiks novērsta.



PIEZĪME Papildu informācija produkta lietošanai.

2.1 Papildu direktīvas

Lai samazinātu nelaimes gadījumu un traumu risku, pirms šīs ierīces uzstādīšanas izlasiet turpmāk norādītās direktīvas.

- Izlasiet un ievērojiet visu drošības informāciju un norādījumus.
- Izlasiet un izprotiet šos norādījumus pirms šī produkta uzstādīšanas.
- Iekārtai jāatbilst visiem piemērojamajiem vietējiem vai valsts kodeksiem, tostarp tālāk norādīto standartu jaunākajiem izdevumiem.
 - Amerikāņu kuģu un jahtu padome (ABYC, American Boat and Yacht Council)
 - ANSI/NFPA 70, Valsts elektrodrošības prasības (NEC, National Electrical Code)

2.2 Drošības norādes



BRĪDINĀJUMS! OGLEKĻA MONOKSĪDA RADĪTS APDRAUDĒJUMS

Tālāk sniegto brīdinājumu neievērošana var izraisīt bojāeju vai nopietnu traumu.

- > **Neuzstādiet** un nedarbiniet autonomu gaisa kondicionētāju kuģa tilpnes vai mašintelpas zonās vai iekšdedzes dzinēja tuvumā. Nodrošiniet, lai izvēlēta vieta ir izolēta, neatļaujot tiešu piekļuvi kuģa tilpnes un/vai mašintelpas tvaikiem.
- > Pārbaudiet, vai kondensāta notekcaurule ir pareizi uzstādīta un noslēgta. **Nenovietojiet** kondensāta notekcaurules gadu 3 pēdu (0,91 m) robežās

no jebkuras dzinēja vai ģeneratora atgāzu izplūdes sistēmas izplūdes atveres, nodalījumā, kurā ir dzinējs vai ģenerators, vai kuģa tilpnē, ja vien drenāžas caurules nav pienācīgi savienota ar kādu noslēgtu kondensāta vai dušas atsūkņēšanas sūkni. Ja drenāžas caurule nav pareizi uzstādīta, bīstami dūmi var pārvietoties uz augšu pa drenāžas līniju un piesārņot dzīvojamās telpas.

- > **Neuzstādiet** gaisa kondicionētāju vietā, kur tas var likt cirkulēt oglekļa monoksīdam, degvielas izgarojumiem vai citiem kaitīgiem tvaikiem, ļaujot tiem nonākt dzīvojamajās telpās.



BRĪDINĀJUMS! Nāvējoša elektrošoka risks

Uzstādīšanu drīkst veikt tikai kvalificēts elektriķis.



BRĪDINĀJUMS! ELEKTROTRIECIENA, UGUNSGRĒKA UN/VAI SPRĀDZIENA RISKS.

Šo brīdinājumu neievērošana var izraisīt bojāeju vai smagu traumu. Šī ierīce **nav** paredzēta lietošanai personām (tajā skaitā bērniem) ar ierobežotām fiziskajām, uztveres vai garīgajām spējām vai bez pieredzes un zināšanām, ja vien šādas personas netiek uzraudzītas vai nav saņēmušas norādījumus par ierīces drošu lietošanu no kādas personas, kas ir atbildīga par viņu drošību. Bērni jāuzrauga, lai viņi **nepelētos** ar ierīci. Bērni **nedrīkst** tirt ierīci un veikt tās apkopi, ja viņus neuzrauga pieaugušie. Šī ierīce **nedrīkst** būt plaši pieejama.



BRĪDINĀJUMS! SPRĀDZIENBĪSTAMĪBA

Šo brīdinājumu neievērošana var izraisīt bojāeju vai smagu traumu. **Neuzstādiet** gaisa kondicionētāju vietā, kur ir benzīna dzinējī, tvertnes, LPG/CPG baloni, regulatori, vārsti vai degvielas vadu fittingi. Ja vien nav norādīts citādi, autonomas ierīces **neatbilst** federālajām prasībām attiecībā uz aizsardzību pret aizdegšanos. Šī brīdinājuma neievērošana var izraisīt nāvējošas vai smagas traumas.



BRĪDINĀJUMS! ELEKTRISKĀS STRĀVAS TRIECIENA RISKS.

Šo brīdinājumu neievērošana var izraisīt bojāeju vai smagu traumu.

- > Efektīvi iezemējiet gaisa kondicionētāju, lai samazinātu elektriskās strāvas trieciena risku. Plašāku informāciju skatiet uzstādīšanas vadlīnijās.
- > Katram uzstādītajam gaisa kondicionētājam ir nepieciešama īpaša slēgiekārtā. Ja ir uzstādīts tikai viens gaisa kondicionētājs, sālsūdens sūkņim **nav** nepieciešama īpaša slēgiekārtā. Ja divas vai vairākas gaisa kondicionēšanas ierīces izmanto vienu un to pašu sālsūdens sūkni, sūkņa vadi tiek savienoti ar sūkņa releja paneli (PRP, pump relay panel), kam, savukārt, ir īpaša slēgiekārtā, kuras izmērs atbilst sūkņim (maks. 20 A). Skatiet vadojuma diagrammu ar PRP. Elektriskajiem savienojumiem kuģa tilpnē un/vai zem ūdenslīnijas jāizmanto karstumrucīgas savienotājuzmavas.
- > Iekšējai elektromontāžai jāatbilst ABYC elektrodrošības prasībām. Ierīces barošanai jābūt nodrošinātai uz datu plāksnes norādītajā darba sprieguma diapazonā. Pareiza izmēra drošinātāji vai HACR slēgiekārtas jāuzstāda, lai aizsargātu atzarojuma shēmu. Skatiet maksimālo drošinātāja/slēgiekārtas (MFS, maximum fuse size) un minimālo ķēdes jaudu (MCA, minimum circuit capacity) uz datu plāksnes.



NĒMIET VĒRĀ!

Šai ierīcei ir fluorētas siltumnīcefekta gāzes hermētiski noslēgtā aprikojumā. Skatiet kondensācijas ierīces produkta datu plāksnes marķējumā aukstumagēnta daudzumu, kas norādīts pēc svara un globālās sasīšanas potenciāla. Pievienotais aukstumagēnts jānorāda uz ierīces etiķetes.

3 Mērķauditorija



Iekārtas mehānisko un elektrisko uzstādīšanu un iestatīšanu jāveic kvalificētam tehniķim, kuram ir pierādītas prasmes un zināšanas saistībā ar jūras iekārtu un instalāciju būvniecību un ekspluatāciju, kurš ir iepazinies ar attiecīgajiem noteikumiem valstī, kurā iekārta tiks uzstādīta un/vai izmantota, un kurš ir saņēmis apmācību par drošību, lai identificētu un izvairītos no iesaistītajiem riskiem.

4 Paredzētais izmantošanas mērķis

Šī rokasgrāmata ir paredzēta DCU, DLU, DTG, ECD un TX autonomu gaisa kondicionēšanas sistēmu (turpmāk sauktu par gaisa kondicionētājiem) uzstādīšanai. Gaisa kondicionētājs ir paredzēts lietošanai uz kuģiem un jahtām. Šis gaisa kondicionētājs ir piemērots tikai paredzētajam mērķim un lietojumam saskaņā ar šīm instrukcijām.

Šis produkts ir piemērots tikai paredzētajam mērķim un lietojumam saskaņā ar šo instrukciju.

Šajā rokasgrāmatā ir sniegta informācija, kas nepieciešama pareizai produkta uzstādīšanai un/vai lietošanai. Nekvalitatīva uzstādīšana un/vai nepareiza lietošana vai apkope izraisīs neatbilstošu darbību un iespējamu atteici.

Ražotājs neuzņemas atbildību par savainojumiem vai produkta bojājumiem, kas radušies šādu iemeslu dēļ:

- nepareiza uzstādīšana, montāža vai pievienošana, tostarp pārmērīgs spriegums;
- nepareiza apkope vai tādu neoriģinālo rezerves daļu, kuras nav piegādājis ražotājs, lietošana;
- produkta modifikācijas, kuras ražotājs nav nepārprotami apstiprinājis;
- lietošana citiem mērķiem, kas nav aprakstīti šajā rokasgrāmatā.

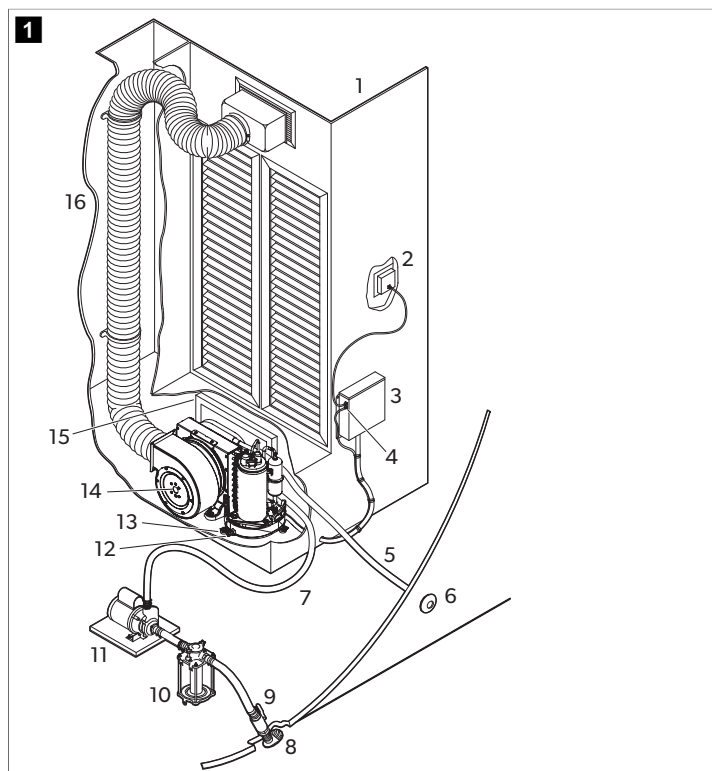
Dometic patur tiesības mainīt produkta ārējo izskatu un specifikācijas.

5 Tehniskie dati

Izlasiet visus šos norādījumus un pēc tam iepļānojiēt savienojumus, kas jāizveido pie gaisa kondicionētāja (tostarp pie cauruļvada, kondensāta notekcaurules, salsūdens ieplūdes un izplūdes šļūtenēm, barošanas avota savienojumiem, vadības atrašanās vietas un salsūdens sūkņa izvietošanas vietas), lai nodrošinātu vieglu piekļuvi izvietošanai un turpmākajai apkopei.

5.1 Daļu atrašanās vietas

Gaisa kondicionēšanas sistēmas komponentu identifikācija



- 1 Ieplūdes gaisa režģis un pārejas kārba 9 Kingstena slēgvārsts
2 Digitālais ekrāns 10 Salsūdens sietfiltrs

- 3 Savienojumu kārba 11 Sūknis
4 Papildus izvēlētās tālvadības gaisa sensora kabelis 12 Kondensāta notekas šļūtenes uzgalis
5 Salsūdens izplūdes šļūtene 13 Montāžas kronšteins
6 Izvadīšanas aiz borta detaļa 14 Gaisa kondicionētājs
7 Salsūdens ieplūdes šļūtene 15 Atplūdes gaisa režģis un filtrs
8 Salsūdens vienmērīgas ieplūdes caur korpusu atvere 16 Izolēts, elastīgs cauruļvads

5.2 Specifikācijas

Šajā sadaļā ir gaisa kondicionētāja specifikācijas dati.

Tabula 47: Minimālie kanāla un režģa izmēri atbilstoši BTU kapacitātei

	3.5 k BTU	6 k BTU	8 k BTU	10 k BTU
Minimālais kanāla diametrs	3,00 in (76,2 mm)	4,00 in (101,6 mm)	5,00 in (127,0 mm)	6,00 in (152,4 mm)
Minimālā kanāla zona	6,8 in ² (43,9 cm ²)	12,6 in ² (81,3 cm ²)	19,6 in ² (126,5 cm ²)	28,3 in ² (182,6 cm ²)
Minimālais atplūdes gaisa režģis	64,0 in ² (412,9 cm ²)	64,0 in ² (412,9 cm ²)	80,0 in ² (516,2 cm ²)	100,0 in ² (645,2 cm ²)
Minimālais ieplūdes gaisa režģis	12,0 in ² (77,4 cm ²)	32,0 in ² (206,5 cm ²)	48,0 in ² (309,7 cm ²)	60,0 in ² (387,1 cm ²)
	12 k BTU	16 k BTU	18 k BTU	27 k BTU
Minimālais kanāla diametrs	6,00 in (152,4 mm)	7,00 in (177,8 mm)	7,00 in (177,8 mm)	8,00 in (203,2 mm)
Minimālā kanāla zona	28,3 in ² (182,6 cm ²)	38,5 in ² (248,4 cm ²)	38,5 in ² (248,4 cm ²)	50,3 in ² (324,5 cm ²)
Minimālais atplūdes gaisa režģis	130,0 in ² (838,8 cm ²)	160,0 in ² (1032,3 cm ²)	200,0 in ² (1290,4 cm ²)	240,0 in ² (1548,5 cm ²)
Minimālais ieplūdes gaisa režģis	70,0 in ² (451,6 cm ²)	80,0 in ² (516,2 cm ²)	100,0 in ² (645,2 cm ²)	120,0 in ² (774,2 cm ²)

Tabula 48: Ūdens darba temperatūra un spiediens

Minimālā ūdens darba temperatūra	40,0 °F (4,44 °C)
Maksimālā ūdens darba temperatūra	80,0 °F (26,66 °C)
Minimālais ūdens darba spiediens	4,2 psi (0,29 bar) (29,00 kPa)
Maksimālais ūdens darba spiediens	6,00 psi (0,41 bar) (41,4 kPa)



PIEZĪME Iekārta ar samazinātu jaudu var darboties arī citos apstākļos.

6 Iepriekšēja uzstādīšana



NĒMIET VĒRĀ!

DTG un TX autonomās kondensāta pamatnes teknes ir aprīkotas ar vibrācijas izolatoriem, kas uzstādīti teknes apakšā. Šie izolatori ir paredzēti tam, lai slāpētu vibrāciju, ko izraisa ieslēgts gaisa kondicionētājs, kas pārnēs vibrāciju uz montāžas virsmu. Gaisa kondicionētāja pārvietošana pāri montāžas virsmām ir jāveic uzmanīgi, jo izolatori var tikt bojāti.



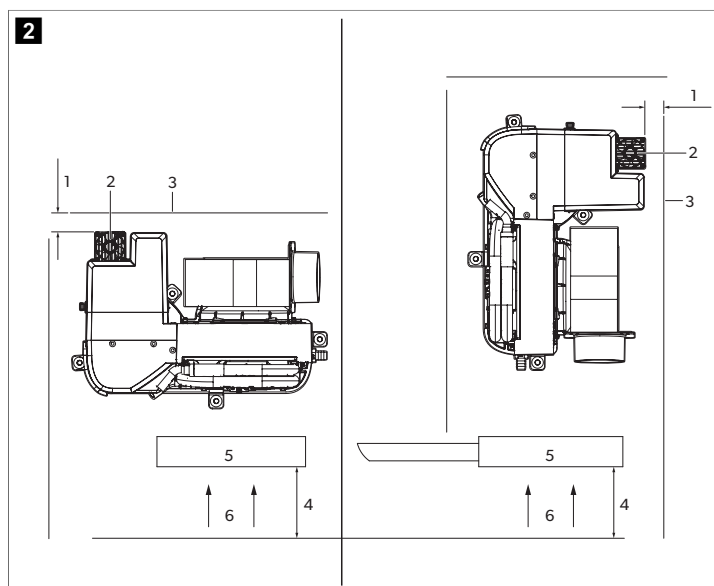
NĒMIET VĒRĀ!

Gaisa kondicionētājs jāuzstāda uz zemas, plakanas un līdzenas virsmas, piemēram, skapiša apakšā, zem divstāvu gultas vai pusdienošanas sēdekļa vai kādā līdzīgā vietā.

Šajā sadaļā ir paskaidrots, kā sagatavot gaisa kondicionētāju uzstādīšanai.

6.1 Uzstādīšanas vietas izvēle

TX izvietojums attiecībā pret gaisa plūsmu



1 3,00 in (7,62 cm)

4 4,00 in (10,16 cm)

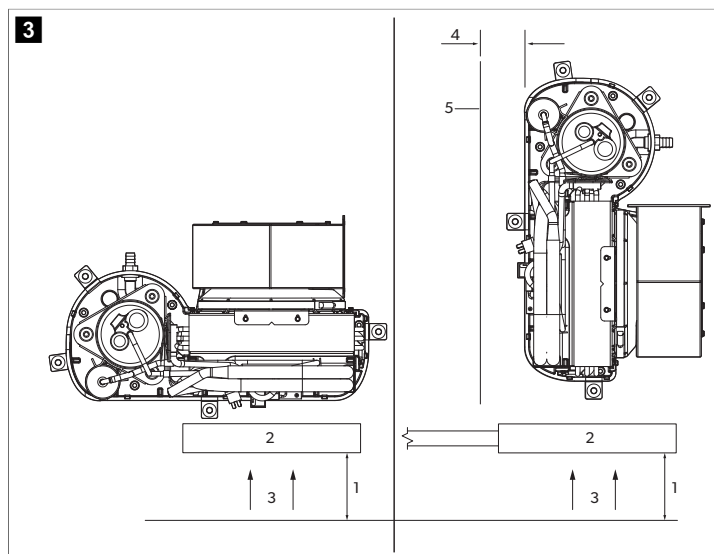
2 Siltumuztvērējs

5 Atplūdes gaisa režģis

3 Starpsiens

6 Gaisa plūsma

Visu citu gaisa kondicionēšanas ierīču novietojums attiecībā pret gaisa plūsmu



1 4,00 in (10,16 cm)

4 3,00 in (7,62 cm)

2 Atplūdes gaisa režģis

5 Starpsiens

3 Gaisa plūsma

Izvēlieties vietu ar pietiekamu gaisa plūsmu. Atplūdes gaisa režģa priekšpusē ir jābūt vismaz 4,00 in (10,16 cm) atstarpei gaisa cirkulācijai, un tur nedrīkst būt nekādi šķēršļi.

Ja gaisa kondicionētājs ir novietots perpendikulāri gaisa atplūdes režģim, saglabāiet vismaz 3,00 in (7,62 cm) atstarpi gaisa ieplūdes pusē gaisa cirkulācijai.

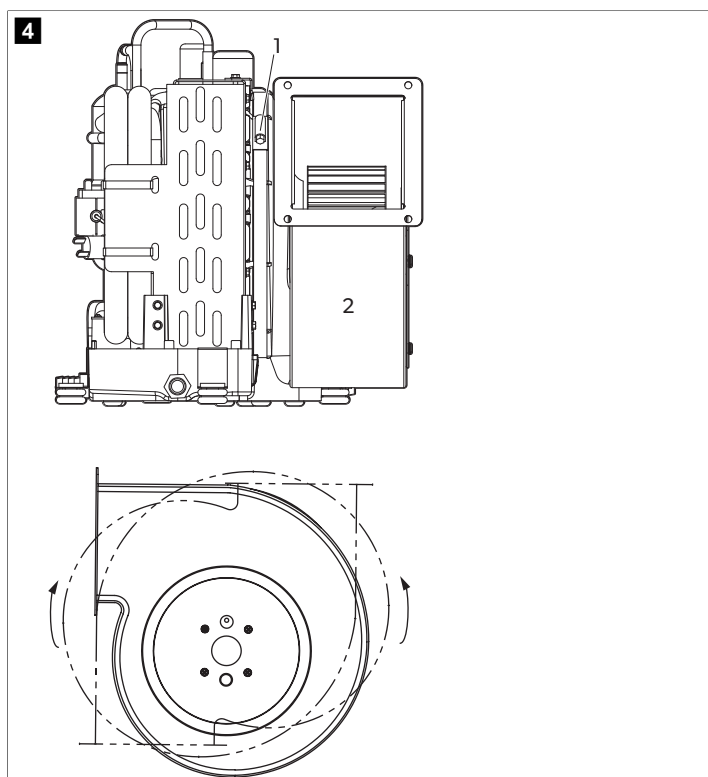
Tikai TX: Nodrošiniet vismaz 2,99 in (76,0 mm) atvērtu zonu virs un zem siltumuztvērēja.

6.2 Ventilatora pagriešana

Šajā sadaļā ir paskaidrots, kā pagriezt ventilatoru katra tipa ierīcei. Ja nepieciešams, pagrieziet ventilatoru virzienā, kas ļauj caur cauruļvadu izpūst vistiešāko gaisa plūsmu.

6.2.1 DTG un TX ventilatori

DTG un TX sistēmas ventilatoru rotācija



1 Adjustment screw

2 Blower

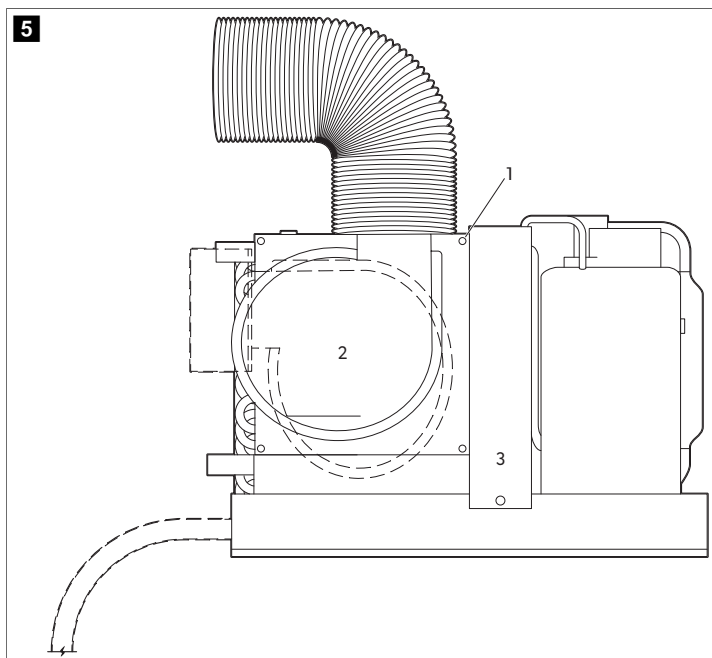
1. Atskrūvējiet regulēšanas skrūvi uz ventilatora stiprinājuma gredzenu.

2. Pagrieziet ventilatoru vēlamajā pozīcijā.

3. Pievelciet regulēšanas skrūvi.

6.2.2 MCS un ECD ventilatori

MCS un ECD sistēmas ventilatoru rotācija



- 1 Screw
2 Numura zīme
3 Ventilators

1. Noņemiet septiņas skrūves no plāksnes.
2. Pagrieziet ventilatoru vēlamajā pozīcijā.
3. Nostipriniet ventilatoru vietā, izmantojot pašfiksējošās skrūves (nav nodrošinātas).

6.3 Gaisa filtru uzlikšana

Gaisa filtri likvidē daļiņas kabīnes gaisā un uztur iztvaicētāja spirāli tīru. Ievietojiet vienu gaisa filtru katrā gaisa kondicionētājā vai katrā gaisa kondicionētāja atplūdes gaisa režģī.

6.4 Režģu un pārejas kārbu uzlikšana

Uzstādot režģus un pārejas kārbas, ņemiet vērā tālāk norādīto.

- Uzstādiet ieplūdes gaisa režģi pēc iespējas augstāk vietā, kas nodrošina vienmērīgu gaisa sadali kabīnē. Pavērsiet režģa ribas uz augšu.
- Uzstādiet atplūdes gaisa režģi pēc iespējas zemāk un tuvu gaisa kondicionētājam, lai nodrošinātu gaisa plūsmu uz iztvaicētāju.
- Nevirziet ieplūdes gaisa plūsmu uz atplūdes gaisa režģi, jo tas izraisīs sistēmas darba cikla saīsināšanos.
- Atstājiet pietiekamu atstarpi starp pārejas kārbas ieplūdes gaisa režģi un cauruļvadu savienojumu. Skatiet sadaļu Specifikācijas lpp. 179

7 Uzstādīšana

Šajā sadaļā ir paskaidrots, kā uzstādīt autonomu gaisa kondicionētāju.

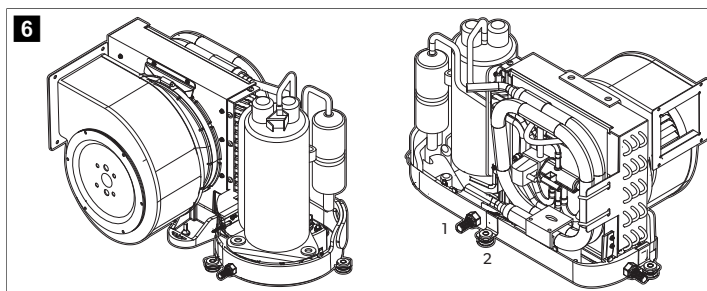
7.1 Montāžas kronšteinu un kondensāta drenāžas caurules uzstādīšana



NEMIET VĒRĀ!

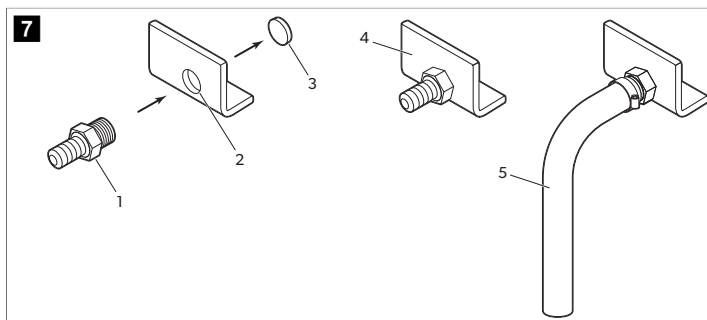
Lai novērstu notekteknes plaisāšanu, neizmantojiet vairāk nekā divus teflona lentes slāņus, lai aptītu šļūtenes uzgali, un nepievelciet šļūtenes uzgali pārāk cieši.

Tipisks montāžas kronšteinu un kondensāta noteku izvietojums



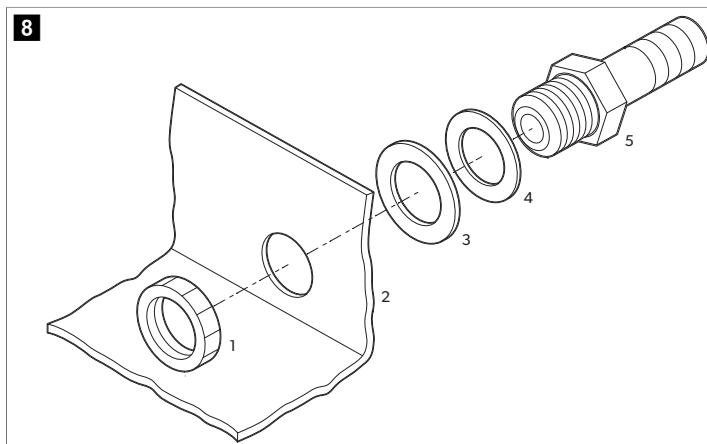
- 1 Kondensāta notekas šļūtenes uzgali
2 Montāžas kronšteins

Kondensāta notekas uzstādīšana DTG un TX



- 1 Hose barb
2 Vītņota drenāžas atvere
3 Izņemama detaļa šļūtenes ievietošanai
4 Drain pan
5 Novadcaurules šļūtene

Kondensāta notekas uzstādīšana visām citām gaisa kondicionēšanas ierīcēm



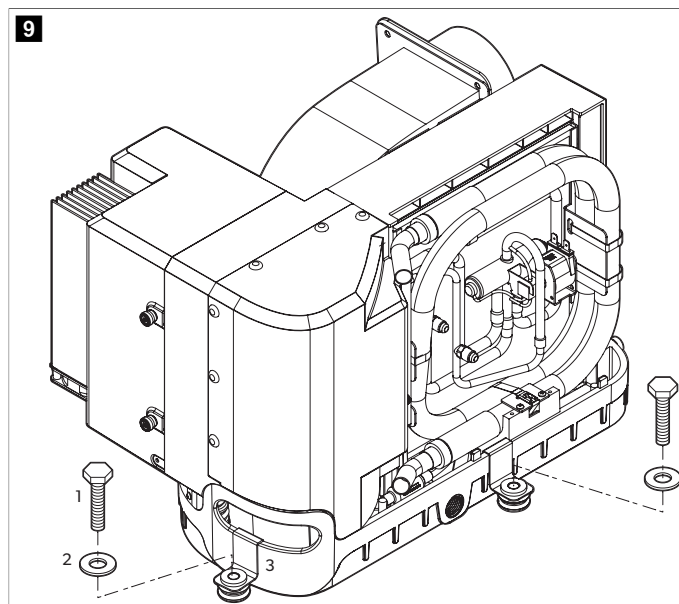
- 1 Locking nut
2 Notektekne
3 Šķidrums blīvgredzens
4 Solid washer
5 PVH uzgali 0,5 in (12,7 mm) HB x 0,5 in (12,7 mm) MPT

1. Izmantojiet šļūtenes uzgali, lai izņemamo detaļu no uz aizmuguri pavērstās drenāžas atveres, pa to vienu reizi uzsitot ar gumijas āmuru. Izmetiet izņemamo detaļu.
2. DTG un TX ierīcēm:
 - a) Aptiniet šļūtenes uzgaļa vītņoto galu ar teflona lenti.
 - b) Ieskrūvējiet šļūtenes uzgali vītņotajā drenāžas caurumā un cieši pievelciet.

3. Visiem citiem gaisa kondicionētājiem:
 - a) Izbāziet šļūtenes uzgali caur cietu paplāksni un šķidrums blīvgredzenu un ievietojiet to drenāžas atverē.
 - b) Nostipriniet ar sprostuzgriezni.
4. Nostipriniet novadcaurules šļūteni pie šļūtenes uzgaļa ar nerūsējošā tērauda šļūtenes apskavu.

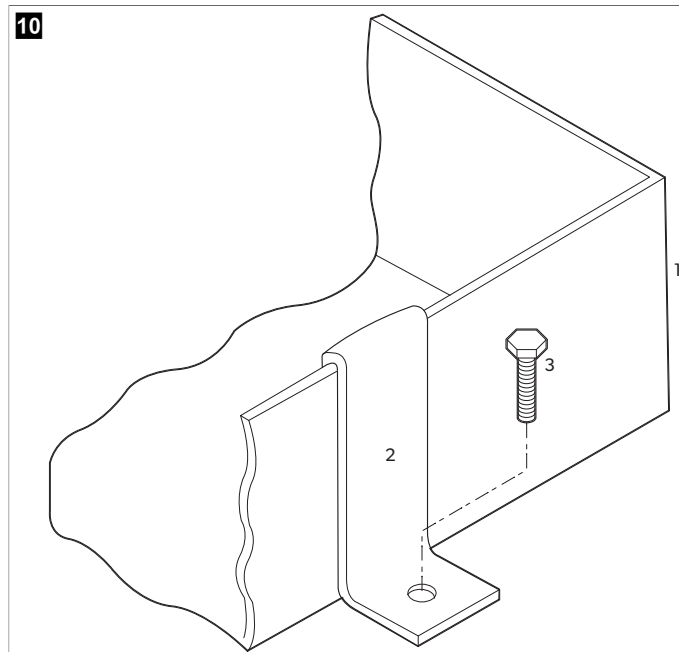
5. Izvietojiet novadcaurules šļūteni virzienā uz leju līdz kādam drošam un pareizam savākšanas punktam.

Montāžas kronšteina uzstādīšana DTG un TX ierīcēm



- 1 Montāžas skrūve (nav nodrošināta)
- 2 Paplāksne ar lielu ārējo diametru (nodrošināta)
- 3 Montāžas kronšteins (nodrošināts)

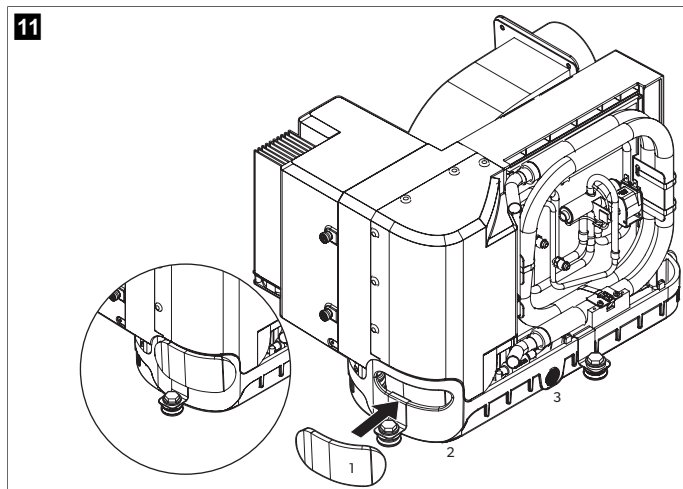
Montāžas kronšteina uzstādīšana citām gaisa kondicionēšanas ierīcēm



- 1 Notektekne
- 2 Montāžas kronšteins
- 3 Montāžas skrūve (nav nodrošināta)

6. Uzstādi vienu montāžas kronšteinu katrā oliešanas teknes pusē, nodrošinot vienādu atstatumu.

Putu materiāla roktura izolācijas uzstādīšana TX ierīcēm



1 Putu materiāla roktura izolācija

2 Roktura atvēršana

3 Notektekne

7. TX ierīcēm:

- Noņemiet plēvi, kas pārklāj lipīgo pamatni uz putu materiāla roktura izolācijas.
- Novietojiet putu materiāla roktura izolāciju, lai pilnībā nosegtu roktura atvērumu ar lipīgo pusi, kas pavērsta notekteknes virzienā.
- Piespiediet visapkārt roktura atverei, lai liktu putu materiāla rokturim pieķerties pie notekteknes.

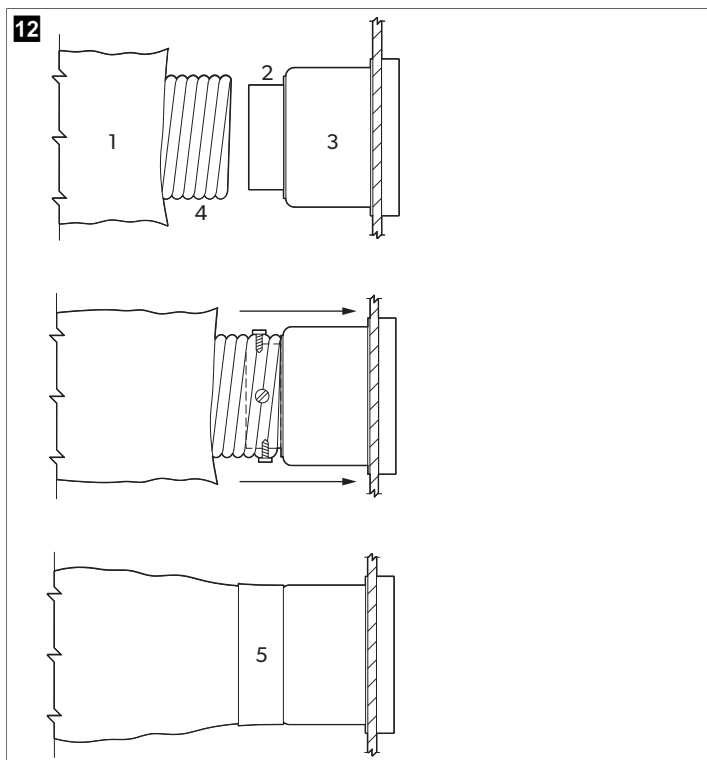
7.2 Cauruļvadu sistēmas uzstādīšana

Uzstādot cauruļvadu sistēmu, ņemiet vērā tālāk norādīto.

- Cauruļvadu izmēram jābūt atbilstošam lietojumam.
- Novietojiet cauruļvadus pēc iespējas taisnāk, vienmērīgāk un stingrāk, samazinot 90,00 ° likumu un cilpu skaitu, kas var samazināt gaisa plūsmu.
- Cieši nostipriniet cauruļvadu sistēmu, lai novērstu nokarāšanos.
- Neļaujiet cauruļvadiem tikt saplacinātiem vai samezgloties.
- Pēc uzstādīšanas nogrieziet liekos cauruļvadu galus.
- Izolējiet cauruļvadus, kad tie atrodas liela karstuma zonās.
- Izolējiet cauruļvadus, kad tie atrodas liela karstuma zonās.
- Neizvietojiet cauruļvadus cauri mašīntelpai vai jebkurai citai zonai, kurā uz tiem var iedarboties bīstami izgarojumi vai izplūdes gāzes.

Ja izmantota pārejas kārbā, no šīs kārbas izejošo ievades gaisa cauruļvadu kopējai zonai ir jābūt vismaz vienādai ar šajā kārbā ieejošo ievades gaisa cauruļvadu zonu. Skatiet Specifikācijas lpp. 179

Cauruļvadu savienojumi



1 Stikla šķiedras izolācija

2 Stiprinājuma gredzens

3 Pārejas kārbā

4 Iekšējā Mylar cauruļvada šļūtene

5 Auduma līmlente

- Iebīdi iekšējo Mylar cauruļvada šļūteni gar stiprinājuma gredzenu pārejas kārbā.
- Caur Mylar kanāla šļūteni ieskrūvējiet trīs vai četras nerūsējošā tērauda skrūves stiprinājuma gredzenā, fiksējot divus vai trīs vadus ar skrūvju galvām.
- Iebīdi stikla šķiedras izolāciju gar iekšējo Mylar cauruļvada šļūteni pārejas kārbā. Nostipriniet ar auduma līmlenti.

7.3 Sālsūdens sistēmas uzstādīšana



NEMIET VĒRĀ!

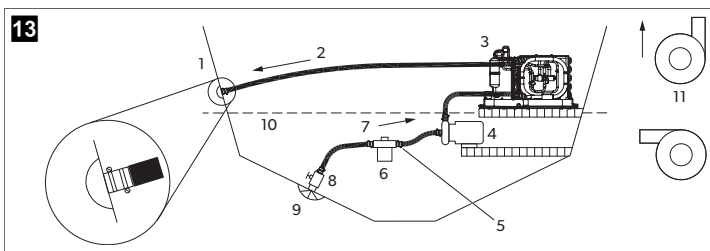
Šīs procedūras neievērošana anulēs garantiju.

Uzstādot sālsūdens sistēmu, ņemiet vērā tālāk norādītos apsvērumus.

- Sietfiltram jāatrodas zem sūkņa.
- Šļūtenēm jābūt divreiz nostiprinātām.
- Šļūtenes nedrīkst būt samezglājušās, ar cilpām vai augstu novietotiem punktiem, kuros var iesprūst gaiss.
- Sūknim un sietfiltram jābūt zem ūdens līnijas.
- Cauri korpusam ejošās ieplūdes atveres, lodvārsta, šļūtenes un sietfiltra izmērs nedrīkst būt mazāks par sūkņa ieplūdes atveres izmēru.
- Uzstādi cauri korpusam ejošo fittingu pēc iespējas zemāk zem ūdenslīnijas.
- Sūknim jābūt ar īpašu cauri korpusam ejošu fittingu.
- Pēc iespējas izvairieties izmantot 90,00 ° elkoņu veidgabalus.
- Pārliecinieties, ka sūkņa galva ir pagriezta ūdens plūsmas virzienā.
- Izmantojiet teflona lenti visiem vītņotajiem savienojumiem.

Skatīt Specifikācijas lpp. 179 maksimālās un minimālās ūdens temperatūras un spiediena vērtības.

Sālsūdens sistēma



- | | |
|-----------------------------|--|
| 1 Sālsūdens izplūdes atvere | 7 Augšupvērsta ieplūdes plūsma |
| 2 Izplūdes plūsma | 8 Lodvārsts |
| 3 Gaisa kondicionētājs | 9 Vienmērīgas ieplūdes caur korpusu atvere |
| 4 Sālsūdens sūknis | 10 Ūdens līnija |
| 5 Šļūtenu apskavas | 11 Pareiza sūkņa galvas sietfiltra orientācija |
| 6 Sietfiltrs | |

- Pēc iespējas tuvāk ķīlim un pēc iespējas tālāk zem ūdens līnijas uzstādiet sālsūdens vienmērīgas ieplūdes caur korpusu atveri. Piestipriniet vienmērīgas ieplūdes caur korpusu atveri, izmantojot lietojumam zem ūdens paredzētu kuģu hermetizējošo sastāvu.
- Uzstādiet bronzas pilnas plūsmas kingstenu uz sālsūdens vienmērīgas ieplūdes caur korpusu atveres.
- Uzstādiet sālsūdens sietfiltru zem sūkņa līmeņa ar piekļuvi filtram.
- Uzstādiet sūkni virs sietfiltra un vismaz vienu pēdu zem ūdenslīnijas.
- Pievienojiet kingstenu un sietfiltru ar virzienā uz augšu novietotu pastiprinātu kuģu šļūteni.
- Pievienojiet sūkņa izplūdes atveri virzienā uz augšu pie gaisa kondicionētāja kondensatora spoles apakšējās ieplūdes atveres ar pastiprinātu 5/8 collu (0,63 in (16,0 mm)) kuģa šļūteni.
- Pievienojiet kondensatora spoles izplūdes atveri pie izvadīšanas aiz borta detaļas ar cauri korpusam ejošu armatūru ar pastiprinātu 5/8 collu kuģa šļūteni.
- Izvaieties no cilpām, augstām vietām vai 90,00 ° leņķa gabalu izmantošanas kopā ar sālsūdens šļūteni. Katrs 90,00 ° leņķa gabals ir ekvivalents 2,5 ft (0,76 m) (29,92 in (76,00 cm)) šļūtenei, un 90° leņķa gabals pie sūkņa izplūdes atveres ir ekvivalents (20,0 ft (6,10 m) 240,16 in (610,00 cm)) šļūtenei.
- Divkārsī nostipriniet visus šļūtenes savienojumus, izmantojot divas nerūsējošā tērauda apskavas, nepieciešamības gadījumā tās apgriezot otrādi.
- Pievienojiet kuģa zemējuma sistēmai visas metāliskās daļas, kas nonākt saskarē ar sālsūdeni.

7.4 Elektrisko savienojumu izveidošana



BRĪDINĀJUMS! ELEKTRISKĀS STRĀVAS TRIECIENA RISKS.

Pirms savienojumu kārbas atvēršanas vienmēr izslēdziet gaisa kondicionēšanas barošanas avota slēdzi. Šī brīdinājuma neievērošana var izraisīt nāvējošas vai smagas traumas.



NEMIET VĒRĀ!

Gaisa kondicionētājam jābūt pievienotam pie kuģa zemēšanas sistēmas, lai novērstu koroziju nepareizi novirzītas elektriskās strāvas dēļ. Visi sūkņi, metāla vārsti un fittingi sālsūdens ķēdē, kas ir izolēti no gaisa kondicionētāja ar PVH vai gumijas šļūtenēm, ir atsevišķi jāpievieno pie kuģa zemēšanas sistēmas.



PIEZĪME Ja sistēma nav pareizi iezemēta un piesaistīta, sistēmas garantija tiek anulēta.

Visām kondicionēšanas ierīcēm ir plakanspaile, kas atbilstoši marķēta, lai savienojumu kārbā varētu veikt pareizus savienojumus. Vadojuma shēma savienojumu kārbā aizstāj ABYC standartus. Izmantojiet pareiza izmēru slēgiekārtu, lai aizsargātu sistēmu, kā norādīts uz gaisa kondicionēšanas ierīču datu plāksnes marķējuma. Lai nodrošinātu jaudu gaisa kondicionētājam un sālsūdens sūknim, jāizmanto vismaz 12 AWG kuģa kabelis. Veiciet visus savienojumus, izmantojot gredzenveida vai dakšas veida spaiļes.

Veicot elektriskos savienojumus, pievērsiet uzmanību tālāk norādītajam.

- Maiņstrāvas (AC, alternative current) zemējumam jābūt pievienotam ar zemētājspaiļes (GRND, ground) pie maiņstrāvas ieejas spaiļu bloka.
- Savienojumi starp kuģa maiņstrāvas sistēmas zemējumu un kuģa līdzstrāvas (DC, direct current) negatīvo spaiļi vai zemēšanas sistēmu jāveido kā daļa no kuģa elektroinstalācijas. Veicot apkopi vai nomainot esošo aprīkojumu, kam ir uz rāmja uzstādīta zemējuma tapa, pārbaudiet, vai kuģa vadojums ir paredzēts šiem savienojumiem.
- TX gaisa kondicionētāji ir paredzēti darbībai ar maiņstrāvu vai augstsprieguma līdzstrāvu. Pareizu izvietojumu skatiet kuģa vadojuma shēmā.

Pārliecinieties, ka gaisa kondicionētāja maiņstrāvas zemējums ir pareizi savienots ar kuģa maiņstrāvas zemējumu. Paša kuģi pārliecinieties par to, ka maiņstrāvas zemējuma kopne ir savienota ar līdzstrāvas zemējuma kopni tieši vienā vietā.

8 Atkritumu pārstrāde



Ja iespējams, iepakojuma materiālus izmetiet atbilstošos atkritumu šķirošanas konteineros. Informāciju par produkta utilizāciju, ievērojot spēkā esošos atkritumu apsaimniekošanas noteikumus, konsultējieties ar viedojo atkritumu pārstrādes centru vai specializēto izplatītāju.

9 Garantija

Informāciju par garantiju un garantijas atbalstu ASV, Kanādā un visos pārējos reģionos skatiet tālāk esošajās sadaļās.

Amerikas Savienotās Valstis un Kanāda

IEROBEŽOTĀ GARANTĪJA IR PIEEJAMA VIETNĒ
DOMETIC.COM/EN-US/TERMS-AND-CONDITIONS-CONSUMER/WARRANTY.
JA JUMS IR KĀDI JAUTĀJUMI VAI JA VĒLATIES SAŅĒMT BEZMAKSAS IEROBEŽOTĀS
GARANTĪJAS KOPIJU, SAZINIETIES AR:

DOMETIC CORPORATION
MARINE CUSTOMER SUPPORT CENTER
2000 NORTH ANDREWS AVENUE
POMPANO BEACH, FLORIDA, USA 33069
1-800-542-2477

Āzijas un Klusā okeāna (APAC, Asia-Pacific) valstīs

Ja produkts nedarbojas kā paredzēts, sazinieties ar tirgotāju vai ražotāja filiāli savā valstī (skatiet dometic.com/dealer). Jūsu produktam ir spēkā 1 gada garantija.

Nosūtiet ierīci remontam garantijas ietvaros, pievienojiet šādus dokumentus:

- čeka kopiju, kurā norādīts iegādes datums;
- pretenzijas iesniegšanas iemeslu vai bojājuma aprakstu.

Ņemiet vērā, ka pašrocīgi vai neprofesionāli veikts remonts var radīt drošības riskus, un garantija var tikt anulēta.

Tikai Austrālijā

Mūsu precēm ir garantija, kuru nedrīkst izslēgt saskaņā ar Austrālijas patērētāju tiesību normām. Jums ir tiesības uz nomainītu vai naudas atgriešanu par būtiskiem defektiem un uz kompensāciju par citiem pamatotiem paredzamiem zaudējumiem vai bojājumiem. Jums ir arī tiesības pieprasīt preču remontu vai nomainītu, ja preču kvalitāte ir nepieņemama, bet defekti nav uzskatāmi par būtiskiem defektiem.

Tikai Jaunzēlandē

Uz šo garantiju attiecināmi noteikumi un garantijas, kas noteiktas kā obligātas 1993. gada Patērētāju garantiju likumā (NZ).

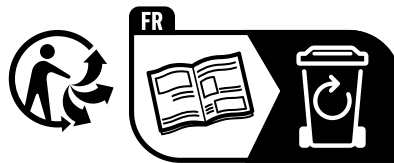
Visi pārējie reģioni

Ir spēkā likumā noteiktais garantijas periods. Produkta bojājumu gadījumā sazinieties ar ražotāja filiāli savā valstī (skatiet dometic.com/dealer) vai tirgotāju.

Nosūtiet ierīci remontam garantijas ietvaros, pievienojiet šādus dokumentus:

- čeka kopiju, kurā norādīts iegādes datums;
- pretenzijas iesniegšanas iemeslu vai bojājuma aprakstu.

Nemiet vērā, ka pašrocīgi vai neprofesionāli veikts remonts var radīt drošības riskus, un garantija var tikt anulēta.



dometic.com

YOUR LOCAL DEALER

dometic.com/dealer

YOUR LOCAL SUPPORT

dometic.com/contact

YOUR LOCAL SALES OFFICE

dometic.com/sales-offices
