



RECORD THIS INFORMATION FOR FUTURE REFERENCE:

FRTA Model Number \_\_\_\_\_  
FRTA Serial Number \_\_\_\_\_  
Hardware Model Number \_\_\_\_\_  
Hardware Serial Number \_\_\_\_\_  
Date Purchased \_\_\_\_\_  
Retailer / Qualified Installer \_\_\_\_\_

**WINDOW AWNING**  
  
**FRTA**  
**FABRIC ROLLER TUBE ASSEMBLY**  
**856(XXXX).(XXXX)-(#)**  
  
**HARDWARE**  
**830757.001(#) TALL**  
**830757.002(#) STANDARD**

**USA**  
SERVICE OFFICE  
Dometic Corporation  
1120 North Main Street  
Elkhart, IN 46514

**CANADA**  
Dometic Corporation  
46 Zatonski, Unit 3  
Brantford, ON N3T 5L8  
CANADA

**SERVICE CENTER &  
DEALER LOCATIONS**  
Please Visit:  
[www.eDometic.com](http://www.eDometic.com)

**⚠ WARNING**  
This manual must be read and understood before installation, adjustment, service, or maintenance is performed. This unit must be installed by a qualified service technician. Modification of this product can be extremely hazardous and could result in personal injury or property damage.

**⚠ AVERTISSEMENT**  
Lire et comprendre ce manuel avant de procéder à l'installation, à des réglages, de l'entretien ou des réparations. L'installation de ce produit doit être effectuée par un réparateur qualifié. Toute modification de ce produit peut être extrêmement dangereuse et entraîner des blessures ou dommages matériels.

**INSTALLATION & OPERATING  
INSTRUCTIONS**

**FRTA**  
**856(XXXX).(XXXX)-(#)**  
  
**HARDWARE**  
**830757.001(#)**  
**830757.002(#)**

**REVISION A**  
Form No. 3313995.000 10/16  
(French 3313996.000\_A)  
©2016 Dometic Corporation  
LaGrange, IN 46761

**Important: These Instructions must stay with unit. Owner read carefully.**

## SAFETY INSTRUCTIONS

This manual has safety information and instructions to help users eliminate or reduce the risk of accidents and injuries.

### RECOGNIZE SAFETY INFORMATION



This is the safety alert symbol. It is used to alert you to personal injury hazards. Obey all safety messages that follow this symbol to avoid possible injury or death.

### UNDERSTAND SIGNAL WORDS

A signal word, when used with the safety alert symbol, will identify a safety hazard and its level of risk for personal injury. A signal word, without the safety alert symbol, will be used for property damage messages only.

**⚠ WARNING** WARNING indicates a hazardous situation which, if not avoided, could result in death or serious injury.

**⚠ CAUTION** CAUTION, used with the safety alert symbol, indicates a hazardous situation which, if not avoided, could result in minor or moderate injury.

**NOTICE** NOTICE is used to address practices not related to personal injury.

**⚠ WARNING**  
Read and follow all safety information and instructions to avoid possible injury or death.

## GENERAL INSTRUCTIONS

### **⚠ WARNING**

**These instructions must be read and understood before installation of this hardware. This hardware must be installed by a Dometic Corporation Service Center or a qualified service technician. Modification of this product can be extremely hazardous and could result in personal injury or property damage.**

#### **Fabric Roller Tube Assembly (FRTA) Hardware:**

- (\*) Awning Rail
- (\*) #6-20 X 1/2" Pan Head Screw
- (\*) Window Strap Hanger
- (\*) #10-12 X 3/4" Sheet Metal Screw
- (\*) 3/16" X 1" Oscar Rivet

\* Quantity varies depending on model number

#### **Hardware Assembly Hardware:**

- (2) 1/4-20 X 3/4" Truss Head Screw
- (4) #10-12 X 3/4" Pan Head Screw
- (4) 3/16" X 1" Oscar Rivet
- (2) #6-20 X .44" Hex Head Self Drilling Screw
- (2) Foot Cover

### **A. Application**

The window awning is designed and intended for use on recreational vehicles and is available in a variety of sizes.

Window awnings can be installed by one person with brief help from additional personnel. Use the following procedure to ensure a properly installed, and properly functioning awning.

Dometic Corporation reserves the right to modify appearances and specifications without notice.

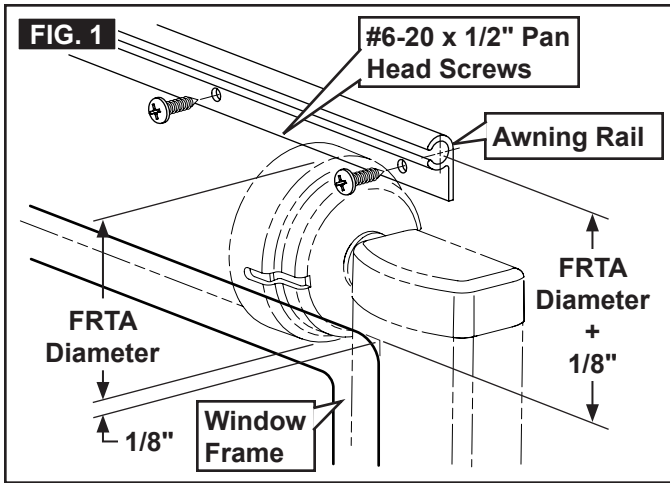
# INSTALLATION INSTRUCTIONS

## A. Install Awning Rail

1. Position awning rail parallel, and centered above top of window approximately the distance of FRTA (fabric roller tube assembly) diameter plus 1/8". See FIG. 1.

**Note:** Awning rail should be mounted with fasteners down for cleaner appearance.

2. Apply sealant behind awning rail, and to the #6-20 x 1/2" pan head screw threads. Then place and tighten screws through awning rail and into solid structure of RV. See FIG. 1.

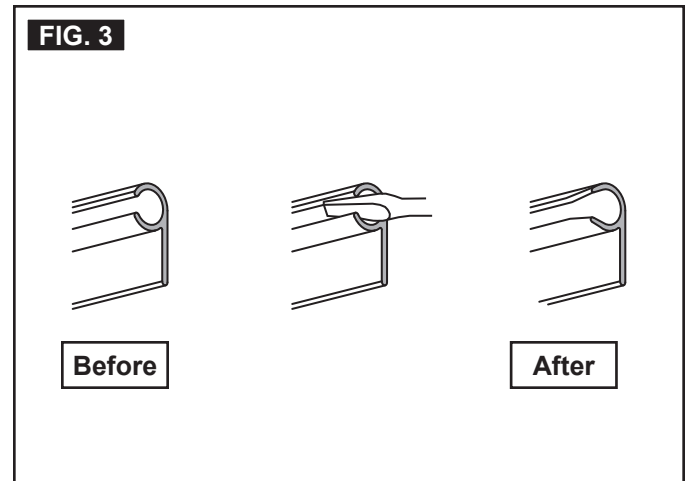


## C. Prepare Awning Rail

### NOTICE

**Make sure awning rail on RV is not warped or curved before installing awning fabric. If awning rail is not straight, awning fabric may wrinkle or stretch.**

1. Select the desired awning rail end (on RV) into which the awning fabric will be fed. Widen that end of the rail with a flat screwdriver, and file off any sharp edges. See FIG. 3.

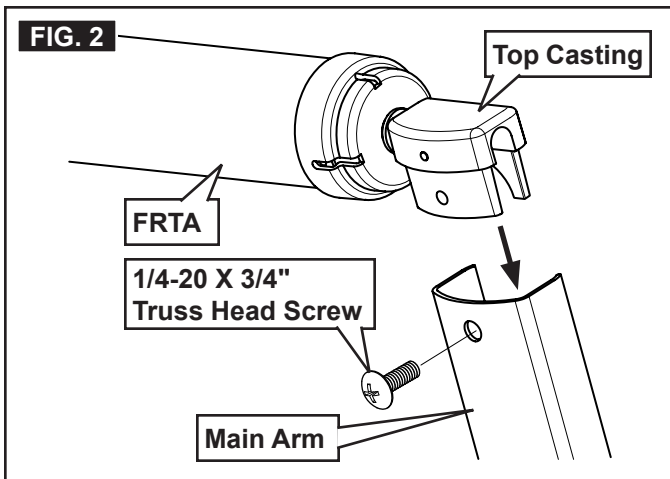


## B. Prepare Hardware Assembly

The awning hardware requires minor preparation before installing on RV.

1. Carefully lay the FRTA on a clean, well padded "V" trough (or other well protected surface) to prevent fabric damage.
2. Secure each main arm assembly to the corresponding top casting using 1/4-20 X 3/4" truss head screws. See FIG. 2.

**Note:** Both main arm assemblies are identical.



2. Unfurl fabric one revolution before installing awning fabric (with awning roller cover, if equipped) into awning rail. See FIG. 3.

**Note:** This will allow enough space between side wall and awning hardware to guide awning fabric into awning rail.

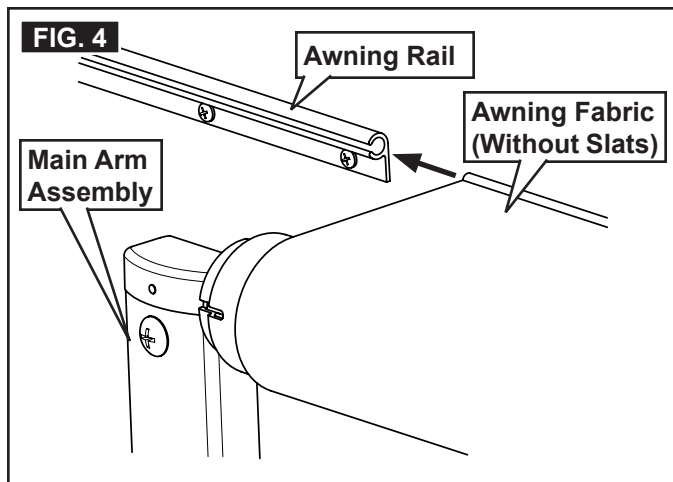
**Important:** Do not unfurl more than one revolution of fabric. If too much fabric is unfurled before releasing preset tension, there will NOT be enough torsion to completely return awning to stowed (closed) position.

## D. Install Awning Fabric

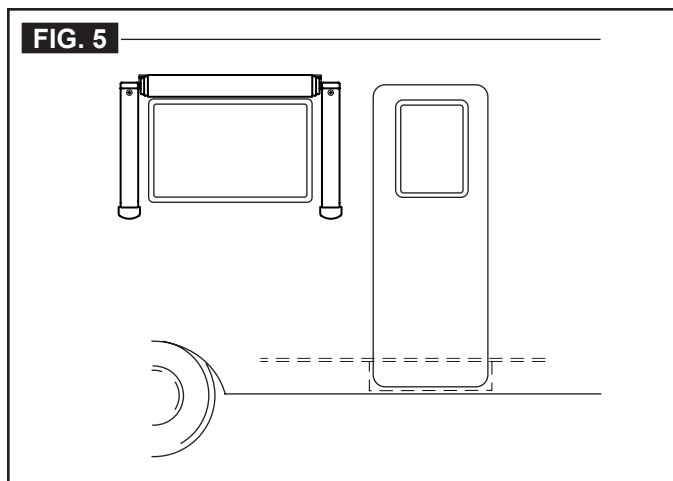
### NOTICE

Keep both arm assemblies parallel to each other to avoid twisting, which could cause property damage.

1. Carefully lift the entire window awning with attached main arm assemblies, and carry to prepared awning rail end. See FIG. 4.
2. One person is needed to guide the awning fabric (with awning roller cover, if equipped) into the awning rail (a stepladder may be necessary), while other person(s) moves (carries) the awning hardware assembly to desired position. See FIG. 4.



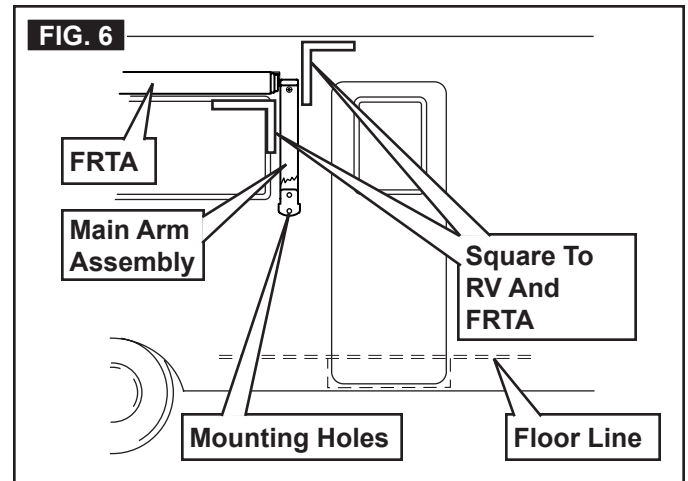
3. After awning fabric has been threaded into awning rail, check to make sure its position allows for solid mounting of the foot bracket, and that main arm assemblies are in desired location (not restricting use of doors, windows, etc.). See FIG. 5.



## E. Install Foot Brackets And Release Preset Tension

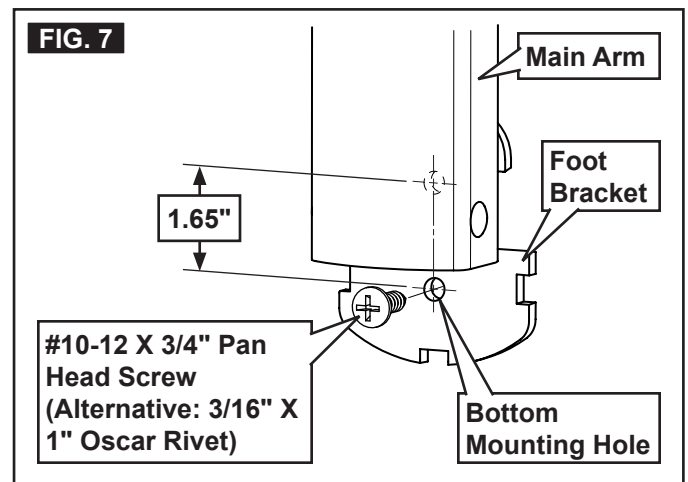
1. Verify location of awning. See FIG. 5.
  - a. Make sure awning is centered over window. Avoid location that interferes with doors, windows, etc.
  - b. Find (preferably) a solid structure in RV wall for support of foot brackets.
2. While keeping FRTA level with awning rail, square main arm assembly to RV and FRTA. See FIG. 6.

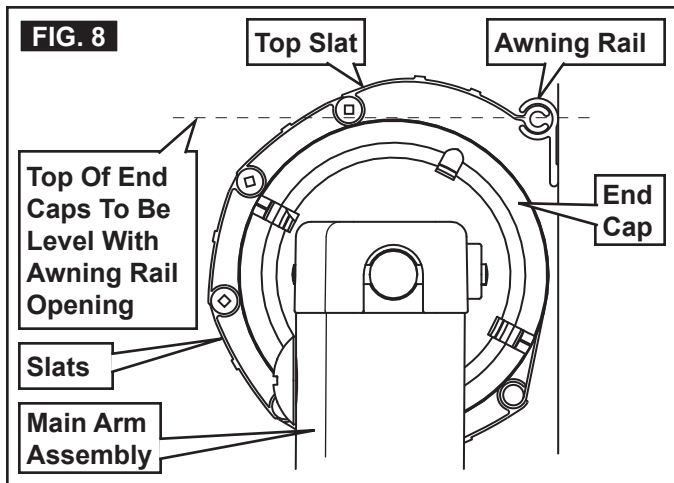
**Note:** Measuring from the window frame is acceptable.



3. Use foot brackets to mark bottom mounting hole locations. See FIG. 6 and 7.

**Important:** Position foot brackets so top of end caps are level with the opening of awning rail. This will allow awning shield slats (if equipped) to wrap tightly around fabric roller tube. See FIG. 8.





4. Measure 1.65" directly above bottom mounting hole locations to mark top mounting hole locations for foot brackets. See FIG. 7.
5. Drill holes through marked hole locations and (preferably) into solid structure of RV.
  - a. For solid structure:  
Drill 1/8" diameter holes.
  - b. For RV skin (sheet metal) only:  
Drill 0.206" diameter holes (using #5 drill).
6. Replace foot brackets and align its bottom mounting holes to the pre-drilled holes in RV.

### NOTICE

**Main arm assemblies must be controlled while foot brackets are installed. When weight of FRTA is not supported, downward force could cause main arm assemblies to swing sideways and damage RV wall. To help prevent water leakage, always use sealant where fasteners enter RV's side wall.**

7. Attach foot bracket (preferably) to solid structure of RV. See FIG. 7.
  - a. For solid structure:  
Apply sealant to one #10-12 X 3/4" pan head screw (threads). Then place and tighten screw through bottom mounting hole of foot bracket and into solid structure of RV.
  - b. For RV skin (sheet metal) only:  
Apply sealant to one 3/16" X 1" oscar rivet. Then place rivet through bottom mounting hole of foot bracket and into RV skin (sheet metal).

**Important: Make sure main arm assemblies are completely closed before tightening bottom screw (or securing bottom oscar rivet). This will help in the overall alignment of awning.**

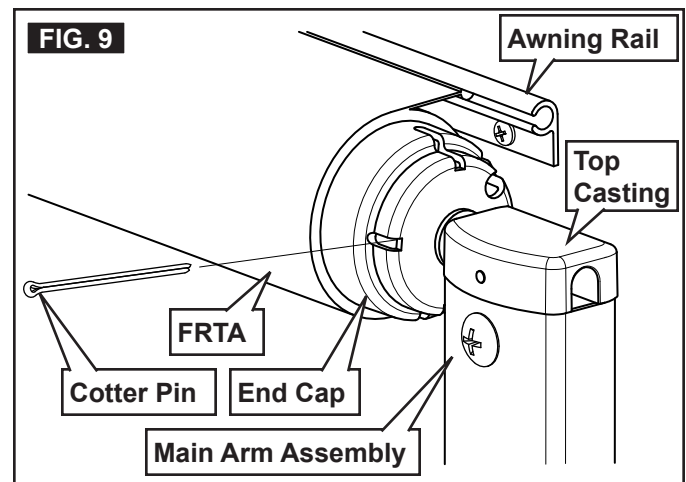
8. Repeat step "7" for opposite side.

### WARNING

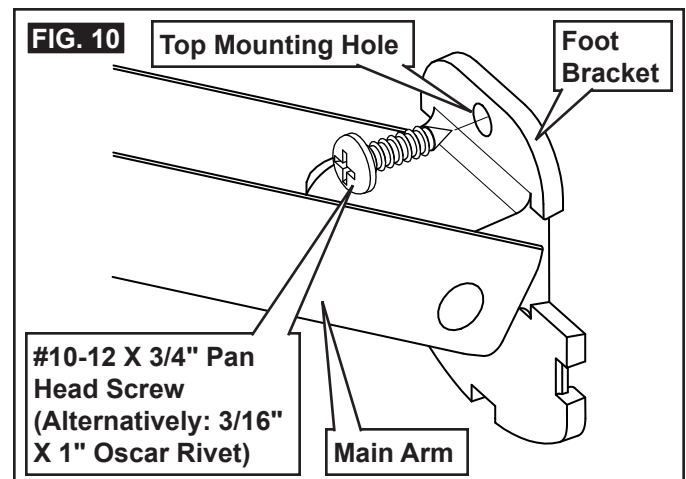
**IMPACT OR PINCH HAZARD.** Do not remove cotter pin from end cap until top casting is secured to main arm assembly. Otherwise, rapid casting spin off will occur if cotter pin is removed from torsion rod (at end caps). Spring tension will attempt to spin the hardware and/or fabric roller tube quickly and unexpectedly. Failure to obey this warning could result in death, serious injury, or property damage.

9. Straighten, remove, and discard cotter pin from end of torsion rod (end cap). See FIG. 9.

**Note:** Removing cotter pins will release the factory preset tension. To facilitate removal, you may need to twist the fabric roller tube (as if unrolling awning) by pulling the bottom of tube toward you while pulling on cotter pin.



10. Repeat step "9" for opposite side.
11. Pull on pull strap to open awning far enough to access top mounting hole on foot bracket. See FIG. 10.

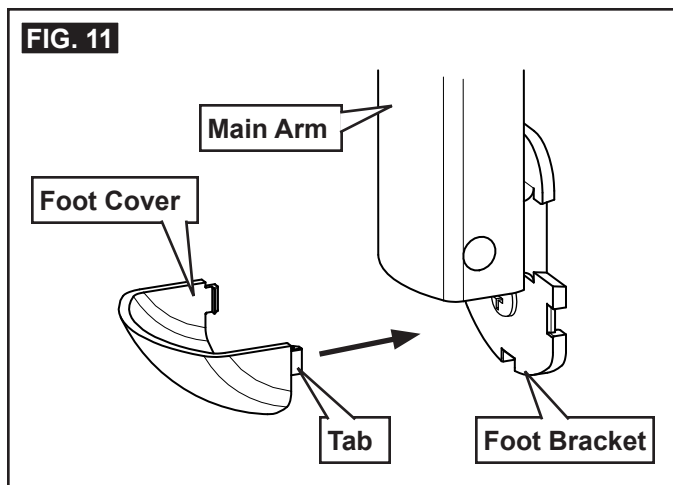


12. Verify FRTA is still level with awning rail, and main arm assembly is still square to RV and FRTA. See FIG. 6.
13. Secure foot bracket (preferably) to solid structure of RV. See FIG. 10.
  - a. For solid structure:  
Apply sealant to one #10-12 X 3/4" pan head screw (threads). Then place and tighten screw through top mounting hole of foot bracket and into solid structure of RV.
  - b. For RV skin (sheet metal) only:  
Apply sealant to one 3/16" X 1" oscar rivet. Then place rivet through top mounting hole of foot bracket and into RV skin (sheet metal).

14. Repeat steps "12" through "13" for opposite side.
15. While holding pull strap loop, carefully and slowly allow awning to roll up.

**Note:** The awning should now rest snugly against RV side. If it does not, the torsion spring tension may have been released prior to installation, or too much awning fabric may have been unfurled before threading through awning rail. See "Winding Torsions" section to reapply tension.

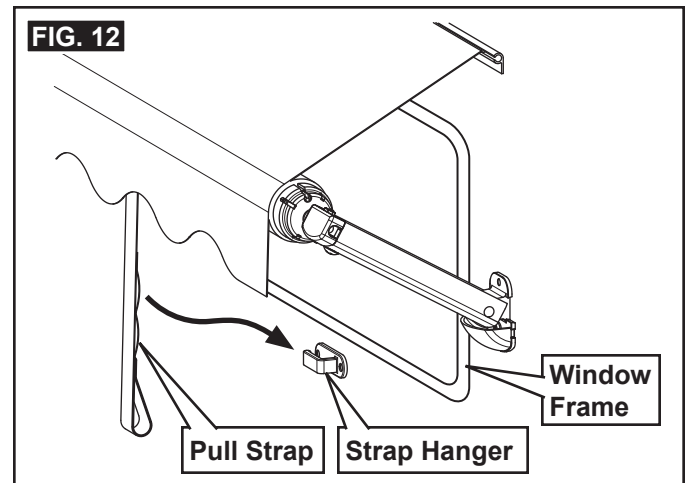
16. Align foot cover to foot bracket, and press onto bracket until the three tabs are fully engaged. See FIG. 11.
17. Repeat step "16" for opposite side.



## F. Install Strap Hanger

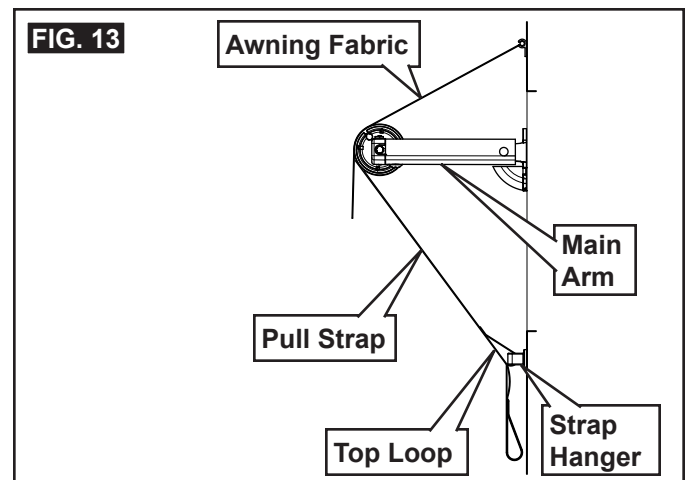
1. Open awning to its full extension by pulling down on pull strap.
2. Center pull strap on awning, then move loop of pull strap toward RV and under window frame to locate placement of strap hanger. See FIG. 12.

**Note:** If awning is equipped with two pull straps, space them equally along length of FRTA (divide length of FRTA by three).



3. Locate strap hanger(s) so that the top loop of pull strap is engaged on strap hanger. This will allow for minor height adjustment of awning. See FIG. 13.

**Important:** Make sure awning is pulled taut by pull strap when positioning strap hanger(s).



4. Using the strap hanger as a template, mark the strap hanger's position and hole locations.

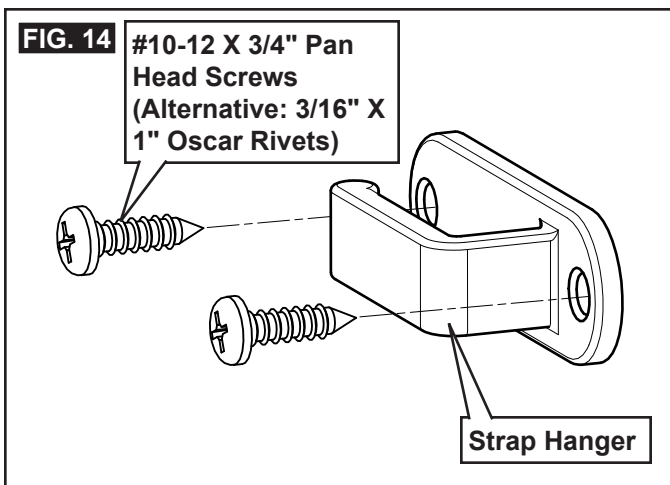
## NOTICE

To help prevent water leakage, always use sealant where fasteners enter RV's side wall.

5. Secure strap hanger(s) (preferably) to solid structure of RV. See FIG. 14.
  - a. For solid structure:

Apply sealant to #10-12 X 3/4" pan head screws (threads). Then place and tighten screws through strap hanger and into solid structure of RV.
  - b. For RV skin (sheet metal) only:

Apply sealant to 3/16" X 1" oscar rivets. Then place rivets through strap hanger and into RV skin (sheet metal).



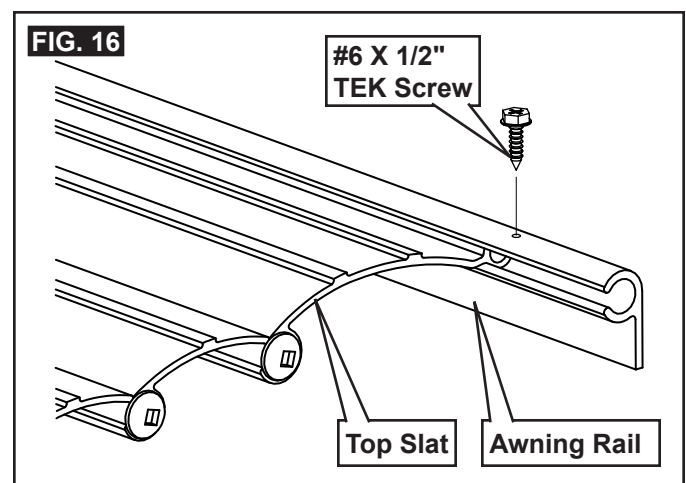
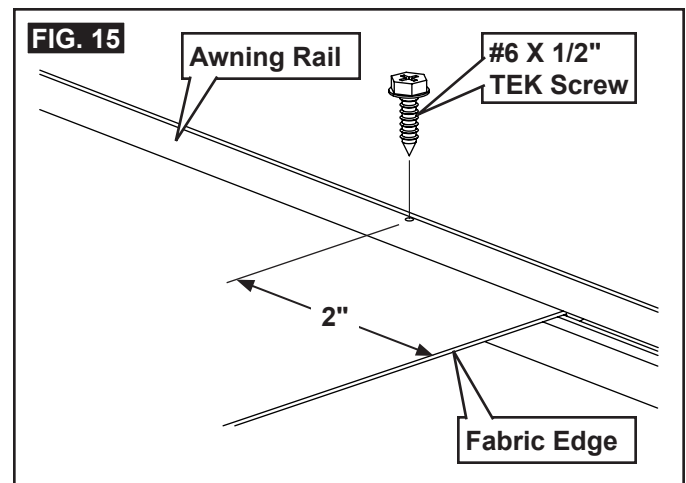
## G. Secure Awning Fabric To Awning Rail

1. Open and close awning four or five times to allow natural self adjustment of awning fabric.
2. Verify alignment of awning fabric.
  - a. If there is a misalignment, adjust main arm assemblies by loosening the foot bracket's bottom screw and move foot bracket accordingly.

**Note:** If foot bracket is secured with oscar rivets, the bottom rivet may need to be drilled out (and a new one installed) to correct misalignment.

- b. Cycle the awning again to check alignment.
3. Ensure the main arm assemblies are still aligned properly, then secure awning fabric by installing a #6 X 1/2" TEK screw on each end of awning rail (approximately 2" from fabric edge). See FIG. 15.

**Note:** For awnings with metal slats, the #6 X 1/2" TEK screw will need to be installed immediately next to metal hinge on each end of awning rail. See FIG. 16.



## WINDING TORSIONS

This section is not part of the normal installation procedure for this awning. Winding torsions are not necessary unless torsion spring tension has been released, or is weak.

**Note:** Wind one torsion (side) at a time.

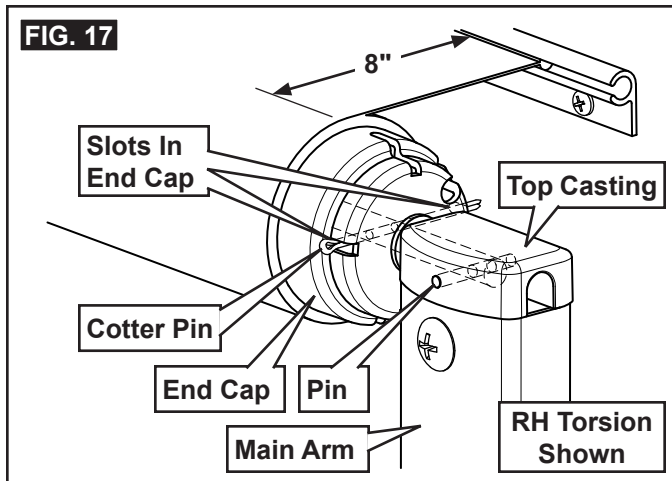
### A. Unwind Torsion (Remove Spring Tension)

#### **⚠ WARNING**

**IMPACT OR PINCH HAZARD.** Do not remove top casting from main arm until torsion (rod) is securely pinned at end cap. Otherwise, rapid casting spin off will occur.

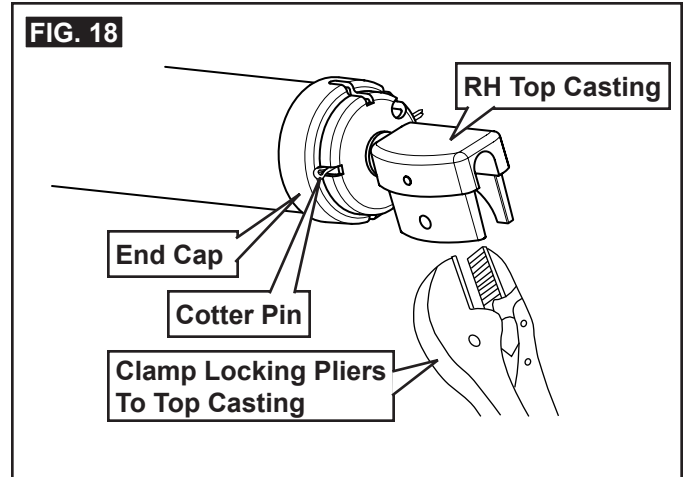
Spring tension will attempt to spin the top casting and/or fabric roller tube quickly and unexpectedly. Failure to obey this warning could result in death, serious injury, or property damage.

1. Turn FRTA until approximately 8" of awning fabric is unfurled, then continue until pin (in top casting) is parallel with the two slots in end cap. See FIG. 17.



2. Insert a 7/64" x 2 3/4" coter pin through the end cap and torsion rod. Put a piece of tape over the head of the coter pin to prevent it from dropping out. See FIG. 17.
3. Remove the #10-12 X 3/4" truss head screw that attaches main arm to top casting. Then lift top casting out of main arm. See FIG. 2.

4. Clamp locking pliers firmly to top casting. See FIG. 18.



#### **⚠ WARNING**

**IMPACT OR PINCH HAZARD.** Do not remove coter pin from end cap until top casting is securely held.

Use extreme care when unwinding the top casting. If not controlled, rapid casting spin off will occur.

Spring tension will attempt to spin the top casting and/or fabric roller tube quickly and unexpectedly. Failure to obey these warnings could result in death, serious injury, or property damage.

5. While keeping a firm hold on locking pliers, pull coter pin out from end cap. See FIG. 18.
6. Slowly unwind top casting until all torsion spring tension is removed. See FIG. 18.

**Important:** Complete next section before repeating steps for opposite side. See "Wind Torsion" section.



## B. Wind Torsion (Reapply Spring Tension)

1. Clamp locking pliers firmly to top casting. See FIG. 18.

### **⚠ WARNING**

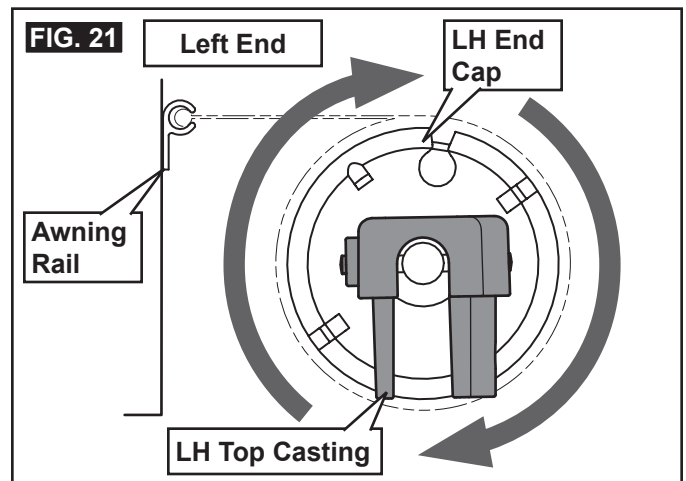
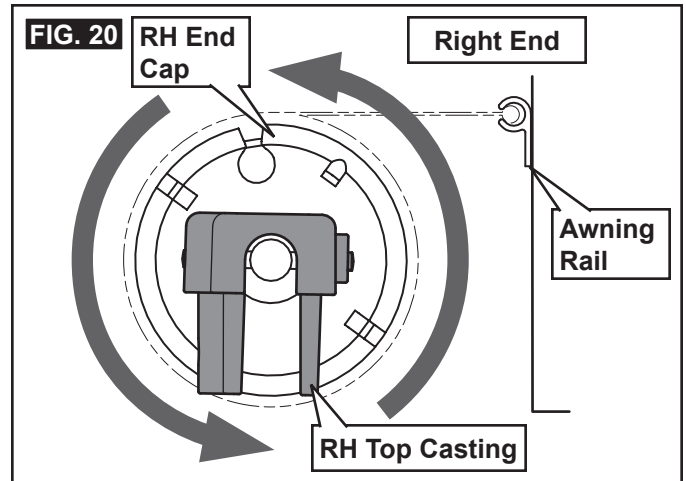
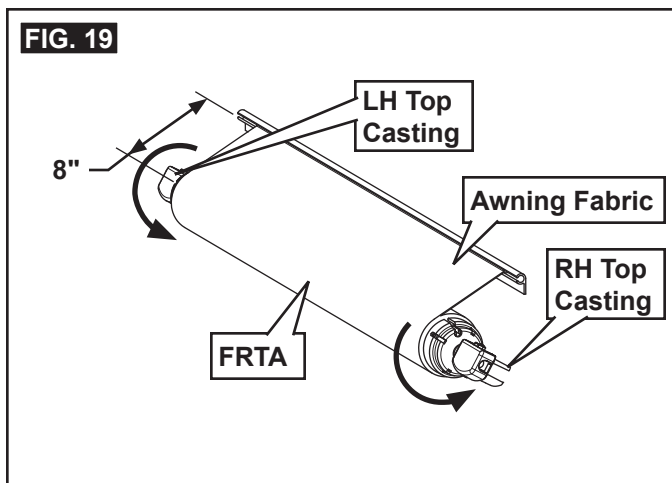
**IMPACT OR PINCH HAZARD.** Use extreme care when winding top casting. If not controlled, rapid casting spin off will occur. Spring tension will attempt to spin the top casting and/or fabric roller tube quickly and unexpectedly. Failure to obey this warning could result in death, serious injury, or property damage.

2. While keeping a firm hold on locking pliers (and FRTA), slowly wind (turn) top casting according to size chart below. Turn RH top casting counter-clockwise, and LH top casting clockwise. See FIG. 19, 20, and 21.

**Note:** Start with the locking pliers in the six o'clock position (top casting vertical).

<b>Awning Size:</b>	30" - 48"	54"	60"	66" - 84"
<b># Turns:</b>	10	11	12	13

<b>Awning Size:</b>	90" - 123"	126" - 144"	156" - 192"
<b># Turns:</b>	14	15	17



3. Turn FRTA until pin is parallel with the two slots in end cap. See FIG. 17.
4. Insert a 7/64" x 2 3/4" cotter pin through the end cap and torsion rod. Put a piece of tape over the head of the cotter pin to prevent it from dropping out. See FIG. 17.
5. Unclamp locking pliers from top casting and insert into main arm. Replace #10-12 X 3/4" truss head screw and tighten. See FIG. 2.

## C. Repeat Procedure For Opposite Torsion

1. Unwind torsion for opposite side. See "Unwind Torsion" section for instructions.
2. Wind torsion for opposite side. See "Wind Torsion" section for instructions.
3. While keeping a firm hold on FRTA, remove and discard cotter pins from end of torsion rods (both end caps). See FIG. 9.
4. Cycle awning to verify correct operation.

# OPERATING INSTRUCTIONS

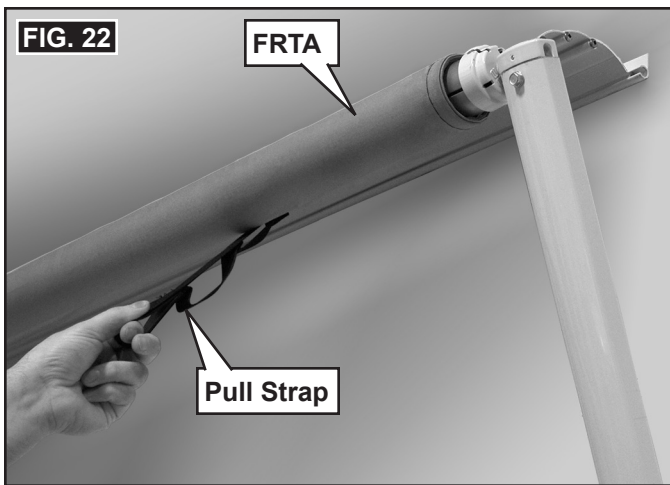
## A. Open Awning

### **⚠ CAUTION**

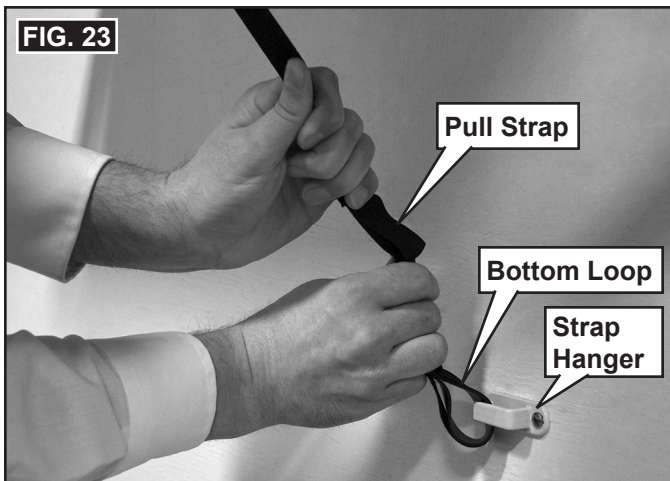
**IMPACT OR PINCH HAZARD.** Hold pull strap firmly before attempting to pull awning open. The fabric roller tube is under spring tension, which will attempt to close the awning quickly and unexpectedly. Failure to obey this warning could result in injury, and property damage.

1. Grasp pull strap firmly and pull until awning unfurls to its fully extended position. See FIG. 22.

**Note:** If pull strap is beyond reach by hand, hook pull rod into pull strap loop then pull.



2. Hook pull strap's bottom loop onto strap hanger, then carefully and slowly allow awning to roll up until pull strap is taut. See FIG. 23.



## B. Adjust Awning Slope (If Desired)

The pull strap's bottom loop will hold the awning's FRTA in the highest (normal) position, and results in the shallowest pitch (slope) setting. If a greater pitch (slope) is desired, the awning's FRTA will have to be lowered.

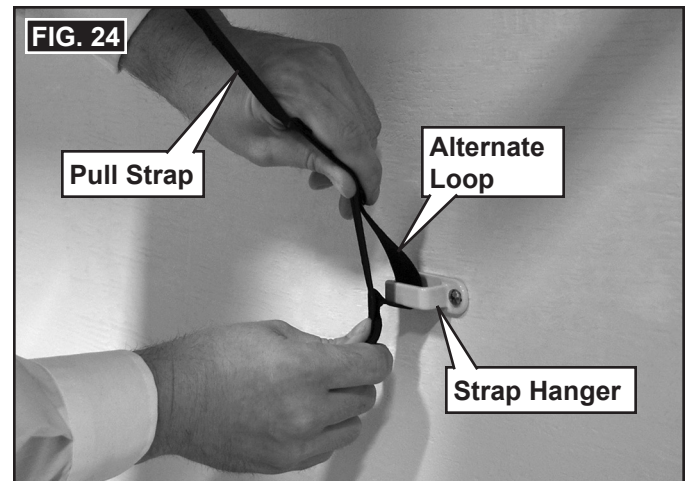
To lower FRTA:

### **⚠ CAUTION**

**IMPACT OR PINCH HAZARD.** Hold pull strap firmly before removing from strap hanger. The fabric roller tube is under spring tension, which will attempt to close the awning quickly and unexpectedly. Failure to obey this warning could result in injury, and property damage.

1. Grasp pull strap firmly, then remove from strap hanger(s) (if awning is already extended). See FIG. 23.
2. Hook one of the pull strap's alternate (top or middle) loop onto strap hanger(s). Slowly allow awning to roll back until pull strap is taut. See FIG. 24.

**Note:** The pull strap's top loop will lower the awning's FRTA to the lowest position, providing the greatest pitch (slope).



### C. Close Awning

#### **⚠ CAUTION**

**IMPACT OR PINCH HAZARD.** Hold pull strap firmly before removing from strap hanger. The fabric roller tube is under spring tension, which will attempt to close the awning quickly and unexpectedly. Failure to obey this warning could result in injury, and property damage.

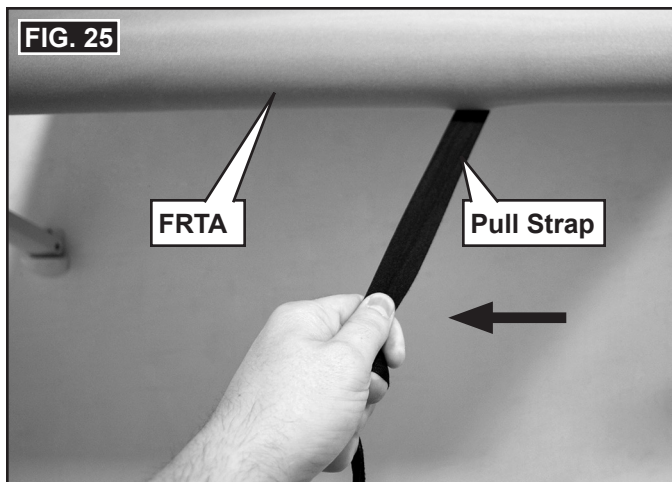
1. Grasp pull strap firmly, then remove from strap hanger. See FIG. 23.

#### **NOTICE**

**Move pull strap diagonally (to left or right) as the awning rolls up. Failure to obey this notice could cause awning fabric to bunch up, or cause a bulge to form and permanently stretch the fabric.**

2. Carefully and slowly allow awning to roll up. See FIG. 25.

**Note:** If awning rail is beyond reach by hand, hook pull rod into pull strap loop before rolling up.



### D. General Care And Use

#### **⚠ WARNING**

**IMPACT OR CRUSH HAZARD.** Never leave an open awning unattended. Keep the awning stowed (closed) when snow, heavy rain, wind, and severe weather conditions are expected. Do not allow water to pool, snow to accumulate, or heavy debris on awning fabric. Do not hang or place anything on awning. This will make the awning unstable, and could cause it to bend or collapse.

**Failure to obey these warnings could result in death or serious injury.**

1. When heavy rain and/or wind conditions are expected, retract awning and place in stowed (closed) position.
2. Apply silicone spray lubricant as needed to keep the fabric roller tube assembly's moving parts operating smoothly.

#### **⚠ WARNING**

**FIRE HAZARD.** Keep barbecue grills and fire away from awning. Failure to obey this warning could cause smoke damage, or a fire resulting in death or serious injury.

#### **NOTICE**

**Do not use insecticides or other sprays near awning fabric, which could cause stains and adversely affect the fabric's ability to repel water.**

3. Do not expose awning to adverse environmental conditions, corrosive agents, or other harmful conditions.

#### **NOTICE**

**Never roll up awning for storage when wet. The combination of moisture and dirt could result in mildew, discoloration, and stains.**

4. If it is necessary to roll up awning while it's wet, make sure you roll it out and let it dry (as soon as conditions allow) before rolling it up again.

### **NOTICE**

**Do not allow dirt, leaves, or other debris to accumulate on awning, which could cause abrasion and stains.**

**Mildew could grow on dirt and organic debris causing permanent discoloration, stains, and odors to awning fabric.**

5. Periodically clean awning fabric.

### **E. Vinyl Fabric Care**

Vinyl fabric offers the advantage of durability and water resistance.

1. To clean:
  - a. Mix 1/4 cup dish soap and 1/4 cup bleach to five gallons of fresh water.

### **NOTICE**

**Avoid using caustic household cleaners, mildew removers, or hard bristle brushes.**

- b. Soap the open awning with this solution, then let stand for five minutes.

### **NOTICE**

**Make sure you completely remove solution from awning fabric. Bleach will degrade vinyl awning fabric if not completely rinsed off.**

- c. Thoroughly hose off top and bottom of fabric with clean water.
    - d. Repeat as necessary to completely remove solution, and allow awning to dry thoroughly before stowing (rolling up).
  2. To repair a pinhole, or if a spot of coating flakes off from the top layer of vinyl:
    - a. Apply a very small dab of VLP (Vinyl Liquid Patch) on the tip of a cotton swab.
    - b. Gently roll the cotton swab around the pinhole. The VLP will melt the coating (on the fabric) and that will quickly fill in the pinhole with a perfect match.
    - c. Wait until the VLP (Dometic P/N 143498) fully cures before rolling up the awning.

### **F. Woven Fabric Care**

In addition to its beauty and soft translucence, woven fabrics offer the advantage of strength and breathability. It is also water repellent. However, since it is a woven cloth, it is not water proof.

1. Avoid touching underside of canopy when it is wet. To do so will break the surface tension of the water and encourage seepage through fabric.
2. Because woven fabric has a much lighter weight than vinyl, shifting may occur if awning and pull strap are not centrally aligned with fabric roller tube while awning is being rolled up. If necessary, roll the awning out and adjust the alignment.

### **NOTICE**

**Do not use detergent to wash woven fabric. Detergent may leave a residue that will attract dirt and allow fabric to absorb water, which could result in leaks, mildew, discoloration, and stains.**

**Do not scrub awning fabric. Scrubbing could remove the water repellent and may require its reapplication.**

3. To clean:
    - a. Periodically hose off the awning fabric with clean water, and allow to dry thoroughly before stowing (rolling up).

### **G. When To Get More Help**

1. If malfunctions occur that cannot be corrected by reviewing these instructions, contact a qualified Dometic service technician.