

↗ DOMETIC REFRIGERATION HIPRO



A30, A40, C40, C60, N30, N40

EN	Minibar Operating manual.....	3
AR	ثلاجة صغيرة دليل التشغيل.....	19
HE	מיני-בר הוראות הפעלה.....	33

Copyright

© 2024 Dometic Group. The visual appearance of the contents of this manual is protected by copyright and design law. The underlying technical design and the products contained herein may be protected by design, patent or pending patent. The trademarks mentioned in this manual belong to Dometic Sweden AB. All rights are reserved.

English

1	Important notes.....	3
2	Explanation of symbols.....	3
3	Safety instructions.....	4
4	Accessories.....	6
5	Intended use.....	6
6	Technical description.....	6
7	Operation.....	10
8	Cleaning.....	13
9	Troubleshooting.....	14
10	Disposal.....	16
11	Warranty.....	16
12	Technical data.....	16

1 Important notes

Please read these instructions carefully and follow all instructions, guidelines, and warnings included in this product manual in order to ensure that you install, use, and maintain the product properly at all times. These instructions **MUST** stay with this product.

By using the product, you hereby confirm that you have read all instructions, guidelines, and warnings carefully and that you understand and agree to abide by the terms and conditions as set forth herein. You agree to use this product only for the intended purpose and application and in accordance with the instructions, guidelines, and warnings as set forth in this product manual as well as in accordance with all applicable laws and regulations. A failure to read and follow the instructions and warnings set forth herein may result in an injury to yourself and others, damage to your product or damage to other property in the vicinity. This product manual, including the instructions, guidelines, and warnings, and related documentation, may be subject to changes and updates. For up-to-date product information, please visit documents.dometic.com.

2 Explanation of symbols

A signal word will identify safety messages and property damage messages, and also will indicate the degree or level of hazard seriousness.



DANGER!

Indicates a hazardous situation that, if not avoided, will result in death or serious injury.



WARNING!

Indicates a hazardous situation that, if not avoided, could result in death or serious injury.



CAUTION!

Indicates a hazardous situation that, if not avoided, could result in minor or moderate injury.



NOTICE!

Indicates a situation that, if not avoided, can result in property damage.



NOTE Supplementary information for operating the product.

3 Safety instructions

General safety



WARNING! Electrocutation hazard

- > Ensure that the minibar has been installed by a qualified technician in accordance with the Dometic installation manual.
- > Do not operate the minibar if it is visibly damaged.
- > If this minibar's power cable is damaged, it must be replaced by the manufacturer, a service agent or a similarly qualified person in order to prevent safety hazards.
- > This minibar may only be repaired by qualified personnel. Inadequate repairs may cause serious hazards.
- > When positioning the minibar, ensure the supply cord is not trapped or damaged.
- > Do not locate multiple portable socket-outlets or portable power supplies at the rear of the device.
- > Plug the device to sockets that ensure proper connection especially when the device needs to be grounded.



WARNING! Fire hazard

- > The refrigerant in the refrigerant circuit is highly flammable and in the event of a leakage combustible gases could build up if the appliance is in a small room. In the event of any damage to the refrigerant circuit:
 - Keep naked flames and potential ignition sources away from the minibar.
 - Ventilate the room well.
 - Switch off the minibar.
- > **For minibars with R600a refrigerant:**
 - The refrigeration circuit contains a small quantity of an environmentally friendly but flammable refrigerant. It does not damage the ozone layer and does not increase the greenhouse effect. Any leaking refrigerant may ignite.
 - Do not use or store the minibar in confined spaces with none or minimal air flow.
 - Keep the installation recess for the minibar free of any electrical components and light sources which during normal or abnormal operation produce sparks or arcs (i.e. relays or fuse boxes).
- > Keep the ventilation openings on the device housing or in installations free of obstructions.
- > Do not use any mechanical objects or other means to speed up the defrosting process, other than those recommended by the manufacturer.
- > Do not open or damage the refrigerant circuit.
- > Do not use electrical devices inside the minibar unless they are recommended by the manufacturer for that purpose.



WARNING! Explosion hazard

Do not store any explosive substances, such as spray cans with propellants, in the minibar.



WARNING! Health hazard

- > **For versions with absorption cooling:** Never open the absorber unit. It is under high pressure and can cause injury if it is opened.
- > This device can be used by children aged from 8 years and above and persons with reduced physical, sensory or mental capabilities or lack of experience and knowledge if they have been given supervision or instruction concerning use of the device in a safe way and understand the hazards involved.

- > This device is not intended for use by persons (including children) with reduced physical, sensory or mental capabilities, or lack of experience and knowledge, unless they have been given supervision or instruction concerning use of the device by a person responsible for their safety.
- > Children must be supervised to ensure that they do not play with the minibar.
- > Cleaning and user maintenance may not be carried out by unsupervised children.
- > Children aged from 3 to 8 years are allowed to load and unload the minibar.

**CAUTION! Risk of crushing**

Do not put your fingers into the hinge.

**CAUTION! Health hazard**

Foodstuff may only be stored in its original packaging or in suitable containers.

**NOTICE! Damage hazard**

- > Check that the voltage specification on the data plate is the same as that of the power supply.
- > Insufficient air flow results in a shortened lifespan and a reduced cooling performance. Observe the minimum spacings when installing the minibar to furniture (refer to the installation manual).
- > The insulation of the cooling device contains flammable cyclopentane and requires special disposal procedures. Deliver the cooling device at the end of its life-cycle to an appropriate recycling center.
- > Keep the condensate drain clean at all times.
- > Only carry the minibar upright.

Operating the device safely**DANGER! Electrocutation hazard**

Do not touch exposed cables with your bare hands.

**CAUTION! Electrocutation hazard**

Before starting the minibar, ensure that the power supply line and the plug are dry.

**CAUTION! Health hazard**

- > Ensure only to put items in the minibar which may be chilled at the selected temperature.
- > Food may only be stored in its original packaging or in suitable containers.
- > Opening the door for long periods can cause significant increase of the temperature in the compartments of the minibar.
- > Clean regularly surfaces that can come in contact with food and accessible drainage systems.
- > If the minibar is left empty for long periods:
 - Switch off the minibar.
 - Defrost the minibar.
 - Clean and dry the minibar.
 - Leave the door open to prevent mold developing within the minibar.

**NOTICE! Damage hazard**

- > Do not place the minibar near naked flames or other heat sources (heaters, direct sunlight, gas ovens etc.).
- > Ensure that the ventilation vents are not covered.
- > Never immerse the minibar in water.

- > Protect the minibar and the cable against heat and moisture.
- > Ensure that foodstuffs do not touch the walls of the cooling area.

4 Accessories

Designation	Explanation
WiFi	For monitoring and controlling the minibar via WiFi using an app
Locks with keys	For lockable versions

5 Intended use

The refrigeration appliance (also referred to as minibar) is intended for cooling and storing beverages and food in closed containers.

The minibar is designed for operation on cruise liners or to be used in household and similar applications such as:

- Staff kitchens in stores, offices and other working environments
- Farmhouses
- Hotels, motels and other residential type environments
- Bed and breakfast type environments
- Catering and similar non-retail applications

The minibar is **not** designed for installation in caravans or motor homes.

The minibar is suitable either as a built-in appliance or as a freestanding refrigeration appliance. Refer to the installation instructions.

The minibar is **not** suitable for

- Storage of corrosive, caustic or solvent-containing substances
- Storage of fresh foods and medicine
- Deep-freezing of foodstuff

This product is only suitable for the intended purpose and application in accordance with these instructions.

This manual provides information that is necessary for proper installation and/or operation of the product. Poor installation and/or improper operation or maintenance will result in unsatisfactory performance and a possible failure.

The manufacturer accepts no liability for any injury or damage to the product resulting from:

- Incorrect installation, assembly or connection, including excess voltage
- Incorrect maintenance or use of spare parts other than original spare parts provided by the manufacturer
- Alterations to the product without express permission from the manufacturer
- Use for purposes other than those described in this manual

Dometic reserves the right to change product appearance and product specifications.

6 Technical description

The minibars are available with different cooling techniques:

- Absorption cooling: A30S1, A30S2, A30P1, A30P2, A30G1, A30G2, A40S1, A40S2, A40P1, A40P2, A40G1, A40G2

- Compressor cooling: C40S1, C40S2, C40P1, C40P2, C40G1, C40G2, C60S1, C60S2, C60G1, C60G2
- Thermoelectric cooling: N30S1, N30S2, N30P1, N30P2, N30G1, N30G2, N40S1, N40S2, N40P1, N40P2, N40G1, N40G2

All materials used are compatible for use with foodstuffs. The refrigerant circuit is maintenance-free.

The minibar has depending on the version one or two shelves and one or two door racks. There is a door rack intended for bottles. A 1.5 l bottle can be stored in the door rack for bottles. If the second door rack is available it is intended for smaller bottles or snacks.

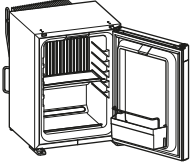
As an option, the minibar can be equipped with an integrated WiFi function hence controllable using an app.

The minibar can be featured with a lock.

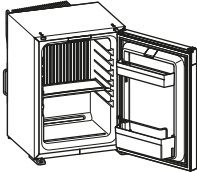
Operating elements of the minibar

1

A30S1, A30P1, A30G1

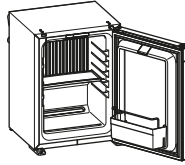


A40S1, A40P1, A40G1

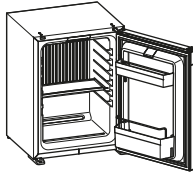


Alpha

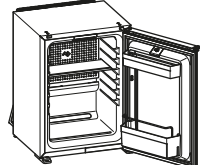
N30S1, N30P1, N30G1



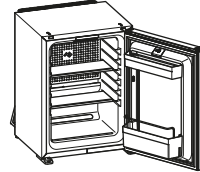
N40S1, N40P1, N40G1



C40S1, C40P1, C40G1

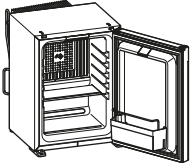


C60S1, C60G1

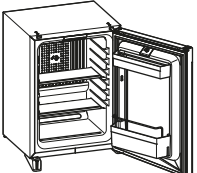


Evolution

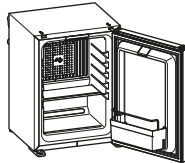
A30S2, A30P2, A30G2



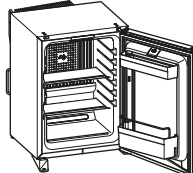
A40S2, A40P2, A40G2



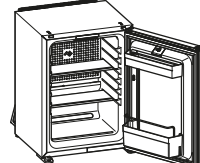
N30S2, N30P2, N30G2



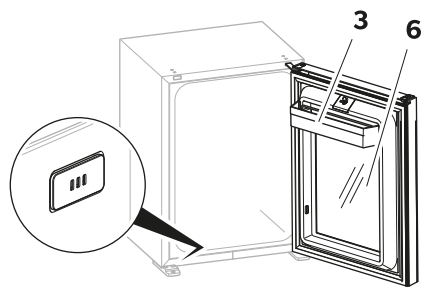
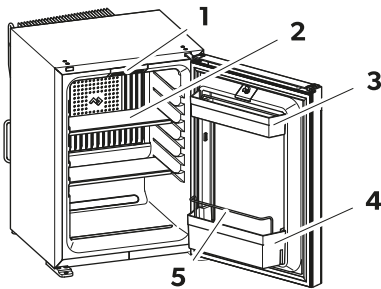
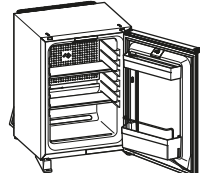
N40S2, N40P2, N40G2



C40S2, C40P2, C40G2

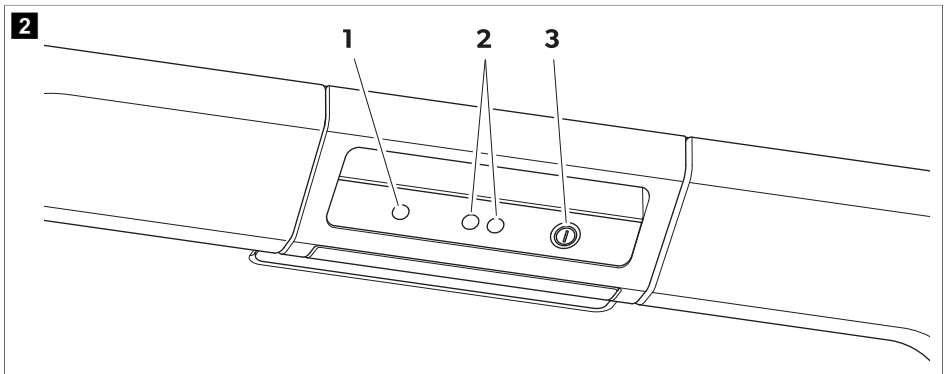


C60S2, C60G2



No. in Fig. 1 on page 8	Explanation
1	Interior light and control element
2	1 Shelf 2 Shelves (A40S2, A40P2, A40G2, C40S2, C40P2, C40G2, C60S2, C60G2, N40S2, N40P2, N40G2)
3	Upper door rack (for A40S1, A40S2, A40P1, A40P2, C40S1, C40S2, C40P1, C40P2, C60S1, C60S2, C60G1, C60G2, N40S1, N40S2, N40P1, N40P2)
4	Lower door rack
5	Bottle holder door (optional)
6	Glass door (optional)
-	Bottom interior light (optional)

Operating panel



No.	Explanation
1	Indicator LED
2	Infrared door sensor
3	⏻ button Switching the minibar on and off Entering the temperature setting Entering the silent mode (only for C40 and C60 with compressor cooling)

Indicator LED

Color	Status	Description
Green	On	Minibar is cooling
Orange	On	Minibar stops cooling (temperature reached or auto-defrost function active)

Color	Status	Description
	Flashing	An error occurred (see chapter Troubleshooting on page 14)
-	Off	Minibar is switched off or in silent mode

7 Operation

Before first use



NOTE Do not store goods in the device for the first 4 hours after start-up.

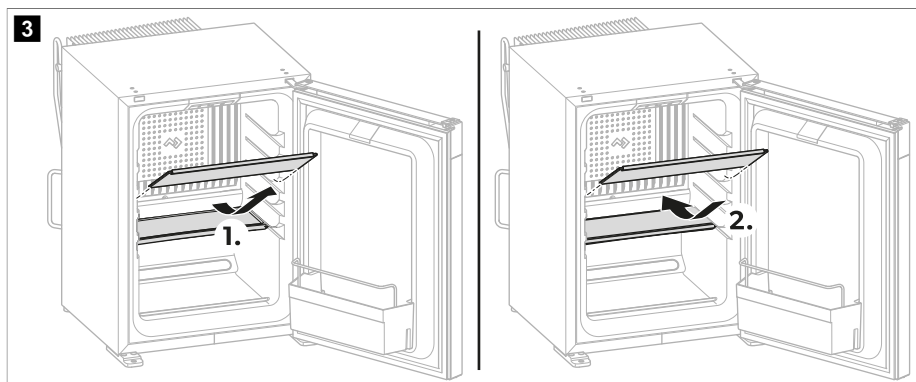
- > Clean the device inside and outside for hygienic reasons.

Saving energy

- Only open the minibar as often and for as long as necessary.
- Avoid unnecessarily low temperature settings.
- For optimal energy consumption, position the shelves and drawers according to their position on delivery.
- On a regularly basis, make sure the door seal still fits properly.
- Clean dust and dirt from the condenser at regular intervals.

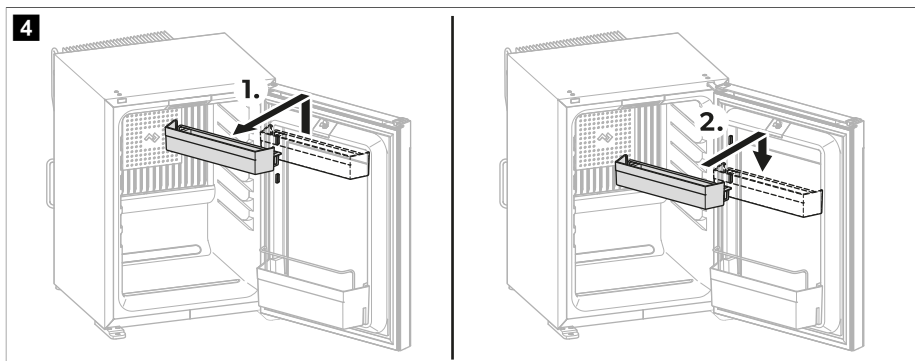
Positioning the shelves

- > To position the shelves proceed as shown in Fig. 3 on page 10.



Positioning the door rack

> To position the door rack proceed as shown in Fig. 4 on page 11.

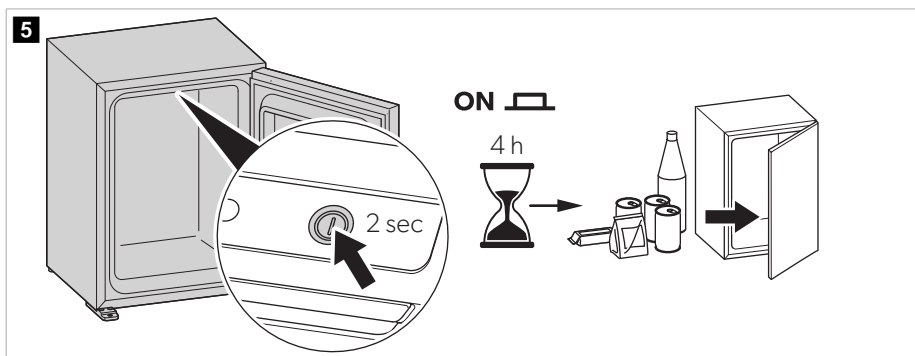


Switching on the minibar



NOTE After switching on, the minibar needs several hours to reach the set cooling temperature.


> Plug the power plug into the socket (Fig. 5 on page 11).



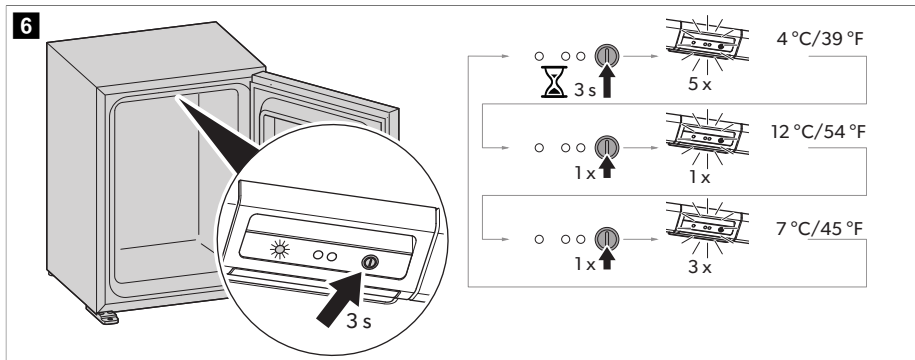
Setting the temperature

To avoid food waste, note the following:

- Keep temperature fluctuation as low as possible. Only open the minibar as often and for as long as necessary. Store the foodstuff in such a way that the air can still circulate well.
- The minibar is equipped with an automatic temperature regulation function. Select the average of the possible temperature values.
- Adjust the temperature to the quantity and type of the foodstuff.

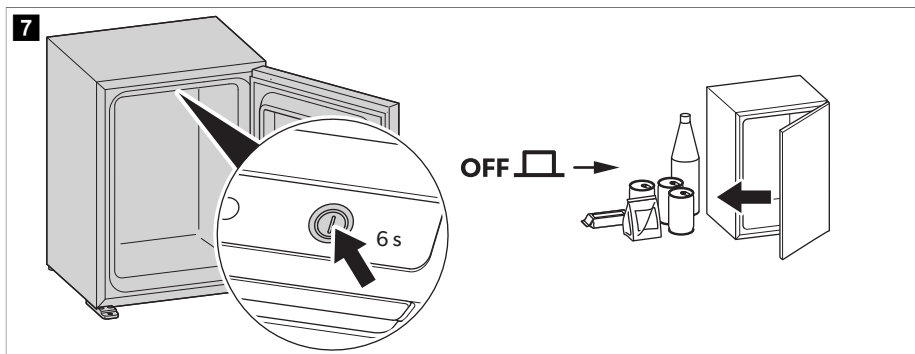
The minibar is equipped with an automatic temperature regulation function. The temperature can be adjusted to 4°C, 7°C or 12°C. With each press of the  button the cooling temperature switches between the possible values.

> To set the temperature proceed as shown in Fig. 6 on page 12.



Switching off the minibar

> To switch off the minibar proceed as shown in Fig. 7 on page 12.



Setting the silent mode (only for compressor models)

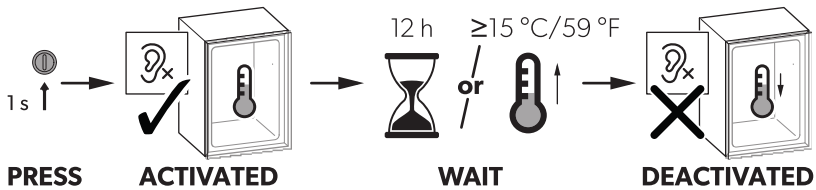
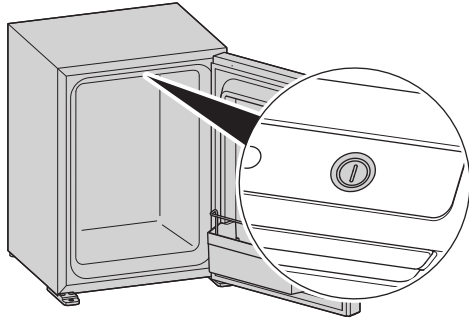
The minibar is equipped with a silent mode.



NOTE When the silent mode is activated, the temperature setting cannot be changed.

1. Set the desired cooling temperature (see chapter Setting the temperature on page 11).
2. To set the silent mode proceed as shown in Fig. 8 on page 13.

8

SILENT MODE**C40, C60****Defrosting**

The minibar is equipped with an auto-defrost function.

Storing

If the minibar is not to be used for a longer period of time, proceed as follows:

1. Pull the power plug out of the socket.
2. Clean the minibar (see chapter *Cleaning* on page 13).

8 Cleaning**WARNING! Electrocuting hazard**

Always disconnect the minibar from the mains before cleaning and maintenance.

**NOTICE! Damage hazard**

- > Do not use abrasive cleaning agents or hard objects during cleaning as these can damage the minibar.
- > Never use hard or sharp tools to remove ice or to free frozen objects on the minibar.
- > Do not use any mechanical tools or any other tools to speed up the defrosting process.
- > Ensure that no water drips into the seals to avoid damage to the electronics.
- > The light source can only be replaced by the manufacturer, a service agent or similarly qualified person to avoid hazard.

**NOTE Condensation moisture on glass doors**

When the ambient humidity is above 65% in 25°C ambient temperature, moisture will condense on the glass door.

- > Clean the minibar regularly and as soon as it becomes dirty with a damp cloth.
- > Wipe the minibar dry with a cloth after cleaning.
- > Check the condensate drain regularly.
Clean the condensate drain when necessary. If it is blocked, the condensate collects on the bottom of the minibar.
- > **For absorber versions:** Use a brush or soft cloth annually to remove dust from the absorber unit.

9 Troubleshooting

Problem	Possible cause	Suggested remedy
The minibar is not cooling. The indicator LED is off .	Power plug is not plugged in.	Insert power plug into socket.
	No voltage at the socket.	Check circuit breaker.
	The fuse of the electronics is defective.	<ul style="list-style-type: none"> > Contact an authorized service agent. > Service agent only: Replace the fuse.
The minibar is not cooling. The indicator LED is on .	For versions with absorber cooling: Heating cartridge defective	<ul style="list-style-type: none"> > Contact an authorized service agent. > Service agent only: Install new heating cartridge.
	Electronics or temperature sensors defective.	<ul style="list-style-type: none"> > Contact an authorized service agent. > Service agent only: Install new electronics or sensor.
	Cooling unit is defective.	<ul style="list-style-type: none"> > Contact an authorized service agent. > Service agent only: Replace the minibar.
	Minibar is in silent mode (C40, C60).	No action required (Setting the silent mode (only for compressor models) on page 12).
Minibar is not cooling. Indicator LED flashes orange for x times within a certain period of time.	Flashing 1x: NTC sensor is defective.	<ul style="list-style-type: none"> > Contact an authorized service agent. > Service agent only: Replace the NTC sensor.
	Flashing 3x: Heating cartridge is defective (only for versions with absorber cooling).	<ul style="list-style-type: none"> > Contact an authorized service agent. > Service agent only: Install a new heating cartridge.
	Flashing 5x: CPC (cooling performance control) error.	<ol style="list-style-type: none"> 1. Temporarily disconnect the minibar from the power supply to reset the error. 2. Count the number of flashes that occur after the reset: <ul style="list-style-type: none"> • Flashing 1x: NTC sensor is defective. • Flashing 3x: Heating cartridge is defective (only for versions with absorber cooling). • No flashing: Error is reset.

Problem	Possible cause	Suggested remedy
		<p>3. Flashing 1x or 3x: Contact an authorized service agent.</p> <p>Note: After a longer period of time without troubleshooting, the LED changes back to the interval of flashing 5x.</p>
Minibar is not cooling. Interior light is flashing continuously.	For versions with absorber cooling: Error during self-test of the cooling unit.	<ul style="list-style-type: none"> > Check the cooling unit for leaks. > Check the ventilation grille of the cooling unit and ensure optimal performance. > Wait 24 h for the device to restart cooling. If the device does not restart within 24 h, contact an authorized service agent.
Poor cooling performance	Cooling unit is not sufficiently ventilated.	Provide sufficient ventilation (see Installation Manual).
	Minibar is exposed to direct sunlight.	Remove the minibar out of direct sunlight.
	Door of minibar is not closed with a tight seal.	<p>Check distances (see Installation Manual).</p> <ul style="list-style-type: none"> > Contact an authorized service agent. > Service agent only: Replace door seal
	Minibar recently filled.	Check cooling again after 5 h ... 6 h.
	For versions with absorber cooling: The input voltage is too low or too high.	Check input voltage.
	Auto-defrost function is active.	No action required (see chapter Defrosting on page 13).
Frost formation in the minibar compartment	Door of minibar is not closed with a tight seal.	<p>Check distances (see Installation Manual).</p> <ul style="list-style-type: none"> > Contact an authorized service agent. > Service agent only: Replace door seal
	The minibar continues to cool down without interruption (cooling temperature drops below the set value).	Contact an authorized service agent.
Interior lighting is not working	Interior lighting is defective.	<ul style="list-style-type: none"> > Contact an authorized service agent. > Service agent only: Change interior lighting
	Surface of infrared door sensor is covered, e.g., by condensation.	Clean the surface of the infrared door sensor.

10 Disposal



WARNING! Fire hazard

- > The refrigerant is highly flammable. Do not open or damage the refrigerant circuit.
- > The insulation of the device contains an insulating gas (see data plate). Do not damage the insulation.



Recycling packaging material: Place the packaging material in the appropriate recycling waste bins wherever possible.



Recycling products with non-replaceable batteries, rechargeable batteries, or light sources:

- If the product contains any non-replaceable batteries, rechargeable batteries, or light sources, you don't have to remove them before disposal.
- If you wish to finally dispose of the product, ask your local recycling center or specialist dealer for details about how to do this in accordance with the applicable disposal regulations.
- The product can be disposed free of charge.

11 Warranty

The statutory warranty period applies. If the product is defective, please contact the manufacturer's branch in your country (see dometic.com/dealer) or your retailer.

For repair and warranty processing, please include the following documents when you send in the device:

- A copy of the receipt with purchasing date
- A reason for the claim or description of the fault

Note that self-repair or nonprofessional repair can have safety consequences and might void the warranty.

For repair and warranty processing, please include the following documents when you send in the device:

- A copy of the receipt with purchasing date
- A reason for the claim or description of the fault

Note that self-repair or nonprofessional repair can have safety consequences and might void the warranty.


12 Technical data

For the current EU declaration of conformity for your device please refer to the respective product page on dometic.com or contact the manufacturer directly (see dometic.com/dealer).

This product contains a light source of energy efficiency class F.



Further product information can be accessed via QR code on the energy label on the product or via eprel.ec.europa.eu.

	HiPro A 30S1, A 30S2, A 30P1, A 30P2, A 30G1, A 30G2	HiPro A 40S1, A 40S2, A 40P1, A 40P2, A 40G1, A 40G2
Input voltage	220 V~ ... 240 V~ 50 / 60 Hz	

	HiPro A 30S1, A 30S2, A 30P1, A 30P2, A 30G1, A 30G2	HiPro A 40S1, A 40S2, A 40P1, A 40P2, A 40G1, A 40G2
Total volume	26 L	33 L
Rated input power	60 ... 70 W	
Climate class and intended ambient temperature use	N: 16°C ... 32°C T: 16°C ... 43°C	
Noise emission	0 dB(A)	
Refrigerant	R717	
Dimensions (WxHxD)	384 × 520 × 446 mm	405 × 550 × 466 mm
Weight:		
With solid door	13.7 kg	15.3 kg
With panel door	15 kg	16.7 kg
With glass door	15.9 kg	17.9 kg
Test/ certificates		

	HiPro C 40S1, C 40S2, C 40P1, C 40P2, C 40G1, C 40G2	HiPro C60S1, C60S2, C60G1, C60G2
Input voltage	220 V~ ... 240 V~ 50 / 60 Hz	
Total volume	33 L	49 L
Rated input power	45 W	
Climate class and intended ambient temperature use	N: 16°C ... 32°C T: 16°C ... 43°C	
Noise emission	33 dB(A)	38 dB(A)
Refrigerant	R600a	
Dimensions (WxHxD)	405 × 550 × 481 mm	490 × 565 × 510 mm
Weight:		
With solid door	17.5 kg	19.5 kg
With panel door	18.9 kg	-

EN Dometic HiPro Alpha, Evolution

	HiPro C 40S1, C 40S2, C 40P1, C 40P2, C 40G1, C 40G2	HiPro C60S1, C60S2, C60G1, C60G2
With glass door	20.1 kg	22.5 kg
Test/ certificates		
	HiPro N 30S1, N 30S2, N 30P1,N 30P2, N 30G1, N 30G2	HiPro N 40S1, N 40S2, N 40P1, N 40P2, N 40G1, N 40G2
Input voltage	100 V~ ... 240 V~ 50 / 60 Hz	
Total volume	26 L	33 L
Rated input power	55 W	
Climate class and intended ambient temperature use	N: 16°C ... 32°C T: 16°C ... 43°C	
Noise emission	0 dB(A)	
Refrigerant	R600a	
Dimensions (WxHxD)	384 × 520 × 415 mm	405 × 550 × 435 mm
Weight:		
With solid door	10.7 kg	12.5 kg
With panel door	12 kg	13.9 kg
With glass door	12.9 kg	15.1 kg
Test/ certificates		

Arabic

19.....	ملاحظات هامة	1
19.....	شرح الرموز	2
19.....	إرشادات السلامة	3
21.....	الملحقات	4
21.....	الاستخدام المقصود	5
22.....	الوصف التقني	6
25.....	الاستخدام	7
28.....	التنظيف	8
29.....	استكشاف الأخطاء وإصلاحها	9
30.....	التخلص من الجهاز	10
31.....	البيانات التقنية	11

1 ملاحظات هامة

يرجى قراءة هذه التعليمات، والإرشادات، والتحذيرات الواردة في دليل المنتج المشار إليه واتباعها بعناية للتأكد من تركيب المنتج، واستخدامه، وصيافته بشكل صحيح في كل الأوقات. يجب أن تظل هذه التعليمات مع هذا المنتج.

باستخدام هذا المنتج، فإنك تؤكد بمقتضى ذلك أنك قد قرأت إخلاء المسؤولية المشار إليها، وكافة التعليمات، والإرشادات، والتحذيرات بعناية وأنك تفهم الشروط والأحكام وتوافق على الالتزام بها على النحو المنصوص عليه هنا. كما توافق على استخدام هذا المنتج فقط للغرض المقصود وفقاً للتعليمات، والإرشادات، والتحذيرات على النحو المنصوص عليه في دليل المنتج المشار إليه وكذلك وفقاً لكل القوانين واللوائح المعمول بها. قد يؤدي عدم قراءة التعليمات والتحذيرات المنصوص عليها في هذه الوثيقة واتباعها إلى حدوث إصابة لك وللآخرين أو تلف ممتلكاتك الأخرى الموجودة بالقرب منه. قد يخضع دليل المنتج المشار إليه، بما فيه من تعليمات وإرشادات وتحذيرات، والوثائق ذات الصلة للتغيير والتحديث. للحصول على أحدث معلومات عن المنتج، نرجى زيارة documents.dometic.com.

2 شرح الرموز



خطر!
تشير إلى وجود وضع خطير إذا لم يتم تجنبه، سيؤدي إلى الوفاة أو حدوث إصابة خطيرة.



تنبيه!
تشير إلى وجود وضع خطير إذا لم يتم تجنبه، يمكن أن يؤدي إلى الوفاة أو حدوث إصابة خطيرة.



احتراس!
تشير إلى وجود وضع خطير إذا لم يتم تجنبه، يمكن أن يؤدي إلى حدوث إصابات بسيطة أو متوسطة.



تحذير!
تشير إلى وجود وضع إذا لم يتم تجنبه، يمكن أن يؤدي إلى حدوث تلف الممتلكات.



ملاحظة! معلومات تكميلية لتشغيل المنتج.

3 إرشادات السلامة

السلامة العامة



تنبيه! خطر التعرض إلى الصعق الكهربائي
< تأكد من أن النالجة الصغيرة قد تم تركيبها من قبل فني طبقاً لتعليمات التركيب من شركة Dometic.

- < لا يتم بتشغيل الثلاجة الصغيرة في حالة وجود آثار تلف واضحة بها.
- < في حالة تعرض كابيل الطاقة بالثلاجة الصغيرة للتلف، يجب استبداله من قبل الشركة المصنعة أو على يد وكيل الخدمة أو من قبل شخص مؤهل بالمستوى نفسه لتجنب مخاطر السلامة.
- < ينبغي عدم إجراء إصلاحات بالثلاجة الصغيرة إلا على يد أشخاص مؤهلين. قد تؤدي الإصلاحات غير السليمة إلى التسبب في حدوث مخاطر شديدة.
- < عند موضع الثلاجة الصغيرة، احرص على أن يكون سلك التغذية الكهربائية غير عالق أو تالف.
- < لا تضع المقبس متعدد المنافذ المنقل أو مغذيات القدرة الكهربائية المنقلقة في خلفية الجهاز.
- < قم بتوصيل الجهاز بالمقابس التي تضمن اتصال مناسباً خاصة عندما يحتاج الجهاز إلى التأريض.

تنبيه! خطر حريق



- < يعتبر سائل التبريد الموجود في دائرة التبريد قابل للاشتعال بدرجة عالية وفي حالة حدوث تسرب يمكن أن تتراكم الغازات القابلة للاشتعال إذا كان الجهاز في غرفة صغيرة. في حالة حدوث أي تلف في دائرة التبريد:
 - ابعد اللهب المكشوف ومصادر الاشتعال المحتملة عن الثلاجة الصغيرة.
 - قم بتهوية الغرفة جيداً.
 - أوقف تشغيل الثلاجة الصغيرة.

< للثلاجات الصغيرة المزودة بمادة تبريد R600a:

- تحتوي دائرة جهاز التبريد على كمية صغيرة من مادة تبريد صديقة للبيئة ولكنها قابلة للاشتعال. لا تتلف طبقة الأوزون ولا يزيد من تأثير الاحتباس الحراري. قد تشتعل أي مادة تبريد متسربة.
- لا تستخدم أو تخزن الجهاز في أماكن مغلقة من دون وجود تهوية أو الحد الأدنى منها.
- حافظ على مكان التجويف لتثبيت الثلاجة الصغيرة خالياً من أي مكونات كهربائية ومصادر إضاءة تنتج شرار أو أقواس ضوئية أثناء التشغيل العادي أو غير العادي (مثل المرحلات أو صناديق المصاهر).
- < احرص على عدم وجود أي عوائق أمام فتحات التهوية في غطاء الجهاز أو في التركيبات.
- < لا تستخدم أي أشياء ميكانيكية أو غيرها من الوسائل لتسريع عملية إزالة الجليد، بخلاف تلك الموصى بها من قبل الشركة المصنعة.
- < لا تفتح أو تتلف دائرة المبرد.
- < لا تستخدم أي أجهزة كهربائية داخل الثلاجة الصغيرة، إلا إذا أشارت الشركة المصنعة باستخدامها لهذا الغرض.

تنبيه! خطر الانفجار



- < لا تقم بتخزين أي مواد قابلة للانفجار، مثل البخاخات المحتوية على غازات قابلة للاشتعال، داخل الثلاجة الصغيرة.

تنبيه! المخاطر الصحية



- < للإصدارات المزودة بتقنية التبريد بالامتصاص: تجنب فتح وحدة الامتصاص مطلقاً. فهي تحت ضغط عال ويمكن أن يؤدي فتحها إلى حدوث إصابات.
- < إن الأطفال الذين تبدأ أعمارهم من سن 8 سنوات والأشخاص الذين يعانون من إعاقة جسدية أو حسية أو عقلية أو لديهم نقص بالخبرات، يمكنهم استخدام هذا الجهاز في حال تم الإشراف عليهم وإعطائهم التعليمات المتعلقة باستخدام الجهاز بطريقة آمنة وإفهامهم المخاطر التي تتطوي عليها.
- < هذا الجهاز غير مخصص للاستخدام من قبل الأشخاص (بما فيهم الأطفال) ذوي القدرات الجسدية أو الحسية أو العقلية المنخفضة أو من لا يوجد لديهم خبرة ومعرفة كافية إلا إذا قام شخص مسؤول عن سلامتهم بالإشراف عليهم أو تقديم الإرشادات المتعلقة باستخدام الجهاز لهم.
- < يجب الإشراف على الأطفال للتأكد من عدم لعبهم بالثلاجة الصغيرة.
- < لا يُسمح للأطفال بالقيام بأعمال التنظيف والصيانة الخاصة بالمستخدم دون إشراف.
- < يُسمح للأطفال من عمر 3 وحتى 8 سنوات بتعبئة الثلاجة الصغيرة وتغريتها.

احتراس! خطر الانسحاق



- < تجنب وضع أصابعك داخل المفصلة.

احتراس! المخاطر الصحية



- < لا يمكن حفظ المواد الغذائية إلا في عبواتها الأصلية أو في حاويات مناسبة.

تحذير! خطر التلف

- < تأكد من مطابقة مواصفات الجهد الكهربائي الواردة بلوحة إمدادات الطاقة المتوفرة.
- < يؤدي تدفق الهواء غير الكافي إلى تقصير العمر الافتراضي وانخفاض أداء التبريد. التزم بالحد الأدنى من المسافات عند تركيب الثلاجة الصغيرة في الأثاث (راجع دليل التركيب).
- < يحتوي عازل جهاز التبريد على مادة السيكولونبتان القابلة للاشتعال وتتطلب إجراءات خاصة للتخلص منه. سلم جهاز التبريد في نهاية دورة حياته إلى مركز إعادة تدوير مناسب.
- < حافظ على نظافة مصرف المكثفات طوال الوقت.
- < احمل الثلاجة الصغيرة في وضع عمودي فقط.

السلامة عند تشغيل الجهاز**خطر! خطر التعرض إلى الصعق الكهربائي**

لا تلمس الكابلات المكشوفة بيدين عاريتين.

احتراس! خطر التعرض إلى الصعق الكهربائي

تأكد قبل بدء تشغيل الثلاجة الصغيرة لأول مرة من أن خط إمداد الطاقة والقابس جافين.

احتراس! المخاطر الصحية

- < تأكد فقط من أن الأشياء التي تضعها في الثلاجة الصغيرة يمكن تبريدها على درجة الحرارة المختارة.
- < لا يمكن حفظ الأطعمة إلا في عبواتها الأصلية أو في حاويات مناسبة.
- < يمكن أن يؤدي فتح الباب لفترات طويلة إلى زيادة درجة حرارة أقسام الثلاجة الصغيرة بصورة كبيرة.
- < قم بانتظام بتنظيف الأسطح التي تلامس الأطعمة وأنظمة التصريف التي يمكن الوصول إليها.
- < إذا تُركت الثلاجة الصغيرة فارغة لفترات طويلة:
 - أوقف تشغيل الثلاجة الصغيرة.
 - قم بإزالة الصنع بالثلاجة الصغيرة.
 - نظف الثلاجة الصغيرة وجففها.
 - اترك الباب مفتوحاً لمنع تكون العفن داخل الثلاجة الصغيرة.

تحذير! خطر التلف

- < لا تضع الثلاجة الصغيرة بالقرب من اللهب المكشوف أو مصادر الحرارة الأخرى (السخانات وأشعة الشمس المباشرة وأفران الغاز وما شابه ذلك).
- < تأكد من عدم تغطية فتحات التهوية.
- < يجب عدم غمر الثلاجة الصغيرة في الماء مطلقاً.
- < احرص على حماية الثلاجة الصغيرة والكابلات من الحرارة والرطوبة.
- < تأكد من أن الأطعمة لا تلامس جوانب منطقة التبريد.

4 الملحقات

الشرح	المسمى
استخدم التطبيق لمراقبة الثلاجة الصغيرة والتحكم بها عن طريق شبكة WiFi	شبكة WiFi
للإصدارات القابلة للقل	إفقل بالمفاتيح

5 الاستخدام المقصود

جهاز التبريد (يُشار إليه أيضاً باسم الثلاجة الصغيرة) مخصص لتبريد وتسخين المشروبات والطعام في حاويات مغلقة. تم تصميم الثلاجة الصغيرة للتشغيل على سفن الرحلات البحرية أو للاستخدام في المنزل والاستخدامات المماثلة مثل:

- داخل مطابخ العاملين في المتاجر والمكاتب وبيئات العمل الأخرى
- بيوت المزارع
- فنادق، موتيلات وغيرها من البيئة السكنية
- في البيئات التي توفر سرير وإفطار
- في خدمات توريد الطعام وفي استخدامات مشابهة غير متعلقة بالبيع بالتجزئة
- إن الثلاجة الصغيرة غير مصممة للتركيب في الكافيات أو المنازل المزودة بمحرك.
- تصلح هذه الثلاجة الصغيرة للاستخدام كجهاز مدمج أو كجهاز تبريد قائم بذاته. يرجى الرجوع إلى تعليمات التركيب.
- الثلاجة الصغيرة هذه لا تصلح لـ

- تخزين المواد الكيميائية المسببة للتآكل أو الحارقة أو المحتوية على مذيبات
- تخزين الأطعمة والأدوية
- التجميد العميق للأطعمة

هذا المنتج مناسب للغرض المقصود منه والاستخدامات التي تتوافق مع هذه التعليمات فقط.

يوفر دليل التشغيل هذا المعلومات الضرورية للتركيب و/أو التشغيل الصحيح للمنتج. سيؤدي سوء التركيب و/أو التشغيل أو الصيانة غير الصحيحة إلى الحصول على أداء غير مرضٍ وعطل محتمل.

لا تتحمل الشركة المصنعة أي مسؤولية عن أي ضرر أو تلف بالمنتج ناتج من:

- عملية تركيب أو تجميع أو توصيل غير صحيحة بما في ذلك الجهد الزائد
- صيانة غير صحيحة أو استخدام قطع غيار غير أصلية وغير مقدمة من الشركة المصنعة
- إجراء تعديلات على المنتج من دون حصول على إذن صريح من الشركة المصنعة
- الاستخدام في أغراض أخرى خلاف الأغراض الموضحة في هذا الدليل

تحتفظ شركة Dometic بالحق في تغيير شكل المنتج ومواصفاته.

6 الوصف التقني

تتوفر الثلاجة الصغيرة بتقنيات تبريد مختلفة:

- تبريد بالامتصاص: A30S1, A30S2, A30P1, A30P2, A30G1, A30G2, A40S1, A40S2, A40P1, A40P2, A40G1, A40G2
- تبريد بالمكثف: C40S1, C40S2, C40P1, C40P2, C40G1, C40G2, C60S1, C60S2, C60G1, C60G2
- تبريد كهروحراري: N30S1, N30S2, N30P1, N30P2, N30G1, N30G2, N40S1, N40S2, N40P1, N40P2, N40G1, N40G2

تتوافق جميع المواد المستخدمة للاستعمال مع الأطعمة. لا تحتاج دائرة التبريد إلى الصيانة.

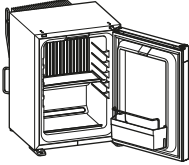
تتوفر الثلاجة الصغيرة حسب الإصدار على رف واحد أو إثنين وإما على حامل أو حاملين في الباب. هناك حامل بالباب مخصص للزجاجات. يمكن تخزين زجاجة سعة 1.5 لتر في حامل الباب المخصص للزجاجات. وفي حال توفر حامل ثاني بالباب، فهذا يكون مخصصاً للزجاجات الأصغر حجماً أو الوجبات الخفيفة.

يمكن تجهيز الثلاجة الصغيرة كخيار بوظيفة WiFi المدمجة وبالتالي التحكم بها عن طريق التطبيق.

يمكن أن تتوفر الثلاجة الصغيرة على قفل.

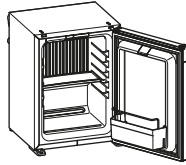
1

A30S1, A30P1, A30G1

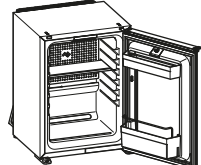


Alpha

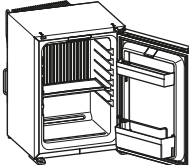
N30S1, N30P1, N30G1



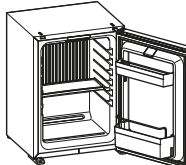
C40S1, C40P1, C40G1



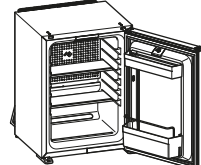
A40S1, A40P1, A40G1



N40S1, N40P1, N40G1

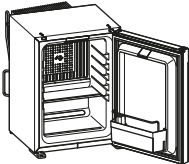


C60S1, C60G1

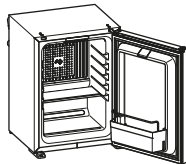


Evolution

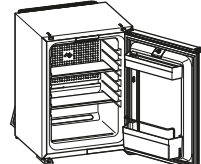
A30S2, A30P2, A30G2



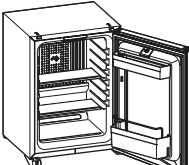
N30S2, N30P2, N30G2



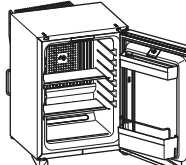
C40S2, C40P2, C40G2



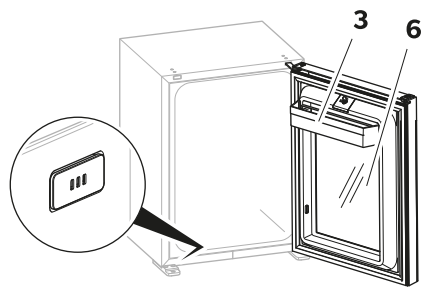
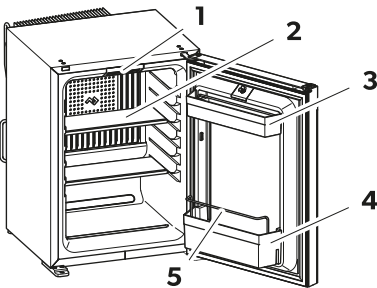
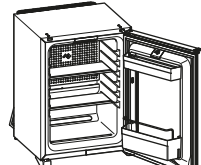
A40S2, A40P2, A40G2



N40S2, N40P2, N40G2



C60S2, C60G2

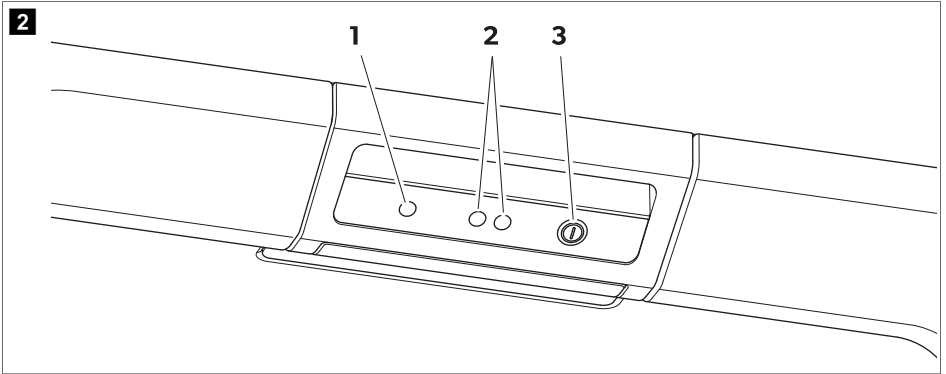


الشرح

الأرقام في شكل 1
بالصفحة 23

ضوء داخلي و عنصر التحكم	1
1 رف	2
2 أرفف (A40S2, A40P2, A40G2, C40S2, C40P2, C40G2, C60S2, C60G2, N40S2, N40P2, N40G2)	
3 الحامل العلوي بالباب (A40S1, A40S2, A40P1, A40P2, C40S1, C40S2, C40P1, C40P2, C60S1, C60S2, C60G1, C60G2, N40S1, N40S2, N40P1, N40P2)	3
4 الحامل السفلي بالباب	4
5 باب حامل الزجاجات (خيار)	5
6 باب زجاجي (خيار)	6
زر الضوء الداخلي (خيار)	-

لوحة التشغيل



الشرح

رقم

مؤشر LED	1
مستشعر أشعة تحت الحمراء بالباب	2
زر ①	3
تشغيل وإيقاف تشغيل التلاجة الصغيرة	
إدخال ضبط درجة الحرارة	
إدخال الوضع الصامت (فقط لـ C40 و C60 تبريد بالمكثف)	

مؤشر LED

الوصف	حالة	اللون
التلاجة الصغيرة تبرد	On (تشغيل)	أخضر
التلاجة الصغيرة توقفت عن التبريد (إما وصلت لدرجة الحرارة المطلوبة أو وظيفة الإذابة الأوتوماتيكية نشطة)	On (تشغيل)	برتقالي

الوصف	حالة	اللون
تومض حدث خطأ (انظر الفصل استكشاف الأخطاء وإصلاحها بالصفحة 29)	لا تعمل	-
الثلاجة الصغيرة متوقفة أو في وضع صامت	لا تعمل	-

7 الاستخدام

قبل الاستخدام الأول

ملاحظة! لا تخزن البضائع في الجهاز خلال الأربع ساعات الأولى بعد بدء التشغيل.



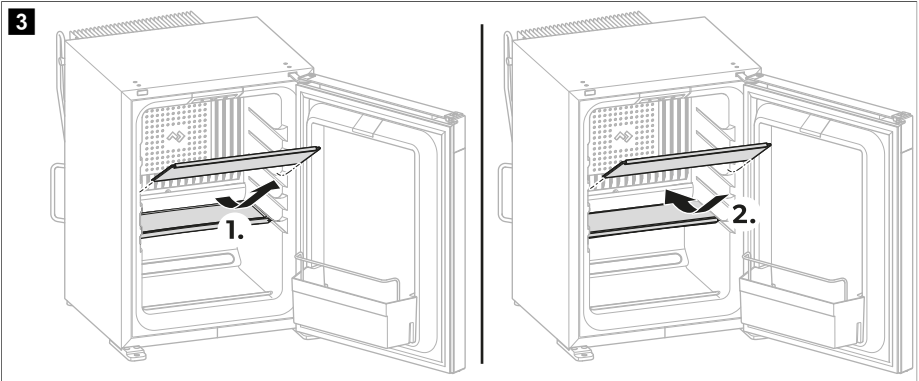
< تنظيف صندوق التبريد من الداخل والخارج لدواعي النظافة.

توفير الطاقة

- لا تفتح الثلاثة الصغيرة مراراً إلا إذا كان ذلك ضرورياً.
- تجنب استخدام إعدادات درجة حرارة منخفضة دون داع.
- للحصول على استهلاك طاقة أمثل، ضع الأرفف والأدرج مثلما كانت عليه عند التسليم.
- تأكد بشكل منتظم من أن مانع التسرب بالباب لا يزال بحالة جيدة.
- نظف الغبار والأوساخ من المكثف على فترات منتظمة.

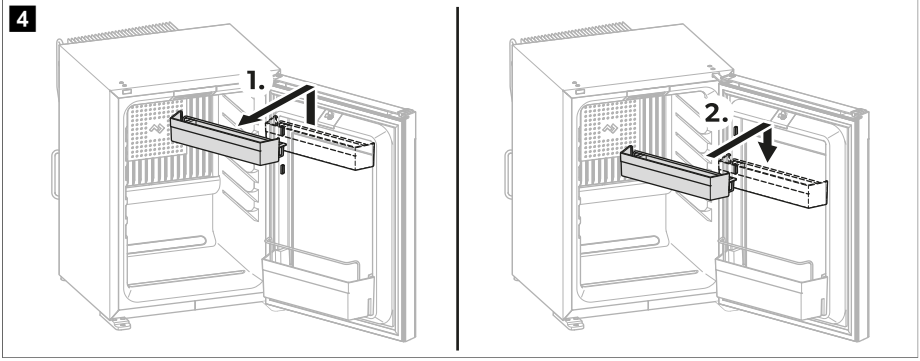
وضع الأرفف

< لوضع الأرفف، اتبع كما هو موضح في شكل 3 بالصفحة 25.



وضع حامل الباب

< لوضع الحامل بالباب، اتبع كما هو موضح في شكل 4 بالصفحة 26.

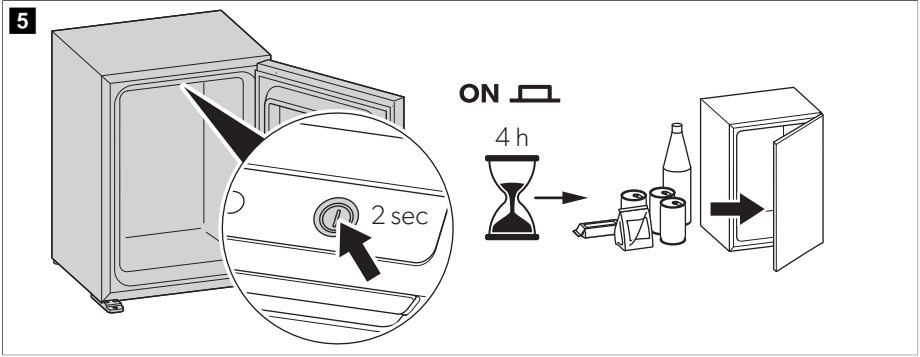


تشغيل الثلاجة الصغيرة

ملاحظة! بعد التشغيل، تحتاج الثلاجة الصغيرة إلى عدة ساعات للوصول إلى درجة حرارة التبريد المحددة.



< قم بإدخال قابس الطاقة في المقبس (شكل 5 بالصفحة 26).



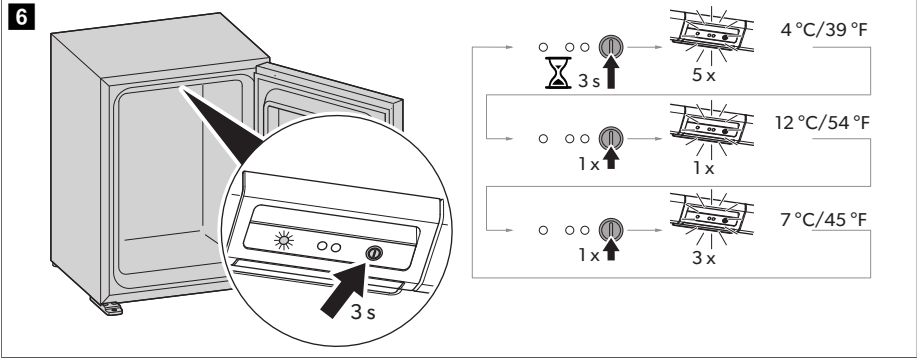
ضبط درجة الحرارة

لتجنب إهدار الأطعمة، عليك مراعاة التالي:

- حافظ قدر الإمكان على أدنى مستوى لتقلب درجة الحرارة. لا تفتح الثلاجة الصغيرة مراراً إلا إذا كان ذلك ضرورياً. قم بتخزين الأطعمة بطريقة تسمح للهواء بالدوران بشكل جيد.
- تم تزويد الثلاجة الصغيرة بوظيفة ضبط درجة الحرارة تلقائياً. اختر متوسط لقيم درجة الحرارة الممكنة.
- اضبط درجة الحرارة حسب كمية ونوع الأطعمة.

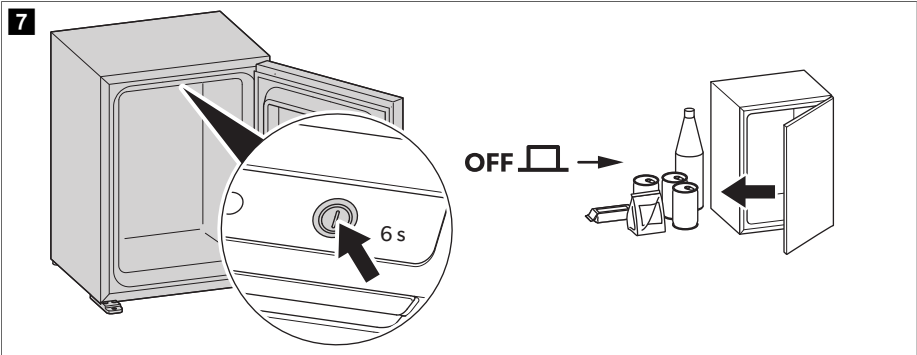
تم تزويد الثلاجة الصغيرة بوظيفة ضبط درجة الحرارة تلقائياً. يمكن تعديل درجة الحرارة إلى 4 درجة مئوية أو 7 درجة مئوية أو 12 درجة مئوية. عند كل ضغط على الزر ① ستنتقل درجة حرارة التبريد بين القيم الممكنة.

< لضبط درجة الحرارة، اتبع كما هو موضح في شكل 6 بالصفحة 27.



إيقاف التلاجة الصغيرة

< لإيقاف تشغيل التلاجة الصغيرة، اتبع كما هو موضح في شكل 7 بالصفحة 27.



ضبط على الوضع الصامت (فقط لطرقات الضاغظ)

التلاجة الصغيرة مجهزة بالوضع الصامت.

ملاحظة! عند تنشيط الوضع الصامت، لا يمكن بعدها تغيير إعداد درجة الحرارة.



1. اضبط درجة حرارة التبريد المطلوبة (انظر الفصل ضبط درجة الحرارة بالصفحة 26).

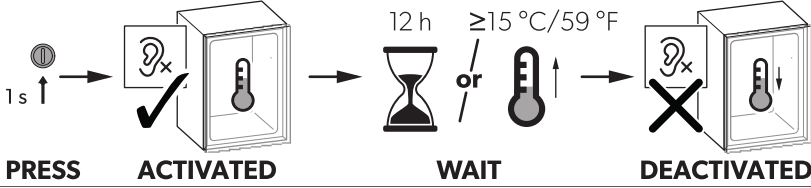
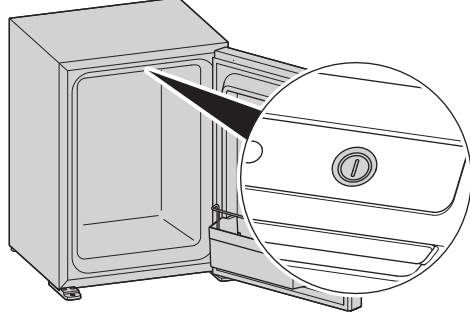
2. لضبط الوضع الصامت، اتبع كما هو موضح في شكل 8 بالصفحة 28.

8

SILENT MODE



C40, C60



إذابة الثلج

تم تزويد الثلاجة الصغيرة بوظيفة إذابة الثلج المتكون تلقائياً.

التخزين

في حالة عدم استخدام الثلاجة الصغيرة لفترة زمنية طويلة، اتبع كما يلي:

1. أفضل قابس الطاقة من المقبس.
2. تنظيف الثلاجة الصغيرة (انظر الفصل بالتنظيف بالصفحة 28).

8 التنظيف

تنبيه! خطر التعرض إلى الصعق الكهربائي

افصل الثلاجة الصغيرة دائماً عن مصدر التيار الكهربائي قبل التنظيف والصيانة.



تحذير! خطر التلف



- < تجنب أثناء التنظيف استخدام أي مواد كاشطة أو أدوات حادة حيث قد تسبب في تلف الثلاجة الصغيرة.
- < لا تستخدم أدوات صلبة أو حادة إطلاقاً لإزالة الثلج أو تحرير الأشياء المجمدة من الثلاجة الصغيرة.
- < لا تستخدم أي أدوات ميكانيكية أو أدوات أخرى لتسريع عملية إذابة الثلج المتكون.
- < تأكد من عدم تسرب الماء إلى موانع التسرب لتجنب تلف الإلكترونيات.
- < لا يمكن استبدال مصدر الضوء إلا من قبل الشركة المصنعة أو من قبل وكيل الخدمة أو شخص على نفس مستوى الكفاءة فقط، وذلك لتجنب الخطر.

ملاحظة! رطوبة التكثيف على الأبواب الزجاجية

عندما تكون الرطوبة المحيطة أعلى من 65٪ في درجة حرارة محيطه تبلغ 25 درجة مئوية، سوف تتكثف الرطوبة على الباب الزجاجي.



- < قم بتنظيف الثلاجة الصغيرة بقطعة قماش مبللة بشكل منتظم وكذلك بمجرد إتساخها.
- < امسح الثلاجة الصغيرة بقطعة قماش جافة بعد التنظيف حتى تجف.
- < افحص مصرف التكتفات بشكل منتظم.
- < نظف مصرف التكتفات عند الضرورة. إذا كان مسدوداً، فسوف يجمع التكتاف في قاع الثلاجة الصغيرة.
- < لإصدارات الامتصاص: استخدم فرشاة أو قطعة قماش ناعمة لإزالة الغبار من وحدة الامتصاص سنويًا.

9 استكشاف الأخطاء وإصلاحها

المشكلة	السبب المحتمل	الحل
الثلاجة الصغيرة لا تبرد. مؤشر LED مطفأ.	لم يتم توصيل قابس الطاقة.	إدخال قابس الطاقة في المقبس.
	لا يوجد جهد كهربائي بالمقبس.	فحص قاطع الدائرة.
	مصهر إلكترونيات تالف.	< اتصل بوكيل الخدمة المعتمد. < وكيل الخدمة فقط: استبدل المصهر.
الثلاجة الصغيرة لا تبرد. مؤشر LED مضيء.	للإصدارات المزودة بتقنية التبريد بالامتصاص: خرطوشة تسخين تالفة	< اتصل بوكيل الخدمة المعتمد. < وكيل الخدمة فقط: تركيب خرطوشة تسخين جديدة.
	إلكترونيات أو مستشعرات درجة حرارة تالفة.	< اتصل بوكيل الخدمة المعتمد. < وكيل الخدمة فقط: تركيب أجهزة إلكترونية جديدة أو مستشعر جديد.
	وحدة التبريد تالفة.	< اتصل بوكيل الخدمة المعتمد. < وكيل الخدمة فقط: استبدل الثلاجة الصغيرة.
	الثلاجة الصغيرة في الوضع الصامت (C40, C60).	لا يتطلب أي إجراء (ضبط على الوضع الصامت فقط لطرازات الضاغاط) بالصفحة 27).
الثلاجة الصغيرة لا تبرد. مؤشر LED يومض باللون البرتقالي لعدد من المرات خلال فترة زمنية معينة.	الوميض مرة واحدة: مستشعر معامل درجة الحرارة السلبية (NTC) تالف.	< اتصل بوكيل الخدمة المعتمد. < وكيل الخدمة فقط: استبدل مستشعر معامل درجة الحرارة السلبية (NTC).
	الوميض ثلاث مرات: خرطوشة التسخين تالفة (للإصدارات ذات التبريد بالامتصاص فقط).	< اتصل بوكيل الخدمة المعتمد. < وكيل الخدمة فقط: قم بتركيب خرطوشة تسخين جديدة.
	الوميض خمس مرات: خطأ في التحكم في أداء التبريد (CPC).	1. افصل الثلاجة الصغيرة مؤقتًا عن مصدر الطاقة لإعادة ضبط الخطأ. 2. احسب عدد الومضات التي تحدث بعد إعادة الضبط: • الوميض مرة واحدة: مستشعر معامل درجة الحرارة السلبية (NTC) تالف. • الوميض ثلاث مرات: خرطوشة التسخين تالفة (للإصدارات ذات التبريد بالامتصاص فقط). • لا ووميض: تم إعادة ضبط الخطأ. 3. الوميض مرة واحدة أو ثلاث مرات: اتصل بوكيل الخدمة المعتمد.
		ملاحظة: بعد مرور فترة أطول من الوقت من دون استكشاف الأخطاء وإصلاحها، يعود مؤشر LED إلى فترة الوميض 5 مرات.
الثلاجة الصغيرة لا تبرد. الضوء الداخلي يومض باستمرار.	للإصدارات المزودة بتقنية التبريد بالامتصاص: خطأ في أثناء الاختيار الذاتي لوحدة التبريد.	< تحقق من عدم حدوث تسريب في وحدة التبريد.

المشكلة	السبب المحتمل	الحل
		<p>< تحقق من شبكة التهوية الخاصة بوحدة التبريد وتأكد من كفاءة الأداء.</p> <p>< انتظر لمدة 24 ساعة حتى يقوم الجهاز بإعادة تشغيل التبريد. إذا لم تتم إعادة تشغيل الجهاز خلال 24 ساعة، فاتصل بوكيل الخدمة المعتمد.</p>
فعالية تبريد ضعيفة	تهوية وحدة التبريد غير كافية.	قم بتوفير تهوية كافية (انظر دليل التركيب).
	لا تعرض الثلاجة الصغيرة لأشعة الشمس المباشرة.	ابعد الثلاجة الصغيرة بعيدا عن أشعة الشمس المباشرة.
	باب الثلاجة الصغيرة غير مغلق بإحكام.	تحقق من المسافات (انظر دليل التركيب). < اتصل بوكيل الخدمة المعتمد.
		< وكيل الخدمة فقط: استبدل الإطار المانع للتسرب بالباب
	الثلاجة الصغيرة امتلئت مؤخرا.	تحقق من التبريد مرة أخرى بعد 5 ساعة ... 6 ساعة.
	للإصدارات المزودة بتقنية التبريد بالامتصاص: جهد الدخل منخفض جدا أو مرتفع جدا.	تحقق من جهد الدخل.
	وظيفة إذابة الثلج المتكئون نشطة.	لا يتطلب أي إجراء. (انظر الفصل إذابة الثلج بالصفحة 28).
تكوين الثلج في حيز الثلاجة الصغيرة	باب الثلاجة الصغيرة غير مغلق بإحكام.	تحقق من المسافات (انظر دليل التركيب). < اتصل بوكيل الخدمة المعتمد.
		< وكيل الخدمة فقط: استبدل الإطار المانع للتسرب بالباب
	تستمر الثلاجة الصغيرة في التبريد دون انقطاع (تنخفض درجة حرارة التبريد إلى أقل من القيمة المحددة).	اتصل بوكيل الخدمة المعتمد.
الإضاءة الداخلية لا تعمل.	الإضاءة الداخلية معطلة.	< اتصل بوكيل الخدمة المعتمد. < وكيل الخدمة فقط: تغيير الضوء الداخلي
	سطح مستشعر الباب الذي يعمل بالأشعة تحت الحمراء مغطى بماء التكثف على سبيل المثال.	نظف سطح مستشعر أشعة تحت الحمراء بالباب.

10 التخلص من الجهاز

تنبيه! خطر حريق



- < المبرد سريع الاشتعال. لا تفتح أو تتلف دائرة المبرد.
- < يحتوي عازل الجهاز على غاز عازل (انظر لوحة البيانات). لا تتلف العازل.

إعادة تدوير مواد التغليف: ضع مواد التغليف في الصناديق المناسبة الخاصة بالنفايات القابلة لإعادة التدوير قدر الإمكان.



HiPro A 40S1, A 40S2, A 40P1, A 40P2, A 40G1, A 40G2	HiPro A 30S1, A 30S2, A 30P1, A 30P2, A 30G1, A 30G2	
220 فولت~ ... 240 فولت~ 60 / 50 هرتز		جهد الدخل
33 لتر	26 لتر	الحجم الكلي
60 ... 70 وات		قدرة الإدخال المحدد
N: 16 درجة مئوية ... 32 درجة مئوية T: 16 درجة مئوية ... 43 درجة مئوية		فئة المناخ والاستخدام المقصود في درجة حرارة محيطية
0 ديسيليل (أ)		انبعاث الضوضاء
R717		مادة التبريد
466 × 550 × 405 مم	446 × 520 × 384 مم	الأبعاد (العرض×الارتفاع×العمق)
		الوزن:
15.3 كجم	13.7 كجم	مزودة بباب صلب
16.7 كجم	15 كجم	مزودة بباب لוחي
17.9 كجم	15.9 كجم	مزودة بباب زجاجي

HiPro C60S1, C60S2, C60G1, C60G2	HiPro C 40S1, C 40S2, C 40P1, C 40P2, C 40G1, C 40G2	
220 فولت~ ... 240 فولت~ 60 / 50 هرتز		جهد الدخل
49 لتر	33 لتر	الحجم الكلي
45 وات		قدرة الإدخال المحدد
N: 16 درجة مئوية ... 32 درجة مئوية T: 16 درجة مئوية ... 43 درجة مئوية		فئة المناخ والاستخدام المقصود في درجة حرارة محيطية
38 ديسيليل (أ)	33 ديسيليل (أ)	انبعاث الضوضاء
R600a		مادة التبريد
510 × 565 × 490 مم	481 × 550 × 405 مم	الأبعاد (العرض×الارتفاع×العمق)
		الوزن:

AR Dometic HiPro Alpha, Evolution

HiPro C60S1, C60S2, C60G1, C60G2	HiPro C 40S1, C 40S2, C 40P1, C 40P2, C 40G1, C 40G2	
كجم 19.5	كجم 17.5	مزودة بباب صلب
-	كجم 18.9	مزودة بباب لوحى
كجم 22.5	كجم 20.1	مزودة بباب زجاجى
HiPro N 40S1, N 40S2, N 40P1, N 40P2, N 40G1, N 40G2	HiPro N 30S1, N 30S2, N 30P1,N 30P2, N 30G1, N 30G2	
100 فولت ~ ... 240 فولت ~ 60 / 50 هرتز		جهد الدخل
33 لتر	26 لتر	الحجم الكلى
55 وات		قدرة الإدخال المحدد
N: 16 درجة مئوية ... 32 درجة مئوية T: 16 درجة مئوية ... 43 درجة مئوية		فئة المناخ والاستخدام المقصود في درجة حرارة محيطية
0 ديسيبل (أ)		انبعاث الضوضاء
R600a		مادة التبريد
435 × 550 × 405 مم	415 × 520 × 384 مم	الأبعاد (العرض×الارتفاع×العمق)
		الوزن:
كجم 12.5	كجم 10.7	مزودة بباب صلب
كجم 13.9	كجم 12	مزودة بباب لوحى
كجم 15.1	كجم 12.9	مزودة بباب زجاجى

עברית

33	הערות חשובות	1
33	הסבר לסמלים	2
34	הוראות בטיחות	3
35	אביזרים	4
36	שימוש בהתאם לייעוד	5
36	תרשים טכני	6
39	הפעלה	7
42	ניקוי	8
43	טיפול בתקלות	9
44	סילוק	10
45	אחריות	11
45	מפרטים טכניים	12

1 הערות חשובות

אנא קרא את ההוראות האלה, ההנחיות והאזהרות הכלולות בהוראות הפעלה של מוצר זה וציית להן כדי להבטיח התקנה, שימוש ותחזוקה נכונים של המוצר בכל עת. הוראות אלו חייבות להישאר צמודות למוצר זה.

מעצם השימוש במוצר אתה מאשר שקראת את כל ההוראות, ההנחיות והאזהרות בתשומת לב, שהבנת אותן והסכמת לציית להן על פי התנאים המפורטים להלן. אתה מסכים להשתמש במוצר זה רק למטרה המיועדת לשימוש המיועד ובכפוף להוראות, ההנחיות והאזהרות כפי שנקבעו בהוראות הפעלה של מוצר זה כמו גם בהתאם לכל החוקים והתקנות הישמים. כשלוך בקריאה ובציית להוראות ולאזהרות שנקבעו עלול לגרום לפגיעה לך ולאחרים, נזק למוצר או נזק לרכוש אחר בסביבה. הוראות הפעלה של מוצר זה, כולל ההנחיות והאזהרות וכל התיעוד הקשור כפופים לשינויים ולעדכונים. לקבלת מידע עדכני על המוצר, בקר בכתובת documents.dometic.com.

2 הסבר לסמלים

מידע



מציינת מצב מסוכן, אשר אם לא יימנע יוביל למוות או לפגיעה קשה.

זהירות!



מציינת מצב מסוכן, אשר אם לא יימנע עלול להוביל למוות או לפגיעה קשה.

זהירות!



מציינת מצב מסוכן, אשר אם לא יימנע עלול להוביל לפגיעות קלות או בינוניות.

אזהרה!



מציינת מצב מסוכן, אשר אם לא יימנע עלול להוביל לנזקי רכוש.

סכנה מידע משלים להפעלת המכשיר.



3 הוראות בטיחות

בטיחות כללית

!זהירות סכנת התחשמלות



- < ודא שהמיני-בר מותקן על ידי טכנאי מוסמך ועל פי ההנחיות בהוראות ההתקנה של Dometic.
- < אין להפעיל את המיני-בר אם ניכר בו נזק.
- < אם כבל החשמל של המיני-בר פגום, יש להחליפו ע"י היצרן, טכנאי שירות או בעל מקצוע מתאים אחר על מנת למנוע סכנות בטיחות.
- < רק אנשי מקצוע רשאים לתקן את המיני-בר הזה. תיקונים בלתי הולמים עלולים להוביל לסכנות חמורות.
- < כאשר ממקמים את המיני-בר יש לוודא שכבל החשמל אינו נמחץ או נפגע.
- < אין למקם שקעים מפצלים או ספקי מתח נייד מאחורי המכשיר.
- < הכנס את התקע של ההתקן לשקע שמבטיח חיבור תקין, במיוחד כאשר ההתקן מצריך הארקה.

!זהירות סכנת אש



- < נוזל הקירור שבמעגל הקירור הוא חומר דליק מאוד ובמקרה של דליפה עלולים להצטבר גזים דליקים אם המכשיר נמצא בחדר קטן. אם נגרם נזק למעגל חומר הקירור:
 - הרחק להבות חשופות ומקורות הצתה פוטנציאליים מהמיני בר.
 - אוורר היטב את החדר.
 - כבה את המיני-בר.

למיני בר עם נוזל קירור R600a:

- מעגל הקירור מכיל כמות קטנה של נוזל קירור ידודתי לסביבה, אך עם זאת דליק. היא אינה פוגעת בשכבת האוזון ואינה מגבירה את אפקט החממה. כל נוזל קירור דולף עלול להתלקח.
- אל תפעיל את המיני בר במקומות סגורים עם זרימת אוויר מינימלית או אפסית.
- הקפד על כך שמקום ההתקנה של המיני בר יהיה פנוי מרכיבים חשמליים ומקורות אור אשר במהלך פעולה שגרתית או חריגה עלולים ליצור ניצוצות או קשת חשמלית (גם ממסרים ותיבות נתיכים).
- < שמור את פתחי האוורור במארז המכשיר או בהתקנות פתוחים ללא חסימות.
- < אין להשתמש בשום אמצעים מכניים או אחרים כדי להאיץ את תהליך ההפשרה, אלא אך ורק באמצעים שהומלצו על ידי היצרן.
- < אין לפתוח את מעגל נוזל הקירור או לגרום לו נזק.
- < אין להשתמש במכשירים חשמליים בתוך המיני-בר, מלבד במכשירים שהשימוש בהם הומלץ ע"י היצרן למטרה זו.

!זהירות סכנת פיצוץ



- אל תאחסן במיני-בר חומרים נפיצים, לדוגמה מכלי תרסיס המכילים חומר הדף.

!זהירות סכנה לבריאות



- < **עבור גרסאות עם קירור בטכנולוגיית ספיגה:** לעולם אין לפתוח את התקן הספיגה. הוא נמצא תחת לחץ, ועלול לפצוע את מי שפותח אותו.
- < ילדים מגיל 8 ומעלה ואנשים בעלי יכולות פיזיות, תחשתיות או מנטליות מוגבלות או חסרי ניסיון וידע רשאים להפעיל את המכשיר רק בהשגחה או לאחר שקיבלו הדרכה בנוגע להפעלת ההתקן באופן בטוח ומבינים את הסכנות הכרוכות בכך.
- < מכשיר זה אינו מיועד לשימוש של אנשים (כולל ילדים) בעלי כישורים גופניים, חושיים או נפשיים מופחתים או שחסרים להם הניסיון והידע לשם כך, אלא תחת השגחה או לאחר שהודרכו בנושא השימוש במכשיר על ידי אדם האחראי לבטיחותם.
- < יש להשגיח על ילדים כדי לוודא שלא ישחקו במיני בר.
- < לילדים אסור לנקות או לתחזק את המכשיר ללא השגחה.
- < ילדים מגיל 3 עד 8 שנים רשאים להכניס פריטים למיני-בר ולהוציא פריטים ממנו.

!זהירות סכנת מחיצה!
אין להכניס אצבעות לציר.



!זהירות סכנה לבריאות!
מותר לאחסן מוצרי מזון רק באריזות המקוריות או במכלים מתאימים.



!אזהרה סכנת נדק!

- < ודא שמפרט המתח בלוח הנתונים זהה לזה של אספקת החשמל.
- < זרימת אוויר לא מספקת מקצרת את תוחלת החיים ופוגעת בביצועי הקירור. יש להקפיד על המרווחים המינימליים בעת התקנת המיני בר בריהוט (עיי'ן במדריך ההתקנה).
- < הבידוד של מכשיר הקירור מכיל ציקלופנאטן דליק, ויש לסלק אותו בתהליך מיוחד. בתום חיי השירות של מכשיר הקירור יש להביא אותו לאתר מיחזור מורשה.
- < שמור על ניקיון צינור הניקוז של מי העיבוי.
- < יש לסחוב את המיני-בר כשהוא עומד ישר בלבד.



בטיחות בהפעלת המכשיר

מידע סכנת התחשמלות!
אל תיגע בכבלים חשופים בידיים חשופות.



!זהירות סכנת התחשמלות!
לפני הפעלת המיני-בר ודא שכבל החשמל והתקע יבשים.



!זהירות סכנה לבריאות!

- < הקפד להכניס למיני-בר רק פריטים שמותר לקרר בטמפרטורה שנבחרה.
- < מותר לאחסן מוצרי מזון רק באריזות המקוריות או במכלים מתאימים.
- < פתיחת הדלת לזמן ממושך עשויה לגרום לעלייה משמעותית בטמפרטורה בתוך המיני-בר.
- < נקה באופן סדיר משטחים שעשויים לבוא במגע עם מזון ומערכות ניקוז נגישות.
- < אם המכשיר נותר ריק לתקופה ממושכת:
 - כבה את המיני-בר.
 - הפשר את המיני-בר.
 - נקה ויבש את המיני-בר.
 - השאר את הדלת פתוחה כדי למנוע היווצרות עובש במיני-בר.



!אזהרה סכנת נדק!

- < אל תציב את המיני בר בקרבת להבות חשופות או מקורות חום אחרים (מכשירי חימום, קרינת שמש חזקה, כיריים גז וכו').
- < ודא שפתחי האוורור נותרים פנויים.
- < לעולם אין לטבול את המיני-בר במים.
- < הגן על המיני-בר והכבל מפני חום ולחות.
- < ודא שמוצרי המזון אינם נוגעים בדפנות של אזור הקירור.



4 אביזרים

הסבר	שם
לניטור ובקרה של המיניבר באמצעות WiFi ואפליקציה	WiFi

הסבר	שם
עבור גרסאות ננעלות	מנועלים עם מפתחות

5 שימוש בהתאם לייעוד

מכשיר הקירור (הקרוי גם מיני בר) מיועד לקירור ואחסון משקאות ומזון במכלים סגורים.

המיני בר מיועד לשימוש בספינות שייט או לשימוש ביתי ויישומים דומים כגון:

- מטבחי צוות בחנויות, משרדים וסביבות עבודה נוספות
- במשקים חקלאיים
- במלונות, במלונות דרכים ובסביבות מגורים אחרות
- במקומות אירוח על בסיס לינה וארוחת בוקר
- קייטרינג ושימושים לא מסחריים אחרים

המיני בר אינו מיועד להתקנה בקרוואנים או בקרוואנים ממונעים.

המיני-בר מתאים לשימוש כמכשיר מובנה או כמקרר עצמאי. ראה הוראות ההתקנה.

המיני בר אינו מתאים לשימושים הבאים

- מוצר זה מתאים רק למטרה ולשימוש הייעודים על פי הוראות אלה
- אחסון מזון טרי ותרופות
- הקפאה עמוקה של מוצרי מזון

מוצר זה מתאים רק למטרה ולשימוש הייעודים על פי הוראות אלה.

הוראות אלה מספקות מידע הנחוץ להתקנה ו/או לשימוש נאותים במוצר. התקנה ו/או שימוש או תחזוקה לא נאותים יובילו לביצועים ירודים וייתכן שגם לתקלות.

היצרן אינו נושא באחריות לפגיעה או לנזק כלשהם למוצר כתוצאה מ:

- התקנה, הרכבה או חיבור לא נכונים, כולל מתח גבוה מדי
- תחזוקה לא נכונה או שימוש בחלקי חילוף שאינם חלקי החילוף המקוריים שסופקו על ידי היצרן
- שינויים במוצר ללא אישור מפורש מהיצרן
- שימוש למטרות אחרות מאלה המצוינות בהוראות אלה

Dometic שומרת לעצמה את הזכות לשנות את מראה המוצר ואת מפרט המוצר.

6 תרשים טכני

מקררי מיני-בר פועלים בטכנולוגיית קירור שונות:

- קירור בטכנולוגיית ספיגה: A40G1, A40P2, A40P1, A40S2, A40S1, A30G2, A30G1, A30P2, A30P1, A30S2, A30S1, A40G2
- קירור באמצעות מדחס: C60G2, C60G1, C60S2, C60S1, C40G2, C40G1, C40P2, C40P1, C40S2, C40S1
- קירור תרמואלקטרי: N40G1, N40P2, N40P1, N40S2, N40S1, N30G2, N30G1, N30P2, N30P1, N30S2, N30S1, N40G2

החומרים שמהם הוא עשוי מתאימים לשימוש עם מזון. מעגל הקירור אינו דורש תחזוקה.

המיני-בר כולל מדף פנימי אחד או שניים ומדף דלת אחד או שניים – תלוי בגרסה. ישנו מדף דלת המיועד לבקבוקים. אפשר לאחסן לבקבוק 1.5 ל' במדף הבקבוקים של הדלת. אם ישנו מדף דלת שני, הוא מיועד לבקבוקים קטנים או לחטיפים.

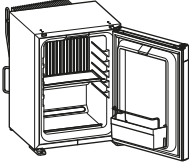
אפשר כאופציה לצייד את המיני-בר בפונקציית WiFi, כך שאפשר יהיה לתפעל אותו מאפליקציה.

אפשר להוסיף למיני-בר מנעול.

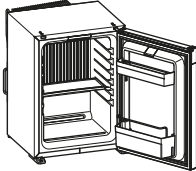
הפעלת הרכיבים של המיני-בר

1

A30S1, A30P1, A30G1

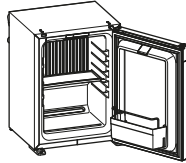


A40S1, A40P1, A40G1

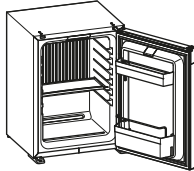


Alpha

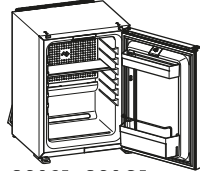
N30S1, N30P1, N30G1



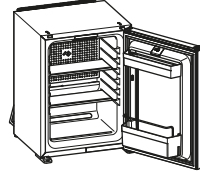
N40S1, N40P1, N40G1



C40S1, C40P1, C40G1

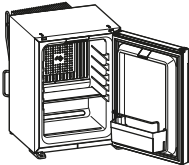


C60S1, C60G1

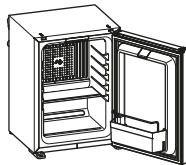


Evolution

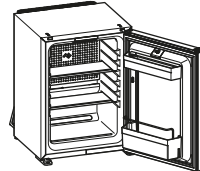
A30S2, A30P2, A30G2



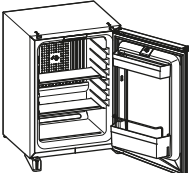
N30S2, N30P2, N30G2



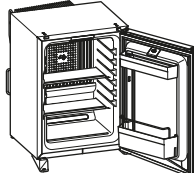
C40S2, C40P2, C40G2



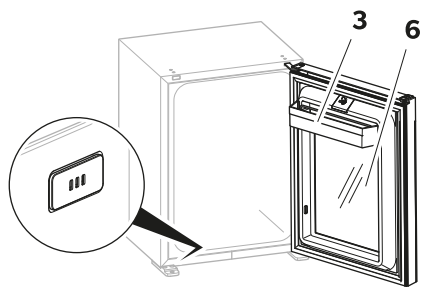
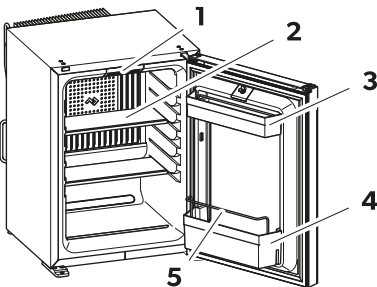
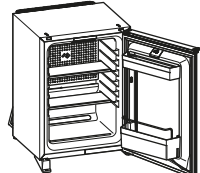
A40S2, A40P2, A40G2



N40S2, N40P2, N40G2

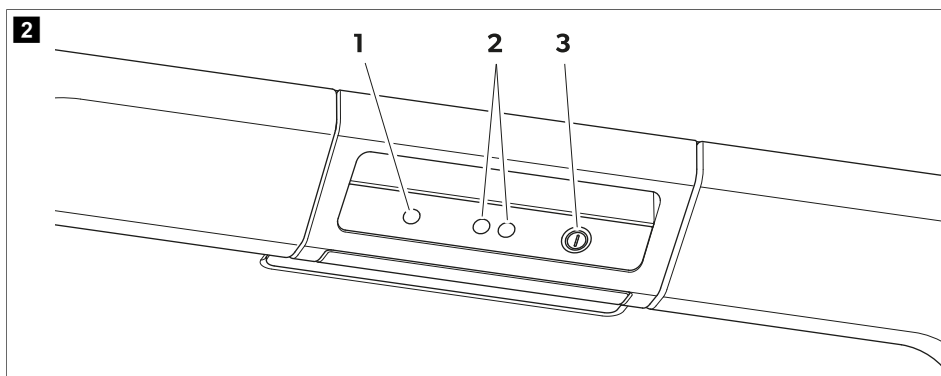


C60S2, C60G2



הסבר	מס' ב: באיור. 1 בעמוד 37
	1 אור פנימי ורכיב בקרה
1 מדף	2
2 מדפים (N40G2, N40P2, N40S2, C60G2, C60S2, C40G2, C40P2, C40S2, A40G2, A40P2, A40S2)	
מדף דלת עליון (עבור C60S2, C60S1, C40P2, C40P1, C40S2, C40S1, A40P2, A40P1, A40S2, A40S1)	3
(N40P2, N40P1, N40S2, N40S1, C60G2, C60G1)	
מדף דלת תחתון	4
מחזיק בקבוקים לדלת (אופציונלי)	5
דלת זכוכית (אופציונלי)	6
אור פנימי תחתון (אופציונלי)	-

לוח בקרה



הסבר	מס'
	1 נורית חיווי
חיישן דלת תת-אדום	2
Ⓜ לחצן	3
הדלקה וכיבוי של המיני-בר	
הזנת הטמפרטורה המבוקשת	
קביעת מצב שקט (רק עבור C40 ו-C60 עם קירור באמצעות מדחס)	

נורית חיווי

תיאור	מצב	צבע
המיני בר מתקרר	דולקות	ירוק
המיני-בר מפסיק לקרר (הטמפרטורה הדרושה הושגה, או ההפשרה האוטומטית פעילה)	דולקות	כתום

מהבהבת אירעה שגיאה (ראה הפרק טיפול בתקלות בעמוד 43)

תיאור	מצב	צבע
	המיני בר כבוי או במצב שקט	-

7 הפעלה

לפני השימוש הראשון

! **סכנה** אל תאחסן מוצרי מזון במכשיר במהלך 4 השעות הראשונות לאחר ההפעלה.



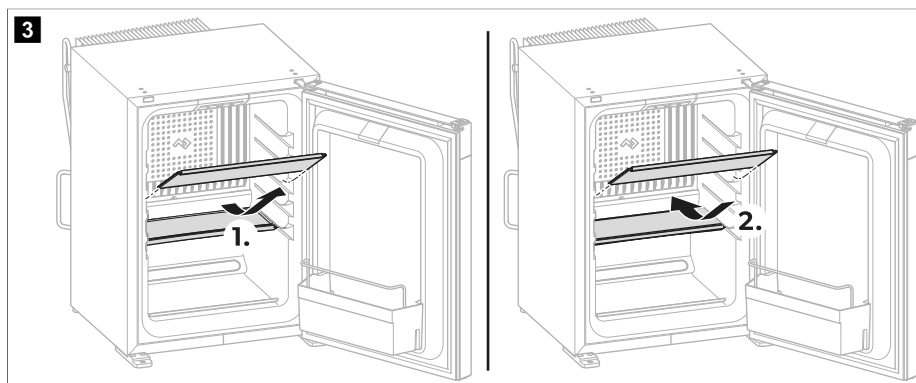
< יש לנקות את המכשיר מבפנים ומבחוץ כדי לשמור על תנאים היגייניים נאותים.

חיסכון בחשמל

- פתח את המיני-בר רק בתדירות הנחוצה ולמשך הזמן הנחוץ.
- הימנע מטמפרטורה פנימית נמוכה מדי שלא לצורך.
- כדי למטב את צריכת החשמל מקם את המדפים והמגירות כפי שמוקמו בעת האספקה.
- בדוק באופן סדיר שאטם הדלת יושב בצורה תקינה.
- נקה אבק ולכלוך מהמעבה באופן סדיר.

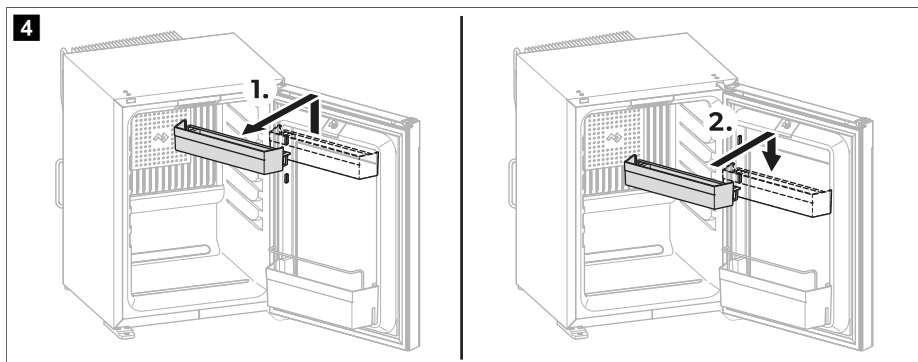
מיקום המדפים

< כדי למקם את המדפים, המשך כמתואר ב-באיור. **3** בעמוד 39.



מיקום מדף הדלת

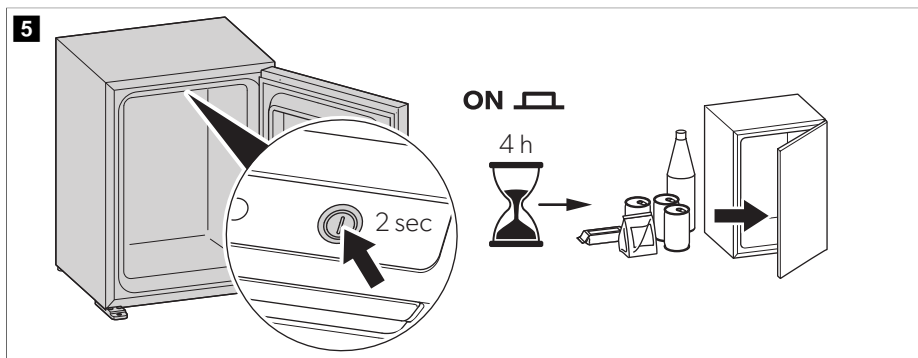
< כדי למקם את מדף הדלת, המשך כמתואר ב-באיור. 4 בעמוד 40.



הדלקת המיני-בר

ⓘ **סכנה** לאחר ההפעלה, יש להמתין מספר שעות עד שהמיני-בר יגיע לטמפרטורת הקירור שנקבעה.

< הכנס את תקע החשמל לשקע (באיור. 5 בעמוד 40).



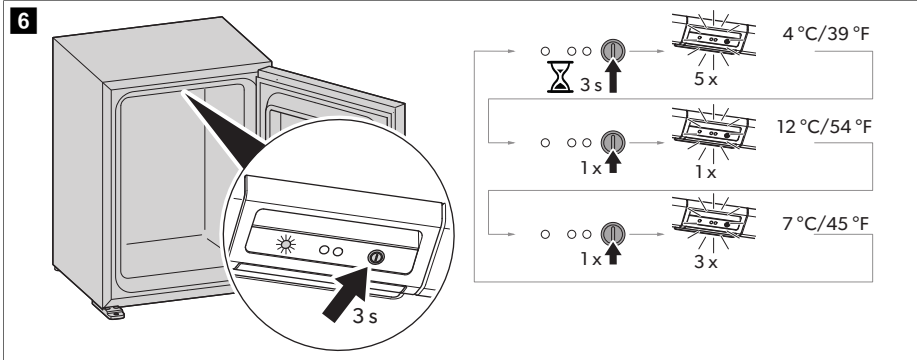
קביעת הטמפרטורה

שים לב למידע הבא כדי למנוע בזבז מזון:

- מנע תנודות טמפרטורה עד כמה שאפשר. פתח את המיני-בר רק בתדירות הנחוצה ולמשך הזמן הנחוץ. אחסן מוצרי מזון באופן שיאפשר זרימת אוויר.
- המיני-בר מצויד בפונקציית בקרת טמפרטורה אוטומטית. בחר את טמפרטורת האמצעי מבין ערכי הטמפרטורה האפשריים.
- התאם את הטמפרטורה לכמות ולסוג של מוצרי המזון.

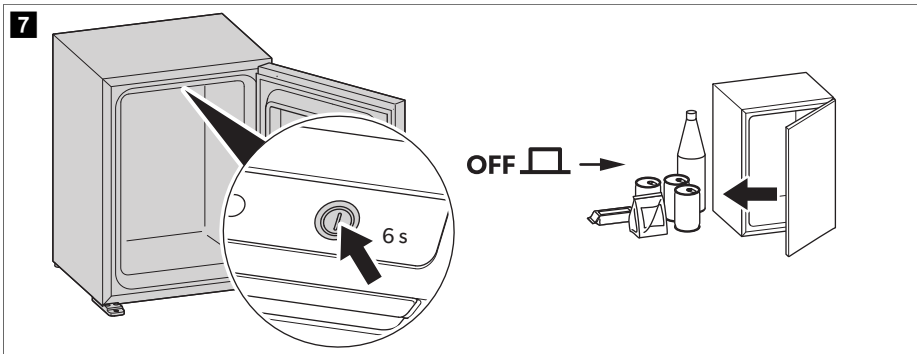
המיני-בר מצויד בפונקציית בקרת טמפרטורה אוטומטית. ניתן להתאים את הטמפרטורה ל-4°C or 12°C, 7°C. כל לחיצה על הלחצן Ⓢ מתחליפה בין ערכי טמפרטורת הקירור האפשריים.

< כדי לקבוע את הטמפרטורה, המשך כמתואר ב-באיור. **6** בעמוד 41.



כיבוי המיני-בר

< כדי לכבות את המיני-בר, המשך כמתואר ב-באיור. **7** בעמוד 41.



קביעת המצב השקט (רק עבור דגמי מדחס)

המיני-בר כולל אפשרות למצב שקט.

!סכנה כאשר מופעל המצב השקט, לא ניתן לשנות את קביעת הטמפרטורה.



1. קבע את טמפרטורת הקירור הרצויה (ראה הפרק קביעת הטמפרטורה בעמוד 40).

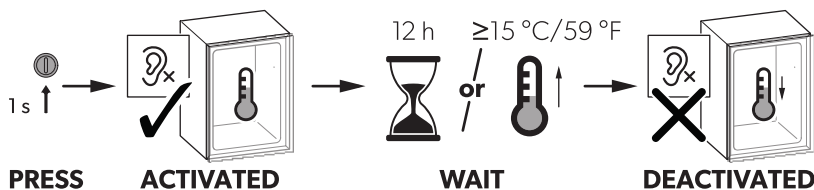
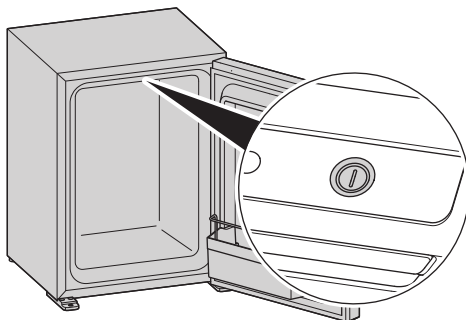
2. כדי לקבוע את מצב השקט, המשך כמתואר ב-באיור. **8** בעמוד 42.

8

SILENT MODE



C40, C60



הפשרה

המיני-בר כולל פונקציית הפשרה אוטומטית.

אחסון

אם אין כוונה להשתמש במיני-בר לפרק זמן ממושך, פעל באופן הבא:

1. נתק את התקע החשמלי מהשקע.
2. נקה את המיני-בר (ראה הפרק ניקוי בעמוד 42).

8 ניקוי

!זהירות סכנת התחשמלות

נתק את המיני-בר מהחשמל לפני ניקוי המכשיר או ביצוע תחזוקה.



!אזהרה סכנת נזק

- < אל תשתמש בחומר ניקוי אגרסיבי או בחפצים קשים לצורך הניקוי, היות שהם עלולים לגרום נזק למיני-בר.
- < לעולם אין להשתמש בכלים קשיחים או חדים כדי להסיר קרח או לשחרר פריטים שקפאו במיני-בר.
- < אין להשתמש בכלי עבודה מכניים או בכלים אחרים כדי להאיץ את הפשרה.
- < ודא כי אין טפטוף של מים לתוך האטמים כדי למנוע נזק לרכיבי האלקטרוניקה.
- < רק היצרן, טכנאי שירות או בעל מקצוע מוסמך אחר רשאים להחליף מקור אור, כדי למנוע סכנה.



!סכנה התעבות של לחות על דלתות זכוכית

כאשר הלחות בחדר עולה על 65% בטמפרטורת סביבה של 25°C, תתעבה הלחות על דלת הזכוכית.



- < נקה את המיני-בר מטלית לחה באופן סדיר וברגע שהוא מתלכלך.
- < נגב את המיני-בר במטלית יבשה לאחר הניקוי.
- < בדוק את תעלת הניקוז של מי העיבוי באופן סדיר.
- < נקה את תעלת הניקוז של מי העיבור על פי הצורך. אם היא סתומה מי העיבוי יצטברו בתחתית המיני-בר.
- < **עבור גרסאות עם התקן ספיגה:** פעם בשנה הסר אבק מהתקן הספיגה באמצעות מברשת או מטלית רכה.

9 טיפול בתקלות

תקלה	סיבה אפשרית	פתרון
המיני בר לא מקרר. נורית החיווי כבויה.	תקע החשמל אינו מחובר לחשמל.	הכנס את תקע החשמל לשקע.
	אין מתח בשקע החשמל.	בדוק את מפסק ההגנה האוטומטי.
	הנתיך של המערכת האלקטרונית פגום.	< צור קשר עם סוכן שירות מורשה. < סוכן שירות בלבד: החלף את הנתיך.
המיני בר לא מקרר. נורית החיווי דולקת .	עבור גרסאות עם קירור בטכנולוגיית ספיגה: מחסנית החימום אינה תקינה	< צור קשר עם סוכן שירות מורשה. < סוכן שירות בלבד: התקן מחסנית חימום חדשה.
	תקלה אלקטרונית או חיישני טמפרטורה פגומים.	< צור קשר עם סוכן שירות מורשה. < סוכן שירות בלבד: התקן מערכת אלקטרונית חדשה או חיישן חדש.
	יחידת הקירור אינה תקינה.	< צור קשר עם סוכן שירות מורשה. < סוכן שירות בלבד: החלף את המיני-בר.
	המיני-בר מופעל במצב שקט (C40, C60).	אין צורך לעשות דבר (קביעת המצב השקט (רק עבור דגמי מדחס) בעמוד 41).
המיני-בר לא מקרר. נורית הביקורת מהבהבת בכתום x פעמים במהלך פרק זמן מסוים.	הבהוב 1x: חיישן NTC פגום.	< צור קשר עם סוכן שירות מורשה. < סוכן שירות בלבד: החלף את חיישן ה-NTC.
	הבהוב 3x: תקלה במחסנית החימום (רק בגרסאות עם קירור בטכנולוגיית ספיגה).	< צור קשר עם סוכן שירות מורשה. < סוכן שירות בלבד: התקן מחסנית חימום חדשה.
	הבהוב 5x: שגיאת CPC (בקר ביצועי קירור).	1. נתק זמנית את המיני-בר מהספקת החשמל כדי לאפס את השגיאה. 2. ספור את מספר ההבהובים המתרחשים לאחר האיפוס: • הבהוב 1x: חיישן NTC פגום. • הבהוב 3x: תקלה במחסנית החימום (רק בגרסאות עם קירור בטכנולוגיית ספיגה). • אין הבהוב: השגיאה מאופסת. 3. הבהוב 1x או 3x: צור קשר עם סוכן שירות מורשה.
המיני-בר לא מקרר. התאורה הפנימית מהבהבת ללא הרף.	עבור גרסאות עם קירור בטכנולוגיית ספיגה: שגיאה במהלך בדיקה עצמית של יחידת הקירור.	< בדוק את יחידת הקירור לגילוי דליפות. < בדוק את רשת האוורור של יחידת הקירור וודא שהיא מתפקדת במיטבה.

תקלה	סיבה אפשרית	פתרון
		<p>< המתן 24 h עד שההתקן יפעיל מחדש את פונקציית הקירור. אם המכשיר אינו מופעל מחדש בתוך 24 h, צור קשר עם סוכן שירות מורשה.</p>
הספק קירור חלש	יחידת הקירור אינה מאווררת כנדרש.	דאג לאוורור כנדרש (ראה הוראות ההתקנה).
	המיני-בר חשוף לקרינת שמש ישירה.	הרחק את המיני-בר מקרינת שמש ישירה.
	דלת המיני-בר אינה אוטמת כשהיא סגורה.	בדוק את המרווחים (ראה הוראות ההתקנה). < צור קשר עם סוכן שירות מורשה. < סוכן שירות בלבד: החלף את אטם הדלת
	המיני-בר מולא לאחרונה.	בדוק שוב את הקירור לאחר 5 h ... 6 h.
	עבור גרסאות עם קירור בטכנולוגיית ספיגה: מתח המבוא נמוך מדי או גבוה מדי.	בדוק את מתח המבוא.
	פונקציית ההפשרה האוטומטית פעילה.	אין צורך לעשות דבר (ראה הפרק הפשרה/בעמוד 42).
היווצרות קרח בתא המיני-בר	דלת המיני-בר אינה אוטמת כשהיא סגורה.	בדוק את המרווחים (ראה הוראות ההתקנה). < צור קשר עם סוכן שירות מורשה. < סוכן שירות בלבד: החלף את אטם הדלת
	המיני מקרר ממשיך להתקרר ללא הפרעה (טמפרטורת הקירור יורדת מתחת לערך שנקבע).	צור קשר עם סוכן שירות מורשה.
האור הפנימי אינו פועל	התאורה הפנימית לא תקינה.	< צור קשר עם סוכן שירות מורשה. < סוכן שירות בלבד: החלף את הנורה הפנימית
	פני השטח של חיישן הדלת התת-אדום מכוסים במי עיבוי, למשל.	נקה את פני השטח של חיישן הדלת התת-אדום.

10 סילוק

!זהירות סכנת אש

- < נוזל הקירור דליק מאוד. אין לפתוח את מעגל נוזל הקירור או לגרום לו נזק.
- < הבידוד של ההתקן מכיל גז מבודד (ראה לוחית נתונים). אין לגרום נזק לבידוד.



חומר אריזה למיחזור: העבר את חומרי האריזה לנקודת המיחזור המתאימה.





- מיחזור מוצרים עם סוללות חד-פעמיות, סוללות נטענות ומקורות אור: אם המוצר מכיל סוללות כלשהן שאינן ניתנות להחלפה, סוללות נטענות או מקורות אור, אין צורך להסיר אותם לפני ההשלכה.
- אם ברצונך להשליך את המוצר לאשפה באופן סופי, פנה לרשות המקומית האחראית על המיחזור או למגרש המיחזור המקומי למידע כיצד יש לסלק את המוצר על פי התקנות.
- אפשר להשליך את המוצר ללא תשלום.

11 אחריות

הזמן התקף הוא מועד פקיעת האחריות בהתאם לחוק. אם המוצר פגום, פנה לנציג היצרן בארצך (ראה dometic.com/dealer) או למשווק המקומי.

כשאתה שולח את המכשיר לתיקון במסגרת האחריות, אנא צרף את המסמכים הבאים:

- עותק של החשבונית כולל תאריך הקנייה
 - הסבר לתלונה או תיאור התקלה
- שים לב שלתיקון בכוחות עצמך או לתיקון לא מקצועי עלולות להיות השלכות בטיחותיות והוא עלול לגרום לביטול האחריות.
- כשאתה שולח את המכשיר לתיקון במסגרת האחריות, אנא צרף את המסמכים הבאים:

- עותק של החשבונית כולל תאריך הקנייה
 - הסבר לתלונה או תיאור התקלה
- שים לב שלתיקון בכוחות עצמך או לתיקון לא מקצועי עלולות להיות השלכות בטיחותיות והוא עלול לגרום לביטול האחריות.

12 מפרטים טכניים


כדי ליישן בהצהרת התאימות האירופית עבור המכשיר שלך בקר בדף המוצר באתר dometic.com או פנה ישירות ליצרן (ראה dometic.com/dealer).


מוצר זה מכיל מקור אור בדרגת צריכת אנרגיה F.


ניתן לקבל מידע נוסף על המוצר על ידי סריקת קוד ה-QR שעל תווית האנרגיה באיורים או דרך eprel.ec.europa.eu.

HiPro A, A 40P1, A 40S2, A 40S1 A 40G2, A 40G1, 40P2	HiPro A, A 30P1, A 30S2, A 30S1 A 30G2, A 30G1, 30P2	
~V~ ... 240 V 220 Hz 60 / 50		מתח זינה
33 ל"	26 ל"	נפח כולל
W 70 ... 60		הספק מבוא נקוב
N: 16 °C ... 32 °C T: 16 °C ... 43 °C		דירוג אקלימי וטמפרטורת הסביבה המתאימה לשימוש
(dB(A) 0		פליטת רעש
R717		חומר קירור
466 × 550 × 405 מ"מ	446 × 520 × 384 מ"מ	מידות (ראגע)

HE Dometic HiPro Alpha, Evolution

HiPro A, A 40P1, A 40S2, A 40S1 A 40G2, A 40G1, 40P2	HiPro A, A 30P1, A 30S2, A 30S1 A 30G2, A 30G1, 30P2	
15.3 ק"ג	13.7 ק"ג	משקל:
16.7 ק"ג	15 ק"ג	עם דלת מסיבית
17.9 ק"ג	15.9 ק"ג	עם דלת חיפוי
		עם דלת זכוכית
		בדיקה/רישיון

HiPro C60G2, C60S2, C60G1, C60S1	HiPro ,C 40P1, C 40S2, C 40S1 C 40G2, C 40G1, C 40P2	
~V~ ... 240 V 220 Hz 60 / 50		מתח זינה
49 ל"	33 ל"	גובה כולל
W 45		הספק מבוא נקוב
N: 16 °C ... 32 °C T: 16 °C ... 43 °C		דירוג אקלימי וטמפרטורת הסביבה המתאימה לשימוש
(dB(A 38	(dB(A 33	פליטת רעש
R600a		חומר קירור
510 × 565 × 490 מ"מ	481 × 550 × 405 מ"מ	מידות (ראגע)
19.5 ק"ג	17.5 ק"ג	משקל:
-	18.9 ק"ג	עם דלת מסיבית
22.5 ק"ג	20.1 ק"ג	עם דלת חיפוי
		עם דלת זכוכית
		בדיקה/רישיון

HiPro ,N 40P1 ,N 40S2 ,N 40S1 N 40G2 ,N 40G1 ,N 40P2	HiPro ,N 30P1 ,N 30S2 ,N 30S1 N 30G2 ,N 30G1 ,N 30P2	
~V~ ... 240 V 100 Hz 60 / 50		מתח זינה
33 ל"	26 ל"	נפח כולל
W 55		הספק מבוא נקיב
N: 16 °C ... 32 °C T: 16 °C ... 43 °C		דירוג אקלימי וטמפרטורת הסביבה המתאימה לשימוש
(dB(A 0 R600a		פליטת רעש
435 × 550 × 405 מ"מ		חומר קירור
415 × 520 × 384 מ"מ		מידות (ראגאע)
12.5 ק"ג	10.7 ק"ג	משקל:
13.9 ק"ג	12 ק"ג	עם דלת מסיבית
15.1 ק"ג	12.9 ק"ג	עם דלת חיפוי
		עם דלת זכוכית
		בדיקה/רישיון



dometic.com

YOUR LOCAL DEALER

dometic.com/dealer

YOUR LOCAL SUPPORT

dometic.com/contact

YOUR LOCAL SALES OFFICE

dometic.com/sales-offices
