

POWER & CONTROL

# OPTIMUS ELECTRIC STEERING ACTUATOR WITH OPTIMUS LINK

The Optimus Electric Actuator provides a low-maintenance, reliable alternative to traditional hydraulic steering, offering smooth and easy control. It works seamlessly with advanced systems like Seaways autopilot, Optimus 360 Joystick, and SeaStation virtual anchor. When paired with the Optimus Link, a streamlined, cost-effective alternative to the color display, it makes electric steering more accessible, ensuring precise handling and enhanced control on the water.

**HIGH PERFORMANCE**  
COMPACT DESIGN

**INTEGRATED ELECTRONICS**  
FULLY POTTED

**REDUCED MAINTENANCE**  
NO HYDRAULIC FLUID



Mobile living made easy.

 **DOMETIC**

# NEXT GENERATION ELECTRONIC POWER STEERING

The Optimus Electronic Steering Actuator is the first complete bolt on electronic steering for outboard engines, compatible for twin, triple and quad engines 150 horsepower and up. The steering control unit, power source, and power transmission are integrated into a single electro-mechanical actuator, making this the next evolution in electronic power steering.



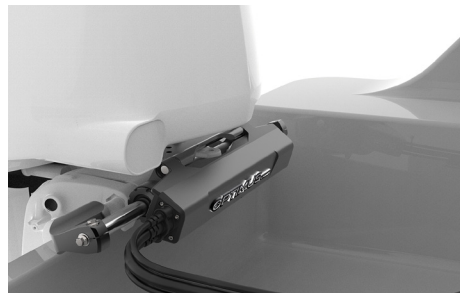
## Features

- Same mounting configuration as traditional hydraulic steering
- Simple installation with no hydraulic fluid
- Speed adaptive wheel effort & sensitivity
- Adjustable toe and Ackermann
- Compatible with Tournament Tie Bar
- Compatible with Seaways autopilot and SeaStation virtual anchor
- Compatible with third party autopilot (Garmin, Simrad, Raymarine)
- NMMA, ABYC, CE, ISO and SAE electrical & environmental requirements



### 1. Easy Installation

Customer installable molded harness



### 2. Worry-Free Compatibility

Compatible with Optimus 360 Joystick Control as well as SeaStation (GPS Anchor) and SeaWays (built-in autopilot)



### 3. Durable Design

Ultra corrosion-resistant shafts

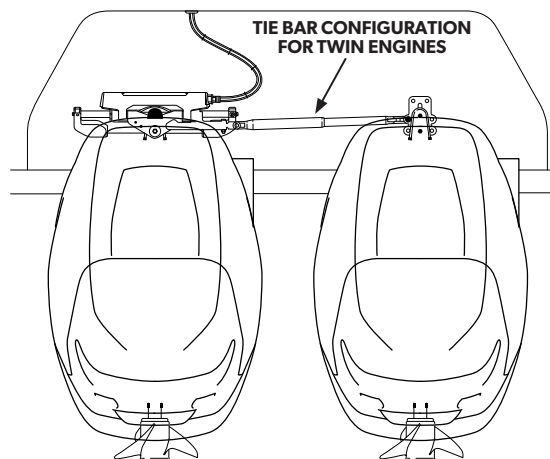
# OPTIMUS LINK

The new Optimus Link UI introduces a refined design that occupies less dash space, creating a clean, organized dashboard layout. This minimalist look complements any vessel's interior, while enhancing usability with intuitive controls.

Offered as a lower-cost alternative to the color display, the Optimus Link UI makes electronic power steering more accessible than ever. Experience all the benefits of electric steering that the market has trusted for over a decade at a reduced price, without sacrificing quality or functionality.

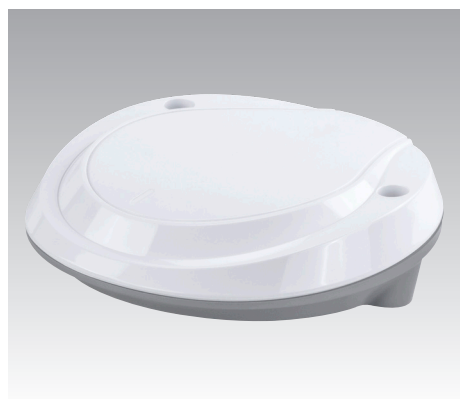
## Features

- **Minimalist Design:** Clean, unobtrusive interface that seamlessly integrates with your dash.
- **Space-Saving:** Compact footprint ensures easy fitment.
- **Rapid Setup:** System setup and calibration in just 10 seconds upon first power-up.
- **Built-In Diagnostics:** Includes a system diagnostic feature to assist with troubleshooting.



## 1. Compatibility

Compatible with Optimus Electric Actuator in single-engine or twin-engine tie bar configurations



## 2. Future-Proof And Upgradeable

Upgradeable to advanced features like the Optimus 360 joystick, Seaways autopilot, or Optimus color display, ensuring your system can evolve with your needs

