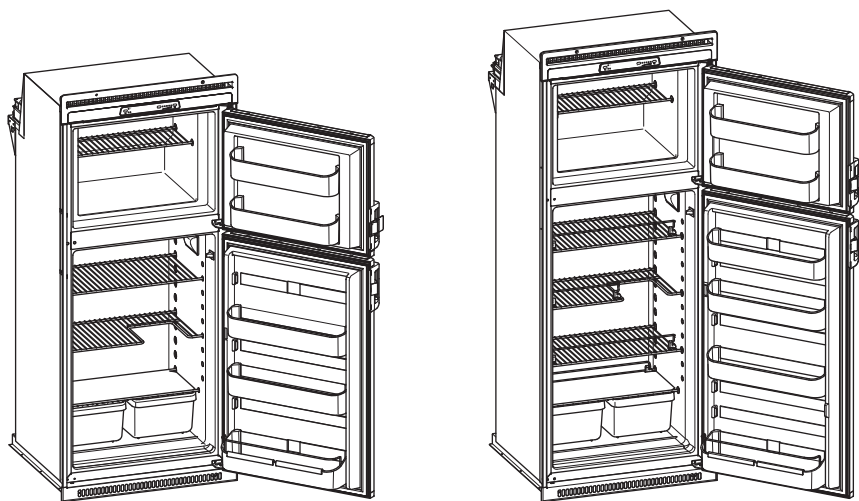


# ↗ DOMETIC

# REFRIGERATION

# REFRIGERATORS



RPD190, RPD 218

EN

**Compressor refrigerator**  
Installation and Operating Manual



**Please read this instruction manual carefully before installation and first use, and store it in a safe place. If you pass on the product to another person, hand over this instruction manual along with it.**

## **Table of contents**

1	Explanation of symbols . . . . .	4
2	Safety instructions . . . . .	5
3	Scope of delivery . . . . .	7
4	Intended use . . . . .	8
5	Technical description . . . . .	8
6	Installing and connecting the refrigerator . . . . .	11
7	Using the refrigerator . . . . .	19
8	Cleaning and maintenance. . . . .	29
9	Warranty . . . . .	29
10	Disposal . . . . .	30
11	Troubleshooting . . . . .	31
12	Technical data . . . . .	34

# 1 Explanation of symbols

**DANGER!**

**Safety instruction:** Failure to observe this instruction will cause fatal or serious injury.

**WARNING!**

**Safety instruction:** Failure to observe this instruction can cause fatal or serious injury.

**CAUTION!**

**Safety instruction:** Failure to observe this instruction can lead to injury.

**NOTICE!**

Failure to observe this instruction can cause material damage and impair the function of the product.

**NOTE**

Supplementary information for operating the product.

## 2 Safety instructions

The manufacturer accepts no liability for damage in the following cases:

- Faulty assembly or connection
- Damage to the product resulting from mechanical influences and excess voltage
- Alterations to the product without express permission from the manufacturer
- Use for purposes other than those described in the operating manual

### 2.1 General safety



#### **DANGER!**

- On boats: If the device is powered by the mains, ensure that the power supply has a residual current circuit breaker. The break distance must not be less than 3 mm.



#### **WARNING!**

- Have a qualified technician perform the installation in wet rooms.
- Do not operate the device if it is visibly damaged.
- If this device's power cable is damaged, it must be replaced by the manufacturer, customer service or a similarly qualified person in order to prevent safety hazards.
- This device may only be repaired by qualified personnel. Inadequate repairs may cause serious hazards.
- This device can be used by children aged 8 years or over, as well as by persons with diminished physical, sensory or mental capacities or a lack of experience and knowledge, providing they are supervised, or have been taught how to use the device safely and are aware of the resulting risks.
- Cleaning and user maintenance must not be carried out by children without supervision.
- Children must be supervised to ensure that they do not play with the device.
- Always keep and use the device out of the reach of children under 8 years of age.
- Do not store any explosive substances, such as spray cans with propellants, in the device.

**CAUTION!**

- Danger of crushing! Do not put your fingers into the hinge.
- Foodstuff may only be stored in its original packaging or in suitable containers.

**NOTICE!**

- Check that the voltage specification on the type plate is the same as that of the power supply.
- Never pull the plug out of the socket by the connection cable.
- If the refrigerator is connected to the DC socket: disconnect the refrigerator and other electric consumers from the battery before connecting the quick charging device.
- If the refrigerator is connected to the DC socket: disconnect the refrigerator or switch it off when you turn off the engine. Otherwise you may discharge the battery.
- The refrigerator is not suitable for transporting substances which are caustic or contain solvents.
- Keep the drainage outlet clean at all times.
- Do not open the refrigerant circuit under any circumstances.
- Never transport the device in a horizontal position, so that no oil can leak out of the compressor.
- Make sure that the refrigerator circuit is not damaged during transportation. The refrigerant in the refrigerator circuit is highly flammable.  
In the event of any damage to the refrigerator circuit:
  - Avoid naked flames and sparks.
  - Air the room well.
- Set up the device in a dry location where it is protected against splashing water.

## 2.2 Operating the device safely

**DANGER!**

- Do not touch exposed cables with your bare hands. This applies especially when operating the device from the AC mains.

**CAUTION!**

- Before starting the device, ensure that the power supply line and the plug are dry.

- If you connect the device to a battery, make sure that no food comes into contact with the battery acid.



### NOTICE!

- Do not use electrical devices inside the cooling device unless they are recommended by the manufacturer for that purpose.
- Do not place it near naked flames or other heat sources (heaters, direct sunlight, gas ovens etc.)
- **Danger of overheating!**  
Always ensure sufficient ventilation so that the heat generated during operation can dissipate. Make sure that the device is sufficiently far away from walls and other objects so that the air can circulate.
- Ensure that the ventilation vents are not covered.
- Do not fill the inner container with ice or fluid.
- Never immerse the appliance in water.
- Protect the appliance and the cable against heat and moisture.
- Make sure that foodstuffs do not touch the walls of the cooling area.

## 3 Scope of delivery

Quantity	Description
1	Refrigerator
1	Lower ventilation grille
1	Drain hose
2	Icecube tray
1	LH hinge conversion kit (with instruction)
2	Airing position card
1	Operating manual

## 4 Intended use

The RPD series refrigerators are suitable for refrigerating foodstuffs and storing frozen foodstuffs.

The device is also suitable for use on boats.

The device is designed to be operated from a 12 V or 24 V on-board supply socket of a vehicle, boat or caravan as well as from a 100 – 240 V mains.



### **CAUTION! Health hazard!**

Please check if the cooling capacity of the device is suitable for storing the food or medicine you wish to cool.

The refrigerator is only suitable for installation in a fitted cavity. Once it is installed, only the front of the appliance may be accessible.

## 5 Technical description

### 5.1 Function description

The device can refrigerate goods to +7 °C to +2 °C and keep them cool. Products can be frozen to –10 °C to –18 °C in the freezer compartment. You can use the variable thermostat to set the desired temperature.

The refrigerator is suitable for use with 12 V or 24 V DC voltage and can therefore also be used e.g. for mobile homes, caravans or on boats. It can also be connected to a 100 – 240 V mains supply.

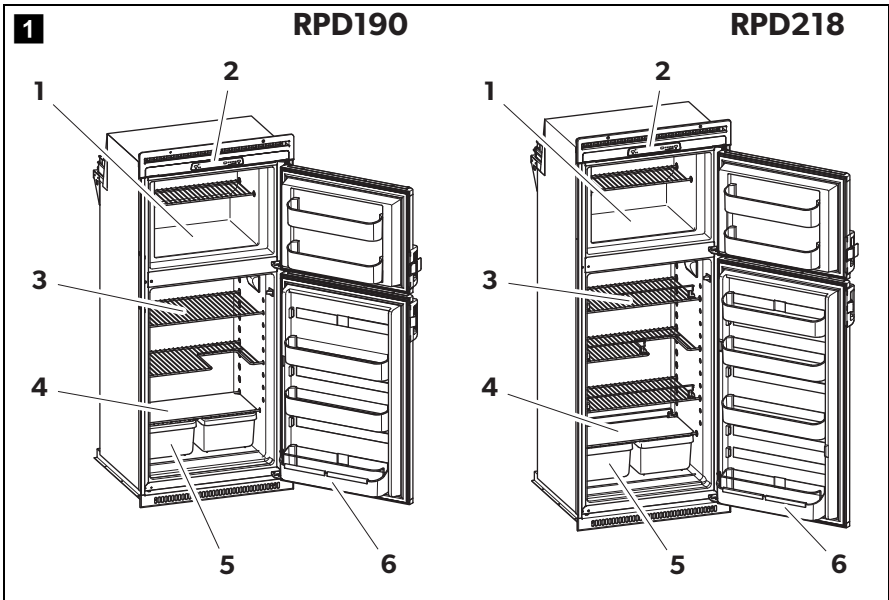
When used on boats the refrigerator can be subjected to a constant inclination of 30°.

All materials used in the refrigerator are compatible for use with foodstuffs. The refrigerant circuit is hermetically sealed and CFC-free.



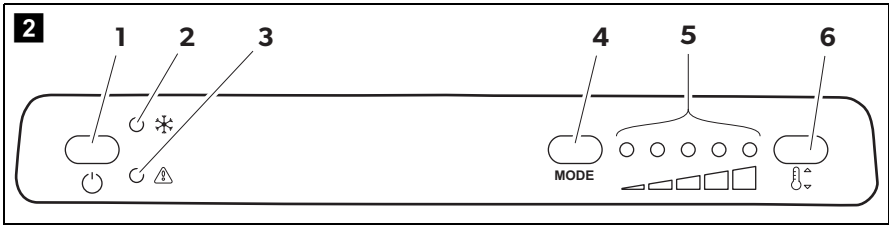
## 5.2 Control elements inside the refrigerator

The various types of refrigerators are shown in the following illustrations:



No.	Description
1	Freezer compartment
2	Control panel
3	Wire shelf (folding, so that bottles can be put in the refrigerator)
4	Shelf
5	Crisper bin
6	Door shelf

### 5.3 Control elements



No.	Description
1	⏻ button (ON/OFF button)
2	Power LED
3	Status LED
4	MODE button
5	Temperature level LEDs
6	⏮⏭ button (Temperature setting button)

## 6 Installing and connecting the refrigerator

Please note the following instructions for installation on boats:



### **DANGER!**

If the device is powered by the mains, ensure that the power supply has a residual current circuit breaker.



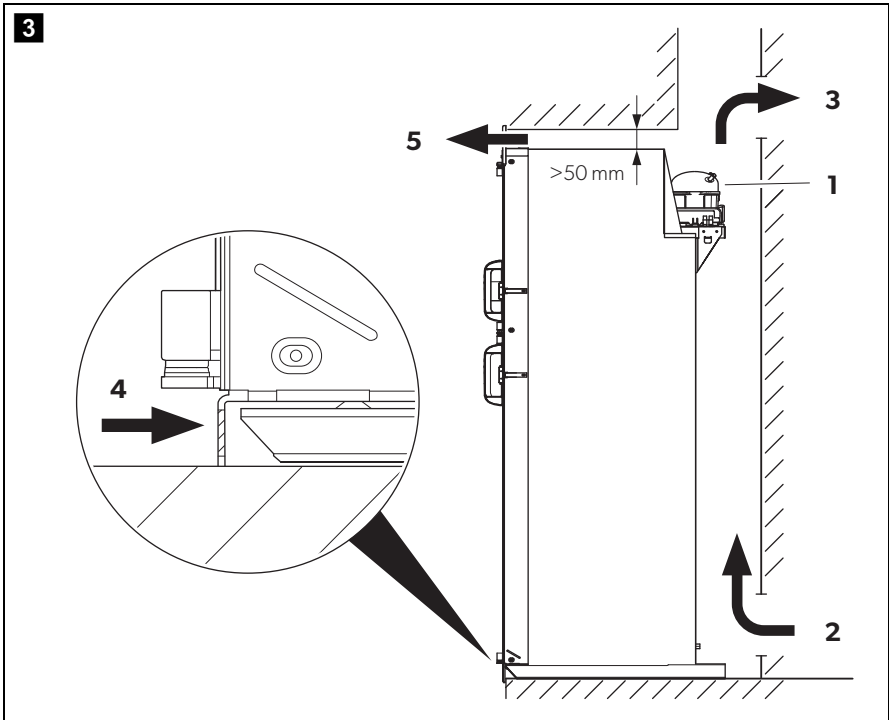
### **NOTICE!**

- The device can be tilted sideways up to 30°. When setting up the refrigerator, note that it must be fastened to take account of this. If you have any questions regarding installation, consult your specialist dealer.
- Install the refrigerator so that the warm air generated can easily flow away (fig. **3**, page 12)
- The appliance is designed for ambient temperatures between +16 °C and +43 °C.

### 6.1 Reversing the doors

With the LH hinge conversion kit you can change the hinge of the door, so that it opens to the left instead to the right. A separate instruction sheet is included with this kit.

## 6.2 Installing the refrigerator

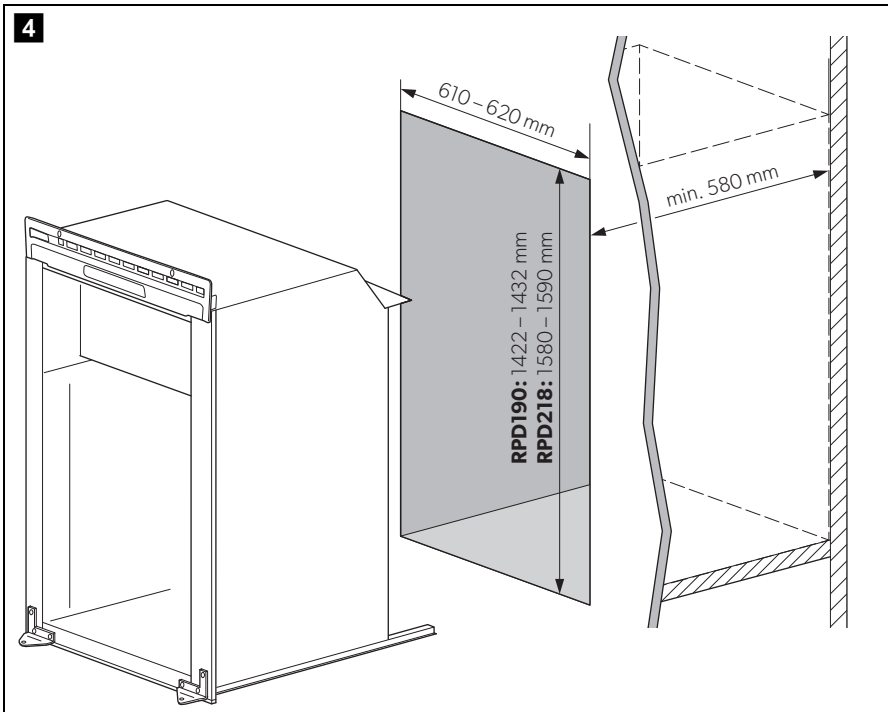


Key to fig. **3**, page 12

No.	Description	Action
1	Compressor shelf – produces heat	–
<b>For optimum performance at high ambient temperatures:</b>		
2	Cool intake air – external vent	Fit inlet vent to exterior wall – position below compressor shelf
3	Hot waste air – external vent	Fit outlet vent to exterior wall – position above compressor shelf
<b>For low to moderate ambient temperatures:</b>		
4	Cool intake air grille	–
5	Hot waste air grille	–

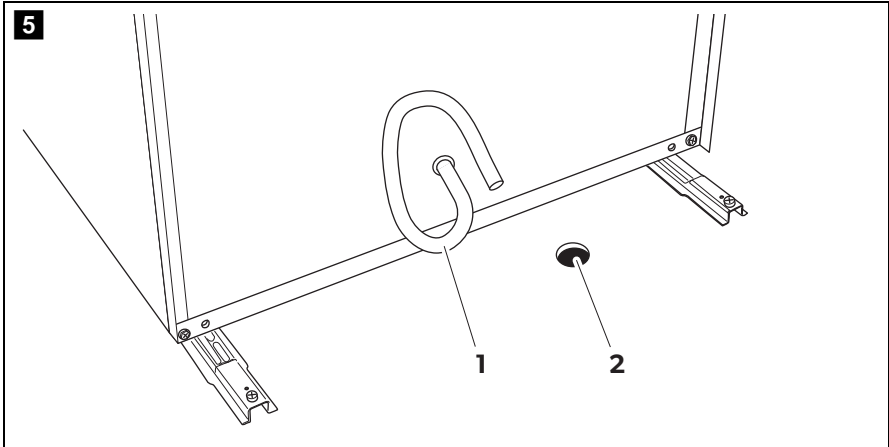
Observe the following instructions when installing:

- Install the refrigerator so that the hot air produced can easily flow away. To achieve this make sure there is adequate ventilation (fig. **3**, page 12).
- Allow the device to rest in a vertical position for at least four hours before you connect it to the power supply so that the oil can flow back into the compressor.

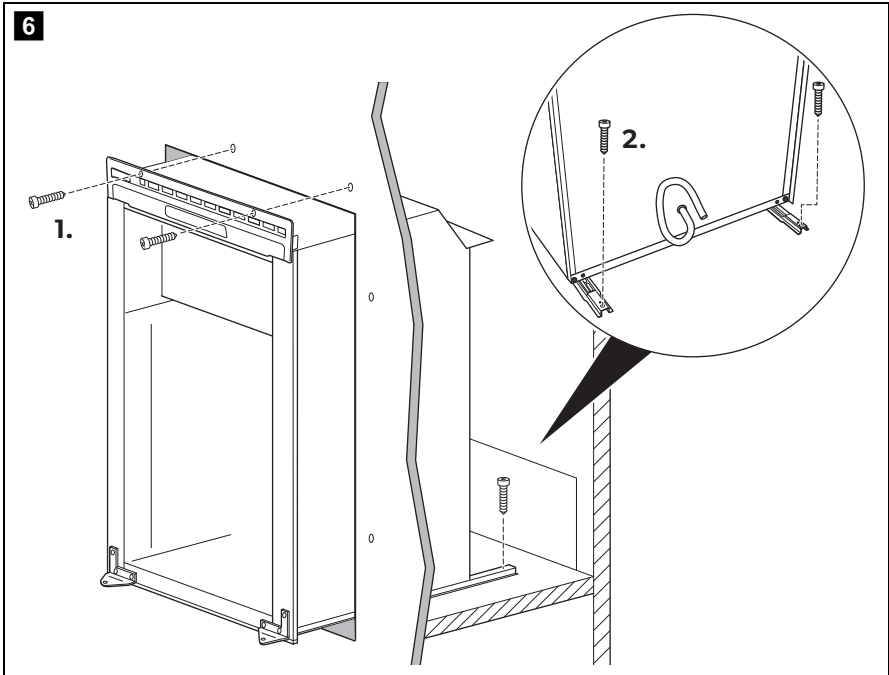


- The installation dimensions can be found in the figure above.
- Keep objects clear of openings in the housing or installation structure (such as ventilation slots, etc.).
- Condensate is produced when the refrigerator is operating normally. A drain water hose is attached to the cooling device to drain the condensate to the outside. If the supplied drain water hose is too short, the installer shall replace the hose with a single length hose of the required length.

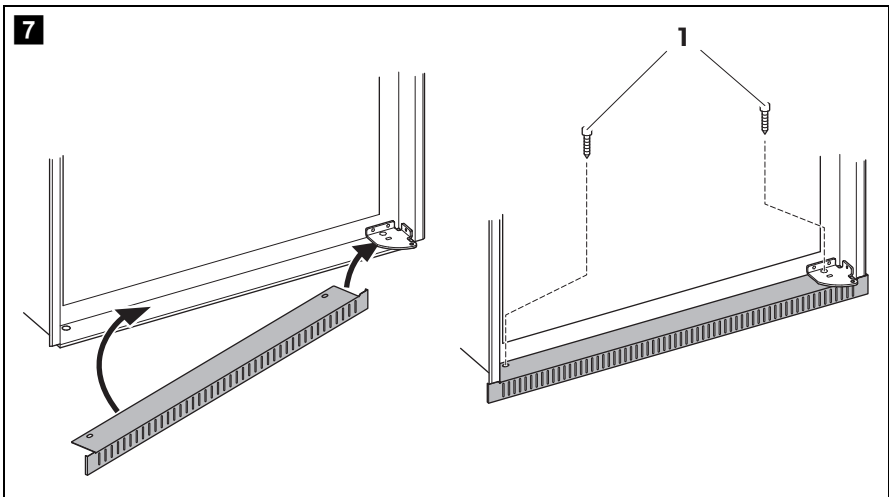
Proceed as follows to install the refrigerator:



- Fit the drain hose to the drain spout at the rear of the cabinet **(1)**.
- Drill a hole for the drain water hose (e.g. through the floor **(2)**).
- Run the drain water hose through the hole. Make sure that the hose does not kink.
- Seal between the drilled hole and the drain water hose.
- Push the refrigerator into the recess.



➤ Fix the refrigerator in place using suitable screws (see figure above).



➤ Fix the lower front vent as shown in the illustration.



### 6.3 Connecting the refrigerator to the power supply

#### Connecting the refrigerator to 12 – 24 V



**NOTICE!**

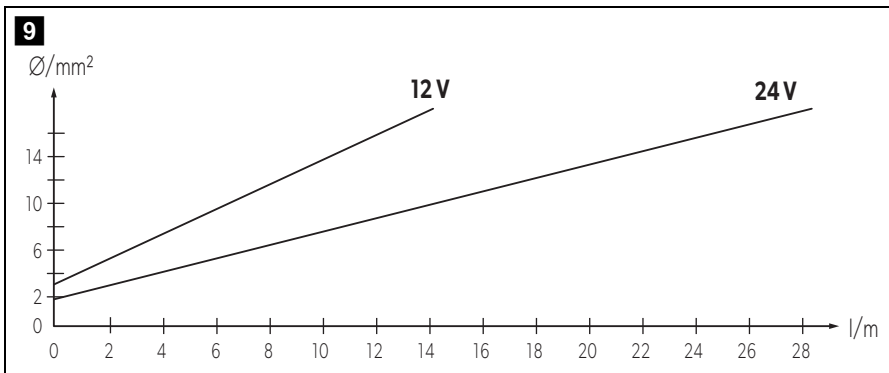
- To avoid voltage drops and loss of performance, keep the connection cable as short as possible and uninterrupted. Therefore avoid additional switches, plugs or power strips.
- Disconnect the cooling device and other electric consumers from the battery before you connect the battery to a quick charging device.  
Overvoltage can damage the electronics of the device.

The refrigerator can be operated with a 12 V or 24 V DC voltage supply.

For safety reasons, the refrigerator is equipped with an electronic system to prevent the polarity being reversed. This protects the refrigerator against reversed polarity when connecting to a battery and against short circuiting.

To protect the battery, the refrigerator switches off automatically if the voltage is insufficient (see table below).

	12 V	24 V
<b>Cut-off voltage</b>	10.4 V	22.8 V
<b>Cut-in voltage</b>	11.7 V	24.2 V



- Determine the required cross section of the cable in relation to the cable length according to the figure above.

Key to the figure

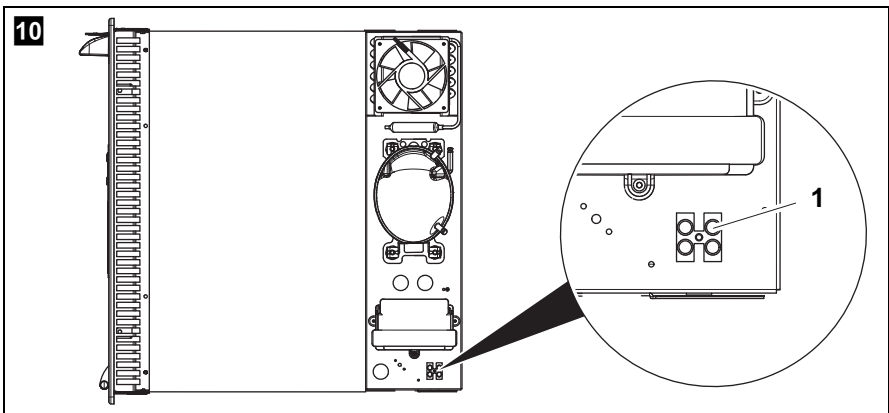
Coordinate axis	Meaning	Unit
l	Cable length	m
∅	Cable cross section	mm <sup>2</sup>



**NOTICE!**

Make sure the polarity is correct.

- Before starting up the device for the first time, check whether the operating voltage and the battery voltage match (see type plate).



- Connect the cable to the refrigerator DC terminal block (1).
- Connect the refrigerator
  - as directly as possible to the poles of the battery or
  - to a plug socket which is fuse protected with at least 15 A (at 12 V) or 7.5 A (at 24 V).

## Connecting the refrigerator to AC mains



### **DANGER! Danger of fatal injury!**

- Never handle plugs and switches with wet hands or if you are standing on a wet surface.
- If you are operating your refrigerator on a boat with an AC mains connection using a shore connection, you must install a residual current circuit breaker between the AC mains and the refrigerator. Seek advice from a trained technician.

Proceed as follows when you connect the refrigerator to the AC mains:

- Plug the connector into the AC socket.

## 7 Using the refrigerator



### **NOTE**

Before starting the refrigerator for the first time, you should clean it inside and outside with a damp cloth for hygienic reasons (please also refer to the chapter “Cleaning and maintenance” on page 29).

### 7.1 Energy saving tips

- Choose a well ventilated location which is protected from direct sunlight.
- Allow warm food to cool down first before placing it in the device to keep cool.
- Do not open the refrigerator more often than necessary.
- Do not leave the doors open for longer than necessary.
- Defrost your refrigerator periodically when a layer of ice forms.
- Avoid unnecessarily low temperature settings.
- Clean dust and dirt from the condenser at regular intervals.

## 7.2 Using the refrigerator

The refrigerator conserves fresh foodstuffs. The freezer compartment conserves frozen foodstuff and freezes fresh foodstuff.




### CAUTION! Health hazard!

- Never put any items back in the freezer compartment which have started defrosting or have been defrosted; consume them as soon as possible.
- Make sure that you only put items in the refrigerator which may be kept at the selected temperature.



### NOTICE!

Ensure that food or liquids in glass containers are not excessively refrigerated.  
Liquids expand when they freeze and can therefore destroy glass containers.


- Switch the cooling device on by pressing the  button for at least 2 seconds.
- ✓ After switching on, the refrigerator requires approx. 180 seconds until the compressor starts up.

### Temperature setting modes

The temperature can be set in three different modes:

Mode	Action	LED lit (fig. 2 5, page 10)	LED colour
Normal	Default after switching on the refrigerator	LEDs 1 – 5	blue
Turbo	Press the <b>MODE</b> button 1x.	LED 5	yellow
Economy	Press the <b>MODE</b> button 2x.	LED 1	green
Normal	Press the <b>MODE</b> button 3x.	LEDs 1 – 5	blue

## Setting the temperature – Normal mode

- Press the  button to set the temperature to one of five levels between “cool” and “very cold”.

The number of LEDs that are lit indicate the temperature range with 1 LED showing the lowest cooling capacity and 5 LEDs showing the highest cooling capacity.

Generally, a middle setting is the most suitable.



### NOTE

The cooling performance can be affected by:

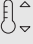

- the ambient temperature
- the amount of food to be conserved
- the frequency of opening the door.

## Setting the temperature – Turbo mode

In turbo mode, the compressor and fan operate at the highest speed. When the operating temperature is reached, the cooling device automatically switches to normal mode. The maximum (coldest) cooling capacity is achieved in the shortest time in turbo mode.



### NOTE

- The  button is inactive in turbo mode.
- After switching to normal mode, LED 5 (fig. **2** 5, page 10) changes to blue, and the  button becomes active.

## Setting the temperature – Economy mode

In economy mode the compressor and fan operate at the lowest speed, thereby using the least energy.



### NOTE

The  button is inactive in economy mode.

## Conserving foodstuffs

You can conserve foodstuffs in the refrigerator. The time for which the food can be conserved in this way is usually stated on the package.



### NOTICE!

- Do not conserve **warm** foodstuffs in the refrigerator.
- Do not place glass containers containing liquid in the freezer compartment.

- Observe the temperature information and the best before date on the food packaging.
- Observe the following when using the refrigerator:
  - Never re-freeze products which have started defrosting or have been defrosted; consume them as soon as possible.
  - Food which can easily absorb tastes and odours and liquids and products with a high alcohol content should be conserved in air-tight containers.
  - Wrap food in aluminium foil or cling film and shut in a suitable box with a lid. This ensures that aromas, the shape and the freshness will be better conserved.
  - Each individual drawer and shelf can bear an evenly distributed load of max. 20 kg.

## Making ice cubes



### CAUTION!

Do not eat ice cubes or ice cream immediately after removal from the freezer compartment as this can cause cold burns.

- Fill ice cube trays up to three quarters full with water.
- Place the ice cube trays in the freezer compartment.

## Freezer flange feeling warm



### NOTE

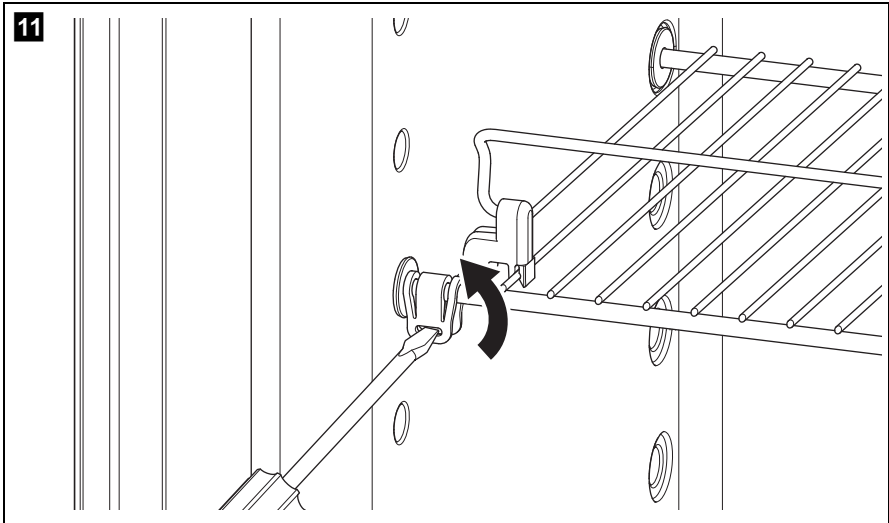
When the refrigerator is running, the front metal flange around the freezer compartment and between the refrigerator and freezer will feel warm. **This is normal.**

The internal tubing is routed this way to reduce the likelihood of condensation.

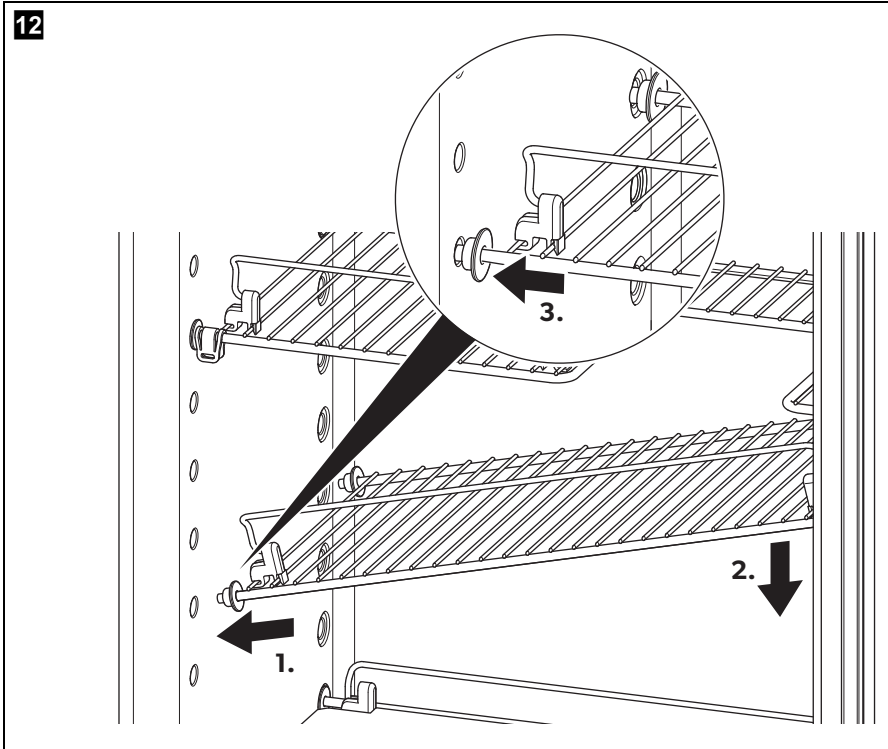
### 7.3 Dividing the interior space

You can divide the interior space of the refrigerator variably by arranging the shelves and the door compartments according to your needs.

#### Removing and replacing the shelves

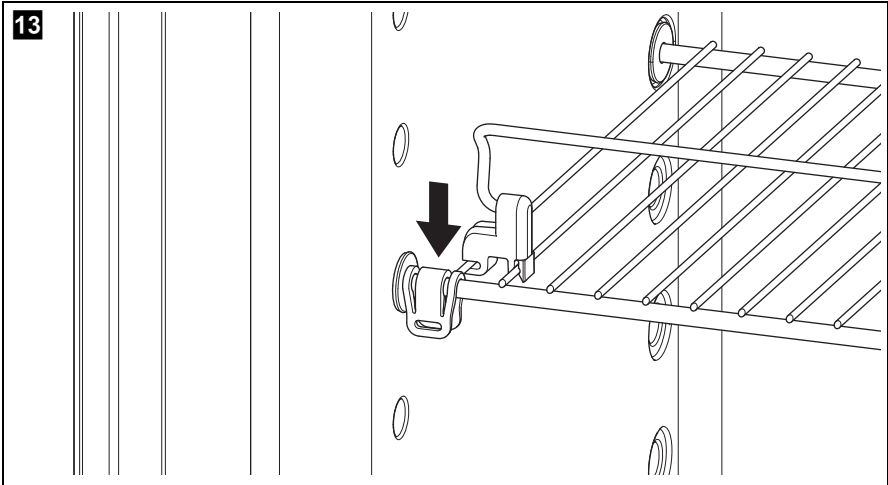


- Insert a flat bladed screw driver into the slot of the shelf locks and turn it counter-clockwise.
- Remove the shelf locks from the wire shelf.
- Tilt the shelf to one side up.
- Remove the shelf by pulling it forward.
- Position the shelf in the desired location.



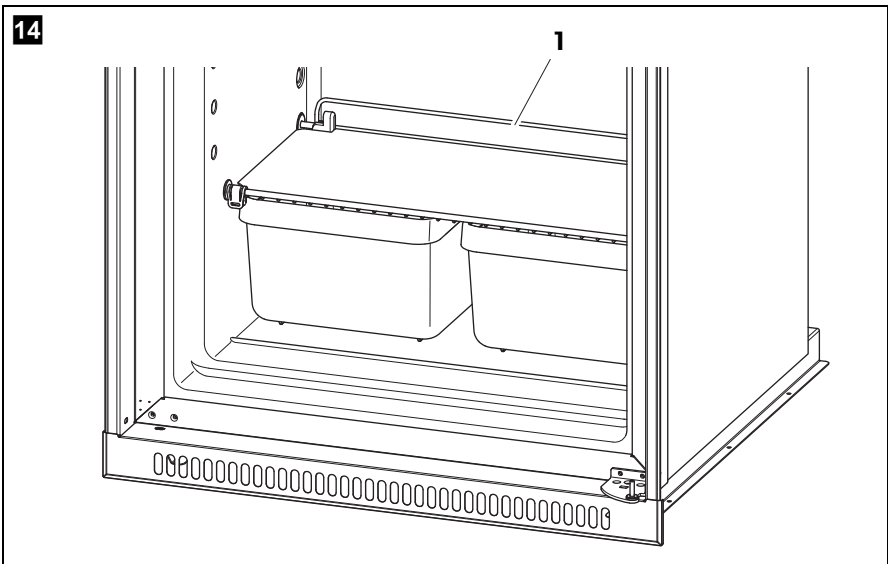
- Insert the ends of the shelf on the left **(1.)**.
- Slide the shelf into the holes on the right **(2.)**.
- Slide the plastic plugs into the holes in the wall **(3.)**.





► Snap the shelf locks onto the shelf.

### 7.4 Lower shelf stop wire



**NOTE**

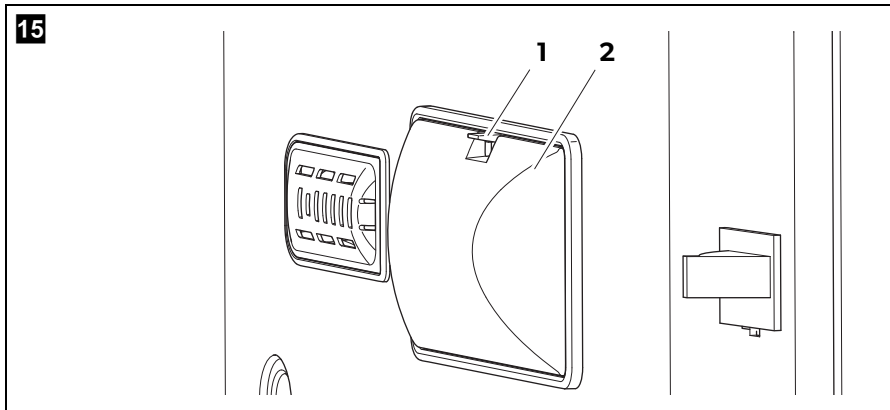
A stop wire (1) is fitted to the rear of the lower shelf. The purpose is to prevent items from resting against the rear interior liner which has a low ambient control heater fitted behind the liner in this region. The stop wire must remain fitted to the rear of the lower shelf at all times.

## 7.5 Replacing the interior light

If the interior light in the refrigerator is faulty, you can change the PCB/LED board. To order a new PCB/LED board, please contact the service partner in the respective country (see addresses on the back of the manual).

To change the PCB/LED board, proceed as follows:

- Disconnect the power supply to the device.



- Remove the lamp cover by pressing the side clip (1).
- Remove the 2 screws.
- Remove the defective PCB/LED board.
- Mount the new PCB/LED board.
- Fasten it with the 2 screws.
- Attach the lamp cover (2).
- Reconnect the power supply.

## 7.6 Defrosting the refrigerator



### NOTE

In high ambient temperatures, the refrigerator may operate continuously, which can lead to excessive formation of frost on the rear wall of the refrigerator compartment. If this is the case, set the temperature control (fig. 2 6, page 10) to a lower level ("1" or "2").

Humidity can cause frost to form in the interior of the freezer compartment. This reduces the cooling capacity. The refrigerator compartment is defrosted automatically while the compressor is not running.

A slight layer of frost or water droplets could form in the interior of the refrigerator if it has been cooling for longer periods. This is normal because the moisture in the air condenses to water when the temperature in the refrigerator drops. The refrigerator is **not** defective.

The condensate drains away through a trough a hose at the back of the unit routed outside the vehicle.

- Wipe the insides of the refrigerator with a dry cloth as required.

If the layer of frost is thicker than 3 mm, you should defrost the freezer compartment.


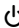
### Defrosting the freezer compartment



### NOTICE!

Never use hard or sharp tools to remove ice or to free objects frozen onto the device.  
This can damage the refrigerator.

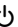
To defrost the freezer compartment, proceed as follows:

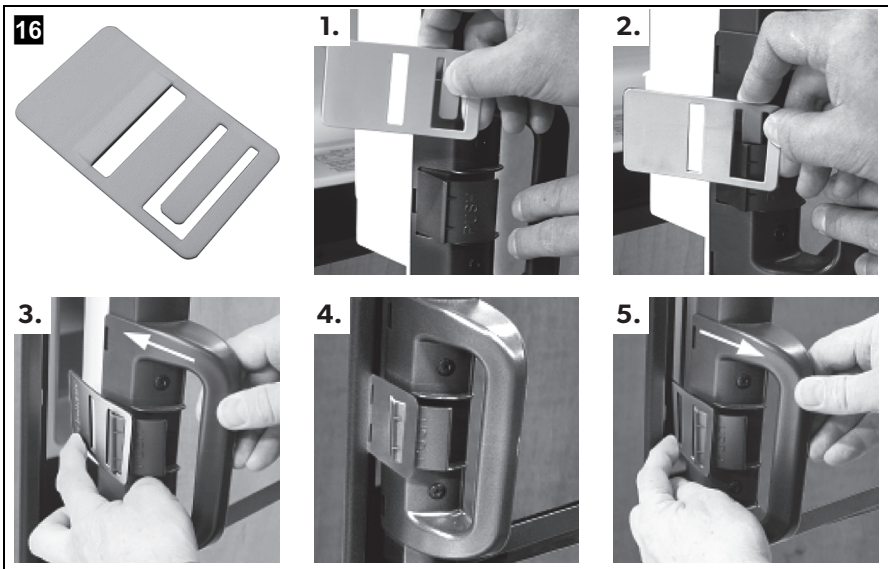
- Empty the contents.
- If necessary, put them in another cooling device to keep them chilled.
- Set the  button to "OFF".
- ✓ The Power LED turns off.
- Let the ice defrost. Therefore leave the door open.
- Once the ice has melted completely, clean the refrigerator (see chapter "Cleaning and maintenance" on page 29).
- Set the  button to "ON".

- Run the refrigerator for approx. three hours at level "5".
- Place the goods for cooling in the refrigerator.
- Set the temperature control to the desired level.

## 7.7 Switching off and storing the refrigerator

If you do not intend to use the refrigerator for a long time, proceed as follows:

- Set the  button to "OFF".
- Disconnect the power supply to the device.
- Clean the refrigerator (see chapter "Cleaning and maintenance" on page 29).
- Leave the doors slightly open.  
This prevents odours from building up.



- Use the Airing Position cards to keep the doors ajar if the refrigerator will not be in use for an extended time.

## 8 Cleaning and maintenance

**WARNING!**

Always disconnect the refrigerator from the mains before you clean and service it.

**NOTICE!**

- Do not use abrasive cleaning agents or hard objects during cleaning as these can damage the refrigerator.
- Never use hard or sharp tools to remove ice or to free objects frozen onto the device.
- Do not use any mechanical tools or any other tools to speed up the defrosting process.

- Clean the refrigerator regularly and as soon as it becomes dirty with a damp cloth.
- Make sure that no water drips into the seals. This can damage the electronics.
- Wipe the refrigerator dry with a cloth after cleaning.
- Check the condensate drain regularly.  
Clean the condensate drain when necessary. If it is blocked the condensate collects on the bottom of the refrigerator.
- Do not use excessive water around switches, lights or controls as it could damage the electronics.

## 9 Warranty

The statutory warranty period applies. If the product is defective, please contact the manufacturer's branch in your country (see the back of the instruction manual for the addresses) or your retailer.

For repair and guarantee processing, please include the following documents when you send in the device:

- A copy of the receipt with purchasing date
- A reason for the claim or description of the fault

## 10 Disposal



### **WARNING! Children beware!**

Before disposing of your old refrigerator:

- Dismantle the drawers.
- Leave the shelves in the refrigerator so that children cannot climb inside.



### **NOTICE!**

An insulating gas is used in the device (see type plate). Check with the relevant local government authority or your local waste disposal company about proper disposal and make sure that the device and all materials are disposed of professionally.

- ▶ Place the packaging material in the appropriate recycling waste bins wherever possible.



If you wish to finally dispose of the product, ask your local recycling centre or specialist dealer for details about how to do this in accordance with the applicable disposal regulations.

# 11 Troubleshooting

## Compressor does not run (battery connection)

Fault	Possible cause	Remedy
Device does not function, Power LED does not glow $U_{\text{Term}} = 0 \text{ V}$	The connection between the battery and electronics unit has been interrupted.	Establish a connection.
	Main switch faulty (if installed)	Replace the main switch.
	Additional supply line fuse has blown (if installed).	Replace the supply line fuse.
	Internal fuse has blown.	Replace the internal fuse.
$U_{\text{Term}} \leq U_{\text{ON}}$	Battery voltage is too low.	Charge the battery.
The device does not cool (power is present, power LED is lit)	Defective component	This can only be repaired by an authorised repair centre.
The device does not cool, power is present, status LED flashes Start attempt with $U_{\text{Term}} \leq U_{\text{OFF}}$	Loose cables Poor contact (corrosion)	Establish a connection.
	Battery capacity too low	Replace the battery.
	Cable cross section too small or cable too long	Replace the cable according to fig. <b>9</b> , page 17.
	The device has switched off due to an internal fault.	This can only be repaired by an authorised repair centre.
Start attempt with $U_{\text{Term}} \geq U_{\text{ON}}$	Ambient temperature too high	–
	Insufficient ventilation	Clean existing ventilation or install sufficient ventilation.
	Condenser is dirty	Clean the condenser.
	Fan defective	Replace the fan.
Electric circuit between the pins in the compressor interrupted	Defective compressor	This can only be repaired by an authorised repair centre.

$U_{Term}$  Voltage between the positive and negative terminals of the electronics

$U_{ON}$  Cut-in voltage of the electronics

$U_{OFF}$  Cut-off voltage of the electronics

**Compressor is not running (connected to AC supply)**

<b>Fault</b>	<b>Possible cause</b>	<b>Remedy</b>
Device does not function, Power LED does not glow	Connection supply line interrupted	Establish a connection.
	Main switch faulty (if installed)	Replace the main switch.
	Additional supply line fuse has blown (if installed).	Replace the supply line fuse.
	The integrated mains adapter is defective.	This can only be repaired by an authorised repair centre
The device does not cool (power is present, power LED is lit)	Defective component	This can only be repaired by an authorised repair centre.
Voltage is being applied, but the compressor does not operate	Ambient temperature too high	–
	Insufficient ventilation	Clean existing ventilation or install sufficient ventilation.
	Condenser is dirty.	Clean the condenser.
	Fan defective (if installed)	Replace the fan.
Electric circuit between the pins in the compressor interrupted	Defective compressor	This can only be repaired by an authorised repair centre.

**Interior temperature too low on warmest control setting**

<b>Fault</b>	<b>Possible cause</b>	<b>Remedy</b>
Compressor runs constantly	Control sensor faulty	This can only be repaired by an authorised repair centre.
Compressor runs for a long time	Large quantities have been frozen in the freezer compartment.	Wait until goods are completely frozen.



## Poor cooling, increase in interior temperature

Fault	Possible cause	Remedy
Compressor runs for a long time/continuously	Evaporator is iced over.	Defrost the evaporator.
	Cooling area insulation is insufficient (moist/wet).	Adjust/replace the door seal.
	Ambient temperature too high	–
	Insufficient ventilation	Move the refrigerator to another location.
	Condenser is dirty.	Clean the condenser.
	Fan defective	Replace the fan.
Compressor does not run often	Battery capacity exhausted	Charge the battery.

## Water in or under the refrigerator

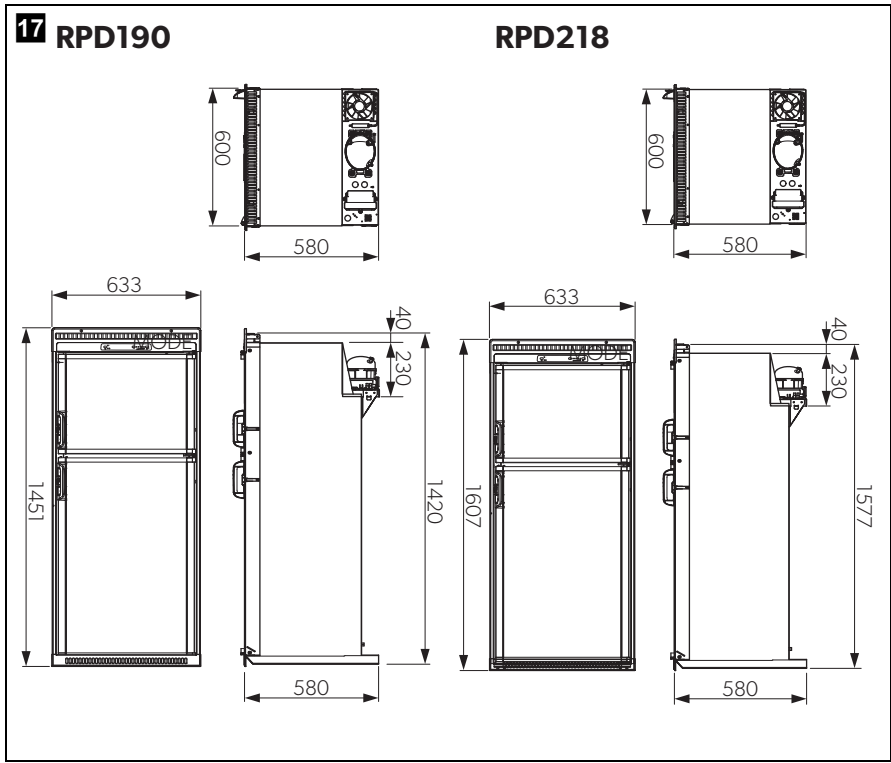
Fault	Possible cause	Remedy
Water is leaking into the inside of the refrigerator.	The water drain system is clogged.	Clean the drain.
	Foodstuffs are preventing the water from flowing to the drain tube.	Make sure that foodstuffs do not touch the rear wall.
Water is leaking onto the floor.	The hose is split or not routed outside the vehicle.	Check the drain hose at the rear of the device.

## Unusual noises

Fault	Possible cause	Remedy
Loud humming	A component of the refrigerant circuit cannot move freely (touching the wall).	Bend the component carefully away from the obstruction.
	There is a foreign object stuck between the cooling unit and the wall.	Remove the foreign object.
	Fan noise (normal)	–

## 12 Technical data

	RPD190	RPD218
Capacity – total:	190 l	218 l
Capacity – freezer compartment:	44 l	44 l
Connection voltage:	12 V $\overline{=}$ or 24 V $\overline{=}$ 100 – 240 V $\sim$ , 50 – 60 Hz	
Power rating (AC):	65 W	70 W
Rated current		
12 V $\overline{=}$ :	9.6 A	
24 V $\overline{=}$ :	4.5 A	
100 V $\sim$ :	1.2 A	
240 V $\sim$ :	0.5 A	
Power consumption at ambient temperature of 32 °C, +3 °C refrigerator:	240 V $\sim$ : 0.886 kWh/24 h 12 V $\overline{=}$ : 3.1 Ah/h	240 V $\sim$ : 1.015 kWh/24 h 12 V $\overline{=}$ : 3.4 Ah/h
Cooling temperature range		
Refrigerator compartment:	2 °C to +7 °C	
Freezer compartment:	-18 °C to -10 °C	
Noise emission	≤35 dB	
Climatic class:	N or T(+16 °C to +43 °C)	
Constant inclination:	maximum 30°	
Refrigerant:	R134a	
Refrigerant quantity (R134a):	92 g	95 g
Defrost		
Refrigerator:	Automatic	
Freezer:	Manual	
Low ambient control	6 W heater, off-cycle at ambient temperatures <12 °C	
Dimensions:	see fig. 17, page 35	see fig. 17, page 35
Weight:	43.5 kg	45 kg



**AUSTRALIA****Dometic Australia Pty. Ltd.**

1 John Duncan Court - Varsity Lakes QLD 4227

☎ 1800 212121 - 📠 +61 7 55076001

Mail: sales@dometic.com.au

**AUSTRIA****Dometic Austria GmbH**

Neudorferstraße 108

A-2353 Guntramdsdorf

☎ +43 2236 908070

☎ +43 2236 90807060

Mail: info@dometic.at

**BENELUX****Dometic Branch Office Belgium**

Zincstraat 3

B-1500 Halle

☎ +32 2 3598040

☎ +32 2 3598050

Mail: info@dometic.be

**BRAZIL****Dometic DO Brasil LTDA**

Avenida Paulista 1754, conj. 111

SP 01310-920 Sao Paulo

☎ +55 11 3251 3352

☎ +55 11 3251 3362

Mail: info@dometic.com.br

**DENMARK****Dometic Denmark A/S**

Nordensvej 15, Taulov

DK-7000 Fredericia

☎ +45 75585966

☎ +45 75586307

Mail: info@dometic.dk

**FINLAND****Dometic Finland OY**

Mestariintie 4

FIN-01730 Vantaa

☎ +358 20 7413220

☎ +358 9 7593700

Mail: info@dometic.fi

**FRANCE****Dometic SAS**

ZA du Pré de la Dame Jeanne

B.P. 5

F-60128 Plailly

☎ +33 3 44633525

☎ +33 3 44633518

Mail: vehiculesdeloisirs@dometic.fr

**GERMANY****Dometic WAECO International GmbH**

Hullefeldstraße 63

D-48282 Emsdetten

☎ +49 (0) 2572 879-195

☎ +49 (0) 2572 879-322

Mail: info@dometic-waeco.de

**HONG KONG****Dometic Group Asia Pacific**

Suites 2207-11 - 22/F - Tower 1

The Gateway - 25 Canton Road,

Tsim Sha Tsui - Kowloon

☎ +852 2 4611386

☎ +852 2 4665553

Mail: info@waeco.com.hk

**HUNGARY****Dometic Zrt. Sales Office**

Kerékgyártó u. 5.

H-1147 Budapest

☎ +36 1 468 4400

☎ +36 1 468 4401

Mail: budapest@dometic.hu

**ITALY****Dometic Italy S.r.l.**

Via Virgilio, 3

I-47122 Forlì (FC)

☎ +39 0543 754901

☎ +39 0543 754983

Mail: vendite@dometic.it

**JAPAN****Dometic KK**

Maekawa-Shibaura, Bldg. 2

2-13-9 Shibaura Minato-ku

Tokyo 108-0023

☎ +81 3 5445 3333

☎ +81 3 5445 3339

Mail: info@dometic.jp

**MEXICO****Dometic Mx, S. de R. L. de C. V.**

Circuito Médicos No. 6 Local 1

Colonia Ciudad Satélite

CP 53100 Naucalpan de Juárez

Estado de México

☎ +52 55 5374 4108

☎ +52 55 5393 4683

Mail: info@dometic.com.mx

**NETHERLANDS****Dometic Benelux B.V.**

Ecustraet 3

NL-4879 NP Etten-Leur

☎ +31 76 5029000

☎ +31 76 5029019

Mail: info@dometic.nl

**NEW ZEALAND****Dometic New Zealand Ltd.**

PO Box 12011

Penrose

Auckland 1642

☎ +64 9 622 1490

☎ +64 9 622 1573

Mail: customerservices@dometic.co.nz

**NORWAY****Dometic Norway AS**

Østerøyveien 46

N-3232 Sandefjord

☎ +47 33428450

☎ +47 33428459

Mail: firmapost@dometic.no

**POLAND****Dometic Poland Sp. z o.o.**

Ul. Puławska 435A

PL-02-801 Warszawa

☎ +48 22 414 3200

☎ +48 22 414 3201

Mail: info@dometic.pl

**PORTUGAL****Dometic Spain, S.L.**

Branch Office em Portugal

Rot. de São Gonçalo nº 1 - Esc. 12

2775-399 Carcavelos

☎ +351 219 244 173

☎ +351 219 243 206

Mail: info@dometic.pt

**RUSSIA****Dometic RUS LLC**

Komsomolskaya square 6-1

RU-107140 Moscow

☎ +7 495 780 79 39

☎ +7 495 916 56 53

Mail: info@dometic.ru

**SINGAPORE****Dometic Pte Ltd**

18 Boon Lay Way 06-140 Trade Hub 21

Singapore 609966

☎ +65 6795 3177

☎ +65 6862 6620

Mail: dometic@dometic.com.sg

**SLOVAKIA****Dometic Slovakia s.r.o. Sales Office Bratislava**

Nádražná 34/A

900 28 Ivanka pri Dunaji

☎/☎ +421 2 45 529 680

Mail: bratislava@dometic.com

**SOUTH AFRICA****Dometic (Pty) Ltd.****Regional Office****South Africa & Sub-Saharan Africa**

Unit 6-7 on Mastiff Linbro Park

2008 Johannesburg

☎ +27 11 4504978

☎ +27 11 4504976

Mail: info@dometic.co.za

**SPAIN****Dometic Spain S.L.**

Avda. Sierra del Guadarrama, 16

E-28691 Villanueva de la Cañada

Madrid

☎ +34 902 111 042

☎ +34 900 100 245

Mail: info@dometic.es

**SWEDEN****Dometic Scandinavia AB**

Gustaf Melins gata 7

S-42131 Västra Frölunda

☎ +46 31 7341100

☎ +46 31 7341101

Mail: info@dometicgroup.se

**SWITZERLAND****Dometic Switzerland AG**

Riedackerstrasse 7a

CH-8153 Rümlang

☎ +41 44 8187171

☎ +41 44 8187191

Mail: info@dometic.ch

**UNITED ARAB EMIRATES****Dometic Middle East FZCO**

P. O. Box 17860

S-D 6, Jebel Ali Freezone

Dubai

☎ +971 4 883 3858

☎ +971 4 883 3868

Mail: info@dometic.ae

**UNITED KINGDOM****Dometic UK Ltd.**

Dometic House, The Brewery

Blandford St. Mary

Dorset DT11 9LS

☎ +44 344 626 0133

☎ +44 344 626 0143

Mail: customerservices@dometic.co.uk

**USA****Dometic RV Division**

1120 North Main Street

Elkhart, IN 46515

☎ +1 574-264-2131